

EB-L1075U

EB-L1070U

EB-L1065U

EB-L1060U

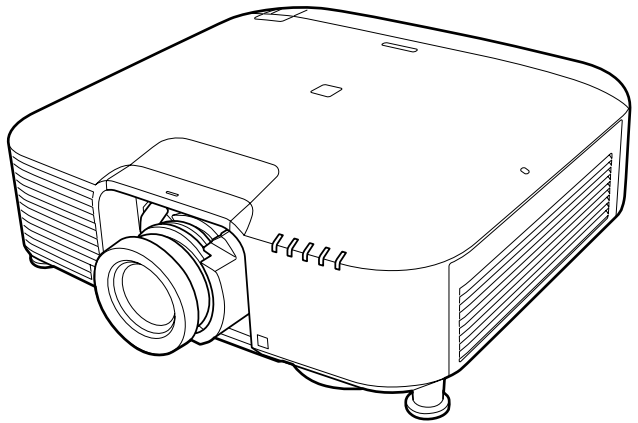
EB-L1050U

EB-L1070W

EB-L1060W

EB-L1070

Specifications



Contents

■ Product Overview	3
■ Dimensions	9
■ Dimensions with Ceiling Mount	11
■ Interface	16
■ Remote Control Operating Range (Wireless)	17
■ Screen Size and Projection Distance	17
■ Lens Compatibility Table	29
■ Lens Function Table	30
■ Supported Monitor Displays	31
■ Available Lens Shift Adjustment Range	33
■ Available Keystone Correction Range	35
■ Installation Angle	44
■ Installation Environment	45
■ Serial Connection	46
■ Monitoring and Control	47
■ Image Maintenance	63
■ Cautions	64
■ Disclaimer	64

■ Product Overview

This chapter presents the specifications of this product. For details on each function, refer to the "User's Guide" provided with the projector.

EB-L1075U/EB-L1070U/EB-L1065U/EB-L1060U/EB-L1050U

Product Specifications

Product name		EB-L1075U	EB-L1070U	EB-L1065U	EB-L1060U	EB-L1050U
Projection system		RGB liquid crystal shutter				
Brightness ^{1,2}		Normal: 7000 lm Medium: 5900 lm Quiet/Extended: 4900 lm		Normal: 6000 lm Medium: 5100 lm Quiet/Extended: 4200 lm		Normal: 5500 lm Medium: 4600 lm Quiet/Extended: 3850 lm
Contrast ratio ²		2,500,000:1 exceeded (Dynamic Contrast Normal/High Speed)				
Pixel number (Width × Height × Number of LCDs)		1920 × 1200 × 3				
LCD panel size (diagonal)		0.76" Wide				
Color reproducibility		Max. 1,070 million colors (Depends on the interface)				
Scanning frequency	Analog	Horizontal: 15 to 92 kHz Vertical: 50 to 85 Hz				
	HDMI/HDBaseT	Horizontal: 15 to 135 kHz Vertical: 23.98/24/25/29.97/30/50/59.94/60 Hz				
	DVI-D	Horizontal: 15 to 75 kHz Vertical: 23.98/24/29.97/30/50/59.94/60 Hz				
Projection lens		Option lens supported				
Zoom ³	System/Method	Automatic				
	Zoom rate ¹	1 - 1.6				
Focus	System	Automatic				
Lens shift ⁴	Range	Vertical approx. 67%, horizontal approx. 30% ⁵				
Dimensions (W x H x D) mm		545 × 164 × 436 (not including raised section)				
Mass ¹		Approx. 16.9 kg				
Mass (without lens)		Approx. 15.6 kg				
Light source		Laser diode				
Light source output power		125 W		104.5 W		
Light source wavelength		449-461 nm				
Light source life expectancy ⁶		Approximately 20,000 hours (Light Source Mode: Normal, Medium, Quiet) Approximately 30,000 hours (Light Source Mode: Extended)				
Operating temperature ⁷		0 to +45°C (Altitude of 0 to 2,286 m, no condensation) 0 to +40°C (Altitude of 2,287 to 3,048 m, no condensation)				
Power supply		100 to 240 VAC+/-10% 50/60 Hz 4.4-2.0 A		100 to 240 VAC+/-10% 50/60 Hz 3.7-1.7 A		

Product name		EB-L1075U	EB-L1070U	EB-L1065U	EB-L1060U	EB-L1050U
Power consumption	100 to 120 V area	Operating: 439 W During standby (communication On): 2.0 W During standby (communication Off): 0.5 W		Operating: 361 W During standby (communication On): 2.0 W During standby (communication Off): 0.5 W		
	220 to 240 V area	Operating: 416 W During standby (communication On): 2.0 W During standby (communication Off): 0.5 W		Operating: 345 W During standby (communication On): 2.0 W During standby (communication Off): 0.5 W		
Noise level ²		Normal: 36 dB Medium: 32 dB Quiet: 30 dB		Normal: 34 dB Medium: 32 dB Quiet: 30 dB		
Thermal output (max.)	100 to 120 V area	1492.6 BTU/h		1227.4 BTU/h		
	220 to 240 V area	1414.4 BTU/h		1173.0 BTU/h		
Air flow (max.)		176.1 CFM				
Image input ports		Mini D-Sub 15-pin x 1, 5BNC x 1, HDMI ⁸ x 1, DVI-D 24-pin x 1, HDBaseT ⁸ x 1, USB (Type-A) x 1				
Image output port		Mini D-Sub15-pin x1				
Network		RJ45 (100BASE-TX/10BASE-T) x 1, USB connector (A type) x 1 (wireless LAN unit ⁹ Corresponding to IEEE802.11b/g/n)				
Control ports		RJ45 x1, Mini D-Sub9-pin x1 (RS-232C), Stereo mini x1 (for wired remote control), HDBaseT x1, USB connector (Type B) x1				
Speaker		-				
Function Others		Geometry Correction function, Edge Blending, 360° Projection, Schedule, A/V Mute, Split Screen, Frame Interpolation, 4K Enhancement, Multi-Projection, Password Protection, Memory function, Lens Position Memory, Direct Power On, Direct Shutdown, Network Projection function, Content Playback				

*1 The specifications are when the ELPLM08 is attached.

*2 All average values for this product at time of shipping comply with the ISO 21118 international standards.

*3 This is not available for ELPLX01/ELPLR04.

*4 The lens cannot be shifted to the maximum in all four directions. The ELPLR04 does not support lens shift.

*5 ELPLX01/ELPLX01W have a maximum upward direction of approx. 17% and a maximum horizontal direction of approx. 10%.

*6 Approximate time until light source brightness is reduced by half. (Assuming the projector is being used in an environment containing airborne particles of 0.04 to 0.2 mg/m³. This is an approximate guide only and may change depending on the projector's usage and surroundings.)

*7 If the surrounding temperature gets too high, the brightness is automatically dimmed. (Approximately 40°C at an altitude of 0 to 2,286 m, and approximately 35°C at an altitude of 2,287 to 3,048 m; however, this may vary depending on the surroundings and so on.)

*8 HDCP 2.2 is supported.

*9 The wireless LAN unit is an optional accessory.

EB-L1070W/EB-L1060W/EB-L1070

Product Specifications

Product name		EB-L1070W	EB-L1060W	EB-L1070
Projection system		RGB liquid crystal shutter		
Brightness ^{1,2}		Normal: 7000 lm Medium: 5900 lm Quiet/Extended: 4900 lm	Normal: 6000 lm Medium: 5100 lm Quiet/Extended: 4200 lm	Normal: 7500 lm Medium: 6300 lm Quiet/Extended: 5250 lm
Contrast ratio ²		2,500,000:1 exceeded (Dynamic Contrast Normal/High Speed)		
Pixel number (Width × Height × Number of LCDs)		1280 x 800 x 3		1024 x 768 x 3
LCD panel size (diagonal)		0.76" Wide		0.79"
Color reproducibility		Max. 1,070 million colors (Depends on the interface)		
Scanning frequency	Analog	Horizontal: 15 to 92 kHz Vertical: 50 to 85 Hz		
	HDMI/HDBaseT	Horizontal: 15 to 75 kHz Vertical: 23.98/24/29.97/30/50/59.94/60 Hz		
	DVI-D	Horizontal: 15 to 75 kHz Vertical: 23.98/24/29.97/30/50/59.94/60 Hz		
Projection lens		Option lens supported		
Zoom ³	System/Method	Automatic		
	Zoom rate ¹	1 - 1.6		
Focus	System	Automatic		
Lens shift ⁴	Range	Vertical approx. 67%, horizontal approx. 30% ⁵		Vertical approx. 57%, horizontal approx. 30% ⁶
Dimensions (W × H × D) mm		545 × 164 × 436 (not including raised section)		
Mass ¹		Approx. 16.9 kg		
Mass (without lens)		Approx. 15.6 kg		
Light source		Laser diode		
Light source output power		125 W	104.5 W	125 W
Light source wavelength		449-461 nm		
Light source life expectancy ⁷		Approximately 20,000 hours (Light Source Mode: Normal, Medium, Quiet) Approximately 30,000 hours (Light Source Mode: Extended)		
Operating temperature ⁸		0 to +45°C (Altitude of 0 to 2,286 m, no condensation) 0 to +40°C (Altitude of 2,287 to 3,048 m, no condensation)		
Power supply		100 to 240 VAC+/-10% 50/60 Hz 4.4-2.0 A	100 to 240 VAC+/-10% 50/60 Hz 3.7-1.7 A	100 to 240 VAC+/-10% 50/60 Hz 4.4-2.0 A
Power consumption	100 to 120 V area	Operating: 439 W During standby (communication On): 2.0 W During standby (communication Off): 0.5 W	Operating: 361 W During standby (communication On): 2.0 W During standby (communication Off): 0.5 W	Operating: 439 W During standby (communication On): 2.0 W During standby (communication Off): 0.5 W
	220 to 240 V area	Operating: 416 W During standby (communication On): 2.0 W During standby (communication Off): 0.5 W	Operating: 345 W During standby (communication On): 2.0 W During standby (communication Off): 0.5 W	Operating: 416 W During standby (communication On): 2.0 W During standby (communication Off): 0.5 W

Product name		EB-L1070W	EB-L1060W	EB-L1070
Noise level*2		Normal: 36 dB Medium: 32 dB Quiet: 30 dB	Normal: 34 dB Medium: 32 dB Quiet: 30 dB	Normal: 36 dB Medium: 32 dB Quiet: 30 dB
Thermal output (max.)	100 to 120 V area	1492.6 BTU/h	1227.4 BTU/h	1492.6 BTU/h
	220 to 240 V area	1414.4 BTU/h	1173.0 BTU/h	1414.4 BTU/h
Air flow (max.)		176.1 CFM		
Image input ports		Mini D-Sub 15-pin x 1, 5BNC x 1, HDMI x 1, DVI-D 24-pin x 1, HDBaseT x 1, USB (Type-A) x 1		
Image output port		Mini D-Sub15-pin x1		
Network		RJ45 (100BASE-TX/10BASE-T) x 1, USB connector (A type) x 1 (wireless LAN unit*9 Corresponding to IEEE802.11b/g/n)		
Control ports		RJ45 x1, Mini D-Sub9-pin x1 (RS-232C), Stereo mini x1 (for wired remote control), HDBaseT x1, USB connector (Type B) x1		
Speaker		-		
Function Others		Geometry Correction function, Edge Blending, 360° Projection, Schedule, A/V Mute, Split Screen, Frame Interpolation, Multi-Projection, Password Protection, Memory Function, Lens Position Memory, Direct Power On, Direct Shutdown, Network Projection Function, Content Playback		

*1 The specifications are when the ELPLM08 is attached.

*2 All average values for this product at time of shipping comply with the ISO 21118 international standards.

*3 This is not available for ELPLX01/ELPLR04.

*4 The lens cannot be shifted to the maximum in all four directions. The ELPLR04 does not support lens shift.

*5 ELPLX01/ELPLX01W have a maximum upward direction of approx. 17% and a maximum horizontal direction of approx. 10%.

*6 ELPLX01/ELPLX01W have a maximum upward direction of approx. 7% and a maximum horizontal direction of approx. 8%.

*7 Approximate time until light source brightness is reduced by half. (Assuming the projector is being used in an environment containing airborne particles of 0.04 to 0.2 mg/m³. This is an approximate guide only and may change depending on the projector's usage and surroundings.)

*8 If the surrounding temperature gets too high, the brightness is automatically dimmed. (Approximately 40°C at an altitude of 0 to 2,286 m, and approximately 35°C at an altitude of 2,287 to 3,048 m; however, this may vary depending on the surroundings and so on.)

*9 The wireless LAN unit is an optional accessory.

Lens Specifications

Values are just reference.

Lens Model Number	Projector Size when Lens Installed D (mm)	Amount of Lens Protrusion (mm)	Lens Mass	F value	f (mm)	Zoom Rate
ELPLM08	484	48	1200 g	1.7 - 2.3	24.0 - 38.2	1.6
ELPLX01 ELPLX01W	500	64	3500 g	1.9	5.8	-
ELPLU03	525	89	1800 g	2.0 - 2.3	11.1 - 13.1	1.2
ELPLU03S	525	89	2300 g	2.0 - 2.3	11.1 - 13.1	1.2
ELPLU04	552	116	3100 g	2.0 - 2.1	14.8 - 17.7	1.2
ELPLW05	492	56	1450 g	2.0 - 2.2	17.6 - 24.3	1.4
ELPLW06	525	89	2950 g	1.8 - 2.3	27.3 - 37.0	1.4
ELPLW08	553	117	3050 g	2.0 - 2.2	19.7 - 27.5	1.4
ELPLM09	489	53	1900 g	1.8 - 2.5	36.0 - 57.4	1.6
ELPLM15	489	53	1900 g	1.8 - 2.3	36.0 - 57.4	1.6
ELPLM10	531	95	2200 g	1.8 - 2.4	55.4 - 83.3	1.5
ELPLM11	535	99	2200 g	1.8 - 2.4	80.6 - 121.1	1.5
ELPLL08	535	99	2200 g	1.8 - 2.5	119.0 - 165.4	1.4

When using the following lenses, set the model number for the lens being used in [Extended] - [Operation] - [Lens Type] from the projector's Configuration menu.

Lens Model Number	Projector Size when Lens Installed D (mm)	Amount of Lens Protrusion (mm)	Lens Mass	F value	f (mm)	Zoom Rate
ELPLS04	489	53	1820 g	1.7 - 2.5	36.0 - 57.4	1.6
ELPLU02	552	116	3000 g	2.0 - 2.1	14.8 - 17.7	1.2
ELPLR04	490	54	1950 g	1.9	16.2	-
ELPLW04	525	89	2860 g	1.8 - 2.3	27.3 - 37.0	1.4
ELPLM06	531	95	2600 g	1.8 - 2.4	55.4 - 83.3	1.5
ELPLM07	535	99	2200 g	1.8 - 2.3	80.6 - 121.1	1.5
ELPLL07	535	99	2200 g	1.8 - 2.5	119.0 - 165.4	1.4

Light Output

[unit: lm]

Lens Model Number	EB-L1075U EB-L1070U EB-L1070W	EB-L1065U EB-L1060U EB-L1060W	EB-L1050U	EB-L1070
ELPLM08	7000	6000	5500	7500
ELPLX01 ELPLX01W	6000	5100	4700	6500
ELPLU03 ELPLU03S	6000	5100	4700	6500
ELPLU04 ELPLU02	6300	5400	5000	6900
ELPLW05	6100	5200	4800	6600
ELPLW06 ELPLW04	6600	5700	5200	7100

Lens Model Number	EB-L1075U EB-L1070U EB-L1070W	EB-L1065U EB-L1060U EB-L1060W	EB-L1050U	EB-L1070
ELPLW08	6000	5100	4700	6400
ELPLM15 ELPLM09 ELPLS04	6900	5900	5400	7400
ELPLM10 ELPLM06	6800	5800	5400	7300
ELPLM11 ELPLM07	6600	5600	5100	7000
ELPLL08 ELPLL07	6600	5600	5100	7000
ELPLR04	6400	5400	4900	6900

Ceiling Mount Mass

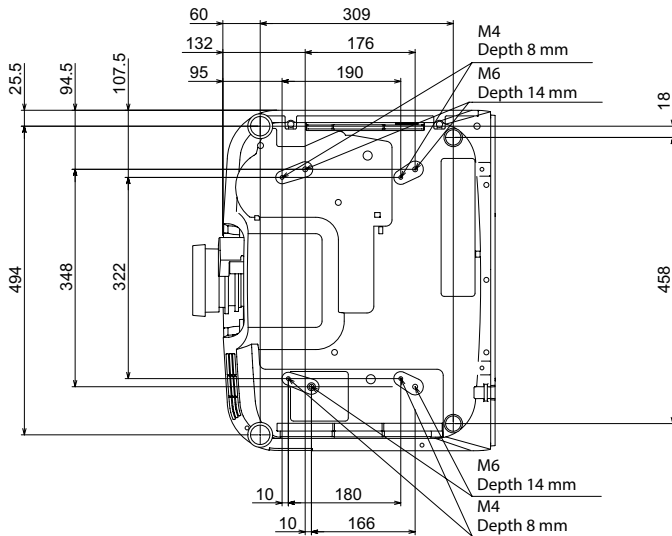
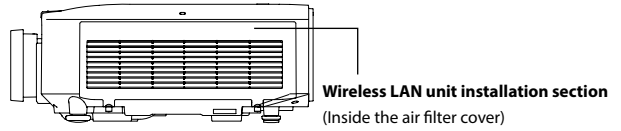
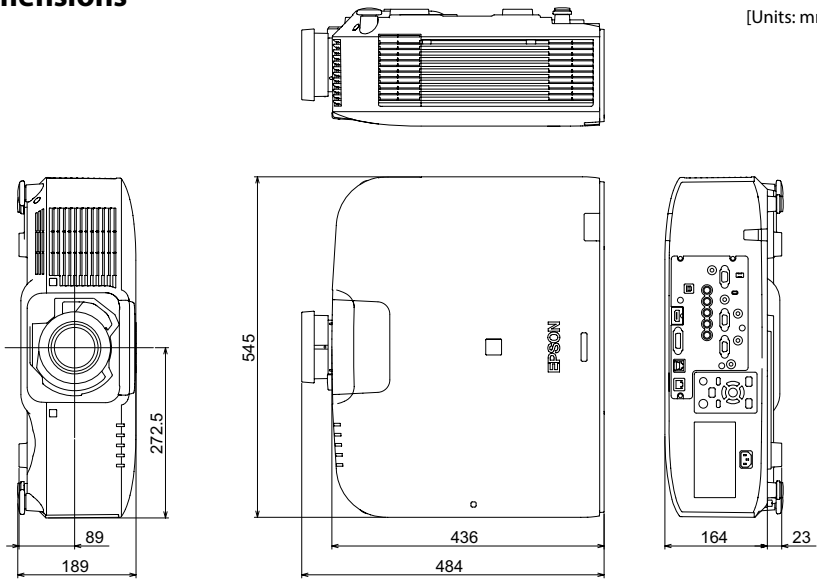
You need a dedicated ceiling mount to suspend the projector from a ceiling. Special expertise is required to suspend the projector from a ceiling. For safety reasons, do not install the projector yourself. Installation entails a separate cost.

Mass		
Ceiling Mount	ELPMB22	3.5 kg
Pipe 450 (450 mm)	ELPFP13	2.1 kg
Pipe 700 (700mm)	ELPFP14	2.6 kg

Mass		
Low ceiling mount	ELPMB47	11 kg
High ceiling mount	ELPMB48	16 kg

■ Dimensions

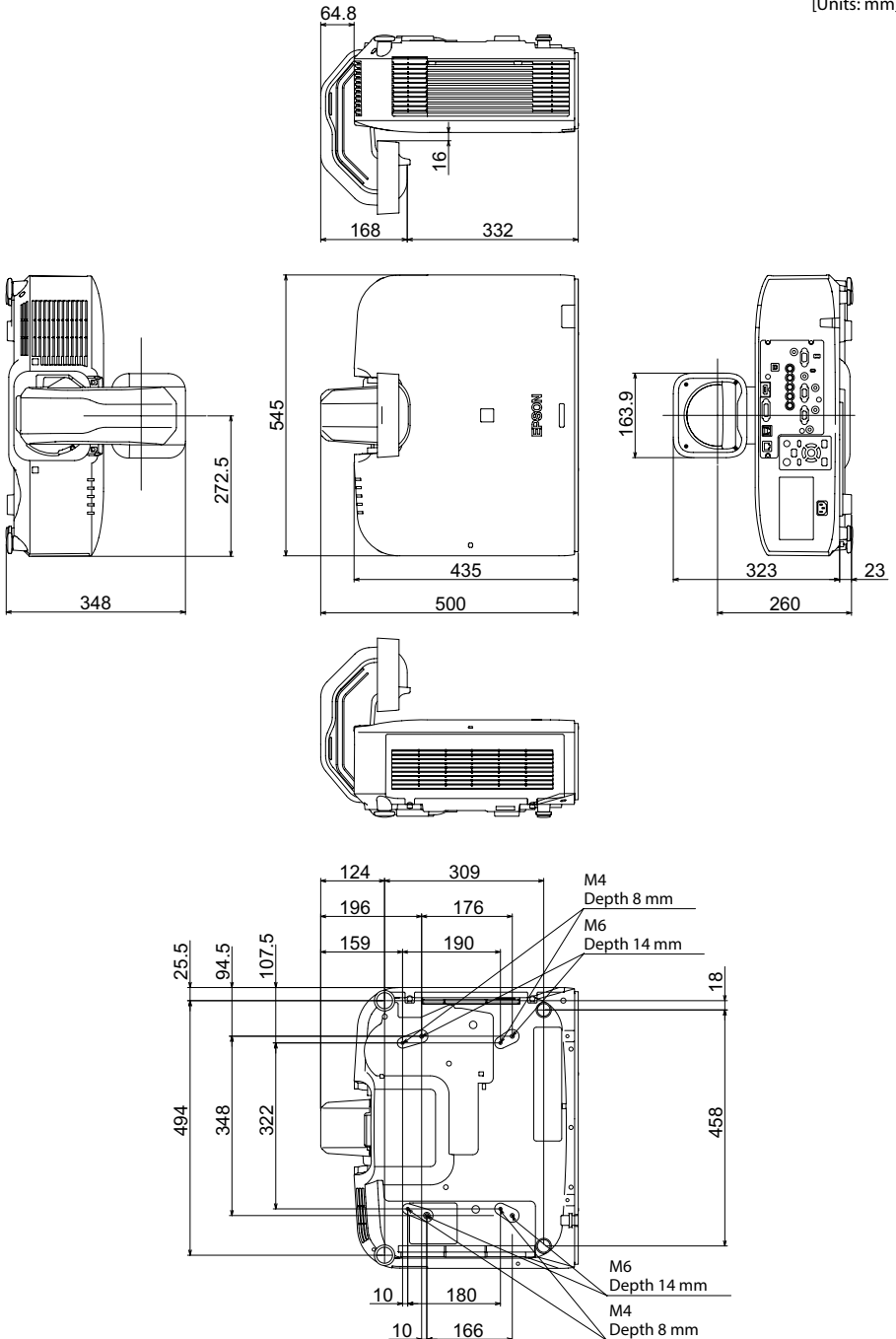
[Units: mm]



The figures and numbers are when the ELPLM08 is attached.

When Lens Unit ELPLX01/ELPLX01W is Installed

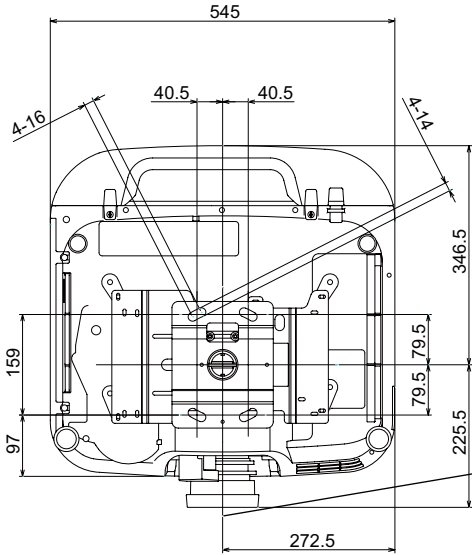
[Units: mm]



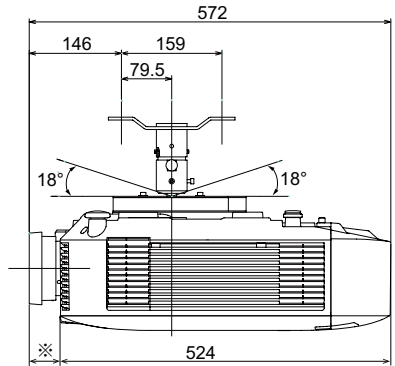
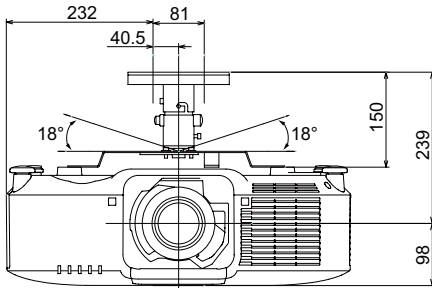
■ Dimensions with Ceiling Mount

For ELPMB22

[Units: mm]



Align the central point of ceiling mount ELPMB22 with the center or the projector's lens.

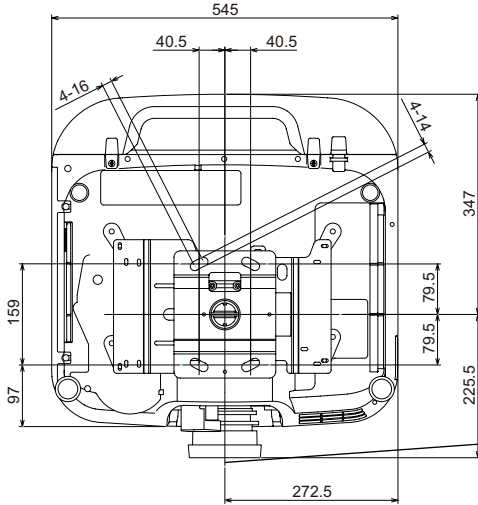


The figures and numbers are when the ELPLM08 is attached.

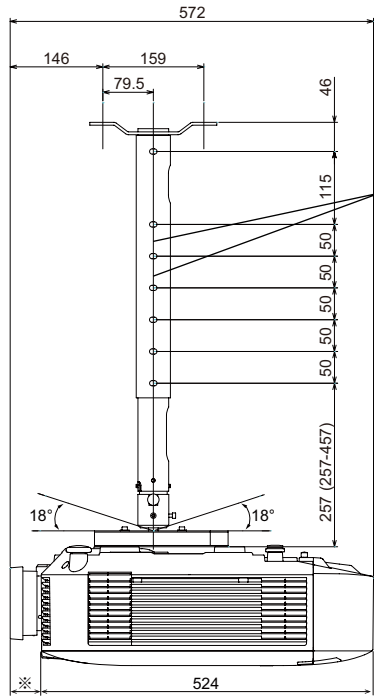
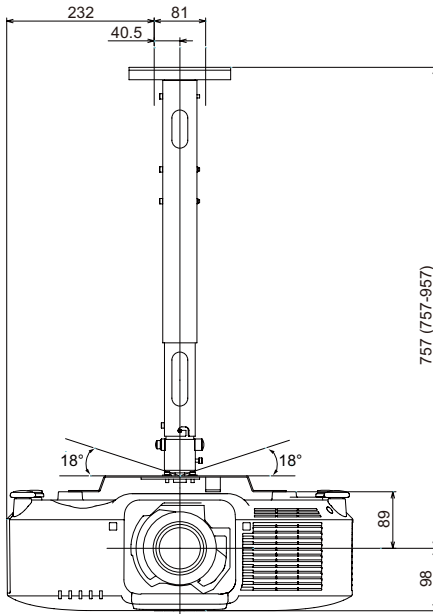
* For details on the amount of lens protrusion, see p.7.

For ELPMB22 and ELPFP13 (Pipe 450)

[Units: mm]



Align the central point of ceiling mount ELPMB22 with the center of the projector's lens.



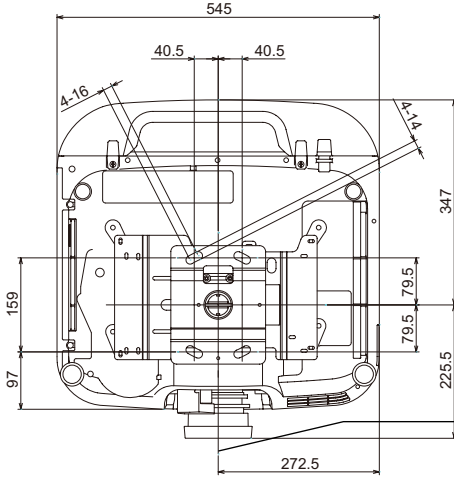
Secure with 2 fixing bolts.

The figures and numbers are when the ELPLM08 is attached.

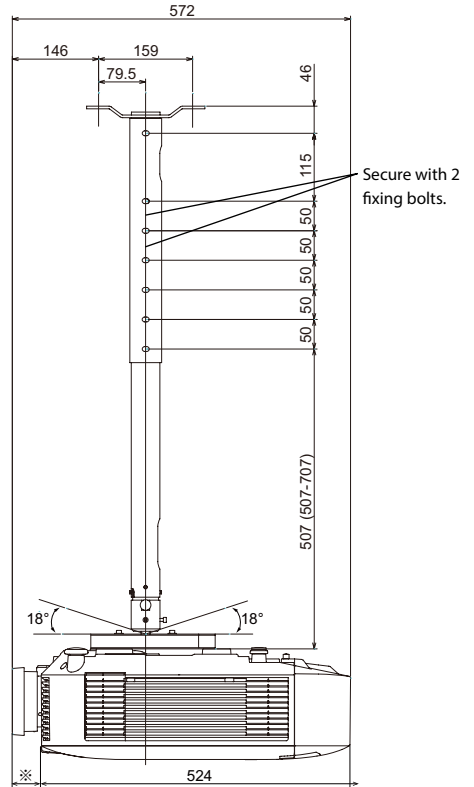
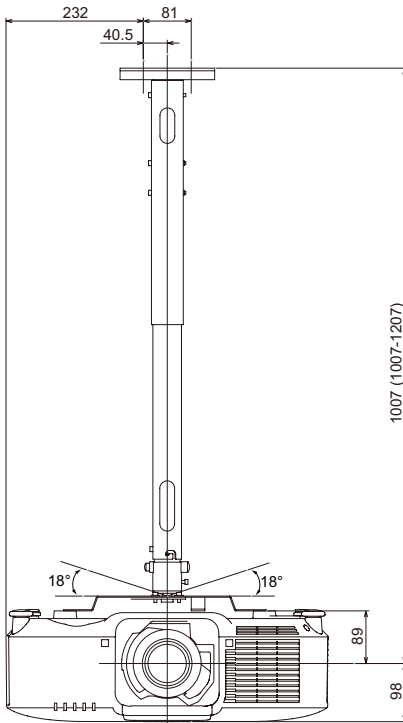
* For details on the amount of lens protrusion, see p.7.

For ELPMB22 and ELPFP14 (Pipe 700)

[Units: mm]



Align the central point of ceiling mount ELPMB22 with the center of the projector's lens.

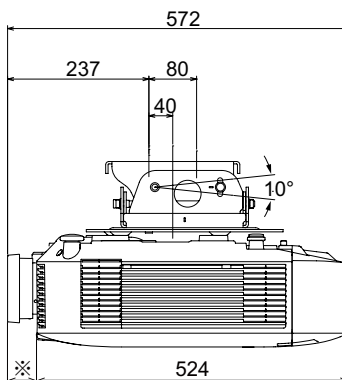
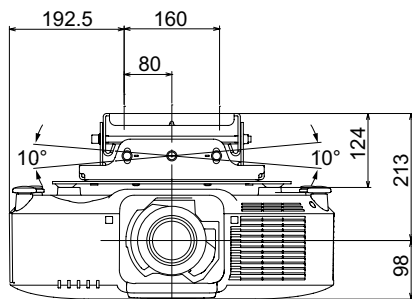
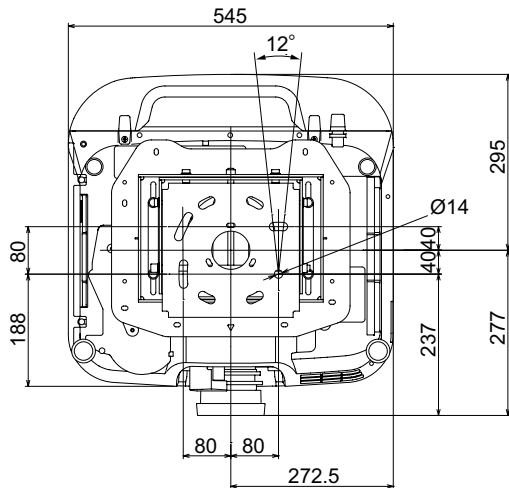


The figures and numbers are when the ELPLM08 is attached.

* For details on the amount of lens protrusion, see p.7.

For ELPMB47 (Low ceiling mount)

[Units: mm]

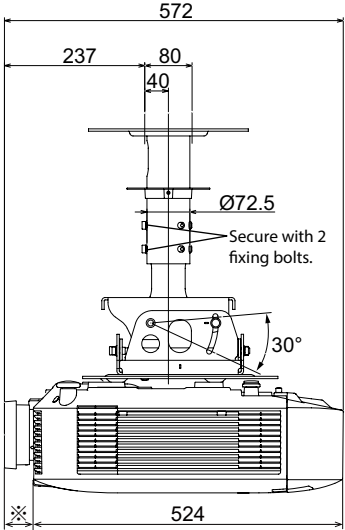
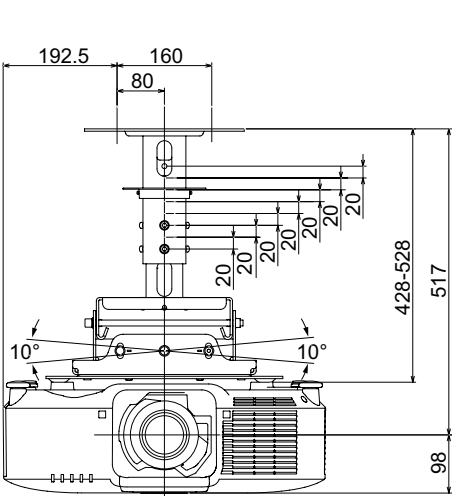
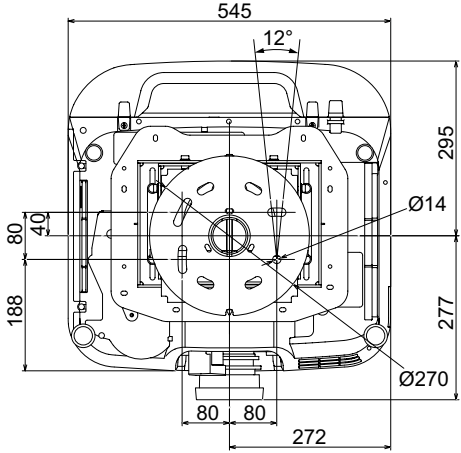


The figures and numbers are when the ELPLM08 is attached.

* For details on the amount of lens protrusion, see p.7.

For ELPMB48 (High ceiling mount)

[Units: mm]

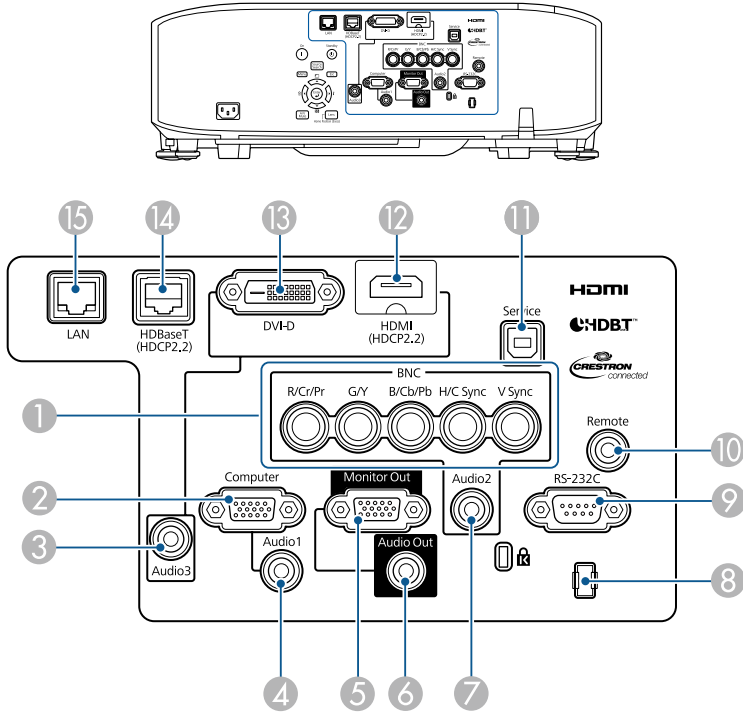


The figures and numbers are when the ELPLM08 is attached.

* For details on the amount of lens protrusion, see p.7.

Interface

*Position of interface on projector



No	Name	No	Name
1	BNC input port (5BNC)	9	RS-232C port (Mini D-Sub 9-pin)
2	Computer input port (Mini D-Sub15-pin)	10	Remote port (stereo mini)
3	Audio3 input port (stereo mini)	11	Service port (USB Type-B) ^{*3}
4	Audio1 input port (stereo mini)	12	HDMI input port (HDMI) ^{*4}
5	Monitor Out port (Mini D-Sub15-pin) ^{*1}	13	DVI-D input port (DVI-D 24-pin)
6	Audio Out port (stereo mini) ^{*2}	14	HDBaseT port (RJ45) ^{*4*5}
7	Audio2 input port (stereo mini)	15	LAN port (RJ45)
8	Cable holder		

*1 Only analog RGB signals can be output from the BNC port and the Computer port.

*2 Outputs audio from the HDMI/HDBaseT/DVI-D/Computer/BNC/LAN input source.

*3 For maintenance personnel only. Should not normally be used.

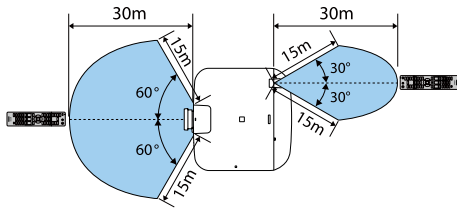
*4 HDCP2.2 is supported (EB-L1075U/EB-L1070U/EB-L1065U/EB-L1060U/EB-L1050U only).

*5 Make sure you use LAN cables that are straight STP cables, category 5e or higher, and recommended by the HDBaseT Alliance.

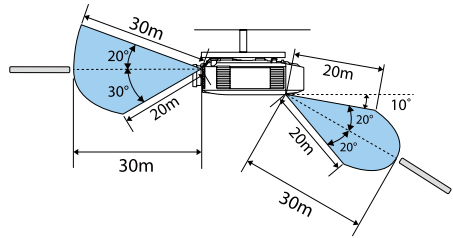
Remote Control Operating Range (Wireless)

The following shows the operation range for the remote control supplied with the projector.

Left/Right

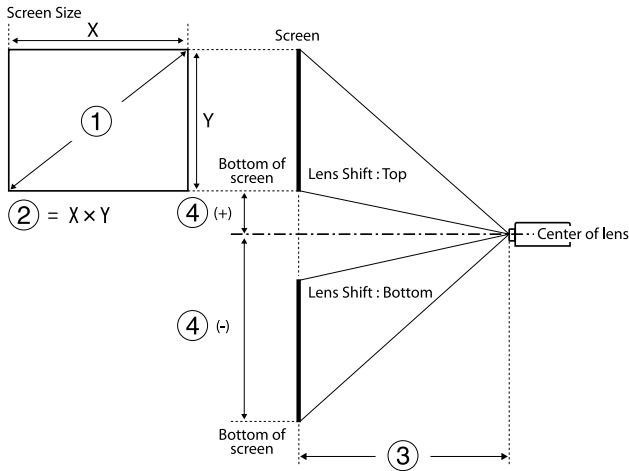


Up/Down



Screen Size and Projection Distance

See P.11 to 15 for the distances from the ceiling plate to each part of the projector.



① Screen size (inches)

② Screen size (width x height)

③ Projection distance (Minimum: Wide to Maximum: Tele)

④ Distance from the center of the lens to the bottom of the screen

Projection Distance Formula by Lens

EB-L1075U/EB-L1070U/EB-L1065U/EB-L1060U/EB-L1050U/EB-L1070W/EB-L1060W

<For screens with an aspect ratio of 16:10>

Projection Lens	Projection Distance (㉓) Formula		Throw Ratio (㉓/x)
ELPLM08	Minimum	Projection distance (cm)= Projection screen size (inches) x 3.16-5.00	1.44 - 2.32
	Maximum	Projection distance (cm)= Projection screen size (inches) x 5.05-4.49	
ELPLX01/ELPLX01W	-	Projection distance (cm)= Projection screen size (inches) x 0.79-5.16	0.35
ELPLU03/ELPLU03S	Minimum	Projection distance (cm)= Projection screen size (inches) x 1.44-3.77	0.65 - 0.78
	Maximum	Projection distance (cm)= Projection screen size (inches) x 1.72-3.63	
ELPLU04/ELPLU02	Minimum	Projection distance (cm)= Projection screen size (inches) x 1.94-5.72	0.87 - 1.05
	Maximum	Projection distance (cm)= Projection screen size (inches) x 2.33-5.68	
ELPLW05	Minimum	Projection distance (cm)= Projection screen size (inches) x 2.32-7.65	1.04 - 1.46
	Maximum	Projection distance (cm)= Projection screen size (inches) x 3.21-5.81	
ELPLW06/ELPLW04	Minimum	Projection distance (cm)= Projection screen size (inches) x 3.58-7.32	1.62 - 2.22
	Maximum	Projection distance (cm)= Projection screen size (inches) x 4.87-8.32	
ELPLW08	Minimum	Projection distance (cm)= Projection screen size (inches) x 2.58-4.78	1.18 - 1.66
	Maximum	Projection distance (cm)= Projection screen size (inches) x 3.62-5.44	
ELPLM15/ELPLM09/ELPLS04	Minimum	Projection distance (cm)= Projection screen size (inches) x 4.73-8.00	2.16 - 3.48
	Maximum	Projection distance (cm)= Projection screen size (inches) x 7.59-7.93	
ELPLM10/ELPLM06	Minimum	Projection distance (cm)= Projection screen size (inches) x 7.30-13.04	3.32 - 5.06
	Maximum	Projection distance (cm)= Projection screen size (inches) x 11.03-13.01	
ELPLM11/ELPLM07	Minimum	Projection distance (cm)= Projection screen size (inches) x 10.70-23.67	4.85 - 7.38
	Maximum	Projection distance (cm)= Projection screen size (inches) x 16.14-23.47	
ELPLL08/ELPLL07	Minimum	Projection distance (cm)= Projection screen size (inches) x 15.87-31.85	7.21 - 10.11
	Maximum	Projection distance (cm)= Projection screen size (inches) x 22.11-31.62	
ELPLR04	-	Projection distance (cm)= Projection screen size (inches) x 2.12-6.10	0.95

Distance from the center of the lens to the base of the screen (except for ELPLX01/ELPLX01W/ELPLR04): ㉔ (+) (cm) = screen size (inches) x 0.24

Distance from the center of the lens to the base of the screen (for ELPLX01/ELPLX01W): ㉔ (-) (cm) = screen size (inches) x 1.58

Distance from the center of the lens to the base of the screen (for ELPLR04): ㉔ (+) (cm) = 0 to screen size (inches) x 0.24

Distance from the center of the lens to the base of the screen (for ELPLR04): ㉔ (+)/(-) (cm) = screen size (inches) x 0.67

<For screens with an aspect ratio of 16:9>

Projection Lens	Projection Distance (㉓) Formula		Throw Ratio (㉓/x)
ELPLM08	Minimum	Projection distance (cm)= Projection screen size (inches) x 3.25-5.00	1.44 - 2.32
	Maximum	Projection distance (cm)= Projection screen size (inches) x 5.19-4.49	
ELPLX01/ELPLX01W	-	Projection distance (cm)= Projection screen size (inches) x 0.81-5.16	0.35
ELPLU03/ELPLU03S	Minimum	Projection distance (cm)= Projection screen size (inches) x 1.48-3.77	0.65 - 0.78
	Maximum	Projection distance (cm)= Projection screen size (inches) x 1.77-3.63	
ELPLU04/ELPLU02	Minimum	Projection distance (cm)= Projection screen size (inches) x 1.99-5.72	0.87 - 1.05
	Maximum	Projection distance (cm)= Projection screen size (inches) x 2.39-5.68	
ELPLW05	Minimum	Projection distance (cm)= Projection screen size (inches) x 2.39-7.65	1.04 - 1.46
	Maximum	Projection distance (cm)= Projection screen size (inches) x 3.30-5.81	
ELPLW06/ELPLW04	Minimum	Projection distance (cm)= Projection screen size (inches) x 3.68-7.32	1.62 - 2.22
	Maximum	Projection distance (cm)= Projection screen size (inches) x 5.00-8.32	
ELPLW08	Minimum	Projection distance (cm)= Projection screen size (inches) x 2.65-4.78	1.18 - 1.66
	Maximum	Projection distance (cm)= Projection screen size (inches) x 3.72-5.44	

Projection Lens	Projection Distance (㉓) Formula		Throw Ratio (㉓ /x)
ELPLM15/ELPLM09/ELPLS04	Minimum	Projection distance (cm)= Projection screen size (inches) x 4.86-8.00	2.16 - 3.48
	Maximum	Projection distance (cm)= Projection screen size (inches) x 7.80-7.93	
ELPLM10/ELPLM06	Minimum	Projection distance (cm)= Projection screen size (inches) x 7.50-13.04	3.32 - 5.06
	Maximum	Projection distance (cm)= Projection screen size (inches) x 11.34-13.01	
ELPLM11/ELPLM07	Minimum	Projection distance (cm)= Projection screen size (inches) x 11.00-23.67	4.85 - 7.38
	Maximum	Projection distance (cm)= Projection screen size (inches) x 16.59-23.47	
ELPLL08/ELPLL07	Minimum	Projection distance (cm)= Projection screen size (inches) x 16.31-31.85	7.21 - 10.11
	Maximum	Projection distance (cm)= Projection screen size (inches) x 22.73-31.62	
ELPLR04	-	Projection distance (cm)= Projection screen size (inches) x 2.18-6.10	0.95

Distance from the center of the lens to the base of the screen (except for ELPLX01/ELPLX01W/ELPLR04): ㉔ (+) (cm) = screen size (inches) x 0.31

㉔ (-) (cm) = screen size (inches) x 1.56

Distance from the center of the lens to the base of the screen (for ELPLX01/ELPLX01W):

㉔ (+)(cm) = screen size (inches) x 0.07

to screen size (inches) x 0.31

Distance from the center of the lens to the base of the screen (for ELPLR04):

㉔ (+)/(-) (cm) = screen size (inches) x 0.62

<For screens with an aspect ratio of 4:3>

Projection Lens	Projection Distance (㉓) Formula		Throw Ratio (㉓ /x)
ELPLM08	Minimum	Projection distance (cm)= Projection screen size (inches) x 3.58-5.00	1.73 - 2.79
	Maximum	Projection distance (cm)= Projection screen size (inches) x 5.72-4.49	
ELPLX01/ELPLX01W	-	Projection distance (cm)= Projection screen size (inches) x 0.89-5.16	0.42
ELPLU03/ELPLU03S	Minimum	Projection distance (cm)= Projection screen size (inches) x 1.63-3.77	0.78 - 0.94
	Maximum	Projection distance (cm)= Projection screen size (inches) x 1.95-3.63	
ELPLU04/ELPLU02	Minimum	Projection distance (cm)= Projection screen size (inches) x 2.20-5.72	1.05 - 1.26
	Maximum	Projection distance (cm)= Projection screen size (inches) x 2.64-5.68	
ELPLW05	Minimum	Projection distance (cm)= Projection screen size (inches) x 2.63-7.65	1.25 - 1.75
	Maximum	Projection distance (cm)= Projection screen size (inches) x 3.63-5.81	
ELPLW06/ELPLW04	Minimum	Projection distance (cm)= Projection screen size (inches) x 4.05-7.32	1.95 - 2.66
	Maximum	Projection distance (cm)= Projection screen size (inches) x 5.51-8.32	
ELPLW08	Minimum	Projection distance (cm)= Projection screen size (inches) x 2.92-4.78	1.41 - 1.99
	Maximum	Projection distance (cm)= Projection screen size (inches) x 4.09-5.44	
ELPLM15/ELPLM09/ELPLS04	Minimum	Projection distance (cm)= Projection screen size (inches) x 5.35-8.00	2.59 - 4.18
	Maximum	Projection distance (cm)= Projection screen size (inches) x 8.59-7.93	
ELPLM10/ELPLM06	Minimum	Projection distance (cm)= Projection screen size (inches) x 8.26-13.04	3.99 - 6.07
	Maximum	Projection distance (cm)= Projection screen size (inches) x 12.49-13.01	
ELPLM11/ELPLM07	Minimum	Projection distance (cm)= Projection screen size (inches) x 12.11-23.67	5.82 - 8.85
	Maximum	Projection distance (cm)= Projection screen size (inches) x 18.27-23.47	
ELPLL08/ELPLL07	Minimum	Projection distance (cm)= Projection screen size (inches) x 17.96-31.85	8.65 - 12.13
	Maximum	Projection distance (cm)= Projection screen size (inches) x 25.03-31.62	
ELPLR04	-	Projection distance (cm)= Projection screen size (inches) x 2.40-6.10	1.14

Distance from the center of the lens to the base of the screen (except for ELPLX01/ELPLX01W/ELPLR04): ㉔ (+) (cm) = screen size (inches) x 0.27

㉔ (-) (cm) = screen size (inches) x 1.79

Distance from the center of the lens to the base of the screen (for ELPLX01/ELPLX01W):

㉔ (+)(cm) = 0 to screen size (inches) x 0.27

Distance from the center of the lens to the base of the screen (for ELPLR04):

㉔ (+)/(-) (cm) = screen size (inches) x 0.76

EB-L1070

<For screens with an aspect ratio of 4:3>

Projection Lens	Projection Distance (㉓) Formula		Throw Ratio (㉓/x)
ELPLM08	Minimum	Projection distance (cm)= Projection screen size (inches) x 3.05-5.05	1.47 - 2.38
	Maximum	Projection distance (cm)= Projection screen size (inches) x 4.87-4.52	
ELPLX01/ELPLX01W	-	Projection distance (cm)= Projection screen size (inches) x 0.76-5.38	0.36
ELPLU03/ELPLU03S	Minimum	Projection distance (cm)= Projection screen size (inches) x 1.38-3.63	0.66 - 0.80
	Maximum	Projection distance (cm)= Projection screen size (inches) x 1.66-3.41	
ELPLU04/ELPLU02	Minimum	Projection distance (cm)= Projection screen size (inches) x 1.87-5.64	0.89 - 1.08
	Maximum	Projection distance (cm)= Projection screen size (inches) x 2.25-5.58	
ELPLW05	Minimum	Projection distance (cm)= Projection screen size (inches) x 2.24-7.78	1.07 - 1.49
	Maximum	Projection distance (cm)= Projection screen size (inches) x 3.09-5.79	
ELPLW06/ELPLW04	Minimum	Projection distance (cm)= Projection screen size (inches) x 3.45-7.40	1.66 - 2.27
	Maximum	Projection distance (cm)= Projection screen size (inches) x 4.69-7.18	
ELPLW08	Minimum	Projection distance (cm)= Projection screen size (inches) x 2.49-4.54	1.20 - 1.69
	Maximum	Projection distance (cm)= Projection screen size (inches) x 3.48-5.35	
ELPLM15/ELPLM09/ELPLS04	Minimum	Projection distance (cm)= Projection screen size (inches) x 4.55-8.03	2.20 - 3.56
	Maximum	Projection distance (cm)= Projection screen size (inches) x 7.32-7.95	
ELPLM10/ELPLM06	Minimum	Projection distance (cm)= Projection screen size (inches) x 7.03-13.08	3.39 - 5.17
	Maximum	Projection distance (cm)= Projection screen size (inches) x 10.64-13.03	
ELPLM11/ELPLM07	Minimum	Projection distance (cm)= Projection screen size (inches) x 10.31-23.72	4.95 - 7.54
	Maximum	Projection distance (cm)= Projection screen size (inches) x 15.56-23.49	
ELPLL08/ELPLL07	Minimum	Projection distance (cm)= Projection screen size (inches) x 15.29-31.95	7.36 - 10.33
	Maximum	Projection distance (cm)= Projection screen size (inches) x 21.32-31.66	
ELPLR04	-	Projection distance (cm)= Projection screen size (inches) x 2.04-6.15	0.97

Distance from the center of the lens to the base of the screen (except for ELPLX01/ELPLX01W/ELPLR04): ㉔ (+) (cm) = screen size (inches) x 0.12

㉔ (-) (cm) = screen size (inches) x 1.64

Distance from the center of the lens to the base of the screen (for ELPLX01/ELPLX01W):

㉔ (+)(cm) = 0 to screen size (inches) x 0.12

Distance from the center of the lens to the base of the screen (for ELPLR04):

㉔ (+)/(-) (cm) = screen size (inches) x 0.76

<For screens with an aspect ratio of 16:9>

Projection Lens	Projection Distance (㉓) Formula		Throw Ratio (㉓/x)
ELPLM08	Minimum	Projection distance (cm)= Projection screen size (inches) x 3.32-5.05	1.47 - 2.38
	Maximum	Projection distance (cm)= Projection screen size (inches) x 5.31-4.52	
ELPLX01/ELPLX01W	-	Projection distance (cm)= Projection screen size (inches) x 0.83-5.38	0.36
ELPLU03/ELPLU03S	Minimum	Projection distance (cm)= Projection screen size (inches) x 1.50-3.63	0.66 - 0.80
	Maximum	Projection distance (cm)= Projection screen size (inches) x 1.81-3.41	
ELPLU04/ELPLU02	Minimum	Projection distance (cm)= Projection screen size (inches) x 2.04-5.64	0.89 - 1.08
	Maximum	Projection distance (cm)= Projection screen size (inches) x 2.45-5.58	
ELPLW05	Minimum	Projection distance (cm)= Projection screen size (inches) x 2.44-7.78	1.07 - 1.49
	Maximum	Projection distance (cm)= Projection screen size (inches) x 3.37-5.79	
ELPLW06/ELPLW04	Minimum	Projection distance (cm)= Projection screen size (inches) x 3.75-7.40	1.66 - 2.27
	Maximum	Projection distance (cm)= Projection screen size (inches) x 5.10-7.18	
ELPLW08	Minimum	Projection distance (cm)= Projection screen size (inches) x 2.71-4.54	1.20 - 1.69
	Maximum	Projection distance (cm)= Projection screen size (inches) x 3.80-5.35	

Projection Lens	Projection Distance (㉓) Formula		Throw Ratio (㉓ /x)
ELPLM15/ELPLM09/ELPLS04	Minimum	Projection distance (cm)= Projection screen size (inches) x 4.96-8.03	2.20 - 3.56
	Maximum	Projection distance (cm)= Projection screen size (inches) x 7.97-7.95	
ELPLM10/ELPLM06	Minimum	Projection distance (cm)= Projection screen size (inches) x 7.66-13.08	3.39 - 5.17
	Maximum	Projection distance (cm)= Projection screen size (inches) x 11.59-13.03	
ELPLM11/ELPLM07	Minimum	Projection distance (cm)= Projection screen size (inches) x 11.23-23.72	4.95 - 7.54
	Maximum	Projection distance (cm)= Projection screen size (inches) x 16.95-23.49	
ELPLL08/ELPLL07	Minimum	Projection distance (cm)= Projection screen size (inches) x 16.65-31.95	7.36 - 10.33
	Maximum	Projection distance (cm)= Projection screen size (inches) x 23.23-31.66	
ELPLR04	-	Projection distance (cm)= Projection screen size (inches) x 2.22-6.15	0.97

Distance from the center of the lens to the base of the screen (except for ELPLX01/ELPLX01W/ELPLR04): ㉔ (+) (cm) = screen size (inches) x 0.33

㉔ (-) (cm) = screen size (inches) x 1.58

Distance from the center of the lens to the base of the screen (for ELPLX01/ELPLX01W):

㉔ (+)(cm) = screen size (inches) x 0.21
to screen size (inches) x 0.33

Distance from the center of the lens to the base of the screen (for ELPLR04):

㉔ (+)/(-) (cm) = screen size (inches) x 0.62

<For screens with an aspect ratio of 16:10>

Projection Lens	Projection Distance (㉓) Formula		Throw Ratio (㉓ /x)
ELPLM08	Minimum	Projection distance (cm)= Projection screen size (inches) x 3.23-5.05	1.47 - 2.38
	Maximum	Projection distance (cm)= Projection screen size (inches) x 5.16-4.52	
ELPLX01/ELPLX01W	-	Projection distance (cm)= Projection screen size (inches) x 0.81-5.38	0.36
ELPLU03/ELPLU03S	Minimum	Projection distance (cm)= Projection screen size (inches) x 1.46-3.63	0.66 - 0.80
	Maximum	Projection distance (cm)= Projection screen size (inches) x 1.76-3.41	
ELPLU04/ELPLU02	Minimum	Projection distance (cm)= Projection screen size (inches) x 1.98-5.64	0.89 - 1.08
	Maximum	Projection distance (cm)= Projection screen size (inches) x 2.39-5.58	
ELPLW05	Minimum	Projection distance (cm)= Projection screen size (inches) x 2.37-7.78	1.07 - 1.49
	Maximum	Projection distance (cm)= Projection screen size (inches) x 3.28-5.79	
ELPLW06/ELPLW04	Minimum	Projection distance (cm)= Projection screen size (inches) x 3.65-7.40	1.66 - 2.27
	Maximum	Projection distance (cm)= Projection screen size (inches) x 4.97-7.18	
ELPLW08	Minimum	Projection distance (cm)= Projection screen size (inches) x 2.63-4.54	1.20 - 1.69
	Maximum	Projection distance (cm)= Projection screen size (inches) x 3.69-5.35	
ELPLM15/ELPLM09/ELPLS04	Minimum	Projection distance (cm)= Projection screen size (inches) x 4.82-8.03	2.20 - 3.56
	Maximum	Projection distance (cm)= Projection screen size (inches) x 7.76-7.95	
ELPLM10/ELPLM06	Minimum	Projection distance (cm)= Projection screen size (inches) x 7.45-13.08	3.39 - 5.17
	Maximum	Projection distance (cm)= Projection screen size (inches) x 11.28-13.03	
ELPLM11/ELPLM07	Minimum	Projection distance (cm)= Projection screen size (inches) x 10.93-23.72	4.95 - 7.54
	Maximum	Projection distance (cm)= Projection screen size (inches) x 16.49-23.49	
ELPLL08/ELPLL07	Minimum	Projection distance (cm)= Projection screen size (inches) x 16.20-31.95	7.36 - 10.33
	Maximum	Projection distance (cm)= Projection screen size (inches) x 22.60-31.66	
ELPLR04	-	Projection distance (cm)= Projection screen size (inches) x 2.16-6.15	0.97

Distance from the center of the lens to the base of the screen (except for ELPLX01/ELPLX01W/ELPLR04): ㉔ (+) (cm) = screen size (inches) x 0.26

㉔ (-) (cm) = screen size (inches) x 1.60

Distance from the center of the lens to the base of the screen (for ELPLX01/ELPLX01W):

㉔ (+)(cm) = screen size (inches) x 0.13
to screen size (inches) x 0.26

Distance from the center of the lens to the base of the screen (for ELPLR04):

㉔ (+)/(-) (cm) = screen size (inches) x 0.67

Projection Distance Formulas

The projection distances are approximate values.

The ELPLR04 does not support lens shift.

Detailed projection simulations are available on our Web site. Please use them, as needed.

<http://www.epson.com/>

EB-L1075U/EB-L1070U/EB-L1065U/EB-L1060U/EB-L1050U/EB-L1070W/EB-L1060W

When the screen size is over 300 inches, fine text and images may not be displayed clearly.

<For screens with an aspect ratio of 16:10>

[Units: cm]

①	②	③										④
Inches (Diagonally)	Width x Height	ELPLM08	ELPLU03 ELPLU03S	ELPLU04 ELPLU02	ELPLW05	ELPLW06 ELPLW04	ELPLM15 ELPLM09 ELPLS04	ELPLM10 ELPLM06	ELPLM11 ELPLM07	ELPLL08	ELPLR04	Except for ELPLR04
50	108x67	153 - 248	-	91 - 111	109 - 155	172 - 235	229 - 372	352 - 538	511 - 784	761 - 1074	100	-79 - +12
60	129x81	185 - 298	-	111 - 134	132 - 187	207 - 284	276 - 447	425 - 649	618 - 945	920 - 1295	121	-95 - +14
80	172x108	248 - 399	111 - 134	149 - 181	178 - 251	279 - 381	370 - 599	571 - 869	832 - 1268	1237 - 1737	163	-127 - +19
100	215x135	311 - 500	140 - 168	188 - 227	225 - 315	350 - 478	465 - 751	717 - 1090	1046 - 1591	1555 - 2180	206	-158 - +24
120	258x162	374 - 601	169 - 203	227 - 274	271 - 379	422 - 576	560 - 903	863 - 1311	1260 - 1913	1872 - 2622	248	-190 - +29
150	323x202	469 - 753	212 - 255	285 - 344	341 - 475	529 - 722	702 - 1131	1082 - 1641	1581 - 2398	2348 - 3285	312	-238 - +36
200	431x269	627 - 1005	283 - 341	382 - 460	457 - 636	708 - 965	938 - 1510	1447 - 2193	2116 - 3205	3141 - 4391	417	-317 - +48
250	538x337	785 - 1258	355 - 427	479 - 577	573 - 796	887 - 1208	1175 - 1890	1812 - 2744	2651 - 4012	3935 - 5497	523	-396 - +59
300	646x404	943 - 1510	427 - 513	576 - 693	690 - 956	1066 - 1452	1411 - 2269	2177 - 3296	3186 - 4819	4728 - 6602	629	-475 - +71
500	1077x673	1576 - 2520	714 - 857	964 - 1159	1154 - 1597	1781 - 2425	2357 - 3787	3637 - 5502	5326 - 8047	7901 - 11025	1053	-792 - +119
800	1723x1077	2524 - 4035	1145 - 1373	1546 - 1858	1852 - 2559	2854 - 3885	3776 - 6064	5827 - 8811	8536 - 12889	12661 - 17659	1688	-1267 - +190
1000	2154x1346	3157 - 5044	1432 - 1717	1934 - 2324	2317 - 3201	3569 - 4859	4722 - 7582	7287 - 11017	10676 - 16117	15834 - 22082	2112	-1584 - +238

<For screens with an aspect ratio of 16:9>

[Units: cm]

①	②	③										④
Inches (Diagonally)	Width x Height	ELPLM08	ELPLU03 ELPLU03S	ELPLU04 ELPLU02	ELPLW05	ELPLW06 ELPLW04	ELPLM15 ELPLM09 ELPLS04	ELPLM10 ELPLM06	ELPLM11 ELPLM07	ELPLL08	ELPLR04	Except for ELPLR04
49	109x61	154 - 250	-	92 - 112	109 - 156	173 - 237	230 - 374	355 - 542	515 - 789	767 - 1082	101	-76 - +15
50	111x62	157 - 255	-	94 - 114	112 - 159	176 - 242	235 - 382	362 - 554	526 - 806	784 - 1105	103	-78 - +16
60	133x75	190 - 307	-	114 - 138	136 - 192	213 - 292	284 - 460	437 - 667	636 - 972	947 - 1332	124	-94 - +19
80	177x100	255 - 411	114 - 138	154 - 186	183 - 258	287 - 392	381 - 616	587 - 894	856 - 1304	1273 - 1787	168	-125 - +25
100	221x125	320 - 514	144 - 173	194 - 234	231 - 324	360 - 492	478 - 772	737 - 1121	1076 - 1635	1599 - 2241	212	-156 - +31
120	266x149	385 - 618	173 - 209	234 - 282	279 - 390	434 - 592	575 - 928	887 - 1347	1296 - 1967	1925 - 2696	255	-187 - +38
150	332x187	482 - 774	218 - 262	293 - 354	351 - 489	544 - 742	721 - 1162	1112 - 1687	1626 - 2465	2414 - 3378	320	-234 - +47
200	443x249	645 - 1033	291 - 350	393 - 473	470 - 653	728 - 992	964 - 1552	1488 - 2254	2176 - 3294	3230 - 4514	429	-312 - +63
250	553x311	807 - 1293	365 - 439	493 - 593	590 - 818	912 - 1242	1207 - 1942	1863 - 2821	2726 - 4124	4045 - 5650	538	-390 - +78
300	664x374	970 - 1552	439 - 527	592 - 713	709 - 983	1096 - 1492	1450 - 2332	2238 - 3388	3276 - 4953	4860 - 6787	647	-468 - +94
500	1107x623	1620 - 2590	734 - 881	991 - 1192	1187 - 1642	1831 - 2493	2423 - 3893	3738 - 5655	5475 - 8271	8122 - 11333	1082	-779 - +157
800	1771x996	2595 - 4147	1177 - 1412	1589 - 1910	1903 - 2631	2934 - 3994	3881 - 6233	5989 - 9056	8774 - 13248	13014 - 18151	1735	-1247 - +251
1000	2214x1245	3244 - 5185	-	-	-	-	-	-	-	-	-	-1559 - +313

<For screens with an aspect ratio of 4:3>

[Units: cm]

①	②	③										④
Inches (Diagonally)	Width x Height	ELPLM08	ELPLU03 ELPLU03S	ELPLU04 ELPLU02	ELPLW05	ELPLW06 ELPLW04	ELPLM15 ELPLM09 ELPLS04	ELPLM10 ELPLM06	ELPLM11 ELPLM07	ELPLL08	ELPLR04	Except for ELPLR04
45	91x69	156 - 253	-	93 - 113	111 - 158	175 - 240	233 - 379	359 - 549	521 - 799	776 - 1095	102	-81 - +12
50	102x76	174 - 281	-	104 - 126	124 - 176	195 - 267	260 - 422	400 - 611	582 - 890	866 - 1220	114	-90 - +13
60	122x91	210 - 338	-	126 - 153	150 - 212	236 - 322	313 - 508	483 - 736	703 - 1073	1046 - 1470	138	-108 - +16
80	163x122	281 - 453	126 - 152	170 - 205	203 - 285	317 - 432	420 - 679	648 - 986	945 - 1438	1405 - 1971	186	-143 - +22
100	203x152	353 - 567	159 - 191	214 - 258	255 - 357	398 - 543	527 - 851	813 - 1236	1188 - 1804	1764 - 2472	234	-179 - +37

①	②	③										④
Inches (Diagonally)	Width x Height	ELPLM08	ELPLU03 ELPLU03S	ELPLU04 ELPLU02	ELPLW05	ELPLW06 ELPLW04	ELPLM15 ELPLM09 ELPLS04	ELPLM10 ELPLM06	ELPLM11 ELPLM07	ELPLL08	ELPLR04	Except for ELPLR04
120	244x183	424 - 681	191 - 230	258 - 311	308 - 430	479 - 653	635 - 1023	979 - 1485	1430 - 2169	2124 - 2972	282	-215 - +32
150	305x229	532 - 853	240 - 289	324 - 390	387 - 539	600 - 818	795 - 1281	1227 - 1860	1793 - 2717	2662 - 3724	354	-269 - +40
200	406x305	711 - 1139	321 - 386	434 - 522	519 - 720	803 - 1094	1063 - 1711	1640 - 2484	2399 - 3631	3561 - 4975	473	-359 - +54
250	508x381	890 - 1424	403 - 483	543 - 654	650 - 902	1005 - 1369	1331 - 2140	2053 - 3109	3005 - 4544	4459 - 6227	593	-448 - +67
300	610x457	1069 - 1710	484 - 581	653 - 786	782 - 1083	1207 - 1645	1598 - 2570	2466 - 3733	3610 - 5458	5357 - 7479	713	-538 - +81
500	1016X762	1785 - 2853	809 - 971	1092 - 1313	1308 - 1809	2017 - 2747	2669 - 4288	4119 - 6230	6033 - 9112	8949 - 12485	1193	-896 - +134
800	1626X1219	2858 - 4568	1297 - 1555	1751 - 2105	2097 - 2898	3232 - 4400	4276 - 6866	6598 - 9976	9667 - 14594	14338 - 19996	1912	-1434 - +215
1000	2032x1524	3574 - 5711	-	-	-	-	-	-	-	-	-	-1793 - +269

**EB-L1075U/EB-L1070U/EB-L1065U/EB-L1060U/EB-L1050U/EB-L1070W/EB-L1060W
(ELPLX01/ELPLX01W is installed)**

<For screens with an aspect ratio of 16:10>

[Units: cm]

①	②	③	④
Inches (Diagonally)	Width x Height	ELPLX01/ELPLX01W	ELPLX01/ELPLX01W
100	215x135	74	0 - +24
120	258x162	89	0 - +29
150	323x202	113	0 - +36
200	431x269	152	0 - +48
250	538x337	192	0 - +59
300	646x404	231	0 - +71
400	862x538	310	0 - +95
500	1077x673	388	0 - +119
800	1723x1077	625	0 - +190
1000	2154x1346	782	0 - +238

<For screens with an aspect ratio of 16:9>

[Units: cm]

①	②	③	④
Inches (Diagonally)	Width x Height	ELPLX01/ELPLX01W	ELPLX01/ELPLX01W
100	221x125	76	+7 - +31
120	266x149	92	+8 - +38
150	332x187	116	+10 - +47
200	443x249	157	+14 - +63
250	553x311	197	+17 - +78
300	664x374	238	+21 - +94
400	886x498	318	+28 - +125
500	1107x623	399	+35 - +157
800	1771x996	642	+55 - +251
1000	-	-	-

<For screens with an aspect ratio of 4:3>

[Units: cm]

①	②	③	④
Inches (Diagonally)	Width x Height	ELPLX01/ELPLX01W	ELPLX01/ELPLX01W
90	183x137	75	0 - +24
100	203x152	84	0 - +27
120	244x183	102	0 - +32
150	305x229	129	0 - +40
200	406x305	173	0 - +54
250	508x381	218	0 - +67
300	610x457	262	0 - +81
400	813x610	351	0 - +108
500	1016x762	440	0 - +134
800	1626x1219	708	0 - +215
1000	-	-	-

**EB-L1075U/EB-L1070U/EB-L1065U/EB-L1060U/EB-L1050U/EB-L1070W/EB-L1060W
(ELPLW08 is installed)**

<For screens with an aspect ratio of 16:10> [Units: cm]

①	②	③	④
Inches (Diagonally)	Width x Height	ELPLW08	ELPLW08
50	108x67	124 - 175	-79 - +12
100	215x135	253 - 356	-158 - +24
120	258x162	305 - 429	-190 - +29
150	323x202	383 - 537	-238 - +36
200	431x269	512 - 718	-317 - +48
250	538x337	641 - 899	-396 - +59
300	646x404	770 - 1080	-475 - +71
500	1077x673	1287 - 1803	-792 - +119
800	1723x1077	2061 - 2888	-1267 - +190
1000	2154x1346	2578 - 3611	-1584 - +238

<For screens with an aspect ratio of 16:9> [Units: cm]

①	②	③	④
Inches (Diagonally)	Width x Height	ELPLW08	ELPLW08
50	111x62	128 - 180	-78 - +16
100	221x125	261 - 366	-156 - +31
120	266x149	314 - 441	-187 - +38
150	332x187	393 - 552	-234 - +47
200	443x249	526 - 738	-312 - +63
250	553x311	659 - 924	-390 - +78
300	664x374	792 - 1110	-468 - +94
500	1107x623	1323 - 1853	-779 - +157
800	1771x996	2119 - 2969	-1247 - +251
1000	-	-	-

<For screens with an aspect ratio of 4:3> [Units: cm]

①	②	③	④
Inches (Diagonally)	Width x Height	ELPLW08	ELPLW08
50	102x76	141 - 199	-90 - +13
100	203x152	288 - 404	-179 - +27
120	244x183	346 - 486	-215 - +32
150	305x229	434 - 609	-269 - +40
200	406x305	580 - 813	-359 - +54
250	508x381	726 - 1018	-448 - +67
300	610x457	872 - 1223	-538 - +81
500	1016x762	1457 - 2042	-896 - +134
800	1626x1219	2334 - 3270	-1434 - +215
1000	-	-	-

EB-L1070

When the screen size is over 300 inches, fine text and images may not be displayed clearly.

<For screens with an aspect ratio of 4:3>

[Units: cm]

①	②	③										④
Inches (Diagonally)	Width x Height	ELPLM08	ELPLU03 ELPLU03S	ELPLU04 ELPLU02	ELPLW05	ELPLW06 ELPLW04	ELPLM15 ELPLM09 ELPLS04	ELPLM10 ELPLM06	ELPLM11 ELPLM07	ELPLL08	ELPLR04	Except for ELPLR04
50	102 x 76	147 - 239	-	88 - 107	104 - 149	165 - 227	219 - 358	338 - 519	492 - 755	732 - 1034	96	-82 - +6
100	203 x 152	299 - 482	134 - 162	181 - 219	216 - 303	337 - 461	447 - 724	690 - 1051	1007 - 1533	1497 - 2100	198	-164 - +12
120	244 x 183	360 - 580	162 - 196	219 - 264	261 - 365	406 - 555	538 - 870	831 - 1264	1213 - 1844	1802 - 2527	239	-197 - +14
150	305 x 229	452 - 726	204 - 245	275 - 332	328 - 458	509 - 696	674 - 1090	1041 - 1583	1523 - 2311	2261 - 3166	300	-246 - +17
200	406 x 305	604 - 969	273 - 328	368 - 444	440 - 612	682 - 930	902 - 1456	1393 - 2115	2038 - 3089	3025 - 4232	402	-328 - +23
250	508 x 381	756 - 1213	342 - 411	462 - 557	552 - 767	854 - 1164	1129 - 1822	1744 - 2647	2554 - 3867	3790 - 5298	504	-410 - +29
300	610 x 457	908 - 1456	411 - 494	555 - 669	664 - 922	1026 - 1398	1357 - 2188	2096 - 3179	3069 - 4645	4554 - 6364	606	-492 - +35
500	1016 x 762	1517 - 2430	687 - 826	929 - 1119	1112 - 1540	1715 - 2336	2267 - 3652	3502 - 5307	5131 - 7757	7611 - 10627	1015	-820 - +58
800	1626 x 1219	2431 - 3891	1101 - 1323	1490 - 1794	1784 - 2467	2749 - 3741	3632 - 5848	5611 - 8499	8224 - 12425	12197 - 17023	1627	-1312 - +93
1000	2032 x 1524	3040 - 4865	1377 - 1655	1864 - 2244	2232 - 3086	3438 - 4678	4542 - 7312	7017 - 10627	10286 - 15537	15255 - 21287	2035	-1640 - +116

<For screens with an aspect ratio of 16:9>

[Units: cm]

①	②	③										④
Inches (Diagonally)	Width x Height	ELPLM08	ELPLU03 ELPLU03S	ELPLU04 ELPLU02	ELPLW05	ELPLW06 ELPLW04	ELPLM15 ELPLM09 ELPLS04	ELPLM10 ELPLM06	ELPLM11 ELPLM07	ELPLL08	ELPLR04	Except for ELPLR04
46	102 x 57	148 - 240	-	88 - 107	104 - 149	165 - 228	220 - 359	339 - 520	493 - 756	734 - 1037	96	-73 - +15
50	111 x 62	161 - 261	-	96 - 117	114 - 163	180 - 248	240 - 391	370 - 567	538 - 824	801 - 1130	105	-79 - +17
100	221 x 125	327 - 526	147 - 177	198 - 240	236 - 331	368 - 503	488 - 790	753 - 1146	1100 - 1672	1633 - 2291	216	-158 - +33
120	266 x 149	393 - 632	177 - 213	239 - 289	285 - 398	443 - 605	587 - 949	906 - 1378	1324 - 2011	1967 - 2755	261	-189 - +40
150	332 x 187	493 - 791	222 - 268	300 - 362	358 - 499	556 - 759	736 - 1188	1136 - 1726	1661 - 2519	2466 - 3452	327	-237 - +50
200	443 x 249	658 - 1057	297 - 358	402 - 485	480 - 668	743 - 1014	983 - 1587	1519 - 2305	2223 - 3367	3299 - 4613	439	-316 - +67
250	553 x 311	824 - 1322	373 - 448	504 - 607	602 - 836	931 - 1269	1231 - 1986	1902 - 2885	2784 - 4215	4132 - 5775	550	-395 - +83
300	664 x 374	990 - 1587	448 - 539	606 - 730	724 - 1005	1119 - 1524	1479 - 2385	2285 - 3465	3346 - 5062	4964 - 6936	661	-474 - +100
500	1107 x 623	1654 - 2648	749 - 900	1013 - 1220	1212 - 1678	1869 - 2545	2471 - 3980	3816 - 5783	5592 - 8453	8295 - 11581	1106	-789 - +167
800	1771 x 996	2649 - 4240	1200 - 1442	1624 - 1955	1944 - 2689	2995 - 4076	3958 - 6372	6114 - 9261	8962 - 13538	13292 - 18549	1773	-1263 - +267
1000	2214 x 1245	3312 - 5301	-	-	-	-	-	-	-	-	-	-1579 - +334

<For screens with an aspect ratio of 16:10>

[Units: cm]

①	②	③										④
Inches (Diagonally)	Width x Height	ELPLM08	ELPLU03 ELPLU03S	ELPLU04 ELPLU02	ELPLW05	ELPLW06 ELPLW04	ELPLM15 ELPLM09 ELPLS04	ELPLM10 ELPLM06	ELPLM11 ELPLM07	ELPLL08	ELPLR04	Except for ELPLR04
48	98 x 73	150 - 243	-	90 - 109	106 - 151	168 - 231	223 - 364	345 - 528	501 - 768	746 - 1053	98	-77 - +12
50	108 x 67	156 - 254	-	93 - 114	111 - 158	175 - 241	233 - 380	360 - 551	523 - 801	778 - 1098	102	-80 - +13
100	215 x 135	318 - 512	143 - 172	193 - 233	230 - 322	358 - 489	474 - 768	732 - 1115	1069 - 1626	1588 - 2228	210	-160 - +26
120	258 x 162	382 - 615	172 - 208	232 - 281	277 - 387	431 - 589	571 - 923	881 - 1340	1288 - 1956	1913 - 2680	254	-192 - +31
150	323 x 202	479 - 770	216 - 260	292 - 352	348 - 486	540 - 738	715 - 1156	1105 - 1679	1616 - 2451	2399 - 3358	318	-241 - +39
200	431 x 269	640 - 1028	289 - 348	391 - 471	467 - 650	723 - 986	957 - 1544	1477 - 2243	2162 - 3275	3209 - 4488	427	-321 - +51
250	538 x 337	802 - 1286	362 - 436	490 - 591	586 - 813	906 - 1234	1198 - 1932	1850 - 2807	2708 - 4100	4019 - 5618	535	-401 - +64
300	646 x 404	963 - 1544	436 - 524	589 - 710	704 - 977	1088 - 1483	1439 - 2320	2222 - 3370	3255 - 4925	4829 - 6748	643	-481 - +77
500	1077 x 673	1609 - 2576	728 - 876	985 - 1187	1179 - 1633	1818 - 2476	2403 - 3872	3713 - 5626	5441 - 8223	8070 - 11267	1076	-802 - +129
800	1723 x 1077	2577 - 4125	1168 - 1403	1580 - 1902	1891 - 2616	2914 - 3966	3850 - 6199	5948 - 9010	8719 - 13171	12931 - 18046	1725	-1283 - +206
1000	2154 x 1346	3223 - 5157	-	-	-	-	-	-	-	-	-	-1603 - +257

EB-L1070 (ELPLX01/ELPLX01W is installed)

<For screens with an aspect ratio of 4:3>

[Units: cm]

①	②	③	④
Inches (Diagonally)	Width x Height	ELPLX01/ELPLX01W	ELPLX01/ELPLX01W
100	203 x 152	71	0 - +12
120	244 x 183	86	0 - +14
150	305 x 229	109	0 - +17
200	406 x 305	147	0 - +23
250	508 x 381	185	0 - +29
300	610 x 457	223	0 - +35
400	813 x 610	299	0 - +46
500	1016 x 762	375	0 - +58
800	1626 x 1219	603	0 - +93
1000	2032 x 1524	755	0 - +116

<For screens with an aspect ratio of 16:9>

[Units: cm]

①	②	③	④
Inches (Diagonally)	Width x Height	ELPLX01/ELPLX01W	ELPLX01/ELPLX01W
92	204 x 115	71	+19 - +31
100	221 x 125	77	+21 - +33
120	266 x 149	94	+25 - +40
150	332 x 187	119	+31 - +50
200	443 x 249	160	+42 - +67
250	553 x 311	202	+52 - +83
300	664 x 374	243	+62 - +100
400	886 x 498	326	+83 - +133
500	1107 x 623	409	+104 - +167
800	1771 x 996	657	+166 - +267
1000	-	-	-

<For screens with an aspect ratio of 16:10>

[Units: cm]

①	②	③	④
Inches (Diagonally)	Width x Height	ELPLX01/ELPLX01W	ELPLX01/ELPLX01W
95	205 x 128	71	+13 - +24
100	215 x 135	75	+13 - +26
120	258 x 162	91	+16 - +31
150	323 x 202	116	+20 - +39
200	431 x 269	156	+27 - +51
250	538 x 337	196	+34 - +64
300	646 x 404	236	+40 - +77
400	862 x 538	317	+54 - +103
500	1077 x 673	398	+67 - +129
800	1723 x 1077	639	+108 - +206
1000	-	-	-

EB-L1070 (ELPLW08 is installed)

<For screens with an aspect ratio of 4:3>

[Units: cm]

①	②	③	④
Inches (Diagonally)	Width x Height	ELPLW08	ELPLW08
50	102 x 76	120 - 169	-82 - +6
100	203 x 152	244 - 343	-164 - +12
120	244 x 183	294 - 413	-197 - +14
150	305 x 229	368 - 517	-246 - +17
200	406 x 305	493 - 692	-328 - +23
250	508 x 381	617 - 866	-410 - +29
300	610 x 457	741 - 1040	-492 - +35
500	1016 x 762	1238 - 1737	-820 - +58
800	1626 x 1219	1984 - 2782	-1312 - +93
1000	2032 x 1524	2481 - 3479	-1640 - +116

<For screens with an aspect ratio of 16:9>

[Units: cm]

①	②	③	④
Inches (Diagonally)	Width x Height	ELPLW08	ELPLW08
50	111 x 62	131 - 184	-79 - +17
100	221 x 125	266 - 374	-158 - +33
120	266 x 149	320 - 450	-189 - +40
150	332 x 187	402 - 564	-237 - +50
200	443 x 249	537 - 754	-316 - +67
250	553 x 311	672 - 944	-395 - +83
300	664 x 374	808 - 1134	-474 - +100
500	1107 x 623	1349 - 1893	-789 - +167
800	1771 x 996	2162 - 3032	-1263 - +267
1000	-	-	-

<For screens with an aspect ratio of 16:10>

[Units: cm]

①	②	③	④
Inches (Diagonally)	Width x Height	ELPLW08	ELPLW08
50	108 x 67	127 - 179	-80 - +13
100	215 x 135	259 - 364	-160 - +26
120	258 x 162	312 - 438	-192 - +31
150	323 x 202	391 - 549	-241 - +39
200	431 x 269	522 - 733	-321 - +51
250	538 x 337	654 - 918	-401 - +64
300	646 x 404	786 - 1103	-481 - +77
500	1077 x 673	1313 - 1842	-802 - +129
800	1723 x 1077	2103 - 2950	-1283 - +206
1000	-	-	-

■ Lens Compatibility Table

Lens Model Number	Projector Model Number			
	EB-L1075U EB-L1070U EB-L1065U EB-L1060U EB-L1050U EB-L1070W EB-L1060W EB-L1070	EB-G7905U EB-G7900U EB-G7500U EB-G7400U EB-G7200W EB-G7000W EB-G7805 EB-G7800 EB-G7100	EB-Z10005U EB-Z10000U EB-Z9875U EB-Z9870U EB-Z9750U EB-Z11000W EB-Z9900W EB-Z9800W EB-Z11005 EB-Z11000 EB-Z9870	EB-G6770WU EB-G6570WU EB-G6270W EB-G6070W EB-G6370
ELPLM08	✓	✓	-	-
ELPLX01 ^{*1} ELPLX01W ^{*1}	✓	✓	-	-
ELPLU03 ELPLU03S	✓	✓	-	-
ELPLU04	✓	✓	-	-
ELPLW05	✓	✓	-	-
ELPLW06	✓	✓	-	-
ELPLW08	✓	✓	-	-
ELPLM15 ELPLM09	✓	✓	-	-
ELPLM10	✓	✓	-	-
ELPLM11	✓	✓	-	-
ELPLL08	✓	✓	-	-
ELPLS04	✓	✓	✓	-
ELPLU02 ^{*2}	✓	✓	✓	-
ELPLR04 ^{*3}	✓	✓	✓	-
ELPLW04	✓	✓	✓	-
ELPLM06	✓	✓	✓	-
ELPLM07	✓	✓	✓	-
ELPLL07	✓	✓	✓	-
ELPLS07	-	-	-	✓
ELPLS06	-	-	-	✓
ELPLU01	-	-	-	✓
ELPLR03	-	-	-	✓
ELPLM04	-	-	-	✓
ELPLM05	-	-	-	✓
ELPLL06	-	-	-	✓

*1 Zoom is not supported.

*2 Manually adjust distortion.

*3 Zoom and Lens Shift are not supported.

■ Lens Function Table

Lens Model Number	Function					
	Zoom	Focus	Distortion	Lens Shift	Lens Memory	Lens Type Recognition
ELPLX01 ELPLX01W	-	✓	✓	✓	✓	✓
ELPLU03 ELPLU03S	✓	✓	✓	✓	✓	✓
ELPLU04	✓	✓	✓	✓	✓	✓
ELPLW05	✓	✓	✓	✓	✓	✓
ELPLW06	✓	✓	-	✓	✓	✓
ELPLW08	✓	✓	✓	✓	✓	✓
ELPLM08	✓	✓	-	✓	✓	✓
ELPLM09	✓	✓	-	✓	✓	✓
ELPLM15	✓	✓	-	✓	✓	✓
ELPLM10	✓	✓	-	✓	✓	✓
ELPLM11	✓	✓	-	✓	✓	✓
ELPLL08	✓	✓	-	✓	✓	✓
ELPLU02	✓	✓	✓ *1	✓	-	-
ELPLR04	-	✓	-	-	-	-
ELPLW04	✓	✓	-	✓	-	-
ELPLS04	✓	✓	-	✓	-	-
ELPLM06	✓	✓	-	✓	-	-
ELPLM07	✓	✓	-	✓	-	-
ELPLL07	✓	✓	-	✓	-	-

*1 Manual adjustment

Supported Monitor Displays

PC

Signal Format	Resolution (Dot)	V Sync (Hz)	Computer/BNC		HDMI/HDBase-T										DVI-D			
			RGB	YCbCr	RGB			YCbCr						RGB	YCbCr			
								4:4:4			4:2:2							
					8	10	12	8	10	12	8	10	12	8	8			
VGA	640 × 480	60	✓		✓											✓		
		72	✓															
		75	✓															
		85	✓															
SVGA	800 × 600	60	✓		✓											✓		
		72	✓															
		75	✓															
		85	✓															
XGA	1024 × 768	60	✓		✓											✓		
		70	✓															
		75	✓															
		85	✓															
WXGA	1280 × 768	60	✓		✓											✓		
		75	✓															
	1280 × 800	60	✓															
		85	✓															
1366 × 768	60	✓		✓												✓		
	75	✓																
	85	✓																
WXGA+	1440 × 900	60	✓		✓											✓		
		75	✓															
		85	✓															
WXGA++	1600 × 900	60	✓		✓										✓			
SXGA	1152 × 864	60	✓		✓											✓		
		70	✓															
		75	✓															
		85	✓															
	1280 × 960	60	✓		✓												✓	
		75	✓															
		85	✓															
	1280 × 1024	60	✓		✓												✓	
		75	✓															
85		✓																
SXGA+	1400 × 1050	60	✓		✓											✓		
		75	✓															
WSXGA+	1680 × 1050	60	✓ ^{*2,3}		✓ ¹³											✓ ¹³		
UXGA	1600 × 1200	60	✓		✓											✓		
1920 × 1080	1920 × 1080	50	✓		✓											✓		
		60	✓		✓											✓		
WUXGA RB ^{*1}	1920 × 1200	60	✓ ¹⁴		✓											✓		
QXGA	2048 × 1536	60			✓ ¹⁴													
WQHD	2560 × 1440	60			✓ ¹⁴													
WQXGA RB ^{*1}	2560 × 1600	60			✓ ¹⁴													

*1 Based on VESA CVT-RB (Reduced Blanking)

*2 Only when [Wide] is selected in [Resolution] from the [Signal] menu

*3 EB-L1075U/EB-L1070U/EB-L1065U/EB-L1060U/EB-L1050U/EB-L1070W/EB-L1060W only

*4 EB-L1075U/EB-L1070U/EB-L1065U/EB-L1060U/EB-L1050U only

SD

Signal Format	Resolution (Dot)	V Sync (Hz)	Computer/BNC		HDMI/HDBase-T									DVI-D		
			RGB	YCbCr	RGB			YCbCr						RGB	YCbCr	
								4:4:4 4:2:2			4:2:0					
					8	10	12	8	10	12	8	10	12			8
SDTV (480i)	720 x 480	59.94		✓	✓	✓	✓	✓	✓	✓					✓	✓
SDTV (576i)	720 x 576	50		✓	✓	✓	✓	✓	✓						✓	✓
SDTV (480p)	720 x 480	59.94	✓	✓	✓	✓	✓	✓	✓	✓					✓	✓
SDTV (576p)	720 x 576	50	✓	✓	✓	✓	✓	✓	✓	✓					✓	✓

HD

Signal Format	Resolution (Dot)	V Sync (Hz)	Computer/BNC		HDMI/HDBase-T									DVI-D			
			RGB	YCbCr	RGB			YCbCr						RGB	YCbCr		
								4:4:4 4:2:2			4:2:0						
					8	10	12	8	10	12	8	10	12			8	8
HDTV (720p)	1280 x 720	50	✓	✓	✓	✓	✓	✓	✓	✓					✓	✓	
		59.94	✓	✓	✓	✓	✓	✓	✓	✓					✓	✓	
		60	✓	✓	✓	✓	✓	✓	✓	✓					✓	✓	
HDTV (1080i)	1920 x 1080	50	✓	✓	✓	✓	✓	✓	✓	✓					✓	✓	
		59.94	✓	✓	✓	✓	✓	✓	✓	✓					✓	✓	
		60		✓	✓	✓	✓	✓	✓	✓					✓	✓	
HDTV (1080p)	1920 x 1080	23.98			✓	✓	✓	✓	✓	✓					✓	✓	
		24			✓	✓	✓	✓	✓	✓					✓	✓	
		25															
		29.97			✓	✓	✓	✓	✓	✓	✓					✓	✓
		30			✓	✓	✓	✓	✓	✓	✓					✓	✓
		50	✓		✓	✓	✓	✓	✓	✓	✓					✓	✓
		59.94	✓		✓	✓	✓	✓	✓	✓	✓					✓	✓
		60	✓		✓	✓	✓	✓	✓	✓	✓					✓	✓

4K (EB-L1075U/EB-L1070U/EB-L1065U/EB-L1060U/EB-L1050U only)

Signal Format	Resolution (Dot)	V Sync (Hz)	Computer/BNC		HDMI/HDBase-T									DVI-D		
			RGB	YCbCr	RGB			YCbCr						RGB	YCbCr	
								4:4:4			4:2:2					4:2:0
					8	10	12	8	10	12	8	10	12			8
3840 x 2160	3840 x 2160	23.98	✓			✓			✓	✓	✓					
		24	✓			✓			✓	✓	✓					
		25	✓			✓			✓	✓	✓					
		29.97	✓			✓			✓	✓	✓					
		30	✓			✓			✓	✓	✓					
		50										✓				
		59.94										✓				
4096 x 2160 SMPTE	4096 x 2160	23.98	✓			✓			✓	✓	✓					
		24	✓			✓			✓	✓	✓					
		25														
		29.97														
		30														
		50										✓				
		59.94										✓				
60										✓						

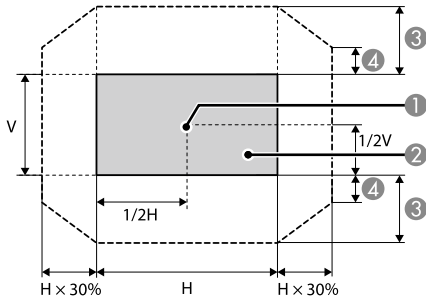
■ Available Lens Shift Adjustment Range

The ranges within which the image can be moved are shown below.

The position of the projected image cannot be moved to both the horizontal and vertical maximum values.

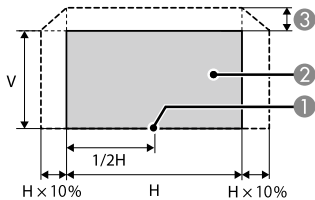
The ELPLR04 does not support lens shift.

EB-L1075U/EB-L1070U/EB-L1065U/EB-L1060U/EB-L1050U/EB-L1070W/EB-L1060W



- ① Center of lens
- ② Projected image when the lens position is moved to the home position
- ③ Maximum motion range: $V \times 67\%$
- ④ When the horizontal direction is at the maximum value: $V \times 19\%$

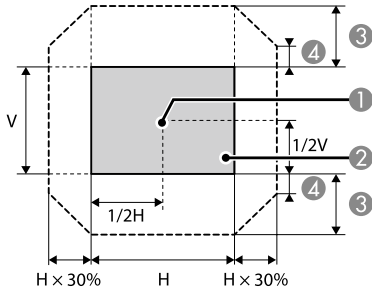
When using the ELPLX01/ELPLX01W



- ① Center of lens
- ② Projected image when the lens position is moved to the standard position
- ③ Maximum motion range: $V \times 17\%$

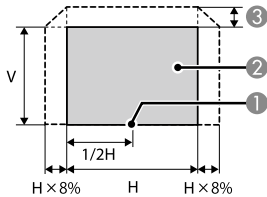
* When the horizontal direction is set to the maximum, the image cannot be moved upward.

EB-L1070



- ① Center of lens
- ② Projected image when the lens position is moved to the home position
- ③ Maximum motion range: $V \times 57\%$
- ④ When the horizontal direction is at the maximum value: $V \times 16\%$

When using the ELPLX01/ELPLX01W



- ① Center of lens
- ② Projected image when the lens position is moved to the standard position
- ③ Maximum motion range: $V \times 7\%$

* When the horizontal direction is set to the maximum, the image cannot be moved upward.

Available Keystone Correction Range

H/V-Keystone

If the projector's angle of tilt is within the following range, you can correct distortion in the projected image by using the H/V-Keystone correction function.

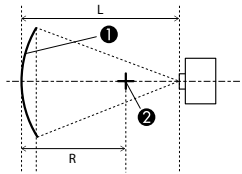
Screen Position	ELPLM08	ELPLX01 ELPLX01W	ELPLU03 ELPLU03S	ELPLU04 ELPLU02	ELPLR04	ELPLW08 ELPLW05	ELPLW06 ELPLW04	ELPLM15 ELPLM09 ELPLS04	ELPLM10 ELPLM06	ELPLM11 ELPLM07	ELPLL08 ELPLL07
Vertical Direction	-45° to 45°	-16° to 16°	-28° to 28°	-35° to 35°	-34° to 34°	-40° to 40°	-45° to 45°				
Horizontal Direction	-30° to 30°	-16° to 16°	-28° to 28°	-30° to 30°							

Curved Surface

The values in the table are the minimum values for R/L in the illustration. (Approximate value when projecting at maximum zoom. The ELPLR04 does not support lens shift.)

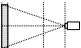
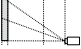
EB-L1075U/EB-L1070U/EB-L1065U/EB-L1060U/EB-L1050U/EB-L1070W/EB-L1060W

Horizontally curved surface (concave)

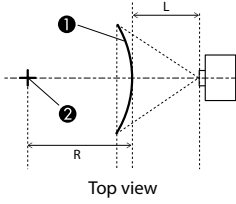


- ① Screen
 - ② Center of the circle of which the curved surface is an arc
- L Projection distance
R Radius of the circle of which the curved surface is an arc

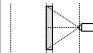
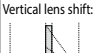
Top view

Lens Type	ELPLX01 ELPLX01W	ELPLU03 ELPLU03S	ELPLU04 ELPLU02	ELPLR04	ELPLW05	ELPLW06 ELPLW04	ELPLW08	ELPLM08	ELPLM15 ELPLM09 ELPLS04	ELPLM10 ELPLM06	ELPLM11 ELPLM07	ELPLL08 ELPLL07
Vertical Lens Shift: Home Position  Side view	-	0.45	0.39	0.37	0.35	0.26	0.33	0.29	0.21	0.15	0.11	0.08
Vertical lens shift: Top  Side view	2.74	0.56	0.40	-	0.37	0.27	0.34	0.30	0.22	0.15	0.11	0.08

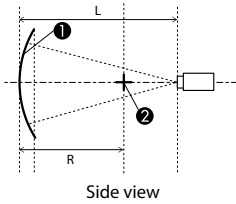
Horizontally curved surface (convex)



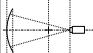
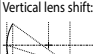
- 1 Screen
- 2 Center of the circle of which the curved surface is an arc
- L Projection distance
- R Radius of the circle of which the curved surface is an arc

Lens Type	ELPLX01 ELPLX01W	ELPLU03 ELPLU03S	ELPLU04 ELPLU02	ELPLR04	ELPLW05	ELPLW06 ELPLW04	ELPLW08	ELPLM08	ELPLM15 ELPLM09 ELPLS04	ELPLM10 ELPLM06	ELPLM11 ELPLM07	ELPLL08 ELPLL07
Vertical Lens Shift: Home Position 	-	2.13	1.27	1.10	0.95	0.49	0.79	0.58	0.33	0.20	0.13	0.09
Side view												
Vertical lens shift: Top 	3.52	2.31	1.37	-	1.01	0.52	0.84	0.62	0.35	0.20	0.13	0.09
Side view												

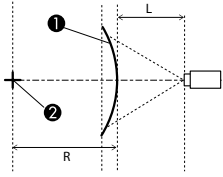
Vertically curved surface (concave)



- 1 Screen
- 2 Center of the circle of which the curved surface is an arc
- L Projection distance
- R Radius of the circle of which the curved surface is an arc

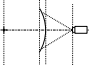
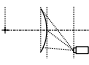
Lens Type	ELPLX01 ELPLX01W	ELPLU03 ELPLU03S	ELPLU04 ELPLU02	ELPLR04	ELPLW05	ELPLW06 ELPLW04	ELPLW08	ELPLM08	ELPLM15 ELPLM09 ELPLS04	ELPLM10 ELPLM06	ELPLM11 ELPLM07	ELPLL08 ELPLL07
Vertical Lens Shift: Home Position 	-	0.37	0.31	0.29	0.27	0.19	0.25	0.21	0.15	0.11	0.08	0.06
Side view												
Vertical lens shift: Top 	1.98	0.67	0.43	-	0.35	0.22	0.31	0.25	0.17	0.11	0.08	0.06
Side view												

Vertically curved surface (convex)



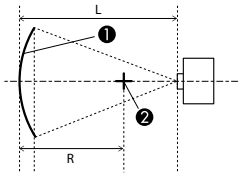
Side view

- ① Screen
- ② Center of the circle of which the curved surface is an arc
- L Projection distance
- R Radius of the circle of which the curved surface is an arc

Lens Type	ELPLX01 ELPLX01W	ELPLU03 ELPLU03S	ELPLU04 ELPLU02	ELPLR04	ELPLW05	ELPLW06 ELPLW04	ELPLW08	ELPLM08	ELPLM15 ELPLM09 ELPLS04	ELPLM10 ELPLM06	ELPLM11 ELPLM07	ELPLL08 ELPLL07
Vertical Lens Shift: Home Position 	-	1.07	0.65	0.57	0.49	0.26	0.42	0.31	0.18	0.12	0.08	0.06
Side view												
Vertical lens shift: Top 	3.52	1.29	0.79	-	0.59	0.32	0.50	0.37	0.22	0.13	0.09	0.06
Side view												

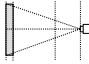
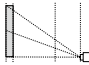
EB-L1070

Horizontally curved surface (concave)

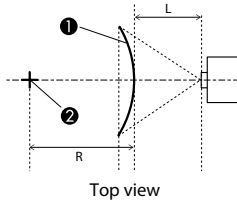


Top view

- ① Screen
- ② Center of the circle of which the curved surface is an arc
- L Projection distance
- R Radius of the circle of which the curved surface is an arc

Lens Type	ELPLX01 ELPLX01W	ELPLU03 ELPLU03S	ELPLU04 ELPLU02	ELPLR04	ELPLW05	ELPLW06 ELPLW04	ELPLW08	ELPLM08	ELPLM15 ELPLM09 ELPLS04	ELPLM10 ELPLM06	ELPLM11 ELPLM07	ELPLL08 ELPLL07
Vertical Lens Shift: Home Position 	-	0.44	0.37	0.35	0.33	0.25	0.31	0.27	0.20	0.14	0.11	0.08
Side view												
Vertical lens shift: Top 	1.66	0.60	0.40	-	0.34	0.25	0.32	0.27	0.20	0.14	0.11	0.08
Side view												

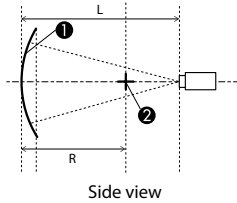
Horizontally curved surface (convex)



- ① Screen
- ② Center of the circle of which the curved surface is an arc
- L Projection distance
- R Radius of the circle of which the curved surface is an arc

Lens Type	ELPLX01 ELPLX01W	ELPLU03 ELPLU03S	ELPLU04 ELPLU02	ELPLR04	ELPLW05	ELPLW06 ELPLW04	ELPLW08	ELPLM08	ELPLM15 ELPLM09 ELPLS04	ELPLM10 ELPLM06	ELPLM11 ELPLM07	ELPLL08 ELPLL07
Vertical Lens Shift: Home Position 	-	1.81	1.10	0.95	0.83	0.44	0.70	0.52	0.31	0.19	0.13	0.09
Vertical lens shift: Top 	3.52	1.88	1.14	-	0.86	0.45	0.72	0.54	0.31	0.19	0.13	0.09

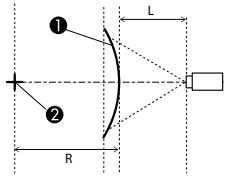
Vertically curved surface (concave)



- ① Screen
- ② Center of the circle of which the curved surface is an arc
- L Projection distance
- R Radius of the circle of which the curved surface is an arc

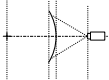
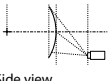
Lens Type	ELPLX01 ELPLX01W	ELPLU03 ELPLU03S	ELPLU04 ELPLU02	ELPLR04	ELPLW05	ELPLW06 ELPLW04	ELPLW08	ELPLM08	ELPLM15 ELPLM09 ELPLS04	ELPLM10 ELPLM06	ELPLM11 ELPLM07	ELPLL08 ELPLL07
Vertical Lens Shift: Home Position 	-	0.37	0.32	0.30	0.28	0.20	0.26	0.22	0.16	0.11	0.08	0.06
Vertical lens shift: Top 	1.73	0.65	0.46	-	0.38	0.25	0.34	0.28	0.19	0.13	0.09	0.07

Vertically curved surface (convex)



- ① Screen
- ② Center of the circle of which the curved surface is an arc
- L Projection distance
- R Radius of the circle of which the curved surface is an arc

Side view

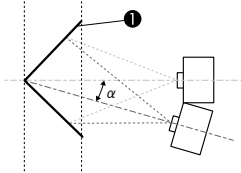
Lens Type	ELPLX01 ELPLX01W	ELPLU03 ELPLU03S	ELPLU04 ELPLU02	ELPLR04	ELPLW05	ELPLW06 ELPLW04	ELPLW08	ELPLM08	ELPLM15 ELPLM09 ELPLS04	ELPLM10 ELPLM06	ELPLM11 ELPLM07	ELPLL08 ELPLL07
Vertical Lens Shift: Home Position 	-	1.08	0.66	0.57	0.50	0.29	0.43	0.34	0.21	0.14	0.10	0.07
Vertical lens shift: Top 	3.52	1.57	0.94	-	0.71	0.37	0.59	0.44	0.26	0.15	0.10	0.07

Corner Wall

The α in the illustration is the maximum angle in which the projector can move. See the table below for detailed values. (Approximate value when projecting at maximum zoom. The ELPLR04 does not support lens shift.)

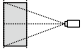
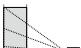
EB-L1075U/EB-L1070U/EB-L1065U/EB-L1060U/EB-L1050U/EB-L1070W/EB-L1060W

Concave horizontal corner correction (correction to bilateral symmetry by using corners as the center line)

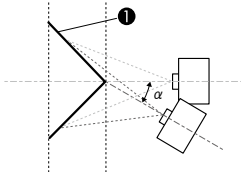


① Screen
 α Movable angle of the projector

Top view

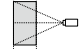
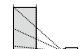
Lens Type	ELPLX01 ELPLX01W	ELPLU03 ELPLU03S	ELPLU04 ELPLU02	ELPLR04	ELPLW05	ELPLW06 ELPLW04	ELPLW08	ELPLM08	ELPLM15 ELPLM09 ELPLS04	ELPLM10 ELPLM06	ELPLM11 ELPLM07	ELPLL08 ELPLL07
Vertical Lens Shift: Home Position 	-	29°	31°	32°	33°	31°	32°	31°	30°	29°	29°	28°
Side view												
Vertical lens shift: Top 	-	9°	14°	-	18°	25°	20°	23°	29°	29°	28°	28°
Side view												

Convex horizontal corner correction (correction to bilateral symmetry by using corners as the center line)



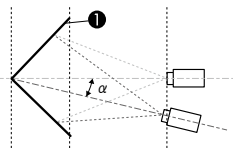
① Screen
 α Movable angle of the projector

Top view

Lens Type	ELPLX01 ELPLX01W	ELPLU03 ELPLU03S	ELPLU04 ELPLU02	ELPLR04	ELPLW05	ELPLW06 ELPLW04	ELPLW08	ELPLM08	ELPLM15 ELPLM09 ELPLS04	ELPLM10 ELPLM06	ELPLM11 ELPLM07	ELPLL08 ELPLL07
Vertical Lens Shift: Home Position 	-	0°	6°	8°	9°	16°	11°	14°	18°	22°	23°	24°
Side view												
Vertical lens shift: Top 	-	*	4°	-	8°	15°	10°	13°	18°	21°	23°	24°
Side view												


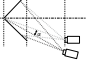
* Cannot correct precisely. Move the lens to the home position.

Concave vertical corner correction (correction to horizontal symmetry by using corners as the center line)



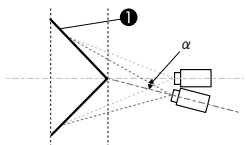
Side view

- ① Screen
- α Movable angle of the projector

Lens Type	ELPLX01 ELPLX01W	ELPLU03 ELPLU03S	ELPLU04 ELPLU02	ELPLR04	ELPLW05	ELPLW06 ELPLW04	ELPLW08	ELPLM08	ELPLM15 ELPLM09 ELPLS04	ELPLM10 ELPLM06	ELPLM11 ELPLM07	ELPLL08 ELPLL07
Vertical Lens Shift: Home Position  Side view	-	33°	31°	31°	31°	28°	31°	30°	26°	24°	23°	23°
Vertical lens shift: Top  Side view	-	*	6°	-	10°	13°	11°	12°	14°	16°	18°	19°



* Cannot correct precisely. Move the lens to the home position.

Convex vertical corner correction (correction to horizontal symmetry by using corners as the center line)



Side view

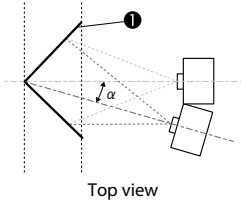
- ① Screen
- α Movable angle of the projector

Lens Type	ELPLX01 ELPLX01W	ELPLU03 ELPLU03S	ELPLU04 ELPLU02	ELPLR04	ELPLW05	ELPLW06 ELPLW04	ELPLW08	ELPLM08	ELPLM15 ELPLM09 ELPLS04	ELPLM10 ELPLM06	ELPLM11 ELPLM07	ELPLL08 ELPLL07
Vertical Lens Shift: Home Position  Side view	-	9°	14°	15°	16°	20°	17°	19°	22°	22°	22°	22°
Vertical lens shift: Top  Side view	-	*	*	-	*	7°	1°	5°	12°	15°	17°	18°

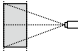
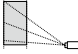
* Cannot correct precisely. Move the lens to the home position.

EB-L1070

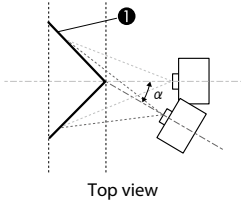
Concave horizontal corner correction (correction to bilateral symmetry by using corners as the center line)



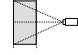

1 Screen
 α Movable angle of the projector

Lens Type	ELPLX01 ELPLX01W	ELPLU03 ELPLU03S	ELPLU04 ELPLU02	ELPLR04	ELPLW05	ELPLW06 ELPLW04	ELPLW08	ELPLM08	ELPLM15 ELPLM09 ELPLS04	ELPLM10 ELPLM06	ELPLM11 ELPLM07	ELPLL08 ELPLL07
Vertical Lens Shift: Home Position  Side view	-	26°	29°	30°	31°	31°	32°	31°	30°	29°	29°	28°
Vertical Lens Shift: Top  Side view	-	7°	13°	-	16°	23°	18°	21°	27°	29°	29°	28°

Convex horizontal corner correction (correction to bilateral symmetry by using corners as the center line)

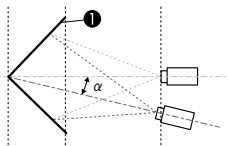


1 Screen
 α Movable angle of the projector

Lens Type	ELPLX01 ELPLX01W	ELPLU03 ELPLU03S	ELPLU04 ELPLU02	ELPLR04	ELPLW05	ELPLW06 ELPLW04	ELPLW08	ELPLM08	ELPLM15 ELPLM09 ELPLS04	ELPLM10 ELPLM06	ELPLM11 ELPLM07	ELPLL08 ELPLL07
Vertical Lens Shift: Home Position  Side view	-	0°	6°	8°	10°	16°	12°	14°	19°	22°	23°	24°
Vertical Lens Shift: Top  Side view	-	*	2°	-	7°	16°	10°	14°	18°	21°	23°	24°

* Cannot correct precisely. Move the lens to the home position.

Concave vertical corner correction (correction to horizontal symmetry by using corners as the center line)



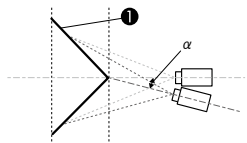
① Screen
 α Movable angle of the projector

Side view

Lens Type	ELPLX01 ELPLX01W	ELPLU03 ELPLU03S	ELPLU04 ELPLU02	ELPLR04	ELPLW05	ELPLW06 ELPLW04	ELPLW08	ELPLM08	ELPLM15 ELPLM09 ELPLS04	ELPLM10 ELPLM06	ELPLM11 ELPLM07	ELPLL08 ELPLL07
Vertical Lens Shift: Home Position	-	33°	32°	32°	31°	30°	31°	31°	29°	27°	26°	26°
Side view												
Vertical Lens Shift: Top	-	*	7°	-	10°	16°	12°	14°	17°	19°	21°	22°
Side view												

* Cannot correct precisely. Move the lens to the home position.

Convex vertical corner correction (correction to horizontal symmetry by using corners as the center line)



① Screen
 α Movable angle of the projector

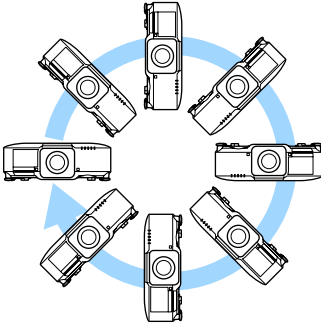
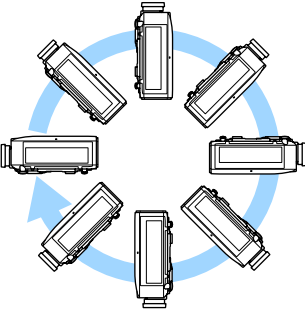
Side view

Lens Type	ELPLX01 ELPLX01W	ELPLU03 ELPLU03S	ELPLU04 ELPLU02	ELPLR04	ELPLW05	ELPLW06 ELPLW04	ELPLW08	ELPLM08	ELPLM15 ELPLM09 ELPLS04	ELPLM10 ELPLM06	ELPLM11 ELPLM07	ELPLL08 ELPLL07
Vertical Lens Shift: Home Position	-	6°	12°	13°	14°	19°	16°	18°	21°	23°	24°	25°
Side view												
Vertical Lens Shift: Top	-	*	*	-	*	6°	0°	4°	11°	16°	19°	21°
Side view												

* Cannot correct precisely. Move the lens to the home position.

Installation Angle

360° The projector can be installed at any angle. There is no vertical or horizontal limit to how the projector can be installed.

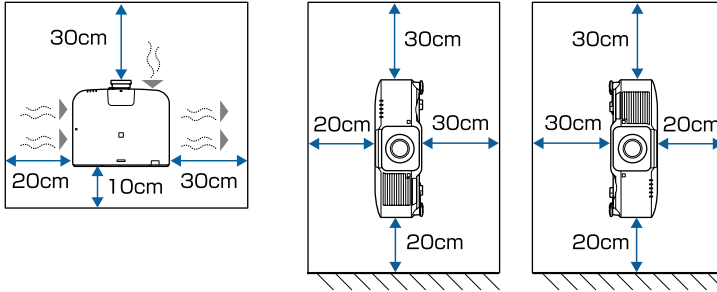


■ Installation Environment

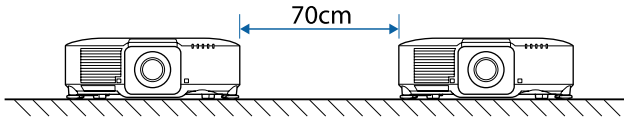
⚠ Warning

Do not cover the projector's air intake vent or air exhaust vent. The internal temperature could rise and cause a fire.

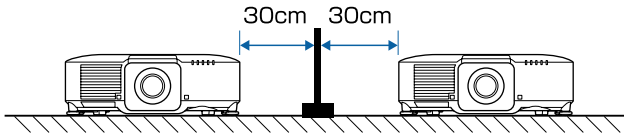
Make sure you secure the following space around the projector so as not to block the air exhaust vent and the air intake vent.



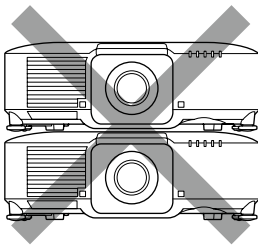
When setting up multiple projectors, make sure there is a gap of at least 70 cm between the projectors. Also, make sure that the heat from the air exhaust vent does not go into the air intake vent.



Secure the following space when placing a partition between projectors.



Do not stack projectors directly on top of each other.

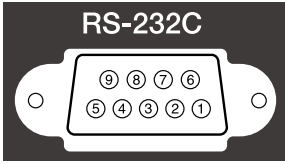


You need a dedicated mount for portrait projection. Make sure you contact a specialist to request the mount.

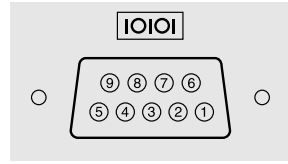
See "Safety Warning and Cautions" in the "User's Guide" for more detailed information.

Serial Connection

<At the projector>



<At the computer>



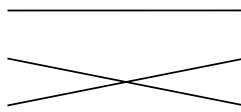
Serial cable (cross)

<At the projector>

GND 5

TD 3

RD 2



<At the computer>

5 GND

3 TD

2 RD

<Serial port specifications>

Connector shape: D-Sub 9-pin (male)

Projector input port name: RS-232C

<Communication specifications>

- Default baud rate setting: 9600 bps
- Data length: 8 bit
- Parity: None
- Stop-bit: 1 bit
- Flow control: None

■ Monitoring and Control

The projector can be monitored and controlled using the following methods. For more details, see the "User's Guide" supplied with the projector.

• ESC/VP21 commands

- When the projector is connected to a computer with an RS-232C cable, you can control the projector with communication commands.
- You can control the projector from a computer connected to the optional HDBaseT transmitter with an RS-232C cable.

• Epson Web Control

By using a Web browser of a computer or mobile device connected to the projector on a network, you can set functions and control the projector.

• PJLink commands

The projector complies with the PJLink Class2 standard established by the JBMIA. From a computer connected to the projector on a network, you can control the projector with PJLink commands.

For more details on PJLink, see the following Web site.

<http://pjlink.jbmia.or.jp/english/>

• Epson Projector Management (Software provided by EPSON)

This software allows you to control multiple EPSON projectors on a network. You can download Epson Projector Management from the following Web site.

<http://www.epson.com/>

ESC/VP21 Command List

When the power on command is transmitted to the projector, the power turns on and it enters warm-up mode. When the projector's power has turned on, a colon ":" (3Ah) is returned. When a command is input, the projector executes the command and returns a ":", and then accepts the next command. If the command being processed terminates abnormally, an error message is output and a ":" is returned.

Power on/off

Function	Command	Response Value	Content
Power on	PWR ON		
Power off	PWR OFF		
Power status query	PWR?	00	Standby condition
		01	Projecting
		02	Warm-up status
		03	Cooling status
		04	Network monitoring status/communication status
		05	Error standby status
		09	Standby status (external output of images and audio is possible)

Switch input source

Function	Command	Setting Value Response Value	Content
Switch input source	SOURCE	10	Computer
Acquire input source	SOURCE?	11	Computer RGB
		14	Computer Component
		1F	Computer Auto
		30	HDMI
		52	USB
		53	LAN
		80	HDBaseT
		A0	DVI-D
		B0	BNC 5BNC
		B1	BNC RGB
		B4	BNC Component
		BF	BNC Auto
		F0	Switch to all input sources in order
		F1	Switch to DVI-D, Computer, BNC, and LAN in order
		F2	Switch to HDMI and HDBaseT in order

A/V Mute function

Function	Command	Setting Value	Content
A/V Mute function	MUTE MUTE?	ON	On
		OFF	Off

On-Screen Display settings

Function	Command	Setting Value	Content
On-Screen Display	ONSCREEN ONSCREEN?	00	Do not display menus and messages
		01	Display menus and messages

Configuration menu

INC: Increase the setting value/DEC: Decrease the setting value/INIT: Return to defaults

Top Menu	Sub-menu	Epson Web Control Setting Availability	ESCPV21 Public Commands		
			Command	Setting Value/Response Value	
Image	Color Mode	<input type="radio"/>	CMODE x1 CMODE?	04: Presentation 06: Dynamic 07: Natural 0E: BT.709 0F: DICOM SIM 15: Cinema 1A: Multi-Projection INIT (settings only)	
	Brightness	<input type="radio"/>	BRIGHT x1 BRIGHT?	0-255 INIT/INC/DEC (settings only)	
	Contrast	<input type="radio"/>	CONTRAST x1 CONTRAST?	0-255 INIT/INC/DEC (settings only)	
	Color Saturation	<input type="radio"/>	DENSITY x1 DENSITY?	0-255 INIT/INC/DEC (settings only)	
	Tint	<input type="radio"/>	TINT x1 TINT?	0-255 INIT/INC/DEC (settings only)	
	Sharpness	<input type="radio"/>	SHARP x1 x2 SHARP? x1	x1: Adjustment value 0-255 INC/DEC/INIT x2: Specify specific range 00: Standard (optional) 01: Thin Line Enhancement 02: Thick Line Enhancement	
	White Balance	Color Temp.	<input type="radio"/>	CTEMP x1 CTEMP?	0-255 INIT/INC/DEC (settings only)
		G-M Correction	<input type="radio"/>	FCOLOR x1 FCOLOR?	0-255 INIT/INC/DEC (settings only)
		Customized	<input type="radio"/>	OFFSETR x1 OFFSETR? OFFSETG x1 OFFSETG? OFFSETB x1 OFFSETB? GAINR x1 GAINR? GAING x1 GAING? GAINB x1 GAINB?	0-255 INIT/INC/DEC (settings only)
	Image Enhancement	4K Enhancement*	<input type="radio"/>	4KENHANCE x1 4KENHANCE?	00: Off 01: Full HD 02: WUXGA+
		Image Preset Mode	<input type="radio"/>	IMGPRESET x1 IMGPRESET?	00: Off 01: Preset 1 02: Preset 2 03: Preset 3 04: Preset 4 05: Preset 5
		Frame Interpolation	<input type="radio"/>	MCFI x1 MCFI?	00: Off 01: Low 02: Normal 03: High INIT (settings only)
		Deinterlacing	<input type="radio"/>		-
		Noise Reduction	<input type="radio"/>	NRS x1 NRS?	0-255 INIT/INC/DEC

Top Menu	Sub-menu		Epson Web Control Setting Availability	ESCPV21 Public Commands	
				Command	Setting Value/Response Value
		MPEG Noise Reduction	<input type="radio"/>	MPEGNRS x1 MPEGNRS?	00: Off 01: Low 02: Normal 03: High
		Super-resolution	<input type="radio"/>	SHRF x1 SHRF? SHRS x1 SHRS?	0-255 INIT/INC/DEC (settings only)
		Detail Enhancement	<input type="radio"/>	DERANGE x1 DERANGE? DESTRENGTH x1 DESTRENGTH?	0-255 INIT/INC/DEC (settings only)
	Advanced	Gamma	<input type="radio"/>	GAMMA x1 GAMMA?	17: Setting 5/Gamma 1.7 18: Setting 4/Gamma 1.8 19: Setting 3/Gamma 1.9 20: Setting 2/Gamma 2.0 21: Setting 1/Gamma 2.1 22: Setting 0/Gamma 2.2 23: Setting -1/Gamma 2.3 24: Setting -2/Gamma 2.4 25: Setting -3/Gamma 2.5 26: Setting -4/Gamma 2.6 27: Setting -5/Gamma 2.7 F0: Custom INIT (settings only)
		Gamma (Custom)	<input type="radio"/>	GAMMALV x1 x2 GAMMALV? x1	x1: Gradient 00-08: Gradient 1 to Gradient 9 x2: Adjustment value 0-255 INC/DEC
		RGBCMY	<input type="radio"/>		
		Dynamic Contrast	<input type="radio"/>		-
	Reset	<input type="radio"/>			

*EB-L1075U/EB-L1070U/EB-L1065U/EB-L1060U/EB-L1050U only

Top Menu	Sub-menu	Epson Web Control Setting Availability	ESCPV21 Public Commands		
			Command	Setting Value/Response Value	
Signal	Resolution	<input type="radio"/>		-	
	Aspect	<input type="radio"/>	ASPECT x1 ASPECT?	00: Normal 10: 4:3 20: 16:9 30: Auto 40: Full 50: H-Zoom 60: Native A0: V-Zoom INIT (settings only) <Response value when "Auto" is selected> x1: Mode x2: Auto setting value (fixed at 30)	
	Tracking	<input type="radio"/>	TRACKING x1 TRACKING?	0-255 INIT/INC/DEC (settings only)	
	Sync.	<input type="radio"/>	SYNC x1 SYNC?	0-255 INIT/INC/DEC (settings only)	
	Position	<input type="radio"/>	HPOS x1 HPOS? VPOS x1 VPOS?	0-255 INIT/INC/DEC (settings only)	
	Auto Setup	<input type="radio"/>		-	
	Overscan	<input type="radio"/>	OVSCAN x1 OVSCAN?	00: Off 02: 4% 04: 8% A0: Auto INIT (settings only)	
	Blanking	<input type="radio"/>			
	Advanced	Video Range	<input type="radio"/>		
		Input Signal	<input type="radio"/>		
		BNC Sync Termination	x		
		EDID	x		
		DDC Buffer	x		
	Scale	<input type="radio"/>			
Reset	<input type="radio"/>				

Top Menu	Sub-menu		Epson Web Control Setting Availability	ESCVP21 Public Commands		
				Command	Setting Value/Response Value	
Settings	Geometry Correction		<input type="radio"/>	CORRECTMET x1 CORRECTMET?	00: Off 01: H/V-Keystone Correction 02: Quick Corner Correction 03: Point Correction 04: Arc/Curved Surface Correction 05: Corner Wall Correction	
		H/V-Keystone	<input type="radio"/>	VKEYSTONE x1 VKEYSTONE? HKEYSTONE x1 HKEYSTONE? VBALANCE x1 VBALANCE? HBALANCE x1 HBALANCE?	0-255 INIT/INC/DEC (settings only)	
		Quick Corner	<input type="radio"/>	QC x1 x2 x3 x4 x5 x6 x7 x8 (Set coordinates)	x1 - x8: 0 - 9999 Specify in the order: top left (x, y), top right (x,y), bottom right (x, y), bottom left (x, y)	
				QC? (Acquire coordinate settings)	0-9999 Coordinates (x, y) for 4 points are divided into 4 lines and responded	
				QCV x1 x2 x3 x4 x5 x6 x7 x8 (Vector settings)	x1 - x8: 0 - 99 Specify in the order: top left (x, y), top right (x,y), bottom right (x, y), bottom left (x, y)	
		Curved Surface	<input type="radio"/>			
		Corner Wall	<input type="radio"/>		-	
	Point Correction	<input type="radio"/>				
	Split Screen			<input type="radio"/>	SPS x1 x2 SPS?	x1 01: Execute/Release Split Screen x2 00: Release Split Screen 01: Execute Split Screen
						x1 02: Set Screen Size x2 00: Equal 01: Larger Left 02: Larger Right
						x1 03: Source (Screen Left) 04: Source (Screen Right) x2 See "Switch source".
						x1 05: Swap Screens
						x1 06: Audio Source x2 00: Auto 01: Screen Left 02: Screen Right
						x1 00: Acquire All Current Settings (information only)
				x1 INIT		
Volume			<input type="radio"/>	VOL x1 VOL?	0-255 INIT/INC/DEC (settings only)	
Lock Setting	Control Panel Lock	<input type="radio"/>				
	Lens Lock	<input type="radio"/>			-	

Top Menu	Sub-menu		Epson Web Control Setting Availability	ESCPV21 Public Commands		
				Command	Setting Value/Response Value	
Brightness Settings	Light Source Mode		○	LUMINANCE x1 LUMINANCE?	00: Normal 01: Quiet 02: Medium 04: Extended 05: Customized INIT (settings only)	
		Brightness Level	○	LUMLEVEL level LUMLEVEL?	0-255 INIT/INC/DEC (settings only)	
		Constant Brightness	○	LUMCONST x1 LUMCONST?	00: Off 01: On	
		Brightness Control Lock	×	LUMLOCK x1 x2	x1 Lock Setting 00: Lock Release 02: Brightness Level Lock 03: Brightness Level & Fixed Lock x2 Password 6-digit number	
	Estimated Remains		○		-	
	Remote Receiver		○		-	
	User Button		×			
	Test Pattern		○			
	Memory	Memory		○	POPMEM x1 x2 (Load) PUSHMEM x1 x2 (Register) ERASEMEM x1 x2 (Delete) - (Rename)	x1 Memory Type 02: Advanced x2 Memory No. 01: Memory 1 (1st) 02: Memory 2 (2nd) 03: Memory 3 (3rd) 04: Memory 4 (4th) 05: Memory 5 (5th) 06: Memory 6 (6th) 07: Memory 7 (7th) 08: Memory 8 (8th) 09: Memory 9 (9th) 0A: Memory 10 (10th)
			Lens Position	○	POPLP x1 (Load) PUSHLP x1 (Register) ERASELP x1 (Delete)	00: All 01: Memory 1 (1st) 02: Memory 2 (2nd) 03: Memory 3 (3rd) 04: Memory 4 (4th) 05: Memory 5 (5th) 06: Memory 6 (6th) 07: Memory 7 (7th) 08: Memory 8 (8th) 09: Memory 9 (9th) 0A: Memory 10 (10th)
Geometry Correction			○	POPGC x1 (Load) PUSHGC x1 (Register) ERASEGC x1 (Delete) NAMEGC x1 x2 (Rename) NAMEGC? x1 (Acquire Name)	x1 Memory Type 00: ALL 01: Memory 1 (1st) 02: Memory 2 (2nd) 03: Memory 3 (3rd) x2 Custom name (ASCII code)	
Content Playback			×		-	
Reset		○		-		

Top Menu	Sub-menu		Epson Web Control Setting Availability	ESCVP21 Public Commands	
				Command	Setting Value/Response Value
Extended	Home Screen	Home Screen Auto Disp.	<input type="radio"/>	AUTOHOME x1 AUTOHOME?	00: Off 01: On
		Custom function	<input type="radio"/>	HFUNC x1 x2 HFUNC? x1	x1 Custom Target 01: Custom Function 1 02: Custom Function 2 x2 Assigned Functions 03: Network Settings 08: Info 0B: Image Enhancement 0C: Frame Interpolation 0D: Split Screen
	Display	Menu Position	<input type="radio"/>	MENUDISP mode param MENUDISP? mode	mode: Specify Setting Mode 01: Menu Position param: Menu Position 00: Center 01: Center Left 02: Top Left 03: Top Center 04: Top Right 05: Center Right 06: Bottom Right 07: Bottom Center 08: Bottom Left INIT (settings only)
		Message Position	<input type="checkbox"/>	MSGPOS x1 MSGPOS?	00: Center 01: Center Left 02: Top Left 03: Top Center 04: Top Right 05: Center Right 06: Bottom Right 07: Bottom Center 08: Bottom Left
		Messages	<input type="radio"/>		
		Display Background	<input type="radio"/>		-
		Startup Screen	<input type="radio"/>		
		Standby Confirmation	<input type="radio"/>	STANDBYCONF mode STANDBYCONF?	00: Standby Confirmation Off 01: Standby Confirmation On INIT (settings only)
		Air Filter Notice	<input type="radio"/>	FLCLENOT x1 FLCLENOT?	00: Off 01: On INIT (settings only)
		Screen	<input type="radio"/>	SCFORMAT mode param SCFORMAT? mode	01: Screen Type Settings 01: 4:3 02: 16:9 03: 16:10 02: Screen Position Settings C19 (-999) to 000 to 3E7 (999) INIT (settings only)
		Panel Alignment	<input type="radio"/>		-
		Color Uniformity	<input type="radio"/>		
	OSD Rotation	<input type="radio"/>	OSDROTATE x1 OSDROTATE?	00: Off 01: Rotate Right 90 Degrees 02: Rotate Left 90 Degrees	
	User's Logo		<input type="checkbox"/>		-
	Projection		<input type="radio"/>	VREVERSE x1 VREVERSE? HREVERSE x1 HREVERSE?	ON: Reversed OFF: Normal INIT (settings only)

Top Menu	Sub-menu		Epson Web Control Setting Availability	ESCVP21 Public Commands	
				Command	Setting Value/Response Value
	Operation	Direct Power On	<input type="radio"/>		
		Sleep Mode	<input type="radio"/>		
		Sleep Mode Timer	<input type="radio"/>		
		High Altitude Mode	<input type="radio"/>		
		Auto Source Search	<input type="radio"/>	AUTOSEARCH x1 AUTOSEARCH?	00: Off 01: On
		Auto Power On	<input type="radio"/>		
		Startup Source	<input type="radio"/>	STSOURCE mode STSOURCE?	00: Last Source 10: Computer 30: HDMI 52: USB 53: LAN 80: HDBaseT A0: DVI-D B0: BNC
		A/V Mute Settings	<input type="radio"/>	FADEIN x1 FADEIN? FADEOUT x1 FADEOUT? - A/V Mute Timer - (A/V Mute Release)	0-9: 0.0s 10-19: 0.5s 20-29: 1.0s 30-39: 1.5s 40-49: 2.0s 50-59: 2.5s 60-69: 3.0s 70-79: 3.5s 80-89: 4.0s 90-99: 4.5s 100-109: 5.0s 110-119: 5.5s 120-129: 6.0s 130-139: 6.5s 140-149: 7.0s 150-159: 7.5s 160-169: 8.0s 170-179: 8.5s 180-189: 9.0s 190-199: 9.5s 200-209: 10.0s 210-255: No operations
		Beep	<input type="radio"/>		
		Indicators	<input type="radio"/>	ILLUM x1 ILLUM?	00: Off 01: On
	Log Save Destination	<input type="radio"/>	LOGTO x1 LOGTO?	00: Built-in Memory 01: USB and Internal Memory	
	Batch Setup Range	<input type="radio"/>	BARANGE x1 BARANGE?	00: All 01: Limited	

Top Menu	Sub-menu		Epson Web Control Setting Availability	ESCVP21 Public Commands	
				Command	Setting Value/Response Value
		Lens Type	×	SFLENS mode SFLENS?	00: ELPLS04 01: ELPLU02 02: ELPLR04 03: ELPLW04 04: ELPLM06 05: ELPLM07 06: ELPLL07 INIT 10: ELPLM08 11: ELPLX01 12: ELPLU03 13: ELPLU04 14: ELPLW05 15: ELPLW06 16: ELPLM09 17: ELPLM10 18: ELPLM11 19: ELPLL08 1A: ELPLM15 1C: ELPLW08 1D: ELPLU03S *When the Lens Type is unknown, the menu setting is returned.
		Date & Time	○		-
		Lens Calibration	×	LENSCALB	
	A/V Settings	A/V Output	○	AVOUT x1 AVOUT?	00: While Projecting 01: Always On INIT (settings only)
		Monitor Out	○		-
		Audio Settings	○	AUDIO mode [source]	Audio Settings (without source) mode: change setting 00: Auto 01: Audio1 02: Audio2 03: Audio3 INIT (settings only) HDMI Audio Output Settings mode: change setting 00: Default (HDMI) 03: Audio3 INIT (settings only) source: target source 30: HDMI
		Standby Mode	○		-
	HDBaseT	Control Communications	○	HDBASET mode HDBASET?	00: Off 01: On INIT (settings only)
		Extron XTP	○	XTP XTP?	00: Off 01: On

Top Menu	Sub-menu		Epson Web Control Setting Availability	ESCVP21 Public Commands		
				Command	Setting Value/Response Value	
	Multi-Projection	Projector ID	<input type="radio"/>	PROJID x1 PROJID?	00: Off 01 to 30: ID1 to ID30 INIT (settings only)	
		Tiling	<input type="radio"/>		-	
		Geometry Correction	<input type="radio"/>	See [Geometry Correction] from [Settings].		
		Edge Blending	<input type="radio"/>	-		
		Black Level	<input type="radio"/>			
		Scale	<input type="radio"/>			
		Color Mode	<input type="radio"/>			
		Brightness Settings	<input type="radio"/>	See [Brightness Settings] from [Settings].		
		Color Matching	<input type="radio"/>	MULSCR x1 x2 x3	x1: Adjustment Type 01: Pattern Guide 05: Color Correct R 06: Color Correct G 07: Color Correct B 08: Color Correct (RGB Batch) x2: Level Settings 00: Off (x1 = 01 only) 01: Level 1 02: Level 2 03: Level 3 04: Level 4 05: Level 5 06: Level 6 07: Level 7 08: Level 8 x3: Adjustment Value (except x1 = 01) 0-255 INIT/INC/DEC	
			<input type="radio"/>	MULSCR? x1	x1: Adjustment Type 01: Pattern Guide 05: Color Correct R 06: Color Correct G 07: Color Correct B Responds to the settings or level value for each level of the specified adjustment type. Level value: 00 to 08 Adjustment Number: 000 to 255	
		Color Uniformity	<input type="radio"/>		-	
		Schedule Settings	<input type="radio"/>	-		
		Language	<input checked="" type="checkbox"/>			
	Reset	<input type="radio"/>				

Top Menu	Sub-menu		Epson Web Control Setting Availability	ESCP21 Public Commands	
				Command	Setting Value/Response Value
Info	Projector Info	Operation Hours	<input type="radio"/>	ONTIME?	ONTIME=x1 x1: Operation Hours
		Source	<input type="radio"/>	SOURCELIST? SOURCELISTA?	See "Switch input source" for the response values.
		Input Signal	<input type="radio"/>		
		Resolution	<input type="radio"/>		
		Refresh Rate	<input type="radio"/>		
		Sync Info	<input type="radio"/>		
		Status	<input type="radio"/>		
		Serial Number	<input type="radio"/>		
		Lens Type	<input type="radio"/>	See [Lens Type] from [Extended] - [Operation].	
		Event ID	x		
	HDBaseT Signal Level	x			
	Light Source Info	Light Source Hours	<input type="radio"/>	LAMP?	LAMP = x1 x1: Laser Lamp Hours
		Estimated Remains	<input type="radio"/>		-
	Version		<input type="radio"/>		-
Status Info		<input type="radio"/>		-	

Top Menu	Sub-menu		Epson Web Control Setting Availability	ESCP21 Public Commands		
				Command	Setting Value/Response Value	
Reset	Reset All Memories		<input type="radio"/>		-	
	Refresh Mode	Hour(s)	<input type="radio"/>	REFRESHTIME x1 REFRESHTIME?	01: 1 hour 0D: 13 hours 02: 2 hours 0E: 14 hours 03: 3 hours 0F: 15 hours 04: 4 hours 10: 16 hours 05: 5 hours 11: 17 hours 06: 6 hours 12: 18 hours 07: 7 hours 13: 19 hours 08: 8 hours 14: 20 hours 09: 9 hours 15: 21 hours 0A: 10 hours 16: 22 hours 0B: 11 hours 17: 23 hours 0C: 12 hours 18: 24 hours	
			Messages	<input type="radio"/>	REFRESHMSG x1 REFRESHMSG?	00: Messages Hidden 01: Messages
			Start	<input type="radio"/>	REFRESH	-
			Light Source Calibration	Run Now	<input type="radio"/>	LTCALB
	Run Periodically	<input type="radio"/>		AUTOLTALCB x1 AUTOLTALCB?	00: Off 01: On (Run Periodically)	
	Schedule Settings	<input type="radio"/>			-	
	Last Run	<input type="radio"/>		LASTLTCALB?	yyyyMMddHHmm (year/month/day/hour/minute) 2000 to 2099: yyyy 01 to 12: MM 01 to 31: dd 00 to 23: HH 00 to 59: mm	
	Reset All		<input type="radio"/>	INITALL	-	
	Reset All (Factory Default)		<input type="radio"/>	INITFACTORY x1	x1: Reset Password	

Network Menu (Web Control)

Top Menu	Sub-menu
Wireless Settings	Wireless Mode
Basic	Projector Name
	PJLink Password
	Remote Password
	Web Control Password
	Monitor Password*
	Moderator Password
	Projector Keyword
	Display Keyword
Wireless LAN	Display LAN Info.
	Connection Mode
	Channel
	SSID
	DHCP
	IP Address
	Subnet Mask
	Gateway Address
	SSID Display
	IP Address Display
	Security
	Passphrase
	EAP Type
	User Name
	Password
Wireless LAN IPv6 Settings	Client Certificate
	Verify Server Certificate
	CA Certificate
	RADIUS Server Name
	IPv6
	Auto Configuration
	Use Temporary Address
Wired LAN	IPv6 Address (Manual)*
	IPv6 Address
	Prefix Length
	Gateway Address
	DHCP
Wired LAN IPv6 Settings	IP Address
	Subnet Mask
	Gateway Address
	IP Address Display
	IPv6
	Auto Configuration
	Use Temporary Address
	IPv6 Address (Manual)*
	IPv6 Address
	Prefix Length
	Gateway Address

Notifications	Mail Notification	
	SMTP Server	
	Port Number	
	From	
	Email Address 1	
	Email Address 2	
	Email Address 3	
	No Signal	
	System Error	
	Laser Error	
	High Temp Error	
	Air Filter Error	
	Laser Warning	
	High Temp Warning	
	Air Filter Warning	
	Air Filter Notice	
	Constant Bright. End	
	SNMP	SNMP
		Trap IP Address 1
		Trap IP Address 2
		Community Name
PJLink Notification		
Notified IP Address		
Certificate	Client Certificate	File Name
		Password
		Issued to
		Issued by
		Expiration Date
	CA Certificate	File Name
		Issued to
		Issued by
		Expiration Date
	Web Server Cert.	File Name
		Password
		Issued to
Issued by		
	Expiration Date	
Others	Secure HTTP	
	Priority Gateway	
	AMX Device Discovery	
	Message Broadcasting	
	Add Port*	Add Port
		Port Number

* Can be set only in Web Control.

The following items cannot be displayed and set in Web Control.

- Net. Info. - Wireless LAN, Wired LAN
- Display the QR Code
- Search Access Point
- Crestron Connected
- Reset of Network Menu

PJLink Command List

See the following for more information on controlling the projector from a computer using PJLink protocols.

Function	Command	Setting Value/ Response Value	Content	Notes	
Power control instruction	POWR	0	Power off (standby/error standby)		
		1	Power-on (light source power on)		
Power status query	POWR ?	0	Power off (standby/error standby)		
		1	Power-on (light source power on)		
		2	Cooling status		
		3	Warm-up status		
Input switch instruction Input switch query	INPT INPT ?	11	Computer		
		13	BNC		
		31	DVI-D		
		32	HDMI		
		41	USB		
		52	LAN		
Input toggling list query	INST ?	11	Computer	Displays a list of the available input sources of the projector.	
		13	BNC		
		31	DVI-D		
		32	HDMI		
		41	USB		
		52	LAN		
Error status query	ERST ?	First character	2	Fan Error	"0" is displayed when no error has occurred.
		Second character	2	Laser Error Laser Failure	
		Third character	1	High Temp Warning	
			2	Temperature error	
		Fourth character	0	Cover open (Does not apply to model being used.)	
		Fifth character	1	No Air Filter Warning Filter Warning	
			2	Filter error	
		Sixth character	1	Other Warning	
	2	Other Error			
A/V Mute Settings Mute status query	AVMT	30	A/V mute off	Does not support video mute off/on (10/11) or audio mute off/on (20/21).	
	AVMT ?	31	A/V mute on		
Light source usage time, lighting hour query	LAMP ?	First number (1 to 5)	0 to 99999	Laser usage time	
		Second number	0	Laser off	
			1	Laser on	
Projector name query	NAME ?	*	*	* Displays the name set in [Network] - [Basic] - [Projector Name] from the projector's Configuration menu.	
Manufacture name information query	INF1 ?	EPSON	Manufacture name		
Model name information query	INF2 ?	EPSON L1075U/L1070U	EB-L1075U/EB-L1070U		
		EPSON L1065U/L1060U	EB-L1065U/EB-L1060U		
		EPSON L1050U	EB-L1050U		
		EPSON L1070W	EB-L1070W		
		EPSON L1060W	EB-L1060W		
Class information query	CLSS ?	2	Class information		

Function	Command	Setting Value/ Response Value	Content	Notes
Serial number query	SNUM ?	11 figures	Projector's serial number	
Software version query	SVER ?	(firmware version of projector in use)		
Input source name query	INNM ?xx	(Input source)		xx stands for a 2-digit number used in the input toggling list query
Input signal resolution query	IRES ?	(Horizontal resolution) x (Vertical resolution)		
Recommended resolution query	RRES ?	(Horizontal resolution) x (Vertical resolution)	Projector's native resolution	
Filter hour query	FILT ?	0		Doesn't apply to model being used.
Replacement filter query	RFIL ?	ELPAF46	Air filter model number	
Speaker volume control	SVOL	0	Decrease volume by one level	
		1	Increase volume by one level	
Freeze instruction	FREZ	0	Restart video action	
Freeze status query	FREZ ?	1	Stop video action	

-The password for PJLink is set in [Network] - [Basic] - [PJLink Password] from the projector's Configuration menu. If you do not want to use a password, leave PJLink Password blank.

- PJLink is a trademark applied for registration or is already registered in Japan, the United States of America and other countries and areas.

■ Image Maintenance

Reduced Burn-in (Refresh Mode)

When a still image or a video with little movement is projected for a long time, a residual image (burn-in) sometimes is left behind in the projected image. Burn-in is reduced by running the Refresh Mode. When the Overlay Effect function is used, run the Refresh Mode periodically.

The Refresh Mode can be started from [Refresh Mode] in the [Reset] menu of this projector. After this mode is executed, the power turns off when the preset time has elapsed.

If you have any concerns about burn-in even after running the Refresh Mode, contact your local dealer or the nearest address provided in the Epson Projector Contact List.

Adjusting the Color Balance of the Light Source (Light Source Calibration)

When performing Light Source Calibration, the difference between the white balance and the brightness level for the light source is corrected. We recommend running this function periodically.

Light Source Calibration can be run from [Light Source Calibration] in the [Reset] menu of this projector. The [Light Source Calibration] setting items are as follows. While Light Source Calibration is being run, projection is stopped temporarily.

- [Run Now]

Runs Light Source Calibration. Light Source Calibration cannot be run in the following cases.

- Within 20 minutes of turning on the projector.
- If the surrounding temperature gets too high, and the brightness of the projector's light source has been automatically dimmed.

- [Run Periodically]

When this is set to [On], Light Source Calibration is started automatically when the power is turned off every time the usage time reaches 100 hours. Note, however, that Light Source Calibration is not started automatically in the following cases.

- Within 20 minutes of turning the power supply on
- When the A/V Mute function is in use
- Within 20 minutes of canceling the A/V Mute function
- When the projector is used continuously for 24 hours or more
- When Direct Shutdown is used

Set to Off as required as Light Source Calibration also sometimes starts unintentionally during projection. To maintain projected images after adjustment by Multi-Projection, set Direct Shutdown to Off.

- [Schedule Settings]

Displays the Schedule Settings screen.

Light Source Calibration can be set to run periodically at a specified date and time.

When [Run Periodically] is set to [Off] or when using the projector continuously for 24 hours or more, performing Schedule Settings is recommended.

■ Cautions

1. The copyright for this guide is owned by the SEIKO EPSON CORPORATION. No part of this document may be reproduced, stored in a retrieval system, or transmitted in any form or by any means, electronic, mechanical, photocopying, recording, or otherwise, without the prior written permission of SEIKO EPSON CORPORATION.
2. This guide is only to be used as an instruction guide for projector products from the SEIKO EPSON CORPORATION.

■ Disclaimer

1. The contents of this document are subject to change without notice.
2. While every precaution has been taken in the preparation of this document, SEIKO EPSON CORPORATION assumes no responsibility for errors or omissions. Neither is any liability assumed for damages resulting from the use of the information contained herein.
3. Responsibility for use of this guide lies with the user. SEIKO EPSON CORPORATION shall not be liable to the purchaser of this product or third parties for damages, losses, costs, or expenses incurred by the purchaser or third parties as a result of use of this guide.

EPSON®
EXCEED YOUR VISION