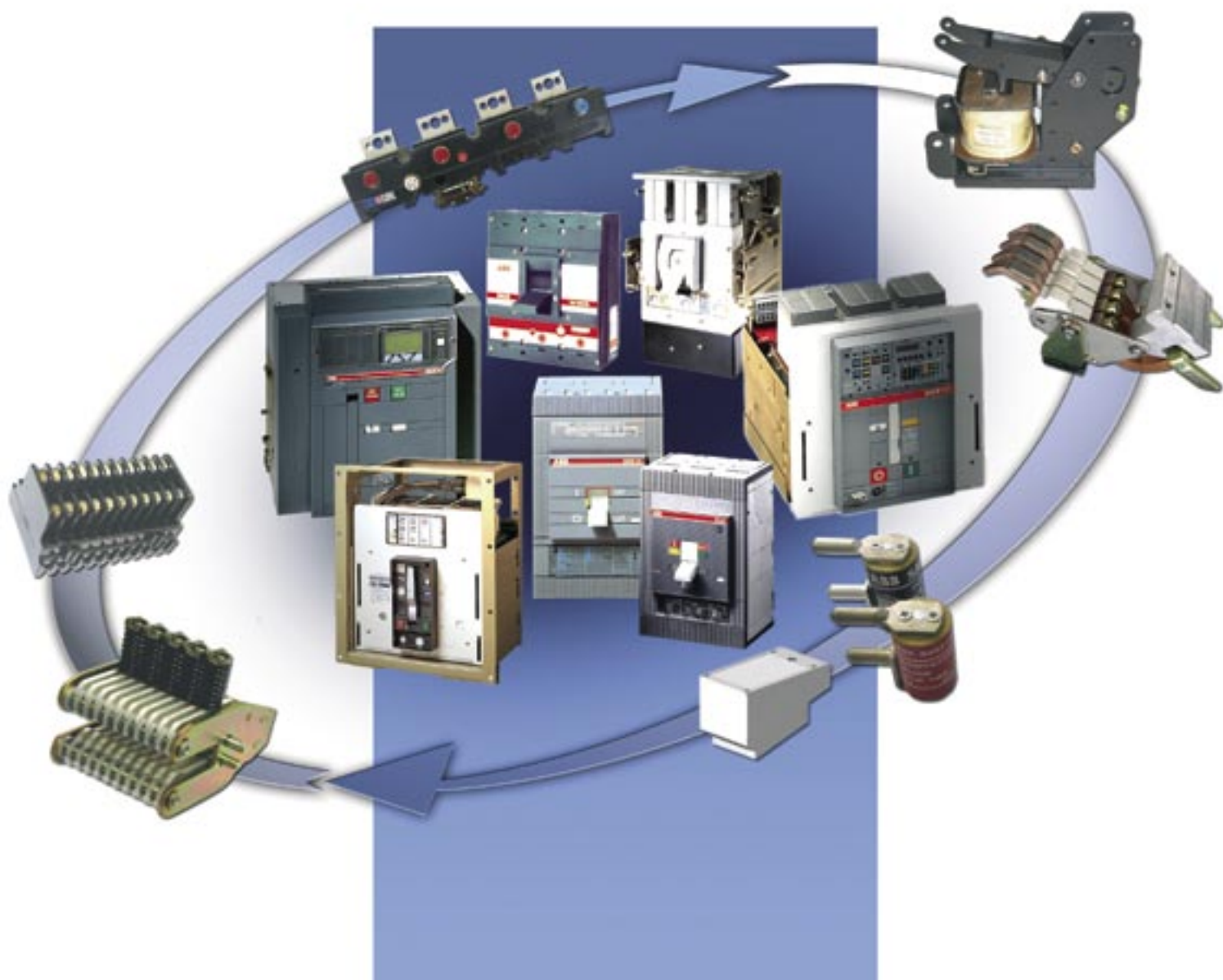


1SDC001007D0201



# Not every original spare parts are really original spare parts.



Availability of spare parts for the air or moulded-case type of apparatus is an essential condition for correct maintenance of every installation. This becomes even more important when the installation was built some years ago and has pieces of apparatus in it which are now of phased-out production.

Here again, ABB SACE can offer you maximum long-term guarantees. In fact, the company's Technical Assistance manages an efficient Spare Parts Service with components in stock which cover practically all the apparatus produced from the 70s up to today. All the spare parts are original ABB SACE pieces and are, moreover, covered by a warranty. On the basis of the apparatus installed, ABB SACE's Technical Assistance also collaborates with customers who

want to create local rapid intervention warehouses tailored to the requirements of the individual plant, with spare parts and technical consumer materials. To ensure maximum levels of assistance and to facilitate selection and ordering of the spare parts, ABB SACE uses a capillary network of agencies distributed throughout the territory, able to deal with any request you may have rapidly, with competent personnel who you can contact directly for any needs regarding our products.

The ABB SACE catalogue also helps to simplify spare part selection and ordering: in fact, its card-type structure, with detailed monographs on the apparatus, means the code of the desired product can be found immediately.

ABB SACE's **TECHNICAL ASSISTANCE.**  
We know how.

# ABB SACE's **Technical Assistance.** An all-round service.

ABB SACE's Technical Assistance offers you a service package to keep your plants fully efficient.

## **R**epairs

Functional recovery of each electrical and mechanical part of the circuit-breaker with completely free estimates. Moreover, following a total overhaul of the circuit-breaker, the warranty is reinstated for 24 months from re-delivery.



## **M**aintenance operations

Apart from maintenance on fault, which includes any type of emergency intervention, there is a complete preventive maintenance offer, ensuring those who manage the plant considerable advantages in terms of reliability, safety and reduction of costs.



## **R**etrofitting

Replacement of old pieces of apparatus with others of more up-to-date concept thanks to the special conversion kits which allow rapid installation without structural modifications to the original compartment. Furthermore, complete "turnkey" formula supplies are available.



## **C**onsultancy & Global Assistance

Technicians competent regarding the products and Standards are available to verify the situation of the installations and apparatus and to propose tailored maintenance plans, divided up into several levels of completeness.



## **F**ault Prevention and Thermography

Methods for forecasting and preventing faults based on the use of advanced apparatus, which guarantees extremely reliable results. Among these is the thermographic check aimed at showing up any overheating of the conductive and insulating parts of the installation.



## **T**raining

Training programmes which give the personnel in charge of managing/maintaining the installation the know-how needed to achieve operating independence. Apart from technologies, a Technical Assistance truly "at the service" of customers: a team of capable and skilled people, always ready to listen to, understand and solve matters.



Beside the customer at all times.

---

# Instructions

---

The present catalogue lists all the parts available for ABB SACE LV circuit-breakers. Each part or set of parts is identified by its UXAB or 1SDA0 code which is the only information that must always be utilized for placing orders.

For the correct identification of those spare parts which are not included in the present catalogue, the serial number of the relative breaker must be ever reported. Spare parts not codified can be only supplied following information by ABB SACE.

**Spare parts called “kit” include a set of parts suitable for completing a whole circuit-breaker.**

**Caption:**

**A** = spare parts which can be assembled by ABB SACE technicians only either for technical reasons or because of the need of special equipment.

**X** = last product available

This catalogue may be subject of changes or updates. For any further information please keep in contact with your local sales organization.



## Low voltage moulded-case circuit-breakers

ISOL - FUSOL series .....	1/1
MODUL series.....	1/7
LIMITOR series .....	1/37
ISOMAX series.....	1/43
TMAX series.....	1/47
SD-VIEW series.....	1/49

## Low voltage air circuit-breakers

OTOMAX series .....	2/1
NOVOMAX G30 series.....	2/13
NOVOMAX G2-G6 - LG series .....	2/21
MEGAMAX series .....	2/37
EMAX series.....	2/51
NEW EMAX series .....	2/59

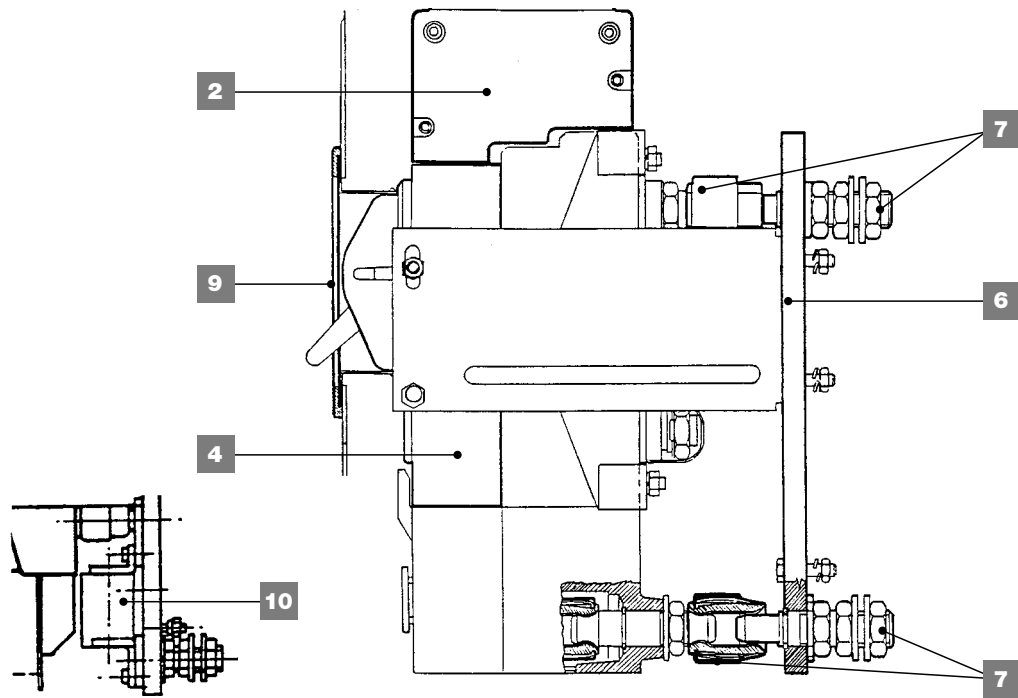


Low voltage moulded-case  
circuit-breakers  
ISOL - FUSOL series

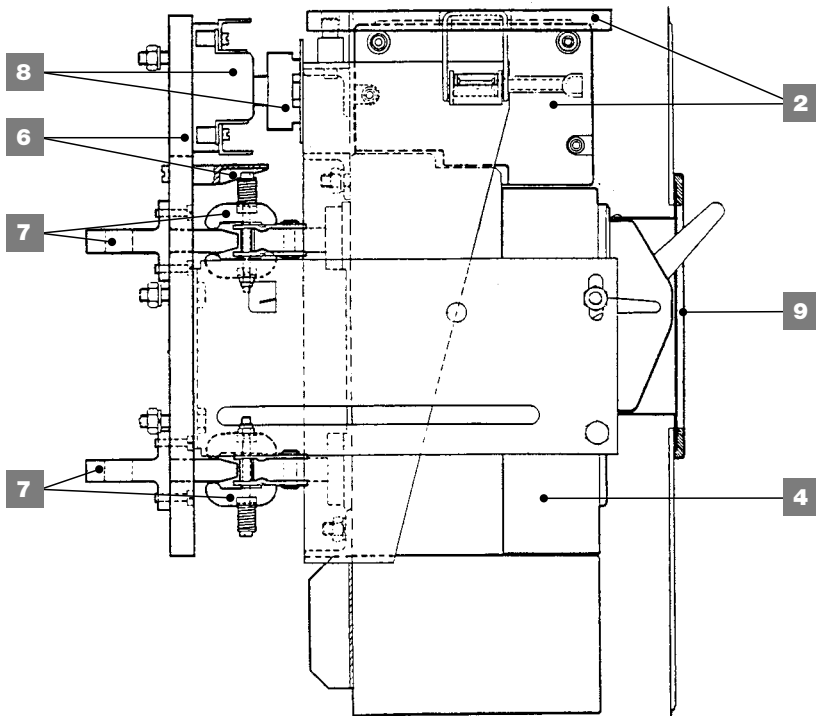


# Low voltage moulded-case circuit-breakers

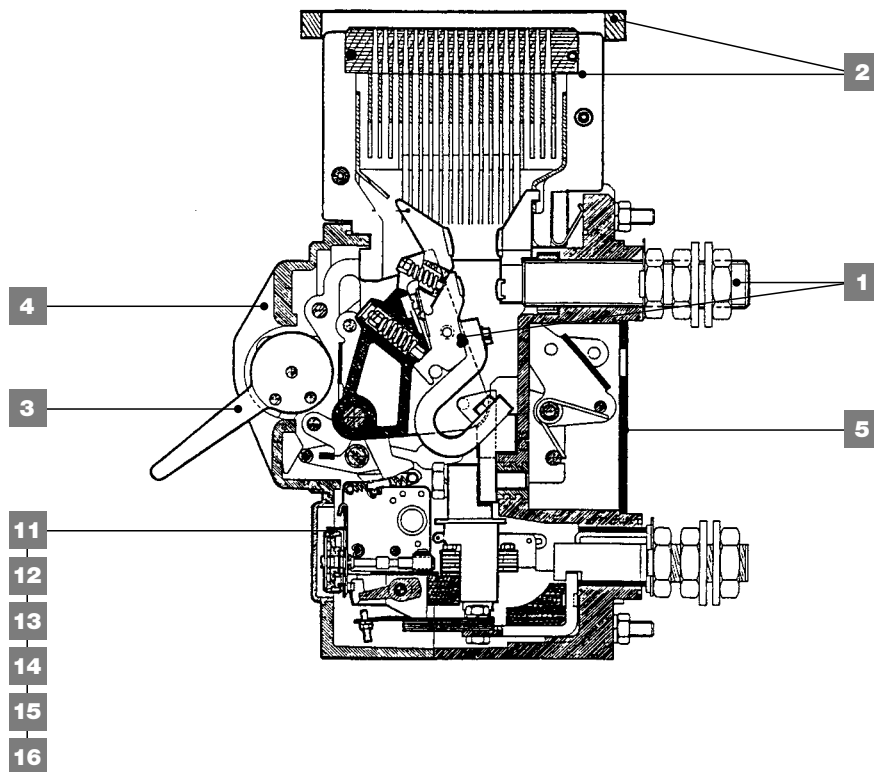
## Withdrawable FZ 630 FUSOL



## Withdrawable Z 800/MM ISOL



## ISOL Z 630 - Z 630/MM



### Caption

- 1) No. 3 main fixed contacts + moving poles set
- 2) No. 3 arc chambers c/w locking plate
- 3) Handle lever for normal/solenoid operating mechanism
- 4) Front shield
- 5) Rear cover
- 6) Main insulating base + fixed part protection
- 7) No. 6 rear terminals for fixed part + isolating contacts
- 8) Plug and socket kit for auxiliary applications
- 9) Gasket for panel's door
- 10) No. 3 fuses set
- 11) TM relay in AC use ( $I_m=2/4$  lth, not delayed)
- 12) TM relay in DC use ( $I_m=2/4$  lth, not delayed)
- 13) TM relay in AC use ( $I_m=5/10$  lth, not delayed)
- 14) TM relay in AC use ( $I_m=2/4$  lth, 0.05 sec delayed)
- 15) TM relay in DC use ( $I_m=2/4$  lth, 0.05 sec delayed)
- 16) TM relay in AC use ( $I_m=5/10$  lth, 0.05 sec delayed)



# Low voltage moulded-case circuit-breakers

Spare part description	Type	UXAB code	Q.ty	Note
1 No. 3 main fixed contacts + moving poles set	Z630 - FZ630	129099180	1	A
	Z800	129099181	1	A
2 No. 3 arc chambers c/w locking plate	Z630-800 - FZ630	129099187	1	
3 Handle lever for normal operating mechanism	Z630-800 - FZ630	129099006	1	
	Z630-800 - FZ630	129099007	1	
4 Front shield	Z630-800 - FZ630	129099008	1	
5 Rear cover	Z630-800 - FZ630	129099009	1	
6 Main insulating base + fixed part protection	Z630 - FZ630	129099182	1	(1)
	Z800	129099183	1	
7 No. 6 rear terminals for fixed part + isolating contacts	Z630 - FZ630_tulip contacts	129099184	1	
	Z800_jaw contacts	129099185	1	
8 Plug and socket kit for auxiliary applications	Z630-800 - FZ630	129099186	1	
9 Gasket for panel's door	Z630-800 - FZ630	129099020	1	
10 No. 3 fuses set	FZ630 _ In=400A	129099125	1	
	FZ630 _ In=600A	129099126	1	
11 TM relay in AC use (Im=2/4 lth, not delayed)	Z630 - FZ630 • R200	129099034	1	
	Z630 - FZ630 • R250	129099035	1	
	Z630 - FZ630 • R320	129099036	1	
	Z630 - FZ630 • R400	129099037	1	
	Z630 - FZ630 • R500	129099038	1	
	Z630 • R580	129099039	1	
	Z630 • R630	129099040	1	
	Z800 • R200	129099041	1	
	Z800 • R250	129099042	1	
	Z800 • R320	129099043	1	
	Z800 • R400	129099044	1	
	Z800 • R200	129099045	1	
	Z800 • R500	129099046	1	
	Z800 • R630	129099047	1	
Z800 • R800	129099048	1		
12 TM relay in DC use (Im=2/4 lth, not delayed)	Z630 - FZ630 • R200	129099049	1	
	Z630 - FZ630 • R250	129099050	1	
	Z630 - FZ630 • R320	129099051	1	
	Z630 - FZ630 • R400	129099052	1	
	Z630 - FZ630 • R500	129099053	1	
	Z630 • R580	129099054	1	
	Z630 • R630	129099055	1	
	Z800 • R200	129099056	1	
	Z800 • R250	129099057	1	
	Z800 • R320	129099058	1	
	Z800 • R400	129099059	1	
	Z800 • R200	129099060	1	
	Z800 • R500	129099061	1	
	Z800 • R630	129099062	1	
Z800 • R800	129099063	1		

<sup>(1)</sup> The protection for the fixed part should not be used for ISOL Z 630

X = Last product available

A = Assembly reserved to ABB SACE skilled technician

1  
Isol - Fusol

Spare part description	Type	UXAB code	Q.ty	Note
<b>13</b> TM relay in AC use (Im=5/10 lth, not delayed)	Z630 - FZ630 • R200	129099064	1	
	Z630 - FZ630 • R250	129099065	1	
	Z630 - FZ630 • R320	129099066	1	
	Z630 - FZ630 • R400	129099067	1	
	Z630 - FZ630 • R500	129099068	1	
	Z630 • R580	129099069	1	
	Z630 • R630	129099070	1	
	Z800 • R200	129099071	1	
	Z800 • R250	129099072	1	
	Z800 • R320	129099073	1	
	Z800 • R400	129099074	1	
	Z800 • R200	129099075	1	
	Z800 • R500	129099076	1	
	Z800 • R630	129099077	1	
	Z800 • R800	129099078	1	
<b>14</b> TM relay in AC use (Im=2/4 lth, 0.05 sec delayed)	Z630 - FZ630 • R200	129099079	1	
	Z630 - FZ630 • R250	129099080	1	
	Z630 - FZ630 • R320	129099081	1	
	Z630 - FZ630 • R400	129099082	1	
	Z630 - FZ630 • R500	129099083	1	
	Z630 • R580	129099084	1	
	Z630 • R630	129099085	1	
	Z800 • R200	129099086	1	
	Z800 • R250	129099087	1	
	Z800 • R320	129099088	1	
	Z800 • R400	129099089	1	
	Z800 • R200	129099090	1	
	Z800 • R500	129099091	1	
	Z800 • R630	129099092	1	
	Z800 • R800	129099093	1	
<b>15</b> TM relay in DC use (Im=2/4 lth, 0.05 sec delayed)	Z630 - FZ630 • R200	129099094	1	
	Z630 - FZ630 • R250	129099095	1	
	Z630 - FZ630 • R320	129099096	1	
	Z630 - FZ630 • R400	129099097	1	
	Z630 - FZ630 • R500	129099098	1	
	Z630 • R580	129099099	1	
	Z630 • R630	129099100	1	
	Z800 • R200	129099101	1	
	Z800 • R250	129099102	1	
	Z800 • R320	129099103	1	
	Z800 • R400	129099104	1	
	Z800 • R200	129099105	1	
	Z800 • R500	129099106	1	
	Z800 • R630	129099107	1	
	Z800 • R800	129099108	1	
<b>16</b> TM relay in AC use (Im=5/10 lth, 0.05 sec delayed)	Z630 - FZ630 • R200	129099109	1	
	Z630 - FZ630 • R250	129099110	1	
	Z630 - FZ630 • R320	129099111	1	
	Z630 - FZ630 • R400	129099112	1	
	Z630 - FZ630 • R500	129099113	1	
	Z630 • R580	129099114	1	
	Z630 • R630	129099115	1	
	Z800 • R200	129099116	1	
	Z800 • R250	129099117	1	
	Z800 • R320	129099118	1	
	Z800 • R400	129099119	1	
	Z800 • R200	129099120	1	
	Z800 • R500	129099121	1	
	Z800 • R630	129099122	1	
	Z800 • R800	129099123	1	

X = Last product available

A = Assembly reserved to ABB SACE skilled technician





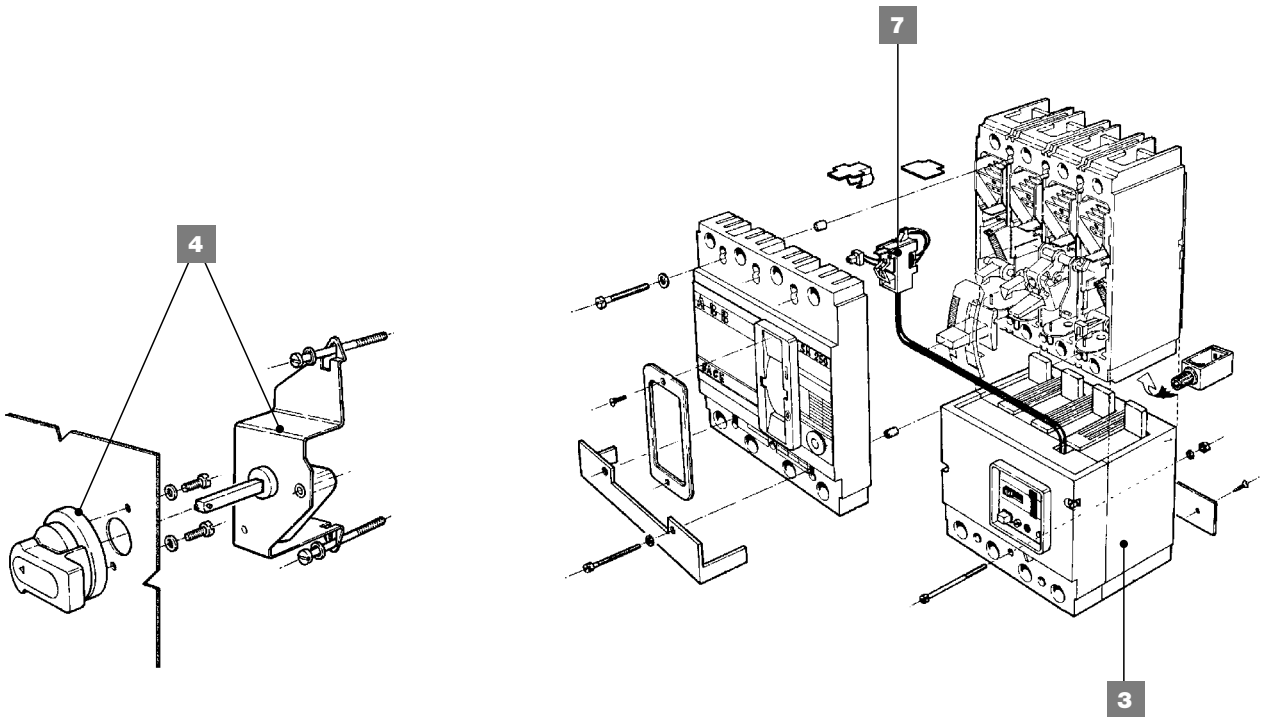
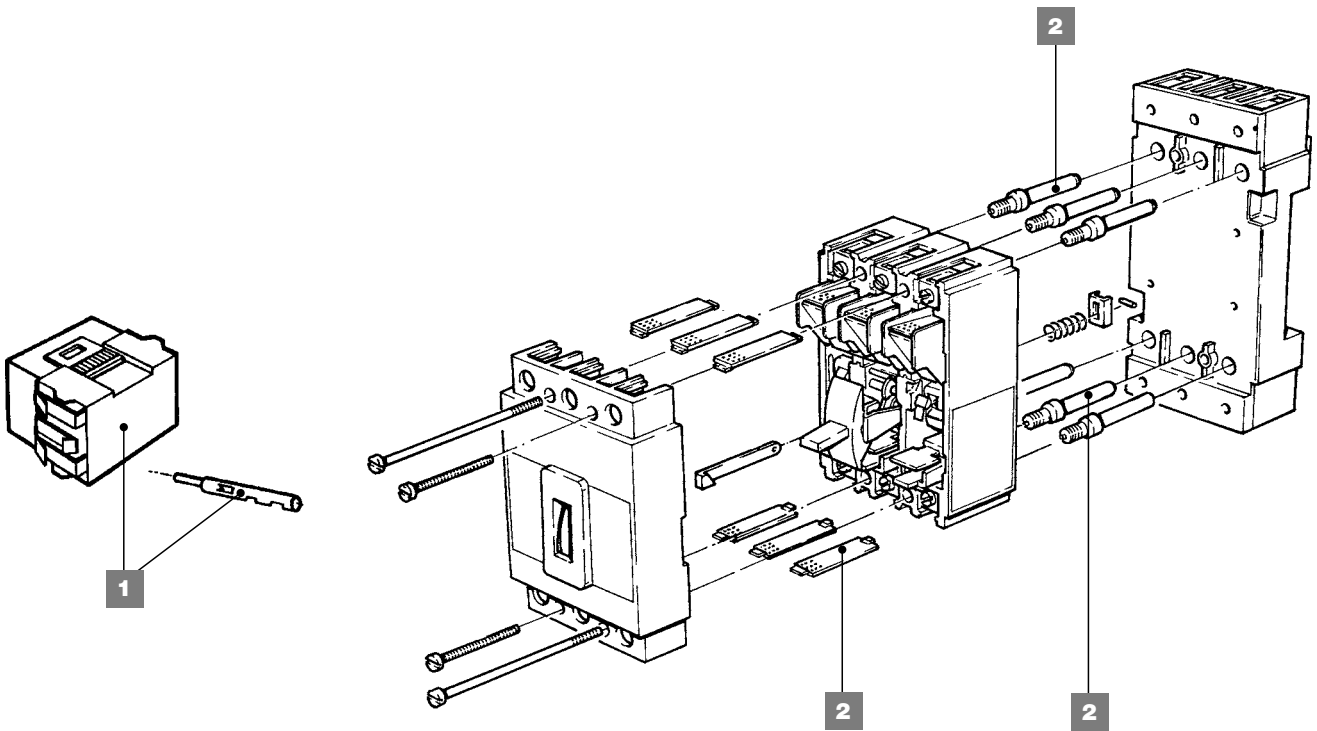
# Low voltage moulded-case circuit-breakers MODUL series

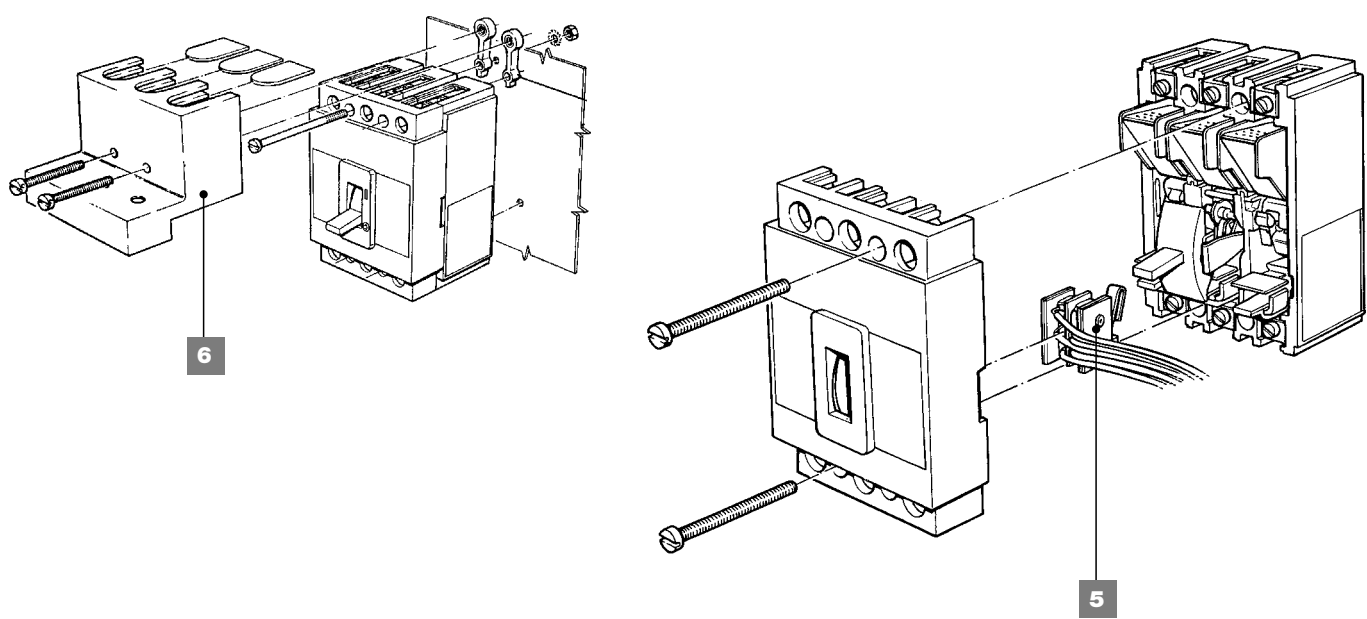


# Low voltage moulded-case circuit-breakers

## MODUL SRN-SRH 100-125

1  
Modul





**Caption**

- 1) 9 poles plug for auxiliary applications
- 2) Upgrade kit for fixed breaker in PMP
- 3) RCSD10 residual current relay
- 4) Rotary operating mechanism on panel's door fitted with lock and padlock
- 5) No. 1 No/Nc change-over contact and tripped relay contact
- 6) Sealable terminal covers
- 7) Opening solenoid for RCSD10 residual current relay

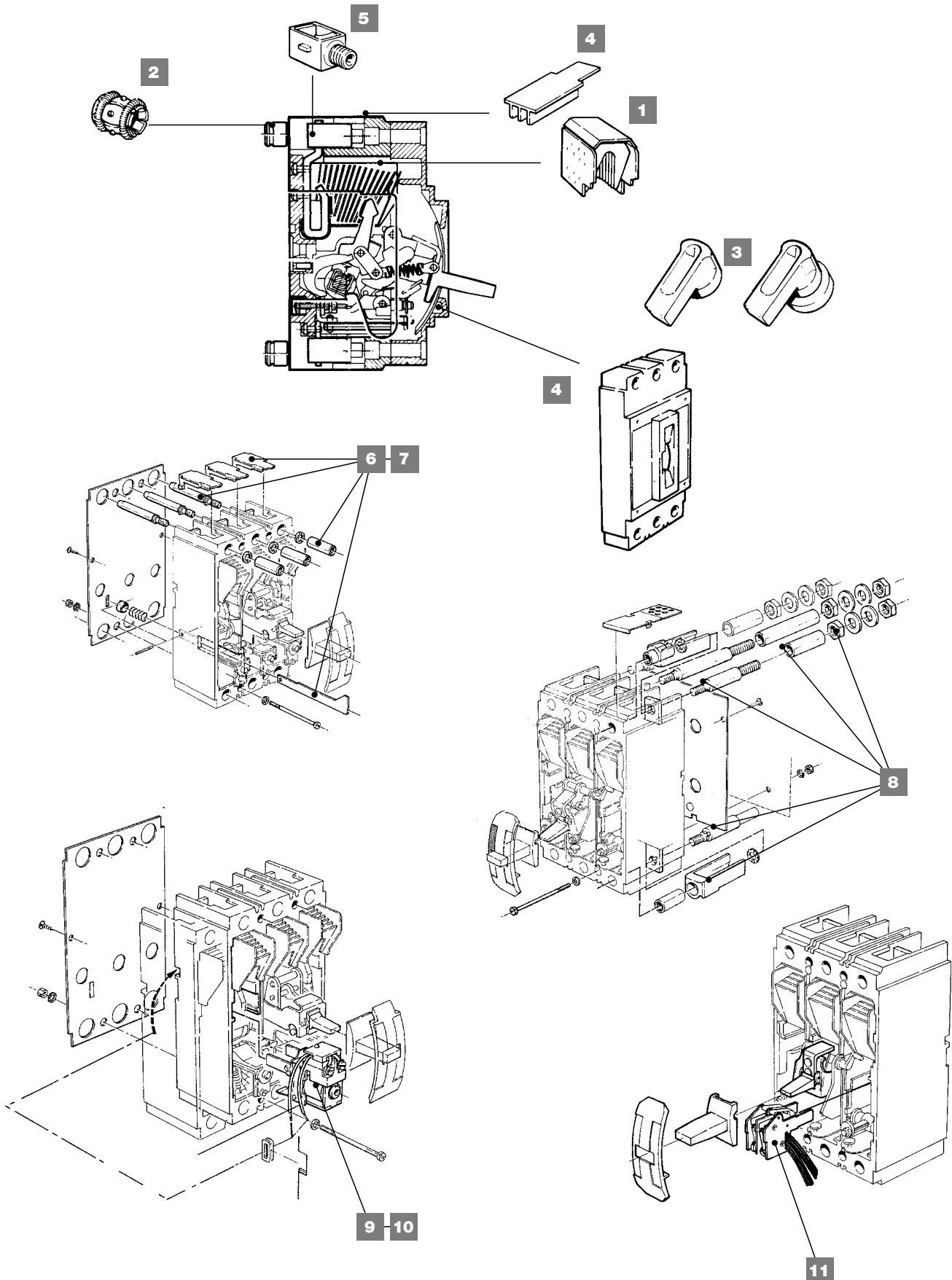
Spare part description	Type	Code	Q.ty	Note
<b>1</b> 9 poles plug for auxiliary applications	Complete range	189260002	1	
<b>2</b> Upgrade kit for fixed breaker in PMP	3p	769701083	1	<b>X</b>
	4p	769701084	1	<b>X</b>
<b>3</b> RCSD10 residual current relay	Complete range, sideplaced	769748010	1	<b>X</b>
	Complete range, underplaced	769768010	1	<b>X</b>
<b>4</b> Rotary operating mechanism on panel's door fitted with lock and padlock	Complete range	769750400	1	
<b>5</b> No. 1 No/Nc change-over contact and tripped relay contact	Complete range	769760300	1	
<b>6</b> Sealable terminal covers	3p	769771003	1	<b>X</b>
	4p	769771004	1	<b>X</b>
<b>7</b> Opening solenoid for RCSD10 residual current relay	Complete range	769799006	1	<b>X</b>

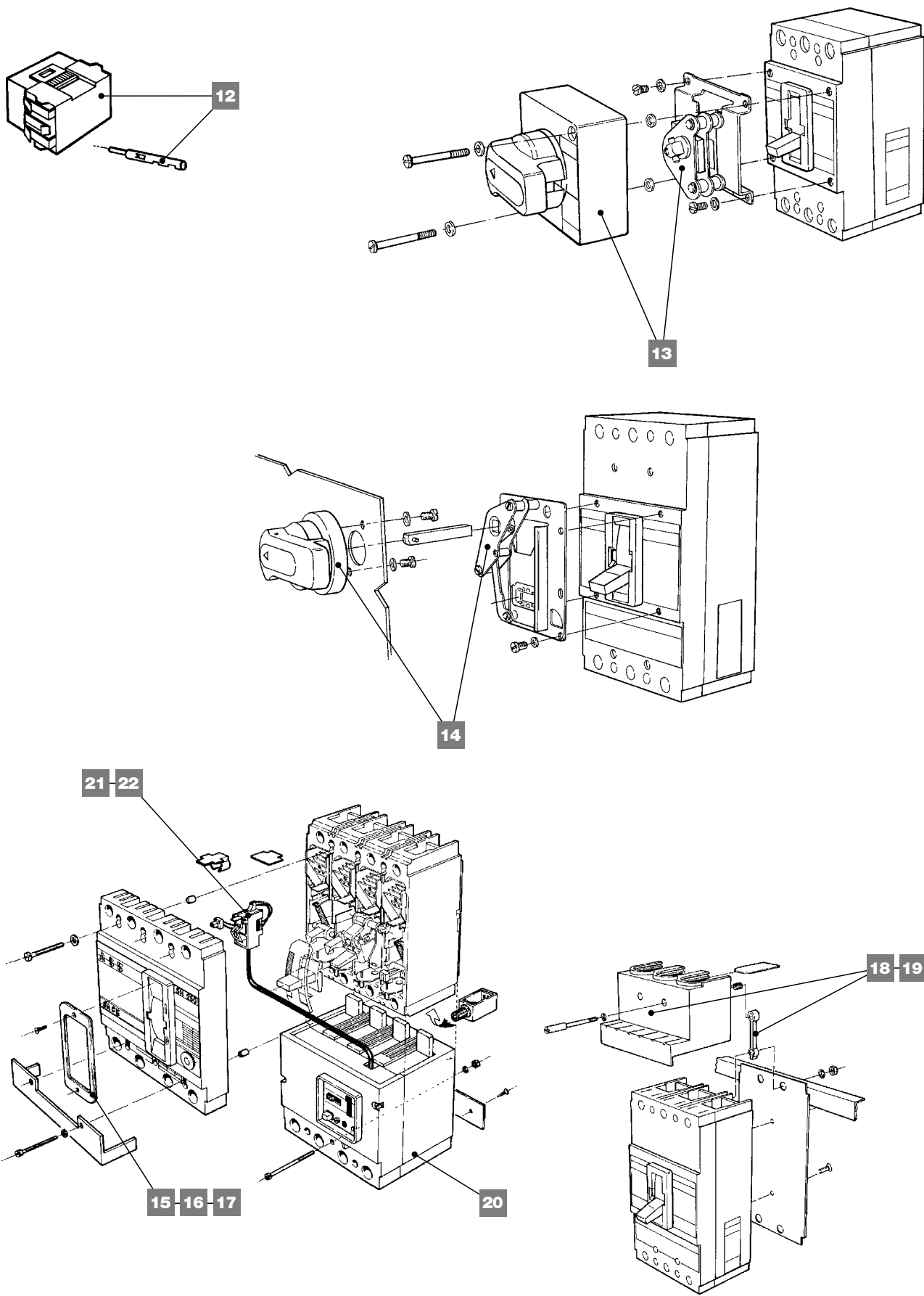
**X** = Last product available      **A** = Assembly reserved to ABB SACE skilled technician

# Low voltage moulded-case circuit-breakers

MODUL SN 100-125-160-250 SH 100-125-160-250

1  
Modul







---

# Low voltage moulded-case circuit-breakers

---

## Caption

- 1) Arc chambers set
- 2) Tulip contacts set
- 3) Rotary handles set
- 4) Main cover + terminals protection
- 5) Kit of terminals for cables version (fixed)
- 6) Upgrade kit from fixed breaker to PMP
- 7) Upgrade kit from fixed breaker to WMP
- 8) Rear terminals kit for 4 poles fixed breaker
- 9) Opening coil
- 10) Undervoltage release
- 11) No. 2 No/Nc change-over contacts
- 12) 18 poles plug for auxiliary applications
- 13) Rotary operating mechanism on breaker
- 14) Rotary operating mechanism on panel's door
- 15) Flange for WMP breaker fitted with standard operating lever
- 16) Flange for motor operator
- 17) Extender flange for breaker's main cover
- 18) Sealable terminals cover for 2/3 poles breaker
- 19) Sealable terminals cover for 4 poles breaker
- 20) RCS16 residual current release
- 21) Solenoid for RCS16 residual current relay
- 22) Solenoid for RCS25 residual current relay

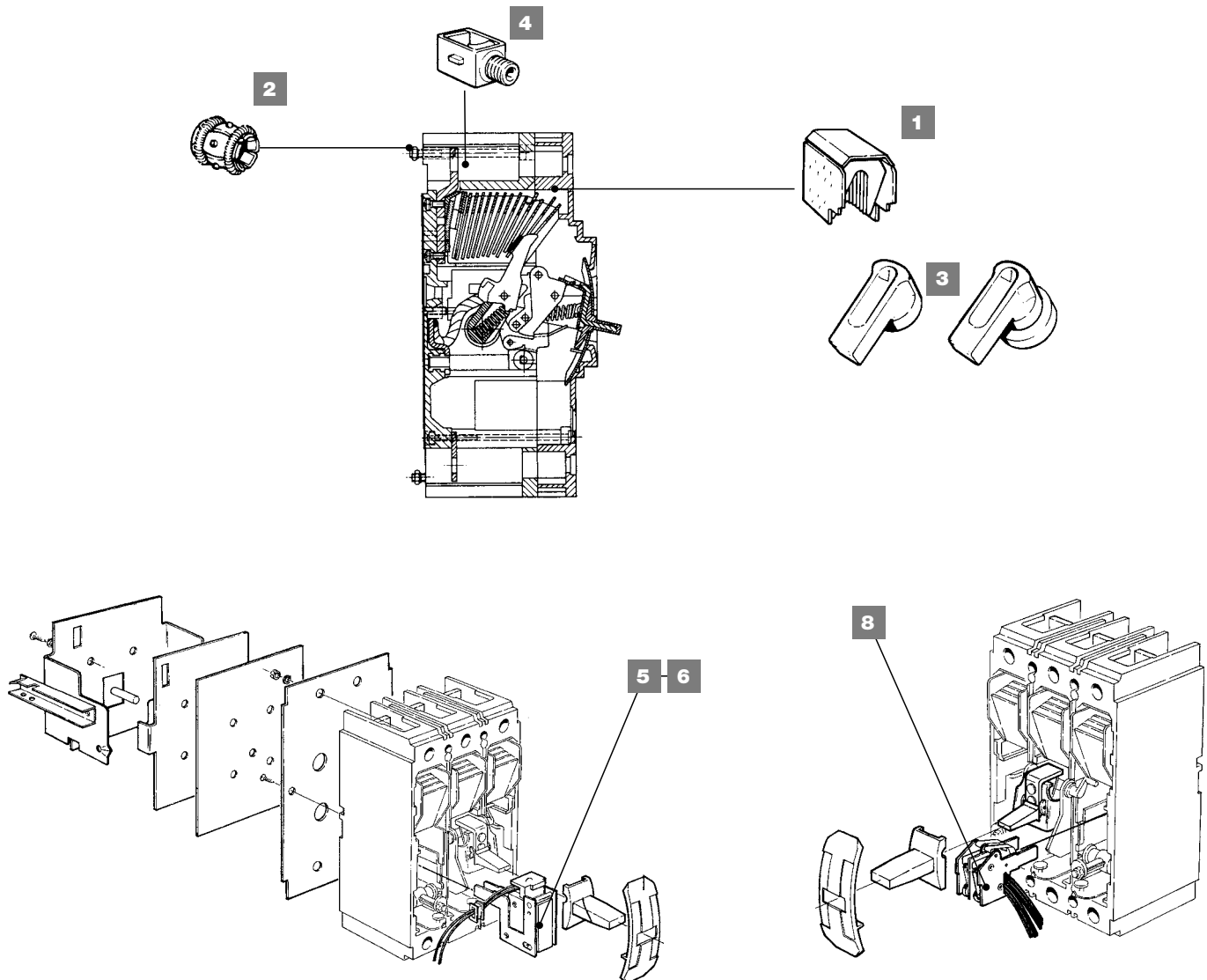
Spare part description	Type	UXAB code	Q.ty	Note
<b>1</b> Arc chambers set	Complete range	179099031	1	
<b>2</b> Tulip contacts set	SN/SH160-250	179099029	1	
	SH100-125	149099028	1	
<b>3</b> Rotary handles set	Complete range	179099101	1	<b>X</b>
<b>4</b> Main cover + terminals protection	Complete range	179099200	1	<b>X</b>
<b>5</b> Kit of terminals for cables version (fixed)	Complete range	179099026	1	<b>X</b>
<b>6</b> Upgrade kit from fixed breaker to PMP	SN100-125 3p	189401083	1	<b>X</b>
	SN100-125 4p	189401084	1	<b>X</b>
	SH100-125 3p	149001083	1	<b>X</b>
	SH100-125 4p	149001084	1	<b>X</b>
<b>7</b> Upgrade kit from fixed breaker to WMP	SH100-125 3p	149001093	1	<b>X</b>
	SH100-125 4p	149001094	1	<b>X</b>
<b>8</b> Rear terminals kit for 4 poles fixed breaker	SN/SH160-250	179001064	1	<b>X</b>
<b>9</b> Opening coil	SH125-250 • 24V AC	179027902	1	
	SH125 - SN/SH250 • 48-60V AC	179027904	1	
	SH125 - SN/SH250 • 100-130V AC	179027939	1	
	SH125 - SN/SH250 • 200-250V AC	179027948	1	
	SN100-125 • 48-60V DC	189427904	1	
	SN100-125 • 100-130V AC	189427939	1	
	SN100-125 • 200-250V AC	189427948	1	
<b>10</b> Undervoltage release	SH-125-250 • 24V DC	179037902	1	
	SH-125-250 • 48V DC	179037904	1	
	SH125 - SN/SH250 • 220V 50Hz 254V 60Hz	179038948	1	
	SH125 - SN/SH250 • 380V 50Hz 440V 60Hz	179038953	1	<b>X</b>
	SN100-125 • 220V 50Hz 254V 60Hz	189438948	1	<b>X</b>
<b>11</b> No. 2 No/Nc change-over contacts	SH100-125 - SN/SH 160-250	179040200	1	
<b>12</b> 18 poles plug for auxiliary applications	SN-SH160-250	179046300	1	
<b>13</b> Rotary operating mechanism on breaker	SH100-125 - SN/SH 160-250	179050041	1	<b>X</b>
<b>14</b> Rotary operating mechanism on panel door	SH100-125 - SN/SH 160-250	179050045	1	
	SN100-125	189450005	1	
<b>15</b> Flange for WMP breaker fitted with standard operating lever	SH100-125	179064072	1	
<b>16</b> Flange for motor operator	SN/SH160-250	179064075	1	
<b>17</b> Extender flange for breaker's main cover	SH100-125 - SN/SH250	179065071	1	<b>X</b>
<b>18</b> Sealable terminals cover for 2/3 poles breaker	SN100-125	189471003	1	<b>X</b>
	SH100-125 - SN/SH250	179071003	1	<b>X</b>
<b>19</b> Sealable terminals cover for 4 poles breaker	SN100-125	189471004	1	<b>X</b>
	SH100-125 - SN/SH250	179071004	1	<b>X</b>
<b>20</b> RCS16 residual current release	SN100-125	189438016	1	<b>X</b>
<b>21</b> Solenoid for RCS16 residual current relay	SN100-125	189499021	1	<b>X</b>
<b>22</b> Solenoid for RCS25 residual current relay	SH100-250	179099046	1	

**X** = Last product available**A** = Assembly reserved to ABB SACE skilled technician

# Low voltage moulded-case circuit-breakers

## MODUL SAN-SAH 250

1  
Modul



### Caption

- 1) Arc chambers set
- 2) Tulip contacts set
- 3) Rotary handles set
- 4) Kit of terminals for cables version (fixed)
- 5) Opening coil
- 6) Undervoltage release
- 8) No. 1 No/Nc change-over contact and tripped relay contact

Spare part description	Type	UXAB code	Q.ty	Note
<b>1</b> Arc chambers set	Complete range	769188012	1	
<b>2</b> Tulip contacts set	Complete range	179099029	1	
<b>3</b> Rotary handles set	Complete range	179099101	1	<b>x</b>
<b>4</b> Kit of terminals for cables version (fixed)	Complete range	179099026	1	<b>x</b>
<b>5</b> Opening coil	100/130V AC-DC	769157939	1	
	200/255V AC-DC	769157948	1	
<b>6</b> Undervoltage release	115/120V 60Hz	769168970	1	
<b>7</b> Electronic delayer for undervoltage release	Complete range	769171100	1	
<b>8</b> No. 1 No/Nc change-over contact and tripped relay contact	Complete range	769181800	1	<b>x</b>

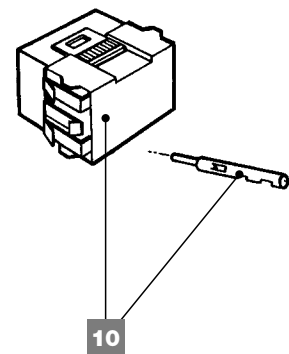
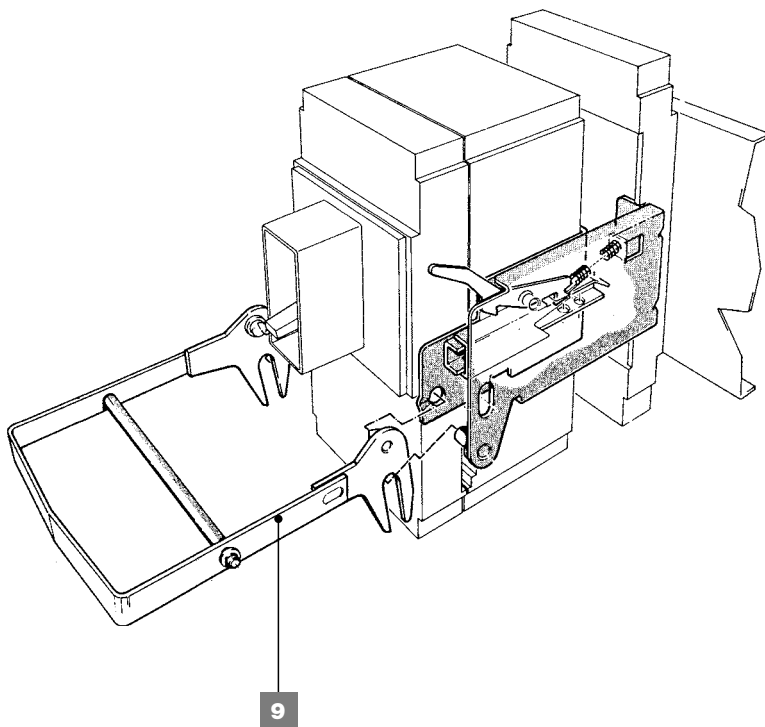
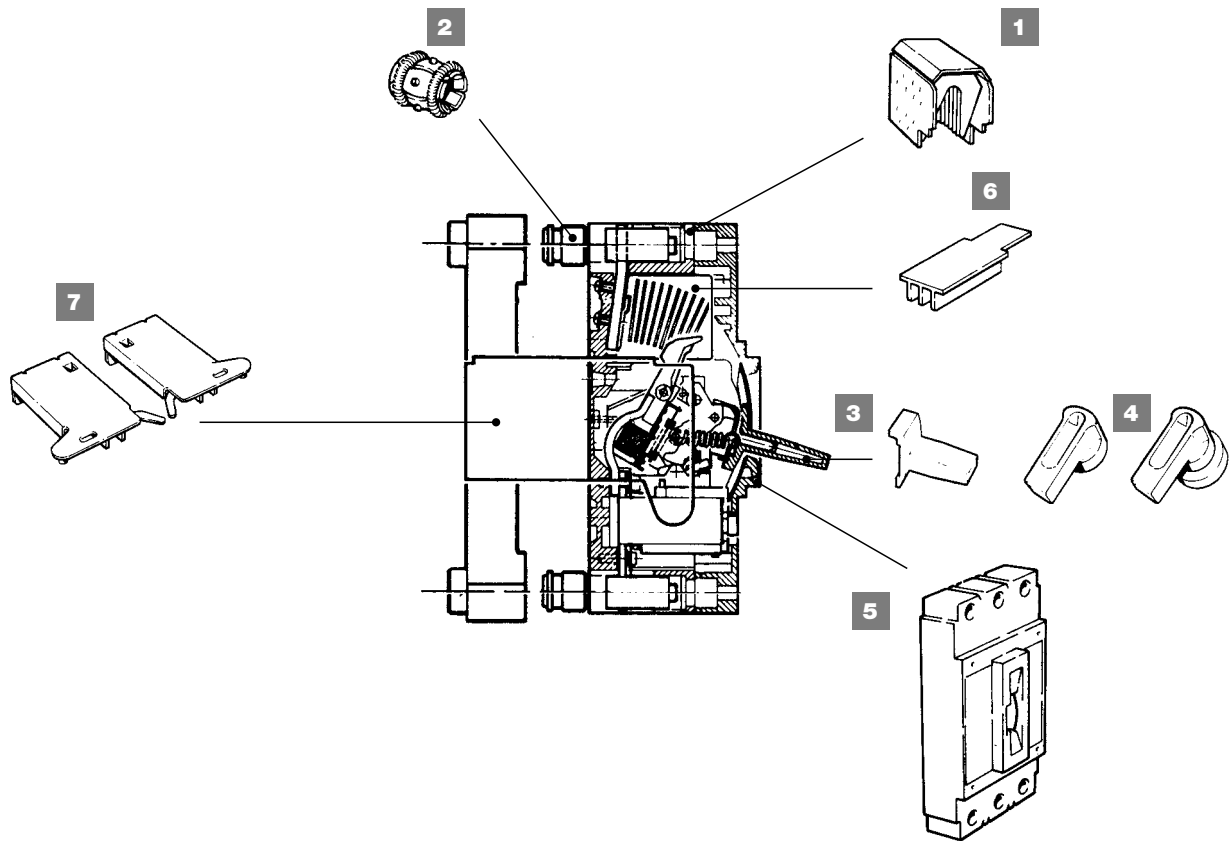
**x** = Last product available

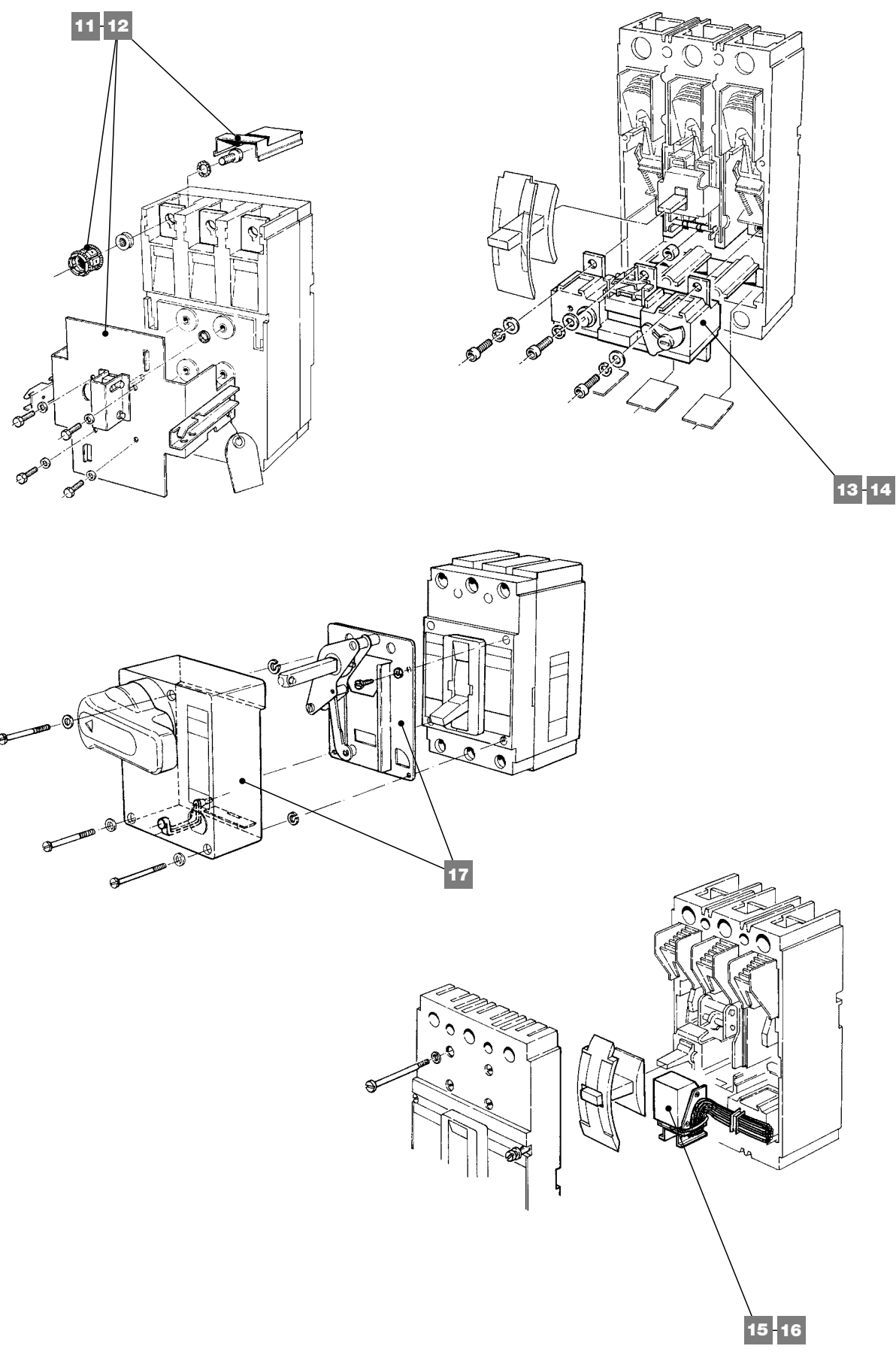
**A** = Assembly reserved to ABB SACE skilled technician

# Low voltage moulded-case circuit-breakers

## MODUL SN-SH 400

1  
Modul

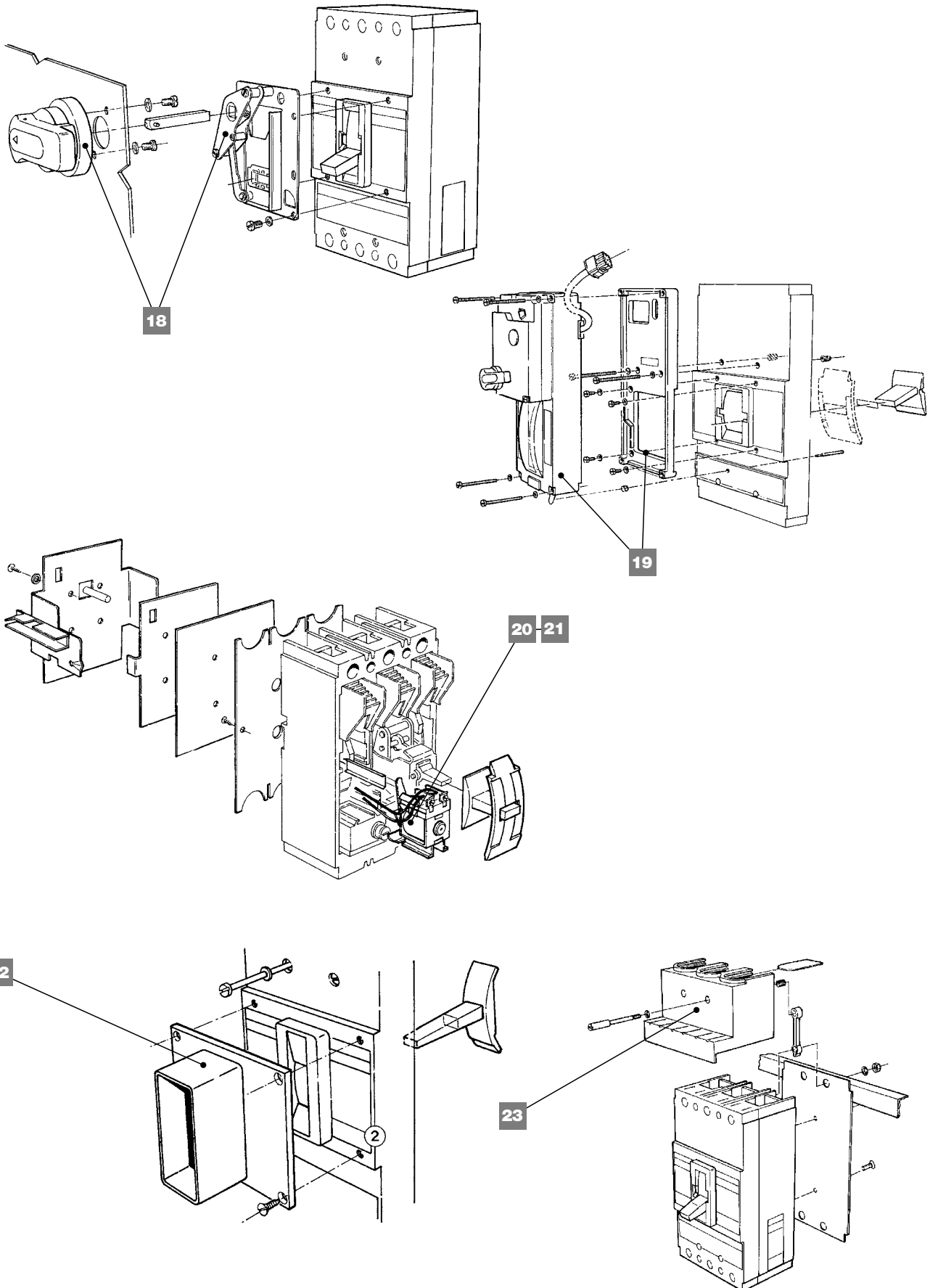




# Low voltage moulded-case circuit-breakers

## MODUL SN-SH 400

1  
Modul



**Caption**

- 1) Arc chambers set
- 2) Tulip contacts set
- 3) Operating levers set
- 4) Rotary handles set
- 5) Main cover
- 6) Terminals protections set
- 7) Rails for fixed part
- 8) Solenoid for S4 electronic release
- 9) Draw out lever
- 10) 18 poles plug for auxiliary applications
- 11) Upgrade kit from fixed breaker to PMP
- 12) Upgrade kit from fixed breaker to WMP
- 13) TM relay in AC use
- 14) Magnetic relay in AC use
- 15) No. 2 No/Nc change over contacts
- 16) No. 1 No/Nc change over contacts + tripped relay contact
- 17) Rotary operating mechanism on breaker
- 18) Rotary operating mechanism on panel's door
- 19) Motor operator
- 20) Opening coil
- 21) Undervoltage release
- 22) Extender flange for breaker's main cover
- 23) Sealable terminals cover
- 24) Front shield for 3 poles breaker fitted with S4 electronic release



# Low voltage moulded-case circuit-breakers

Spare part description	Type	UXAB code	Q.ty	Note
<b>1</b> Arc chambers set	Complete range	189799011	1	
<b>2</b> Tulip contacts set	Complete range	189799013	1	
<b>3</b> Operating levers set	Complete range	189799100	1	<b>X</b>
<b>4</b> Rotary handles set	Complete range	189799101	1	
<b>5</b> Main cover	For 3p breaker fitted with TM release	189799001	1	<b>X</b>
	For 4p breaker fitted with TM release	189799002	1	<b>X</b>
<b>6</b> Terminals protections set	Complete range	189799021	1	<b>X</b>
<b>7</b> Rails for fixed part	Complete range	189799040	1	
<b>8</b> Solenoid for S4 electronic release	Complete range	189799045	1	<b>X</b>
<b>9</b> Draw out lever	3p	169568003	1	
	4p	169568004	1	
<b>10</b> 18 poles plug for auxiliary applications	Complete range	179046300	1	
<b>11</b> Upgrade kit from fixed breaker to PMP	3p	189701083	1	<b>X</b>
	4p	189701084	1	<b>X</b>
<b>12</b> Upgrade kit from fixed breaker to WMP	3p	189701093	1	<b>X</b>
	4p	189701094	1	<b>X</b>
<b>13</b> TM relay in AC use	R250 for 3p breaker	189733111	1	
	R320 for 3p breaker	189733113	1	
	R400 for 3p breaker	189733115	1	
	R250 for SAH breaker, 2p	719832111	1	<b>X</b>
	R300 for SAH breaker, 2p	719832113	1	<b>X</b>
	R400 for SAH breaker, 2p	719832117	1	<b>X</b>
	R250 for SAH breaker, 3p	719833111	1	<b>X</b>
	R300 for SAH breaker, 3p	719833113	1	<b>X</b>
	R350 for SAH breaker, 3p	719833115	1	<b>X</b>
	R400 for SAH breaker, 3p	719833117	1	<b>X</b>
<b>14</b> Magnetic relay in AC use	For MODUL MCS400, Im=4000A	719833611	1	<b>X</b>
	For MODUL MCP400, Im=2000/4000A	719833711	1	<b>X</b>
<b>15</b> No. 2 No/Nc change over contacts	For breaker fitted with TM release	719840200	1	
<b>16</b> No. 1 No/Nc change over contacts + tripped relay contact	For breaker fitted with TM release	719840400	1	<b>X</b>
<b>17</b> Rotary operating mechanism on breaker	Complete range	189750001	1	
<b>18</b> Rotary operating mechanism on panel's door	Complete range	189750005	1	
<b>19</b> Motor operator	110V 50Hz	189752939	1	
	220V 50Hz	189752948	1	
<b>20</b> Opening coil	SAH400, 12V DC	719827901	1	
	SN-SH400, 24V DC	719827902	1	
	SN-SH400, 48V DC	719827904	1	
	SN-SH400, 100/127V DC - 150/180V AC	719827909	1	
	SN-SH400, 160/220V DC - 260/320V AC	719827918	1	
	SN-SH400, 24V AC	719827932	1	
	SN-SH400, 72/100V DC - 100/127V AC	719827939	1	
	SN-SH400, 200/255V AC	719827948	1	
	SN-SH400, 250V DC	719827953	1	
	SAH400, 120V 60Hz	719827971	1	

**X** = Last product available

**A** = Assembly reserved to ABB SACE skilled technician

Spare part description	Type	UXAB code	Q.ty	Note
21 Undervoltage release	SAH400, 120V 60Hz	719837971	1	
	SN-SH400, 24V DC	719837902	1	
	SN-SH400, 48V DC	719837904	1	
	SN-SH400, 110V DC	719837909	1	
	SN-SH400, 110-115V 50Hz -127V 60Hz	719837939	1	
	SN-SH400, 220V 50Hz - 254V 60Hz	719837948	1	
	SN-SH400, 380V 50Hz - 440V 60Hz	719837953	1	
	SN-SH400, 220V 60Hz	719837978	1	
22 Extender flange for breaker's main cover	Complete range	189770100	1	
23 Sealable terminals cover	SN-SH400, 2-3p breaker	189771003	1	x
	SN-SH400, 4p breaker	189771004	1	x
24 Front shield for 3 poles breaker fitted with S4 electronic release	SAH400	719800030	1	x

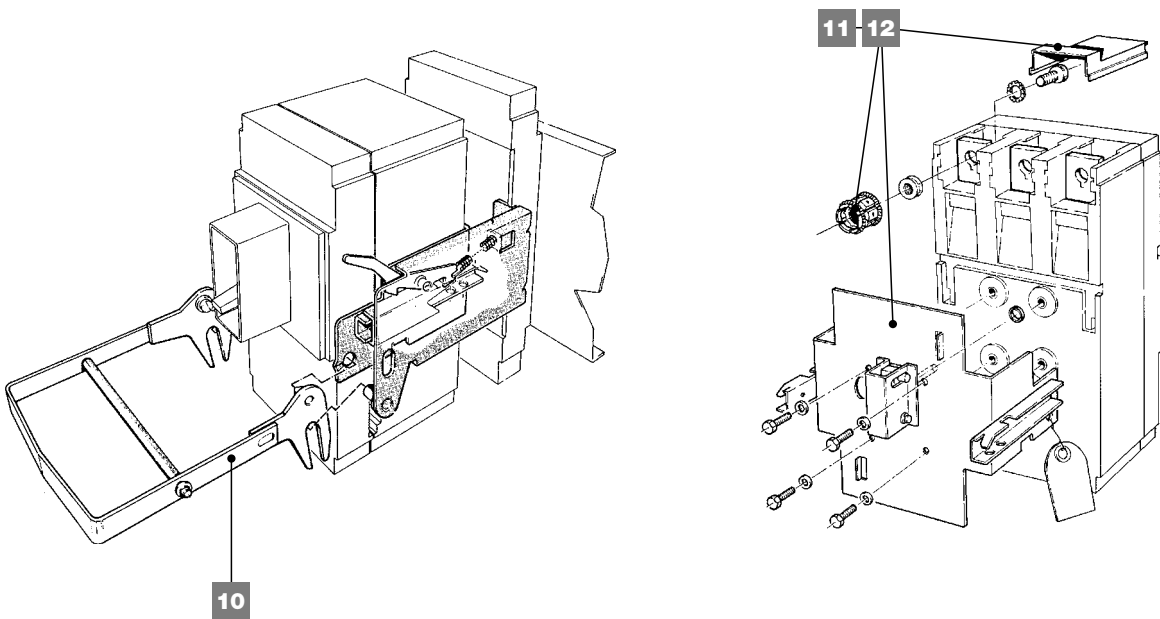
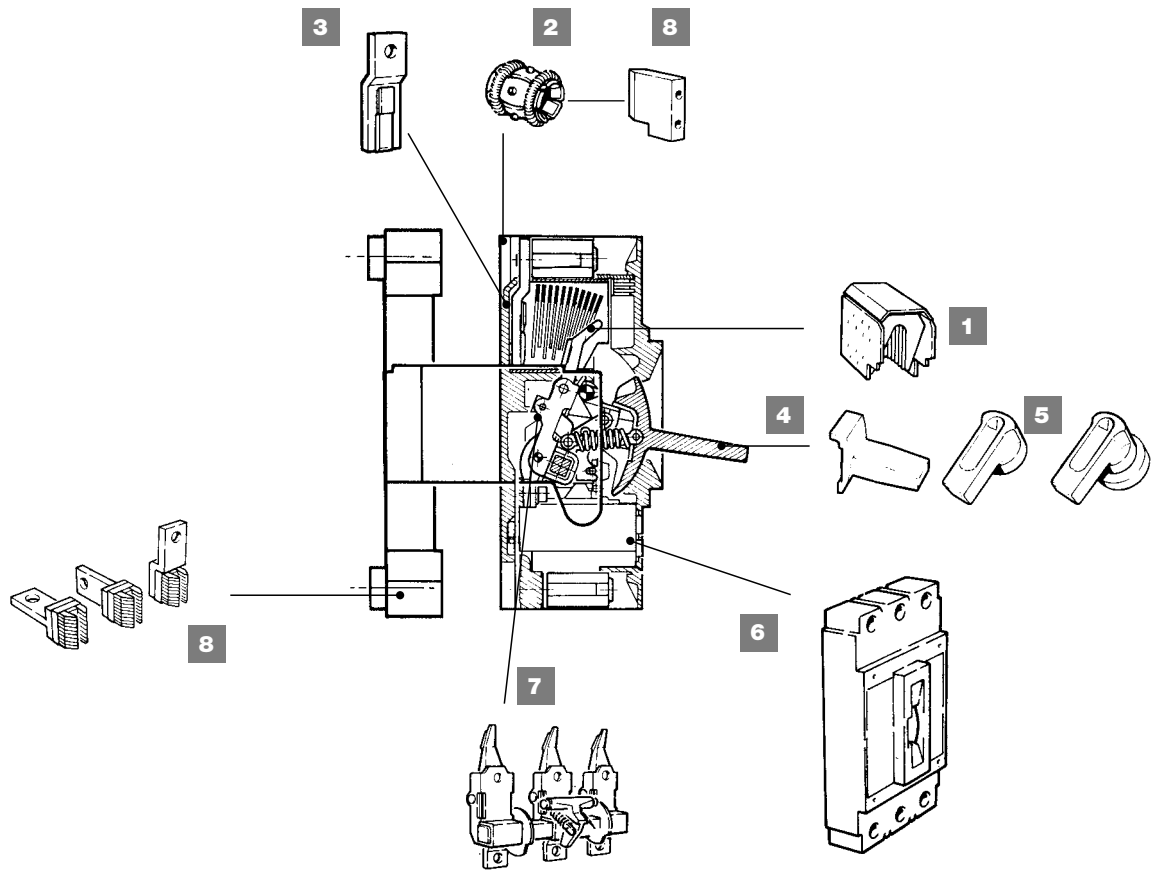
x = Last product available

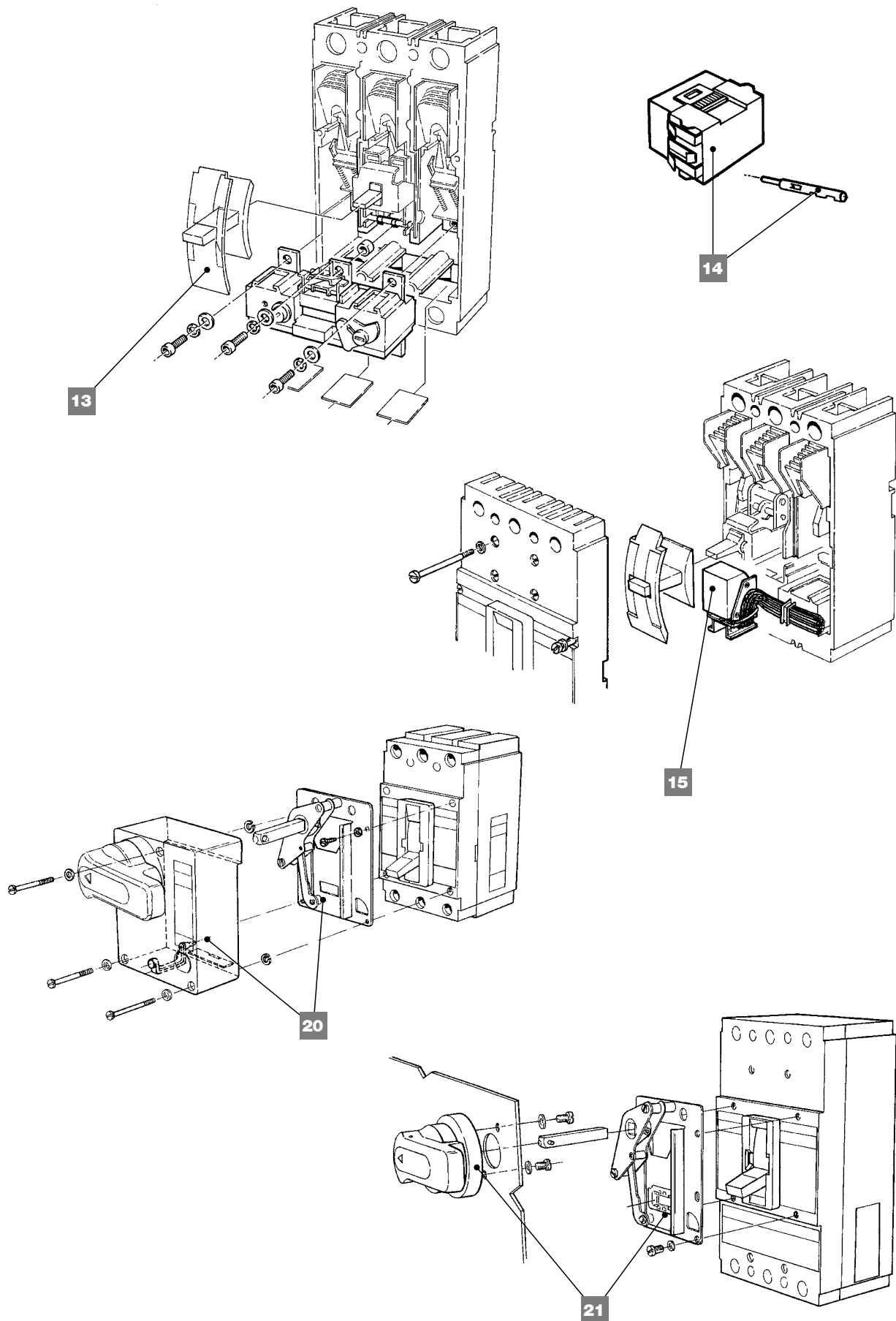
A = Assembly reserved to ABB SACE skilled technician

# Low voltage moulded-case circuit-breakers

## MODUL SN-SH 630/800

1  
Modul

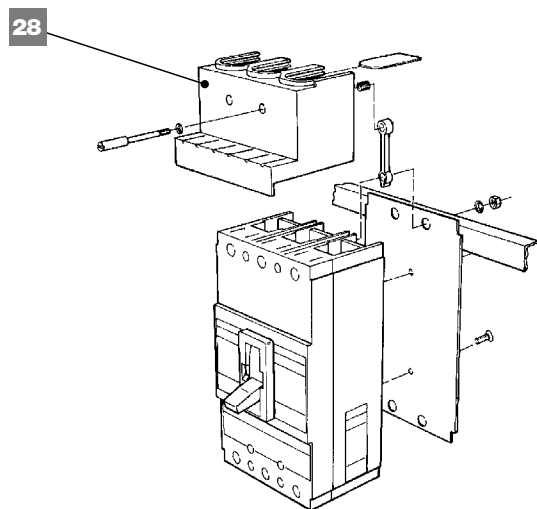
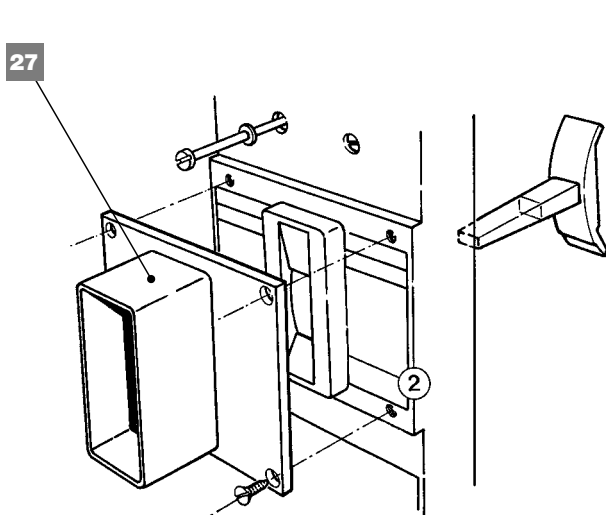
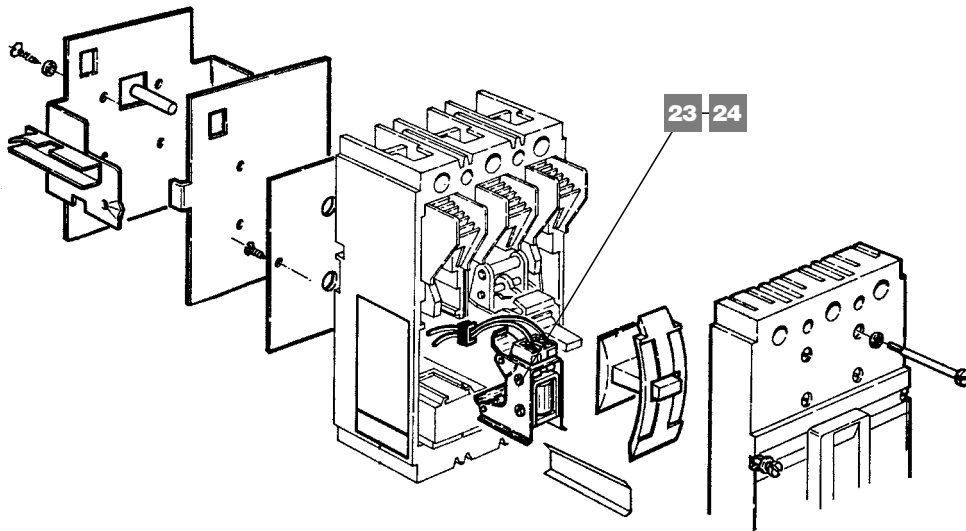
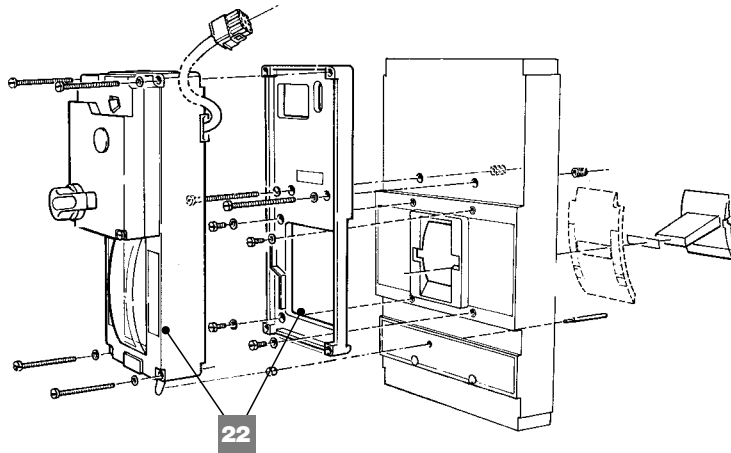




# Low voltage moulded-case circuit-breakers

## MODUL SN-SH 630/800

1  
Modul



**Caption**

- 1) Arc chambers set
- 2) Tulip contacts set
- 3) Main fixed contacts set
- 4) Operating levers set
- 5) Rotary handles set
- 6) Main front cover
- 7) Moving contacts assembly
- 8) Single terminal + single jaw contact (on WFP) kit
- 9) Opening solenoid for S4 electronic release
- 10) Draw out lever
- 11) Upgrade kit from fixed breaker to PMP
- 12) Upgrade kit from fixed breaker to WMP
- 13) TM release in AC use
- 14) 24 poles plug for auxiliary applications
- 15) No. 1 No/Nc change over contact
- 16) No. 3 No/ 3Nc auxiliary contacts set
- 17) No. 2 No/Nc change-over contacts + tripped relay contact
- 18) No. 2 No/Nc aux contacts set + tripped relay contact
- 19) No. 2 No/Nc change-over contacts + tripped relay for breaker fitted with S4 electronic release
- 20) Rotary operating mechanism on breaker
- 21) Rotary operating mechanism on panel's door
- 22) Motor operator
- 23) Opening coil
- 24) Undervoltage release
- 25) Single CT + support for S4 electronic relay
- 26) Cover for breaker fitted with S4 electronic release
- 27) Extender flange for breaker's main cover
- 28) Sealable terminals cover
- 29) Padlock for standard operating lever
- 30) Keylock for rotary operating mechanism on breaker

# Low voltage moulded-case circuit-breakers

Spare part description	Type	UXAB code	Q.ty	Note
<b>1</b> Arc chambers set	Complete range	179499035	1	
<b>2</b> Tulip contacts set	SN-SH630	169099019	1	
<b>3</b> Main fixed contacts set	Complete range	189899012	1	
<b>4</b> Operating levers set	Complete range	189899100	1	
<b>5</b> Rotary handles set	Complete range	189899101	1	
<b>6</b> Main front cover	For 3p breaker fitted with TM release	189899001	1	<b>X</b>
	For 4p breaker fitted with TM release	189899002	1	<b>X</b>
	For 3p breaker fitted with S3 electronic release	189899052	1	<b>X</b>
	For 4p breaker fitted with S3 electronic release	189899053	1	<b>X</b>
<b>7</b> Moving contacts assembly	3p	189899057	1	<b>A</b>
	4p	189899058	1	<b>X A</b>
<b>8</b> Single terminal + single jaw contact (on WFP) kit	SN/SH800, for HR terminals	189899150	3 or 4	<b>X</b>
	SN/SH800, for RV terminals	189899151	3 or 4	<b>X</b>
	SN/SH800, for F terminals	189899152	3 or 4	<b>X</b>
<b>9</b> Opening solenoid for S4 electronic release	Complete range	759100020	1	<b>X</b>
<b>10</b> Draw out lever	SN-SH630-800, 2/3p	169668003	1	
	SN-SH630-800, 4p	169668004	1	
<b>11</b> Upgrade kit from fixed breaker to PMP	SN/SH630, 3p	179501023	1	
	SN/SH630, 4p	179501024	1	
<b>12</b> Upgrade kit from fixed breaker to WMP	SN/SH630, 3p	179501043	1	
	SN/SH630, 4p	179501044	1	
	SN/SH800, 3p	189301043	1	<b>X</b>
	SN/SH800, 4p	189301044	1	<b>X</b>
<b>13</b> TM release in AC use	SN-SH800, 3p R400	189833115	1	
	SN-SH800, 3p R500	189833117	1	
	SN-SH630, 3p R630	189833119	1	
	SN-SH630, 3p R800	189833121	1	
	SN-SH800, 4p R400	189835115	1	
	SN-SH800, 4p R500	189835117	1	
	SN-SH630, 4p R630	189835119	1	
	SAH600, R500	759133115	1	<b>X</b>
	SAH600, R600	759133119	1	<b>X</b>
	SAH800, R700	759133121	1	<b>X</b>
SAH800, R800	759133123	1	<b>X</b>	
<b>14</b> 24 poles plug for auxiliary applications	On right hand side	189846300	1	
	On left hand side	189846400	1	
<b>15</b> No. 1 No/Nc change over contact	SN/SH630-800	719040100	1	
<b>16</b> No. 3 No/ 3Nc auxiliary contacts set	SN/SH630-800	719040300	1	
<b>17</b> No. 2 No/Nc change-over contacts + tripped relay contact	SN/SH630-800	719040400	1	
<b>18</b> No. 2 No/Nc aux contacts set + tripped relay contact	SN/SH630-800	719040500	1	
<b>19</b> No. 2 No/Nc change-over contacts + tripped relay for breaker fitted with S4 electronic release	SAH600-800	719040600	1	<b>X</b>
<b>20</b> Rotary operating mechanism on breaker	SN/SH630-800	189850001	1	

**X** = Last product available

**A** = Assembly reserved to ABB SACE skilled technician

Spare part description	Type	UXAB code	Q.ty	Note
<b>21</b> Rotary operating mechanism on panel's door	SN/SH630-800	189850005	1	
<b>22</b> Motor operator	110V	189852939	1	
	120-127V	189852943	1	
	220-250V	189852948	1	
<b>23</b> Opening coil	24V DC and 48V AC	719028902	1	
	48-60V DC	719028904	1	
	100/127V DC - 150/180V AC	719028909	1	
	160/220V DC - 260/320V AC	719028918	1	
	24V AC	719028932	1	
	72/100V DC - 100/127V AC	719028939	1	
	150V DC - 200/255V AC	719028948	1	
	250V DC - 380/500V AC	719028953	1	
	SAH600-800, 12V DC for breaker fitted with S4 electronic release	719028901	1	<b>X</b>
	SAH600-800, 120V AC for breaker fitted with S4 electronic release	719028971	1	<b>X</b>
<b>24</b> Undervoltage release	24V DC	719038902	1	
	48V DC	719038904	1	
	110V DC	719038909	1	
	220V DC	719038918	1	
	110V 50Hz - 120V 60Hz	719038939	1	
	220V 50Hz - 254V 60Hz	719038948	1	
	380V 50Hz - 440V 60Hz	719038953	1	
<b>25</b> Single CT + support for S4 electronic relay	SAH600, for single phase	759100010	3	<b>X</b>
	SAH600, for neutral pole	759100011	1	<b>X</b>
<b>26</b> Cover for breaker fitted with S4 electronic release	SAH600-800	759100030	1	<b>X</b>
<b>27</b> Extender flange for breaker's main cover	SN/SH800	189870100	1	
<b>28</b> Sealable terminals cover	SN/SH630, 2/3p	179471003	1	<b>X</b>
	SN/SH630, 4p	179471004	1	<b>X</b>
	SN/SH800, 2/3p	189371003	1	<b>X</b>
	SN/SH800, 4p	189371004	1	<b>X</b>
<b>29</b> Padlock for standard operating lever	Complete range	149155100	1	
<b>30</b> Keylock for rotary operating mechanism on breaker	Complete range	189857100	1	

**X** = Last product available

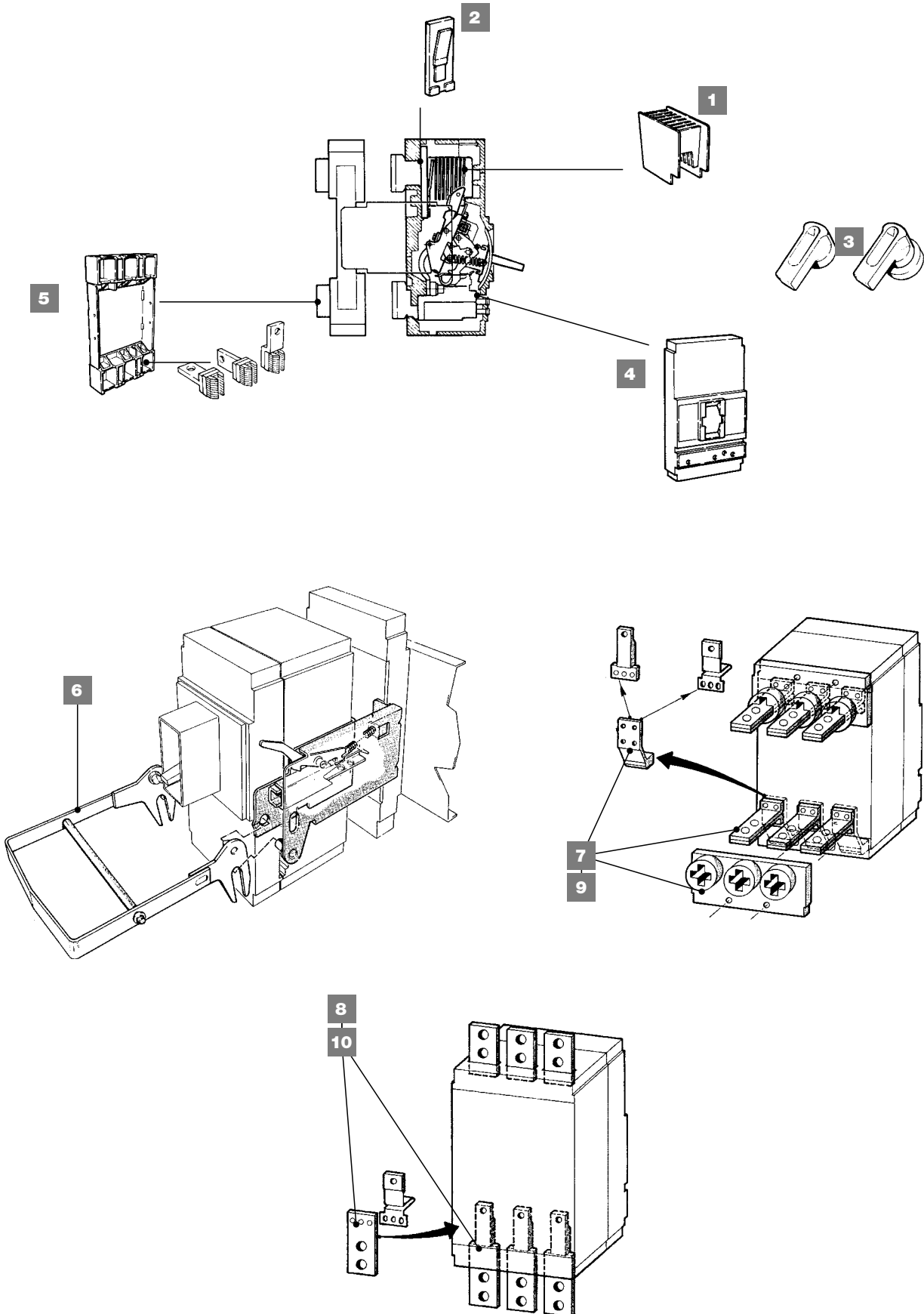
**A** = Assembly reserved to ABB SACE skilled technician

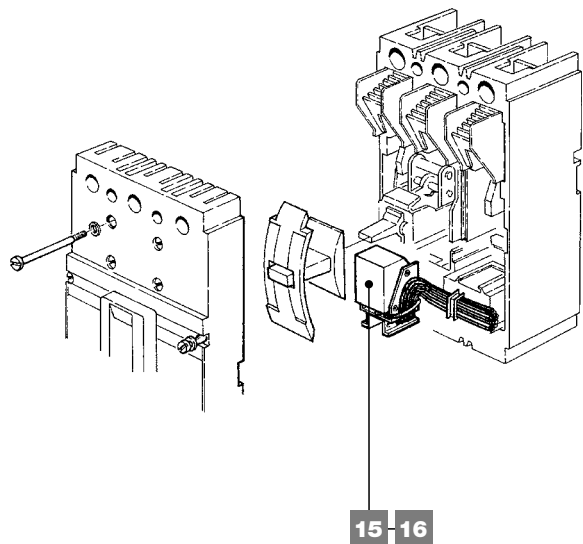
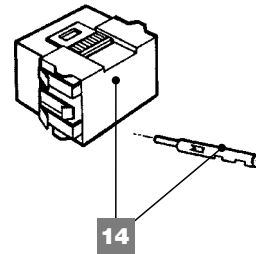
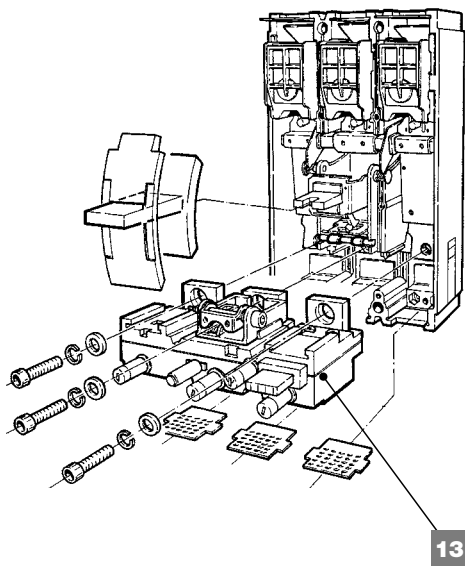
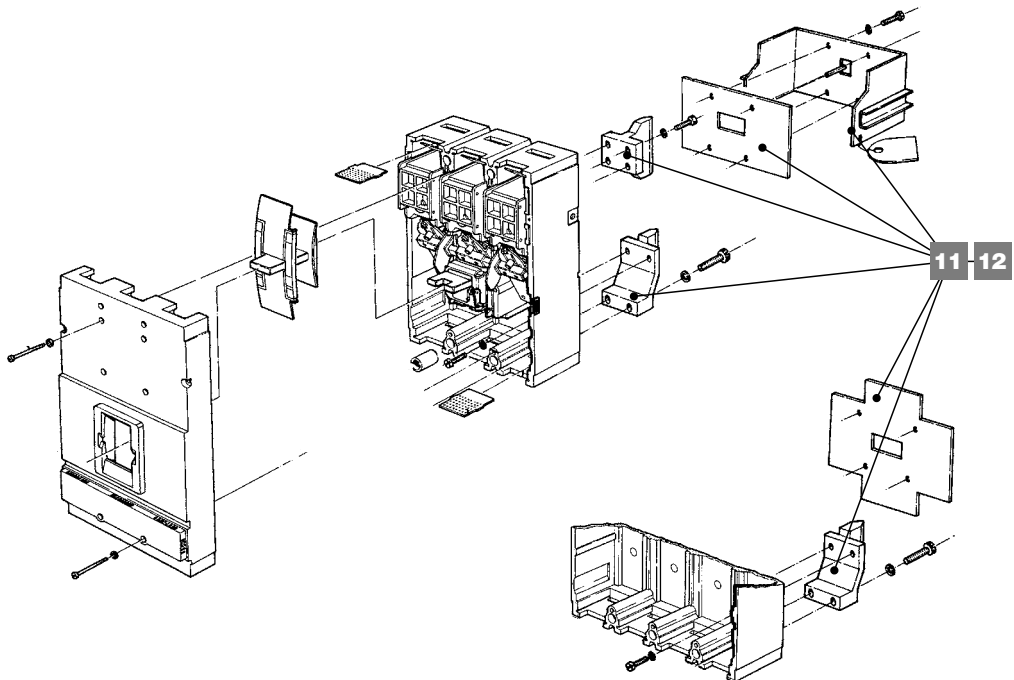


# Low voltage moulded-case circuit-breakers

## MODUL SN-SH 1250/1600

1  
Modul



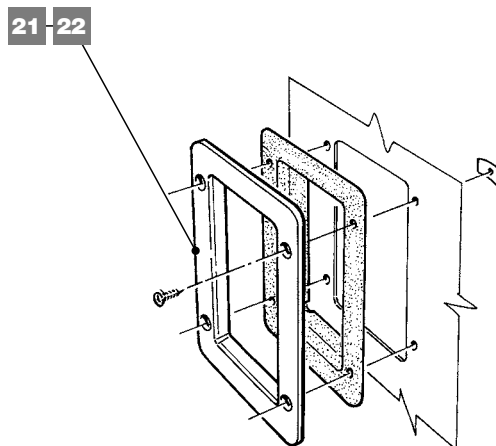
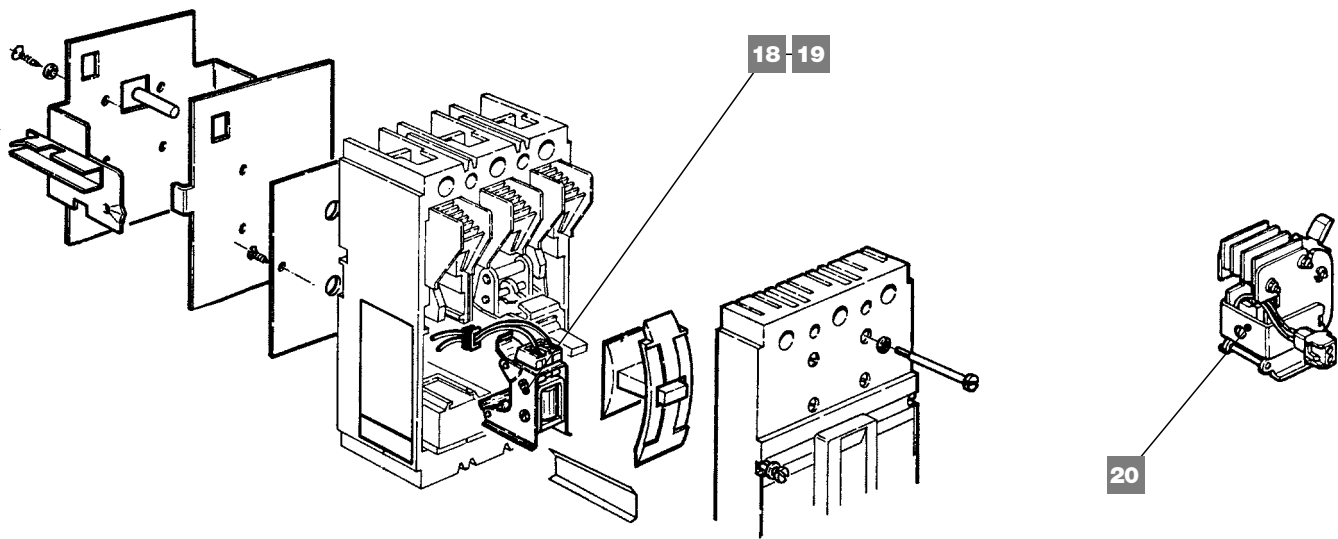
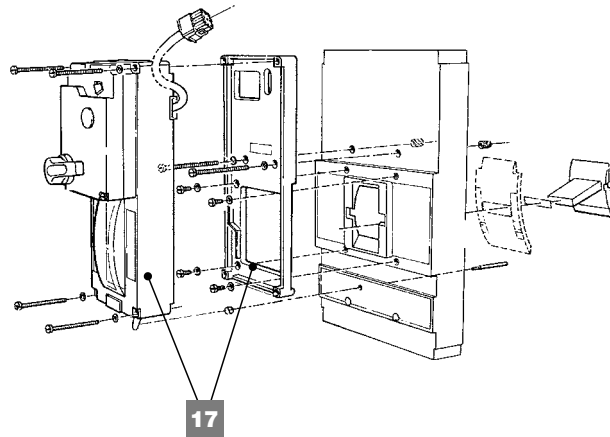


# Low voltage moulded-case circuit-breakers

## MODUL SN-SH 1250/1600

1

Modul



**Caption**

- 1) Arc chambers set
- 2) Main fixed contacts set
- 3) Rotary handles set
- 4) Main cover
- 5) Insulating base for fixed part
- 6) Draw out lever
- 7) Rear terminals kit with shunts for fixed breaker ( $I_n < 1000A$ )
- 8) Front terminals set for 3 poles breaker ( $I_n < 1000A$ )
- 9) Rear terminals kit with through bar for fixed breaker ( $I_n > 1250A$ )
- 10) Front terminals set for 3 poles breaker ( $I_n > 1250A$ )
- 11) Upgrade kit from fixed breaker to WMP ( $I_n < 1000A$ )
- 12) Upgrade kit from fixed breaker to WMP ( $I_n > 1250A$ )
- 13) TM release in AC use
- 14) 24 poles plug and socket kit for auxiliary applications (on right hand side)
- 15) No. 3 No/ 3Nc auxiliary contacts set
- 16) No. 2 No/Nc aux contacts set + tripped relay contact
- 17) Motor operator
- 18) Opening coil
- 19) Undervoltage release
- 20) Opening solenoid for S3 electronic release complete with 2No+2Nc + tripped relay contacts
- 21) Flange for WMP breaker fitted with standard operating lever
- 22) Flange for F or PMP breaker fitted with rotary operating lever
- 23) Flange for WMP breaker fitted with rotary operating lever
- 24) Flange for motor operator
- 25) S3 base relay complete with no. 3 CTs r1200A
- 26) Main frontal cover
- 27) Padlock for standard operating lever

# Low voltage moulded-case circuit-breakers

Spare part description	Type	UXAB code	Q.ty	Note
<b>1</b> Arc chambers set	Complete range	149199012	1	
<b>2</b> Main fixed contacts set	Complete range	149199011	1	<b>A</b>
<b>3</b> Rotary handles set	Complete range	189899101	1	
<b>4</b> Main cover	For 3p breaker fitted with TM release	149199054	1	<b>X</b>
	For 3p breaker fitted with S3 electronic release	149199013	1	<b>X</b>
	For 4p breaker fitted with S3 electronic release	149199014	1	<b>X</b>
<b>5</b> Insulating base for fixed part	3p	149199023	1	
	4p	149199024	1	
<b>6</b> Draw out lever	SN-SH1250-1600, 2/3p	749000201	1	
	SN-SH1250-1600, 4p	749000202	1	
<b>7</b> Rear terminals kit with shunts for fixed breaker (In=<1000A)	SN-SH1250, 3p	149101033	1	
	SN-SH1250, 4p	149101034	1	
	SN-SH1600, 3p	749000033	1	
	SN-SH1600, 4p	749000034	1	
<b>8</b> Front terminals set for 3 poles breaker (In=<1000A)	SAH1200	749301023	1	
<b>9</b> Rear terminals kit with through bar for fixed breaker (In=>1250A)	SN-SH1250, 3p	149101063	1	
	SN-SH1250, 4p	149101064	1	
<b>10</b> Front terminals set for 3 poles breaker (In=>1250A)	SAH1200	749301013	1	
<b>11</b> Upgrade kit from fixed breaker to WMP (In=<1000A)	SN-SH1250, 3p	149101093	1	
	SN-SH1250, 4p	149101094	1	<b>X</b>
	SN-SH1600, 3p	749000093	1	
	SN-SH1600, 4p	749000094	1	<b>X</b>
<b>12</b> Upgrade kit from fixed breaker to WMP (In=>1250A)	SN-SH1250, 3p	149101083	1	
	SN-SH1250, 4p	149101084	1	<b>X</b>
	SN-SH1600, 3p	749000083	1	
	SN-SH1600, 4p	749000084	1	<b>X</b>
<b>13</b> TM release in AC use	SN-SH1250, R800 3p c/w shunts	149133111	1	
	SN-SH1250, R1000 3p c/w shunts	149133113	1	
	SN-SH1250, R1250 3p c/w through bar	149133115	1	
	SN-SH1250, R800 4p c/w shunts	149134111	1	<b>X</b>
	SN-SH1250, R1000 4p c/w shunts	149134113	1	<b>X</b>
	SN-SH1250, R1250 4p c/w through bar	149134115	1	<b>X</b>
	SAH1200, R1000	749333107	1	
	SAH1200, R1200	749333109	1	
<b>14</b> 24 poles plug and socket kit for auxiliary applications (on right hand side)	SN-SH1250	149146100	1	
<b>15</b> No. 3 No/ 3Nc auxiliary contacts set	Complete range, right hand side for breaker fitted with TM release	749340300	1	
<b>16</b> No. 2 No/Nc aux contacts set + tripped relay contact	Complete range	749340500	1	
<b>17</b> Motor operator	SN-SH1250/1600, 110V	149152939	1	
	SN-SH1250/1600, 220-250V	149152948	1	

**X** = Last product available

**A** = Assembly reserved to ABB SACE skilled technician

Spare part description	Type	UXAB code	Q.ty	Note
18 Opening coil	SN-SH1250-1600, 24V DC or 48V AC	749327902	1	
	SN-SH1250-1600, 48V-60V DC	749327904	1	
	SN-SH1250-1600, 100/127V DC - 150/180V AC	749327909	1	
	SN-SH1250-1600, 72/100V DC - 100/127V AC	749327939	1	
	SN-SH1250-1600, 150V DC - 200/255V AC	749327948	1	
	SN-SH1600, 72-100V DC_100-127V AC for breaker fitted with S3 electronic release	149125939	1	
	SN-SH1600, 150V DC_220-250V AC for breaker fitted with S3 electronic release	149125948	1	
19 Undervoltage release	SN-SH1250-1600, 24V DC	749337902	1	
	SN-SH1250-1600, 48V DC	749337904	1	
	SN-SH1250-1600, 110V DC	749337909	1	
	SN-SH1250-1600, 220V DC	749337918	1	
	SN-SH1250-1600, 220V 50Hz - 254V 60Hz	749337948	1	
	SN-SH1250-1600, 380V 50Hz - 440V 60Hz	749337953	1	
	SAH1200, 110V 50Hz -120V 60Hz	749337971	1	
	SAH1200, 125V DC for breaker fitted with S3 electronic release	749335912	1	
	SAH1200, 250V DC for breaker fitted with S3 electronic release	749335922	1	
	SN-SH1600, 220V 50Hz - 254V 60Hz for breaker fitted with S3 release	149135948	1	
20 Opening solenoid for S3 electronic release complete with 2No+2Nc + tripped relay contacts	Complete range	149120500	1	
21 Flange for WMP breaker fitted with standard operating lever	SN-SH1600	169064072	1	
22 Flange for F or PMP breaker fitted with rotary operating lever	SN-SH1600	169064073	1	
23 Flange for WMP breaker fitted with rotary operating lever	SN-SH1600	169064074	1	
24 Flange for motor operator	SN-SH1600	169064075	1	
25 S3 base relay complete with no. 3 CTs r1200A	SAH1200	749343802	1	X
26 Main frontal cover	SAH1200	749300001	1	
27 Padlock for standard operating lever	Complete range	149155100	1	

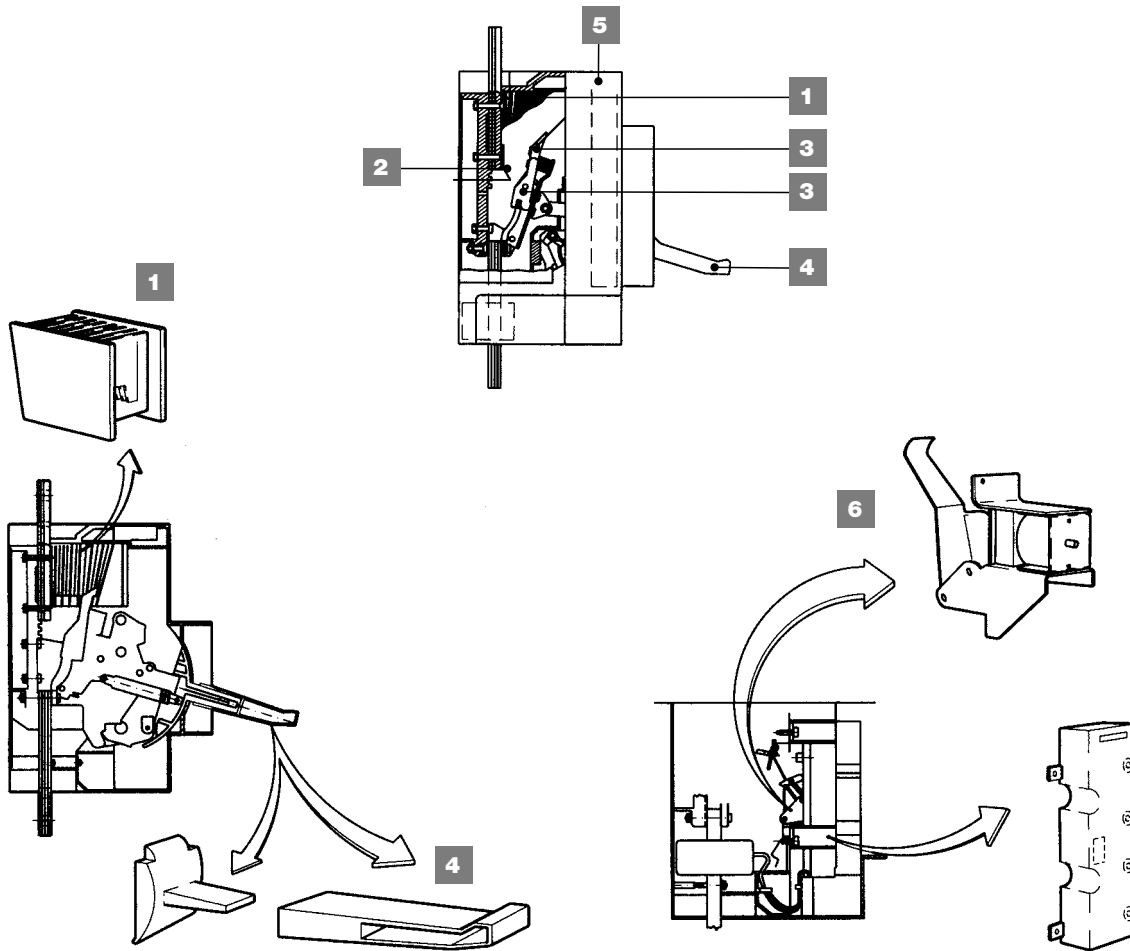
X = Last product available

A = Assembly reserved to ABB SACE skilled technician

# Low voltage moulded-case circuit-breakers

## MODUL SN-SH 2000/3200

1  
Modul



### Caption

- 1) Arc chambers set
- 2) Main fixed contact
- 3) Moving contacts
- 4) Operating lever
- 5) Main cover
- 6) Opening solenoid
- 7) Gasket for compartment's door
- 8) Opening coil
- 9) Undervoltage release
- 10) No. 4 Na/Nc auxiliary contacts + No. 2 contacts for tripped relay

### NOTE

For the components for Modul SH-SH-SM5/M 2000-3200 not listed in the catalogue please refer to the corresponding accessories available for SACE Isomax S8.  
For the closing and opening releases of the circuit breakers S8 the numbering of the connections changes (invert C11 with C1 and C12 with C2)

Spare part description	Type	UXAB code	Q.ty	Note	
<b>1</b> Arc chambers set	Complete range	749199003	1		
<b>2</b> Main fixed contact	Complete range, for phases	749199001	3	<b>A</b>	
	Complete range, for neutral pole	749199002	1	<b>A</b>	
<b>3</b> Moving contacts	SAN-SAH-SM5 2000-3200, R+T phases	749199008	2	<b>A</b>	
	SAN-SAH-SM5 2000-3200, S phase	749199009	1	<b>A</b>	
	SAN-SAH-SM5 2000-3200, neutral pole	749199010	1	<b>A</b>	
	SN-SH-SM5/M 2000-3200, R+S+T phases	749199018	3	<b>A</b>	
	SN-SH-SM5/M 2000-3200, neutral pole	749199020	1	<b>A</b>	
<b>4</b> Operating lever	SAN-SAH-SM5 2000-3200 complete with extension lever	749199011	1		
	SN-SH-SM5/M 2000-3200, standard	749199012	1		
<b>5</b> Main cover	SAN-SAH-SM5 2000-3200, for phases	749199006	1	<b>X</b>	
	SAN-SAH-SM5 2000-3200, for neutral pole only	749199007	1	<b>X</b>	
	SN-SH-SM5/M 2000-3200, for phases	749199016	1	<b>X</b>	
	SN-SH-SM5/M 2000-3200, for neutral pole only	749199017	1	<b>X</b>	
<b>6</b> Opening solenoid	SN-SH-SAN-SAH 2000-3200, for S3 electronic release	749199100	1		
<b>7</b> Gasket for compartment's door	SN-SH-SM5/M 2000-3200	789100005	1	<b>X</b>	
	SAN-SAH-SM5 2000-3200	749171100	1	<b>X</b>	
<b>8</b> Opening coil	24V DC - 48V AC	749121902	1		
	100/127V DC - 150/180 V AC	749121909	1		
	72/100V DC - 100/127V AC	749121939	1		
	150V DC 200-255V AC	749121948	1		
	250V DC - 380/500V AC	749121953	1		
	24V AC	749121932	1		
	12V DC	749121901	1		
	30V DC	749121903	1		
	48V DC	749121904	1		
	160/220 V DC - 260/320 V AC	749121918	1		
	<b>9</b> Undervoltage release	24/30V DC	749131902	1	
		220V / 50Hz	749131948	1	
		380/400V 50Hz 440V 60Hz	749131953	1	
		208/220V / 60Hz	749131978	1	
		380V 60Hz	749131983	1	
48/60V DC		749131904	1		
110/125 V DC		749131912	1		
220/250 V DC		749131922	1		
310V DC		749131923	1		
24V 50 Hz		749131932	1		
30V 50 Hz		749131933	1		
48V 50 Hz		749131934	1		
60V 50 Hz		749131935	1		
100V 50 Hz - 110/116 V 60Hz		749131969	1		
120V 60Hz		749131970	1		
110/115V 50Hz - 120/127V 60Hz	749131939	1			
127/130V 50Hz	749131943	1			
260V 60Hz	749131981	1			
230/240 V 50HZ - 277 V 60Hz	749131951	1			
415/440V 50Hz - 480V 60Hz	749131954	1			
500V 50Hz	749131957	1			
<b>10</b> No. 4 Na/Nc auxiliary contacts + No. 2 contacts for tripped relay	SAN-SAH-SM5 2000-3200	749141100	1		

**X** = Last product available**A** = Assembly reserved to ABB SACE skilled technician







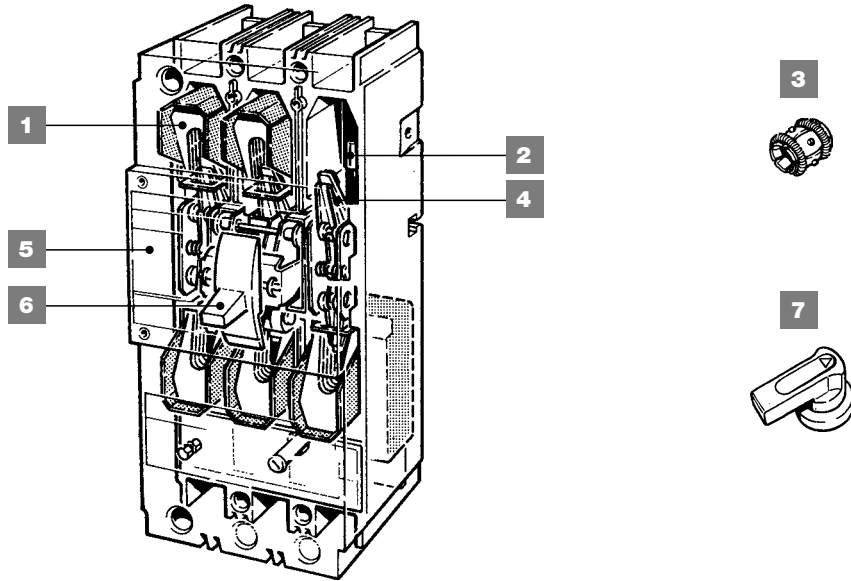
# Low voltage moulded-case circuit-breakers LIMITOR series



# Low voltage moulded-case circuit-breakers

## LIMITOR LN 160/200 - LN 160 MS: Basic components

1  
Limitor



### Caption

- 1) No. 6 arc chambers
- 2) Main fixed contacts set
- 3) Tulip contacts set
- 4) Moving double contacts set
- 5) Main frontal cover + terminals protection
- 6) Operating levers + matching plate for motor operator
- 7) Rotary handles set

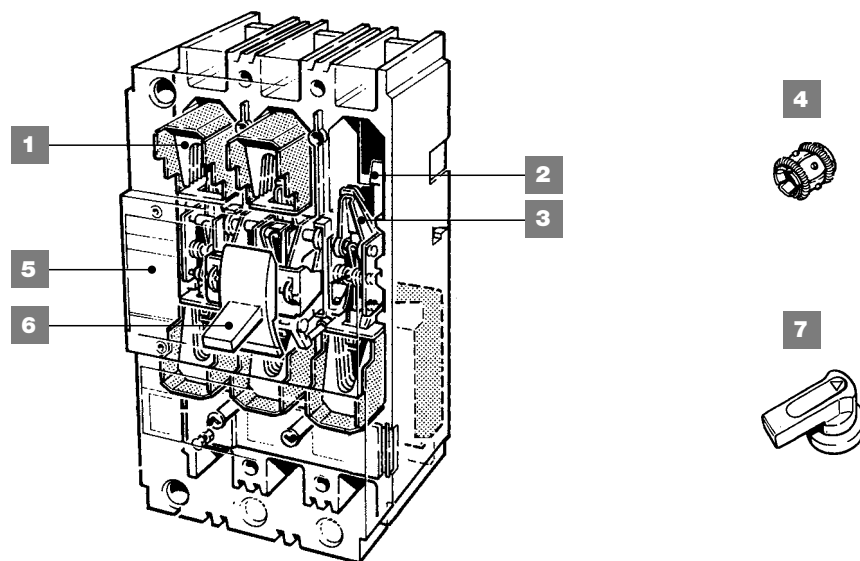
Spare part description	Type	UXAB code	Q.ty	Note
<b>1</b> No. 6 arc chambers		169499002	1	
<b>2</b> Main fixed contacts set		169499003	1	<b>A</b>
<b>3</b> Tulip contacts set		169099013	1	
<b>4</b> Moving double contacts set		169499004	1	<b>A</b>
<b>5</b> Main frontal cover + terminals protection		159499011	1	<b>A (1)</b>
<b>6</b> Operating levers + matching plate for motor operator		159499012	1	
<b>7</b> Rotary handles set	LN160/200/320 MS	159499013	1	

(1) The covers are supplied without plates

**X** = Last product available

**A** = Assembly reserved to ABB SACE skilled technician

## LIMITOR LN 320 - LN 320 MS: Basic components



### Caption

- 1) No. 6 arc chambers
- 2) Main fixed contacts set
- 3) Moving double contacts set
- 4) Tulip contacts set
- 5) Main frontal cover + terminals protection
- 6) Operating levers + matching plate for motor operator
- 7) Rotary handles set
- 8) Draw out lever

Spare part description	Type	UXAB code	Q.ty	Note
<b>1</b> No. 6 arc chambers		169599002	1	
<b>2</b> Main fixed contacts set	LN320	169599003	1	<b>A</b>
	LN320 MS	169599013	1	<b>A</b>
<b>3</b> Moving double contacts set	LN320	169599004	1	<b>A</b>
	LN320 M	169599014	1	<b>A</b>
<b>4</b> Tulip contacts set		159599007	1	
<b>5</b> Main frontal cover + terminals protection		159599012	1	<b>A (1)</b>
<b>6</b> Operating levers + matching plate for motor operator		159599013	1	
<b>7</b> Rotary handles set	LN160/200/320 MS	159499013	1	
<b>8</b> Draw out lever	3p	169568003	1	
	4p	169568004	1	

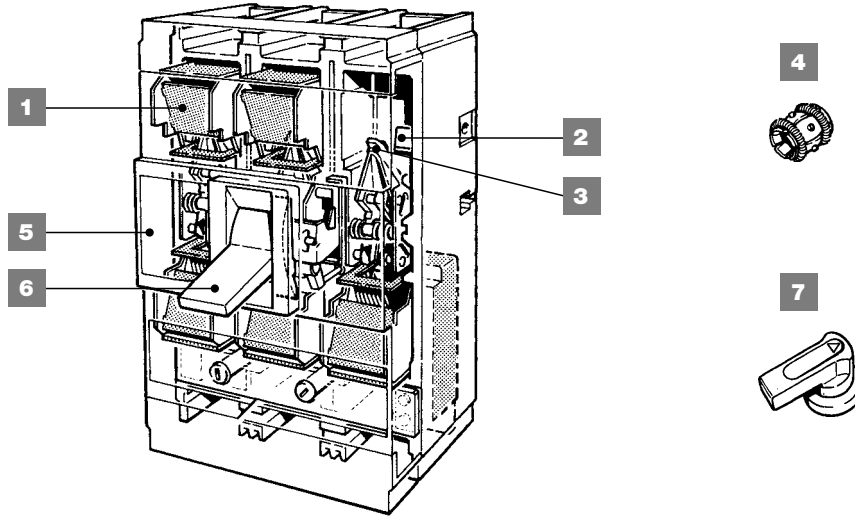
(1) The covers are supplied without plates

**X** = Last product available

**A** = Assembly reserved to ABB SACE skilled technician

# Low voltage moulded-case circuit-breakers

## LIMITOR LN 500/630 - LN 500 MS: Basic components



### Caption

- 1) Arc chambers + filters set
- 2) Main fixed contacts set
- 3) Moving double contacts set
- 4) Tulip contacts set
- 5) Main frontal cover + terminals protection
- 6) Operating levers + matching plate for motor operator
- 7) Rotary handles set
- 8) Draw out lever

Spare part description	Type	UXAB code	Q.ty	Note
1 Arc chambers + filters set	3p	739199001	1	
	4p	739199002	1	
2 Main fixed contacts set	LN500/630	169699003	1	<b>A</b>
	LN500 MS	739199023	1	<b>A</b>
3 Moving double contacts set	LN500/630, 2 or 3p	169699004	1	<b>A</b>
	LN500/630, 4p	169699005	1	<b>A</b>
	LN500 MS	739199024	1	<b>A</b>
4 Tulip contacts set	LN500 - LN500 MS	169099019	1	
5 Main frontal cover + terminals protection	3p	739199003	1	(1)
	4p	739199004	1	(1)
6 Operating levers + matching plate for motor operator		739199005	1	
7 Rotary handles set	LN500/630/800/1000 MS	739199006	1	
8 Draw out lever	3p	169668003	1	
	4p	169668004	1	

(1) The covers are supplied without plates

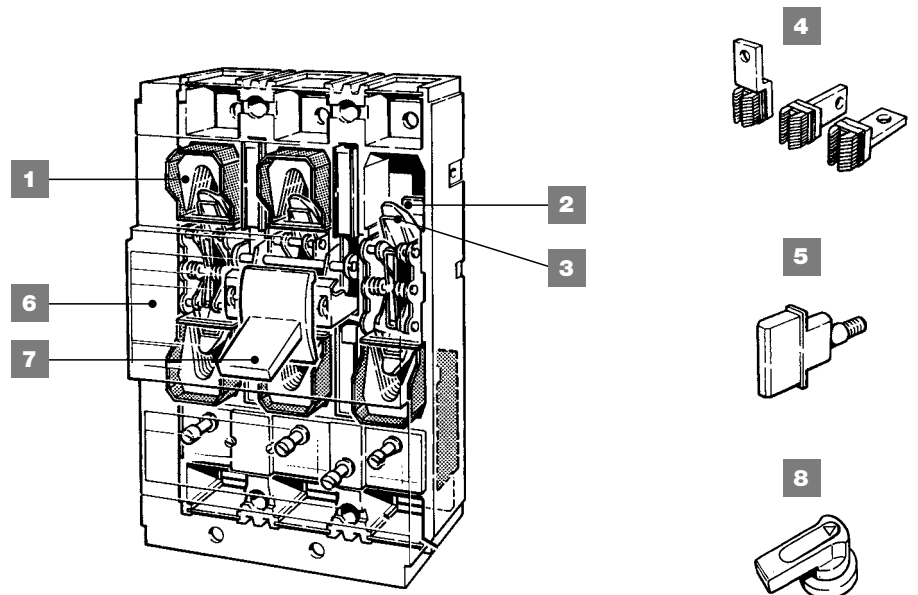
**X** = Last product available

**A** = Assembly reserved to ABB SACE skilled technician

## LIMITOR LN 800/1000 - LN 800 MS: Basic components

### Caption

- 1) Arc chambers + filters set
- 2) Main fixed contacts set
- 3) Moving double contacts set
- 4) Single terminal and jaw contact (on FP) assembly
- 5) No. 6 terminals for moving part
- 6) Front shield
- 7) Operating levers + matching plate for motor operator
- 8) Rotary handles set
- 9) Draw out lever
- 10) Flange for compartment's door



**1**  
Limitor

Spare part description	Type	UXAB code	Q.ty	Note
<b>1</b> Arc chambers + filters set		739299002	1	
<b>2</b> Main fixed contacts set	LN800/1000	169799003	1	<b>A</b>
	LN800 MS	739299013	1	<b>A</b>
<b>3</b> Moving double contacts set	LN800/1000	169799004	1	<b>A</b>
	LN800 MS	739299014	1	<b>A</b>
<b>4</b> Single terminal and jaw contact (on FP) assembly	LN800, F terminal	739219001	6	
	LN800, HR terminal	739219006	6	
	LN800, RV terminal	739219007	6	
<b>5</b> No. 6 terminals for moving part		739299045	1	
<b>6</b> Front shield		739299001	1	(1)
<b>7</b> Operating levers + matching plate for motor operator		739299003	1	
<b>8</b> Rotary handles set	LN500/630/800/1000 MS	739199006	1	
<b>9</b> Draw out lever	LN800	169768003	1	
<b>10</b> Flange for compartment's door	LN800 WMP, standard operating mechanism	169064072	1	
	LN800, PMP or F c/w rotary operating lever	169064073	1	
	LN800, WMP c/w rotary operating lever	169064074	1	
	LN800 c/w motor operator	169064075	1	

(1) The covers are supplied without plates

**X** = Last product available

**A** = Assembly reserved to ABB SACE skilled technician





# Low voltage moulded-case circuit-breakers ISOMAX series



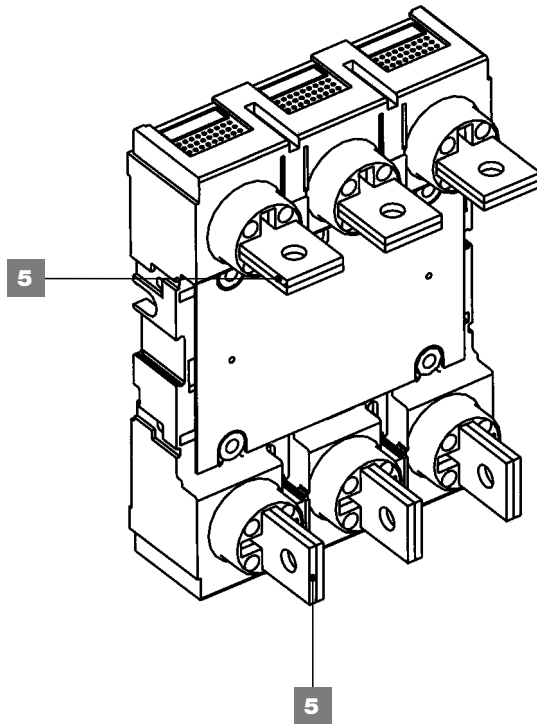
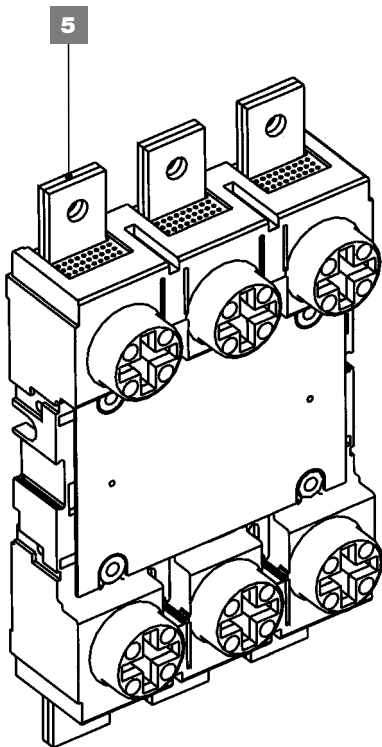
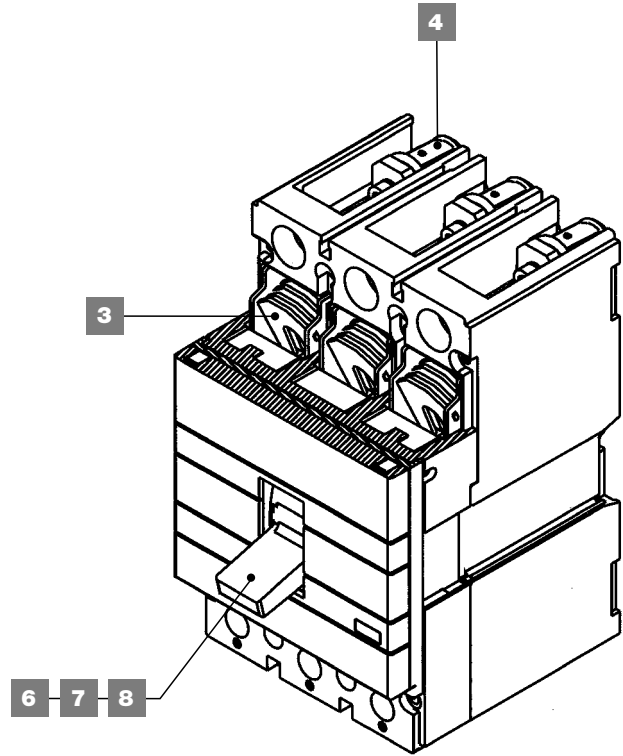
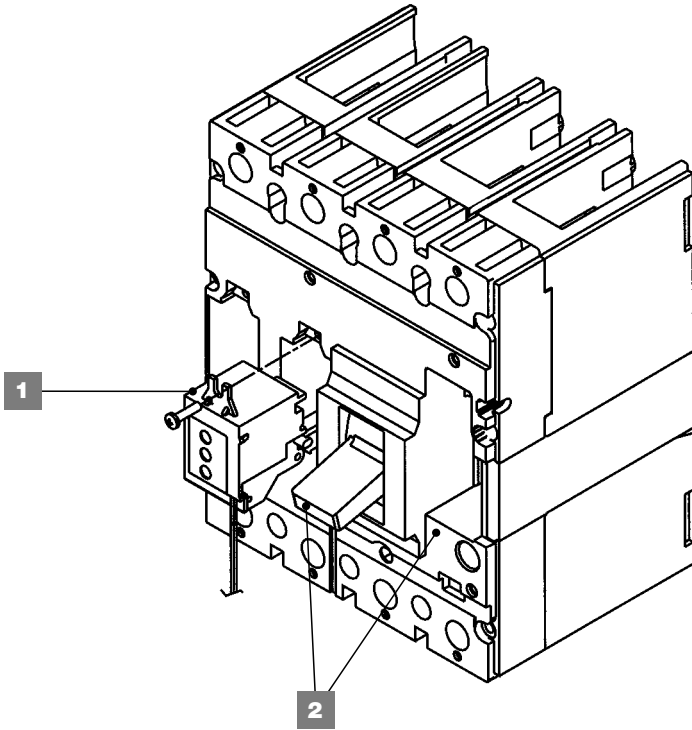


# Low voltage moulded-case circuit-breakers

## ISOMAX series

1

Isomax



---

**Caption****ISOMAX S1-S2-S3**

- 1) Solenoid for residual current relays
- 2) Front cover complete with operating lever
- 3) No. 4 arc chambers set
- 4) No. 8 tulip contacts set
- 6) Operating lever

**ISOMAX S4-S5**

- 2) Front cover complete with operating lever
- 3) No. 4 arc chambers set
- 4) No. 8 tulip contacts set
- 6) Operating lever

**ISOMAX S6-S7**

- 2) Front cover complete with operating lever
- 3) No. 4 arc chambers set
- 5) No. 8 jaw contacts fitted with terminals for fixed part
- 7) Operating lever
- 8) Operating lever

# Low voltage moulded-case circuit-breakers

## ISOMAX S1-S2-S3

Spare part description	Type	1SDA code	Q.ty	Note
1 Solenoid for residual current relays	S1-S2 for RC210-211-212	013345R1	1	
	S3 for RC211	025562R1	1	
2 Front cover complete with operating lever	S3 N-H, 3p	043492R1	1	
	S3 N-H, 4p	043493R1	1	
	S3 L, 3p	043494R1	1	
	S3 L, 4p	043495R1	1	
	S3	025560R1	1	
3 No. 4 arc chambers set	S3	025561R1	1	
4 No. 8 tulip contacts set	S3-S4-S5	025555R1	1	
6 Operating lever				

## ISOMAX S4-S5

Spare part description	Type	1SDA code	Q.ty	Note
2 Front cover complete with operating lever	S4 N-H, 3p	043496R1	1	
	S4 N-H, 4p	043497R1	1	
	S4 L, 3p	043498R1	1	
	S4 L, 4p	043499R1	1	
	S5 N-H, 3p	043500R1	1	
	S5 N-H, 4p	043501R1	1	
	S5 L, 3p	043502R1	1	
	S5 L, 4p	043503R1	1	
3 No. 4 arc chambers set	S4	025762R1	1	
	S5	025763R1	1	
4 No. 8 tulip contacts set	S4	025561R1	1	
	S5	025764R1	1	
6 Operating lever	S3-S4-S5	025555R1	1	

## ISOMAX S6-S7

Spare part description	Type	1SDA code	Q.ty	Note
2 Front cover complete with operating lever	S6, 3p	043504R1	1	
	S6, 4p	043505R1	1	
	S7, 3p	043506R1	1	
	S7, 4p	043507R1	1	
	S6	025789R1	1	
3 No. 4 arc chambers set	S7	025793R1	1	
	S6, F terminals	043508R1	1	
5 No. 8 jaw contacts fitted with terminals for fixed part	S6, HR terminals	043509R1	1	
	S6, RV terminals	043510R1	1	
	S7, F terminals	043511R1	1	
	S7, HR terminals	043512R1	1	
	S7, RV terminals	043513R1	1	
	S6	025786R1	1	
	7 Operating lever	S7	025790R1	1
8 Operating lever				

X = Last product available

A = Assembly reserved to ABB SACE skilled technician

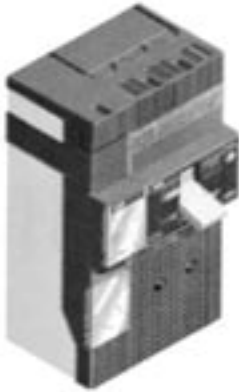
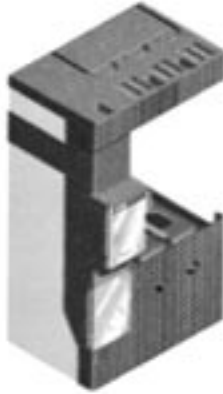


# Low voltage moulded-case circuit-breakers TMAX series



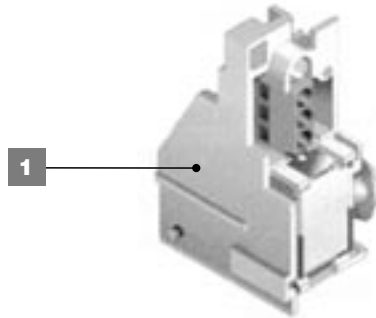
# Low voltage moulded-case circuit-breakers

## TMAX series



### Caption

- 1) Opening solenoid for RC221-222 residual current relay + Aux contact K51
- 2) Opening solenoid for RC221-222 residual current relay + Aux contact K51
- 3) Opening solenoid for RC221-222 residual current relay + Aux contact K51
- 4) Opening solenoid for PR221 electronic release
- 5) Opening solenoid for RC222-3-4-5 + Aux contact K51
- 6) Flange for compartment's door



### Spare part description

	Spare part description	Type	1SDA code	Q.ty	Note
1	Opening solenoid for RC221-222 residual current relay + Aux contact K51	Tmax T1	051506R1	1	
2	Opening solenoid for RC221-222 residual current relay + Aux contact K51	Tmax T2	051507R1	1	
3	Opening solenoid for RC221-222 residual current relay + Aux contact K51	Tmax T3	051508R1	1	
4	Opening solenoid for PR221 electronic release	Tmax T2	051505R1	1	
5	Opening solenoid for RC222-3-4-5 + Aux contact K51	Tmax T4-T5	055097R1	1	
6	Flange for compartment's door	Tmax T6 c/w MOS or RHD	060434R1	1	
		Tmax T6 WMP	060433R1	1	
		Tmax T6 F	060432R1	1	
		Tmax T4-T5 4p with RC222 F or PMP	055096R1	1	
		Tmax T4-T5 4p, WMP	055095R1	1	
		Tmax T4-T5 4p, F or PMP	055094R1	1	
		Tmax T1-T2-T3	051509R1	1	
		Tmax T1-T2-T3, c/w MOS or RHD	051510R1	1	
		Tmax T1-T2-T3 c/w RC21_/1 3p	051511R1	1	
		Tmax T1-T2-T3 c/w RC21_/2 3p	051512R1	1	
		Tmax T1-T2-T3 c/w RC21_/3 3p	051513R1	1	
		Tmax T1-T2-T3 c/w RC21_ 4p	051514R1	1	

X = Last product available

A = Assembly reserved to ABB SACE skilled technician



# Low voltage moulded-case circuit-breakers SD-VIEW series



# Low voltage moulded-case circuit-breakers

## SD-VIEW series

1  
SD-VIEW



### Caption

- 1) SD-D1/CA module
- 2) SD-T1 module
- 3) SD-M1 module

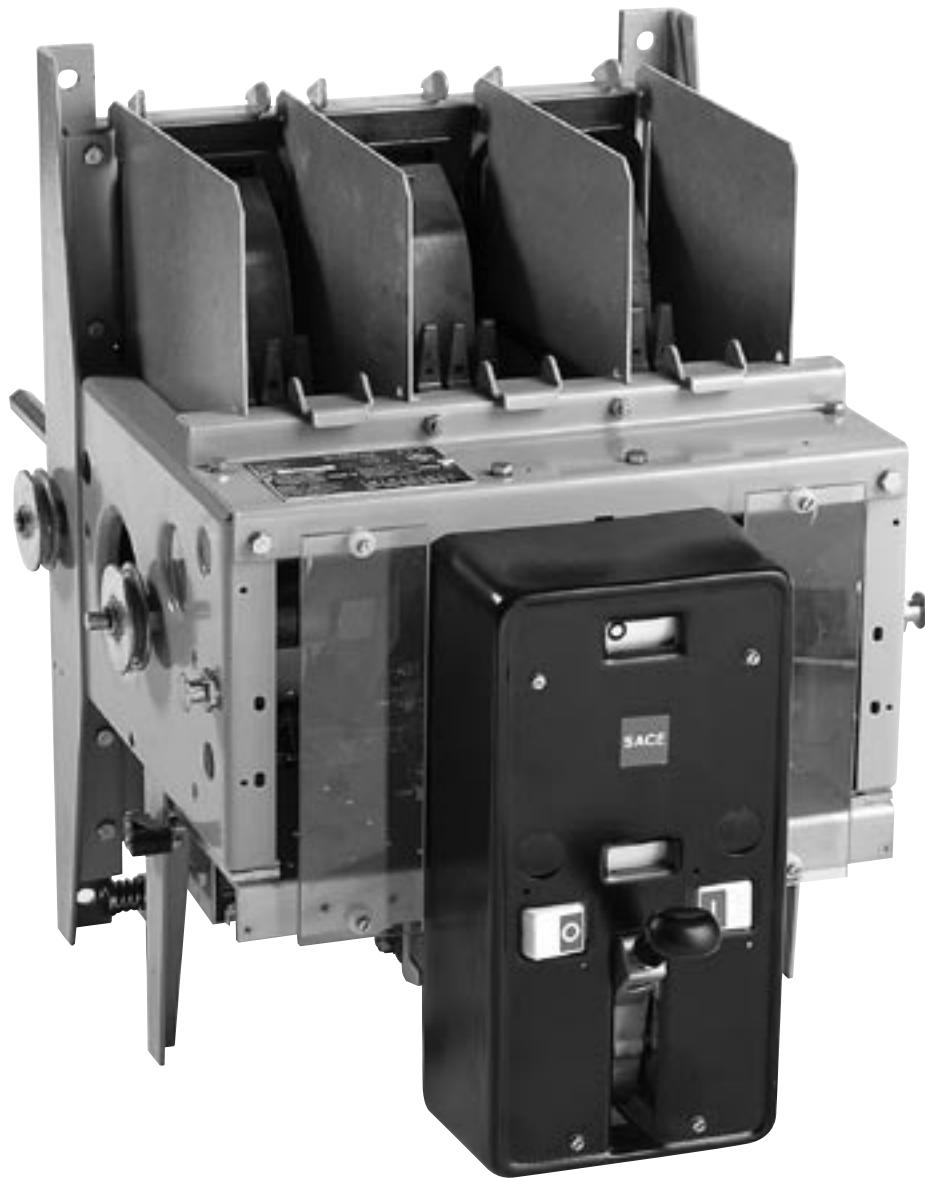
Spare part description	Type	1SDA code	Q.ty	Note
<b>1</b> SD-D1/CA module	SD-View	037803R1	1	
<b>2</b> SD-T1 module	SD-View	037815R1	1	
<b>3</b> SD-M1 module	SD-View	037816R1	1	

**X** = Last product available

**A** = Assembly reserved to ABB SACE skilled technician



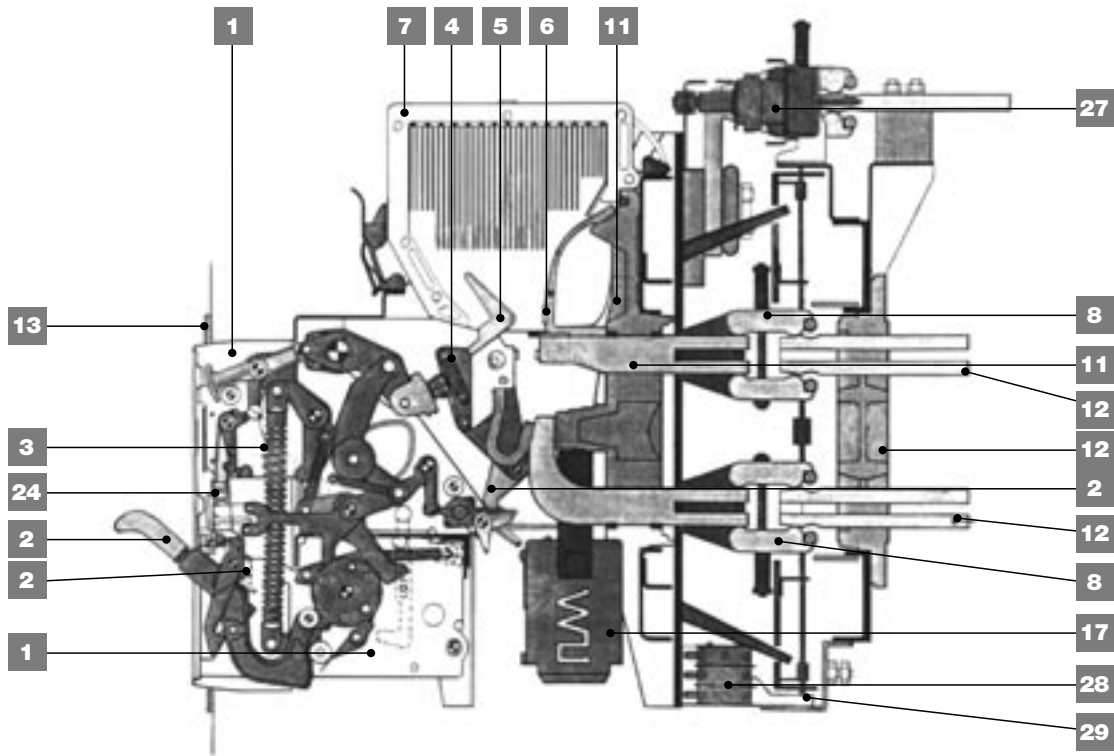
**Low voltage air  
circuit-breakers  
OTOMAX series**





# Low voltage air circuit-breakers

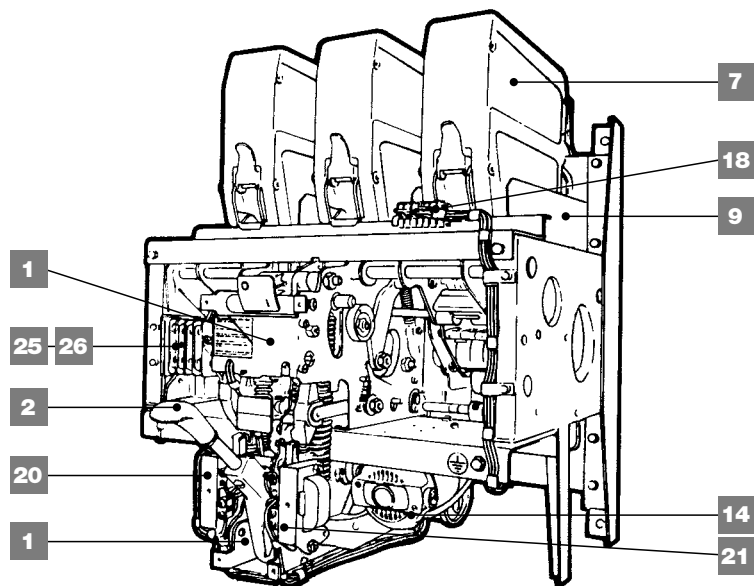
## Withdrawable P2C - P3C OTOMAX



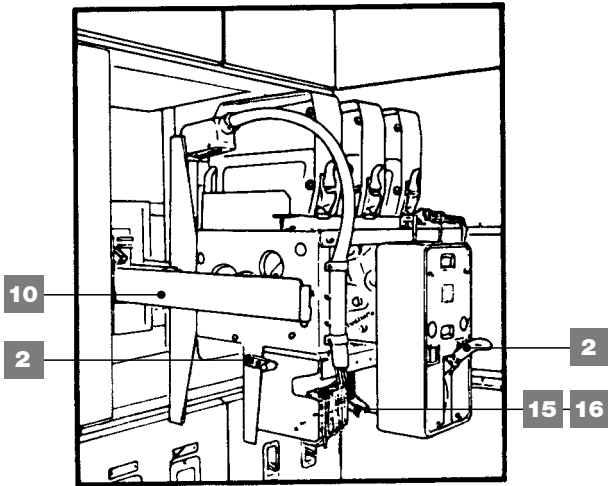
2

## P2C - P3C OTOMAX Operating mechanism and applications

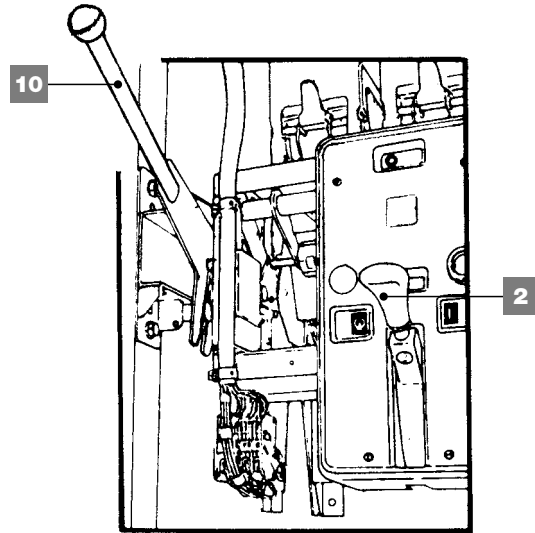
Otomax



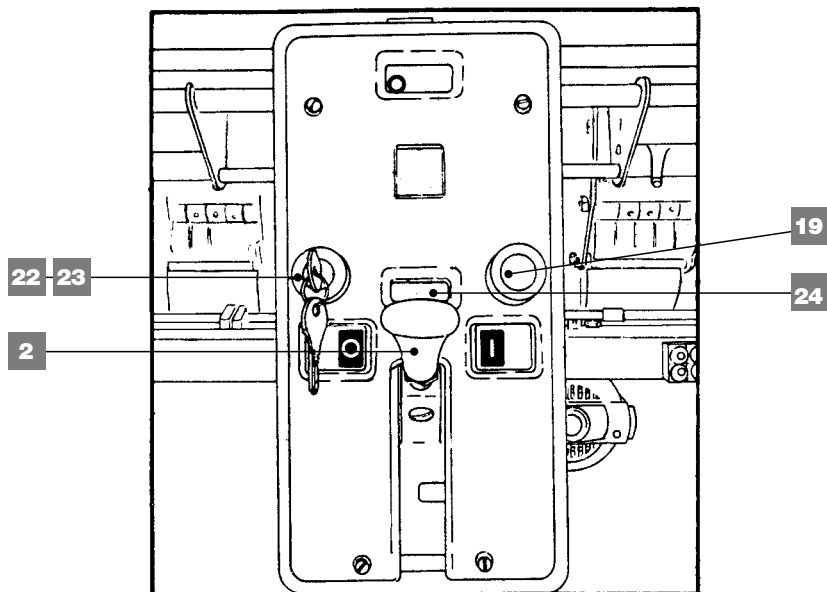
Detail of extensions for withdrawable version



Detail of withdrawable lever



Detail of front structure



---

# Low voltage air circuit-breakers

---

## Caption

- 1) No. operating mechanism
- 2) Levers kit including loading lever and grip + releases lever + Yc/Yo trip lever
- 3) Spring for Otomax breaker
- 4) Moving poles
- 5) Moving arc contacts kit
- 6) Fixed arc contacts kit
- 7) Arc chambers set
- 8) Jaw contacts kit
- 9) Partitions and pole protections kit
- 10) Racking-out levers and rails kit
- 11) Insulating supports kit c/w upper bars and fixing accessories for moving part
- 12) Insulating supports kit c/w terminals and fixing accessories for fixed part
- 13) Door flange and gasket
- 14) Motor operator c/w mounting accessories, springs loaded and locking contact
- 15) Undervoltage release
- 16) Time delayer
- 17) Single "K" serie relay
- 18) Auxiliary contacts board for fixed version
- 19) Electrical and mechanical signalisation for tripped releases
- 20) Opening release
- 21) Closing release
- 22) Padlock device
- 23) Key lock
- 24) Microswitch for electrical indication springs loaded (locking contact not included)
- 25) Aux support + No/Nc auxiliary contacts for 660V version
- 26) Single microswitch for auxiliary contacts board
- 27) Sliding contacts kit\_ONLY 660V (on 500V version plug and socket)
- 28) Microswitch for INS/ISO position signalisation
- 29) Earthing plate + earthing contact
- 30) Tool case complete of taylor-made spanners and templates

## Note:

For the identification of any other parts not included into the present catalogue, please get in touch with your local sales organization

Spare part description	Type	UXAB code	Q.ty	Note	
<b>1</b> No. operating mechanism	1250÷1600A 2/3p	219499127	1	<b>A</b> (1)	
	1250÷1600A 4p	219499128	1	<b>A</b> (1)	
	2000÷2500A 2/3p	219499129	1	<b>A</b> (1)	
	2000÷2500A 4p	219499130	1	<b>A</b> (1)	
	P2-P3 / 3200÷5000A 2p	219499131	1	<b>A</b> (1)	
	P2-P3 / 3200÷5000A 3p	219499132	1	<b>A</b> (1)	
<b>2</b> Levers kit including loading lever and grip + releases lever + Yc/Yo trip lever	Complete range	219499171	1		
<b>3</b> 31,5Kg single spring for Otomax breaker, type A 60,4Kg single spring for Otomax breaker, type B	Complete range	219499004	see table below	<b>A</b>	
	Complete range	219499005	see table below	<b>A</b>	
<b>4</b> Moving poles	No. 1 complete pole (Phases 1250A-1600A @ 660V _ Neutral pole of P2-P3, 2000A-2500A @ 660V)	219499006	3 or 4	<b>A</b> (2)	
	No. 1 complete pole (Otomax P2-P3, 2000A-2500A @ 660V)	219499007	3	<b>A</b> (3)	
	No. 1 half-pole (3200A-4500A @ 660V)	219499008	6	<b>A</b> (3)	
	<b>5</b> Moving arc contacts kit	No. 3 pcs for P1 500V 1000÷2500A	219499189	1	
<b>5</b> Moving arc contacts kit	No. 9 pcs for P2 500V 1000÷5000A	219499190	1		
	No. 15 pcs for P3 500V 2000÷2500A	219499191	1		
	No. 30 pcs for P3 500V 3200÷4500A	219499192	1		
	No. 12 pcs for P2/P3 660V 1250A÷1600A	219499193	1		
	No. 18 pcs for P2/P3 660V 2000A÷2500A	219499194	1		
	No. 30 pcs for P2/P3 660V 3200÷4500A	219499195	1		
	<b>6</b> Fixed arc contacts kit	No. 4 pcs for 500V Otomax P1/P2	219499196	1	
	No. 4 pcs for P2 660V 1250A÷1600A 3/4p	219499197	1		
	No. 3+1 pcs for P2/P3 660V 2000A÷2500A 3/4p	219499198	1		
	No. 6 pcs for P2/P3 660V 3200A÷4500A 3/4p	219499199	1		
<b>7</b> Arc chambers set	No. 3 pcs for P3C 500V	219499200	1		
	No. 3 pcs for 1250÷1600A 3p (for all the 500V series + 660V P2-P3 1250A-1600A 3p)	219499216	1	(4)	
	No. 4 pcs 1250÷1600A 4p (Un=660V)	219499217	1		
	No. 3 pcs 2000÷2500A 3p (Un=660V)	219499218	1		
	No. 4 pcs 2000÷2500A 4p (Un=660V)	219499219	1		
	No. 6 pcs for 3200÷4500A 3p (Un=660V + P3C 500V from 3200A to 5000A)	219499220	Half set for 550V Full set for 660V	(4)	

Springs type matching table for N-NM operating mechanism.

500 V				660 V			
		3p	4p			3p	4p
Otomax P1	1000A-1600A	A + B		Otomax P2	1250A-1600A	2A + 2B	3B + A
	2000A-2500A	2B + A			2000A-2500A	3B + A	4B
Otomax P2	1000A-1600A	3B	3B	Otomax P3	3200A-4500A	4B + A	
	2000A-2500A	3B + A	4B		2000A-2500A	5B	
Otomax P3	3000A-4500A	4B		3000A-4500A	5B		
	2000A-2500A	5B					
	3000A-4500A	5B					

- (1) Supplied w/out springs and black cover
- (2) Includes 3 x moving arc-breaking contacts
- (3) Includes 5 x moving arc-breaking contacts
- (4) Remove pole protections before assembly new arcing chambers

**X** = Last product available

**A** = Assembly reserved to ABB SACE skilled technician

# Low voltage air circuit-breakers

Spare part description	Type	UXAB code	Q.ty	Note	
<b>8</b> Jaw contacts kit	No. 8 pcs for P1/P2 1250A 3/4p	219499201	1		
	No. 6 pcs for P1/P2 1600A 3p	219499202	1		
	No. 8 pcs for P1/P2 1600A 4p	219499203	1		
	No. 6 pcs for P1/P2 2000A 3p	219499204	1		
	No. 8 pcs for P1/P2 2000A 4p	219499205	1		
	No. 6 pcs for P1/P2 2500A 3p	219499206	1		
	No. 8 pcs for P1/P2 2500A 4p	219499207	1		
	No. 12 pcs for P2 3200A	219499208	1		
	No. 12 pcs for P2 4000÷5000A	219499209	1		
	No. 6 pcs for P3 2000A 3p	219499210	1		
	No. 8 pcs for P3 2000A 4p	219499211	1		
	No. 6 pcs for P3 2500A 3p	219499212	1		
	No. 8 pcs for P3 2500A 4p	219499213	1		
	No. 12 pcs for P3 3200A	219499214	1		
	No. 12 pcs for P3 4000÷5000A	219499215	1		
<b>9</b> Partitions and pole protections kit	1250A_1600A 3p	219499175	1		
	1250A_1600A 4p	219499176	1		
	2000A_2500A 3p	219499177	1		
	2000A_2500A 4p	219499178	1		
	P2/P3 3200-5000A 3p	219499179	1		
<b>10</b> Racking-out levers and rails kit	1250÷2500A	219499172	1		
	P2-P3, 3200÷5000A	219499173	1		
<b>11</b> Insulating supports kit c/w upper bars and fixing accessories for moving part	1250A 3p	219499151	1	<b>A</b> (5)	
	1250A 4p	219499152	1	<b>A</b> (5)	
	1600A 3p	219499153	1	<b>A</b> (5)	
	1600A 4p	219499154	1	<b>A</b> (5)	
	2000A 3p	219499155	1	<b>A</b> (5)	
	2000A 4p	219499156	1	<b>A</b> (5)	
	2500A 3p	219499157	1	<b>A</b> (5)	
	2500A 4p	219499158	1	<b>A</b> (5)	
	P2-P3, 3200A	219499159	1	<b>A</b> (5)	
	P2-P3, 4000-5000A	219499160	1	<b>A</b> (5)	
	<b>12</b> Insulating supports kit c/w terminals and fixing accessories for fixed part	1250A 3p	219499161	1	
		1250A 4p	219499162	1	
		1600A 3p	219499163	1	
1600A 4p		219499164	1		
2000A 3p		219499165	1		
2000A 4p		219499166	1		
2500A 3p		219499167	1		
2500A 4p		219499168	1		
P2-P3, 3200A		219499169	1		
P2-P3, 4000-5000A		219499170	1		
<b>13</b> Door flange and gasket		Complete range	219499050	1	
<b>14</b> Motor operator c/w mounting accessories, springs loaded and locking contact	24V AC/DC	219499181	1		
	48V AC/DC	219499182	1		
	60-72V AC/DC	219499183	1		
	100-110V AC/DC	219499184	1	<b>X</b>	
	115-130V AC/DC	219499185	1		
	150-160V AC/DC	219499186	1		
	200-220V AC/DC	219499187	1	<b>X</b>	
	225-250V AC/DC	219499188	1		

(5) Lower busbars not included

**X** = Last product available

**A** = Assembly reserved to ABB SACE skilled technician

Spare part description	Type	UXAB code	Q.ty	Note
15 Undervoltage release	24V DC	219499055	1	
	48V DC	219499056	1	
	110V DC	219499057	1	
	220V DC	219499058	1	
	110V AC	219499059	1	
	220V AC	219499060	1	
	380V AC	219499061	1	
16 Time delayer	1-2 sec c/w Yc's enabling contact on YU	219499062	1	
	2.5-5 sec c/w Yc's enabling contact on YU	219499063	1	
	0.2-0.4 sec c/w Yc's enabling contact on YU	219499064	1	
17 Single "K" serie relay	K relay type 630÷1600A	219499071	3	(6)
	KS relay type 1250÷1600A	219499072	3	(6)
	KSI relay type 1250÷1600A	219499073	3	(6)
	K relay type 2000÷2500A	219499080	3	(6)
	KS relay type 2000÷2500A	219499081	3	(6)
	KSI relay type 2000÷2500A	219499082	3	(6)
	K relay type 3200÷5000A	219499089	3	(6)
	KS relay type 3200÷5000A	219499090	3	(6)
	KSI relay type 3200÷5000A	219499091	3	(6)
18 Auxiliary contacts board	Fixed version	219499092	1	
19 Electrical and mechanical signalisation for tripped releases	Complete range	219499093	1	
20 Opening release	660V 24-28V DC 45-45V AC	219499094	1	
	660V 48-60V DC	219499095	1	
	660V 100-127V DC 200-250V AC	219499096	1	
	660V 180-220V DC 380-500V AC	219499097	1	
	500V 24-28V DC 45-55V AC	219499133	1	
	500V 48-60V DC 100-127V AC	219499134	1	
	500V 100-127V DC 200-250V AC	219499135	1	
	500V 180-220V DC 380-500V AC	219499136	1	
21 Closing release	24V DC	219499098	1	
	48V DC	219499099	1	
	110-119V DC	219499100	1	
	220V DC	219499101	1	
	110-115V AC	219499102	1	
	127V DC 220-230V AC	219499103	1	
	380V AC	219499104	1	
	Complete range	219455003	1	
22 Padlock device	Complete range	219455003	1	
	Complete range	219455003	1	
23 Key lock	Complete range, for single circuit breaker	219455001	1	
	Complete range, for two or more circuit breakers	219455002	1	
24 Microswitch for electrical indication springs loaded (locking contact not included)	Complete range	219499105	1	
25 Aux support + No/Nc auxiliary contacts for 660V version	No. 4 No/Nc auxiliary contacts (higher position, right side)	219499115	1	
	No. 6 No/Nc auxiliary contacts (lower position, right side)	219499116	1	
	No. 4 No/Nc auxiliary contacts (higher position, left side)	219499117	1	
	No. 6 No/Nc auxiliary contacts (lower position, left side)	219499118	1	

<sup>(6)</sup> Calibrations values must be declared at ordering stage, for further details please refer to following pages.

X = Last product available

A = Assembly reserved to ABB SACE skilled technician

# Low voltage air circuit-breakers

Spare part description	Type	UXAB code	Q.ty	Note
<b>26</b> Single microswitch for auxiliary contacts board	Complete range	229399017	Max 20	
<b>27</b> Sliding contacts kit_ONLY 660V (on 500V version plug and socket)	Complete range	219499180	1	
<b>28</b> Microswitch for INS/ISO position signalisation	Complete range	219499121	Max 3+3	
<b>29</b> Earthing plate + earthing contact	Complete range	219499174	1	
<b>30</b> Tool case complete of taylor-made spanners and templates	Complete range	219498002	-	

## Calibrations table “K” relais

17

Type	UXAB code	Release rated current		Circuit-breakers type		Overload protection	Delayed short-circuit protection			
		In	A	P2C	PC3	I1 current setting ranges $I1=(0.5\div 1) \times I_n A$	I2 current settings available ranges			
			A				B			
K	219499071	630	1	1250	–	315÷630	1250÷2500	1	2500÷7500	2
		1250	2	1250	–	625÷1250	2500÷5000	1	5000÷15000	2
		1600	3	1600	–	800÷1600	3200÷6400	1	6400÷16000	2
K	219499080	2000	4	2000	2000	1000÷2000	4000÷8000	1	8000÷20000	2
		2500	5	2500	2500	1250÷2500	5000÷10000	1	7500÷15000	2
K	219499089	3200	6	3200	3200	1600÷3200	6400÷12800	1	9600÷19200	2
		4000	7	4000	4000	2000÷4000	8000÷16000	1	12000÷24000	2
		4500	8	4500	4500	2250÷4500	9000÷18000	1	13500÷27000	2
		5000	9	5000	5000	2500÷5000	10000÷20000	1	18000÷30000	2

Example

The right code for the order of a K release rated current 1250 A - Delayed short-circuit protection 5000-15000 is: UXAB 219499071 2 2

UXAB Code	Rated current (column A)	Delayed short-circuit protection (column B)
UXAB219499071	2	2

2

Otomax



# Low voltage air circuit-breakers

## Calibrations table "KS" relais

17

Type	UXAB code	Release rated current		Circuit-breakers type		Overload protection	Delayed short-circuit protection			Fixed delays available T2 S		
		In	A	P2C	PC3	I1 current setting ranges $I1=(0.5\div 1) \times I_n A$	I2 current settings available ranges	B	C			
KS	219499072	630	1	1250	-	315÷630	1250÷2500	1	2500÷7500	2	0.1	1
		1250	2	1250	-	625÷1250	2500÷5000	1	5000÷15000	2		
		1600	3	1600	-	800÷1600	3200÷6400	1	6400÷16000	2		
KS	219499081	2000	1	2000	2000	1000÷2000	4000÷8000	1	8000÷20000	2	0.3	2
		2500	2	2500	2500	1250÷2500	5000÷10000	1	7500÷15000	2		
KS	219499090	3200	1	3200	3200	1600÷3200	6400÷12800	1	9600÷19200	2	0.5	3
		4000	2	4000	4000	2000÷4000	8000÷16000	1	12000÷24000	2		
		4500	3	4500	4500	2250÷4500	9000÷18000	1	13500÷27000	2		
		5000	4	5000	5000	2500÷5000	10000÷20000	1	18000÷30000	2		

Example

The right code for the order of a KS release rated current 3200 A - Delayed short-circuit protection 6400-12800 - Fixed delays 0.5s is: UXAB 219499090 1 1 3

UXAB Code	Rated current (column A)	Delayed short-circuit protection (column B)	Fixed delay (column C)
UXAB219499090	1	1	3

2

Otomax

## Calibrations table "KSI" relais

17

Type	UXAB code	Release rated current		Circuit-breakers type		Overload protection	Delayed short-circuit protection				Instantaneous short-circuit protection			
		In	A	P2C	PC3	I1 current setting ranges $I1=(0.5\div 1) \times I_n A$	I2 current settings available ranges		Fixed delays available T2 S	Fixed values available I3 kA	C	D		
KSI	219499073	630	1	1250	-	315÷630	1250÷2500	1	2500÷7500	2	0.1	1	10	1
		1250	2	1250	-	625÷1250	2500÷5000	1	5000÷15000	2				
		1600	3	1600	-	800÷1600	3200÷6400	1	6400÷16000	2				
KSI	219499082	2000	1	2000	2000	1000÷2000	4000÷8000	1	8000÷20000	2	0.3	2	20	2
		2500	2	2500	2500	1250÷2500	5000÷10000	1	7500÷15000	2				
KSI	219499091	3200	1	3200	3200	1600÷3200	6400÷12800	1	9600÷19200	2	0.5	3	30	3
		4000	2	4000	4000	2000÷4000	8000÷16000	1	12000÷24000	2				
		4500	3	4500	4500	2250÷4500	9000÷18000	1	13500÷27000	2				
		5000	4	5000	5000	2500÷5000	10000÷20000	1	18000÷30000	2				

### Example

The right code for the order of a KSI release rated current 3200 A - Delayed short-circuit protection 6400-12800 - Fixed delays 0.5s - Instantaneous trip set at 20 kA is: UXAB 219499091 1 1 3 2

UXAB Code	Rated current (column A)	Overload protection (column B)	Fixed delay (column C)	I3 (column D)
UXAB219499091	1	1	3	2

2

Otomax



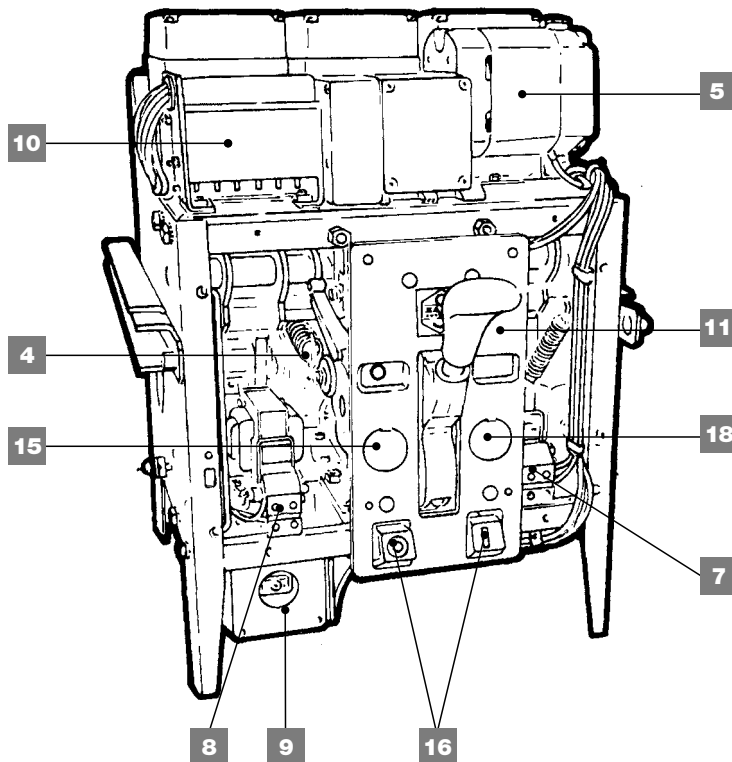
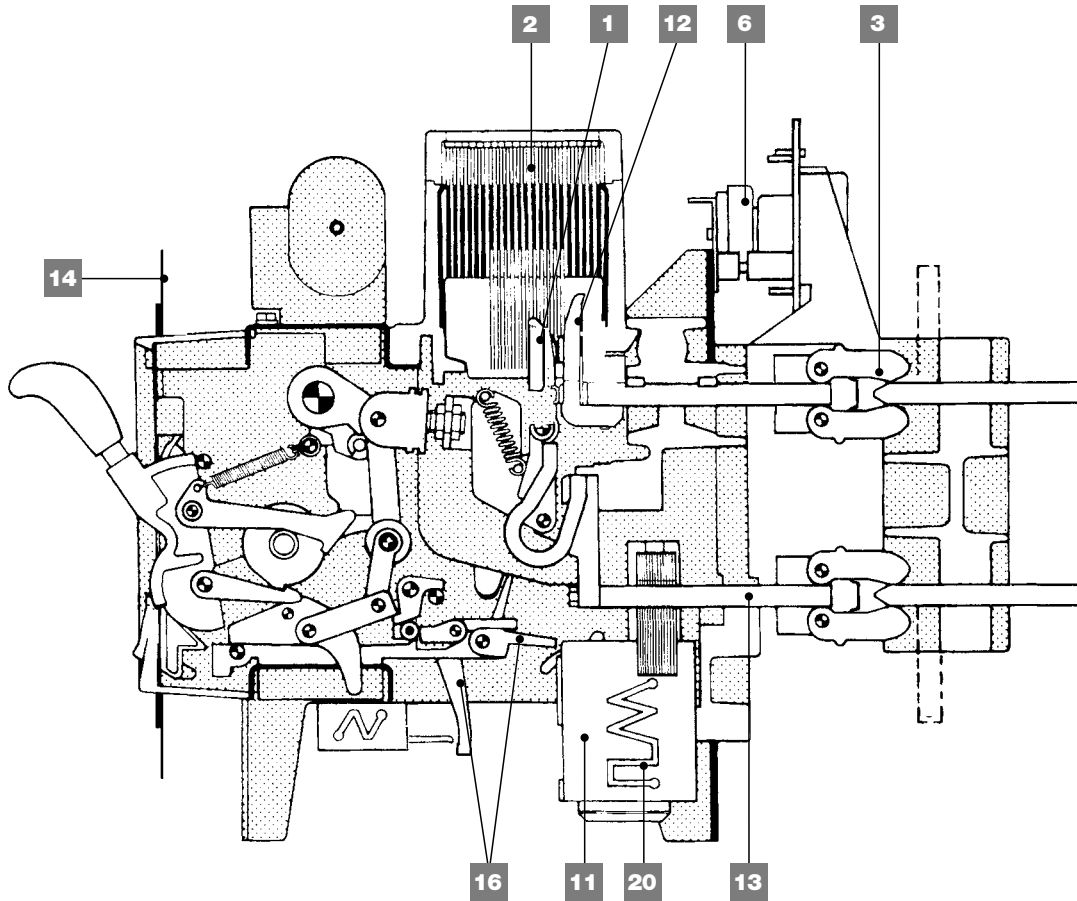


Low voltage air  
circuit-breakers  
NOVOMAX G30 series



# Low voltage air circuit-breakers

## Basic components



---

---

**Caption**

- 1) No. 4 Moving arc contacts kit
- 2) No. 4 Arc chambers kit
- 3) Jaw contacts kit
- 4) Closing springs set
- 5) Motor operator c/w mounting accessories
- 6) Sliding contacts for moving and fixed part (support not included)
- 7) Closing release
- 8) Opening release
- 9) Undervoltage release
- 10) Single microswitch for auxiliary contacts board
- 11) Microswitches kit including lock contacts, springs loaded contacts, tripped relays contacts
- 12) Fixed arc contacts kit
- 13) Single lower through bar
- 14) Flange c/w gasket
- 15) Key lock in open position
- 16) Indicators/pushbuttons kit including K releases tripping lever and YU-YO trip lever
- 17) No 2+2 plug In/Out positions contacts
- 18) Mechanical and electrical indication tripped releases
- 19) Auxiliary contacts terminal board (only for FIXED version)
- 20) Single "K" serie relay

# Low voltage air circuit-breakers

Spare part description	Type	UXAB code	Q.ty	Note
<b>1</b> No. 4 Moving arc contacts kit	Complete range	229399003	1	
<b>2</b> No. 4 Arc chambers kit	Complete range	229399010	1	
<b>3</b> Jaw contacts kit	No. 8 pcs 800÷1250A 3/4p	229399062	1	
	No. 6 pcs for 1600A 3p	229399063	1	
	No. 8 pcs 1600A 4p	229399064	1	
<b>4</b> Closing springs set	Complete range	229399032	1	
<b>5</b> Motor operator c/w mounting accessories	24V DC	229399076	1	<b>X</b>
	48V DC	229399077	1	<b>X</b>
	220V DC/AC	229399079	1	<b>X</b>
<b>6</b> Sliding contacts for moving and fixed part (support not included)	Complete range	229399081	1	
<b>7</b> Closing release	24V DC	229341902	1	
	48V DC	229341904	1	
	110V DC	229341909	1	
	220V DC	229341918	1	
	110V AC	229341939	1	
	220V AC	229341948	1	
	380V AC	229341953	1	
	24V DC	229321902	1	
<b>8</b> Opening release	48V DC	229321904	1	
	110V DC	229321909	1	
	110V AC	229321939	1	
	220V AC	229321948	1	
	220V DC	229321918	1	
	380V AC	229321953	1	
	24V DC	229331902	1	
	48V DC	229331904	1	
<b>9</b> Undervoltage release	110V DC	229331909	1	
	220V DC	229331918	1	
	110V AC	229331939	1	
	220V AC	229331948	1	
	380V 50Hz - 440V 60Hz	229331953	1	
	Complete range, upper microswitches	229399017	Max 9	
	Complete range, lower microswitches	229399018	Max 9	
	Complete range	229399082	1	
<b>11</b> Microswitches kit including lock contacts, springs loaded contacts, tripped relais contacts	No. 4 contacts 800÷1250A 3/4p	229399065	1	
	No. 3 contacts 1600A 3p	229399066	1	
	No. 4 contacts 1600A 4p	229399067	1	
<b>12</b> Fixed arc contacts kit	800÷1250A	229399024	3 or 4	<b>A</b>
	500A (2 turns)	229399025	3 or 4	<b>A</b>
	320A (4 turns)	229399026	3 or 4	<b>A</b>
	200A (5 turns)	229399027	3 or 4	<b>A</b>
	1600A	229399044	3 or 4	<b>A</b>
<b>13</b> Single lower through bar	Complete range	229373500	1	
<b>14</b> Flange c/w gasket	Complete range	229370100	1	
<b>15</b> Key lock in open position	Complete range	229399087	1	
<b>16</b> Indicators/pushbuttons kit including K releases tripping lever and YU-YO trip lever	Complete range	229399087	1	

**X** = Last product available

**A** = Assembly reserved to ABB SACE skilled technician

Spare part description	Type	UXAB code	Q.ty	Note
17 No 2+2 plug In/Out positions contacts	Complete range, 3p	229399085	1	
	Complete range, 4p	229399086	1	
18 Mechanical and electrical indication tripped releases	Complete range	229364200	1	
19 Auxiliary contacts terminal board (only for FIXED version)	Complete range	229366100	1	
20 Single "K" serie relay	K type	229302100	3	(1)
	KS type	229302200	3	(1)
	KSI type	229302300	3	(1)

<sup>(1)</sup> It is essential to complete the code for the purchase order with the information shown on the next pages, to fully specify which relay is required.

**X** = Last product available

**A** = Assembly reserved to ABB SACE skilled technician



# Low voltage air circuit-breakers

## Calibrations table "K" relais

20

NOVOMAX G30		Release rated current		Circuit-breakers type			Overload protection	Delayed short-circuit protection			
Type	UXAB code	In		G30 800	G30 1250	G30 1600	I1 current settings ranges I1 = (0.5÷1) x In	I2 current settings available ranges			
			A					B			
K	229302100	200	1	X	X		100÷200	400÷800	1	800÷2400	2
		320	2	X	X		160÷320	640÷1280	1	1280÷3840	2
		500	3	X	X		250÷500	1000÷2000	1	2000÷6000	2
		800	4	X	X		400÷800	1600÷3200	1	3200÷9600	2
		1250	5		X	X	625÷1250	2500÷5000	1	5000÷15000	2
		1600	6			X	800÷1600	3200÷6400	1	6400÷16000	2

Example

The right code for the order of a K release rated current 1250 A - Delayed short-circuit protection 2500-5000 is: UXAB 229302100 5 1

UXAB Code	Rated current (column A)	Delayed short-circuit protection (column B)
UXAB229302100	5	1

2

Novomax G30

## Calibrations table "KS" relais

20

NOVOMAX G30		Release rated current		Circuit breakers type			Overload protection	Delayed short-circuit protection					
Type	UXAB code	In		G30 800	G30 1250	G30 1600	I1 current settings ranges $I1=(0.5\div 1) \times I_n$	I2 current settings available ranges			Fixed delays available T2 (sec)		
			A						B			C	
KS	229302200	200	1	X	X		100÷200	400÷800	1	800÷2400	2	0.1	1
		320	2	X	X		160÷320	640÷1280	1	1280÷3840	2		
		500	3	X	X		250÷500	1000÷2000	1	2000÷6000	2	0.3	2
		800	4	X	X		400÷800	1600÷3200	1	3200÷9600	2		
		1250	5		X	X	625÷1250	2500÷5000	1	5000÷15000	2	0.5	3
		1600	6			X	800÷1600	3200÷6400	1	6400÷16000	2		

Example

The right code for the order of a KS release rated current 800 A - Delayed short-circuit protection 1600-3200 is - Fixed delays 0.3s is: UXAB 229302200 4 1 2

UXAB Code	Rated current (column A)	Delayed short-circuit protection (column B)	Fixed delay (column C)
UXAB229302200	4	1	2

# Low voltage air circuit-breakers

## Calibrations table "KSI" relais

20

NOVOMAX G30		Release rated current		Circuit breakers type			Overload protection	Delayed short-circuit protection				Instantaneous short-circuit protection			
Type	UXAB code	In	A	G30 800	G30 1250	G30 1600	I1 current settings ranges $I1=(0.5\div 1) \times I_n$	I2 current settings available ranges			Fixed delays available T2 (sec)	Fixed values available I3 (kA)			
KSI	229302300	200	1	X	X		100÷200	400÷800	1	800÷2400	2	0.1	1	5	1
		320	2	X	X		160÷320	640÷1280	1	1280÷3840	2			10	
		500	3	X	X		250÷500	1000÷2000	1	2000÷6000	2	0.3	2	20	3
		800	4	X	X		400÷800	1600÷3200	1	3200÷9600	2			30	
		1250	5		X	X	625÷1250	2500÷5000	1	5000÷15000	2	0.5	3		4
		1600	6			X	800÷1600	3200÷6400	1	6400÷16000	2				

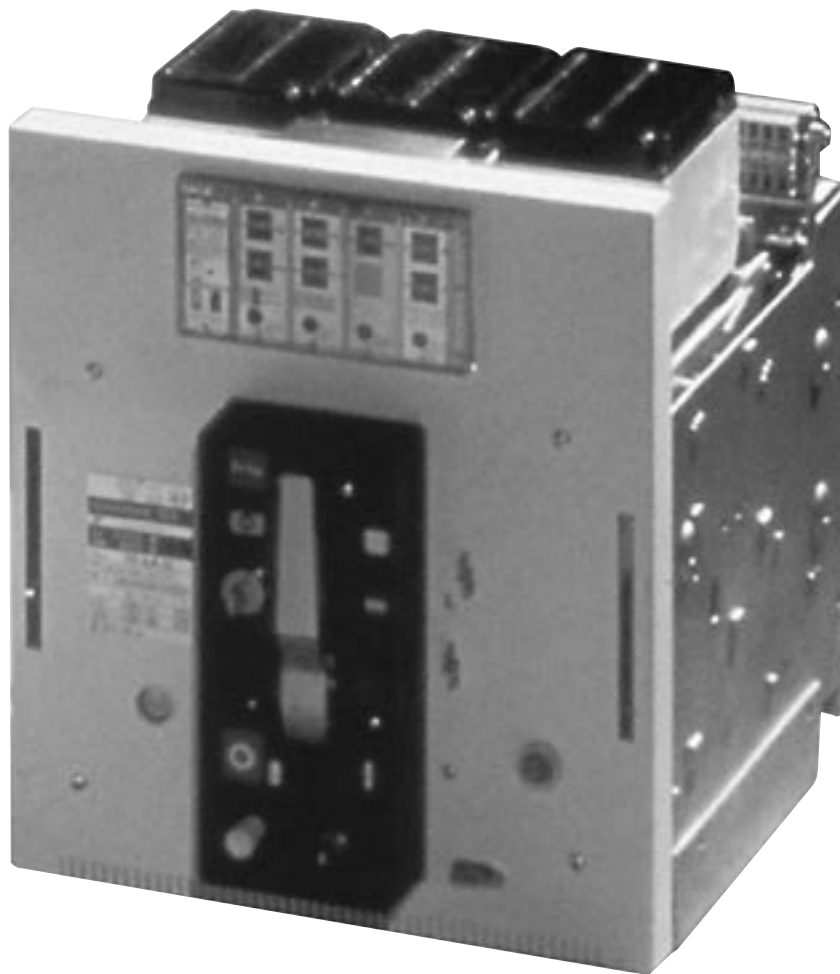
### Example

The right code for the order of a KSI release rated current 800 A - Delayed short-circuit protection 1600-3200 is - Fixed delays 0.3s - I3 10 kA is: UXAB 229302300 4 1 2 2

UXAB Code	Rated current (column A)	Delayed short-circuit protection (column B)	Fixed delays (column C)	I3 value (column D)
UXAB229302300	4	1	2	2

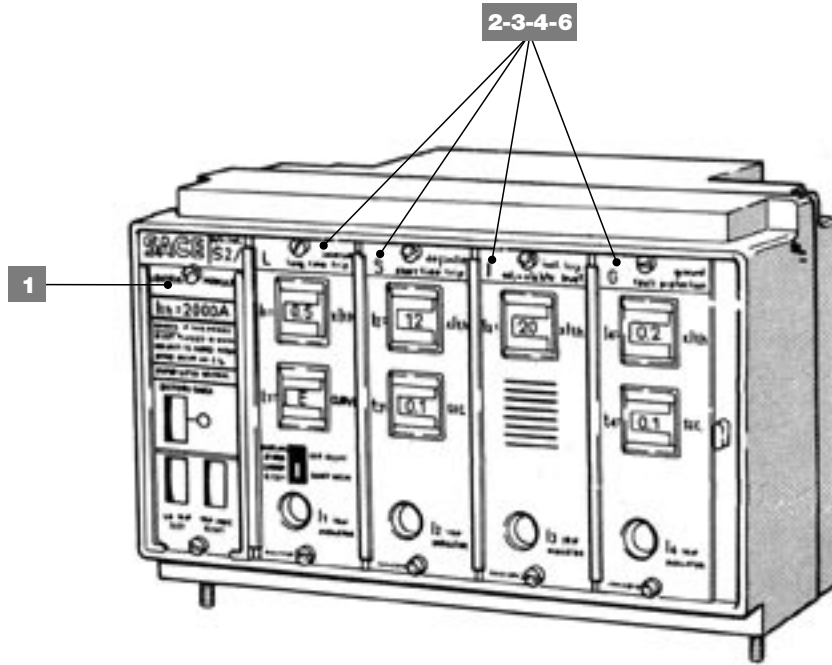


**Low voltage air  
circuit-breakers  
NOVOMAX G2-G3-G4-G5-G6-LG  
series**



# Low voltage air circuit-breakers

## NOVOMAX G2÷G6-LG, S2 relay



### Caption

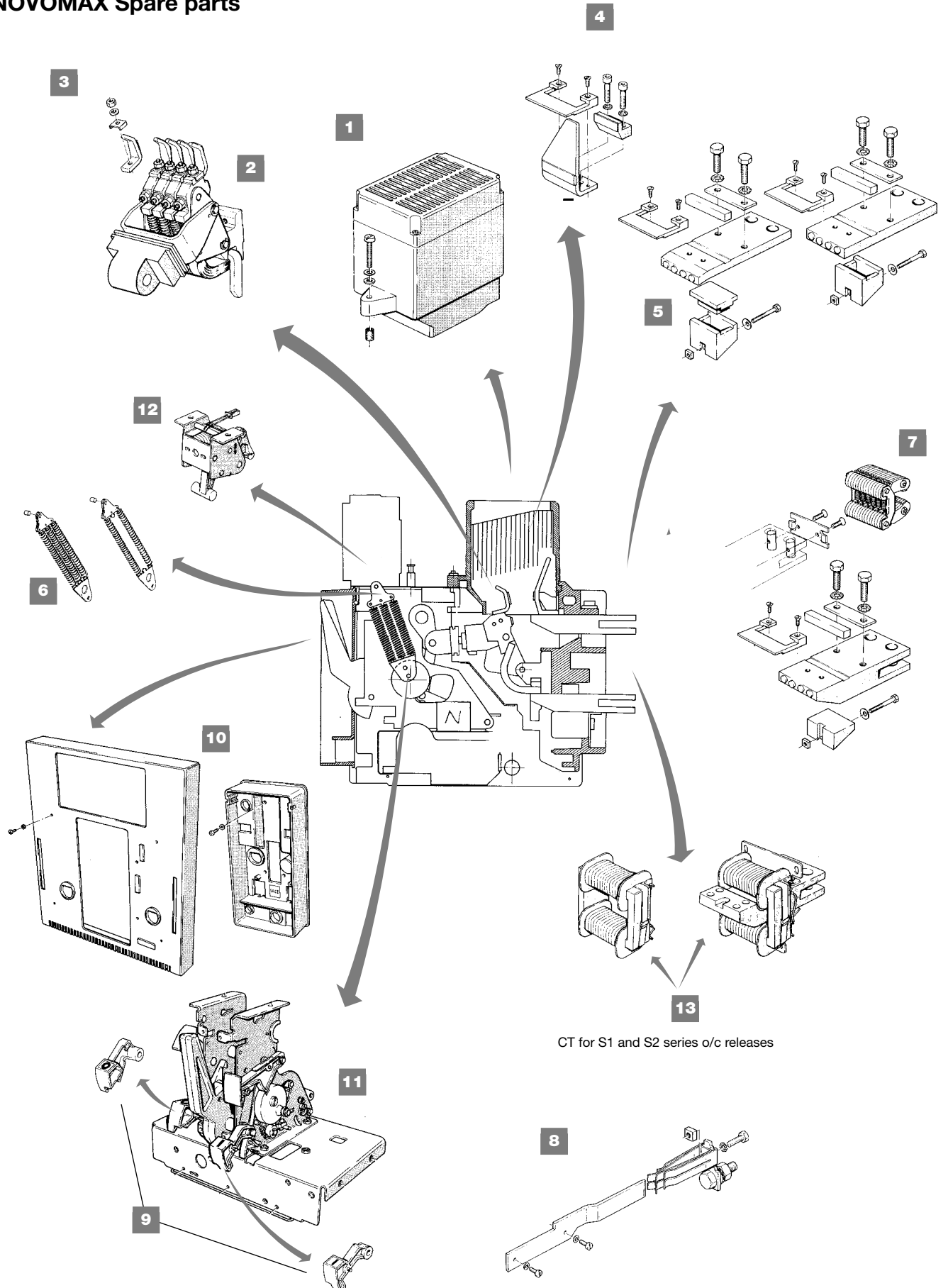
- 1) Standard batteries c/w control module
- 2) "L" function for S2 electronic release
- 3) "S" function for S2 electronic release
- 4) "I" function for S2 electronic release
- 5) By pass modul for S2 electronic release
- 6) "G" function for S2 electronic release

Spare part description	Type	UXAB code	Q.ty	Note
<b>1</b> Standard batteries c/w control module	Novomax G - LG	239399070	1	
<b>2</b> "L" function for S2 electronic release	Novomax G - LG	239399078	1	
<b>3</b> "S" function for S2 electronic release	Novomax G - LG	239399076	1	
<b>4</b> "I" function for S2 electronic release	Novomax G - LG	239399075	1	
<b>5</b> By pass modul for S2 electronic release	Novomax G - LG	239399072	1	
<b>6</b> "G" function for S2 electronic release	Novomax G - LG	239399074	1	

X = Last product available

A = Assembly reserved to ABB SACE skilled technician

# NOVOMAX Spare parts



CT for S1 and S2 series o/c releases

---

# Low voltage air circuit-breakers

---

## Caption

- 1) Arc chambers set
- 2) Moving poles set
- 3) Moving arc contacts set
- 4) Kit fixed arc contacts
- 5) Kit upper bars
- 6) Springs set
- 7) Jaw type contacts kit
- 8) Earth sliding contact set
- 9) Opening and closing pushbuttons set
- 10) Front shield and escutcheon plate
- 11) Complete operating mechanism
- 12) Solenoid for S1-S2 electronic relais
- 13) CT assembly for S1 and S2 series releases

Spare part description	Type	UXAB code	Q.ty	Note
<b>1</b> Arc chambers set	1250÷2000A 3p	239299070	1	
	1250÷2000A 4p	239299071	1	
	2500A 3p	239299072	1	
	2500A 4p	239299073	1	
<b>2</b> Moving poles set	1250÷2000A 3p	239299074	1	<b>A</b>
	1250÷2000A 4p	239299075	1	<b>A</b>
	2500A 3p	239299076	1	<b>A</b>
	2500A 4p	239299077	1	<b>A</b>
<b>3</b> Moving arc contacts set	3p	239299078	1	
	4p	239299079	1	
<b>4</b> Kit fixed arc contacts	1250÷2000A 3p	239299080	1	
	1250÷2000A 4p	239299081	1	
	2500A 3p	239299082	1	
	2500A 4p	239299083	1	
<b>5</b> Kit upper bars	1250A 3p	239299084	1	<b>A</b>
<b>6</b> Springs set	G2 3p	239299066	1	<b>A</b>
	G2 4p	239299067	1	<b>A</b>
	1250A 4p	239299085	1	<b>A</b>
	1600A 3p	239299086	1	<b>A</b>
	1600A 4p	239299087	1	<b>A</b>
	2000A 3p	239299088	1	<b>A</b>
	2000A 4p	239299089	1	<b>A</b>
	2500A 3p	239299090	1	<b>A</b>
	2500A 4p	239299091	1	<b>A</b>
<b>7</b> Jaw type contacts kit	1250A 3p	239299092	1	
	1250A 4p	239299093	1	
	1600A 3p	239299094	1	
	1600A 4p	239299095	1	
	2000A 3p	239299096	1	
	2000A 4p	239299097	1	
	2500A 3p	239299098	1	
	2500A 4p	239299099	1	
	<b>8</b> Earth sliding contact set	Complete range	239299017	1
<b>9</b> Opening and closing pushbuttons set	Complete range	239299101	1	
<b>10</b> Front shield and escutcheon plate	1250÷2000A 3p	239299102	1	
	1250÷2000A 4p	239299103	1	
	2500A 3p	239299104	1	
	2500A 4p	239299105	1	
<b>11</b> Complete operating mechanism	1250-1600-2000A 3p	239299008	1	<b>A</b>
	1250-1600-2000A 4p	239299009	1	<b>A</b>
	2500A 3p	239299056	1	<b>A</b>
	2500A 4p	239299057	1	<b>A</b>
<b>12</b> Solenoid for S1-S2 electronic relays	Complete range	239299061	1	
<b>13</b> CT assembly for S1 and S2 series releases		239299	1	(*)

(\*) The UXAB code must be completed using the table on the following page.

**X** = Last product available

**A** = Assembly reserved to ABB SACE skilled technician



# Low voltage air circuit-breakers

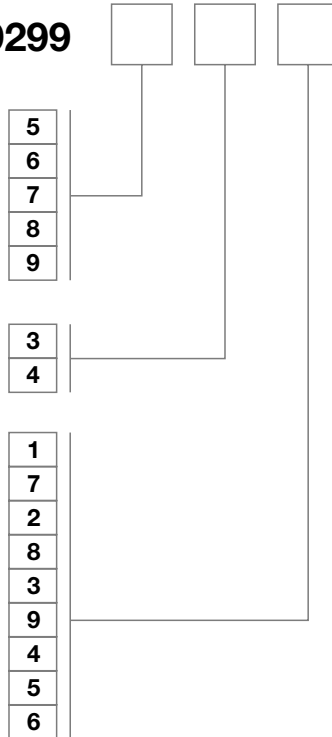
## Matching table for CTs set on Novomax G2 (S1/S2 electronic relais)

**code UXAB 239299**

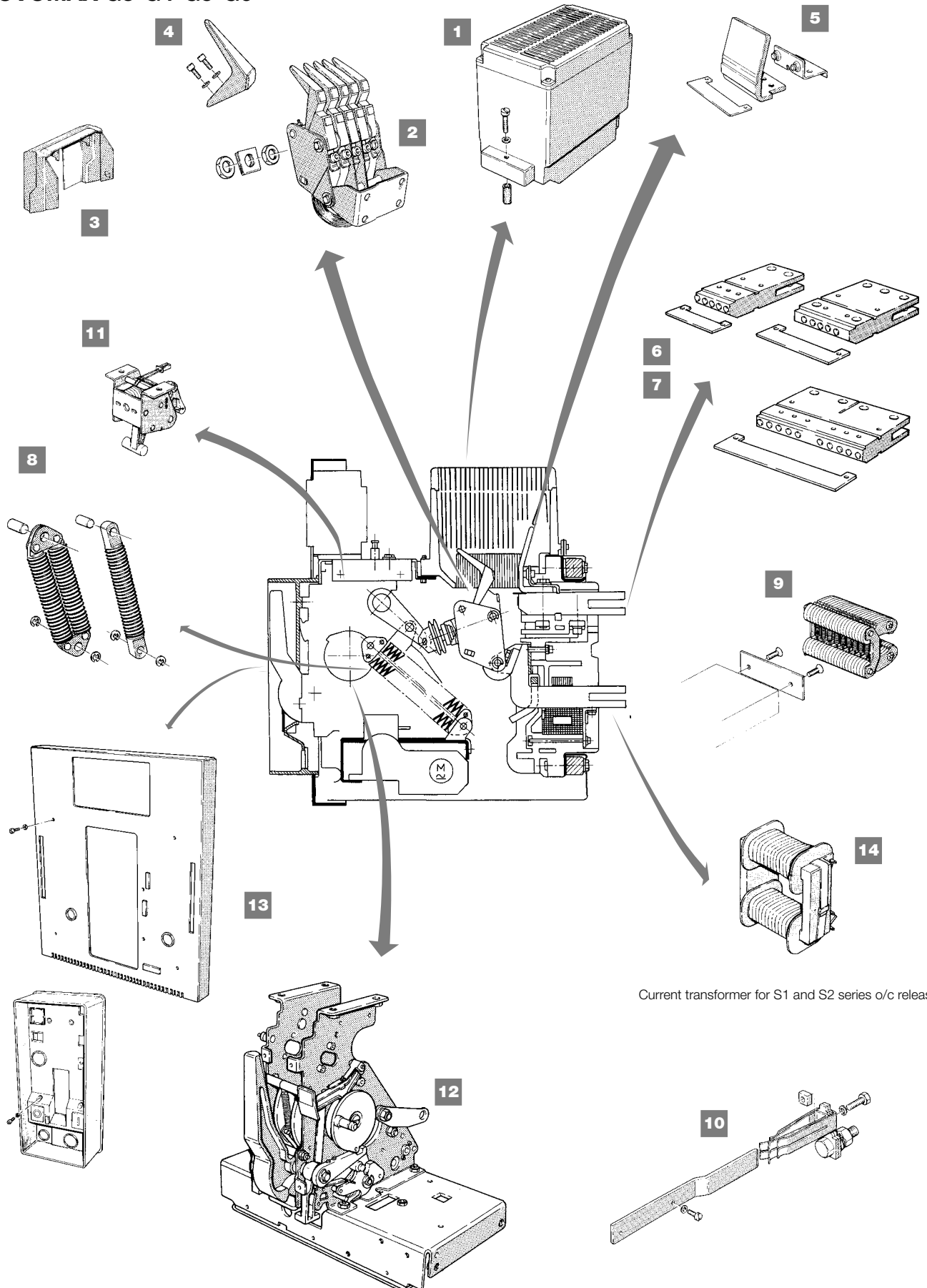
- 1250=1600 A (2000 A up to R 600)  
2000 A (higher than R 600)  
2500 A  
3000 A fixed  
3000 A withdrawable

- Three-pole  
Four-pole

- R 200  
R 300  
R 400  
R 600  
R 800  
R 1000  
R 1250  
R 1600  
R 2000



# NOVOMAX G3-G4-G5-G6



Current transformer for S1 and S2 series o/c releases

---

# Low voltage air circuit-breakers

---

## Caption

- 1) Arc chambers set
- 2) Single moving pole c/w arc contacts
- 3) Moving contacts protection
- 4) Moving arc contacts set
- 5) Fixed arc contacts set
- 6) Upper busbars set for fixed breaker
- 7) Upper busbars set for MP breaker
- 8) Closing springs set
- 9) Jaw contacts kit
- 10) Earth sliding contact set
- 11) Solenoid for S2-AR1 electronic relays
- 12) Complete operating mechanism
- 13) Front shield and escutcheon plate kit
- 14) CT assembly for S1 and S2 series releases
- 15) Tools box complete with spanners and setting devices

Spare part description	Type	UXAB code	Q.ty	Note
<b>1</b> Arc chambers set	G3-G4, 3p	239399205	1	
	G3-G4, 4p	239399206	1	
	G5-G6, 3p	239399207	1	
	G5, 4p	239399208	1	
<b>2</b> Single moving pole c/w arc contacts	Neutral pole on G3-G4, half pole for G5/6	239399002	1	<b>A</b>
	Phases on G3-G4	239399003	3	<b>A</b>
	Phases on G3 3000A	239399053	3	<b>A</b>
<b>3</b> Moving contacts protection	Complete range	239399030	1	
<b>4</b> Moving arc contacts set	G3-G4, 3p	239399209	1	
	G3-G4, 4p	239399210	1	
	G5-G6, 3p	239399211	1	
	G5, 4p	239399212	1	
<b>5</b> Fixed arc contacts set	G3, 3p	239399213	1	
	G3, 4p	239399214	1	
	G4, 3p	239399215	1	
	G4, 4p	239399216	1	
	G5, 3p	239399217	1	
	G5, 4p	239399218	1	
	G6, 3p	239399219	1	
	G3, 3p 1600A	239399221	1	<b>A</b>
	G3, 4p 1600A	239399222	1	<b>A</b>
	G3, 3p 2000-2500A	239399223	1	<b>A</b>
	G3, 4p 2000-2500A	239399224	1	<b>A</b>
G3, 3p 3000A	239399225	1	<b>A</b>	
G3, 4p 3000A	239399226	1	<b>A</b>	
G4, 3p 3200-3600A	239399227	1	<b>A</b>	
G4, 4p 3200-3600A	239399228	1	<b>A</b>	
G5, 3p 3200A	239399229	1	<b>A</b>	
G5, 4p 3200A	239399230	1	<b>A</b>	
G5, 3p 4000-5000A	239399231	1	<b>A</b>	
G5, 4p 4000-5000A	239399232	1	<b>A</b>	
<b>7</b> Upper busbars set for MP breaker	G3, 3p 1600A	239399235	1	<b>A</b>
	G3, 4p 1600A	239399236	1	<b>A</b>
	G3, 3p 2000-2500A	239399237	1	<b>A</b>
	G3, 4p 2000-2500A	239399238	1	<b>A</b>
	G3, 3p 3000A	239399239	1	<b>A</b>
	G3, 4p 3000A	239399240	1	<b>A</b>
	G4, 3p 3200-3600A	239399241	1	<b>A</b>
	G4, 4p 3200-3600A	239399242	1	<b>A</b>
	G5, 3p 3200A	239399243	1	<b>A</b>
	G5, 4p 3200A	239399244	1	<b>A</b>
	G5, 3p 4000-5000A	239399245	1	<b>A</b>
	G5, 4p 4000-5000A	239399246	1	<b>A</b>
	G6, 3p 6300A	239399247	1	<b>A</b>
	G3-G4	239399012	1	<b>A</b>
	G5-G6	239599012	1	<b>A</b>
<b>8</b> Closing springs set	G3-G4	239399012	1	<b>A</b>
	G5-G6	239599012	1	<b>A</b>

**X** = Last product available

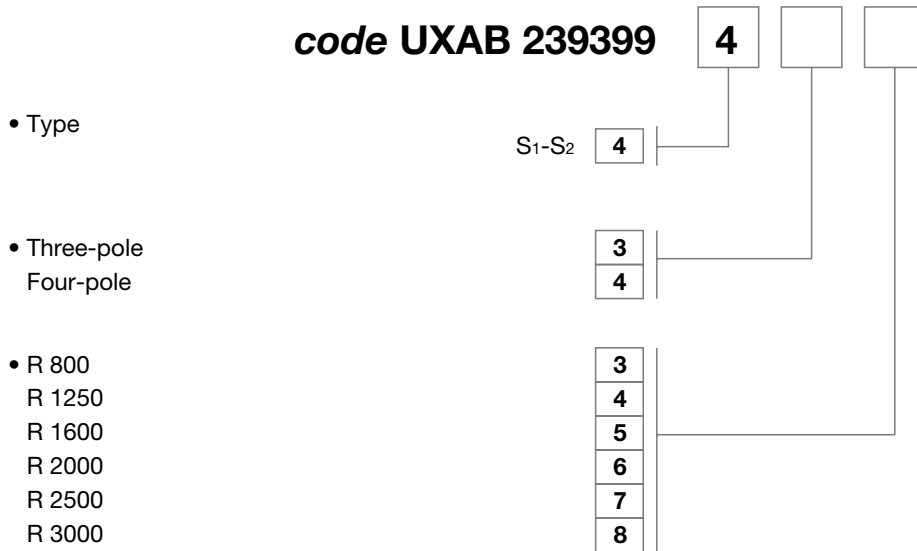
**A** = Assembly reserved to ABB SACE skilled technician

# Low voltage air circuit-breakers

Spare part description	Type	UXAB code	Q.ty	Note
<b>9</b> Jaw contacts kit	G3, 3p 1600A	239399251	1	
	G3, 4p 1600A	239399252	1	
	G3, 3p 2000-2500A	239399253	1	
	G3, 4p 2000-2500A	239399254	1	
	G4, 3p 3200-3600A	239399255	1	
	G4, 4p 3200-3600A	239399256	1	
	G5, 3p 3200A	239399257	1	
	G5, 4p 3200A	239399258	1	
	G5, 3p 4000-5000A	239399259	1	
	G5, 4p 4000-5000A	239399260	1	
	G6, 3p 6300A	239399261	1	
<b>10</b> Earth sliding contact set	Complete range	239399017	1	
<b>11</b> Solenoid for S2-AR1 electronic relays	G3-G6	239399061	1	
<b>12</b> Complete operating mechanism	G3, 3p	239399010	1	<b>A</b>
	G3, 4p	239399011	1	<b>A</b>
	G4, 3p	239499010	1	<b>A</b>
	G4, 4p	239499011	1	<b>A</b>
	G5, 3p	239599010	1	<b>A</b>
	G5, 4p	239599011	1	<b>A</b>
	G6, 3p	239699010	1	<b>A</b>
<b>13</b> Front shield and escutcheon plate kit	G3, 3p	239399263	1	
	G3, 4p	239399264	1	
	G4, 3p	239399265	1	
	G4, 4p	239399266	1	
	G5, 3p	239399267	1	
	G5, 4p	239399268	1	
	G6, 3p	239399269	1	
<b>14</b> CT assembly for S1 and S2 series releases	G3	239399	2	(*)
	G4	239499	2	(*)
	G5	239599	2	(*)
	G6	239699	2	(*)
	Complete range	239399201	1	
<b>15</b> Tools box complete with spanners and setting devices	Complete range	239399201	1	

(\*) The UXAB code must be completed using the tables on page 2/31 and 2/32.

**Matching table for CTs set on Novomax G3 ACB (S1/S2 electronic relais)**

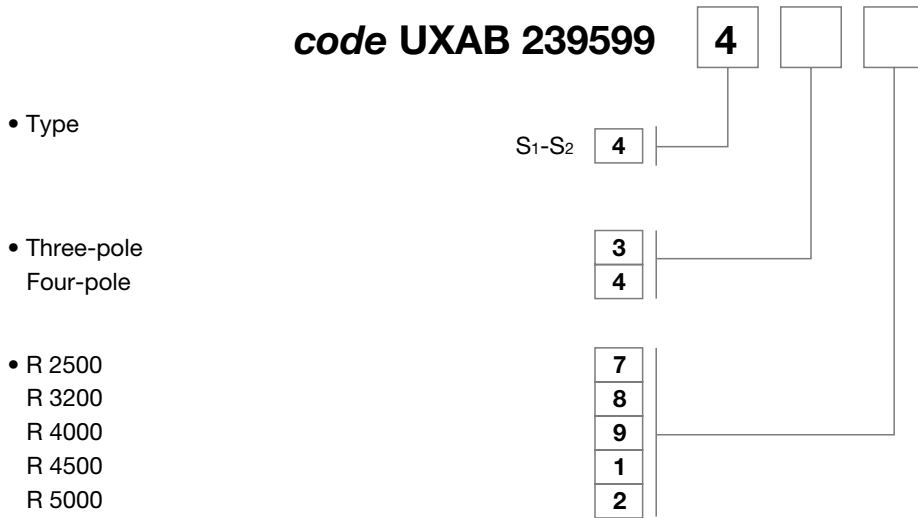


**Matching table for CTs set on Novomax G4 ACB (S1/S2 electronic relais)**



# Low voltage air circuit-breakers

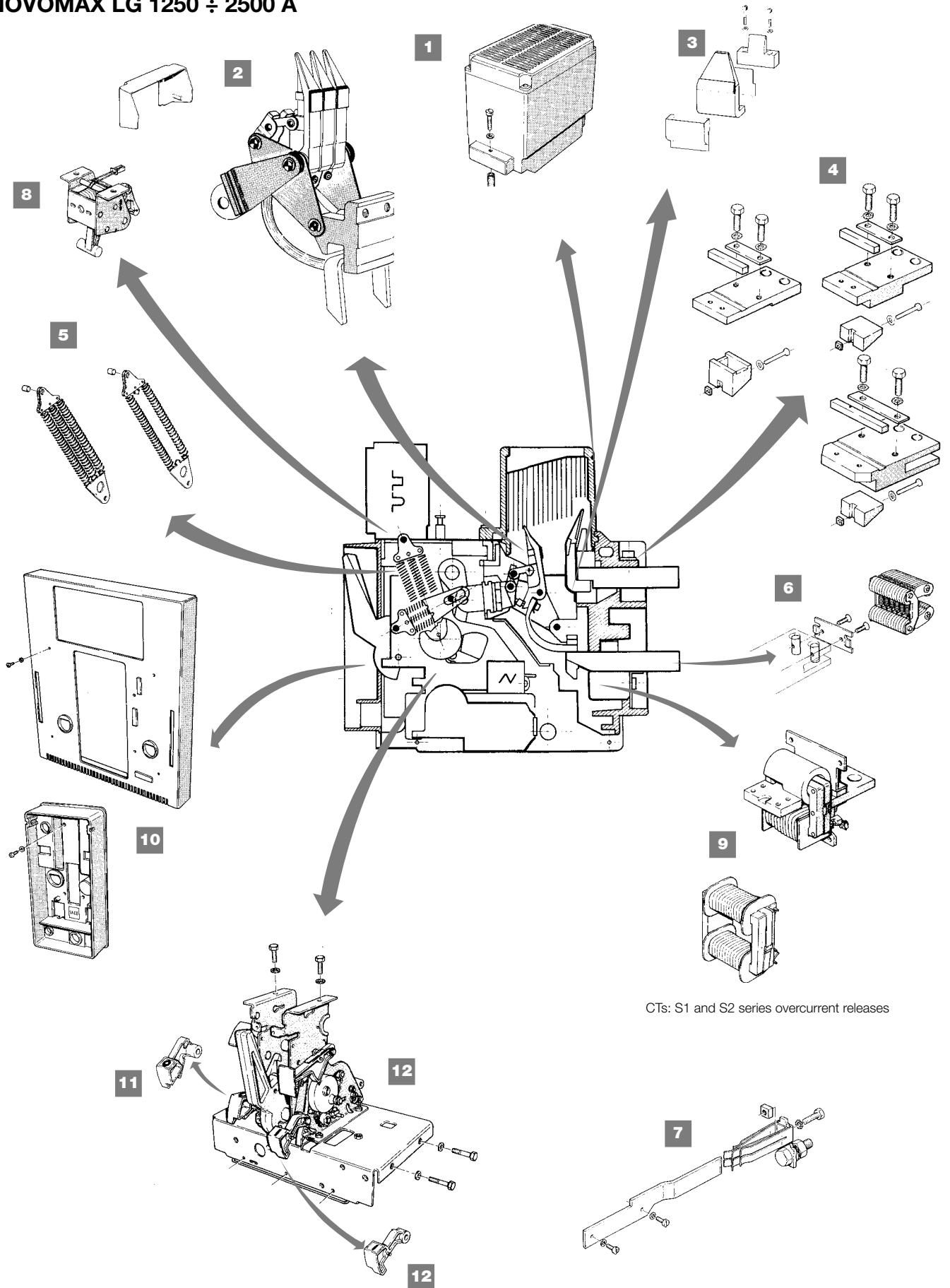
## Matching table for CTs set on Novomax G5 ACB (S1/S2 electronic relais)



## Matching table for CTs set on Novomax G6 ACB (S1/S2 electronic relais)



**NOVOMAX LG 1250 ÷ 2500 A**



CTs: S1 and S2 series overcurrent releases

**2**  
**Novomax G2-G3-G4-G5-G6-LG**



---

# Low voltage air circuit-breakers

---

## Caption

- 1) Arc chambers set
- 2) Moving poles set c/w arc contacts and protections
- 3) Fixed arc contacts kit
- 4) Upper bars kit
- 5) Closing springs set
- 6) Jaw contacts kit
- 7) Earth sliding contact set
- 8) Solenoid for S2-AR1 electronic relays
- 9) CT assembly for S1-S2 series releases
- 10) Front shield and escutcheon plate
- 11) Opening and closing pushbuttons set
- 12) Complete operating mechanism

Spare part description	Type	UXAB code	Q.ty	Note	
<b>1</b> Arc chambers set	1250÷2000A 3p	249299101	1		
	1250÷2000A 4p	249299102	1		
	2500A 3p	249299103	1		
	2500A 4p	249299104	1		
<b>2</b> Moving poles set c/w arc contacts and protections	3p 1250÷1600A	249299105	1	<b>A</b>	
	4p 1250÷1600A	249299106	1	<b>A</b>	
	3p 2000A	249299107	1	<b>A</b>	
	4p 2000A	249299108	1	<b>A</b>	
	3p 2500A	249299109	1	<b>A</b>	
	4p 2500A	249299110	1	<b>A</b>	
<b>3</b> Fixed arc contacts kit	1250÷2000A 3p	249299111	1		
	1250÷2000A 4p	249299112	1		
	2500A 3p	249299113	1		
	2500A 4p	249299114	1		
<b>4</b> Upper bars set	1250A 3p	249299115	1	<b>A</b>	
	1250A 4p	249299116	1	<b>A</b>	
	1600A 3p	249299117	1	<b>A</b>	
	1600A 4p	249299118	1	<b>A</b>	
	2000÷2500A 3p	249299119	1	<b>A</b>	
	2000÷2500A 4p	249299120	1	<b>A</b>	
	LG 3p 1250÷2000A	249299065	1	<b>A</b>	
	LG 4p 1250÷2000, LG 3p 2500	249299066	1	<b>A</b>	
	LG 4p 2500	249299067	1	<b>A</b>	
<b>6</b> Jaw contacts kit	1250A 3p	249299121	1		
	1250A 4p	249299122	1		
	1600A 3p	249299123	1		
	1600A 4p	249299124	1		
	2000A 3p	249299125	1		
	2000A 4p	249299126	1		
	2500A 3p	249299127	1		
	2500A 4p	249299128	1		
<b>7</b> Earth sliding contact set	Complete range	239299017	1		
<b>8</b> Solenoid for S2-AR1 electronic relais	Complete range	239299061	1		
<b>9</b> CT assembly for S1-S2 series releases		239299	1	(*)	
<b>10</b> Front shield and escutcheon plate	1250÷2000A 3p	239299102	1		
	1250÷2000A 4p	239299103	1		
	2500A 3p	239299104	1		
	2500A 4p	239299105	1		
<b>11</b> Opening and closing pushbuttons set	Complete range	239299101	1		
<b>12</b> Complete operating mechanism	1250-1600-2000A 3p	239299008	1	<b>A</b>	
	1250-1600-2000A 4p	239299009	1	<b>A</b>	
	2500A 3p	239299056	1	<b>A</b>	
	2500A 4p	239299057	1	<b>A</b>	

(\*) The UXAB code must be completed using the tables on the following page.

# Low voltage air circuit-breakers

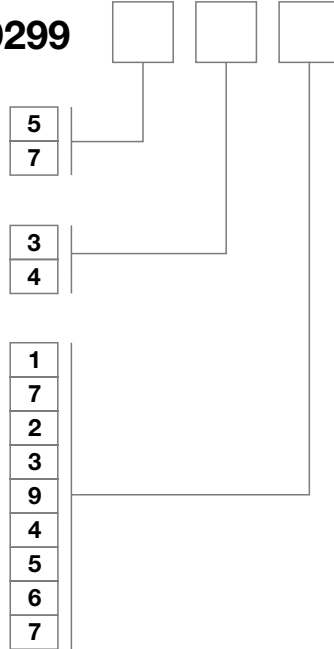
## Matching table for CTs set on Novomax LG ACB (S1/S2 electronic relais)

code UXAB 239299

- 1250÷1600 A  
2000÷2500 A

- Three-pole  
Four-pole

- R 200  
R 300  
R 400  
R 800  
R 1000  
R 1250  
R 1600  
R 2000  
R 2500



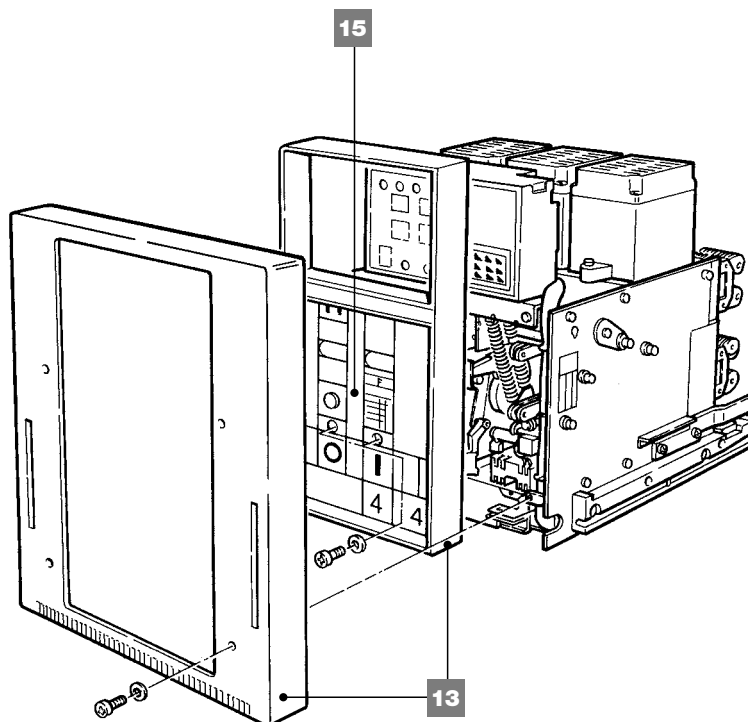
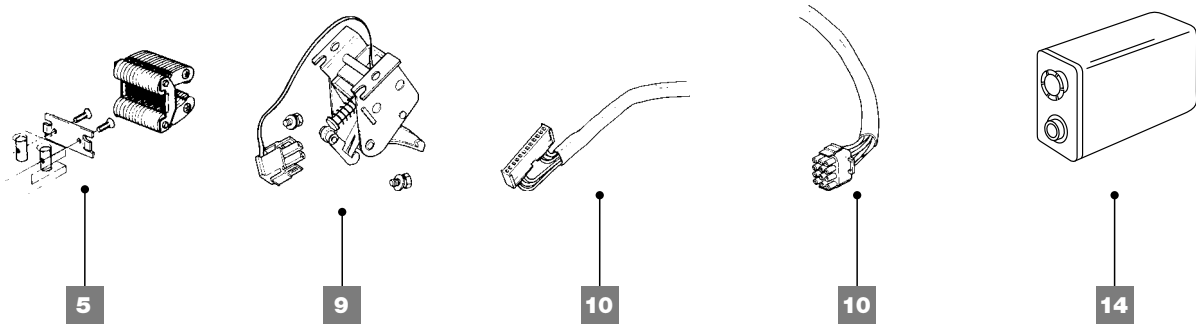
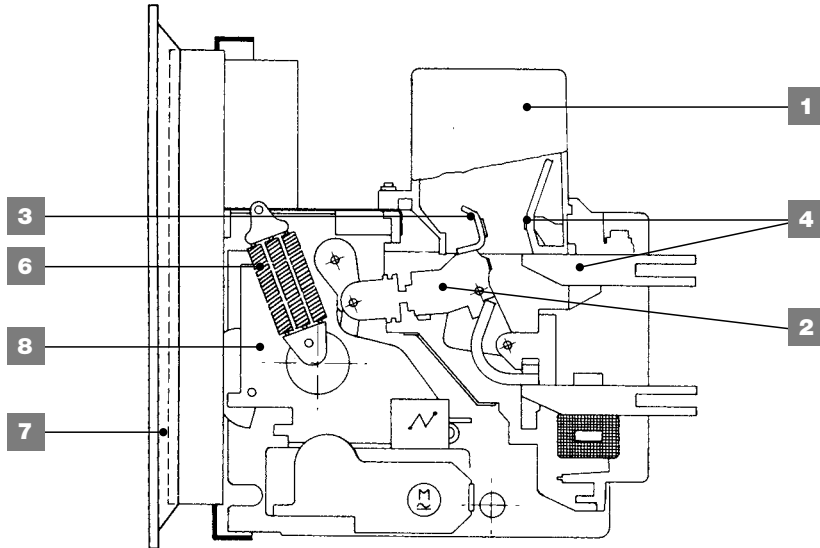


Low voltage air  
circuit-breakers  
MEGAMAX series



# Low voltage air circuit-breakers

## MEGAMAX F1 B-N-S / F2S



---

---

**Caption**

- 1) Arc chambers set
- 2) Moving poles set c/w arc contacts
- 3) Moving arc contacts set
- 4) Upper busbars set + fixed arc contacts
- 5) Jaw contacts set
- 6) Closing springs set
- 7) Gasket for panel's door
- 8) Complete operating mechanism
- 9) Solenoid for electronic overcurrent relais
- 10) CTs wiring set
- 11) Tool case complete of taylor-made spanners and templates
- 12) Greases
- 13) Main shield + escutecheon plate and O/I pushbuttons
- 14) Ni-Cd rechargable battery for PR1 electronic release
- 15) Operating lever

# Low voltage air circuit-breakers

## MEGAMAX F1 B-N-S

Spare part description	Type	UXAB code	Q.ty	Note
<b>1</b> Arc chambers set	F1 BN 3p 1250÷1600A	269199001	1	
	F1BN 4p 1250÷1600A	269199002	1	
	F1 BN 3p 2000A, F1S Complete range	269199003	1	
	F1 BN 4p 2000A, F1S Complete range	269199004	1	
<b>2</b> Moving poles c/w arc contacts	F1 BN 3p 1250÷1600A	269199006	1	<b>A</b>
	F1BN 4p 1250÷1600A	269199007	1	<b>A</b>
	F1 BN 3p 2000A, F1S Complete range	269199008	1	<b>A</b>
	F1 BN 4p 2000A, F1S Complete range	269199009	1	<b>A</b>
<b>3</b> Moving arc contacts set	F1 BN 3p 1250÷1600A	269199010	1	
	F1BN 4p 1250÷1600A	269199011	1	
	F1 BN 3p 2000A, F1S Complete range	269199012	1	
	F1 BN 4p 2000A, F1S Complete range	269199013	1	
<b>4</b> Upper busbars set + fixed arc contacts	F1BN 3p 1250A	269199018	1	<b>A</b>
	F1BN 4p 1250A	269199019	1	<b>A</b>
	F1BN 3p 1600A	269199020	1	<b>A</b>
	F1BN 4p 1600A	269199021	1	<b>A</b>
	F1S 3p 1250A	269199022	1	<b>A</b>
	F1S 4p 1250A	269199023	1	<b>A</b>
	F1S 3p 1600A	269199024	1	<b>A</b>
	F1S 4p 1600A	269199025	1	<b>A</b>
	F1S 3p 2000A	269199026	1	<b>A</b>
	F1S 4p 2000A	269199027	1	<b>A</b>
<b>5</b> Jaw contacts set	F1BNS 3p 1250A	269199030	1	
	F1BNS 4p 1250A	269199031	1	
	F1BNS 3p 1600A	269199032	1	
	F1BNS 4p 1600A	269199033	1	
	F1BNS 3p 2000A	269199034	1	
	F1BNS 4p 2000A	269199035	1	
<b>6</b> Closing springs set	F1 BN 3p 1250÷1600A	269399061	1	<b>A</b>
	F1BN 4p 1250÷1600A	249299065	1	<b>A</b>
	F1BNS 3p 2000A	239299066	1	<b>A</b>
	F1BNS 4p 2000A	239299067	1	<b>A</b>
<b>7</b> Gasket for panel's door	Complete range	269399071	1	
<b>8</b> Complete operating mechanism	3p	269399103	1	<b>A</b>
	4p	269399104	1	<b>A</b>
<b>9</b> Solenoid for electronic overcurrent relays	PR1/P overcurrent relay	269399081	1	
	AR1 overcurrent relay	239299061	1	
<b>10</b> CTs wiring set	3p breaker fitted with PR1/P	269399001	1	
	4p breaker fitted with PR1/P	269399002	1	
	3p breaker fitted with PR1/P and external neutral pole	269399003	1	
	3p breaker fitted with AR1	269399007	1	
<b>11</b> Tool case complete of taylor-made spanners and templates	4p breaker fitted with AR1	269399008	1	
	Complete range	269397001	1	
<b>12</b> 2 Kg bid of "MU-EP1" generic grease		259299016	1	
<b>12</b> 2 Kg bid of "5RX Moly" grease specific for operating mechanism		259299018	1	
<b>13</b> Main shield + escutecheon plate and O/I pushbuttons	3p	269199036	1	
	4p	269199037	1	
<b>14</b> Ni-Cd rechargeable battery for PR1 electronic release	Complete range	269399056	1	
<b>15</b> Operating lever	Complete range	269199038	1	

**X** = Last product available

**A** = Assembly reserved to ABB SACE skilled technician

## MEGAMAX F2S

Spare part description	Type	UXAB code	Q.ty	Note
<b>1</b> Arc chambers set	3p 2500÷3000A	269499051	1	
	4p 2500÷3000A	269499052	1	
<b>2</b> Moving poles set c/w arc contacts	3p 2500÷3000A	269499053	1	<b>A</b>
	4p 2500÷3000A	269499054	1	<b>A</b>
<b>3</b> Moving arc contacts set	3p 2500÷3000A	269499055	1	
	4p 2500÷3000A	269499056	1	
<b>4</b> Upper busbars set c/w fixed arc contacts	3p 3000A fixed breaker	269499059	1	<b>A</b>
	4p 3000A fixed breaker	269499060	1	<b>A</b>
	3p 2500A Complete range, 3000A MP	269499061	1	<b>A</b>
	4p 2500A Complete range, 3000A MP	269499062	1	<b>A</b>
<b>5</b> Jaw contacts set	3p 2500÷3000A	269499063	1	
	4p 2500÷3000A	269499064	1	
<b>6</b> Closing springs set	3p 2500÷3000A	239299066	1	<b>A</b>
	4p 2500÷3000A	239299067	1	<b>A</b>
<b>7</b> Gasket for panel's door	Complete range	269399071	1	
<b>8</b> Complete operating mechanism	3p	269499105	1	<b>A</b>
	4p	269499106	1	<b>A</b>
<b>9</b> Solenoid for electronic overcurrent relais	PR1/P overcurrent relay	269399081	1	
	AR1 overcurrent relay	239299061	1	
<b>10</b> CTs wiring set	3p breaker fitted with PR1/P	269499001	1	
	4p breaker fitted with PR1/P	269499002	1	
	3p breaker fitted with PR1/P and external neutral pole	269499003	1	
	3p breaker fitted with AR1	269399007	1	
	4p breaker fitted with AR1	269399008	1	
<b>11</b> Tool case complete of taylor-made spanners and templates	Complete range	269397001	1	
<b>12</b> 2 Kg bid of "MU-EP1" grease		259299016	1	
<b>12</b> 2 Kg bid of "5RX Moly" grease		259299018	1	
<b>13</b> Main shield + escutecheon plate and O/I pushbuttons set	3p	269499065	1	
	4p	269499066	1	
<b>14</b> Ni-Cd rechargeable battery for PR1 electronic release	Complete range	269399056	1	
<b>15</b> Operating lever	Complete range	269199038	1	

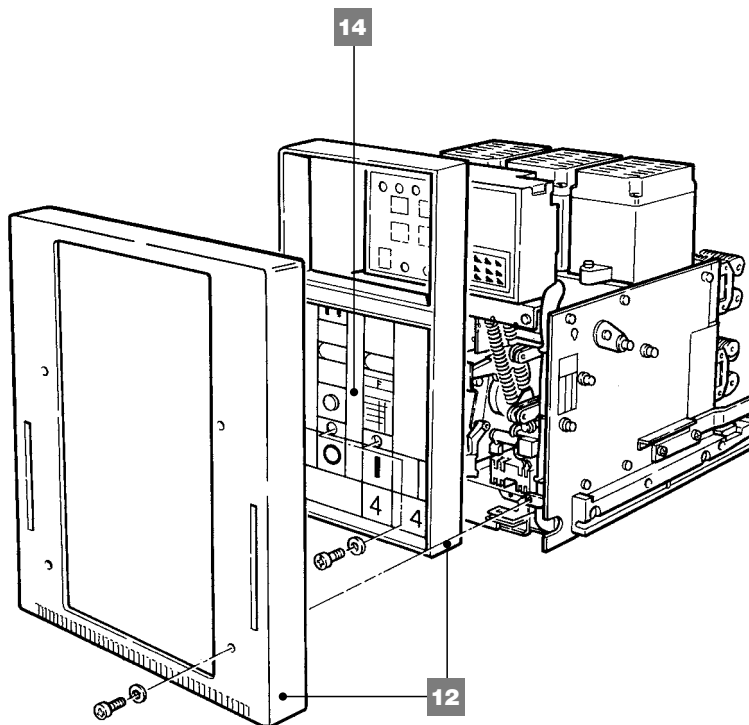
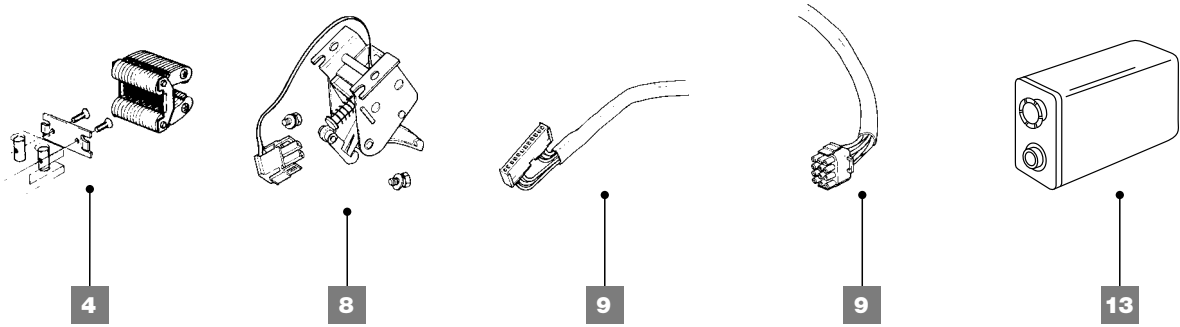
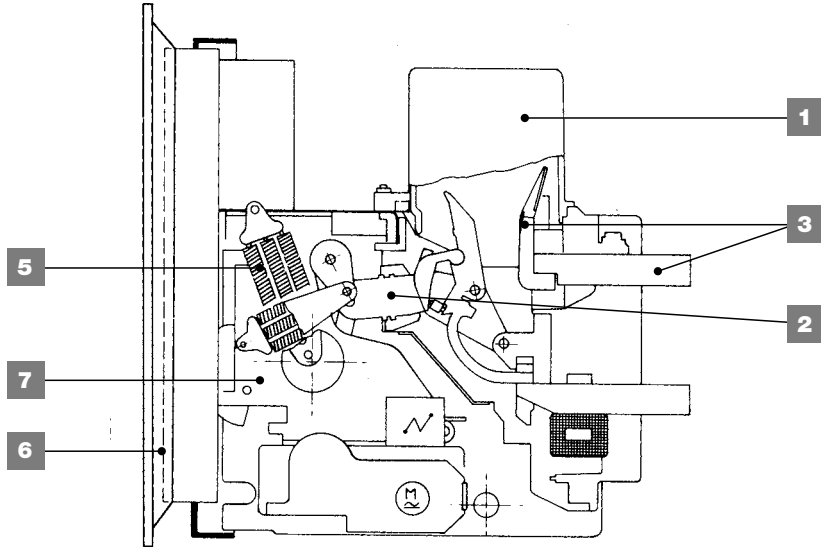
**X** = Last product available

**A** = Assembly reserved to ABB SACE skilled technician



# Low voltage air circuit-breakers

## MEGAMAX F1/ F2 H-L-V



---

---

**Caption**

- 1) Arc chambers set
- 2) Moving poles set c/w arc contacts
- 3) Upper busbars set c/w fixed arc contacts
- 4) Jaw contacts set
- 5) Closing springs set
- 6) Gasket for panel's door
- 7) Complete operating mechanism
- 8) Solenoid for electronic overcurrent relais
- 9) CTs wiring set
- 10) Tool case complete of taylor-made spanners and templates
- 11) Greases
- 12) Main shield + escutecheon plate and O/I pushbuttons
- 13) Ni-Cd rechargable battery for PR1 electronic release
- 14) Operating lever

# Low voltage air circuit-breakers

## MEGAMAX F1 H-L-V

Spare part description	Type	UXAB code	Q.ty	Note
<b>1</b> Arc chambers set	3p 1250÷1600A	249399101	1	
	4p 1250÷1600A	249399102	1	
<b>2</b> Moving poles set c/w arc contacts	F1HV 3p 1250÷1600A	249399103	1	<b>A</b>
	F1HV 4p 1250÷1600A	249399104	1	<b>A</b>
	F1L 3p 1250÷1600A	249399105	1	<b>A</b>
	F1L 4p 1250÷1600A	249399106	1	<b>A</b>
<b>3</b> Upper busbars set c/w fixed arc contacts	F1HV 3p 1250A	249399111	1	<b>A</b>
	F1HV 4p 1250A	249399112	1	<b>A</b>
	F1HV 3p 1600A	249399113	1	<b>A</b>
	F1HV 4p 1600A	249399114	1	<b>A</b>
	F1L 3p 1250A	249399115	1	<b>A</b>
	F1L 4p 1250A	249399116	1	<b>A</b>
	F1L 3p 1600A	249399117	1	<b>A</b>
	F1L 4p 1600A	249399118	1	<b>A</b>
<b>4</b> Jaw contacts set	3p 1250A	249399119	1	
	4p 1250A	249399120	1	
	3p 1600A	249399121	1	
	4p 1600A	249399122	1	
<b>5</b> Closing springs set	F1BN 4p 1250÷1600A	249299065	1	<b>A</b>
	F1BNS 3p 2000A	239299066	1	<b>A</b>
<b>6</b> Gasket for panel's door	Complete range	269399071	1	
<b>7</b> Complete operating mechanism	3p	269399103	1	<b>A</b>
	4p	269399104	1	<b>A</b>
<b>8</b> Solenoid for electronic overcurrent relays	PR1/P overcurrent relay	269399081	1	
	AR1 overcurrent relay	239299061	1	
<b>9</b> CTs wiring set	3p breaker fitted with PR1/P	269399001	1	
	4p breaker fitted with PR1/P	269399002	1	
	3p breaker fitted with PR1/P and external neutral pole	269399003	1	
<b>10</b> Tool case complete of taylor-made spanners and templates	3p breaker fitted with AR1	269399007	1	
	4p breaker fitted with AR1	269399008	1	
<b>11</b> 2 Kg bid of "MU-EP1" grease	Complete range	249397001	1	
<b>11</b> 2 Kg bid of "5RX Moly" grease		259299016	1	
<b>12</b> Main shield + escutecheon plate and O/I pushbuttons		259299018	1	
<b>13</b> Ni-Cd rechargeable battery for PR1 electronic release	3p	269199036	1	
	4p	269199037	1	
<b>14</b> Operating lever	Complete range	269399056	1	
	Complete range	269199038	1	

X = Last product available

A = Assembly reserved to ABB SACE skilled technician

## MEGAMAX F2 H-L-V

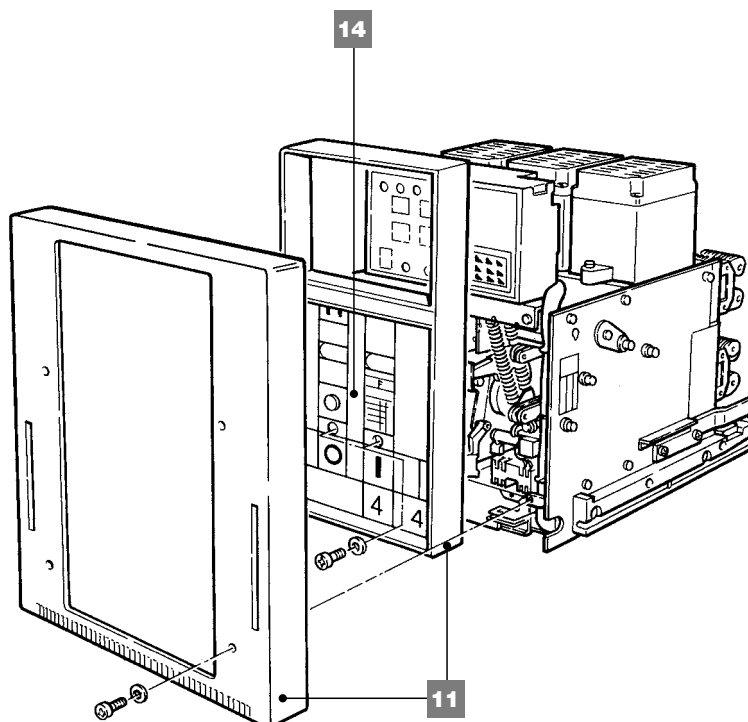
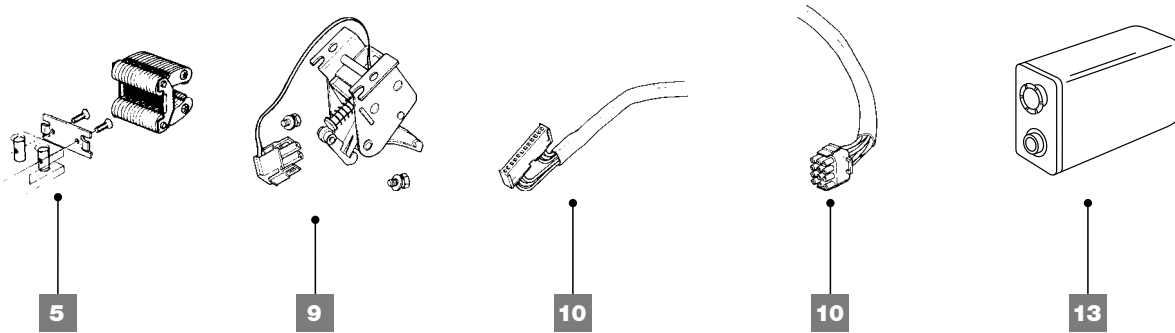
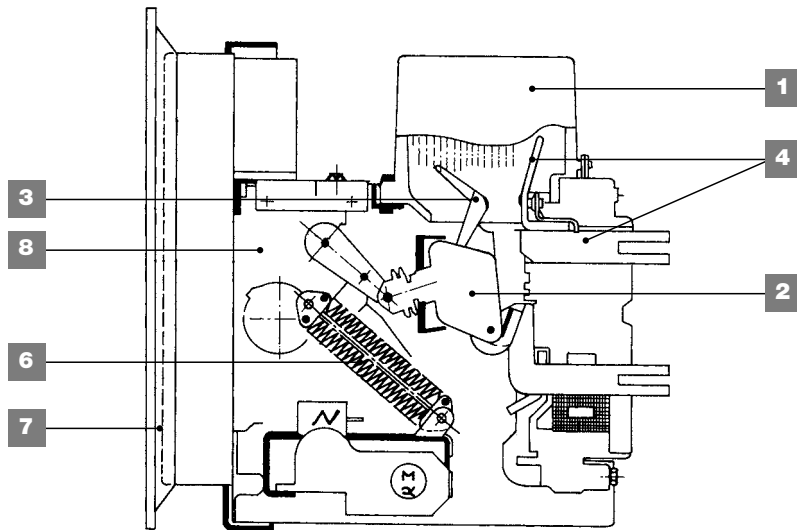
Spare part description	Type	UXAB code	Q.ty	Note
1 Arc chambers set	3p 2000÷2500A	249499051	1	
	4p 2000÷2500A	249499052	1	
2 Moving poles c/w arc contacts	F2HV 3p 2000÷2500A	249499053	1	A
	F2HV 4p 2000÷2500A	249499054	1	A
	F2L 3p 2000÷2500A	249499055	1	A
	F2L 4p 2000÷2500A	249499056	1	A
3 Upper busbars set c/w fixed arc contacts	F2HV 3p 2000÷2500A	249499061	1	A
	F2HV 4p 2000÷2500A	249499062	1	A
	F2L 3p 2000÷2500A	249499063	1	A
	F2L 4p 2000÷2500A	249499064	1	A
4 Jaw contacts set	3p 2000A	249499065	1	
	4p 2000A	249499066	1	
	3p 2500A	249499067	1	
	4p 2500A	249499068	1	
5 Closing springs set	F2L 3p 2000÷2500A	249299066	1	A
	F2HV 3p 2000÷2500A, F2L 4p	249299067	1	A
	F2HV 4p 2000÷2500A	239299067	1	A
6 Gasket for panel's door	Complete range	269399071	1	
7 Complete operating mechanism	3p	269499105	1	A
	4p	269499106	1	A
8 Solenoid for electronic overcurrent relais	PR1/P overcurrent relay	269399081	1	
	AR1 overcurrent relay	239299061	1	
9 CTs wiring set	3p breaker fitted with PR1/P	269499001	1	
	4p breaker fitted with PR1/P	269499002	1	
	3p breaker fitted with PR1/P and external neutral pole	269499003	1	
	3p breaker fitted with AR1	269399007	1	
10 Tool case complete of taylor-made spanners and templates	4p breaker fitted with AR1	269399008	1	
	Complete range	269397001	1	
11 2 Kg bid of "MU-EP1" generic grease		259299016	1	
11 2 Kg bid of "5RX Moly" grease specific for operating mechanism		259299018	1	
12 Main shield + escutecheon plate and O/I pushbuttons set	3p	269499065	1	
	4p	269499066	1	
13 Ni-Cd rechargeable battery for PR1 electronic release	Complete range	269399056	1	
14 Operating lever	Complete range	269199038	1	

X = Last product available

A = Assembly reserved to ABB SACE skilled technician

# Low voltage air circuit-breakers

## MEGAMAX F3S-F4S-F5-F6



---

---

**Caption**

- 1) Arc chambers set
- 2) Moving poles c/w arc contacts
- 3) Moving arc contacts set
- 4) Upper busbars set c/w fixed arc contacts
- 5) Jaw contacts set
- 6) Closing springs set
- 7) Gasket for panel's door
- 8) Complete operating mechanism
- 9) Solenoid for electronic overcurrent relais
- 10) CTs wiring set
- 11) Main shield + escutecheon plate and O/I pushbuttons
- 12) Greases
- 13) Ni-Cd rechargable battery for PR1 electronic release
- 14) Operating lever

# Low voltage air circuit-breakers

## MEGAMAX F3S - F4S

Spare part description	Type	UXAB code	Q.ty	Note
<b>1</b> Arc chambers set	3p	269599065	1	
	4p	269599066	1	
<b>2</b> Moving poles c/w arc contacts	F3S 2000÷2500A - F4S 3200A 3p	269599111	1	<b>A</b>
	F3S 2000÷2500A - F4S 3200A 4p	269599112	1	<b>A</b>
	F3S 3p 3000A	269599113	1	<b>A</b>
	F3S 4p 3000A	269599114	1	<b>A</b>
	F4S 3p 3600A	269599115	1	<b>A</b>
	F4S 4p 3600A	269599116	1	<b>A</b>
<b>3</b> Moving arc contacts set	3p	269599067	1	
	4p	269599068	1	
<b>4</b> Upper busbars set c/w fixed arc contacts	F3S fixed breaker 3p 2000÷2500A	269599073	1	<b>A</b>
	F3S fixed breaker 4p 2000÷2500A	269599074	1	<b>A</b>
	F3S fixed breaker 3p 3000A	269599075	1	<b>A</b>
	F3S fixed breaker 4p 3000A	269599076	1	<b>A</b>
	F3S fixed breaker 3p 3200A	269599077	1	<b>A</b>
	F3S fixed breaker 4p 3200A	269599078	1	<b>A</b>
	F4S fixed breaker 3p 3600A	269599079	1	<b>A</b>
	F4S fixed breaker 4p 3600A	269599080	1	<b>A</b>
	F3S MP 3p 2000÷3000A	269599081	1	<b>A</b>
	F3S MP 4p 2000÷3000A	269599082	1	<b>A</b>
	F4S MP 3p 3200A	269599083	1	<b>A</b>
	F4S MP 4p 3200A	269599084	1	<b>A</b>
	F4S MP 3p 3600A	269599085	1	<b>A</b>
	F4S MP 4p 3600A	269599086	1	<b>A</b>
<b>5</b> Jaw contacts set	F3S 3p	269599087	1	
	F3S 4p	269599088	1	
	F4S 3p	269599089	1	
	F4S 4p	269599090	1	
<b>6</b> Closing springs set	Complete range	239399012	1	<b>A</b>
<b>7</b> Gasket for panel's door	Complete range	269599011	1	
<b>8</b> Complete operating mechanism	F3S 3p	269599125	1	<b>A</b>
	F3S 4p	269599126	1	<b>A</b>
	F4S 3p	269699005	1	<b>A</b>
	F4S 4p	269699006	1	<b>A</b>
<b>9</b> Solenoid for electronic overcurrent relays	PR1/P overcurrent relay	269599061	1	
	AR1 overcurrent relay	239399061	1	
<b>10</b> CTs wiring set	F3S 3p fitted with PR1/P	269599001	1	
	F3S 4p fitted with PR1/P	269599002	1	
	F3S 3p fitted with PR1/P and external neutral pole	269599003	1	
	F3S 3p fitted with AR1	269599007	1	
	F3S 4p fitted with AR1	269599008	1	
	F4S 3p fitted with PR1/P	269699001	1	
	F4S 4p fitted with PR1/P	269699002	1	
	F4S 3p fitted with PR1/P and external neutral pole	269699003	1	
F4S 3p fitted with AR1	269699007	1		
F4S 4p fitted with AR1	269699008	1		

X = Last product available

A = Assembly reserved to ABB SACE skilled technician

Spare part description	Type	UXAB code	Q.ty	Note
11 Main shield + escutecheon plate and O/I pushbuttons	F3S 3p	269599117	1	
	F3S 4p	269599118	1	
	F4S 3p	269599119	1	
	F4S 4p	269599120	1	
12 2 Kg bid of "MU-EP1" generic grease		259299016	1	
12 2 Kg bid of "5RX Moly" grease specific for operating mechanism		259299018	1	
13 Ni-Cd rechargeable battery for PR1 electronic release	Complete range	269399056	1	
14 Operating lever	Complete range	269199129	1	



# Low voltage air circuit-breakers

## MEGAMAX F5 - F6

Spare part description	Type	UXAB code	Q.ty	Note
<b>1</b> Arc chambers set	F5_F6 3p	269799011	1	
	F5 4p	269799012	1	
<b>2</b> Complete moving pole c/w arc contacts	Half-pole on F5S_F6S	239399002	6 or 7	<b>A</b>
	Half-pole on F5H_F6H	239399003	6 or 7	<b>A</b>
<b>3</b> Moving arc contacts set	F5_F6 3p	269799013	1	
	F5 4p	269799014	1	
<b>4</b> Upper busbars set c/w fixed arc contacts	F5 fixed breaker 3p 3200A	269799023	1	<b>A</b>
	F5 fixed breaker 4p 3200A	269799024	1	<b>A</b>
	F5 fixed breaker 3p 4000÷5000A	269799025	1	<b>A</b>
	F5 fixed breaker 4p 4000÷5000A	269799026	1	<b>A</b>
	F5 MP 3p 3200A	269799027	1	<b>A</b>
	F5 MP 4p 3200A	269799028	1	<b>A</b>
	F5 MP 3p 4000÷5000A	269799029	1	<b>A</b>
	F5 MP 4p 4000÷5000A	269799030	1	<b>A</b>
	F6 MP 3p 6300A	269799031	1	<b>A</b>
	<b>5</b> Jaw contacts set	F5 3p 3200A	269799018	1
F5 4p 3200A		269799019	1	
F5 3p 4000÷5000A		269799020	1	
F5 4p 4000÷5000A		269799021	1	
F6 3p 6300A		269799022	1	
<b>6</b> Closing springs set	F5 3p	269099001	1	<b>A</b>
	F5 4p_F6 3p	269099002	1	<b>A</b>
<b>7</b> Gasket for panel's door	Complete range	269599011	1	
<b>8</b> Complete operating mechanism	F5 3p	269799035	1	<b>A</b>
	F5 4p	269799036	1	<b>A</b>
	F6 3p	279199005	1	<b>A</b>
<b>9</b> Solenoid for electronic overcurrent relais	PR1/P overcurrent relay	269599061	1	
	AR1 overcurrent relay	239399061	1	
<b>10</b> CTs wiring set	F5 3p fitted with PR1/P	269799001	1	
	F5 4p fitted with PR1/P	269799002	1	
	F5 3p fitted with PR1/P and external neutral pole	269799003	1	
	F5 3p fitted with AR1	269799007	1	
	F5 4p fitted with AR1	269799008	1	
	F6 3p fitted with PR1/P	269899001	1	
	F6 3p fitted with PR1/P and external neutral pole	269899003	1	
	F6 3p fitted with AR1	269899007	1	
<b>11</b> Main shield + escutecheon plate and O/I pushbuttons set	F5 3p	269599121	1	
	F5 4p	269599122	1	
	F6 3p	269599123	1	
<b>12</b> 2 Kg bid of "MU-EP1" generic grease		259299016	1	
<b>12</b> 2 Kg bid of "5RX Moly" grease specific for operating mechanism		259299018	1	
<b>13</b> Ni-Cd rechargeable battery for PR1 electronic release	Complete range	269399056	1	
<b>14</b> Operating lever	Complete range	269199129	1	

X = Last product available

A = Assembly reserved to ABB SACE skilled technician

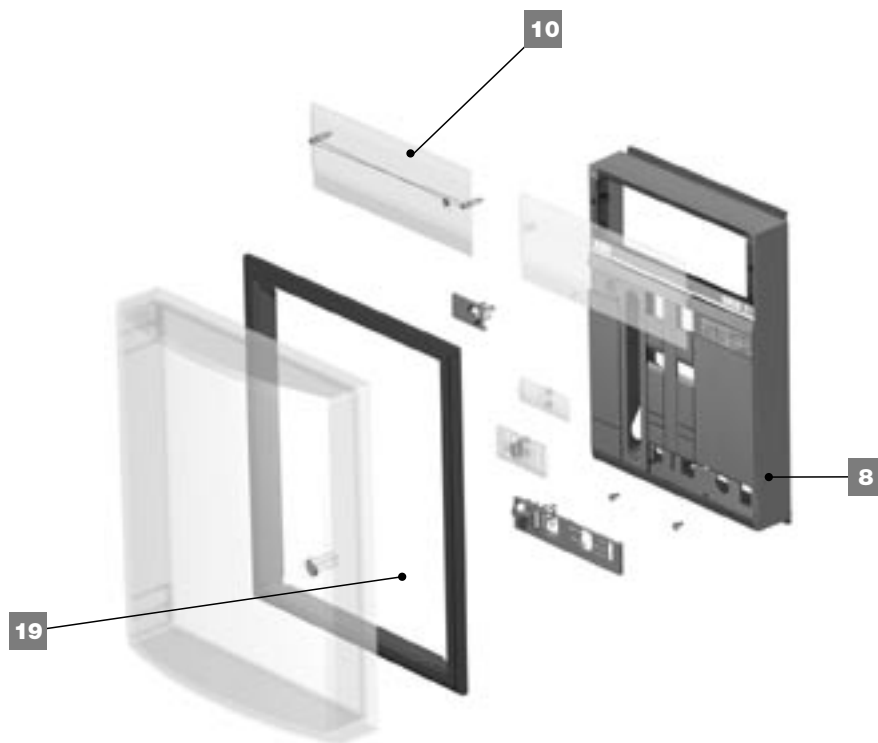
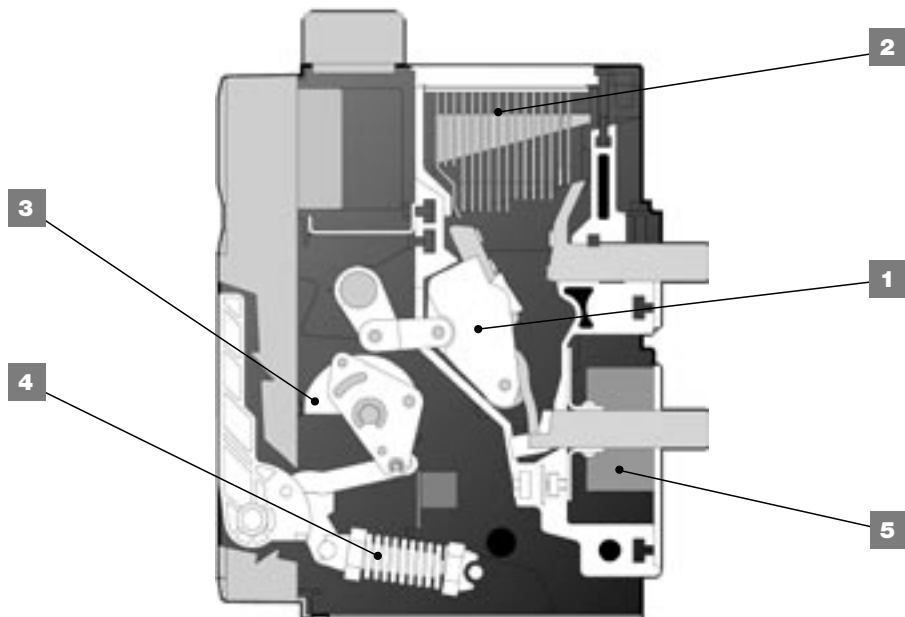


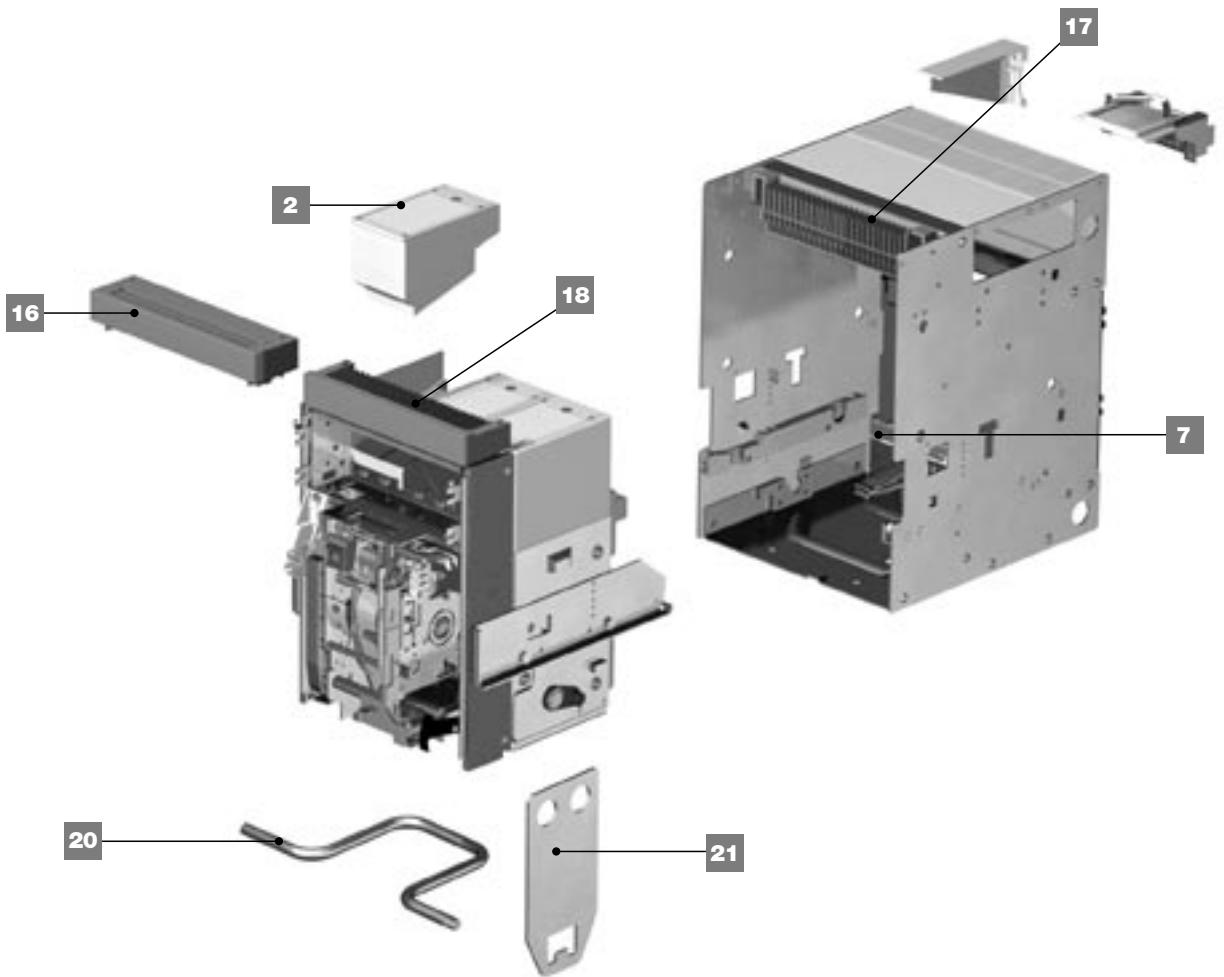
# Low voltage air circuit-breakers EMAX series



# Low voltage air circuit-breakers

## EMAX





---

# Low voltage air circuit-breakers

---

## **Caption**

- 1) Single complete pole
- 2) Single arc chamber
- 3) Operating mechanism
- 4) Closing springs set
- 5) CTs wiring set
- 6) Nr.8 Jaw contacts set
- 7) Earth sliding contact set
- 8) Main shield c/w lateral escutcheon plates
- 9) Safety shutters set

## **Common parts for entire range**

- 10) Transparent protection for electronic release
- 11) Solenoid for PR111-112 electronic relays
- 12) Cover for test socket on electronic relays
- 13) PR112/B\_Battery for electronic release
- 14) 2 Kg bid of "5RX Moly" grease specific for operating mechanism
- 15) Tool case complete of taylor-made spanners and templates
- 16) Auxiliary board for fixed breaker
- 17) Sliding contacts for fixed part
- 18) Sliding contacts for moving part
- 19) Dustproof protection for panel's door
- 20) Racking out lever
- 21) Lifting plates
- 22) Front cover for breaker fitted with key lock
- 23) Lifting trolley till 300Kg
- 24) Lifting trolley till 500Kg
- 25) Slideproof plate

## EMAX E1

Spare part description	Type	1SDA code	Q.ty	Note
<b>1</b> Single complete pole	Complete range	045691R1	3 or 4	<b>A</b>
<b>2</b> Single arc chamber	Complete range	045697R1	3 or 4	
<b>3</b> Operating mechanism	3p	053988R1	1	<b>A</b>
	4p	053989R1	1	<b>A</b>
<b>4</b> Closing springs set	3p	053990R1	1	<b>A</b>
	4p	053991R1	1	<b>A</b>
<b>5</b> CTs wiring set	3p	045714R1	1	
	4p	045716R1	1	
<b>6</b> Nr.8 Jaw contacts set	Complete range	047823R1	1	
<b>7</b> Earth sliding contact set	Complete range	045722R1	1	
<b>8</b> Main shield c/w lateral escutcheon plates	3p	047828R1	1	
	4p	047829R1	1	
<b>9</b> Safety shutters set	3p	038261R1	1	
	4p	038265R1	1	

## EMAX E2

Spare part description	Type	1SDA code	Q.ty	Note
<b>1</b> Single complete pole	E2BN	045692R1	3 or 4	<b>A</b>
	E2L	045695R1	3 or 4	<b>A</b>
<b>2</b> Single arc chamber	E2BN	045697R1	3 or 4	
	E2L	045699R1	3 or 4	
<b>3</b> Operating mechanism	3p	053988R1	1	<b>A</b>
	4p	053989R1	1	<b>A</b>
<b>4</b> Closing springs set	E2L	053990R1	1	<b>A</b>
	E2BN 3p	053991R1	1	<b>A</b>
	E2BN 4p	053992R1	1	<b>A</b>
<b>5</b> CTs wiring set	3p	045714R1	1	
	4p	045716R1	1	
<b>6</b> Nr.8 Jaw contacts set	Complete range	047824R1	1	
<b>7</b> Earth sliding contact set	Complete range	045722R1	1	
<b>8</b> Main shield c/w lateral escutcheon plates	3p	047828R1	1	
	4p	047829R1	1	
<b>9</b> Safety shutters set	3p	038261R1	1	
	4p	038265R1	1	

**X** = Last product available

**A** = Assembly reserved to ABB SACE skilled technician

# Low voltage air circuit-breakers

## EMAX E3

Spare part description	Type	1SDA code	Q.ty	Note
1 Single complete pole	E3 NSH	045693R1	3 or 4	<b>A</b>
	E3L	045696R1	3 or 4	<b>A</b>
2 Single arc chamber	E3 NSH	045698R1	3 or 4	
	E3L	045700R1	3 or 4	
3 Operating mechanism	E3L	053988R1	1	<b>A</b>
	E3 NSH	053989R1	1	<b>A</b>
4 Closing springs set	E3L	053991R1	1	<b>A</b>
	E3 NSH 3p	053993R1	1	<b>A</b>
	E3 NSH 4p	053994R1	1	<b>A</b>
5 CTs wiring set	3p	045713R1	1	
	4p	045715R1	1	
6 Nr.8 Jaw contacts set	Complete range	047825R1	1	
7 Earth sliding contact set	Complete range	045722R1	1	
8 Main shield c/w lateral escutcheon plates	3p	047830R1	1	
	4p	047831R1	1	
9 Safety shutters set	3p	038262R1	1	
	4p	038266R1	1	

## EMAX E4

Spare part description	Type	1SDA code	Q.ty	Note
1 Half pole for phase / complete neutral pole	Complete range	045692R1	Max 8	<b>A</b>
2 Single arc chamber	Complete range	045697R1	Max 8	
3 Operating mechanism	Complete range	053989R1	1	<b>A</b>
4 Closing springs set	Complete range	053995R1	1	<b>A</b>
5 CTs wiring set	3p	045717R1	1	
	4p	045718R1	1	
6 Nr.16 Jaw contacts set	Complete range	047826R1	1	
7 Earth sliding contact set	Complete range	045722R1	1	
8 Main shield c/w lateral escutcheon plates	3p	047832R1	1	
	4p	047833R1	1	
9 Safety shutters set	3p	038263R1	1	
	4p	038267R1	1	
	4p full size	048732R1	1	

**X** = Last product available

**A** = Assembly reserved to ABB SACE skilled technician

## EMAX E6

Spare part description	Type	1SDA code	Q.ty	Note
<b>1</b> Half pole for E6 phase or complete neutral pole	Complete range	045694R1	Max 8	<b>A</b>
<b>2</b> Single arc chamber	Complete range	045698R1	Max 8	
<b>3</b> Operating mechanism	Complete range	053989R1	1	<b>A</b>
<b>4</b> Closing springs set	E6	053995R1	1	<b>A</b>
	E6 full size	053996R1	1	<b>A</b>
<b>5</b> CTs wiring set	3p	063406R1	1	
	4p	063407R1	1	
<b>6</b> Nr.16 Jaw contacts set	Complete range	047827R1	1	
<b>7</b> Earth sliding contact set	Complete range	045722R1	1	
<b>8</b> Main shield c/w lateral escutcheon plates	3p	047834R1	1	
	4p	047835R1	1	
<b>9</b> Safety shutters set	3p	038264R1	1	
	4p	038268R1	1	
	4p full size	050846R1	1	

## Common parts for entire range

Spare part description	Type	1SDA code	Q.ty	Note
<b>10</b> Transparent protection for electronic release	Complete range	045724R1	1	
<b>11</b> Solenoid for PR111-112 electronic relais	Complete range	045735R1	1	
<b>12</b> Cover for test socket on electronic relais	Complete range	045736R1	1	
<b>13</b> PR112/B_Battery for electronic release	Complete range	045737R1	1	
<b>14</b> 2 Kg bid of "5RX Moly" grease specific for operating mechanism	Complete range	045738R1	1	
<b>15</b> Tool case complete of taylor-made spanners and templates	Complete range	038359R1	1	
<b>16</b> Auxiliary board for fixed breaker	Complete range	038342R1	1	
<b>17</b> Sliding contacts for fixed part	Complete range	038362R1	1	
<b>18</b> Sliding contacts for moving part	Complete range	038328R1	1	
<b>19</b> Dustproof protection for panel's door	Complete range	038096R1	1	
<b>20</b> Racking out lever	Complete range	038092R1	1	
<b>21</b> Lifting plates	Complete range	038093R1	1	
<b>22</b> Front cover for breaker fitted with key lock	Complete range	050701R1	1	
<b>23</b> Lifting trolley till 300Kg	Suggested till E4 breakers	269199130 (*)	1	(1)
<b>24</b> Lifting trolley till 500Kg	Suggested for E6 breakers	269599127 (*)	1	(2)
<b>25</b> Slideproof plate	800 or 1000 mm plate	269199131 (*)	1	

<sup>(1)</sup> Suggested with 800 mm slideproof plate

<sup>(2)</sup> Suggested with 1000 mm slideproof plate

**X** = Last product available

**A** = Assembly reserved to ABB SACE skilled technician

(\*) UXAB code





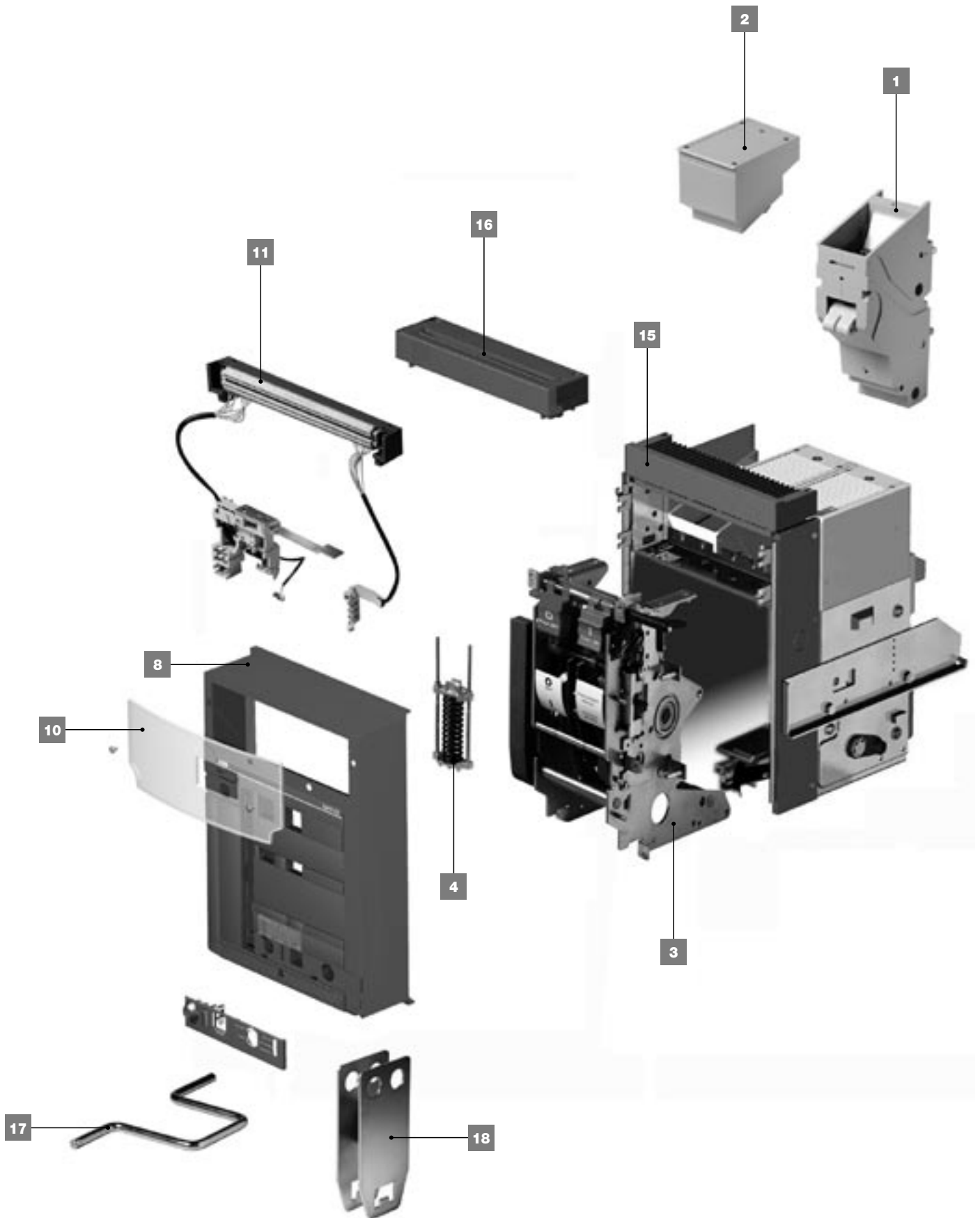


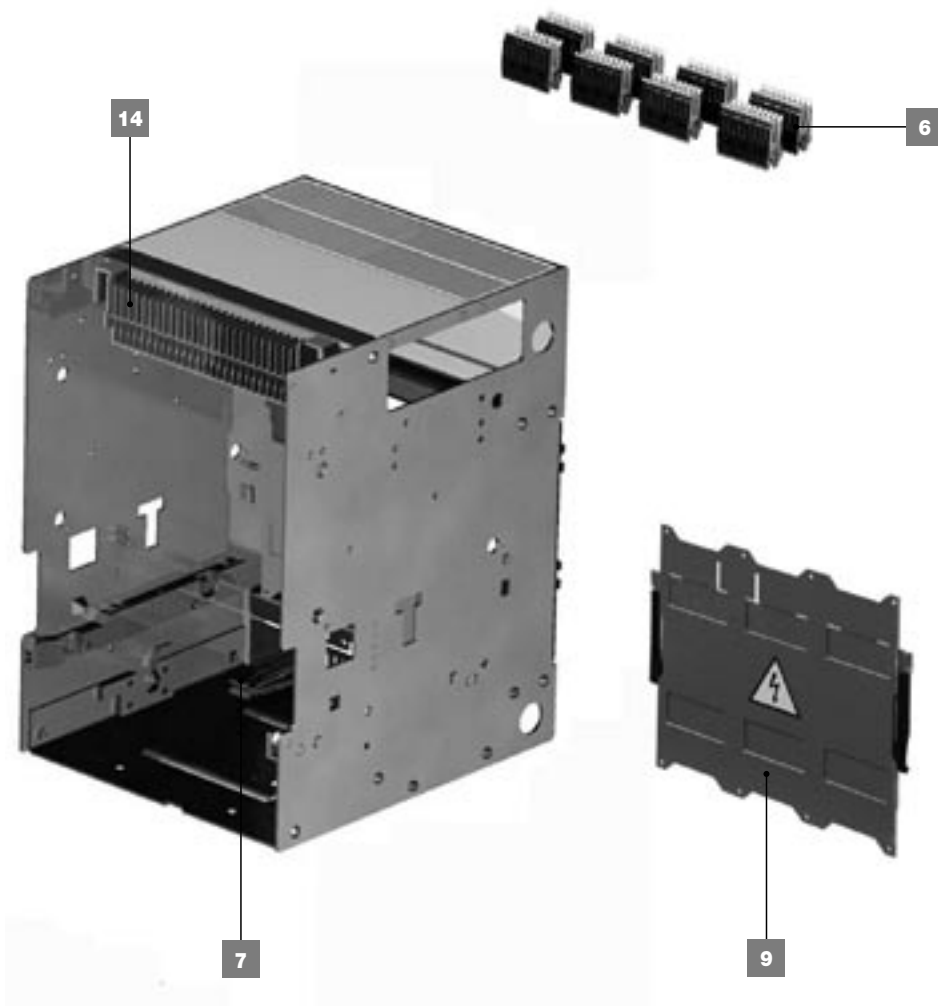
Low voltage air  
circuit-breakers  
NEW EMAX series



# Low voltage air circuit-breakers

## NEW EMAX





---

# Low voltage air circuit-breakers

---

## **Caption**

- 1) Single complete pole
- 2) Single arc chamber
- 3) Operating mechanism
- 4) Closing springs set
- 5) CTs wiring set
- 6) No. 8 Jaw contacts set
- 7) Earth sliding contact set
- 8) Main shield c/w lateral escutcheon plates
- 9) Safety shutters set

## **Common parts for entire range**

- 10) Transparent protection for electronic release
- 11) Kit including I1/I4 mechanical flag + opening solenoid for electronic release
- 12) 2 Kg bid of "5RX Moly" grease specific for operating mechanism
- 13) Auxiliary board for fixed breaker
- 14) Sliding contacts for fixed part
- 15) Sliding contacts for moving part
- 16) IP20 protection for sliding contacts on moving part
- 17) Racking out lever
- 18) Lifting plate
- 19) Front cover for breaker fitted with key lock
- 20) Lifting trolley till 300Kg
- 21) Lifting trolley till 500Kg
- 22) Slideproof plate

## NEW EMAX E1

Spare part description	Type	1SDA code	Q.ty	Note
<b>1</b> Single complete pole	Complete range	045691R1	3 or 4	<b>A</b>
<b>2</b> Single arc chamber	Complete range	045697R1	3 or 4	
<b>3</b> Operating mechanism	3p	053988R1	1	<b>A</b>
	4p	053989R1	1	<b>A</b>
<b>4</b> Closing springs set	3p	053990R1	1	<b>A</b>
	4p	053991R1	1	<b>A</b>
<b>5</b> CS wiring set	3p	063393R1	1	
	4p	063395R1	1	
<b>6</b> No. 8 jaw contacts set	Complete range	047823R1	1	
<b>7</b> Earth sliding contact set	Complete range	045722R1	1	
<b>8</b> Main shield c/w lateral escutcheon plates	3p	058318R1	1	
	4p	058319R1	1	
<b>9</b> Safety shutters set	3p	038261R1	1	
	4p	038265R1	1	

## NEW EMAX E2

Spare part description	Type	1SDA code	Q.ty	Note
<b>1</b> Single complete pole	E2BN	045692R1	3 or 4	<b>A</b>
	E2S	063387R1		<b>A</b>
	E2L	045695R1		<b>A</b>
<b>2</b> Single arc chamber	E2BN	045697R1	3 or 4	
	E2L	045699R1		
<b>3</b> Operating mechanism	3p	053988R1	1	<b>A</b>
	4p	053989R1	1	<b>A</b>
<b>4</b> Closing springs set	E2L	053990R1	1	<b>A</b>
	E2BN 3p	053991R1	1	<b>A</b>
	E2BN 4p	053992R1	1	<b>A</b>
<b>5</b> CS wiring set	3p	063393R1	1	
	4p	063395R1	1	
<b>6</b> No. 8 jaw contacts set	E2BNL	047824R1	1	
<b>6</b> No. 8 double jaw contacts set	E2S	063400R1	1	
<b>7</b> Earth sliding contact set	Complete range	045722R1	1	
<b>8</b> Main shield c/w lateral escutcheon plates	3p	058318R1	1	
	4p	058319R1	1	
<b>9</b> Safety shutters set	3p	038261R1	1	
	4p	038265R1	1	

**X** = Last product available

**A** = Assembly reserved to ABB SACE skilled technician

# Low voltage air circuit-breakers

## NEW EMAX E3

Spare part description	Type	1SDA code	Q.ty	Note
1 Single complete pole	E3 NSH	045693R1	3 or 4	<b>A</b>
	E3L	045696R1		<b>A</b>
	E3V	063388R1		<b>A</b>
2 Single arc chamber	E3 NSH	045698R1	3 or 4	
	E3L	045700R1		
	E3V	063391R1		
3 Operating mechanism	E3L	053988R1	1	<b>A</b>
	E3 NSH	053989R1	1	<b>A</b>
4 Closing springs set	E3L	053991R1	1	<b>A</b>
	E3 NSH 3p	053993R1	1	<b>A</b>
	E3 NSH 4p	053994R1	1	<b>A</b>
5 CS wiring set	3p	063992R1	1	
	4p	063994R1	1	
6 No. 8 jaw contacts set	Complete range	047825R1	1	
7 Earth sliding contact set	Complete range	045722R1	1	
8 Main shield c/w lateral escutcheon plates	3p	053321R1	1	
	4p	053322R1	1	
9 Safety shutters set	3p	038262R1	1	
	4p	038266R1	1	

## NEW EMAX E4

Spare part description	Type	1SDA code	Q.ty	Note
1 Half pole for phase / complete neutral pole	E4S_H	045692R1	Max 8	<b>A</b>
	E4V	063990R1	6 or 7	<b>A</b>
2 Single arc chamber	Complete range	045697R1	3 or 4	
3 Operating mechanism	Complete range	053989R1	1	<b>A</b>
4 Closing springs set	Complete range	053995R1	1	<b>A</b>
5 CS wiring set	3p	063396R1	1	
	4p	063397R1	1	
6 No. 14 Jaw contacts set	Complete range	063400R1	1	
7 Earth sliding contact set	Complete range	045722R1	1	
8 Main shield c/w lateral escutcheon plates	3p	058323R1	1	
	4p	058326R1	1	
9 Safety shutters set	3p	038263R1	1	
	4p	038267R1	1	
	4p full size	048732R1	1	

X = Last product available

A = Assembly reserved to ABB SACE skilled technician

## NEW EMAX E6

Spare part description	Type	1SDA code	Q.ty	Note
1 Half pole for E6 phase or complete neutral pole	E6S_H	045694R1	6 or 7	A
	4p full size	063386R1	Max 8	A
	E6V	063389R1	6 or 7	A
2 Single arc chamber	E6S_H	045698R1	Max 8	
	E6V	063391R1	6 or 7	
3 Operating mechanism	Complete range	053989R1	1	A
4 Closing springs set	E6	053995R1	1	A
	E6 full size	053996R1	1	A
5 CS wiring set	3p	063398R1	1	
	4p	063399R1	1	
6 No. 16 jaw contacts set	Complete range	047827R1	1	
7 Earth sliding contact set	Complete range	045722R1	1	
8 Main shield c/w lateral escutcheon plates	3p	058327R1	1	
	4p	058328R1	1	
9 Safety shutters set	3p	038264R1	1	
	4p	038268R1	1	
	4p full size	050846R1	1	

## Common parts for entire range

Spare part description	Type	1SDA code	Q.ty	Note
10 Transparent protection for electronic release	Complete range, PR121	063326R1	1	
	Complete range, PR122	063385R1	1	
11 Kit including 11/14 mechanical flag + opening solenoid for electronic release	Complete range	063404R1	1	
12 2 Kg bid of "5RX Moly" grease specific for operating mechanism	Complete range	045738R1	1	
13 Auxiliary board for fixed breaker	Complete range	063401R1	1	
14 Sliding contacts for fixed part	Complete range	063402R1	1	
15 Sliding contacts for moving part	Complete range	063403R1	1	
16 IP20 protection for sliding contacts on moving part	Complete range	063135R1	1	
17 Racking out lever	Complete range	038092R1	1	
18 Lifting plate	Complete range	038093R1	1	
19 Front cover for breaker fitted with key lock	Complete range	063405R1	1	
20 Lifting trolley till 300Kg	Suggested till E4 breakers	269199130 (*)	1	(1)
21 Lifting trolley till 500Kg	Suggested for E6 breakers	269599127 (*)	1	(2)
22 Slideproof plate	800 or 1000 mm plate	269199131 (*)	1	

(1) Suggested with 800 mm slideproof plate

(2) Suggested with 1000 mm slideproof plate

X = Last product available

A = Assembly reserved to ABB SACE skilled technician

U = UXAB code







---

**ABB SACE S.p.A**

An ABB Group Company

*L.V. Breakers*

Via Baioni, 35

24123 Bergamo, Italy

Tel.: +39 035.395.111 - Telefax: +39 035.395.306-433

**<http://www.abb.com>**

Due to possible developments of standards as well as of materials, the characteristics and dimensions specified in the present catalogue may only be considered binding after confirmation by ABB SACE.