

"THE MATERIAL HEREIN IS FOR INFORMATION PURPOSES ONLY AND IS SUBJECT TO CHANGE WITHOUT NOTICE. DIGITAL EQUIPMENT CORPORATION ASSUMES NO RESPONSIBILITY FOR ANY ERRORS WHICH MAY APPEAR HEREIN."

FIELD MAINTENANCE
PRINT SET

"THIS DRAWING AND SPECIFICATIONS, HEREIN, ARE THE PROPERTY OF DIGITAL EQUIPMENT CORPORATION AND SHALL NOT BE REPRODUCED OR OR COPIED OR USED IN WHOLE OR IN PART AS THE BASIS FOR THE MANUFACTURE OR SALE OF ITEMS WITHOUT WRITTEN PERMISSION. COPYRIGHT (C) 1982 DIGITAL EQUIPMENT CORPORATION"

TABLE OF CONTENTS

K-TC-DMF32-0-1	DMF32 FIELD MAINT. PRINT SET (MP00965)
K-DD-DMF32-0	DMF32 OPTION - DRAWING DIRECTORY
K-PL-DMF32-0-0	DMF32 OPTION - PARTS LIST
B-DD-M8396-0	COMBO BOARD - DRAWING DIRECTORY
D-UA-M8396-0-0	COMBO BOARD - UNIT ASSEMBLY
K-PL-M8396-0-DBP	COMBO BOARD - PARTS LIST
D-CS-M8396-0-COMA	COMBO BOARD - CIRCUIT SCHEMATICS
D-CS-M8396-0-COMB	COMBO BOARD - CIRCUIT SCHEMATICS
D-CS-M8396-0-COMC	COMBO BOARD - CIRCUIT SCHEMATICS
D-CS-M8396-0-COMD	COMBO BOARD - CIRCUIT SCHEMATICS
D-CS-M8396-0-COME	COMBO BOARD - CIRCUIT SCHEMATICS
D-CS-M8396-0-COMF	COMBO BOARD - CIRCUIT SCHEMATICS
D-CS-M8396-0-COMH	COMBO BOARD - CIRCUIT SCHEMATICS
D-CS-M8396-0-COMJ	COMBO BOARD - CIRCUIT SCHEMATICS
D-CS-M8396-0-COMK	COMBO BOARD - CIRCUIT SCHEMATICS
D-CS-M8396-0-COML	COMBO BOARD - CIRCUIT SCHEMATICS
D-CS-M8396-0-COMM	COMBO BOARD - CIRCUIT SCHEMATICS
D-CS-M8396-0-COMN	COMBO BOARD - CIRCUIT SCHEMATICS
D-CS-M8396-0-COMP	COMBO BOARD - CIRCUIT SCHEMATICS
D-CS-M8396-0-COMR	COMBO BOARD - CIRCUIT SCHEMATICS
D-CS-M8396-0-COMS	COMBO BOARD - CIRCUIT SCHEMATICS
D-CS-M8396-0-COMT	COMBO BOARD - CIRCUIT SCHEMATICS
D-CS-M8396-0-COMU	COMBO BOARD - CIRCUIT SCHEMATICS
D-CS-M8396-0-COMV	COMBO BOARD - CIRCUIT SCHEMATICS
D-CS-M8396-0-COMW	COMBO BOARD - CIRCUIT SCHEMATICS
D-EC-5014453-0-0	ETCH CUT DRAWING
K-TD-M8396-0-0	TIMING DIAGRAM
K-BD-M8396-0-0	BLOCK DIAGRAM

UNIT VARIATIONS
COVERED BY THIS
PRINT SET

DMF32-M
DMF32-LP

DMF32

FIELD MAINTENANCE PRINT SET

DIGITAL EQUIPMENT CORPORATION

PRINT SET ORDER NO. MP00965

REVISION HISTORY			USED ON OPTION/MODEL	RESPONSIBLE ENG.	d i g i t a l				
ENG	ECO NUMBER	REV	DMF32	DATE : 21 APR 82	M. REICH				
---	INITIAL	A		MADE BY	<i>B. Bayan</i>				
RG	DMF32-MK001	B		DATE : 21 APR 82	<i>5/21/83</i>				
ML	DMF32-MK002	C		CHECKED BY	<i>R. J. RILEY</i>	TITLE FIELD MAINTENANCE PRINT SET			
				DATE : 21 APR 82	<i>23/4/83</i>	DMF32			
				PROJECT ENGINEER	<i>S. DUNCANSON</i>	SIZE CODE DOCUMENT NUMBER REV.			
				DATE : 21 APR 82	<i>5/21/83</i>	K	TC	DMF32-0-1	C
				FIELD SERVICE	<i>G. SWITZER</i>	SHEET 1 OF 1			
				DATE : 21 APR 82	<i>Scott Switzer</i>				
					<i>10-27-83</i>				

"THE MATERIAL HEREIN IS FOR INFORMATION PURPOSES ONLY AND IS SUBJECT TO CHANGE WITHOUT NOTICE. DIGITAL EQUIPMENT CORPORATION ASSUMES NO RESPONSIBILITY FOR ANY ERRORS WHICH MAY APPEAR HEREIN."

DRAWING DIRECTORY

"THIS DRAWING AND SPECIFICATIONS, HEREIN, ARE THE PROPERTY OF DIGITAL EQUIPMENT CORPORATION AND SHALL NOT BE REPRODUCED OR COPIED OR USED IN WHOLE OR IN PART AS THE BASIS FOR THE MANUFACTURE OR SALE OF ITEMS WITHOUT WRITTEN PERMISSION. COPYRIGHT (C) 1982 DIGITAL EQUIPMENT CORPORATION"

FOR FIELD MAINTENANCE PRINT SET REFER TO K-TC-DMF32-0-1

UNIT VARIATIONS

VARIATION	TITLE
DMF32-M	BASE OPTION (DMF32)
DMF32-LP	SYSTEM INTEGRATED (DMF32)

REVISION HISTORY		
ENG	ECO NUMBER	REV
---	INITIAL	A
RG	DMF32-MK001	B
ML	DMF32-MK002	C

USED ON OPTION/MODEL
DMF 32

RESPONSIBLE ENG. : M. REICH
DATE : 2 FEB 82
MADE BY : R. J. RILEY
DATE : 2 FEB 82
CHECKED BY : R. J. RILEY
DATE : 2 FEB 82
DESIGN ENGINEER : M. REICH
DATE : 2 FEB 82
PRODUCTION ENG. : D. BATEMAN
DATE : 2 FEB 82
27 Oct 83

d i g i t a l
TITLE DRAWING DIRECTORY
DMF32 OPTION
SIZE | CODE | DOCUMENT NUMBER | REV.
K | DD | DMF32-0 | C
SHEET 1 OF 2

F
I
N
D

F
I
N
D

DRAWING NUMBER

DESCRIPTION

T
Y
P
E

DRAWING NUMBER

DESCRIPTION

T
Y
P
E

1	MPO0965 K-TC-DMF32-0-1 K-PL-DMF32-0-0 K-SP-DMF32-0-2	DMF32 PRINT SET (MP) DMF32 FLD. MAINT PRINT SET (TC) UNIT ASSY (DMF32) DMF32 ENG. SPECIFICATION	- - E/M E/M
2	B-DD-M8396-0	COMBO BOARD	E/M
3	K-DD-CKDMF32-0	DRAWING DIRECTORY (CKDMF32)	E/M
4	K-PL-7020878-0-0	SHIPPING LIST (DMF32)	E/M

TYPE: E ELECTRICAL
M MECHANICAL
E/M ELECTRO/MECHANICAL

d i g i t a l

TITLE

DRAWING DIRECTORY

DMF32 OPTION

SIZE	CODE	DOCUMENT NUMBER	REV.
K	DD	DMF32-0	C
SHEET 2 OF 2			

MK

4

LINE ITEM	DOCUMENT NUMBER	PART NUMBER	DESCRIPTION	QUANTITY PER VARIATION	
				M	LP
1	D-UA-M8396-0-0	M8396-00	DMF32 I/O MUX,HEX	1	1
2	K-PL-CKDMF32-0-0	CKDMF32-00	CABKIT REF TO K-AR-CKCKREF-0-0	-	1
3	K-PL-7020878-0-0	7020878-01	SHIPPING LIST (DMF32)	A/R	-

* NOTE: FOR EXACT CAB KIT PART NUMBER (ITEM 2) REFER TO NUMBER K-AR-CKCKREF-0-0.

REVISION HISTORY			BASIC PART NO: DMF32	DRN: P. TOUSIGNANT	DATE: 23-APR-82	D I G I T A L				
ENG	ECO NUMBER	REV	SECTION A OF A	CHK'D: K. Burns	DATE: 26 OCT 83	TITLE	PARTS LIST			
---	INITIAL	A	SECTION, VARIATION INDEX	A. ROCHA <td>DATE: 23-APR-82 <td colspan="5">UNIT ASSY (DMF32)</td> </td>	DATE: 23-APR-82 <td colspan="5">UNIT ASSY (DMF32)</td>	UNIT ASSY (DMF32)				
IRG	DMF32-MK001	B	[A] M, LP	B. Bayless <td>DATE: 27 OCT 83 <td colspan="5">DOCUMENT NUMBER</td> </td>	DATE: 27 OCT 83 <td colspan="5">DOCUMENT NUMBER</td>	DOCUMENT NUMBER				
PL	DMF32-MK002	C	[B]	M. REICH <td>DATE: 23-APR-82 <td colspan="5">SIZE CODE NUMBER REV</td> </td>	DATE: 23-APR-82 <td colspan="5">SIZE CODE NUMBER REV</td>	SIZE CODE NUMBER REV				
			[C]	B. Bayless <td>DATE: 23-APR-82 <td colspan="5">K PL DMF32-0-0 C</td> </td>	DATE: 23-APR-82 <td colspan="5">K PL DMF32-0-0 C</td>	K PL DMF32-0-0 C				
			[D]	M. REICH <td>DATE: 23-APR-82 <td colspan="5">FILE NAME: EDIT #</td> </td>	DATE: 23-APR-82 <td colspan="5">FILE NAME: EDIT #</td>	FILE NAME: EDIT #				
			[E]	M. REICH <td>DATE: 23-APR-82 <td colspan="5">MK0831.PLS 6</td> </td>	DATE: 23-APR-82 <td colspan="5">MK0831.PLS 6</td>	MK0831.PLS 6				
			[F]	D. BATEMAN <td>DATE: 23-APR-82 <td colspan="5">ASSEMBLY NUMBER: TOP DOCUMENT NUMBER: </td> </td>	DATE: 23-APR-82 <td colspan="5">ASSEMBLY NUMBER: TOP DOCUMENT NUMBER: </td>	ASSEMBLY NUMBER: TOP DOCUMENT NUMBER:				
				<td>DATE: 23-APR-82 <td colspan="5">#K-DD-DMF32-0</td> </td>	DATE: 23-APR-82 <td colspan="5">#K-DD-DMF32-0</td>	#K-DD-DMF32-0				

"THIS DRAWING AND SPECIFICATIONS HEREIN, ARE THE PROPERTY OF DIGITAL EQUIPMENT CORPORATION AND SHALL NOT BE REPRODUCED OR COPIED OR USED IN WHOLE OR IN PART AS THE BASIS FOR THE MANUFACTURE OR SALE OF ITEMS WITHOUT WRITTEN PERMISSION. COPYRIGHT (C) 1983, DIGITAL EQUIPMENT CORPORATION"

THIS DRAWING AND THE SPECIFICATIONS CONTAINED HEREIN ARE CONFIDENTIAL AND PROPRIETARY. THEY ARE THE PROPERTY OF DIGITAL EQUIPMENT CORPORATION AND SHALL NOT BE REPRODUCED OR COPIED OR USED IN WHOLE OR IN PART AS THE BASIS FOR MANUFACTURING OR SALE OF ITEM WITHOUT WRITTEN PERMISSION. THIS IS AN UNPUBLISHED WORK PROTECTED UNDER THE FEDERAL COPYRIGHT LAWS.

DRAWING DIRECTORY

ITEM	DRAWING NO.	NO. OF SHTS	PART NO.	DESCRIPTION	TYPE	REVISIONS											
						A	B	B	C	D	E	F	H1	J1	K1	L1	
1			M8396-00	MODULE REVISION		A	B	B	C	D	E	F	H1	J1	K1	L1	
2	D-UA-M8396-0-0	1		COMBO BOARD		A	B	B	B	B	B	C	C	C	C	D	
3	K-DD-5014453-0	1		DRAWING DIRECTORY ETCH BOARD		-	-	-	-	-	-	-	-	-	-	A	
4	D-MD-5014453-0-0	1		DRILL & ETCH DRAWING		A	B	B	B	B	B	B	B	B	B	-	
5	D-EC-5014453-0-0	1		ETCH CUT DRAWING		A	B	B	B	B	B	B	B	B	B	-	
6			5014453-00	ETCHED BOARD		C	D	D	D	D	D	D	D	D	D	-	
7	K-PC-M8396-0-DBJ			PC DATA BASE		C	D	D	D	D	D	D	E	E	E	A	
8	K-PL-M8396-0-0	3		PL DATA BASE		A	B	B	C	D	E	F	H	J	K	L	
9	K-CS-M8396-0-DBS			CS DATA BASE		A	B	C	D	E	F	H	J	K	L	M	
10	K-CS-M8396-0-COMA	1	*	COMBO BOARD		A	B	C	C	C	C	C	C	C	C	D	
11	K-CS-M8396-0-COMB	1	*	COMBO BOARD		A	B	C	C	C	C	C	C	C	C	D	
12	K-CS-M8396-0-COMC	1	*	COMBO BOARD		A	B	C	C	C	C	C	C	C	C	D	
13	K-CS-M8396-0-COMD	1	*	COMBO BOARD		A	B	C	C	C	D	D	D	D	D	E	
14	K-CS-M8396-0-COME	1	*	COMBO BOARD		A	B	C	C	C	C	C	C	C	C	D	
15	K-CS-M8396-0-COMF	1	*	COMBO BOARD		A	B	C	C	C	C	C	C	C	C	D	
16	K-CS-M8396-0-COMH	1	*	COMBO BOARD		A	B	C	C	C	C	C	C	C	C	D	
17	K-CS-M8396-0-COMJ	1	*	COMBO BOARD		A	B	C	C	C	C	C	C	C	C	D	
18	K-CS-M8396-0-COMK	1	*	COMBO BOARD		A	B	C	C	C	C	C	C	C	C	D	
19	K-CS-M8396-0-COML	1	*	COMBO BOARD		A	B	C	C	C	C	C	C	C	C	D	
20	K-CS-M8396-0-COMM	1	*	COMBO BOARD		A	B	C	D	D	E	E	E	F	H	J	
21	K-CS-M8396-0-COMN	1	*	COMBO BOARD		A	B	C	C	C	C	C	C	C	C	D	
22	K-CS-M8396-0-COMP	1	*	COMBO BOARD		A	B	C	C	C	C	C	C	C	C	D	
23	K-CS-M8396-0-COMR	1	*	COMBO BOARD		A	B	C	C	C	C	C	D	D	D	E	
24	K-CS-M8396-0-COMS	1	*	COMBO BOARD		A	B	C	C	C	C	C	C	C	C	D	

NOTES: 1. * CONTROL SOURCE IS DATA BASE. NO CONTROLLED PAPER ORIGINALS EXIST.
 2. DD SHEETS 1 & 2 PERTAIN TO ETCH REV E1. SHEET 3 PERTAINS TO ETCH REV D.

DD REV A B C D E F H J K L M

REVISION HISTORY			CONT. REVISION HISTORY			MADE BY: J. CASEY DATE: 26 FEB 82		d i g i t a l			
DATE	ECO NUMBER	REV	DATE	ECO NUMBER	REV			TITLE DRAWING DIRECTORY			
--	INITIAL	A				CHECKED BY: J. CASEY DATE: 26 FEB 82 <i>H. D. Enos</i>		COMBO BOARD			
2/82	M8396-TW001	B				DESIGN ENGINEER: M. REICH DATE: 26 FEB 82					
9/83	M8396-TW002	C				RESPONSIBLE ENG: M. REICH DATE: 26 FEB 82 <i>Paul D'Alonzo</i>					
5/83	M8396-TW003	D				PRODUCTION ENG: D. BATERMAN DATE: 26 FEB 82 <i>J. R. Williams</i>					
7/83	M8396-TW004	E						SIZE CODE DOCUMENT NUMBER REV. B DD M8396-0 M			
8/83	M8396-TW005	F									
8/83	M8396-MK006	H									
8/83	M8396-MK007	J									
	M8396-MK008	K									
	M8396-MK009	L									
4/84	M8396-MK010	M									

THIS DRAWING AND THE SPECIFICATIONS CONTAINED HEREIN ARE CONFIDENTIAL AND PROPRIETARY. THEY ARE THE PROPERTY OF DIGITAL EQUIPMENT CORPORATION AND SHALL NOT BE REPRODUCED OR COPIED OR USED IN WHOLE OR IN PART AS THE BASIS FOR MANUFACTURING OR SALE OF ITEMS WITHOUT WRITTEN PERMISSION. THIS IS AN UNPUBLISHED WORK PROTECTED UNDER THE FEDERAL COPYRIGHT LAWS.

DRAWING DIRECTORY - CONTINUED

I T E M	DRAWING NO.	NO. OF SHTS	PART NO.	DESCRIPTION	T Y P E	REVISIONS										
						A	B	C	C	C	C	D	D	D	D	E
25	K-CS-M8396-0-COMT	1	*	COMBO BOARD		A	B	C	C	C	C	D	D	D	D	E
26	K-CS-M8396-0-COMU	1	*	COMBO BOARD		A	B	C	C	C	C	C	C	C	C	D
27	K-CS-M8396-0-COMV	1	*	COMBO BOARD		-	A	B	C	C	C	C	C	C	C	C
28	K-CS-M8396-0-COMW	1	*	COMBO BOARD		-	A	B	C	C	C	C	C	C	C	C
29	K-TD-M8396-0-0	1		TIMING DIAGRAM		-	-	-	A	A	A	A	A	A	A	A
30	K-BD-M8396-0-0	1		BLOCK DIAGRAM		-	-	-	A	A	A	A	A	A	A	A
31	K-GL-M8396-0-0	3		ROM & PAL LISTINGS		-	-	-	A	A	A	A	A	A	A	-

NOTES:

DD	A	B	C	D	E	F	H	J	K	L	M
REV											

REVISION HISTORY			CONT. REVISION HISTORY			MADE BY: J. CASEY DATE: 26 FEB 82		d i g i t a l			
DATE	ECO NUMBER	REV	DATE	ECO NUMBER	REV			TITLE DRAWING DIRECTORY			
--	INITIAL	A				CHECKED BY: J. CASEY DATE: 26 FEB 82		COMBO BOARD			
2/82	M8396-TW001	B				DESIGN ENGINEER: M. REICH DATE: 26 FEB 82					
9/83	M8396-TW002	C				RESPONSIBLE ENG: M. REICH DATE: 26 FEB 82					
5/83	M8396-TW004	E				PRODUCTION ENG: D. BATERMAN DATE: 26 FEB 82					
7/83	M8396-TW005	F						SIZE CODE DOCUMENT NUMBER REV.			
8/83	M8396-MK006	H						B DD M8396-0 M			
8/83	M8396-MK007	J									
	M8396-MK008	K									
	M8396-MK009	L									
4/84	M8396-MK010	M									

THIS DRAWING AND THE SPECIFICATIONS CONTAINED HEREIN ARE CONFIDENTIAL AND PROPRIETARY. THEY ARE THE PROPERTY OF DIGITAL EQUIPMENT CORPORATION AND SHALL NOT BE REPRODUCED OR COPIED OR USED IN WHOLE OR IN PART AS THE BASIS FOR MANUFACTURING OR SALE OF ITEMS WITHOUT WRITTEN PERMISSION. THIS IS AN UNPUBLISHED WORK PROTECTED UNDER THE FEDERAL COPYRIGHT LAWS.

DRAWING DIRECTORY - CONTINUED

ITEM	DRAWING NO.	NO. OF SHTS	PART NO.	DESCRIPTION	TYPE	REVISIONS														
						1	2	3	4	5	6	7	8	9	10	11	12			
32			M8396-00	MODULE REVISION	L2															
33	D-UA-M8396-0-2	1		COMBO BOARD	C1															
34	K-DD-5014453-0	1		DRAWING DIRECTORY ETCH BOARD	A															
35	D-MD-5014453-0-0	5		DRILL & ETCH DRAWING	B1															
36	D-EC-5014453-0-0	2		ETCH CUT DRAWING	B1															
37			5014453-00	ETCHED BOARD	D															
38	K-PC-M8396-0-DBC			PC DATA BASE	E1															
39	K-PL-M8396-0-2	3		PL DATA BASE	K1															
40	K-CS-M8396-0-DBS			CS DATA BASE	L1															
41	K-CS-M8396-0-COMA	1	*	COMBO BOARD	C1															
42	K-CS-M8396-0-COMB	1	*	COMBO BOARD	C1															
43	K-CS-M8396-0-COMC	1	*	COMBO BOARD	D1															
44	K-CS-M8396-0-COMD	1	*	COMBO BOARD	D1															
45	K-CS-M8396-0-COME	1	*	COMBO BOARD	C1															
46	K-CS-M8396-0-COMF	1	*	COMBO BOARD	C1															
47	K-CS-M8396-0-COMH	1	*	COMBO BOARD	C1															
48	K-CS-M8396-0-COMJ	1	*	COMBO BOARD	C1															
49	K-CS-M8396-0-COMK	1	*	COMBO BOARD	C1															
50	K-CS-M8396-0-COML	1	*	COMBO BOARD	H1															
51	K-CS-M8396-0-COMM	1	*	COMBO BOARD	C1															
52	K-CS-M8396-0-COMN	1	*	COMBO BOARD	C1															
53	K-CS-M8396-0-COMP	1	*	COMBO BOARD	D1															
54	K-CS-M8396-0-COMR	1	*	COMBO BOARD	C1															

NOTES: * CONTROL SOURCE IS DATA BASE. NO CONTROLLED PAPER ORIGINALS EXIST.

DD
REV M

REVISION HISTORY			CONT. REVISION HISTORY		
ENG	ECO NUMBER	REV	ENG	ECO NUMBER	REV
PA	INITIAL	M			

MADE BY: H. DENSMORE
DATE: 26 JUN 84

CHECKED BY: H. DENSMORE *H.D.*
DATE: 26 JUN 84

DESIGN ENGINEER: P. ALOISI
DATE: 02 MAR 84 *Pat & Aloisi*

RESPONSIBLE ENG: M. LAWRENCE
DATE: 02 MAR 84 *M. Lawrence*

PRODUCTION ENG: J. AVILES
DATE: 12 MAR 84 *J. AVILES W.L.H.*

d | i | g | i | t | a | l

TITLE DRAWING DIRECTORY
COMBO BOARD

SIZE	CODE	DOCUMENT NUMBER	REV.
B	DD	M8396-0	M

THIS DRAWING AND THE SPECIFICATIONS CONTAINED HEREIN ARE CONFIDENTIAL AND PROPRIETARY. THEY ARE THE PROPERTY OF DIGITAL EQUIPMENT CORPORATION AND SHALL NOT BE REPRODUCED OR COPIED OR USED IN WHOLE OR IN PART AS THE BASIS FOR MANUFACTURING OR SALE OF ITEMS WITHOUT WRITTEN PERMISSION. THIS IS AN UNPUBLISHED WORK PROTECTED UNDER THE FEDERAL COPYRIGHT LAWS.

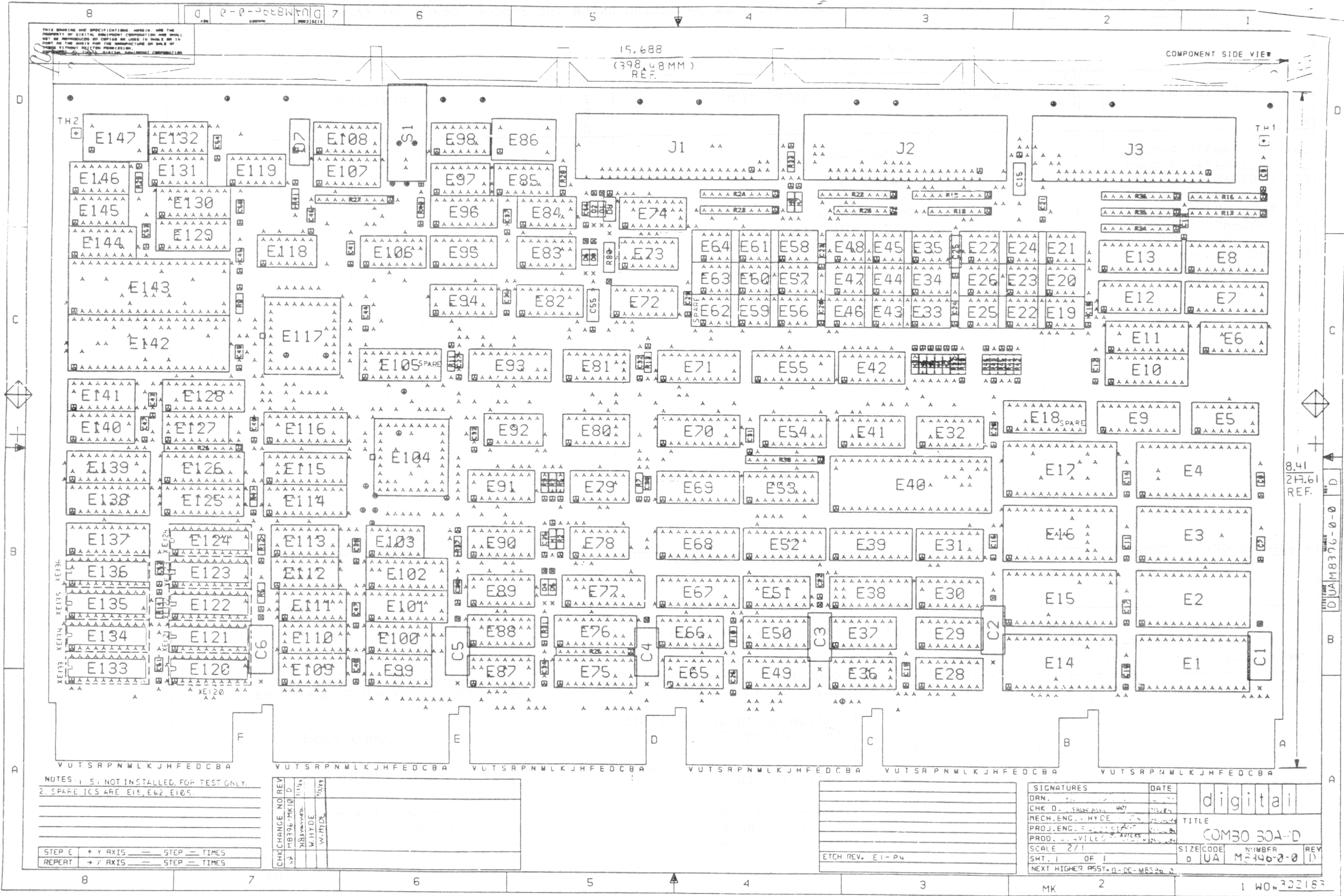
DRAWING DIRECTORY - CONTINUED

ITEM	DRAWING NO.	NO. OF SHTS	PART NO.	DESCRIPTION	TYPE	REVISIONS														
						1	2	3	4	5	6	7	8	9	10					
55	K-CS-M8396-0-COMS	1	*	COMBO BOARD	E1															
56	K-CS-M8396-0-COMT	1	*	COMBO BOARD	D1															
57	K-CS-M8396-0-COMU	1	*	COMBO BOARD	C1															
58	K-CS-M8396-0-COMV	1	*	COMBO BOARD	C1															
59	K-CS-M8396-0-COMW	1	*	COMBO BOARD	C1															
60	K-TD-M8396-0-0	1		TIMING DIAGRAM	A															
61	K-BD-M8396-0-0	1		BLOCK DIAGRAM	A															
62	K-GL-M8396-0-0	3		ROM & PAL LISTINGS	A1															

NOTES: * CONTROL SOURCE IS DATA BASE. NO CONTROLLED PAPER ORIGINALS EXIST.

DD
REV M

REVISION HISTORY			CONT. REVISION HISTORY			MADE BY: H. DENSMORE DATE: 26 JUN 84		d i g i t a l			
ENG	ECO NUMBER	REV	ENG	ECO NUMBER	REV	CHECKED BY: H. DENSMORE DATE: 26 JUN 84		TITLE DRAWING DIRECTORY			
PA	INITIAL	M				DESIGN ENGINEER: P. ALOISI DATE: 02 MAR 84		COMBO BOARD			
						RESPONSIBLE ENG: M. LAWRENCE DATE: 02 MAR 84					
						PRODUCTION ENG: J. AVILES DATE: 12 MAR 84		SIZE	CODE	DOCUMENT NUMBER	REV.
								B	DD	M8396-0	M
								SHEET 4 OF 4			



NOTES: 1. S1 NOT INSTALLED FOR TEST ONLY.
 2. SPARE ICs ARE E105, E62, E105.

STEP E → Y AXIS — STEP — TIMES
 REPEAT → Y AXIS — STEP — TIMES

CHK	CHANGE	NO	REV	DATE	BY	CHK'D

ETCH REV. E1-P4

SIGNATURES		DATE
DRN.		
CHK'D: FAHNEY		
MECH. ENG. HYDE		
PROJ. ENG. FAY		
PROD. VILLES		
TITLE		
COMBO 30A-D		
SCALE 2/1	SIZE CODE	NUMBER
SHT. 1 OF 1	0 UA	M3446-2-0
NEXT HIGHER ASSY: 0-CC-M8326		

8.41
213.61
REF.

DUA M8376-0-0

PARTS LIST

LINE	ITEM	TOP DOCUMENT	PART NUMBER	MIN REV	DESCRIPTION	QTY PER VARIATION	REFERENCE DESIGNATOR
						00	
						VARIATION REVISION LEVEL:	
30	35		1911675-00		74S138 DECODER/DEMUX 3-8 LI	3	
31	36		1912388-00		74S02 NOR GATE-QUAD 2IN,PO	2	E80,E81,E108
32	37		1912647-00		LS257 MUX 1 OF 2 (QUAD)	2	E83,E132
33	38		1912656-00		LS670 REGISTER FILE,4X4,LO	2	E5,E6
34	39		1912697-00		LS174 FF-D HEX W/CLEAR	4	E29,E30,E37,E50
35	41		1912799-00		LS00 NAND-GATE-QUAD 2IN,P	2	E54,E90
36	42		1912801-00		LS02 NOR-GATE-QUAD 2IN	1	E97
37	43		1912803-00		LS04 INVERTER GATE,HEX	1	E79
38	44		1912824-00		LS74 FF-D DUAL,EDGE TRIGG	2	E92,E98
39	45		1912842-00		LS138 DECODER-THREE INPUT,	2	E103,E145
40	46		1912844-00		LS151 MUX 1 OF 8 & DATA	1	E31
41	47		1912845-00		LS153 MUX 1 OF 4 (DUAL)	1	E66
42	48		1912860-00		LS259 LATCH 8BIT	4	E41,E42,E72,E74
43	49		1913245-02		2901A-1 MICROPROCESSOR 4-	3	E82,E94,E95
44	50		1913671-50		74S374 FF-D,OCTAL,TRI STATE	2	E142,E143
45	51		1913671-00		74S374 FF-D,OCTAL,TRI STATE	2	E101,E102
46	52		1913888-00		DC 102A EQUALS CHECKER 8BIT	6	E71,E114,E125,E137-E139
47	53		1914214-00		LS374 FF-D OCTAL EDGE TRIG	1	E76
						11	E10,E11,E38,E39,E52,E55,E67-E70,
48	54		1914438-00	DC	013 UNIBUS INTERRUPT-BIP	2	CONT E93
49	55		1914866-00	AM	93S48PCGEN/CHECK PARITY, 4B	4	E110,E111
50	56		1915193-00		LS244 DRIVER,LINE,OCTAL,T	1	E127,E140,E141,E144
51	57		1915415-00		9636 DRIVER,DUAL,EIA RS-	1	E128
						12	E21,E24,E26,E27,E35,E45,E47,E48,
52	58		1919542-01		9639 RECEIVER,LINE,DUAL	14	CONT E57,E58,E60,E61
							E19,E20,E22,E23,E25,E33,E34,E43,
53	59		1916680-01		2911A MICROPROGRAM SEQUENC	3	CONT E44,E46,E56,E59,E63,E64
54	60		2112517-01		RECIEVER/TRANSMITTER	1	E115,E116,E126
55	61		2112623-05		DUAL BAUD RATE GEN,+5V ONLY	1	E40
56	63		2116957-03		1K MOS RAM 55NS 1	1	E53
57	64		2118400-00		8046T BAUD RATE GEN.,PROGR	2	E129,E130
58	62		2118623-00		2661-3COMMUNICATIONS,INTER	1	E32
59	15		23037F5-00		F5-01	8	E1-E4,E14-E17
60	65		23038F5-00	F5-01		1	E136
61	77		23039F5-00	F5-01		1	E124
62	78		23040F5-00	F5-01		1	E120
63	79		23041F5-00	F5-01		1	E121
64	80		23042F5-00	F5-01		1	E123
65	81		23043F5-00	F5-01		1	E122
66	82		23044F5-00	F5-01		1	E133
67	83		23045F5-00	F5-01		1	E135
68	1	NOTE 1.	5014453-01		DRILL AND ETCH BOARD	1	E134
69	73		9009000-00		EYELET,ROLLED 0,1210DX0.156	1	
70	74		9009185-00		JUMPER, WIRE, INSULATED, BLACK B	12	
71	86		1316395-02		R NETWORK 9-1.0K 2.0 % 10PIN	8	W1-W8
72	87		1913777-00		LS240 DRIVER,LINE,OCTAL,T	5	R16,R17,R34-R36
73	88		1913462-00		74S240 OCTAL BUFFER,INVERTI	3	E7-E9
74	89		2122268-01		DC359A CMOS GATE ARRAY 880	2	E12,E13
						1	E117

D	I	G	I	A	L	TITLE	SECTION A OF A	SIZE	CCDE	DOCUMENT NUMBER	REV
						COMBO BOARD		K	PL	M8396-0-0	L

AUTOMATED BY PRTLST.4Q(50)

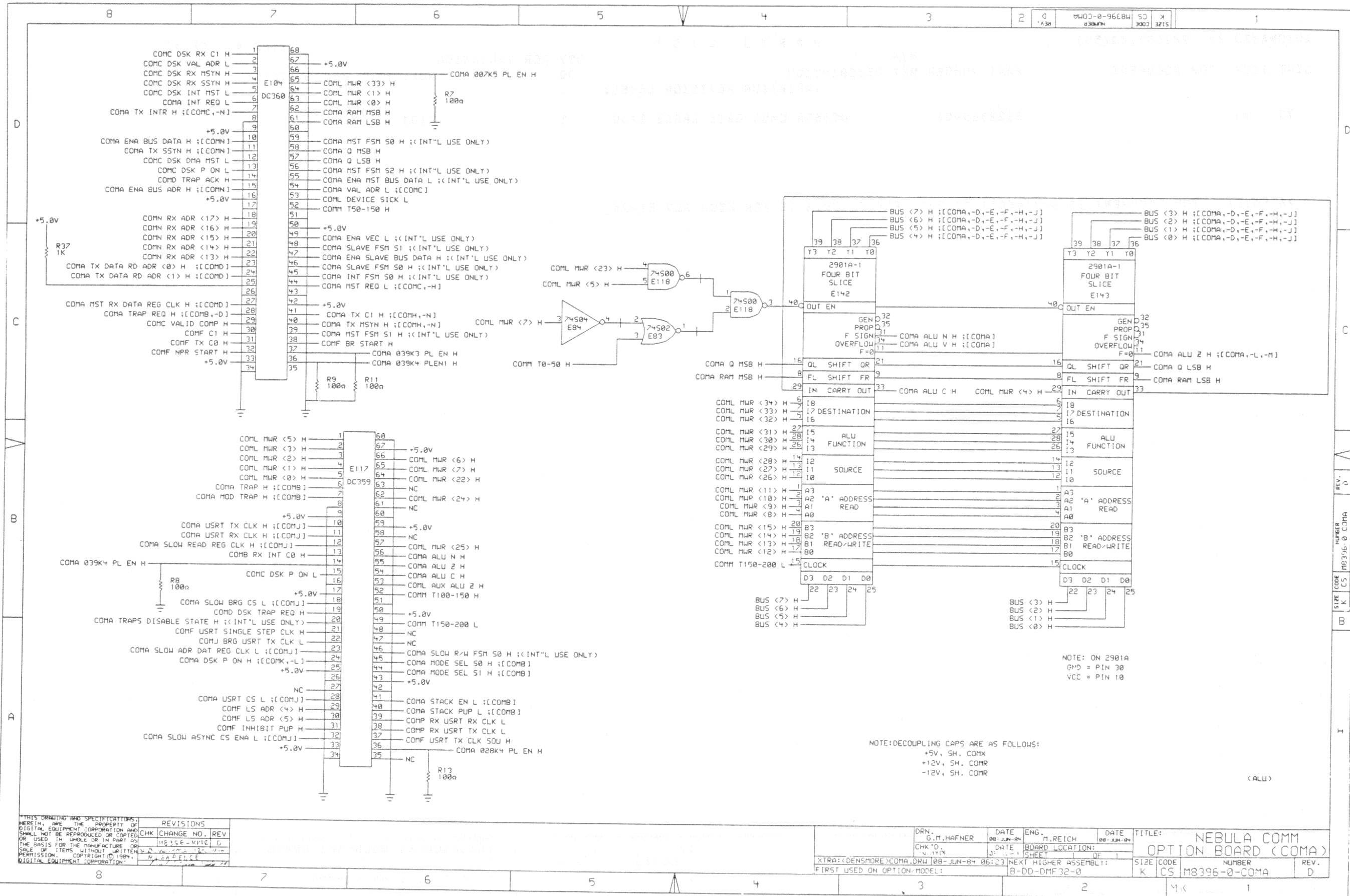
PARTS LIST

SHEET A3 OF A3

LINE ITEM	TOP DOCUMENT	PART NUMBER	MIN REV	DESCRIPTION	VARIATION REVISION LEVEL	QTY PER VARIATION	REFERENCE DESIGNATOR
75	90	2122269-01		DC360A CMOS GATE ARRAY 1400		1	E104

76 NOTE: TOP DOCUMENT IS D-MD-5014453-0-0, REV C, THIS IS FOR ETCH REV E1-P4.

D	I	G	I	I	A	L	TITLE	COMBO BOARD	SECTION A OF A	SIZE	CODE	DOCUMENT NUMBER	REV
										K	PL	M8396-0-0	L



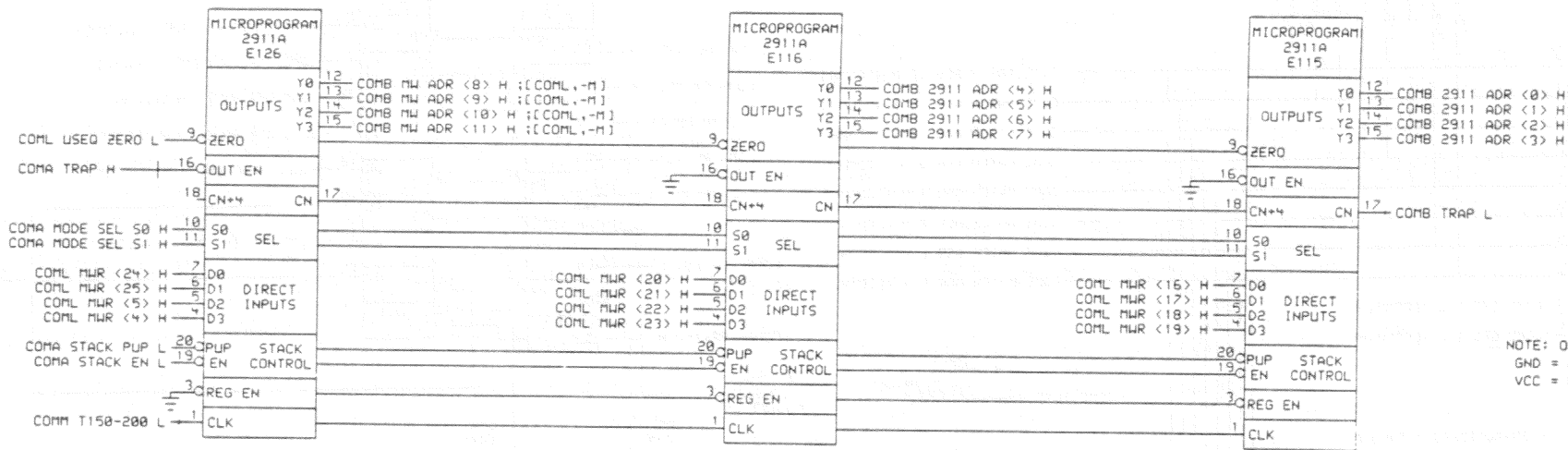
THIS DRAWING AND SPECIFICATIONS ARE THE PROPERTY OF DIGITAL EQUIPMENT CORPORATION AND SHALL NOT BE REPRODUCED OR COPIED OR USED IN WHOLE OR IN PART AS THE BASIS FOR THE MANUFACTURE OR SALE OF ITEMS WITHOUT WRITTEN PERMISSION. COPYRIGHT © 1984, DIGITAL EQUIPMENT CORPORATION.

REV.	DATE	BY	CHK	CHANGE NO.	REV
1	08-JUN-84	M. J. REICH	G.M. HAFNER	1	1

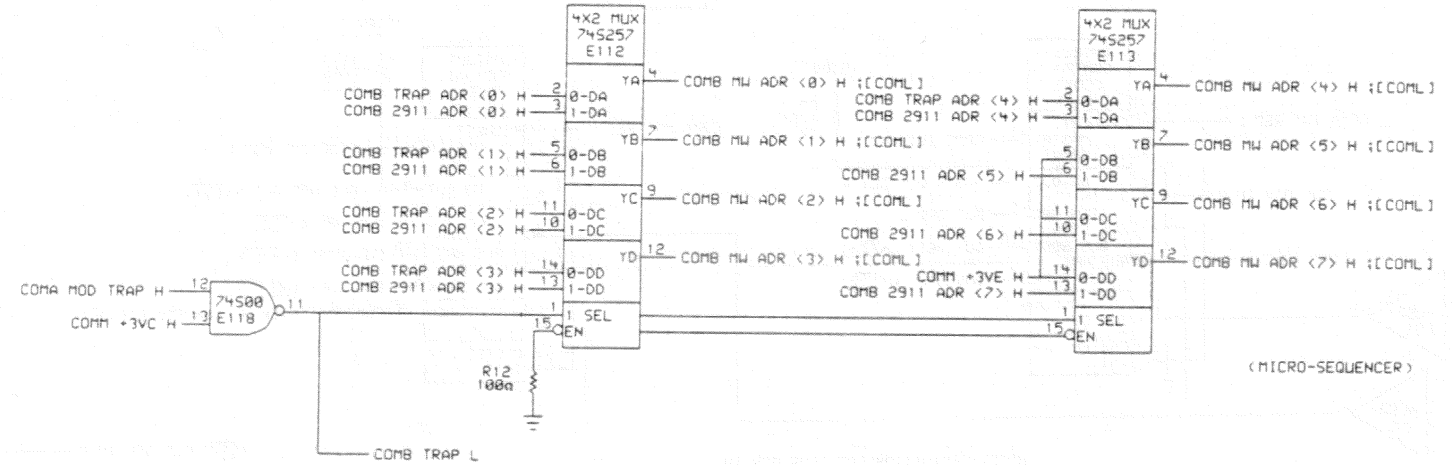
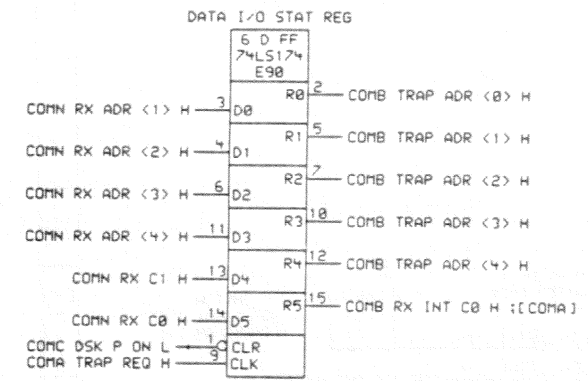
DRN.	G.M. HAFNER	DATE	08-JUN-84	ENG.	M. REICH	DATE	08-JUN-84	TITLE:	NEBULA COMM
CHK'D.		DATE		BOARD LOCATION:				OPTION BOARD (COMA)	
DATE				SHEET					
XTRA: (COENSMORE) COMA.DRW 108-JUN-84 06:23 NEXT HIGHER ASSEMBLY:								SIZE	CODE
FIRST USED ON OPTION MODEL:								K	CS
								NUMBER	REV.
								M8396-0-COMA	D

NOTE: DECOUPLING CAPS ARE AS FOLLOWS:
 +5V, 5H. COMX
 +12V, 5H. COMR
 -12V, 5H. COMR

(ALU)



NOTE: ON 2911
GND = PIN 8
VCC = PIN 2



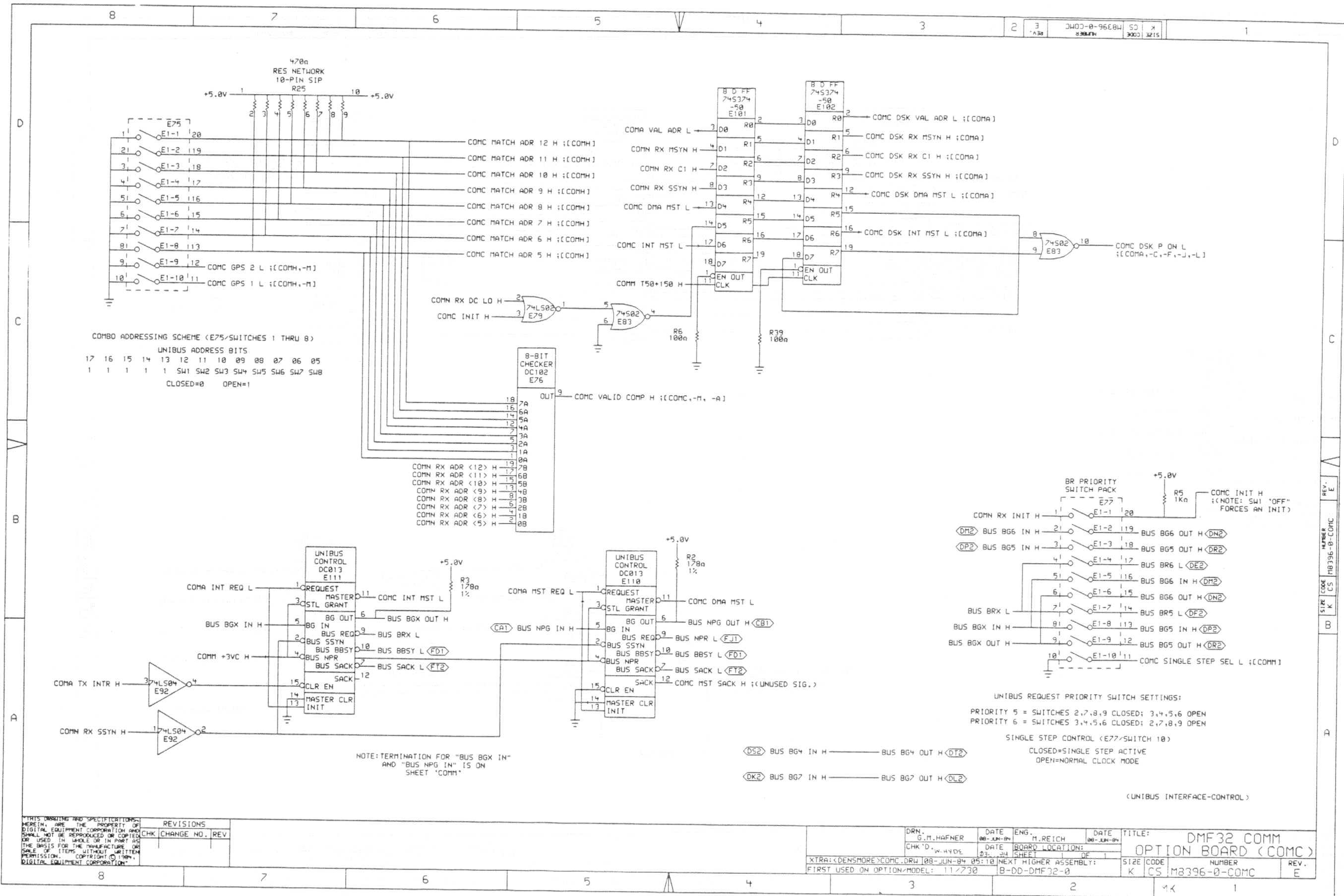
(MICRO-SEQUENCER)

THIS DRAWING AND SPECIFICATIONS
HEREIN ARE THE PROPERTY OF
DIGITAL EQUIPMENT CORPORATION AND
SHALL NOT BE REPRODUCED OR COPIED
OR USED IN ANY MANNER OR FOR ANY
PURPOSE WITHOUT WRITTEN
PERMISSION. COPYRIGHT © 1984
DIGITAL EQUIPMENT CORPORATION

REV.	CHG.	CHANGE NO.	REV.

DRN.	DATE	ENG.	DATE	TITLE:
G.M.HAFNER	08-JUN-84	M.REICH	08-JUN-84	DMF32 COMM
CHK'D.	DATE	BOARD LOCATION:		OPTION BOARD (COMB)
		SHEET	OF	

EXTRA: (DENSMORE) COMB. DRW 108-JUN-84 05:08 NEXT HIGHER ASSEMBLY:	SIZE CODE	NUMBER	REV.
FIRST USED ON OPTION/MODEL: 11/730 B-DD-DMF32-0	K CS	M8396-0-COMB	D



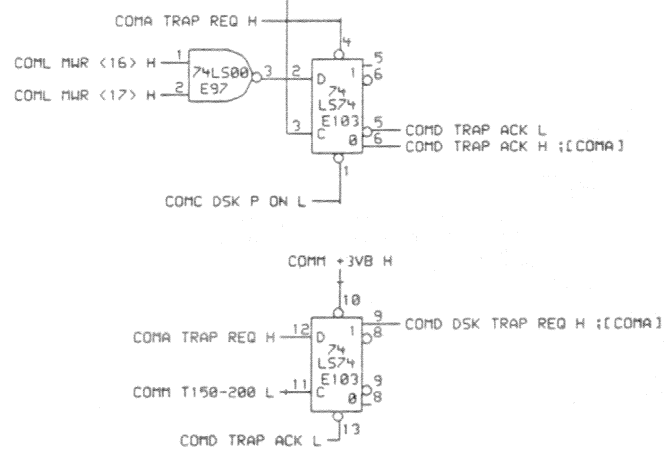
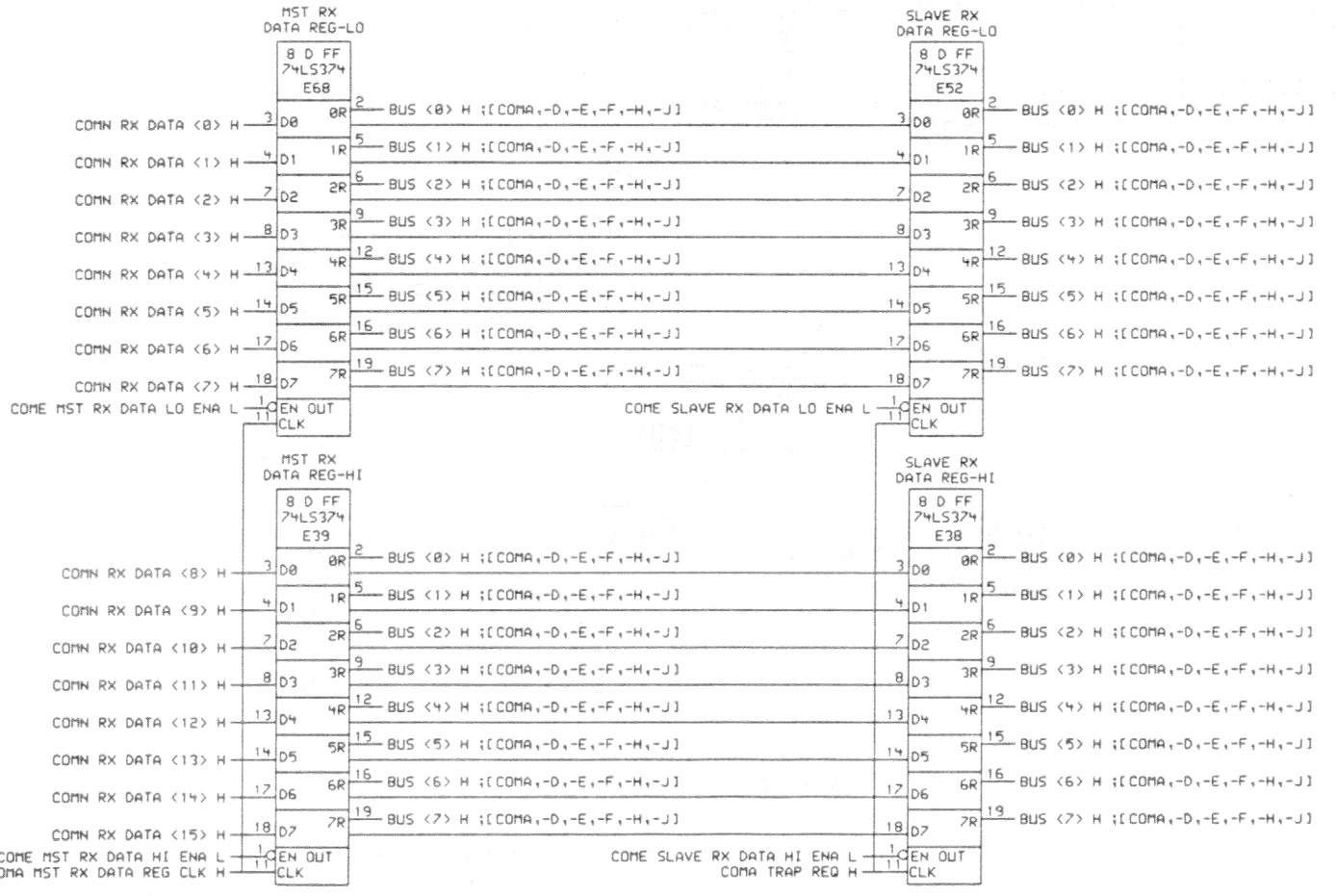
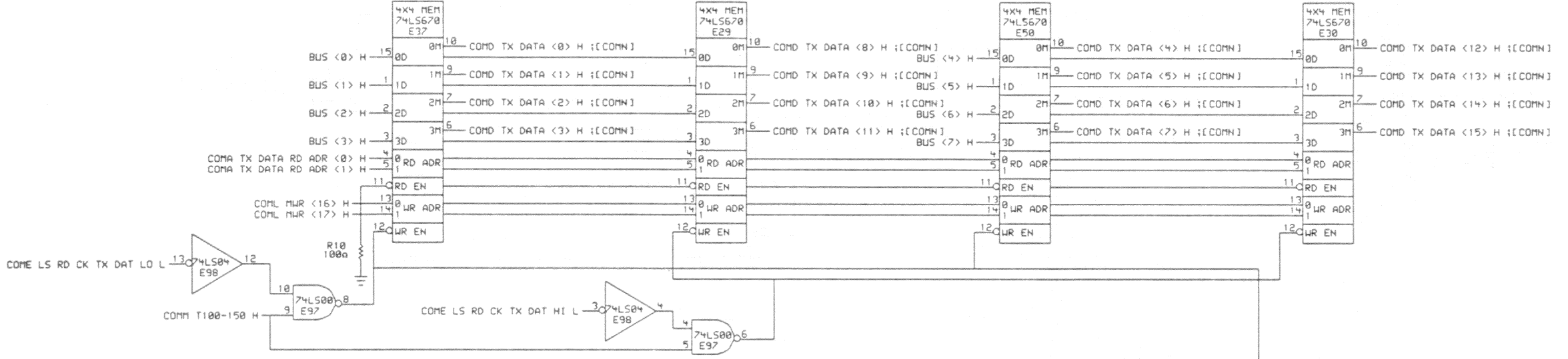
THIS DRAWING AND SPECIFICATIONS HEREIN ARE THE PROPERTY OF DIGITAL EQUIPMENT CORPORATION AND SHALL NOT BE REPRODUCED OR COPIED OR USED IN WHOLE OR IN PART AS THE BASIS FOR THE MANUFACTURE OR SALE OF ITEMS WITHOUT WRITTEN PERMISSION. COPYRIGHT © 1984, DIGITAL EQUIPMENT CORPORATION.

REVISIONS	
CHK	CHANGE NO. REV

DRN. G.M.HAFNER	DATE 08-JUN-84	ENG. M.REICH	DATE 08-JUN-84	TITLE: DMF32 COMM
CHK'D W.HYDE	DATE 02-JUL-84	BOARD LOCATION: 34	SHEET 1 OF 1	OPTION BOARD (COMC)
XTRA: <DENSMORE>COMC.DRW 08-JUN-84 05:10		NEXT HIGHER ASSEMBLY: B-DD-DMF32-0		SIZE CODE K CS
FIRST USED ON OPTION/MODEL: 11/230		NUMBER M8396-0-COMC		REV. E

REV. E
NUMBER 118396-0-COMC
SIZE CODE K CS

[TX DATA RAMS]



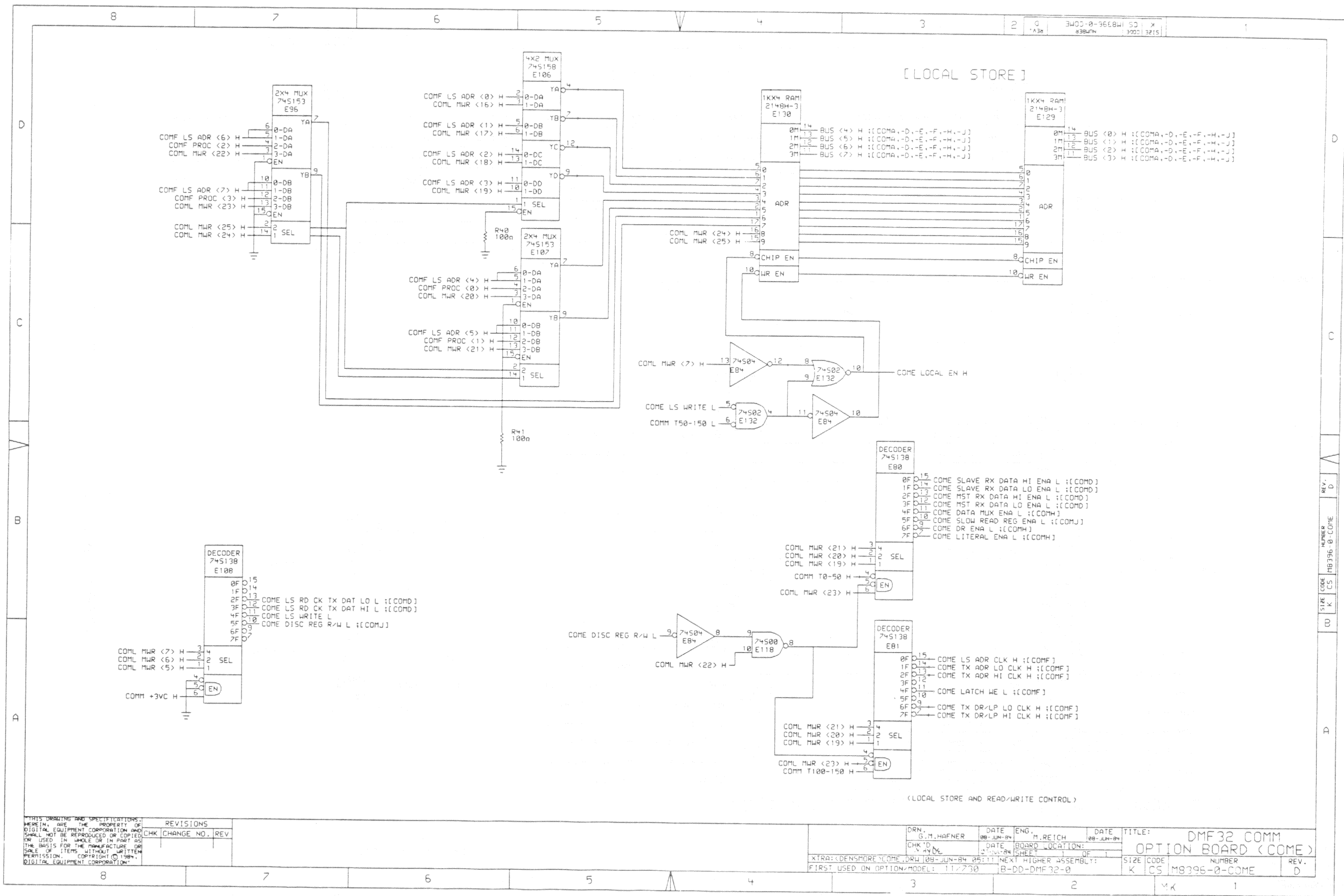
(UNITBUS INTERFACE-DATA REGISTERS)

PRINTS DRAWING AND SPECIFICATIONS HEREIN ARE THE PROPERTY OF DIGITAL EQUIPMENT CORPORATION AND SHALL NOT BE REPRODUCED OR COPIED IN WHOLE OR IN PART AS THE BASIS FOR THE MANUFACTURE OR SALE OF ITEMS WITHOUT WRITTEN PERMISSION. COPYRIGHT © 1984, DIGITAL EQUIPMENT CORPORATION

REVISIONS	
CHK	CHANGE NO. REV

DRN. G.M.HAFNER	DATE 08-JUN-84	ENG. M.REICH	DATE 08-JUN-84	TITLE: DMF32 COMM OPTION BOARD (COMD)
CHK'D. W.HYDE	DATE 08-JUN-84	BOARD LOCATION: 1 OF 1	SHEET 1 OF 1	SIZE CODE K CS
XTRA: <DENSMORE> COMD, DRW 08-JUN-84 05:33		NEXT HIGHER ASSEMBLY: B-DD-DMF32-0		NUMBER M8396-0-COMD
FIRST USED ON OPTION/MODEL: 11/730		REV. D		

REV. D
 NUMBER M8396-0-COMD
 SIZE CODE K CS



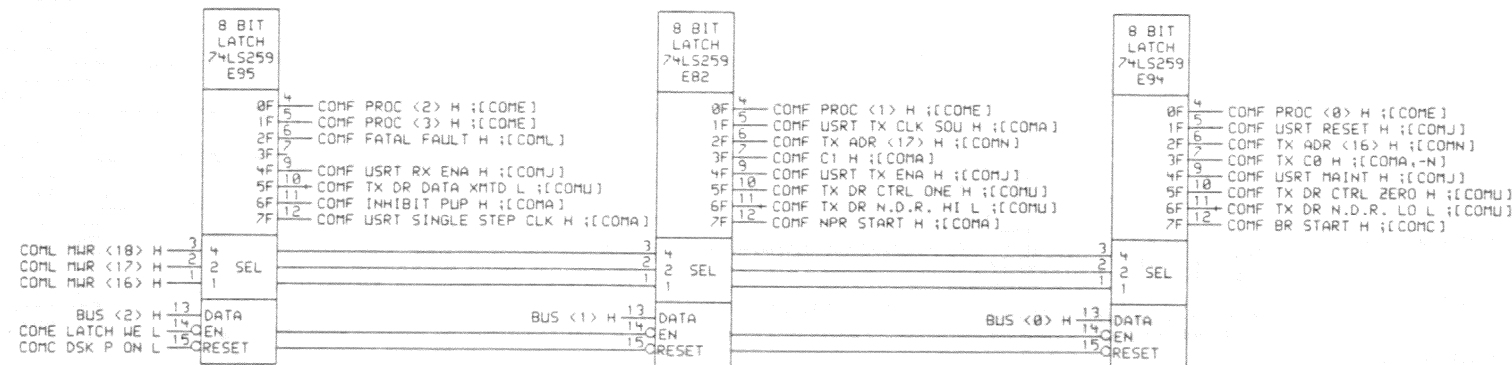
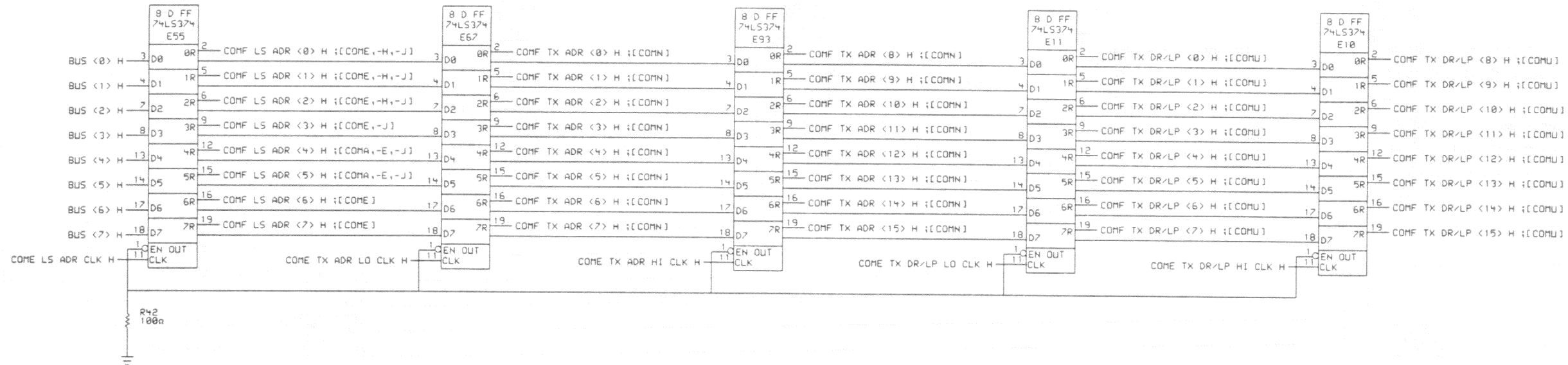
THIS DRAWING AND SPECIFICATIONS, HEREIN, ARE THE PROPERTY OF DIGITAL EQUIPMENT CORPORATION AND SHALL NOT BE REPRODUCED OR COPIED OR USED IN WHOLE OR IN PART AS THE BASIS FOR THE MANUFACTURE OR SALE OF ITEMS WITHOUT WRITTEN PERMISSION. COPYRIGHT © 1984, DIGITAL EQUIPMENT CORPORATION.

REVISIONS	
CHK	CHANGE NO. REV

DRN. G.M.HAFNER	DATE 08-JUN-84	ENG. M.REICH	DATE 08-JUN-84	TITLE: DMF32 COMM
CHK'D BY	DATE	BOARD LOCATION:	SHEET	OPTION BOARD (COME)
XTRA: CENSMORE COME DRW 108-JUN-84 05:11 NEXT HIGHER ASSEMBLY: B-DD-DMF32-0				SIZE CODE NUMBER REV. K CS M8396-0-COME D

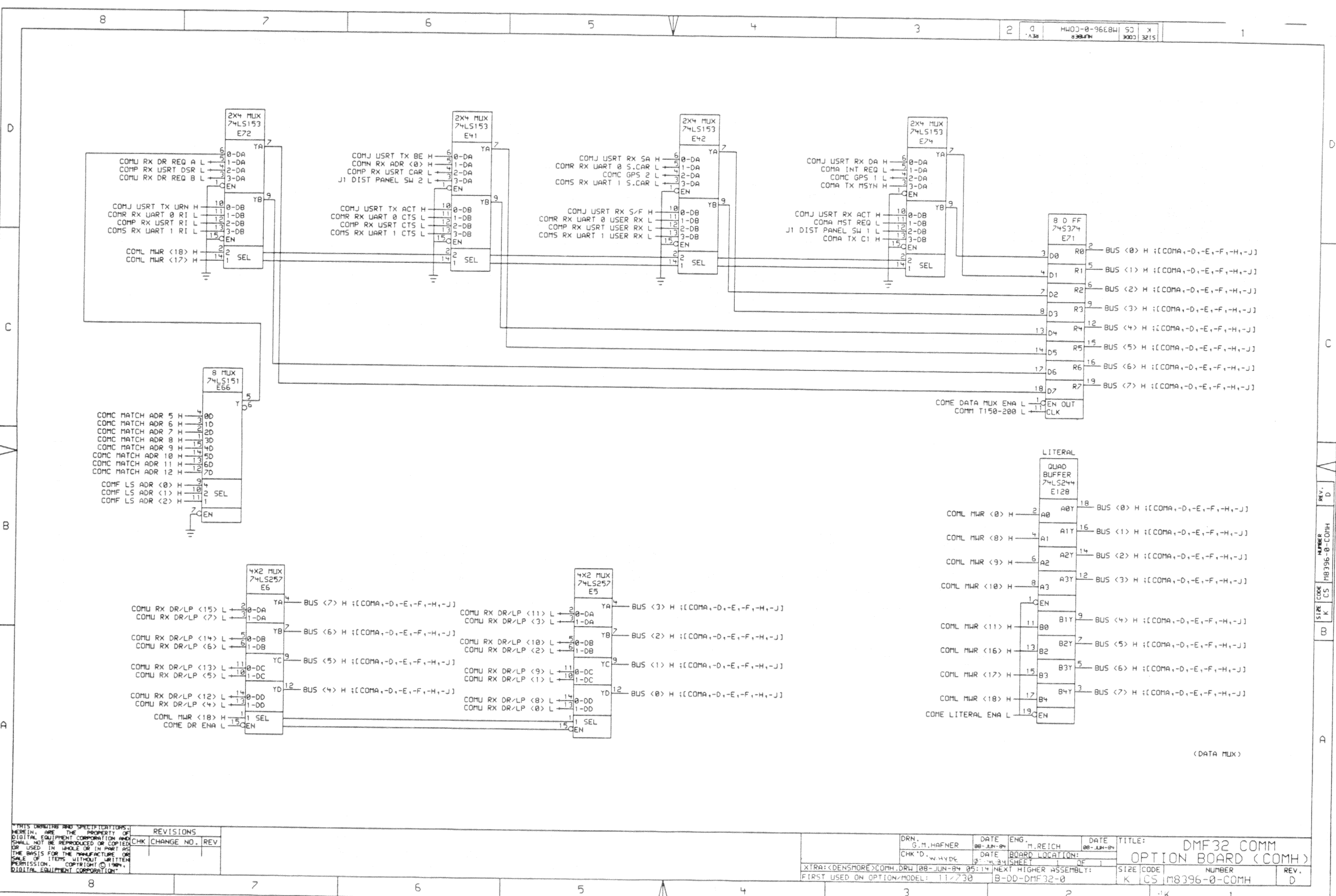
18

INDIRECT ADDRESS REGISTER (IAR)



(DISCRETE WRITE REGS)

THIS DRAWING AND SPECIFICATIONS ARE THE PROPERTY OF DIGITAL EQUIPMENT CORPORATION AND SHALL NOT BE REPRODUCED OR COPIED OR USED IN WHOLE OR IN PART AS THE BASIS FOR THE MANUFACTURE OR SALE OF ITEMS WITHOUT WRITTEN PERMISSION. COPYRIGHT © 1984, DIGITAL EQUIPMENT CORPORATION.		REVISIONS CHK CHANGE NO. REV		DRN. G.M. HAFNER DATE 08-JUN-84 ENG. M. REICH DATE 08-JUN-84 CHK'D. N. NYDE DATE 08-JUN-84 BOARD LOCATION: DE 1 XTRA: (DENSMORE) COMF DRW 08-JUN-84 05:13 NEXT HIGHER ASSEMBLY: 8-DD-DMF32-0 FIRST USED ON OPTION/MODEL: 11/270		TITLE: DMF32 COMM OPTION BOARD (COMF)		SIZE CODE NUMBER REV. K CS M8396-0-COMF D	
--	--	---------------------------------	--	--	--	---------------------------------------	--	--	--

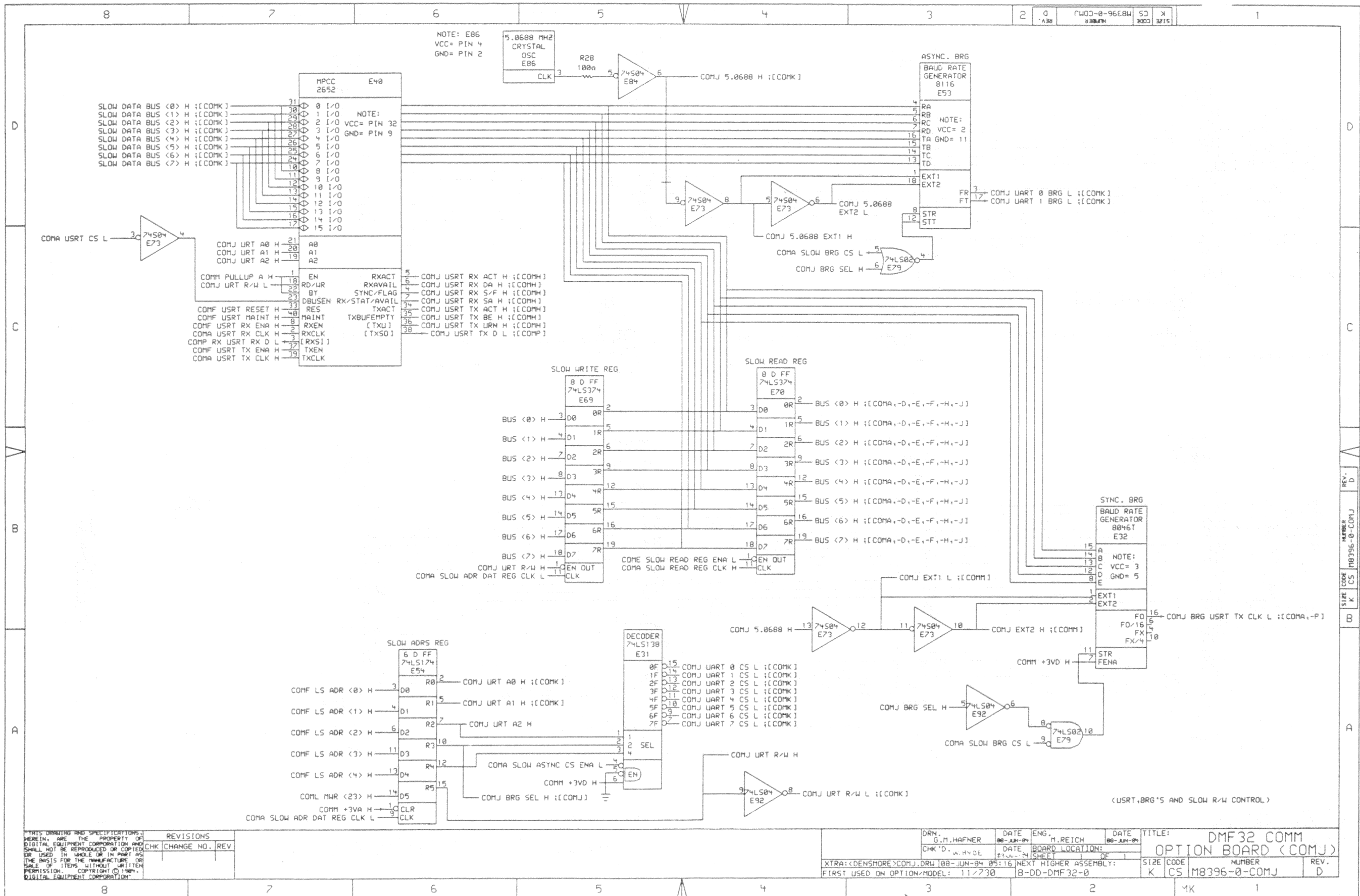


THIS DRAWING AND SPECIFICATIONS HEREIN ARE THE PROPERTY OF DIGITAL EQUIPMENT CORPORATION AND SHALL NOT BE REPRODUCED OR COPIED OR USED IN WHOLE OR IN PART AS THE BASIS FOR THE MANUFACTURE OR SALE OF ITEMS WITHOUT WRITTEN PERMISSION. COPYRIGHT © 1984 DIGITAL EQUIPMENT CORPORATION

REVISIONS	
CHK	CHANGE NO. REV

DRN. G.M.HAFNER	DATE 08-JUN-84	ENG. M.REICH	DATE 08-JUN-84	TITLE: DMF32 COMM
CHK'D. W.HYDE	DATE 07-JUL-84	BOARD LOCATION: 1	OF 1	OPTION BOARD (COMH)
XTRA: <DENSMORE> COMH.DRW 108-JUN-84 05:14 NEXT HIGHER ASSEMBLY: B-DD-DMF32-0				SIZE CODE NUMBER REV. K CS 1M8396-0-COMH D
FIRST USED ON OPTION/MODEL: 117730				

REV. D
NUMBER HB396-0-COMH
SIZE CODE CS K
CD
A



NOTE: E86
VCC= PIN 4
GND= PIN 2

5.0688 MHZ
CRYSTAL
OSC
E86

ASYNC. BRG
BAUD RATE
GENERATOR
8116
E53

SYNC. BRG
BAUD RATE
GENERATOR
8816
E32

SLOW WRITE REG
8 D FF
74LS374
E69

SLOW READ REG
8 D FF
74LS374
E78

SLOW ADRS REG
6 D FF
74LS174
E54

DECODER
74LS138
E31

SLOW DATA BUS <0> H : [COMK]
SLOW DATA BUS <1> H : [COMK]
SLOW DATA BUS <2> H : [COMK]
SLOW DATA BUS <3> H : [COMK]
SLOW DATA BUS <4> H : [COMK]
SLOW DATA BUS <5> H : [COMK]
SLOW DATA BUS <6> H : [COMK]
SLOW DATA BUS <7> H : [COMK]

COMJ USRT A0 H - 21 A0
COMJ USRT A1 H - 20 A1
COMJ USRT A2 H - 19 A2
COMJ PULLUP A H - 1 EN
COMJ USRT R/W L - 2 RD/WR
COMF USRT RESET H - 33 RES
COMF USRT MAINT H - 40 MAINT
COMF USRT RX ENA H - 2 RXEN
COMA USRT RX CLK H - 3 RXCLK
COMF RX USRT RX D L - 37 TXEN
COMF USRT TX ENA H - 39 TXEN
COMA USRT TX CLK H - 39 TXCLK

5 COMJ USRT RX ACT H : [COMH]
6 COMJ USRT RX DA H : [COMH]
7 COMJ USRT RX S/F H : [COMH]
34 COMJ USRT RX SA H : [COMH]
35 COMJ USRT TX ACT H : [COMH]
36 COMJ USRT TX BE H : [COMH]
38 COMJ USRT TX URN H : [COMH]
38 COMJ USRT TX D L : [COMF]

BUS <0> H - 3 D0 0R
BUS <1> H - 4 D1 1R
BUS <2> H - 7 D2 2R
BUS <3> H - 8 D3 3R
BUS <4> H - 13 D4 4R
BUS <5> H - 14 D5 5R
BUS <6> H - 17 D6 6R
BUS <7> H - 18 D7 7R
COMJ USRT R/W H - 1 EN OUT
COMA SLOW ADR DAT REG CLK L - 11 CLK

2 BUS <0> H : [COMA,-D,-E,-F,-H,-J]
5 BUS <1> H : [COMA,-D,-E,-F,-H,-J]
6 BUS <2> H : [COMA,-D,-E,-F,-H,-J]
9 BUS <3> H : [COMA,-D,-E,-F,-H,-J]
12 BUS <4> H : [COMA,-D,-E,-F,-H,-J]
15 BUS <5> H : [COMA,-D,-E,-F,-H,-J]
16 BUS <6> H : [COMA,-D,-E,-F,-H,-J]
19 BUS <7> H : [COMA,-D,-E,-F,-H,-J]

COMF LS ADR <0> H - 3 D0 R0
COMF LS ADR <1> H - 4 D1 R1
COMF LS ADR <2> H - 6 D2 R2
COMF LS ADR <3> H - 11 D3 R3
COMF LS ADR <4> H - 13 D4 R4
COML MWR <23> H - 14 D5 R5
COMM +3VA H - 1 CLR
COMA SLOW ADR DAT REG CLK L - 11 CLK

0F D15 COMJ UART 0 CS L : [COMK]
1F D14 COMJ UART 1 CS L : [COMK]
2F D13 COMJ UART 2 CS L : [COMK]
3F D12 COMJ UART 3 CS L : [COMK]
4F D11 COMJ UART 4 CS L : [COMK]
5F D10 COMJ UART 5 CS L : [COMK]
6F D9 COMJ UART 6 CS L : [COMK]
7F D8 COMJ UART 7 CS L : [COMK]

COMJ EXT1 L : [COMH]
COMJ EXT2 H : [COMH]
COMJ BRG SEL H - 5
COMA SLOW BRG CS L - 3

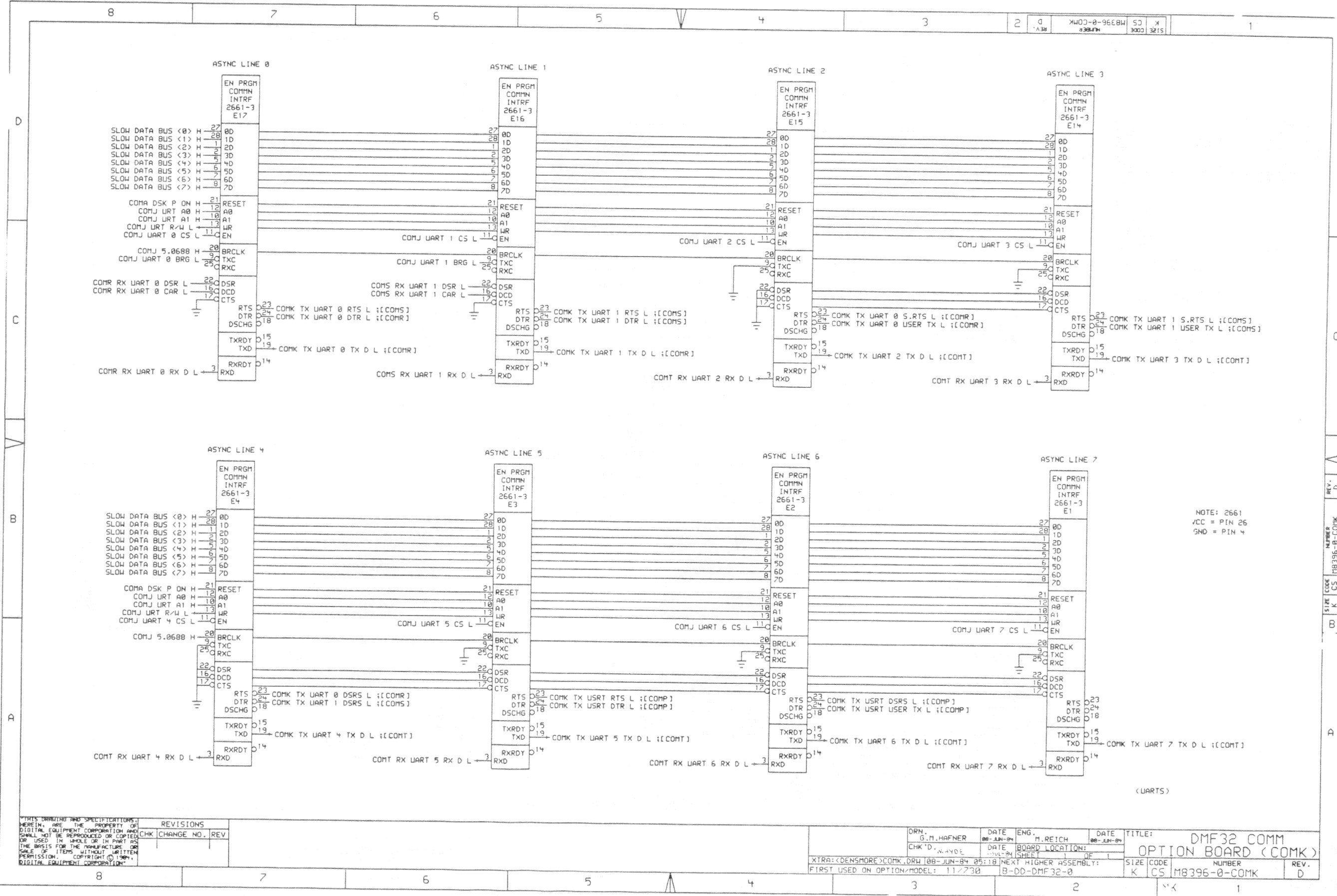
15 A
14 B
13 C
12 D
11 E
16 F0
15 F1
14 FX
13 FX/4

(USRT,BRG'S AND SLOW R/W CONTROL)

THIS DRAWING AND SPECIFICATIONS
HEREIN ARE THE PROPERTY OF
DIGITAL EQUIPMENT CORPORATION AND
SHALL NOT BE REPRODUCED OR COPIED
OR USED IN WHOLE OR IN PART AS
THE BASIS FOR THE MANUFACTURE OR
SALE OF ITEMS WITHOUT WRITTEN
PERMISSION. COPYRIGHT © 1984,
DIGITAL EQUIPMENT CORPORATION

REVISIONS	
CHK	CHANGE NO. REV

DRW. G.M.HAFNER	DATE 06-JUN-84	ENG. M.REICH	DATE 06-JUN-84	TITLE: DMF32 COMM
CHK'D W.HYDE	DATE 21-JUN-84	BOARD LOCATION: 1	SHEET 1	OPTION BOARD (COMJ)
XTRA: <DENSMORE>COMJ.DRW 108-JUN-84 05:16				NEXT HIGHER ASSEMBLY: B-DD-DMF32-0
FIRST USED ON OPTION MODEL: 11/730				SIZE CODE NUMBER REV. K CS M8396-0-COMJ D



NOTE: 2661
VCC = PIN 26
GND = PIN 4

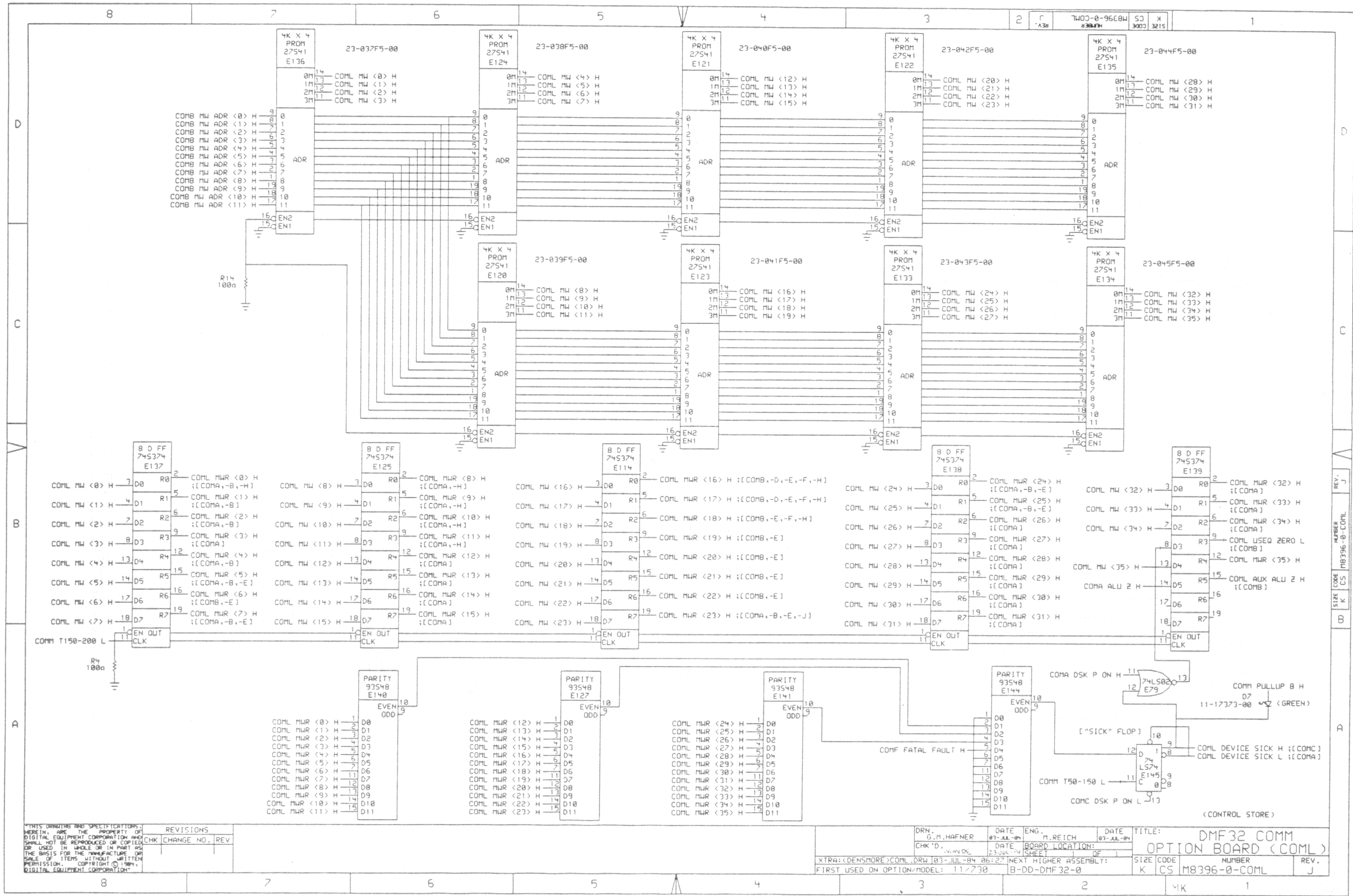
(UARTS)

THIS DRAWING AND SPECIFICATIONS
HEREIN, ARE THE PROPERTY OF
DIGITAL EQUIPMENT CORPORATION AND
SHALL NOT BE REPRODUCED OR COPIED
OR USED IN WHOLE OR IN PART OR
THE BASIS FOR THE MANUFACTURE OR
SALE OF ITEMS WITHOUT WRITTEN
PERMISSION. COPYRIGHT © 1984
DIGITAL EQUIPMENT CORPORATION

REVISIONS		
CHK	CHANGE NO.	REV

DRN. G.M. HAFNER	DATE 08-JUN-84	ENG. M. REICH	DATE 08-JUN-84	TITLE: DMF32 COMM OPTION BOARD (COMK)
CHK'D. W. ANDERSON	DATE 11-JUL-84	BOARD LOCATION: SHEET 1 OF 1	NEXT HIGHER ASSEMBLY: B-DD-DMF32-0	SIZE CODE K CS
XTRA: <DENSMORE> COMK.DRW 08-JUN-84 05:18 FIRST USED ON OPTION/MODEL: 117730				NUMBER M8396-0-COMK
REV. D				REV. D

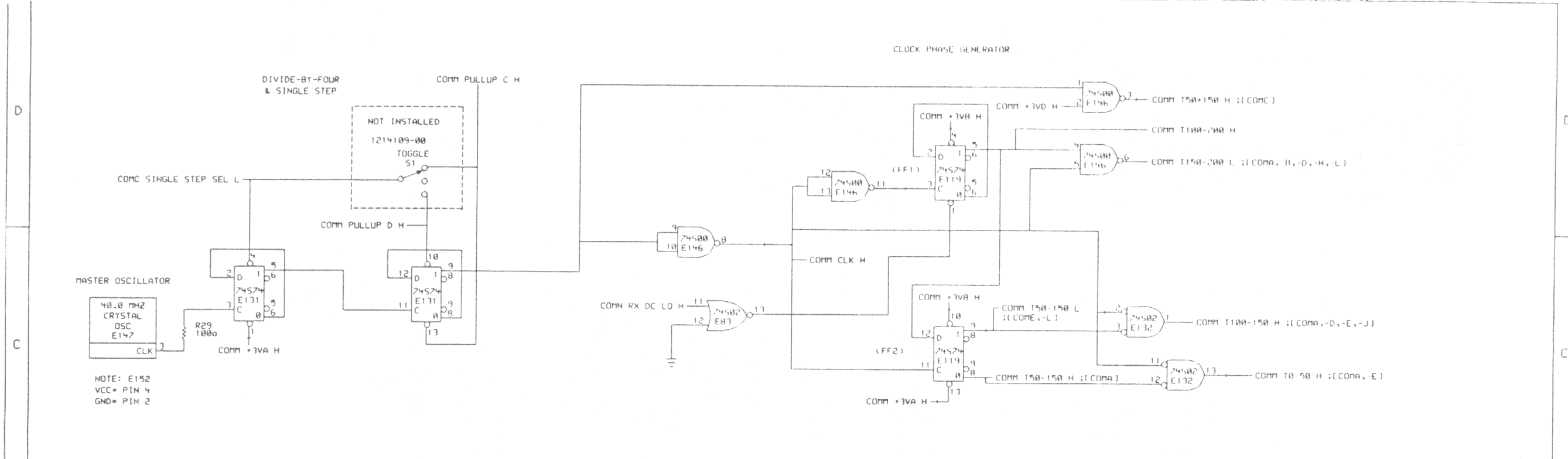
REV. D
NUMBER M8396-0-COMK
SIZE CODE K CS



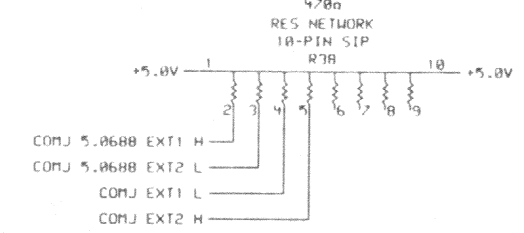
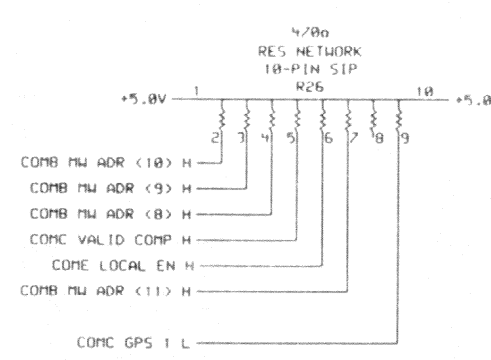
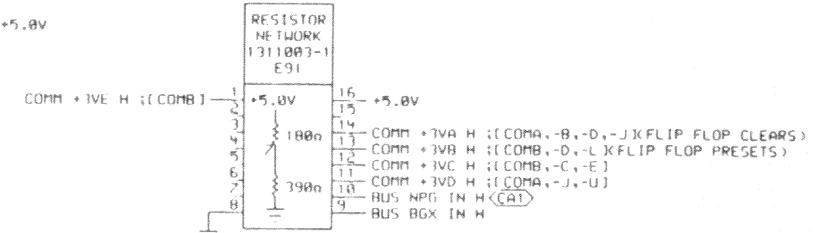
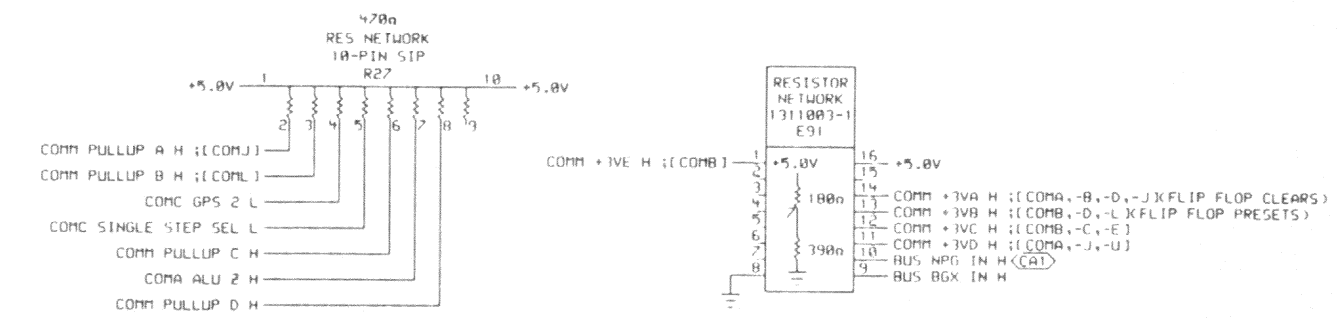
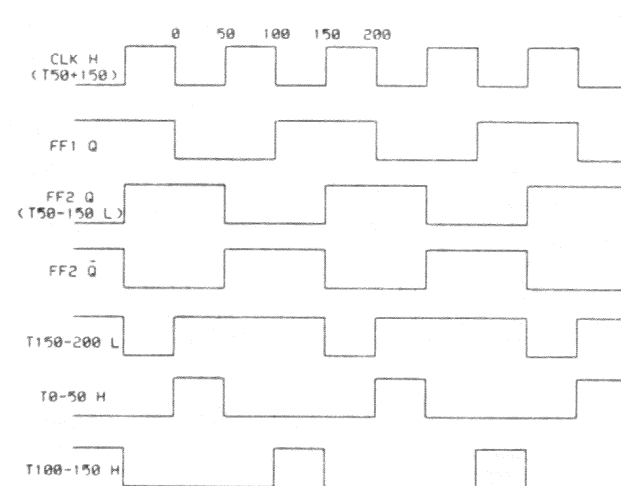
REVISIONS	
CHK	CHANGE NO. REV

DRN.	DATE	ENG.	DATE	TITLE:
G.M. HAFNER	03-11-81	M. REICH	03-11-81	DMF32 COMM
				OPTION BOARD (COML)

SIZE	CODE	NUMBER	REV.
K	CS	M8396-0-COML	J



NOTE: E152
VCC= PIN 4
GND= PIN 2



(MASTER CLOCK AND PULLUPS/PULLDOWNS)

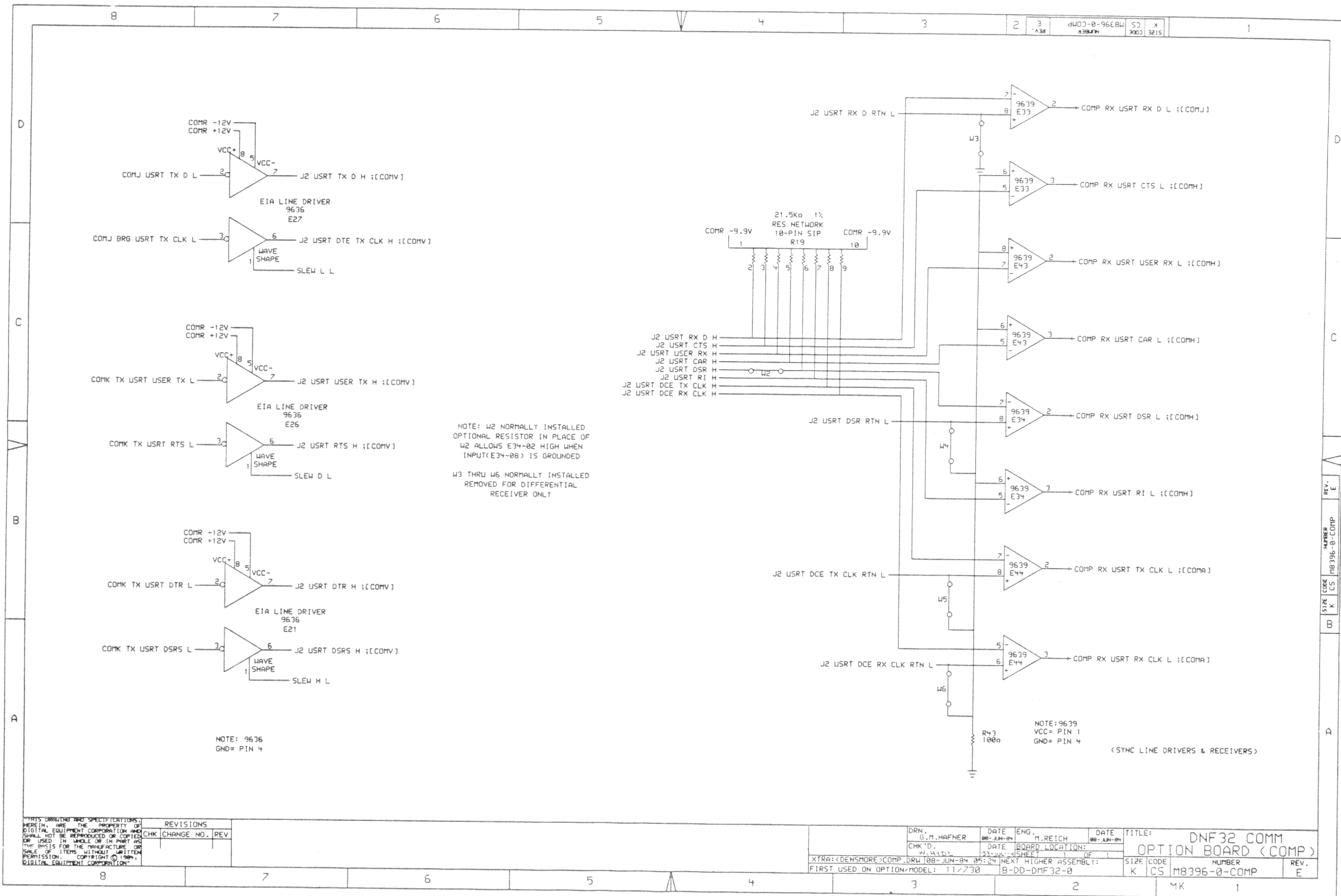
PARTS DRAWING AND SPECIFICATIONS: HEREIN ARE THE PROPERTY OF DIGITAL EQUIPMENT CORPORATION AND SHALL NOT BE REPRODUCED OR COPIED OR USED IN WHOLE OR IN PART AS THE BASIS FOR THE MANUFACTURE OR SALE OF ITEMS WITHOUT WRITTEN PERMISSION. COPYRIGHT © 1984 DIGITAL EQUIPMENT CORPORATION.		REVISIONS CHK CHANGE NO. REV		DRN. G. M. HANER CHK'D. W. J. DILLI	DATE 08-19-84 DATE 08-21-84	ENG. H. REICH BOARD LOCATION: 1.0E	DATE 08-21-84	TITLE: DMF32 COMM OPTION BOARD (COMM)
8	7	6	5	4	3	2	1	REV. D

h2



(UNIBUS DRIVERS & RECEIVERS)

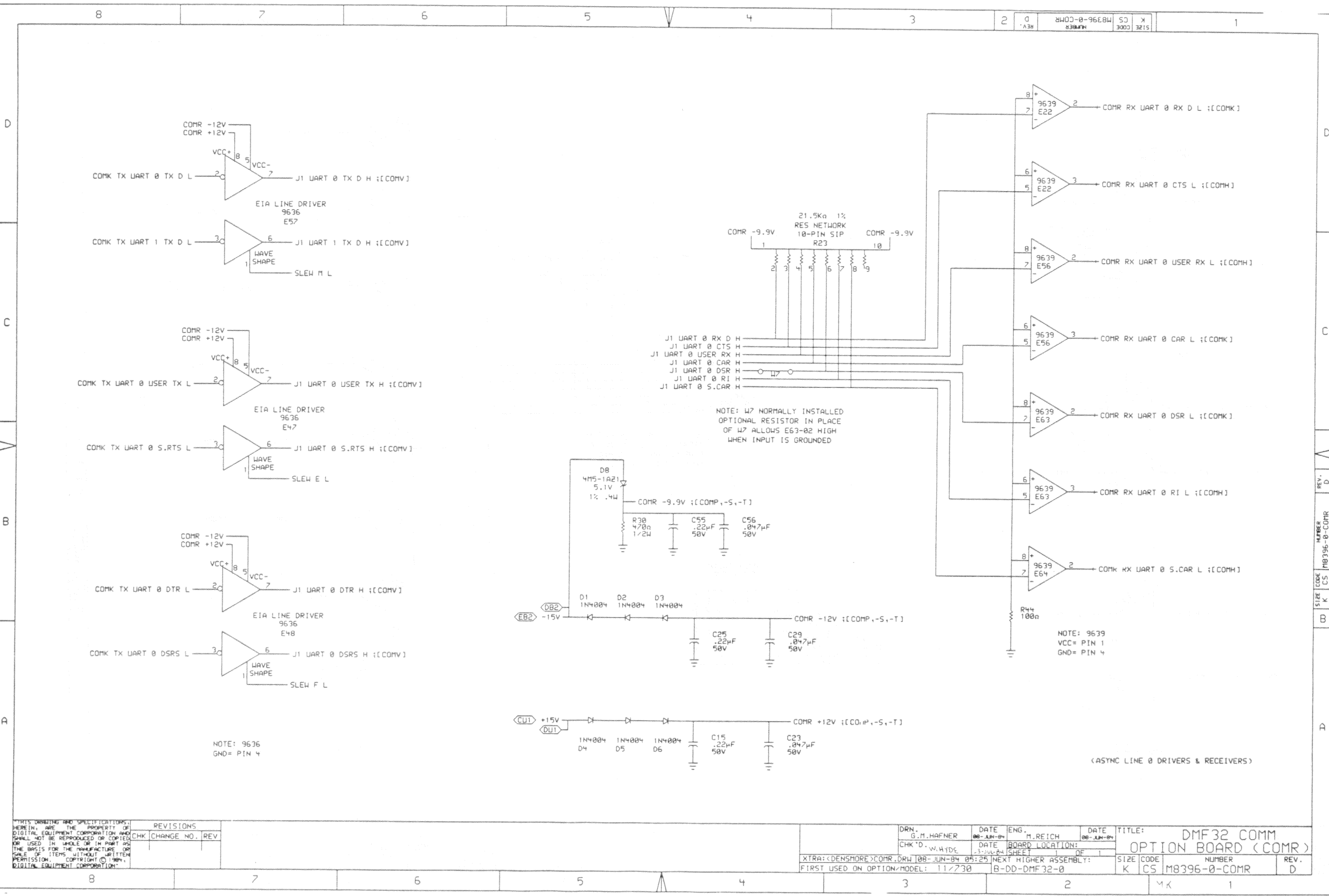
THIS DRAWING AND SPECIFICATIONS HERETOIN ARE THE PROPERTY OF DIGITAL EQUIPMENT CORPORATION AND SHALL NOT BE REPRODUCED OR COPIED OR USED IN WHOLE OR IN PART AS THE BASIS FOR THE MANUFACTURE OR SALE OF ITEMS WITHOUT WRITTEN PERMISSION. COPYRIGHT © 1984 DIGITAL EQUIPMENT CORPORATION.		REVISIONS CHK CHANGE NO. REV	DRN. G.M. HAFNER DATE 08-JUN-84 CHK'D. N. YDEL DATE 11-JUL-84	ENG. M. REICH DATE 08-JUN-84 BOARD LOCATION: 11/230 SHEET 1 OF 1	TITLE: DMF32 COMM OPTION BOARD (COMN)
XTRA: (DENSEMORE) COMN.DRW 08-JUN-84 05:22 NEXT HIGHER ASSEMBLY: B-DD-DMF32-0		FIRST USED ON OPTION/MODEL: 11/230	SIZE CODE K CS	NUMBER M8396-0-COMN	REV. D



THIS DRAWING AND SPECIFICATIONS
HEREIN ARE THE PROPERTY OF
DIGITAL EQUIPMENT CORPORATION AND
SHALL NOT BE REPRODUCED OR COPIED
OR USED IN WHOLE OR IN PART AS
THE BASIS FOR THE MANUFACTURE OR
SALE OF ITEMS WITHOUT WRITTEN
PERMISSION. COPYRIGHT © 1984
DIGITAL EQUIPMENT CORPORATION

REVISIONS	
CHK	CHANGE NO. REV

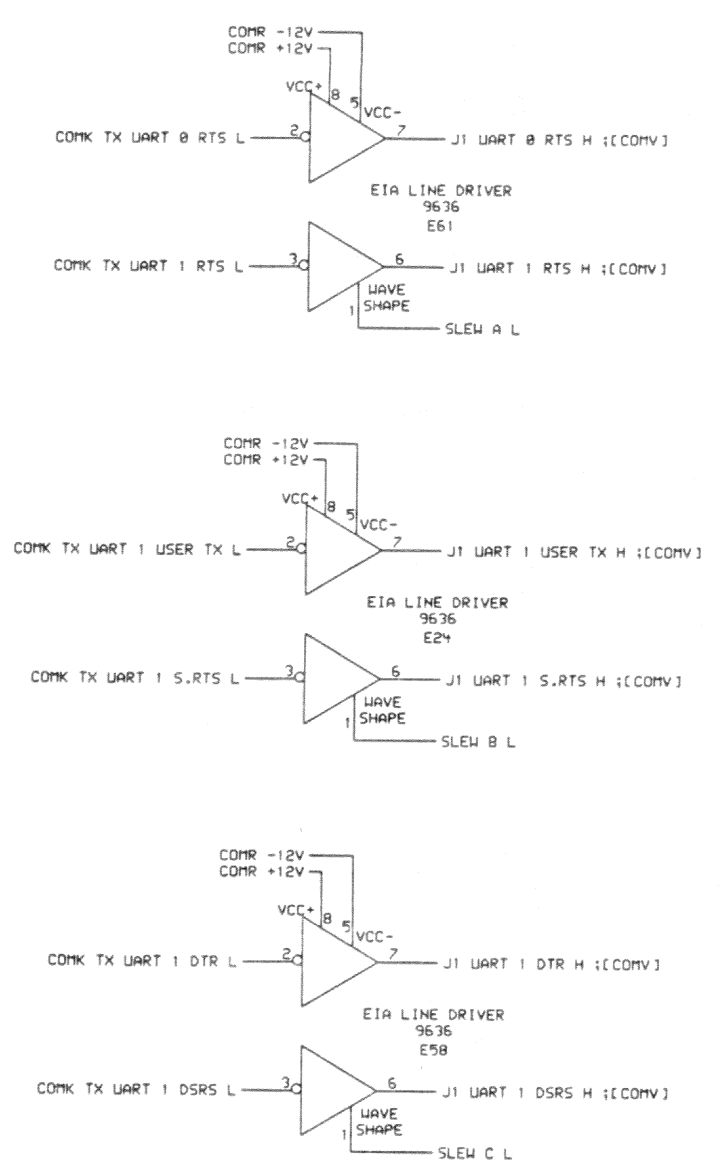
DRN. G.M.HAFNER	DATE 00-12-84	ENG. M.REICH	DATE 00-12-84	TITLE: DNF32 COMM OPTION BOARD (COMP)
CHK'D. W.H.D.S.	DATE 23-06-84	BOARD LOCATION: SHEET 1 OF 1	DEF	
XTRA: <DENSMORE> COMP.DRW 100-JUN-84 05:24		NEXT HIGHER ASSEMBLY: B-0D-DMF32-0		SIZE CODE K CS
FIRST USED ON OPTION MODEL: 117730				NUMBER M8396-0-COMP
				REV. E



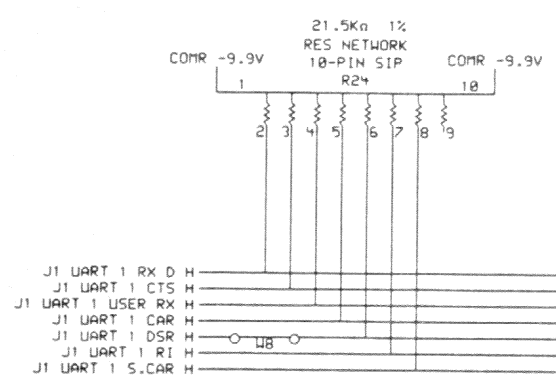
REVISIONS	
CHK	CHANGE NO. REV

DRN.	DATE	ENG.	DATE	TITLE:
G.M.HAFNER	06-JUN-84	M.REICH	06-JUN-84	DMF32 COMM
CHK'D W.HYDE	06-JUN-84			OPTION BOARD (COMR)
XTRA: (DENSMORE) COMR.DRW 108 JUN-84 05:25		NEXT HIGHER ASSEMBLY:		SIZE CODE NUMBER REV.
FIRST USED ON OPTION/MODEL: 11/230		B-DD-DMF32-0		K CS M8396-0-COMR D

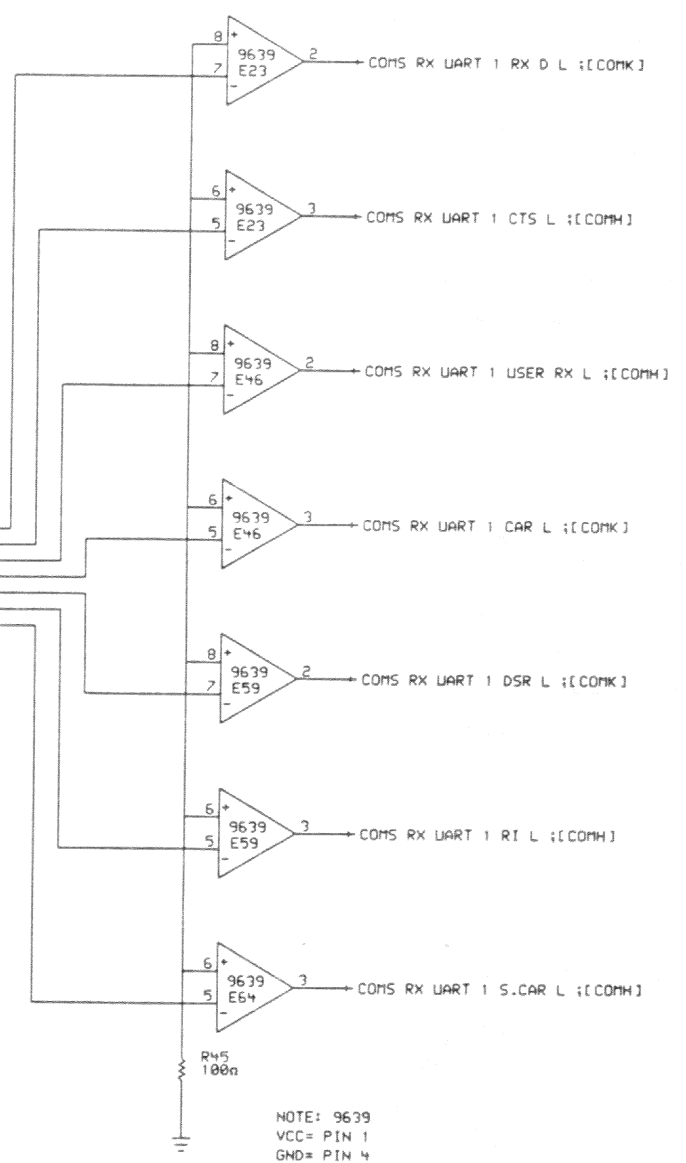
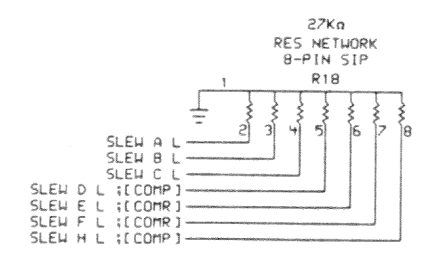
8	7	6	5	4	3	2	1
---	---	---	---	---	---	---	---



NOTE: 9636
 GND= PIN 4



NOTE: U8 NORMALLY INSTALLED
 OPTIONAL RESISTOR IN PLACE
 OF U8 ALLOWS E59-02 HIGH
 WHEN INPUT IS GROUNDED



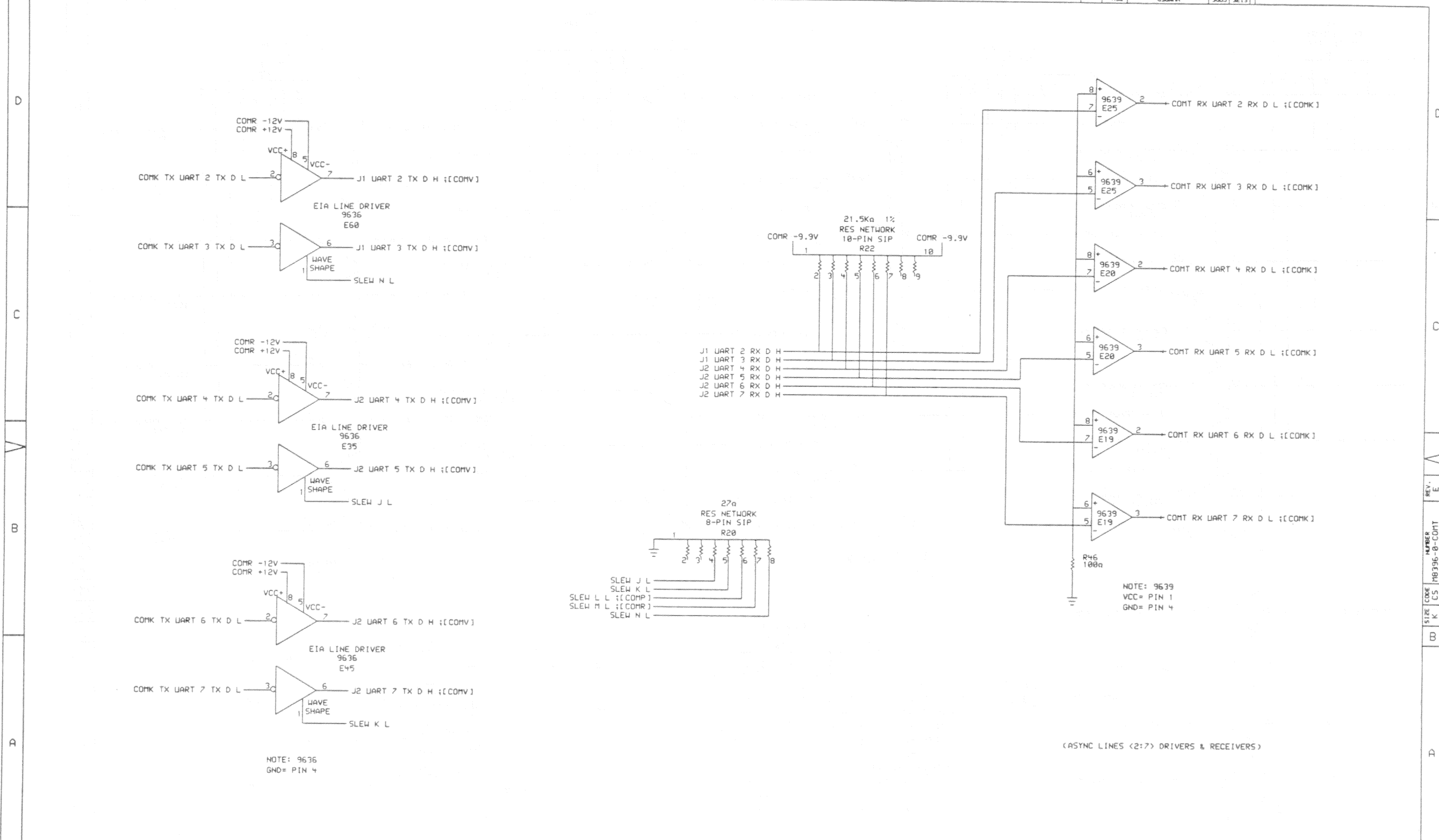
NOTE: 9639
 VCC= PIN 1
 GND= PIN 4

(ASYNC LINE 1 DRIVERS & RECEIVERS)

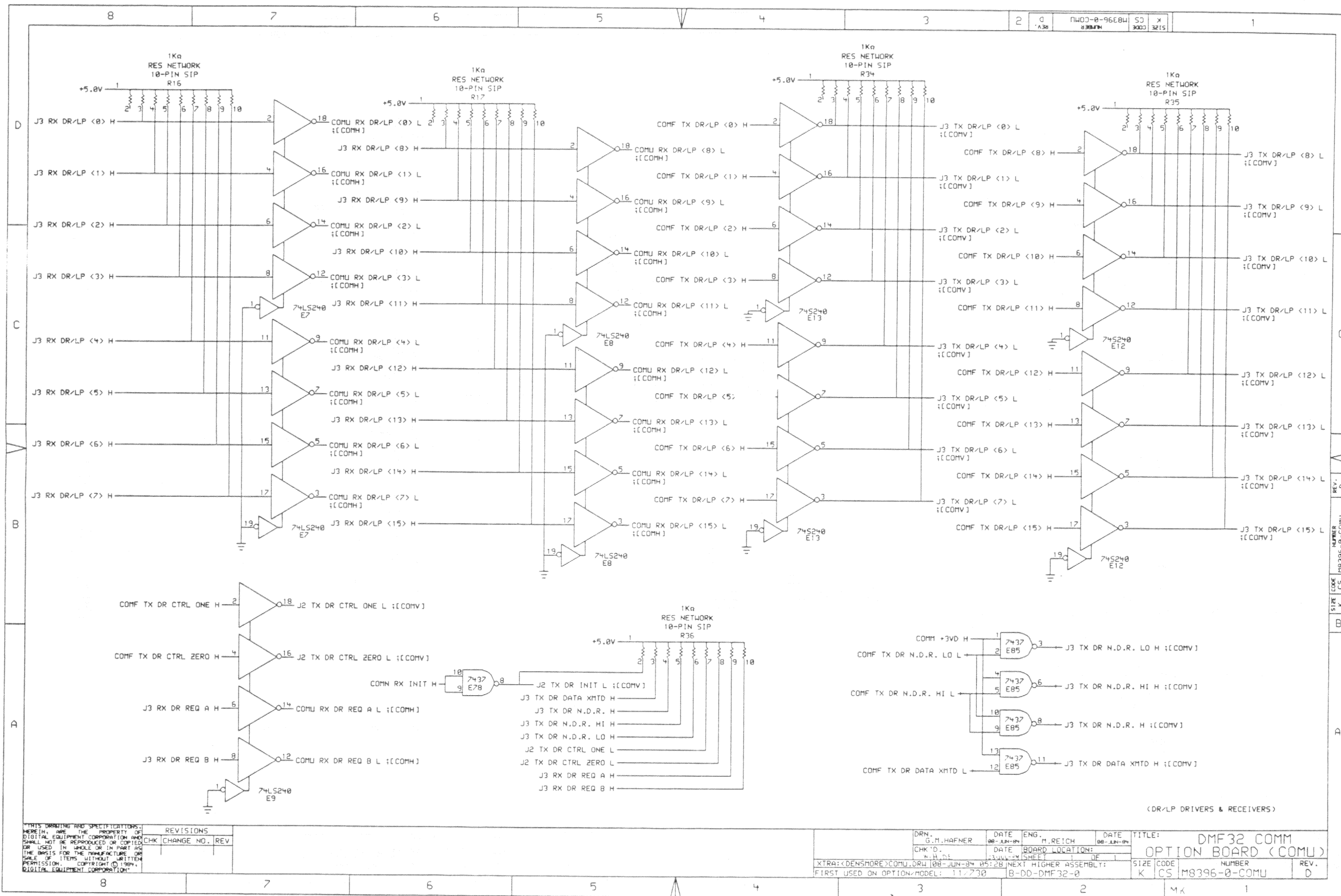
THIS DRAWING AND SPECIFICATIONS
 HEREIN ARE THE PROPERTY OF
 DIGITAL EQUIPMENT CORPORATION AND
 SHALL NOT BE REPRODUCED OR COPIED
 OR USED IN WHOLE OR IN PART AS
 THE BASIS FOR THE MANUFACTURE OR
 SALE OF ITEMS WITHOUT WRITTEN
 PERMISSION. COPYRIGHT © 1984
 DIGITAL EQUIPMENT CORPORATION

REVISIONS		
CHK	CHANGE NO.	REV

DRN. G.M.HAFNER	DATE 08-JUN-84	ENG. N.REICH	DATE 08-JUN-84	TITLE DMF32 COMM OPTION BOARD (COMS)
CHK'D. M.HYDS	DATE 23-JUN-84	BOARD LOCATION SHEET 1 OF 1	NEXT HIGHER ASSEMBLY B-DD-DMF32-0	SIZE CODE K CS M8396-0-COMS
XTRA: <DENSMORE> COMS.DRW 08-JUN-84 05:25		FIRST USED ON OPTION/MODEL: 11/730	NUMBER 1	REV. F



THIS DRAWING AND SPECIFICATIONS ARE THE PROPERTY OF DIGITAL EQUIPMENT CORPORATION AND SHALL NOT BE REPRODUCED OR COPIED FOR USE IN WHOLE OR IN PART AS THE BASIS FOR THE MANUFACTURE OR SALE OF ITEMS WITHOUT WRITTEN PERMISSION. COPYRIGHT © 1984 DIGITAL EQUIPMENT CORPORATION.		REVISIONS CHK CHANGE NO. REV		DRN. G.M.HAFNER DATE 08-12-84 ENG. M.REICH DATE 08-12-84 TITLE: DMF32 COMM OPTION BOARD (COMT)	
XTRA: <DENSMORE>COMT.DRW 100-JUN-84 05:27 FIRST USED ON OPTION/MODEL: 11/730		BOARD LOCATION: 1 OF 1 SHEET: 1 NEXT HIGHER ASSEMBLY: B-DD-DMF32-0		SIZE CODE K CS NUMBER M8396-0-COMT REV. E	

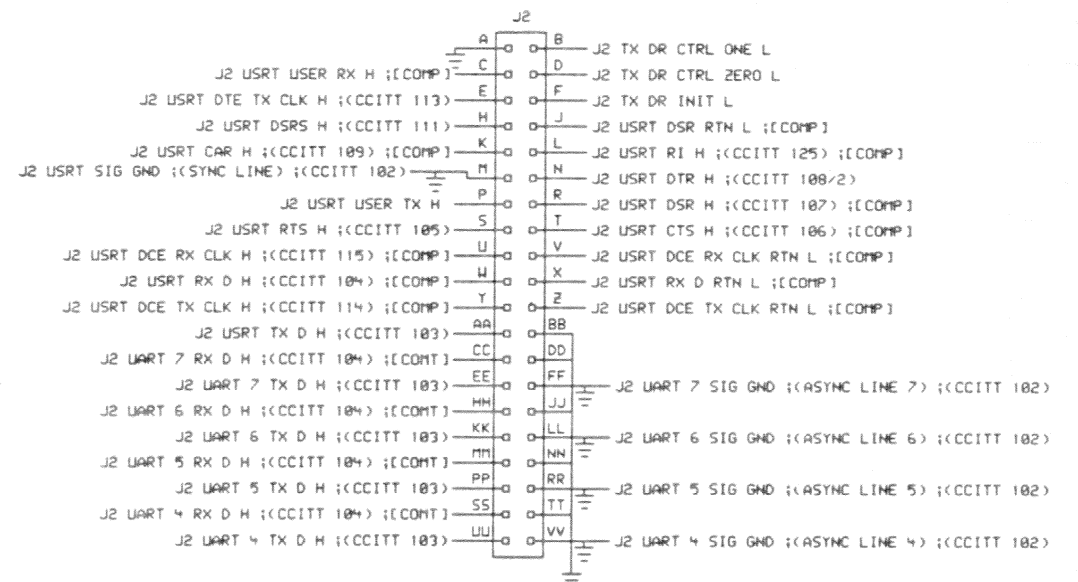
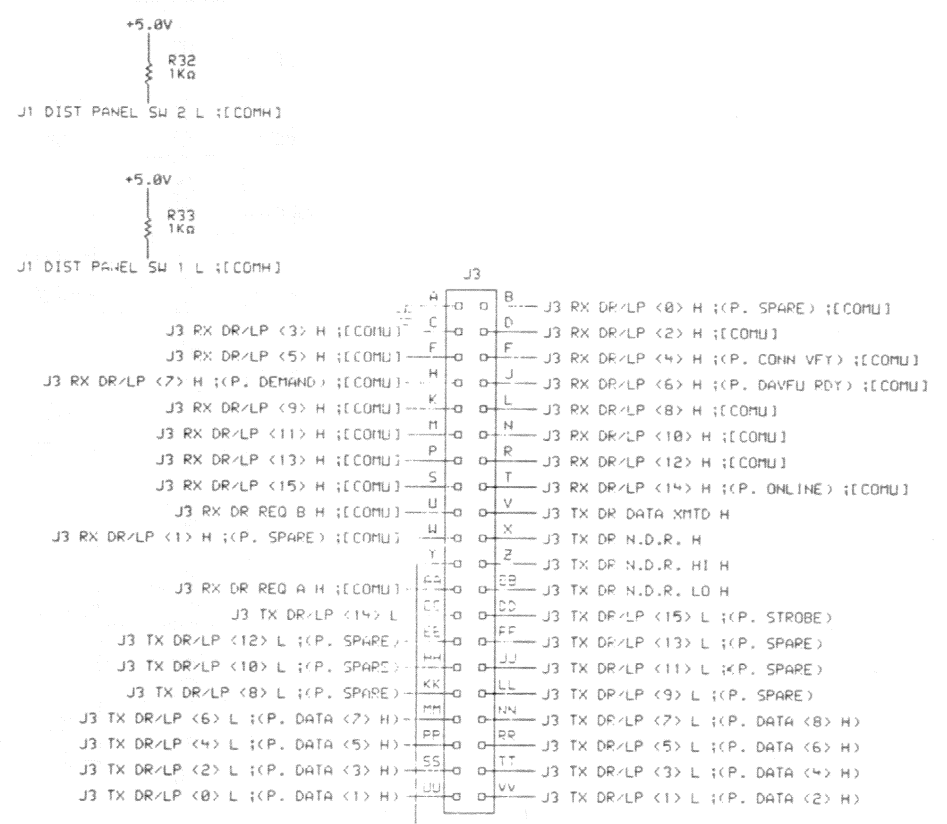
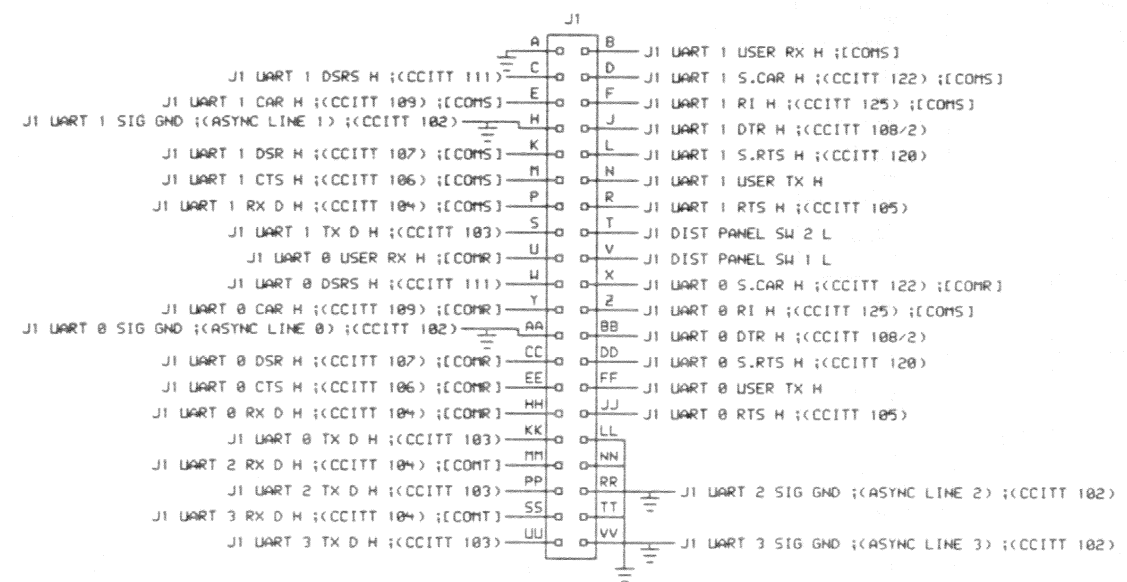


(DR/LP DRIVERS & RECEIVERS)

THIS DRAWING AND SPECIFICATIONS
HEREIN ARE THE PROPERTY OF
DIGITAL EQUIPMENT CORPORATION AND
SHALL NOT BE REPRODUCED OR COPIED
OR USED IN WHOLE OR IN PART AS
THE BASIS FOR THE MANUFACTURE OR
SALE OF ITEMS WITHOUT WRITTEN
PERMISSION. COPYRIGHT © 1984
DIGITAL EQUIPMENT CORPORATION

REVISIONS	
CHK	CHANGE NO. REV

DRN:	G.M.HAFNER	DATE:	08-JUN-84	ENG.:	M.REICH	DATE:	08-JUN-84	TITLE:	DMF32 COMM OPTION BOARD (COMU)
CHK'D:	N.H.D.	DATE:	03-JUL-84	BOARD LOCATION:		SHEET:		OF:	
XTRA: <DENSMORE> COMU.DRW 108-JUN-84 05:28 NEXT HIGHER ASSEMBLY:								SIZE:	K
FIRST USED ON OPTION/MODEL: 11/730								CODE:	CS
								NUMBER:	M8396-0-COMU
								REV.:	D



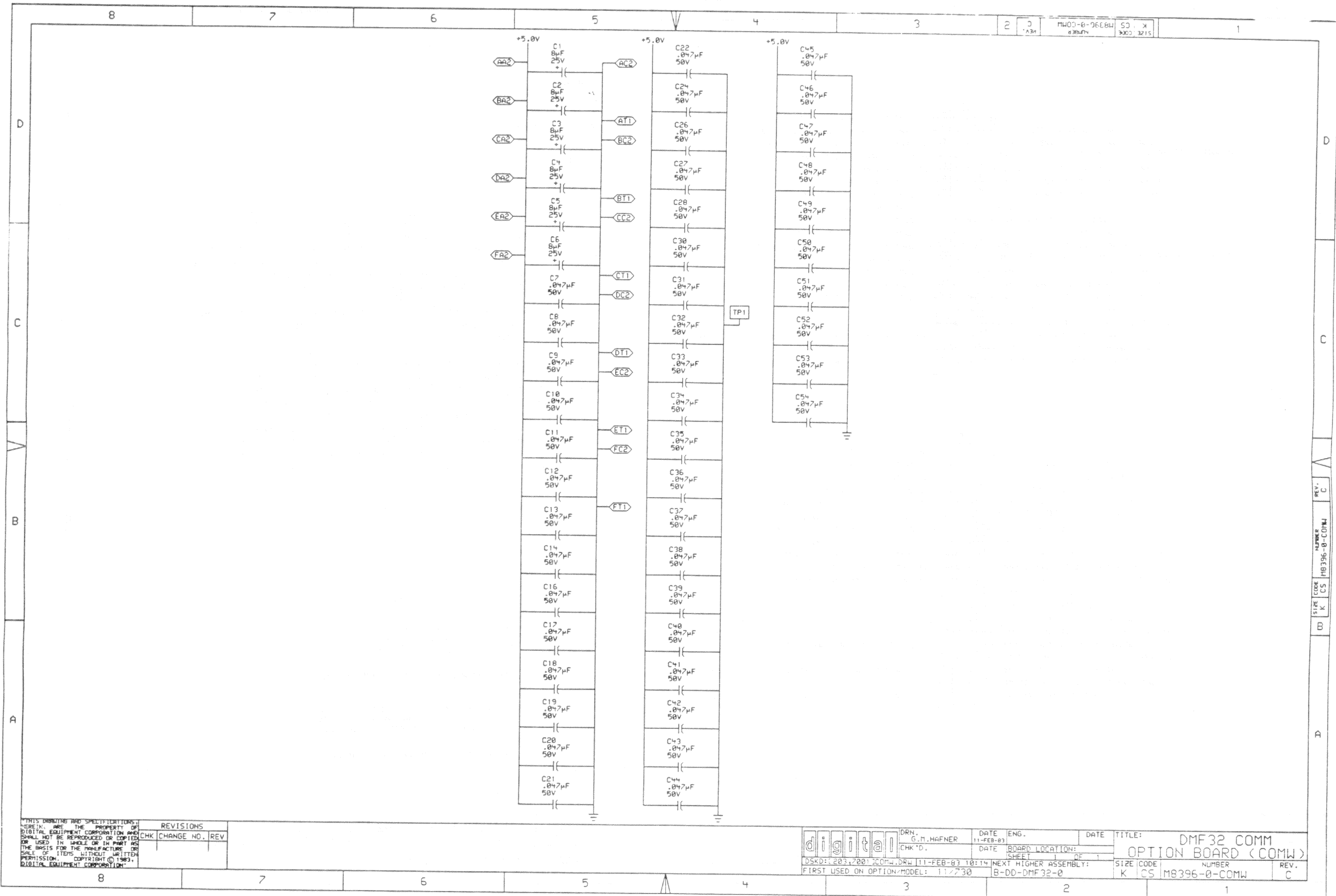
NOTES:

- #1. PIN CORRESPONDENCES ARE AS FOLLOWS:
PIN 'A' = PIN 48;
PIN 'B' = PIN 39;
PIN 'VV' = PIN 11;
ETC.
(PER PURCHASE SPEC. #1209941-0-0 REV. R;
DATED 4-21-77)
- #2. SIGNAL NAMES IN PARENTHESES FOLLOWING
THE DR/LP SIGNALS ARE NAMES OF CONTROL
SIGNALS WHEN USED FOR LP INTERFACE.
- #3. PIN 'A' GOES TO FLAT CABLE SHIELD.

THIS DRAWING AND SPECIFICATIONS
HEREIN ARE THE PROPERTY OF
DIGITAL EQUIPMENT CORPORATION AND
SHALL NOT BE REPRODUCED OR COPIED
OR USED IN WHOLE OR IN PART AS
THE BASIS FOR THE MANUFACTURE OR
SALE OF ITEMS WITHOUT WRITTEN
PERMISSION. COPYRIGHT © 1983,
DIGITAL EQUIPMENT CORPORATION.

REVISIONS	
CHK	CHANGE NO. REV

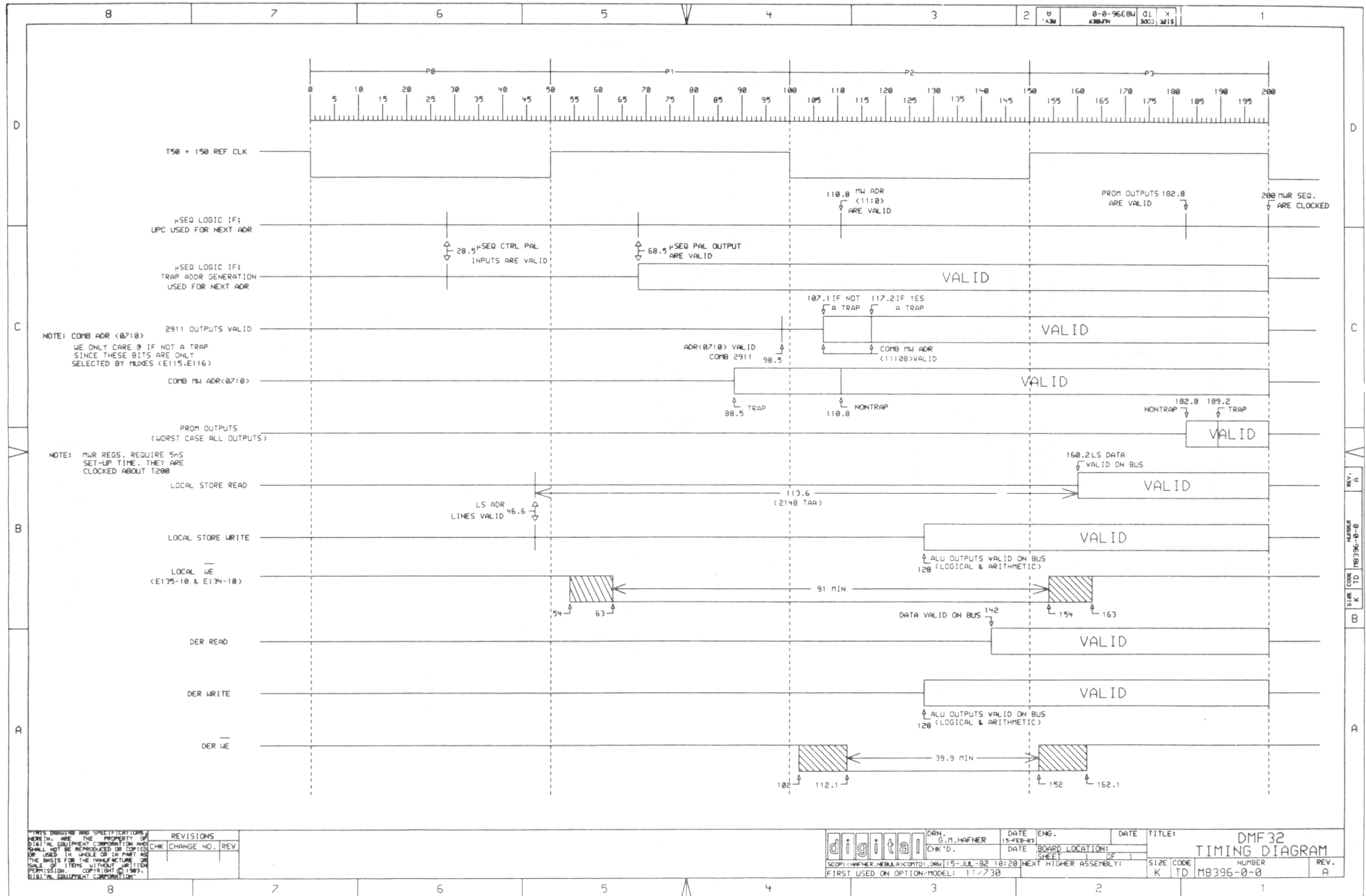
digital	DRN. G.M. HAFNER	DATE 11-FEB-83	ENG.	DATE	TITLE: DMF32 COMM
	CHK'D.	DATE	BOARD LOCATION:	SHEET	OPTION BOARD (COMV)
DSKD: (203,700) CCV. ORU 11-FEB-83 10:14		NEXT HIGHER ASSEMBLY:		SIZE CODE	NUMBER
FIRST USED ON OPTION/MODEL: 11/730		B-DC-DMF32-0		K CS	M8396-0-COMV
8	7	6	5	4	3
2	1	REV. C			



THIS DRAWING AND SPECIFICATIONS ARE THE PROPERTY OF DIGITAL EQUIPMENT CORPORATION AND SHALL NOT BE REPRODUCED OR COPIED OR USED IN WHOLE OR IN PART AS THE BASIS FOR THE MANUFACTURE OR SALE OF ITEMS WITHOUT WRITTEN PERMISSION. COPYRIGHT © 1983, DIGITAL EQUIPMENT CORPORATION.

REVISIONS		
CHK	CHANGE NO.	REV

digital	DRN.	G. M. HAFNER	DATE	11-FEB-83	ENG.		DATE		TITLE:	DMF32 COMM
	CHK'D.		DATE		BOARD LOCATION:		SHEET	1 OF 1	OPTION BOARD (COMW)	
DSKD: L203, 2001, COMW, DRW		11-FEB-83 10:14		NEXT HIGHER ASSEMBLY:		B-DD-DMF32-0		SIZE CODE	NUMBER	REV.
FIRST USED ON OPTION/MODEL:		11/730						K CS	M8396-0-COMW	C

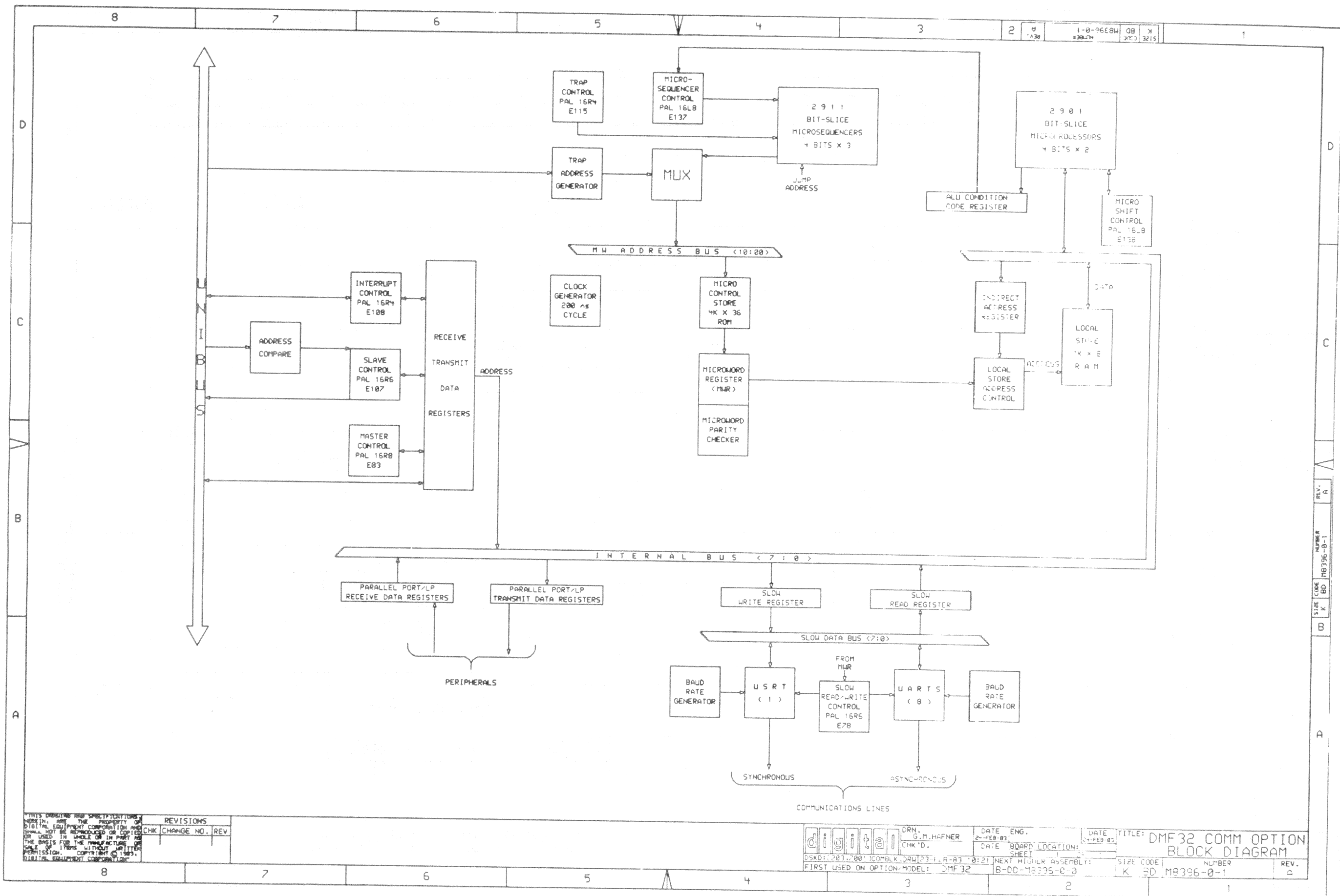


REVISIONS	
CHK	CHANGE NO. REV

digital	DRN. G.N. HAFNER	DATE 15-FEB-82	ENG.	DATE	TITLE: DMF32 TIMING DIAGRAM
	CHK'D.	DATE 15-JUL-82	10:20	BOARD LOCATION: SHEET 1 OF 1	SIZE CODE K TD
FIRST USED ON OPTION/MODEL: 11/230					NUMBER M8396-0-0
NEXT HIGHER ASSEMBLY:					REV. A

REV. A
 NUMBER M8396-0-0
 TD
 CODE K
 SIZE

33



THIS DRAWING AND SPECIFICATIONS HERENTIN ARE THE PROPERTY OF DIGITAL EQUIPMENT CORPORATION AND SHALL NOT BE REPRODUCED OR COPIED IN WHOLE OR IN PART AS THE BASIS FOR THE MANUFACTURE OR SALE OF OTHERS WITHOUT WRITTEN PERMISSION. COPYRIGHT © 1983 DIGITAL EQUIPMENT CORPORATION.

REVISIONS		
CHK	CHANGE NO.	REV

	DRN. S.M. HAFNER	DATE ENG. 2-1-FEB-83	DATE TITLE: DMF32 COMM OPTION
	CHK'D.	DATE BOARD LOCATION: []	SHEET []
OSKD: 203.0001 COMBLK.DRW [] FLA-83 0:21	NEXT HIGH LR ASSEMBLY: []	SIZE CODE: K 30	NUMBER: M8396-0-1
FIRST USED ON OPTION/MODEL: DMF32	B-00-18395-0-0	REV. A	

REV. A
 NAME NUMBER M8396-0-1
 SIZE CODE K 30
 B
 A



