

**NASA Contractor Report 178349**

**Low Speed Wind Tunnel Test of a  
Propulsive Wing/Canard Concept  
in the STOL Configuration**

**Volume II: Test Data**

**V. R. Stewart**

**ROCKWELL INTERNATIONAL CORPORATION  
Columbus, Ohio 43216**

**Contract NAS1-17171**

**September 1987**

**(NASA-CR-178349) LOW SPEED WIND TUNNEL TEST  
OF A PROPULSIVE WING/CANARD CONCEPT IN THE  
STOL CONFIGURATION. VOLUME 2: TEST DATA**

**(Rockwell International Corp.) 405 p  
Avail: NTIS HC A18/HF A01**

**N87-27642**

**Unclas  
0097191**



**National Aeronautics and  
Space Administration**

**Langley Research Center  
Hampton, Virginia 23665-5225**

**NASA Contractor Report 178349**

**Low Speed Wind Tunnel Test of a  
Propulsive Wing/Canard Concept  
in the STOL Configuration**

**Volume II: Test Data**

**V. R. Stewart**

**ROCKWELL INTERNATIONAL CORPORATION  
Columbus, Ohio 43216**

**Contract NAS1-17171  
September 1987**

**NASA**

**National Aeronautics and  
Space Administration**

**Langley Research Center  
Hampton, Virginia 23665-5225**

## ABSTRACT

A propulsive wing/canard model has been tested at STOL operating conditions in the NASA Langley Research Center 4 x 7 meter wind tunnel. Longitudinal and lateral/directional aerodynamic characteristics were measured for various flap deflections, angles of attack and sideslip, and blowing coefficients. Testing was conducted for several model heights to determine ground proximity effects on the aerodynamic characteristics. Flow field surveys of local flow angles and velocities were performed behind both the canard and the wing.

This report consists of two volumes. Volume I (NASA CR-178348) describes the model, instrumentation, and test procedures; and includes an analysis of the data. Volume II (NASA CR-178349) contains all of the test data in three appendices. Appendix A presents tabulated six component force and moment data, Appendix B presents tabulated wing pressure coefficients, and Appendix C presents the flow field data.

PRECEDING PAGE BLANK NOT FILMED

TABLE OF CONTENTS

<u>SECTION</u>	<u>TITLE</u>	<u>PAGE</u>
	ABSTRACT. . . . .	iii
	TABLE OF CONTENTS . . . . .	v
	LIST OF SYMBOLS . . . . .	vi
	LIST OF FIGURES . . . . .	viii
	LIST OF TABLES. . . . .	ix
1.0	INTRODUCTION. . . . .	1
APPENDIX A	TABULATED FORCE DATA. . . . .	A-1 thru A-166
APPENDIX B	TABULATED WING PRESSURE DATA. . . . .	B-1 thru B-118
APPENDIX C	TABULATED FLOW FIELD DATA . . . . .	C-1 thru C-96

PRECEDING PAGE BLANK NOT FILMED

## LIST OF SYMBOLS

Following is a list of computer generated expressions used in Volume II to present the tabulated wind tunnel data.

### Appendix A - Tabulated Force Data

RUN	Test Run Number	
PT	Test Point Number	
Q	Dynamic Pressure	
ALPHA	Model Angle of Attack	
BETA	Model Angle of Sideslip	
REY NO	Reynolds Number	
HEIGHT	Height above Floor, Inches	
CLIS	Lift Coefficient, Stability Axis	
CDIS	Drag Coefficient, Stability Axis	
CPMIS	Pitching Moment Coefficient, Stability Axis	
CRMIS	Rolling Moment Coefficient, Stability Axis	
CYMIS	Yawing Moment Coefficient, Stability Axis	
CSFIS	Side Force Coefficient, Stability Axis	
CNF1B	Normal Force Coefficient, Body Axis	
CAF1B	Axial Force Coefficient, Body Axis	
CPM1B	Pitching Moment Coefficient, Body Axis	
CRM1B	Rolling Moment Coefficient, Body Axis	
CYM1B	Yawing Moment Coefficient, Body Axis	
CSF1B	Side Force Coefficient, Body Axis	
CMUC	Canard Blowing Coefficient	
CMUW	Wing Blowing Coefficient	
CMUT	Total (Canard + Wing) Blowing Coefficient	
CLTR	Thrust Removed Lift Coefficient	
CDTR	Thrust Removed Drag Coefficient	
CMTR	Thrust Removed Pitching Moment Coefficient	
HP	Probe Height above Ground, Inches	
X Y Z	} Probe Location Relative to Canard Nozzle, Inches	
H		Height from Ground to FRL, Inches
DEL C		Canard Deflection (Incidence), Degrees
DELFC	Canard Flap Deflection, Degrees	
DELFW	Wing Flap Deflection, Degrees	
BN/BW	Ratio of Nozzle Span to Surface Span, Wing	
BN/BC	Ratio of Nozzle Span to Surface Span, Canard	
H/C	Height Measured in Chord Lengths	
FRL	Fuselage Reference Line	

LIST OF SYMBOLS (Cont'd)

Appendix B - Tabulated Wing Pressure Data

RUN	Test Run Number
POINT	Test Point Number
ALPHA	Model Angle of Attack
PSI	Model Angle of Sideslip
HEIGHT	Model Height Above Ground, Inches
X/C	Percent of Local Chord
BP	Butt Plane Measured from Fuselage Mold Line

Appendix C - Tabulated Flow Field Data

RUN	Test Run Number
PT	Test Data Point Number
ALPHA	Angle of Attack
BETA	Angle of Sideslip
HEIGHT	Height Above Ground
VT	Velocity Feet/Second (Number denotes probe)
ALP	Local Angle of Attack at Probe
BET	Local Angle of Sideslip at Probe

LIST OF FIGURES

<u>FIGURE NO.</u>	<u>TITLE</u>	<u>PAGE</u>
1	Wing Surface Pressure Tap Locations. . . . .	10
2	Location of Flow Field Survey Rake with Respect to Model . . . . .	11
3	Profile View of Model with Survey Rake in Vertical Position Aft of Trailing Edge of Wing Flap. . . . .	12
4	Nose-On View of Model with Survey Rake in Horizontal Position Aft of Trailing Edge of Canard Flap . . . . .	13

LIST OF TABLES

<u>TABLE NO.</u>	<u>TITLE</u>	<u>PAGE</u>
1	Propulsive Wing Test Run Schedule. . . . .	2
2	Range of Variables for Run Schedule. . . . .	8
3	Survey Rake Locations. . . . .	9



## SECTION 1.0

### INTRODUCTION

This volume lists the conditions for all data runs performed (see Tables 1, 2, and 3) and tabulates the results obtained. These results are tabulated in Appendices A, B, and C of this volume for force data, wing surface pressure data, and flow field (rake survey) data. The force data of Appendix A reflects the output from the 6-component internal balance-converted into coefficient form. Figure 1 shows the location of all wing surface tap locations used during the generation of the Appendix B data; Figures 2, 3, and 4 describe the flow field survey rake used during the acquisition of the Appendix C flow field data.

TABLE 1 PROPULSIVE WING TEST RUN SCHEDULE

R U N #	CONFIG	Q	B E T A	A L P H A	D E L T A	D E L T A	D E L T A	B N / B W	B N / B C	C M U W	C M U C	H / C	REMARKS
100	B2C1W6V	2.63	0	A	0	0	0	1	1	0	0	-	
101	B2C1W6V	5.25	0	A	0	0	0	1	1	0	0	-	
102	B2C1W6V	10.5	0	A	0	0	0	1	1	0	0	-	
103	B2C1W6V	10.5	0	A	0	0	0	1	1	1.0	0.5	-	
104	B2C1W6V	5.25	0	A	0	0	0	1	1	2.0	1.0	-	
105	B2C1W6V	30	0	A	0	0	0	1	1	0	0	-	REPEAT OF RUN 100
106	B2C1W6V	21	0	A	0	0	0	1	1	0.5	0.25	-	
107	B2C1W6V	10.5	0	A	0	0	0	1	1	1.0	0.5	-	REPEAT OF RUN 103
108	B2C1W6V	5.25	0	A	0	0	0	1	1	2.0	1.0	-	REPEAT OF RUN 104
109	B2W6V												
110	B2W6V	30	0	A			0	1	-	0	-	-	
111	B2W6V	21	0	A			0	1	-	0.5	-	-	
112	B2W6V	10.5	0	A			0	1	-	1.0	-	-	
113	B2W6V	5.25	0	A			0	1	-	2.0	-	-	
114	B2W6V	30	5	A			0	1	-	0	-	-	
115	B2W6V	21	5	A			0	1	-	0.5	-	-	
116	B2W6V	10.5	5	A			0	1	-	1.0	-	-	
117	B2W6V	5.25	5	A			0	1	-	2.0	-	-	
118	B2W6												
119	B2W6	30	0	A			0	1	-	0	-	-	
120	B2W6	21	0	A			0	1	-	0.5	-	-	
121	B2W6	10.5	0	A			0	1	-	1.0	-	-	
122	B2W6	5.25	0	A			0	1	-	2.0	-	-	
123	B2W6	30	5	A			0	1	-	0	-	-	
124	B2W6	21	5	A			0	1	-	0.5	-	-	
125	B2W6	10.5	5	A			0	1	-	1.0	-	-	
126	B2W6	5.25	5	A			0	1	-	2.0	-	-	
127	B2C1V												
128	B2C1V	30	0	A	0	0	-	-	1	-	0	-	
129	B2C1V	21	0	A	0	0	-	-	1	-	0.25	-	
130	B2C1V	10.5	0	A	0	0	-	-	1	-	0.5	-	
131	B2C1V	5.25	0	A	0	0	-	-	1	-	1.0	-	
132	B2V	30	0	A									
133	B2V	30	A	0									
134	B2V	30	5	A									
135	B2	30	0	A									
136	B2	30	A	0									
137	B2	30	A	5									
138	B2	30	5	A									
139	B2W6												
140	B2W6												
142	B2W6												
143	B2W8	30	5	A			45	1	-	0	-	-	
144 & 147													THRUST CALIBRATION
145													WT. TARE
146													NOZZLE CALIBRATION
148	B2W8	30	0	A			45	1	-	0	-	-	
149	B2W8	16.5	0	A			45	1	-	0.5	-	-	
150	B2W8	10.5	0	A			45	1	-	1.0	-	-	
151	BEW8	5.25	0	A			45	1	-	2.0	-	-	
152	B2W8	16.5	5	A			45	1	-	0.5	-	-	
153	B2W8	10.5	5	A			45	1	-	1.0	-	-	
154	B2W8	5.25	5	A			45	1	-	2.0	-	-	
155	B2W8	30	A	0			45	1	-	0	-	-	
156	B2W8	16.5	A	0			45	1	-	0.5	-	-	
157	B2W8	10.5	A	0			45	1	-	1.0	-	-	
158	B2W8	30	A	8			45	1	-	0	-	-	

TABLE 1 PROPULSIVE WING TEST RUN SCHEDULE (Cont'd)

R U N #	CONFIG	Q	B E T A	A L P H A	D E L T A	D E L T A	D E L T A	B N / B W	B N / B C	C M U W	C M U C	H / C	REMARKS
159	B2W8	16.5	A	8	-	-	45	1	-	0.5	-	-	
160	B2W8	10.5	A	8	-	-	45	1	-	1.0	-	-	
161	B2W8	5.25	A	8	-	-	45	1	-	2.0	-	-	
162	B2W8	5.25	A	0	-	-	45	1	-	2.0	-	-	
163	B2W8V	30	0	A	-	-	45	1	-	0	-	-	
164	B2W8V	30	5	A	-	-	45	1	-	0	-	-	
165	B2W8V	30	A	0	-	-	45	1	-	0	-	-	
166	B2W8V	30	A	8	-	-	45	1	-	0	-	-	
167	B2W8V	16.6	A	8	-	-	45	1	-	0.5	-	-	
168	B2W8V	16.6	A	0	-	-	45	1	-	0.5	-	-	
169	B2W8V	16.6	5	A	-	-	45	1	-	0.5	-	-	
170	B2W8V	16.6	0	A	-	-	45	1	-	0.5	-	-	
171	B2W8V	10.5	0	A	-	-	45	1	-	1.0	-	-	
172	B2W8V	10.5	5	A	-	-	45	1	-	1.0	-	-	
173	B2W8V	10.5	A	0	-	-	45	1	-	1.0	-	-	
174	B2W8V	10.5	A	8	-	-	45	1	-	1.0	-	-	
175	B2W8V	5.25	A	8	-	-	45	1	-	2.0	-	-	
176	B2W8V	5.25	A	0	-	-	45	1	-	2.0	-	-	
177	B2W8V	5.25	5	A	-	-	45	1	-	2.0	-	-	
178	B2W8V	5.25	0	A	-	-	45	1	-	2.0	-	-	
179	B2W8V	2.62	0	A	-	-	45	1	-	4.0	-	-	
180	B2W8V	1.31	0	A	-	-	45	1	-	8.0	-	-	
181	B2C9W8V												WT. TARE
182	B2C9W8V												WT. TARE
183	B2C9W8V												NOZZLE THRUST CALIBRATION
184	B2C9W8V	30	0	A	0	45	45	1	1	0	0	-	
185	B2C9W8V	30	5	A	0	45	45	1	1	0	0	-	
186	B2C9W8V	30	A	0	0	45	45	1	1	0	0	-	
187	B2C9W8V	30	A	8	0	45	45	1	1	0	0	-	
188	B2C9W8V												THRUST CALIBRATION
189	B2C9W8V												NOZZLE CALIBRATION
190 & 191													THRUST CALIBRATION
192	B2C9W8V	21	0	A	0	45	45	1	1	0.5	0.25	-	
193	B2C9W8V	10.5	0	A	0	45	45	1	1	1.0	0.50	-	
194	B2C9W8V	5.25	0	A	0	45	45	1	1	2.0	1.0	-	
195	B2C9W8V	2.62	0	A	0	45	45	1	1	4.0	2.0	-	
196	B2C9W8V	21	5	A	0	45	45	1	1	0.5	0.25	-	
197	B2C9W8V	10.5	5	A	0	45	45	1	1	1.0	0.5	-	
198	B2C9W8V	5.25	5	A	0	45	45	1	1	2.0	1.0	-	
199	B2C9W8V	1.31	0	A	0	45	45	1	1	8.0	4.0	-	
200	B2C9W8V	21	A	0	0	45	45	1	1	0.5	0.25	-	
201	B2CPW8V	21	A	8	0	45	45	1	1	0.5	0.25	-	
202	B2C9W8V	10.5	A	8	0	45	45	1	1	1.0	0.5	-	
203	B2C9W8V	10.5	A	0	0	45	45	1	1	1.0	0.5	-	
204	B2C9W8V	5.25	A	0	0	45	45	1	1	2.0	1.0	-	
205	B2C9W8V	5.25	A	8	0	45	45	1	1	2.0	1.0	-	
206	B2C9W8	30	5	A	0	45	45	1	1	0	0	-	
207	B2C9W8	21	5	A	0	45	45	1	1	0.5	0.25	-	
208	B2C9E8	10.5	5	A	0	45	45	1	1	1.0	0.5	-	
209	B2C9W8	5.25	5	A	0	45	45	1	1	2.0	1.0	-	
210	B2C9W8	30	0	A	0	45	45	1	1	0	0	-	
211	B2C9W8	21	0	A	0	45	45	1	1	0.5	0.25	-	
212	B2C9W8	10.5	0	A	0	45	45	1	1	1.0	0.5	-	
213	B2C9W8	5.25	0	A	0	45	45	1	1	2.0	1.0	-	
214	B2C9W8V	30	0	A	0	45	45	1	1	0	0	-	
215	B2C9W8V												THRUST CALIBRATION
216	B2C9W8V	30	0	A	10	45	45	1	1	0	0	-	

TABLE 1 PROPULSIVE WING TEST RUN SCHEDULE (Cont'd)

R U N #	CONFIG	Q	B E T A	A L P H A	D E L T A	D E L T A	D E L T A	B N / B W	B N / B W	C M U W	C M U C	H / C	REMARKS
217	B2C9W8V	21	0	A	10	45	45	1	1	0.5	0.25	-	
218	B2C9W8V	10.5	0	A	10	45	45	1	1	1.0	0.5	-	
219	B2C9W8V	5.25	0	A	10	45	45	1	1	2.0	1.0	-	
220	B2C9V	THRUST CALIBRATION											
221	B2C9V	30	0	A	0	45	-	-	1	-	0	-	
222	B2C9V	21	0	A	0	45	-	-	1	-	0.25	-	
223	B2C9V	10.5	0	A	0	45	-	-	1	-	0.5	-	
224	B2C9V	5.25	0	A	0	45	-	-	1	-	1.0	-	
225	B2C9V	2.62	0	A	0	45	-	-	1	-	2.0	-	
226	B2C9V	1.31	0	A	0	45	-	-	1	-	4.0	-	
227	B2C9W8V	WT. TARE											
228	B2C9W8V	NOZZLE CALIBRATION											
229	B2C9W8V	WT. TARE											
230	B2C9W8V	30	0	A	0	45	30	1	1	0	0	-	
231	B2C9W8V	21	0	A	0	45	30	1	1	0.5	0.25	-	
232	B2C9W8V	10.5	0	A	0	45	30	1	1	1.0	0.5	-	
233	B2C9W8V	5.25	0	A	0	45	30	1	1	1.0	2.0	-	
234	B2W8V	NOZZLE CALIBRATION											
235	B2W8V	30	0	A	-	-	30	1	-	0	-	-	
236	B2W8V	21	0	A	-	-	30	1	-	0.5	-	-	
237	B2W8V	10.5	0	A	-	-	30	1	-	1.0	-	-	
238	B2W8V	5.25	0	A	-	-	30	1	-	2.0	-	-	
239	B2W8V	2.62	0	A	-	-	30	1	-	4.0	-	-	
240	B2W8V	1.31	0	A	-	-	30	1	-	8.0	-	-	
241	B2C9W8V	WT. TARE & NOZZLE CALIBRATION											
242	B2C9W8V	THRUST CALIBRATION											
243	B2C9W8V	30	0	A	0	30	30	1	1	0	0	-	
244	B2C9W8V	21	0	A	0	30	30	1	1	0.5	0.25	-	
245	B2C9W8V	10.5	0	A	0	30	30	1	1	1.0	0.5	-	
246	B2C9W8V	5.25	0	A	0	30	30	1	1	2.0	1.0	-	
247	B2C9W8V	2.62	0	A	0	30	30	1	1	4.0	2.0	-	
248	B2C9W8V	1.31	0	A	0	30	30	1	1	8.0	4.0	-	
249	B2C9V	WT. TARE & NOZZLE CALIBRATION											
250	B2C9V	30	0	A	0	30	-	-	1	-	0	-	
251	B2C9V	21	0	A	0	30	-	-	1	-	0.25	-	
252	B2C9V	10.5	0	A	0	30	-	-	1	-	0.5	-	
253	B2C9V	5.25	0	A	0	30	-	-	1	-	1.0	-	
254	B2W8V	NOZZLE CALIBRATION											
255	B2W8V	WT. TARE & THRUST CALIBRATION											
256	B2W8V	30	0	A	-	-	15	1	-	0	-	-	
257	B2W8V	21	0	A	-	-	15	1	-	0.5	-	-	
258	B2W8V	10.5	0	A	-	-	15	1	-	1.0	-	-	
259	B2W8V	5.25	0	A	-	-	15	1	-	2.0	-	-	
260	B2C9W8V	NOZZLE CALIBRATION											
261	B2C9W8V	WT. TARE											
262	B2C9W8V	30	0	A	0	15	15	1	1	0	0	-	
263	B2C9W8V	21	0	A	0	15	15	1	1	0.5	0.25	-	
264	B2C9W8V	10.5	0	A	0	15	15	1	1	1.0	0.5	-	
265	B2C9W8V	5.25	0	A		15	15	1	1	2.0	1.0	-	
266	B2C9V	WT. TARE & THRUST CALIBRATION											
267	B2C9V	30	0	A	0	15	-	-	1	-	0	-	
268	B2C9V	21	0	A	0	15	-	-	1	-	0.25	-	
269	B2C9V	10.5	0	A	0	15	-	-	1	-	0.5	-	
270	B2C9V	5.25	0	A	0	15	-	-	1	-	1.0	-	
271	B2W8V	WT. TARE & NOZZLE CALIBRATION											
272	B2W8V	THRUST CALIBRATION											
273	B2W8V	30	0	D	-	-	45	1/4	-	0	-	-	

TABLE 1 PROPULSIVE WING TEST RUN SCHEDULE (Cont'd)

R U N #	CONFIG	Q	B E T A	A L P H A	D E L C	D E L F C	D E L F W	B N / B W	B N / B C	C M U W	C M U C	H / C	REMARKS
274	B2W8V	10	0	D	-	-	45	1/4	-	0.5	-	-	
275	B2W8V	5	0	D	-	-	45	1/4	-	1.0	-	-	
276	B2W8V	2.5	0	D	-	-	45	1/4	-	2.0	-	-	
277	B2W8V	2.5	5	D	-	-	45	1/4	-	2.0	-	-	
278	B2W8V	5	5	D	-	-	45	1/4	-	1.0	-	-	
279	B2W8V	10	5	D	-	-	45	1/4	-	0.5	-	-	
280	B2W8V	30	5	D	-	-	45	1/4	-	0	-	-	
281	B2W8V	30	0	D	-	-	45	1/4	-	0	-	-	
282	B2W8V	10	0	D	-	-	45	1/4	-	0.5	-	-	
283	B2W8V	10	5	D	-	-	45	1/4	-	0.5	-	-	
284	B2W8V	5	5	D	-	-	45	1/4	-	1.0	-	-	
285	B2W8V	5	0	D	-	-	45	1/4	-	1.0	-	-	
286	B2W8V	2.5	0	D	-	-	45	1/4	-	2.0	-	-	
287	B2W8V	2.5	5	D	-	-	45	1/4	-	2.0	-	-	
288	B2W8V	30	5	D	-	-	45	1/4	-	0	-	-	
289	B2W8				NOZZLE CALIBRATION								
290	B2W8				THRUST CALIBRATION								
291	B2W8	30	5	D	-	-	45	1/2	-	0	-	-	
292	B2W8	30	0	D	-	-	45	1/2	-	0	-	-	
293	B2W8	12	0	D	-	-	45	1/2	-	0.5	-	-	
294	B2W8	6	0	D	-	-	45	1/2	-	1.0	-	-	
295	B2W8	3	0	D	-	-	45	1/2	-	2.0	-	-	
296	B2W8	3	5	D	-	-	45	1/2	-	2.0	-	-	
297	B2W8	6	5	D	-	-	45	1/2	-	1.0	-	-	
298	B2W8	12	5	D	-	-	45	1/2	-	0.5	-	-	
299	B2W8V	30	0	D	-	-	45	1/2	-	0	-	-	
300	B2W8V	30	5	D	-	-	45	1/2	-	0	-	-	
301	B2W8V	12	5	D	-	-	45	1/2	-	0.5	-	-	
302	B2W8V	6	5	D	-	-	45	1/2	-	1.0	-	-	
303	B2W8V	3	5	D	-	-	45	1/2	-	2.0	-	-	
304	B2W8V	1.5	0	D	-	-	45	1/2	-	4.0	-	-	
305	B2W8V	3	0	D	-	-	45	1/2	-	2.0	-	-	
306	B2W8V	6	0	D	-	-	45	1/2	-	1.0	-	-	
307	B2W8V	12	0	D	-	-	45	1/2	-	0.5	-	-	
308	B2C9W8V				WT. TARE & NOZZLE CALIBRATION								
309	B2C9W8V				THRUST CALIBRATION								
310	B2C9W8V	30	0	D	45	0	45	1/2	1	0	0	-	
311	B2C9W8V	30	5	D	45	0	45	1/2	1	0	0	-	
312	B2C9W8V	12	5	D	45	0	45	1/2	1	0.5	0.25	-	
313	B2C9W8V	6	5	D	45	0	45	1/2	1	1.0	0.5	-	
314	B2C9W8V	3	5	D	45	0	45	1/2	1	2.0	1.0	-	
315	B2C9W8V	1.5	5	D	45	0	45	1/2	1	4.0	2.0	-	
316	B2C9W8V	3	0	D	45	0	45	1/2	1	2.0	1.0	-	
317	B2C9W8V	6	0	D	45	0	45	1/2	1	1.0	0.5	-	
318	B2C9W8V	12	0	D	45	0	45	1/2	1	0.5	0.25	-	
319	B2W8V				GROUND BELT CALIBRATION								
320	B2W8V	12	0	0	-	-	45	1/2	-	0	-	A	NOTE 1
321	B2W8V	12	5	8	-	-	45	1/2	-	0	-	A	NOTE 1
322	B2W8V	12	0	0	-	-	45	1/2	-	0.5	-	A	NOTE 1
323	B2W8V	12	5	8	-	-	45	1/2	-	0.5	-	A	NOTE 1
324	B2W8V	6	5	8	-	-	45	1/2	-	1.0	-	A	NOTE 1
325	B2W8V	6	0	0	-	-	45	1/2	-	1.0	-	A	NOTE 1
326	B2W8V	6	0	0	-	-	45	1/2	-	1.0	-	A	NOTE 2
327	B2W8V	3	0	0	-	-	45	1/2	-	2.0	-	A	NOTE 2
328	B2W8V	3	5	8	-	-	45	1/2	-	2.0	-	A	NOTE 2
329	B2W8V	6	5	8	-	-	45	1/2	-	1.0	-	A	NOTE 2
330	B2W8V	12	5	8	-	-	45	1/2	-	0.5	-	A	NOTE 2

TABLE 1 PROPULSIVE WING TEST RUN SCHEDULE (Cont'd)

R U N #	CONFIG	Q	B E T A	A L P H A	D E L C	D E L F C	D E L F W	B N / B W	B N / B C	C M U W	C M U C	H / C	REMARKS
331	B2W8V	12	0	0	-	-	45	1/2	-	0.5	-	A	NOTE 2
332	B2W8V	12	0	0	-	-	45	1/2	-	0	-	A	NOTE 2
333	B2W8V	12	5	8	-	-	45	1/2	-	0	-	A	NOTE 2
334	B2W8V	3	0	0	-	-	45	1/2	-	2.0	-	A	NOTE 1
335	B2W8V	NOZZLE CALIBRATION											
336	B2W8V	WEIGHT TARE & THRUST CALIBRATION											
337	B2W8V	30	0	0	-	-	45	1	-	0	-	A	NOTE 3
338	B2W8V	21	0	0	-	-	45	1	-	0.5	-	A	NOTE 3
339	B2W8V	10.5	0	0	-	-	45	1	-	1.0	-	A	NOTE 3
340	B2W8V	5.25	0	0	-	-	45	1	-	2.0	-	A	NOTE 3
341	B2W8V	2.62	0	0	-	-	45	1	-	4.0	-	A	NOTE 3
342	B2W8V	1.31	0	0	-	-	45	1	-	8.0	-	A	NOTE 4
343	B2W8V	1.31	0	8	-	-	45	1	-	8.0	-	A	NOTE 4
344	B2W8V	2.62	0	8	-	-	45	1	-	4.0	-	A	NOTE 4
345	B2W8V	2.62	0	0	-	-	45	1	-	4.0	-	A	NOTE 4
346	B2W8V	5.25	0	0	-	-	45	1	-	2.0	-	A	NOTE 4
347	B2W8V	5.25	0	8	-	-	45	1	-	2.0	-	A	NOTE 4
348	B2W8V	5.25	5	8	-	-	45	1	-	2.0	-	A	NOTE 4
349	B2W8V	5.25	5	0	-	-	45	1	-	2.0	-	A	NOTE 4
350	B2W8V	10.5	5	0	-	-	45	1	-	1.0	-	A	NOTE 4
351	B2W8V	10.5	5	8	-	-	45	1	-	1.0	-	A	NOTE 4
352	B2W8V	10.5	0	8	-	-	45	1	-	1.0	-	A	NOTE 4
353	B2W8V	10.5	0	0	-	-	45	1	-	1.0	-	A	NOTE 4
354	B2W8V	21	0	0	-	-	45	1	-	0.5	-	A	NOTE 4
355	B2W8V	21	0	8	-	-	45	1	-	0.5	-	A	NOTE 4
356	B2W8V	21	5	8	-	-	45	1	-	0.5	-	A	NOTE 4
357	B2W8V	21	5	0	-	-	45	1	-	0.5	-	A	NOTE 4
358	B2W8V	30	5	0	-	-	45	1	-	0	-	A	NOTE 4
359	B2W8V	30	5	8	-	-	45	1	-	0	-	A	NOTE 4
360	B2W8V	30	0	8	-	-	45	1	-	0	-	A	NOTE 4
361	B2W8V	30	0	0	-	-	45	1	-	0	-	A	NOTE 4
362	B2W8V	30	0	E	-	-	45	1	-	0	-	-	REPEAT OF RUN 163
363	B2W8V	16.6	0	E	-	-	45	1	-	0.5	-	-	REPEAT OF RUN 170
364	B2W8V	10.5	0	E	-	-	45	1	-	1.0	-	-	REPEAT OF RUN 171
365	B2W8V	5.25	0	E	-	-	45	1	-	2.0	-	-	REPEAT OF RUN 178
366	B2W8V	1.31	0	E	-	-	45	1	-	8.0	-	-	REPEAT OF RUN 180
367	B2W8V	2.62	0	E	-	-	45	1	-	4.0	-	-	REPEAT OF RUN 179
368		THRUST CALIBRATION											
369	B2C9W8V	30	0	E	0	45	45	1	1	0	0	-	REPEAT OF RUN 184
370	B2C9W8V	21	0	E	0	45	45	1	1	0.5	0.25	-	REPEAT OF RUN 192
371	B2C9W8V	10.5	0	E	0	45	45	1	1	1.0	0.5	-	REPEAT OF RUN 193
372	B2C9W8V	5.25	0	E	0	45	45	1	1	2.0	1.0	-	REPEAT OF RUN 194
373	B2C9W8V	2.62	0	E	0	45	45	1	1	4.0	2.0	-	REPEAT OF RUN 195
374	B2C9W8V	1.31	0	E	0	45	45	1	1	8.0	4.0	-	REPEAT OF RUN 199
375	B2C9W8V	30	0	0	0	45	45	1	1	0	0	A	NOTE 4
379	B2C9W8V	2.62	0	0	0	45	45	1	1	4.0	2.0	A	NOTE 4
380	B2C9W8V	1.31	0	0	0	45	45	1	1	8.0	4.0	A	NOTE 4
381	B2C9W8V	5.25	0	0	0	45	45	1	1	2.0	1.0	A	NOTE 4
382	B2C9W8V	10.5	0	0	0	45	45	1	1	1.0	0.5	A	NOTE 4
383	B2C9W8V	21	0	0	0	45	45	1	1	0.5	0.25	A	NOTE 4
387	B2C9W8V	21	0	B	0	45	45	1	1	0/.5	0.25	-	LATERAL CONTROL
388	B2C9W8V	10.5	0	B	0	45	45	1	1	0/1	0.5	-	CONTROL
289	B2C9W8V	5.25	0	B	0	45	45	1	1	0/2	1.0	-	NOTE 5
390	B2C9V	THRUST CALIBRATION											
391	B2C9V	21	0	0	0	45	-	-	1	-	0	-	RAKE LOC. 1, NOTE 7
392	B2C9V	10.5	0	0	0	45	-	-	1	-	0.5	-	RAKE LOC. 1, NOTE 7
393	B2C9V	5.25	0	0	0	45	-	-	1	-	1.0	-	RAKE LOC. 1, NOTE 7

TABLE 1 PROPULSIVE WING TEST RUN SCHEDULE (Cont'd)

R U N #	CONFIG	Q	B E T A	A L P H A	D E L T A	D E L T A C	D E L T A F	D E L T A W	B N / B W	B N / B C	C M U W	C M U C	H / C	REMARKS
394	B2C9V	21	0	0	0	45	-	-	1	-	0	-	-	RAKE LOC. 2, NOTE 7
395	B2C9V	21	0	0	0	45	-	-	1	-	0	-	-	REPEAT OF RUN 394
396	B2C9V	10.5	0	0	0	45	-	-	1	-	0.5	-	-	RAKE LOC. 2, NOTE 7
397	B2C9V	5.25	0	0	0	45	-	-	1	-	1.0	-	-	RAKE LOC. 2, NOTE 7
398	B2C9V	BALANCE CHECK												
399	B2C9V	21	0	0	0	45	-	-	1	-	0	-	-	RAKE LOC. 3, NOTE 7
400	B2C9V	10.5	0	0	0	45	-	-	1	-	0.5	-	-	RAKE LOC. 3, NOTE 7
401	B2C9V	5.25	0	0	0	45	-	-	1	-	1.0	-	-	RAKE LOC. 3, NOTE 7
402	B2C9V	21	0	0	0	45	-	-	1	-	0	-	-	RAKE LOC. 4, NOTE 7
403	B2C9V	10.5	0	0	0	45	-	-	1	-	0.5	-	-	RAKE LOC. 4, NOTE 7
404	B2C9V	5.25	0	0	0	45	-	-	1	-	1.0	-	-	RAKE LOC. 4, NOTE 7
405	B2C9V	V	0	0	0	45	-	-	1	-	0	-	-	NOTE 6
406	B2C9V	DISCARDED												
407	B2C9V	NOZZLE CALIBRATION												
408	B2C9V	DISCARDED												
409	B2C9V	21	0	0	0	0	-	-	1	-	0	-	-	RAKE LOC. 6, NOTE 7
410	B2C9V	THRUST CALIBRATION												
411	B2C9V	10.5	0	0	0	0	-	-	1	-	0.5	-	-	RAKE LOC. 6, NOTE 7
412	B2C9V	5.25	0	0	0	0	-	-	1	-	1.0	-	-	RAKE LOC. 6, NOTE 7
413	B2C9V	V	0	0	0	0	-	-	1	-	0	-	-	RAKE LOC. 6, NOTE 7
415	B2C9V	V	0	0	0	0	-	-	1	-	0	-	-	RAKE LOC. 8, NOTE 7
416	B2C9V	21	0	0	0	0	-	-	1	-	0	-	-	RAKE LOC. 8, NOTE 7
417	B2C9V	10.5	0	0	0	0	-	-	1	-	0.5	-	-	RAKE LOC. 8, NOTE 7
418	B2C9V	5.25	0	0	0	0	-	-	1	-	1.0	-	-	RAKE LOC. 8, NOTE 7
419	B2C9V	V	0	0	0	0	-	-	1	-	0	-	-	RAKE LOC. 7, NOTE 7
420	B2C9V	21	0	0	0	0	-	-	1	-	0	-	-	RAKE LOC. 7, NOTE 7
421	B2C9V	10.5	0	0	0	0	-	-	1	-	0.5	-	-	RAKE LOC. 7, NOTE 7
422	B2C9V	5.25	0	0	0	0	-	-	1	-	1.0	-	-	RAKE LOC. 7, NOTE 7
423	B2C9V	V	0	0	0	0	-	-	1	-	0	-	-	RAKE LOC. 5, NOTE 7
424	B2C9V	21	0	0	0	0	-	-	1	-	0	-	-	RAKE LOC. 5, NOTE 7
425	B2C9V	10.5	0	0	0	0	-	-	1	-	0.5	-	-	RAKE LOC. 5, NOTE 7
426	B2C9V	5.25	0	0	0	0	-	-	1	-	1.0	-	-	RAKE LOC. 5, NOTE 7
427	B2C9V	V	0	0	0	0	-	-	1	-	0	-	-	RAKE LOC. 9, NOTE 7
428	B2C9V	21	0	0	0	0	-	-	1	-	0	-	-	RAKE LOC. 9, NOTE 7
429	B2C9V	10.5	0	0	0	0	-	-	1	-	0.5	-	-	RAKE LOC. 9, NOTE 7
430	B2C9V	5.25	0	0	0	0	-	-	1	-	1.0	-	-	RAKE LOC. 9, NOTE 7
431	BEC9V	V	0	0	0	0	-	-	1	-	0	-	-	RAKE LOC. 10, NOTE 7
432	B2C9V	21	0	0	0	0	-	-	1	-	0	-	-	RAKE LOC. 10, NOTE 7
433	B2C9V	10.5	0	0	0	0	-	-	1	-	0.5	-	-	RAKE LOC. 10, NOTE 7
434	B2C9V	5.25	0	0	0	0	-	-	1	-	1.0	-	-	RAKE LOC. 10, NOTE 7
435	B2C9V	BALANCE CHECK PITCH												
436	B2C9V	BALANCE CHECK YAW												

NOTES:

1. GROUND BELT VELOCITY IS EQUAL TO FREE STREAM VELOCITY BOUNDARY LAYER SUCTION IS ON
2. GROUND BELT VELOCITY IS ZERO BOUNDARY LAYER SUCTION IS ON
3. GROUND BELT VELOCITY IS ZERO BOUNDARY LAYER SUCTION IS OFF
4. GROUND BELT VELOCITY IS ZERO BOUNDARY LAYER SUCTION IS ON
5. RIGHT HAND WING BLOWING COEFFICIENT IS ZERO
6. MODEL LOWERED FOR RAKE ZERO. USE AS RAKE CALIBRATION ANGLES FOR CLEAN TUNNEL. RUNS 405, 413, 415, 419, 420, 427, AND 431
7. REFER TO TABLE 3 FOR SPECIFIC RAKE LOCATIONS

TABLE 2 RANGE OF VARIABLES FOR RUN SCHEDULE

● ALPHA RANGES

A -2, 0, 2, 4, 6, 8, 10, 12, 14, 16, 18, 20, 22  
B 0, 4, 12

● BETA RANGE

A -15, -10, -6, -4, -2, 0, 2, 4, 6, 8, 10, 15

● H/C RANGE

A 0.5, 1.0, 2.0, FREE AIR

● Q RANGE

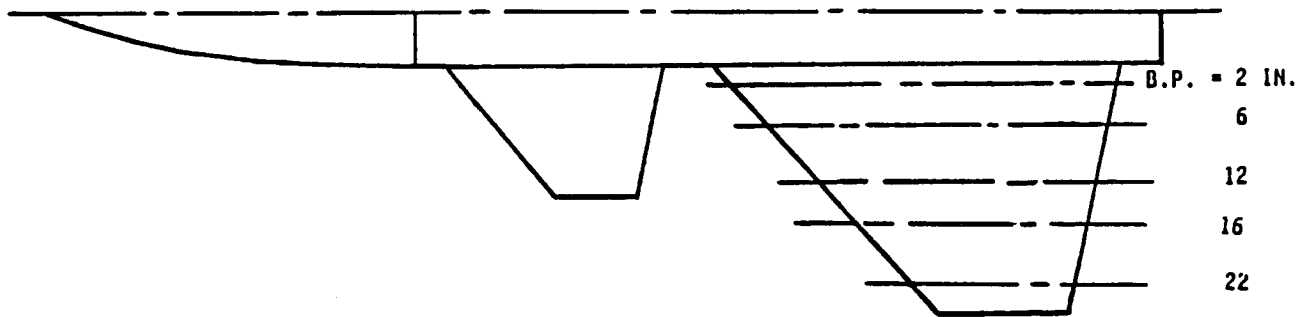
V 5.25, 10.5, 21



TABLE 3 SURVEY RAKE LOCATIONS

SURVEY RAKE LOCATION	HP INCHES	X0 INCHES	Y INCHES
1	66	19	3
2	66	19	19
3	66.6	51	19
4	66.6	51	5
5	67.1	19	3
6	66.6	51	5
7	66	19	17
8	65.5	51	19
9	67	11	3
10	66.5	11	17

- a.  $X = X0 + (Hmodel + 3 - HP) \sin 7.25 \text{ deg.}$
- b. Probes are 2 inches apart. Seven probes on the rake.
- c.  $Z = Hmodel + 3 - HP$       positive when probe is below model



WING STATIC PRESSURE TAP LOCATIONS										
%	$Y_w$ (Distance to Root Chord)									
	2		6		12		16		22	
	Up	Lwr	Up	Lwr	Up	Lwr	Up	Lwr	Up	Lwr
0	L.E.		L.E.		L.E.		L.E.		L.E.	
2.5	X	X	X	X	X	X	X	X	X	X
5	X	X	X	X	X	X	X	X	X	X
10	X	X	X	X	X	X	X	X	X	X
15	X		X		X		X		X	
24	X	X	X	X	X	X	X	X	X	X
33	X	X	X	X	X	X	X	X	X	X
54	X	X	X	X	X	X	X	X	X	X
65	X		X		X		X		X	
73.5		X		X		X		X		X
78.5	X		X		X		X		X	
79.5	X		X		X		X		X	
80.5	X		X		X		X		X	
81.25	X		X		X		X		X	
82	X		X		X		X		X	
84	X	X	X	X	X	X	X	X	X	X
87	X		X		X		X		X	
89	X		X		X		X		X	
93	X		X		X		X		X	
96	X	X	X	X	X	X	X	X	X	X
100	T.E.		T.E.		T.E.		T.E.		T.E.	

Figure 1 Wing Surface Pressure Tap Locations

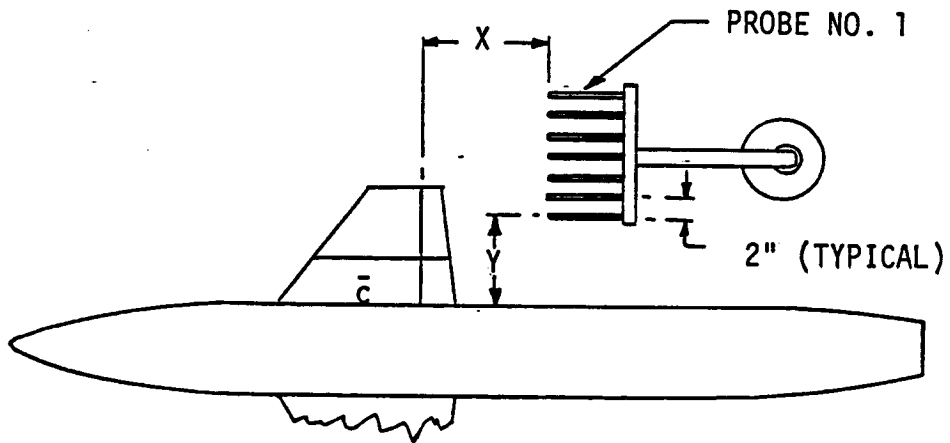
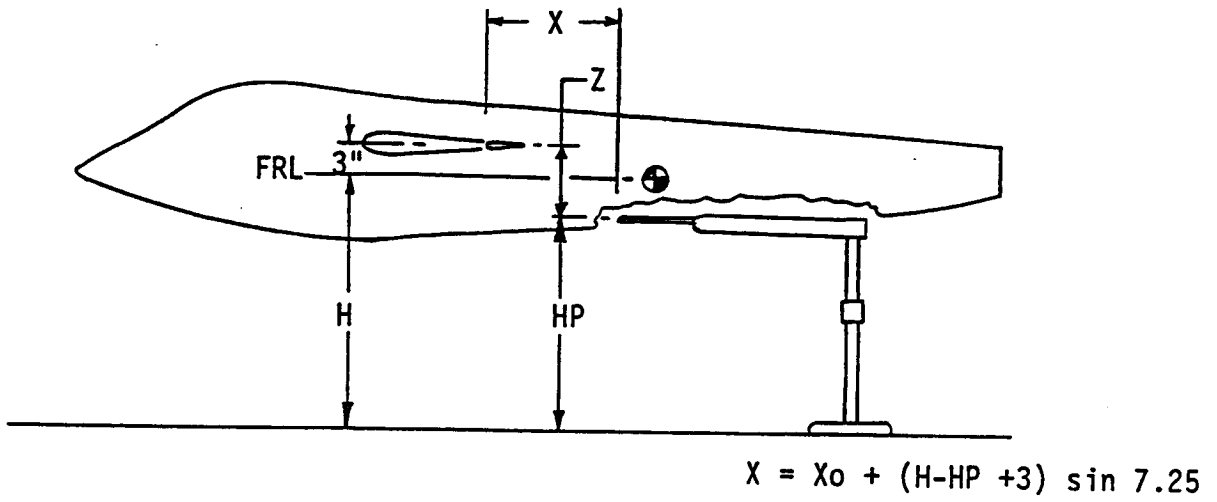


Figure 2 Location of Flow Field Survey Rake with Respect to Model

ORIGINAL PAGE IS  
OF POOR QUALITY

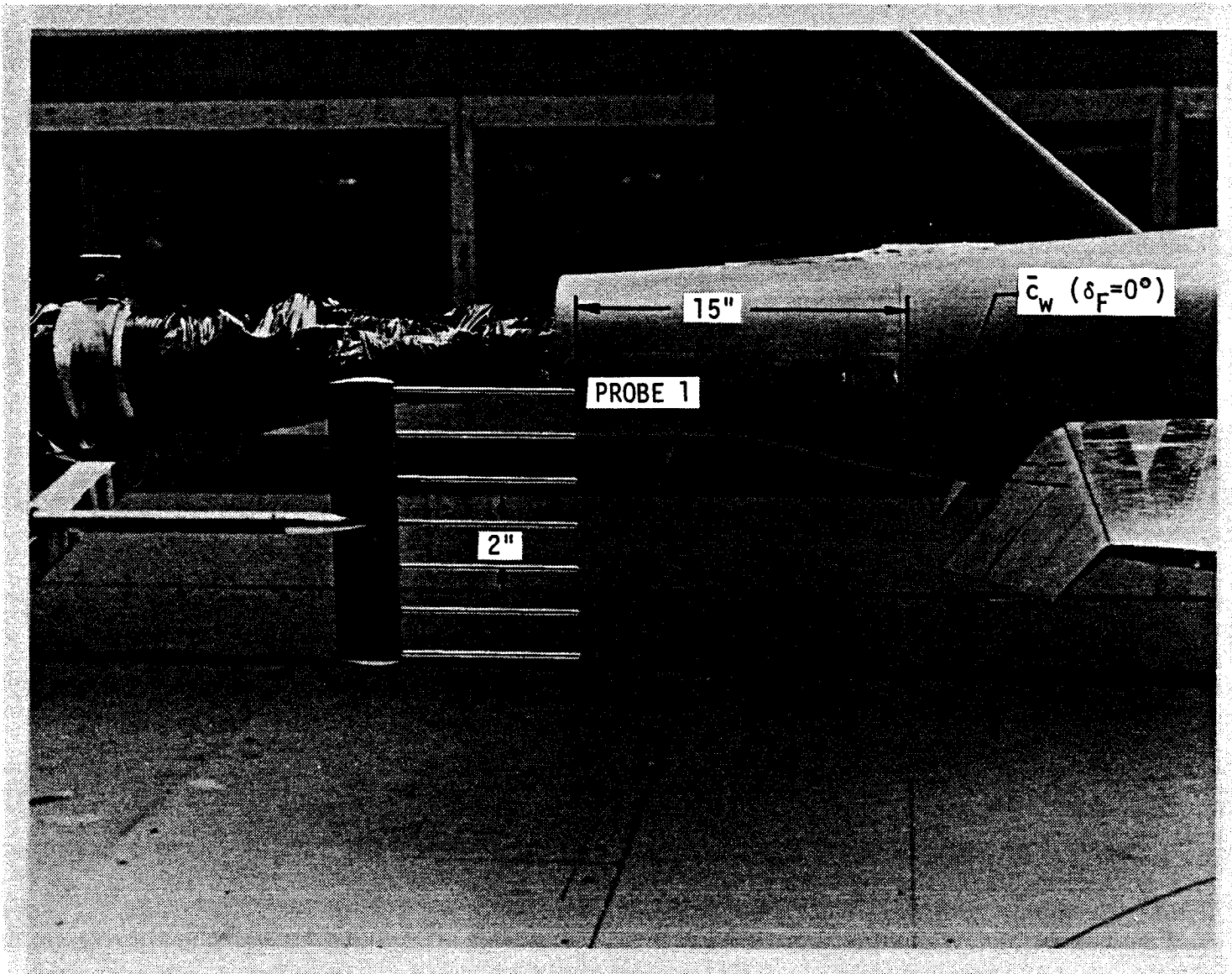


Figure 3 Profile View of Model with Survey Rake in Vertical Position Aft of Trailing Edge of Wing Flap

ORIGINAL PAGE IS  
OF POOR QUALITY

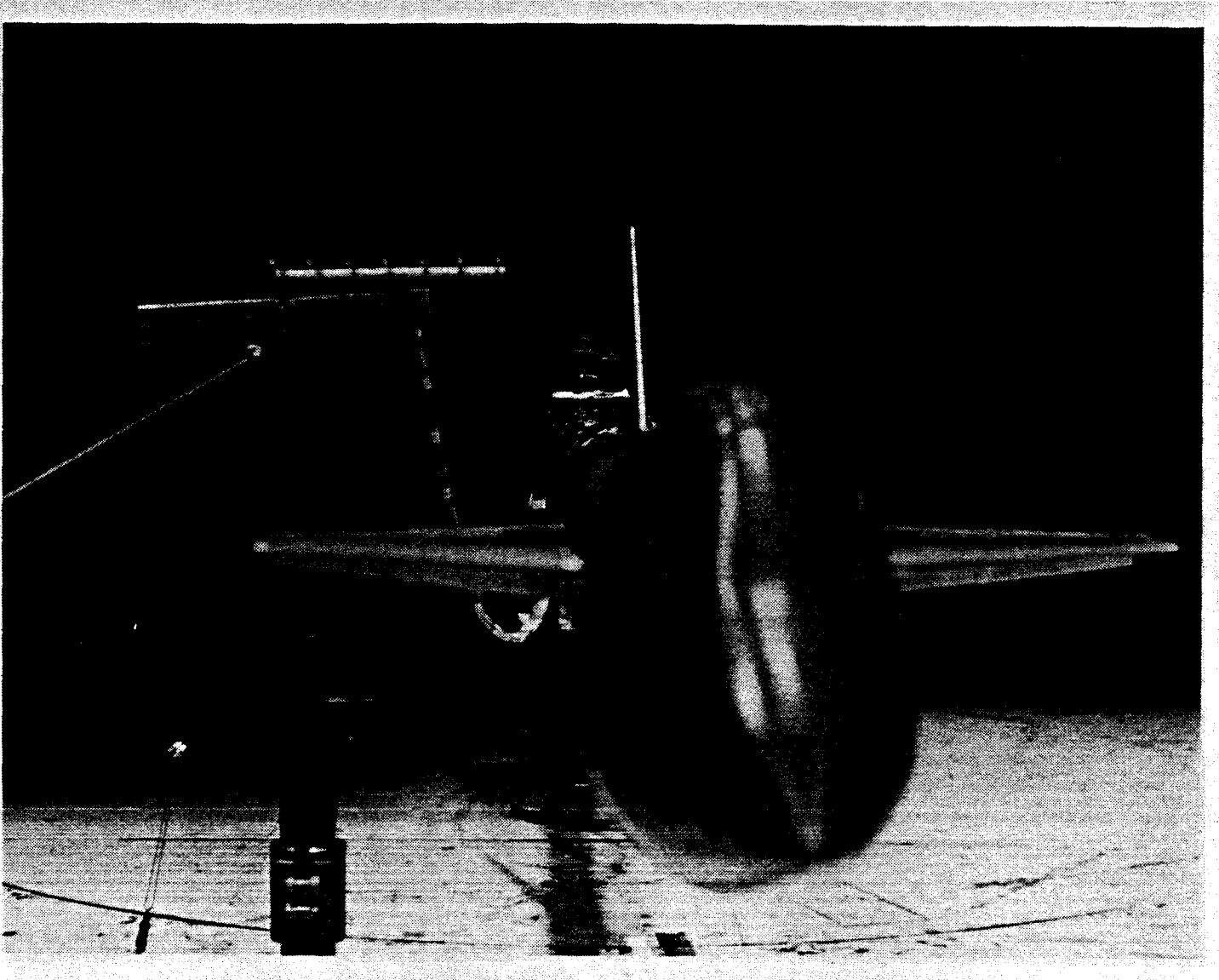


Figure 4 Nose-On View of Model with Survey Rake in Horizontal Position Aft of Trailing Edge of Canard Flap

APPENDIX A

TABULATED FORCE DATA

PROPULSIVE WING FORCE DATA

SUMMARY, RUN 101

PT	O ALPHA BETA	REY NO HEIGHT	CLIS CNFIB CMUC	CDIS CAFIB CMUM	CPMIS CPMIB CMUT	CRMIS CRMIB CLTR	CYMIS CYMIB CDR	CSFIS CSFIB CMT
1	5.29	0.42E+05	-0.12	0.01	-0.07	0.00	0.00	0.00
	-4.51	82.46	0.00	0.00	0.00	-0.14	0.36	-0.02
2	5.29	0.42E+06	0.03	0.00	-0.05	0.00	0.00	0.00
	-2.49	89.83	0.00	0.00	-0.05	0.00	0.00	0.00
3	5.29	0.42E+06	0.13	-0.01	-0.03	0.00	0.00	0.00
	-0.43	97.38	0.13	0.00	-0.03	0.00	0.00	0.00
4	5.29	0.42E+06	0.29	0.01	0.00	0.00	0.00	0.00
	1.53	84.41	0.29	0.00	0.00	0.23	0.35	0.05
5	5.17	0.42E+06	0.37	0.01	0.01	0.00	-0.01	-0.02
	3.58	83.73	0.37	-0.01	0.01	0.00	-0.01	-0.02
6	5.29	0.42E+06	0.55	0.03	0.03	0.00	0.00	-0.03
	5.59	85.82	0.55	-0.02	0.03	0.00	0.00	-0.03
7	5.17	0.42E+06	0.65	0.05	0.06	0.00	-0.01	-0.03
	7.51	85.96	0.65	-0.03	0.06	0.00	-0.01	-0.03
8	5.17	0.42E+06	0.80	0.09	0.09	0.00	-0.01	-0.02
	9.54	86.38	0.80	-0.05	0.09	0.00	-0.01	-0.02
9	5.17	0.42E+06	0.94	0.13	0.10	0.00	-0.01	-0.05
	11.46	87.46	0.94	-0.06	0.10	0.00	-0.01	-0.05
10	5.17	0.42E+06	1.09	0.19	0.10	0.00	-0.01	-0.04
	13.45	83.74	1.09	-0.07	0.10	0.00	-0.01	-0.04
11	5.17	0.42E+06	1.24	0.26	0.13	0.00	-0.01	-0.06
	15.47	85.92	1.24	-0.08	0.13	0.00	-0.01	-0.06
12	5.06	0.41E+06	1.36	0.34	0.10	0.00	-0.01	-0.07
	17.40	85.74	1.36	-0.09	0.10	0.00	-0.01	-0.07
13	5.29	0.42E+06	1.46	0.42	0.11	0.00	-0.01	-0.06
	19.40	93.06	1.46	-0.09	0.11	0.00	-0.01	-0.06

PROPULSIVE WING FORCE DATA

SUMMARY, RUN 100

PT	O ALPHA BETA	REY NO HEIGHT	CLIS CNFIB CMUC	CDIS CAFIB CMUM	CPMIS CPMIB CMUT	CRMIS CRMIB CLTR	CYMIS CYMIB CDR	CSFIS CSFIB CMT
2	2.53	0.29E+06	-0.16	0.02	-0.07	0.00	0.00	0.02
	-4.57	82.38	0.00	0.00	0.00	-0.22	0.75	0.04
3	2.76	0.30E+06	0.05	0.02	-0.04	0.00	0.00	0.03
	-2.50	89.57	0.05	0.02	-0.04	-0.02	0.68	0.06
4	2.76	0.30E+06	0.14	0.00	-0.03	0.00	0.00	-0.02
	-0.38	97.38	0.14	0.00	-0.03	0.04	0.67	0.07
5	2.76	0.30E+06	0.31	0.01	-0.01	0.00	0.00	-0.03
	1.59	86.80	0.31	0.00	-0.01	0.00	0.67	0.09
6	2.76	0.30E+06	0.38	0.02	-0.03	0.00	-0.01	-0.04
	3.55	87.21	0.38	-0.01	-0.03	0.00	-0.01	-0.04
7	2.65	0.30E+06	0.59	0.05	0.04	0.00	0.00	-0.06
	5.55	86.35	0.60	-0.01	0.04	0.00	0.00	-0.06
8	2.51	0.30E+06	0.73	0.07	0.07	0.00	-0.01	-0.05
	7.51	84.57	0.74	-0.02	0.07	0.00	0.54	0.17
9	2.65	0.30E+06	0.95	0.11	0.14	0.00	-0.01	-0.09
	9.48	84.55	0.95	-0.04	0.14	0.00	-0.01	-0.09
10	2.76	0.30E+06	0.99	0.14	0.10	0.00	-0.01	-0.10
	11.50	86.83	1.00	-0.06	0.10	0.00	-0.01	-0.10
11	2.65	0.30E+06	1.18	0.21	0.13	0.00	-0.01	-0.10
	13.47	84.39	1.20	-0.07	0.13	0.00	-0.01	-0.10
12	2.65	0.30E+06	1.38	0.31	0.15	0.00	-0.01	-0.08
	15.44	85.45	1.42	-0.07	0.15	0.00	1.10	0.26
13	2.65	0.30E+06	1.45	0.37	0.12	0.00	-0.01	-0.06
	17.47	86.03	1.50	-0.08	0.12	0.00	-0.01	-0.06
14	2.65	0.30E+06	1.85	-0.22	0.14	0.00	-0.01	-0.15
	19.39	93.12	1.87	-0.82	0.14	0.00	-0.01	-0.15
15	2.76	0.30E+06	0.24	-0.01	0.01	0.00	-0.01	0.00
	-0.46	86.66	0.24	-0.01	0.01	0.00	0.15	0.11
16	2.76	0.30E+06	0.03	0.00	-0.05	0.00	0.00	0.00
	-2.47	86.00	0.03	0.00	-0.05	-0.04	0.67	0.05
17	2.76	0.30E+06	-0.11	0.00	-0.06	0.00	0.00	0.00
	-4.50	82.46	-0.11	-0.01	-0.06	0.00	0.00	0.00

PROPULSIVE WING FORCE DATA

SUMMARY. RUN 103

PT	Q ALPHA BETA	REY NO HEIGHT	CLIS CNFIB CMUC	CDIS CAFIB CHUM	CPMIS CPMIB CNUC	CRMIS CRMIB CLTR	CSFIS CSFIB CNTR	CVMIS CVMIB CDR	CYMIS CYMIB CDR
1	10.46	0.59E+06	0.23	-1.32	-0.24	0.00	0.00	0.00	0.00
	-4.49	82.26	0.33	-1.30	-0.24	0.00	0.00	0.00	0.00
	0.00	0.00	0.47	1.00	1.48	0.09	-0.04	-0.12	-0.12
2	10.58	0.60E+06	0.39	-1.25	-0.21	0.00	0.00	0.00	0.01
	-2.50	86.50	0.44	-1.23	-0.21	0.00	0.00	0.00	0.01
	0.00	0.00	0.45	0.95	1.39	0.21	-0.04	-0.10	-0.10
3	10.58	0.60E+06	0.57	-1.28	-0.19	0.00	0.00	0.00	0.01
	-0.39	85.62	0.58	-1.27	-0.19	0.00	0.00	0.00	0.01
	0.00	0.00	0.46	0.97	1.43	0.34	-0.03	-0.08	-0.08
4	10.58	0.60E+06	0.72	-1.25	-0.17	0.00	0.00	0.00	0.00
	1.54	81.76	0.69	-1.27	-0.17	0.00	0.00	0.00	0.00
	0.00	0.00	0.46	0.97	1.43	0.45	-0.02	-0.06	-0.06
5	10.46	0.59E+06	0.90	-1.23	-0.16	0.00	0.00	0.00	0.00
	3.55	83.95	0.83	-1.28	-0.16	0.00	0.00	0.00	0.00
	0.00	0.00	0.45	0.97	1.43	0.59	0.00	-0.04	-0.04
6	10.58	0.60E+06	1.08	-1.17	-0.13	0.00	0.00	0.00	-0.01
	5.57	84.42	0.96	-1.27	-0.13	0.00	0.00	0.00	-0.01
	0.00	0.00	0.45	0.96	1.41	0.73	0.03	-0.02	-0.02
7	10.58	0.60E+06	1.27	-1.14	-0.11	0.00	0.00	0.00	-0.02
	7.56	85.50	1.11	-1.30	-0.11	0.00	0.00	0.00	-0.02
	0.00	0.00	0.45	0.96	1.41	0.88	0.06	0.00	0.00
8	10.58	0.60E+06	1.48	-1.07	-0.09	0.00	0.00	0.00	-0.01
	9.53	84.94	1.28	-1.31	-0.09	0.00	0.00	0.00	-0.01
	0.00	0.00	0.45	0.96	1.41	1.05	0.12	0.02	0.02
9	10.58	0.60E+06	1.71	-0.98	-0.06	0.00	0.00	0.00	-0.03
	11.50	85.09	1.48	-1.30	-0.06	0.00	0.00	0.00	-0.03
	0.00	0.00	0.44	0.94	1.38	1.24	0.18	0.05	0.05
10	10.46	0.60E+06	1.93	-0.91	-0.04	0.00	0.00	0.00	-0.02
	13.45	84.02	1.66	-1.33	-0.04	0.00	0.00	0.00	-0.02
	0.00	0.00	0.45	0.95	1.40	1.41	0.25	0.07	0.07
11	10.58	0.60E+06	2.13	-0.82	-0.02	0.00	0.00	0.00	-0.02
	15.42	83.49	1.83	-1.35	-0.02	0.00	0.00	0.00	-0.02
	0.00	0.00	0.46	1.00	1.46	1.57	0.32	0.09	0.09
12	10.35	0.59E+06	2.35	-0.69	0.01	0.01	0.00	0.00	-0.04
	17.38	86.41	2.04	-1.36	0.01	0.00	0.00	0.00	-0.04
	0.00	0.00	0.46	0.99	1.45	1.76	0.41	0.12	0.12
13	10.46	0.60E+06	2.59	-0.55	0.04	0.01	0.00	0.00	-0.03
	19.43	92.39	2.26	-1.38	0.04	0.01	0.00	0.00	-0.03
	0.00	0.00	0.44	0.95	1.39	1.96	0.54	0.15	0.15

PROPULSIVE WING FORCE DATA

SUMMARY. RUN 102

PT	Q ALPHA BETA	REY NO HEIGHT	CLIS CNFIB CMUC	CDIS CAFIB CHUM	CPMIS CPMIB CNUC	CRMIS CRMIB CLTR	CSFIS CSFIB CNTR	CVMIS CVMIB CDR	CYMIS CYMIB CDR
1	10.46	0.59E+06	-0.09	0.01	-0.07	0.00	0.00	0.00	0.00
	-4.49	82.60	-0.09	0.00	-0.07	0.00	0.00	0.00	0.00
	0.00	0.00	0.00	0.00	0.00	-0.10	0.18	-0.04	-0.04
2	10.46	0.59E+06	0.04	0.00	-0.05	0.00	0.00	0.00	0.01
	-2.45	89.93	0.04	0.01	-0.05	0.00	0.00	0.00	0.01
	0.00	0.00	0.00	0.00	0.00	0.02	0.18	-0.02	-0.02
3	10.58	0.60E+06	0.17	0.00	-0.03	0.00	0.00	0.00	0.01
	-0.41	86.39	0.17	0.00	-0.03	0.00	0.00	0.00	0.01
	0.00	0.00	0.00	0.00	0.00	0.14	0.17	0.00	0.00
4	10.58	0.60E+06	0.26	0.01	-0.02	0.00	0.00	0.00	0.00
	1.57	85.60	0.26	0.00	-0.02	0.00	0.00	0.00	0.00
	0.00	0.00	0.00	0.00	0.00	0.23	0.18	0.01	0.01
5	10.46	0.59E+06	0.39	0.02	0.01	0.00	0.00	0.00	0.00
	3.55	84.50	0.39	-0.01	0.01	0.00	0.00	0.00	0.00
	0.00	0.00	0.00	0.00	0.00	0.36	0.19	0.03	0.03
6	10.58	0.60E+06	0.50	0.03	0.03	0.00	0.00	0.00	-0.01
	5.54	85.86	0.50	-0.02	0.03	0.00	0.00	0.00	-0.01
	0.00	0.00	0.00	0.00	0.00	0.45	0.20	0.05	0.05
7	10.46	0.59E+06	0.63	0.06	0.05	0.00	0.00	0.00	0.00
	7.50	85.60	0.63	-0.03	0.05	0.00	0.00	0.00	0.00
	0.00	0.00	0.00	0.00	0.00	0.58	0.23	0.08	0.08
8	10.58	0.60E+06	0.76	0.09	0.08	0.00	0.00	0.00	0.00
	9.52	83.91	0.77	-0.04	0.08	0.00	0.00	0.00	0.00
	0.00	0.00	0.00	0.00	0.00	0.71	0.26	0.10	0.10
9	10.58	0.60E+06	0.89	0.13	0.09	0.00	0.00	0.00	-0.02
	11.48	86.50	0.90	-0.05	0.09	0.00	0.00	0.00	-0.02
	0.00	0.00	0.00	0.00	0.00	0.83	0.29	0.12	0.12
10	10.23	0.59E+06	1.06	0.19	0.10	0.00	0.00	0.00	-0.01
	13.46	84.23	1.07	-0.06	0.10	0.00	0.00	0.00	-0.01
	0.00	0.00	0.00	0.00	0.00	0.99	0.36	0.13	0.13
11	10.58	0.60E+06	1.18	0.26	0.10	0.00	0.00	0.00	-0.01
	15.44	84.76	1.20	-0.06	0.10	0.00	0.00	0.00	-0.01
	0.00	0.00	0.00	0.00	0.00	1.11	0.42	0.13	0.13
12	10.46	0.59E+06	1.27	0.33	0.07	0.00	0.00	0.00	-0.02
	17.41	86.09	1.31	-0.07	0.07	0.00	0.00	0.00	-0.02
	0.00	0.00	0.00	0.00	0.00	1.20	0.48	0.09	0.09
13	10.35	0.59E+06	1.43	0.42	0.08	0.00	0.00	0.00	-0.01
	19.41	92.78	1.48	-0.07	0.08	0.00	0.00	0.00	-0.01
	0.00	0.00	0.00	0.00	0.00	1.34	0.58	0.11	0.11



PROPULSIVE WING FORCE DATA

SUMMARY, RUN 105

PT	Q	ALPHA	BETA	REY NO	HEIGHT	CLIS			CPMIS			CRMIS			CSFIS			
						CNF1B	CHUC	CAFB	CPN1B	CPN1B	CPN1B	CLTR	CLTR	CLTR	CMR1B	CMR1B	CMR1B	CMR1B
19	29.77	0.00	0.98E+06	87.16	0.00	0.00	0.00	0.00	0.00	0.00	0.00	0.00	0.00	0.00	0.00	0.00	0.00	0.00
20	29.89	0.00	0.98E+06	94.09	0.00	0.00	0.00	0.00	0.00	0.00	0.00	0.00	0.00	0.00	0.00	0.00	0.00	0.00
21	30.12	2.00	0.97E+06	89.00	0.00	0.00	0.00	0.00	0.00	0.00	0.00	0.00	0.00	0.00	0.00	0.00	0.00	0.00
22	30.23	4.02	0.97E+06	85.06	0.00	0.00	0.00	0.00	0.00	0.00	0.00	0.00	0.00	0.00	0.00	0.00	0.00	0.00
23	29.77	5.99	0.98E+06	85.37	0.00	0.00	0.00	0.00	0.00	0.00	0.00	0.00	0.00	0.00	0.00	0.00	0.00	0.00
24	29.77	8.02	0.98E+06	85.49	0.00	0.00	0.00	0.00	0.00	0.00	0.00	0.00	0.00	0.00	0.00	0.00	0.00	0.00
25	30.00	10.00	0.97E+06	85.47	0.00	0.00	0.00	0.00	0.00	0.00	0.00	0.00	0.00	0.00	0.00	0.00	0.00	0.00
26	30.12	11.99	0.97E+06	85.34	0.00	0.00	0.00	0.00	0.00	0.00	0.00	0.00	0.00	0.00	0.00	0.00	0.00	0.00
27	29.89	14.01	0.97E+06	86.17	0.00	0.00	0.00	0.00	0.00	0.00	0.00	0.00	0.00	0.00	0.00	0.00	0.00	0.00
28	30.00	15.99	0.97E+06	85.90	0.00	0.00	0.00	0.00	0.00	0.00	0.00	0.00	0.00	0.00	0.00	0.00	0.00	0.00
29	30.00	17.99	0.97E+06	86.26	0.00	0.00	0.00	0.00	0.00	0.00	0.00	0.00	0.00	0.00	0.00	0.00	0.00	0.00
30	30.12	20.01	0.97E+06	89.23	0.00	0.00	0.00	0.00	0.00	0.00	0.00	0.00	0.00	0.00	0.00	0.00	0.00	0.00
31	29.89	21.97	0.98E+06	95.75	0.00	0.00	0.00	0.00	0.00	0.00	0.00	0.00	0.00	0.00	0.00	0.00	0.00	0.00

PROPULSIVE WING FORCE DATA

SUMMARY, RUN 104

PT	Q	ALPHA	BETA	REY NO	HEIGHT	CLIS			CPMIS			CRMIS			CSFIS			
						CNF1B	CHUC	CAFB	CPN1B	CPN1B	CPN1B	CLTR	CLTR	CLTR	CMR1B	CMR1B	CMR1B	CMR1B
1	5.29	-4.52	0.42E+06	82.80	0.27	-2.48	-0.36	0.00	0.00	0.00	0.00	0.00	0.00	0.00	0.00	0.00	0.00	0.00
2	5.29	-2.43	0.42E+06	90.02	0.56	-2.47	-0.33	0.00	0.00	0.00	0.00	0.00	0.00	0.00	0.00	0.00	0.00	0.00
3	5.29	-0.44	0.42E+06	86.57	0.80	-2.45	-0.31	0.00	0.00	0.00	0.00	0.00	0.00	0.00	0.00	0.00	0.00	0.00
4	5.40	1.59	0.43E+06	86.22	0.87	-2.37	-0.29	0.00	0.00	0.00	0.00	0.00	0.00	0.00	0.00	0.00	0.00	0.00
5	5.29	3.58	0.42E+06	85.01	1.21	-2.39	-0.29	0.00	0.00	0.00	0.00	0.00	0.00	0.00	0.00	0.00	0.00	0.00
6	5.29	5.52	0.42E+06	84.41	1.47	-2.34	-0.24	0.00	0.00	0.00	0.00	0.00	0.00	0.00	0.00	0.00	0.00	0.00
7	5.29	7.55	0.42E+06	84.41	1.71	-2.28	-0.21	0.00	0.00	0.00	0.00	0.00	0.00	0.00	0.00	0.00	0.00	0.00
8	5.29	9.56	0.42E+06	86.87	2.02	-2.19	-0.19	0.00	0.00	0.00	0.00	0.00	0.00	0.00	0.00	0.00	0.00	0.00
9	5.29	11.46	0.42E+06	85.96	2.27	-2.12	-0.16	0.00	0.00	0.00	0.00	0.00	0.00	0.00	0.00	0.00	0.00	0.00
10	5.29	13.53	0.42E+06	86.36	2.58	-2.01	-0.14	0.00	0.00	0.00	0.00	0.00	0.00	0.00	0.00	0.00	0.00	0.00
11	5.29	15.45	0.42E+06	85.84	2.84	-1.89	-0.12	0.00	0.00	0.00	0.00	0.00	0.00	0.00	0.00	0.00	0.00	0.00
12	5.29	17.40	0.42E+06	85.59	3.09	-1.76	-0.10	0.00	0.00	0.00	0.00	0.00	0.00	0.00	0.00	0.00	0.00	0.00
13	5.17	19.37	0.42E+06	92.91	3.44	-1.63	-0.08	0.00	0.00	0.00	0.00	0.00	0.00	0.00	0.00	0.00	0.00	0.00

PROPULSIVE WING FORCE DATA

SUMMARY. RUN 107

PT	Q		CLIS			CPMIS			CRMIS			CVMIS			CSFIS		
	ALPHA	BETA	REY NO	CAFIB	CMUH	CMIB	CMIB	CMIB	CLTR	CLTR	CLTR	CLTR	CLTR	CLTR	CLTR	CLTR	
1	10.46	-2.00	0.57E+06	-1.25	0.30	-0.22	0.00	0.00	0.00	0.00	0.00	0.00	0.00	0.00	0.00	-0.03	
		0.00	82.33	0.98	0.46	1.44	0.10	0.02	0.02	0.10	0.02	0.02	0.02	0.02	0.02	-0.11	
2	10.46	-0.01	0.57E+06	-1.23	0.46	-0.20	0.00	0.00	0.00	0.00	0.00	0.00	0.00	0.00	0.00	-0.03	
		0.00	89.23	0.98	0.46	1.43	0.22	0.03	0.03	0.22	0.03	0.03	0.03	0.03	0.03	-0.08	
3	10.46	2.01	0.57E+06	-1.22	0.61	-0.18	0.01	0.00	0.00	0.01	0.00	0.00	0.00	0.00	0.00	-0.03	
		0.00	89.46	0.98	0.46	1.44	0.33	0.04	0.04	0.33	0.04	0.04	0.04	0.04	0.04	-0.07	
4	10.46	4.02	0.57E+06	-1.20	0.79	-0.17	0.01	0.00	0.00	0.01	0.00	0.00	0.00	0.00	0.00	-0.03	
		0.00	87.43	0.98	0.46	1.44	0.46	0.05	0.05	0.46	0.05	0.05	0.05	0.05	0.05	-0.05	
5	10.46	5.99	0.57E+06	-1.18	0.97	-0.15	0.01	0.00	0.00	0.01	0.00	0.00	0.00	0.00	0.00	-0.04	
		0.00	85.36	0.99	0.46	1.45	0.60	0.07	0.07	0.60	0.07	0.07	0.07	0.07	0.07	-0.03	
6	10.46	8.00	0.57E+06	-1.13	1.16	-0.12	0.01	0.00	0.00	0.01	0.00	0.00	0.00	0.00	0.00	-0.03	
		0.00	85.94	0.99	0.47	1.46	0.74	0.10	0.10	0.74	0.10	0.10	0.10	0.10	0.10	-0.01	
7	10.46	10.02	0.57E+06	-1.08	1.36	-0.10	0.01	0.00	0.00	0.01	0.00	0.00	0.00	0.00	0.00	-0.04	
		0.00	85.38	0.99	0.47	1.46	0.90	0.15	0.15	0.90	0.15	0.15	0.15	0.15	0.15	0.01	
8	10.58	11.99	0.58E+06	-1.00	1.57	-0.08	0.01	0.00	0.00	0.01	0.00	0.00	0.00	0.00	0.00	-0.05	
		0.00	86.14	0.99	0.46	1.45	1.07	0.20	0.20	1.07	0.20	0.20	0.20	0.20	0.20	0.04	
9	10.58	13.98	0.58E+06	-0.92	1.80	-0.06	0.01	0.00	0.00	0.01	0.00	0.00	0.00	0.00	0.00	-0.04	
		0.00	85.71	0.98	0.47	1.45	1.26	0.26	0.26	1.26	0.26	0.26	0.26	0.26	0.26	0.05	
10	10.46	15.99	0.57E+06	-0.83	2.03	-0.04	0.01	0.00	0.00	0.01	0.00	0.00	0.00	0.00	0.00	-0.05	
		0.00	84.33	1.00	0.47	1.47	1.45	0.34	0.34	1.45	0.34	0.34	0.34	0.34	0.34	0.07	
11	10.35	17.97	0.57E+06	-0.73	2.25	-0.02	0.01	0.00	0.00	0.01	0.00	0.00	0.00	0.00	0.00	-0.05	
		0.00	83.63	1.01	0.48	1.48	1.62	0.43	0.43	1.62	0.43	0.43	0.43	0.43	0.43	0.10	
12	10.58	20.01	0.58E+06	-0.58	2.44	0.00	0.01	0.00	0.00	0.01	0.00	0.00	0.00	0.00	0.00	-0.05	
		0.00	90.00	0.99	0.47	1.46	1.78	0.54	0.54	1.78	0.54	0.54	0.54	0.54	0.54	0.12	
13	10.46	21.98	0.57E+06	-0.45	2.67	0.03	0.01	0.00	0.00	0.01	0.00	0.00	0.00	0.00	0.00	-0.06	
		0.00	97.13	1.00	0.47	1.47	1.96	0.66	0.66	1.96	0.66	0.66	0.66	0.66	0.66	0.15	

PROPULSIVE WING FORCE DATA

SUMMARY. RUN 106

PT	Q		CLIS			CPMIS			CRMIS			CVMIS			CSFIS		
	ALPHA	BETA	REY NO	CAFIB	CMUH	CMIB	CMIB	CMIB	CLTR	CLTR	CLTR	CLTR	CLTR	CLTR	CLTR	CLTR	
1	21.15	-1.99	0.81E+06	-0.60	0.21	-0.15	0.00	0.00	0.00	0.00	0.00	0.00	0.00	0.00	0.00	0.00	
		0.00	81.98	0.49	0.24	0.73	0.11	0.00	0.00	0.11	0.00	0.00	0.00	0.00	0.00	-0.10	
2	21.04	0.00	0.81E+06	-0.60	0.34	-0.14	0.00	0.00	0.00	0.00	0.00	0.00	0.00	0.00	0.00	0.00	
		0.00	88.88	0.50	0.24	0.74	0.22	0.01	0.01	0.22	0.01	0.01	0.01	0.01	0.01	-0.08	
3	21.04	1.98	0.81E+06	-0.61	0.49	-0.12	0.00	0.00	0.00	0.00	0.00	0.00	0.00	0.00	0.00	0.00	
		0.00	87.14	0.50	0.24	0.74	0.35	0.02	0.02	0.35	0.02	0.02	0.02	0.02	0.02	-0.06	
4	20.92	4.03	0.81E+06	-0.60	0.65	-0.10	0.00	0.00	0.00	0.00	0.00	0.00	0.00	0.00	0.00	0.00	
		0.00	85.21	0.51	0.24	0.74	0.48	0.03	0.03	0.48	0.03	0.03	0.03	0.03	0.03	-0.04	
5	20.92	6.00	0.81E+06	-0.58	0.79	-0.08	0.00	0.00	0.00	0.00	0.00	0.00	0.00	0.00	0.00	0.00	
		0.00	85.73	0.51	0.24	0.74	0.60	0.05	0.05	0.60	0.05	0.05	0.05	0.05	0.05	-0.03	
6	21.04	7.98	0.81E+06	-0.54	0.94	-0.06	0.00	0.00	0.00	0.00	0.00	0.00	0.00	0.00	0.00	0.00	
		0.00	86.04	0.50	0.24	0.74	0.74	0.08	0.08	0.74	0.08	0.08	0.08	0.08	0.08	-0.01	
7	21.04	10.00	0.81E+06	-0.49	1.11	-0.04	0.01	0.00	0.00	0.01	0.00	0.00	0.00	0.00	0.00	0.00	
		0.00	85.44	0.50	0.24	0.74	0.88	0.12	0.12	0.88	0.12	0.12	0.12	0.12	0.12	0.02	
8	21.15	11.99	0.81E+06	-0.43	1.28	-0.02	0.01	0.00	0.00	0.01	0.00	0.00	0.00	0.00	0.00	0.00	
		0.00	85.00	0.50	0.23	0.74	1.03	0.17	0.17	1.03	0.17	0.17	0.17	0.17	0.17	0.04	
9	21.04	14.00	0.81E+06	-0.36	1.48	0.00	0.01	0.00	0.00	0.01	0.00	0.00	0.00	0.00	0.00	0.00	
		0.00	87.58	0.50	0.24	0.74	1.20	0.24	0.24	1.20	0.24	0.24	0.24	0.24	0.24	0.06	
10	20.92	16.00	0.81E+06	-0.26	1.64	0.03	0.01	0.00	0.00	0.01	0.00	0.00	0.00	0.00	0.00	0.00	
		0.00	87.37	0.48	0.23	0.71	1.36	0.31	0.31	1.36	0.31	0.31	0.31	0.31	0.31	0.09	
11	21.04	18.03	0.81E+06	-0.15	1.81	0.06	0.01	0.00	0.00	0.01	0.00	0.00	0.00	0.00	0.00	0.00	
		0.00	87.52	0.48	0.22	0.70	1.51	0.40	0.40	1.51	0.40	0.40	0.40	0.40	0.40	0.11	
12	20.92	19.99	0.81E+06	-0.05	1.99	0.08	0.01	0.00	0.00	0.01	0.00	0.00	0.00	0.00	0.00	0.00	
		0.00	88.86	0.48	0.23	0.71	1.67	0.50	0.50	1.67	0.50	0.50	0.50	0.50	0.50	0.14	
13	20.92	21.99	0.81E+06	0.08	2.17	0.11	0.01	0.00	0.00	0.01	0.00	0.00	0.00	0.00	0.00	0.00	
		0.00	95.88	0.48	0.23	0.71	1.83	0.62	0.62	1.83	0.62	0.62	0.62	0.62	0.62	0.16	

PROPULSIVE WING FORCE DATA

SUMMARY. RUN 109

PT	Q ALPHA BETA	REV NO HEIGHT	CL15 CNF1B CMUC	CD15 CAF1B CMUH	CPM15 CPM1B CMUT	CRM15 CRM1B CLTR	CYM15 CYM1B COTR	CSF15 CSF1B CMTR
2	0.00	0.30E+08	2.22	0.07	13.46	-0.31	0.00	0.30
	0.00	93.89	0.00	0.47	0.47	-1.27	23.08	16.90
3	0.00	0.30E+08	6.71	-29.95	-66.91	-2.38	0.40	-0.60
	0.00	93.89	6.70	-29.96	-66.91	-2.38	0.40	-0.60
	0.00	93.89	0.00	29.34	29.34	-1.20	10.84	-62.33
4	0.00	0.30E+08	13.76	-67.65	-165.20	2.92	13.71	0.53
	0.00	93.89	13.74	-67.65	-165.20	2.92	13.71	0.53
	0.00	93.89	0.00	79.20	79.20	-5.73	27.54	-156.60
5	0.00	0.30E+08	19.54	-88.92	-236.00	6.20	23.88	-0.35
	0.00	93.89	19.52	-88.92	-236.00	6.20	23.89	-0.35
	0.00	93.89	0.00	104.70	104.70	-5.42	37.01	-224.70
6	0.00	0.30E+08	22.49	-113.80	-315.40	4.56	30.02	-0.25
	0.00	93.89	22.47	-113.80	-315.40	4.56	30.02	-0.25
	0.00	93.89	0.00	132.50	132.50	-7.80	46.40	-301.00
7	0.00	0.30E+08	25.95	-134.80	-394.80	6.82	32.53	1.29
	0.00	93.89	25.95	-134.80	-394.80	6.82	32.53	1.29
	0.00	93.89	0.00	158.00	158.00	-8.69	57.55	-377.20

PROPULSIVE WING FORCE DATA

SUMMARY. RUN 108

PT	Q ALPHA BETA	REV NO HEIGHT	CL15 CNF1B CMUC	CD15 CAF1B CMUH	CPM15 CPM1B CMUT	CRM15 CRM1B CLTR	CYM15 CYM1B COTR	CSF15 CSF1B CMTR
1	5.17	0.41E+06	0.46	-2.60	-0.37	0.01	0.00	-0.05
	-2.02	76E+08	0.55	-2.58	-0.37	0.01	0.00	-0.05
	0.00	86.92	0.96	2.02	2.98	0.06	0.04	-0.13
2	5.17	0.40E+06	0.71	-2.57	-0.34	0.01	0.01	-0.05
	0.03	88.06	0.70	-2.57	-0.34	0.01	0.01	-0.05
	0.00	88.06	0.96	2.03	2.98	0.22	0.04	-0.10
3	5.29	0.41E+06	0.91	-2.49	-0.31	0.01	0.00	-0.03
	2.00	88.09	0.82	-2.52	-0.31	0.01	0.00	-0.03
	0.00	88.09	0.93	1.99	2.92	0.34	0.06	-0.08
4	5.29	0.41E+06	1.08	-2.47	-0.30	0.01	0.00	-0.04
	3.99	85.83	0.91	-2.54	-0.30	0.01	0.00	-0.04
	0.00	85.83	0.94	1.99	2.92	0.43	0.07	-0.06
5	5.29	0.41E+06	1.33	-2.43	-0.27	0.01	0.00	-0.07
	6.01	84.56	1.07	-2.56	-0.27	0.01	0.00	-0.07
	0.00	84.56	0.94	1.99	2.93	0.59	0.08	-0.04
6	5.29	0.41E+06	1.57	-2.37	-0.25	0.01	0.00	-0.06
	7.99	85.39	1.22	-2.56	-0.25	0.01	0.00	-0.06
	0.00	85.39	0.94	1.99	2.93	0.73	0.12	-0.02
7	5.29	0.41E+06	1.83	-2.30	-0.23	0.01	0.00	-0.09
	9.98	86.02	1.40	-2.58	-0.23	0.01	0.00	-0.09
	0.00	86.02	0.93	1.99	2.93	0.91	0.16	0.00
8	5.29	0.41E+06	2.10	-2.21	-0.20	0.01	0.00	-0.09
	11.99	85.31	1.60	-2.60	-0.20	0.01	0.00	-0.09
	0.00	85.31	0.94	2.00	2.94	1.09	0.22	0.03
9	5.29	0.41E+06	2.35	-2.12	-0.19	0.01	0.00	-0.09
	14.03	85.10	1.76	-2.62	-0.19	0.01	0.00	-0.09
	0.00	85.10	0.94	1.99	2.93	1.25	0.28	0.05
10	5.29	0.41E+06	2.64	-2.00	-0.17	0.00	0.00	-0.09
	15.99	85.25	1.99	-2.65	-0.17	0.00	0.00	-0.09
	0.00	85.25	0.94	2.00	2.94	1.47	0.36	0.07
11	5.29	0.41E+06	2.93	-1.85	-0.15	0.01	0.00	-0.09
	18.04	87.14	2.21	-2.66	-0.15	0.01	0.00	-0.09
	0.00	87.14	0.94	2.00	2.94	1.66	0.47	0.09
12	5.17	0.40E+06	3.25	-1.74	-0.13	0.01	0.00	-0.11
	20.01	90.64	2.46	-2.75	-0.13	0.01	0.00	-0.11
	0.00	90.64	0.96	2.04	3.00	1.88	0.58	0.11
13	5.29	0.41E+06	3.48	-1.52	-0.10	0.01	0.00	-0.11
	22.08	98.18	2.65	-2.71	-0.10	0.01	0.00	-0.11
	0.00	98.18	0.94	2.00	2.94	2.05	0.71	0.14

PROPULSIVE MING FORCE DATA

SUMMARY. RUN 111

PT	Q	ALPHA BETA	REY NO HEIGHT	CLIS CNFIB CMUC	CDIS CAFIB CMUM	CPMIS CPMIB CMUT	CRMIS CRMIB CLTR	CYMIS CYMIB CDTR	CSFIS CSFIB CSTR
1	21.27	-2.09	0.81E+06	0.16	-0.41	-0.16	0.00	0.00	0.01
	0.00	0.00	86.30	0.00	0.50	0.50	0.07	0.00	-0.13
2	21.15	0.05	0.81E+06	0.26	-0.42	-0.18	0.00	0.00	0.01
	0.00	0.00	94.45	0.00	0.51	0.51	0.18	0.00	-0.15
3	21.27	2.06	0.81E+06	0.39	-0.40	-0.20	0.00	0.00	0.01
	0.00	0.00	85.71	0.00	0.50	0.50	0.29	0.01	-0.17
4	21.15	4.05	0.81E+06	0.47	-0.39	-0.23	0.00	0.00	0.01
	0.00	0.00	85.41	0.00	0.51	0.51	0.38	0.02	-0.20
5	21.15	6.03	0.81E+06	0.52	-0.38	-0.24	0.00	0.00	0.01
	0.00	0.00	86.77	0.00	0.51	0.51	0.49	0.04	-0.21
6	21.15	8.01	0.81E+06	0.73	-0.35	-0.27	0.00	0.00	0.01
	0.00	0.00	85.60	0.00	0.51	0.51	0.59	0.05	-0.24
7	21.27	10.07	0.82E+06	0.86	-0.32	-0.29	0.00	0.00	0.01
	0.00	0.00	86.74	0.00	0.50	0.50	0.71	0.08	-0.26
8	21.27	12.05	0.82E+06	1.02	-0.27	-0.32	0.00	0.00	0.00
	0.00	0.00	86.21	0.00	0.51	0.51	0.84	0.12	-0.29
9	21.15	14.04	0.81E+06	1.16	-0.22	-0.36	0.00	0.00	0.00
	0.00	0.00	85.35	0.00	0.51	0.51	0.97	0.17	-0.33
10	21.27	16.05	0.82E+06	1.32	-0.15	-0.40	0.00	0.00	0.01
	0.00	0.00	86.35	0.00	0.51	0.51	1.12	0.24	-0.36
11	21.15	18.05	0.81E+06	1.46	-0.07	-0.43	0.00	0.00	0.01
	0.00	0.00	85.83	0.00	0.51	0.51	1.24	0.31	-0.40
12	21.04	20.01	0.81E+06	1.60	0.02	-0.46	0.00	0.00	0.01
	0.00	0.00	90.83	0.00	0.51	0.51	1.37	0.40	-0.43
13	21.15	22.05	0.81E+06	1.73	0.13	-0.50	0.00	0.00	0.01
	0.00	0.00	98.51	0.00	0.51	0.51	1.49	0.50	-0.47

PROPULSIVE MING FORCE DATA

SUMMARY. RUN 110

PT	Q	ALPHA BETA	REY NO HEIGHT	CLIS CNFIB CMUC	CDIS CAFIB CMUM	CPMIS CPMIB CMUT	CRMIS CRMIB CLTR	CYMIS CYMIB CDTR	CSFIS CSFIB CSTR
15	29.89	-2.06	0.96E+06	-0.03	0.01	-0.05	0.00	0.00	0.01
	0.00	0.00	86.31	0.00	0.00	-0.04	0.00	0.00	-0.05
16	30.00	-0.05	0.96E+06	0.07	0.01	-0.07	0.00	0.00	0.01
	0.00	0.00	93.68	0.00	0.00	0.06	0.06	0.06	-0.07
17	30.12	2.06	0.96E+06	0.17	0.01	-0.08	0.00	0.00	0.01
	0.00	0.00	84.75	0.00	0.00	0.16	0.16	0.06	-0.06
18	30.12	4.06	0.96E+06	0.26	0.00	-0.10	0.00	0.00	0.00
	0.00	0.00	86.81	0.00	0.00	0.24	0.24	0.07	-0.09
19	30.00	6.02	0.96E+06	0.35	0.00	-0.11	0.00	0.00	0.00
	0.00	0.00	86.52	0.00	0.00	0.33	0.33	0.08	-0.11
20	30.12	8.02	0.96E+06	0.44	-0.02	-0.13	0.00	0.00	0.01
	0.00	0.00	83.00	0.00	0.00	0.42	0.42	0.09	-0.13
21	30.00	10.07	0.96E+06	0.54	0.06	-0.15	0.00	0.00	0.00
	0.00	0.00	82.27	0.00	0.00	0.53	0.53	0.11	-0.15
22	30.12	12.03	0.97E+06	0.65	0.09	-0.17	0.00	0.00	0.00
	0.00	0.00	84.10	0.00	0.00	0.63	0.63	0.13	-0.16
23	30.00	14.04	0.96E+06	0.75	0.13	-0.19	0.00	0.00	0.00
	0.00	0.00	86.53	0.00	0.00	0.73	0.73	0.18	-0.19
24	29.89	16.03	0.96E+06	0.85	0.20	-0.22	0.00	0.00	0.00
	0.00	0.00	84.02	0.00	0.00	0.83	0.83	0.24	-0.22
25	30.00	18.05	0.96E+06	0.91	0.26	-0.23	0.00	0.00	0.00
	0.00	0.00	83.82	0.00	0.00	0.88	0.88	0.30	-0.23
26	29.88	20.08	0.96E+06	0.96	0.33	-0.25	0.00	0.00	0.01
	0.00	0.00	90.81	0.00	0.00	0.94	0.94	0.37	-0.24
27	30.23	22.02	0.97E+06	0.99	0.38	-0.27	0.00	0.00	0.00
	0.00	0.00	98.12	0.00	0.00	0.96	0.96	0.42	-0.27

PROPULSIVE MING FORCE DATA

SUMMARY, RUN 112

PT	Q ALPHA BETA	REY NO HEIGHT	CLIS CNFIB CMUC	CDIS CAFIB CHUIH	CPMIS CPMIB CMUT	CRMIS CRMIB CLTR	CYMIS CYMIB CDTR	CSFIS CSFIB CMTR
1	10.46	0.57E+06	0.27	-0.87	-0.23	0.00	0.00	0.02
	-2.02	86.81	0.30	-0.86	-0.23	0.00	0.00	0.02
	0.00		0.00	1.03	1.03	0.12	-0.01	-0.17
2	10.46	0.57E+06	0.40	-0.87	-0.25	0.00	0.00	0.02
	-0.06	81.90	0.40	-0.87	-0.25	0.00	0.00	0.02
	0.00		0.00	1.03	1.03	0.23	-0.01	-0.19
3	10.46	0.57E+06	0.54	-0.86	-0.28	0.00	0.00	0.01
	2.06	84.13	0.51	-0.88	-0.28	0.00	0.00	0.01
	0.00		0.00	1.03	1.03	0.33	0.00	-0.22
4	10.46	0.57E+06	0.68	-0.83	-0.30	0.00	0.00	0.02
	4.01	83.67	0.62	-0.87	-0.30	0.00	0.00	0.02
	0.00		0.00	1.03	1.03	0.44	0.02	-0.24
5	10.58	0.58E+06	0.81	-0.80	-0.32	0.00	0.00	0.01
	6.01	81.09	0.72	-0.88	-0.32	0.00	0.00	0.01
	0.00		0.00	1.02	1.02	0.55	0.04	-0.26
6	10.46	0.57E+06	0.97	-0.78	-0.35	0.00	0.00	0.00
	8.02	84.66	0.85	-0.91	-0.35	0.00	0.00	0.00
	0.00		0.00	1.04	1.04	0.67	0.05	-0.29
7	10.58	0.58E+06	1.10	-0.73	-0.37	0.00	0.00	0.01
	10.06	86.46	0.95	-0.91	-0.37	0.00	0.00	0.01
	0.00		0.00	1.03	1.03	0.78	0.09	-0.31
8	10.69	0.58E+06	1.26	-0.67	-0.40	0.00	0.00	0.00
	12.02	83.13	1.09	-0.91	-0.40	0.00	0.00	0.00
	0.00		0.00	1.01	1.01	0.91	0.13	-0.34
9	10.58	0.58E+06	1.43	-0.60	-0.45	0.00	0.00	0.00
	14.03	85.81	1.24	-0.93	-0.45	0.00	0.00	0.00
	0.00		0.00	1.02	1.02	1.05	0.19	-0.38
10	10.58	0.58E+06	1.61	-0.52	-0.48	0.00	0.00	0.00
	16.03	83.81	1.41	-0.95	-0.48	0.00	0.00	0.00
	0.00		0.00	1.03	1.03	1.21	0.26	-0.42
11	10.46	0.57E+06	1.80	-0.44	-0.52	0.00	0.00	0.00
	18.02	86.13	1.57	-0.97	-0.52	0.00	0.00	0.00
	0.00		0.00	1.04	1.04	1.36	0.34	-0.46
12	10.35	0.57E+06	1.97	-0.34	-0.56	0.00	0.00	0.00
	20.06	90.98	1.73	-1.00	-0.56	0.00	0.00	0.00
	0.00		0.00	1.05	1.05	1.49	0.43	-0.50
13	10.81	0.58E+06	2.08	-0.20	-0.58	0.00	0.00	0.00
	22.07	98.37	1.85	-0.97	-0.58	0.00	0.00	0.00
	0.00		0.00	1.01	1.01	1.60	0.52	-0.52

SUMMARY, RUN 113

PT	Q ALPHA BETA	REY NO HEIGHT	CLIS CNFIB CMUC	CDIS CAFIB CHUIH	CPMIS CPMIB CMUT	CRMIS CRMIB CLTR	CYMIS CYMIB CDTR	CSFIS CSFIB CMTR
1	5.17	0.40E+06	0.45	-1.80	-0.34	0.00	0.01	0.06
	-2.02	84.32	0.52	-1.79	-0.34	0.00	0.01	0.06
	0.00		0.00	2.11	2.11	0.16	-0.03	-0.21
2	5.17	0.40E+06	0.64	-1.79	-0.37	0.00	0.01	0.05
	0.00	87.21	0.63	-1.79	-0.37	0.00	0.01	0.05
	0.00		0.00	2.10	2.10	0.27	-0.02	-0.24
3	5.29	0.41E+06	0.80	-1.72	-0.39	0.00	0.01	0.03
	2.07	84.33	0.74	-1.75	-0.39	0.00	0.01	0.03
	0.00		0.00	2.06	2.06	0.38	-0.01	-0.27
4	5.29	0.41E+06	0.95	-1.70	-0.44	0.00	0.01	0.01
	4.06	85.81	0.83	-1.76	-0.44	0.00	0.01	0.01
	0.00		0.00	2.06	2.06	0.48	0.00	-0.31
5	5.29	0.41E+06	1.13	-1.65	-0.45	0.00	0.00	0.04
	6.01	84.14	0.95	-1.76	-0.45	0.00	0.00	0.04
	0.00		0.00	2.06	2.06	0.60	0.04	-0.32
6	5.29	0.41E+06	1.29	-1.63	-0.47	0.00	0.01	0.01
	8.01	85.52	1.05	-1.79	-0.47	0.00	0.01	0.01
	0.00		0.00	2.07	2.07	0.70	0.05	-0.35
7	5.29	0.41E+06	1.48	-1.56	-0.50	0.00	0.00	0.02
	10.02	85.79	1.19	-1.69	-0.50	0.00	0.00	0.02
	0.00		0.00	2.07	2.07	0.83	0.08	-0.37
8	5.40	0.41E+06	1.65	-1.46	-0.52	0.00	0.00	0.02
	12.01	81.75	1.31	-1.77	-0.52	0.00	0.00	0.02
	0.00		0.00	2.02	2.02	0.95	0.13	-0.39
9	5.29	0.41E+06	1.87	-1.41	-0.57	0.00	0.00	0.02
	14.06	86.44	1.47	-1.63	-0.57	0.00	0.00	0.02
	0.00		0.00	2.07	2.07	1.10	0.20	-0.44
10	5.29	0.41E+06	2.09	-1.31	-0.61	0.00	0.00	0.02
	16.00	85.33	1.65	-1.83	-0.61	0.00	0.00	0.02
	0.00		0.00	2.06	2.06	1.27	0.27	-0.48
11	5.29	0.41E+06	2.29	-1.20	-0.65	0.00	0.00	0.00
	18.05	83.51	1.81	-1.85	-0.65	0.00	0.00	0.00
	0.00		0.00	2.07	2.07	1.41	0.36	-0.52
12	5.17	0.41E+06	2.56	-1.10	-0.69	0.00	0.00	0.02
	20.04	90.82	2.03	-1.91	-0.69	0.00	0.00	0.02
	0.00		0.00	2.13	2.13	1.60	0.46	-0.56
13	5.17	0.41E+06	2.73	-0.97	-0.73	0.00	0.00	0.00
	22.05	98.43	2.16	-1.93	-0.73	0.00	0.00	0.00
	0.00		0.00	2.12	2.12	1.72	0.54	-0.60

PROPULSIVE WING FORCE DATA

SUMMARY, RUN 115

PT	Q ALPHA BETA	REY NO HEIGHT	CLIS			CPMIB			CYMIB			CSFIB		
			CMFIB	CMUIC	CMUIC	CMUIC	CMUIC	CMUIC	CMUIC	CMUIC	CMUIC	CMUIC	CMUIC	CMUIC
1	21.27	0.83E+06	0.15	-0.44	-0.16	0.01	0.01	0.01	0.01	0.01	0.01	0.01	-0.05	
	-2.07	86.69	0.17	-0.43	-0.16	0.00	0.00	0.00	0.00	0.00	0.00	0.00	-0.05	
	5.00		0.00	0.51	0.51	0.08	0.08	0.08	0.08	0.08	0.08	0.08	-0.13	
2	21.38	0.83E+06	0.27	-0.43	-0.18	0.00	0.00	0.00	0.00	0.00	0.00	0.00	-0.05	
	0.00	86.66	0.27	-0.43	-0.18	0.00	0.00	0.00	0.00	0.00	0.00	0.00	-0.05	
	5.00		0.00	0.51	0.51	0.18	0.18	0.18	0.18	0.18	0.18	0.18	-0.15	
3	21.04	0.83E+06	0.38	-0.42	-0.20	0.00	0.00	0.00	0.00	0.00	0.00	0.00	-0.05	
	2.00	84.45	0.38	-0.44	-0.20	0.00	0.00	0.00	0.00	0.00	0.00	0.00	-0.17	
	5.00		0.00	0.52	0.52	0.30	0.30	0.30	0.30	0.30	0.30	0.30	-0.17	
4	20.92	0.83E+06	0.51	-0.41	-0.22	0.00	0.00	0.00	0.00	0.00	0.00	0.00	-0.05	
	4.01	85.54	0.48	-0.45	-0.22	0.00	0.00	0.00	0.00	0.00	0.00	0.00	-0.05	
	5.00		0.00	0.52	0.52	0.39	0.39	0.39	0.39	0.39	0.39	0.39	-0.19	
5	20.92	0.83E+06	0.63	-0.40	-0.25	0.00	0.00	0.00	0.00	0.00	0.00	0.00	-0.06	
	6.04	82.40	0.56	-0.47	-0.25	0.00	0.00	0.00	0.00	0.00	0.00	0.00	-0.06	
	5.00		0.00	0.53	0.53	0.50	0.50	0.50	0.50	0.50	0.50	0.50	-0.21	
6	20.92	0.83E+06	0.74	-0.38	-0.26	0.00	0.00	0.00	0.00	0.00	0.00	0.00	-0.06	
	8.02	86.43	0.68	-0.48	-0.26	0.00	0.00	0.00	0.00	0.00	0.00	0.00	-0.06	
	5.00		0.00	0.52	0.52	0.60	0.60	0.60	0.60	0.60	0.60	0.60	-0.23	
7	21.04	0.83E+06	0.87	-0.34	-0.29	0.00	0.00	0.00	0.00	0.00	0.00	0.00	-0.06	
	10.02	86.67	0.80	-0.49	-0.29	0.00	0.00	0.00	0.00	0.00	0.00	0.00	-0.06	
	5.00		0.00	0.52	0.52	0.71	0.71	0.71	0.71	0.71	0.71	0.71	-0.26	
8	20.92	0.83E+06	1.01	-0.29	-0.32	0.00	0.00	0.00	0.00	0.00	0.00	0.00	-0.06	
	12.02	83.76	0.93	-0.50	-0.32	0.00	0.00	0.00	0.00	0.00	0.00	0.00	-0.05	
	5.00		0.00	0.51	0.51	0.84	0.84	0.84	0.84	0.84	0.84	0.84	-0.29	
9	20.92	0.83E+06	1.16	-0.21	-0.35	0.00	0.00	0.00	0.00	0.00	0.00	0.00	-0.07	
	14.03	83.95	1.08	-0.49	-0.35	0.00	0.00	0.00	0.00	0.00	0.00	0.00	-0.07	
	5.00		0.00	0.49	0.49	0.98	0.98	0.98	0.98	0.98	0.98	0.98	-0.32	
10	20.81	0.82E+06	1.31	-0.16	-0.39	0.00	0.00	0.00	0.00	0.00	0.00	0.00	-0.08	
	16.02	86.47	1.21	-0.52	-0.39	0.00	0.00	0.00	0.00	0.00	0.00	0.00	-0.08	
	5.00		0.00	0.51	0.51	1.11	1.11	1.11	1.11	1.11	1.11	1.11	-0.36	
11	20.69	0.82E+06	1.46	-0.08	-0.42	0.00	0.00	0.00	0.00	0.00	0.00	0.00	-0.08	
	18.02	85.20	1.36	-0.53	-0.42	0.00	0.00	0.00	0.00	0.00	0.00	0.00	-0.08	
	5.00		0.00	0.50	0.50	1.25	1.25	1.25	1.25	1.25	1.25	1.25	-0.39	
12	21.15	0.83E+06	1.57	0.00	-0.46	0.00	0.00	0.00	0.00	0.00	0.00	0.00	-0.08	
	20.01	90.92	1.48	-0.54	-0.46	0.00	0.00	0.00	0.00	0.00	0.00	0.00	-0.08	
	5.00		0.00	0.50	0.50	1.35	1.35	1.35	1.35	1.35	1.35	1.35	-0.43	
13	21.04	0.83E+06	1.72	0.12	-0.50	0.00	0.00	0.00	0.00	0.00	0.00	0.00	-0.09	
	22.10	98.53	1.64	-0.54	-0.50	0.00	0.00	0.00	0.00	0.00	0.00	0.00	-0.09	
	5.00		0.00	0.50	0.50	1.48	1.48	1.48	1.48	1.48	1.48	1.48	-0.47	

PROPULSIVE WING FORCE DATA

SUMMARY, RUN 114

PT	Q ALPHA BETA	REY NO HEIGHT	CLIS			CPMIB			CYMIB			CSFIB		
			CMFIB	CMUIC	CMUIC	CMUIC	CMUIC	CMUIC	CMUIC	CMUIC	CMUIC	CMUIC	CMUIC	CMUIC
15	30.23	0.99E+06	-0.02	0.01	-0.06	0.00	0.00	0.00	0.00	0.00	0.00	0.00	-0.05	
	-2.06	83.27	-0.02	0.01	-0.06	0.00	0.00	0.00	0.00	0.00	0.00	0.00	-0.05	
	5.00		0.00	0.00	0.00	-0.03	-0.03	0.06	0.06	0.06	0.06	0.06	0.06	
16	30.12	0.99E+06	0.08	0.01	-0.07	0.00	0.00	0.00	0.00	0.00	0.00	0.00	-0.05	
	-0.22	86.15	0.08	0.01	-0.07	0.00	0.00	0.00	0.00	0.00	0.00	0.00	-0.05	
	5.00		0.00	0.00	0.00	0.07	0.07	0.05	0.05	0.05	0.05	0.05	-0.07	
17	30.23	0.99E+06	0.17	0.01	-0.09	0.00	0.00	0.00	0.00	0.00	0.00	0.00	-0.04	
	2.04	81.11	0.18	0.01	-0.09	0.00	0.00	0.00	0.00	0.00	0.00	0.00	-0.04	
	5.00		0.00	0.00	0.00	0.16	0.16	0.06	0.06	0.06	0.06	0.06	-0.08	
18	30.23	0.99E+06	0.26	0.02	-0.10	0.00	0.00	0.00	0.00	0.00	0.00	0.00	-0.05	
	4.01	84.26	0.26	0.00	-0.10	0.00	0.00	0.00	0.00	0.00	0.00	0.00	-0.05	
	5.00		0.00	0.00	0.00	0.25	0.25	0.06	0.06	0.06	0.06	0.06	-0.10	
19	30.12	0.99E+06	0.36	0.03	-0.11	0.00	0.00	0.00	0.00	0.00	0.00	0.00	-0.05	
	6.03	81.02	0.36	-0.01	-0.11	0.00	0.00	0.00	0.00	0.00	0.00	0.00	-0.05	
	5.00		0.00	0.00	0.00	0.34	0.34	0.07	0.07	0.07	0.07	0.07	-0.11	
20	30.12	0.99E+06	0.45	0.04	-0.13	0.00	0.00	0.00	0.00	0.00	0.00	0.00	-0.06	
	8.02	88.18	0.45	-0.03	-0.13	0.00	0.00	0.00	0.00	0.00	0.00	0.00	-0.06	
	5.00		0.00	0.00	0.00	0.43	0.43	0.08	0.08	0.08	0.08	0.08	-0.12	
21	30.00	0.98E+06	0.54	0.06	-0.14	0.00	0.00	0.00	0.00	0.00	0.00	0.00	-0.06	
	10.03	85.00	0.55	-0.04	-0.14	0.00	0.00	0.00	0.00	0.00	0.00	0.00	-0.06	
	5.00		0.00	0.00	0.00	0.53	0.53	0.10	0.10	0.10	0.10	0.10	-0.14	
22	29.89	0.98E+06	0.66	0.08	-0.16	0.00	0.00	0.00	0.00	0.00	0.00	0.00	-0.06	
	12.06	83.93	0.66	-0.06	-0.16	0.00	0.00	0.00	0.00	0.00	0.00	0.00	-0.06	
	5.00		0.00	0.00	0.00	0.64	0.64	0.13	0.13	0.13	0.13	0.13	-0.16	
23	29.89	0.98E+06	0.76	0.13	-0.19	0.00	0.00	0.00	0.00	0.00	0.00	0.00	-0.06	
	14.01	86.36	0.77	-0.06	-0.19	0.00	0.00	0.00	0.00	0.00	0.00	0.00	-0.06	
	5.00		0.00	0.00	0.00	0.74	0.74	0.17	0.17	0.17	0.17	0.17	-0.18	
24	29.89	0.98E+06	0.85	0.19	-0.21	0.00	0.00	0.00	0.00	0.00	0.00	0.00	-0.07	
	16.04	83.99	0.87	-0.05	-0.21	0.00	0.00	0.00	0.00	0.00	0.00	0.00	-0.07	
	5.00		0.00	0.00	0.00	0.83	0.83	0.23	0.23	0.23	0.23	0.23	-0.21	
25	30.12	0.99E+06	0.91	0.25	-0.23	0.00	0.00	0.00	0.00	0.00	0.00	0.00	-0.07	
	18.02	85.26	0.94	-0.05	-0.23	0.00	0.00	0.00	0.00	0.00	0.00	0.00	-0.07	
	5.00		0.00	0.00	0.00	0.88	0.88	0.29	0.29	0.29	0.29	0.29	-0.23	
26	29.89	0.98E+06	0.94	0.30	-0.24	0.00	0.00	0.00	0.00	0.00	0.00	0.00	-0.08	
	20.01	90.50	0.98	-0.04	-0.24	0.00	0.00	0.00	0.00	0.00	0.00	0.00	-0.08	
	5.00		0.00	0.00	0.00	0.91	0.91	0.34	0.34	0.34	0.34	0.34	-0.24	
27	29.77	0.98E+06	0.92	0.35	-0.26	0.00	0.00	0.00	0.00	0.00	0.00	0.00	-0.07	
	22.08	98.11	0.99	-0.02	-0.26	0.00	0.00	0.00	0.00	0.00	0.00	0.00	-0.07	
	5.00		0.00	0.00	0.00	0.90	0.90	0.39	0.39	0.39	0.39	0.39	-0.25	

PROPULSIVE WING FORCE DATA

SUMMARY. RUN 116

SUMMARY. RUN 117

PT	Q	ALPHA		REY NO	CLIS		CPMIS	CPMIB	CPMIB	CRMIS	CRMIB	CLTR	CYMIS	CYMIB	CDTR	CSFIS	CSFIB	CHTR		
		BETA	HEIGHT		CAFIB	CRUM													CAFIB	CRUM
1	10.46	0.26	-0.87	0.29	-0.87	-0.23	0.00	-0.01	-0.04	0.44	-1.77	-0.33	0.01	0.00	-0.02	0.50	-0.33	0.01	0.00	-0.02
	2.02	0.59E+06	0.29	-0.86	-0.23	0.00	0.00	-0.01	-0.04	0.50	-1.75	-0.33	0.01	0.00	-0.02	0.50	-0.33	0.01	0.00	-0.02
	5.00	86.57	0.00	1.00	1.00	0.12	-0.01	-0.17	0.00	2.01	2.01	2.01	0.15	-0.03	-0.21	0.00	0.00	0.15	-0.03	-0.21
2	10.58	0.39	-0.85	0.39	-0.85	-0.25	0.00	-0.01	-0.05	0.61	-1.80	-0.37	0.00	0.00	-0.04	0.61	-1.80	-0.37	0.00	-0.04
	2.02	0.59E+06	0.39	-0.85	-0.25	0.00	0.00	-0.01	-0.05	0.61	-1.80	-0.37	0.00	0.00	-0.04	0.61	-1.80	-0.37	0.00	-0.04
	5.00	84.08	0.00	1.00	1.00	0.22	-0.01	-0.18	0.00	2.08	2.08	2.08	0.25	-0.03	-0.24	0.00	0.00	0.25	-0.03	-0.24
3	10.46	0.54	-0.85	0.54	-0.85	-0.28	0.00	0.00	-0.04	0.76	-1.74	-0.38	0.00	0.00	-0.04	0.76	-1.74	-0.38	0.00	-0.04
	2.02	0.59E+06	0.51	-0.87	-0.28	0.00	0.00	0.00	-0.04	0.70	-1.77	-0.38	0.00	0.00	-0.04	0.70	-1.77	-0.38	0.00	-0.04
	5.00	87.01	0.00	1.01	1.01	0.34	0.00	-0.21	0.00	2.01	2.01	2.01	0.35	-0.02	-0.25	0.00	0.00	0.35	-0.02	-0.25
4	10.46	0.68	-0.83	0.68	-0.83	-0.30	0.00	-0.01	-0.05	0.97	-1.75	-0.42	0.00	0.00	-0.06	0.84	-1.82	-0.42	0.00	-0.06
	2.02	0.59E+06	0.62	-0.88	-0.30	0.00	0.00	-0.01	-0.05	0.84	-1.82	-0.42	0.00	0.00	-0.06	0.84	-1.82	-0.42	0.00	-0.06
	5.00	86.88	0.00	1.02	1.02	0.45	0.01	-0.23	0.00	2.09	2.09	2.09	0.48	0.00	-0.29	0.00	0.00	0.48	0.00	-0.29
5	10.46	0.82	-0.81	0.82	-0.81	-0.32	0.00	0.00	-0.06	1.12	-1.69	-0.44	0.00	0.00	-0.07	0.94	-1.80	-0.44	0.00	-0.07
	2.02	0.59E+06	0.73	-0.89	-0.32	0.00	0.00	0.00	-0.06	0.94	-1.80	-0.44	0.00	0.00	-0.07	0.94	-1.80	-0.44	0.00	-0.07
	5.00	84.09	0.00	1.01	1.01	0.55	0.03	-0.25	0.00	2.09	2.09	2.09	0.58	0.02	-0.31	0.00	0.00	0.58	0.02	-0.31
6	10.58	0.95	-0.77	0.95	-0.77	-0.34	0.00	0.00	-0.05	1.29	-1.65	-0.46	0.00	0.00	-0.07	1.04	-1.81	-0.46	0.00	-0.07
	2.02	0.59E+06	0.83	-0.90	-0.34	0.00	0.00	0.00	-0.05	1.04	-1.81	-0.46	0.00	0.00	-0.07	1.04	-1.81	-0.46	0.00	-0.07
	5.00	85.49	0.00	1.01	1.01	0.65	0.05	-0.28	0.00	2.06	2.06	2.06	0.69	0.03	-0.33	0.00	0.00	0.69	0.03	-0.33
7	10.58	1.08	-0.74	1.08	-0.74	-0.36	0.00	-0.01	-0.07	1.48	-1.60	-0.49	0.00	0.00	-0.07	1.18	-1.83	-0.49	0.00	-0.07
	2.02	0.59E+06	0.94	-0.92	-0.36	0.00	0.00	-0.01	-0.07	1.18	-1.83	-0.49	0.00	0.00	-0.07	1.18	-1.83	-0.49	0.00	-0.07
	5.00	84.52	0.00	1.01	1.01	0.76	0.08	-0.30	0.00	2.02	2.02	2.02	0.83	0.06	-0.36	0.00	0.00	0.83	0.06	-0.36
8	10.58	1.25	-0.70	1.25	-0.70	-0.40	0.00	-0.01	-0.07	1.70	-1.52	-0.52	0.00	0.00	-0.07	1.35	-1.84	-0.52	0.00	-0.07
	2.02	0.59E+06	1.08	-0.94	-0.40	0.00	0.00	-0.01	-0.07	1.35	-1.84	-0.52	0.00	0.00	-0.07	1.35	-1.84	-0.52	0.00	-0.07
	5.00	84.59	0.00	1.01	1.01	0.90	0.11	-0.34	0.00	2.06	2.06	2.06	0.99	0.12	-0.39	0.00	0.00	0.99	0.12	-0.39
9	10.58	1.44	-0.62	1.44	-0.62	-0.43	0.00	-0.02	-0.07	1.91	-1.42	-0.54	0.00	0.00	-0.09	1.51	-1.84	-0.54	0.00	-0.09
	2.02	0.59E+06	1.24	-0.95	-0.43	0.00	0.00	-0.02	-0.07	1.51	-1.84	-0.54	0.00	0.00	-0.09	1.51	-1.84	-0.54	0.00	-0.09
	5.00	85.56	0.00	1.01	1.01	1.06	0.17	-0.37	0.00	2.04	2.04	2.04	1.14	0.17	-0.41	0.00	0.00	1.14	0.17	-0.41
10	10.46	1.60	-0.56	1.60	-0.56	-0.48	0.00	-0.02	-0.08	2.11	-1.40	-0.62	0.00	0.00	-0.10	1.64	-1.93	-0.62	0.00	-0.10
	2.02	0.59E+06	1.38	-0.98	-0.48	0.00	0.00	-0.02	-0.08	1.64	-1.93	-0.62	0.00	0.00	-0.10	1.64	-1.93	-0.62	0.00	-0.10
	5.00	86.18	0.00	1.03	1.03	1.19	0.23	-0.41	0.00	2.08	2.08	2.08	1.26	0.23	-0.49	0.00	0.00	1.26	0.23	-0.49
11	10.46	1.78	-0.46	1.78	-0.46	-0.51	0.00	-0.02	-0.08	2.34	-1.24	-0.64	0.00	0.00	-0.11	1.84	-1.90	-0.64	0.00	-0.11
	2.02	0.59E+06	1.56	-0.99	-0.51	0.00	0.00	-0.02	-0.08	1.84	-1.90	-0.64	0.00	0.00	-0.11	1.84	-1.90	-0.64	0.00	-0.11
	5.00	84.24	0.00	1.04	1.04	1.35	0.31	-0.44	0.00	2.05	2.05	2.05	1.45	0.33	-0.51	0.00	0.00	1.45	0.33	-0.51
12	10.35	1.93	-0.37	1.93	-0.37	-0.55	0.00	-0.03	-0.10	2.44	-1.11	-0.68	0.00	0.00	-0.13	1.91	-1.88	-0.68	0.00	-0.13
	2.02	0.58E+06	1.69	-1.02	-0.55	0.01	-0.03	-0.10	0.00	1.91	-1.88	-0.68	0.00	0.00	-0.13	1.91	-1.88	-0.68	0.00	-0.13
	5.00	91.02	0.00	1.05	1.05	1.46	0.39	-0.49	0.00	2.01	2.01	2.01	1.52	0.39	-0.56	0.00	0.00	1.52	0.39	-0.56
13	10.23	2.11	-0.27	2.11	-0.27	-0.60	0.00	-0.04	-0.11	2.69	-0.97	-0.73	0.00	0.00	-0.14	2.14	-1.91	-0.73	0.00	-0.14
	2.02	0.58E+06	1.86	-1.04	-0.60	0.01	-0.04	-0.11	0.00	1.91	-1.91	-0.73	0.00	0.00	-0.14	2.14	-1.91	-0.73	0.00	-0.14
	5.00	98.22	0.00	1.05	1.05	1.61	0.49	-0.53	0.00	2.03	2.03	2.03	1.71	0.51	-0.60	0.00	0.00	1.71	0.51	-0.60

PROPULSIVE MING FORCE DATA

SUMMARY, RUN 119

PT	Q ALPHA BETA	REY NO HEIGHT	CL15			CPM15			CRM15			CYM15			CSF15		
			CNFIB CMUC	CAFIB CMUH	CAFIB CMUT	CPMIB CMUT	CPMIB CLTR	CRMIB CLTR	CYMIB CDTR	CYMIB CDTR	CSFIB CMTR	CSFIB CMTR	CSFIB CMTR				
2	30.00	0.98E+06 80.91	-0.03 0.00	0.01 0.00	-0.05 0.00	0.00 0.00	0.00 0.00	0.00 -0.03	0.00 0.00	0.00 0.00	0.00 0.00	0.00 0.00	0.00 0.00	0.00 0.00	0.00 0.00	0.00 0.00	0.00 0.00
3	29.89	0.98E+06 87.88	0.07 0.00	0.01 0.00	-0.07 0.00	0.00 0.00	0.00 0.00	0.00 0.06	0.00 0.00	0.00 0.00	0.00 0.00	0.00 0.00	0.00 0.00	0.00 0.00	0.00 0.00	0.00 0.00	0.00 0.00
4	29.89	0.98E+06 95.18	0.16 0.00	0.01 0.00	-0.08 0.00	0.00 0.00	0.00 0.15	0.00 0.00	0.00 0.15	0.00 0.00	0.00 0.00	0.00 0.00	0.00 0.00	0.00 0.00	0.00 0.00	0.00 0.00	0.00 0.00
7	29.89	0.97E+06 87.60	0.16 0.00	0.01 0.00	-0.08 0.00	0.00 0.00	0.00 0.15	0.00 0.00	0.00 0.15	0.00 0.00	0.00 0.00	0.00 0.00	0.00 0.00	0.00 0.00	0.00 0.00	0.00 0.00	0.00 0.00
8	29.66	0.97E+06 89.08	0.26 0.00	0.02 0.00	-0.08 0.00	0.00 0.00	0.00 0.24	0.00 0.00	0.00 0.24	0.00 0.00	0.00 0.00	0.00 0.00	0.00 0.00	0.00 0.00	0.00 0.00	0.00 0.00	0.00 0.00
9	29.89	0.97E+06 89.88	0.35 0.00	0.03 0.00	-0.09 0.00	0.00 0.00	0.00 0.33	0.00 0.00	0.00 0.33	0.00 0.00	0.00 0.00	0.00 0.00	0.00 0.00	0.00 0.00	0.00 0.00	0.00 0.00	0.00 0.00
10	29.89	0.97E+06 89.91	0.44 0.00	0.04 0.00	-0.11 0.00	0.00 0.00	0.00 0.42	0.00 0.00	0.00 0.42	0.00 0.00	0.00 0.00	0.00 0.00	0.00 0.00	0.00 0.00	0.00 0.00	0.00 0.00	0.00 0.00
11	29.89	0.97E+06 89.02	0.54 0.00	0.06 0.00	-0.12 0.00	0.00 0.00	0.00 0.52	0.00 0.00	0.00 0.52	0.00 0.00	0.00 0.00	0.00 0.00	0.00 0.00	0.00 0.00	0.00 0.00	0.00 0.00	0.00 0.00
12	30.00	0.97E+06 87.33	0.64 0.00	0.09 0.00	-0.13 0.00	0.00 0.00	0.00 0.13	0.00 0.00	0.00 0.13	0.00 0.00	0.00 0.00	0.00 0.00	0.00 0.00	0.00 0.00	0.00 0.00	0.00 0.00	0.00 0.00
13	29.77	0.97E+06 84.84	0.75 0.00	0.13 0.00	-0.15 0.00	0.00 0.00	0.00 0.73	0.00 0.00	0.00 0.73	0.00 0.00	0.00 0.00	0.00 0.00	0.00 0.00	0.00 0.00	0.00 0.00	0.00 0.00	0.00 0.00
14	29.77	0.97E+06 87.48	0.85 0.00	0.19 0.00	-0.17 0.00	0.00 0.00	0.00 0.83	0.00 0.00	0.00 0.83	0.00 0.00	0.00 0.00	0.00 0.00	0.00 0.00	0.00 0.00	0.00 0.00	0.00 0.00	0.00 0.00
15	29.77	0.97E+06 90.07	0.91 0.00	0.25 0.00	-0.19 0.00	0.00 0.00	0.00 0.88	0.00 0.00	0.00 0.88	0.00 0.00	0.00 0.00	0.00 0.00	0.00 0.00	0.00 0.00	0.00 0.00	0.00 0.00	0.00 0.00
16	30.00	0.97E+06 90.55	1.01 0.00	0.32 0.00	-0.20 0.00	0.00 0.00	0.00 0.94	0.00 0.00	0.00 0.94	0.00 0.00	0.00 0.00	0.00 0.00	0.00 0.00	0.00 0.00	0.00 0.00	0.00 0.00	0.00 0.00
17	29.77	0.97E+06 97.90	1.00 0.00	0.38 0.00	-0.23 0.00	0.00 0.00	0.00 0.97	0.00 0.00	0.00 0.97	0.00 0.00	0.00 0.00	0.00 0.00	0.00 0.00	0.00 0.00	0.00 0.00	0.00 0.00	0.00 0.00

PROPULSIVE MING FORCE DATA

SUMMARY, RUN 118

PT	Q ALPHA BETA	REY NO HEIGHT	CL15			CPM15			CRM15			CYM15			CSF15		
			CNFIB CMUC	CAFIB CMUH	CAFIB CMUT	CPMIB CMUT	CPMIB CLTR	CRMIB CLTR	CYMIB CDTR	CYMIB CDTR	CSFIB CMTR	CSFIB CMTR	CSFIB CMTR				
28	29.77	0.99E+06 86.75	-0.01 0.00	0.01 0.00	-0.05 0.00	0.00 0.00	0.00 -0.02	0.00 0.00	0.00 0.00	0.00 0.00	0.00 0.00	0.00 0.00	0.00 0.00	0.00 0.00	0.00 0.00	0.00 0.00	0.00 0.00
29	29.66	0.99E+06 85.91	0.08 0.00	0.01 0.00	-0.07 0.00	0.00 0.00	0.00 0.07	0.00 0.00	0.00 0.00	0.00 0.00	0.00 0.00	0.00 0.00	0.00 0.00	0.00 0.00	0.00 0.00	0.00 0.00	0.00 0.00
30	29.89	0.99E+06 86.86	0.18 0.00	0.01 0.00	-0.08 0.00	0.00 0.16	0.00 0.00	0.00 0.00	0.00 0.00	0.00 0.00	0.00 0.00	0.00 0.00	0.00 0.00	0.00 0.00	0.00 0.00	0.00 0.00	0.00 0.00
31	29.89	0.99E+06 84.27	0.27 0.00	0.02 0.00	-0.09 0.00	0.00 0.26	0.00 0.00	0.00 0.00	0.00 0.00	0.00 0.00	0.00 0.00	0.00 0.00	0.00 0.00	0.00 0.00	0.00 0.00	0.00 0.00	0.00 0.00
32	29.77	0.99E+06 86.73	0.36 0.00	0.03 0.00	-0.11 0.00	0.00 0.35	0.00 0.00	0.00 0.00	0.00 0.00	0.00 0.00	0.00 0.00	0.00 0.00	0.00 0.00	0.00 0.00	0.00 0.00	0.00 0.00	0.00 0.00
33	29.89	0.99E+06 84.38	0.46 0.00	0.04 0.00	-0.12 0.00	0.00 0.44	0.00 0.00	0.00 0.00	0.00 0.00	0.00 0.00	0.00 0.00	0.00 0.00	0.00 0.00	0.00 0.00	0.00 0.00	0.00 0.00	0.00 0.00
34	30.00	0.99E+06 85.33	0.55 0.00	0.06 0.00	-0.14 0.00	0.00 0.53	0.00 0.00	0.00 0.00	0.00 0.00	0.00 0.00	0.00 0.00	0.00 0.00	0.00 0.00	0.00 0.00	0.00 0.00	0.00 0.00	0.00 0.00
35	29.77	0.99E+06 84.17	0.67 0.00	0.09 0.00	-0.16 0.00	0.00 0.65	0.00 0.00	0.00 0.00	0.00 0.00	0.00 0.00	0.00 0.00	0.00 0.00	0.00 0.00	0.00 0.00	0.00 0.00	0.00 0.00	0.00 0.00
36	29.89	0.99E+06 84.66	0.78 0.00	0.13 0.00	-0.19 0.00	0.00 0.75	0.00 0.00	0.00 0.00	0.00 0.00	0.00 0.00	0.00 0.00	0.00 0.00	0.00 0.00	0.00 0.00	0.00 0.00	0.00 0.00	0.00 0.00
37	29.77	0.99E+06 85.34	0.86 0.00	0.19 0.00	-0.21 0.00	0.00 0.83	0.00 0.00	0.00 0.00	0.00 0.00	0.00 0.00	0.00 0.00	0.00 0.00	0.00 0.00	0.00 0.00	0.00 0.00	0.00 0.00	0.00 0.00
38	29.66	0.99E+06 85.11	0.92 0.00	0.26 0.00	-0.23 0.00	0.00 0.90	0.00 0.00	0.00 0.00	0.00 0.00	0.00 0.00	0.00 0.00	0.00 0.00	0.00 0.00	0.00 0.00	0.00 0.00	0.00 0.00	0.00 0.00
39	29.89	0.99E+06 90.57	1.02 0.00	0.32 0.00	-0.25 0.00	0.00 0.94	0.00 0.00	0.00 0.00	0.00 0.00	0.00 0.00	0.00 0.00	0.00 0.00	0.00 0.00	0.00 0.00	0.00 0.00	0.00 0.00	0.00 0.00
40	30.12	0.10E+07 98.10	1.02 0.00	0.39 0.00	-0.27 0.00	0.00 0.99	0.00 0.00	0.00 0.00	0.00 0.00	0.00 0.00	0.00 0.00	0.00 0.00	0.00 0.00	0.00 0.00	0.00 0.00	0.00 0.00	0.00 0.00



PROPULSIVE WING FORCE DATA

SUMMARY. RUN 121

PT	Q ALPHA BETA	REV NO HEIGHT	CLIS			CPNIS			CYNIS			CSFIS		
			CNFIB CNUC	CAFIB CHUM	CAFIB CHUM	CPNIB CNUC	CPNIB CNUC	CPNIB CNUC	CYNIB CDTR	CYNIB CDTR	CYNIB CDTR	CSFIB CNUC	CSFIB CNUC	CSFIB CNUC
1	10.58	0.58E+06	0.23	-0.88	-0.88	-0.21	0.00	0.01	0.01	0.01	-0.01	-0.01	-0.14	
	-2.01	83.50	0.26	-0.87	-0.87	1.01	0.00	0.01	0.01	0.01	-0.02	-0.02	-0.16	
	0.00		0.00	1.01	1.01	1.01	0.08	0.01	0.01	0.01	-0.02	-0.02	-0.16	
2	10.46	0.57E+06	0.35	-0.88	-0.88	-0.23	0.01	0.01	0.01	0.01	0.01	0.01	0.01	
	-0.01	90.56	0.35	-0.88	-0.88	-0.23	0.01	0.01	0.01	0.01	0.01	0.01	0.01	
	0.00		0.00	1.02	1.02	1.02	0.17	0.01	0.01	0.01	-0.03	-0.03	-0.18	
3	10.46	0.58E+06	0.49	-0.87	-0.87	-0.24	0.01	0.01	0.01	0.01	0.01	0.01	0.01	
	2.01	92.10	0.46	-0.89	-0.89	-0.24	0.01	0.01	0.01	0.01	0.01	0.01	0.01	
	0.00		0.00	1.02	1.02	1.02	0.28	0.02	0.02	0.02	-0.18	-0.18	-0.18	
4	10.35	0.57E+06	0.65	-0.87	-0.87	-0.26	0.01	0.01	0.01	0.01	0.01	0.01	0.01	
	3.98	88.17	0.59	-0.91	-0.91	-0.26	0.01	0.01	0.01	0.01	0.01	0.01	0.01	
	0.00		0.00	1.04	1.04	1.04	0.40	0.03	0.03	0.03	-0.19	-0.19	-0.19	
5	10.58	0.58E+06	0.76	-0.84	-0.84	-0.28	0.01	0.01	0.01	0.01	0.01	0.01	0.01	
	5.99	87.24	0.67	-0.91	-0.91	-0.28	0.01	0.01	0.01	0.01	0.01	0.01	0.01	
	0.00		0.00	1.02	1.02	1.02	0.49	0.05	0.05	0.05	-0.21	-0.21	-0.21	
6	10.58	0.58E+06	0.90	-0.81	-0.81	-0.30	0.01	0.01	0.01	0.01	0.01	0.01	0.01	
	7.98	84.37	0.78	-0.93	-0.93	-0.30	0.01	0.01	0.01	0.01	0.01	0.01	0.01	
	0.00		0.00	1.02	1.02	1.02	0.60	0.06	0.06	0.06	-0.23	-0.23	-0.23	
7	10.58	0.58E+06	1.00	-0.68	-0.68	-0.30	0.01	0.01	0.01	0.01	0.01	0.01	0.01	
	9.99	83.08	0.87	-0.85	-0.85	-0.30	0.01	0.01	0.01	0.01	0.01	0.01	0.01	
	0.00		0.00	0.91	0.91	0.91	0.69	0.09	0.09	0.09	-0.24	-0.24	-0.24	
8	10.58	0.58E+06	1.17	-0.66	-0.66	-0.33	0.01	0.01	0.01	0.01	0.01	0.01	0.01	
	12.00	81.72	1.01	-0.89	-0.89	-0.33	0.01	0.01	0.01	0.01	0.01	0.01	0.01	
	0.00		0.00	0.95	0.95	0.95	0.83	0.12	0.12	0.12	-0.27	-0.27	-0.27	
9	10.46	0.57E+06	1.35	-0.61	-0.61	-0.37	0.01	0.01	0.01	0.01	0.01	0.01	0.01	
	13.98	88.97	1.16	-0.92	-0.92	-0.37	0.00	0.01	0.01	0.01	0.01	0.01	0.01	
	0.00		0.00	0.96	0.96	0.96	0.98	0.17	0.17	0.17	-0.30	-0.30	-0.30	
10	10.46	0.57E+06	1.53	-0.53	-0.53	-0.40	0.01	0.01	0.01	0.01	0.01	0.01	0.01	
	15.99	87.41	1.33	-0.93	-0.93	-0.40	0.01	0.01	0.01	0.01	0.01	0.01	0.01	
	0.00		0.00	0.96	0.96	0.96	1.13	0.24	0.24	0.24	-0.33	-0.33	-0.33	
11	10.35	0.57E+06	1.71	-0.45	-0.45	-0.43	0.01	0.01	0.01	0.01	0.01	0.01	0.01	
	17.98	85.66	1.48	-0.95	-0.95	-0.43	0.01	0.01	0.01	0.01	0.01	0.01	0.01	
	0.00		0.00	0.97	0.97	0.97	1.27	0.31	0.31	0.31	-0.37	-0.37	-0.37	
12	10.59	0.58E+06	1.82	-0.34	-0.34	-0.45	0.01	0.01	0.01	0.01	0.01	0.01	0.01	
	18.98	90.72	1.60	-0.94	-0.94	-0.45	0.01	0.01	0.01	0.01	0.01	0.01	0.01	
	0.00		0.00	0.94	0.94	0.94	1.38	0.39	0.39	0.39	-0.39	-0.39	-0.39	
13	10.58	0.58E+06	1.99	-0.23	-0.23	-0.49	0.01	0.01	0.01	0.01	0.01	0.01	0.01	
	21.99	98.11	1.76	-0.96	-0.96	-0.49	0.01	0.01	0.01	0.01	0.01	0.01	0.01	
	0.00		0.00	0.96	0.96	0.96	1.52	0.49	0.49	0.49	-0.42	-0.42	-0.42	

PROPULSIVE WING FORCE DATA

SUMMARY. RUN 120

PT	Q ALPHA BETA	REV NO HEIGHT	CLIS			CPNIS			CYNIS			CSFIS		
			CNFIB CNUC	CAFIB CHUM	CAFIB CHUM	CPNIB CNUC	CPNIB CNUC	CPNIB CNUC	CYNIB CDTR	CYNIB CDTR	CYNIB CDTR	CSFIB CNUC	CSFIB CNUC	CSFIB CNUC
1	21.04	0.81E+06	0.14	-0.42	-0.42	-0.15	0.00	0.00	0.00	0.00	0.00	0.00	0.00	
	-1.98	83.07	0.16	-0.42	-0.42	-0.15	0.00	0.00	0.00	0.00	0.00	0.00	0.00	
	0.00		0.00	0.51	0.51	0.51	0.07	-0.01	-0.01	-0.01	-0.12	-0.12	-0.12	
2	21.04	0.81E+06	0.26	-0.42	-0.42	-0.16	0.00	0.00	0.00	0.00	0.00	0.00	0.00	
	-0.01	90.05	0.26	-0.42	-0.42	-0.16	0.00	0.00	0.00	0.00	0.00	0.00	0.00	
	0.00		0.00	0.51	0.51	0.51	0.18	0.00	0.00	0.00	-0.13	-0.13	-0.13	
3	20.92	0.81E+06	0.37	-0.41	-0.41	-0.18	0.00	0.00	0.00	0.00	0.01	0.01	0.01	
	1.99	89.66	0.36	-0.43	-0.43	-0.18	0.00	0.00	0.00	0.00	0.01	0.01	0.01	
	0.00		0.00	0.51	0.51	0.51	0.27	0.01	0.01	0.01	-0.15	-0.15	-0.15	
4	20.92	0.81E+06	0.49	-0.40	-0.40	-0.20	0.00	0.00	0.00	0.00	0.01	0.01	0.01	
	3.99	86.80	0.46	-0.43	-0.43	-0.20	0.00	0.00	0.00	0.00	0.01	0.01	0.01	
	0.00		0.00	0.51	0.51	0.51	0.38	0.02	0.02	0.02	-0.16	-0.16	-0.16	
5	20.92	0.81E+06	0.61	-0.38	-0.38	-0.21	0.00	0.00	0.00	0.00	0.00	0.00	0.00	
	6.02	85.62	0.57	-0.45	-0.45	-0.21	0.00	0.00	0.00	0.00	0.00	0.00	0.00	
	0.00		0.00	0.51	0.51	0.51	0.48	0.03	0.03	0.03	-0.18	-0.18	-0.18	
6	20.92	0.81E+06	0.73	-0.36	-0.36	-0.23	0.00	0.00	0.00	0.00	0.01	0.01	0.01	
	8.03	87.24	0.67	-0.46	-0.46	-0.23	0.00	0.00	0.00	0.00	0.01	0.01	0.01	
	0.00		0.00	0.51	0.51	0.51	0.59	0.05	0.05	0.05	-0.20	-0.20	-0.20	
7	20.81	0.81E+06	0.86	-0.34	-0.34	-0.25	0.00	0.00	0.00	0.00	0.01	0.01	0.01	
	9.98	86.30	0.79	-0.48	-0.48	-0.25	0.00	0.00	0.00	0.00	0.01	0.01	0.01	
	0.00		0.00	0.51	0.51	0.51	0.70	0.07	0.07	0.07	-0.21	-0.21	-0.21	
8	20.92	0.81E+06	1.00	-0.29	-0.29	-0.27	0.00	0.00	0.00	0.00	0.01	0.01	0.01	
	11.98	85.76	0.91	-0.49	-0.49	-0.27	0.00	0.00	0.00	0.00	0.01	0.01	0.01	
	0.00		0.00	0.51	0.51	0.51	0.82	0.11	0.11	0.11	-0.24	-0.24	-0.24	
9	20.92	0.81E+06	1.16	-0.23	-0.23	-0.30	0.00	0.00	0.00	0.00	0.01	0.01	0.01	
	13.97	85.45	1.07	-0.51	-0.51	-0.30	0.00	0.00	0.00	0.00	0.01	0.01	0.01	
	0.00		0.00	0.51	0.51	0.51	0.97	0.17	0.17	0.17	-0.26	-0.26	-0.26	
10	20.92	0.81E+06	1.33	-0.16	-0.16	-0.33	0.00	0.00	0.00	0.00	0.02	0.02	0.02	
	15.98	84.50	1.23	-0.52	-0.52	-0.33	0.00	0.00	0.00	0.00	0.02	0.02	0.02	
	0.00		0.00	0.51	0.51	0.51	1.12	0.23	0.23	0.23	-0.30	-0.30	-0.30	
11	21.04	0.81E+06	1.46	-0.09	-0.09	-0.36	0.00	0.00	0.00	0.00	0.00	0.00	0.00	
	17.98	84.83	1.36	-0.53	-0.53	-0.36	0.00	0.00	0.00	0.00	0.00	0.00	0.00	
	0.00		0.00	0.51	0.51	0.51	1.24	0.30	0.30	0.30	-0.33	-0.33	-0.33	
12	20.69	0.81E+06	1.60	0.00	0.00	-0.39	0.00	0.00	0.00	0.00	0.01	0.01	0.01	
	19.98	90.77	1.50	-0.55	-0.55	-0.39	0.00	0.00	0.00	0.00	0.01	0.01	0.01	
	0.00		0.00	0.52	0.52	0.52	1.36	0.39	0.39	0.39	-0.36	-0.36	-0.36	
13	20.92	0.81E+06	1.73	0.10	0.10	-0.42	0.00	0.00	0.00	0.00	0.01	0.01	0.01	
	22.00	98.19	1.64	-0.55	-0.55	-0.42	0.00	0.00	0.00	0.00	0.01	0.01	0.01	
	0.00		0.00	0.51	0.51	0.51	1.48	0.48	0.48	0.48	-0.38	-0.38	-0.38	

PROPULSIVE WING FORCE DATA

SUMMARY. RUN 123

PT	Q ALPHA BETA	REY NO HEIGHT	CLIS			CPMIS			CRMIS			CYSIS			CSFIS		
			CNFIB CMUC	CAFIB CMUH	CMHIB CLTR	CPHIB CMUT	CRMIB CLTR	CYHIB CDTR	CSHIB CDTR	CNFIB CMUC	CAFIB CMUH	CMHIB CLTR	CYHIB CDTR	CSHIB CDTR	CSHIB CDTR	CSFIB CMTR	
1	30.00	0.97E+06 83.20	-0.04	0.02	0.01	-0.05	0.01	0.01	-0.02	0.01	-0.02	0.01	-0.02	0.01	-0.02	-0.02	
2	30.00	0.97E+06 90.18	0.05	0.01	0.01	-0.07	0.01	0.01	-0.02	0.01	-0.02	0.01	-0.02	0.01	-0.02	-0.02	
3	30.12	0.97E+06 91.38	0.14	0.01	0.01	-0.08	0.00	0.00	-0.02	0.00	-0.02	0.00	-0.02	0.00	-0.02	-0.02	
4	30.00	0.97E+06 89.10	0.23	0.02	0.02	-0.08	0.00	0.00	-0.02	0.00	-0.02	0.00	-0.02	0.00	-0.02	-0.03	
5	30.00	0.97E+06 87.68	0.33	0.03	0.03	-0.09	0.00	0.00	-0.02	0.00	-0.02	0.00	-0.02	0.00	-0.02	-0.03	
6	30.23	0.97E+06 87.41	0.42	0.04	0.04	-0.10	0.00	0.00	-0.02	0.00	-0.02	0.00	-0.02	0.00	-0.02	-0.04	
7	29.89	0.96E+06 85.72	0.52	0.06	0.06	-0.12	0.00	0.00	-0.03	0.00	-0.03	0.00	-0.03	0.00	-0.03	-0.04	
8	29.89	0.96E+06 84.87	0.63	0.08	0.08	-0.13	0.00	0.00	-0.03	0.00	-0.03	0.00	-0.03	0.00	-0.03	-0.05	
9	29.77	0.96E+06 86.27	0.74	0.13	0.13	-0.15	0.00	0.00	-0.03	0.00	-0.03	0.00	-0.03	0.00	-0.03	-0.06	
10	29.89	0.96E+06 87.87	0.82	0.19	0.19	-0.17	0.00	0.00	-0.03	0.00	-0.03	0.00	-0.03	0.00	-0.03	-0.08	
11	30.00	0.97E+06 88.74	0.88	0.25	0.25	-0.19	0.00	0.00	-0.03	0.00	-0.03	0.00	-0.03	0.00	-0.03	-0.09	
12	29.89	0.96E+06 90.48	0.90	0.30	0.30	-0.21	0.00	0.00	-0.03	0.00	-0.03	0.00	-0.03	0.00	-0.03	-0.11	
13	30.00	0.97E+06 97.90	0.90	0.35	0.35	-0.21	0.00	0.00	-0.03	0.00	-0.03	0.00	-0.03	0.00	-0.03	-0.10	

PROPULSIVE WING FORCE DATA

SUMMARY. RUN 122

PT	Q ALPHA BETA	REY NO HEIGHT	CLIS			CPMIS			CRMIS			CYSIS			CSFIS		
			CNFIB CMUC	CAFIB CMUH	CMHIB CLTR	CPHIB CMUT	CRMIB CLTR	CYHIB CDTR	CSHIB CDTR	CNFIB CMUC	CAFIB CMUH	CMHIB CLTR	CYHIB CDTR	CSHIB CDTR	CSHIB CDTR	CSFIB CMTR	
1	5.29	0.41E+06 84.33	0.27	-1.66	-0.30	0.01	0.01	0.01	-0.01	0.01	0.01	0.01	-0.01	0.01	-0.01		
2	5.17	0.40E+06 91.26	0.44	-1.69	-0.32	0.01	0.01	0.01	-0.03	0.01	0.01	0.01	-0.03	0.01	-0.03		
3	5.17	0.40E+06 89.91	0.62	-1.68	-0.35	0.01	0.01	0.01	-0.05	0.01	0.01	0.01	-0.05	0.01	-0.05		
4	5.17	0.40E+06 87.98	0.78	-1.66	-0.36	0.01	0.01	0.01	-0.07	0.01	0.01	0.01	-0.07	0.01	-0.07		
5	5.29	0.41E+06 84.30	0.94	-1.60	-0.38	0.01	0.01	0.01	-0.07	0.01	0.01	0.01	-0.07	0.01	-0.07		
6	5.29	0.41E+06 83.07	1.11	-1.56	-0.40	0.01	0.01	0.01	-0.08	0.01	0.01	0.01	-0.08	0.01	-0.08		
7	5.29	0.41E+06 81.77	1.32	-1.52	-0.42	0.01	0.01	0.01	-0.05	0.01	0.01	0.01	-0.05	0.01	-0.05		
8	5.29	0.41E+06 84.07	1.52	-1.46	-0.44	0.01	0.01	0.01	-0.08	0.01	0.01	0.01	-0.08	0.01	-0.08		
9	5.29	0.41E+06 85.74	1.69	-1.40	-0.47	0.01	0.01	0.01	-0.11	0.01	0.01	0.01	-0.11	0.01	-0.11		
10	5.29	0.41E+06 86.42	1.94	-1.30	-0.50	0.01	0.01	0.01	-0.08	0.01	0.01	0.01	-0.08	0.01	-0.08		
11	5.17	0.40E+06 86.59	2.14	-1.25	-0.53	0.01	0.01	0.01	-0.10	0.01	0.01	0.01	-0.10	0.01	-0.10		
12	5.17	0.40E+06 90.76	2.32	-1.15	-0.56	0.01	0.01	0.01	-0.09	0.01	0.01	0.01	-0.09	0.01	-0.09		
13	5.06	0.40E+06 98.08	2.58	-1.05	-0.62	0.01	0.01	0.01	-0.10	0.01	0.01	0.01	-0.10	0.01	-0.10		

PROPULSIVE MING FORCE DATA

SUMMARY, RUN 125

PT	Q	ALPHA	BETA	REV NO	HEIGHT	CLIS			CPMIS			CRMIS			CYMIS			CSFIS						
						CAFIB	CAFIB	CAHUM	CPMIB	CPMIB	CPMIB	CRMIB	CRMIB	CRMIB	CYRIB	CYRIB	CYRIB	CYRIB	CYRIB	CYRIB	CYRIB	CYRIB	CYRIB	CYRIB
1	21.04	0.00	0.81E+06	0.13	-0.43	0.00	0.51	0.00	0.51	0.05	0.01	-0.02	-0.01	-0.02	-0.01	-0.02	-0.01	-0.02	-0.01	-0.02	-0.01	-0.02	-0.03	-0.03
2	21.04	0.00	0.81E+06	0.23	-0.43	0.00	0.51	0.00	0.51	0.05	0.01	-0.02	-0.02	-0.02	-0.02	-0.02	-0.02	-0.02	-0.02	-0.02	-0.02	-0.02	-0.04	-0.04
3	21.04	1.99	0.81E+06	0.36	-0.42	0.00	0.51	0.00	0.51	0.25	0.00	-0.02	-0.03	-0.03	-0.03	-0.03	-0.03	-0.03	-0.03	-0.03	-0.03	-0.03	-0.03	-0.03
4	21.04	3.99	0.81E+06	0.47	-0.41	0.00	0.51	0.00	0.51	0.35	0.01	-0.02	-0.03	-0.03	-0.03	-0.03	-0.03	-0.03	-0.03	-0.03	-0.03	-0.03	-0.05	-0.05
5	20.92	5.98	0.81E+06	0.55	-0.46	0.00	0.51	0.00	0.51	0.46	0.02	-0.02	-0.04	-0.04	-0.04	-0.04	-0.04	-0.04	-0.04	-0.04	-0.04	-0.06	-0.06	-0.06
6	20.92	7.98	0.81E+06	0.66	-0.47	0.00	0.51	0.00	0.51	0.57	0.04	-0.02	-0.04	-0.04	-0.04	-0.04	-0.04	-0.04	-0.04	-0.04	-0.04	-0.06	-0.06	-0.06
7	21.15	9.98	0.81E+06	0.84	-0.34	0.00	0.51	0.00	0.51	0.67	0.07	-0.02	-0.05	-0.05	-0.05	-0.05	-0.05	-0.05	-0.05	-0.05	-0.05	-0.07	-0.07	-0.07
8	21.04	12.02	0.81E+06	0.99	-0.30	0.00	0.51	0.00	0.51	0.81	0.11	-0.03	-0.05	-0.05	-0.05	-0.05	-0.05	-0.05	-0.05	-0.05	-0.05	-0.08	-0.08	-0.08
9	20.92	13.98	0.81E+06	1.14	-0.24	0.00	0.51	0.00	0.51	0.95	0.16	-0.03	-0.07	-0.07	-0.07	-0.07	-0.07	-0.07	-0.07	-0.07	-0.07	-0.09	-0.09	-0.09
10	16.01	16.01	0.81E+06	1.29	-0.18	0.00	0.51	0.00	0.51	1.08	0.22	-0.03	-0.08	-0.08	-0.08	-0.08	-0.08	-0.08	-0.08	-0.08	-0.08	-0.12	-0.12	-0.12
11	21.04	17.99	0.81E+06	1.43	-0.10	0.00	0.51	0.00	0.51	1.21	0.29	-0.03	-0.10	-0.10	-0.10	-0.10	-0.10	-0.10	-0.10	-0.10	-0.10	-0.15	-0.15	-0.15
12	20.81	19.98	0.80E+06	1.57	-0.01	0.00	0.51	0.00	0.51	1.34	0.38	-0.03	-0.12	-0.12	-0.12	-0.12	-0.12	-0.12	-0.12	-0.12	-0.12	-0.15	-0.15	-0.15
13	20.92	22.00	0.81E+06	1.71	0.10	0.00	0.51	0.00	0.51	1.46	0.48	-0.04	-0.14	-0.14	-0.14	-0.14	-0.14	-0.14	-0.14	-0.14	-0.14	-0.16	-0.16	-0.16

PROPULSIVE MING FORCE DATA

SUMMARY, RUN 124

PT	Q	ALPHA	BETA	REV NO	HEIGHT	CLIS			CPMIS			CRMIS			CYMIS			CSFIS						
						CAFIB	CAFIB	CAHUM	CPMIB	CPMIB	CPMIB	CRMIB	CRMIB	CRMIB	CYRIB	CYRIB	CYRIB	CYRIB	CYRIB	CYRIB	CYRIB	CYRIB	CYRIB	CYRIB
1	21.04	2.00	0.81E+06	0.13	-0.43	0.00	0.51	0.00	0.51	0.05	0.01	-0.02	-0.01	-0.02	-0.01	-0.02	-0.01	-0.02	-0.01	-0.02	-0.01	-0.02	-0.03	-0.03
2	21.04	5.01	83.37	0.00	0.51	0.00	0.51	0.00	0.51	0.05	0.01	-0.02	-0.02	-0.02	-0.02	-0.02	-0.02	-0.02	-0.02	-0.02	-0.02	-0.04	-0.04	-0.04
3	21.04	5.01	90.42	0.00	0.51	0.00	0.51	0.00	0.51	0.14	0.00	-0.02	-0.04	-0.04	-0.04	-0.04	-0.04	-0.04	-0.04	-0.04	-0.04	-0.06	-0.06	-0.06
4	21.04	1.99	0.81E+06	0.34	-0.43	0.00	0.51	0.00	0.51	0.25	0.00	-0.02	-0.03	-0.03	-0.03	-0.03	-0.03	-0.03	-0.03	-0.03	-0.03	-0.05	-0.05	-0.05
5	21.04	5.01	87.00	0.00	0.51	0.00	0.51	0.00	0.51	0.35	0.01	-0.02	-0.04	-0.04	-0.04	-0.04	-0.04	-0.04	-0.04	-0.04	-0.04	-0.06	-0.06	-0.06
6	20.92	5.01	86.10	0.00	0.51	0.00	0.51	0.00	0.51	0.46	0.02	-0.02	-0.04	-0.04	-0.04	-0.04	-0.04	-0.04	-0.04	-0.04	-0.04	-0.06	-0.06	-0.06
7	20.92	7.98	0.81E+06	0.66	-0.47	0.00	0.51	0.00	0.51	0.57	0.04	-0.02	-0.04	-0.04	-0.04	-0.04	-0.04	-0.04	-0.04	-0.04	-0.04	-0.06	-0.06	-0.06
8	21.15	9.98	0.81E+06	0.84	-0.34	0.00	0.51	0.00	0.51	0.67	0.07	-0.02	-0.05	-0.05	-0.05	-0.05	-0.05	-0.05	-0.05	-0.05	-0.05	-0.07	-0.07	-0.07
9	21.04	12.02	0.81E+06	0.99	-0.30	0.00	0.51	0.00	0.51	0.81	0.11	-0.03	-0.05	-0.05	-0.05	-0.05	-0.05	-0.05	-0.05	-0.05	-0.05	-0.08	-0.08	-0.08
10	20.92	13.98	0.81E+06	1.14	-0.24	0.00	0.51	0.00	0.51	0.95	0.16	-0.03	-0.07	-0.07	-0.07	-0.07	-0.07	-0.07	-0.07	-0.07	-0.07	-0.09	-0.09	-0.09
11	16.01	16.01	0.81E+06	1.29	-0.18	0.00	0.51	0.00	0.51	1.08	0.22	-0.03	-0.08	-0.08	-0.08	-0.08	-0.08	-0.08	-0.08	-0.08	-0.08	-0.12	-0.12	-0.12
12	21.04	17.99	0.81E+06	1.43	-0.10	0.00	0.51	0.00	0.51	1.21	0.29	-0.03	-0.10	-0.10	-0.10	-0.10	-0.10	-0.10	-0.10	-0.10	-0.10	-0.15	-0.15	-0.15
13	20.81	19.98	0.80E+06	1.57	-0.01	0.00	0.51	0.00	0.51	1.34	0.38	-0.03	-0.12	-0.12	-0.12	-0.12	-0.12	-0.12	-0.12	-0.12	-0.12	-0.15	-0.15	-0.15

PROPULSIVE WING FORCE DATA

SUMMARY, RUN 127

PT	Q ALPHA BETA	REY NO HEIGHT	CLIS CNFIB CMUC	CAFIB CMUM	CPMIB CMUT	CRMIB CLTR	CYMB CDR	CSFIB CMTR
16	0.00	0.30E+08 72.80	-0.52 13.09	0.09 0.00	-11.71 13.09	-0.28 -4.40	-2.27 17.96	-0.27 -10.71
17	0.00	0.30E+08 72.80	0.36 21.24	-17.98 0.00	-5.83 21.24	-6.98 -8.29	-24.83 20.50	-2.04 -3.87
18	0.00	0.30E+08 72.80	2.35 42.22	-33.89 0.00	14.86 42.22	-11.40 -13.87	-39.40 40.90	-1.05 19.68
19	0.00	0.30E+08 72.80	4.20 53.03	-43.03 0.00	29.81 53.03	-11.36 -15.76	-45.13 51.93	-0.89 36.38
20	0.00	0.30E+08 72.80	2.93 69.84	-58.22 0.00	47.41 69.84	-18.01 -22.37	-63.24 68.68	-2.06 57.09
21	0.00	0.30E+08 72.80	5.23 77.92	-64.85 0.00	53.54 77.92	-16.36 -22.53	-59.62 78.12	-2.21 64.92

PROPULSIVE WING FORCE DATA

SUMMARY, RUN 126

PT	Q ALPHA BETA	REY NO HEIGHT	CLIS CNFIB CMUC	CAFIB CMUM	CPMIB CMUT	CRMIB CLTR	CYMB CDR	CSFIB CMTR
1	5.29 -1.99 5.01	0.41E+06 82.29	0.28 0.34 0.00	-1.77 -1.76 2.06	-0.32 -0.32 2.06	0.01 0.01 -0.01	-0.01 -0.01 0.01	-0.05 -0.05 -0.19
2	5.29 -0.01 5.01	0.41E+06 89.26	0.48 0.00	-1.77 2.05	-0.32 2.05	0.01 0.12	-0.01 0.01	-0.05 -0.19
3	5.29 2.03 5.01	0.41E+06 87.74	0.64 0.58 0.00	-1.75 -1.77 2.05	-0.35 2.05	0.01 0.21	-0.01 -0.02	-0.06 -0.22
4	5.17 3.98 5.01	0.40E+06 87.68	0.83 0.71 0.00	-1.71 -1.77 2.04	-0.37 -0.37 2.04	0.00 0.35	-0.01 0.03	-0.07 -0.24
5	5.17 6.00 5.01	0.40E+06 85.04	0.95 0.78 0.00	-1.63 -1.72 1.98	-0.39 -0.39 1.98	0.00 0.42	-0.02 0.04	-0.09 -0.27
6	5.17 8.02 5.01	0.40E+06 84.46	1.21 0.98 0.00	-1.58 -1.74 1.98	-0.41 -0.41 1.98	0.00 0.62	-0.02 0.07	-0.08 -0.28
7	5.29 10.00 5.01	0.41E+06 85.64	1.31 1.03 0.00	-1.52 -1.72 1.94	-0.43 -0.43 1.94	0.00 0.68	-0.02 0.08	-0.10 -0.31
8	5.17 11.98 5.01	0.40E+06 85.47	1.56 1.21 0.00	-1.48 -1.77 1.99	-0.46 -0.46 1.99	0.00 0.85	-0.02 0.13	-0.10 -0.33
9	5.29 14.02 5.01	0.41E+06 85.62	1.72 1.34 0.00	-1.37 -1.74 1.94	-0.49 -0.49 1.94	0.00 0.98	-0.02 0.18	-0.10 -0.36
10	5.17 16.00 5.01	0.40E+06 85.11	1.97 1.53 0.00	-1.31 -1.81 1.98	-0.53 -0.53 1.98	0.00 1.16	-0.03 0.24	-0.14 -0.41
11	5.17 18.00 5.01	0.40E+06 86.25	2.16 1.68 0.00	-1.22 -1.82 1.98	-0.55 -0.55 1.98	0.00 1.30	-0.03 0.31	-0.15 -0.42
12	5.17 20.00 5.01	0.40E+06 90.73	2.37 1.84 0.00	-1.11 -1.86 2.00	-0.58 -0.58 2.00	0.00 1.44	-0.03 0.39	-0.16 -0.45
13	5.29 21.98 5.01	0.41E+06 98.04	2.49 1.94 0.00	-0.98 -1.84 1.96	-0.61 -0.61 1.96	0.00 1.53	-0.03 0.47	-0.20 -0.49

PROPULSIVE WING FORCE DATA

SUMMARY, RUN 129

PT	Q	ALPHA	BETA	REY NO	HEIGHT	CLIS	CAFIB	CRUC	CDIS	CPMIS	CPMIB	CPMIB	CPMIB	CRMIS	CRMIB	CLTR	CYMIS	CYMIB	CDTR	CSFIS	CSFIB	CMTR
1	21.04	-1.99	0.00	0.81E+06	81.51	0.07	0.08	0.25	-0.20	0.03	0.03	0.03	0.03	0.00	0.00	0.06	0.00	0.00	0.00	0.01	0.01	0.02
2	20.92	-0.01	0.00	0.80E+06	88.26	0.12	0.12	0.25	-0.20	0.07	0.07	0.07	0.07	0.00	0.00	0.11	0.00	0.00	0.00	0.01	0.01	0.07
3	21.15	1.98	0.00	0.81E+06	88.37	0.17	0.16	0.25	-0.19	0.11	0.11	0.11	0.11	0.00	0.00	0.14	0.00	0.00	0.00	0.01	0.01	0.11
4	21.04	4.00	0.00	0.81E+06	89.58	0.20	0.19	0.25	-0.19	0.15	0.15	0.15	0.15	0.00	0.00	0.17	0.00	0.00	0.00	0.01	0.01	0.15
5	21.04	5.99	0.00	0.81E+06	88.77	0.27	0.25	0.25	-0.18	0.20	0.20	0.20	0.20	0.00	0.00	0.23	0.00	0.00	0.00	0.01	0.01	0.19
6	21.04	8.01	0.00	0.81E+06	87.34	0.32	0.30	0.25	-0.17	0.25	0.25	0.25	0.25	0.00	0.00	0.27	0.00	0.00	0.00	0.01	0.01	0.24
7	21.15	9.98	0.00	0.81E+06	86.34	0.38	0.35	0.25	-0.15	0.30	0.30	0.30	0.30	0.00	0.00	0.33	0.00	0.00	0.00	0.01	0.01	0.29
8	21.15	12.00	0.00	0.81E+06	85.27	0.44	0.40	0.25	-0.13	0.35	0.35	0.35	0.35	0.00	0.00	0.38	0.00	0.00	0.00	0.01	0.01	0.35
9	21.04	13.98	0.00	0.81E+06	84.93	0.50	0.46	0.25	-0.10	0.41	0.41	0.41	0.41	0.00	0.00	0.43	0.00	0.00	0.00	0.01	0.01	0.41
10	21.15	15.99	0.00	0.81E+06	83.24	0.56	0.52	0.25	-0.07	0.47	0.47	0.47	0.47	0.00	0.00	0.49	0.00	0.00	0.00	0.01	0.01	0.47
11	20.92	17.98	0.00	0.80E+06	86.77	0.63	0.59	0.25	-0.04	0.54	0.54	0.54	0.54	0.00	0.00	0.55	0.00	0.00	0.00	0.01	0.01	0.53
12	20.92	19.99	0.00	0.80E+06	88.21	0.68	0.64	0.25	0.00	0.60	0.60	0.60	0.60	0.00	0.00	0.59	0.00	0.00	0.00	0.01	0.01	0.59
13	20.81	22.00	0.00	0.80E+06	95.27	0.75	0.71	0.26	0.05	0.66	0.66	0.66	0.66	0.00	0.00	0.65	0.00	0.00	0.00	0.01	0.01	0.66

PROPULSIVE WING FORCE DATA

SUMMARY, RUN 128

PT	Q	ALPHA	BETA	REY NO	HEIGHT	CLIS	CAFIB	CRUC	CDIS	CPMIS	CPMIB	CPMIB	CPMIB	CRMIS	CRMIB	CLTR	CYMIS	CYMIB	CDTR	CSFIS	CSFIB	CMTR
2	29.89	-2.01	0.00	0.96E+06	81.64	0.01	0.01	0.00	0.01	-0.01	0.00	0.00	0.00	0.00	0.00	0.00	0.00	0.00	0.00	0.01	0.01	0.00
3	29.89	0.01	0.00	0.96E+06	88.50	0.04	0.04	0.00	0.03	0.03	0.03	0.03	0.03	0.00	0.00	0.03	0.00	0.00	0.00	0.01	0.01	0.03
4	29.89	1.98	0.00	0.96E+06	89.47	0.07	0.07	0.00	0.07	0.07	0.07	0.07	0.07	0.00	0.00	0.06	0.00	0.00	0.00	0.01	0.01	0.07
5	30.00	4.00	0.00	0.96E+06	87.99	0.11	0.11	0.00	0.11	0.11	0.11	0.11	0.11	0.00	0.00	0.09	0.00	0.00	0.00	0.01	0.01	0.11
6	30.12	5.98	0.00	0.96E+06	87.04	0.14	0.14	0.00	0.15	0.15	0.15	0.15	0.15	0.00	0.00	0.12	0.00	0.00	0.00	0.01	0.01	0.15
7	30.12	7.99	0.00	0.96E+06	87.27	0.18	0.18	0.00	0.19	0.19	0.19	0.19	0.19	0.00	0.00	0.16	0.00	0.00	0.00	0.00	0.00	0.20
8	30.00	9.99	0.00	0.96E+06	84.40	0.22	0.23	0.00	0.24	0.24	0.24	0.24	0.24	0.00	0.00	0.21	0.00	0.00	0.00	0.01	0.01	0.24
9	30.00	11.99	0.00	0.96E+06	84.85	0.26	0.27	0.00	0.29	0.29	0.29	0.29	0.29	0.00	0.00	0.24	0.10	0.00	0.00	0.01	0.01	0.29
10	29.89	14.01	0.00	0.96E+06	85.43	0.30	0.31	0.00	0.33	0.33	0.33	0.33	0.33	0.00	0.00	0.27	0.12	0.00	0.00	0.01	0.01	0.33
11	29.89	15.98	0.00	0.96E+06	86.04	0.33	0.34	0.00	0.36	0.36	0.36	0.36	0.36	0.00	0.00	0.31	0.14	0.00	0.00	0.01	0.01	0.36
12	30.00	17.98	0.00	0.96E+06	87.39	0.33	0.35	0.00	0.36	0.36	0.36	0.36	0.36	0.00	0.00	0.31	0.16	0.00	0.00	0.01	0.01	0.37
13	30.00	19.99	0.00	0.96E+06	88.44	0.35	0.37	0.00	0.38	0.38	0.38	0.38	0.38	0.00	0.00	0.32	0.17	0.00	0.00	0.01	0.01	0.38
14	29.89	22.01	0.00	0.96E+06	95.68	0.36	0.39	0.00	0.40	0.40	0.40	0.40	0.40	0.00	0.00	0.33	0.19	0.00	0.00	0.01	0.01	0.40

PROPULSIVE WING FORCE DATA

SUMMARY. RUN 131

PT	Q ALPHA BETA	REY NO HEIGHT	CLIS			CPMIS			CRMIS			CSFIS		
			CMFB	CMUC	CMUC	CMFB	CMUT	CMUT	CLTR	CLTR	CLTR	CSFB	CSFB	CSFB
1	5.40	0.41E+06	0.21	-0.83	0.08	0.08	0.08	0.00	0.00	0.00	-0.01	0.03	0.03	
	-2.00	82.58	0.24	-0.82	0.08	0.08	0.08	0.00	0.00	0.00	-0.01	0.03	0.05	
	0.00		0.99	0.00	0.99	0.99	0.99	0.17	0.17	0.17	0.01	0.01	0.01	
2	5.29	0.41E+06	0.27	-0.83	0.11	0.11	0.11	0.00	0.00	0.00	-0.01	0.03	0.03	
	0.00	89.56	0.27	-0.83	0.11	0.11	0.11	0.00	0.00	0.00	-0.01	0.03	0.03	
	0.00		1.01	0.00	1.01	1.01	1.01	0.20	0.20	0.20	0.01	0.09	0.09	
3	5.29	0.41E+06	0.30	-0.83	0.15	0.15	0.15	0.00	0.00	0.00	-0.01	0.00	0.00	
	1.99	88.01	0.27	-0.84	0.15	0.15	0.15	0.00	0.00	0.00	-0.01	0.00	0.00	
	0.00		1.01	0.00	1.01	1.01	1.01	0.20	0.20	0.20	0.02	0.13	0.13	
4	5.29	0.41E+06	0.43	-0.81	0.20	0.20	0.20	0.00	0.00	0.00	-0.01	0.01	0.01	
	3.99	86.68	0.37	-0.84	0.20	0.20	0.20	0.00	0.00	0.00	-0.01	0.01	0.01	
	0.00		1.02	0.00	1.02	1.02	1.02	0.30	0.30	0.30	0.03	0.16	0.16	
5	5.29	0.41E+06	0.48	-0.80	0.24	0.24	0.24	-0.01	-0.01	-0.01	-0.02	0.03	0.03	
	5.99	86.25	0.39	-0.84	0.24	0.24	0.24	0.00	0.00	0.00	-0.02	0.03	0.03	
	0.00		1.01	0.00	1.01	1.01	1.01	0.32	0.32	0.32	0.04	0.22	0.22	
6	5.29	0.41E+06	0.59	-0.77	0.29	0.29	0.29	-0.01	-0.01	-0.01	-0.01	0.02	0.02	
	7.98	85.93	0.47	-0.84	0.29	0.29	0.29	0.00	0.00	0.00	-0.01	0.02	0.02	
	0.00		1.02	0.00	1.02	1.02	1.02	0.40	0.40	0.40	0.06	0.27	0.27	
7	5.29	0.41E+06	0.66	-0.75	0.35	0.35	0.35	-0.01	-0.01	-0.01	-0.02	0.01	0.01	
	9.98	86.59	0.52	-0.85	0.35	0.35	0.35	0.00	0.00	0.00	-0.02	0.01	0.01	
	0.00		1.02	0.00	1.02	1.02	1.02	0.44	0.44	0.44	0.08	0.33	0.33	
8	5.29	0.41E+06	0.78	-0.71	0.41	0.41	0.41	-0.01	-0.01	-0.01	-0.02	0.04	0.04	
	11.99	85.01	0.61	-0.85	0.41	0.41	0.41	0.00	0.00	0.00	-0.02	0.04	0.04	
	0.00		1.02	0.00	1.02	1.02	1.02	0.53	0.53	0.53	0.11	0.38	0.38	
9	5.29	0.41E+06	0.85	-0.67	0.47	0.47	0.47	-0.01	-0.01	-0.01	-0.02	0.03	0.03	
	14.01	85.36	0.66	-0.86	0.47	0.47	0.47	0.00	0.00	0.00	-0.02	0.03	0.03	
	0.00		1.02	0.00	1.02	1.02	1.02	0.58	0.58	0.58	0.14	0.44	0.44	
10	5.29	0.41E+06	0.95	-0.63	0.53	0.53	0.53	-0.01	-0.01	-0.01	-0.02	0.03	0.03	
	16.01	84.24	0.74	-0.87	0.53	0.53	0.53	0.00	0.00	0.00	-0.02	0.03	0.03	
	0.00		1.01	0.00	1.01	1.01	1.01	0.64	0.64	0.64	0.17	0.50	0.50	
11	5.29	0.41E+06	1.03	-0.58	0.58	0.58	0.58	-0.01	-0.01	-0.01	-0.02	0.01	0.01	
	18.00	85.70	0.80	-0.87	0.58	0.58	0.58	0.00	0.00	0.00	-0.03	0.01	0.01	
	0.00		1.01	0.00	1.01	1.01	1.01	0.69	0.69	0.69	0.20	0.56	0.56	
12	5.29	0.41E+06	1.14	-0.52	0.65	0.65	0.65	-0.01	-0.01	-0.01	-0.02	0.02	0.02	
	19.98	90.51	0.90	-0.88	0.65	0.65	0.65	0.00	0.00	0.00	-0.02	0.02	0.02	
	0.00		1.02	0.00	1.02	1.02	1.02	0.78	0.78	0.78	0.26	0.63	0.63	
13	5.17	0.40E+06	1.23	-0.48	0.72	0.72	0.72	-0.01	-0.01	-0.01	-0.02	0.00	0.00	
	22.00	97.75	0.96	-0.91	0.72	0.72	0.72	0.00	0.00	0.00	-0.03	0.00	0.00	
	0.00		1.03	0.00	1.03	1.03	1.03	0.84	0.84	0.84	0.30	0.70	0.70	

PROPULSIVE WING FORCE DATA

SUMMARY. RUN 130

PT	Q ALPHA BETA	REY NO HEIGHT	CLIS			CPMIS			CRMIS			CSFIS		
			CMFB	CMUC	CMUC	CMFB	CMUT	CMUT	CLTR	CLTR	CLTR	CSFB	CSFB	CSFB
1	10.69	0.58E+06	0.11	-0.41	0.05	0.05	0.05	0.00	0.00	0.00	-0.01	0.02	0.02	
	-2.03	79.53	0.12	-0.40	0.05	0.05	0.05	0.00	0.00	0.00	-0.01	0.02	0.02	
	0.00		0.50	0.00	0.50	0.50	0.50	0.09	0.09	0.09	0.01	0.03	0.03	
2	10.46	0.57E+06	0.17	-0.42	0.09	0.09	0.09	0.00	0.00	0.00	-0.01	0.01	0.01	
	0.02	86.92	0.17	-0.42	0.09	0.09	0.09	0.00	0.00	0.00	-0.01	0.01	0.01	
	0.00		0.51	0.00	0.51	0.51	0.51	0.13	0.13	0.13	0.01	0.08	0.08	
3	10.46	0.57E+06	0.22	-0.41	0.13	0.13	0.13	0.00	0.00	0.00	-0.01	0.01	0.01	
	1.99	86.93	0.20	-0.41	0.13	0.13	0.13	0.00	0.00	0.00	-0.01	0.01	0.01	
	0.00		0.51	0.00	0.51	0.51	0.51	0.17	0.17	0.17	0.02	0.12	0.12	
4	10.58	0.57E+06	0.27	-0.39	0.17	0.17	0.17	0.00	0.00	0.00	-0.01	0.02	0.02	
	3.99	86.29	0.25	-0.41	0.17	0.17	0.17	0.00	0.00	0.00	-0.01	0.02	0.02	
	0.00		0.50	0.00	0.50	0.50	0.50	0.21	0.21	0.21	0.03	0.16	0.16	
5	10.58	0.57E+06	0.34	-0.38	0.22	0.22	0.22	0.00	0.00	0.00	-0.01	0.02	0.02	
	6.01	87.29	0.30	-0.41	0.22	0.22	0.22	0.00	0.00	0.00	-0.01	0.02	0.02	
	0.00		0.50	0.00	0.50	0.50	0.50	0.26	0.26	0.26	0.03	0.21	0.21	
6	10.58	0.57E+06	0.41	-0.37	0.27	0.27	0.27	0.00	0.00	0.00	-0.01	0.00	0.00	
	8.02	88.09	0.36	-0.42	0.27	0.27	0.27	0.00	0.00	0.00	-0.01	0.00	0.00	
	0.00		0.50	0.00	0.50	0.50	0.50	0.32	0.32	0.32	0.04	0.25	0.25	
7	10.58	0.57E+06	0.48	-0.35	0.32	0.32	0.32	0.00	0.00	0.00	-0.01	0.01	0.01	
	9.98	88.06	0.41	-0.42	0.32	0.32	0.32	0.00	0.00	0.00	-0.01	0.01	0.01	
	0.00		0.50	0.00	0.50	0.50	0.50	0.37	0.37	0.37	0.06	0.31	0.31	
8	10.58	0.57E+06	0.56	-0.32	0.37	0.37	0.37	0.00	0.00	0.00	-0.01	0.01	0.01	
	12.00	89.11	0.48	-0.43	0.37	0.37	0.37	0.00	0.00	0.00	-0.01	0.01	0.01	
	0.00		0.50	0.00	0.50	0.50	0.50	0.44	0.44	0.44	0.09	0.36	0.36	
9	10.58	0.57E+06	0.63	-0.29	0.43	0.43	0.43	0.00	0.00	0.00	-0.01	0.00	0.00	
	14.01	86.78	0.54	-0.44	0.43	0.43	0.43	0.00	0.00	0.00	-0.01	0.00	0.00	
	0.00		0.51	0.00	0.51	0.51	0.51	0.49	0.49	0.49	0.11	0.42	0.42	
10	10.58	0.57E+06	0.71	-0.25	0.49	0.49	0.49	0.00	0.00	0.00	-0.01	0.02	0.02	
	15.99	86.84	0.61	-0.44	0.49	0.49	0.49	0.00	0.00	0.00	-0.01	0.02	0.02	
	0.00		0.50	0.00	0.50	0.50	0.50	0.56	0.56	0.56	0.14	0.48	0.48	
11	10.58	0.57E+06	0.77	-0.22	0.55	0.55	0.55	0.00	0.00	0.00	-0.01	0.00	0.00	
	17.97	86.78	0.66	-0.45	0.55	0.55	0.55	0.00	0.00	0.00	-0.01	0.00	0.00	
	0.00		0.50	0.00	0.50	0.50	0.50	0.61	0.61	0.61	0.17	0.54	0.54	
12	10.46	0.57E+06	0.85	-0.17	0.62	0.62	0.62	-0.01	-0.01	-0.01	-0.01	0.01	0.01	
	19.99	89.74	0.74	-0.45	0.62	0.62	0.62	0.00	0.00	0.00	-0.01	0.01	0.01	
	0.00		0.51	0.00	0.51	0.51	0.51	0.67	0.67	0.67	0.22	0.61	0.61	
13	10.35	0.57E+06	0.92	-0.13	0.69	0.69	0.69	0.00	0.00	0.00	-0.01	0.00	0.00	
	22.00	96.94	0.80	-0.45	0.69	0.69	0.69	0.00	0.00	0.00	-0.01	0.00	0.00	
	0.00		0.52	0.00	0.52	0.52	0.52	0.72	0.72	0.72	0.26	0.68	0.68	

PROPULSIVE WING FORCE DATA

SUMMARY

RUN 132

PT	Q	ALPHA	BETA	REY NO	HEIGHT	CLIS	CAFIB	CRUM	CPMIS	CPMIB	CMUT	CRMIS	CRMIB	CLTR	CYMIS	CYMIB	CDTR	CSFIS	CSFIB	CMTR
45	30.23	-2.04	0.96E+06	85.72	0.00	-0.01	0.01	0.00	-0.01	0.00	0.00	0.00	0.00	0.00	0.00	0.00	0.01	0.00	0.01	-0.01
46	30.23	0.01	0.96E+06	84.46	0.00	0.00	0.01	0.00	0.00	0.00	0.00	0.00	0.00	0.00	0.00	0.00	0.01	0.00	0.01	0.00
47	30.35	2.06	0.96E+06	87.54	0.00	0.00	0.01	0.01	0.01	0.00	0.00	0.00	0.00	0.00	0.00	0.00	0.01	0.00	0.01	0.01
48	30.35	4.08	0.96E+06	83.46	0.00	0.00	0.01	0.02	0.00	0.00	0.00	0.00	0.00	0.00	0.00	0.00	0.01	0.00	0.01	0.02
49	30.23	6.00	0.96E+06	85.29	0.00	0.01	0.01	0.03	0.00	0.00	0.00	0.00	0.00	0.00	0.00	0.00	0.01	0.00	0.01	0.03
50	30.46	8.02	0.96E+06	85.62	0.00	0.02	0.01	0.04	0.00	0.00	0.00	0.00	0.00	0.00	0.00	0.00	0.01	0.00	0.01	0.04
51	30.35	10.01	0.96E+06	85.20	0.00	0.02	0.01	0.05	0.00	0.00	0.00	0.00	0.00	0.00	0.00	0.00	0.01	0.00	0.01	0.05
52	30.23	12.01	0.96E+06	85.64	0.00	0.02	0.01	0.06	0.00	0.00	0.00	0.00	0.00	0.00	0.00	0.00	0.01	0.00	0.00	0.06
53	30.23	14.03	0.96E+06	83.46	0.00	0.03	0.01	0.07	0.00	0.00	0.00	0.00	0.00	0.00	0.00	0.00	0.01	0.00	0.00	0.07
54	30.35	16.01	0.96E+06	85.41	0.00	0.04	0.01	0.08	0.00	0.00	0.00	0.00	0.00	0.00	0.00	0.00	0.01	0.00	0.00	0.08
55	30.35	18.02	0.96E+06	85.15	0.00	0.04	0.01	0.09	0.00	0.00	0.00	0.00	0.00	0.00	0.00	0.00	0.01	0.00	0.01	0.09
56	30.35	20.07	0.96E+06	90.43	0.00	0.05	0.01	0.10	0.00	0.00	0.00	0.00	0.00	0.00	0.00	0.00	0.01	0.00	0.00	0.10
57	30.35	22.00	0.96E+06	97.41	0.00	0.05	0.01	0.11	0.00	0.00	0.00	0.00	0.00	0.00	0.00	0.00	0.01	0.00	0.00	0.11

SUMMARY

RUN 133

PT	Q	ALPHA	BETA	REY NO	HEIGHT	CLIS	CAFIB	CRUM	CPMIS	CPMIB	CMUT	CRMIS	CRMIB	CLTR	CYMIS	CYMIB	CDTR	CSFIS	CSFIB	CMTR
1	30.23	15.01	0.95E+06	86.71	0.00	-0.02	0.01	0.00	0.00	0.00	0.00	0.00	0.00	0.00	0.00	0.00	0.01	0.00	0.00	-0.01
2	30.35	10.00	0.96E+06	86.71	0.00	-0.01	0.01	0.00	0.00	0.00	0.00	0.00	0.00	0.00	0.00	0.00	0.01	0.00	0.00	-0.01
3	30.46	-0.01	0.96E+06	86.71	0.00	0.00	0.01	0.00	0.00	0.00	0.00	0.00	0.00	0.00	0.00	0.00	0.01	0.00	0.00	-0.01
4	30.46	6.00	0.96E+06	86.71	0.00	-0.01	0.01	0.00	0.00	0.00	0.00	0.00	0.00	0.00	0.00	0.00	0.01	0.00	0.00	-0.01
5	30.12	4.00	0.95E+06	86.71	0.00	-0.01	0.01	0.00	0.00	0.00	0.00	0.00	0.00	0.00	0.00	0.00	0.01	0.00	0.00	-0.01
6	30.23	1.99	0.95E+06	86.71	0.00	0.00	0.01	0.00	0.00	0.00	0.00	0.00	0.00	0.00	0.00	0.00	0.01	0.00	0.00	-0.01
7	30.12	0.00	0.95E+06	86.71	0.00	0.00	0.01	0.00	0.00	0.00	0.00	0.00	0.00	0.00	0.00	0.00	0.01	0.00	0.00	0.00
8	30.00	0.01	0.95E+06	86.71	0.00	0.00	0.01	0.00	0.00	0.00	0.00	0.00	0.00	0.00	0.00	0.00	0.01	0.00	0.00	0.00
9	30.12	0.01	0.95E+06	86.71	0.00	-0.01	0.01	0.00	0.00	0.00	0.00	0.00	0.00	0.00	0.00	0.00	0.01	0.00	0.00	0.01
10	30.00	-4.01	0.95E+06	86.71	0.00	-0.01	0.00	0.00	0.00	0.00	0.00	0.00	0.00	0.00	0.00	0.00	0.01	0.00	0.00	-0.01
11	30.00	0.01	0.95E+06	86.71	0.00	0.00	0.01	0.00	0.00	0.00	0.00	0.00	0.00	0.00	0.00	0.00	0.01	0.00	0.00	0.00
12	30.00	-8.01	0.95E+06	86.71	0.00	0.00	0.01	0.00	0.00	0.00	0.00	0.00	0.00	0.00	0.00	0.00	0.01	0.00	0.00	0.00
13	29.89	0.02	0.95E+06	86.71	0.00	-0.01	0.00	0.00	0.00	0.00	0.00	0.00	0.00	0.00	0.00	0.00	0.01	0.00	0.00	0.00

PROPULSIVE WING FORCE DATA

SUMMARY. RUN 135

PT	Q		REY NO HEIGHT	CL15 CNF1B CHUC	CD15 CAF1B CHUH	CPM15 CPM1B CMUT	CRM15 CRM1B CLTR	CYN15 CYN1B CDTR	CSF15 CSF1B CNTR
	ALPHA BETA	BETA							
3	30.35	-2.01	0.96E+05 85.89	0.00	0.01	-0.01	0.00	0.00	0.00
4	30.35	0.00	0.96E+06 85.72	-0.01	0.01	0.00	0.00	0.00	0.00
5	30.35	2.01	0.96E+06 85.27	0.00	0.01	0.01	0.00	0.00	0.00
6	30.46	4.02	0.96E+06 84.31	0.01	0.01	0.02	0.00	0.00	0.00
7	30.35	6.03	0.96E+06 86.31	0.01	0.01	0.03	0.00	0.00	0.00
8	30.46	8.01	0.96E+06 86.46	0.01	0.00	0.04	0.00	0.00	0.00
9	30.35	10.03	0.96E+06 82.91	0.02	0.01	0.05	0.00	0.00	0.01
10	30.35	12.02	0.96E+06 84.06	0.03	0.01	0.06	0.00	0.00	0.00
11	30.35	14.06	0.96E+06 85.91	0.03	0.01	0.07	0.00	0.00	0.01
12	29.89	16.06	0.95E+06 85.98	0.04	0.01	0.08	0.00	0.00	0.01
13	30.00	18.01	0.95E+06 85.28	0.05	0.01	0.09	0.00	0.00	0.00
14	30.00	20.05	0.95E+06 90.44	0.06	0.02	0.10	0.00	0.00	0.00
15	30.00	22.01	0.95E+06 97.53	0.06	0.02	0.11	0.00	0.00	0.00

PROPULSIVE WING FORCE DATA

SUMMARY. RUN 134

PT	Q		REY NO HEIGHT	CL15 CNF1B CHUC	CD15 CAF1B CHUH	CPM15 CPM1B CMUT	CRM15 CRM1B CLTR	CYN15 CYN1B CDTR	CSF15 CSF1B CNTR
	ALPHA BETA	BETA							
1	30.69	0.00	0.96E+06 85.71	0.00	0.01	0.00	0.00	-0.02	-0.04
2	30.12	-2.01	0.95E+06 87.04	-0.01	0.01	-0.01	0.00	-0.02	-0.03
3	30.35	2.09	0.96E+06 86.53	0.01	0.01	0.01	0.00	-0.02	-0.03
4	30.23	4.00	0.95E+06 86.44	0.01	0.01	0.02	0.00	-0.02	-0.04
5	30.35	6.00	0.96E+06 86.49	0.01	0.01	0.03	0.00	-0.02	-0.04
6	30.23	8.00	0.95E+06 83.84	0.02	0.01	0.04	0.00	-0.02	-0.04
7	30.35	10.01	0.96E+06 84.41	0.03	0.01	0.05	0.00	-0.02	-0.05
8	30.23	12.00	0.95E+06 86.00	0.03	0.01	0.06	0.00	-0.02	-0.05
9	30.35	14.00	0.96E+06 85.37	0.04	0.01	0.07	0.00	-0.02	-0.05
10	30.35	16.04	0.96E+06 85.65	0.04	0.02	0.08	0.00	-0.03	-0.05
11	30.35	18.06	0.96E+06 86.03	0.05	0.01	0.09	0.00	-0.03	-0.06
12	30.35	20.04	0.96E+06 90.29	0.06	0.01	0.10	0.00	-0.04	-0.08
13	30.23	22.06	0.95E+06 97.64	0.06	0.03	0.10	0.00	-0.04	-0.09





PROPULSIVE WING FORCE DATA

SUMMARY, RUN 139

PT	Q		CLIS			CPMIS			CRMIS			CYMIS			CSFIS		
	ALPHA	BETA	REY NO	CAFIB	CMUC	CPMIB	CPHIB	CMUT	CRMIB	CLTR	CYMIB	CDTR	CSFIB	CMTR	CSFIB	CMTR	
15	0.00	0.00	0.00E+00	-14.87	0.00	-872.40	-872.40	0.00	-12.79	-18.54	-18.54	0.21	0.21	-0.05	-0.05	0.00	
	0.00	0.00	87.18	-14.84	0.00	0.00	0.00	0.00	25.43	-14.87	-872.40	-14.87	-872.40	0.00	0.00	0.00	
16	0.00	0.00	0.00E+00	-26.79	0.00	-1402.00	-1402.00	0.00	-16.07	-15.44	-15.44	-0.57	-0.57	-0.03	-0.03	0.00	
	0.00	0.00	87.18	-26.73	0.00	0.00	0.00	0.00	40.56	-26.79	-1402.00	-26.79	-1402.00	0.00	0.00	0.00	
17	0.00	0.00	0.00E+00	-40.89	0.00	-2125.00	-2125.00	0.00	-22.84	-18.14	-18.14	-0.23	-0.23	-0.02	-0.02	0.00	
	0.00	0.00	87.18	-40.75	0.00	0.00	0.00	0.00	62.94	-40.89	-2125.00	-40.89	-2125.00	0.00	0.00	0.00	
18	0.00	0.00	0.00E+00	-56.16	0.00	-2863.00	-2863.00	0.00	-37.67	-33.68	-33.68	0.42	0.42	-0.01	-0.01	0.00	
	0.00	0.00	87.18	-55.90	0.00	0.00	0.00	0.00	82.99	-56.16	-2863.00	-56.16	-2863.00	0.00	0.00	0.00	
19	0.00	0.00	0.00E+00	-72.26	0.00	-3680.00	-3680.00	0.00	-53.36	-38.02	-38.02	-0.33	-0.33	-0.01	-0.01	0.00	
	0.00	0.00	87.18	-71.84	0.00	0.00	0.00	0.00	106.70	-72.26	-3680.00	-72.26	-3680.00	0.00	0.00	0.00	

PROPULSIVE WING FORCE DATA

SUMMARY, RUN 138

PT	Q		CLIS			CPMIS			CRMIS			CYMIS			CSFIS		
	ALPHA	BETA	REY NO	CAFIB	CMUC	CPMIB	CPHIB	CMUT	CRMIB	CLTR	CYMIB	CDTR	CSFIB	CMTR	CSFIB	CMTR	
1	29.66	-0.03	0.95E+06	-0.02	0.00	0.00	0.00	0.00	0.00	0.00	-0.07	-0.05	-0.05	-0.05	-0.05	0.00	
	15.00	0.00	86.58	-0.02	0.00	0.00	0.00	0.00	-0.02	0.01	0.01	0.00	0.00	0.00	0.00	0.00	
2	29.89	-0.02	0.95E+06	0.00	0.00	0.00	0.00	0.00	0.00	0.00	-0.05	-0.03	-0.03	-0.03	-0.03	0.00	
	10.03	0.00	86.58	0.00	0.00	0.00	0.00	0.00	0.00	0.01	0.01	0.00	0.00	0.00	0.00	0.00	
3	30.00	-0.02	0.95E+06	-0.01	0.00	0.00	0.00	0.00	0.00	0.00	-0.04	-0.02	-0.02	-0.02	-0.02	0.00	
	6.00	0.00	86.58	-0.01	0.00	0.00	0.00	0.00	-0.01	0.01	0.01	0.00	0.00	0.00	0.00	0.00	
4	30.00	-0.01	0.95E+06	-0.01	0.00	0.00	0.00	0.00	0.00	0.00	-0.03	-0.01	-0.01	-0.01	-0.01	0.00	
	6.01	0.00	86.58	0.00	0.00	0.00	0.00	0.00	-0.01	0.01	0.01	0.00	0.00	0.00	0.00	0.00	
5	30.00	-0.01	0.95E+06	-0.01	0.00	0.00	0.00	0.00	0.00	0.00	-0.02	-0.01	-0.01	-0.01	-0.01	0.00	
	4.00	0.00	86.58	0.00	0.00	0.00	0.00	0.00	-0.01	0.01	0.01	0.00	0.00	0.00	0.00	0.00	
6	30.00	-0.01	0.95E+06	-0.01	0.00	0.00	0.00	0.00	0.00	0.00	-0.01	0.00	0.00	0.00	0.00	0.00	
	2.00	0.00	86.58	0.00	0.00	0.00	0.00	0.00	-0.01	0.01	0.01	0.00	0.00	0.00	0.00	0.00	
7	29.89	-0.01	0.95E+06	-0.01	0.00	0.00	0.00	0.00	0.00	0.00	0.00	0.00	0.00	0.00	0.00	0.00	
	0.00	0.00	86.58	0.00	0.00	0.00	0.00	0.00	-0.01	0.01	0.01	0.00	0.00	0.00	0.00	0.00	
8	30.00	-0.01	0.95E+06	0.00	0.00	0.00	0.00	0.00	0.00	0.00	0.00	0.00	0.00	0.00	0.00	0.00	
	-2.00	0.00	86.58	0.00	0.00	0.00	0.00	0.00	0.00	0.01	0.01	0.00	0.00	0.00	0.00	0.00	
9	30.00	-0.01	0.95E+06	0.00	0.00	0.00	0.00	0.00	0.00	0.00	0.00	0.00	0.00	0.00	0.00	0.00	
	-4.00	0.00	86.58	0.00	0.00	0.00	0.00	0.00	0.00	0.00	0.02	0.00	0.00	0.00	0.00	0.00	
10	29.77	0.00	0.95E+06	-0.01	0.00	0.00	0.00	0.00	0.00	0.00	0.00	0.00	0.00	0.00	0.00	0.00	
	-6.00	0.00	86.58	0.00	0.00	0.00	0.00	0.00	-0.01	0.01	0.01	0.00	0.00	0.00	0.00	0.00	
11	29.89	-0.01	0.95E+06	-0.01	0.00	0.00	0.00	0.00	0.00	0.00	0.00	0.00	0.00	0.00	0.00	0.00	
	-8.00	0.00	86.58	0.00	0.00	0.00	0.00	0.00	-0.01	0.01	0.01	0.00	0.00	0.00	0.00	0.00	
12	29.89	0.00	0.95E+06	0.00	0.00	0.00	0.00	0.00	0.00	0.00	0.00	0.00	0.00	0.00	0.00	0.00	
	-10.00	0.00	86.58	0.00	0.00	0.00	0.00	0.00	0.00	0.00	0.00	0.00	0.00	0.00	0.00	0.00	
13	29.77	-0.01	0.95E+06	-0.01	0.00	0.00	0.00	0.00	0.00	0.00	0.00	0.00	0.00	0.00	0.00	0.00	
	-15.00	0.00	86.58	0.00	0.00	0.00	0.00	0.00	-0.01	0.01	0.01	0.00	0.00	0.00	0.00	0.00	

PROPULSIVE WING FORCE DATA

SUMMARY, RUN 143

PT	Q ALPHA BETA	REY NO HEIGHT	CLIS			CPMIS			CRMIS			CYNIS			CSFIS		
			CMFIB	CMUC	CMNUB	CMFIB	CMNUB	CMNUB	CMFIB	CMNUB	CMNUB	CMFIB	CMNUB	CMNUB	CMFIB	CMNUB	CMNUB
2	30.12	0.98E+08	0.38	0.11	0.36	0.00	0.00	0.00	0.00	0.00	0.00	0.00	0.00	0.00	0.00	0.00	0.00
	-2.14	87.08	0.37	0.12	-0.36	0.00	0.00	0.00	0.00	0.00	0.00	0.00	0.00	0.00	0.00	0.00	0.00
	5.00		0.00	0.00	0.00	0.00	0.00	0.00	0.00	0.00	0.00	0.00	0.00	0.00	0.00	0.00	0.00
3	30.35	0.98E+08	0.47	0.12	0.39	0.00	0.00	0.00	0.00	0.00	0.00	0.00	0.00	0.00	0.00	0.00	0.00
	-0.06	83.19	0.47	0.12	-0.39	0.00	0.00	0.00	0.00	0.00	0.00	0.00	0.00	0.00	0.00	0.00	0.00
	5.00		0.00	0.00	0.00	0.00	0.00	0.00	0.00	0.00	0.00	0.00	0.00	0.00	0.00	0.00	0.00
4	30.00	0.97E+08	0.55	0.14	0.42	0.00	0.00	0.00	0.00	0.00	0.00	0.00	0.00	0.00	0.00	0.00	0.00
	2.06	86.15	0.55	0.12	-0.42	0.00	0.00	0.00	0.00	0.00	0.00	0.00	0.00	0.00	0.00	0.00	0.00
	5.00		0.00	0.00	0.00	0.00	0.00	0.00	0.00	0.00	0.00	0.00	0.00	0.00	0.00	0.00	0.00
5	29.89	0.97E+08	0.64	0.15	0.46	0.00	0.00	0.00	0.00	0.00	0.00	0.00	0.00	0.00	0.00	0.00	0.00
	4.03	85.85	0.65	0.11	-0.46	0.00	0.00	0.00	0.00	0.00	0.00	0.00	0.00	0.00	0.00	0.00	0.00
	5.00		0.00	0.00	0.00	0.00	0.00	0.00	0.00	0.00	0.00	0.00	0.00	0.00	0.00	0.00	0.00
6	30.00	0.97E+08	0.64	0.15	0.46	0.00	0.00	0.00	0.00	0.00	0.00	0.00	0.00	0.00	0.00	0.00	0.00
	4.03	85.85	0.65	0.11	-0.46	0.00	0.00	0.00	0.00	0.00	0.00	0.00	0.00	0.00	0.00	0.00	0.00
	5.00		0.00	0.00	0.00	0.00	0.00	0.00	0.00	0.00	0.00	0.00	0.00	0.00	0.00	0.00	0.00
7	30.12	0.98E+08	0.73	0.17	0.49	0.00	0.00	0.00	0.00	0.00	0.00	0.00	0.00	0.00	0.00	0.00	0.00
	6.01	84.54	0.74	0.10	-0.49	0.00	0.00	0.00	0.00	0.00	0.00	0.00	0.00	0.00	0.00	0.00	0.00
	5.00		0.00	0.00	0.00	0.00	0.00	0.00	0.00	0.00	0.00	0.00	0.00	0.00	0.00	0.00	0.00
8	30.00	0.97E+08	0.82	0.20	0.54	0.00	0.00	0.00	0.00	0.00	0.00	0.00	0.00	0.00	0.00	0.00	0.00
	8.01	86.31	0.85	0.09	-0.54	0.00	0.00	0.00	0.00	0.00	0.00	0.00	0.00	0.00	0.00	0.00	0.00
	5.00		0.00	0.00	0.00	0.00	0.00	0.00	0.00	0.00	0.00	0.00	0.00	0.00	0.00	0.00	0.00
9	30.00	0.97E+08	0.93	0.24	0.58	0.00	0.00	0.00	0.00	0.00	0.00	0.00	0.00	0.00	0.00	0.00	0.00
	10.05	85.92	0.96	0.07	-0.58	0.00	0.00	0.00	0.00	0.00	0.00	0.00	0.00	0.00	0.00	0.00	0.00
	5.00		0.00	0.00	0.00	0.00	0.00	0.00	0.00	0.00	0.00	0.00	0.00	0.00	0.00	0.00	0.00
10	29.89	0.97E+08	1.04	0.30	0.64	0.00	0.00	0.00	0.00	0.00	0.00	0.00	0.00	0.00	0.00	0.00	0.00
	12.10	86.52	1.08	0.07	-0.64	0.00	0.00	0.00	0.00	0.00	0.00	0.00	0.00	0.00	0.00	0.00	0.00
	5.00		0.00	0.00	0.00	0.00	0.00	0.00	0.00	0.00	0.00	0.00	0.00	0.00	0.00	0.00	0.00
11	30.00	0.97E+08	1.10	0.35	0.67	0.00	0.00	0.00	0.00	0.00	0.00	0.00	0.00	0.00	0.00	0.00	0.00
	14.05	83.91	1.15	0.07	-0.67	0.00	0.00	0.00	0.00	0.00	0.00	0.00	0.00	0.00	0.00	0.00	0.00
	5.00		0.00	0.00	0.00	0.00	0.00	0.00	0.00	0.00	0.00	0.00	0.00	0.00	0.00	0.00	0.00
12	29.77	0.97E+08	1.14	0.42	0.69	0.00	0.00	0.00	0.00	0.00	0.00	0.00	0.00	0.00	0.00	0.00	0.00
	16.02	86.37	1.21	0.09	-0.69	0.00	0.00	0.00	0.00	0.00	0.00	0.00	0.00	0.00	0.00	0.00	0.00
	5.00		0.00	0.00	0.00	0.00	0.00	0.00	0.00	0.00	0.00	0.00	0.00	0.00	0.00	0.00	0.00
13	29.77	0.97E+08	1.15	0.49	0.71	0.00	0.00	0.00	0.00	0.00	0.00	0.00	0.00	0.00	0.00	0.00	0.00
	18.07	87.41	1.24	0.10	-0.71	0.00	0.00	0.00	0.00	0.00	0.00	0.00	0.00	0.00	0.00	0.00	0.00
	5.00		0.00	0.00	0.00	0.00	0.00	0.00	0.00	0.00	0.00	0.00	0.00	0.00	0.00	0.00	0.00
14	29.89	0.97E+08	1.14	0.54	0.70	0.00	0.00	0.00	0.00	0.00	0.00	0.00	0.00	0.00	0.00	0.00	0.00
	20.15	92.36	1.26	0.12	-0.70	0.00	0.00	0.00	0.00	0.00	0.00	0.00	0.00	0.00	0.00	0.00	0.00
	5.00		0.00	0.00	0.00	0.00	0.00	0.00	0.00	0.00	0.00	0.00	0.00	0.00	0.00	0.00	0.00
15	29.89	0.97E+08	1.11	0.58	0.69	0.00	0.00	0.00	0.00	0.00	0.00	0.00	0.00	0.00	0.00	0.00	0.00
	22.11	99.53	1.25	0.12	-0.69	0.00	0.00	0.00	0.00	0.00	0.00	0.00	0.00	0.00	0.00	0.00	0.00
	5.00		0.00	0.00	0.00	0.00	0.00	0.00	0.00	0.00	0.00	0.00	0.00	0.00	0.00	0.00	0.00

PROPULSIVE WING FORCE DATA

SUMMARY, RUN 142

PT	Q ALPHA BETA	REY NO HEIGHT	CLIS			CPMIS			CRMIS			CYNIS			CSFIS		
			CMFIB	CMUC	CMNUB	CMFIB	CMNUB	CMNUB	CMFIB	CMNUB	CMNUB	CMFIB	CMNUB	CMNUB	CMFIB	CMNUB	CMNUB
1	0.00	0.30E+08	30.15	-22.04	-1108.00	-58.73	-87.80	0.10	0.00	0.00	0.00	0.00	0.00	0.00	0.00	0.00	0.00
	-0.06	86.12	30.17	-22.01	-1108.00	-58.83	-87.73	0.10	0.00	0.00	0.00	0.00	0.00	0.00	0.00	0.00	0.00
	0.00		0.00	0.00	0.00	0.00	0.00	0.00	0.00	0.00	0.00	0.00	0.00	0.00	0.00	0.00	0.00
2	0.00	0.30E+08	47.84	-34.85	-1702.00	-74.15	-100.70	-0.30	0.00	0.00	0.00	0.00	0.00	0.00	0.00	0.00	0.00
	-0.10	86.12	47.90	-34.77	-1702.00	-74.33	-100.60	-0.30	0.00	0.00	0.00	0.00	0.00	0.00	0.00	0.00	0.00
	0.00		0.00	0.00	0.00	0.00	0.00	0.00	0.00	0.00	0.00	0.00	0.00	0.00	0.00	0.00	0.00
3	0.00	0.30E+08	65.15	-48.29	-2356.00	-37.79	2.85	0.04	0.00	0.00	0.00	0.00	0.00	0.00	0.00	0.00	0.00
	-0.14	86.12	65.27	-48.13	-2356.00	-37.78	2.94	0.04	0.00	0.00	0.00	0.00	0.00	0.00	0.00	0.00	0.00
	0.00		0.00	0.00	0.00	0.00	0.00	0.00	0.00	0.00	0.00	0.00	0.00	0.00	0.00	0.00	0.00
4	0.00	0.30E+08	88.60	-63.76	-3131.00	-57.25	-3.46	-0.44	0.00	0.00	0.00	0.00	0.00	0.00	0.00	0.00	0.00
	-0.19	86.12	88.82	-63.46	-3131.00	-57.26	-3.26	-0.44	0.00	0.00	0.00	0.00	0.00	0.00	0.00	0.00	0.00
	0.00		0.00	0.00	0.00	0.00	0.00	0.00	0.00	0.00	0.00	0.00	0.00	0.00	0.00	0.00	0.00
5	0.00	0.30E+08	114.70	-78.91	-3909.00	-71.10	-23.80	0.46	0.00	0.00	0.00	0.00	0.00	0.00	0.00	0.00	0.00
	-0.24	86.12	115.00	-78.42	-3909.00	-71.20	-23.50	0.46	0.00	0.00	0.00	0.00	0.00	0.00	0.00	0.00	0.00
	0.00		0.00	0.00	0.00	0.00	0.00	0.00	0.00	0.00	0.00	0.00	0.00	0.00	0.00	0.00	0.00

PROPULSIVE WING FORCE DATA

SUMMARY, RUM 145

PT	Q		REY NO HEIGHT	CL1S CMF1B CMUC	CD1S CAF1B CMUH	CPM1S CPM1B CMUT	CRM1S CRM1B CLTR	CYM1S CYM1B CDTR	CSF1S CSF1B CMTR
	ALPHA BETA								
18	0.00	0.00	0.30E+08	0.70	0.31	-5.67	1.48	-1.35	0.69
	-0.02	0.00	89.87	0.70	0.31	-5.67	1.48	-1.35	0.69
	0.00	0.00		0.00	0.00	0.00	0.70	0.31	-5.67
19	0.00	0.00	0.30E+08	15.30	-8.82	-382.30	-10.61	-20.59	1.74
	-0.03	0.00	89.87	15.31	-8.81	-382.30	-10.62	-20.58	1.74
	0.00	0.00		0.00	0.00	0.00	15.30	-8.82	-382.30
20	0.00	0.00	0.30E+08	34.05	-21.57	-853.50	-21.03	-31.65	1.69
	-0.06	0.00	89.87	34.07	-21.53	-853.50	-21.06	-31.63	1.69
	0.00	0.00		0.00	0.00	0.00	34.05	-21.57	-853.50
21	0.00	0.00	0.30E+08	44.89	-29.57	-1161.00	-32.20	-43.81	2.19
	-0.07	0.00	89.87	44.92	-29.52	-1161.00	-32.25	-43.77	2.19
	0.00	0.00		0.00	0.00	0.00	44.89	-29.57	-1161.00
22	0.00	0.00	0.30E+08	57.26	-37.56	-1468.00	-38.56	-32.25	-0.09
	-0.09	0.00	89.87	57.31	-37.47	-1468.00	-38.61	-32.19	-0.09
	0.00	0.00		0.00	0.00	0.00	57.26	-37.56	-1468.00
23	0.00	0.00	0.30E+08	67.37	-44.85	-1777.00	-50.19	-46.16	0.28
	-0.10	0.00	89.87	67.45	-44.73	-1777.00	-50.27	-46.07	0.28
	0.00	0.00		0.00	0.00	0.00	67.37	-44.85	-1777.00

PROPULSIVE WING FORCE DATA

SUMMARY, RUM 144

PT	Q		REY NO HEIGHT	CL1S CMF1B CMUC	CD1S CAF1B CMUH	CPM1S CPM1B CMUT	CRM1S CRM1B CLTR	CYM1S CYM1B CDTR	CSF1S CSF1B CMTR
	ALPHA BETA								
2	0.00	0.00	0.30E+08	1.09	0.14	4.44	1.85	-0.52	1.61
	0.00	0.00	90.54	1.09	0.14	4.44	1.85	-0.52	1.61
	0.00	0.00		0.00	0.00	0.00	1.09	0.14	4.44
3	0.00	0.00	0.30E+08	32.92	-22.53	-886.40	-24.34	-24.16	-0.71
	-0.16	0.00	90.54	32.95	-22.48	-886.40	-24.37	-24.13	-0.71
	0.00	0.00		0.00	19.86	19.86	32.92	-22.53	-886.40
4	0.00	0.00	0.30E+08	71.43	-48.35	-1917.00	-55.80	-46.67	-0.40
	-0.21	0.00	90.54	71.56	-48.16	-1917.00	-55.93	-46.52	-0.40
	0.00	0.00		0.00	65.50	65.50	71.43	-48.35	-1917.00
5	0.00	0.00	0.30E+08	94.00	-63.57	-2506.00	-74.21	-59.09	-0.35
	-0.25	0.00	90.54	94.23	-63.23	-2506.00	-74.42	-58.82	-0.35
	0.00	0.00		0.00	94.27	94.27	94.00	-63.57	-2506.00
6	0.00	0.00	0.30E+08	114.90	-77.93	-3087.00	-90.84	-78.13	1.33
	-0.25	0.00	90.54	115.30	-77.42	-3087.00	-91.18	-77.74	1.33
	0.00	0.00		0.00	120.40	120.40	114.90	-77.93	-3087.00



PROPULSIVE MING FORCE DATA

SUMMARY. RUN 149

PT	Q		REY NO HEIGHT	CLIS CMFIB CMUC	CDIS CAFIB CHUM	CPMIS CPMIB CMUT	CRMIS CRMIB CLTR	CYMIS CYMIB CDTR	CSFIS CSFIB CSTR
	ALPHA	BETA							
1	16.78	-2.10	0.70E+06 87.81	1.65	0.13	-1.13	0.00	-0.01	0.01
	0.00	0.00		1.65	0.48	0.48	1.32	0.32	-0.94
2	16.78	0.01	0.70E+06 85.11	1.78	0.13	-1.15	0.00	0.00	0.01
	0.00	0.00		1.78	0.49	0.49	1.43	0.37	-0.97
3	16.78	2.07	0.70E+06 86.23	1.88	0.19	-1.19	0.00	0.00	0.00
	0.00	0.00		1.89	0.49	0.49	1.52	0.42	-1.01
4	16.67	4.02	0.70E+06 84.37	2.01	0.26	-1.23	0.00	0.00	0.00
	0.00	0.00		2.02	0.49	0.49	1.64	0.47	-1.04
5	16.55	6.04	0.69E+06 84.67	2.13	0.33	-1.27	0.00	0.00	0.00
	0.00	0.00		2.15	0.50	0.50	1.74	0.54	-1.08
6	16.55	8.02	0.69E+06 84.52	2.28	0.42	-1.31	0.00	0.00	0.00
	0.00	0.00		2.32	0.50	0.50	1.89	0.61	-1.13
7	16.55	10.01	0.69E+06 86.04	2.44	0.51	-1.36	0.00	-0.01	-0.01
	0.00	0.00		2.49	0.50	0.50	2.03	0.69	-1.17
8	16.67	12.02	0.70E+06 85.80	2.52	0.60	-1.37	0.00	-0.01	0.00
	0.00	0.00		2.60	0.50	0.50	2.12	0.77	-1.18
9	16.55	14.02	0.69E+06 83.61	2.63	0.70	-1.39	0.00	-0.01	-0.01
	0.00	0.00		2.73	0.50	0.50	2.22	0.85	-1.20
10	16.90	16.07	0.70E+06 85.66	2.72	0.82	-1.40	0.00	-0.01	-0.01
	0.00	0.00		2.84	0.49	0.49	2.30	0.95	-1.21
11	16.78	18.01	0.70E+06 84.34	2.79	0.92	-1.42	0.00	-0.01	0.00
	0.00	0.00		2.94	0.50	0.50	2.37	1.04	-1.23
12	16.44	20.04	0.69E+06 91.70	2.88	1.04	-1.44	0.00	-0.01	0.00
	0.00	0.00		3.06	0.51	0.51	2.44	1.15	-1.25
13	16.67	22.04	0.70E+06 98.83	2.91	1.15	-1.43	0.01	-0.01	0.00
	0.00	0.00		3.13	0.50	0.50	2.47	1.24	-1.24

PROPULSIVE MING FORCE DATA

SUMMARY. RUN 148

PT	Q		REY NO HEIGHT	CLIS CMFIB CMUC	CDIS CAFIB CHUM	CPMIS CPMIB CMUT	CRMIS CRMIB CLTR	CYMIS CYMIB CDTR	CSFIS CSFIB CSTR
	ALPHA	BETA							
2	30.12	-1.99	0.94E+06 83.21	0.38	0.11	-0.26	0.00	0.00	0.00
	0.00	0.00		0.37	0.00	0.00	0.35	0.13	-0.25
3	30.00	-0.01	0.93E+06 90.08	0.46	0.12	-0.28	0.00	0.00	0.01
	0.00	0.00		0.46	0.00	0.00	0.43	0.14	-0.27
4	30.12	2.02	0.94E+06 86.06	0.55	0.13	-0.29	0.00	0.00	0.00
	0.00	0.00		0.56	0.00	0.00	0.53	0.15	-0.28
5	30.12	4.04	0.93E+06 85.71	0.63	0.15	-0.31	0.00	0.00	0.00
	0.00	0.00		0.64	0.00	0.00	0.61	0.17	-0.30
6	30.00	6.06	0.93E+06 85.20	0.73	0.18	-0.33	0.00	0.00	0.00
	0.00	0.00		0.74	0.00	0.00	0.70	0.19	-0.31
7	30.12	8.07	0.94E+06 85.72	0.83	0.20	-0.35	0.00	0.00	0.00
	0.00	0.00		0.85	0.00	0.00	0.80	0.22	-0.34
8	30.00	10.06	0.93E+06 85.84	0.95	0.25	-0.39	0.00	0.00	0.00
	0.00	0.00		0.97	0.00	0.00	0.92	0.26	-0.37
9	30.00	12.01	0.93E+06 85.65	1.04	0.29	-0.40	0.00	0.00	0.00
	0.00	0.00		1.07	0.00	0.00	1.01	0.31	-0.39
10	29.89	14.01	0.93E+06 86.08	1.11	0.35	-0.43	0.00	0.00	0.00
	0.00	0.00		1.17	0.00	0.00	1.08	0.37	-0.41
11	29.77	16.03	0.93E+06 86.57	1.15	0.42	-0.43	0.00	0.00	0.00
	0.00	0.00		1.23	0.00	0.00	1.13	0.43	-0.42
12	29.77	18.00	0.93E+06 85.84	1.17	0.48	-0.44	0.00	0.00	0.00
	0.00	0.00		1.27	0.00	0.00	1.15	0.50	-0.43
13	30.00	20.07	0.93E+06 90.93	1.21	0.56	-0.47	0.00	0.00	-0.01
	0.00	0.00		1.33	0.00	0.00	1.19	0.57	-0.46
14	30.23	22.04	0.94E+06 98.10	1.17	0.60	-0.45	0.00	0.00	-0.02
	0.00	0.00		1.31	0.00	0.00	1.14	0.61	-0.43

PROPULSIVE WING FORCE DATA

RUN 151

SUMMARY

PT	ALPHA		REY NO	CMUC	CMUH	CMUT	CMIS	CMRIS	CDTR	CYMIS	CSFIS
	BETA	HEIGHT									
1	5.29	0.39E+05	87.00	3.12	-0.56	-2.23	-0.02	-0.02	-0.03	0.05	
2	5.29	0.39E+06	85.14	3.19	-0.47	-2.33	-0.02	-0.02	0.04	0.04	
3	5.17	0.39E+06	86.57	3.50	-0.35	-2.36	-0.02	-0.02	0.02	0.02	
4	5.06	0.39E+06	85.73	3.75	-0.24	-2.49	-0.02	-0.02	0.03	0.03	
5	5.06	0.39E+06	83.03	3.88	-0.09	-2.50	-0.02	-0.02	0.02	0.02	
6	5.06	0.39E+06	84.38	4.21	0.08	-2.51	-0.02	-0.02	0.00	0.00	
7	5.17	0.39E+06	86.70	4.16	0.23	-2.57	-0.02	-0.02	0.00	0.00	
8	5.06	0.39E+06	86.93	4.40	0.38	-2.66	-0.02	-0.02	0.01	0.01	
9	5.17	0.39E+06	86.80	4.45	0.55	-2.60	-0.02	-0.02	0.00	0.00	
10	5.29	0.39E+06	86.36	4.53	0.70	-2.64	-0.02	-0.02	0.00	0.00	
11	5.17	0.39E+06	86.57	4.63	0.85	-2.68	-0.01	-0.03	0.01	0.01	
12	5.06	0.39E+06	92.16	4.78	1.04	-2.70	-0.01	-0.03	0.04	0.04	
13	5.29	0.39E+06	99.51	4.73	1.21	-2.65	-0.01	-0.03	0.03	0.03	

PROPULSIVE WING FORCE DATA

RUN 150

SUMMARY

PT	ALPHA		REY NO	CMUC	CMUH	CMUT	CMIS	CMRIS	CDTR	CYMIS	CSFIS
	BETA	HEIGHT									
1	10.58	0.55E+06	86.52	2.33	-0.18	-1.64	-0.01	-0.01	0.02	0.02	
2	10.46	0.55E+06	86.48	2.37	-0.05	-1.60	-0.01	-0.01	0.01	0.01	
3	10.46	0.55E+06	85.79	2.48	0.03	-1.64	-0.01	-0.01	0.01	0.01	
4	10.58	0.55E+06	85.81	2.60	0.12	-1.66	-0.01	-0.01	0.01	0.01	
5	10.46	0.55E+06	86.18	2.75	0.21	-1.72	-0.01	-0.01	0.01	0.01	
6	10.46	0.55E+06	84.90	2.95	0.33	-1.76	-0.01	-0.01	0.01	0.01	
7	10.63	0.55E+06	85.69	3.08	0.44	-1.79	-0.01	-0.01	0.00	0.00	
8	10.58	0.55E+06	85.06	3.19	0.56	-1.82	-0.01	-0.01	0.00	0.00	
9	10.35	0.55E+06	85.05	3.41	0.70	-1.87	-0.01	-0.01	0.00	0.00	
10	10.35	0.55E+06	84.83	3.43	0.81	-1.89	-0.01	-0.01	0.01	0.01	
11	10.58	0.55E+06	85.33	3.47	0.95	-1.88	-0.01	-0.02	0.01	0.01	
12	10.46	0.55E+06	92.01	3.53	1.08	-1.88	-0.01	-0.02	0.00	0.00	
13	10.35	0.55E+06	99.22	3.63	1.23	-1.90	-0.01	-0.02	0.02	0.02	





PROPULSIVE MING FORCE DATA

SUMMARY, RUN 155

PT	Q ALPHA BETA	REY NO HEIGHT	CLIS			CPMIS			CYMIS			CSFIS		
			CMFIB	CMUC	CAFIB	CMFIB	CMUT	CLTR	CMFIB	CMUT	CLTR	CMFIB	CMUT	CLTR
2	30.12	0.94E+06	0.45	0.12	-0.27	0.00	0.00	-0.06	-0.06	0.14	-0.26			
	15.00	86.33	0.00	0.00	0.00	0.00	0.00	0.43	0.14					
3	29.77	0.93E+06	0.47	0.12	-0.28	0.00	0.00	-0.04	-0.04	0.14	-0.27			
	10.00	86.33	0.00	0.00	0.00	0.00	0.00	0.45	0.14					
4	25.77	0.93E+06	0.48	0.12	-0.29	0.00	0.00	-0.03	-0.03	0.14	-0.28			
	-0.04	86.33	0.00	0.00	0.00	0.00	0.00	0.46	0.14					
5	30.12	0.94E+06	0.49	0.12	-0.29	0.00	0.00	-0.02	-0.02	0.14	-0.27			
	5.98	86.33	0.00	0.00	0.00	0.00	0.00	0.46	0.14					
6	30.23	0.94E+06	0.48	0.12	-0.29	0.00	0.00	-0.02	-0.02	0.00	-0.27			
	4.00	86.33	0.00	0.00	0.00	0.00	0.00	0.46	0.14					
7	30.12	0.94E+06	0.49	0.12	-0.29	0.00	0.00	-0.01	-0.01	0.00	-0.28			
	-0.04	86.33	0.00	0.00	0.00	0.00	0.00	0.47	0.14					
8	30.00	0.94E+06	0.48	0.12	-0.28	0.00	0.00	0.00	0.00	0.01	-0.27			
	0.00	86.33	0.00	0.00	0.00	0.00	0.00	0.46	0.14					
9	30.00	0.94E+06	0.47	0.12	-0.29	0.00	0.00	0.01	0.01	0.01	-0.27			
	-2.00	86.33	0.00	0.00	0.00	0.00	0.00	0.45	0.14					
10	30.12	0.94E+06	0.48	0.12	-0.28	0.00	0.00	0.02	0.02	0.02	-0.27			
	-0.03	86.33	0.00	0.00	0.00	0.00	0.00	0.46	0.14					
11	30.00	0.94E+06	0.48	0.12	-0.29	0.00	0.00	0.02	0.03	0.03	-0.28			
	-6.00	86.33	0.00	0.00	0.00	0.00	0.00	0.47	0.14					
12	30.12	0.94E+06	0.49	0.12	-0.30	0.00	0.00	0.03	0.03	0.03	-0.28			
	-8.00	86.33	0.00	0.00	0.00	0.00	0.00	0.47	0.14					
13	30.00	0.94E+06	0.48	0.12	-0.29	0.00	0.00	0.04	0.05	0.05	-0.28			
	-10.01	86.33	0.00	0.00	0.00	0.00	0.00	0.46	0.14					
14	30.00	0.94E+06	0.49	0.12	-0.30	0.00	0.00	0.06	0.08	0.08	-0.28			
	-15.02	86.33	0.00	0.00	0.00	0.00	0.00	0.46	0.14					

PROPULSIVE MING FORCE DATA

SUMMARY, RUN 154

PT	Q ALPHA BETA	REY NO HEIGHT	CLIS			CPMIS			CYMIS			CSFIS		
			CMFIB	CMUC	CAFIB	CMFIB	CMUT	CLTR	CMFIB	CMUT	CLTR	CMFIB	CMUT	CLTR
1	5.17	0.39E+06	2.68	-0.32	-1.89	-0.01	-0.03	0.00	0.00	0.00	-1.32			
	-1.99	86.95	0.00	1.53	1.53	1.60	0.46	-1.32						
2	5.06	0.39E+06	2.92	-0.26	-2.00	-0.02	-0.03	-0.02	-0.02	0.52	-1.40			
	5.00	85.82	0.00	1.61	1.61	1.76	0.52	-1.40						
3	5.29	0.40E+06	2.95	-0.14	-1.97	-0.02	-0.03	-0.03	-0.03	0.56	-1.40			
	2.06	85.13	0.00	1.52	1.52	1.83	0.56	-1.40						
4	5.29	0.40E+06	3.11	-0.03	-2.01	-0.02	-0.03	-0.03	-0.03	0.64	-1.43			
	4.03	83.86	0.00	1.54	1.54	1.95	0.64	-1.43						
5	5.17	0.39E+06	3.33	0.09	-2.10	-0.01	-0.03	-0.04	-0.04	0.73	-1.51			
	6.06	84.97	0.00	1.57	1.57	2.12	0.73	-1.51						
6	5.17	0.39E+06	3.43	0.21	-2.14	-0.01	-0.03	-0.05	-0.05	0.81	-1.55			
	8.06	87.09	0.00	1.57	1.57	2.19	0.81	-1.55						
7	5.29	0.40E+06	3.52	-0.34	-2.13	0.00	-0.03	-0.07	-0.07	0.88	-1.55			
	5.00	85.42	0.00	1.55	1.55	2.30	0.88	-1.55						
8	5.29	0.40E+06	3.69	0.49	-2.16	-0.01	-0.03	-0.08	-0.08	0.98	-1.58			
	12.04	86.86	0.00	1.54	1.54	2.45	0.98	-1.58						
9	5.17	0.39E+06	3.88	0.64	-2.23	-0.01	-0.04	-0.08	-0.08	1.10	-1.64			
	14.03	86.71	0.00	1.57	1.57	2.59	1.10	-1.64						
10	5.29	0.40E+06	3.90	0.77	-2.22	-0.01	-0.05	-0.07	-0.07	1.18	-1.64			
	15.06	86.60	0.00	1.54	1.54	2.62	1.18	-1.64						
11	5.29	0.40E+06	4.01	0.93	-2.23	0.00	-0.05	-0.09	-0.09	1.30	-1.65			
	18.10	86.06	0.00	1.54	1.54	2.72	1.30	-1.65						
12	5.17	0.39E+06	4.09	1.09	-2.26	0.00	-0.06	-0.11	-0.11	1.41	-1.67			
	20.04	91.97	0.00	1.57	1.57	2.76	1.41	-1.67						
13	5.17	0.39E+06	4.25	1.30	-2.32	0.00	-0.05	-0.15	-0.15	1.57	-1.74			
	22.08	99.43	0.00	1.58	1.58	2.92	1.57	-1.74						

PROPULSIVE WING FORCE DATA

SUMMARY. RUN 157

PT	Q ALPHA BETA	REY NO HEIGHT	CLIS CNFIB CMUC	CDIS CAFIB CMUK	CPMIS CPMIB CMUT	CRMIS CRMIB CLTR	CYFIS CSFIB CMTF	CSFIS CSFIB CMTF
1	10.58	0.56E+06	2.36 -0.07	2.36 -0.07	-1.59	0.00	-0.05	-0.09
	-0.03	86.99	2.36 -0.07	2.36 -0.07	-1.59	0.00	-0.05	-0.09
	15.00	86.99	0.00 1.05	0.00 1.05	1.05	1.58	0.43	-1.20
2	10.69	0.56E+06	2.37 -0.07	2.37 -0.07	-1.59	-0.01	-0.04	-0.06
	-0.03	86.99	2.37 -0.07	2.37 -0.07	-1.59	-0.01	-0.04	-0.06
	10.01	86.99	0.00 1.04	0.00 1.04	1.04	1.60	0.43	-1.19
3	10.69	0.56E+06	2.38 -0.07	2.38 -0.07	-1.60	-0.01	-0.03	-0.04
	-0.03	86.99	2.38 -0.07	2.38 -0.07	-1.60	-0.01	-0.03	-0.04
	8.00	86.99	0.00 1.04	0.00 1.04	1.04	1.60	0.44	-1.20
4	10.58	0.56E+06	2.38 -0.07	2.38 -0.07	-1.60	-0.01	-0.03	-0.02
	-0.02	86.99	2.38 -0.07	2.38 -0.07	-1.60	-0.01	-0.03	-0.02
	5.98	86.99	0.00 1.05	0.00 1.05	1.05	1.60	0.44	-1.20
5	10.58	0.56E+06	2.40 -0.07	2.40 -0.07	-1.61	-0.01	-0.03	-0.01
	-0.02	86.99	2.40 -0.07	2.40 -0.07	-1.61	-0.01	-0.03	-0.01
	3.96	86.99	0.00 1.06	0.00 1.06	1.06	1.62	0.44	-1.21
6	10.58	0.56E+06	2.41 -0.07	2.41 -0.07	-1.62	-0.01	-0.02	0.00
	-0.02	86.99	2.41 -0.07	2.41 -0.07	-1.62	-0.01	-0.02	0.00
	2.01	86.99	0.00 1.05	0.00 1.05	1.05	1.63	0.44	-1.22
7	10.58	0.56E+06	2.38 -0.07	2.38 -0.07	-1.60	-0.01	-0.01	0.02
	-0.02	86.99	2.38 -0.07	2.38 -0.07	-1.60	-0.01	-0.01	0.02
	-0.04	86.99	0.00 1.06	0.00 1.06	1.06	1.58	0.44	-1.20
8	10.58	0.56E+06	2.40 -0.07	2.40 -0.07	-1.61	-0.01	-0.01	0.03
	-0.02	86.99	2.40 -0.07	2.40 -0.07	-1.61	-0.01	-0.01	0.03
	-2.02	86.99	0.00 1.05	0.00 1.05	1.05	1.61	0.44	-1.21
9	10.46	0.56E+06	2.41 -0.07	2.41 -0.07	-1.62	-0.01	0.00	0.08
	-0.01	86.99	2.41 -0.07	2.41 -0.07	-1.62	-0.01	0.00	0.08
	-4.05	86.99	0.00 1.07	0.00 1.07	1.07	1.61	0.45	-1.22
10	10.46	0.56E+06	2.40 -0.08	2.40 -0.08	-1.61	-0.01	0.00	0.07
	-0.01	86.99	2.40 -0.08	2.40 -0.08	-1.61	-0.01	0.00	0.07
	-6.02	86.99	0.00 1.06	0.00 1.06	1.06	1.60	0.44	-1.20
11	10.58	0.56E+06	2.40 -0.07	2.40 -0.07	-1.61	-0.01	0.01	0.09
	-0.01	86.99	2.40 -0.07	2.40 -0.07	-1.61	-0.01	0.01	0.09
	-8.02	86.99	0.00 1.06	0.00 1.06	1.06	1.61	0.44	-1.20
12	10.58	0.56E+06	2.40 -0.07	2.40 -0.07	-1.61	-0.01	0.01	0.10
	-0.01	86.99	2.40 -0.07	2.40 -0.07	-1.61	-0.01	0.01	0.10
	-10.00	86.99	0.00 1.06	0.00 1.06	1.06	1.61	0.44	-1.21
13	10.58	0.56E+06	2.39 -0.08	2.39 -0.08	-1.61	-0.02	0.03	0.14
	0.00	86.99	2.39 -0.08	2.39 -0.08	-1.61	-0.02	0.03	0.14
	-15.01	86.99	0.00 1.05	0.00 1.05	1.05	1.60	0.43	-1.21

PROPULSIVE WING FORCE DATA

SUMMARY. RUN 156

PT	Q ALPHA BETA	REY NO HEIGHT	CLIS CNFIB CMUC	CDIS CAFIB CMUK	CPMIS CPMIB CMUT	CRMIS CRMIB CLTR	CYFIS CSFIB CMTF	CSFIS CSFIB CMTF
1	16.78	0.70E+06	1.74 0.12	1.74 0.12	-1.15	0.00	-0.05	-0.09
	-0.03	86.99	1.74 0.12	1.74 0.12	-1.15	0.00	-0.05	-0.09
	15.00	86.99	0.00 0.50	0.00 0.50	0.50	1.40	0.35	-0.96
2	16.78	0.70E+06	1.78 0.13	1.78 0.13	-1.17	0.00	-0.03	-0.06
	-0.03	86.99	1.78 0.13	1.78 0.13	-1.17	0.00	-0.03	-0.06
	10.06	86.99	0.00 0.50	0.00 0.50	0.50	1.43	0.36	-0.99
3	16.90	0.71E+06	1.77 0.13	1.77 0.13	-1.15	0.00	-0.03	-0.04
	-0.03	86.99	1.77 0.13	1.77 0.13	-1.15	0.00	-0.03	-0.04
	8.01	86.99	0.00 0.49	0.00 0.49	0.49	1.42	0.36	-0.98
4	16.67	0.70E+06	1.79 0.13	1.79 0.13	-1.17	0.00	-0.02	-0.02
	-0.03	86.99	1.79 0.13	1.79 0.13	-1.17	0.00	-0.02	-0.02
	5.96	86.99	0.00 0.50	0.00 0.50	0.50	1.44	0.37	-0.99
5	16.78	0.70E+06	1.79 0.13	1.79 0.13	-1.17	0.00	-0.02	-0.01
	-0.03	86.99	1.79 0.13	1.79 0.13	-1.17	0.00	-0.02	-0.01
	4.00	86.99	0.00 0.51	0.00 0.51	0.51	1.44	0.37	-0.99
6	16.78	0.70E+06	1.78 0.13	1.78 0.14	-1.17	0.00	-0.01	0.01
	-0.02	86.99	1.78 0.14	1.78 0.14	-1.17	0.00	-0.01	0.01
	2.00	86.99	0.00 0.50	0.00 0.50	0.50	1.43	0.37	-0.99
7	16.78	0.70E+06	1.79 0.13	1.79 0.14	-1.17	-0.01	-0.01	0.02
	-0.02	86.99	1.79 0.14	1.79 0.14	-1.17	-0.01	-0.01	0.02
	0.00	86.99	0.00 0.51	0.00 0.51	0.51	1.44	0.37	-0.99
8	16.67	0.70E+06	1.80 0.13	1.80 0.13	-1.18	-0.01	0.00	0.03
	-0.02	86.99	1.80 0.13	1.80 0.13	-1.18	-0.01	0.00	0.03
	-2.02	86.99	0.00 0.51	0.00 0.51	0.51	1.44	0.37	-0.99
9	16.55	0.70E+06	1.81 0.13	1.81 0.13	-1.18	-0.01	0.01	0.04
	-0.01	86.99	1.81 0.13	1.81 0.13	-1.18	-0.01	0.01	0.04
	-4.04	86.99	0.00 0.51	0.00 0.51	0.51	1.44	0.38	-0.99
10	16.44	0.70E+06	1.81 0.13	1.81 0.13	-1.19	-0.01	0.01	0.05
	-0.01	86.99	1.81 0.13	1.81 0.13	-1.19	-0.01	0.01	0.05
	-6.00	86.99	0.00 0.52	0.00 0.52	0.52	1.45	0.38	-0.99
11	16.67	0.70E+06	1.80 0.13	1.80 0.13	-1.17	-0.01	0.02	0.06
	-0.01	86.99	1.80 0.13	1.80 0.13	-1.17	-0.01	0.02	0.06
	-8.03	86.99	0.00 0.51	0.00 0.51	0.51	1.44	0.37	-0.98
12	16.55	0.70E+06	1.80 0.13	1.80 0.13	-1.17	-0.01	0.02	0.09
	-0.01	86.99	1.80 0.13	1.80 0.13	-1.17	-0.01	0.02	0.09
	-10.01	86.99	0.00 0.51	0.00 0.51	0.51	1.44	0.37	-0.98
13	16.78	0.70E+06	1.78 0.12	1.78 0.12	-1.16	-0.01	0.04	0.13
	-0.01	86.99	1.78 0.12	1.78 0.12	-1.16	-0.01	0.04	0.13
	-15.01	86.99	0.00 0.51	0.00 0.51	0.51	1.41	0.36	-0.98

PROPULSIVE WING FORCE DATA

SUMMARY. RUN 159

PT	Q ALPHA BETA	REY NO HEIGHT	CL15			CPM15			CRM15			CYM15			CSF15		
			CMFIB	CMUC	CMUH	CPMIB	CPMUT	CLTR	CRMIB	CRMIB	CLTR	CYMIB	CYMIB	CDTR	CSFIB	CSFIB	CMTR
1	16.55	0.70E+06	2.22	2.25	0.39	-1.28	0.01	-0.06	-0.13	15.00	85.92	0.00	0.50	1.84	0.57	-1.10	
2	16.90	0.71E+06	2.24	2.28	0.40	-1.28	0.00	-0.05	-0.07	10.01	85.92	0.00	0.49	1.87	0.58	-1.10	
3	16.90	0.71E+06	2.28	2.31	0.40	-1.31	0.01	-0.04	-0.06	7.87	85.92	0.00	0.50	1.90	0.59	-1.13	
4	16.67	0.70E+06	2.23	2.27	0.41	-1.27	0.01	-0.03	-0.04	6.00	85.92	0.00	0.47	1.88	0.58	-1.10	
5	16.67	0.70E+06	2.28	2.32	0.41	-1.31	0.00	-0.02	-0.03	4.00	85.92	0.00	0.50	1.90	0.59	-1.13	
6	16.67	0.70E+06	2.27	2.31	0.40	-1.30	0.00	-0.01	-0.01	7.88	85.92	0.00	0.49	1.90	0.59	-1.12	
7	16.67	0.71E+06	2.28	2.31	0.41	-1.30	0.00	0.00	0.00	-0.01	85.92	0.00	0.49	1.90	0.59	-1.12	
8	16.55	0.70E+06	2.30	2.34	0.41	-1.32	-0.01	0.00	0.02	-2.00	85.92	0.00	0.49	1.92	0.60	-1.14	
9	16.44	0.70E+06	2.31	2.35	0.41	-1.33	-0.01	0.01	0.04	7.89	85.92	0.00	0.51	1.92	0.61	-1.14	
10	16.55	0.70E+06	2.30	2.33	0.41	-1.32	-0.01	0.02	0.05	-6.02	85.92	0.00	0.51	1.91	0.60	-1.14	
11	16.55	0.70E+06	2.30	2.34	0.41	-1.32	-0.01	0.02	0.07	-8.03	85.92	0.00	0.50	1.91	0.60	-1.14	
12	16.55	0.70E+06	2.27	2.31	0.41	-1.30	-0.01	0.03	0.09	7.90	85.92	0.00	0.49	1.89	0.59	-1.12	
13	16.55	0.70E+06	2.17	2.20	0.39	-1.24	-0.01	0.05	0.14	-15.03	85.92	0.00	0.47	1.81	0.55	-1.07	

PROPULSIVE WING FORCE DATA

SUMMARY. RUN 158

PT	Q ALPHA BETA	REY NO HEIGHT	CL15			CPM15			CRM15			CYM15			CSF15		
			CMFIB	CMUC	CMUH	CPMIB	CPMUT	CLTR	CRMIB	CRMIB	CLTR	CYMIB	CYMIB	CDTR	CSFIB	CSFIB	CMTR
2	30.12	0.94E+06	0.83	0.85	0.20	-0.36	-0.01	-0.06	-0.10	8.10	85.92	0.00	0.60	0.80	0.22	-0.34	
3	30.23	0.95E+06	0.83	0.85	0.20	-0.35	-0.01	-0.04	-0.05	10.00	85.92	0.00	0.61	0.81	0.22	-0.33	
4	29.89	0.94E+06	0.84	0.86	0.21	-0.35	0.00	-0.03	-0.04	8.12	85.92	0.00	0.60	0.82	0.22	-0.34	
5	30.00	0.94E+06	0.84	0.86	0.21	-0.35	0.00	-0.02	-0.02	5.99	85.92	0.00	0.60	0.82	0.22	-0.34	
6	30.00	0.94E+06	0.83	0.85	0.20	-0.35	0.00	-0.02	-0.02	3.97	85.92	0.00	0.61	0.82	0.22	-0.33	
7	29.89	0.94E+06	0.83	0.85	0.20	-0.34	0.00	-0.01	-0.01	2.05	85.92	0.00	0.61	0.82	0.22	-0.33	
8	30.00	0.94E+06	0.82	0.84	0.20	-0.34	0.00	0.00	0.00	-0.07	85.92	0.00	0.60	0.79	0.22	-0.32	
9	30.00	0.94E+06	0.85	0.87	0.21	-0.37	0.00	0.01	0.01	-2.05	85.92	0.00	0.60	0.83	0.22	-0.35	
10	30.00	0.94E+06	0.84	0.86	0.21	-0.35	0.00	0.02	0.03	-4.02	85.92	0.00	0.60	0.82	0.22	-0.33	
11	30.12	0.94E+06	0.87	0.89	0.21	-0.38	0.00	0.02	0.04	-6.01	85.92	0.00	0.60	0.84	0.23	-0.37	
12	30.12	0.94E+06	0.86	0.88	0.21	-0.37	0.00	0.03	0.05	-8.01	85.92	0.00	0.60	0.84	0.23	-0.35	
13	30.23	0.95E+06	0.84	0.86	0.20	-0.36	0.00	0.04	0.06	-10.02	85.92	0.00	0.60	0.82	0.22	-0.35	
14	30.12	0.94E+06	0.84	0.85	0.20	-0.37	0.01	0.06	0.12	-15.01	85.92	0.00	0.60	0.82	0.22	-0.36	

PROPULSIVE MING FORCE DATA

SUMMARY. RUN 161

PT	Q		REY NO HEIGHT	CLIS CMFIB CHUC	CDIS CAFIB CHUM	CPHIS CPHIB CHUT	CRMIS CRMIB CLTR	CYNIS CYNIB CDTR	CSFIS CSFIB CMTR
	ALPHA	BETA							
1	5.17	7.86	0.39E+06	4.00	0.52	-2.52	-0.02	-0.07	-0.13
	15.01	15.01	85.92	3.96	-0.01	-2.52	-0.01	-0.07	-1.73
				0.00	2.08	2.08	2.32	0.82	
2	5.29	7.86	0.40E+06	4.02	0.03	-2.54	-0.02	-0.05	-0.09
	10.06	10.06	85.92	3.99	-0.52	-2.54	-0.01	-0.05	-1.74
				0.00	2.08	2.08	2.32	0.83	
3	5.29	7.87	0.40E+06	4.04	0.04	-2.53	-0.02	-0.05	-0.05
	7.98	7.98	85.92	4.01	-0.52	-2.53	-0.01	-0.05	-1.73
				0.00	2.07	2.07	2.34	0.83	
4	5.29	7.87	0.40E+06	4.02	0.03	-2.52	-0.02	-0.05	-0.06
	6.00	6.00	85.92	3.99	-0.52	-2.52	-0.01	-0.05	-1.72
				0.00	2.07	2.07	2.32	0.83	
5	5.40	7.87	0.40E+06	3.96	0.03	-2.47	-0.02	-0.03	-0.02
	4.03	4.03	85.92	3.93	-0.51	-2.47	-0.01	-0.03	-1.69
				0.00	2.04	2.04	2.29	0.81	
6	5.40	7.87	0.40E+06	3.96	0.03	-2.46	-0.02	-0.03	0.03
	2.00	2.00	85.92	3.93	-0.51	-2.46	-0.01	-0.03	0.03
				0.00	2.03	2.03	2.29	0.81	-1.67
7	5.17	7.87	0.40E+06	4.15	0.03	-2.59	-0.02	-0.02	0.01
	-0.04	-0.04	85.92	4.11	-0.54	-2.59	-0.02	-0.02	0.01
				0.00	2.13	2.13	2.40	0.85	-1.76
8	5.17	7.88	0.40E+06	4.08	0.02	-2.56	-0.03	-0.02	0.03
	-2.02	-2.02	85.92	4.04	-0.54	-2.56	-0.03	-0.03	0.03
				0.00	2.13	2.13	2.33	0.84	-1.73
9	5.29	7.88	0.40E+06	4.04	0.03	-2.55	-0.03	-0.01	0.03
	-4.03	-4.03	85.92	4.00	-0.52	-2.55	-0.03	-0.02	0.03
				0.00	2.08	2.08	2.32	0.83	-1.73
10	5.17	7.88	0.40E+06	4.10	0.03	-2.56	-0.03	-0.01	0.08
	-6.05	-6.05	85.92	4.06	-0.53	-2.56	-0.03	-0.01	0.08
				0.00	2.13	2.13	2.35	0.85	-1.74
11	5.17	7.89	0.40E+06	4.05	0.02	-2.54	-0.03	0.00	0.10
	-8.01	-8.01	85.92	4.01	-0.53	-2.54	-0.03	0.00	0.10
				0.00	2.12	2.12	2.30	0.84	-1.71
12	5.29	7.89	0.40E+06	3.97	0.02	-2.48	-0.03	0.00	0.10
	-10.02	-10.02	85.92	3.94	-0.53	-2.48	-0.03	0.00	0.10
				0.00	2.07	2.07	2.27	0.82	-1.68
13	5.17	7.89	0.40E+06	4.01	0.00	-2.53	-0.03	0.03	0.17
	-15.04	-15.04	85.92	3.97	-0.55	-2.53	-0.03	0.03	0.17
				0.00	2.12	2.12	2.27	0.81	-1.71

PROPULSIVE MING FORCE DATA

SUMMARY. RUN 160

PT	Q		REY NO HEIGHT	CLIS CMFIB CHUC	CDIS CAFIB CHUM	CPHIS CPHIB CHUT	CRMIS CRMIB CLTR	CYNIS CYNIB CDTR	CSFIS CSFIB CMTR
	ALPHA	BETA							
1	10.58	7.84	0.56E+06	2.87	0.28	-1.73	-0.01	-0.06	-0.12
	14.99	14.99	85.92	2.84	-0.11	-1.73	0.00	-0.07	-1.33
				0.00	1.05	1.05	2.03	0.68	-1.33
2	10.69	7.85	0.57E+06	2.89	0.29	-1.75	0.00	-0.05	-0.07
	10.01	10.01	85.92	2.90	-0.10	-1.75	0.00	-0.05	-0.07
				0.00	1.04	1.04	2.05	0.69	-1.35
3	10.46	7.85	0.56E+06	2.96	0.30	-1.79	0.00	-0.04	-0.06
	7.99	7.99	85.92	2.97	-0.11	-1.79	0.00	-0.04	-0.06
				0.00	1.06	1.06	2.10	0.70	-1.39
4	10.58	7.85	0.56E+06	2.93	0.30	-1.76	0.00	-0.03	-0.04
	8.01	8.01	85.92	2.95	-0.10	-1.76	0.00	-0.03	-0.04
				0.00	1.05	1.05	2.09	0.70	-1.36
5	10.58	7.86	0.56E+06	2.94	0.30	-1.77	0.00	-0.02	-0.03
	4.00	4.00	85.92	2.96	-0.11	-1.77	0.00	-0.03	-0.03
				0.00	1.06	1.06	2.09	0.70	-1.37
6	10.58	7.85	0.56E+06	2.95	0.30	-1.78	0.00	-0.02	-0.01
	2.00	2.00	85.92	2.96	-0.11	-1.78	0.00	-0.02	-0.01
				0.00	1.06	1.06	2.09	0.70	-1.37
7	10.46	7.86	0.56E+06	2.98	0.31	-1.79	-0.01	-0.01	0.01
	0.01	0.01	85.92	2.99	-0.10	-1.79	-0.01	-0.01	0.01
				0.00	1.05	1.05	2.12	0.71	-1.39
8	10.46	7.86	0.56E+06	2.93	0.31	-1.76	-0.02	0.00	0.03
	-2.07	-2.07	85.92	2.94	-0.09	-1.76	-0.02	-0.01	0.03
				0.00	1.03	1.03	2.10	0.70	-1.37
9	10.58	7.87	0.56E+06	2.93	0.31	-1.75	-0.02	0.00	0.05
	-4.04	-4.04	85.92	2.94	-0.09	-1.75	-0.02	0.00	0.05
				0.00	1.03	1.03	2.09	0.70	-1.36
10	10.58	7.87	0.56E+06	2.94	0.32	-1.77	-0.02	0.01	0.07
	-6.01	-6.01	85.92	2.96	-0.09	-1.77	-0.02	0.00	0.07
				0.00	1.03	1.03	2.11	0.71	-1.37
11	10.58	7.87	0.56E+06	2.91	0.31	-1.74	-0.02	0.02	0.09
	-8.02	-8.02	85.92	2.92	-0.09	-1.74	-0.02	0.01	0.09
				0.00	1.02	1.02	2.08	0.70	-1.35
12	10.58	7.87	0.56E+06	2.89	0.30	-1.75	-0.02	0.02	0.08
	-10.00	-10.00	85.92	2.91	-0.10	-1.75	-0.02	0.02	0.08
				0.00	1.02	1.02	2.06	0.69	-1.36
13	10.46	7.86	0.56E+06	2.86	0.28	-1.72	-0.02	0.04	0.16
	-15.03	-15.03	85.92	2.87	-0.11	-1.72	-0.02	0.04	0.16
				0.00	1.03	1.03	2.02	0.68	-1.32

PROPULSIVE WING FORCE DATA

SUMMARY. RUN 163

PT	Q		REY NO HEIGHT	CL15 CNF1B CNHC	CPM15 CPM1B CMUT	CRM15 CRM1B CLTR	CVM15 CVM1B CDTR	CSF15 CSF1B CNTR
	ALPHA	BETA						
15	29.89	-0.01	0.95E+06 87.77	0.39 0.00	0.11 0.00	-0.28 0.00	0.00 0.37	0.00 0.13
16	30.23	-0.01	0.96E+06 85.79	0.47 0.00	0.12 0.00	-0.28 0.00	0.00 0.45	0.01 -0.27
17	30.00	2.08	0.95E+06 86.26	0.55 0.56	0.14 0.12	-0.29 -0.23	0.00 0.00	0.01 0.16
18	29.89	4.03	0.95E+06 86.87	0.64 0.65	0.16 0.11	-0.31 0.00	0.00 0.62	0.01 0.17
19	29.77	-0.01	0.95E+06 86.50	0.74 0.76	0.18 0.10	-0.33 -0.33	0.00 0.72	0.00 0.20
20	29.77	8.04	0.95E+06 84.03	0.82 0.84	0.20 0.09	-0.35 -0.35	0.00 0.80	0.01 -0.33
21	30.00	-0.01	0.95E+06 84.91	0.92 0.95	0.24 0.08	-0.37 -0.41	0.00 0.90	0.00 0.26
22	30.12	12.05	0.95E+06 84.75	1.04 1.08	0.29 0.00	-0.41 0.00	0.00 1.02	0.01 0.31
23	30.00	14.03	0.95E+06 85.62	1.11 1.16	0.35 0.07	-0.42 -0.42	0.00 0.00	0.00 0.40
24	29.89	16.09	0.95E+06 85.81	1.16 1.23	0.42 0.08	-0.43 -0.43	0.00 0.00	0.00 0.44
25	29.89	18.06	0.95E+06 83.39	1.20 1.30	0.50 0.10	-0.45 -0.45	0.00 0.00	0.01 -0.44
26	29.89	19.97	0.95E+06 90.45	1.21 1.33	0.55 0.11	-0.48 -0.48	0.00 0.00	0.01 -0.01
27	30.23	-0.01	0.96E+06 97.73	1.17 1.30	0.60 0.12	-0.47 -0.47	0.00 0.00	0.00 0.51

PROPULSIVE WING FORCE DATA

SUMMARY. RUN 162

PT	Q		REY NO HEIGHT	CL15 CNF1B CNHC	CPM15 CPM1B CMUT	CRM15 CRM1B CLTR	CVM15 CVM1B CDTR	CSF15 CSF1B CNTR
	ALPHA	BETA						
1	5.40	0.00	0.40E+06 85.84	3.28 0.00	-0.49 2.03	-0.02 1.74	-0.06 0.51	-0.10 -1.52
2	5.17	0.00	0.40E+06 85.84	3.41 0.00	-0.52 2.12	-0.02 1.79	-0.05 0.53	-0.06 -1.55
3	5.17	0.01	0.40E+06 85.84	3.40 3.40	-0.51 -0.51	-0.02 -0.02	-0.04 -0.04	-0.02 -0.02
4	5.17	0.01	0.40E+06 85.84	3.43 0.00	-0.51 2.12	-0.02 1.81	-0.04 0.54	-0.01 -1.56
5	5.29	0.01	0.40E+06 85.84	3.38 0.00	-0.49 2.07	-0.02 1.79	-0.03 0.54	0.00 -1.54
6	5.29	0.01	0.40E+06 85.84	3.39 0.00	-0.49 2.08	-0.02 1.80	-0.03 0.54	0.03 -1.54
7	5.29	0.01	0.40E+06 85.84	3.39 0.00	-0.50 2.08	-0.02 1.80	-0.02 0.53	0.07 -1.53
8	5.17	-0.03	0.40E+06 85.84	3.45 0.00	-0.51 2.15	-0.02 1.82	-0.02 0.54	0.05 -1.56
9	5.29	0.02	0.40E+06 85.84	3.35 0.00	-0.50 2.07	-0.02 1.75	-0.02 0.53	0.07 -1.51
10	5.17	0.02	0.40E+06 85.84	3.45 0.00	-0.51 2.13	-0.02 1.82	-0.01 0.54	0.10 -1.57
11	5.17	0.02	0.40E+06 85.84	3.42 0.00	-0.52 2.14	-0.02 1.78	0.00 0.54	0.15 -1.55
12	5.17	0.02	0.40E+06 85.84	3.42 0.00	-0.52 2.13	-0.02 1.79	0.00 0.53	0.14 -1.55
13	5.29	0.03	0.40E+06 85.84	3.36 0.00	-0.52 2.08	-0.03 1.77	0.00 0.51	0.15 -1.54

PROPULSIVE WING FORCE DATA

SUMMARY. RUM 165														
PT	Q ALPHA BETA	REY NO HEIGHT	CL15 CNF1B CMUC	CD15 CAF1B CHUM	CPM15 CPM1B CMUT	CRM15 CRM1B CLTR	CVM15 CVM1B CDTR	CSF15 CSF1B CMTR	CL15 CNF1B CMUC	CD15 CAF1B CHUM	CPM15 CPM1B CMUT	CRM15 CRM1B CLTR	CVM15 CVM1B CDTR	CSF15 CSF1B CMTR
1	29.89	0.95E+06	0.46	0.12	-0.28	-0.01	0.00	-0.05	0.46	0.12	-0.28	-0.01	0.00	-0.17
	-2.02	84.23	0.39	0.12	0.00	0.00	0.00	-0.05	-0.46	0.12	0.00	-0.01	0.00	-0.17
	5.00		0.00	0.00	0.00	0.00	0.13	-0.26	0.00	0.00	0.44	0.14	0.00	-0.27
2	29.89	0.95E+06	0.47	0.12	-0.29	0.00	0.00	-0.05	0.47	0.12	-0.29	0.01	0.00	-0.12
	0.01	89.50	0.47	0.12	-0.29	0.00	0.00	-0.05	0.47	0.12	-0.29	-0.01	0.00	-0.12
	5.00		0.00	0.00	0.00	0.45	0.14	-0.27	0.00	0.00	0.45	0.14	0.00	-0.27
3	29.89	0.95E+06	0.56	0.14	-0.30	0.00	0.00	-0.05	0.47	0.12	-0.28	-0.01	0.00	-0.09
	2.03	83.73	0.57	0.12	-0.30	0.00	0.00	-0.05	0.47	0.12	-0.28	-0.01	0.00	-0.09
	5.00		0.00	0.00	0.00	0.54	0.15	-0.28	0.00	0.00	0.45	0.14	0.00	-0.27
4	29.89	0.95E+06	0.65	0.16	-0.32	-0.01	0.00	-0.05	0.47	0.12	-0.29	0.00	0.00	-0.06
	4.09	85.33	0.66	0.11	-0.32	0.00	0.00	-0.05	0.47	0.12	-0.29	0.00	0.00	-0.06
	5.00		0.00	0.00	0.00	0.63	0.17	-0.31	0.00	0.00	0.00	0.45	0.14	-0.27
5	30.35	0.95E+06	0.73	0.18	-0.34	0.00	0.00	-0.06	0.47	0.12	-0.28	0.00	0.00	-0.03
	6.05	86.04	0.75	0.10	-0.34	0.00	0.00	-0.06	0.47	0.12	-0.28	0.00	0.00	-0.03
	5.00		0.00	0.00	0.00	0.71	0.19	-0.32	0.00	0.00	0.00	0.45	0.14	-0.27
6	30.12	0.95E+06	0.83	0.20	-0.35	0.00	0.00	-0.06	0.48	0.12	-0.29	0.00	0.00	-0.02
	8.06	85.54	0.85	0.09	-0.35	0.00	0.00	-0.06	0.48	0.12	-0.29	0.00	0.00	-0.02
	5.00		0.00	0.00	0.00	0.81	0.22	-0.34	0.00	0.00	0.00	0.46	0.14	-0.28
7	30.12	0.95E+06	0.92	0.23	-0.37	0.00	-0.01	-0.06	0.47	0.12	-0.28	0.00	0.00	0.01
	10.03	86.56	0.94	0.07	-0.37	0.00	-0.01	-0.06	0.47	0.12	-0.28	0.00	0.00	0.01
	5.00		0.00	0.00	0.00	0.89	0.25	-0.35	0.00	0.00	0.00	0.45	0.14	-0.27
8	30.00	0.95E+06	1.03	0.29	-0.40	-0.01	-0.01	-0.06	0.47	0.12	-0.28	0.00	0.00	0.03
	12.07	86.99	1.07	0.07	-0.40	0.00	-0.01	-0.06	0.47	0.12	-0.28	0.00	0.00	0.03
	5.00		0.00	0.00	0.00	1.01	0.31	-0.39	0.00	0.00	0.00	0.44	0.14	-0.27
9	29.77	0.95E+06	1.11	0.35	-0.42	-0.01	-0.01	-0.06	0.47	0.12	-0.29	0.01	0.00	0.05
	14.04	85.40	1.16	0.07	-0.42	-0.01	-0.02	-0.06	0.47	0.12	-0.29	0.01	0.00	0.05
	5.00		0.00	0.00	0.00	1.08	0.36	-0.40	0.00	0.00	0.00	0.45	0.14	-0.27
10	30.12	0.95E+06	1.15	0.42	-0.43	-0.01	-0.01	-0.06	0.47	0.12	-0.29	0.01	0.00	0.08
	16.03	86.52	1.23	0.08	-0.43	-0.01	-0.02	-0.06	0.47	0.12	-0.29	0.01	0.00	0.08
	5.00		0.00	0.00	0.00	1.13	0.43	-0.41	0.00	0.00	0.00	0.45	0.14	-0.27
11	30.00	0.95E+06	1.17	0.48	-0.44	-0.01	-0.02	-0.07	0.48	0.12	-0.29	0.01	0.00	0.10
	18.02	85.55	1.26	0.10	-0.44	0.00	-0.02	-0.07	0.48	0.12	-0.29	0.01	0.00	0.10
	5.00		0.00	0.00	0.00	1.15	0.49	-0.42	0.00	0.00	0.00	0.45	0.14	-0.28
12	30.23	0.95E+06	1.17	0.54	-0.46	-0.02	-0.02	-0.06	0.47	0.12	-0.29	0.01	0.00	0.13
	20.09	90.94	1.29	0.10	-0.46	-0.01	-0.02	-0.06	0.47	0.12	-0.29	0.01	0.00	0.13
	5.00		0.00	0.00	0.00	1.15	0.55	-0.44	0.00	0.00	0.00	0.45	0.14	-0.27
13	30.12	0.95E+06	1.13	0.58	-0.45	-0.03	-0.02	-0.04	0.46	0.11	-0.28	0.01	0.00	0.18
	22.11	98.29	1.27	0.11	-0.45	-0.02	-0.03	-0.04	0.46	0.11	-0.28	0.01	0.00	0.18
	5.00		0.00	0.00	0.00	1.10	0.59	-0.43	0.00	0.00	0.00	0.44	0.13	-0.27

PROPULSIVE WING FORCE DATA

SUMMARY. RUN 167

PT	Q	ALPHA	BETA	REY NO	HEIGHT	CLIS	CNFIB	CHUC	CDIS	CAFIB	CHUM	CPHIS	CPRIB	CHUT	CRMIS	CRNIB	CLTR	CYMIS	CYNIB	CDTR	CSFIS	CSFIB	CSTR
1	16.67	7.85	15.01	0.95E+06	86.14	2.15	2.18	0.00	0.38	0.09	0.48	-1.25	-1.25	0.01	0.01	0.01	1.77	0.01	-0.01	-0.01	-0.25	-0.25	-1.07
2	16.90	7.85	9.99	0.95E+06	86.14	2.16	2.20	0.00	0.40	0.10	0.46	-1.24	-1.24	0.01	0.01	0.01	1.81	0.00	0.00	0.00	-0.18	-0.18	-1.07
3	16.90	7.85	7.99	0.95E+06	86.14	2.22	2.25	0.00	0.40	0.09	0.48	-1.28	-1.28	0.01	0.01	0.01	1.84	0.00	0.00	0.00	-0.15	-0.15	-1.10
4	16.78	7.85	6.01	0.95E+06	86.14	2.23	2.27	0.00	0.40	0.09	0.48	-1.29	-1.29	0.01	0.01	0.01	1.85	0.00	0.00	0.00	-0.12	-0.12	-1.11
5	16.78	7.85	3.99	0.95E+06	86.14	2.23	2.26	0.00	0.40	0.09	0.48	-1.28	-1.28	0.00	0.00	0.00	1.85	0.00	0.00	0.00	-0.07	-0.07	-1.10
6	16.90	7.85	2.01	0.95E+06	86.14	2.22	2.26	0.00	0.41	0.10	0.48	-1.28	-1.28	0.00	0.00	0.00	1.84	0.00	0.00	0.00	-0.04	-0.04	-1.10
7	16.67	7.85	0.00	0.95E+06	86.14	2.25	2.28	0.00	0.41	0.10	0.49	-1.30	-1.30	0.01	0.01	0.01	1.86	0.00	0.00	0.00	-0.01	-0.01	-1.12
8	16.67	7.85	-2.06	0.95E+06	86.14	2.27	2.31	0.00	0.42	0.10	0.49	-1.31	-1.31	0.01	0.01	0.01	1.88	0.00	0.00	0.00	0.04	0.04	-1.13
9	16.55	7.85	-4.07	0.95E+06	86.14	2.28	2.31	0.00	0.42	0.10	0.50	-1.33	-1.33	0.01	0.01	0.01	1.89	0.00	0.00	0.00	0.08	0.08	-1.14
10	16.67	7.87	-6.01	0.95E+06	86.14	2.25	2.29	0.00	0.41	0.10	0.49	-1.31	-1.31	0.01	0.01	0.01	1.86	0.00	0.00	0.00	0.12	0.12	-1.12
11	16.55	7.87	-8.00	0.95E+06	86.14	2.26	2.29	0.00	0.41	0.10	0.49	-1.31	-1.31	0.01	0.01	0.01	1.86	0.00	0.00	0.00	0.15	0.15	-1.12
12	16.55	7.88	-10.02	0.95E+06	86.14	2.22	2.26	0.00	0.41	0.10	0.48	-1.29	-1.29	0.01	0.01	0.01	1.84	0.00	0.00	0.00	0.19	0.19	-1.10
13	16.44	7.90	-15.01	0.95E+06	86.17	2.13	2.16	0.00	0.40	0.10	0.47	-1.23	-1.23	0.01	0.01	0.01	1.76	0.00	0.00	0.00	0.25	0.25	-1.06

PROPULSIVE WING FORCE DATA

SUMMARY. RUN 166

PT	Q	ALPHA	BETA	REY NO	HEIGHT	CLIS	CNFIB	CHUC	CDIS	CAFIB	CHUM	CPHIS	CPRIB	CHUT	CRMIS	CRNIB	CLTR	CYMIS	CYNIB	CDTR	CSFIS	CSFIB	CSTR
1	29.89	8.09	15.02	0.95E+06	86.14	0.82	0.84	0.00	0.20	0.08	0.00	-0.36	-0.36	0.01	0.01	0.01	0.79	0.01	-0.01	-0.01	-0.20	-0.20	-0.34
2	30.23	8.09	10.01	0.95E+06	86.14	0.83	0.85	0.00	0.20	0.08	0.00	-0.35	-0.35	0.01	0.01	0.01	0.80	0.00	0.00	0.00	-0.13	-0.13	-0.33
3	29.89	8.09	8.00	0.95E+06	86.14	0.85	0.87	0.00	0.20	0.08	0.00	-0.37	-0.37	0.00	0.00	0.00	0.83	0.00	0.00	0.00	-0.10	-0.10	-0.36
4	29.89	8.10	6.00	0.95E+06	86.14	0.84	0.86	0.00	0.20	0.08	0.00	-0.36	-0.36	0.00	0.00	0.00	0.81	0.00	0.00	0.00	-0.07	-0.07	-0.35
5	29.77	8.10	3.99	0.95E+06	86.14	0.84	0.86	0.00	0.21	0.09	0.00	-0.36	-0.36	0.00	0.00	0.00	0.81	0.00	0.00	0.00	-0.04	-0.04	-0.35
6	29.89	8.11	1.99	0.95E+06	86.14	0.83	0.85	0.00	0.20	0.09	0.00	-0.36	-0.36	0.00	0.00	0.00	0.81	0.00	0.00	0.00	-0.02	-0.02	-0.34
7	29.89	8.12	-0.01	0.95E+06	86.14	0.83	0.85	0.00	0.21	0.09	0.00	-0.35	-0.35	0.00	0.00	0.00	0.80	0.00	0.00	0.00	0.01	0.01	-0.33
8	29.77	8.11	-2.02	0.95E+06	86.14	0.83	0.85	0.00	0.21	0.09	0.00	-0.36	-0.36	0.00	0.00	0.00	0.81	0.00	0.00	0.00	0.03	0.03	-0.34
9	29.89	8.12	-4.00	0.95E+06	86.14	0.82	0.84	0.00	0.20	0.08	0.00	-0.35	-0.35	0.01	0.01	0.01	0.80	0.00	0.00	0.00	0.05	0.05	-0.33
10	30.00	8.12	-6.00	0.95E+06	86.14	0.84	0.86	0.00	0.20	0.08	0.00	-0.36	-0.36	0.01	0.01	0.01	0.81	0.00	0.00	0.00	0.08	0.08	-0.35
11	30.12	8.12	-8.00	0.95E+06	86.14	0.84	0.86	0.00	0.20	0.08	0.00	-0.36	-0.36	0.01	0.01	0.01	0.82	0.00	0.00	0.00	0.11	0.11	-0.35
12	30.00	8.12	-10.00	0.95E+06	86.14	0.85	0.87	0.00	0.20	0.08	0.00	-0.38	-0.38	0.01	0.01	0.01	0.83	0.00	0.00	0.00	0.13	0.13	-0.36
13	29.89	8.12	-15.02	0.95E+06	86.14	0.82	0.83	0.00	0.19	0.08	0.00	-0.35	-0.35	0.01	0.01	0.01	0.79	0.00	0.00	0.00	0.21	0.21	-0.34

PROPULSIVE WING FORCE DATA

SUMMARY. RUN 169

PT	Q		REY NO HEIGHT	CL15		CPM15		CD15		CRM15		CSF15	
	ALPHA BETA	BETA		CNF15 CMUC	CAF15 CMUH	CPM15 CMUT	CRM15 CLTR	CSF15 CMTR	CYM15 CDTR	CMY15 CMTR	CSF15 CMTR		
1	16.67	5.00	0.71E+06 86.38	1.62	0.09	-1.10	-0.01	1.10	-0.01	-0.01	-0.01	-0.01	-0.07
2	16.55	5.00	0.71E+06 86.04	1.74	0.14	-1.14	-0.01	1.14	-0.01	-0.01	-0.01	-0.01	-0.07
3	16.55	5.00	0.71E+06 86.85	1.86	0.20	-1.17	-0.01	1.17	-0.01	-0.01	-0.01	-0.01	-0.08
4	16.55	5.00	0.71E+06 86.80	1.97	0.26	-1.21	-0.01	1.21	-0.01	-0.01	-0.01	-0.01	-0.08
5	16.44	5.00	0.71E+06 84.31	2.11	0.33	-1.24	-0.01	1.24	-0.01	-0.01	-0.01	-0.01	-0.08
6	16.44	5.00	0.71E+06 84.75	2.22	0.41	-1.27	-0.01	1.27	-0.01	-0.01	-0.01	-0.01	-0.08
7	16.44	5.00	0.71E+06 84.58	2.37	0.50	-1.31	-0.01	1.31	-0.01	-0.01	-0.01	-0.01	-0.09
8	16.21	5.00	0.70E+06 86.96	2.48	0.60	-1.33	-0.01	1.33	-0.01	-0.01	-0.01	-0.01	-0.10
9	16.09	5.00	0.70E+06 85.79	2.64	0.71	-1.39	-0.01	1.39	-0.01	-0.01	-0.01	-0.01	-0.10
10	15.98	5.00	0.70E+06 85.76	2.72	0.81	-1.40	-0.01	1.40	-0.01	-0.01	-0.01	-0.01	-0.11
11	15.98	5.00	0.70E+06 85.45	2.76	0.91	-1.39	-0.01	1.39	-0.01	-0.01	-0.01	-0.01	-0.11
12	15.98	5.00	0.70E+06 91.57	2.82	1.02	-1.40	-0.01	1.40	-0.01	-0.01	-0.01	-0.01	-0.11
13	15.75	5.00	0.69E+06 99.62	2.89	1.15	-1.40	-0.01	1.40	-0.01	-0.01	-0.01	-0.01	-0.12

PROPULSIVE WING FORCE DATA

SUMMARY. RUN 168

PT	Q		REY NO HEIGHT	CL15		CPM15		CD15		CRM15		CSF15	
	ALPHA BETA	BETA		CNF15 CMUC	CAF15 CMUH	CPM15 CMUT	CRM15 CLTR	CSF15 CMTR	CYM15 CDTR	CMY15 CMTR	CSF15 CMTR		
1	16.67	5.01	0.71E+06 86.32	1.69	0.14	-1.11	0.00	1.11	0.00	-0.21	-0.21	-0.21	-0.21
2	16.90	9.99	0.72E+06 86.32	1.73	0.14	-1.13	-0.01	1.13	-0.01	-0.15	-0.15	-0.15	-0.15
3	16.78	8.00	0.72E+06 86.32	1.75	0.14	-1.14	-0.01	1.14	-0.01	-0.13	-0.13	-0.13	-0.13
4	16.78	6.00	0.72E+06 86.32	1.74	0.14	-1.14	-0.01	1.14	-0.01	-0.09	-0.09	-0.09	-0.09
5	16.78	4.00	0.72E+06 86.32	1.73	0.15	-1.14	-0.01	1.14	-0.01	-0.05	-0.05	-0.05	-0.05
6	16.78	2.01	0.72E+06 86.32	1.73	0.15	-1.14	-0.01	1.14	-0.01	-0.03	-0.03	-0.03	-0.03
7	16.67	-0.06	0.71E+06 86.32	1.75	0.15	-1.15	0.00	1.15	0.00	-0.01	-0.01	-0.01	-0.01
8	16.55	-2.01	0.71E+06 86.32	1.76	0.15	-1.15	0.00	1.15	0.00	-0.01	-0.01	-0.01	-0.01
9	16.44	-4.00	0.71E+06 86.32	1.76	0.14	-1.16	0.00	1.16	0.00	-0.02	-0.02	-0.02	-0.02
10	16.44	-6.03	0.71E+06 86.32	1.76	0.14	-1.16	0.00	1.16	0.00	-0.02	-0.02	-0.02	-0.02
11	16.67	-8.01	0.71E+06 86.32	1.74	0.14	-1.14	0.00	1.14	0.00	-0.03	-0.03	-0.03	-0.03
12	16.67	-10.01	0.71E+06 86.32	1.75	0.14	-1.14	-0.01	1.14	-0.01	-0.03	-0.03	-0.03	-0.03
13	16.67	0.05	0.71E+06 86.32	1.69	0.14	-1.10	-0.01	1.10	-0.01	-0.01	-0.01	-0.01	-0.01



PROPULSIVE WING FORCE DATA

SUMMARY, RUN 171														
PT	Q ALPHA BETA	REY NO HEIGHT	CLIS CMFIB CMUC	CDIS CAFIB CMUW	CPMIS CPMIB CMUT	CRMIS CRMIB CLTR	CYMIS CYMIB CDR	CSFIS CSFIB CMT	SUMMARY, RUN 170					
PT	Q ALPHA BETA	REY NO HEIGHT	CLIS CMFIB CMUC	CDIS CAFIB CMUW	CPMIS CPMIB CMUT	CRMIS CRMIB CLTR	CYMIS CYMIB CDR	CSFIS CSFIB CMT	CLIS CMFIB CMUC	CDIS CAFIB CMUW	CPMIS CPMIB CMUT	CRMIS CRMIB CLTR	CYMIS CYMIB CDR	CSFIS CSFIB CMT
1	16.78	2.02	0.00	1.63	0.08	-1.11	0.00	-0.01	0.03	0.03	0.03	0.03	0.03	0.03
	2.07	0.72E+06	1.63	0.14	-1.11	0.00	-0.01	0.01	0.03	0.03	0.03	0.03	0.03	0.03
	0.00	84.25	0.00	0.47	0.47	1.30	0.33	-0.93						
2	16.67	2.02	0.00	1.73	0.14	-1.15	0.00	-0.01	0.02	0.02	0.02	0.02	0.02	0.02
	0.00	87.78	0.00	0.47	0.47	1.38	0.37	-0.97						
3	16.78	2.02	0.00	1.85	0.20	-1.17	0.00	-0.01	0.02	0.02	0.02	0.02	0.02	0.02
	2.02	0.72E+06	1.85	0.13	-1.17	0.00	-0.01	0.01	0.02	0.02	0.02	0.02	0.02	0.02
	0.00	82.71	0.00	0.47	0.47	1.49	0.42	-0.99						
4	16.67	2.02	0.00	1.98	0.26	-1.21	0.00	-0.01	0.01	0.01	0.01	0.01	0.01	0.01
	4.06	0.72E+06	2.00	0.12	-1.21	0.00	-0.01	0.01	0.01	0.01	0.01	0.01	0.01	0.01
	0.00	88.81	0.00	0.47	0.47	1.62	0.47	-1.02						
5	16.55	5.94	0.00	2.10	0.33	-1.24	0.00	-0.01	0.01	0.01	0.01	0.01	0.01	0.01
	0.00	83.30	0.00	0.47	0.47	1.72	0.53	-1.06						
6	16.44	8.09	0.00	2.28	0.42	-1.30	0.00	-0.01	0.01	0.01	0.01	0.01	0.01	0.01
	0.00	85.82	0.00	0.48	0.48	1.90	0.61	-1.12						
7	16.32	10.07	0.00	2.41	0.51	-1.33	0.00	-0.01	0.02	0.02	0.02	0.02	0.02	0.02
	0.00	85.39	0.00	0.48	0.48	2.01	0.69	-1.14						
8	16.44	12.07	0.00	2.55	0.62	-1.38	0.00	-0.01	0.01	0.01	0.01	0.01	0.01	0.01
	0.00	88.11	0.00	0.48	0.48	2.15	0.78	-1.19						
9	16.44	14.09	0.00	2.65	0.72	-1.38	0.00	-0.01	0.01	0.01	0.01	0.01	0.01	0.01
	0.00	85.50	0.00	0.48	0.48	2.25	0.86	-1.19						
10	16.44	16.44	0.00	2.71	0.81	-1.39	0.00	-0.01	0.01	0.01	0.01	0.01	0.01	0.01
	0.00	86.45	0.00	0.48	0.48	2.30	0.95	-1.21						
11	16.32	18.03	0.00	2.77	0.92	-1.40	0.00	-0.01	0.00	0.00	0.00	0.00	0.00	0.00
	0.00	85.63	0.00	0.48	0.48	2.36	1.04	-1.22						
12	16.44	20.10	0.00	2.85	1.04	-1.41	0.00	-0.01	0.00	0.00	0.00	0.00	0.00	0.00
	0.00	91.69	0.00	0.48	0.48	2.44	1.15	-1.23						
13	16.78	22.06	0.00	2.88	1.15	-1.40	0.00	-0.01	0.00	0.00	0.00	0.00	0.00	0.00
	0.00	98.75	0.00	0.47	0.47	2.47	1.24	-1.21						

PROPULSIVE MING FORCE DATA

SUMMARY. RUN 172

PT	Q ALPHA BETA	REY NO HEIGHT	CLIS			CPHIS			CRMIS			CYSIS			CSFIS		
			CAFIB	CHUIH	CMUC	CAFIB	CHUIH	CMUC	CAFIB	CHUIH	CMUC	CAFIB	CHUIH	CMUC	CAFIB	CHUIH	CMUC
1	11.35	0.59E+06	2.13	-0.11	-1.50	-0.01	0.00	0.00	0.00	0.00	0.00	0.00	0.00	0.00	0.00	0.00	0.00
	-2.03	86.63	0.00	0.93	0.93	1.43	0.39	-1.13	0.00	-0.07	-0.07	-0.07	-0.07	-0.07	-0.07	-0.07	-0.07
	5.01																
2	11.15	0.59E+06	2.32	-0.03	-1.57	-0.01	0.00	0.00	0.00	0.00	0.00	0.00	0.00	0.00	0.00	0.00	0.00
	0.11	87.01	0.00	0.95	0.95	1.58	0.45	-1.19	0.00	-0.08	-0.08	-0.08	-0.08	-0.08	-0.08	-0.08	-0.08
	5.01																
3	11.50	0.60E+06	2.37	0.04	-1.56	-0.01	0.00	0.00	0.00	0.00	0.00	0.00	0.00	0.00	0.00	0.00	0.00
	2.09	87.93	0.00	0.92	0.92	1.64	0.49	-1.19	0.00	-0.08	-0.08	-0.08	-0.08	-0.08	-0.08	-0.08	-0.08
	5.01																
4	10.81	0.58E+06	2.57	0.11	-1.64	-0.01	0.00	0.00	0.00	0.00	0.00	0.00	0.00	0.00	0.00	0.00	0.00
	4.07	85.84	0.00	0.99	0.99	1.77	0.55	-1.25	0.00	-0.10	-0.10	-0.10	-0.10	-0.10	-0.10	-0.10	-0.10
	5.01																
5	10.58	0.57E+06	2.75	0.21	-1.70	0.00	0.00	0.00	0.00	0.00	0.00	0.00	0.00	0.00	0.00	0.00	0.00
	6.03	85.01	0.00	1.00	1.00	1.92	0.63	-1.30	0.00	-0.08	-0.08	-0.08	-0.08	-0.08	-0.08	-0.08	-0.08
	5.01																
6	10.46	0.57E+06	2.90	0.31	-1.75	0.00	0.00	0.00	0.00	0.00	0.00	0.00	0.00	0.00	0.00	0.00	0.00
	8.07	86.12	0.00	1.01	1.01	2.05	0.71	-1.35	0.00	-0.10	-0.10	-0.10	-0.10	-0.10	-0.10	-0.10	-0.10
	5.01																
7	10.46	0.57E+06	3.04	0.42	-1.78	0.00	0.00	0.00	0.00	0.00	0.00	0.00	0.00	0.00	0.00	0.00	0.00
	10.01	85.60	0.00	1.02	1.02	2.17	0.79	-1.38	0.00	-0.11	-0.11	-0.11	-0.11	-0.11	-0.11	-0.11	-0.11
	5.01																
8	10.46	0.57E+06	3.20	0.55	-1.83	0.00	0.00	0.00	0.00	0.00	0.00	0.00	0.00	0.00	0.00	0.00	0.00
	12.06	85.73	0.00	1.02	1.02	2.31	0.89	-1.43	0.00	-0.11	-0.11	-0.11	-0.11	-0.11	-0.11	-0.11	-0.11
	5.01																
9	10.46	0.57E+06	3.26	0.66	-1.82	0.01	0.00	0.00	0.00	0.00	0.00	0.00	0.00	0.00	0.00	0.00	0.00
	14.08	85.62	0.00	1.02	1.02	2.37	0.97	-1.42	0.00	-0.13	-0.13	-0.13	-0.13	-0.13	-0.13	-0.13	-0.13
	5.01																
10	10.35	0.57E+06	3.41	0.81	-1.87	0.01	0.00	0.00	0.00	0.00	0.00	0.00	0.00	0.00	0.00	0.00	0.00
	16.10	84.84	0.00	1.03	1.03	2.50	1.09	-1.46	0.00	-0.13	-0.13	-0.13	-0.13	-0.13	-0.13	-0.13	-0.13
	5.01																
11	10.23	0.56E+06	3.45	0.92	-1.86	0.01	0.00	0.00	0.00	0.00	0.00	0.00	0.00	0.00	0.00	0.00	0.00
	18.07	85.63	0.00	1.04	1.04	2.52	1.17	-1.44	0.00	-0.14	-0.14	-0.14	-0.14	-0.14	-0.14	-0.14	-0.14
	5.01																
12	10.35	0.57E+06	3.55	1.10	-1.89	0.01	0.00	0.00	0.00	0.00	0.00	0.00	0.00	0.00	0.00	0.00	0.00
	20.05	91.66	0.00	0.99	0.99	2.66	1.31	-1.49	0.00	-0.15	-0.15	-0.15	-0.15	-0.15	-0.15	-0.15	-0.15
	5.01																
13	10.46	0.57E+06	3.57	1.22	-1.85	0.01	0.00	0.00	0.00	0.00	0.00	0.00	0.00	0.00	0.00	0.00	0.00
	22.13	99.43	0.00	1.01	1.01	2.65	1.40	-1.45	0.00	-0.14	-0.14	-0.14	-0.14	-0.14	-0.14	-0.14	-0.14
	5.01																

PROPULSIVE WING FORCE DATA

SUMMARY. RUN 174

PT	Q ALPHA BETA	REY NO HEIGHT	CLIS			CPMIS			CYSIS			CSFIS		
			CMFIB CMUC	CAFIB CHUH	CMHIB CHUT	CMFIB CMHIB	CMHIB CLTR	CMFIB CMHIB	CMHIB CLTR	CMFIB CMHIB	CMHIB CLTR	CMFIB CMHIB	CMHIB CLTR	CMFIB CMHIB
1	10.46	8.01	2.85	0.31	-1.72	0.00	0.00	0.00	0.00	0.00	0.00	-0.28	0.24	
	8.00	0.57E+06	2.86	-0.09	-1.72	0.00	0.00	0.00	0.00	0.00	0.00	-0.28	0.24	
	15.01	120.00	0.00	1.01	1.01	1.99	0.00	0.00	0.00	0.00	0.00	-1.32	-1.57	
2	10.58	8.01	2.89	0.31	-1.73	0.00	0.00	0.00	0.00	0.00	0.00	-0.21	0.18	
	8.01	0.57E+06	2.90	-0.09	-1.73	0.00	0.00	0.00	0.00	0.00	0.00	-0.21	0.18	
	9.99	120.00	0.00	0.99	0.99	2.04	0.01	0.01	0.01	0.01	0.01	-1.33	-1.65	
3	10.58	8.01	2.93	0.32	-1.75	0.01	0.01	0.01	0.01	0.01	0.01	-0.16	0.14	
	8.00	0.57E+06	2.95	-0.09	-1.75	0.00	0.00	0.00	0.00	0.00	0.00	-0.16	0.14	
	8.00	120.00	0.00	1.00	1.00	2.08	0.01	0.01	0.01	0.01	0.01	-1.35	-1.65	
4	10.58	8.01	2.91	0.32	-1.74	0.00	0.00	0.00	0.00	0.00	0.00	-0.12	0.11	
	8.01	0.57E+06	2.92	-0.09	-1.74	0.00	0.00	0.00	0.00	0.00	0.00	-0.12	0.11	
	6.01	120.00	0.00	0.99	0.99	2.05	0.02	0.02	0.02	0.02	0.02	-1.34	-1.66	
5	10.58	8.02	2.92	0.32	-1.75	0.00	0.00	0.00	0.00	0.00	0.00	-0.08	0.08	
	8.02	0.57E+06	2.93	-0.09	-1.75	0.00	0.00	0.00	0.00	0.00	0.00	-0.08	0.08	
	4.01	120.00	0.00	1.00	1.00	2.06	0.02	0.02	0.02	0.02	0.02	-1.34	-1.62	
6	10.58	8.02	2.92	0.32	-1.74	0.00	0.00	0.00	0.00	0.00	0.00	-0.05	0.02	
	8.02	0.57E+06	2.92	-0.08	-1.74	0.00	0.00	0.00	0.00	0.00	0.00	-0.05	0.02	
	2.01	120.00	0.00	1.00	1.00	2.05	0.02	0.02	0.02	0.02	0.02	-1.34	-1.66	
7	10.58	8.02	2.92	0.32	-1.75	0.01	0.01	0.01	0.01	0.01	0.01	-0.01	0.03	
	8.02	0.57E+06	2.94	-0.09	-1.75	0.01	0.01	0.01	0.01	0.01	0.01	-0.01	0.03	
	8.00	120.00	0.00	1.00	1.00	2.06	0.02	0.02	0.02	0.02	0.02	-1.34	-1.63	
8	10.46	8.02	2.94	0.33	-1.78	0.01	0.01	0.01	0.01	0.01	0.01	0.04	0.08	
	8.02	0.57E+06	2.96	-0.09	-1.78	0.01	0.01	0.01	0.01	0.01	0.01	0.04	0.08	
	-2.01	120.00	0.00	1.00	1.00	2.08	0.02	0.02	0.02	0.02	0.02	-1.35	-1.66	
9	10.58	7.98	2.87	0.31	-1.73	0.01	0.01	0.01	0.01	0.01	0.01	0.08	0.10	
	8.01	0.57E+06	2.89	-0.09	-1.73	0.01	0.01	0.01	0.01	0.01	0.01	0.08	0.10	
	-4.00	87.66	0.00	1.00	1.00	2.01	0.01	0.01	0.01	0.01	0.01	-1.33	-1.65	
10	10.58	8.01	2.88	0.31	-1.74	0.01	0.01	0.01	0.01	0.01	0.01	0.13	0.15	
	8.01	0.57E+06	2.90	-0.09	-1.74	0.01	0.01	0.01	0.01	0.01	0.01	0.13	0.15	
	-6.00	87.73	0.00	0.99	0.99	2.02	0.02	0.02	0.02	0.02	0.02	-1.34	-1.66	
11	10.58	8.01	2.88	0.31	-1.73	0.01	0.01	0.01	0.01	0.01	0.01	0.15	0.18	
	8.01	0.57E+06	2.90	-0.10	-1.73	0.01	0.01	0.01	0.01	0.01	0.01	0.15	0.18	
	-8.02	87.73	0.00	1.00	1.00	2.02	0.02	0.02	0.02	0.02	0.02	-1.33	-1.62	
12	10.58	8.02	2.85	0.30	-1.71	0.01	0.01	0.01	0.01	0.01	0.01	0.18	0.22	
	8.02	0.57E+06	2.86	-0.10	-1.71	0.01	0.01	0.01	0.01	0.01	0.01	0.18	0.22	
	-10.00	87.73	0.00	1.00	1.00	1.98	0.01	0.01	0.01	0.01	0.01	-1.30	-1.68	
13	10.35	8.02	2.82	0.28	-1.71	0.01	0.01	0.01	0.01	0.01	0.01	0.25	0.28	
	8.02	0.56E+06	2.84	-0.11	-1.71	0.01	0.01	0.01	0.01	0.01	0.01	0.25	0.28	
	-15.00	87.73	0.00	1.02	1.02	1.95	0.02	0.02	0.02	0.02	0.02	-1.29	-1.53	

SUMMARY. RUN 175

PT	Q ALPHA BETA	REY NO HEIGHT	CLIS			CPMIS			CYSIS			CSFIS		
			CMFIB CMUC	CAFIB CHUH	CMHIB CHUT	CMFIB CMHIB	CMHIB CLTR	CMFIB CMHIB	CMHIB CLTR	CMFIB CMHIB	CMHIB CLTR	CMFIB CMHIB	CMHIB CLTR	CMFIB CMHIB
1	5.40	8.01	3.73	0.01	-2.37	0.01	0.01	0.01	0.01	0.01	0.01	-0.02	0.24	
	8.01	0.41E+06	3.70	-0.51	-2.37	0.01	0.01	0.01	0.01	0.01	0.01	-0.02	0.24	
	-15.00	87.62	0.00	1.96	1.96	2.05	0.02	0.02	0.02	0.02	0.02	0.79	-1.57	
2	5.17	8.00	3.92	0.03	-2.49	0.02	0.02	0.02	0.02	0.02	0.02	-0.03	0.18	
	8.00	0.40E+06	3.89	-0.52	-2.49	0.02	0.02	0.02	0.02	0.02	0.02	-0.03	0.18	
	-10.02	87.62	0.00	2.05	2.05	2.15	0.02	0.02	0.02	0.02	0.02	0.85	-1.65	
3	5.29	8.00	3.90	0.03	-2.47	0.02	0.02	0.02	0.02	0.02	0.02	-0.03	0.14	
	8.00	0.40E+06	3.87	-0.51	-2.47	0.02	0.02	0.02	0.02	0.02	0.02	-0.03	0.14	
	-8.01	87.62	0.00	2.01	2.01	2.16	0.02	0.02	0.02	0.02	0.02	0.84	-1.65	
4	5.29	8.01	3.92	0.04	-2.48	0.02	0.02	0.02	0.02	0.02	0.02	-0.03	0.11	
	8.01	0.40E+06	3.89	-0.50	-2.48	0.02	0.02	0.02	0.02	0.02	0.02	-0.03	0.11	
	-5.99	87.62	0.00	2.01	2.01	2.18	0.02	0.02	0.02	0.02	0.02	0.85	-1.66	
5	5.29	8.01	3.89	0.04	-2.44	0.02	0.02	0.02	0.02	0.02	0.02	-0.02	0.08	
	8.01	0.40E+06	3.86	-0.50	-2.44	0.02	0.02	0.02	0.02	0.02	0.02	-0.02	0.08	
	-3.99	87.70	0.00	2.01	2.01	2.15	0.02	0.02	0.02	0.02	0.02	0.85	-1.62	
6	5.29	8.01	3.94	0.05	-2.48	0.03	0.03	0.03	0.03	0.03	0.03	-0.01	0.02	
	8.01	0.40E+06	3.90	-0.50	-2.48	0.03	0.03	0.03	0.03	0.03	0.03	-0.01	0.02	
	-2.00	87.70	0.00	2.02	2.02	2.20	0.02	0.02	0.02	0.02	0.02	0.85	-1.66	
7	5.29	8.01	3.91	0.03	-2.45	0.02	0.02	0.02	0.02	0.02	0.02	-0.01	0.03	
	8.01	0.40E+06	3.87	-0.51	-2.45	0.02	0.02	0.02	0.02	0.02	0.02	-0.01	0.03	
	8.01	87.70	0.00	2.01	2.01	2.17	0.02	0.02	0.02	0.02	0.02	0.84	-1.63	
8	5.29	8.01	3.93	0.03	-2.48	0.01	0.01	0.01	0.01	0.01	0.01	-0.01	0.08	
	8.01	0.40E+06	3.89	-0.51	-2.48	0.01	0.01	0.01	0.01	0.01	0.01	-0.01	0.08	
	2.00	87.70	0.00	2.02	2.02	2.18	0.02	0.02	0.02	0.02	0.02	0.84	-1.66	
9	5.29	8.01	3.92	0.04	-2.47	0.01	0.01	0.01	0.01	0.01	0.01	-0.01	0.10	
	8.01	0.40E+06	3.89	-0.50	-2.47	0.01	0.01	0.01	0.01	0.01	0.01	-0.01	0.10	
	4.00	87.70	0.00	2.03	2.03	2.18	0.02	0.02	0.02	0.02	0.02	0.85	-1.65	
10	5.29	8.00	3.91	0.03	-2.48	0.01	0.01	0.01	0.01	0.01	0.01	0.00	0.15	
	8.00	0.40E+06	3.88	-0.51	-2.48	0.01	0.01	0.01	0.01	0.01	0.01	0.00	0.15	
	6.01	87.70	0.00	2.03	2.03	2.17	0.02	0.02	0.02	0.02	0.02	0.84	-1.66	
11	5.29	8.00	3.87	0.02	-2.44	0.01	0.01	0.01	0.01	0.01	0.01	0.00	0.18	
	8.00	0.40E+06	3.84	-0.52	-2.44	0.01	0.01	0.01	0.01	0.01	0.01	0.00	0.18	
	8.01	87.70	0.00	2.03	2.03	2.12	0.02	0.02	0.02	0.02	0.02	0.83	-1.62	
12	5.17	8.00	3.95	0.03	-2.51	0.01	0.01	0.01	0.01	0.01	0.01	0.01	0.22	
	8.00	0.40E+06	3.91	-0.52	-2.51	0.01	0.01	0.01	0.01	0.01	0.01	0.00	0.22	
	10.00	87.70	0.00	2.03	2.03	2.18	0.02	0.02	0.02	0.02	0.02	0.85	-1.68	
13	5.17	8.01	3.64	0.06	-2.29	0.01	0.01	0.01	0.01	0.01	0.01	0.01	0.28	
	8.01	0.40E+06	3.62	-0.45	-2.29	0.01	0.01	0.01	0.01	0.01	0.01	0.01	0.28	
	15.00	87.70	0.00	1.91	1.91	2.03	0.02	0.02	0.02	0.02	0.02	0.82	-1.53	

PROPULSIVE MING FORCE DATA

SUMMARY. RUN 177

PT	Q ALPHA BETA	REY NO HEIGHT	CLIS CMFIB CMUC	CDIS CAFIB CHUH	CPHIS CPHIB CHUT	CRMIS CRMIB CLTR	CYMIS CYMIB CDTR	CSFIS CSFIB CMTB
1	-0.01	0.40E+06	3.12	-0.46	-2.24	-0.02	0.00	-0.08
	15.01	87.04	0.00	2.00	2.00	1.56	0.52	-1.44
2	5.17	0.40E+06	3.22	-0.45	-2.27	-0.02	-0.01	-0.07
	0.01	87.72	0.00	2.00	2.00	1.54	0.58	-1.47
	10.01	87.04	0.00	2.00	2.00	1.54	0.58	-1.47
3	5.29	0.40E+06	3.35	-0.34	-2.29	-0.02	0.00	0.11
	0.01	87.04	3.18	-0.45	-2.29	-0.02	0.00	-0.11
	8.01	87.04	0.00	1.99	1.99	1.74	0.63	-1.49
4	5.40	0.41E+06	3.46	-0.21	-2.30	-0.02	0.00	-0.11
	0.01	87.04	3.11	-0.44	-2.30	-0.02	0.00	-0.11
	8.01	87.04	0.00	1.95	1.95	1.84	0.69	-1.51
5	5.17	0.40E+06	3.65	-0.07	-2.36	-0.01	0.00	-0.11
	0.01	87.04	3.23	-0.45	-2.36	-0.01	0.00	-0.11
	4.00	87.04	0.00	1.96	1.96	2.03	0.77	-1.57
6	5.29	0.40E+06	3.81	-0.07	-2.41	-0.01	0.00	-0.12
	0.01	87.04	3.14	-0.45	-2.41	-0.01	0.00	-0.12
	2.01	87.04	0.00	1.96	1.96	2.13	0.85	-1.61
7	5.29	0.39E+06	4.10	0.20	-2.55	-0.01	0.00	-0.14
	0.01	87.04	3.18	-0.45	-2.55	-0.01	0.00	-0.14
	0.00	87.04	0.00	2.05	2.05	2.31	0.96	-1.72
8	5.29	0.40E+06	4.15	0.37	-2.52	-0.01	0.00	-0.16
	0.02	87.04	3.18	-0.45	-2.52	-0.01	0.00	-0.16
	-2.01	87.04	0.00	1.96	1.96	2.41	1.03	-1.73
9	5.17	0.40E+06	4.21	0.51	-2.46	-0.01	-0.01	-0.15
	0.02	87.04	3.25	-0.47	-2.46	-0.01	-0.01	-0.15
	-4.00	87.04	0.00	1.96	1.96	2.44	1.11	-1.66
10	5.29	0.40E+06	4.40	0.68	-2.56	0.00	-0.01	-0.17
	0.02	87.04	3.18	-0.45	-2.56	0.00	-0.01	-0.17
	-6.02	87.04	0.00	2.00	2.00	2.57	1.24	-1.75
11	5.29	0.40E+06	4.50	0.85	-2.59	0.00	-0.01	-0.19
	0.01	86.93	3.23	-0.45	-2.59	0.00	-0.01	-0.19
	-8.01	86.93	0.00	2.01	2.01	2.66	1.35	-1.77
12	5.17	0.40E+06	4.57	1.03	-2.58	0.00	-0.03	-0.16
	0.00	86.93	3.21	-0.46	-2.58	0.01	-0.03	-0.16
	-10.00	86.93	0.00	2.02	2.02	2.71	1.46	-1.76
13	5.29	0.40E+06	4.55	1.20	-2.50	0.01	-0.03	-0.19
	0.00	86.93	3.10	-0.44	-2.50	0.02	-0.02	-0.19
	-15.01	86.93	0.00	1.97	1.97	2.71	1.56	-1.70

SUMMARY. RUN 176

PT	Q ALPHA BETA	REY NO HEIGHT	CLIS CMFIB CMUC	CDIS CAFIB CHUH	CPHIS CPHIB CHUT	CRMIS CRMIB CLTR	CYMIS CYMIB CDTR	CSFIS CSFIB CMTB
1	-0.01	0.40E+06	3.19	-0.48	-2.23	-0.02	0.00 <td>-0.26</td>	-0.26
	15.01	87.04	0.00	1.99	1.99	1.61	0.54	-1.43
2	5.29	0.40E+06	3.10	-0.42	-2.17	-0.02	0.00	-0.19
	0.01	87.04	3.10	-0.42	-2.17	-0.02	0.00	-0.19
	10.01	87.04	0.00	1.87	1.87	1.62	0.55	-1.41
3	5.29	0.40E+06	3.18	-0.45	-2.23	-0.02	0.00	-0.15
	0.01	87.04	3.18	-0.45	-2.23	-0.02	0.00	-0.15
	8.01	87.04	0.00	1.95	1.95	1.64	0.56	-1.44
4	5.40	0.41E+06	3.11	-0.44	-2.18	-0.02	0.00	-0.13
	0.01	87.04	3.11	-0.44	-2.18	-0.02	0.00	-0.13
	8.01	87.04	0.00	1.87	1.87	1.61	0.54	-1.41
5	5.17	0.40E+06	3.23	-0.45	-2.26	-0.02	0.00	-0.09
	0.01	87.04	3.23	-0.45	-2.26	-0.02	0.00	-0.09
	4.00	87.04	0.00	2.02	2.02	1.67	0.57	-1.47
6	5.29	0.40E+06	3.14	-0.45	-2.23	-0.02	-0.01	-0.03
	0.01	87.04	3.14	-0.45	-2.23	-0.02	-0.01	-0.03
	2.01	87.04	0.00	1.96	1.96	1.59	0.56	-1.44
7	5.29	0.40E+06	3.18	-0.45	-2.24	-0.02	-0.01	0.02
	0.01	87.04	3.18	-0.45	-2.24	-0.02	-0.01	0.02
	0.00	87.04	0.00	1.96	1.96	1.62	0.56	-1.45
8	5.29	0.40E+06	3.18	-0.45	-2.24	-0.01	-0.03	0.01
	0.02	87.04	3.18	-0.45	-2.24	-0.01	-0.03	0.01
	-2.01	87.04	0.00	1.96	1.96	1.62	0.56	-1.45
9	5.17	0.40E+06	3.25	-0.46	-2.29	-0.01	-0.02	0.07
	0.02	87.04	3.25	-0.47	-2.29	-0.01	-0.02	0.07
	-4.00	87.04	0.00	1.94	1.94	1.66	0.57	-1.48
10	5.29	0.40E+06	3.18	-0.45	-2.24	-0.01	-0.03	0.12
	0.02	87.04	3.18	-0.45	-2.24	-0.01	-0.03	0.12
	-6.02	87.04	0.00	1.95	1.95	1.61	0.56	-1.44
11	5.29	0.40E+06	3.23	-0.45	-2.25	-0.01	-0.04	0.18
	0.01	86.93	3.23	-0.45	-2.25	-0.01	-0.04	0.18
	-8.01	86.93	0.00	1.98	1.98	1.65	0.57	-1.45
12	5.17	0.40E+06	3.21	-0.46	-2.25	-0.01	-0.04	0.20
	0.00	86.93	3.21	-0.46	-2.25	-0.01	-0.04	0.20
	-10.00	86.93	0.00	1.97	1.97	1.62	0.57	-1.44
13	5.29	0.40E+06	3.10	-0.44	-2.18	-0.02	-0.02	0.26
	0.00	86.93	3.10	-0.44	-2.18	-0.02	-0.02	0.26
	-15.01	86.93	0.00	1.94	1.94	1.57	0.55	-1.40

PROPULSIVE MING FORCE DATA

SUMMARY, RUM 178

PT	Q	CLIS			CPMIS			CRMIS			CVMIS			CSFIS							
		ALPHA	REY NO	CMUC	CAFIB	CMUT	CLTR	CMIB	CDTR	CMIB	CDTR	CMIB	CDTR	CMIB	CDTR	CMIB	CDTR				
1	5.17	0.40E+06	3.11	-0.57	-2.25	-0.02	-0.02	-0.02	-0.02	-0.02	-0.02	-0.02	0.00	-1.99	0.28E+06	4.59	-1.48	-3.49	-0.05	-0.08	-0.02
			3.13	-0.47	-2.25	-0.02	-0.02	-0.02	-0.02	-0.02	-0.02	-0.02	0.00	-0.01	87.20	4.64	-1.32	-3.49	-0.06	-0.08	-0.02
			0.00	2.00	2.00	1.57	0.51	-1.44					-0.01		87.47	0.00	3.94	3.94	1.56	0.64	-1.91
2	5.17	0.40E+06	3.23	-0.46	-2.30	-0.02	-0.02	-0.02	-0.02	-0.02	-0.02	-0.02	0.01	0.01	0.28E+06	4.92	-1.31	-3.52	-0.06	-0.08	-0.01
			3.23	-0.46	-2.30	-0.02	-0.02	-0.02	-0.02	-0.02	-0.02	-0.02	0.01	0.01	94.54	4.92	-1.31	-3.52	-0.06	-0.08	-0.01
			0.00	2.01	2.01	1.64	0.57	-1.48					-0.01		94.54	0.00	3.94	3.94	1.81	0.71	-1.94
3	5.29	0.40E+06	3.33	-0.34	-2.28	-0.02	-0.02	-0.02	-0.02	-0.02	-0.02	-0.01	2.01	2.01	0.28E+06	5.09	-1.12	-3.59	-0.06	-0.09	0.02
			3.32	-0.46	-2.28	-0.02	-0.02	-0.02	-0.02	-0.02	-0.02	-0.01	2.01	2.01	85.73	5.04	-1.30	-3.59	-0.06	-0.09	0.02
			0.00	1.96	1.86	1.74	0.61	-1.49					-0.01		85.73	0.00	3.94	3.94	1.92	0.78	-2.01
4	5.17	0.40E+06	3.56	-0.22	-2.38	-0.02	-0.02	-0.02	-0.02	-0.02	-0.02	0.00	2.65	2.65	0.28E+06	5.23	-0.95	-3.63	-0.06	-0.07	-0.03
			3.54	-0.47	-2.38	-0.02	-0.02	-0.02	-0.02	-0.02	-0.02	0.00	2.65	2.65	85.09	5.16	-1.32	-3.63	-0.06	-0.08	-0.03
			0.00	2.01	2.01	1.90	0.70	-1.56					-0.01		85.09	0.00	3.93	3.93	2.01	0.83	-2.05
5	5.17	0.40E+06	3.72	-0.09	-2.42	-0.02	-0.02	-0.02	-0.02	-0.02	-0.01	2.53	2.53	2.53	5.43	-0.76	-3.65	-0.06	-0.08	-0.03	
			3.68	-0.48	-2.42	-0.02	-0.02	-0.02	-0.02	-0.02	-0.01	2.53	2.53	2.53	5.32	-1.32	-3.65	-0.05	-0.08	-0.03	
			0.00	2.02	2.02	2.03	0.78	-1.61					-0.01		83.42	0.00	3.94	3.94	2.14	0.92	-2.07
6	5.29	0.40E+06	3.84	0.06	-2.44	-0.02	-0.02	-0.02	-0.02	-0.02	-0.02	0.00	2.53	2.53	0.28E+06	5.86	-0.57	-3.91	-0.07	-0.07	-0.06
			3.81	-0.47	-2.44	-0.01	-0.01	-0.02	-0.02	-0.02	-0.02	0.00	2.53	2.53	80.71	5.74	-1.39	-3.91	-0.06	-0.08	-0.06
			0.00	1.97	1.97	2.15	0.85	-1.64					-0.01		90.71	0.00	4.13	4.13	2.36	1.07	-2.25
7	5.17	0.40E+06	4.13	0.23	-2.54	-0.03	-0.04	-0.04	-0.04	-0.04	-0.04	0.00	2.76	2.76	0.29E+06	5.76	-0.27	-3.68	-0.06	-0.06	-0.07
			4.10	-0.49	-2.54	-0.03	-0.04	-0.04	-0.04	-0.04	-0.04	0.00	2.76	2.76	84.32	5.62	-1.26	-3.68	-0.05	-0.07	-0.07
			0.00	2.02	2.02	2.37	0.98	-1.73					-0.01		84.32	0.00	3.79	3.79	2.47	1.13	-2.15
8	5.17	0.40E+06	4.24	0.38	-2.55	-0.03	-0.04	-0.04	-0.04	-0.04	-0.04	0.00	2.85	2.85	0.28E+06	6.08	-0.08	-3.87	-0.07	-0.05	-0.10
			4.23	-0.51	-2.55	-0.03	-0.04	-0.04	-0.04	-0.04	-0.04	0.00	2.85	2.85	83.67	5.93	-1.34	-3.87	-0.05	-0.07	-0.10
			0.00	2.01	2.01	2.46	1.07	-1.73					-0.01		83.67	0.00	3.95	3.95	2.59	1.28	-2.27
9	5.17	0.40E+06	4.34	0.54	-2.55	-0.02	-0.03	-0.03	-0.03	-0.03	-0.05	0.00	2.85	2.85	0.28E+06	6.28	0.15	-3.86	-0.06	-0.06	-0.07
			4.34	-0.53	-2.55	-0.02	-0.04	-0.05	-0.05	-0.05	-0.05	0.00	2.85	2.85	82.68	6.13	-1.37	-3.86	-0.04	-0.07	-0.07
			0.00	2.02	2.02	2.53	1.16	-1.73					-0.01		82.68	0.00	3.97	3.97	2.75	1.37	-2.29
10	5.29	0.40E+06	4.32	0.67	-2.52	-0.03	-0.03	-0.03	-0.03	-0.03	-0.05	0.00	2.53	2.53	0.28E+06	6.49	0.32	-4.03	-0.07	-0.05	-0.14
			4.33	-0.55	-2.52	-0.02	-0.04	-0.05	-0.05	-0.05	-0.05	0.00	2.53	2.53	85.10	6.33	-1.48	-4.03	-0.05	-0.07	-0.14
			0.00	1.97	1.97	2.52	1.22	-1.72					-0.01		85.10	0.00	4.13	4.13	2.76	1.46	-2.37
11	5.17	0.40E+06	4.53	0.87	-2.58	-0.02	-0.04	-0.04	-0.04	-0.03	-0.03	0.00	2.53	2.53	0.28E+06	6.60	0.56	-3.98	-0.06	-0.06	-0.12
			4.58	-0.58	-2.58	-0.01	-0.05	-0.03	-0.03	-0.03	-0.03	0.00	2.53	2.53	88.31	6.45	-1.51	-3.98	-0.04	-0.08	-0.12
			0.00	2.02	2.02	2.68	1.36	-1.77					-0.01		88.31	0.00	4.14	4.14	2.82	1.57	-2.31
12	5.17	0.40E+06	4.58	1.04	-2.60	-0.03	-0.04	-0.04	-0.03	-0.03	-0.03	0.00	2.53	2.53	0.28E+06	6.82	0.86	-4.03	-0.07	-0.06	-0.13
			4.58	-0.59	-2.60	-0.01	-0.04	-0.03	-0.03	-0.03	-0.03	0.00	2.53	2.53	92.04	6.70	-1.52	-4.03	-0.04	-0.08	-0.13
			0.00	2.02	2.02	2.71	1.47	-1.78					-0.02		92.04	0.00	4.15	4.15	3.00	1.74	-2.36
13	5.29	0.40E+06	4.64	1.22	-2.58	-0.02	-0.04	-0.04	-0.04	-0.04	-0.04	0.00	2.76	2.76	0.29E+06	6.39	1.06	-3.75	-0.02	-0.03	-0.10
			4.76	-0.60	-2.58	0.00	-0.04	-0.04	-0.04	-0.04	-0.04	0.00	2.76	2.76	99.32	6.33	-1.41	-3.75	-0.01	-0.04	-0.10
			0.00	1.98	1.98	2.80	1.58	-1.77					-0.02		99.32	0.00	3.80	3.80	2.86	1.74	-2.22

PROPULSIVE WING FORCE DATA

SUMMARY. RUN 181

PT	Q	ALPHA	REY NO	CLIS	CPHIS	CRMIS	CYHIS	CSFIS
	BETA	HEIGHT	CMFIB	CMHIB	CMRIB	CMYIB	CSFIB	CMRIB
			CMUC	CMUT	CLTR	CDTR	CMTR	CMTR
2	0.00	0.30E+08	0.49	0.03	1.36	8.22	-0.69	
	-0.01	43.59	0.00	0.31	-7.67	7.58	4.81	
3	0.00	0.30E+08	56.03	-39.84	-583.90	-79.78	-40.34	-1.08
	0.11	43.59	55.96	-39.94	-583.90	-79.71	-40.48	-1.08
	-0.01		0.00	84.95	84.95	32.37	-21.89	-570.30

PROPULSIVE WING FORCE DATA

SUMMARY. RUN 180

PT	Q	ALPHA	REY NO	CLIS	CPHIS	CRMIS	CYHIS	CSFIS
	BETA	HEIGHT	CMFIB	CMHIB	CMRIB	CMYIB	CSFIB	CMRIB
			CMUC	CMUT	CLTR	CDTR	CMTR	CMTR
1	1.27	0.20E+06	7.93	-3.60	-0.08	-0.07	-0.01	
	-2.01	86.24	8.05	-3.32	-0.09	-0.07	-0.01	
	-0.01		0.00	8.27	1.59	0.84	-2.89	
2	1.27	0.20E+06	8.20	-3.34	-0.08	-0.06	-0.06	
	-0.01	93.46	8.20	-3.34	-0.08	-0.06	-0.06	
			0.00	8.26	1.69	0.89	-2.88	
3	1.27	0.20E+06	8.56	-3.01	-0.08	-0.07	0.00	
	-0.01	88.08	8.44	-3.31	-0.08	-0.07	0.00	
			0.00	8.27	1.92	0.98	-2.96	
4	1.27	0.20E+06	8.87	-2.71	-0.08	-0.04	-0.12	
	4.02	87.20	8.66	-3.32	-0.08	-0.05	-0.12	
	-0.01		0.00	8.25	2.10	1.04	-2.99	
5	1.27	0.20E+06	9.17	-2.35	-0.08	-0.05	-0.08	
	6.01	85.75	8.87	-3.29	-0.08	-0.05	-0.08	
	-0.01		0.00	8.30	2.27	1.17	-3.14	
6	1.27	0.20E+06	9.44	-1.99	-0.09	-0.06	-0.09	
	8.00	84.48	9.07	-3.29	-0.08	-0.07	-0.09	
	-0.01		0.00	8.28	2.41	1.29	-3.23	
7	1.27	0.20E+06	9.66	-1.66	-0.08	-0.04	-0.14	
	10.00	86.66	9.22	-3.31	-0.07	-0.05	-0.14	
	-0.01		0.00	8.28	2.51	1.38	-3.23	
8	1.27	0.20E+06	9.99	-1.24	-0.08	-0.04	-0.14	
	12.02	86.51	9.52	-3.29	-0.07	-0.05	-0.14	
	-0.01		0.00	8.30	2.72	1.55	-3.33	
9	1.27	0.20E+06	10.33	-0.85	-0.08	-0.04	-0.10	
	14.02	85.51	9.82	-3.32	-0.07	-0.06	-0.10	
	-0.01		0.00	8.29	2.98	1.68	-3.39	
10	1.38	0.21E+06	9.72	-0.39	-0.07	-0.03	-0.09	
	16.00	86.60	9.23	-3.05	-0.06	-0.05	-0.09	
	-0.01		0.00	7.58	2.90	1.70	-2.96	
11	1.27	0.20E+06	10.63	-0.11	-0.07	-0.03	-0.07	
	18.00	87.40	10.08	-3.39	-0.06	-0.06	-0.07	
	-0.01		0.00	8.28	3.10	1.91	-3.25	
12	1.27	0.20E+06	10.50	0.18	-0.08	-0.03	-0.15	
	20.01	92.04	9.93	-3.42	-0.06	-0.06	-0.15	
	-0.02		0.00	8.31	2.90	1.93	-3.16	
13	1.15	0.19E+06	11.76	0.64	-0.08	-0.02	-0.24	
	21.97	99.28	11.14	-3.81	-0.06	-0.05	-0.24	
	-0.02		0.00	9.12	3.33	2.28	-3.58	

PROPULSIVE WING FORCE DATA

SUMMARY, RUN 183

PT	Q	ALPHA	BETA	REY NO	HEIGHT	CLIS	CAFIB	CRUC	CDIS	CAFIB	CRUM	CPMIS	CPMIB	CRUT	CRMIS	CRMIB	CLTR	CYMIS	CYMIB	CDTR	CSFIS	CSFIB	CRTR
2	0.00	0.00	-0.01	0.30E+08	43.45	28.45	-57.38	7.68	-57.38	-335.50	18.80	-335.50	-20.27	26.47	-20.27	18.11	-16.23	-16.23	-48.32	-328.50	0.91	0.91	
3	0.00	0.00	-0.01	0.30E+08	43.45	57.02	-78.97	24.04	-78.97	-731.60	78.64	-731.60	-28.31	24.99	-28.31	24.99	-30.66	-30.66	-55.46	-713.70	1.65	1.65	
4	0.00	0.00	-0.01	0.30E+08	43.45	82.73	-99.63	37.85	-99.63	-1002.00	84.79	-1002.00	-33.40	30.14	-33.40	30.14	-31.04	-31.04	-63.01	-973.60	0.33	0.33	
5	0.00	0.00	-0.01	0.30E+08	43.45	108.00	-120.90	51.18	-120.90	-1280.00	113.70	-1280.00	-52.92	34.29	-52.92	34.29	-52.90	-52.90	-71.35	-1241.00	1.83	1.83	
6	0.00	0.00	-0.01	0.30E+08	43.45	138.90	-144.00	65.31	-144.00	-1646.00	145.10	-1646.00	-78.35	41.01	-78.35	41.01	-89.66	-89.66	-80.05	-1596.00	2.94	2.94	

PROPULSIVE WING FORCE DATA

SUMMARY, RUN 182

PT	Q	ALPHA	BETA	REY NO	HEIGHT	CLIS	CAFIB	CRUC	CDIS	CAFIB	CRUM	CPMIS	CPMIB	CRUT	CRMIS	CRMIB	CLTR	CYMIS	CYMIB	CDTR	CSFIS	CSFIB	CRTR
2	0.00	0.00	-0.01	0.30E+08	87.43	-2.71	-0.16	0.00	-0.16	15.69	0.46	15.69	-3.14	-10.86	-3.14	-10.86	7.40	-6.71	-6.71	21.55	-0.43	-0.43	
3	0.00	0.01	-0.01	0.30E+08	87.43	29.63	-22.45	0.00	-22.46	-378.10	41.31	-378.10	3.39	15.71	3.39	15.71	-9.11	-9.11	-10.97	-369.30	0.64	0.64	
4	0.00	0.00	-0.01	0.30E+08	87.43	54.05	-37.49	0.00	-37.51	-653.00	82.46	-653.00	6.52	30.35	6.52	30.35	-11.94	-11.94	-19.46	-639.30	1.38	1.38	

PROPULSIVE WING FORCE DATA

SUMMARY, RUN 185

PROPULSIVE WING FORCE DATA

SUMMARY, RUN 184

PT	Q ALPHA BETA	REY NO HEIGHT	SUMMARY, RUN 184					CLIS CMFIB CMUC	CDIS CAFIB CHUM	CPHIS CPHIB CHUT	CRMIS CRMIB CLTR	CYMIS		CSEFIS CSEFIB CSTR
			CMFIB	CMUC	CMFIB	CMUC	CMFIB					CMUC		
2	30.23 -2.06 -0.01	0.97E+06 85.65	0.41 0.40 0.00	0.14 0.15 0.00	-0.13 -0.13 0.00	0.00 0.00 0.39	0.00 0.00 0.16	0.00 0.00 0.01	0.00 0.00 -0.11	0.00 0.00 0.00	0.00 0.00 0.00	0.00 0.00 0.00	0.01 0.01 -0.11	
3	30.00 -0.01	0.96E+06 85.58	0.52 0.00	0.15 0.00	-0.11 0.00	0.00 0.50	-0.01 0.17	0.00 -0.09	0.00 0.00	0.00 0.00	0.00 0.00	0.00 0.00	0.00 0.00	
4	29.89 -0.01	0.96E+06 85.58	0.51 0.51	0.15 0.15	-0.11 -0.11	0.00 0.49	-0.01 -0.17	0.00 0.00	0.00 0.00	0.00 0.00	0.00 0.19	0.00 0.00	0.00 0.00	
5	30.00 2.01 -0.01	0.96E+06 85.74	0.62 0.63	0.17 0.15	-0.10 -0.10	0.00 0.60	0.00 0.00	0.00 0.00	0.00 0.00	0.00 0.00	0.00 0.19	0.00 0.00	0.00 0.00	
6	30.00 4.05 -0.01	0.96E+06 85.88	0.73 0.74	0.20 0.15	-0.08 -0.08	0.00 0.71	0.00 0.22	0.00 0.00	0.00 0.00	0.00 0.00	0.00 0.00	0.00 0.00	0.00 0.00	
7	30.12 6.03 -0.01	0.96E+06 85.91	0.84 0.86	0.23 0.14	-0.07 -0.07	0.00 0.81	0.00 0.25	0.00 -0.05	0.00 0.00	0.00 0.00	0.00 0.00	0.00 0.00	0.00 0.00	
8	30.00 8.01 -0.01	0.96E+06 85.91	0.97 1.00	0.27 0.14	-0.04 -0.04	0.00 0.94	0.00 0.29	0.00 -0.03	0.00 0.00	0.00 0.00	0.00 0.00	0.00 0.00	0.00 0.00	
9	30.00 10.09 -0.01	0.96E+06 86.18	1.08 1.12	0.32 0.13	-0.01 -0.01	0.00 1.05	0.00 0.34	0.00 0.00	0.00 0.00	0.00 0.00	0.00 0.00	0.00 0.00	0.00 0.00	
10	30.23 12.10 -0.01	0.97E+06 86.35	1.20 1.25	0.38 0.12	-0.01 -0.01	0.00 1.18	0.00 0.39	0.00 0.01	0.00 0.00	0.00 0.00	0.00 0.00	0.00 0.00	0.00 0.00	
11	29.89 14.03 -0.01	0.96E+06 86.58	1.32 1.35	0.45 0.11	-0.01 -0.01	0.00 1.30	0.00 0.46	0.00 0.01	0.00 0.00	0.00 0.00	0.00 0.00	0.00 0.00	0.00 0.00	
12	29.89 16.04 -0.01	0.96E+06 85.11	1.45 1.54	0.53 0.11	-0.03 -0.03	0.00 1.42	0.00 0.54	0.00 0.00	0.00 -0.01	0.00 0.00	0.00 0.00	0.00 0.00	0.00 0.00	
13	29.77 18.02 -0.01	0.96E+06 85.81	1.53 1.65	0.62 0.12	-0.07 -0.07	0.00 1.51	0.00 0.63	0.00 -0.05	0.00 0.00	0.00 0.00	0.00 0.00	0.00 0.00	0.00 0.00	
14	29.54 20.04 -0.01	0.95E+06 87.69	1.61 1.76	0.71 0.12	-0.05 -0.05	0.00 1.58	0.00 0.73	0.00 0.00	0.00 -0.01	0.00 0.00	0.00 0.00	0.00 0.00	0.00 0.00	
15	30.00 22.06 -0.01	0.96E+06 94.71	1.68 1.86	0.81 0.12	-0.05 -0.05	0.00 1.58	0.00 0.82	0.00 0.00	0.00 -0.04	0.00 0.00	0.00 0.00	0.00 0.00	0.00 0.00	







PROPULSIVE WING FORCE DATA

SUMMARY. RUN 191

PT	Q	ALPHA	BETA	REY NO	HEIGHT	CL1S	CMF1B	CMUC	CD1S	CAF1B	CMUM	CPM1S	CPM1B	CMUT	CRM1S	CRM1B	CLTR	CYM1S	CYM1B	CDTR	CSF1S	CSF1B	CHTR
2	0.00	-0.03	0.00	0.30E+08	86.93	-0.26	0.19	0.22	0.19	0.19	0.19	3.85	3.85	0.32	-2.94	-2.94	-8.41	-3.46	-3.46	7.76	0.24	0.24	9.71
3	0.00	0.01	0.00	0.30E+08	86.93	77.27	77.26	38.03	-53.05	-53.07	80.02	-899.30	-899.30	118.00	21.80	21.80	26.09	7.86	7.86	-17.34	0.35	0.35	-871.90
4	0.00	0.03	0.00	0.30E+08	86.93	110.50	110.50	51.65	-72.45	-72.52	111.70	-1240.00	-1240.00	163.30	23.37	23.37	35.54	0.85	0.85	-22.14	0.67	0.67	-1201.00
5	0.00	0.04	0.00	0.30E+08	86.93	136.80	136.70	63.87	-91.92	-92.02	139.70	-1598.00	-1598.00	203.60	2.26	2.28	38.90	-17.95	-17.95	-28.00	1.01	1.01	-1548.00

PROPULSIVE WING FORCE DATA

SUMMARY. RUN 190

PT	Q	ALPHA	BETA	REY NO	HEIGHT	CL1S	CMF1B	CMUC	CD1S	CAF1B	CMUM	CPM1S	CPM1B	CMUT	CRM1S	CRM1B	CLTR	CYM1S	CYM1B	CDTR	CSF1S	CSF1B	CHTR
3	0.00	-0.02	0.00	0.30E+08	86.93	-3.63	-3.63	0.09	-0.07	-0.07	0.18	-12.38	-12.38	0.27	-2.49	-2.49	-11.78	-9.08	-9.08	7.49	0.48	0.48	-6.52
4	0.00	0.00	0.00	0.30E+08	86.93	47.96	47.96	23.43	-35.86	-35.86	601.50	16.08	16.08	17.81	16.08	16.08	17.81	7.40	7.40	-13.59	0.63	0.63	-584.60
5	0.00	0.03	0.00	0.30E+08	86.93	108.60	108.60	52.04	-76.26	-76.31	112.20	-1278.00	-1278.00	164.30	29.99	29.98	31.93	21.93	21.95	-24.88	-0.54	-0.54	-1238.00
6	0.00	0.04	0.00	0.30E+08	86.93	136.40	136.40	63.85	-94.28	-94.37	136.20	-1643.00	-1643.00	202.00	8.26	8.26	38.45	-4.33	-4.33	-30.30	-0.43	-0.43	-1593.00

PROPULSIVE MING FORCE DATA

SUMMARY. RUN 192

PT	Q ALPHA BETA	REY NO HEIGHT	CLIS			CPMIS CMUT	CRMIS CLTR	CYMIS			CSFIS CSTR	
			CMFIB CMUC	CAFIB CMUH	CDIS			CMFIB CMUC	CAFIB CMUH	CDIS		CMFIB CMUC
2	21.15	0.80E+06	1.46	0.04	-0.30	0.00	0.00	0.00	0.00	0.01	0.01	0.00
	-1.99	84.59	0.21	0.47	0.68	0.29	0.38	0.00	0.00	0.01	0.01	-0.39
	0.00											
3	21.15	0.80E+06	1.55	0.09	-0.27	0.01	0.00	0.00	0.00	0.00	0.01	-0.01
	0.00	91.36	0.21	0.46	0.67	0.36	0.39	-0.24	0.00	0.00	0.00	-0.37
	0.00											
4	21.04	0.79E+06	1.62	0.14	-0.22	0.01	-0.01	0.02	0.01	0.02	0.01	-0.01
	2.00	91.91	0.63	0.08	-0.22	0.01	-0.01	0.03	0.03	0.02	0.01	-0.01
	0.00		0.21	0.46	0.67	0.42	0.40	-0.18	0.00	0.00	0.00	-0.37
5	20.92	0.79E+06	1.63	0.23	-0.26	0.02	0.00	-0.01	0.00	-0.01	0.01	-0.03
	4.01	90.59	1.64	0.10	-0.26	0.02	0.00	-0.01	0.00	-0.01	0.01	-0.03
	0.00		0.21	0.47	0.68	0.61	0.45	-0.22	0.00	0.00	0.01	-0.32
6	21.04	0.79E+06	1.97	0.30	-0.23	0.03	0.00	-0.02	0.00	-0.02	0.00	-0.02
	6.02	86.13	1.99	0.09	-0.23	0.03	0.00	-0.02	0.00	-0.02	0.00	-0.02
	0.00		0.21	0.47	0.68	0.74	0.48	-0.19	0.00	0.00	0.00	-0.31
7	21.04	0.79E+06	2.19	0.42	-0.27	0.03	0.00	-0.02	0.00	-0.02	0.01	-0.05
	8.03	86.38	2.22	0.11	-0.27	0.03	0.00	-0.02	0.00	-0.02	0.01	-0.05
	0.00		0.21	0.47	0.68	0.95	0.55	-0.23	0.00	0.00	0.01	-0.31
8	21.04	0.79E+06	2.50	0.58	-0.36	0.03	0.00	-0.01	0.00	-0.01	0.00	-0.05
	10.00	84.80	2.56	0.14	-0.36	0.03	0.00	-0.01	0.00	-0.01	0.00	-0.05
	0.00		0.21	0.47	0.68	1.26	0.68	-0.32	0.00	0.00	0.01	-0.31
9	21.15	0.80E+06	2.74	0.76	-0.37	0.01	0.00	-0.01	0.00	-0.01	0.00	-0.01
	12.01	86.48	2.84	0.18	-0.37	0.01	0.00	-0.01	0.00	-0.01	0.00	-0.01
	0.00		0.21	0.45	0.66	1.52	0.81	-0.34	0.00	0.00	0.01	-0.28
10	21.15	0.80E+06	2.92	0.91	-0.39	0.01	0.00	-0.02	0.00	-0.02	0.00	-0.03
	14.00	86.55	3.05	0.17	-0.39	0.01	0.00	-0.02	0.00	-0.02	0.01	-0.03
	0.00		0.21	0.46	0.66	1.70	0.91	-0.35	0.00	0.00	0.01	-0.39
11	21.04	0.79E+06	3.08	1.06	-0.37	0.01	0.00	-0.01	0.00	-0.01	0.00	-0.04
	15.99	86.98	3.25	0.17	-0.37	0.01	0.00	-0.01	0.00	-0.01	0.00	-0.04
	0.00		0.21	0.46	0.66	1.84	1.02	-0.33	0.00	0.00	0.01	-0.42
12	21.04	0.79E+06	3.18	1.20	-0.33	0.02	0.00	-0.03	0.00	-0.03	0.00	-0.01
	18.01	85.71	3.39	0.16	-0.33	0.02	0.01	-0.03	0.01	-0.03	0.01	-0.01
	0.00		0.21	0.46	0.66	1.95	1.12	-0.29	0.00	0.00	0.01	-0.47
13	21.15	0.80E+06	3.30	1.35	-0.32	0.01	0.00	-0.01	0.00	-0.01	0.00	-0.03
	19.99	86.17	3.56	0.14	-0.32	0.01	0.00	-0.01	0.00	-0.01	0.00	-0.03
	0.00		0.21	0.46	0.66	2.08	1.23	-0.29	0.00	0.00	0.01	-0.43
14	21.15	0.79E+06	3.34	1.50	-0.25	0.02	-0.01	-0.01	0.00	-0.01	0.00	-0.02
	22.01	93.15	3.66	0.13	-0.25	0.02	0.00	-0.01	0.00	-0.01	0.00	-0.02
	0.00		0.21	0.46	0.67	2.13	1.33	-0.21	0.00	0.00	0.01	-0.36

SUMMARY. RUN 193

PT	Q ALPHA BETA	REY NO HEIGHT	CLIS			CPMIS CMUT	CRMIS CLTR	CYMIS			CSFIS CSTR	
			CMFIB CMUC	CAFIB CMUH	CDIS			CMFIB CMUC	CAFIB CMUH	CDIS		CMFIB CMUC
1	10.46	0.56E+06	1.98	-0.24	-0.47	0.01	0.01	0.01	0.01	0.01	0.01	0.00
	-2.01	80.91	1.98	-0.17	-0.47	0.01	0.01	0.01	0.01	0.01	0.01	0.00
	0.00		0.42	0.93	1.34	-0.42	-0.42	0.46	0.46	0.46	0.46	-0.39
2	10.69	0.57E+06	2.07	-0.16	-0.44	-0.01	0.01	0.01	0.01	0.01	0.01	-0.01
	-0.01	87.91	2.07	-0.16	-0.44	-0.01	0.01	0.01	0.01	0.01	0.01	-0.01
	0.00		0.41	0.91	1.32	-0.30	-0.30	0.44	0.44	0.44	0.44	-0.37
3	10.46	0.56E+06	2.26	-0.07	-0.44	0.01	0.01	0.01	0.01	0.01	0.01	-0.01
	2.03	88.64	2.26	-0.15	-0.44	0.01	0.01	0.01	0.01	0.01	0.01	-0.01
	0.00		0.42	0.93	1.34	-0.17	-0.17	0.45	0.45	0.45	0.45	-0.37
4	10.58	0.56E+06	2.38	0.02	-0.39	0.01	0.01	0.01	0.01	0.01	0.01	-0.03
	4.01	87.79	2.37	-0.14	-0.39	0.01	0.01	0.01	0.01	0.01	0.01	-0.03
	0.00		0.41	0.92	1.33	-0.05	-0.05	0.46	0.46	0.46	0.46	-0.32
5	10.58	0.56E+06	2.52	0.14	-0.38	0.02	0.00	-0.02	0.00	-0.02	0.00	-0.02
	6.03	87.03	2.53	-0.13	-0.38	0.02	0.00	-0.02	0.00	-0.02	0.00	-0.02
	0.00		0.42	0.92	1.33	0.08	0.08	0.49	0.49	0.49	0.49	-0.31
6	10.69	0.57E+06	2.68	0.26	-0.36	0.03	0.01	-0.06	0.03	0.01	0.00	-0.06
	8.00	85.45	2.69	-0.12	-0.36	0.03	0.03	0.02	0.03	0.02	0.01	-0.05
	0.00		0.41	0.91	1.32	0.25	0.25	0.53	0.53	0.53	0.53	-0.29
7	10.58	0.56E+06	2.91	0.40	-0.39	0.02	0.01	-0.05	0.02	0.01	0.00	-0.05
	10.00	84.67	2.93	-0.11	-0.39	0.02	0.02	0.01	0.02	0.01	0.00	-0.05
	0.00		0.42	0.92	1.34	0.44	0.44	0.59	0.59	0.59	0.59	-0.31
8	10.46	0.56E+06	3.11	0.55	-0.36	0.01	0.00	-0.01	0.01	0.00	0.00	-0.01
	11.99	85.80	3.15	-0.10	-0.36	0.01	0.00	-0.01	0.01	0.00	0.00	-0.01
	0.00		0.42	0.93	1.35	0.60	0.60	0.65	0.65	0.65	0.65	-0.28
9	10.81	0.57E+06	3.36	0.77	-0.46	0.01	0.00	-0.03	0.01	0.00	0.00	-0.03
	14.00	85.88	3.44	-0.07	-0.46	0.01	0.01	0.01	0.01	0.01	0.01	-0.03
	0.00		0.41	0.90	1.31	0.93	0.93	0.78	0.78	0.78	0.78	-0.39
10	10.69	0.57E+06	3.64	0.98	-0.49	0.01	0.00	-0.04	0.01	0.00	0.00	-0.04
	16.02	84.02	3.77	-0.06	-0.49	0.01	0.01	0.00	0.01	0.00	0.00	-0.04
	0.00		0.41	0.91	1.32	1.18	1.18	0.91	0.91	0.91	0.91	-0.42
11	10.58	0.56E+06	3.94	1.22	-0.55	0.01	0.00	-0.01	0.01	0.00	0.00	-0.01
	18.00	86.02	4.12	-0.06	-0.55	0.01	0.01	0.00	0.01	0.00	0.00	-0.01
	0.00		0.42	0.92	1.34	1.46	1.46	1.06	1.06	1.06	1.06	-0.47
12	10.58	0.56E+06	4.06	1.40	-0.50	0.01	0.00	-0.03	0.01	0.00	0.00	-0.03
	19.99	88.90	4.29	-0.07	-0.50	0.01	0.01	0.00	0.01	0.00	0.00	-0.03
	0.00		0.42	0.92	1.34	1.60	1.60	1.15	1.15	1.15	1.15	-0.43
13	10.58	0.56E+06	4.14	1.57	-0.43	0.02	-0.01	-0.01	0.02	0.01	0.00	-0.02
	21.99	95.96	4.42	-0.09	-0.43	0.02	0.00	-0.01	0.02	0.00	0.00	-0.02
	0.00		0.42	0.92	1.34	1.68	1.68	1.24	1.24	1.24	1.24	-0.36

PROPULSIVE MING FORCE DATA

SUMMARY, RUN 194

PT	Q ALPHA BETA	REY NO HEIGHT	CL15 CMF1B CMUC	CD15 CAF1B CMUM	CPM15 CMUT	CRM15 CLTR	CYM15 CDMR	CSF15 CMTR	CRN15			CYM15 CDMR	CSF15 CMTR	
									CMF1B	CMUC	CMUM			
1	5.17 -2.00	0.39E+06 83.44	3.01 3.04	-0.83 -0.72	-0.85 -0.85	-0.01 -0.01	0.01 0.01	0.01 0.01	0.01 0.01	0.01 0.01	0.01 0.01	0.01 0.01	0.01 0.01	0.01 0.01
2	5.06 -0.02	0.39E+06 90.34	3.18 3.18	-0.74 -0.74	-0.82 -0.82	0.02 0.02	-0.01 -0.01	0.04 0.04	0.04 0.04	0.04 0.04	0.04 0.04	0.04 0.04	0.04 0.04	0.04 0.04
3	5.40 2.01	0.40E+06 88.60	3.09 3.07	-0.58 -0.69	-0.72 -0.72	0.01 0.01	0.00 0.00	-0.02 -0.02	0.00 0.00	0.00 0.00	0.00 0.00	0.00 0.00	0.00 0.00	0.00 0.00
4	5.29 3.99	0.40E+06 88.13	3.36 3.31	-0.47 -0.74	-0.74 -0.74	0.01 0.01	0.00 0.00	-0.01 -0.01	0.00 0.00	0.00 0.00	0.00 0.00	0.00 0.00	0.00 0.00	0.00 0.00
5	5.17 6.03	0.40E+06 87.68	3.55 3.49	-0.33 -0.70	-0.72 -0.72	0.01 0.01	0.00 0.00	-0.04 -0.04	0.00 0.00	0.00 0.00	0.00 0.00	0.00 0.00	0.00 0.00	0.00 0.00
6	5.40 8.04	0.40E+06 88.55	3.71 3.66	-0.11 -0.62	-0.72 -0.72	0.01 0.01	0.01 0.01	-0.01 -0.01	0.01 0.01	0.01 0.01	0.01 0.01	0.01 0.01	0.01 0.01	0.01 0.01
7	5.17 10.01	0.40E+06 85.90	4.08 4.03	0.07 -0.64	-0.77 -0.77	0.01 0.01	0.01 0.01	-0.02 -0.02	0.01 0.01	0.01 0.01	0.01 0.01	0.01 0.01	0.01 0.01	0.01 0.01
8	5.17 12.01	0.40E+06 85.41	4.25 4.21	0.26 -0.63	-0.76 -0.76	0.01 0.01	0.00 0.00	-0.03 -0.03	0.00 0.00	0.00 0.00	0.00 0.00	0.00 0.00	0.00 0.00	0.00 0.00
9	5.29 14.02	0.40E+06 84.66	4.44 4.43	0.50 -0.59	-0.77 -0.77	0.04 0.04	0.01 0.01	-0.08 -0.08	0.01 0.01	0.01 0.01	0.01 0.01	0.01 0.01	0.01 0.01	0.01 0.01
10	5.17 16.01	0.40E+06 85.41	4.74 4.75	0.72 -0.61	-0.81 -0.81	0.05 0.05	0.00 0.01	-0.10 -0.10	0.00 0.01	0.00 0.01	0.00 0.01	0.00 0.01	0.00 0.01	0.00 0.01
11	5.29 18.01	0.40E+06 87.69	4.60 4.63	0.85 -0.61	-0.61 -0.61	0.07 0.06	-0.01 0.01	-0.10 -0.10	0.01 0.01	0.01 0.01	0.01 0.01	0.01 0.01	0.01 0.01	0.01 0.01
12	5.40 19.99	0.40E+06 90.46	4.85 4.94	1.14 -0.59	-0.70 -0.70	0.04 0.04	-0.01 0.00	-0.10 -0.10	0.04 0.00	0.04 0.00	0.04 0.00	0.04 0.00	0.04 0.00	0.04 0.00
13	5.29 21.98	0.40E+06 97.63	4.88 5.02	1.33 -0.59	-0.46 -0.46	0.01 0.02	-0.01 -0.01	-0.03 -0.03	0.01 0.02	0.01 0.02	0.01 0.02	0.01 0.02	0.01 0.02	0.01 0.02

PROPULSIVE MING FORCE DATA

SUMMARY, RUN 195

PT	Q ALPHA BETA	REY NO HEIGHT	CL15 CMF1B CMUC	CD15 CAF1B CMUM	CPM15 CMUT	CRM15 CLTR	CYM15 CDMR	CSF15 CMTR	CRN15			CYM15 CDMR	CSF15 CMTR
									CMF1B	CMUC	CMUM		
1	2.65 -2.00	0.28E+06 85.68	4.88 4.94	-1.97 -1.80	-1.69 -1.69	0.01 0.01	0.01 0.01	0.01 0.01	0.01 0.01	0.01 0.01	0.01 0.01	0.01 0.01	0.01 0.01
2	2.65 0.02	0.28E+06 92.78	5.07 5.07	-1.81 -1.81	-1.60 -1.60	-0.01 -0.01	0.02 0.02	0.04 0.04	0.04 0.04	0.04 0.04	0.04 0.04	0.04 0.04	0.04 0.04
3	2.53 2.03	0.28E+06 87.45	5.31 5.24	-1.73 -1.92	-1.53 -1.53	-0.02 -0.02	0.03 0.03	-0.02 -0.02	0.03 0.03	0.03 0.03	0.03 0.03	0.03 0.03	0.03 0.03
4	2.65 4.01	0.28E+06 87.32	5.13 5.01	-1.49 -1.84	-1.32 -1.32	0.02 0.02	0.01 0.01	-0.07 -0.07	0.01 0.01	0.01 0.01	0.01 0.01	0.01 0.01	0.01 0.01
5	2.76 5.01	0.29E+06 86.38	5.12 4.96	-1.24 -1.77	-1.25 -1.25	0.01 0.01	0.02 0.02	-0.04 -0.04	0.01 0.01	0.01 0.01	0.01 0.01	0.01 0.01	0.01 0.01
6	2.65 8.01	0.28E+06 86.12	5.60 5.40	-1.07 -1.85	-1.33 -1.33	0.01 0.01	0.03 0.03	-0.07 -0.07	0.01 0.01	0.01 0.01	0.01 0.01	0.01 0.01	0.01 0.01
7	2.65 9.99	0.28E+06 84.88	5.84 5.60	-0.84 -1.85	-1.34 -1.34	0.01 0.01	0.02 0.02	-0.10 -0.10	0.01 0.01	0.01 0.01	0.01 0.01	0.01 0.01	0.01 0.01
8	2.65 11.99	0.28E+06 85.80	6.02 5.77	-0.57 -1.81	-1.34 -1.34	0.01 0.01	0.03 0.03	-0.15 -0.15	0.01 0.01	0.01 0.01	0.01 0.01	0.01 0.01	0.01 0.01
9	2.65 13.99	0.28E+06 85.99	6.37 6.12	-0.28 -1.79	-1.40 -1.40	0.02 0.02	0.02 0.02	-0.14 -0.14	0.02 0.02	0.02 0.02	0.02 0.02	0.02 0.02	0.02 0.02
10	2.53 16.00	0.28E+06 85.29	6.87 6.61	0.04 -1.85	-1.43 -1.43	0.01 0.01	0.01 0.01	-0.15 -0.15	0.01 0.01	0.01 0.01	0.01 0.01	0.01 0.01	0.01 0.01
11	2.65 17.99	0.28E+06 85.35	6.76 6.55	0.38 -1.73	-1.32 -1.32	0.04 0.03	0.00 0.02	-0.10 -0.10	0.04 0.03	0.04 0.03	0.04 0.03	0.04 0.03	0.04 0.03
12	2.53 20.01	0.28E+06 91.34	7.30 7.10	0.72 -1.82	-1.43 -1.43	0.02 0.02	0.01 0.03	-0.09 -0.09	0.02 0.03	0.02 0.03	0.02 0.03	0.02 0.03	0.02 0.03
13	2.65 21.99	0.28E+06 98.58	7.07 6.93	1.00 -1.72	-1.23 -1.23	0.04 0.04	0.01 0.01	-0.03 -0.03	0.04 0.04	0.04 0.04	0.04 0.04	0.04 0.04	0.04 0.04

PROPULSIVE WING FORCE DATA

SUMMARY, RUN 196

PT	Q ALPHA BETA	REY NO HEIGHT	CLIS CMFIB CMUC	CDIS CAFIB CMUM	CPMIB CMUT	CRMIB CLTR	CYMIB CDTR	CSFIB CMTR	PT	Q ALPHA BETA	REY NO HEIGHT	CLIS CMFIB CMUC	CDIS CAFIB CMUM	CPMIB CMUT	CRMIB CLTR	CYMIB CDTR	CSFIB CMTR
1	20.92	0.79E+06	1.47	0.03	-0.32	-0.04	0.00	-0.08	1	10.58	0.56E+06	2.00	-0.23	-0.48	-0.04	0.00	-0.09
	-2.05	86.30	1.46	0.09	-0.32	-0.04	0.00	-0.08		2.01	87.19	2.01	-0.16	-0.48	-0.04	0.00	-0.09
	5.01		0.21	0.47	0.68	0.25	0.39	-0.28		5.01		0.44	0.94	1.38	-0.44	0.49	-0.41
2	21.04	0.79E+06	1.55	0.08	-0.29	-0.03	0.01	-0.09	2	10.69	0.57E+06	2.07	-0.15	-0.45	-0.05	-0.01	-0.07
	0.02	87.56	1.55	0.08	-0.29	-0.03	0.01	-0.09		5.01	87.76	2.07	-0.15	-0.45	-0.05	-0.01	-0.07
	5.01		0.21	0.47	0.68	0.33	0.40	-0.25		5.01		0.42	0.91	1.33	-0.32	0.46	-0.37
3	21.04	0.79E+06	1.65	0.09	-0.24	-0.02	0.01	-0.12	3	10.58	0.56E+06	2.24	-0.08	-0.44	-0.05	0.00	-0.08
	2.02	86.55	1.66	0.09	-0.24	-0.02	0.01	-0.12		2.01	86.30	2.24	-0.16	-0.44	-0.05	-0.01	-0.08
	5.01		0.21	0.47	0.68	0.42	0.42	-0.21		5.01		0.42	0.93	1.35	-0.19	0.46	-0.37
4	20.92	0.79E+06	1.92	0.24	-0.35	-0.01	0.01	-0.13	4	10.58	0.56E+06	2.35	0.02	-0.40	-0.04	0.00	-0.10
	4.03	86.98	1.93	0.11	-0.35	-0.01	0.01	-0.13		4.05	87.67	2.35	-0.15	-0.40	-0.04	0.00	-0.10
	5.01		0.21	0.47	0.69	0.67	0.47	-0.31		5.01		0.42	0.92	1.35	-0.09	0.46	-0.32
5	21.15	0.79E+06	2.07	0.34	-0.33	0.00	0.01	-0.13	5	10.58	0.56E+06	2.60	0.15	-0.45	-0.03	0.01	-0.12
	6.08	86.56	2.09	0.12	-0.33	0.00	0.01	-0.13		6.02	86.74	2.60	-0.13	-0.45	-0.03	0.01	-0.12
	5.01		0.21	0.47	0.68	0.83	0.52	-0.29		5.01		0.42	0.92	1.35	0.13	0.51	-0.37
6	21.04	0.79E+06	2.27	0.45	-0.35	0.00	0.01	-0.13	6	10.35	0.56E+06	2.82	0.28	-0.44	-0.04	0.01	-0.14
	8.06	86.27	2.31	0.13	-0.35	0.00	0.01	-0.13		8.03	86.46	2.82	-0.12	-0.44	-0.04	0.01	-0.14
	5.01		0.21	0.47	0.68	1.02	0.59	-0.31		5.01		0.43	0.94	1.37	0.29	0.56	-0.36
7	20.81	0.79E+06	2.51	0.58	-0.37	0.01	0.00	-0.13	7	10.35	0.56E+06	3.02	0.43	-0.45	-0.03	0.02	-0.17
	10.06	85.48	2.56	0.17	-0.37	0.01	0.00	-0.13		10.04	85.28	3.05	-0.11	-0.45	-0.03	0.01	-0.17
	5.01		0.21	0.47	0.69	1.24	0.68	-0.33		5.01		0.43	0.94	1.38	0.48	0.62	-0.38
8	20.92	0.79E+06	2.75	0.74	-0.41	0.00	0.01	-0.13	8	10.23	0.55E+06	3.23	0.58	-0.46	-0.03	0.01	-0.16
	11.99	85.15	2.84	0.15	-0.41	0.00	0.01	-0.13		12.01	87.96	3.28	-0.10	-0.46	-0.03	0.00	-0.16
	5.01		0.21	0.47	0.68	1.49	0.79	-0.37		5.01		0.44	0.95	1.39	0.66	0.69	-0.38
9	20.58	0.78E+06	2.97	0.92	-0.41	-0.02	0.01	-0.12	9	10.23	0.55E+06	3.45	0.78	-0.46	-0.03	0.01	-0.17
	14.02	86.93	3.10	0.17	-0.41	-0.02	0.00	-0.12		14.06	85.65	3.54	-0.09	-0.46	-0.03	0.00	-0.17
	5.01		0.22	0.47	0.69	1.69	0.93	-0.37		5.01		0.44	0.95	1.40	0.88	0.79	-0.38
10	21.15	0.79E+06	3.10	1.05	-0.40	-0.01	0.00	-0.11	10	10.35	0.56E+06	3.72	1.01	-0.50	-0.03	-0.01	-0.13
	16.02	86.68	3.27	0.46	-0.40	-0.01	0.00	-0.11		16.04	86.56	3.85	-0.05	-0.50	-0.02	-0.02	-0.13
	5.01		0.21	0.46	0.68	1.85	1.03	-0.36		5.01		0.44	0.94	1.38	1.17	0.94	-0.42
11	21.04	0.79E+06	3.24	1.22	-0.40	-0.01	0.00	-0.11	11	10.69	0.57E+06	3.95	1.24	-0.58	-0.03	0.00	-0.12
	17.99	85.86	3.46	0.15	-0.40	-0.01	0.00	-0.11		18.06	85.85	4.15	-0.04	-0.58	-0.03	-0.01	-0.12
	5.01		0.22	0.46	0.68	1.99	1.14	-0.36		5.01		0.42	0.91	1.33	1.50	1.08	-0.50
12	20.69	0.78E+06	3.33	1.37	-0.32	-0.01	0.00	-0.10	12	10.35	0.56E+06	4.11	1.43	-0.52	-0.03	-0.01	-0.15
	20.01	86.23	3.59	0.15	-0.32	-0.01	0.00	-0.10		20.05	89.09	4.35	-0.07	-0.52	-0.02	-0.02	-0.15
	5.01		0.22	0.47	0.69	2.06	1.24	-0.28		5.01		0.44	0.94	1.38	1.58	1.18	-0.44
13	20.92	0.79E+06	3.41	1.53	-0.28	0.01	-0.01	-0.08	13	10.58	0.56E+06	4.09	1.57	-0.35	-0.01	-0.01	-0.14
	22.02	93.25	3.74	0.14	-0.28	0.01	-0.01	-0.08		22.06	96.33	4.38	-0.08	-0.35	0.00	-0.01	-0.14
	5.01		0.22	0.46	0.68	2.17	1.36	-0.24		5.01		0.43	0.92	1.35	1.62	1.24	-0.27

PROPULSIVE WING FORCE DATA

SUMMARY, RUN 199

PT	O ALPHA BETA	REY NO HEIGHT	CLIS CNFIB CMUC	CDIS CAFIB CRUM	CPM15 CPH1B CMUT	CRM15 CRH1B CLTR	CYM15 CYH1B CDTR	CSF15 CSF1B CCTR	O ALPHA BETA	REY NO HEIGHT	CLIS CNFIB CMUC	CDIS CAFIB CRUM	CPM15 CPH1B CMUT	CRM15 CRH1B CLTR	CYM15 CYH1B CDTR	CSF15 CSF1B CCTR
15	1.38	0.21E+06	8.06	-4.38	-2.89	0.01	-0.01	0.08	-2.04	87.75	3.49	7.45	10.94	-10.37	1.05	-2.30
16	1.27	0.20E+06	8.40	-3.97	-2.89	0.02	0.06	-0.09	-0.03	87.65	3.55	7.56	11.11	-10.86	0.84	-2.33
17	1.27	0.20E+06	9.31	-3.84	-3.05	0.03	0.04	0.09	2.08	87.54	3.79	7.99	11.78	-10.99	0.56	-2.42
18	1.38	0.21E+06	8.67	-3.16	-2.72	0.02	0.02	0.13	4.06	86.54	3.47	7.31	10.78	-10.01	0.21	-2.15
19	1.38	0.21E+06	8.96	-2.86	-2.64	0.00	-0.01	0.20	6.10	86.69	3.42	7.31	10.73	-9.90	-0.15	-2.06
20	1.27	0.20E+06	10.35	-3.25	-2.84	0.02	0.05	0.00	8.06	86.19	3.68	8.10	11.79	-10.83	-0.87	-2.17
21	1.38	0.21E+06	9.54	-2.70	-2.54	0.02	0.05	-0.07	10.00	86.54	3.39	7.47	10.86	-9.97	-1.16	-1.92
22	1.38	0.21E+06	9.83	-2.32	-2.55	0.02	0.04	-0.10	12.04	83.20	3.39	7.45	10.83	-9.73	-1.48	-1.93
23	1.38	0.21E+06	9.68	-1.78	-2.45	0.04	0.04	-0.11	14.04	87.15	3.19	7.09	10.29	-9.27	-1.70	-1.88
24	1.49	0.21E+06	8.95	-1.33	-2.03	0.04	0.03	-0.12	16.05	87.75	2.97	6.56	9.53	-8.56	-1.87	-1.51
25	1.38	0.21E+06	10.32	-0.90	-2.57	0.04	0.03	-0.13	18.03	86.18	3.22	7.09	10.31	-8.58	-2.15	-2.00
26	1.27	0.20E+06	10.86	-0.75	-2.41	0.04	0.02	-0.14	20.08	92.22	3.52	7.79	11.30	-9.74	-2.84	-1.78

PROPULSIVE WING FORCE DATA

SUMMARY, RUN 198

PT	O ALPHA BETA	REY NO HEIGHT	CLIS CNFIB CMUC	CDIS CAFIB CRUM	CPM15 CPH1B CMUT	CRM15 CRH1B CLTR	CYM15 CYH1B CDTR	CSF15 CSF1B CCTR	O ALPHA BETA	REY NO HEIGHT	CLIS CNFIB CMUC	CDIS CAFIB CRUM	CPM15 CPH1B CMUT	CRM15 CRH1B CLTR	CYM15 CYH1B CDTR	CSF15 CSF1B CCTR
1	5.29	0.40E+06	2.98	-0.79	-0.84	-0.06	-0.02	-0.10	-2.01	87.67	0.85	1.84	2.69	-1.79	0.61	-0.69
2	5.17	0.39E+06	3.06	-0.72	-0.83	-0.07	-0.02	-0.10	-0.07	85.77	0.86	1.88	2.75	-1.87	0.55	-0.67
3	5.29	0.40E+06	3.15	-0.60	-0.73	-0.07	-0.02	-0.09	2.04	85.97	0.84	1.85	2.69	-1.73	0.47	-0.58
4	5.17	0.39E+06	3.36	-0.49	-0.73	-0.08	-0.01	-0.11	4.04	86.44	0.86	1.90	2.76	-1.67	0.43	-0.58
5	5.17	0.39E+06	3.58	-0.34	-0.71	-0.09	0.00	-0.10	6.02	87.26	0.86	1.90	2.76	-1.49	0.40	-0.55
6	5.17	0.40E+06	3.79	-0.17	-0.73	-0.09	0.00	-0.11	8.01	85.81	0.86	1.90	2.76	-1.28	0.39	-0.58
7	5.06	0.39E+06	4.09	0.03	-0.78	-0.08	0.00	-0.14	10.05	85.83	0.88	1.94	2.82	-1.12	0.42	-0.62
8	5.29	0.40E+06	4.13	0.24	-0.65	-0.06	0.00	-0.15	12.09	86.76	0.84	1.85	2.69	-0.86	0.43	-0.49
9	5.29	0.40E+06	4.50	0.49	-0.84	-0.05	0.01	-0.19	14.00	87.17	0.84	1.85	2.70	-0.49	0.52	-0.68
10	5.17	0.40E+06	4.73	0.71	-0.83	-0.05	0.00	-0.18	16.00	87.47	0.86	1.90	2.76	-0.37	0.56	-0.68
11	5.29	0.40E+06	4.76	0.91	-0.72	-0.04	0.01	-0.19	18.00	86.56	0.84	1.85	2.68	-0.21	0.58	-0.57
12	5.06	0.39E+06	5.17	1.21	-0.77	-0.04	0.02	-0.23	20.04	90.61	0.88	1.93	2.81	-0.01	0.69	-0.61
13	5.29	0.40E+06	5.26	1.51	-0.70	-0.06	0.01	-0.19	22.20	98.49	0.85	1.85	2.69	0.33	0.82	-0.55

PROPULSIVE MING FORCE DATA

SUMMARY. RUN 201

PT	Q ALPHA BETA	REV NO HEIGHT	CL15 CNF1B CMUC	CD15 CAF1B CMUH	CPM15 CPM1B CMUT	CRM15 CRM1B CLTR	CYM15 CYM1B CDR	CSF15 CSF1B CMTR
1	21.04 0.00 15.00	0.80E+06 86.46	2.39 2.44 0.21	0.49 0.15 0.46	-0.44 -0.44 0.67	-0.08 1.17	0.01 0.62	-0.23 -0.40
2	21.27 10.02	0.81E+06 86.46	2.34 2.39 0.21	0.48 0.15 0.45	-0.40 -0.40 0.66	-0.04 1.14	0.01 0.61	-0.18 -0.36
3	21.15 8.00 7.99	0.81E+06 86.46	2.34 2.38 0.21	0.47 0.14 0.46	-0.40 -0.40 0.67	-0.02 1.13	0.01 0.61	-0.17 -0.36
4	21.15 8.00	0.81E+06 86.46	2.30 2.34 0.21	0.47 0.14 0.46	-0.38 -0.38 0.67	0.00 1.09	0.01 0.60	-0.14 -0.34
5	21.15 8.04 3.97	0.81E+06 86.46	2.26 2.30 0.21	0.46 0.14 0.46	-0.35 -0.35 0.67	0.01 1.05	0.01 0.59	-0.11 -0.31
6	21.15 8.06 1.99	0.81E+06 86.46	2.19 2.23 0.21	0.45 0.13 0.46	-0.31 -0.31 0.67	0.02 0.99	0.00 0.58	-0.05 -0.27
7	21.15 8.09 0.00	0.81E+06 86.46	2.22 2.26 0.21	0.45 0.13 0.46	-0.32 -0.32 0.67	0.03 1.01	0.01 0.58	-0.03 -0.29
8	20.92 8.12 -2.00	0.80E+06 86.46	2.18 2.22 0.21	0.45 0.14 0.46	-0.25 -0.25 0.67	0.03 0.96	0.00 0.58	0.03 -0.22
9	20.92 8.12 -4.00	0.80E+06 86.46	2.19 2.23 0.21	0.45 0.14 0.46	-0.25 -0.25 0.67	0.02 0.96	-0.01 0.59	0.10 -0.22
10	20.92 8.11 -6.04	0.80E+06 86.46	2.24 2.29 0.21	0.47 0.15 0.46	-0.30 -0.30 0.67	0.02 1.03	-0.01 0.60	0.15 -0.26
11	21.04 8.12 -8.02	0.80E+06 86.46	2.26 2.31 0.21	0.47 0.15 0.46	-0.30 -0.30 0.68	0.04 1.05	-0.01 0.60	0.18 -0.27
12	21.04 8.11 -10.01	0.80E+06 86.46	2.39 2.43 0.21	0.50 0.16 0.46	-0.39 -0.39 0.67	0.05 1.17	-0.01 0.63	0.20 -0.36
13	20.92 8.15 -15.00	0.80E+06 86.46	2.39 2.43 0.21	0.50 0.15 0.46	-0.35 -0.35 0.67	0.09 1.17	0.01 0.62	0.22 -0.31

PROPULSIVE MING FORCE DATA

SUMMARY. RUN 200

PT	Q ALPHA BETA	REV NO HEIGHT	CL15 CNF1B CMUC	CD15 CAF1B CMUH	CPM15 CPM1B CMUT	CRM15 CRM1B CLTR	CYM15 CYM1B CDR	CSF15 CSF1B CMTR
1	21.04 0.00 15.00	0.80E+06 85.34	1.72 1.72 0.21	0.11 0.11 0.48	-0.43 -0.43 0.69	-0.08 -0.08 0.50	-0.01 0.43	-0.23 -0.39
1	20.92 15.00	0.80E+06 85.34	1.73 0.22	0.11 0.48	-0.44 0.70	-0.08 0.51	-0.01 0.43	-0.23 -0.40
2	21.15 10.10	0.80E+06 85.34	1.66 0.21	0.10 0.47	-0.37 0.69	-0.05 0.45	0.01 0.41	-0.18 -0.33
3	21.04 0.06 7.96	0.80E+06 85.34	1.59 0.22	0.09 0.48	-0.31 0.69	-0.05 0.36	0.00 0.40	-0.13 -0.27
4	21.04 0.08 5.98	0.80E+06 85.34	1.56 0.22	0.08 0.48	-0.29 0.69	-0.04 0.33	0.01 0.39	-0.11 -0.25
5	21.04 0.10 4.00	0.80E+06 85.34	1.55 0.22	0.08 0.47	-0.27 0.69	-0.02 0.33	0.01 0.39	-0.07 -0.23
6	21.27 0.12 2.00	0.81E+06 85.34	1.51 0.21	0.08 0.47	-0.24 0.68	-0.01 0.30	0.01 0.38	-0.03 -0.20
7	21.04 0.13 0.00	0.80E+06 85.34	1.54 0.22	0.08 0.47	-0.25 0.69	0.00 0.32	0.00 0.39	0.02 -0.21
8	21.04 0.15 -2.02	0.80E+06 85.34	1.54 0.22	0.08 0.47	-0.25 0.69	0.03 0.32	0.00 0.39	0.04 -0.21
9	20.92 0.16 -4.02	0.80E+06 85.34	1.54 0.22	0.07 0.48	-0.25 0.70	0.05 0.31	0.00 0.39	0.06 -0.21
10	21.15 0.14 -6.00	0.81E+06 85.34	1.60 0.22	0.08 0.47	-0.31 0.69	0.05 0.38	-0.01 0.39	0.13 -0.27
11	21.04 0.13 -8.00	0.80E+06 85.34	1.61 0.22	0.08 0.48	-0.32 0.70	0.07 0.39	-0.01 0.39	0.17 -0.28
12	21.04 0.12 -10.10	0.80E+06 85.34	1.64 0.22	0.08 0.48	-0.35 0.69	0.07 0.42	-0.01 0.40	0.21 -0.31
13	21.15 0.13 -15.02	0.81E+06 85.34	1.70 0.22	0.10 0.48	-0.38 0.69	0.09 0.48	0.01 0.41	0.26 -0.34



PROPULSIVE WING FORCE DATA

SUMMARY, RUN 202

SUMMARY, RUN 203

PT	ALPHA			REV NO	CNFIB	CMUC	CAFIB	CPMIB	CRNIB	CYMIB	CSFIB	CMTR	CYSIB	CYMIB	CSFIB	CMTR
	BETA	HEIGHT	HEIGHT													
1	10.58	0.57E+06	87.51	0.58E+06	2.94	0.43	0.34	-0.52	-0.11	0.00	-0.25	0.00	-0.11	-0.01	-0.22	-0.01
	8.02	0.57E+06	87.51	0.58E+06	2.94	0.43	0.34	-0.52	-0.11	0.00	-0.25	0.00	-0.11	-0.01	-0.22	-0.01
	15.00	0.57E+06	87.51	0.58E+06	2.94	0.43	0.34	-0.52	-0.11	0.00	-0.25	0.00	-0.11	-0.01	-0.22	-0.01
2	10.81	0.58E+06	87.51	0.57E+06	2.89	0.42	0.33	-0.56	-0.07	0.02	-0.19	0.02	-0.09	-0.01	-0.13	-0.01
	8.02	0.58E+06	87.51	0.57E+06	2.89	0.42	0.33	-0.56	-0.07	0.02	-0.19	0.02	-0.09	-0.01	-0.13	-0.01
	9.98	0.58E+06	87.51	0.57E+06	2.89	0.42	0.33	-0.56	-0.07	0.02	-0.19	0.02	-0.09	-0.01	-0.13	-0.01
3	10.58	0.57E+06	87.51	0.57E+06	2.89	0.43	0.31	-0.54	-0.06	0.02	-0.15	0.02	-0.05	0.00	-0.10	0.00
	8.03	0.57E+06	87.51	0.57E+06	2.89	0.43	0.31	-0.54	-0.06	0.02	-0.15	0.02	-0.05	0.00	-0.10	0.00
	7.98	0.57E+06	87.51	0.57E+06	2.89	0.43	0.31	-0.54	-0.06	0.02	-0.15	0.02	-0.05	0.00	-0.10	0.00
4	10.35	0.57E+06	87.51	0.57E+06	2.85	0.44	0.29	-0.49	-0.04	0.02	-0.14	0.02	-0.04	0.00	-0.05	0.00
	8.03	0.57E+06	87.51	0.57E+06	2.85	0.44	0.29	-0.49	-0.04	0.02	-0.14	0.02	-0.04	0.00	-0.05	0.00
	5.99	0.57E+06	87.51	0.57E+06	2.85	0.44	0.29	-0.49	-0.04	0.02	-0.14	0.02	-0.04	0.00	-0.05	0.00
5	10.58	0.57E+06	87.51	0.57E+06	2.75	0.43	0.29	-0.41	-0.02	0.02	-0.09	0.02	-0.04	0.00	-0.03	0.00
	8.06	0.57E+06	87.51	0.57E+06	2.75	0.43	0.29	-0.41	-0.02	0.02	-0.09	0.02	-0.04	0.00	-0.03	0.00
	4.00	0.57E+06	87.51	0.57E+06	2.75	0.43	0.29	-0.41	-0.02	0.02	-0.09	0.02	-0.04	0.00	-0.03	0.00
6	10.58	0.57E+06	87.51	0.57E+06	2.73	0.28	0.20	-0.37	0.01	0.01	-0.04	0.01	-0.04	0.00	0.01	0.00
	8.07	0.57E+06	87.51	0.57E+06	2.73	0.28	0.20	-0.37	0.01	0.01	-0.04	0.01	-0.04	0.00	0.01	0.00
	2.00	0.57E+06	87.51	0.57E+06	2.73	0.28	0.20	-0.37	0.01	0.01	-0.04	0.01	-0.04	0.00	0.01	0.00
7	10.46	0.57E+06	87.51	0.57E+06	2.67	0.27	0.20	-0.30	0.03	0.00	-0.01	0.00	-0.03	0.01	0.03	0.01
	8.08	0.57E+06	87.51	0.57E+06	2.67	0.27	0.20	-0.30	0.03	0.00	-0.01	0.00	-0.03	0.01	0.03	0.01
	0.00	0.57E+06	87.51	0.57E+06	2.67	0.27	0.20	-0.30	0.03	0.00	-0.01	0.00	-0.03	0.01	0.03	0.01
8	10.46	0.57E+06	87.51	0.57E+06	2.72	0.28	0.20	-0.35	0.05	0.01	0.01	0.01	-0.04	0.00	0.06	0.00
	8.09	0.57E+06	87.51	0.57E+06	2.72	0.28	0.20	-0.35	0.05	0.01	0.01	0.01	-0.04	0.00	0.06	0.00
	-2.00	0.57E+06	87.51	0.57E+06	2.72	0.28	0.20	-0.35	0.05	0.01	0.01	0.01	-0.04	0.00	0.06	0.00
9	10.46	0.57E+06	87.51	0.57E+06	2.73	0.27	0.20	-0.37	0.05	0.00	0.08	0.00	-0.04	0.01	0.06	0.01
	8.08	0.57E+06	87.51	0.57E+06	2.73	0.27	0.20	-0.37	0.05	0.00	0.08	0.00	-0.04	0.01	0.06	0.01
	-8.00	0.57E+06	87.51	0.57E+06	2.73	0.27	0.20	-0.37	0.05	0.00	0.08	0.00	-0.04	0.01	0.06	0.01
10	10.46	0.57E+06	87.51	0.57E+06	2.89	0.30	0.30	-0.50	0.06	-0.02	0.14	0.00	-0.02	0.00	0.13	0.00
	8.08	0.57E+06	87.51	0.57E+06	2.91	0.30	0.30	-0.50	0.06	-0.02	0.14	0.00	-0.02	0.00	0.13	0.00
	-6.02	0.57E+06	87.51	0.57E+06	2.91	0.30	0.30	-0.50	0.06	-0.02	0.14	0.00	-0.02	0.00	0.13	0.00
11	10.58	0.57E+06	87.55	0.57E+06	2.81	0.29	0.29	-0.45	0.08	-0.01	0.16	0.00	-0.01	0.00	0.16	0.00
	8.08	0.57E+06	87.55	0.57E+06	2.82	0.29	0.29	-0.45	0.08	-0.01	0.16	0.00	-0.01	0.00	0.16	0.00
	-8.00	0.57E+06	87.55	0.57E+06	2.82	0.29	0.29	-0.45	0.08	-0.01	0.16	0.00	-0.01	0.00	0.16	0.00
12	10.46	0.57E+06	87.55	0.57E+06	2.91	0.31	0.31	-0.50	0.10	-0.01	0.21	0.00	-0.01	0.00	0.20	0.00
	8.08	0.57E+06	87.55	0.57E+06	2.93	0.31	0.31	-0.50	0.10	-0.01	0.21	0.00	-0.01	0.00	0.20	0.00
	-10.01	0.57E+06	87.55	0.57E+06	2.93	0.31	0.31	-0.50	0.10	-0.01	0.21	0.00	-0.01	0.00	0.20	0.00
13	10.46	0.57E+06	87.55	0.57E+06	3.01	0.33	0.33	-0.56	0.13	-0.01	0.28	0.00	-0.01	0.02	0.27	0.02
	8.08	0.57E+06	87.55	0.57E+06	3.03	0.33	0.33	-0.56	0.13	-0.01	0.28	0.00	-0.01	0.02	0.27	0.02
	-15.01	0.57E+06	87.55	0.57E+06	3.03	0.33	0.33	-0.56	0.13	-0.01	0.28	0.00	-0.01	0.02	0.27	0.02

PROPULSIVE MING FORCE DATA

SUMMARY, RUN 204

PT	Q ALPHA BETA	REV NO HEIGHT	CLIS			CPHIS			CYNIS			CSFIS		
			CAFIB CMUC	CAFIB CMUH	CAFIB CMUT	CMHIB CLTR	CMHIB CLTR	CMHIB CLTR	CMHIB CDTR	CMHIB CDTR	CMHIB CDTR	CMHIB CDTR	CMHIB CDTR	
1	5.29 15.01	0.41E+06 87.52	3.17 0.86	-0.69 1.86	-0.85 2.72	-0.12 -1.60	-0.01 0.52	-0.01 -0.14	-0.01 -0.22	-0.01 -0.22	-0.01 -0.22	-0.01 -0.22	-0.01 -0.22	
2	5.29 10.00	0.41E+06 87.18	3.16 0.86	-0.69 1.86	-0.84 2.72	-0.08 -1.62	0.00 0.52	0.00 -0.14	0.00 -0.14	0.00 -0.14	0.00 -0.14	0.00 -0.14	0.00 -0.14	
3	5.29 7.99	0.41E+06 87.18	3.11 0.85	-0.69 1.85	-0.83 2.71	-0.07 -1.56	-0.01 0.52	-0.01 -0.07	-0.01 -0.07	-0.01 -0.07	-0.01 -0.07	-0.01 -0.07	-0.01 -0.07	
4	5.40 5.02 5.97	0.41E+06 87.18	2.99 0.84	-0.70 1.83	-0.77 2.67	-0.06 -1.70	0.00 0.49	0.00 -0.04	0.00 -0.04	0.00 -0.04	0.00 -0.04	0.00 -0.04	0.00 -0.04	
5	5.17 4.00	0.40E+06 87.18	3.15 0.88	-0.73 1.91	-0.83 2.79	-0.04 -1.74	0.01 0.51	0.00 -0.68	0.00 -0.68	0.00 -0.68	0.00 -0.68	0.00 -0.68	0.00 -0.68	
6	5.29 1.98	0.41E+06 87.18	3.06 0.85	-0.72 1.85	-0.78 2.70	-0.03 -1.73	0.00 0.50	0.00 -0.63	0.00 -0.63	0.00 -0.63	0.00 -0.63	0.00 -0.63	0.00 -0.63	
7	5.29 0.02 -0.01	0.41E+06 87.18	3.07 0.87	-0.75 1.89	-0.76 2.76	0.00 -1.76	0.01 0.48	0.01 -0.61	0.01 -0.61	0.01 -0.61	0.01 -0.61	0.01 -0.61	0.01 -0.61	
8	5.17 -2.01	0.40E+06 87.18	3.11 0.89	-0.76 1.93	-0.79 2.81	0.03 -1.81	0.01 0.50	0.01 -0.64	0.01 -0.64	0.01 -0.64	0.01 -0.64	0.01 -0.64	0.01 -0.64	
9	5.17 -4.00	0.40E+06 87.18	3.10 0.89	-0.77 1.94	-0.79 2.82	0.07 -1.85	0.01 0.49	0.01 -0.63	0.01 -0.63	0.01 -0.63	0.01 -0.63	0.01 -0.63	0.01 -0.63	
10	5.17 -6.02	0.40E+06 87.18	3.12 0.89	-0.76 1.94	-0.81 2.83	0.09 -1.81	0.01 0.49	0.01 -0.65	0.01 -0.65	0.01 -0.65	0.01 -0.65	0.01 -0.65	0.01 -0.65	
11	5.29 -8.03	0.41E+06 87.18	3.13 0.87	-0.73 1.90	-0.82 2.77	0.10 -1.70	0.02 0.50	0.02 -0.67	0.02 -0.67	0.02 -0.67	0.02 -0.67	0.02 -0.67	0.02 -0.67	
12	5.29 -10.02	0.41E+06 87.18	3.11 0.87	-0.72 1.88	-0.83 2.75	0.11 -1.71	0.02 0.51	0.02 -0.67	0.02 -0.67	0.02 -0.67	0.02 -0.67	0.02 -0.67	0.02 -0.67	
13	5.29 -15.02	0.41E+06 87.18	3.13 0.87	-0.72 1.90	-0.80 2.77	0.15 -1.69	0.03 0.50	0.03 -0.65	0.03 -0.65	0.03 -0.65	0.03 -0.65	0.03 -0.65	0.03 -0.65	

PROPULSIVE MING FORCE DATA

SUMMARY. RUN 207

PT	Q	ALPHA	BETA	REY NO	REY HEIGHT	CLIS			CPMIS			CYMIS			CSFIS		
						CMFIB	CMUC	CMUM	CPHIB	CPHUT	CPHIB	CPHIB	CDTR	CMFIB	CMTR	CMFIB	CMTR
1	21.27	-2.03	5.00	0.82E+06	86.37	1.47	1.47	0.05	-0.33	-0.02	-0.02	-0.02	-0.04	-0.04	-0.04	-0.29	
	21.27	0.05	5.00	0.82E+06	88.29	1.52	1.52	0.09	-0.27	-0.02	-0.02	-0.02	-0.04	-0.04	-0.23		
	21.04	2.06	5.00	0.81E+06	85.70	1.71	1.71	0.17	-0.30	-0.02	-0.01	-0.01	-0.06	-0.06	-0.26		
4	21.15	4.07	5.00	0.81E+06	87.12	1.86	1.87	0.25	-0.29	-0.01	-0.02	-0.06	-0.06	-0.25			
	21.04	6.04	5.00	0.81E+06	87.58	1.99	2.01	0.33	-0.25	0.00	-0.02	-0.07	-0.07	-0.22			
	20.92	8.04	5.00	0.81E+06	87.26	2.25	2.30	0.46	-0.33	0.00	-0.02	-0.06	-0.06	-0.30			
7	21.15	10.11	5.00	0.81E+06	87.51	2.49	2.55	0.60	-0.37	0.01	-0.02	-0.07	-0.07	-0.33			
	21.04	12.05	5.00	0.81E+06	88.34	2.72	2.81	0.74	-0.41	0.00	-0.02	-0.06	-0.06	-0.37			
	21.15	14.04	5.00	0.81E+06	86.64	2.88	3.01	0.91	-0.37	-0.01	-0.02	-0.04	-0.04	-0.33			
10	20.81	16.08	5.00	0.81E+06	87.59	3.13	3.31	1.09	-0.42	-0.01	-0.02	-0.04	-0.04	-0.38			
	21.15	18.06	5.00	0.81E+06	87.85	3.18	3.40	1.22	-0.35	-0.01	-0.03	-0.03	-0.03	-0.31			
	21.15	20.05	5.00	0.81E+06	86.33	3.31	3.58	1.38	-0.34	0.00	-0.03	-0.03	-0.03	-0.30			
13	21.15	22.10	5.00	0.81E+06	93.28	3.37	3.70	1.54	-0.27	0.01	-0.05	-0.01	-0.01	-0.23			
	21.15	24.07	5.00	0.81E+06	91.28	3.70	4.07	1.65	-0.27	0.01	-0.05	-0.01	-0.01	-0.23			
	21.15	26.04	5.00	0.81E+06	89.28	4.07	4.47	1.75	-0.27	0.01	-0.05	-0.01	-0.01	-0.23			

PROPULSIVE MING FORCE DATA

SUMMARY. RUN 206

PT	Q	ALPHA	BETA	REY NO	REY HEIGHT	CLIS			CPMIS			CYMIS			CSFIS		
						CMFIB	CMUC	CMUM	CPHIB	CPHUT	CPHIB	CPHIB	CDTR	CMFIB	CMTR	CMFIB	CMTR
2	30.23	-2.05	5.00	0.97E+06	87.77	0.40	0.39	0.13	-0.12	0.00	-0.02	-0.03	-0.03	-0.03			
	30.35	0.02	5.00	0.97E+06	87.91	0.52	0.52	0.16	-0.11	-0.01	-0.02	-0.02	-0.02	-0.02			
	30.23	2.05	5.00	0.97E+06	87.96	0.62	0.63	0.18	-0.10	-0.01	-0.02	-0.02	-0.02	-0.02			
5	30.12	4.06	5.00	0.97E+06	85.84	0.73	0.75	0.21	-0.09	-0.01	-0.02	-0.02	-0.02	-0.02			
	30.12	6.04	5.00	0.97E+06	87.88	0.83	0.85	0.24	-0.06	-0.01	-0.02	-0.02	-0.02	-0.02			
	30.00	8.03	5.00	0.97E+06	88.00	0.96	0.99	0.28	-0.05	-0.01	-0.02	-0.02	-0.02	-0.02			
8	30.00	10.01	5.00	0.97E+06	87.88	1.09	1.14	0.33	-0.04	-0.01	-0.02	-0.01	-0.01	-0.01			
	29.89	12.10	5.00	0.97E+06	87.49	1.20	1.25	0.39	-0.01	-0.01	-0.02	-0.02	-0.02	-0.02			
	30.12	14.07	5.00	0.97E+06	87.50	1.31	1.39	0.46	-0.02	-0.02	-0.02	-0.02	-0.02	-0.02			
11	29.89	16.07	5.00	0.96E+06	88.21	1.42	1.51	0.53	-0.02	-0.02	-0.02	-0.02	-0.02	-0.02			
	29.89	18.04	5.00	0.97E+06	87.03	1.49	1.61	0.62	-0.04	-0.04	-0.04	-0.04	-0.04	-0.04			
	30.00	20.04	5.00	0.97E+06	87.83	1.60	1.75	0.72	-0.08	-0.08	-0.08	-0.08	-0.08	-0.08			
14	29.89	22.03	5.00	0.96E+06	94.85	1.67	1.85	0.82	-0.08	-0.08	-0.08	-0.08	-0.08	-0.08			
	29.89	24.00	5.00	0.96E+06	92.85	1.85	2.03	0.93	-0.08	-0.08	-0.08	-0.08	-0.08	-0.08			
	29.89	26.00	5.00	0.96E+06	90.85	2.03	2.21	1.04	-0.08	-0.08	-0.08	-0.08	-0.08	-0.08			

PROPULSIVE WING FORCE DATA

SUMMARY, RUN 208

PT	Q ALPHA BETA	REV NO HEIGHT	CL15			CPM15			CYM15			CSF15		
			CNF1B CMUC	CAF1B CMUM	CMUT	CNF1B CMUC	CAF1B CMUM	CMUT	CNF1B CMUC	CAF1B CMUM	CMUT	CNF1B CMUC	CAF1B CMUM	CMUT
1	10.58 -2.09 5.00	0.58E+06 86.74	1.97 1.98 0.45	-0.24 -0.16 0.96	-0.47 -0.47 1.40	-0.04 -0.04 -0.42	-0.02 -0.02 0.47	-0.03 -0.03 -0.39	3.04 3.01 0.89	-0.89 -0.70 2.81	-0.05 -0.05 -1.80	-0.03 -0.03 0.61	-0.01 -0.01 -0.73	
2	10.46 -0.02 5.00	0.57E+06 88.06	2.13 2.13 0.45	-0.17 -0.17 0.97	-0.48 -0.48 1.42	-0.04 -0.04 -0.32	-0.02 -0.02 0.46	-0.02 -0.02 -0.40	3.04 3.04 0.90	-0.75 -0.75 2.87	-0.06 -0.06 -1.94	-0.03 -0.03 0.52	-0.02 -0.02 -0.59	
3	10.81 2.04 5.00	0.58E+06 87.13	2.25 2.25 0.44	-0.05 -0.15 0.94	-0.45 -0.45 1.38	-0.05 -0.05 -0.14	-0.02 -0.02 0.48	-0.03 -0.03 -0.37	3.21 3.19 0.88	-0.61 -0.72 2.79	-0.06 -0.06 -1.70	-0.02 -0.02 0.47	-0.04 -0.04 -0.61	
4	10.81 4.03 5.00	0.58E+06 87.53	2.34 2.34 0.44	0.02 -0.14 0.94	-0.37 -0.37 1.38	-0.04 -0.04 -0.07	-0.01 -0.01 0.46	-0.04 -0.04 -0.29	3.23 3.23 0.89	-0.52 -0.62 2.83	-0.07 -0.06 -1.69	-0.02 -0.03 0.39	-0.03 -0.03 -0.46	
5	10.69 6.07 5.00	0.58E+06 86.73	2.58 2.58 0.43	0.15 -0.12 0.93	-0.44 -0.44 1.36	-0.04 -0.03 0.15	-0.01 -0.02 0.51	-0.05 -0.05 -0.37	3.46 3.41 0.87	-0.36 -0.72 2.78	-0.07 -0.07 -1.44	-0.01 -0.02 0.37	-0.03 -0.02 -0.52	
6	10.69 8.00 5.00	0.58E+06 87.25	2.72 2.73 0.44	0.28 -0.11 0.94	-0.39 -0.39 1.38	-0.03 -0.03 0.28	-0.01 -0.01 0.55	-0.06 -0.06 -0.32	3.69 3.62 0.89	-0.21 -0.72 2.85	-0.08 -0.08 -1.35	-0.02 -0.03 0.36	-0.01 -0.01 -0.47	
7	10.46 10.01 5.00	0.57E+06 88.28	2.98 3.02 0.45	0.44 -0.09 0.97	-0.41 -0.41 1.41	-0.02 -0.02 0.48	-0.01 -0.02 0.62	-0.08 -0.08 -0.33	4.06 4.00 0.89	0.01 -0.69 2.84	-0.06 -0.06 -1.00	0.00 0.00 0.40	-0.08 -0.08 -0.63	
8	10.35 11.99 5.00	0.57E+06 87.71	3.28 3.34 0.45	0.61 -0.08 0.98	-0.50 -0.50 1.43	-0.02 -0.01 0.74	-0.03 -0.03 0.72	-0.06 -0.06 -0.42	4.11 4.08 0.83	0.28 -0.59 1.81	-0.06 -0.74 -2.64	-0.06 -0.05 0.45	-0.06 -0.06 -0.60	
9	10.58 14.02 5.00	0.58E+06 86.17	3.47 3.57 0.44	0.61 -0.06 0.95	-0.50 -0.50 1.39	-0.02 -0.01 0.97	-0.02 -0.03 0.82	-0.07 -0.07 -0.42	4.37 4.35 0.85	0.47 -0.60 2.70	-0.05 -0.04 -0.47	0.00 -0.01 0.49	-0.12 -0.12 -0.69	
10	10.46 16.03 5.00	0.57E+06 87.20	3.70 3.83 0.45	1.00 -0.06 0.97	-0.53 -0.53 1.41	-0.04 -0.03 1.17	-0.03 -0.04 0.93	-0.05 -0.05 -0.46	4.71 4.72 0.89	0.69 -0.63 2.83	-0.04 -0.04 -0.38	-0.02 -0.04 0.54	-0.06 -0.06 -0.72	
11	10.58 18.03 5.00	0.58E+06 87.43	3.83 4.02 0.44	1.20 -0.05 0.96	-0.49 -0.49 1.41	-0.04 -0.03 1.34	-0.02 -0.03 1.04	-0.05 -0.05 -0.41	4.72 4.77 0.85	0.93 -0.58 2.71	-0.02 -0.74 -0.15	-0.01 -0.02 0.61	-0.12 -0.12 -0.59	
12	10.46 20.05 5.00	0.57E+06 89.30	4.02 4.26 0.45	1.40 -0.07 0.97	-0.49 -0.49 1.42	-0.03 -0.01 1.50	-0.03 -0.04 1.15	-0.05 -0.05 -0.41	4.81 4.91 0.85	1.14 -0.59 2.70	-0.03 -0.03 -0.03	-0.01 -0.01 0.65	-0.12 -0.12 -0.53	
13	10.23 22.04 5.00	0.57E+06 96.36	4.22 4.51 0.46	1.60 -0.09 0.99	-0.47 -0.47 1.45	0.00 0.01 1.65	-0.03 -0.03 1.26	-0.07 -0.07 -0.39	5.28 5.44 0.89	1.46 -0.64 2.83	-0.05 -0.04 0.24	-0.02 -0.04 0.77	-0.08 -0.08 -0.66	

PROPULSIVE WING FORCE DATA

SUMMARY. RUN 211

PT	Q		CL15	CD15	CAF15	CNU15	CRM15	CLTR	CYN15	CSF15	CNR
	ALPHA	BETA									
1	21.04	0.00	1.44	0.04	0.09	0.29	0.00	0.00	0.00	0.00	0.01
	-2.01	0.81E+06	1.43	0.09	0.29	0.00	0.00	0.00	0.00	0.00	0.01
	0.00	78.15	0.22	0.47	0.69	0.26	0.38	-0.25			
2	21.04	0.00	1.52	0.08	0.24	0.00	0.00	0.00	0.00	0.00	0.00
	0.02	0.81E+06	1.52	0.08	0.24	0.00	0.00	0.00	0.00	0.00	0.00
	0.00	84.92	0.22	0.47	0.69	0.32	0.38	-0.21			
3	20.92	0.00	1.61	0.14	0.21	0.00	0.00	0.00	0.00	0.00	0.01
	1.99	0.81E+06	1.61	0.08	0.21	0.00	0.00	0.00	0.00	0.00	0.01
	0.00	86.60	0.22	0.47	0.69	0.40	0.40	-0.18			
4	21.04	0.00	1.84	0.23	0.30	0.02	0.00	0.00	0.00	0.02	0.02
	4.01	0.81E+06	1.85	0.10	0.30	0.02	0.01	0.02	0.01	0.02	0.02
	0.00	86.17	0.22	0.47	0.69	0.63	0.45	-0.26			
5	20.92	0.00	1.90	0.30	0.18	0.03	0.00	0.00	0.00	0.03	0.03
	6.01	0.81E+06	1.92	0.10	0.18	0.03	0.01	0.03	0.01	0.03	0.03
	0.00	85.63	0.22	0.47	0.69	0.67	0.47	-0.14			
6	20.92	0.00	2.19	0.43	0.28	0.04	0.00	0.00	0.00	0.03	0.03
	8.00	0.81E+06	2.23	0.12	0.28	0.04	0.00	0.00	0.00	0.03	0.03
	-0.01	85.82	0.22	0.47	0.69	0.95	0.56	-0.24			
7	20.92	0.00	2.48	0.58	0.35	0.03	0.00	0.00	0.00	0.01	0.01
	9.99	0.81E+06	2.54	0.14	0.35	0.03	0.00	0.00	0.00	0.01	0.01
	-0.01	85.37	0.22	0.47	0.69	1.24	0.67	-0.32			
8	21.04	0.00	2.73	0.75	0.40	0.01	0.00	0.00	0.00	0.01	0.01
	12.01	0.81E+06	2.83	0.16	0.40	0.01	0.00	0.00	0.00	0.01	0.01
	-0.01	82.69	0.22	0.47	0.68	1.50	0.80	-0.36			
9	20.92	0.00	2.95	0.91	0.42	0.01	0.00	0.00	0.00	0.02	0.02
	14.02	0.81E+06	3.09	0.17	0.42	0.01	0.01	0.01	0.01	0.02	0.02
	0.00	84.34	0.22	0.46	0.68	1.72	0.92	-0.35			
10	21.04	0.00	3.05	1.05	0.37	0.01	0.00	0.00	0.00	0.01	0.01
	16.00	0.81E+06	3.23	0.17	0.37	0.01	0.00	0.00	0.00	0.01	0.01
	-0.01	85.12	0.21	0.46	0.67	1.83	1.02	-0.33			
11	20.81	0.00	3.15	1.19	0.31	0.02	0.00	0.00	0.00	0.04	0.04
	18.00	0.81E+06	3.36	0.16	0.31	0.02	0.01	0.02	0.01	0.04	0.04
	-0.01	85.27	0.21	0.46	0.67	1.91	1.11	-0.27			
12	20.81	0.00	3.29	1.35	0.30	0.02	0.00	0.00	0.00	0.03	0.03
	20.00	0.81E+06	3.55	0.15	0.30	0.02	0.01	0.03	0.01	0.03	0.03
	-0.01	86.29	0.22	0.46	0.68	2.05	1.23	-0.27			
13	21.04	0.00	3.37	1.50	0.30	0.02	0.00	0.00	0.00	0.02	0.02
	21.99	0.81E+06	3.69	0.13	0.30	0.02	0.00	0.00	0.00	0.02	0.02
	-0.01	93.20	0.21	0.46	0.67	2.15	1.34	-0.26			

PROPULSIVE WING FORCE DATA

SUMMARY. RUN 210

PT	Q		CL15	CD15	CAF15	CNU15	CRM15	CLTR	CYN15	CSF15	CNR
	ALPHA	BETA									
4	30.12	0.00	0.40	0.13	0.15	0.12	0.00	0.00	0.00	0.01	0.01
	-2.00	0.97E+06	0.39	0.15	0.12	0.00	0.00	0.00	0.00	-0.01	-0.01
	0.00	79.85	0.00	0.00	0.00	0.13	0.20	-0.09			
5	30.00	0.00	0.51	0.15	0.11	0.00	0.00	0.00	0.00	0.00	0.00
	0.00	0.97E+06	0.51	0.15	0.11	0.00	0.00	0.00	0.00	0.00	0.00
	0.00	86.71	0.00	0.00	0.00	0.23	0.21	-0.08			
6	29.89	0.00	0.61	0.18	0.09	0.00	0.00	0.00	0.00	0.00	0.00
	2.00	0.97E+06	0.61	0.15	0.09	0.00	0.00	0.00	0.00	0.00	0.00
	0.00	86.82	0.00	0.00	0.00	0.33	0.22	-0.06			
7	29.89	0.00	0.71	0.20	0.08	0.00	0.00	0.00	0.00	0.01	0.01
	4.01	0.97E+06	0.72	0.15	0.08	0.00	0.00	0.00	0.00	-0.01	-0.01
	0.00	87.55	0.00	0.00	0.00	0.43	0.23	-0.04			
8	29.89	0.00	0.84	0.23	0.07	0.00	0.00	0.00	0.00	0.00	0.00
	6.01	0.97E+06	0.86	0.15	0.07	0.00	0.00	0.00	0.00	0.00	0.00
	0.00	88.24	0.00	0.00	0.00	0.56	0.26	-0.03			
9	29.89	0.00	0.94	0.27	0.03	0.00	0.00	0.00	0.00	0.01	0.01
	7.99	0.97E+06	0.96	0.14	0.03	0.00	0.00	0.00	0.00	-0.01	-0.01
	0.00	87.85	0.00	0.00	0.00	0.66	0.29	0.00			
10	30.12	0.00	1.06	0.32	0.02	0.00	0.00	0.00	0.00	0.01	0.01
	9.99	0.97E+06	1.10	0.13	0.02	0.00	0.00	0.00	0.00	-0.01	-0.01
	0.00	87.11	0.00	0.00	0.00	0.79	0.33	0.01			
11	29.89	0.00	1.20	0.38	0.02	0.00	0.00	0.00	0.00	0.01	0.01
	11.99	0.97E+06	1.25	0.13	0.02	0.00	0.00	0.00	0.00	-0.01	-0.01
	-0.01	87.66	0.00	0.00	0.00	0.92	0.38	0.01			
12	30.00	0.00	1.31	0.45	0.02	0.00	0.00	0.00	0.00	0.01	0.01
	13.98	0.97E+06	1.37	0.12	0.02	0.00	0.00	0.00	0.00	-0.01	-0.01
	0.00	86.65	0.00	0.00	0.00	1.02	0.43	0.02			
13	29.77	0.00	1.40	0.52	0.01	0.00	0.00	0.00	0.00	0.00	0.00
	16.00	0.97E+06	1.49	0.12	0.01	0.00	0.00	0.00	0.00	0.00	0.00
	0.00	86.58	0.00	0.00	0.00	1.12	0.50	0.03			
14	30.00	0.00	1.50	0.61	0.04	0.00	0.00	0.00	0.00	0.00	0.00
	18.00	0.97E+06	1.61	0.12	0.04	0.00	0.00	0.00	0.00	0.00	0.00
	-0.01	85.66	0.00	0.00	0.00	1.22	0.58	0.00			
15	29.89	0.00	1.59	0.71	0.08	0.00	0.00	0.00	0.00	0.01	0.01
	20.00	0.97E+06	1.74	0.12	0.08	0.00	0.00	0.00	0.00	-0.01	-0.01
	-0.01	87.61	0.00	0.00	0.00	1.32	0.67	-0.05			
16	29.89	0.00	1.68	0.81	0.08	0.00	0.00	0.00	0.00	0.02	0.02
	22.00	0.97E+06	1.86	0.12	0.08	0.00	0.00	0.00	0.00	-0.02	-0.02
	-0.01	94.59	0.00	0.00	0.00	1.40	0.76	-0.05			

PROPULSIVE WING FORCE DATA

SUMMARY, RUN 213

PT	Q ALPHA BETA	REY NO HEIGHT	CL15 CNFIB CMUC	CD15 CAFIB CMUW	CPM15 CPMIB CMUT	CRM15 CRMIB CLTR	CYM15 CYMIB CDR	CSF15 CSFIB CNTR
1	5.29 -1.98 0.00	0.41E+06 85.07	2.85 2.88 0.82	-0.82 -0.72 1.81	-0.81 -0.81 2.62	-0.81 -0.81 -1.89	0.01 0.01 0.56	-0.01 -0.01 -0.66
2	5.29 0.00	0.41E+06 84.52	2.90 2.90 0.81	-0.72 -0.72 1.79	-0.71 -0.71 2.60	0.01 0.01 -1.86	0.02 0.02 0.49	-0.07 -0.07 -0.56
3	5.29 2.01 0.00	0.41E+06 84.68	3.11 3.09 0.81	-0.61 -0.71 1.79	-0.75 -0.75 2.60	0.02 0.02 -1.68	0.02 0.02 0.43	-0.08 -0.08 -0.61
4	5.29 0.00	0.41E+06 84.52	3.22 4.01 0.81	-0.50 -0.72 1.80	-0.66 -0.66 2.61	0.02 0.02 -1.62	0.01 0.01 0.37	-0.06 -0.06 -0.51
5	5.29 5.99 0.00	0.41E+06 85.49	3.45 3.39 0.81	-0.35 -0.71 1.80	-0.70 -0.70 2.61	0.00 0.00 -1.43	0.01 0.01 0.35	-0.06 -0.06 -0.55
6	5.29 8.00 -0.01	0.41E+06 85.81	3.56 3.49 0.81	-0.20 -0.70 1.80	-0.60 -0.60 2.61	0.00 0.00 -1.34	0.00 0.00 0.33	-0.06 -0.06 -0.45
7	5.29 9.98 -0.01	0.41E+06 85.05	3.87 3.81 0.82	0.00 -0.68 1.81	-0.72 -0.72 2.62	0.00 0.00 -1.05	0.00 0.00 0.36	-0.06 -0.06 -0.57
8	5.29 12.00 -0.01	0.41E+06 86.68	4.15 4.11 0.81	0.21 -0.65 1.81	-0.75 -0.75 2.62	0.02 0.02 -0.77	0.01 0.01 0.41	-0.10 -0.10 -0.60
9	5.17 13.99 -0.01	0.40E+06 88.31	4.27 4.23 0.84	0.37 -0.67 1.85	-0.66 -0.66 2.68	0.04 0.04 -0.77	0.01 0.01 0.40	-0.12 -0.12 -0.51
10	5.17 16.00 -0.01	0.40E+06 87.28	4.38 4.36 0.84	0.55 -0.68 1.85	-0.59 -0.59 2.68	0.06 0.06 -0.66	0.00 0.00 0.40	-0.15 -0.15 -0.44
11	5.29 18.00 -0.01	0.41E+06 88.02	4.51 4.52 0.82	0.76 -0.67 1.80	-0.59 -0.59 2.62	0.07 0.08 -0.41	-0.02 0.01 0.44	-0.14 -0.14 -0.44
12	5.29 20.01 -0.01	0.41E+06 90.56	4.71 4.77 0.82	1.01 -0.67 1.81	-0.64 -0.64 2.62	0.05 0.05 -0.19	-0.03 -0.02 0.51	-0.09 -0.09 -0.49
13	5.29 21.99 -0.01	0.41E+06 97.72	5.01 5.13 0.82	1.30 -0.67 1.80	-0.74 -0.74 2.62	0.02 0.02 0.12	-0.02 0.01 0.64	-0.09 -0.09 -0.59

PROPULSIVE WING FORCE DATA

SUMMARY, RUN 212

PT	Q ALPHA BETA	REY NO HEIGHT	CL15 CNFIB CMUC	CD15 CAFIB CMUW	CPM15 CPMIB CMUT	CRM15 CRMIB CLTR	CYM15 CYMIB CDR	CSF15 CSFIB CNTR
1	10.46 -2.00 0.00	0.58E+06 83.67	1.95 1.96 0.42	-0.25 -0.19 0.92	-0.45 -0.45 1.35	0.00 0.00 -0.45	0.01 0.01 0.45	-0.01 -0.01 -0.38
2	10.46 -0.01 0.00	0.58E+06 90.54	2.10 2.10 0.42	-0.18 -0.18 0.93	-0.45 -0.45 1.35	0.00 0.00 -0.32	0.00 0.00 0.44	0.01 0.01 -0.38
3	10.46 1.98 0.00	0.58E+06 88.48	2.23 2.23 0.42	-0.10 -0.18 0.92	-0.42 -0.42 1.34	0.00 0.00 -0.21	0.01 0.01 0.43	-0.02 -0.02 -0.35
4	10.58 4.00 0.00	0.58E+06 87.96	2.33 2.33 0.42	0.00 -0.17 0.91	-0.37 -0.37 1.33	0.00 0.00 -0.10	0.00 0.00 0.44	-0.01 -0.01 -0.29
5	10.58 5.99 -0.01	0.58E+06 86.92	2.55 2.55 0.42	0.12 -0.15 0.92	-0.42 -0.42 1.33	0.02 0.02 0.10	0.01 0.02 0.48	-0.06 -0.06 -0.34
6	10.46 7.99 -0.01	0.58E+06 86.48	2.71 2.72 0.41	0.24 -0.13 0.91	-0.38 -0.38 1.32	0.03 0.03 0.24	0.00 0.01 0.52	-0.05 -0.05 -0.31
7	10.23 9.98 -0.01	0.57E+06 86.44	2.99 3.02 0.42	0.40 -0.13 0.92	-0.43 -0.43 1.34	0.03 0.03 0.47	-0.01 0.00 0.59	-0.04 -0.04 -0.35
8	10.58 12.03 -0.01	0.58E+06 86.82	3.15 3.20 0.41	0.56 -0.11 0.90	-0.43 -0.43 1.31	0.03 0.03 0.70	0.00 0.01 0.66	-0.07 -0.07 -0.36
9	10.46 14.00 0.00	0.58E+06 85.99	3.38 3.46 0.42	0.74 -0.10 0.92	-0.44 -0.44 1.33	0.01 0.01 0.89	0.00 0.00 0.75	-0.03 -0.03 -0.37
10	10.35 16.00 -0.01	0.57E+06 87.07	3.62 3.74 0.42	0.94 -0.10 0.92	-0.47 -0.47 1.34	-0.01 -0.01 1.10	0.01 0.01 0.86	-0.04 -0.04 -0.39
11	10.46 17.98 -0.01	0.58E+06 87.56	3.79 3.95 0.41	1.12 -0.10 0.91	-0.48 -0.48 1.32	-0.02 -0.02 1.31	0.01 0.00 0.96	-0.04 -0.04 -0.40
12	10.46 20.00 -0.01	0.58E+06 89.01	3.93 4.14 0.42	1.32 -0.10 0.92	-0.44 -0.44 1.34	-0.01 -0.01 1.45	0.01 0.01 1.07	-0.05 -0.05 -0.37
13	10.46 22.01 -0.01	0.58E+06 96.14	3.98 4.24 0.42	1.48 -0.12 0.92	-0.34 -0.34 1.34	0.01 0.01 1.51	0.01 0.01 1.14	-0.06 -0.06 -0.26

PROPULSIVE HING FORCE DATA

SUMMARY, RUN 215

PT	Q ALPHA	REY NO BETA	REY HEIGHT	CL15 CNF1B CMUC	CD15 CAF1B CMUH	CPM15 CPM1B CMUT	CRM15 CRM1B CLTR	CYM15 CYM1B CDMR	CSF15 CSF1B CMTR
5	0.00	0.30E+08	73.81	1.50	0.07	-7.23	-0.61	-13.86	1.48
	-0.01	0.30E+08	73.81	1.50	0.07	-7.23	-0.61	-13.86	1.48
	0.00	0.30E+08	73.81	1.50	0.07	-7.23	-0.61	-13.86	1.48
6	0.00	0.30E+08	73.81	50.95	-31.82	-518.50	14.42	-6.31	-0.17
	0.02	0.30E+08	73.81	50.94	-31.83	-518.50	14.42	-6.30	-0.17
	0.00	0.30E+08	73.81	22.42	45.68	68.10	-121.00	3.87	-510.20
7	0.00	0.30E+08	73.81	80.30	-48.38	-778.30	26.10	-8.94	0.79
	0.05	0.30E+08	73.81	80.26	-48.45	-778.30	26.11	-8.92	0.79
	0.00	0.30E+08	73.81	37.13	78.20	115.30	-156.30	4.58	-771.50
8	0.00	0.30E+08	73.81	114.10	-67.55	-1133.00	29.95	-23.74	1.52
	0.07	0.30E+08	73.81	114.00	-67.68	-1133.00	29.98	-23.70	1.52
	0.00	0.30E+08	73.81	51.49	109.70	161.20	-181.30	4.49	-1124.00
9	0.00	0.30E+08	73.81	143.50	-85.41	-1456.00	9.38	-31.68	0.60
	0.08	0.30E+08	73.81	143.40	-85.63	-1456.00	9.43	-31.67	0.60
	0.00	0.30E+08	73.81	64.66	138.60	203.20	-202.70	6.25	-1444.00

PROPULSIVE HING FORCE DATA

SUMMARY, RUN 214

PT	Q ALPHA	REY NO BETA	REY HEIGHT	CL15 CNF1B CMUC	CD15 CAF1B CMUH	CPM15 CPM1B CMUT	CRM15 CRM1B CLTR	CYM15 CYM1B CDMR	CSF15 CSF1B CMTR
2	30.00	0.97E+08	78.09	0.41	0.14	-0.12	0.00	0.00	0.01
	-2.00	0.97E+08	78.09	0.40	0.15	-0.12	0.00	0.00	0.01
	0.00	0.97E+08	78.09	0.00	0.00	0.00	0.14	0.20	-0.09
3	30.00	0.97E+06	84.71	0.51	0.15	-0.11	0.00	0.00	0.01
	-0.01	0.97E+06	84.71	0.51	0.15	-0.11	0.00	0.00	0.01
	0.00	0.97E+06	84.71	0.00	0.00	0.00	0.23	0.21	-0.08
4	30.12	0.97E+06	91.81	0.61	0.18	-0.09	0.00	0.00	0.01
	2.02	0.97E+06	91.81	0.61	0.16	-0.09	0.00	0.00	0.01
	0.00	0.97E+06	91.81	0.00	0.00	0.00	0.33	0.22	-0.06
5	30.35	0.97E+06	91.81	0.60	0.18	-0.09	0.00	-0.01	0.01
	2.03	0.97E+06	91.81	0.61	0.16	-0.09	0.00	-0.01	0.01
	0.00	0.97E+06	91.81	0.00	0.00	0.00	0.33	0.22	-0.05
6	29.89	0.96E+06	85.91	0.72	0.21	-0.08	0.00	-0.01	0.00
	4.01	0.96E+06	85.91	0.73	0.16	-0.08	0.00	-0.01	0.00
	0.00	0.96E+06	85.91	0.00	0.00	0.00	0.44	0.24	-0.05
7	30.00	0.96E+06	85.55	0.84	0.24	-0.07	0.00	-0.01	0.00
	6.01	0.96E+06	85.55	0.86	0.15	-0.07	0.00	-0.01	0.00
	0.00	0.96E+06	85.55	0.00	0.00	0.00	0.56	0.27	-0.04
8	30.12	0.97E+06	86.31	0.94	0.28	-0.04	0.00	-0.01	0.00
	8.00	0.97E+06	86.31	0.97	0.15	-0.04	0.00	-0.01	0.00
	-0.01	0.97E+06	86.31	0.00	0.00	0.00	0.67	0.30	0.00
9	30.12	0.97E+06	87.86	1.06	0.33	-0.01	0.00	-0.01	0.00
	10.00	0.97E+06	87.86	1.10	0.14	-0.01	0.00	-0.01	0.00
	-0.01	0.97E+06	87.86	0.00	0.00	0.00	0.78	0.34	0.02
10	30.00	0.96E+06	88.24	1.19	0.39	-0.01	0.00	-0.01	0.00
	11.98	0.96E+06	88.24	1.25	0.13	-0.01	0.00	-0.01	0.00
	-0.01	0.96E+06	88.24	0.00	0.00	0.00	0.91	0.39	0.03
11	30.00	0.96E+06	87.04	1.27	0.45	0.01	0.00	-0.01	0.00
	13.99	0.96E+06	87.04	1.34	0.13	0.01	0.00	-0.01	0.00
	-0.01	0.96E+06	87.04	0.00	0.00	0.00	0.99	0.44	0.05
12	29.89	0.96E+06	85.69	1.40	0.54	-0.01	0.00	-0.01	0.00
	16.00	0.96E+06	85.69	1.50	0.13	-0.01	0.00	-0.01	0.00
	-0.01	0.96E+06	85.69	0.00	0.00	0.00	1.13	0.51	0.03
13	30.12	0.96E+06	86.92	1.49	0.62	-0.03	0.00	-0.01	0.00
	18.03	0.96E+06	86.92	1.61	0.13	-0.03	0.00	-0.01	0.00
	-0.01	0.96E+06	86.92	0.00	0.00	0.00	1.21	0.59	0.00
14	30.00	0.96E+06	87.76	1.59	0.73	-0.08	0.00	-0.01	0.01
	20.01	0.96E+06	87.76	1.74	0.14	-0.08	0.00	-0.01	0.01
	-0.01	0.96E+06	87.76	0.00	0.00	0.00	1.31	0.68	-0.04
15	30.00	0.96E+06	94.64	1.68	0.83	-0.08	0.00	-0.01	0.00
	22.02	0.96E+06	94.64	1.86	0.14	-0.08	0.00	-0.01	0.00
	-0.01	0.96E+06	94.64	0.00	0.00	0.00	1.40	0.78	-0.05

PROPULSIVE MING FORCE DATA

SUMMARY. RUN 217

PT	Q		REY NO HEIGHT	CLIS CMFIB CMUC	CDFIS CAFIB CHUM	CPRIS CPMIB CMUT	CRMIS CRMIB CLTR	CYMIS CYMIB CDTR	CSFIS CSFIB CHTR
	ALPHA BETA	BETA							
1	21.15	-1.99	0.81E+06	1.29	0.09	-0.13	0.01	0.00	0.02
	0.00	0.00	83.52	1.28	0.14	-0.13	0.01	0.00	0.02
				0.21	0.45	0.67	0.83	0.39	-0.11
2	21.04	0.01	0.81E+06	1.36	0.13	-0.07	0.00	0.00	0.02
	0.00	0.00	90.25	1.36	0.13	-0.07	0.00	0.00	0.02
				0.21	0.46	0.67	0.89	0.41	-0.05
3	21.04	1.99	0.81E+06	1.43	0.17	-0.05	0.01	0.01	0.02
	0.00	0.00	89.08	1.43	0.12	-0.05	0.01	0.01	0.02
				0.21	0.46	0.67	0.95	0.43	-0.03
4	21.04	3.99	0.81E+06	1.51	0.21	0.01	0.03	0.01	0.01
	0.00	0.00	88.13	1.52	0.11	0.01	0.03	0.01	0.01
				0.21	0.46	0.67	1.02	0.46	0.03
5	20.92	6.00	0.81E+06	1.61	0.29	0.04	0.02	0.02	-0.02
	0.00	0.00	86.74	1.64	0.12	0.04	0.02	0.02	-0.02
				0.21	0.46	0.67	1.11	0.52	0.06
6	21.15	8.02	0.81E+06	1.75	0.38	0.05	0.02	0.02	0.01
	0.00	0.00	85.20	1.79	0.14	0.05	0.02	0.02	0.01
				0.21	0.45	0.66	1.25	0.59	0.07
7	21.04	9.99	0.81E+06	1.84	0.50	0.04	0.01	0.01	0.01
	0.00	0.00	85.02	2.00	0.16	0.04	0.00	0.01	0.01
				0.21	0.45	0.66	1.43	0.69	0.06
8	20.92	12.00	0.81E+06	2.18	0.65	0.01	0.01	0.02	-0.01
	0.00	0.00	84.70	2.26	0.18	0.01	0.01	0.02	-0.01
				0.21	0.45	0.67	1.65	0.83	0.03
9	21.15	13.98	0.81E+06	2.41	0.82	-0.02	0.01	0.01	0.00
	0.00	0.00	83.32	2.53	0.21	-0.02	0.01	0.01	0.00
				0.21	0.45	0.66	1.88	0.97	-0.01
10	20.92	16.01	0.81E+06	2.64	1.00	-0.04	0.01	0.02	-0.01
	0.00	0.00	85.53	2.81	0.24	-0.04	0.01	0.02	-0.01
				0.21	0.46	0.67	2.10	1.14	-0.02
11	20.92	17.99	0.81E+06	2.75	1.14	-0.01	0.03	0.01	-0.02
	0.00	0.00	86.86	2.97	0.23	-0.01	0.02	0.02	-0.02
				0.21	0.46	0.67	2.21	1.26	0.01
12	21.04	20.03	0.81E+06	2.85	1.28	0.00	0.03	0.01	-0.02
	0.00	0.00	85.48	3.12	0.23	0.00	0.03	0.02	-0.02
				0.21	0.46	0.67	2.31	1.38	0.02
13	21.15	22.03	0.81E+06	2.85	1.39	0.07	0.03	0.02	-0.03
	0.00	0.00	92.47	3.16	0.22	0.07	0.02	0.02	-0.03
				0.21	0.45	0.66	2.30	1.47	0.08

PROPULSIVE MING FORCE DATA

SUMMARY. RUN 216

PT	Q		REY NO HEIGHT	CLIS CMFIB CMUC	CDFIS CAFIB CHUM	CPRIS CPMIB CMUT	CRMIS CRMIB CLTR	CYMIS CYMIB CDTR	CSFIS CSFIB CHTR
	ALPHA BETA	BETA							
2	29.89	-1.99	0.96E+06	0.40	0.16	0.02	0.00	0.00	0.01
	0.00	0.00	79.60	0.39	0.17	0.02	0.00	0.00	0.01
				0.00	0.00	0.13	0.22	0.05	0.05
3	30.12	0.01	0.96E+06	0.52	0.18	0.03	0.00	0.00	0.01
	0.00	0.00	86.20	0.52	0.18	0.03	0.00	0.00	0.01
				0.00	0.00	0.25	0.23	0.06	0.06
4	30.12	2.01	0.96E+06	0.63	0.21	0.05	0.00	0.00	0.01
	0.00	0.00	84.93	0.63	0.19	0.05	0.00	0.00	0.01
				0.00	0.00	0.35	0.26	0.08	0.08
5	30.12	4.00	0.96E+06	0.74	0.25	0.05	0.00	0.00	0.01
	0.00	0.00	84.92	0.76	0.20	0.05	0.00	0.00	0.01
				0.00	0.00	0.47	0.29	0.09	0.09
6	30.00	6.00	0.96E+06	0.85	0.30	0.05	0.00	0.00	0.01
	0.00	0.00	84.37	0.88	0.21	0.05	0.00	0.00	0.01
				0.00	0.00	0.58	0.32	0.08	0.08
7	29.89	8.01	0.96E+06	0.99	0.35	0.04	0.00	0.00	0.01
	0.00	0.00	83.93	1.03	0.21	0.04	0.00	0.00	0.01
				0.00	0.00	0.71	0.37	0.07	0.07
8	30.00	10.04	0.96E+06	1.09	0.40	-0.02	0.00	0.00	0.00
	0.00	0.00	82.05	1.14	0.21	-0.02	0.00	0.00	0.00
				0.00	0.00	0.81	0.41	0.01	0.01
9	30.35	12.00	0.97E+06	1.19	0.45	-0.05	0.01	0.00	0.01
	0.00	0.00	84.02	1.26	0.20	-0.05	0.00	0.00	0.01
				0.00	0.00	0.91	0.45	-0.01	-0.01
10	30.00	14.00	0.96E+06	1.28	0.52	-0.03	0.01	0.00	0.01
	0.00	0.00	86.12	1.37	0.19	-0.03	0.01	0.00	0.01
				0.00	0.00	1.01	0.51	0.00	0.00
11	29.89	16.01	0.96E+06	1.40	0.60	-0.04	0.01	0.00	0.01
	0.00	0.00	86.52	1.51	0.19	-0.04	0.01	0.00	0.01
				0.00	0.00	1.12	0.58	0.00	0.00
12	30.00	18.00	0.96E+06	1.49	0.69	-0.04	0.01	0.00	0.01
	0.00	0.00	82.70	1.64	0.20	-0.04	0.00	0.00	0.01
				0.00	0.00	1.22	0.66	-0.01	-0.01
13	29.77	19.99	0.96E+06	1.59	0.79	-0.05	0.00	0.00	0.01
	0.00	0.00	87.25	1.77	0.20	-0.05	0.00	0.00	0.01
				0.00	0.00	1.31	0.75	-0.01	-0.01
14	30.12	22.03	0.96E+06	1.65	0.88	-0.05	0.01	0.00	0.01
	0.00	0.00	94.42	1.86	0.20	-0.05	0.01	0.00	0.01
				0.00	0.00	1.38	0.83	-0.02	-0.02



PROPULSIVE MING FORCE DATA

SUMMARY, RUM 219

PT	Q		REV NO HEIGHT	CL15 CNF1B CMUC	CD15 CAF1B CMUN	CPM15 CPM1B CMUT	CRM15 CRM1B CLTR	CVM15 CVM1B CDTR	CSF15 CSF1B CMTR
	ALPHA	BETA							
1	5.29	-2.01	0.41E+06	3.22	-0.58	-0.67	0.02	0.01	0.04
	0.00	0.00	81.86	3.24	-0.46	-0.67	0.02	0.01	0.04
2	5.17	0.00	0.40E+06	3.35	-0.50	-0.62	0.01	0.02	0.02
	0.00	0.00	89.06	3.35	-0.50	-0.62	0.01	0.02	0.02
3	5.17	2.03	0.40E+06	3.30	-0.42	-0.52	0.01	0.01	0.01
	0.00	0.00	87.40	3.28	-0.53	-0.52	0.01	0.01	0.01
4	5.29	4.00	0.41E+06	3.34	-0.30	-0.48	0.02	0.00	-0.01
	0.00	0.00	87.16	3.31	-0.54	-0.48	0.02	0.01	-0.01
5	5.29	5.99	0.41E+06	3.43	-0.18	-0.44	0.01	0.01	-0.02
	0.00	0.00	87.68	3.39	-0.53	-0.44	0.01	0.01	-0.02
6	5.17	7.99	0.40E+06	3.72	-0.01	-0.50	0.02	0.01	-0.02
	0.00	0.00	86.92	3.68	-0.53	-0.50	0.02	0.01	-0.02
7	5.29	10.00	0.41E+06	3.74	0.14	-0.44	0.01	0.01	-0.02
	0.00	0.00	87.18	3.70	-0.51	-0.44	0.01	0.01	-0.02
8	5.29	12.00	0.41E+06	3.93	0.32	-0.52	0.01	0.00	-0.04
	0.00	0.00	87.53	3.91	-0.50	-0.52	0.01	0.01	-0.04
9	5.29	13.99	0.41E+06	4.10	0.51	-0.51	0.04	0.00	-0.07
	0.00	0.00	89.69	4.10	-0.50	-0.51	0.04	0.01	-0.07
10	5.17	16.02	0.40E+06	4.26	0.70	-0.42	0.05	0.01	-0.08
	0.00	0.00	88.96	4.28	-0.50	-0.42	0.05	0.02	-0.08
11	5.29	18.01	0.41E+06	3.98	0.79	-0.11	0.03	-0.01	0.00
	0.00	0.00	88.33	4.03	-0.48	-0.11	0.03	0.00	0.00
12	5.29	20.00	0.41E+06	4.49	1.14	-0.49	0.02	0.01	-0.04
	0.00	0.00	90.46	4.60	-0.47	-0.49	0.02	0.01	-0.04
13	5.29	22.00	0.41E+06	4.65	1.39	-0.50	0.03	0.01	-0.03
	0.00	0.00	97.70	4.83	-0.45	-0.50	0.02	0.02	-0.03

PROPULSIVE MING FORCE DATA

SUMMARY, RUM 218

PT	Q		REV NO HEIGHT	CL15 CNF1B CMUC	CD15 CAF1B CMUN	CPM15 CPM1B CMUT	CRM15 CRM1B CLTR	CVM15 CVM1B CDTR	CSF15 CSF1B CMTR
	ALPHA	BETA							
3	10.46	-2.01	0.57E+06	2.08	-0.07	-0.30	0.00	0.00	0.04
	0.00	0.00	78.63	2.03	0.01	-0.30	0.00	0.00	0.04
4	10.46	0.01	0.57E+06	2.14	-0.03	-0.24	0.00	-0.01	0.03
	0.00	0.00	85.70	2.14	-0.03	-0.24	0.00	-0.01	0.03
5	10.35	2.01	0.57E+06	2.27	0.04	-0.23	0.00	0.00	0.03
	0.00	0.00	84.71	2.27	-0.04	-0.23	0.00	0.00	0.03
6	10.46	4.01	0.57E+06	2.36	0.11	-0.20	0.00	0.00	0.01
	0.00	0.00	85.20	2.43	-0.05	-0.20	0.00	0.00	0.01
7	10.35	6.00	0.57E+06	2.45	0.20	-0.15	0.01	0.00	0.03
	0.00	0.00	85.39	2.46	-0.05	-0.15	0.01	0.00	0.03
8	10.58	8.00	0.58E+06	2.55	0.31	-0.12	0.03	-0.01	0.02
	0.00	0.00	85.04	2.57	-0.05	-0.12	0.03	-0.01	0.02
9	10.58	10.00	0.58E+06	2.72	0.45	-0.14	0.05	0.00	-0.03
	0.00	0.00	84.73	2.76	-0.03	-0.14	0.05	0.01	-0.03
10	10.46	11.99	0.57E+06	2.90	0.60	-0.12	0.03	0.00	0.01
	0.00	0.00	84.33	2.95	-0.02	-0.12	0.03	0.00	0.01
11	10.46	14.00	0.57E+06	3.20	0.79	-0.28	0.03	0.00	-0.01
	0.00	0.00	83.16	3.30	-0.01	-0.28	0.03	0.00	-0.01
12	10.46	16.00	0.57E+06	3.24	0.92	-0.15	0.00	-0.01	0.03
	0.00	0.00	84.77	3.36	-0.01	-0.15	0.00	-0.01	0.03
13	10.46	18.01	0.57E+06	3.30	1.07	-0.07	-0.01	0.01	0.02
	0.00	0.00	85.48	3.47	0.00	-0.07	-0.01	0.00	0.02
14	10.46	19.99	0.57E+06	3.53	1.29	-0.11	0.00	0.01	-0.01
	0.00	0.00	88.78	3.76	0.01	-0.11	0.00	0.01	-0.01
15	10.46	22.01	0.57E+06	3.71	1.51	-0.08	0.01	0.01	-0.03
	0.00	0.00	95.88	4.00	0.01	-0.08	0.01	0.01	-0.03
16	10.58	22.00	0.58E+06	3.60	1.47	-0.05	0.01	0.00	-0.02
	0.00	0.00	95.81	3.89	0.02	-0.05	0.01	0.01	-0.02

PROPULSIVE WING FORCE DATA

SUMMARY, RUN 221

PT	Q		REY NO HEIGHT	CLIS CMFIB CMUC	CDIS CAFIB CMUM	CPMIS CPMIB CMUT	CRMIS CRMIB CLTR	CYMIS CYMIB CDTR	CSFIS CSFIB CMTR
	ALPHA BETA								
2	30.35	-2.05	0.97E+06	0.13	0.04	0.10	0.00	0.00	0.01
	-0.01		87.18	0.13	0.04	0.10	0.00	0.00	0.01
3	30.46	-0.05	0.97E+06	0.17	0.05	0.14	0.00	0.00	0.01
	-0.01		87.62	0.17	0.05	0.14	0.00	0.00	0.01
4	30.35	2.05	0.97E+06	0.20	0.05	0.18	0.00	0.00	0.01
	-0.01		87.17	0.20	0.05	0.18	0.00	0.00	0.01
5	30.35	4.06	0.97E+06	0.25	0.04	0.21	0.00	0.00	0.01
	-0.01		87.16	0.25	0.04	0.21	0.00	0.00	0.01
6	30.35	6.06	0.97E+06	0.28	0.07	0.25	0.00	0.00	0.00
	-0.01		87.20	0.28	0.07	0.25	0.00	0.00	0.00
7	30.23	8.03	0.97E+06	0.33	0.08	0.29	0.00	0.00	0.01
	-0.01		87.48	0.33	0.08	0.29	0.00	0.00	0.01
8	30.23	10.04	0.97E+06	0.38	0.10	0.33	0.00	0.00	0.01
	-0.01		86.19	0.38	0.10	0.33	0.00	0.00	0.01
9	30.35	12.02	0.97E+06	0.40	0.12	0.37	0.00	0.00	0.01
	-0.01		86.02	0.40	0.12	0.37	0.00	0.00	0.01
10	30.12	14.03	0.97E+06	0.44	0.14	0.40	0.00	0.00	0.00
	-0.01		87.15	0.44	0.14	0.40	0.00	0.00	0.00
11	30.00	16.02	0.97E+06	0.45	0.16	0.42	0.00	0.00	0.00
	-0.01		86.46	0.45	0.16	0.42	0.00	0.00	0.00
12	30.12	18.05	0.97E+06	0.43	0.18	0.40	0.00	0.00	0.00
	-0.01		87.50	0.43	0.18	0.40	0.00	0.00	0.00
13	30.12	20.03	0.97E+06	0.44	0.20	0.40	0.00	0.00	0.01
	-0.01		88.12	0.44	0.20	0.40	0.00	0.00	0.01
14	29.89	22.01	0.96E+06	0.45	0.22	0.42	0.00	0.00	0.00
	-0.01		95.29	0.50	0.04	0.42	0.00	0.00	0.00

PROPULSIVE WING FORCE DATA

SUMMARY, RUN 220

PT	Q		REY NO HEIGHT	CLIS CMFIB CMUC	CDIS CAFIB CMUM	CPMIS CPMIB CMUT	CRMIS CRMIB CLTR	CYMIS CYMIB CDTR	CSFIS CSFIB CMTR
	ALPHA BETA								
2	0.00	-0.04	0.30E+08	-1.50	-0.13	12.69	-0.44	12.02	-1.40
	-0.39		87.07	-1.50	-0.13	12.69	-0.43	12.02	-1.40
3	0.06	-0.39	0.30E+08	21.09	-16.98	466.20	23.60	28.89	-1.32
	-0.39		87.07	21.09	-17.00	466.20	23.57	28.91	-1.32
4	0.00	0.11	0.30E+08	32.92	-24.56	699.40	33.20	29.93	-1.08
	-0.39		87.07	32.87	-24.62	699.40	33.14	29.89	-1.08
5	0.00	0.13	0.30E+08	35.34	-26.24	757.50	28.51	28.32	-1.01
	-0.39		87.07	35.28	-26.32	757.50	28.45	26.38	-1.01

PROPULSIVE MING FORCE DATA

SUMMARY. RUM 222

PT	Q	ALPHA	BETA	REY NO	HEIGHT	CLIS	CAFIB	CMUH	CPHIB	CMUT	CRMIS	CRMIB	CLTR	CYMIS	CYMIB	CDIR	CSFIS	CSFIB	CMTR
1	21.04	-2.03	-0.01	0.81E+06	83.78	0.55	0.04	0.00	0.48	0.23	0.00	0.43	0.00	0.00	0.00	0.12	0.01	0.36	0.01
2	21.15	0.01	-0.01	0.81E+06	88.33	0.59	0.04	0.52	0.00	0.23	0.00	0.46	0.00	0.00	0.14	0.00	0.02	0.40	0.00
3	21.04	2.09	-0.01	0.81E+06	88.53	0.64	0.04	0.58	0.00	0.23	0.51	0.15	0.00	0.00	0.01	0.15	0.01	0.46	0.01
4	21.15	4.02	-0.01	0.81E+06	87.14	0.59	0.03	0.62	0.00	0.23	0.56	0.17	0.00	0.00	0.01	0.50	0.01	0.50	0.01
5	21.04	6.08	-0.01	0.81E+06	88.73	0.75	0.03	0.67	0.00	0.23	0.61	0.19	0.00	0.00	0.01	0.55	0.01	0.55	0.01
6	21.04	8.06	-0.01	0.81E+06	88.17	0.81	0.14	0.71	0.00	0.23	0.67	0.22	0.00	0.00	0.01	0.59	0.01	0.59	0.01
7	21.04	10.06	-0.01	0.81E+06	87.19	0.87	0.17	0.76	0.00	0.23	0.73	0.25	0.00	0.00	0.01	0.54	0.01	0.54	0.01
8	20.92	12.05	-0.01	0.81E+06	88.78	0.94	0.21	0.81	0.00	0.23	0.79	0.28	0.00	0.00	0.01	0.69	0.01	0.69	0.01
9	20.92	14.06	-0.01	0.81E+06	87.55	1.00	0.26	0.86	0.00	0.23	0.85	0.32	0.00	-0.01	0.02	0.74	0.02	0.74	0.02
10	21.15	15.99	-0.01	0.82E+06	86.53	1.04	0.30	0.90	0.00	0.23	0.89	0.36	0.00	0.00	0.00	0.78	0.00	0.78	0.00
11	20.92	18.09	-0.01	0.81E+06	88.00	1.11	0.36	0.96	0.00	0.23	0.95	0.41	0.00	0.00	0.01	0.84	0.01	0.84	0.01
12	20.92	18.09	-0.01	0.81E+06	88.00	1.17	-0.01	0.96	0.00	0.23	0.95	0.41	0.00	0.00	0.00	0.83	0.00	0.83	0.00
13	21.04	20.06	-0.01	0.81E+06	85.30	1.15	0.41	0.99	0.00	0.23	1.00	0.45	0.00	0.00	0.01	0.87	0.01	0.87	0.01
14	20.92	22.02	-0.01	0.81E+06	92.28	1.20	0.46	1.03	0.00	0.23	1.05	0.50	0.00	0.00	0.00	0.91	0.00	0.91	0.00

PROPULSIVE MING FORCE DATA

SUMMARY. RUM 223

PT	Q	ALPHA	BETA	REY NO	HEIGHT	CLIS	CAFIB	CMUH	CPHIB	CMUT	CRMIS	CRMIB	CLTR	CYMIS	CYMIB	CDIR	CSFIS	CSFIB	CMTR
1	10.35	-2.04	-0.01	0.57E+06	85.75	0.73	-0.06	0.62	0.00	0.47	0.00	0.48	0.00	0.00	0.13	0.38	0.01	0.38	0.01
2	10.69	0.01	-0.01	0.58E+06	87.33	0.77	-0.05	0.66	0.00	0.45	0.00	0.52	0.00	0.00	0.14	0.43	0.00	0.43	0.00
3	10.69	2.07	-0.01	0.58E+06	87.51	0.82	-0.05	0.72	0.00	0.45	0.56	0.16	0.00	0.00	0.01	0.48	0.01	0.48	0.01
4	10.46	4.05	-0.01	0.58E+06	87.48	0.89	-0.05	0.78	0.00	0.46	0.52	0.19	0.00	0.00	0.01	0.54	0.01	0.54	0.01
5	10.35	6.00	-0.01	0.57E+06	87.89	0.96	-0.06	0.84	0.00	0.47	0.68	0.22	0.00	0.00	0.01	0.60	0.01	0.60	0.01
6	10.69	8.05	-0.01	0.58E+06	87.39	0.98	-0.06	0.88	0.00	0.45	0.71	0.24	0.00	0.00	0.00	0.65	0.00	0.65	0.00
7	10.69	10.04	-0.01	0.58E+06	87.01	1.08	-0.06	0.93	0.00	0.45	0.79	0.28	0.00	0.00	0.02	0.70	0.02	0.70	0.02
8	10.58	12.04	-0.01	0.58E+06	88.58	1.15	-0.07	0.99	0.00	0.46	0.86	0.32	0.00	0.00	0.01	0.75	0.01	0.75	0.01
9	10.58	14.05	-0.01	0.58E+06	86.13	1.22	-0.07	1.03	0.00	0.46	0.92	0.36	0.00	-0.01	0.01	0.79	0.01	0.79	0.01
10	10.46	16.00	-0.01	0.58E+06	87.48	1.28	-0.08	1.08	0.00	0.46	0.98	0.40	0.00	0.00	0.00	0.84	0.00	0.84	0.00
11	10.35	18.04	-0.01	0.57E+06	88.73	1.37	-0.09	1.13	0.01	0.47	1.06	0.46	0.00	-0.01	0.01	0.89	0.01	0.89	0.01
12	10.23	20.04	-0.01	0.57E+06	88.03	1.43	-0.10	1.18	0.01	0.47	1.11	0.51	0.00	-0.01	0.00	0.94	0.00	0.94	0.00
13	10.23	22.04	-0.01	0.57E+06	95.28	1.47	-0.11	1.23	0.00	0.47	1.15	0.56	0.00	-0.01	0.01	0.98	0.01	0.98	0.01

PROPULSIVE MING FORCE DATA

SUMMARY. RUN 225

PT	Q		REY NO HEIGHT	CLIS			CDIS			CPMIS			CRMIS			CYSIS			CSFIS		
	ALPHA BETA	BETA		CMFIB CHUC	CAFIB CHUM	CMFIB CHUT	CMRIB CLTR	CAFIB CHUM	CMFIB CHUT	CMRIB CLTR	CMFIB CHUT	CMRIB CLTR	CMFIB CHUT	CMRIB CLTR	CMFIB CHUT	CMRIB CLTR	CMFIB CHUT	CMRIB CLTR	CMFIB CHUT	CMRIB CLTR	CMFIB CHUT
1	2.65	2.04	0.29E+06	1.73	-0.72	1.22	0.01	0.01	0.01	0.01	0.01	0.01	0.01	0.01	0.01	0.01	0.01	0.01	0.01	0.01	0.01
	-0.01	86.75		1.84	0.00	1.84	0.74	0.09	0.27												
2	2.76	0.02	0.30E+06	1.77	-0.62	1.21	0.01	0.00	0.05												
	-0.01	86.89		1.77	0.00	1.77	0.79	0.13	0.30												
3	2.65	2.08	0.29E+06	1.90	-0.57	1.32	0.01	0.00	0.05												
	-0.01	86.71		1.88	-0.64	1.32	0.01	0.00	0.05												
				1.84	0.00	1.84	0.86	0.16	0.37												
4	2.76	4.01	0.30E+06	1.85	-0.49	1.32	0.01	0.00	0.04												
	-0.01	87.46		1.82	-0.62	1.32	0.01	0.00	0.04												
				1.76	0.00	1.76	0.83	0.18	0.41												
5	2.65	6.06	0.29E+06	1.97	-0.45	1.45	0.01	0.00	0.00												
	-0.01	87.53		1.91	-0.65	1.45	0.01	0.00	0.00												
				1.84	0.00	1.84	0.88	0.22	0.50												
6	2.65	8.05	0.29E+06	2.03	-0.37	1.52	0.01	0.00	-0.01												
	-0.01	87.59		1.96	-0.65	1.52	0.01	0.00	-0.01												
				1.84	0.00	1.84	0.92	0.26	0.57												
7	2.65	10.00	0.29E+06	2.10	-0.29	1.61	0.01	0.00	-0.02												
	-0.01	87.82		2.02	-0.65	1.61	0.01	0.00	-0.02												
				1.84	0.00	1.84	0.96	0.30	0.66												
8	2.53	12.04	0.54E+08	2.28	-0.21	1.72	0.01	0.00	0.01												
	-0.01	88.12		2.19	-0.68	1.72	0.01	0.01	0.01												
				1.92	0.00	1.92	1.08	0.36	0.73												
9	2.76	14.01	0.75E+08	2.13	-0.13	1.66	0.01	0.01	-0.05												
	-0.01	86.78		2.04	-0.64	1.66	0.01	0.01	-0.05												
				1.77	0.00	1.77	1.01	0.36	0.75												
10	2.65	16.02	0.29E+06	2.29	-0.04	1.79	0.01	0.00	-0.02												
	-0.01	87.05		2.19	-0.67	1.79	0.01	0.01	-0.02												
				1.83	0.00	1.83	1.10	0.43	0.84												
11	2.65	18.04	0.29E+06	2.32	0.04	1.85	0.01	0.01	-0.05												
	-0.01	86.11		2.22	-0.68	1.85	0.01	0.01	-0.05												
				1.84	0.00	1.84	1.12	0.47	0.91												
12	2.53	20.02	0.29E+06	2.50	0.14	1.99	0.02	0.01	-0.06												
	-0.01	90.36		2.40	-0.72	1.99	0.01	0.02	-0.06												
				1.92	0.00	1.92	1.23	0.55	1.00												
13	2.53	22.02	0.29E+06	2.60	0.28	2.08	0.01	0.00	-0.02												
	-0.01	97.67		2.52	-0.71	2.08	0.01	0.01	-0.02												
				1.92	0.00	1.92	1.31	0.64	1.09												

PROPULSIVE MING FORCE DATA

SUMMARY. RUN 224

PT	Q		REY NO HEIGHT	CLIS			CDIS			CPMIS			CRMIS			CYSIS			CSFIS		
	ALPHA BETA	BETA		CMFIB CHUC	CAFIB CHUM	CMFIB CHUT	CMRIB CLTR	CAFIB CHUM	CMFIB CHUT	CMRIB CLTR	CMFIB CHUT	CMRIB CLTR	CMFIB CHUT	CMRIB CLTR	CMFIB CHUT	CMRIB CLTR	CMFIB CHUT	CMRIB CLTR	CMFIB CHUT	CMRIB CLTR	CMFIB CHUT
1	5.29	1.99	0.41E+06	1.08	-0.28	0.83	0.01	0.00	0.02												
	-0.01	86.16		1.09	-0.25	0.83	0.01	0.00	0.02												
				0.92	0.00	0.92	0.58	0.12	0.35												
2	5.17	0.03	0.41E+06	1.14	-0.25	0.90	0.01	0.00	0.01												
	-0.01	86.81		1.14	-0.25	0.90	0.01	0.00	0.01												
				0.94	0.00	0.94	0.62	0.15	0.42												
3	5.17	2.12	0.41E+06	1.20	-0.21	0.96	0.01	0.00	0.02												
	-0.01	85.71		1.20	-0.25	0.96	0.01	0.00	0.02												
				0.94	0.00	0.94	0.67	0.17	0.47												
4	5.29	4.01	0.41E+06	1.22	-0.17	1.00	0.01	0.00	0.01												
	-0.01	87.77		1.21	-0.25	1.00	0.01	0.00	0.01												
				0.92	0.00	0.92	0.69	0.19	0.52												
5	5.17	6.05	0.41E+06	1.30	-0.12	1.09	0.01	0.00	0.00												
	-0.01	85.71		1.27	-0.26	1.09	0.01	0.00	0.00												
				0.94	0.00	0.94	0.73	0.22	0.60												
6	5.29	8.06	0.41E+06	1.35	-0.06	1.15	0.01	0.00	0.00												
	-0.01	86.50		1.33	-0.24	1.15	0.01	0.00	0.00												
				0.92	0.00	0.92	0.79	0.26	0.67												
7	5.29	10.02	0.41E+06	1.42	0.00	1.21	0.01	0.00	0.00												
	-0.01	87.12		1.40	-0.25	1.21	0.01	0.00	0.00												
				0.92	0.00	0.92	0.85	0.29	0.73												
8	5.29	12.02	0.41E+06	1.51	0.06	1.26	0.01	0.00	0.00												
	-0.01	86.91		1.49	-0.25	1.26	0.01	0.00	0.00												
				0.92	0.00	0.92	0.93	0.34	0.78												
9	5.29	13.99	0.41E+06	1.56	0.12	1.30	0.01	0.00	-0.02												
	-0.01	86.96		1.54	-0.26	1.30	0.01	0.00	-0.02												
				0.92	0.00	0.92	0.97	0.37	0.83												
10	5.17	16.05	0.41E+06	1.67	0.20	1.38	0.01	0.00	0.00												
	-0.01	87.82		1.65	-0.27	1.38	0.01	0.00	0.00												
				0.94	0.00	0.94	1.06	0.44	0.89												
11	5.29	18.07	0.41E+06	1.71	0.28	1.40	0.01	0.00	0.02												
	-0.01	87.69		1.71	-0.27	1.40	0.01	0.00	0.02												
				0.92	0.00	0.92	1.10	0.49	0.92												
12	5.29	20.03	0.41E+06	1.75	0.34	1.43	0.01	0.00	0.00												
	-0.01	89.85		1.76	-0.28	1.43	0.01	0.00	0.00												
				0.92	0.00	0.92	1.14	0.53	0.96												
13	5.29	22.04	0.41E+06	1.83	0.43	1.46	0.01	0.00	0.01												
	-0.01	97.16		1.85	-0.29	1.46	0.01	0.00	0.01												
				0.92	0.00	0.92	1.21	0.60	0.99												

PROPULSIVE WING FORCE DATA

SUMMARY, RUN 228

PT	Q	ALPHA	BETA	REY NO HEIGHT	CLIS			CMIS			CUMIS			CYMIS			CSFIS			
					CMFB	CMUC	CMUM	CMFB	CMUT	CMUR	CMFB	CMUT	CMUR	CMFB	CMUT	CMUR	CMFB	CMUT	CMUR	CMFB
2	0.00	-0.05	-0.01	0.30E+08 87.05	22.90	-25.60	181.50	0.60	0.62	22.61	22.90	-25.58	181.50	0.62	22.61	22.90	-25.58	181.50	0.62	22.61
					18.92	7.04	23.95	22.22	-23.72	-183.30										
3	0.00	-0.03	-0.01	0.30E+08 87.05	37.38	-43.58	-275.10	4.56	4.57	21.64	37.38	-43.56	-275.10	4.57	21.64	37.38	-43.56	-275.10	4.57	21.64
					27.48	45.37	72.85	26.38	-33.63	-286.20										
4	0.00	-0.01	0.30E+08 87.05	59.63	-62.81	-411.00	20.19	20.19	19.49	59.63	-62.80	-411.00	20.19	19.49	59.63	-62.80	-411.00	20.19	19.49	
				40.20	72.73	112.90	39.70	-46.28	-430.00											
5	0.02	-0.01	0.30E+08 87.05	80.46	-84.20	-567.60	16.42	16.41	25.43	80.43	-84.23	-567.60	16.41	25.43	80.46	-84.20	-567.60	16.42	25.42	
				52.93	99.32	152.30	52.21	-61.94	-594.10											
6	0.00	0.04	0.30E+08 87.05	110.40	-112.20	-844.80	23.81	23.81	27.35	110.30	-112.30	-844.80	23.79	27.37	110.40	-112.20	-844.80	23.81	27.35	
				69.86	134.40	204.20	71.94	-83.51	-880.50											

PROPULSIVE WING FORCE DATA

SUMMARY, RUN 226

PT	Q	ALPHA	BETA	REY NO HEIGHT	CLIS			CMIS			CUMIS			CYMIS			CSFIS			
					CMFB	CMUC	CMUM	CMFB	CMUT	CMUR	CMFB	CMUT	CMUR	CMFB	CMUT	CMUR	CMFB	CMUT	CMUR	CMFB
1	-2.06	-0.01	0.20E+06 86.89	3.17	-1.68	1.97	0.03	0.02	0.12	3.17	-1.57	1.97	0.03	0.02	0.12	3.17	-1.68	1.97	0.03	0.02
				3.85	0.00	3.85	1.11	0.02	-0.01											
2	0.05	-0.01	0.20E+06 87.88	3.10	-1.55	2.04	0.03	0.00	0.11	3.10	-1.55	2.04	0.03	0.00	0.11	3.10	-1.55	2.04	0.03	0.00
				3.83	0.00	3.83	0.98	0.08	0.06											
3	1.27	2.07	0.20E+06 87.81	3.15	-1.45	2.11	0.02	0.00	0.05	3.09	-1.56	2.11	0.02	0.00	0.05	3.09	-1.45	2.11	0.02	0.00
				3.85	0.00	3.85	0.97	0.10	0.13											
4	4.06	-0.01	0.21E+06 87.70	3.16	-1.23	1.98	0.02	0.00	0.00	3.06	-1.45	1.98	0.02	0.00	0.00	3.06	-1.23	1.98	0.02	0.00
				3.51	0.00	3.51	1.12	0.11	0.17											
5	1.38	6.02	0.21E+06 85.80	3.18	-1.12	2.07	0.02	0.00	-0.02	3.18	-1.44	2.07	0.02	0.00	-0.02	3.18	-1.12	2.07	0.02	0.00
				3.52	0.00	3.52	1.09	0.16	0.25											
6	1.38	8.00	0.21E+06 87.83	3.26	-0.99	2.13	0.02	0.00	-0.02	3.09	-1.43	2.13	0.02	0.00	-0.02	3.26	-0.99	2.13	0.02	0.00
				3.52	0.00	3.52	1.13	0.22	0.31											
7	10.05	-0.01	0.21E+06 87.94	3.31	-0.86	2.22	0.03	0.01	-0.04	3.10	-1.43	2.22	0.03	0.01	-0.04	3.31	-0.86	2.22	0.03	0.01
				3.53	0.00	3.53	1.14	0.26	0.41											
8	1.38	12.08	0.21E+06 87.68	3.37	-0.74	2.34	0.03	0.01	-0.04	3.37	-1.42	2.34	0.02	0.02	-0.04	3.37	-0.74	2.34	0.03	0.01
				3.51	0.00	3.51	1.16	0.31	0.53											
9	1.38	14.01	0.21E+06 86.87	3.49	-0.62	2.36	0.02	0.00	-0.03	3.23	-1.44	2.36	0.02	0.00	-0.03	3.49	-0.62	2.36	0.02	0.00
				3.52	0.00	3.52	1.25	0.35	0.56											
10	1.38	16.05	0.21E+06 87.44	3.57	-0.49	2.42	0.03	0.00	-0.10	3.30	-1.46	2.42	0.02	0.01	-0.10	3.57	-0.49	2.42	0.03	0.00
				3.52	0.00	3.52	1.30	0.40	0.61											
11	1.38	18.06	0.21E+06 87.34	3.61	-0.34	2.50	0.03	0.01	-0.07	3.33	-1.44	2.50	0.02	0.02	-0.07	3.61	-0.34	2.50	0.03	0.01
				3.53	0.00	3.53	1.31	0.47	0.69											
12	20.05	-0.01	0.20E+06 91.02	3.95	-0.27	2.82	0.03	0.02	-0.15	3.62	-1.60	2.82	0.02	0.03	-0.15	3.95	-0.27	2.82	0.03	0.02
				3.84	0.00	3.84	1.41	0.53	0.85											
13	1.27	22.05	0.20E+06 98.45	3.95	-0.13	2.92	0.03	0.01	-0.15	3.62	-1.60	2.92	0.02	0.02	-0.15	3.95	-0.13	2.92	0.03	0.01
				3.84	0.00	3.84	1.39	0.58	0.95											



PROPULSIVE WING FORCE DATA

SUMMARY, RUN 231

SUMMARY, RUN 232

PT	Q		CLIS			CPMIS			CRMIS			CSFIS						
	ALPHA	BETA	REY NO	REY HEIGHT	CMUC	CMUN	CMUT	CLTR	CMIB	CMIB	CMIB	CMIB	CMIB	CMIB	CMIB	CMIB	CMIB	CMIB
1	21.15	-0.01	0.83E+06	86.02	1.05	-0.14	-0.05	0.01	0.00	0.01	0.00	0.01	0.00	0.00	0.00	0.02	0.02	0.18
2	21.27	-0.01	0.83E+06	87.80	1.10	-0.11	0.00	0.00	0.00	-0.01	0.03	0.03	-0.01	0.00	0.00	0.03	0.03	-0.11
3	21.27	-0.01	0.83E+06	87.27	1.22	-0.06	0.03	0.00	0.00	-0.01	0.02	0.02	-0.01	0.00	0.00	0.01	0.01	-0.10
4	21.15	-0.01	0.83E+06	87.16	1.40	0.00	0.03	0.01	0.01	-0.01	0.02	0.02	-0.01	0.00	0.00	0.01	0.01	0.01
5	21.15	-0.01	0.83E+06	86.63	1.58	0.07	0.00	0.02	0.02	0.00	-0.02	-0.02	0.01	0.00	0.00	0.00	0.00	-0.08
6	21.04	-0.01	0.83E+06	88.51	1.81	-0.10	-0.04	0.02	0.00	0.00	0.00	0.00	0.00	0.00	0.00	0.00	0.00	0.00
7	20.92	-0.01	0.83E+06	87.35	2.02	-0.25	-0.05	0.02	0.02	-0.01	0.00	0.00	0.00	0.00	0.00	0.00	0.00	-0.02
8	21.04	-0.01	0.83E+06	87.92	2.31	-0.08	-0.09	0.02	0.02	0.00	0.00	0.00	0.00	0.00	0.00	0.00	0.00	-0.03
9	20.81	-0.01	0.83E+06	86.84	2.51	-0.08	-0.11	0.01	0.01	0.00	0.00	0.00	0.00	0.00	0.00	0.00	0.00	-0.01
10	20.92	-0.01	0.83E+06	87.62	2.70	0.70	-0.13	0.01	0.01	-0.01	0.00	0.00	-0.01	0.00	0.01	0.00	0.00	0.00
11	21.04	-0.01	0.83E+06	88.06	2.85	0.66	-0.12	0.00	0.00	-0.01	0.01	0.01	0.01	0.01	0.01	0.01	0.01	0.01
12	20.81	-0.01	0.83E+06	85.89	3.03	1.01	-0.10	0.01	0.01	-0.01	0.00	0.00	-0.01	0.00	0.00	0.00	0.00	0.01
13	21.04	-0.01	0.83E+06	93.06	3.11	1.16	-0.07	0.01	0.01	-0.01	0.01	0.00	-0.01	0.00	0.00	0.00	0.00	0.00

PROPULSIVE HING FORCE DATA

SUMMARY, RUN 234

PT	Q		REY NO HEIGHT	CL15 CMF1B CMUC	CD15 CAF1B CHUH	CPN15 CPN1B CMUT	CRM15 CRM1B CLTR	CYN15 CYN1B CDTR	CSF15 CSF1B CMTR
	ALPHA BETA								
2	0.00	0.00	0.30E+08 86.75	0.13	-0.42	-0.28	2.11	40.06	-0.31
	0.03	0.00		0.13	-0.42	-0.28	2.09	40.06	-0.31
	0.00	0.00		0.00	0.28	0.28	-16.28	20.50	-1.25
3	0.00	0.00	0.30E+08 86.75	29.17	-33.43	-728.70	10.33	48.67	0.25
	0.00	0.00		29.17	-33.43	-728.70	10.32	48.68	0.25
	0.00	0.00		0.00	51.56	51.56	-15.48	11.45	-731.20
4	0.00	0.00	0.30E+08 86.75	41.18	-50.75	-1063.00	9.26	55.32	-0.29
	-0.01	0.00		41.19	-50.74	-1063.00	9.27	55.32	-0.29
	0.00	0.00		0.00	81.32	81.32	-25.61	15.50	-1067.00
5	0.00	0.00	0.30E+08 86.75	59.24	-70.24	-1522.00	8.86	55.28	-0.67
	-0.03	0.00		59.28	-70.21	-1522.00	8.89	55.27	-0.67
	0.00	0.00		0.00	113.70	113.70	-29.20	19.75	-1527.00
6	0.00	0.00	0.30E+08 86.75	80.47	-90.90	-2029.00	22.62	76.59	-1.63
	-0.05	0.00		80.56	-90.82	-2029.00	22.69	76.57	-1.63
	0.00	0.00		0.00	149.60	149.60	-28.62	25.13	-2036.00

PROPULSIVE HING FORCE DATA

SUMMARY, RUN 233

PT	Q		REY NO HEIGHT	CL15 CMF1B CMUC	CD15 CAF1B CHUH	CPN15 CPN1B CMUT	CRM15 CRM1B CLTR	CYN15 CYN1B CDTR	CSF15 CSF1B CMTR
	ALPHA BETA								
1	5.52	2.17	0.43E+06 87.11	2.17	-1.18	-0.31	-0.01	-0.01	0.08
	-2.04	2.21		-1.11	-0.31	-0.01	-0.01	-0.01	0.08
	-0.01	0.86		1.69	2.55	2.55	0.86	0.26	-0.39
2	5.40	2.32	0.42E+06 89.73	2.32	-1.13	-0.25	0.01	0.00	0.05
	0.05	2.32		-1.13	-0.25	0.01	0.00	0.00	0.05
	-0.01	0.88		1.73	2.61	2.61	0.93	0.30	-0.34
3	5.40	2.41	0.42E+06 87.49	2.41	-1.05	-0.16	0.01	0.00	0.03
	2.01	2.37		-1.13	-0.16	0.01	0.01	0.00	0.03
	-0.01	0.88		1.73	2.61	2.61	0.97	0.33	-0.25
4	5.40	2.59	0.42E+06 87.32	2.59	-0.96	-0.14	0.01	0.01	-0.02
	4.06	2.51		-1.14	-0.14	0.01	0.01	0.01	-0.02
	-0.01	0.88		1.73	2.60	2.60	1.10	0.37	-0.22
5	5.40	2.77	0.42E+06 86.59	2.77	-0.85	-0.11	0.01	0.00	0.01
	6.07	2.66		-1.14	-0.11	0.01	0.01	0.00	0.01
	-0.01	0.88		1.74	2.61	2.61	1.23	0.43	-0.20
6	5.29	2.95	0.42E+06 86.86	2.95	-0.76	-0.06	0.02	0.01	0.00
	8.04	2.81		-1.17	-0.06	0.02	0.01	0.00	0.00
	-0.01	0.90		1.77	2.66	2.66	1.34	0.49	-0.15
7	5.40	3.16	0.42E+06 87.52	3.16	-0.59	-0.09	0.00	0.00	-0.02
	10.02	3.01		-1.13	-0.09	0.00	0.00	0.00	-0.02
	-0.01	0.88		1.73	2.61	2.61	1.54	0.58	-0.17
8	5.29	3.41	0.42E+06 88.17	3.41	-0.43	-0.05	0.02	-0.01	0.00
	12.03	3.25		-1.14	-0.05	0.02	0.02	0.00	0.00
	-0.01	0.90		1.77	2.67	2.67	1.72	0.70	-0.14
9	5.29	3.66	0.42E+06 85.43	3.66	-0.25	-0.12	0.01	0.00	-0.03
	14.02	3.49		-1.14	-0.12	0.01	0.01	0.00	-0.03
	-0.01	0.90		1.77	2.67	2.67	1.93	0.82	-0.21
10	5.17	3.91	0.41E+06 87.75	3.91	-0.08	-0.10	0.02	0.00	-0.03
	16.00	3.73		-1.15	-0.10	0.02	0.00	0.00	-0.03
	-0.01	0.92		1.81	2.73	2.73	2.10	0.96	-0.19
11	5.29	4.11	0.42E+06 83.57	4.11	0.16	-0.18	0.04	0.00	-0.06
	18.06	3.95		-1.12	-0.18	0.04	0.04	0.01	-0.06
	-0.01	0.90		1.78	2.68	2.68	2.30	1.11	-0.27
12	5.29	4.23	0.42E+06 90.17	4.23	0.36	-0.08	0.05	0.00	-0.07
	20.01	4.10		-1.11	-0.08	0.04	0.04	0.01	-0.07
	-0.01	0.90		1.77	2.67	2.67	2.39	1.24	-0.17
13	5.40	4.45	0.42E+06 97.67	4.45	0.63	-0.15	0.03	0.00	-0.06
	22.08	4.36		-1.09	-0.15	0.03	0.03	0.01	-0.06
	-0.01	0.88		1.73	2.62	2.62	2.62	1.43	-0.24



PROPULSIVE WING FORCE DATA

SUMMARY. RUN 236

PT	Q		REY NO HEIGHT	CL15			CPM15			CYM15			CSF15		
	ALPHA	BETA		CMF15 CHUC	CAF15 CHUM	CPM15 CMUT	CMR15 CLTR	CYM15 CDTR	CSF15 CMTR	CMF15 CHUC	CAF15 CHUM	CPM15 CMUT	CMR15 CLTR	CYM15 CDTR	CSF15 CMTR
20	30.35	-2.31	0.10E+07	0.48	0.09	-0.35	0.00	0.00	0.00	0.01	0.00	0.00	0.00	0.01	
	0.00	0.00	87.74	0.48	0.11	-0.35	0.00	0.00	0.00	0.01	0.00	0.00	0.00	0.01	
	0.00	0.00		0.00	0.00	0.00	0.48	0.10	-0.35	0.00	0.00	0.00	0.00	-0.70	
21	30.12	0.00	0.10E+07	0.42	0.09	-0.27	0.00	0.00	0.01	0.00	0.00	0.00	0.00	0.01	
	0.00	0.00	87.47	0.42	0.09	-0.27	0.00	0.00	0.01	0.00	0.00	0.00	0.00	0.01	
	0.00	0.00		0.00	0.00	0.00	0.42	0.09	-0.27	0.00	0.00	0.00	0.00	-0.72	
22	30.12	2.03	0.99E+06	0.47	0.09	-0.26	0.00	0.00	0.00	0.00	0.00	0.00	0.00	0.01	
	0.00	0.00	87.67	0.00	0.00	0.00	0.46	0.10	-0.26	0.00	0.00	0.00	0.00	0.01	
	0.00	0.00		0.00	0.00	0.00	0.00	0.00	0.00	0.00	0.00	0.00	0.00	-0.76	
23	30.00	4.09	0.99E+06	0.58	0.11	-0.30	0.00	0.00	0.00	0.00	0.00	0.00	0.00	0.01	
	0.00	0.00	88.15	0.00	0.07	-0.30	0.00	0.00	0.00	0.00	0.00	0.00	0.00	0.01	
	0.00	0.00		0.00	0.00	0.00	0.57	0.12	-0.30	0.00	0.00	0.00	0.00	-0.79	
24	30.00	5.02	0.99E+06	0.67	0.13	-0.32	0.00	0.00	0.00	0.00	0.00	0.00	0.00	0.01	
	0.00	0.00	88.71	0.00	0.00	-0.32	0.00	0.00	0.00	0.00	0.00	0.00	0.00	0.01	
	0.00	0.00		0.00	0.00	0.00	0.66	0.13	-0.31	0.00	0.00	0.00	0.00	-0.82	
25	29.77	8.02	0.99E+06	0.92	0.19	-0.43	0.00	0.00	0.00	0.00	0.00	0.00	0.00	0.00	
	0.00	0.00	88.01	0.00	0.00	-0.43	0.00	0.00	0.00	0.00	0.00	0.00	0.00	0.00	
	0.00	0.00		0.00	0.00	0.00	0.91	0.19	-0.43	0.00	0.00	0.00	0.00	-0.85	
26	30.23	10.07	0.99E+06	1.01	0.22	-0.45	0.00	0.00	0.00	0.00	0.00	0.00	0.00	0.00	
	0.00	0.00	87.42	0.00	0.04	-0.45	0.00	0.00	0.00	0.00	0.00	0.00	0.00	0.00	
	0.00	0.00		0.00	0.00	0.00	1.00	0.22	-0.45	0.00	0.00	0.00	0.00	-0.89	
27	30.12	12.05	0.99E+06	1.12	0.27	-0.47	0.00	0.00	0.00	0.00	0.00	0.00	0.00	0.01	
	0.00	0.00	87.36	0.00	0.03	-0.47	0.00	0.00	0.00	0.00	0.00	0.00	0.00	0.01	
	0.00	0.00		0.00	0.00	0.00	1.11	0.27	-0.47	0.00	0.00	0.00	0.00	-0.94	
28	30.00	14.02	0.99E+06	1.22	0.32	-0.48	0.00	0.00	0.00	0.00	0.00	0.00	0.00	0.00	
	0.00	0.00	87.77	0.00	0.02	-0.48	0.00	0.00	0.00	0.00	0.00	0.00	0.00	0.00	
	0.00	0.00		0.00	0.00	0.00	1.21	0.32	-0.48	0.00	0.00	0.00	0.00	-0.96	
29	29.89	16.07	0.99E+06	1.21	0.38	-0.47	0.00	0.00	0.00	0.00	0.00	0.00	0.00	0.01	
	0.00	0.00	88.47	0.00	0.03	-0.47	0.00	0.00	0.00	0.00	0.00	0.00	0.00	0.01	
	0.00	0.00		0.00	0.00	0.00	1.20	0.38	-0.47	0.00	0.00	0.00	0.00	-1.00	
30	30.35	18.05	0.10E+07	1.25	0.45	-0.48	0.00	0.00	0.00	0.00	0.00	0.00	0.00	0.01	
	0.00	0.00	87.26	0.00	0.04	-0.48	0.00	0.00	0.00	0.00	0.00	0.00	0.00	0.01	
	0.00	0.00		0.00	0.00	0.00	1.25	0.45	-0.48	0.00	0.00	0.00	0.00	-1.01	
31	30.00	20.02	0.99E+06	1.29	0.53	-0.49	0.00	0.00	0.01	0.00	0.00	0.00	0.00	0.01	
	0.00	0.00	90.62	0.00	0.05	-0.49	0.00	0.00	0.01	0.00	0.00	0.00	0.00	0.01	
	0.00	0.00		0.00	0.00	0.00	1.28	0.53	-0.49	0.00	0.00	0.00	0.00	-1.03	
32	29.89	22.08	0.99E+06	1.29	0.59	-0.49	0.00	0.00	-0.01	0.00	0.00	0.00	0.00	0.00	
	0.00	0.00	98.11	0.00	0.06	-0.49	0.00	0.00	-0.01	0.00	0.00	0.00	0.00	0.00	
	0.00	0.00		0.00	0.00	0.00	1.29	0.60	-0.49	0.00	0.00	0.00	0.00	-1.06	

SUMMARY. RUN 235

PROPULSIVE WING FORCE DATA

PROPULSIVE MING FORCE DATA

SUMMARY, RUN 238

PT	Q		REY NO HEIGHT	CLIS CMFIB CMUC	CDIS CAFIB CHUM	CPMIS CPMIB CMUT	CRMIS CRMIB CLTR	CYMIS CYMIB CDTR	CSFIS CSFIB CMTB
	ALPHA BETA	BETA							
1	5.40	-2.00	0.43E+06 82.69	2.01 2.04	-0.95 -0.88	-1.47 -1.47	0.01 1.05	0.01 0.22	0.01 -0.97
2	5.52	-0.01	0.43E+06 89.70	2.10 2.10	-0.86 -0.86	-1.47 -1.47	0.01 1.13	0.00 0.26	0.00 -0.99
3	5.52	0.00	0.43E+06 91.02	2.25 2.22	-0.79 -0.87	-1.51 -1.51	0.01 1.23	0.01 0.29	0.01 -1.02
4	5.40	4.00	0.43E+06 87.81	2.43 2.38	-0.73 -0.90	-1.60 -1.60	0.01 1.36	0.00 0.34	0.00 -1.10
5	5.40	5.99	0.43E+06 86.80	2.57 2.48	-0.65 -0.91	-1.62 -1.62	0.01 1.45	0.00 0.39	0.00 -1.12
6	5.40	8.01	0.43E+06 86.75	2.76 2.66	-0.55 -0.93	-1.68 -1.68	0.01 1.60	0.01 0.45	0.01 -1.18
7	5.29	9.99	0.42E+06 86.59	2.95 2.83	-0.46 -0.86	-1.74 -1.74	0.01 1.73	0.00 0.52	0.00 -1.23
8	5.17	12.00	0.42E+06 86.63	3.19 3.05	-0.34 -1.00	-1.85 -1.85	0.01 1.91	0.00 0.62	0.00 -1.33
9	5.17	13.99	0.42E+06 85.49	3.36 3.21	-0.20 -1.01	-1.87 -1.87	0.01 2.05	0.00 0.71	0.00 -1.34
10	5.17	16.00	0.42E+06 86.93	3.51 3.36	-0.06 -1.03	-1.90 -1.90	0.01 2.16	0.00 0.81	0.00 -1.36
11	5.29	18.00	0.42E+06 88.94	3.62 3.47	0.10 -1.02	-1.90 -1.90	0.01 2.28	0.00 0.90	0.00 -1.39
12	5.17	19.98	0.42E+06 91.67	3.79 3.65	0.26 -1.05	-1.97 -1.97	0.01 2.39	0.00 1.03	0.00 -1.44
13	5.06	21.99	0.42E+06 99.02	3.94 3.80	0.41 -1.10	-2.00 -2.00	0.01 2.47	0.00 1.15	0.00 -1.46

PROPULSIVE MING FORCE DATA

SUMMARY, RUN 237

PT	Q		REY NO HEIGHT	CLIS CMFIB CMUC	CDIS CAFIB CHUM	CPMIS CPMIB CMUT	CRMIS CRMIB CLTR	CYMIS CYMIB CDTR	CSFIS CSFIB CMTB
	ALPHA BETA	BETA							
2	10.46	-1.99	0.60E+06 81.23	1.54 1.56	-0.42 -0.37	-1.09 -1.09	0.00 1.05	0.00 0.18	0.02 -0.84
3	10.58	0.00	0.60E+06 88.38	1.67 0.00	-0.37 0.95	-1.13 0.95	0.00 1.15	0.00 0.22	0.01 -0.87
4	10.69	2.02	0.60E+06 87.46	1.79 1.78	-0.31 -0.37	-1.15 -1.15	0.01 1.26	0.00 0.26	0.02 -0.89
5	10.46	3.99	0.60E+06 87.38	1.93 1.90	-0.25 -0.38	-1.19 -1.19	0.00 1.37	0.00 0.30	0.00 -0.93
6	10.58	6.02	0.60E+06 87.83	2.04 2.04	-0.18 -0.39	-1.22 -1.22	0.01 1.47	0.00 0.35	0.00 -0.97
7	10.46	8.00	0.60E+06 89.26	2.20 2.16	-0.10 -0.41	-1.27 -1.27	0.01 1.60	0.00 0.41	0.00 -1.01
8	10.58	10.00	0.60E+06 89.14	2.33 2.29	-0.02 -0.42	-1.30 -1.30	0.00 1.72	0.00 0.47	0.00 -1.04
9	10.69	11.99	0.60E+06 89.59	2.45 2.42	0.09 -0.42	-1.33 -1.33	0.01 1.84	0.00 0.55	0.00 -1.08
10	10.58	13.99	0.60E+06 89.21	2.62 2.59	0.20 -0.44	-1.36 -1.36	0.01 1.98	0.00 0.64	0.00 -1.11
11	10.46	16.00	0.60E+06 90.05	2.77 2.74	0.30 -0.47	-1.41 -1.41	0.01 2.10	0.00 0.73	0.00 -1.15
12	10.58	18.00	0.60E+06 87.53	2.86 2.85	0.42 -0.48	-1.41 -1.41	0.00 2.19	0.00 0.82	0.00 -1.16
13	10.58	19.99	0.60E+06 91.47	2.96 2.97	0.55 -0.49	-1.44 -1.44	0.01 2.28	0.00 0.93	0.00 -1.19
14	10.58	22.01	0.60E+06 98.86	3.06 3.09	0.69 -0.51	-1.46 -1.46	0.01 2.36	0.00 1.04	0.00 -1.20

PROPULSIVE WING FORCE DATA

SUMMARY. RUN 240

PT	Q	ALPHA	BETA	REY NO	REY HEIGHT	CLIS		CPHIS		CMHIS		CYNIS		CSFIS	
						CNF1B	CHUC	CPH1B	CHUH	CMH1B	CLTR	CYN1B	CDTR	CSF1B	CMTR
1	1.38	0.00	0.22E+06	82.08	4.67	-4.30	-3.62	0.02	0.03	-0.14	0.03	0.03	0.31	-1.67	
2	1.38	0.00	0.22E+06	89.09	4.93	-4.09	-3.62	0.03	0.03	0.03	0.03	0.03	0.37	-1.68	
3	1.38	2.02	0.22E+06	89.33	5.07	-3.94	-3.67	0.03	0.05	0.05	0.05	0.05	0.39	-1.73	
4	1.38	4.01	0.22E+06	88.66	5.36	-3.75	-3.81	0.03	0.04	0.04	0.04	0.04	0.44	-1.86	
5	1.38	6.01	0.22E+06	86.88	5.72	-3.53	-3.88	0.03	0.04	0.04	0.04	0.04	0.51	-1.94	
6	1.38	8.00	0.22E+06	86.07	5.88	-3.33	-3.98	0.04	0.03	0.03	0.03	0.03	0.56	-2.04	
7	1.38	10.01	0.22E+06	85.38	6.18	-3.13	-4.02	0.03	0.02	0.02	0.02	0.02	0.62	-2.07	
8	1.38	11.98	0.22E+06	85.09	6.42	-2.88	-4.06	0.04	0.04	0.04	0.04	0.04	0.68	-2.12	
9	1.38	14.02	0.22E+06	82.43	6.69	-2.63	-4.07	0.04	0.03	0.03	0.03	0.03	0.77	-2.12	
10	1.38	15.01	0.22E+06	82.59	6.88	-2.36	-4.15	0.04	0.02	0.02	0.02	0.02	0.85	-2.21	
11	1.38	18.01	0.22E+06	84.91	7.13	-2.10	-4.13	0.05	0.05	0.05	0.05	0.05	0.96	-2.18	
12	1.38	20.00	0.22E+06	91.83	7.23	-1.86	-4.22	0.04	0.03	0.03	0.03	0.03	1.02	-2.27	
13	1.38	21.99	0.22E+06	99.14	7.51	-1.52	-4.22	0.06	0.05	0.05	0.05	0.05	1.18	-2.27	

PROPULSIVE WING FORCE DATA

SUMMARY. RUN 239

PT	Q	ALPHA	BETA	REY NO	REY HEIGHT	CLIS		CPHIS		CMHIS		CYNIS		CSFIS	
						CNF1B	CHUC	CPH1B	CHUH	CMH1B	CLTR	CYN1B	CDTR	CSF1B	CMTR
1	2.53	0.00	0.29E+06	82.78	3.12	-2.19	-2.34	0.01	0.01	0.00	0.00	0.00	0.29	-1.29	
2	2.53	0.00	0.29E+06	89.79	3.28	-2.10	-2.39	0.00	0.01	0.04	0.04	0.04	0.32	-1.33	
3	2.53	2.02	0.29E+06	87.63	3.50	-1.98	-2.43	0.01	0.01	0.07	0.07	0.07	0.38	-1.37	
4	2.53	4.00	0.29E+06	88.32	3.78	-1.85	-2.50	0.01	0.01	0.06	0.06	0.06	0.44	-1.44	
5	2.65	6.00	0.30E+06	87.54	3.72	-1.68	-2.48	0.01	0.01	0.10	0.10	0.10	0.44	-1.46	
6	2.65	8.00	0.30E+06	86.65	3.80	-1.56	-2.57	0.01	0.01	0.09	0.09	0.09	0.49	-1.55	
7	2.65	10.02	0.30E+06	85.05	4.14	-1.38	-2.58	0.01	0.01	0.10	0.10	0.10	0.59	-1.55	
8	2.53	12.00	0.29E+06	85.99	4.48	-1.28	-2.75	0.01	0.01	0.14	0.14	0.14	0.68	-1.68	
9	2.53	14.01	0.29E+06	85.74	4.71	-1.09	-2.72	0.01	0.01	0.11	0.11	0.11	0.79	-1.64	
10	2.65	16.02	0.30E+06	85.52	4.66	-0.86	-2.70	0.01	0.00	0.13	0.13	0.13	0.84	-1.67	
11	2.65	18.01	0.30E+06	87.45	4.82	-0.64	-2.77	0.02	0.00	0.12	0.12	0.12	0.94	-1.76	
12	2.65	20.01	0.30E+06	91.82	4.88	-0.42	-2.67	0.02	0.01	0.17	0.17	0.17	1.04	-1.68	
13	2.65	21.99	0.30E+06	99.06	5.19	-0.16	-2.78	0.02	0.00	0.12	0.12	0.12	1.23	-1.78	

PROPULSIVE WING FORCE DATA

SUMMARY. RUN 242

PT	Q ALPHA BETA	REY NO HEIGHT	CLIS			CPMIS			CRMIS			CSFIS						
			CMFIB	CAFIB	CMUC	CPHIB	CPHIB	CMHIB	CMHIB	CLTR	CMHIB	CMHIB	CLTR	CMHIB	CMHIB	CLTR		
3	0.00	0.30E+08	59.33	-73.46	59.26	-532.00	-19.83	59.33	-73.46	59.26	-532.00	-19.83	59.33	-73.46	59.26	-532.00	-19.83	
	0.05	91.99	43.03	78.06	43.03	121.10	0.67	43.03	78.06	43.03	121.10	0.67	43.03	78.06	43.03	121.10	0.67	
	0.00																	
4	0.00	0.30E+08	83.78	-102.20	83.66	-746.10	-26.88	83.78	-102.20	83.66	-746.10	-26.88	83.78	-102.20	83.66	-746.10	-26.88	
	0.07	91.99	59.74	108.50	59.74	168.30	0.67	59.74	108.50	59.74	168.30	0.67	59.74	108.50	59.74	168.30	0.67	
	0.00																	
5	0.00	0.30E+08	102.00	-125.20	101.80	-971.20	-39.22	102.00	-125.20	101.80	-971.20	-39.22	102.00	-125.20	101.80	-971.20	-39.22	
	0.08	91.99	74.04	134.20	74.04	208.30	1.07	74.04	134.20	74.04	208.30	1.07	74.04	134.20	74.04	208.30	1.07	
	0.00																	

PROPULSIVE WING FORCE DATA

SUMMARY. RUN 241

PT	Q ALPHA BETA	REY NO HEIGHT	CLIS			CPMIS			CRMIS			CSFIS						
			CMFIB	CAFIB	CMUC	CPHIB	CPHIB	CMHIB	CMHIB	CLTR	CMHIB	CMHIB	CLTR	CMHIB	CMHIB	CLTR		
16	0.00	0.30E+08	21.72	-26.86	21.72	-212.00	-6.32	21.72	-26.86	21.72	-212.00	-6.32	21.72	-26.86	21.72	-212.00	-6.32	
	0.01	91.78	13.90	13.90	13.90	18.97	0.00	13.90	13.90	13.90	18.97	0.00	13.90	13.90	13.90	18.97	0.00	
	0.00																	
17	0.00	0.30E+08	34.51	-45.87	34.49	-334.90	-12.22	34.51	-45.87	34.49	-334.90	-12.22	34.51	-45.87	34.49	-334.90	-12.22	
	0.03	91.78	0.00	67.87	0.00	67.87	13.62	0.00	67.87	0.00	67.87	13.62	0.00	67.87	0.00	67.87	13.62	
	0.00																	
18	0.00	0.30E+08	55.19	-67.95	55.14	-515.70	-12.16	55.19	-67.95	55.14	-515.70	-12.16	55.19	-67.95	55.14	-515.70	-12.16	
	0.04	91.78	0.00	110.10	0.00	110.10	17.27	0.00	110.10	0.00	110.10	17.27	0.00	110.10	0.00	110.10	17.27	
	0.00																	
19	0.00	0.30E+08	75.48	-93.72	75.38	-701.80	-14.61	75.48	-93.72	75.38	-701.80	-14.61	75.48	-93.72	75.38	-701.80	-14.61	
	0.05	91.78	0.00	154.50	0.00	154.50	20.38	0.00	154.50	0.00	154.50	20.38	0.00	154.50	0.00	154.50	20.38	
	0.00																	
20	0.00	0.30E+08	101.50	-124.40	101.40	-983.70	-38.33	101.50	-124.40	101.40	-983.70	-38.33	101.50	-124.40	101.40	-983.70	-38.33	
	0.08	91.78	0.00	205.80	0.00	205.80	28.03	0.00	205.80	0.00	205.80	28.03	0.00	205.80	0.00	205.80	28.03	
	0.00																	

PROPULSIVE WING FORCE DATA

SUMMARY, RUN 243

PT	Q ALPHA BETA	REV NO REY HEIGHT	CL15 CNF1B CMUC	CD15 CAF1B CMUM	CPH15 CPM1B CMUT	CRM15 CRM1B CLTR	CYW15 CYM1B CDMR	CSF15 CSF1B CNTR	SUMMARY, RUN 243						
									CL15 CNF1B CMUC	CD15 CAF1B CMUM	CPH15 CPM1B CMUT	CRM15 CRM1B CLTR	CYW15 CYM1B CDMR	CSF15 CSF1B CNTR	
2	30.12	0.01	0.99E+06 81.21	0.35 0.10 0.00	0.09 -0.14 0.00	0.00 -0.14 0.00	0.00 0.00 0.12	0.01 0.01 -0.16	0.00 0.00 0.00	0.00 0.00 0.00	0.00 0.00 0.00	0.00 0.00 0.00	0.00 0.00 0.00	0.00 0.00 0.00	0.00 0.00 0.00
3	30.12	0.00	0.99E+06 88.00	0.47 0.11 0.00	0.11 -0.13 0.00	0.00 -0.13 0.00	0.00 0.00 0.14	0.01 0.01 -0.15	0.00 0.00 0.00	0.00 0.00 0.00	0.00 0.00 0.00	0.00 0.00 0.00	0.00 0.00 0.00	0.00 0.00 0.00	0.00 0.00 0.00
4	29.89	1.99	0.99E+06 85.22	0.56 0.13 0.00	0.13 -0.11 0.00	0.00 -0.11 0.00	0.00 0.00 0.15	0.01 0.01 -0.12	0.00 0.00 0.00	0.00 0.00 0.00	0.00 0.00 0.00	0.00 0.00 0.00	0.00 0.00 0.00	0.00 0.00 0.00	0.00 0.00 0.00
5	30.00	4.02	0.99E+06 85.03	0.67 0.15 0.00	0.15 -0.09 0.00	0.00 -0.09 0.00	0.00 0.00 0.18	0.01 0.01 -0.11	0.00 0.00 0.00	0.00 0.00 0.00	0.00 0.00 0.00	0.00 0.00 0.00	0.00 0.00 0.00	0.00 0.00 0.00	0.00 0.00 0.00
6	30.23	6.02	0.99E+06 84.18	0.80 0.18 0.00	0.18 -0.09 0.00	0.00 -0.09 0.00	0.00 0.00 0.21	0.00 0.00 -0.11	0.00 0.00 0.00	0.00 0.00 0.00	0.00 0.00 0.00	0.00 0.00 0.00	0.00 0.00 0.00	0.00 0.00 0.00	0.00 0.00 0.00
7	30.12	7.99	0.99E+06 84.97	1.01 0.24 0.00	0.24 -0.11 0.00	0.00 -0.11 0.00	0.00 0.00 0.27	0.00 0.00 -0.12	0.00 0.00 0.00	0.00 0.00 0.00	0.00 0.00 0.00	0.00 0.00 0.00	0.00 0.00 0.00	0.00 0.00 0.00	0.00 0.00 0.00
8	30.00	10.00	0.99E+06 83.26	1.14 0.29 0.00	0.29 -0.08 0.00	0.00 -0.08 0.00	0.00 0.00 0.32	0.00 0.00 -0.09	0.00 0.00 0.00	0.00 0.00 0.00	0.00 0.00 0.00	0.00 0.00 0.00	0.00 0.00 0.00	0.00 0.00 0.00	0.00 0.00 0.00
9	30.12	12.01	0.99E+06 83.97	1.16 0.32 0.00	0.32 -0.01 0.00	0.00 -0.01 0.00	0.00 0.00 0.35	0.00 0.00 -0.03	0.00 0.00 0.00	0.00 0.00 0.00	0.00 0.00 0.00	0.00 0.00 0.00	0.00 0.00 0.00	0.00 0.00 0.00	0.00 0.00 0.00
10	30.12	14.03	0.99E+06 85.34	1.38 0.42 0.00	0.42 -0.04 0.00	0.00 -0.04 0.00	0.00 0.00 0.45	0.00 0.00 -0.06	0.00 0.00 0.00	0.00 0.00 0.00	0.00 0.00 0.00	0.00 0.00 0.00	0.00 0.00 0.00	0.00 0.00 0.00	0.00 0.00 0.00
11	30.12	15.99	0.99E+06 86.25	1.46 0.49 0.00	0.49 0.00 0.00	0.00 0.00 0.00	0.00 0.00 0.52	0.00 0.00 -0.02	0.00 0.00 0.00	0.00 0.00 0.00	0.00 0.00 0.00	0.00 0.00 0.00	0.00 0.00 0.00	0.00 0.00 0.00	0.00 0.00 0.00
12	30.12	18.02	0.99E+06 87.85	1.62 0.60 0.00	0.60 -0.09 0.00	0.00 -0.09 0.00	0.00 0.00 0.63	0.00 0.00 -0.10	0.00 0.00 0.00	0.00 0.00 0.00	0.00 0.00 0.00	0.00 0.00 0.00	0.00 0.00 0.00	0.00 0.00 0.00	0.00 0.00 0.00
13	30.00	19.99	0.99E+06 87.78	1.69 0.68 0.00	0.68 -0.11 0.00	0.00 -0.11 0.00	0.00 0.00 0.71	0.01 0.01 -0.13	0.00 0.00 0.00	0.00 0.00 0.00	0.00 0.00 0.00	0.00 0.00 0.00	0.00 0.00 0.00	0.00 0.00 0.00	0.00 0.00 0.00
14	30.00	21.99	0.99E+06 94.43	1.74 0.78 0.00	0.78 -0.11 0.00	0.00 -0.11 0.00	0.00 0.00 0.81	0.01 0.01 -0.13	0.00 0.00 0.00	0.00 0.00 0.00	0.00 0.00 0.00	0.00 0.00 0.00	0.00 0.00 0.00	0.00 0.00 0.00	0.00 0.00 0.00

PROPULSIVE WING FORCE DATA

SUMMARY, RUN 244

PT	Q ALPHA BETA	REV NO REY HEIGHT	CL15 CNF1B CMUC	CD15 CAF1B CMUM	CPH15 CPM1B CMUT	CRM15 CRM1B CLTR	CYW15 CYM1B CDMR	CSF15 CSF1B CNTR	SUMMARY, RUN 244						
									CL15 CNF1B CMUC	CD15 CAF1B CMUM	CPH15 CPM1B CMUT	CRM15 CRM1B CLTR	CYW15 CYM1B CDMR	CSF15 CSF1B CNTR	
1	21.04	-2.01	0.83E+06 81.67	1.09 0.26 0.00	-0.26 -0.46 0.00	-0.25 -0.72 0.00	0.01 0.00 0.18	0.01 0.01 -0.24	0.00 0.00 0.00	0.00 0.00 0.00	0.00 0.00 0.00	0.00 0.00 0.00	0.00 0.00 0.00	0.00 0.00 0.00	0.00 0.00 0.00
2	20.92	0.00	0.83E+06 88.57	1.27 0.26 0.00	-0.22 -0.47 0.00	-0.26 -0.73 0.00	0.00 0.00 0.21	0.01 0.01 -0.25	0.00 0.00 0.00	0.00 0.00 0.00	0.00 0.00 0.00	0.00 0.00 0.00	0.00 0.00 0.00	0.00 0.00 0.00	0.00 0.00 0.00
3	20.92	2.02	0.83E+06 87.44	1.45 0.26 0.00	-0.16 -0.47 0.00	-0.29 -0.73 0.00	0.00 0.00 0.25	0.01 0.01 -0.28	0.00 0.00 0.00	0.00 0.00 0.00	0.00 0.00 0.00	0.00 0.00 0.00	0.00 0.00 0.00	0.00 0.00 0.00	0.00 0.00 0.00
4	20.92	4.02	0.83E+06 85.14	1.65 0.26 0.00	-0.09 -0.47 0.00	-0.32 -0.73 0.00	0.00 0.00 0.32	0.01 0.01 -0.31	0.00 0.00 0.00	0.00 0.00 0.00	0.00 0.00 0.00	0.00 0.00 0.00	0.00 0.00 0.00	0.00 0.00 0.00	0.00 0.00 0.00
5	20.92	6.02	0.83E+06 84.28	1.86 0.26 0.00	0.00 -0.20 -0.47	-0.33 -0.72 0.00	0.01 0.00 0.39	0.00 0.00 -0.32	0.00 0.00 0.00	0.00 0.00 0.00	0.00 0.00 0.00	0.00 0.00 0.00	0.00 0.00 0.00	0.00 0.00 0.00	0.00 0.00 0.00
6	20.92	8.02	0.83E+06 85.12	2.09 0.25 0.00	0.11 -0.18 -0.46	-0.36 -0.71 0.00	0.01 0.01 0.48	0.01 0.01 -0.35	0.00 0.00 0.00	0.00 0.00 0.00	0.00 0.00 0.00	0.00 0.00 0.00	0.00 0.00 0.00	0.00 0.00 0.00	0.00 0.00 0.00
7	20.92	10.02	0.83E+06 83.04	2.33 0.25 0.00	0.24 -0.17 -0.46	-0.37 -0.72 0.00	0.00 0.00 0.59	0.01 0.01 -0.36	0.00 0.00 0.00	0.00 0.00 0.00	0.00 0.00 0.00	0.00 0.00 0.00	0.00 0.00 0.00	0.00 0.00 0.00	0.00 0.00 0.00
8	21.04	11.98	0.83E+06 84.75	2.51 0.25 0.00	0.35 -0.17 -0.46	-0.38 -0.71 0.00	0.00 0.00 0.70	0.01 0.01 -0.35	0.00 0.00 0.00	0.00 0.00 0.00	0.00 0.00 0.00	0.00 0.00 0.00	0.00 0.00 0.00	0.00 0.00 0.00	0.00 0.00 0.00
9	21.15	13.98	0.83E+06 85.51	2.68 0.25 0.00	0.49 -0.17 -0.46	-0.34 -0.71 0.00	0.00 0.00 0.82	0.00 0.00 -0.33	0.00 0.00 0.00	0.00 0.00 0.00	0.00 0.00 0.00	0.00 0.00 0.00	0.00 0.00 0.00	0.00 0.00 0.00	0.00 0.00 0.00
10	21.04	15.99	0.83E+06 87.12	2.85 0.25 0.00	0.63 -0.18 -0.46	-0.33 -0.71 0.00	0.00 0.00 0.95	0.01 0.01 -0.32	0.00 0.00 0.00	0.00 0.00 0.00	0.00 0.00 0.00	0.00 0.00 0.00	0.00 0.00 0.00	0.00 0.00 0.00	0.00 0.00 0.00
11	20.81	17.99	0.83E+06 88.11	3.01 0.26 0.00	0.77 -0.19 -0.47	-0.30 -0.72 0.00	0.00 0.00 1.07	0.00 0.00 -0.29	0.00 0.00 0.00	0.00 0.00 0.00	0.00 0.00 0.00	0.00 0.00 0.00	0.00 0.00 0.00	0.00 0.00 0.00	0.00 0.00 0.00
12	21.04	20.00	0.83E+06 86.52	3.12 0.25 0.00	0.92 -0.20 -0.46	-0.25 -0.71 0.00	0.01 0.01 1.20	0.00 0.00 -0.24	0.00 0.00 0.00	0.00 0.00 0.00	0.00 0.00 0.00	0.00 0.00 0.00	0.00 0.00 0.00	0.00 0.00 0.00	0.00 0.00 0.00
13	21.04	22.01	0.83E+06 93.47	3.25 0.25 0.00	1.08 -0.22 -0.46	-0.24 -0.72 0.00	0.01 0.01 1.34	0.01 0.01 -0.23	0.00 0.00 0.00	0.00 0.00 0.00	0.00 0.00 0.00	0.00 0.00 0.00	0.00 0.00 0.00	0.00 0.00 0.00	0.00 0.00 0.00

PROPULSIVE MING FORCE DATA

SUMMARY, RUN 246

PT	Q ALPHA BETA	REY NO HEIGHT	CLIS CMUC	CAFIB CMUW	CPMIB CMUT	CRMIB CLTR	CYMB CDR	CSFIB CMTR
1	5.17	0.41E+06	2.11	-1.56	-0.56	-0.02	-0.02	0.09
	-1.99	82.94	2.16	-1.49	-0.56	-0.02	-0.22	0.09
	0.00		1.02	1.89	2.91	0.74	0.22	-0.52
2	5.40	0.42E+06	2.19	-1.41	-0.50	-0.01	-0.02	0.09
	0.01	89.92	2.19	-1.41	-0.50	-0.01	-0.02	0.09
	0.00		0.98	1.81	2.79	0.82	0.26	-0.46
3	5.40	0.42E+06	2.41	-1.32	-0.50	-0.01	-0.01	0.06
	2.00	88.74	2.36	-1.41	-0.50	-0.01	-0.01	0.06
	0.00		0.98	1.80	2.78	0.98	0.29	-0.46
4	5.40	0.42E+06	2.64	-1.23	-0.50	-0.02	-0.01	0.04
	4.00	86.40	2.55	-1.41	-0.50	-0.02	-0.01	0.04
	0.00		0.98	1.81	2.79	1.15	0.34	-0.46
5	5.40	0.42E+06	2.90	-1.10	-0.53	-0.01	0.00	0.01
	5.99	85.64	2.76	-1.40	-0.53	-0.01	0.00	0.01
	0.00		0.98	1.81	2.79	1.35	0.42	-0.49
6	5.40	0.42E+06	3.16	-0.97	-0.55	-0.01	0.00	0.01
	8.00	84.01	3.00	-1.40	-0.55	-0.01	0.00	0.01
	0.00		0.98	1.82	2.80	1.57	0.50	-0.51
7	5.17	0.41E+06	3.51	-0.86	-0.60	0.00	0.00	-0.01
	9.99	85.18	3.30	-1.45	-0.60	0.00	0.00	-0.01
	0.00		1.02	1.90	2.92	1.78	0.62	-0.56
8	5.40	0.42E+06	3.68	-0.63	-0.60	0.00	0.00	-0.02
	11.99	86.43	3.46	-1.38	-0.60	0.00	0.00	-0.02
	0.00		0.98	1.82	2.81	1.98	0.72	-0.56
9	5.29	0.42E+06	3.92	-0.43	-0.59	0.01	0.00	-0.02
	14.00	87.11	3.70	-1.36	-0.59	0.01	0.00	-0.02
	0.00		0.97	1.81	2.78	2.18	0.86	-0.55
10	5.17	0.41E+06	4.31	-0.23	-0.65	0.01	0.00	-0.04
	15.98	87.55	4.08	-1.41	-0.65	0.01	0.01	-0.04
	0.00		1.01	1.87	2.88	2.47	1.03	-0.61
11	5.17	0.41E+06	4.54	-0.02	-0.68	0.02	0.00	-0.05
	17.99	88.74	4.31	-1.42	-0.68	0.02	0.01	-0.05
	0.00		1.01	1.88	2.89	2.65	1.19	-0.64
12	5.40	0.42E+06	4.65	0.25	-0.65	0.02	-0.01	-0.04
	20.02	90.70	4.45	-1.35	-0.65	0.03	0.00	-0.04
	0.00		0.97	1.80	2.77	2.80	1.34	-0.62
13	5.29	0.42E+06	4.92	0.49	-0.65	0.02	0.00	-0.04
	22.03	97.87	4.74	-1.39	-0.65	0.02	0.01	-0.04
	0.00		0.99	1.85	2.83	2.99	1.54	-0.61

PROPULSIVE MING FORCE DATA

SUMMARY, RUN 245

PT	Q ALPHA BETA	REY NO HEIGHT	CLIS CMUC	CAFIB CMUW	CPMIB CMUT	CRMIB CLTR	CYMB CDR	CSFIB CMTR
2	10.58	0.59E+06	1.40	-0.67	-0.29	0.00	-0.01	0.04
	-2.01	78.80	1.43	-0.62	-0.29	0.00	-0.01	0.04
	0.00		0.51	0.92	1.43	0.74	0.20	-0.27
3	10.45	0.58E+06	1.60	-0.62	-0.32	0.00	0.00	0.03
	0.00	85.80	0.51	0.93	1.45	0.89	0.24	-0.30
4	10.45	0.58E+06	1.81	-0.55	-0.34	0.00	0.00	0.02
	2.01	86.28	1.79	-0.62	-0.34	0.00	0.00	0.02
	0.00		0.51	0.94	1.45	1.07	0.28	-0.32
5	10.58	0.59E+06	1.97	-0.46	-0.35	-0.01	0.00	0.01
	4.01	85.04	1.93	-0.60	-0.35	-0.01	0.00	0.01
	0.00		0.51	0.93	1.44	1.21	0.34	-0.33
6	10.58	0.59E+06	2.22	-0.37	-0.36	0.00	0.00	0.03
	6.01	84.69	2.17	-0.60	-0.36	0.00	0.00	0.03
	0.00		0.51	0.93	1.44	1.43	0.41	-0.34
7	10.58	0.59E+06	2.48	-0.25	-0.41	0.01	0.00	0.01
	8.02	85.35	2.42	-0.60	-0.41	0.01	0.00	0.01
	0.00		0.51	0.94	1.45	1.66	0.50	-0.39
8	10.81	0.59E+06	2.72	-0.08	-0.44	0.01	0.00	0.00
	10.02	84.43	2.66	-0.56	-0.44	0.01	0.00	0.00
	0.00		0.49	0.89	1.38	1.90	0.61	-0.42
9	10.58	0.59E+06	2.98	0.05	-0.45	0.02	0.00	-0.01
	12.00	82.32	2.92	-0.57	-0.45	0.02	0.00	-0.01
	0.00		0.50	0.92	1.42	2.12	0.73	-0.43
10	10.45	0.59E+06	3.23	0.22	-0.48	0.01	0.00	-0.01
	14.00	81.32	3.18	-0.57	-0.48	0.01	0.00	-0.01
	0.00		0.51	0.93	1.44	2.33	0.88	-0.46
11	10.58	0.59E+06	3.39	0.39	-0.46	0.01	-0.01	0.01
	16.00	79.75	3.37	-0.56	-0.46	0.01	0.00	0.01
	0.00		0.50	0.92	1.42	2.48	1.02	-0.44
12	10.58	0.59E+06	3.61	0.59	-0.46	0.01	0.01	-0.03
	18.00	82.18	3.61	-0.56	-0.46	0.00	0.01	-0.03
	0.00		0.50	0.92	1.42	2.68	1.18	-0.44
13	10.45	0.59E+06	3.81	0.78	-0.44	0.01	0.01	-0.02
	20.00	89.42	3.85	-0.57	-0.44	0.00	0.01	-0.02
	0.00		0.50	0.93	1.43	2.85	1.35	-0.42
14	10.69	0.59E+06	3.93	0.98	-0.39	0.01	0.01	-0.02
	22.03	96.51	4.01	-0.56	-0.39	0.01	0.01	-0.02
	0.00		0.50	0.91	1.41	2.97	1.50	-0.38

PROPULSIVE WING FORCE DATA

SUMMARY. RUN 247

PT	Q ALPHA BETA	REY NO REY HEIGHT	CL15			CPM15			CVM15			CSF15		
			CMFB	CMUC	CMUM	CMFB	CMUT	CMCL	CMFB	CMUT	CMCL	CMFB	CMUT	CMCL
1	-1.99	0.29E+06	3.71	-1.08	-1.02	-0.02	-0.02	0.10	0.15	-1.00	0.10	0.16	0.16	
2	0.01	0.29E+06	3.72	-1.02	-0.02	-0.04	0.15	-0.34	0.25	-0.94	0.13	0.13	0.13	
3	2.65	0.30E+06	3.78	-0.91	-0.04	-0.04	0.03	0.09	0.25	-0.83	0.15	0.15	0.15	
4	4.01	0.30E+06	3.80	-0.89	-0.04	-0.02	0.09	0.34	-0.81	0.09	0.10	0.10	0.10	
5	6.01	0.30E+06	4.04	-0.94	-0.03	-0.01	0.03	0.40	-0.86	0.03	0.04	0.04	0.04	
6	7.99	0.30E+06	4.35	-0.85	-0.04	-0.02	0.05	0.43	-0.78	0.05	0.05	0.05	0.05	
7	9.99	0.29E+06	4.52	-0.89	-0.02	-0.02	0.03	0.55	-0.81	0.01	0.01	0.01	0.01	
8	11.99	0.29E+06	4.84	-0.92	-0.01	-0.03	0.01	0.69	-0.84	0.01	0.01	0.01	0.01	
9	14.00	0.30E+06	5.10	-0.94	-0.01	-0.01	0.02	0.81	-0.88	0.01	0.01	0.01	0.01	
10	16.01	0.30E+06	5.10	-0.89	-0.01	0.00	0.07	0.94	-0.81	0.01	0.01	0.01	0.01	
11	17.99	0.30E+06	5.27	-0.85	-0.01	0.01	0.08	1.06	-0.78	0.01	0.01	0.01	0.01	
12	20.02	0.29E+06	5.76	-0.97	-0.01	0.00	0.07	1.28	-0.89	0.01	0.01	0.01	0.01	
13	22.00	0.29E+06	6.26	-1.09	0.01	0.00	0.09	1.56	-0.99	0.01	0.01	0.01	0.01	

PROPULSIVE WING FORCE DATA

SUMMARY. RUN 248

PT	Q ALPHA BETA	REY NO REY HEIGHT	CL15			CPM15			CVM15			CSF15		
			CMFB	CMUC	CMUM	CMFB	CMUT	CMCL	CMFB	CMUT	CMCL	CMFB	CMUT	CMCL
1	-1.99	0.20E+06	6.45	-7.20	-1.91	-0.04	0.16	0.10	-1.75	0.10	0.10	0.10	0.10	
2	0.00	0.20E+06	6.59	-6.98	-1.93	-0.05	0.13	0.16	-1.77	0.16	0.16	0.16	0.16	
3	1.49	0.22E+06	5.87	-5.65	-1.83	-0.04	0.05	0.15	-1.50	0.15	0.15	0.15	0.15	
4	3.00	0.21E+06	6.34	-5.36	-1.70	-0.03	0.10	0.10	-1.56	0.10	0.10	0.10	0.10	
5	5.00	0.21E+06	6.29	-5.68	-1.69	-0.06	0.04	0.28	-1.54	0.28	0.28	0.28	0.28	
6	8.00	0.21E+06	6.36	-5.40	-1.57	-0.08	0.03	0.34	-1.42	0.34	0.34	0.34	0.34	
7	10.01	0.20E+06	6.95	-5.63	-1.69	-0.09	0.01	0.41	-1.53	0.41	0.41	0.41	0.41	
8	11.99	0.21E+06	6.50	-6.38	-1.49	-0.07	0.05	0.42	-1.34	0.42	0.42	0.42	0.42	
9	14.00	0.21E+06	6.85	-6.38	-1.61	-0.08	0.04	0.42	-1.46	0.42	0.42	0.42	0.42	
10	16.00	0.21E+06	7.02	-6.38	-1.48	-0.07	0.02	0.42	-1.33	0.42	0.42	0.42	0.42	
11	18.00	0.21E+06	7.67	-6.34	-1.87	-0.04	0.14	0.42	-1.72	0.42	0.42	0.42	0.42	
12	19.99	0.20E+06	8.37	-6.88	-1.81	-0.04	0.09	0.42	-1.66	0.42	0.42	0.42	0.42	
13	21.99	0.20E+06	8.37	-6.91	-1.70	-0.04	0.17	0.42	-1.54	0.42	0.42	0.42	0.42	

PROPULSIVE MING FORCE DATA

SUMMARY. RUN 249

PT	Q	ALPHA		REY NO	CL15			CPN15	CRM15	CYN15	CSF15		
		BETA	HEIGHT		CFIB	CHUC	CMH15				CM15	CMTR	CMR
16	0.00	-0.01	0.30E+08	88.16	-1.75	-0.06	6.80	-1.64	8.32	-1.10	-1.10	-1.10	0.01
	0.00	0.00	88.16		10.82	0.00	10.82	-2.29	10.94	0.22			0.07
17	0.00	0.07	0.30E+08	88.16	16.60	-25.20	406.00	-13.64	6.53	0.45	0.45	0.45	0.01
	0.00	0.00	88.16		41.73	0.00	41.73	-40.39	44.93	404.60			0.10
18	0.00	0.11	0.30E+08	88.16	27.17	-36.10	581.60	-20.23	11.59	-0.78	-0.78	-0.78	0.01
	0.00	0.00	88.16		61.17	-36.15	581.60	-20.26	11.55	-0.78	-0.78	-0.78	0.01
19	0.00	0.14	0.30E+08	88.16	34.30	-44.31	730.60	-22.79	7.54	-0.09	-0.09	-0.09	0.01
	0.00	0.00	88.16		77.99	0.00	77.99	-70.83	83.82	734.70			0.25

PROPULSIVE MING FORCE DATA

SUMMARY. RUN 250

PT	Q	ALPHA		REY NO	CL15			CPN15	CRM15	CYN15	CSF15		
		BETA	HEIGHT		CFIB	CHUC	CMH15				CM15	CMTR	CMR
2	30.00	-2.01	0.98E+06	80.03	0.12	0.04	0.08	0.08	0.00	0.01	0.01	0.01	0.01
	0.00	0.00	80.03		0.00	0.04	0.00	0.00	0.12	0.06	0.06	0.06	0.07
3	30.00	-0.02	0.98E+06	86.73	0.15	0.04	0.12	0.12	0.00	0.00	0.01	0.01	0.01
	0.00	0.00	86.73		0.00	0.04	0.00	0.00	0.15	0.07	0.07	0.07	0.10
4	30.12	1.99	0.98E+06	83.79	0.19	0.05	0.15	0.15	0.00	0.00	0.01	0.01	0.01
	0.00	0.00	83.79		0.00	0.04	0.00	0.00	0.19	0.07	0.07	0.07	0.14
5	30.00	3.99	0.98E+06	85.03	0.23	0.04	0.19	0.19	0.00	0.00	0.01	0.01	0.01
	0.00	0.00	85.03		0.00	0.04	0.00	0.00	0.23	0.08	0.08	0.08	0.17
6	30.00	6.00	0.98E+06	84.58	0.27	0.06	0.23	0.23	0.00	0.00	0.01	0.01	0.01
	0.00	0.00	84.58		0.00	0.06	0.00	0.00	0.26	0.09	0.09	0.09	0.21
7	29.89	7.99	0.98E+06	82.20	0.31	0.08	0.27	0.27	0.00	0.00	0.01	0.01	0.01
	0.00	0.00	82.20		0.00	0.08	0.00	0.00	0.31	0.11	0.11	0.11	0.25
8	30.00	10.02	0.98E+06	81.16	0.36	0.09	0.32	0.32	0.00	0.00	0.01	0.01	0.01
	0.00	0.00	81.16		0.00	0.09	0.00	0.00	0.35	0.12	0.12	0.12	0.30
9	30.00	11.99	0.98E+06	87.85	0.39	0.11	0.36	0.36	0.00	0.00	0.01	0.01	0.01
	0.00	0.00	87.85		0.00	0.11	0.00	0.00	0.38	0.14	0.14	0.14	0.34
10	29.89	13.99	0.98E+06	85.69	0.43	0.14	0.40	0.40	0.00	0.00	0.01	0.01	0.01
	0.00	0.00	85.69		0.00	0.14	0.00	0.00	0.42	0.17	0.17	0.17	0.38
11	29.77	16.02	0.98E+06	87.41	0.46	0.17	0.42	0.42	0.00	0.00	0.01	0.01	0.01
	0.00	0.00	87.41		0.00	0.17	0.00	0.00	0.45	0.19	0.19	0.19	0.41
12	30.12	17.97	0.98E+06	85.89	0.48	0.20	0.44	0.44	0.00	0.00	0.01	0.01	0.01
	0.00	0.00	85.89		0.00	0.20	0.00	0.00	0.47	0.23	0.23	0.23	0.42
13	30.12	19.97	0.98E+06	90.47	0.42	0.20	0.39	0.39	0.00	0.00	0.01	0.01	0.01
	0.00	0.00	90.47		0.00	0.20	0.00	0.00	0.41	0.22	0.22	0.22	0.37
14	29.89	21.98	0.98E+06	95.14	0.44	0.22	0.41	0.41	0.00	0.00	0.01	0.01	0.01
	0.00	0.00	95.14		0.00	0.22	0.00	0.00	0.43	0.25	0.25	0.25	0.39



PROPULSIVE MING FORCE DATA

SUMMARY, RUN 251

PT	Q		REY NO HEIGHT	CL15 CMF1B CMUC	CD15 CAF1B CMUH	CPM15 CPM1B CMUT	CRM15 CRM1B CLTR	CWN15 CWN1B CDTR	CSF15 CSF1B CMTR	SUMMARY, RUN 252															
	ALPHA BETA	BETA								CL15 CMF1B CMUC	CD15 CAF1B CMUH	CPM15 CPM1B CMUT	CRM15 CRM1B CLTR	CWN15 CWN1B CDTR	CSF15 CSF1B CMTR	CL15 CMF1B CMUC	CD15 CAF1B CMUH	CPM15 CPM1B CMUT	CRM15 CRM1B CLTR	CWN15 CWN1B CDTR	CSF15 CSF1B CMTR				
1	20.92	-2.00	0.82E+06	0.45	-0.08	0.37	0.00	0.00	0.03	0.59	-0.22	0.48	0.00	0.00	0.00	0.00	0.03	0.59	-0.22	0.48	0.00	0.00	0.00	0.00	0.03
	0.00	0.00	83.29	0.27	0.00	0.27	0.35	0.08	0.29	0.52	0.00	0.52	0.39	0.08	0.34										
2	21.15	-0.01	0.52E+08	0.49	-0.06	0.40	0.00	0.00	0.02	0.66	-0.20	0.53	0.00	0.00	0.03	0.00	0.03	0.66	-0.20	0.53	0.00	0.00	0.00	0.10	0.38
	0.00	0.00	90.10	0.25	0.00	0.25	0.38	0.09	0.33	0.53	0.00	0.53	0.44	0.10	0.38										
3	21.04	2.00	0.82E+06	0.54	-0.04	0.45	0.00	0.00	0.02	0.70	-0.17	0.57	0.00	0.00	0.02	0.00	0.02	0.69	-0.20	0.57	0.00	0.00	0.00	0.11	0.43
	0.00	0.00	88.11	0.26	0.00	0.26	0.43	0.10	0.38	0.52	0.00	0.52	0.47	0.11	0.43										
4	21.15	4.01	0.83E+06	0.61	-0.02	0.49	0.00	0.00	0.02	0.77	-0.14	0.63	0.00	0.00	0.02	0.00	0.02	0.76	-0.20	0.63	0.00	0.00	0.00	0.14	0.48
	0.00	0.00	87.54	0.26	0.00	0.26	0.49	0.12	0.42	0.51	0.00	0.51	0.53	0.14	0.48										
5	21.15	6.01	0.83E+06	0.67	0.01	0.54	0.00	0.00	0.02	0.83	-0.11	0.68	0.00	0.00	0.03	0.00	0.03	0.81	-0.20	0.68	0.00	0.00	0.00	0.16	0.54
	0.00	0.00	87.41	0.26	0.00	0.26	0.55	0.14	0.47	0.51	0.00	0.51	0.58	0.16	0.54										
6	21.04	8.01	0.82E+06	0.74	0.04	0.59	0.00	0.00	0.02	0.92	-0.08	0.74	0.00	0.00	0.02	0.00	0.02	0.90	-0.20	0.74	0.00	0.00	0.00	0.19	0.59
	0.00	0.00	85.70	0.26	0.00	0.26	0.81	0.17	0.52	0.52	0.00	0.52	0.66	0.19	0.59										
7	21.04	10.00	0.82E+06	0.81	-0.07	0.64	0.00	0.00	0.02	1.00	-0.03	0.79	0.00	0.00	0.01	0.00	0.01	0.98	-0.21	0.79	0.00	0.00	0.00	0.22	0.64
	0.00	0.00	83.66	0.26	0.00	0.26	0.67	0.20	0.37	0.52	0.00	0.52	0.73	0.22	0.64										
8	21.15	12.01	0.83E+06	0.87	0.11	0.69	0.00	0.00	0.02	1.07	0.02	0.83	0.00	0.00	0.02	0.00	0.02	1.05	-0.21	0.83	0.00	0.00	0.00	0.26	0.68
	0.00	0.00	83.36	0.26	0.00	0.26	0.73	0.23	0.62	0.52	0.00	0.52	0.79	0.26	0.68										
9	20.92	13.99	0.82E+06	0.93	0.15	0.75	0.00	0.00	0.03	1.14	0.07	0.87	0.00	0.00	0.03	0.00	0.03	1.14	-0.21	0.87	0.00	0.00	0.00	0.30	0.73
	0.00	0.00	84.15	0.26	0.00	0.26	0.78	0.27	0.68	0.52	0.00	0.52	0.86	0.30	0.73										
10	20.92	16.00	0.82E+06	0.99	0.20	0.80	0.00	0.00	0.03	1.23	0.13	0.93	0.00	0.00	0.05	0.00	0.05	1.22	-0.22	0.93	0.00	0.00	0.00	0.36	0.75
	0.00	0.00	85.11	0.26	0.00	0.26	0.84	0.31	0.73	0.53	0.00	0.53	0.94	0.36	0.75										
11	21.04	18.00	0.82E+06	1.02	0.24	0.85	0.00	0.00	0.02	1.28	0.18	0.98	0.00	0.00	0.04	0.00	0.04	1.27	-0.22	0.98	0.00	0.00	0.00	0.40	0.83
	0.00	0.00	85.61	0.26	0.00	0.26	0.87	0.35	0.78	0.52	0.00	0.52	0.98	0.40	0.83										
12	21.15	19.99	0.82E+06	1.08	0.30	0.89	0.00	0.00	0.03	1.34	0.24	1.04	0.00	0.00	0.04	0.00	0.04	1.35	-0.23	1.04	0.00	0.00	0.00	0.45	0.89
	0.00	0.00	85.86	0.25	0.00	0.25	0.93	0.40	0.82	0.52	0.00	0.52	1.03	0.45	0.89										
13	21.04	21.99	0.82E+06	1.14	0.35	0.94	0.00	0.00	0.03	1.41	0.32	1.08	0.00	0.00	0.04	0.00	0.04	1.43	-0.23	1.08	0.00	0.00	0.00	0.51	0.94
	0.00	0.00	92.64	0.26	0.00	0.26	0.98	0.46	0.87	0.52	0.00	0.52	1.10	0.51	0.94										

PROPULSIVE MING FORCE DATA

SUMMARY. RUM 254

PT	Q	ALPHA	BETA	REY NO	HEIGHT	CLIS		CDIS		CPHIS		CYHIS		CSFIS	
						CMFIB	CMUC	CAFIB	CMUH	CPHIB	CMUT	CYHIB	CDTR	CSFIB	CMTR
3	0.00	0.00	0.00	0.30E+08	86.78	13.93	0.00	-26.63	-299.30	-2.00	-4.83	0.82	0.00	0.00	0.00
4	0.00	-0.01	0.00	0.30E+08	86.78	22.81	0.00	-43.09	-468.50	1.15	1.78	1.84	0.00	0.00	0.00
5	0.00	-0.02	0.00	0.30E+08	86.78	31.11	0.00	-64.75	-693.00	0.36	10.05	1.07	0.00	0.00	0.00
6	0.00	0.00	0.00	0.30E+08	86.78	42.03	0.00	-86.57	-936.50	3.97	1.16	2.91	0.00	0.00	0.00
7	0.00	-0.04	0.00	0.30E+08	86.78	55.21	0.00	-115.60	-1275.00	8.44	13.68	2.53	0.00	0.00	0.00

PROPULSIVE MING FORCE DATA

SUMMARY. RUM 253

PT	Q	ALPHA	BETA	REY NO	HEIGHT	CLIS		CDIS		CPHIS		CYHIS		CSFIS	
						CMFIB	CMUC	CAFIB	CMUH	CPHIB	CMUT	CYHIB	CDTR	CSFIB	CMTR
1	5.40	-2.00	0.00	0.42E+06	80.79	0.85	0.00	-0.51	0.65	0.00	0.00	0.00	0.00	0.05	0.05
2	5.52	-0.01	0.00	0.43E+06	87.72	0.91	0.00	-0.46	0.70	0.00	0.01	0.03	0.00	0.03	0.42
3	5.63	2.04	0.00	0.43E+06	89.74	0.94	0.00	-0.46	0.74	0.00	0.00	0.00	0.00	0.03	0.48
4	5.40	4.00	0.00	0.42E+06	87.68	1.07	0.00	-0.40	0.83	0.00	0.00	0.00	0.00	0.02	0.55
5	5.40	6.00	0.00	0.42E+06	87.47	1.14	0.00	-0.36	0.90	0.00	0.01	0.01	0.00	0.02	0.72
6	5.52	8.04	0.00	0.42E+06	89.39	1.18	0.00	-0.30	0.94	0.00	0.01	0.01	0.00	0.02	0.77
7	5.52	10.02	0.00	0.43E+06	87.85	1.25	0.00	-0.25	1.00	0.00	0.00	0.00	0.00	0.02	0.84
8	5.52	12.08	0.00	0.43E+06	87.52	1.36	0.00	-0.18	1.04	0.00	0.00	0.00	0.00	0.02	0.93
9	5.29	14.02	0.00	0.42E+06	88.76	1.48	0.00	-0.14	1.13	0.00	0.00	0.00	0.00	0.02	1.02
10	5.52	16.00	0.00	0.43E+06	87.26	1.52	0.00	-0.05	1.13	0.00	0.00	0.00	0.00	0.03	1.11
11	5.29	18.01	0.00	0.42E+06	87.97	1.68	0.00	0.02	1.21	0.00	0.00	0.00	0.00	0.03	1.21
12	5.40	20.03	0.00	0.42E+06	89.97	1.68	0.00	0.08	1.23	0.00	0.00	0.00	0.00	0.02	1.28
13	5.40	22.03	0.00	0.42E+06	97.28	1.75	0.00	0.17	1.27	0.00	0.00	0.00	0.00	0.04	1.36

C-2

PROPULSIVE MING FORCE DATA

SUMMARY. RUN 256

PT	Q		REY NO HEIGHT	CLIS			CPMIB CMUT	CRMIS CLTR	CYNIS			CSFIB CMTR
	ALPHA BETA	REY NO HEIGHT		CMFIB CMUC	CAFIB CMUH	CMFIB CMUC			CPMIB CMUT	CRMIS CLTR	CMFIB CMUC	
16	0.00	0.00	0.30E+08	26.32	-57.67	-588.70	-2.10	-2.10	-5.27	1.79	1.79	0.01
	-0.02	0.00	86.93	26.34	-57.66	-588.70	-2.10	-2.10	-5.27	1.79	1.79	0.01
	0.00	0.00	86.93	0.00	76.90	76.90	0.01	0.01	-1.02	-570.50	-0.24	0.08
17	0.00	0.00	0.30E+08	34.39	-74.37	-798.10	-0.56	-0.56	-1.57	2.28	2.28	0.01
	-0.03	0.00	86.93	34.42	-74.35	-798.10	-0.56	-0.56	-1.57	2.28	2.28	0.01
	0.00	0.00	86.93	0.00	100.80	100.80	-0.57	-0.57	-1.18	-773.30	-0.26	0.09
18	0.00	0.00	0.30E+08	46.32	-95.75	-1062.00	6.13	6.13	-0.10	2.77	2.77	0.01
	-0.03	0.00	86.93	46.38	-95.72	-1062.00	6.13	6.13	-0.10	2.77	2.77	0.01
	0.00	0.00	86.93	0.00	129.90	129.90	0.13	0.13	-1.74	-1029.00	-0.27	0.10
19	0.00	0.00	0.30E+08	55.31	-113.10	-1271.00	6.57	6.57	8.90	2.43	2.43	0.01
	-0.04	0.00	86.93	55.40	-113.10	-1271.00	6.57	6.57	8.90	2.43	2.43	0.01
	0.00	0.00	86.93	0.00	154.40	154.40	-0.45	-0.45	-1.91	-1232.00	-0.28	0.11
2	30.35	-2.06	0.98E+06	0.32	0.03	0.03	-0.25	0.00	0.03	0.03	0.03	0.01
	0.00	0.00	87.77	0.00	0.00	0.00	0.00	0.00	0.00	0.00	0.00	0.01
3	30.00	0.03	0.98E+06	0.41	0.04	0.04	-0.27	0.00	0.04	0.04	0.04	0.01
	0.00	0.00	89.29	0.00	0.00	0.00	0.00	0.00	0.00	0.00	0.00	0.01
4	30.00	2.08	0.98E+06	0.50	0.05	0.05	-0.28	0.00	0.05	0.05	0.05	0.01
	0.00	0.00	88.02	0.00	0.00	0.00	0.00	0.00	0.00	0.00	0.00	0.01
5	29.77	4.05	0.98E+06	0.57	0.07	0.07	-0.29	0.00	0.07	0.07	0.07	0.01
	0.00	0.00	87.59	0.00	0.00	0.00	0.00	0.00	0.00	0.00	0.00	0.01
6	29.89	6.02	0.98E+06	0.67	0.08	0.08	-0.31	0.00	0.08	0.08	0.08	0.01
	0.00	0.00	87.96	0.00	0.00	0.00	0.00	0.00	0.00	0.00	0.00	0.01
7	29.77	8.09	0.98E+06	0.76	0.10	0.10	-0.32	0.00	0.10	0.10	0.10	0.00
	0.00	0.00	87.44	0.00	0.00	0.00	0.00	0.00	0.00	0.00	0.00	0.00
8	29.77	10.06	0.98E+06	0.85	0.13	0.13	-0.34	0.00	0.13	0.13	0.13	0.00
	0.00	0.00	87.00	0.00	0.00	0.00	0.00	0.00	0.00	0.00	0.00	0.00
9	29.77	12.09	0.98E+06	0.98	0.18	0.18	-0.37	0.00	0.18	0.18	0.18	0.00
	0.00	0.00	87.35	0.00	0.00	0.00	0.00	0.00	0.00	0.00	0.00	0.00
10	29.89	14.09	0.98E+06	1.08	0.23	0.23	-0.39	0.00	0.23	0.23	0.23	0.00
	0.00	0.00	88.01	0.00	0.00	0.00	0.00	0.00	0.00	0.00	0.00	0.00
11	29.66	17.04	0.98E+06	1.15	0.32	0.32	-0.40	0.00	0.32	0.32	0.32	0.00
	0.00	0.00	87.36	0.00	0.00	0.00	0.00	0.00	0.00	0.00	0.00	0.00
12	29.43	18.99	0.98E+06	1.20	0.40	0.40	-0.43	0.00	0.40	0.40	0.40	0.00
	0.00	0.00	87.44	0.00	0.00	0.00	0.00	0.00	0.00	0.00	0.00	0.00
13	29.31	20.00	0.97E+06	1.19	0.43	0.43	-0.42	0.00	0.43	0.43	0.43	0.00
	0.00	0.00	90.54	0.00	0.00	0.00	0.00	0.00	0.00	0.00	0.00	0.00
14	30.46	22.09	0.99E+06	1.18	0.48	0.48	-0.42	0.00	0.48	0.48	0.48	0.00
	0.00	0.00	98.11	0.00	0.00	0.00	0.00	0.00	0.00	0.00	0.00	0.00

PROPULSIVE WING FORCE DATA

SUMMARY, RUN 258

PT	Q		CLIS			CPHIS			CRMIS			CYSIS			CSFIS		
	ALPHA	BETA	REY NO	CAFIB	CMHIB	CPHIB	CPHIB	CLTR	CLTR	CLTR	CLTR	CLTR	CLTR	CLTR	CLTR	CLTR	
1	10.58	-2.04	0.59E+06	-0.76	0.93	-0.69	-0.69	0.00	0.00	0.00	0.00	0.00	0.00	0.00	0.00	0.03	
	0.00	0.00	87.49	1.08	0.00	1.08	0.56	0.04	0.00	0.00	0.00	0.00	0.00	0.00	0.00	-0.41	
2	10.69	-0.02	0.59E+06	-0.73	1.07	-0.71	-0.71	0.00	0.00	0.00	0.00	0.00	0.00	0.00	0.00	0.03	
	0.00	0.00	88.19	1.07	0.00	1.07	0.68	0.06	0.00	0.00	0.00	0.00	0.00	0.00	0.00	-0.43	
3	10.69	2.07	0.59E+06	-0.69	1.21	-0.74	-0.74	0.00	0.00	0.00	0.00	0.00	0.00	0.00	0.00	0.02	
	0.00	0.00	86.94	1.07	0.00	1.07	0.79	0.08	0.00	0.00	0.00	0.00	0.00	0.00	0.00	-0.47	
4	10.46	4.02	0.59E+06	-0.67	1.35	-0.78	-0.78	0.00	0.00	0.00	0.00	0.00	0.00	0.00	0.00	0.01	
	0.00	0.00	88.36	1.09	0.00	1.09	0.90	0.10	0.00	0.00	0.00	0.00	0.00	0.00	0.00	-0.50	
5	10.46	6.05	0.59E+06	-0.62	1.50	-0.81	-0.81	0.00	0.00	0.00	0.00	0.00	0.00	0.00	0.00	0.01	
	0.00	0.00	86.97	1.10	0.00	1.10	1.02	0.14	0.00	0.00	0.00	0.00	0.00	0.00	0.00	-0.53	
6	10.58	8.03	0.59E+06	-0.56	1.64	-0.84	-0.84	0.00	0.00	0.00	0.00	0.00	0.00	0.00	0.00	0.01	
	0.00	0.00	87.17	1.03	0.00	1.03	1.14	0.18	0.00	0.00	0.00	0.00	0.00	0.00	0.00	-0.55	
7	10.46	10.10	0.59E+06	-0.49	1.82	-0.89	-0.89	0.00	0.00	0.00	0.00	0.00	0.00	0.00	0.00	0.00	
	0.00	0.00	87.93	1.10	0.00	1.10	1.28	0.23	0.00	0.00	0.00	0.00	0.00	0.00	0.00	-0.60	
8	10.46	12.02	0.59E+06	-0.42	1.96	-0.93	-0.93	0.00	0.00	0.00	0.00	0.00	0.00	0.00	0.00	0.00	
	0.00	0.00	88.23	1.09	0.00	1.09	1.39	0.29	0.00	0.00	0.00	0.00	0.00	0.00	0.00	-0.64	
9	10.35	14.02	0.58E+06	-0.33	2.16	-0.97	-0.97	0.00	0.00	0.00	0.00	0.00	0.00	0.00	0.00	0.00	
	0.00	0.00	88.65	1.11	0.00	1.11	1.56	0.37	0.00	0.00	0.00	0.00	0.00	0.00	0.00	-0.68	
10	10.23	16.07	0.58E+06	-0.23	2.34	-1.01	-1.01	0.00	0.00	0.00	0.00	0.00	0.00	0.00	0.00	0.00	
	0.00	0.00	87.46	1.12	0.00	1.12	1.71	0.45	0.00	0.00	0.00	0.00	0.00	0.00	0.00	-0.71	
11	10.23	18.08	0.58E+06	-0.12	2.49	-1.03	-1.03	0.00	0.00	0.00	0.00	0.00	0.00	0.00	0.00	0.00	
	0.00	0.00	87.29	1.12	0.00	1.12	1.83	0.54	0.00	0.00	0.00	0.00	0.00	0.00	0.00	-0.74	
12	10.23	20.02	0.58E+06	-0.01	2.60	-1.06	-1.06	0.00	0.00	0.00	0.00	0.00	0.00	0.00	0.00	0.00	
	0.00	0.00	91.36	1.12	0.00	1.12	1.93	0.63	0.00	0.00	0.00	0.00	0.00	0.00	0.00	-0.76	
13	10.23	20.01	0.58E+06	0.00	2.63	-1.08	-1.08	0.00	0.00	0.00	0.00	0.00	0.00	0.00	0.00	0.00	
	0.00	0.00	91.36	1.12	0.00	1.12	1.95	0.64	0.00	0.00	0.00	0.00	0.00	0.00	0.00	-0.78	
14	10.00	22.07	0.57E+06	0.00	2.78	-1.13	-1.13	0.00	0.00	0.00	0.00	0.00	0.00	0.00	0.00	0.00	
	0.00	0.00	99.01	1.15	0.00	1.15	2.07	0.75	0.00	0.00	0.00	0.00	0.00	0.00	0.00	-0.82	

PROPULSIVE WING FORCE DATA

SUMMARY, RUN 257

PT	Q		CLIS			CPHIS			CRMIS			CYSIS			CSFIS		
	ALPHA	BETA	REY NO	CAFIB	CMHIB	CPHIB	CPHIB	CLTR	CLTR	CLTR	CLTR	CLTR	CLTR	CLTR	CLTR	CLTR	
1	21.15	-2.00	0.83E+06	-0.35	0.71	-0.52	-0.52	0.00	0.00	0.00	0.00	0.00	0.00	0.00	0.00	0.02	
	0.00	0.00	87.86	0.53	0.00	0.53	0.03	0.00	0.00	0.00	0.00	0.00	0.00	0.00	0.00	-0.38	
2	21.15	-0.04	0.83E+06	-0.33	0.82	-0.54	-0.54	0.00	0.00	0.00	0.00	0.00	0.00	0.00	0.00	0.02	
	0.00	0.00	87.49	0.53	0.00	0.53	0.63	0.05	0.00	0.00	0.00	0.00	0.00	0.00	0.00	-0.41	
3	21.15	2.09	0.83E+06	-0.30	0.95	-0.57	-0.57	0.00	0.00	0.00	0.00	0.00	0.00	0.00	0.00	0.02	
	0.00	0.00	86.87	0.53	0.00	0.53	0.74	0.07	0.00	0.00	0.00	0.00	0.00	0.00	0.00	-0.44	
4	21.04	4.03	0.83E+06	-0.28	1.07	-0.60	-0.60	0.00	0.00	0.00	0.00	0.00	0.00	0.00	0.00	0.01	
	0.00	0.00	87.09	0.53	0.00	0.53	0.85	0.10	0.00	0.00	0.00	0.00	0.00	0.00	0.00	-0.46	
5	21.04	6.03	0.83E+06	-0.24	1.19	-0.63	-0.63	0.00	0.00	0.00	0.00	0.00	0.00	0.00	0.00	0.01	
	0.00	0.00	90.18	0.54	0.00	0.54	0.95	0.13	0.00	0.00	0.00	0.00	0.00	0.00	0.00	-0.49	
6	21.15	8.01	0.83E+06	-0.20	1.31	-0.65	-0.65	0.00	0.00	0.00	0.00	0.00	0.00	0.00	0.00	0.02	
	0.00	0.00	87.43	0.53	0.00	0.53	1.06	0.16	0.00	0.00	0.00	0.00	0.00	0.00	0.00	-0.51	
7	21.04	10.05	0.83E+06	-0.14	1.45	-0.69	-0.69	0.00	0.00	0.00	0.00	0.00	0.00	0.00	0.00	0.02	
	0.00	0.00	88.21	0.54	0.00	0.54	1.19	0.21	0.00	0.00	0.00	0.00	0.00	0.00	0.00	-0.55	
8	21.04	12.02	0.83E+06	-0.08	1.60	-0.73	-0.73	0.00	0.00	0.00	0.00	0.00	0.00	0.00	0.00	0.01	
	0.00	0.00	88.37	0.54	0.00	0.54	1.33	0.26	0.00	0.00	0.00	0.00	0.00	0.00	0.00	-0.59	
9	21.15	14.01	0.83E+06	0.00	1.74	-0.76	-0.76	0.00	0.00	0.00	0.00	0.00	0.00	0.00	0.00	0.02	
	0.00	0.00	88.55	0.54	0.00	0.54	1.46	0.33	0.00	0.00	0.00	0.00	0.00	0.00	0.00	-0.62	
10	21.04	16.05	0.83E+06	0.09	1.90	-0.80	-0.80	0.00	0.00	0.00	0.00	0.00	0.00	0.00	0.00	0.01	
	0.00	0.00	87.21	0.54	0.00	0.54	1.60	0.41	0.00	0.00	0.00	0.00	0.00	0.00	0.00	-0.66	
11	20.92	18.07	0.83E+06	0.18	2.03	-0.83	-0.83	0.00	0.00	0.00	0.00	0.00	0.00	0.00	0.00	0.01	
	0.00	0.00	88.34	0.54	0.00	0.54	1.72	0.50	0.00	0.00	0.00	0.00	0.00	0.00	0.00	-0.69	
12	20.58	20.58	0.82E+06	-0.48	2.15	-0.87	-0.87	0.00	0.00	0.00	0.00	0.00	0.00	0.00	0.00	0.02	
	0.00	0.00	91.10	0.55	0.00	0.55	1.86	0.60	0.00	0.00	0.00	0.00	0.00	0.00	0.00	-0.73	
13	20.58	22.03	0.82E+06	0.40	2.29	-0.90	-0.90	0.00	0.00	0.00	0.00	0.00	0.00	0.00	0.00	0.01	
	0.00	0.00	98.23	0.55	0.00	0.55	1.95	0.70	0.00	0.00	0.00	0.00	0.00	0.00	0.00	-0.75	

PROPULSIVE WING FORCE DATA

SUMMARY. RUN 260

PT	Q ALPHA BETA	REV NO HEIGHT	CL15 CNEFB CMUC	CD15 CAFIB CNUM	CPM15 CPM1B CMUT	CRM15 CRM1B CLTR	CYM15 CYM1B COTR	CSF15 CSF1B CMTR
2	0.00	0.30E+08	14.56	-35.66	-236.00	-19.57	-29.22	0.55
	0.00	50.08	8.96	24.32	33.28	5.59	-13.96	-231.90
3	0.00	0.30E+08	24.58	-63.86	-415.10	-23.30	-48.52	0.82
	0.00	50.08	24.59	-63.86	-415.10	-23.31	-48.52	0.82
4	0.00	0.30E+08	36.12	-95.35	-561.30	-26.60	-89.16	1.48
	0.00	50.08	30.25	92.73	123.00	9.95	-39.01	-543.20
5	0.00	0.30E+08	50.60	-127.90	-786.00	-36.36	-111.40	3.07
	0.00	50.08	45.02	122.40	167.40	14.51	-52.64	-760.30
6	0.00	0.30E+08	68.28	-168.10	-1104.00	-38.42	-106.90	0.94
	0.00	50.08	68.29	-168.10	-1104.00	-38.43	-106.90	0.94
	0.00	50.08	61.42	158.60	220.00	19.59	-69.69	-1069.00

PROPULSIVE WING FORCE DATA

SUMMARY. RUN 259

PT	Q ALPHA BETA	REV NO HEIGHT	CL15 CNEFB CMUC	CD15 CAFIB CNUM	CPM15 CPM1B CMUT	CRM15 CRM1B CLTR	CYM15 CYM1B COTR	CSF15 CSF1B CMTR
1	5.29	0.42E+06	1.36	-1.60	-1.00	0.01	0.01	0.03
	-2.06	87.38	1.42	-1.55	-1.00	0.01	0.01	0.03
	0.00	87.38	0.00	2.17	2.17	0.62	0.03	-0.43
2	5.17	0.41E+06	1.55	-1.59	-1.05	0.01	0.02	0.02
	-0.01	87.66	0.00	2.23	2.23	0.73	0.06	-0.46
3	5.29	0.42E+06	1.70	-1.51	-1.06	0.01	0.02	0.02
	2.04	86.70	1.65	-1.57	-1.06	0.01	0.02	0.02
	0.00	86.70	0.00	2.18	2.18	0.84	0.07	-0.49
4	5.29	0.42E+06	1.85	-1.45	-1.10	0.01	0.02	0.02
	4.02	86.28	1.74	-1.57	-1.10	0.01	0.02	0.02
	0.00	86.28	0.00	2.17	2.17	0.93	0.11	-0.52
5	5.29	0.42E+06	2.03	-1.38	-1.13	0.01	0.02	0.01
	6.06	87.02	1.87	-1.59	-1.13	0.01	0.02	0.01
	0.00	87.02	0.00	2.18	2.18	1.06	0.13	-0.55
6	5.17	0.41E+06	2.28	-1.33	-1.17	0.01	0.02	0.01
	8.05	86.84	2.08	-1.64	-1.17	0.01	0.02	0.01
	0.00	86.84	0.00	2.23	2.23	1.23	0.20	-0.58
7	5.06	0.41E+06	2.48	-1.28	-1.25	0.01	0.02	0.01
	10.04	87.59	2.22	-1.69	-1.25	0.01	0.02	0.01
	0.00	87.59	0.00	2.28	2.28	1.35	0.24	-0.65
8	4.94	0.40E+06	2.72	-1.21	-1.33	0.01	0.03	0.00
	12.02	87.28	2.41	-1.75	-1.33	0.01	0.03	0.00
	0.00	87.28	0.00	2.34	2.34	1.51	0.31	-0.71
9	5.06	0.41E+06	2.90	-1.05	-1.35	0.02	0.03	-0.01
	14.07	87.54	2.56	-1.73	-1.35	0.01	0.03	-0.01
	0.00	87.54	0.00	2.28	2.28	1.66	0.39	-0.74
10	5.29	0.42E+06	2.98	-0.88	-1.34	0.02	0.03	-0.02
	16.08	86.60	2.63	-1.67	-1.34	0.01	0.03	-0.02
	0.00	86.60	0.00	2.19	2.19	1.75	0.46	-0.76
11	5.29	0.42E+06	3.15	-0.75	-1.36	0.02	0.03	-0.02
	18.04	86.50	2.77	-1.69	-1.36	0.01	0.03	-0.02
	0.00	86.50	0.00	2.19	2.19	1.87	0.55	-0.78
12	5.17	0.41E+06	3.35	-0.63	-1.40	0.02	0.03	-0.02
	20.02	91.57	2.93	-1.74	-1.40	0.01	0.04	-0.02
	0.00	91.57	0.00	2.24	2.24	1.99	0.65	-0.81
13	5.17	0.41E+06	3.51	-0.48	-1.43	0.02	0.03	-0.01
	22.02	98.88	3.07	-1.76	-1.43	0.01	0.04	-0.01
	0.00	98.88	0.00	2.24	2.24	2.11	0.76	-0.84

PROPULSIVE WING FORCE DATA

SUMMARY, RUN 262

PT	Q		REY NO HEIGHT	CL15			CD15			CPM15			CRM15			CYS15			CSF15		
	ALPHA BETA	BETA		CMF1B CMUC	CAF1B CMUH	CM1B CMUT	CM1B CLTR	CM1B CLTR	CM1B CLTR	CM1B CLTR	CM1B CLTR	CM1B CLTR	CM1B CLTR	CM1B CLTR	CM1B CLTR	CM1B CLTR	CM1B CLTR	CM1B CLTR	CM1B CLTR	CM1B CLTR	CM1B CLTR
2	30.35	-2.01	0.10E+07	0.34	0.04	-0.14	0.00	0.00	0.00	0.00	0.00	0.00	0.00	0.00	0.00	0.00	0.00	0.00	0.00	0.01	0.01
		0.00	87.83	0.33	0.05	0.00	0.00	0.00	0.00	0.00	0.37	0.11	-0.14								
3	30.23	-0.02	0.10E+07	0.45	0.05	-0.14	0.00	0.00	0.00	0.00	0.00	0.00	0.00	0.00	0.00	0.00	0.00	0.00	0.00	0.01	0.01
		0.00	88.03	0.45	0.05	-0.14	0.00	0.00	0.00	0.00	0.48	0.12	-0.13								
4	30.12	2.01	0.10E+07	0.58	0.07	-0.12	0.00	0.00	0.00	0.00	0.00	0.00	0.00	0.00	0.00	0.00	0.00	0.00	0.00	0.01	0.01
		0.00	87.10	0.58	0.05	-0.12	0.00	0.00	0.00	0.00	0.60	0.14	-0.12								
5	30.23	4.02	0.10E+07	0.68	0.09	-0.11	0.00	0.00	0.00	0.00	0.00	0.00	0.00	0.00	0.00	0.00	0.00	0.00	0.00	0.01	0.01
		0.00	86.97	0.69	0.05	-0.11	0.00	0.00	0.00	0.00	0.71	0.17	-0.10								
6	30.12	5.10	0.10E+07	0.79	0.12	-0.09	0.00	0.00	0.00	0.00	0.00	0.00	0.00	0.00	0.00	0.00	0.00	0.00	0.00	0.01	0.01
		0.00	88.60	0.80	0.04	-0.09	0.00	0.00	0.00	0.00	0.81	0.19	-0.08								
7	30.00	8.06	0.10E+07	0.91	0.15	-0.06	0.00	0.00	0.00	0.00	0.00	0.00	0.00	0.00	0.00	0.00	0.00	0.00	0.00	0.01	0.01
		0.00	88.63	0.92	0.02	-0.06	0.00	0.00	0.00	0.00	0.93	0.23	-0.06								
8	30.00	10.13	0.10E+07	1.04	0.20	-0.04	0.00	0.00	0.00	0.00	0.00	0.00	0.00	0.00	0.00	0.00	0.00	0.00	0.00	0.01	0.01
		0.00	87.87	1.05	0.01	-0.04	0.00	0.00	0.00	0.00	1.06	0.27	-0.04								
9	29.89	12.07	0.10E+07	1.18	0.26	-0.02	0.00	0.00	0.00	0.00	0.00	0.00	0.00	0.00	0.00	0.00	0.00	0.00	0.00	0.01	0.01
		0.00	87.00	1.21	0.00	-0.02	0.00	0.00	0.00	0.00	1.20	0.33	-0.02								
10	29.89	14.03	0.10E+07	1.31	0.32	-0.03	0.00	0.00	0.00	0.00	0.00	0.00	0.00	0.00	0.00	0.00	0.00	0.00	0.00	0.01	0.01
		0.00	86.86	1.35	-0.01	-0.03	0.00	0.00	0.00	0.00	1.33	0.39	-0.02								
11	29.89	16.00	0.10E+07	1.42	0.39	-0.04	0.00	0.00	0.00	0.00	0.00	0.00	0.00	0.00	0.00	0.00	0.00	0.00	0.00	0.01	0.01
		0.00	87.60	1.47	-0.02	-0.04	0.00	0.00	0.00	0.00	1.43	0.46	-0.04								
12	29.54	18.00	0.99E+06	1.53	0.48	-0.06	0.00	0.00	0.00	0.00	0.00	0.00	0.00	0.00	0.00	0.00	0.00	0.00	0.00	0.01	0.01
		0.00	86.99	1.61	-0.02	-0.06	0.00	0.00	0.00	0.00	1.54	0.55	-0.06								
13	29.20	20.03	0.99E+06	1.63	0.56	-0.08	0.00	0.00	0.00	0.00	0.00	0.00	0.00	0.00	0.00	0.00	0.00	0.00	0.00	0.01	0.01
		0.00	87.88	1.73	-0.03	-0.08	0.00	0.00	0.00	0.00	1.64	0.64	-0.07								
14	28.74	22.06	0.98E+06	1.74	0.67	-0.08	0.00	0.00	0.00	0.00	0.00	0.00	0.00	0.00	0.00	0.00	0.00	0.00	0.00	0.01	0.01
		0.00	95.12	1.86	-0.03	-0.08	0.00	0.00	0.00	0.00	1.74	0.75	-0.08								

PROPULSIVE WING FORCE DATA

SUMMARY, RUN 261

PT	Q		REY NO HEIGHT	CL15			CD15			CPM15			CRM15			CYS15			CSF15		
	ALPHA BETA	BETA		CMF1B CMUC	CAF1B CMUH	CM1B CMUT	CM1B CLTR	CM1B CLTR	CM1B CLTR	CM1B CLTR	CM1B CLTR	CM1B CLTR	CM1B CLTR	CM1B CLTR	CM1B CLTR	CM1B CLTR	CM1B CLTR	CM1B CLTR	CM1B CLTR	CM1B CLTR	CM1B CLTR
30	0.00	-0.02	0.30E+08	25.25	-77.91	-433.90	-29.37	-65.12	1.02												
		0.00	86.70	25.28	-77.90	-433.90	-29.39	-65.11	1.02												
				32.52	70.76	103.30	0.32	-23.95	-416.70												
31	0.00	-0.02	0.30E+08	40.55	-105.30	-633.10	-35.40	-102.00	3.13												
		0.00	86.70	40.58	-105.30	-633.10	-35.43	-102.00	3.13												
				45.19	98.77	144.00	5.42	-31.83	-608.10												
32	0.00	-0.02	0.30E+08	55.36	-136.50	-838.00	-32.00	-113.60	3.59												
		0.00	86.70	55.40	-136.50	-838.00	-32.03	-113.60	3.59												
				58.24	127.60	185.80	8.53	-41.42	-804.70												
33	0.00	-0.02	0.30E+08	61.63	-160.40	-968.70	-40.84	-130.80	3.96												
		0.00	86.70	61.67	-160.40	-968.70	-40.87	-130.80	3.96												
				68.50	150.00	218.50	5.45	-48.54	-929.00												
34	0.00	-0.02	0.30E+08	66.66	-168.20	-1048.00	-43.54	-132.00	3.32												
		0.00	86.70	66.71	-168.20	-1048.00	-43.58	-132.00	3.32												
				71.92	157.60	229.50	7.24	-50.65	-1006.00												

PROPULSIVE HING FORCE DATA

SUMMARY. RUM 263

PT	Q	ALPHA	REY NO	CL15	CPM15	CRM15	CYM15	CSF15	ALPHA	REY NO	CL15	CPM15	CRM15	CYM15	CSF15
BETA	HEIGHT	CMUC	CMUH	CMU1	CMU1	CMU1	CMU1	CMU1	BETA	HEIGHT	CMUC	CMUH	CMU1	CMU1	CMU1
1	21.04	-2.04	0.84E+06	0.81	-0.45	-0.37	0.00	-0.01	0.04	0.00	0.81	-0.45	-0.37	0.00	-0.01
	0.00	87.49	0.83	-0.42	-0.37	0.00	-0.01	0.04	0.00	87.54	0.43	0.96	1.39	0.69	-0.27
2	21.15	0.01	0.84E+06	0.96	-0.41	-0.36	0.00	-0.01	0.03	0.00	0.96	-0.41	-0.36	0.00	-0.01
	0.00	87.36	0.22	-0.47	0.69	0.76	0.08	-0.26	0.00	87.00	0.43	0.96	1.39	0.83	0.08
3	21.15	2.07	0.84E+06	1.11	-0.37	-0.35	0.00	-0.01	0.03	0.00	1.11	-0.37	-0.35	0.00	-0.01
	0.00	88.37	0.22	-0.48	0.69	0.89	0.12	-0.25	0.00	86.99	0.44	0.98	1.41	0.99	0.12
4	21.04	4.09	0.84E+06	1.27	-0.33	-0.34	-0.01	-0.01	0.03	0.00	1.27	-0.33	-0.34	-0.01	-0.01
	0.00	87.89	0.22	-0.48	0.69	1.03	0.16	-0.24	0.00	86.81	0.45	1.00	1.44	1.12	0.17
5	21.04	6.07	0.84E+06	1.43	-0.28	-0.32	-0.01	-0.01	0.02	0.00	1.43	-0.28	-0.32	-0.01	-0.01
	0.00	87.53	0.22	-0.48	0.70	1.17	0.20	-0.22	0.00	87.26	0.44	0.99	1.43	1.27	0.23
6	21.04	8.03	0.84E+06	1.58	-0.21	-0.29	-0.01	-0.01	0.02	0.00	1.58	-0.21	-0.29	-0.01	-0.01
	0.00	86.96	0.22	-0.48	0.70	1.31	0.26	-0.19	0.00	86.94	0.44	0.99	1.43	1.44	0.30
7	20.92	10.10	0.84E+06	1.78	-0.14	-0.27	-0.01	-0.01	0.02	0.00	1.78	-0.14	-0.27	-0.01	-0.01
	0.00	87.69	0.22	-0.48	0.70	1.48	0.33	-0.17	0.00	86.26	0.43	0.96	1.40	1.59	0.37
8	21.27	12.08	0.84E+06	1.95	-0.04	-0.25	-0.01	-0.01	0.02	0.00	1.95	-0.04	-0.25	-0.01	-0.01
	0.00	88.33	0.22	-0.48	0.69	1.65	0.41	-0.15	0.00	86.64	0.44	0.98	1.41	1.77	0.46
9	21.04	14.08	0.84E+06	2.15	0.05	-0.24	-0.01	-0.01	0.01	0.00	2.15	0.05	-0.24	-0.01	-0.01
	0.00	87.08	0.22	-0.48	0.70	1.83	0.50	-0.14	0.00	87.52	0.45	1.01	1.46	1.99	0.57
10	21.04	16.08	0.84E+06	2.31	0.16	-0.21	-0.01	-0.01	0.01	0.00	2.31	0.16	-0.21	-0.01	-0.01
	0.00	87.29	0.22	-0.49	0.70	1.96	0.59	-0.11	0.00	87.93	0.44	0.98	1.42	2.13	0.68
11	20.69	18.03	0.83E+06	2.50	0.27	-0.19	-0.01	-0.01	0.01	0.00	2.50	0.27	-0.19	-0.01	-0.01
	0.00	88.25	0.22	-0.49	0.71	2.13	0.70	-0.09	0.00	86.54	0.44	0.98	1.42	2.27	0.79
12	20.58	20.06	0.83E+06	2.66	0.41	-0.17	-0.01	-0.01	0.01	0.00	2.66	0.41	-0.17	-0.01	-0.01
	0.00	87.94	0.22	-0.50	0.72	2.28	0.83	-0.07	0.00	90.11	0.45	1.00	1.45	2.48	0.95
13	20.92	22.05	0.84E+06	2.79	0.55	-0.15	0.00	-0.01	0.01	0.00	2.79	0.55	-0.15	0.00	-0.01
	0.00	94.85	0.22	-0.49	0.71	2.40	0.95	-0.05	0.00	97.24	0.45	0.99	1.44	2.62	1.08

PROPULSIVE HING FORCE DATA

SUMMARY. RUM 264

PT	Q	ALPHA	REY NO	CL15	CPM15	CRM15	CYM15	CSF15	ALPHA	REY NO	CL15	CPM15	CRM15	CYM15	CSF15
BETA	HEIGHT	CMUC	CMUH	CMU1	CMU1	CMU1	CMU1	CMU1	BETA	HEIGHT	CMUC	CMUH	CMU1	CMU1	CMU1
1	10.69	-2.06	0.60E+08	1.06	-0.98	-0.50	0.00	-0.02	0.04	0.00	1.06	-0.98	-0.50	0.00	-0.02
	0.00	87.54	0.43	0.96	1.39	0.69	0.05	-0.31	0.00	87.54	0.43	0.96	1.39	0.69	0.05
2	10.69	0.02	0.60E+08	1.24	-0.93	-0.50	-0.01	-0.02	0.05	0.00	1.24	-0.93	-0.50	-0.01	-0.02
	0.00	87.00	0.43	0.96	1.39	0.83	0.08	-0.30	0.00	87.00	0.43	0.96	1.39	0.83	0.08
3	10.58	2.03	0.60E+06	1.44	-0.89	-0.48	-0.01	-0.02	0.04	0.00	1.44	-0.89	-0.48	-0.01	-0.02
	0.00	86.99	0.44	0.98	1.41	0.99	0.12	-0.29	0.00	86.99	0.44	0.98	1.41	0.99	0.12
4	10.35	4.02	0.59E+06	1.62	-0.85	-0.50	-0.01	-0.02	0.04	0.00	1.62	-0.85	-0.50	-0.01	-0.02
	0.00	86.81	0.45	1.00	1.44	1.12	0.17	-0.29	0.00	86.81	0.45	1.00	1.44	1.12	0.17
5	10.46	6.04	0.59E+06	1.80	-0.76	-0.48	-0.01	-0.02	0.04	0.00	1.80	-0.76	-0.48	-0.01	-0.02
	0.00	87.26	0.44	0.99	1.43	1.27	0.23	-0.28	0.00	87.26	0.44	0.99	1.43	1.27	0.23
6	10.46	8.01	0.59E+06	2.00	-0.67	-0.46	-0.01	-0.02	0.04	0.00	2.00	-0.67	-0.46	-0.01	-0.02
	0.00	86.94	0.44	0.99	1.43	1.44	0.30	-0.25	0.00	86.94	0.44	0.99	1.43	1.44	0.30
7	10.69	10.02	0.60E+06	2.18	-0.56	-0.43	-0.01	-0.02	0.02	0.00	2.18	-0.56	-0.43	-0.01	-0.02
	0.00	86.26	0.43	0.96	1.40	1.59	0.37	-0.23	0.00	86.26	0.43	0.96	1.40	1.59	0.37
9	10.69	11.99	0.60E+06	2.39	-0.46	-0.42	-0.01	-0.02	0.03	0.00	2.39	-0.46	-0.42	-0.01	-0.02
	0.00	86.64	0.44	0.98	1.41	1.77	0.46	-0.22	0.00	86.64	0.44	0.98	1.41	1.77	0.46
10	10.46	14.03	0.59E+06	2.66	-0.35	-0.42	-0.01	-0.01	0.02	0.00	2.66	-0.35	-0.42	-0.01	-0.01
	0.00	87.52	0.45	1.01	1.46	1.99	0.57	-0.21	0.00	87.52	0.45	1.01	1.46	1.99	0.57
11	10.69	16.09	0.60E+06	2.82	-0.19	-0.39	-0.01	-0.01	0.01	0.00	2.82	-0.19	-0.39	-0.01	-0.01
	0.00	87.93	0.44	0.98	1.42	2.13	0.68	-0.19	0.00	87.93	0.44	0.98	1.42	2.13	0.68
12	10.69	18.01	0.60E+06	2.99	-0.06	-0.35	-0.01	-0.01	0.01	0.00	2.99	-0.06	-0.35	-0.01	-0.01
	0.00	86.54	0.44	0.98	1.42	2.27	0.79	-0.15	0.00	86.54	0.44	0.98	1.42	2.27	0.79
13	10.46	20.08	0.59E+06	3.25	0.10	-0.34	-0.01	-0.01	0.01	0.00	3.25	0.10	-0.34	-0.01	-0.01
	0.00	90.11	0.45	1.00	1.45	2.48	0.95	-0.13	0.00	90.11	0.45	1.00	1.45	2.48	0.95
14	10.58	22.04	0.60E+06	3.41	0.27	-0.31	-0.01	-0.01	0.00	0.00	3.41	0.27	-0.31	-0.01	-0.01
	0.00	97.24	0.45	0.99	1.44	2.62	1.08	-0.11	0.00	97.24	0.45	0.99	1.44	2.62	1.08

PROPULSIVE WING FORCE DATA

SUMMARY, RUN 266

PT	Q ALPHA BETA	REY NO HEIGHT	CLIS			CPMIS			CRMIS			CYNIS			CSFIS									
			CMFIB CMUC	CAFIB CHUM	CAFIB CHUM	CPMIB CMUT	CPMIB CMUT	CRMIB CLTR	CRMIB CLTR	CRMIB CLTR	CYNIB CDTR	CYNIB CDTR	CYNIB CDTR	CSFIB CNTR	CSFIB CNTR	CSFIB CNTR								
18	0.00	0.30E+08	6.03	-25.18	184.30	6.02	-25.18	184.30	25.06	-25.02	-49.81	-49.79	-0.28	0.00	87.58	34.21	0.00	34.21	-19.86	52.20	198.10	0.22	0.22	265.90
19	0.00	0.30E+08	10.97	-33.17	246.20	10.93	-33.18	246.20	29.74	-29.69	-45.47	-45.44	0.22	0.00	87.58	46.99	0.00	46.99	-29.64	70.15	265.90	0.22	0.22	265.90
20	0.00	0.30E+08	13.65	-42.35	319.70	13.60	-42.36	319.70	36.52	-36.52	-89.24	-89.24	0.25	0.00	87.58	59.93	0.00	59.93	-40.09	89.24	345.50	0.25	0.25	345.50
21	0.00	0.30E+08	15.13	-51.33	403.80	15.06	-51.35	403.80	45.32	-45.19	-94.11	-94.11	0.77	0.00	87.58	72.41	0.00	72.41	-48.89	108.20	435.20	0.77	0.77	435.20

PROPULSIVE WING FORCE DATA

SUMMARY, RUN 265

PT	Q ALPHA BETA	REY NO HEIGHT	CLIS			CPMIS			CRMIS			CYNIS			CSFIS									
			CMFIB CMUC	CAFIB CHUM	CAFIB CHUM	CPMIB CMUT	CPMIB CMUT	CRMIB CLTR	CRMIB CLTR	CRMIB CLTR	CYNIB CDTR	CYNIB CDTR	CYNIB CDTR	CSFIB CNTR	CSFIB CNTR	CSFIB CNTR								
1	5.29	0.42E+06	1.51	-2.08	-0.74	0.89	-2.03	2.88	-0.01	-0.01	-0.03	-0.03	0.07	0.00	87.70	0.89	1.99	0.73	0.04	-0.33	0.07	0.07	0.07	0.07
2	5.29	0.42E+06	1.73	-2.02	-0.76	0.89	-2.02	2.89	-0.01	-0.01	-0.04	-0.04	0.06	0.00	87.26	0.89	2.00	0.88	0.08	-0.35	0.06	0.06	0.06	0.06
3	5.17	0.42E+06	2.02	-1.98	-0.77	0.95	-1.95	2.96	-0.01	-0.01	-0.03	-0.03	0.07	0.00	89.03	0.92	2.04	1.07	0.13	-0.35	0.07	0.07	0.07	0.07
4	5.52	0.43E+06	2.13	-1.77	-0.73	0.86	-1.91	2.77	-0.01	-0.01	-0.03	-0.03	0.05	0.00	87.16	0.86	1.92	1.17	0.18	-0.33	0.05	0.05	0.05	0.05
5	5.52	0.43E+06	2.35	-1.67	-0.71	0.86	-1.81	2.77	-0.01	-0.01	-0.03	-0.03	0.03	0.00	86.86	0.86	1.91	1.33	0.24	-0.31	0.03	0.03	0.03	0.03
6	5.40	0.43E+06	2.63	-1.59	-0.71	0.88	-1.94	2.83	-0.02	-0.02	-0.03	-0.03	0.05	0.00	87.88	0.88	1.95	1.51	0.33	-0.31	0.05	0.05	0.05	0.05
7	5.40	0.43E+06	2.86	-1.47	-0.69	0.88	-1.95	2.84	-0.02	-0.02	-0.03	-0.03	0.02	0.00	87.76	0.88	1.96	1.69	0.40	-0.29	0.02	0.02	0.02	0.02
8	5.40	0.43E+06	3.16	-1.32	-0.70	0.88	-1.85	2.84	-0.02	-0.02	-0.03	-0.03	0.02	0.00	88.07	0.88	1.96	1.91	0.51	-0.30	0.02	0.02	0.02	0.02
9	5.29	0.42E+06	3.50	-1.18	-0.71	0.90	-1.99	2.89	-0.02	-0.02	-0.03	-0.03	0.04	0.00	87.70	0.90	2.00	2.17	0.65	-0.30	0.04	0.04	0.04	0.04
10	5.29	0.42E+06	3.68	-1.03	-0.69	0.90	-2.01	2.89	-0.02	-0.02	-0.03	-0.03	0.01	0.00	88.48	0.90	1.99	2.28	0.75	-0.28	0.01	0.01	0.01	0.01
11	5.17	0.42E+06	4.02	-0.84	-0.69	0.92	-2.05	2.97	-0.03	-0.03	-0.03	-0.03	0.04	0.00	87.82	0.92	2.05	2.53	0.93	-0.27	0.04	0.04	0.04	0.04
12	5.17	0.42E+06	4.27	-0.64	-0.69	0.91	-2.06	2.95	-0.03	-0.03	-0.03	-0.03	0.01	0.00	91.03	0.91	2.04	2.72	1.08	-0.27	0.01	0.01	0.01	0.01
13	5.06	0.41E+06	4.60	-0.42	-0.69	0.94	-2.10	3.03	-0.04	-0.04	-0.03	-0.03	0.04	0.00	98.46	0.94	2.10	2.95	1.27	-0.26	0.04	0.04	0.04	0.04





PROPULSIVE WING FORCE DATA

SUMMARY, RUN 270

PT	Q ALPHA BETA	REY NO HEIGHT	CLIS			CPMIB			CRMIB			CSFIB		
			CMUC	CAFIB	CMUW	CMUT	CLTR	CMIB	CDTR	CMIB	CDTR	CMIB	CDTR	
1	5.17	0.42E+06	0.43	-0.66	0.34	0.34	-0.01	0.04	-0.02	0.04	-0.02	0.04	0.04	
	-1.99	84.83	0.45	-0.64	0.34	0.34	-0.01	0.04	-0.02	0.04	-0.02	0.04	0.04	
	0.00	0.00	0.90	0.00	0.90	0.90	0.25	-0.01	-0.01	0.19	-0.01	0.19	0.19	
2	5.29	0.42E+06	0.54	-0.62	0.37	0.37	-0.01	0.04	-0.02	0.04	-0.02	0.04	0.04	
	0.01	91.93	0.54	-0.62	0.37	0.37	-0.01	0.04	-0.02	0.04	-0.02	0.04	0.04	
	0.00	0.00	0.88	0.00	0.88	0.88	0.34	0.01	0.01	0.22	0.01	0.22	0.22	
3	5.29	0.42E+06	0.57	-0.60	0.42	0.42	-0.01	0.03	-0.01	0.03	-0.01	0.03	0.03	
	2.01	87.10	0.55	-0.62	0.42	0.42	-0.01	0.03	-0.01	0.03	-0.01	0.03	0.03	
	0.00	0.00	0.88	0.00	0.88	0.88	0.35	0.02	0.02	0.27	0.02	0.27	0.27	
4	5.29	0.42E+06	0.65	-0.58	0.46	0.46	-0.01	0.03	-0.01	0.03	-0.01	0.03	0.03	
	4.02	86.55	0.60	-0.63	0.46	0.46	-0.01	0.03	-0.01	0.03	-0.01	0.03	0.03	
	0.00	0.00	0.88	0.00	0.88	0.88	0.40	0.03	0.03	0.31	0.03	0.31	0.31	
5	5.29	0.42E+06	0.75	-0.56	0.50	0.50	-0.01	0.02	-0.01	0.02	-0.01	0.02	0.04	
	5.99	86.70	0.68	-0.63	0.50	0.50	-0.01	0.02	-0.01	0.02	-0.01	0.02	0.04	
	0.00	0.00	0.88	0.00	0.88	0.88	0.49	0.05	0.05	0.36	0.05	0.36	0.36	
6	5.29	0.42E+06	0.80	-0.53	0.55	0.55	-0.01	0.02	-0.01	0.02	-0.01	0.02	0.02	
	8.01	85.98	0.71	-0.64	0.55	0.55	-0.01	0.02	-0.01	0.02	-0.01	0.02	0.02	
	0.00	0.00	0.89	0.00	0.89	0.89	0.51	0.06	0.06	0.41	0.06	0.41	0.41	
7	5.29	0.42E+06	0.94	-0.49	0.60	0.60	-0.01	0.02	-0.01	0.02	-0.01	0.02	0.03	
	10.00	85.10	0.84	-0.64	0.60	0.60	-0.01	0.02	-0.01	0.02	-0.01	0.02	0.03	
	0.00	0.00	0.88	0.00	0.88	0.88	0.63	0.10	0.10	0.46	0.10	0.46	0.46	
8	5.29	0.42E+06	1.01	-0.45	0.66	0.66	-0.02	0.03	-0.02	0.03	-0.02	0.03	0.03	
	12.02	86.17	0.89	-0.65	0.66	0.66	-0.01	0.03	-0.01	0.03	-0.01	0.03	0.03	
	0.00	0.00	0.88	0.00	0.88	0.88	0.68	0.12	0.12	0.52	0.12	0.52	0.52	
9	5.29	0.42E+06	1.10	-0.40	0.71	0.71	-0.02	0.04	-0.02	0.04	-0.02	0.04	0.01	
	14.00	86.93	0.97	-0.66	0.71	0.71	-0.01	0.04	-0.01	0.04	-0.01	0.04	0.01	
	0.00	0.00	0.88	0.00	0.88	0.88	0.75	0.16	0.16	0.57	0.16	0.57	0.57	
10	5.29	0.42E+06	1.19	-0.35	0.77	0.77	-0.02	0.04	-0.02	0.04	-0.02	0.04	0.03	
	15.98	88.01	1.05	-0.66	0.77	0.77	-0.01	0.04	-0.01	0.04	-0.01	0.04	0.03	
	0.00	0.00	0.89	0.00	0.89	0.89	0.83	0.20	0.20	0.63	0.20	0.63	0.63	
11	5.29	0.42E+06	1.28	-0.29	0.82	0.82	-0.02	0.05	-0.02	0.05	-0.02	0.05	0.02	
	17.99	89.27	1.13	-0.67	0.82	0.82	-0.01	0.05	-0.01	0.05	-0.01	0.05	0.02	
	0.00	0.00	0.89	0.00	0.89	0.89	0.89	0.25	0.25	0.68	0.25	0.68	0.68	
12	5.29	0.42E+06	1.35	-0.23	0.88	0.88	-0.02	0.05	-0.02	0.05	-0.02	0.05	0.02	
	20.00	90.49	1.20	-0.68	0.88	0.88	-0.01	0.05	-0.01	0.05	-0.01	0.05	0.02	
	0.00	0.00	0.89	0.00	0.89	0.89	0.95	0.30	0.30	0.74	0.30	0.74	0.74	
13	5.29	0.42E+06	1.47	-0.14	0.94	0.94	-0.02	0.06	-0.02	0.06	-0.02	0.06	0.03	
	22.02	97.92	1.31	-0.68	0.94	0.94	-0.01	0.06	-0.01	0.06	-0.01	0.06	0.03	
	0.00	0.00	0.89	0.00	0.89	0.89	1.05	0.37	0.37	0.79	1.05	0.37	0.79	

PROPULSIVE WING FORCE DATA

SUMMARY, RUN 269

PT	Q ALPHA BETA	REY NO HEIGHT	CLIS			CPMIB			CRMIB			CSFIB		
			CMUC	CAFIB	CMUW	CMUT	CLTR	CMIB	CDTR	CMIB	CDTR	CMIB	CDTR	
1	10.46	0.59E+06	0.32	-0.31	0.23	0.23	0.00	-0.01	0.02	0.02	0.02	0.16	0.16	
	-2.00	84.56	0.33	-0.30	0.23	0.23	0.00	-0.01	0.02	0.02	0.02	0.16	0.16	
	0.00	0.00	0.46	0.00	0.46	0.46	0.23	0.00	0.00	0.16	0.16	0.16	0.16	
2	10.58	0.59E+06	0.38	-0.30	0.27	0.27	0.00	-0.01	0.03	0.03	0.03	0.20	0.20	
	-0.01	87.40	0.38	-0.30	0.27	0.27	0.00	-0.01	0.03	0.03	0.03	0.20	0.20	
	0.00	0.00	0.45	0.00	0.45	0.45	0.28	0.02	0.02	0.20	0.02	0.20	0.20	
3	10.58	0.59E+06	0.43	-0.28	0.31	0.31	0.00	-0.01	0.02	0.02	0.02	0.24	0.24	
	1.99	86.96	0.42	-0.30	0.31	0.31	0.00	-0.01	0.02	0.02	0.02	0.24	0.24	
	0.00	0.00	0.45	0.00	0.45	0.45	0.32	0.03	0.03	0.24	0.03	0.24	0.24	
4	10.58	0.59E+06	0.49	-0.27	0.35	0.35	0.01	-0.01	0.02	0.02	0.02	0.28	0.28	
	3.99	86.84	0.47	-0.30	0.35	0.35	0.00	-0.01	0.02	0.02	0.02	0.28	0.28	
	0.00	0.00	0.45	0.00	0.45	0.45	0.37	0.04	0.04	0.28	0.04	0.28	0.28	
5	10.58	0.59E+06	0.55	-0.25	0.40	0.40	0.01	-0.01	0.01	0.01	0.01	0.33	0.33	
	6.01	86.25	0.52	-0.31	0.40	0.40	0.00	-0.01	0.01	0.01	0.01	0.33	0.33	
	0.00	0.00	0.44	0.00	0.44	0.44	0.41	0.05	0.05	0.33	0.05	0.33	0.33	
6	10.46	0.59E+06	0.65	-0.22	0.45	0.45	0.00	-0.01	0.03	0.03	0.03	0.38	0.38	
	8.01	87.42	0.61	-0.31	0.45	0.45	0.00	-0.01	0.03	0.03	0.03	0.38	0.38	
	0.00	0.00	0.44	0.00	0.44	0.44	0.51	0.08	0.08	0.38	0.08	0.38	0.38	
7	10.58	0.59E+06	0.71	-0.19	0.50	0.50	0.01	-0.01	0.03	0.03	0.03	0.43	0.43	
	9.98	88.70	0.67	-0.31	0.50	0.50	0.00	-0.01	0.03	0.03	0.03	0.43	0.43	
	0.00	0.00	0.44	0.00	0.44	0.44	0.56	0.10	0.10	0.43	0.10	0.43	0.43	
8	10.58	0.59E+06	0.80	-0.15	0.55	0.55	0.01	-0.01	0.03	0.03	0.03	0.48	0.48	
	12.01	89.34	0.75	-0.32	0.55	0.55	0.00	-0.01	0.03	0.03	0.03	0.48	0.48	
	0.00	0.00	0.44	0.00	0.44	0.44	0.63	0.13	0.13	0.48	0.13	0.48	0.48	
9	10.58	0.59E+06	0.87	-0.12	0.61	0.61	0.01	-0.01	0.02	0.02	0.02	0.53	0.53	
	14.00	88.79	0.81	-0.32	0.61	0.61	0.00	-0.01	0.02	0.02	0.02	0.53	0.53	
	0.00	0.00	0.44	0.00	0.44	0.44	0.70	0.16	0.16	0.53	0.16	0.53	0.53	
10	10.58	0.59E+06	0.93	-0.08	0.65	0.65	0.01	-0.01	0.02	0.02	0.02	0.58	0.58	
	15.99	86.66	0.87	-0.33	0.65	0.65	0.00	-0.02	0.02	0.02	0.02	0.58	0.58	
	0.00	0.00	0.44	0.00	0.44	0.44	0.75	0.20	0.20	0.58	0.20	0.58	0.58	
11	10.58	0.59E+06	0.99	-0.03	0.71	0.71	0.01	-0.01	0.03	0.03	0.03	0.64	0.64	
	17.99	86.27	0.94	-0.33	0.71	0.71	0.00	-0.02	0.03	0.03	0.03	0.64	0.64	
	0.00	0.00	0.44	0.00	0.44	0.44	0.80	0.24	0.24	0.64	0.24	0.64	0.64	
12	10.58	0.59E+06	1.07	0.03	0.76	0.76	0.00	-0.02	0.03	0.03	0.03	0.69	0.69	
	19.99	89.34	1.02	-0.34	0.76	0.76	0.00	-0.02	0.03	0.03	0.03	0.69	0.69	
	0.00	0.00	0.44	0.00	0.44	0.44	0.87	0.29	0.29	0.69	0.29	0.69	0.69	
13	10.46	0.59E+06	1.16	0.10	0.83	0.83	0.01	-0.01	0.04	0.04	0.04	0.75	0.75	
	21.99	96.51	1.11	-0.34	0.83	0.83	0.00	-0.02	0.04	0.04	0.04	0.75	0.75	
	0.00	0.00	0.45	0.00	0.45	0.45	0.95	0.35	0.35	0.75	0.35	0.75	0.75	

PROPULSIVE WING FORCE DATA

SUMMARY, RUN 271

PT	Q	ALPHA	BETA	REY NO	HEIGHT	CLIS			CPMIS			CMFIS			CYMIS			CSFIS						
						CMFIB	CMUC	CHUN	CAFIB	CPHIB	CHUT	CMFIB	CMIB	CLIR	CMFIB	CMIB	CDIR	CMFIB	CMIB	CDIR	CMFIB	CMIB	CDIR	
29	0.00	0.00	0.00	0.30E+08	86.31	12.77	0.00	-4.84	-235.50	4.81	18.06	-0.07	18.06	-0.07	4.89	-238.40	4.89	18.06	-0.07	18.06	-0.07	4.89	-238.40	
30	0.00	-0.02	0.00	0.30E+08	86.31	27.54	0.00	-15.93	-617.90	2.56	26.39	-0.37	26.39	-0.37	31.11	-1.84	-621.50	31.11	26.39	-0.37	26.39	-0.37	31.11	-1.84
31	0.00	-0.04	0.00	0.30E+08	86.31	44.35	0.00	-29.23	-1071.00	-7.59	45.17	-2.28	45.17	-2.28	36.72	-1.54	-1077.00	36.72	45.17	-2.28	45.17	-2.28	36.72	-1.54

PROPULSIVE WING FORCE DATA

SUMMARY, RUN 272

PT	Q	ALPHA	BETA	REY NO	HEIGHT	CLIS			CPMIS			CMFIS			CYMIS			CSFIS						
						CMFIB	CMUC	CHUN	CAFIB	CPHIB	CHUT	CMFIB	CMIB	CLIR	CMFIB	CMIB	CDIR	CMFIB	CMIB	CDIR	CMFIB	CMIB	CDIR	
2	0.00	-0.01	0.00	0.30E+08	79.37	13.81	0.00	-12.92	-438.00	-5.58	10.88	-0.83	10.88	-0.83	8.25	-443.40	8.25	10.88	-0.83	10.88	-0.83	8.25	-443.40	
3	0.00	-0.02	0.00	0.30E+08	79.37	22.89	0.00	-17.85	-622.30	-2.07	26.33	-1.86	26.33	-1.86	12.79	-14.52	-629.50	12.79	26.33	-1.86	26.33	-1.86	12.79	-14.52
4	0.00	-0.02	0.00	0.30E+08	79.37	30.40	0.00	-22.71	-804.40	-4.94	23.59	-1.33	23.59	-1.33	17.32	-18.37	-813.70	17.32	23.59	-1.33	23.59	-1.33	17.32	-18.37
5	0.00	-0.04	0.00	0.30E+08	79.37	36.71	0.00	-28.45	-1004.00	-7.77	46.11	-3.83	46.11	-3.83	22.43	-21.90	-1016.00	22.43	46.11	-3.83	46.11	-3.83	22.43	-21.90

PROPULSIVE WING FORCE DATA

SUMMARY, RUN 274

PT	Q		REY NO HEIGHT	CLIS			CPMIS			CYMIS			CSFIS		
	ALPHA BETA	BETA		CMFIB CMUC	CAFIB CRUM	CMFIB CMUT	CMFIB CMUT	CMFIB CMUT	CMFIB CMUT	CMFIB CMUT	CMFIB CMUT	CMFIB CMUT	CMFIB CMUT	CMFIB CMUT	CMFIB CMUT
1	10.12	-2.00	0.56E+06	0.95	-0.04	-0.70	0.00	0.00	0.00	0.00	0.00	0.00	0.00	0.00	
	0.00	0.00	84.59	0.00	0.49	0.49	0.67	0.19	-0.46						
2	9.89	-0.01	0.56E+06	1.07	-0.01	-0.73	0.00	0.00	0.00	0.00	0.00	0.00	0.00	0.00	
	0.00	0.00	91.61	0.00	0.50	0.50	0.77	0.21	-0.47						
3	10.00	2.02	0.56E+06	1.15	0.02	-0.73	0.00	0.00	0.00	0.00	0.00	0.00	0.00	0.00	
	0.00	0.00	88.50	0.00	0.50	0.50	0.85	0.23	-0.49						
4	10.00	4.00	0.56E+06	1.23	0.03	-0.75	0.00	0.00	0.00	0.00	0.00	0.00	0.00	0.00	
	0.00	0.00	88.89	0.00	0.50	0.50	0.92	0.26	-0.51						
5	10.00	6.00	0.56E+06	1.31	0.10	-0.75	0.00	0.00	0.00	0.00	0.00	0.00	0.00	0.00	
	0.00	0.00	88.35	0.00	0.50	0.50	0.99	0.29	-0.50						
6	9.89	8.03	0.56E+06	1.47	0.16	-0.80	0.00	0.00	0.00	0.00	0.00	0.00	0.00	0.00	
	0.00	0.00	88.42	0.00	0.50	0.50	1.14	0.34	-0.55						
7	10.12	12.00	0.56E+06	1.67	0.30	-0.85	0.01	0.00	0.00	0.00	0.00	0.00	0.00	0.00	
	0.00	0.00	89.11	0.00	0.49	0.49	1.34	0.46	-0.60						
8	9.89	15.01	0.56E+06	1.76	0.43	-0.84	0.00	0.00	0.00	0.00	0.00	0.00	0.00	0.00	
	0.00	0.00	85.35	0.00	0.50	0.50	1.41	0.56	-0.59						
9	9.89	18.02	0.56E+06	1.83	0.52	-0.87	0.00	0.00	0.00	0.00	0.00	0.00	0.00	0.00	
	0.00	0.00	86.40	0.00	0.50	0.50	1.47	0.64	-0.62						
10	10.00	22.00	0.56E+06	1.93	0.72	-0.91	0.00	0.00	0.00	0.00	0.00	0.00	0.00	0.00	
	0.00	0.00	98.73	0.00	0.50	0.50	1.57	0.82	-0.66						

PROPULSIVE WING FORCE DATA

SUMMARY, RUN 273

PT	Q		REY NO HEIGHT	CLIS			CPMIS			CYMIS			CSFIS		
	ALPHA BETA	BETA		CMFIB CMUC	CAFIB CRUM	CMFIB CMUT	CMFIB CMUT	CMFIB CMUT	CMFIB CMUT	CMFIB CMUT	CMFIB CMUT	CMFIB CMUT	CMFIB CMUT	CMFIB CMUT	CMFIB CMUT
2	30.12	-2.01	0.97E+06	0.37	0.11	-0.27	0.01	0.00	0.00	0.00	0.00	0.00	0.00	0.00	
	0.00	0.00	81.75	0.00	0.00	0.00	0.39	0.12	-0.26						
3	30.00	0.01	0.97E+06	0.46	0.12	-0.28	0.01	0.00	0.00	0.00	0.00	0.00	0.00	0.00	
	0.00	0.00	88.75	0.00	0.00	0.00	0.48	0.14	-0.27						
4	30.00	2.01	0.96E+06	0.53	0.14	-0.29	0.00	0.00	0.00	0.00	0.00	0.00	0.00	0.00	
	0.00	0.00	88.79	0.00	0.00	0.00	0.56	0.15	-0.28						
5	30.00	3.99	0.97E+06	0.62	0.15	-0.31	0.01	0.00	0.00	0.00	0.00	0.00	0.00	0.00	
	0.00	0.00	89.00	0.00	0.00	0.00	0.64	0.17	-0.30						
6	30.12	6.02	0.97E+06	0.71	0.17	-0.33	0.00	0.00	0.00	0.00	0.00	0.00	0.00	0.00	
	0.00	0.00	90.07	0.00	0.00	0.00	0.73	0.19	-0.32						
7	30.00	8.02	0.97E+06	0.80	0.20	-0.34	0.00	0.00	0.00	0.00	0.00	0.00	0.00	0.00	
	0.00	0.00	86.39	0.00	0.00	0.00	0.82	0.21	-0.34						
8	30.00	12.01	0.97E+06	1.01	0.28	-0.39	0.01	0.00	0.00	0.00	0.00	0.00	0.00	0.00	
	0.00	0.00	88.85	0.00	0.00	0.00	1.03	0.30	-0.38						
9	30.00	15.03	0.97E+06	1.14	0.41	-0.42	0.00	0.00	0.00	0.00	0.00	0.00	0.00	0.00	
	0.00	0.00	85.63	0.00	0.00	0.00	1.16	0.43	-0.42						
10	30.12	17.99	0.97E+06	1.15	0.47	-0.44	0.00	0.00	0.00	0.00	0.00	0.00	0.00	0.00	
	0.00	0.00	87.46	0.00	0.00	0.00	1.17	0.49	-0.43						
11	30.00	21.97	0.97E+06	1.18	0.60	-0.48	0.00	0.00	0.00	0.00	0.00	0.00	0.00	0.00	
	0.00	0.00	97.81	0.00	0.00	0.00	1.20	0.62	-0.47						

PROPULSIVE WING FORCE DATA

SUMMARY. RUN 276

PT	Q	ALPHA	BETA	REY NO	HEIGHT	CL15			CM15			CSF15			CYM15			
						CMFB	CMUC	CMUN	CMFB	CMUC	CMUN	CMFB	CMUC	CMUN	CMFB	CMUC	CMUN	CMFB
1	2.53	-2.01	0.00	0.28E+06	81.09	1.93	0.00	-0.71	-1.49	0.00	0.01	0.01	0.01	0.01	0.01	0.01	0.01	0.01
2	2.41	0.00	0.00	0.28E+06	88.13	2.16	0.00	-0.67	-1.57	0.00	0.01	0.01	0.01	0.01	0.01	0.01	0.01	0.01
3	2.53	1.99	0.00	0.28E+06	88.28	2.23	0.00	-0.56	-1.55	0.00	0.01	0.01	0.01	0.01	0.01	0.01	0.01	0.01
4	2.53	0.00	0.00	0.28E+06	87.76	2.30	0.00	-0.49	-1.54	0.00	0.01	0.01	0.01	0.01	0.01	0.01	0.01	0.01
5	2.53	6.01	0.00	0.28E+06	85.99	2.37	0.00	-0.42	-1.54	0.00	0.01	0.01	0.01	0.01	0.01	0.01	0.01	0.01
6	2.53	8.02	0.00	0.28E+06	85.00	2.55	0.00	-0.32	-1.61	0.00	0.01	0.01	0.01	0.01	0.01	0.01	0.01	0.01
7	2.53	11.99	0.00	0.28E+06	87.34	2.71	0.00	-0.13	-1.64	0.00	0.01	0.01	0.01	0.01	0.01	0.01	0.01	0.01
8	2.53	16.02	0.00	0.28E+06	86.54	2.83	0.00	0.07	-1.60	0.00	0.01	0.01	0.01	0.01	0.01	0.01	0.01	0.01
9	2.53	17.99	0.00	0.28E+06	86.37	2.82	0.00	0.15	-1.56	0.00	0.01	0.01	0.01	0.01	0.01	0.01	0.01	0.01
10	2.53	21.99	0.00	0.28E+06	98.95	3.06	0.00	0.47	-1.61	0.00	0.01	0.01	0.01	0.01	0.01	0.01	0.01	0.01

PROPULSIVE WING FORCE DATA

SUMMARY. RUN 275

PT	Q	ALPHA	BETA	REY NO	HEIGHT	CL15			CM15			CSF15			CYM15			
						CMFB	CMUC	CMUN	CMFB	CMUC	CMUN	CMFB	CMUC	CMUN	CMFB	CMUC	CMUN	CMFB
1	4.94	-2.00	0.00	0.40E+06	85.04	1.35	0.00	-0.26	-1.01	0.00	0.00	0.01	0.01	0.01	0.01	0.01	0.01	0.01
2	5.06	0.00	0.00	0.40E+06	88.72	1.42	0.00	-0.20	-0.99	0.00	0.00	0.01	0.01	0.01	0.01	0.01	0.01	0.01
3	5.06	2.01	0.00	0.40E+06	90.23	1.51	0.00	-0.15	-1.02	0.00	0.00	0.01	0.01	0.01	0.01	0.01	0.01	0.01
4	5.06	3.98	0.00	0.40E+06	89.56	1.58	0.00	-0.22	-1.03	0.00	0.00	0.01	0.01	0.01	0.01	0.01	0.01	0.01
5	5.06	5.06	0.00	0.40E+06	88.95	1.69	0.00	-0.07	-1.04	0.00	0.00	0.00	0.01	0.01	0.01	0.01	0.01	0.01
6	5.06	8.00	0.00	0.40E+06	87.18	1.83	0.00	0.01	-1.07	0.00	0.00	0.00	0.00	0.00	0.00	0.00	0.00	0.00
7	5.06	12.00	0.00	0.40E+06	85.98	2.07	0.00	-0.17	-1.16	0.00	0.01	0.01	0.01	0.01	0.01	0.01	0.01	0.01
8	4.94	15.98	0.00	0.40E+06	88.23	2.18	0.00	0.31	-1.15	-0.01	0.00	0.00	0.00	0.00	0.00	0.00	0.00	0.00
9	4.94	17.99	0.00	0.40E+06	88.97	2.15	0.00	-0.30	-1.09	-0.01	0.00	0.00	0.00	0.00	0.00	0.00	0.00	0.00
10	4.94	22.01	0.00	0.40E+06	98.95	2.31	0.00	0.63	-1.14	-0.01	0.01	0.01	0.01	0.01	0.01	0.01	0.01	0.01

PROPULSIVE WING FORCE DATA

SUMMARY. RUN 278

PT	Q ALPHA BETA	REY NO HEIGHT	CLIS			CPMIS			CRMIS			CYSIS			CSFIS			
			CNFIB CMUC	CAFIB CHUM	CDIS	CMFIB CMUT	CPMIB CLTR	CRMIB CLTR	CYFIB CDTR	CSFIB CMTR	CNFIB CMUC	CAFIB CHUM	CDIS	CMFIB CMUT	CPMIB CLTR	CRMIB CLTR	CYFIB CDTR	CSFIB CMTR
1	5.05 -2.02 5.01	0.40E+06 83.80	1.31 1.32 0.00	-0.26 -0.21 0.98	-0.99 -0.99 0.98	0.00 0.00 0.74	0.00 0.00 0.21	0.01 0.01 0.21	-0.10 -0.10 -0.50									
2	4.94 -0.01 5.01	0.39E+06 88.42	1.44 1.44 0.00	-0.21 -0.21 1.00	-1.03 -1.03 1.00	0.00 0.00 0.84	0.02 0.02 0.24	0.02 0.02 -0.53										
3	5.06 2.07 5.01	0.40E+06 88.76	1.55 1.55 0.00	-0.15 -0.20 0.98	-1.05 -1.05 0.98	0.00 0.00 0.95	0.02 0.02 0.27	0.10 0.10 -0.56										
4	4.94 4.02 5.01	0.39E+06 87.12	1.69 1.67 0.00	-0.11 -0.23 1.01	-1.08 -1.08 1.01	0.00 0.00 1.05	0.02 0.02 0.30	0.14 0.14 -0.57										
5	4.94 6.01 5.01	0.39E+06 88.02	1.77 1.75 0.00	-0.05 -0.23 1.00	-1.09 -1.09 1.00	0.00 0.00 1.12	0.02 0.02 0.34	0.13 0.13 -0.59										
6	4.94 7.98 5.01	0.39E+06 90.26	1.89 1.88 0.00	0.02 -0.24 1.00	-1.12 -1.12 1.00	0.01 0.00 1.23	0.02 0.02 0.38	0.15 0.15 -0.61										
7	4.94 12.00 5.01	0.39E+06 84.45	2.15 2.15 0.00	0.19 -0.27 1.00	-1.18 -1.18 1.00	0.00 0.00 1.47	0.02 0.02 0.50	0.15 0.15 -0.68										
8	5.06 15.99 5.01	0.40E+06 87.40	2.20 2.21 0.00	0.34 -0.28 0.98	-1.15 -1.15 0.98	-0.01 0.00 1.51	0.00 0.00 0.60	0.13 0.13 -0.66										
9	5.06 18.00 5.01	0.40E+06 87.58	2.27 2.30 0.00	0.44 -0.28 0.99	-1.16 -1.16 0.99	0.01 -0.01 1.58	0.01 0.00 0.68	0.15 0.15 -0.67										
10	4.94 22.00 5.01	0.39E+06 98.96	2.36 2.43 0.00	0.65 -0.29 1.01	-1.23 -1.23 1.01	-0.01 -0.01 1.63	0.00 0.00 0.84	0.17 0.17 -0.72										

PROPULSIVE WING FORCE DATA

SUMMARY. RUN 277

PT	Q ALPHA BETA	REY NO HEIGHT	CLIS			CPMIS			CRMIS			CYSIS			CSFIS			
			CNFIB CMUC	CAFIB CHUM	CDIS	CMFIB CMUT	CPMIB CLTR	CRMIB CLTR	CYFIB CDTR	CSFIB CMTR	CNFIB CMUC	CAFIB CHUM	CDIS	CMFIB CMUT	CPMIB CLTR	CRMIB CLTR	CYFIB CDTR	CSFIB CMTR
1	2.53 -1.99 5.01	0.28E+06 80.96	1.85 1.87 0.00	-0.71 -0.65 1.96	-1.48 -1.48 1.96	0.01 0.01 0.21	0.01 0.01 0.21	0.12 0.12 -0.49										
-2	2.53 -0.01 5.01	0.28E+06 87.89	2.01 2.01 0.00	-0.64 -0.64 1.96	-1.52 -1.52 1.96	0.02 0.02 0.25	0.02 0.02 0.25	0.11 0.11 -0.53										
3	2.41 2.01 5.01	0.28E+06 89.97	2.24 2.22 0.00	-0.61 -0.69 2.06	-1.58 -1.58 2.06	0.02 0.01 0.98	0.02 0.02 0.27	0.13 0.13 -0.54										
4	2.41 4.02 5.01	0.28E+06 91.48	2.33 2.29 0.00	-0.54 -0.70 2.06	-1.59 -1.59 2.06	0.01 0.01 1.04	0.03 0.02 0.30	0.14 0.14 -0.55										
5	2.53 5.99 5.01	0.28E+06 90.79	2.41 2.35 0.00	-0.41 -0.66 1.96	-1.58 -1.58 1.96	0.00 -0.01 1.15	0.02 0.02 0.34	0.17 0.17 -0.59										
6	2.53 7.99 5.01	0.28E+06 90.39	2.51 2.44 0.00	-0.34 -0.68 1.97	-1.60 -1.60 1.97	0.00 0.00 1.22	0.02 0.02 0.38	0.19 0.19 -0.61										
7	2.53 11.99 5.01	0.28E+06 87.98	2.75 2.66 0.00	-0.14 -0.71 1.96	-1.63 -1.63 1.96	0.01 -0.01 1.41	0.01 0.01 0.48	0.16 0.16 -0.64										
8	2.53 15.99 5.01	0.28E+06 85.69	2.76 2.66 0.00	0.02 -0.74 1.97	-1.54 -1.54 1.97	0.02 -0.02 1.38	0.01 0.00 0.55	0.19 0.19 -0.55										
9	2.41 17.99 5.01	0.28E+06 88.03	2.99 2.90 0.00	0.16 -0.77 2.06	-1.68 -1.68 2.06	-0.02 0.00 1.53	0.00 0.00 0.67	0.17 0.17 -0.64										
10	2.30 22.00 5.01	0.27E+06 99.06	3.24 3.17 0.00	0.44 -0.81 2.16	-1.77 -1.77 2.16	-0.02 -0.02 1.67	0.01 0.00 0.86	0.22 0.22 -0.68										

PROPULSIVE MING FORCE DATA

SUMMARY, RUN 280

PT	Q	ALPHA	BETA	REY NO	HEIGHT	CLIS			CPHIS			CYMIS			CSFIS			
						CAFIB	CMUC	CMNUH	CAFIB	CMUT	CLTR	CYRIB	CDTR	CSFIB	CMTR	CYRIB	CDTR	CSFIB
2	30.00	-2.00	5.01	0.98E+06	80.96	0.37	0.11	0.27	0.00	0.00	0.00	0.00	0.00	0.00	0.00	0.00	0.00	0.00
						0.98E+06	80.96	0.00	0.00	0.00	0.39	0.12	-0.26					
3	30.00	-0.01	5.01	0.98E+06	87.92	0.46	0.12	0.28	0.00	0.00	0.00	0.00	0.00	0.00	0.00	0.00	0.00	0.00
						0.98E+06	87.92	0.00	0.00	0.48	0.13	-0.27						
4	30.00	2.02	5.01	0.98E+06	87.38	0.54	0.14	0.29	0.00	0.00	0.00	0.00	0.00	0.00	0.00	0.00	0.00	0.00
						0.98E+06	87.38	0.00	0.00	0.56	0.15	-0.28						
5	30.00	3.99	5.01	0.98E+06	86.59	0.62	0.15	0.31	0.00	0.00	0.00	0.00	0.00	0.00	0.00	0.00	0.00	0.00
						0.98E+06	86.59	0.00	0.00	0.64	0.17	-0.30						
6	30.12	6.00	5.01	0.98E+06	86.29	0.72	0.17	0.33	0.00	0.00	0.00	0.00	0.00	0.00	0.00	0.00	0.00	0.00
						0.98E+06	86.29	0.00	0.00	0.74	0.19	-0.32						
7	30.12	8.00	5.01	0.98E+06	86.42	0.80	0.20	0.34	0.00	0.00	0.00	0.00	0.00	0.00	0.00	0.00	0.00	0.00
						0.98E+06	86.42	0.00	0.00	0.82	0.21	-0.33						
8	30.00	11.99	5.01	0.98E+06	87.48	1.01	0.28	0.39	0.00	0.00	0.00	0.00	0.00	0.00	0.00	0.00	0.00	0.00
						0.98E+06	87.48	0.00	0.00	1.03	0.30	-0.38						
9	30.00	15.99	5.01	0.98E+06	87.95	1.14	0.41	0.43	0.00	0.00	0.00	0.00	0.00	0.00	0.00	0.00	0.00	0.00
						0.98E+06	87.95	0.00	0.00	1.16	0.43	-0.43						
10	30.00	17.96	5.01	0.98E+06	89.55	1.15	0.48	0.44	0.00	0.00	0.00	0.00	0.00	0.00	0.00	0.00	0.00	0.00
						0.98E+06	89.55	0.00	0.00	1.16	0.49	-0.43						
11	30.00	21.99	5.01	0.98E+06	97.89	1.11	0.58	0.43	0.00	0.00	0.00	0.00	0.00	0.00	0.00	0.00	0.00	0.00
						0.98E+06	97.89	0.00	0.00	1.13	0.60	-0.42						

PROPULSIVE MING FORCE DATA

SUMMARY, RUN 279

PT	Q	ALPHA	BETA	REY NO	HEIGHT	CLIS			CPHIS			CYRIS			CSFIS			
						CAFIB	CMUC	CMNUH	CAFIB	CMUT	CLTR	CYRIB	CDTR	CSFIB	CMTR	CYRIB	CDTR	CSFIB
1	10.12	-1.89	5.01	0.58E+06	81.51	1.00	-0.04	-0.72	0.00	0.00	0.00	0.01	0.01	-0.08	0.00	0.00	0.00	0.00
						0.58E+06	81.51	0.00	0.49	0.71	0.19	-0.47						
2	10.00	0.03	5.01	0.58E+06	88.55	1.10	0.00	-0.74	0.00	0.00	0.00	0.01	0.01	-0.08	0.00	0.00	0.00	0.00
						0.58E+06	88.55	0.00	0.50	0.80	0.22	-0.49						
3	10.12	1.98	5.01	0.58E+06	87.45	1.16	0.03	-0.76	0.00	0.00	0.00	0.02	0.02	-0.11	0.00	0.00	0.00	0.00
						0.58E+06	87.45	0.00	0.49	0.86	0.24	-0.51						
4	10.12	4.00	5.01	0.58E+06	88.01	1.28	0.07	-0.77	0.00	0.00	0.00	0.01	0.01	-0.11	0.00	0.00	0.00	0.00
						0.58E+06	88.01	0.00	0.49	0.97	0.27	-0.53						
5	10.12	6.00	5.01	0.58E+06	88.88	1.35	0.11	-0.78	0.00	0.00	0.00	0.01	0.01	-0.11	0.00	0.00	0.00	0.00
						0.58E+06	88.88	0.00	0.49	1.03	0.30	-0.53						
6	9.89	8.02	5.01	0.58E+06	89.63	1.51	0.17	-0.84	0.00	0.00	0.00	0.01	0.01	-0.10	0.00	0.00	0.00	0.00
						0.58E+06	89.63	0.00	0.50	1.18	0.35	-0.58						
7	10.00	11.99	5.01	0.58E+06	86.24	1.75	0.32	-0.90	0.00	0.00	0.00	0.01	0.01	-0.12	0.00	0.00	0.00	0.00
						0.58E+06	86.24	0.00	0.50	1.41	0.47	-0.65						
8	9.89	16.00	5.01	0.58E+06	83.80	1.77	0.43	-0.86	0.00	0.00	0.00	0.00	0.00	-0.10	0.00	0.00	0.00	0.00
						0.58E+06	83.80	0.00	0.49	1.43	0.56	-0.61						
9	9.89	17.99	5.01	0.58E+06	86.81	1.79	0.50	-0.83	0.00	0.00	0.00	0.00	0.00	-0.10	0.00	0.00	0.00	0.00
						0.58E+06	86.81	0.00	0.50	1.43	0.62	-0.58						
10	9.89	22.02	5.01	0.58E+06	98.84	1.90	0.70	-0.88	0.00	0.00	0.00	0.00	0.00	-0.11	0.00	0.00	0.00	0.00
						0.58E+06	98.84	0.00	0.50	1.54	0.80	-0.63						

PROPULSIVE WING FORCE DATA

SUMMARY, RUN 282

PT	Q ALPHA BETA	REY NO HEIGHT	CLIS			CPMIS			CYMIS			CSFIS		
			CNFIB CMUC	CAFIB CHUM	CMUT	CNFIB CMUC	CAFIB CHUM	CMUT	CNFIB CMUC	CAFIB CHUM	CMUT	CNFIB CMUC	CAFIB CHUM	CMUT
1	10.23	0.56E+06	0.99	-0.03	-0.69	0.01	0.01	0.01	0.01	0.01	0.01	0.01	0.01	0.03
	-2.01	87.13	0.99	0.00	-0.69	0.01	0.01	0.01	0.01	0.01	0.01	0.01	0.01	-0.44
	0.00		0.00	0.49	0.49	0.81	0.81	0.81	0.81	0.81	0.81	0.81	0.81	-0.49
2	10.12	0.56E+06	1.10	0.00	-0.73	0.01	0.01	0.01	0.01	0.01	0.01	0.01	0.01	0.03
	0.03	86.53	1.10	0.00	-0.73	0.01	0.01	0.01	0.01	0.01	0.01	0.01	0.01	-0.03
	0.00		0.00	0.49	0.49	0.81	0.81	0.81	0.81	0.81	0.81	0.81	0.81	-0.49
3	10.12	0.56E+06	1.18	0.03	-0.74	0.01	0.01	0.01	0.01	0.01	0.01	0.01	0.01	0.03
	2.02	87.01	1.18	-0.01	-0.74	0.01	0.01	0.01	0.01	0.01	0.01	0.01	0.01	-0.03
	0.00		0.00	0.49	0.49	0.88	0.88	0.88	0.88	0.88	0.88	0.88	0.88	-0.50
4	10.12	0.56E+06	1.28	0.07	-0.76	0.01	0.01	0.01	0.01	0.01	0.01	0.01	0.01	0.03
	4.06	87.41	1.28	-0.02	-0.76	0.01	0.01	0.01	0.01	0.01	0.01	0.01	0.01	-0.03
	0.00		0.00	0.49	0.49	0.97	0.97	0.97	0.97	0.97	0.97	0.97	0.97	-0.51
5	10.00	0.56E+06	1.40	0.11	-0.79	0.01	0.01	0.01	0.01	0.01	0.01	0.01	0.01	0.04
	6.05	87.63	1.40	-0.04	-0.79	0.01	0.01	0.01	0.01	0.01	0.01	0.01	0.01	-0.04
	0.00		0.00	0.50	0.50	1.08	1.08	1.08	1.08	1.08	1.08	1.08	1.08	-0.54
6	10.12	0.56E+06	1.48	0.16	-0.80	0.01	0.01	0.01	0.01	0.01	0.01	0.01	0.01	0.05
	8.07	87.41	1.48	-0.05	-0.80	0.01	0.01	0.01	0.01	0.01	0.01	0.01	0.01	-0.05
	0.00		0.00	0.49	0.49	1.16	1.16	1.16	1.16	1.16	1.16	1.16	1.16	-0.56
7	9.89	0.55E+06	1.83	0.33	-0.95	0.02	0.02	0.02	0.02	0.02	0.02	0.02	0.02	0.05
	12.08	87.70	1.86	-0.06	-0.95	0.01	0.01	0.01	0.01	0.01	0.01	0.01	0.01	-0.05
	0.00		0.00	0.50	0.50	1.43	1.43	1.43	1.43	1.43	1.43	1.43	1.43	-0.70
8	10.00	0.56E+06	1.76	0.31	-0.90	0.02	0.02	0.02	0.02	0.02	0.02	0.02	0.02	0.06
	12.08	87.70	1.79	-0.07	-0.90	0.01	0.01	0.01	0.01	0.01	0.01	0.01	0.01	-0.06
	0.00		0.00	0.50	0.50	1.43	1.43	1.43	1.43	1.43	1.43	1.43	1.43	-0.65
9	9.89	0.55E+06	1.82	0.42	-0.85	0.00	0.00	0.00	0.00	0.00	0.00	0.00	0.00	0.05
	16.07	87.80	1.86	-0.09	-0.85	0.00	0.00	0.00	0.00	0.00	0.00	0.00	0.00	-0.05
	0.00		0.00	0.51	0.51	1.47	1.47	1.47	1.47	1.47	1.47	1.47	1.47	-0.60
10	9.89	0.55E+06	1.81	0.49	-0.86	0.01	0.01	0.01	0.01	0.01	0.01	0.01	0.01	0.04
	18.02	87.20	1.88	-0.09	-0.86	0.00	0.00	0.00	0.00	0.00	0.00	0.00	0.00	-0.04
	0.00		0.00	0.51	0.51	1.46	1.46	1.46	1.46	1.46	1.46	1.46	1.46	-0.61
11	8.54	0.54E+06	1.99	0.71	-0.92	0.01	0.01	0.01	0.01	0.01	0.01	0.01	0.01	0.05
	22.06	99.02	2.11	-0.09	-0.92	0.00	0.00	0.00	0.00	0.00	0.00	0.00	0.00	-0.05
	0.00		0.00	0.52	0.52	1.62	1.62	1.62	1.62	1.62	1.62	1.62	1.62	-0.66

PROPULSIVE WING FORCE DATA

SUMMARY, RUN 281

PT	Q ALPHA BETA	REY NO HEIGHT	CLIS			CPMIS			CYMIS			CSFIS		
			CNFIB CMUC	CAFIB CHUM	CMUT	CNFIB CMUC	CAFIB CHUM	CMUT	CNFIB CMUC	CAFIB CHUM	CMUT	CNFIB CMUC	CAFIB CHUM	CMUT
2	30.23	0.96E+06	0.38	0.11	-0.25	0.00	0.00	0.00	0.00	0.00	0.00	0.00	0.00	0.00
	-2.04	87.53	0.38	0.12	-0.26	0.00	0.00	0.00	0.00	0.00	0.00	0.00	0.00	-0.26
	0.00		0.00	0.00	0.00	0.40	0.40	0.40	0.40	0.40	0.40	0.40	0.40	0.00
3	30.23	0.96E+06	0.47	0.12	-0.28	0.01	0.00	0.13	0.00	0.00	0.00	0.00	0.00	0.00
	0.02	86.73	0.47	0.12	-0.28	0.01	0.00	0.13	0.00	0.00	0.00	0.00	0.00	-0.27
	0.00		0.00	0.00	0.00	0.49	0.49	0.49	0.49	0.49	0.49	0.49	0.49	0.00
4	30.35	0.96E+06	0.55	0.14	-0.30	0.00	0.00	0.00	0.00	0.00	0.00	0.00	0.00	0.01
	2.06	87.05	0.56	0.12	-0.30	0.00	0.00	0.15	0.00	0.00	0.00	0.00	0.00	-0.01
	0.00		0.00	0.00	0.00	0.57	0.57	0.57	0.57	0.57	0.57	0.57	0.57	-0.29
5	30.12	0.96E+06	0.64	0.15	-0.31	0.00	0.00	0.00	0.00	0.00	0.00	0.00	0.00	0.01
	4.08	86.96	0.64	0.11	-0.31	0.00	0.00	0.00	0.00	0.00	0.00	0.00	0.00	-0.01
	0.00		0.00	0.00	0.00	0.56	0.56	0.56	0.56	0.56	0.56	0.56	0.56	-0.30
6	30.00	0.96E+06	0.72	0.17	-0.33	0.01	0.01	0.00	0.00	0.00	0.00	0.00	0.00	0.01
	6.03	87.86	0.73	0.10	-0.33	0.00	0.00	0.74	0.00	0.00	0.00	0.00	0.00	-0.32
	0.00		0.00	0.00	0.00	0.83	0.83	0.83	0.83	0.83	0.83	0.83	0.83	0.00
7	30.12	0.96E+06	0.81	0.20	-0.34	0.01	0.01	0.00	0.00	0.00	0.00	0.00	0.00	0.00
	8.02	85.46	0.83	0.08	-0.34	0.01	0.01	0.00	0.00	0.00	0.00	0.00	0.00	-0.33
	0.00		0.00	0.00	0.00	0.83	0.83	0.83	0.83	0.83	0.83	0.83	0.83	0.00
8	29.89	0.96E+06	1.03	0.28	-0.40	0.01	0.01	0.00	0.00	0.00	0.00	0.00	0.00	0.00
	12.04	87.06	1.06	0.06	-0.40	0.01	0.01	0.00	0.00	0.00	0.00	0.00	0.00	-0.39
	0.00		0.00	0.00	0.00	1.05	1.05	1.05	1.05	1.05	1.05	1.05	1.05	0.00
9	30.00	0.96E+06	1.15	0.40	-0.42	0.01	0.01	0.00	0.00	0.00	0.00	0.00	0.00	0.01
	16.03	86.96	1.21	0.07	-0.42	0.00	0.00	1.16	0.00	0.00	0.00	0.00	0.00	-0.41
	0.00		0.00	0.00	0.00	1.16	1.16	1.16	1.16	1.16	1.16	1.16	1.16	0.00
10	29.77	0.96E+06	1.21	0.49	-0.46	0.00	0.00	0.00	0.00	0.00	0.00	0.00	0.00	0.00
	18.02	86.75	1.30	0.09	-0.46	0.00	0.00	1.22	0.00	0.00	0.00	0.00	0.00	-0.45
	0.00		0.00	0.00	0.00	1.22	1.22	1.22	1.22	1.22	1.22	1.22	1.22	0.00
11	29.54	0.95E+06	1.16	0.59	-0.46	0.01	0.01	0.01	0.01	0.01	0.01	0.01	0.01	0.03
	22.07	98.42	1.30	0.11	-0.46	0.01	0.01	0.01	0.01	0.01	0.01	0.01	0.01	-0.03
	0.00		0.00	0.00	0.00	1.18	1.18	1.18	1.18	1.18	1.18	1.18	1.18	-0.45



PROPULSIVE MING FORCE DATA

SUMMARY. RUN 284

PT	Q	ALPHA	BETA	REY NO	REY HEIGHT	CL15			CPM15			CYN15			CSF15		
						CMF1B	CHUC	CHUM	CMF1B	CMUT	CLTR	CYN1B	CYN1B	CDTR	CSF1B	CSF1B	CDTR
1	10.12	-2.04	5.02	0.56E+06	87.30	1.01	0.00	0.49	-0.72	0.01	-0.01	-0.01	-0.05	-0.09	-0.09	-0.51	
	2	10.12	-0.02	0.56E+06	87.91	1.10	0.00	0.49	-0.74	0.00	-0.01	-0.01	-0.06	-0.08	-0.08	-0.52	
	3	10.12	2.03	5.02	0.56E+06	86.13	1.18	0.00	0.49	-0.73	0.00	-0.01	-0.06	-0.09	-0.09	-0.54	
4	10.12	4.02	5.02	0.56E+06	87.94	1.30	0.00	0.49	-0.77	0.00	0.00	0.00	-0.07	-0.09	-0.55		
	5	10.00	6.04	5.02	0.56E+06	87.62	1.37	0.00	-0.78	0.00	-0.01	-0.08	-0.10	-0.10	-0.56		
	6	10.23	8.02	5.02	0.56E+06	87.09	1.51	0.00	-0.83	0.01	-0.01	-0.08	-0.11	-0.11	-0.59		
7	12.04	12.04	5.02	0.56E+06	86.90	1.77	0.00	0.49	-0.89	0.00	-0.01	-0.09	-0.12	-0.12	-0.66		
	8	9.89	16.07	5.02	0.55E+06	86.89	1.82	0.00	-0.87	-0.01	-0.02	-0.08	-0.11	-0.11	-0.64		
	9	9.89	18.11	5.02	0.55E+06	87.11	1.82	0.00	-0.85	-0.01	-0.02	-0.08	-0.12	-0.12	-0.66		
10	9.66	22.08	5.02	0.55E+06	99.17	1.94	0.00	0.52	-0.91	-0.01	-0.02	-0.12	-0.15	-0.15	-0.73		
	22.08	22.08	5.02	0.55E+06	99.17	2.05	0.00	0.52	-0.91	-0.01	-0.02	-0.12	-0.15	-0.15	-0.73		
	5.02	22.08	5.02	0.55E+06	99.17	2.05	0.00	0.52	-0.91	-0.01	-0.02	-0.12	-0.15	-0.15	-0.73		

PROPULSIVE MING FORCE DATA

SUMMARY. RUN 283

PT	Q	ALPHA	BETA	REY NO	REY HEIGHT	CL15			CPM15			CYN15			CSF15		
						CMF1B	CHUC	CHUM	CMF1B	CMUT	CLTR	CYN1B	CYN1B	CDTR	CSF1B	CSF1B	CDTR
1	10.12	-2.09	5.02	0.56E+06	87.30	1.01	0.00	0.49	-0.72	0.01	-0.01	-0.01	-0.05	-0.09	-0.48		
	2	10.12	-0.02	0.56E+06	87.91	1.10	0.00	0.49	-0.74	0.00	-0.01	-0.01	-0.06	-0.08	-0.50		
	3	10.12	2.03	5.02	0.56E+06	86.13	1.18	0.00	0.49	-0.73	0.00	-0.01	-0.06	-0.09	-0.49		
4	10.12	4.02	5.02	0.56E+06	87.94	1.30	0.00	0.49	-0.77	0.00	0.00	0.00	-0.07	-0.09			
	5	10.00	6.04	5.02	0.56E+06	87.62	1.37	0.00	-0.78	0.00	-0.01	-0.08	-0.10	-0.53			
	6	10.23	8.02	5.02	0.56E+06	87.09	1.51	0.00	-0.83	0.01	-0.01	-0.08	-0.11	-0.59			
7	12.04	12.04	5.02	0.56E+06	86.90	1.77	0.00	0.49	-0.89	0.00	-0.01	-0.09	-0.12	-0.66			
	8	9.89	16.07	5.02	0.55E+06	86.89	1.82	0.00	-0.87	-0.01	-0.02	-0.08	-0.11	-0.64			
	9	9.89	18.11	5.02	0.55E+06	87.11	1.82	0.00	-0.85	-0.01	-0.02	-0.08	-0.12	-0.66			
10	9.66	22.08	5.02	0.55E+06	99.17	1.94	0.00	0.52	-0.91	-0.01	-0.02	-0.12	-0.15	-0.73			
	22.08	22.08	5.02	0.55E+06	99.17	2.05	0.00	0.52	-0.91	-0.01	-0.02	-0.12	-0.15	-0.73			
	5.02	22.08	5.02	0.55E+06	99.17	2.05	0.00	0.52	-0.91	-0.01	-0.02	-0.12	-0.15	-0.73			

PROPULSIVE WING FORCE DATA

SUMMARY, RUN 286

PT	Q	ALPHA	BETA	REY NO	HEIGHT	CLIS			CPMIS			CRMIS			CYMIS			CSFIS		
						CAFIB	CAFIH	CAFIH	CPMIB	CPMIB	CPMIB	CRMIB	CRMIB	CRMIB	CYMIB	CYMIB	CYMIB	CSFIB	CSFIB	CSFIB
1	2.53	-2.07	0.00	0.40E+06	87.55	2.05	2.07	2.00	-1.50	0.00	0.00	0.00	0.00	0.03	0.03	0.03	-0.06	-0.06	-0.51	
2	2.53	-0.01	0.00	0.40E+06	89.29	2.16	2.16	2.00	-1.50	0.00	0.00	0.00	0.02	0.02	0.02	0.02	-0.06	-0.06	-0.51	
3	2.41	2.04	0.00	0.27E+06	87.93	2.41	2.39	2.09	-1.62	0.00	0.00	0.00	0.02	0.02	0.02	0.02	-0.08	-0.08	-0.59	
4	2.41	0.00	0.00	0.27E+06	88.30	2.55	2.50	2.08	-1.65	0.00	0.00	0.00	0.03	0.03	0.03	0.03	-0.11	-0.11	-0.62	
5	2.53	6.05	0.00	0.28E+06	87.01	2.45	2.40	2.00	-1.58	0.00	0.00	0.00	0.02	0.02	0.02	0.02	-0.11	-0.11	-0.59	
6	2.53	8.05	0.00	0.28E+06	86.02	2.73	2.66	2.00	-1.63	0.00	0.00	0.00	0.02	0.02	0.02	0.02	-0.11	-0.11	-0.64	
7	2.53	12.07	0.00	0.28E+06	87.29	2.91	2.82	2.00	-1.65	0.00	0.00	0.01	0.02	0.02	0.02	0.02	-0.15	-0.15	-0.66	
8	2.41	16.11	-0.01	0.27E+06	88.43	2.98	2.85	2.09	-1.63	0.00	0.00	0.00	0.02	0.02	0.02	0.02	-0.15	-0.15	-0.60	
9	2.85	18.02	-0.01	0.29E+06	87.12	3.01	2.91	0.00	-1.63	0.00	0.00	0.00	0.02	0.02	0.02	0.02	-0.13	-0.13	-0.69	
10	2.53	22.10	-0.01	0.28E+06	99.44	3.20	3.11	2.00	-1.68	0.00	0.00	0.00	0.03	0.03	0.03	0.03	-0.18	-0.18	-0.69	

PROPULSIVE WING FORCE DATA

SUMMARY, RUN 285

PT	Q	ALPHA	BETA	REY NO	HEIGHT	CLIS			CPMIS			CRMIS			CYMIS			CSFIS		
						CAFIB	CAFIH	CAFIH	CPMIB	CPMIB	CPMIB	CRMIB	CRMIB	CRMIB	CYMIB	CYMIB	CYMIB	CSFIB	CSFIB	CSFIB
1	5.06	-2.00	0.00	0.40E+06	87.44	1.36	1.37	0.00	-0.97	0.00	0.00	0.00	0.01	0.01	0.01	0.01	-0.03	-0.03	-0.48	
2	5.06	-0.01	0.00	0.40E+06	90.65	1.49	1.49	0.00	-1.02	0.00	0.00	0.01	0.01	0.01	0.01	0.01	-0.04	-0.04	-0.52	
3	5.06	2.05	0.00	0.40E+06	87.17	1.57	1.56	1.00	-1.03	0.01	0.01	0.01	0.01	0.01	0.01	0.01	-0.04	-0.04	-0.54	
4	4.94	4.05	0.00	0.39E+06	85.69	1.73	1.72	1.02	-1.09	0.01	0.01	0.02	0.02	0.02	0.02	0.02	-0.07	-0.07	-0.59	
5	4.94	6.03	0.00	0.39E+06	86.52	1.86	1.85	1.02	-1.13	0.01	0.01	0.01	0.01	0.01	0.01	0.01	-0.07	-0.07	-0.62	
6	4.94	8.07	0.00	0.39E+06	86.42	1.90	1.88	1.02	-1.11	0.01	0.01	0.01	0.01	0.01	0.01	0.01	-0.06	-0.06	-0.60	
7	4.94	12.02	-0.01	0.39E+06	87.32	2.24	2.23	1.02	-1.19	0.01	0.01	0.02	0.02	0.02	0.02	0.02	-0.09	-0.09	-0.68	
8	5.06	16.00	-0.01	0.40E+06	87.64	2.23	2.23	1.00	-1.15	0.00	0.00	0.00	0.02	0.02	0.02	0.02	-0.10	-0.10	-0.66	
9	5.06	18.01	-0.01	0.40E+06	87.62	2.24	2.24	1.00	-1.08	0.00	0.00	0.01	0.01	0.01	0.01	0.01	-0.07	-0.07	-0.59	
10	5.06	22.08	-0.01	0.40E+06	99.27	2.41	2.47	1.00	-1.19	0.00	0.00	0.00	0.01	0.01	0.01	0.01	-0.06	-0.06	-0.70	

PROPULSIVE WING FORCE DATA

SUMMARY. RUN 288														
PT	Q	CL15	CD15	CPN15	CRM15	CYN15	CSF15	CL15	CAF15	CPN15	CRM15	CYN15	CSF15	CL15
ALPHA	REY NO	CFN15	CFN15	CFN15	CFN15	CFN15	CFN15	CFN15	CFN15	CFN15	CFN15	CFN15	CFN15	CFN15
BETA	HEIGHT	CMNU	CMNU	CMNU	CMNU	CMNU	CMNU	CMNU	CMNU	CMNU	CMNU	CMNU	CMNU	CMNU
1	29.89	0.38	0.11	-0.27	0.01	0.01	-0.10	0.38	0.11	-0.27	0.01	0.01	-0.10	0.38
	-2.06	0.96E+06	0.12	-0.27	0.00	0.01	-0.10	0.38	0.12	-0.27	0.00	0.01	-0.10	0.38
	5.01	87.56	0.00	0.00	0.41	0.12	-0.26	0.00	0.00	0.00	0.41	0.12	-0.26	0.00
2	30.12	0.46	0.12	-0.28	0.00	0.00	-0.02	0.46	0.12	-0.28	0.00	0.00	-0.02	0.46
	0.02	0.96E+06	0.12	-0.28	0.00	0.00	-0.02	0.46	0.12	-0.28	0.00	0.00	-0.02	0.46
	5.01	88.18	0.00	0.00	0.48	0.13	-0.27	0.00	0.00	0.00	0.48	0.13	-0.27	0.00
3	30.12	0.55	0.13	-0.29	0.00	0.00	-0.02	0.55	0.13	-0.29	0.00	0.00	-0.02	0.55
	2.05	0.96E+06	0.12	-0.29	0.00	0.00	-0.02	0.55	0.12	-0.29	0.00	0.00	-0.02	0.55
	5.01	87.95	0.00	0.00	0.57	0.15	-0.28	0.00	0.00	0.00	0.57	0.15	-0.28	0.00
4	30.12	0.54	0.13	-0.28	0.00	0.00	-0.02	0.54	0.13	-0.28	0.00	0.00	-0.02	0.54
	2.05	0.96E+06	0.11	-0.28	0.00	0.00	-0.02	0.55	0.11	-0.28	0.00	0.00	-0.02	0.55
	5.01	87.95	0.00	0.00	0.56	0.15	-0.27	0.00	0.00	0.00	0.56	0.15	-0.27	0.00
5	30.00	0.65	0.15	-0.31	0.00	0.00	-0.02	0.65	0.15	-0.31	0.00	0.00	-0.02	0.65
	4.04	0.96E+06	0.11	-0.31	0.00	0.00	-0.02	0.66	0.11	-0.31	0.00	0.00	-0.02	0.66
	5.01	87.92	0.00	0.00	0.67	0.17	-0.31	0.00	0.00	0.00	0.67	0.17	-0.31	0.00
6	30.00	0.74	0.16	-0.34	0.00	0.00	-0.03	0.74	0.16	-0.34	0.00	0.00	-0.03	0.74
	6.06	0.96E+06	0.10	-0.34	0.00	0.00	-0.03	0.75	0.10	-0.34	0.00	0.00	-0.03	0.75
	5.01	87.01	0.00	0.00	0.76	0.19	-0.33	0.00	0.00	0.00	0.76	0.19	-0.33	0.00
7	30.00	0.81	0.20	-0.35	0.00	0.00	-0.03	0.81	0.20	-0.35	0.00	0.00	-0.03	0.81
	8.07	0.96E+06	0.08	-0.35	0.00	0.00	-0.03	0.83	0.08	-0.35	0.00	0.00	-0.03	0.83
	5.01	88.17	0.00	0.00	0.83	0.21	-0.34	0.00	0.00	0.00	0.83	0.21	-0.34	0.00
8	29.89	1.01	0.28	-0.38	0.00	0.00	-0.04	1.01	0.28	-0.38	0.00	0.00	-0.04	1.01
	12.06	0.96E+06	0.05	-0.38	0.00	0.00	-0.04	1.05	0.05	-0.38	0.00	0.00	-0.04	1.05
	5.01	87.85	0.00	0.00	1.03	0.29	-0.37	0.00	0.00	0.00	1.03	0.29	-0.37	0.00
9	30.00	1.15	0.41	-0.44	-0.01	-0.01	-0.05	1.15	0.41	-0.44	-0.01	-0.01	-0.05	1.15
	16.05	0.96E+06	1.22	-0.44	0.00	0.00	-0.05	1.22	0.08	-0.44	0.00	0.00	-0.05	1.22
	5.01	88.61	0.00	0.00	1.17	0.43	-0.43	0.00	0.00	0.00	1.17	0.43	-0.43	0.00
10	30.00	1.16	0.48	-0.42	-0.01	-0.01	-0.06	1.16	0.48	-0.42	-0.01	-0.01	-0.06	1.16
	18.08	0.96E+06	1.26	-0.42	0.00	0.00	-0.06	1.26	0.09	-0.42	0.00	0.00	-0.06	1.26
	5.01	87.53	0.00	0.00	1.18	0.50	-0.42	0.00	0.00	0.00	1.18	0.50	-0.42	0.00
11	30.12	1.14	0.58	-0.45	-0.03	0.00	-0.06	1.14	0.58	-0.45	-0.03	0.00	-0.06	1.14
	22.06	0.96E+06	1.27	-0.45	-0.02	-0.01	-0.06	1.27	0.11	-0.45	-0.02	-0.01	-0.06	1.27
	5.01	98.29	0.00	0.00	1.15	0.50	-0.44	0.00	0.00	0.00	1.15	0.50	-0.44	0.00

PROPULSIVE WING FORCE DATA

SUMMARY. RUN 287														
PT	Q	CL15	CD15	CPN15	CRM15	CYN15	CSF15	CL15	CAF15	CPN15	CRM15	CYN15	CSF15	CL15
ALPHA	REY NO	CFN15	CFN15	CFN15	CFN15	CFN15	CFN15	CFN15	CFN15	CFN15	CFN15	CFN15	CFN15	CFN15
BETA	HEIGHT	CMNU	CMNU	CMNU	CMNU	CMNU	CMNU	CMNU	CMNU	CMNU	CMNU	CMNU	CMNU	CMNU
1	2.76	1.95	-0.62	-1.43	0.00	0.01	-0.10	1.95	-0.62	-1.43	0.00	0.01	-0.10	1.95
	-2.06	0.29E+06	1.97	-0.55	-1.43	0.00	-0.10	1.97	-0.55	-1.43	0.00	0.01	-0.10	1.97
	5.01	87.44	0.00	1.84	0.90	0.23	-0.52	0.00	1.84	0.90	0.23	-0.52	0.00	1.84
2	2.65	2.07	-0.58	-1.51	0.00	0.01	-0.13	2.07	-0.58	-1.51	0.00	0.01	-0.13	2.07
	0.00	0.29E+06	1.51	-0.58	-1.51	0.00	-0.13	1.51	-0.58	-1.51	0.00	0.01	-0.13	1.51
	5.01	86.48	0.00	1.91	0.94	0.27	-0.57	0.00	1.91	0.94	0.27	-0.57	0.00	1.91
3	2.65	2.28	-0.53	-1.51	0.00	0.01	-0.12	2.28	-0.53	-1.51	0.00	0.01	-0.12	2.28
	2.10	0.29E+06	2.26	-0.61	-1.51	0.00	-0.12	2.26	-0.61	-1.51	0.00	0.01	-0.12	2.26
	5.01	88.30	0.00	1.81	1.12	0.28	-0.57	0.00	1.81	1.12	0.28	-0.57	0.00	1.81
4	2.76	2.22	-0.44	-1.47	0.00	0.01	-0.12	2.22	-0.44	-1.47	0.00	0.01	-0.12	2.22
	4.09	0.29E+06	2.27	-0.60	-1.47	0.00	-0.12	2.27	-0.60	-1.47	0.00	0.01	-0.12	2.27
	5.01	87.30	0.00	1.84	1.12	0.29	-0.56	0.00	1.84	1.12	0.29	-0.56	0.00	1.84
5	2.76	2.32	-0.38	-1.48	0.00	0.01	-0.12	2.32	-0.38	-1.48	0.00	0.01	-0.12	2.32
	6.07	0.29E+06	2.27	-0.62	-1.48	0.00	-0.12	2.27	-0.62	-1.48	0.00	0.01	-0.12	2.27
	5.01	86.25	0.00	1.84	1.16	0.31	-0.57	0.00	1.84	1.16	0.31	-0.57	0.00	1.84
6	2.53	2.70	-0.33	-1.64	0.01	0.01	-0.16	2.70	-0.33	-1.64	0.01	0.01	-0.16	2.70
	8.07	0.28E+06	2.63	-0.70	-1.64	0.01	-0.16	2.63	-0.70	-1.64	0.01	0.01	-0.16	2.63
	5.01	89.14	0.00	2.00	1.41	0.38	-0.65	0.00	2.00	1.41	0.38	-0.65	0.00	2.00
7	2.53	2.94	-0.14	-1.68	0.00	0.00	-0.15	2.94	-0.14	-1.68	0.00	0.00	-0.15	2.94
	12.06	0.28E+06	2.85	-0.75	-1.68	0.00	-0.15	2.85	-0.75	-1.68	0.00	0.00	-0.15	2.85
	5.01	87.90	0.00	1.99	1.81	0.48	-0.69	0.00	1.99	1.81	0.48	-0.69	0.00	1.99
8	2.41	3.10	0.01	-1.79	-0.01	0.00	-0.20	3.10	0.01	-1.79	-0.01	0.00	-0.20	3.10
	16.04	0.27E+06	2.98	-0.85	-1.79	-0.01	-0.20	2.98	-0.85	-1.79	-0.01	-0.01	-0.20	2.98
	5.01	87.66	0.00	2.09	1.66	0.56	-0.75	0.00	2.09	1.66	0.56	-0.75	0.00	2.09
9	2.41	3.16	0.13	-1.72	-0.01	-0.01	-0.18	3.16	0.13	-1.72	-0.01	-0.01	-0.18	3.16
	18.04	0.27E+06	3.05	-0.86	-1.72	-0.01	-0.18	3.05	-0.86	-1.72	-0.01	-0.01	-0.18	3.05
	5.01	86.95	0.00	2.09	1.70	0.63	-0.66	0.00	2.09	1.70	0.63	-0.66	0.00	2.09
10	2.41	3.31	0.40	-1.79	-0.02	-0.01	-0.19	3.31	0.40	-1.79	-0.02	-0.01	-0.19	3.31
	22.02	0.27E+06	3.22	-0.87	-1.79	-0.01	-0.19	3.22	-0.87	-1.79	-0.01	-0.01	-0.19	3.22
	5.01	99.21	0.00	2.09	1.82	0.80	-0.75	0.00	2.09	1.82	0.80	-0.75	0.00	2.09

PROPULSIVE WING FORCE DATA

SUMMARY, RUN 290

PT	Q	ALPHA	BETA	REY NO	HEIGHT	CL15			CPM15			CRM15			CVM15			CSF15				
						CNF1B	CHUC	CAF1B	CNUH	CPM1B	CMUT	CRM1B	CLTR	CVM1B	CDTR	CSF1B	CMTR					
2	0.00	-0.06	5.00	0.30E+08	87.87	28.16	0.00	-21.23	-751.80	-30.63	28.32	-2.28	28.32	-2.28	28.32	-2.28	28.32	-2.28	28.32	-2.28	28.32	-2.28
3	0.00	-0.07	5.00	0.30E+08	87.87	38.72	0.00	-28.46	-1024.00	-43.84	32.30	-2.50	32.30	-2.50	32.30	-2.50	32.30	-2.50	32.30	-2.50	32.30	-2.50
4	0.00	-0.08	5.00	0.30E+08	87.87	49.41	0.00	-35.01	-1298.00	-52.41	31.40	-2.80	31.40	-2.80	31.40	-2.80	31.40	-2.80	31.40	-2.80	31.40	-2.80
5	0.00	-0.09	5.00	0.30E+08	87.87	59.42	0.00	-43.30	-1568.00	-63.02	26.57	-2.37	26.57	-2.37	26.57	-2.37	26.57	-2.37	26.57	-2.37	26.57	-2.37

PROPULSIVE WING FORCE DATA

SUMMARY, RUN 289

PT	Q	ALPHA	BETA	REY NO	HEIGHT	CL15			CPM15			CRM15			CVM15			CSF15				
						CNF1B	CHUC	CAF1B	CNUH	CPM1B	CMUT	CRM1B	CLTR	CVM1B	CDTR	CSF1B	CMTR					
2	0.00	-0.03	5.00	0.30E+08	87.38	3.42	0.00	-4.31	-155.90	-7.89	23.02	-2.47	23.02	-2.47	23.02	-2.47	23.02	-2.47	23.02	-2.47	23.02	-2.47
3	0.00	-0.04	5.00	0.30E+08	87.38	17.65	0.00	-13.69	-482.60	-18.49	43.71	-4.00	43.71	-4.00	43.71	-4.00	43.71	-4.00	43.71	-4.00	43.71	-4.00
4	0.00	-0.06	5.00	0.30E+08	87.38	33.17	0.00	-26.21	-953.60	-38.80	43.33	-4.20	43.33	-4.20	43.33	-4.20	43.33	-4.20	43.33	-4.20	43.33	-4.20
5	0.00	-0.09	5.00	0.30E+08	87.38	56.76	0.00	-42.02	-1503.00	-60.20	49.34	-4.38	49.34	-4.38	49.34	-4.38	49.34	-4.38	49.34	-4.38	49.34	-4.38
6	0.00	-0.10	5.00	0.30E+08	87.38	67.07	0.00	-52.49	-1808.00	-70.58	100.40	-7.30	100.40	-7.30	100.40	-7.30	100.40	-7.30	100.40	-7.30	100.40	-7.30

PROPULSIVE WING FORCE DATA

SUMMARY. RUN 291

PT	Q	ALPHA		REY NO	CLIS	CAFIR	CHUC	CHUN	CMIS	CPMIS	CMUT	CLTR	CYMIS	CSFIS	CSFIB	CMTR
		BETA	HEIGHT													
2	30.23	-2.04	0.99E+06	87.51	0.41	0.11	0.12	0.00	0.00	-0.28	0.00	0.43	-0.02	-0.01	-0.01	-0.27
3	30.23	0.04	0.99E+06	87.46	0.49	0.12	0.00	0.00	0.00	-0.30	0.00	0.00	-0.02	-0.01	-0.01	-0.01
4	30.23	2.07	0.99E+06	87.24	0.58	0.14	0.00	0.00	0.00	-0.32	0.00	0.00	-0.02	-0.02	-0.02	-0.31
5	30.23	4.03	0.99E+06	87.86	0.67	0.15	0.00	0.00	0.00	-0.33	0.00	0.00	-0.02	-0.02	-0.02	-0.32
6	30.12	6.06	0.99E+06	85.92	0.76	0.18	0.00	0.00	0.00	-0.35	0.00	0.00	-0.02	-0.02	-0.02	-0.35
7	30.12	8.04	0.99E+06	87.72	0.84	0.20	0.00	0.00	0.00	-0.36	0.00	0.00	-0.02	-0.02	-0.02	-0.35
8	30.00	12.08	0.99E+06	87.66	1.04	0.28	0.00	0.00	0.00	-0.40	0.00	1.06	-0.02	-0.03	-0.03	-0.40
9	29.89	15.99	0.98E+06	85.83	1.13	0.40	0.00	0.00	0.00	-0.42	0.00	0.00	-0.02	-0.05	-0.05	-0.42
10	29.89	18.06	0.98E+06	83.84	1.15	0.47	0.00	0.00	0.00	-0.47	0.00	0.00	-0.02	-0.06	-0.06	-0.46
11	30.00	22.06	0.98E+06	98.54	1.15	0.58	0.00	0.00	0.00	-0.46	0.00	0.00	-0.02	-0.05	-0.05	-0.45

SUMMARY. RUN 292

PT	Q	ALPHA		REY NO	CLIS	CAFIR	CHUC	CHUN	CMIS	CPMIS	CMUT	CLTR	CYMIS	CSFIS	CSFIB	CMTR
		BETA	HEIGHT													
1	30.00	-2.04	0.98E+06	87.73	0.40	0.11	0.00	0.00	0.00	-0.28	0.00	0.43	0.00	0.00	0.00	0.01
2	30.00	-0.01	0.98E+06	87.67	0.49	0.12	0.00	0.00	0.00	-0.30	0.00	0.00	0.00	0.00	0.00	0.00
3	30.00	2.01	0.98E+06	87.66	0.58	0.13	0.00	0.00	0.00	-0.31	0.00	0.00	0.00	0.00	0.00	0.01
4	30.00	4.03	0.98E+06	87.68	0.67	0.15	0.00	0.00	0.00	-0.33	0.00	0.00	0.00	0.00	0.00	0.00
5	30.12	6.03	0.98E+06	87.42	0.75	0.17	0.00	0.00	0.00	-0.34	0.00	0.00	0.00	0.00	0.00	0.00
6	30.12	8.05	0.98E+06	87.44	0.84	0.19	0.00	0.00	0.00	-0.36	0.00	0.00	0.00	0.00	0.00	0.01
7	30.00	12.07	0.98E+06	85.52	1.05	0.28	0.00	0.00	0.00	-0.40	0.00	1.06	0.00	0.00	0.00	0.00
8	29.89	16.10	0.98E+06	87.66	1.16	0.41	0.00	0.00	0.00	-0.42	0.00	0.00	0.00	0.00	0.00	0.00
9	30.12	18.05	0.98E+06	88.10	1.18	0.47	0.00	0.00	0.00	-0.43	0.00	0.00	0.00	0.00	0.00	0.00
10	30.00	22.08	0.98E+06	98.39	1.19	0.59	0.00	0.00	0.00	-0.46	0.00	0.00	0.00	0.00	0.00	0.00

PROPULSIVE MING FORCE DATA

SUMMARY. RUN 294

PT	Q ALPHA BETA	REV NO HEIGHT	CLIS			CPMIS			CRMIS			CSFIS		
			CHF1B CMUC	CAF1B CMUH	CMF1B CMUT	CPH1B CMUT	CRH1B CLTR	CRH1B CLTR	CSH1B CMTR	CSH1B CMTR	CSH1B CMTR	CSH1B CMTR		
1	6.98	0.44E+06	1.56	-0.18	-1.18	-0.01	-0.01	0.00	-0.01	0.00	-0.01	0.00	-0.01	
	-2.00	83.97	1.57	-0.12	-1.18	-0.01	-0.01	0.00	-0.01	0.00	-0.01	0.00	-0.01	
	0.00		0.00	0.98	0.98	1.04	1.04	0.30	0.30	0.56	0.56	0.56	0.56	
2	5.98	0.44E+06	1.73	-0.14	-1.20	-0.01	-0.01	0.01	-0.01	0.01	-0.01	0.01	-0.01	
	-0.01	90.95	1.73	-0.14	-1.20	-0.01	-0.01	0.01	-0.01	0.01	-0.01	0.01	-0.01	
	0.00		0.00	1.01	1.01	1.07	1.07	0.32	0.32	0.67	0.67	0.67	0.67	
3	5.98	0.44E+06	1.80	-0.10	-1.19	-0.01	-0.01	0.00	-0.01	0.00	-0.01	0.00	-0.01	
	2.02	89.37	1.80	-0.10	-1.19	-0.01	-0.01	0.00	-0.01	0.00	-0.01	0.00	-0.01	
	0.00		0.00	1.01	1.01	1.13	1.13	0.34	0.34	0.66	0.66	0.66	0.66	
4	5.98	0.44E+06	1.85	-0.05	-1.20	-0.02	-0.02	0.01	-0.03	0.01	-0.03	0.01	-0.03	
	4.01	88.37	1.84	-0.18	-1.20	-0.02	-0.02	0.01	-0.03	0.01	-0.03	0.01	-0.03	
	0.00		0.00	1.01	1.01	1.16	1.16	0.36	0.36	0.66	0.66	0.66	0.66	
5	5.98	0.44E+06	1.99	0.03	-1.26	-0.01	-0.01	0.01	-0.03	0.01	-0.03	0.01	-0.03	
	5.99	87.26	1.98	0.18	-1.26	-0.01	-0.01	0.01	-0.03	0.01	-0.03	0.01	-0.03	
	0.00		0.00	1.00	1.00	1.29	1.29	0.42	0.42	0.73	0.73	0.73	0.73	
6	5.98	0.44E+06	2.11	0.10	-1.26	-0.01	-0.01	0.01	-0.03	0.01	-0.03	0.01	-0.03	
	8.01	85.98	2.10	-0.20	-1.26	-0.01	-0.01	0.01	-0.03	0.01	-0.03	0.01	-0.03	
	0.00		0.00	1.00	1.00	1.39	1.39	0.46	0.46	0.73	0.73	0.73	0.73	
7	5.98	0.44E+06	2.25	0.23	-1.29	-0.01	-0.01	0.01	-0.05	0.01	-0.05	0.01	-0.05	
	11.99	91.35	2.24	-0.24	-1.29	-0.01	-0.01	0.01	-0.05	0.01	-0.05	0.01	-0.05	
	0.00		0.00	1.00	1.00	1.51	1.51	0.55	0.55	0.75	0.75	0.75	0.75	
8	5.98	0.44E+06	2.32	0.40	-1.23	-0.02	-0.02	0.01	-0.05	0.01	-0.05	0.01	-0.05	
	16.01	83.51	2.34	-0.25	-1.23	-0.02	-0.02	0.01	-0.05	0.01	-0.05	0.01	-0.05	
	0.00		0.00	1.00	1.00	1.56	1.56	0.67	0.67	0.70	0.70	0.70	0.70	
9	5.98	0.44E+06	2.40	0.52	-1.25	-0.02	-0.02	0.02	-0.04	0.02	-0.04	0.02	-0.04	
	17.99	85.81	2.44	-0.25	-1.25	-0.02	-0.02	0.01	-0.04	0.01	-0.04	0.01	-0.04	
	0.00		0.00	1.01	1.01	1.63	1.63	0.75	0.75	0.72	0.72	0.72	0.72	
10	5.98	0.44E+06	2.53	0.76	-1.24	-0.02	-0.02	0.02	-0.06	0.02	-0.06	0.02	-0.06	
	21.99	99.03	2.63	-0.24	-1.24	-0.02	-0.02	0.02	-0.06	0.02	-0.06	0.02	-0.06	
	0.00		0.00	1.00	1.00	1.74	1.74	0.94	0.94	0.71	0.71	0.71	0.71	

PROPULSIVE MING FORCE DATA

SUMMARY. RUN 293

PT	Q ALPHA BETA	REV NO HEIGHT	CLIS			CPMIS			CRMIS			CSFIS		
			CHF1B CMUC	CAF1B CMUH	CMF1B CMUT	CPH1B CMUT	CRH1B CLTR	CRH1B CLTR	CSH1B CMTR	CSH1B CMTR	CSH1B CMTR	CSH1B CMTR		
29	12.19	0.62E+06	1.24	0.02	-0.87	-0.01	-0.01	0.00	0.00	0.00	0.00	0.00	0.00	
	-1.99	82.33	1.24	0.06	-0.87	-0.01	-0.01	0.00	0.00	0.00	0.00	0.00	0.00	
	0.00		0.00	0.48	0.48	0.93	0.93	0.25	0.25	0.81	0.81	0.81	0.81	
30	12.07	0.62E+06	1.29	0.04	-0.86	-0.01	-0.01	0.00	0.00	0.00	0.00	0.00	0.00	
	-0.02	89.20	1.29	0.04	-0.86	-0.01	-0.01	0.00	0.00	0.00	0.00	0.00	0.00	
	0.00		0.00	0.49	0.49	0.96	0.96	0.27	0.27	0.60	0.60	0.60	0.60	
31	12.07	0.62E+06	1.38	0.08	-0.88	-0.01	-0.01	0.00	0.00	0.00	0.00	0.00	0.00	
	2.03	87.81	1.38	0.03	-0.88	-0.01	-0.01	0.00	0.00	0.00	0.00	0.00	0.00	
	0.00		0.00	0.49	0.49	1.04	1.04	0.30	0.30	0.62	0.62	0.62	0.62	
32	12.07	0.62E+06	1.46	0.12	-0.90	-0.01	-0.01	0.00	0.00	0.00	0.00	0.00	0.00	
	3.99	85.46	1.46	0.02	-0.90	-0.01	-0.01	0.00	0.00	0.00	0.00	0.00	0.00	
	0.00		0.00	0.49	0.49	1.12	1.12	0.33	0.33	0.64	0.64	0.64	0.64	
33	11.96	0.62E+06	1.58	0.18	-0.92	-0.01	-0.01	0.00	0.00	0.00	0.00	0.00	0.00	
	6.01	85.61	1.59	0.01	-0.92	-0.01	-0.01	0.00	0.00	0.00	0.00	0.00	0.00	
	0.00		0.00	0.50	0.50	1.23	1.23	0.37	0.37	0.66	0.66	0.66	0.66	
34	11.96	0.62E+06	1.76	0.26	-1.00	0.00	0.00	0.00	0.00	0.00	0.00	0.00	0.00	
	8.01	84.66	1.78	0.01	-1.00	0.00	0.00	0.00	0.00	0.00	0.00	0.00	0.00	
	0.00		0.00	0.50	0.50	1.40	1.40	0.44	0.44	0.74	0.74	0.74	0.74	
35	11.84	0.62E+06	2.02	0.42	-1.07	0.00	0.00	0.00	0.00	0.00	0.00	0.00	0.00	
	12.03	86.37	2.05	-0.01	-1.07	0.00	0.00	0.00	0.00	0.00	0.00	0.00	0.00	
	0.00		0.00	0.51	0.51	1.64	1.64	0.58	0.58	0.80	0.80	0.80	0.80	
36	12.07	0.62E+06	1.93	0.51	-0.95	-0.01	-0.01	0.01	-0.01	0.01	-0.01	0.01	-0.01	
	16.00	85.78	1.99	-0.04	-0.95	-0.02	-0.02	0.00	0.00	0.00	0.00	0.00	0.00	
	0.00		0.00	0.50	0.50	1.55	1.55	0.64	0.64	0.69	0.69	0.69	0.69	
37	11.84	0.62E+06	2.06	0.63	-0.99	-0.01	-0.01	0.01	-0.02	0.01	-0.02	0.01	-0.02	
	17.99	88.05	2.16	-0.04	-0.99	-0.02	-0.02	0.01	-0.02	0.01	-0.02	0.01	-0.02	
	0.00		0.00	0.51	0.51	1.68	1.68	0.75	0.75	0.72	0.72	0.72	0.72	
38	11.96	0.62E+06	2.14	0.83	-0.99	-0.02	-0.02	0.01	-0.01	0.01	-0.01	0.01	-0.01	
	22.00	98.80	2.30	-0.03	-0.99	-0.02	-0.02	0.01	-0.01	0.01	-0.01	0.01	-0.01	
	0.00		0.00	0.50	0.50	1.75	1.75	0.92	0.92	0.73	0.73	0.73	0.73	

PROPULSIVE WING FORCE DATA

SUMMARY. RUN 296

PT	Q ALPHA BETA	REY NO HEIGHT	CLIS			CPMIS			CYSIS			CSFIS		
			CMFB CMUC	CAFIB CHUM	CAFIB CHUM	CMFB CMUT	CMFB CMUT	CMFB CMUT	CMFB CMUT	CMFB CMUT	CMFB CMUT	CMFB CMUT	CMFB CMUT	CMFB CMUT
1	3.10	0.32E+06	2.32	-0.63	-1.71	-0.02	0.00	0.00	-0.05	0.00	-0.05	0.00	-0.05	
	-2.02	83.67	2.34	-0.55	-1.71	-0.02	0.00	0.00	-0.05	0.00	-0.05	0.00	-0.05	
	5.01	83.67	0.00	1.95	1.95	1.07	0.32	-0.67						
2	3.10	0.32E+06	2.37	-0.56	-1.70	-0.04	0.00	0.00	-0.05	0.00	-0.05	0.00	-0.05	
	5.01	90.84	2.37	-0.56	-1.70	-0.04	0.00	0.00	-0.05	0.00	-0.05	0.00	-0.05	
	5.01	90.84	0.00	1.95	1.95	1.08	0.35	-0.66						
3	3.10	0.32E+06	2.46	-0.47	-1.74	-0.04	0.01	0.01	-0.08	0.01	-0.08	0.01	-0.08	
	1.99	88.22	2.44	-0.56	-1.74	-0.04	0.01	0.01	-0.08	0.01	-0.08	0.01	-0.08	
	5.01	88.22	0.00	1.92	1.92	1.17	0.37	-0.72						
4	3.10	0.32E+06	2.65	-0.37	-1.84	-0.02	0.01	0.01	-0.09	0.01	-0.09	0.01	-0.09	
	3.98	87.48	2.62	-0.55	-1.84	-0.02	0.01	0.01	-0.09	0.01	-0.09	0.01	-0.09	
	5.01	87.48	0.00	1.92	1.92	1.34	0.43	-0.82						
5	2.99	0.31E+06	2.84	-0.33	-1.86	-0.03	0.01	0.01	-0.11	0.01	-0.11	0.01	-0.11	
	4.03	88.71	2.79	-0.62	-1.86	-0.03	0.01	0.01	-0.11	0.01	-0.11	0.01	-0.11	
	5.00	88.71	0.00	2.01	2.01	1.42	0.46	-0.80						
6	2.99	0.31E+06	2.90	-0.24	-1.87	-0.01	0.01	0.01	-0.15	0.01	-0.15	0.01	-0.15	
	6.01	86.54	2.84	-0.64	-1.87	-0.01	0.01	0.01	-0.15	0.01	-0.15	0.01	-0.15	
	5.00	86.54	0.00	2.01	2.01	1.46	0.50	-0.80						
7	2.87	0.30E+06	3.04	-0.09	-1.82	-0.04	0.00	0.00	-0.11	0.00	-0.11	0.00	-0.11	
	11.98	84.93	2.95	-0.72	-1.82	-0.04	0.00	0.00	-0.11	0.00	-0.11	0.00	-0.11	
	5.00	84.93	0.00	2.09	2.09	1.49	0.57	-0.70						
8	2.87	0.30E+06	3.05	0.11	-1.82	-0.04	0.01	0.01	-0.15	0.01	-0.15	0.01	-0.15	
	16.00	87.95	2.97	-0.73	-1.82	-0.04	0.00	0.00	-0.15	0.00	-0.15	0.00	-0.15	
	5.00	87.95	0.00	2.09	2.09	1.46	0.67	-0.71						
9	2.99	0.31E+06	3.08	0.25	-1.73	-0.04	0.01	0.01	-0.17	0.01	-0.17	0.01	-0.17	
	18.01	87.08	3.00	-0.71	-1.73	-0.04	0.00	0.00	-0.17	0.00	-0.17	0.00	-0.17	
	5.00	87.08	0.00	2.00	2.00	1.53	0.73	-0.66						
10	2.99	0.31E+06	3.22	0.53	-1.74	-0.03	0.02	0.02	-0.26	0.02	-0.26	0.02	-0.26	
	21.99	99.18	3.18	-0.71	-1.74	-0.03	0.01	0.01	-0.26	0.01	-0.26	0.01	-0.26	
	5.00	99.18	0.00	2.02	2.02	1.64	0.90	-0.67						

PROPULSIVE WING FORCE DATA

SUMMARY. RUN 295

PT	Q ALPHA BETA	REY NO HEIGHT	CLIS			CPMIS			CYSIS			CSFIS		
			CMFB CMUC	CAFIB CHUM	CAFIB CHUM	CMFB CMUT	CMFB CMUT	CMFB CMUT	CMFB CMUT	CMFB CMUT	CMFB CMUT	CMFB CMUT	CMFB CMUT	CMFB CMUT
1	2.99	0.31E+06	2.38	-0.64	-1.76	-0.01	0.01	0.01	-0.03	0.01	-0.03	0.01	-0.03	
	-2.00	82.80	2.40	-0.56	-1.76	-0.01	0.01	0.01	-0.03	0.01	-0.03	0.01	-0.03	
	0.00	82.80	0.00	2.03	2.03	1.09	0.33	-0.69						
2	2.99	0.31E+06	2.51	-0.55	-1.82	-0.01	0.01	0.01	-0.01	0.01	-0.01	0.01	-0.01	
	0.02	89.92	2.51	-0.55	-1.82	-0.01	0.01	0.01	-0.01	0.01	-0.01	0.01	-0.01	
	0.00	89.92	0.00	2.02	2.02	1.18	0.38	-0.75						
3	2.99	0.31E+06	2.61	-0.48	-1.84	-0.01	0.01	0.01	-0.05	0.01	-0.05	0.01	-0.05	
	1.99	90.08	2.59	-0.57	-1.84	-0.01	0.01	0.01	-0.05	0.01	-0.05	0.01	-0.05	
	0.00	90.08	0.00	2.02	2.02	1.25	0.41	-0.77						
4	2.99	0.31E+06	2.60	-0.49	-1.81	-0.01	0.01	0.01	-0.04	0.01	-0.04	0.01	-0.04	
	1.99	90.08	2.58	-0.58	-1.81	-0.01	0.01	0.01	-0.04	0.01	-0.04	0.01	-0.04	
	0.00	90.08	0.00	2.02	2.02	1.25	0.39	-0.74						
5	2.99	0.31E+06	2.67	-0.41	-1.79	-0.02	0.01	0.01	-0.03	0.01	-0.03	0.01	-0.03	
	4.03	88.71	2.63	-0.60	-1.79	-0.02	0.01	0.01	-0.03	0.01	-0.03	0.01	-0.03	
	0.00	88.71	0.00	2.02	2.02	1.28	0.42	-0.72						
6	2.99	0.31E+06	2.73	-0.33	-1.86	-0.02	0.02	0.02	-0.08	0.02	-0.08	0.02	-0.08	
	6.01	88.20	2.68	-0.82	-1.86	-0.02	0.02	0.02	-0.08	0.02	-0.08	0.02	-0.08	
	0.00	88.20	0.00	2.02	2.02	1.31	0.46	-0.78						
7	2.99	0.31E+06	2.84	-0.25	-1.85	-0.02	0.02	0.02	-0.09	0.02	-0.09	0.02	-0.09	
	7.99	85.68	2.78	-0.64	-1.85	-0.02	0.02	0.02	-0.09	0.02	-0.09	0.02	-0.09	
	0.00	85.68	0.00	2.02	2.02	1.39	0.49	-0.77						
8	2.99	0.31E+06	2.95	-0.08	-1.78	-0.03	0.02	0.02	-0.09	0.02	-0.09	0.02	-0.09	
	12.00	87.91	2.87	-0.69	-1.78	-0.03	0.02	0.02	-0.09	0.02	-0.09	0.02	-0.09	
	0.00	87.91	0.00	2.03	2.03	1.46	0.56	-0.71						
9	2.99	0.31E+06	3.05	0.14	-1.75	-0.03	0.02	0.02	-0.09	0.02	-0.09	0.02	-0.09	
	16.00	87.97	2.97	-0.70	-1.75	-0.03	0.02	0.02	-0.09	0.02	-0.09	0.02	-0.09	
	0.00	87.97	0.00	2.02	2.02	1.52	0.68	-0.67						
10	2.99	0.31E+06	3.09	0.25	-1.68	-0.02	0.03	0.03	-0.10	0.03	-0.10	0.03	-0.10	
	17.99	87.13	3.02	-0.71	-1.68	-0.02	0.03	0.03	-0.10	0.03	-0.10	0.03	-0.10	
	0.00	87.13	0.00	2.02	2.02	1.54	0.73	-0.61						
11	2.99	0.31E+06	3.21	0.53	-1.70	-0.02	0.04	0.04	-0.13	0.04	-0.13	0.04	-0.13	
	21.98	99.10	3.18	-0.71	-1.70	-0.02	0.04	0.04	-0.13	0.04	-0.13	0.04	-0.13	
	0.00	99.10	0.00	2.02	2.02	1.63	0.90	-0.62						

PROPULSIVE HING FORCE DATA

SUMMARY, RUM 298

PT	Q		REY NO HEIGHT	CL15 CMTB CMUC	CD15 CAP1B CMUH	CPM15 CPM1B CMUT	CRM15 CRM1B CLTR	CVM15 CVM1B CDTR	CSF15 CSF1B CMTR
	ALPHA	BETA							
1	12.19	-2.00	0.62E+06	1.25	0.02	-0.86	-0.02	-0.01	-0.02
	5.01	5.01	82.35	0.00	0.49	0.49	0.94	0.26	-0.60
2	12.19	0.01	0.62E+06	1.34	0.05	-0.89	-0.02	-0.01	-0.03
	5.01	5.01	87.11	0.00	0.49	0.49	1.01	0.28	-0.62
3	12.19	1.98	0.62E+06	1.41	0.09	-0.90	-0.03	-0.01	-0.02
	5.01	5.01	86.01	0.00	0.50	0.50	1.08	0.31	-0.63
4	12.19	3.99	0.62E+06	1.46	0.13	-0.91	-0.02	-0.01	-0.04
	5.01	5.01	87.83	0.00	0.49	0.49	1.12	0.33	-0.65
5	12.07	6.01	0.62E+06	1.61	0.19	-0.97	-0.01	-0.01	-0.05
	5.00	5.00	86.45	0.00	0.50	0.50	1.26	0.38	-0.70
6	12.07	7.99	0.62E+06	1.69	0.23	-0.95	-0.02	-0.01	-0.03
	5.00	5.00	87.44	0.00	0.50	0.50	1.34	0.42	-0.69
7	11.84	11.99	0.62E+06	1.90	0.37	-1.00	-0.02	-0.01	-0.04
	5.00	5.00	88.01	0.00	0.51	0.51	1.53	0.53	-0.73
8	11.96	15.99	0.62E+06	1.97	0.52	-0.99	-0.03	-0.01	-0.06
	5.00	5.00	90.53	0.00	0.51	0.51	1.58	0.65	-0.72
9	11.96	18.02	0.62E+06	2.00	0.61	-0.97	-0.03	-0.02	-0.06
	5.00	5.00	87.52	0.00	0.50	0.50	1.61	0.73	-0.70
10	11.84	22.00	0.62E+06	2.18	0.85	-1.04	-0.03	-0.01	-0.09
	5.00	5.00	98.89	0.00	0.51	0.51	1.78	0.94	-0.77

PROPULSIVE HING FORCE DATA

SUMMARY, RUM 297

PT	Q		REY NO HEIGHT	CL15 CMTB CMUC	CD15 CAP1B CMUH	CPM15 CPM1B CMUT	CRM15 CRM1B CLTR	CVM15 CVM1B CDTR	CSF15 CSF1B CMTR
	ALPHA	BETA							
1	6.09	-2.00	0.44E+06	1.62	-0.21	-1.15	-0.03	-0.01	-0.04
	5.01	5.01	80.65	0.00	0.99	0.99	0.98	0.28	-0.62
2	6.09	-0.01	0.44E+06	1.70	-0.15	-1.19	-0.03	-0.01	-0.04
	5.01	5.01	87.61	0.00	0.99	0.99	1.05	0.31	-0.66
3	6.09	1.80	0.44E+06	1.80	-0.10	-1.21	-0.03	0.00	-0.06
	5.01	5.01	86.66	0.00	0.99	0.99	1.13	0.34	-0.68
4	6.09	3.99	0.44E+06	1.93	-0.03	-1.24	-0.03	0.00	-0.06
	5.01	5.01	86.37	0.00	0.98	0.98	1.25	0.38	-0.72
5	6.09	6.01	0.44E+06	1.97	0.03	-1.23	-0.02	0.00	-0.08
	5.00	5.00	86.62	0.00	0.97	0.97	1.28	0.41	-0.72
6	5.98	8.01	0.44E+06	2.16	0.11	-1.32	-0.01	0.00	-0.10
	5.00	5.00	86.45	0.00	0.99	0.99	1.46	0.47	-0.80
7	5.98	12.01	0.44E+06	2.24	0.23	-1.26	-0.03	-0.01	-0.07
	5.00	5.00	85.17	0.00	0.99	0.99	1.51	0.55	-0.73
8	5.86	16.01	0.43E+06	2.40	0.42	-1.27	-0.03	-0.01	-0.08
	5.00	5.00	86.27	0.00	1.01	1.01	1.63	0.68	-0.73
9	5.86	18.00	0.43E+06	2.45	0.53	-1.27	-0.04	-0.01	-0.09
	5.00	5.00	88.71	0.00	1.01	1.01	1.67	0.77	-0.73
10	5.86	22.00	0.43E+06	2.58	0.78	-1.28	-0.03	-0.01	-0.12
	5.00	5.00	99.09	0.00	1.01	1.01	1.79	0.96	-0.74



PROPULSIVE WING FORCE DATA

SUMMARY. RUN 300

PT	Q	ALPHA	BETA	REV NO	HEIGHT	CLIS			CPM1S			CYM1S			CSF1S			
						CMF1B	CMF1B	CMF1B	CMF1B	CMF1B	CMF1B	CMF1B	CMF1B	CMF1B	CMF1B	CMF1B	CMF1B	CMF1B
1	30.00	-1.98	5.00	0.97E+06	80.64	0.41	0.12	0.28	0.41	0.12	0.28	0.00	0.00	0.00	0.00	0.00	0.00	0.00
						0.40	0.13	0.28	0.40	0.13	0.28	0.00	0.00	0.00	0.00	0.00	0.00	0.00
2	30.00	0.01	5.00	0.97E+06	87.46	0.49	0.13	0.30	0.49	0.13	0.30	0.00	0.00	0.00	0.00	0.00	0.00	0.00
						0.49	0.13	0.30	0.49	0.13	0.30	0.00	0.00	0.00	0.00	0.00	0.00	0.00
3	29.89	2.03	5.00	0.97E+06	88.38	0.57	0.15	0.32	0.57	0.15	0.32	0.00	0.00	0.00	0.00	0.00	0.00	0.00
						0.58	0.13	0.32	0.58	0.13	0.32	0.00	0.00	0.00	0.00	0.00	0.00	0.00
4	29.77	3.99	5.00	0.97E+06	85.43	0.65	0.16	0.33	0.65	0.16	0.33	0.00	0.00	0.00	0.00	0.00	0.00	0.00
						0.66	0.12	0.33	0.66	0.12	0.33	0.00	0.00	0.00	0.00	0.00	0.00	0.00
5	30.00	3.99	5.00	0.97E+06	88.07	0.73	0.18	0.34	0.73	0.18	0.34	0.00	0.00	0.00	0.00	0.00	0.00	0.00
						0.74	0.11	0.34	0.74	0.11	0.34	0.00	0.00	0.00	0.00	0.00	0.00	0.00
6	29.77	7.99	5.00	0.97E+06	87.09	0.84	0.21	0.37	0.84	0.21	0.37	0.00	0.00	0.00	0.00	0.00	0.00	0.00
						0.85	0.09	0.37	0.85	0.09	0.37	0.00	0.00	0.00	0.00	0.00	0.00	0.00
7	29.89	12.00	5.00	0.97E+06	84.21	1.04	0.29	0.41	1.04	0.29	0.41	0.00	0.00	0.00	0.00	0.00	0.00	0.00
						1.08	0.07	0.41	1.08	0.07	0.41	0.00	0.00	0.00	0.00	0.00	0.00	0.00
8	29.89	15.98	5.00	0.96E+06	86.17	1.10	0.41	0.42	1.10	0.41	0.42	0.00	0.00	0.00	0.00	0.00	0.00	0.00
						1.18	0.09	0.42	1.18	0.09	0.42	0.00	0.00	0.00	0.00	0.00	0.00	0.00
9	29.89	17.99	5.00	0.96E+06	86.96	1.15	0.49	0.44	1.15	0.49	0.44	0.00	0.00	0.00	0.00	0.00	0.00	0.00
						1.24	0.11	0.44	1.24	0.11	0.44	0.00	0.00	0.00	0.00	0.00	0.00	0.00
10	29.89	22.03	5.00	0.97E+06	98.26	1.12	0.59	0.44	1.12	0.59	0.44	0.00	0.00	0.00	0.00	0.00	0.00	0.00
						1.26	0.13	0.44	1.26	0.13	0.44	0.00	0.00	0.00	0.00	0.00	0.00	0.00

PROPULSIVE WING FORCE DATA

SUMMARY. RUN 299

PT	Q	ALPHA	BETA	REV NO	HEIGHT	CLIS			CPM1S			CYM1S			CSF1S			
						CMF1B	CMF1B	CMF1B	CMF1B	CMF1B	CMF1B	CMF1B	CMF1B	CMF1B	CMF1B	CMF1B	CMF1B	CMF1B
2	30.00	-1.98	0.00	0.97E+06	79.89	0.40	0.13	0.28	0.40	0.13	0.28	0.00	0.00	0.00	0.00	0.00	0.00	0.00
						0.40	0.00	0.00	0.40	0.00	0.00	0.00	0.00	0.00	0.00	0.00	0.00	0.00
3	30.00	0.01	0.00	0.97E+06	86.74	0.49	0.13	0.30	0.49	0.13	0.30	0.00	0.00	0.00	0.00	0.00	0.00	0.00
						0.49	0.00	0.00	0.49	0.00	0.00	0.00	0.00	0.00	0.00	0.00	0.00	0.00
4	29.89	2.01	0.00	0.97E+06	86.76	0.57	0.15	0.32	0.57	0.15	0.32	0.00	0.00	0.00	0.00	0.00	0.00	0.00
						0.58	0.13	0.32	0.58	0.13	0.32	0.00	0.00	0.00	0.00	0.00	0.00	0.00
5	29.77	2.01	0.00	0.97E+06	85.76	0.57	0.15	0.32	0.57	0.15	0.32	0.00	0.00	0.00	0.00	0.00	0.00	0.00
						0.58	0.13	0.32	0.58	0.13	0.32	0.00	0.00	0.00	0.00	0.00	0.00	0.00
6	30.00	3.99	0.00	0.97E+06	87.14	0.65	0.17	0.33	0.65	0.17	0.33	0.00	0.00	0.00	0.00	0.00	0.00	0.00
						0.66	0.12	0.33	0.66	0.12	0.33	0.00	0.00	0.00	0.00	0.00	0.00	0.00
7	30.12	6.00	-0.01	0.97E+06	85.44	0.75	0.19	0.35	0.75	0.19	0.35	0.00	0.00	0.00	0.00	0.00	0.00	0.00
						0.77	0.11	0.35	0.77	0.11	0.35	0.00	0.00	0.00	0.00	0.00	0.00	0.00
8	30.00	8.02	-0.01	0.97E+06	87.55	0.82	0.21	0.36	0.82	0.21	0.36	0.00	0.00	0.00	0.00	0.00	0.00	0.00
						0.84	0.09	0.36	0.84	0.09	0.36	0.00	0.00	0.00	0.00	0.00	0.00	0.00
9	29.89	12.02	0.00	0.97E+06	86.12	1.02	0.29	0.40	1.02	0.29	0.40	0.00	0.00	0.00	0.00	0.00	0.00	0.00
						1.06	0.07	0.40	1.06	0.07	0.40	0.00	0.00	0.00	0.00	0.00	0.00	0.00
10	28.77	18.00	-0.01	0.97E+06	83.83	1.13	0.42	0.43	1.13	0.42	0.43	0.00	0.00	0.00	0.00	0.00	0.00	0.00
						1.20	0.09	0.43	1.20	0.09	0.43	0.00	0.00	0.00	0.00	0.00	0.00	0.00
11	29.77	21.98	-0.01	0.97E+06	85.54	1.19	0.50	0.45	1.19	0.50	0.45	0.00	0.00	0.00	0.00	0.00	0.00	0.00
						1.28	0.11	0.45	1.28	0.11	0.45	0.00	0.00	0.00	0.00	0.00	0.00	0.00
12	29.31	21.98	-0.01	0.96E+06	97.88	1.15	0.61	0.43	1.15	0.61	0.43	0.00	0.00	0.00	0.00	0.00	0.00	0.00
						1.29	0.13	0.43	1.29	0.13	0.43	0.00	0.00	0.00	0.00	0.00	0.00	0.00

PROPULSIVE MING FORCE DATA

SUMMARY, RUN 302

PT	Q		REY NO HEIGHT	CLIS CNFIB CNUC	CDIS CAFIB CNUH	CPHIS CPHIB CHUT	CRMIS CRMIB CLTR	CYMIS CYMIB CDTR	CSFIS CSFIB CMTR
	ALPHA BETA	BETA							
1	6.09	-1.98	0.44E+06 83.36	1.56 1.59 0.00	-0.19 -0.14 1.00	-1.15 -1.15 1.00	-0.03 -0.03 0.95	0.00 0.00 0.28	-0.06 -0.06 -0.62
2	5.98	-0.01	0.44E+06 90.34	1.70 1.70 0.00	-0.15 -0.15 1.01	-1.20 -1.20 1.01	-0.03 -0.03 1.04	0.00 0.00 0.32	-0.08 -0.08 -0.66
3	5.98	2.03	0.44E+06 91.72	1.77 1.77 0.00	-0.09 -0.15 1.02	-1.22 -1.22 1.02	-0.03 -0.03 1.09	0.00 0.00 0.35	-0.08 -0.08 -0.68
4	5.98	4.01	0.44E+06 89.13	1.91 1.91 0.00	-0.02 -0.16 1.01	-1.26 -1.26 1.01	-0.03 -0.03 1.22	0.01 0.01 0.40	-0.11 -0.11 -0.72
5	5.86	5.99	0.43E+06 88.35	2.07 2.06 0.00	0.06 -0.16 1.03	-1.33 -1.33 1.03	-0.02 -0.02 1.35	0.01 0.01 0.46	-0.12 -0.12 -0.78
6	5.98	7.89	0.44E+06 86.58	2.16 2.16 0.00	0.13 -0.17 1.02	-1.32 -1.32 1.02	-0.01 -0.01 1.44	0.01 0.00 0.50	-0.11 -0.11 -0.79
7	6.09	12.01	0.44E+06 88.30	2.23 2.23 0.00	0.27 -0.20 1.00	-1.27 -1.27 1.00	-0.03 -0.03 1.49	0.01 0.00 0.58	-0.10 -0.10 -0.75
8	5.98	16.01	0.43E+06 89.24	2.37 2.41 0.00	0.46 -0.21 1.02	-1.28 -1.28 1.02	-0.03 -0.03 1.60	0.00 -0.01 0.73	-0.11 -0.11 -0.74
9	5.98	17.98	0.43E+06 88.03	2.41 2.47 0.00	0.57 -0.21 1.02	-1.26 -1.26 1.02	-0.04 -0.04 1.64	0.00 -0.01 0.81	-0.12 -0.12 -0.72
10	5.86	22.00	0.43E+06 99.00	2.53 2.65 0.00	0.81 -0.20 1.04	-1.27 -1.27 1.04	-0.04 -0.03 1.72	0.00 -0.02 1.00	-0.13 -0.13 -0.72

PROPULSIVE MING FORCE DATA

SUMMARY, RUN 301

PT	Q		REY NO HEIGHT	CLIS CNFIB CNUC	CDIS CAFIB CNUH	CPHIS CPHIB CHUT	CRMIS CRMIB CLTR	CYMIS CYMIB CDTR	CSFIS CSFIB CMTR
	ALPHA BETA	BETA							
1	12.07	-1.99	0.62E+06 83.39	1.20 1.20 0.00	0.01 0.05 0.49	-0.85 -0.85 0.49	-0.02 -0.02 0.89	0.00 0.00 0.25	-0.06 -0.06 -0.59
2	12.07	0.00	0.62E+06 90.37	1.30 1.30 0.00	0.05 0.05 0.50	-0.88 -0.88 0.50	-0.03 -0.03 0.98	0.00 0.00 0.28	-0.07 -0.07 -0.62
3	12.07	3.99	0.62E+06 88.52	1.40 1.46 0.00	0.09 0.04 0.50	-0.90 -0.90 0.50	-0.02 -0.02 1.06	0.00 0.00 0.31	-0.08 -0.08 -0.64
4	12.07	3.99	0.62E+06 87.52	1.46 1.46 0.00	0.13 0.03 0.50	-0.92 -0.92 0.50	-0.02 -0.02 1.11	0.00 0.00 0.34	-0.08 -0.08 -0.65
5	12.07	6.02	0.62E+06 87.59	1.57 1.59 0.00	0.19 0.02 0.50	-0.94 -0.94 0.50	-0.02 -0.02 1.23	0.00 0.00 0.39	-0.08 -0.08 -0.67
6	12.07	8.00	0.62E+06 85.00	1.71 1.73 0.00	0.25 0.01 0.50	-0.98 -0.98 0.50	-0.02 -0.02 1.35	0.00 0.00 0.44	-0.08 -0.08 -0.72
7	11.84	12.00	0.61E+06 89.45	2.06 2.11 0.00	0.44 0.01 0.51	-1.10 -1.10 0.51	0.02 0.02 1.69	0.00 0.00 0.60	-0.11 -0.11 -0.83
8	11.84	16.02	0.61E+06 90.90	1.95 2.02 0.00	0.53 -0.03 0.51	-0.97 -0.97 0.51	-0.03 -0.03 1.57	0.00 -0.01 0.67	-0.09 -0.09 -0.70
9	11.84	18.00	0.61E+06 88.07	2.01 2.11 0.00	0.63 -0.02 0.51	-0.97 -0.97 0.51	-0.03 -0.03 1.62	0.01 -0.02 0.75	-0.08 -0.08 -0.70
10	11.84	21.98	0.61E+06 98.69	2.16 2.33 0.00	0.86 -0.01 0.51	-1.02 -1.02 0.51	-0.03 -0.03 1.76	-0.01 -0.02 0.96	-0.11 -0.11 -0.75

PROPULSIVE WING FORCE DATA

SUMMARY, RUN 303										SUMMARY, RUN 304									
PT	Q	REY NO	CLIS	CPMIS	CRMIS	CYMIS	CSFIS	ALPHA	BETA	HEIGHT	REY NO	CLIS	CPMIS	CRMIS	CYMIS	CSFIS	ALPHA	BETA	HEIGHT
			CNFIB	CPMIB	CRMIB	CYMIB	CSFIB				CNFIB	CPMIB	CRMIB	CYMIB	CSFIB				
			CMNUH	CMNUH	CLTR	CDTR	CMTR				CMNUH	CMNUH	CLTR	CDTR	CMTR				
1	3.10	0.31E+06	2.27	-1.69	-0.04	0.00	-0.10	1.49	0.00	0.22E+06	3.60	-1.55	-2.77	-0.07	-0.07	-0.10	1.49	0.00	0.22E+06
	-2.00	82.31	2.29	-1.69	-0.04	0.00	-0.10	-2.00	0.00	83.50	3.65	-1.43	-2.77	-0.07	-0.06	-0.10	-2.00	0.00	83.50
	5.00		0.00	1.95	1.02	0.32	-0.65	0.00	0.00		0.00	4.01	4.01	1.04	0.39	-0.65	0.00	0.00	
2	3.10	0.31E+06	2.32	-1.74	-0.04	0.00	-0.12	1.38	0.00	0.21E+06	3.94	-1.53	-3.07	-0.08	-0.08	-0.09	1.38	0.00	0.21E+06
	0.01	82.57	2.32	-1.74	-0.04	0.00	-0.12	0.00	0.00	90.51	3.94	-1.53	-3.07	-0.08	-0.08	-0.09	0.00	0.00	90.51
	5.00		0.00	1.97	1.03	0.37	-0.70	0.00	0.00		0.00	4.36	4.36	1.10	0.48	-0.77	0.00	0.00	
3	3.10	0.31E+06	2.45	-1.76	-0.05	0.00	-0.14	1.49	0.00	0.22E+06	3.94	-1.24	-2.94	-0.09	-0.09	-0.13	1.49	0.00	0.22E+06
	1.99	84.80	2.45	-1.76	-0.05	0.00	-0.14	1.99	0.00	85.24	3.90	-1.38	-2.94	-0.09	-0.09	-0.13	1.99	0.00	85.24
	5.00		0.00	1.97	1.15	0.39	-0.72	0.00	0.00		0.00	4.04	4.04	1.25	0.52	-0.81	0.00	0.00	
4	3.10	0.31E+06	2.52	-1.82	-0.03	0.01	-0.14	1.61	0.00	0.23E+06	3.73	-1.05	-2.76	-0.09	-0.07	-0.15	1.61	0.00	0.23E+06
	4.01	85.86	2.59	-1.82	-0.03	0.00	-0.14	4.01	0.00	86.94	3.65	-1.30	-2.76	-0.09	-0.08	-0.15	4.01	0.00	86.94
	5.00		0.00	1.96	1.27	0.47	-0.79	0.00	0.00		0.00	3.73	3.73	1.17	0.51	-0.77	0.00	0.00	
5	2.99	0.31E+06	2.73	-1.84	-0.04	0.01	-0.13	1.49	0.00	0.22E+06	4.10	-1.01	-2.93	-0.09	-0.07	-0.23	1.49	0.00	0.22E+06
	5.99	86.89	2.68	-1.84	-0.04	0.00	-0.13	5.99	0.00	85.51	3.98	-1.43	-2.93	-0.09	-0.08	-0.23	5.99	0.00	85.51
	5.00		0.00	2.05	1.30	0.51	-0.76	0.00	0.00		0.00	4.04	4.04	1.29	0.57	-0.80	0.00	0.00	
6	2.99	0.31E+06	2.92	-1.89	-0.02	0.01	-0.17	1.38	0.00	0.21E+06	4.56	-0.88	-3.19	-0.11	-0.08	-0.15	1.38	0.00	0.21E+06
	7.99	87.86	2.86	-1.89	-0.02	0.01	-0.17	7.99	0.00	84.26	4.39	-1.51	-3.19	-0.09	-0.10	-0.16	7.99	0.00	84.26
	5.00		0.00	2.05	1.46	0.57	-0.81	0.00	0.00		0.00	4.37	4.37	1.43	0.72	-0.87	0.00	0.00	
7	2.87	0.30E+06	2.96	-1.86	-0.04	0.00	-0.15	1.49	0.00	0.22E+06	4.27	-0.56	-2.90	-0.11	-0.05	-0.24	1.49	0.00	0.22E+06
	11.99	85.09	2.99	-1.86	-0.04	-0.01	-0.15	11.99	0.00	84.93	4.06	-1.44	-2.90	-0.10	-0.07	-0.24	11.99	0.00	84.93
	5.00		0.00	2.11	1.40	0.64	-0.74	0.00	0.00		0.00	4.03	4.03	1.30	0.71	-0.76	0.00	0.00	
8	2.87	0.30E+06	3.12	-1.85	-0.05	0.01	-0.20	1.49	0.00	0.22E+06	4.48	-0.19	-2.82	-0.11	-0.04	-0.27	1.49	0.00	0.22E+06
	15.99	89.76	3.06	-1.85	-0.05	0.00	-0.20	16.00	0.00	79.20	4.26	-1.42	-2.82	-0.09	-0.07	-0.27	16.00	0.00	79.20
	5.00		0.00	2.10	1.54	0.79	-0.75	0.00	0.00		0.00	4.05	4.05	1.43	0.87	-0.68	0.00	0.00	
9	2.87	0.30E+06	3.26	-1.89	-0.05	0.01	-0.22	1.49	0.00	0.22E+06	4.46	-0.01	-2.76	-0.11	-0.04	-0.26	1.49	0.00	0.22E+06
	18.00	86.89	3.23	-1.89	-0.05	0.00	-0.22	18.00	0.00	84.40	4.24	-1.39	-2.76	-0.10	-0.07	-0.26	18.00	0.00	84.40
	5.00		0.00	2.10	1.66	0.90	-0.78	0.00	0.00		0.00	4.06	4.06	1.36	0.95	-0.62	0.00	0.00	
10	2.87	0.30E+06	3.26	-1.81	-0.05	0.01	-0.25	1.49	0.00	0.22E+06	4.61	0.37	-2.64	-0.12	-0.02	-0.35	1.49	0.00	0.22E+06
	21.99	99.11	3.27	-1.81	-0.05	0.00	-0.25	21.99	0.00	99.10	4.42	-1.38	-2.64	-0.10	-0.06	-0.35	21.99	0.00	99.10
	5.00		0.00	2.09	1.63	1.05	-0.71	0.00	0.00		0.00	4.05	4.05	1.46	1.11	-0.50	0.00	0.00	

PROPULSIVE MING FORCE DATA

SUMMARY, RUN 305

PT	Q	ALPHA	REY NO	CLIS	CAFIB	CPHIS	CRMIS	CYRIS	CSFIS	CLIS	CAFIB	CPHIS	CRMIS	CYRIS	CSFIS	CLIS	CAFIB	CPHIS	CRMIS	CYRIS	CSFIS	
																						BETA
1		2.99	0.31E+06	2.43	-0.62	-1.80	-0.03	-0.04	-0.04	1.62	-0.19	-1.18	-0.01	-0.02	-0.02	1.62	-0.13	-1.18	-0.01	-0.02	-0.02	-0.65
		-2.01	82.50	2.45	-0.53	-1.80	-0.04	-0.04	-0.04	0.00	0.99	0.99	0.98	0.29	0.00	0.00	0.99	0.99	0.98	0.35	-0.67	
		0.00		0.00	2.02	2.02	1.14	0.37	-0.73	0.00	0.00	0.00	0.00	0.00	0.00	0.00	0.00	0.00	0.00	0.00	0.00	
2		3.10	0.31E+06	2.38	-0.52	-1.74	-0.04	-0.05	-0.06	1.64	-0.14	-1.19	-0.02	-0.02	-0.01	1.64	-0.14	-1.19	-0.02	-0.02	-0.01	
		-0.01	89.51	2.38	-0.52	-1.74	-0.04	-0.05	-0.06	0.00	0.99	0.99	0.98	0.32	0.00	0.00	0.99	0.99	0.98	0.32	-0.66	
		0.00		0.00	1.95	1.95	1.10	0.38	-0.71	0.00	0.00	0.00	0.00	0.00	0.00	0.00	0.00	0.00	0.00	0.00	0.00	
3		3.10	0.31E+06	2.46	-0.45	-1.75	-0.04	-0.04	-0.07	1.77	-0.09	-1.21	-0.03	-0.03	-0.03	1.77	-0.09	-1.21	-0.03	-0.03	-0.03	
		2.06	85.83	2.44	-0.54	-1.75	-0.04	-0.04	-0.07	1.76	-0.15	-1.21	-0.02	-0.02	-0.03	1.76	-0.15	-1.21	-0.02	-0.02	-0.03	
		0.00		0.00	1.95	1.95	1.15	0.40	-0.72	0.00	1.02	1.02	1.08	0.35	0.00	0.00	1.02	1.02	1.08	0.35	-0.67	
4		2.99	0.31E+06	2.61	-0.38	-1.83	-0.05	-0.05	-0.05	1.81	-0.03	-1.23	-0.03	-0.03	-0.03	1.81	-0.03	-1.23	-0.03	-0.03	-0.03	
		4.04	87.50	2.58	-0.56	-1.83	-0.04	-0.05	-0.05	1.80	-0.16	-1.23	-0.03	-0.03	-0.03	1.80	-0.16	-1.23	-0.03	-0.03	-0.03	
		0.00		0.00	2.03	2.03	1.22	0.46	-0.76	0.00	1.00	1.00	1.13	0.39	0.00	0.00	1.00	1.00	1.13	0.39	-0.70	
5		3.10	0.31E+06	2.67	-0.26	-1.79	-0.05	-0.04	-0.07	2.01	0.04	-1.26	-0.02	-0.02	-0.04	2.01	0.04	-1.26	-0.02	-0.02	-0.04	
		6.05	88.51	2.62	-0.54	-1.79	-0.04	-0.04	-0.07	2.00	-0.17	-1.26	-0.02	-0.02	-0.04	2.00	-0.17	-1.26	-0.02	-0.02	-0.04	
		0.00		0.00	1.95	1.95	1.30	0.51	-0.76	0.00	1.02	1.02	1.29	0.44	0.00	0.00	1.02	1.02	1.29	0.44	-0.72	
6		2.99	0.31E+06	2.80	-0.20	-1.89	-0.05	-0.04	-0.10	2.13	0.13	-1.29	-0.02	-0.02	-0.04	2.13	0.13	-1.29	-0.02	-0.02	-0.04	
		8.00	89.33	2.74	-0.58	-1.89	-0.04	-0.04	-0.10	2.13	-0.17	-1.29	-0.02	-0.02	-0.04	2.13	-0.17	-1.29	-0.02	-0.02	-0.04	
		0.00		0.00	2.03	2.03	1.35	0.55	-0.81	0.00	1.02	1.02	1.41	0.50	0.00	0.00	1.02	1.02	1.41	0.50	-0.75	
7		2.99	0.31E+06	2.89	-0.02	-1.84	-0.06	-0.04	-0.10	2.22	0.26	-1.29	-0.03	-0.03	-0.04	2.22	0.26	-1.29	-0.03	-0.03	-0.04	
		11.95	87.78	2.82	-0.61	-1.84	-0.05	-0.05	-0.10	2.22	-0.21	-1.29	-0.03	-0.03	-0.04	2.22	-0.21	-1.29	-0.03	-0.03	-0.04	
		0.00		0.00	2.02	2.02	1.39	0.63	-0.77	0.00	1.02	1.02	1.46	0.58	0.00	0.00	1.02	1.02	1.46	0.58	-0.75	
8		2.87	0.30E+06	3.17	0.25	-1.85	-0.07	-0.03	-0.13	2.37	0.47	-1.27	-0.04	-0.04	-0.03	2.37	0.47	-1.27	-0.04	-0.04	-0.03	
		16.00	88.34	3.11	-0.64	-1.85	-0.06	-0.04	-0.13	2.41	-0.21	-1.27	-0.03	-0.03	-0.03	2.41	-0.21	-1.27	-0.03	-0.03	-0.03	
		0.00		0.00	2.11	2.11	1.57	0.80	-0.73	0.00	1.02	1.02	1.60	0.74	0.00	0.00	1.02	1.02	1.60	0.74	-0.72	
9		2.87	0.30E+06	3.03	0.32	-1.77	-0.07	-0.02	-0.13	2.41	0.57	-1.27	-0.04	-0.04	-0.01	2.41	0.57	-1.27	-0.04	-0.04	-0.01	
		18.02	87.31	2.98	-0.63	-1.77	-0.06	-0.04	-0.13	2.47	-0.20	-1.27	-0.04	-0.04	-0.01	2.47	-0.20	-1.27	-0.04	-0.04	-0.01	
		0.00		0.00	2.11	2.11	1.41	0.82	-0.65	0.00	1.02	1.02	1.63	0.81	0.00	0.00	1.02	1.02	1.63	0.81	-0.73	
10		2.99	0.31E+06	3.14	0.64	-1.71	-0.06	-0.01	-0.11	2.51	0.82	-1.27	-0.04	-0.04	0.00	2.51	0.82	-1.27	-0.04	-0.04	0.00	
		22.04	99.26	3.15	-0.59	-1.71	-0.05	-0.03	-0.11	2.63	-0.18	-1.27	-0.04	-0.04	-0.01	2.63	-0.18	-1.27	-0.04	-0.04	-0.01	
		0.00		0.00	2.03	2.03	1.55	1.01	-0.63	0.00	1.00	1.00	1.73	1.00	0.00	0.00	1.00	1.00	1.73	1.00	-0.74	

PROPULSIVE MING FORCE DATA

SUMMARY. RUN 308

PT	Q	ALPHA	BETA	REV NO	HEIGHT	CLIS			CPMIS			CYMIS			CSEIS				
						CNFIB	CHUC	CAEIB	CPHIB	CMHIB	CLTR	CMHIB	CLTR	CMHIB	CLTR	CSEIB	CMHIB	CLTR	
29	0.00	0.00	0.00	0.30E+08	89.03	12.28	-6.60	-69.53	0.77	19.46	-0.05	12.28	-6.60	-69.53	0.77	19.46	-0.05		
						10.62	18.22	28.84	6.65	-0.29	-63.53								
						31.77	-21.42	-167.00	-9.25	33.20	0.41	31.76	-21.44	-167.00	-9.27	33.20	0.41		
30	0.00	0.00	0.00	0.30E+08	89.03	25.02	21.14	46.16	14.78	-8.03	-152.40	59.38	-42.72	-303.70	-19.52	59.44	-1.40		
						59.33	-42.79	-303.70	-19.59	59.42	-1.40	47.94	51.51	99.45	21.34	-15.67	-272.90		
						93.99	-66.30	-492.50	-59.17	37.57	0.94	93.86	-66.47	-492.50	-59.24	37.46	0.94		
31	0.00	0.00	0.00	0.30E+08	89.03	73.98	81.61	155.60	34.55	-24.59	-444.40	107.50	-83.20	-884.50	-91.73	167.80	3.94		
						107.40	-83.36	-884.50	-91.98	167.70	3.94	101.10	113.10	214.20	26.70	-25.87	-818.50		
						107.50	-83.20	-884.50	-91.73	167.80	3.94								

PROPULSIVE MING FORCE DATA

SUMMARY. RUN 307

PT	Q	ALPHA	BETA	REV NO	HEIGHT	CLIS			CPMIS			CYMIS			CSEIS				
						CNFIB	CHUC	CAEIB	CPHIB	CMHIB	CLTR	CMHIB	CLTR	CMHIB	CLTR	CSEIB	CMHIB	CLTR	
1	11.84	-2.01	0.00	0.61E+06	88.03	1.19	0.01	-0.85	-0.01	-0.02	0.00	1.19	0.05	-0.85	-0.01	-0.02	0.00		
						0.51	0.51	0.86	0.25	-0.58									
						1.28	0.05	-0.86	-0.01	-0.02	0.01	1.28	0.05	-0.86	-0.01	-0.02	0.01		
2	0.02	0.00	0.00	0.62E+06	89.31	0.00	0.50	0.50	0.95	0.28	-0.59	0.00	0.50	0.50	0.95	0.28	-0.59		
						1.36	0.09	-0.88	-0.01	-0.02	0.00	1.36	0.04	-0.88	-0.01	-0.02	0.00		
						0.00	0.50	0.50	1.02	0.31	-0.62	0.00	0.50	0.50	1.13	0.35	-0.64		
3	12.07	2.02	0.00	0.62E+06	86.93	1.47	0.14	-0.91	-0.02	-0.01	0.00	1.47	0.03	-0.91	-0.02	-0.01	0.00		
						0.50	0.50	0.50	1.21	0.39	-0.66	0.00	0.50	0.50	1.35	0.44	-0.72		
						1.56	0.19	-0.93	-0.01	-0.02	0.00	1.56	0.03	-0.93	-0.01	-0.02	0.00		
4	11.95	3.99	0.00	0.61E+06	85.90	1.57	0.03	-0.93	-0.01	-0.02	0.00	1.57	0.03	-0.93	-0.01	-0.02	0.00		
						0.50	0.50	0.50	1.57	0.58	-0.71	0.00	0.50	0.50	1.57	0.58	-0.71		
						1.70	0.26	-0.98	-0.01	-0.01	0.00	1.70	0.02	-0.98	-0.01	-0.01	0.00		
5	12.07	5.03	0.00	0.62E+06	86.58	1.95	0.42	-1.04	0.00	-0.01	-0.02	1.95	0.54	-0.98	-0.03	-0.01	0.00		
						0.50	0.50	0.50	1.58	0.58	-0.71	0.00	0.50	0.50	1.57	0.58	-0.71		
						1.99	0.00	-1.04	0.00	-0.01	-0.02	1.99	0.00	-1.04	0.00	-0.01	-0.02		
6	12.07	7.99	0.00	0.62E+06	84.36	1.70	0.26	-0.98	-0.01	-0.01	0.00	1.70	0.26	-0.98	-0.01	-0.01	0.00		
						0.50	0.50	0.50	1.35	0.44	-0.72	0.00	0.50	0.50	1.35	0.44	-0.72		
						1.95	0.42	-1.04	0.00	-0.01	-0.02	1.95	0.42	-1.04	0.00	-0.01	-0.02		
7	12.03	0.00	0.00	0.61E+06	87.59	1.99	0.00	-1.04	0.00	-0.01	-0.02	1.99	0.00	-1.04	0.00	-0.01	-0.02		
						0.50	0.50	0.50	1.58	0.58	-0.71	0.00	0.50	0.50	1.58	0.58	-0.71		
						1.99	0.00	-1.04	0.00	-0.01	-0.02	1.99	0.00	-1.04	0.00	-0.01	-0.02		
8	11.84	16.05	0.00	0.61E+06	87.38	1.95	0.54	-0.98	-0.03	-0.01	0.00	1.95	0.54	-0.98	-0.03	-0.01	0.00		
						0.50	0.50	0.50	1.57	0.58	-0.71	0.00	0.50	0.50	1.57	0.58	-0.71		
						2.02	0.65	-0.98	-0.03	-0.01	0.00	2.02	0.65	-0.98	-0.03	-0.01	0.00		
9	18.01	0.00	0.00	0.61E+06	87.57	2.12	-0.01	-0.98	-0.03	-0.01	0.00	2.12	-0.01	-0.98	-0.03	-0.01	0.00		
						0.50	0.50	0.50	1.64	0.76	-0.71	0.00	0.50	0.50	1.64	0.76	-0.71		
						2.02	0.65	-0.98	-0.03	-0.01	0.00	2.02	0.65	-0.98	-0.03	-0.01	0.00		
10	11.96	22.00	0.00	0.61E+06	98.84	2.16	0.87	-1.02	-0.03	0.00	-0.01	2.16	0.87	-1.02	-0.03	0.00			
						0.50	0.50	0.50	1.77	0.96	-0.75	0.00	0.50	0.50	1.77	0.96	-0.75		
						2.33	0.00	-1.02	-0.03	-0.01	-0.01	2.33	0.00	-1.02	-0.03	-0.01	-0.01		

PROPULSIVE WING FORCE DATA

SUMMARY, RUN 309

PT	Q ALPHA BETA	REY NO HEIGHT	CLIS			CPMIS			CYMIS			CSFIS		
			CAFIB	CMUH	CMUC	CAFIB	CPMIB	CLTR	CAFIB	CPMIB	CDTR	CAFIB	CSFIB	CMTR
2	0.00	0.30E+08	52.24	-37.53	-282.80	-17.99	52.52	-1.63	52.52	-1.63				
	0.09	47.36	52.18	-37.61	-282.80	-18.07	52.50	-1.63	52.50	-1.63				
	0.00		36.51	44.64	81.16	24.56	-17.33	-260.00						
3	0.00	0.30E+08	70.94	-50.23	-356.30	-19.08	52.94	-0.46	52.94	-0.46				
	0.11	47.36	70.85	-50.37	-356.30	-19.18	52.91	-0.46	52.91	-0.46				
	0.00		50.92	60.19	111.10	32.49	-22.95	-335.20						
4	0.00	0.30E+08	90.94	-63.46	-487.80	-47.22	57.78	-1.45	57.78	-1.45				
	0.14	47.36	90.79	-63.67	-487.80	-47.36	57.67	-1.45	57.67	-1.45				
	0.00		65.05	75.97	141.00	41.82	-28.98	-448.10						
5	0.00	0.30E+08	102.00	-73.24	-602.10	-43.61	29.91	-0.64	29.91	-0.64				
	0.14	47.36	101.80	-73.49	-602.10	-43.68	29.80	-0.64	29.80	-0.64				
	0.00		78.41	91.02	169.40	42.73	-31.70	-554.20						

PROPULSIVE WING FORCE DATA

SUMMARY, RUN 310

PT	Q ALPHA BETA	REY NO HEIGHT	CLIS			CPMIS			CYMIS			CSFIS		
			CAFIB	CMUH	CMUC	CAFIB	CPMIB	CLTR	CAFIB	CPMIB	CDTR	CAFIB	CSFIB	CMTR
2	30.12	0.95E+06	0.42	0.14	-0.13	0.00	0.00	0.00	0.00	0.00	0.00	0.00	0.01	
	-2.00	80.01	0.41	0.15	-0.13	0.00	0.00	0.00	0.00	0.00	0.00	0.00	0.01	
	0.00		0.00	0.00	0.00	0.40	0.15	-0.11						
3	30.00	0.95E+06	0.52	0.16	-0.12	0.00	0.00	0.00	0.00	0.00	0.00	0.00	0.01	
	-0.01	86.64	0.52	0.16	-0.12	0.00	0.00	0.00	0.00	0.00	0.00	0.00	0.01	
	0.00		0.00	0.00	0.00	0.50	0.17	-0.10						
4	30.12	0.95E+06	0.63	0.18	-0.11	0.00	0.00	0.00	0.00	0.00	0.00	0.00	0.01	
	2.03	85.55	0.64	0.16	-0.11	0.00	0.00	0.00	0.00	0.00	0.00	0.00	0.01	
	0.00		0.00	0.00	0.00	0.62	0.20	-0.09						
5	30.12	0.95E+06	0.73	0.21	-0.09	0.00	0.00	0.00	0.00	0.00	0.00	0.00	0.01	
	4.01	83.34	0.74	0.15	-0.09	0.00	0.00	0.00	0.00	0.00	0.00	0.00	0.01	
	0.00		0.00	0.00	0.00	0.71	0.22	-0.07						
6	30.00	0.95E+06	0.84	0.24	-0.07	0.00	0.00	0.00	0.00	0.00	0.00	0.00	0.01	
	6.00	82.84	0.86	0.15	-0.07	0.00	0.00	0.00	0.00	0.00	0.00	0.00	0.01	
	0.00		0.00	0.00	0.00	0.82	0.25	-0.05						
7	29.89	0.95E+06	0.95	0.28	-0.04	0.00	0.00	0.00	0.00	0.00	0.00	0.00	0.01	
	8.01	85.91	0.98	0.14	-0.04	0.00	0.00	0.00	0.00	0.00	0.00	0.00	0.01	
	0.00		0.00	0.00	0.00	0.94	0.29	-0.03						
8	30.00	0.95E+06	1.18	0.38	-0.01	0.00	0.00	0.00	0.00	0.00	0.00	0.00	0.01	
	11.99	84.79	1.24	0.13	-0.01	0.00	0.00	0.00	0.00	0.00	0.00	0.00	0.01	
	0.00		0.00	0.00	0.00	1.17	0.40	0.01						
9	30.12	0.95E+06	1.39	0.52	0.00	0.00	0.00	0.00	0.00	0.00	0.00	0.00	0.01	
	16.01	87.15	1.48	0.12	0.00	0.00	0.00	0.00	0.00	0.00	0.00	0.00	0.01	
	0.00		0.00	0.00	0.00	1.37	0.53	0.02						
10	29.89	0.95E+06	1.49	0.61	-0.04	0.00	0.00	0.00	0.00	0.00	0.00	0.00	0.01	
	18.00	84.60	1.60	0.13	-0.04	0.00	0.00	0.00	0.00	0.00	0.00	0.00	0.01	
	0.00		0.00	0.00	0.00	1.47	0.63	-0.02						
11	30.12	0.95E+06	1.64	0.80	-0.04	0.00	0.00	0.00	0.00	0.00	0.00	0.00	0.00	
	22.00	94.49	1.82	0.13	-0.04	0.00	0.00	0.00	0.00	0.00	0.00	0.00	0.00	
	0.00		0.00	0.00	0.00	1.62	0.81	-0.03						

PROPULSIVE WING FORCE DATA

SUMMARY, RUM 311

PT	Q		REY NO HEIGHT	CLIS CMFB CMUC	CDIS CAFIB CMUN	CPMIB CMUT	CRMIB CLTR	CYNIS CYRIB CDTR	CSFIS CSFIB CMTR
	ALPHA BETA	REY NO HEIGHT							
1	30.46	0.14	0.95E+06	0.43	0.15	-0.13	-0.01	0.00	-0.05
	-2.00	-0.13	80.33	0.42	0.00	-0.13	-0.01	0.00	-0.05
	5.01	0.00	80.33	0.00	0.00	0.00	0.41	0.15	-0.12
2	30.00	0.16	0.95E+06	0.53	0.16	-0.12	-0.01	0.00	-0.05
	0.02	-0.12	87.11	0.53	0.00	-0.12	-0.01	0.00	-0.05
	5.01	0.00	87.11	0.00	0.00	0.00	0.52	0.17	-0.11
3	30.00	0.18	0.95E+06	0.65	0.18	-0.11	-0.02	0.00	-0.05
	2.03	-0.11	87.20	0.65	0.16	-0.11	-0.02	0.00	-0.05
	5.01	0.00	87.20	0.00	0.00	0.00	0.63	0.20	-0.10
4	30.00	0.21	0.95E+06	0.75	0.21	-0.10	-0.02	0.00	-0.05
	4.02	-0.10	87.35	0.76	0.15	-0.10	-0.02	0.00	-0.05
	5.01	0.00	87.35	0.00	0.00	0.00	0.73	0.22	-0.08
5	29.89	0.24	0.95E+06	0.84	0.24	-0.07	-0.02	0.00	-0.05
	5.98	-0.07	86.82	0.86	0.15	-0.07	-0.02	0.00	-0.05
	5.01	0.00	86.82	0.00	0.00	0.00	0.82	0.25	-0.05
6	30.00	0.28	0.95E+06	0.97	0.28	-0.05	-0.02	-0.01	-0.04
	8.01	-0.05	85.05	1.00	0.14	-0.05	-0.02	-0.01	-0.04
	5.01	0.00	85.05	0.00	0.00	0.00	0.95	0.30	-0.03
7	30.12	0.39	0.95E+06	1.21	0.39	-0.02	-0.02	0.00	-0.04
	12.00	-0.13	85.93	1.26	0.13	-0.02	-0.02	-0.01	-0.04
	5.01	0.00	85.93	0.00	0.00	0.00	1.19	0.40	-0.01
8	29.89	0.53	0.95E+06	1.40	0.53	-0.01	-0.02	0.00	-0.03
	16.02	-0.01	88.95	1.49	0.12	-0.01	-0.02	-0.01	-0.03
	5.01	0.00	88.95	0.00	0.00	0.00	1.38	0.54	0.00
9	29.77	0.62	0.94E+06	1.50	0.62	-0.05	-0.02	-0.01	-0.02
	17.99	-0.05	87.31	1.62	0.13	-0.05	-0.01	-0.01	-0.02
	5.01	0.00	87.31	0.00	0.00	0.00	1.48	0.63	-0.03
10	30.12	0.79	0.95E+06	1.60	0.79	-0.03	-0.01	-0.02	-0.02
	22.00	-0.13	94.59	1.79	0.13	-0.03	-0.01	-0.02	-0.02
	5.01	0.00	94.59	0.00	0.00	0.00	1.59	0.80	-0.01

PROPULSIVE WING FORCE DATA

SUMMARY, RUM 312

PT	Q		REY NO HEIGHT	CLIS CMFB CMUC	CDIS CAFIB CMUN	CPMIB CMUT	CRMIB CLTR	CYNIS CYRIB CDTR	CSFIS CSFIB CMTR
	ALPHA BETA	REY NO HEIGHT							
1	12.19	0.11	0.61E+06	1.11	-0.12	0.07	-0.05	-0.01	-0.06
	-2.01	-0.08	83.92	1.11	0.08	0.07	-0.05	0.00	-0.06
	5.01	0.43	83.92	0.43	0.50	0.92	0.94	0.31	0.18
2	12.07	0.19	0.60E+06	1.19	-0.09	0.12	-0.05	0.00	-0.06
	0.00	-0.09	90.80	1.19	0.09	0.12	-0.05	0.00	-0.06
	5.01	0.43	90.80	0.43	0.51	0.94	0.60	0.32	0.23
3	12.07	0.29	0.60E+06	1.29	-0.05	0.14	-0.05	0.00	-0.07
	2.02	-0.10	91.13	1.28	0.10	0.14	-0.05	0.00	-0.07
	5.01	0.43	91.13	0.43	0.50	0.93	0.69	0.34	0.25
4	12.07	0.39	0.60E+06	1.39	0.01	0.17	-0.05	0.00	-0.08
	4.02	-0.06	87.35	1.39	-0.09	0.17	-0.06	0.00	-0.08
	5.01	0.43	87.35	0.43	0.50	0.93	0.78	0.38	0.28
5	11.95	0.59	0.60E+06	1.59	0.09	0.17	-0.05	0.01	-0.10
	8.02	-0.08	86.99	1.59	-0.08	0.17	-0.05	0.01	-0.10
	5.01	0.44	86.99	0.44	0.51	0.95	0.95	0.44	0.28
6	12.07	0.75	0.60E+06	1.75	0.18	0.18	-0.04	0.01	-0.09
	8.00	-0.06	84.47	1.76	-0.06	0.18	-0.04	0.00	-0.09
	5.01	0.43	84.47	0.43	0.51	0.94	1.11	0.51	0.29
7	11.84	0.42	0.60E+06	2.14	0.42	0.16	-0.04	0.01	-0.12
	11.99	-0.04	85.85	2.18	-0.04	0.16	-0.04	0.01	-0.12
	5.01	0.44	85.85	0.44	0.52	0.96	1.47	0.70	0.27
8	11.96	0.73	0.60E+06	2.60	0.73	0.11	-0.03	0.02	-0.12
	16.03	-0.01	87.44	2.70	-0.01	0.11	-0.04	0.01	-0.12
	5.01	0.43	87.44	0.43	0.51	0.94	1.91	0.97	0.23
9	11.96	0.88	0.60E+06	2.74	0.88	0.15	-0.04	0.02	-0.10
	17.98	-0.01	87.73	2.88	-0.01	0.15	-0.05	0.00	-0.10
	5.01	0.43	87.73	0.43	0.51	0.94	2.05	1.10	0.26
10	11.95	1.20	0.60E+06	3.04	1.20	0.20	-0.04	0.02	-0.08
	22.02	-0.02	95.44	3.27	-0.02	0.20	-0.05	0.01	-0.08
	5.01	0.43	95.44	0.43	0.51	0.95	2.33	1.37	0.31

PROPULSIVE WING FORCE DATA

SUMMARY, RUN 313

PT	Q	ALPHA	REY NO	CL15	CAF15	CMU15	CPM15	CRM15	CMY15	CSF15
	BETA	HEIGHT	CMUC	CMUN	CMUT	CMYB	CLTR	CDTR	CYBIB	CMIR
1	5.86	0.42E+06	1.91	-0.51	-0.11	-0.05	-0.05	-0.01	-0.03	-0.03
	-2.00	80.72	1.93	-0.11	-0.11	-0.05	-0.05	-0.01	-0.03	-0.03
	5.01		0.89	1.04	1.93	0.72	0.39	0.39	0.12	0.12
2	5.98	0.43E+06	1.85	-0.46	0.04	-0.07	0.00	0.00	-0.05	-0.05
	0.03	87.79	1.85	-0.46	0.04	-0.07	0.00	0.00	-0.05	-0.05
	5.01		0.87	1.02	1.89	0.65	0.36	0.36	0.26	0.26
3	5.98	0.43E+06	1.89	-0.42	0.11	-0.08	0.01	0.01	-0.07	-0.07
	0.01	90.22	1.87	-0.48	0.11	-0.08	0.00	0.00	-0.07	-0.07
	5.01		0.87	1.02	1.89	0.67	0.36	0.36	0.33	0.33
4	5.98	0.43E+06	2.01	-0.36	0.12	-0.07	0.01	0.01	-0.07	-0.07
	0.01	90.57	1.98	-0.50	0.12	-0.07	0.00	0.00	-0.07	-0.07
	5.01		0.88	1.03	1.90	0.76	0.40	0.40	0.35	0.35
5	5.98	0.43E+06	2.08	-0.28	0.24	-0.08	0.01	0.01	-0.07	-0.07
	0.01	88.39	2.04	-0.50	0.24	-0.08	0.00	0.00	-0.07	-0.07
	5.01		0.87	1.03	1.90	0.80	0.43	0.43	0.46	0.46
6	5.98	0.43E+06	2.25	-0.18	0.22	-0.08	0.02	0.02	-0.08	-0.08
	0.01	88.00	2.20	-0.49	0.22	-0.08	0.01	0.01	-0.08	-0.08
	5.01		0.88	1.03	1.90	0.94	0.49	0.49	0.45	0.45
7	5.98	0.43E+06	2.58	0.07	0.21	-0.08	0.03	0.03	-0.11	-0.11
	0.01	86.33	2.54	-0.47	0.21	-0.09	0.01	0.01	-0.11	-0.11
	5.01		0.87	1.03	1.90	1.23	0.65	0.65	0.44	0.44
8	5.86	0.42E+06	2.99	0.38	0.18	-0.08	0.02	0.02	-0.09	-0.09
	0.01	91.32	2.98	-0.46	0.18	-0.08	0.00	0.00	-0.09	-0.09
	5.01		0.89	1.05	1.94	1.58	0.88	0.88	0.41	0.41
9	6.09	0.43E+06	3.07	0.54	0.18	-0.06	0.03	0.03	-0.12	-0.12
	0.01	87.87	3.09	-0.44	0.18	-0.07	0.01	0.01	-0.12	-0.12
	5.01		0.86	1.01	1.87	1.69	0.97	0.97	0.41	0.41
10	5.86	0.42E+06	3.26	0.83	0.36	-0.05	0.02	0.02	-0.11	-0.11
	0.01	97.33	3.34	-0.45	0.36	-0.06	0.00	0.00	-0.11	-0.11
	5.01		0.88	1.04	1.92	1.81	1.17	1.17	0.59	0.59

SUMMARY, RUN 314

PT	Q	ALPHA	REY NO	CL15	CAF15	CMU15	CPM15	CRM15	CMY15	CSF15
	BETA	HEIGHT	CMUC	CMUN	CMUT	CMYB	CLTR	CDTR	CYBIB	CMIR
1	3.22	0.31E+06	2.78	-1.24	-0.26	-0.06	0.00	0.00	-0.05	-0.05
	-2.00	78.68	2.82	-1.14	-0.26	-0.06	0.00	0.00	-0.05	-0.05
	5.01		1.60	1.87	3.47	0.64	0.38	0.38	0.15	0.15
2	3.10	0.31E+06	2.93	-1.18	-0.21	-0.06	-0.02	0.00	0.00	0.00
	-0.02	82.56	2.93	-1.18	-0.21	-0.06	-0.02	0.00	0.00	0.00
	5.01		1.65	1.95	3.60	0.65	0.43	0.43	0.22	0.22
3	3.10	0.31E+06	3.05	-1.06	-0.17	-0.05	0.00	0.00	-0.05	-0.05
	0.01	90.09	3.02	-1.16	-0.17	-0.05	0.00	0.00	-0.05	-0.05
	5.01		1.66	1.95	3.61	0.72	0.47	0.47	0.26	0.26
4	2.99	0.30E+06	3.13	-1.03	-0.05	-0.09	0.00	0.00	-0.03	-0.03
	0.01	88.76	3.05	-1.25	-0.05	-0.09	-0.01	-0.01	-0.03	-0.03
	5.01		1.72	2.02	3.75	0.64	0.47	0.47	0.40	0.40
5	2.99	0.30E+06	3.20	-0.95	0.05	-0.10	0.03	0.03	-0.10	-0.10
	0.01	86.74	3.08	-1.28	0.05	-0.10	0.02	0.02	-0.10	-0.10
	5.01		1.72	2.02	3.74	0.67	0.46	0.46	0.49	0.49
6	3.10	0.31E+06	3.20	-0.82	0.16	-0.10	0.02	0.02	-0.09	-0.09
	0.01	87.90	3.05	-1.26	0.16	-0.10	0.01	0.01	-0.09	-0.09
	5.01		1.65	1.95	3.61	0.71	0.46	0.46	0.59	0.59
7	3.10	0.31E+06	3.22	-0.62	0.43	-0.10	0.03	0.03	-0.10	-0.10
	0.01	87.64	3.02	-1.27	0.43	-0.11	0.01	0.01	-0.10	-0.10
	5.01		1.67	1.96	3.62	0.65	0.48	0.48	0.85	0.85
8	2.99	0.30E+06	3.81	-0.27	0.30	-0.12	0.03	0.03	-0.10	-0.10
	0.01	85.10	3.59	-1.31	0.30	-0.12	0.00	0.00	-0.10	-0.10
	5.01		1.75	2.06	3.81	1.05	0.69	0.69	0.74	0.74
9	3.10	0.31E+06	4.07	0.03	0.13	-0.12	0.07	0.07	-0.17	-0.17
	0.01	87.99	3.86	-1.23	0.13	-0.13	0.03	0.03	-0.17	-0.17
	5.01		1.66	1.95	3.61	1.40	0.85	0.85	0.56	0.56
10	2.99	0.30E+06	4.18	0.34	0.47	-0.13	0.06	0.06	-0.09	-0.09
	0.01	98.14	4.00	-1.25	0.47	-0.14	0.01	0.01	-0.09	-0.09
	5.01		1.72	2.03	3.75	1.34	0.91	0.91	0.91	0.91



PROPULSIVE MING FORCE DATA

SUMMARY, RUN 316

PT	Q		REY NO HEIGHT	CLIS CNFIB CRUC	CDIS CAFIB CRUH	CPMIS CPMIB CNUH	CRMIS CRMIB CLTR	CYNIS CYNIB CDTR	CSFIS CSFIB CCTR
	ALPHA	BETA							
2	3.22	-2.00	0.31E+06	2.86	-1.24	-0.27	-0.02	0.02	0.00
	-0.01	-0.01	87.23	2.91	-1.14	-0.27	-0.02	0.02	0.00
				1.62	1.90	3.53	0.70	0.39	0.14
3	3.10	-0.01	0.31E+06	3.16	-1.19	-0.26	-0.03	0.02	0.00
	-0.01	-0.01	87.39	3.18	-1.19	-0.26	-0.03	0.02	0.00
				1.69	1.98	3.67	0.85	0.43	0.17
4	2.99	2.01	0.30E+06	3.35	-1.11	-0.20	-0.01	0.01	0.01
	0.00	0.00	87.97	3.31	-1.23	-0.20	-0.01	0.01	0.01
				1.75	2.06	3.81	0.89	0.50	0.25
5	3.10	6.03	0.31E+06	3.25	-0.93	0.08	-0.05	0.03	-0.03
	-0.01	-0.01	87.03	3.13	-1.27	0.08	-0.05	0.03	-0.03
				1.70	1.99	3.69	0.78	0.44	0.51
6	3.22	8.05	0.31E+06	3.18	-0.81	0.13	-0.06	0.03	-0.06
	-0.01	-0.01	87.72	3.03	-1.25	0.13	-0.06	0.03	-0.06
				1.63	1.91	3.54	0.75	0.44	0.55
7	3.10	12.04	0.31E+06	3.55	-0.58	0.21	-0.03	0.04	-0.09
	-0.01	-0.01	87.25	3.35	-1.31	0.21	-0.04	0.03	-0.09
				1.69	1.99	3.68	0.94	0.53	0.64
8	3.10	16.00	0.31E+06	3.77	-0.25	0.28	-0.03	0.04	-0.07
	-0.01	-0.01	86.75	3.58	-1.28	0.28	-0.04	0.03	-0.07
				1.70	1.99	3.69	1.10	0.68	0.71
9	2.87	18.06	0.30E+06	4.35	-0.06	0.18	-0.03	0.03	-0.08
	-0.01	-0.01	84.93	4.11	-1.41	0.18	-0.04	0.02	-0.08
				1.83	2.15	3.98	1.42	0.84	0.65
10	3.10	22.01	0.31E+06	4.14	0.29	0.39	-0.02	0.03	-0.07
	-0.01	-0.01	98.26	3.95	-1.28	0.39	-0.03	0.02	-0.07
				1.69	1.98	3.67	1.38	0.94	0.82

PROPULSIVE MING FORCE DATA

SUMMARY, RUN 315

PT	Q		REY NO HEIGHT	CLIS CNFIB CRUC	CDIS CAFIB CRUH	CPMIS CPMIB CNUH	CRMIS CRMIB CLTR	CYNIS CYNIB CDTR	CSFIS CSFIB CCTR
	ALPHA	BETA							
1	1.61	-2.01	0.22E+06	4.65	-2.93	-0.48	-0.05	0.03	0.00
	-0.01	-0.01	79.69	4.75	-2.77	-0.48	-0.05	0.03	0.00
				3.23	3.79	7.02	0.33	0.35	0.35
2	1.49	-0.02	0.21E+06	5.23	-2.99	-0.51	-0.04	0.04	-0.09
	-0.01	-0.01	86.72	5.23	-2.99	-0.51	-0.04	0.04	-0.09
				3.48	4.09	7.57	0.44	0.39	0.39
3	1.49	2.02	0.21E+06	5.47	-2.74	-0.51	-0.04	0.04	-0.03
	-0.01	-0.01	87.88	5.37	-2.94	-0.51	-0.04	0.04	-0.03
				3.49	4.10	7.59	0.56	0.46	0.38
4	1.61	4.02	0.22E+06	5.24	-2.36	-0.48	0.00	0.02	-0.06
	-0.01	-0.01	89.05	5.06	-2.72	-0.48	0.00	0.02	-0.06
				3.24	3.80	7.04	0.58	0.46	0.35
5	1.49	6.02	0.21E+06	5.70	-2.37	-0.37	-0.03	0.04	-0.03
	-0.01	-0.01	86.92	5.42	-2.96	-0.37	-0.03	0.04	-0.03
				3.49	4.11	7.60	0.57	0.49	0.53
6	1.61	7.98	0.22E+06	5.57	-1.97	-0.43	0.00	0.01	0.01
	-0.01	-0.01	85.57	5.24	-2.73	-0.43	0.00	0.01	0.01
				3.24	3.81	7.04	0.72	0.52	0.41
7	1.49	11.99	0.21E+06	6.11	-1.76	-0.18	-0.04	0.05	-0.03
	-0.01	-0.01	86.79	5.61	-2.99	-0.18	-0.05	0.04	-0.03
				3.48	4.10	7.58	0.71	0.55	0.72
8	1.49	16.02	0.21E+06	5.84	-1.51	0.28	-0.05	0.07	-0.23
	-0.01	-0.01	87.35	5.19	-3.06	0.28	-0.07	0.05	-0.23
				3.50	4.11	7.60	0.29	0.42	1.18
9	1.49	18.01	0.21E+06	6.35	-1.12	-0.07	-0.05	0.07	-0.18
	-0.01	-0.01	87.26	5.69	-3.03	-0.07	-0.07	0.05	-0.18
				3.50	4.11	7.61	0.73	0.61	0.83
10	1.49	21.99	0.21E+06	6.43	-0.74	0.24	-0.01	0.06	-0.32
	-0.01	-0.01	98.63	5.69	-3.09	0.24	-0.03	0.05	-0.32
				3.50	4.11	7.61	0.71	0.61	1.14

PROPULSIVE WING FORCE DATA

SUMMARY, RUN 318

PT	Q		REY NO HEIGHT	CLIS			CPMIS			CRMIS			CYSIS			
	ALPHA BETA	REY NO HEIGHT		CMFIB CMUC	CAFIB CHUM	CMFIB CMUT	CLTR	CMFIB CMUT	CLTR	CMFIB CMUT	CLTR	CMFIB CMUT	CLTR	CMFIB CMUT	CLTR	CMFIB CMUT
1	12.42	-1.97	0.61E+06	1.11	-0.13	0.07	0.00	0.00	0.00	0.00	0.00	0.00	0.00	0.00	0.00	0.00
		0.00	86.77	0.43	0.51	0.94	0.54	0.31	0.18							
2	12.19	0.02	0.61E+06	1.18	-0.11	0.14	-0.01	-0.01	-0.01	0.03	0.31	0.25				
		-0.01	87.55	0.44	0.52	0.96	0.58	0.31	0.25							
3	12.30	2.05	0.61E+06	1.25	-0.12	0.17	-0.01	0.00	0.01	0.01	0.00	0.01				
		-0.01	88.06	0.44	0.51	0.95	0.65	0.33	0.29							
4	12.30	4.00	0.61E+06	1.37	-0.11	0.19	-0.02	-0.01	0.03	0.31	0.31	0.31				
		-0.01	87.78	0.44	0.51	0.95	0.75	0.36	0.31							
5	12.07	6.04	0.60E+06	1.52	0.06	0.24	-0.01	0.00	0.02	0.22	0.22	0.22				
		-0.01	87.68	0.45	0.52	0.97	0.87	0.42	0.35							
6	12.07	8.01	0.60E+06	1.68	0.14	0.25	-0.01	0.00	0.00	0.00	0.00	0.00				
		-0.01	86.34	0.45	0.52	0.97	1.02	0.48	0.36							
7	12.19	12.07	0.61E+06	2.09	0.40	0.20	0.00	0.00	-0.02	0.00	0.00	0.00				
		-0.01	87.07	2.13	-0.05	0.20	0.00	0.00	-0.02	0.00	0.00	0.00				
8	12.42	16.05	0.61E+06	2.61	0.76	0.10	0.02	0.00	-0.01	0.00	0.00	0.00				
		-0.01	87.58	2.72	0.01	0.10	0.01	0.01	-0.01	0.00	0.00	0.00				
9	18.05	18.05	0.61E+06	2.82	0.93	0.09	0.01	0.01	-0.01	0.00	0.00	0.00				
		-0.01	87.61	2.97	0.01	0.09	0.00	0.00	-0.01	0.00	0.00	0.00				
10	12.30	22.09	0.61E+06	3.08	1.24	0.13	0.00	0.00	-0.05	0.00	0.00	0.00				
		-0.01	95.78	3.32	-0.01	0.13	-0.01	-0.01	-0.05	0.00	0.00	0.00				

PROPULSIVE WING FORCE DATA

SUMMARY, RUN 317

PT	Q		REY NO HEIGHT	CLIS			CPMIS			CRMIS			CYSIS			
	ALPHA BETA	REY NO HEIGHT		CMFIB CMUC	CAFIB CHUM	CMFIB CMUT	CLTR	CMFIB CMUT	CLTR	CMFIB CMUT	CLTR	CMFIB CMUT	CLTR	CMFIB CMUT	CLTR	CMFIB CMUT
1	6.09	-2.00	0.43E+06	1.86	-0.50	-0.10	0.00	0.00	0.05	0.05	0.05	0.05				
		-0.01	87.07	0.86	1.01	1.88	0.38	0.12								
2	6.09	0.00	0.43E+06	1.83	-0.47	0.03	0.01	0.02	0.02	0.02	0.02	0.02				
		-0.01	87.75	0.86	1.02	1.88	0.36	0.25								
3	6.21	2.06	0.43E+06	1.77	-0.43	0.15	-0.02	0.01	0.00	0.00	0.00	0.00				
		-0.01	87.74	0.85	1.00	1.85	0.35	0.37								
4	6.09	4.05	0.43E+06	1.93	-0.38	0.19	0.01	0.00	0.00	0.00	0.00	0.00				
		0.00	86.92	0.86	1.01	1.88	0.37	0.41								
5	6.09	6.05	0.43E+06	2.09	-0.30	0.18	-0.01	0.01	0.01	0.01	0.01	0.01				
		-0.01	85.77	0.87	1.02	1.89	0.41	0.40								
6	6.09	8.02	0.43E+06	2.20	-0.20	0.25	-0.03	0.01	-0.01	-0.01	-0.01	-0.01				
		-0.01	87.83	0.86	1.02	1.88	0.47	0.47								
7	6.21	12.07	0.43E+06	2.50	0.06	0.29	-0.02	0.01	-0.01	-0.01	-0.01	-0.01				
		-0.01	88.09	2.45	-0.47	1.85	0.62	0.51								
8	6.44	16.03	0.44E+06	2.64	0.32	0.38	-0.02	0.01	-0.03	-0.03	-0.03	-0.03				
		-0.01	87.10	0.83	0.97	1.81	0.78	0.60								
9	6.32	18.02	0.44E+06	2.96	0.51	0.27	-0.02	0.01	-0.03	-0.03	-0.03	-0.03				
		-0.01	86.96	2.97	-0.43	1.84	0.93	0.49								
10	6.09	22.04	0.43E+06	3.29	0.85	0.33	0.00	0.01	-0.05	-0.05	-0.05	-0.05				
		-0.01	97.42	3.36	-0.45	1.90	1.86	1.18	0.55	0.55	0.55	0.55				

PROPULSIVE MING FORCE DATA

SUMMARY, RUN 320

PT	O		REY NO HEIGHT	CLIS CNFIB CMUC	CDIS CAFIB CRUM	CPH15 CPH1B CHUT	CRM15 CRM1B CLTR	CYN15 CYN1B CDTR	CSF15 CSF1B CNTR
	ALPHA BETA								
2	12.28	-0.01	0.62E+06	0.52	0.11	-0.30	0.00	0.00	0.00
	0.00	0.00	18.92	0.00	0.00	0.00	0.49	0.15	-0.26
3	12.05	-0.01	0.62E+06	0.53	0.11	-0.30	0.00	0.00	0.01
	0.00	0.00	18.92	0.00	0.00	0.00	0.49	0.15	-0.26
4	12.17	-0.03	0.62E+06	0.48	0.11	-0.28	0.00	0.00	0.01
	0.00	0.00	32.23	0.00	0.00	0.00	0.45	0.16	-0.24
5	11.94	-0.04	0.62E+06	0.46	0.11	-0.29	0.00	0.00	0.01
	0.00	0.00	55.61	0.00	0.00	0.00	0.43	0.15	-0.25
6	12.05	-0.07	0.62E+06	0.44	0.12	-0.27	0.00	0.00	0.01
	0.00	0.00	87.06	0.00	0.00	0.00	0.41	0.16	-0.24

PROPULSIVE MING FORCE DATA

SUMMARY, RUN 319

PT	O		REY NO HEIGHT	CLIS CNFIB CMUC	CDIS CAFIB CRUM	CPH15 CPH1B CHUT	CRM15 CRM1B CLTR	CYN15 CYN1B CDTR	CSF15 CSF1B CNTR
	ALPHA BETA								
2	0.00	-0.01	0.00E+00	-0.11	-0.54	15.39	0.29	0.30	-0.44
	0.60	0.60	51.64	0.00	0.00	0.00	0.57	5.77	20.03
5	0.00	-0.01	0.00E+00	-0.11	-0.54	15.39	0.29	0.30	-0.44
	0.60	0.60	51.64	0.00	0.00	0.00	0.57	5.77	20.03
6	0.00	-0.01	0.00E+00	-0.11	-0.54	15.39	0.29	0.30	-0.44
	0.60	0.60	51.64	0.00	0.00	0.00	0.57	5.77	20.03
7	0.00	-0.01	0.00E+00	-0.11	-0.54	15.39	0.29	0.30	-0.44
	0.60	0.60	51.64	0.00	0.00	0.00	0.57	5.77	20.03
8	0.00	-0.01	0.00E+00	-0.11	-0.54	15.39	0.29	0.30	-0.44
	0.60	0.60	51.64	0.00	0.00	0.00	0.57	5.77	20.03
9	0.00	-0.01	0.00E+00	-0.11	-0.54	15.39	0.29	0.30	-0.44
	0.60	0.60	51.64	0.00	0.00	0.00	0.57	5.77	20.03
10	0.00	-0.01	0.00E+00	-0.11	-0.54	15.39	0.29	0.30	-0.44
	0.60	0.60	51.64	0.00	0.00	0.00	0.57	5.77	20.03
11	0.00	-0.01	0.00E+00	-0.11	-0.54	15.39	0.29	0.30	-0.44
	0.60	0.60	51.64	0.00	0.00	0.00	0.57	5.77	20.03

PROPULSIVE WING FORCE DATA

SUMMARY, RUN 322

PT	Q		REY NO HEIGHT	CLIS			CPHIS			CYMIS			CSFIS		
	ALPHA BETA			CMFIB CMUC	CAFIB CHUH	CFIB CHUT	CMFIB CMUC	CAFIB CHUH	CFIB CHUT	CMFIB CMUC	CAFIB CHUH	CFIB CHUT	CMFIB CMUC	CAFIB CHUH	CFIB CHUT
2	12.17	-0.11	0.63E+06	1.28	-0.02	-0.83	1.28	-0.02	-0.83	1.28	-0.01	0.00	0.00	0.00	
	0.00		19.11	0.00	0.49	0.49	0.00	0.49	0.49	0.95	0.00	0.21	-0.57		
3	12.17	-0.12	0.63E+06	1.24	0.00	-0.84	1.24	0.00	-0.84	-0.01	0.00	0.00	0.00		
	0.00		32.81	0.00	0.50	0.50	0.00	0.50	0.91	0.23	-0.57				
4	12.05	0.06	0.62E+06	1.24	0.02	-0.84	1.24	0.02	-0.84	-0.01	0.00	0.01	0.01		
	0.00		55.67	0.00	0.50	0.50	0.00	0.50	0.91	0.25	-0.57				
5	11.94	0.04	0.62E+06	1.24	0.02	-0.84	1.24	0.02	-0.84	-0.01	0.00	0.02	0.02		
	0.00		87.08	0.00	0.50	0.50	0.00	0.50	0.91	0.26	-0.57				

PROPULSIVE WING FORCE DATA

SUMMARY, RUN 321

PT	Q		REY NO HEIGHT	CLIS			CPHIS			CYMIS			CSFIS		
	ALPHA BETA			CMFIB CMUC	CAFIB CHUH	CFIB CHUT	CMFIB CMUC	CAFIB CHUH	CFIB CHUT	CMFIB CMUC	CAFIB CHUH	CFIB CHUT	CMFIB CMUC	CAFIB CHUH	CFIB CHUT
1	12.17	8.06	0.62E+06	0.80	0.16	-0.35	0.81	0.04	-0.35	-0.01	-0.01	-0.05	-0.05		
	5.00		47.58	0.00	0.00	0.00	0.00	0.00	0.76	0.19	-0.31	-0.31			
2	12.05	8.04	0.62E+06	0.79	0.16	-0.35	0.81	0.04	-0.35	-0.01	-0.01	-0.05	-0.05		
	5.00		55.60	0.00	0.00	0.00	0.00	0.00	0.75	0.19	-0.31	-0.31			
3	11.94	8.04	0.62E+06	0.80	0.17	-0.34	0.82	0.05	-0.34	-0.01	-0.01	-0.05	-0.05		
	5.00		87.05	0.00	0.00	0.00	0.00	0.00	0.76	0.20	-0.30	-0.30			

PROPULSIVE WING FORCE DATA

SUMMARY, RUM 324

PT	Q	ALPHA	BETA	REY NO	HEIGHT	CLIS	CAFIB	CMH	CPMIB	CRMIB	CLTR	CPMIB	CPMIB	CMUT	CDIS	CAFIB	CMH	CPMIB	CRMIB	CLTR	CYMB	CYMB	CDTR	CSFIB	CSFIB	CNTR			
1	12.17	8.04	5.01	0.63E+06	47.98	1.68	0.22	-0.93	-0.93	-0.93	-0.93	0.00	0.00	0.00	0.06	0.06	0.06	-1.26	0.00	0.00	0.01	0.01	0.01	-0.10	-0.10	-0.71			
						1.70	-0.02	-0.93	-0.93	-0.93	0.00	0.00	0.00	0.01	0.01	0.01	-1.26	0.00	0.01	-0.24	-1.26	0.00	0.01	0.01	0.01	0.01	-0.10	-0.10	-0.71
						0.00	0.50	0.50	0.50	1.33	0.40	-0.67	0.00	0.00	0.00	1.01	1.01	0.00	1.44	0.44	0.44	0.44	0.44	0.44	0.44	0.44	0.44	0.44	0.44
2	12.17	8.03	5.01	0.63E+06	65.06	1.67	0.22	-0.93	-0.93	-0.93	-0.93	0.00	0.00	0.00	0.07	0.07	0.07	-1.27	0.00	0.00	0.01	0.01	0.01	-0.11	-0.11	-0.72			
						1.68	-0.01	-0.93	-0.93	-0.93	0.00	0.00	0.00	0.01	0.01	0.01	-1.27	0.00	0.01	-0.23	-1.27	0.00	0.01	0.01	0.01	0.01	0.01	0.01	0.01
						0.00	0.50	0.50	0.50	1.31	0.41	-0.67	0.00	0.00	0.00	1.01	1.01	0.00	1.39	0.44	0.44	0.44	0.44	0.44	0.44	0.44	0.44	0.44	0.44
3	12.05	8.02	5.01	0.62E+06	87.03	1.67	0.22	-0.93	-0.93	-0.93	-0.93	0.00	0.00	0.00	0.05	0.05	0.05	-1.25	-0.01	-0.01	0.01	0.01	0.01	-0.11	-0.11	-0.70			
						1.68	-0.01	-0.93	-0.93	-0.93	0.00	0.00	0.00	0.01	0.01	0.01	-1.25	-0.01	0.01	-0.24	-1.25	-0.01	-0.01	0.01	0.01	0.01	0.01	0.01	0.01
						0.00	0.50	0.50	0.50	1.31	0.41	-0.66	0.00	0.00	0.00	1.03	1.03	0.00	1.38	0.44	0.44	0.44	0.44	0.44	0.44	0.44	0.44	0.44	0.44

PROPULSIVE WING FORCE DATA

SUMMARY, RUM 323

PT	Q	ALPHA	BETA	REY NO	HEIGHT	CLIS	CAFIB	CMH	CPMIB	CRMIB	CLTR	CPMIB	CPMIB	CMUT	CDIS	CAFIB	CMH	CPMIB	CRMIB	CLTR	CYMB	CYMB	CDTR	CSFIB	CSFIB	CNTR			
1	12.17	8.04	5.01	0.63E+06	47.98	1.68	0.22	-0.93	-0.93	-0.93	-0.93	0.00	0.00	0.00	0.06	0.06	0.06	-1.26	0.00	0.00	0.01	0.01	0.01	-0.07	-0.07	-0.67			
						1.70	-0.02	-0.93	-0.93	-0.93	0.00	0.00	0.00	0.01	0.01	0.01	-1.26	0.00	0.01	-0.24	-1.26	0.00	0.01	0.01	0.01	0.01	0.01	0.01	0.01
						0.00	0.50	0.50	0.50	1.33	0.40	-0.67	0.00	0.00	0.00	1.01	1.01	0.00	1.44	0.44	0.44	0.44	0.44	0.44	0.44	0.44	0.44	0.44	0.44
2	12.17	8.03	5.01	0.63E+06	65.06	1.67	0.22	-0.93	-0.93	-0.93	-0.93	0.00	0.00	0.00	0.07	0.07	0.07	-1.27	0.00	0.00	0.01	0.01	0.01	-0.07	-0.07	-0.67			
						1.68	-0.01	-0.93	-0.93	-0.93	0.00	0.00	0.00	0.01	0.01	0.01	-1.27	0.00	0.01	-0.23	-1.27	0.00	0.01	0.01	0.01	0.01	0.01	0.01	0.01
						0.00	0.50	0.50	0.50	1.31	0.41	-0.67	0.00	0.00	0.00	1.01	1.01	0.00	1.39	0.44	0.44	0.44	0.44	0.44	0.44	0.44	0.44	0.44	0.44
3	12.05	8.02	5.01	0.62E+06	87.03	1.67	0.22	-0.93	-0.93	-0.93	-0.93	0.00	0.00	0.00	0.05	0.05	0.05	-1.25	-0.01	-0.01	0.01	0.01	0.01	-0.07	-0.07	-0.66			
						1.68	-0.01	-0.93	-0.93	-0.93	0.00	0.00	0.00	0.01	0.01	0.01	-1.25	-0.01	0.01	-0.24	-1.25	-0.01	-0.01	0.01	0.01	0.01	0.01	0.01	0.01
						0.00	0.50	0.50	0.50	1.31	0.41	-0.66	0.00	0.00	0.00	1.03	1.03	0.00	1.38	0.44	0.44	0.44	0.44	0.44	0.44	0.44	0.44	0.44	0.44

PROPULSIVE WING FORCE DATA

SUMMARY, RUN 326

PT	Q	ALPHA	BETA	REY NO	HEIGHT	CLIS	CNFIB	CMUC	CAFIB	CMUM	CPMIS	CPMIB	CMUT	CRMIS	CRMIB	CLTR	CYMIS	CYMIB	CDTR	CSFIS	CSFIB	CNTR
1	6.08	0.00	0.00	0.44E+06	19.39	1.73	0.00	1.02	-0.26	-1.14	-1.14	-1.14	-1.14	-0.02	-0.02	1.05	0.00	0.00	0.22	0.00	0.00	0.00
2	5.97	-0.02	0.00	0.44E+06	32.84	1.66	0.00	1.04	-0.24	-1.18	-1.18	-1.18	-1.18	-0.01	-0.01	0.96	0.00	0.00	0.25	0.00	0.00	-0.62
3	5.97	-0.04	0.00	0.44E+06	85.68	1.72	0.00	1.04	-0.21	-1.16	-1.16	-1.16	-1.16	-0.01	-0.01	1.02	0.00	0.00	0.27	0.00	0.00	-0.60
4	5.97	0.00	0.00	0.44E+06	87.36	1.68	0.00	1.03	-0.21	-1.17	-1.17	-1.17	-1.17	-0.01	-0.01	0.99	0.00	0.00	0.28	0.00	0.03	-0.61

PROPULSIVE WING FORCE DATA

SUMMARY, RUN 325

PT	Q	ALPHA	BETA	REY NO	HEIGHT	CLIS	CNFIB	CMUC	CAFIB	CMUM	CPMIS	CPMIB	CMUT	CRMIS	CRMIB	CLTR	CYMIS	CYMIB	CDTR	CSFIS	CSFIB	CNTR
1	5.97	0.00	0.00	0.44E+06	19.56	1.75	0.00	1.03	-0.27	-1.17	-1.17	-1.17	-1.17	-0.02	-0.02	1.06	0.00	0.00	0.22	0.00	0.00	-0.61
2	5.97	-0.02	0.00	0.44E+06	32.81	1.67	0.00	1.03	-0.24	-1.15	-1.15	-1.15	-1.15	-0.01	-0.01	0.98	0.00	0.00	0.25	0.01	0.01	-0.59

PROPULSIVE WING FORCE DATA

SUMMARY, RUN 327

PT	Q	ALPHA	BETA	REY NO	HEIGHT	CLIS			CPMIS			CYMIS			CSFIS											
						CMFIB	CMUC	CMUM	CPMIB	CPMUT	CLTR	CYFIB	CYRIB	CDTR	CMFIB	CMRIB	CMTR	CSFIB	CSRIB	CDTR						
2	0.02	0.00	0.00	0.31E+06	19.38	2.56	-0.75	-1.75	-1.75	-0.02	0.01	0.01	-0.05	2.56	-0.75	-1.75	-1.75	-0.02	0.01	0.01	-0.05					
						2.56	-0.75	-1.75	-0.02	0.01	0.01	-0.05	2.56	-0.75	-1.75	-0.02	0.01	0.01	-0.05	2.56	-0.75	-1.75	-0.02	0.01	0.01	-0.05
						0.00	0.00	2.12	2.12	1.15	0.25	-0.61	0.00	2.12	2.12	1.15	0.25	-0.61	0.00	2.12	2.12	1.15	0.25	-0.61		
3	0.00	0.00	0.00	0.31E+06	32.60	2.44	-0.69	-1.73	-1.73	-0.02	0.00	0.00	-0.03	2.44	-0.69	-1.73	-1.73	-0.02	0.00	0.00	-0.03					
						2.44	-0.69	-1.73	-0.02	0.00	0.00	-0.03	2.44	-0.69	-1.73	-0.02	0.00	0.00	-0.03	2.44	-0.69	-1.73	-0.02	0.00	0.00	-0.03
						0.00	0.00	2.03	2.03	1.09	0.27	-0.63	0.00	2.03	2.03	1.09	0.27	-0.63	0.00	2.03	2.03	1.09	0.27	-0.63		
4	-0.02	0.00	0.00	0.31E+06	65.69	2.42	-0.66	-1.74	-1.74	-0.01	0.00	0.00	-0.02	2.42	-0.66	-1.74	-1.74	-0.01	0.00	0.00	-0.02					
						2.42	-0.66	-1.74	-0.01	0.00	0.00	-0.02	2.42	-0.66	-1.74	-0.01	0.00	0.00	-0.02	2.42	-0.66	-1.74	-0.01	0.00	0.00	-0.02
						0.00	0.00	2.04	2.04	1.06	0.29	-0.64	0.00	2.04	2.04	1.06	0.29	-0.64	0.00	2.04	2.04	1.06	0.29	-0.64		
5	-0.04	0.00	0.00	0.31E+06	87.09	2.47	-0.65	-1.74	-1.74	-0.01	0.00	0.00	-0.02	2.47	-0.65	-1.74	-1.74	-0.01	0.00	0.00	-0.02					
						2.47	-0.65	-1.74	-0.01	0.00	0.00	-0.02	2.47	-0.65	-1.74	-0.01	0.00	0.00	-0.02	2.47	-0.65	-1.74	-0.01	0.00	0.00	-0.02
						0.00	0.00	2.05	2.05	1.11	0.31	-0.63	0.00	2.05	2.05	1.11	0.31	-0.63	0.00	2.05	2.05	1.11	0.31	-0.63		

PROPULSIVE WING FORCE DATA

SUMMARY, RUN 328

PT	Q	ALPHA	BETA	REY NO	HEIGHT	CLIS			CPMIS			CYMIS			CSFIS											
						CMFIB	CMUC	CMUM	CPMIB	CPMUT	CLTR	CYFIB	CYRIB	CDTR	CMFIB	CMRIB	CMTR	CSFIB	CSRIB	CDTR						
1	3.04	8.07	5.01	0.31E+06	48.09	2.91	-0.31	-1.78	-1.78	-0.01	0.02	0.02	-0.15	2.91	-0.31	-1.78	-1.78	-0.01	0.02	0.02	-0.15					
						2.84	-0.71	-1.78	-0.01	0.02	0.02	-0.15	2.84	-0.71	-1.78	-0.01	0.02	0.02	-0.15	2.84	-0.71	-1.78	-0.01	0.02	0.02	-0.15
						0.00	0.00	2.05	2.05	1.43	0.45	-0.68	0.00	2.05	2.05	1.43	0.45	-0.68	0.00	2.05	2.05	1.43	0.45	-0.68		
2	2.93	8.06	5.01	0.31E+06	65.61	2.95	-0.33	-1.88	-1.88	-0.01	0.02	0.02	-0.20	2.95	-0.33	-1.88	-1.88	-0.01	0.02	0.02	-0.20					
						2.88	-0.74	-1.88	-0.02	0.02	0.02	-0.20	2.88	-0.74	-1.88	-0.02	0.02	0.02	-0.20	2.88	-0.74	-1.88	-0.02	0.02	0.02	-0.20
						0.00	0.00	2.13	2.13	1.41	0.46	-0.73	0.00	2.13	2.13	1.41	0.46	-0.73	0.00	2.13	2.13	1.41	0.46	-0.73		
3	3.04	8.05	5.01	0.31E+06	87.00	2.82	-0.31	-1.78	-1.78	-0.03	0.02	0.02	-0.15	2.82	-0.31	-1.78	-1.78	-0.03	0.02	0.02	-0.15					
						2.75	-0.70	-1.78	-0.03	0.01	0.01	-0.15	2.75	-0.70	-1.78	-0.03	0.01	0.01	-0.15	2.75	-0.70	-1.78	-0.03	0.01	0.01	-0.15
						0.00	0.00	2.06	2.06	1.33	0.45	-0.65	0.00	2.06	2.06	1.33	0.45	-0.65	0.00	2.06	2.06	1.33	0.45	-0.65		

PROPULSIVE WING FORCE DATA

SUMMARY, RUN 330

PT	Q	ALPHA BETA	REY NO HEIGHT	CLIS			CPMIS			CRMIS			CYMIS			CSFIS		
				CNFIB CMUC	CAFIB CMUM	CMIB CMUT	CMIB CMUT	CMIB CLTR	CMIB CDTR	CMIB CDTR	CMIB CMTR	CMIB CMTR	CMIB CMTR	CMIB CMTR				
1	12.17	8.07	0.63E+06	1.73	0.22	-0.96	-0.01	0.00	0.00	0.00	0.00	0.00	0.00	0.00	0.00	0.00	0.00	0.00
		5.01	48.10	1.75	-0.03	-0.96	-0.01	0.00	0.00	0.00	0.00	0.00	0.00	0.00	0.00	0.00	0.00	0.00
				0.00	0.51	0.51	1.36											
2	12.17	8.05	0.63E+06	1.70	0.22	-0.95	-0.02	0.00	0.00	0.00	0.00	0.00	0.00	0.00	0.00	0.00	0.00	0.00
		5.01	65.61	1.71	-0.02	-0.95	-0.02	0.00	0.00	0.00	0.00	0.00	0.00	0.00	0.00	0.00	0.00	0.00
				0.00	0.52	0.52	1.33											
3	12.05	8.05	0.62E+06	1.71	0.22	-0.95	-0.02	0.00	0.00	0.00	0.00	0.00	0.00	0.00	0.00	0.00	0.00	0.00
		5.01	86.73	1.72	-0.02	-0.95	-0.02	0.00	0.00	0.00	0.00	0.00	0.00	0.00	0.00	0.00	0.00	0.00
				0.00	0.52	0.52	1.33											

PROPULSIVE WING FORCE DATA

SUMMARY, RUN 329

PT	Q	ALPHA BETA	REY NO HEIGHT	CLIS			CPMIS			CRMIS			CYMIS			CSFIS		
				CNFIB CMUC	CAFIB CMUM	CMIB CMUT	CMIB CMUT	CMIB CLTR	CMIB CDTR	CMIB CDTR	CMIB CMTR	CMIB CMTR	CMIB CMTR	CMIB CMTR				
1	6.08	8.07	0.44E+06	2.15	0.06	-1.27	0.00	0.01	0.01	0.01	0.01	0.01	0.01	0.01	0.01	0.01	0.01	0.01
		5.01	48.08	2.14	-0.24	-1.27	0.00	0.01	0.01	0.01	0.01	0.01	0.01	0.01	0.01	0.01	0.01	0.01
				0.00	1.02	1.02	1.41	0.44	-0.71									
2	5.97	8.05	0.44E+06	2.18	0.07	-1.29	0.00	0.01	0.01	0.01	0.01	0.01	0.01	0.01	0.01	0.01	0.01	0.01
		5.01	65.63	2.17	-0.24	-1.29	0.00	0.01	0.01	0.01	0.01	0.01	0.01	0.01	0.01	0.01	0.01	0.01
				0.00	1.05	1.05	1.42	0.46	-0.73									
3	6.08	8.05	0.44E+06	2.14	0.06	-1.25	0.00	0.01	0.01	0.01	0.01	0.01	0.01	0.01	0.01	0.01	0.01	0.01
		5.01	67.06	2.13	-0.24	-1.25	0.00	0.01	0.01	0.01	0.01	0.01	0.01	0.01	0.01	0.01	0.01	0.01
				0.00	1.03	1.03	1.39	0.45	-0.70									



PROPULSIVE WING FORCE DATA

SUMMARY. RUN 332

PT	Q	ALPHA	BETA	REY NO	HEIGHT	CLIS	CAFIB	CMUC	CDIS	CAFIB	CMUC	CPMIS	CPMIB	CMUT	CRMIS	CRMIB	CLTR	CYMIS	CYMIB	CDTR	CSFIS	CSFIB	CMTR	
1	12.17	0.13	0.00	0.63E+06	19.67	0.53	0.12	0.00	0.12	0.12	0.00	-0.30	0.00	0.00	0.00	0.00	0.49	0.00	0.00	0.00	0.00	0.02	0.02	-0.26
2	12.17	0.13	0.00	0.63E+06	32.80	0.49	0.12	0.00	0.12	0.12	0.00	-0.29	0.00	0.00	0.00	0.00	0.45	0.00	0.00	0.00	0.00	0.02	0.02	-0.25
3	12.05	0.11	0.00	0.62E+06	65.70	0.48	0.12	0.00	0.12	0.12	0.00	-0.28	0.00	0.00	0.00	0.00	0.44	0.00	0.00	0.00	0.00	0.02	0.02	-0.24
4	12.17	-0.03	0.00	0.63E+06	85.53	0.45	0.12	0.00	0.12	0.12	0.00	-0.28	0.00	0.00	0.00	0.00	0.41	0.00	0.00	0.00	0.00	0.02	0.02	-0.24

PROPULSIVE WING FORCE DATA

SUMMARY. RUN 331

PT	Q	ALPHA	BETA	REY NO	HEIGHT	CLIS	CAFIB	CMUC	CDIS	CAFIB	CMUC	CPMIS	CPMIB	CMUT	CRMIS	CRMIB	CLTR	CYMIS	CYMIB	CDTR	CSFIS	CSFIB	CMTR	
1	12.28	0.03	0.00	0.63E+06	19.66	1.32	-0.03	0.00	-0.03	-0.03	0.51	-0.86	-0.01	0.00	-0.01	0.00	0.98	-0.01	-0.01	0.21	0.01	0.01	0.01	-0.59
2	12.17	0.01	0.00	0.63E+06	32.80	1.27	-0.01	0.00	-0.01	-0.01	0.52	-0.85	-0.01	0.00	-0.01	0.00	0.93	0.23	0.23	0.00	0.01	0.01	0.01	-0.57
3	12.05	-0.01	0.00	0.62E+06	65.61	1.25	0.01	0.00	0.01	0.01	0.52	-0.85	-0.01	0.00	-0.01	0.00	0.90	0.25	0.25	0.00	0.01	0.01	0.01	-0.57
4	11.94	-0.03	0.00	0.62E+06	87.03	1.28	0.01	0.00	0.01	0.01	0.53	-0.85	-0.01	0.00	-0.01	0.00	0.94	0.25	0.25	0.00	0.02	0.02	0.02	-0.57

PROPULSIVE WING FORCE DATA

SUMMARY, RUN 334

PT	Q		REY NO HEIGHT	CLIS CMFIB CMUC	CDIS CAFIB CMUH	CPMIS CPMIB CMUT	CRMIS CRMIB CLTR	CYMIS CYMIB CDTR	CSFIS CSFIB CMTR
	ALPHA	BETA							
2	3.15			2.34	-0.64	-1.66	-0.01	0.01	-0.06
	-0.06		0.32E+06	2.35	-0.64	-1.66	-0.01	0.01	-0.06
	0.00		19.22	0.00	1.89	1.89	1.09	0.24	-0.65
3	2.93			2.43	-0.67	-1.75	-0.02	0.00	-0.05
	-0.08		0.31E+06	2.43	-0.66	-1.75	-0.02	0.00	-0.05
	0.00		32.75	0.00	2.04	2.04	1.08	0.29	-0.65
4	3.04			2.24	-0.61	-1.70	-0.02	0.00	-0.07
	-0.10		0.31E+06	2.24	-0.60	-1.70	-0.02	0.00	-0.07
	0.00		65.84	0.00	1.96	1.96	0.94	0.31	-0.65

PROPULSIVE WING FORCE DATA

SUMMARY, RUN 333

PT	Q		REY NO HEIGHT	CLIS CMFIB CMUC	CDIS CAFIB CMUH	CPMIS CPMIB CMUT	CRMIS CRMIB CLTR	CYMIS CYMIB CDTR	CSFIS CSFIB CMTR
	ALPHA	BETA							
1	12.17			0.82	0.21	-0.34	-0.01	-0.01	-0.04
	8.02		0.63E+06	0.84	0.09	-0.34	-0.01	-0.01	-0.04
	5.01		47.51	0.00	0.00	0.00	0.78	0.24	-0.30
2	12.05			0.81	0.21	-0.34	-0.01	-0.01	-0.05
	8.01		0.63E+06	0.83	0.09	-0.34	-0.01	-0.01	-0.05
	5.01		65.63	0.00	0.00	0.00	0.77	0.24	-0.30
3	12.17			0.80	0.21	-0.34	-0.01	-0.01	-0.05
	8.01		0.63E+06	0.82	0.09	-0.34	-0.01	-0.01	-0.05
	5.01		87.08	0.00	0.00	0.00	0.76	0.24	-0.30

PROPULSIVE WING FORCE DATA

SUMMARY, RUM 335

PT	Q	ALPHA	BETA	REY NO	HEIGHT	CLIS	CMFIB	CMUC	CAFIB	CPMIB	CPMIB	CPMIB	CRMIB	CLTR	CRMIB	CLTR	CRMIB	CLTR	CFIS	CSFIB	CMTR
29	0.00	-0.08	0.00	0.30E+08	65.71	60.78	60.84	0.00	-42.07	-1561.00	-19.95	-19.94	5.03	5.06	-21.31	-1538.00	-0.01	-0.01	-0.01	-0.01	-0.01
30	0.00	-0.10	0.00	0.30E+08	65.71	80.55	80.85	0.00	-55.57	-2123.00	-26.73	-26.73	-1.91	-1.91	-1.86	-0.18	-0.18	-0.18	-0.18	-0.18	-0.18
31	0.00	-0.13	0.00	0.30E+08	65.71	101.70	101.90	0.00	-71.50	-2684.00	-37.86	-37.91	-21.52	-21.52	-21.52	-2644.00	-0.08	-0.08	-0.08	-0.08	-0.08
32	0.00	-0.17	0.00	0.30E+08	65.71	103.60	103.80	0.00	-76.92	-2893.00	-50.80	-50.75	18.23	18.38	-39.49	-2850.00	-6.26	-6.26	-6.26	-6.26	-6.26

PROPULSIVE WING FORCE DATA

SUMMARY, RUM 336

PT	Q	ALPHA	BETA	REY NO	HEIGHT	CLIS	CMFIB	CMUC	CAFIB	CPMIB	CPMIB	CPMIB	CRMIB	CLTR	CRMIB	CLTR	CRMIB	CLTR	CFIS	CSFIB	CMTR
2	0.00	-0.34	0.00	0.30E+08	73.56	23.22	23.22	0.00	-16.00	-638.10	-16.17	-16.17	-4.72	-4.72	-1.71	-1.71	-618.70	-0.01	-0.01	-0.01	-0.01
3	0.00	-0.92	0.00	0.30E+08	73.56	39.80	39.81	0.00	-27.64	-1082.00	-20.22	-20.22	-11.66	-11.66	-1.21	-1.21	-1049.00	-0.01	-0.01	-0.01	-0.01
4	0.00	-0.04	0.00	0.30E+08	73.56	59.81	59.84	0.00	-42.04	-1607.00	-31.12	-31.12	-9.64	-9.64	-2.72	-2.72	-1561.00	-0.01	-0.01	-0.01	-0.01
5	0.00	-0.07	0.00	0.30E+08	73.56	82.50	82.57	0.00	-57.06	-2190.00	-43.30	-43.33	-26.95	-26.95	-2.34	-2.34	-2131.00	-0.01	-0.01	-0.01	-0.01
6	0.00	-0.11	0.00	0.30E+08	73.56	109.10	109.20	0.00	-75.75	-2910.00	-61.49	-61.59	-53.38	-53.38	-1.58	-1.58	-2834.00	-0.01	-0.01	-0.01	-0.01

PROPULSIVE WING FORCE DATA

SUMMARY. RUN 338

PT	Q		REY NO HEIGHT	CLIS			CPMIS			CRMIS			CSFIS		
	ALPHA BETA			CMFIB CMUC	CAFIB CHUM	CPMIB CMUT	CRMIB CLTR	CMFIB CMUC	CAFIB CHUM	CPMIB CMUT	CRMIB CLTR	CMFIB CMUC	CAFIB CHUM	CPMIB CMUT	CRMIB CLTR
1	21.15		0.79E+06	1.76	0.03	-1.12	0.00	0.00	0.00	0.00	0.00	0.00	0.00	0.00	0.02
	-0.23		19.29	1.76	0.04	-1.12	0.00	0.00	0.00	0.00	0.00	0.00	0.00	0.00	0.02
	0.00			0.00	0.53	0.53	0.00	0.53	1.41	0.27	-0.83				
2	21.04		0.78E+06	1.81	0.10	-1.18	0.00	0.00	0.00	0.00	0.00	0.00	0.00	0.00	0.02
	-0.06		32.83	1.81	0.10	-1.18	0.00	0.00	0.00	0.00	0.00	0.00	0.00	0.00	0.02
	0.00			0.00	0.53	0.53	0.00	0.53	1.45	0.34	-0.88				
3	20.81		0.78E+06	1.80	0.12	-1.19	0.00	0.00	0.00	0.00	0.00	0.00	0.00	0.00	0.02
	0.00		65.68	1.80	0.12	-1.19	0.00	0.00	0.00	0.00	0.00	0.00	0.00	0.00	0.02
	0.00			0.00	0.54	0.54	0.00	0.54	1.43	0.37	-0.88				
4	21.04		0.79E+06	1.78	0.12	-1.18	0.00	0.00	0.00	0.00	0.00	0.00	0.00	0.00	0.02
	-0.02		87.08	1.78	0.12	-1.18	0.00	0.00	0.00	0.00	0.00	0.00	0.00	0.00	0.02
	0.00			0.00	0.54	0.54	0.00	0.54	1.41	0.37	-0.87				

PROPULSIVE WING FORCE DATA

SUMMARY. RUN 337

PT	Q		REY NO HEIGHT	CLIS			CPMIS			CRMIS			CSFIS		
	ALPHA BETA			CMFIB CMUC	CAFIB CHUM	CPMIB CMUT	CRMIB CLTR	CMFIB CMUC	CAFIB CHUM	CPMIB CMUT	CRMIB CLTR	CMFIB CMUC	CAFIB CHUM	CPMIB CMUT	CRMIB CLTR
2	30.12		0.94E+06	0.51	0.11	-0.29	0.00	0.00	0.00	0.00	0.00	0.00	0.00	0.00	0.01
	-0.04		19.18	0.51	0.11	-0.29	0.00	0.00	0.00	0.00	0.00	0.00	0.00	0.00	0.01
	0.00			0.00	0.00	0.00	0.49	0.13	-0.27						
3	29.77		0.93E+06	0.50	0.12	-0.29	0.00	0.00	0.00	0.00	0.00	0.00	0.00	0.00	0.01
	-0.06		32.85	0.49	0.12	-0.29	0.00	0.00	0.00	0.00	0.00	0.00	0.00	0.00	0.01
	0.00			0.00	0.00	0.00	0.48	0.13	-0.27						
4	29.77		0.93E+06	0.48	0.12	-0.29	0.00	0.00	0.00	0.00	0.00	0.00	0.00	0.00	0.01
	0.01		85.66	0.48	0.12	-0.29	0.00	0.00	0.00	0.00	0.00	0.00	0.00	0.00	0.01
	0.00			0.00	0.00	0.00	0.46	0.14	-0.27						
5	30.35		0.94E+06	0.46	0.12	-0.28	0.00	0.00	0.00	0.00	0.00	0.00	0.00	0.00	0.01
	-0.02		87.09	0.46	0.12	-0.28	0.00	0.00	0.00	0.00	0.00	0.00	0.00	0.00	0.01
	0.00			0.00	0.00	0.00	0.45	0.14	-0.26						

PROPULSIVE MING FORCE DATA

SUMMARY, RUN 340

PT	Q	ALPHA	BETA	REY NO	HEIGHT	CLIS			CPMIS			CYMIS			CSFIS				
						CMUC	CMFB	CMIS	CMUT	CPMIB	CPMIB	CLTR	CMUC	CMFB	CMIS	CMUT	CPMIB	CPMIB	CLTR
1	5.40	0.04	0.00	0.40E+06	19.53	2.89	-0.69	-1.72	0.03	0.03	0.03	-0.01	0.00	0.00	0.00	0.00	0.00	0.00	0.00
2	5.29	-0.02	0.00	0.40E+06	32.81	3.22	-0.56	-2.25	0.00	0.00	0.00	0.00	0.01	0.00	0.00	0.00	0.00	0.00	0.00
3	5.52	0.00	0.00	0.40E+06	65.69	3.13	-0.47	-2.22	0.00	0.00	0.00	0.00	0.02	0.00	0.00	0.00	0.00	0.00	0.00
4	5.28	-0.02	0.00	0.40E+06	87.00	3.23	-0.50	-2.34	-0.01	-0.01	-0.01	0.00	0.03	0.00	0.00	0.00	0.00	0.00	0.00

PROPULSIVE MING FORCE DATA

SUMMARY, RUN 338

PT	Q	ALPHA	BETA	REY NO	HEIGHT	CLIS			CPMIS			CYMIS			CSFIS				
						CMUC	CMFB	CMIS	CMUT	CPMIB	CPMIB	CLTR	CMUC	CMFB	CMIS	CMUT	CPMIB	CPMIB	CLTR
1	10.58	0.08	0.00	0.56E+06	20.00	2.25	-0.19	-1.47	-0.01	-0.01	-0.01	0.04	0.04	0.00	0.00	0.00	0.00	0.00	0.00
2	10.46	0.00	0.00	0.56E+06	32.81	2.39	-0.10	-1.59	0.00	-0.01	-0.01	0.03	0.03	0.00	0.00	0.00	0.00	0.00	0.00
3	10.46	-0.02	0.00	0.56E+06	65.69	2.35	-0.08	-1.59	0.00	-0.01	-0.01	0.03	0.03	0.00	0.00	0.00	0.00	0.00	0.00
4	10.81	-0.01	0.00	0.56E+06	87.01	2.30	-0.07	-1.55	0.00	-0.01	-0.01	0.02	0.02	0.00	0.00	0.00	0.00	0.00	0.00

PROPULSIVE WING FORCE DATA

SUMMARY, RUN 342

PT	Q		REY NO HEIGHT	CLIS			CPMIS			CRMIS			CYMIS			CSFIS			
	ALPHA	BETA		CMFIB	CMHUC	CMFIB	CMHUC	CMFIB	CMHUC	CMFIB	CMHUC	CMFIB	CMHUC	CMFIB	CMHUC	CMFIB	CMHUC	CMFIB	CMHUC
1	1.24	0.02	0.19E+06	8.01	-3.48	8.00	-3.48	8.00	-3.48	8.00	-3.48	8.00	-3.48	8.00	-3.48	8.00	-3.48	8.00	0.11
	0.00	0.00	86.98	0.00	8.90	0.00	8.90	0.00	8.90	0.00	8.90	0.00	8.90	0.00	8.90	0.00	8.90	0.00	0.11
2	1.35	-0.01	0.20E+06	5.25	-3.70	5.25	-3.70	5.25	-3.70	5.25	-3.70	5.25	-3.70	5.25	-3.70	5.25	-3.70	5.25	-0.07
	0.00	0.00	19.26	0.00	8.17	0.00	8.17	0.00	8.17	0.00	8.17	0.00	8.17	0.00	8.17	0.00	8.17	0.00	0.41
3	1.24	-0.02	0.19E+06	7.77	-3.66	7.77	-3.66	7.77	-3.66	7.77	-3.66	7.77	-3.66	7.77	-3.66	7.77	-3.66	7.77	0.13
	0.00	0.00	32.85	0.00	8.89	0.00	8.89	0.00	8.89	0.00	8.89	0.00	8.89	0.00	8.89	0.00	8.89	0.00	0.13
4	1.35	-0.01	0.20E+06	7.69	-3.18	7.69	-3.18	7.69	-3.18	7.69	-3.18	7.69	-3.18	7.69	-3.18	7.69	-3.18	7.69	0.02
	0.00	0.00	85.66	0.00	8.17	0.00	8.17	0.00	8.17	0.00	8.17	0.00	8.17	0.00	8.17	0.00	8.17	0.00	0.02
5	1.47	-0.02	0.21E+06	6.88	-2.95	6.88	-2.95	6.88	-2.95	6.88	-2.95	6.88	-2.95	6.88	-2.95	6.88	-2.95	6.88	0.00
	0.00	0.00	87.01	0.00	7.53	0.00	7.53	0.00	7.53	0.00	7.53	0.00	7.53	0.00	7.53	0.00	7.53	0.00	0.07
																			0.61
																			0.99

PROPULSIVE WING FORCE DATA

SUMMARY, RUN 341

PT	Q		REY NO HEIGHT	CLIS			CPMIS			CRMIS			CYMIS			CSFIS			
	ALPHA	BETA		CMFIB	CMHUC	CMFIB	CMHUC	CMFIB	CMHUC	CMFIB	CMHUC	CMFIB	CMHUC	CMFIB	CMHUC	CMFIB	CMHUC	CMFIB	CMHUC
1	2.76	0.00	0.29E+06	3.06	-1.75	3.06	-1.75	3.06	-1.75	3.06	-1.75	3.06	-1.75	3.06	-1.75	3.06	-1.75	3.06	-0.07
	0.00	0.00	19.35	0.00	4.16	0.00	4.16	0.00	4.16	0.00	4.16	0.00	4.16	0.00	4.16	0.00	4.16	0.00	0.13
2	2.41	-0.05	0.27E+06	5.34	-1.65	5.34	-1.65	5.34	-1.65	5.34	-1.65	5.34	-1.65	5.34	-1.65	5.34	-1.65	5.34	0.06
	0.00	0.00	32.79	0.00	4.77	0.00	4.77	0.00	4.77	0.00	4.77	0.00	4.77	0.00	4.77	0.00	4.77	0.00	-1.09
3	2.65	0.00	0.28E+06	5.19	-1.40	5.19	-1.40	5.19	-1.40	5.19	-1.40	5.19	-1.40	5.19	-1.40	5.19	-1.40	5.19	0.04
	0.00	0.00	85.81	0.00	4.35	0.00	4.35	0.00	4.35	0.00	4.35	0.00	4.35	0.00	4.35	0.00	4.35	0.00	-1.08
4	2.65	-0.01	0.28E+06	5.15	-1.39	5.15	-1.39	5.15	-1.39	5.15	-1.39	5.15	-1.39	5.15	-1.39	5.15	-1.39	5.15	0.06
	0.00	0.00	86.98	0.00	4.36	0.00	4.36	0.00	4.36	0.00	4.36	0.00	4.36	0.00	4.36	0.00	4.36	0.00	-1.11

PROPULSIVE MING FORCE DATA

SUMMARY, RUN 343

PT	O ALPHA BETA	REY NO HEIGHT	CLIS			CPHIS			CYNIS			CSFIS		
			CMFIB CHUC	CDIS CAFIB CHUM	CPHIB CPHUT	CYHIB CYHIB CDTR	CSHIB CSHIB CHTR	CLIS CMFIB CHUC	CPHIB CPHIB CHUT	CYNIB CYNIB CDTR	CSHIB CSHIB CHTR			
1	1.13	0.18E+06 57.24	10.11	-2.54	-6.72	-0.03	0.00	0.02	0.00	0.02	0.00	0.02	0.02	0.02
	8.05	0.18E+06	9.66	-3.93	-6.72	-0.02	0.00	0.02	0.00	0.02	0.00	0.02	0.02	-1.11
	0.00	57.24	0.00	9.86	9.86	2.68	1.11	-1.11						
2	1.35	0.20E+06 65.69	8.60	-2.05	-5.87	-0.03	0.00	-0.02	0.00	-0.02	0.00	-0.02	-0.02	-1.19
	8.04	0.20E+06	8.23	-3.24	-5.87	-0.03	0.00	-0.02	0.00	-0.02	0.00	-0.02	-0.02	-1.19
	0.00	65.69	0.00	8.16	8.16	2.41	0.99	-1.19						
3	1.47	0.21E+06 87.06	7.64	-1.92	-5.59	-0.02	-0.01	0.00	-0.01	0.00	0.00	-0.01	0.00	-1.27
	8.03	0.21E+06	7.30	-2.97	-5.59	-0.02	-0.01	0.00	-0.01	0.00	0.00	-0.01	0.00	-1.27
	0.00	87.06	0.00	7.57	7.57	1.93	0.89	-1.27						

PROPULSIVE MING FORCE DATA

SUMMARY, RUN 344

PT	O ALPHA BETA	REY NO HEIGHT	CLIS			CPHIS			CYNIS			CSFIS		
			CMFIB CHUC	CDIS CAFIB CHUM	CPHIB CPHUT	CYHIB CYNIB CDTR	CSHIB CSHIB CHTR	CLIS CMFIB CHUC	CPHIB CPHIB CHUT	CYNIB CYNIB CDTR	CSHIB CSHIB CHTR			
1	2.59	0.28E+06 48.29	5.59	-0.72	-3.64	-0.01	-0.02	0.07	0.00	-0.02	0.07	0.07	0.07	
	8.05	0.28E+06	5.44	-1.50	-3.64	0.00	-0.02	0.07	0.00	-0.02	0.07	0.07	0.07	
	0.00	48.29	0.00	4.28	4.28	2.35	0.88	-1.19						
2	2.59	0.28E+06 65.60	5.58	-0.70	-3.71	-0.01	0.00	-0.03	0.00	-0.01	0.00	-0.03	-0.03	
	8.03	0.28E+06	5.43	-1.47	-3.71	-0.01	0.00	-0.03	0.00	-0.01	0.00	-0.03	-0.03	
	0.00	65.60	0.00	4.29	4.29	2.35	0.89	-1.27						
3	2.70	0.28E+06 87.03	5.31	-0.65	-3.61	0.00	0.00	-0.02	0.00	0.00	0.00	-0.02	-0.02	
	8.02	0.28E+06	5.17	-1.38	-3.61	0.00	0.00	-0.02	0.00	0.00	0.00	-0.02	-0.02	
	0.00	87.03	0.00	4.11	4.11	2.21	0.87	-1.27						

PROPULSIVE MING FORCE DATA

SUMMARY. RUN 346

PT	Q	ALPHA	BETA	REV NO	HEIGHT	CLIS	CMFIB	CMUC	CAFIB	CRUM	CPM15	CPM18	CPM1B	CMUT	CRM15	CRM18	CRM1B	CLTR	CYM15	CYM18	CYM1B	CDTR	CSF15	CSF18	CSF1B	CMTR
1	5.41	-0.02	0.00	0.40E+06	19.53	2.66	2.66	0.00	-0.70	2.06	-1.75	-1.75	0.06	2.06	0.06	0.06	1.23	0.28	-0.03	-0.03	-0.03	0.03	0.03	0.03	0.03	-0.57
2	5.52	0.01	0.00	0.41E+06	32.85	3.05	3.05	0.00	-0.54	2.03	-2.08	-2.08	0.00	2.03	0.00	0.00	1.64	0.42	0.00	0.00	0.00	0.00	0.00	0.00	0.00	-0.93
3	5.41	-0.01	0.00	0.40E+06	65.66	3.14	3.14	0.00	-0.49	2.05	-2.18	-2.18	-0.01	2.05	-0.01	-0.01	1.71	0.49	0.00	0.00	0.00	0.00	0.00	0.00	0.00	-1.01
4	5.30	-0.03	0.00	0.40E+06	87.08	3.13	3.13	0.00	-0.51	2.10	-2.24	-2.24	-0.01	2.10	-0.01	-0.01	1.67	0.49	0.00	0.00	0.00	0.00	0.00	0.00	0.00	-1.04

PROPULSIVE MING FORCE DATA

SUMMARY. RUN 345

PT	Q	ALPHA	BETA	REV NO	HEIGHT	CLIS	CMFIB	CMUC	CAFIB	CRUM	CPM15	CPM18	CPM1B	CMUT	CRM15	CRM18	CRM1B	CLTR	CYM15	CYM18	CYM1B	CDTR	CSF15	CSF18	CSF1B	CMTR
1	2.70	-0.01	0.00	0.28E+06	19.48	3.20	3.20	0.00	-1.74	4.12	-2.20	-2.20	0.02	4.12	0.02	0.02	0.33	0.22	0.03	0.03	0.03	0.05	0.05	0.05	0.05	0.18
2	2.59	0.00	0.00	0.28E+06	32.86	4.70	4.70	0.00	-1.53	4.29	-3.36	-3.36	-0.01	4.29	-0.01	-0.01	1.71	0.51	-0.02	-0.02	-0.02	0.01	0.01	0.01	0.01	-0.91
3	2.70	-0.03	0.00	0.28E+06	65.64	4.49	4.49	0.00	-1.40	4.11	-3.38	-3.38	-0.01	4.11	-0.01	-0.01	1.63	0.55	0.00	0.00	0.00	0.03	0.03	0.03	0.03	-1.04
4	2.70	0.05	0.00	0.28E+06	87.06	4.64	4.64	0.00	-1.37	4.11	-3.42	-3.42	-0.01	4.11	-0.01	-0.01	1.78	0.56	-0.01	-0.01	-0.01	0.05	0.05	0.05	0.05	-1.08



PROPULSIVE WING FORCE DATA

SUMMARY. RUN 348

PT	Q	ALPHA	BETA	REY NO	HEIGHT	CL15			CPM15			CRM15			CSF15		
						CNF1B	CHUC	CMUM	CPM1B	CMUT	CLTR	CLTR	CLTR	CYB1B	CDTR	CMTR	
1	5.30	8.08	5.01	0.40E+06	48.44	3.76	3.71	0.00	-0.05	-2.35	-0.01	-0.01	0.00	-0.10	-0.10	-1.15	
2	5.41	8.07	5.01	0.40E+06	65.68	3.66	3.62	0.00	-0.02	-2.32	0.00	0.01	0.01	-0.08	-0.08	-1.15	
3	5.41	8.06	5.01	0.40E+06	86.75	3.68	3.65	0.00	-0.01	-2.33	0.00	0.00	0.00	-0.07	-0.07	-1.15	

PROPULSIVE WING FORCE DATA

SUMMARY. RUN 347

PT	Q	ALPHA	BETA	REY NO	HEIGHT	CL15			CPM15			CRM15			CSF15		
						CNF1B	CHUC	CMUM	CPM1B	CMUT	CLTR	CLTR	CLTR	CYB1B	CDTR	CMTR	
1	5.16	8.01	0.00	0.39E+06	48.17	3.79	3.74	0.00	-0.06	-2.36	0.00	0.00	0.02	0.02	-1.13		
2	5.41	8.07	0.00	0.40E+06	65.78	3.68	3.64	0.00	-0.02	-2.32	-0.01	0.00	0.00	0.00	-1.15		
3	5.30	8.06	0.00	0.40E+06	86.71	3.73	3.69	0.00	-0.01	-2.41	-0.01	-0.01	0.00	0.00	-1.21		

PROPULSIVE WING FORCE DATA

SUMMARY, RUN 350

PT	Q	ALPHA BETA	REY NO HEIGHT	CLIS			CPMIS			CRMIS			CYMIS			CSFIS		
				CAFIB	CMUJ	CMUC	CPHIB	CMUT	CLTR	CMIB	CDTR	CSFIB	CMIB	CDTR	CSFIB	CMIB	CDTR	
1	10.59	-0.02	0.56E+08	2.23	-0.20	-0.20	-1.45	-0.02	-0.02	-0.01	-0.03	-0.01	-0.03	-0.03	-0.03			
				2.23	-0.20	-0.20	-1.45	-0.02	-0.02	-0.01	-0.03	-0.03	-0.03	-0.03	-0.03			
				0.00	1.06	1.06	1.06	1.50	0.30	0.30	-0.85	-0.85	-0.85	-0.85	-0.85			
2	10.59	0.02	0.56E+06	2.27	-0.12	-0.12	-1.53	-0.01	-0.01	0.00	-0.05	0.00	-0.05	-0.05				
				2.27	-0.13	-0.13	-1.53	-0.01	-0.01	0.00	-0.05	0.00	-0.05	-0.05				
				0.00	1.06	1.06	1.06	1.54	0.38	0.38	-0.93	-0.93	-0.93	-0.93				
3	10.59	0.00	0.56E+06	2.26	-0.10	-0.10	-1.51	-0.01	-0.01	0.00	-0.06	0.00	-0.06	-0.06				
				2.26	-0.10	-0.10	-1.51	-0.01	-0.01	0.00	-0.06	0.00	-0.06	-0.06				
				0.00	1.06	1.06	1.06	1.53	0.40	0.40	-0.91	-0.91	-0.91	-0.91				
4	10.48	-0.01	0.56E+05	2.26	-0.10	-0.10	-1.54	-0.01	-0.01	0.00	-0.06	0.00	-0.06	-0.06				
				2.26	-0.10	-0.10	-1.54	-0.01	-0.01	0.00	-0.06	0.00	-0.06	-0.06				
				0.00	1.07	1.07	1.07	1.52	0.41	0.41	-0.93	-0.93	-0.93	-0.93				

PROPULSIVE WING FORCE DATA

SUMMARY, RUN 349

PT	Q	ALPHA BETA	REY NO HEIGHT	CLIS			CPMIS			CRMIS			CYMIS			CSFIS		
				CAFIB	CMUJ	CMUC	CPHIB	CMUT	CLTR	CMIB	CDTR	CSFIB	CMIB	CDTR	CSFIB	CMIB	CDTR	
1	5.30	0.02	0.40E+06	2.84	-0.71	-1.96	-1.96	-0.06	-0.06	0.02	-0.07	0.02	-0.07	-0.07				
				2.84	-0.71	-1.96	-1.96	-0.06	-0.06	0.02	-0.07	0.02	-0.07	-0.07				
				0.00	2.11	2.11	1.37	1.37	0.29	-0.76	-0.76	-0.76	-0.76	-0.76				
2	5.41	0.02	0.40E+06	3.12	-0.55	-2.16	-2.16	-0.01	-0.01	0.00	-0.04	0.00	-0.04	-0.04				
				3.12	-0.56	-2.16	-2.16	-0.01	-0.01	0.00	-0.04	0.00	-0.04	-0.04				
				0.00	2.07	2.07	1.68	1.68	0.42	-0.98	-0.98	-0.98	-0.98					
3	5.52	0.00	0.41E+06	3.07	-0.50	-2.12	-2.12	-0.01	-0.01	0.00	-0.06	0.00	-0.06	-0.06				
				3.07	-0.50	-2.12	-2.12	-0.01	-0.01	0.00	-0.06	0.00	-0.06	-0.06				
				0.00	2.02	2.02	1.67	1.67	0.45	-0.97	-0.97	-0.97	-0.97					
4	5.30	-0.02	0.40E+06	3.15	-0.52	-2.21	-2.21	-0.01	-0.01	0.01	-0.07	0.01	-0.07	-0.07				
				3.15	-0.52	-2.21	-2.21	-0.01	-0.01	0.01	-0.07	0.01	-0.07	-0.07				
				0.00	2.11	2.11	1.70	1.70	0.47	-1.02	-1.02	-1.02	-1.02					

PROPULSIVE MING FORCE DATA

SUMMARY. RUN 351

PT	Q	ALPHA	BETA	REY NO	HEIGHT	CLIS			CPMIS			CRMIS			CYMIS			CSFIS							
						CMFIB	CMUC	CMUN	CAFIB	CMIB	CMUT	CLTR	CMIB	CMIB	CDTR	CMFIB	CMIB	CMTR	CMFIB	CMIB	CMTR				
1	10.48	8.03	5.01	0.56E+06	48.34	2.81	0.00	0.26	-1.69	0.00	0.00	0.00	0.00	0.00	0.00	0.00	0.00	0.00	0.00	0.00	0.00	0.00			
						2.82	-0.14	-1.69	0.00	0.00	0.00	0.00	0.00	0.00	0.00	0.00	0.00	0.00	0.00	0.00	0.00	0.00	0.00	0.00	0.00
						0.00	1.07	1.07	2.01	2.01	0.65	-1.08													
2	10.59	8.01	5.01	0.56E+06	65.67	2.78	0.00	0.27	-1.69	0.00	0.00	0.00	0.00	0.00	0.00	0.00	0.00	0.00	0.00	0.00	0.00	0.00			
						2.79	-0.12	-1.69	0.00	0.00	0.00	0.00	0.00	0.00	0.00	0.00	0.00	0.00	0.00	0.00	0.00	0.00	0.00	0.00	0.00
						0.00	1.06	1.06	1.98	1.98	0.66	-1.09													
3	10.59	8.01	5.01	0.56E+06	87.03	2.78	0.00	0.27	-1.69	0.00	0.00	0.00	0.00	0.00	0.00	0.00	0.00	0.00	0.00	0.00	0.00	0.00			
						2.79	-0.12	-1.69	0.00	0.00	0.00	0.00	0.00	0.00	0.00	0.00	0.00	0.00	0.00	0.00	0.00	0.00	0.00	0.00	0.00
						0.00	1.06	1.06	1.98	1.98	0.67	-1.09													

PROPULSIVE MING FORCE DATA

SUMMARY. RUN 352

PT	Q	ALPHA	BETA	REY NO	HEIGHT	CLIS			CPMIS			CRMIS			CYMIS			CSFIS						
						CMFIB	CMUC	CMUN	CAFIB	CMIB	CMUT	CLTR	CMIB	CMIB	CDTR	CMFIB	CMIB	CMTR	CMFIB	CMIB	CMTR			
1	10.59	8.04	0.00	0.57E+06	48.35	2.83	0.00	0.26	-1.70	0.00	0.00	0.00	0.00	0.00	0.00	0.00	0.00	0.00	0.00	0.00	0.00	0.00		
						2.84	-0.13	-1.70	0.00	0.00	0.00	0.00	0.00	0.00	0.00	0.00	0.00	0.00	0.00	0.00	0.00	0.00	0.00	0.00
						0.00	1.06	1.06	2.04	2.04	0.65	-1.10												
2	10.59	8.02	0.00	0.57E+06	65.62	2.80	0.00	0.27	-1.69	0.00	0.00	0.00	0.00	0.00	0.00	0.00	0.00	0.00	0.00	0.00	0.00	0.00		
						2.81	-0.12	-1.69	0.00	0.00	0.00	0.00	0.00	0.00	0.00	0.00	0.00	0.00	0.00	0.00	0.00	0.00	0.00	0.00
						0.00	1.06	1.06	2.01	2.01	0.66	-1.09												
3	10.48	8.01	0.00	0.56E+06	86.73	2.81	0.00	0.28	-1.71	0.00	0.00	0.00	0.00	0.00	0.00	0.00	0.00	0.00	0.00	0.00	0.00	0.00		
						2.82	-0.12	-1.71	0.00	0.00	0.00	0.00	0.00	0.00	0.00	0.00	0.00	0.00	0.00	0.00	0.00	0.00	0.00	0.00
						0.00	1.07	1.07	2.01	2.01	0.67	-1.11												

PROPULSIVE WING FORCE DATA

SUMMARY, RUN 354

PT	Q		REY NO HEIGHT	CLIS CNI1B CRUC	CDIS CAF1B CRUM	CPM1B CPM1B CHUT	CRM1B CRM1B CLTR	CYM1B CYM1B CDTR	CSF1B CSF1B CNTR
	ALPHA	BETA							
1	21.18	-0.01	0.80E+06	1.79	0.04	-1.13	0.00	-0.01	0.02
	0.00	0.00	20.09	1.79	0.04	-1.13	0.00	-0.01	0.02
				0.00	0.53	0.53	1.42	0.28	-0.83
2	21.07	-0.05	0.80E+06	1.79	0.08	-1.15	0.00	-0.01	0.02
	0.00	0.00	32.87	1.79	0.08	-1.15	0.00	-0.01	0.02
				0.00	0.53	0.53	1.42	0.33	-0.85
3	21.18	-0.08	0.80E+06	1.75	0.10	-1.15	0.00	-0.01	0.02
	0.00	0.00	65.67	1.75	0.10	-1.15	0.00	-0.01	0.02
				0.00	0.53	0.53	1.39	0.35	-0.85
4	21.18	0.00	0.80E+06	1.77	0.11	-1.15	0.00	-0.01	0.02
	0.00	0.00	87.09	1.77	0.11	-1.15	0.00	-0.01	0.02
				0.00	0.53	0.53	1.40	0.36	-0.86

PROPULSIVE WING FORCE DATA

SUMMARY, RUN 353

PT	Q		REY NO HEIGHT	CLIS CNI1B CRUC	CDIS CAF1B CRUM	CPM1B CPM1B CHUT	CRM1B CRM1B CLTR	CYM1B CYM1B CDTR	CSF1B CSF1B CNTR
	ALPHA	BETA							
1	10.59	0.01	0.57E+06	2.22	-0.20	-1.45	0.00	-0.01	0.02
	0.00	0.00	19.88	2.22	-0.20	-1.45	0.00	-0.01	0.02
				0.00	1.06	1.06	1.49	0.30	-0.66
2	10.48	-0.02	0.56E+06	2.28	-0.13	-1.55	0.00	-0.01	0.03
	0.00	0.00	32.80	2.28	-0.12	-1.55	0.00	-0.01	0.03
				0.00	1.07	1.07	1.54	0.38	-0.94
3	10.48	-0.04	0.56E+06	2.27	-0.09	-1.55	0.00	-0.01	0.04
	0.00	0.00	65.68	2.28	-0.09	-1.55	0.00	-0.01	0.04
				0.00	1.07	1.07	1.54	0.41	-0.95
4	10.48	-0.06	0.56E+06	2.25	-0.10	-1.54	-0.01	-0.01	0.03
	0.00	0.00	87.09	2.25	-0.09	-1.54	-0.01	-0.01	0.03
				0.00	1.07	1.07	1.52	0.41	-0.93

PROPULSIVE WING FORCE DATA

SUMMARY. RUN 355

PT	Q		REY NO HEIGHT	CLIS CMFIB CMUC	CDIS CAFIB CHUM	CPMIS CPMIB CMUT	CRMIS CRMIB CLTR	CYSIS CYSIB CDTR	CSFIS CSFIB CMTR
	ALPHA	BETA							
1	21.18	8.02	0.80E+06	2.27	0.38	-1.30	0.00	0.00	-0.06
		5.01	48.40	2.30	0.06	-1.30	0.00	0.00	-0.06
				0.00	0.53	0.53	1.88	0.57	-1.00
2	21.18	8.00	0.80E+06	2.25	0.38	-1.30	0.00	0.00	-0.07
		5.01	65.68	2.28	0.07	-1.30	0.00	0.00	-0.07
				0.00	0.53	0.53	1.85	0.58	-1.00
3	21.07	8.05	0.80E+06	2.24	0.39	-1.30	0.00	0.00	-0.07
		5.01	87.21	2.27	0.07	-1.30	0.00	0.00	-0.07
				0.00	0.53	0.53	1.85	0.58	-1.00

PROPULSIVE WING FORCE DATA

SUMMARY. RUN 356

PT	Q		REY NO HEIGHT	CLIS CMFIB CMUC	CDIS CAFIB CHUM	CPMIS CPMIB CMUT	CRMIS CRMIB CLTR	CYSIS CYSIB CDTR	CSFIS CSFIB CMTR
	ALPHA	BETA							
1	21.18	8.02	0.80E+06	2.26	0.38	-1.30	0.00	-0.01	0.03
		5.00	48.41	2.29	0.06	-1.30	0.00	-0.01	0.03
				0.00	0.53	0.53	1.87	0.57	-1.00
2	21.29	8.01	0.80E+06	2.26	0.39	-1.30	0.00	-0.01	0.02
		0.00	55.84	2.29	0.07	-1.30	0.00	-0.01	0.02
				0.00	0.53	0.53	1.86	0.58	-1.00
3	21.29	7.99	0.80E+06	2.22	0.38	-1.29	0.00	-0.01	0.01
		0.00	87.09	2.25	0.07	-1.29	0.00	-0.01	0.01
				0.00	0.53	0.53	1.83	0.58	-0.99

PROPULSIVE WING FORCE DATA

SUMMARY, RUN 357

PT	Q	ALPHA	REY NO	CLIS	CNFIB	CAFIB	CNUH	CPMIS	CPMIB	CHUT	CRMIS	CRMIB	CLTR	CYRIS	CYRIB	CDTR	CSFIS	CSFIB	CMTR
1	21.18	0.01	0.80E+06	1.79	1.79	0.03	-1.13	-0.01	-0.01	-0.01	-0.01	-0.01	-0.01	-0.01	-0.01	-0.01	-0.04	-0.04	-0.83
		5.01	20.21	1.79	1.79	0.03	-1.13	-0.01	-0.01	-0.01	-0.01	-0.01	-0.01	-0.01	-0.01	-0.01	-0.04	-0.04	-0.83
				0.00	0.00	0.53	0.53	1.43	1.43	0.28	0.28	0.28	0.28	0.28	0.28	0.28	0.85	0.85	0.85
2	21.07	-0.03	0.80E+06	1.80	1.80	0.08	-1.15	-0.01	-0.01	-0.01	-0.01	-0.01	-0.01	-0.01	-0.01	-0.01	-0.05	-0.05	-0.85
		5.01	32.81	1.80	1.80	0.08	-1.15	-0.01	-0.01	-0.01	-0.01	-0.01	-0.01	-0.01	-0.01	-0.01	-0.05	-0.05	-0.85
				0.00	0.00	0.53	0.53	1.43	1.43	0.33	0.33	0.33	0.33	0.33	0.33	0.33	0.85	0.85	0.85
3	21.18	-0.05	0.80E+06	1.76	1.76	0.10	-1.15	-0.01	-0.01	-0.01	-0.01	-0.01	-0.01	-0.01	-0.01	-0.01	-0.06	-0.06	-0.85
		5.01	55.64	1.76	1.76	0.10	-1.15	-0.01	-0.01	-0.01	-0.01	-0.01	-0.01	-0.01	-0.01	-0.01	-0.06	-0.06	-0.85
				0.00	0.00	0.53	0.53	1.39	1.39	0.35	0.35	0.35	0.35	0.35	0.35	0.35	0.85	0.85	0.85
4	21.07	-0.07	0.80E+06	1.76	1.76	0.10	-1.15	-0.01	-0.01	-0.01	-0.01	-0.01	-0.01	-0.01	-0.01	-0.01	-0.06	-0.06	-0.85
		5.01	87.05	1.76	1.76	0.10	-1.15	-0.01	-0.01	-0.01	-0.01	-0.01	-0.01	-0.01	-0.01	-0.01	-0.06	-0.06	-0.85
				0.00	0.00	0.53	0.53	1.39	1.39	0.35	0.35	0.35	0.35	0.35	0.35	0.35	0.85	0.85	0.85

PROPULSIVE WING FORCE DATA

SUMMARY, RUN 358

PT	Q	ALPHA	REY NO	CLIS	CNFIB	CAFIB	CNUH	CPMIS	CPMIB	CHUT	CRMIS	CRMIB	CLTR	CYRIS	CYRIB	CDTR	CSFIS	CSFIB	CMTR
1	30.19	-0.01	0.95E+06	0.52	0.52	0.11	-0.29	-0.29	-0.29	-0.29	-0.29	-0.29	-0.29	-0.29	-0.29	-0.29	-0.05	-0.05	-0.25
		5.01	19.38	0.52	0.52	0.11	-0.29	-0.29	-0.29	-0.29	-0.29	-0.29	-0.29	-0.29	-0.29	-0.29	-0.05	-0.05	-0.25
				0.00	0.00	0.00	0.00	0.00	0.00	0.00	0.00	0.00	0.00	0.00	0.00	0.00	0.16	0.16	0.16
2	30.19	-0.03	0.95E+06	0.49	0.49	0.11	-0.28	-0.28	-0.28	-0.28	-0.28	-0.28	-0.28	-0.28	-0.28	-0.28	-0.05	-0.05	-0.25
		5.01	32.83	0.49	0.49	0.11	-0.28	-0.28	-0.28	-0.28	-0.28	-0.28	-0.28	-0.28	-0.28	-0.28	-0.05	-0.05	-0.25
				0.00	0.00	0.00	0.00	0.00	0.00	0.00	0.00	0.00	0.00	0.00	0.00	0.00	0.16	0.16	0.16
3	29.97	-0.05	0.95E+06	0.46	0.46	0.12	-0.28	-0.28	-0.28	-0.28	-0.28	-0.28	-0.28	-0.28	-0.28	-0.28	-0.05	-0.05	-0.25
		5.01	85.64	0.46	0.46	0.12	-0.28	-0.28	-0.28	-0.28	-0.28	-0.28	-0.28	-0.28	-0.28	-0.28	-0.05	-0.05	-0.25
				0.00	0.00	0.00	0.00	0.00	0.00	0.00	0.00	0.00	0.00	0.00	0.00	0.00	0.16	0.16	0.16
4	30.31	0.00	0.95E+06	0.46	0.46	0.12	-0.28	-0.28	-0.28	-0.28	-0.28	-0.28	-0.28	-0.28	-0.28	-0.28	-0.04	-0.04	-0.25
		5.01	87.22	0.46	0.46	0.12	-0.28	-0.28	-0.28	-0.28	-0.28	-0.28	-0.28	-0.28	-0.28	-0.28	-0.04	-0.04	-0.25
				0.00	0.00	0.00	0.00	0.00	0.00	0.00	0.00	0.00	0.00	0.00	0.00	0.00	0.16	0.16	0.16

PROPULSIVE WING FORCE DATA

SUMMARY. RUM 360

PT	Q	ALPHA	BETA	REY NO	HEIGHT	CLIS			CPMIS			CYMIS			CSFIS		
						CMFIB	CRUC	CRUM	CPMIB	CPMUT	CLTR	CYMIB	CYMUT	CDTR	CSFIB	CSFIB	CDTR
1	30.19	8.07	0.00	0.95E+06	47.50	0.80	0.81	0.19	-0.33	0.00	0.00	0.00	0.00	0.01	0.01	0.01	0.01
						0.00	0.00	0.00	0.00	0.78	0.24	-0.29					
2	30.08	8.05	0.00	0.95E+06	65.67	0.80	0.82	0.20	-0.34	0.00	0.00	0.00	0.00	0.01	0.01	0.01	0.01
						0.00	0.00	0.00	0.00	0.78	0.24	-0.31					
3	30.08	8.04	0.00	0.95E+06	87.01	0.79	0.81	0.19	-0.34	0.00	0.00	0.00	0.00	0.01	0.01	0.01	0.01
						0.00	0.00	0.00	0.00	0.77	0.24	-0.31					

PROPULSIVE WING FORCE DATA

SUMMARY. RUM 359

PT	Q	ALPHA	BETA	REY NO	HEIGHT	CLIS			CPMIS			CYMIS			CSFIS		
						CMFIB	CRUC	CRUM	CPMIB	CPMUT	CLTR	CYMIB	CYMUT	CDTR	CSFIB	CSFIB	CDTR
1	30.19	8.05	5.01	0.95E+06	47.50	0.83	0.85	0.20	-0.35	0.00	0.00	0.00	-0.01	-0.05	-0.05	-0.05	-0.05
						0.00	0.00	0.00	0.00	0.81	0.24	-0.32					
2	30.08	8.03	5.01	0.95E+06	65.61	0.80	0.82	0.19	-0.34	0.00	0.00	0.00	0.00	-0.05	-0.05	-0.05	-0.05
						0.00	0.00	0.00	0.00	0.78	0.24	-0.31					
3	29.85	8.02	5.01	0.95E+06	87.08	0.80	0.82	0.20	-0.34	0.00	0.00	0.00	0.00	-0.05	-0.05	-0.05	-0.05
						0.00	0.00	0.00	0.00	0.78	0.24	-0.31					

PROPULSIVE WING FORCE DATA

SUMMARY. RUN 362

PT	Q		REY NO HEIGHT	CLIS CNFIB CMUC	CAFIB CNHM	CPMIS CPMIB CMUT	CRMIS CRMIB CLTR	CYMIS CYMIB CDTR	CSFIS CSFIB CMTR
	ALPHA	BETA							
2	30.12	0.03	0.96E+06 87.42	0.46	0.12	-0.28	0.00	0.00	-0.01
	0.00	0.00							
3	30.12	4.06	0.96E+06 87.32	0.63	0.15	-0.31	0.00	0.00	0.01
	0.00	0.00							
4	30.00	8.06	0.95E+06 87.69	0.80	0.20	-0.34	0.00	0.00	0.00
	0.00	0.00							
5	30.00	12.04	0.95E+06 87.75	1.02	0.29	-0.40	0.00	0.00	0.00
	0.00	0.00							
6	30.12	16.07	0.96E+06 87.03	1.13	0.41	-0.44	0.00	0.00	0.01
	0.00	0.00							
7	29.54	22.05	0.95E+06 98.15	1.19	0.61	-0.45	0.01	0.00	-0.01
	0.00	0.00							

PROPULSIVE WING FORCE DATA

SUMMARY. RUN 361

PT	Q		REY NO HEIGHT	CLIS CNFIB CMUC	CAFIB CNHM	CPMIS CPMIB CMUT	CRMIS CRMIB CLTR	CYMIS CYMIB CDTR	CSFIS CSFIB CMTR
	ALPHA	BETA							
1	29.74	-0.01	0.94E+06 19.15	0.53	0.11	-0.29	0.00	0.00	0.02
	0.00	0.00							
2	29.85	-0.03	0.95E+06 32.82	0.48	0.11	-0.28	0.00	0.00	0.01
	0.00	0.00							
3	30.31	-0.06	0.95E+06 65.69	0.46	0.12	-0.27	0.00	0.00	0.02
	0.00	0.00							
4	30.31	-0.07	0.95E+06 87.08	0.45	0.11	-0.27	0.00	0.00	0.01
	0.00	0.00							



PROPULSIVE WING FORCE DATA

SUMMARY, RUN 364

PT	Q		REY NO HEIGHT	CL1S			CPH1S			CRH1S			CYS1S			CSF1S		
	ALPHA	BETA		CNF1B	CMF1B	CHUC	CPH1B	CMH1B	CHUT	CRH1B	CMR1B	CLTR	CYS1B	CMY1B	CDTR	CSF1B	CMY1B	CDTR
1	10.00	0.02	0.55E+06	2.30	2.30	0.00	-1.57	0.00	0.00	0.00	0.00	-0.01	0.02	0.02	0.02	0.02	0.02	0.02
		0.00	87.07	0.00	0.00	1.06	1.06	1.06	1.56	1.56	0.44	0.44	-0.96	-0.96				
2	9.89	4.09	0.55E+06	2.83	2.83	0.11	-1.64	0.00	0.00	0.00	0.00	-0.01	0.03	0.03	0.03	0.03	0.03	0.03
		0.00	87.00	0.00	0.00	1.07	1.07	1.07	1.84	1.84	0.57	0.57	-1.02	-1.02				
3	10.00	8.07	0.55E+06	2.91	2.93	0.32	-1.76	0.00	0.00	0.00	0.00	-0.01	0.02	0.02	0.02	0.02	0.02	0.02
		0.00	87.03	0.00	0.00	1.06	1.06	1.06	2.10	2.10	0.72	0.72	-1.15	-1.15				
4	10.12	12.03	0.56E+06	3.09	3.13	0.53	-1.79	0.00	0.00	0.00	0.00	-0.01	0.01	0.01	0.01	0.01	0.01	0.01
		0.00	87.38	0.00	0.00	1.05	1.05	1.05	2.26	2.26	0.87	0.87	-1.19	-1.19				
5	10.12	16.07	0.56E+06	3.31	3.40	0.79	-1.81	0.01	0.01	0.01	0.01	-0.01	0.00	0.00	0.00	0.00	0.00	0.00
		0.00	87.11	0.00	0.00	1.05	1.05	1.05	2.46	2.46	1.06	1.06	-1.21	-1.21				
6	10.35	22.02	0.56E+06	3.44	3.62	1.16	-1.80	0.03	0.03	0.03	0.03	-0.02	0.01	0.01	0.01	0.01	0.01	0.01
		0.00	99.22	0.00	0.00	1.03	1.03	1.03	2.58	2.58	1.35	1.35	-1.21	-1.21				

PROPULSIVE WING FORCE DATA

SUMMARY, RUN 363

PT	Q		REY NO HEIGHT	CL1S			CPH1S			CRH1S			CYS1S			CSF1S		
	ALPHA	BETA		CNF1B	CMF1B	CHUC	CPH1B	CMH1B	CHUT	CRH1B	CMR1B	CLTR	CYS1B	CMY1B	CDTR	CSF1B	CMY1B	CDTR
1	16.55	-0.02	0.71E+06	1.91	1.91	0.08	-1.28	0.00	0.00	0.00	0.00	-0.01	0.02	0.02	0.02	0.02	0.02	0.02
		0.00	88.05	0.00	0.00	0.66	0.66	0.66	1.45	1.45	0.39	0.39	-0.91	-0.91				
2	16.44	4.05	0.71E+06	2.11	2.13	0.22	-1.32	0.00	0.00	0.00	0.00	-0.01	0.02	0.02	0.02	0.02	0.02	0.02
		0.00	87.40	0.00	0.00	0.63	0.63	0.63	1.65	1.65	0.49	0.49	-0.96	-0.96				
3	16.21	8.06	0.70E+06	2.44	2.47	0.38	-1.44	0.00	0.00	0.00	0.00	-0.01	0.02	0.02	0.02	0.02	0.02	0.02
		0.00	87.35	0.00	0.00	0.67	0.67	0.67	1.93	1.93	0.63	0.63	-1.06	-1.06				
4	16.78	12.06	0.72E+06	2.65	2.72	0.58	-1.47	0.00	0.00	0.00	0.00	-0.01	0.02	0.02	0.02	0.02	0.02	0.02
		0.00	87.09	0.00	0.00	0.65	0.65	0.65	2.15	2.15	0.79	0.79	-1.10	-1.10				
5	16.44	16.04	0.71E+06	2.87	2.98	0.80	-1.52	0.01	0.01	0.01	0.01	-0.01	0.00	0.00	0.00	0.00	0.00	0.00
		0.00	87.03	0.00	0.00	0.66	0.66	0.66	2.34	2.34	0.97	0.97	-1.14	-1.14				
6	15.86	22.06	0.70E+06	3.09	3.30	1.17	-1.56	0.02	0.02	0.02	0.02	-0.02	0.00	0.00	0.00	0.00	0.00	0.00
		0.00	99.03	0.00	0.00	0.69	0.69	0.69	2.52	2.52	1.29	1.29	-1.17	-1.17				

PROPULSIVE WING FORCE DATA

SUMMARY, RUM 366

PT	Q		CL15			CPM15			CYM15			CRM15			CSF15			
	ALPHA	BETA	REY NO	CMUC	CMUH	CMUT	CLTR	CMUC	CMUH	CMUT	CLTR	CMUC	CMUH	CMUT	CLTR	CMUC	CMUH	CMUT
1	1.38	0.05	0.21E+06	7.46	-2.91	-5.60	-0.05	7.46	-2.91	-5.60	-0.05	7.46	-2.91	-5.60	-0.05	7.46	-2.91	-5.60
	0.00	0.00	87.54	0.00	7.73	7.73	1.99	0.00	7.73	7.73	1.99	0.00	7.73	7.73	1.99	0.78	0.78	-1.14
2	1.27	4.02	0.20E+06	8.60	-2.64	-6.14	-0.04	8.60	-2.64	-6.14	-0.04	8.60	-2.64	-6.14	-0.04	8.60	-2.64	-6.14
	0.00	0.00	87.24	0.00	8.44	8.44	2.36	0.00	8.44	8.44	2.36	0.00	8.44	8.44	2.36	0.97	0.97	-1.27
3	1.15	8.08	0.19E+06	10.38	-2.13	-6.63	-0.04	10.38	-2.13	-6.63	-0.04	10.38	-2.13	-6.63	-0.04	10.38	-2.13	-6.63
	0.00	0.00	87.02	0.00	9.30	9.30	3.25	0.00	9.30	9.30	3.25	0.00	9.30	9.30	3.25	1.35	1.35	-1.27
4	1.15	12.03	0.19E+06	10.45	-1.44	-6.98	-0.03	10.45	-1.44	-6.98	-0.03	10.45	-1.44	-6.98	-0.03	10.45	-1.44	-6.98
	0.00	0.00	87.65	0.00	9.28	9.28	3.09	0.00	9.28	9.28	3.09	0.00	9.28	9.28	3.09	1.55	1.55	-1.61
5	1.27	16.11	0.20E+06	10.19	-0.46	-6.53	-0.03	10.19	-0.46	-6.53	-0.03	10.19	-0.46	-6.53	-0.03	10.19	-0.46	-6.53
	0.00	0.00	87.11	0.00	8.45	8.45	3.32	0.00	8.45	8.45	3.32	0.00	8.45	8.45	3.32	1.77	1.77	-1.65
6	1.38	21.96	0.21E+06	10.05	0.76	-6.01	-0.04	10.05	0.76	-6.01	-0.04	10.05	0.76	-6.01	-0.04	10.05	0.76	-6.01
	0.00	0.00	99.22	0.00	7.78	7.78	3.55	0.00	7.78	7.78	3.55	0.00	7.78	7.78	3.55	2.16	2.16	-1.52

PROPULSIVE WING FORCE DATA

SUMMARY, RUM 365

PT	Q		CL15			CPM15			CYM15			CRM15			CSF15			
	ALPHA	BETA	REY NO	CMUC	CMUH	CMUT	CLTR	CMUC	CMUH	CMUT	CLTR	CMUC	CMUH	CMUT	CLTR	CMUC	CMUH	CMUT
1	5.40	0.03	0.41E+06	3.07	-0.41	-2.17	-0.01	3.07	-0.41	-2.17	-0.01	3.07	-0.41	-2.17	-0.01	3.07	-0.41	-2.17
	0.00	0.00	86.88	0.00	1.96	1.96	1.69	0.00	1.96	1.96	1.69	0.00	1.96	1.96	1.69	0.52	0.52	-1.04
2	5.17	4.03	0.40E+06	3.44	-0.22	-2.34	-0.01	3.44	-0.22	-2.34	-0.01	3.44	-0.22	-2.34	-0.01	3.44	-0.22	-2.34
	0.00	0.00	87.23	0.00	2.04	2.04	1.93	0.00	2.04	2.04	1.93	0.00	2.04	2.04	1.93	0.65	0.65	-1.16
3	5.06	8.02	0.39E+06	3.91	0.05	-2.46	-0.01	3.91	0.05	-2.46	-0.01	3.91	0.05	-2.46	-0.01	3.91	0.05	-2.46
	0.00	0.00	87.74	0.00	2.09	2.09	2.30	0.00	2.09	2.09	2.30	0.00	2.09	2.09	2.30	0.84	0.84	-1.25
4	5.29	12.06	0.40E+06	4.06	0.37	-2.46	0.00	4.06	0.37	-2.46	0.00	4.06	0.37	-2.46	0.00	4.06	0.37	-2.46
	0.00	0.00	88.56	0.00	2.00	2.00	2.47	0.00	2.00	2.00	2.47	0.00	2.00	2.00	2.47	1.01	1.01	-1.30
5	5.06	16.12	0.39E+06	4.43	0.69	-2.55	0.00	4.43	0.69	-2.55	0.00	4.43	0.69	-2.55	0.00	4.43	0.69	-2.55
	0.00	0.00	87.40	0.00	2.10	2.10	2.72	0.00	2.10	2.10	2.72	0.00	2.10	2.10	2.72	1.25	1.25	-1.34
6	5.40	22.09	0.41E+06	4.52	1.22	-2.50	0.02	4.52	1.22	-2.50	0.02	4.52	1.22	-2.50	0.02	4.52	1.22	-2.50
	0.00	0.00	99.57	0.00	1.97	1.97	2.87	0.00	1.97	1.97	2.87	0.00	1.97	1.97	2.87	1.56	1.56	-1.36

PROPULSIVE WING FORCE DATA

SUMMARY, RUN 368

PT	Q	ALPHA	BETA	REY NO	HEIGHT	CLIS	CMFB	CMUC	CDIS	CAFIB	CMUN	CMUT	CPMIS	CPMIB	CPMIB	CLTR	CRMIS	CRMIB	CLTR	CYMIS	CYMIB	CDTR	CSFIS	CSFIB	CMTR													
15	0.00	0.00	0.00	0.30E+08	85.89	79.90	-54.48	-896.30	-16.77	-13.87	-13.87	1.51	15	0.00	0.00	0.00	0.30E+08	85.89	79.90	-54.48	-896.30	-16.77	-13.87	-13.87	1.51	15	0.00	0.00	0.00	0.30E+08	85.89	79.90	-54.48	-896.30	-16.77	-13.87	-13.87	1.51
16	0.00	0.00	0.00	0.30E+08	85.89	107.20	-73.94	-1216.00	-15.17	-15.11	-15.11	1.48	16	0.00	0.00	0.00	0.30E+08	85.89	107.20	-73.94	-1216.00	-15.17	-15.11	-15.11	1.48	16	0.00	0.00	0.00	0.30E+08	85.89	107.20	-73.94	-1216.00	-15.17	-15.11	-15.11	1.48
17	0.00	0.00	0.00	0.30E+08	85.89	141.30	-101.20	-1749.00	-61.97	-61.97	-61.97	5.12	17	0.00	0.00	0.00	0.30E+08	85.89	141.30	-101.20	-1749.00	-61.97	-61.97	-61.97	5.12	17	0.00	0.00	0.00	0.30E+08	85.89	141.30	-101.20	-1749.00	-61.97	-61.97	-61.97	5.12

PROPULSIVE WING FORCE DATA

SUMMARY, RUN 367

PT	Q	ALPHA	BETA	REY NO	HEIGHT	CLIS	CMFB	CMUC	CDIS	CAFIB	CMUN	CMUT	CPMIS	CPMIB	CPMIB	CLTR	CRMIS	CRMIB	CLTR	CYMIS	CYMIB	CDTR	CSFIS	CSFIB	CMTR																					
27	2.76	0.01	0.00	0.29E+06	88.36	4.68	-1.22	-3.37	-3.37	-3.37	-3.37	-3.37	-0.01	-0.01	-0.02	0.01	-0.02	-0.01	-0.02	-0.02	-0.02	0.01	0.01	-1.12	27	2.76	0.01	0.00	0.29E+06	88.36	4.68	-1.22	-3.37	-3.37	-3.37	-3.37	-0.01	-0.01	-0.02	0.01	-0.02	-0.01	-0.02	0.01	0.01	-1.12
28	4.02	0.00	0.00	0.29E+05	88.45	4.91	-1.24	-3.43	-3.43	-3.43	-3.43	-3.43	-0.01	-0.01	-0.02	0.01	-0.02	-0.01	-0.02	-0.02	-0.02	0.01	0.01	-1.17	28	4.02	0.00	0.00	0.29E+05	88.45	4.91	-1.24	-3.43	-3.43	-3.43	-3.43	-0.01	-0.01	-0.02	0.01	-0.02	-0.01	-0.02	0.01	0.01	-1.17
29	6.02	0.00	0.00	0.29E+06	88.81	5.53	-0.55	-3.65	-3.65	-3.65	-3.65	-3.65	-0.01	-0.01	-0.01	0.01	-0.01	-0.01	-0.01	-0.01	-0.01	0.01	0.01	-1.28	29	6.02	0.00	0.00	0.29E+06	88.81	5.53	-0.55	-3.65	-3.65	-3.65	-3.65	-0.01	-0.01	-0.01	0.01	-0.01	-0.01	-0.01	0.01	0.01	-1.28
30	2.53	0.00	0.00	0.28E+06	87.62	6.06	-0.19	-3.90	-3.90	-3.90	-3.90	-3.90	-0.01	-0.01	-0.01	0.01	-0.01	-0.01	-0.01	-0.01	-0.01	0.01	0.01	-1.40	30	2.53	0.00	0.00	0.28E+06	87.62	6.06	-0.19	-3.90	-3.90	-3.90	-3.90	-0.01	-0.01	-0.01	0.01	-0.01	-0.01	-0.01	0.01	0.01	-1.40
31	2.53	0.00	0.00	0.28E+06	88.61	6.47	0.31	-3.90	-3.90	-3.90	-3.90	-3.90	-0.01	-0.01	-0.02	0.06	-0.02	-0.01	-0.02	-0.02	-0.02	0.06	0.06	-1.40	31	2.53	0.00	0.00	0.28E+06	88.61	6.47	0.31	-3.90	-3.90	-3.90	-3.90	-0.01	-0.01	-0.02	0.06	-0.02	-0.01	-0.02	0.06	0.06	-1.40
32	2.85	0.00	0.00	0.29E+06	99.32	6.54	1.03	-3.84	-3.84	-3.84	-3.84	-3.84	-0.01	-0.01	-0.01	0.01	-0.01	-0.01	-0.01	-0.01	-0.01	0.01	0.01	-1.43	32	2.85	0.00	0.00	0.29E+06	99.32	6.54	1.03	-3.84	-3.84	-3.84	-3.84	-0.01	-0.01	-0.01	0.01	-0.01	-0.01	-0.01	0.01	0.01	-1.43

PROPULSIVE MING FORCE DATA

SUMMARY. RUN 370

PT	Q		REV NO HEIGHT	CLIS CNF1B CHUC	CDIS CAF1B CHUM	CPM1S CPM1B CHUT	CRM1S CRM1B CLTR	CYN1S CYN1B CDTR	CSF1S CSF1B CNTR
	ALPHA	BETA							
1	21.04	0.02	0.81E+06 86.33	1.51 0.21	0.09 0.44	-0.23 0.65	-0.01 1.08	0.00 0.38	0.00 -0.07
2	21.15	4.02	0.81E+06 83.65	1.73 0.21	0.23 0.43	-0.18 0.64	0.01 1.29	0.00 0.49	0.00 -0.03
3	21.04	7.99	0.81E+06 85.82	2.11 0.22	0.42 0.45	-0.22 0.67	0.04 1.63	0.00 0.66	-0.03 -0.05
4	21.04	12.04	0.81E+06 85.97	2.75 0.22	0.78 0.46	-0.38 0.69	0.02 2.25	0.00 0.99	-0.01 -0.22
5	21.15	16.01	0.81E+06 87.22	3.09 0.22	1.10 0.46	-0.37 0.68	0.01 2.57	0.00 1.27	0.00 -0.21
6	20.92	21.99	0.80E+06 93.04	3.40 0.22	1.55 0.47	-0.30 0.69	0.01 2.86	-0.01 1.66	0.00 -0.13

PROPULSIVE MING FORCE DATA

SUMMARY. RUN 369

PT	Q		REV NO HEIGHT	CLIS CNF1B CHUC	CDIS CAF1B CHUM	CPM1S CPM1B CHUT	CRM1S CRM1B CLTR	CYN1S CYN1B CDTR	CSF1S CSF1B CNTR
	ALPHA	BETA							
2	30.00	0.01	0.96E+06 85.38	0.51 0.00	0.16 0.00	-0.11 0.00	0.00 0.50	0.00 0.20	0.01 -0.08
3	30.00	4.04	0.96E+06 87.71	0.72 0.00	0.21 0.00	-0.07 0.00	0.00 0.70	0.00 0.25	0.01 -0.04
4	29.89	8.02	0.96E+06 87.82	0.94 0.97	0.28 0.15	-0.04 -0.04	0.00 0.93	0.00 0.33	0.01 -0.01
5	30.23	12.05	0.97E+06 89.06	1.19 0.00	0.39 0.00	-0.01 0.00	0.00 1.17	0.00 0.44	0.00 0.02
6	29.89	16.00	0.96E+06 87.44	1.39 0.00	0.53 0.00	-0.01 0.00	0.00 1.36	-0.01 0.57	0.01 0.02
7	30.00	22.02	0.96E+06 94.84	1.65 0.00	0.83 0.00	-0.06 0.00	0.00 1.63	-0.01 0.87	0.01 -0.02

ORIGINAL PAGE IS  
OF POOR QUALITY

PROPULSIVE MING FORCE DATA

SUMMARY. RUN 372

PT	Q	ALPHA BETA	REY NO HEIGHT	CLIS CNFIB CMUC	CAFIB CRUW	CDIS CPRIB CMUT	CPRIS CPRIB CMUT	CRRIS CRRIB CLTR	CYMIS CYMIB CDTR	CSFIS CSFIB CMTR
1	10.58	0.00	0.57E+06 87.47	2.09 2.08	-0.15 -0.16	-0.42 -0.42	-0.01 -0.01	-0.02 -0.01	-0.02 -0.02	0.04 0.04
2	10.46	4.03	0.57E+06 87.25	2.34 0.45	-0.15 0.94	-0.36 1.38	0.00 1.40	-0.01 0.57	-0.01 -0.02	0.04 -0.02
3	10.58	8.02	0.57E+06 87.12	2.89 2.70	0.26 -0.11	-0.34 1.36	0.01 1.72	0.00 0.75	0.00 0.00	-0.01 -0.01
4	10.46	12.02	0.57E+06 86.04	3.08 3.13	0.55 -0.09	-0.35 1.38	0.03 2.07	0.00 0.98	-0.02 -0.02	-0.01 -0.01
5	10.81	16.02	0.58E+06 86.76	3.55 3.69	0.99 -0.03	-0.46 1.34	0.01 2.55	0.00 1.32	-0.02 -0.13	-0.02 -0.13
6	10.69	22.09	0.58E+06 96.36	4.05 4.34	1.58 -0.06	-0.39 1.35	0.01 3.00	0.00 1.81	-0.02 -0.06	-0.02 -0.06

PROPULSIVE MING FORCE DATA

SUMMARY. RUN 371

PT	Q	ALPHA BETA	REY NO HEIGHT	CLIS CNFIB CMUC	CAFIB CRUW	CDIS CPRIB CMUT	CPRIS CPRIB CMUT	CRRIS CRRIB CLTR	CYMIS CYMIB CDTR	CSFIS CSFIB CMTR
1	10.58	0.00	0.57E+06 87.47	2.09 2.08	-0.15 -0.16	-0.42 -0.42	-0.01 -0.01	-0.02 -0.01	-0.02 -0.02	0.04 0.04
2	10.46	4.03	0.57E+06 87.25	2.34 0.45	-0.15 0.94	-0.36 1.38	0.00 1.40	-0.01 0.57	-0.01 -0.02	0.04 -0.02
3	10.58	8.02	0.57E+06 87.12	2.89 2.70	0.26 -0.11	-0.34 1.36	0.01 1.72	0.00 0.75	0.00 0.00	-0.01 -0.01
4	10.46	12.02	0.57E+06 86.04	3.08 3.13	0.55 -0.09	-0.35 1.38	0.03 2.07	0.00 0.98	-0.02 -0.02	-0.01 -0.01
5	10.81	16.02	0.58E+06 86.76	3.55 3.69	0.99 -0.03	-0.46 1.34	0.01 2.55	0.00 1.32	-0.02 -0.13	-0.02 -0.13
6	10.69	22.09	0.58E+06 96.36	4.05 4.34	1.58 -0.06	-0.39 1.35	0.01 3.00	0.00 1.81	-0.02 -0.06	-0.02 -0.06

PROPULSIVE WING FORCE DATA

SUMMARY, RUN 374

PT	Q		REY NO HEIGHT	CL15		CD15		CPM15		CM15		CVM15		CSF15	
	ALPHA BETA			CMF1B CMUC	CAF1B CHUN	CMN1B CMUT	CMR1B CLTR	CMY1B CDTR	CSM1B CMTR						
1	1.15		0.18E+06	9.81	-4.98	-3.29	-0.02	-0.03	0.03	0.03	0.03	0.03	0.03	0.03	0.03
	0.00		87.96	9.81	-4.98	-3.29	-0.02	-0.03	0.03	0.03	0.03	0.03	0.03	0.03	0.03
2	1.38		0.21E+06	8.84	-3.42	-2.65	-0.03	-0.04	0.04	0.12	0.12	0.12	0.12	0.12	0.12
	3.98		87.30	8.58	-4.03	-2.65	-0.03	-0.04	0.04	0.12	0.12	0.12	0.12	0.12	0.12
	0.00			3.41	7.17	10.58	1.61	0.85	-0.05	-0.05	-0.05	-0.05	-0.05	-0.05	-0.05
3	1.27		0.20E+06	9.90	-3.11	-2.68	-0.05	-0.02	0.02	0.02	0.02	0.02	0.02	0.02	0.02
	7.99		87.08	9.37	-4.45	-2.68	-0.05	-0.02	0.02	0.02	0.02	0.02	0.02	0.02	0.02
	0.00			3.70	7.80	11.50	1.72	0.98	0.14	0.14	0.14	0.14	0.14	0.14	0.14
4	1.27		0.20E+06	10.17	-2.42	-2.47	-0.07	0.00	0.00	0.10	0.10	0.10	0.10	0.10	0.10
	12.05		87.76	9.44	-4.49	-2.47	-0.07	-0.01	-0.10	-0.10	-0.10	-0.10	-0.10	-0.10	-0.10
	0.00			3.71	7.80	11.51	1.72	1.08	0.35	0.35	0.35	0.35	0.35	0.35	0.35
5	1.49		0.21E+06	9.23	-1.20	-2.11	-0.09	0.01	0.01	0.09	0.09	0.09	0.09	0.09	0.09
	16.04		85.77	8.54	-3.70	-2.11	-0.09	-0.01	-0.09	-0.09	-0.09	-0.09	-0.09	-0.09	-0.09
	0.00			3.13	6.58	9.72	1.90	1.25	0.28	0.28	0.28	0.28	0.28	0.28	0.28
6	1.27		0.20E+06	11.36	-0.10	-2.48	-0.10	0.00	0.00	0.06	0.06	0.06	0.06	0.06	0.06
	22.07		99.07	10.49	-4.36	-2.48	-0.09	-0.04	-0.04	-0.04	-0.04	-0.04	-0.04	-0.04	-0.04
	0.00			3.71	7.84	11.55	2.42	1.88	0.35	0.35	0.35	0.35	0.35	0.35	0.35

PROPULSIVE WING FORCE DATA

SUMMARY, RUN 373

PT	Q		REY NO HEIGHT	CL15		CD15		CPM15		CM15		CVM15		CSF15	
	ALPHA BETA			CMF1B CMUC	CAF1B CHUN	CMN1B CMUT	CMR1B CLTR	CMY1B CDTR	CSM1B CMTR						
1	2.65		0.29E+06	5.11	-1.81	-1.57	-0.04	-0.02	0.12	0.12	0.12	0.12	0.12	0.12	0.12
	0.03		87.22	5.11	-1.81	-1.57	-0.04	-0.02	0.12	0.12	0.12	0.12	0.12	0.12	0.12
	0.00			1.77	3.73	5.50	1.51	0.67	-0.22	-0.22	-0.22	-0.22	-0.22	-0.22	-0.22
2	2.65		0.29E+06	5.19	-1.49	-1.29	-0.04	0.01	0.05	0.05	0.05	0.05	0.05	0.05	0.05
	4.00		85.87	5.07	-1.85	-1.29	-0.04	0.00	0.05	0.05	0.05	0.05	0.05	0.05	0.05
	0.00			1.76	3.72	5.48	1.44	0.72	0.05	0.05	0.05	0.05	0.05	0.05	0.05
3	2.53		0.28E+06	5.72	-1.16	-1.29	-0.02	-0.02	0.03	0.03	0.03	0.03	0.03	0.03	0.03
	8.00		85.16	5.51	-1.95	-1.29	-0.02	-0.02	0.03	0.03	0.03	0.03	0.03	0.03	0.03
	0.00			1.85	3.90	5.75	1.64	0.88	0.12	0.12	0.12	0.12	0.12	0.12	0.12
4	2.65		0.29E+06	5.98	-0.58	-1.26	-0.06	0.00	0.05	0.05	0.05	0.05	0.05	0.05	0.05
	11.98		86.14	5.73	-1.81	-1.26	-0.06	-0.02	0.05	0.05	0.05	0.05	0.05	0.05	0.05
	0.00			1.77	3.73	5.50	1.94	1.10	0.09	0.09	0.09	0.09	0.09	0.09	0.09
5	2.65		0.29E+06	6.53	0.08	-1.31	-0.07	0.01	-0.05	-0.05	-0.05	-0.05	-0.05	-0.05	-0.05
	16.03		87.01	6.30	-1.73	-1.31	-0.07	-0.01	-0.05	-0.05	-0.05	-0.05	-0.05	-0.05	-0.05
	0.00			1.77	3.73	5.51	2.38	1.47	0.04	0.04	0.04	0.04	0.04	0.04	0.04
6	2.76		0.29E+06	6.86	1.05	-1.19	-0.01	-0.01	-0.03	-0.03	-0.03	-0.03	-0.03	-0.03	-0.03
	21.99		98.54	6.75	-1.60	-1.19	0.00	-0.01	-0.03	-0.03	-0.03	-0.03	-0.03	-0.03	-0.03
	0.00			1.70	3.58	5.28	2.76	1.95	0.11	0.11	0.11	0.11	0.11	0.11	0.11

PROPULSIVE WING FORCE DATA

SUMMARY, RUN 375

PT	Q	ALPHA	BETA	REY NO	REY HEIGHT	CL1S	CLF1B	CMUC	CD1S	CAF1B	CHUM	CPM1S	CPM1B	CMUT	CRM1S	CRM1B	CLTR	CYM1S	CYM1B	COTR	CSF1S	CSF1B	CMTR
1	20.96	0.02	0.00	0.80E+06	19.22	0.58	0.58	0.00	0.15	0.15	0.00	-0.12	-0.12	0.00	0.00	0.00	0.52	0.00	0.00	0.20	0.00	0.00	-0.07
2	21.07	0.00	0.00	0.80E+06	32.82	0.53	0.53	0.00	0.15	0.15	0.00	-0.11	-0.11	0.00	0.00	0.00	0.47	0.00	0.00	0.00	0.00	0.00	-0.06
3	20.96	-0.03	0.00	0.80E+06	65.63	0.50	0.50	0.00	0.15	0.15	0.00	-0.11	-0.11	0.00	0.00	0.00	0.44	0.00	0.00	0.20	0.00	0.00	-0.06
4	20.96	-0.02	0.00	0.80E+06	86.87	0.49	0.49	0.00	0.15	0.15	0.00	-0.11	-0.11	0.00	0.00	0.00	0.43	0.00	0.00	0.20	0.00	0.00	-0.06

PROPULSIVE WING FORCE DATA

SUMMARY, RUN 376

PT	Q	ALPHA	BETA	REY NO	REY HEIGHT	CL1S	CLF1B	CMUC	CD1S	CAF1B	CHUM	CPM1S	CPM1B	CMUT	CRM1S	CRM1B	CLTR	CYM1S	CYM1B	COTR	CSF1S	CSF1B	CMTR
2	29.85	-0.03	0.00	0.95E+06	18.75	0.57	0.57	0.00	0.15	0.15	0.00	-0.11	-0.11	0.00	0.00	0.00	0.53	0.00	0.00	0.18	0.00	0.00	-0.08
3	30.19	-0.07	0.00	0.95E+06	32.62	0.52	0.52	0.00	0.15	0.15	0.00	-0.11	-0.11	0.00	0.00	0.00	0.48	0.00	0.00	0.19	0.00	0.00	-0.07
4	29.97	-0.03	0.00	0.95E+06	65.78	0.50	0.50	0.00	0.15	0.15	0.00	-0.10	-0.10	0.00	0.00	0.00	0.46	0.00	0.00	0.19	0.00	0.00	-0.07
5	30.19	0.03	0.00	0.95E+06	87.32	0.48	0.48	0.00	0.15	0.15	0.00	-0.11	-0.11	0.00	0.00	0.00	0.45	0.00	0.00	0.19	0.00	0.00	-0.07

PROPULSIVE MING FORCE DATA

SUMMARY.		SUMMARY.									
SUMMARY.		SUMMARY.					SUMMARY.				
SUMMARY.		SUMMARY.		SUMMARY.		SUMMARY.		SUMMARY.		SUMMARY.	
PT	Q	ALPHA	REY NO	CLIS	CDIS	CPMIS	CRMIS	CYMIS	CSFIS	CMYIS	CSFIS
BETA	HEIGHT	CAFIB	CHUW	CAFIB	CHUW	CPMIB	CLTR	CDTR	CMTR	CDTR	CMTR
1	10.59	0.00	0.57E+06	0.57	0.14	-0.11	0.00	0.00	0.00	0.00	0.00
	0.00	0.00	19.29	0.57	0.14	-0.11	0.00	0.00	0.00	0.00	0.00
				0.00	0.00	0.00	0.45	0.25	-0.02	0.36	0.09
2	10.48	0.02	0.56E+06	0.51	0.15	-0.10	0.00	0.00	0.00	0.00	-0.01
	0.00	0.00	32.77	0.51	0.15	-0.10	0.00	0.00	0.00	0.00	-0.01
				0.00	0.00	0.00	0.39	0.25	0.00	0.35	0.10
3	10.48	0.00	0.56E+06	0.49	0.15	-0.11	0.00	0.00	0.01	0.00	0.00
	0.00	0.00	65.50	0.49	0.15	-0.11	0.00	0.00	0.01	0.00	0.00
				0.00	0.00	0.00	0.37	0.25	-0.01	0.35	0.08
4	10.59	-0.02	0.57E+06	0.46	0.14	-0.11	0.00	0.00	-0.01	0.00	-0.03
	0.00	0.00	87.20	0.46	0.14	-0.11	0.00	0.00	-0.01	0.00	-0.03
				0.00	0.00	0.00	0.34	0.25	-0.01	0.34	0.09



PROPULSIVE MING FORCE DATA

SUMMARY. RUN 380

PT	0	ALPHA	BETA	REV NO	HEIGHT	CLIS	CLFIB	CMUC	CDIS	CAFIB	CMUM	CPHIS	CPHIB	CHUT	CRMIS	CRMIB	CLTR	CYHIS	CYHIB	CDTR	CSFIS	CSFIB	CMTR
1	1.47	-0.01	0.00	0.21E+06	19.43	8.89	-3.78	3.15	-3.78	-3.78	6.69	-3.26	-3.26	9.84	-0.05	-0.05	2.46	0.14	0.14	0.54	0.34	0.34	-0.86
2	1.47	0.00	0.00	0.21E+06	32.73	7.69	-3.94	3.13	-3.94	-3.94	6.70	-2.61	-2.61	9.84	-0.03	-0.03	1.24	-0.01	-0.01	0.50	0.16	0.16	-0.20
3	1.47	-0.03	0.00	0.21E+06	65.76	7.52	-3.89	3.14	-3.89	-3.89	6.72	-2.63	-2.63	9.85	0.00	0.00	1.05	0.03	0.03	0.57	0.01	0.01	-0.20
4	1.47	-0.01	0.00	0.21E+06	87.10	7.60	-3.88	3.14	-3.88	-3.88	6.74	-2.58	-2.58	9.88	-0.02	-0.02	1.11	0.02	0.02	0.59	0.03	0.03	-0.15

PROPULSIVE MING FORCE DATA

SUMMARY. RUN 379

PT	0	ALPHA	BETA	REV NO	HEIGHT	CLIS	CLFIB	CMUC	CDIS	CAFIB	CMUM	CPHIS	CPHIB	CHUT	CRMIS	CRMIB	CLTR	CYHIS	CYHIB	CDTR	CSFIS	CSFIB	CMTR
2	2.70	0.01	0.00	0.29E+06	19.27	5.00	-1.95	1.77	-1.41	-1.41	3.66	-1.41	-1.41	5.43	-0.02	-0.02	1.52	0.00	0.00	0.44	-0.03	-0.03	-0.11
3	2.59	-0.02	0.00	0.28E+06	32.73	5.03	-1.94	1.83	-1.94	-1.94	3.82	-1.52	-1.52	5.65	-0.02	-0.02	1.39	-0.01	-0.01	0.04	0.04	0.04	-0.16
4	2.70	0.01	0.00	0.29E+06	65.65	4.93	-1.80	1.75	-1.80	-1.80	3.67	-1.48	-1.48	5.42	-0.03	-0.03	1.41	0.01	0.01	0.62	0.05	0.05	-0.17
5	2.70	-0.01	0.00	0.29E+06	86.96	4.50	-1.65	1.61	-1.65	-1.65	3.43	-1.44	-1.44	5.04	-0.03	-0.03	1.21	0.00	0.00	0.60	0.04	0.04	-0.22

PROPULSIVE WING FORCE DATA

SUMMARY, RUN 382

PT	Q		REY NO HEIGHT	CLIS			CPMIS			CMNIS			CYNIS			CSFIS				
	ALPHA BETA			CMFIB CMUC	CAFIB CHUM	CPMIB CMUT	CLTR	CDTR	CFIB	CMIB	CMIB	CMIB	CDTR	CFIB	CMIB	CMIB	CDTR	CFIB	CMIB	CMIB
1	10.59	0.01	0.56E+06	2.15	-0.25	-0.40	0.00	0.00	0.00	0.00	0.00	0.00	0.00	0.00	0.00	0.00	0.00	0.00	0.00	0.00
	0.00	0.00	18.53	2.15	-0.25	-0.40	0.00	0.00	0.00	0.00	0.00	0.00	0.00	0.00	0.00	0.00	0.00	0.00	0.00	0.00
				0.43	0.93	1.36	1.25	1.36	1.25	1.36	1.25	1.36	1.25	1.36	1.25	1.36	1.25	1.36	1.25	1.36
2	10.59	-0.01	0.56E+06	2.09	-0.19	-0.40	0.00	0.00	0.00	0.00	0.00	0.00	0.00	0.00	0.00	0.00	0.00	0.00	0.00	0.00
	0.00	0.00	32.86	2.09	-0.19	-0.40	0.00	0.00	0.00	0.00	0.00	0.00	0.00	0.00	0.00	0.00	0.00	0.00	0.00	0.00
				0.43	0.93	1.37	1.20	1.20	1.37	1.20	1.37	1.20	1.37	1.20	1.37	1.20	1.37	1.20	1.37	1.20
3	10.48	-0.01	0.56E+06	2.04	-0.17	-0.40	0.00	0.00	0.00	0.00	0.00	0.00	0.00	0.00	0.00	0.00	0.00	0.00	0.00	0.00
	0.00	0.00	65.67	2.04	-0.17	-0.40	0.00	0.00	0.00	0.00	0.00	0.00	0.00	0.00	0.00	0.00	0.00	0.00	0.00	0.00
				0.44	0.94	1.38	1.13	1.13	0.94	1.38	1.13	1.38	1.13	1.38	1.13	1.38	1.13	1.38	1.13	1.38
4	10.48	-0.03	0.56E+06	2.03	-0.17	-0.42	0.00	0.00	0.00	0.00	0.00	0.00	0.00	0.00	0.00	0.00	0.00	0.00	0.00	0.00
	0.00	0.00	87.09	2.03	-0.17	-0.42	0.00	0.00	0.00	0.00	0.00	0.00	0.00	0.00	0.00	0.00	0.00	0.00	0.00	0.00
				0.44	0.95	1.39	1.12	1.12	0.95	1.39	1.12	1.39	1.12	1.39	1.12	1.39	1.12	1.39	1.12	1.39

PROPULSIVE WING FORCE DATA

SUMMARY, RUN 381

PT	Q		REY NO HEIGHT	CLIS			CPMIS			CMNIS			CYNIS			CSFIS				
	ALPHA BETA			CMFIB CMUC	CAFIB CHUM	CPMIB CMUT	CLTR	CDTR	CFIB	CMIB	CMIB	CMIB	CDTR	CFIB	CMIB	CMIB	CDTR	CFIB	CMIB	CMIB
1	5.30	-0.01	0.40E+06	3.15	-0.85	-0.79	0.00	0.00	0.00	0.00	0.00	0.00	0.00	0.00	0.00	0.00	0.00	0.00	0.00	0.00
	0.00	0.00	19.01	3.15	-0.85	-0.79	0.00	0.00	0.00	0.00	0.00	0.00	0.00	0.00	0.00	0.00	0.00	0.00	0.00	0.00
				0.87	1.88	2.75	1.34	1.34	1.88	1.34	1.88	1.34	1.88	1.34	1.88	1.34	1.88	1.34	1.88	1.34
2	5.30	0.03	0.40E+06	2.88	-0.76	-0.63	-0.01	-0.01	-0.01	-0.01	-0.01	0.46	0.03	0.01	0.01	0.01	0.01	0.01	0.01	0.01
	0.00	0.00	32.98	2.88	-0.76	-0.63	-0.01	-0.01	-0.01	-0.01	0.46	0.03	0.01	0.01	0.01	0.01	0.01	0.01	0.01	0.01
				0.84	1.82	2.66	1.11	1.11	1.82	2.66	1.11	2.66	1.11	2.66	1.11	2.66	1.11	2.66	1.11	2.66
3	5.30	0.00	0.40E+06	2.98	-0.71	-0.68	-0.04	0.00	0.00	0.00	0.00	0.00	0.00	0.00	0.00	0.00	0.00	0.00	0.00	0.00
	0.00	0.00	65.57	2.98	-0.71	-0.68	-0.04	0.00	0.00	0.00	0.00	0.00	0.00	0.00	0.00	0.00	0.00	0.00	0.00	0.00
				0.86	1.84	2.70	1.21	1.21	1.84	2.70	1.21	2.70	1.21	2.70	1.21	2.70	1.21	2.70	1.21	2.70
4	5.30	0.03	0.40E+06	2.83	-0.73	-0.76	-0.01	0.00	0.00	0.00	0.00	0.00	0.01	0.01	0.01	0.01	0.01	0.01	0.01	0.01
	0.00	0.00	87.19	2.83	-0.73	-0.76	-0.01	0.00	0.00	0.00	0.00	0.00	0.01	0.01	0.01	0.01	0.01	0.01	0.01	0.01
				0.86	1.86	2.72	1.05	1.05	1.86	2.72	1.05	2.72	1.05	2.72	1.05	2.72	1.05	2.72	1.05	2.72

ORIGINAL PAGE IS  
OF POOR QUALITY

PROPULSIVE WING FORCE DATA

SUMMARY, RUN 385

PT	Q	ALPHA	BETA	REY NO	HEIGHT	CLIS			CPMIS			CRMIS			CYMIS			CSFIS					
						CMFB	CAFIB	CMUIB	CMFIB	CAFIB	CMUIB	CMFIB	CAFIB	CMUIB	CMFIB	CAFIB	CMUIB	CMFIB	CAFIB	CMUIB	CMFIB	CAFIB	CMUIB
2	0.00	0.00	0.00	0.30E+08	60.94	19.97	-15.59	-88.15	199.80	174.90	-0.39	19.96	-15.60	-88.15	199.70	175.10	-0.39	6.37	41.34	47.71	3.94	-1.40	-85.42
3	0.00	0.06	0.00	0.30E+08	60.94	40.00	-26.26	-200.90	350.00	288.10	1.35	39.97	-26.31	-200.90	359.70	288.40	1.35	20.32	40.77	61.09	-1.22	2.75	-182.90
4	0.00	0.00	0.00	0.30E+08	60.94	54.32	-38.64	-227.80	525.10	398.70	2.05	54.26	-38.73	-227.80	524.50	399.50	2.05	35.98	54.17	90.16	-11.31	5.51	-203.30
5	0.00	0.12	0.00	0.30E+08	60.94	72.16	-51.79	-310.90	694.70	561.40	0.17	72.05	-51.93	-310.90	693.50	562.80	0.17	50.09	68.65	118.70	-15.31	6.93	-279.40
6	0.00	0.00	0.00	0.30E+08	60.94	94.04	-67.04	-471.00	917.20	699.30	0.76	93.87	-67.27	-471.00	915.50	701.60	0.76	68.62	87.55	156.20	-20.06	10.65	-428.90

PROPULSIVE WING FORCE DATA

SUMMARY, RUN 383

PT	Q	ALPHA	BETA	REY NO	HEIGHT	CLIS			CPMIS			CRMIS			CYMIS			CSFIS					
						CMFB	CAFIB	CMUIB	CMFIB	CAFIB	CMUIB	CMFIB	CAFIB	CMUIB	CMFIB	CAFIB	CMUIB	CMFIB	CAFIB	CMUIB	CMFIB	CAFIB	CMUIB
1	21.07	-0.02	0.00	0.79E+06	17.50	1.59	0.93	-0.22	0.00	0.01	0.00	1.59	0.93	-0.22	0.00	0.01	0.00	0.21	0.46	0.67	1.15	0.34	-0.05
2	20.84	-0.00	0.00	0.79E+06	32.80	1.52	0.95	-0.22	0.01	0.00	0.00	1.52	0.97	-0.22	0.01	0.00	0.00	0.22	0.47	0.68	1.07	0.37	-0.06
3	20.96	0.01	0.00	0.79E+06	66.14	1.47	0.98	-0.25	0.00	0.00	-0.01	1.47	0.98	-0.25	0.00	0.00	-0.01	0.22	0.47	0.69	1.02	0.38	-0.08
4	20.96	-0.04	0.00	0.79E+06	92.55	0.57	-1229.00	-0.26	-0.01	0.00	0.00	0.57	-1229.00	-0.26	-0.01	0.00	0.00	0.22	0.47	0.69	0.12	-1229.00	-0.08

PROPULSIVE WING FORCE DATA

SUMMARY, RUN 387

PT	Q		REY NO HEIGHT	CLIS CMUC	CDIS CAFIB	CPMIB CMUT	CRMIS CLTR	CYMIB CDTR	CSFIS CMTR
	ALPHA	BETA							
2	20.81		0.78E+06	1.02	-939.40	-0.05	0.16	0.08	-0.13
	-0.01		87.48	1.11	-939.40	-0.05	0.16	0.08	-0.13
	0.00			0.25	0.35	0.60	0.64	-939.20	0.02
3	20.81		0.78E+06	99.71	-1390.00	-0.07	0.18	0.06	-0.14
	4.04		87.42	1.45	-1394.00	-0.07	0.18	0.08	-0.14
	0.00			0.25	0.35	0.60	99.31	-1390.00	-0.01
4	20.69		0.78E+06	2.06	0.57	-0.03	0.19	0.93	-0.11
	12.05		87.58	2.14	0.12	-0.03	0.18	0.97	-0.11
	0.00			0.25	0.35	0.60	1.64	0.73	0.04

PROPULSIVE WING FORCE DATA

SUMMARY, RUN 386

PT	Q		REY NO HEIGHT	CLIS CMUC	CDIS CAFIB	CPMIB CMUT	CRMIS CLTR	CYMIB CDTR	CSFIS CMTR
	ALPHA	BETA							
2	0.00		0.30E+08	72.14	-47.83	-328.30	647.50	496.70	2.08
	0.11		60.94	72.05	-47.96	-328.30	646.50	497.90	2.08
	0.00			44.51	67.34	111.80	-11.13	8.05	-298.20
3	0.00		0.30E+08	92.83	-64.79	-417.60	869.50	671.50	1.31
	0.14		60.94	92.67	-65.02	-417.60	867.90	673.60	1.31
	0.00			63.45	87.26	150.70	-19.40	11.52	-376.30
4	0.00		0.30E+08	97.83	-65.83	-491.70	889.60	702.00	0.25
	0.14		60.94	97.67	-66.06	-491.70	887.90	704.20	0.25
	0.00			64.49	89.08	153.60	-17.13	12.52	-449.20
5	0.00		0.30E+08	97.41	-66.10	-451.00	905.40	695.20	0.87
	0.14		60.94	97.24	-66.34	-451.00	903.60	697.50	0.87
	0.00			65.98	90.55	156.50	-18.46	12.92	-408.10

PROPULSIVE WING FORCE DATA

SUMMARY. RUN 388

PT	Q	ALPHA BETA	REY NO HEIGHT	CLIS CNFB	CDIS CAFIB	CPRIS CPRIB	CNRIS CNRIB	CYNIS CYRIB	CSFIS CSFRB	CLIS CNFB	CDIS CAFIB	CPRIS CPRIB	CNRIS CNRIB	CYNIS CYRIB	CSFIS CSFRB
1	10.69	0.01	0.58E+06	1.47	-302.30	0.03	0.19	0.09	-0.04	2.23	-6.07	-0.13	0.32	0.17	0.00
		0.00	87.04	0.49	-0.67	1.16	0.73	-301.80	0.15	2.22	-6.07	-0.13	0.32	0.17	0.00
2	10.69	4.06	0.58E+06	25.92	-343.40	0.15	0.17	0.08	0.01	2.84	-7.65	0.02	0.33	0.15	-0.01
		0.00	86.72	0.49	-0.68	1.17	25.15	-343.00	0.27	2.30	-7.83	0.02	0.32	0.17	-0.01
3	10.69	12.10	0.58E+06	2.31	0.43	0.12	0.25	0.04	-0.08	2.94	0.00	0.15	0.32	0.12	-0.04
		0.00	87.92	0.49	-0.67	1.16	1.48	0.75	0.24	2.87	-0.61	0.15	0.29	0.18	-0.04

PROPULSIVE WING FORCE DATA

SUMMARY. RUN 389

PT	Q	ALPHA BETA	REY NO HEIGHT	CLIS CNFB	CDIS CAFIB	CPRIS CPRIB	CNRIS CNRIB	CYNIS CYRIB	CSFIS CSFRB	CLIS CNFB	CDIS CAFIB	CPRIS CPRIB	CNRIS CNRIB	CYNIS CYRIB	CSFIS CSFRB
1	5.40	0.02	0.40E+06	1.47	-302.30	0.03	0.19	0.09	-0.04	2.23	-6.07	-0.13	0.32	0.17	0.00
		0.00	86.95	0.49	-0.67	1.16	0.73	-301.80	0.15	2.22	-6.07	-0.13	0.32	0.17	0.00
2	5.40	4.02	0.40E+06	25.92	-343.40	0.15	0.17	0.08	0.01	2.84	-7.65	0.02	0.33	0.15	-0.01
		0.00	87.63	0.49	-0.68	1.17	25.15	-343.00	0.27	2.30	-7.83	0.02	0.32	0.17	-0.01
3	5.17	12.04	0.39E+06	2.31	0.43	0.12	0.25	0.04	-0.08	2.94	0.00	0.15	0.32	0.12	-0.04
		0.00	86.95	0.49	-0.67	1.16	1.48	0.75	0.24	2.87	-0.61	0.15	0.29	0.18	-0.04

PROPULSIVE WING FORCE DATA

SUMMARY. RUN 391

PT	Q ALPHA BETA	REY NO HEIGHT	CLIS			CPMIS			CYMIS			CSFIS		
			CMF1B CMUC	CAF1B CMUH	CMF1B CMUT	CMF1B CMUT	CMF1B CMUT	CMF1B CMUT	CMF1B CMUT	CMF1B CMUT	CMF1B CMUT	CMF1B CMUT	CMF1B CMUT	
3	20.92	0.02	0.42	-756.90	0.14	0.00	0.00	0.00	0.00	0.00	0.00	0.00	0.01	
	0.00	87.05	0.00	0.00	0.00	0.00	0.41	-756.90	0.16				0.16	
4	21.04	0.03	0.50	-763.90	0.14	0.00	0.00	0.00	0.00	0.00	0.00	0.00	0.01	
	0.00	84.07	0.17	-763.90	0.14	0.00	0.00	0.49	-763.90	0.16			0.16	
5	21.04	0.03	0.53	-742.20	0.14	0.00	0.00	0.00	0.00	0.00	0.00	0.00	0.01	
	0.00	81.08	0.18	-742.20	0.14	0.00	0.00	0.52	-742.20	0.16			0.16	
6	21.04	0.03	0.56	-699.90	0.15	0.00	0.00	0.00	0.00	0.00	0.00	0.00	0.01	
	0.00	78.09	0.17	-699.90	0.15	0.00	0.00	0.55	-699.90	0.16			0.16	
7	21.04	0.04	0.64	-755.00	0.14	0.00	0.00	0.00	0.00	0.00	0.00	0.00	0.01	
	0.00	75.08	0.17	-755.00	0.14	0.00	0.00	0.63	-755.00	0.16			0.16	
9	21.04	0.01	0.18	0.05	0.16	0.00	0.00	0.00	0.00	0.00	0.00	0.00	0.00	
	0.00	18.66	0.18	0.05	0.16	0.00	0.00	0.17	0.05	0.17			0.17	
10	21.15	0.02	0.17	0.05	0.14	0.00	0.00	0.00	0.00	0.00	0.00	0.00	0.01	
	0.00	57.07	0.17	0.05	0.14	0.00	0.00	0.16	0.05	0.16			0.16	
11	21.15	0.02	0.16	0.05	0.15	0.00	0.00	0.00	0.00	0.00	0.00	0.00	0.01	
	0.00	59.98	0.16	0.05	0.15	0.00	0.00	0.15	0.05	0.15			0.15	
12	21.15	0.02	0.16	0.05	0.15	0.00	0.00	0.00	0.00	0.00	0.00	0.00	0.01	
	0.00	62.96	0.16	0.05	0.15	0.00	0.00	0.15	0.05	0.15			0.15	
13	21.15	0.02	0.16	0.05	0.15	0.00	0.00	0.00	0.00	0.00	0.00	0.00	0.01	
	0.00	58.00	0.16	0.05	0.15	0.00	0.00	0.15	0.05	0.15			0.15	
14	21.15	0.02	0.17	0.05	0.14	0.00	0.00	0.00	0.00	0.00	0.00	0.00	0.01	
	0.00	69.00	0.17	0.05	0.14	0.00	0.00	0.16	0.05	0.16			0.16	
15	21.15	0.01	0.16	0.05	0.14	0.00	0.00	0.00	0.00	0.00	0.00	0.00	0.00	
	0.00	71.98	0.16	0.05	0.14	0.00	0.00	0.15	0.05	0.15			0.15	
16	21.15	0.02	0.17	0.05	0.15	0.00	0.00	0.00	0.00	0.00	0.00	0.00	0.01	
	0.00	75.04	0.17	0.05	0.15	0.00	0.00	0.16	0.05	0.16			0.16	
17	21.04	0.01	0.17	0.05	0.14	0.00	0.00	0.00	0.00	0.00	0.00	0.00	0.01	
	0.00	78.02	0.17	0.05	0.14	0.00	0.00	0.16	0.05	0.16			0.16	
18	21.04	0.00	0.16	0.05	0.15	0.00	0.00	0.00	0.00	0.00	0.00	0.00	0.01	
	0.00	81.01	0.16	0.05	0.15	0.00	0.00	0.15	0.05	0.15			0.15	
19	21.04	0.00	0.16	0.05	0.14	0.00	0.00	0.00	0.00	0.00	0.00	0.00	0.01	
	0.00	83.99	0.16	0.05	0.14	0.00	0.00	0.15	0.05	0.15			0.15	
20	21.15	0.00	0.17	0.05	0.14	0.00	0.00	0.00	0.00	0.00	0.00	0.00	0.00	
	0.00	86.99	0.17	0.05	0.14	0.00	0.00	0.16	0.05	0.16			0.16	

PROPULSIVE WING FORCE DATA

SUMMARY. RUN 390

PT	Q ALPHA BETA	REY NO HEIGHT	CLIS			CPMIS			CYMIS			CSFIS		
			CMF1B CMUC	CAF1B CMUH	CMF1B CMUT	CMF1B CMUT	CMF1B CMUT	CMF1B CMUT	CMF1B CMUT	CMF1B CMUT	CMF1B CMUT	CMF1B CMUT	CMF1B CMUT	
14	0.00	0.30E+08	16.55	-11.48	339.90	15.19	16.39	0.64					0.64	
	0.00	87.36	16.54	-11.51	338.90	15.16	16.41	0.64					347.10	
	0.00	87.36	24.89	0.00	24.89	-52.55	-7.41	347.10						
15	0.00	0.30E+08	23.82	-17.46	504.60	18.39	27.78	-0.59					-0.59	
	0.12	87.36	23.78	-17.51	504.60	18.33	27.82	-0.59					-0.59	
	0.00	87.36	40.15	0.00	40.15	-47.64	28.17	515.80						
16	0.00	0.30E+08	31.72	-23.25	694.40	19.24	30.68	-1.04					-1.04	
	0.16	87.36	31.65	-23.34	694.40	19.15	30.74	-1.04					-1.04	
	0.00	87.36	54.11	0.00	54.11	-59.03	41.08	709.70						
17	0.00	0.30E+08	40.61	-28.40	855.80	-0.70	13.62	0.33					0.33	
	0.20	87.36	40.51	-28.54	855.80	-0.75	13.62	0.33					0.33	
	0.00	87.36	69.11	0.00	69.11	-90.62	32.04	875.40						
18	0.00	0.30E+08	42.41	-29.47	877.20	12.31	20.66	0.15					0.15	
	0.20	87.36	42.30	-29.62	877.20	12.24	20.71	0.15					0.15	
	0.00	87.36	76.02	0.00	76.02	-110.00	22.57	898.50						



PROPULSIVE WING FORCE DATA

SUMMARY, RUN 395

PT	Q		REY NO HEIGHT	CLIS			CPMIS			CYMIS			CSFIS		
	ALPHA	BETA		CAFIB	CMIB	CMIB	CMIB	CMIB	CMIB	CMIB	CMIB	CMIB	CMIB	CMIB	CMIB
2	20.92	0.00	0.78E+06	0.17	0.05	0.15	0.00	0.15	0.00	-0.01	0.00	0.00	0.00	0.00	0.16
	0.00	0.00	56.97	0.17	0.00	0.00	0.16	0.00	0.16	0.05	0.16	0.05	0.16	0.05	0.16
3	21.04	0.01	0.78E+06	0.17	0.05	0.15	0.00	0.15	0.00	-0.01	0.01	0.00	0.00	0.01	0.16
	0.00	0.00	60.06	0.17	0.00	0.00	0.16	0.00	0.16	0.05	0.16	0.05	0.16	0.05	0.16
4	21.04	0.01	0.78E+06	0.17	0.05	0.14	0.00	0.14	0.00	-0.01	0.01	0.00	0.00	0.01	0.16
	0.00	0.00	62.96	0.17	0.00	0.00	0.16	0.00	0.16	0.05	0.16	0.05	0.16	0.05	0.16

PROPULSIVE WING FORCE DATA

SUMMARY, RUN 394

PT	Q		REY NO HEIGHT	CLIS			CPMIS			CYMIS			CSFIS		
	ALPHA	BETA		CAFIB	CMIB	CMIB	CMIB	CMIB	CMIB	CMIB	CMIB	CMIB	CMIB	CMIB	CMIB
2	20.81	0.00	0.79E+06	0.17	0.05	0.14	0.00	0.14	0.00	-0.01	0.01	0.00	0.00	0.01	0.16
	0.00	0.00	56.79	0.17	0.00	0.00	0.16	0.00	0.16	0.05	0.15	0.05	0.15	0.05	0.15
3	21.04	0.00	0.79E+06	0.17	0.05	0.15	0.00	0.15	0.00	-0.01	0.01	0.00	0.00	0.01	0.16
	0.00	0.00	59.97	0.17	0.00	0.00	0.16	0.00	0.16	0.05	0.16	0.05	0.16	0.05	0.16
4	20.92	0.00	0.79E+06	0.18	0.05	0.15	0.00	0.15	0.00	0.00	0.01	0.00	0.00	0.01	0.16
	0.00	0.00	62.96	0.18	0.00	0.00	0.17	0.00	0.17	0.05	0.16	0.05	0.16	0.05	0.16
5	20.92	0.00	0.79E+06	0.17	0.05	0.15	0.00	0.15	0.00	0.00	0.01	0.00	0.00	0.01	0.16
	0.00	0.00	66.00	0.17	0.00	0.00	0.15	0.00	0.15	0.05	0.16	0.05	0.16	0.05	0.16
6	20.92	0.00	0.79E+06	0.17	0.05	0.15	0.00	0.15	0.00	0.00	0.02	0.00	0.00	0.02	0.16
	0.00	0.00	69.06	0.17	0.00	0.00	0.16	0.00	0.16	0.05	0.16	0.05	0.16	0.05	0.16
7	21.04	-0.01	0.79E+06	0.17	0.05	0.15	0.00	0.15	0.00	0.00	0.01	0.00	0.00	0.01	0.16
	0.00	0.00	71.95	0.17	0.00	0.00	0.16	0.00	0.16	0.05	0.16	0.05	0.16	0.05	0.16
8	21.04	0.01	0.79E+06	0.17	0.05	0.15	0.00	0.15	0.00	0.00	0.02	0.00	0.00	0.02	0.16
	0.00	0.00	74.95	0.17	0.00	0.00	0.16	0.00	0.16	0.05	0.16	0.05	0.16	0.05	0.16
9	20.92	0.01	0.79E+06	0.16	0.05	0.15	0.00	0.15	0.00	0.00	0.02	0.00	0.00	0.02	0.16
	0.00	0.00	77.98	0.16	0.00	0.00	0.15	0.00	0.15	0.05	0.16	0.05	0.16	0.05	0.16
10	20.92	0.01	0.79E+06	0.16	0.05	0.15	0.00	0.15	0.00	0.00	0.02	0.00	0.00	0.02	0.16
	0.00	0.00	80.97	0.16	0.00	0.00	0.15	0.00	0.15	0.05	0.16	0.05	0.16	0.05	0.16
11	20.92	0.00	0.79E+06	0.16	0.05	0.15	0.00	0.15	0.00	0.00	0.01	0.00	0.00	0.01	0.16
	0.00	0.00	83.97	0.16	0.00	0.00	0.15	0.00	0.15	0.05	0.16	0.05	0.16	0.05	0.16
12	20.92	0.00	0.79E+06	0.17	0.05	0.14	0.00	0.14	0.00	0.00	0.01	0.00	0.00	0.01	0.16
	0.00	0.00	86.89	0.17	0.00	0.00	0.16	0.00	0.16	0.05	0.16	0.05	0.16	0.05	0.16



PROPULSIVE WING FORCE DATA

SUMMARY, RUN 397

PT	Q	ALPHA	BETA	REV NO	HEIGHT	CLIS			CPMIS			CRMIS			CSFIS		
						CMFIB	CHUC	CHUM	CMFIB	CMHIB	CMHIB	CMFIB	CMHIB	CMHIB	CMFIB	CMHIB	CMHIB
1	5.29	0.00	0.00	0.39E+06	56.93	1.11	-0.21	0.94	0.94	-0.01	-0.02	-0.01	-0.02	-0.01	-0.02	-0.01	-0.01
						1.11	-0.21	0.94	0.94	-0.01	-0.02	-0.01	-0.02	-0.01	-0.02	-0.01	
						0.96	0.00	0.96	0.96	0.57	0.20	0.59					
2	5.29	0.00	0.00	0.39E+06	59.99	1.12	-0.21	0.94	0.94	-0.01	-0.02	-0.01	-0.02	-0.01	-0.02	-0.01	
						1.12	-0.21	0.94	0.94	-0.01	-0.02	-0.01	-0.02	-0.01	-0.02	-0.01	
						0.97	0.00	0.97	0.97	0.57	0.20	0.58					
3	5.29	0.00	0.00	0.39E+06	62.95	1.12	-0.21	0.94	0.94	-0.01	-0.03	-0.01	-0.03	-0.01	-0.03	-0.01	
						1.12	-0.21	0.94	0.94	-0.01	-0.03	-0.01	-0.03	-0.01	-0.03	-0.01	
						0.97	0.00	0.97	0.97	0.57	0.20	0.58					
4	5.29	0.00	0.00	0.39E+06	65.95	1.12	-0.20	0.95	0.95	-0.01	-0.03	0.01	-0.03	0.01	-0.03	0.01	
						1.12	-0.20	0.95	0.95	-0.01	-0.03	0.01	-0.03	0.01	-0.03	0.01	
						0.97	0.00	0.97	0.97	0.57	0.20	0.59					
5	5.17	0.00	0.00	0.39E+06	68.97	1.13	-0.22	0.97	0.97	0.00	0.00	0.00	0.00	0.00	0.00	0.00	
						1.13	-0.22	0.97	0.97	0.00	0.00	0.00	0.00	0.00	0.00	0.00	
						1.00	0.00	1.00	1.00	0.57	0.20	0.61					
6	5.40	0.00	0.00	0.40E+06	71.99	1.11	-0.20	0.94	0.94	-0.01	-0.02	-0.02	-0.02	-0.02	-0.02	-0.02	
						1.11	-0.20	0.94	0.94	-0.01	-0.02	-0.02	-0.02	-0.02	-0.02	-0.02	
						0.95	0.00	0.95	0.95	0.57	0.20	0.59					
7	5.29	0.00	0.00	0.39E+06	74.96	1.10	-0.20	0.96	0.96	-0.01	-0.03	-0.01	-0.03	-0.01	-0.03	-0.01	
						1.10	-0.20	0.96	0.96	-0.01	-0.03	-0.01	-0.03	-0.01	-0.03	-0.01	
						0.98	0.00	0.98	0.98	0.56	0.20	0.60					
8	5.29	-0.01	0.00	0.39E+06	77.98	1.11	-0.21	0.95	0.95	-0.01	-0.01	-0.01	-0.01	-0.01	-0.01	-0.01	
						1.11	-0.21	0.95	0.95	-0.01	-0.01	-0.01	-0.01	-0.01	-0.01	-0.01	
						0.98	0.00	0.98	0.98	0.56	0.20	0.59					
9	5.29	-0.01	0.00	0.39E+06	80.95	1.10	-0.21	0.95	0.95	-0.01	-0.01	-0.01	-0.01	-0.01	-0.01	-0.01	
						1.10	-0.21	0.95	0.95	-0.01	-0.01	-0.01	-0.01	-0.01	-0.01	-0.01	
						0.97	0.00	0.97	0.97	0.55	0.20	0.59					
10	5.17	-0.02	0.00	0.39E+06	83.95	1.10	-0.21	0.98	0.98	-0.01	-0.01	0.01	-0.01	0.01	-0.01	0.01	
						1.10	-0.21	0.98	0.98	-0.01	-0.01	0.01	-0.01	0.01	-0.01	0.01	
						0.99	0.00	0.99	0.99	0.54	0.20	0.61					
11	5.29	-0.02	0.00	0.39E+06	86.97	1.15	-0.21	0.95	0.95	-0.01	-0.01	0.00	-0.01	0.00	-0.01	0.00	
						1.15	-0.21	0.95	0.95	-0.01	-0.01	0.00	-0.01	0.00	-0.01	0.00	
						0.99	0.00	0.99	0.99	0.60	0.20	0.59					

PROPULSIVE WING FORCE DATA

SUMMARY, RUN 396

PT	Q	ALPHA	BETA	REV NO	HEIGHT	CLIS			CPMIS			CRMIS			CSFIS		
						CMFIB	CHUC	CHUM	CMFIB	CMHIB	CMHIB	CMFIB	CMHIB	CMHIB	CMFIB	CMHIB	CMHIB
1	10.58	0.01	0.00	0.55E+06	56.95	0.77	-0.03	0.70	0.70	-0.01	-0.01	0.00	0.00	0.00	0.00	0.00	0.00
						0.77	-0.03	0.70	0.70	-0.01	-0.01	0.00	0.00	0.00	0.00	0.00	
						0.48	0.00	0.48	0.50	0.18	0.52						
2	10.58	0.01	0.00	0.55E+06	59.97	0.79	-0.03	0.70	0.70	0.00	-0.01	0.00	0.00	0.00	0.00	0.00	
						0.79	-0.03	0.70	0.70	0.00	-0.01	0.00	0.00	0.00	0.00	0.00	
						0.48	0.00	0.48	0.48	0.17	0.52						
3	10.69	0.01	0.00	0.56E+06	62.97	0.78	-0.02	0.69	0.69	0.00	-0.01	0.01	0.01	0.01	0.01		
						0.78	-0.02	0.69	0.69	0.00	-0.01	0.01	0.01	0.01	0.01		
						0.47	0.00	0.47	0.52	0.17	0.52						
4	10.58	0.01	0.00	0.55E+06	65.99	0.78	-0.02	0.70	0.70	0.00	0.00	0.01	0.01	0.01	0.01		
						0.78	-0.02	0.70	0.70	0.00	0.00	0.01	0.01	0.01	0.01		
						0.48	0.00	0.48	0.51	0.18	0.52						
5	10.46	-0.03	0.00	0.55E+06	68.95	0.79	-0.03	0.70	0.70	0.00	0.00	0.01	0.01	0.01	0.01		
						0.79	-0.02	0.70	0.70	0.00	0.00	0.01	0.01	0.01	0.01		
						0.49	0.00	0.49	0.52	0.18	0.53						
6	10.46	0.03	0.00	0.55E+06	71.97	0.80	-0.03	0.70	0.70	0.00	0.00	0.00	0.00	0.00	0.00		
						0.80	-0.03	0.70	0.70	0.00	0.00	0.00	0.00	0.00	0.00		
						0.49	0.00	0.49	0.53	0.18	0.52						
7	10.58	0.03	0.00	0.55E+06	74.98	0.80	-0.02	0.70	0.70	0.00	0.00	0.02	0.02	0.02	0.02		
						0.80	-0.02	0.70	0.70	0.00	0.00	0.02	0.02	0.02	0.02		
						0.49	0.00	0.49	0.53	0.18	0.52						
8	10.81	-0.03	0.00	0.56E+06	78.00	0.76	-0.02	0.68	0.68	0.00	0.01	0.00	0.00	0.00	0.00		
						0.76	-0.02	0.68	0.68	0.00	0.01	0.00	0.00	0.00	0.00		
						0.48	0.00	0.48	0.50	0.17	0.51						
9	10.58	0.03	0.00	0.55E+06	80.98	0.79	-0.03	0.69	0.69	0.00	0.00	0.01	0.01	0.01	0.01		
						0.79	-0.03	0.69	0.69	0.00	0.00	0.01	0.01	0.01	0.01		
						0.48	0.00	0.48	0.51	0.18	0.51						
10	10.58	0.02	0.00	0.55E+06	83.97	0.79	-0.03	0.70	0.70	0.00	0.00	0.02	0.02	0.02	0.02		
						0.79	-0.03	0.70	0.70	0.00	0.00	0.02	0.02	0.02	0.02		
						0.48	0.00	0.48	0.51	0.18	0.52						
11	10.58	0.02	0.00	0.55E+06	86.97	0.79	-0.03	0.70	0.70	0.00	0.00	0.03	0.03	0.03	0.03		
						0.79	-0.03	0.70	0.70	0.00	0.00	0.03	0.03	0.03	0.03		
						0.49	0.00	0.49	0.52	0.18	0.52						

PROPULSIVE WING FORCE DATA

SUMMARY, RUN 400

PT	Q		REY NO HEIGHT	CLIS		CPRIS		CRMIS		CYSIS		CSFIS	
	ALPHA BETA	BETA		CMFIB CMUC	CAFIB CMUH	CPMIB CMUT	CRMIB CLTR	CYRIB CDTR	CSFIB CMTR				
1	10.58	0.02	0.55E+06	0.81	-0.02	0.69	0.00	0.00	0.01	0.03	0.01	0.03	0.03
	0.00	0.00	56.95	0.81	-0.02	0.69	0.00	-0.03	0.47	0.82	0.47	0.82	0.82
2	10.46	0.02	0.55E+06	0.82	-0.02	0.70	0.00	0.00	0.01	0.02	0.01	0.02	0.02
	0.00	0.00	59.96	0.82	-0.02	0.70	0.00	-0.05	0.47	0.84	0.47	0.84	0.84
3	10.46	0.02	0.55E+06	0.82	-0.02	0.70	0.00	0.00	0.00	0.03	0.00	0.03	0.03
	0.00	0.00	62.95	0.50	0.00	0.50	0.00	-0.06	0.47	0.83	0.47	0.83	0.83
4	10.58	0.02	0.55E+06	0.82	-0.02	0.69	0.00	0.00	0.00	0.03	0.00	0.03	0.03
	0.00	0.00	65.95	0.48	0.00	0.48	0.00	-0.05	0.46	0.83	0.46	0.83	0.83
5	10.46	0.00	0.55E+06	0.81	-0.02	0.69	0.00	0.00	0.00	0.03	0.00	0.03	0.03
	0.00	0.00	58.95	0.49	0.00	0.49	0.00	-0.07	0.47	0.83	0.47	0.83	0.83
6	10.58	0.00	0.55E+06	0.81	-0.02	0.68	0.00	0.00	0.00	0.03	0.00	0.03	0.03
	0.00	0.00	72.03	0.49	0.00	0.49	0.00	-0.06	0.46	0.82	0.46	0.82	0.82
7	10.58	0.00	0.55E+06	0.81	-0.02	0.68	0.00	0.00	0.00	0.03	0.00	0.03	0.03
	0.00	0.00	75.03	0.49	0.00	0.49	0.00	-0.07	0.46	0.82	0.46	0.82	0.82
8	10.46	-0.01	0.55E+06	0.80	-0.02	0.69	0.00	0.00	0.00	0.03	0.00	0.03	0.03
	0.00	0.00	78.01	0.50	0.00	0.50	0.00	-0.08	0.46	0.83	0.46	0.83	0.83
9	10.46	-0.01	0.55E+06	0.81	-0.02	0.69	0.00	0.00	0.00	0.03	0.00	0.03	0.03
	0.00	0.00	81.01	0.50	0.00	0.50	0.00	-0.08	0.46	0.83	0.46	0.83	0.83
10	10.46	0.02	0.55E+06	0.81	-0.03	0.69	0.00	0.00	0.00	0.03	0.00	0.03	0.03
	0.00	0.00	84.02	0.49	0.00	0.49	0.00	-0.08	0.46	0.83	0.46	0.83	0.83
11	10.46	0.02	0.55E+06	0.82	-0.02	0.69	0.00	0.00	0.00	0.03	0.00	0.03	0.03
	0.00	0.00	87.03	0.50	0.00	0.50	0.00	-0.07	0.46	0.83	0.46	0.83	0.83

PROPULSIVE WING FORCE DATA

SUMMARY, RUN 399

PT	Q		REY NO HEIGHT	CLIS		CPRIS		CRMIS		CYSIS		CSFIS	
	ALPHA BETA	BETA		CMFIB CMUC	CAFIB CMUH	CPMIB CMUT	CRMIB CLTR	CYRIB CDTR	CSFIB CMTR				
3	21.15	0.02	0.78E+06	0.18	0.05	0.14	0.00	0.00	0.00	0.00	0.00	0.00	0.00
	0.00	0.00	56.96	0.00	0.00	0.00	-0.14	-0.18	0.15	0.15	0.15	0.15	0.15
4	21.04	0.02	0.77E+06	0.17	0.05	0.15	0.00	0.00	0.00	0.00	0.00	0.00	0.00
	0.00	0.00	60.00	0.00	0.00	0.00	-0.14	-0.18	0.16	0.16	0.16	0.16	0.16
5	21.15	0.02	0.78E+06	0.17	0.05	0.14	0.00	0.00	0.00	0.00	0.00	0.00	0.00
	0.00	0.00	62.97	0.00	0.00	0.00	-0.14	-0.17	0.15	0.15	0.15	0.15	0.15
6	21.04	0.01	0.77E+06	0.17	0.05	0.15	0.00	0.00	0.01	0.01	0.01	0.01	0.01
	0.00	0.00	65.96	0.00	0.00	0.00	-0.14	-0.18	0.16	0.16	0.16	0.16	0.16
7	21.04	0.01	0.77E+06	0.17	0.05	0.14	0.00	0.00	0.01	0.01	0.01	0.01	0.01
	0.00	0.00	69.01	0.00	0.00	0.00	-0.14	-0.18	0.15	0.15	0.15	0.15	0.15
8	21.15	0.01	0.78E+06	0.17	0.05	0.14	0.00	0.00	0.01	0.01	0.01	0.01	0.01
	0.00	0.00	71.97	0.00	0.00	0.00	-0.14	-0.18	0.15	0.15	0.15	0.15	0.15
9	21.04	0.01	0.77E+06	0.17	0.05	0.14	0.00	0.00	0.01	0.01	0.01	0.01	0.01
	0.00	0.00	74.95	0.00	0.00	0.00	-0.14	-0.18	0.15	0.15	0.15	0.15	0.15
10	21.15	0.00	0.78E+06	0.17	0.05	0.14	0.00	0.00	0.01	0.01	0.01	0.01	0.01
	0.00	0.00	78.02	0.00	0.00	0.00	-0.14	-0.18	0.15	0.15	0.15	0.15	0.15
11	21.04	0.00	0.77E+06	0.18	0.05	0.14	0.00	0.00	0.01	0.01	0.01	0.01	0.01
	0.00	0.00	80.97	0.00	0.00	0.00	-0.14	-0.18	0.15	0.15	0.15	0.15	0.15
12	21.04	0.00	0.78E+06	0.17	0.05	0.14	0.00	0.00	0.01	0.01	0.01	0.01	0.01
	0.00	0.00	83.95	0.00	0.00	0.00	-0.15	-0.18	0.15	0.15	0.15	0.15	0.15
13	20.92	-0.01	0.77E+06	0.17	0.05	0.14	0.00	0.00	0.01	0.01	0.01	0.01	0.01
	0.00	0.00	87.10	0.00	0.00	0.00	-0.15	-0.18	0.15	0.15	0.15	0.15	0.15



PROPULSIVE WING FORCE DATA

SUMMARY. RUN 404

PT	Q		REY NO HEIGHT	CLIS CMFIB CMUC	CDIS CAFIB CMUH	CPM15 CPM1B CMUT	CRM15 CRM1B CLTR	CVM15 CVM1B CDTR	CSF15 CSF1B CMTR
	ALPHA BETA	BETA							
1	5.29	0.09	0.39E+06 57.85	1.19	-0.21	0.94	0.00	0.01	0.02
2	5.29	0.02	0.39E+06 60.75	1.17	-0.20	0.94	0.00	0.00	0.04
3	5.29	0.02	0.39E+06 63.04	1.18	-0.21	0.94	0.00	0.01	0.02
4	5.29	0.02	0.39E+06 66.53	1.17	-0.21	0.94	0.00	0.00	0.05
5	5.29	0.08	0.39E+06 69.09	1.14	-0.21	0.94	0.00	0.00	0.04
6	5.40	0.07	0.40E+06 72.01	1.15	-0.21	0.92	0.00	0.00	0.04
7	5.29	0.07	0.39E+06 75.05	1.16	-0.21	0.94	0.00	0.00	0.03
8	5.29	0.00	0.39E+06 78.07	1.16	-0.22	0.92	0.00	0.01	0.03
9	5.17	0.00	0.39E+06 81.11	1.19	-0.21	0.95	0.00	0.00	0.06
10	5.29	0.00	0.39E+06 84.00	1.17	-0.22	0.93	0.00	0.00	0.04
11	5.29	-0.01	0.39E+06 87.01	1.16	-0.22	0.94	0.00	0.00	0.04

PROPULSIVE WING FORCE DATA

SUMMARY. RUN 403

PT	Q		REY NO HEIGHT	CLIS CMFIB CMUC	CDIS CAFIB CMUH	CPM15 CPM1B CMUT	CRM15 CRM1B CLTR	CVM15 CVM1B CDTR	CSF15 CSF1B CMTR
	ALPHA BETA	BETA							
1	10.58	-0.09	0.55E+06 87.09	0.77	-0.03	0.68	0.00	0.00	0.03
2	10.58	0.03	0.55E+06 87.02	0.81	-0.03	0.68	0.00	0.00	0.02
3	10.69	-0.10	0.55E+06 84.03	0.80	-0.03	0.68	0.00	0.00	0.03
4	10.58	-0.09	0.55E+06 81.13	0.80	-0.03	0.69	0.00	0.00	0.03
5	10.58	0.04	0.55E+06 78.12	0.81	-0.03	0.68	0.00	0.00	0.02
6	10.58	-0.01	0.55E+06 75.04	0.81	-0.03	0.68	0.00	0.00	0.02
7	10.58	-0.09	0.55E+06 72.29	0.80	-0.03	0.68	0.00	0.00	0.02
8	10.58	0.02	0.55E+06 69.06	0.81	-0.03	0.69	0.00	0.00	0.02
9	10.58	-0.08	0.55E+06 66.22	0.81	-0.03	0.69	0.00	0.00	0.02
10	10.58	-0.05	0.55E+06 63.03	0.82	-0.03	0.69	0.00	0.00	0.01
11	10.58	-0.08	0.55E+06 60.47	0.82	-0.03	0.69	0.00	0.00	0.01
12	10.58	0.06	0.55E+06 57.20	0.82	-0.03	0.69	0.00	0.00	0.01

PROPULSIVE WING FORCE DATA

SUMMARY, RUM 406

PT	Q		REY NO HEIGHT	CLIS CMUC	CDFB CMUC	CDIS CMUM	CPMIB CMUT	CPMIS CMUT	CRMIB CLTR	CYMIB CDTR	CSFIB CMTR
	ALPHA	BETA									
1	5.29	0.05	0.39E+06	0.22	0.06	0.05	0.14	0.14	0.00	0.00	0.02
	0.00	0.00	30.23	0.22	0.06	0.00	0.00	0.00	-1.06	-0.86	0.19
	0.00	0.00		0.00	0.00	0.00	0.00	0.00	0.00	0.00	0.01
2	10.58	0.11	0.55E+06	0.19	0.05	0.05	0.15	0.15	0.00	0.00	0.01
	0.00	0.00	30.23	0.19	0.05	0.00	0.00	0.00	-0.45	-0.40	0.17
	0.00	0.00		0.19	0.05	0.00	0.15	0.15	0.00	0.00	0.01
3	21.15	0.24	0.78E+06	0.19	0.05	0.05	0.15	0.15	0.00	0.00	0.01
	0.00	0.00	30.23	0.19	0.05	0.00	0.00	0.00	-0.13	-0.18	0.17
	0.00	0.00		0.00	0.00	0.00	0.00	0.00	0.00	0.00	0.01

PROPULSIVE WING FORCE DATA

SUMMARY, RUM 406

PT	Q		REY NO HEIGHT	CLIS CMUC	CDFB CMUC	CDIS CMUM	CPMIB CMUT	CPMIS CMUT	CRMIB CLTR	CYMIB CDTR	CSFIB CMTR
	ALPHA	BETA									
2	0.00	0.00	0.30E+08	0.78	-15.44	10.71	10.71	10.71	-1.98	29.38	-0.24
	0.00	0.00	57.02	0.78	-15.44	10.71	10.71	10.71	-1.98	29.38	-0.24
	0.00	0.00		4.85	0.00	4.85	4.85	4.85	-83.02	-72.53	13.84
3	0.00	0.00	0.30E+08	2.60	-24.50	21.22	21.22	21.22	4.20	40.13	-0.42
	0.00	0.00	57.02	2.60	-24.50	21.22	21.22	21.22	4.20	40.13	-0.42
	0.00	0.00		25.51	0.00	25.51	25.51	25.51	-68.19	-17.79	28.53
4	0.00	0.00	0.30E+08	2.02	-35.46	46.54	46.54	46.54	4.27	62.95	-1.24
	0.00	0.00	57.02	2.02	-35.46	46.54	46.54	46.54	4.27	62.95	-1.24
	0.00	0.00		40.73	0.00	40.73	40.73	40.73	-70.13	12.35	58.08
5	0.00	0.00	0.30E+08	3.58	-47.80	69.28	69.28	69.28	8.41	63.20	-0.89
	0.00	0.00	57.02	3.58	-47.80	69.28	69.28	69.28	8.41	63.20	-0.89
	0.00	0.00		58.98	0.00	58.98	58.98	58.98	-93.35	18.08	85.41
6	0.00	0.01	0.30E+08	5.55	-61.03	63.42	63.42	63.42	11.71	86.69	-1.51
	0.00	0.00	57.02	5.55	-61.03	63.42	63.42	63.42	11.70	86.69	-1.51
	0.00	0.00		74.97	0.00	74.97	74.97	74.97	-141.90	-6.36	84.44

PROPULSIVE MING FORCE DATA

SUMMARY. RUN 408

PT	Q	ALPHA	BETA	REY NO	HEIGHT	CLIS	CNFIB	CAFIB	CDIS	CPHIB	CHUT	CLTR	CMHIB	CRHIB	CLTR	CYHIB	CDTR	CSF15	CSFIB	CNTR	
2	0.00	0.00	0.00	0.30E+08	46.05	0.66	0.66	-24.91	35.10	35.10	-8.52	-18.81	-18.81	-8.52	-69.72	17.92	-40.60	0.15	-0.13	-0.13	45.96
3	0.00	0.01	0.00	0.30E+08	46.05	6.30	6.29	-45.66	38.90	38.90	-6.89	-40.60	-40.60	-6.89	-125.80	14.87	-58.95	0.96	0.96	0.96	58.66
4	0.00	0.01	0.00	0.30E+08	46.05	7.43	7.41	-53.85	41.59	41.59	-6.98	-58.95	-58.95	-6.98	-172.10	-15.16	-64.89	0.54	0.54	0.54	118.30
5	0.00	0.02	0.00	0.30E+08	46.05	89.53	89.53	0.00	88.96	88.96	-6.70	-42.41	-42.41	-6.68	-282.30	-104.10	-118.30	0.76	0.76	0.76	115.30
6	0.00	0.02	0.00	0.30E+08	46.05	8.57	8.54	-73.60	83.85	83.85	-6.10	-47.80	-47.80	-6.08	-329.30	-147.50	-115.30	0.76	0.76	0.76	115.30

PROPULSIVE MING FORCE DATA

SUMMARY. RUN 407

PT	Q	ALPHA	BETA	REY NO	HEIGHT	CLIS	CNFIB	CAFIB	CDIS	CPHIB	CHUT	CLTR	CMHIB	CRHIB	CLTR	CYHIB	CDTR	CSF15	CSFIB	CNTR	
4	0.00	0.00	0.00	0.30E+08	46.05	0.54	0.54	-18.05	18.44	18.44	-2.60	-9.14	-9.14	-2.60	-75.69	23.09	-49.30	0.38	0.38	0.38	23.09
5	0.00	0.00	0.00	0.30E+08	46.05	2.89	2.89	-28.61	10.14	10.14	-1.66	-20.67	-20.67	-1.66	-65.09	19.31	-0.95	1.35	1.35	1.35	19.31
6	0.00	0.01	0.00	0.30E+08	46.05	2.40	2.39	-42.75	40.89	40.89	-4.29	-42.18	-42.18	-4.29	-83.52	20.01	55.44	0.74	0.74	0.74	55.44
7	0.00	0.01	0.00	0.30E+08	46.05	6.23	6.22	-56.20	51.42	51.42	-1.07	-39.21	-39.21	-1.06	-121.70	5.63	70.83	0.74	0.74	0.74	70.83
8	0.00	0.02	0.00	0.30E+08	46.05	5.14	5.11	-71.81	107.30	107.30	-3.82	-48.10	-48.10	-3.81	-205.40	-51.79	-132.50	1.14	1.14	1.14	132.50



PROPULSIVE MING FORCE DATA

SUMMARY, RUN 412

PT	Q		REY NO HEIGHT	CLIS CNFIB CMUC	CDIS CAFIB CMUM	CPMIS CPMIB CMUT	CRMIS CRMIB CLTR	CYMIS CYMIB CDTR	CSFIS CSFIB CNTR
	ALPHA BETA	BETA							
1	5.17	0.00	0.40E+05 57.02	0.18 0.18 0.84	-0.60 -0.60 0.00	0.10 0.10 0.84	0.00 0.00 0.09	-0.01 -0.01 0.03	0.02 0.02 0.09
2	5.29	0.00	0.40E+05 60.00	0.19 0.19 0.82	-0.60 -0.60 0.00	0.09 0.09 0.82	0.00 0.00 0.09	-0.01 -0.01 0.02	0.00 0.00 0.08
3	5.29	0.00	0.40E+05 63.01	0.20 0.20 0.83	-0.60 -0.60 0.00	0.10 0.10 0.83	0.00 0.00 0.10	-0.01 -0.01 0.02	0.01 0.01 0.09
4	5.29	0.00	0.40E+05 66.02	0.20 0.20 0.82	-0.60 -0.60 0.00	0.10 0.10 0.82	0.00 0.00 0.11	-0.01 -0.01 0.02	0.00 0.00 0.09
5	5.17	0.00	0.40E+05 69.00	0.20 0.20 0.84	-0.61 -0.61 0.00	0.10 0.10 0.84	0.00 0.00 0.11	-0.01 -0.01 0.02	0.01 0.01 0.09
6	5.29	0.00	0.40E+05 72.01	0.16 0.16 0.82	-0.60 -0.60 0.00	0.09 0.09 0.82	0.00 0.00 0.07	-0.01 -0.01 0.02	0.02 0.02 0.08
7	5.17	0.00	0.40E+05 75.03	0.21 0.21 0.84	-0.61 -0.61 0.00	0.09 0.09 0.84	0.00 0.00 0.11	-0.01 -0.01 0.02	0.01 0.01 0.08
8	5.29	0.00	0.40E+05 78.00	0.17 0.17 0.82	-0.60 -0.60 0.00	0.10 0.10 0.82	0.00 0.00 0.08	-0.01 -0.01 0.02	0.01 0.01 0.09
9	5.29	0.00	0.40E+05 81.03	0.19 0.19 0.83	-0.60 -0.60 0.00	0.09 0.09 0.83	0.00 0.00 0.10	-0.01 -0.01 0.02	0.02 0.02 0.08
10	5.29	0.00	0.40E+05 84.14	0.18 0.18 0.83	-0.60 -0.60 0.00	0.08 0.08 0.83	0.00 0.00 0.09	-0.01 -0.01 0.02	0.02 0.02 0.07
11	5.17	0.00	0.40E+05 87.03	0.21 0.21 0.84	-0.62 -0.62 0.00	0.09 0.09 0.84	0.00 0.00 0.11	-0.01 -0.01 0.02	0.01 0.01 0.08

PROPULSIVE MING FORCE DATA

SUMMARY, RUN 411

PT	Q		REY NO HEIGHT	CLIS CNFIB CMUC	CDIS CAFIB CMUM	CPMIS CPMIB CMUT	CRMIS CRMIB CLTR	CYMIS CYMIB CDTR	CSFIS CSFIB CNTR
	ALPHA BETA	BETA							
2	10.58	0.02	0.57E+05 57.00	0.15 0.15 0.41	-0.29 -0.29 0.00	0.08 0.08 0.41	0.00 0.00 0.10	0.00 0.00 0.02	0.00 0.00 0.07
3	10.58	0.02	0.57E+05 60.36	0.14 0.13 0.41	-0.29 -0.29 0.00	0.08 0.08 0.41	0.00 0.00 0.09	0.00 0.00 0.02	0.00 0.00 0.07
4	10.58	0.01	0.57E+05 63.00	0.13 0.13 0.41	-0.29 -0.29 0.00	0.08 0.08 0.41	0.00 0.00 0.09	0.00 0.00 0.01	0.00 0.00 0.07
5	10.46	0.01	0.57E+05 66.01	0.13 0.13 0.41	-0.29 -0.29 0.00	0.08 0.08 0.41	0.00 0.00 0.08	0.00 0.00 0.02	0.01 0.01 0.07
6	10.58	0.01	0.57E+05 69.05	0.13 0.13 0.41	-0.29 -0.29 0.00	0.08 0.08 0.41	0.00 0.00 0.08	0.00 0.00 0.01	0.01 0.01 0.07
7	10.58	0.01	0.57E+05 72.03	0.13 0.13 0.41	-0.29 -0.29 0.00	0.08 0.08 0.41	0.00 0.00 0.08	-0.01 -0.01 0.02	0.01 0.01 0.07
8	10.46	0.01	0.57E+05 75.02	0.13 0.13 0.42	-0.30 -0.30 0.00	0.08 0.08 0.42	0.00 0.00 0.08	0.00 0.00 0.01	0.00 0.00 0.07
9	10.58	0.01	0.57E+05 78.09	0.13 0.13 0.41	-0.29 -0.29 0.00	0.07 0.07 0.41	0.00 0.00 0.08	-0.01 -0.01 0.02	0.02 0.02 0.07
10	10.58	0.01	0.57E+05 81.03	0.13 0.13 0.41	-0.29 -0.29 0.00	0.07 0.07 0.41	0.00 0.00 0.09	-0.01 -0.01 0.02	0.01 0.01 0.07
11	10.46	0.01	0.57E+05 84.01	0.14 0.14 0.42	-0.29 -0.29 0.00	0.07 0.07 0.42	0.00 0.00 0.09	0.00 0.00 0.02	0.01 0.01 0.07
12	10.46	0.01	0.57E+05 87.02	0.14 0.14 0.42	-0.29 -0.29 0.00	0.07 0.07 0.42	0.00 0.00 0.09	-0.01 -0.01 0.02	0.02 0.02 0.07



PROPULSIVE WING FORCE DATA

SUMMARY. RUN 413

PT	Q	ALPHA	BETA	REY NO	HEIGHT	CLIS	CAFIB	CRUI	CPMIS	CPMIB	CMUT	CRMIS	CRMIB	CLTR	CYMIS	CYMIB	CDTR	CSEIS	CSFIB	CHTR
1	5.40	-0.03	0.00	0.41E+08	30.39	0.04	0.01	0.03	0.03	0.03	0.00	0.00	0.00	0.27	0.00	0.00	0.12	0.00	0.00	-0.02
2	10.46	-0.02	0.00	0.57E+08	30.39	0.04	0.01	0.04	0.04	0.04	0.00	0.00	0.00	0.16	0.00	0.00	0.07	0.00	0.00	0.01
3	20.92	0.01	0.00	0.80E+06	30.39	0.04	0.01	0.04	0.04	0.04	0.00	0.00	0.00	0.10	0.00	0.00	0.04	0.00	0.00	0.02

PROPULSIVE WING FORCE DATA

SUMMARY. RUN 414

PT	Q	ALPHA	BETA	REY NO	HEIGHT	CLIS	CAFIB	CRUI	CPMIS	CPMIB	CMUT	CRMIS	CRMIB	CLTR	CYMIS	CYMIB	CDTR	CSEIS	CSFIB	CHTR
2	5.17	0.02	0.00	0.40E+06	29.96	0.01	0.02	0.02	0.04	0.04	0.00	0.00	0.00	0.25	0.00	0.00	0.14	0.00	0.00	-0.01
3	10.58	0.03	0.00	0.58E+06	29.96	0.04	0.02	0.04	0.04	0.04	0.00	0.00	0.00	0.16	0.00	0.00	0.07	0.00	0.00	0.01
4	21.15	0.00	0.00	0.81E+06	29.74	0.04	0.01	0.04	0.04	0.04	0.00	0.00	0.00	0.10	0.00	0.00	0.04	0.00	0.00	0.02



PROPULSIVE WING FORCE DATA

SUMMARY, RUN 417

PT	Q		REY NO HEIGHT	CL15 CMFB CMUC	CD15 CAFIB CMUN	CPM15 CMRIB CMUT	CMR15 CLTR	CYN15 CDTR	CSF15 CSFIB CMTR	PT	Q		REY NO HEIGHT	CL15 CMFB CMUC	CD15 CAFIB CMUN	CPM15 CMRIB CMUT	CMR15 CLTR	CYN15 CDTR	CSF15 CSFIB CMTR
	ALPHA	BETA									ALPHA	BETA							
1	10.69	0.01	0.57E+06	0.10	-0.28	0.08	0.00	-0.01	-0.01	1	5.17	-0.01	0.40E+06	0.14	-0.59	0.11	0.00	-0.01	-0.02
	0.00	0.00	57.00	0.39	0.00	0.39	0.05	0.02	0.08		0.00	0.00	57.00	0.82	0.00	0.82	0.03	0.03	0.10
2	10.58	0.01	0.57E+06	0.12	-0.28	0.08	0.00	0.00	-0.01	2	5.29	-0.01	0.40E+06	0.13	-0.58	0.11	0.00	-0.01	0.00
	0.00	0.00	60.00	0.40	0.00	0.40	0.07	0.02	0.08		-0.01	0.00	60.00	0.80	0.00	0.80	0.03	0.03	0.10
3	10.58	0.01	0.57E+06	0.11	-0.28	0.08	0.00	0.00	0.00	3	5.29	-0.02	0.40E+06	0.15	-0.58	0.10	0.00	-0.01	0.00
	0.00	0.00	63.01	0.40	0.00	0.40	0.06	0.02	0.08		0.00	0.00	63.00	0.81	0.00	0.81	0.05	0.03	0.09
4	10.58	0.00	0.57E+06	0.10	-0.28	0.08	0.00	-0.01	-0.01	4	5.29	-0.02	0.40E+06	0.16	-0.58	0.10	0.00	-0.01	-0.01
	0.00	0.00	66.01	0.40	0.00	0.40	0.05	0.01	0.07		0.00	0.00	66.00	0.80	0.00	0.80	0.06	0.02	0.09
5	10.58	0.00	0.57E+06	0.10	-0.28	0.08	0.00	-0.01	0.00	5	5.29	-0.02	0.40E+06	0.14	-0.57	0.10	0.00	-0.02	0.01
	0.00	0.00	69.01	0.40	0.00	0.40	0.05	0.02	0.07		0.00	0.00	69.01	0.80	0.00	0.80	0.04	0.03	0.09
6	10.58	0.00	0.57E+06	0.10	-0.28	0.08	0.00	-0.02	0.00	6	5.29	-0.02	0.40E+06	0.12	-0.58	0.10	0.00	-0.01	-0.01
	0.00	0.00	72.00	0.40	0.00	0.40	0.05	0.02	0.08		0.00	0.00	72.00	0.80	0.00	0.80	0.02	0.02	0.09
7	10.58	0.00	0.57E+06	0.11	-0.28	0.08	0.00	-0.01	0.00	7	5.29	-0.03	0.40E+06	0.13	-0.58	0.11	0.00	-0.02	0.00
	0.00	0.00	75.00	0.40	0.00	0.40	0.06	0.02	0.07		0.00	0.00	75.02	0.80	0.00	0.80	0.03	0.03	0.10
8	10.58	0.00	0.56E+06	0.10	-0.28	0.07	0.00	-0.01	0.00	8	5.29	-0.03	0.40E+06	0.11	-0.58	0.10	0.00	-0.01	0.00
	0.00	0.00	78.02	0.40	0.00	0.40	0.05	0.02	0.07		0.00	0.00	78.00	0.80	0.00	0.80	0.01	0.03	0.10
9	10.46	0.00	0.56E+06	0.11	-0.28	0.07	0.00	-0.01	0.00	9	5.29	-0.03	0.40E+06	0.12	-0.58	0.11	0.00	-0.02	0.01
	0.00	0.00	81.00	0.41	0.00	0.41	0.06	0.02	0.07		0.00	0.00	81.00	0.80	0.00	0.80	0.02	0.02	0.10
10	10.46	-0.01	0.56E+06	0.10	-0.28	0.08	0.00	-0.01	0.01	10	5.29	-0.04	0.40E+06	0.11	-0.59	0.10	0.00	-0.02	-0.01
	0.00	0.00	84.01	0.41	0.00	0.41	0.06	0.02	0.07		0.00	0.00	84.00	0.80	0.00	0.80	0.02	0.02	0.10
11	10.46	-0.01	0.56E+06	0.11	-0.29	0.08	0.00	-0.01	0.01	11	5.29	-0.04	0.40E+06	0.12	-0.58	0.10	0.00	-0.01	0.00
	0.00	0.00	87.00	0.41	0.00	0.41	0.06	0.02	0.07		0.00	0.00	87.01	0.80	0.00	0.80	0.02	0.02	0.10

PROPULSIVE MING FORCE DATA

SUMMARY, RUN 420

PT	Q		REY NO HEIGHT	CL15			CPN15			CRM15			CYN15			CSF15			
	ALPHA BETA			CMF1B CMUC	CAF1B CMUH	CMH1B CMUT	CLTR	CLTR	CDTR	CMF1B CMUC	CAF1B CMUH	CMH1B CMUT	CLTR	CLTR	CDTR	CMF1B CMUC	CAF1B CMUH	CMH1B CMUT	CLTR
1	21.15	0.04	0.79E+06	0.04	0.01	0.04	0.00	0.04	0.00	0.01	0.04	0.00	0.00	0.00	0.00	0.01	0.00	0.01	0.02
	0.00	0.00	57.00	0.04	0.01	0.04	0.00	0.00	0.00	0.00	0.00	0.10	0.04	0.02					
2	21.15	0.04	0.79E+06	0.04	0.01	0.04	0.00	0.04	0.00	0.01	0.04	0.00	0.00	0.01	0.00	0.01	0.00	0.01	0.02
	0.00	0.00	60.00	0.04	0.01	0.04	0.00	0.00	0.00	0.00	0.00	0.10	0.04	0.02					
3	21.15	0.04	0.79E+06	0.04	0.01	0.04	0.00	0.04	0.00	0.01	0.04	0.00	0.00	0.01	0.00	0.01	0.00	0.01	0.02
	0.00	0.00	63.00	0.04	0.01	0.04	0.00	0.00	0.00	0.00	0.00	0.10	0.04	0.02					
4	21.15	0.04	0.79E+06	0.05	0.01	0.04	0.00	0.04	0.00	0.01	0.04	0.00	0.00	0.01	0.00	0.02	0.00	0.02	0.02
	0.00	0.00	66.00	0.05	0.01	0.04	0.00	0.00	0.00	0.00	0.00	0.10	0.04	0.02					
5	21.15	0.04	0.79E+06	0.05	0.01	0.04	0.00	0.04	0.00	0.01	0.04	0.00	0.00	0.01	0.00	0.02	0.00	0.02	0.02
	0.00	0.00	69.00	0.05	0.01	0.04	0.00	0.00	0.00	0.00	0.00	0.11	0.04	0.02					
6	21.15	0.04	0.79E+06	0.04	0.01	0.04	0.00	0.04	0.00	0.01	0.04	0.00	0.00	0.01	0.00	0.02	0.00	0.02	0.02
	0.00	0.00	72.01	0.04	0.01	0.04	0.00	0.00	0.00	0.00	0.00	0.10	0.04	0.02					
7	21.04	0.03	0.78E+06	0.04	0.01	0.04	0.00	0.04	0.00	0.01	0.04	0.00	0.00	0.01	0.00	0.02	0.00	0.02	0.02
	0.00	0.00	75.00	0.04	0.01	0.04	0.00	0.00	0.00	0.00	0.00	0.10	0.04	0.02					
8	21.15	0.03	0.79E+06	0.04	0.01	0.04	0.00	0.04	0.00	0.01	0.04	0.00	0.00	0.01	0.00	0.02	0.00	0.02	0.02
	0.00	0.00	78.01	0.04	0.01	0.04	0.00	0.00	0.00	0.00	0.00	0.10	0.04	0.02					
9	21.15	0.02	0.79E+06	0.04	0.01	0.04	0.00	0.04	0.00	0.01	0.04	0.00	0.00	0.01	0.00	0.02	0.00	0.02	0.02
	0.00	0.00	81.00	0.04	0.01	0.04	0.00	0.00	0.00	0.00	0.00	0.10	0.04	0.02					
10	21.15	0.02	0.79E+06	0.04	0.01	0.04	0.00	0.04	0.00	0.01	0.04	0.00	0.00	0.01	0.00	0.02	0.00	0.02	0.02
	0.00	0.00	84.00	0.04	0.01	0.04	0.00	0.00	0.00	0.00	0.00	0.10	0.04	0.02					
11	21.04	0.02	0.78E+06	0.03	0.01	0.03	0.00	0.03	0.00	0.01	0.03	0.00	0.00	0.01	0.00	0.02	0.00	0.02	0.02
	0.00	0.00	87.02	0.03	0.01	0.03	0.00	0.00	0.00	0.00	0.00	0.09	0.04	0.02					

PROPULSIVE MING FORCE DATA

SUMMARY, RUN 419

PT	Q		REY NO HEIGHT	CL15			CPN15			CRM15			CYN15			CSF15			
	ALPHA BETA			CMF1B CMUC	CAF1B CMUH	CMH1B CMUT	CLTR	CLTR	CDTR	CMF1B CMUC	CAF1B CMUH	CMH1B CMUT	CLTR	CLTR	CDTR	CMF1B CMUC	CAF1B CMUH	CMH1B CMUT	CLTR
2	5.29	0.01	0.40E+06	0.06	0.01	0.03	0.01	0.02	0.01	0.01	0.01	0.01	0.01	0.01	0.02	0.03	0.03	0.03	0.03
	0.00	0.00	30.10	0.00	0.00	0.00	0.29	0.13	0.03	0.01	0.01	0.01	0.01	0.01	0.03	-0.03			
3	10.45	0.02	0.56E+06	0.05	0.01	0.04	0.01	0.01	0.01	0.01	0.01	0.01	0.01	0.01	0.01	0.01	0.01	0.01	0.01
	0.00	0.00	30.10	0.00	0.00	0.00	0.00	0.17	0.07	0.01	0.01	0.01	0.01	0.01	0.01	0.01	0.01	0.01	0.01
4	20.92	0.05	0.79E+06	0.05	0.01	0.04	0.00	0.00	0.00	0.00	0.00	0.00	0.00	0.00	0.00	0.01	0.00	0.01	0.01
	0.00	0.00	30.10	0.00	0.00	0.00	0.00	0.00	0.00	0.00	0.00	0.10	0.04	0.02	0.00	0.01	0.00	0.01	0.01



PROPULSIVE WING FORCE DATA

SUMMARY, RUN 423

PT	Q		REY NO HEIGHT	CLIS			CPMIS			CYMIS			CSFIS			
	ALPHA BETA			CMFIB CMUC	CAFIB CMUH	CMHIB CMUT	CLTR	CMFIB CMUC	CAFIB CMUH	CMHIB CMUT	CLTR	CLIS	CMFIB CMUC	CAFIB CMUH	CMHIB CMUT	CLTR
1	20.92	0.00	0.77E+06 57.01	0.04	0.01	0.04	0.04	0.01	0.04	0.00	0.01	0.04	0.00	0.01	0.00	0.00
2	20.92	0.03	0.77E+06 50.01	0.04	0.01	0.04	0.04	0.01	0.04	0.00	0.01	0.04	0.00	0.01	0.00	0.00
3	20.92	0.00	0.77E+06 53.01	0.03	0.01	0.04	0.03	0.01	0.04	0.00	0.01	0.04	0.00	0.01	0.00	0.00
4	20.92	0.03	0.77E+06 66.00	0.03	0.01	0.04	0.03	0.01	0.04	0.00	0.01	0.04	0.00	0.01	0.00	0.00
5	20.92	0.03	0.77E+06 59.00	0.04	0.01	0.04	0.04	0.01	0.04	0.00	0.01	0.04	0.00	0.01	0.00	0.00
6	20.92	0.03	0.77E+06 72.00	0.03	0.01	0.04	0.03	0.01	0.04	0.00	0.01	0.04	0.00	0.01	0.00	0.00
7	20.92	0.02	0.77E+06 74.01	0.03	0.01	0.04	0.03	0.01	0.04	0.00	0.01	0.04	0.00	0.01	0.00	0.00
8	20.92	0.02	0.77E+06 78.00	0.04	0.01	0.04	0.04	0.01	0.04	0.00	0.01	0.04	0.00	0.01	0.00	0.00
9	21.04	0.02	0.77E+06 81.00	0.03	0.01	0.04	0.03	0.01	0.04	0.00	0.01	0.04	0.00	0.01	0.00	0.00
10	21.04	0.01	0.77E+06 84.00	0.03	0.01	0.04	0.03	0.01	0.04	0.00	0.01	0.04	0.00	0.01	0.00	0.00
11	21.15	0.01	0.78E+06 87.01	0.03	0.01	0.04	0.03	0.01	0.04	0.00	0.01	0.04	0.00	0.01	0.00	0.00

PROPULSIVE WING FORCE DATA

SUMMARY, RUN 424

PT	Q		REY NO HEIGHT	CLIS			CPMIS			CYMIS			CSFIS			
	ALPHA BETA			CMFIB CMUC	CAFIB CMUH	CMHIB CMUT	CLTR	CMFIB CMUC	CAFIB CMUH	CMHIB CMUT	CLTR	CLIS	CMFIB CMUC	CAFIB CMUH	CMHIB CMUT	CLTR
2	5.29	-0.01	0.39E+06 30.00	0.04	0.01	0.04	0.04	0.01	0.04	0.00	0.01	0.04	0.00	0.01	0.00	0.00
3	10.58	0.01	0.55E+06 30.00	0.03	0.01	0.04	0.03	0.01	0.04	0.00	0.01	0.04	0.00	0.01	0.00	0.00
4	21.04	0.04	0.78E+06 30.00	0.04	0.01	0.04	0.04	0.01	0.04	0.00	0.01	0.04	0.00	0.01	0.00	0.00

PROPULSIVE WING FORCE DATA

SUMMARY, RUN 425

PT	Q ALPHA BETA	REY NO HEIGHT	CLIS			CPRIS			CYRIS			CSFIS		
			CNF1B CMUC	CAF1B CMUH	CD1S CMUT	CPR1B CMUT	CPH1B CLTR	CYR1B CDTR	CYH1B CDTR	CSF1B CMTR	CSH1B CMTR	CSF1B CMTR		
1	10.81 0.05	0.56E+06 57.01	0.11 0.39	-0.27 0.00	0.08 0.39	0.00 0.06	0.00 0.06	-0.01 0.02	-0.01 0.02	-0.01 0.07	0.00 0.00	0.00 0.00	0.00 0.00	
2	10.58 -0.03	0.55E+06 60.00	0.11 0.40	-0.28 0.00	0.08 0.40	0.00 0.06	0.00 0.06	-0.01 0.02	-0.01 0.02	0.00 0.08	0.00 0.00	0.00 0.00	0.00 0.00	
3	10.58 -0.03	0.55E+06 63.00	0.11 0.39	-0.28 0.00	0.08 0.39	0.00 0.06	0.00 0.06	-0.01 0.02	-0.01 0.02	0.00 0.08	0.00 0.00	0.00 0.00	0.00 0.00	
4	10.58 -0.03	0.55E+06 65.01	0.12 0.40	-0.28 0.00	0.08 0.40	0.00 0.07	0.00 0.08	-0.01 0.02	-0.01 0.02	0.00 0.07	0.00 0.00	0.00 0.00	0.00 0.00	
5	10.46 -0.03	0.55E+06 69.01	0.13 0.40	-0.28 0.00	0.08 0.40	0.00 0.08	0.00 0.08	-0.01 0.02	-0.01 0.02	0.00 0.07	0.00 0.00	0.00 0.00	0.00 0.00	
6	10.46 -0.03	0.55E+06 72.01	0.13 0.40	-0.28 0.00	0.08 0.40	0.00 0.08	0.00 0.08	-0.01 0.02	-0.01 0.02	0.00 0.08	0.00 0.00	0.00 0.00	0.00 0.00	
7	10.46 -0.04	0.55E+06 75.00	0.12 0.40	-0.28 0.00	0.09 0.40	0.00 0.07	0.00 0.08	-0.01 0.02	-0.01 0.02	0.00 0.08	0.00 0.00	0.00 0.00	0.00 0.00	
8	10.46 -0.04	0.55E+06 78.00	0.10 0.40	-0.28 0.00	0.08 0.40	0.00 0.05	0.00 0.05	-0.01 0.02	-0.01 0.02	0.00 0.08	0.00 0.00	0.00 0.00	0.00 0.00	
9	10.46 -0.04	0.55E+06 81.00	0.11 0.40	-0.29 0.00	0.08 0.40	0.00 0.06	0.00 0.06	-0.01 0.02	-0.01 0.02	0.00 0.07	0.00 0.00	0.00 0.00	0.00 0.00	
10	10.46 -0.05	0.55E+06 84.00	0.11 0.40	-0.29 0.00	0.08 0.40	0.00 0.06	0.00 0.06	-0.01 0.02	-0.01 0.02	0.00 0.08	0.00 0.00	0.00 0.00	0.00 0.00	
11	10.46 -0.05	0.55E+06 87.00	0.12 0.41	-0.29 0.00	0.08 0.41	0.00 0.07	0.00 0.07	-0.01 0.02	-0.01 0.02	0.00 0.07	0.00 0.00	0.00 0.00	0.00 0.00	

PROPULSIVE WING FORCE DATA

SUMMARY, RUN 426

PT	Q ALPHA BETA	REY NO HEIGHT	CLIS			CPRIS			CYRIS			CSFIS		
			CNF1B CMUC	CAF1B CMUH	CD1S CMUT	CPR1B CMUT	CPH1B CLTR	CYR1B CDTR	CYH1B CDTR	CSF1B CMTR	CSH1B CMTR	CSF1B CMTR		
1	5.17 -0.05	0.39E+06 57.00	0.16 0.82	-0.59 0.00	0.11 0.82	0.00 0.06	0.00 0.06	-0.01 0.02	-0.01 0.02	0.00 0.10	0.00 0.00	0.00 0.00	0.00 0.00	
2	5.29 -0.06	0.39E+06 60.01	0.15 0.80	-0.58 0.00	0.11 0.80	0.00 0.05	0.00 0.05	-0.01 0.02	-0.01 0.02	0.00 0.10	0.00 0.00	0.00 0.00	0.00 0.00	
3	5.29 -0.06	0.39E+06 63.01	0.14 0.80	-0.58 0.00	0.11 0.80	0.00 0.04	0.00 0.04	-0.01 0.02	-0.01 0.02	0.00 0.10	0.00 0.00	0.00 0.00	0.00 0.00	
4	5.29 -0.06	0.39E+06 66.01	0.16 0.78	-0.56 0.00	0.10 0.78	0.00 0.05	0.00 0.05	-0.01 0.02	-0.01 0.02	0.00 0.10	0.00 0.00	0.00 0.00	0.00 0.00	
5	5.29 -0.06	0.39E+06 69.00	0.11 0.78	-0.57 0.00	0.11 0.78	0.00 0.01	0.00 0.01	-0.01 0.02	-0.01 0.02	0.00 0.10	0.00 0.00	0.00 0.00	0.00 0.00	
6	5.29 -0.07	0.39E+06 72.01	0.13 0.80	-0.58 0.00	0.09 0.80	0.00 0.03	0.00 0.03	-0.01 0.02	-0.01 0.02	0.00 0.09	0.00 0.00	0.00 0.00	0.00 0.00	
7	5.29 -0.07	0.39E+06 75.00	0.18 0.78	-0.57 0.00	0.12 0.78	0.00 0.08	0.00 0.08	-0.01 0.02	-0.01 0.02	0.00 0.11	0.00 0.00	0.00 0.00	0.00 0.00	
8	5.29 -0.07	0.39E+06 78.00	0.15 0.79	-0.58 0.00	0.11 0.79	0.00 0.05	0.00 0.05	-0.01 0.02	-0.01 0.02	0.00 0.10	0.00 0.00	0.00 0.00	0.00 0.00	
9	5.29 -0.07	0.39E+06 81.00	0.15 0.79	-0.58 0.00	0.10 0.79	0.00 0.05	0.00 0.05	-0.01 0.02	-0.01 0.02	0.00 0.10	0.00 0.00	0.00 0.00	0.00 0.00	
10	5.29 -0.08	0.39E+06 84.01	0.15 0.80	-0.58 0.00	0.11 0.80	0.00 0.05	0.00 0.05	-0.01 0.02	-0.01 0.02	0.00 0.10	0.00 0.00	0.00 0.00	0.00 0.00	
11	5.29 -0.08	0.39E+06 87.00	0.12 0.79	-0.58 0.00	0.11 0.79	0.00 0.02	0.00 0.02	-0.01 0.02	-0.01 0.02	0.00 0.10	0.00 0.00	0.00 0.00	0.00 0.00	

PROPULSIVE WING FORCE DATA

SUMMARY. RUN 427

PT	Q		REY MD HEIGHT	CLIS			CPMIS			CYMIS			CSFIS		
	ALPHA BETA	BETA		CMFIB CMUC	CAFIB CHUH	CPMIB CHUT	CRMIB CLTR	CYMIB CDTR	CSFIB CCTR	CMFIB CMUC	CAFIB CHUH	CPMIB CHUT	CRMIB CLTR	CYMIB CDTR	CSFIB CCTR
2	5.29	0.03	0.39E+06	0.08	0.02	0.03	0.00	0.00	-0.01	0.01	0.01	0.00	-0.01	0.01	
	0.00	0.00	30.00	0.08	0.02	0.03	0.00	0.00	-0.01	0.01	0.01	0.00	-0.01	0.01	
	0.00	0.00	30.00	0.00	0.00	0.00	0.31	0.13	0.13	-0.03					
3	10.58	0.00	0.55E+06	0.05	0.01	0.04	0.00	0.00	-0.01	0.01	0.01	0.00	-0.01	0.01	
	0.00	0.00	30.01	0.05	0.01	0.04	0.00	0.00	-0.01	0.01	0.01	0.00	-0.01	0.01	
	0.00	0.00	30.01	0.00	0.00	0.00	0.17	0.07	0.07	0.01					
4	21.04	0.03	0.77E+06	0.06	0.01	0.03	0.00	0.00	0.00	0.00	0.00	0.00	-0.01	0.01	
	0.00	0.00	30.01	0.06	0.01	0.03	0.00	0.00	0.00	0.00	0.00	0.00	-0.01	0.01	
	0.00	0.00	30.01	0.00	0.00	0.00	0.11	0.04	0.04	0.02					

PROPULSIVE WING FORCE DATA

SUMMARY. RUN 428

PT	Q		REY MD HEIGHT	CLIS			CPMIS			CYMIS			CSFIS		
	ALPHA BETA	BETA		CMFIB CMUC	CAFIB CHUH	CPMIB CHUT	CRMIB CLTR	CYMIB CDTR	CSFIB CCTR	CMFIB CMUC	CAFIB CHUH	CPMIB CHUT	CRMIB CLTR	CYMIB CDTR	CSFIB CCTR
1	21.15	-0.02	0.77E+06	0.05	0.01	0.03	0.00	0.00	0.00	0.00	0.00	0.00	-0.01	0.01	
	0.00	0.00	56.86	0.05	0.01	0.03	0.00	0.00	0.00	0.00	0.00	0.00	-0.01	0.01	
	0.00	0.00	56.86	0.00	0.00	0.00	0.00	0.00	0.00	0.00	0.00	0.00	-0.01	0.01	
2	21.04	-0.02	0.77E+06	0.05	0.01	0.03	0.00	0.00	0.00	0.00	0.00	0.00	-0.01	0.01	
	0.00	0.00	60.01	0.05	0.01	0.03	0.00	0.00	0.00	0.00	0.00	0.00	-0.01	0.01	
	0.00	0.00	60.01	0.00	0.00	0.00	0.11	0.04	0.04	0.02					
3	21.15	-0.02	0.77E+06	0.05	0.01	0.03	0.00	0.00	0.00	0.00	0.00	0.00	-0.01	0.01	
	0.00	0.00	63.00	0.05	0.01	0.03	0.00	0.00	0.00	0.00	0.00	0.00	-0.01	0.01	
	0.00	0.00	63.00	0.00	0.00	0.00	0.11	0.04	0.04	0.02					
4	21.15	-0.02	0.77E+06	0.05	0.01	0.03	0.00	0.00	0.00	0.00	0.00	0.00	-0.01	0.01	
	0.00	0.00	66.00	0.05	0.01	0.03	0.00	0.00	0.00	0.00	0.00	0.00	-0.01	0.01	
	0.00	0.00	66.00	0.00	0.00	0.00	0.11	0.04	0.04	0.02					
5	21.15	-0.02	0.77E+06	0.05	0.01	0.03	0.00	0.00	0.00	0.00	0.00	0.00	-0.01	0.01	
	0.00	0.00	69.00	0.05	0.01	0.03	0.00	0.00	0.00	0.00	0.00	0.00	-0.01	0.01	
	0.00	0.00	69.00	0.00	0.00	0.00	0.11	0.04	0.04	0.02					
6	21.04	-0.02	0.77E+06	0.05	0.01	0.03	0.00	0.00	0.00	0.00	0.00	0.00	-0.01	0.01	
	0.00	0.00	72.01	0.05	0.01	0.03	0.00	0.00	0.00	0.00	0.00	0.00	-0.01	0.01	
	0.00	0.00	72.01	0.00	0.00	0.00	0.11	0.04	0.04	0.02					
7	21.15	-0.02	0.77E+06	0.05	0.01	0.03	0.00	0.00	0.00	0.00	0.00	0.00	-0.01	0.01	
	0.00	0.00	75.00	0.05	0.01	0.03	0.00	0.00	0.00	0.00	0.00	0.00	-0.01	0.01	
	0.00	0.00	75.00	0.00	0.00	0.00	0.11	0.04	0.04	0.02					
8	21.15	-0.03	0.77E+06	0.05	0.01	0.03	0.00	0.00	0.00	0.00	0.00	0.00	0.00	0.01	
	0.00	0.00	78.01	0.05	0.01	0.03	0.00	0.00	0.00	0.00	0.00	0.00	0.00	0.01	
	0.00	0.00	78.01	0.00	0.00	0.00	0.10	0.04	0.04	0.02					
9	21.04	-0.03	0.77E+06	0.05	0.01	0.03	0.00	0.00	0.00	0.00	0.00	0.00	0.00	0.01	
	0.00	0.00	81.00	0.05	0.01	0.03	0.00	0.00	0.00	0.00	0.00	0.00	0.00	0.01	
	0.00	0.00	81.00	0.00	0.00	0.00	0.11	0.04	0.04	0.02					
10	21.04	-0.04	0.77E+06	0.05	0.01	0.03	0.00	0.00	0.00	0.00	0.00	0.00	0.00	0.01	
	0.00	0.00	84.00	0.05	0.01	0.03	0.00	0.00	0.00	0.00	0.00	0.00	0.00	0.01	
	0.00	0.00	84.00	0.00	0.00	0.00	0.11	0.04	0.04	0.02					
11	21.04	-0.04	0.77E+06	0.04	0.01	0.03	0.00	0.00	0.00	0.00	0.00	0.00	0.00	0.01	
	0.00	0.00	87.01	0.04	0.01	0.03	0.00	0.00	0.00	0.00	0.00	0.00	0.00	0.01	
	0.00	0.00	87.01	0.00	0.00	0.00	0.10	0.04	0.04	0.02					



PROPELLSIVE WING FORCE DATA

SUMMARY, RUN 430

PT	Q ALPHA BETA	REY NO HEIGHT	CL15 CMTB CHUC	CD15 CAFIB CHUM	CPM15 CMTB CMUT	CRM15 CLTR	CYM15 CMTB CDMR	CSF15 CMTB CMTR
1	5.29 -0.02 0.00	0.39E+06 57.07	0.23 0.23 0.81	-0.58 -0.58 0.00	0.09 0.09 0.81	0.00 0.00 0.13	-0.02 -0.02 0.02	0.03 0.03 0.08
2	5.29 -0.03 0.00	0.39E+06 60.01	0.23 0.23 0.81	-0.59 -0.59 0.00	0.08 0.08 0.81	0.00 0.00 0.13	-0.01 -0.01 0.02	0.02 0.02 0.07
3	5.29 -0.03 0.00	0.39E+06 63.00	0.22 0.22 0.81	-0.59 -0.59 0.00	0.10 0.10 0.81	0.00 0.00 0.13	-0.01 -0.01 0.02	0.02 0.02 0.09
4	5.29 -0.03 0.00	0.39E+06 66.01	0.22 0.22 0.81	-0.59 -0.59 0.00	0.09 0.09 0.81	0.00 0.00 0.12	-0.01 -0.01 0.01	0.01 0.01 0.08
5	5.29 -0.03 0.00	0.39E+06 69.01	0.19 0.19 0.81	-0.59 -0.59 0.00	0.09 0.09 0.81	0.00 0.00 0.10	-0.01 -0.01 0.02	0.02 0.02 0.08
6	5.29 -0.03 0.00	0.39E+06 72.01	0.21 0.21 0.81	-0.59 -0.59 0.00	0.10 0.10 0.81	0.00 0.00 0.12	-0.01 -0.01 0.02	0.03 0.03 0.09
7	5.29 -0.03 0.00	0.39E+06 75.22	0.22 0.22 0.81	-0.59 -0.59 0.00	0.09 0.09 0.81	0.00 0.00 0.12	-0.01 -0.01 0.02	0.02 0.02 0.08
8	5.29 -0.04 0.00	0.39E+06 78.00	0.20 0.20 0.81	-0.60 -0.60 0.00	0.10 0.10 0.81	0.00 0.00 0.10	-0.01 -0.01 0.01	0.02 0.02 0.08
9	5.17 0.01 0.00	0.39E+06 81.02	0.20 0.20 0.83	-0.61 -0.61 0.00	0.08 0.08 0.83	0.00 0.00 0.11	-0.01 -0.01 0.02	0.03 0.03 0.07
10	5.29 0.00 0.00	0.39E+06 84.11	0.22 0.22 0.81	-0.60 -0.60 0.00	0.09 0.09 0.81	0.00 0.00 0.12	-0.01 -0.01 0.01	0.02 0.02 0.08
11	5.29 0.00 0.00	0.39E+06 87.01	0.21 0.21 0.81	-0.59 -0.59 0.00	0.09 0.09 0.81	0.00 0.00 0.12	-0.01 -0.01 0.02	0.04 0.04 0.08

PROPELLSIVE WING FORCE DATA

SUMMARY, RUN 429

PT	Q ALPHA BETA	REY NO HEIGHT	CL15 CMTB CHUC	CD15 CAFIB CHUM	CPM15 CMTB CMUT	CRM15 CLTR	CYM15 CMTB CDMR	CSF15 CMTB CMTR
1	10.69 0.00 0.00	0.55E+06 57.01	0.14 0.14 0.40	-0.28 -0.28 0.00	0.07 0.07 0.40	0.00 0.00 0.09	-0.01 -0.01 0.01	0.01 0.01 0.07
2	10.58 0.00 0.00	0.55E+06 60.00	0.15 0.15 0.40	-0.28 -0.28 0.00	0.07 0.07 0.40	0.00 0.00 0.10	-0.01 -0.01 0.02	0.02 0.02 0.07
3	10.58 0.00 0.00	0.55E+06 63.02	0.15 0.15 0.40	-0.28 -0.28 0.00	0.07 0.07 0.40	0.00 0.00 0.10	-0.01 -0.01 0.02	0.02 0.02 0.07
4	10.46 0.00 0.00	0.55E+06 66.03	0.13 0.13 0.41	-0.29 -0.29 0.00	0.07 0.07 0.41	0.00 0.00 0.08	-0.01 -0.01 0.02	0.02 0.02 0.06
5	10.58 0.00 0.00	0.55E+06 69.02	0.14 0.14 0.40	-0.28 -0.28 0.00	0.08 0.08 0.40	0.00 0.00 0.09	-0.01 -0.01 0.02	0.02 0.02 0.07
6	10.58 0.00 0.00	0.55E+06 72.03	0.15 0.15 0.40	-0.28 -0.28 0.00	0.07 0.07 0.40	0.00 0.00 0.10	-0.01 -0.01 0.02	0.02 0.02 0.07
7	10.58 -0.01 0.00	0.55E+06 75.02	0.15 0.15 0.40	-0.28 -0.28 0.00	0.07 0.07 0.40	0.00 0.00 0.10	-0.01 -0.01 0.02	0.02 0.02 0.07
8	10.58 -0.01 0.00	0.55E+06 78.01	0.14 0.14 0.40	-0.28 -0.28 0.00	0.07 0.07 0.40	0.00 0.00 0.09	-0.01 -0.01 0.02	0.02 0.02 0.07
9	10.58 -0.01 0.00	0.55E+06 81.06	0.15 0.15 0.40	-0.29 -0.29 0.00	0.07 0.07 0.40	0.00 0.00 0.10	-0.01 -0.01 0.02	0.01 0.01 0.07
10	10.46 -0.02 0.00	0.55E+06 84.05	0.15 0.15 0.41	-0.29 -0.29 0.00	0.07 0.07 0.41	0.00 0.00 0.10	-0.01 -0.01 0.02	0.01 0.01 0.07
11	10.46 -0.02 0.00	0.55E+06 87.00	0.15 0.15 0.41	-0.29 -0.29 0.00	0.07 0.07 0.41	0.00 0.00 0.10	-0.01 -0.01 0.02	0.01 0.01 0.07





PROPULSIVE WING FORCE DATA

SUMMARY. RUN 436

PT	Q	ALPHA	BETA	REY NO	HEIGHT	CL15		CD15		CPM15		CRM15		CYS15		CSF15			
						CMF15	CMUC	CAF15	CMUH	CMH15	CMUT	CMH15	CLTR	CMH15	CDTR	CMH15	CMTR		
2	0.00	0.00	0.00	0.30E+08	40.00	-1.14	0.00	-0.14	-3.46	0.44	4.37	0.81	0.44	4.37	0.81	0.44	4.37	0.81	
3	0.00	-0.05	0.00	0.30E+08	40.00	-0.03	0.00	-0.41	-1.59	-24.30	493.50	-10.64	-23.87	493.50	-10.64	-23.87	493.50	-10.64	
4	0.00	-0.05	0.00	0.30E+08	40.00	-0.15	0.00	3.73	-10.27	-48.11	987.40	-21.10	-47.25	987.40	-21.10	-47.25	987.40	-21.10	
5	0.00	-0.05	0.00	0.30E+08	40.00	-0.50	0.00	3.93	-1.26	-71.76	1489.00	-31.33	-70.50	1489.00	-31.33	-70.50	1489.00	-31.33	
6	0.00	-0.05	0.00	0.30E+08	40.00	2.18	0.00	4.05	-6.15	-92.26	2003.00	-41.61	-90.68	2003.00	-41.61	-90.68	2003.00	-41.61	
7	0.00	-0.04	0.00	0.30E+08	40.00	-0.29	0.00	4.49	14.50	-111.50	2464.00	-51.40	-109.60	2464.00	-51.40	-109.60	2464.00	-51.40	
8	0.00	-0.05	0.00	0.30E+08	40.00	-1.59	0.00	5.33	7.48	-65.26	1489.00	-31.02	-64.07	1489.00	-31.02	-64.07	1489.00	-31.02	
9	0.00	-0.05	0.00	0.30E+08	40.00	-1.24	0.00	5.99	-3.79	-16.49	514.30	-11.61	-16.04	514.30	-11.61	-16.04	514.30	-11.61	
10	0.00	-0.05	0.00	0.30E+08	40.00	-0.54	0.00	7.34	-10.72	7.70	5.61	-0.52	-10.72	7.70	5.61	-0.52	-10.72	7.70	5.61

PROPULSIVE WING FORCE DATA

SUMMARY. RUN 435

PT	Q	ALPHA	BETA	REY NO	HEIGHT	CL15		CD15		CPM15		CRM15		CYS15		CSF15		
						CMF15	CMUC	CAF15	CMUH	CMH15	CMUT	CMH15	CLTR	CMH15	CDTR	CMH15	CMTR	
2	0.00	0.00	0.00	0.30E+08	40.00	-9.76	0.00	0.68	461.30	3.50	-6.67	0.64	3.50	-6.67	0.64	3.50	-6.67	0.64
3	0.00	0.04	0.00	0.30E+08	40.00	-18.16	0.00	0.70	949.20	6.34	-5.04	0.81	6.34	-5.04	0.81	6.34	-5.04	0.81
4	0.00	0.07	0.00	0.30E+08	40.00	-28.89	0.00	0.98	1423.00	7.56	-3.55	0.10	7.56	-3.55	0.10	7.56	-3.55	0.10
5	0.00	0.11	0.00	0.30E+08	40.00	-37.83	0.00	0.94	1917.00	9.22	-0.15	-0.06	9.22	-0.13	-0.06	9.22	-0.13	-0.06
6	0.00	0.16	0.00	0.30E+08	40.00	-48.76	0.00	1.77	2392.00	14.63	-10.04	0.95	14.63	-8.99	0.95	14.63	-8.99	0.95
7	0.00	0.08	0.00	0.30E+08	40.00	-27.29	0.00	0.93	1422.00	10.17	-14.40	1.61	10.17	-14.39	1.61	10.17	-14.39	1.61
8	0.00	0.00	0.00	0.30E+08	40.00	-10.21	0.00	0.63	468.00	3.77	-12.51	1.24	3.77	-12.51	1.24	3.77	-12.51	1.24
9	0.00	-0.04	0.00	0.30E+08	40.00	-0.29	0.00	-0.11	8.10	0.57	-11.33	0.45	-0.11	8.10	0.56	-11.33	0.45	-0.11
	0.00	0.00	0.00	0.30E+08	40.00	0.00	0.00	0.00	0.00	5.12	8.10	464.00	5.12	8.10	464.00	5.12	8.10	464.00

APPENDIX B

TABULATED WING PRESSURE DATA

WING PRESSURE COEFFICIENTS

RUN 105 POINT 19 ALPHA -2.02 PSI 0.00 HEIGHT 87.16

X/C, X	BP 2	BP 6	BP 12	BP 16	BP 22
0.0 (UPPER)	0.819	0.375	0.334	0.180	-0.026
2.5	0.733	0.187	0.214	0.248	0.338
5.0	0.083	0.084	0.134	0.098	0.134
10.0	-0.014	-0.008	-0.005	0.008	0.020
15.0	-0.046	-0.059	-0.027	-0.031	0.003
24.0	-0.072	-0.055	-0.046	-0.077	-0.057
33.0	-0.048	-0.062	-0.055	-0.072	-0.067
54.0	-0.074	-0.085	-0.104	-0.075	-0.069
65.0	-0.136	-0.139	-0.163	-0.141	-0.053
78.5	0.081	-0.338	-0.338	-0.301	-0.278
80.5	-39.544	-38.268	-39.544	-38.973	-40.082
81.5	-38.133	-38.201	-39.141	-37.126	-37.092
82.0	-34.741	-40.552	-40.619	-37.126	-35.816
84.0	-39.544	-37.126	-38.872	-39.645	-38.268
87.0	-36.857	-39.410	-38.671	-37.596	-37.831
89.0	-0.116	-0.157	-0.208	-0.217	-0.140
93.0	-0.051	-0.086	-0.119	-0.148	0.089
96.0	-0.013	-0.044	-0.047	-0.072	0.115
100.0	0.009	0.014	0.024	0.030	0.020
2.5 (LOWER)	-0.317	-0.397	-0.532	-0.518	-0.917
5.0	-0.210	-0.274	-0.328	-0.374	-0.451
10.0	-0.183	-0.287	-0.259	-0.346	-0.287
24.0	-0.173	-0.191	-0.198	-0.235	-0.209
33.0	-0.142	-0.141	-0.164	-0.181	-0.145
54.0	-0.092	-0.123	-0.107	-0.127	-0.084
73.5	-0.009	0.033	0.079	0.089	0.092
84.0	0.136	0.190	0.179	0.209	0.176
96.0	0.139	0.197	1.133	0.208	0.191

RUN 105 POINT 21 ALPHA 2.00 PSI 0.00 HEIGHT 89.00

X/C, X	BP 2	BP 6	BP 12	BP 16	BP 22
0.0 (UPPER)	0.829	0.550	0.518	0.467	0.500
2.5	0.721	-0.030	-0.121	-0.160	-0.119
5.0	-0.067	-0.090	-0.164	-0.161	-0.156
10.0	-0.130	-0.122	-0.194	-0.226	-0.243
15.0	-0.147	-0.185	-0.154	-0.218	-0.144
24.0	-0.177	-0.138	-0.137	-0.234	-0.180
33.0	-0.127	-0.138	-0.132	-0.183	-0.166
54.0	-0.092	-0.123	-0.160	-0.160	-0.114
65.0	-0.175	-0.170	-0.207	-0.177	-0.060
78.5	0.067	-0.374	0.371	-0.296	-0.263
80.5	-37.513	-36.450	-37.446	-37.048	-37.911
81.5	-36.251	-35.151	-37.081	-35.288	-35.155
82.0	-33.097	-38.508	-38.509	-35.288	-34.060
84.0	-37.579	-35.222	-36.849	-36.816	-36.284
87.0	-35.023	-37.313	-36.616	-35.454	-35.952
89.0	-34.558	-35.952	-36.583	-37.313	-34.757
93.0	-0.121	-0.166	-0.204	-0.212	-0.153
96.0	-0.061	-0.094	-0.116	-0.142	0.107
100.0	-0.020	-0.043	-0.049	-0.067	-0.135
2.5 (LOWER)	0.016	0.028	0.038	0.032	-0.015
5.0	-0.085	-0.068	-0.051	-0.048	-0.045
10.0	-0.095	-0.035	-0.032	-0.041	-0.076
24.0	-0.025	-0.038	-0.064	-0.054	-0.112
33.0	-0.089	-0.075	-0.080	-0.128	-0.099
54.0	-0.050	-0.057	-0.073	-0.071	-0.061
73.5	-0.032	-0.067	-0.064	-0.099	-0.063
84.0	-0.001	0.045	0.101	0.114	0.136
96.0	0.165	0.220	0.206	0.241	0.201
100.0	0.169	0.217	1.147	0.229	0.216

WING PRESSURE COEFFICIENTS

RUN 105 POINT 20 ALPHA 0.00 PSI 0.00 HEIGHT 94.09

X/C, X	BP 2	BP 6	BP 12	BP 16	BP 22
0.0 (UPPER)	0.827	0.504	0.509	0.460	0.413
2.5	0.727	0.092	0.066	0.066	0.141
5.0	0.011	0.005	-0.021	0.024	0.024
10.0	-0.068	-0.059	-0.084	-0.104	-0.105
15.0	-0.094	-0.119	-0.084	-0.123	-0.067
24.0	-0.122	-0.089	-0.086	-0.125	-0.116
33.0	-0.075	-0.097	-0.093	-0.124	-0.120
54.0	-0.089	-0.100	-0.130	-0.124	-0.089
65.0	-0.154	-0.151	-0.184	-0.155	-0.069
78.5	0.075	-0.353	-0.354	-0.297	-0.253
80.5	-38.010	-36.906	-37.376	-37.474	-38.411
81.5	-36.738	-36.839	-37.642	-35.701	-35.634
82.0	-33.560	-39.047	-39.013	-35.735	-34.497
84.0	-38.144	-35.735	-37.374	-36.772	-38.010
87.0	-35.500	-37.909	-37.140	-35.002	-36.337
89.0	-34.985	-36.370	-37.039	-37.842	-35.132
93.0	-0.115	-0.158	-0.205	-0.212	-0.131
96.0	-0.054	-0.088	-0.115	-0.144	0.108
100.0	-0.013	-0.042	-0.047	-0.067	-0.121
2.5 (LOWER)	0.012	0.024	0.035	0.035	0.004
5.0	-0.170	-0.122	-0.183	-0.206	-0.267
10.0	-0.100	-0.155	-0.164	-0.225	-0.156
24.0	-0.128	-0.132	-0.137	-0.177	-0.144
33.0	-0.092	-0.094	-0.112	-0.120	-0.094
54.0	-0.059	-0.103	-0.081	-0.111	-0.067
73.5	-0.003	0.042	0.091	0.109	0.110
84.0	0.134	0.211	0.200	0.233	0.196
96.0	0.158	0.211	1.142	0.224	0.208

RUN 105 POINT 22 ALPHA 4.02 PSI 0.00 HEIGHT 85.06

X/C, X	BP 2	BP 6	BP 12	BP 16	BP 22
0.0 (UPPER)	0.831	0.496	0.330	0.196	0.222
2.5	0.718	-0.167	-0.334	-0.427	-0.443
5.0	-0.152	-0.197	-0.314	-0.336	-0.355
10.0	-0.195	-0.193	-0.298	-0.350	-0.384
15.0	-0.202	-0.256	-0.228	-0.317	-0.236
24.0	-0.225	-0.179	-0.186	-0.202	-0.241
33.0	-0.167	-0.178	-0.152	-0.202	-0.219
54.0	-0.099	-0.145	-0.185	-0.185	-0.124
65.0	-0.192	-0.183	-0.227	-0.191	-0.059
78.5	0.057	-0.387	-0.385	-0.281	-0.281
80.5	-36.645	-35.685	-36.579	-36.281	-37.009
81.5	-35.487	-35.586	-36.248	-34.561	-34.362
82.0	-32.444	-37.869	-37.637	-34.495	-33.370
84.0	-36.744	-34.461	-36.016	-35.545	-35.520
87.0	-34.197	-36.413	-35.818	-34.561	-35.189
89.0	-33.866	-35.222	-33.851	-36.545	-34.098
93.0	-0.119	-0.166	-0.202	-0.210	-0.183
96.0	-0.065	-0.092	-0.113	-0.141	0.109
100.0	-0.023	-0.040	-0.048	-0.065	-0.150
2.5 (LOWER)	0.016	0.035	0.041	0.030	-0.028
5.0	-0.029	0.081	0.127	0.143	0.187
10.0	-0.006	0.060	0.106	0.107	0.089
24.0	0.056	0.080	0.030	0.081	-0.002
33.0	-0.042	-0.017	-0.024	-0.071	-0.045
54.0	-0.005	-0.012	-0.025	-0.026	-0.024
73.5	0.001	-0.063	-0.037	-0.081	-0.058
84.0	0.010	0.056	0.109	0.122	0.112
96.0	0.180	0.234	0.214	0.251	0.198
100.0	0.185	0.227	1.150	0.233	0.208

WING PRESSURE COEFFICIENTS

RUN 105 POINT 25 ALPHA 10.00 PSI 0.00 HEIGHT 85.47

X/C, X	BP 2	BP 6	BP 12	BP 16	BP 22
0.0 (UPPER)	0.841	-0.489	-1.550	-2.317	-2.660
2.5	0.707	-0.751	-1.045	-1.362	-1.738
5.0	-0.460	-0.576	-0.825	-0.984	-1.084
10.0	-0.417	-0.450	-0.645	-0.764	-0.873
15.0	-0.390	-0.483	-0.466	-0.526	-0.542
24.0	-0.404	-0.340	-0.354	-0.543	-0.463
33.0	-0.310	-0.307	-0.288	-0.379	-0.384
54.0	-0.157	-0.226	-0.278	-0.264	-0.256
65.0	-0.260	-0.244	-0.299	-0.264	-0.174
78.5	0.034	-0.435	-0.411	-0.311	-0.374
79.5	-33.500	-32.533	-32.733	-32.767	-33.133
80.5	-32.250	-32.333	-32.600	-31.217	-30.803
81.5	-29.697	-34.833	-33.833	-30.537	-30.183
82.0	-33.300	-31.187	-32.433	-32.600	-31.963
84.0	-31.110	-32.367	-32.303	-30.857	-31.743
87.0	-30.827	-31.770	-32.287	-32.900	-30.833
89.0	-0.133	-0.176	-0.219	-0.233	-0.320
93.0	-0.081	-0.098	-0.130	-0.167	0.109
96.0	-0.037	-0.038	-0.066	-0.094	-0.251
100.0	0.010	0.036	0.025	-0.005	-0.137
2.5 (LOWER)	0.323	0.411	0.436	0.429	0.536
5.0	0.221	0.266	0.401	0.395	0.403
10.0	0.270	0.365	0.261	0.343	0.236
24.0	0.092	0.141	0.125	0.089	0.081
33.0	0.125	0.110	0.101	0.097	0.055
54.0	0.087	0.006	0.034	-0.034	-0.054
73.5	0.036	0.083	0.131	0.136	0.083
84.0	0.224	0.259	0.224	0.255	0.168
96.0	0.213	0.208	1.161	0.224	0.153

RUN 105 POINT 26 ALPHA 11.99 PSI 0.00 HEIGHT 85.34

X/C, X	BP 2	BP 6	BP 12	BP 16	BP 22
0.0 (UPPER)	0.842	-1.059	-2.659	-3.236	-1.578
2.5	0.706	-0.870	-1.407	-2.243	-1.243
5.0	-0.542	-0.712	-1.027	-1.292	-1.113
10.0	-0.497	-0.538	-0.770	-0.906	-1.206
15.0	-0.455	-0.560	-0.558	-0.735	-0.967
24.0	-0.458	-0.393	-0.418	-0.625	-0.861
33.0	-0.350	-0.352	-0.339	-0.440	-0.680
54.0	-0.175	-0.250	-0.310	-0.288	-0.373
65.0	-0.283	-0.262	-0.320	-0.283	-0.243
78.5	0.034	-0.447	-0.452	-0.311	-0.408
79.5	-32.088	-31.112	-31.068	-31.311	-31.384
80.5	-30.856	-30.912	-31.032	-29.770	-29.246
81.5	-28.485	-32.931	-32.267	-29.100	-28.814
82.0	-31.805	-29.790	-30.892	-30.995	-30.444
84.0	-29.767	-30.670	-30.770	-29.355	-30.238
87.0	-29.468	-30.285	-30.770	-31.327	-29.359
89.0	-0.136	-0.177	-0.221	-0.234	-0.367
93.0	-0.085	-0.059	-0.132	-0.167	0.112
96.0	-0.041	-0.037	-0.067	-0.096	-0.326
100.0	0.010	0.036	0.025	-0.016	-0.218
2.5 (LOWER)	0.294	0.469	0.486	0.466	0.559
5.0	0.343	0.444	0.334	0.423	0.276
10.0	0.143	0.201	0.184	0.123	0.114
24.0	0.178	0.159	0.149	0.143	0.081
33.0	0.124	0.040	0.066	-0.009	-0.036
54.0	0.057	0.101	0.147	0.149	0.085
73.5	0.231	0.276	0.234	0.265	0.167
84.0	0.231	0.220	1.162	0.265	0.167
96.0	0.220	0.248	0.226	0.226	0.135

WING PRESSURE COEFFICIENTS

RUN 105 POINT 23 ALPHA 5.99 PSI 0.00 HEIGHT 85.37

X/C, X	BP 2	BP 6	BP 12	BP 16	BP 22
0.0 (UPPER)	0.831	-0.310	-0.080	-0.367	-0.453
2.5	0.710	-0.340	-0.588	-0.746	-0.861
5.0	-0.255	-0.326	-0.578	-0.550	-0.578
10.0	-0.276	-0.279	-0.404	-0.479	-0.530
15.0	-0.268	-0.341	-0.297	-0.415	-0.324
24.0	-0.289	-0.242	-0.241	-0.390	-0.314
33.0	-0.221	-0.180	-0.206	-0.264	-0.264
54.0	-0.124	-0.180	-0.223	-0.170	-0.170
65.0	-0.221	-0.211	-0.258	-0.220	-0.096
78.5	0.041	-0.414	-0.410	-0.298	-0.309
79.5	-36.323	-35.345	-35.051	-35.883	-36.521
80.5	-35.144	-35.245	-35.782	-34.170	-33.934
81.5	-32.194	-37.529	-37.226	-33.968	-32.954
82.0	-36.319	-34.069	-35.614	-36.051	-35.110
84.0	-33.834	-35.883	-35.379	-34.069	-34.808
87.0	-33.565	-34.808	-35.412	-36.118	-33.733
89.0	-0.130	-0.178	-0.212	-0.217	-0.230
93.0	-0.076	-0.102	-0.124	-0.150	0.102
96.0	-0.031	-0.046	-0.060	-0.076	-0.185
100.0	0.005	0.029	0.014	-0.085	-0.185
2.5 (LOWER)	0.129	0.203	0.216	0.348	0.348
5.0	0.062	0.133	0.217	0.217	0.217
10.0	0.124	0.179	0.107	0.171	0.082
24.0	-0.007	0.030	0.021	-0.032	-0.007
33.0	0.033	0.019	0.010	0.008	-0.003
54.0	0.021	-0.049	-0.021	-0.076	-0.062
73.5	0.010	0.058	0.113	0.122	0.104
84.0	0.186	0.237	0.217	0.250	0.185
96.0	0.188	0.226	1.156	0.226	0.183

RUN 105 POINT 24 ALPHA 8.02 PSI 0.00 HEIGHT 85.49

X/C, X	BP 2	BP 6	BP 12	BP 16	BP 22
0.0 (UPPER)	0.837	-0.019	-0.710	-1.228	-1.510
2.5	0.706	-0.525	-1.044	-0.951	-1.111
5.0	-0.352	-0.456	-0.636	-0.723	-0.810
10.0	-0.352	-0.405	-0.381	-0.518	-0.690
15.0	-0.344	-0.286	-0.297	-0.466	-0.427
24.0	-0.265	-0.267	-0.244	-0.327	-0.386
33.0	-0.139	-0.200	-0.240	-0.321	-0.321
54.0	-0.240	-0.226	-0.276	-0.208	-0.208
65.0	-0.424	-0.423	-0.423	-0.239	-0.130
78.5	0.039	-0.424	-0.423	-0.303	-0.338
79.5	-35.077	-34.035	-34.506	-34.942	-34.942
80.5	-33.800	-33.901	-32.792	-32.467	-31.654
81.5	-31.062	-36.118	-35.648	-32.359	-31.654
82.0	-34.909	-32.759	-34.136	-34.405	-33.632
84.0	-32.587	-34.270	-33.934	-32.547	-33.363
87.0	-32.336	-33.431	-33.968	-34.606	-32.369
89.0	-0.129	-0.178	-0.212	-0.221	-0.273
93.0	-0.079	-0.100	-0.123	-0.155	0.107
96.0	-0.032	-0.042	-0.059	-0.082	-0.215
100.0	0.015	0.034	0.028	0.007	-0.097
2.5 (LOWER)	0.236	0.322	0.366	0.476	0.476
5.0	0.145	0.215	0.319	0.320	0.325
10.0	0.202	0.279	0.190	0.264	0.166
24.0	0.043	0.090	0.076	0.020	0.041
33.0	0.082	0.067	0.057	0.055	0.027
54.0	0.054	-0.022	0.008	-0.053	-0.057
73.5	0.054	0.068	0.120	0.132	0.103
84.0	0.201	0.248	0.218	0.253	0.178
96.0	0.199	0.231	1.159	0.225	0.170

WING PRESSURE COEFFICIENTS

RUN 105 POINT 29 ALPHA 17.99 PSI 0.00 HEIGHT 86.26

X/C, X	BP 2	BP 6	BP 12	BP 16	BP 22
0.0 (UPPER)	0.840	-4.553	-4.800	-2.150	-1.156
2.5	0.690	-2.003	-2.353	-1.921	-1.074
5.0	-1.015	-1.298	-2.011	-1.871	-0.958
10.0	-0.821	-0.837	-1.651	-1.955	-1.127
15.0	-0.716	-0.907	-1.434	-1.850	-0.912
24.0	-0.660	-0.644	-1.041	-1.548	-1.003
33.0	-0.506	-0.535	-0.642	-1.146	-0.986
54.0	-0.258	-0.355	-0.410	-0.770	-0.846
65.0	-0.364	-0.349	-0.399	-0.479	-0.671
78.5	0.008	-0.542	-0.548	-0.411	-0.695
79.5	-28.803	-27.693	-27.533	-27.960	-27.637
80.5	-27.657	-27.687	-27.393	-26.490	-25.697
81.5	-25.683	-29.583	-28.753	-25.727	-25.807
82.0	-28.320	-26.487	-27.167	-27.283	-26.983
84.0	-26.593	-26.667	-27.297	-25.603	-26.890
87.0	-26.483	-27.027	-27.230	-27.833	-26.157
89.0	-0.170	-0.224	-0.270	-0.348	-0.723
93.0	-0.113	-0.138	-0.178	-0.293	-0.098
96.0	-0.067	-0.069	-0.109	-0.214	-0.658
100.0 (LOWER)	-0.014	0.014	-0.005	-0.099	-0.607
2.5	0.606	0.587	0.475	0.455	0.553
5.0	0.513	0.575	0.618	0.566	0.514
10.0	0.566	0.644	0.511	0.574	0.388
24.0	0.296	0.375	0.339	0.250	0.229
33.0	0.301	0.279	0.279	0.255	0.174
54.0	0.228	0.131	0.149	0.057	0.004
73.5	0.110	0.148	0.184	0.168	0.069
84.0	0.288	0.314	0.253	0.267	0.120
96.0	0.255	0.267	1.160	0.205	-0.007

RUN 105 POINT 30 ALPHA 20.01 PSI 0.00 HEIGHT 89.23

X/C, X	BP 2	BP 6	BP 12	BP 16	BP 22
0.0 (UPPER)	0.846	-4.916	-2.159	-1.688	-1.106
2.5	0.691	-4.574	-2.083	-1.475	-1.040
5.0	-1.212	-1.426	-2.152	-1.447	-0.924
10.0	-0.947	-0.940	-2.199	-1.515	-1.106
15.0	-0.813	-0.928	-2.042	-1.534	-0.889
24.0	-0.727	-0.883	-1.571	-1.651	-0.993
33.0	-0.556	-0.614	-0.986	-1.474	-0.979
54.0	-0.281	-0.399	-0.484	-0.694	-0.680
65.0	-0.379	-0.377	-0.420	-0.694	-0.748
78.5	0.003	-0.558	-0.571	-0.482	-0.838
79.5	-28.940	-27.924	-27.828	-28.363	-27.918
80.5	-27.844	-28.037	-27.795	-26.875	-26.005
81.5	-25.909	-28.933	-29.209	-26.493	-26.205
82.0	-28.575	-26.812	-27.526	-27.692	-27.350
84.0	-26.795	-26.865	-27.649	-25.936	-27.293
87.0	-26.749	-27.177	-27.569	-28.230	-26.600
89.0	-0.167	-0.231	-0.278	-0.395	-0.865
93.0	-0.110	-0.146	-0.184	-0.340	-0.097
96.0	-0.065	-0.077	-0.113	-0.254	-0.613
100.0 (LOWER)	-0.015	0.005	-0.002	-0.124	-0.780
2.5	0.650	0.569	0.516	0.440	0.536
5.0	0.585	0.646	0.651	0.573	0.522
10.0	0.645	0.697	0.547	0.604	0.415
24.0	0.350	0.429	0.360	0.288	0.265
33.0	0.380	0.348	0.319	0.280	0.208
54.0	0.266	0.167	0.181	0.081	0.021
73.5	0.130	0.167	0.201	0.182	0.054
84.0	0.307	0.332	0.256	0.274	0.109
96.0	0.270	0.274	1.168	0.201	-0.058

WING PRESSURE COEFFICIENTS

RUN 105 POINT 27 ALPHA 14.01 PSI 0.00 HEIGHT 86.17

X/C, X	BP 2	BP 6	BP 12	BP 16	BP 22
0.0 (UPPER)	0.840	-2.008	-4.236	-3.292	-1.349
2.5	0.698	-1.152	-1.827	-2.717	-1.110
5.0	-0.687	-0.897	-1.294	-2.781	-0.993
10.0	-0.596	-0.652	-0.951	-1.917	-1.127
15.0	-0.539	-0.653	-0.691	-0.758	-0.912
24.0	-0.526	-0.461	-0.515	-0.646	-0.980
33.0	-0.406	-0.404	-0.417	-0.680	-0.954
54.0	-0.209	-0.285	-0.357	0.774	-0.725
65.0	-0.319	-0.293	-0.351	-0.297	-0.531
78.5	0.023	-0.482	-0.480	-0.332	-0.596
79.5	-31.362	-30.419	-30.097	-30.542	-30.429
80.5	-30.137	-30.201	-29.033	-28.334	-28.370
81.5	-27.889	-32.182	-31.462	-28.214	-28.170
82.0	-31.061	-28.047	-30.094	-30.131	-29.682
84.0	-29.067	-29.726	-29.974	-28.354	-29.482
87.0	-28.772	-29.475	-30.044	-30.559	-28.629
89.0	-0.154	-0.197	-0.238	-0.234	-0.612
93.0	-0.099	-0.114	-0.147	-0.165	0.104
96.0	-0.053	-0.050	-0.081	-0.095	-0.511
100.0 (LOWER)	0.004	0.030	0.016	-0.020	-0.380
2.5	0.482	0.542	0.501	0.477	0.561
5.0	0.365	0.436	0.538	0.468	0.468
10.0	0.416	0.518	0.403	0.486	0.311
24.0	0.192	0.258	0.240	0.168	0.145
33.0	0.227	0.206	0.194	0.180	0.105
54.0	0.159	0.067	0.095	0.009	-0.027
73.5	0.073	0.111	0.161	0.160	0.081
84.0	0.249	0.288	0.241	0.160	0.152
96.0	0.231	0.254	1.160	0.229	0.083

RUN 105 POINT 28 ALPHA 15.99 PSI 0.00 HEIGHT 85.90

X/C, X	BP 2	BP 6	BP 12	BP 16	BP 22
0.0 (UPPER)	0.840	-3.170	-5.610	-2.880	-1.396
2.5	0.692	-1.465	-2.192	-2.650	-1.293
5.0	-0.835	-1.109	-1.695	-2.710	-1.175
10.0	-0.701	-0.789	-1.181	-2.757	-1.322
15.0	-0.627	-0.769	-0.870	-1.949	-1.101
24.0	-0.592	-0.537	-0.641	-0.756	-1.196
33.0	-0.462	-0.470	-0.515	-0.479	-1.242
54.0	-0.236	-0.319	-0.411	-0.770	-1.176
65.0	-0.341	-0.319	-0.395	-0.308	-0.762
78.5	0.017	-0.511	-0.503	-0.342	-0.662
79.5	-30.373	-29.410	-28.973	-29.567	-29.273
80.5	-29.167	-29.253	-28.953	-28.060	-27.150
81.5	-27.017	-31.193	-30.300	-27.080	-27.257
82.0	-29.970	-28.043	-29.007	-29.003	-28.630
84.0	-28.127	-28.493	-28.960	-27.120	-28.507
87.0	-27.877	-28.547	-29.017	-29.480	-27.623
89.0	-0.165	-0.209	-0.253	-0.249	-0.650
93.0	-0.107	-0.122	-0.163	-0.182	0.103
96.0	-0.057	-0.054	-0.095	-0.115	-0.552
100.0 (LOWER)	0.002	0.030	0.005	-0.040	-0.381
2.5	0.549	0.574	0.475	0.459	0.559
5.0	0.440	0.507	0.583	0.552	0.506
10.0	0.468	0.564	0.466	0.543	0.368
24.0	0.245	0.318	0.296	0.218	0.204
33.0	0.281	0.257	0.246	0.226	0.153
54.0	0.198	0.103	0.128	0.043	0.000
73.5	0.094	0.131	0.178	0.173	0.088
84.0	0.271	0.304	0.252	0.280	0.152
96.0	0.244	0.264	1.159	0.227	0.084



WING PRESSURE COEFFICIENTS

RUN 105 POINT 31 ALPHA 21.97 PSI 0.00 HEIGHT 95.75

X/C, Z	BP 2	BP 6	BP 12	BP 16	BP 22
0.0 (UPPER)	0.851	-4.336	-1.985	-1.684	-1.131
2.5	0.691	-4.564	-1.919	-1.469	-1.068
5.0	-1.418	-3.925	-1.996	-1.437	-0.950
10.0	-1.085	-1.084	-2.004	-1.507	-1.143
15.0	-0.929	-1.017	-1.970	-1.525	-0.925
24.0	-0.819	-0.778	-1.765	-1.670	-1.038
33.0	-0.628	-0.681	-1.379	-1.541	-1.019
54.0	-0.319	-0.452	-0.647	-0.779	-0.906
65.0	-0.407	-0.416	-0.483	-0.771	-0.771
78.5	-0.009	-0.587	-0.811	-0.592	-0.862
79.5	-28.826	-27.812	-27.344	-28.328	-27.916
80.5	-27.913	-28.020	-27.702	-28.869	-28.355
81.5	-25.858	-29.950	-29.234	-26.544	-26.230
82.0	-28.508	-26.768	-27.531	-27.692	-27.307
84.0	-26.705	-26.819	-27.615	-25.925	-27.290
87.0	-26.742	-27.267	-27.585	-26.284	-26.578
89.0	-0.177	-0.248	-0.312	-0.498	-0.921
93.0	-0.123	-0.163	-0.217	-0.425	-0.088
96.0	-0.077	-0.094	-0.141	-0.330	-0.863
100.0	-0.025	-0.012	-0.018	-0.184	-0.845
2.5 (LOWER)	0.660	0.583	0.491	0.411	0.511
5.0	0.635	0.587	0.560	0.577	0.525
10.0	0.699	0.728	0.574	0.631	0.434
24.0	0.390	0.472	0.416	0.317	0.291
33.0	0.420	0.381	0.350	0.303	0.230
54.0	0.293	0.194	0.206	0.100	0.032
73.5	0.145	0.183	0.211	0.188	0.036
84.0	0.325	0.345	0.269	0.271	0.103
96.0	0.279	0.277	1.174	0.160	-0.077

WING PRESSURE COEFFICIENTS

RUN 105 POINT 2 ALPHA 0.00 PSI 0.00 HEIGHT 88.88

X/C, Z	BP 2	BP 6	BP 12	BP 16	BP 22
0.0 (UPPER)	0.702	0.324	0.415	0.259	0.403
2.5	0.472	0.364	0.233	0.120	0.013
5.0	0.140	0.178	0.001	0.081	0.074
10.0	0.076	0.172	-0.060	-0.160	-0.315
15.0	0.013	-0.112	0.025	-0.056	-0.005
24.0	-0.228	-0.054	-0.056	-0.405	-0.232
33.0	-0.174	-0.139	-0.100	-0.264	-0.279
54.0	-0.018	-0.178	-0.337	0.571	-0.167
65.0	-0.408	-0.342	-0.479	-0.364	-0.019
78.5	-0.059	-1.033	-1.072	-0.692	-0.560
79.5	-43.092	-42.170	-44.143	-49.285	-42.774
80.5	-41.818	-41.500	-42.042	-39.456	-39.585
81.5	-38.026	-43.282	-42.926	-37.802	-38.202
82.0	-43.320	-40.606	-42.384	-46.348	-41.291
84.0	-40.293	-42.303	-41.438	-41.681	-40.597
87.0	-39.632	-40.934	-41.010	-42.279	-39.276
89.0	-0.257	-0.250	-1.101	-1.203	-1.063
93.0	-0.111	-0.158	0.256	-0.700	0.098
96.0	-0.056	-0.321	0.702	0.220	-0.710
100.0	-1.002	-0.956	-0.850	-0.865	-0.697
2.5 (LOWER)	0.363	-0.307	-0.355	-0.375	-0.159
5.0	-0.301	-0.033	-0.163	-0.223	-0.213
10.0	-0.011	-0.097	-0.199	-0.063	-0.255
24.0	-0.174	-0.075	-0.149	-0.292	-0.129
33.0	-0.018	-0.087	-0.119	-0.157	-0.049
54.0	0.018	-0.160	-0.106	-0.232	-0.130
73.5	-0.223	-0.054	0.031	0.047	0.025
84.0	0.141	0.195	0.451	0.183	0.163
96.0	0.157	0.145	0.989	0.265	0.148

RUN 106 POINT 3 ALPHA 1.99 PSI 0.00 HEIGHT 87.14

X/C, Z	BP 2	BP 6	BP 12	BP 16	BP 22
0.0 (UPPER)	0.773	0.478	0.487	0.238	0.346
2.5	0.534	0.251	0.037	-0.117	-0.284
5.0	0.064	0.076	-0.143	-0.086	-0.130
10.0	0.005	0.085	-0.174	-0.284	-0.451
15.0	-0.053	-0.195	-0.066	-0.316	-0.091
24.0	-0.288	-0.121	-0.121	-0.482	-0.289
33.0	-0.229	-0.196	-0.154	-0.328	-0.332
54.0	-0.025	-0.210	-0.375	0.708	-0.190
65.0	-0.414	-0.412	-0.505	-0.387	-0.047
78.5	-0.060	-1.057	-1.088	-0.704	-0.617
79.5	-35.307	-34.865	-35.692	-40.131	-34.086
80.5	-34.019	-33.596	-33.620	-31.481	-31.510
81.5	-31.048	-34.741	-34.185	-29.979	-30.502
82.0	-35.369	-32.935	-34.152	-37.137	-33.102
84.0	-32.745	-33.900	-32.888	-33.173	-32.384
87.0	-32.322	-33.135	-32.845	-33.872	-31.571
89.0	-0.229	-0.229	-2.250	-1.408	1.098
93.0	-0.104	-0.151	0.149	-0.660	0.115
96.0	-0.052	-0.319	0.615	-0.152	-0.746
100.0	-1.025	-0.981	-0.877	-0.893	-0.740
2.5 (LOWER)	-0.245	-0.139	-0.141	-0.141	0.100
5.0	-0.236	0.044	-0.015	-0.058	-0.021
10.0	-0.051	0.002	-0.088	0.060	-0.134
24.0	-0.135	-0.020	-0.089	-0.230	-0.074
33.0	0.026	-0.044	-0.068	-0.108	-0.016
54.0	0.054	-0.135	0.079	-0.211	-0.133
73.5	-0.281	-0.038	0.044	0.060	0.033
84.0	0.165	0.218	0.530	0.238	0.184
96.0	0.182	0.164	1.227	0.171	0.148

RUN 106 POINT 1 ALPHA -1.99 PSI 0.00 HEIGHT 81.98

X/C, Z	BP 2	BP 6	BP 12	BP 16	BP 22
0.0 (UPPER)	0.730	0.117	0.155	0.006	0.095
2.5	0.503	0.466	0.405	0.324	0.249
5.0	0.215	0.276	0.156	0.243	0.252
10.0	0.086	0.028	0.069	-0.028	-0.172
15.0	-0.159	-0.020	0.125	-0.104	0.104
24.0	-0.115	-0.082	0.021	-0.317	-0.158
33.0	-0.000	-0.277	-0.056	-0.196	-0.215
54.0	-0.384	-0.312	-0.277	-0.537	-0.123
65.0	-0.051	-0.428	-0.428	-0.330	0.010
78.5	-43.634	-42.688	-44.835	-50.064	-43.492
79.5	-42.272	-42.007	-42.574	-39.955	-40.210
80.5	-38.504	-43.846	-43.572	-38.248	-38.749
81.5	-43.799	-41.147	-42.995	-41.931	-41.931
82.0	-40.820	-42.981	-42.149	-42.499	-41.180
84.0	-40.092	-41.383	-41.539	-42.835	-39.785
87.0	-0.252	-0.244	-1.852	-1.177	1.063
89.0	-0.106	-0.146	0.267	-0.709	0.104
93.0	-0.049	-0.308	0.724	0.232	-0.685
96.0	-0.987	-0.948	-0.826	-0.824	-0.637
100.0	-0.416	-0.399	-0.510	-0.721	-0.447
2.5 (LOWER)	-0.366	-0.098	-0.294	-0.369	-0.388
5.0	-0.065	-0.200	-0.281	-0.168	-0.361
10.0	-0.204	-0.112	-0.196	-0.343	-0.174
24.0	-0.047	-0.114	-0.157	-0.199	-0.078
33.0	0.000	-0.171	-0.124	-0.241	-0.138
54.0	-0.218	-0.059	0.017	0.040	0.004
73.5	0.132	0.186	0.416	0.208	0.176
84.0	0.145	0.139	1.021	0.151	0.139

WING PRESSURE COEFFICIENTS

RUN 106 POINT 4 ALPHA 4.03 PSI 0.00 HEIGHT 85.21

X/C, X	BP 2	BP 6	BP 12	BP 16	BP 22
0.0 (UPPER)	0.843	0.537	0.352	-0.082	-0.132
2.5	-0.594	0.102	-0.199	-0.419	-0.677
5.0	-0.019	-0.048	-0.313	-0.301	-0.382
10.0	-0.081	-0.022	-0.300	-0.424	-0.602
15.0	-0.139	-0.293	-0.189	-0.428	-0.205
24.0	-0.360	-0.196	-0.196	-0.544	-0.369
33.0	-0.298	-0.263	-0.203	-0.367	-0.377
54.0	-0.065	-0.259	-0.412	-0.793	-0.246
65.0	-0.435	-0.454	-0.534	-0.421	-0.108
78.5	-0.061	-1.082	-1.087	-0.733	-0.678
89.0	-28.998	-28.852	-29.497	-33.441	-27.671
93.0	-26.331	-27.800	-27.399	-25.611	-25.558
95.0	-26.003	-28.503	-27.791	-24.201	-24.884
100.0	-29.435	-27.255	-27.939	-30.372	-26.949
2.5 (LOWER)	-27.169	-27.757	-26.677	-26.921	-26.371
5.0	-26.992	-27.351	-26.859	-27.638	-25.812
10.0	-0.106	-0.241	-2.356	-1.464	1.066
15.0	-0.058	-0.162	0.112	-0.665	0.114
24.0	-0.058	-0.335	0.581	0.121	-0.804
33.0	-1.041	-0.987	0.885	-0.908	-0.771
54.0	-0.134	0.004	0.040	0.048	0.304
73.5	-0.158	0.116	0.115	0.085	0.130
84.0	0.109	0.097	-0.068	0.161	-0.027
88.0	-0.092	0.030	-0.039	-0.171	-0.030
93.0	0.061	-0.003	-0.032	-0.064	0.007
95.0	0.074	-0.113	-0.058	-0.191	-0.131
100.0	-0.279	-0.025	0.058	0.072	0.022
2.5	0.186	0.234	0.543	0.246	0.175
5.0	0.196	0.177	1.356	0.176	0.135

RUN 106 POINT 6 ALPHA 7.98 PSI 0.00 HEIGHT 86.04

X/C, X	BP 2	BP 6	BP 12	BP 16	BP 22
0.0 (UPPER)	1.059	0.307	-0.604	-1.590	-2.239
2.5	0.802	-0.249	-0.841	-1.022	-1.382
5.0	-0.212	-0.318	-0.633	-0.732	-0.900
10.0	-0.260	-0.251	-0.542	-0.707	-0.903
15.0	-0.309	-0.469	-0.371	-0.633	-0.460
24.0	-0.495	-0.338	-0.337	-0.677	-0.524
33.0	-0.424	-0.368	-0.314	-0.486	-0.503
54.0	-0.158	-0.476	-0.476	-1.038	-0.365
65.0	-0.473	-0.531	-0.569	-0.482	-0.262
78.5	-0.044	-1.059	-1.087	-0.794	-0.831
89.0	-15.583	-14.993	-14.565	-17.151	-12.631
93.0	-14.404	-13.748	-12.723	-11.747	-11.614
95.0	-13.520	-13.553	-12.721	-10.545	-11.552
100.0	-14.989	-13.529	-13.183	-14.361	-12.489
2.5 (LOWER)	-13.810	-13.087	-12.199	-12.413	-12.208
5.0	-13.715	-13.311	-12.417	-12.702	-12.156
10.0	-0.258	-0.256	-2.471	-1.554	0.936
15.0	-0.111	-0.181	0.047	-0.675	0.110
24.0	-0.064	-0.360	0.511	-0.946	-0.946
33.0	-1.031	-0.961	-0.861	-0.904	-0.629
54.0	0.077	0.249	0.294	0.289	0.515
73.5	0.006	0.247	0.312	0.296	0.346
84.0	0.223	0.276	0.157	0.322	0.151
88.0	0.002	0.119	0.065	-0.045	0.051
93.0	0.125	0.077	0.058	0.029	0.048
95.0	0.120	-0.048	0.001	-0.132	-0.118
100.0	-0.235	0.019	0.087	0.097	0.003
2.5	0.224	0.259	0.554	0.259	0.151
5.0	0.210	0.199	1.555	0.191	0.115

RUN 106 POINT 7 ALPHA 10.00 PSI 0.00 HEIGHT 85.44

X/C, X	BP 2	BP 6	BP 12	BP 16	BP 22
0.0 (UPPER)	0.554	-0.011	-1.394	-2.681	-3.017
2.5	0.288	-0.462	-0.935	-1.450	-2.549
5.0	-0.303	-0.487	-0.837	-1.014	-1.883
10.0	-0.347	-0.367	-0.679	-0.865	-1.091
15.0	-0.393	-0.543	-0.491	-0.749	-0.577
24.0	-0.559	-0.413	-0.421	-0.727	-0.572
33.0	-0.490	-0.425	-0.384	-0.545	-0.529
54.0	-0.231	-0.392	-0.510	-0.725	-0.423
65.0	-0.495	-0.563	-0.585	-0.517	-0.378
78.5	-0.019	-1.091	-1.078	-0.807	-0.888
89.0	-4.561	-4.209	-3.395	-4.703	-1.905
93.0	-3.708	-3.166	-2.207	-1.734	-1.622
95.0	-3.126	-2.625	-1.968	-1.012	-1.828
100.0	-3.952	-3.137	-2.404	-2.746	-2.020
2.5 (LOWER)	-3.529	-2.425	-1.798	-1.995	-1.915
5.0	-3.515	-2.842	-1.958	-1.938	-2.106
10.0	-0.260	-0.262	-2.535	-1.611	0.845
15.0	-0.106	-0.187	0.006	-0.678	0.106
24.0	-0.058	-0.360	-0.850	-0.022	-1.029
33.0	0.182	-0.958	-0.476	-0.915	-0.857
54.0	0.020	0.338	0.367	0.361	0.547
65.0	0.096	0.298	0.381	0.377	0.418
78.5	0.269	0.343	0.228	0.377	0.232
89.0	0.051	0.155	0.116	0.037	0.084
93.0	0.156	0.114	0.099	0.078	0.062
95.0	0.130	-0.012	0.034	-0.090	-0.102
100.0	-0.194	0.055	0.116	0.116	0.011
2.5	0.247	0.277	0.555	0.266	0.140
5.0	0.207	0.208	1.080	0.202	0.108

RUN 106 POINT 5 ALPHA 6.00 PSI 0.00 HEIGHT 85.73

X/C, X	BP 2	BP 6	BP 12	BP 16	BP 22
0.0 (UPPER)	0.904	0.484	-0.013	-0.703	-1.012
2.5	0.651	-0.081	-0.457	-0.801	-1.191
5.0	-0.175	-0.175	-0.497	-0.473	-0.620
10.0	-0.170	-0.137	-0.421	-0.557	-0.751
15.0	-0.225	-0.378	-0.261	-0.522	-0.323
24.0	-0.432	-0.267	-0.262	-0.620	-0.448
33.0	-0.363	-0.318	-0.257	-0.431	-0.445
54.0	-0.107	-0.301	-0.448	-0.869	-0.300
65.0	-0.456	-0.488	-0.556	-0.452	-0.175
78.5	-1.059	-1.097	-1.097	-0.760	-0.741
89.0	-24.158	-23.694	-23.694	-27.074	-21.753
93.0	-22.896	-22.377	-21.691	-20.181	-20.071
95.0	-21.994	-22.658	-21.863	-18.814	-19.669
100.0	-23.790	-21.916	-22.117	-24.053	-21.309
2.5 (LOWER)	-21.954	-21.973	-20.979	-21.161	-20.812
5.0	-21.839	-21.830	-20.928	-21.825	-20.477
10.0	-0.258	-0.251	-2.407	-1.502	1.012
15.0	-0.112	-0.174	0.085	-0.674	0.110
24.0	-0.064	-0.348	0.548	-0.089	-0.868
33.0	-1.043	-0.978	-0.875	-0.913	-0.603
54.0	0.130	0.130	0.179	0.186	0.440
73.5	0.080	0.186	0.219	0.196	0.250
84.0	0.164	0.187	0.075	0.246	0.065
88.0	-0.047	0.070	0.010	-0.115	0.010
93.0	0.085	0.036	0.010	-0.022	0.027
95.0	0.099	-0.082	-0.032	-0.166	-0.126
100.0	-0.261	-0.008	0.067	0.086	0.019
2.5	0.203	0.244	0.549	0.250	0.161
5.0	0.203	0.166	1.454	0.182	0.121

WING PRESSURE COEFFICIENTS

RUN 106 POINT 10 ALPHA 16.00 PSI 0.00 HEIGHT 87.37

X/C, Z	BP 2	BP 6	BP 12	BP 16	BP 22
0.0 (UPPER)	0.726	-1.985	-5.463	-3.772	-1.878
2.5	0.436	-1.159	-2.107	-3.729	-1.794
5.0	-0.636	-0.376	-1.666	-4.488	-1.695
10.0	-0.662	-0.761	-1.220	-2.186	-1.886
15.0	-0.693	-0.851	-0.914	-0.729	-1.694
20.0	-0.804	-0.658	-0.735	-0.857	-2.094
24.0	-0.697	-0.633	-0.635	-0.679	-2.199
33.0	-0.396	-0.537	-0.643	0.881	-0.989
54.0	-0.592	-0.679	-0.677	-0.614	-0.487
65.0	-0.009	-1.120	-1.130	-0.971	-0.942
78.5	-3.315	-2.954	-2.020	-2.902	-0.565
80.5	-2.456	-2.014	-1.038	-0.745	-0.535
81.5	-2.580	-1.513	-0.975	-0.116	-0.904
82.0	-2.681	-1.973	-1.186	-1.287	-0.947
82.0	-2.338	-1.117	-0.769	-0.810	-0.895
87.0	-2.385	-1.679	-2.902	-0.824	-1.018
89.0	-0.279	-0.328	-2.463	-1.707	0.426
93.0	-0.126	-0.250	-0.074	-0.792	0.100
96.0	-0.085	-0.449	-0.373	-0.113	-1.227
100.0	-0.946	-0.886	-0.842	-0.860	-0.932
2.5 (LOWER)	0.418	0.521	0.398	0.357	0.494
5.0	0.318	0.474	0.530	0.508	0.494
10.0	0.452	0.536	0.415	0.543	0.373
24.0	0.203	0.308	0.278	0.213	0.208
33.0	0.289	0.251	0.237	0.212	0.152
54.0	0.226	0.102	0.133	0.014	-0.034
73.5	-0.106	0.134	0.184	0.175	0.020
84.0	0.309	0.329	0.573	0.303	0.151
96.0	0.248	0.249	1.345	0.237	0.106

RUN 106 POINT 11 ALPHA 18.03 PSI 0.00 HEIGHT 87.52

X/C, Z	BP 2	BP 6	BP 12	BP 16	BP 22
0.0 (UPPER)	0.789	-2.986	-6.536	-3.800	-1.860
2.5	0.487	-1.444	-2.502	-3.967	-1.933
5.0	-0.760	-1.177	-2.005	-4.684	-1.876
10.0	-0.765	-0.904	-1.471	-3.355	-2.061
15.0	-0.789	-0.963	-1.132	-1.062	-1.890
24.0	-0.873	-0.747	-0.885	-0.880	-2.324
33.0	-0.750	-0.695	-0.736	-0.709	-2.471
54.0	-0.434	-0.574	-0.671	-0.932	-1.305
65.0	-0.609	-0.707	-0.695	-0.661	-0.754
78.5	-0.001	-1.132	-1.132	-0.976	-1.146
79.5	-2.779	-2.407	-1.542	-2.254	-0.119
80.5	-1.943	-1.538	-0.546	-0.345	-0.114
81.5	-2.107	-1.051	-0.540	0.253	-0.513
82.0	-2.156	-1.483	-0.700	-0.741	-0.490
84.0	-1.837	-0.610	-0.334	-0.319	-0.490
87.0	-1.909	-1.211	-0.494	-0.416	-0.617
89.0	-0.340	-0.340	-2.434	-1.713	0.204
93.0	-0.126	-0.260	-0.088	-0.807	0.103
96.0	-0.087	-0.466	0.347	-0.141	-1.275
100.0	-0.917	-0.861	-0.798	-0.841	-0.934
2.5 (LOWER)	0.479	0.514	0.344	0.308	0.451
5.0	0.368	0.528	0.545	0.517	0.499
10.0	0.510	0.584	0.464	0.580	0.405
24.0	0.255	0.362	0.331	0.268	0.247
33.0	0.335	0.297	0.285	0.254	0.182
54.0	0.260	0.142	0.178	0.059	-0.010
73.5	-0.065	0.164	0.208	0.198	0.058
84.0	0.337	0.351	0.582	0.318	0.154
96.0	0.269	0.267	1.408	0.252	0.104

WING PRESSURE COEFFICIENTS

RUN 106 POINT 8 ALPHA 11.99 PSI 0.00 HEIGHT 85.00

X/C, Z	BP 2	BP 6	BP 12	BP 16	BP 22
0.0 (UPPER)	0.639	-0.482	-2.487	-3.673	-1.800
2.5	0.365	-0.695	-1.335	-2.773	-1.443
5.0	-0.394	-0.596	-1.050	-1.547	-1.270
10.0	-0.434	-0.487	-0.832	-0.943	-1.436
15.0	-0.484	-0.635	-0.612	-0.825	-1.147
24.0	-0.642	-0.488	-0.513	-0.787	-1.193
33.0	-0.560	-0.492	-0.456	-0.608	-1.056
54.0	-0.287	-0.438	-0.553	-0.795	-0.674
65.0	-0.528	-0.601	-0.613	-0.559	-0.534
78.5	-0.011	-1.097	-1.087	-0.870	-0.904
80.5	-4.660	-4.319	-3.453	-4.726	-1.945
81.5	-3.766	-3.278	-2.311	-1.666	-1.714
82.0	-3.809	-2.728	-2.119	-1.188	-1.999
82.0	-4.045	-3.237	-2.501	-2.829	-2.174
84.0	-3.619	-2.447	-1.939	-2.110	-2.067
87.0	-3.600	-2.917	-2.086	-2.069	-2.233
89.0	-0.282	-0.278	-2.545	-1.621	0.105
93.0	-0.109	-0.400	-0.458	-0.013	-0.942
96.0	-0.051	-0.937	-0.858	-0.888	-0.912
100.0	-0.958	-0.937	-0.832	-0.392	0.538
2.5 (LOWER)	0.175	0.420	0.412	0.444	0.437
5.0	0.333	0.417	0.301	0.444	0.270
10.0	0.104	0.205	0.172	0.101	0.115
24.0	0.200	0.184	0.148	0.123	0.079
33.0	0.164	0.027	0.073	-0.050	-0.086
54.0	-0.162	0.082	0.136	0.136	0.023
73.5	0.270	0.294	0.564	0.278	0.139
84.0	0.218	0.224	1.184	0.213	0.104

RUN 106 POINT 9 ALPHA 14.00 PSI 0.00 HEIGHT 87.58

X/C, Z	BP 2	BP 6	BP 12	BP 16	BP 22
0.0 (UPPER)	0.679	-1.151	-3.910	-3.943	-1.797
2.5	0.400	-0.880	-1.741	-3.448	-1.661
5.0	-0.513	-0.788	-1.336	-3.735	-1.523
10.0	-0.552	-0.628	-1.031	-0.775	-1.705
15.0	-0.599	-0.747	-0.769	-0.791	-1.488
24.0	-0.735	-0.581	-0.629	-0.839	-1.737
33.0	-0.642	-0.570	-0.556	-0.654	-1.717
54.0	-0.332	-0.498	-0.604	0.832	-0.776
65.0	-0.568	-0.650	-0.656	-0.592	-0.365
78.5	-0.012	-1.121	-1.123	-0.932	-0.880
79.5	-3.866	-3.543	-2.618	-3.786	-1.140
80.5	-3.008	-2.548	-1.576	-1.213	-1.034
81.5	-3.195	-2.020	-1.433	-0.529	-1.350
82.0	-3.258	-2.513	-1.752	-1.977	-1.455
84.0	-2.860	-1.669	-1.242	-1.376	-1.386
87.0	-2.897	-2.200	-1.392	-1.51	-1.495
89.0	-0.274	-0.303	-2.577	-0.712	0.632
93.0	-0.118	-0.226	-0.044	-0.741	0.100
96.0	-0.073	-0.431	0.437	-0.046	-1.130
100.0	-0.992	-0.933	-0.875	-0.889	-0.913
2.5 (LOWER)	0.346	0.480	0.421	0.483	0.525
5.0	0.494	0.416	0.494	0.481	0.473
10.0	0.394	0.481	0.360	0.498	0.330
24.0	0.153	0.256	0.229	0.160	0.167
33.0	0.244	0.206	0.192	0.172	0.120
54.0	0.193	0.064	0.102	-0.057	-0.057
73.5	-0.141	0.104	0.159	0.154	0.029
84.0	0.288	0.310	0.578	0.291	0.146
96.0	0.231	0.234	1.270	0.224	0.109

WING PRESSURE COEFFICIENTS

RUN 106 POINT 12 ALPHA 19.99 PSI 0.00 HEIGHT 88.86

X/C, X	BP 2	BP 6	BP 12	BP 16	BP 22
0.0 (UPPER)	0.657	-4.172	-5.883	-3.411	-1.890
2.5	0.552	-1.847	-3.422	-3.357	-1.826
5.0	-0.907	-1.436	-3.032	-3.503	-1.747
10.0	-0.802	-1.081	-2.304	-3.761	-1.812
15.0	-0.913	-1.113	-1.588	-3.086	-1.680
24.0	-0.971	-0.860	-0.857	-1.602	-1.845
33.0	-0.832	-0.763	-0.670	-0.963	-2.001
54.0	-0.478	-0.631	-0.699	0.986	-2.018
55.0	-0.533	-0.763	-0.719	0.641	-1.511
78.5	-0.904	-1.174	-1.187	-0.972	-1.590
79.5	-2.230	-1.848	-1.723	-1.614	0.320
80.5	-1.440	-1.050	-0.060	0.110	0.378
81.5	-1.621	-0.558	-0.036	0.616	-0.063
82.0	-1.614	-0.954	-0.172	-0.043	0.043
84.0	-1.339	-0.116	0.135	0.291	-0.014
87.0	-1.400	-0.750	-0.026	0.069	-0.146
89.0	-0.297	-0.359	-2.500	-1.734	-0.065
93.0	-0.145	-0.281	-0.138	-0.615	0.092
95.0	-0.105	-0.493	0.310	-0.151	-1.372
100.0	-0.911	-0.861	0.783	-0.860	-1.961
2.5 (LOWER)	0.325	0.531	0.326	0.271	0.400
5.0	0.444	0.579	0.584	0.517	0.488
10.0	0.559	0.619	0.501	0.598	0.423
24.0	0.302	0.408	0.374	0.308	0.271
33.0	0.374	0.338	0.324	0.285	0.199
54.0	0.290	0.174	0.205	0.084	0.003
73.5	-0.035	0.186	0.225	0.210	0.050
84.0	0.358	0.368	0.593	0.325	0.143
96.0	0.283	0.260	1.459	0.253	0.079

WING PRESSURE COEFFICIENTS

RUN 106 POINT 13 ALPHA 21.99 PSI 0.00 HEIGHT 95.88

X/C, X	BP 2	BP 6	BP 12	BP 16	BP 22
0.0 (UPPER)	0.821	-5.329	-4.526	-3.035	-1.879
2.5	0.621	-2.609	-4.664	-3.037	-1.922
5.0	-1.059	-1.561	-4.679	-3.095	-1.757
10.0	-1.032	-1.219	-3.900	-3.413	-1.928
15.0	-1.029	-1.228	-1.400	-3.441	-1.707
24.0	-1.050	-0.954	-0.797	-2.768	-1.836
33.0	-0.892	-0.850	-0.721	-1.516	-1.853
54.0	-0.504	-0.605	-0.740	1.035	-2.177
55.0	-0.648	-0.825	-0.771	-0.601	-1.788
78.5	-0.007	-1.199	-1.229	-1.000	-1.650
79.5	-1.953	-1.574	-0.852	-1.321	0.497
80.5	-1.194	-0.827	0.129	0.287	0.555
81.5	-1.392	-0.332	0.166	0.712	0.104
82.0	-1.362	-0.730	0.050	0.129	0.144
84.0	-1.093	0.122	0.328	0.572	0.178
87.0	-1.168	-0.517	0.218	0.298	0.025
89.0	-0.313	-0.377	-2.565	-1.809	-0.190
93.0	-0.198	-0.288	-0.186	-0.881	0.084
96.0	-0.116	-0.512	-0.281	-0.212	-1.473
100.0	-0.692	-0.849	-0.774	-0.853	-0.971
2.5 (LOWER)	0.564	0.503	0.299	0.235	0.357
5.0	0.498	0.623	0.577	0.515	0.485
10.0	0.615	0.643	0.534	0.621	0.446
24.0	0.353	0.485	0.414	0.353	0.305
33.0	0.421	0.384	0.359	0.326	0.229
54.0	0.224	0.214	0.239	0.113	0.026
73.5	0.000	0.217	0.251	0.236	0.059
84.0	0.382	0.368	0.605	0.338	0.145
96.0	0.302	0.296	1.500	0.267	0.076

WING PRESSURE COEFFICIENTS

RUN 107 POINT 2 ALPHA -0.01 PSI 0.00 HEIGHT 89.23

X/C, X	BP 2	BP 6	BP 12	BP 16	BP 22
0.0 (UPPER)	0.257	-0.040	0.164	0.671	0.552
2.5	0.131	0.207	-0.035	-0.214	-0.077
5.0	0.407	0.196	-0.025	-0.328	-0.450
10.0	0.274	-0.002	-0.158	-0.201	-0.075
15.0	0.176	0.128	-0.352	-0.183	-0.482
24.0	0.250	-0.087	-0.339	0.026	-0.203
33.0	0.111	-0.058	-0.264	-0.210	-0.212
54.0	-0.383	-0.309	-0.683	-0.406	-0.769
55.0	-0.389	-0.675	-0.477	-0.558	-0.769
78.5	0.200	-1.258	-1.260	-1.425	-1.371
79.5	4.321	3.884	3.593	2.723	3.560
80.5	4.294	4.061	3.855	3.583	3.603
81.5	3.905	4.232	4.030	3.709	3.585
82.0	4.264	3.668	3.724	3.311	3.643
84.0	3.955	3.973	3.732	3.424	3.796
87.0	3.810	3.697	3.705	3.706	3.759
89.0	-0.485	-0.324	-4.664	-2.781	2.158
93.0	-0.120	-0.117	0.100	-0.998	-0.063
96.0	-0.099	-0.737	1.052	-1.440	-1.440
100.0	-2.008	-2.008	-1.826	-1.919	-1.498
2.5 (LOWER)	0.332	-0.503	-0.406	-0.132	-0.422
5.0	-0.413	-0.425	-0.408	-0.211	-0.258
10.0	-0.185	-0.482	-0.244	-0.355	-0.152
24.0	-0.333	-0.312	-0.190	-0.032	-0.238
33.0	-0.263	-0.228	-0.203	-0.139	-0.279
54.0	-0.130	-0.100	-0.118	-0.087	-0.096
73.5	0.041	0.084	0.064	0.094	0.142
84.0	0.041	0.054	0.636	0.066	0.027
96.0	-0.174	-0.084	0.765	0.020	-0.022

WING PRESSURE COEFFICIENTS

RUN 107 POINT 4 ALPHA 4.02 PSI 0.00 HEIGHT 87.43

X/C, X	BP 2	BP 6	BP 12	BP 16	BP 22
0.0 (UPPER)	0.315	0.323	0.255	0.399	-0.040
2.5	0.180	-0.073	-0.494	-0.775	-0.794
5.0	0.242	0.061	-0.368	-0.749	-0.948
10.0	0.088	-0.281	-0.416	-0.474	-0.370
15.0	-0.057	-0.102	-0.577	-0.393	-0.726
24.0	0.063	-0.276	-0.510	-0.105	-0.342
33.0	0.001	-0.191	-0.510	-0.310	-0.309
54.0	-0.423	-0.383	-0.407	0.720	-0.497
55.0	-0.384	-0.743	-0.545	-0.612	-0.868
78.5	0.217	-1.254	-1.230	-1.403	-1.504
79.5	4.336	3.901	3.622	2.750	3.594
80.5	4.319	4.077	3.892	3.601	3.634
81.5	3.933	4.250	4.056	3.724	3.605
82.0	4.270	3.711	3.745	3.348	3.665
84.0	3.884	4.010	3.772	3.488	3.819
87.0	3.825	3.705	3.705	3.702	3.789
89.0	-0.469	-0.221	-4.621	-2.712	2.074
93.0	-0.100	-0.131	0.118	-0.930	-0.066
96.0	-0.080	-0.776	1.053	-0.220	-1.566
100.0	-2.033	-2.031	-1.853	-1.967	-1.534
2.5 (LOWER)	0.098	-0.255	0.014	0.319	0.044
5.0	-0.049	-0.288	-0.141	0.096	0.087
10.0	-0.314	-0.307	-0.050	-0.148	0.084
24.0	-0.092	-0.071	-0.071	-0.032	-0.141
33.0	-0.268	-0.151	-0.104	-0.032	-0.228
54.0	-0.222	-0.035	-0.055	-0.017	-0.069
73.5	-0.108	0.136	0.105	0.136	0.115
84.0	0.090	0.093	0.660	0.089	0.017
96.0	-0.162	-0.054	0.753	0.052	-0.032

WING PRESSURE COEFFICIENTS

RUN 107 POINT 13 ALPHA 21.98 PSI 0.00 HEIGHT 97.13

X/C, X	BP 2	BP 6	BP 12	BP 16	BP 22
0.0 (UPPER)	0.350	-4.733	-4.641	-2.959	-1.986
2.5	0.185	-2.881	-5.183	-2.859	-2.166
5.0	-0.856	-1.597	-5.350	-4.030	-2.600
10.0	-1.010	-1.602	-3.643	-4.406	-2.052
15.0	-1.105	-1.161	-1.286	-1.943	-2.562
20.0	-0.912	-1.166	-1.184	-0.949	-2.453
24.0	-0.872	-0.925	-1.108	-0.748	-2.658
33.0	-0.860	-0.942	-0.788	-0.748	-2.428
54.0	-0.702	-1.251	-0.874	-0.878	-2.583
65.0	-0.222	-1.440	-1.397	-1.759	-2.563
78.5	4.576	4.139	3.867	3.155	3.981
79.5	4.557	4.311	4.174	3.832	3.921
80.5	4.147	4.469	4.290	3.937	3.793
81.5	4.531	3.968	4.030	3.738	3.957
82.0	4.243	4.327	4.043	3.870	4.059
84.0	4.054	3.958	3.811	3.944	3.938
87.0	-0.583	-0.378	-0.806	-1.141	0.686
89.0	-0.220	-0.333	-0.066	-1.247	-0.106
93.0	-0.169	-1.011	-0.876	-0.063	-2.182
96.0	-1.895	-1.928	-1.778	-1.971	-1.818
100.0 (LOWER)	0.624	0.295	0.280	0.440	0.079
5.0	0.324	0.207	0.496	0.507	0.412
10.0	0.191	0.252	0.365	0.314	0.536
24.0	0.352	0.204	0.365	0.612	0.194
33.0	0.092	0.233	0.295	0.374	-0.009
54.0	0.022	0.289	0.252	0.318	0.089
73.5	0.200	0.414	0.337	0.316	0.186
84.0	0.308	0.258	0.781	0.183	-0.020
96.0	-0.023	0.074	1.024	0.146	-0.081

WING PRESSURE COEFFICIENTS

RUN 107 POINT 6 ALPHA 8.00 PSI 0.00 HEIGHT 85.94

X/C, X	BP 2	BP 6	BP 12	BP 16	BP 22
0.0 (UPPER)	0.329	0.248	-0.597	-1.106	-2.129
2.5	0.202	-0.420	-1.079	-1.331	-1.880
5.0	0.045	-0.349	-0.678	-1.174	-1.455
10.0	-0.114	-0.544	-0.569	-0.765	-0.683
15.0	-0.251	-0.315	-0.793	-0.613	-0.989
20.0	-0.151	-0.462	-0.853	-0.243	-0.511
24.0	-0.165	-0.338	-0.623	-0.439	-0.432
33.0	-0.482	-0.498	-0.466	-0.734	-0.620
54.0	-0.406	-0.816	-0.589	-0.678	-1.022
65.0	0.228	-1.268	-1.194	-1.453	-1.668
78.5	4.636	4.211	3.957	3.164	3.948
79.5	4.607	4.362	4.212	3.916	3.960
80.5	4.221	4.545	4.365	4.036	3.906
81.5	4.582	4.030	4.069	3.726	4.009
82.0	4.297	4.330	4.098	3.843	4.139
84.0	4.119	4.029	4.012	4.070	4.074
87.0	-0.482	-0.232	-4.590	-2.753	1.964
89.0	-0.105	-0.147	0.133	-0.945	-0.068
93.0	-0.080	-0.806	1.058	-0.202	-1.736
96.0	-2.037	-2.015	-1.840	-1.973	-1.602
100.0 (LOWER)	0.126	0.007	0.279	0.564	0.258
5.0	0.124	-0.163	0.064	0.319	0.305
10.0	-0.203	-0.113	0.121	0.019	0.265
24.0	-0.096	-0.134	0.037	0.240	-0.054
33.0	-0.068	-0.074	-0.021	0.061	-0.181
54.0	-0.181	0.025	0.005	0.047	-0.054
73.5	-0.050	0.190	0.166	0.151	0.143
84.0	0.139	0.123	0.694	0.109	-0.014
96.0	-0.138	-0.028	0.766	0.070	-0.054

WING PRESSURE COEFFICIENTS

RUN 108 POINT 2 ALPHA 0.03 PSI 0.00 HEIGHT 88.06

X/C, X	BP 2	BP 6	BP 12	BP 16	BP 22
0.0 (UPPER)	-0.223	-0.947	-0.511	1.097	0.699
2.5	-0.379	0.188	-0.179	-0.597	-0.181
5.0	0.786	0.527	0.123	-0.811	-1.055
10.0	1.027	0.173	-0.146	-0.290	-0.191
15.0	0.992	0.705	-0.745	-0.188	-0.102
24.0	1.063	-0.056	-0.650	0.457	-0.177
33.0	0.505	0.059	-0.721	-0.180	-0.116
54.0	-0.956	-0.516	-0.251	0.687	-0.726
65.0	-0.493	-1.229	-0.567	-0.851	-1.561
78.5	0.451	-1.954	-1.882	-2.453	-2.453
79.5	7.683	6.821	6.252	4.589	6.024
80.5	7.569	7.072	6.683	6.119	6.159
81.5	6.772	7.408	6.995	6.362	6.179
82.0	7.528	6.366	6.422	5.647	6.161
84.0	6.886	6.911	6.440	5.821	6.550
87.0	6.589	6.374	6.382	6.388	6.500
89.0	-0.741	-0.063	-9.271	-5.484	4.754
93.0	0.004	0.043	0.560	-1.652	-0.287
96.0	0.015	-1.478	2.509	0.679	-2.766
100.0 (LOWER)	-3.908	-4.030	-4.042	-4.042	-3.056
5.0	-0.314	-0.819	-0.568	-0.124	-0.333
10.0	-0.138	-0.341	-0.776	-0.215	-0.061
24.0	-0.912	-0.999	-0.341	-0.712	-0.061
33.0	-0.226	-0.653	-0.232	-0.118	-0.390
54.0	-0.783	-0.456	-0.332	-0.118	-0.600
73.5	-0.689	-0.051	0.097	0.097	-0.030
84.0	0.018	0.250	0.141	0.165	0.202
96.0	-0.055	-0.136	1.027	-0.167	-0.200
96.0	-0.758	-0.465	0.869	-0.197	-0.283

WING PRESSURE COEFFICIENTS

RUN 107 POINT 8 ALPHA 11.99 PSI 0.00 HEIGHT 86.14

X/C, X	BP 2	BP 6	BP 12	BP 16	BP 22
0.0 (UPPER)	0.350	-0.353	-2.302	-3.055	-1.729
2.5	0.213	-0.842	-1.548	-2.319	-1.562
5.0	-0.170	-0.844	-1.101	-2.445	-1.819
10.0	-0.329	-0.792	-0.961	-0.916	-1.235
15.0	-0.475	-0.509	-1.030	-0.791	-1.674
24.0	-0.369	-0.629	-0.822	-0.371	-1.255
33.0	-0.380	-0.482	-0.763	-0.563	-1.067
54.0	-0.622	-0.627	-0.542	-0.729	-0.965
65.0	-0.474	-0.926	-0.649	-0.798	-1.233
78.5	0.237	-1.295	-1.169	-1.518	-1.639
79.5	4.707	4.291	4.043	3.291	4.061
80.5	4.679	4.457	4.297	3.997	4.041
81.5	4.294	4.613	4.438	4.112	3.981
84.0	4.658	4.115	4.157	3.835	4.100
87.0	4.371	4.426	4.189	3.937	4.213
89.0	4.203	4.120	4.089	4.105	4.156
93.0	-0.499	-0.247	-4.528	-2.765	1.758
96.0	-0.123	-0.176	0.109	-0.958	-0.066
100.0 (LOWER)	-0.088	-0.835	1.021	0.169	-1.637
5.0	0.321	0.185	0.413	-1.930	0.286
10.0	-0.078	-0.033	0.213	0.454	0.393
24.0	0.101	-0.034	0.266	0.154	0.372
33.0	-0.116	0.022	0.152	0.355	0.013
54.0	-0.117	0.102	0.078	0.155	-0.144
73.5	0.005	0.257	0.071	0.124	-0.025
84.0	0.194	0.166	0.211	0.212	0.146
96.0	-0.109	0.007	0.721	0.130	-0.022
96.0	0.007	0.007	0.785	0.096	-0.054

WING PRESSURE COEFFICIENTS

RUN 108 POINT 8 ALPHA 11.99 PSI 0.00 HEIGHT 85.31

X/C, X	BP 2	BP 6	BP 12	BP 16	BP 22
0.0 (UPPER)	-0.116	-0.191	-2.014	-2.453	-1.769
2.5	-0.212	-0.325	-1.842	-2.601	-1.795
5.0	0.152	-0.638	-1.160	-2.601	-2.557
10.0	-0.257	-1.109	-1.139	-1.042	-1.095
15.0	-0.389	-0.345	-1.555	-0.798	-2.364
24.0	0.335	-0.787	-1.245	0.074	-1.343
33.0	0.182	-0.467	-1.241	-0.527	-0.984
54.0	-1.141	-0.794	-0.575	0.780	-1.287
65.0	-0.523	-1.453	-0.762	-1.059	-1.992
78.5	0.518	-1.893	-1.670	-2.461	-2.621
79.5	8.167	7.341	6.817	5.270	6.705
80.5	8.056	7.585	7.239	6.656	6.732
81.5	7.275	7.895	7.528	6.877	6.673
82.0	6.033	6.925	6.993	6.314	6.789
84.0	7.452	7.500	7.023	6.505	7.095
87.0	7.089	6.913	6.864	6.862	6.991
89.0	-0.759	-0.092	-6.760	-5.055	4.256
93.0	0.010	0.044	0.587	-1.447	-2.280
96.0	0.004	-1.593	2.374	0.672	-2.984
100.0	-3.788	-3.922	-3.856	-3.991	-3.179
2.5 (LOWER)	6.324	-0.147	0.348	0.930	-0.048
5.0	0.378	-0.547	-0.109	0.456	0.340
10.0	-0.606	-0.454	0.184	-0.211	0.478
24.0	0.059	-0.385	0.071	0.653	-0.122
33.0	-0.565	-0.194	-0.046	0.189	-0.475
54.0	-0.584	0.176	0.051	0.344	0.043
73.5	0.222	0.472	0.301	0.279	0.264
84.0	0.091	-0.022	1.078	-0.086	-0.248
96.0	-0.686	-0.367	0.865	-0.099	-0.315

WING PRESSURE COEFFICIENTS

RUN 108 POINT 4 ALPHA 3.99 PSI 0.00 HEIGHT 85.83

X/C, X	BP 2	BP 6	BP 12	BP 16	BP 22
0.0 (UPPER)	0.050	0.936	0.079	0.936	0.079
2.5	-0.765	-1.120	-0.916	-1.120	-0.916
5.0	-0.540	-1.196	-1.555	-1.196	-1.555
10.0	-0.519	-0.587	-0.131	-0.519	-0.131
15.0	0.532	0.297	-1.296	-0.379	-1.296
24.0	0.910	-0.227	-0.918	0.345	-0.339
33.0	0.484	-0.037	-0.946	-0.288	-0.213
54.0	-0.967	-0.571	-0.821	0.726	-0.821
65.0	-0.475	-1.273	-0.641	-0.919	-1.653
78.5	0.470	-1.830	-2.578	-2.578	-2.578
79.5	7.677	6.849	6.100	6.100	6.100
80.5	7.583	7.099	6.301	6.157	6.208
81.5	6.900	7.416	7.034	6.384	6.208
82.0	7.528	6.414	6.458	6.229	6.229
84.0	6.927	6.963	6.494	5.941	6.590
87.0	6.613	6.395	6.380	6.391	6.509
89.0	-0.700	-0.049	-9.049	-5.267	4.553
93.0	0.013	0.018	0.532	-1.562	-0.284
96.0	0.039	-1.504	2.422	0.658	-2.854
100.0	-3.839	-3.661	-4.009	-3.030	-3.030
2.5 (LOWER)	-0.119	-0.834	-0.291	0.558	-0.291
5.0	0.025	-0.795	0.085	0.085	0.017
10.0	-0.817	-0.786	0.147	-0.507	0.161
24.0	-0.149	-0.544	-0.164	0.373	-0.281
33.0	-0.708	-0.372	-0.287	-0.028	-0.547
54.0	-0.655	0.001	-0.087	0.168	-0.016
73.5	0.060	0.309	0.181	0.158	0.225
84.0	-0.107	-0.107	1.010	-0.129	-0.195
96.0	-0.732	-0.436	0.870	-0.155	-0.276

WING PRESSURE COEFFICIENTS

RUN 108 POINT 6 ALPHA 7.99 PSI 0.00 HEIGHT 85.39

X/C, X	BP 2	BP 6	BP 12	BP 16	BP 22
0.0 (UPPER)	-0.108	0.108	-0.516	-0.485	-2.048
2.5	-0.204	-0.526	-1.349	-1.944	-2.307
5.0	0.343	-0.309	-0.788	-1.627	-2.084
10.0	0.100	-0.787	-0.828	-0.834	-0.437
15.0	0.061	-0.078	-1.317	-0.589	-1.561
24.0	0.665	-0.522	-1.088	0.214	-0.512
33.0	0.392	-0.226	-1.116	-0.389	-0.352
54.0	-1.025	-0.661	-0.492	0.749	-0.972
65.0	-0.467	-1.347	-0.702	-0.970	-1.833
78.5	0.500	-1.860	-1.767	-2.429	-2.769
79.5	7.997	7.197	6.666	5.126	6.497
80.5	7.899	7.430	7.080	6.512	6.575
81.5	7.125	7.740	7.375	6.740	6.552
82.0	7.865	6.760	6.825	6.151	6.616
84.0	7.278	7.316	6.868	6.352	6.951
87.0	6.927	6.738	6.719	6.719	6.855
89.0	-0.712	-0.057	-8.934	-5.099	4.396
93.0	0.023	-0.006	-0.560	-1.477	-0.273
96.0	0.046	-1.545	-2.396	0.666	-3.037
100.0	-3.841	-3.939	-3.629	-4.059	-3.081
2.5 (LOWER)	0.123	0.357	0.194	0.825	-0.053
5.0	0.194	-0.672	-0.275	0.311	0.242
10.0	-0.713	-0.606	0.026	-0.336	0.359
24.0	-0.040	-0.467	-0.055	-0.519	-0.194
33.0	-0.637	-0.305	-0.159	0.076	-0.505
54.0	-0.606	0.092	-0.016	0.243	0.017
73.5	0.129	0.391	0.241	0.203	0.224
84.0	0.043	-0.060	1.048	-0.099	-0.220
96.0	-0.710	-0.402	0.837	-0.126	-0.292

WING PRESSURE COEFFICIENTS

RUN 119 POINT 3 ALPHA -0.02 PSI 0.00 HEIGHT 87.88

X/C, X	BP 2	BP 6	BP 12	BP 16	BP 22
0.0 (UPPER)	0.520	0.571	0.567	0.509	0.434
2.5	0.414	-0.006	0.003	0.035	0.143
5.0	-0.050	-0.070	-0.062	-0.028	0.017
10.0	-0.108	-0.118	-0.124	-0.113	-0.097
15.0	-0.126	-0.139	-0.119	-0.125	-0.074
24.0	-0.102	-0.116	-0.102	-0.146	-0.111
33.0	-0.080	-0.107	-0.103	-0.117	-0.114
54.0	-0.140	-0.148	-0.125	-0.149	-0.085
65.0	0.071	-0.336	-0.337	-0.290	-0.258
78.5	-162.847	-83.778	-81.904	-73.373	-82.941
79.5	-93.781	-88.610	-81.235	-68.615	-68.421
80.5	-71.533	-101.342	-88.662	-66.916	-64.373
81.5	-99.870	-74.309	-78.374	-78.491	-79.094
82.0	-80.064	-87.658	-78.216	-70.061	-75.447
84.0	-74.577	-74.309	-73.875	-82.205	-69.960
87.0	-0.084	-0.145	-0.167	-0.205	-0.133
89.0	-0.055	-0.076	-0.109	-0.154	0.104
93.0	-0.013	-0.017	-0.056	-0.071	-0.093
96.0	0.019	0.040	0.046	0.035	0.006
100.0	-0.087	-0.120	-0.173	-0.233	-0.317
2.5 (LOWER)	-0.087	-0.084	-0.130	-0.174	-0.255
5.0	-0.068	-0.095	-0.130	-0.138	-0.211
10.0	-0.105	-0.115	-0.108	-0.155	-0.135
24.0	-0.076	-0.071	-0.100	-0.102	-0.087
33.0	-0.044	-0.086	-0.072	-0.099	-0.058
54.0	-0.002	0.047	0.100	0.119	0.124
73.5	0.155	0.215	0.197	0.239	0.202
84.0	0.189	0.218	0.906	0.223	0.211

WING PRESSURE COEFFICIENTS

RUN 119 POINT 12 ALPHA 11.99 PSI 0.00 HEIGHT 87.33

X/C, X	BP 2	BP 6	BP 12	BP 16	BP 22
0.0 (UPPER)	0.774	-3.300	-4.493	-3.393	-1.374
2.5	0.569	-1.599	-1.980	-2.550	-1.952
5.0	-1.011	-1.163	-1.426	-2.447	-0.874
10.0	-0.768	-0.754	-1.007	-1.657	-1.167
15.0	-0.643	-0.755	-0.682	-0.932	-0.855
20.0	-0.601	-0.477	-0.489	-0.737	-0.932
24.0	-0.411	-0.425	-0.367	-0.477	-0.815
33.0	-0.070	-0.243	-0.368	-0.477	-0.394
54.0	-0.275	-0.229	-0.355	-0.258	-0.189
65.0	-0.045	-0.460	-0.489	-0.281	-0.306
78.5	-65.400	-54.533	-49.900	-48.300	-51.367
79.5	-59.167	-53.867	-50.567	-43.267	-43.267
81.5	-46.233	-64.433	-55.867	-41.067	-42.233
82.0	-62.933	-47.567	-49.733	-48.533	-50.367
84.0	-51.967	-47.933	-42.967	-48.433	-48.433
87.0	-47.600	-46.900	-47.733	-52.567	-45.567
89.0	-0.021	-0.141	-0.129	-0.198	-0.323
93.0	-0.071	-0.082	-0.093	-0.231	-0.119
96.0	-0.049	-0.071	-0.105	-0.096	-0.195
100.0 (LOWER)	0.045	0.088	0.060	0.031	-0.262
5.0	0.591	0.655	0.556	0.482	0.617
10.0	0.457	0.549	0.614	0.524	0.453
24.0	0.203	0.310	0.418	0.246	0.268
33.0	0.295	0.234	0.197	0.146	0.145
54.0	0.220	0.044	0.070	-0.068	-0.071
73.5	0.015	0.055	0.116	0.130	0.032
84.0	0.240	0.304	0.264	0.290	0.181
96.0	0.369	0.295	1.372	0.207	0.118

RUN 119 POINT 17 ALPHA 21.99 PSI 0.00 HEIGHT 97.90

X/C, X	BP 2	BP 6	BP 12	BP 16	BP 22
0.0 (UPPER)	0.821	-1.197	-0.955	-1.116	-0.812
2.5	0.607	-1.099	-0.852	-0.795	-0.727
5.0	-1.423	-1.195	-0.993	-0.761	-0.550
10.0	-1.359	-1.083	-0.950	-0.895	-0.853
15.0	-1.298	-1.242	-0.837	-0.919	-0.552
24.0	-1.254	-1.069	-0.863	-1.070	-0.762
33.0	-1.068	-1.073	-0.859	-0.933	-0.821
54.0	-0.601	-0.894	-0.874	-0.966	-0.879
65.0	-0.785	-0.925	-0.925	-0.816	-0.508
78.5	-0.120	-0.793	-0.924	-0.709	-0.581
79.5	-50.629	-43.172	-42.332	-40.989	-43.004
80.5	-47.975	-44.583	-41.324	-38.353	-35.883
81.5	-37.629	-53.484	-46.800	-36.252	-36.387
82.0	-50.125	-40.485	-40.485	-40.250	-41.190
84.0	-40.014	-41.291	-39.208	-35.648	-40.115
87.0	-39.645	-41.492	-40.418	-44.751	-38.704
89.0	-0.239	-0.480	-0.593	-0.679	-0.640
93.0	-0.274	-0.441	-0.503	-0.757	0.055
96.0	-0.218	-0.279	-0.852	-0.660	-0.559
100.0 (LOWER)	-0.085	-0.262	-0.499	-0.614	-0.695
5.0	0.751	0.717	0.569	0.442	0.581
10.0	0.683	0.739	0.599	0.564	0.508
24.0	0.772	0.799	0.545	0.632	0.367
33.0	0.363	0.477	0.306	0.219	0.239
54.0	0.443	0.370	0.306	0.242	0.193
73.5	0.300	0.114	0.117	-0.044	-0.083
84.0	0.021	0.049	0.074	0.064	-0.045
87.0	0.238	0.273	0.152	0.171	0.058
96.0	0.343	0.175	1.425	-0.072	-0.103

WING PRESSURE COEFFICIENTS

RUN 119 POINT 8 ALPHA 3.99 PSI 0.00 HEIGHT 89.08

X/C, X	BP 2	BP 6	BP 12	BP 16	BP 22
0.0 (UPPER)	0.735	0.239	0.138	-0.023	0.170
2.5	0.537	-0.398	-0.467	-0.482	-0.482
5.0	-0.385	-0.389	-0.456	-0.348	-0.290
10.0	-0.346	-0.285	-0.377	-0.411	-0.472
15.0	-0.315	-0.382	-0.227	-0.388	-0.166
24.0	-0.360	-0.212	-0.169	-0.453	-0.281
33.0	-0.271	-0.135	-0.271	-0.290	-0.290
54.0	-0.015	-0.152	-0.246	0.300	-0.107
65.0	-0.228	-0.173	-0.280	-0.199	-0.204
78.5	-0.026	-0.448	-0.476	-0.244	0.025
79.5	-65.210	-70.308	-68.184	-61.879	-68.589
80.5	-77.692	-89.937	-87.274	-58.080	-57.159
81.5	-59.789	-83.929	-73.477	-54.743	-54.260
82.0	-62.985	-61.980	-65.723	-64.947	-66.229
84.0	-66.903	-72.398	-63.599	-58.036	-63.295
87.0	-62.183	-62.048	-61.374	-68.826	-59.283
89.0	-0.021	-0.143	-0.144	-0.182	-0.140
93.0	-0.064	-0.083	-0.098	-0.205	0.129
96.0	-0.046	0.061	-0.097	-0.089	-0.037
100.0 (LOWER)	0.042	0.080	0.082	0.071	-0.038
5.0	0.086	0.211	0.219	0.137	0.264
10.0	0.207	0.268	0.070	0.154	-0.026
24.0	-0.021	0.063	0.006	-0.126	-0.027
33.0	0.083	0.032	-0.006	-0.045	0.016
54.0	0.082	-0.085	-0.048	-0.161	-0.104
73.5	-0.059	-0.016	0.060	0.089	0.051
84.0	0.189	0.252	0.239	0.271	0.215
96.0	0.306	0.260	1.313	0.213	0.210

RUN 119 POINT 10 ALPHA 8.02 PSI 0.00 HEIGHT 89.91

X/C, X	BP 2	BP 6	BP 12	BP 16	BP 22
0.0 (UPPER)	0.750	-1.083	-1.543	-1.870	-1.756
2.5	0.548	-0.892	-1.058	-1.199	-1.205
5.0	-0.677	-0.743	-0.882	-0.823	-0.802
10.0	-0.550	-0.502	-0.568	-0.730	-0.798
15.0	-0.470	-0.558	-0.431	-0.621	-0.391
24.0	-0.484	-0.345	-0.321	-0.613	-0.438
33.0	-0.360	-0.323	-0.243	-0.402	-0.402
54.0	-0.046	-0.193	-0.305	0.016	-0.206
65.0	-0.253	-0.198	-0.317	-0.250	-0.070
78.5	-0.036	-0.452	-0.489	-0.258	-0.283
79.5	-74.677	-61.964	-58.418	-54.738	-59.756
80.5	-67.752	-61.362	-58.518	-49.351	-49.887
81.5	-52.496	-73.473	-63.972	-47.645	-47.812
82.0	-72.168	-54.370	-57.314	-56.243	-57.916
84.0	-58.619	-61.697	-55.240	-50.221	-55.407
87.0	-54.403	-54.033	-53.901	-60.258	-52.195
89.0	-0.019	-0.136	-0.142	-0.189	-0.239
93.0	-0.065	-0.076	-0.097	-0.216	0.122
96.0	-0.044	0.072	-0.101	-0.082	-0.113
100.0 (LOWER)	0.043	0.087	0.073	0.046	-0.106
5.0	0.434	0.539	0.473	0.392	0.559
10.0	0.290	0.391	0.456	0.369	0.358
24.0	0.381	0.488	0.259	0.366	0.167
33.0	0.094	0.184	0.126	-0.005	0.073
54.0	0.187	0.130	0.093	0.056	0.076
73.5	0.147	-0.026	0.010	-0.116	-0.090
84.0	-0.025	0.015	0.086	0.110	0.056
87.0	0.197	0.274	0.249	0.281	0.201
96.0	0.335	0.273	1.339	0.208	0.174

WING PRESSURE COEFFICIENTS

RUN 120 POINT 6 ALPHA 8.03 PSI 0.00 HEIGHT 87.24

X/C, Z	BP 2	BP 6	BP 12	BP 16	BP 22
0.0 (UPPER)	0.837	-1.363	-1.995	-2.561	-2.502
2.5	0.527	-0.977	-1.207	-1.371	-1.451
5.0	-0.799	-0.841	-1.029	-0.923	-0.909
10.0	-0.644	-0.520	-0.770	-0.723	-1.030
15.0	-0.555	-0.581	-0.469	-0.773	-0.446
24.0	-0.649	-0.418	-0.378	-0.845	-0.592
33.0	-0.493	-0.438	-0.307	-0.569	-0.586
54.0	-0.077	-0.315	-0.502	1.049	-0.355
65.0	-0.456	-0.384	-0.573	-0.480	-0.191
78.5	-0.111	-0.960	-1.080	-0.730	-0.765
79.5	-105.836	87.767	89.583	94.841	86.141
80.5	-98.713	-89.344	-84.899	-70.941	-72.566
81.5	-75.195	-105.844	-93.742	-65.587	-68.885
82.0	-104.784	-79.019	-83.130	-91.256	-84.660
84.0	-84.325	-89.535	-81.314	-77.298	-80.453
87.0	-78.685	-79.067	-77.107	-87.193	-75.673
89.0	0.192	-0.109	-1.405	-1.242	1.069
93.0	0.128	0.111	0.338	-0.796	0.147
96.0	0.041	-0.105	0.706	0.230	-0.694
100.0	-1.018	-0.931	-0.794	-0.816	-0.839
2.5 (LOWER)	0.417	0.580	0.456	0.326	0.378
5.0	0.253	0.481	0.508	0.367	0.316
10.0	0.457	0.569	0.260	0.426	0.152
24.0	0.077	0.235	0.135	-0.088	0.086
33.0	0.250	0.154	0.103	0.034	0.103
54.0	0.214	-0.053	-0.001	-0.202	-0.154
73.5	-0.261	-0.047	0.046	0.075	-0.044
84.0	0.188	0.281	0.818	0.290	0.185
96.0	0.398	0.244	1.578	0.165	0.116

RUN 120 POINT 2 ALPHA -0.01 PSI 0.00 HEIGHT 90.05

X/C, Z	BP 2	BP 6	BP 12	BP 16	BP 22
0.0 (UPPER)	0.810	0.826	0.610	0.274	0.403
2.5	0.507	0.075	0.087	0.085	0.027
5.0	-0.183	-0.094	-0.135	0.072	0.140
10.0	-0.196	-0.006	-0.150	-0.195	0.344
15.0	-0.202	-0.280	0.000	-0.257	0.058
24.0	-0.391	-0.141	-0.053	-0.483	-0.239
33.0	-0.284	-0.222	-0.069	-0.293	-0.310
54.0	0.035	-0.183	-0.338	1.022	-0.135
65.0	-0.366	-0.278	-0.436	-0.316	0.028
78.5	-0.098	-0.871	-0.953	-0.517	0.498
79.5	-109.266	90.302	90.873	98.475	90.065
80.5	-101.947	-91.823	-88.544	-72.527	-75.093
81.5	-77.327	-108.221	-96.338	-68.677	-70.293
82.0	-108.743	-81.367	-86.120	-96.101	-87.593
84.0	-86.738	-94.722	-82.935	-81.652	-82.793
87.0	-81.272	-82.080	-79.798	-89.494	-76.947
89.0	0.187	-0.076	-1.290	-1.103	1.282
93.0	0.128	0.147	0.423	-0.701	0.154
96.0	0.046	-0.078	0.794	0.350	-0.481
100.0	-1.025	-0.958	-0.822	-0.795	-0.701
2.5 (LOWER)	0.132	-0.005	0.169	-0.332	0.119
5.0	-0.180	0.115	-0.012	-0.178	-0.205
10.0	0.117	0.094	-0.134	0.014	-0.263
24.0	-0.142	0.000	-0.105	-0.312	-0.105
33.0	0.066	-0.020	-0.092	-0.162	-0.008
54.0	0.101	-0.162	-0.106	-0.288	-0.160
73.5	-0.304	-0.106	-0.004	0.034	-0.015
84.0	0.125	0.229	0.546	0.266	0.221
96.0	0.323	0.198	1.584	0.145	0.163

RUN 120 POINT 8 ALPHA 11.98 PSI 0.00 HEIGHT 85.76

X/C, Z	BP 2	BP 6	BP 12	BP 16	BP 22
0.0 (UPPER)	0.875	-3.833	-5.391	-3.424	-1.660
2.5	0.561	-1.701	-2.227	-2.443	-1.274
5.0	-1.163	-1.314	-1.662	-2.338	-0.986
10.0	-0.894	-0.825	-1.169	-1.422	-1.422
15.0	-0.788	-0.917	-0.765	-1.733	-0.954
24.0	-0.789	-0.582	-0.588	-1.048	-1.185
33.0	-0.600	-0.568	-0.474	-0.624	-1.163
54.0	-0.129	-0.391	-0.603	1.102	-0.750
65.0	-0.495	-0.458	-0.647	-0.462	-0.498
78.5	-0.132	-0.993	-1.137	-0.706	-0.921
79.5	-86.380	-72.040	-74.048	-77.442	-68.933
80.5	-80.023	-93.092	-68.216	-58.276	-58.799
81.5	-61.524	-85.377	-75.912	-52.822	-56.696
82.0	-85.185	-84.631	-67.890	-73.474	-68.933
84.0	-68.933	-70.702	-66.524	-61.524	-68.826
87.0	-64.392	-64.344	-66.006	-71.180	-61.859
89.0	0.173	0.115	-1.456	-1.280	0.671
93.0	0.116	0.088	0.307	-0.781	0.129
96.0	0.026	-0.123	0.664	0.198	-0.841
100.0	-0.990	-0.899	-0.767	-0.800	-0.932
2.5 (LOWER)	0.565	0.513	0.391	0.649	0.649
5.0	0.620	0.630	0.654	0.504	0.454
10.0	0.610	0.716	0.419	0.585	0.238
24.0	0.189	0.357	0.253	0.045	0.148
33.0	0.355	0.257	0.205	0.120	0.142
54.0	0.290	0.020	0.062	-0.141	-0.140
73.5	-0.222	-0.001	0.088	0.104	-0.058
84.0	0.239	0.321	0.670	0.312	0.165
96.0	0.513	0.281	1.673	0.177	0.095

RUN 120 POINT 4 ALPHA 3.99 PSI 0.00 HEIGHT 86.80

X/C, Z	BP 2	BP 6	BP 12	BP 16	BP 22
0.0 (UPPER)	0.816	0.132	-0.040	-0.377	-0.145
2.5	0.514	-0.429	-0.534	-0.588	-0.693
5.0	-0.485	-0.459	-0.436	-0.402	-0.346
10.0	-0.426	-0.267	-0.217	-0.509	-0.666
15.0	-0.390	-0.468	-0.217	-0.495	-0.183
24.0	-0.517	-0.279	-0.208	-0.658	-0.400
33.0	-0.397	-0.337	-0.185	-0.420	-0.429
54.0	-0.030	-0.238	-0.421	1.021	-0.221
65.0	-0.421	-0.356	-0.511	-0.396	-0.050
78.5	-0.101	-0.923	-1.023	-0.651	0.617
79.5	-119.268	-98.522	-99.813	-106.600	-97.805
80.5	-111.524	-100.577	-96.706	-78.832	-81.935
81.5	-84.325	-119.315	-103.531	-75.243	-77.203
82.0	-118.598	-89.010	-94.124	-103.828	-95.845
84.0	-95.033	-103.159	-88.300	-88.300	-90.778
87.0	-88.579	-89.201	-87.289	-98.426	-84.994
89.0	0.179	-0.099	-1.329	-1.163	1.193
93.0	0.120	0.127	0.380	-0.752	0.159
96.0	0.030	-0.097	0.755	0.301	-0.565
100.0	-1.030	-0.957	-0.830	-0.807	-0.763
2.5 (LOWER)	0.183	0.353	0.237	0.105	0.370
5.0	0.055	0.307	0.286	0.142	0.138
10.0	0.292	0.361	0.075	0.246	-0.038
24.0	-0.036	0.116	0.013	-0.191	-0.008
33.0	0.151	0.060	0.002	-0.087	0.049
54.0	0.152	-0.114	-0.062	-0.251	-0.161
73.5	-0.294	-0.080	0.019	0.055	-0.037
84.0	0.153	0.253	0.573	0.276	0.210
96.0	0.349	0.218	1.551	0.156	0.145



MING PRESSURE COEFFICIENTS

RUN 121 POINT 4 ALPHA 3.98 PSI 0.00 HEIGHT 88.17		BP 2	BP 6	BP 12	BP 16	BP 22
X/C, X	(UPPER)					
0.0	0.117					
2.5	0.842					
5.0	0.641					
10.0	-0.517					
15.0	-0.152					
20.0	-0.493					
24.0	-0.801					
28.0	-0.587					
32.0	0.101					
36.0	-0.621					
40.0	-0.304					
44.0	-1.453					
48.0	-81.058					
52.0	-77.019					
56.0	-60.643					
60.0	-81.415					
64.0	-66.989					
68.0	-63.309					
72.0	0.549					
76.0	0.337					
80.0	0.095					
84.0	-2.006					
88.0	0.082					
92.0	-0.090					
96.0	0.449					
100.0	-0.120					
2.5 (LOWER)	0.271					
5.0	0.211					
10.0	0.277					
15.0	-0.289					
20.0	0.091					
24.0	0.236					
28.0	0.091					
32.0	0.480					
36.0						
40.0						
44.0						
48.0						
52.0						
56.0						
60.0						
64.0						
68.0						
72.0						
76.0						
80.0						
84.0						
88.0						
92.0						
96.0						
100.0						

RUN 121 POINT 6 ALPHA 7.98 PSI 0.00 HEIGHT 84.37		BP 2	BP 6	BP 12	BP 16	BP 22
X/C, X	(UPPER)					
0.0	0.337					
2.5	-0.092					
5.0	-0.784					
10.0	-0.561					
15.0	-0.687					
20.0	-0.483					
24.0	-0.442					
28.0	-0.437					
32.0	-0.498					
36.0	0.023					
40.0	-6.496					
44.0	-6.377					
48.0	-6.776					
52.0	-6.578					
56.0	-6.431					
60.0	-6.337					
64.0	-6.729					
68.0	0.246					
72.0	0.341					
76.0	0.158					
80.0	-2.022					
84.0	-2.068					
88.0	0.425					
92.0	0.317					
96.0	0.178					
100.0	0.066					
2.5 (LOWER)	0.065					
5.0	0.005					
10.0	-0.013					
15.0	-0.198					
20.0	0.141					
24.0	0.091					
28.0						
32.0						
36.0						
40.0						
44.0						
48.0						
52.0						
56.0						
60.0						
64.0						
68.0						
72.0						
76.0						
80.0						
84.0						
88.0						
92.0						
96.0						
100.0						

MING PRESSURE COEFFICIENTS

RUN 120 POINT 13 ALPHA 22.00 PSI 0.00 HEIGHT 98.19		BP 2	BP 6	BP 12	BP 16	BP 22
X/C, X	(UPPER)					
0.0	1.023					
2.5	0.695					
5.0	-2.613					
10.0	-1.985					
15.0	-1.606					
20.0	-1.342					
24.0	-0.983					
28.0	-0.300					
32.0	-0.603					
36.0	-0.131					
40.0	-60.377					
44.0	-55.405					
48.0	-43.603					
52.0	-58.608					
56.0	-47.184					
60.0	-46.046					
64.0	0.290					
68.0	0.200					
72.0	0.097					
76.0	-0.901					
80.0	0.624					
84.0	0.710					
88.0	0.926					
92.0	0.425					
96.0	0.578					
100.0	0.463					
2.5 (LOWER)	-0.083					
5.0	0.337					
10.0	0.417					
15.0	0.368					
20.0						
24.0						
28.0						
32.0						
36.0						
40.0						
44.0						
48.0						
52.0						
56.0						
60.0						
64.0						
68.0						
72.0						
76.0						
80.0						
84.0						
88.0						
92.0						
96.0						
100.0						

RUN 121 POINT 2 ALPHA -0.01 PSI 0.00 HEIGHT 90.56		BP 2	BP 6	BP 12	BP 16	BP 22
X/C, X	(UPPER)					
0.0	1.354					
2.5	0.690					
5.0	-0.337					
10.0	-0.291					
15.0	-0.305					
20.0	-0.678					
24.0	-0.481					
28.0	0.182					
32.0	-0.441					
36.0	-0.568					
40.0	-1.380					
44.0	-90.096					
48.0	-99.098					
52.0	-102.135					
56.0	-105.214					
60.0	-85.444					
64.0	-80.960					
68.0	0.568					
72.0	0.355					
76.0	0.110					
80.0	-1.886					
84.0	-0.232					
88.0	-0.326					
92.0	0.273					
96.0	-0.225					
100.0	0.180					
2.5 (LOWER)	0.280					
5.0	0.220					
10.0	-0.005					
15.0	-0.188					
20.0	-0.559					
24.0	0.054					
28.0	0.457					
32.0						
36.0						
40.0						
44.0						
48.0						
52.0						
56.0						
60.0						
64.0						
68.0						
72.0						
76.0						
80.0						
84.0						
88.0						
92.0						
96.0						
100.0						

WING PRESSURE COEFFICIENTS

RUN 121 POINT 8 ALPHA 12.00 PSI 0.00 HEIGHT 81.72

X/C, Z	BP 2	BP 6	BP 12	BP 16	BP 22
0.0 (UPPER)	0.487	-3.909	-2.917	-3.258	-1.715
2.5	0.053	-2.319	-1.987	-2.871	-1.450
5.0	-1.177	-1.440	-1.831	-2.868	-1.447
10.0	-0.940	-1.136	-1.507	-2.636	-1.355
15.0	-0.827	-0.933	-1.236	-1.582	-1.345
24.0	-0.835	-0.747	-0.912	-0.728	-1.239
33.0	-0.558	-0.606	-0.774	-0.626	-1.152
54.0	-0.487	-0.566	-0.641	-0.530	-1.074
65.0	-0.523	-0.761	-0.695	-0.695	-1.182
78.5	0.010	-1.114	-1.181	-1.293	-1.683
79.5	-6.584	-6.580	-6.987	-8.394	-6.240
80.5	-6.150	-6.571	-6.523	-6.524	-6.040
81.5	-6.359	-6.429	-6.557	-6.048	-5.986
82.0	-6.208	-6.634	-6.483	-7.167	-5.930
84.0	-6.410	-6.425	-6.733	-6.664	-5.851
87.0	-6.511	-6.574	-6.553	-6.252	-5.817
88.0	0.175	0.068	-3.267	-2.491	1.433
93.0	0.282	0.246	0.350	-1.017	0.002
96.0	0.117	-0.462	1.021	0.209	-1.560
100.0	-1.905	-1.852	-1.705	-1.666	-1.666
2.5 (LOWER)	0.581	0.538	0.509	0.515	0.451
5.0	0.494	0.366	0.441	0.489	0.396
10.0	0.332	0.463	0.385	0.361	0.284
24.0	0.172	0.168	0.214	0.197	0.044
33.0	0.097	0.149	0.127	0.138	-0.030
54.0	0.055	0.047	0.035	-0.028	-0.099
73.5	-0.113	0.117	0.108	0.103	0.013
84.0	0.198	0.212	0.905	0.205	0.018
96.0	0.133	0.100	2.730	0.091	-0.049

WING PRESSURE COEFFICIENTS

RUN 122 POINT 2 ALPHA -0.01 PSI 0.00 HEIGHT 91.28

X/C, Z	BP 2	BP 6	BP 12	BP 16	BP 22
0.0 (UPPER)	0.865	0.401	0.360	0.575	0.461
2.5	0.003	-0.387	-0.461	-0.436	-0.248
5.0	-0.262	-0.400	-0.421	-0.498	-0.508
10.0	-0.294	-0.544	-0.489	-0.436	-0.313
15.0	-0.337	-0.398	-0.585	-0.423	-0.536
24.0	-0.262	-0.451	-0.495	-0.306	-0.414
33.0	-0.322	-0.363	-0.521	-0.448	-0.387
54.0	-0.575	-0.553	-0.516	2.630	-0.593
65.0	-0.570	-0.823	-0.657	-0.755	-0.968
78.5	0.011	-1.449	-1.577	-1.757	-1.917
79.5	-13.833	-14.670	-15.087	-18.010	-14.540
80.5	-13.808	-14.639	-14.782	-14.492	-13.680
81.5	-14.194	-14.322	-14.650	-13.715	-13.133
82.0	-13.862	-14.736	-14.564	-15.824	-13.703
84.0	-14.206	-14.693	-14.790	-15.124	-13.232
87.0	-14.565	-14.801	-14.678	-13.989	-12.918
88.0	0.517	0.454	-6.197	-4.304	4.955
93.0	0.795	0.879	1.104	-1.384	-0.110
96.0	0.389	0.706	2.476	0.920	-2.137
100.0	-3.783	-3.808	-3.475	-3.566	-2.940
2.5 (LOWER)	0.211	-0.272	-0.213	-0.189	-0.427
5.0	-0.172	-0.329	-0.349	-0.262	-0.349
10.0	-0.384	-0.331	-0.222	-0.347	-0.272
24.0	-0.271	-0.369	-0.221	-0.185	-0.324
33.0	-0.415	-0.255	-0.283	-0.229	-0.341
54.0	-0.308	-0.231	-0.276	-0.304	-0.215
73.5	-0.322	-0.070	-0.058	-0.004	-0.095
84.0	-0.034	-0.035	1.504	-0.040	-0.049
96.0	-0.245	-0.231	5.516	-0.180	-0.208

RUN 121 POINT 13 ALPHA 21.99 PSI 0.00 HEIGHT 98.11

X/C, Z	BP 2	BP 6	BP 12	BP 16	BP 22
0.0 (UPPER)	0.756	-5.251	-3.064	-2.338	-1.678
2.5	0.286	-5.471	-3.174	-2.463	-1.702
5.0	-2.471	-3.905	-3.208	-2.508	-1.745
10.0	-1.905	-4.830	-3.303	-2.487	-1.685
15.0	-1.601	-2.189	-3.581	-2.475	-1.744
24.0	-1.143	-0.843	-3.474	-2.663	-1.682
33.0	-0.900	-0.221	-2.748	-2.895	-1.542
54.0	-0.872	-0.661	-0.767	1.531	1.681
65.0	-0.626	-0.834	-0.520	-1.656	-1.947
78.5	0.003	-1.175	-1.028	-1.359	-2.604
79.5	-5.915	-6.334	-6.634	-7.775	-5.751
80.5	-5.814	-6.254	-6.113	-6.215	-5.655
81.5	-6.060	-6.114	-6.233	-5.854	-5.734
82.0	-5.826	-6.290	-6.129	-6.641	-5.582
84.0	-6.035	-5.961	-6.308	-6.118	-5.561
87.0	-6.226	-6.291	-6.251	-6.001	-5.516
89.0	0.323	-0.088	-3.314	-2.420	-0.225
93.0	0.431	0.176	0.383	0.938	-0.034
96.0	0.247	-0.547	1.099	0.230	-2.672
100.0	-1.771	-1.767	-1.633	-1.834	-1.994
2.5 (LOWER)	0.595	0.364	0.360	0.368	0.277
5.0	0.777	0.593	0.525	0.532	0.442
10.0	0.621	0.560	0.601	0.526	0.445
24.0	0.410	0.418	0.454	0.428	0.229
33.0	0.310	0.375	0.339	0.347	0.114
54.0	0.219	0.237	0.204	0.132	-0.003
73.5	0.026	0.260	0.239	0.209	0.002
84.0	0.296	0.308	0.970	0.235	-0.009
96.0	0.212	0.193	3.383	0.123	-0.133

RUN 122 POINT 4 ALPHA 3.99 PSI 0.00 HEIGHT 87.98

X/C, Z	BP 2	BP 6	BP 12	BP 16	BP 22
0.0 (UPPER)	1.043	-0.188	-0.491	-0.252	-0.327
2.5	0.187	0.980	-1.142	-1.200	-1.066
5.0	-0.568	-0.817	-0.916	-1.041	-1.078
10.0	-0.544	-0.849	-0.829	-0.789	-0.862
15.0	-0.568	-0.611	-0.850	-0.679	-0.829
24.0	-0.377	-0.602	-0.685	-0.482	-0.597
33.0	-0.407	-0.460	-0.669	-0.586	-0.510
54.0	-0.692	-0.560	-0.594	2.777	-0.724
65.0	-0.629	-0.930	-0.745	-0.668	-1.101
78.5	-1.656	-1.532	-1.656	-1.896	-2.099
79.5	-13.386	-14.221	-14.710	-17.614	-14.011
80.5	-13.396	-14.235	-14.316	-14.101	-13.253
81.5	-13.779	-13.895	-14.214	-12.781	-12.781
82.0	-13.423	-14.314	-14.127	-15.354	-13.216
84.0	-13.781	-14.231	-14.382	-14.701	-12.789
87.0	-14.096	-14.333	-14.219	-13.525	-12.549
89.0	0.562	0.415	-6.280	-4.403	4.843
93.0	0.748	0.849	1.021	-1.459	-0.120
96.0	0.350	0.763	2.395	0.821	-2.275
100.0	-3.775	-3.804	-3.504	-3.607	-2.892
2.5 (LOWER)	0.116	0.075	0.188	0.245	0.055
5.0	0.071	0.164	-0.077	0.068	0.066
10.0	-0.229	-0.095	-0.005	-0.126	-0.044
24.0	-0.158	-0.258	-0.112	-0.227	-0.227
33.0	-0.337	-0.178	-0.201	-0.124	-0.300
54.0	-0.284	-0.166	-0.225	-0.231	-0.211
73.5	-0.273	-0.038	-0.086	-0.048	-0.097
84.0	-0.003	-0.014	1.510	-0.010	-0.060
96.0	-0.234	-0.209	5.456	-0.152	-0.230

WING PRESSURE COEFFICIENTS

RUN 122 POINT 13 ALPHA 21.99 PSI 0.00 HEIGHT 98.08

X/C, X	BP 2	BP 6	BP 12	BP 15	BP 22
0.0 (UPPER)	1.870	-6.343	-3.793	-2.649	-1.969
2.5	1.011	-7.093	-4.145	-3.216	-2.101
5.0	-2.641	-7.802	-4.054	-3.345	-2.368
10.0	-2.038	-4.416	-4.505	-3.181	-1.975
15.0	-1.779	-1.487	-5.110	-3.270	-2.364
24.0	-1.117	-1.242	-4.317	-3.649	-2.121
33.0	-0.952	-0.941	-2.495	-3.924	-2.018
33.0	-1.058	-0.954	-0.562	-3.465	-2.455
65.0	-0.787	-1.192	-0.638	-1.188	-3.327
65.0	-0.042	-1.665	-0.578	-1.595	-4.218
79.5	-10.376	-11.281	-11.779	-14.545	-10.398
79.5	-10.376	-11.281	-11.779	-14.545	-10.398
80.5	-10.376	-11.281	-11.779	-14.545	-10.398
81.5	-10.921	-10.868	-11.222	-10.449	-10.046
82.0	-10.401	-11.346	-11.079	-12.171	-9.935
84.0	-10.797	-10.973	-11.356	-11.293	-9.720
84.0	-11.204	-11.350	-11.236	-10.645	-9.652
89.0	0.850	0.309	-6.531	-4.335	-1.226
89.0	1.085	0.738	-1.063	-1.301	-0.191
93.0	0.829	-0.968	2.518	0.989	-3.934
96.0	-3.566	-3.653	-3.374	-3.653	-3.554
100.0 (LOWER)	0.312	0.135	0.247	0.326	0.059
2.5	0.777	0.333	0.303	0.471	0.335
5.0	0.334	0.322	0.542	0.327	0.426
10.0	0.335	0.205	0.382	0.506	0.116
24.0	0.043	0.247	0.225	0.301	-0.088
33.0	-0.003	0.192	0.098	0.103	-0.076
34.0	0.028	0.253	0.182	0.181	-0.041
73.5	0.212	0.064	1.660	0.027	-0.175
84.0	-0.130	-0.048	6.879	-0.047	-0.350
96.0					

WING PRESSURE COEFFICIENTS

RUN 122 POINT 6 ALPHA 7.98 PSI 0.00 HEIGHT 83.07

X/C, X	BP 2	BP 6	BP 12	BP 15	BP 22
0.0 (UPPER)	1.237	-1.776	-2.540	-2.504	-2.699
2.5	0.825	-1.422	-1.738	-2.663	-2.663
5.0	-0.456	-1.351	-1.555	-1.555	-1.593
10.0	-0.741	-1.107	-1.124	-1.124	-0.982
15.0	-0.713	-0.777	-0.835	-0.835	-1.103
24.0	-0.475	-0.733	-0.862	-0.819	-0.775
33.0	-0.502	-0.575	-0.793	-0.707	-0.652
33.0	-0.741	-0.700	-0.858	2.908	-0.858
54.0	-0.634	-0.959	-0.780	-0.940	-1.254
55.0	-0.658	-1.515	-1.656	-1.850	-2.238
79.5	-10.842	-11.714	-12.149	-14.908	-11.318
79.5	-10.842	-11.714	-12.149	-14.908	-11.318
80.5	-10.872	-11.689	-11.748	-10.734	-10.734
81.5	-11.309	-11.322	-11.615	-10.337	-10.337
82.0	-10.887	-11.786	-11.574	-12.699	-10.556
84.0	-11.296	-11.604	-11.880	-12.071	-10.273
84.0	-11.583	-11.831	-11.695	-11.018	-10.080
89.0	0.537	0.389	-0.156	-4.378	4.625
89.0	0.780	0.814	0.962	-1.458	-0.115
93.0	0.356	-0.779	2.318	-2.370	-0.518
96.0	-3.635	-3.673	-3.484	-2.975	-2.975
100.0 (LOWER)	0.371	0.299	0.435	0.269	0.269
2.5	0.317	0.018	0.168	0.318	0.254
5.0	-0.056	0.134	0.208	0.072	0.173
10.0	-0.018	-0.116	0.042	0.134	0.108
24.0	-0.220	-0.054	-0.070	0.004	-0.228
33.0	-0.201	-0.069	-0.122	0.128	-0.060
34.0	-0.184	0.047	-0.023	0.039	-0.060
73.5	0.068	0.040	1.508	-0.064	-0.088
84.0	-0.202	-0.157	5.476	-0.114	-0.222
96.0					

RUN 230 POINT 15 ALPHA 0.00 PSI 0.01 HEIGHT 86.93

X/C, X	BP 2	BP 6	BP 12	BP 15	BP 22
0.0 (UPPER)	-0.128	-0.292	0.355	0.446	0.425
2.5	0.281	0.201	-0.025	-0.214	-0.262
5.0	0.114	0.067	-0.078	-0.220	-0.303
10.0	0.071	0.002	-0.149	-0.241	-0.268
15.0	-0.012	-0.021	-0.179	-0.237	-0.267
24.0	-0.071	-0.021	-0.195	-0.226	-0.244
33.0	-0.071	-0.122	-0.221	-0.217	-0.239
33.0	-0.072	-0.257	-0.290	-0.007	-0.236
54.0	0.043	-0.295	-0.379	-0.366	-0.344
55.0	0.043	-0.653	-0.674	-0.648	-0.806
79.5	-0.655	-0.674	-0.651	-0.639	-0.862
79.5	-0.655	-0.612	-0.611	-0.648	-0.862
80.5	-0.629	-0.263	-0.622	-0.622	-0.838
81.5	-0.620	-0.595	-0.624	-0.643	-0.891
82.0	-0.578	-0.596	-0.591	-0.611	-0.862
84.0	-0.543	-0.545	-0.586	-0.617	-0.873
84.0	-0.506	-0.525	-0.586	-0.541	-0.842
89.0	-0.513	-0.518	-0.544	-0.571	0.041
93.0	-0.502	-0.506	-0.538	-0.573	-0.645
96.0	-0.337	-0.387	-0.419	-0.468	-0.645
100.0 (LOWER)	-0.360	-0.442	-0.177	0.012	0.062
2.5	-0.237	-0.176	-0.124	-0.005	0.017
5.0	-0.151	-0.281	-0.072	-0.016	-0.012
10.0	-0.073	-0.080	-0.023	-0.019	-0.018
24.0	-0.053	-0.011	0.021	0.037	0.047
33.0	0.099	0.108	0.144	0.227	0.191
34.0	0.215	0.380	0.464	0.143	0.466
73.5	0.361	0.494	0.048	0.569	0.535
84.0	0.110	0.184	0.239	0.271	0.200
96.0					

RUN 122 POINT 8 ALPHA 12.00 PSI 0.00 HEIGHT 84.07

X/C, X	BP 2	BP 6	BP 12	BP 15	BP 22
0.0 (UPPER)	1.445	-3.983	-3.168	-2.266	-1.695
2.5	0.626	-3.363	-2.828	-2.302	-1.528
5.0	-1.258	-1.653	-2.659	-2.298	-1.659
10.0	-1.008	-1.362	-2.429	-2.105	-1.313
15.0	-0.942	-0.978	-2.054	-2.047	-1.591
24.0	-0.620	-0.887	-1.116	-1.570	-1.328
33.0	-0.600	-0.893	-0.867	-1.332	-1.201
33.0	-0.823	-0.768	-0.861	-1.345	-1.345
54.0	-0.653	-1.014	-0.788	-0.867	-1.171
55.0	-0.069	-1.014	-1.608	-2.514	-2.514
79.5	-10.133	-10.986	-11.525	-14.269	-10.462
79.5	-10.167	-10.997	-11.029	-10.948	-10.004
80.5	-10.626	-10.636	-10.929	-10.127	-9.732
81.5	-10.176	-11.097	-10.872	-12.012	-9.847
82.0	-10.596	-10.842	-11.190	-11.309	-9.558
84.0	-10.916	-11.088	-10.969	-10.326	-9.410
84.0	0.559	0.394	-6.152	-4.217	3.752
89.0	0.807	0.755	1.008	-1.326	-0.113
93.0	0.399	-0.810	2.363	0.856	-2.682
96.0	-3.580	-3.646	-3.336	-3.493	-3.049
100.0 (LOWER)	0.526	0.392	0.502	0.552	0.287
2.5	0.506	0.147	0.276	0.430	0.310
5.0	0.088	0.255	0.363	0.182	0.265
10.0	-0.095	-0.013	0.163	0.250	-0.045
24.0	-0.135	0.036	0.036	0.097	-0.196
33.0	-0.138	-0.004	-0.054	-0.065	-0.143
34.0	-0.085	0.117	0.050	0.083	-0.069
73.5	0.128	0.082	1.538	-0.046	-0.110
84.0	-0.164	-0.115	5.705	-0.069	-0.262
96.0					

WING PRESSURE COEFFICIENTS

RUN 230 POINT 16 ALPHA 4.05 PSI 0.01 HEIGHT 87.75

X/C, Z	BP 2	BP 6	BP 12	BP 16	BP 22
0.0 (UPPER)	0.145	0.114	0.157	-0.317	-0.780
2.5	0.172	0.059	-0.414	-0.756	-1.037
5.0	0.103	-0.002	-0.350	-0.722	-1.222
10.0	-0.002	-0.101	-0.347	-0.460	-0.546
15.0	-0.041	-0.140	-0.319	-0.402	-0.451
24.0	-0.114	-0.140	-0.292	-0.339	-0.365
33.0	-0.163	-0.225	-0.298	-0.296	-0.312
54.0	-0.087	-0.241	-0.338	0.000	-0.298
55.0	0.053	-0.349	-0.414	-0.399	-0.391
78.5	0.051	-0.673	-0.691	-0.671	-0.773
79.5	-0.643	-0.680	-0.665	-0.657	-0.821
80.5	-0.620	-0.636	-0.657	-0.667	-0.924
81.5	-0.638	-0.264	-0.662	-0.657	-0.796
82.0	-0.623	0.614	-0.662	-0.666	-0.847
84.0	-0.591	-0.514	-0.620	-0.648	-0.840
87.0	-0.556	-0.565	-0.624	-0.672	-0.863
89.0	-0.527	-0.554	-0.587	-0.627	-0.832
93.0	-0.545	-0.561	-0.601	-0.649	-0.953
96.0	-0.545	-0.551	-0.598	-0.656	-0.887
100.0	-0.373	-0.402	-0.444	-0.506	-0.777
2.5 (LOWER)	-0.172	-0.137	0.165	0.314	0.583
5.0	-0.104	-0.027	0.127	0.233	0.272
10.0	-0.042	-0.069	0.101	0.167	0.170
24.0	0.010	0.111	0.075	0.087	0.063
33.0	0.012	0.063	0.099	0.121	0.056
54.0	0.143	0.153	0.183	0.190	0.180
73.5	0.229	0.426	0.499	0.539	0.444
84.0	0.423	0.543	0.058	0.580	0.544
96.0	0.228	0.261	0.288	0.289	0.146

WING PRESSURE COEFFICIENTS

RUN 230 POINT 18 ALPHA 12.0 PSI 0.01 HEIGHT 87.74

X/C, Z	BP 2	BP 6	BP 12	BP 16	BP 22
0.0 (UPPER)	0.291	-1.746	-3.370	-3.447	-1.630
2.5	-0.365	-0.743	-1.588	-3.179	-1.577
5.0	-0.345	-0.605	-1.152	-3.410	-1.564
10.0	-0.387	-0.555	-0.896	-0.797	-1.549
15.0	-0.386	-0.511	-0.738	-0.688	-1.536
24.0	-0.405	-0.410	-0.593	-0.625	-1.591
33.0	-0.407	-0.478	-0.530	-0.530	-1.454
54.0	-0.106	-0.418	-0.503	-0.029	-0.741
55.0	0.027	-0.545	-0.588	-0.586	-0.507
78.5	0.025	-0.996	-1.016	-1.000	-1.062
79.5	-1.066	-1.067	-1.062	-1.061	-1.231
80.5	-1.033	-0.974	-0.983	-1.020	-0.923
81.5	-1.013	-0.303	-0.958	-0.973	-1.242
82.0	-0.976	-0.914	-0.938	-0.965	-1.278
84.0	-0.828	-0.856	-0.842	-0.917	-1.268
87.0	-0.718	-0.746	-0.799	-0.890	-1.216
89.0	-0.624	-0.663	-0.704	-0.790	-1.173
93.0	-0.563	-0.590	-0.658	-0.745	-0.931
96.0	-0.523	-0.533	-0.614	-0.614	-0.954
100.0	-0.356	-0.368	-0.430	-0.515	-0.870
2.5 (LOWER)	0.239	0.401	0.450	0.478	0.485
5.0	0.232	0.295	0.449	0.502	0.481
10.0	0.238	0.346	0.390	0.439	0.390
24.0	0.204	0.224	0.287	0.289	0.207
33.0	0.189	0.238	0.270	0.278	0.230
54.0	0.253	0.268	0.287	0.287	0.158
73.5	0.240	0.522	0.556	0.089	0.416
84.0	0.551	0.634	0.034	0.601	0.453
96.0	0.329	0.331	0.335	0.295	0.120

RUN 230 POINT 17 ALPHA 8.07 PSI 0.01 HEIGHT 87.15

X/C, Z	BP 2	BP 6	BP 12	BP 16	BP 22
0.0 (UPPER)	0.364	0.139	-1.133	-2.393	-2.173
2.5	-0.080	-0.308	-0.895	-1.491	-1.795
5.0	-0.100	-0.292	-0.707	-1.060	-1.719
10.0	-0.186	-0.329	-0.604	-0.803	-1.545
15.0	-0.213	-0.334	-0.525	-0.670	-1.094
24.0	-0.269	-0.289	-0.448	-0.540	-0.607
33.0	-0.296	-0.371	-0.428	-0.468	-0.463
54.0	-0.081	-0.279	-0.467	-0.012	-0.486
65.0	0.038	-0.503	-0.572	-0.622	-0.822
78.5	0.037	-1.054	-1.071	-1.079	-1.368
79.5	-1.200	-1.206	-1.179	-1.181	-1.634
80.5	-1.176	-1.079	-1.065	-1.088	0.000
81.5	-1.128	-0.287	-1.021	-1.025	-1.613
82.0	-1.069	-0.968	-0.982	-1.012	-1.639
84.0	-0.819	-0.887	-0.930	-1.001	-1.601
87.0	-0.689	-0.729	-0.749	-0.855	-1.423
89.0	-0.600	-0.634	-0.638	-0.730	-1.280
93.0	-0.510	-0.527	-0.556	-0.642	-0.045
96.0	-0.452	-0.456	-0.503	-0.572	-0.847
100.0	-0.319	-0.316	-0.346	-0.421	-0.635
2.5 (LOWER)	0.075	0.182	0.382	0.465	0.502
5.0	0.081	0.153	0.330	0.411	0.430
10.0	0.108	0.169	0.269	0.331	0.311
24.0	0.117	0.129	0.195	0.205	0.140
33.0	0.108	0.163	0.198	0.214	0.045
54.0	0.212	0.226	0.253	0.072	0.177
73.5	0.234	0.510	0.541	0.117	0.427
84.0	0.533	0.632	0.045	0.598	0.459
96.0	0.298	0.345	0.347	0.319	0.187

RUN 230 POINT 19 ALPHA 22.02 PSI 0.01 HEIGHT 94.57

X/C, Z	BP 2	BP 6	BP 12	BP 16	BP 22
0.0 (UPPER)	-4.322	-4.720	-2.523	-1.881	-1.291
2.5	-1.912	-5.547	-2.675	-1.935	-1.297
5.0	-1.338	-3.462	-2.718	-1.982	-1.304
10.0	-1.054	-1.151	-2.894	-1.995	-1.334
15.0	-0.905	-1.021	-2.735	-2.035	-1.317
24.0	-0.759	-0.826	-1.969	-2.055	-1.296
33.0	-0.684	-0.844	-1.306	-1.667	-1.259
54.0	-0.113	-0.633	-0.824	-0.037	-1.260
65.0	0.014	-0.761	-0.806	-1.004	-1.255
78.5	0.013	-1.290	-1.290	-1.246	-1.330
79.5	-1.457	-1.467	-1.380	-1.411	-1.367
80.5	-1.417	-1.363	-1.234	-1.336	-0.937
81.5	-1.257	-0.309	-1.161	-1.259	-1.263
82.0	-1.166	-1.227	-1.105	-1.231	-1.287
84.0	-0.897	-1.094	-0.967	-1.129	-1.247
87.0	-0.760	-0.893	-0.867	-1.026	-1.173
89.0	-0.661	-0.766	-0.781	-0.900	-1.121
93.0	-0.576	-0.617	-0.718	-0.836	-0.912
96.0	-0.515	-0.530	-0.672	-0.793	-0.928
100.0	-0.363	-0.372	-0.503	-0.648	-0.956
2.5 (LOWER)	0.656	0.452	0.389	0.372	0.345
5.0	0.685	0.607	0.584	0.563	0.485
10.0	0.638	0.616	0.608	0.593	0.488
24.0	0.465	0.481	0.501	0.472	0.338
33.0	0.427	0.451	0.452	0.443	0.018
54.0	0.388	0.407	0.404	0.154	0.149
73.5	0.253	0.618	0.603	0.684	0.388
84.0	0.662	0.730	0.018	0.620	0.460
96.0	0.415	0.401	0.348	0.285	0.102

WING PRESSURE COEFFICIENTS

RUM 231 POINT 6 ALPHA 8.02 PSI 0.01 HEIGHT 88.51

X/C, X	BP 2	BP 6	BP 12	BP 16	BP 22
0.0 (UPPER)	-0.949	-0.605	-0.431	-0.576	-4.604
2.5	0.674	0.332	-0.541	-0.541	-2.455
5.0	0.310	0.236	-0.696	-0.780	-1.563
10.0	0.175	0.088	-0.845	-0.870	-1.144
15.0	-0.041	-0.195	-0.919	-0.788	-0.730
24.0	-0.165	-0.340	-1.007	-0.822	-0.695
33.0	-0.657	-0.469	-1.051	-0.853	-0.816
54.0	-0.631	-0.749	-1.191	-0.297	-1.119
65.0	-0.039	-2.591	-1.313	1.347	-1.119
78.5	-43.891	-41.058	-40.625	-3.096	-3.433
80.5	-4.052	-4.390	-4.228	-7.413	-20.578
81.5	-2.443	1.031	-2.827	-3.354	-4.993
82.0	-0.611	2.044	-0.077	-2.595	-3.163
84.0	-2.867	2.771	-2.994	-2.521	-2.368
87.0	-0.798	2.462	-1.419	-1.933	-1.527
89.0	-0.887	1.330	-3.094	-1.850	-1.423
93.0	-0.604	-1.054	-1.026	-1.982	-0.022
96.0	-0.647	-0.924	-0.551	-0.776	-1.942
100.0	-0.389	-0.210	-0.114	-0.159	-0.305
2.5 (LOWER)	-0.811	-0.529	-0.537	-0.096	0.376
5.0	-0.774	-0.512	-0.485	-0.094	0.359
10.0	-0.650	-0.509	-0.434	-0.077	0.248
24.0	-0.401	-0.391	-0.211	-0.073	0.063
33.0	-0.274	-0.271	-0.102	0.005	0.000
54.0	0.099	0.010	0.077	-0.190	-0.466
73.5	-0.289	0.184	0.194	0.006	0.279
84.0	-0.285	0.297	-0.017	0.388	0.423
96.0	0.383	0.315	0.350	0.385	0.344

RUM 231 POINT 8 ALPHA 12.02 PSI 0.01 HEIGHT 87.92

X/C, X	BP 2	BP 6	BP 12	BP 16	BP 22
0.0 (UPPER)	-2.077	-0.792	-0.350	-2.790	-4.898
2.5	0.595	0.129	-0.719	-1.519	-4.147
5.0	0.420	-0.005	-0.832	-1.266	-3.886
10.0	0.191	-0.163	-0.953	-1.070	-2.687
15.0	-0.053	-0.332	-1.013	-1.010	-1.538
24.0	-0.175	-0.389	-1.098	-0.989	-0.989
33.0	-0.291	-0.583	-1.177	-1.003	-0.896
54.0	-0.656	-0.615	-1.431	-0.261	-1.110
65.0	-0.081	-0.914	-1.617	-1.534	-1.503
78.5	-0.088	-2.843	-3.467	-3.528	-4.380
80.5	-4.594	-41.942	-42.080	-34.375	-22.527
81.5	-4.238	4.779	-4.304	-7.969	-0.199
82.0	-2.755	1.039	-3.215	-3.810	-6.167
84.0	-0.891	-2.313	-0.376	-2.956	-4.200
87.0	-3.147	-3.063	-3.252	-2.903	-3.225
89.0	-1.075	-2.697	-1.718	-2.226	-2.198
93.0	-0.610	-1.552	-3.436	-2.110	-2.003
96.0	-0.823	-1.663	-1.307	-2.163	-0.068
100.0	-0.453	-0.266	-0.757	-0.858	-2.189
2.5 (LOWER)	-1.925	-0.693	-0.222	-0.199	-0.327
5.0	-1.320	-0.540	-0.156	0.243	0.391
10.0	-0.529	-0.642	-0.074	0.266	0.357
24.0	-0.087	-0.046	0.126	0.209	0.185
33.0	0.079	0.109	0.192	0.243	-0.039
54.0	-0.292	0.250	0.294	-0.096	-0.489
73.5	-0.305	0.366	0.407	-0.144	0.218
84.0	0.449	0.515	-0.063	0.554	0.314
96.0	0.442	0.472	0.500	0.522	0.293

WING PRESSURE COEFFICIENTS

RUM 231 POINT 2 ALPHA -0.01 PSI 0.01 HEIGHT 87.80

X/C, X	BP 2	BP 6	BP 12	BP 16	BP 22
0.0 (UPPER)	-0.526	-0.419	-0.637	-0.507	-0.111
2.5	0.798	0.669	-0.625	-0.456	-0.870
5.0	0.689	0.634	-0.671	-0.456	-0.745
10.0	0.502	0.453	-0.654	-0.492	-0.654
15.0	0.384	0.276	-0.586	-0.522	-0.573
24.0	-0.142	0.073	-0.510	-0.598	-0.540
33.0	-0.019	-0.092	-0.474	-0.666	-0.543
54.0	-0.595	-0.452	-0.563	-0.330	-0.648
65.0	-0.018	-0.673	-0.748	-0.917	-0.917
78.5	-0.018	-2.395	-2.354	-2.428	-2.862
80.5	-42.568	-39.653	-37.961	-30.279	-18.915
81.5	-3.791	-3.922	-3.932	-6.489	-0.112
82.0	-2.122	-0.969	-2.114	-2.709	-3.946
84.0	-0.335	-1.710	-0.481	-1.995	-2.254
87.0	-2.580	-2.327	-2.500	-1.928	-1.563
89.0	-0.562	-2.067	-0.882	-1.360	-0.810
93.0	-0.639	-0.987	-2.422	-1.301	-0.671
96.0	-0.354	-0.746	-0.415	-1.421	-0.006
100.0	-0.401	-0.654	0.005	-0.360	-1.398
2.5 (LOWER)	-0.262	-0.120	-0.344	-0.503	-0.398
5.0	-0.401	-0.379	-0.505	-0.516	-0.119
10.0	-0.374	-0.381	-0.482	-0.509	-0.234
24.0	-0.471	-0.481	-0.507	-0.529	-0.336
33.0	-0.461	-0.504	-0.525	-0.549	-0.002
54.0	-0.399	-0.475	-0.482	-0.475	-0.371
73.5	-0.252	-0.247	-0.300	-0.168	0.351
84.0	-0.060	-0.105	-0.004	0.048	0.579
96.0	0.013	-0.022	-0.016	0.066	0.387

RUM 231 POINT 4 ALPHA 4.08 PSI 0.01 HEIGHT 87.16

X/C, X	BP 2	BP 6	BP 12	BP 16	BP 22
0.0 (UPPER)	-0.699	-0.513	-0.754	-0.863	-1.126
2.5	0.758	0.537	-0.817	-0.783	-1.149
5.0	0.637	0.502	-0.995	-0.722	-0.894
10.0	0.450	0.366	-1.129	-0.766	-0.728
15.0	0.328	0.197	-1.079	-0.713	-0.600
24.0	0.101	0.019	-0.896	-0.799	-0.555
33.0	-0.053	-0.128	-0.755	-0.939	-0.547
54.0	-0.635	-0.654	-0.669	-0.376	-0.635
65.0	-0.019	-0.875	-0.774	-1.374	-0.666
78.5	-0.023	-2.897	-2.539	-2.344	-2.653
80.5	-43.213	-40.333	-39.284	-30.489	-18.764
81.5	-3.931	-4.125	-4.083	-6.522	-0.122
82.0	-2.266	-1.011	-2.454	-2.699	-3.908
84.0	-0.454	-1.857	0.207	-1.981	-2.217
87.0	-2.716	-2.525	-2.735	-2.017	-1.565
89.0	-0.671	-2.256	-1.143	-1.534	-0.862
93.0	-0.472	-0.690	-0.646	-1.508	-0.773
96.0	-0.524	-0.777	-0.176	-0.681	-0.007
100.0	-0.341	-0.141	-0.135	-0.232	-0.301
2.5 (LOWER)	-0.530	-0.457	-0.612	-0.575	0.192
5.0	-0.514	-0.471	-0.571	-0.523	0.074
10.0	-0.462	-0.451	-0.588	-0.466	-0.037
24.0	-0.509	-0.538	-0.503	-0.393	-0.147
33.0	-0.494	-0.507	-0.432	-0.299	0.008
54.0	-0.199	-0.276	-0.209	-0.313	-0.430
73.5	-0.280	-0.023	-0.010	-0.132	0.272
84.0	0.122	0.104	-0.003	0.240	0.443
96.0	0.255	0.169	0.200	0.254	0.348

WING PRESSURE COEFFICIENTS

RUN 232 POINT 4 ALPHA 4.01 PSI 0.01 HEIGHT 87.83

X/C, Z	BP 2	BP 6	BP 12	BP 16	BP 22
0.0 (UPPER)	-0.509	-0.499	-0.788	-1.369	-0.837
2.5	0.766	0.630	-0.857	-1.043	-1.270
5.0	0.601	0.575	-1.072	-0.941	-0.930
10.0	0.444	0.503	-1.052	-0.983	-0.924
15.0	0.349	0.162	-0.872	-1.019	-0.659
24.0	-0.024	-0.045	-0.761	-1.263	-0.751
33.0	-0.188	-0.228	-0.655	-1.320	-0.838
44.0	-1.444	-0.526	-0.799	-1.028	-0.836
54.0	-1.143	-0.808	-0.944	-1.561	-1.096
65.0	-0.173	-2.972	-3.100	-2.991	-3.268
78.5	-81.854	-75.739	-58.788	-33.792	-33.792
79.5	-5.648	-5.704	-6.236	-10.938	-0.504
80.5	-2.792	-3.148	-2.530	-3.681	-5.817
81.5	0.618	-1.591	2.645	-2.206	-2.542
82.0	-3.920	-3.622	-2.907	-2.821	-1.414
84.0	-0.255	-3.224	-0.825	-1.852	-0.246
87.0	-0.647	-1.257	-3.951	-1.682	-0.337
89.0	-0.434	-1.129	-0.340	-2.301	-0.077
93.0	-0.678	-1.057	-0.262	-0.280	-2.150
100.0	-0.435	-0.314	-0.500	-0.622	-0.645
2.5 (LOWER)	-0.582	-0.472	-0.738	-0.914	0.057
5.0	-0.591	-0.441	-0.618	-0.788	-0.176
10.0	-0.409	-0.428	-0.697	-0.779	-0.280
24.0	-0.649	-0.598	-0.699	-0.670	-0.362
33.0	-0.529	-0.653	-0.719	-0.718	-0.006
54.0	-0.405	-0.692	-0.673	-1.045	-2.136
73.5	-1.740	-0.464	-0.427	-0.526	0.263
84.0	-0.072	-0.172	-0.071	0.162	0.615
96.0	-0.013	-0.041	0.054	0.218	0.448

RUN 232 POINT 6 ALPHA 8.09 PSI 0.01 HEIGHT 87.86

X/C, Z	BP 2	BP 6	BP 12	BP 16	BP 22
0.0 (UPPER)	-0.596	-0.550	-0.885	-1.646	-2.127
2.5	0.709	0.437	-0.906	-1.266	-1.653
5.0	0.521	0.352	-1.226	-1.164	-1.187
10.0	0.357	0.306	-1.304	-1.142	-1.081
15.0	0.248	0.001	-1.304	-1.131	-0.773
24.0	-0.123	-0.180	-1.232	-1.334	-0.842
33.0	-0.272	-0.344	-1.109	-1.449	-0.912
44.0	-1.478	-0.554	-1.184	-0.918	-0.932
54.0	-0.173	-0.884	-3.515	-1.876	-1.214
65.0	-0.206	-3.191	-3.515	-3.411	-3.593
78.5	-0.206	-3.191	-6.676	-11.667	-35.155
80.5	-6.016	-6.079	-6.676	-11.667	-35.155
81.5	-3.061	-3.224	-3.081	-4.203	-5.442
84.0	-4.225	-1.864	-2.324	-2.847	-3.034
87.0	-4.411	-3.956	-3.224	-3.929	-1.911
89.0	-0.441	-3.532	-1.219	-2.356	-0.724
93.0	-0.852	-1.508	-4.454	-2.193	-0.902
96.0	-0.614	-1.352	-0.703	-2.871	-1.105
100.0	-0.864	-1.264	-0.071	-0.740	-2.629
2.5 (LOWER)	-0.527	-0.371	-0.446	-0.468	-0.608
5.0	-0.623	-0.519	-0.819	-1.014	0.239
10.0	-0.661	-0.482	-0.700	-0.845	0.080
24.0	-0.455	-0.462	-0.767	-0.686	-0.082
33.0	-0.589	-0.625	-0.727	-0.701	-0.178
54.0	-0.532	-0.654	-0.668	-0.558	-0.029
73.5	-1.755	-0.552	-0.465	-0.908	-2.236
84.0	0.016	-0.285	-0.161	-0.394	0.281
96.0	0.116	-0.004	-0.099	0.403	0.574
		0.083	0.300	0.448	0.463

WING PRESSURE COEFFICIENTS

RUN 231 POINT 13 ALPHA 22.02 PSI 0.01 HEIGHT 93.06

X/C, Z	BP 2	BP 6	BP 12	BP 16	BP 22
0.0 (UPPER)	-0.435	0.070	-3.862	-10.136	-3.738
2.5	0.292	-0.235	-2.013	-6.928	-4.019
5.0	0.031	-0.424	-1.638	-4.442	-4.010
10.0	-0.231	-0.598	-1.435	-1.880	-4.651
15.0	-0.359	-0.775	-1.302	-1.834	-5.031
24.0	-0.607	-0.796	-1.257	-1.499	-3.838
33.0	-0.702	-0.980	-1.240	-1.387	-2.475
44.0	-0.694	-1.025	-1.507	-0.237	-1.712
54.0	-0.132	-1.324	-1.791	-1.850	-2.024
65.0	-0.146	-3.441	-4.062	-4.200	-5.188
78.5	-46.471	-43.463	-43.933	-36.895	-24.114
79.5	-4.993	-5.383	-4.547	-8.853	-0.257
80.5	-3.623	-1.059	-3.741	-4.528	-7.094
81.5	-1.769	-2.800	-0.764	-3.609	-5.027
82.0	-4.000	-3.565	-3.450	-3.468	-3.868
84.0	-1.866	-3.049	-1.925	-2.311	-2.564
87.0	-1.740	-1.839	-3.519	-2.304	-2.304
89.0	-1.289	-1.455	-1.248	-2.273	-0.104
93.0	-1.294	-1.219	-0.685	-2.184	-0.267
100.0	-0.501	-0.349	-0.353	-0.801	-0.366
2.5 (LOWER)	-0.451	-0.077	-0.277	-0.237	-0.196
5.0	-0.198	0.202	0.424	0.294	0.237
10.0	0.068	0.079	0.442	0.515	0.350
24.0	0.180	0.289	0.446	0.438	0.329
33.0	0.327	0.340	0.444	0.450	-0.071
54.0	0.465	0.382	0.448	0.332	-0.571
73.5	-0.371	0.542	0.692	0.352	0.265
84.0	0.617	0.712	-0.103	0.801	0.392
96.0	0.528	0.579	0.699	0.633	0.315

RUN 232 POINT 2 ALPHA 0.03 PSI 0.01 HEIGHT 89.83

X/C, Z	BP 2	BP 6	BP 12	BP 16	BP 22
0.0 (UPPER)	-0.437	-0.444	-0.675	-0.841	-0.170
2.5	0.794	0.797	-0.463	-0.528	-0.932
5.0	0.646	0.726	-0.512	-0.504	-0.732
10.0	0.495	0.600	-0.430	-0.623	-0.801
15.0	0.406	0.249	-0.301	-0.689	-0.561
24.0	0.031	0.060	-0.310	-0.861	-0.653
33.0	-0.127	-0.156	-0.310	-0.882	-0.729
44.0	-1.426	-0.500	-0.667	-1.174	-0.722
54.0	-0.130	-0.796	-0.910	-1.213	-1.006
65.0	-0.155	-2.955	-3.043	-3.366	-3.366
78.5	-79.842	-73.977	-68.537	-55.651	-33.218
79.5	-5.446	-5.563	-6.044	-10.795	-0.447
80.5	-2.684	-3.027	-2.320	-3.615	-5.794
81.5	-0.637	-1.445	-2.744	-2.128	-2.561
84.0	-3.786	-3.425	-2.692	-2.649	-1.386
87.0	-0.212	-3.029	-0.684	-1.706	-0.166
89.0	-0.603	-1.139	-3.714	-1.494	-0.317
93.0	-0.389	-0.993	-0.202	-2.063	-0.053
96.0	-0.623	-0.905	0.372	-0.069	-1.923
100.0	-0.429	-0.371	-0.916	-1.015	-0.780
2.5 (LOWER)	-0.498	-0.416	-0.660	-0.721	-0.052
5.0	-0.539	-0.381	-0.524	-0.646	-0.222
10.0	-0.337	-0.369	-0.594	-0.567	-0.361
24.0	-0.581	-0.525	-0.602	-0.745	-0.430
33.0	-0.456	-0.582	-0.642	-0.711	0.010
54.0	-0.468	-0.716	-0.715	-1.040	-2.063
73.5	-1.685	-0.576	-0.641	-0.555	0.234
84.0	-0.188	-0.320	-0.060	-0.029	0.583
96.0	-0.084	-0.154	-0.188	-0.021	0.374

WING PRESSURE COEFFICIENTS

RUN 233 POINT 2 ALPHA 0.05 PSI 0.01 HEIGHT 89.73

X/C, Z	BP 2	BP 6	BP 12	BP 16	BP 22
0.0 (UPPER)	-0.729	-0.664	-0.954	-0.818	-0.138
2.5	0.781	0.724	-0.067	-0.567	-1.223
5.0	0.704	0.666	-0.045	-0.612	-1.149
10.0	0.613	0.462	-0.118	-0.662	-0.930
15.0	0.369	0.277	-0.269	-0.712	-0.908
24.0	0.194	0.146	-0.390	-0.731	-0.828
33.0	-0.121	-0.247	-0.533	-0.867	-0.837
54.0	-3.253	-0.855	-0.808	-1.811	-1.114
65.0	-0.259	-1.066	-1.162	-1.463	-1.545
78.5	-0.254	-3.823	-4.273	-4.710	-4.710
79.5	-145.974	-131.945	-113.788	-99.592	-60.059
80.5	-7.938	-6.139	-10.408	-18.563	-6.515
81.5	-2.715	-10.986	-2.209	-5.839	-2.883
82.0	4.180	-1.704	6.795	-3.222	-2.200
84.0	-6.050	-4.493	-6.696	-2.595	-2.200
87.0	-0.001	-4.873	0.018	-2.076	-0.320
89.0	-0.724	-1.500	-6.274	-3.312	-0.210
93.0	-0.421	-1.476	0.064	-3.312	-0.261
95.0	-0.969	-1.545	1.029	-2.230	-1.678
100.0 (LOWER)	-0.840	-1.188	-2.161	-0.888	-0.212
2.5	-0.897	-0.713	-0.886	-0.886	-0.367
5.0	-0.648	-0.707	-0.801	-0.856	-0.482
10.0	-0.750	-0.673	-0.806	-0.842	-0.627
24.0	-0.758	-0.823	-0.800	-0.862	-0.627
33.0	-0.880	-0.807	-0.914	-0.831	-0.312
54.0	-0.845	-0.852	-0.925	-1.599	-3.836
73.5	-3.224	-0.749	-0.766	-1.158	0.370
84.0	-0.478	-0.633	-0.276	-0.154	0.668
96.0	-0.452	-0.474	-0.487	-0.161	0.364

RUN 233 POINT 4 ALPHA 4.06 PSI 0.01 HEIGHT 87.32

X/C, Z	BP 2	BP 6	BP 12	BP 16	BP 22
0.0 (UPPER)	-0.890	-0.814	-0.975	-1.032	-1.043
2.5	0.738	0.555	-0.654	-0.910	-1.615
5.0	0.655	0.527	-0.578	-0.949	-1.362
10.0	0.553	0.351	-0.505	-0.971	-1.058
15.0	0.299	0.228	-0.649	-1.025	-1.019
24.0	0.110	0.046	-0.707	-1.049	-0.832
33.0	-0.178	-0.259	-0.789	-1.236	-0.947
54.0	-3.225	-0.775	-0.966	-1.510	-1.243
65.0	-0.238	-1.006	-1.278	-1.798	-1.699
78.5	-0.233	-3.499	-4.053	-4.458	-4.747
79.5	-145.896	-130.908	-114.288	-100.055	-60.022
80.5	-7.701	-7.860	-10.466	-18.637	-6.425
81.5	-2.561	-10.969	-2.370	-6.029	-6.650
82.0	4.402	-1.536	6.693	-3.311	-2.855
84.0	-5.918	-4.358	-6.981	-3.634	-2.322
87.0	0.156	-4.828	-0.052	-2.178	-0.468
89.0	-0.625	-1.486	-6.318	-2.287	0.071
93.0	-0.325	-1.571	0.003	-3.449	-0.244
96.0	-1.312	-1.700	0.960	-1.985	-1.573
100.0 (LOWER)	-0.836	-0.850	-0.973	-0.958	-0.320
2.5	-0.887	-0.845	-0.892	-0.936	-0.420
5.0	-0.787	-0.856	-0.901	-0.932	-0.518
10.0	-0.886	-0.823	-0.888	-0.908	-0.518
24.0	-1.003	-0.930	-0.991	-0.855	-0.297
33.0	-0.882	-0.890	-0.901	-1.525	-3.799
54.0	-3.181	-0.609	-0.614	-1.023	0.336
73.5	-0.343	-0.471	-0.258	-0.019	0.546
84.0	-0.398	-0.346	-0.300	-0.011	0.292

WING PRESSURE COEFFICIENTS

RUN 232 POINT 8 ALPHA 12.00 PSI 0.01 HEIGHT 86.79

X/C, Z	BP 2	BP 6	BP 12	BP 16	BP 22
0.0 (UPPER)	-0.566	-0.510	-1.123	-1.824	-5.077
2.5	0.649	0.247	-1.004	-1.338	-2.764
5.0	0.448	0.141	-1.275	-1.891	-1.891
10.0	0.264	0.080	-1.441	-1.218	-1.559
15.0	-0.153	-0.211	-1.395	-1.221	-1.143
24.0	-0.226	-0.349	-1.459	-1.131	-1.131
33.0	-0.365	-0.504	-1.426	-1.478	-1.182
54.0	-1.483	-0.600	-1.607	-1.778	-1.634
65.0	-0.198	-0.979	-1.710	-2.154	-4.669
78.5	-0.231	-3.354	-4.087	-4.390	-4.669
79.5	-86.077	-79.978	-77.065	-62.203	-37.798
80.5	-6.308	-6.403	-7.077	-12.998	-6.587
81.5	-3.305	-3.277	-3.578	-3.283	-7.876
82.0	4.299	-2.074	1.904	-3.635	-4.250
84.0	-4.491	-4.238	-3.856	-4.193	-2.963
87.0	-0.992	-3.804	-1.554	-3.062	-1.521
89.0	-1.054	-1.702	-4.904	-2.810	-1.549
93.0	-0.792	-1.518	-1.085	-3.294	-0.117
95.0	-1.026	-1.400	-0.443	-0.954	-0.671
100.0 (LOWER)	-0.628	-0.498	-0.605	-0.630	-0.345
2.5	-0.644	-0.451	-0.704	-0.619	0.296
5.0	-0.421	-0.430	-0.717	-0.331	0.155
10.0	-0.641	-0.564	-0.527	-0.346	0.026
24.0	-0.452	-0.529	-0.419	-0.196	-0.054
33.0	-0.061	-0.307	-0.147	-0.719	-2.259
54.0	-1.728	-0.050	0.099	-0.254	0.298
73.5	0.186	0.212	-0.119	0.639	0.568
84.0	0.289	0.235	0.448	0.574	0.464

RUN 232 POINT 13 ALPHA 22.03 PSI 0.01 HEIGHT 95.95

X/C, Z	BP 2	BP 6	BP 12	BP 16	BP 22
0.0 (UPPER)	-2.494	-0.945	-1.667	-6.468	-5.815
2.5	0.456	-0.165	-1.243	-3.186	-5.839
5.0	0.080	-0.350	-1.331	-6.330	-6.330
10.0	-0.220	-0.512	-1.378	-2.093	-6.081
15.0	-0.626	-0.847	-1.333	-1.896	-3.930
24.0	-0.745	-1.128	-1.490	-1.861	-2.465
33.0	-1.325	-1.128	-1.578	-1.774	-2.143
54.0	-0.307	-0.961	-2.043	-0.473	-2.035
65.0	-0.350	-1.403	-2.291	-2.349	-2.352
78.5	-85.418	-79.529	-78.064	-63.839	-5.650
80.5	-6.822	-6.902	-7.114	-13.405	-0.648
81.5	-4.045	-3.081	-4.121	-5.876	-8.858
82.0	-0.486	-0.595	-1.319	-3.997	-5.212
84.0	-5.216	-4.726	-4.174	-4.456	-3.737
87.0	-1.539	-4.214	-1.931	-3.190	-1.994
89.0	-1.670	-2.161	-5.284	-2.838	-1.851
93.0	-1.257	-1.891	-1.530	-3.225	-0.220
96.0	-1.398	-1.681	-0.816	-0.863	-2.797
100.0 (LOWER)	-1.111	-0.841	-0.629	-0.508	-0.679
2.5	-0.798	-0.798	-0.309	-0.408	-0.408
5.0	-0.760	-0.259	-0.049	0.089	0.110
10.0	-0.176	-0.789	0.003	0.288	0.280
24.0	-0.080	0.187	0.234	0.191	0.253
33.0	0.298	0.244	0.345	-0.273	-0.156
54.0	0.492	0.265	0.345	-0.431	-2.131
73.5	-1.555	0.379	0.470	-0.098	0.092
84.0	0.525	0.668	-0.224	0.703	0.285
96.0	0.520	0.549	0.679	0.622	0.253

WING PRESSURE COEFFICIENTS

RUN 233 POINT 13 ALPHA 22.08 PSI 0.01 HEIGHT 97.67

X/C, %	BP 2	BP 6	BP 12	BP 16	BP 22
0.0 (UPPER)	-0.869	-0.717	-2.146	-3.168	-6.870
2.5	0.539	-0.311	-1.737	-2.363	-5.622
5.0	0.373	-1.309	-1.728	-2.170	-5.004
10.0	0.167	-0.625	-1.808	-1.911	-3.612
15.0	-0.144	-0.703	-1.961	-1.847	-2.876
20.0	-0.355	-0.809	-2.046	-1.789	-2.226
33.0	-0.631	-1.047	-2.154	-2.009	-2.034
54.0	-3.020	-1.171	-2.306	-2.892	-2.574
65.0	-0.383	-1.475	-2.548	-2.903	-2.863
78.5	-0.374	-4.332	-5.545	-6.063	-6.646
79.5	-150.805	-137.201	-122.839	-106.089	-84.112
80.5	-8.856	-11.723	-11.723	-20.618	-0.590
81.5	-16.708	-3.882	-3.882	-7.677	-11.180
82.0	-2.703	-5.325	-5.325	-5.023	-5.189
84.0	-7.245	-8.800	-8.800	-5.187	-4.582
87.0	-1.136	-5.929	-1.282	-3.660	-2.376
89.0	-1.656	-2.539	-7.914	-3.668	-1.428
93.0	-1.154	-2.441	-1.499	-4.682	-0.395
96.0	-1.591	-2.444	-0.493	-0.860	-4.166
100.0	-1.891	-1.628	-1.721	-1.804	-1.537
2.5 (LOWER)	-0.796	-0.814	-1.251	-0.189	-0.033
5.0	-0.728	-0.809	-0.997	-0.115	0.281
10.0	-0.822	-0.771	-0.850	-0.081	0.371
24.0	-0.798	-0.828	-0.481	0.003	0.181
33.0	-0.812	-0.638	0.374	0.104	-0.431
54.0	-0.148	-0.074	0.037	-0.986	-3.627
73.5	-2.944	0.230	0.366	-0.492	0.460
84.0	0.223	0.308	-0.410	0.723	0.584
96.0	0.189	0.215	0.356	0.524	0.362

RUN 235 POINT 21 ALPHA 0.00 PSI 0.00 HEIGHT 87.47

X/C, %	BP 2	BP 6	BP 12	BP 16	BP 22
0.0 (UPPER)	0.514	0.504	0.475	0.576	0.510
2.5	-0.124	-0.262	-0.335	-0.320	-0.209
5.0	-0.113	-0.225	-0.253	-0.331	-0.346
10.0	-0.170	-0.325	-0.298	-0.291	-0.216
15.0	-0.187	-0.198	-0.348	-0.270	-0.330
24.0	-0.105	-0.225	-0.292	-0.174	-0.226
33.0	-0.132	-0.188	-0.298	-0.214	-0.176
54.0	0.026	-0.157	-0.216	0.604	-0.306
65.0	0.092	-0.313	-0.322	-0.364	-0.464
78.5	0.111	-0.513	-0.528	-0.659	-0.985
79.5	-0.530	-0.566	-0.492	-0.767	-1.041
80.5	-0.390	-0.301	-0.497	-0.480	0.112
81.5	-0.286	-0.194	-0.476	-0.644	-0.910
82.0	-0.129	-0.558	-0.568	-0.721	-1.033
84.0	-0.429	-0.274	-1.195	-0.462	-1.273
87.0	-0.500	-0.438	-0.501	-0.536	-1.279
89.0	-0.427	-0.412	-0.508	-0.583	-1.012
93.0	-0.385	-0.416	-0.501	-0.549	-0.063
96.0	-0.388	-0.470	-0.461	-0.591	-0.923
100.0	-0.331	-0.397	-0.467	-0.542	-0.617
2.5 (LOWER)	0.069	0.002	0.069	0.126	0.020
5.0	0.075	-0.072	-0.002	0.055	0.006
10.0	-0.071	-0.048	0.024	-0.018	0.013
24.0	0.027	-0.060	0.015	0.061	-0.016
33.0	-0.090	0.016	0.040	0.095	0.016
54.0	-0.660	-0.175	0.160	0.296	0.523
73.5	-3.177	-0.305	0.712	0.561	0.538
84.0	-0.080	-0.172	-0.292	0.468	0.529
96.0	-0.278	-0.082	0.215	0.263	0.223

WING PRESSURE COEFFICIENTS

RUN 233 POINT 6 ALPHA 8.04 PSI 0.01 HEIGHT 86.86

X/C, %	BP 2	BP 6	BP 12	BP 16	BP 22
0.0 (UPPER)	-0.890	-0.818	-1.090	-1.447	-1.918
2.5	0.715	0.407	-1.150	-1.352	-1.910
5.0	0.616	0.373	-1.224	-1.524	-1.538
10.0	0.501	0.201	-1.220	-1.260	-1.161
15.0	0.236	0.095	-1.247	-1.311	-1.105
20.0	0.044	-0.073	-1.175	-1.396	-1.018
33.0	-0.251	-0.364	-1.171	-1.640	-1.031
54.0	-3.297	-0.795	-1.173	-1.368	-1.379
65.0	-0.246	-1.027	-1.387	-2.162	-1.812
78.5	-0.244	-3.578	-4.047	-4.564	-4.773
79.5	-149.870	-134.874	-117.362	-102.688	-61.424
80.5	-7.899	-8.094	-10.570	-18.989	-0.458
81.5	-2.691	-11.250	-2.385	-6.177	-8.845
82.0	-4.476	-1.723	6.843	-3.516	-2.964
84.0	-6.110	-4.495	-7.385	-3.881	-2.516
87.0	0.081	-5.072	-0.134	-2.429	-0.727
89.0	-0.730	-1.629	-6.572	-2.538	-0.128
93.0	-0.424	-1.697	-0.137	-3.752	-0.255
96.0	-0.997	-1.825	0.792	-0.155	-3.792
100.0	-1.022	-1.001	-1.457	-1.663	-1.413
2.5 (LOWER)	-0.856	-0.860	-1.061	-1.061	0.060
5.0	-0.804	-0.893	-0.965	-1.025	0.113
10.0	-0.944	-0.849	-0.988	-1.016	-0.243
24.0	-0.959	-1.014	-0.978	-0.946	-0.424
33.0	-1.073	-1.010	-1.067	-0.870	-0.302
54.0	-0.835	-0.891	-0.868	-1.517	-3.873
73.5	-3.230	-0.501	-0.439	-0.976	0.369
84.0	-0.193	-0.331	-0.262	0.162	0.554
96.0	-0.361	-0.220	-0.086	0.171	0.351

RUN 233 POINT 8 ALPHA 12.03 PSI 0.01 HEIGHT 86.17

X/C, %	BP 2	BP 6	BP 12	BP 16	BP 22
0.0 (UPPER)	-0.873	-0.815	-1.328	-1.835	-2.680
2.5	0.677	0.203	-1.370	-1.759	-2.217
5.0	0.585	0.188	-1.576	-1.663	-1.774
10.0	0.454	0.021	-1.700	-1.526	-1.320
15.0	0.165	-0.060	-1.784	-1.532	-1.281
24.0	-0.027	-0.244	-1.695	-1.600	-1.171
33.0	-0.325	-0.518	-1.648	-1.890	-1.186
54.0	-3.245	-0.842	-1.530	-1.192	-1.604
65.0	-0.270	-1.099	-1.670	-2.546	-2.118
78.5	-0.260	-3.762	-4.360	-5.029	-5.505
79.5	-150.778	-136.122	-119.234	-104.087	-63.070
80.5	-8.104	-8.314	-10.904	-19.651	-0.523
81.5	-2.913	-11.180	-2.803	-6.734	-9.900
82.0	4.351	-1.997	6.416	-4.022	-3.860
84.0	-6.385	-4.719	-7.856	-4.384	-3.522
87.0	-0.120	-5.297	-0.474	-3.024	-1.746
89.0	-0.919	-1.866	-7.026	-3.134	-1.093
93.0	-0.590	-1.910	-0.554	-4.304	-0.259
96.0	-1.127	-2.012	0.427	-0.613	-4.526
100.0	-0.923	-0.884	-1.029	-1.231	-1.266
2.5 (LOWER)	-0.872	-0.867	-1.192	-1.277	0.141
5.0	-0.803	-0.908	-1.116	-1.165	0.008
10.0	-0.927	-0.856	-1.105	-1.097	-0.098
24.0	-0.970	-1.057	-1.048	-0.906	-0.279
33.0	-1.090	-1.035	-1.073	-0.762	-0.332
54.0	-0.660	-0.751	-0.685	-1.375	-3.845
73.5	-3.177	-0.305	-0.152	-0.844	0.438
84.0	-0.080	-0.172	-0.292	0.376	0.566
96.0	-0.278	-0.082	0.215	0.415	0.426



WING PRESSURE COEFFICIENTS

RUN 235 POINT 27 ALPHA 12.05 PSI 0.00 HEIGHT 87.36

X/C, X	BP 2	BP 6	BP 12	BP 16	BP 22
0.0 (UPPER)	-2.898	-4.996	-6.603	-2.722	-1.473
2.5	-1.644	-2.122	-2.645	-2.516	-1.395
5.0	-1.194	-1.529	-1.996	-2.433	-1.352
10.0	-0.946	-1.129	-1.450	-2.503	-1.372
15.0	-0.815	-0.955	-1.154	-2.340	-1.286
24.0	-0.651	-0.717	-0.859	-1.521	-1.271
33.0	-0.539	-0.613	-0.706	-0.838	-1.199
54.0	-0.138	-0.278	-0.596	-0.031	-1.117
65.0	0.047	-0.569	-0.669	-0.563	-1.172
78.5	0.039	-1.130	-1.178	-1.171	-1.907
89.0	-1.229	-1.229	-1.315	-1.422	-1.927
93.0	-1.102	-0.938	-1.076	-1.319	0.059
96.0	-0.981	-0.553	-0.882	-1.204	-1.825
100.0 (LOWER)	-0.893	-0.639	-0.779	-1.122	-1.768
2.5	-0.635	-0.593	-0.511	-1.021	-1.595
5.0	-0.540	-0.477	-0.556	-0.791	-1.452
10.0	-0.484	-0.437	-0.498	-0.701	-1.377
15.0	-0.438	-0.420	-0.471	-0.609	-1.377
24.0	-0.384	-0.384	-0.471	-0.509	-1.377
33.0	-0.279	-0.291	-0.368	-0.415	-1.033
54.0	0.649	0.598	0.545	0.547	-0.926
65.0	0.592	0.519	0.609	0.586	0.496
78.5	0.505	0.596	0.513	0.523	0.388
89.0	0.332	0.348	0.363	0.320	0.203
93.0	0.296	0.318	0.327	0.323	0.067
96.0	0.316	0.302	0.322	0.102	0.068
100.0	0.209	0.570	0.577	0.286	0.392
2.5	0.632	0.698	0.657	0.632	0.466
5.0	0.404	0.375	0.355	0.322	0.105

RUN 235 POINT 32 ALPHA 22.08 PSI 0.00 HEIGHT 98.11

X/C, X	BP 2	BP 6	BP 12	BP 16	BP 22
0.0 (UPPER)	-1.719	-1.401	-1.161	-1.139	-0.939
2.5	-1.609	-1.365	-1.146	-1.071	-0.922
5.0	-1.580	-1.379	-1.176	-1.053	-0.885
10.0	-1.497	-1.343	-1.164	-1.080	-0.941
15.0	-1.426	-1.363	-1.128	-1.073	-0.874
24.0	-1.270	-1.270	-1.110	-1.088	-0.921
33.0	-1.139	-1.224	-1.106	-1.048	-0.925
54.0	-0.318	-0.472	-1.076	-1.028	-0.900
65.0	-0.026	-0.958	-1.037	-0.987	-0.868
78.5	-0.035	-0.929	-0.986	-1.004	-0.943
89.0	-0.932	-0.893	-0.952	-0.871	-0.926
93.0	-0.995	-0.964	-0.930	-0.991	-0.926
96.0	-1.007	-0.610	-0.864	-0.927	-0.954
100.0 (LOWER)	-1.017	-0.783	-0.806	-0.922	-0.922
2.5	-0.842	-0.873	-0.614	-0.947	-0.787
5.0	-0.681	-0.770	-0.865	-0.886	-0.811
10.0	-0.680	-0.705	-0.802	-0.872	-0.869
15.0	-0.653	-0.667	-0.810	-0.872	-0.808
24.0	-0.484	-0.572	-0.718	-0.804	-0.847
33.0	0.783	0.644	0.561	0.489	0.452
54.0	0.788	0.673	0.650	0.595	0.509
65.0	0.711	0.711	0.601	0.596	0.460
78.5	0.472	0.494	0.477	0.413	0.305
89.0	0.440	0.417	0.422	0.404	0.000
93.0	0.360	0.360	0.369	0.031	0.007
96.0	0.142	0.142	0.376	0.325	0.382
100.0	0.627	0.712	-0.013	0.614	0.487
2.5	0.373	0.327	0.265	0.201	0.096

WING PRESSURE COEFFICIENTS

RUN 235 POINT 23 ALPHA 4.09 PSI 0.00 HEIGHT 88.15

X/C, X	BP 2	BP 6	BP 12	BP 16	BP 22
0.0 (UPPER)	0.135	-0.211	-0.534	-0.685	-0.783
2.5	-0.541	-0.723	-0.958	-1.117	-1.089
5.0	-0.445	-0.629	-0.700	-0.756	-0.729
10.0	-0.404	-0.482	-0.575	-0.614	-0.591
15.0	-0.378	-0.439	-0.477	-0.527	-0.473
24.0	-0.324	-0.346	-0.379	-0.437	-0.401
33.0	-0.290	-0.315	-0.342	-0.370	-0.345
54.0	-0.079	-0.194	-0.341	-0.328	-0.328
65.0	0.061	-0.360	-0.415	-0.427	-0.393
78.5	0.055	-0.611	-0.640	-0.656	-0.653
89.0	-0.437	-0.543	-0.583	-0.598	-0.913
93.0	-0.484	-0.519	-0.554	-0.626	-0.078
96.0	-0.528	-0.528	-0.523	-0.635	-0.877
100.0 (LOWER)	-0.493	-0.440	-0.495	-0.617	-0.876
2.5	-0.446	-0.471	-0.479	-0.639	-0.850
5.0	-0.436	-0.464	-0.548	-0.616	-0.884
10.0	-0.425	-0.456	-0.539	-0.621	-0.896
15.0	-0.482	-0.481	-0.558	-0.662	-0.977
24.0	-0.500	-0.472	-0.581	-0.670	-0.969
33.0	-0.357	-0.411	-0.494	-0.576	-0.844
54.0	0.323	0.358	0.393	0.403	0.407
65.0	0.244	0.204	0.300	0.309	0.288
78.5	0.187	0.271	0.201	0.227	0.176
89.0	0.108	0.103	0.126	0.104	0.072
93.0	0.080	0.117	0.131	0.146	0.074
96.0	0.173	0.171	0.203	0.079	0.139
100.0	0.290	0.503	0.533	0.286	0.442
2.5	0.508	0.618	0.668	0.622	0.550
5.0	0.283	0.282	0.270	0.239	0.128

RUN 235 POINT 25 ALPHA 8.02 PSI 0.00 HEIGHT 88.01

X/C, X	BP 2	BP 6	BP 12	BP 16	BP 22
0.0 (UPPER)	-1.100	-2.191	-3.303	-3.817	-2.235
2.5	-1.052	-1.379	-1.804	-2.051	-1.823
5.0	-0.812	-1.030	-1.468	-1.723	-1.468
10.0	-0.686	-0.808	-0.992	-1.108	-1.254
15.0	-0.608	-0.697	-0.798	-0.914	-1.291
24.0	-0.504	-0.537	-0.619	-0.728	-0.795
33.0	-0.438	-0.476	-0.545	-0.611	-0.693
54.0	-0.117	-0.212	-0.331	-0.057	-0.617
65.0	0.048	-0.549	-0.648	-0.691	-0.760
78.5	0.041	-1.192	-1.267	-1.297	-1.869
89.0	-1.326	-1.351	-1.382	-1.446	-2.369
93.0	-1.295	-1.081	-1.174	-1.284	0.064
96.0	-1.028	-0.558	-1.047	-1.219	-2.396
100.0 (LOWER)	-0.850	-0.827	-0.965	-1.147	-2.347
2.5	-0.646	-0.756	-0.794	-1.046	-1.934
5.0	-0.594	-0.613	-0.761	-0.848	-1.369
10.0	-0.543	-0.546	-0.660	-0.758	-1.158
15.0	-0.467	-0.473	-0.572	-0.670	-0.668
24.0	-0.384	-0.390	-0.528	-0.766	-0.766
33.0	-0.261	-0.257	-0.372	-0.458	-0.654
54.0	0.543	0.556	0.558	0.546	0.546
65.0	0.449	0.385	0.505	0.505	0.466
78.5	0.367	0.477	0.387	0.419	0.334
89.0	0.234	0.240	0.268	0.258	0.198
93.0	0.198	0.235	0.249	0.259	0.066
96.0	0.263	0.284	0.284	0.104	0.095
100.0	0.248	0.550	0.566	0.412	0.412
2.5	0.576	0.682	0.659	0.620	0.465
5.0	0.380	0.376	0.352	0.312	0.184

WING PRESSURE COEFFICIENTS

RUN 236 POINT 6 ALPHA 8.09 PSI 0.00 HEIGHT 87.01

X/C, Z	BP 2	BP 6	BP 12	BP 16	BP 22
0.0 (UPPER)	-1.864	-3.588	-5.716	-4.029	-1.992
2.5	-1.375	-1.829	-2.556	-3.426	-1.826
5.0	-1.875	-1.382	-1.834	-3.514	-1.741
10.0	-0.908	-1.065	-1.405	-2.837	-1.795
15.0	-0.823	-0.975	-1.131	-1.225	-1.644
24.0	-0.737	-0.785	-0.923	-0.917	-1.635
33.0	-0.674	-0.742	-0.865	-0.839	-1.548
54.0	-0.605	-0.604	-0.981	-0.295	-1.494
65.0	-0.623	-1.098	-1.304	-1.307	-1.700
78.5	-0.037	-3.350	-3.478	-3.876	-3.876
79.5	79.5	-45.778	-45.768	-39.033	-22.603
80.5	-3.895	-4.204	-3.024	-8.092	-0.078
81.5	-2.471	-1.394	-2.977	-3.872	-5.882
82.0	-0.441	-2.016	-0.182	-3.005	-3.952
84.0	-2.334	-2.755	-2.907	-2.865	-3.252
87.0	-0.683	-2.408	-1.367	-1.933	-2.450
89.0	-0.811	-1.205	-2.967	-1.817	-2.228
93.0	-0.577	-0.939	-0.666	-1.950	-0.016
96.0	-0.631	-0.769	-0.139	-0.516	-2.671
100.0	-0.522	-0.396	-0.435	-0.443	-0.744
2.5 (LOWER)	0.577	0.525	0.492	0.492	0.500
5.0	0.503	0.574	0.567	0.543	0.462
10.0	0.454	0.553	0.460	0.501	0.341
24.0	0.296	0.329	0.350	0.279	0.168
33.0	0.297	0.316	0.324	0.317	0.020
54.0	0.363	0.333	0.353	-0.010	-0.529
73.5	-0.308	0.398	0.607	0.174	0.222
84.0	0.630	0.737	0.010	0.661	0.305
96.0	0.556	0.581	0.574	0.485	0.150

RUN 236 POINT 2 ALPHA -0.01 PSI 0.00 HEIGHT 89.24

X/C, Z	BP 2	BP 6	BP 12	BP 16	BP 22
0.0 (UPPER)	0.466	0.238	-0.083	-0.360	-0.620
2.5	-0.501	-0.730	-0.878	-0.791	-1.052
5.0	-0.381	-0.470	-0.638	-0.708	-0.791
10.0	-0.391	-0.445	-0.604	-0.660	-0.573
15.0	-0.404	-0.482	-0.515	-0.628	-0.573
24.0	-0.438	-0.429	-0.483	-0.633	-0.597
33.0	-0.419	-0.457	-0.516	-0.590	-0.591
54.0	-0.530	-0.566	-0.749	-0.346	-0.734
65.0	-0.025	-0.944	-1.101	-1.129	-1.004
78.5	-0.040	-2.809	-3.113	-3.192	-3.309
79.5	-47.957	-44.863	-37.747	-21.378	-21.378
80.5	-3.903	-4.201	-2.904	-7.757	-0.061
81.5	-2.438	-1.346	-2.733	-3.551	-4.674
82.0	-0.448	-1.932	-0.357	-2.693	-2.721
84.0	-2.927	-2.854	-2.743	-2.547	-1.985
87.0	-0.635	-2.346	-1.232	-1.681	-1.212
89.0	-0.835	-1.163	-2.854	-1.555	-1.055
93.0	-0.598	-0.898	-0.569	-1.732	0.010
96.0	-0.647	-0.734	-0.058	-0.359	-1.817
100.0	-0.458	-0.478	-0.426	-0.643	-0.643
2.5 (LOWER)	0.160	0.240	0.285	0.300	0.370
5.0	0.121	0.174	0.236	0.239	0.242
10.0	0.042	0.200	0.146	0.207	0.134
24.0	0.088	0.115	0.134	0.079	0.065
33.0	0.108	0.143	0.157	0.165	0.017
54.0	0.259	0.233	0.278	-0.026	-0.446
73.5	-0.239	0.542	0.560	0.131	0.365
84.0	0.527	0.657	0.006	0.652	0.434
96.0	0.481	0.529	0.544	0.491	0.249

WING PRESSURE COEFFICIENTS

RUN 236 POINT 8 ALPHA 12.01 PSI 0.00 HEIGHT 86.99

X/C, Z	BP 2	BP 6	BP 12	BP 16	BP 22
0.0 (UPPER)	-4.195	-5.679	-4.401	-3.035	-2.257
2.5	-2.149	-5.199	-3.447	-2.994	-2.225
5.0	-1.607	-2.686	-3.192	-3.015	-2.173
10.0	-1.292	-1.239	-2.609	-2.274	-2.149
15.0	-1.125	-1.212	-2.258	-3.133	-2.149
24.0	-0.963	-0.954	-1.606	-2.566	-2.233
33.0	-0.832	-0.863	-1.141	-1.759	-2.295
54.0	-0.654	-0.621	-0.972	-0.275	-2.731
65.0	-0.042	-1.148	-1.247	-1.210	-2.844
78.5	-0.042	-3.095	-3.207	-3.123	-4.536
79.5	-46.780	-43.950	-43.753	-36.131	-22.498
80.5	-4.190	-4.661	-3.614	-7.943	-0.086
81.5	-2.522	-1.442	-2.867	-3.744	-7.246
82.0	-0.554	-2.051	0.198	-2.854	-5.425
84.0	-2.935	-2.822	-2.786	-2.812	-4.526
87.0	-0.707	-2.457	-1.412	-1.961	-3.304
89.0	-0.842	-1.265	-2.953	-1.830	-2.874
93.0	-0.626	-0.965	-0.702	-1.965	-0.016
96.0	-0.672	-0.804	-0.189	-0.589	-2.962
100.0	-0.462	-0.336	-0.432	-0.404	-0.787
2.5 (LOWER)	0.649	0.587	0.483	0.407	0.460
5.0	0.534	0.601	0.611	0.551	0.450
10.0	0.588	0.650	0.538	0.585	0.402
24.0	0.388	0.431	0.434	0.353	0.234
33.0	0.388	0.389	0.395	0.379	0.018
54.0	0.421	0.383	0.405	-0.034	-0.567
73.5	-0.341	0.629	0.624	0.196	0.224
84.0	0.682	0.766	0.010	0.663	0.279
96.0	0.599	0.611	0.594	0.496	0.136

RUN 236 POINT 4 ALPHA 4.07 PSI 0.00 HEIGHT 86.67

X/C, Z	BP 2	BP 6	BP 12	BP 16	BP 22
0.0 (UPPER)	-0.354	-1.146	-2.138	-2.851	-3.470
2.5	-0.692	-1.046	-1.732	-1.732	-2.168
5.0	-0.682	-0.882	-1.140	-1.292	-1.490
10.0	-0.633	-0.731	-0.951	-1.085	-1.193
15.0	-0.596	-0.714	-0.793	-0.953	-0.919
24.0	-0.575	-0.691	-0.687	-0.861	-0.840
33.0	-0.546	-0.590	-0.675	-0.779	-0.801
54.0	-0.561	-0.587	-0.862	-0.316	-0.949
65.0	-0.020	-1.019	-1.200	-1.261	-1.252
78.5	-0.035	-2.885	-3.242	-3.377	-3.752
79.5	-47.936	-45.416	-45.430	-38.504	-22.508
80.5	-3.865	-4.177	-2.972	-7.917	-0.064
81.5	-2.446	-1.361	-2.858	-3.738	-5.241
82.0	-0.422	-1.963	0.292	-2.873	-3.247
84.0	-2.924	-2.691	-2.830	-2.722	-2.439
87.0	-0.706	-2.365	-1.304	-1.822	-1.602
89.0	-0.823	-1.191	-2.917	-1.710	-1.453
93.0	-0.589	-0.914	-0.625	-1.849	0.015
96.0	-0.638	-0.747	-0.094	-0.444	-2.187
100.0	-0.559	-0.432	-0.447	-0.448	-0.707
2.5 (LOWER)	0.416	0.488	0.504	0.477	0.518
5.0	0.334	0.345	0.448	0.437	0.424
10.0	0.304	0.413	0.321	0.377	0.287
24.0	0.189	0.226	0.248	0.189	0.137
33.0	0.200	0.228	0.244	0.248	0.024
54.0	0.311	0.281	0.319	-0.001	-0.487
73.5	-0.271	0.580	0.593	0.155	0.306
84.0	0.579	0.696	0.009	0.648	0.385
96.0	0.520	0.557	0.559	0.495	0.184

WING PRESSURE COEFFICIENTS

RUN 237 POINT 5 ALPHA 3.99 PSI 0.00 HEIGHT 87.38

X/C, X	BP 2	BP 6	BP 12	BP 16	BP 22
0.0 (UPPER)	-0.510	-1.375	-2.484	-3.210	-3.691
2.5	-1.011	-1.155	-1.588	-1.931	-2.267
5.0	-0.785	-0.998	-1.293	-1.470	-1.946
10.0	-0.712	-0.850	-1.080	-1.239	-1.286
15.0	-0.711	-0.809	-0.932	-1.098	-1.053
24.0	-0.650	-0.693	-0.816	-0.968	-0.962
33.0	-0.654	-0.703	-0.826	-0.925	-0.938
54.0	-0.427	-0.532	-1.041	0.182	-1.135
65.0	-0.092	-1.232	-1.412	-1.487	-1.481
78.5	-0.095	-3.466	-3.903	-4.073	-4.438
79.5	-87.432	-81.562	-79.210	-65.157	-37.002
80.5	-6.600	-6.015	-6.522	-12.537	-0.301
81.5	-3.178	-3.149	-3.149	-4.904	-7.133
82.0	0.816	-2.070	2.595	-3.349	-3.637
84.0	-4.403	-3.785	-4.039	-3.414	-2.683
87.0	-0.484	-3.615	-1.432	-2.067	-1.507
89.0	-0.898	-1.462	-4.710	-2.034	-1.165
93.0	-0.663	-1.296	-0.237	-2.660	-0.072
96.0	-0.891	-1.166	-0.237	-2.256	-2.898
100.0	-1.243	-1.120	-1.134	-1.039	-1.228
2.5 (LOWER)	0.360	0.439	0.463	0.432	0.471
5.0	0.319	0.292	0.389	0.399	0.367
10.0	0.240	0.351	0.276	0.328	0.247
24.0	0.150	0.170	0.217	0.144	0.073
33.0	0.150	0.165	0.183	0.190	-0.160
54.0	0.259	0.219	0.251	-0.064	-1.450
73.5	-0.182	0.514	0.520	0.244	0.226
84.0	0.506	0.638	-0.060	0.603	0.307
96.0	0.444	0.476	0.493	0.392	0.072

RUN 237 POINT 7 ALPHA 8.00 PSI 0.00 HEIGHT 89.26

X/C, X	BP 2	BP 6	BP 12	BP 16	BP 22
0.0 (UPPER)	-2.107	-3.863	-4.211	-4.114	-2.181
2.5	-1.483	-1.977	-2.568	-3.642	-2.043
5.0	-1.201	-1.560	-2.232	-3.740	-1.967
10.0	-1.028	-1.220	-1.665	-3.378	-1.998
15.0	-0.968	-1.127	-1.374	-1.507	-1.857
24.0	-0.852	-0.924	-1.131	-0.992	-1.836
33.0	-0.808	-0.878	-1.075	-0.979	-1.782
54.0	-0.774	-1.118	-1.199	-0.165	-1.676
65.0	-0.110	-1.320	-3.981	-4.232	-2.138
78.5	-0.118	-3.567	-1.554	-4.762	-4.232
79.5	-87.011	-81.228	-78.379	-65.224	-37.088
80.5	-6.558	-6.132	-6.667	-12.920	-0.330
81.5	-3.211	-1.991	-3.268	-5.108	-8.130
82.0	0.772	-2.137	2.400	-3.556	-4.724
84.0	-4.393	-3.850	-4.096	-3.645	-3.852
87.0	-0.486	-3.563	-1.446	-2.243	-2.700
89.0	-0.906	-1.494	-4.805	-2.207	-2.265
93.0	-0.663	-1.342	-0.601	-2.801	-0.673
96.0	-0.496	-1.209	-0.117	-0.393	-3.629
100.0	-1.189	-1.084	-1.104	-1.106	-1.285
2.5 (LOWER)	0.503	0.526	0.457	0.412	0.425
5.0	0.459	0.434	0.482	0.481	0.384
10.0	0.378	0.478	0.393	0.437	0.284
24.0	0.239	0.265	0.307	0.213	0.095
33.0	0.235	0.242	0.250	0.252	-0.075
54.0	0.303	0.255	0.282	-0.347	-1.741
73.5	-0.521	0.514	0.537	-0.084	0.144
84.0	0.545	0.678	-0.072	0.604	0.221
96.0	0.487	0.491	0.497	0.377	0.066

WING PRESSURE COEFFICIENTS

RUN 236 POINT 13 ALPHA 22.19 PSI 0.00 HEIGHT 99.00

X/C, X	BP 2	BP 6	BP 12	BP 16	BP 22
0.0 (UPPER)	-13.302	-7.444	-4.027	-3.304	-2.385
2.5	-4.853	-7.777	-4.234	-3.343	-2.367
5.0	-3.335	-8.198	-4.370	-3.421	-2.381
10.0	-2.991	-4.998	-4.694	-3.560	-2.542
15.0	-1.959	-2.119	-5.032	-3.868	-2.448
24.0	-1.485	-1.304	-4.539	-4.210	-2.523
33.0	-1.186	-1.132	-3.027	-4.205	-2.488
54.0	-0.755	-0.694	-0.888	-0.299	-2.858
65.0	-0.021	-1.247	-1.006	-3.231	-2.858
78.5	-0.039	-3.164	-3.331	-2.691	-3.696
79.5	-46.669	-44.669	-44.839	-35.283	-19.575
80.5	-4.089	-4.863	-7.734	-6.104	-6.104
81.5	-2.565	-1.488	-3.352	-3.653	-6.443
82.0	-0.595	-2.243	-0.174	-2.842	-4.834
84.0	-3.024	-3.036	-3.173	-3.001	-3.944
87.0	-0.837	-2.634	-1.790	-2.277	-2.771
89.0	-0.979	-1.417	-3.371	-2.179	-2.549
93.0	-0.733	-1.131	-0.974	-2.382	0.019
96.0	-0.750	-0.933	-0.381	-0.954	-3.549
100.0	-0.313	-0.240	-0.397	-0.470	-0.997
2.5 (LOWER)	0.627	0.197	0.130	0.041	0.079
5.0	0.832	0.771	0.555	0.463	0.364
10.0	0.844	0.653	0.843	0.640	0.443
24.0	0.586	0.640	0.609	0.498	0.329
33.0	0.579	0.576	0.547	0.519	0.025
54.0	-0.390	0.508	0.508	0.038	-0.610
73.5	0.891	0.674	0.659	0.260	0.179
84.0	0.817	0.817	0.011	0.651	0.232
96.0	0.664	0.676	0.629	0.478	0.029

RUN 237 POINT 3 ALPHA 0.00 PSI 0.00 HEIGHT 88.38

X/C, X	BP 2	BP 6	BP 12	BP 16	BP 22
0.0 (UPPER)	0.343	0.070	-0.356	-0.633	-1.009
2.5	-0.472	-0.643	-0.931	-1.112	-1.344
5.0	-0.452	-0.612	-0.815	-0.904	-1.002
10.0	-0.478	-0.579	-0.716	-0.814	-0.865
15.0	-0.527	-0.604	-0.657	-0.772	-0.754
24.0	-0.504	-0.556	-0.620	-0.729	-0.738
33.0	-0.534	-0.572	-0.564	-0.744	-0.746
54.0	-0.120	-0.560	-0.928	0.546	-0.927
65.0	-0.095	-1.159	-1.304	-1.361	-1.276
78.5	-0.095	-3.095	-3.763	-3.695	-4.038
79.5	-89.227	-83.291	-81.807	-67.204	-36.637
80.5	-6.420	-6.173	-5.517	-12.280	-0.335
81.5	-3.189	-1.468	-3.078	-4.698	-6.607
82.0	0.896	-2.040	2.758	-3.210	-3.887
84.0	-4.455	-3.747	-4.067	-2.244	-2.244
87.0	-0.532	-3.617	-1.341	-1.948	-1.069
89.0	-0.922	-1.437	-4.678	-1.907	-0.741
93.0	-0.564	-1.289	-0.462	-2.539	-0.074
96.0	-1.290	-1.161	0.336	-0.114	-2.510
100.0	-1.091	-1.163	-1.181	-1.091	-1.166
2.5 (LOWER)	0.121	0.203	0.264	0.295	0.346
5.0	0.108	0.121	0.186	0.217	0.203
10.0	0.074	0.142	0.107	0.159	0.106
24.0	0.048	0.052	0.099	0.049	0.006
33.0	0.054	0.082	0.095	0.112	-0.069
54.0	0.201	0.168	0.222	0.231	-1.138
73.5	0.102	0.483	0.507	0.591	0.284
84.0	0.443	0.603	-0.067	0.607	0.353
96.0	0.385	0.441	0.472	0.392	0.130

WING PRESSURE COEFFICIENTS

RUN 236 POINT 2 ALPHA -0.01 PSI 0.00 HEIGHT 89.70

X/C, X	BP 2	BP 6	BP 12	BP 16	BP 22
0.0 (UPPER)	0.315	-0.005	-0.526	-1.122	-1.410
2.5	-0.543	-0.660	-0.872	-1.212	-1.565
5.0	-0.581	-0.640	-0.913	-0.846	-0.955
10.0	-0.550	-0.561	-0.695	-0.950	-1.156
15.0	-0.557	-0.740	-0.600	-0.893	-0.733
24.0	-0.650	-0.725	-0.620	-1.058	-0.912
33.0	-0.632	-0.661	-0.701	-0.861	-0.901
54.0	-1.495	-0.986	-1.049	-1.296	-1.078
65.0	-0.286	-1.415	-1.587	-1.532	-1.332
78.5	-0.333	-4.115	-4.610	-4.501	-4.592
79.5	-150.277	-137.793	-123.171	-104.381	-60.632
80.5	-8.563	-8.134	-10.774	-20.435	-0.352
81.5	3.269	-8.817	3.309	-5.375	-8.884
82.0	3.350	-1.303	6.688	-3.276	-2.983
84.0	-6.226	-4.938	-5.182	-1.722	-2.983
87.0	0.107	-4.918	-0.610	-2.312	0.039
89.0	-0.667	-1.680	-7.762	-2.107	0.088
93.0	-0.676	-1.714	-0.136	-3.669	-0.107
96.0	-1.249	-1.522	0.674	-0.172	-3.088
100.0	-2.381	-2.202	-2.171	-2.115	-1.970
2.5 (LOWER)	0.180	0.225	0.271	0.306	0.306
5.0	0.129	0.165	0.199	0.150	0.125
10.0	0.219	0.249	0.127	0.125	-0.055
24.0	-0.014	0.026	0.054	-0.126	-0.033
33.0	0.026	0.058	0.028	0.060	-0.183
54.0	0.171	0.068	0.155	-1.499	-3.860
73.5	-2.818	0.338	0.368	-0.501	0.158
84.0	0.366	0.525	-0.155	0.519	0.282
96.0	0.501	0.298	0.323	0.187	-0.050

RUN 236 POINT 4 ALPHA 4.00 PSI 0.00 HEIGHT 87.81

X/C, X	BP 2	BP 6	BP 12	BP 16	BP 22
0.0 (UPPER)	-0.595	-1.543	-2.826	-3.840	-3.216
2.5	-1.164	-1.173	-1.584	-2.185	-2.650
5.0	-0.936	-1.101	-1.454	-1.521	-2.267
10.0	-0.829	-0.867	-1.091	-1.436	-2.213
15.0	-0.757	-1.004	-0.925	-1.289	-1.338
24.0	-0.821	-0.930	-0.862	-1.365	-1.182
33.0	-0.782	-0.841	-0.892	-1.101	-1.110
54.0	-1.523	-1.019	-1.221	-1.241	-1.336
65.0	-0.302	-1.556	-1.758	-1.782	-1.600
78.5	-0.354	-4.332	-4.893	-4.825	-5.148
79.5	-153.821	-141.291	-127.133	-107.514	-62.835
80.5	-8.748	-8.376	-11.177	-21.173	-0.411
81.5	-3.416	-8.880	-3.625	-6.216	-9.728
82.0	3.366	-1.389	6.675	-3.620	-3.596
84.0	-6.372	-5.161	-5.243	-4.273	-2.261
87.0	0.143	-5.058	-0.671	-2.533	-0.368
89.0	-0.701	-1.774	-8.062	-2.319	-0.348
93.0	-0.755	-1.821	-0.231	-3.931	-0.100
96.0	-1.347	-1.606	0.595	0.019	-3.653
100.0	-2.372	-2.217	-2.187	-2.191	-2.096
2.5 (LOWER)	0.379	0.416	0.425	0.228	0.399
5.0	0.304	0.319	0.401	0.309	0.260
10.0	0.360	0.421	0.273	0.342	0.044
24.0	0.059	0.126	0.130	-0.052	0.005
33.0	0.099	0.126	0.098	0.121	-0.168
54.0	0.208	0.084	0.168	-1.565	-3.994
73.5	-2.656	0.349	0.392	-0.537	0.052
84.0	0.337	0.560	-0.164	0.523	0.218
96.0	0.555	0.319	0.343	0.177	-0.144

WING PRESSURE COEFFICIENTS

RUN 237 POINT 9 ALPHA 11.99 PSI 0.00 HEIGHT 89.59

X/C, X	BP 2	BP 6	BP 12	BP 16	BP 22
0.0 (UPPER)	-4.489	-5.070	-3.580	-2.923	-2.338
2.5	-2.275	-4.761	-3.630	-2.835	-2.306
5.0	-1.706	-4.760	-3.604	-2.872	-2.366
10.0	-1.371	-1.058	-3.481	-3.047	-2.366
15.0	-1.250	-1.158	-3.296	-3.156	-2.254
24.0	-1.040	-1.003	-1.929	-3.148	-2.344
33.0	-0.935	-0.936	-0.919	-2.421	-2.421
54.0	-0.972	-1.254	-0.994	-0.366	-3.119
65.0	-0.099	-1.332	-1.401	-1.155	-3.538
78.5	-0.111	-3.626	-3.993	-5.739	-3.739
79.5	-83.874	-78.411	-75.885	-61.133	-36.708
80.5	-6.368	-6.106	-6.964	-12.377	-0.266
81.5	3.162	-1.993	3.423	-4.799	-9.954
82.0	0.684	-2.215	2.149	-8.804	-8.804
84.0	-4.316	-3.900	-4.023	-3.557	-5.718
87.0	-0.495	-3.643	-1.545	-2.225	-3.725
89.0	-0.885	-1.549	-4.891	-2.141	-3.007
93.0	-0.671	-1.357	-0.674	-2.729	-0.053
96.0	-0.865	-1.201	0.053	-4.335	-3.838
100.0	-1.080	-0.964	-1.038	-1.013	-1.283
2.5 (LOWER)	0.581	0.425	0.333	0.333	0.335
5.0	0.598	0.568	0.569	0.494	0.396
10.0	0.541	0.599	0.492	0.517	0.349
24.0	0.347	0.381	0.406	0.176	0.176
33.0	0.340	0.338	0.335	0.296	-0.059
54.0	0.363	0.321	0.327	-0.327	-1.928
73.5	-0.732	0.574	0.583	-0.209	0.128
84.0	0.600	0.697	-0.054	0.627	0.205
96.0	0.558	0.532	0.536	0.398	0.010

RUN 237 POINT 14 ALPHA 22.01 PSI 0.00 HEIGHT 98.86

X/C, X	BP 2	BP 6	BP 12	BP 16	BP 22
0.0 (UPPER)	-13.584	-8.207	-4.468	-3.687	-2.687
2.5	-5.124	-9.142	-4.795	-3.735	-2.675
5.0	-3.424	-9.586	-4.989	-3.868	-2.693
10.0	-2.469	-3.903	-5.655	-4.051	-2.938
15.0	-2.050	-1.841	-6.101	-4.314	-2.823
24.0	-1.571	-1.357	-4.750	-5.181	-2.956
33.0	-1.284	-1.225	-2.449	-4.908	-2.903
54.0	-1.402	-1.533	-0.924	-0.732	-3.875
65.0	-0.128	-1.481	-1.279	-1.488	-4.067
78.5	-0.147	-3.811	-4.169	-3.385	-4.934
79.5	-84.681	-80.021	-78.603	-62.015	-34.463
80.5	-6.323	-6.366	-7.081	-12.828	-0.356
81.5	-3.185	-2.091	-3.958	-5.013	-8.905
82.0	0.634	-2.299	1.787	-3.587	-5.934
84.0	-4.323	-4.150	-4.308	-4.014	-5.047
87.0	-0.482	-3.867	-1.815	-2.704	-3.308
89.0	-0.948	-1.711	-5.440	-2.589	-2.848
93.0	-0.772	-1.551	-0.948	-3.201	-0.066
96.0	-0.968	-1.359	-0.198	-4.187	-0.833
100.0	-0.907	-0.860	-0.985	-1.027	-1.356
2.5 (LOWER)	0.429	0.070	0.003	-0.118	-0.041
5.0	0.760	0.743	0.476	0.368	0.263
10.0	0.784	0.583	0.579	0.587	0.364
24.0	0.541	0.611	0.583	0.417	0.279
33.0	0.543	0.522	0.503	0.469	-0.061
54.0	0.498	0.452	0.446	-0.707	-2.313
73.5	-1.170	0.612	0.586	0.021	0.077
84.0	0.611	0.763	-0.069	0.607	0.134
96.0	0.662	0.610	0.587	0.400	-0.045

WING PRESSURE COEFFICIENTS

RUN 238 POINT 13 ALPHA 21.99 PSI 0.00 HEIGHT 99.02

X/C, Z	BP 2	BP 6	BP 12	BP 16	BP 22
0.0 (UPPER)	-14.222	-6.952	-5.078	-4.448	-3.226
2.5	-5.501	-10.783	-5.402	-4.220	-3.137
5.0	-3.730	-11.463	-5.760	-4.410	-2.969
10.0	-2.712	-3.110	-7.059	-4.734	-3.641
15.0	-2.214	-1.925	-7.589	-5.230	-3.260
24.0	-1.852	-1.651	-4.576	-6.861	-3.606
33.0	-1.493	-1.402	-1.827	-5.772	-3.475
54.0	-1.920	-1.562	-1.174	-1.528	-4.701
65.0	-0.418	-1.945	-1.799	-1.493	-5.017
78.5	-0.482	-5.049	-5.638	-4.592	-6.432
79.5	-166.345	-155.217	-143.633	-117.344	-66.029
80.5	-9.283	-9.512	-12.378	-23.194	-6.639
81.5	-3.683	-4.862	-4.815	-7.110	-13.234
82.0	-3.538	-1.811	6.647	-4.343	-7.164
84.0	-6.586	-6.138	-6.075	-5.444	-6.316
87.0	-0.352	-5.903	-1.390	-3.461	-3.592
89.0	-0.509	-2.218	-9.316	-3.082	-3.080
93.0	-0.705	-2.313	-0.672	-4.885	-0.160
96.0	-1.327	-2.024	-2.264	-4.865	-5.693
100.0	-2.123	-2.044	-2.143	-2.230	-2.348
2.5 (LOWER)	0.385	-0.054	-0.164	-0.460	-0.197
5.0	0.688	0.779	0.408	0.206	0.097
10.0	0.940	0.627	0.534	0.576	0.139
24.0	0.442	0.561	0.501	0.186	0.196
33.0	0.503	0.487	0.384	0.385	-0.219
54.0	0.475	0.327	0.366	-2.003	-4.764
73.5	-1.280	0.430	0.417	-0.371	-0.144
84.0	0.501	0.653	-0.218	0.525	0.006
96.0	0.504	0.480	0.463	0.195	-0.283

RUN 238 POINT 6 ALPHA 8.01 PSI 0.00 HEIGHT 86.75

X/C, Z	BP 2	BP 6	BP 12	BP 16	BP 22
0.0 (UPPER)	-2.189	-3.955	-3.847	-3.912	-2.346
2.5	-1.950	-2.276	-2.763	-3.229	-2.135
5.0	-1.954	-1.613	-2.515	-3.237	-1.674
10.0	-1.127	-1.201	-1.767	-3.479	-2.270
15.0	-1.017	-1.265	-1.302	-2.733	-1.806
24.0	-1.008	-1.095	-1.097	-1.452	-2.021
33.0	-0.925	-0.993	-1.080	-1.043	-1.928
54.0	-1.574	-1.164	-1.354	-1.225	-2.067
65.0	-0.302	-1.650	-1.773	-1.773	-2.274
78.5	-0.351	-4.399	-4.893	-4.875	-5.626
79.5	-155.255	-143.068	-128.854	-109.402	-63.298
80.5	-8.478	-8.495	-10.951	-21.488	-6.406
81.5	-3.493	-8.769	-3.712	-6.361	-11.043
82.0	-3.375	-1.364	6.695	-3.766	-4.997
84.0	-6.264	-5.230	-5.269	-4.499	-3.720
87.0	-0.213	-5.104	-0.712	-2.703	-1.880
89.0	-0.661	-1.774	-8.075	-2.415	-1.713
93.0	-0.791	-1.874	-0.229	-4.053	-0.112
96.0	-1.314	-1.680	0.553	-0.035	-4.699
100.0	-2.306	-2.174	-2.115	-2.170	-2.130
2.5 (LOWER)	0.579	0.514	0.432	0.203	0.354
5.0	0.428	0.478	0.499	0.376	0.286
10.0	0.541	0.572	0.379	0.455	0.096
24.0	0.172	0.256	0.239	0.025	0.038
33.0	0.223	0.217	0.181	0.185	-0.150
54.0	0.288	0.155	0.216	-1.639	-4.093
73.5	-2.705	0.365	0.401	-0.547	-0.026
84.0	0.473	0.589	-0.149	0.527	0.142
96.0	0.617	0.352	0.369	0.185	-0.205

RUN 239 POINT 2 ALPHA -0.01 PSI 0.00 HEIGHT 89.79

X/C, Z	BP 2	BP 6	BP 12	BP 16	BP 22
0.0 (UPPER)	0.299	-0.185	-0.862	-2.039	-2.081
2.5	-0.804	-0.737	-0.927	-1.465	-2.081
5.0	-0.978	-0.896	-1.264	-0.841	-0.958
10.0	-0.850	-0.573	-0.824	-1.362	-1.832
15.0	-0.861	-1.207	-0.582	-1.319	-0.755
24.0	-1.191	-1.077	-0.719	-1.846	-1.412
33.0	-1.019	-0.992	-0.912	-1.290	-1.388
54.0	-3.674	-2.882	-1.518	-3.437	-1.480
65.0	-0.745	-1.976	-2.316	-2.164	-1.484
78.5	-0.915	-5.868	-6.612	-5.995	-6.015
79.5	-313.432	-281.958	-241.744	-212.207	-122.922
80.5	-13.113	-14.441	-20.198	-39.451	-1.038
81.5	-4.670	-19.629	-3.761	-8.759	-15.702
82.0	9.288	0.455	17.512	-3.642	-3.049
84.0	-10.858	-8.862	-7.039	-6.193	-0.775
87.0	1.906	9.032	0.736	-2.916	2.732
89.0	0.091	-2.208	-14.563	-2.445	2.338
93.0	-0.598	-2.785	0.873	-6.513	-0.230
96.0	-2.028	-2.360	2.038	1.348	-4.328
100.0	-5.014	-4.714	-4.619	-4.556	-3.994
2.5 (LOWER)	0.002	0.190	0.114	-0.341	0.204
5.0	-0.091	0.259	0.137	-0.133	-0.115
10.0	0.381	0.331	-0.090	0.166	-0.455
24.0	-0.267	-0.054	-0.148	-0.657	-0.225
33.0	-0.089	-0.126	-0.242	-0.181	-0.396
54.0	0.079	-0.288	-0.104	-4.370	-10.068
73.5	-7.486	-0.062	0.046	-1.339	-0.226
84.0	0.142	0.317	-0.393	0.358	0.111
96.0	0.696	0.003	0.096	-0.267	-0.463

RUN 238 POINT 8 ALPHA 12.00 PSI 0.00 HEIGHT 86.63

X/C, Z	BP 2	BP 6	BP 12	BP 16	BP 22
0.0 (UPPER)	-4.801	-5.286	-3.667	-3.377	-2.710
2.5	-2.567	-5.136	-3.674	-2.990	-2.601
5.0	-1.948	-5.656	-3.928	-3.000	-2.360
10.0	-1.588	-0.962	-4.142	-3.375	-2.843
15.0	-1.368	-1.347	-4.101	-3.665	-2.402
24.0	-1.291	-1.252	-1.795	-4.011	-2.756
33.0	-1.126	-1.132	-0.789	-3.191	-2.853
54.0	-1.755	-1.308	-1.235	-1.347	-3.964
65.0	-0.350	-1.768	-1.644	-1.337	-4.297
78.5	-0.470	-4.792	-5.298	-4.629	-6.717
79.5	-162.851	-150.807	-137.875	-114.040	-66.195
80.5	-9.232	-9.002	-11.759	-22.236	-6.495
81.5	-3.603	-9.197	-4.142	-6.506	-13.465
82.0	3.419	-1.616	6.850	-7.334	-7.334
84.0	-6.562	-5.752	-5.634	-4.678	-6.104
87.0	0.226	-5.507	-0.951	-2.824	-3.448
89.0	-0.689	-2.004	-0.390	-2.538	-2.810
93.0	-0.777	-2.031	-0.491	-4.299	-0.136
96.0	-1.302	-1.783	0.491	-0.110	-5.337
100.0	-2.358	-2.203	-2.201	-2.238	-2.373
2.5 (LOWER)	0.577	0.470	0.358	0.084	0.218
5.0	0.680	0.595	0.540	0.364	0.237
10.0	0.245	0.654	0.449	0.513	0.133
24.0	0.289	0.336	0.319	0.059	0.094
33.0	0.232	0.280	0.239	0.233	-0.191
54.0	-2.934	0.190	0.254	-1.822	-4.432
73.5	-0.473	0.610	0.390	-0.599	-0.098
84.0	0.473	0.610	-0.182	0.533	0.063
96.0	0.683	0.385	0.391	0.170	-0.255

WING PRESSURE COEFFICIENTS

RUN 239 POINT 4 ALPHA 4.00 PSI 0.00 HEIGHT 88.32		BP 2	BP 6	BP 12	BP 16	BP 22
X/C, Z						
0.0 (UPPER)	-0.727	-1.883	-3.330	-4.801	-3.322	-3.247
2.5	-1.537	-1.296	-1.733	-3.223	-2.627	-2.978
5.0	-1.348	-1.369	-1.800	-1.768	-1.968	-2.422
10.0	-1.119	-0.951	-1.210	-1.833	-2.913	-3.516
15.0	-1.100	-1.520	-0.840	-1.892	-1.701	-2.482
24.0	-1.345	-1.340	-0.980	-2.147	-1.951	-3.263
33.0	-1.200	-1.203	-1.120	-1.552	-1.707	-3.389
54.0	-3.128	-2.255	-1.713	-2.801	-1.755	-4.528
65.0	-0.801	-2.151	-2.488	-2.402	-1.775	-4.560
78.5	-0.940	-6.129	-6.920	-6.355	-6.615	-7.861
79.5	-317.861	-287.889	-248.703	-216.477	-125.137	-125.928
80.5	-15.283	-14.757	-20.131	-40.123	-1.153	-1.409
81.5	-4.900	-19.285	-4.462	-9.202	-16.707	-20.091
82.0	9.047	0.225	17.465	-3.927	-3.844	-4.006
84.0	-11.218	-9.178	-7.209	-6.568	-1.288	-7.470
87.0	-1.703	-9.078	0.550	-3.357	2.370	-5.445
89.0	-0.039	-2.321	-14.872	-2.877	1.856	-3.492
93.0	-0.645	-2.923	0.758	-0.774	-0.280	-2.700
96.0	-2.134	-2.503	1.929	1.164	-5.224	-6.936
100.0	-4.951	-4.726	-4.631	-4.595	-4.109	-7.885
2.5 (LOWER)	0.229	0.335	0.225	-0.261	0.258	1.100
5.0	0.076	0.395	0.314	0.002	-0.017	0.155
10.0	0.505	0.488	0.093	0.294	-0.372	0.492
24.0	-0.194	-0.010	-0.038	-0.591	-0.223	-0.246
33.0	0.066	-0.053	-0.181	-0.159	-0.424	-0.075
54.0	-0.116	-0.255	-0.124	-3.943	-9.739	-0.041
73.5	-7.078	-0.070	0.001	-1.041	-0.325	-3.854
84.0	0.115	0.331	-0.411	0.342	-0.023	-0.334
96.0	0.714	0.015	0.108	-0.301	-0.582	-0.466

RUN 239 POINT 8 ALPHA 12.00 PSI 0.00 HEIGHT 85.99

X/C, Z	BP 2	BP 6	BP 12	BP 16	BP 22
0.0 (UPPER)	-4.939	-5.406	-3.907	-4.049	-3.247
2.5	-2.900	-5.089	-3.686	-3.077	-2.978
5.0	-2.253	-6.299	-4.263	-3.033	-2.422
10.0	-1.789	-0.898	-4.291	-3.753	-3.516
15.0	-1.611	-1.666	-4.350	-4.085	-2.482
24.0	-1.698	-1.557	-1.871	-4.749	-3.263
33.0	-1.471	-1.372	-0.901	-3.650	-3.389
54.0	-2.743	-1.894	-1.619	-2.210	-4.528
65.0	-0.770	-2.283	-2.444	-1.765	-4.560
78.5	-0.947	-6.434	-7.094	-5.856	-7.861
79.5	-323.871	-296.271	-259.300	-220.906	-125.928
80.5	-15.303	-15.074	-20.032	-40.242	-1.409
81.5	-5.224	-19.047	-4.627	-9.241	-20.091
82.0	9.130	-0.020	17.418	-4.006	-4.006
84.0	-11.179	-9.597	-7.434	-6.972	-7.470
87.0	2.022	-9.359	0.355	-3.492	-5.445
89.0	-0.083	-2.507	-15.291	-2.700	-3.492
93.0	-0.490	-3.077	0.596	-6.936	-2.700
96.0	-2.010	-2.718	1.903	1.100	-7.885
100.0	-4.714	-4.508	-4.421	-4.508	-4.308
2.5 (LOWER)	0.416	0.419	0.155	-0.354	0.091
5.0	0.398	0.698	0.472	0.093	0.013
10.0	0.809	0.740	0.303	0.492	-0.246
24.0	0.049	0.251	0.154	-0.280	-0.075
33.0	0.207	0.167	0.012	-0.424	-0.394
54.0	0.284	-0.113	0.062	-3.854	-9.676
73.5	-6.730	-0.003	0.090	-0.334	-0.466
84.0	0.210	0.399	-0.413	0.367	-0.178
96.0	0.831	0.119	0.184	-0.249	-0.582

RUN 239 POINT 13 ALPHA 21.99 PSI 0.00 HEIGHT 99.06

X/C, Z	BP 2	BP 6	BP 12	BP 16	BP 22
0.0 (UPPER)	-14.267	-9.291	-5.620	-5.340	-3.858
2.5	-5.658	-11.405	-5.722	-4.611	-3.673
5.0	-4.009	-12.781	-6.429	-4.789	-3.212
10.0	-2.924	-2.537	-8.429	-5.344	-4.429
15.0	-2.425	-2.144	-8.777	-6.176	-3.628
24.0	-2.215	-1.924	-3.802	-6.622	-4.240
33.0	-1.802	-1.665	-1.427	-6.176	-4.119
54.0	-2.382	-1.747	-1.582	-1.336	-5.928
65.0	-0.836	-2.424	-2.415	-1.767	-6.096
78.5	-1.000	-6.573	-7.344	-5.930	-6.452
79.5	-294.803	-266.788	-231.325	-200.474	-117.261
80.5	-14.796	-15.333	-21.265	-39.000	-1.442
81.5	-4.887	-18.149	-5.166	-8.877	-20.698
82.0	6.178	-0.606	15.306	-4.626	-9.159
84.0	-10.263	-9.888	-7.321	-7.503	-7.563
87.0	2.071	-9.454	-0.670	-4.353	-3.359
89.0	0.147	-2.741	-14.868	-3.374	-2.962
93.0	-0.421	-3.321	0.057	-7.219	-0.374
96.0	-1.742	-2.962	1.279	-0.386	-8.078
100.0	-4.081	-3.968	-4.006	-4.085	-3.968
2.5 (LOWER)	0.236	0.185	-0.400	-0.529	-0.163
5.0	0.546	0.806	0.341	-0.078	0.183
10.0	1.040	0.641	0.411	0.512	0.223
24.0	0.244	0.440	0.336	-0.244	0.012
33.0	0.441	0.367	0.191	0.167	-0.455
54.0	0.423	0.057	0.143	-3.336	-9.246
73.5	-6.365	0.082	0.112	-0.697	-0.489
84.0	0.257	0.441	-0.464	0.355	-0.235
96.0	0.911	0.238	0.297	-0.183	-0.564

RUN 239 POINT 5 ALPHA 8.00 PSI 0.00 HEIGHT 86.65

X/C, Z	BP 2	BP 6	BP 12	BP 16	BP 22
0.0 (UPPER)	-2.302	-3.975	-3.665	-3.960	-2.734
2.5	-1.705	-3.151	-2.913	-2.763	-2.371
5.0	-1.684	-1.792	-2.856	-2.772	-1.776
10.0	-1.352	-1.037	-2.763	-3.219	-2.772
15.0	-1.301	-1.558	-1.695	-3.223	-1.764
24.0	-1.436	-1.304	-0.951	-3.166	-2.399
33.0	-1.255	-1.236	-1.032	-1.770	-2.314
54.0	-2.759	-1.920	-1.629	-2.308	-2.282
65.0	-0.704	-2.103	-2.383	-2.108	-2.313
78.5	-0.847	-5.941	-6.845	-5.862	-6.947
79.5	-309.057	-281.684	-245.956	-211.136	-121.344
80.5	-14.478	-14.187	-18.879	-38.546	-1.204
81.5	-4.720	-18.232	-3.988	-8.803	-17.594
82.0	6.750	0.160	16.796	-3.775	-5.265
84.0	-10.739	-8.970	-6.932	-6.163	-2.890
87.0	1.744	-8.739	0.606	-3.204	0.525
89.0	-0.016	-2.158	-14.331	-2.494	0.239
93.0	-0.599	-2.853	0.719	-6.497	0.183
96.0	-2.058	-2.526	1.918	-1.148	-6.324
100.0	-4.588	-4.391	-4.251	-4.350	-3.896
2.5 (LOWER)	0.394	0.462	0.316	-0.191	0.255
5.0	0.272	0.571	0.459	0.080	0.080
10.0	0.698	0.689	0.241	0.453	-0.246
24.0	-0.013	0.172	0.092	-0.423	-0.118
33.0	0.141	0.112	-0.020	-0.335	-0.335
54.0	0.242	-0.109	0.053	-3.529	-9.185
73.5	-6.531	0.034	0.120	-0.851	-0.340
84.0	0.240	0.393	-0.332	0.369	-0.068
96.0	0.770	0.114	0.190	-0.206	-0.559

WING PRESSURE COEFFICIENTS

RUN 240 POINT 6 ALPHA 8.00 PSI 0.00 HEIGHT 86.07

X/C, X	BP 2	BP 6	BP 12	BP 16	BP 22
0.0 (UPPER)	-2.319	-4.036	-3.732	-4.972	-3.492
2.5	-2.064	-3.396	-2.672	-2.852	-2.838
5.0	-2.225	-2.503	-3.762	-2.613	-1.744
10.0	-1.885	-1.170	-3.216	-3.694	-3.688
15.0	-1.575	-2.169	-2.086	-3.677	-1.824
20.0	-2.060	-1.874	-0.847	-4.414	-3.100
24.0	-1.817	-1.647	-1.079	-2.675	-2.704
33.0	-3.318	-1.769	-2.260	-1.648	-2.417
54.0	-1.431	-2.847	-3.270	-2.736	-2.417
65.0	-1.688	-8.145	-9.174	-7.428	-8.594
78.5	-579.217	-521.319	-443.927	-388.855	-222.333
79.5	-23.849	-23.877	-23.849	-23.849	-22.904
80.5	-33.406	-33.406	-4.064	-13.210	-28.957
81.5	18.688	3.396	35.210	-3.390	-5.301
82.0	-18.275	-15.681	9.630	-1.148	-1.148
84.0	4.722	-15.686	2.614	-4.366	5.319
87.0	1.332	-2.701	-24.884	-2.614	4.509
89.0	-0.053	-4.357	4.425	-10.896	-0.545
93.0	-3.155	-3.894	4.425	3.365	-8.775
96.0	-8.536	-8.304	-8.029	-8.058	-6.920
100.0	0.169	0.342	-0.031	-0.310	-0.021
2.5 (LOWER)	0.133	0.624	0.228	-0.335	-0.381
5.0	0.911	0.741	-0.055	0.328	-0.925
10.0	-0.424	-0.030	-0.178	-1.199	-0.436
24.0	0.050	-0.160	-0.444	-0.460	-0.623
33.0	0.210	-0.749	-0.454	-5.033	-16.471
54.0	-11.101	-0.794	-0.586	-0.556	-1.091
73.5	-0.144	-0.023	-0.663	0.079	-0.394
84.0	0.914	-0.407	-0.167	-0.984	-1.225
96.0					

RUN 240 POINT 8 ALPHA 11.98 PSI 0.00 HEIGHT 85.05

X/C, X	BP 2	BP 6	BP 12	BP 16	BP 22
0.0 (UPPER)	-4.739	-5.467	-3.975	-4.994	-3.875
2.5	-3.245	-4.791	-3.278	-3.170	-3.387
5.0	-2.680	-6.754	-4.517	-2.958	-2.355
10.0	-2.102	-0.844	-4.320	-4.107	-4.314
15.0	-1.897	-2.152	-4.211	-4.527	-2.564
24.0	-2.330	-1.942	-1.723	-5.766	-3.658
33.0	-2.978	-1.742	-0.922	-4.188	-4.114
54.0	-2.978	-1.544	-2.184	-1.422	-4.708
65.0	-1.458	-2.917	-3.210	-2.328	-4.427
78.5	-1.704	-8.449	-9.370	-7.167	-8.862
79.5	-579.797	-523.275	-445.739	-389.290	-220.232
80.5	-24.935	-24.130	-33.275	-68.225	-3.122
81.5	-7.145	-33.239	-4.760	-13.312	-29.985
82.0	18.565	2.975	34.797	-6.438	-6.826
84.0	-18.500	-15.783	-9.638	-10.014	-3.033
87.0	4.970	-15.993	2.194	-2.779	2.779
89.0	1.473	-3.083	-25.101	-2.687	1.660
93.0	-0.059	-4.476	2.494	-10.848	-0.707
96.0	-3.123	-3.949	4.387	3.293	-11.370
100.0	-8.333	-6.152	-7.870	-7.964	-7.174
2.5 (LOWER)	0.114	0.291	-0.130	-1.034	-0.122
5.0	0.213	0.788	0.363	-0.329	-0.362
10.0	1.076	0.636	0.032	0.416	-0.867
24.0	-0.299	0.082	-0.141	-1.109	-0.344
33.0	0.219	-0.068	-0.367	-0.403	-0.600
54.0	0.320	-0.696	-0.410	-4.754	-16.290
73.5	-10.797	-0.741	-0.609	-0.454	-1.135
84.0	-0.131	0.018	-0.696	0.092	-0.475
96.0	1.024	-0.317	-0.125	-0.946	-1.314

WING PRESSURE COEFFICIENTS

RUN 240 POINT 2 ALPHA -0.02 PSI 0.00 HEIGHT 89.09

X/C, X	BP 2	BP 6	BP 12	BP 16	BP 22
0.0 (UPPER)	0.386	-0.330	-0.997	-2.990	-2.640
2.5	-0.943	-0.733	-0.718	-1.486	-2.475
5.0	-1.438	-1.075	-1.339	-0.807	-0.834
10.0	-1.167	-0.547	-0.851	-1.712	-2.632
15.0	-1.175	-1.648	-0.419	-1.730	-0.673
24.0	-1.846	-1.409	-0.723	-2.808	-1.977
33.0	-1.504	-1.400	-0.922	-1.775	-2.033
54.0	-4.203	-2.531	-2.042	-2.482	-1.777
65.0	-1.357	-2.586	-3.054	-2.731	-1.433
78.5	-1.657	-7.775	-8.783	-7.377	-1.433
79.5	-574.000	-514.072	-435.159	-384.797	-219.507
80.5	-24.587	-23.620	-23.609	-23.609	-22.768
81.5	-33.681	-33.681	-3.391	-12.957	-26.318
82.0	18.626	3.851	35.188	-3.174	-3.203
84.0	-18.072	-14.913	-9.232	-9.478	1.044
87.0	4.846	-15.116	3.110	-3.809	7.168
89.0	1.573	-2.630	-24.471	-2.351	6.339
93.0	0.032	-4.022	2.921	-10.391	-0.363
96.0	-2.675	-3.504	4.846	3.638	-6.486
100.0	-8.884	-8.493	-8.225	-8.087	-6.841
2.5 (LOWER)	-0.296	0.080	-0.217	-1.019	0.085
5.0	-0.520	0.412	-0.001	-0.561	-0.511
10.0	0.552	0.461	-0.312	0.086	-1.064
24.0	-0.636	-0.221	-0.413	-1.393	-0.470
33.0	-0.188	-0.297	-0.595	-0.561	-0.565
54.0	0.954	-0.832	-0.522	-5.944	-17.094
73.5	-11.964	-0.622	-0.526	-0.986	-0.782
84.0	-0.242	-0.058	-0.631	0.112	-0.189
96.0	0.848	-0.460	-0.255	-0.962	-1.026

RUN 240 POINT 4 ALPHA 4.01 PSI 0.00 HEIGHT 88.66

X/C, X	BP 2	BP 6	BP 12	BP 16	BP 22
0.0 (UPPER)	-0.604	-1.925	-3.459	-5.486	-3.893
2.5	-1.594	-1.316	-1.779	-3.412	-2.975
5.0	-1.436	-1.438	-1.949	-1.853	-1.825
10.0	-1.414	-0.736	-1.237	-2.229	-3.601
15.0	-1.330	-1.975	-0.793	-2.105	-1.543
24.0	-1.929	-1.710	-0.941	-3.050	-2.486
33.0	-1.664	-1.595	-1.149	-2.063	-2.259
54.0	-3.592	-1.820	-2.267	-1.818	-2.009
65.0	-1.391	-2.895	-3.213	-2.914	-1.767
78.5	-1.659	-8.022	-9.087	-7.768	-7.920
79.5	-577.768	-519.652	-441.391	-389.072	-221.681
80.5	-24.826	-23.696	-32.928	-68.471	-2.891
81.5	7.007	-33.435	-3.880	-13.181	-27.290
82.0	-18.428	3.423	35.246	-3.362	-3.651
84.0	-18.384	-18.399	-9.464	-9.717	0.480
87.0	4.929	-15.203	2.754	-2.288	6.809
89.0	1.409	-2.701	-24.768	-2.620	5.970
93.0	-0.063	-4.188	2.754	-10.652	-0.464
96.0	-2.998	-3.710	4.541	3.492	-7.080
100.0	-8.732	-6.428	-8.152	-8.051	-6.983
2.5 (LOWER)	0.093	0.271	-0.017	-0.893	0.081
5.0	-0.124	0.600	0.263	-0.356	-0.383
10.0	0.799	0.845	-0.146	0.261	-0.941
24.0	-0.485	-0.045	-0.304	-1.295	-0.434
33.0	-0.025	-0.212	-0.407	-0.512	-0.591
54.0	0.164	-0.474	-0.474	-5.253	-16.609
73.5	-11.348	-0.766	-0.580	-0.606	-0.900
84.0	-0.184	-0.014	-0.638	0.138	-0.270
96.0	0.502	-0.425	-0.193	-0.968	-1.124

WING PRESSURE COEFFICIENTS

RUN 243 POINT 5 ALPHA 4.02 PSI 0.00 HEIGHT 85.03

X/C, %	BP 2	BP 6	BP 12	BP 16	BP 22
0.0 (UPPER)	0.379	0.400	0.184	-0.216	-0.664
2.5	0.124	-0.040	-0.456	-0.736	-0.977
5.0	0.060	-0.084	-0.357	-0.605	-0.726
10.0	-0.046	-0.174	-0.343	-0.450	-0.503
15.0	-0.087	-0.185	-0.341	-0.393	-0.461
24.0	-0.124	-0.212	-0.300	-0.305	-0.345
33.0	-0.171	-0.223	-0.284	-0.301	-0.298
54.0	-0.059	-0.042	-0.310	-0.283	-0.296
55.0	0.075	-0.338	-0.379	-0.380	-0.395
78.5	0.080	-0.583	-0.597	-0.628	-0.799
79.5	-0.582	-0.624	-0.614	-0.640	-0.841
80.5	-0.559	-0.527	-0.567	-0.587	-0.833
81.5	-0.571	0.060	-0.610	-0.650	-0.763
82.0	-0.507	-0.593	-0.633	-0.624	-0.803
84.0	-0.568	-0.578	-0.745	-0.826	-0.922
87.0	-0.560	-0.561	-0.616	-0.633	-0.916
89.0	-0.521	-0.516	-0.563	-0.597	-0.837
93.0	-0.521	-0.526	-0.579	-0.599	-0.955
96.0	-0.533	-0.564	-0.571	-0.630	-0.917
100.0	-0.386	-0.433	-0.481	-0.535	-0.774
2.5 (LOWER)	-0.146	-0.075	0.188	0.330	0.363
5.0	-0.082	-0.014	0.127	0.236	0.253
10.0	-0.047	-0.040	0.103	0.147	0.177
24.0	0.025	0.009	0.071	0.106	0.081
33.0	0.008	0.058	0.094	0.123	0.056
54.0	0.140	0.157	0.194	0.235	0.439
73.5	0.682	0.527	0.617	0.617	0.449
84.0	0.475	0.581	0.654	0.606	0.534
96.0	0.218	0.269	0.254	0.266	0.140

RUN 240 POINT 13 ALPHA 21.99 PSI 0.00 HEIGHT 99.14

X/C, %	BP 2	BP 6	BP 12	BP 16	BP 22
0.0 (UPPER)	-13.333	-6.826	-5.726	-6.326	-4.528
2.5	-5.378	-10.449	-5.443	-4.688	-4.132
5.0	-4.158	-13.442	-6.574	-4.725	-3.213
10.0	-3.030	-2.298	-8.565	-5.332	-3.749
15.0	-2.571	-2.566	-8.378	-6.826	-3.749
24.0	-2.378	-2.272	-3.259	-10.043	-4.899
33.0	-2.378	-1.970	-1.191	-6.442	-4.953
54.0	-2.723	-1.762	-2.183	-1.360	-7.558
55.0	-1.558	-3.006	-3.127	-2.156	-7.478
78.5	-1.780	-8.645	-9.500	-7.210	-11.638
79.5	-560.377	-527.913	-451.391	-392.333	-224.435
80.5	-24.130	-24.928	-33.507	-68.833	-3.347
81.5	-6.464	-32.913	-5.001	-13.804	-35.341
82.0	19.435	2.567	34.493	-4.169	-12.623
84.0	-17.341	-16.297	-10.152	-10.189	-9.717
87.0	5.643	-1.846	1.838	-4.711	-2.280
89.0	2.063	-3.099	-25.442	-2.972	-1.830
93.0	0.621	-4.851	2.299	-11.060	-0.786
96.0	-2.183	-4.446	4.198	-12.123	-12.123
100.0	-7.928	-7.739	-7.652	-7.746	-7.159
2.5 (LOWER)	0.002	0.292	0.219	-1.517	-0.661
5.0	0.220	0.573	0.210	-0.503	-0.609
10.0	1.270	0.753	0.111	0.405	-0.874
24.0	-0.110	0.290	0.070	-0.968	-0.271
33.0	0.382	0.177	-0.207	-0.260	-0.677
54.0	0.478	-0.522	-0.304	-4.683	-16.246
73.5	-10.594	-0.759	-0.552	-0.451	-1.309
84.0	-0.124	0.069	0.075	0.075	-0.616
96.0	-1.126	-0.207	-0.044	-0.069	-1.312

RUN 243 POINT 7 ALPHA 7.99 PSI 0.00 HEIGHT 84.97

X/C, %	BP 2	BP 6	BP 12	BP 16	BP 22
0.0 (UPPER)	0.501	0.155	-1.030	-2.185	-2.715
2.5	-0.156	-0.437	-0.873	-1.406	-2.320
5.0	-0.235	-0.384	-0.709	-1.044	-1.939
10.0	-0.258	-0.407	-0.613	-0.787	-1.045
15.0	-0.264	-0.362	-0.551	-0.656	-0.727
24.0	-0.295	-0.359	-0.466	-0.506	-0.522
33.0	-0.150	-0.361	-0.417	-0.469	-0.444
54.0	0.055	-0.166	-0.439	0.293	-0.483
55.0	0.061	-0.501	-0.543	-0.559	-0.626
78.5	-1.173	-1.007	-1.025	-1.371	-1.371
79.5	-1.173	-1.190	-1.133	-1.179	-1.611
80.5	-1.156	-1.022	-0.969	-1.027	-1.021
81.5	-1.125	0.018	-0.977	-1.066	-1.568
82.0	-0.997	-1.019	-0.964	-1.006	-1.574
84.0	-0.784	-0.895	-1.006	-0.956	-1.651
87.0	-0.692	-0.755	-0.794	-0.856	-1.651
89.0	-0.619	-0.653	-0.692	-0.778	-1.266
93.0	-0.543	-0.553	-0.617	-0.686	-0.943
96.0	-0.486	-0.505	-0.544	-0.642	-0.943
100.0	-0.343	-0.348	-0.401	-0.484	-0.589
2.5 (LOWER)	0.137	0.229	0.397	0.478	0.481
5.0	0.116	0.152	0.318	0.408	0.428
10.0	0.106	0.185	0.262	0.304	0.318
24.0	0.121	0.118	0.183	0.218	0.136
33.0	0.106	0.153	0.187	0.212	0.037
54.0	0.210	0.221	0.252	0.210	0.415
73.5	0.659	0.533	0.564	0.556	0.431
84.0	0.544	0.641	0.639	0.601	0.460
96.0	0.272	0.337	0.315	0.315	0.174

RUN 243 POINT 3 ALPHA 0.01 PSI 0.00 HEIGHT 88.00

X/C, %	BP 2	BP 6	BP 12	BP 16	BP 22
0.0 (UPPER)	0.120	0.083	0.394	0.506	0.475
2.5	0.253	0.191	-0.054	-0.200	-0.211
5.0	0.180	0.114	-0.068	-0.298	-0.236
10.0	0.074	-0.004	-0.138	-0.221	-0.270
15.0	-0.028	-0.012	-0.181	-0.216	-0.213
24.0	-0.015	-0.092	-0.194	-0.176	-0.214
33.0	-0.078	-0.117	-0.194	-0.215	-0.214
54.0	0.017	-0.022	-0.252	0.781	-0.226
55.0	0.079	-0.279	-0.329	-0.333	-0.339
78.5	0.079	-0.541	-0.555	-0.592	-0.781
79.5	-0.566	-0.608	-0.586	-0.615	-0.848
80.5	-0.539	-0.495	-0.530	-0.548	0.030
81.5	-0.559	0.096	-0.584	-0.606	0.785
82.0	-0.472	-0.553	-0.602	-0.598	-0.804
84.0	-0.537	-0.541	-0.695	-0.927	-0.896
87.0	-0.479	-0.522	-0.571	-0.578	-0.896
89.0	-0.464	-0.469	-0.511	-0.542	-0.806
93.0	-0.471	-0.472	-0.512	-0.529	0.042
96.0	-0.471	-0.507	-0.492	-0.551	0.850
100.0	-0.349	-0.403	-0.435	-0.483	-0.647
2.5 (LOWER)	0.347	-0.383	-0.145	0.023	0.034
5.0	-0.226	-0.168	-0.110	-0.002	0.007
10.0	-0.166	-0.257	-0.061	-0.033	0.000
24.0	-0.060	-0.081	-0.020	0.011	-0.015
33.0	-0.035	-0.010	0.020	0.047	0.050
54.0	0.709	0.119	0.162	0.289	0.467
73.5	0.424	0.436	0.494	0.476	0.686
84.0	0.424	0.546	0.051	0.563	0.530
96.0	0.188	0.251	0.256	0.273	0.195



WING PRESSURE COEFFICIENTS

RUN 243 POINT 9 ALPHA 12.01 PSI 0.00 HEIGHT 83.97

X/C, X	BP 2	BP 6	BP 12	BP 16	BP 22
0.0 (UPPER)	0.239	-0.751	-3.097	-3.472	-1.553
2.5	-0.400	-0.756	-1.575	-3.223	-1.488
5.0	-0.360	-0.641	-1.093	-3.256	-1.491
10.0	-0.396	-0.592	-0.861	-0.662	-1.423
15.0	-0.402	-0.505	-0.733	-0.700	-1.436
24.0	-0.378	-0.467	-0.580	-0.577	-1.457
33.0	-0.380	-0.431	-0.494	-0.512	-1.317
54.0	-0.364	-0.230	-0.441	0.499	-0.634
65.0	0.065	-0.476	-0.494	-0.503	-0.430
78.5	-0.718	-0.770	-0.746	-0.754	-0.891
89.0	-0.710	-0.674	-0.760	-0.781	-0.953
93.0	-0.715	-0.921	-0.676	-0.708	-0.926
96.0	-0.655	-0.719	-0.723	-0.758	-0.949
100.0 (LOWER)	-0.655	-0.719	-0.731	-0.733	-0.977
2.5	-0.691	-0.706	-0.805	-0.748	-1.081
5.0	-0.664	-0.653	-0.703	-0.736	-1.055
10.0	-0.611	-0.598	-0.653	-0.700	-0.980
15.0	-0.607	-0.603	-0.666	-0.705	-0.940
24.0	-0.601	-0.621	-0.656	-0.725	-1.027
33.0	-0.399	-0.435	-0.532	-0.598	-0.881
54.0	0.275	0.400	0.479	0.508	0.481
65.0	0.246	0.281	0.445	0.508	0.478
78.5	0.230	0.339	0.385	0.418	0.392
89.0	0.213	0.211	0.275	0.300	0.201
93.0	0.182	0.220	0.251	0.273	0.043
96.0	0.241	0.258	0.282	0.176	0.384
100.0	0.619	0.521	0.563	0.485	0.433
2.5	0.528	0.642	0.043	0.597	0.459
5.0	0.270	0.310	0.279	0.268	0.109

WING PRESSURE COEFFICIENTS

RUN 244 POINT 2 ALPHA 0.00 PSI 0.00 HEIGHT 86.57

X/C, X	BP 2	BP 6	BP 12	BP 16	BP 22
0.0 (UPPER)	-1.415	-1.009	-0.635	0.322	-0.390
2.5	0.685	0.590	-0.354	-0.371	-0.892
5.0	0.573	0.506	-0.438	-0.396	-0.732
10.0	0.370	0.321	-0.581	-0.435	-0.568
15.0	0.245	0.201	-0.631	-0.471	-0.526
24.0	-0.077	-0.011	-0.574	-0.549	-0.470
33.0	-0.066	-0.130	-0.508	-0.685	-0.467
54.0	-0.623	-0.372	-0.570	-0.055	-0.635
65.0	-0.003	-0.752	-0.809	-1.340	-0.937
78.5	-0.002	-2.536	-2.825	-3.066	-3.188
89.0	-46.789	-42.982	-42.944	-35.448	-20.138
93.0	-4.185	-4.196	-3.984	-3.633	-0.659
96.0	-2.320	-0.628	-2.788	-3.594	-4.228
100.0 (LOWER)	-2.294	-1.944	0.253	-2.415	-4.228
2.5	-2.840	-2.530	-3.223	-2.535	-1.919
5.0	-0.736	-2.296	-1.449	-1.808	-1.134
10.0	-0.822	-1.141	-2.710	-1.721	-0.833
15.0	-0.503	-0.879	-0.582	-1.837	-0.027
24.0	-0.773	-0.773	-0.009	-0.558	-1.658
33.0	-0.558	-0.773	-0.204	-0.268	-0.435
54.0	-1.500	-0.863	-0.717	-0.209	0.239
65.0	-1.399	-0.815	-0.696	-0.192	0.137
78.5	-1.053	-0.842	-0.619	-0.199	0.057
89.0	-0.480	-0.529	-0.331	-0.164	-0.036
93.0	-0.261	-0.328	-0.220	-0.108	-0.015
96.0	0.021	-0.021	-0.013	-0.099	-0.025
100.0	0.279	0.143	0.185	0.197	0.380
2.5	0.202	0.229	-0.025	0.503	0.476
5.0	0.305	0.333	0.375	0.500	0.340

RUN 243 POINT 14 ALPHA 21.99 PSI 0.00 HEIGHT 94.43

X/C, X	BP 2	BP 6	BP 12	BP 16	BP 22
0.0 (UPPER)	-4.143	-4.827	-2.560	-1.871	-1.312
2.5	-1.889	-5.937	-2.717	-1.970	-1.332
5.0	-1.336	-3.110	-2.740	-2.010	-1.356
10.0	-1.061	-1.122	-2.883	-2.002	-1.339
15.0	-0.925	-1.019	-2.730	-2.036	-1.349
24.0	-0.766	-0.892	-1.979	-2.021	-1.307
33.0	-0.697	-0.814	-1.258	-1.875	-1.279
54.0	-0.625	-0.350	-0.772	0.328	-1.300
65.0	0.044	-0.754	-0.763	-0.967	-1.289
78.5	-1.438	-1.267	-1.264	-1.231	-1.386
89.0	-1.378	-1.464	-1.394	-1.457	-1.459
93.0	-1.006	-1.332	-1.213	-1.327	-1.004
96.0	-0.080	-0.080	-1.162	-1.306	-1.346
100.0 (LOWER)	-1.166	-1.247	-1.113	-1.260	-1.315
2.5	-0.821	-1.124	-1.052	-1.166	-1.342
5.0	-0.728	-0.941	-0.924	-1.025	-1.256
10.0	-0.553	-0.789	-0.865	-0.918	-1.178
15.0	-0.575	-0.815	-0.722	-0.817	-1.019
24.0	-0.526	-0.550	-0.657	-0.777	-1.072
33.0	-0.376	-0.392	-0.507	-0.641	-0.970
54.0	0.659	0.453	0.410	0.393	0.338
65.0	0.677	0.601	0.592	0.572	0.486
78.5	0.617	0.810	0.613	0.585	0.498
89.0	0.473	0.482	0.499	0.492	0.339
93.0	0.431	0.446	0.447	0.449	0.027
96.0	0.395	0.408	0.414	0.242	0.314
100.0	0.539	0.619	0.618	0.438	0.400
2.5	0.661	0.724	0.022	0.619	0.455
5.0	0.384	0.394	0.332	0.299	0.098

RUN 244 POINT 4 ALPHA 4.02 PSI 0.00 HEIGHT 86.14

X/C, X	BP 2	BP 6	BP 12	BP 16	BP 22
0.0 (UPPER)	-1.909	-0.992	-0.443	0.154	-2.739
2.5	0.534	0.455	-0.196	-0.674	-1.713
5.0	0.501	0.353	-0.324	-0.627	-1.254
10.0	0.294	0.185	-0.525	-0.634	-0.903
15.0	0.171	0.067	-0.646	-0.635	-0.766
24.0	-0.001	-0.121	-0.758	-0.647	-0.627
33.0	-0.146	-0.236	-0.827	-0.715	-0.609
54.0	-0.633	-0.425	-1.000	-0.068	-0.783
65.0	-0.010	-0.796	-1.207	-1.292	-1.131
78.5	-0.011	-2.664	-3.099	-3.331	-3.460
89.0	-46.337	-43.651	-43.704	-36.180	-21.003
93.0	-4.191	-4.406	-3.683	-7.724	-0.066
96.0	-2.499	-0.621	-3.038	-3.627	-4.813
100.0 (LOWER)	-2.144	-2.144	-0.018	-2.826	-2.968
2.5	-2.991	-2.739	-3.453	-2.573	-2.385
5.0	-0.862	-2.478	-1.683	-1.874	-1.547
10.0	-0.964	-1.318	-3.030	-1.733	-1.271
15.0	-0.640	-1.038	-0.912	-1.850	-0.034
24.0	-0.580	-0.910	-0.359	-0.536	-2.023
33.0	-0.169	-0.121	-0.174	-0.181	-0.436
54.0	-2.111	-0.965	-0.609	0.042	0.417
65.0	-1.398	-0.821	-0.553	0.027	0.343
78.5	-0.779	-0.917	-0.415	0.019	0.236
89.0	-0.264	-0.323	-0.112	0.063	0.073
93.0	-0.116	-0.126	0.004	0.115	-0.025
96.0	0.206	0.163	0.216	0.004	-0.047
100.0	0.254	0.354	0.366	0.201	0.340
2.5	0.446	0.488	-0.035	0.546	0.439
5.0	0.570	0.610	0.610	0.557	0.313

WING PRESSURE COEFFICIENTS

RUN 244 POINT 13 ALPHA 22.01 PSI 0.00 HEIGHT 93.47

X/C, X	BP 2	BP 6	BP 12	BP 16	BP 22
0.0 (UPPER)	0.847	0.446	-7.389	-9.109	-3.805
2.5	-0.060	-0.834	-2.869	-9.908	-4.105
5.0	-0.262	-0.882	-2.251	-5.312	-4.214
10.0	-0.508	-0.948	-1.790	-2.010	-4.608
15.0	-0.629	-0.976	-1.551	-1.752	-5.402
24.0	-0.779	-0.938	-1.362	-1.564	-4.561
33.0	-0.861	-1.038	-1.290	-1.474	-2.903
54.0	-0.660	-0.782	-1.476	-0.086	-1.723
65.0	-0.145	-1.494	-1.814	-1.943	-2.065
78.5	-0.151	-3.723	-4.361	-4.708	-5.621
79.5	-47.384	-4.794	-45.378	-38.510	-25.264
80.5	-5.407	-5.407	-4.794	-9.442	-0.190
81.5	-3.618	-0.536	-4.024	-5.022	-7.679
82.0	-1.606	-3.035	-0.801	-4.109	-5.587
84.0	-3.929	-3.826	-3.857	-3.683	-4.523
87.0	-1.702	-3.128	-2.211	-2.625	-3.229
89.0	-1.710	-1.906	-3.420	-2.387	-2.827
93.0	-1.240	-1.501	-1.131	-2.222	-0.150
96.0	-1.210	-1.265	-0.472	-0.738	-2.795
100.0	-0.508	-0.207	-0.325	-0.319	-0.455
2.5 (LOWER)	-0.622	0.290	0.149	0.287	-0.243
5.0	-0.309	0.420	0.413	0.278	0.215
10.0	0.047	0.374	0.484	0.500	0.393
24.0	0.288	0.404	0.487	0.483	0.321
33.0	0.337	0.427	0.485	0.472	-0.117
54.0	0.506	0.435	0.507	0.074	-0.134
73.5	0.165	0.704	0.374	0.710	0.191
84.0	0.820	0.883	-0.152	0.714	0.274
96.0	0.525	0.725	0.659	0.589	0.221

WING PRESSURE COEFFICIENTS

RUN 245 POINT 3 ALPHA 0.00 PSI 0.00 HEIGHT 85.80

X/C, X	BP 2	BP 6	BP 12	BP 16	BP 22
0.0 (UPPER)	-0.632	-0.617	-0.729	-0.078	-0.266
2.5	0.596	0.641	-0.431	-0.402	-0.890
5.0	0.396	0.357	-0.456	-0.485	-0.762
10.0	0.248	0.222	-0.426	-0.628	-0.649
15.0	0.068	-0.036	-0.377	-0.725	-0.587
24.0	-0.080	-0.169	-0.349	-0.911	-0.559
33.0	0.246	-0.158	-0.576	-1.133	-0.577
54.0	-0.076	-0.886	-0.942	-0.572	-0.790
65.0	-0.080	-2.378	-3.398	-1.475	-1.122
78.5	-0.080	-2.378	-3.398	-3.704	-3.705
79.5	-84.402	-78.293	-74.765	-61.878	-34.631
80.5	-5.924	-5.180	-6.525	-11.935	-0.100
81.5	-2.392	-0.024	-2.617	-4.598	-5.672
82.0	1.548	-1.897	3.031	-3.167	-2.550
84.0	-3.904	-2.820	-4.364	-2.919	-2.012
87.0	-0.224	-3.097	-1.136	-1.732	-0.803
89.0	-0.705	-1.217	-3.847	-1.787	-0.387
93.0	-0.406	-1.077	-2.048	-2.310	-0.091
96.0	-0.653	-1.003	0.521	-0.047	-2.159
100.0	-0.148	-0.121	-0.335	-0.756	-0.842
2.5 (LOWER)	-0.599	-0.594	-0.694	-0.555	0.096
5.0	-0.582	-0.554	-0.633	-0.585	-0.031
10.0	-0.566	-0.509	-0.642	-0.613	-0.122
24.0	-0.585	-0.638	-0.666	-0.629	-0.210
33.0	-0.634	-0.682	-0.689	-0.555	-0.084
54.0	-0.556	-0.603	-0.518	-0.300	0.117
73.5	0.475	-0.254	-0.129	0.486	0.425
84.0	0.072	-0.056	-0.057	0.568	0.586
96.0	0.081	0.165	0.358	0.550	0.376

WING PRESSURE COEFFICIENTS

RUN 244 POINT 6 ALPHA 8.02 PSI 0.00 HEIGHT 85.12

X/C, X	BP 2	BP 6	BP 12	BP 16	BP 22
0.0 (UPPER)	-1.633	-1.512	0.022	-0.715	-3.799
2.5	0.511	0.287	-0.335	-1.163	-3.072
5.0	0.353	0.137	-0.441	-0.993	-2.702
10.0	0.138	-0.056	-0.605	-0.919	-1.843
15.0	0.022	-0.159	-0.697	-0.872	-1.212
24.0	-0.136	-0.313	-0.802	-0.834	-0.853
33.0	-0.263	-0.419	-0.865	-0.873	-0.811
54.0	-0.035	-0.515	-1.143	-0.052	-1.041
65.0	-0.037	-2.897	-3.643	-1.470	-1.411
78.5	-45.405	-42.824	-43.369	-35.659	-21.935
79.5	-4.488	-4.774	-4.440	-8.187	-0.093
81.5	-2.742	-0.568	-3.455	-4.000	-5.816
82.0	-0.757	-2.453	-0.387	-3.172	-3.952
84.0	-3.196	-3.038	-3.676	-2.854	-3.260
87.0	-1.080	-2.744	-1.982	-1.983	-2.358
89.0	-1.172	-1.359	-3.288	-1.826	-2.061
93.0	-0.624	-1.248	-1.125	-1.821	-0.055
96.0	-0.091	-1.091	-0.527	-0.476	-2.530
100.0	-0.409	-0.398	-0.368	-0.273	-0.586
2.5 (LOWER)	-1.307	-1.431	0.272	0.308	0.402
5.0	-0.878	-0.368	-0.154	0.273	0.426
10.0	-0.519	-0.733	0.062	0.243	0.346
24.0	-0.111	-0.054	0.097	0.203	0.152
33.0	0.010	0.078	0.162	0.215	-0.042
54.0	0.312	0.296	0.374	0.086	-0.045
73.5	0.245	0.724	0.705	0.457	0.345
84.0	0.709	0.990	-0.056	0.835	0.448
96.0	0.664	0.777	0.726	0.703	0.283

WING PRESSURE COEFFICIENTS

RUN 244 POINT 8 ALPHA 11.98 PSI 0.00 HEIGHT 84.75

X/C, X	BP 2	BP 6	BP 12	BP 16	BP 22
0.0 (UPPER)	-0.745	-0.115	0.117	-2.923	-3.762
2.5	0.380	0.041	-0.762	-1.793	-3.711
5.0	0.188	-0.115	-0.734	-1.446	-3.910
10.0	-0.045	-0.293	-0.820	-1.251	-3.895
15.0	-0.169	-0.395	-0.857	-1.152	-2.741
24.0	-0.327	-0.521	-0.916	-1.062	-1.095
33.0	-0.438	-0.615	-0.959	-1.078	-0.856
54.0	-0.592	-0.594	-1.243	-0.038	-1.240
65.0	-0.057	-1.129	-1.583	-1.644	-1.733
78.5	-0.064	-1.187	-3.876	-4.019	-5.141
79.5	-45.664	-43.354	-45.829	-36.419	-24.043
80.5	-4.656	-5.065	-4.480	-8.563	-0.113
81.5	-2.997	-3.553	-3.613	-4.342	-7.056
82.0	-1.021	-2.703	-0.490	-3.480	-5.060
84.0	-3.436	-3.284	-3.720	-3.142	-4.171
87.0	-1.303	-2.922	-2.056	-2.212	-3.077
89.0	-1.383	-1.740	-3.317	-2.043	-2.708
93.0	-1.000	-1.402	-1.142	-1.986	-0.089
96.0	-0.977	-1.214	-0.543	-0.607	-2.824
100.0	-0.549	-0.493	-0.609	-0.433	-0.662
2.5 (LOWER)	-0.623	-0.560	0.073	0.349	0.248
5.0	-0.672	-0.102	0.095	0.384	0.411
10.0	-0.313	-0.325	0.134	0.365	0.399
24.0	0.018	0.105	0.214	0.232	0.219
33.0	0.118	0.260	0.279	0.260	-0.056
54.0	0.369	0.345	0.391	0.052	-0.056
73.5	0.235	0.795	0.878	0.350	0.350
84.0	0.905	1.054	-0.078	1.068	0.480
96.0	0.697	0.725	0.702	0.797	0.316

WING PRESSURE COEFFICIENTS

RUN 245 POINT 5 ALPHA 4.01 PSI 0.00 HEIGHT 85.04

X/C, X	BP 2	BP 6	BP 12	BP 16	BP 22
0.0 (UPPER)	-0.662	-0.526	-0.545	-0.085	-2.034
2.5	0.551	0.511	-0.307	-0.581	-1.510
5.0	0.536	0.457	-0.478	-0.621	-1.121
10.0	0.363	0.319	-0.668	-0.688	-0.853
15.0	0.214	0.176	-0.802	-0.752	-0.726
24.0	0.038	-0.080	-0.884	-0.811	-0.643
33.0	-0.133	-0.199	-0.911	-0.907	-0.638
54.0	-0.153	-0.239	-0.963	-0.413	-0.831
65.0	-0.076	-0.875	-1.163	-1.677	-1.169
78.5	-0.082	-3.060	-3.407	-4.139	-3.826
80.5	-84.369	-78.433	-74.747	-62.333	-34.786
81.5	-6.055	-5.337	-11.921	-6.404	-0.090
82.0	-2.508	-0.130	-2.719	-4.692	-5.927
84.0	1.422	1.842	2.907	-3.270	-2.813
88.0	-3.980	-3.104	-4.450	-2.077	-1.001
89.0	-0.607	-3.219	-1.307	-2.037	-0.639
93.0	-0.503	-1.361	-4.037	-2.159	-0.492
96.0	-0.738	-1.202	-0.492	-2.702	-0.092
100.0 (LOWER)	-0.956	-1.105	0.238	-0.440	-2.454
2.5	-0.855	-0.427	-0.343	-0.578	-0.781
5.0	-0.842	-0.465	-0.509	-0.350	-0.216
10.0	-0.562	-0.427	-0.585	-0.385	-0.087
24.0	-0.461	-0.540	-0.568	-0.428	-0.058
33.0	-0.507	-0.586	-0.578	-0.338	-0.090
54.0	-0.402	-0.438	-0.282	-0.271	0.022
73.5	0.345	-0.025	0.132	0.421	0.425
84.0	0.190	0.171	-0.059	0.754	0.589
96.0	0.268	0.431	0.590	0.729	0.391

WING PRESSURE COEFFICIENTS

RUN 245 POINT 9 ALPHA 12.00 PSI 0.00 HEIGHT 82.32

X/C, X	BP 2	BP 6	BP 12	BP 16	BP 22
0.0 (UPPER)	-2.650	-1.397	-0.145	-1.235	-4.905
2.5	0.534	0.214	-0.513	-1.612	-4.671
5.0	0.356	0.047	-0.668	-1.362	-4.855
10.0	0.118	-0.136	-0.849	-1.283	-3.368
15.0	-0.056	-0.290	-0.955	-1.248	-1.696
24.0	-0.251	-0.480	-1.088	-1.227	-1.093
33.0	-0.414	-0.607	-1.178	-1.217	-1.067
54.0	-0.062	-0.397	-1.536	-0.224	-1.479
65.0	-0.139	-1.216	-1.926	-1.970	-1.970
78.5	-0.164	-3.635	-4.645	-4.898	-6.009
80.5	-83.707	-78.178	-76.127	-62.998	-38.877
81.5	-6.546	-6.186	-13.026	-13.026	-0.090
82.0	-3.119	-0.203	-3.720	-5.534	-8.953
84.0	0.717	-2.486	-1.569	-4.000	-5.616
88.0	-4.532	-3.794	-5.886	-4.567	-4.567
89.0	-0.697	-3.816	-2.073	-2.472	-3.088
93.0	-1.353	-1.984	-4.911	-2.643	-2.643
96.0	-0.995	-1.303	-1.303	-2.917	-0.156
100.0 (LOWER)	-1.129	-1.602	-0.537	-0.773	-3.773
2.5	-1.085	-0.993	-0.846	-0.787	-1.026
5.0	-1.888	-1.505	-0.280	-0.280	-0.210
10.0	-1.207	-0.777	-0.233	0.247	0.389
24.0	-0.727	-1.353	-0.151	0.267	0.365
33.0	-0.183	-0.101	0.078	0.198	0.199
54.0	0.004	0.069	0.159	0.215	-0.126
73.5	0.339	0.332	0.409	-0.070	-0.112
84.0	0.164	0.807	0.714	0.544	0.307
84.0	0.908	1.128	-0.128	0.882	0.445
96.0	0.824	0.895	0.810	0.727	0.256

RUN 245 POINT 7 ALPHA 8.02 PSI 0.00 HEIGHT 85.35

X/C, X	BP 2	BP 6	BP 12	BP 16	BP 22
0.0 (UPPER)	-1.658	-1.072	-0.424	-0.282	-4.871
2.5	0.599	0.340	-0.448	-0.987	-3.213
5.0	0.454	0.215	-0.609	-0.895	-2.274
10.0	0.252	0.041	-0.767	-0.909	-1.367
15.0	0.080	-0.083	-0.875	-0.939	-1.036
24.0	-0.087	-0.271	-1.011	-0.930	-0.892
33.0	-0.236	-0.306	-1.078	-0.988	-0.888
54.0	-0.087	-0.306	-1.340	-1.137	-0.888
65.0	-0.093	-0.981	-1.661	-1.783	-1.517
78.5	-0.111	-3.257	-4.132	-4.522	-4.769
80.5	-85.890	-80.257	-78.735	-65.087	-37.214
81.5	-6.231	-5.804	-6.412	-12.601	-0.065
82.0	-2.717	-0.187	-3.365	-5.094	-7.396
84.0	1.218	-2.086	2.395	-3.617	-4.127
88.0	-4.227	-3.405	-4.960	-3.431	-3.334
89.0	-0.510	-3.516	-1.781	-2.197	-2.058
93.0	-1.009	-1.541	-4.656	-2.302	-1.662
96.0	-0.679	-1.478	-1.020	-2.773	-0.115
100.0 (LOWER)	-0.891	-1.360	-0.255	-0.416	-3.278
2.5	-0.430	-0.353	-0.438	-0.554	-0.871
5.0	-1.796	-0.950	-0.605	0.040	0.380
10.0	-1.614	-0.858	-0.512	0.005	0.386
24.0	-1.141	-0.947	-0.425	0.015	0.282
33.0	-0.428	-0.416	-0.140	0.026	0.096
54.0	-0.191	-0.208	-0.058	0.130	-0.093
73.5	0.151	0.115	0.177	-0.182	-0.055
84.0	0.247	0.327	0.380	0.379	0.346
84.0	0.406	0.473	-0.085	0.684	0.498
96.0	0.694	0.660	0.603	0.674	0.320

RUN 245 POINT 14 ALPHA 22.03 PSI 0.00 HEIGHT 96.51

X/C, X	BP 2	BP 6	BP 12	BP 16	BP 22
0.0 (UPPER)	-0.413	0.734	-1.303	-7.364	-6.138
2.5	0.207	-0.558	-1.962	-3.588	-6.459
5.0	-0.074	-0.658	-1.684	-2.787	-7.137
10.0	-0.356	-0.772	-1.615	-2.356	-7.892
15.0	-0.545	-0.906	-1.509	-2.119	-4.794
24.0	-0.746	-1.003	-1.492	-1.893	-2.539
33.0	-0.668	-1.097	-1.472	-1.775	-2.113
54.0	-0.006	-1.260	-1.848	0.100	-2.283
65.0	-0.268	-1.559	-2.287	-2.471	-2.707
78.5	-0.302	-4.338	-5.317	-5.912	-7.528
80.5	-85.436	-79.655	-78.588	-66.119	-41.713
81.5	-7.424	-7.004	-7.649	-14.370	-0.248
82.0	-4.035	-0.130	-4.255	-6.468	-10.684
84.0	-0.273	-2.981	1.526	-4.883	-7.128
88.0	-5.414	-4.303	-5.238	-4.519	-5.572
89.0	-1.742	-4.242	-3.358	-2.985	-3.599
93.0	-2.026	-2.361	-1.402	-2.990	-3.030
96.0	-1.613	-2.070	-1.402	-3.234	-0.254
100.0 (LOWER)	-1.222	-0.956	-1.014	-0.774	-3.721
2.5	-0.993	0.043	0.377	-0.103	-0.607
5.0	-0.592	0.300	0.385	0.192	0.048
10.0	-0.164	0.186	0.352	0.389	0.309
24.0	0.186	0.337	0.428	0.363	0.282
33.0	0.330	0.406	0.440	0.420	0.213
54.0	0.535	0.431	0.503	-0.119	-0.227
73.5	0.047	0.754	0.748	0.805	0.244
84.0	1.010	0.998	-0.231	0.870	0.457
96.0	0.726	0.739	0.663	0.591	0.223

WING PRESSURE COEFFICIENTS

RUN 246 POINT 2 ALPHA		0.01 PSI		0.00 HEIGHT		89.92		BP 2		BP 6		BP 12		BP 16		BP 22	
X/C, Z																	
0.0 (UPPER)		-0.702	-0.841	-1.032	-0.582	-0.355											
2.5		0.713	0.768	0.316	-0.375	-1.071											
5.0		0.555	0.648	0.174	-0.444	-0.800											
10.0		0.408	0.500	0.059	-0.682	-0.903											
15.0		0.267	0.333	-0.027	-0.789	-0.950											
24.0		-0.083	0.006	-0.220	-0.964	-0.735											
33.0		-0.252	-0.257	-0.269	-0.986	-0.848											
54.0		-0.991	-1.136	-0.805	-0.805	-0.867											
65.0		-0.932	-1.071	-1.260	-0.530	-1.162											
78.5		-0.284	-3.734	-4.589	-4.719	-4.414											
79.5		-155.524	-142.957	-130.927	-110.346	-81.317											
80.5		-8.313	-7.447	-10.514	-19.803	-0.200											
81.5		-2.585	-1.080	-2.348	-5.874	-8.300											
82.0		4.531	0.764	6.342	3.114	-2.691											
84.0		-5.748	-4.038	-5.185	-3.531	-1.502											
87.0		0.708	-4.610	-0.659	-1.606	0.291											
89.0		-0.464	-1.408	-6.068	-1.876	0.479											
93.0		-0.274	-1.454	0.215	-3.336	-0.188											
95.0		-0.882	-1.399	1.303	0.664	-2.944											
100.0		-0.536	-0.677	-1.537	-1.782	-1.645											
2.5 (LOWER)		-0.865	-0.926	-0.926	-1.065	0.065											
5.0		-0.609	-0.632	-0.755	-0.953	0.153											
10.0		-0.636	-0.605	-0.880	-0.830	-0.328											
24.0		-0.634	-0.780	-0.908	-1.043	-0.364											
33.0		-0.711	-0.903	-0.995	-0.942	-0.088											
54.0		-0.782	-1.062	-0.960	-1.312	-1.452											
73.5		-0.940	-0.780	-0.636	-0.433	0.282											
84.0		-0.665	-0.366	-0.137	0.542	0.640											
96.0		0.017	-0.017	0.144	0.438	0.346											

RUN 246 POINT 6 ALPHA 8.00 PSI 0.00 HEIGHT 84.01

RUN 246 POINT 8 ALPHA		11.99 PSI		0.00 HEIGHT		86.43		BP 2		BP 6		BP 12		BP 16		BP 22	
X/C, Z																	
0.0 (UPPER)		-0.838	-0.825	-0.754	-0.904	-0.821											
2.5		0.540	0.325	-0.711	-1.016	-0.661											
5.0		0.329	0.138	-0.971	-1.016	-0.795											
10.0		0.154	0.062	-1.030	-1.175	-0.958											
15.0		-0.055	-0.270	-1.059	-1.262	-1.336											
24.0		-0.380	-0.416	-1.260	-1.463	-1.345											
33.0		-0.506	-0.586	-1.326	-1.652	-1.423											
54.0		-0.809	-0.862	-1.826	-0.577	-1.613											
65.0		-0.289	-1.243	-2.189	-2.526	-2.080											
78.5		-0.341	-4.142	-5.419	-6.063	-6.896											
79.5		-158.504	-146.474	-135.924	-115.047	-67.073											
80.5		-9.161	-8.210	-11.038	-21.339	-0.319											
81.5		-3.183	-0.962	-3.472	-7.327	-11.996											
82.0		4.085	-1.473	7.443	-4.591	-3.888											
84.0		-6.339	-4.795	-6.272	-4.954	-4.383											
87.0		0.213	-5.337	-1.525	-2.964	-2.246											
89.0		-0.882	-2.061	-7.107	-3.094	-1.939											
93.0		-0.601	-2.111	-0.845	-4.462	-0.246											
96.0		-1.160	-1.993	0.175	-0.280	-5.113											
100.0		-0.641	-0.723	-1.095	-1.500	-1.739											
2.5 (LOWER)		-0.947	-0.710	-0.930	-0.420	0.310											
5.0		-0.912	-0.660	-0.758	-0.420	0.327											
10.0		-0.703	-0.643	-0.849	-0.310	0.213											
24.0		-0.867	-0.797	-0.711	-0.411	0.065											
33.0		-0.738	-0.839	-0.598	-0.186	-0.144											
54.0		-0.072	-0.369	-0.374	-0.856	-1.364											
73.5		-0.880	0.083	0.374	-0.392	0.265											
84.0		0.407	0.500	-0.191	1.030	0.593											
96.0		0.616	0.730	0.855	0.860	0.310											

RUN 246 POINT 4 ALPHA 4.00 PSI 0.00 HEIGHT 86.40

WING PRESSURE COEFFICIENTS

RUN 246 POINT 13 ALPHA		22.00 PSI		0.00 HEIGHT		97.87	
X/C, Z	BP 2	BP 6	BP 12	BP 16	BP 22	BP 22	BP 22
0.0 (UPPER)	-3.191	-1.727	-0.454	-3.387	-8.193		
2.5	0.417	-0.001	-0.873	-2.680	-6.446		
5.0	0.129	-0.277	-1.188	-2.194	-8.847		
10.0	-0.129	-0.375	-1.283	-2.109	-5.912		
15.0	-0.359	-0.806	-1.309	-2.064	-3.240		
24.0	-0.770	-0.927	-1.528	-2.130	-2.279		
33.0	-0.908	-1.133	-1.610	-2.090	-2.283		
54.0	-0.760	-1.305	-2.342	-2.546	-2.546		
65.0	-0.455	-1.789	-2.814	-2.950	-3.026		
78.5	-0.532	-5.078	-6.479	-6.812	-6.641		
79.5	-161.122	-148.546	-137.521	-116.303	-70.539		
80.5	-10.503	-9.511	-12.325	-22.449	-0.516		
81.5	-4.488	-0.916	-4.234	-6.019	-14.040		
82.0	2.842	-2.368	6.849	5.214	-7.644		
84.0	7.671	-5.744	-6.759	-5.794	-5.708		
87.0	1.016	-6.168	-2.195	-3.368	-3.005		
89.0	-1.950	-2.841	-7.824	-3.419	-2.544		
93.0	-1.477	-2.771	-1.447	-4.753	-0.407		
96.0	-1.929	-2.550	-0.377	-0.467	-5.148		
100.0	-2.419	-2.419	-2.281	-1.948	-0.144		
2.5 (LOWER)	-3.469	-1.757	-0.387	0.144	-0.546		
5.0	-2.179	-0.773	-0.134	0.208	0.060		
10.0	-0.918	-1.400	-0.152	0.337	0.266		
24.0	-0.266	0.032	0.120	0.123	0.232		
33.0	0.215	0.220	0.208	0.272	-0.288		
54.0	-0.579	0.336	0.447	-0.789	-1.445		
73.5	-0.953	0.863	0.962	-0.474	0.101		
84.0	1.198	1.463	-0.362	1.181	0.435		
96.0	0.990	0.979	1.050	0.896	0.194		

WING PRESSURE COEFFICIENTS

RUN 247 POINT 4 ALPHA		4.01 PSI		0.00 HEIGHT		87.82	
X/C, Z	BP 2	BP 6	BP 12	BP 16	BP 22	BP 22	BP 22
0.0 (UPPER)	-1.017	-1.312	-1.525	-1.187	-1.529		
2.5	0.614	0.860	0.652	-0.425	-1.966		
5.0	0.370	0.605	0.248	-0.543	-1.235		
10.0	0.306	0.723	0.127	-0.980	-1.484		
15.0	0.043	0.056	0.071	-1.143	-0.857		
24.0	-0.398	-0.091	-0.287	-1.456	-1.420		
33.0	-1.938	-0.462	-0.353	-1.437	-1.420		
54.0	-1.611	-1.323	-1.517	-1.517	-1.204		
65.0	-0.518	-1.445	-1.898	-2.119	-1.456		
78.5	-0.619	-4.992	-6.558	-6.573	-5.885		
79.5	-308.527	-279.983	-246.599	-213.631	-118.433		
80.5	-13.401	-12.490	-18.251	-36.051	-0.644		
81.5	-2.989	-2.254	-1.854	-8.630	-14.096		
82.0	11.480	0.948	19.355	-3.669	-2.849		
84.0	-9.951	-6.357	-8.146	-5.026	-1.028		
87.0	2.358	-7.938	0.318	-1.689	2.189		
89.0	0.131	-1.747	-10.633	-2.141	2.319		
93.0	0.159	-2.318	1.174	-5.718	-0.429		
96.0	-1.335	-2.352	2.999	1.912	-4.800		
100.0	-1.568	-2.079	-3.321	-3.571	-3.166		
2.5 (LOWER)	-1.350	-1.100	-1.604	-1.940	0.207		
5.0	-1.451	-0.945	-1.218	-1.667	-0.173		
10.0	-0.957	-0.910	-1.472	-1.357	-0.464		
24.0	-1.522	-1.235	-1.490	-1.761	-0.503		
33.0	-1.089	-1.460	-1.633	-1.554	-0.166		
54.0	-1.160	-1.823	-1.632	-2.339	-3.609		
73.5	-2.398	-1.443	-1.040	-1.464	-0.046		
84.0	-0.212	-0.576	-0.305	0.536	0.525		
96.0	-0.028	-0.113	-0.040	0.287	0.149		

RUN 247 POINT 6 ALPHA		7.99 PSI		0.00 HEIGHT		87.69	
X/C, Z	BP 2	BP 6	BP 12	BP 16	BP 22	BP 22	BP 22
0.0 (UPPER)	-0.972	-1.233	-1.552	-1.967	-1.283		
2.5	0.610	0.563	-0.396	-1.097	-1.843		
5.0	0.368	0.506	-0.687	-1.159	-1.282		
10.0	0.363	0.707	-0.590	-1.553	-1.501		
15.0	0.121	0.095	-0.460	-1.783	-0.930		
24.0	-0.314	-0.048	-0.562	-2.184	-1.227		
33.0	-0.464	-0.371	-0.488	-2.244	-1.542		
54.0	-1.341	-1.619	-1.192	-1.215	-1.441		
65.0	-0.425	-1.314	-1.593	-2.347	-1.782		
78.5	-0.532	-4.944	-5.640	-5.763	-6.702		
79.5	-297.550	-270.982	-235.825	-204.473	-116.180		
80.5	-13.067	-12.302	-16.746	-34.005	-0.545		
81.5	-2.922	-2.034	-1.469	-8.105	-14.843		
82.0	10.993	0.584	18.883	-3.455	-3.889		
84.0	-9.464	-6.495	-7.695	-4.861	-2.032		
87.0	2.348	-7.856	0.434	-1.697	1.417		
89.0	0.060	-1.830	-10.016	-2.063	1.356		
93.0	0.184	-2.395	1.234	-3.495	-0.364		
96.0	-1.194	-2.432	2.942	-1.702	-5.916		
100.0	-1.335	-1.527	-2.279	-3.023	-3.012		
2.5 (LOWER)	-1.350	-1.121	-1.656	-1.878	0.123		
5.0	-1.337	-0.977	-1.245	-1.715	-0.200		
10.0	-0.961	-0.932	-1.523	-1.437	-0.401		
24.0	-1.540	-1.266	-1.523	-1.697	-0.399		
33.0	-1.168	-1.480	-1.612	-1.437	-0.134		
54.0	-0.843	-1.635	-1.245	-2.092	-3.284		
73.5	-2.304	-1.004	-0.470	-1.208	-0.183		
84.0	-0.049	-0.214	-0.249	0.833	0.749		
96.0	0.031	0.138	0.589	0.662	0.334		

RUN 247 POINT 2 ALPHA		0.01 PSI		0.00 HEIGHT		89.40	
X/C, Z	BP 2	BP 6	BP 12	BP 16	BP 22	BP 22	BP 22
0.0 (UPPER)	-1.117	-1.438	-0.831	0.308	-0.213		
2.5	0.598	0.899	2.045	0.062	-1.108		
5.0	0.367	0.658	0.894	-0.247	-0.675		
10.0	0.303	0.759	0.211	-0.832	-1.181		
15.0	0.087	0.091	0.134	-0.965	-0.559		
24.0	-0.424	-0.100	-0.196	-1.206	-0.957		
33.0	-0.582	-0.459	-0.240	-1.158	-1.296		
54.0	-2.068	-2.356	-1.258	-2.006	-0.986		
65.0	-0.546	-1.461	-1.845	-1.807	-1.207		
78.5	-0.676	-5.101	-6.742	-5.358	-5.358		
79.5	-320.431	-289.984	-255.188	-220.589	-121.973		
80.5	-13.871	-12.899	-19.134	-36.968	-0.550		
81.5	-3.100	-2.700	-1.740	-8.526	-13.950		
82.0	11.850	1.342	20.407	-3.180	-2.282		
84.0	-10.151	-6.473	-8.253	-4.666	-2.828		
87.0	2.604	-8.178	0.444	-1.445	2.828		
89.0	0.112	-1.728	-11.021	-1.899	2.915		
93.0	0.108	-2.248	1.266	-5.813	-0.422		
96.0	-1.441	-2.301	3.177	-2.170	-4.357		
100.0	-3.096	-3.622	-4.030	-3.808	-3.365		
2.5 (LOWER)	-1.418	-1.187	-2.028	-2.467	-0.000		
5.0	-1.597	-1.002	-1.566	-1.844	-0.341		
10.0	-1.021	-0.970	-1.875	-1.281	-0.524		
24.0	-1.609	-1.296	-1.749	-1.548	-0.411		
33.0	-1.104	-1.526	-1.767	-1.159	-0.187		
54.0	-1.031	-1.791	-1.388	-2.890	-4.053		
73.5	-3.006	-1.236	-0.516	-1.927	-0.154		
84.0	-0.034	-0.307	-0.310	0.468	0.396		
96.0	0.151	-0.110	0.037	0.117	-0.016		

WING PRESSURE COEFFICIENTS

RUN 247 POINT 8 ALPHA 11.99 PSI 0.00 HEIGHT 88.57		RUN 248 POINT 2 ALPHA 0.00 PSI 0.00 HEIGHT 88.51									
X/C, Z	BP 2	BP 6	BP 12	BP 16	BP 22	X/C, Z	BP 2	BP 6	BP 12	BP 16	BP 22
0.0 (UPPER)	-1.212	-1.425	-1.593	-2.408	-3.199	0.0 (UPPER)	-1.919	-2.608	-2.700	-0.175	-0.182
2.5	0.519	0.517	-1.181	-1.652	-2.798	2.5	0.365	1.007	1.777	0.100	-0.148
5.0	0.256	0.296	-1.553	-1.647	-1.928	5.0	-0.928	0.481	0.451	-0.284	-0.612
10.0	0.220	0.592	-1.373	-2.053	-2.025	10.0	0.130	0.962	-0.050	-1.053	-1.551
15.0	-0.069	-0.133	-1.066	-2.331	-1.420	15.0	-0.452	-0.285	0.266	-1.270	-0.578
24.0	-0.534	-0.233	-1.169	-2.808	-1.674	24.0	-1.197	-0.259	-0.191	-1.676	-1.337
33.0	-0.690	-0.561	-1.027	-2.877	-2.009	33.0	-1.292	-0.875	-0.198	-1.725	-1.944
54.0	-1.351	-1.621	-1.773	-1.195	-2.016	54.0	-2.593	3.145	-1.834	-2.203	-1.256
65.0	-0.555	-1.559	-2.215	-3.247	-2.533	65.0	-0.972	-2.037	-2.474	-2.316	-1.516
78.5	-0.664	-5.505	-6.873	-7.403	-8.470	78.5	-1.153	-7.150	-8.296	-7.854	-7.286
79.5	-327.984	-299.553	-264.718	-228.735	-199.763	79.5	-636.312	-572.043	-483.269	-429.672	-237.024
80.5	-14.872	-13.516	-18.937	-38.620	-0.694	80.5	-24.063	-21.221	-31.632	-66.660	-1.193
81.5	-3.472	-2.095	-2.454	-10.234	-17.683	81.5	-2.957	3.711	2.053	-12.399	-24.099
82.0	11.795	0.448	19.909	-4.868	-5.592	82.0	27.150	5.316	44.771	-2.742	-1.608
84.0	-10.756	-7.323	-9.356	-6.410	-3.682	84.0	-18.328	-10.534	-14.059	-5.969	0.619
87.0	-2.368	-8.941	-0.079	-2.824	-0.008	87.0	6.262	-15.040	3.480	-0.512	6.888
89.0	-0.149	-2.302	-11.602	-3.128	0.077	89.0	1.226	-3.431	-19.601	-1.460	7.470
93.0	0.005	-2.948	0.830	-6.774	-0.484	93.0	0.997	-3.707	3.560	-9.901	-0.733
95.0	-1.469	3.013	2.692	1.259	-7.806	95.0	-2.279	4.108	6.797	5.202	-7.411
100.0 (LOWER)	-1.692	-1.864	-2.611	-3.455	-3.385	100.0 (LOWER)	-8.312	-8.368	-8.162	-7.877	-6.648
2.5	-1.550	-1.295	-1.756	-1.980	-0.370	2.5	-2.972	-2.216	-4.389	-3.979	-0.359
5.0	-1.638	-1.163	-1.392	-1.816	0.045	5.0	-3.000	-1.900	-3.296	-2.926	-0.763
10.0	-1.168	-1.113	-1.707	-1.528	-0.191	10.0	-2.104	-1.865	-3.636	-1.937	-0.972
24.0	-1.765	-1.507	-1.719	-1.654	-0.203	24.0	-3.223	-2.640	-3.012	-2.140	-0.632
33.0	-1.363	-1.704	-1.756	-1.220	-0.248	33.0	-2.289	-3.104	-2.843	-1.547	-0.403
54.0	-0.754	-1.602	-1.022	-2.168	-3.468	54.0	-1.132	-2.557	-1.461	-4.258	-6.913
73.5	-2.416	-0.836	-0.096	-1.209	0.108	73.5	-4.828	-1.204	-0.667	-2.349	-0.779
84.0	0.170	0.027	-0.358	1.170	0.732	84.0	0.174	0.105	-0.594	-0.011	-0.011
96.0	0.102	0.370	0.952	0.689	0.268	96.0	0.045	-0.204	-0.221	-0.484	-0.577

WING PRESSURE COEFFICIENTS

RUN 247 POINT 13 ALPHA 22.00 PSI 0.00 HEIGHT 98.57		RUN 248 POINT 4 ALPHA 3.99 PSI 0.00 HEIGHT 87.44									
X/C, Z	BP 2	BP 6	BP 12	BP 16	BP 22	X/C, Z	BP 2	BP 6	BP 12	BP 16	BP 22
0.0 (UPPER)	-1.380	-1.538	-1.630	-2.060	-11.147	0.0 (UPPER)	-1.830	-2.375	-1.761	0.455	-1.342
2.5	0.375	0.107	-1.313	-1.779	-8.197	2.5	0.340	0.843	2.560	-0.191	-2.104
5.0	-0.116	-0.204	-1.813	-1.705	-5.512	5.0	0.045	0.444	0.895	-0.641	-1.295
10.0	-0.448	-0.830	-1.837	-2.024	-3.860	10.0	0.099	0.815	0.128	-1.359	-1.825
15.0	-1.009	-0.900	-2.049	-2.219	-2.637	15.0	-0.167	0.265	0.077	-1.520	-0.899
24.0	-1.183	-1.283	-2.168	-2.978	-2.695	24.0	-0.806	-0.372	-0.422	-1.770	-1.462
33.0	-0.979	-1.262	-3.215	-0.754	-3.013	33.0	-1.002	-0.790	-0.378	-1.804	-2.009
54.0	-0.726	-2.078	-3.729	-4.342	-3.978	54.0	-2.154	-2.465	-1.854	-1.576	-1.424
65.0	-0.887	-6.355	-8.597	-9.807	-11.527	65.0	-0.925	-1.972	-2.475	-2.436	-1.690
78.5	-334.267	-295.085	-260.724	-228.498	-133.796	78.5	-583.565	-525.232	-452.623	-397.551	-218.348
80.5	-15.395	-14.603	-20.807	-41.072	-0.789	80.5	-22.333	-19.978	-31.051	-63.051	-1.043
81.5	-4.536	-1.701	-3.958	-12.408	-21.542	81.5	-2.930	-2.889	0.090	-22.536	-22.536
82.0	10.830	-0.576	18.145	-6.999	-9.174	82.0	24.739	4.504	39.855	-3.441	-2.204
84.0	-11.685	-8.134	-10.941	-8.308	-6.778	84.0	-17.428	-9.826	-14.145	-6.093	-0.072
87.0	1.200	-9.811	-1.491	-4.603	-2.507	87.0	5.388	-13.949	2.420	-1.074	5.830
89.0	-1.668	-3.397	-13.085	-4.911	-1.843	89.0	0.955	-2.325	-18.552	-1.960	6.428
93.0	-0.720	-3.765	-0.981	-8.249	-0.681	93.0	0.732	-3.483	3.075	-9.558	-0.751
96.0	-2.007	-3.713	0.728	0.002	-8.474	96.0	-2.235	-8.805	6.196	-4.496	-7.188
100.0 (LOWER)	-2.501	-2.374	-2.942	-3.646	-3.646	100.0 (LOWER)	-7.109	-6.964	-6.768	-6.674	-5.905
2.5	-1.691	-1.419	-1.811	-1.042	-0.091	2.5	-2.529	-2.104	-4.010	-3.704	0.133
5.0	-1.786	-1.196	-1.395	-0.895	0.146	5.0	-2.624	-1.830	-3.099	-2.752	-0.364
10.0	-1.292	-1.198	-1.666	-0.607	0.117	10.0	-1.911	-1.752	-3.415	-1.943	-0.682
24.0	-1.882	-1.556	-1.284	-0.694	0.069	24.0	-2.886	-2.493	-3.064	-2.166	-0.555
33.0	-1.373	-1.490	-1.001	-0.257	-0.480	33.0	-2.280	-2.876	-2.851	-1.576	-0.475
54.0	0.056	-0.635	-0.083	-1.781	-3.108	54.0	-1.317	-2.594	-1.551	-3.514	-5.933
73.5	-2.109	-0.112	0.448	-0.887	-0.070	73.5	-3.965	-1.366	-0.759	-1.721	-0.604
84.0	0.397	0.608	-0.571	1.245	0.478	84.0	-0.012	-0.200	-0.601	0.228	0.093
96.0	0.681	0.913	1.081	0.863	0.045	96.0	-0.073	-0.296	-0.138	-0.230	-0.433

WING PRESSURE COEFFICIENTS

Table with columns: RUN 248 POINT 6 ALPHA 8.00 PSI, 0.00 HEIGHT 87.32, BP 2, BP 6, BP 12, BP 16, BP 22. Rows include X/C. % (UPPER) and (LOWER) values.

WING PRESSURE COEFFICIENTS

Table with columns: RUN 248 POINT 13 ALPHA 21.99 PSI, 0.00 HEIGHT 98.99, BP 2, BP 6, BP 12, BP 16, BP 22. Rows include X/C. % (UPPER) and (LOWER) values.

WING PRESSURE COEFFICIENTS

Table with columns: RUN 256 POINT 3 ALPHA 0.03 PSI, 0.00 HEIGHT 89.29, BP 2, BP 6, BP 12, BP 16, BP 22. Rows include X/C. % (UPPER) and (LOWER) values.

WING PRESSURE COEFFICIENTS

Table with columns: RUN 256 POINT 3 ALPHA 0.03 PSI, 0.00 HEIGHT 89.29, BP 2, BP 6, BP 12, BP 16, BP 22. Rows include X/C. % (UPPER) and (LOWER) values.

WING PRESSURE COEFFICIENTS

RUN 256 POINT 9 ALPHA 12.08 PSI 0.00 HEIGHT 87.35		BP 2	BP 6	BP 12	BP 16	BP 22
X/C, %						
0.0 (UPPER)						
2.5	-2.584	-4.442	-6.225	-2.836	-1.456	
5.0	-1.548	-1.987	-2.645	-1.277	-1.277	
10.0	-1.129	-1.426	-1.805	-2.340	-1.243	
15.0	-0.896	-1.056	-1.314	-2.358	-1.259	
20.0	-0.763	-0.893	-1.042	-2.086	-1.191	
24.0	-0.619	-0.777	-0.777	-1.237	-1.164	
33.0	-0.483	-0.546	-0.638	-0.698	-1.092	
54.0	-0.106	0.162	-0.529	0.075	-0.944	
65.0	0.077	-0.502	-0.582	-0.491	-0.939	
78.5	0.069	-1.005	-1.002	-1.001	-1.291	
79.5	-1.168	-1.172	-1.256	-1.192	-1.488	
80.5	-0.964	-0.995	-0.633	-1.143	-1.104	
81.5	-0.658	-0.137	-0.599	-0.858	-1.258	
82.0	-0.600	-0.637	-0.557	-0.787	-1.272	
84.0	-0.538	-0.591	-0.486	-0.680	-1.218	
87.0	-0.437	-0.455	-0.381	-0.552	-1.125	
89.0	-0.321	-0.349	-0.275	-0.450	-1.084	
93.0	-0.234	-0.209	-0.251	-0.366	-0.882	
96.0	-0.160	-0.123	-0.247	-0.245	-0.840	
100.0	-0.056	-0.060	-0.150	-0.137	-0.700	
2.5 (LOWER)	0.545	0.584	0.549	0.566	0.523	
5.0	0.557	0.468	0.560	0.566	0.475	
10.0	0.465	0.564	0.479	0.481	0.350	
24.0	0.283	0.289	0.311	0.268	0.158	
33.0	0.241	0.255	0.256	0.256	0.086	
54.0	0.227	0.201	0.189	-0.192	-0.099	
73.5	0.029	0.328	0.396	0.048	0.246	
84.0	0.463	0.510	0.084	0.470	0.327	
96.0	0.306	0.311	0.295	0.267	0.042	

WING PRESSURE COEFFICIENTS

RUN 256 POINT 5 ALPHA 4.05 PSI 0.00 HEIGHT 87.59		BP 2	BP 6	BP 12	BP 16	BP 22
X/C, %						
0.0 (UPPER)						
2.5	0.174	-0.157	-0.430	-0.543	-0.589	
5.0	-0.531	-0.707	-0.899	-0.994	-0.994	
10.0	-0.424	-0.488	-0.603	-0.668	-0.733	
15.0	-0.367	-0.449	-0.578	-0.602	-0.676	
24.0	-0.347	-0.358	-0.394	-0.448	-0.409	
33.0	-0.295	-0.316	-0.353	-0.382	-0.361	
54.0	-0.073	0.111	-0.378	0.039	-0.370	
65.0	0.084	-0.492	-0.492	-0.454	-0.454	
78.5	0.078	-1.017	-1.070	-1.182	-1.182	
79.5	-1.249	-1.249	-1.249	-1.249	-1.249	
80.5	-1.096	-1.096	-1.162	-1.162	-1.111	
81.5	-0.552	-0.154	-0.770	-0.892	-1.233	
82.0	-0.542	-0.620	-0.669	-0.761	-1.116	
84.0	-0.521	-0.586	-0.566	-0.676	-0.876	
87.0	-0.418	-0.444	-0.485	-0.516	-0.711	
89.0	-0.307	-0.332	-0.379	-0.433	-0.625	
93.0	-0.211	-0.179	-0.225	-0.291	-0.088	
96.0	-0.141	-0.092	-0.151	-0.189	-0.397	
100.0	-0.058	-0.033	-0.084	-0.125	-0.226	
2.5 (LOWER)	0.311	0.324	0.359	0.372	0.364	
5.0	0.221	0.168	0.268	0.272	0.245	
10.0	0.162	0.244	0.175	0.188	0.130	
24.0	0.071	0.062	0.087	0.062	0.031	
33.0	0.056	0.082	0.083	0.092	0.091	
54.0	0.111	0.083	0.102	-0.084	-0.081	
73.5	0.030	0.289	0.364	0.059	0.390	
84.0	0.396	0.469	0.091	0.470	0.390	
96.0	0.250	0.286	0.298	0.266	0.203	

WING PRESSURE COEFFICIENTS

RUN 256 POINT 14 ALPHA 22.09 PSI 0.00 HEIGHT 98.11		BP 2	BP 6	BP 12	BP 16	BP 22
X/C, %						
0.0 (UPPER)						
2.5	-1.700	-1.443	-1.164	-1.109	-0.914	
5.0	-1.612	-1.407	-1.158	-1.066	-0.897	
10.0	-1.600	-1.410	-1.179	-1.058	-0.874	
15.0	-1.540	-1.395	-1.151	-1.052	-0.902	
24.0	-1.465	-1.399	-1.130	-1.052	-0.857	
33.0	-1.288	-1.295	-1.115	-1.060	-0.863	
54.0	-1.093	-1.017	-1.101	-1.029	-0.888	
65.0	0.030	-0.911	-1.015	-0.968	-0.830	
78.5	0.022	-0.843	-0.938	-0.950	-0.870	
79.5	-0.872	-0.860	-0.815	-0.837	-0.865	
80.5	-0.824	-0.782	-0.816	-0.823	-0.847	
81.5	-0.757	-0.722	-0.878	-0.917	-0.866	
82.0	-0.751	-0.724	-0.834	-0.872	-0.872	
84.0	-0.661	-0.752	-0.771	-0.928	-0.843	
87.0	-0.605	-0.686	-0.843	-0.866	-0.823	
89.0	-0.515	-0.627	-0.789	-0.851	-0.836	
93.0	-0.442	-0.555	-0.787	-0.857	-0.832	
96.0	-0.378	-0.480	-0.828	-0.878	-0.808	
100.0	-0.270	-0.403	-0.699	-0.817	-0.829	
2.5 (LOWER)	0.789	0.628	0.564	0.511	0.466	
5.0	0.774	0.642	0.542	0.501	0.509	
10.0	0.685	0.694	0.590	0.571	0.442	
24.0	0.446	0.454	0.386	0.386	0.270	
33.0	0.390	0.380	0.366	0.355	0.040	
54.0	0.303	0.266	0.219	-0.127	-0.089	
73.5	-0.082	0.326	0.380	0.048	0.231	
84.0	0.460	0.507	0.039	0.411	0.294	
96.0	0.248	0.220	0.119	0.038	-0.034	

WING PRESSURE COEFFICIENTS

RUN 256 POINT 7 ALPHA 8.09 PSI 0.00 HEIGHT 87.44		BP 2	BP 6	BP 12	BP 16	BP 22
X/C, %						
0.0 (UPPER)						
2.5	-0.884	-1.815	-2.648	-3.038	-3.209	
5.0	-0.963	-1.268	-1.604	-1.768	-1.986	
10.0	-0.646	-0.952	-1.156	-1.274	-1.361	
15.0	-0.561	-0.760	-0.892	-0.969	-0.988	
24.0	-0.480	-0.654	-0.725	-0.799	-0.782	
33.0	-0.387	-0.414	-0.473	-0.523	-0.606	
54.0	-0.093	0.136	-0.448	0.072	-0.510	
65.0	0.081	-0.461	-0.542	-0.563	-0.597	
78.5	0.072	-1.014	-1.075	-1.079	-1.355	
79.5	-1.233	-1.233	-1.233	-1.271	-1.606	
80.5	-0.811	-0.915	-1.038	-1.126	-1.110	
81.5	-0.552	-0.136	-0.728	-0.840	-1.408	
82.0	-0.549	-0.593	-0.645	-0.736	-1.281	
84.0	-0.512	-0.570	-0.563	-0.653	-1.025	
87.0	-0.412	-0.429	-0.472	-0.514	-0.845	
89.0	-0.302	-0.314	-0.361	-0.424	-0.754	
93.0	-0.215	-0.173	-0.225	-0.298	-0.471	
96.0	-0.145	-0.095	-0.169	-0.223	-0.471	
100.0	-0.054	-0.054	-0.112	-0.179	-0.341	
2.5 (LOWER)	0.516	0.520	0.531	0.524	0.519	
5.0	0.399	0.328	0.455	0.458	0.431	
10.0	0.318	0.328	0.338	0.356	0.286	
24.0	0.175	0.178	0.171	0.171	0.108	
33.0	0.143	0.167	0.167	0.179	0.088	
54.0	0.167	0.143	0.142	-0.077	-0.094	
73.5	0.019	0.304	0.374	0.064	0.254	
84.0	0.424	0.487	0.088	0.464	0.360	
96.0	0.274	0.293	0.294	0.248	0.153	



WING PRESSURE COEFFICIENTS

RUN 257 POINT 2 ALPHA -0.04 PSI 0.00 HEIGHT 87.49

X/C, X	BP 2	BP 6	BP 12	BP 16	BP 22
0.0 (UPPER)	0.563	0.445	0.373	0.313	0.309
2.5	-0.212	-0.314	-0.411	-0.461	-0.447
5.0	-0.246	-0.313	-0.406	-0.422	-0.442
10.0	-0.282	-0.340	-0.397	-0.447	-0.454
15.0	-0.304	-0.383	-0.372	-0.434	-0.384
24.0	-0.344	-0.315	-0.359	-0.441	-0.393
33.0	-0.299	-0.326	-0.377	-0.422	-0.396
54.0	-0.257	-0.421	-0.502	-0.414	-0.464
55.0	0.042	-0.657	-0.726	-0.721	-0.614
78.5	0.029	-1.665	-1.806	-1.784	-1.795
79.5	-17.307	-28.959	-38.522	-30.858	-23.038
80.5	8.901	5.856	8.721	8.868	9.053
81.5	-1.626	-0.955	-4.759	-3.808	-2.679
82.0	1.574	-0.850	2.249	-1.302	-0.613
84.0	-2.371	-1.699	-2.415	-1.558	-0.729
87.0	0.763	-1.819	-0.247	-0.843	0.116
88.0	-0.434	-0.627	-3.166	-1.304	0.303
89.0	-0.402	-0.285	-0.051	-1.152	0.045
93.0	-0.358	-0.517	0.400	0.452	-1.152
96.0	-0.952	-0.851	-0.827	-0.766	-0.735
100.0	0.053	0.071	0.096	0.101	0.113
2.5 (LOWER)	0.009	0.031	0.062	0.061	0.036
5.0	0.022	0.054	0.016	0.035	-0.026
10.0	-0.014	-0.016	0.004	-0.039	-0.038
24.0	-0.009	0.024	0.021	0.028	0.057
33.0	0.095	0.061	0.074	-0.127	-0.587
54.0	-0.026	0.270	0.364	0.016	0.275
73.5	0.368	0.452	0.956	0.473	0.377
84.0	0.249	0.291	0.330	0.302	0.195
96.0					

WING PRESSURE COEFFICIENTS

RUN 257 POINT 6 ALPHA 8.01 PSI 0.00 HEIGHT 87.43

X/C, X	BP 2	BP 6	BP 12	BP 16	BP 22
0.0 (UPPER)	-1.208	-2.421	-3.671	-4.059	-1.996
2.5	-1.115	-1.489	-1.942	-2.537	-1.646
5.0	-0.882	-1.116	-1.421	-1.604	-1.571
10.0	-0.759	-0.895	-1.097	-1.217	-1.575
15.0	-0.666	-0.797	-0.893	-1.022	-1.415
24.0	-0.613	-0.721	-0.613	-0.858	-1.121
33.0	-0.513	-0.555	-0.651	-0.730	-0.843
54.0	-0.176	-0.567	-0.693	-0.656	-0.787
55.0	0.054	-0.772	-0.887	-0.825	-0.937
78.5	0.041	-1.754	-1.963	-1.992	-2.197
79.5	-17.109	-25.931	-36.470	-31.014	-23.638
80.5	6.310	9.350	13.694	10.059	7.584
81.5	-1.542	-0.699	-5.265	-3.677	-3.193
82.0	1.596	-1.035	2.204	-1.354	-1.143
84.0	-2.358	-1.744	-2.525	-1.783	-1.284
87.0	0.806	-1.854	-0.346	-1.023	-0.434
88.0	-0.407	-0.652	-3.250	-1.473	-0.243
89.0	-0.381	-0.317	-0.127	-1.314	0.063
93.0	-0.326	-0.542	0.326	0.326	-1.722
96.0	-0.878	-0.793	-0.762	-0.762	-0.856
100.0	0.533	0.533	0.531	0.510	0.512
2.5 (LOWER)	0.417	0.374	0.497	0.488	0.428
5.0	0.354	0.473	0.374	0.405	0.284
10.0	0.204	0.218	0.238	0.195	0.112
24.0	0.175	0.199	0.203	0.207	0.070
33.0	0.213	0.176	0.173	-0.132	-0.625
54.0	-0.034	0.326	0.413	0.046	0.208
73.5	0.453	0.522	0.672	0.491	0.301
84.0	0.334	0.354	0.374	0.315	0.115
96.0					

RUN 257 POINT 8 ALPHA 12.02 PSI 0.00 HEIGHT 88.37

X/C, X	BP 2	BP 6	BP 12	BP 16	BP 22
0.0 (UPPER)	-3.168	-5.435	-5.896	-3.416	-1.813
2.5	-1.782	-2.348	-2.609	-3.279	-1.741
5.0	-1.331	-1.726	-2.151	-3.326	-1.683
10.0	-1.076	-1.304	-1.616	-3.352	-1.706
15.0	-0.930	-1.127	-1.341	-2.554	-1.588
24.0	-0.802	-0.838	-1.065	-1.037	-1.552
33.0	-0.649	-0.723	-0.928	-0.702	-1.506
54.0	-0.190	-0.659	-0.845	-0.021	-1.698
65.0	0.037	-0.831	-0.983	-0.910	-1.874
78.5	0.047	-1.775	-1.895	-2.019	-2.955
79.5	-16.975	-25.896	-38.544	-31.182	-24.670
80.5	9.298	7.003	9.588	2.607	0.060
81.5	-1.671	-0.696	-5.193	-3.895	-4.010
82.0	1.537	-1.136	2.373	-1.177	-2.192
84.0	-2.378	-1.796	-2.521	-1.831	-2.824
87.0	0.810	-1.873	-0.336	-1.115	-1.951
89.0	-0.413	-0.663	-3.250	-1.559	-1.482
93.0	-0.389	-0.334	-0.663	-1.386	0.054
96.0	-0.344	-0.566	-0.276	-1.386	-2.027
100.0	-0.857	-0.769	-0.763	-0.774	-1.054
2.5 (LOWER)	0.641	0.569	0.471	0.483	0.467
5.0	0.559	0.506	0.568	0.552	0.474
10.0	0.497	0.391	0.490	0.505	0.350
24.0	0.305	0.223	0.342	0.283	0.157
33.0	0.269	0.279	0.281	0.263	0.063
54.0	0.271	0.230	0.215	-0.390	-0.658
73.5	-0.050	0.352	0.434	-0.004	0.182
84.0	0.487	0.551	0.670	0.501	0.265
96.0	0.369	0.382	0.395	0.327	0.067

RUN 257 POINT 4 ALPHA 4.03 PSI 0.00 HEIGHT 87.09

X/C, X	BP 2	BP 6	BP 12	BP 16	BP 22
0.0 (UPPER)	-0.006	-0.501	-0.992	-1.286	-1.543
2.5	-0.673	-0.846	-1.259	-1.147	-1.376
5.0	-0.568	-0.876	-0.857	-0.942	-1.024
10.0	-0.519	-0.809	-0.727	-0.808	-0.832
15.0	-0.487	-0.587	-0.626	-0.712	-0.666
24.0	-0.481	-0.468	-0.533	-0.637	-0.601
33.0	-0.419	-0.449	-0.511	-0.563	-0.558
54.0	-0.202	-0.508	-0.506	0.033	-0.618
65.0	0.045	-0.729	-0.816	-0.834	-0.770
78.5	0.032	-1.731	-1.905	-1.910	-2.040
79.5	-17.308	-26.144	-38.729	-31.106	-23.501
80.5	6.975	5.910	8.009	1.181	0.054
81.5	-1.629	-0.695	-4.889	-3.388	-2.932
82.0	1.575	-0.919	2.251	-1.357	-0.849
84.0	-2.404	-1.746	-2.462	-1.659	-0.968
87.0	0.780	-1.864	-0.318	-0.929	-0.104
89.0	-0.432	-0.660	-3.234	-1.403	0.101
93.0	-0.312	-0.312	-0.101	-1.253	0.048
96.0	-0.377	-0.537	0.355	0.374	-1.370
100.0	-0.917	-0.829	-0.825	-0.785	-0.844
2.5 (LOWER)	0.338	0.370	0.404	0.413	0.433
5.0	0.197	0.212	0.325	0.324	0.305
10.0	0.127	0.295	0.212	0.244	0.167
24.0	0.088	0.099	0.120	0.081	0.044
33.0	0.078	0.105	0.109	0.118	0.058
54.0	0.149	0.114	0.122	-0.138	-0.614
73.5	-0.032	0.298	0.387	0.026	0.234
84.0	0.413	0.490	0.860	0.488	0.345
96.0	0.289	0.319	0.352	0.308	0.151

WING PRESSURE COEFFICIENTS

RUN 258 POINT 4 ALPHA 4.02 PSI 0.00 HEIGHT 88.36

X/C, Z	BP 2	BP 6	BP 12	BP 16	BP 22
0.0 (UPPER)	-0.066	-0.561	-1.197	-1.585	-1.881
2.5	-0.747	-1.062	-1.408	-1.750	-1.998
5.0	-0.672	-0.780	-0.982	-1.047	-1.132
10.0	-0.602	-0.683	-0.799	-0.827	-0.985
15.0	-0.591	-0.725	-0.689	-0.838	-0.761
24.0	-0.627	-0.543	-0.620	-0.798	-0.732
33.0	-0.512	-0.637	-0.623	-0.692	-0.696
54.0	-0.457	-0.621	-0.754	-0.665	-0.777
65.0	-0.040	-0.906	-1.018	-0.931	-0.931
78.5	-0.063	-2.214	-2.455	-2.404	-2.555
79.5	-33.885	-51.897	-77.451	-61.734	-46.122
80.5	20.273	12.520	18.094	1.744	-0.053
81.5	-2.340	-2.161	-8.196	-5.048	-4.303
82.0	3.962	-0.478	5.771	-1.424	-0.237
84.0	-3.934	-2.483	-3.787	-2.267	-0.545
87.0	2.301	-2.925	0.331	-0.936	0.885
89.0	-0.278	-0.629	-5.580	-1.860	1.154
93.0	-0.407	-0.192	0.340	-1.835	-0.033
96.0	-0.418	-0.758	1.031	1.207	-1.902
100.0	-1.845	-1.735	-1.742	-1.715	-1.566
2.5 (LOWER)	0.268	0.347	0.345	0.338	0.407
5.0	0.162	0.203	0.289	0.268	0.263
10.0	0.162	0.281	0.174	0.218	0.100
24.0	0.042	0.069	0.091	-0.004	-0.004
33.0	0.028	0.057	0.045	0.068	-0.009
54.0	0.109	0.049	0.040	-0.267	-2.281
73.5	-0.115	0.221	0.319	-0.031	0.143
84.0	-0.336	0.419	-0.006	0.428	0.264
96.0	0.237	0.208	0.264	0.172	0.013

RUN 258 POINT 6 ALPHA 8.03 PSI 0.00 HEIGHT 87.17

X/C, Z	BP 2	BP 6	BP 12	BP 16	BP 22
0.0 (UPPER)	-1.332	-2.649	-4.026	-3.567	-2.009
2.5	-1.162	-1.563	-2.006	-3.199	-1.650
5.0	-0.985	-1.209	-1.560	-2.955	-1.550
10.0	-0.853	-0.974	-1.189	-1.314	-1.617
15.0	-0.760	-0.945	-0.979	-0.979	-1.451
24.0	-0.762	-0.696	-0.816	-0.951	-1.361
33.0	-0.608	-0.661	-0.771	-0.815	-1.171
54.0	-0.346	-0.702	-0.849	-0.924	-0.966
65.0	-0.027	-0.951	-1.095	-1.099	-1.116
78.5	-0.046	-2.238	-2.513	-2.479	-2.701
79.5	-33.386	-51.174	-76.533	-61.108	-45.900
80.5	20.140	12.824	18.344	2.497	-0.025
81.5	-2.352	-2.135	-8.480	-5.374	-4.553
82.0	3.962	-0.631	3.602	-1.457	-0.562
84.0	-3.887	-2.496	-3.818	-2.366	-1.031
87.0	2.349	-2.906	0.290	-1.015	0.486
89.0	-0.257	-0.647	-5.547	-1.946	0.741
93.0	-0.393	-0.219	0.293	-1.889	-0.005
96.0	-0.402	-0.783	0.974	1.136	-2.319
100.0	-1.782	-1.674	-1.653	-1.669	-1.555
2.5 (LOWER)	0.482	0.496	0.460	0.435	0.462
5.0	0.352	0.361	0.452	0.431	0.372
10.0	0.324	0.459	0.329	0.372	0.212
24.0	0.151	0.183	0.213	0.116	0.061
33.0	0.123	0.154	0.147	0.158	0.004
54.0	-0.166	0.109	0.094	-0.279	-2.243
73.5	-0.100	0.253	0.337	-0.014	0.135
84.0	0.377	0.454	0.009	0.440	0.218
96.0	0.282	0.250	0.291	0.167	-0.019

WING PRESSURE COEFFICIENTS

RUN 257 POINT 13 ALPHA 22.03 PSI 0.00 HEIGHT 98.23

X/C, Z	BP 2	BP 6	BP 12	BP 16	BP 22
0.0 (UPPER)	-11.366	-6.153	-3.444	-2.763	-1.972
2.5	-4.389	-6.371	-3.589	-2.804	-1.954
5.0	-2.864	-6.838	-3.689	-2.870	-1.951
10.0	-2.143	-4.991	-3.638	-2.936	-2.052
15.0	-1.758	-2.167	-4.131	-2.979	-1.983
24.0	-1.342	-1.133	-3.327	-2.019	-2.019
33.0	-1.007	-0.941	-2.913	-3.455	-1.995
54.0	-0.267	-0.768	-0.802	-0.043	-2.091
65.0	0.040	-0.932	-0.710	-1.741	-2.388
78.5	-0.025	-1.936	-1.882	-1.719	-3.135
79.5	-17.124	-26.250	-39.248	-31.512	-25.263
80.5	9.707	7.958	10.854	7.898	0.037
81.5	-1.670	-0.681	-5.404	-3.478	-4.214
82.0	1.614	-1.316	3.086	-0.874	-2.635
84.0	-2.417	-2.011	-2.659	-1.734	-3.888
87.0	-0.832	-2.066	-0.419	-1.101	-2.636
89.0	-0.433	-0.821	-3.560	-1.614	-1.998
93.0	-0.405	-0.707	-0.250	-1.537	-0.044
96.0	-0.343	-0.403	0.235	-0.958	-3.157
100.0	-0.770	-0.585	-0.777	-0.867	-1.235
2.5 (LOWER)	0.580	0.313	0.266	0.215	0.231
5.0	0.798	0.718	0.589	0.522	0.437
10.0	0.770	0.663	0.636	0.623	0.456
24.0	0.521	0.559	0.543	0.466	0.319
33.0	0.472	0.482	0.463	0.447	0.059
54.0	0.417	0.381	0.326	-0.521	-0.710
73.5	-0.086	0.423	0.486	-0.058	0.168
84.0	0.541	0.617	0.666	0.516	0.223
96.0	0.430	0.459	0.440	0.324	-0.013

RUN 258 POINT 2 ALPHA -0.02 PSI 0.00 HEIGHT 88.19

X/C, Z	BP 2	BP 6	BP 12	BP 16	BP 22
0.0 (UPPER)	0.542	0.364	0.279	0.145	0.150
2.5	-0.263	-0.368	-0.457	-0.546	-0.590
5.0	-0.331	-0.388	-0.500	-0.494	-0.514
10.0	-0.351	-0.391	-0.446	-0.539	-0.582
15.0	-0.380	-0.494	-0.416	-0.530	-0.445
24.0	-0.477	-0.386	-0.414	-0.580	-0.502
33.0	-0.389	-0.403	-0.455	-0.529	-0.502
54.0	-0.669	-0.519	-0.626	-0.680	-0.596
65.0	-0.034	-0.790	-0.899	-0.880	-0.744
78.5	-0.058	-2.085	-2.305	-2.219	-2.248
79.5	-33.397	-50.955	-75.848	-60.262	-44.706
80.5	19.709	11.514	17.024	0.859	-0.040
81.5	-2.323	-2.116	-7.736	-4.958	-3.976
82.0	3.873	-0.387	5.532	-1.407	0.010
84.0	-3.865	-2.426	-3.636	-2.071	-0.383
87.0	2.254	-2.819	0.371	1.083	1.083
89.0	-0.249	-0.572	-5.387	-1.732	1.337
93.0	-0.368	-0.136	0.396	-1.688	-0.022
96.0	-0.370	-0.703	1.070	-1.688	-1.643
100.0	-1.834	-1.724	-1.688	-1.688	-1.424
2.5 (LOWER)	0.011	0.060	0.070	0.061	0.116
5.0	-0.043	0.039	0.070	0.026	0.016
10.0	-0.011	0.058	-0.007	0.032	-0.076
24.0	-0.049	-0.048	-0.015	-0.112	-0.074
33.0	-0.051	-0.010	-0.027	-0.021	-0.002
54.0	0.062	0.004	0.009	-0.242	-2.239
73.5	-0.092	0.201	0.300	-0.025	0.203
84.0	0.301	0.397	0.001	0.418	0.310
96.0	0.206	0.184	0.248	0.172	0.072

WING PRESSURE COEFFICIENTS

RUN 259 POINT 2 ALPHA -0.01 PSI 0.00 HEIGHT 87.66

X/C, %	BP 2	BP 6	BP 12	BP 16	BP 22
0.0 (UPPER)	0.473	0.211	0.095	-0.105	-0.097
2.5	-0.405	-0.525	-0.618	-0.720	-0.832
5.0	-0.508	-0.555	-0.768	-0.655	-0.679
10.0	-0.514	-0.552	-0.645	-0.741	-0.828
15.0	-0.521	-0.722	-0.560	-0.747	-0.599
24.0	-0.726	-0.579	-0.566	-0.864	-0.730
33.0	-0.568	-0.579	-0.668	-0.735	-0.722
54.0	-1.233	-0.745	-0.895	-0.261	-0.887
55.0	-0.200	-1.095	-1.242	-1.024	-1.024
78.5	-2.882	-3.206	-3.031	-3.125	-3.125
79.5	-68.225	-104.587	-156.355	-123.783	-91.229
80.5	42.465	23.501	34.346	0.287	0.227
81.5	3.384	5.402	-13.815	-6.374	-6.603
82.0	9.080	0.938	12.541	-1.731	1.462
84.0	-7.022	-3.786	-6.207	-3.170	0.358
87.0	5.647	-4.929	1.856	-0.571	3.094
89.0	-0.159	-0.378	-9.965	-2.501	3.594
93.0	-0.255	0.206	1.434	-2.737	-0.232
96.0	-0.386	-1.066	2.576	-3.134	-2.605
100.0	-0.937	-3.504	-3.433	-3.408	-2.903
2.5 (LOWER)	0.097	0.068	-0.055	-0.098	-0.107
5.0	-0.139	-0.042	-0.042	-0.042	-0.098
10.0	-0.092	-0.010	-0.124	-0.064	-0.233
24.0	-0.182	-0.168	-0.118	-0.089	-0.197
33.0	-0.222	-0.168	-0.132	-0.132	-0.170
54.0	-0.097	-0.157	-0.154	-0.470	-5.501
73.5	-0.295	0.032	0.156	-0.136	0.072
84.0	0.152	0.248	-0.125	0.282	0.160
96.0	0.073	-0.052	0.043	-0.110	-0.212

RUN 259 POINT 4 ALPHA 4.02 PSI 0.00 HEIGHT 86.28

X/C, %	BP 2	BP 6	BP 12	BP 16	BP 22
0.0 (UPPER)	-0.152	-0.827	-1.436	-1.878	-2.186
2.5	-0.850	-1.197	-1.665	-1.526	-1.969
5.0	-0.805	-0.884	-1.144	-1.179	-1.267
10.0	-0.709	-0.790	-0.899	-1.082	-1.175
15.0	-0.714	-0.899	-0.802	-0.957	-0.872
24.0	-0.809	-0.626	-0.723	-1.010	-0.908
33.0	-0.638	-0.669	-0.777	-0.852	-0.847
54.0	-0.599	-0.792	-0.938	-0.209	-1.029
55.0	-0.185	-1.146	-1.300	-1.301	-1.165
78.5	-0.199	-2.888	-3.236	-3.123	-3.310
79.5	-65.982	-101.761	-152.555	-121.088	-89.866
80.5	41.980	25.111	35.531	2.518	-0.210
81.5	3.533	5.104	-13.972	-7.725	-6.717
82.0	9.132	0.635	12.770	-1.513	1.225
84.0	-6.765	-3.739	-6.082	-3.153	0.193
87.0	5.516	-4.802	1.777	-0.628	2.893
89.0	-0.132	-0.425	-0.825	-2.574	3.334
93.0	-0.260	0.170	1.331	-2.788	0.166
96.0	-0.372	-3.374	-2.446	-2.982	-2.778
100.0	-3.495	-3.340	-3.340	-3.314	-2.892
2.5 (LOWER)	0.182	0.261	0.262	0.226	0.326
5.0	0.049	0.148	0.216	0.184	0.167
10.0	0.082	0.225	0.095	0.155	-0.009
24.0	-0.060	-0.031	0.026	-0.130	-0.086
33.0	-0.106	-0.054	-0.056	-0.012	-0.143
54.0	-0.025	-0.074	-0.084	-0.444	-5.242
73.5	-0.201	0.088	0.201	-0.098	0.046
84.0	0.224	0.300	0.107	0.309	0.136
96.0	0.131	0.001	0.090	-0.067	-0.224

WING PRESSURE COEFFICIENTS

RUN 258 POINT 8 ALPHA 12.02 PSI 0.00 HEIGHT 88.23

X/C, %	BP 2	BP 6	BP 12	BP 16	BP 22
0.0 (UPPER)	-3.398	-4.638	-3.558	-2.707	-1.863
2.5	-1.889	-4.305	-2.862	-2.543	-1.789
5.0	-1.485	-2.808	-2.543	-1.712	-1.619
10.0	-1.201	-1.086	-2.317	-2.617	-1.799
15.0	-1.037	-1.139	-1.912	-2.577	-1.645
24.0	-0.955	-0.866	-1.350	-2.266	-1.854
33.0	-0.751	-0.777	-1.023	-1.567	-1.594
54.0	-0.340	-0.765	-0.904	-0.065	-1.671
55.0	-0.032	-1.011	-1.103	-1.041	-1.879
78.5	-0.050	-2.293	-2.412	-2.225	-3.464
79.5	-33.751	-51.706	-77.246	-61.600	-47.308
80.5	20.417	13.180	18.243	1.957	0.058
81.5	-2.384	-2.176	-8.352	-5.044	-5.449
82.0	3.959	-0.796	5.566	-1.382	-1.653
84.0	-2.280	-2.605	-3.853	-2.456	-2.741
87.0	2.391	-3.005	0.295	-0.957	-1.552
89.0	-0.253	-0.693	-5.577	-1.876	-1.089
93.0	-0.374	-0.247	0.317	-1.851	-0.024
96.0	-0.371	-0.628	0.882	1.155	-3.044
100.0	-1.621	-1.644	-1.621	-1.678	-1.772
2.5 (LOWER)	0.590	0.538	0.455	0.404	0.417
5.0	0.473	0.488	0.536	0.482	0.404
10.0	0.260	0.293	0.308	0.444	0.275
24.0	0.218	0.236	0.229	0.200	0.106
33.0	0.221	0.170	0.147	-0.002	-0.002
54.0	-0.126	0.289	0.374	-0.076	-2.305
73.5	0.424	0.487	0.006	0.447	0.086
84.0	0.424	0.487	0.006	0.447	0.169
96.0	0.322	0.280	0.314	0.199	-0.071

RUN 258 POINT 14 ALPHA 22.07 PSI 0.00 HEIGHT 99.01

X/C, %	BP 2	BP 6	BP 12	BP 16	BP 22
0.0 (UPPER)	-11.930	-7.031	-4.016	-3.262	-2.332
2.5	-4.710	-7.727	-4.243	-3.295	-2.302
5.0	-3.047	-8.406	-4.427	-3.418	-2.297
10.0	-2.280	-4.344	-4.828	-4.336	-2.472
15.0	-1.867	-1.797	-5.262	-3.693	-2.393
24.0	-1.502	-1.230	-4.451	-4.429	-2.482
33.0	-1.128	-1.060	-2.548	-4.335	-2.438
54.0	-0.434	-0.943	-0.753	-0.137	-2.819
55.0	-0.071	-1.175	-0.948	-1.375	-3.331
78.5	-0.094	-2.528	-2.607	-2.054	-4.248
79.5	-34.930	-53.850	-80.770	-64.260	-50.060
80.5	21.600	15.030	20.850	2.712	-0.096
81.5	-2.450	-2.380	-9.530	-5.387	-6.190
82.0	4.204	-1.116	6.328	-1.213	-2.595
84.0	-4.096	-2.896	-4.169	-2.376	-4.593
87.0	2.550	-3.319	0.147	-1.071	-3.092
89.0	-0.218	-0.872	-6.148	-2.098	-2.115
93.0	-0.344	-0.418	0.160	-2.133	-0.065
96.0	-0.338	-1.030	0.908	1.007	-3.875
100.0	-1.667	-1.615	-1.667	-1.777	-1.950
2.5 (LOWER)	0.497	0.169	0.112	0.047	0.106
5.0	0.720	0.679	0.512	0.421	0.346
10.0	0.459	0.508	0.575	0.567	0.366
24.0	0.401	0.424	0.505	0.381	0.258
33.0	0.352	0.312	0.406	0.394	-0.045
54.0	-0.193	0.353	0.250	-0.874	-2.508
73.5	0.471	0.547	0.428	-0.198	0.052
84.0	0.379	0.359	-0.032	0.449	0.125
96.0	0.379	0.359	0.355	0.203	-0.131

WING PRESSURE COEFFICIENTS

RUN 259 POINT 13 ALPHA 22.02 PSI 0.00 HEIGHT 98.88		BP 2	BP 6	BP 12	BP 16	BP 22
X/C, Z						
0.0 (UPPER)	-12.010	-7.656	-4.511	-3.628	-2.673	
2.5	-4.855	-8.898	-4.778	-3.853	-2.632	
5.0	-3.168	-9.767	-5.031	-3.860	-2.615	
10.0	-2.373	-3.193	-5.973	-4.020	-2.860	
15.0	-2.006	-1.716	-6.570	-4.391	-2.793	
24.0	-1.687	-1.289	-4.245	-5.656	-2.942	
33.0	-1.231	-1.153	-1.772	-4.983	-2.843	
42.0	-0.577	-1.117	-0.898	-0.365	-3.759	
51.0	-0.207	-1.442	-1.291	-1.123	-4.403	
60.0	-0.240	-3.239	-3.491	-2.783	-5.634	
70.0	-66.562	-103.253	-155.602	-123.628	-94.438	
80.0	28.972	39.701	5.212	5.212	-0.313	
90.0	-3.899	-5.240	-16.255	-8.610	-9.114	
100.0	9.146	-0.296	13.442	-0.989	-1.809	
	-5.785	-4.223	-6.495	-3.382	-4.863	
	5.966	-5.213	1.539	-0.858	-2.768	
	0.382	-0.107	-10.517	-2.843	-1.571	
	-0.029	-0.174	1.119	-3.077	-0.205	
	-3.170	-3.133	2.309	2.783	-5.310	
	0.364	0.025	-0.049	-0.124	-0.251	
2.5 (LOWER)	0.604	0.617	0.419	0.308	0.218	
5.0	0.618	0.510	0.483	0.496	0.251	
10.0	0.385	0.416	0.446	0.263	0.165	
24.0	0.259	0.317	0.299	0.325	-0.203	
33.0	0.230	0.219	0.141	-1.269	-5.346	
42.0	-0.297	0.248	0.312	-0.326	-0.095	
51.0	-0.353	0.434	-0.162	0.346	-0.011	
60.0	0.294	0.178	0.206	-0.009	-0.362	

RUN 259 POINT 6 ALPHA 8.05 PSI 0.00 HEIGHT 86.84		BP 2	BP 6	BP 12	BP 16	BP 22
X/C, Z						
0.0 (UPPER)	-4.395	-2.945	-3.937	-2.319	-2.319	
2.5	-2.207	-1.720	-3.319	-1.900	-1.900	
5.0	-1.847	-1.420	-3.226	-1.766	-1.766	
10.0	-1.931	-1.157	-1.864	-1.864	-1.864	
15.0	-0.919	-1.186	-1.163	-1.648	-1.648	
24.0	-0.999	-0.882	-0.980	-1.646	-1.646	
33.0	-0.769	-0.839	-1.003	-1.426	-1.426	
42.0	-0.528	-0.915	-1.105	-1.314	-1.314	
51.0	-0.180	-1.262	-1.443	-1.428	-1.428	
60.0	-3.427	-3.029	-3.311	-3.589	-3.589	
70.0	-155.930	-103.871	-123.937	-92.253	-92.253	
80.0	43.065	26.556	37.111	3.685	3.685	
90.0	-3.614	-5.227	-14.881	-8.538	-7.181	
100.0	8.216	0.485	12.962	0.875	0.875	
	-6.968	-3.916	-6.305	-3.369	-0.259	
	5.610	-4.952	1.766	-0.787	2.520	
	0.142	-0.500	-10.123	-2.737	2.966	
	-0.384	-1.173	2.447	2.962	-3.365	
	-3.535	-3.413	-3.375	-2.900	-2.900	
2.5 (LOWER)	0.376	0.385	0.299	0.363	0.363	
5.0	0.238	0.285	0.324	0.257	0.257	
10.0	0.241	0.372	0.250	0.296	0.083	
24.0	0.047	0.062	0.126	-0.033	-0.049	
33.0	-0.015	0.032	0.021	0.050	-0.152	
42.0	0.016	-0.014	-0.042	-0.512	-5.344	
51.0	-0.227	0.127	0.226	-0.106	0.019	
60.0	0.254	0.323	-0.113	0.313	0.073	
73.5	0.168	0.022	0.108	-0.068	-0.295	

RUN 262 POINT 3 ALPHA -0.02 PSI 0.00 HEIGHT 88.03		BP 2	BP 6	BP 12	BP 16	BP 22
X/C, Z						
0.0 (UPPER)	0.362	0.219	0.429	0.454	0.477	
2.5	0.260	0.190	0.018	-0.126	-0.159	
5.0	0.129	0.086	-0.076	-0.159	-0.220	
10.0	0.015	-0.027	-0.145	-0.225	-0.268	
15.0	-0.023	-0.101	-0.161	-0.232	-0.225	
24.0	-0.108	-0.112	-0.181	-0.252	-0.238	
33.0	-0.111	-0.141	-0.195	-0.242	-0.236	
42.0	-0.081	-0.223	-0.301	-0.006	-0.254	
51.0	0.065	-0.355	-0.429	-0.412	-0.334	
60.0	0.054	-0.997	-1.045	-0.989	-0.987	
70.0	-1.211	-1.195	-1.149	-1.169	-1.268	
80.0	-1.002	-1.195	-1.149	-1.152	-0.933	
90.0	-0.716	-0.795	-0.823	-0.793	-1.182	
100.0	-0.717	-0.661	-0.662	-0.637	-1.007	
	-0.569	-0.742	-0.351	-0.651	-0.609	
	-0.465	-0.564	-0.535	-0.473	-0.442	
	-0.349	-0.411	-0.392	-0.370	-0.442	
	-0.265	-0.252	-0.225	-0.241	-0.074	
	-0.186	-0.123	-0.136	-0.119	-0.241	
	-0.072	-0.003	-0.030	-0.034	-0.109	
	-0.377	-0.297	-0.203	-0.087	-0.033	
2.5 (LOWER)	-0.221	-0.142	-0.133	-0.072	-0.057	
5.0	-0.135	-0.221	-0.107	-0.057	-0.079	
10.0	-0.097	-0.095	-0.053	-0.081	-0.058	
24.0	-0.062	-0.032	-0.022	-0.010	-0.081	
33.0	0.055	0.029	0.051	-0.085	0.017	
42.0	0.005	0.250	0.337	0.031	0.312	
51.0	0.347	0.419	0.070	0.458	0.412	
60.0	0.235	0.281	0.295	0.281	0.239	

RUN 259 POINT 8 ALPHA 12.02 PSI 0.00 HEIGHT 87.28		BP 2	BP 6	BP 12	BP 16	BP 22
X/C, Z						
0.0 (UPPER)	-3.768	-5.041	-3.495	-2.919	-2.231	
2.5	-2.176	-4.689	-3.204	-2.670	-2.109	
5.0	-1.778	-3.993	-3.348	-2.688	-1.984	
10.0	-1.446	-1.231	-3.107	-2.795	-2.138	
15.0	-1.298	-1.434	-2.862	-2.815	-1.935	
24.0	-1.284	-1.086	-1.842	-2.795	-2.000	
33.0	-0.981	-1.019	-1.134	-2.314	-1.915	
42.0	-0.565	-1.051	-1.090	-2.057	-2.057	
51.0	-0.234	-1.414	-1.454	-2.287	-2.287	
60.0	0.272	-3.267	-3.522	-2.943	-4.675	
70.0	-70.333	-108.508	-163.050	-129.326	-97.665	
80.0	45.426	28.514	39.539	3.035	3.116	
90.0	-3.967	-5.518	-16.119	-8.260	-8.545	
100.0	9.580	0.066	13.450	-1.600	-0.488	
	-7.266	-4.228	-6.599	-3.364	-2.447	
	5.951	-5.308	1.830	0.625	-0.069	
	0.151	-0.609	-10.681	-2.660	0.458	
	-0.242	0.028	1.347	-2.931	0.253	
	-0.365	-1.320	2.525	3.114	-4.691	
	-3.687	-3.552	-3.522	-3.592	-3.358	
2.5 (LOWER)	0.442	0.394	0.304	0.227	0.274	
5.0	0.330	0.402	0.401	0.336	0.253	
10.0	0.344	0.480	0.307	0.343	0.052	
24.0	0.123	0.139	0.188	0.011	-0.054	
33.0	0.005	0.075	0.086	0.086	-0.219	
42.0	0.037	-0.001	-0.052	-0.810	-5.628	
51.0	-0.292	0.133	0.204	-0.225	-0.126	
60.0	0.275	0.324	-0.175	0.285	-0.036	
73.5	0.179	0.018	0.088	-0.101	-0.408	
84.0	0.018	0.018	0.088	-0.101	-0.408	
96.0	0.018	0.018	0.088	-0.101	-0.408	

WING PRESSURE COEFFICIENTS

RUN 262 POINT 9 ALPHA 12.07 PSI 0.00 HEIGHT 87.00

X/C, X	BP 2	BP 6	BP 12	BP 16	BP 22
0.0 (UPPER)	0.044	-0.835	-3.045	-3.564	-1.504
2.5	-0.434	-0.796	-1.562	-3.302	-1.434
5.0	-0.422	-0.682	-1.125	-2.884	-1.373
10.0	-0.457	-0.549	-0.879	-0.778	-1.385
15.0	-0.468	-0.588	-0.722	-0.778	-1.268
20.0	-0.490	-0.479	-0.579	-0.663	-1.167
24.0	-0.427	-0.451	-0.506	-0.562	-0.879
33.0	-0.125	-0.433	-0.503	0.094	-0.805
54.0	0.040	-0.537	-0.592	-0.588	-0.805
65.0	0.027	-1.120	-1.158	-1.062	-1.369
78.5	-1.315	-1.313	-1.379	-1.310	-1.699
79.5	-1.113	-1.126	-1.174	-0.942	-0.012
80.5	-0.781	-0.901	-0.832	-0.706	-1.527
81.5	-0.784	-0.656	-0.667	-0.631	-1.370
82.0	-0.625	-0.793	-0.307	-0.711	-1.124
84.0	-0.507	-0.563	-0.542	-0.512	-0.956
87.0	-0.368	-0.403	-0.378	-0.378	-0.970
89.0	-0.313	-0.248	-0.237	-0.299	-0.057
93.0	-0.245	-0.195	-0.195	-0.257	-0.617
96.0	-0.123	-0.079	-0.101	-0.211	-0.371
100.0 (LOWER)	0.315	0.411	0.464	0.465	0.493
2.5	0.259	0.307	0.446	0.476	0.447
5.0	0.264	0.364	0.356	0.418	0.320
10.0	0.181	0.200	0.240	0.209	0.144
24.0	0.174	0.190	0.206	0.219	0.066
33.0	0.200	0.160	0.164	-0.079	-0.087
54.0	-0.024	0.299	0.381	0.041	0.241
73.5	0.415	0.491	0.054	0.467	0.343
84.0	0.296	0.305	0.304	0.247	0.126
96.0					

RUN 262 POINT 5 ALPHA 4.02 PSI 0.00 HEIGHT 86.97

X/C, X	BP 2	BP 6	BP 12	BP 16	BP 22
0.0 (UPPER)	0.578	0.462	0.219	-0.174	-0.524
2.5	0.067	-0.074	-0.404	-0.672	-0.917
5.0	-0.027	-0.126	-0.371	-0.542	-0.666
10.0	-0.117	-0.193	-0.357	-0.456	-0.549
15.0	-0.146	-0.254	-0.323	-0.415	-0.425
24.0	-0.220	-0.235	-0.295	-0.388	-0.377
33.0	-0.208	-0.244	-0.274	-0.329	-0.335
54.0	-0.066	-0.285	-0.359	-0.028	-0.331
65.0	0.063	-0.413	-0.483	-0.462	-0.402
78.5	-1.057	-1.086	-1.086	-1.018	-1.125
79.5	-1.253	-1.225	-1.254	-1.203	-1.396
80.5	-0.975	-1.267	-1.150	-1.152	-0.035
81.5	-0.719	-0.838	-0.817	-0.789	-1.230
82.0	-0.754	-0.721	-0.650	-0.613	-1.050
84.0	-0.602	-0.799	-0.326	-0.664	-0.724
87.0	-0.485	-0.582	-0.540	-0.483	-0.566
89.0	-0.363	-0.431	-0.373	-0.374	-0.557
93.0	-0.295	-0.268	-0.216	-0.255	0.071
96.0	-0.217	-0.128	-0.146	-0.141	-0.311
100.0 (LOWER)	-0.094	-0.111	-0.041	-0.073	-0.194
2.5	0.090	-0.026	0.159	0.260	0.343
5.0	-0.037	0.019	0.125	0.190	0.225
10.0	-0.003	0.000	0.073	0.140	0.110
24.0	-0.004	0.005	0.042	0.021	0.025
33.0	0.107	0.041	0.057	0.071	0.082
54.0	0.103	0.068	0.088	-0.088	-0.019
73.5	-0.003	0.273	0.360	0.034	0.282
84.0	0.390	0.463	0.071	0.472	0.394
96.0	0.264	0.299	0.311	0.274	0.212

RUN 262 POINT 14 ALPHA 22.06 PSI 0.00 HEIGHT 95.12

X/C, X	BP 2	BP 6	BP 12	BP 16	BP 22
0.0 (UPPER)	-4.129	-5.033	-2.939	-2.173	-1.398
2.5	-1.912	-6.505	-3.092	-2.208	-1.389
5.0	-1.403	-2.605	-3.165	-2.247	-1.379
10.0	-1.110	-1.072	-3.377	-2.317	-1.470
15.0	-0.962	-1.063	-3.064	-2.400	-1.381
24.0	-0.829	-0.855	-1.884	-2.414	-1.386
33.0	-0.685	-0.768	-0.995	-2.135	-1.332
54.0	-0.246	-0.611	-0.654	0.139	-1.418
65.0	0.021	-0.568	-0.684	-0.794	-1.427
78.5	0.005	-1.185	-1.237	-1.144	-1.575
79.5	-1.376	-1.334	-1.444	-1.309	-1.661
80.5	-0.775	-1.260	-1.289	-1.442	-0.021
81.5	-0.834	-1.002	-0.962	-1.125	-1.747
82.0	-0.813	-0.738	-0.767	-0.946	-1.644
84.0	-0.670	-0.921	-0.281	-0.989	-1.432
87.0	-0.544	-0.659	-0.640	-0.801	-1.306
89.0	-0.402	-0.490	-0.455	-0.644	-1.388
93.0	-0.349	-0.326	-0.327	-0.482	-0.032
96.0	-0.283	-0.174	-0.292	-0.334	-1.094
100.0 (LOWER)	-0.160	-0.075	-0.166	-0.263	-0.969
2.5	0.649	0.458	0.389	0.342	0.368
5.0	0.665	0.624	0.598	0.550	0.490
10.0	0.637	0.630	0.597	0.596	0.460
24.0	0.445	0.467	0.475	0.414	0.315
33.0	0.413	0.407	0.406	0.406	0.046
54.0	0.347	0.308	0.285	-0.142	-0.194
73.5	-0.077	0.371	0.443	0.002	0.258
84.0	0.509	0.558	0.037	0.487	0.309
96.0	0.354	0.349	0.326	0.238	-0.023

RUN 262 POINT 7 ALPHA 8.06 PSI 0.00 HEIGHT 88.63

X/C, X	BP 2	BP 6	BP 12	BP 16	BP 22
0.0 (UPPER)	0.533	0.143	-0.937	-1.934	-2.783
2.5	-0.188	-0.439	-0.797	-1.277	-1.811
5.0	-0.277	-0.366	-0.709	-0.948	-1.207
10.0	-0.287	-0.417	-0.600	-0.762	-0.906
15.0	-0.343	-0.350	-0.421	-0.640	-0.671
24.0	-0.315	-0.342	-0.381	-0.544	-0.545
33.0	-0.086	-0.360	-0.425	-0.447	-0.467
54.0	0.046	-0.473	-0.530	-0.060	-0.449
65.0	0.033	-1.096	-1.113	-0.519	-0.525
78.5	-1.285	-1.277	-1.344	-1.238	-1.539
79.5	-1.102	-1.243	-1.147	-1.171	-0.020
80.5	-0.773	-0.878	-0.803	-0.813	-1.372
81.5	-0.773	-0.682	-0.645	-0.667	-1.183
82.0	-0.627	-0.777	-0.307	-0.721	-0.844
84.0	-0.513	-0.565	-0.530	-0.529	-0.675
87.0	-0.371	-0.408	-0.370	-0.412	-0.561
89.0	-0.308	-0.247	-0.221	-0.299	-0.062
93.0	-0.233	-0.109	-0.164	-0.181	-0.372
96.0	-0.103	-0.034	-0.063	-0.107	-0.305
100.0 (LOWER)	0.147	0.235	0.377	0.428	0.486
2.5	0.108	0.172	0.319	0.365	0.394
5.0	0.134	0.202	0.225	0.292	0.249
10.0	0.078	0.102	0.142	0.117	0.093
24.0	0.094	0.112	0.131	0.145	0.069
33.0	0.153	0.109	0.125	-0.087	-0.057
54.0	-0.019	0.281	0.366	0.033	0.243
73.5	0.411	0.480	0.060	0.469	0.367
84.0	0.288	0.301	0.310	0.263	0.157
96.0					

WING PRESSURE COEFFICIENTS

·RUN 263 POINT 6 ALPHA 8.03 PSI 0.00 HEIGHT 86.96

X/C, Z	BP 2	BP 6	BP 12	BP 16	BP 22
0.0 (UPPER)	-0.578	0.159	-0.232	-2.098	-2.590
2.5	1.742	0.327	-0.577	-1.265	-2.118
5.0	0.710	0.071	-0.594	-0.944	-2.046
10.0	-0.109	-0.211	-0.820	-0.813	-1.824
15.0	-0.271	-0.403	-0.581	-0.723	-1.074
24.0	-0.360	-0.406	-0.568	-0.693	-0.663
33.0	-0.337	-0.433	-0.557	-0.601	-0.587
54.0	-0.062	-0.523	-0.718	-0.046	-0.666
55.0	-0.004	-0.804	-0.900	-0.900	-0.785
78.5	-0.025	-2.373	-2.521	-2.235	-2.054
79.5	-23.202	-30.207	-39.252	-29.974	-18.496
80.5	0.418	-4.295	-5.198	-6.719	-0.075
81.5	-2.094	-1.552	-1.772	-2.577	-3.198
82.0	-0.042	-0.931	1.857	-2.230	-1.200
84.0	-3.107	-2.546	-2.348	-2.150	-1.114
87.0	-0.084	-2.288	-1.012	-1.167	-0.318
89.0	-0.830	-1.070	-3.037	-1.565	-0.317
93.0	-0.710	-0.628	-0.373	-1.360	-0.026
96.0	-0.640	-0.749	0.046	0.169	-1.549
100.0 (LOWER)	-1.038	-0.692	-0.692	-0.697	-0.697
2.5	-0.650	-0.136	0.206	0.334	0.469
5.0	-0.212	0.068	0.218	0.316	0.389
10.0	0.009	-0.006	0.162	0.288	0.237
24.0	0.019	0.071	0.142	0.096	0.089
33.0	0.075	0.102	0.128	0.142	0.042
54.0	0.189	0.115	0.144	-0.174	-0.586
73.5	-0.055	0.304	0.392	0.005	0.185
84.0	0.527	0.577	0.632	0.491	0.299
96.0	0.374	0.389	0.397	0.319	0.127

RUN 263 POINT 8 ALPHA 12.08 PSI 0.00 HEIGHT 88.33

X/C, Z	BP 2	BP 6	BP 12	BP 16	BP 22
0.0 (UPPER)	0.057	0.267	-1.996	-3.908	-2.199
2.5	1.125	-0.253	-1.188	-3.753	-2.155
5.0	0.515	-0.388	-1.019	-2.570	-2.170
10.0	-0.158	-0.534	-0.869	-0.965	-2.378
15.0	-0.368	-0.647	-0.775	-0.931	-2.378
24.0	-0.481	-0.580	-0.721	-0.864	-2.183
33.0	-0.464	-0.581	-0.704	-0.768	-1.522
54.0	-0.127	-0.633	-0.827	-0.614	-0.614
65.0	-0.023	-0.915	-1.064	-1.024	-0.802
78.5	-0.040	-2.495	-2.562	-2.211	-2.507
79.5	-22.832	-29.889	-38.925	-29.649	-19.169
80.5	0.792	-4.181	-5.046	-6.513	-0.079
81.5	-2.210	-1.445	-1.842	-2.510	-3.865
82.0	-0.178	-0.981	1.754	-2.202	-1.792
84.0	-3.226	-2.626	-2.377	-2.204	-1.690
87.0	-0.043	-2.348	-1.064	-1.235	-0.861
89.0	-0.937	-1.136	-3.096	-1.503	-0.857
93.0	-0.775	-0.674	-0.425	-1.405	0.001
96.0	-0.685	-0.785	-0.001	0.068	-2.010
100.0 (LOWER)	-0.826	-0.693	-0.637	-0.620	-0.684
2.5	-0.184	0.182	0.338	0.343	0.418
5.0	-0.004	0.227	0.367	0.415	0.432
10.0	0.133	0.210	0.285	0.403	0.326
24.0	0.108	0.186	0.243	0.198	0.187
33.0	0.143	0.187	0.215	0.230	0.021
54.0	0.227	0.176	0.192	-0.161	-0.521
73.5	-0.071	0.316	0.413	0.005	0.204
84.0	0.452	0.548	0.612	0.503	0.297
96.0	0.347	0.394	0.421	0.333	0.132

WING PRESSURE COEFFICIENTS

RUN 263 POINT 2 ALPHA 0.01 PSI 0.00 HEIGHT 87.36

X/C, Z	BP 2	BP 6	BP 12	BP 16	BP 22
0.0 (UPPER)	-0.657	-0.209	0.325	0.297	0.253
2.5	1.654	0.782	0.296	-0.142	-0.426
5.0	0.525	0.288	0.004	-0.189	-0.379
10.0	-0.014	0.609	-0.191	-0.320	-0.453
15.0	-0.066	-0.123	-0.217	-0.353	-0.322
24.0	-0.130	-0.127	-0.280	-0.438	-0.372
33.0	-0.132	-0.193	-0.328	-0.398	-0.390
54.0	-0.094	-0.340	-0.543	-0.027	-0.423
55.0	0.003	-1.981	-0.779	-0.764	-0.506
78.5	-2.067	-2.082	-2.082	-1.713	-1.713
79.5	-23.723	-30.007	-38.296	-29.463	-17.255
80.5	-1.103	-4.262	-6.050	-0.075	-0.075
81.5	-1.930	-1.702	-1.482	-2.478	-2.698
82.0	0.210	-0.770	2.102	-2.080	-0.757
84.0	-2.761	-2.196	-2.009	-1.883	-0.684
87.0	-0.325	-1.995	-0.840	-0.968	0.114
89.0	-0.598	-0.850	-2.675	-1.391	0.134
93.0	-0.533	-0.452	-0.268	-1.226	0.031
96.0	-0.496	-0.571	0.087	-0.272	-1.049
100.0 (LOWER)	-1.235	-1.025	-0.915	-0.686	-0.619
2.5	-1.825	-1.398	-0.635	-0.118	0.116
5.0	-0.788	-0.333	-0.329	-0.080	0.027
10.0	-0.322	-0.716	-0.189	-0.077	-0.048
24.0	-0.194	-0.169	-0.073	-0.103	-0.039
33.0	-0.113	-0.053	-0.031	-0.115	0.044
54.0	0.095	0.004	0.052	-0.174	-0.644
73.5	-0.045	0.369	0.456	-0.020	0.256
84.0	0.729	0.609	0.637	0.533	0.360
96.0	0.422	0.473	0.483	0.344	0.196

RUN 263 POINT 4 ALPHA 4.09 PSI 0.00 HEIGHT 87.89

X/C, Z	BP 2	BP 6	BP 12	BP 16	BP 22
0.0 (UPPER)	-0.880	-0.345	0.331	-0.405	-1.408
2.5	1.858	0.874	-0.122	-0.711	-1.199
5.0	0.636	0.295	-0.295	-0.533	-0.876
10.0	-0.084	-0.102	-0.414	-0.534	-0.776
15.0	-0.179	-0.283	-0.407	-0.508	-0.556
24.0	-0.252	-0.280	-0.440	-0.548	-0.542
33.0	-0.242	-0.323	-0.458	-0.494	-0.511
54.0	-0.052	-0.442	-0.655	0.012	-0.555
65.0	-0.003	-0.715	-0.900	-0.844	-0.676
78.5	-0.025	-2.229	-2.373	-1.926	-1.926
79.5	-23.534	-30.217	-38.886	-29.846	-17.983
80.5	-0.415	-4.428	-5.754	-6.814	-0.057
81.5	-2.030	-1.646	-1.609	-2.573	-2.931
82.0	0.089	-0.889	1.977	-2.194	-0.948
84.0	-2.926	-2.388	-2.187	-2.055	-0.840
87.0	0.236	-2.152	-0.922	-1.071	-0.034
89.0	-0.719	-0.996	-2.897	-1.513	-0.048
93.0	-0.625	-0.973	-0.332	-1.317	0.030
96.0	-0.572	-0.692	0.064	-0.221	-1.259
100.0 (LOWER)	-1.163	-0.915	-0.872	-0.683	-0.686
2.5	-1.251	-0.669	-0.058	0.201	0.397
5.0	-0.493	-0.108	0.024	0.165	0.266
10.0	-0.194	-0.303	0.018	0.152	0.122
24.0	-0.093	-0.039	0.040	0.029	0.029
33.0	-0.021	0.027	0.050	0.065	0.048
54.0	0.140	0.059	0.091	-0.172	-0.644
73.5	-0.052	0.317	0.422	-0.009	0.212
84.0	0.622	0.646	0.637	0.510	0.343
96.0	0.405	0.397	0.446	0.328	0.154

WING PRESSURE COEFFICIENTS

RUN 264 POINT 4 ALPHA 4.02 PSI 0.00 HEIGHT 88.81

X/C, Z	BP 2	BP 6	BP 12	BP 16	BP 22
0.0 (UPPER)	-0.450	0.484	0.605	-0.281	-1.642
2.5	2.139	0.845	0.094	-0.576	-1.360
5.0	0.484	0.205	-0.296	-0.378	-0.957
10.0	-0.243	-0.154	-0.491	-0.665	-0.888
15.0	-0.257	-0.348	-0.461	-0.679	-0.674
24.0	-0.338	-0.278	-0.521	-0.754	-0.643
33.0	-0.295	-0.364	-0.566	-0.679	-0.628
54.0	-0.248	-0.513	-0.853	-0.660	-0.687
65.0	-0.097	-0.881	-1.147	-1.139	-0.847
78.5	-0.121	-2.881	-3.016	-3.052	-2.453
79.5	-46.623	-60.729	-78.797	-60.005	-36.024
80.5	0.072	7.666	11.415	-11.947	-0.442
81.5	-2.733	-3.209	-1.794	-3.773	-4.589
82.0	1.655	0.192	5.589	-3.073	-0.559
84.0	-4.756	-3.723	-2.979	-3.262	-0.530
87.0	1.421	-3.404	-0.812	-1.389	0.975
89.0	-0.678	-1.107	-4.862	-2.123	0.824
93.0	0.651	-0.539	-0.038	-1.956	-0.081
96.0	-0.701	-0.962	0.516	0.844	-1.870
100.0	-2.524	-2.121	-1.966	-1.651	-1.329
2.5 (LOWER)	-3.083	-1.843	-0.560	0.066	0.359
5.0	-1.243	-0.342	-0.235	0.216	0.216
10.0	-0.434	-0.878	-0.124	0.093	0.055
24.0	-0.255	-0.181	-0.021	-0.087	-0.015
33.0	-0.148	-0.409	-0.022	-0.022	-0.022
54.0	0.116	-0.032	0.015	-0.328	-1.724
73.5	-0.146	0.378	0.482	-0.085	0.110
84.0	0.949	0.972	-0.038	0.254	0.254
96.0	0.505	0.492	0.550	0.280	0.025

RUN 263 POINT 13 ALPHA 22.05 PSI 0.00 HEIGHT 94.85

X/C, Z	BP 2	BP 6	BP 12	BP 16	BP 22
0.0 (UPPER)	0.154	-3.585	-10.123	-5.995	-2.731
2.5	-0.293	-1.522	-4.196	-5.300	-2.792
5.0	-0.512	-1.272	-3.995	-5.989	-2.914
10.0	-0.656	-1.130	-2.158	-5.348	-3.023
15.0	-0.726	-1.183	-1.371	-2.860	-3.042
24.0	-0.810	-1.100	-1.128	-3.649	-3.042
33.0	-0.739	-1.022	-1.030	-3.566	-3.042
54.0	-0.206	-0.841	-1.049	-2.105	-2.105
65.0	-0.063	-1.099	-1.244	-1.229	-1.598
78.5	-0.083	-2.617	-2.619	-2.486	-2.928
79.5	-22.881	-30.334	-39.793	-30.405	-20.481
80.5	1.442	-4.120	-4.989	-4.159	-4.159
81.5	-2.329	-1.286	-1.860	-2.735	-4.445
82.0	-0.284	-0.986	1.625	-2.455	-2.421
84.0	-3.385	-2.837	-2.337	-2.519	-2.391
87.0	-0.136	-2.498	-1.115	-1.503	-1.552
89.0	-1.046	-1.231	-3.187	-1.884	-1.525
93.0	-0.836	-0.746	-0.518	-1.628	-0.042
96.0	-0.728	-0.957	-0.120	-0.106	-2.249
100.0	-0.735	-0.599	-0.588	-0.605	-0.735
2.5 (LOWER)	0.320	0.398	0.031	0.080	0.080
5.0	0.365	0.518	0.446	0.350	0.358
10.0	0.489	0.503	0.510	0.551	0.412
24.0	0.389	0.445	0.473	0.409	0.309
33.0	0.417	0.403	0.414	0.409	-0.016
54.0	0.413	0.380	0.318	-0.297	-0.482
73.5	-0.142	0.330	0.481	-0.023	0.181
84.0	0.542	0.600	-0.019	0.539	0.284
96.0	0.459	0.454	0.478	0.374	0.149

RUN 264 POINT 6 ALPHA 8.01 PSI 0.00 HEIGHT 86.94

X/C, Z	BP 2	BP 6	BP 12	BP 16	BP 22
0.0 (UPPER)	-0.865	0.050	0.265	-1.916	-2.630
2.5	2.548	1.010	-0.398	-1.163	-2.159
5.0	0.632	0.239	-0.627	-0.945	-2.076
10.0	-0.349	-0.342	-0.719	-0.884	-2.033
15.0	-0.423	-0.569	-0.676	-0.837	-1.373
24.0	-0.472	-0.472	-0.691	-0.862	-0.845
33.0	-0.399	-0.512	-0.701	-0.760	-0.818
54.0	-0.133	-0.623	-0.936	-0.037	-0.979
65.0	-0.099	-1.003	-1.243	-1.163	-0.979
78.5	-0.124	-3.170	-3.567	-3.180	-2.571
79.5	-46.113	-60.205	-78.350	-59.593	-35.845
80.5	0.515	-7.750	-10.941	-12.088	-0.440
81.5	-2.924	-3.141	-2.081	-3.930	-4.814
82.0	1.361	-0.508	5.221	-3.237	-0.833
84.0	-4.982	-3.985	-3.302	-3.349	-0.876
87.0	1.151	-3.607	-1.034	-1.436	0.580
89.0	-0.890	-0.671	-5.067	-2.249	0.479
93.0	-0.818	-0.136	-0.136	-2.057	-0.090
96.0	-0.843	-1.124	-0.509	-0.760	-2.243
100.0	-2.357	-1.945	-1.850	-1.621	-1.339
2.5 (LOWER)	-2.205	-0.920	-0.028	0.235	0.411
5.0	-0.787	-0.078	0.089	0.230	0.325
10.0	-0.210	-0.357	0.068	0.230	0.166
24.0	-0.123	-0.017	0.089	0.026	0.034
33.0	-0.045	0.050	0.061	0.087	-0.036
54.0	0.161	0.038	0.062	-0.328	-1.613
73.5	-0.148	0.327	0.433	-0.072	0.080
84.0	0.772	0.748	-0.431	0.531	0.206
96.0	0.437	0.389	0.476	0.277	-0.004

RUN 264 POINT 2 ALPHA 0.02 PSI 0.00 HEIGHT 87.00

X/C, Z	BP 2	BP 6	BP 12	BP 16	BP 22
0.0 (UPPER)	-0.179	0.282	0.180	0.246	0.103
2.5	1.770	0.656	0.376	-0.129	-0.551
5.0	0.384	0.250	-0.001	-0.437	-0.437
10.0	-0.127	0.027	-0.180	-0.449	-0.562
15.0	-0.126	-0.171	-0.198	-0.502	-0.370
24.0	-0.219	-0.115	-0.311	-0.619	-0.461
33.0	-0.182	-0.229	-0.385	-0.560	-0.500
54.0	-0.463	-0.390	-0.692	-0.072	-0.532
65.0	-0.083	-0.740	-0.964	-1.020	-0.677
78.5	-0.118	-2.519	-2.639	-2.701	-2.182
79.5	-44.987	-58.588	-76.035	-57.803	-34.566
80.5	-0.008	-7.150	-10.936	-11.301	-0.389
81.5	-2.419	-3.178	-1.524	-3.368	-4.244
82.0	1.805	0.067	5.635	-2.716	-0.371
84.0	-4.368	-3.345	-2.601	-2.969	-0.295
87.0	1.543	-3.103	-0.614	-1.210	1.165
89.0	-0.503	-0.936	-4.513	-1.922	0.988
93.0	-0.516	-0.377	0.998	-1.801	-0.064
96.0	-0.582	-2.118	-1.841	-0.852	-1.577
100.0	-2.522	-2.505	-1.278	-1.587	-1.244
2.5 (LOWER)	-3.613	-0.637	-0.702	-0.204	0.113
5.0	-1.559	-1.348	-0.401	-0.091	0.000
10.0	-0.342	-0.310	-0.146	-0.201	-0.077
24.0	-0.223	-0.138	-0.099	-0.085	-0.003
33.0	0.092	-0.106	-0.020	-0.307	-1.736
54.0	-0.131	0.330	0.530	-0.080	0.166
73.5	1.083	1.129	-0.020	0.625	0.312
84.0	0.553	0.595	0.588	0.326	0.083

WING PRESSURE COEFFICIENTS

RUN 264 POINT 9 ALPHA 11.99 PSI 0.00 HEIGHT 86.64

X/C, %	BP 2	BP 6	BP 12	BP 16	BP 22
0.0 (UPPER)	-0.898	0.166	-0.630	-4.074	-2.472
2.5	2.588	0.530	-0.873	-3.088	-2.446
5.0	0.786	0.057	-0.970	-1.428	-2.482
10.0	-0.390	-0.426	-0.969	-1.125	-2.734
15.0	-0.535	-0.662	-0.868	-1.032	-2.602
24.0	-0.607	-0.624	-0.835	-0.992	-2.021
33.0	-0.515	-0.651	-0.808	-0.903	-1.198
54.0	-0.111	-0.750	-1.014	-0.003	-0.793
65.0	-0.101	-1.131	-1.307	-1.261	-1.081
78.5	-0.121	-3.344	-3.522	-3.138	-3.138
79.5	-44.529	-58.869	-77.223	-58.654	-36.699
80.5	1.800	-7.514	-9.945	-12.171	-0.398
81.5	-2.930	-3.119	-2.176	-3.930	-5.527
82.0	1.170	-0.519	4.983	3.350	-1.565
84.0	-5.159	-0.099	-3.444	-3.467	-1.595
87.0	0.907	-3.692	-1.157	-1.659	-0.145
89.0	-1.085	-1.370	-5.148	-2.376	-0.196
93.0	-0.938	-0.727	-0.210	-2.150	-0.106
96.0	-0.932	-1.179	0.479	0.654	-2.840
100.0 (LOWER)	-2.044	-1.749	-1.560	-1.495	-1.306
2.5	-1.834	-0.202	0.246	0.262	0.368
5.0	-0.426	0.119	0.248	0.329	0.368
10.0	0.021	0.021	0.213	0.338	0.264
24.0	0.008	0.113	0.203	0.143	0.124
33.0	0.069	0.139	0.160	0.109	-0.051
54.0	0.215	0.113	0.138	-0.308	-1.516
73.5	-0.181	0.297	0.394	-0.069	0.102
84.0	0.615	0.628	-0.057	0.492	0.211
96.0	0.366	0.362	0.392	0.254	0.018

RUN 264 POINT 14 ALPHA 22.04 PSI 0.00 HEIGHT 97.24

X/C, %	BP 2	BP 6	BP 12	BP 16	BP 22
0.0 (UPPER)	-0.348	-1.517	-9.028	-6.000	-3.323
2.5	1.217	-1.072	-3.334	-6.968	-3.418
5.0	0.313	-1.143	-2.963	-9.227	-3.638
10.0	-0.557	-1.268	-1.842	-2.408	-3.678
15.0	-0.811	-1.379	-1.476	-1.526	-4.301
24.0	-0.969	-1.100	-1.297	-1.444	-4.848
33.0	-0.873	-1.077	-1.209	-1.302	-3.601
54.0	-0.236	-1.030	-1.327	-0.035	-1.699
65.0	-0.209	-1.404	-3.647	-1.597	-1.751
78.5	-0.225	-3.593	-3.562	-3.302	-3.963
79.5	-44.567	-59.435	-78.376	-59.397	-38.820
80.5	2.849	-7.328	-10.049	-12.355	-0.530
81.5	-3.214	-3.313	-2.232	-3.873	-6.600
82.0	0.685	-0.626	5.037	-3.397	-2.539
84.0	-5.543	-4.328	-3.591	-3.616	-2.629
87.0	0.598	-3.830	-1.293	-1.845	-1.164
89.0	-1.388	-1.547	-5.293	-2.558	-1.111
93.0	-1.176	-0.871	-0.362	-2.366	-0.208
96.0	-1.112	-1.327	0.326	-0.397	-3.282
100.0 (LOWER)	-1.738	-1.507	-1.415	-1.379	-1.302
2.5	0.123	0.379	-0.028	-0.104	0.104
5.0	0.171	0.472	0.357	0.272	0.239
10.0	0.350	0.450	0.414	0.464	0.323
24.0	0.267	0.381	0.426	0.331	0.242
33.0	0.314	0.341	0.348	0.355	0.148
54.0	0.366	0.261	0.247	-0.195	-1.629
73.5	-0.326	0.307	0.422	-0.352	0.073
84.0	0.544	0.580	-0.160	0.467	0.179
96.0	0.382	0.379	0.417	0.264	0.019

WING PRESSURE COEFFICIENTS

RUN 265 POINT 2 ALPHA 0.01 PSI 0.00 HEIGHT 87.26

X/C, %	BP 2	BP 6	BP 12	BP 16	BP 22
0.0 (UPPER)	0.595	-0.579	-1.426	0.323	-0.089
2.5	1.946	0.612	0.492	-0.139	-0.715
5.0	0.223	0.244	0.044	-0.353	-0.561
10.0	-0.292	0.068	-0.068	-0.641	-0.733
15.0	-0.226	-0.248	-0.134	-0.698	-0.500
24.0	-0.356	-0.121	-0.343	-0.839	-0.621
33.0	-0.276	-0.310	-0.466	-0.780	-0.672
54.0	-0.950	-0.497	-0.890	-0.264	-0.730
65.0	-0.242	-0.989	-1.241	-1.354	-0.946
78.5	-0.275	-3.393	-3.529	-3.635	-2.981
79.5	-89.866	-117.741	-153.576	-116.303	-69.556
80.5	0.435	-13.295	-22.241	-21.107	-0.974
81.5	-3.283	-7.818	-1.057	-5.063	-7.158
82.0	5.414	1.657	13.371	3.828	0.636
84.0	-7.531	-5.346	-3.936	-4.352	0.287
87.0	4.243	-5.233	-0.131	-1.099	2.921
89.0	-0.242	-0.923	-7.470	-2.661	2.861
93.0	-0.424	-0.185	0.996	-2.826	-0.231
96.0	-0.646	-1.235	1.895	-2.316	-2.576
100.0 (LOWER)	-5.033	-4.113	-3.593	-3.295	-2.523
2.5	-6.324	-4.168	-2.386	-0.948	0.011
5.0	-1.277	-1.464	-1.464	-0.602	-0.102
10.0	-1.300	-2.455	-0.921	-0.332	-0.224
24.0	-0.855	-0.637	-0.347	-0.412	-0.174
33.0	-0.509	-0.342	-0.281	-0.224	-0.118
54.0	0.025	-0.280	-0.151	-0.637	-4.388
73.5	-0.367	0.527	0.621	-0.237	0.032
84.0	1.660	1.460	-0.148	0.730	0.191
96.0	0.735	0.683	0.678	0.274	-0.128

RUN 265 POINT 4 ALPHA 4.01 PSI 0.00 HEIGHT 87.16

X/C, %	BP 2	BP 6	BP 12	BP 16	BP 22
0.0 (UPPER)	0.634	0.860	0.657	0.069	-1.747
2.5	2.275	0.663	0.240	-0.578	-1.566
5.0	-0.370	0.157	-0.254	-0.679	-1.000
10.0	-0.292	-0.344	-0.427	-0.870	-0.997
15.0	-0.409	-0.255	-0.409	-0.697	-0.685
24.0	-0.313	-0.337	-0.551	-1.000	-0.741
33.0	-0.649	-0.568	-0.677	-0.904	-0.745
54.0	-0.221	-1.044	-1.064	-0.196	-0.830
65.0	-0.252	-3.573	-3.722	-3.918	-3.111
78.5	-86.298	-112.988	-147.415	-111.883	-66.929
79.5	0.605	-12.990	-21.305	-20.580	-0.924
80.5	-3.504	-7.687	-1.129	-5.193	-7.121
81.5	4.910	1.206	12.560	4.081	0.293
82.0	-7.480	-5.488	-4.128	-4.474	-0.003
84.0	3.821	-5.287	-0.412	-1.314	2.552
87.0	-0.400	-1.055	-7.444	-2.758	2.432
89.0	-0.523	-0.292	0.718	-2.887	-0.201
93.0	-0.718	-1.307	1.573	2.138	-2.479
96.0	-0.782	-4.064	-3.613	-3.202	-2.479
100.0 (LOWER)	-2.564	-3.562	-1.490	-0.277	0.254
2.5	-0.674	-1.917	-0.444	-0.152	0.123
5.0	-0.968	-1.917	-0.444	-0.236	-0.085
10.0	-0.477	-0.433	-0.136	-0.090	-0.112
24.0	-0.357	-0.190	-0.141	-0.090	-0.200
33.0	0.085	-0.205	-0.093	-0.579	-0.005
54.0	-0.313	0.499	0.582	-0.200	0.171
73.5	1.490	1.466	-0.132	0.671	0.171
84.0	0.677	0.660	0.650	0.243	-0.140



WING PRESSURE COEFFICIENTS

RUN 265 POINT 13 ALPHA 22.01 PSI 0.00 HEIGHT 98.46

X/C, Z	BP 2	BP 6	BP 12	BP 16	BP 22
0.0 (UPPER)	-1.502	0.237	-3.315	-7.606	-4.149
2.5	3.922	0.046	-2.050	-8.385	-4.301
5.0	0.836	-0.556	-2.117	-5.096	-4.355
10.0	-1.014	-1.076	-1.906	-2.135	-5.219
15.0	-1.170	-1.451	-1.576	-1.967	-5.895
20.0	-1.269	-1.214	-1.546	-1.937	-4.560
24.0	-1.091	-1.285	-1.451	-1.898	-2.843
33.0	-0.730	-1.332	-1.734	-2.169	-1.953
54.0	-0.500	-1.918	-2.167	-2.169	-2.234
65.0	-0.536	-5.383	-5.740	-5.426	-5.426
78.5	-94.118	-124.005	-182.609	-123.451	-76.545
79.5	-2.197	-15.367	-23.175	-24.479	-11.332
80.5	-3.840	-9.678	-12.550	-8.621	-10.451
81.5	5.013	0.229	12.437	3.865	-2.076
82.0	9.812	7.255	-5.782	-6.017	-2.605
84.0	6.558	-6.788	-1.483	-2.426	0.284
87.0	-1.682	-1.961	-8.283	-4.054	0.156
89.0	-1.635	-0.975	0.158	-4.039	-0.453
93.0	-1.702	-2.036	1.354	1.754	-4.920
96.0	-4.048	-3.459	-3.193	-3.062	-2.605
100.0 (LOWER)	-2.254	-0.001	-0.061	-0.516	-0.348
2.5	0.621	0.344	0.231	0.052	0.024
5.0	0.047	0.248	0.316	0.099	0.114
10.0	0.033	0.214	0.219	0.222	-0.341
24.0	0.139	0.085	0.084	-0.848	-5.201
33.0	-0.675	0.160	0.299	-0.428	-0.134
54.0	0.705	0.621	-0.384	0.391	0.035
73.5	0.400	0.275	0.333	0.057	-0.231
84.0	0.400	0.275	0.333	0.057	-0.231

RUN 265 POINT 6 ALPHA 8.06 PSI 0.00 HEIGHT 87.88

X/C, Z	BP 2	BP 6	BP 12	BP 16	BP 22
0.0 (UPPER)	0.373	1.638	0.984	-0.967	-3.187
2.5	2.785	0.772	-0.180	-1.090	-2.624
5.0	0.346	-0.076	-0.660	-1.017	-2.407
10.0	-0.589	-0.460	-0.825	-1.106	-1.922
15.0	-0.527	-0.693	-0.771	-1.106	-1.073
20.0	-0.585	-0.499	-0.803	-1.175	-0.927
24.0	-0.440	-0.584	-0.869	-1.054	-0.903
33.0	-0.569	-0.719	-1.221	-0.186	-1.034
54.0	-0.255	-1.221	-1.599	-1.610	-1.223
65.0	-0.292	-4.068	-4.336	-4.358	-3.355
78.5	-87.969	-115.602	-151.230	-114.713	-68.924
79.5	-1.192	-13.686	-21.747	-21.858	-0.995
80.5	-3.714	-8.102	-1.423	-5.665	-7.525
81.5	4.742	0.947	12.470	4.528	0.056
82.0	4.660	-5.992	-4.660	-4.812	-0.285
84.0	3.608	-5.691	-0.719	-1.562	2.212
87.0	-0.934	-1.345	-8.038	-3.053	2.160
89.0	-0.794	-0.542	0.540	3.131	-0.236
93.0	-0.571	-1.563	1.520	2.128	-3.192
96.0	-4.754	-4.066	-3.746	-3.257	-2.559
100.0 (LOWER)	-5.348	-2.779	-0.744	0.009	0.274
2.5	-0.310	-0.508	-0.163	0.053	0.210
5.0	-0.705	-1.326	-0.114	0.114	0.050
10.0	-0.369	-0.272	-0.118	-0.129	-0.045
24.0	-0.231	-0.101	-0.055	-0.005	-0.151
33.0	0.120	-0.136	-0.067	-0.619	-4.403
54.0	-0.373	0.415	0.522	-0.239	-0.045
73.5	1.276	1.249	-0.164	0.584	0.104
84.0	0.606	0.526	0.607	0.180	-0.200

RUN 273 POINT 3 ALPHA 0.01 PSI 0.00 HEIGHT 88.76

X/C, Z	BP 2	BP 6	BP 12	BP 16	BP 22
0.0 (UPPER)	0.576	0.502	0.437	0.428	0.391
2.5	-0.150	-0.249	-0.332	-0.332	-0.315
5.0	-0.161	-0.230	-0.286	-0.326	-0.345
10.0	-0.207	-0.268	-0.317	-0.326	-0.308
15.0	-0.210	-0.254	-0.303	-0.310	-0.290
20.0	-0.192	-0.231	-0.263	-0.272	-0.252
24.0	-0.212	-0.231	-0.248	-0.272	-0.225
33.0	0.072	-0.265	-0.287	1.231	-0.240
54.0	0.035	-0.270	-0.590	1.467	8.417
65.0	0.038	-0.582	-0.748	1.438	-0.519
78.5	-0.418	-0.468	-0.580	-0.740	-0.740
79.5	-0.394	-0.445	-0.328	1.218	0.324
80.5	-0.423	1.146	-0.555	1.211	-0.749
81.5	-0.368	0.446	-0.559	-0.599	1.190
82.0	-0.450	-0.438	-0.566	-0.584	-0.620
84.0	-0.464	-0.477	-0.577	-0.603	-0.868
87.0	-0.452	-0.507	-0.566	-0.602	-0.790
89.0	-0.451	-0.510	-0.581	-0.598	0.044
93.0	-0.439	-0.533	-0.567	-0.593	0.044
96.0	-0.402	-0.534	-0.534	-0.579	-0.742
100.0 (LOWER)	0.083	0.097	0.137	0.170	0.155
2.5	0.059	0.049	0.054	0.122	0.099
5.0	0.050	0.064	0.075	0.087	0.069
10.0	0.045	0.100	0.073	0.084	0.065
24.0	0.052	0.040	0.133	0.133	0.026
33.0	0.230	0.254	0.313	0.372	0.240
54.0	0.745	0.566	0.619	0.870	0.520
73.5	0.555	0.620	-0.756	0.620	0.541
84.0	0.408	0.421	0.407	0.412	0.318

RUN 265 POINT 8 ALPHA 12.07 PSI 0.00 HEIGHT 88.07

X/C, Z	BP 2	BP 6	BP 12	BP 16	BP 22
0.0 (UPPER)	-0.108	1.172	0.527	-3.225	-3.048
2.5	3.289	0.966	-0.537	-1.760	-2.979
5.0	0.457	-0.019	-0.947	-1.389	-2.996
10.0	-0.734	-0.647	-1.058	-1.360	-3.377
15.0	-0.752	-0.862	-0.977	-1.295	-2.722
20.0	-0.752	-0.672	-0.982	-1.321	-1.526
33.0	-0.591	-0.768	-1.019	-1.171	-0.990
54.0	-0.521	-0.895	-1.323	-0.167	-1.114
65.0	-0.278	-1.421	-1.704	-1.687	-1.428
78.5	-0.311	-4.491	-4.651	-4.502	-4.073
79.5	-87.951	-115.861	-151.882	-114.899	-70.090
80.5	-1.664	-14.073	-22.006	-22.006	-1.008
81.5	4.259	0.626	12.225	-4.752	-8.530
82.0	4.458	-6.357	-4.943	-4.043	-0.741
84.0	3.228	-5.966	-0.904	-4.943	-1.171
87.0	-0.995	-1.558	-0.269	-3.190	1.363
89.0	-1.067	-0.695	0.448	-3.251	1.255
93.0	-1.232	-3.834	-3.679	2.049	-0.263
96.0	-4.521	-1.797	-0.273	-3.268	-2.563
100.0 (LOWER)	-4.441	-1.797	-0.273	0.088	0.182
2.5	-1.658	-0.181	-0.012	0.166	0.233
5.0	-0.472	-0.738	0.024	0.251	0.130
10.0	-0.249	-0.075	0.095	-0.011	0.033
24.0	-0.129	0.013	0.038	0.095	-0.184
33.0	0.179	-0.037	-0.026	-0.612	-4.488
54.0	-0.391	0.318	0.490	-0.227	-0.055
73.5	1.068	0.966	-0.185	0.566	0.099
84.0	0.539	0.394	0.545	0.193	-0.196

WING PRESSURE COEFFICIENTS

RUN 273 POINT 5 ALPHA 3.99 PSI 0.00 HEIGHT 89.00

X/C, X	BP 2	BP 6	BP 12	BP 16	BP 22
0.0 (UPPER)	0.093	-0.305	-0.709	-0.910	-1.149
2.5	-0.564	-0.790	-1.118	-0.966	-1.088
5.0	-0.452	-0.553	-0.684	-0.777	-0.836
10.0	-0.403	-0.509	-0.612	-0.639	-0.817
15.0	-0.371	-0.438	-0.513	-0.546	-0.513
20.0	-0.328	-0.368	-0.412	-0.432	-0.405
24.0	-0.287	-0.329	-0.362	-0.379	-0.340
33.0	0.025	-0.330	-0.353	1.243	-0.315
54.0	0.042	-0.331	0.050	1.501	8.293
65.0	0.045	-0.379	-0.818	1.470	-0.557
78.5	-0.418	-0.470	-0.641	-0.628	-0.706
79.5	-0.395	-0.447	-0.299	1.247	0.303
80.5	-0.423	1.181	-0.629	1.244	-0.709
81.5	-0.377	-0.447	-0.633	-0.628	1.242
82.0	-0.452	-0.454	-0.633	-0.602	-0.723
84.0	-0.472	-0.500	-0.650	-0.635	-0.774
87.0	-0.472	-0.526	-0.669	-0.638	-0.715
89.0	-0.471	-0.547	-0.661	-0.633	0.054
93.0	-0.453	-0.562	-0.640	-0.627	-0.703
96.0	-0.353	-0.581	-0.611	-0.627	-0.701
100.0	0.353	0.384	0.433	0.466	0.453
2.5 (LOWER)	0.268	0.218	0.335	0.368	0.349
5.0	0.211	0.292	0.255	0.276	0.245
10.0	0.134	0.140	0.180	0.191	0.143
24.0	0.176	0.234	0.207	0.232	0.036
33.0	0.267	0.294	0.344	0.378	0.260
54.0	0.779	0.602	0.654	0.872	0.527
73.5	0.678	0.628	-0.705	0.656	0.550
84.0	0.422	0.428	-0.398	0.400	0.317
96.0					

RUN 273 POINT 8 ALPHA 12.01 PSI 0.00 HEIGHT 88.86

X/C, X	BP 2	BP 6	BP 12	BP 16	BP 22
0.0 (UPPER)	-2.813	-4.867	-6.010	-2.543	-1.366
2.5	-1.601	-2.101	-2.437	-2.403	-1.308
5.0	-1.156	-1.511	-1.877	-1.877	-1.289
10.0	-0.917	-1.136	-1.413	-2.397	-1.275
15.0	-0.774	-0.924	-1.163	-2.224	-1.232
24.0	-0.613	-0.690	-0.870	-1.410	-1.194
33.0	-0.494	-0.577	-0.706	-0.797	-1.152
54.0	-0.062	-0.461	-0.549	-1.063	-1.063
65.0	0.041	-0.412	-0.266	1.556	8.080
78.5	0.044	-0.522	-1.045	1.527	-0.788
79.5	-0.400	-0.438	-0.946	-0.770	-0.851
80.5	-0.373	-0.433	0.212	1.313	0.214
81.5	-0.409	1.244	-0.936	1.324	-0.855
82.0	-0.359	-0.406	-0.936	-0.756	1.295
84.0	-0.422	-0.419	-0.940	-0.755	-0.920
87.0	-0.441	-0.442	-0.990	-0.760	-0.850
89.0	-0.438	-0.485	-0.933	-0.785	-0.897
93.0	-0.444	-0.503	-0.771	-0.751	0.056
96.0	-0.426	-0.505	-0.687	-0.731	-0.853
100.0	-0.366	-0.499	-0.623	-0.682	-0.837
2.5 (LOWER)	0.568	0.598	0.548	0.577	0.527
5.0	0.591	0.500	0.597	0.605	0.521
10.0	0.500	0.587	0.529	0.531	0.433
24.0	0.337	0.351	0.385	0.377	0.271
33.0	0.314	0.342	0.370	0.378	0.307
54.0	0.359	0.383	0.426	0.417	0.307
73.5	0.760	0.659	0.659	0.902	0.495
84.0	0.373	0.796	-0.877	0.649	0.482
96.0	0.485	0.470	0.426	0.409	0.260

RUN 273 POINT 1,1 ALPHA 21.97 PSI 0.00 HEIGHT 97.81

X/C, X	BP 2	BP 6	BP 12	BP 16	BP 22
0.0 (UPPER)	-1.313	-1.147	-0.982	-0.938	-0.834
2.5	-1.256	-1.133	-0.981	-0.924	-0.828
5.0	-1.241	-1.127	-0.917	-0.917	-0.818
10.0	-1.199	-1.118	-0.990	-0.915	-0.829
15.0	-1.155	-1.102	-0.973	-0.909	-0.813
24.0	-1.074	-1.052	-0.957	-0.905	-0.824
33.0	-0.983	-1.020	-0.952	-0.895	-0.826
54.0	-0.561	-0.953	-0.907	1.331	-0.848
65.0	-0.067	-0.865	-0.904	1.593	7.917
78.5	-0.064	-0.777	-0.904	1.569	-0.897
79.5	-0.826	-0.792	-0.866	-0.866	-0.941
80.5	-0.815	-0.762	-0.325	1.346	0.320
81.5	-0.809	-1.362	-0.796	1.376	-0.972
82.0	-0.800	-0.729	-0.774	-0.819	1.352
84.0	-0.803	-0.742	-0.722	-0.810	-0.780
87.0	-0.779	-0.737	-0.761	-0.799	-0.834
89.0	-0.769	-0.769	-0.774	-0.792	-0.794
93.0	-0.801	-0.773	-0.751	-0.769	-0.949
96.0	-0.788	-0.760	-0.727	-0.750	-0.759
100.0	-0.639	-0.646	-0.653	-0.717	-0.748
2.5 (LOWER)	0.805	0.649	0.577	0.529	0.443
5.0	0.785	0.644	0.645	0.613	0.513
10.0	0.695	0.693	0.617	0.594	0.482
24.0	0.480	0.492	0.493	0.473	0.341
33.0	0.465	0.461	0.462	0.464	-0.071
54.0	0.421	0.440	0.475	0.465	0.356
73.5	0.796	0.735	0.716	0.933	0.486
84.0	0.791	0.869	-0.762	0.681	0.514
96.0	0.485	0.463	0.412	0.397	0.242

RUN 273 POINT 7 ALPHA 8.02 PSI 0.00 HEIGHT 86.39

X/C, X	BP 2	BP 6	BP 12	BP 16	BP 22
0.0 (UPPER)	-1.023	-2.069	-3.130	-3.557	-1.813
2.5	-0.999	-1.331	-1.727	-1.984	-1.479
5.0	-0.763	-0.979	-1.208	-1.412	-1.429
10.0	-0.639	-0.769	-0.937	-1.030	-1.368
15.0	-0.552	-0.638	-0.760	-0.836	-1.193
24.0	-0.452	-0.500	-0.575	-0.631	-0.770
33.0	-0.378	-0.425	-0.465	-0.526	-0.512
54.0	-0.008	-0.378	-0.421	1.266	-0.432
65.0	0.050	-0.366	-0.173	1.530	8.180
78.5	0.051	-0.542	-0.860	1.501	-0.666
79.5	-0.422	-0.453	-0.714	-0.675	-0.883
80.5	-0.391	-0.448	-0.250	1.277	0.262
81.5	-0.416	-1.214	-0.723	1.278	-0.879
82.0	-0.386	-0.432	-0.721	-0.664	1.272
84.0	-0.448	-0.434	-0.712	-0.649	-0.928
87.0	-0.464	-0.478	-0.718	-0.676	-0.980
89.0	-0.456	-0.505	-0.740	-0.679	-0.920
93.0	-0.463	-0.525	-0.712	-0.675	0.063
96.0	-0.446	-0.535	-0.672	-0.664	-0.850
100.0	-0.379	-0.536	-0.621	-0.621	-0.821
2.5 (LOWER)	0.558	0.555	0.567	0.567	0.545
5.0	0.454	0.370	0.503	0.526	0.478
10.0	0.365	0.467	0.411	0.431	0.362
24.0	0.239	0.231	0.289	0.297	0.205
33.0	0.225	0.263	0.293	0.313	0.045
54.0	0.314	0.339	0.393	0.397	0.288
73.5	0.742	0.635	0.638	0.893	0.503
84.0	0.761	0.714	-0.887	0.646	0.518
96.0	0.453	0.452	0.410	0.410	0.269

WING PRESSURE COEFFICIENTS

RUN 274 POINT 6 ALPHA 8.03 PSI 0.00 HEIGHT 88.42		BP 2	BP 6	BP 12	BP 16	BP 22
X/C, Z						
0.0 (UPPER)		-1.507	-2.886	-4.395	-3.399	-1.768
2.5		-1.220	-1.668	-2.148	-2.922	-1.462
5.0		-0.992	-1.264	-1.577	-2.895	-1.418
10.0		-0.836	-1.019	-1.246	-2.110	-1.424
15.0		-0.711	-0.878	-1.044	-1.057	-1.346
20.0		-0.682	-0.750	-0.840	-0.772	-1.265
33.0		-0.576	-0.680	-0.770	-0.691	-1.073
54.0		-0.091	29.148	95.973	2.624	45.574
65.0		-0.084			2.553	23.727
78.5		-92.405	-24.893	58.550	0.558	-0.938
79.5		-6.818	-0.673	0.329	0.122	0.239
81.5		-1.865	1.703	-1.176	1.909	-0.961
82.0		1.157	3.168	-1.102	-1.308	1.852
84.0		-4.769	-2.474	-1.181	-1.261	-1.616
87.0		-0.107	-1.587	-1.218	-1.393	-1.738
89.0		-1.123	-1.580	-1.247	-1.356	-1.596
93.0		-0.878	-1.399	-1.315	-1.483	-0.039
96.0		-0.802	-1.242	-1.261	-1.454	-1.571
100.0	(LOWER)	-0.992	-1.280	-1.073	-1.148	-1.344
2.5		0.504	0.507	0.474	0.493	0.455
5.0		0.397	0.342	0.452	0.487	0.380
10.0		0.332	0.432	0.372	0.393	0.297
24.0		0.185	0.198	0.249	0.235	0.118
33.0		0.157	0.207	0.234	0.267	-0.114
54.0		0.231	0.280	0.321	-0.044	2.907
73.5		0.657	0.637	0.637	0.672	0.419
84.0		0.726	0.764	-1.624	0.624	0.449
96.0		0.529	0.368	0.239	0.209	0.051

RUN 274 POINT 7 ALPHA 12.00 PSI 0.00 HEIGHT 89.11		BP 2	BP 6	BP 12	BP 16	BP 22
X/C, Z						
0.0 (UPPER)		-3.543	-4.515	-3.001	-2.208	-1.632
2.5		-1.895	-4.232	-2.863	-2.154	-1.605
5.0		-1.139	-3.669	-2.868	-2.143	-1.371
10.0		-0.941	-0.970	-2.478	-2.138	-1.588
15.0		-0.825	-0.836	-1.669	-2.077	-1.503
24.0		-0.682	-0.759	-0.958	-1.847	-1.429
33.0		-0.561	-0.815	-0.644	-1.993	-1.476
54.0		-0.083	28.381	93.787	2.536	48.174
65.0		-0.077	2.719	54.864	2.463	22.364
78.5		-90.245	-24.425	-0.700	-0.287	-0.687
79.5		-6.770	6.315	0.097	1.832	0.133
81.5		-1.694	-1.669	-2.028	1.814	-0.741
82.0		1.087	-3.236	-1.851	-2.070	1.791
84.0		-4.677	-2.727	-1.734	-1.882	-1.440
87.0		-0.139	-1.958	-1.625	-1.713	-1.586
89.0		-1.117	-1.817	-1.569	-1.542	-1.410
93.0		-0.627	-1.507	-1.526	-1.332	-0.027
96.0		-0.718	-1.164	-1.418	-1.207	-1.352
100.0	(LOWER)	-0.864	-1.093	-0.676	-0.884	-1.317
2.5		0.598	0.545	0.479	0.466	0.417
5.0		0.559	0.479	0.525	0.532	0.442
10.0		0.495	0.557	0.482	0.481	0.368
24.0		0.364	0.326	0.356	0.327	0.210
33.0		0.267	0.305	0.352	0.327	-0.108
54.0		0.299	0.350	0.393	0.004	2.814
73.5		0.658	0.679	0.674	0.861	0.423
84.0		0.738	0.786	-1.429	0.631	0.439
96.0		0.577	0.436	0.317	0.278	0.047

WING PRESSURE COEFFICIENTS

RUN 274 POINT 2 ALPHA -0.01 PSI 0.00 HEIGHT 91.61		BP 2	BP 6	BP 12	BP 16	BP 22
X/C, Z						
0.0 (UPPER)		0.452	0.279	0.083	0.005	-0.083
2.5		-0.338	-0.478	-0.620	-0.703	-0.722
5.0		-0.342	-0.445	-0.562	-0.596	-0.629
10.0		-0.353	-0.433	-0.534	-0.558	-0.574
15.0		-0.352	-0.447	-0.516	-0.534	-0.495
24.0		-0.387	-0.398	-0.462	-0.461	-0.461
33.0		-0.353	-0.440	-0.491	-0.467	-0.418
54.0		-0.066	-0.606	-0.519	2.089	-0.478
65.0		-0.083	31.151	95.973	2.794	31.464
78.5		-93.093	-23.547	69.474	2.717	27.499
79.5		-6.856	-0.154	0.081	2.006	0.673
81.5		-1.617	1.846	-1.053	2.045	-0.778
82.0		1.300	-3.099	-1.011	1.063	1.973
84.0		-4.773	-2.541	-1.014	-1.103	-1.337
87.0		-0.123	-1.728	-1.155	-1.233	-1.535
89.0		-1.160	-1.648	-1.192	-1.231	-1.411
93.0		-0.676	-1.472	-1.238	-1.300	-0.028
96.0		-0.782	-1.254	-1.184	-1.227	-1.414
100.0	(LOWER)	-1.030	-1.277	-1.090	-1.141	-1.311
2.5		0.076	0.141	0.180	0.214	0.219
5.0		0.049	0.052	0.108	0.152	0.125
10.0		0.041	0.082	0.075	0.103	0.048
24.0		0.012	0.011	0.055	0.042	0.016
33.0		0.002	0.055	0.091	0.138	-0.109
54.0		0.167	0.205	0.269	-0.070	3.117
73.5		0.633	0.556	0.574	0.900	0.448
84.0		0.635	0.653	-1.461	0.565	0.454
96.0		0.492	0.367	0.244	0.235	0.109

RUN 274 POINT 4 ALPHA 4.00 PSI 0.00 HEIGHT 88.89		BP 2	BP 6	BP 12	BP 16	BP 22
X/C, Z						
0.0 (UPPER)		-0.204	-0.815	-1.481	-1.850	-2.193
2.5		-0.795	-0.971	-1.190	-1.316	-1.173
5.0		-0.666	-0.779	-0.868	-1.068	-1.138
10.0		-0.588	-0.626	-0.872	-0.885	-0.903
15.0		-0.500	-0.542	-0.743	-0.776	-0.729
24.0		-0.505	-0.541	-0.608	-0.625	-0.625
33.0		-0.448	-0.541	-0.593	-0.589	-0.532
54.0		-0.941	-0.653	-0.581	2.059	-0.584
65.0		-0.074	29.090	94.900	2.696	38.100
78.5		-91.590	-23.900	61.000	2.822	24.960
79.5		-6.711	6.282	0.356	0.694	0.717
81.5		-1.748	1.763	-1.136	1.977	-0.201
82.0		1.153	-3.208	-1.059	-1.112	-0.795
84.0		-4.760	-2.634	-1.138	-1.135	-1.428
87.0		-0.129	-1.786	-1.194	-1.273	-1.555
89.0		-1.150	-1.688	-1.224	-1.231	-1.434
93.0		-0.666	-1.500	-1.264	-1.280	-0.011
96.0		-0.768	-1.286	-1.208	-1.230	-1.500
100.0	(LOWER)	-0.966	-1.279	-1.109	-1.133	-1.333
2.5		0.345	0.389	0.420	0.442	0.443
5.0		0.225	0.214	0.323	0.368	0.340
10.0		0.203	0.295	0.248	0.284	0.215
24.0		0.109	0.116	0.166	0.150	0.093
33.0		0.093	0.139	0.180	0.213	-0.089
54.0		0.298	0.253	0.304	-0.034	2.981
73.5		0.650	0.605	0.614	0.901	0.450
84.0		0.693	0.710	-1.503	0.599	0.472
96.0		0.514	0.372	0.239	0.226	0.081

WING PRESSURE COEFFICIENTS

RUN 274 POINT 10 ALPHA 22.00 PSI 0.00 HEIGHT 98.73

X/C, X	BP 2	BP 6	BP 12	BP 16	BP 22
0.0 (UPPER)	-2.015	-1.901	-1.656	-1.523	-1.365
2.5	-1.993	-1.881	-1.658	-1.501	-1.357
5.0	-1.977	-1.861	-1.644	-1.487	-1.338
10.0	-1.926	-1.852	-1.647	-1.481	-1.367
15.0	-1.832	-1.839	-1.613	-1.483	-1.331
24.0	-1.712	-1.785	-1.576	-1.466	-1.349
33.0	-1.475	-1.704	-1.585	-1.436	-1.320
54.0	-1.027	-1.495	-1.460	-1.450	-1.351
65.0	-0.198	28.500	94.900	2.390	58.860
78.5	-88.880	-26.280	53.570	2.330	29.160
80.5	-5.514	-7.384	0.275	0.735	-0.434
81.5	-2.216	-1.557	0.243	0.752	0.303
82.0	-0.952	-3.281	-1.183	1.744	-0.508
84.0	-5.076	-2.277	-1.094	-1.260	1.709
87.0	-0.473	-1.550	-1.188	-1.216	-1.316
88.0	-1.500	-1.441	-1.175	-1.272	-1.442
93.0	-1.040	-1.336	-1.114	-1.231	-1.300
96.0	-1.219	-1.235	-1.072	-1.159	-0.139
100.0	-0.822	-1.218	-0.990	-1.141	-1.265
2.5 (LOWER)	0.697	0.520	0.397	0.347	0.241
5.0	0.711	0.598	0.543	0.519	0.393
10.0	0.668	0.624	0.573	0.540	0.395
24.0	0.449	0.462	0.469	0.421	0.262
33.0	0.368	0.425	0.427	0.434	-0.226
54.0	0.364	0.419	0.441	0.072	2.779
73.5	0.639	0.696	0.675	0.818	0.382
84.0	0.717	0.806	-1.292	0.625	0.400
96.0	0.614	0.454	0.275	0.215	0.016

WING PRESSURE COEFFICIENTS

RUN 275 POINT 4 ALPHA 3.98 PSI 0.00 HEIGHT 89.66

X/C, X	BP 2	BP 6	BP 12	BP 16	BP 22
0.0 (UPPER)	-0.298	-0.943	-1.625	-1.927	-2.260
2.5	-0.931	-1.313	-1.785	-1.516	-2.101
5.0	-0.722	-0.913	-1.091	-1.170	-1.238
10.0	-0.645	-0.845	-1.020	-0.987	-1.020
15.0	-0.574	-0.767	-0.901	-0.892	-0.857
24.0	-0.632	-0.687	-0.715	-0.751	-0.739
33.0	-0.320	-0.662	-0.753	-0.680	-0.621
54.0	-2.082	-0.845	-0.685	-0.726	-0.726
65.0	-0.193	56.149	186.610	3.273	152.809
78.5	-0.175	-3.418	105.388	2.273	52.888
80.5	-9.119	-12.137	1.440	2.476	0.185
81.5	-3.161	1.865	0.070	2.148	0.231
82.0	-3.811	-5.707	-1.356	2.127	0.062
84.0	-7.950	-1.633	-1.263	-1.469	2.014
87.0	0.834	-2.598	-1.386	-1.224	-1.631
88.0	-1.295	-2.309	-1.461	-1.463	-1.896
93.0	-0.374	-1.949	-1.451	-1.485	-1.609
96.0	-0.877	-1.580	-1.520	-1.580	-0.886
100.0	-2.163	-1.311	-1.402	-1.402	-1.548
2.5 (LOWER)	0.216	0.296	0.301	-1.329	-1.518
5.0	0.092	0.093	0.243	0.359	0.315
10.0	0.089	0.194	0.144	0.298	0.243
24.0	-0.001	-0.023	0.057	0.058	-0.001
33.0	-0.063	0.100	0.073	0.162	-0.279
54.0	0.048	0.150	0.214	-0.327	4.279
73.5	0.368	0.536	0.572	0.486	0.424
84.0	0.595	0.611	-1.831	0.530	0.393
96.0	0.375	0.264	0.089	0.113	-0.032

WING PRESSURE COEFFICIENTS

RUN 275 POINT 6 ALPHA 8.00 PSI 0.00 HEIGHT 87.18

X/C, X	BP 2	BP 6	BP 12	BP 16	BP 22
0.0 (UPPER)	-1.538	-2.858	-4.120	-3.092	-1.827
2.5	-1.244	-1.698	-2.858	-2.663	-1.508
5.0	-1.048	-1.388	-1.645	-2.639	-1.477
10.0	-0.880	-0.932	-1.336	-2.364	-1.473
15.0	-0.744	-0.932	-1.129	-1.589	-1.408
24.0	-0.738	-0.832	-0.895	-0.819	-1.338
33.0	-0.606	-0.782	-0.900	-0.715	-1.115
54.0	-2.030	-0.895	-0.763	2.619	-0.969
65.0	-0.174	50.733	186.610	3.208	182.652
78.5	-0.164	-3.364	103.253	2.265	52.947
80.5	-167.096	-12.151	1.504	2.105	-0.211
81.5	-3.058	1.785	-1.382	2.053	-0.243
82.0	-3.894	-5.341	-1.307	-1.631	-1.865
84.0	-7.905	-0.017	-1.676	-1.627	-1.627
87.0	-0.923	-2.469	-1.408	-1.408	-2.153
89.0	-1.232	-2.127	-1.500	-1.657	-1.783
93.0	-0.540	-1.785	-1.595	-1.757	-0.994
96.0	-0.842	-1.493	-1.459	-1.686	-1.670
100.0	-2.107	-1.639	-1.182	-1.244	-1.827
2.5 (LOWER)	0.427	0.433	0.385	0.423	0.344
5.0	0.291	0.247	0.346	0.418	0.315
10.0	0.257	0.331	0.298	0.328	0.226
24.0	0.106	0.093	0.168	0.154	0.054
33.0	0.021	0.104	0.163	0.237	-0.258
54.0	0.090	0.214	0.271	-0.286	4.269
73.5	0.381	0.571	0.628	0.462	0.412
84.0	0.625	0.681	-1.783	0.560	0.367
96.0	0.410	0.280	0.114	0.141	-0.028

WING PRESSURE COEFFICIENTS

RUN 275 POINT 2 ALPHA 0.02 PSI 0.00 HEIGHT 88.72

X/C, X	BP 2	BP 6	BP 12	BP 16	BP 22
0.0 (UPPER)	0.360	0.150	-0.018	-0.087	-0.209
2.5	-0.455	-0.595	-0.753	-0.782	-0.816
5.0	-0.420	-0.519	-0.663	-0.665	-0.713
10.0	-0.407	-0.534	-0.627	-0.621	-0.656
15.0	-0.358	-0.498	-0.629	-0.610	-0.578
24.0	-0.460	-0.515	-0.532	-0.550	-0.536
33.0	-0.397	-0.545	-0.603	-0.526	-0.464
54.0	-2.135	-0.753	-0.552	2.684	-0.587
65.0	-0.166	55.457	186.610	3.372	142.609
78.5	-0.160	-3.309	103.886	3.247	53.540
80.5	-160.929	-51.918	1.298	0.218	0.116
81.5	-9.350	-11.795	0.062	2.215	0.216
82.0	-3.232	1.916	-1.344	2.184	0.109
84.0	-3.718	-5.628	-1.246	-1.323	2.135
87.0	-0.925	-4.185	-1.518	-1.186	-1.556
89.0	-1.253	-2.272	-1.267	-1.392	-1.807
93.0	-0.555	-1.858	-1.346	-1.356	-1.540
96.0	-0.884	-1.520	-1.382	-1.431	-0.061
100.0	-2.184	-1.611	-1.271	-1.360	-1.522
2.5 (LOWER)	0.010	0.080	-0.092	-0.155	0.143
5.0	-0.046	-0.028	0.006	0.108	0.062
10.0	-0.032	0.009	-0.002	0.040	-0.006
24.0	-0.074	-0.104	-0.021	-0.027	-0.046
33.0	-0.140	-0.043	0.029	0.100	-0.262
54.0	0.035	0.143	0.234	-0.356	4.317
73.5	0.352	0.517	0.558	0.515	0.454
84.0	0.538	0.576	-1.589	0.499	0.392
96.0	0.364	0.274	0.120	0.146	0.018

WING PRESSURE COEFFICIENTS

RUN 276 POINT 2 ALPHA 0.00 PSI 0.00 HEIGHT 86.13

X/C, X	BP 2	BP 6	BP 12	BP 16	BP 22
0.0 (UPPER)					
2.5	-0.155	-0.112	-0.281	-0.201	-0.383
5.0	-0.733	-0.896	-1.029	-1.036	-1.044
10.0	-0.644	-0.825	-0.959	-0.896	-0.990
15.0	-0.868	-0.792	-1.047	-0.838	-0.885
20.0	-0.488	-0.702	-0.963	-0.827	-0.834
24.0	-0.620	-0.719	-0.816	-0.701	-0.756
33.0	-0.471	-0.766	-0.954	-0.689	-0.575
54.0	-3.855	-1.119	-0.706	4.283	-0.883
78.5	-0.419	107.048	389.981	5.528	372.044
79.5	-0.360	4.857	217.819	9.413	109.782
80.5	-307.865	-106.374	5.007	6.801	2.066
81.5	-16.341	-23.486	0.017	3.447	0.256
82.0	-3.681	2.638	-1.450	3.116	1.972
82.5	10.664	-11.138	-1.331	-1.829	2.893
84.0	-14.452	-7.749	-2.418	-1.363	-1.940
87.0	3.180	-3.449	-1.438	-1.653	-2.539
88.0	-1.563	-2.712	-1.580	-1.678	-1.845
89.0	-0.424	-2.204	-1.636	-1.694	-0.264
93.0	-1.157	-1.975	-1.486	-1.694	-0.264
96.0	-4.638	-2.384	-1.352	-1.517	-1.654
100.0 (LOWER)	-0.188	-0.135	-0.190	-0.074	-0.074
2.5	-0.307	-0.307	-0.309	-0.084	-0.147
5.0	-0.274	-0.261	-0.252	-0.174	-0.198
10.0	-0.278	-0.281	-0.249	-0.203	-0.235
24.0	-0.312	-0.399	-0.218	-0.005	-0.616
33.0	-0.530	-0.321	-0.064	-1.095	7.715
54.0	-0.346	-0.054	0.064	-1.095	7.715
73.5	-0.044	0.400	0.512	-0.195	0.366
84.0	0.325	0.423	-1.879	0.125	0.213
96.0	0.053	0.002	-0.188	-0.095	-0.206

RUN 275 POINT 7 ALPHA 12.00 PSI 0.00 HEIGHT 86.98

X/C, X	BP 2	BP 6	BP 12	BP 16	BP 22
0.0 (UPPER)					
2.5	-3.568	-4.422	-2.756	-2.056	-1.578
5.0	-2.032	-4.135	-2.700	-2.022	-1.518
10.0	-1.216	-0.960	-1.947	-1.865	-1.495
15.0	-1.008	-1.020	-2.694	-1.931	-1.502
24.0	-0.921	-0.943	-1.959	-1.431	-1.453
33.0	-0.735	-0.889	-1.263	-1.199	-1.293
54.0	-0.212	-1.036	-0.701	2.615	-1.340
78.5	-0.211	50.832	186.610	3.198	168.523
79.5	-171.050	-48.535	100.802	3.325	54.469
80.5	-13.100	-0.584	0.684	1.805	0.428
81.5	-3.337	1.698	0.050	2.070	0.162
82.0	3.633	-7.338	-2.740	2.070	0.395
82.5	-8.037	-5.268	-2.435	-1.414	1.938
84.0	0.808	-2.639	-1.461	-1.299	-1.524
87.0	-1.283	-1.967	-1.336	-1.242	-1.230
88.0	-0.487	-1.230	-1.182	-1.218	-0.132
93.0	-0.707	-0.937	-0.885	-1.018	-1.145
96.0	-1.971	-0.875	-0.922	-1.162	-1.135
100.0 (LOWER)	0.436	0.466	0.390	0.405	0.319
2.5	0.388	0.372	0.434	0.456	0.354
5.0	0.208	0.188	0.262	0.245	0.286
10.0	0.106	0.183	0.244	0.307	-0.302
24.0	0.139	0.274	0.331	-0.233	4.273
33.0	0.396	0.607	0.640	0.486	0.435
54.0	0.631	0.685	-1.305	0.556	0.377
73.5	0.454	0.376	0.177	0.153	0.009

RUN 275 POINT 10 ALPHA 22.01 PSI 0.00 HEIGHT 98.96

X/C, X	BP 2	BP 6	BP 12	BP 16	BP 22
0.0 (UPPER)					
2.5	-2.524	-2.219	-1.846	-1.622	-1.466
5.0	-2.391	-2.198	-1.830	-1.634	-1.454
10.0	-2.326	-2.156	-1.806	-1.598	-1.454
15.0	-2.221	-2.128	-1.832	-1.594	-1.462
24.0	-2.069	-2.089	-1.790	-1.594	-1.430
33.0	-1.810	-1.962	-1.743	-1.547	-1.450
54.0	-1.458	-1.877	-1.501	-1.515	-1.381
78.5	-2.016	-1.596	-1.501	2.648	-1.488
79.5	-0.320	51.637	190.966	3.260	182.206
80.5	-163.718	-54.108	102.760	4.894	54.409
81.5	-9.083	-14.177	0.221	2.534	0.401
82.0	3.034	-1.773	-1.195	2.043	0.360
82.5	3.929	-5.880	-1.140	-1.414	1.967
84.0	-8.343	-3.372	-1.642	-1.195	-1.454
87.0	0.463	-2.089	-1.187	-1.351	-1.772
89.0	-1.735	-1.657	-1.262	-1.335	-1.405
93.0	-0.999	-1.640	-1.235	-1.296	-0.233
96.0	-1.383	-1.498	-1.167	-1.266	-1.327
100.0 (LOWER)	-1.966	-1.654	-1.098	-1.262	-1.347
2.5	0.587	0.424	0.303	0.274	0.153
5.0	0.625	0.499	0.435	0.442	0.308
10.0	0.584	0.510	0.468	0.457	0.327
24.0	0.354	0.342	0.378	0.346	0.184
33.0	0.239	0.312	0.338	0.404	-0.418
54.0	0.199	0.347	0.366	-0.183	4.372
73.5	0.408	0.640	0.647	0.540	0.385
84.0	0.615	0.706	-1.361	0.540	0.319
96.0	0.480	0.340	0.122	0.122	-0.074

WING PRESSURE COEFFICIENTS

RUN 276 POINT 10 ALPHA 21.99 PSI		0.00 HEIGHT 98.96			
X/C, X	BP 2	BP 6	BP 12	BP 16	BP 22
0.0 (UPPER)	-3.294	-2.647	-2.138	-1.656	-1.558
2.5	-3.002	-2.654	-2.146	-1.815	-1.541
5.0	-2.783	-2.568	-2.066	-1.781	-1.628
10.0	-2.574	-2.561	-2.137	-1.713	-1.527
15.0	-2.377	-2.372	-2.113	-1.698	-1.645
24.0	-1.873	-2.301	-1.960	-1.565	-1.561
33.0	-1.332	-2.074	-2.127	-1.569	-1.569
54.0	-0.632	-1.733	372.293	4.374	355.171
65.0	-0.494	99.181	190.403	5.607	104.480
78.5	-268.457	-112.958	4.671	5.429	2.078
80.5	-15.916	-26.117	0.057	3.412	0.453
81.5	-3.820	2.806	-1.133	3.188	2.185
82.0	9.561	-9.996	-1.145	-1.678	3.142
84.0	-14.188	-5.070	-2.704	-1.749	-1.749
87.0	-2.351	-2.814	-1.240	-1.498	-2.338
88.0	-2.046	-2.560	-1.447	-1.493	-1.609
93.0	-0.851	-2.144	-1.410	-1.411	-0.339
96.0	-1.571	-1.902	-1.286	-1.487	-1.487
100.0	-3.839	-2.341	-1.257	-1.475	-1.453
2.5 (LOWER)	0.420	0.216	0.076	0.061	0.061
5.0	0.378	0.254	0.177	0.332	0.160
10.0	0.323	0.250	0.302	0.274	0.203
24.0	0.166	0.084	0.196	0.250	0.040
33.0	-0.121	0.072	0.130	0.327	0.741
54.0	-0.115	0.203	0.265	-0.574	7.730
73.5	0.229	0.540	0.593	0.171	0.350
84.0	0.426	0.515	-1.559	0.374	0.156
96.0	0.191	0.139	-0.159	-0.052	-0.206

RUN 299 POINT 3 ALPHA 0.01 PSI		0.00 HEIGHT 86.74			
X/C, X	BP 2	BP 6	BP 12	BP 16	BP 22
0.0 (UPPER)	0.471	0.492	0.430	0.402	0.369
2.5	-0.161	-0.258	-0.341	-0.356	-0.333
5.0	-0.169	-0.238	-0.293	-0.327	-0.349
10.0	-0.216	-0.275	-0.328	-0.328	-0.328
15.0	-0.217	-0.263	-0.306	-0.317	-0.293
24.0	-0.213	-0.234	-0.264	-0.283	-0.263
33.0	-0.179	-0.225	-0.265	-0.235	-0.235
54.0	0.550	-0.261	-0.269	0.893	0.274
65.0	0.028	-0.320	-0.421	-0.371	-0.426
78.5	0.028	-0.548	-0.814	-0.719	-1.050
79.5	-0.392	0.424	0.537	0.652	-1.194
80.5	-0.373	0.462	0.426	0.518	0.047
81.5	-0.544	0.619	0.503	0.570	0.516
82.0	-0.403	-0.379	0.268	0.569	0.548
84.0	-0.400	-0.447	-0.440	-0.583	0.604
87.0	-0.397	-0.440	-0.586	-0.593	-0.822
89.0	-0.405	-0.472	-0.586	-0.596	-0.768
93.0	-0.412	-0.483	-0.599	-0.631	0.046
96.0	-0.405	-0.470	-0.599	-0.621	0.751
100.0	-0.350	-0.463	-0.581	-0.517	-0.759
2.5 (LOWER)	0.089	0.106	0.147	0.173	0.169
5.0	0.055	0.053	0.104	0.130	0.113
10.0	0.052	0.071	0.078	0.099	0.071
24.0	0.041	0.044	0.076	0.081	0.058
33.0	0.057	0.101	0.133	0.160	0.020
54.0	0.228	0.261	0.309	0.304	0.179
73.5	0.697	0.578	0.635	0.642	0.523
84.0	0.550	0.629	-0.745	0.638	0.539
96.0	0.422	0.438	0.421	0.410	0.305

WING PRESSURE COEFFICIENTS

RUN 276 POINT 6 ALPHA 8.02 PSI		0.00 HEIGHT 85.00			
X/C, X	BP 2	BP 6	BP 12	BP 16	BP 22
0.0 (UPPER)	-1.778	-3.156	-3.634	-2.788	-1.983
2.5	-1.560	-2.145	-3.270	-2.517	-1.666
5.0	-1.631	-1.695	-3.037	-2.472	-1.695
10.0	-1.062	-1.380	-1.896	-2.405	-1.617
15.0	-0.868	-1.127	-1.863	-2.216	-1.636
24.0	-0.924	-1.066	-1.527	-1.381	-1.527
33.0	-0.697	-1.036	-1.167	-0.930	-1.274
54.0	-2.994	-1.285	-0.875	-0.289	-1.289
65.0	-0.409	101.316	372.293	5.433	355.171
78.5	-0.352	-4.757	199.735	9.395	104.994
80.5	-300.740	-101.333	4.239	5.567	1.403
81.5	-15.698	-23.112	0.045	3.405	0.279
82.0	-3.630	2.593	-1.878	1.433	1.433
84.0	-9.893	-10.261	-1.741	-2.215	3.047
87.0	-14.026	-7.209	-2.904	-2.204	-2.204
88.0	-2.790	-3.808	-1.216	-1.857	-2.703
89.0	-1.511	-3.164	-1.834	-1.873	-2.065
93.0	-0.338	-2.483	-1.966	-1.929	-0.252
96.0	-1.008	-1.996	-1.786	-1.873	-1.896
100.0	-4.251	-2.263	-1.423	-1.473	-1.648
2.5 (LOWER)	0.183	0.233	0.173	0.308	0.147
5.0	0.079	0.015	0.118	0.251	0.141
10.0	0.025	0.098	0.120	0.115	0.057
24.0	-0.076	-0.168	0.011	0.123	0.123
33.0	-0.338	-0.124	-0.031	0.165	-0.596
54.0	-0.259	0.087	0.159	-0.781	7.509
73.5	0.130	0.465	0.551	-0.003	0.381
84.0	0.399	0.489	-2.022	0.331	0.181
96.0	0.129	0.075	-0.183	-0.056	-0.223

RUN 276 POINT 7 ALPHA 11.99 PSI		0.00 HEIGHT 87.34			
X/C, X	BP 2	BP 6	BP 12	BP 16	BP 22
0.0 (UPPER)	-3.713	-4.536	-2.922	-2.140	-1.758
2.5	-2.366	-4.219	-2.938	-2.176	-1.666
5.0	-1.690	-4.457	-2.843	-2.139	-1.704
10.0	-1.336	-1.099	-3.037	-2.055	-1.622
15.0	-1.080	-1.142	-3.029	-2.038	-1.690
24.0	-1.083	-1.186	-2.338	-1.972	-1.594
33.0	-0.787	-1.093	-1.573	-1.922	-1.399
54.0	-2.902	-1.334	-0.769	4.289	-1.575
65.0	-0.416	101.158	372.293	5.484	355.171
78.5	-0.347	-5.366	197.165	9.513	106.892
79.5	-302.835	-100.068	2.045	5.361	2.051
80.5	-15.710	-25.501	-0.140	3.466	0.265
81.5	-3.690	2.623	-2.658	3.227	2.092
82.0	-9.897	-12.108	-2.288	-1.708	3.138
84.0	-14.053	-7.438	-3.045	-1.171	-1.635
87.0	-2.883	-3.389	-1.544	-1.466	-2.113
89.0	-1.501	-2.778	-1.544	-1.411	-1.475
93.0	-0.284	-1.911	-1.416	-1.388	-0.247
96.0	-0.921	-1.550	-1.294	-1.356	-1.335
100.0	-4.117	-1.452	-1.177	-1.371	-1.321
2.5 (LOWER)	0.261	0.265	0.199	0.296	0.151
5.0	0.175	0.129	0.193	0.325	0.197
10.0	0.065	0.214	0.216	0.210	0.138
24.0	-0.089	-0.089	0.079	0.113	-0.026
33.0	-0.261	-0.047	0.024	0.219	-0.623
54.0	-0.211	0.117	0.195	-0.750	7.584
73.5	0.209	0.457	0.573	0.044	0.391
84.0	0.408	0.508	-1.510	0.375	0.216
96.0	0.168	0.144	-0.130	-0.038	-0.165

WING PRESSURE COEFFICIENTS

RUN 299 POINT 9 ALPHA 12.02 PSI 0.00 HEIGHT 86.12

X/C, %	BP 2	BP 6	BP 12	BP 16	BP 22
0.0 (UPPER)	-2.888	-4.918	-5.986	-2.850	-1.406
2.5	-1.608	-2.119	-2.419	-2.496	-1.343
5.0	-1.153	-1.521	-1.868	-2.429	-1.317
10.0	-0.916	-1.140	-1.413	-2.336	-1.320
15.0	-0.767	-0.931	-1.166	-2.297	-1.260
24.0	-0.611	-0.691	-0.875	-1.302	-1.228
33.0	-0.485	-0.567	-0.708	-0.661	-1.190
44.0	-0.337	-0.442	-0.509	-0.979	-1.157
54.0	-0.244	-0.433	-0.559	-0.440	-0.987
65.0	-0.042	-0.555	-0.702	-0.898	-1.106
78.5	-0.427	-0.434	-0.624	-0.753	-1.231
79.5	-0.432	-0.458	-0.443	-0.616	-0.671
80.5	-0.600	-0.714	-0.620	-0.678	-0.604
81.5	-0.470	-0.373	-0.194	-0.681	-0.632
82.0	-0.452	-0.448	-0.372	-0.684	-0.704
84.0	-0.459	-0.445	-0.545	-0.686	-0.937
87.0	-0.476	-0.481	-0.565	-0.693	-0.900
89.0	-0.533	-0.496	-0.598	-0.713	-0.066
93.0	-0.538	-0.468	-0.598	-0.703	-0.834
96.0	-0.442	-0.413	-0.560	-0.661	-0.834
100.0 (LOWER)	0.671	0.604	0.542	0.568	0.535
2.5	0.598	0.507	0.598	0.608	0.530
5.0	0.506	0.595	0.531	0.540	0.434
10.0	0.335	0.352	0.385	0.375	0.275
24.0	0.313	0.343	0.372	0.387	0.040
33.0	0.354	0.384	0.429	0.393	0.259
44.0	0.774	0.684	0.669	0.716	0.505
73.5	0.774	0.684	0.669	0.716	0.505
84.0	0.757	0.797	-0.868	0.684	0.505
96.0	0.479	0.484	0.457	0.396	0.259

WING PRESSURE COEFFICIENTS

RUN 299 POINT 6 ALPHA 3.99 PSI 0.00 HEIGHT 87.14

X/C, %	BP 2	BP 6	BP 12	BP 16	BP 22
0.0 (UPPER)	0.071	-0.329	-0.741	-0.974	-1.213
2.5	-0.575	-0.806	-1.151	-0.937	-1.092
5.0	-0.459	-0.557	-0.777	-0.836	-0.631
10.0	-0.411	-0.503	-0.609	-0.631	-0.510
15.0	-0.383	-0.434	-0.508	-0.549	-0.409
24.0	-0.329	-0.359	-0.442	-0.409	-0.334
33.0	-0.272	-0.319	-0.361	-0.337	-0.334
44.0	-0.040	-0.357	-0.338	-0.448	-0.410
54.0	0.040	-0.542	-0.481	-0.825	-0.718
65.0	-0.398	-0.423	-0.575	-0.730	-0.721
78.5	-0.382	-0.454	-0.450	-0.562	-0.658
80.5	-0.552	-0.653	0.557	0.624	0.548
81.5	-0.415	-0.373	-0.285	0.612	0.587
82.0	-0.400	-0.446	-0.484	0.704	0.647
84.0	-0.412	-0.438	-0.633	-0.720	-0.704
87.0	-0.416	-0.481	-0.637	-0.696	-0.704
89.0	-0.430	-0.489	-0.653	-0.728	-0.660
93.0	-0.422	-0.470	-0.652	-0.716	-0.660
96.0	-0.355	-0.449	-0.637	-0.644	-0.723
100.0 (LOWER)	0.369	0.399	0.440	0.468	0.471
2.5	0.282	0.233	0.344	0.381	0.365
5.0	0.221	0.305	0.264	0.292	0.254
10.0	0.137	0.156	0.188	0.190	0.152
24.0	0.143	0.185	0.216	0.244	0.035
33.0	0.269	0.306	0.350	0.334	0.207
44.0	0.726	0.663	0.663	0.666	0.539
73.5	0.687	0.635	-0.707	0.667	0.553
84.0	0.687	0.635	-0.707	0.667	0.553
96.0	0.441	0.450	0.419	0.388	0.311

WING PRESSURE COEFFICIENTS

RUN 299 POINT 12 ALPHA 21.98 PSI 0.01 HEIGHT 97.88

X/C, %	BP 2	BP 6	BP 12	BP 16	BP 22
0.0 (UPPER)	-1.547	-1.223	-1.029	-0.990	-0.855
2.5	-1.414	-1.203	-1.028	-0.959	-0.843
5.0	-1.376	-1.200	-1.033	-0.950	-0.823
10.0	-1.297	-1.181	-1.038	-0.951	-0.852
15.0	-1.217	-1.158	-1.014	-0.948	-0.820
24.0	-1.119	-1.105	-0.956	-0.951	-0.839
33.0	-1.009	-1.066	-0.927	-0.926	-0.837
44.0	-0.650	-0.973	-0.939	-0.927	-0.862
54.0	-0.079	-0.893	-0.927	-0.881	-0.851
65.0	-0.081	-0.846	-0.868	-0.919	-0.955
78.5	-0.825	-0.796	-0.665	-0.824	-0.923
79.5	-0.845	-0.811	-0.665	-0.649	-0.047
80.5	-0.986	-0.761	-0.665	-0.724	0.046
81.5	-0.861	-0.697	-0.609	-0.724	0.672
82.0	-0.800	-0.774	-0.588	-0.822	0.764
84.0	-0.767	-0.738	-0.783	-0.795	-0.806
87.0	-0.770	-0.766	-0.773	-0.787	-0.780
89.0	-0.813	-0.783	-0.758	-0.779	-0.058
93.0	-0.813	-0.757	-0.733	-0.747	-0.747
96.0	-0.799	-0.652	-0.654	-0.693	-0.757
100.0 (LOWER)	0.808	0.650	0.568	0.519	0.450
2.5	0.786	0.553	0.646	0.614	0.519
5.0	0.697	0.689	0.618	0.603	0.482
10.0	0.474	0.459	0.464	0.464	0.342
24.0	0.436	0.459	0.473	0.468	-0.081
33.0	0.412	0.443	0.473	0.432	0.290
44.0	0.810	0.734	0.713	0.753	0.496
73.5	0.810	0.734	0.713	0.753	0.496
84.0	0.778	0.778	-0.761	0.645	0.539
96.0	0.486	0.467	0.445	0.391	0.246

WING PRESSURE COEFFICIENTS

RUN 299 POINT 8 ALPHA 8.02 PSI 0.01 HEIGHT 87.55

X/C, %	BP 2	BP 6	BP 12	BP 16	BP 22
0.0 (UPPER)	-1.065	-2.111	-3.180	-3.613	-1.823
2.5	-1.023	-1.346	-1.745	-2.002	-1.485
5.0	-0.766	-0.990	-1.220	-1.418	-1.430
10.0	-0.643	-0.775	-0.946	-1.034	-1.352
15.0	-0.547	-0.645	-0.760	-0.842	-1.203
24.0	-0.454	-0.496	-0.576	-0.645	-0.800
33.0	-0.367	-0.419	-0.487	-0.524	-0.531
44.0	-0.605	-0.368	-0.404	-0.459	-0.453
54.0	0.048	-0.389	-0.521	-0.582	-0.532
65.0	0.046	-0.534	-0.846	-0.789	-0.982
78.5	-0.402	-0.425	-0.603	-0.727	-1.138
79.5	-0.384	-0.438	0.437	0.598	0.072
80.5	-0.580	0.688	0.585	0.553	0.584
81.5	-0.418	-0.364	-0.270	0.651	0.619
82.0	-0.411	-0.435	-0.457	-0.673	0.662
84.0	-0.413	-0.432	-0.610	-0.659	-0.914
87.0	-0.430	-0.472	-0.616	-0.668	-0.891
89.0	-0.460	-0.483	-0.638	-0.697	-0.851
93.0	-0.455	-0.458	-0.637	-0.687	-0.884
96.0	-0.388	-0.409	-0.624	-0.611	-0.845
100.0 (LOWER)	0.563	0.563	0.570	0.567	0.557
2.5	0.453	0.380	0.534	0.487	0.487
5.0	0.372	0.478	0.416	0.443	0.365
10.0	0.241	0.259	0.293	0.209	0.209
24.0	0.231	0.267	0.289	0.322	0.044
33.0	0.314	0.344	0.392	0.367	0.242
44.0	0.755	0.647	0.648	0.700	0.501
73.5	0.755	0.647	0.648	0.700	0.501
84.0	0.766	0.729	-0.882	0.648	0.505
96.0	0.465	0.474	0.442	0.416	0.279

WING PRESSURE COEFFICIENTS

RUN 305 POINT 6 ALPHA 8.00 PSI 0.00 HEIGHT 89.33		BP 2	BP 6	BP 12	BP 16	BP 22
X/C, X						
0.0 (UPPER)		-2.112	-3.580	-3.463	-2.770	-2.013
2.5		-1.567	-2.597	-3.078	-2.443	-1.732
5.0		-1.338	-1.742	-3.105	-2.419	-1.729
10.0		-1.092	-1.378	-2.750	-2.340	-1.707
15.0		-0.894	-1.195	-1.844	-2.389	-1.687
24.0		-0.980	-1.144	-1.014	-1.860	-1.575
33.0		-0.721	-1.011	-1.124	-1.313	-1.370
54.0		-0.784	-1.299	-0.942	2.553	-1.465
65.0		-0.349	-3.987	-1.548	-1.214	-1.568
78.5		-0.291	-5.624	-3.436	-2.904	-2.473
79.5		-145.838	-94.885	-1.368	82.091	44.660
80.5		-14.661	-11.844	0.101	-1.450	0.052
81.5		5.537	-0.504	-1.550	-1.269	-1.378
82.0		5.122	-1.216	-0.994	-1.592	-1.551
84.0		-11.800	-7.742	-2.873	-1.716	-1.354
87.0		1.168	-7.210	-2.413	-1.982	-2.396
89.0		3.189	-3.015	-2.573	-1.875	-1.875
93.0		-1.755	-1.316	-2.362	-1.938	-0.208
96.0		-2.082	-2.007	-1.766	-1.807	-1.863
100.0		-2.349	-3.667	-1.205	-1.049	-1.787
2.5 (LOWER)		0.346	0.302	0.262	0.320	0.200
5.0		0.170	0.094	0.211	0.337	0.245
10.0		0.099	0.206	0.196	0.228	0.155
24.0		-0.004	-0.058	0.090	0.085	-0.047
33.0		-0.203	-0.111	0.063	0.240	-0.515
54.0		-0.086	0.179	0.188	0.063	-4.059
73.5		0.638	0.533	0.613	0.042	0.372
84.0		0.465	0.666	-1.843	0.326	0.250
96.0		0.279	0.207	0.317	-0.002	-0.237

WING PRESSURE COEFFICIENTS

RUN 305 POINT 7 ALPHA 11.95 PSI 0.00 HEIGHT 87.78		BP 2	BP 6	BP 12	BP 16	BP 22
X/C, X						
0.0 (UPPER)		-3.931	-4.617	-2.881	-2.223	-1.729
2.5		-2.311	-4.306	-2.914	-2.269	-1.668
5.0		-1.621	-4.758	-2.921	-2.183	-1.666
10.0		-1.283	-1.043	-3.072	-2.072	-1.660
15.0		-1.000	-1.078	-3.072	-2.123	-1.660
24.0		-1.011	-1.118	-2.297	-2.091	-1.572
33.0		-0.751	-0.977	-1.479	-1.997	-1.403
54.0		-0.816	-1.271	-0.704	2.544	-1.568
65.0		-0.297	-4.483	-1.239	-1.317	-1.568
78.5		-0.244	-5.470	-3.202	-1.766	-1.413
79.5		-144.800	-89.565	-1.494	62.091	46.831
80.5		-14.447	-11.405	0.107	-1.565	0.021
81.5		-5.417	-0.494	-1.596	-1.226	-1.372
82.0		5.326	-1.105	-0.938	-1.537	-1.594
84.0		-11.643	-7.317	-2.372	-1.159	-1.393
87.0		3.132	-6.839	-1.752	-1.282	-1.740
89.0		-1.709	-1.192	-1.698	-1.469	-0.151
93.0		-2.059	-3.934	-1.270	-1.395	-1.318
96.0		-2.339	-3.670	-1.223	-1.016	-1.409
100.0		0.440	0.358	0.283	0.444	0.205
2.5 (LOWER)		0.392	0.246	0.281	0.474	0.329
5.0		0.261	0.344	0.335	0.347	0.238
10.0		0.120	0.059	0.183	0.201	0.081
24.0		-0.090	0.111	0.150	0.339	-0.479
33.0		-0.016	0.269	0.269	0.151	-4.042
54.0		0.671	0.583	0.670	0.073	0.457
73.5		0.527	0.655	-1.325	0.388	0.336
84.0		0.359	0.250	0.339	0.024	-0.133
96.0						

WING PRESSURE COEFFICIENTS

RUN 305 POINT 2 ALPHA -0.01 PSI 0.00 HEIGHT 89.51		BP 2	BP 6	BP 12	BP 16	BP 22
X/C, X						
0.0 (UPPER)		0.122	-0.178	-0.556	-0.715	-1.052
2.5		-0.678	-0.905	-1.135	-1.231	-1.370
5.0		-0.609	-0.772	-0.979	-1.035	-1.111
10.0		-0.550	-0.738	-0.966	-0.816	-0.927
15.0		-0.484	-0.647	-0.905	-0.826	-0.870
24.0		-0.449	-0.707	-0.770	-0.699	-0.768
33.0		-0.669	-0.723	-0.852	-0.708	-0.659
54.0		-0.806	-1.082	-0.751	2.417	-1.009
65.0		-0.277	-4.122	-1.332	-1.195	-1.423
78.5		-0.223	-5.173	-2.479	-3.952	-3.423
79.5		-139.883	-83.987	-1.547	60.997	39.015
80.5		-14.226	-10.994	0.248	-1.523	0.015
81.5		-5.488	-0.575	-1.639	-1.319	-1.524
82.0		4.763	-0.978	-0.694	-1.626	-1.580
84.0		-11.461	-7.106	-2.012	-2.205	-1.339
87.0		0.911	-6.774	-2.062	-2.351	-2.908
89.0		-3.072	-3.030	-2.396	-2.589	-2.222
93.0		-1.575	-1.564	-2.760	-2.947	-0.168
96.0		-1.862	-2.169	-1.878	-2.437	-1.516
100.0		-2.302	-3.049	-1.748	-0.568	-1.107
2.5 (LOWER)		-0.029	0.062	0.097	0.232	0.154
5.0		-0.102	-0.106	-0.118	0.159	0.134
10.0		-0.128	-0.033	-0.001	0.064	0.030
24.0		-0.130	-0.173	0.033	0.000	-0.055
33.0		-0.295	-0.074	0.014	0.438	-0.192
54.0		-0.089	0.133	0.224	0.105	-4.000
73.5		0.605	0.524	0.606	0.031	0.449
84.0		0.472	0.589	-1.846	0.383	0.327
96.0		0.274	0.226	0.370	0.206	0.015

WING PRESSURE COEFFICIENTS

RUN 305 POINT 4 ALPHA 4.04 PSI 0.00 HEIGHT 87.50		BP 2	BP 6	BP 12	BP 16	BP 22
X/C, X						
0.0 (UPPER)		-0.707	-1.577	-2.523	-2.908	-3.162
2.5		-1.209	-1.562	-2.356	-2.911	-2.908
5.0		-0.923	-1.243	-1.446	-1.552	-1.904
10.0		-0.832	-1.129	-1.335	-1.250	-1.213
15.0		-0.682	-0.955	-1.221	-1.173	-1.213
24.0		-0.784	-0.924	-1.041	-0.957	-1.016
33.0		-0.593	-0.868	-1.060	-0.917	-0.832
54.0		-0.843	-1.226	-0.886	2.473	-1.159
65.0		-0.340	-4.483	-1.461	-1.272	-1.483
78.5		-0.276	-5.454	-2.590	-3.225	-3.225
79.5		-145.705	-89.164	-1.582	64.131	44.292
80.5		-14.664	-11.409	0.258	-1.580	0.096
81.5		-5.587	-0.551	-1.724	-1.438	-1.438
82.0		5.052	-1.045	-0.716	-1.548	-1.548
84.0		-11.881	-7.294	-2.099	-1.980	-1.358
87.0		0.989	-6.879	-2.038	-2.189	-3.112
89.0		-3.205	-3.185	-2.345	-2.479	-2.590
93.0		-1.677	-1.712	-2.573	-2.476	-0.199
96.0		-1.998	-2.419	-1.966	-2.359	-2.000
100.0		-2.416	-3.865	-1.957	-1.467	-2.000
2.5 (LOWER)		0.192	0.248	0.238	0.326	0.217
5.0		0.069	-0.020	0.101	0.211	0.235
10.0		-0.030	0.094	0.092	0.154	0.102
24.0		-0.089	-0.150	0.008	0.034	-0.066
33.0		-0.249	-0.073	0.020	0.188	-0.484
54.0		-0.115	0.150	0.159	0.162	-4.162
73.5		0.505	0.540	0.617	-0.003	0.415
84.0		0.473	0.596	-2.476	0.352	0.293
96.0		0.268	0.197	0.261	0.070	-0.223



WING PRESSURE COEFFICIENTS

RUN 306 POINT 4 ALPHA 4.00 PSI 0.00 HEIGHT 87.82

X/C, Z	BP 2	BP 6	BP 12	BP 16	BP 22
0.0 (UPPER)	-0.493	-1.257	-2.147	-2.575	-2.921
2.5	-1.021	-1.180	-1.484	-1.743	-2.576
5.0	-0.690	-0.974	-1.210	-1.349	-1.478
10.0	-0.637	-0.751	-0.991	-1.071	-1.113
15.0	-0.612	-0.695	-0.822	-0.976	-0.987
24.0	-0.515	-0.581	-0.828	-0.733	-0.807
33.0	0.155	-0.925	-0.745	1.841	-0.892
42.0	-0.150	-2.975	-1.131	1.007	-1.161
51.0	-0.119	-4.159	-1.968	-1.820	-2.697
60.5	-87.993	-60.057	-0.198	29.990	19.484
70.5	7.694	0.228	0.228	-0.159	0.050
80.5	-4.196	0.302	-0.178	0.211	-0.061
82.0	-1.234	-1.857	-0.643	-0.164	0.164
84.0	-6.767	-4.509	-1.636	-1.523	-0.023
87.0	-0.036	-4.094	-1.656	-1.752	-2.560
89.0	-2.056	-2.110	-1.774	-2.274	-2.274
91.0	-1.196	-1.255	-1.884	-2.145	-0.079
93.0	-1.287	-1.563	-1.586	-2.177	-2.177
95.0	-0.607	-1.996	-1.678	-1.544	-1.802
100.0 (LOWER)	0.321	0.357	0.353	0.437	0.340
5.0	0.213	0.152	0.257	0.377	0.340
10.0	0.132	0.237	0.239	0.254	0.222
24.0	0.071	0.054	0.138	0.146	0.057
33.0	-0.019	0.091	0.140	0.236	-0.235
42.0	0.105	0.240	0.290	0.184	-1.452
51.0	0.892	0.617	0.653	0.595	0.431
60.5	0.634	0.902	-2.232	0.506	0.406
70.5	0.448	0.390	0.269	0.134	-0.068

RUN 306 POINT 6 ALPHA 8.07 PSI 0.00 HEIGHT 89.30

X/C, Z	BP 2	BP 6	BP 12	BP 16	BP 22
0.0 (UPPER)	-2.012	-3.545	-3.409	-3.121	-1.923
2.5	-1.429	-2.174	-2.761	-2.759	-1.683
5.0	-1.176	-1.524	-2.447	-2.259	-1.673
10.0	-0.887	-1.238	-1.881	-2.679	-1.623
15.0	-0.847	-1.036	-1.371	-2.265	-1.608
24.0	-0.794	-0.934	-1.038	-1.233	-1.495
33.0	-0.653	-0.856	-1.014	-0.873	-1.338
42.0	0.175	-1.062	-0.927	1.890	-1.308
51.0	-0.170	-2.933	-1.355	-1.115	-1.425
60.5	0.135	-4.478	-2.814	-2.962	-2.369
70.5	-90.711	-68.180	-0.138	29.279	20.137
79.5	0.226	-6.441	0.226	-0.020	0.020
80.5	-4.330	0.311	-0.109	0.017	-0.015
81.5	1.239	-2.045	-1.009	0.158	-0.142
82.0	-6.894	-4.987	-2.217	-1.823	-0.047
84.0	-0.017	-4.443	-2.159	-1.920	-2.227
87.0	-2.116	-2.096	-2.236	-1.931	-1.889
89.0	-1.267	-1.084	-2.157	-1.850	-0.085
93.0	-1.378	-1.354	-1.715	-1.715	-1.801
95.0	-0.594	-1.879	-1.079	-1.045	-1.635
100.0 (LOWER)	0.449	0.472	0.417	0.466	0.353
5.0	0.347	0.290	0.382	0.478	0.382
10.0	0.276	0.399	0.359	0.378	0.276
24.0	0.170	0.147	0.234	0.239	0.085
33.0	0.069	0.167	0.230	0.244	-0.253
42.0	0.168	0.299	0.321	0.231	-1.458
51.0	0.933	0.675	0.658	0.634	0.402
60.5	0.659	0.940	-1.850	0.522	0.378
70.5	0.486	0.441	0.373	0.174	-0.081

WING PRESSURE COEFFICIENTS

RUN 305 POINT 10 ALPHA 22.04 PSI 0.00 HEIGHT 99.26

X/C, Z	BP 2	BP 6	BP 12	BP 16	BP 22
0.0 (UPPER)	-6.116	-3.513	-2.546	-2.078	-1.777
2.5	-5.052	-3.473	-2.560	-2.118	-1.759
5.0	-4.383	-3.359	-2.463	-2.107	-1.783
10.0	-3.001	-3.379	-2.563	-2.095	-1.772
15.0	-2.129	-3.142	-2.556	-2.052	-1.807
24.0	-1.656	-2.764	-2.469	-1.978	-1.725
33.0	-1.214	-2.187	-2.520	-2.011	-1.577
42.0	-0.728	-1.374	-1.804	-2.053	-1.760
51.0	-0.425	-3.185	-1.837	-1.867	-1.825
60.5	-0.369	-4.467	-1.745	-1.754	-1.825
70.5	-141.422	-84.246	-1.418	65.035	46.667
79.5	-14.477	-11.034	0.222	-1.322	-0.032
80.5	-5.283	-0.453	-1.943	-1.242	-1.328
81.5	5.493	0.227	-0.567	-1.483	-1.532
82.0	-11.496	-6.340	-1.929	-1.296	-2.177
84.0	-1.184	-6.611	-1.533	-1.603	-2.177
87.0	-3.363	-2.921	-1.547	-1.684	-1.601
89.0	-2.036	-1.778	-1.602	-1.708	-0.279
93.0	-2.356	-2.777	-1.348	-1.258	-1.781
95.0	0.448	0.199	0.087	0.123	-0.025
100.0 (LOWER)	0.514	0.355	0.254	0.355	0.239
5.0	0.430	0.332	0.375	0.370	0.258
10.0	0.278	0.200	0.296	0.290	0.121
24.0	0.014	0.206	0.258	0.450	-0.593
33.0	0.041	0.304	0.307	0.165	-3.911
42.0	0.761	0.593	0.617	0.161	0.346
51.0	0.472	0.704	-1.543	0.316	0.203
60.5	0.399	0.253	0.290	-0.040	-0.291

RUN 306 POINT 2 ALPHA 0.02 PSI 0.00 HEIGHT 88.95

X/C, Z	BP 2	BP 6	BP 12	BP 16	BP 22
0.0 (UPPER)	0.308	0.042	-0.299	-0.410	-0.670
2.5	-0.498	-0.705	-0.937	-1.011	-1.096
5.0	-0.437	-0.596	-0.760	-0.838	-0.919
10.0	-0.433	-0.584	-0.746	-0.725	-0.725
15.0	-0.406	-0.523	-0.715	-0.664	-0.691
24.0	-0.454	-0.536	-0.609	-0.567	-0.597
33.0	-0.390	-0.546	-0.550	-0.569	-0.532
42.0	0.129	-0.820	-0.629	1.827	-0.782
51.0	-0.115	-2.978	-1.017	-0.909	-1.098
60.5	-0.097	-4.010	-1.770	-1.802	-3.107
70.5	-86.237	-57.765	-0.184	29.588	16.776
79.5	-9.239	-7.623	0.259	-0.211	0.038
80.5	-4.201	0.322	-0.185	-0.027	-0.077
81.5	1.183	-1.752	0.533	-0.242	-0.191
82.0	-6.717	-4.410	-1.404	-1.412	-0.035
84.0	-0.110	-4.028	-1.409	-1.695	-2.285
87.0	-2.008	-2.013	-1.588	-1.856	-2.047
89.0	-1.124	-1.153	-1.670	-2.070	-0.047
93.0	-1.220	-1.591	-1.417	-1.809	-1.616
95.0	-0.633	-1.968	-1.553	-1.578	-1.009
100.0 (LOWER)	0.102	0.172	0.224	0.309	0.267
5.0	0.040	0.036	0.099	0.235	0.205
10.0	0.022	0.088	0.108	0.135	0.116
24.0	0.007	-0.023	0.066	0.086	0.028
33.0	-0.060	0.050	0.108	0.212	-0.209
42.0	0.110	0.253	0.295	0.234	-1.469
51.0	0.878	0.608	0.653	0.568	0.484
60.5	0.613	0.875	-1.886	0.528	0.434
70.5	0.445	0.409	0.310	0.199	0.160

WING PRESSURE COEFFICIENTS

RUN 307 POINT 2 ALPHA 0.02 PSI 0.00 HEIGHT 89.31

X/C, Z	BP 2	BP 6	BP 12	BP 16	BP 22
0.0 (UPPER)					
2.5	-3.937	-4.605	-2.843	-1.616	-0.474
5.0	-2.169	-4.351	-2.899	-2.132	-0.814
10.0	-1.557	-4.511	-2.867	-2.118	-0.958
15.0	-1.248	-0.989	-2.046	-2.036	-0.808
20.0	-0.927	-0.970	-2.885	-1.570	-0.640
25.0	-0.741	-0.881	-2.174	-2.000	-0.593
30.0	0.167	-1.057	-1.373	-1.934	-0.528
35.0	0.157	-1.057	-1.373	-1.362	-0.476
40.0	-0.172	-3.237	-1.086	-1.417	-0.458
45.0	-0.172	-3.237	-1.086	-1.231	-0.458
50.0	-0.172	-3.237	-1.086	-1.413	-0.458
55.0	-0.172	-3.237	-1.086	-1.413	-0.458
60.0	-0.172	-3.237	-1.086	-1.413	-0.458
65.0	-0.172	-3.237	-1.086	-1.413	-0.458
70.0	-0.172	-3.237	-1.086	-1.413	-0.458
75.0	-0.172	-3.237	-1.086	-1.413	-0.458
80.0	-0.172	-3.237	-1.086	-1.413	-0.458
85.0	-0.172	-3.237	-1.086	-1.413	-0.458
90.0	-0.172	-3.237	-1.086	-1.413	-0.458
95.0	-0.172	-3.237	-1.086	-1.413	-0.458
100.0 (LOWER)	-0.556	-1.780	-0.994	-1.048	-1.295
2.5	0.573	0.488	0.421	0.450	0.265
5.0	0.508	0.398	0.444	0.513	0.234
10.0	0.409	0.482	0.444	0.443	0.151
15.0	0.271	0.244	0.322	0.312	0.099
20.0	0.156	0.242	0.300	0.275	0.140
25.0	0.212	0.347	0.359	0.376	0.194
30.0	0.946	0.675	0.701	0.637	0.274
35.0	0.946	0.675	0.701	0.637	0.274
40.0	0.946	0.675	0.701	0.637	0.274
45.0	0.946	0.675	0.701	0.637	0.274
50.0	0.946	0.675	0.701	0.637	0.274
55.0	0.946	0.675	0.701	0.637	0.274
60.0	0.946	0.675	0.701	0.637	0.274
65.0	0.946	0.675	0.701	0.637	0.274
70.0	0.946	0.675	0.701	0.637	0.274
75.0	0.946	0.675	0.701	0.637	0.274
80.0	0.946	0.675	0.701	0.637	0.274
85.0	0.946	0.675	0.701	0.637	0.274
90.0	0.946	0.675	0.701	0.637	0.274
95.0	0.946	0.675	0.701	0.637	0.274
100.0	0.522	0.445	-1.301	0.542	0.462

WING PRESSURE COEFFICIENTS

RUN 306 POINT 7 ALPHA 11.99 PSI 0.00 HEIGHT 87.16

X/C, Z	BP 2	BP 6	BP 12	BP 16	BP 22
0.0 (UPPER)					
2.5	-3.937	-4.605	-2.843	-1.616	-0.474
5.0	-2.169	-4.351	-2.899	-2.132	-0.814
10.0	-1.557	-4.511	-2.867	-2.118	-0.958
15.0	-1.248	-0.989	-2.046	-2.036	-0.808
20.0	-0.927	-0.970	-2.885	-1.570	-0.640
25.0	-0.741	-0.881	-2.174	-2.000	-0.593
30.0	0.167	-1.057	-1.373	-1.934	-0.528
35.0	0.157	-1.057	-1.373	-1.362	-0.476
40.0	0.167	-1.057	-1.373	-1.417	-0.458
45.0	0.167	-1.057	-1.373	-1.413	-0.458
50.0	0.167	-1.057	-1.373	-1.413	-0.458
55.0	0.167	-1.057	-1.373	-1.413	-0.458
60.0	0.167	-1.057	-1.373	-1.413	-0.458
65.0	0.167	-1.057	-1.373	-1.413	-0.458
70.0	0.167	-1.057	-1.373	-1.413	-0.458
75.0	0.167	-1.057	-1.373	-1.413	-0.458
80.0	0.167	-1.057	-1.373	-1.413	-0.458
85.0	0.167	-1.057	-1.373	-1.413	-0.458
90.0	0.167	-1.057	-1.373	-1.413	-0.458
95.0	0.167	-1.057	-1.373	-1.413	-0.458
100.0 (LOWER)	-0.556	-1.780	-0.994	-1.048	-1.295
2.5	0.573	0.488	0.421	0.450	0.265
5.0	0.508	0.398	0.444	0.513	0.234
10.0	0.409	0.482	0.444	0.443	0.151
15.0	0.271	0.244	0.322	0.312	0.099
20.0	0.156	0.242	0.300	0.275	0.140
25.0	0.212	0.347	0.359	0.376	0.194
30.0	0.946	0.675	0.701	0.637	0.274
35.0	0.946	0.675	0.701	0.637	0.274
40.0	0.946	0.675	0.701	0.637	0.274
45.0	0.946	0.675	0.701	0.637	0.274
50.0	0.946	0.675	0.701	0.637	0.274
55.0	0.946	0.675	0.701	0.637	0.274
60.0	0.946	0.675	0.701	0.637	0.274
65.0	0.946	0.675	0.701	0.637	0.274
70.0	0.946	0.675	0.701	0.637	0.274
75.0	0.946	0.675	0.701	0.637	0.274
80.0	0.946	0.675	0.701	0.637	0.274
85.0	0.946	0.675	0.701	0.637	0.274
90.0	0.946	0.675	0.701	0.637	0.274
95.0	0.946	0.675	0.701	0.637	0.274
100.0	0.522	0.445	-1.301	0.542	0.462

WING PRESSURE COEFFICIENTS

RUN 307 POINT 4 ALPHA 3.99 PSI 0.00 HEIGHT 85.90

X/C, Z	BP 2	BP 6	BP 12	BP 16	BP 22
0.0 (UPPER)					
2.5	-3.937	-4.605	-2.843	-1.616	-0.474
5.0	-2.169	-4.351	-2.899	-2.132	-0.814
10.0	-1.557	-4.511	-2.867	-2.118	-0.958
15.0	-1.248	-0.989	-2.046	-2.036	-0.808
20.0	-0.927	-0.970	-2.885	-1.570	-0.640
25.0	-0.741	-0.881	-2.174	-2.000	-0.593
30.0	0.167	-1.057	-1.373	-1.934	-0.528
35.0	0.157	-1.057	-1.373	-1.362	-0.476
40.0	0.167	-1.057	-1.373	-1.417	-0.458
45.0	0.167	-1.057	-1.373	-1.413	-0.458
50.0	0.167	-1.057	-1.373	-1.413	-0.458
55.0	0.167	-1.057	-1.373	-1.413	-0.458
60.0	0.167	-1.057	-1.373	-1.413	-0.458
65.0	0.167	-1.057	-1.373	-1.413	-0.458
70.0	0.167	-1.057	-1.373	-1.413	-0.458
75.0	0.167	-1.057	-1.373	-1.413	-0.458
80.0	0.167	-1.057	-1.373	-1.413	-0.458
85.0	0.167	-1.057	-1.373	-1.413	-0.458
90.0	0.167	-1.057	-1.373	-1.413	-0.458
95.0	0.167	-1.057	-1.373	-1.413	-0.458
100.0 (LOWER)	-0.556	-1.780	-0.994	-1.048	-1.295
2.5	0.573	0.488	0.421	0.450	0.265
5.0	0.508	0.398	0.444	0.513	0.234
10.0	0.409	0.482	0.444	0.443	0.151
15.0	0.271	0.244	0.322	0.312	0.099
20.0	0.156	0.242	0.300	0.275	0.140
25.0	0.212	0.347	0.359	0.376	0.194
30.0	0.946	0.675	0.701	0.637	0.274
35.0	0.946	0.675	0.701	0.637	0.274
40.0	0.946	0.675	0.701	0.637	0.274
45.0	0.946	0.675	0.701	0.637	0.274
50.0	0.946	0.675	0.701	0.637	0.274
55.0	0.946	0.675	0.701	0.637	0.274
60.0	0.946	0.675	0.701	0.637	0.274
65.0	0.946	0.675	0.701	0.637	0.274
70.0	0.946	0.675	0.701	0.637	0.274
75.0	0.946	0.675	0.701	0.637	0.274
80.0	0.946	0.675	0.701	0.637	0.274
85.0	0.946	0.675	0.701	0.637	0.274
90.0	0.946	0.675	0.701	0.637	0.274
95.0	0.946	0.675	0.701	0.637	0.274
100.0	0.522	0.445	-1.301	0.542	0.462

WING PRESSURE COEFFICIENTS

RUN 306 POINT 10 ALPHA 22.01 PSI 0.00 HEIGHT 99.15

X/C, Z	BP 2	BP 6	BP 12	BP 16	BP 22
0.0 (UPPER)					
2.5	-5.340	-3.185	-2.372	-1.958	-1.620
5.0	-4.333	-3.142	-2.379	-1.983	-1.610
10.0	-3.895	-3.055	-2.324	-1.979	-1.636
15.0	-3.078	-3.057	-2.327	-1.906	-1.615
20.0	-2.354	-2.903	-2.304	-1.914	-1.643
25.0	-1.665	-2.820	-2.280	-1.866	-1.591
30.0	-1.245	-2.200	-2.269	-1.894	-1.513
35.0	-0.219	-1.295	-1.789	-1.933	-1.600
40.0	-0.266	-2.055	-1.743	-1.768	-1.628
45.0	-0.241	-3.319	-1.578	-1.601	-1.618
50.0	-0.241	-3.319	-1.578	-1.601	-1.618
55.0	-0.241	-3.319	-1.578	-1.601	-1.618
60.0	-0.241	-3.319	-1.578	-1.601	-1.618
65.0	-0.241	-3.319	-1.578	-1.601	-1.618
70.0	-0.241	-3.319	-1.578	-1.601	-1.618
75.0	-0.241	-3.319	-1.578	-1.601	-1.618
80.0	-0.241	-3.319	-1.578	-1.601	-1.618
85.0	-0.241	-3.319	-1.578	-1.601	-1.618
90.0	-0.241	-3.319	-1.578	-1.601	-1.618
95.0	-0.241	-3.319	-1.578	-1.601	-1.618
100.0 (LOWER)	0.644	0.367	0.280	0.256	0.137
2.5	0.644	0.367	0.280	0.256	0.137
5.0	0.644	0.367	0.280	0.256	0.137
10.0	0.644	0.367	0.280	0.256	0.137
15.0	0.644	0.367	0.280	0.256	0.137
20.0	0.644	0.367	0.280	0.256	0.137
25.0	0.644	0.367	0.280	0.256	0.137
30.0	0.644	0.367	0.280	0.256	0.137
35.0	0.644	0.367	0.280	0.256	0.137
40.0	0.644	0.367	0.280	0.256	0.137
45.0	0.644	0.367	0.280	0.256	0.137
50.0	0.644	0.367	0.280	0.256	0.137
55.0	0.644	0.367	0.280	0.256	0.137
60.0	0.644	0.367	0.280	0.256	0.137
65.0	0.644	0.367	0.280	0.256	0.137
70.0	0.644	0.367	0.280	0.256	0.137
75.0	0.644	0.367	0.280	0.256	0.137
80.0	0.644	0.367	0.280	0.256	0.137
85.0	0.644	0.367	0.280	0.256	0.137
90.0	0.644	0.367	0.280	0.256	0.137
95.0	0.644	0.367	0.280	0.256	0.137
100.0	0.644	0.367	0.280	0.256	0.137

WING PRESSURE COEFFICIENTS

RUN 307 POINT 10 ALPHA 22.00 PSI 0.00 HEIGHT 98.84

X/C, Z	BP 2	BP 6	BP 12	BP 16	BP 22
0.0 (UPPER)	-4.645	-2.906	-2.187	-1.879	-1.532
2.5	-3.801	-2.843	-2.196	-1.880	-1.528
5.0	-3.505	-2.793	-2.159	-1.856	-1.529
10.0	-2.949	-2.760	-2.151	-1.824	-1.528
15.0	-2.428	-2.661	-2.139	-1.823	-1.532
20.0	-1.738	-2.444	-2.105	-1.795	-1.504
24.0	-1.297	-2.156	-2.097	-1.792	-1.462
33.0	0.681	-1.285	-1.754	-1.563	-1.497
54.0	0.681	-1.285	-1.754	-1.563	-1.497
65.0	-0.173	-1.465	-1.659	-1.871	-1.484
78.5	-0.169	-2.620	-1.526	-1.516	-1.437
79.5	-50.212	-39.050	0.599	4.402	4.431
80.5	6.180	-4.990	0.381	0.570	-0.084
81.5	3.611	0.783	0.618	0.999	0.599
82.0	0.744	-1.648	-0.676	0.617	0.570
82.0	-4.442	-2.920	-1.278	-1.347	-1.658
84.0	-0.631	-2.798	-1.324	-1.453	-1.596
87.0	-1.702	-1.706	-1.338	-1.478	-1.455
89.0	-1.319	-1.247	-1.331	-1.466	-1.155
93.0	-1.406	-1.387	-1.256	-1.420	-1.475
96.0	-0.422	-0.790	-1.183	-1.291	-1.500
100.0 (LOWER)	0.685	0.450	0.242	0.312	0.211
5.0	0.777	0.636	0.537	0.534	0.412
10.0	0.691	0.630	0.606	0.589	0.429
24.0	0.492	0.508	0.510	0.480	0.283
33.0	0.412	0.473	0.476	0.463	-0.220
54.0	0.399	0.480	0.470	0.392	-0.082
54.0	1.050	0.751	0.704	0.921	0.361
73.5	0.84.0	0.744	1.111	-1.426	0.578
96.0	0.652	0.590	0.357	0.188	-0.035

WING PRESSURE COEFFICIENTS

RUN 307 POINT 6 ALPHA 7.99 PSI 0.00 HEIGHT 84.36

X/C, Z	BP 2	BP 6	BP 12	BP 16	BP 22
0.0 (UPPER)	-1.877	-3.466	-4.921	-3.492	-1.853
2.5	-1.374	-1.863	-2.424	-1.617	-1.617
5.0	-1.075	-1.403	-1.840	-1.304	-1.600
10.0	-0.910	-1.118	-1.452	-1.001	-1.567
15.0	-0.809	-0.948	-1.223	-1.739	-1.539
24.0	-0.710	-0.814	-0.984	-0.806	-1.435
33.0	0.621	-0.752	-0.911	-1.295	-1.295
54.0	0.625	-0.878	-0.858	-1.485	-1.160
65.0	-0.075	-2.098	-1.171	-1.016	-1.258
78.5	-0.066	-3.615	-2.115	-2.652	-2.262
79.5	-49.638	-48.544	0.522	1.280	2.559
80.5	5.949	-5.312	0.290	0.503	0.010
81.5	3.401	0.724	0.547	0.595	0.552
82.0	-0.564	-2.135	-0.833	0.513	0.494
82.0	-4.219	-3.321	-1.682	-1.938	-0.585
84.0	-0.420	-2.818	-1.791	-2.013	-2.050
87.0	-1.393	-1.520	-1.850	-1.980	-1.862
89.0	-0.933	-0.925	-1.862	-1.835	-0.032
93.0	-0.995	-0.981	-1.596	-1.739	-1.739
96.0	-0.647	-0.911	-1.147	-0.998	-1.528
100.0 (LOWER)	0.553	0.531	0.495	0.520	0.445
5.0	0.455	0.377	0.474	0.534	0.438
10.0	0.356	0.465	0.432	0.441	0.330
24.0	0.246	0.255	0.298	0.302	0.145
33.0	0.196	0.265	0.300	0.332	-0.125
54.0	0.285	0.361	0.374	0.312	-0.155
54.0	0.983	0.895	0.668	0.865	0.403
73.5	0.84.0	1.046	-1.790	0.577	0.432
96.0	0.575	0.543	0.397	0.284	0.013

WING PRESSURE COEFFICIENTS

RUN 315 POINT 2 ALPHA -0.02 PSI 0.01 HEIGHT 86.72

X/C, Z	BP 2	BP 6	BP 12	BP 16	BP 22
0.0 (UPPER)	-2.640	-2.189	-3.199	-1.235	0.644
2.5	0.041	0.067	0.167	-0.031	-0.169
5.0	0.609	0.177	0.059	-0.448	-1.015
10.0	0.527	0.018	-0.146	-0.100	0.156
15.0	0.239	0.291	-0.768	-0.131	-1.251
24.0	0.389	-0.109	-0.804	0.337	-0.306
33.0	-0.102	-0.365	-0.579	-0.578	-0.710
54.0	-3.265	-0.913	-0.891	12.633	-0.918
65.0	0.014	-6.155	-0.717	-1.071	-2.103
78.5	0.222	-5.631	-1.867	-2.270	-2.501
79.5	-257.969	-145.319	8.979	336.609	75.565
80.5	-21.068	-12.494	2.565	11.040	3.307
81.5	1.017	5.495	7.627	9.086	15.183
82.0	20.679	1.351	-1.228	6.019	10.833
84.0	-19.435	-7.213	-12.507	2.305	6.197
87.0	4.435	-9.723	-0.059	0.514	-5.437
89.0	-5.202	-4.554	-2.384	-2.736	-2.293
93.0	-2.021	-1.764	-2.157	-1.475	-0.424
96.0	-2.675	-4.282	-0.953	-1.633	-2.452
100.0 (LOWER)	-4.946	-4.778	-1.603	-1.243	-1.090
2.5	-1.884	-2.279	-4.149	-3.052	-1.372
5.0	-1.864	-3.005	-3.926	-2.521	-0.753
10.0	-2.971	-2.647	-3.017	-2.389	-0.365
24.0	-2.477	-3.114	-2.070	-0.805	-0.497
33.0	-2.435	-2.273	-1.822	-0.855	-0.481
54.0	-1.183	-1.238	-0.809	-0.730	-2.724
73.5	2.228	-0.608	-0.029	-3.402	0.287
84.0	-0.046	-1.873	-1.715	0.033	0.230
96.0	-1.461	-0.015	0.493	0.553	0.080

WING PRESSURE COEFFICIENTS

RUN 307 POINT 7 ALPHA 12.03 PSI 0.00 HEIGHT 87.59

X/C, Z	BP 2	BP 6	BP 12	BP 16	BP 22
0.0 (UPPER)	-4.162	-4.811	-3.229	-2.454	-1.875
2.5	-2.146	-4.503	-3.298	-2.462	-1.862
5.0	-1.563	-4.348	-3.239	-2.476	-1.856
10.0	-1.254	-1.018	-3.107	-2.480	-1.845
15.0	-1.059	-1.011	-2.935	-2.515	-1.829
24.0	-0.902	-0.936	-1.933	-2.448	-1.777
33.0	-0.762	-0.839	-1.029	-2.184	-1.708
54.0	0.650	-0.962	-0.780	-1.513	-1.878
65.0	-0.091	-2.407	-1.196	-1.152	-1.928
78.5	-0.080	-3.959	-3.596	-2.845	-2.077
79.5	-0.580	-50.500	0.547	0.461	3.341
80.5	-6.065	-3.613	0.148	0.541	0.012
81.5	-3.532	0.748	0.541	0.629	0.594
82.0	-0.547	-2.500	-1.547	0.543	0.545
84.0	-4.251	-3.616	-2.348	-2.020	0.619
87.0	-0.368	-2.950	-2.031	-1.724	-1.997
89.0	-1.418	-1.549	-1.780	-1.540	-0.056
93.0	-0.988	-0.725	-1.201	-1.214	-0.056
96.0	-1.049	-0.721	-0.824	-0.999	-1.743
100.0 (LOWER)	-0.569	-0.673	-0.451	-0.699	-1.659
2.5	0.639	0.548	0.481	0.461	0.372
5.0	0.596	0.505	0.551	0.560	0.464
10.0	0.510	0.569	0.524	0.513	0.402
24.0	0.353	0.355	0.399	0.386	0.227
33.0	0.294	0.356	0.387	0.410	-0.128
54.0	0.338	0.428	0.436	0.371	-0.124
73.5	1.012	0.756	0.710	0.881	0.395
84.0	0.768	1.070	-1.780	0.561	0.397
96.0	0.615	0.602	0.505	0.324	-0.030

WING PRESSURE COEFFICIENTS

Table with columns: RUN 315 POINT 7 ALPHA 11.99 PSI, BP 2, BP 6, BP 12, BP 16, BP 22. Rows include X/C, Z and values for UPPER and LOWER surfaces.

Table with columns: RUN 315 POINT 10 ALPHA 21.99 PSI, BP 2, BP 6, BP 12, BP 16, BP 22. Rows include X/C, Z and values for UPPER and LOWER surfaces.

WING PRESSURE COEFFICIENTS

Table with columns: RUN 315 POINT 4 ALPHA 4.02 PSI, BP 2, BP 6, BP 12, BP 16, BP 22. Rows include X/C, Z and values for UPPER and LOWER surfaces.

Table with columns: RUN 315 POINT 5 ALPHA 7.98 PSI, BP 2, BP 6, BP 12, BP 16, BP 22. Rows include X/C, Z and values for UPPER and LOWER surfaces.

WING PRESSURE COEFFICIENTS

RUN 316 POINT 6 ALPHA 8.05 PSI 0.01 HEIGHT 87.72

X/C, X	BP 2	BP 6	BP 12	BP 16	BP 22
0.0 (UPPER)	-1.344	-1.179	-1.219	-1.071	-0.531
2.5	0.555	0.332	-0.515	-0.831	-1.455
5.0	0.724	0.422	-0.243	-0.797	-1.362
10.0	0.470	0.294	-0.077	-0.716	-0.858
15.0	0.240	0.272	-0.483	-0.741	-1.020
24.0	0.219	0.021	-0.515	-0.648	-0.715
33.0	-0.045	-0.126	-0.736	-0.908	-0.644
54.0	-1.519	-0.505	-0.728	3.199	-0.787
65.0	-0.223	-3.362	-0.894	-1.133	-1.057
78.5	-0.137	-4.228	-1.662	-1.550	-1.801
79.5	-151.749	-98.783	-1.063	6.794	9.313
80.5	-12.722	-10.143	-0.591	-0.371	0.007
81.5	-3.094	-2.884	-1.362	0.153	0.748
82.0	5.678	-0.994	-0.932	-0.332	-0.137
84.0	-10.327	-7.416	-2.395	-1.574	-0.117
88.0	1.807	-6.853	1.503	-1.855	-1.946
89.0	-2.395	-2.408	-1.691	-1.504	-1.684
93.0	-1.150	-0.595	-1.600	-1.474	-0.385
96.0	-1.345	-1.402	-1.425	-1.463	-1.659
100.0	-2.246	-2.520	-1.670	-1.547	-1.206
2.5 (LOWER)	1.070	-1.192	-1.238	-1.311	-0.212
5.0	-1.014	-1.313	-1.311	-1.381	-0.284
10.0	-1.354	-1.301	-1.065	-1.408	-0.368
15.0	-1.169	-1.359	-1.191	-1.121	-0.513
24.0	-1.202	-1.270	-1.300	-1.071	-0.367
33.0	-1.290	-1.233	-1.043	-1.202	-1.202
54.0	0.676	-0.739	-0.468	-1.070	0.547
73.5	-0.454	-0.310	-1.627	0.283	0.588
84.0	-0.839	-0.623	-0.368	0.011	0.218
96.0					

RUN 316 POINT 7 ALPHA 12.04 PSI 0.01 HEIGHT 87.25

X/C, X	BP 2	BP 6	BP 12	BP 16	BP 22
0.0 (UPPER)	-1.360	-1.185	-1.291	-1.364	-1.016
2.5	0.482	0.194	-1.216	-1.326	-1.673
5.0	0.691	0.313	-0.918	-1.271	-1.505
10.0	0.441	0.212	-0.640	-1.160	-0.989
15.0	0.210	0.141	-0.925	-1.152	-1.157
24.0	0.193	-0.097	-0.895	-1.044	-0.896
33.0	-0.100	-0.208	-0.951	-1.303	-0.841
54.0	-1.538	-0.556	-0.836	3.336	-0.918
65.0	-0.307	-3.687	-0.925	-1.347	-1.166
78.5	-0.217	-4.435	-1.911	-1.561	-1.822
79.5	-160.244	-109.631	-1.121	6.983	9.718
80.5	-13.317	-10.301	-0.612	-0.467	0.038
81.5	-3.562	-3.046	-1.537	0.216	0.821
82.0	5.584	-1.271	-0.818	-0.905	-0.062
84.0	-10.930	-7.937	-2.473	-1.513	-0.171
88.0	1.630	-7.373	-1.555	-1.862	-1.614
89.0	-2.711	-2.563	-1.781	-1.467	-0.464
93.0	-1.405	-0.613	-1.713	-1.467	-0.464
96.0	-1.580	-1.448	-1.442	-1.435	-1.597
100.0	-1.986	-2.418	-1.744	-1.543	-1.197
2.5 (LOWER)	1.071	-1.213	-1.353	-1.427	-0.200
5.0	-0.994	-1.357	-1.369	-1.427	-0.242
10.0	-1.359	-1.359	-1.160	-1.462	-0.315
15.0	-1.255	-1.439	-1.253	-1.140	-0.453
24.0	-1.503	-1.358	-1.370	-1.029	-0.433
33.0	-1.265	-1.240	-1.010	-0.766	-1.243
54.0	0.633	-0.651	-0.357	-1.141	0.574
73.5	-0.410	-0.293	-1.538	0.321	0.612
84.0	-0.771	-0.527	-0.261	0.076	0.244
96.0					

WING PRESSURE COEFFICIENTS

RUN 316 POINT 3 ALPHA -0.01 PSI 0.01 HEIGHT 87.39

X/C, X	BP 2	BP 6	BP 12	BP 16	BP 22
0.0 (UPPER)	-1.424	-1.259	-1.114	0.119	0.181
2.5	0.538	0.532	-0.540	-0.078	-0.906
5.0	0.765	0.564	0.337	-0.339	-1.043
10.0	0.500	0.251	0.169	-0.415	-0.671
15.0	0.368	0.179	-0.396	-0.437	-0.898
24.0	0.331	-0.093	-0.440	-0.325	-0.659
33.0	-0.009	-0.217	-0.658	-0.599	-0.638
54.0	-1.620	-0.674	-0.729	3.282	-0.902
65.0	-0.264	-5.160	-1.023	-1.113	-1.360
78.5	-0.170	-4.789	-2.502	-3.114	-3.626
79.5	-161.242	-97.776	-1.400	3.260	5.098
80.5	-14.132	-12.057	-0.013	-0.822	-0.050
81.5	-4.100	-3.449	-1.739	-0.062	0.538
82.0	4.756	-1.144	-0.987	-1.141	-0.383
84.0	-11.419	-7.322	-3.050	-2.505	-0.416
88.0	1.431	-6.867	-2.267	-2.769	-2.563
89.0	-2.750	-2.776	-2.528	-2.450	-2.178
93.0	-1.462	-1.072	-2.515	-2.396	-0.346
96.0	-1.677	-2.022	-2.016	-1.958	-1.540
100.0	-3.623	-3.559	-0.772	-0.585	-0.942
2.5 (LOWER)	1.026	-1.238	-1.960	-1.767	-0.224
5.0	-1.039	-1.429	-1.848	-1.502	-0.236
10.0	-1.449	-1.386	-1.423	-1.328	-0.260
15.0	-1.245	-1.512	-1.295	-0.814	-0.323
24.0	-1.447	-1.362	-1.188	-0.585	-0.417
33.0	-1.039	-0.904	-0.509	-1.279	-1.279
54.0	0.700	-0.215	0.360	-1.239	0.572
73.5	-0.135	-0.590	-1.732	0.844	0.508
84.0	-0.603	-0.240	0.409	0.795	0.357
96.0					

RUN 316 POINT 4 ALPHA 2.01 PSI 0.00 HEIGHT 87.97

X/C, X	BP 2	BP 6	BP 12	BP 16	BP 22
0.0 (UPPER)	-1.467	-1.377	-1.120	0.274	-0.238
2.5	0.553	0.502	0.621	-0.250	-1.415
5.0	0.760	0.508	0.390	-0.507	-1.428
10.0	0.482	0.276	0.025	-0.604	-0.922
15.0	0.291	0.262	-0.461	-0.627	-1.107
24.0	0.290	-0.042	-0.516	-0.478	-0.621
33.0	-0.052	-0.254	-0.743	-0.737	-0.742
54.0	-1.783	-0.731	-0.754	3.368	-1.015
65.0	-0.291	-5.447	-1.067	-1.196	-1.509
78.5	-0.212	-4.972	-2.312	-2.871	-4.012
79.5	-167.518	-102.747	-1.382	4.583	5.162
80.5	-14.286	-12.202	-0.159	-0.697	-0.022
81.5	-4.082	-3.413	-1.717	0.015	0.583
82.0	5.085	-1.066	-0.993	-1.221	-0.330
84.0	-11.720	-7.511	-2.931	-2.757	-0.341
88.0	1.537	-7.053	-2.130	-3.025	-3.025
89.0	-2.657	-2.801	-2.268	-2.667	-2.523
93.0	-1.301	-1.040	-2.296	-2.453	-0.440
96.0	-1.570	-2.089	-2.006	-2.295	-1.849
100.0	-3.734	-3.911	-1.643	-1.484	-1.225
2.5 (LOWER)	1.155	-1.319	-1.734	-1.560	-0.137
5.0	-1.181	-1.487	-1.751	-1.384	-0.225
10.0	-1.542	-1.470	-1.470	-1.300	-0.309
15.0	-1.256	-1.475	-1.305	-0.897	-0.460
24.0	-1.429	-1.269	-1.256	-0.743	-0.441
33.0	-1.225	-1.060	-0.807	-0.514	-1.363
54.0	0.646	-0.571	0.125	-1.242	0.771
73.5	-0.435	-0.501	-2.032	0.977	0.870
84.0	-0.795	-0.635	-0.085	0.533	0.522
96.0					

WING PRESSURE COEFFICIENTS

RUN 316 POINT 10 ALPHA 22.01 PSI 0.01 HEIGHT 98.26

X/C, Z	BP 2	BP 6	BP 12	BP 16	BP 22
0.0 (UPPER)	-1.195	-1.062	-1.480	-1.127	-2.492
2.5	0.416	-0.378	-1.628	-1.193	-2.273
5.0	0.592	-0.299	-1.549	-1.131	-1.763
10.0	0.284	-0.318	-1.440	-0.980	-1.066
15.0	0.059	-0.286	-1.708	-0.962	-1.099
24.0	-0.010	-0.430	-1.521	-0.897	-0.825
33.0	-0.291	-0.508	-1.568	-1.201	-0.806
54.0	-1.308	-0.718	-1.225	3.461	-0.948
65.0	-0.549	-3.178	-1.216	-1.365	-1.190
78.5	-0.478	-4.644	-2.718	-2.067	-1.650
79.5	-164.238	-123.646	-1.143	5.520	9.934
80.5	-14.068	-11.626	-0.283	-0.343	-0.259
81.5	-4.367	-2.885	-1.427	0.239	0.830
82.0	-4.857	-1.779	-1.285	-0.917	-0.056
84.0	-11.603	-8.330	-3.104	-1.710	-0.115
87.0	0.946	-7.905	-1.686	-1.990	-1.781
89.0	-3.259	-2.705	-1.621	-1.585	-1.496
93.0	-2.009	-0.683	-1.197	-1.264	-0.694
96.0	-2.176	-1.489	-0.894	-1.183	-1.387
100.0	-1.451	-1.869	-0.708	-1.096	-1.092
2.5 (LOWER)	-0.954	-1.135	-1.349	-1.119	0.162
5.0	-0.947	-1.288	-1.322	-1.226	0.134
10.0	-1.293	-1.244	-1.122	-1.295	0.024
24.0	-1.211	-1.373	-1.226	-0.963	-0.203
33.0	-1.407	-1.256	-1.246	-0.791	-0.649
54.0	-0.880	-0.912	-0.661	-0.528	-1.178
73.5	0.661	-0.300	-0.070	-1.048	0.501
84.0	-0.187	-0.253	-1.315	0.279	0.524
96.0	-0.430	-0.150	-0.082	0.103	0.231

WING PRESSURE COEFFICIENTS

RUN 316 POINT 4 ALPHA 4.05 PSI 0.00 HEIGHT 86.92

X/C, Z	BP 2	BP 6	BP 12	BP 16	BP 22
0.0 (UPPER)	-0.997	-0.835	-0.935	-0.867	-0.126
2.5	0.580	0.499	-0.610	-0.722	-1.012
5.0	0.731	0.513	-0.472	-0.717	-0.873
10.0	0.496	0.357	-0.359	-0.692	-0.697
15.0	0.377	0.270	-0.538	-0.717	-0.733
24.0	0.204	0.047	-0.530	-0.682	-0.573
33.0	-0.021	-0.106	-0.619	-0.837	-0.544
54.0	-0.364	-0.427	-0.618	2.266	-0.588
65.0	-0.118	-2.529	-0.758	-0.965	-0.781
78.5	-0.093	-3.527	-1.509	-1.317	-1.378
79.5	-93.387	-73.807	0.084	3.618	4.420
80.5	-7.548	-6.064	-0.548	0.501	0.056
81.5	-2.890	-0.855	-0.079	0.831	1.079
82.0	1.998	-1.613	-0.585	0.200	0.599
84.0	-6.215	-4.641	-1.682	-1.163	-0.533
87.0	0.659	-4.175	-1.682	-1.367	-1.552
89.0	-1.575	-1.662	-1.322	-1.283	-1.378
93.0	-0.796	-0.553	-1.276	-1.230	-0.204
96.0	-0.846	-0.917	-1.153	-1.175	-1.395
100.0	-1.116	-1.217	-1.350	-1.148	-1.020
2.5 (LOWER)	-0.776	-0.843	-0.924	-0.953	-0.192
5.0	-0.751	-0.909	-0.919	-0.968	-0.270
10.0	-0.920	-0.887	-0.807	-0.981	-0.362
24.0	-0.863	-0.955	-0.864	-0.863	-0.464
33.0	-0.963	-0.925	-0.938	-0.856	-0.147
54.0	-0.907	-0.899	-0.843	-0.789	-0.099
73.5	0.855	-0.631	-0.522	-0.051	0.499
84.0	-0.301	0.236	-1.381	0.275	0.639
96.0	-0.467	-0.386	-0.294	0.069	0.278

WING PRESSURE COEFFICIENTS

RUN 317 POINT 6 ALPHA 8.02 PSI 0.01 HEIGHT 87.83

X/C, Z	BP 2	BP 6	BP 12	BP 16	BP 22
0.0 (UPPER)	-0.851	-0.740	-0.891	-1.014	-0.643
2.5	0.676	0.363	-1.040	-0.974	-1.217
5.0	0.702	0.374	-1.033	-0.917	-1.019
10.0	0.460	0.253	-0.927	-0.869	-0.704
15.0	0.317	0.167	-1.024	-0.907	-0.705
24.0	0.159	0.002	-0.892	-0.935	-0.566
33.0	-0.066	-0.162	-0.896	-1.104	-0.538
54.0	-0.362	-0.437	-0.764	2.277	-0.593
65.0	-0.163	-2.465	-0.851	-1.150	-0.774
78.5	-0.137	-3.612	-2.368	-1.628	-1.468
79.5	-93.961	-81.143	0.194	2.287	4.263
80.5	-7.518	-5.655	-0.459	0.484	0.002
81.5	-3.111	-0.777	0.014	0.793	1.107
82.0	1.803	-1.890	-0.917	0.224	0.662
84.0	-6.453	-4.981	-2.107	-1.265	0.599
87.0	0.401	-4.437	-1.317	-1.383	-1.454
89.0	-1.759	-1.688	-1.335	-1.227	-1.322
93.0	-0.981	-0.468	-1.107	-1.035	-0.228
96.0	-1.032	-0.805	-0.892	-0.948	-1.193
100.0	-0.750	-0.974	-0.841	-0.853	-0.841
2.5 (LOWER)	-0.674	-0.743	-0.840	-0.864	0.002
5.0	-0.713	-0.822	-0.868	-0.901	-0.097
10.0	-0.833	-0.800	-0.779	-0.946	-0.208
24.0	-0.787	-0.871	-0.871	-0.843	-0.342
33.0	-0.896	-0.894	-0.928	-0.809	-0.199
54.0	-0.809	-0.828	-0.773	-0.667	-0.115
73.5	0.856	-0.478	-0.382	-0.513	0.513
84.0	-0.178	0.269	-1.224	0.333	0.644
96.0	-0.302	-0.215	-0.140	0.163	0.336

WING PRESSURE COEFFICIENTS

RUN 317 POINT 2 ALPHA 0.00 PSI 0.01 HEIGHT 87.75

X/C, Z	BP 2	BP 6	BP 12	BP 16	BP 22
0.0 (UPPER)	-0.974	-0.833	-1.001	-0.503	0.308
2.5	0.715	0.671	0.190	-0.249	-0.699
5.0	0.787	0.717	0.263	-0.331	-0.786
10.0	0.566	0.477	0.156	-0.379	-0.582
15.0	0.420	0.327	-0.139	-0.413	-0.654
24.0	0.268	0.049	-0.250	-0.381	-0.519
33.0	0.027	-0.095	-0.403	-0.557	-0.504
54.0	-0.346	-0.447	-0.534	2.251	-0.560
65.0	-0.107	-3.170	-0.720	-0.791	-0.830
78.5	-0.081	-3.730	-1.473	-1.372	-1.915
79.5	-93.338	-73.200	0.041	3.354	2.902
80.5	-7.559	-7.168	-0.435	0.436	0.013
81.5	-2.972	-0.974	-0.089	0.754	1.048
82.0	1.851	-1.466	-0.576	0.141	0.590
84.0	-6.297	-4.306	-1.637	-1.262	0.514
87.0	0.639	-3.879	-1.168	-1.480	-2.187
89.0	-1.445	-1.646	-1.280	-1.349	-1.959
93.0	-0.653	-0.722	-1.216	-1.332	-0.187
96.0	-0.718	-1.216	-1.094	-1.294	-1.532
100.0	-1.258	-1.449	-1.230	-1.265	-0.948
2.5 (LOWER)	-0.731	-0.828	-0.896	-0.988	-0.333
5.0	-0.743	-0.876	-0.886	-0.945	-0.370
10.0	-0.902	-0.871	-0.777	-0.942	-0.425
24.0	-0.828	-0.902	-0.833	-0.817	-0.489
33.0	-0.901	-0.864	-0.874	-0.796	-0.164
54.0	-0.945	-0.862	-0.827	-0.750	-0.121
73.5	0.843	-0.720	-0.557	-0.663	0.513
84.0	-0.439	0.225	-1.697	0.378	0.629
96.0	-0.522	-0.493	-0.364	0.102	0.316

WING PRESSURE COEFFICIENTS

RUN 318 POINT 2 ALPHA 0.02 PSI 0.01 HEIGHT 87.55

X/C, X	BP 2	BP 6	BP 12	BP 16	BP 22
0.0 (UPPER)	-0.812	-0.657	-0.857	0.218	0.478
2.5	0.799	0.706	-0.745	-0.284	-0.484
5.0	0.773	0.697	-0.728	-0.334	-0.558
10.0	0.576	0.538	-0.712	-0.359	-0.481
15.0	0.429	0.360	-0.230	-0.362	-0.482
24.0	0.230	0.130	-0.296	-0.347	-0.419
33.0	0.048	-0.043	-0.372	-0.427	-0.420
54.0	-0.138	-0.346	-0.495	1.689	-0.413
65.0	-0.040	-1.984	-0.642	-0.624	-0.553
78.5	-0.030	-2.896	-1.199	-1.094	-1.228
80.5	-4.685	-45.218	0.602	2.083	1.732
81.5	-4.714	-4.313	-0.193	0.771	0.066
82.0	-2.532	0.123	0.553	0.958	1.080
82.5	-0.091	-1.594	-0.398	0.654	0.855
84.0	-3.805	-2.838	-1.027	-0.899	0.849
87.0	-0.018	-2.364	-0.935	-1.052	-1.352
89.0	-0.969	-1.139	-1.017	-1.027	-1.321
93.0	-0.465	-0.535	-0.961	-1.032	-0.073
96.0	-0.459	-0.708	-0.869	-1.007	-1.394
100.0 (LOWER)	-0.622	-0.774	-0.956	-0.970	-1.045
2.5	-0.629	-0.854	-0.797	-0.821	-0.245
5.0	-0.631	-0.692	-0.764	-0.754	-0.290
10.0	-0.688	-0.677	-0.692	-0.720	-0.338
24.0	-0.705	-0.735	-0.703	-0.647	-0.358
33.0	-0.729	-0.715	-0.718	-0.583	-0.044
54.0	-0.599	-0.610	-0.555	-0.440	0.484
73.5	-0.945	-0.350	-0.256	0.470	0.470
84.0	-0.121	-0.221	-1.374	0.378	0.624
96.0	-0.096	-0.125	-0.133	0.111	0.295

RUN 318 POINT 4 ALPHA 4.00 PSI 0.01 HEIGHT 87.78

X/C, X	BP 2	BP 6	BP 12	BP 16	BP 22
0.0 (UPPER)	-0.780	-0.633	-0.812	-0.567	-0.301
2.5	0.754	0.515	-0.533	-0.442	-1.009
5.0	0.722	0.513	-0.498	-0.455	-0.870
10.0	0.372	0.253	-0.558	-0.480	-0.566
15.0	0.183	0.083	-0.572	-0.508	-0.598
24.0	0.021	-0.059	-0.617	-0.529	-0.497
33.0	-0.167	-0.312	-0.653	-0.616	-0.465
54.0	-0.045	-0.312	-0.723	-0.636	-0.469
65.0	-0.035	-2.792	-1.355	-0.753	-0.570
78.5	-4.421	-45.325	0.528	-0.913	-1.074
80.5	-4.876	-4.360	-0.262	2.016	1.623
81.5	-2.584	0.076	-0.487	0.699	0.054
82.0	-0.024	-1.700	-0.394	0.883	0.965
82.5	-3.849	-3.692	-1.016	-0.767	0.779
84.0	-0.020	-2.609	-0.980	-0.950	-1.116
87.0	-1.052	-1.148	-1.043	-0.916	-1.092
89.0	-0.564	-0.466	-0.943	-0.865	-0.068
93.0	-0.567	-0.594	-0.811	-0.825	-1.068
96.0	-0.571	-0.533	-0.939	-0.921	-0.872
100.0 (LOWER)	-0.584	-0.624	-0.741	-0.726	-0.048
2.5	-0.591	-0.666	-0.669	-0.694	-0.161
5.0	-0.657	-0.649	-0.605	-0.671	-0.278
10.0	-0.676	-0.707	-0.611	-0.392	-0.610
24.0	-0.692	-0.677	-0.619	-0.578	-0.054
33.0	-0.590	-0.570	-0.488	-0.511	0.446
54.0	-0.550	-0.270	-0.329	0.133	0.424
73.5	-0.885	-0.210	-1.080	-0.049	0.687
84.0	-0.030	-0.146	-1.080	-0.049	0.687
96.0	0.078	-0.080	-0.173	-0.102	0.319

WING PRESSURE COEFFICIENTS

RUN 317 POINT 7 ALPHA 12.07 PSI 0.01 HEIGHT 88.09

X/C, X	BP 2	BP 6	BP 12	BP 16	BP 22
0.0 (UPPER)	-0.811	-0.683	-0.972	-1.046	-1.207
2.5	0.640	0.183	-1.112	-1.436	-1.436
5.0	0.668	0.186	-1.123	-1.076	-1.112
10.0	0.411	0.066	-1.247	-0.862	-0.757
15.0	0.256	-0.008	-1.361	-0.733	-0.733
24.0	0.079	-0.137	-1.247	-0.841	-0.732
33.0	-0.154	-0.276	-1.226	-1.038	-0.551
54.0	-0.312	-0.470	-1.007	2.279	-0.619
65.0	-0.227	-2.286	-0.966	-1.126	-0.783
78.5	-0.198	-3.707	-2.439	-1.661	-1.661
80.5	-92.718	-83.439	0.241	2.029	3.819
81.5	-7.513	-5.907	-0.294	0.523	-0.026
82.0	-3.486	-0.029	0.828	1.148	0.148
82.5	-1.378	-2.235	-1.154	0.249	0.707
84.0	-6.771	-5.147	-2.281	-1.361	0.636
87.0	-0.082	-0.607	-1.364	-1.402	-1.621
89.0	-1.181	-0.598	-1.270	-1.223	-1.415
93.0	-1.223	-0.904	-0.862	-0.973	-0.292
96.0	-0.813	-0.576	-0.474	-0.904	-1.141
100.0 (LOWER)	-0.622	-0.703	-0.859	-0.788	-0.811
2.5	-0.654	-0.783	-0.877	-0.848	0.102
5.0	-0.785	-0.761	-0.786	-0.889	-0.107
10.0	-0.872	-0.875	-0.849	-0.931	-0.137
24.0	-0.873	-0.856	-0.912	-0.828	-0.305
33.0	-0.685	-0.725	-0.630	-0.761	-0.261
54.0	-0.855	-0.277	-0.514	-0.573	-0.073
73.5	-0.982	-0.325	-1.225	-0.017	0.514
84.0	-0.154	-0.043	-0.030	0.277	0.675
96.0				0.144	0.353

RUN 317 POINT 10 ALPHA 22.04 PSI 0.01 HEIGHT 97.42

X/C, X	BP 2	BP 6	BP 12	BP 16	BP 22
0.0 (UPPER)	-1.089	-0.820	-1.367	-1.767	-2.913
2.5	0.526	-0.320	-1.283	-1.646	-2.246
5.0	0.493	-0.359	-1.317	-1.500	-2.007
10.0	0.191	-0.550	-1.391	-1.349	-1.629
15.0	0.007	-0.629	-1.572	-1.280	-1.490
24.0	-0.196	-0.715	-1.560	-1.191	-1.207
33.0	-0.419	-0.779	-1.629	-1.296	-1.111
54.0	-0.267	-0.782	-1.491	-2.384	-1.042
65.0	-0.449	-2.067	-1.437	-1.422	-1.140
78.5	-0.433	-4.012	-2.678	-1.959	-1.478
80.5	-92.451	-86.642	0.219	2.566	4.622
81.5	-7.912	-6.904	0.054	0.554	-0.218
82.0	-4.639	-0.720	0.081	0.844	1.197
82.5	-0.279	-2.663	-1.335	0.305	0.741
84.0	-7.838	-5.581	-2.543	-1.713	0.673
87.0	-0.519	-5.440	-1.692	-1.679	-1.598
89.0	-2.601	-2.565	-1.549	-1.703	-1.472
93.0	-1.857	-1.060	-1.114	-1.345	-0.521
96.0	-1.916	-1.349	-0.835	-1.188	-1.340
100.0 (LOWER)	-0.956	-0.733	-0.516	-0.969	-1.198
2.5	-0.838	-0.869	-0.881	-0.753	-0.171
5.0	-0.832	-0.915	-0.781	-0.639	-0.050
10.0	-0.945	-0.937	-0.609	-0.495	-0.007
24.0	-0.878	-0.814	-0.394	-0.182	-0.035
33.0	-0.695	-0.498	-0.220	-0.057	0.466
54.0	0.110	0.139	0.235	0.009	-0.021
73.5	0.904	0.388	0.403	0.015	-0.091
84.0	0.286	0.383	-1.381	0.293	-0.124
96.0	0.254	0.572	0.509	0.362	-0.171

WING PRESSURE COEFFICIENTS

RUN 318 POINT 8 ALPHA 16.05 PSI 0.01 HEIGHT 87.58

X/C, X	BP 2	BP 6	BP 12	BP 16	BP 22
0.0 (UPPER)	-0.534	-0.298	-1.453	-2.967	-3.916
2.5	0.592	0.008	-1.183	-1.927	-2.714
5.0	0.482	-0.083	-1.180	-1.680	-2.403
10.0	0.231	-0.217	-1.275	-1.364	-1.924
15.0	0.075	-0.308	-1.385	-1.255	-1.605
24.0	-0.114	-0.401	-1.422	-1.222	-1.319
33.0	-0.267	-0.512	-1.435	-1.297	-1.163
54.0	-0.271	-0.659	-1.371	-1.047	-0.947
65.0	-0.253	-1.146	-1.460	-1.596	-1.070
78.5	-0.255	-3.997	-3.483	-2.499	-1.384
79.5	-51.246	-48.428	0.289	-1.023	1.604
80.5	-8.533	-8.992	0.179	0.426	-0.216
81.5	-4.292	-0.097	0.264	0.671	0.683
82.0	-1.713	-3.294	-1.687	0.487	0.568
84.0	-5.246	-4.514	-2.233	-2.015	0.714
87.0	-1.169	-4.014	-1.870	-2.100	-1.360
89.0	-1.973	-2.228	-1.973	-1.982	-1.465
93.0	-1.447	-1.061	-1.092	-1.535	-0.279
96.0	-1.441	-1.031	-0.831	-1.205	-1.444
100.0 (LOWER)	-0.435	-0.244	-0.300	-0.807	-1.308
2.5	-0.364	-0.316	-0.674	0.090	0.331
5.0	-0.337	-0.394	-0.501	0.219	0.412
10.0	-0.357	-0.348	-0.288	0.284	0.340
24.0	-0.370	-0.363	0.110	0.312	0.192
33.0	-0.395	-0.163	0.245	0.352	-0.250
54.0	0.226	0.245	0.432	0.360	0.312
73.5	0.714	0.419	0.621	0.235	0.407
84.0	0.268	0.156	-1.486	0.708	0.487
96.0	0.282	0.538	0.549	0.498	0.224

RUN 318 POINT 6 ALPHA 8.01 PSI 0.01 HEIGHT 86.34

X/C, X	BP 2	BP 6	BP 12	BP 16	BP 22
0.0 (UPPER)	-0.753	-0.587	-0.920	-1.066	-0.479
2.5	0.716	0.347	-0.924	-0.922	-0.811
5.0	0.676	0.351	-1.060	-0.844	-0.810
10.0	0.474	0.245	-1.117	-0.785	-0.667
15.0	0.326	0.135	-1.175	-0.775	-0.617
24.0	-0.131	-0.015	-1.031	-0.833	-0.551
33.0	-0.031	-0.139	-0.935	-0.967	-0.537
54.0	-0.246	-0.356	-0.714	1.573	-0.545
65.0	-0.082	-1.579	-0.701	-0.967	-0.522
78.5	-0.075	-3.055	-1.898	-1.239	-1.198
79.5	-45.355	-46.896	0.390	0.683	1.675
80.5	-5.555	-5.485	-0.179	0.584	-0.005
81.5	-2.876	-0.035	0.379	0.762	0.861
82.0	-0.343	-2.077	-0.838	0.500	0.888
84.0	-4.199	-3.486	-1.327	-1.022	0.719
87.0	-0.253	-2.952	-1.076	-1.034	-0.991
89.0	-1.294	-1.317	-0.939	-0.905	-0.991
93.0	-0.814	-0.528	-0.612	-0.737	-0.064
96.0	-0.830	-0.633	-0.420	-0.648	-0.802
100.0 (LOWER)	-0.370	-0.171	-0.292	-0.569	-0.681
2.5	-0.549	-0.601	-0.702	-0.814	-0.126
5.0	-0.549	-0.635	-0.693	-0.780	-0.180
10.0	-0.627	-0.620	-0.671	-0.729	-0.231
24.0	-0.654	-0.699	-0.654	-0.549	-0.256
33.0	-0.680	-0.586	-0.586	-0.435	-0.083
54.0	-0.419	-0.449	-0.303	-0.245	0.363
73.5	0.802	-0.051	-0.072	-0.003	0.245
84.0	0.159	0.033	-0.882	-0.008	0.414
96.0	0.282	0.198	-0.068	-0.005	0.210

WING PRESSURE COEFFICIENTS

RUN 318 POINT 10 ALPHA 22.09 PSI 0.01 HEIGHT 95.78

X/C, X	BP 2	BP 6	BP 12	BP 16	BP 22
0.0 (UPPER)	-1.911	-0.378	-3.550	-6.172	-3.883
2.5	0.479	-0.181	-1.673	-4.198	-3.598
5.0	0.318	-0.365	-1.381	-3.594	-3.526
10.0	0.001	-0.554	-1.250	-2.372	-3.495
15.0	-0.168	-0.685	-1.289	-1.685	-3.095
24.0	-0.362	-0.777	-1.294	-1.318	-2.395
33.0	-0.510	-0.849	-1.348	-1.239	-1.819
54.0	-0.341	-0.903	-1.426	-1.513	-1.241
65.0	-0.357	-1.704	-1.532	-1.355	-1.142
78.5	-0.363	-4.201	-2.481	-1.588	-1.393
79.5	-55.821	-49.894	0.198	1.245	1.646
80.5	-3.081	-9.187	0.322	0.322	-0.502
81.5	-4.862	-1.136	0.269	0.643	0.596
82.0	-2.321	-3.314	-0.946	0.467	0.515
84.0	-5.643	-4.634	-1.466	-1.496	0.730
87.0	-1.360	-4.314	-1.985	-1.642	-1.236
89.0	-2.116	-2.518	-2.059	-1.605	-1.366
93.0	-1.582	-1.181	-1.991	-1.622	-0.376
96.0	-1.580	-1.163	-1.729	-1.572	-1.572
100.0 (LOWER)	-0.758	-0.637	-1.489	-1.569	-1.294
2.5	-1.304	-0.432	0.296	0.358	-0.033
5.0	-0.630	-0.094	0.444	0.533	0.287
10.0	-0.234	-0.356	0.501	0.515	0.358
24.0	0.117	0.202	0.418	0.384	0.238
33.0	0.224	0.277	0.391	0.395	-0.335
54.0	0.376	0.338	0.432	0.336	0.311
73.5	0.710	0.518	0.699	0.342	0.365
84.0	0.153	0.209	-1.368	0.735	0.450
96.0	0.403	0.507	0.434	0.342	0.106

RUN 318 POINT 7 ALPHA 12.07 PSI 0.01 HEIGHT 87.07

X/C, X	BP 2	BP 6	BP 12	BP 16	BP 22
0.0 (UPPER)	-0.752	-0.525	-1.085	-1.397	-2.320
2.5	0.667	0.159	-1.038	-1.221	-1.582
5.0	0.600	0.124	-1.163	-1.114	-1.246
10.0	0.375	0.030	-1.295	-1.022	-0.964
15.0	0.217	-0.057	-1.422	-0.979	-0.837
24.0	0.030	-0.185	-1.372	-0.989	-0.718
33.0	-0.119	-0.299	-1.301	-1.120	-0.669
54.0	-0.262	-0.463	-1.055	-1.530	-0.701
65.0	-0.166	-1.608	-1.023	-1.275	-0.798
78.5	-0.164	-3.495	-2.603	-1.750	-1.386
79.5	-47.113	-47.523	0.320	-0.108	1.545
80.5	-7.007	-7.584	0.005	0.518	-0.094
81.5	-3.586	-0.085	0.342	0.709	0.803
82.0	-0.998	-2.722	-1.221	0.445	0.630
84.0	-4.560	-4.084	-1.757	-1.509	0.706
87.0	-0.728	-3.482	-1.440	-1.504	-1.266
89.0	-1.681	-1.740	-1.219	-1.342	-1.308
93.0	-1.201	-0.804	-0.780	-1.070	-0.203
96.0	-0.169	-0.074	-0.557	-0.909	-1.060
100.0 (LOWER)	-0.554	-0.547	-0.346	-0.712	-0.922
2.5	-0.551	-0.566	-0.747	-0.606	0.156
5.0	-0.600	-0.568	-0.665	-0.472	0.096
10.0	-0.611	-0.642	-0.447	-0.180	0.033
24.0	-0.610	-0.530	-0.259	-0.048	-0.162
54.0	-0.039	-0.065	0.144	0.096	0.326
73.5	0.757	0.193	0.297	-0.002	0.108
84.0	0.212	-0.015	-1.158	-0.010	0.120
96.0	0.292	0.436	0.387	0.305	0.062



WING PRESSURE COEFFICIENTS

RUN 320 POINT 2 ALPHA -0.01 PSI 0.00 HEIGHT 18.92

X/C, X	BP 2	BP 6	BP 12	BP 16	BP 22
0.0 (UPPER)	0.558	0.377	0.223	-0.007	0.019
2.5	-0.197	-0.278	-0.387	-0.457	-0.522
5.0	-0.235	-0.300	-0.418	-0.343	-0.476
10.0	-0.235	-0.227	-0.332	-0.414	-0.476
15.0	-0.282	-0.300	-0.268	-0.395	-0.256
24.0	-0.284	-0.221	-0.236	-0.454	-0.325
33.0	-0.233	-0.263	-0.280	-0.331	-0.267
54.0	-0.478	-0.270	-0.308	-0.268	-0.246
65.0	-0.038	-0.321	-0.470	-0.388	-0.222
78.5	-0.084	-0.603	-0.967	-0.665	-0.515
79.5	-0.329	-0.393	-0.675	-0.595	-0.705
80.5	-0.440	-0.631	-0.410	-0.704	-0.669
81.5	-0.628	-0.683	-0.534	-0.633	-0.633
82.0	-0.729	-0.287	-0.151	-0.352	-0.511
84.0	-0.379	-0.619	-0.099	-0.854	-0.224
87.0	-0.360	-0.511	-0.646	-0.687	-0.387
89.0	-0.332	-0.455	-0.538	-0.635	-0.599
93.0	-0.462	-0.486	-0.577	-0.740	-0.658
96.0	-0.447	-0.362	-0.679	-0.664	-0.496
100.0	-0.352	-0.391	-0.568	-0.603	-0.638
2.5 (LOWER)	0.170	0.231	0.245	0.176	0.270
5.0	0.086	0.194	0.240	0.170	0.174
10.0	0.160	0.203	0.162	0.214	0.061
24.0	0.106	0.152	0.145	0.035	0.085
33.0	0.151	0.160	0.151	0.179	0.056
54.0	0.297	0.259	0.308	0.227	-0.288
73.5	-0.129	0.572	0.569	0.203	0.472
84.0	0.644	0.666	-0.654	0.621	0.510
96.0	0.546	0.436	0.384	0.321	0.265

WING PRESSURE COEFFICIENTS

RUN 320 POINT 4 ALPHA -0.03 PSI 0.00 HEIGHT 32.23

X/C, X	BP 2	BP 6	BP 12	BP 16	BP 22
0.0 (UPPER)	0.587	0.439	0.331	0.134	0.210
2.5	-0.166	-0.225	-0.319	-0.369	-0.412
5.0	-0.230	-0.274	-0.377	-0.285	-0.282
10.0	-0.232	-0.205	-0.311	-0.393	-0.460
15.0	-0.260	-0.289	-0.244	-0.382	-0.329
24.0	-0.313	-0.198	-0.233	-0.463	-0.329
33.0	-0.234	-0.267	-0.270	-0.334	-0.274
54.0	-0.491	-0.278	-0.318	-0.378	-0.255
65.0	-0.689	-0.332	-0.486	-0.398	-0.234
78.5	-0.096	-0.641	-0.997	-0.679	-0.577
79.5	-0.353	-0.446	-0.809	-0.611	-0.669
80.5	-0.479	-0.712	-0.403	-0.850	-0.102
81.5	-0.681	-0.696	-0.681	-0.668	-0.765
82.0	-0.782	-0.297	-0.163	-0.452	-0.613
84.0	-0.415	-0.666	-0.145	-0.919	-0.283
87.0	-0.359	-0.538	-0.693	-0.699	-0.399
89.0	-0.338	-0.481	-0.549	-0.638	-0.655
93.0	-0.468	-0.513	-0.584	-0.745	-0.040
96.0	-0.457	-0.385	-0.697	-0.669	-0.569
100.0	-0.361	-0.432	-0.571	-0.594	-0.725
2.5 (LOWER)	0.091	0.151	0.153	0.088	0.189
5.0	0.005	0.141	0.166	0.091	0.101
10.0	0.107	0.149	0.099	0.146	0.002
24.0	0.044	0.092	0.086	-0.033	0.054
33.0	0.084	0.099	0.087	0.122	0.033
54.0	0.245	0.208	0.265	0.188	-0.394
73.5	-0.251	0.532	0.551	0.183	0.473
84.0	0.584	0.608	-0.723	0.613	0.508
96.0	0.515	0.402	0.370	0.313	0.250

RUN 320 POINT 3 ALPHA -0.01 PSI 0.00 HEIGHT 18.92

X/C, X	BP 2	BP 6	BP 12	BP 16	BP 22
0.0 (UPPER)	0.551	0.365	0.202	-0.036	-0.005
2.5	-0.222	-0.297	-0.415	-0.484	-0.554
5.0	-0.267	-0.240	-0.446	-0.378	-0.372
10.0	-0.283	-0.324	-0.286	-0.445	-0.510
15.0	-0.332	-0.239	-0.266	-0.426	-0.277
24.0	-0.266	-0.291	-0.299	-0.490	-0.355
33.0	-0.266	-0.281	-0.299	-0.360	-0.297
54.0	-0.514	-0.300	-0.341	-0.335	-0.273
65.0	-0.061	-0.349	-0.505	-0.418	-0.248
78.5	-0.088	-0.640	-1.009	-0.692	-0.568
79.5	-0.351	-0.432	-0.731	-0.630	-0.808
80.5	-0.471	-0.666	-0.398	-0.789	-0.095
81.5	-0.672	-0.650	-0.657	-0.592	-0.714
82.0	-0.798	-0.303	-0.195	-0.438	-0.583
84.0	-0.409	-0.651	0.101	-0.911	-0.265
87.0	-0.410	-0.529	-0.687	-0.706	-0.417
89.0	-0.355	-0.485	-0.569	-0.661	-0.641
93.0	-0.491	-0.518	-0.607	-0.769	-0.050
96.0	-0.477	-0.388	-0.719	-0.690	-0.537
100.0	-0.373	-0.420	-0.600	-0.627	-0.690
2.5 (LOWER)	0.133	0.214	0.221	0.155	0.251
5.0	0.029	0.182	0.217	0.153	-0.152
10.0	0.141	0.195	0.146	0.196	0.037
24.0	0.085	0.143	0.129	0.100	0.077
33.0	0.128	0.144	0.126	0.162	0.035
54.0	0.278	0.242	0.287	0.213	-0.334
73.5	-0.195	0.561	0.553	0.183	0.457
84.0	0.631	0.653	-0.695	0.613	0.494
96.0	0.541	0.426	0.373	0.306	0.243

RUN 320 POINT 5 ALPHA -0.04 PSI 0.00 HEIGHT 65.61

X/C, X	BP 2	BP 6	BP 12	BP 16	BP 22
0.0 (UPPER)	0.622	0.478	0.406	0.145	0.261
2.5	-0.156	-0.185	-0.244	-0.299	-0.365
5.0	-0.247	-0.266	-0.370	-0.238	-0.218
10.0	-0.243	-0.185	-0.313	-0.394	-0.491
15.0	-0.264	-0.319	-0.213	-0.400	-0.193
24.0	-0.359	-0.285	-0.215	-0.528	-0.358
33.0	-0.276	-0.294	-0.261	-0.358	-0.310
54.0	-0.331	-0.291	-0.351	-0.883	-0.275
65.0	-0.119	-0.352	-0.534	-0.418	-0.210
78.5	-0.160	-0.712	-1.064	-0.677	-0.585
79.5	-0.425	-0.487	-1.402	-0.560	-0.992
80.5	-0.611	-0.927	-0.280	-1.454	-0.283
81.5	-0.925	-1.240	-1.312	-1.126	-1.465
82.0	-1.085	-0.296	-0.253	-0.868	-1.152
84.0	-0.505	-0.951	0.566	-1.099	-0.728
87.0	-0.389	-0.644	-0.811	-1.099	-0.324
89.0	-0.388	-0.514	-0.553	-0.637	-0.674
93.0	-0.549	-0.549	-0.606	-0.788	-0.024
96.0	-0.514	-0.381	-0.749	-0.677	-0.560
100.0	-0.392	-0.454	-0.582	-0.571	-0.796
2.5 (LOWER)	0.033	0.112	0.087	-0.018	0.148
5.0	-0.039	0.134	0.136	0.025	0.039
10.0	0.106	0.126	0.038	0.118	-0.065
24.0	-0.007	0.075	0.044	-0.108	-0.022
33.0	0.074	0.059	0.054	0.075	0.025
54.0	0.245	0.161	0.229	0.137	-0.942
73.5	-0.804	0.481	0.511	0.175	0.432
84.0	0.592	0.592	-0.765	0.606	0.457
96.0	0.540	0.397	0.372	0.292	0.227

H I N G P R E S S U R E C O E F F I C I E N T S

RUN 320 POINT 6 ALPHA -0.07 PSI 0.00 HEIGHT 87.06

X/C, X	BP 2	BP 6	BP 12	BP 16	BP 22
0.0 (UPPER)	0.640	0.498	0.441	0.172	0.287
2.5	-0.139	-0.145	-0.199	-0.262	-0.332
5.0	-0.223	-0.235	-0.321	-0.412	-0.492
10.0	-0.237	-0.149	-0.262	-0.371	-0.475
15.0	-0.257	-0.303	-0.184	-0.380	-0.171
24.0	-0.352	-0.206	-0.197	-0.510	-0.341
33.0	-0.355	-0.270	-0.252	-0.342	-0.295
54.0	-0.313	-0.274	-0.344	-0.872	-0.255
65.0	-0.109	-0.338	-0.511	-0.399	-0.188
78.5	-0.150	-0.695	-1.039	-0.651	-0.558
79.5	-0.404	-0.484	-1.402	-0.527	-0.987
80.5	-0.607	-0.912	0.291	-1.416	-0.274
81.5	-0.897	-1.226	-1.257	-1.110	-1.480
82.0	-1.068	-0.949	-0.603	-0.880	-1.131
84.0	-0.461	-0.949	0.603	-1.139	-0.678
87.0	-0.361	-0.666	-0.779	-0.807	-0.254
89.0	-0.315	-0.497	-0.535	-0.612	-0.651
93.0	-0.495	-0.531	-0.585	-0.768	-0.033
96.0	-0.490	-0.363	-0.728	-0.657	-0.559
100.0	-0.370	-0.443	-0.557	-0.550	-0.773
2.5 (LOWER)	0.031	0.113	0.069	-0.021	0.149
5.0	-0.068	0.139	0.118	0.023	0.038
10.0	0.110	0.130	0.040	0.123	-0.062
24.0	0.090	0.076	0.054	-0.105	0.030
33.0	0.075	0.071	0.062	0.091	0.031
54.0	0.245	0.170	0.237	0.143	-0.934
73.5	-0.282	0.488	0.505	0.188	0.432
84.0	0.519	0.509	-0.744	0.606	0.509
96.0	0.551	0.401	0.380	0.299	0.240

RUN 321 POINT 2 ALPHA 8.04 PSI -5.00 HEIGHT 85.60

X/C, X	BP 2	BP 6	BP 12	BP 16	BP 22
0.0 (UPPER)	-1.371	-2.420	-2.348	-2.502	-1.401
2.5	-1.026	-1.539	-1.764	-1.859	-1.108
5.0	-0.875	-0.654	-1.573	-1.854	-0.696
10.0	-0.691	-0.685	-1.010	-1.916	-1.187
15.0	-0.605	-0.685	-0.656	-1.223	-0.841
24.0	-0.619	-0.458	-0.516	-0.737	-0.949
33.0	-0.455	-0.491	-0.466	-0.486	-0.825
54.0	-0.353	-0.395	-0.471	-0.968	-0.631
65.0	-0.105	-0.422	-0.596	-0.489	-0.438
78.5	-0.152	-0.690	-0.883	-0.668	-0.901
79.5	-0.471	-0.480	-1.497	-0.507	-1.373
80.5	-0.677	-0.927	0.281	-1.549	-0.300
81.5	-0.999	-1.353	-1.400	-1.203	-1.582
82.0	-1.175	-0.264	-0.124	-0.939	-1.239
84.0	-0.525	-0.953	0.789	-1.120	-0.793
87.0	-0.447	-0.631	-0.728	-0.815	-0.476
89.0	-0.387	-0.490	-0.504	-0.629	-0.656
93.0	-0.637	-0.531	-0.568	-0.819	0.034
96.0	-0.668	-0.344	-0.703	-0.705	-0.773
100.0	-0.490	-0.377	-0.508	-0.598	-0.676
2.5 (LOWER)	0.497	0.536	0.438	0.302	0.451
5.0	0.341	0.464	0.514	0.372	0.343
10.0	0.454	0.528	0.357	0.429	0.172
24.0	0.703	0.300	0.256	0.076	0.130
33.0	0.257	0.237	0.216	0.218	-0.046
54.0	0.326	0.236	0.298	0.154	-1.031
73.5	-0.884	0.549	0.515	0.156	0.350
84.0	0.659	0.717	-0.962	0.567	0.447
96.0	0.625	0.443	0.400	0.245	0.144

H I N G P R E S S U R E C O E F F I C I E N T S

RUN 321 POINT 3 ALPHA 8.04 PSI -5.00 HEIGHT 87.05

X/C, X	BP 2	BP 6	BP 12	BP 16	BP 22
0.0 (UPPER)	-1.341	-2.394	-2.433	-2.585	-1.428
2.5	-1.024	-1.447	-1.794	-1.926	-1.127
5.0	-0.883	-0.992	-1.502	-1.928	-0.917
10.0	-0.698	-0.661	-0.953	-1.922	-1.210
15.0	-0.620	-0.703	-0.653	-1.101	-0.850
24.0	-0.813	-0.477	-0.527	-0.734	-0.961
33.0	-0.464	-0.495	-0.482	-0.499	-0.831
54.0	-0.374	-0.399	-0.489	-0.997	-0.613
65.0	-0.118	-0.432	-0.606	-0.498	-0.421
78.5	-0.167	-0.709	-0.889	-0.669	-0.894
79.5	-0.494	-0.480	-1.538	-0.488	-1.340
80.5	-0.714	-0.929	-0.298	-1.557	-0.299
81.5	-1.055	-1.356	-1.436	-1.224	-1.639
82.0	-1.218	-0.271	-0.136	-0.972	-1.286
84.0	-0.566	-0.968	0.794	-1.126	-0.820
87.0	-0.465	-0.549	-0.742	-0.620	-0.487
89.0	-0.401	-0.501	-0.508	-0.861	-0.861
93.0	-0.651	-0.541	-0.571	-0.823	-0.026
96.0	-0.680	-0.350	-0.709	-0.709	-0.776
100.0	-0.502	-0.389	-0.512	-0.595	-0.889
2.5 (LOWER)	0.501	0.538	0.426	0.294	0.446
5.0	0.353	0.461	0.500	0.364	0.335
10.0	0.451	0.529	0.344	0.425	0.163
24.0	0.197	0.290	0.246	0.065	0.121
33.0	0.244	0.231	0.205	0.217	0.032
54.0	0.317	0.229	0.288	0.150	-1.075
73.5	-0.820	0.544	0.507	0.507	0.340
84.0	0.850	0.727	-0.972	0.571	0.444
96.0	0.624	0.440	0.396	0.244	0.135

RUN 321 POINT 1 ALPHA 8.06 PSI -5.00 HEIGHT 47.58

X/C, X	BP 2	BP 6	BP 12	BP 16	BP 22
0.0 (UPPER)	-1.449	-2.475	-2.255	-2.766	-1.414
2.5	-0.871	-1.762	-1.415	-2.107	-1.133
5.0	-0.688	-0.956	-1.385	-2.147	-0.925
10.0	-0.584	-0.638	-1.042	-1.804	-1.205
15.0	-0.584	-0.567	-0.719	-0.765	-0.853
24.0	-0.594	-0.476	-0.542	-0.746	-0.965
33.0	-0.447	-0.476	-0.485	-0.487	-0.847
54.0	-0.333	-0.381	-0.464	-0.936	-0.641
65.0	-0.092	-0.406	-0.579	-0.491	-0.436
78.5	-0.136	-0.684	-0.863	-0.670	-0.892
79.5	-0.430	-0.429	-1.430	-0.493	-1.334
80.5	-0.655	-0.874	-1.491	-0.285	-0.850
81.5	-0.975	-1.310	-1.382	-1.169	-1.555
82.0	-1.145	-0.231	-0.120	-0.907	-1.198
84.0	-0.332	-0.974	0.774	-1.129	-0.754
87.0	-0.413	-0.600	-0.739	-0.808	-0.488
89.0	-0.366	-0.461	-0.483	-0.634	-0.850
93.0	-0.611	-0.505	-0.543	-0.815	0.044
96.0	-0.643	-0.321	-0.676	-0.695	-0.758
100.0	-0.470	-0.360	-0.482	-0.587	-0.851
2.5 (LOWER)	0.528	0.556	0.443	0.306	0.455
5.0	0.367	0.481	0.522	0.386	0.356
10.0	0.470	0.544	0.368	0.448	0.190
24.0	0.230	0.319	0.277	0.100	0.145
33.0	0.278	0.251	0.231	0.237	0.055
54.0	0.338	0.262	0.306	0.173	-1.000
73.5	-0.833	0.563	0.526	0.159	0.358
84.0	0.667	0.727	-0.956	0.574	0.447
96.0	0.633	0.459	0.409	0.256	0.145

WING PRESSURE COEFFICIENTS

RUN 322 POINT 4 ALPHA 0.06 PSI 0.00 HEIGHT 65.67

X/C, Z	BP 2	BP 6	BP 12	BP 16	BP 22
0.0 (UPPER)	0.512	0.221	-0.066	-0.476	-0.527
2.5	-0.329	-0.415	-0.603	-0.760	-0.924
5.0	-0.374	-0.438	-0.587	-0.766	-0.909
10.0	-0.368	-0.315	-0.516	-0.651	-0.755
15.0	-0.390	-0.456	-0.394	-0.610	-0.422
24.0	-0.484	-0.346	-0.389	-0.715	-0.554
33.0	-0.437	-0.464	-0.432	-0.561	-0.511
54.0	-0.639	-0.607	-0.653	-1.032	-0.543
65.0	-0.143	-0.690	-0.752	-1.032	-0.622
78.5	-0.183	-3.339	-1.694	-1.300	-2.421
80.5	-50.510	-43.605	-1.659	-14.734	18.925
81.5	-6.150	-5.687	-0.145	-1.650	-0.377
82.0	-3.544	-1.514	-1.562	-1.428	-1.785
84.0	-1.230	-1.811	-0.553	-1.125	-1.435
87.0	-4.212	-2.695	-0.013	-1.706	-1.056
88.0	-0.353	-2.822	-1.369	-1.444	-1.734
89.0	-1.154	-1.449	-1.150	-1.298	-1.933
93.0	-0.930	-0.901	-1.227	-1.572	-0.030
96.0	-0.960	-0.873	-1.259	-1.362	-0.388
100.0	-0.744	-0.895	-1.074	-1.203	-1.033
2.5 (LOWER)	0.167	0.279	0.266	0.182	0.342
5.0	0.049	0.243	0.286	0.178	0.191
10.0	0.209	0.269	0.184	0.234	0.041
24.0	0.077	0.175	0.134	-0.026	0.060
33.0	0.174	0.155	0.125	0.130	-0.001
54.0	0.318	0.229	0.273	0.136	-1.054
73.5	-0.971	0.491	0.500	0.083	0.364
84.0	0.582	0.605	-1.744	0.611	0.454
96.0	0.582	0.521	0.328	0.211	0.191

RUN 322 POINT 2 ALPHA -0.11 PSI 0.00 HEIGHT 19.11

X/C, Z	BP 2	BP 6	BP 12	BP 16	BP 22
0.0 (UPPER)	0.447	0.056	-0.431	-0.930	-1.075
2.5	-0.341	-0.463	-0.728	-1.022	-1.155
5.0	-0.368	-0.454	-0.638	-0.595	-0.649
10.0	-0.353	-0.334	-0.506	-0.650	-0.748
15.0	-0.363	-0.451	-0.366	-0.606	-0.421
24.0	-0.458	-0.339	-0.375	-0.675	-0.517
33.0	-0.398	-0.433	-0.388	-0.520	-0.463
54.0	-0.661	-0.541	-0.595	-0.853	-0.458
65.0	-0.007	-1.775	-0.837	-0.667	-0.506
78.5	-0.042	-3.105	-1.556	-1.166	-1.855
80.5	-49.953	-42.468	-1.495	13.646	19.258
81.5	-5.326	-3.340	-0.111	-1.493	-0.228
82.0	-3.164	-1.371	-1.424	-1.311	-1.617
84.0	-0.817	-1.578	-0.469	-1.018	-1.283
87.0	-3.823	-3.485	-0.013	-1.297	-0.943
88.0	-0.927	-2.641	-1.333	-1.104	-1.254
89.0	-0.871	-1.270	-1.122	-1.104	-1.518
93.0	-0.564	-0.691	-1.187	-1.311	-0.092
96.0	-0.709	-0.649	-1.200	-1.143	-1.399
100.0	-0.421	-0.652	-1.099	-1.067	-1.252
2.5 (LOWER)	0.275	0.351	0.386	0.297	0.435
5.0	0.164	0.357	0.399	0.296	0.291
10.0	0.320	0.378	0.283	0.342	0.140
24.0	0.210	0.304	0.260	0.101	0.136
33.0	0.314	0.290	0.255	0.241	0.122
54.0	0.456	0.354	0.372	0.220	-0.675
73.5	-0.784	0.573	0.510	0.106	0.339
84.0	0.708	0.760	-1.612	0.559	0.422
96.0	0.834	0.616	0.390	0.229	0.099

RUN 322 POINT 5 ALPHA 0.04 PSI 0.00 HEIGHT 87.08

X/C, Z	BP 2	BP 6	BP 12	BP 16	BP 22
0.0 (UPPER)	0.511	0.246	-0.024	-0.432	-0.478
2.5	-0.324	-0.406	-0.590	-0.745	-0.913
5.0	-0.383	-0.440	-0.617	-0.759	-0.910
10.0	-0.374	-0.316	-0.504	-0.664	-0.770
15.0	-0.409	-0.474	-0.394	-0.628	-0.433
24.0	-0.506	-0.355	-0.394	-0.730	-0.567
33.0	-0.450	-0.465	-0.443	-0.571	-0.526
54.0	-0.631	-0.615	-0.667	-1.099	-0.549
65.0	-0.159	-1.930	-0.940	-0.760	-0.616
78.5	-0.199	-3.366	-1.312	-1.312	-2.332
80.5	-50.868	-44.209	-1.706	15.012	18.672
81.5	-6.202	-5.765	0.121	-1.747	-0.389
82.0	-3.622	-1.602	-1.635	-1.487	-1.847
84.0	-1.282	-1.859	-0.570	-1.688	-1.113
87.0	-4.242	-3.747	-0.038	-1.688	-1.717
88.0	-0.355	-2.852	-1.398	-1.295	-1.979
89.0	-1.179	-1.481	-1.170	-1.295	-0.046
93.0	-0.958	-0.927	-1.245	-1.564	-0.046
96.0	-0.990	-0.888	-1.286	-1.357	-1.491
100.0	-0.766	-0.916	-1.090	-1.212	-1.032
2.5 (LOWER)	0.127	0.254	0.240	0.155	0.326
5.0	0.028	0.227	0.271	0.158	0.170
10.0	0.189	0.248	0.141	0.216	0.019
24.0	0.057	0.151	0.115	-0.044	0.044
33.0	0.151	0.137	0.109	-0.017	-0.017
54.0	0.309	0.217	0.258	0.128	-1.121
73.5	-1.049	0.480	0.488	0.085	0.350
84.0	0.574	0.601	-1.839	0.603	0.452
96.0	0.677	0.516	0.316	0.195	0.184

RUN 322 POINT 3 ALPHA -0.12 PSI 0.00 HEIGHT 32.81

X/C, Z	BP 2	BP 6	BP 12	BP 16	BP 22
0.0 (UPPER)	0.475	0.159	-0.199	-0.630	-0.717
2.5	-0.340	-0.432	-0.644	-0.815	-0.998
5.0	-0.372	-0.441	-0.642	-0.624	-0.616
10.0	-0.365	-0.324	-0.498	-0.631	-0.738
15.0	-0.363	-0.449	-0.366	-0.601	-0.418
24.0	-0.477	-0.354	-0.385	-0.690	-0.534
33.0	-0.416	-0.441	-0.413	-0.532	-0.486
54.0	-0.652	-0.576	-0.621	-0.922	-0.504
65.0	-0.089	-1.841	-0.883	-0.706	-0.568
78.5	-0.119	-3.247	-1.630	-1.234	-2.139
80.5	-49.789	-43.240	-1.532	14.205	18.855
81.5	-5.873	-5.462	-0.331	-1.553	-0.331
82.0	-3.406	-1.440	-1.477	-1.364	-1.682
84.0	-1.083	-1.730	-0.551	-1.049	-1.325
87.0	-4.096	-3.605	0.006	-1.614	-0.869
88.0	-0.273	-2.740	-1.336	-1.357	-1.542
89.0	-1.062	-1.403	-1.126	-1.188	-1.809
93.0	-0.859	-0.850	-1.191	-1.435	0.022
96.0	-0.888	-0.819	-1.219	-1.250	-1.532
100.0	-0.662	-0.832	-1.088	-1.107	-1.124
2.5 (LOWER)	0.207	0.327	0.322	0.235	0.383
5.0	0.091	0.293	0.342	0.231	0.237
10.0	0.251	0.312	0.210	0.278	0.081
24.0	0.174	0.217	0.184	0.026	0.090
33.0	0.220	0.202	0.177	0.178	0.048
54.0	0.359	0.267	0.310	0.170	-0.843
73.5	-0.854	0.520	0.502	0.096	0.385
84.0	0.661	0.636	-1.788	0.609	0.450
96.0	0.720	0.550	0.337	0.227	0.169

WING PRESSURE COEFFICIENTS

RUN 323 POINT 3 ALPHA 8.02 PSI -5.01 HEIGHT 87.03

X/C, X	BP 2	BP 6	BP 12	BP 16	BP 22
0.0 (UPPER)	-2.121	-3.687	-2.973	-3.073	-1.779
2.5	-1.370	-2.004	-2.041	-2.653	-1.652
5.0	-1.126	-1.284	-1.918	-2.707	-1.450
10.0	-0.908	-0.896	-1.466	-2.867	-1.747
15.0	-0.816	-0.929	-1.057	-2.023	-1.401
24.0	-0.808	-0.695	-0.822	-0.924	-1.600
33.0	-0.686	-0.751	-0.776	-0.708	-1.560
54.0	-0.714	-0.798	-0.876	-1.354	-1.379
65.0	-0.176	-1.854	-1.122	-0.923	-1.067
78.5	-0.222	-3.651	-1.852	-1.560	-2.505
79.5	-49.266	-46.436	-2.002	15.315	18.884
80.5	-6.089	-5.186	0.135	-2.028	-0.432
81.5	-3.632	-1.827	-1.891	-1.697	-2.150
82.0	-1.312	-2.038	-0.665	-1.382	-1.729
84.0	-4.176	-4.139	-0.043	-1.349	-1.287
87.0	-0.183	-3.153	-1.565	-1.657	-1.493
89.0	-1.104	-1.503	-1.317	-1.449	-1.740
93.0	-0.964	-0.933	-1.412	-1.714	-0.046
96.0	-0.986	-0.829	-1.431	-1.500	-1.452
100.0	-0.520	-0.853	-1.128	-1.227	-1.220
2.5 (LOWER)	0.546	0.553	0.419	0.251	0.394
5.0	0.403	0.534	0.538	0.389	0.347
10.0	0.519	0.585	0.404	0.468	0.196
24.0	0.264	0.361	0.308	0.115	0.132
33.0	0.336	0.296	0.251	0.243	-0.017
54.0	0.392	0.283	0.307	0.139	-1.383
73.5	-1.306	0.571	0.466	0.051	0.242
84.0	0.677	0.809	-1.879	0.515	0.354
96.0	0.822	0.529	0.305	0.168	0.032

WING PRESSURE COEFFICIENTS

RUN 323 POINT 1 ALPHA 8.04 PSI -5.01 HEIGHT 47.96

X/C, X	BP 2	BP 6	BP 12	BP 16	BP 22
0.0 (UPPER)	-2.317	-3.730	-3.030	-2.707	-1.699
2.5	-1.405	-2.979	-2.204	-2.395	-1.607
5.0	-1.131	-1.155	-2.171	-2.405	-1.425
10.0	-0.903	-0.864	-1.694	-2.623	-1.768
15.0	-0.814	-0.901	-1.245	-2.303	-1.388
24.0	-0.791	-0.689	-1.330	-1.567	-1.567
33.0	-0.678	-0.718	-0.734	-1.546	-1.546
54.0	-0.676	-0.770	-0.830	-1.227	-1.452
65.0	-0.131	-1.822	-1.071	-0.874	-1.177
78.5	-0.171	-3.588	-1.800	-1.621	-2.449
79.5	-49.041	-45.187	-1.836	14.821	18.814
80.5	-6.008	-5.169	0.144	-1.864	-0.339
81.5	-3.506	-1.688	-1.737	-1.608	-2.006
82.0	-1.182	-1.984	-0.595	-1.274	-1.605
84.0	-4.051	-4.802	-0.021	-1.929	-1.197
87.0	-0.136	-3.035	-1.517	-1.678	-1.507
89.0	-1.044	-1.464	-1.306	-1.468	-1.681
93.0	-0.899	-0.873	-1.409	-1.727	-0.009
96.0	-0.924	-0.774	-1.400	-1.487	-1.358
100.0	-0.426	-0.792	-1.107	-1.168	-1.177
2.5 (LOWER)	0.578	0.563	0.423	0.376	0.376
5.0	0.450	0.560	0.558	0.398	0.356
10.0	0.554	0.607	0.437	0.466	0.219
24.0	0.306	0.398	0.345	0.152	0.158
33.0	0.372	0.334	0.285	0.273	0.016
54.0	0.416	0.321	0.346	0.175	-1.250
73.5	-1.187	0.591	0.510	0.045	0.243
84.0	0.665	0.833	-1.581	0.530	0.344
96.0	0.824	0.570	0.324	0.197	0.029

WING PRESSURE COEFFICIENTS

RUN 324 POINT 2 ALPHA 8.03 PSI -5.01 HEIGHT 47.93

X/C, X	BP 2	BP 6	BP 12	BP 16	BP 22
0.0 (UPPER)	-2.241	-3.612	-2.639	-2.877	-1.960
2.5	-1.385	-3.198	-2.143	-2.037	-1.755
5.0	-1.309	-1.712	-2.557	-1.983	-1.286
10.0	-1.000	-0.610	-2.159	-2.470	-2.098
15.0	-0.926	-1.051	-1.528	-2.489	-1.280
24.0	-1.133	-0.662	-0.750	-2.425	-1.809
33.0	-0.870	-0.880	-0.644	-1.380	-1.745
54.0	-0.864	-0.917	-1.025	-4.828	-1.630
65.0	-0.369	-2.881	-1.484	-1.120	-1.214
78.5	-0.478	-4.835	-2.264	-2.988	-2.775
79.5	-93.264	-75.397	-5.790	14.688	27.068
80.5	-5.429	-7.787	-0.597	-5.870	-1.109
81.5	-5.397	-5.368	-0.598	-5.021	-6.423
82.0	-0.890	-1.686	-0.981	-4.238	-5.228
84.0	-6.786	-7.060	1.638	-3.688	-3.923
87.0	0.569	-5.192	-2.869	-2.660	-1.053
89.0	-1.392	-2.100	-2.102	-1.783	-1.873
93.0	-1.380	-1.017	-2.161	-2.001	0.000
96.0	-1.477	-0.721	-1.960	-1.464	-1.127
100.0	-0.859	-1.538	-0.536	-0.491	-1.352
2.5 (LOWER)	0.473	0.621	0.332	0.057	0.379
5.0	0.250	0.762	0.641	0.242	0.229
10.0	0.745	0.373	0.373	0.547	0.004
24.0	0.216	0.502	0.300	-0.154	0.101
33.0	0.440	0.310	0.213	0.185	0.048
54.0	0.496	0.185	0.249	-0.115	-4.988
73.5	-1.418	0.396	0.372	-0.317	0.027
84.0	0.735	0.782	-1.809	0.572	0.259
96.0	1.088	-0.092	0.489	0.121	-0.122

WING PRESSURE COEFFICIENTS

RUN 323 POINT 2 ALPHA 8.03 PSI -5.01 HEIGHT 65.06

X/C, X	BP 2	BP 6	BP 12	BP 16	BP 22
0.0 (UPPER)	-2.168	-3.667	-2.887	-2.919	-1.733
2.5	-1.371	-2.310	-2.026	-2.552	-1.620
5.0	-1.113	-1.217	-1.937	-2.592	-1.429
10.0	-0.893	-0.870	-1.524	-2.778	-1.719
15.0	-0.800	-0.899	-1.101	-2.146	-1.387
24.0	-0.786	-0.676	-0.816	-1.571	-1.571
33.0	-0.693	-0.729	-0.751	-0.675	-1.541
54.0	-0.697	-0.781	-0.849	-1.391	-1.391
65.0	-0.159	-1.819	-1.087	-0.856	-1.084
78.5	-0.202	-3.589	-1.825	-2.449	-2.449
79.5	-48.942	-45.828	-1.910	15.084	19.068
80.5	-6.058	-5.173	0.151	-1.942	-0.399
81.5	-3.575	-1.751	-1.804	-1.642	-2.090
82.0	-1.274	-2.007	-0.630	-1.337	-1.679
84.0	-4.121	-4.069	0.026	-1.882	-1.219
87.0	-0.181	-3.111	-1.530	-1.617	-1.473
89.0	-1.079	-1.484	-1.293	-1.422	-1.709
93.0	-0.933	-0.901	-1.394	-1.660	-0.052
96.0	-0.955	-0.806	-1.403	-1.470	-1.409
100.0	-0.486	-0.833	-1.091	-1.194	-1.186
2.5 (LOWER)	0.582	0.564	0.424	0.256	0.392
5.0	0.422	0.543	0.537	0.394	0.353
10.0	0.538	0.589	0.412	0.473	0.208
24.0	0.278	0.380	0.320	0.130	0.145
33.0	0.342	0.308	0.268	0.257	-0.003
54.0	0.396	0.288	0.321	0.156	-1.310
73.5	-1.248	0.581	0.492	0.050	0.247
84.0	0.672	0.818	-1.637	0.517	0.354
96.0	0.815	0.552	0.314	0.178	0.039

WING PRESSURE COEFFICIENTS

RUN 324 POINT 3 ALPHA 8.02 PSI -5.01 HEIGHT 65.62

X/C, X	BP 2	BP 6	BP 12	BP 16	BP 22
0.0 (UPPER)	-2.100	-3.497	-2.738	-3.007	-1.987
2.5	-1.367	-2.951	-2.010	-2.138	-1.766
5.0	-1.298	-1.377	-2.304	-2.088	-1.288
10.0	-1.002	-0.613	-1.940	-2.595	-2.092
15.0	-0.917	-1.041	-1.275	-2.504	-1.288
20.0	-1.143	-0.654	-0.777	-1.816	-1.816
24.0	-0.879	-0.852	-1.079	-1.743	-1.743
33.0	-0.828	-0.917	-1.048	-1.572	-1.572
54.0	-0.399	-2.841	-1.475	-1.156	-1.137
65.0	-0.511	-4.802	-2.920	-2.790	-2.905
78.5	-93.395	-75.183	-5.742	15.497	27.118
79.5	-9.377	-7.713	-0.585	-5.856	-1.138
80.5	-5.337	-5.309	-5.571	-6.403	-6.403
81.5	-5.377	-5.371	-0.944	-4.243	-5.174
82.0	-0.948	-1.631	-0.944	-3.714	-3.942
84.0	-0.880	-7.121	-1.813	-3.942	-1.025
87.0	-0.432	-5.249	-2.729	-2.729	-1.873
89.0	-1.438	-2.138	-1.964	-1.944	-0.035
93.0	-1.429	-1.101	-2.164	-2.279	-0.835
96.0	-1.512	-0.833	-2.057	-1.679	-1.084
100.0	-0.810	-1.636	-0.821	-0.550	-1.309
2.5 (LOWER)	0.432	0.599	0.316	-0.053	0.393
5.0	0.228	0.748	0.635	0.235	0.234
10.0	0.715	0.766	0.348	0.532	-0.007
24.0	0.186	0.478	0.269	-0.183	0.075
33.0	0.417	0.278	0.190	0.143	-0.004
54.0	0.464	0.156	0.229	-0.127	-4.975
73.5	-1.410	0.375	0.355	-0.323	0.058
84.0	-0.777	0.835	-1.766	0.582	0.280
96.0	1.077	-0.048	0.436	0.108	-0.108

WING PRESSURE COEFFICIENTS

RUN 324 POINT 4 ALPHA 8.02 PSI -5.01 HEIGHT 87.10

X/C, X	BP 2	BP 6	BP 12	BP 16	BP 22
0.0 (UPPER)	-2.088	-3.532	-2.815	-3.207	-2.060
2.5	-1.398	-2.906	-1.984	-2.296	-1.820
5.0	-1.320	-1.320	-2.249	-2.262	-1.330
10.0	-1.025	-0.645	-1.820	-2.770	-2.152
15.0	-0.951	-1.042	-1.174	-2.579	-1.316
20.0	-1.182	-0.685	-0.792	-1.891	-1.855
24.0	-0.908	-0.921	-0.740	-0.961	-1.805
33.0	-0.428	-2.869	-1.085	-4.917	-1.613
54.0	-0.428	-2.869	-1.489	-1.187	-1.129
65.0	-0.552	-4.855	-2.696	-2.623	-3.023
78.5	-94.880	-76.474	-5.833	16.538	27.545
79.5	-9.380	-7.729	-0.635	-5.955	-1.169
80.5	-5.456	-5.406	-5.741	-5.094	-6.483
81.5	-0.926	-1.628	-0.892	-4.269	-5.237
82.0	-0.926	-1.628	-0.892	-3.934	-5.237
84.0	-0.484	-7.202	-2.023	-2.706	-1.058
87.0	-1.484	-2.219	-2.576	-2.731	-1.058
89.0	-1.484	-2.219	-1.864	-2.028	-1.896
93.0	-1.460	-1.194	-2.097	-2.480	-0.062
96.0	-1.559	-0.929	-2.072	-1.854	-1.055
100.0	-0.792	-1.748	-1.062	-0.733	-1.301
2.5 (LOWER)	0.411	0.607	0.279	-0.075	0.389
5.0	0.171	0.738	0.594	0.218	0.218
10.0	0.701	0.746	0.328	0.514	-0.029
24.0	0.156	0.458	0.239	-0.218	0.060
33.0	0.376	0.256	0.171	0.124	-0.022
54.0	0.445	0.122	0.201	-0.152	-5.071
73.5	-1.438	0.343	0.344	-0.328	0.046
84.0	-0.825	0.885	-1.773	0.579	0.285
96.0	1.069	-0.018	0.382	0.075	-0.108

WING PRESSURE COEFFICIENTS

RUN 325 POINT 1 ALPHA 0.00 PSI 0.00 HEIGHT 19.56

X/C, X	BP 2	BP 6	BP 12	BP 16	BP 22
0.0 (UPPER)	0.563	-0.036	-0.631	-1.566	-1.604
2.5	-0.371	-0.318	-0.619	-1.127	-1.410
5.0	-0.545	-0.466	-0.722	-0.476	-0.463
10.0	-0.447	-0.104	-0.504	-0.800	-1.135
15.0	-0.473	-0.614	-0.169	-0.800	-0.228
20.0	-0.797	-0.295	-0.250	-1.184	-0.735
24.0	-0.579	-0.559	-0.381	-0.717	-0.654
33.0	-0.738	-0.627	-0.795	-4.929	-0.496
54.0	-0.303	-2.852	-1.147	-0.754	-0.225
65.0	-0.433	-4.028	-2.083	-1.239	-1.753
78.5	-92.519	-66.091	-5.815	19.288	30.091
79.5	-8.936	-8.245	-0.543	-5.970	-1.104
80.5	-4.810	-5.409	-5.664	-5.130	-6.511
81.5	-0.409	-0.822	-0.509	-4.225	-5.277
82.0	-6.598	-6.451	2.614	-2.752	-3.959
84.0	-0.736	-4.646	-2.046	-1.852	-0.489
87.0	-1.107	-1.840	-1.325	-1.743	-1.494
89.0	-1.003	-0.898	-1.450	-1.269	-0.066
93.0	-1.114	-0.680	-1.579	-1.269	-0.973
96.0	-0.723	-1.527	-1.174	-1.035	-1.239
100.0	0.199	0.502	0.296	-0.018	0.480
2.5 (LOWER)	0.004	0.612	0.541	0.169	0.214
5.0	0.559	0.610	0.250	0.455	-0.061
10.0	0.146	0.439	0.238	-0.238	0.094
24.0	0.418	0.284	0.185	0.140	0.123
33.0	0.570	0.216	0.265	-0.088	-5.089
54.0	-1.464	0.369	0.329	-0.353	0.150
73.5	-0.891	0.963	-1.803	0.567	0.386
84.0	1.174	0.061	0.438	0.060	0.007

WING PRESSURE COEFFICIENTS

RUN 325 POINT 2 ALPHA -0.02 PSI 0.00 HEIGHT 32.81

X/C, X	BP 2	BP 6	BP 12	BP 16	BP 22
0.0 (UPPER)	0.636	0.121	-0.308	-1.278	-1.142
2.5	-0.350	-0.270	-0.471	-0.780	-1.206
5.0	-0.543	-0.460	-0.772	-0.434	-0.429
10.0	-0.446	-0.099	-0.494	-0.775	-1.127
15.0	-0.473	-0.610	-0.143	-0.707	-0.230
20.0	-0.829	-0.319	-0.242	-1.194	-0.747
24.0	-0.599	-0.573	-0.401	-0.676	-0.576
33.0	-0.660	-0.666	-0.819	-4.887	-0.557
54.0	-0.323	-2.984	-1.181	-0.856	-0.347
65.0	-0.440	-4.183	-2.026	-1.335	-2.415
78.5	-93.842	-67.464	-5.753	19.171	28.634
79.5	-9.084	-8.416	-0.494	-5.944	-1.082
80.5	-5.182	-5.337	-5.637	-5.054	-6.459
81.5	-0.742	-0.934	-2.674	-4.224	-5.242
82.0	-6.942	-6.585	2.674	-3.093	-3.884
84.0	-0.385	-4.803	-1.968	-2.159	-0.760
87.0	-1.353	-2.035	-1.234	-1.455	-1.711
89.0	-1.216	-1.165	-1.437	-2.072	0.052
93.0	-1.309	-0.985	-1.636	-1.539	-0.946
96.0	-0.663	-1.721	-1.278	-1.276	-0.931
100.0	0.117	0.429	0.223	-0.080	0.442
2.5 (LOWER)	-0.115	0.540	0.440	0.095	0.149
5.0	0.476	0.531	0.160	0.378	-0.124
10.0	0.049	0.352	0.160	-0.315	0.045
24.0	0.316	0.187	0.102	0.081	0.103
33.0	0.458	0.117	0.205	-0.131	-5.038
54.0	-1.417	0.306	0.328	-0.312	0.192
73.5	-0.952	1.038	-1.691	0.606	0.420
84.0	1.032	0.134	0.383	0.065	0.106

WING PRESSURE COEFFICIENTS

RUN 326 POINT 3 ALPHA -0.04 PSI 0.00 HEIGHT 65.68

X/C, %	BP 2	BP 6	BP 12	BP 16	BP 22
0.0 (UPPER)	0.670	0.200	-0.139	-1.065	-0.901
2.5	-0.352	-0.248	-0.418	-0.708	-1.120
5.0	-0.560	-0.467	-0.752	-0.465	-0.445
10.0	-0.473	-0.097	-0.487	-0.802	-1.150
15.0	-0.509	-0.640	-0.187	-0.820	-0.249
24.0	-0.679	-0.342	-0.282	-1.234	-0.790
33.0	-0.651	-0.628	-0.427	-0.787	-0.738
54.0	-0.617	-0.712	-0.681	-4.837	-0.623
65.0	-0.419	-3.112	-1.251	-0.934	-0.423
78.5	-0.537	-4.353	-2.128	-1.586	-2.738
79.5	-94.411	-68.340	-5.686	20.611	28.717
80.5	-9.070	-8.461	-5.514	-5.861	-1.226
81.5	-5.434	-5.257	-5.565	-4.944	-5.459
82.0	-7.081	-6.736	-2.582	-4.130	-5.161
84.0	-7.081	-6.736	-2.582	-3.308	-3.781
87.0	-1.482	-4.872	-2.128	-2.477	-0.983
89.0	-1.482	-2.160	-1.403	-1.698	-1.924
93.0	-1.346	-2.286	-1.611	-2.368	-0.031
96.0	-1.432	-1.080	-1.753	-1.780	-0.903
100.0 (LOWER)	-0.561	-1.822	-1.445	-1.423	-0.943
2.5	0.037	0.378	0.176	-0.147	0.399
5.0	-0.171	0.484	0.380	0.026	0.101
10.0	0.419	0.473	0.104	0.319	-0.180
24.0	-0.023	0.282	0.092	-0.376	0.001
33.0	0.253	0.116	0.044	0.014	0.016
54.0	0.404	0.448	0.163	-0.178	-5.001
73.5	-1.397	0.280	0.308	-0.276	0.173
84.0	1.035	1.143	-1.812	0.617	0.416
96.0	0.963	0.247	0.356	0.063	0.111

RUN 326 POINT 1 ALPHA 0.00 PSI 0.00 HEIGHT 19.39

X/C, %	BP 2	BP 6	BP 12	BP 16	BP 22
0.0 (UPPER)	0.515	-0.143	-0.752	-1.845	-1.819
2.5	-0.401	-0.364	-0.754	-1.027	-1.564
5.0	-0.573	-0.506	-0.522	-0.522	-0.522
10.0	-0.455	-0.116	-0.824	-0.824	-1.173
15.0	-0.469	-0.598	-0.167	-0.826	-0.261
24.0	-0.813	-0.314	-0.253	-1.193	-0.754
33.0	-0.588	-0.379	-0.396	-0.756	-0.667
54.0	-0.621	-0.627	-0.798	-4.768	-0.534
65.0	-0.313	-2.825	-1.152	-0.318	-0.318
78.5	-0.440	-4.018	-2.077	-1.260	-2.228
79.5	-91.028	-66.078	-5.649	19.688	29.435
80.5	-8.678	-7.946	-5.503	-5.805	-1.106
81.5	-4.781	-5.169	-5.524	-4.917	-6.316
82.0	-6.468	-6.800	-5.500	-4.084	-5.086
84.0	-6.468	-6.415	-2.587	-2.912	-3.767
87.0	0.730	-4.564	-2.001	-2.057	-0.716
89.0	-1.058	-1.816	-1.250	-1.314	-1.635
93.0	-0.956	-0.887	-1.426	-1.888	0.049
96.0	-1.074	-0.683	-1.597	-1.424	-0.981
100.0 (LOWER)	-0.581	-1.138	-1.138	-1.106	-1.178
2.5	0.217	0.549	0.329	0.008	0.501
5.0	-0.019	0.651	0.560	0.191	0.227
10.0	0.585	0.638	0.267	0.470	-0.039
24.0	0.160	0.650	0.248	-0.227	0.102
33.0	0.449	0.279	0.190	0.135	0.102
54.0	0.565	0.195	0.256	-0.089	-4.922
73.5	-1.372	0.357	0.348	-0.286	0.165
84.0	0.992	1.084	-1.655	0.601	0.405
96.0	1.068	0.204	0.404	0.053	0.032

RUN 326 POINT 4 ALPHA 0.04 PSI 0.00 HEIGHT 87.36

X/C, %	BP 2	BP 6	BP 12	BP 16	BP 22
0.0 (UPPER)	0.681	0.213	-0.112	-1.028	-0.869
2.5	-0.343	-0.244	-0.409	-0.693	-1.109
5.0	-0.552	-0.456	-0.728	-0.458	-0.437
10.0	-0.474	-0.119	-0.508	-0.805	-1.150
15.0	-0.482	-0.641	-0.182	-0.817	-0.246
24.0	-0.661	-0.338	-0.269	-1.236	-0.782
33.0	-0.654	-0.623	-0.417	-0.792	-0.723
54.0	-0.567	-0.703	-0.691	-4.823	-0.601
65.0	-0.411	-3.115	-1.246	-0.923	-0.415
78.5	-0.539	-4.342	-2.128	-1.542	-2.651
79.5	-94.378	-68.424	-5.716	20.494	28.667
80.5	-8.997	-8.434	-4.486	-5.810	-1.207
81.5	-5.495	-5.200	-5.516	-4.939	-6.397
82.0	-0.958	-1.093	-0.560	-4.044	-5.138
84.0	-7.097	-6.769	-2.590	-3.339	-3.745
87.0	0.315	-4.860	-2.132	-2.445	-0.881
89.0	-1.475	-2.162	-1.360	-1.654	-1.886
93.0	-1.345	-1.266	-1.588	-2.321	-0.031
96.0	-1.432	-1.068	-1.758	-1.743	-1.021
100.0 (LOWER)	-0.515	-1.422	-1.422	-1.437	-0.970
2.5	0.049	0.347	0.163	-0.149	0.397
5.0	-0.181	0.482	0.384	0.023	0.089
10.0	0.415	0.465	0.093	0.315	-0.185
24.0	-0.029	0.281	0.101	-0.381	-0.006
33.0	0.251	0.115	0.043	0.006	0.014
54.0	0.402	0.049	0.153	-0.178	-4.982
73.5	-1.380	0.266	0.316	-0.263	0.185
84.0	1.071	1.181	-1.788	0.617	0.421
96.0	0.961	0.285	0.356	0.053	0.110

RUN 326 POINT 2 ALPHA -0.02 PSI 0.00 HEIGHT 32.84

X/C, %	BP 2	BP 6	BP 12	BP 16	BP 22
0.0 (UPPER)	0.607	0.075	-0.381	-1.360	-1.243
2.5	-0.375	-0.302	-0.501	-0.852	-1.276
5.0	-0.577	-0.506	-0.799	-0.484	-0.454
10.0	-0.479	-0.167	-0.482	-0.815	-1.167
15.0	-0.479	-0.670	-0.166	-0.834	-0.261
24.0	-0.820	-0.337	-0.278	-1.237	-0.777
33.0	-0.636	-0.595	-0.420	-0.777	-0.703
54.0	-0.640	-0.685	-0.846	-4.872	-0.589
65.0	-0.336	-3.029	-1.217	-0.866	-0.374
78.5	-0.462	-4.265	-2.062	-1.393	-2.500
79.5	-94.026	-68.402	-5.763	20.176	29.186
80.5	-9.008	-8.310	-5.322	-5.927	-1.177
81.5	-5.275	-5.610	-5.610	-6.453	-6.453
82.0	-0.809	-1.031	-0.530	-4.145	-5.177
84.0	-6.958	-6.840	-2.624	-3.182	-3.820
87.0	0.453	-2.845	-2.259	-0.862	-0.862
89.0	-1.289	-2.060	-1.289	-1.529	-1.777
93.0	-1.264	-1.202	-1.489	-2.152	0.039
96.0	-1.356	-1.020	-1.685	-1.611	-1.000
100.0 (LOWER)	-0.598	-1.755	-1.309	-1.313	-0.973
2.5	0.136	0.430	0.242	-0.085	0.449
5.0	-0.095	0.539	0.463	0.093	0.151
10.0	0.482	0.546	0.174	0.373	-0.127
24.0	0.039	0.340	0.158	-0.327	0.036
33.0	0.311	0.175	0.050	0.055	0.089
54.0	0.461	0.090	0.177	-0.152	-5.026
73.5	-1.415	0.298	0.322	-0.322	0.171
84.0	1.003	1.098	-1.753	0.611	0.413
96.0	1.024	0.205	0.373	0.058	0.094

WING PRESSURE COEFFICIENTS

RUN 327 POINT 4 ALPHA -0.02 PSI 0.00 HEIGHT 65.69

X/C, X	BP 2	BP 6	BP 12	BP 16	BP 22
0.0 (UPPER)	0.883	0.155	-0.278	-1.935	-1.429
2.5	-0.392	-0.036	-0.182	-0.640	-1.399
5.0	-0.662	-0.491	-0.999	-0.298	-0.197
10.0	-0.645	0.168	-0.573	-1.052	-1.749
15.0	-0.661	-0.900	0.067	-1.143	-0.015
24.0	-1.384	-0.335	-0.150	-2.003	-1.144
33.0	-0.964	-0.888	-0.433	-1.119	-1.087
54.0	-0.832	-0.859	-1.227	-10.601	-0.714
85.0	-0.644	-4.654	-1.781	-1.242	-0.125
78.5	-1.074	-5.923	-3.326	-2.088	-2.820
79.5	-156.127	106.528	-12.356	45.970	61.914
80.5	-14.131	-11.360	-12.606	-2.475	-13.822
81.5	-8.152	-11.439	-11.982	-10.838	-11.298
82.0	0.239	0.034	0.714	-9.148	-8.487
84.0	-12.304	-11.860	6.028	-5.824	-8.487
87.0	-1.544	-8.527	-3.316	-3.809	-0.235
89.0	-2.105	-3.254	-1.879	-2.268	-1.700
93.0	-2.055	-1.594	-2.524	-3.527	-0.114
96.0	-2.317	-1.296	-2.458	-2.249	-0.434
100.0	-3.467	-3.566	-1.308	-0.041	-1.068
2.5 (LOWER)	-0.133	0.425	0.014	-0.647	0.417
5.0	-0.488	0.770	0.505	-0.244	-0.079
10.0	0.694	0.715	-0.014	0.428	-0.079
24.0	-0.173	0.416	0.008	-0.917	-0.096
33.0	0.349	0.053	-0.135	0.178	0.011
54.0	0.478	-0.205	-0.001	-0.697	-10.930
73.5	-2.899	-0.091	-0.015	-1.619	-0.136
84.0	1.040	1.209	-1.810	0.593	0.325
96.0	1.311	-0.555	-0.503	-0.063	-0.061

RUN 327 POINT 5 ALPHA -0.04 PSI 0.00 HEIGHT 87.09

X/C, X	BP 2	BP 6	BP 12	BP 16	BP 22
0.0 (UPPER)	0.867	0.162	-0.186	-1.890	-1.400
2.5	-0.412	-0.039	-0.183	-0.624	-1.391
5.0	-0.942	-0.531	-0.949	-0.292	-0.207
10.0	-0.632	0.186	-0.517	-1.050	-1.750
15.0	-0.870	-0.924	0.077	-1.148	-0.032
24.0	-1.398	-0.313	-0.163	-2.016	-1.157
33.0	-0.973	-0.900	-0.444	-1.130	-1.069
54.0	-0.789	-0.897	-1.230	-10.565	-0.708
85.0	-0.445	-4.467	-1.794	-1.251	-0.127
78.5	-1.085	-5.930	-3.316	-2.083	-2.800
79.5	-166.390	106.922	-12.337	46.168	61.848
80.5	-16.048	-14.220	-1.367	-12.593	-2.531
81.5	-8.126	-11.364	-12.011	-10.788	-13.763
82.0	0.369	-0.059	0.931	-9.131	-8.179
84.0	-12.297	-11.932	5.964	-5.851	-8.425
87.0	-1.587	-8.507	-3.396	-3.822	0.262
89.0	-2.118	-3.270	-1.866	-2.271	-1.737
93.0	-2.087	-1.720	-2.498	-3.527	-0.140
96.0	-2.337	-1.312	-2.481	-2.287	-0.441
100.0	-3.484	-3.372	-1.408	-1.080	-1.080
2.5 (LOWER)	-0.164	0.441	-0.034	-0.654	0.417
5.0	-0.585	0.789	0.476	-0.256	-0.082
10.0	0.654	0.683	-0.037	0.415	-0.551
24.0	-0.182	0.416	0.002	-0.933	-0.104
33.0	0.320	0.044	-0.144	-0.195	0.019
54.0	0.466	-0.228	-0.046	-0.688	-10.857
73.5	-2.856	-0.052	-0.012	-1.579	-0.139
84.0	1.103	1.300	-1.823	0.575	0.328
96.0	1.284	-0.490	-0.482	-0.085	-0.061

WING PRESSURE COEFFICIENTS

RUN 327 POINT 2 ALPHA 0.02 PSI 0.00 HEIGHT 19.38

X/C, X	BP 2	BP 6	BP 12	BP 16	BP 22
0.0 (UPPER)	0.382	-0.790	-1.604	-3.551	-2.954
2.5	-0.680	-0.416	-0.714	-1.239	-2.510
5.0	-1.040	-0.735	-1.245	-0.544	-0.433
10.0	-0.780	0.080	-0.740	-1.293	-1.991
15.0	-0.802	-0.956	-0.018	-1.348	-0.156
24.0	-1.552	-0.315	-0.236	-2.198	-1.277
33.0	-1.078	-0.991	-0.507	-1.264	-1.160
54.0	-1.265	-1.016	-1.339	-11.134	-0.789
85.0	-0.889	-4.594	-1.983	-1.415	-0.118
78.5	-1.147	-6.344	-4.285	-2.909	-2.166
79.5	-170.833	117.539	-12.939	44.906	66.586
80.5	-16.405	-14.036	-1.605	-13.230	-2.568
81.5	-8.208	-11.998	-12.677	-14.370	-11.789
82.0	0.510	-0.050	-1.166	-9.618	-9.003
84.0	-12.520	-12.605	5.708	-6.023	0.371
87.0	-1.873	-8.911	-3.950	-3.807	-1.957
89.0	-2.044	-3.038	-2.322	-2.181	-0.072
93.0	-1.992	-1.212	-2.872	-3.186	-1.084
96.0	-2.244	-3.083	-2.305	-2.525	-2.081
100.0	-4.968	-4.012	-0.498	-0.525	-2.081
2.5 (LOWER)	0.055	0.566	0.076	-0.594	0.481
5.0	-0.344	1.011	0.648	-0.133	0.016
10.0	0.899	0.947	0.076	0.555	-0.491
24.0	0.003	0.583	-0.086	-0.177	-0.087
33.0	0.496	0.166	-0.068	-0.177	-0.020
54.0	0.490	-0.245	-0.070	-0.759	-11.438
73.5	-4.159	-0.214	-0.020	-1.761	-0.199
84.0	0.941	1.105	-2.407	0.574	0.282
96.0	0.959	-0.699	0.493	-0.247	-0.368

RUN 327 POINT 3 ALPHA 0.00 PSI 0.00 HEIGHT 32.60

X/C, X	BP 2	BP 6	BP 12	BP 16	BP 22
0.0 (UPPER)	0.734	-0.183	-0.765	-2.550	-2.093
2.5	-0.459	-0.136	-0.466	-1.109	-1.834
5.0	-0.967	-0.578	-0.967	-0.306	-0.218
10.0	-0.625	0.218	-0.539	-1.089	-1.777
15.0	-0.681	-0.870	0.083	-1.161	-0.025
24.0	-1.405	-0.248	-0.129	-2.008	-1.128
33.0	-0.940	-0.843	-0.355	-1.083	-1.009
54.0	-0.955	-0.858	-1.167	-10.663	-0.875
85.0	-0.765	-4.401	-1.701	-1.145	-0.047
78.5	-1.003	-5.755	-3.030	-1.690	-2.393
79.5	-164.089	104.474	-12.429	45.707	62.703
80.5	-15.877	-14.078	-1.447	-12.669	-2.396
81.5	-7.941	-11.426	-12.682	-10.972	-13.819
82.0	0.449	0.161	-0.692	-9.214	-11.249
84.0	-12.050	-11.722	6.187	-5.433	-8.560
87.0	-1.680	-8.510	-3.175	-3.494	0.287
89.0	-2.028	-3.188	-1.702	-1.922	-1.762
93.0	-1.955	-1.724	-2.217	-3.211	0.029
96.0	-2.250	-1.377	-2.327	-2.136	-0.564
100.0	-3.323	-3.356	-1.506	-0.863	-1.181
2.5 (LOWER)	-0.046	0.600	0.113	-0.556	0.508
5.0	-0.405	0.917	0.626	-0.129	0.019
10.0	0.800	0.832	0.077	0.521	-0.457
24.0	-0.085	0.547	0.115	-0.824	-0.031
33.0	0.438	0.166	-0.045	-0.165	0.093
54.0	0.570	-0.170	0.002	-0.666	-10.982
73.5	-2.948	-0.055	0.024	-1.666	-0.133
84.0	0.935	1.120	-1.898	0.584	0.338
96.0	1.404	-0.634	0.447	-0.155	-0.103

WING PRESSURE COEFFICIENTS

RUN 328 POINT 3 ALPHA 8.05 PSI -5.01 HEIGHT 87.00		BP 2	BP 6	BP 12	BP 16	BP 22
X/C, X						
0.0 (UPPER)		-1.971	-3.155	-2.396	-2.826	-1.911
2.5		-1.346	-2.603	-1.956	-1.750	-1.497
5.0		-1.309	-2.521	-2.321	-1.658	-0.956
10.0		-0.909	-2.072	-1.569	-2.082	-1.887
15.0		-0.768	-1.259	-0.509	-2.189	-0.891
24.0		-1.195	-1.090	-0.509	-2.458	-1.507
33.0		-0.930	-0.978	-0.650	-1.482	-1.077
54.0		-1.113	-1.059	-1.178	-0.326	-1.121
65.0		-0.496	-4.085	-1.646	-1.121	-0.798
78.5		-0.686	-5.923	-3.803	-2.317	-1.364
80.5		-167.146	-115.272	-9.089	49.159	68.423
81.5		-6.635	-8.480	-9.404	-8.346	-9.717
82.0		-2.347	-0.446	-1.011	-6.768	-8.513
84.0		-11.541	-10.614	1.678	-3.057	-6.709
87.0		-1.998	-8.112	-3.152	-2.488	0.154
89.0		-2.327	-2.991	-2.071	-1.449	-1.307
93.0		-1.928	-1.110	-1.950	-1.901	-0.180
96.0		-2.149	-1.207	-1.978	-1.469	-0.860
100.0		-3.083	-3.333	-0.778	-0.883	-1.441
2.5 (LOWER)		0.121	0.606	0.200	-0.222	0.372
5.0		-0.129	0.702	0.533	0.105	0.124
10.0		0.550	0.736	0.298	0.469	-0.145
24.0		0.045	0.324	0.208	-0.355	-0.010
33.0		0.338	0.124	0.036	0.009	-0.108
54.0		0.286	0.038	0.005	-0.444	-8.704
73.5		-2.899	0.226	0.070	-2.110	0.034
84.0		-0.121	0.319	-1.496	-0.463	0.278
96.0		1.023	-0.490	0.362	-0.091	-0.233

WING PRESSURE COEFFICIENTS

RUN 328 POINT 1 ALPHA 8.07 PSI -5.01 HEIGHT 48.09		BP 2	BP 6	BP 12	BP 16	BP 22
X/C, X						
0.0 (UPPER)		-2.366	-3.418	-2.283	-2.810	-2.021
2.5		-1.447	-2.938	-2.035	-1.889	-1.718
5.0		-1.346	-2.586	-1.172	-1.820	-1.500
10.0		-0.940	-2.683	-2.702	-2.282	-2.113
15.0		-0.805	-1.238	-1.912	-2.442	-1.093
24.0		-1.217	-1.096	-0.606	-2.767	-1.774
33.0		-0.927	-0.955	-0.594	-1.746	-1.798
54.0		-1.216	-1.038	-1.172	-8.372	-1.689
65.0		-0.441	-4.302	-1.688	-1.141	-1.374
78.5		-0.620	-5.953	-4.043	-3.083	-2.455
80.5		-166.423	-115.568	-9.112	46.102	66.483
81.5		-14.914	-11.623	-0.279	-8.513	-1.453
82.0		-6.584	-9.608	-9.559	-8.428	-9.680
84.0		-2.369	-0.442	-0.935	-8.798	-6.850
87.0		-11.439	-10.614	1.505	-3.389	-6.850
89.0		-2.017	-8.112	-3.379	-2.692	-0.617
93.0		-2.269	-2.932	-2.291	-1.475	-1.850
96.0		-1.904	-0.992	-1.801	-1.718	-0.068
100.0		-2.101	-1.066	-1.561	-1.200	-1.079
2.5 (LOWER)		-2.938	-3.191	-0.402	-0.512	-1.446
5.0		-0.093	0.775	0.133	0.225	0.357
10.0		0.565	0.777	0.570	0.153	0.153
24.0		0.120	0.393	0.340	0.517	0.092
33.0		0.406	0.179	0.089	0.291	0.060
54.0		0.384	0.103	0.030	0.059	0.040
73.5		-2.935	0.247	0.111	-2.154	-8.744
84.0		-0.218	0.261	-1.805	0.476	0.224
96.0		1.045	-0.555	0.447	0.007	-0.248

WING PRESSURE COEFFICIENTS

RUN 329 POINT 1 ALPHA 8.07 PSI -5.01 HEIGHT 48.08		BP 2	BP 6	BP 12	BP 16	BP 22
X/C, X						
0.0 (UPPER)		-2.506	-3.676	-2.816	-2.598	-1.883
2.5		-1.469	-3.361	-2.345	-2.141	-1.725
5.0		-1.237	-1.878	-2.591	-2.115	-1.447
10.0		-0.943	-0.805	-2.363	-2.401	-1.917
15.0		-0.806	-1.055	-1.773	-2.414	-1.387
24.0		-0.941	-0.870	-0.866	-2.213	-1.715
33.0		-0.790	-0.836	-0.888	-1.337	-1.717
54.0		-0.416	-0.940	-0.997	-3.739	-1.699
65.0		-0.204	-2.992	-1.367	-1.104	-1.520
78.5		-0.304	-4.710	-3.155	-3.081	-2.907
79.5		-91.587	-76.285	-4.082	22.893	31.194
80.5		-8.162	-6.166	0.043	-3.775	-0.741
81.5		-4.635	-4.311	-4.224	-3.747	-4.441
82.0		-0.076	-0.979	-0.954	-2.978	-3.854
84.0		-6.641	-6.535	-0.017	-2.818	-2.971
87.0		0.659	5.027	-2.687	-2.427	-1.447
89.0		-1.535	-2.126	-2.205	-1.768	-1.964
93.0		-1.275	-0.972	-2.177	-1.799	-0.023
96.0		-1.357	-0.861	-1.801	-1.401	-1.375
100.0		-1.253	-1.587	-0.575	-0.594	-1.335
2.5 (LOWER)		0.380	0.599	0.345	0.107	0.365
5.0		0.230	0.624	0.549	0.327	0.283
10.0		0.549	0.674	0.421	0.486	0.142
24.0		0.246	0.394	0.336	0.036	0.126
33.0		0.402	0.284	0.255	0.202	-0.011
54.0		0.406	0.265	0.251	-0.015	-3.961
73.5		-1.030	0.501	0.388	-0.632	0.125
84.0		-0.313	0.564	-1.822	0.554	0.280
96.0		0.901	0.166	0.452	0.206	-0.099

WING PRESSURE COEFFICIENTS

RUN 328 POINT 2 ALPHA 8.06 PSI -5.01 HEIGHT 65.61		BP 2	BP 6	BP 12	BP 16	BP 22
X/C, X						
0.0 (UPPER)		-2.253	-3.486	-2.483	-3.049	-2.195
2.5		-1.480	-2.991	-2.183	-2.044	-1.831
5.0		-1.414	-1.975	-2.817	-1.949	-1.269
10.0		-1.022	-0.770	-2.718	-2.445	-2.235
15.0		-0.866	-1.369	-1.780	-2.554	-1.192
24.0		-1.312	-1.249	-0.628	-2.750	-1.879
33.0		-1.020	-1.074	-0.747	-1.680	-1.886
54.0		-1.269	-1.174	-1.341	-8.717	-1.664
65.0		-0.546	-4.374	-1.833	-1.317	-1.348
78.5		-0.737	-6.303	-4.230	-3.315	-2.633
79.5		-174.145	-121.294	-9.505	48.832	69.351
80.5		-15.320	-11.916	-0.342	-8.792	-1.612
81.5		-7.010	-9.976	-9.898	-8.727	-10.202
82.0		2.337	-0.637	1.218	-7.139	-8.990
84.0		-12.117	-11.294	1.479	-3.626	-7.156
87.0		1.975	-8.665	-3.661	-2.865	-0.666
89.0		-2.472	-3.138	-2.551	-1.732	-1.999
93.0		-2.035	-1.143	-2.176	-2.007	-0.180
96.0		-3.166	-1.208	-1.895	-1.473	-1.266
100.0		-3.195	-3.411	-0.527	-0.558	-1.624
2.5 (LOWER)		0.056	0.610	0.122	-0.259	0.329
5.0		-0.222	0.714	0.069	0.069	0.090
10.0		0.525	0.731	0.288	0.463	-0.175
24.0		0.048	0.321	0.208	-0.361	-0.025
33.0		0.343	0.098	0.008	-0.149	-0.149
54.0		0.287	0.010	-0.014	-0.482	-9.106
73.5		-3.087	0.225	0.048	-2.277	-0.028
84.0		-0.236	0.249	-1.978	0.446	0.197
96.0		1.035	-0.621	0.409	-0.056	-0.313



WING PRESSURE COEFFICIENTS

RUN 330 POINT 1 ALPHA 8.07 PSI -5.01 HEIGHT 48.10		BP 2	BP 6	BP 12	BP 16	BP 22
X/C, X						
0.0 (UPPER)		-2.449	-3.875	-3.262	-2.827	-1.758
2.5		-1.474	-2.993	-2.316	-2.590	-1.858
5.0		-1.163	-1.162	-2.219	-2.612	-1.511
10.0		-0.921	-0.954	-1.713	-2.754	-1.740
15.0		-0.784	-0.978	-1.249	-2.954	-1.452
24.0		-0.799	-0.817	-0.896	-1.199	-1.608
33.0		-0.684	-0.741	-0.798	-0.737	-1.617
54.0		-0.373	-0.804	-0.878	-1.431	-1.486
65.0		-0.101	-1.971	-1.084	-0.896	-1.240
78.5		-0.157	-4.136	-1.708	-1.606	-2.528
79.5		-43.914	-44.136	1.651	11.583	14.122
80.5		-5.508	-5.390	0.241	-1.438	-0.356
81.5		-3.570	-1.739	-1.678	-1.478	-1.776
82.0		-1.100	-1.930	-0.597	-0.993	-1.479
84.0		-4.134	-4.102	-0.139	-1.786	-1.024
87.0		-0.054	-3.147	-1.578	-1.733	-1.471
89.0		-1.081	-1.531	-1.348	-1.524	-1.716
93.0		-0.936	-0.894	-1.440	-1.745	-0.021
96.0		-0.437	-0.846	-1.402	-1.518	-1.426
100.0		0.524	0.570	-1.131	-1.217	-1.207
2.5 (LOWER)		0.524	0.570	0.417	0.279	0.385
5.0		0.409	0.548	0.531	0.412	0.361
10.0		0.518	0.604	0.441	0.475	0.245
24.0		0.286	0.367	0.346	0.186	0.161
33.0		0.369	0.323	0.295	0.264	-0.012
54.0		0.391	0.335	0.329	0.170	-1.558
73.5		-0.085	0.606	0.487	0.131	0.249
84.0		0.547	0.687	-1.615	0.524	0.356
96.0		0.811	0.493	0.336	0.207	0.027

WING PRESSURE COEFFICIENTS

RUN 330 POINT 2 ALPHA 8.06 PSI -5.01 HEIGHT 65.61		BP 2	BP 6	BP 12	BP 16	BP 22
X/C, X						
0.0 (UPPER)		-2.284	-3.799	-3.182	-2.976	-1.773
2.5		-1.425	-1.250	-2.145	-2.584	-1.656
5.0		-1.129	-0.970	-1.993	-2.745	-1.504
10.0		-0.906	-0.980	-1.161	-2.005	-1.724
15.0		-0.778	-0.823	-0.854	-0.993	-1.429
24.0		-0.795	-0.748	-0.790	-0.703	-1.587
33.0		-0.675	-0.809	-0.866	-1.428	-1.417
54.0		-0.389	-1.960	-1.099	-0.910	-1.172
65.0		-0.126	-0.176	-1.731	-1.579	-2.549
78.5		-44.021	-44.292	-1.666	11.624	14.057
79.5		-5.614	-5.660	0.175	-1.487	-0.402
80.5		-3.621	-1.730	-1.711	-1.420	-1.776
81.5		-1.135	-4.118	-0.629	-0.991	-1.468
84.0		-4.166	-4.118	-0.131	-1.776	-1.023
87.0		-0.076	-3.163	-1.596	-1.596	-1.492
89.0		-1.123	-1.526	-1.362	-1.504	-1.756
93.0		-0.931	-0.912	-1.444	-1.725	-0.044
96.0		-0.968	-0.832	-1.409	-1.493	-1.473
100.0		-0.504	-0.880	-1.149	-1.261	-1.223
2.5 (LOWER)		0.509	0.568	0.402	0.285	0.399
5.0		0.385	0.531	0.518	0.410	0.362
10.0		0.492	0.588	0.427	0.464	0.236
24.0		0.266	0.354	0.327	0.169	0.147
33.0		0.344	0.294	0.260	0.255	-0.030
54.0		-0.375	0.315	0.314	0.156	-1.564
73.5		-0.098	0.601	0.473	0.128	0.255
84.0		0.517	0.656	-1.657	0.512	0.364
96.0		0.801	0.462	0.326	0.195	0.039

WING PRESSURE COEFFICIENTS

RUN 329 POINT 2 ALPHA 8.05 PSI -5.01 HEIGHT 65.63		BP 2	BP 6	BP 12	BP 16	BP 22
X/C, X						
0.0 (UPPER)		-2.360	-3.614	-2.735	-2.746	-1.944
2.5		-1.440	-3.184	-2.194	-2.251	-1.763
5.0		-1.234	-1.469	-2.373	-2.427	-1.475
10.0		-0.946	-0.874	-2.122	-2.537	-1.949
15.0		-0.831	-1.105	-1.534	-2.460	-1.402
24.0		-0.986	-0.941	-0.908	-1.927	-1.740
33.0		-0.866	-0.866	-0.772	-1.052	-1.735
54.0		-0.433	-0.930	-1.030	-3.838	-1.646
65.0		-0.362	-2.969	-1.393	-1.172	-1.447
78.5		-0.262	-4.719	-2.839	-2.922	-3.038
79.5		-93.222	-77.345	4.227	23.542	31.447
80.5		-4.937	-6.268	0.044	-3.902	-0.745
81.5		-4.466	-4.466	-4.366	-3.793	-4.554
82.0		-0.074	-1.770	-0.924	-2.981	-3.964
84.0		-6.823	-6.652	0.148	-2.810	-3.048
87.0		-0.565	-5.136	-2.545	-2.572	-1.477
89.0		-1.811	-2.209	-2.097	-2.003	-1.999
93.0		-1.350	-1.085	-2.214	-2.105	-0.077
96.0		-1.427	-1.010	-1.959	-1.634	-1.378
100.0		-1.887	-1.740	-0.861	-0.681	-1.335
2.5 (LOWER)		0.360	0.592	0.334	0.095	0.363
5.0		0.218	0.607	0.547	0.307	0.267
10.0		0.515	0.649	0.398	0.470	0.112
24.0		0.199	0.358	0.303	0.000	0.101
33.0		0.355	0.247	0.203	0.171	-0.058
54.0		0.365	0.236	0.209	-0.052	-4.080
73.5		-1.092	0.466	0.357	-0.670	0.129
84.0		0.266	0.538	-1.835	0.551	0.291
96.0		0.880	0.129	0.395	0.182	-0.105

WING PRESSURE COEFFICIENTS

RUN 329 POINT 3 ALPHA 8.05 PSI -5.01 HEIGHT 87.06		BP 2	BP 6	BP 12	BP 16	BP 22
X/C, X						
0.0 (UPPER)		-2.222	-3.527	-2.739	-2.826	-1.926
2.5		-1.377	-3.007	-2.080	-2.322	-1.732
5.0		-1.194	-1.291	-2.226	-2.305	-1.452
10.0		-0.866	-0.866	-1.922	-2.613	-1.913
15.0		-0.792	-1.071	-1.355	-2.434	-1.362
24.0		-0.949	-0.928	-0.884	-1.641	-1.710
33.0		-0.774	-0.841	-0.787	-0.852	-1.720
54.0		-0.410	-0.928	-1.017	-3.753	-1.608
65.0		-0.249	-2.859	-1.326	-1.129	-1.387
78.5		-0.357	-4.607	-2.437	-2.965	-3.071
79.5		-91.538	-75.529	-4.150	23.378	30.767
80.5		-4.874	-6.045	0.023	-3.790	-0.769
81.5		-4.375	-4.375	-4.281	-3.750	-4.442
82.0		-0.123	-1.663	-0.711	-2.937	-3.832
84.0		-6.712	-6.493	0.378	-2.682	-2.927
87.0		0.570	-4.983	-2.302	-2.516	-1.429
89.0		-1.579	-2.190	-1.865	-2.011	-0.937
93.0		-1.318	-1.122	-2.047	-2.238	-0.080
96.0		-1.396	-1.054	-1.873	-1.755	-1.272
100.0		-1.378	-1.585	-1.138	-0.843	-1.248
2.5 (LOWER)		0.390	0.585	0.333	0.111	0.363
5.0		0.227	0.596	0.531	0.313	0.278
10.0		0.510	0.645	0.398	0.466	0.118
24.0		0.197	0.347	0.298	0.007	0.100
33.0		0.356	0.243	0.217	-0.059	0.171
54.0		0.361	0.222	0.207	-0.042	-3.982
73.5		-1.066	0.488	0.373	-0.643	0.151
84.0		0.269	0.547	-1.712	0.562	0.310
96.0		0.881	0.139	0.350	0.171	-0.065

WING PRESSURE COEFFICIENTS

RUN 330 POINT 3 ALPHA 8.05 PSI -5.01 HEIGHT 86.73

X/C, Z	BP 2	BP 6	BP 12	BP 16	BP 22
0.0 (UPPER)	-2.239	-3.812	-3.136	-3.096	-1.814
2.5	-1.441	-1.983	-2.168	-2.765	-1.688
5.0	-1.141	-0.987	-1.531	-1.999	-1.531
10.0	-0.793	-1.010	-1.129	-1.979	-1.754
15.0	-0.822	-0.838	-0.864	-0.903	-1.449
24.0	-0.695	-0.767	-0.809	-0.710	-1.613
33.0	-0.408	-0.825	-0.906	-1.447	-1.421
54.0	-0.145	-2.005	-1.129	-0.939	-1.168
65.0	-0.198	-3.698	-1.775	-2.599	-2.566
78.5	-4.510	-44.701	-1.663	11.822	14.228
79.5	5.794	5.834	0.184	-1.495	0.412
80.5	3.718	-1.745	-1.688	-1.426	-1.818
81.5	-1.185	-2.011	-0.636	-0.866	-1.505
82.0	-0.102	-4.188	-0.143	-1.800	-1.039
87.0	-1.150	-3.219	-1.607	-1.529	-1.802
89.0	-0.960	-0.954	-1.472	-1.743	-0.066
93.0	-0.995	-0.871	-1.446	-1.534	-1.556
96.0	-0.546	-0.561	-1.184	-1.295	-1.289
100.0 (LOWER)	0.310	0.517	0.407	0.276	0.398
2.5	0.483	0.582	0.409	0.455	0.224
5.0	0.243	0.333	0.309	0.135	0.135
10.0	0.325	0.282	0.258	0.238	-0.041
24.0	0.360	0.299	0.296	0.137	-1.585
33.0	-0.100	0.593	0.465	0.123	0.248
54.0	0.508	0.643	-1.713	0.508	0.360
73.5	0.796	0.449	0.313	0.180	0.027
84.0					
96.0					

WING PRESSURE COEFFICIENTS

RUN 331 POINT 2 ALPHA 0.01 PSI 0.00 HEIGHT 32.80

X/C, Z	BP 2	BP 6	BP 12	BP 16	BP 22
0.0 (UPPER)	0.430	0.132	-0.247	-0.682	-0.828
2.5	-0.360	-0.437	-0.678	-0.853	-1.049
5.0	-0.370	-0.417	-0.670	-0.802	-0.840
10.0	-0.349	-0.365	-0.553	-0.625	-0.738
15.0	-0.336	-0.510	-0.397	-0.604	-0.405
24.0	-0.459	-0.449	-0.384	-0.672	-0.522
33.0	-0.399	-0.435	-0.424	-0.518	-0.506
54.0	-0.413	-0.573	-0.634	-1.452	-0.516
65.0	-0.049	-2.031	-0.884	-0.707	-0.613
78.5	-0.102	-3.250	-1.566	-1.206	-2.259
79.5	-43.601	-42.583	-1.699	12.463	14.081
80.5	5.266	-4.388	0.188	-1.527	-0.331
81.5	-3.500	-1.791	-1.740	-1.472	-1.850
82.0	-1.076	-1.553	-0.474	-1.059	-1.552
84.0	-4.145	-3.686	0.094	-1.491	-1.078
87.0	-1.029	-2.798	-1.371	-1.454	-1.523
89.0	-1.073	-1.421	-1.128	-1.219	-1.858
93.0	-0.826	-0.868	-1.192	-1.459	-0.053
96.0	-0.875	-0.829	-1.212	-1.256	-1.385
100.0 (LOWER)	-0.674	-0.884	-1.096	-1.153	-1.080
2.5	0.194	0.362	0.340	0.262	0.421
5.0	0.087	0.313	0.358	0.258	0.263
10.0	0.257	0.347	0.242	0.300	0.120
24.0	0.127	0.222	0.203	0.053	0.115
33.0	0.241	0.210	0.195	0.179	0.051
54.0	0.359	0.295	0.304	0.167	-1.578
73.5	-0.116	0.540	0.486	0.094	0.384
84.0	0.455	0.581	-1.703	0.618	0.484
96.0	0.741	0.383	0.370	0.246	0.196

RUN 331 POINT 3 ALPHA -0.01 PSI 0.00 HEIGHT 65.61

X/C, Z	BP 2	BP 6	BP 12	BP 16	BP 22
0.0 (UPPER)	0.481	0.251	-0.031	-0.418	-0.516
2.5	-0.336	-0.388	-0.595	-0.753	-0.907
5.0	-0.360	-0.402	-0.619	-0.583	-0.612
10.0	-0.349	-0.353	-0.556	-0.619	-0.732
15.0	-0.336	-0.515	-0.407	-0.591	-0.390
24.0	-0.476	-0.469	-0.382	-0.680	-0.532
33.0	-0.418	-0.454	-0.533	-0.533	-0.520
54.0	-0.409	-0.598	-0.656	-1.458	-0.543
65.0	-0.106	-2.089	-0.900	-0.748	-0.659
78.5	-0.165	-3.330	-1.618	-1.283	-2.498
79.5	-44.129	-43.058	-1.734	12.319	13.772
80.5	5.494	-4.532	0.216	-1.530	-0.393
81.5	-3.612	-1.806	-1.775	-1.503	-1.880
82.0	-1.173	-1.625	-0.524	-1.087	-1.554
84.0	-4.266	-3.788	0.067	-1.602	-1.086
87.0	-0.210	-2.851	-1.437	-1.576	-1.652
89.0	-1.150	-1.461	-1.158	-1.334	-1.927
93.0	-0.895	-0.915	-1.222	-1.581	-0.011
96.0	-0.939	-0.876	-1.237	-1.365	-1.305
100.0 (LOWER)	-0.762	-0.932	-1.085	-1.253	-0.948
2.5	0.124	0.296	0.271	0.200	0.361
5.0	0.035	0.252	0.287	0.190	0.266
10.0	0.200	0.286	0.186	0.240	0.071
24.0	0.071	0.164	0.151	0.001	0.076
33.0	0.190	0.150	0.142	0.134	-0.007
54.0	0.312	0.247	0.265	0.139	-1.588
73.5	-0.109	0.507	0.481	0.105	0.378
84.0	0.449	0.581	-1.666	0.617	0.481
96.0	0.693	0.379	0.359	0.232	0.214

WING PRESSURE COEFFICIENTS

RUN 332 POINT 2 ALPHA 0.13 PSI 0.00 HEIGHT 32.80

X/C, Z	BP 2	BP 6	BP 12	BP 16	BP 22
0.0 (UPPER)	0.451	0.590	0.365	0.085	0.148
2.5	-0.185	-0.200	-0.286	-0.381	-0.432
5.0	-0.235	-0.247	-0.388	-0.293	-0.273
10.0	-0.219	-0.204	-0.369	-0.388	-0.484
15.0	-0.373	-0.373	-0.212	-0.328	-0.170
20.0	-0.356	-0.302	-0.200	-0.488	-0.328
24.0	-0.275	-0.251	-0.337	-0.314	-0.235
33.0	-0.373	-0.326	-0.359	-1.454	-0.191
54.0	-0.054	-0.054	-0.491	-0.391	-0.191
65.0	-1.003	-0.666	-0.637	-0.637	-0.493
78.5	-0.518	-0.518	-1.749	-0.600	-0.914
80.5	-0.682	-0.878	0.264	-1.532	-0.368
81.5	-1.833	-1.833	-1.812	-1.500	-1.919
82.0	-1.071	-1.071	-0.321	-1.081	-1.614
84.0	-0.496	-0.496	0.484	-0.991	-1.141
87.0	-0.371	-0.371	-0.818	-0.882	-0.210
89.0	-0.311	-0.496	-0.536	-0.596	-0.573
93.0	-0.452	-0.516	-0.580	-0.736	0.058
96.0	-0.462	-0.355	-0.688	-0.621	-0.468
100.0	-0.346	-0.427	-0.556	-0.518	-0.654
2.5 (LOWER)	0.056	0.212	0.166	0.082	0.217
5.0	-0.043	0.204	0.201	0.104	0.113
10.0	0.155	0.222	0.116	0.176	0.013
24.0	0.034	0.117	0.105	-0.041	0.071
33.0	0.147	0.108	0.110	0.106	0.050
54.0	0.269	0.205	0.245	0.136	-1.589
73.5	-0.136	0.485	0.486	0.080	0.442
84.0	0.389	0.544	-0.632	0.627	0.535
96.0	0.565	0.328	0.425	0.326	0.273

WING PRESSURE COEFFICIENTS

RUN 331 POINT 4 ALPHA -0.03 PSI 0.00 HEIGHT 87.03

X/C, Z	BP 2	BP 6	BP 12	BP 16	BP 22
0.0 (UPPER)	0.496	0.270	0.003	-0.377	-0.479
2.5	-0.332	-0.374	-0.583	-0.745	-0.896
5.0	-0.361	-0.389	-0.617	-0.577	-0.611
10.0	-0.358	-0.358	-0.579	-0.629	-0.743
15.0	-0.352	-0.514	-0.411	-0.608	-0.403
24.0	-0.493	-0.458	-0.395	-0.545	-0.545
33.0	-0.430	-0.474	-0.441	-0.541	-0.540
54.0	-0.412	-0.606	-0.667	-1.465	-0.564
65.0	-0.120	-2.111	-0.920	-0.920	-0.677
78.5	-0.175	-3.370	-1.643	-1.308	-2.571
80.5	-4.544	-43.422	-1.754	12.683	13.714
81.5	-5.565	-4.604	0.221	-1.572	-0.420
82.0	-3.658	-1.848	-1.797	-1.500	-1.899
84.0	-1.192	-1.652	-0.536	-1.097	-1.607
87.0	-0.236	-2.884	-1.408	-1.611	-1.098
89.0	-1.174	-1.485	-1.175	-1.371	-1.945
93.0	-0.920	-0.930	-1.245	-1.626	-0.016
96.0	-0.959	-0.888	-1.260	-1.398	-1.319
100.0	-0.783	-0.951	-1.098	-1.288	-0.936
2.5 (LOWER)	0.088	0.273	0.244	0.177	0.325
5.0	-0.087	0.238	0.270	0.174	0.192
10.0	0.184	0.268	0.161	0.227	0.058
24.0	0.057	0.148	0.137	-0.014	0.064
33.0	0.170	0.137	0.126	0.121	-0.018
54.0	0.300	0.254	0.254	0.128	-1.607
73.5	-0.112	0.504	0.474	0.106	0.365
84.0	0.448	0.596	-1.674	0.615	0.474
96.0	0.688	0.372	0.354	0.224	0.213

WING PRESSURE COEFFICIENTS

RUN 332 POINT 3 ALPHA 0.11 PSI 0.00 HEIGHT 65.70

X/C, Z	BP 2	BP 6	BP 12	BP 16	BP 22
0.0 (UPPER)	0.491	0.604	0.443	0.168	0.242
2.5	-0.149	-0.168	-0.234	-0.315	-0.363
5.0	-0.215	-0.232	-0.344	-0.254	-0.273
10.0	-0.197	-0.220	-0.339	-0.368	-0.466
15.0	-0.363	-0.206	-0.181	-0.382	-0.159
24.0	-0.305	-0.353	-0.193	-0.479	-0.324
33.0	-0.279	-0.265	-0.244	-0.329	-0.314
54.0	-0.255	-0.304	-0.358	-1.461	-0.236
65.0	-0.065	-0.334	-0.498	-0.393	-0.203
78.5	-0.125	-0.685	-1.009	-0.635	-0.510
80.5	-0.532	-0.366	-1.744	-0.583	-0.931
81.5	-0.680	-0.915	0.293	-1.541	-0.358
82.0	-1.862	-1.862	-1.812	-1.512	-1.588
84.0	-1.196	-0.298	-0.301	-1.107	-1.157
87.0	-0.489	-1.056	0.512	-0.982	-0.212
89.0	-0.367	-0.666	-0.851	-0.917	-0.591
93.0	-0.324	-0.509	-0.541	-0.592	-0.391
96.0	-0.466	-0.527	-0.588	-0.736	0.048
100.0	-0.476	-0.366	-0.695	-0.620	-0.486
2.5 (LOWER)	0.010	0.166	0.107	0.027	0.166
5.0	-0.066	0.172	0.154	0.061	0.067
10.0	0.119	0.188	0.080	0.144	-0.022
24.0	0.006	0.092	0.080	-0.069	0.050
33.0	0.121	0.084	0.085	0.087	0.037
54.0	0.254	0.183	0.225	0.120	-1.598
73.5	-0.139	0.460	0.472	0.090	0.431
84.0	0.459	0.548	-0.650	0.614	0.534
96.0	0.551	0.332	0.418	0.319	0.268

WING PRESSURE COEFFICIENTS

RUN 332 POINT 1 ALPHA 0.13 PSI 0.00 HEIGHT 19.67

X/C, Z	BP 2	BP 6	BP 12	BP 16	BP 22
0.0 (UPPER)	0.565	0.383	0.262	-0.053	-0.030
2.5	-0.233	-0.241	-0.356	-0.467	-0.545
5.0	-0.266	-0.283	-0.429	-0.352	-0.338
10.0	-0.256	-0.228	-0.382	-0.425	-0.322
15.0	-0.223	-0.389	-0.236	-0.422	-0.199
24.0	-0.372	-0.374	-0.217	-0.505	-0.344
33.0	-0.270	-0.295	-0.250	-0.334	-0.323
54.0	-0.358	-0.328	-0.366	-1.463	-0.230
65.0	-0.041	-0.328	-0.496	-0.400	-0.196
78.5	-0.094	-0.642	-1.017	-0.657	-0.485
80.5	-0.437	-0.339	-1.764	-0.629	-0.878
81.5	-0.686	-0.850	0.259	-1.542	-0.336
82.0	-1.085	-1.832	-1.828	-1.507	-1.897
84.0	-1.191	-1.191	-0.321	-1.398	-1.398
87.0	-0.480	-1.012	0.475	-1.006	-1.130
89.0	-0.371	-0.647	-0.850	-0.901	-1.164
93.0	-0.304	-0.478	-0.523	-0.611	-0.554
96.0	-0.446	-0.497	-0.568	-0.756	0.071
100.0	-0.454	-0.334	-0.674	-0.636	-0.446
2.5 (LOWER)	-0.338	-0.403	-0.550	-0.534	-0.631
5.0	0.037	0.271	0.211	0.145	0.278
10.0	0.183	0.254	0.247	0.153	0.162
24.0	0.074	0.160	0.158	0.220	0.053
33.0	0.166	0.150	0.143	-0.006	0.092
54.0	0.304	0.238	0.262	0.135	0.065
73.5	-0.137	0.502	0.503	0.153	-1.590
84.0	0.401	0.553	-0.615	0.637	0.436
96.0	0.591	0.335	0.434	0.327	0.271

WING PRESSURE COEFFICIENTS

RUN 332 POINT 4 ALPHA -0.03 PSI 0.00 HEIGHT 86.63

X/C. Z	BP 2	BP 6	BP 12	BP 16	BP 22
0.0 (UPPER)	0.618	0.521	0.474	0.218	0.288
2.5	-0.135	-0.106	-0.187	-0.261	-0.309
5.0	-0.202	-0.178	-0.317	-0.211	-0.188
10.0	-0.199	-0.145	-0.339	-0.436	-0.436
15.0	-0.186	-0.329	-0.170	-0.353	-0.129
24.0	-0.335	-0.280	-0.170	-0.460	-0.301
33.0	-0.247	-0.260	-0.223	-0.314	-0.286
54.0	-0.262	-0.256	-0.346	-1.425	-0.220
65.0	-0.059	-0.317	-0.477	-0.373	-0.186
78.5	-0.118	-0.666	-0.981	-0.612	-0.492
79.5	-0.520	-0.357	-1.704	-0.556	-0.921
80.5	-0.692	-0.882	0.311	-1.498	-0.350
81.5	-1.778	-1.485	0.177	-1.902	-1.902
82.0	-1.195	-0.285	-0.298	-1.085	-1.560
84.0	-0.497	-1.024	0.526	-0.980	-1.128
87.0	-0.375	-0.644	-0.818	-0.893	-0.200
89.0	-0.303	-0.488	-0.518	-0.570	-0.523
93.0	-0.445	-0.509	-0.569	-0.714	0.058
96.0	-0.342	-0.347	-0.675	-0.595	-0.472
100.0	-0.002	-0.416	-0.540	-0.489	-0.664
2.5 (LOWER)	0.068	0.149	0.092	0.008	0.154
5.0	0.116	0.176	0.077	0.137	-0.022
10.0	0.009	0.093	0.085	-0.059	0.057
24.0	0.127	0.085	0.082	0.089	0.044
33.0	0.266	0.188	0.234	0.124	-1.557
54.0	-0.118	0.468	0.473	0.109	0.442
73.5	0.462	0.549	-0.633	0.619	0.542
84.0	0.557	0.338	0.424	0.331	0.278
96.0					

WING PRESSURE COEFFICIENTS

RUN 333 POINT 2 ALPHA 8.01 PSI -5.01 HEIGHT 65.63

X/C. Z	BP 2	BP 6	BP 12	BP 16	BP 22
0.0 (UPPER)	-1.419	-2.446	-2.363	-2.515	-1.422
2.5	-1.051	-1.494	-1.766	-1.917	-1.116
5.0	-0.881	-0.972	-1.572	-1.919	-0.930
10.0	-0.688	-0.695	-1.067	-1.906	-1.185
15.0	-0.573	-0.749	-0.677	-1.178	-0.829
24.0	-0.607	-0.574	-0.523	-0.720	-0.846
33.0	-0.489	-0.501	-0.479	-0.480	-0.866
54.0	-0.292	-0.406	-0.500	-0.500	-0.637
65.0	-0.078	-0.427	-0.583	-0.487	-0.508
78.5	-0.137	-0.693	-0.846	-0.720	-0.907
79.5	-0.596	-0.374	-1.795	-0.563	-1.446
80.5	-0.773	-0.912	0.284	-1.627	-0.405
81.5	-1.222	-1.914	-1.885	-1.581	-1.973
82.0	-1.327	-0.317	-0.210	-1.152	-1.629
84.0	-0.613	-1.079	0.645	-1.098	-1.179
87.0	-0.493	-0.677	-0.788	-0.982	-0.513
89.0	-0.414	-0.515	-0.494	-0.829	-0.867
93.0	-0.626	-0.536	-0.562	-0.777	-0.027
96.0	-0.666	-0.363	-0.666	-0.859	-0.817
100.0	-0.485	-0.396	-0.500	-0.563	-0.892
2.5 (LOWER)	0.459	0.571	0.428	0.315	0.463
5.0	0.313	0.484	0.499	0.382	0.343
10.0	0.439	0.555	0.363	0.430	0.193
24.0	0.192	0.292	0.267	0.097	0.135
33.0	0.279	0.230	0.222	0.205	0.045
54.0	0.325	0.251	0.282	0.128	-1.618
73.5	-0.156	0.548	0.473	0.071	0.339
84.0	0.653	0.448	-0.968	0.571	0.465
96.0	0.619	0.242	0.437	0.270	0.146

RUN 333 POINT 1 ALPHA 8.02 PSI -5.01 HEIGHT 47.51

X/C. Z	BP 2	BP 6	BP 12	BP 16	BP 22
0.0 (UPPER)	-1.499	-2.517	-2.276	-2.846	-1.454
2.5	-1.071	-1.709	-1.376	-1.155	-1.228
5.0	-0.887	-0.942	-1.364	-2.278	-0.974
10.0	-0.694	-0.683	-1.078	-1.788	-1.214
15.0	-0.582	-0.745	-0.657	-0.864	-0.864
24.0	-0.613	-0.569	-0.560	-0.709	-0.978
33.0	-0.464	-0.489	-0.509	-0.450	-0.892
54.0	-0.285	-0.399	-0.504	-1.454	-0.661
65.0	-0.065	-0.419	-0.578	-0.499	-0.521
78.5	-0.121	-0.675	-0.839	-0.926	-0.521
79.5	-0.555	-0.355	-1.789	-0.951	-1.430
80.5	-0.776	-0.900	0.263	-1.584	-0.376
81.5	-1.162	-1.898	-1.849	-1.528	-1.959
82.0	-1.283	-0.297	-0.190	-1.110	-1.597
84.0	-0.569	-1.034	0.650	-1.076	-1.166
87.0	-0.494	-0.656	-0.792	-0.921	-0.532
89.0	-0.397	-0.498	-0.477	-0.607	-0.883
93.0	-0.601	-0.518	-0.539	-0.760	0.044
96.0	-0.641	-0.348	-0.645	-0.649	-0.865
100.0	-0.467	-0.380	-0.482	-0.548	-0.921
2.5 (LOWER)	0.472	0.571	0.422	0.315	0.441
5.0	0.333	0.491	0.505	0.394	0.356
10.0	0.456	0.565	0.380	0.445	0.210
24.0	0.208	0.307	0.279	0.116	0.144
33.0	0.304	0.248	0.232	0.224	0.045
54.0	0.334	0.265	0.286	0.141	-1.596
73.5	-0.150	0.556	0.478	0.082	0.339
84.0	0.657	0.468	-0.998	0.569	0.462
96.0	0.622	0.265	0.441	0.275	0.139

RUN 333 POINT 3 ALPHA 8.01 PSI -5.01 HEIGHT 87.08

X/C. Z	BP 2	BP 6	BP 12	BP 16	BP 22
0.0 (UPPER)	-1.339	-2.359	-2.417	-2.551	-1.411
2.5	-1.019	-1.356	-1.723	-1.950	-1.102
5.0	-0.853	-0.944	-1.438	-1.961	-0.922
10.0	-0.660	-0.682	-0.977	-1.871	-1.172
15.0	-0.544	-0.733	-0.638	-0.968	-0.820
24.0	-0.587	-0.563	-0.508	-0.675	-0.834
33.0	-0.451	-0.486	-0.464	-0.478	-0.834
54.0	-0.270	-0.392	-0.488	-0.446	-0.595
65.0	-0.073	-0.409	-0.569	-0.475	-0.471
78.5	-0.131	-0.675	-0.816	-0.697	-0.871
79.5	-0.572	-0.369	-1.776	-0.524	-1.417
80.5	-0.778	-0.893	0.303	-1.569	-0.394
81.5	-1.154	-1.910	-1.854	-1.526	-1.970
82.0	-1.276	-0.305	-0.187	-1.105	-1.616
84.0	-0.567	-1.072	0.647	-1.118	-1.177
87.0	-0.445	-0.672	-0.764	-0.945	-0.466
89.0	-0.395	-0.496	-0.470	-0.606	-0.842
93.0	-0.600	-0.516	-0.533	-0.755	-0.639
96.0	-0.646	-0.341	-0.638	-0.642	-0.799
100.0	-0.472	-0.379	-0.475	-0.541	-0.874
2.5 (LOWER)	0.467	0.570	0.422	0.321	0.472
5.0	0.323	0.485	0.502	0.384	0.349
10.0	0.445	0.557	0.369	0.432	0.197
24.0	0.197	0.294	0.270	0.104	0.145
33.0	0.280	0.233	0.226	0.205	0.044
54.0	0.325	0.250	0.290	0.132	-1.563
73.5	-0.141	0.545	0.479	0.091	0.340
84.0	0.659	0.441	-0.942	0.575	0.471
96.0	0.622	0.241	0.446	0.282	0.155

WING PRESSURE COEFFICIENTS

RUN 337 POINT 4 ALPHA 0.01 PSI 0.00 HEIGHT 65.66

X/C, %	BP 2	BP 6	BP 12	BP 16	BP 22
0.0 (UPPER)	0.561	0.487	0.407	0.364	0.362
2.5	-0.175	-0.262	-0.359	-0.391	-0.343
5.0	-0.192	-0.289	-0.330	-0.349	-0.361
10.0	-0.233	-0.284	-0.333	-0.352	-0.331
15.0	-0.229	-0.274	-0.307	-0.324	-0.301
24.0	-0.228	-0.256	-0.272	-0.292	-0.265
33.0	-0.207	-0.241	-0.282	-0.282	-0.251
54.0	-0.214	-0.264	-0.286	1.731	-0.272
65.0	0.026	-0.349	-0.391	-0.400	-0.397
78.5	0.024	-0.564	-0.605	-0.646	-0.706
80.5	-0.446	-0.495	-0.559	-0.618	-0.744
81.5	-0.426	-0.446	-0.515	-0.602	-0.623
82.0	-0.429	1.029	-0.550	-0.578	-0.712
82.5	-0.390	-0.442	-0.277	-0.522	-0.714
84.0	-0.453	-0.444	-0.563	-0.616	-0.746
87.0	-0.474	-0.449	-0.542	-0.578	-0.750
89.0	-0.451	-0.466	-0.555	-0.623	-0.729
93.0	-0.475	-0.481	-0.569	-0.633	-0.625
96.0	-0.471	-0.467	-0.564	-0.630	-0.734
100.0	-0.403	-0.424	-0.531	-0.620	-0.731
2.5 (LOWER)	0.073	0.100	0.146	0.169	0.149
5.0	0.073	0.050	0.096	0.121	0.095
10.0	0.048	0.074	0.071	0.085	0.054
24.0	0.029	0.041	0.067	0.068	0.056
33.0	0.055	0.089	0.115	0.139	0.019
54.0	0.215	0.242	0.294	0.275	0.614
73.5	0.520	0.570	0.610	0.736	0.510
84.0	0.542	0.542	-0.730	0.629	0.532
96.0	0.394	0.427	0.398	0.390	0.399

RUN 337 POINT 2 ALPHA -0.04 PSI 0.00 HEIGHT 19.18

X/C, %	BP 2	BP 6	BP 12	BP 16	BP 22
0.0 (UPPER)	0.508	0.399	0.249	0.192	0.124
2.5	-0.221	-0.327	-0.467	-0.506	-0.486
5.0	-0.212	-0.304	-0.435	-0.418	-0.435
10.0	-0.241	-0.304	-0.364	-0.366	-0.366
15.0	-0.238	-0.281	-0.327	-0.345	-0.324
24.0	-0.230	-0.259	-0.276	-0.284	-0.269
33.0	-0.200	-0.241	-0.265	-0.243	-0.256
54.0	-0.083	-0.257	1.642	-0.256	-0.256
65.0	0.065	-0.330	-0.370	-0.367	-0.367
78.5	0.063	-0.526	-0.560	-0.603	-0.678
80.5	-0.421	-0.458	-0.532	-0.576	-0.729
81.5	-0.415	-0.420	-0.464	-0.574	-0.697
82.0	-0.428	0.519	-0.531	-0.685	-0.695
82.5	-0.404	-0.410	-0.245	-0.586	-0.687
84.0	-0.443	-0.421	-0.513	-0.574	-0.723
87.0	-0.448	-0.436	-0.503	-0.540	-0.733
89.0	-0.446	-0.440	-0.514	-0.582	-0.701
93.0	-0.479	-0.458	-0.526	-0.588	-0.662
96.0	-0.476	-0.446	-0.519	-0.588	-0.704
100.0	-0.397	-0.446	-0.486	-0.583	-0.700
2.5 (LOWER)	0.161	0.196	0.248	0.269	0.244
5.0	0.157	0.124	0.173	0.206	0.179
10.0	0.116	0.154	0.147	0.155	0.121
24.0	0.094	0.103	0.126	0.121	0.093
33.0	0.124	0.146	0.162	0.180	0.059
54.0	0.253	0.276	0.314	0.289	0.537
73.5	0.538	0.593	0.615	0.660	0.500
84.0	0.623	0.625	-0.702	0.636	0.523
96.0	0.411	0.438	0.404	0.389	0.289

RUN 337 POINT 5 ALPHA -0.02 PSI 0.00 HEIGHT 87.09

X/C, %	BP 2	BP 6	BP 12	BP 16	BP 22
0.0 (UPPER)	0.580	0.511	0.447	0.428	0.400
2.5	-0.145	-0.225	-0.325	-0.342	-0.302
5.0	-0.164	-0.238	-0.290	-0.308	-0.328
10.0	-0.210	-0.257	-0.298	-0.322	-0.306
15.0	-0.205	-0.248	-0.282	-0.299	-0.277
24.0	-0.213	-0.237	-0.249	-0.271	-0.247
33.0	-0.184	-0.221	-0.263	-0.243	-0.232
54.0	-0.163	-0.248	-0.269	1.746	-0.256
65.0	0.038	-0.330	-0.372	-0.383	-0.376
78.5	0.033	-0.544	-0.586	-0.625	-0.692
80.5	-0.434	-0.479	-0.539	-0.603	-0.731
81.5	-0.407	-0.442	-0.482	-0.591	-0.642
82.0	-0.399	1.063	-0.537	-0.587	-0.688
82.5	-0.374	-0.419	-0.268	-0.597	-0.690
84.0	-0.429	-0.413	-0.563	-0.600	-0.737
87.0	-0.440	-0.433	-0.516	-0.556	-0.735
89.0	-0.432	-0.448	-0.538	-0.608	-0.709
93.0	-0.454	-0.464	-0.552	-0.646	-0.638
96.0	-0.450	-0.451	-0.546	-0.611	-0.717
100.0	-0.385	-0.412	-0.515	-0.603	-0.711
2.5 (LOWER)	0.069	0.091	0.128	0.159	0.138
5.0	0.065	0.050	0.086	0.115	0.095
10.0	0.049	0.072	0.073	0.083	0.058
24.0	0.035	0.044	0.072	0.072	0.063
33.0	0.063	0.096	0.119	0.145	0.031
54.0	0.221	0.250	0.301	0.280	0.650
73.5	0.522	0.573	0.614	0.767	0.520
84.0	0.547	0.624	-0.703	0.632	0.540
96.0	0.403	0.433	0.406	0.390	0.311

RUN 337 POINT 3 ALPHA -0.06 PSI 0.00 HEIGHT 32.85

X/C, %	BP 2	BP 6	BP 12	BP 16	BP 22
0.0 (UPPER)	0.553	0.456	0.341	0.313	0.276
2.5	-0.192	-0.297	-0.415	-0.443	-0.408
5.0	-0.202	-0.294	-0.347	-0.378	-0.398
10.0	-0.245	-0.289	-0.340	-0.369	-0.351
15.0	-0.230	-0.273	-0.321	-0.335	-0.314
24.0	-0.221	-0.259	-0.273	-0.296	-0.268
33.0	-0.202	-0.240	-0.282	-0.261	-0.246
54.0	-0.087	-0.265	-0.280	1.685	-0.263
65.0	0.039	-0.341	-0.381	-0.392	-0.390
78.5	0.035	-0.547	-0.589	-0.631	-0.691
80.5	-0.434	-0.479	-0.542	-0.601	-0.745
81.5	-0.427	-0.432	-0.496	-0.600	0.032
82.0	-0.416	0.983	-0.549	-0.574	-0.710
82.5	-0.379	-0.428	-0.261	-0.602	-0.701
84.0	-0.448	-0.437	-0.542	-0.612	-0.732
87.0	-0.470	-0.438	-0.523	-0.560	-0.722
89.0	-0.443	-0.452	-0.539	-0.608	-0.715
93.0	-0.472	-0.470	-0.552	-0.619	0.033
96.0	-0.470	-0.455	-0.550	-0.616	-0.721
100.0	-0.397	-0.410	-0.517	-0.608	-0.719
2.5 (LOWER)	0.118	0.146	0.191	0.217	0.200
5.0	0.096	0.128	0.128	0.161	0.139
10.0	0.075	0.112	0.107	0.119	0.088
24.0	0.053	0.062	0.095	0.094	0.075
33.0	0.085	0.114	0.137	0.161	0.032
54.0	0.233	0.260	0.308	0.290	0.577
73.5	0.532	0.583	0.619	0.699	0.518
84.0	0.572	0.629	-0.718	0.639	0.538
96.0	0.408	0.438	0.409	0.398	0.304

WING PRESSURE COEFFICIENTS

RUN 338 POINT 3 ALPHA 0.00 PSI 0.00 HEIGHT 65.68

X/C, X	BP 2	BP 6	BP 12	BP 16	BP 22
0.0 (UPPER)	0.197	-0.236	-1.000	-1.561	-2.412
2.5	-0.566	-0.809	-1.359	-1.910	-2.543
5.0	-0.499	-0.707	-0.897	-1.081	-1.290
10.0	-0.516	-0.569	-0.825	-0.946	-1.037
15.0	-0.515	-0.589	-0.751	-0.861	-0.910
20.0	-0.508	-0.597	-0.703	-0.802	-0.821
33.0	-0.521	-0.612	-0.736	-0.791	-0.825
54.0	-0.562	-0.654	-0.693	-0.730	-0.789
65.0	-0.668	-0.789	-1.494	-1.609	-1.789
78.5	-0.073	-3.829	-4.396	-4.790	-5.084
79.5	-53.205	-45.545	-44.401	-47.727	-29.144
80.5	-4.113	-7.640	-5.362	-10.917	-0.036
81.5	-3.425	-1.163	-4.464	-5.579	-7.727
82.0	-1.298	-3.355	-0.693	-4.584	-5.454
84.0	-3.732	-3.284	-3.959	-3.659	-4.420
87.0	-0.850	-2.781	-2.598	-2.727	-3.227
89.0	-1.175	-1.737	-2.837	-3.185	-2.481
93.0	-1.007	-1.021	-1.121	-2.111	-0.069
95.0	-1.278	-0.875	-0.475	-1.156	-3.204
100.0 (LOWER)	-0.269	-0.105	-0.183	-0.146	-0.613
2.5	0.295	0.349	0.440	0.470	0.460
5.0	0.250	0.330	0.339	0.395	0.371
10.0	0.194	0.288	0.281	0.318	0.260
24.0	0.157	0.192	0.241	0.238	0.147
33.0	0.198	0.241	0.273	0.299	-0.079
54.0	0.351	0.403	0.446	0.393	0.666
73.5	0.578	0.642	0.650	0.824	0.257
84.0	0.572	0.626	-3.501	0.588	0.171
96.0	0.574	0.624	-3.505	0.652	0.266

WING PRESSURE COEFFICIENTS

RUN 338 POINT 1 ALPHA -0.23 PSI 0.00 HEIGHT 19.29

X/C, X	BP 2	BP 6	BP 12	BP 16	BP 22
0.0 (UPPER)	0.039	-0.371	-1.617	-2.398	-3.272
2.5	-0.576	-0.839	-1.195	-1.509	-2.227
5.0	-0.482	-0.681	-0.951	-1.152	-1.464
10.0	-0.476	-0.610	-0.812	-0.953	-1.065
15.0	-0.454	-0.551	-0.719	-0.842	-0.894
24.0	-0.461	-0.534	-0.648	-0.754	-0.776
33.0	-0.459	-0.539	-0.662	-0.727	-0.768
54.0	-0.539	-0.735	-0.873	-2.184	-1.050
65.0	0.110	-1.200	-1.310	-1.446	-1.654
78.5	0.105	-3.279	-3.922	-4.371	-4.735
79.5	-46.565	-39.303	-46.565	-44.329	-28.050
80.5	-4.012	-6.589	-4.745	-10.239	0.123
81.5	-2.530	-1.132	-4.021	-5.156	-7.435
82.0	-0.620	-2.583	-0.353	-4.168	-5.251
84.0	-2.986	-2.684	-3.503	-3.319	-4.305
87.0	-0.250	-2.195	-2.195	-2.431	-3.148
89.0	-0.592	-1.284	-2.453	-2.883	-2.417
93.0	-0.487	-0.646	-0.832	-1.855	0.114
95.0	-0.837	-0.559	-0.239	-0.958	-3.134
100.0 (LOWER)	-0.139	-0.077	-0.191	-0.161	-0.664
2.5	0.407	0.470	0.525	0.514	0.448
5.0	0.375	0.359	0.441	0.471	0.420
10.0	0.326	0.412	0.394	0.405	0.324
24.0	0.301	0.326	0.346	0.318	0.197
33.0	0.343	0.358	0.361	0.360	0.097
54.0	0.448	0.471	0.489	0.407	0.643
73.5	0.649	0.708	0.636	0.791	0.216
84.0	0.767	0.820	-3.408	0.529	0.156
96.0	0.684	0.718	-3.408	0.589	0.174

RUN 338 POINT 4 ALPHA -0.02 PSI 0.00 HEIGHT 87.08

X/C, X	BP 2	BP 6	BP 12	BP 16	BP 22
0.0 (UPPER)	0.232	-0.151	-0.851	-1.388	-2.230
2.5	-0.535	-0.778	-1.237	-1.929	-1.485
5.0	-0.477	-0.688	-0.854	-1.039	-1.254
10.0	-0.501	-0.603	-0.808	-0.916	-1.010
15.0	-0.500	-0.568	-0.728	-0.839	-0.888
24.0	-0.498	-0.591	-0.688	-0.776	-0.806
33.0	-0.510	-0.596	-0.725	-0.776	-0.808
54.0	-0.546	-0.846	-0.951	-2.231	-1.120
65.0	-0.068	-1.377	-1.476	-1.590	-1.781
78.5	-0.074	-3.796	-4.361	-4.751	-5.012
79.5	-53.753	-45.792	-44.770	-47.954	-28.857
80.5	-3.853	-1.555	-5.245	-10.797	-0.037
81.5	-3.456	-1.189	-4.385	-5.482	-7.636
82.0	-1.275	-3.324	-0.681	-4.528	-5.378
84.0	-3.718	-3.259	-3.943	-3.633	-4.337
87.0	-0.842	-2.770	-2.566	-2.704	-3.442
89.0	-1.180	-1.731	-2.820	-3.163	-2.442
93.0	-1.011	-1.020	-1.111	-2.096	-0.070
96.0	-1.269	-0.876	-0.489	-1.145	-3.176
100.0 (LOWER)	-0.276	-0.111	-0.187	-0.144	-0.611
2.5	0.277	0.330	0.423	0.454	0.450
5.0	0.178	0.273	0.327	0.377	0.361
10.0	0.145	0.181	0.227	0.231	0.142
24.0	0.189	0.231	0.266	0.266	-0.082
33.0	0.344	0.395	0.441	0.389	0.687
54.0	0.567	0.631	0.644	0.842	0.259
73.5	0.565	0.618	-3.446	0.592	0.179
84.0	0.565	0.719	-3.446	0.648	0.270
96.0	0.565	0.719	-3.446	0.648	0.270

RUN 338 POINT 2 ALPHA -0.06 PSI 0.00 HEIGHT 32.83

X/C, X	BP 2	BP 6	BP 12	BP 16	BP 22
0.0 (UPPER)	0.102	-0.457	-1.377	-2.082	-3.029
2.5	-0.591	-0.893	-1.127	-1.484	-1.910
5.0	-0.511	-0.693	-0.959	-1.151	-1.391
10.0	-0.516	-0.640	-0.832	-0.977	-1.089
15.0	-0.485	-0.593	-0.754	-0.877	-0.930
24.0	-0.496	-0.375	-0.686	-0.788	-0.825
33.0	-0.503	-0.594	-0.716	-0.781	-0.816
54.0	-0.555	-0.828	-0.964	-2.195	-1.132
65.0	0.010	-1.337	-1.442	-1.567	-1.776
78.5	0.004	-3.694	-4.276	-4.694	-5.084
79.5	-51.329	-43.829	-42.987	-46.624	-29.242
80.5	-4.043	-7.417	-5.207	-10.754	0.019
81.5	-3.191	-1.136	-4.380	-7.807	-7.807
82.0	-1.157	-3.180	-0.612	-4.490	-5.540
84.0	-3.533	-3.145	-3.829	-3.586	-4.513
87.0	-0.701	-2.657	-2.503	-3.314	-3.314
89.0	-1.039	-1.635	-2.732	-3.106	-2.542
93.0	-0.880	-0.933	-1.047	-2.046	0.009
96.0	-1.175	-0.797	-0.411	-1.104	-3.225
100.0 (LOWER)	-0.199	-0.053	-0.087	-0.084	-0.562
2.5	0.356	0.423	0.491	0.508	0.478
5.0	0.264	0.359	0.348	0.374	0.310
10.0	0.224	0.262	0.302	0.293	0.187
24.0	0.265	0.300	0.336	0.344	-0.003
33.0	0.398	0.452	0.498	0.429	0.649
54.0	0.612	0.673	0.647	0.809	0.238
73.5	0.700	0.689	-3.533	0.583	0.149
84.0	0.618	0.747	-3.533	0.659	0.258
96.0	0.618	0.747	-3.533	0.659	0.258

WING PRESSURE COEFFICIENTS

RUN 339 POINT 3 ALPHA -0.02 PSI 0.00 HEIGHT 65.69

X/C, Z	BP 2	BP 6	BP 12	BP 16	BP 22
0.0 (UPPER)	0.031	-0.482	-1.405	-2.063	-2.987
2.5	0.707	-0.372	-1.530	-1.513	-2.105
5.0	-0.620	-0.855	-1.077	-1.277	-1.526
10.0	-0.613	-0.736	-0.958	-1.118	-1.244
15.0	-0.615	-0.687	-0.893	-1.028	-1.081
24.0	-0.641	-0.743	-0.838	-0.957	-0.996
33.0	-0.628	-0.737	-0.903	-0.937	-0.994
54.0	-0.962	-1.041	-1.168	-1.327	-1.381
65.0	-0.170	-1.712	-1.785	-1.900	-2.095
78.5	-0.171	-4.598	-5.259	-5.761	-6.095
80.5	-72.748	-52.881	-52.011	-60.683	-44.813
81.5	-7.636	-8.943	-7.193	-15.166	-10.100
82.0	-3.913	1.427	-5.676	-7.432	-10.396
82.0	-0.126	3.811	0.239	-5.802	-6.439
84.0	-5.489	-4.379	-5.505	-4.536	-5.279
87.0	-0.445	-4.044	-3.293	-3.290	-3.611
89.0	-1.452	-2.328	-4.099	-4.500	-2.354
93.0	-1.232	-1.337	-1.278	-2.988	-0.174
96.0	-1.618	-1.292	-0.375	-1.475	-4.335
100.0	-0.830	-0.896	-0.794	-0.728	-1.196
2.5 (LOWER)	0.246	0.311	0.405	0.420	0.388
5.0	0.242	0.191	0.290	0.355	0.325
10.0	0.143	0.261	0.245	0.278	0.204
15.0	0.108	0.139	0.197	0.186	0.084
24.0	0.126	0.179	0.213	0.260	-0.198
33.0	0.258	0.337	0.387	0.311	0.477
54.0	0.525	0.611	0.596	0.766	0.179
73.5	0.538	0.585	-4.468	0.551	0.101
84.0	0.489	0.631	0.626	0.551	0.103
96.0					

RUN 339 POINT 4 ALPHA -0.01 PSI 0.00 HEIGHT 87.01

X/C, Z	BP 2	BP 6	BP 12	BP 16	BP 22
0.0 (UPPER)	0.097	-0.379	-1.228	-1.858	-2.781
2.5	-0.639	-0.896	-1.582	-1.417	-2.105
5.0	-0.576	-0.802	-1.013	-1.210	-1.437
10.0	-0.584	-0.704	-0.907	-1.063	-1.176
15.0	-0.574	-0.657	-0.847	-0.976	-1.036
24.0	-0.582	-0.700	-0.804	-0.908	-0.850
33.0	-0.579	-0.708	-0.866	-0.899	-0.963
54.0	-0.886	-1.001	-1.136	-1.332	-1.332
65.0	-0.145	-1.563	-1.710	-1.845	-2.038
78.5	-0.145	-4.501	-5.146	-5.637	-5.958
80.5	-72.043	-52.321	-51.128	-60.221	-43.588
81.5	-7.279	-8.898	-6.896	-14.772	-10.071
82.0	-3.856	1.399	-5.523	-7.266	-10.119
82.0	-0.168	3.733	0.227	-5.604	-6.264
84.0	-5.369	-4.264	-5.405	-4.412	-5.133
87.0	-0.461	-3.930	-3.197	-3.192	-3.488
89.0	-1.433	-2.266	-3.994	-4.372	-2.297
93.0	-1.208	-1.302	-1.237	-2.908	-0.151
96.0	-1.576	-1.253	-0.353	-1.428	-4.218
100.0	-0.776	-0.651	-0.754	-0.683	-1.148
2.5 (LOWER)	0.236	0.314	0.388	0.426	0.404
5.0	0.223	0.193	0.290	0.355	0.330
10.0	0.154	0.259	0.246	0.278	0.213
15.0	0.117	0.156	0.205	0.196	0.101
24.0	0.142	0.187	0.226	0.267	-0.171
33.0	0.267	0.352	0.403	0.319	0.509
54.0	0.528	0.619	0.609	0.782	0.201
73.5	0.541	0.584	-4.316	0.564	0.126
84.0	0.501	0.640	0.630	0.567	0.127
96.0					

WING PRESSURE COEFFICIENTS

RUN 339 POINT 1 ALPHA 0.08 PSI 0.00 HEIGHT 20.00

X/C, Z	BP 2	BP 6	BP 12	BP 16	BP 22
0.0 (UPPER)	-0.223	-1.042	-2.397	-3.298	-2.735
2.5	-0.514	-0.937	-1.509	-1.971	-2.260
5.0	-0.611	-0.870	-1.188	-1.415	-2.061
10.0	-0.592	-0.790	-0.965	-1.157	-1.744
15.0	-0.549	-0.682	-0.861	-1.019	-1.366
24.0	-0.556	-0.654	-0.784	-0.910	-0.999
33.0	-0.541	-0.654	-0.811	-0.865	-0.905
54.0	-0.996	-0.897	-1.013	-1.013	-1.249
65.0	0.000	-1.440	-1.511	-1.664	-1.812
78.5	-0.007	-3.823	-4.582	-5.128	-5.408
80.5	-58.958	-14.057	-14.057	-54.123	-42.516
81.5	-6.798	-6.594	-7.258	-6.674	-9.060
82.0	-2.823	1.388	-4.836	-6.728	-9.728
82.0	-4.463	-2.871	-6.658	-5.074	-5.905
84.0	0.313	-3.507	-4.814	-3.957	-4.776
87.0	-0.671	-1.665	-2.715	-2.800	-3.304
89.0	-0.492	-0.789	-0.833	-2.550	-2.079
93.0	-0.850	-0.828	-0.012	-1.136	-0.008
96.0	-0.829	-0.879	-1.054	-0.905	-1.349
100.0	0.388	0.474	0.493	0.474	0.403
2.5 (LOWER)	0.381	0.352	0.418	0.459	0.372
5.0	0.317	0.420	0.391	0.391	0.264
10.0	0.274	0.307	0.316	0.260	0.117
15.0	0.295	0.308	0.299	0.297	-0.025
24.0	0.360	0.369	0.244	0.438	0.206
33.0	0.685	0.685	0.586	0.720	0.206
54.0	0.735	0.769	-4.278	0.502	0.205
73.5	0.594	0.552	0.496	0.412	0.019
84.0					
96.0					

RUN 339 POINT 2 ALPHA 0.00 PSI 0.00 HEIGHT 32.81

X/C, Z	BP 2	BP 6	BP 12	BP 16	BP 22
0.0 (UPPER)	-0.103	-0.793	-1.954	-2.815	-3.706
2.5	-0.749	-1.089	-1.399	-1.733	-3.216
5.0	-0.650	-0.869	-1.169	-1.377	-1.799
10.0	-0.620	-0.767	-0.989	-1.168	-1.263
15.0	-0.569	-0.712	-0.904	-1.053	-1.095
24.0	-0.621	-0.700	-0.837	-0.967	-0.989
33.0	-0.606	-0.727	-0.896	-0.944	-0.985
54.0	-0.990	-1.012	-1.149	-1.312	-1.376
65.0	-0.054	-1.648	-1.710	-1.854	-2.064
78.5	-0.056	-4.419	-5.119	-5.641	-6.122
80.5	-69.287	-50.539	-50.635	-59.927	-45.157
81.5	-7.598	-8.351	-7.255	-14.956	-10.021
82.0	-3.645	1.391	-3.493	-7.356	-10.606
82.0	0.159	-3.589	0.350	-6.626	-6.625
84.0	-5.204	-4.204	-5.380	-4.431	-5.412
87.0	-0.248	-3.876	-3.160	-3.215	-3.677
89.0	-1.211	-2.186	-3.989	-4.411	-2.438
93.0	-1.082	-1.210	-1.187	-2.910	-0.065
96.0	-1.457	-1.185	-0.298	-1.412	-4.400
100.0	-0.722	-0.636	-0.690	-0.633	-1.151
2.5 (LOWER)	0.315	0.397	0.445	0.455	0.411
5.0	0.293	0.275	0.355	0.419	0.370
10.0	0.235	0.344	0.325	0.348	0.257
15.0	0.188	0.229	0.277	0.246	0.133
24.0	0.330	0.256	0.287	0.314	-0.080
33.0	0.321	0.396	0.451	0.344	0.446
54.0	0.567	0.655	0.601	0.734	0.153
73.5	0.579	0.677	-4.540	0.514	0.081
84.0	0.549	0.661	0.646	0.562	0.083
96.0					

WING PRESSURE COEFFICIENTS

RUN 340 POINT 3 ALPHA 0.00 PSI 0.00 HEIGHT 65.69

X/C, X	BP 2	BP 6	BP 12	BP 15	BP 22
0.0 (UPPER)	-0.170	-0.774	-1.879	-2.620	-3.600
2.5	-0.664	-1.163	-1.718	-1.761	-2.865
5.0	-0.750	-1.020	-1.281	-1.477	-1.749
10.0	-0.718	-0.884	-1.058	-1.232	-1.441
15.0	-0.685	-0.771	-1.002	-1.187	-1.298
24.0	-0.748	-0.874	-1.095	-1.095	-1.169
33.0	-0.706	-0.883	-1.178	-1.078	-1.178
44.0	-2.051	-1.258	-1.355	5.606	-1.660
54.0	-0.271	-2.075	-2.222	-2.425	-2.222
65.0	-0.267	-5.588	-6.338	-6.920	-7.257
75.5	-100.667	-71.876	-70.259	-77.819	-73.071
80.5	-11.341	-9.718	-12.144	-23.280	-0.068
81.5	-4.735	-1.540	-6.844	-10.098	-14.452
82.0	-8.582	-2.345	-2.617	-7.088	-7.650
84.0	-6.082	-5.931	-8.158	-5.284	-6.306
87.0	-2.031	-3.147	-4.296	-3.892	-3.852
89.0	-1.772	-3.147	-1.296	-6.362	-1.687
93.0	-2.106	-1.832	-0.034	-4.231	-0.284
96.0	-1.650	-1.702	-1.857	-1.738	-5.766
100.0 (LOWER)	0.173	0.271	0.337	-1.698	-2.144
2.5	0.237	0.140	0.168	0.369	0.283
5.0	0.074	0.217	0.208	0.303	0.253
10.0	0.038	0.068	0.136	0.219	0.141
24.0	0.034	0.086	0.146	0.119	0.008
33.0	0.140	0.270	0.316	0.215	-0.355
44.0	0.487	0.640	0.565	0.188	-0.106
54.0	0.561	0.597	0.565	0.434	0.100
65.0	0.561	0.597	0.565	0.483	-0.004
75.5	0.417	0.476	0.476	0.390	-0.119

RUN 340 POINT 4 ALPHA -0.02 PSI 0.00 HEIGHT 87.00

X/C, X	BP 2	BP 6	BP 12	BP 15	BP 22
0.0 (UPPER)	-0.171	-0.750	-1.821	-2.555	-3.605
2.5	-0.902	-1.201	-2.018	-1.823	-2.905
5.0	-0.815	-1.109	-1.339	-1.551	-1.833
10.0	-0.792	-0.940	-1.154	-1.362	-1.515
15.0	-0.781	-0.857	-1.137	-1.267	-1.390
24.0	-0.809	-0.840	-1.073	-1.167	-1.252
33.0	-0.771	-0.855	-1.199	-1.161	-1.260
44.0	-2.168	-1.352	-1.457	5.811	-1.763
54.0	-0.337	-2.194	-2.188	-2.359	-2.572
65.0	-0.336	-5.857	-6.649	-7.268	-7.604
75.5	-105.184	-74.738	-73.319	-81.659	-76.175
80.5	-11.780	-10.120	-12.608	-24.340	-0.121
81.5	-4.921	-1.587	-7.103	-10.545	-15.082
82.0	-2.479	-4.456	-2.733	-7.451	-7.992
84.0	-6.966	-6.188	-8.561	-5.573	-6.561
87.0	0.122	-6.267	-4.450	-4.096	-4.026
89.0	-2.088	-3.312	-6.277	-6.672	-1.789
93.0	-1.820	-1.801	-1.377	-4.467	-0.347
96.0	-2.222	-1.961	0.004	-1.857	-6.039
100.0 (LOWER)	-1.825	-1.850	-2.001	-1.820	-2.281
2.5	0.092	0.204	0.295	0.336	0.249
5.0	0.171	0.065	0.111	0.256	0.216
10.0	0.008	0.150	0.140	0.157	0.088
24.0	-0.023	0.002	0.101	0.071	-0.048
33.0	-0.032	0.028	0.088	0.153	-0.415
44.0	0.074	0.236	0.271	0.147	-0.147
54.0	0.450	0.605	0.551	0.433	0.067
65.0	0.523	0.582	0.544	0.457	-0.044
75.5	0.478	0.447	0.445	0.366	-0.162

WING PRESSURE COEFFICIENTS

RUN 340 POINT 1 ALPHA 0.04 PSI 0.00 HEIGHT 19.53

X/C, X	BP 2	BP 6	BP 12	BP 15	BP 22
0.0 (UPPER)	-1.352	-2.794	-3.929	-3.290	-2.476
2.5	-1.115	-1.595	-2.563	-2.156	-2.156
5.0	-0.984	-1.384	-1.917	-2.022	-2.022
10.0	-0.882	-1.071	-1.360	-2.074	-1.684
15.0	-0.820	-0.943	-1.225	-1.530	-1.684
24.0	-0.811	-0.940	-1.050	-1.125	-1.430
33.0	-0.740	-0.904	-1.125	-1.036	-1.310
44.0	-2.093	-1.182	-1.265	5.781	-1.589
54.0	-0.232	-4.963	-1.876	-2.102	-2.102
65.0	-0.232	-4.963	-5.857	-6.087	-6.235
75.5	-95.039	-69.942	-66.907	-70.756	-71.386
80.5	-9.333	-8.661	-11.978	-22.709	-0.144
81.5	-3.788	1.113	-5.968	-9.133	-13.423
82.0	-3.384	-3.379	3.173	-6.231	-6.770
84.0	-7.708	-5.215	7.362	-4.547	-3.421
87.0	0.685	-5.391	-3.610	-3.148	-3.020
89.0	-1.225	-2.578	-5.324	-5.628	-0.780
93.0	-0.969	-1.195	-0.769	-3.597	-0.241
96.0	-1.328	-1.404	0.440	-1.221	-4.660
100.0 (LOWER)	-3.344	-3.111	-2.826	-2.446	-2.422
2.5	0.368	0.408	0.279	0.230	0.084
5.0	0.473	0.312	0.236	0.210	0.021
10.0	0.319	0.400	0.206	0.074	-0.140
24.0	0.171	0.111	-0.063	-0.239	-0.369
33.0	0.068	-0.048	-0.250	-0.249	-0.290
44.0	-0.385	-0.367	0.317	-0.374	-0.083
54.0	-0.091	0.217	0.228	0.475	0.040
65.0	0.263	0.341	-4.701	0.293	0.046
75.5	-0.296	-0.193	-0.039	-0.008	-0.206

RUN 340 POINT 2 ALPHA -0.02 PSI 0.00 HEIGHT 32.81

X/C, X	BP 2	BP 6	BP 12	BP 15	BP 22
0.0 (UPPER)	-0.351	-1.167	-2.608	-3.506	-2.899
2.5	-0.902	-1.086	-1.670	-2.279	-2.406
5.0	-0.773	-1.086	-1.387	-1.619	-2.321
10.0	-0.737	-0.899	-1.137	-1.371	-2.149
15.0	-0.672	-0.789	-1.076	-1.235	-1.787
24.0	-0.732	-0.899	-1.116	-1.258	-1.258
33.0	-0.700	-0.856	-1.109	-1.080	-1.114
44.0	-2.175	-1.203	-1.318	5.845	-1.627
54.0	-0.117	-2.016	-1.990	-2.164	-2.351
65.0	-0.111	-5.358	-6.160	-6.781	-7.296
75.5	-99.095	-72.506	-70.938	-76.704	-75.910
80.5	-10.545	-9.284	-12.593	-23.887	0.068
81.5	-4.403	-1.639	-6.602	-10.046	-15.048
82.0	-3.039	-3.913	3.154	-6.956	-8.009
84.0	-8.414	-5.721	-8.126	-5.233	-6.534
87.0	0.444	-5.810	-4.110	-3.778	-3.955
89.0	-1.734	-2.975	-5.910	-6.318	-1.655
93.0	-1.498	-1.509	-1.129	-4.176	-0.112
96.0	-1.905	-1.691	-0.183	-1.642	-5.908
100.0 (LOWER)	-1.564	-1.695	-1.893	-1.740	-2.168
2.5	0.254	0.341	0.394	0.372	0.283
5.0	0.297	0.224	0.277	0.349	0.280
10.0	0.168	0.301	0.265	0.277	0.171
24.0	0.127	0.148	0.206	0.178	0.042
33.0	0.115	0.175	0.270	0.270	-0.170
44.0	0.198	0.328	0.324	0.197	-0.158
54.0	0.542	0.650	0.564	0.426	0.070
65.0	0.604	0.649	-5.759	0.456	-0.033
75.5	0.484	0.506	0.478	0.367	-0.151



WING PRESSURE COEFFICIENTS

RUN 341 POINT 1 ALPHA 0.00 PSI 0.00 HEIGHT 19.35

X/C, Z	BP 2	BP 6	BP 12	BP 16	BP 22
0.0 (UPPER)	-2.451	-2.101	-1.894	-1.341	-0.714
2.5	-2.012	-1.802	-1.985	-1.667	-1.216
5.0	-1.912	-1.944	-1.780	-1.343	-1.538
10.0	-1.656	-1.686	-1.410	-1.483	-1.352
15.0	-1.487	-1.432	-1.495	-1.433	-1.374
24.0	-1.458	-1.433	-1.410	-1.341	-1.327
33.0	-1.153	-1.349	-1.590	-1.310	-1.338
44.0	-3.262	-1.473	-1.424	9.920	-1.801
54.0	-0.524	-1.684	-1.963	-2.219	-2.367
65.0	-0.471	-4.024	-5.249	-6.608	-7.438
75.5	-164.024	106.176	-92.258	-128.213	-128.213
80.5	8.333	-11.704	16.184	37.818	-0.351
81.5	1.791	1.952	5.053	12.244	-20.033
82.0	11.395	-1.186	10.304	-7.137	-7.717
84.0	-11.639	-6.235	10.747	-4.814	-6.227
87.0	3.389	-8.047	-3.864	-2.925	-2.306
89.0	-0.912	3.165	-7.626	-8.036	1.918
93.0	-1.324	-2.161	-0.057	-5.020	-0.526
96.0	-2.214	-5.542	-1.858	-0.958	-6.162
100.0	-5.531	-1.173	-5.810	-4.933	-4.190
2.5 (LOWER)	-1.190	-1.159	-1.285	-1.256	-1.441
5.0	-0.724	-1.159	-1.399	-1.248	-1.336
10.0	-1.029	-1.100	-1.232	-1.357	-1.298
24.0	-1.251	-1.322	-1.384	-1.450	-1.274
33.0	-1.412	-1.398	-1.502	-1.318	-0.655
44.0	-1.702	-1.476	-1.473	-1.484	-1.490
54.0	-1.461	-1.249	-1.057	-0.332	-0.171
65.0	-1.351	-1.298	-5.444	-0.618	-0.055
73.5	-1.624	-1.614	-1.330	-0.991	-0.513
84.0					
96.0					

WING PRESSURE COEFFICIENTS

RUN 341 POINT 3 ALPHA 0.00 PSI 0.00 HEIGHT 65.61

X/C, Z	BP 2	BP 6	BP 12	BP 16	BP 22
0.0 (UPPER)	-0.646	-1.248	-2.613	-3.314	-4.422
2.5	-1.232	-1.642	-2.639	-2.515	-3.885
5.0	-1.094	-1.518	-1.750	-2.004	-2.420
10.0	-1.047	-1.316	-1.474	-1.747	-1.887
15.0	-1.029	-1.029	-1.558	-1.609	-1.802
24.0	-1.078	-1.297	-1.425	-1.456	-1.609
33.0	-0.970	-1.251	-1.627	-1.456	-1.623
44.0	-0.583	-1.786	-1.792	10.040	-2.288
54.0	-0.349	-7.518	-8.486	-9.335	-9.624
65.0	-180.986	130.531	-117.281	-118.017	-138.282
75.5	15.151	-14.618	-21.352	-42.554	-38.329
80.5	5.832	1.600	-8.936	-15.560	-23.457
81.5	8.561	4.667	8.629	9.907	-10.168
82.0	-14.853	9.121	-13.681	-7.042	-8.520
84.0	1.932	-10.304	-6.062	-5.026	-4.316
87.0	-2.893	-4.735	-9.994	-10.350	-0.008
89.0	-2.589	-2.266	-1.216	-6.803	-0.747
93.0	-3.306	-2.871	1.001	-2.163	-8.629
96.0	-3.681	-3.953	4.217	-3.885	-4.263
100.0	-0.063	0.040	0.097	0.185	-0.059
2.5 (LOWER)	0.061	-0.152	-0.156	0.121	0.006
5.0	-0.271	-0.024	-0.029	-0.058	-0.100
10.0	-0.230	-0.235	-0.080	-0.090	-0.243
24.0	-0.267	0.183	0.143	0.046	-0.755
33.0	-0.267	0.008	0.036	-0.156	-1.808
44.0	0.290	0.500	0.381	-0.648	-0.147
54.0	0.354	0.417	8.021	0.250	-0.338
65.0	0.118	0.120	0.111	0.029	-0.603

RUN 341 POINT 4 ALPHA -0.01 PSI 0.00 HEIGHT 86.98

X/C, Z	BP 2	BP 6	BP 12	BP 16	BP 22
0.0 (UPPER)	-0.593	-1.212	-2.495	-3.170	-4.376
2.5	-1.243	-1.652	-2.837	-2.516	-3.852
5.0	-1.130	-1.552	-1.758	-2.045	-2.407
10.0	-1.116	-1.349	-1.492	-1.792	-1.846
15.0	-1.073	-1.081	-1.608	-1.665	-1.885
24.0	-1.091	-1.404	-1.482	-1.474	-1.669
33.0	-1.043	-1.298	-1.707	-1.541	-1.563
44.0	-3.491	-1.851	-1.898	9.830	-2.354
54.0	-0.643	-2.981	-2.822	-3.042	-3.314
65.0	-0.612	-7.677	-8.648	-9.522	-9.813
75.5	-181.344	130.304	-117.374	-120.399	-138.357
80.5	15.512	-14.701	-21.578	-42.743	-38.118
81.5	5.972	1.569	-9.231	-15.794	-23.571
82.0	8.459	-4.803	8.501	-10.051	-10.433
84.0	-15.060	9.272	-13.794	-7.163	-8.584
87.0	1.943	-10.410	-6.187	-5.163	-4.353
89.0	-2.766	-4.853	-10.142	-10.486	-0.062
93.0	-2.654	-2.351	-1.285	-6.913	-0.675
96.0	-3.363	-2.974	0.971	-2.230	-8.750
100.0	-0.136	-4.028	-4.279	-3.960	-4.327
2.5 (LOWER)	0.040	-0.053	0.043	0.148	-0.098
5.0	0.040	-0.229	-0.233	0.051	-0.022
10.0	-0.322	-0.095	-0.051	-0.117	-0.144
24.0	-0.281	-0.307	-0.140	-0.138	-0.298
33.0	-0.341	-0.265	-0.208	-0.022	-0.814
44.0	-0.321	-0.048	0.024	-0.185	-1.893
54.0	-0.233	0.484	0.350	-0.698	-0.181
65.0	0.303	0.365	-8.036	0.224	-0.348
73.5	0.064	0.089	0.067	-0.021	-0.616
84.0					
96.0					

RUN 341 POINT 2 ALPHA -0.05 PSI 0.00 HEIGHT 32.79

X/C, Z	BP 2	BP 6	BP 12	BP 16	BP 22
0.0 (UPPER)	-1.796	-3.250	-4.874	-4.249	-3.184
2.5	-1.764	-2.062	-3.867	-3.892	-2.767
5.0	-1.479	-1.973	-2.827	-2.789	-2.279
10.0	-1.324	-1.856	-1.880	-3.107	-2.655
15.0	-1.205	-1.395	-1.795	-2.172	-2.638
24.0	-1.303	-1.478	-1.637	-1.557	-2.432
33.0	-1.134	-1.418	-1.884	-1.533	-2.244
44.0	-3.905	-1.912	-1.934	11.112	-2.609
54.0	-0.545	-3.093	-2.880	-3.049	-3.374
65.0	-0.490	-7.895	-8.731	-9.493	-9.978
75.5	-196.307	140.881	-124.932	-123.524	-149.870
80.5	15.073	-15.533	-22.604	-45.976	-0.218
81.5	5.636	1.797	9.033	-16.444	-25.367
82.0	9.948	-4.435	9.832	-10.036	-11.295
84.0	-15.848	-9.464	-14.423	-7.227	-9.365
87.0	2.556	-10.872	-6.212	-4.536	-4.348
89.0	-2.600	-4.845	-10.479	-10.802	-0.321
93.0	-2.544	-2.171	-1.012	-7.020	-0.564
96.0	-3.275	-5.317	-5.371	-4.746	-4.808
100.0	-5.288	-0.090	0.019	0.068	-0.185
2.5 (LOWER)	0.296	-0.075	-0.093	0.055	-0.104
5.0	0.080	-0.091	-0.101	-0.101	-0.241
10.0	-0.178	-0.202	-0.193	-0.232	-0.463
24.0	-0.301	-0.268	-0.328	-0.131	-0.737
33.0	-0.539	-0.333	-0.215	-0.432	-1.985
44.0	0.018	0.330	0.294	-0.662	-0.244
54.0	0.152	0.288	-8.606	-0.157	-0.391
65.0	-0.255	-0.266	-0.177	-0.226	-0.744
73.5					
84.0					
96.0					

WING PRESSURE COEFFICIENTS

RUN 342 POINT 3 ALPHA -0.02 PSI 0.00 HEIGHT 32.85		BP 2	BP 6	BP 12	BP 16	BP 22
X/C, X						
0.0 (UPPER)		-4.603	-4.661	-3.712	-3.118	-3.475
2.5		-2.925	-4.194	-3.846	-3.318	-3.320
5.0		-2.185	-4.333	-3.501	-3.109	-3.182
10.0		-1.923	-2.338	-3.017	-2.884	-2.665
15.0		-1.749	-1.534	-3.177	-2.885	-2.394
24.0		-1.680	-2.115	-2.486	-2.260	-2.316
33.0		-1.432	-1.871	-2.596	-2.244	-3.186
54.0		-5.548	-2.433	-3.081	17.957	-3.186
65.0		-1.027	-3.636	-3.148	-3.523	-4.043
78.5		-0.968	-8.750	-9.718	-10.864	-12.043
79.5		-396.821	285.021	-223.536	-177.612	-275.271
80.5		-25.755	-32.317	-33.342	-80.759	-0.830
81.5		4.143	0.241	-9.307	-23.633	-40.372
82.0		24.027	-3.158	22.025	-13.092	-15.013
84.0		-24.981	-13.512	-22.220	-8.588	-12.309
87.0		7.106	-16.968	-7.676	-5.067	-3.932
88.0		-1.642	-6.530	-15.747	-15.904	4.672
89.0		-2.631	-2.393	0.077	-9.904	-1.192
93.0		-4.459	-4.143	3.404	-1.672	-12.406
96.0		-10.550	-10.606	-10.542	-9.169	-8.354
100.0 (LOWER)		-0.442	-0.666	-0.568	-0.502	-0.912
2.5		0.220	-0.844	-1.149	-0.636	-0.789
5.0		-0.695	-0.607	-0.801	-0.985	-0.951
10.0		-0.839	-1.138	-1.032	-0.987	-1.200
24.0		-1.392	-1.307	-1.354	-0.897	-1.512
33.0		-1.997	-1.309	-1.189	-1.324	-7.128
54.0		-0.955	-0.451	-0.527	-4.043	-0.560
73.5		-0.787	-2.845	-10.582	-0.846	-0.928
84.0		-1.529	-1.753	-1.383	-1.190	-1.529
96.0						

WING PRESSURE COEFFICIENTS

RUN 342 POINT 4 ALPHA -0.01 PSI 0.00 HEIGHT 65.68		BP 2	BP 6	BP 12	BP 16	BP 22
X/C, X						
0.0 (UPPER)		-1.273	-1.803	-3.149	-3.484	-4.382
2.5		-1.653	-2.121	-3.409	-3.581	-3.942
5.0		-1.426	-2.023	-2.243	-2.399	-3.248
10.0		-1.294	-1.753	-1.808	-2.034	-2.190
15.0		-1.214	-1.288	-2.004	-1.904	-2.358
24.0		-1.251	-1.809	-1.891	-1.558	-1.805
33.0		-1.166	-1.616	-2.233	-1.891	-1.876
54.0		-5.098	-2.248	-2.107	16.318	-2.796
65.0		-0.906	-3.213	-3.440	-3.895	-1.626
78.5		-0.827	-8.985	-10.050	-11.249	-11.626
79.5		-369.636	248.556	-123.127	-172.003	-251.808
80.5		-24.268	-31.167	-32.365	-75.923	-0.504
81.5		-5.488	0.124	-9.843	-23.334	-37.506
82.0		20.512	-4.062	19.513	-13.475	-13.800
84.0		-24.422	-13.327	-21.249	-8.837	-11.448
87.0		5.391	-16.456	-7.846	-5.629	-4.138
89.0		-3.040	-6.604	-15.331	-15.716	-3.683
93.0		-3.469	-2.636	-0.457	-9.865	-1.152
96.0		-5.003	-4.118	-2.825	-7.991	-12.291
100.0 (LOWER)		-0.562	-0.519	-0.277	-0.076	-0.553
2.5		0.028	-0.675	-0.762	-0.234	-0.358
5.0		-0.774	-0.479	-0.434	-0.532	-0.458
10.0		-0.593	-0.740	-0.465	-0.390	-0.634
24.0		-0.888	-0.665	-0.865	-0.238	-1.350
33.0		-0.980	-0.370	-0.367	-0.693	-6.530
54.0		0.055	0.320	0.041	-3.673	-0.373
73.5		-0.058	-2.780	-10.827	-0.277	-0.814
84.0		-0.376	-0.572	-0.612	-0.663	-1.278
96.0						

WING PRESSURE COEFFICIENTS

RUN 342 POINT 1 ALPHA 0.02 PSI 0.00 HEIGHT 86.98		BP 2	BP 6	BP 12	BP 16	BP 22
X/C, X						
0.0 (UPPER)		-1.225	-1.618	-2.839	-3.119	-4.291
2.5		-1.691	-2.015	-3.517	-3.574	-4.133
5.0		-1.533	-2.248	-2.294	-2.426	-2.948
10.0		-1.417	-1.794	-2.132	-2.272	-2.448
15.0		-1.409	-1.230	-2.180	-2.013	-2.008
24.0		-1.371	-1.935	-2.019	-1.632	-2.015
33.0		-1.256	-1.784	-2.442	-1.792	-2.015
54.0		-5.970	-2.451	-2.183	19.039	-3.041
65.0		-1.050	-3.813	-3.402	-3.663	-4.098
78.5		-0.953	-9.525	-10.653	-11.906	-12.188
79.5		-401.986	289.160	-227.087	-182.939	-274.302
80.5		-26.611	-33.730	-34.448	-81.405	-0.588
81.5		5.583	0.656	-10.275	-24.956	-39.855
82.0		22.517	-4.241	21.508	-14.101	-14.101
84.0		-28.433	-14.246	-23.281	-8.443	-11.728
87.0		6.079	-17.539	-8.568	-5.611	-4.045
88.0		-3.196	-2.751	-16.571	-16.877	4.342
89.0		-3.760	-4.305	-0.375	-10.800	-1.141
93.0		-7.757	-8.362	-8.798	-8.056	-8.015
100.0 (LOWER)		-0.722	-0.610	-0.480	-0.175	-0.691
2.5		-0.070	-0.850	-0.952	-0.362	-0.496
5.0		-1.014	-0.607	-0.474	-0.643	-0.558
10.0		-0.749	-0.882	-0.581	-0.506	-0.714
24.0		-1.082	-0.835	-0.752	-0.312	-1.494
33.0		-1.141	-0.498	-0.439	-6.035	-1.035
54.0		-0.185	0.204	-0.001	-3.333	-0.458
73.5		-0.115	-0.174	-11.478	-0.372	-0.892
84.0		-0.525	-0.705	-0.714	-0.761	-1.391
96.0						

WING PRESSURE COEFFICIENTS

RUN 342 POINT 2 ALPHA -0.01 PSI 0.00 HEIGHT 19.26		BP 2	BP 6	BP 12	BP 16	BP 22
X/C, X						
0.0 (UPPER)		-1.706	-1.581	-1.831	-1.579	-1.854
2.5		-1.376	-1.183	-1.663	-1.166	-0.854
5.0		-1.186	-1.450	-1.226	-1.172	-1.051
10.0		-1.052	-1.263	-0.889	-0.994	-0.993
15.0		-0.845	-0.714	-1.263	-0.994	-1.392
24.0		-1.004	-1.277	-1.214	-0.785	-1.156
33.0		-0.725	-1.080	-1.610	-0.976	-1.203
54.0		-4.822	-1.473	-1.192	16.902	-1.943
65.0		-0.742	-1.975	-1.886	-2.132	-2.509
78.5		-0.633	-4.572	-5.811	-7.173	-8.009
79.5		-332.948	227.846	-189.989	-150.701	-244.414
80.5		-21.086	-25.298	-27.321	-68.740	-0.331
81.5		-0.786	-0.408	-5.106	-19.118	-33.675
82.0		24.203	0.292	22.405	-9.666	-10.871
84.0		-21.049	-10.021	-18.297	-5.751	-8.882
87.0		7.544	-14.000	-5.561	-2.749	-1.535
89.0		-0.954	-5.067	-12.846	-12.942	6.340
93.0		-2.328	-1.750	-0.857	-0.913	-0.913
96.0		-4.129	-3.585	-3.549	-0.470	-8.941
100.0 (LOWER)		-10.280	-9.436	-9.925	-8.830	-7.417
2.5		-1.640	-1.668	-1.894	-2.076	-2.960
5.0		-0.913	-1.769	-2.166	-2.066	-2.496
10.0		-1.584	-1.638	-1.768	-2.182	-2.270
24.0		-1.521	-1.930	-1.668	-1.879	-1.978
33.0		-1.893	-2.066	-2.038	-1.664	-1.089
54.0		-2.402	-1.943	-1.938	-2.130	-6.197
73.5		-1.989	-1.646	-1.629	-3.402	-1.056
84.0		-1.992	-1.993	-7.269	-1.544	-1.220
96.0		-2.716	-2.622	-2.328	-1.951	-1.760

WING PRESSURE COEFFICIENTS

RUN 343 POINT 2 ALPHA 8.04 PSI 0.00 HEIGHT 85.69

X/C, X	BP 2	BP 6	BP 12	BP 16	BP 22
0.0 (UPPER)	-5.233	-5.870	-4.583	-3.680	-3.619
2.5	-3.237	-5.558	-5.027	-4.235	-3.619
5.0	-2.352	-6.870	-4.939	-4.286	-3.624
10.0	-1.983	-1.876	-5.333	-4.314	-3.608
15.0	-1.869	-1.614	-5.460	-4.689	-4.061
24.0	-1.651	-2.231	-4.442	-4.442	-3.746
33.0	-1.507	-1.930	-2.052	-3.487	-3.933
44.0	-5.628	-2.526	-2.071	15.852	-5.419
55.0	-0.896	-3.873	-3.305	-5.944	-5.944
65.0	-0.821	-9.621	-10.524	-11.078	-11.929
75.5	-10.824	-250.479	-216.751	-174.296	-253.290
79.5	-31.933	-31.604	-26.558	-23.859	-40.518
80.5	-5.924	-0.174	-10.464	-13.808	-18.105
81.5	19.928	-4.474	19.521	-9.333	-14.392
82.0	24.558	-13.948	-21.737	-6.305	-8.042
84.0	5.280	-17.018	-8.305	-6.042	-5.774
87.0	3.247	-7.025	-15.908	-18.041	2.318
89.0	4.133	-2.965	-0.845	-10.237	-1.002
93.0	-4.133	-4.482	2.504	-2.445	-15.265
96.0	-6.678	-7.447	-7.972	-7.499	-7.425
100.0	-0.307	-0.393	-0.328	-0.204	-0.998
2.5 (LOWER)	0.299	-0.501	-0.598	-0.146	-0.367
5.0	-0.584	-0.288	-0.146	-0.394	-0.367
10.0	-0.395	-0.584	-0.272	-0.187	-0.582
24.0	-0.754	-0.554	-0.496	-0.098	-1.376
33.0	-0.919	-0.359	-0.295	-0.584	-6.922
44.0	0.003	0.336	0.099	-3.666	-0.587
54.0	0.043	-3.243	-13.371	-0.257	-1.079
64.0	-0.443	-0.334	-0.524	-0.637	-1.527
96.0					

RUN 343 POINT 3 ALPHA 8.03 PSI 0.00 HEIGHT 87.06

X/C, X	BP 2	BP 6	BP 12	BP 16	BP 22
0.0 (UPPER)	-4.228	-5.298	-4.285	-3.452	-3.375
2.5	-2.718	-4.988	-4.583	-3.975	-3.365
5.0	-2.146	-5.229	-4.556	-4.050	-3.624
10.0	-1.795	-1.989	-4.737	-4.029	-3.229
15.0	-1.671	-1.511	-4.497	-4.136	-3.765
24.0	-1.526	-1.898	-1.968	-3.715	-3.388
33.0	-1.372	-1.809	-1.997	-2.866	-3.534
44.0	-5.129	-2.378	-1.935	14.659	-4.562
54.0	-0.799	-3.625	-3.147	-2.996	-5.915
65.0	-0.721	-9.089	-9.983	-10.706	-11.471
75.5	-342.754	-231.150	-200.775	-163.232	-235.382
79.5	-21.744	-28.993	-30.515	-71.150	-0.534
80.5	-5.610	-0.167	-9.949	-22.092	-37.532
81.5	18.352	-4.497	17.956	-13.041	-16.440
82.0	23.171	-12.966	-20.222	-7.942	-13.150
84.0	4.816	-15.758	-7.942	-5.942	-4.601
87.0	3.001	-6.509	-14.829	-15.102	2.465
89.0	-2.713	-2.713	-0.762	-9.642	-0.940
93.0	-5.429	-4.128	2.291	-2.311	-13.614
96.0	-6.085	-6.809	-7.355	-6.850	-6.852
100.0	-0.175	-0.298	-0.185	-0.077	-0.642
2.5 (LOWER)	0.412	-0.472	-0.528	-0.070	-0.272
5.0	-0.522	-0.287	-0.156	-0.344	-0.278
10.0	-0.354	-0.484	-0.234	-0.144	-0.496
24.0	-0.843	-0.499	-0.410	-0.012	-1.279
33.0	-0.798	-0.206	-0.300	-0.528	-6.311
44.0	0.061	0.374	-0.147	-3.173	-0.535
54.0	0.019	-2.835	-11.846	-0.185	-0.908
64.0	-0.255	-0.412	-0.491	-0.519	-1.367
96.0					

WING PRESSURE COEFFICIENTS

RUN 342 POINT 5 ALPHA -0.02 PSI 0.00 HEIGHT 87.01

X/C, X	BP 2	BP 6	BP 12	BP 16	BP 22
0.0 (UPPER)	-1.014	-1.301	-2.341	-2.694	-3.813
2.5	-1.392	-1.675	-3.016	-3.102	-3.616
5.0	-1.214	-1.869	-2.018	-2.054	-2.495
10.0	-1.216	-1.648	-1.534	-1.894	-1.894
15.0	-1.118	-1.758	-1.658	-2.155	-1.555
24.0	-1.175	-1.478	-1.677	-1.687	-1.687
33.0	-1.066	-1.509	-2.059	-1.495	-1.687
44.0	-4.754	-2.031	-1.682	15.048	-2.607
55.0	-0.822	-3.285	-2.926	-3.176	-3.533
65.0	-0.726	-8.338	-9.369	-10.474	-10.768
75.5	-341.116	-248.406	-196.406	-158.737	-235.519
79.5	-22.078	-28.454	-23.177	-20.573	-34.468
80.5	-5.260	-0.454	-9.034	-21.764	-34.468
81.5	18.843	-3.775	18.222	-12.379	-8.167
82.0	22.399	-12.454	-19.928	-8.167	-10.549
84.0	4.931	-15.348	-7.232	-5.177	-3.818
87.0	-2.804	-6.999	-14.208	-14.597	3.431
89.0	-3.134	-2.356	-0.373	-9.116	-0.967
93.0	-4.569	-3.790	2.630	-1.771	-11.382
96.0	-6.515	-7.027	-7.444	-6.939	-6.809
100.0	-0.395	-0.334	-0.172	-0.036	-0.444
2.5 (LOWER)	-0.004	-0.648	-0.599	-0.170	-0.345
5.0	-0.803	-0.470	-0.377	-0.458	-0.396
10.0	-0.537	-0.667	-0.409	-0.268	-0.543
24.0	-0.835	-0.644	-0.530	-0.161	-1.205
33.0	-0.833	-0.354	-0.291	-0.550	-6.024
44.0	0.036	0.386	0.128	-3.274	-0.292
54.0	0.025	-2.655	-9.805	-0.154	-0.683
64.0	-0.332	-0.472	-0.535	-0.519	-1.102
96.0					

RUN 343 POINT 1 ALPHA 8.05 PSI 0.00 HEIGHT 57.24

X/C, X	BP 2	BP 6	BP 12	BP 16	BP 22
0.0 (UPPER)	-6.243	-6.707	-5.300	-4.182	-4.173
2.5	-3.981	-7.289	-5.712	-4.753	-4.140
5.0	-2.789	-7.900	-5.412	-4.779	-4.442
10.0	-2.464	-2.239	-5.812	-4.798	-4.042
15.0	-2.023	-1.799	-6.201	-5.153	-4.569
24.0	-2.067	-2.545	-3.043	-4.911	-4.185
33.0	-1.766	-2.320	-2.522	-4.136	-4.366
44.0	-6.772	-2.942	-2.475	18.950	-5.920
54.0	-1.094	-4.433	-3.807	-3.432	-7.793
65.0	-0.895	-10.890	-11.899	-12.354	-13.800
75.5	-443.543	-295.895	-254.279	-201.926	-300.420
79.5	-28.290	-36.737	-37.997	-90.571	-0.488
80.5	-6.271	-0.492	-11.618	-27.394	-47.012
81.5	24.656	-4.938	23.999	-15.273	-19.816
82.0	-29.124	-16.258	-25.311	-10.402	-15.939
84.0	6.484	-19.896	-9.657	-6.670	-5.371
87.0	-3.478	-8.074	-18.521	-18.778	4.025
89.0	-4.834	-3.278	-11.211	-11.946	-1.211
93.0	-6.631	-5.034	3.206	-2.588	-17.030
96.0	-8.681	-9.470	-8.941	-9.231	-8.991
100.0	-0.555	-0.688	-0.582	-0.363	-1.264
2.5 (LOWER)	0.165	-0.720	-0.851	-0.359	-0.597
5.0	-0.788	-0.405	-0.405	-0.673	-0.629
10.0	-0.709	-0.997	-0.599	-0.463	-0.871
24.0	-1.186	-0.896	-0.836	-0.410	-1.665
33.0	-1.193	-0.610	-0.647	-0.981	-8.414
44.0	-0.162	0.142	-0.086	-4.739	-0.894
54.0	-0.273	-4.028	-14.776	-0.512	-1.317
64.0	-0.635	-0.870	-0.943	-0.991	-1.926
96.0					

MING PRESSURE COEFFICIENTS

RUN 344 POINT 1 ALPHA 8.05 PSI 0.00 HEIGHT 48.29

X/C, Z	BP 2	BP 6	BP 12	BP 16	BP 22
0.0 (UPPER)	-4.901	-5.457	-4.226	-3.153	-3.103
2.5	-2.728	-5.318	-4.538	-3.327	-3.107
5.0	-1.924	-6.221	-4.372	-3.315	-3.107
10.0	-1.605	-1.335	-4.752	-3.076	-3.076
15.0	-1.420	-1.254	-4.986	-4.176	-3.377
24.0	-1.281	-1.634	-1.727	-3.875	-3.215
33.0	-1.135	-1.372	-1.491	-3.180	-3.431
54.0	-2.547	-1.614	-1.561	8.507	-4.913
65.0	-0.388	-2.819	-2.478	-6.333	-2.176
78.5	-0.328	-7.302	-8.066	-8.371	-9.398
79.5	-197.765	-141.493	-127.329	-108.691	-139.139
80.5	-13.987	-18.433	-20.841	-44.002	-0.208
81.5	-8.391	0.185	-8.433	-15.503	-25.959
82.0	8.503	-4.689	8.422	-9.965	-14.056
84.0	-14.430	-9.096	-13.523	-7.955	-11.559
87.0	-1.959	-10.243	-6.055	-4.843	-6.905
89.0	-2.562	-4.689	-9.830	-10.142	-1.457
93.0	-2.846	-2.284	-1.321	-6.704	-0.447
96.0	-3.788	-2.980	0.748	-2.296	-10.015
100.0	-3.348	-4.114	-3.844	-3.786	-0.786
2.5 (LOWER)	0.191	0.039	-0.003	0.081	0.322
5.0	0.609	0.553	-0.047	0.203	0.002
10.0	0.058	0.135	0.237	0.089	0.044
24.0	0.090	-0.029	0.165	0.201	0.147
33.0	-0.118	0.003	0.015	0.181	-0.559
54.0	-0.225	0.152	0.162	-0.036	-3.292
73.5	0.400	0.569	0.489	-1.418	0.217
84.0	0.379	-1.263	-9.733	0.206	-0.450
96.0	0.135	0.107	0.031	-0.032	-0.647

MING PRESSURE COEFFICIENTS

RUN 344 POINT 3 ALPHA 8.02 PSI 0.00 HEIGHT 87.03

X/C, Z	BP 2	BP 6	BP 12	BP 16	BP 22
0.0 (UPPER)	-3.737	-5.084	-4.059	-3.323	-3.024
2.5	-2.248	-4.917	-4.218	-3.656	-3.042
5.0	-1.813	-4.170	-4.085	-3.693	-3.227
10.0	-1.557	-1.616	-3.715	-3.749	-2.968
15.0	-1.368	-1.373	-3.819	-3.819	-3.271
24.0	-1.219	-1.641	-1.758	-3.290	-3.042
33.0	-1.132	-1.425	-1.614	-2.413	-3.149
54.0	-2.400	-1.838	-1.692	8.171	-3.933
65.0	-0.492	-2.594	-2.538	-6.719	-5.098
78.5	-0.434	-7.354	-8.105	-8.719	-9.625
79.5	-189.089	-136.167	-123.297	-108.393	-136.907
80.5	-13.593	-17.805	-20.409	-42.851	-0.337
81.5	-5.501	0.185	-8.612	-15.246	-25.453
82.0	7.912	-4.784	7.905	-9.947	-13.623
84.0	-14.089	-9.041	-13.205	-7.088	-11.267
87.0	-1.580	-9.980	-5.964	-4.969	-5.990
89.0	-2.607	-4.710	-9.655	-10.013	-1.678
93.0	-2.754	-2.397	-1.392	-6.611	-0.589
96.0	-3.678	-3.035	0.633	-2.323	-10.342
100.0	-3.290	-3.649	-3.989	-3.771	-3.974
2.5 (LOWER)	0.165	0.058	0.089	0.158	-0.235
5.0	0.452	-0.044	-0.058	0.193	0.030
10.0	0.077	0.092	0.159	0.035	0.027
24.0	-0.114	-0.115	0.075	0.137	0.199
33.0	-0.200	-0.050	-0.007	0.158	-0.748
54.0	-0.226	0.127	0.120	-0.058	-3.109
73.5	0.375	0.568	0.434	-1.310	-0.248
84.0	0.352	-1.163	-9.721	0.213	-0.520
96.0	0.089	0.102	-0.003	-0.020	-0.727

RUN 345 POINT 1 ALPHA -0.01 PSI 0.00 HEIGHT 19.48

X/C, Z	BP 2	BP 6	BP 12	BP 16	BP 22
0.0 (UPPER)	-3.038	-2.295	-2.101	-1.256	-0.816
2.5	-2.023	-2.023	-2.161	-1.868	-1.467
5.0	-1.967	-2.102	-1.823	-1.707	-1.590
10.0	-1.665	-1.833	-1.490	-1.497	-1.265
15.0	-1.429	-1.383	-1.654	-1.375	-1.523
24.0	-1.228	-1.450	-1.492	-1.134	-1.271
33.0	-1.283	-1.283	-1.601	-1.231	-1.284
54.0	-2.558	-1.436	-1.342	7.971	-1.778
65.0	-0.396	-1.982	-1.902	-2.184	-2.472
78.5	-0.315	-4.300	-5.354	-6.655	-7.395
79.5	-180.805	-118.120	-104.286	-90.842	-131.618
80.5	-16.953	-14.965	-16.141	-39.311	-0.206
81.5	-2.307	0.091	-5.121	-12.336	-20.239
82.0	11.709	-1.404	9.898	7.482	-6.231
84.0	-10.800	-6.600	-10.820	-5.176	-6.385
87.0	3.033	-8.237	-3.989	-3.072	-2.366
89.0	-1.089	-3.368	-7.683	-6.072	1.622
93.0	-1.426	-1.404	0.162	-4.943	-0.468
96.0	-2.331	-2.263	1.479	-0.977	-6.293
100.0	-5.594	-5.638	-5.853	-5.032	-4.070
2.5 (LOWER)	-0.803	-1.087	-0.990	-0.854	-1.057
5.0	-0.424	-1.135	-1.266	-0.977	-0.963
10.0	-0.918	-1.053	-1.079	-1.226	-0.969
24.0	-1.039	-1.315	-1.270	-1.158	-1.099
33.0	-1.369	-1.354	-1.419	-1.138	-0.682
54.0	-1.679	-1.433	-1.374	-1.308	-3.323
73.5	-1.198	-0.968	-0.811	-1.521	-0.064
84.0	-1.125	-1.065	-5.472	-0.372	-0.087
96.0	-1.543	-1.506	-1.338	-0.902	-0.499

RUN 345 POINT 2 ALPHA 6.03 PSI 0.00 HEIGHT 65.60

X/C, Z	BP 2	BP 6	BP 12	BP 16	BP 22
0.0 (UPPER)	-4.149	-5.283	-4.068	-3.323	-3.080
2.5	-2.442	-5.044	-4.396	-3.685	-3.091
5.0	-1.857	-5.183	-4.245	-3.747	-3.299
10.0	-1.598	-1.513	-4.315	-3.609	-3.045
15.0	-1.425	-1.333	-4.241	-4.044	-3.377
24.0	-1.142	-1.563	-1.716	-3.168	-3.168
33.0	-1.142	-1.416	-1.503	-2.740	-3.323
54.0	-2.591	-1.876	-1.687	8.484	-4.361
65.0	-0.487	-2.914	-2.615	-2.435	-5.708
78.5	-0.414	-7.479	-8.290	-8.772	-9.706
79.5	-198.877	-141.532	-127.946	-111.562	-141.262
80.5	-13.921	-18.390	-21.100	-44.311	-0.388
81.5	-5.538	0.171	-8.711	-15.708	-26.267
82.0	8.418	-4.836	8.410	-10.181	-14.125
84.0	-14.724	-9.100	-13.620	-7.244	-11.559
87.0	-1.804	-10.382	-6.159	-4.971	-0.280
89.0	-2.596	-4.869	-9.969	-10.320	-1.766
93.0	-2.100	-2.386	-1.408	-6.796	-0.565
96.0	-3.739	-3.099	0.687	-2.350	-10.860
100.0	-3.342	-3.739	-4.106	-3.878	-4.048
2.5 (LOWER)	0.228	0.078	0.102	0.131	-0.281
5.0	0.487	-0.014	-0.061	0.207	0.006
10.0	-0.062	0.115	0.195	0.034	0.034
24.0	-0.066	-0.056	0.093	0.156	-0.167
33.0	-0.165	-0.054	-0.033	0.203	-0.753
54.0	-0.210	0.126	0.123	-0.014	-3.299
73.5	0.419	0.597	0.458	-1.431	-0.246
84.0	0.382	-1.281	-10.297	0.210	-0.526
96.0	0.105	0.100	0.015	-0.019	-0.741

WING PRESSURE COEFFICIENTS

RUN 345 POINT 4 ALPHA 0.05 PSI 0.00 HEIGHT 87.06

X/C, X	BP 2	BP 6	BP 12	BP 16	BP 22
0.0 (UPPER)	-0.585	-1.038	-2.188	-2.612	-3.767
2.5	-1.097	-1.496	-2.634	-2.328	-3.397
5.0	-0.866	-1.240	-1.557	-1.837	-2.217
10.0	-0.866	-0.902	-1.485	-1.388	-1.586
15.0	-0.825	-1.222	-1.343	-1.116	-1.737
20.0	-0.801	-1.111	-1.522	-1.277	-1.442
33.0	-2.667	-1.614	-1.574	7.875	-2.070
54.0	-0.463	-2.808	-2.419	2.617	-3.057
85.0	-0.885	-6.818	-7.895	-8.663	-8.974
78.5	-187.314	-133.948	-119.910	-105.612	-135.612
79.5	-8.393	-16.977	-19.910	-42.306	-0.313
80.5	5.265	0.032	8.013	-14.817	-22.317
81.5	8.108	-4.318	8.374	9.595	-9.725
82.0	-14.948	-8.626	-12.672	-6.748	-7.842
84.0	1.736	-9.662	-3.638	-4.640	-3.982
87.0	-2.530	-4.833	-9.340	-9.710	0.077
89.0	-2.392	-2.092	0.885	-6.263	-0.567
93.0	-3.149	-2.768	0.885	-1.932	-8.142
95.0	-3.541	-3.815	-4.107	-3.845	-4.004
100.0 (LOWER)	-0.110	-0.057	0.115	0.284	-0.053
2.5	0.153	-0.273	-0.178	0.134	0.027
5.0	-0.332	0.127	-0.030	-0.119	-0.031
10.0	-0.180	-0.310	-0.050	0.026	-0.226
24.0	-0.324	-0.186	-0.146	0.058	-0.712
33.0	-0.104	0.027	0.070	-0.106	-3.397
54.0	0.325	0.533	0.410	-1.538	-0.067
73.5	0.330	-1.167	-7.425	-0.471	-0.325
84.0	0.017	0.049	-0.033	0.013	-0.548

RUN 346 POINT 1 ALPHA -0.02 PSI 0.00 HEIGHT 19.53

X/C, X	BP 2	BP 6	BP 12	BP 16	BP 22
0.0 (UPPER)	-1.269	-2.518	-3.925	-3.100	-2.103
2.5	-1.058	-1.475	-2.542	-2.900	-1.820
5.0	-0.853	-1.269	-2.867	-2.867	-1.872
10.0	-0.778	-1.082	-1.288	-1.277	-1.661
15.0	-0.714	-0.833	-1.199	-1.277	-1.743
24.0	-0.683	-0.901	-1.058	-0.822	-1.467
33.0	-0.850	-0.842	-1.094	-0.909	-1.321
54.0	-0.940	-1.129	-1.175	4.307	-1.528
65.0	-0.052	-1.804	-1.741	-1.885	-2.139
78.5	-0.013	-4.730	-5.403	-6.030	-6.242
79.5	-95.209	-71.610	-68.318	-66.690	-72.183
80.5	-8.360	-0.290	-1.983	-23.228	0.018
81.5	-3.714	0.455	-5.595	-9.070	-13.400
82.0	3.184	-3.304	3.426	-6.303	-7.003
84.0	-7.742	-5.098	-7.186	-4.526	-5.540
87.0	0.643	-5.223	3.516	-3.024	-3.171
89.0	-1.408	-2.501	-5.181	-5.469	-1.014
93.0	-1.138	-1.136	-0.689	-3.481	-0.083
96.0	-1.421	-2.923	-0.449	-1.160	-5.022
100.0 (LOWER)	0.412	0.356	0.356	-2.379	-2.828
2.5	0.539	0.230	0.224	0.370	0.134
5.0	0.219	0.308	0.274	0.322	0.130
10.0	0.214	0.163	0.045	0.123	0.009
24.0	0.070	0.026	-0.128	-0.100	-0.174
33.0	-0.338	-0.234	-0.215	-0.252	-1.336
54.0	0.094	0.324	0.346	-0.404	0.160
73.5	0.322	-0.147	-4.839	0.263	0.120
84.0	0.155	-0.079	-0.025	0.079	-0.155

WING PRESSURE COEFFICIENTS

RUN 345 POINT 2 ALPHA 0.00 PSI 0.00 HEIGHT 32.86

X/C, X	BP 2	BP 6	BP 12	BP 16	BP 22
0.0 (UPPER)	-1.755	-3.091	-4.141	-3.199	-2.563
2.5	-1.408	-2.908	-3.697	-2.454	-2.289
5.0	-1.193	-1.798	-2.971	-2.347	-2.142
10.0	-1.095	-1.501	-1.807	-2.347	-2.398
15.0	-1.001	-1.014	-1.561	-1.276	-2.028
24.0	-0.879	-1.315	-1.420	-1.189	-1.911
33.0	-0.901	-1.601	-1.563	8.248	-2.317
54.0	-2.759	-1.619	-1.563	-2.397	-3.157
85.0	-0.331	-2.616	-7.530	-8.340	-8.927
78.5	-0.237	-6.630	-106.294	-140.181	-140.181
79.5	-195.719	-137.943	-122.504	-106.294	-140.181
80.5	-19.350	-17.475	-43.346	-0.336	-0.336
81.5	-4.936	0.127	-7.695	-23.188	-23.188
82.0	-8.951	-3.863	-8.970	-9.367	-10.582
84.0	-14.172	-8.425	-12.744	-6.472	-6.352
87.0	2.186	-9.745	-5.372	-4.345	-4.006
89.0	-2.287	-4.276	-9.328	-9.618	0.386
93.0	-2.227	-1.920	-0.885	-6.105	-0.417
95.0	-2.906	-2.660	-1.160	-1.701	-8.147
100.0 (LOWER)	-4.747	-4.809	-4.886	-4.403	-4.280
2.5	0.118	0.092	0.103	0.227	-0.146
5.0	0.420	-0.100	-0.091	0.150	-0.041
10.0	-0.125	0.025	0.083	-0.080	-0.101
24.0	-0.010	-0.212	-0.077	-0.010	-0.347
33.0	-0.272	-0.168	-0.232	-0.022	-0.605
54.0	-0.464	-0.140	-0.091	-0.256	-3.558
73.5	0.162	0.406	0.335	-1.665	-0.151
84.0	0.242	-1.209	-7.437	-0.477	-0.367
96.0	-0.281	-0.230	-0.252	-0.183	-0.640

RUN 345 POINT 3 ALPHA -0.03 PSI 0.00 HEIGHT 65.64

X/C, X	BP 2	BP 6	BP 12	BP 16	BP 22
0.0 (UPPER)	-0.596	-1.100	-2.229	-2.698	-3.767
2.5	-1.060	-1.489	-2.484	-2.307	-3.368
5.0	-0.910	-1.286	-1.524	-1.794	-2.253
10.0	-0.859	-1.226	-1.346	-1.489	-1.555
15.0	-0.833	-0.859	-1.432	-1.337	-1.684
24.0	-0.791	-1.187	-1.295	-1.067	-1.345
33.0	-0.790	-1.063	-1.477	-1.214	-1.384
54.0	-2.628	-1.554	-1.516	7.908	-2.028
65.0	-0.432	-2.543	-2.353	-2.599	-2.976
78.5	-0.349	-6.681	-7.528	-8.471	-8.815
79.5	-183.615	-133.615	-119.451	-104.695	-135.206
80.5	-13.135	-16.885	-19.544	-42.047	-0.268
81.5	-5.128	-0.005	-7.794	-14.666	-21.992
82.0	8.271	-4.152	8.482	-8.370	-9.673
84.0	-13.908	-8.467	-12.547	-6.518	-7.658
87.0	1.791	-9.581	-5.494	-4.459	-3.797
89.0	-2.444	-2.030	-1.017	-9.614	0.199
93.0	-3.068	-2.713	0.936	-6.167	-0.511
96.0	-3.408	-3.752	-4.044	-1.854	-8.001
100.0 (LOWER)	-0.079	-0.063	0.156	-3.815	-3.959
2.5	0.248	-0.230	0.166	0.304	-0.044
5.0	0.291	-0.107	-0.011	0.166	0.059
10.0	-0.175	-0.237	-0.031	-0.085	-0.003
24.0	-0.280	-0.152	-0.105	0.109	-0.179
33.0	-0.238	0.057	0.083	-0.089	-0.692
54.0	0.366	0.550	0.432	-1.560	-0.040
73.5	0.363	-1.157	-7.266	-0.477	-0.304
84.0	0.044	0.083	-0.009	0.024	-0.534

WING PRESSURE COEFFICIENTS

RUN 346 POINT 2 ALPHA 0.01 PSI 0.00 HEIGHT 32.85 BP 12 BP 16 BP 22

X/C, Z	BP 2	BP 6	BP 12	BP 16	BP 22
0.0 (UPPER)	-0.373	-1.081	-2.450	-3.159	-2.512
2.5	-0.811	-1.025	-1.586	-2.210	-2.999
5.0	-0.854	-0.978	-1.268	-1.530	-2.115
10.0	-0.598	-0.846	-1.030	-1.212	-1.860
15.0	-0.554	-0.673	-1.041	-1.068	-1.750
20.0	-0.553	-0.806	-0.940	-0.878	-1.146
24.0	-0.557	-0.749	-0.994	-0.940	-0.994
33.0	-0.942	-1.078	-1.139	4.184	-1.481
54.0	-0.028	-1.797	-1.757	-1.961	-2.222
65.0	-0.028	-4.861	-5.606	-6.330	-6.865
78.5	-93.802	-70.817	-69.331	-68.190	-73.135
80.5	-8.828	9.308	-12.177	23.235	0.181
81.5	-3.976	0.407	-5.995	9.462	-14.110
82.0	-2.904	-3.546	-2.984	-6.651	-7.602
84.0	-7.701	-5.318	-7.390	-4.856	-6.135
87.0	-0.489	-5.414	-3.493	-3.498	-3.724
89.0	-1.471	-2.713	-5.426	-5.798	-1.576
93.0	-1.293	-1.349	-0.967	-3.809	-0.029
96.0	-1.717	-1.556	0.192	-1.458	-5.537
100.0	-1.409	-1.512	-1.746	-1.641	-1.983
(LOWER)	0.276	0.331	0.420	0.464	0.290
2.5	0.365	0.182	0.227	0.410	0.320
5.0	0.136	0.255	0.310	0.271	0.251
10.0	0.194	0.148	0.274	0.297	0.092
15.0	0.140	0.214	0.339	0.339	-0.124
24.0	0.217	0.394	0.377	0.267	-1.345
33.0	0.587	0.688	0.593	-0.417	0.133
54.0	0.625	-0.177	-5.399	0.188	-0.015
73.5	0.459	0.500	0.434	0.403	-0.105
84.0					
96.0					

WING PRESSURE COEFFICIENTS

RUN 346 POINT 4 ALPHA -0.03 PSI 0.00 HEIGHT 87.08 BP 12 BP 16 BP 22

X/C, Z	BP 2	BP 6	BP 12	BP 16	BP 22
0.0 (UPPER)	-0.198	-0.678	-1.699	-2.254	-3.329
2.5	-0.827	-1.159	-2.003	-1.731	-2.730
5.0	-0.720	-1.049	-1.246	-1.495	-1.778
10.0	-0.715	-0.936	-1.091	-1.272	-1.355
15.0	-0.666	-0.753	-1.127	-1.151	-1.370
24.0	-0.654	-0.917	-1.043	-0.991	-1.142
33.0	-0.684	-0.878	-1.130	-1.064	-1.161
54.0	-1.054	-1.261	-1.323	4.284	-1.676
65.0	-0.261	-0.265	-0.222	-2.218	-2.490
78.5	-0.236	-5.487	-6.241	-6.951	-7.302
79.5	-99.340	-74.694	-73.957	-73.863	-76.224
80.5	-10.307	-9.993	-13.208	-24.590	-0.084
81.5	-4.700	0.400	-6.537	-10.246	-14.617
82.0	2.432	4.178	2.907	-7.293	-7.748
84.0	-8.566	-5.952	-8.008	-3.419	-6.158
87.0	0.107	-6.033	-4.248	-3.789	-3.786
89.0	-1.918	-3.127	-5.997	-6.345	-1.676
93.0	-1.691	-1.684	-1.266	-4.220	-0.312
96.0	-2.114	-1.858	-0.015	-1.720	-5.814
100.0	-1.784	-1.810	-1.969	-1.848	-2.190
(LOWER)	0.136	0.172	0.304	0.393	0.224
2.5	0.200	-0.003	0.084	0.281	0.220
5.0	-0.062	0.083	0.157	0.116	0.127
10.0	0.013	0.027	0.096	0.149	-0.038
15.0	-0.043	0.036	0.100	0.198	-0.400
24.0	0.050	0.253	0.280	0.185	-1.417
33.0	0.475	0.622	0.564	-0.451	0.097
54.0	0.499	0.243	-5.680	0.153	-0.043
73.5	0.310	0.410	0.362	0.356	-0.152
84.0					
96.0					

RUN 347 POINT 1 ALPHA 8.01 PSI 0.00 HEIGHT 48.17 BP 12 BP 16 BP 22

X/C, Z	BP 2	BP 6	BP 12	BP 16	BP 22
0.0 (UPPER)	-3.677	-4.856	-3.555	-2.946	-2.577
2.5	-2.021	-4.686	-3.812	-3.135	-2.581
5.0	-1.531	-4.146	-3.729	-3.214	-2.683
10.0	-1.281	-1.232	-3.675	-3.322	-2.587
15.0	-1.103	-1.117	-3.456	-3.478	-2.726
24.0	-1.007	-1.182	-1.446	-3.200	-2.675
33.0	-0.907	-1.059	-1.041	-2.309	-2.830
54.0	-1.236	-1.335	-1.269	4.230	-3.706
65.0	-0.120	-2.112	-1.969	-1.801	-4.779
78.5	-0.083	-5.562	-6.275	-6.598	-7.499
79.5	-100.100	-75.674	-75.307	-74.728	-76.735
80.5	-9.575	-10.104	-13.322	-24.950	-0.041
81.5	-4.441	0.267	-8.752	-10.314	-17.202
82.0	2.880	4.059	3.049	-7.385	-10.816
84.0	-8.371	-6.027	-8.149	-5.564	-8.888
87.0	0.380	-6.102	-4.398	-4.040	-5.462
89.0	-1.711	-1.333	-6.127	-6.480	-2.980
93.0	-1.699	-1.304	-1.304	-4.406	-0.135
96.0	-2.218	-1.699	-0.034	-1.892	-6.810
100.0	-1.470	-1.610	-1.867	-1.801	-1.981
2.5 (LOWER)	0.462	0.351	0.344	0.305	0.049
5.0	0.629	0.312	0.311	0.422	0.264
10.0	0.318	0.395	0.426	0.351	0.270
24.0	0.310	0.261	0.349	0.362	0.118
33.0	0.194	0.275	0.296	0.379	-0.239
54.0	0.201	0.382	0.398	0.282	-1.585
73.5	0.607	0.718	0.633	-0.521	0.011
84.0	0.628	-0.369	-6.978	0.025	-0.114
96.0	0.461	0.487	0.393	0.341	-0.197

RUN 347 POINT 3 ALPHA -0.01 PSI 0.00 HEIGHT 85.66 BP 12 BP 16 BP 22

X/C, Z	BP 2	BP 6	BP 12	BP 16	BP 22
0.0 (UPPER)	-0.223	-0.753	-1.756	-2.366	-3.413
2.5	-0.825	-1.160	-1.820	-1.730	-2.784
5.0	-0.688	-0.960	-1.256	-1.482	-1.763
10.0	-0.660	-0.923	-1.053	-1.249	-1.317
15.0	-0.656	-0.757	-1.075	-1.112	-1.336
24.0	-0.662	-0.868	-1.012	-0.947	-1.110
33.0	-0.660	-0.853	-1.099	-1.031	-1.110
54.0	-1.003	-1.203	-1.286	-1.205	-1.623
65.0	-0.240	-1.958	-1.967	-2.139	-2.434
78.5	-0.211	-5.358	-6.098	-6.783	-7.158
79.5	-97.188	-73.237	-72.590	-72.164	-74.791
80.5	-9.906	-9.864	-12.915	-24.060	-0.093
81.5	-6.561	0.355	-6.481	-10.014	-14.378
82.0	2.335	-4.047	2.866	-7.609	-7.609
84.0	-4.17	-5.775	-7.927	-5.225	-6.039
87.0	0.170	-5.874	-4.175	-3.681	-3.757
89.0	-1.857	-3.041	-5.852	-6.193	-1.621
93.0	-2.046	-1.619	-4.104	-4.104	-0.270
96.0	-1.702	-1.820	-0.025	-1.658	-5.695
100.0	0.162	-1.722	-1.898	-1.783	-2.129
2.5 (LOWER)	0.292	0.217	0.364	0.418	0.241
5.0	-0.003	0.127	0.143	0.306	0.254
10.0	0.048	0.028	0.181	0.144	0.156
24.0	-0.013	0.069	0.138	0.177	-0.002
33.0	0.087	0.271	0.316	0.218	-0.350
54.0	0.504	0.641	0.566	-0.433	0.110
73.5	0.531	-0.220	-5.564	0.162	-0.035
84.0	0.331	0.428	0.375	0.375	-0.129

WING PRESSURE COEFFICIENTS

RUN 348 POINT 1 ALPHA 8.08 PSI -5.01 HEIGHT 48.44

X/C, %	BP 2	BP 6	BP 12	BP 16	BP 22
0.0 (UPPER)	-4.420	-4.836	-3.629	-2.798	-2.611
2.5	-2.195	-4.979	-3.999	-3.017	-2.615
5.0	-1.608	-4.938	-3.812	-3.130	-2.728
10.0	-1.344	-1.128	-4.116	-3.336	-2.658
15.0	-1.187	-1.085	-3.950	-3.635	-2.777
24.0	-0.994	-1.125	-1.100	-3.412	-2.804
33.0	-0.919	-1.021	-1.021	-2.292	-3.104
44.0	-1.218	-1.374	-1.283	-4.090	-4.024
54.0	-0.134	-2.197	-2.031	-1.833	-4.851
65.0	-0.103	-5.748	-6.437	-6.875	-7.196
78.5	-98.773	-74.864	-75.714	-77.055	-75.714
80.5	-10.029	-10.226	-13.570	-24.873	-0.021
81.5	4.643	0.113	7.045	-10.592	-16.887
82.0	2.484	4.379	2.814	-7.599	-10.539
84.0	-8.403	-6.237	8.175	-5.776	-8.777
87.0	0.262	-6.161	-4.549	-4.165	-5.312
89.0	-1.738	-3.232	-6.169	-6.509	-2.864
93.0	-1.774	-1.978	-1.364	-4.424	-0.133
96.0	-2.292	-1.978	-0.075	-1.929	-6.577
100.0 (LOWER)	-1.225	-1.512	-1.871	-1.827	-2.024
2.5	0.510	0.278	0.189	0.175	-0.086
5.0	0.607	0.322	0.253	0.326	0.160
10.0	0.329	0.366	0.401	0.310	0.198
24.0	0.287	0.255	0.328	0.332	0.054
33.0	0.191	0.285	0.282	0.353	-0.254
44.0	0.174	0.396	0.362	0.248	-1.585
54.0	0.174	0.714	0.609	-0.464	-0.097
73.5	0.529	0.118	-6.885	-0.019	-0.244
84.0	0.564	0.518	0.374	0.304	-0.283
96.0	0.575				

WING PRESSURE COEFFICIENTS

RUN 347 POINT 2 ALPHA 8.07 PSI 0.00 HEIGHT 85.78

X/C, %	BP 2	BP 6	BP 12	BP 16	BP 22
0.0 (UPPER)	-3.365	-4.787	-3.627	-3.011	-2.597
2.5	-1.898	-4.648	-3.701	-3.178	-2.597
5.0	-1.484	-3.108	-3.580	-3.241	-2.667
10.0	-1.271	-1.132	-3.324	-3.324	-2.581
15.0	-1.097	-1.132	-2.976	-3.370	-2.893
24.0	-0.947	-1.203	-1.519	-2.875	-2.630
33.0	-0.909	-1.081	-1.171	-1.978	-2.727
44.0	-1.175	-1.365	-1.327	-4.081	-3.363
54.0	-0.198	-2.129	-2.007	-1.931	-4.312
65.0	-0.171	-5.603	-6.233	-6.888	-7.517
78.5	-97.151	-73.258	-73.348	-73.884	-75.688
80.5	-9.006	-10.089	-13.088	-24.227	-0.060
81.5	4.547	0.289	6.818	-10.252	-16.971
82.0	2.431	4.241	2.695	-7.361	-10.674
84.0	-8.310	-6.033	7.996	-5.554	-8.819
87.0	0.146	-5.974	-4.362	-4.053	-5.568
89.0	-1.800	-3.145	-6.026	-6.376	-3.219
93.0	-1.761	-1.741	-1.360	-4.356	-0.220
96.0	-2.235	-1.957	-0.122	-6.973	-1.478
100.0 (LOWER)	-1.500	-1.604	-1.819	-1.737	-1.989
2.5	0.434	0.362	0.361	0.336	0.095
5.0	0.599	0.314	0.303	0.428	0.279
10.0	0.294	0.388	0.403	0.348	0.267
24.0	0.265	0.220	0.322	0.338	0.097
33.0	0.169	0.249	0.274	0.356	-0.313
44.0	0.185	0.359	0.364	0.262	-1.478
54.0	0.594	0.721	0.619	-0.413	0.011
73.5	0.632	-0.203	-7.163	0.043	-0.114
84.0	0.431	0.485	0.394	0.359	-0.194

WING PRESSURE COEFFICIENTS

RUN 348 POINT 2 ALPHA 8.07 PSI -5.01 HEIGHT 85.68

X/C, %	BP 2	BP 6	BP 12	BP 16	BP 22
0.0 (UPPER)	-4.038	-4.778	-3.492	-2.860	-2.575
2.5	-2.100	-4.750	-3.810	-3.052	-2.579
5.0	-1.576	-4.454	-3.677	-3.146	-2.673
10.0	-1.319	-1.158	-3.860	-3.315	-2.608
15.0	-1.121	-1.090	-3.564	-3.690	-2.734
24.0	-0.983	-1.192	-1.171	-3.285	-2.741
33.0	-0.929	-1.092	-1.020	-2.087	-2.956
44.0	-1.240	-1.384	-1.345	4.011	-3.753
54.0	-0.207	-2.211	-2.076	-1.930	-4.687
65.0	-0.186	-5.813	-6.483	-6.945	-7.426
78.5	-97.761	-73.940	-74.957	-76.899	-75.124
80.5	-10.239	-10.252	-13.346	-24.541	-0.090
81.5	4.781	0.209	7.097	-10.542	-17.091
82.0	2.282	4.491	2.563	-7.639	-10.798
84.0	-8.412	-6.228	8.096	-5.819	-8.919
87.0	0.151	-6.146	-4.563	-4.160	-5.658
89.0	-1.839	-3.283	-6.154	-6.475	-3.230
93.0	-1.837	-1.830	-1.412	-4.406	-2.214
96.0	-2.320	-2.024	-0.154	-1.948	-6.888
100.0 (LOWER)	-1.334	-1.874	-1.874	-1.811	-2.068
2.5	0.470	0.295	0.261	0.210	0.045
5.0	0.577	0.306	0.248	0.337	0.171
10.0	0.305	0.340	0.368	0.288	0.198
24.0	0.261	0.225	0.300	0.301	0.035
33.0	0.151	0.239	0.252	0.318	-0.320
44.0	0.164	0.356	0.348	0.212	-1.513
54.0	0.525	0.717	0.605	-0.400	-0.112
73.5	0.572	-0.033	-7.191	0.009	-0.206
84.0	0.544	0.500	0.369	0.315	-0.314

WING PRESSURE COEFFICIENTS

RUN 347 POINT 3 ALPHA 8.06 PSI 0.00 HEIGHT 86.71

X/C, %	BP 2	BP 6	BP 12	BP 16	BP 22
0.0 (UPPER)	-3.323	-4.902	-3.812	-3.206	-2.732
2.5	-1.925	-4.713	-3.797	-3.372	-2.726
5.0	-1.536	-2.524	-3.429	-3.429	-2.786
10.0	-1.327	-1.474	-3.280	-3.514	-2.700
15.0	-1.178	-1.215	-2.873	-3.487	-2.826
24.0	-1.032	-1.276	-1.578	-2.775	-2.743
33.0	-0.979	-1.162	-1.302	-1.835	-2.813
44.0	-0.265	-1.455	-1.432	4.154	-3.340
54.0	-0.223	-2.239	-2.152	-4.229	-4.229
65.0	-0.237	-5.823	-6.477	-7.076	-7.878
78.5	-99.548	-74.864	-75.110	-76.564	-77.300
80.5	-10.296	-10.331	-13.427	-24.968	-0.104
81.5	4.770	0.262	7.091	-10.630	-17.429
82.0	2.340	4.422	2.680	-7.650	-10.958
84.0	-8.611	-6.297	8.205	-5.797	-9.043
87.0	0.109	-6.243	-4.475	-4.229	-5.703
89.0	-1.920	-3.312	-6.222	-6.520	-3.300
93.0	-1.839	-1.839	-1.472	-4.522	-0.278
96.0	-2.339	-2.076	-0.197	-2.012	-7.236
100.0 (LOWER)	-1.601	-1.697	-1.924	-1.827	-2.105
2.5	0.411	0.330	0.325	0.323	0.076
5.0	0.536	0.271	0.275	0.402	0.252
10.0	0.245	0.348	0.366	0.311	0.232
24.0	0.212	0.181	0.267	0.292	0.046
33.0	0.126	0.198	0.223	0.317	-0.378
44.0	0.128	0.321	0.338	0.233	-1.508
54.0	0.565	0.698	0.601	-0.417	-0.040
73.5	0.595	-0.135	-7.406	0.039	-0.151
84.0	0.395	0.446	0.369	0.334	-0.240

WING PRESSURE COEFFICIENTS

RUN 349 POINT 2 ALPHA 0.02 PSI -5.01 HEIGHT 32.81

X/C, %	BP 2	BP 6	BP 12	BP 16	BP 22
0.0 (UPPER)	-0.720	-1.593	-3.104	-3.315	-2.087
2.5	-1.003	-1.147	-1.817	-3.104	-1.854
5.0	-0.708	-1.073	-1.343	-2.601	-1.876
10.0	-0.671	-0.916	-1.042	-1.834	-1.748
15.0	-0.606	-0.710	-1.073	-1.016	-1.795
24.0	-0.608	-0.807	-0.973	-0.905	-1.534
33.0	-0.598	-0.780	-1.055	-0.944	-1.288
54.0	-1.290	-1.134	-1.188	-3.942	-1.565
65.0	-0.050	-1.894	-1.852	-2.020	-2.253
78.5	-0.025	-5.077	-5.841	-6.566	-6.918
79.5	-95.930	-72.127	-70.944	-71.628	-74.567
80.5	-9.309	-9.425	-12.549	-23.875	0.075
81.5	-4.247	0.178	-6.270	-9.827	-14.874
82.0	2.698	-3.674	3.110	-6.856	-8.216
84.0	-8.020	-5.612	-7.446	-5.136	-5.450
87.0	0.542	-5.623	-3.925	-3.553	-3.801
89.0	-1.467	-2.839	-5.590	-5.913	-1.595
93.0	-1.317	-1.467	-1.003	-3.912	-0.637
96.0	-1.772	-1.669	0.176	-5.608	-5.608
100.0	-1.336	-1.560	-1.832	-1.724	-2.055
2.5 (LOWER)	0.348	0.326	0.348	0.356	0.121
5.0	0.424	0.185	0.215	0.349	0.236
10.0	0.156	0.256	0.296	0.243	0.180
24.0	0.209	0.144	0.235	0.246	0.024
33.0	0.132	0.187	0.228	0.319	-0.163
54.0	0.177	0.371	0.349	0.256	-1.617
73.5	0.563	0.672	0.552	-0.464	-0.015
84.0	0.601	0.005	-5.414	-0.011	-0.217
96.0	0.572	-0.821	0.392	0.337	-0.534

RUN 349 POINT 3 ALPHA 0.00 PSI -5.01 HEIGHT 65.63

X/C, %	BP 2	BP 6	BP 12	BP 16	BP 22
0.0 (UPPER)	-0.457	-1.076	-2.191	-2.834	-3.023
2.5	-0.864	-1.058	-1.534	-1.913	-2.583
5.0	-0.682	-1.000	-1.217	-1.443	-2.476
10.0	-0.661	-0.884	-1.023	-1.213	-1.661
15.0	-0.618	-0.688	-1.049	-1.088	-1.277
24.0	-0.590	-0.804	-0.962	-0.943	-1.000
33.0	-0.606	-0.795	-1.059	-0.985	-0.992
54.0	-1.237	-1.177	-1.224	-3.884	-1.543
65.0	-0.222	-1.970	-1.918	-2.685	-2.264
78.5	-0.208	-5.300	-6.020	-6.669	-7.038
79.5	-95.649	-71.614	-71.088	-71.631	-73.568
80.5	-10.032	-9.560	-12.642	-23.579	-0.128
81.5	4.626	0.239	-6.415	-9.837	-14.494
82.0	2.211	-3.977	2.797	-7.009	-7.850
84.0	-8.207	-5.836	-7.547	-5.220	-6.138
87.0	0.208	-5.838	-4.093	-3.671	-3.668
89.0	-1.697	-3.008	-5.700	-5.977	-1.527
93.0	-1.548	-1.630	-1.139	-3.995	-0.228
96.0	-1.976	-1.798	0.049	-5.428	-5.428
100.0	-1.574	-1.672	-1.874	-1.744	-2.108
2.5 (LOWER)	0.248	0.251	-0.308	0.344	0.133
5.0	0.290	0.096	0.142	0.280	0.206
10.0	0.052	0.172	0.197	0.156	0.135
24.0	0.088	0.037	0.147	0.164	-0.025
33.0	0.026	0.091	0.140	0.237	-0.332
54.0	0.103	0.284	0.299	0.205	-1.525
73.5	0.521	0.646	0.542	-0.411	0.007
84.0	0.597	0.064	-5.325	0.332	-0.166
96.0	0.480	-0.766	0.369	0.332	-0.211

WING PRESSURE COEFFICIENTS

RUN 348 POINT 3 ALPHA 8.06 PSI -5.01 HEIGHT 86.75

X/C, %	BP 2	BP 6	BP 12	BP 16	BP 22
0.0 (UPPER)	-3.910	-4.604	-3.527	-2.936	-2.601
2.5	-2.085	-4.719	-3.818	-3.117	-2.608
5.0	-1.591	-4.210	-3.668	-3.206	-2.588
10.0	-1.306	-1.229	-3.724	-3.361	-2.621
15.0	-1.119	-1.134	-3.394	-3.614	-2.738
24.0	-0.999	-1.190	-1.279	-3.213	-2.745
33.0	-0.935	-1.101	-1.055	-2.020	-2.932
54.0	-1.219	-1.421	-1.377	4.033	-3.674
65.0	-0.210	-2.244	-2.113	-2.016	-4.635
78.5	-0.216	-5.889	-6.568	-7.053	-7.589
79.5	-97.798	-73.995	-75.401	-77.398	-75.345
80.5	-10.365	-10.330	-13.413	-24.615	-0.102
81.5	-4.872	0.246	-7.188	-10.676	-17.236
82.0	2.145	-4.530	2.548	-7.687	-10.923
84.0	-6.495	-6.352	-8.188	-5.824	-9.100
87.0	0.115	-8.263	-4.620	-4.204	-5.738
89.0	-1.880	-3.339	-6.202	-6.535	-3.300
93.0	-1.891	-1.891	-1.445	-4.581	-0.255
96.0	-2.377	-2.063	-0.178	-1.981	-6.993
100.0	-1.304	-1.598	-1.911	-0.828	-2.107
2.5 (LOWER)	0.418	0.282	0.244	0.219	0.038
5.0	0.566	0.284	0.243	0.331	0.170
10.0	0.305	0.346	0.351	0.273	0.190
24.0	0.243	0.206	0.283	0.279	0.020
33.0	0.141	0.214	0.247	0.297	-0.344
54.0	0.140	0.347	0.338	0.218	-1.493
73.5	0.516	0.714	0.603	-0.363	-0.124
84.0	0.568	0.030	-7.274	0.034	-0.177
96.0	0.595	0.485	0.367	0.304	-0.327

RUN 348 POINT 1 ALPHA 0.02 PSI -5.01 HEIGHT 19.66

X/C, %	BP 2	BP 6	BP 12	BP 16	BP 22
0.0 (UPPER)	-2.122	-3.833	-3.232	-2.592	-2.256
2.5	-1.312	-2.875	-2.834	-2.426	-2.046
5.0	-1.066	-1.414	-2.596	-2.285	-1.975
10.0	-0.940	-1.212	-2.352	-2.050	-1.712
15.0	-0.788	-0.968	-1.939	-1.884	-1.682
24.0	-0.747	-1.021	-1.206	-1.555	-1.446
33.0	-0.729	-0.926	-1.138	-1.351	-1.351
54.0	-1.344	-1.164	-1.142	4.018	-1.551
65.0	-0.114	-1.837	-1.674	-1.912	-1.912
78.5	-0.072	-4.709	-5.055	-4.979	-4.526
79.5	-96.167	-71.918	-67.083	-57.697	-68.065
80.5	-8.224	9.149	-11.684	-22.078	-0.081
81.5	-3.523	0.150	-5.232	-7.978	-11.366
82.0	3.487	-3.066	3.888	-5.247	-5.060
84.0	-7.465	-5.070	-6.719	-3.890	-3.890
87.0	1.008	-5.210	-3.287	-2.437	-1.778
89.0	-0.958	-2.418	-5.013	-4.889	0.299
93.0	-0.819	-1.094	-0.526	-3.091	-0.107
96.0	-1.198	-1.389	0.518	-0.885	-3.640
100.0	-4.139	-3.978	-3.623	-3.002	-2.569
2.5 (LOWER)	0.461	0.368	0.130	-0.268	0.659
5.0	0.563	0.232	-0.037	-0.281	0.528
10.0	0.310	0.355	-0.062	0.417	-0.522
24.0	0.210	-0.020	-0.360	-0.523	0.614
33.0	0.040	-0.147	-0.557	-0.542	0.221
54.0	-0.353	-0.407	-0.573	-0.644	-1.635
73.5	-0.337	0.014	-0.018	-0.493	-0.295
84.0	0.121	-0.030	-3.546	-0.022	-0.222
96.0	-0.840	-0.824	-0.497	-0.366	-0.555



WING PRESSURE COEFFICIENTS

RUN 349 POINT 4 ALPHA -0.02 PSI -5.01 HEIGHT 87.00

X/C, X	BP 2	BP 6	BP 12	BP 16	BP 22
0.0 (UPPER)	-0.474	-1.100	-2.239	-2.862	-3.476
2.5	-0.921	-1.230	-1.597	-1.933	-2.303
5.0	-0.752	-1.107	-1.291	-1.523	-1.845
10.0	-0.949	-1.070	-1.070	-1.281	-1.393
15.0	-0.682	-0.751	-1.127	-1.164	-1.285
24.0	-0.661	-0.907	-1.034	-1.019	-1.111
33.0	-0.681	-0.873	-1.134	-1.059	-1.096
54.0	-1.108	-1.264	-1.325	-1.348	-1.448
65.0	-0.272	-2.080	-2.045	-2.216	-2.413
78.5	-0.256	-5.570	-6.326	-7.009	-7.400
79.5	-100.001	-74.618	-74.127	-75.412	-76.771
80.5	-10.588	-9.951	-13.189	-24.628	-0.146
81.5	-4.309	0.175	-6.766	-10.331	-15.170
82.0	2.006	-4.177	2.915	-7.327	-8.214
84.0	0.181	-6.095	-7.893	-5.495	-6.379
87.0	-1.827	-3.195	-6.018	-6.280	-1.612
89.0	-1.669	-1.746	-1.240	-4.220	-0.285
93.0	-2.109	-1.937	0.002	-1.706	-5.689
96.0	-1.703	-1.805	-2.012	-1.867	-2.233
100.0 (LOWER)	0.177	0.203	0.279	0.320	0.152
2.5	0.270	0.051	0.095	0.252	0.178
5.0	0.100	0.125	0.172	0.118	0.096
10.0	0.044	-0.014	0.101	0.123	-0.068
24.0	-0.023	0.056	0.103	0.169	-0.393
33.0	0.043	0.237	0.286	0.169	-1.610
54.0	0.501	0.635	0.517	-0.439	-0.041
73.5	0.583	0.048	-5.591	-0.001	-0.204
84.0	0.450	-0.817	0.340	0.310	-0.254
96.0					

WING PRESSURE COEFFICIENTS

RUN 350 POINT 2 ALPHA 0.02 PSI -5.01 HEIGHT 32.80

X/C, X	BP 2	BP 6	BP 12	BP 16	BP 22
0.0 (UPPER)	-0.400	-1.153	-2.386	-3.139	-2.170
2.5	-0.786	-0.954	-1.458	-2.109	-1.827
5.0	-0.567	-0.737	-0.946	-1.362	-1.805
10.0	-0.527	-0.621	-0.876	-0.965	-1.602
15.0	-0.506	-0.661	-0.801	-0.838	-1.122
24.0	-0.521	-0.651	-0.844	-0.836	-0.697
33.0	-0.679	-0.941	-1.039	2.449	-1.265
54.0	0.008	-1.564	-1.599	-1.747	-1.904
65.0	0.014	-4.231	-4.900	-1.747	-5.887
78.5	0.014	-4.231	-4.900	-5.480	-44.505
79.5	-85.799	-47.924	-48.858	-56.243	-44.505
80.5	-7.591	-7.795	-7.422	-14.590	0.077
81.5	-3.541	0.534	-5.221	-7.181	-10.492
82.0	0.120	0.377	0.603	-5.529	-6.672
84.0	-5.092	-4.077	-5.071	4.247	-5.341
87.0	-1.178	-3.754	-3.062	-2.971	-3.566
89.0	-1.107	-2.093	-3.804	-4.123	-2.316
93.0	-0.932	-1.175	-1.035	-2.773	0.008
96.0	-1.328	-1.161	-0.205	-1.302	-4.188
100.0 (LOWER)	-0.542	-0.564	-0.754	-0.706	-1.080
2.5	0.393	0.357	0.439	0.428	0.312
5.0	0.400	0.275	0.342	0.412	0.331
10.0	0.262	0.332	0.339	0.335	0.259
24.0	0.257	0.243	0.300	0.301	0.120
33.0	0.246	0.285	0.305	0.345	-0.055
54.0	0.231	0.432	0.457	0.376	-0.373
73.5	0.528	0.714	0.607	0.207	0.050
84.0	0.582	0.475	-4.313	0.444	0.341
96.0	0.664	0.045	0.590	0.526	0.027

RUN 350 POINT 3 ALPHA 0.00 PSI -5.01 HEIGHT 65.60

X/C, X	BP 2	BP 6	BP 12	BP 16	BP 22
0.0 (UPPER)	-0.212	-0.781	-1.737	-2.395	-3.243
2.5	-0.704	-0.939	-1.236	-1.545	-2.822
5.0	-0.563	-0.807	-1.021	-1.230	-1.609
10.0	-0.545	-0.710	-0.883	-1.035	-1.102
15.0	-0.530	-0.598	-0.854	-0.932	-1.012
24.0	-0.510	-0.670	-0.787	-0.827	-0.883
33.0	-0.526	-0.653	-0.846	-0.835	-0.875
54.0	-0.741	-0.970	-1.063	2.447	-1.294
65.0	-0.101	-1.619	-1.640	-1.785	-1.978
78.5	-0.093	-4.397	-5.026	-5.572	-5.975
79.5	-67.612	-49.217	-49.680	-56.753	-44.656
80.5	-8.127	-8.127	-7.546	-14.713	-0.048
81.5	-3.805	0.531	-5.341	-7.288	-10.426
82.0	-0.157	-3.589	-0.457	-5.596	-6.556
84.0	-5.289	-4.262	-5.178	-4.302	-5.187
87.0	-0.352	-3.875	-3.168	-3.078	-3.458
89.0	-1.287	-2.220	-3.900	-4.187	-2.255
93.0	-1.057	-1.278	-1.118	-2.835	-0.094
96.0	-1.472	-1.252	-0.278	-1.357	-4.137
100.0 (LOWER)	-0.720	-0.682	-0.819	-0.707	-1.079
2.5	0.338	0.336	0.405	0.415	0.322
5.0	0.325	0.203	0.277	0.361	0.314
10.0	0.182	0.267	0.276	0.275	0.222
24.0	0.176	0.167	0.236	0.235	0.087
33.0	0.160	0.211	0.244	0.287	-0.161
54.0	0.254	0.367	0.415	0.350	-0.366
73.5	0.593	0.688	0.578	0.081	0.081
84.0	0.582	0.488	-4.297	0.452	0.346
96.0	0.590	0.049	0.578	0.538	0.019

WING PRESSURE COEFFICIENTS

RUN 351 POINT 2 ALPHA 8.01 PSI -5.01 HEIGHT 85.67

X/C, X	BP 2	BP 6	BP 12	BP 16	BP 22
0.0 (UPPER)	-3.643	-4.708	-3.411	-2.825	-2.387
2.5	-1.897	-4.548	-3.561	-2.919	-2.373
5.0	-1.432	-3.244	-3.388	-2.989	-2.412
10.0	-1.184	-1.130	-3.167	-3.153	-2.412
15.0	-1.035	-1.055	-2.790	-3.264	-2.440
24.0	-0.890	-1.042	-2.790	-2.793	-2.477
33.0	-0.827	-0.941	-0.919	-1.722	-2.619
44.0	-1.007	-1.177	-1.168	-2.398	-3.147
54.0	-0.102	-1.815	-1.780	-1.735	-4.024
65.0	-0.090	-4.774	-5.381	-5.792	-6.409
78.5	-68.367	-51.134	-52.975	-60.265	-44.855
80.5	-7.776	-8.858	-7.647	-15.270	-0.066
81.5	-3.874	0.447	-5.835	-7.737	-12.409
82.0	-0.255	-3.900	0.239	-6.071	-8.868
84.0	-5.356	-4.532	-5.497	-4.784	-7.467
87.0	-0.415	-4.100	-3.490	-3.484	-5.139
89.0	-1.337	-2.379	-4.175	-4.544	-3.678
93.0	-1.261	-1.427	-1.313	-3.155	-0.076
96.0	-1.594	-1.411	-0.436	-1.617	-4.806
100.0 (LOWER)	-0.545	-0.577	-0.797	-0.765	-1.168
2.5	0.314	0.420	0.356	0.294	0.125
5.0	0.616	0.429	0.417	0.437	0.300
10.0	0.443	0.480	0.459	0.421	0.293
24.0	0.342	0.342	0.389	0.358	0.146
33.0	0.301	0.355	0.367	0.393	-0.154
54.0	0.319	0.416	0.455	0.368	-0.421
73.5	0.610	0.770	0.675	0.166	0.001
84.0	0.667	0.461	-3.415	0.375	0.258
96.0	0.667	-0.017	0.565	0.484	-0.046

WING PRESSURE COEFFICIENTS

RUN 350 POINT 4 ALPHA -0.01 PSI -5.01 HEIGHT 87.00

X/C, X	BP 2	BP 6	BP 12	BP 16	BP 22
0.0 (UPPER)	-0.183	-0.738	-1.682	-2.316	-3.242
2.5	-0.710	-1.024	-1.242	-1.526	-2.640
5.0	-0.576	-0.802	-1.025	-1.238	-1.522
10.0	-0.542	-0.732	-0.888	-1.048	-1.136
15.0	-0.534	-0.619	-0.862	-0.945	-1.036
24.0	-0.519	-0.659	-0.801	-0.844	-0.906
33.0	-0.536	-0.674	-0.855	-0.851	-0.898
44.0	-0.788	-0.990	-1.085	-2.465	-1.313
54.0	-0.109	-1.644	-1.671	-1.812	-2.013
65.0	-0.109	-4.456	-5.096	-6.842	-6.068
78.5	-68.933	-50.868	-50.345	-57.693	-45.069
80.5	-7.840	-8.364	-7.578	-14.906	-0.083
81.5	-3.859	0.529	-5.438	-7.332	-10.555
82.0	-0.197	-3.644	0.456	-6.552	-6.596
84.0	-5.359	-4.379	-5.237	-4.379	-5.182
87.0	-0.367	-3.959	-3.200	-3.105	-3.503
89.0	-1.322	-2.262	-3.954	-4.242	-2.270
93.0	-1.133	-1.311	-1.136	-2.878	-0.108
96.0	-1.513	-1.275	-0.287	-1.377	-4.186
100.0 (LOWER)	-0.754	-0.704	-0.842	-0.709	-1.104
2.5	0.314	0.329	0.383	0.407	0.314
5.0	0.327	0.186	0.266	0.349	0.300
10.0	0.164	0.250	0.267	0.260	0.209
24.0	0.159	0.148	0.222	0.219	0.076
33.0	0.145	0.194	0.229	0.273	-0.174
54.0	0.244	0.360	0.413	0.338	-0.378
73.5	0.584	0.685	0.577	0.205	0.075
84.0	0.667	0.491	-4.340	0.446	0.343
96.0	0.577	0.039	0.572	0.530	0.015

WING PRESSURE COEFFICIENTS

RUN 351 POINT 3 ALPHA 8.01 PSI -5.01 HEIGHT 87.03

X/C, X	BP 2	BP 6	BP 12	BP 16	BP 22
0.0 (UPPER)	-3.551	-4.748	-3.502	-2.898	-2.425
2.5	-1.904	-4.578	-3.585	-2.978	-2.413
5.0	-1.436	-3.273	-3.392	-3.042	-2.450
10.0	-1.199	-1.196	-3.041	-3.206	-2.443
15.0	-1.052	-1.075	-2.657	-3.266	-2.465
24.0	-0.926	-1.055	-1.342	-2.685	-2.505
33.0	-0.869	-0.969	-0.985	-1.634	-2.636
44.0	-1.076	-1.200	-1.218	-2.387	-3.096
54.0	-1.076	-1.843	-1.614	-1.812	-3.929
65.0	-0.117	-4.844	-5.432	-5.873	-6.484
78.5	-69.217	-51.436	-53.230	-60.719	-45.289
80.5	-7.888	-9.019	-7.626	-15.355	-0.067
81.5	-3.952	0.458	-5.694	-7.778	-12.522
82.0	-0.353	-3.947	0.231	-6.131	-8.915
84.0	-5.405	-4.626	-5.517	-4.854	-7.512
87.0	-4.458	-4.187	-3.544	-3.502	-5.211
89.0	-1.383	-2.431	-4.207	-4.574	-3.727
93.0	-1.252	-1.466	-1.339	-3.191	-0.105
96.0	-1.624	-1.444	-0.462	-0.781	-1.192
100.0 (LOWER)	-0.585	-0.609	-0.823	-0.781	-1.192
2.5	0.563	0.609	0.349	0.291	0.116
5.0	0.610	0.413	0.390	0.419	0.291
10.0	0.414	0.465	0.437	0.400	0.276
24.0	0.316	0.308	0.365	0.336	0.124
33.0	0.280	0.332	0.341	0.363	-0.180
54.0	0.295	0.420	0.436	0.343	-0.429
73.5	0.596	0.747	0.661	0.161	-0.008
84.0	0.666	0.456	-5.483	0.369	0.234
96.0	0.648	-0.037	0.556	0.473	-0.059

WING PRESSURE COEFFICIENTS

RUN 351 POINT 1 ALPHA 8.03 PSI -5.01 HEIGHT 48.34

X/C, X	BP 2	BP 6	BP 12	BP 16	BP 22
0.0 (UPPER)	-3.925	-4.760	-3.444	-2.820	-2.409
2.5	-1.986	-4.658	-3.696	-2.926	-2.404
5.0	-1.490	-3.822	-3.490	-2.454	-2.454
10.0	-1.223	-1.104	-3.473	-3.205	-2.453
15.0	-1.066	-1.067	-3.135	-3.430	-2.487
24.0	-1.034	-1.034	-3.054	-2.850	-2.550
33.0	-0.841	-0.948	-2.739	-2.739	-2.739
44.0	-0.968	-1.179	-1.170	-2.415	-3.401
54.0	-0.060	-1.820	-1.779	-1.674	-4.279
65.0	-0.054	-4.757	-5.395	-5.782	-6.344
78.5	-67.225	-50.870	-52.905	-60.536	-44.887
80.5	-7.866	-8.699	-7.779	-15.365	-0.013
81.5	-3.837	0.480	-5.833	-7.788	-12.406
82.0	-0.141	-3.867	0.275	-6.118	-8.857
84.0	-5.318	-4.493	-5.505	-4.786	-7.512
87.0	-0.349	-4.082	-3.462	-3.449	-5.114
89.0	-1.285	-2.346	-4.181	-4.571	-3.634
93.0	-1.226	-1.406	-1.297	-3.166	-0.056
96.0	-1.567	-1.389	-0.421	-1.624	-4.744
100.0 (LOWER)	-0.483	-0.541	-0.793	-0.769	-1.170
2.5	0.562	0.413	0.312	0.262	0.077
5.0	0.630	0.443	0.415	0.424	0.282
10.0	0.463	0.468	0.476	0.417	0.293
24.0	0.367	0.368	0.404	0.374	0.152
33.0	0.319	0.370	0.382	0.400	-0.122
54.0	0.332	0.464	0.465	0.374	-0.428
73.5	0.601	0.767	0.677	0.162	-0.019
84.0	0.674	0.456	-5.374	0.386	0.268
96.0	0.683	-0.017	0.567	0.474	-0.057

WING PRESSURE COEFFICIENTS

RUN 352 POINT 1 ALPHA 8.04 PSI 0.00 HEIGHT 48.35		BP 2	BP 6	BP 12	BP 16	BP 22
X/C, %						
0.0 (UPPER)		-3.260	-4.809	-3.605	-2.998	-2.435
2.5		-1.816	-4.571	-3.067	-2.417	-2.417
5.0		-1.386	-2.294	-3.449	-2.443	-2.443
10.0		-1.168	-1.223	-2.978	-3.246	-2.443
15.0		-1.046	-1.101	-2.499	-3.262	-2.444
24.0		-0.911	-1.055	-1.416	-2.678	-2.461
33.0		-0.822	-0.941	-1.055	-2.556	-2.556
54.0		-0.822	-1.134	-1.176	-2.333	-2.333
55.0		-0.056	-1.720	-1.737	-3.884	-3.884
78.5		-0.049	-4.563	-5.131	-5.557	-6.366
79.5		-66.347	-48.452	-49.718	-58.931	-44.486
80.5		-7.747	-8.212	-7.895	-14.931	-0.029
81.5		-3.743	0.391	-5.542	-7.309	-12.343
82.0		-0.112	-3.647	0.408	-6.783	-8.783
84.0		-0.112	-4.391	-5.257	-4.671	-7.383
87.0		-0.321	-3.982	-3.356	-4.445	-3.629
89.0		-1.292	-2.255	-4.039	-4.445	-3.629
93.0		-1.568	-1.327	-1.242	-3.110	-0.039
96.0		-0.517	-0.564	-0.406	-1.583	-4.819
100.0		0.599	0.493	-0.741	-0.708	-1.035
2.5 (LOWER)		0.615	0.470	0.494	0.384	0.224
5.0		0.447	0.535	0.510	0.481	0.361
10.0		0.368	0.365	0.426	0.403	0.211
24.0		0.330	0.378	0.435	0.435	-0.106
33.0		0.362	0.471	0.492	0.417	-0.472
54.0		0.738	0.766	0.678	0.120	0.100
73.5		0.405	0.405	-5.395	0.281	0.138
84.0		0.738	0.405	0.608	0.534	0.054
96.0		0.594	-0.104	0.608	0.534	0.054

RUN 352 POINT 3 ALPHA 8.01 PSI 0.00 HEIGHT 86.73		BP 2	BP 6	BP 12	BP 16	BP 22
X/C, %						
0.0 (UPPER)		-2.863	-4.766	-4.027	-3.407	-2.517
2.5		-1.741	-3.617	-3.367	-3.487	-2.496
5.0		-1.357	-1.593	-3.187	-3.472	-2.511
10.0		-1.167	-1.355	-2.485	-3.576	-2.566
15.0		-1.035	-1.153	-1.906	-3.287	-2.497
24.0		-0.912	-1.080	-1.334	-1.867	-2.504
33.0		-0.847	-0.985	-1.222	-1.086	-2.552
54.0		-1.145	-1.198	-1.323	2.335	-2.810
55.0		-0.139	-1.793	-1.874	1.919	-3.379
78.5		-0.131	-4.703	-5.243	5.919	-6.367
79.5		-68.351	-49.162	-48.704	-68.365	-46.042
80.5		-7.963	-8.446	-7.791	-15.412	-0.113
81.5		-3.909	0.339	-5.551	-7.777	-12.426
82.0		-0.227	0.369	0.369	-6.096	-8.609
84.0		-5.399	4.512	-5.325	-4.825	-7.151
87.0		-0.466	-4.111	-3.414	-3.459	-4.915
89.0		-1.410	-2.388	-4.105	-4.591	-3.531
93.0		-1.288	-1.431	-1.307	-3.221	-0.107
96.0		-1.660	-1.405	-0.477	-1.650	-5.030
100.0		0.717	0.485	-0.808	-0.705	-1.065
2.5 (LOWER)		0.553	0.423	0.450	0.391	0.250
5.0		0.396	0.497	0.467	0.445	0.382
10.0		0.307	0.314	0.378	0.353	0.336
24.0		0.273	0.324	0.352	0.389	-0.182
33.0		0.314	0.417	0.454	0.377	-0.498
54.0		0.648	0.739	0.652	0.115	0.090
73.5		0.710	0.710	-5.472	0.225	0.092
84.0		0.548	-0.136	0.593	0.525	0.025
96.0		0.548	-0.136	0.593	0.525	0.025

RUN 353 POINT 1 ALPHA 0.01 PSI 0.00 HEIGHT 19.88		BP 2	BP 6	BP 12	BP 16	BP 22
X/C, %						
0.0 (UPPER)		-0.232	-1.070	-2.516	-3.371	-2.109
2.5		-0.691	-0.919	-1.495	-2.275	-1.759
5.0		-0.544	-0.822	-1.140	-1.383	-1.716
10.0		-0.534	-0.710	-0.927	-1.094	-1.644
15.0		-0.491	-0.611	-0.848	-0.956	-1.551
24.0		-0.484	-0.528	-0.757	-0.831	-1.175
33.0		-0.473	-0.595	-0.796	-0.785	-0.919
54.0		-1.169	-0.839	-0.836	-2.263	-1.191
65.0		0.032	-1.347	-1.440	-1.594	-1.773
78.5		0.035	-3.657	-4.407	-5.017	-5.428
79.5		-56.488	-41.578	-44.401	-51.162	-42.985
80.5		-6.497	-6.266	-7.329	-13.955	0.072
81.5		-2.807	0.267	-4.567	-6.639	-9.916
82.0		0.795	-2.686	0.942	-4.996	-6.087
84.0		-4.370	-3.525	-4.431	-3.822	-4.744
87.0		0.342	-3.218	-2.672	-2.648	-3.247
89.0		-0.593	-1.597	-3.340	-3.722	-2.092
93.0		-0.485	-0.764	-0.664	-2.501	0.062
96.0		-0.861	-0.793	-0.081	-1.044	-4.145
100.0		-0.725	-0.727	-0.926	-0.654	-1.227
2.5 (LOWER)		0.421	0.477	0.515	0.494	0.390
5.0		0.446	0.363	0.441	0.403	0.308
10.0		0.325	0.419	0.437	0.416	0.308
24.0		0.335	0.335	0.379	0.336	0.159
33.0		0.329	0.360	0.363	0.376	-0.019
54.0		0.669	0.468	0.452	0.342	-0.538
73.5		0.752	0.734	0.634	0.068	0.224
84.0		0.534	0.309	-4.301	0.179	0.023
96.0		0.534	-0.170	0.526	0.465	-0.033

RUN 353 POINT 2 ALPHA 8.02 PSI 0.00 HEIGHT 65.62		BP 2	BP 6	BP 12	BP 16	BP 22
X/C, %						
0.0 (UPPER)		-2.976	-4.739	-3.793	-3.198	-2.459
2.5		-1.751	-4.191	-3.396	-3.270	-2.432
5.0		-1.356	-1.559	-3.280	-3.278	-2.458
10.0		-1.156	-1.310	-2.076	-3.400	-2.456
15.0		-1.018	-1.124	-2.076	-3.264	-2.447
24.0		-0.898	-1.038	-1.342	-2.195	-2.456
33.0		-0.822	-0.954	-1.229	-2.129	-2.525
54.0		-1.124	-1.162	-1.264	2.327	-2.870
65.0		-0.112	-1.745	-1.809	-1.814	-3.515
78.5		-0.103	-4.623	-5.148	-5.746	-6.302
79.5		-67.508	-48.500	-48.594	-59.179	-45.176
80.5		-7.794	-8.344	-7.854	-15.119	-0.110
81.5		-3.837	0.352	-5.539	-7.619	-12.296
82.0		-0.211	-3.763	0.406	-5.961	-8.585
84.0		-5.325	-4.435	-5.256	-4.890	-6.585
87.0		-0.417	-4.028	-3.361	-3.373	-4.965
89.0		-1.365	-2.323	-4.052	-4.503	-3.540
93.0		-1.249	-1.380	-1.278	-3.160	-0.080
96.0		-1.619	-1.359	-0.449	-1.607	-4.931
100.0		-0.600	-0.614	-0.779	-0.707	-1.031
2.5 (LOWER)		0.555	0.499	0.454	0.393	0.255
5.0		0.596	0.440	0.465	0.504	0.385
10.0		0.421	0.518	0.466	0.351	0.351
24.0		0.338	0.337	0.405	0.376	0.193
33.0		0.292	0.351	0.379	0.411	-0.157
54.0		0.333	0.434	0.471	0.366	-0.482
73.5		0.657	0.754	0.662	0.121	0.096
84.0		0.717	0.400	-5.410	0.250	0.115
96.0		0.563	-0.116	0.599	0.546	0.042

WING PRESSURE COEFFICIENTS

RUN 353 POINT 2 ALPHA -0.02 PSI 0.00 HEIGHT 32.80

X/C, Z	BP 2	BP 6	BP 12	BP 16	BP 22
0.0 (UPPER)	-0.099	-0.731	-1.865	-2.663	-3.462
2.5	-0.685	-1.029	-1.317	-1.638	-3.044
5.0	-0.359	-0.807	-1.081	-1.291	-1.795
10.0	-0.543	-0.703	-0.906	-1.087	-1.153
15.0	-0.535	-0.620	-0.850	-0.971	-1.026
24.0	-0.519	-0.667	-0.781	-0.862	-0.901
33.0	-0.518	-0.648	-0.829	-0.843	-0.876
54.0	-1.186	-0.932	-1.038	-2.260	-1.300
85.0	-0.006	-1.510	-1.595	-1.743	-1.948
78.5	-0.001	-4.183	-4.857	-5.396	-5.880
79.5	-64.114	-46.357	-47.779	-54.658	-44.525
80.5	-7.663	-7.481	-7.620	-14.553	0.007
81.5	-3.608	0.270	5.104	7.103	10.422
82.0	0.076	3.295	0.686	5.422	6.468
84.0	-5.109	-4.105	-4.868	-4.171	-5.076
87.0	-0.208	-3.739	-3.071	-2.969	-3.415
89.0	-1.129	-2.052	-3.757	-4.080	-2.255
93.0	-0.974	-1.135	-0.984	-2.804	0.020
95.0	-1.363	-1.102	-0.168	-4.191	4.191
100.0	-0.680	-0.586	-0.662	-0.688	-1.095
2.5 (LOWER)	0.366	0.403	0.477	0.489	0.397
5.0	0.350	0.271	0.370	0.440	0.391
10.0	0.231	0.338	0.348	0.358	0.293
24.0	0.231	0.243	0.304	0.289	0.167
33.0	0.224	0.281	0.317	0.350	-0.055
54.0	0.326	0.435	0.472	0.398	-0.559
73.5	0.622	0.693	0.620	0.045	0.181
84.0	0.599	0.276	-4.364	0.146	-0.011
96.0	0.576	-0.160	0.637	0.421	-0.069

WING PRESSURE COEFFICIENTS

RUN 353 POINT 4 ALPHA -0.06 PSI 0.00 HEIGHT 87.09

X/C, Z	BP 2	BP 6	BP 12	BP 16	BP 22
0.0 (UPPER)	0.092	-0.347	-1.151	-1.741	-2.659
2.5	-0.600	-0.877	-1.547	-1.353	-2.038
5.0	-0.533	-0.759	-0.923	-1.161	-1.393
10.0	-0.554	-0.667	-0.860	-1.021	-1.130
15.0	-0.539	-0.626	-0.823	-0.932	-1.016
24.0	-0.521	-0.665	-0.781	-0.857	-0.911
33.0	-0.534	-0.668	-0.845	-0.847	-0.905
54.0	-1.185	-0.973	-1.075	2.265	-1.302
85.0	-0.132	-1.573	-1.661	-1.786	-1.980
78.5	-0.133	-4.376	-5.023	-5.516	-5.840
79.5	-67.683	-48.542	-49.010	-56.013	-44.229
80.5	-7.956	-8.066	-7.628	-14.668	-0.113
81.5	-3.865	0.244	5.329	7.236	10.212
82.0	-0.187	3.544	0.550	5.551	6.224
84.0	-5.331	-4.328	-5.016	-4.310	-4.873
87.0	-0.369	-3.934	-3.198	-3.016	-3.380
89.0	-1.322	-2.204	-3.892	-4.173	-2.173
93.0	-1.150	-1.266	-1.089	-2.877	0.127
95.0	-1.531	-1.216	-0.258	-1.348	-4.133
100.0	-0.832	-0.670	-0.802	-0.733	-1.149
2.5 (LOWER)	0.236	0.306	0.390	0.431	0.370
5.0	0.216	0.169	0.273	0.352	0.325
10.0	0.138	0.235	0.247	0.268	0.218
24.0	0.129	0.145	0.204	0.201	0.099
33.0	0.123	0.185	0.221	0.274	-0.174
54.0	0.243	0.361	0.399	0.342	-0.555
73.5	0.544	0.630	0.619	0.073	0.216
84.0	0.662	0.242	-4.294	0.114	-0.044
96.0	0.569	0.074	0.597	0.381	-0.107

RUN 354 POINT 1 ALPHA -0.01 PSI 0.00 HEIGHT 20.09

X/C, Z	BP 2	BP 6	BP 12	BP 16	BP 22
0.0 (UPPER)	0.002	-0.685	-1.848	-2.695	-3.159
2.5	-0.572	-0.747	-1.268	-1.564	-2.677
5.0	-0.466	-0.672	-0.954	-1.174	-2.110
10.0	-0.459	-0.607	-0.797	-0.956	-1.033
15.0	-0.432	-0.539	-0.719	-0.835	-0.828
24.0	-0.420	-0.514	-0.640	-0.736	-0.716
33.0	-0.425	-0.523	-0.561	-0.707	-0.697
54.0	-0.519	-0.716	-0.848	-1.574	-1.046
85.0	0.139	-1.291	-1.281	-1.431	-1.648
78.5	0.139	-3.250	-3.877	-4.368	-4.878
79.5	-48.245	-40.119	-39.760	-44.335	-28.863
80.5	-3.538	-6.823	-4.439	-10.313	0.148
81.5	-2.843	0.559	3.886	-5.119	-7.744
82.0	-0.691	-2.637	-0.192	-4.175	-5.492
84.0	-3.020	-2.760	-3.317	-3.262	-4.392
87.0	-0.296	-2.287	-2.203	-2.319	-3.194
89.0	-0.654	-1.300	-2.406	-2.762	-2.458
93.0	-0.532	-0.674	-0.748	-1.860	0.139
96.0	-0.817	-0.567	-0.176	-0.092	-3.146
100.0	-0.013	0.123	-0.046	-0.517	-0.517
2.5 (LOWER)	0.444	0.500	0.544	0.544	0.484
5.0	0.413	0.368	0.471	0.513	0.469
10.0	0.357	0.437	0.446	0.453	0.380
24.0	0.350	0.371	0.407	0.390	0.250
33.0	0.380	0.407	0.427	0.440	0.119
54.0	0.496	0.541	0.571	0.511	0.170
73.5	0.699	0.755	0.670	0.486	0.156
84.0	0.774	0.568	-3.457	0.553	0.439
96.0	0.740	0.511	0.754	0.667	0.402

RUN 354 POINT 3 ALPHA -0.04 PSI 0.00 HEIGHT 65.68

X/C, Z	BP 2	BP 6	BP 12	BP 16	BP 22
0.0 (UPPER)	0.046	-0.429	-1.310	-1.927	-2.832
2.5	-0.636	-0.915	-1.504	-1.424	-1.992
5.0	-0.550	-0.781	-1.013	-1.198	-1.450
10.0	-0.565	-0.710	-0.895	-1.044	-1.162
15.0	-0.551	-0.628	-0.848	-0.952	-1.029
24.0	-0.531	-0.678	-0.796	-0.872	-0.927
33.0	-0.548	-0.670	-0.856	-0.857	-0.918
54.0	-1.191	-0.981	-1.084	2.258	-1.319
85.0	-0.133	-1.562	-1.669	-1.796	-1.995
78.5	-0.133	-4.305	-5.032	-5.524	-5.876
79.5	-67.435	-48.447	-49.019	-55.947	-44.305
80.5	-8.061	-8.061	-7.622	-14.735	-0.108
81.5	-3.873	0.240	-5.350	-7.234	-10.269
82.0	-0.201	-3.518	-0.532	-5.562	-6.283
84.0	-5.323	-4.376	-5.020	-4.343	-4.917
87.0	-0.353	-3.906	-3.199	-3.042	-3.410
89.0	-1.322	-2.208	-3.893	-4.188	-2.200
93.0	-1.153	-1.268	-1.092	-2.884	-0.133
96.0	-1.533	-1.215	-0.267	-1.325	-4.152
100.0	-0.663	-0.663	-0.763	-0.725	-1.152
2.5 (LOWER)	0.250	0.321	0.407	0.439	0.376
5.0	0.266	0.178	0.291	0.365	0.332
10.0	0.142	0.245	0.265	0.277	0.218
24.0	0.143	0.152	0.213	0.208	0.103
33.0	0.126	0.194	0.234	0.281	-0.174
54.0	0.246	0.361	0.404	0.349	-0.557
73.5	0.555	0.630	0.614	0.056	0.212
84.0	0.672	0.248	-4.322	0.122	-0.037
96.0	0.508	-0.062	0.597	0.389	-0.095

WING PRESSURE COEFFICIENTS

RUN 354 POINT 4 ALPHA 0.00 PSI 0.00 HEIGHT 87.09

X/C, X	BP 2	BP 6	BP 12	BP 16	BP 22
0.0 (UPPER)	0.235	-0.150	-0.827	-1.356	-2.190
2.5	-0.508	-0.744	-1.212	-1.206	-1.452
5.0	-0.450	-0.647	-0.824	-1.006	-1.223
10.0	-0.475	-0.590	-0.764	-0.890	-0.978
15.0	-0.468	-0.542	-0.704	-0.813	-0.859
20.0	-0.463	-0.560	-0.665	-0.756	-0.783
24.0	-0.473	-0.570	-0.703	-0.743	-0.777
33.0	-0.554	-0.620	-0.842	-1.574	-1.095
54.0	-0.055	-1.314	-1.438	-1.552	-1.729
65.0	-0.059	-3.714	-4.254	-4.652	-4.911
78.5	-53.533	-45.313	-43.788	-46.687	-28.797
80.5	-3.713	-7.456	-5.006	-10.704	-0.043
81.5	-3.474	-0.570	-4.231	-5.363	-7.593
82.0	-1.322	-3.186	-0.489	-4.449	-5.303
84.0	-3.645	-3.265	-3.661	-3.536	-4.184
87.0	-0.806	-2.719	-2.541	-2.556	-3.059
89.0	-1.154	-1.687	-2.722	-3.010	-2.378
93.0	-0.976	-0.999	-1.017	-2.064	-0.051
96.0	-1.186	-0.843	-0.412	-1.089	-3.108
100.0 (LOWER)	-0.267	0.124	0.110	0.096	-0.586
2.5	0.281	0.335	0.423	0.458	0.449
5.0	0.242	0.218	0.328	0.380	0.365
10.0	0.185	0.273	0.277	0.304	0.257
24.0	0.162	0.192	0.237	0.236	0.149
33.0	0.191	0.238	0.274	0.300	-0.071
54.0	0.335	0.405	0.449	0.408	0.169
73.5	0.583	0.638	0.647	0.491	0.155
84.0	0.773	0.569	-3.392	0.554	0.440
96.0	0.586	0.513	0.753	0.667	0.403

WING PRESSURE COEFFICIENTS

RUN 354 POINT 2 ALPHA -0.05 PSI 0.00 HEIGHT 32.87

X/C, X	BP 2	BP 6	BP 12	BP 16	BP 22
0.0 (UPPER)	0.102	-0.434	-1.363	-2.060	-2.987
2.5	-0.558	-0.857	-1.103	-1.422	-1.858
5.0	-0.474	-0.658	-0.909	-1.108	-1.344
10.0	-0.477	-0.614	-0.786	-0.937	-1.046
15.0	-0.449	-0.548	-0.728	-0.835	-0.886
24.0	-0.459	-0.545	-0.663	-0.757	-0.787
33.0	-0.461	-0.554	-0.687	-0.734	-0.774
54.0	-0.543	-0.783	-0.908	-1.094	-1.094
65.0	-0.028	-1.261	-1.389	-1.514	-1.719
78.5	-4.140	-3.570	-4.140	-4.562	-4.961
80.5	-51.919	-43.689	-42.317	-45.839	-29.047
81.5	-7.372	-7.372	-4.776	-10.647	0.031
82.0	-3.203	-0.546	-4.149	-5.322	-7.733
84.0	-1.096	-3.028	-0.402	-4.368	-5.431
87.0	-3.684	-3.099	-3.576	-3.460	-4.297
89.0	-2.455	-2.931	-2.446	-2.508	-3.159
93.0	-0.996	-1.569	-2.629	-2.940	-2.435
96.0	-0.826	-0.899	-0.931	-2.004	-0.029
100.0 (LOWER)	-1.060	-0.753	-0.335	-1.036	-3.141
2.5	0.181	0.113	0.159	0.081	-0.551
5.0	0.366	0.430	0.505	0.514	0.474
10.0	0.351	0.305	0.404	0.456	0.424
24.0	0.271	0.361	0.360	0.382	0.324
33.0	0.250	0.271	0.320	0.311	0.202
54.0	0.271	0.318	0.346	0.368	0.012
73.5	0.401	0.466	0.510	0.457	0.159
84.0	0.638	0.682	0.655	0.481	0.143
96.0	0.768	0.560	-3.447	0.544	0.427
100.0	0.642	0.502	0.749	0.657	0.388

WING PRESSURE COEFFICIENTS

RUN 355 POINT 1 ALPHA 8.02 PSI 0.00 HEIGHT 48.41

X/C, X	BP 2	BP 6	BP 12	BP 16	BP 22
0.0 (UPPER)	-2.781	-5.072	-5.076	-4.123	-2.424
2.5	-1.643	-2.302	-2.624	-4.250	-2.404
5.0	-1.233	-1.690	-2.250	-4.524	-2.407
10.0	-1.040	-1.294	-1.817	-4.028	-2.423
15.0	-0.927	-1.112	-1.523	-1.738	-2.398
24.0	-0.811	-0.965	-1.233	-0.893	-2.555
33.0	-0.739	-0.871	-1.140	-0.893	-2.695
54.0	-0.656	-0.996	-1.208	-1.569	-2.225
65.0	0.005	-1.459	-1.618	-1.704	-2.112
78.5	-0.001	-3.736	-4.227	-5.010	-5.152
80.5	-52.541	-44.250	-39.326	-49.047	-32.881
81.5	-3.487	-7.475	-4.524	-11.049	0.007
82.0	-3.248	0.565	-4.217	-5.742	-9.420
84.0	-1.128	-3.185	-0.476	-4.793	-7.088
87.0	-3.507	-3.244	-3.668	-3.891	-5.761
89.0	-0.707	-2.701	-2.559	-2.867	-4.255
93.0	-1.053	-1.657	-1.739	-3.229	-3.322
96.0	-0.913	-0.997	-1.081	-2.283	0.023
100.0 (LOWER)	-1.144	-0.852	-0.500	-1.263	-3.636
2.5	0.145	0.127	-0.157	0.084	-0.512
5.0	0.644	0.567	0.462	0.422	0.354
10.0	0.609	0.525	0.558	0.548	0.464
24.0	0.509	0.591	0.550	0.422	0.270
33.0	0.401	0.424	0.457	0.436	0.270
54.0	0.399	0.423	0.449	0.462	-0.012
73.5	0.455	0.511	0.544	0.481	0.161
84.0	0.697	0.754	0.683	0.488	0.164
96.0	0.778	0.574	-4.085	0.558	0.444
100.0	0.666	0.515	0.756	0.666	0.403

WING PRESSURE COEFFICIENTS

RUN 354 POINT 3 ALPHA -0.08 PSI 0.00 HEIGHT 65.87

X/C, X	BP 2	BP 6	BP 12	BP 16	BP 22
0.0 (UPPER)	0.222	-0.182	-0.886	-1.422	-2.252
2.5	-0.501	-0.744	-1.243	-1.210	-1.444
5.0	-0.441	-0.644	-0.826	-1.000	-1.208
10.0	-0.459	-0.572	-0.759	-0.877	-0.964
15.0	-0.450	-0.528	-0.691	-0.797	-0.839
24.0	-0.445	-0.543	-0.650	-0.737	-0.763
33.0	-0.461	-0.552	-0.683	-0.723	-0.755
54.0	-0.540	-0.798	-0.921	-1.073	-1.073
65.0	-0.037	-1.288	-1.407	-1.521	-1.698
78.5	-0.045	-3.659	-4.203	-4.585	-4.855
80.5	-53.013	-44.732	-43.056	-46.106	-28.551
81.5	-3.667	-7.442	-10.646	-10.646	-0.034
82.0	-3.400	0.561	-4.203	-5.350	-7.508
84.0	-1.262	-3.135	-0.469	-4.387	-5.251
87.0	-3.608	-3.195	-3.636	-3.490	-4.142
89.0	-2.788	-2.693	-2.510	-2.526	-3.027
93.0	-1.121	-1.854	-2.687	-2.969	-2.338
96.0	-0.946	-0.972	-0.986	-2.032	-0.023
100.0 (LOWER)	-1.155	-0.818	-0.388	-1.063	-3.071
2.5	0.253	0.120	0.125	0.090	-0.569
5.0	0.297	0.353	0.442	0.474	0.453
10.0	0.268	0.237	0.348	0.396	0.379
24.0	0.203	0.295	0.294	0.320	0.272
33.0	0.178	0.205	0.253	0.253	0.163
54.0	0.207	0.250	0.294	0.313	-0.054
73.5	0.346	0.415	0.461	0.419	0.169
84.0	0.590	0.646	0.650	0.489	0.153
96.0	0.769	0.582	-3.356	0.549	0.434
100.0	0.591	0.508	0.747	0.661	0.396

WING PRESSURE COEFFICIENTS

RUN 356 POINT 1 ALPHA 8.02 PSI -5.01 HEIGHT 48.40

X/C, Z	BP 2	BP 6	BP 12	BP 16	BP 22
0.0 (UPPER)	-3.491	-5.072	-3.662	-2.857	-2.276
2.5	-1.834	-4.623	-3.488	-2.918	-2.258
5.0	-1.361	-1.450	-3.283	-2.986	-2.275
10.0	-1.118	-1.183	-2.703	-3.178	-2.314
15.0	-0.981	-1.059	-2.197	-3.172	-2.287
24.0	-0.853	-0.927	-1.257	-2.379	-2.379
33.0	-0.769	-0.863	-0.922	-1.239	-2.526
54.0	-0.735	-1.071	-1.071	-1.564	-2.808
65.0	-0.613	-1.510	-1.558	-1.559	-3.459
78.5	-0.019	-3.991	-4.496	-4.911	-5.402
79.5	-53.391	-43.459	-46.450	-48.858	-30.558
80.5	-3.573	-7.527	-5.407	-10.997	-0.023
81.5	-3.386	0.586	-4.529	-5.785	-9.491
82.0	-1.282	0.373	-0.659	-4.864	-7.347
84.0	-3.593	-3.407	-3.844	-3.967	-6.214
87.0	-0.764	-2.801	-2.758	-3.912	-4.604
89.0	-1.059	-1.733	-2.908	-3.309	-3.606
93.0	-1.936	-1.062	-1.145	-2.284	-0.005
96.0	-1.156	-0.928	-0.508	-1.278	-3.502
100.0	-0.028	0.147	-0.178	0.116	-0.627
2.5 (LOWER)	0.523	0.493	0.401	0.323	0.203
5.0	0.636	0.515	0.499	0.472	0.353
10.0	0.530	0.559	0.503	0.484	0.341
24.0	0.396	0.417	0.437	0.394	0.207
33.0	0.388	0.423	0.426	0.425	-0.026
54.0	0.422	0.498	0.511	0.447	0.154
73.5	0.656	0.767	0.670	0.488	0.166
84.0	0.797	0.594	-4.175	0.578	0.456
96.0	0.747	0.537	0.776	0.690	0.427

RUN 356 POINT 2 ALPHA 8.00 PSI -5.01 HEIGHT 65.66

X/C, Z	BP 2	BP 6	BP 12	BP 16	BP 22
0.0 (UPPER)	-3.255	-5.185	-4.246	-3.345	-2.357
2.5	-1.771	-3.636	-3.085	-3.456	-2.347
5.0	-1.320	-1.424	-2.756	-3.529	-2.372
10.0	-1.091	-1.244	-2.168	-3.621	-2.412
15.0	-0.960	-1.078	-1.767	-2.878	-2.381
24.0	-0.847	-0.948	-1.263	-1.383	-2.487
33.0	-0.770	-0.881	-1.087	-0.917	-2.576
54.0	-0.736	-1.043	-1.173	-1.372	-2.426
65.0	-0.644	-1.564	-1.616	-1.737	-2.827
78.5	-0.050	-4.000	-4.406	-5.072	-5.421
79.5	-54.095	-46.450	-44.477	-48.236	-32.824
80.5	-3.686	7.499	-5.048	-11.092	-0.052
81.5	-3.476	0.596	-4.449	-5.813	-9.675
82.0	-1.347	-3.414	-0.610	-4.864	-7.390
84.0	-3.644	-3.387	-3.806	-4.014	-6.106
87.0	-0.829	-2.831	-2.713	-2.950	-4.538
89.0	-1.115	-1.769	-2.888	-3.338	-3.568
93.0	-0.973	-1.092	-1.156	-2.306	-0.034
96.0	-1.178	-0.941	-0.544	-1.294	-3.650
100.0	-0.068	0.164	-0.206	0.128	-0.603
2.5 (LOWER)	0.620	0.495	0.397	0.322	0.227
5.0	0.619	0.497	0.492	0.471	0.363
10.0	0.506	0.545	0.490	0.477	0.339
24.0	0.370	0.393	0.415	0.379	0.195
33.0	0.366	0.395	0.406	0.408	-0.056
54.0	0.407	0.477	0.503	0.435	0.156
73.5	0.656	0.754	0.656	0.498	0.173
84.0	0.813	0.610	-4.255	0.592	0.473
96.0	0.733	0.552	0.671	0.705	0.444

WING PRESSURE COEFFICIENTS

RUN 355 POINT 2 ALPHA 8.01 PSI 0.00 HEIGHT 65.64

X/C, Z	BP 2	BP 6	BP 12	BP 16	BP 22
0.0 (UPPER)	-2.605	-4.848	-6.670	-4.016	-2.350
2.5	-1.615	-2.217	-2.841	-2.363	-2.363
5.0	-1.221	-1.683	-2.264	-4.439	-2.356
10.0	-1.032	-1.311	-1.732	-4.143	-2.387
15.0	-0.919	-1.106	-1.474	-2.326	-2.326
24.0	-0.818	-0.946	-1.219	-0.873	-2.468
33.0	-0.749	-0.875	-1.136	-0.907	-2.622
54.0	-0.693	-1.007	-1.156	-1.566	-2.235
65.0	-0.37	-1.485	-1.672	-1.734	-2.139
78.5	-0.042	-3.852	-4.463	-5.087	-3.163
79.5	-53.345	-45.181	-42.133	-49.728	-32.650
80.5	-3.597	-7.473	-4.904	-11.057	-0.045
81.5	-3.380	0.574	-4.411	-5.839	-9.352
82.0	-1.267	-3.284	-0.586	-4.909	-7.032
84.0	-3.597	-3.346	-3.810	-3.998	-5.754
87.0	-0.797	-2.778	-2.689	-2.840	-4.256
89.0	-1.127	-1.729	-2.847	-3.338	-3.669
93.0	-0.970	-1.041	-1.146	-2.339	-0.017
96.0	-1.193	-0.892	-0.535	-1.310	-3.669
100.0	-0.185	0.139	-0.166	0.106	-0.546
2.5 (LOWER)	0.619	0.562	0.459	0.440	0.385
5.0	0.588	0.500	0.550	0.560	0.460
10.0	0.484	0.572	0.533	0.533	0.407
24.0	0.367	0.394	0.436	0.410	0.248
33.0	0.366	0.396	0.426	0.437	-0.051
54.0	0.428	0.484	0.525	0.462	0.164
73.5	0.682	0.743	0.677	0.490	0.171
84.0	0.787	0.585	-4.143	0.567	0.456
96.0	0.639	0.525	0.763	0.680	0.414

RUN 355 POINT 3 ALPHA 7.99 PSI 0.00 HEIGHT 87.09

X/C, Z	BP 2	BP 6	BP 12	BP 16	BP 22
0.0 (UPPER)	-2.450	-4.589	-6.811	-3.894	-2.238
2.5	-1.560	-2.140	-2.870	-3.880	-2.199
5.0	-1.183	-1.619	-2.230	-4.049	-2.175
10.0	-0.906	-1.253	-1.659	-3.813	-2.169
15.0	-0.794	-1.080	-1.399	-2.987	-2.104
24.0	-0.734	-0.943	-1.163	-0.889	-2.112
33.0	-0.734	-0.867	-1.093	-0.867	-2.144
54.0	-0.705	-1.005	-1.197	-1.371	-2.239
65.0	-0.643	-1.482	-1.656	-2.814	-2.814
78.5	-0.050	-3.861	-4.524	-4.998	-5.693
79.5	-53.439	-45.416	-43.472	-49.399	-30.151
80.5	-3.639	-7.431	-5.106	-10.992	-0.053
81.5	-3.413	0.596	-4.458	-5.787	-9.235
82.0	-1.286	-3.283	-0.628	-4.862	-7.093
84.0	-3.588	-3.348	-3.819	-3.946	-5.990
87.0	-0.804	-2.788	-2.716	-2.916	-4.491
89.0	-1.134	-1.735	-2.865	-3.337	-3.576
93.0	-0.978	-1.044	-1.152	-2.324	-0.029
96.0	-1.203	-0.897	-0.528	-1.298	-3.739
100.0	-0.199	0.149	-0.168	0.119	-0.627
2.5 (LOWER)	0.619	0.556	0.474	0.459	0.384
5.0	0.569	0.485	0.551	0.560	0.455
10.0	0.464	0.559	0.527	0.522	0.388
24.0	0.354	0.378	0.420	0.395	0.218
33.0	0.355	0.384	0.415	0.423	-0.058
54.0	0.417	0.478	0.517	0.450	0.170
73.5	0.667	0.736	0.666	0.498	0.177
84.0	0.786	0.594	-4.275	0.577	0.470
96.0	0.635	0.538	0.771	0.691	0.427

WING PRESSURE COEFFICIENTS

RUN 357 POINT 2 ALPHA -0.03 PSI -5.01 HEIGHT 32.81

X/C. X	BP 2	BP 6	BP 12	BP 16	BP 22
0.0 (UPPER)	-0.150	-0.807	-1.811	-2.594	-2.965
2.5	-0.645	-0.778	-1.210	-1.525	-2.527
5.0	-0.495	-0.701	-0.939	-1.150	-2.119
10.0	-0.486	-0.609	-0.795	-0.953	-1.052
15.0	-0.458	-0.551	-0.714	-0.846	-0.815
20.0	-0.471	-0.542	-0.651	-0.771	-0.742
24.0	-0.462	-0.552	-0.681	-0.737	-0.728
33.0	-0.744	-0.782	-0.919	-1.576	-1.077
54.0	0.027	-1.282	-1.404	1.576	-1.685
65.0	0.023	-3.630	-4.211	-4.638	-5.032
78.5	-52.868	-4.885	-43.722	-47.125	-29.570
79.5	-3.400	-7.443	-4.861	-10.747	0.020
80.5	-3.315	-3.078	-4.216	-5.383	-8.060
81.5	-1.117	-3.078	-4.409	-4.420	-5.720
82.0	-3.442	-3.066	-3.503	-3.542	-4.477
84.0	-0.619	-2.644	-2.488	-2.563	-3.217
87.0	-0.952	-1.591	-2.658	-2.955	-2.487
89.0	-0.917	-0.768	-0.917	-2.006	0.056
93.0	-1.008	-0.777	-0.335	-1.047	-3.123
96.0	-0.078	0.196	-0.143	-0.103	-0.536
100.0	0.427	0.444	0.444	0.448	0.403
2.5 (LOWER)	0.392	0.338	0.404	0.429	0.388
5.0	0.325	0.391	0.364	0.376	0.295
10.0	0.277	0.297	0.301	0.301	0.174
24.0	0.311	0.329	0.350	0.359	0.222
33.0	0.415	0.461	0.505	0.439	0.161
54.0	0.648	0.702	0.614	0.492	0.174
73.5	0.838	0.644	-3.438	0.623	-0.101
84.0	0.745	0.585	0.696	0.739	0.474
96.0					

WING PRESSURE COEFFICIENTS

RUN 356 POINT 3 ALPHA 8.05 PSI -5.01 HEIGHT 87.21

X/C. X	BP 2	BP 6	BP 12	BP 16	BP 22
0.0 (UPPER)	-3.181	-5.445	-4.833	-3.760	-2.441
2.5	-1.762	-2.461	-2.936	-2.430	-2.430
5.0	-1.311	-1.678	-2.530	-4.064	-2.462
10.0	-0.972	-1.142	-1.945	-3.836	-2.500
15.0	-0.839	-0.990	-1.626	-2.247	-2.483
24.0	-0.779	-0.924	-1.274	-1.133	-2.627
33.0	-0.756	-1.055	-1.159	-0.932	-2.696
54.0	-0.055	-1.573	-1.232	1.586	-2.199
65.0	-0.062	-4.036	-1.672	-1.806	-2.471
78.5	-54.387	-47.078	-4.430	-5.227	-5.497
79.5	-3.719	-7.519	-4.937	-34.344	-3.444
80.5	-3.521	0.615	-4.496	-5.906	-9.831
81.5	-1.379	-3.448	-0.607	-7.453	-4.932
82.0	-3.686	-3.391	-2.718	-4.956	-6.072
84.0	-0.841	-2.872	-2.898	-3.029	-4.505
87.0	-0.998	-1.143	-1.175	-2.350	-3.541
89.0	-1.200	-0.953	-0.562	-3.715	-0.038
93.0	-0.094	0.185	-0.218	0.151	-0.608
96.0	0.609	0.490	0.381	0.312	0.230
100.0	0.590	0.482	0.471	0.466	0.363
2.5 (LOWER)	0.494	0.539	0.477	0.470	0.334
5.0	0.357	0.384	0.407	0.368	0.187
10.0	0.348	0.383	0.399	0.394	-0.069
24.0	0.396	0.467	0.492	0.428	0.168
33.0	0.654	0.737	0.648	0.502	0.183
54.0	0.837	0.635	-4.282	0.616	-0.114
73.5	0.729	0.577	0.666	0.734	0.469
84.0					
96.0					

WING PRESSURE COEFFICIENTS

RUN 357 POINT 3 ALPHA -0.05 PSI -5.01 HEIGHT 65.64

X/C. X	BP 2	BP 6	BP 12	BP 16	BP 22
0.0 (UPPER)	-0.002	-0.525	-1.318	-1.957	-2.861
2.5	-0.599	-0.674	-1.043	-1.345	-1.814
5.0	-0.495	-0.661	-0.683	-1.059	-1.293
10.0	-0.477	-0.593	-0.772	-0.912	-1.033
15.0	-0.472	-0.552	-0.700	-0.823	-0.876
24.0	-0.481	-0.562	-0.658	-0.768	-0.786
33.0	-0.476	-0.577	-0.698	-0.744	-0.774
54.0	-0.046	-0.728	-0.947	-1.577	-1.096
65.0	-0.053	-3.789	-1.450	-1.560	-1.724
78.5	-54.146	-46.139	-4.826	-4.722	-5.128
79.5	-3.623	-7.517	-5.095	-10.794	-29.779
80.5	-3.507	0.624	-4.312	-5.454	-7.971
81.5	-1.347	-3.242	-0.478	-4.482	-5.624
82.0	-3.628	-3.212	-3.592	-3.608	-4.382
84.0	-0.754	-2.752	-2.575	-2.618	-3.144
87.0	-1.102	-1.704	-2.744	-3.022	-2.454
89.0	-0.898	-1.015	-1.021	-2.060	-0.025
93.0	-1.115	-0.859	-0.406	-1.091	-3.135
96.0	-0.195	0.214	-0.197	-0.108	-0.562
100.0	0.362	0.381	0.422	0.423	0.391
2.5 (LOWER)	0.314	0.264	0.346	0.377	0.246
5.0	0.252	0.323	0.298	0.317	0.246
10.0	0.202	0.227	0.255	0.239	0.135
24.0	0.231	0.257	0.285	0.305	-0.054
33.0	0.351	0.401	0.456	0.406	0.175
54.0	0.609	0.676	0.593	0.495	0.182
73.5	0.851	0.654	-3.436	0.640	-0.082
84.0	0.685	0.600	0.682	0.752	0.488
96.0					

WING PRESSURE COEFFICIENTS

RUN 357 POINT 1 ALPHA 0.01 PSI -5.01 HEIGHT 20.21

X/C. X	BP 2	BP 6	BP 12	BP 16	BP 22
0.0 (UPPER)	-0.283	-1.092	-2.384	-3.160	-1.827
2.5	-0.676	-0.858	-1.342	-2.101	-1.576
5.0	-0.492	-0.713	-0.977	-1.205	-1.524
10.0	-0.473	-0.598	-0.809	-0.952	-1.494
15.0	-0.441	-0.531	-0.704	-0.834	-1.383
24.0	-0.442	-0.523	-0.627	-0.740	-1.043
33.0	-0.427	-0.517	-0.648	-0.700	-0.798
54.0	-0.747	-0.724	-0.854	1.575	-1.019
65.0	0.127	-1.175	-1.293	-1.431	-1.556
78.5	0.124	-3.285	-3.924	-4.415	-4.751
79.5	-49.142	-41.162	-40.874	-45.171	-28.292
80.5	-3.283	-7.022	-4.415	-10.449	0.113
81.5	-2.721	-3.934	-3.772	-7.772	-5.506
82.0	-0.717	-2.667	-0.197	-4.198	-4.359
84.0	-3.009	-3.226	-3.222	-3.364	-3.108
87.0	-0.246	-2.318	-2.227	-2.354	-3.108
89.0	-0.627	-1.307	-2.424	-2.789	-2.375
93.0	-0.485	-0.668	-0.749	-1.851	-0.149
96.0	-0.747	-0.584	-0.170	-0.916	-3.011
100.0	0.219	0.194	0.104	0.154	-0.588
2.5 (LOWER)	0.497	0.419	0.505	0.465	0.407
5.0	0.469	0.419	0.470	0.478	0.407
10.0	0.407	0.462	0.441	0.444	0.334
24.0	0.375	0.389	0.408	0.373	0.216
33.0	0.409	0.417	0.424	0.420	0.119
54.0	0.502	0.541	0.541	0.474	0.161
73.5	0.673	0.762	0.567	0.493	0.175
84.0	0.834	0.639	-3.357	0.617	-0.107
96.0	0.792	0.563	0.687	0.733	0.476

WING PRESSURE COEFFICIENTS

RUN 356 POINT 2 ALPHA -0.03 PSI -5.01 HEIGHT 32.83

X/C, X	BP 2	BP 6	BP 12	BP 16	BP 22
0.0 (UPPER)	0.435	0.290	0.161	0.106	0.035
2.5	-0.237	-0.321	-0.427	-0.461	-0.460
5.0	-0.212	-0.293	-0.350	-0.372	-0.394
10.0	-0.233	-0.275	-0.321	-0.348	-0.383
15.0	-0.210	-0.249	-0.284	-0.317	-0.282
20.0	-0.197	-0.222	-0.244	-0.279	-0.245
24.0	-0.169	-0.203	-0.232	-0.223	-0.210
33.0	-0.114	-0.142	-0.251	1.392	-0.231
54.0	0.045	-0.321	-0.354	-0.353	-0.310
78.5	0.037	-0.530	-0.517	-0.519	-0.525
79.5	-0.431	-0.447	-0.517	-0.519	-0.568
80.5	-0.448	-0.469	-0.465	-0.564	0.030
81.5	-0.469	0.713	-0.506	-0.506	-0.668
82.0	-0.474	-0.376	-0.184	-0.510	-0.654
84.0	-0.468	-0.462	-0.341	-0.350	-0.617
87.0	-0.480	-0.455	-0.482	-0.318	-0.610
89.0	-0.476	-0.457	-0.486	-0.539	-0.641
93.0	-0.555	-0.482	-0.507	-0.561	0.061
96.0	-0.571	-0.447	-0.512	-0.548	-0.625
100.0 (LOWER)	-0.428	-0.379	-0.468	-0.496	-0.619
2.5	0.212	0.222	0.238	0.246	0.243
5.0	0.188	0.138	0.181	0.192	0.175
10.0	0.150	0.177	0.143	0.155	0.113
24.0	0.099	0.102	0.125	0.111	0.089
33.0	0.122	0.139	0.157	0.182	0.040
54.0	0.240	0.271	0.321	0.298	0.402
73.5	0.563	0.609	0.573	0.622	0.424
84.0	0.697	0.759	-0.651	0.765	0.377
96.0	0.491	0.564	0.400	0.386	0.262

RUN 357 POINT 4 ALPHA -0.07 PSI -5.01 HEIGHT 87.05

X/C, X	BP 2	BP 6	BP 12	BP 16	BP 22
0.0 (UPPER)	0.021	-0.481	-1.264	-1.878	-2.762
2.5	-0.594	-0.854	-1.025	-1.168	-1.335
5.0	-0.504	-0.655	-0.889	-1.058	-1.233
10.0	-0.487	-0.603	-0.782	-0.916	-1.037
15.0	-0.475	-0.559	-0.707	-0.829	-0.879
24.0	-0.483	-0.567	-0.665	-0.776	-0.793
33.0	-0.490	-0.588	-0.707	-0.755	-0.783
54.0	-0.727	-0.838	-0.963	1.588	-1.112
78.5	-0.057	-1.364	-1.467	-1.379	-1.745
79.5	-0.065	-3.813	-4.368	-4.766	-5.165
80.5	-54.624	-46.556	-45.341	-48.074	-28.997
81.5	-3.719	-7.519	-5.141	-10.870	-8.063
82.0	-3.594	0.618	-4.325	-5.488	-8.022
84.0	-1.368	-3.273	-0.531	-4.515	-5.645
87.0	-3.868	-3.331	-3.634	-3.861	-4.367
89.0	-0.785	-2.790	-2.595	-2.834	-3.177
93.0	-1.130	-1.730	-2.777	-3.053	-2.471
96.0	-0.927	-1.037	-1.042	-2.085	-3.157
100.0 (LOWER)	-0.140	-0.881	-0.421	-1.108	-3.157
2.5	-0.215	0.222	-0.209	-0.112	-0.377
5.0	0.336	0.364	0.407	0.413	0.383
10.0	0.300	0.252	0.336	0.364	0.336
24.0	0.235	0.308	0.280	0.306	0.234
33.0	0.166	0.209	0.240	0.225	0.123
54.0	0.218	0.243	0.273	0.291	-0.068
73.5	0.339	0.390	0.449	0.399	0.177
84.0	0.599	0.672	0.586	0.503	0.184
96.0	0.862	0.669	-3.468	0.651	-0.065
100.0 (LOWER)	0.676	0.611	0.679	0.765	0.182

WING PRESSURE COEFFICIENTS

RUN 358 POINT 3 ALPHA -0.05 PSI -5.01 HEIGHT 65.84

X/C, X	BP 2	BP 6	BP 12	BP 16	BP 22
0.0 (UPPER)	0.473	0.352	0.249	0.206	0.166
2.5	-0.217	-0.291	-0.388	-0.406	-0.390
5.0	-0.202	-0.276	-0.329	-0.360	-0.360
10.0	-0.224	-0.265	-0.306	-0.337	-0.333
15.0	-0.216	-0.248	-0.280	-0.311	-0.276
24.0	-0.208	-0.234	-0.245	-0.281	-0.248
33.0	-0.180	-0.222	-0.259	-0.232	-0.220
54.0	0.122	-0.250	-0.263	1.400	-0.239
65.0	0.025	-0.333	-0.368	-0.367	-0.319
78.5	0.019	-0.551	-0.572	-0.585	-0.651
79.5	-0.440	-0.470	-0.550	-0.548	-0.699
80.5	-0.463	-0.473	-0.467	-0.584	0.002
81.5	-0.483	0.720	-0.515	-0.510	-0.706
82.0	-0.465	-0.396	-0.220	-0.537	-0.673
84.0	-0.469	-0.476	-0.367	-0.584	-0.649
87.0	-0.503	-0.470	-0.500	-0.527	-0.636
89.0	-0.481	-0.469	-0.504	-0.561	-0.672
93.0	-0.563	-0.495	-0.524	-0.584	0.040
96.0	-0.579	-0.461	-0.532	-0.571	-0.656
100.0 (LOWER)	-0.444	-0.393	-0.486	-0.492	-0.670
2.5	0.169	0.174	0.190	0.195	0.190
5.0	0.140	0.101	0.134	0.148	0.130
10.0	0.113	0.137	0.106	0.116	0.075
24.0	0.066	0.074	0.093	0.079	0.065
33.0	0.088	0.110	0.130	0.154	0.024
54.0	0.249	0.302	0.302	0.278	0.404
73.5	0.547	0.585	0.560	0.626	0.429
84.0	0.688	0.764	-0.677	0.774	0.358
96.0	0.472	0.568	0.368	0.375	0.277

RUN 358 POINT 1 ALPHA -0.01 PSI -5.01 HEIGHT 19.38

X/C, X	BP 2	BP 6	BP 12	BP 16	BP 22
0.0 (UPPER)	0.398	0.211	0.039	-0.048	-0.149
2.5	-0.269	-0.364	-0.494	-0.528	-0.545
5.0	-0.229	-0.318	-0.383	-0.415	-0.434
10.0	-0.241	-0.287	-0.342	-0.372	-0.359
15.0	-0.219	-0.263	-0.301	-0.325	-0.286
24.0	-0.201	-0.235	-0.239	-0.278	-0.243
33.0	-0.173	-0.211	-0.238	-0.232	-0.203
54.0	-0.103	-0.239	-0.246	1.393	-0.229
65.0	0.062	-0.315	-0.349	-0.346	-0.308
78.5	0.057	-0.520	-0.535	-0.547	-0.597
79.5	-0.435	-0.446	-0.512	-0.505	-0.626
80.5	-0.455	-0.460	-0.435	-0.544	0.046
81.5	-0.475	-0.473	-0.479	-0.475	-0.626
82.0	-0.478	-0.374	-0.189	-0.498	-0.605
84.0	-0.466	-0.455	-0.324	-0.539	-0.576
87.0	-0.508	-0.447	-0.471	-0.188	-0.579
89.0	-0.493	-0.462	-0.475	-0.521	-0.604
93.0	-0.497	-0.489	-0.497	-0.545	-0.682
96.0	-0.590	-0.454	-0.503	-0.533	-0.566
100.0 (LOWER)	-0.419	-0.373	-0.456	-0.510	-0.610
2.5	0.262	0.273	0.293	0.303	0.292
5.0	0.228	0.184	0.226	0.243	0.219
10.0	0.187	0.225	0.191	0.198	0.152
24.0	0.144	0.151	0.167	0.117	0.117
33.0	0.167	0.185	0.197	0.216	0.060
54.0	0.277	0.305	0.350	0.320	0.405
73.5	0.588	0.637	0.588	0.632	0.433
84.0	0.863	0.760	-0.586	0.762	0.368
96.0	0.503	0.725	0.425	0.365	0.262



WING PRESSURE COEFFICIENTS

RUN 358 POINT 4 ALPHA 0.00 PSI -5.01 HEIGHT 87.22

X/C, X	BP 2	BP 6	BP 12	BP 16	BP 22
0.0 (UPPER)	0.479	0.358	0.252	0.213	0.175
2.5	-0.214	-0.287	-0.386	-0.401	-0.387
5.0	-0.199	-0.274	-0.324	-0.337	-0.356
10.0	-0.212	-0.262	-0.306	-0.336	-0.332
15.0	-0.208	-0.254	-0.278	-0.311	-0.276
24.0	-0.179	-0.223	-0.244	-0.283	-0.249
33.0	-0.109	-0.223	-0.261	-0.334	-0.223
54.0	-0.074	-0.250	-0.283	1.401	-0.240
65.0	0.017	-0.333	-0.370	-0.368	-0.319
78.5	0.447	-0.550	-0.573	-0.566	-0.651
80.5	-0.457	-0.468	-0.469	-0.530	-0.689
81.5	-0.477	0.743	-0.514	-0.590	0.004
82.0	-0.477	-0.402	-0.216	-0.531	-0.702
84.0	-0.469	-0.376	-0.368	-0.547	-0.670
87.0	-0.488	-0.489	-0.499	-0.536	-0.550
89.0	-0.478	-0.466	-0.453	-0.654	-0.654
93.0	-0.555	-0.490	-0.523	-0.584	-0.672
96.0	-0.578	-0.457	-0.530	-0.572	-0.639
100.0	-0.442	-0.395	-0.488	-0.449	-0.657
2.5 (LOWER)	0.163	0.169	0.187	0.190	0.184
5.0	0.139	0.098	0.130	0.143	0.125
10.0	0.111	0.132	0.101	0.114	0.071
24.0	0.061	0.071	0.089	0.077	0.063
33.0	0.088	0.107	0.129	0.150	0.025
54.0	0.214	0.247	0.299	0.277	0.470
73.5	0.547	0.583	0.559	0.636	0.446
84.0	0.689	0.782	-0.681	0.795	0.419
96.0	0.470	0.589	0.390	0.375	0.278

WING PRESSURE COEFFICIENTS

RUN 359 POINT 2 ALPHA 8.03 PSI -5.01 HEIGHT 85.61

X/C, X	BP 2	BP 6	BP 12	BP 16	BP 22
0.0 (UPPER)	-1.524	-2.700	-3.864	-3.056	-1.362
2.5	-1.111	-1.389	-1.806	-2.664	-1.128
5.0	-0.818	-1.038	-1.258	-2.624	-1.081
10.0	-0.568	-0.772	-0.937	-0.967	-1.079
15.0	-0.566	-0.643	-0.744	-0.632	-0.991
24.0	-0.465	-0.502	-0.562	-0.576	-0.903
33.0	-0.372	-0.429	-0.489	-0.463	-0.763
54.0	-0.208	-0.374	-0.407	1.420	-0.554
65.0	0.040	-0.419	-0.475	-0.477	-0.598
78.5	0.029	-0.614	-0.629	-0.660	-0.821
79.5	-0.509	-0.521	-0.594	-0.511	-0.831
80.5	-0.534	-0.512	-0.522	-0.559	0.021
81.5	-0.559	0.752	-0.556	-0.575	-0.908
82.0	-0.546	-0.461	-0.250	-0.599	-0.891
84.0	-0.547	-0.528	-0.418	-0.668	-0.876
87.0	-0.593	-0.526	-0.555	-0.603	-0.870
89.0	-0.578	-0.540	-0.555	-0.638	-0.887
93.0	-0.663	-0.570	-0.580	-0.663	-0.950
96.0	-0.663	-0.530	-0.580	-0.648	-0.846
100.0	-0.481	-0.441	-0.527	-0.621	-0.834
2.5 (LOWER)	0.566	0.516	0.491	0.482	0.448
5.0	0.492	0.389	0.470	0.479	0.406
10.0	0.399	0.475	0.399	0.409	0.302
24.0	0.249	0.268	0.285	0.262	0.168
33.0	0.261	0.261	0.279	0.289	0.042
54.0	0.290	0.324	0.365	0.324	0.431
73.5	0.597	0.640	0.584	0.642	0.458
84.0	0.752	0.809	-0.882	0.822	0.445
96.0	0.493	0.454	0.409	0.359	0.211

WING PRESSURE COEFFICIENTS

RUN 359 POINT 3 ALPHA 8.02 PSI -5.01 HEIGHT 87.08

X/C, X	BP 2	BP 6	BP 12	BP 16	BP 22
0.0 (UPPER)	-1.473	-2.628	-3.784	-3.087	-1.389
2.5	-1.105	-1.389	-1.799	-2.709	-1.148
5.0	-0.818	-1.033	-1.248	-2.611	-1.089
10.0	-0.666	-0.767	-0.927	-0.859	-1.096
15.0	-0.570	-0.649	-0.744	-0.656	-1.003
24.0	-0.470	-0.507	-0.565	-0.589	-0.908
33.0	-0.377	-0.430	-0.489	-0.470	-0.754
54.0	-0.215	-0.379	-0.412	1.439	-0.542
65.0	0.034	-0.428	-0.482	-0.486	-0.585
78.5	0.025	-0.625	-0.641	-0.668	-0.828
79.5	-0.514	-0.529	-0.587	-0.609	-0.929
80.5	-0.543	-0.540	-0.531	-0.668	0.015
81.5	-0.565	0.775	-0.567	-0.599	-0.974
82.0	-0.563	-0.463	-0.245	-0.613	-0.902
84.0	-0.589	-0.537	-0.420	-0.664	-0.852
87.0	-0.589	-0.537	-0.559	-0.675	-0.875
89.0	-0.590	-0.552	-0.565	-0.648	-0.893
93.0	-0.672	-0.581	-0.589	-0.673	-0.953
96.0	-0.672	-0.541	-0.594	-0.656	-0.852
100.0	-0.492	-0.455	-0.536	-0.632	-0.841
2.5 (LOWER)	0.562	0.514	0.495	0.472	0.402
5.0	0.484	0.381	0.461	0.472	0.296
10.0	0.390	0.469	0.388	0.402	0.163
24.0	0.240	0.263	0.280	0.253	0.038
33.0	0.236	0.254	0.270	0.284	0.039
54.0	0.283	0.319	0.359	0.318	0.439
73.5	0.595	0.636	0.582	0.652	0.466
84.0	0.744	0.828	-0.888	0.841	0.457
96.0	0.490	0.450	0.405	0.354	0.207

WING PRESSURE COEFFICIENTS

RUN 359 POINT 1 ALPHA 8.05 PSI -5.01 HEIGHT 47.50

X/C, X	BP 2	BP 6	BP 12	BP 16	BP 22
0.0 (UPPER)	-1.618	-2.842	-4.075	-3.021	-1.330
2.5	-1.138	-1.434	-1.852	-2.617	-1.122
5.0	-0.834	-1.058	-1.285	-2.647	-1.078
10.0	-0.675	-0.785	-0.954	-1.301	-1.073
15.0	-0.574	-0.654	-0.760	-0.801	-0.994
24.0	-0.466	-0.509	-0.573	-0.566	-0.920
33.0	-0.377	-0.431	-0.498	-0.453	-0.806
54.0	-0.208	-0.374	-0.406	1.411	-0.598
65.0	0.046	-0.419	-0.473	-0.473	-0.648
78.5	0.038	-0.607	-0.620	-0.653	-0.832
79.5	-0.504	-0.523	-0.573	-0.611	-0.943
80.5	-0.530	-0.529	-0.510	-0.625	-0.975
81.5	-0.556	0.745	-0.545	-0.577	-0.917
82.0	-0.549	-0.456	-0.233	-0.597	-0.897
84.0	-0.561	-0.524	-0.408	-0.668	-0.868
87.0	-0.586	-0.532	-0.551	-0.604	-0.880
89.0	-0.578	-0.538	-0.529	-0.629	-0.895
93.0	-0.659	-0.565	-0.569	-0.661	-0.961
96.0	-0.659	-0.525	-0.571	-0.639	-0.855
100.0	-0.475	-0.436	-0.514	-0.611	-0.838
2.5 (LOWER)	0.578	0.524	0.496	0.483	0.446
5.0	0.506	0.402	0.481	0.487	0.410
10.0	0.412	0.485	0.411	0.420	0.310
24.0	0.264	0.282	0.300	0.275	0.176
33.0	0.259	0.275	0.291	0.303	0.048
54.0	0.300	0.337	0.372	0.331	0.422
73.5	0.604	0.648	0.589	0.636	0.450
84.0	0.756	0.796	-0.890	0.808	0.433
96.0	0.501	0.464	0.414	0.363	0.211

WING PRESSURE COEFFICIENTS

RUN 360 POINT 3 ALPHA 8.04 PSI 0.00 HEIGHT 87.01

X/C, Z	BP 2	BP 6	BP 12	BP 16	BP 22
0.0 (UPPER)	-0.994	-1.993	-3.043	-3.445	-1.736
2.5	-0.973	-1.277	-1.673	-1.975	-1.414
5.0	-0.750	-0.961	-1.180	-1.355	-1.350
10.0	-0.629	-0.742	-0.908	-1.009	-1.333
15.0	-0.546	-0.627	-0.715	-0.819	-1.135
24.0	-0.451	-0.476	-0.549	-0.642	-0.766
33.0	-0.364	-0.414	-0.474	-0.507	-0.518
44.0	-0.191	-0.357	-0.395	1.451	-0.431
55.0	0.045	-0.405	-0.475	-0.493	-0.471
78.5	0.636	-0.609	-0.640	-0.653	-0.778
79.5	-0.492	-0.507	-0.582	-0.615	-0.865
80.5	-0.501	-0.529	-0.558	-0.673	0.031
81.5	-0.515	0.792	-0.573	-0.608	-0.858
82.0	-0.520	-0.440	-0.524	-0.601	-0.820
84.0	-0.526	-0.520	-0.433	-0.660	-0.797
87.0	-0.529	-0.502	-0.577	-0.631	-0.812
89.0	-0.518	-0.517	-0.570	-0.649	-0.827
93.0	-0.586	-0.543	-0.591	-0.677	-0.066
96.0	-0.582	-0.506	-0.595	-0.651	-0.783
100.0 (LOWER)	-0.456	-0.440	-0.542	-0.638	-0.796
2.5	0.536	0.547	0.539	0.539	0.535
5.0	0.438	0.380	0.498	0.508	0.461
10.0	0.365	0.476	0.397	0.427	0.337
24.0	0.225	0.257	0.278	0.264	0.198
33.0	0.228	0.254	0.280	0.298	0.050
54.0	0.295	0.321	0.369	0.334	0.453
73.5	0.584	0.628	0.611	0.672	0.484
84.0	0.766	0.854	-0.822	0.867	0.487
96.0	0.437	0.445	-0.415	0.388	0.264

RUN 361 POINT 1 ALPHA -0.01 PSI 0.00 HEIGHT 19.15

X/C, Z	BP 2	BP 6	BP 12	BP 16	BP 22
0.0 (UPPER)	0.528	0.393	0.224	0.136	0.089
2.5	-0.220	-0.323	-0.466	-0.509	-0.513
5.0	-0.223	-0.308	-0.392	-0.412	-0.430
10.0	-0.254	-0.298	-0.360	-0.397	-0.394
15.0	-0.245	-0.285	-0.314	-0.356	-0.311
24.0	-0.242	-0.257	-0.272	-0.326	-0.281
33.0	-0.202	-0.242	-0.248	-0.260	-0.251
54.0	-0.224	-0.257	-0.275	1.441	-0.253
65.0	0.049	-0.330	-0.382	-0.389	-0.329
78.5	0.042	-0.541	-0.578	-0.589	-0.648
79.5	-0.414	-0.441	-0.532	-0.541	-0.698
80.5	-0.429	-0.457	-0.478	-0.592	-0.036
81.5	-0.448	0.769	-0.516	-0.527	-0.713
82.0	-0.449	-0.377	-0.201	-0.534	-0.678
84.0	-0.432	-0.449	-0.365	-0.588	-0.657
87.0	-0.449	-0.426	-0.504	-0.546	-0.662
89.0	-0.428	-0.441	-0.489	-0.571	-0.682
93.0	-0.482	-0.462	-0.520	-0.598	0.071
96.0	-0.481	-0.426	-0.526	-0.568	-0.663
100.0 (LOWER)	-0.388	-0.387	-0.478	-0.564	-0.693
2.5	0.164	0.216	0.258	0.271	0.279
5.0	0.144	0.150	0.200	0.215	0.215
10.0	0.141	0.181	0.161	0.180	0.125
24.0	0.100	0.123	0.138	0.120	0.106
33.0	0.134	0.161	0.179	0.197	0.057
54.0	0.270	0.292	0.335	0.306	0.432
73.5	0.557	0.599	0.620	0.652	0.462
84.0	0.644	0.836	-0.716	0.847	0.464
96.0	0.453	0.457	0.424	0.395	0.301

WING PRESSURE COEFFICIENTS

RUN 360 POINT 1 ALPHA 8.07 PSI 0.00 HEIGHT 47.50

X/C, Z	BP 2	BP 6	BP 12	BP 16	BP 22
0.0 (UPPER)	-1.160	-2.259	-3.435	-3.574	-1.488
2.5	-1.021	-1.340	-1.769	-1.736	-1.205
5.0	-0.775	-1.004	-1.245	-1.466	-1.162
10.0	-0.646	-0.761	-0.942	-0.979	-1.182
15.0	-0.550	-0.632	-0.738	-0.810	-1.083
24.0	-0.450	-0.488	-0.562	-0.638	-0.886
33.0	-0.364	-0.414	-0.481	-0.495	-0.640
44.0	-0.197	-0.354	-0.395	1.441	-0.444
55.0	0.080	-0.396	-0.465	-0.476	-0.472
78.5	0.652	-0.622	-0.622	-0.649	-0.783
79.5	-0.470	-0.489	-0.572	-0.610	-0.889
80.5	-0.490	-0.504	-0.517	-0.655	0.044
81.5	-0.499	0.763	-0.555	-0.544	-0.859
82.0	-0.499	-0.422	-0.421	-0.569	-0.850
84.0	-0.496	-0.496	-0.408	-0.657	-0.836
87.0	-0.510	-0.489	-0.547	-0.636	-0.821
89.0	-0.500	-0.498	-0.547	-0.636	-0.847
93.0	-0.562	-0.521	-0.568	-0.663	-0.079
96.0	-0.557	-0.485	-0.572	-0.648	-0.806
100.0 (LOWER)	-0.441	-0.420	-0.518	-0.623	-0.797
2.5	0.567	0.567	0.566	0.559	0.532
5.0	0.478	0.410	0.523	0.536	0.468
10.0	0.395	0.503	0.432	0.454	0.350
24.0	0.254	0.282	0.306	0.290	0.213
33.0	0.253	0.278	0.303	0.322	0.065
54.0	0.316	0.342	0.391	0.353	0.445
73.5	0.606	0.645	0.625	0.682	0.472
84.0	0.774	0.840	-0.844	0.859	0.469
96.0	0.456	0.459	0.429	0.397	0.265

RUN 360 POINT 2 ALPHA 8.05 PSI 0.00 HEIGHT 65.67

X/C, Z	BP 2	BP 6	BP 12	BP 16	BP 22
0.0 (UPPER)	-1.074	-2.125	-3.215	-3.535	-1.633
2.5	-0.997	-1.313	-1.723	-2.060	-1.326
5.0	-0.769	-0.989	-1.216	-1.397	-1.269
10.0	-0.643	-0.750	-0.916	-0.916	-1.273
15.0	-0.549	-0.627	-0.729	-0.838	-1.128
24.0	-0.461	-0.500	-0.558	-0.652	-0.834
33.0	-0.370	-0.416	-0.480	-0.512	-0.565
54.0	-0.197	-0.360	-0.402	1.446	-0.436
65.0	0.048	-0.405	-0.475	-0.489	-0.474
78.5	0.039	-0.602	-0.637	-0.654	-0.779
79.5	-0.485	-0.507	-0.593	-0.626	-0.816
80.5	-0.497	-0.509	-0.535	-0.669	0.030
81.5	-0.522	0.771	-0.568	-0.568	-0.854
82.0	-0.519	-0.441	-0.447	-0.616	-0.835
84.0	-0.500	-0.504	-0.410	-0.674	-0.825
87.0	-0.528	-0.501	-0.567	-0.606	-0.809
89.0	-0.511	-0.511	-0.565	-0.650	-0.834
93.0	-0.573	-0.536	-0.568	-0.679	0.056
96.0	-0.568	-0.496	-0.589	-0.663	-0.799
100.0 (LOWER)	-0.453	-0.434	-0.537	-0.639	-0.800
2.5	0.541	0.552	0.562	0.543	0.530
5.0	0.471	0.390	0.503	0.518	0.462
10.0	0.375	0.488	0.412	0.436	0.340
24.0	0.235	0.266	0.289	0.274	0.200
33.0	0.261	0.286	0.301	0.286	0.205
54.0	0.299	0.327	0.373	0.339	0.447
73.5	0.594	0.629	0.617	0.654	0.475
84.0	0.757	0.844	-0.835	0.857	0.472
96.0	0.441	0.448	0.416	0.387	0.260

WING PRESSURE COEFFICIENTS

RUN 361 POINT 4 ALPHA -0.07 PSI 0.00 HEIGHT 87.08

X/C, %	BP 2	BP 6	BP 12	BP 16	BP 22
0.0 (UPPER)	0.589	0.523	0.455	0.410	0.399
2.5	-0.118	-0.190	-0.266	-0.300	-0.272
5.0	-0.149	-0.215	-0.286	-0.270	-0.282
10.0	-0.190	-0.233	-0.270	-0.300	-0.300
15.0	-0.213	-0.216	-0.245	-0.282	-0.238
24.0	-0.167	-0.206	-0.220	-0.275	-0.236
33.0	-0.192	-0.230	-0.236	-0.224	-0.217
54.0	0.037	-0.310	-0.362	1.435	-0.236
65.0	0.027	-0.535	-0.577	-0.587	-0.638
78.5	0.396	-0.435	-0.530	-0.540	-0.692
79.5	0.406	-0.437	-0.483	-0.595	0.025
80.5	-0.419	0.783	0.515	-0.524	-0.703
81.5	-0.414	-0.370	-0.215	-0.543	-0.672
82.0	-0.403	-0.427	-0.374	-0.594	-0.653
84.0	-0.426	-0.414	-0.498	-0.539	-0.644
87.0	-0.396	-0.426	-0.501	-0.572	-0.672
89.0	-0.437	-0.444	-0.521	-0.600	0.055
93.0	-0.435	-0.411	-0.528	-0.589	-0.563
96.0	-0.363	-0.363	-0.482	-0.559	-0.582
100.0 (LOWER)	0.073	0.102	0.133	0.140	0.149
2.5	0.070	0.073	0.100	0.111	0.095
5.0	0.069	0.088	0.073	0.099	0.054
10.0	0.041	0.063	0.079	0.061	0.071
24.0	0.076	0.104	0.129	0.148	0.043
33.0	0.231	0.249	0.300	0.284	0.448
54.0	0.519	0.567	0.598	0.660	0.476
73.5	0.538	0.729	-0.687	0.860	0.493
84.0	0.425	0.437	0.415	0.397	0.315
96.0					

RUN 361 POINT 2 ALPHA -0.03 PSI 0.00 HEIGHT 32.82

X/C, %	BP 2	BP 6	BP 12	BP 16	BP 22
0.0 (UPPER)	0.556	0.457	0.346	0.284	0.267
2.5	-0.180	-0.265	-0.386	-0.413	-0.391
5.0	-0.195	-0.269	-0.335	-0.347	-0.358
10.0	-0.228	-0.263	-0.321	-0.354	-0.351
15.0	-0.219	-0.263	-0.284	-0.277	-0.277
24.0	-0.231	-0.240	-0.247	-0.244	-0.259
33.0	-0.189	-0.227	-0.266	-0.234	-0.259
54.0	-0.221	-0.244	-0.267	1.437	-0.247
65.0	0.038	-0.322	-0.375	-0.331	-0.331
78.5	0.027	-0.541	-0.582	-0.596	-0.645
79.5	-0.403	-0.434	-0.535	-0.591	-0.699
80.5	-0.417	-0.454	-0.472	-0.597	0.035
81.5	-0.431	0.760	-0.530	-0.713	-0.713
82.0	-0.429	-0.377	-0.213	-0.551	-0.690
84.0	-0.416	-0.439	-0.373	-0.593	-0.657
87.0	-0.429	-0.431	-0.504	-0.552	-0.653
89.0	-0.407	-0.433	-0.505	-0.577	-0.660
93.0	-0.449	-0.450	-0.525	-0.604	0.055
96.0	-0.450	-0.417	-0.532	-0.592	-0.658
100.0 (LOWER)	-0.371	-0.386	-0.486	-0.568	-0.692
2.5	0.122	0.163	0.200	0.209	0.218
5.0	0.113	0.110	0.149	0.164	0.149
10.0	0.105	0.136	0.116	0.138	0.088
24.0	0.063	0.084	0.105	0.085	0.086
33.0	0.095	0.124	0.148	0.169	0.044
54.0	0.241	0.263	0.312	0.292	0.431
73.5	0.525	0.577	0.608	0.647	0.461
84.0	0.566	0.746	-0.693	0.844	0.466
96.0	0.433	0.443	0.418	0.396	0.307

RUN 362 POINT 2 ALPHA 0.03 PSI 0.00 HEIGHT 87.42

X/C, %	BP 2	BP 6	BP 12	BP 16	BP 22
0.0 (UPPER)	0.586	0.500	0.434	0.405	0.387
2.5	-0.155	-0.246	-0.337	-0.358	-0.326
5.0	-0.171	-0.234	-0.311	-0.326	-0.344
10.0	-0.216	-0.278	-0.306	-0.342	-0.318
15.0	-0.224	-0.279	-0.296	-0.313	-0.290
24.0	-0.218	-0.239	-0.261	-0.289	-0.260
33.0	-0.194	-0.222	-0.268	-0.256	-0.240
54.0	-0.280	-0.248	-0.284	1.006	-0.263
65.0	0.043	-0.341	-0.385	-0.392	-0.377
78.5	0.039	-0.553	-0.596	-0.632	-0.669
79.5	-0.429	-0.489	-0.539	-0.575	-0.740
80.5	-0.419	-0.404	-0.522	-0.601	0.046
81.5	-0.456	0.037	-0.567	-0.608	-0.720
82.0	-0.455	-0.440	-0.263	-0.621	-0.690
84.0	-0.406	-0.438	-0.483	-0.625	-0.738
87.0	-0.465	-0.447	-0.570	-0.653	-0.738
89.0	-0.437	-0.458	-0.547	-0.614	-0.723
93.0	-0.469	-0.471	-0.555	-0.627	0.043
96.0	-0.470	-0.457	-0.559	-0.624	-0.718
100.0 (LOWER)	-0.393	-0.415	-0.524	-0.614	-0.719
2.5	0.082	0.095	0.137	0.155	0.154
5.0	0.064	0.046	0.100	0.113	0.091
10.0	0.053	0.073	0.071	0.083	0.055
24.0	0.037	0.037	0.076	0.060	0.059
33.0	0.057	0.091	0.119	0.142	0.041
54.0	0.230	0.247	0.289	0.274	0.357
73.5	0.524	0.563	0.607	0.507	0.510
84.0	0.541	0.562	-0.730	0.860	0.432
96.0	0.409	0.432	0.405	0.396	0.306

RUN 361 POINT 3 ALPHA -0.06 PSI 0.00 HEIGHT 65.69

X/C, %	BP 2	BP 6	BP 12	BP 16	BP 22
0.0 (UPPER)	0.578	0.501	0.421	0.377	0.368
2.5	-0.144	-0.218	-0.315	-0.337	-0.306
5.0	-0.167	-0.233	-0.286	-0.304	-0.304
10.0	-0.208	-0.239	-0.295	-0.317	-0.316
15.0	-0.203	-0.245	-0.260	-0.297	-0.257
24.0	-0.217	-0.221	-0.232	-0.268	-0.243
33.0	-0.178	-0.214	-0.249	-0.235	-0.223
54.0	-0.199	-0.235	-0.259	1.434	-0.241
65.0	0.034	-0.318	-0.370	-0.368	-0.328
78.5	0.024	-0.543	-0.585	-0.592	-0.644
79.5	-0.407	-0.450	-0.539	-0.550	-0.702
80.5	-0.402	-0.434	-0.477	-0.594	0.027
81.5	-0.432	0.766	-0.509	-0.527	-0.700
82.0	-0.418	-0.385	-0.228	-0.678	-0.678
84.0	-0.403	-0.431	-0.380	-0.602	-0.667
87.0	-0.425	-0.419	-0.505	-0.541	-0.650
89.0	-0.401	-0.432	-0.508	-0.577	0.051
93.0	-0.441	-0.451	-0.528	-0.605	-0.651
96.0	-0.441	-0.417	-0.534	-0.593	-0.668
100.0 (LOWER)	-0.365	-0.386	-0.488	-0.566	-0.688
2.5	0.088	0.119	0.144	0.159	0.167
5.0	0.073	0.081	0.115	0.123	0.107
10.0	0.077	0.101	0.084	0.107	0.059
24.0	0.042	0.064	0.082	0.065	0.072
33.0	0.074	0.106	0.132	0.154	0.042
54.0	0.232	0.248	0.301	0.283	0.443
73.5	0.523	0.569	0.598	0.471	0.471
84.0	0.541	0.733	-0.686	0.856	0.481
96.0	0.424	0.433	0.412	0.394	0.308

WING PRESSURE COEFFICIENTS

RUN 362 POINT 3 ALPHA 4.06 PSI 0.00 HEIGHT 87.32		BP 2		BP 6		BP 12		BP 16		BP 22	
X/C, X		BP 2		BP 6		BP 12		BP 16		BP 22	
0.0 (UPPER)	0.080	-0.328	-0.738	-0.970	-1.188	-1.139	-0.952	-1.112	-0.970	-1.188	-1.188
2.5	-0.576	-0.797	-1.139	-0.952	-1.112	-0.738	-0.970	-1.139	-0.952	-1.112	-1.188
5.0	-0.465	-0.559	-0.708	-0.779	-0.841	-0.598	-0.657	-0.654	-0.574	-0.654	-0.841
10.0	-0.415	-0.517	-0.598	-0.657	-0.654	-0.517	-0.555	-0.516	-0.416	-0.516	-0.654
15.0	-0.393	-0.456	-0.513	-0.455	-0.416	-0.370	-0.416	-0.352	-0.352	-0.352	-0.416
24.0	-0.334	-0.370	-0.410	-0.382	-0.352	-0.292	-0.382	-0.345	-0.345	-0.345	-0.416
33.0	-0.292	-0.324	-0.367	-0.352	-0.352	-0.255	-0.352	-0.315	-0.315	-0.315	-0.352
44.0	-0.255	-0.311	-0.353	-0.352	-0.352	-0.211	-0.352	-0.315	-0.315	-0.315	-0.352
55.0	0.056	-0.383	-0.435	-0.450	-0.395	-0.295	-0.435	-0.411	-0.411	-0.411	-0.450
78.5	0.051	-0.580	-0.623	-0.656	-0.739	-0.580	-0.656	-0.656	-0.656	-0.656	-0.739
79.5	-0.460	-0.515	-0.577	-0.596	-0.769	-0.460	-0.596	-0.596	-0.596	-0.596	-0.769
80.5	-0.462	-0.442	-0.534	-0.622	-0.682	-0.462	-0.622	-0.622	-0.622	-0.622	-0.682
81.5	-0.502	-0.420	-0.584	-0.626	-0.775	-0.502	-0.626	-0.626	-0.626	-0.626	-0.775
82.0	-0.503	-0.466	-0.584	-0.744	-0.744	-0.503	-0.744	-0.744	-0.744	-0.744	-0.775
84.0	-0.454	-0.469	-0.496	-0.683	-0.771	-0.454	-0.683	-0.683	-0.683	-0.683	-0.771
87.0	-0.501	-0.488	-0.596	-0.688	-0.768	-0.501	-0.688	-0.688	-0.688	-0.688	-0.768
89.0	-0.494	-0.516	-0.576	-0.641	-0.785	-0.494	-0.641	-0.641	-0.641	-0.641	-0.785
93.0	-0.542	-0.516	-0.585	-0.657	-0.660	-0.542	-0.657	-0.657	-0.657	-0.657	-0.660
96.0	-0.543	-0.498	-0.588	-0.653	-0.749	-0.543	-0.653	-0.653	-0.653	-0.653	-0.749
100.0	-0.434	-0.444	-0.549	-0.647	-0.757	-0.434	-0.647	-0.647	-0.647	-0.647	-0.757
2.5 (LOWER)	0.371	0.390	0.445	0.457	0.457	0.371	0.457	0.457	0.457	0.457	0.457
5.0	0.270	0.222	0.340	0.360	0.345	0.270	0.360	0.360	0.360	0.360	0.345
10.0	0.214	0.304	0.255	0.276	0.236	0.214	0.276	0.276	0.276	0.276	0.236
24.0	0.130	0.143	0.184	0.170	0.136	0.130	0.170	0.170	0.170	0.170	0.136
33.0	0.142	0.167	0.199	0.225	0.051	0.142	0.225	0.225	0.225	0.225	0.051
54.0	0.271	0.285	0.327	0.301	0.339	0.271	0.301	0.301	0.301	0.301	0.339
73.5	0.568	0.601	0.637	0.493	0.513	0.568	0.493	0.493	0.493	0.493	0.513
84.0	0.655	0.550	-0.766	0.362	0.430	0.655	0.362	0.362	0.362	0.362	0.430
96.0	0.415	0.436	0.404	0.386	0.252	0.415	0.386	0.386	0.386	0.386	0.252

WING PRESSURE COEFFICIENTS

RUN 362 POINT 4 ALPHA 8.06 PSI 0.00 HEIGHT 87.69		BP 2		BP 6		BP 12		BP 16		BP 22	
X/C, X		BP 2		BP 6		BP 12		BP 16		BP 22	
0.0 (UPPER)	-1.052	-2.110	-3.173	-3.597	-1.797	-1.052	-3.597	-1.797	-1.052	-3.597	-1.797
2.5	-1.019	-1.346	-1.743	-2.012	-1.471	-1.019	-2.012	-1.471	-1.019	-2.012	-1.471
5.0	-0.779	-1.004	-1.239	-1.423	-1.416	-0.779	-1.423	-1.416	-0.779	-1.423	-1.416
10.0	-0.652	-0.784	-0.933	-1.057	-1.374	-0.652	-1.057	-1.374	-0.652	-1.057	-1.374
15.0	-0.577	-0.663	-0.767	-0.855	-1.191	-0.577	-0.855	-1.191	-0.577	-0.855	-1.191
24.0	-0.467	-0.517	-0.582	-0.662	-0.804	-0.467	-0.662	-0.804	-0.467	-0.662	-0.804
33.0	-0.390	-0.427	-0.497	-0.536	-0.543	-0.390	-0.536	-0.543	-0.390	-0.536	-0.543
54.0	-0.315	-0.370	-0.429	-0.451	-0.451	-0.315	-0.451	-0.451	-0.315	-0.451	-0.451
65.0	0.058	-0.430	-0.493	-0.513	-0.485	0.058	-0.513	-0.485	0.058	-0.513	-0.485
78.5	0.051	-0.621	-0.658	-0.680	-0.808	0.051	-0.680	-0.808	0.051	-0.680	-0.808
79.5	-0.503	-0.553	-0.594	-0.628	-0.890	-0.503	-0.628	-0.890	-0.503	-0.628	-0.890
80.5	-0.502	-0.484	-0.562	-0.558	0.064	-0.502	-0.558	0.064	-0.502	-0.558	0.064
81.5	-0.536	0.006	-0.613	-0.653	-0.869	-0.536	-0.653	-0.869	-0.536	-0.653	-0.869
82.0	-0.544	-0.492	-0.668	-0.667	-0.833	-0.544	-0.667	-0.833	-0.544	-0.667	-0.833
84.0	-0.487	-0.504	-0.502	-0.690	-0.856	-0.487	-0.690	-0.856	-0.487	-0.690	-0.856
87.0	-0.557	-0.521	-0.624	-0.717	-0.865	-0.557	-0.717	-0.865	-0.557	-0.717	-0.865
89.0	-0.545	-0.541	-0.600	-0.675	-0.864	-0.545	-0.675	-0.864	-0.545	-0.675	-0.864
93.0	-0.605	-0.559	-0.612	-0.696	-0.866	-0.605	-0.696	-0.866	-0.605	-0.696	-0.866
96.0	-0.607	-0.637	-0.616	-0.689	-0.831	-0.607	-0.689	-0.831	-0.607	-0.689	-0.831
100.0	-0.473	-0.465	-0.572	-0.676	-0.822	-0.473	-0.676	-0.822	-0.473	-0.676	-0.822
2.5 (LOWER)	0.570	0.554	0.578	0.553	0.542	0.570	0.553	0.542	0.570	0.553	0.542
5.0	0.447	0.373	0.498	0.517	0.466	0.447	0.517	0.466	0.447	0.517	0.466
10.0	0.361	0.478	0.407	0.427	0.348	0.361	0.427	0.348	0.361	0.427	0.348
24.0	0.231	0.249	0.291	0.267	0.196	0.231	0.267	0.196	0.231	0.267	0.196
33.0	0.226	0.251	0.279	0.297	0.056	0.226	0.297	0.056	0.226	0.297	0.056
54.0	0.310	0.323	0.369	0.330	0.321	0.310	0.330	0.321	0.310	0.330	0.321
73.5	0.592	0.628	0.618	0.482	0.485	0.592	0.482	0.485	0.592	0.482	0.485
84.0	0.777	0.571	-0.853	0.487	0.418	0.777	0.487	0.418	0.777	0.487	0.418
96.0	0.434	0.449	0.417	0.397	0.267	0.434	0.397	0.267	0.434	0.397	0.267

WING PRESSURE COEFFICIENTS

RUN 362 POINT 5 ALPHA 12.04 PSI 0.00 HEIGHT 87.75		BP 2		BP 6		BP 12		BP 16		BP 22	
X/C, X		BP 2		BP 6		BP 12		BP 16		BP 22	
0.0 (UPPER)	-2.830	-4.890	-5.910	-2.510	-1.340	-2.830	-5.910	-2.510	-1.340	-2.830	-5.910
2.5	-1.612	-2.100	-2.400	-2.400	-2.377	-1.612	-2.400	-2.400	-2.377	-1.612	-2.400
5.0	-1.166	-1.523	-1.874	-2.270	-1.249	-1.166	-1.874	-2.270	-1.249	-1.166	-1.874
10.0	-0.917	-1.145	-1.384	-2.340	-1.255	-0.917	-1.384	-2.340	-1.255	-0.917	-1.384
15.0	-0.790	-0.938	-1.160	-2.186	-1.194	-0.790	-1.160	-2.186	-1.194	-0.790	-1.194
24.0	-0.627	-0.688	-0.871	-1.453	-1.168	-0.627	-0.871	-1.453	-1.168	-0.627	-1.168
33.0	-0.497	-0.569	-0.709	-1.128	-0.841	-0.497	-0.709	-1.128	-0.841	-0.497	-1.128
44.0	-0.331	-0.441	-0.537	-0.958	-1.019	-0.331	-0.537	-0.958	-1.019	-0.331	-1.019
55.0	0.050	-0.479	-0.552	-0.448	-0.899	0.050	-0.552	-0.448	-0.899	0.050	-0.899
78.5	0.043	-0.675	-0.703	-0.714	-0.868	0.043	-0.703	-0.714	-0.868	0.043	-0.868
79.5	-0.535	-0.561	-0.657	-0.693	-0.908	-0.535	-0.657	-0.693	-0.908	-0.535	-0.908
80.5	-0.521	-0.501	-0.600	-0.727	-0.958	-0.521	-0.600	-0.727	-0.958	-0.521	-0.958
81.5	-0.557	-0.011	-0.640	-0.716	-0.891	-0.557	-0.011	-0.716	-0.891	-0.557	-0.891
82.0	-0.569	-0.498	-0.315	-0.716	-0.862	-0.569	-0.315	-0.716	-0.862	-0.569	-0.862
84.0	-0.511	-0.513	-0.522	-0.751	-0.868	-0.511	-0.522	-0.751	-0.868	-0.511	-0.868
87.0	-0.563	-0.545	-0.648	-0.759	-0.866	-0.563	-0.648	-0.759	-0.866	-0.563	-0.866
89.0	-0.561	-0.559	-0.659	-0.735	-0.862	-0.561	-0.659	-0.735	-0.862	-0.561	-0.862
93.0	-0.629	-0.584	-0.665	-0.765	-0.862	-0.629	-0.665	-0.765	-0.862	-0.629	-0.862
96.0	-0.621	-0.549	-0.666	-0.761	-0.833	-0.621	-0.666	-0.761	-0.833	-0.621	-0.833
100.0	-0.483	-0.455	-0.579	-0.713	-0.824	-0.483	-0.579	-0.713	-0.824	-0.483	-0.824
2.5 (LOWER)	0.674	0.606	0.561	0.566	0.535	0.674	0.561	0.566	0.535	0.674	0.535
5.0	0.601	0.506	0.596	0.594	0.517	0.601	0.596	0.594	0.517	0.601	0.517
10.0	0.505	0.602	0.526	0.524	0.424	0.505	0.526	0.524	0.424	0.505	0.424
24.0	0.334	0.350	0.386	0.351	0.268	0.334	0.386	0.351	0.268	0.334	0.268
33.0	0.319	0.334	0.372	0.352	0.252	0.319	0.372	0.352	0.252	0.319	0.252
54.0	0.361	0.373	0.409	0.363	0.304						

WING PRESSURE COEFFICIENTS

RUN 363 POINT 2 ALPHA 4.05 PSI 0.00 HEIGHT 87.40

X/C, %	BP 2	BP 6	BP 12	BP 16	BP 22
0.0 (UPPER)	-0.838	-2.050	-3.760	-4.387	-2.392
2.5	-0.969	-1.428	-2.030	-3.763	-2.030
5.0	-0.867	-1.138	-1.561	-2.140	-1.937
10.0	-0.791	-0.954	-1.243	-1.319	-1.957
15.0	-0.756	-0.912	-1.074	-1.206	-1.605
24.0	-0.720	-0.806	-0.942	-1.118	-1.628
33.0	-0.682	-0.771	-0.936	-1.027	-1.336
54.0	-0.780	-0.942	-1.190	0.751	-1.403
65.0	-0.692	-1.518	-1.692	0.751	-1.818
78.5	-0.106	-4.165	-4.816	-5.241	-5.654
79.5	-42.388	-36.646	-39.712	-42.826	-33.702
80.5	-6.287	-6.646	-7.644	-12.041	-0.093
81.5	-3.793	-1.036	-5.052	-6.512	-9.341
82.0	-1.636	-3.533	-0.588	-5.156	-6.116
84.0	-4.014	-3.707	-3.850	-4.125	-5.344
87.0	-0.831	-3.116	-2.969	-3.106	-3.870
89.0	-1.245	-1.907	-3.068	-3.453	-3.108
93.0	-1.091	-1.148	-2.447	-2.447	-0.050
96.0	-1.386	-0.989	-0.504	-1.325	-3.897
100.0	-0.349	-0.210	-0.247	-0.223	-0.810
2.5 (LOWER)	0.507	0.527	0.530	0.468	0.470
5.0	0.381	0.379	0.498	0.486	0.417
10.0	0.350	0.472	0.405	0.443	0.296
24.0	0.239	0.288	0.329	0.261	0.151
33.0	0.274	0.290	0.325	0.334	-0.076
54.0	0.404	0.407	0.454	0.357	-0.426
73.5	0.601	0.644	0.603	0.238	0.142
84.0	0.729	0.729	-4.243	-0.130	0.086
96.0	0.615	0.709	0.703	0.603	0.166

RUN 362 POINT 7 ALPHA 22.05 PSI 0.00 HEIGHT 98.15

X/C, %	BP 2	BP 6	BP 12	BP 16	BP 22
0.0 (UPPER)	-1.402	-1.185	-1.006	-0.993	-0.864
2.5	-1.316	-1.136	-1.000	-0.942	-0.858
5.0	-1.292	-1.147	-1.021	-0.936	-0.832
10.0	-1.222	-1.130	-0.983	-0.957	-0.867
15.0	-1.177	-1.138	-0.985	-0.946	-0.829
24.0	-1.059	-1.071	-0.974	-0.960	-0.855
33.0	-1.009	-1.031	-0.977	-0.931	-0.859
54.0	-0.608	-0.957	-0.956	-0.922	-0.869
65.0	-0.081	-0.860	-0.930	-0.895	-0.854
78.5	-0.089	-0.860	-0.936	-0.956	-0.952
79.5	-0.810	-0.822	-0.902	-0.859	-0.809
80.5	-0.842	-0.787	-0.834	-0.848	-0.872
81.5	-0.869	-0.837	-0.863	-0.848	-0.872
82.0	-0.887	-0.770	-0.840	-0.843	-0.827
84.0	-0.789	-0.787	-0.860	-0.867	-0.827
87.0	-0.803	-0.779	-0.838	-0.861	-0.806
89.0	-0.778	-0.781	-0.791	-0.801	-0.806
93.0	-0.827	-0.798	-0.770	-0.799	-0.867
96.0	-0.809	-0.766	-0.759	-0.751	-0.867
100.0	-0.649	-0.659	-0.669	-0.735	-0.760
2.5 (LOWER)	0.812	0.648	0.579	0.504	0.438
5.0	0.790	0.652	0.647	0.597	0.504
10.0	0.697	0.710	0.612	0.593	0.468
24.0	0.475	0.495	0.444	0.444	0.334
33.0	0.443	0.450	0.451	0.451	-0.080
54.0	0.422	0.428	0.453	0.401	0.262
73.5	0.645	0.718	0.678	0.476	0.472
84.0	0.771	0.689	-0.787	0.455	0.403
96.0	0.486	0.451	0.412	0.381	0.235

RUN 363 POINT 3 ALPHA 8.06 PSI 0.00 HEIGHT 87.35

X/C, %	BP 2	BP 6	BP 12	BP 16	BP 22
0.0 (UPPER)	-2.696	-5.006	-4.856	-4.459	-2.609
2.5	-1.711	-2.352	-2.709	-4.468	-2.568
5.0	-1.331	-1.744	-2.455	-4.748	-2.526
10.0	-1.126	-1.378	-1.934	-4.129	-2.597
15.0	-1.022	-1.258	-1.600	-1.677	-2.500
24.0	-0.934	-1.038	-1.315	-1.062	-2.569
33.0	-0.849	-0.971	-1.242	-1.050	-2.760
54.0	-0.855	-1.104	-1.384	0.720	-2.363
65.0	-0.088	-1.630	-1.849	-1.922	-1.880
78.5	-0.105	-4.279	-4.836	-5.607	-5.700
79.5	-50.931	-42.498	-39.654	-50.894	-36.652
80.5	-6.921	-7.347	-6.767	-12.788	-0.094
81.5	-3.791	-1.103	-5.089	-6.864	-10.647
82.0	-1.487	-3.854	-0.437	-5.502	-7.177
84.0	-4.130	-3.855	-3.991	-4.476	-6.353
87.0	-0.762	-3.261	-3.056	-3.399	-4.597
89.0	-1.280	-2.003	-3.197	-3.770	-3.582
93.0	-1.136	-1.239	-2.695	-2.995	-0.048
96.0	-1.427	-1.078	-0.566	-1.475	-4.143
100.0	-0.328	-0.209	-0.342	-0.270	-0.710
2.5 (LOWER)	0.628	0.579	0.460	0.378	0.368
5.0	0.546	0.511	0.554	0.527	0.442
10.0	0.507	0.601	0.511	0.538	0.368
24.0	0.347	0.392	0.428	0.345	0.213
33.0	0.366	0.368	0.397	0.408	-0.072
54.0	0.458	0.447	0.489	0.385	-0.477
73.5	0.646	0.712	0.644	0.240	0.106
84.0	0.751	0.840	-4.840	-0.210	0.101
96.0	0.652	0.722	0.704	0.622	0.130

RUN 362 POINT 1 ALPHA -0.02 PSI 0.00 HEIGHT 88.05

X/C, %	BP 2	BP 6	BP 12	BP 16	BP 22
0.0 (UPPER)	0.236	-0.236	-0.979	-1.626	-2.480
2.5	-0.562	-0.805	-1.327	-1.291	-1.605
5.0	-0.522	-0.692	-0.926	-1.080	-1.307
10.0	-0.533	-0.642	-0.819	-0.992	-1.105
15.0	-0.544	-0.660	-0.910	-0.920	-0.920
24.0	-0.555	-0.610	-0.716	-0.869	-0.882
33.0	-0.547	-0.630	-0.758	-0.846	-0.863
54.0	-0.714	-0.884	-1.068	-0.794	-1.192
65.0	-0.094	-1.452	-1.592	-1.695	-1.568
78.5	-0.109	-4.088	-4.688	-5.326	-5.326
79.5	-56.233	-46.511	-44.529	-48.909	-33.260
80.5	-6.009	-8.027	-5.931	-12.015	-0.086
81.5	-3.734	-0.963	-4.935	-6.233	-8.583
82.0	-1.460	-3.422	-4.866	-5.781	-5.781
84.0	-4.136	-3.702	-3.868	-4.013	-4.567
87.0	-0.765	-3.144	-2.908	-3.013	-3.265
89.0	-1.265	-1.897	-3.098	-3.413	-2.497
93.0	-1.084	-1.133	-1.105	-2.370	-0.057
96.0	-1.364	-0.985	-0.418	-1.238	-3.470
100.0	-0.405	-0.239	-0.328	-0.288	-0.747
2.5 (LOWER)	0.286	0.353	0.429	0.415	0.456
5.0	0.210	0.237	0.342	0.355	0.351
10.0	0.144	0.300	0.268	0.311	0.230
24.0	0.174	0.189	0.237	0.175	0.126
33.0	0.195	0.217	0.257	0.276	-0.060
54.0	0.370	0.379	0.417	0.335	-0.387
73.5	0.542	0.601	0.606	0.246	0.211
84.0	0.545	0.569	-3.769	-0.055	0.169
96.0	0.596	0.712	0.696	0.626	0.230

WING PRESSURE COEFFICIENTS

RUN 363 POINT 6 ALPHA 22.06 PSI 0.00 HEIGHT 99.03

X/C, X	BP 2	BP 6	BP 12	BP 16	BP 22
0.0 (UPPER)	-14.977	-8.401	-4.815	-3.808	-2.847
2.5	-5.387	-9.145	-4.951	-4.926	-2.851
5.0	-2.648	-5.060	-5.130	-4.050	-2.916
10.0	-2.182	-2.170	-6.055	-4.407	-3.089
15.0	-1.665	-1.509	-5.137	-5.103	-3.090
24.0	-1.344	-1.308	-3.158	-4.946	-3.047
33.0	-1.055	-1.268	-1.073	-4.987	-4.997
54.0	-0.104	-1.737	-1.422	-2.042	-4.064
65.0	-0.126	-4.632	-5.501	-4.123	-4.555
78.5	-45.833	-45.179	-49.820	-42.171	-23.608
79.5	-6.812	-8.136	-11.320	-0.142	-0.142
80.5	-3.982	-1.342	-6.011	-6.598	-7.613
81.5	-4.013	-0.822	-0.822	-5.375	-5.791
82.0	-4.399	-4.346	-4.656	-4.692	-5.085
84.0	-1.023	-3.714	-3.803	-3.904	-3.740
87.0	-1.487	-2.364	-3.884	-4.266	-3.131
89.0	-1.442	-1.591	-3.301	-0.070	-3.951
93.0	-1.717	-1.450	-0.854	-2.061	-3.951
96.0	-0.157	-0.037	-0.086	-0.383	-1.142
100.0 (LOWER)	0.485	0.028	-0.037	-0.181	-0.181
2.5	0.815	0.732	0.458	0.352	0.225
5.0	0.839	0.584	0.626	0.591	0.366
10.0	0.591	0.648	0.629	0.499	0.308
24.0	0.573	0.594	0.573	0.553	-0.083
33.0	0.586	0.573	0.573	0.438	-0.617
54.0	0.674	0.770	0.692	0.265	0.050
73.5	0.761	0.281	-4.250	-0.487	-0.217
84.0	0.751	0.782	0.706	-0.548	-0.051

RUN 364 POINT 1 ALPHA 0.02 PSI 0.00 HEIGHT 87.07

X/C, X	BP 2	BP 6	BP 12	BP 16	BP 22
0.0 (UPPER)	0.172	-0.400	-1.286	-2.091	-2.938
2.5	-0.684	-0.900	-1.540	-1.421	-2.207
5.0	-0.609	-0.704	-1.071	-1.432	-1.432
10.0	-0.634	-0.780	-0.813	-1.135	-1.298
15.0	-0.680	-0.713	-0.797	-1.067	-1.017
24.0	-0.632	-0.722	-0.862	-0.984	-1.029
33.0	-1.235	-0.998	-1.224	-0.128	-2.632
54.0	-0.187	-1.617	-1.828	-2.033	-1.707
65.0	-0.212	-4.699	-5.467	-5.749	-6.074
78.5	-59.810	-48.580	-52.080	-50.850	-45.520
79.5	-7.644	-8.645	-9.570	-16.340	-0.255
80.5	-4.623	-2.995	-5.893	-7.801	-10.880
81.5	-1.136	-4.776	-4.358	-5.766	-6.713
82.0	-5.428	-4.776	-4.358	-4.702	-5.165
84.0	-0.617	-4.103	-3.444	-3.544	-3.444
87.0	-1.495	-2.335	-3.872	-4.161	-2.452
89.0	-1.352	-1.391	-1.151	-3.030	-0.111
93.0	-1.682	-1.255	-0.335	-1.449	-4.191
96.0	-0.916	-0.985	-0.744	-1.186	-1.165
100.0 (LOWER)	0.270	0.362	0.419	0.446	0.446
2.5	0.176	0.250	0.354	0.321	0.318
5.0	0.222	0.325	0.247	0.309	0.171
10.0	0.121	0.179	0.218	0.095	0.082
24.0	0.174	0.180	0.214	0.244	-0.156
33.0	0.354	0.327	0.375	0.233	-1.784
54.0	0.495	0.550	0.545	-0.011	0.013
73.5	0.255	-0.508	-4.435	-1.698	-0.213
84.0	0.587	0.249	0.209	0.044	-0.743

WING PRESSURE COEFFICIENTS

RUN 363 POINT 4 ALPHA 12.06 PSI- 0.00 HEIGHT 87.09

X/C, X	BP 2	BP 6	BP 12	BP 16	BP 22
0.0 (UPPER)	-5.329	-5.544	-4.002	-3.122	-2.623
2.5	-2.565	-5.663	-4.232	-3.119	-2.600
5.0	-1.880	-5.514	-4.135	-3.225	-2.588
10.0	-1.493	-4.174	-4.119	-3.443	-2.608
15.0	-1.308	-3.687	-2.026	-3.765	-2.728
24.0	-0.956	-3.111	-0.829	-3.131	-2.869
33.0	-0.844	-1.087	-1.073	0.683	-4.155
54.0	-0.072	-1.602	-1.643	-1.242	-4.605
65.0	-0.087	-4.375	-4.971	-4.858	-6.938
78.5	-49.650	-43.923	-45.663	-47.945	-31.151
79.5	-6.735	-7.456	-6.855	-11.968	-0.084
80.5	-1.101	-5.365	-6.008	-5.377	-11.086
81.5	-3.579	-3.635	-4.608	-6.377	-8.899
82.0	-4.079	-3.882	-4.120	-4.399	-7.528
84.0	-0.829	-3.269	-3.228	-3.403	-5.222
87.0	-1.999	-3.322	-3.723	-4.072	-4.072
89.0	-1.213	-1.296	-1.296	-2.699	-0.039
93.0	-1.452	-1.098	-0.589	-1.523	-3.654
96.0	-0.248	-0.131	-0.266	-0.298	-0.713
100.0 (LOWER)	0.674	0.330	0.421	0.309	0.238
2.5	0.666	0.615	0.598	0.521	0.405
5.0	0.631	0.562	0.589	0.579	0.396
10.0	0.444	0.491	0.506	0.416	0.263
24.0	0.451	0.463	0.461	-0.057	0.057
33.0	0.498	0.492	0.517	0.411	-0.467
54.0	0.689	0.756	0.694	0.277	0.116
73.5	0.786	0.322	-4.364	-0.261	0.013
84.0	0.691	0.747	0.696	0.594	0.180

RUN 363 POINT 5 ALPHA 16.04 PSI 0.00 HEIGHT 87.03

X/C, X	BP 2	BP 6	BP 12	BP 16	BP 22
0.0 (UPPER)	-8.659	-6.451	-4.305	-3.499	-2.732
2.5	-3.574	-6.528	-4.599	-3.585	-2.723
5.0	-2.429	-6.221	-4.751	-3.743	-2.751
10.0	-1.882	-5.569	-5.727	-3.978	-2.920
15.0	-1.613	-4.286	-5.032	-4.492	-2.920
24.0	-1.332	-3.182	-2.914	-5.235	-3.119
33.0	-1.102	-1.094	-0.983	-4.244	-3.128
54.0	-0.941	-1.170	-1.016	-4.844	-4.844
65.0	-0.082	-1.675	-1.620	-1.223	-5.053
78.5	-0.102	-4.523	-5.229	-4.951	-6.263
79.5	-49.006	-45.460	-48.477	-50.567	-27.996
80.5	-6.816	-7.783	-7.054	-12.516	-0.097
81.5	-3.847	-1.219	-5.679	-7.175	-9.523
82.0	-1.572	-3.796	-4.395	-5.825	-7.449
84.0	-4.185	-4.061	-4.395	-4.822	-6.433
87.0	-0.917	-3.437	-3.480	-3.835	-4.545
89.0	-1.377	-2.138	-3.558	-4.107	-3.671
93.0	-1.327	-1.366	-1.449	-3.006	-0.055
96.0	-1.572	-1.223	-0.672	-1.748	-4.095
100.0 (LOWER)	-0.179	-0.077	-0.254	-0.318	-0.990
2.5	0.639	0.383	0.242	0.125	0.085
5.0	0.768	0.583	0.565	0.470	0.346
10.0	0.735	0.664	0.627	0.600	0.396
24.0	0.504	0.565	0.564	0.454	0.285
33.0	0.505	0.514	0.499	-0.069	0.069
54.0	0.533	0.541	0.415	0.415	-0.532
73.5	0.673	0.775	0.721	0.289	0.111
84.0	0.769	0.321	-4.560	-0.364	-0.102
96.0	0.717	0.766	0.705	0.576	0.062

WING PRESSURE COEFFICIENTS

RUN 364 POINT 2 ALPHA 4.09 PSI 0.00 HEIGHT 87.00		RUN 364 POINT 4 ALPHA 12.03 PSI 0.00 HEIGHT 87.38			
X/C, X	BP 2	BP 6	BP 12	BP 16	BP 22
0.0 (UPPER)	-1.003	-2.409	-4.339	-4.315	-2.520
2.5	-1.071	-1.546	-2.205	-3.665	-2.173
5.0	-1.000	-1.269	-1.758	-3.568	-2.046
10.0	-0.894	-1.060	-1.541	-2.141	-2.141
15.0	-0.852	-1.058	-1.178	-1.179	-1.928
24.0	-0.875	-0.902	-1.054	-1.264	-1.889
33.0	-0.798	-0.887	-1.072	-1.145	-1.884
54.0	-0.788	-1.115	-1.370	0.077	-2.666
65.0	-0.201	-1.739	-1.973	-2.093	-2.066
78.5	-0.203	-4.852	-5.569	-6.448	-6.466
81.5	-59.988	-48.611	-52.596	-52.484	-47.073
80.5	-7.922	-3.122	-5.927	-8.122	-12.027
82.0	-4.637	-3.868	0.141	-6.119	-7.753
84.0	-5.508	-4.862	-4.481	-4.995	-6.111
87.0	-0.597	-2.430	-3.692	-3.726	-4.114
89.0	-1.487	-4.237	-4.012	-4.383	-3.085
93.0	-1.389	-1.472	-1.238	-3.216	-0.130
96.0	-1.760	-1.330	-0.399	-1.588	-4.837
100.0	-0.980	-1.045	-0.723	-1.247	-1.247
2.5 (LOWER)	0.468	0.521	0.483	0.381	0.413
5.0	0.364	0.387	0.481	0.432	0.357
10.0	0.361	0.488	0.379	0.427	0.229
24.0	0.205	0.273	0.310	0.169	0.099
33.0	0.282	0.248	0.282	0.292	-0.156
54.0	0.379	0.356	0.406	0.257	-1.853
73.5	0.546	0.552	0.552	0.060	-0.035
84.0	0.212	-0.559	-5.111	-1.757	-0.278
96.0	0.536	0.192	0.154	-0.009	-0.817

RUN 364 POINT 3 ALPHA 8.07 PSI 0.00 HEIGHT 87.03		RUN 364 POINT 5 ALPHA 16.07 PSI 0.00 HEIGHT 87.11			
X/C, X	BP 2	BP 6	BP 12	BP 16	BP 22
0.0 (UPPER)	-3.030	-5.084	-4.151	-3.698	-2.721
2.5	-1.883	-4.127	-3.512	-3.567	-2.674
5.0	-1.512	-1.623	-3.489	-3.549	-2.595
10.0	-1.278	-1.395	-2.698	-3.767	-2.747
15.0	-1.169	-1.354	-2.057	-3.543	-2.581
24.0	-1.100	-1.128	-1.401	-2.337	-2.712
33.0	-0.980	-1.054	-1.245	-1.316	-2.785
54.0	-1.302	-1.241	-1.458	0.044	-2.740
65.0	-0.200	-1.849	-2.050	-2.078	-2.867
78.5	-0.226	-5.096	-5.531	-6.003	-6.717
81.5	-59.310	-48.060	-51.880	-47.440	-47.440
80.5	-7.970	-8.952	-9.790	-16.970	-0.284
82.0	-4.678	-3.090	-6.030	-8.401	-13.350
84.0	-1.232	-4.069	0.093	-6.408	-9.290
87.0	-5.508	-3.053	-4.394	-5.288	-7.567
89.0	-0.673	-4.392	-3.826	-4.585	-5.125
93.0	-1.547	-2.570	-4.094	-4.585	-3.934
96.0	-1.485	-1.573	-1.355	-3.403	-0.129
100.0	-1.864	-1.448	-0.537	-1.751	-5.098
2.5 (LOWER)	-1.009	-1.070	-0.749	-1.242	-1.070
5.0	0.597	0.563	0.456	0.297	0.303
10.0	0.506	0.521	0.553	0.463	0.365
24.0	0.299	0.607	0.479	0.501	0.291
33.0	0.338	0.370	0.397	0.250	0.156
54.0	0.428	0.392	0.357	0.356	-0.161
73.5	0.591	0.661	0.428	0.265	-1.863
84.0	0.161	-0.590	0.560	-0.089	-0.073
96.0	0.490	0.148	0.112	-0.052	-0.318

WING PRESSURE COEFFICIENTS

RUN 364 POINT 6 ALPHA 22.02 PSI 0.00 HEIGHT 98.22

X/C, Z	BP 2	BP 6	BP 12	BP 16	BP 22
0.0 (UPPER)	-14.981	-8.662	-4.740	-3.987	-2.979
2.5	-5.512	-9.696	-5.131	-4.065	-2.982
5.0	-3.686	-10.285	-4.214	-3.023	-2.982
10.0	-2.668	-4.555	-6.024	-4.405	-3.290
15.0	-2.189	-2.083	-6.521	-4.712	-3.158
24.0	-1.721	-5.590	-5.156	-3.298	-3.298
33.0	-1.367	-1.334	-2.835	-3.246	-3.246
44.0	-1.300	-1.324	-1.442	0.011	-4.045
55.0	-0.186	-1.832	-1.612	-2.026	-4.408
65.0	-0.217	-5.125	-4.424	-4.994	-4.994
75.5	-56.517	-47.319	-55.097	-49.377	-34.489
80.5	-7.337	-8.884	-10.420	-15.986	-0.305
81.5	-4.590	-3.034	-6.710	-8.053	-9.618
82.0	-1.271	-4.304	-0.225	-6.191	-6.729
84.0	-5.387	-5.300	-5.065	-5.483	-5.689
87.0	-0.812	-4.597	-4.384	-4.500	-3.811
89.0	-1.608	-2.794	-4.585	-4.969	-3.098
93.0	-1.884	-1.752	-1.753	-3.833	-0.130
96.0	-2.071	-1.884	-0.828	-2.221	-4.474
100.0	-1.040	-1.100	-0.769	-1.159	-1.100
2.5 (LOWER)	0.438	-0.031	-0.133	-0.277	-0.218
5.0	0.735	0.734	0.429	0.284	0.165
10.0	0.835	0.577	0.597	0.570	0.307
24.0	0.565	0.653	0.614	0.428	0.280
33.0	0.566	0.563	0.544	0.526	-0.140
54.0	0.568	0.546	0.547	0.361	-1.838
73.5	0.613	0.718	0.644	-0.149	-0.096
84.0	0.875	-0.658	-4.764	-1.266	-0.377
96.0	0.399	0.073	0.028	-0.137	-0.892

WING PRESSURE COEFFICIENTS

RUN 365 POINT 2 ALPHA 4.03 PSI 0.00 HEIGHT 87.23

X/C, Z	BP 2	BP 6	BP 12	BP 16	BP 22
0.0 (UPPER)	-1.181	-2.812	-4.913	-4.707	-2.806
2.5	-1.213	-1.677	-2.464	-3.806	-2.456
5.0	-1.204	-1.471	-2.070	-3.500	-2.446
10.0	-1.057	-1.171	-1.513	-2.663	-2.459
15.0	-1.001	-1.308	-1.281	-1.316	-2.136
24.0	-1.144	-1.109	-1.194	-1.532	-2.226
33.0	-0.970	-1.074	-1.353	-1.352	-2.056
44.0	-1.389	-1.351	-2.957	-1.157	-4.113
54.0	-0.385	-2.139	-2.410	-4.983	-2.408
65.0	-0.440	-6.069	-8.090	-7.307	-7.751
75.5	-112.822	-88.426	-83.516	-74.024	-77.117
80.5	-12.074	-13.585	-14.014	-26.760	-0.670
81.5	-6.211	-7.210	-7.324	-11.278	-17.278
82.0	-0.209	-4.475	-2.205	-7.801	-9.800
84.0	-8.656	-7.196	-5.774	-6.628	-7.314
87.0	-0.181	-6.533	-5.136	-4.865	-4.279
89.0	-1.942	-3.359	-5.848	-6.174	-2.545
93.0	-1.985	-1.946	-1.289	-4.639	-0.282
96.0	-2.528	-1.878	-0.122	-1.956	-6.313
100.0	-2.928	-3.148	-0.017	-2.418	-3.193
2.5 (LOWER)	0.422	0.509	0.402	0.198	0.365
5.0	0.246	0.395	0.436	0.314	0.250
10.0	0.382	0.515	0.319	0.394	0.085
24.0	0.131	0.232	0.247	-0.027	0.010
33.0	0.193	0.151	0.190	0.223	-0.291
54.0	0.350	0.233	0.266	0.002	-4.819
73.5	0.443	0.518	0.467	-1.428	-1.353
84.0	-0.771	-2.282	-6.444	-3.270	-1.747
96.0	-0.219	-0.853	-0.962	-0.952	-2.735

WING PRESSURE COEFFICIENTS

RUN 365 POINT 3 ALPHA 8.02 PSI 0.00 HEIGHT 87.74

X/C, Z	BP 2	BP 6	BP 12	BP 16	BP 22
0.0 (UPPER)	-3.339	-5.236	-3.979	-3.815	-3.032
2.5	-2.054	-4.922	-3.762	-3.444	-2.961
5.0	-1.746	-2.704	-3.967	-3.491	-2.781
10.0	-1.443	-1.376	-3.410	-3.833	-3.110
15.0	-1.352	-1.572	-2.847	-3.853	-2.799
24.0	-1.394	-1.340	-1.550	-3.410	-3.060
33.0	-1.149	-1.249	-1.277	-2.155	-3.137
44.0	-1.475	-1.455	-3.019	-1.210	-4.276
54.0	-0.397	-2.289	-2.437	-5.055	-3.276
65.0	-0.461	-6.395	-8.199	-7.300	-8.099
75.5	-114.952	-90.401	-86.013	-75.339	-78.174
80.5	-12.180	-13.930	-14.489	-27.464	-0.663
81.5	-6.349	-7.351	-7.769	-11.649	-19.360
82.0	-0.283	-4.693	-2.240	-7.962	-11.975
84.0	-8.826	-7.464	-6.007	-6.972	-9.443
87.0	-0.168	-6.772	-5.363	-5.191	-5.667
89.0	-1.987	-3.527	-6.122	-6.416	-3.746
93.0	-2.165	-2.090	-1.443	-4.481	-0.280
96.0	-2.781	-2.050	-0.247	-2.180	-7.209
100.0	-2.975	-3.196	-1.500	-2.345	-3.179
2.5 (LOWER)	0.514	0.492	0.323	0.091	0.233
5.0	0.419	0.514	0.489	0.320	0.233
10.0	0.515	0.619	0.399	0.449	0.125
24.0	0.228	0.330	0.344	0.033	0.030
33.0	0.280	0.219	0.270	0.274	-0.310
54.0	0.386	0.256	0.272	0.022	-4.946
73.5	0.461	0.538	0.486	-1.495	-1.406
84.0	-0.785	-2.303	-7.636	-3.335	-1.765
96.0	0.682	-0.852	-0.971	-0.885	-2.781

WING PRESSURE COEFFICIENTS

RUN 365 POINT 1 ALPHA 0.03 PSI 0.00 HEIGHT 86.88

X/C, Z	BP 2	BP 6	BP 12	BP 16	BP 22
0.0 (UPPER)	0.070	-0.673	-1.724	-2.759	-3.581
2.5	-0.762	-0.871	-1.602	-1.604	-2.839
5.0	-0.745	-0.783	-1.284	-1.336	-1.584
10.0	-0.746	-0.973	-1.021	-1.345	-1.587
15.0	-0.855	-0.794	-0.880	-1.249	-1.156
24.0	-0.770	-0.849	-1.016	-1.352	-1.249
33.0	-1.249	-1.162	-1.160	-1.247	-1.247
44.0	-0.337	-1.921	-1.034	-3.301	-3.301
54.0	-0.405	-5.702	-4.760	-1.876	-1.876
65.0	-107.939	-84.693	-80.233	-69.720	-72.866
75.5	-11.580	-12.963	-13.327	-25.282	-0.651
80.5	-5.963	-6.798	-6.923	-10.557	-15.422
81.5	-0.169	-4.197	-2.336	-7.149	-8.291
82.0	-8.310	-6.831	-5.378	-6.140	-5.968
84.0	-0.137	-6.116	-4.797	-4.458	-3.381
87.0	-1.885	-3.127	-5.474	-5.717	-1.841
89.0	-1.872	-1.780	-1.125	-0.247	-0.247
93.0	-2.333	-1.708	-0.028	-1.737	-5.424
96.0	-2.785	-3.003	0.046	-2.480	-3.042
100.0	0.220	0.369	0.371	0.205	0.418
2.5 (LOWER)	0.093	0.273	0.332	0.233	0.236
5.0	0.251	0.372	0.186	0.283	0.068
10.0	0.056	0.162	0.178	-0.079	0.005
24.0	0.132	0.093	0.137	0.183	-0.247
33.0	0.313	0.220	0.252	0.035	-4.549
54.0	0.421	0.481	0.444	-1.308	-1.247
73.5	-0.724	-2.169	-5.524	-3.116	-1.649
84.0	-0.191	-0.805	-0.912	-1.134	-2.611



WING PRESSURE COEFFICIENTS

RUN 365 POINT 6 ALPHA 22.09 PSI 0.00 HEIGHT 99.57		BP 2	BP 6	BP 12	BP 16	BP 22
X/C, X						
0.0 (UPPER)		-16.474	-9.800	-5.511	-4.739	-3.572
2.5		-6.277	-11.369	-5.950	-4.712	-3.566
5.0		-4.284	-12.133	-6.285	-4.899	-3.547
10.0		-3.063	-4.658	-7.316	-5.193	-4.008
15.0		-2.537	-2.400	-7.821	-5.681	-3.757
20.0		-2.113	-1.800	-5.693	-6.694	-3.908
24.0		-1.656	-1.626	-2.927	-6.216	-3.908
33.0		-1.402	-1.653	-2.741	-1.123	-4.725
54.0		-0.441	-2.500	-2.132	-4.336	-5.315
55.0		-0.507	-6.720	-7.438	-6.170	-6.192
78.5		-106.736	-85.896	-87.118	-73.348	-62.446
79.5		-11.223	-14.019	-15.085	-16.300	-15.766
80.5		-6.072	-6.809	-8.785	-11.525	-14.508
81.5		0.083	5.276	1.312	-8.180	-6.880
82.0		-8.411	-7.862	-6.614	-7.505	-7.223
84.0		-0.199	-7.149	-6.089	-6.000	-4.288
87.0		-2.072	-4.034	-6.773	-6.996	-3.013
89.0		-2.320	-2.676	-2.117	-5.409	-0.319
93.0		-2.924	-2.665	-0.828	-2.835	-6.198
96.0		-2.550	-2.750	-1.473	-1.787	-2.705
100.0 (LOWER)		0.236	-0.210	-0.339	-0.603	-0.423
2.5		0.640	0.713	0.313	0.095	-0.026
5.0		0.826	0.537	0.488	0.488	0.121
10.0		0.485	0.606	0.550	0.235	0.150
24.0		0.503	0.475	0.440	0.443	-0.367
33.0		0.523	0.430	0.402	0.144	-4.638
54.0		0.481	0.615	0.506	-1.321	-1.086
73.5		-0.541	-1.813	-6.486	-2.685	-1.371
84.0		-0.788	-0.564	-0.667	-0.376	-2.356

RUN 365 POINT 1 ALPHA 0.05 PSI 0.00 HEIGHT 87.54		BP 2	BP 6	BP 12	BP 16	BP 22
X/C, X						
0.0 (UPPER)		-0.163	-1.507	-2.817	-4.909	-5.201
2.5		-1.488	-1.580	-2.688	-3.043	-4.325
5.0		-1.670	-1.520	-2.288	-1.852	-2.420
10.0		-1.420	-1.143	-1.526	-2.399	-2.989
15.0		-1.536	-2.115	-1.182	-2.263	-1.699
24.0		-2.081	-1.599	-1.409	-2.875	-2.361
33.0		-1.529	-1.949	-1.837	-2.139	-2.360
54.0		-3.383	-1.949	-2.634	-7.464	-10.080
65.0		-1.286	-3.661	-3.894	-17.333	-2.508
78.5		-1.469	-10.362	-12.341	-11.536	-11.645
79.5		-369.507	-280.304	-234.435	-185.522	-243.710
80.5		-31.797	-34.217	-34.341	-77.686	-2.435
81.5		-11.145	-28.775	-12.159	-25.406	-41.826
82.0		11.812	-4.346	18.210	-13.101	-16.841
84.0		-23.717	-17.522	10.297	-12.681	-11.167
87.0		5.109	-17.355	-10.442	-8.297	-2.080
89.0		-2.806	-6.964	-14.341	-14.225	2.643
93.0		-4.097	-3.084	-0.143	-10.580	-0.703
96.0		-6.026	-3.591	2.535	-2.322	-11.486
100.0 (LOWER)		-11.703	-12.464	-7.587	-8.348	-12.072
2.5		-0.147	0.164	-0.145	-0.760	-0.126
5.0		-0.581	0.247	0.071	-0.465	-0.354
10.0		0.199	0.450	-0.291	0.007	-0.755
24.0		-0.518	-0.149	-0.207	-1.220	-0.548
33.0		-0.338	-0.512	-0.517	-0.307	-0.921
54.0		-0.036	-0.564	-0.378	-1.341	-21.297
73.5		-0.351	-0.261	-0.314	-8.225	-2.754
84.0		-3.809	-8.406	-10.920	-12.851	-4.033
96.0		0.674	-3.971	-4.278	-2.932	-10.935

WING PRESSURE COEFFICIENTS

RUN 365 POINT 4 ALPHA 12.06 PSI 0.00 HEIGHT 86.56		BP 2	BP 6	BP 12	BP 16	BP 22
X/C, X						
0.0 (UPPER)		-6.175	-5.689	-4.329	-3.817	-3.236
2.5		-2.950	-6.243	-4.554	-3.177	-3.177
5.0		-1.784	-1.026	-3.682	-3.060	-3.060
10.0		-1.506	-1.109	-5.413	-3.406	-3.406
15.0		-1.545	-1.339	-3.099	-3.147	-3.147
24.0		-1.254	-1.262	-0.965	-3.774	-3.491
33.0		-1.388	-1.492	-2.811	-3.434	-3.774
54.0		-0.372	-2.307	-2.321	-4.100	-4.100
55.0		-0.435	-6.415	-8.924	-5.611	-5.611
78.5		-110.233	-87.975	-84.855	-74.924	-8.975
79.5		-11.699	-13.603	-14.357	-26.647	-75.305
80.5		-6.177	-7.020	-7.979	-11.538	-20.256
81.5		0.102	-4.758	-1.666	-8.009	-13.656
82.0		-8.540	-7.444	-6.048	-11.218	-11.218
84.0		-0.158	-6.689	-5.466	-5.210	-6.589
87.0		-1.954	-3.554	-6.161	-6.443	-4.541
89.0		-2.194	-2.164	-1.581	-4.938	-0.246
93.0		-2.775	-2.107	-0.381	-2.343	-6.534
96.0		-2.752	-2.956	-1.702	-2.043	-2.935
100.0 (LOWER)		0.556	0.434	0.229	-0.034	0.068
2.5		0.502	0.613	0.509	0.306	0.196
5.0		0.649	0.666	0.449	0.494	0.161
10.0		0.319	0.429	0.429	0.128	0.084
24.0		0.372	0.315	0.319	0.353	-0.283
33.0		0.432	0.331	0.340	0.075	-4.702
54.0		0.486	0.559	0.507	-1.366	-1.069
73.5		-0.665	-2.090	-7.585	-3.058	-1.587
84.0		0.732	-0.721	-0.835	-0.620	-2.574

RUN 365 POINT 5 ALPHA 16.12 PSI 0.00 HEIGHT 87.40		BP 2	BP 6	BP 12	BP 16	BP 22
X/C, X						
0.0 (UPPER)		-8.911	-7.500	-5.064	-4.400	-3.481
2.5		-4.224	-6.804	-5.347	-4.256	-3.440
5.0		-2.926	-9.500	-5.701	-4.458	-3.380
10.0		-2.273	-1.983	-7.138	-4.895	-3.845
15.0		-1.987	-1.694	-7.217	-5.744	-3.653
24.0		-1.773	-1.524	-3.017	-6.705	-4.041
33.0		-1.453	-1.421	-1.214	-4.932	-4.110
54.0		-1.542	-1.587	-2.893	-4.121	-4.857
65.0		-0.421	-2.453	-2.356	-4.815	-6.403
78.5		-0.494	-6.713	-8.075	-7.118	-8.968
79.5		-114.556	-91.390	-89.235	-79.490	-75.161
80.5		-11.985	-14.477	-15.209	-28.097	-0.774
81.5		-6.328	-7.426	-8.510	-12.238	-19.300
82.0		0.323	-5.070	1.929	-8.573	-12.764
84.0		-8.775	-7.871	-6.391	-7.500	-10.334
87.0		-0.043	-7.150	-5.922	-5.802	-0.940
89.0		-1.993	-3.841	-6.638	-7.019	-3.932
93.0		-2.341	-2.406	-1.807	-5.369	-0.294
96.0		-2.959	-2.370	-0.536	-2.619	-6.729
100.0 (LOWER)		-2.872	-3.086	-1.700	-2.070	-3.038
2.5		0.462	0.209	-0.011	-0.294	-0.156
5.0		0.729	0.663	0.422	0.203	0.092
10.0		0.633	0.641	0.476	0.494	0.141
24.0		0.373	0.514	0.471	0.155	0.107
33.0		0.396	0.363	0.360	0.371	-0.343
54.0		0.461	0.353	0.356	0.073	-4.999
73.5		0.457	0.548	0.479	-1.481	-1.210
84.0		-0.712	-2.129	-7.470	-3.228	-1.631
96.0		0.769	-0.745	-0.856	-0.567	-2.671

WING PRESSURE COEFFICIENTS

RUN 366 POINT 4 ALPHA 12.03 PSI 0.00 HEIGHT 87.65

X/C, X	BP 2	BP 6	BP 12	BP 16	BP 22
0.0 (UPPER)	-6.547	-6.017	-5.889	-7.056	-5.527
2.5	-4.981	-8.321	-5.634	-5.419	-5.261
5.0	-3.786	-10.271	-7.075	-5.466	-4.623
10.0	-3.161	-1.991	-7.834	-6.503	-6.171
15.0	-3.074	-3.202	-7.250	-7.310	-4.923
24.0	-3.423	-2.602	-3.684	-9.031	-6.031
33.0	-2.489	-2.519	-1.962	-6.112	-6.413
54.0	-4.160	-2.895	-3.273	-12.003	-12.003
65.0	-1.695	-4.883	-4.811	-19.818	-8.304
78.5	-1.943	-13.378	-14.701	-12.777	-15.353
79.5	-442.777	-338.077	-284.378	-222.673	-291.950
80.5	-38.295	-42.829	-42.507	-93.169	-3.400
81.5	-13.491	-34.875	-15.788	-30.601	-57.233
82.0	14.029	-6.218	21.096	-15.780	-28.382
84.0	-28.600	-22.194	-13.117	-15.762	-20.349
87.0	6.017	-22.124	-13.587	-10.845	-7.207
89.0	-6.617	-9.209	-18.043	-17.346	-1.303
93.0	-6.299	-4.429	-0.795	-13.447	-0.994
96.0	-9.157	-5.151	2.507	-3.705	-19.531
100.0 (LOWER)	-13.769	-14.648	-8.782	-9.566	-14.065
2.5	-0.156	-0.014	-0.617	-1.492	-0.537
5.0	-0.225	0.048	0.050	-0.843	-0.859
10.0	0.632	0.629	-0.141	-0.078	-0.935
24.0	-0.414	0.037	-0.091	-1.356	-0.723
33.0	-0.222	-0.479	-0.488	-0.308	-1.260
54.0	0.025	-0.632	-0.683	-1.676	-25.841
73.5	-0.497	-0.408	-0.553	-10.027	-3.165
84.0	-4.274	-9.661	-19.557	-15.188	-4.574
96.0	0.831	-4.482	-4.814	-3.178	-12.862

WING PRESSURE COEFFICIENTS

RUN 366 POINT 2 ALPHA 4.02 PSI 0.00 HEIGHT 87.24

X/C, X	BP 2	BP 6	BP 12	BP 16	BP 22
0.0 (UPPER)	-1.791	-4.168	-5.623	-6.244	-4.383
2.5	-2.345	-2.369	-4.577	-4.037	-3.787
5.0	-2.326	-2.428	-5.031	-4.052	-2.969
10.0	-1.967	-1.868	-2.082	-4.230	-4.230
15.0	-1.991	-2.713	-1.472	-4.417	-2.944
24.0	-2.431	-1.851	-1.772	-3.218	-3.704
33.0	-1.894	-1.981	-2.183	-2.287	-3.549
54.0	-3.732	-2.389	-3.017	-8.265	-10.810
65.0	-1.451	-4.153	-4.425	-18.805	-3.583
78.5	-1.681	-11.451	-13.403	-12.613	-12.897
79.5	-403.427	-303.980	-255.364	-202.241	-266.826
80.5	-34.929	-37.617	-37.606	-85.087	-3.100
81.5	-12.036	-31.474	-13.767	-27.901	-45.605
82.0	12.668	-4.498	19.509	-14.692	-18.731
84.0	-26.146	-19.356	-11.324	-14.352	-12.312
87.0	5.632	-19.640	-11.538	-9.340	-2.149
89.0	-3.047	-7.822	-15.846	-15.775	3.303
93.0	-4.696	-3.557	-0.327	-11.830	-0.776
96.0	-6.874	-4.159	2.641	-2.815	-12.130
100.0 (LOWER)	-12.621	-13.474	-8.170	-8.881	-12.953
2.5	-0.270	0.268	-0.142	-0.897	-0.023
5.0	-0.504	0.315	0.115	-0.462	-0.440
10.0	0.359	0.540	-0.297	0.027	-0.847
24.0	-0.486	-0.160	-0.163	-1.304	-0.692
33.0	-0.281	-0.564	-0.553	-0.389	-1.107
54.0	-0.002	-0.617	-0.618	-1.496	-23.340
73.5	-0.355	-0.368	-0.382	-9.000	-2.911
84.0	-4.039	-8.953	-11.640	-13.901	-4.285
96.0	0.661	-4.186	-4.545	-3.065	-11.798

WING PRESSURE COEFFICIENTS

RUN 366 POINT 5 ALPHA 16.11 PSI 0.00 HEIGHT 87.11

X/C, X	BP 2	BP 6	BP 12	BP 16	BP 22
0.0 (UPPER)	-12.708	-9.901	-6.945	-7.000	-5.477
2.5	-4.872	-11.142	-6.913	-5.769	-5.271
5.0	-4.410	-13.696	-8.059	-6.009	-4.729
10.0	-3.456	-2.733	-10.028	-7.095	-6.153
15.0	-3.291	-3.180	-9.941	-8.636	-5.173
24.0	-3.313	-2.398	-2.840	-10.534	-6.211
33.0	-2.568	-2.399	-2.888	-6.376	-6.464
54.0	-2.704	-2.704	-2.879	-8.455	-10.960
65.0	-1.560	-4.591	-4.364	-17.498	-9.253
78.5	-1.758	-12.692	-13.379	-12.289	-15.688
79.5	-400.028	-307.854	-261.134	-205.640	-267.379
80.5	-34.415	-39.466	-39.522	-85.877	-3.174
81.5	-11.984	-31.775	-15.055	-28.739	-54.755
82.0	12.968	-6.222	18.573	-15.609	-28.905
84.0	-25.624	-20.771	-12.636	-15.166	-21.569
87.0	5.579	-20.565	-12.794	-10.447	-8.613
89.0	-3.310	-8.881	-16.913	-16.375	-2.692
93.0	-5.848	-4.583	-1.027	-12.723	-0.988
96.0	-8.241	-5.222	2.022	-3.784	-16.739
100.0 (LOWER)	-12.486	-13.261	-7.972	-8.597	-12.652
2.5	-0.087	-0.203	-0.730	-1.602	-0.756
5.0	0.020	0.598	-0.065	-0.666	-0.659
10.0	0.566	0.586	-0.067	0.105	-0.799
24.0	-0.228	0.141	-0.090	-1.040	-0.518
33.0	-0.091	-0.275	-0.326	-0.168	-1.213
54.0	0.148	-0.468	-0.580	-1.388	-23.474
73.5	-0.023	-0.470	-0.547	-10.010	-3.149
84.0	-4.588	-9.731	-15.493	-15.231	-4.577
96.0	0.747	-4.524	-4.875	-3.239	-12.916

WING PRESSURE COEFFICIENTS

RUN 366 POINT 3 ALPHA 8.08 PSI 0.00 HEIGHT 87.02

X/C, X	BP 2	BP 6	BP 12	BP 16	BP 22
0.0 (UPPER)	-4.763	-6.902	-5.351	-6.281	-4.995
2.5	-3.654	-6.010	-4.872	-4.538	-4.693
5.0	-3.185	-7.229	-6.142	-4.570	-3.889
10.0	-2.607	-1.678	-6.081	-5.732	-5.352
15.0	-2.650	-3.063	-5.171	-6.083	-4.021
24.0	-3.097	-2.426	-2.010	-6.816	-5.067
33.0	-2.329	-2.319	-2.038	-4.597	-5.302
54.0	-4.191	-2.768	-3.328	-9.235	-11.985
65.0	-1.902	-4.688	-4.791	-20.175	-5.726
78.5	-1.602	-12.838	-14.718	-13.265	-13.613
79.5	-442.690	-335.989	-281.854	-221.876	-290.732
80.5	-38.373	-41.802	-41.750	-82.821	-3.344
81.5	-13.482	-34.683	-15.005	-30.436	-53.352
82.0	14.116	-5.396	21.392	-23.630	-23.630
84.0	-28.600	-21.626	-12.594	-15.806	-15.768
87.0	5.042	-21.437	-12.786	-10.445	-3.678
89.0	-3.455	-8.721	-17.590	-17.242	2.290
93.0	-5.744	-4.003	-0.509	-13.134	-0.920
96.0	-8.339	-4.722	2.789	-3.311	-16.641
100.0 (LOWER)	-13.813	-14.735	-8.661	-9.661	-14.109
2.5	-0.098	0.136	-0.401	-1.230	-0.232
5.0	-0.440	0.373	0.208	-0.571	-0.563
10.0	0.422	0.592	-0.024	0.024	-0.939
24.0	-0.520	-0.101	-0.176	-1.402	-0.719
33.0	-0.249	-0.541	-0.608	-0.384	-1.258
54.0	-0.023	-0.651	-0.683	-1.663	-25.832
73.5	-0.555	-0.470	-0.547	-10.010	-3.149
84.0	-4.288	-9.731	-15.493	-15.231	-4.577
96.0	0.747	-4.524	-4.875	-3.239	-12.916

WING PRESSURE COEFFICIENTS

RUN 367 POINT 28 ALPHA 4.02 PSI 0.00 HEIGHT 88.45

X/C, %	BP 2	BP 6	BP 12	BP 16	BP 22
0.0 (UPPER)	-1.415	-3.052	-4.886	-4.147	-2.766
2.5	-1.176	-1.987	-3.567	-3.712	-2.568
5.0	-1.143	-1.839	-2.047	-3.777	-2.523
10.0	-0.983	-1.451	-1.722	-3.429	-2.414
15.0	-0.897	-1.193	-1.622	-3.255	-2.355
20.0	-0.936	-1.044	-1.364	-1.261	-2.224
24.0	-1.108	-1.128	-1.414	-1.424	-2.198
33.0	-2.448	-1.452	-1.900	-4.564	-3.773
54.0	-0.390	-2.335	-2.580	-3.295	-2.289
65.0	-0.408	-7.028	-9.225	-8.967	-9.446
78.5	-194.143	-144.379	-124.118	-103.712	-131.874
80.5	-15.879	-18.757	-18.235	-49.598	-0.237
81.5	-6.503	-4.339	-8.239	-14.466	-22.780
82.0	5.955	-4.571	7.249	-8.387	-11.008
84.0	-13.589	9.083	-11.077	7.764	-4.049
87.0	1.563	9.819	-4.970	-6.383	-4.049
89.0	-2.508	-4.205	-9.776	9.127	-0.181
93.0	-2.327	-2.092	-0.795	-6.235	-0.371
96.0	-3.157	-2.715	1.165	-2.123	-8.105
100.0	-2.984	-4.723	-3.552	-4.125	-5.466
2.5 (LOWER)	0.300	0.382	0.152	0.220	0.177
5.0	0.070	0.226	0.179	0.278	0.153
10.0	0.074	0.310	0.238	0.254	0.087
24.0	0.114	0.107	0.187	0.123	-0.085
33.0	0.090	0.095	0.057	0.200	-0.479
54.0	0.190	0.219	0.087	-0.124	-6.477
73.5	0.399	0.540	0.454	-3.099	-1.173
84.0	-2.018	-2.981	-7.823	-2.079	-2.395
96.0	0.221	-2.326	0.244	-1.712	-3.429

RUN 367 POINT 29 ALPHA 8.02 PSI 0.00 HEIGHT 88.81

X/C, %	BP 2	BP 6	BP 12	BP 16	BP 22
0.0 (UPPER)	-3.567	-5.193	-3.885	-3.503	-3.076
2.5	-2.010	-4.444	-3.979	-3.563	-3.102
5.0	-1.713	-4.494	-3.597	-3.597	-3.072
10.0	-1.341	-1.494	-4.153	-3.783	-3.034
15.0	-1.196	-1.398	-3.779	-3.911	-3.034
20.0	-1.113	-1.240	-1.579	-3.550	-3.095
24.0	-1.330	-1.301	-1.301	-2.647	-3.355
33.0	-2.578	-1.602	-2.001	-5.151	-4.267
54.0	-0.441	-2.602	-2.606	-3.647	-1.687
65.0	-0.455	-7.643	-9.907	-9.673	-10.138
78.5	-293.272	-151.401	-130.795	-107.998	-137.374
80.5	-16.210	-19.503	-18.887	-52.006	-0.357
81.5	-6.660	-4.834	-8.735	-14.909	-25.779
82.0	6.263	-4.887	7.563	-8.815	-13.911
84.0	-14.093	9.635	-11.571	-8.255	-11.181
87.0	1.728	-10.248	-5.212	-6.856	-5.749
89.0	-2.640	-4.463	-10.361	-9.631	-1.519
93.0	-2.622	-2.315	-1.002	-6.822	-0.410
96.0	-3.586	-2.970	0.910	-2.447	-10.335
100.0	-2.966	-5.261	-4.146	-4.433	-6.096
2.5 (LOWER)	0.453	0.364	0.050	0.112	0.014
5.0	0.246	0.332	0.174	0.281	0.139
10.0	0.230	0.407	0.295	0.309	0.106
24.0	0.193	0.190	0.176	0.176	-0.039
33.0	0.165	0.141	0.114	0.245	-0.477
54.0	0.228	0.241	0.073	-0.107	-7.136
73.5	0.393	0.566	0.436	-2.502	-1.453
84.0	-2.109	-3.552	-8.824	-2.183	-2.606
96.0	0.252	-2.584	0.243	-1.864	-3.972

WING PRESSURE COEFFICIENTS

RUN 366 POINT 6 ALPHA 21.96 PSI 0.00 HEIGHT 99.22

X/C, %	BP 2	BP 6	BP 12	BP 16	BP 22
0.0 (UPPER)	-19.056	-11.804	-7.442	-7.246	-5.393
2.5	-6.341	-13.855	-7.630	-6.164	-4.524
5.0	-4.980	-8.449	-6.449	-6.449	-4.750
10.0	-3.870	-4.002	-10.833	-7.196	-6.134
15.0	-3.420	-3.314	-12.000	-6.341	-5.198
24.0	-3.351	-2.418	-5.627	-11.845	-5.814
33.0	-2.529	-2.383	-2.626	-8.688	-5.741
54.0	-3.249	-2.584	-2.613	-7.601	-9.964
65.0	-1.430	-4.283	-3.960	-15.333	-8.362
78.5	-1.612	-12.167	-12.333	-11.290	-11.507
80.5	-364.072	-283.346	-243.855	-192.933	-232.985
81.5	-31.217	-37.072	-37.210	-78.797	-2.812
82.0	-10.935	-29.000	-19.051	-27.116	-43.746
84.0	-12.058	-6.341	16.732	-14.935	-20.565
87.0	-23.341	-19.688	-12.290	-14.812	-4.718
89.0	5.054	-19.804	-12.370	-10.290	-4.036
93.0	-3.018	-8.761	-16.138	-15.384	-0.894
96.0	-4.912	-4.985	-1.429	-12.185	-14.232
100.0	-7.239	-5.691	1.474	-3.963	-11.435
2.5 (LOWER)	-0.559	-0.672	-1.133	-1.817	-1.034
5.0	-0.104	0.649	-0.132	-0.704	-0.747
10.0	0.848	0.468	0.017	0.184	-0.710
24.0	-0.007	0.327	0.277	-0.815	-0.362
33.0	0.121	-0.064	-0.165	-1.081	-0.081
54.0	0.318	-0.205	-0.325	-1.189	-21.435
73.5	-0.221	-0.141	-0.230	-8.116	-2.638
84.0	-3.402	-7.841	-14.746	-12.514	-3.705
96.0	0.916	-3.574	-3.871	-2.511	-10.587

RUN 367 POINT 27 ALPHA 0.01 PSI 0.00 HEIGHT 88.36

X/C, %	BP 2	BP 6	BP 12	BP 16	BP 22
0.0 (UPPER)	-0.188	-1.001	-2.007	-2.929	-3.958
2.5	-0.765	-1.481	-2.213	-2.165	-3.549
5.0	-0.615	-1.320	-1.447	-1.766	-2.096
10.0	-0.721	-1.114	-1.432	-1.508	-1.476
15.0	-0.680	-0.904	-1.386	-1.396	-1.476
20.0	-0.707	-0.829	-1.177	-1.287	-1.370
24.0	-0.955	-0.982	-1.285	-1.399	-1.519
33.0	-2.336	-1.391	-1.811	-4.208	-3.418
54.0	-0.414	-2.268	-2.474	-3.422	-2.377
65.0	-0.423	-7.003	-8.793	-8.623	-9.029
78.5	-194.324	-144.487	-123.284	-101.900	-130.386
80.5	-16.046	-18.830	-18.054	-49.272	-0.267
81.5	-6.503	-3.882	-8.025	-14.089	-21.566
82.0	6.067	-4.636	7.256	-8.221	9.950
84.0	-13.536	-6.824	-11.073	-6.623	-7.936
87.0	1.536	-9.805	-4.980	-6.184	-3.781
89.0	-2.573	-4.114	-9.645	-0.018	-0.168
93.0	-2.304	-2.041	-0.707	-5.100	-0.399
96.0	-3.045	-2.664	1.250	-1.977	-7.913
100.0	-3.154	-4.350	-4.165	-5.049	-5.049
2.5 (LOWER)	0.196	0.251	0.075	0.239	0.181
5.0	-0.089	0.080	-0.029	0.196	0.141
10.0	-0.058	0.147	0.070	0.138	0.036
24.0	0.000	0.004	0.059	0.042	-0.110
33.0	-0.137	-0.007	-0.033	0.149	-0.485
54.0	0.137	0.154	0.046	-0.139	-6.100
73.5	0.362	0.507	0.413	-2.758	-1.095
84.0	-1.681	-2.454	-7.412	-1.848	-2.164
96.0	0.174	-1.942	0.246	-1.544	-2.936

WING PRESSURE COEFFICIENTS

RUN 367 POINT 30 ALPHA 12.00 PSI 0.00 HEIGHT 87.62

X/C, X	BP 2	BP 6	BP 12	BP 16	BP 22
0.0 (UPPER)	-5.541	-5.856	-4.425	-3.962	-3.330
2.5	-3.069	-6.643	-4.674	-4.105	-3.456
5.0	-2.219	-7.533	-4.820	-4.204	-3.500
10.0	-1.765	-1.438	-6.228	-4.469	-3.551
15.0	-1.559	-1.531	-5.987	-5.065	-3.622
20.0	-1.346	-1.376	-2.463	-5.544	-3.604
24.0	-1.514	-1.429	-1.137	-4.069	-4.175
33.0	-2.704	-1.723	-2.317	-5.647	-4.745
40.0	-2.475	-2.762	-2.640	-3.935	-1.716
54.0	-0.505	-8.174	-10.487	-10.226	-10.704
65.0	-211.850	-159.577	-137.869	-113.116	-143.049
78.5	-16.438	-20.613	-20.951	-54.431	-0.350
80.5	-6.766	-5.524	-9.451	-15.441	-28.929
81.5	6.900	-5.180	7.599	-9.079	-17.313
82.0	-14.463	-10.261	-12.234	-8.715	-14.271
84.0	1.970	-10.938	-5.659	-7.256	-7.778
87.0	-2.567	-4.817	-11.064	-10.159	-3.452
89.0	-2.887	-2.576	-1.216	-7.062	-0.437
93.0	-3.952	-3.274	0.768	-2.707	-11.274
96.0	-3.013	-5.726	-4.536	-4.730	-6.461
100.0	0.435	0.241	-0.091	-0.091	-0.193
2.5 (LOWER)	0.280	0.402	0.144	0.212	0.039
5.0	0.298	0.437	0.342	0.327	0.086
10.0	0.254	0.244	0.308	0.202	-0.034
24.0	0.219	0.221	0.140	0.310	-0.534
33.0	0.253	0.255	0.121	-0.139	-7.750
54.0	0.342	0.533	0.426	-1.962	-1.718
73.5	-2.045	-3.919	-11.720	-2.263	-2.698
84.0	0.310	-2.769	0.242	-1.896	-4.330

WING PRESSURE COEFFICIENTS

RUN 367 POINT 32 ALPHA 21.99 PSI 0.00 HEIGHT 99.32

X/C, X	BP 2	BP 6	BP 12	BP 16	BP 22
0.0 (UPPER)	-15.437	-10.055	-5.896	-4.853	-3.851
2.5	-5.333	-12.626	-6.580	-5.155	-3.949
5.0	-3.960	-14.886	-6.682	-5.431	-4.021
10.0	-2.898	-3.628	-9.087	-5.503	-4.278
15.0	-2.428	-2.098	-9.760	-6.293	-4.308
24.0	-1.839	-1.779	-5.178	-6.074	-4.308
33.0	-1.881	-1.730	-2.234	-6.784	-4.263
40.0	-2.533	-1.829	-2.382	-5.563	-4.754
54.0	-0.547	-2.936	-2.481	-3.563	-6.543
65.0	-0.598	-7.601	-9.733	-9.439	-9.805
78.5	-201.004	-153.707	-137.147	-113.480	-125.692
80.5	-14.811	-20.134	-20.792	-53.783	-0.434
81.5	-6.134	-5.355	-10.618	-15.635	-22.467
82.0	6.292	-5.631	6.512	-9.631	-11.938
84.0	-13.952	-10.580	-12.561	-8.312	-10.013
87.0	1.872	-11.352	-6.236	-8.312	-5.045
89.0	-2.475	-5.359	-11.590	-10.584	-1.524
93.0	-2.751	-3.261	-1.876	-7.435	-0.475
96.0	-3.752	-4.002	0.136	-3.321	-9.518
100.0	-2.753	-5.178	-4.164	-4.270	-5.669
2.5 (LOWER)	0.856	-0.439	-0.691	-0.707	-0.700
5.0	0.374	0.499	-0.028	-0.212	-0.212
10.0	0.512	0.315	0.378	0.329	0.034
24.0	0.415	0.398	0.453	0.289	0.042
33.0	0.335	0.389	0.304	0.424	0.609
54.0	0.383	0.358	0.257	-0.023	-7.673
73.5	0.363	0.556	0.442	-1.041	-1.757
84.0	-1.475	-3.575	-9.503	-1.726	-2.383
96.0	-0.429	-2.350	0.305	-1.473	-3.957

C-4

RUN 369 POINT 2 ALPHA 0.01 PSI 0.00 HEIGHT 85.38

X/C, X	BP 2	BP 6	BP 12	BP 16	BP 22
0.0 (UPPER)	-0.044	-0.182	0.403	0.422	0.364
2.5	0.306	0.300	-0.016	-0.230	-0.311
5.0	0.230	0.190	-0.071	-0.314	-0.314
10.0	0.137	0.078	-0.145	-0.236	-0.290
15.0	0.084	0.009	-0.165	-0.227	-0.249
24.0	-0.005	0.046	-0.175	-0.215	-0.220
33.0	-0.067	-0.102	-0.199	-0.197	-0.223
40.0	0.004	-0.174	-0.283	0.385	0.123
54.0	0.046	-0.278	-0.358	-0.064	-0.256
65.0	-0.499	-0.542	-0.535	-0.573	-0.605
78.5	-0.499	-0.496	-0.545	-0.519	-0.659
80.5	-0.521	-0.529	-0.512	-0.520	-0.053
81.5	-0.581	0.525	-0.550	-0.549	-0.666
82.0	-0.585	-0.471	-0.236	-0.519	-0.644
84.0	-0.509	-0.517	-0.328	-0.629	-0.598
87.0	-0.524	-0.527	-0.532	-0.621	-0.588
89.0	-0.526	-0.504	-0.525	-0.575	-0.632
93.0	-0.575	-0.523	-0.537	-0.500	-0.065
96.0	-0.551	-0.499	-0.545	-0.590	-0.626
100.0	-0.442	-0.454	-0.391	-0.256	-0.628
2.5 (LOWER)	-0.305	-0.365	-0.097	0.090	0.166
5.0	-0.200	-0.105	-0.050	0.071	0.104
10.0	-0.104	-0.211	-0.010	0.066	0.062
24.0	-0.023	-0.007	0.048	0.058	0.067
33.0	0.033	0.052	0.100	0.130	0.059
54.0	0.208	0.216	0.277	0.271	0.183
73.5	0.383	0.475	0.543	0.817	0.641
84.0	0.609	0.753	-0.642	0.923	0.792
96.0	0.322	0.834	0.420	0.579	0.714

RUN 369 POINT 2 ALPHA 0.01 PSI 0.00 HEIGHT 85.38

X/C, X	BP 2	BP 6	BP 12	BP 16	BP 22
0.0 (UPPER)	-0.044	-0.182	0.403	0.422	0.364
2.5	0.306	0.300	-0.016	-0.230	-0.311
5.0	0.230	0.190	-0.071	-0.314	-0.314
10.0	0.137	0.078	-0.145	-0.236	-0.290
15.0	0.084	0.009	-0.165	-0.227	-0.249
24.0	-0.005	0.046	-0.175	-0.215	-0.220
33.0	-0.067	-0.102	-0.199	-0.197	-0.223
40.0	0.004	-0.174	-0.283	0.385	0.123
54.0	0.046	-0.278	-0.358	-0.064	-0.256
65.0	-0.499	-0.542	-0.535	-0.573	-0.605
78.5	-0.499	-0.496	-0.545	-0.519	-0.659
80.5	-0.521	-0.529	-0.512	-0.520	-0.053
81.5	-0.581	0.525	-0.550	-0.549	-0.666
82.0	-0.585	-0.471	-0.236	-0.519	-0.644
84.0	-0.509	-0.517	-0.328	-0.629	-0.598
87.0	-0.524	-0.527	-0.532	-0.621	-0.588
89.0	-0.526	-0.504	-0.525	-0.575	-0.632
93.0	-0.575	-0.523	-0.537	-0.500	-0.065
96.0	-0.551	-0.499	-0.545	-0.590	-0.626
100.0	-0.442	-0.454	-0.391	-0.256	-0.628
2.5 (LOWER)	-0.305	-0.365	-0.097	0.090	0.166
5.0	-0.200	-0.105	-0.050	0.071	0.104
10.0	-0.104	-0.211	-0.010	0.066	0.062
24.0	-0.023	-0.007	0.048	0.058	0.067
33.0	0.033	0.052	0.100	0.130	0.059
54.0	0.208	0.216	0.277	0.271	0.183
73.5	0.383	0.475	0.543	0.817	0.641
84.0	0.609	0.753	-0.642	0.923	0.792
96.0	0.322	0.834	0.420	0.579	0.714

WING PRESSURE COEFFICIENTS

RUN 369 POINT 5 ALPHA 12.05 PSI 0.00 HEIGHT 89.06

X/C, %	BP 2	BP 6	BP 12	BP 16	BP 22
0.0 (UPPER)	0.335	-0.722	-3.347	-3.264	-1.422
2.5	-0.326	-0.706	-1.522	-3.029	-1.362
5.0	-0.316	-0.588	-1.109	-3.310	-1.349
10.0	-0.344	-0.516	-0.856	-0.833	-1.334
15.0	-0.352	-0.478	-0.691	-0.614	-1.283
24.0	-0.366	-0.424	-0.541	-0.576	-1.325
33.0	-0.371	-0.418	-0.472	-0.484	-1.263
54.0	-0.242	-0.395	-0.403	-0.403	-0.586
65.0	0.045	-0.456	-0.483	-0.091	-0.472
78.5	0.035	-0.685	-0.577	-0.670	-0.743
79.5	-0.593	-0.575	-0.637	-0.614	-0.846
80.5	-0.614	-0.608	-0.605	-0.699	-0.643
81.5	-0.666	-0.529	-0.614	-0.638	-0.846
82.0	-0.664	-0.535	-0.291	-0.607	-0.842
84.0	-0.592	-0.607	-0.402	-0.727	-0.789
87.0	-0.613	-0.622	-0.633	-0.727	-0.738
89.0	-0.620	-0.603	-0.621	-0.674	-0.796
93.0	-0.693	-0.637	-0.651	-0.716	-0.052
96.0	-0.660	-0.586	-0.657	-0.707	-0.778
100.0	-0.504	-0.483	-0.546	-0.658	-0.778
2.5 (LOWER)	0.269	0.434	0.476	0.493	0.509
5.0	0.239	0.342	0.472	0.529	0.501
10.0	0.283	0.388	0.421	0.480	0.415
24.0	0.231	0.279	0.330	0.335	0.267
33.0	0.259	0.285	0.321	0.348	0.049
54.0	0.338	0.350	0.392	0.365	0.210
73.5	0.558	0.624	0.625	0.830	0.567
84.0	0.584	0.758	-0.611	0.730	0.630
96.0	0.461	0.457	0.447	0.548	0.704

RUN 369 POINT 3 ALPHA 4.04 PSI 0.00 HEIGHT 87.71

X/C, %	BP 2	BP 6	BP 12	BP 16	BP 22
0.0 (UPPER)	0.224	0.193	0.102	-0.478	-1.071
2.5	0.194	0.059	-0.422	-0.873	-0.989
5.0	0.114	-0.019	-0.532	-0.746	-0.932
10.0	0.021	-0.093	-0.338	-0.463	-0.560
15.0	-0.028	-0.140	-0.307	-0.398	-0.439
24.0	-0.108	-0.165	-0.275	-0.335	-0.346
33.0	-0.157	-0.204	-0.276	-0.239	-0.239
54.0	-0.071	-0.246	-0.332	0.387	-0.028
65.0	0.063	-0.333	-0.393	-0.326	0.326
78.5	0.053	-0.580	-0.544	-0.647	-0.647
79.5	-0.528	-0.531	-0.574	-0.549	-0.658
80.5	-0.548	-0.553	-0.549	-0.654	-0.659
81.5	-0.609	-0.521	-0.562	-0.589	-0.696
82.0	-0.604	-0.487	-0.249	-0.551	-0.684
84.0	-0.524	-0.547	-0.356	-0.673	-0.615
87.0	-0.547	-0.572	-0.617	-0.674	-0.615
89.0	-0.547	-0.538	-0.566	-0.651	0.075
93.0	-0.606	-0.563	-0.585	-0.645	0.649
96.0	-0.583	-0.530	-0.595	-0.645	-0.660
100.0	-0.462	-0.464	-0.424	-0.366	-0.334
2.5 (LOWER)	0.118	-0.060	0.228	0.366	0.440
5.0	-0.067	0.046	0.187	0.294	0.334
10.0	0.005	0.000	0.159	0.238	0.230
24.0	0.058	0.086	0.145	0.156	0.142
33.0	0.105	0.131	0.175	0.210	0.068
54.0	0.256	0.262	0.316	0.302	0.192
73.5	0.459	0.534	0.579	0.823	0.622
84.0	0.584	0.752	-0.676	0.909	0.692
96.0	0.382	0.602	0.430	0.556	0.710

RUN 369 POINT 6 ALPHA 16.00 PSI 0.00 HEIGHT 87.44

X/C, %	BP 2	BP 6	BP 12	BP 16	BP 22
0.0 (UPPER)	-0.612	-2.811	-6.775	-2.894	-1.353
2.5	-0.591	-1.262	-2.333	-2.794	-1.332
5.0	-0.539	-0.931	-1.799	-2.834	-1.297
10.0	-0.512	-0.721	-1.370	-2.677	-1.293
15.0	-0.491	-0.636	-1.074	-2.134	-1.235
24.0	-0.471	-0.531	-0.752	-1.088	-1.237
33.0	-0.459	-0.518	-0.621	-0.717	-1.234
54.0	-0.335	-0.466	-0.505	0.401	-1.015
65.0	0.030	-0.514	-0.529	-0.106	-0.928
78.5	0.020	-0.723	-0.698	-0.723	-0.888
79.5	-0.625	-0.623	-0.698	-0.674	-0.913
80.5	-0.654	-0.652	-0.662	-0.757	-0.927
81.5	-0.694	0.522	-0.660	-0.682	-0.919
82.0	-0.710	-0.559	-0.308	-0.655	-0.895
84.0	-0.615	-0.634	-0.406	-0.781	-0.833
87.0	-0.623	-0.638	-0.666	-0.775	-0.780
89.0	-0.636	-0.626	-0.659	-0.716	-0.840
93.0	-0.713	-0.665	-0.691	-0.759	0.040
96.0	-0.681	-0.614	-0.614	-0.748	-0.817
100.0	-0.493	-0.488	-0.373	-0.686	-0.803
2.5 (LOWER)	0.491	0.513	0.416	0.453	0.461
5.0	0.443	0.471	0.553	0.577	0.518
10.0	0.380	0.380	0.532	0.563	0.465
24.0	0.343	0.380	0.427	0.415	0.321
33.0	0.352	0.365	0.398	0.409	0.036
54.0	0.392	0.404	0.435	0.396	0.265
73.5	0.627	0.663	0.640	0.836	0.530
84.0	0.602	0.750	-0.848	0.721	0.630
96.0	0.493	0.489	0.443	0.540	0.685

RUN 369 POINT 4 ALPHA 8.02 PSI 0.00 HEIGHT 87.82

X/C, %	BP 2	BP 6	BP 12	BP 16	BP 22
0.0 (UPPER)	0.409	0.184	-1.046	-2.274	-2.513
2.5	-0.010	-0.260	-0.815	-1.431	-2.016
5.0	-0.065	-0.270	-0.652	-0.980	-1.897
10.0	-0.142	-0.287	-0.554	-0.737	-1.238
15.0	-0.178	-0.304	-0.470	-0.606	-0.700
24.0	-0.234	-0.295	-0.390	-0.452	-0.452
33.0	-0.263	-0.314	-0.366	-0.405	-0.369
54.0	-0.134	-0.321	-0.369	0.391	-0.063
65.0	0.051	-0.395	-0.441	-0.059	-0.395
78.5	0.041	-0.625	-0.564	-0.737	-0.737
79.5	-0.553	-0.549	-0.626	-0.583	-0.807
80.5	-0.566	-0.571	-0.598	-0.689	-0.850
81.5	-0.622	-0.513	-0.609	-0.639	-0.819
82.0	-0.617	-0.510	-0.277	-0.604	-0.802
84.0	-0.534	-0.574	-0.388	-0.724	-0.759
87.0	-0.566	-0.584	-0.614	-0.775	-0.714
89.0	-0.572	-0.568	-0.606	-0.667	-0.777
93.0	-0.638	-0.598	-0.636	-0.711	-0.065
96.0	-0.612	-0.557	-0.645	-0.702	-0.780
100.0	-0.479	-0.455	-0.550	-0.595	-0.770
2.5 (LOWER)	0.088	0.204	0.403	0.473	0.523
5.0	0.125	0.188	0.344	0.430	0.455
10.0	0.196	0.196	0.290	0.363	0.339
24.0	0.134	0.173	0.233	0.244	0.194
33.0	0.172	0.202	0.243	0.274	0.057
54.0	0.292	0.306	0.353	0.329	0.192
73.5	0.536	0.594	0.599	0.822	0.583
84.0	0.587	0.755	-0.800	0.732	0.643
96.0	0.406	0.605	0.433	0.547	0.704

MING PRESSURE COEFFICIENTS

RUN 370 POINT 2 ALPHA		4.02 PSI		0.00 HEIGHT 83.05	
X/C, %	BP 2	BP 6	BP 12	BP 16	BP 22
0.0 (UPPER)	-0.430	-0.330	-0.577	-1.209	-2.345
2.5	0.753	0.513	-0.681	-0.987	-1.519
5.0	0.594	0.411	-0.891	-0.872	-1.105
10.0	0.415	0.297	-1.082	-0.835	-0.889
15.0	0.276	0.121	-1.088	-0.817	-0.883
20.0	0.037	-0.024	-1.010	-0.876	-0.830
24.0	-0.176	-0.097	-0.998	-0.828	-0.828
33.0	-0.121	-0.176	-0.877	0.043	-0.603
54.0	-0.254	-0.452	-0.877	-1.026	-1.026
65.0	-0.065	-0.961	-1.009	-1.581	-1.581
78.5	-0.085	-3.359	-3.404	-3.210	-3.570
79.5	-35.161	-32.759	-32.957	-25.733	-22.456
80.5	-5.566	-6.258	-6.659	-9.246	-0.065
81.5	-3.435	-2.039	-4.418	-3.689	-5.738
82.0	-1.888	-3.154	-0.963	-2.805	-3.856
84.0	-3.168	-3.261	-3.111	-2.784	-2.749
87.0	-0.747	-2.635	-2.361	-2.460	-1.657
89.0	-0.973	-1.640	-2.846	-2.647	-1.297
93.0	-0.817	-1.025	-1.275	-2.152	-0.041
96.0	-0.981	-0.886	-0.760	-1.598	-1.945
100.0	0.198	0.366	0.241	0.078	-0.017
2.5 (LOWER)	-0.357	-0.256	-0.433	-0.444	0.326
5.0	-0.391	-0.258	-0.389	-0.365	0.216
10.0	-0.284	-0.243	-0.401	-0.287	0.086
24.0	-0.334	-0.333	-0.339	-0.021	-0.021
33.0	-0.293	-0.333	-0.294	-0.164	-0.025
54.0	-0.014	-0.164	-0.119	-0.056	-0.163
73.5	0.055	0.019	0.097	0.222	0.233
84.0	0.108	0.346	-2.161	0.387	0.416
96.0	0.244	0.304	0.358	0.391	0.529

RUN 370 POINT 3 ALPHA		7.99 PSI		0.00 HEIGHT 85.82	
X/C, %	BP 2	BP 6	BP 12	BP 16	BP 22
0.0 (UPPER)	-1.195	-0.629	-0.452	-1.601	-5.563
2.5	0.682	0.323	-0.615	-1.129	-3.111
5.0	0.507	0.180	-0.802	-0.247	-2.247
10.0	0.308	0.074	-0.972	-0.944	-1.569
15.0	0.161	0.112	-1.037	-0.938	-1.139
24.0	-0.076	-0.213	-1.155	-0.998	-0.954
33.0	-0.224	-0.369	-1.215	-1.038	-0.932
54.0	-0.278	-0.580	-1.436	-0.070	-0.772
65.0	-0.080	-1.124	-1.591	-1.749	-1.445
78.5	-0.102	-3.625	-4.014	-4.276	-4.832
79.5	-37.403	-35.540	-34.851	-29.428	-27.726
80.5	-6.087	-6.676	-6.890	-10.773	-0.097
81.5	-3.976	-1.981	-4.941	-4.680	-7.479
82.0	-2.361	-3.615	-3.157	-3.708	-5.302
84.0	-3.714	-3.800	-3.497	-3.867	-3.867
87.0	-1.119	-3.121	-2.687	-3.079	-2.455
89.0	-1.398	-2.030	-3.263	-3.289	-1.932
93.0	-1.266	-1.343	-1.603	-2.683	-0.048
96.0	-1.324	-1.163	-1.032	-1.939	-2.274
100.0	0.161	0.430	0.331	0.323	0.122
2.5 (LOWER)	-1.111	-0.536	-0.268	-0.028	0.297
5.0	-1.037	-0.438	-0.375	0.044	0.364
10.0	-0.687	-0.496	-0.188	0.121	0.293
24.0	-0.153	-0.116	0.041	0.122	0.175
33.0	0.052	0.012	0.119	0.199	-0.034
54.0	0.296	0.208	0.245	0.200	-0.159
73.5	0.265	0.260	0.307	0.312	0.039
84.0	0.271	0.432	-2.652	0.483	0.205
96.0	0.499	0.615	0.616	0.580	0.526

MING PRESSURE COEFFICIENTS

RUN 369 POINT 7 ALPHA		22.02 PSI		0.00 HEIGHT 94.64	
X/C, %	BP 2	BP 6	BP 12	BP 16	BP 22
0.0 (UPPER)	-4.213	-3.980	-1.949	-1.519	-1.099
2.5	-1.831	-4.373	-2.021	-1.508	-1.097
5.0	-1.276	-3.613	-2.046	-1.513	-1.074
10.0	-0.993	-1.466	-2.109	-1.317	-1.089
15.0	-0.861	-1.039	-2.088	-1.522	-1.066
24.0	-0.729	-0.852	-1.745	-1.568	-1.055
33.0	-0.652	-0.792	-1.355	-1.471	-1.028
54.0	-0.583	-0.641	-0.826	0.415	-0.955
65.0	0.012	-0.669	-0.717	-0.815	-0.957
78.5	0.002	-0.940	-0.906	-0.938	-0.938
79.5	-0.892	-0.811	-0.888	-0.897	-0.963
80.5	-0.903	-0.829	-0.828	-0.979	0.014
81.5	-0.937	0.535	-0.826	-0.899	-0.972
82.0	-0.958	-0.715	-0.828	-0.839	-0.833
84.0	-0.812	-0.777	-0.527	-0.833	-0.858
87.0	-0.808	-0.767	-0.899	-0.821	-0.858
89.0	-0.816	-0.760	-0.755	-0.834	-0.862
93.0	-0.878	-0.808	-0.788	-0.858	-0.822
96.0	-0.795	-0.749	-0.783	-0.836	-0.810
100.0	-0.540	-0.572	-0.637	-0.750	-0.790
2.5 (LOWER)	0.671	0.509	0.445	0.416	0.383
5.0	0.678	0.641	0.603	0.560	0.498
10.0	0.646	0.653	0.619	0.614	0.494
24.0	0.476	0.514	0.519	0.492	0.375
33.0	0.480	0.474	0.480	0.484	0.420
54.0	0.449	0.460	0.477	0.436	0.215
73.5	0.663	0.743	0.696	0.843	0.518
84.0	0.648	0.755	-0.657	0.726	0.627
96.0	0.538	0.496	0.438	0.542	0.662

RUN 370 POINT 1 ALPHA		0.02 PSI		0.00 HEIGHT 86.33	
X/C, %	BP 2	BP 6	BP 12	BP 16	BP 22
0.0 (UPPER)	-0.438	-0.408	-0.653	-0.898	-0.971
2.5	0.793	0.657	-0.767	-1.161	-1.161
5.0	0.647	0.560	-0.959	-0.650	-0.884
10.0	0.470	0.412	-0.965	-0.693	-0.767
15.0	0.326	0.205	-0.798	-0.727	-0.623
24.0	0.072	0.017	-0.589	-0.879	-0.613
33.0	-0.096	-0.162	-0.500	-1.044	-0.644
54.0	-0.312	-0.477	-0.662	-0.611	-0.611
65.0	-0.071	-0.989	-0.951	-1.543	-1.167
78.5	-0.089	-3.250	-3.438	-3.257	-3.910
79.5	-35.050	-31.942	-32.712	-27.379	-23.491
80.5	-5.356	-5.105	-6.376	-9.846	-0.083
81.5	-3.217	-2.910	-4.166	-4.067	-5.970
82.0	-1.642	-2.875	-3.163	-3.986	-3.986
84.0	-3.025	-3.006	-2.905	-2.866	-2.866
87.0	-0.560	-2.410	-2.103	-2.426	-1.798
89.0	-0.786	-1.428	-2.601	-2.482	-1.400
93.0	-0.591	-0.841	-1.013	-0.639	-0.039
96.0	-0.756	-0.734	-0.522	-1.129	-2.066
100.0	0.020	0.131	0.028	0.212	0.150
2.5 (LOWER)	-0.350	-0.312	-0.485	-0.521	0.212
5.0	-0.378	-0.326	-0.438	-0.466	0.068
10.0	-0.323	-0.306	-0.408	-0.408	0.062
24.0	-0.407	-0.416	-0.430	-0.408	-0.151
33.0	-0.390	-0.432	-0.406	-0.324	-0.031
54.0	-0.133	-0.267	-0.274	-0.233	0.169
73.5	0.014	-0.041	-0.055	0.090	0.236
84.0	0.077	0.309	-2.291	0.315	0.450
96.0	0.122	0.126	0.192	0.309	0.557

WING PRESSURE COEFFICIENTS

RUN 370 POINT 6 ALPHA 21.99 PSI 0.00 HEIGHT 93.04

X/C, Z	BP 2	BP 6	BP 12	BP 16	BP 22
0.0 (UPPER)	-0.146	0.265	-7.413	-8.140	-3.395
2.5	0.278	-0.314	-2.685	-8.254	-3.601
5.0	-0.010	-0.527	-2.086	-7.375	-3.628
10.0	-0.275	-0.674	-1.581	-2.486	-3.933
15.0	-0.436	-0.858	-1.400	-1.861	-4.120
20.0	-0.685	-0.895	-1.334	-1.683	-3.971
24.0	-0.793	-1.012	-1.318	-1.541	-3.283
33.0	-0.811	-1.139	-1.641	0.163	-1.890
54.0	-0.184	-1.750	-2.031	-2.139	-1.908
65.0	-0.217	-4.578	-5.262	-5.625	-5.408
78.5	-47.805	-45.678	-42.638	-42.198	-30.721
79.5	-7.901	-7.956	-7.757	-13.111	-0.231
80.5	-5.276	-1.873	-5.773	-6.237	-6.484
81.5	-3.623	-4.478	-5.108	-5.071	-6.108
82.0	-4.660	-4.660	-3.919	-4.545	-4.473
84.0	-1.909	-3.726	-3.015	-3.543	-2.914
87.0	-1.950	-2.548	-3.474	-3.432	-2.333
89.0	-1.958	-1.717	-1.615	-2.255	-0.161
93.0	-1.876	-1.478	-0.959	-1.370	-2.628
96.0	-0.094	0.140	0.044	0.087	-0.246
100.0 (LOWER)	-0.342	0.058	0.191	-0.262	-0.250
2.5	-0.129	0.314	0.479	0.314	0.196
5.0	0.153	0.199	0.538	0.574	0.379
10.0	0.279	0.402	0.551	0.517	0.377
24.0	0.465	0.443	0.553	0.553	-0.132
33.0	0.587	0.508	0.588	0.481	-0.099
54.0	0.590	0.685	0.601	0.681	0.129
73.5	0.656	0.593	-3.035	0.847	0.325
84.0	0.661	0.826	0.874	0.786	0.310
96.0					

WING PRESSURE COEFFICIENTS

RUN 370 POINT 4 ALPHA 12.04 PSI 0.00 HEIGHT 86.97

X/C, Z	BP 2	BP 6	BP 12	BP 16	BP 22
0.0 (UPPER)	-1.719	-0.473	-0.644	-4.732	-5.887
2.5	0.613	0.131	-2.129	-2.129	-5.397
5.0	0.388	-0.051	-0.901	-1.591	-5.378
10.0	0.162	-0.192	-1.019	-1.333	-3.562
15.0	0.009	-0.384	-1.056	-1.226	-1.936
24.0	-0.244	-0.478	-1.166	-1.204	-1.220
33.0	-0.387	-0.628	-1.261	-1.204	-1.161
54.0	-0.392	-0.803	-1.659	0.107	-1.185
65.0	-0.094	-1.364	-1.974	-2.070	-2.060
78.5	-0.126	-3.990	-4.879	-5.317	-6.557
79.5	-41.053	-40.340	-38.895	-37.203	-34.694
80.5	-6.738	-7.275	-7.408	-12.308	-0.132
81.5	-4.394	-1.930	-5.611	-9.694	-9.694
82.0	-4.000	-4.029	-4.703	-7.218	-5.369
84.0	-4.000	-4.247	-3.952	-4.295	-5.369
87.0	-1.387	-3.435	-3.025	-3.501	-3.579
89.0	-1.614	-2.333	-3.567	-3.334	-2.840
93.0	-1.350	-1.555	-1.777	-2.618	-0.086
96.0	-1.433	-1.336	-1.155	-1.769	-2.719
100.0 (LOWER)	0.077	0.357	0.138	0.152	-0.038
2.5	-1.588	-0.485	0.043	0.252	0.347
5.0	-0.874	-0.221	0.147	0.160	0.347
10.0	-0.252	-0.418	0.209	0.410	0.381
24.0	0.079	0.181	0.336	0.335	0.266
33.0	0.283	0.278	0.379	0.394	-0.051
54.0	0.482	0.409	0.492	0.412	-0.135
73.5	0.454	0.512	0.647	0.584	0.071
84.0	0.465	0.496	-3.308	0.669	0.234
96.0	0.537	0.755	0.845	0.674	0.414

WING PRESSURE COEFFICIENTS

RUN 371 POINT 1 ALPHA 0.00 PSI 0.00 HEIGHT 87.47

X/C, Z	BP 2	BP 6	BP 12	BP 18	BP 22
0.0 (UPPER)	-0.415	-0.422	-0.647	-1.046	-0.990
2.5	0.859	0.793	-0.674	-0.713	-1.406
5.0	0.654	0.634	-0.821	-0.649	-0.980
10.0	0.511	0.561	-0.811	-0.758	-0.998
15.0	0.358	0.163	-0.624	-0.819	-0.698
24.0	-0.038	0.013	-0.577	-0.836	-0.788
33.0	-0.220	-0.242	-0.543	-1.125	-0.905
54.0	-0.529	-0.562	-0.930	-0.530	-1.778
65.0	-0.202	-1.289	-1.209	-1.813	-1.355
78.5	-0.249	-3.965	-4.200	-4.456	-4.875
79.5	-63.178	-53.896	-51.883	-42.488	-39.633
80.5	-7.485	-8.377	-8.382	-16.845	-0.274
81.5	-4.087	-4.509	-5.084	-5.621	-6.726
82.0	-1.194	-3.073	0.161	-3.968	-5.175
84.0	-4.600	-4.246	-3.303	-4.270	-3.513
87.0	-0.205	-3.514	-2.444	-3.567	-1.853
89.0	-1.023	-1.839	-3.768	-3.591	-1.384
93.0	-0.767	-1.051	-1.123	-2.422	-0.133
96.0	-0.934	-1.021	-0.474	-1.397	-3.003
100.0 (LOWER)	-0.341	-0.177	-0.492	-0.496	-0.562
2.5	-0.457	-0.351	-0.602	-0.698	0.178
5.0	-0.548	-0.306	-0.490	-0.608	-0.038
10.0	-0.323	-0.294	-0.546	-0.493	-0.228
24.0	-0.535	-0.453	-0.547	-0.680	-0.298
33.0	-0.401	-0.525	-0.575	-0.588	-0.071
54.0	-0.232	-0.546	-0.569	-0.685	-1.052
73.5	-0.246	-0.359	-0.421	-0.076	0.112
84.0	-0.072	0.363	-3.136	0.409	0.300
96.0	-0.059	-0.010	0.000	0.378	0.548

WING PRESSURE COEFFICIENTS

RUN 370 POINT 5 ALPHA 16.01 PSI 0.00 HEIGHT 87.22

X/C, Z	BP 2	BP 6	BP 12	BP 16	BP 22
0.0 (UPPER)	-1.078	-0.243	-2.714	-7.293	-4.485
2.5	0.489	0.003	-1.422	-3.855	-4.730
5.0	0.206	-0.221	-1.217	-2.661	-5.024
10.0	-0.006	-0.378	-1.183	-1.839	-5.562
15.0	-0.163	-0.580	-1.130	-1.552	-4.078
24.0	-0.418	-0.662	-1.183	-1.420	-1.954
33.0	-0.554	-0.819	-1.238	-1.363	-1.391
54.0	-0.567	-0.975	-1.644	0.145	-1.378
65.0	-0.124	-1.555	-2.022	-2.150	-2.152
78.5	-0.159	-4.286	-5.132	-5.558	-6.768
79.5	-43.383	-43.014	-40.773	-39.960	-35.426
80.5	-7.199	-7.667	-7.605	-12.749	-0.160
81.5	-4.787	-1.863	-5.723	-6.035	-9.856
82.0	-1.319	-4.296	-1.617	-4.939	-7.350
84.0	-4.466	-4.480	-3.955	-4.447	-5.392
87.0	-1.658	-3.619	-3.024	-3.570	-3.570
89.0	-1.784	-2.470	-3.570	-3.452	-2.821
93.0	-1.516	-1.657	-1.716	-2.390	-0.104
96.0	-1.677	-1.421	-1.084	-2.723	-0.014
100.0 (LOWER)	-0.063	0.261	0.012	0.052	-0.014
2.5	-0.368	-0.155	0.361	0.131	0.135
5.0	-0.017	-0.083	0.446	0.377	0.260
10.0	0.017	0.031	0.431	0.490	0.377
24.0	0.183	0.307	0.434	0.412	0.320
33.0	0.364	0.362	0.452	0.468	-0.079
54.0	0.529	0.452	0.538	0.443	-0.105
73.5	0.509	0.621	0.615	0.663	0.115
84.0	0.578	0.540	-3.084	0.763	0.282
96.0	0.573	0.669	0.900	0.739	0.322

WING PRESSURE COEFFICIENTS

RUN 371 POINT 2 ALPHA 4.03 PSI 0.00 HEIGHT 87.25

X/C, Z	BP 2	BP 6	BP 12	BP 16	BP 22
0.0 (UPPER)	-0.353	-0.338	-0.682	-1.668	-1.751
2.5	0.823	0.611	-0.782	-1.295	-1.584
5.0	0.601	0.459	-1.116	-1.137	-1.121
10.0	0.463	0.430	-1.271	-1.118	-1.082
15.0	0.312	0.089	-1.154	-1.106	-0.761
20.0	-0.084	-0.033	-1.035	-1.302	-0.842
24.0	-0.248	-0.258	-0.899	-1.444	-0.946
28.0	-0.495	-0.548	-1.088	-0.494	-1.663
32.0	-0.207	-1.247	-1.262	-2.135	-1.324
36.0	-0.251	-4.060	-4.394	-4.212	-4.637
40.0	-64.010	-54.860	-54.057	-41.744	-39.650
44.0	-7.638	-8.723	-8.924	-16.706	-0.259
48.0	-4.175	-4.573	-5.642	-5.584	-8.761
52.0	-1.200	-3.402	-0.089	-3.937	-5.161
56.0	-4.665	-4.568	-3.860	-4.391	-3.560
60.0	-0.270	-3.816	-2.848	-3.739	-1.835
64.0	-0.850	-1.316	-4.203	-4.023	-1.321
68.0	-1.080	-1.294	-1.456	-2.999	-0.131
72.0	-0.028	0.154	-0.729	-1.956	-3.128
76.0	-0.419	-0.293	-0.658	-0.878	-0.336
80.0	-0.511	-0.264	-0.536	-0.707	0.008
84.0	-0.262	-0.240	-0.618	-0.544	-0.171
88.0	-0.507	-0.444	-0.504	-0.664	-0.244
92.0	-0.364	-0.523	-0.613	-0.281	-0.069
96.0	-0.125	-0.496	-0.494	-0.545	-1.024
100.0 (LOWER)	-0.176	-0.248	-0.004	-0.004	0.153
2.5	-0.006	0.436	-3.223	0.446	0.545
5.0	0.035	0.100	0.185	0.429	0.595

WING PRESSURE COEFFICIENTS

RUN 371 POINT 4 ALPHA 12.02 PSI 0.00 HEIGHT 86.04

X/C, Z	BP 2	BP 6	BP 12	BP 16	BP 22
0.0 (UPPER)	-0.402	-0.324	-1.150	-2.449	-5.782
2.5	0.704	0.244	-0.928	-1.701	-3.677
5.0	0.439	0.015	-1.149	-1.481	-2.766
10.0	0.247	-0.002	-1.324	-1.405	-2.223
15.0	0.087	-0.336	-1.368	-1.362	-1.640
20.0	-0.294	-0.371	-1.432	-1.467	-1.493
24.0	-0.449	-0.603	-1.467	-1.503	-1.518
28.0	-0.424	-0.771	-1.862	-0.427	-1.597
32.0	-0.228	-1.493	-2.046	-2.383	-2.036
36.0	-0.278	-4.455	-5.249	-5.686	-6.354
40.0	-65.138	-56.151	-55.157	-46.658	-44.602
44.0	-9.398	-9.497	-9.688	-18.493	-0.298
48.0	-5.033	-4.459	-6.467	-6.919	-11.008
52.0	-1.978	-4.181	-4.500	-5.156	-7.190
56.0	-3.473	-5.277	-4.711	-5.341	-5.244
60.0	-0.893	-4.945	-3.380	-4.490	-2.910
64.0	-1.694	-2.761	-4.783	-4.769	-2.122
68.0	-1.464	-1.864	-1.993	-3.676	-0.148
72.0	-1.686	-1.781	-1.210	-2.444	-3.282
76.0	0.103	0.428	0.400	0.385	0.000
80.0	-0.450	-0.230	-0.710	-0.552	0.215
84.0	-0.237	-0.235	-0.504	-0.356	0.267
88.0	-0.418	-0.294	-0.479	-0.157	0.179
92.0	-0.204	-0.281	-0.278	-0.187	0.141
96.0	0.207	-0.083	-0.179	-0.023	-0.100
100.0 (LOWER)	0.021	0.086	0.022	-0.027	-0.954
2.5	0.236	0.545	0.209	0.167	-0.033
5.0	0.524	0.710	-3.707	0.543	0.348
10.0	0.524	0.710	0.708	0.548	0.120

RUN 371 POINT 3 ALPHA 8.02 PSI 0.00 HEIGHT 87.12

X/C, Z	BP 2	BP 6	BP 12	BP 16	BP 22
0.0 (UPPER)	-0.273	-0.244	-0.863	-1.816	-3.497
2.5	0.512	0.433	-0.778	-1.416	-2.201
5.0	0.353	0.248	-1.087	-1.280	-1.543
10.0	0.214	0.238	-1.277	-1.245	-1.365
15.0	-0.090	-0.090	-1.211	-1.211	-0.985
20.0	-0.177	-0.186	-1.305	-1.366	-1.012
24.0	-0.342	-0.420	-1.251	-1.464	-1.126
28.0	-0.448	-0.635	-1.510	-0.440	-1.600
32.0	-0.208	-1.338	-1.644	-2.243	-1.578
36.0	-0.260	-4.151	-4.844	-4.931	-5.346
40.0	-63.773	-54.699	-53.868	-43.168	-41.609
44.0	-7.837	-8.896	-9.095	-17.403	-0.281
48.0	-4.442	-4.445	-5.970	-6.178	-8.784
52.0	-1.442	-3.710	-0.228	-4.459	-6.130
56.0	-4.816	-4.832	4.216	-4.813	-4.434
60.0	-0.432	-4.107	-3.102	-4.096	-2.445
64.0	-1.307	-2.365	-4.470	-4.478	-1.772
68.0	-1.080	-1.545	-1.750	-3.512	-0.136
72.0	-1.298	-1.509	-0.996	-2.392	-3.221
76.0	0.168	0.300	0.233	0.171	-0.171
80.0	-0.312	-0.211	-0.688	-0.792	0.295
84.0	-0.422	-0.173	-0.542	-0.615	0.177
88.0	-0.177	-0.148	-0.584	-0.440	0.010
92.0	-0.409	-0.360	-0.537	-0.517	-0.077
96.0	-0.267	-0.432	-0.518	-0.371	-0.075
100.0 (LOWER)	-0.023	-0.399	-0.318	-0.305	-0.959
2.5	-0.112	-0.153	-0.042	0.111	0.176
5.0	0.087	0.504	-3.495	0.507	0.490
10.0	0.246	0.374	0.402	0.487	0.581

RUN 371 POINT 5 ALPHA 16.02 PSI 0.00 HEIGHT 86.76

X/C, Z	BP 2	BP 6	BP 12	BP 16	BP 22
0.0 (UPPER)	-1.586	-0.573	-1.426	-4.500	-6.179
2.5	0.635	0.058	-1.047	-2.593	-5.370
5.0	0.362	-0.183	-1.193	-2.130	-4.994
10.0	0.252	-0.238	-1.298	-1.782	-4.154
15.0	-0.027	-0.571	-1.301	-1.614	-2.980
20.0	-0.415	-0.618	-1.458	-1.650	-2.182
24.0	-0.571	-0.830	-1.557	-1.629	-1.968
28.0	-0.340	-0.944	-2.056	-0.330	-1.523
32.0	-0.258	-1.654	-2.314	-2.494	-2.404
36.0	-0.317	-4.717	-5.654	-6.008	-7.154
40.0	-63.746	-55.290	-54.301	-47.492	-46.095
44.0	-8.796	-9.786	-9.823	-18.537	-0.344
48.0	-5.593	-4.244	-6.709	-7.136	-11.812
52.0	-2.567	-4.609	-0.699	-5.415	-7.918
56.0	-5.916	-5.563	-4.821	-5.484	-5.824
60.0	-1.326	-4.831	-3.477	-4.556	-3.298
64.0	-1.593	-3.048	-4.812	-4.725	-2.393
68.0	-1.676	-2.091	-2.085	-3.561	-0.207
72.0	-1.842	-1.969	-1.326	-2.333	-3.248
76.0	-0.130	0.197	-0.024	0.130	0.084
80.0	-1.463	-0.493	0.454	-0.209	-0.070
84.0	-1.279	-0.250	-0.186	0.056	0.231
88.0	-0.525	-0.401	-0.084	0.262	0.268
92.0	-0.043	0.113	0.205	0.200	0.244
96.0	0.297	0.224	0.308	0.306	-0.139
100.0 (LOWER)	0.548	0.343	0.462	0.246	-0.865
2.5	0.318	0.341	0.525	0.414	-0.053
5.0	0.340	0.630	-3.753	0.733	0.385
10.0	0.549	0.845	0.903	0.691	0.465



WING PRESSURE COEFFICIENTS

RUN 371 POINT 8 ALPHA 22.09 PSI 0.00 HEIGHT 95.36

X/C, X	BP 2	BP 6	BP 12	BP 16	BP 22
0.0 (UPPER)	-1.254	-0.177	-4.906	-8.279	-8.744
2.5	-0.469	-0.167	-1.971	-4.487	-6.743
5.0	0.127	-0.500	-1.685	-3.620	-7.093
10.0	-0.115	-0.565	-1.551	-2.620	-6.570
15.0	-0.302	-0.912	-1.418	-2.138	-4.454
24.0	-0.685	-0.921	-1.500	-1.950	-2.705
33.0	-0.804	-1.108	-1.567	-1.875	-2.383
44.0	-0.410	-1.181	-2.134	-0.344	-2.704
55.0	-0.368	-1.893	-2.464	-2.651	-2.704
65.0	-0.479	-5.015	-5.916	-6.314	-7.755
78.5	-64.864	-56.278	-49.823	-47.906	-47.906
89.0	-9.552	-10.104	-9.917	-18.094	-0.442
93.0	-6.300	-4.274	-6.775	-7.410	-12.218
100.0	-3.328	-4.879	-6.708	-5.660	-8.231
2.5 (LOWER)	-6.559	-5.882	-4.787	-5.841	-5.940
5.0	-1.792	-5.117	-3.460	-4.555	-3.315
10.0	-2.292	-3.287	-4.804	-4.842	-2.353
15.0	-1.906	-2.276	-2.055	-3.358	-0.339
24.0	-0.488	-0.099	-1.314	-2.177	-3.214
33.0	-0.398	-0.192	-0.348	-0.285	-0.601
44.0	0.062	-0.007	0.479	0.001	-0.627
55.0	0.170	0.408	0.503	0.391	-0.007
65.0	0.628	0.393	0.484	0.484	0.238
73.5	0.409	0.504	0.517	0.323	-0.210
84.0	0.519	0.669	-3.812	0.864	-0.877
96.0	0.476	0.765	0.893	0.779	0.391
					0.285

WING PRESSURE COEFFICIENTS

RUN 372 POINT 2 ALPHA 4.00 PSI 0.00 HEIGHT 87.17

X/C, X	BP 2	BP 6	BP 12	BP 16	BP 22
0.0 (UPPER)	-0.301	-0.466	-0.708	-1.642	-1.489
2.5	0.861	0.763	-0.544	-1.075	-1.884
5.0	0.544	0.463	-0.901	-0.972	-1.283
10.0	0.447	0.376	-0.918	-1.195	-1.436
15.0	0.302	-0.029	-0.672	-1.311	-0.931
24.0	-0.290	-0.026	-0.705	-1.311	-0.931
33.0	-0.462	-0.383	-0.720	-1.649	-1.133
44.0	-0.631	-0.641	-1.415	-1.680	-1.387
55.0	-0.386	-1.593	-1.680	-1.585	-2.565
65.0	-0.487	-4.834	-5.530	-5.675	-6.179
78.5	-111.746	-94.859	-89.259	-73.943	-89.329
89.0	-11.341	-12.325	-12.498	-29.314	-0.560
93.0	-5.084	-9.401	-6.759	-8.312	-13.478
100.0	-0.733	-3.455	1.706	-5.261	-6.988
2.5 (LOWER)	-7.264	-6.196	-5.137	-6.288	-4.862
5.0	-0.572	-5.581	-3.124	-5.191	-1.882
10.0	-1.279	-2.893	-5.957	-5.554	-0.890
15.0	-1.131	-1.513	-1.328	-3.616	-0.289
24.0	-1.502	-1.700	-0.375	-1.874	-4.497
33.0	-0.575	-0.386	-0.976	-0.974	-1.143
44.0	-0.671	-0.384	-0.914	-1.152	-0.049
55.0	-0.857	-0.271	-0.582	-0.728	-0.254
65.0	-0.312	-0.255	-0.835	-1.099	-0.509
73.5	-0.751	-0.562	-0.744	-0.970	-0.116
84.0	-0.469	-0.744	-0.906	-1.273	-2.633
96.0	-0.328	-0.952	-0.970	-1.273	-0.188
	-0.569	0.769	-4.441	0.428	0.289
	-0.213	0.536	-4.441	0.428	0.289
	-0.333	-0.137	-0.096	0.447	0.566

RUN 372 POINT 3 ALPHA 8.00 PSI 0.00 HEIGHT 86.13

X/C, X	BP 2	BP 6	BP 12	BP 16	BP 22
0.0 (UPPER)	-0.219	-0.396	-0.985	-2.085	-2.277
2.5	0.838	0.621	-0.933	-1.561	-2.098
5.0	0.511	0.340	-1.390	-1.421	-1.421
10.0	0.406	0.468	-1.509	-1.576	-1.509
15.0	0.236	-0.117	-1.237	-1.663	-1.010
24.0	-0.353	-0.108	-1.167	-2.030	-1.226
33.0	-0.540	-0.483	-1.059	-2.122	-1.494
44.0	-0.812	-0.881	-1.593	-1.553	-2.536
55.0	-0.389	-1.604	-1.742	-2.703	-1.933
65.0	-0.485	-4.927	-5.511	-5.908	-6.591
78.5	-112.824	-95.123	-89.620	-73.678	-70.993
89.0	-11.487	-12.604	-12.584	-29.824	-0.576
93.0	-5.284	-9.435	-7.054	-8.737	-14.297
100.0	-0.801	-3.718	-7.054	-5.658	-7.854
2.5 (LOWER)	-7.389	-6.375	-5.660	-6.791	-5.547
5.0	-1.385	-5.849	-3.435	-5.706	-2.432
10.0	-1.235	-1.736	-6.267	-6.086	-1.347
15.0	-1.642	-1.736	-1.602	-4.257	-0.264
24.0	-0.109	-0.020	-0.598	-2.461	-5.017
33.0	-0.759	-0.351	-0.589	-0.627	-0.957
44.0	-0.801	-0.351	-0.846	-1.366	-0.137
55.0	-0.959	-0.229	-0.978	-0.833	-0.365
65.0	-0.759	-0.602	-0.950	-1.109	-0.378
73.5	-0.457	-0.777	-0.984	-0.952	-0.127
84.0	-0.203	-0.893	-0.897	-1.080	-2.587
96.0	-0.412	-0.573	-0.572	-0.159	-0.238
	-0.066	0.610	-4.938	0.568	0.382
	-0.095	0.055	0.174	0.478	0.637

WING PRESSURE COEFFICIENTS

RUN 372 POINT 4 ALPHA 12.03 PSI 0.00 HEIGHT 86.64

X/C, X	BP 2	BP 6	BP 12	BP 16	BP 22
0.0 (UPPER)	-0.141	-0.298	-1.312	-2.333	-3.179
2.5	0.785	0.422	-1.125	-1.828	-2.413
5.0	0.450	0.087	-1.595	-1.649	-1.689
10.0	0.326	0.287	-1.741	-1.732	-1.713
15.0	0.147	-0.325	-1.556	-1.804	-1.812
24.0	-0.456	-0.284	-1.554	-2.135	-1.393
33.0	-0.828	-0.619	-1.480	-2.252	-1.671
54.0	-0.552	-0.789	-1.882	-1.449	-2.443
65.0	-2.119	-1.743	-2.119	-3.081	-2.311
78.5	-0.506	-1.135	-5.950	-6.699	-7.677
79.5	-112.141	-94.775	-89.783	-74.347	-72.940
80.5	-11.789	-12.918	-13.116	-30.334	-0.574
81.5	-5.576	-9.117	-7.610	-9.496	-15.630
82.0	0.204	-4.169	1.118	-6.511	-9.020
84.0	-7.649	-6.675	-6.174	-7.419	-6.742
87.0	0.135	-6.133	-3.857	-6.298	-3.368
89.0	-1.604	-3.238	-6.668	-2.137	-2.137
93.0	-1.397	-2.076	-2.035	-5.067	-0.309
96.0	-1.778	-2.248	-0.979	-3.174	-5.302
100.0 (LOWER)	0.183	0.385	0.002	-0.178	-0.589
2.5	-0.497	-0.272	-1.234	-1.389	0.198
5.0	-0.702	-0.224	-0.936	-1.084	-0.032
10.0	-0.222	-0.164	-1.006	-0.796	-0.227
24.0	-0.720	-0.601	-0.954	-1.010	-0.220
33.0	-0.393	-0.759	-0.973	-0.795	-0.173
54.0	-0.950	-0.757	-0.665	-0.764	-2.491
73.5	-0.307	-0.377	-0.250	-0.081	-0.205
84.0	0.077	0.682	-5.513	0.681	0.453
96.0	0.109	0.272	0.457	0.573	0.616

WING PRESSURE COEFFICIENTS

RUN 372 POINT 6 ALPHA 21.97 PSI 0.00 HEIGHT 97.65

X/C, X	BP 2	BP 6	BP 12	BP 16	BP 22
0.0 (UPPER)	-0.553	-0.647	-2.526	-3.631	-6.573
2.5	0.562	0.122	-1.761	-2.896	-5.355
5.0	0.251	-0.483	-2.005	-2.611	-4.370
10.0	0.080	-0.381	-2.066	-2.459	-4.133
15.0	-0.115	-0.883	-1.896	-2.386	-3.185
24.0	-0.790	-0.923	-2.038	-2.560	-2.910
33.0	-0.964	-1.204	-2.119	-2.580	-2.949
54.0	-0.551	-1.273	-2.849	-1.497	-3.585
65.0	-0.802	-2.341	-3.001	-3.392	-3.098
78.5	-0.897	-6.331	-7.164	-7.322	-8.126
79.5	-124.914	-105.088	-96.134	-78.620	-76.268
80.5	-14.477	-15.337	-14.545	-31.951	-0.725
81.5	-7.766	-9.563	-8.654	-9.783	-16.005
82.0	-1.589	-5.788	0.804	-6.610	-9.160
84.0	-9.982	-8.367	-7.251	-7.494	-6.681
87.0	-1.247	-7.830	-4.539	-6.343	-2.924
89.0	-2.957	-4.647	-7.612	-6.838	-1.481
93.0	-2.542	-3.240	-2.657	-5.031	-0.501
96.0	-2.900	-3.329	-1.558	-3.127	-4.481
100.0 (LOWER)	-0.654	0.217	0.317	0.027	-0.412
2.5	-0.839	-0.657	-1.321	-1.042	-0.143
5.0	-1.083	-0.400	-0.753	-0.626	0.048
10.0	-0.471	-0.493	-0.696	-0.211	0.056
24.0	-0.807	-0.462	-0.267	-0.224	0.126
33.0	-0.251	-0.345	0.120	0.026	-0.342
54.0	0.543	0.090	0.102	-0.272	-2.629
73.5	0.005	0.143	0.328	0.169	-0.256
84.0	0.331	0.883	-5.011	0.916	0.528
96.0	0.636	1.000	1.084	0.785	0.288

WING PRESSURE COEFFICIENTS

RUN 373 POINT 1 ALPHA 0.03 PSI 0.00 HEIGHT 87.22

X/C, X	BP 2	BP 6	BP 12	BP 16	BP 22
0.0 (UPPER)	-0.487	-0.940	-0.629	-0.140	-0.803
2.5	0.328	1.045	1.445	-0.142	-1.804
5.0	0.413	0.530	0.352	-0.280	-1.128
10.0	0.482	0.946	-0.142	-0.857	-1.676
15.0	0.374	-0.129	0.062	-1.026	-0.913
24.0	-0.695	0.080	-0.236	-1.504	-1.324
33.0	-0.279	-0.541	-0.379	-1.481	-1.793
54.0	-1.020	-0.888	-1.944	-3.650	-4.478
65.0	-0.744	-2.528	-2.484	-2.422	-1.719
78.5	-0.888	-6.913	-8.747	-7.945	-7.918
79.5	-20.495	-174.879	-165.125	-136.013	-126.713
80.5	-18.437	-20.142	-20.841	-53.972	-0.918
81.5	-7.026	-18.974	-10.127	-13.287	-9.146
82.0	-4.548	-9.394	-5.393	-7.340	-9.163
84.0	-12.716	-9.586	-9.019	-9.117	-6.720
87.0	-2.049	-6.541	-4.380	-7.597	-1.567
89.0	-1.925	-3.900	-10.210	-9.336	0.358
93.0	-2.028	-1.902	-1.373	-5.560	-0.638
96.0	-2.758	-2.504	0.257	-2.062	-6.750
100.0 (LOWER)	-3.507	-3.964	-3.972	-2.822	-2.630
2.5	-1.655	-0.747	-2.308	-2.061	0.151
5.0	-1.299	-0.422	-1.507	-1.535	-0.280
10.0	-0.557	-0.418	-1.589	-0.988	-0.566
24.0	-1.360	-0.871	-1.271	-1.393	-0.437
33.0	-0.616	-1.196	-1.259	-0.995	-0.242
54.0	-0.309	-1.450	-1.042	-1.473	-5.715
73.5	-1.079	-1.127	-0.604	-1.074	-1.074
84.0	-0.430	0.957	-6.327	0.979	0.256
96.0	-0.368	-0.406	-0.069	0.741	0.288

WING PRESSURE COEFFICIENTS

RUN 373 POINT 5 ALPHA 16.05 PSI 0.00 HEIGHT 86.07

X/C, X	BP 2	BP 6	BP 12	BP 16	BP 22
0.0 (UPPER)	-0.128	-0.343	-1.905	-2.619	-4.848
2.5	0.752	0.173	-1.399	-2.064	-3.326
5.0	0.355	-0.166	-1.743	-1.915	-2.458
10.0	0.192	-0.041	-1.878	-1.967	-2.325
15.0	0.000	-0.590	-1.728	-1.981	-1.702
24.0	-0.621	-0.481	-1.834	-2.279	-1.818
33.0	-0.778	-0.837	-1.828	-2.414	-2.074
54.0	-0.561	-0.960	-2.433	-1.540	-2.565
65.0	-0.485	-2.023	-2.576	-3.365	-2.766
78.5	-0.570	-5.571	-6.586	-7.357	-6.432
79.5	-118.022	-100.025	-94.205	-78.432	-76.228
80.5	-12.801	-13.823	-13.987	-31.824	-0.619
81.5	-6.344	-9.487	-8.128	-9.982	-16.524
82.0	-0.237	-4.803	1.011	-6.874	-9.590
84.0	-6.428	-7.405	-6.881	-7.714	-7.042
87.0	-0.151	-6.897	-4.335	-6.582	-3.373
89.0	-1.979	-3.794	-7.254	-7.229	-1.946
93.0	-1.728	-2.510	-2.422	-5.449	-0.363
96.0	-2.137	-2.694	-1.324	-3.487	-5.008
100.0 (LOWER)	0.040	0.431	0.253	0.033	-0.529
2.5	-0.506	-0.332	-1.424	-1.420	0.262
5.0	-0.680	-0.220	-1.024	-1.092	0.128
10.0	-0.181	-0.160	-1.041	-0.758	-0.032
24.0	-0.693	-0.538	-0.927	-0.876	-0.022
33.0	-0.337	-0.684	-0.869	-0.568	-0.213
54.0	-0.064	-0.629	-0.448	-0.484	-2.592
73.5	-0.259	-0.260	-0.038	-0.018	-0.224
84.0	0.145	0.754	-5.466	0.764	0.473
96.0	0.356	0.543	0.690	0.634	0.616

WING PRESSURE COEFFICIENTS

RUN 373 POINT 4 ALPHA 11.98 PSI 0.00 HEIGHT 86.14

X/C, X	BP 2	BP 6	BP 12	BP 16	BP 22
0.0 (UPPER)	-0.290	-0.776	-1.257	-2.451	-2.409
2.5	0.875	0.679	-1.034	-1.620	-2.706
5.0	0.374	0.166	-1.585	-1.502	-1.832
10.0	0.403	0.627	-1.585	-1.887	-2.128
15.0	0.222	0.329	-1.035	-2.075	-1.425
24.0	-0.749	-0.143	-1.045	-2.565	-1.788
33.0	-0.896	-0.636	-1.047	-2.674	-2.288
54.0	-0.617	-0.835	-2.120	-3.169	-3.851
65.0	-0.759	-2.183	-2.271	-3.197	-2.696
78.5	-0.879	-6.478	-7.325	-9.374	-9.374
79.5	-200.134	-173.858	-161.457	-134.425	-131.552
80.5	-18.146	-19.737	-19.401	-53.518	-8.843
81.5	-6.539	-16.335	-9.246	-13.238	-23.586
82.0	5.163	-3.960	5.518	-7.662	-11.495
84.0	-12.546	9.529	9.439	-9.699	-8.690
87.0	2.327	9.612	-4.210	8.163	-3.132
89.0	-1.825	4.210	-10.214	9.442	-0.804
93.0	-1.856	-2.286	-1.700	-6.104	-0.410
96.0	-2.612	-2.940	-0.150	-2.962	-8.429
100.0 (LOWER)	-0.690	-0.698	-1.875	-1.755	-2.238
2.5	-1.121	-0.665	-1.741	-1.969	-0.179
5.0	-1.449	-0.440	-1.238	-1.670	-0.530
10.0	-0.474	-0.429	-1.501	-1.294	-0.674
24.0	-1.358	-0.972	-1.448	-1.815	-0.674
33.0	-0.738	-1.296	-1.568	-1.806	-0.338
54.0	-0.395	-1.596	-1.534	-1.952	-5.215
73.5	-0.893	-1.181	-1.136	0.016	-0.614
84.0	-0.301	1.227	-7.979	0.844	0.571
96.0	-0.404	-0.178	0.037	0.830	0.637

RUN 373 POINT 5 ALPHA 16.03 PSI 0.00 HEIGHT 87.01

X/C, X	BP 2	BP 6	BP 12	BP 16	BP 22
0.0 (UPPER)	-0.340	-0.848	-1.761	-3.004	-3.994
2.5	0.806	0.361	-1.520	-2.171	-3.446
5.0	0.287	-0.147	-2.284	-2.018	-2.385
10.0	0.307	0.343	-2.326	-2.324	-2.499
15.0	-0.070	-0.570	-1.860	-2.542	-1.775
24.0	-0.869	-0.323	-1.801	-3.121	-2.116
33.0	-1.083	-0.867	-1.729	-3.291	-2.667
54.0	-0.502	-1.003	-2.644	-3.015	-3.722
65.0	-0.844	-2.351	-2.707	-4.202	-3.582
78.5	-0.965	-6.879	-7.922	-9.378	-11.790
79.5	-203.008	-175.749	-163.499	-136.958	-138.357
80.5	-18.841	-20.531	-20.361	-55.635	-0.978
81.5	-7.106	-18.089	-10.053	-14.887	-26.720
82.0	4.537	-0.788	4.807	-9.299	-14.154
84.0	-12.936	-10.119	-10.577	-11.144	-10.966
87.0	-2.212	-4.796	-10.951	-10.879	-5.257
89.0	-2.039	-2.853	-2.311	-7.639	-0.495
93.0	-2.766	-3.510	-0.622	-4.338	-9.684
96.0	-0.212	-0.285	-1.433	-1.510	-2.087
100.0 (LOWER)	-1.150	-0.760	-2.130	-2.259	0.160
2.5	-1.532	-0.586	-1.594	-1.894	-0.231
5.0	-0.603	-0.511	-1.800	-1.472	-0.539
10.0	-1.515	-1.166	-1.661	-1.815	-0.468
24.0	-0.880	-1.429	-1.712	-1.511	-0.435
33.0	-0.202	-1.485	-1.370	-1.623	-5.053
54.0	-0.735	-0.953	-0.778	-0.190	-0.407
73.5	-0.105	1.428	-9.597	1.061	0.764
84.0	-0.205	0.093	0.413	1.023	0.697

WING PRESSURE COEFFICIENTS

RUN 373 POINT 2 ALPHA 4.00 PSI 0.00 HEIGHT 85.87

X/C, X	BP 2	BP 6	BP 12	BP 16	BP 22
0.0 (UPPER)	-0.368	-0.932	-0.962	-1.538	-1.178
2.5	0.920	0.987	0.509	-0.432	-2.215
5.0	0.402	-0.115	-0.469	-1.480	-1.480
10.0	0.472	0.873	-0.303	-0.961	-1.878
15.0	-0.352	-0.138	0.002	-1.149	-1.110
24.0	-0.640	-0.633	-0.318	-1.633	-1.449
33.0	-0.783	-0.555	-0.512	-1.647	-1.912
54.0	-0.662	-0.854	-2.020	-4.134	-4.134
65.0	-0.745	-2.248	-2.409	-2.630	-1.917
78.5	-0.889	-6.482	-8.178	-8.410	-7.919
79.5	-198.282	-174.198	-164.406	-139.076	-126.902
80.5	-17.919	-19.711	-20.217	-53.896	-0.936
81.5	-6.512	-18.713	-9.533	-13.333	-21.567
82.0	5.095	-3.707	5.397	-7.460	-9.696
84.0	-12.115	-9.374	-9.045	-9.132	-7.117
87.0	2.407	-9.284	-4.051	-7.495	-1.948
89.0	-1.605	-3.820	-9.900	-9.079	0.173
93.0	-1.727	-1.888	-1.315	-5.507	-0.388
96.0	-2.512	-2.338	0.208	-2.255	-6.970
100.0 (LOWER)	-1.628	-1.946	-3.231	-2.765	-2.635
2.5	-1.212	-0.655	-1.509	-1.875	-0.166
5.0	-1.602	-0.341	-1.025	-1.505	-0.608
10.0	-0.476	-0.324	-1.282	-1.085	-0.911
24.0	-1.286	-0.802	-1.216	-1.650	-0.849
33.0	-0.629	-1.037	-1.353	-1.530	-0.268
54.0	-0.518	-1.560	-1.654	-2.241	-5.514
73.5	-1.413	-1.625	-1.560	-0.226	-0.884
84.0	-0.709	1.050	-6.509	0.710	0.367
96.0	-0.623	-0.569	0.751	0.442	0.442

RUN 373 POINT 3 ALPHA 8.00 PSI 0.00 HEIGHT 85.16

X/C, X	BP 2	BP 6	BP 12	BP 16	BP 22
0.0 (UPPER)	-0.438	-0.924	-1.108	-2.164	-2.187
2.5	0.913	0.851	-0.446	-1.204	-2.760
5.0	0.335	0.281	-0.981	-1.119	-1.842
10.0	0.369	0.701	-0.939	-1.516	-2.163
15.0	-0.190	-0.328	-0.467	-1.702	-1.367
24.0	-0.792	-0.095	-0.624	-2.205	-1.749
33.0	-0.916	-0.657	-0.749	-2.240	-2.266
54.0	-0.823	-0.909	-2.117	-3.535	-4.208
65.0	-0.824	-2.347	-2.378	-3.017	-2.387
78.5	-0.960	-6.738	-7.708	-8.245	-8.767
79.5	-208.190	-181.444	-168.949	-141.191	-134.745
80.5	-18.858	-20.455	-20.202	-55.584	-0.966
81.5	-6.829	-19.427	-13.555	-23.278	-9.629
82.0	5.306	-3.974	5.864	-7.478	-10.673
84.0	-12.875	-8.838	-9.613	-9.558	-7.786
87.0	-2.322	-9.898	-4.176	-7.814	-2.247
89.0	-1.863	-4.168	-10.423	-9.269	0.118
93.0	-2.109	-2.109	-5.754	-0.561	-0.561
96.0	-2.762	0.088	-2.500	-7.707	-0.707
100.0 (LOWER)	-1.443	-1.600	-2.575	-2.324	-2.692
2.5	-0.726	-1.686	-1.951	-0.163	-0.163
5.0	-1.273	-0.467	-1.170	-1.628	-0.603
10.0	-0.554	-0.469	-1.430	-1.260	-0.905
24.0	-1.433	-0.958	-1.410	-0.841	-0.841
33.0	-0.808	-1.295	-1.555	-1.705	-0.364
54.0	-0.561	-1.717	-1.715	-2.258	-5.667
73.5	-1.217	-1.524	-1.452	-0.125	-0.781
84.0	-0.541	1.120	-7.138	0.725	0.405
96.0	-0.673	-0.494	-0.300	0.755	0.452

WING PRESSURE COEFFICIENTS

RUN 374 POINT 2 ALPHA 3.98 PSI 0.00 HEIGHT 87.30

X/C, Z	BP 2	BP 6	BP 12	BP 16	BP 22
0.0 (UPPER)	-0.851	-1.654	-1.641	-0.993	-1.336
2.5	0.883	1.066	2.026	-0.680	-2.552
5.0	0.093	0.217	0.312	-0.316	-1.850
10.0	0.442	1.181	-0.213	-1.095	-2.227
15.0	0.268	-0.399	0.204	-1.380	-1.221
24.0	-1.132	-0.028	-0.191	-1.975	-1.753
33.0	-1.349	-0.798	-0.367	-2.162	-2.619
54.0	-0.635	-1.102	-2.739	-5.724	-6.652
65.0	-1.081	-3.338	-3.238	-3.149	-2.201
78.5	-1.245	-9.051	-11.957	-10.594	-9.913
79.5	-354.362	-318.348	-298.130	-245.377	-229.362
80.5	-29.297	-32.377	-33.217	-95.087	-1.019
81.5	-8.319	-34.290	-13.652	-20.362	-34.381
82.0	13.391	-4.014	12.674	-9.935	-12.804
84.0	-21.275	-14.493	-16.529	-12.804	-10.152
87.0	5.378	-15.877	-5.370	-11.261	-1.707
89.0	-2.575	-5.886	-17.268	-15.167	2.899
93.0	-3.205	-2.481	-1.256	-8.616	-0.757
96.0	-4.740	-4.111	1.423	-2.517	-10.819
100.0	-6.696	-6.662	-6.157	-4.898	-5.010
2.5 (LOWER)	-3.348	-1.310	-4.357	-3.095	-0.054
5.0	-3.047	-0.969	-2.780	-2.280	-0.449
10.0	-1.173	-0.870	-2.598	-1.531	-0.809
24.0	-2.517	-1.876	-1.891	-1.952	-0.583
33.0	-1.278	-2.220	-1.798	-1.449	-0.366
54.0	-0.163	-1.920	-1.523	-2.408	-8.442
73.5	-1.549	-1.514	-1.211	0.513	-1.576
84.0	-0.688	-2.677	-9.471	1.679	1.386
96.0	-0.934	-0.807	-0.199	1.729	0.022

WING PRESSURE COEFFICIENTS

RUN 373 POINT 6 ALPHA 21.99 PSI 0.00 HEIGHT 98.54

X/C, Z	BP 2	BP 6	BP 12	BP 16	BP 22
0.0 (UPPER)	-0.476	-0.963	-2.591	-3.175	-6.427
2.5	0.728	-0.145	-1.951	-2.260	-4.614
5.0	0.220	-0.660	-2.589	-2.682	-3.614
10.0	0.171	-0.199	-2.646	-2.283	-3.161
15.0	-0.067	-1.043	-2.265	-2.453	-2.333
24.0	-1.005	-0.724	-2.314	-2.991	-2.500
33.0	-1.184	-1.216	-2.311	-3.219	-2.980
54.0	-0.349	-1.233	-3.255	-2.733	-3.447
65.0	-0.888	-2.581	-3.331	-4.822	-3.846
78.5	-1.004	-7.311	-8.634	-9.678	-11.463
79.5	-199.290	-171.816	-159.312	-131.766	-131.439
80.5	-19.312	-91.164	-90.747	-53.694	-1.010
81.5	-7.960	-17.173	-10.892	-14.705	-25.234
82.0	3.281	-5.713	3.897	-9.319	-13.429
84.0	-13.686	-10.743	-11.204	-10.877	-10.250
87.0	0.566	-6.571	-5.401	-8.507	-4.292
89.0	-2.929	-5.571	-11.392	-10.743	-1.590
93.0	-2.617	-3.632	-3.023	-7.702	-0.712
96.0	-3.284	-4.237	-1.385	-4.524	-7.924
100.0	-0.401	-0.137	-0.854	-1.139	-1.707
2.5 (LOWER)	-1.296	-0.881	-2.338	-2.106	-0.333
5.0	-1.667	-0.655	-1.709	-0.088	0.088
10.0	-0.738	-0.608	-1.796	-1.215	-0.148
24.0	-1.500	-1.078	-1.459	-1.329	-0.089
33.0	-0.765	-1.121	-1.283	-0.801	-0.483
54.0	-0.225	-0.860	-0.682	-0.890	-4.701
73.5	-0.569	-0.605	-0.323	0.312	-0.281
84.0	-0.053	1.674	-8.224	1.280	0.981
96.0	0.057	0.386	-0.678	1.212	0.613

WING PRESSURE COEFFICIENTS

RUN 374 POINT 3 ALPHA 7.99 PSI 0.00 HEIGHT 87.08

X/C, Z	BP 2	BP 6	BP 12	BP 16	BP 22
0.0 (UPPER)	-0.801	-1.648	-1.642	-1.732	-2.137
2.5	0.857	0.976	1.551	-0.160	-3.480
5.0	0.002	0.009	0.069	-0.509	-2.335
10.0	0.310	0.941	-0.515	-1.394	-2.826
15.0	0.155	-0.624	0.138	-1.734	-1.739
24.0	-1.298	-0.105	-0.296	-2.337	-2.208
33.0	-1.546	-0.994	-0.629	-2.509	-3.126
54.0	-0.262	-1.212	-3.178	-5.826	-6.900
65.0	-1.274	-3.411	-3.670	-2.779	-2.779
78.5	-1.402	-8.354	-8.166	-12.668	-11.158
79.5	-382.557	-345.956	-325.956	-273.150	-250.621
80.5	-30.937	-37.707	-36.178	-104.850	-1.100
81.5	-8.375	-37.040	-15.245	-22.708	-38.138
82.0	15.395	-4.025	13.498	-11.419	-14.605
84.0	-22.826	-15.324	-18.660	-14.352	-11.735
87.0	6.418	-17.166	-6.211	-12.597	-2.018
89.0	-2.262	-6.330	-18.905	-16.892	2.807
93.0	-2.916	-2.724	-1.512	-9.625	-0.941
96.0	-4.745	-4.558	1.382	-3.055	-12.241
100.0	-6.866	-7.379	-8.130	-6.520	-5.639
2.5 (LOWER)	-2.733	-1.271	-2.397	-2.926	-0.221
5.0	-2.970	-0.742	-2.379	-2.935	-0.808
10.0	-0.915	-0.749	-2.653	-2.037	-1.264
24.0	-2.349	-1.386	-2.311	-2.522	-1.099
33.0	-1.075	-1.980	-2.425	-2.151	-0.488
54.0	-0.829	-2.526	-2.380	-3.287	-9.893
73.5	-2.653	-2.542	-1.926	0.664	-0.270
84.0	-1.357	-3.063	-10.731	1.391	1.705
96.0	-1.415	-1.347	-0.674	1.809	0.074

WING PRESSURE COEFFICIENTS

RUN 374 POINT 1 ALPHA -0.01 PSI 0.00 HEIGHT 87.96

X/C, Z	BP 2	BP 6	BP 12	BP 16	BP 22
0.0 (UPPER)	-1.373	-2.268	-0.748	-0.838	-0.123
2.5	0.843	1.141	2.158	0.134	-1.552
5.0	-0.155	0.085	0.114	-0.903	-0.134
10.0	0.312	1.301	-0.518	-1.143	-2.075
15.0	0.139	-0.672	0.213	-1.496	-1.007
24.0	-1.547	-0.057	-0.088	-2.267	-1.732
33.0	-1.759	-1.068	-0.333	-2.395	-2.851
54.0	-1.357	-1.269	-3.157	-7.540	-8.852
65.0	-1.346	-3.891	-3.494	-2.185	-2.185
78.5	-1.588	-10.375	-12.560	-11.367	-10.871
79.5	-423.456	-380.201	-352.089	-291.863	-272.455
80.5	-35.197	-38.060	-37.529	-112.316	-1.345
81.5	-10.236	-41.759	-14.648	-22.969	-40.993
82.0	15.865	-4.242	16.318	-15.484	-15.484
84.0	-26.178	-16.694	-18.547	-14.735	-12.116
87.0	5.862	-17.999	-5.950	-12.551	-0.888
89.0	-3.475	-6.288	-19.957	-17.460	4.245
93.0	-4.262	-2.284	-1.120	-9.853	-0.930
96.0	-6.029	-7.119	1.965	-2.753	-11.846
100.0	-7.295	-4.116	-6.818	-6.148	-6.399
2.5 (LOWER)	-3.285	-1.903	-6.127	-3.799	-0.674
5.0	-4.030	-1.642	-3.795	-2.626	-1.091
10.0	-1.830	-1.337	-3.270	-1.557	-1.344
24.0	-3.431	-2.614	-2.091	-0.764	-0.468
33.0	-1.504	-2.708	-1.883	-1.479	-0.448
54.0	0.265	-1.999	-1.447	-2.729	-11.985
73.5	-1.772	-1.612	-1.272	-0.039	-1.416
84.0	-0.663	2.836	-10.549	1.692	1.247
96.0	-1.003	-0.694	-0.065	1.734	-0.260

WING PRESSURE COEFFICIENTS

RUN 374 POINT 6 ALPHA 22.07 PSI 0.00 HEIGHT 99.07

X/C, X	BP 2	BP 6	BP 12	BP 16	BP 22
0.0 (UPPER)	-0.825	-1.788	-2.434	-3.968	-3.358
2.5	0.709	-0.119	-1.873	-2.875	-3.897
5.0	0.101	-0.667	-2.990	-2.757	-2.887
10.0	0.206	-0.489	-2.822	-3.278	-3.282
15.0	0.043	-0.937	-1.824	-3.538	-2.462
24.0	-1.419	-0.219	-1.666	-4.087	-2.983
33.0	-1.730	-1.174	-1.615	-4.356	-3.966
54.0	0.702	-1.281	-3.523	-4.930	-5.916
65.0	-1.574	-3.106	-3.411	-5.034	-4.971
78.5	-1.716	-9.356	-10.700	-12.636	-16.844
80.5	-384.375	-344.929	-317.577	-268.193	-266.193
81.5	-31.656	-34.905	-33.601	-105.403	-1.451
82.0	15.198	-4.836	14.352	-23.783	-45.403
82.0	15.198	-4.836	14.352	-23.783	-21.593
84.0	-23.506	-15.941	-18.308	-16.526	-16.968
87.0	5.627	-18.043	-6.107	-14.344	-6.289
89.0	-2.685	-7.245	-19.182	-17.648	-0.634
93.0	3.147	-3.583	-2.209	-11.253	-1.406
98.0	-4.795	-5.521	0.535	-5.270	-16.700
100.0	-2.318	-2.616	-3.959	-3.504	-1.002
2.5 (LOWER)	-2.360	-1.230	-3.490	-3.104	-1.439
5.0	-3.118	-1.116	-2.972	-2.625	-1.694
10.0	-1.303	-2.087	-2.846	-3.209	-1.288
24.0	-2.932	-2.583	-2.954	-3.328	-8.850
33.0	-1.646	-2.819	-2.696	-3.338	-8.850
54.0	-0.734	-2.819	-1.965	0.764	0.372
78.5	-1.933	-2.144	-1.965	0.764	1.994
84.0	-0.779	3.300	-15.656	1.683	1.994
96.0	-1.156	-0.636	-0.021	1.683	0.327

RUN 375 POINT 2 ALPHA -0.03 PSI 0.00 HEIGHT 18.75

X/C, X	BP 2	BP 6	BP 12	BP 16	BP 22
0.0 (UPPER)	0.080	0.042	0.349	0.252	0.008
2.5	0.239	0.166	-0.202	-0.453	-0.552
5.0	0.198	0.104	-0.181	-0.393	-0.520
10.0	0.103	-0.025	-0.221	-0.306	-0.310
15.0	0.033	-0.019	-0.257	-0.266	-0.355
24.0	0.006	-0.108	-0.246	-0.161	-0.232
33.0	-0.056	-0.133	-0.254	-0.192	-0.187
54.0	-0.149	-0.211	-0.252	-0.192	0.053
65.0	0.103	-0.290	-0.324	-0.344	-0.647
78.5	0.124	-0.478	-0.406	-0.594	-0.647
80.5	-0.312	-0.551	-0.442	-0.657	-0.599
81.5	-0.426	-0.327	-0.485	-0.411	0.183
82.0	-0.347	0.203	-0.472	-0.545	-0.416
82.0	-0.221	-0.583	-0.313	-0.602	-0.552
84.0	-0.511	-0.282	-1.012	-0.419	-0.732
87.0	-0.536	-0.476	-0.492	-0.438	-0.801
89.0	-0.597	-0.517	-0.533	-0.585	-0.635
93.0	-0.572	-0.524	-0.546	-0.543	-0.060
96.0	-0.530	-0.565	-0.501	-0.581	-0.675
100.0	-0.438	-0.468	-0.503	-0.579	-0.601
2.5 (LOWER)	-0.168	-0.216	0.085	0.281	0.255
5.0	-0.073	-0.073	0.052	0.202	0.209
10.0	-0.091	-0.142	0.097	0.119	0.174
24.0	0.048	0.028	0.115	0.099	0.099
33.0	0.044	0.109	0.162	0.191	0.053
54.0	0.208	0.275	0.327	0.339	0.913
73.5	0.459	0.528	0.554	0.640	0.746
84.0	0.494	0.592	-0.627	0.768	0.746
96.0	0.295	0.384	0.404	0.429	0.327

WING PRESSURE COEFFICIENTS

RUN 374 POINT 4 ALPHA 12.05 PSI 0.00 HEIGHT 87.76

X/C, X	BP 2	BP 6	BP 12	BP 16	BP 22
0.0 (UPPER)	-0.725	-1.617	-2.516	-2.477	-2.477
2.5	0.881	-0.569	-0.967	-3.764	-3.764
5.0	-0.011	0.012	-0.942	-2.633	-2.633
10.0	0.357	1.036	-1.534	-2.952	-2.952
15.0	-0.633	0.079	-1.791	-1.978	-1.978
24.0	-1.253	-0.007	-2.420	-2.320	-2.320
33.0	-1.545	-0.643	-2.758	-3.218	-3.218
54.0	0.066	-1.173	-3.035	-5.510	-6.546
65.0	-1.395	-3.081	-3.270	-3.077	-3.077
78.5	-1.951	-9.079	-10.897	-12.573	-11.522
80.5	-382.162	-344.612	-318.447	-270.304	-252.280
81.5	-33.008	-36.075	-33.870	-104.454	-1.195
82.0	-8.075	-36.541	-32.281	-38.249	-38.249
82.0	15.490	-3.806	14.731	-15.261	-15.261
84.0	-22.692	-15.285	-17.925	-14.502	-11.870
87.0	6.382	-18.842	-5.056	-12.383	-2.338
89.0	-2.258	-0.226	-16.115	-15.814	2.804
93.0	-2.881	-2.658	-1.222	-9.206	-1.121
96.0	-4.140	-5.165	1.516	-3.295	-5.447
100.0	-2.288	-1.251	-2.865	-3.143	-0.404
2.5 (LOWER)	-2.993	-0.745	-1.998	-2.626	-1.019
5.0	-0.991	-0.775	-2.360	-2.051	-1.412
10.0	-2.360	-1.429	-2.210	-2.782	-1.313
24.0	-1.126	-2.054	-2.485	-2.516	-0.706
33.0	-0.993	-2.861	-2.866	-3.679	-9.486
54.0	-2.597	-2.797	-2.457	0.882	0.108
78.5	-1.344	3.104	-11.000	1.268	1.718
84.0	-1.461	-1.270	-0.926	1.663	0.162

RUN 374 POINT 5 ALPHA 16.04 PSI 0.00 HEIGHT 85.77

X/C, X	BP 2	BP 6	BP 12	BP 16	BP 22
0.0 (UPPER)	-0.536	-1.381	-1.572	-3.040	-2.471
2.5	0.837	0.700	-0.960	-2.084	-3.284
5.0	0.130	-0.046	-1.795	-2.005	-2.350
10.0	0.401	0.820	-2.677	-2.382	-2.677
15.0	0.245	-0.511	-0.780	-2.588	-1.928
24.0	-1.090	-0.121	-0.790	-3.023	-2.296
33.0	-1.289	-0.808	-0.832	-3.270	-3.131
54.0	0.537	-1.016	-2.608	-4.216	-5.149
65.0	-1.167	-2.695	-2.756	-3.774	-3.518
78.5	-1.298	-8.123	-10.325	-12.199	-12.199
80.5	-328.950	-293.960	-271.758	-229.120	-220.352
81.5	-27.086	-29.482	-29.074	-68.558	-0.989
82.0	-7.467	-30.499	-11.671	-19.415	-35.633
82.0	12.754	-12.991	-10.691	-10.919	-15.727
84.0	-19.656	-13.431	-15.620	-13.070	-12.260
87.0	5.120	-14.950	-4.599	-11.309	-3.489
89.0	-2.124	-5.754	-15.894	-13.980	1.052
93.0	-2.323	-2.626	-1.504	-8.545	-1.008
96.0	-4.026	-4.174	0.832	-3.517	-12.822
100.0	-2.327	-2.757	-3.888	-3.497	-3.920
2.5 (LOWER)	-1.863	-1.092	-2.558	-2.766	-0.637
5.0	-2.436	-0.760	-1.884	-2.392	-1.118
10.0	-0.866	-0.730	-2.138	-2.000	-1.358
24.0	-2.141	-1.414	-2.141	-2.550	-1.121
33.0	-1.098	-1.870	-2.360	-3.346	-0.528
54.0	-2.784	-2.408	-2.391	-3.056	-7.568
73.5	-1.796	-2.079	-1.918	0.843	0.381
84.0	-0.799	2.807	-11.095	1.227	1.674
96.0	-1.101	-0.741	-0.348	1.507	0.437

WING PRESSURE COEFFICIENTS

RUN 375 POINT 5 ALPHA 0.03 PSI 0.00 HEIGHT 87.32

X/C, X	BP 2	BP 6	BP 12	BP 16	BP 22
0.0 (UPPER)	-0.098	-0.214	0.349	0.485	0.387
2.5	0.277	0.245	-0.085	-0.276	-0.304
5.0	0.233	0.172	-0.098	-0.276	-0.376
10.0	0.140	0.030	-0.165	-0.238	-0.242
15.0	0.068	0.023	-0.223	-0.216	-0.308
24.0	0.033	-0.067	-0.219	-0.212	-0.212
33.0	-0.033	-0.110	-0.236	-0.173	-0.195
54.0	-0.137	-0.203	-0.250	0.905	0.058
79.5	0.076	-0.284	-0.331	-0.348	-0.341
84.0	0.094	-0.493	-0.518	-0.610	-0.665
89.0	-0.415	-0.553	-0.452	-0.671	-0.625
91.5	-0.338	0.200	-0.477	-0.552	-0.440
92.0	-0.220	-0.568	-0.310	-0.604	-0.583
94.0	-0.489	-0.274	-1.000	-0.747	-0.747
97.0	-0.521	-0.460	-0.497	-0.450	-0.813
98.0	-0.577	-0.513	-0.563	-0.605	-0.668
99.0	-0.555	-0.517	-0.558	-0.568	-0.632
100.0	-0.523	-0.556	-0.518	-0.601	-0.710
2.5 (LOWER)	-0.448	-0.481	-0.516	-0.601	-0.634
5.0	-0.294	-0.400	-0.088	0.137	0.114
10.0	-0.178	-0.175	-0.083	0.079	0.096
24.0	-0.027	-0.275	-0.005	0.023	0.085
33.0	-0.035	0.049	0.039	0.098	0.052
54.0	0.147	0.219	0.093	0.130	0.028
73.5	0.480	0.480	0.280	0.306	0.899
84.0	0.429	0.919	0.567	0.729	0.729
96.0	0.236	0.355	-0.655	0.751	0.735
			0.388	0.420	0.335

WING PRESSURE COEFFICIENTS

RUN 375 POINT 3 ALPHA -0.07 PSI 0.00 HEIGHT 32.62

X/C, X	BP 2	BP 6	BP 12	BP 16	BP 22
0.0 (UPPER)	-0.013	-0.075	0.378	0.413	0.255
2.5	0.264	0.214	-0.129	-0.349	-0.399
5.0	0.224	0.141	-0.134	-0.323	-0.434
10.0	0.126	0.004	-0.191	-0.263	-0.268
15.0	0.057	0.004	-0.241	-0.235	-0.333
24.0	0.026	-0.085	-0.226	-0.148	-0.219
33.0	-0.040	-0.116	-0.238	-0.177	-0.196
54.0	-0.140	-0.204	-0.245	0.907	0.056
79.5	0.091	-0.283	-0.324	-0.339	-0.339
84.0	0.109	-0.483	-0.502	-0.600	-0.655
89.0	-0.495	-0.542	-0.443	-0.667	-0.610
91.5	-0.416	-0.334	-0.475	-0.438	0.177
92.0	-0.342	0.187	-0.455	-0.537	-0.424
94.0	-0.220	-0.591	-0.297	-0.608	-0.569
97.0	-0.494	-0.272	-1.009	-0.746	-0.746
98.0	-0.531	-0.465	-0.501	-0.440	-0.813
99.0	-0.586	-0.511	-0.555	-0.595	-0.650
100.0	-0.565	-0.516	-0.549	-0.558	-0.649
2.5 (LOWER)	-0.527	-0.559	-0.505	-0.589	-0.691
5.0	-0.449	-0.472	-0.506	-0.591	-0.611
10.0	-0.237	-0.309	0.001	0.116	0.185
24.0	-0.122	-0.125	-0.015	0.155	0.155
33.0	0.038	-0.210	0.043	0.070	0.131
54.0	0.174	0.014	0.074	0.136	0.077
73.5	0.428	0.507	0.126	0.181	0.039
84.0	0.451	0.934	0.301	0.323	0.902
96.0	0.256	0.373	0.566	0.634	0.732
			-0.635	0.753	0.733
			0.399	0.429	0.334

WING PRESSURE COEFFICIENTS

RUN 376 POINT 1 ALPHA 0.02 PSI 0.00 HEIGHT 19.22

X/C, X	BP 2	BP 6	BP 12	BP 16	BP 22
0.0 (UPPER)	0.072	0.042	0.328	0.259	0.009
2.5	0.228	0.139	-0.222	-0.461	-0.545
5.0	0.194	0.087	-0.188	-0.407	-0.528
10.0	0.102	-0.041	-0.224	-0.307	-0.303
15.0	0.032	-0.021	-0.283	-0.266	-0.378
24.0	0.017	-0.107	-0.255	-0.149	-0.231
33.0	-0.052	-0.135	-0.266	-0.184	-0.179
54.0	-0.472	-0.222	-0.243	0.857	-0.357
55.0	0.103	-0.288	-0.370	-0.344	-0.362
78.5	0.128	-0.467	-0.478	-0.585	-0.656
79.5	-0.503	-0.562	-0.402	-0.695	-0.617
80.5	-0.385	-0.250	-0.502	-0.340	0.230
81.5	-0.274	-0.173	-0.445	-0.574	-0.319
82.0	-0.135	-0.620	-0.301	-0.596	-0.515
84.0	-0.495	-0.188	-1.182	-0.349	-0.774
87.0	-0.524	-0.460	-0.482	-0.387	-0.881
89.0	-0.605	-0.516	-0.555	-0.641	-0.641
93.0	-0.573	-0.525	-0.550	-0.536	0.043
96.0	-0.521	-0.574	-0.499	-0.583	-0.684
100.0	-0.437	-0.470	-0.505	-0.583	-0.602
2.5 (LOWER)	-0.169	-0.224	0.075	0.294	0.229
5.0	-0.075	-0.092	0.032	0.196	0.202
10.0	-0.116	-0.158	0.093	0.108	0.176
24.0	0.010	0.112	0.112	0.180	0.094
33.0	0.013	0.092	0.151	0.190	0.036
54.0	0.182	0.267	0.316	0.332	0.852
73.5	0.455	0.524	0.595	0.488	0.606
84.0	0.479	0.868	-0.634	0.623	0.600
96.0	0.277	0.376	0.387	0.421	0.314

WING PRESSURE COEFFICIENTS

RUN 376 POINT 4 ALPHA -0.03 PSI 0.00 HEIGHT 65.78

X/C, X	BP 2	BP 6	BP 12	BP 16	BP 22
0.0 (UPPER)	-0.097	-0.187	0.357	0.475	0.367
2.5	0.231	0.241	-0.096	-0.295	-0.321
5.0	0.275	0.165	-0.111	-0.291	-0.390
10.0	0.136	0.024	-0.176	-0.247	-0.247
15.0	0.065	0.017	-0.230	-0.223	-0.317
24.0	0.035	-0.070	-0.222	-0.144	-0.215
33.0	-0.037	-0.113	-0.242	-0.175	-0.197
54.0	-0.148	-0.203	-0.251	0.904	0.047
55.0	0.077	-0.288	-0.331	-0.349	-0.345
78.5	0.092	-0.493	-0.518	-0.613	-0.670
79.5	-0.503	-0.566	-0.438	-0.680	-0.615
80.5	-0.416	-0.347	-0.492	-0.440	0.172
81.5	-0.351	0.188	-0.472	-0.555	-0.434
82.0	-0.216	-0.580	-0.309	-0.515	-0.591
84.0	-0.489	-0.278	-1.013	-0.429	-0.763
87.0	-0.532	-0.462	-0.507	-0.446	-0.826
89.0	-0.587	-0.518	-0.568	-0.608	-0.671
93.0	-0.566	-0.523	-0.562	-0.567	0.039
96.0	-0.531	-0.564	-0.521	-0.714	0.714
100.0	-0.457	-0.480	-0.520	-0.604	-0.637
2.5 (LOWER)	-0.293	-0.387	-0.070	0.154	0.126
5.0	-0.167	-0.170	-0.068	0.092	0.104
10.0	-0.171	-0.266	0.005	0.092	0.092
24.0	-0.023	-0.046	0.053	0.106	0.053
33.0	-0.031	0.046	0.101	0.139	0.025
54.0	0.150	0.224	0.286	0.311	0.899
73.5	0.406	0.491	0.573	0.728	0.728
84.0	0.430	0.922	-0.663	0.747	0.729
96.0	0.233	0.361	0.389	0.421	0.333

WING PRESSURE COEFFICIENTS

RUN 376 POINT 4 ALPHA -0.02 PSI 0.00 HEIGHT 86.87

X/C, X	BP 2	BP 6	BP 12	BP 16	BP 22
0.0 (UPPER)	-0.118	-0.227	0.326	0.489	0.385
2.5	0.259	0.147	-0.223	-0.105	-0.310
5.0	0.219	0.005	-0.122	-0.299	-0.395
10.0	0.127	0.052	-0.187	-0.352	-0.244
15.0	0.052	-0.092	-0.252	-0.229	-0.333
24.0	-0.041	-0.125	-0.242	-0.145	-0.227
33.0	-0.041	-0.125	-0.256	-0.181	-0.203
54.0	-0.473	-0.225	-0.339	-0.838	-0.370
65.0	0.063	0.298	-0.339	-0.364	-0.373
78.5	0.085	-0.499	-0.521	-0.832	-0.701
89.0	-0.517	-0.583	-0.421	-0.719	-0.660
93.0	-0.399	-0.287	-0.536	-0.390	-0.189
96.0	-0.289	-0.189	-0.468	-0.571	-0.359
100.0	-0.153	-0.643	-0.329	-0.636	-0.573
2.5 (LOWER)	-0.496	0.201	-1.205	-0.388	-0.803
5.0	-0.547	-0.531	-0.436	-0.531	-0.908
10.0	-0.603	-0.531	-0.585	-0.626	-0.695
15.0	-0.575	-0.535	-0.579	-0.581	-0.716
24.0	-0.534	-0.583	-0.531	-0.621	-0.740
33.0	-0.471	-0.503	-0.536	-0.623	-0.660
54.0	-0.322	-0.421	-0.107	0.127	0.079
65.0	-0.263	-0.205	-0.113	0.063	0.074
78.5	-0.212	-0.080	-0.023	0.000	0.073
89.0	-0.045	-0.080	0.023	0.091	0.030
93.0	-0.077	0.017	0.077	0.115	0.001
96.0	0.112	0.208	0.267	0.285	0.832
100.0	0.392	0.473	0.559	0.468	0.581
2.5 (LOWER)	0.403	0.838	-0.581	0.604	0.581
5.0	0.425	0.335	-0.365	0.401	0.312

RUN 377 POINT 1 ALPHA -0.03 PSI 0.00 HEIGHT 19.29

X/C, X	BP 2	BP 6	BP 12	BP 16	BP 22
0.0 (UPPER)	-0.008	-0.013	0.261	0.303	0.049
2.5	0.190	0.066	-0.281	-0.457	-0.528
5.0	0.169	0.026	-0.247	-0.454	-0.582
10.0	0.092	-0.110	-0.377	-0.321	-0.272
15.0	-0.015	-0.055	-0.376	-0.272	-0.437
24.0	0.019	-0.143	-0.312	-0.122	-0.256
33.0	-0.042	-0.152	-0.340	-0.181	-0.198
54.0	-0.706	-0.309	-0.322	-0.669	-1.393
65.0	0.089	-0.446	-0.440	-0.639	-0.439
78.5	0.132	-0.643	-0.323	-0.833	-0.721
89.0	-0.517	-0.107	-0.511	-0.179	0.347
93.0	-0.325	-0.107	-0.410	-0.508	-0.027
96.0	-0.065	-1.379	-0.432	-0.662	-0.457
100.0	-0.475	0.098	-1.869	-0.195	-0.875
2.5 (LOWER)	-0.534	-0.447	-0.502	-0.209	-1.128
5.0	-0.659	-0.539	-0.603	-0.627	-0.685
10.0	-0.574	-0.538	-0.583	-0.539	-0.008
15.0	-0.513	-0.633	-0.500	-0.609	-0.750
24.0	-0.467	-0.513	-0.552	-0.619	-0.627
33.0	-0.206	-0.176	-0.044	0.288	0.138
54.0	-0.110	-0.245	0.065	0.166	0.159
65.0	-0.219	-0.058	0.085	0.043	0.157
78.5	-0.014	-0.092	0.114	0.178	-0.034
89.0	0.088	0.242	0.293	0.292	0.646
93.0	0.438	0.507	0.593	0.329	0.154
96.0	0.432	0.661	-0.703	0.250	0.169
100.0	0.188	0.316	0.331	0.381	0.262

WING PRESSURE COEFFICIENTS

RUN 376 POINT 2 ALPHA 0.00 PSI 0.00 HEIGHT 32.82

X/C, X	BP 2	BP 6	BP 12	BP 16	BP 22
0.0 (UPPER)	-0.045	-0.090	0.355	0.402	0.235
2.5	0.257	0.188	-0.160	-0.374	-0.417
5.0	0.214	0.121	-0.154	-0.350	-0.461
10.0	0.122	-0.014	-0.199	-0.278	-0.271
15.0	0.044	0.008	-0.271	-0.244	-0.354
24.0	-0.021	-0.101	-0.246	-0.145	-0.229
33.0	-0.042	-0.128	-0.262	-0.179	-0.197
54.0	-0.463	-0.222	-0.245	-0.356	-0.373
65.0	0.081	-0.479	-0.328	-0.364	-0.370
78.5	0.105	-0.479	-0.495	-0.616	-0.675
89.0	-0.399	-0.520	-0.427	-0.634	-0.717
93.0	-0.275	-0.320	-0.520	-0.198	-0.198
96.0	-0.277	-0.182	-0.456	-0.553	-0.141
100.0	-0.136	-0.633	-0.306	-0.614	-0.542
2.5 (LOWER)	-0.486	-0.210	-1.197	-0.374	-0.789
5.0	-0.527	-0.463	-0.571	-0.608	-0.693
10.0	-0.598	-0.517	-0.571	-0.558	-0.666
15.0	-0.568	-0.522	-0.563	-0.526	-0.626
24.0	-0.524	-0.576	-0.514	-0.604	-0.708
33.0	-0.458	-0.481	-0.523	-0.607	-0.623
54.0	-0.261	-0.329	-0.217	0.159	0.159
65.0	-0.143	-0.150	-0.039	0.133	0.142
78.5	-0.168	-0.237	0.035	0.054	0.127
89.0	-0.005	-0.039	0.065	0.135	0.061
93.0	-0.031	0.051	0.112	0.154	0.015
96.0	0.146	0.232	0.288	0.313	0.846
100.0	0.417	0.498	0.581	0.488	0.604
2.5 (LOWER)	0.433	0.855	-0.645	0.614	0.591
5.0	0.233	0.357	-0.374	0.412	0.316

RUN 376 POINT 3 ALPHA -0.03 PSI 0.00 HEIGHT 65.63

X/C, X	BP 2	BP 6	BP 12	BP 16	BP 22
0.0 (UPPER)	-0.093	-0.201	0.338	0.479	0.364
2.5	0.265	0.219	-0.116	-0.310	-0.423
5.0	0.222	0.146	-0.127	-0.306	-0.404
10.0	0.126	0.000	-0.192	-0.253	-0.242
15.0	0.046	0.000	-0.260	-0.229	-0.336
24.0	-0.028	-0.095	-0.242	-0.139	-0.220
33.0	-0.037	-0.121	-0.260	-0.176	-0.197
54.0	-0.468	-0.219	-0.248	-0.651	-0.365
65.0	0.068	-0.282	-0.333	-0.355	-0.367
78.5	-0.593	-0.486	-0.510	-0.625	-0.692
89.0	-0.501	-0.569	-0.417	-0.718	-0.842
93.0	-0.398	-0.282	-0.524	-0.381	0.199
96.0	-0.276	-0.191	-0.474	-0.545	-0.356
100.0	-0.130	-0.643	-0.326	-0.557	-0.557
2.5 (LOWER)	-0.488	-0.190	-1.206	-0.398	-0.802
5.0	-0.528	-0.466	-0.517	-0.412	-0.907
10.0	-0.594	-0.522	-0.580	-0.617	-0.664
15.0	-0.562	-0.524	-0.571	-0.568	0.018
24.0	-0.521	-0.577	-0.523	-0.614	-0.729
33.0	-0.465	-0.482	-0.530	-0.615	-0.645
54.0	-0.310	-0.400	-0.081	0.150	0.097
65.0	-0.183	-0.192	-0.087	0.082	0.091
78.5	-0.204	-0.290	-0.005	0.013	0.087
89.0	-0.033	-0.069	0.035	0.103	0.041
93.0	-0.054	0.015	0.089	0.126	0.005
96.0	0.122	0.212	0.270	0.300	0.843
100.0	0.398	0.476	0.567	0.485	0.596
2.5 (LOWER)	0.409	0.849	-0.568	0.609	0.568
5.0	0.216	0.340	-0.369	0.406	0.316

MING PRESSURE COEFFICIENTS

RUN 377 POINT 4 ALPHA -0.02 PSI 0.00 HEIGHT 87.20

X/C, X	BP 2	BP 6	BP 12	BP 16	BP 22
0.0 (UPPER)	-0.177	-0.264	0.249	0.512	0.383
2.5	0.231	0.142	-0.177	-0.356	-0.315
5.0	0.199	0.084	-0.170	-0.357	-0.452
10.0	0.114	-0.063	-0.206	-0.263	-0.216
15.0	0.009	-0.008	-0.330	-0.234	-0.388
20.0	0.028	-0.113	-0.291	-0.110	-0.235
24.0	-0.036	-0.143	-0.329	-0.168	-0.193
33.0	-0.650	-0.266	-0.239	0.636	-1.238
54.0	-0.104	-0.311	-0.335	-0.381	-0.489
65.0	0.101	-0.471	-0.472	-0.669	-0.756
78.5	0.531	-0.665	-0.523	-0.821	-0.656
79.5	-0.334	-0.124	-0.334	-0.236	0.317
80.5	-0.071	-1.392	-0.424	-0.585	-0.086
81.5	0.171	-0.769	-0.426	-0.699	-0.493
82.0	-0.478	0.091	-1.822	-0.229	-0.936
84.0	-0.529	-0.463	-0.493	-0.254	-1.161
87.0	-0.649	-0.543	-0.623	-0.658	-0.728
89.0	-0.569	-0.541	-0.602	-0.575	0.000
93.0	-0.522	-0.828	-0.529	-0.642	-0.797
96.0	-0.484	-0.530	-0.570	-0.684	-0.684
100.0	-0.337	-0.466	-0.142	0.139	0.003
2.5 (LOWER)	-0.209	-0.277	-0.172	0.048	0.048
5.0	-0.292	-0.376	-0.040	-0.049	0.070
10.0	-0.065	-0.136	0.004	0.106	0.004
24.0	-0.168	-0.037	0.048	0.108	-0.060
33.0	0.035	0.180	0.238	0.252	0.618
54.0	0.379	0.454	0.563	0.337	0.119
84.0	0.363	0.627	-0.708	0.231	0.138
96.0	0.144	0.283	0.317	0.371	0.262

MING PRESSURE COEFFICIENTS

RUN 377 POINT 2 ALPHA 0.02 PSI 0.00 HEIGHT 32.77.

X/C, X	BP 2	BP 6	BP 12	BP 16	BP 22
0.0 (UPPER)	-0.106	-0.135	0.271	0.417	0.216
2.5	0.209	0.092	-0.247	-0.441	-0.448
5.0	0.180	0.049	-0.215	-0.432	-0.545
10.0	0.096	-0.099	-0.249	-0.313	-0.264
15.0	0.002	-0.028	-0.365	-0.270	-0.432
20.0	0.012	-0.145	-0.313	-0.125	-0.258
24.0	-0.050	-0.160	-0.344	-0.183	-0.211
33.0	-0.674	-0.279	-0.256	0.650	-1.323
54.0	0.065	-0.326	-0.344	-0.387	-0.480
65.0	0.110	-0.483	-0.478	-0.763	-0.873
78.5	0.554	-0.639	-0.347	-0.904	-0.661
79.5	-0.364	-0.095	-0.523	-0.224	0.315
80.5	-0.115	-1.411	-0.400	-0.566	-0.086
81.5	0.160	-0.792	-0.396	-0.671	-0.510
82.0	-0.510	0.059	-1.865	-0.211	-0.958
84.0	-0.552	-0.470	-0.506	-0.231	-1.170
87.0	-0.678	-0.564	-0.637	-0.664	-0.724
89.0	-0.598	-0.564	-0.611	-0.578	-0.009
93.0	-0.540	-0.857	-0.533	-0.648	-0.792
96.0	-0.501	-0.542	-0.579	-0.661	-0.666
100.0	-0.286	-0.384	-0.055	0.119	0.074
2.5 (LOWER)	-0.167	-0.232	-0.115	0.104	0.104
5.0	-0.273	-0.319	0.004	-0.005	0.113
10.0	-0.038	-0.112	0.032	0.138	0.023
24.0	-0.146	-0.010	0.069	0.130	-0.057
33.0	0.049	0.198	0.252	0.248	0.637
54.0	0.406	0.473	0.571	0.342	0.137
73.5	0.390	0.639	-0.698	0.242	0.142
84.0	0.152	0.294	0.320	0.368	0.256

RUN 378 POINT 1 ALPHA 0.00 PSI 0.00 HEIGHT 19.51

X/C, X	BP 2	BP 6	BP 12	BP 16	BP 22
0.0 (UPPER)	-0.197	-0.148	0.096	0.338	0.019
2.5	0.095	-0.115	-0.460	-0.645	-0.602
5.0	0.097	-0.112	-0.393	-0.649	-0.767
10.0	0.036	-0.279	-0.375	-0.401	-0.274
15.0	-0.088	-0.105	-0.588	-0.328	-0.613
20.0	0.019	-0.242	-0.451	-0.087	-0.327
24.0	-0.082	-0.242	-0.215	-0.245	-0.245
33.0	-0.989	-0.386	-0.264	0.150	-2.552
54.0	0.032	-0.401	-0.375	-0.466	-0.663
65.0	0.120	-0.862	-0.426	-0.791	-0.908
78.5	-0.598	-0.469	-0.262	-1.302	-0.744
79.5	0.200	-0.283	0.610	-0.222	0.537
80.5	-0.237	-3.960	-0.310	-0.585	0.442
81.5	0.758	-1.088	0.618	-0.864	-0.486
82.0	-0.545	0.581	-3.183	0.057	-1.269
84.0	-0.636	-0.445	-0.550	-0.762	-1.682
87.0	-0.833	-0.648	-0.757	-0.597	-0.832
89.0	-0.656	-0.632	-0.720	-0.597	-0.077
93.0	-0.811	-0.811	-0.568	-0.729	-0.937
96.0	-0.592	-0.641	-0.686	-0.761	-0.739
100.0	-0.275	-0.427	-0.076	0.287	-0.026
2.5 (LOWER)	-0.190	-0.379	-0.231	0.108	0.054
5.0	-0.444	-0.442	-0.006	-0.091	0.121
10.0	-0.072	-0.229	-0.012	0.175	-0.055
24.0	-0.327	-0.091	0.015	0.105	-0.177
33.0	-0.107	0.174	0.200	0.231	0.144
54.0	0.412	0.451	0.579	0.064	-0.154
73.5	0.336	0.627	-0.828	-0.642	-0.812
84.0	0.009	0.190	0.217	0.301	0.150

RUN 377 POINT 3 ALPHA 0.00 PSI 0.00 HEIGHT 65.50

X/C, X	BP 2	BP 6	BP 12	BP 16	BP 22
0.0 (UPPER)	-0.158	-0.240	0.262	0.489	0.344
2.5	0.216	0.123	-0.208	-0.380	-0.358
5.0	0.185	0.072	-0.198	-0.391	-0.489
10.0	0.105	-0.094	-0.284	-0.294	-0.236
15.0	0.016	-0.031	-0.357	-0.256	-0.414
20.0	0.020	-0.146	-0.314	-0.121	-0.256
24.0	-0.044	-0.156	-0.341	-0.191	-0.212
33.0	-0.666	-0.273	-0.260	0.641	-1.276
54.0	0.046	-0.328	-0.356	-0.398	-0.511
65.0	0.092	-0.495	-0.481	-0.691	-0.775
78.5	-0.529	-0.712	-0.373	-0.874	-0.693
79.5	-0.365	-0.124	-0.533	-0.224	0.315
80.5	-0.099	-1.431	-0.458	-0.562	-0.099
81.5	0.168	-0.795	-0.442	-0.682	-0.507
82.0	-0.499	0.064	-1.889	-0.240	-0.928
84.0	-0.547	-0.490	-0.510	-0.282	-1.171
87.0	-0.674	-0.573	-0.648	-0.676	-0.750
89.0	-0.596	-0.565	-0.625	-0.594	-0.023
93.0	-0.512	-0.656	-0.551	-0.666	-0.820
96.0	-0.540	-0.551	-0.551	-0.673	-0.698
100.0	-0.347	-0.458	-0.137	0.147	0.011
2.5 (LOWER)	-0.204	-0.279	-0.162	0.050	0.046
5.0	-0.321	-0.376	-0.036	-0.052	0.065
10.0	-0.069	-0.150	0.005	0.107	-0.005
24.0	-0.170	-0.046	0.044	0.105	-0.078
33.0	0.023	0.180	0.236	0.251	0.619
54.0	0.380	0.453	0.565	0.337	0.117
73.5	0.365	0.627	-0.723	0.228	0.130
84.0	0.132	0.274	0.309	0.358	0.252



WING PRESSURE COEFFICIENTS

RUN 378 POINT 2 ALPHA -0.02 PSI 0.00 HEIGHT 32.52

X/C, Z	BP 2	BP 6	BP 12	BP 16	BP 22
0.0 (UPPER)	-0.240	-0.228	0.155	0.481	0.229
2.5	0.141	-0.041	-0.343	-0.329	-0.459
5.0	0.140	-0.055	-0.294	-0.347	-0.658
10.0	0.090	-0.209	-0.314	-0.341	-0.210
15.0	-0.049	-0.049	-0.523	-0.278	-0.532
24.0	0.078	-0.191	-0.397	-0.043	-0.271
33.0	-0.024	-0.207	-0.472	-0.168	-0.213
54.0	-0.877	-0.356	-0.233	0.180	-2.318
65.0	0.046	-0.366	-0.350	-0.425	-0.658
78.5	0.139	-0.434	-0.404	-0.748	-0.859
89.0	-0.529	-0.801	-0.228	-1.210	-0.700
96.0	-0.265	-0.217	-0.593	0.066	0.500
100.0	0.244	-3.933	-0.259	-0.490	0.428
2.5 (LOWER)	0.743	-1.121	-0.604	-0.763	-0.400
5.0	-0.490	0.559	-3.100	0.138	-1.166
10.0	-0.544	-0.409	-0.488	-0.089	-1.612
24.0	-0.784	-0.610	-0.719	-0.719	-0.789
33.0	-0.611	-0.594	-0.675	-0.565	-0.070
54.0	-0.537	-0.763	-0.535	-0.686	-0.892
73.5	-0.557	-0.604	-0.655	-0.720	-0.704
84.0	-0.316	-0.465	-0.112	0.239	-0.063
96.0	-0.223	-0.381	-0.238	0.084	0.034
100.0	-0.464	-0.447	-0.035	-0.107	0.111
2.5	-0.092	-0.240	-0.014	0.168	-0.034
5.0	-0.334	-0.097	0.031	0.109	0.171
10.0	-0.108	0.172	0.210	0.238	0.141
24.0	0.389	0.436	0.594	0.159	0.080
33.0	0.320	0.162	-0.734	-0.621	-0.769
54.0	-0.002	0.192	0.231	0.320	-0.179

WING PRESSURE COEFFICIENTS

RUN 378 POINT 3 ALPHA -0.02 PSI 0.00 HEIGHT 65.71

X/C, Z	BP 2	BP 6	BP 12	BP 16	BP 22
0.0 (UPPER)	-0.274	-0.320	0.130	0.560	0.362
2.5	0.168	-0.069	-0.338	-0.455	-0.359
5.0	0.151	-0.060	-0.275	-0.490	-0.597
10.0	0.106	-0.207	-0.292	-0.304	-0.177
15.0	-0.069	-0.054	-0.489	-0.253	-0.508
24.0	0.058	-0.196	-0.286	-0.036	-0.281
33.0	-0.038	-0.192	-0.453	-0.161	-0.196
54.0	-0.872	-0.344	-0.223	0.171	-2.233
65.0	0.049	-0.359	-0.335	-0.424	-0.655
78.5	-0.132	-0.429	-0.404	-0.754	-0.863
89.0	-0.521	-0.777	-0.253	-1.185	-0.693
96.0	-0.236	-0.245	-0.621	0.005	0.506
100.0	0.284	-3.795	-0.324	-0.559	0.394
2.5	0.745	1.087	-0.629	-0.815	-0.474
5.0	-0.468	0.371	-3.047	0.123	-1.210
10.0	-0.598	-0.444	-0.490	0.166	-1.508
24.0	-0.772	-0.603	-0.718	-0.718	-0.792
33.0	-0.598	-0.580	-0.678	-0.573	-0.087
54.0	-0.534	-0.750	-0.534	-0.688	-0.894
65.0	-0.553	-0.615	-0.650	-0.712	-0.711
78.5	-0.408	-0.532	-0.198	0.185	-0.100
89.0	-0.216	-0.415	-0.294	0.038	-0.003
96.0	-0.479	-0.506	-0.069	-0.137	0.083
100.0	-0.116	-0.252	-0.030	0.144	-0.053
2.5	-0.342	0.126	0.001	0.103	-0.177
5.0	-0.124	0.148	0.182	0.210	0.146
10.0	0.375	0.411	0.574	0.168	0.140
24.0	0.305	0.166	-0.732	-0.610	-0.765
33.0	-0.011	0.178	0.230	0.321	-0.181

WING PRESSURE COEFFICIENTS

RUN 378 POINT 4 ALPHA 0.02 PSI 0.00 HEIGHT 87.40

X/C, Z	BP 2	BP 6	BP 12	BP 16	BP 22
0.0 (UPPER)	-0.303	-0.352	0.117	0.557	0.379
2.5	0.155	-0.025	-0.327	-0.436	-0.342
5.0	0.162	-0.033	-0.285	-0.482	-0.581
10.0	0.097	-0.191	-0.299	-0.307	-0.174
15.0	-0.059	-0.065	-0.506	-0.252	-0.501
24.0	-0.034	-0.211	-0.390	-0.043	-0.270
33.0	-0.027	-0.199	-0.471	-0.145	-0.201
54.0	-0.864	-0.361	-0.223	0.156	-2.209
65.0	0.032	-0.361	-0.335	-0.428	-0.653
78.5	0.120	-0.430	-0.402	-0.760	-0.868
89.0	-0.536	-0.779	-0.175	-1.179	-0.699
96.0	-0.205	-0.190	-0.589	0.089	0.532
100.0	0.275	-3.835	-0.362	-0.503	0.422
2.5	0.774	-1.072	-0.652	-0.777	-0.397
5.0	-0.465	0.562	-3.013	0.035	-1.138
10.0	-0.575	-0.364	-0.444	0.053	-1.599
24.0	-0.758	-0.595	-0.718	-0.721	-0.791
33.0	-0.582	-0.581	-0.677	-0.578	-0.137
54.0	-0.521	-0.741	-0.536	-0.686	-0.896
65.0	-0.549	-0.614	-0.642	-0.718	-0.716
78.5	-0.410	-0.535	-0.194	0.168	-0.116
89.0	-0.263	-0.420	-0.263	0.020	-0.021
96.0	-0.481	-0.515	-0.070	-0.156	-0.059
100.0	-0.127	-0.269	-0.043	0.121	-0.059
2.5	-0.376	-0.117	0.003	0.077	-0.192
5.0	-0.131	0.149	0.195	0.204	0.128
10.0	0.351	0.432	0.568	0.136	0.164
24.0	0.292	0.168	-0.744	-0.612	-0.757
33.0	-0.017	0.165	0.229	0.321	-0.184

WING PRESSURE COEFFICIENTS

RUN 379 POINT 2 ALPHA 0.01 PSI 0.00 HEIGHT 19.27

X/C, Z	BP 2	BP 6	BP 12	BP 16	BP 22
0.0 (UPPER)	-1.372	-1.093	-1.403	-0.357	-1.654
2.5	0.582	0.173	-0.290	-1.023	-1.831
5.0	0.547	-0.006	-0.375	-1.103	-2.045
10.0	0.219	0.121	-0.864	-0.781	-1.118
15.0	0.254	-0.261	-0.813	-0.486	-1.653
24.0	0.001	-0.395	-1.014	-0.794	-1.087
33.0	-1.682	-1.004	-0.844	-1.311	-3.985
54.0	-0.102	-1.858	-1.618	-2.214	-2.253
65.0	0.263	-5.002	-6.086	-7.606	-5.501
78.5	-161.803	-167.787	-150.812	-130.805	-111.833
89.0	-15.391	-15.938	-17.572	-48.852	-1.171
96.0	-2.621	-9.189	-6.152	-11.300	-14.089
100.0	9.225	-3.945	6.116	-6.249	-5.435
2.5	-11.286	-5.183	-15.128	-4.950	-5.990
5.0	-2.469	-7.768	-2.438	-3.242	-4.041
10.0	-1.702	-3.205	-9.322	-8.009	-1.426
24.0	-1.571	-1.175	-0.602	-4.370	-0.014
33.0	-2.369	-2.227	1.171	-1.430	-5.172
54.0	-0.140	1.159	1.240	0.543	-0.730
65.0	-0.961	-1.379	-1.109	-0.511	-0.771
78.5	-1.513	-1.330	-0.776	-0.784	-0.386
89.0	-0.748	-1.200	-0.753	-0.051	-0.286
96.0	-1.275	-1.042	-0.717	-0.358	-0.327
100.0	-1.037	-0.631	-0.773	-1.246	-1.246
2.5	-0.107	0.117	0.497	-0.268	-0.433
5.0	0.665	-1.103	-4.303	-0.310	-1.808
10.0	0.784	0.624	0.604	0.464	-0.420

WING PRESSURE COEFFICIENTS

RUN 379 POINT 5 ALPHA -0.01 PSI 0.00 HEIGHT 86.96

X/C, %	BP 2	BP 6	BP 12	BP 16	BP 22
0.0 (UPPER)	-1.482	-1.278	-1.245	0.487	-0.107
2.5	0.512	0.190	0.489	-0.437	-1.330
5.0	0.660	0.319	0.145	-0.755	-1.572
10.0	0.547	0.111	-0.278	-0.648	-0.832
15.0	0.219	0.219	-0.814	-0.670	-1.382
24.0	0.326	0.158	-0.804	-0.440	-1.013
33.0	-0.056	-0.431	-0.977	-0.754	-1.004
54.0	-2.098	-1.076	-1.085	-2.173	-4.762
65.0	-0.346	-2.002	-1.907	-2.208	-2.341
78.5	-0.188	-5.797	-7.162	-7.595	-7.447
79.5	-189.237	-172.336	-183.423	-154.251	-110.834
80.5	-16.592	-17.332	-19.636	-46.226	0.619
81.5	-3.686	-10.220	-7.103	-11.737	-16.655
82.0	7.165	-5.943	4.493	-6.711	-7.909
84.0	-11.408	-5.675	-14.662	-5.109	-7.199
87.0	-1.363	-7.872	-3.578	-4.233	-4.129
89.0	-2.447	-3.867	-9.492	-6.393	-0.023
93.0	-2.240	-1.802	-1.337	-4.884	0.416
96.0	-2.728	-2.735	0.282	-1.981	-6.726
100.0	-3.249	-3.663	-3.523	-2.616	-2.564
2.5 (LOWER)	-1.018	-1.250	-2.225	-1.390	-0.404
5.0	-1.008	-1.529	-1.948	-1.274	-0.261
10.0	-1.628	-1.447	-1.356	-1.326	-0.186
24.0	-1.256	-1.648	-1.114	-0.670	-0.448
33.0	-1.113	-1.496	-0.974	-0.614	-0.682
54.0	-1.138	-0.908	-0.541	-0.405	-2.169
73.5	-0.214	-0.280	-0.275	-0.514	-0.484
84.0	-0.213	-1.777	-5.945	-0.139	-2.605
96.0	-0.749	-0.426	-0.146	0.324	0.227

WING PRESSURE COEFFICIENTS

RUN 379 POINT 3 ALPHA -0.02 PSI 0.00 HEIGHT 32.73

X/C, %	BP 2	BP 6	BP 12	BP 16	BP 22
0.0 (UPPER)	-1.309	-1.089	-0.954	0.596	-0.701
2.5	0.563	0.152	0.322	-0.549	-1.732
5.0	0.655	0.271	0.090	-0.879	-1.869
10.0	0.594	0.019	-0.279	-0.713	-0.925
15.0	0.214	0.211	-0.888	-0.719	-1.518
24.0	0.369	-0.231	-0.848	-0.392	-1.057
33.0	0.055	-0.398	-1.073	-0.727	-1.007
54.0	-2.003	-1.105	-1.042	-1.607	-4.550
65.0	-0.051	-1.817	-1.912	-2.290	-2.462
78.5	0.131	-5.418	-7.406	-8.012	-7.869
79.5	-189.274	-178.560	-160.636	-139.255	-123.508
80.5	-16.159	-17.032	-19.664	-50.602	1.002
81.5	-2.783	-10.135	-6.993	-12.277	-17.707
82.0	9.626	-4.415	6.048	-6.947	-8.039
84.0	-11.559	-5.692	-15.959	-5.245	-7.676
87.0	-2.751	-8.159	-3.431	-4.368	-4.419
89.0	-1.660	-3.473	-10.115	-6.757	0.363
93.0	-1.419	-1.403	-0.865	-5.090	-0.184
96.0	-2.125	-2.671	-1.099	-1.793	-7.167
100.0	-3.060	-3.655	-3.936	-3.388	-2.925
2.5 (LOWER)	-0.631	-1.059	-1.187	-0.333	-0.333
5.0	-0.668	-1.337	-1.711	-1.138	-0.206
10.0	-1.496	-1.298	-1.156	-1.237	-0.139
24.0	-0.378	-1.301	-1.051	-0.547	-0.500
33.0	-1.348	-1.222	-0.336	-0.536	-0.472
54.0	-1.191	-0.781	-0.643	-0.401	-1.698
73.5	-0.244	-0.319	-0.196	-0.434	-0.620
84.0	-0.296	-1.465	-6.225	-0.266	-2.387
96.0	-0.830	-0.544	-0.267	0.102	0.180

WING PRESSURE COEFFICIENTS

RUN 380 POINT 1 ALPHA -0.01 PSI 0.00 HEIGHT 19.43

X/C, %	BP 2	BP 6	BP 12	BP 16	BP 22
0.0 (UPPER)	-1.372	-0.833	-0.362	1.428	-1.743
2.5	0.419	-0.203	-0.298	-1.160	-2.069
5.0	0.489	0.134	-0.465	-1.455	-2.304
10.0	0.473	-0.463	-0.667	-1.071	-0.976
15.0	-0.129	-0.158	-1.423	-1.015	-1.955
24.0	0.171	-0.562	-1.184	-0.507	-1.325
33.0	-0.242	-0.718	-1.388	-0.994	-1.399
54.0	-3.593	-1.462	-1.291	-5.064	-6.570
65.0	0.131	-2.800	-2.266	-3.053	-3.414
78.5	0.125	-6.945	-8.706	-11.840	-11.007
79.5	-323.164	-302.618	-280.297	-253.471	-210.263
80.5	-24.952	-26.215	-28.747	-88.010	1.813
81.5	-2.647	-18.836	-8.693	-19.055	-28.427
82.0	18.270	-4.620	12.741	-10.085	-12.133
84.0	-18.973	-8.174	-25.020	-6.154	-11.287
87.0	5.147	-12.645	-3.062	-6.672	-5.516
89.0	-2.600	-5.051	-16.051	-14.263	2.471
93.0	-3.057	-1.694	-0.925	-7.703	-0.264
96.0	-2.580	-3.081	-3.296	-2.800	-10.099
100.0	-0.752	-0.854	-1.111	-0.098	-0.550
2.5 (LOWER)	-0.803	-1.294	-1.171	-0.244	-0.065
5.0	-1.599	-1.220	-0.325	-0.458	0.287
10.0	-0.402	-0.990	0.166	-0.715	-0.009
24.0	-0.997	-0.425	0.186	0.638	-0.759
33.0	-0.199	0.309	0.458	0.184	-5.341
54.0	0.837	1.219	1.498	0.044	-1.292
73.5	2.228	-4.001	-8.256	-0.656	-3.991
84.0	1.777	1.418	1.039	0.803	-0.633
96.0	0.196	0.196	0.196	0.196	0.196

WING PRESSURE COEFFICIENTS

RUN 379 POINT 4 ALPHA 0.01 PSI 0.00 HEIGHT 65.65

X/C, %	BP 2	BP 6	BP 12	BP 16	BP 22
0.0 (UPPER)	-1.440	-1.247	-1.174	0.553	-0.180
2.5	0.558	0.178	0.465	-0.504	-1.388
5.0	0.657	0.337	0.092	-0.811	-1.638
10.0	0.375	0.083	-0.306	-0.688	-0.845
15.0	0.271	0.228	-0.885	-0.666	-1.418
24.0	0.309	-0.239	-0.850	-0.423	-1.027
33.0	-0.005	-0.425	-1.056	-0.729	-0.999
54.0	-2.045	-1.136	-1.116	-2.013	-4.651
65.0	-0.350	-1.951	-1.966	-2.240	-2.378
78.5	-0.182	-5.997	-7.547	-7.839	-7.672
79.5	-186.537	-172.743	-155.324	-131.677	-119.858
80.5	-16.629	-17.373	-19.300	-49.148	0.650
81.5	-3.566	-10.202	-7.247	-11.996	-17.084
82.0	8.271	-4.917	5.475	-6.851	-7.643
84.0	-12.110	-6.166	-15.649	-5.257	-7.118
87.0	-1.980	-8.379	-3.578	-4.433	-4.085
89.0	-2.322	-3.837	-10.080	-8.712	0.339
93.0	-1.990	-1.802	-1.053	-5.113	-0.455
96.0	-2.558	-2.872	0.860	-1.880	-7.029
100.0	-3.464	-3.874	-3.811	-2.924	-2.765
2.5 (LOWER)	-1.050	-1.239	-2.062	-1.317	-0.393
5.0	-1.056	-1.503	-1.942	-1.253	-0.259
10.0	-1.365	-1.440	-1.365	-1.335	-0.181
24.0	-1.231	-1.622	-1.159	-0.662	-0.456
33.0	-1.759	-1.494	-1.028	-0.629	-0.718
54.0	-1.263	-0.960	-0.584	-0.359	-1.956
73.5	-0.176	-0.260	-0.236	-0.519	-0.522
84.0	-0.239	-1.667	-6.056	-0.218	-2.564
96.0	-0.816	-0.497	-0.193	0.253	0.196

WING PRESSURE COEFFICIENTS

RUN 380 POINT 4 ALPHA -0.01 PSI 0.00 HEIGHT 87.10

X/C, X	BP 2	BP 6	BP 12	BP 16	BP 22
0.0 (UPPER)	-2.674	-2.316	-1.377	0.832	0.479
2.5	0.242	-0.296	0.257	-0.612	-0.924
5.0	0.477	0.014	-0.228	-1.108	-1.668
10.0	0.539	-0.248	-0.546	-0.815	-0.584
15.0	0.072	0.047	-1.373	-0.777	-1.757
20.0	0.235	-0.446	-1.116	-0.316	-1.102
24.0	-0.198	-0.689	-1.268	-0.901	-1.214
33.0	-2.704	-1.459	-1.300	-3.937	-6.515
54.0	-0.455	-3.090	-2.201	-2.811	-2.851
65.0	-0.229	-7.239	-8.590	-9.608	-9.608
78.5	-325.621	-301.048	-277.771	-240.979	-207.191
79.5	-25.689	-26.509	-28.242	-86.304	1.322
80.5	-3.491	-16.256	-9.027	-17.041	-26.679
81.5	17.737	-4.775	12.727	-8.399	-10.679
82.0	-19.730	-8.235	-25.321	-7.068	-10.010
84.0	4.716	-12.816	-2.983	-5.956	-4.433
87.0	-3.435	-1.717	1.604	-2.306	-10.147
89.0	-4.640	-3.820	1.186	-7.348	-0.608
93.0	-6.044	-6.078	-5.846	-5.278	-5.074
100.0 (LOWER)	-2.232	-2.309	-4.267	-1.896	-1.319
2.5	-2.302	-2.983	-3.682	-1.741	-0.780
5.0	-3.155	-2.653	-2.385	-1.815	-0.455
10.0	-2.515	-3.205	-1.661	-0.612	-0.719
24.0	-2.839	-2.430	-1.291	-0.707	-1.018
33.0	-1.210	-1.012	-0.659	-0.610	-4.212
54.0	-0.242	-0.242	-0.278	0.796	-0.034
73.5	-0.284	-1.430	-8.031	1.872	-1.326
84.0	-1.517	-0.782	-0.375	-0.014	-0.202

WING PRESSURE COEFFICIENTS

RUN 380 POINT 2 ALPHA 0.00 PSI 0.00 HEIGHT 32.73

X/C, X	BP 2	BP 6	BP 12	BP 16	BP 22
0.0 (UPPER)	-1.526	-1.251	-1.088	1.339	0.332
2.5	0.335	-0.237	0.066	-0.677	-1.083
5.0	0.447	-0.038	-0.193	-1.210	-1.744
10.0	0.455	-0.308	-0.508	-0.960	-0.688
15.0	-0.081	-0.059	-1.349	-0.927	-1.676
24.0	0.181	-0.635	-1.082	-0.392	-1.100
33.0	-0.118	-0.652	-1.274	-0.878	-1.173
54.0	-3.389	-1.389	-1.169	-4.919	-8.003
65.0	-0.235	-2.526	-2.111	-2.685	-2.732
78.5	-0.003	-6.201	-8.515	-10.474	-9.246
79.5	-318.249	-298.317	-278.546	-247.874	-205.694
80.5	-23.635	-24.577	-28.461	-86.577	1.711
81.5	-1.648	-18.133	-8.529	-17.689	-26.597
82.0	19.137	-3.534	13.061	-6.980	-10.713
84.0	-17.867	-7.225	-24.788	-7.198	-10.461
87.0	6.519	-12.058	-2.818	-5.997	-4.771
89.0	-1.655	-4.460	-15.921	-13.833	3.228
93.0	-2.115	-1.260	-0.765	-7.177	-0.414
96.0	-3.568	-3.450	1.974	-2.081	-9.605
100.0 (LOWER)	-4.266	-5.794	-6.809	-5.741	-5.106
2.5	-0.993	-1.185	-1.929	-1.626	-1.222
5.0	-0.988	-1.833	-2.084	-1.517	-0.738
10.0	-1.863	-1.521	-1.341	-1.608	-0.464
24.0	-1.123	-1.696	-1.365	-0.635	-0.765
33.0	-1.975	-1.524	-1.311	-0.690	-0.829
54.0	-1.614	-1.217	-0.922	-0.660	-5.117
73.5	-0.476	-0.585	0.215	0.229	-1.019
84.0	-0.314	-3.499	-7.956	-0.162	-3.456
96.0	-0.956	-0.588	-0.466	-0.140	-0.266

WING PRESSURE COEFFICIENTS

RUN 380 POINT 3 ALPHA -0.03 PSI 0.00 HEIGHT 65.76

X/C, X	BP 2	BP 6	BP 12	BP 16	BP 22
0.0 (UPPER)	-2.633	-2.229	-1.556	0.840	0.489
2.5	0.298	-0.311	0.173	-0.560	-0.850
5.0	0.452	-0.096	-0.212	-1.045	-1.573
10.0	0.441	-0.354	-0.657	-0.738	-0.517
15.0	-0.059	-0.066	-1.327	-0.716	-1.598
24.0	0.272	-0.367	-1.071	-0.268	-1.019
33.0	-0.126	-0.595	-1.268	-0.864	-1.109
54.0	-2.999	-1.377	-1.198	-4.449	-7.027
65.0	-0.452	-2.969	-2.123	-2.504	-2.765
78.5	-0.215	-7.068	-8.365	-9.389	-9.423
79.5	-324.666	-301.252	-277.430	-241.730	-205.304
80.5	-25.512	-26.700	-27.956	-85.553	1.475
81.5	-3.114	-17.505	-8.706	-16.893	-26.604
82.0	18.010	-4.666	12.932	-8.174	-10.625
84.0	-19.546	-8.160	-25.123	-6.461	-9.942
87.0	4.883	-12.700	-3.141	-5.833	-4.325
89.0	-3.285	-5.082	-16.283	-13.278	3.165
93.0	-3.285	-1.644	-1.119	-7.266	-0.610
96.0	-4.528	-3.659	1.655	-2.245	-10.003
100.0 (LOWER)	-6.051	-6.099	-5.840	-5.224	-5.017
2.5	-2.074	-2.285	-4.216	-1.855	-1.251
5.0	-2.008	-2.800	-1.542	-1.673	-0.752
10.0	-3.008	-2.627	-2.339	-1.739	-0.430
24.0	-2.434	-3.050	-1.578	-0.388	-0.704
33.0	-2.885	-2.418	-1.216	-0.690	-1.084
54.0	-1.163	-0.997	-0.580	-0.597	-4.623
73.5	-0.192	-0.157	0.316	0.452	-0.495
84.0	-0.303	-2.466	-8.003	0.804	-2.376
96.0	-1.442	-0.741	-0.371	-0.005	-0.177

APPENDIX C

TABULATED FLOW FIELD DATA

PROPULSIVE MING FLOW FIELD

RAKE SUMMARY, RUN 101

PT	ALPHA BETA HEIGHT			VT1 ALP1 BET1			VT2 ALP2 BET2			VT3 ALP3 BET3			VT4 ALP4 BET4			VT5 ALP5 BET5			VT6 ALP6 BET6			VT7 ALP7 BET7		
1	-4.51	0.00	82.46	5.24	-1.39	4.23	5.66	-0.34	1.27	5.18	4.06	3.70	6.22	2.90	-1.39	5.43	0.51	7.20	6.01	1.92	-0.10	6.36	0.65	-3.30
2	-2.49	0.00	89.83	5.37	-3.55	5.02	5.61	-2.46	-0.63	5.19	1.87	1.87	6.21	1.19	-1.02	5.43	0.32	6.39	6.00	0.29	-0.69	6.37	0.91	-3.78
3	-0.43	0.00	97.38	5.39	-5.72	4.44	5.70	-4.24	-1.58	5.16	0.69	0.04	6.22	-2.64	-2.64	5.44	-2.64	5.95	5.97	-1.14	-4.25	6.38	-2.56	-4.25
4	1.53	0.00	84.41	5.31	-7.21	3.52	5.77	-5.27	-2.38	5.20	-0.86	-0.86	6.20	-2.33	-3.27	5.46	-3.85	5.07	5.99	-2.32	-1.98	6.43	-3.69	-4.74
5	3.58	0.00	83.73	5.25	-6.53	1.81	5.81	-6.53	-2.72	5.18	-1.97	-1.41	6.22	-3.60	-4.33	5.45	-5.36	4.27	5.98	-3.60	-5.24	6.47	-5.33	-5.24
6	5.59	0.00	85.82	5.38	-8.44	1.05	5.82	-7.77	-2.96	5.03	-3.81	-2.22	6.23	-5.02	-4.59	5.43	-6.86	3.92	5.97	-3.05	-5.40	6.50	-6.73	-5.40
7	7.51	0.00	85.96	5.40	-10.07	1.18	5.81	-9.40	-3.18	4.70	-6.38	-3.29	6.25	-5.00	-5.00	5.43	-7.88	3.37	5.97	-3.44	-5.74	6.52	-7.98	-5.74
8	9.54	0.00	86.38	5.24	-10.16	-0.78	5.54	-9.34	-2.48	4.67	-8.35	-3.84	5.35	-8.37	-4.23	5.23	-6.99	-1.17	5.32	-6.47	-1.46	5.68	-6.88	-1.32
9	11.46	0.00	87.46	5.22	-11.40	-0.51	5.65	-10.72	-2.77	4.41	-9.29	-5.17	5.33	-9.13	-4.74	5.23	-7.80	-1.78	5.34	-7.40	-1.69	5.73	-7.98	-1.56
10	13.45	0.00	83.74	5.22	-12.80	-0.78	5.62	-11.89	-3.64	4.42	-9.31	-6.23	5.35	-8.63	-5.26	5.26	-8.63	-2.46	5.29	-7.90	-2.50	5.72	-8.93	-2.13
11	15.47	0.00	85.92	5.22	-14.09	-2.14	5.47	-13.39	-5.53	4.73	-10.45	-5.60	5.34	-10.57	-6.09	5.25	-9.39	-2.91	5.28	-8.81	-2.46	5.73	-10.06	-2.46
12	17.40	0.00	85.74	5.12	-15.09	-3.75	4.88	-13.74	-7.65	5.16	-9.51	-7.76	5.31	-11.24	-7.28	5.22	-10.18	-3.77	5.23	-9.36	-2.93	5.73	-11.10	-2.93
13	19.40	0.00	93.06	4.83	-16.69	-6.05	4.81	-16.54	-11.62	5.33	-10.90	-9.12	5.33	-12.15	-9.06	5.28	-11.08	-4.66	5.27	-10.22	-4.55	5.81	-12.11	-3.24

PROPULSIVE MING FLOW FIELD

RAKE SUMMARY, RUN 100

PT	ALPHA BETA HEIGHT			VT1 ALP1 BET1			VT2 ALP2 BET2			VT3 ALP3 BET3			VT4 ALP4 BET4			VT5 ALP5 BET5			VT6 ALP6 BET6			VT7 ALP7 BET7		
5	1.59	0.00	86.80	4.06	-5.73	-0.75	3.84	-9.05	-0.82	3.47	-5.35	2.05	5.05	-2.39	0.18	3.98	-5.18	9.52	4.82	-2.45	-1.24	4.17	-3.78	-12.63
6	3.55	0.00	87.21	3.99	-6.32	-1.97	3.85	-9.83	-1.73	3.55	-6.54	1.00	5.04	-4.27	-0.61	3.98	-8.77	8.77	4.88	-3.63	-1.81	4.35	-5.18	-12.68
7	5.55	0.00	86.35	4.09	-7.14	-2.35	3.89	-10.87	-1.79	3.29	-7.93	0.59	5.03	-5.80	-1.71	3.99	-8.25	8.34	4.80	-5.10	-2.55	4.39	-6.99	-13.26
8	7.51	0.00	84.57	4.15	-9.08	-1.76	3.96	-12.23	-2.37	3.02	-8.66	-0.53	5.03	-6.97	-1.91	3.95	-9.19	7.88	4.80	-6.54	-3.18	4.49	-8.15	-12.82
9	9.48	0.00	84.55	4.09	-10.89	-1.90	3.96	-13.71	-2.86	2.73	-8.92	-2.48	5.02	-8.23	-2.61	3.95	-10.18	7.46	4.76	-7.63	-3.83	4.48	-9.31	-11.69
10	11.50	0.00	86.83	4.09	-12.28	-1.82	4.04	-14.77	-3.37	2.65	-7.28	-4.80	5.06	-8.56	-3.36	3.95	-10.76	6.74	4.78	-9.12	-4.20	4.65	-10.95	-13.03
11	13.47	0.00	84.39	4.14	-13.91	-1.70	4.07	-15.93	-4.25	2.69	-5.17	-5.52	4.99	-10.75	-3.91	3.95	-11.56	6.03	4.75	-10.08	-4.76	4.71	-11.96	-13.29
12	15.44	0.00	85.45	4.15	-15.09	-2.39	3.82	-17.04	-6.45	3.05	-5.54	-5.80	5.02	-11.96	-4.83	3.96	-12.17	5.44	4.75	-11.24	-4.97	4.80	-13.82	-13.50
13	17.47	0.00	86.03	3.97	-16.35	-4.28	3.53	-18.16	-9.12	3.49	-7.14	-9.14	5.00	-13.27	-5.56	3.94	-14.50	4.31	4.73	-12.32	-5.40	4.89	-14.84	-13.76
14	19.39	0.00	93.12	3.82	-18.34	-5.95	3.58	-22.07	-12.50	3.55	-9.64	-9.64	4.97	-14.50	-6.10	3.94	-16.59	3.74	4.73	-13.69	-5.88	4.90	-16.47	-13.93
15	21.46	0.00	86.66	4.09	-20.26	-8.83	4.16	-22.07	-11.70	3.62	-7.14	-10.2	5.03	-16.14	-2.61	4.00	-18.69	9.30	4.81	-15.92	-7.70	4.95	-18.90	-17.70
16	23.47	0.00	86.00	4.10	-21.91	-12.48	4.14	-24.49	-16.64	3.66	-8.41	-11.24	5.03	-19.49	-2.56	4.02	-22.30	9.89	4.82	-18.48	-2.15	4.98	-21.48	-17.18
17	25.50	0.00	82.46	4.24	-23.48	-16.64	4.16	-26.06	-20.81	3.68	-9.64	-13.38	5.04	-22.74	-2.19	4.04	-25.74	10.54	4.80	-20.74	-1.66	5.02	-23.64	-17.64

PROPULSIVE WING FLOW FIELD

RAKE SUMMARY, RUN 103

PT	ALPHA BETA HEIGHT			VT1 ALP1 BET1			VT2 ALP2 BET2			VT3 ALP3 BET3			VT4 ALP4 BET4			VT5 ALP5 BET5			VT6 ALP6 BET6			VT7 ALP7 BET7		
	1	-4.57	0.00	82.26	9.05	-5.82	2.67	12.02	-3.61	1.62	16.03	-2.25	4.00	31.56	-3.42	2.88	13.39	-10.02	4.32	7.36	1.78	3.21	7.54	1.61
2	-2.50	0.00	86.50	8.82	-10.13	3.15	11.38	-6.89	0.84	15.35	-4.79	3.14	30.50	-5.51	2.67	12.97	-11.97	3.59	7.36	0.02	2.12	7.52	0.08	1.91
3	-0.39	0.00	85.62	8.89	-15.23	1.36	11.28	-9.67	-1.09	15.51	-7.02	1.95	30.46	-7.69	2.19	13.07	-13.77	3.01	7.36	-1.25	1.22	7.50	-1.19	0.97
4	1.54	0.00	81.76	9.44	-16.76	-1.40	11.73	-10.46	-2.65	15.88	-8.76	0.73	30.44	-9.49	1.83	12.82	-15.90	2.24	7.34	-3.01	0.28	7.41	-2.66	0.25
5	3.55	0.00	83.95	9.15	-18.38	-5.45	11.59	-12.45	-2.97	15.91	-10.85	-0.39	30.30	-11.47	1.52	12.52	-17.51	1.73	7.27	-4.46	-0.49	7.31	-3.99	-0.50
6	5.57	0.00	84.42	9.22	-18.22	-7.66	11.72	-13.72	-3.17	15.85	-12.93	-1.15	30.11	-13.43	1.26	12.15	-18.68	1.18	7.26	-5.99	-1.06	7.28	-5.43	-1.15
7	7.50	0.00	85.50	9.37	-17.55	-7.27	12.18	-15.16	-3.66	16.30	-14.29	-1.68	30.12	-15.31	1.03	11.91	-18.15	0.76	7.22	-7.56	-1.77	7.24	-6.72	-1.74
8	9.52	0.00	84.94	9.46	-18.27	-7.21	12.46	-16.65	-3.66	16.63	-16.10	-2.13	30.14	-17.28	0.16	11.09	-20.74	0.16	7.19	-9.17	-2.07	7.15	-8.87	-3.01
9	11.48	0.00	85.09	9.71	-18.94	-6.68	12.59	-18.25	-4.09	16.66	-17.52	-2.52	29.54	-19.14	1.17	10.82	-21.58	-0.09	7.15	-10.40	-2.57	7.17	-9.79	-3.77
10	13.46	0.00	84.02	9.78	-20.96	-7.23	12.75	-19.81	-4.40	16.94	-18.98	-2.62	28.27	-20.92	0.99	10.40	-23.28	-0.86	7.10	-11.70	-3.16	7.10	-10.70	-4.17
11	15.44	0.00	83.49	9.96	-22.19	-7.78	12.67	-21.46	-5.11	17.03	-20.42	-2.89	28.95	-22.77	0.95	9.99	-24.08	-1.18	7.01	-12.82	-3.73	7.01	-11.59	-4.62
12	17.41	0.00	86.41	9.85	-24.31	-8.96	12.35	-23.19	-6.06	17.01	-21.69	-3.33	28.08	-24.58	0.77	9.56	-25.09	-1.93	6.92	-13.94	-4.14	6.92	-11.59	-4.62
13	19.41	0.00	92.39	10.05	-25.69	-10.33	12.33	-24.95	-6.42	17.33	-23.02	-3.49	28.01	-26.52	0.54	9.27	-28.07	-3.26	6.91	-15.30	-4.43	6.91	-12.61	-5.04

PROPULSIVE WING FLOW FIELD

RAKE SUMMARY, RUN 102

PT	ALPHA BETA HEIGHT			VT1 ALP1 BET1			VT2 ALP2 BET2			VT3 ALP3 BET3			VT4 ALP4 BET4			VT5 ALP5 BET5			VT6 ALP6 BET6			VT7 ALP7 BET7		
	1	-4.49	0.00	82.60	7.24	-0.62	3.92	7.78	1.51	2.19	7.65	2.62	3.40	7.56	1.82	3.13	7.55	1.90	3.13	7.58	1.77	2.85	8.14	1.68
2	-2.45	0.00	89.93	7.37	-2.75	4.59	7.77	-0.79	0.78	7.67	0.64	1.76	7.56	-0.22	0.04	7.53	2.39	1.86	7.57	0.35	2.13	8.15	0.24	1.86
3	-0.41	0.00	86.39	7.43	-5.04	4.02	7.88	-2.48	-0.81	7.69	-1.03	0.21	7.59	-1.86	-0.93	7.53	1.69	1.23	7.59	-0.88	1.46	8.16	1.03	1.23
4	1.57	0.00	85.60	7.28	-6.53	2.64	7.95	-3.61	-1.66	7.70	-2.49	-0.70	7.57	-3.33	-1.70	7.53	1.00	0.79	7.56	0.79	0.49	8.16	0.49	0.49
5	3.55	0.00	84.50	7.19	-6.64	0.99	7.94	-4.69	-2.00	7.68	-4.12	-1.22	7.59	-4.47	-2.66	7.53	0.33	0.18	7.52	-2.98	-0.18	8.13	-0.15	-0.15
6	5.54	0.00	85.86	7.36	-7.19	-0.11	7.96	-5.98	-2.23	7.49	-6.09	-1.80	7.59	-5.94	-3.19	7.49	-5.02	-0.22	7.47	-4.35	-0.47	8.16	-0.24	-0.24
7	7.50	0.00	85.60	7.42	-8.72	-0.20	7.99	-7.55	-2.25	7.12	-7.76	-3.58	7.59	-6.25	-0.83	7.51	-5.65	-0.70	7.50	-5.66	-0.70	8.07	-0.64	-0.64
8	9.52	0.00	83.91	7.55	-9.74	-2.01	7.72	-9.57	-1.82	6.72	-10.91	-2.83	7.53	-8.78	-1.83	7.59	-7.19	-1.36	7.58	-6.36	-0.77	7.63	-0.88	-0.88
9	11.48	0.00	86.50	7.53	-11.21	-1.94	7.70	-10.96	-2.18	6.30	-11.66	-4.11	7.47	-9.73	-2.45	7.49	-8.17	-1.87	7.53	-7.21	-1.33	7.56	-1.30	-1.30
10	13.46	0.00	84.23	7.52	-12.45	-2.39	7.71	-12.10	-2.96	6.19	-11.58	-3.00	7.43	-10.43	-3.00	7.46	-8.96	-2.59	7.48	-7.88	-1.85	7.61	-1.87	-1.87
11	15.44	0.00	84.76	7.56	-13.57	-3.93	7.54	-13.03	-4.94	6.60	-12.27	-4.91	7.52	-11.14	-3.65	7.53	-9.68	-3.20	7.55	-8.63	-2.41	7.61	-2.31	-2.31
12	17.41	0.00	86.09	7.35	-14.43	-5.96	6.68	-13.66	-7.53	7.26	-10.98	-6.95	7.50	-11.82	-4.86	7.50	-10.50	-3.92	7.51	-9.32	-2.89	7.55	-2.73	-2.73
13	19.41	0.00	92.78	6.91	-16.05	-7.74	6.38	-16.42	-11.59	7.19	-13.02	-8.15	7.46	-12.92	-5.58	7.45	-11.44	-4.47	7.45	-10.08	-3.61	7.52	-3.35	-3.35

PROPULSIVE WING FLOW FIELD

RAKE SUMMARY, RUN 104

PT	ALPHA BETA HEIGHT	VT						VT						VT																		
		ALP1 BET1	ALP2 BET2	ALP3 BET3	ALP4 BET4	ALP5 BET5	ALP6 BET6	ALP7 BET7	ALP1 BET1	ALP2 BET2	ALP3 BET3	ALP4 BET4	ALP5 BET5	ALP6 BET6	ALP7 BET7	ALP1 BET1	ALP2 BET2	ALP3 BET3	ALP4 BET4	ALP5 BET5	ALP6 BET6	ALP7 BET7										
1	-4.52	7.07	9.47	13.68	29.28	13.68	5.33	5.15	0.00	-6.25	-5.84	-2.94	3.61	-11.79	4.16	4.19	82.80	2.33	2.43	4.30	2.73	5.27	3.88	4.34	19	-2.02	150.70	155.60	155.90	155.00	156.20	157.80
2	-2.43	6.79	9.11	13.44	28.87	13.60	5.39	5.10	0.00	-11.46	-9.86	-4.80	-5.58	-14.17	2.71	2.80	90.02	3.08	2.13	3.24	2.66	4.77	3.16	3.46	20	0.00	152.30	156.30	155.40	154.50	155.60	158.40
3	-0.44	6.95	9.10	13.47	28.31	13.57	5.34	5.04	0.00	-15.28	-12.24	-6.89	-7.50	-15.33	0.90	1.53	86.57	3.16	-0.26	2.39	2.33	3.74	2.06	2.48	21	2.00	152.80	157.10	156.00	154.90	155.90	159.40
4	1.59	7.42	9.10	13.68	28.25	13.39	5.37	5.01	0.00	-17.61	-12.97	-8.82	-9.56	-17.71	-0.71	0.09	86.22	0.48	-1.57	1.52	2.00	3.11	0.98	1.38	22	4.02	148.70	158.00	157.20	156.10	154.80	155.40
5	3.58	7.63	9.08	13.71	28.14	13.28	5.32	4.98	0.00	-19.31	-14.89	-10.86	-11.57	-19.31	-2.00	-1.35	85.01	-2.30	-3.08	0.33	1.77	2.97	0.08	0.71	23	5.99	150.20	157.30	155.30	154.20	154.40	159.20
6	5.52	7.41	9.27	13.60	28.22	13.30	5.30	4.94	0.00	-19.92	-15.82	-12.89	-13.52	-21.93	-3.49	-2.50	84.41	-6.98	-3.25	-0.07	1.31	2.34	-0.55	-0.30	24	8.02	153.70	157.50	152.00	155.40	154.10	154.30
7	7.55	7.37	9.24	13.66	28.28	13.11	5.25	4.84	0.00	-20.66	-17.39	-14.82	-15.45	-23.64	-5.26	-3.68	84.41	-10.37	-3.93	-0.71	1.10	2.75	-1.38	-1.20	25	10.00	154.80	158.40	145.80	156.20	154.80	160.20
8	9.56	7.28	9.32	13.94	28.60	12.86	5.14	4.76	0.00	-21.11	-19.19	-16.57	-17.47	-25.08	-6.61	-4.73	86.87	-12.20	-4.59	-0.97	1.11	1.86	-1.75	-1.35	26	11.99	155.00	158.80	136.10	156.20	154.90	160.30
9	11.46	7.32	9.78	14.26	28.51	12.02	5.07	4.67	0.00	-21.39	-19.63	-18.24	-19.22	-26.72	-7.73	-5.72	85.96	-11.34	-3.81	-1.32	1.20	1.97	-2.24	-2.25	27	14.01	155.50	159.20	136.90	156.00	154.80	160.00
10	13.53	7.25	9.37	14.16	28.37	11.70	5.05	4.60	0.00	-23.76	-22.44	-19.85	-21.28	-28.66	-9.34	-6.90	86.36	-11.80	-4.34	-1.86	1.01	1.50	-2.53	-2.64	28	15.99	156.50	157.80	132.60	156.50	155.10	159.80
11	15.45	7.35	9.61	14.54	28.37	11.39	5.03	4.52	0.00	-25.20	-24.60	-21.00	-23.00	-30.91	-10.43	-7.80	85.84	-11.97	-5.24	-2.30	1.06	1.44	-3.24	-3.04	29	17.99	154.90	141.40	143.70	158.70	155.00	159.60
12	17.40	7.30	9.69	14.58	28.10	10.95	4.92	4.42	0.00	-26.40	-25.09	-22.78	-24.78	-31.49	-11.69	-8.59	85.59	-12.37	-4.77	-2.61	0.89	0.55	-3.64	-3.94	30	20.01	146.10	134.70	146.20	158.60	154.50	158.90
13	19.37	7.35	9.61	14.72	27.97	10.80	4.84	4.35	0.00	-27.95	-27.10	-24.38	-26.65	-33.35	-12.93	-9.66	92.91	-13.34	-5.95	-2.40	0.77	-0.13	-4.02	-4.59	31	21.97	137.50	133.30	147.20	155.60	153.50	157.50

PROPULSIVE WING FLOW FIELD

RAKE SUMMARY, RUN 105

PT	ALPHA BETA HEIGHT	VT						VT						VT																		
		ALP1 BET1	ALP2 BET2	ALP3 BET3	ALP4 BET4	ALP5 BET5	ALP6 BET6	ALP7 BET7	ALP1 BET1	ALP2 BET2	ALP3 BET3	ALP4 BET4	ALP5 BET5	ALP6 BET6	ALP7 BET7	ALP1 BET1	ALP2 BET2	ALP3 BET3	ALP4 BET4	ALP5 BET5	ALP6 BET6	ALP7 BET7										
1	-4.52	7.07	9.47	13.68	29.28	13.68	5.33	5.15	0.00	-6.25	-5.84	-2.94	3.61	-11.79	4.16	4.19	82.80	2.33	2.43	4.30	2.73	5.27	3.88	4.34	19	-2.02	150.70	155.60	155.90	155.00	156.20	157.80
2	-2.43	6.79	9.11	13.44	28.87	13.60	5.39	5.10	0.00	-11.46	-9.86	-4.80	-5.58	-14.17	2.71	2.80	90.02	3.08	2.13	3.24	2.66	4.77	3.16	3.46	20	0.00	152.30	156.30	155.40	154.50	155.60	158.40
3	-0.44	6.95	9.10	13.47	28.31	13.57	5.34	5.04	0.00	-15.28	-12.24	-6.89	-7.50	-15.33	0.90	1.53	86.57	3.16	-0.26	2.39	2.33	3.74	2.06	2.48	21	2.00	152.80	157.10	156.00	154.90	155.90	159.40
4	1.59	7.42	9.10	13.68	28.25	13.39	5.37	5.01	0.00	-17.61	-12.97	-8.82	-9.56	-17.71	-0.71	0.09	86.22	0.48	-1.57	1.52	2.00	3.11	0.98	1.38	22	4.02	148.70	158.00	157.20	156.10	154.80	155.40
5	3.58	7.63	9.08	13.71	28.14	13.28	5.32	4.98	0.00	-19.31	-14.89	-10.86	-11.57	-19.31	-2.00	-1.35	85.01	-2.30	-3.08	0.33	1.77	2.97	0.08	0.71	23	5.99	150.20	157.30	155.30	154.20	154.40	159.20
6	5.52	7.41	9.27	13.60	28.22	13.30	5.30	4.94	0.00	-19.92	-15.82	-12.89	-13.52	-21.93	-3.49	-2.50	84.41	-6.98	-3.25	-0.07	1.31	2.34	-0.55	-0.30	24	8.02	153.70	157.50	152.00	155.40	154.10	154.30
7	7.55	7.37	9.24	13.66	28.28	13.11	5.25	4.84	0.00	-20.66	-17.39	-14.82	-15.45	-23.64	-5.26	-3.68	84.41	-10.37	-3.93	-0.71	1.10	2.75	-1.38	-1.20	25	10.00	154.80	158.40	145.80	156.20	154.80	160.20
8	9.56	7.28	9.32	13.94	28.60	12.86	5.14	4.76	0.00	-21.11	-19.19	-16.57	-17.47	-25.08	-6.61	-4.73	86.87	-12.20	-4.59	-0.97	1.11	1.86	-1.75	-1.35	26	11.99	155.00	158.80	136.10	156.20	154.90	160.30
9	11.46	7.32	9.78	14.26	28.51	12.02	5.07	4.67	0.00	-21.39	-19.63	-18.24	-19.22	-26.72	-7.73	-5.72	85.96	-11.34	-3.81	-1.32	1.20	1.97	-2.24	-2.25	27	14.01	155.50	159.20	136.90	156.00	154.80	160.00
10	13.53	7.25	9.37	14.16	28.37	11.70	5.05	4.60	0.00	-23.76	-22.44	-19.85	-21.28	-28.66	-9.34	-6.90	86.36	-11.80	-4.34	-1.86	1.01	1.50	-2.53	-2.64	28	15.99	156.50	157.80	132.60	156.50	155.10	159.80
11	15.45	7.35	9.61	14.54	28.37	11.39	5.03	4.52	0.00	-25.20	-24.60	-21.00	-23.00	-30.91	-10.43	-7.80	85.84	-11.97	-5.24	-2.30	1.06	1.44	-3.24	-3.04	29	17.99	154.90	141.40	143.70	158.70	155.00	159.60
12	17.40	7.30	9.69	14.58	28.10	10.95	4.92	4.42	0.00	-26.40	-25.09	-22.78	-24.78	-31.49	-11.69	-8.59	85.59	-12.37	-4.77	-2.61	0.89	0.55	-3.64	-3.94	30	20.01	146.10	134.70	146.20	158.60	154.50	158.90
13	19.37	7.35	9.61	14.72	27.97	10.80	4.84	4.35	0.00	-27.95	-27.10	-24.38	-26.65	-33.35	-12.93	-9.66	92.91	-13.34	-5.95	-2.40	0.77	-0.13	-4.02	-4.59	31	21.97	137.50	133.30	147.20	155.60	153.50	157.50

PROPULSIVE WING FLOW FIELD

RAKE SUMMARY, RUN 107

PT	ALPHA		VT1		VT2		VT3		VT4		VT5		VT6		VT7	
	BETA	HEIGHT	ALP1	BET1	ALP2	BET2	ALP3	BET3	ALP4	BET4	ALP5	BET5	ALP6	BET6	ALP7	BET7
2	-0.01	89.23	105.00	-13.49	132.80	-10.02	187.40	-7.52	368.00	-8.04	156.80	-14.39	88.66	-2.46	84.42	-1.86
4	4.02	87.43	113.40	-18.90	137.10	-13.05	190.10	-11.85	363.40	-12.01	150.90	-17.89	88.02	-5.30	83.56	-0.04
6	8.00	85.94	111.90	-19.54	140.00	-16.31	191.60	-15.44	362.00	-15.91	143.80	-20.75	86.97	-8.36	82.55	-1.39
8	11.99	86.14	114.90	-20.13	148.30	-19.29	201.30	-18.39	362.10	-19.67	132.90	-23.48	86.10	-11.16	81.42	-2.61
13	21.98	97.13	122.70	-28.40	150.20	-27.50	212.10	-25.47	342.30	-28.90	111.50	-28.82	82.21	-17.28	76.71	-5.38

PROPULSIVE WING FLOW FIELD

RAKE SUMMARY, RUN 106

PT	ALPHA		VT1		VT2		VT3		VT4		VT5		VT6		VT7	
	BETA	HEIGHT	ALP1	BET1	ALP2	BET2	ALP3	BET3	ALP4	BET4	ALP5	BET5	ALP6	BET6	ALP7	BET7
1	-1.99	81.98	144.10	-6.39	182.50	-5.27	231.80	-4.93	398.00	-6.16	146.10	-2.90	126.80	-2.14	134.10	-2.21
2	0.00	88.88	140.70	-11.26	180.60	-7.69	229.90	-8.05	392.40	-8.31	145.90	-2.35	126.40	-1.26	134.00	-1.41
3	1.99	87.14	146.10	-15.66	183.50	-9.67	231.50	-9.08	389.40	-10.00	146.30	-1.43	126.00	-0.41	133.30	-0.57
4	4.03	85.21	146.90	-15.37	187.90	-11.21	233.80	-11.03	386.20	-11.33	142.90	-0.48	125.30	-0.51	132.60	-0.15
5	6.00	85.73	149.80	-14.68	192.60	-12.91	235.60	-12.72	382.40	-13.86	143.30	-0.16	125.00	-1.19	132.00	-0.71
6	7.98	86.04	155.80	-15.41	199.00	-14.37	238.40	-14.23	379.60	-15.63	139.90	-1.24	124.70	-1.86	131.50	-1.23
7	10.00	85.44	159.80	-16.76	202.00	-17.37	239.80	-17.57	373.70	-17.53	136.70	-1.89	124.40	-2.50	130.20	-1.89
8	11.99	85.00	166.30	-18.09	206.30	-17.49	240.40	-18.81	365.50	-19.34	135.90	-2.57	123.90	-3.03	128.50	-2.36
9	14.00	87.58	168.90	-19.78	207.80	-19.27	243.70	-19.98	358.80	-21.09	131.40	-3.70	123.50	-3.61	128.90	-2.89
10	16.00	87.37	173.40	-21.27	205.50	-20.70	243.80	-21.82	339.90	-22.84	127.80	-4.43	122.70	-4.14	127.90	-3.30
11	18.03	87.52	175.80	-22.81	202.20	-22.55	247.10	-23.81	330.40	-24.50	126.20	-5.18	122.20	-4.60	127.40	-3.71
12	19.99	88.86	175.90	-24.68	198.90	-24.26	249.20	-25.62	325.40	-26.19	124.00	-5.95	121.60	-5.01	126.30	-4.06
13	21.99	95.88	174.70	-26.48	195.10	-25.82	250.60	-27.78	319.40	-27.75	121.00	-6.39	121.00	-6.39	125.60	-4.31



PROPULSIVE MING FLOW FIELD  
RAKE SUMMARY, RUN 108

PT	ALPHA BETA HEIGHT	VT1 ALP1 BET1	VT2 ALP2 BET2	VT3 ALP3 BET3	VT4 ALP4 BET4	VT5 ALP5 BET5	VT6 ALP6 BET6	VT7 ALP7 BET7
2	0.03 0.00 88.06	83.29 -14.33 1.63	109.30 -13.06 2.28	161.80 -7.87 2.97	346.90 -8.05 2.61	170.60 -16.87 4.41	64.62 0.11 3.64	54.54 1.64 2.73
4	3.99 0.00 85.83	92.28 -19.75 -2.05	112.10 -16.39 -2.14	163.90 -11.92 1.20	345.20 -11.95 1.98	167.00 -20.32 3.18	64.50 -2.63 1.77	54.92 -0.49 0.24
6	7.99 0.00 85.39	91.45 -21.75 -9.62	108.30 -18.64 -3.87	167.40 -15.56 -0.15	347.30 -15.91 1.26	162.80 -24.28 2.73	63.55 -6.23 0.24	53.80 -2.88 -1.33
8	11.99 0.00 85.31	-0.02 -22.23 -12.91	-0.04 -20.79 -3.78	-0.09 -19.00 -1.01	-0.39 -19.83 1.27	-0.08 -28.21 2.52	-0.01 -8.99 -0.96	-0.01 -5.29 -2.78

PROPULSIVE MING FLOW FIELD  
RAKE SUMMARY, RUN 110

PT	ALPHA BETA HEIGHT	VT1 ALP1 BET1	VT2 ALP2 BET2	VT3 ALP3 BET3	VT4 ALP4 BET4	VT5 ALP5 BET5	VT6 ALP6 BET6	VT7 ALP7 BET7
16	-0.05 0.00 93.68	153.20 -3.03 3.56	157.90 -2.53 3.12	156.50 -2.86 4.09	155.80 -2.87 1.40	155.10 -1.93 2.06	155.10 49.11 66.92	57.60 -75.71 57.60
18	4.06 0.00 86.81	153.80 -5.71 4.68	159.10 -5.59 4.00	154.90 -6.55 4.97	155.90 -5.50 -0.50	155.20 -4.36 0.60	155.20 40.87 70.64	55.57 -78.85 55.57
20	8.02 0.00 83.00	154.50 -8.21 5.30	159.80 -8.42 4.50	132.00 -8.75 2.56	156.30 -8.09 -2.26	155.10 -6.98 -1.19	155.10 31.68 73.52	53.28 -82.31 53.28
22	12.03 0.00 84.10	155.10 -11.50 5.13	161.10 -11.83 4.27	123.50 -10.14 -5.19	156.40 -9.93 -4.10	155.40 -8.72 -2.91	155.40 18.22 76.29	49.80 -86.05 49.80
27	22.02 0.00 98.12	102.20 -22.98 -29.43	121.50 -20.09 -23.96	155.20 -14.85 -14.43	162.20 -12.89 -11.27	160.80 -10.44 -8.51	160.80 -36.94 77.04	42.74 -96.35 42.74

PROPULSIVE MING FLOW FIELD

RAKE SUMMARY, RUN 112

PT	ALPHA BETA HEIGHT	VT1 ALP1 BET1	VT2 ALP2 BET2	VT3 ALP3 BET3	VT4 ALP4 BET4	VT5 ALP5 BET5	VT6 ALP6 BET6	VT7 ALP7 BET7
2	-0.05 0.00 81.90	90.14 -12.49 7.28	96.40 -7.84 1.85	139.90 -1.88 4.76	339.00 -7.44 3.33	152.60 -13.42 3.89	67.42 67.42 64.34	-73.86 74.10
4	4.01 0.00 83.67	90.38 -15.31 8.51	96.99 -11.26 2.61	150.10 -5.41 5.01	338.20 -11.41 3.33	136.20 -15.49 2.50	62.12 67.24 73.44	
6	8.02 0.00 84.66	91.23 -17.78 8.56	98.25 -14.53 2.67	161.90 -8.67 4.90	336.90 -15.37 3.11	127.80 -18.42 0.93	56.42 69.90 72.78	
8	12.02 0.00 83.13	91.16 -20.13 7.19	100.10 -17.91 1.39	177.60 -12.13 3.97	332.20 -19.31 2.62	116.40 -20.14 -1.12	50.30 72.40 71.89	
13	22.07 0.00 98.37	95.80 -24.28 -1.51	103.70 -23.83 -9.18	210.50 -21.55 -1.26	307.80 -28.57 1.04	97.11 -24.53 -5.87	31.64 78.22 69.78	

PROPULSIVE MING FLOW FIELD

RAKE SUMMARY, RUN 111

PT	ALPHA BETA HEIGHT	VT1 ALP1 BET1	VT2 ALP2 BET2	VT3 ALP3 BET3	VT4 ALP4 BET4	VT5 ALP5 BET5	VT6 ALP6 BET6	VT7 ALP7 BET7
2	0.05 0.00 94.45	137.00 -7.52 5.11	133.40 -6.58 2.80	175.70 -2.64 4.74	362.50 -7.66 3.53	142.90 -7.67 2.74	58.10 65.18 67.49	
4	4.05 0.00 85.41	137.60 -10.39 5.97	134.50 -9.79 3.47	192.70 -5.47 5.16	353.90 -11.68 3.27	136.50 -9.64 0.57	51.82 68.56 66.09	
6	8.01 0.00 85.60	128.40 -13.23 6.31	135.60 -12.95 3.60	210.30 -8.55 5.09	342.30 -15.46 2.69	130.30 -11.19 -1.81	44.89 71.68 64.32	
8	12.05 0.00 86.21	130.00 -16.35 5.26	137.30 -18.21 2.48	228.30 -11.94 4.27	320.20 -19.10 1.77	127.10 -13.40 -3.68	36.86 74.36 62.53	
13	22.05 0.00 98.51	133.90 -22.29 -5.86	138.90 -23.46 -10.21	281.10 -20.93 -2.13	266.70 -27.56 -0.94	122.40 -18.71 -6.93	8.35 79.65 57.60	

PROPULSIVE WING FLOW FIELD

RAKE SUMMARY, RUN 114

PT	ALPHA BETA HEIGHT	VT1 ALP1 BET1	VT2 ALP2 BET2	VT3 ALP3 BET3	VT4 ALP4 BET4	VT5 ALP5 BET5	VT6 ALP6 BET6	VT7 ALP7 BET7
16	-0.02 5.00 86.15	151.90 -2.94 7.66	158.20 -2.50 6.33	155.80 -2.28 7.58	155.20 -2.94 5.46	154.20 -2.18 6.79	155.40 -2.18 6.79	163.60 -2.02 6.17
18	4.01 5.00 84.26	152.60 -5.20 8.50	156.80 -5.60 7.93	154.80 -6.32 9.06	155.20 -5.78 4.36	154.50 -4.55 4.93	155.70 -4.17 5.41	156.10 -3.77 5.39
20	8.02 5.00 88.18	152.40 -8.08 9.33	157.10 -8.58 8.56	134.10 -9.78 7.95	154.80 -8.03 2.25	153.70 -6.83 3.11	155.00 -6.03 3.77	155.90 -5.56 3.89
22	12.06 5.00 83.93	153.00 -11.10 9.66	157.80 -11.47 8.66	122.70 -9.53 -0.34	154.80 -10.02 0.45	153.70 -8.54 1.39	154.30 -7.73 2.39	155.30 -7.25 2.55
27	22.08 5.00 98.11	126.30 -21.41 -19.30	131.20 -15.93 -17.96	153.60 -12.53 -6.80	154.00 -11.65 -4.25	156.60 -10.07 -2.37	156.20 -8.87 -0.51	157.30 -9.16 -0.09

PROPULSIVE WING FLOW FIELD

RAKE SUMMARY, RUN 113

PT	ALPHA BETA HEIGHT	VT1 ALP1 BET1	VT2 ALP2 BET2	VT3 ALP3 BET3	VT4 ALP4 BET4	VT5 ALP5 BET5	VT6 ALP6 BET6	VT7 ALP7 BET7
2	0.07 0.00 87.21	65.71 -17.34 11.87	72.23 -8.94 0.65	119.90 -1.18 4.54	314.60 -7.53 3.26	167.40 -16.19 4.98	75.32 75.32 58.73	-74.01 -74.01 77.45
4	4.06 0.00 85.81	66.29 -20.45 12.88	73.06 -12.46 1.32	124.60 -4.83 5.12	317.60 -11.51 3.32	154.00 -19.18 3.42	70.36 70.36 62.06	-77.64 -77.64 77.49
6	8.01 0.00 85.52	67.02 -23.29 13.24	73.89 -15.90 1.59	132.60 -8.43 5.33	319.60 -15.40 3.19	151.20 -23.15 2.92	65.93 65.93 64.02	-81.39 -81.39 77.21
8	12.01 0.00 81.75	67.65 -26.20 12.11	75.30 -19.48 0.46	142.60 -12.16 4.53	321.00 -19.26 2.88	143.10 -26.57 2.25	61.15 61.15 66.38	-85.39 -85.39 76.84
13	22.05 0.00 98.43	68.61 -30.81 5.56	79.80 -25.82 -6.15	162.60 -21.69 -0.58	316.30 -28.96 1.71	113.20 -33.22 -0.57	49.16 49.16 71.25	-95.48 -95.48 76.48

PROPULSIVE WING FLOW FIELD

RAKE SUMMARY, RUN 116

PT	ALPHA BETA HEIGHT	VT1		VT2		VT3		VT4		VT5		VT6		VT7	
		ALP1 BET1	ALP2 BET2	ALP3 BET3	ALP4 BET4	ALP5 BET5	ALP6 BET6	ALP7 BET7							
2	-0.04 5.00 84.08	89.34 -10.76 10.52	91.58 -8.98 7.29	138.50 -2.77 7.26	334.30 -7.43 4.56	153.80 -13.15 7.63	87.64 -3.47 6.77	93.86 -2.89 6.22							
4	4.06 5.00 86.88	90.48 -13.81 11.55	92.42 -12.24 7.91	150.30 -5.57 7.60	334.10 -11.47 4.46	142.00 -16.59 6.17	86.96 -6.15 4.69	94.24 -5.60 4.32							
6	8.02 5.00 85.49	90.92 -17.07 11.80	92.65 -15.76 7.82	161.00 -9.38 7.45	332.20 -15.32 4.23	126.90 -18.41 4.42	86.08 -8.58 2.73	93.75 -8.02 2.68							
8	12.04 5.00 84.59	92.08 -20.61 10.93	94.89 -19.00 6.30	175.90 -12.49 6.52	324.90 -19.32 3.75	114.70 -19.97 2.70	84.91 -10.75 0.90	93.11 -10.48 1.16							
13	22.03 5.00 98.22	95.81 -29.65 1.05	100.70 -27.85 -2.31	208.30 -20.88 2.09	298.60 -28.32 2.54	92.63 -23.12 -1.51	80.88 -16.28 -1.74	89.62 -16.47 -0.85							

PROPULSIVE WING FLOW FIELD

RAKE SUMMARY, RUN 115

PT	ALPHA BETA HEIGHT	VT1		VT2		VT3		VT4		VT5		VT6		VT7	
		ALP1 BET1	ALP2 BET2	ALP3 BET3	ALP4 BET4	ALP5 BET5	ALP6 BET6	ALP7 BET7							
2	0.00 5.00 86.66	125.80 -7.49 8.70	129.60 -7.02 7.22	174.90 -2.86 7.63	365.20 -7.54 4.89	147.10 -9.20 7.34	126.60 -3.86 7.14	130.20 -3.16 6.78							
4	4.01 5.00 85.54	125.10 -10.53 9.93	129.30 -10.28 8.26	191.20 -5.68 7.92	356.40 -11.51 4.69	137.00 -10.41 5.42	125.10 -6.29 5.04	126.90 -5.47 4.97							
6	8.02 5.00 86.43	126.20 -13.64 10.13	130.50 -13.55 8.23	209.60 -8.86 7.58	344.80 -15.39 4.24	129.90 -11.65 3.14	124.40 -8.48 3.18	128.40 -7.56 3.26							
8	12.02 5.00 83.76	127.90 -16.56 9.35	132.30 -16.74 7.39	229.30 -12.09 6.92	320.80 -19.13 3.52	125.40 -13.04 0.94	122.90 -10.60 1.45	127.70 -9.63 1.70							
13	22.10 5.00 98.53	135.50 -27.09 -1.45	140.40 -25.43 -3.10	281.70 -20.52 0.84	246.60 -27.01 0.94	120.80 -17.91 -2.28	121.00 -15.41 -1.08	125.20 -14.60 -0.48							

PROPULSIVE MING FLOW FIELD  
RAKE SUMMARY, RUM 117

PT	ALPHA BETA HEIGHT	VT2			VT3			VT4			VT5			VT6			VT7						
		ALP1 BET1	ALP2 BET2	ALP3 BET3	ALP4 BET4	ALP5 BET5	ALP6 BET6	ALP7 BET7	ALP1 BET1	ALP2 BET2	ALP3 BET3	ALP4 BET4	ALP5 BET5	ALP6 BET6	ALP7 BET7	ALP1 BET1	ALP2 BET2	ALP3 BET3	ALP4 BET4	ALP5 BET5	ALP6 BET6	ALP7 BET7	
2	0.00 5.00 83.53	63.98 -14.78 14.08	67.59 -12.05 7.38	117.80 -1.95 7.13	312.00 -7.54 4.19	165.90 -15.10 7.08	60.59 -2.17 6.25	71.60 -2.36 4.76															
4	4.08 5.00 85.08	64.63 -18.01 14.88	67.91 -15.79 8.16	123.20 -5.90 7.60	315.50 -11.55 4.27	156.00 -19.16 6.69	60.34 -5.01 4.26	70.97 -5.42 3.50															
6	8.04 5.00 86.05	65.69 -21.23 15.04	68.67 -19.47 8.29	131.90 -9.24 7.37	316.90 -15.34 4.13	150.50 -23.43 5.34	59.49 -7.54 2.23	70.81 -8.07 1.85															
8	12.03 5.00 86.26	65.97 -25.14 13.99	68.15 -21.99 6.05	139.60 -13.11 6.51	318.40 -19.26 3.88	139.60 -26.45 4.12	58.63 -10.24 0.05	69.95 -11.05 0.51															
13	22.06 5.00 98.41	68.54 -34.60 4.11	73.46 -29.94 -2.01	162.90 -21.47 2.65	299.00 -28.69 3.04	104.40 -32.15 1.66	54.30 -15.97 -3.32	67.83 -16.38 -1.44															

PROPULSIVE MING FLOW FIELD  
RAKE SUMMARY, RUM 118

PT	ALPHA BETA HEIGHT	VT1			VT2			VT3			VT4			VT5			VT6			VT7			
		ALP1 BET1	ALP2 BET2	ALP3 BET3	ALP4 BET4	ALP5 BET5	ALP6 BET6	ALP7 BET7	ALP1 BET1	ALP2 BET2	ALP3 BET3	ALP4 BET4	ALP5 BET5	ALP6 BET6	ALP7 BET7	ALP1 BET1	ALP2 BET2	ALP3 BET3	ALP4 BET4	ALP5 BET5	ALP6 BET6	ALP7 BET7	
29	-0.01 0.00 85.91	149.60 -3.05 3.23	153.60 -2.72 3.19	152.70 -3.27 4.05	153.10 -3.16 1.99	152.50 -2.05 2.15	153.90 -1.65 2.83	148.90 -1.21 2.48															
31	4.08 0.00 84.27	150.70 -5.67 4.26	154.00 -5.75 4.16	152.00 -6.95 5.18	153.60 -5.82 0.26	152.70 -4.52 0.56	153.40 -3.91 1.19	150.90 -3.53 0.89															
33	8.05 0.00 84.38	150.90 -8.16 4.93	155.20 -8.55 4.62	130.30 -10.45 2.78	153.40 -8.45 -1.50	152.40 -7.13 -1.10	152.60 -6.00 -0.21	152.20 -5.77 -0.31															
35	12.06 0.00 84.17	151.60 -11.42 4.77	156.70 -11.92 4.40	120.00 -10.81 -5.03	154.00 -10.19 -3.55	152.70 -8.81 -2.79	152.90 -7.86 -1.56	153.10 -7.35 -1.61															
40	22.02 0.00 98.10	105.80 -24.02 -31.29	122.60 -20.79 -24.34	152.10 -15.23 -14.68	159.10 -12.76 -10.52	158.70 -10.22 -8.37	158.00 -8.44 -6.43	159.10 -8.65 -6.11															

PROPULSIVE WING FLOW FIELD

RAKE SUMMARY, RUN 120

PT	ALPHA BETA HEIGHT	VT1			VT2			VT3			VT4			VT5			VT6			VT7			
		ALP1 BET1	ALP2 BET2	ALP3 BET3	ALP1 BET1	ALP2 BET2	ALP3 BET3	ALP1 BET1	ALP2 BET2	ALP3 BET3	ALP1 BET1	ALP2 BET2	ALP3 BET3	ALP1 BET1	ALP2 BET2	ALP3 BET3	ALP1 BET1	ALP2 BET2	ALP3 BET3	ALP1 BET1	ALP2 BET2	ALP3 BET3	
2	-0.01 0.00 90.05	126.30 -7.07 3.90	128.60 -7.00 3.34	175.80 -3.14 4.94	360.20 -7.66 3.65	140.90 -7.35 2.87	126.90 -3.46 2.03	129.00 -3.02 2.09															
4	3.99 0.00 86.80	126.80 -9.97 4.79	129.40 -10.21 4.05	190.80 -8.02 5.10	351.40 -11.71 3.37	135.60 -9.81 6.70	126.10 -5.94 6.40	128.00 -5.29 6.39															
6	8.03 0.00 87.24	127.60 -12.81 5.04	130.60 -13.32 4.21	209.50 -9.14 4.98	340.30 -15.59 3.04	129.50 -11.65 -1.29	125.40 -8.42 -1.30	127.30 -7.67 -0.98															
8	11.98 0.00 85.76	128.90 -15.77 4.01	131.60 -16.52 3.11	228.90 -12.27 4.23	319.80 -19.24 2.25	125.80 -13.53 -3.30	124.20 -10.72 -2.79	126.60 -9.78 -2.34															
13	22.00 0.00 98.19	133.20 -21.93 -7.11	133.60 -23.86 -10.34	279.60 -21.41 -1.87	262.00 -27.72 -0.33	120.90 -18.64 -6.57	121.80 -15.86 -5.16	122.30 -14.70 -4.66															

PROPULSIVE WING FLOW FIELD

RAKE SUMMARY, RUN 119

PT	ALPHA BETA HEIGHT	VT1			VT2			VT3			VT4			VT5			VT6			VT7			
		ALP1 BET1	ALP2 BET2	ALP3 BET3	ALP1 BET1	ALP2 BET2	ALP3 BET3	ALP1 BET1	ALP2 BET2	ALP3 BET3	ALP1 BET1	ALP2 BET2	ALP3 BET3	ALP1 BET1	ALP2 BET2	ALP3 BET3	ALP1 BET1	ALP2 BET2	ALP3 BET3	ALP1 BET1	ALP2 BET2	ALP3 BET3	
3	-0.02 0.00 87.88	151.40 -3.23 3.41	156.40 -2.59 2.91	154.90 -2.77 3.76	154.20 -2.73 1.33	153.30 -2.10 1.95	154.70 -1.81 2.32	156.60 -1.60 2.17															
8	3.99 0.00 89.08	152.20 -5.73 4.36	156.60 -5.62 4.04	154.10 -6.64 4.95	154.80 -5.49 -0.18	153.70 -4.51 0.82	154.50 -3.93 1.00	155.10 -3.60 0.81															
10	8.02 0.00 89.91	153.50 -8.14 4.83	157.60 -8.52 4.37	133.50 -10.28 2.51	155.40 -8.12 -1.91	154.00 -7.14 -1.13	154.50 -6.12 -0.41	156.10 -6.02 -0.41															
12	11.98 0.00 87.33	154.20 -11.19 4.57	158.40 -11.83 4.28	122.30 -10.68 -4.91	155.40 -10.00 -3.63	154.70 -8.86 -2.75	154.80 -7.89 -1.67	156.10 -7.65 -1.55															
17	21.99 0.00 97.90	166.30 -23.10 -30.65	121.50 -19.92 -23.98	154.40 -14.67 -13.97	161.90 -12.23 -10.46	160.90 -10.01 -8.32	160.40 -8.32 -6.53	161.00 -8.92 -6.10															

PROPULSIVE WING FLOW FIELD

RAKE SUMMARY, RUN 121

PT	ALPHA BETA HEIGHT	VT1 ALP1 BET1	VT2 ALP2 BET2	VT3 ALP3 BET3	VT4 ALP4 BET4	VT5 ALP5 BET5	VT6 ALP6 BET6	VT7 ALP7 BET7
2	-0.01 0.00 90.56	88.48 -9.30 3.97	88.17 -10.05 4.32	142.30 -3.16 5.07	336.20 -7.57 3.79	150.30 -13.85 3.95	88.86 -3.00 1.91	89.52 -2.66 1.95
4	3.98 0.00 88.17	88.61 -11.99 4.76	88.27 -13.41 5.18	153.70 -6.19 5.48	336.70 -11.54 3.56	139.90 -16.59 3.02	88.02 -5.67 0.11	87.82 -5.10 0.16
6	7.98 0.00 84.37	89.58 -14.95 5.40	91.14 -15.78 4.64	162.40 -9.91 5.54	334.80 -15.52 3.31	124.10 -17.50 1.30	86.95 -0.18 -1.14	86.02 -7.01 -0.98
8	12.00 0.00 81.72	90.89 -17.69 4.37	92.81 -18.59 3.29	179.20 -12.62 4.61	317.10 -19.41 3.02	110.30 -19.37 -0.87	85.13 -10.92 -2.60	84.61 -9.16 -2.41
13	21.99 0.00 98.11	95.18 -22.71 -4.72	95.70 -24.30 -8.56	207.90 -22.09 -0.60	290.70 -28.65 1.50	92.31 -23.20 -5.45	83.38 -16.33 -5.12	80.44 -13.98 -5.22

PROPULSIVE WING FLOW FIELD

RAKE SUMMARY, RUN 122

PT	ALPHA BETA HEIGHT	VT1 ALP1 BET1	VT2 ALP2 BET2	VT3 ALP3 BET3	VT4 ALP4 BET4	VT5 ALP5 BET5	VT6 ALP6 BET6	VT7 ALP7 BET7
2	-0.01 0.00 91.28	82.90 -13.04 3.67	83.23 -14.65 7.21	120.20 -2.98 6.27	305.20 -7.65 3.69	158.20 -15.94 5.09	61.92 -1.45 2.94	57.44 -0.71 2.79
4	3.99 0.00 87.98	83.21 -15.86 4.92	83.34 -17.54 8.12	127.30 -6.71 6.38	308.80 -11.56 3.85	149.40 -18.97 4.00	61.56 -4.26 0.95	55.84 -2.74 0.53
6	7.98 0.00 83.07	83.24 -18.08 4.91	84.29 -21.01 8.44	131.50 -10.28 6.80	308.50 -15.55 3.86	140.80 -22.92 3.56	60.76 -7.36 -0.87	55.12 -5.20 -1.64
8	12.00 0.00 84.07	84.27 -20.41 4.30	85.14 -23.70 6.26	144.30 -13.41 4.97	312.20 -19.40 3.39	132.70 -26.23 2.30	60.14 -9.54 -2.03	53.38 -6.84 -3.03
13	21.99 0.00 98.08	88.57 -26.57 -1.56	86.70 -27.73 -4.91	165.10 -22.68 0.68	304.50 -29.12 2.44	106.40 -32.73 0.00	56.83 -15.73 -4.56	50.06 -9.59 -8.92

PROPULSIVE WING FLOW FIELD

RAKE SUMMARY, RUN 132

PT	ALPHA	VT1	VT2	VT3	VT4	VT5	VT6	VT7
BETA	ALP1	ALP2	ALP3	ALP4	ALP5	ALP6	ALP7	ALP7
HEIGHT	BET1	BET2	BET3	BET4	BET5	BET6	BET7	BET7
51	10.01	155.00	158.80	157.00	157.50	158.20	157.90	158.30
	0.00	1.65	1.49	1.66	0.41	0.71	0.40	-0.40
	85.20	2.53	2.09	1.60	1.26	1.19	1.95	1.50

PROPULSIVE WING FLOW FIELD

RAKE SUMMARY, RUN 123

PT	ALPHA	VT1	VT2	VT3	VT4	VT5	VT6	VT7
BETA	ALP1	ALP2	ALP3	ALP4	ALP5	ALP6	ALP6	ALP7
HEIGHT	BET1	BET2	BET3	BET4	BET5	BET6	BET6	BET7
2	0.01	153.00	155.80	155.40	155.40	156.60	156.20	152.60
	5.01	-2.28	-2.48	-3.02	-2.79	-1.99	-1.93	-1.42
	90.18	7.62	7.73	8.93	6.64	6.82	7.12	7.44
4	4.02	153.00	155.90	151.40	155.50	154.80	156.10	152.40
	5.01	-4.84	-3.35	-6.85	-5.54	-4.25	-4.02	-3.35
	89.10	8.82	8.97	10.20	4.84	4.87	5.57	5.72
6	7.99	153.30	156.20	130.70	155.30	154.20	155.80	152.00
	5.01	-7.69	-8.43	-9.88	-7.80	-6.53	-5.87	-4.93
	87.41	9.28	9.63	8.38	2.83	2.99	3.93	4.21
8	11.99	154.00	157.00	122.30	155.20	154.20	155.30	151.10
	5.01	-10.68	-11.47	-9.86	-9.98	-8.38	-7.62	-6.51
	84.87	9.09	9.68	0.19	1.25	1.39	2.66	2.93



PROPULSIVE WING FLOW FIELD

RAKE SUMMARY, RUN 148

PT	ALPHA BETA HEIGHT	VT1 ALP1 BET1	VT2 ALP2 BET2	VT3 ALP3 BET3	VT4 ALP4 BET4	VT5 ALP5 BET5	VT6 ALP6 BET6	VT7 ALP7 BET7
3	-0.01 0.00 90.08	159.20 -14.23 3.68	182.20 -14.43 5.06	158.90 -15.97 4.92	142.50 -19.72 6.67	103.50 -23.05 11.08	14.50 -22.67 -86.95	20.29 -33.82 38.05
5	4.04 0.00 85.71	158.90 -16.39 4.75	181.90 -16.93 5.63	155.10 -18.96 5.45	133.00 -23.64 7.78	96.40 -26.89 7.85	12.50 -42.73 -85.20	17.04 -45.76 31.60
7	8.07 0.00 85.72	157.70 -17.50 5.45	157.20 -18.09 5.15	151.70 -21.32 6.21	129.80 -25.66 5.51	97.89 -26.93 -0.87	13.05 -23.62 -86.60	15.47 -52.89 -19.53
9	12.01 0.00 85.65	159.80 -20.22 3.63	160.30 -20.48 1.84	148.20 -24.27 2.77	120.30 -28.70 -0.45	92.94 -26.14 -6.60	3.59 -51.41 0.27	18.23 -31.15 -53.48
14	22.04 0.00 98.10	71.87 -40.10 -48.14	89.29 -37.39 -47.66	85.87 -35.20 -48.02	76.72 -25.86 -44.35	98.18 -9.71 -21.42	5.13 -54.21 39.07	34.44 15.97 -38.54

PROPULSIVE WING FLOW FIELD

RAKE SUMMARY, RUN 133

PT	ALPHA BETA HEIGHT	VT1 ALP1 BET1	VT2 ALP2 BET2	VT3 ALP3 BET3	VT4 ALP4 BET4	VT5 ALP5 BET5	VT6 ALP6 BET6	VT7 ALP7 BET7
7	0.00 -2.03 86.71	153.80 -0.27 2.91	158.20 0.26 2.27	158.20 0.30 2.50	158.30 -0.19 2.23	156.40 0.51 2.19	158.00 0.19 2.49	160.00 -0.12 2.23
8	0.01 -2.03 86.71	153.60 0.10 1.22	157.80 0.72 0.94	157.80 0.70 0.70	157.70 0.12 0.36	156.20 0.82 0.45	157.50 0.69 0.67	159.30 0.28 0.33

PROPULSIVE MING FLOW FIELD

RAKE SUMMARY, RUN 150

PT	ALPHA BETA HEIGHT	VT1 ALP1 BET1	VT2 ALP2 BET2	VT3 ALP3 BET3	VT4 ALP4 BET4	VT5 ALP5 BET5	VT6 ALP6 BET6	VT7 ALP7 BET7
2	0.05 0.00 86.48	102.30 -32.08 8.41	105.30 -32.79 8.97	107.80 -35.27 9.30	109.80 -37.53 8.35	109.70 -41.41 8.18	11.94 27.48 -85.49	37.53 -48.81 6.70
4	4.06 0.00 85.81	103.70 -36.29 9.42	107.10 -36.96 9.42	110.10 -39.17 8.96	112.00 -41.48 7.45	111.80 -45.14 6.61	11.75 47.66 -83.80	38.26 -52.48 3.76
6	8.05 0.00 84.90	105.20 -41.71 9.09	108.10 -42.09 8.43	112.10 -44.13 7.02	114.40 -45.82 4.54	113.50 -48.91 2.97	11.37 6.95 -84.40	38.08 -57.09 0.09
8	12.03 0.00 85.06	108.60 -46.73 8.83	113.00 -46.82 7.38	115.90 -48.55 5.64	118.00 -49.94 3.09	116.70 -52.22 1.19	12.27 11.20 -86.00	38.68 -61.10 -1.60
13	22.03 0.00 99.22	118.20 -61.50 6.95	123.50 -60.66 3.36	125.80 -60.95 -0.45	127.60 -60.88 -4.53	125.20 -61.83 -7.06	10.80 -2.81 -82.86	39.90 -71.70 -9.51

PROPULSIVE MING FLOW FIELD

RAKE SUMMARY, RUN 149

PT	ALPHA BETA HEIGHT	VT1 ALP1 BET1	VT2 ALP2 BET2	VT3 ALP3 BET3	VT4 ALP4 BET4	VT5 ALP5 BET5	VT6 ALP6 BET6	VT7 ALP7 BET7
2	0.01 0.00 86.11	128.70 -29.09 7.18	130.60 -29.69 7.75	133.20 -31.62 7.65	134.60 -33.46 7.03	132.90 -36.59 6.82	10.23 19.86 -85.33	43.56 -48.62 8.64
4	4.02 0.00 84.37	128.00 -32.98 7.87	132.20 -33.66 7.92	135.00 -35.52 7.25	136.40 -37.20 5.83	134.40 -40.07 4.87	9.54 18.10 -78.10	43.62 -52.65 6.07
6	8.02 0.00 84.52	129.20 -37.87 7.57	133.70 -38.25 6.84	136.40 -39.84 5.46	137.50 -41.00 3.30	135.10 -43.19 1.67	10.78 -3.67 -82.99	43.00 -56.79 1.31
8	12.02 0.00 85.80	132.50 -42.84 7.34	137.50 -42.86 6.04	140.00 -43.98 4.13	141.00 -44.48 1.58	137.90 -45.84 -0.30	10.20 53.95 -86.14	42.77 -60.66 -1.94
13	22.04 0.00 98.83	141.70 -53.78 2.43	151.30 -53.33 -0.67	152.30 -54.55 -4.12	152.40 -53.50 -6.44	147.50 -52.78 -7.48	13.45 26.93 -82.58	36.86 -65.59 -10.79

PROPULSIVE WING FLOW FIELD  
RAKE SUMMARY, RUN 151

PT	ALPHA BETA HEIGHT	VT1 ALP1 BET1	VT2 ALP2 BET2	VT3 ALP3 BET3	VT4 ALP4 BET4	VT5 ALP5 BET5	VT6 ALP6 BET6	VT7 ALP7 BET7
2	0.00 0.00 85.14	73.60 -35.52 10.56	75.57 -36.17 10.49	77.46 -38.88 11.47	79.75 -41.19 10.72	80.82 -46.25 11.63	11.47 22.19 -84.26	28.49 -48.69 7.24
4	4.06 0.00 85.73	74.07 -40.01 11.87	76.58 -40.82 11.33	78.79 -43.30 11.77	81.26 -45.79 10.23	82.44 -50.64 10.37	10.46 4.53 -86.25	28.93 -53.76 5.13
6	8.05 0.00 84.38	75.22 -45.77 11.43	77.93 -46.96 10.42	80.59 -49.01 9.74	83.53 -51.19 7.14	84.73 -55.66 6.27	12.06 36.24 -85.07	29.46 -56.81 0.55
7	10.06 0.00 86.70	76.88 -48.56 11.73	80.45 -49.05 9.92	83.06 -51.34 8.77	85.86 -53.33 6.15	86.90 -57.14 5.08	11.08 29.01 -85.85	29.53 -60.20 1.38
8	12.05 0.00 86.93	77.62 -51.20 11.86	81.15 -51.53 9.88	83.97 -53.74 8.74	86.73 -55.46 5.90	87.74 -59.15 4.98	10.60 28.52 -84.24	30.18 -62.27 0.60
13	22.05 0.00 99.51	85.87 -65.84 12.19	90.62 -65.81 9.73	93.19 -67.45 6.02	96.02 -68.36 1.61	95.69 -70.12 -1.77	12.58 -64.55 86.66	31.84 -72.34 -9.08

PROPULSIVE WING FLOW FIELD  
RAKE SUMMARY, RUN 152

PT	ALPHA BETA HEIGHT	VT1 ALP1 BET1	VT2 ALP2 BET2	VT3 ALP3 BET3	VT4 ALP4 BET4	VT5 ALP5 BET5	VT6 ALP6 BET6	VT7 ALP7 BET7
2	0.01 5.00 83.65	126.50 -28.20 15.00	130.70 -28.58 15.72	134.10 -31.27 15.78	135.90 -33.50 15.21	134.50 -36.21 15.28	10.35 6.97 86.72	43.40 -49.38 18.54
4	4.05 5.00 84.30	127.80 -32.01 16.12	132.70 -32.72 16.12	136.40 -35.48 15.40	138.20 -37.67 13.92	136.70 -40.00 13.34	10.24 73.14 -88.47	43.51 -53.73 16.63
6	8.04 5.00 83.95	129.40 -36.57 16.47	134.80 -37.39 15.34	138.50 -40.11 13.48	140.20 -41.94 10.87	138.00 -43.92 9.36	10.29 -24.45 -87.25	43.04 -58.62 11.60
8	12.08 5.00 86.01	132.60 -42.21 15.13	138.20 -42.76 12.54	141.30 -44.68 9.35	142.60 -45.63 5.47	139.30 -47.04 3.65	10.52 -57.61 86.42	42.36 -62.49 5.34
10	16.01 5.00 86.34	138.00 -48.40 13.03	144.10 -48.41 9.41	147.00 -49.62 5.31	147.80 -49.40 1.08	143.40 -50.17 -1.51	6.74 -73.62 -55.77	43.38 -66.54 -3.56
13	22.03 5.00 98.85	148.20 -57.50 4.76	155.00 -56.27 0.07	156.40 -56.12 -4.69	156.50 -55.17 -8.16	150.60 -55.03 -10.33	9.96 -75.74 -77.60	44.07 -70.85 -18.45

PROPULSIVE MING FLOW FIELD

RAKE SUMMARY, RUN 164

PT	ALPHA BETA HEIGHT	VT1 ALP1 BET1	VT2 ALP2 BET2	VT3 ALP3 BET3	VT4 ALP4 BET4	VT5 ALP5 BET5	VT6 ALP6 BET6	VT7 ALP7 BET7
2	0.01 5.00 89.50	159.70 -14.42 9.31	164.60 -13.83 9.06	160.50 -14.89 9.74	150.10 -17.78 10.36	118.60 -20.14 16.02	8.40 -40.06 -66.38	28.16 -26.77 38.84
4	4.09 5.00 85.33	159.80 -17.33 10.54	164.70 -16.94 10.07	159.70 -18.24 10.60	151.20 -21.28 11.95	121.10 -21.65 16.05	6.70 -43.15 -49.18	23.09 -29.55 31.73
6	8.06 5.00 85.54	160.30 -19.67 10.83	165.30 -19.67 10.12	159.10 -21.17 11.17	145.90 -24.32 12.37	113.30 -24.79 11.54	7.93 -50.38 -65.24	18.18 -47.49 24.14
8	12.07 5.00 86.99	161.60 -24.17 9.05	166.90 -23.61 7.77	157.80 -24.75 7.95	138.20 -27.76 8.55	104.40 -25.14 5.72	9.01 -60.58 -71.75	11.71 -32.29 -11.79
13	22.11 5.00 98.29	62.82 -61.88 -29.38	78.99 -38.34 -35.36	101.80 -28.25 -36.25	107.00 -26.28 -35.19	103.70 -16.61 -22.77	6.96 -50.73 -60.51	30.42 15.44 -28.38

PROPULSIVE MING FLOW FIELD

RAKE SUMMARY, RUN 163

PT	ALPHA BETA HEIGHT	VT1 ALP1 BET1	VT2 ALP2 BET2	VT3 ALP3 BET3	VT4 ALP4 BET4	VT5 ALP5 BET5	VT6 ALP6 BET6	VT7 ALP7 BET7
16	0.01 -0.01 85.79	159.60 -14.37 4.61	164.20 -13.77 4.64	158.30 -15.10 4.70	140.90 -19.52 5.93	101.10 -24.39 11.44	7.36 -41.12 -49.26	20.79 -34.60 32.21
18	4.03 -0.01 86.87	158.10 -16.87 5.75	162.60 -15.98 5.04	153.80 -18.32 5.57	132.60 -23.15 7.41	95.44 -26.54 8.13	6.85 -53.13 -46.14	17.15 -42.51 15.37
20	8.04 -0.01 84.03	158.40 -17.75 6.33	158.60 -17.11 4.77	148.60 -20.62 6.46	125.10 -25.08 5.20	92.11 -25.56 0.09	7.41 -50.92 -57.87	15.98 -45.31 -20.96
22	12.05 -0.01 84.75	158.90 -20.44 4.08	161.50 -20.36 1.98	149.00 -24.07 2.91	122.70 -29.27 -1.23	93.28 -26.56 -6.92	7.08 -79.44 -41.36	17.27 -25.39 -33.80
27	21.98 -0.01 97.73	57.58 -44.15 -47.37	85.67 -37.15 -42.58	87.15 -34.73 -44.32	83.31 -27.94 -40.05	97.78 -14.18 -22.50	8.49 -74.33 -54.69	33.29 12.04 -37.11

PROPULSIVE WING FLOW FIELD

RAKE SUMMARY, RUN 165

PT	ALPHA BETA HEIGHT	VT1			VT2			VT3			VT4			VT5			VT6			VT7		
		ALP1	ALP2	ALP3	ALP4	ALP5	ALP6	ALP7	ALP8	ALP9	ALP10	ALP11	ALP12	ALP13	ALP14	ALP15	ALP16	ALP17	ALP18	ALP19	ALP20	
2	-0.02 10.01 88.71	160.30 -14.27 14.02	165.20 -13.84 13.62	162.40 -15.24 14.81	158.60 -17.64 15.49	140.30 -19.14 20.85	8.82 -57.92 -67.01	33.83 -28.46 42.55														
4	-0.02 6.00 86.71	160.30 -14.50 10.22	165.50 -13.90 9.87	161.40 -15.09 10.65	153.40 -17.75 11.06	120.90 -19.17 17.46	7.01 -36.67 -56.06	28.82 -28.06 40.04														

PROPULSIVE WING FLOW FIELD

RAKE SUMMARY, RUN 170

PT	ALPHA BETA HEIGHT	VT1			VT2			VT3			VT4			VT5			VT6			VT7		
		ALP1	ALP2	ALP3	ALP4	ALP5	ALP6	ALP7	ALP8	ALP9	ALP10	ALP11	ALP12	ALP13	ALP14	ALP15	ALP16	ALP17	ALP18	ALP19	ALP20	
2	-0.02 0.00 87.76	126.70 -29.22 9.06	131.90 -27.61 6.80	130.00 -30.26 7.36	132.40 -32.85 4.61	132.00 -35.88 6.61	9.75 -41.90 -75.33	43.65 -47.24 6.25														
4	4.06 0.00 86.81	128.00 -33.17 9.80	133.40 -31.68 6.99	131.90 -34.14 6.96	134.40 -36.59 3.52	133.50 -39.51 4.83	9.38 -55.21 -64.50	43.83 -51.53 3.23														
6	8.09 0.00 85.82	129.20 -38.12 9.55	135.10 -36.29 6.07	133.40 -38.32 5.12	135.80 -40.12 1.10	134.10 -42.40 1.69	9.07 -52.72 -64.97	43.24 -55.78 -1.92														
8	12.97 0.00 88.11	132.40 -42.93 9.24	138.50 -40.97 5.32	137.00 -42.53 3.86	139.40 -43.42 -0.47	136.70 -45.20 -0.38	8.66 -59.17 -57.77	42.85 -59.17 -5.34														
13	22.06 0.00 98.75	145.00 -56.74 4.02	151.70 -53.31 -1.02	149.00 -53.10 -4.42	151.00 -52.04 -7.84	146.10 -51.70 -6.70	8.22 -62.11 -63.13	35.25 -59.66 -14.22														

PROPULSIVE MING FLOW FIELD

RAKE SUMMARY, RUN 176

PT	ALPHA BETA HEIGHT	VT1 ALP1 BET1	VT2 ALP2 BET2	VT3 ALP3 BET3	VT4 ALP4 BET4	VT5 ALP5 BET5	VT6 ALP6 BET6	VT7 ALP7 BET7
2	0.00 -0.01 94.20	72.56 -34.98 10.24	75.13 -36.54 12.30	77.43 -39.17 12.60	79.70 -41.96 12.24	80.40 -46.34 12.29	11.56 -63.30 -61.76	28.51 -49.74 9.17
4	4.01 -0.01 91.72	73.26 -39.33 11.50	76.45 -41.36 12.99	79.18 -43.73 12.64	81.64 -46.40 11.78	82.49 -50.75 10.95	10.10 -55.85 -64.16	29.18 -54.97 6.44
6	8.02 -0.01 87.05	74.67 -45.77 11.61	78.46 -47.64 12.10	81.75 -49.55 10.67	84.51 -51.73 8.44	85.20 -55.36 6.93	11.35 -79.63 -64.53	29.96 -57.41 2.13
8	12.03 -0.01 85.01	76.68 -50.57 11.24	80.99 -52.27 11.49	84.42 -54.14 9.71	86.96 -56.11 7.66	87.46 -59.19 5.39	12.19 -74.69 -65.99	30.37 -61.36 1.37
13	21.98 -0.02 99.17	84.41 -65.22 12.08	89.95 -66.40 10.38	93.14 -67.05 6.19	95.48 -68.06 2.15	95.22 -69.82 -1.90	11.48 -84.02 -69.54	32.10 -72.39 -6.61

PROPULSIVE MING FLOW FIELD

RAKE SUMMARY, RUN 171

PT	ALPHA BETA HEIGHT	VT1 ALP1 BET1	VT2 ALP2 BET2	VT3 ALP3 BET3	VT4 ALP4 BET4	VT5 ALP5 BET5	VT6 ALP6 BET6	VT7 ALP7 BET7
2	0.02 0.00 85.65	103.20 -32.78 11.36	107.20 -30.08 7.43	104.60 -33.67 8.57	107.80 -37.20 4.49	109.30 -41.10 7.81	7.27 -37.04 -17.49	38.20 -47.25 4.15
4	4.01 0.00 88.03	104.30 -36.66 12.17	108.70 -34.11 7.71	106.40 -37.55 8.34	109.60 -41.11 3.82	110.90 -44.51 6.28	6.85 -30.09 -34.71	38.47 -51.09 1.77
7	12.06 0.00 86.03	109.40 -47.19 11.52	114.40 -44.43 6.07	112.60 -47.27 5.12	116.50 -49.17 -0.34	116.40 -51.65 1.02	7.60 -76.19 -66.30	39.17 -59.28 -3.30
12	22.06 0.00 99.14	119.10 -61.90 9.22	124.60 -58.22 2.30	123.00 -59.68 -1.31	126.80 -59.86 -7.38	124.90 -61.22 -6.99	9.09 -76.78 -70.11	40.82 -69.48 -11.15

PROPULSIVE MING FLOW FIELD

RAKE SUMMARY, RUN 180

PT	ALPHA BETA HEIGHT	VT1			VT2			VT3			VT4			VT5			VT6			VT7		
		ALP1 BET1	ALP2 BET2	ALP3 BET3	ALP1 BET1	ALP2 BET2	ALP3 BET3	ALP3 BET3	ALP4 BET4	ALP5 BET5	ALP6 BET6	ALP7 BET7	ALP1 BET1	ALP2 BET2	ALP3 BET3	ALP4 BET4	ALP5 BET5	ALP6 BET6	ALP7 BET7			
2	0.01 -0.01 94.54	51.73 -38.65 11.31	54.67 -42.43 17.27	57.25 -43.53 17.15	59.34 -44.93 17.95	59.82 -50.81 20.22	10.81 -61.01 -68.21	21.58 -45.86 9.50	35.65 -43.08 7.49	40.77 -50.46 27.04	43.04 -47.67 21.93	44.08 -45.86 25.85	43.41 -55.26 24.49	11.93 -54.94 -71.93	14.55 -45.76 1.39							
4	3.99 -0.01 85.09	52.80 -43.42 11.75	56.18 -47.18 17.71	59.14 -48.84 17.11	61.42 -49.97 18.28	61.90 -55.26 17.78	10.37 -68.60 -59.71	22.55 -50.47 9.07	35.89 -48.54 8.80	41.75 -55.97 28.93	44.54 -53.26 22.99	45.81 -51.29 27.21	45.39 -59.74 26.36	11.13 -67.93 -64.28	15.65 -49.20 2.46							
6	8.01 -0.01 90.71	52.79 -49.26 12.80	56.88 -53.41 18.80	60.04 -54.93 17.64	62.01 -56.21 15.92	62.95 -61.58 15.86	10.70 -63.58 -71.88	22.47 -54.51 3.92	38.11 -53.20 9.18	44.41 -60.76 28.96	47.27 -60.95 23.03	48.66 -57.64 26.10	48.43 -66.06 23.52	10.84 -65.12 -68.59	17.29 -59.50 7.21							
8	12.00 -0.01 83.67	55.70 -54.40 12.24	60.92 -58.57 17.38	64.13 -59.23 15.33	66.28 -60.23 14.15	66.86 -64.78 11.75	11.28 -74.90 -66.72	23.59 -62.14 3.66	38.62 -59.88 10.58	45.99 -65.74 31.04	48.68 -64.19 23.55	49.75 -62.90 24.17	50.07 -70.49 22.79	10.07 -66.74 -55.01	17.89 -64.30 6.07							
13	21.99 -0.02 99.32	60.89 -68.16 16.29	67.21 -71.88 19.71	70.10 -72.94 15.12	72.15 -72.85 12.43	72.69 -76.93 7.03	11.18 -77.66 -70.61	24.68 -74.45 -4.41	41.68 -72.88 17.15	50.37 -76.48 35.14	53.02 -76.38 25.97	53.94 -74.07 27.38	54.44 -81.67 18.98	11.92 -78.66 -73.49	18.60 -71.53 3.21							

PROPULSIVE MING FLOW FIELD

RAKE SUMMARY, RUN 179

PT	ALPHA BETA HEIGHT	VT1			VT2			VT3			VT4			VT5			VT6			VT7		
		ALP1 BET1	ALP2 BET2	ALP3 BET3	ALP1 BET1	ALP2 BET2	ALP3 BET3	ALP3 BET3	ALP4 BET4	ALP5 BET5	ALP6 BET6	ALP7 BET7	ALP1 BET1	ALP2 BET2	ALP3 BET3	ALP4 BET4	ALP5 BET5	ALP6 BET6	ALP7 BET7			
2	0.01 -0.01 94.54	51.73 -38.65 11.31	54.67 -42.43 17.27	57.25 -43.53 17.15	59.34 -44.93 17.95	59.82 -50.81 20.22	10.81 -61.01 -68.21	21.58 -45.86 9.50	35.65 -43.08 7.49	40.77 -50.46 27.04	43.04 -47.67 21.93	44.08 -45.86 25.85	43.41 -55.26 24.49	11.93 -54.94 -71.93	14.55 -45.76 1.39							
4	3.99 -0.01 85.09	52.80 -43.42 11.75	56.18 -47.18 17.71	59.14 -48.84 17.11	61.42 -49.97 18.28	61.90 -55.26 17.78	10.37 -68.60 -59.71	22.55 -50.47 9.07	35.89 -48.54 8.80	41.75 -55.97 28.93	44.54 -53.26 22.99	45.81 -51.29 27.21	45.39 -59.74 26.36	11.13 -67.93 -64.28	15.65 -49.20 2.46							
6	8.01 -0.01 90.71	52.79 -49.26 12.80	56.88 -53.41 18.80	60.04 -54.93 17.64	62.01 -56.21 15.92	62.95 -61.58 15.86	10.70 -63.58 -71.88	22.47 -54.51 3.92	38.11 -53.20 9.18	44.41 -60.76 28.96	47.27 -60.95 23.03	48.66 -57.64 26.10	48.43 -66.06 23.52	10.84 -65.12 -68.59	17.29 -59.50 7.21							
8	12.00 -0.01 83.67	55.70 -54.40 12.24	60.92 -58.57 17.38	64.13 -59.23 15.33	66.28 -60.23 14.15	66.86 -64.78 11.75	11.28 -74.90 -66.72	23.59 -62.14 3.66	38.62 -59.88 10.58	45.99 -65.74 31.04	48.68 -64.19 23.55	49.75 -62.90 24.17	50.07 -70.49 22.79	10.07 -66.74 -55.01	17.89 -64.30 6.07							
13	21.99 -0.02 99.32	60.89 -68.16 16.29	67.21 -71.88 19.71	70.10 -72.94 15.12	72.15 -72.85 12.43	72.69 -76.93 7.03	11.18 -77.66 -70.61	24.68 -74.45 -4.41	41.68 -72.88 17.15	50.37 -76.48 35.14	53.02 -76.38 25.97	53.94 -74.07 27.38	54.44 -81.67 18.98	11.92 -78.66 -73.49	18.60 -71.53 3.21							

PROPULSIVE WING FLOW FIELD

RAKE SUMMARY, RUN 192

PT	ALPHA BETA HEIGHT	VT1 ALP1 BET1	VT2 ALP2 BET2	VT3 ALP3 BET3	VT4 ALP4 BET4	VT5 ALP5 BET5	VT6 ALP6 BET6	VT7 ALP7 BET7
3	0.00 0.00 91.36	135.70 -27.35 7.41	138.90 -30.35 13.12	146.30 -32.43 11.90	147.80 -32.98 13.48	143.10 -37.41 10.87	9.79 9.05 -79.32	47.18 -50.38 9.82
5	4.01 0.00 90.59	140.30 -31.29 9.46	145.80 -36.85 14.08	154.40 -39.31 10.83	155.30 -40.73 9.36	151.90 -44.88 2.58	12.51 0.52 -83.31	49.47 -55.57 -7.01
7	8.03 0.00 86.38	145.40 -46.68 7.89	152.90 -50.21 8.81	162.20 -50.71 2.10	164.70 -50.76 -2.54	163.90 -51.20 -11.01	10.78 33.29 -75.29	51.46 -60.14 -22.26
9	12.01 0.00 86.48	158.50 -54.75 8.14	167.70 -57.74 8.13	173.50 -58.54 0.35	171.90 -59.18 -5.90	171.10 -58.81 -15.45	9.61 -1.76 -81.91	54.11 -65.00 -27.22

PROPULSIVE WING FLOW FIELD

RAKE SUMMARY, RUN 184

PT	ALPHA BETA HEIGHT	VT1 ALP1 BET1	VT2 ALP2 BET2	VT3 ALP3 BET3	VT4 ALP4 BET4	VT5 ALP5 BET5	VT6 ALP6 BET6	VT7 ALP7 BET7
3	-0.01 -0.01 86.58	0.12 -0.32 8.29	0.10 1.43 10.95	0.10 -0.78 11.75	0.11 0.56 10.81	0.10 0.17 12.66	0.11 1.22 10.42	0.10 0.25 11.91
4	-0.01 -0.01 86.58	157.50 -20.53 6.91	160.60 -20.94 4.22	157.70 -20.41 0.52	141.30 -20.40 -0.81	110.70 -20.22 -3.51	14.52 -6.32 79.14	18.57 -52.37 1.22
6	4.05 -0.01 85.88	156.90 -31.19 -5.39	165.30 -24.75 -7.17	158.20 -21.77 -6.52	135.50 -22.67 -6.38	104.90 -22.92 -8.93	15.81 -4.90 78.89	16.51 -60.94 -11.26
8	8.01 -0.01 85.91	165.30 -26.59 -3.07	167.10 -23.39 -8.59	157.60 -22.56 -7.56	135.20 -25.03 -8.17	103.60 -24.40 -10.75	15.61 -12.59 79.74	14.33 -54.73 -38.48
10	12.10 -0.01 86.35	164.20 -26.60 -3.46	163.30 -25.45 -9.67	155.30 -26.26 -9.77	137.00 -28.76 -12.20	108.30 -27.83 -13.43	15.73 -31.87 80.50	15.90 -48.84 -60.76
15	22.06 -0.01 94.71	148.50 -15.39 -6.66	154.00 -35.32 -17.20	149.40 -35.38 -20.18	137.20 -37.02 -20.16	114.10 -32.96 -17.48	17.76 -36.76 82.52	24.18 -5.42 -53.13



PROPULSIVE WING. FLOW FIELD

RAKE SUMMARY. RUM 193

PT	ALPHA BETA HEIGHT	VT1		VT2		VT3		VT4		VT5		VT6		VT7	
		ALP1 BET1	ALP2 BET2	ALP3 BET3	ALP4 BET4	ALP5 BET5	ALP6 BET6	ALP7 BET7	ALP1 BET1	ALP2 BET2	ALP3 BET3	ALP4 BET4	ALP5 BET5	ALP6 BET6	ALP7 BET7
2	-0.01 0.00 87.91	95.88 -30.07 6.41	99.04 -36.01 18.07	107.80 -36.56 14.61	109.20 -35.21 17.88	104.00 -40.17 13.57	13.58 4.22 -80.56	33.90 -50.95 14.13							
4	4.01 0.00 87.79	97.43 -36.29 8.37	103.00 -41.88 19.45	112.30 -42.98 15.35	114.30 -42.57 17.46	110.30 -47.98 11.58	10.83 9.51 -77.01	36.24 -57.16 3.19							
6	8.00 0.00 85.45	107.10 -43.08 10.33	114.20 -47.92 18.31	122.50 -50.06 12.69	122.10 -50.93 12.70	118.70 -56.22 2.52	11.23 18.08 -75.98	37.86 -62.88 -12.12							
8	11.99 0.00 85.80	107.20 -54.48 10.62	115.80 -60.37 17.64	122.90 -61.12 8.43	123.60 -61.91 5.46	123.60 -63.71 -9.96	12.05 10.67 -79.42	39.65 -68.81 -22.60							

PROPULSIVE WING FLOW FIELD

RAKE SUMMARY. RUM 194

PT	ALPHA BETA HEIGHT	VT1		VT2		VT3		VT4		VT5		VT6		VT7	
		ALP1 BET1	ALP2 BET2	ALP3 BET3	ALP4 BET4	ALP5 BET5	ALP6 BET6	ALP7 BET7	ALP1 BET1	ALP2 BET2	ALP3 BET3	ALP4 BET4	ALP5 BET5	ALP6 BET6	ALP7 BET7
2	-0.02 0.00 90.34	64.63 -31.16 2.59	70.95 -42.77 30.46	79.85 -41.52 20.19	82.02 -35.12 23.90	74.58 -44.07 19.80	7.93 29.65 -72.95	23.62 -54.94 18.69							
4	3.99 0.00 88.13	65.50 -38.28 4.60	74.36 -48.30 32.09	83.05 -47.30 21.02	84.83 -42.10 26.91	77.91 -50.61 19.19	10.75 -17.45 -79.05	25.21 -61.35 13.95							
6	8.04 0.00 88.55	68.97 -47.04 5.30	80.18 -55.97 30.51	88.67 -54.46 18.72	89.41 -50.49 24.25	83.94 -58.15 14.33	10.77 0.08 -73.61	26.87 -66.32 3.38							
8	12.01 0.00 85.41	76.30 -53.19 9.02	88.58 -59.12 28.53	96.86 -58.56 18.13	97.12 -55.94 22.66	91.38 -63.86 11.97	11.71 23.40 -80.55	28.68 -68.45 -1.63							

PROPULSIVE WING FLOW FIELD

RAKE SUMMARY, RUN 195		RAKE SUMMARY, RUN 199															
PT	ALPHA BETA HEIGHT	VT1 ALP1 BET1	VT2 ALP2 BET2	VT3 ALP3 BET3	VT4 ALP4 BET4	VT5 ALP5 BET5	VT6 ALP6 BET6	VT7 ALP7 BET7	PT	ALPHA BETA HEIGHT	VT1 ALP1 BET1	VT2 ALP2 BET2	VT3 ALP3 BET3	VT4 ALP4 BET4	VT5 ALP5 BET5	VT6 ALP6 BET6	VT7 ALP7 BET7
2	0.02 0.00 92.78	42.55 -14.17 -12.45	60.78 -48.38 53.53	65.15 -48.95 28.79	66.82 -34.34 37.51	56.32 -48.62 34.77	12.48 23.25 -79.95	17.10 -55.10 47.40	16	-0.03 -0.01 87.65	40.15 -38.03 24.03	37.93 -40.91 15.03	36.30 -55.78 33.17	37.26 -48.50 19.18	41.63 -55.01 37.43	41.16 -49.78 37.26	45.16 -57.98 45.76
4	4.01 0.00 87.32	43.11 -8.01 -7.84	61.87 -50.76 53.86	66.25 -51.53 28.87	68.37 -37.46 36.28	57.96 -51.77 31.40	9.37 22.33 -73.53	17.99 -83.23 35.51	18	4.06 -0.01 86.54	41.57 -41.82 26.84	39.04 -41.27 14.26	36.12 -58.27 38.03	37.78 -54.10 18.17	42.34 -57.98 38.65	42.48 -54.90 38.43	45.64 -59.81 40.93
6	8.01 0.00 86.12	44.09 -44.03 -5.58	64.66 -55.02 54.13	68.05 -56.16 29.58	70.93 -43.27 37.91	61.09 -58.97 30.87	9.64 4.81 -73.81	19.24 -66.41 24.03									
8	11.99 0.00 85.80	45.91 -45.54 -6.94	68.32 -62.04 52.11	72.82 -63.73 29.62	72.84 -50.96 36.69	64.10 -65.32 25.90	11.84 14.83 -75.63	20.06 -75.31 14.14									

PROPULSIVE WING FLOW FIELD  
RAKE SUMMARY, RUN 214

PT	ALPHA BETA HEIGHT			VT1	VT2	VT3	VT4	VT5	VT6	VT7
	ALP1	ALP2	ALP3	ALP4	ALP5	ALP6	ALP7	BET1	BET2	BET3
3	-0.01	156.60	158.20	158.70	141.70	111.40	98.02	104.80		
	0.00	-20.22	-21.78	-21.76	-20.88	-20.89	-13.58	-7.21		
	84.71	5.94	4.70	0.92	0.58	-3.59	-1.94	3.18		
6	4.01	155.40	162.60	157.60	136.70	105.40	93.76	111.60		
	0.00	-30.79	-25.62	-22.64	-23.18	-23.28	-14.32	-9.94		
	85.91	-5.73	-8.97	-6.49	-4.98	-8.38	-2.81	2.22		
8	8.00	164.60	163.40	154.90	133.40	102.70	97.28	119.30		
	-0.01	-26.42	-24.17	-24.03	-25.63	-25.59	-14.92	-11.22		
	86.31	-13.57	-8.69	-7.65	-7.84	-11.71	-3.13	1.18		
10	11.99	163.60	161.00	152.70	133.60	109.40	103.10	125.20		
	-0.01	-26.25	-25.98	-26.93	-29.21	-28.28	-18.92	-14.39		
	86.24	-13.65	-9.33	-9.48	-11.05	-13.60	-4.05	-6.53		

PROPULSIVE WING FLOW FIELD  
RAKE SUMMARY, RUN 216

PT	ALPHA BETA HEIGHT			VT1	VT2	VT3	VT4	VT5	VT6	VT7
	ALP1	ALP2	ALP3	ALP4	ALP5	ALP6	ALP7	BET1	BET2	BET3
3	0.01	157.40	159.20	158.50	150.20	125.00	104.40	94.77		
	0.00	-18.78	-18.96	-21.29	-20.76	-20.89	-17.60	-12.41		
	86.20	5.17	6.01	3.62	2.76	1.73	-1.00	0.23		
5	4.00	157.40	159.00	158.40	150.40	130.30	112.90	108.70		
	0.00	-31.80	-31.17	-28.60	-25.85	-24.11	-18.42	-12.42		
	84.92	3.17	-1.66	-6.49	-6.44	-10.12	-9.88	-4.33		
7	8.01	130.70	148.40	156.60	147.30	125.20	113.90	121.40		
	0.00	-35.92	-31.29	-27.15	-26.42	-25.69	-20.84	-14.23		
	83.93	-16.65	-17.78	-17.02	-14.54	-17.44	-10.63	-2.72		
9	12.00	132.10	148.00	154.30	145.40	122.80	108.40	123.30		
	-0.01	-28.59	-30.58	-30.40	-31.41	-32.14	-24.87	-15.71		
	84.02	-18.25	-17.03	-17.49	-15.68	-16.55	-9.80	-2.66		
14	22.03	144.50	158.10	158.50	147.80	126.10	114.50	138.10		
	-0.01	-36.71	-38.37	-38.48	-40.09	-37.99	-27.66	-20.58		
	94.42	-23.63	-23.13	-24.42	-22.09	-18.45	-8.59	-4.10		

PROPULSIVE MING FLOW FIELD

RAKE SUMMARY, RUN 218

PT	ALPHA BETA HEIGHT	VT1 ALP1 BET1	VT2 ALP2 BET2	VT3 ALP3 BET3	VT4 ALP4 BET4	VT5 ALP5 BET5	VT6 ALP6 BET6	VT7 ALP7 BET7
4	0.01 85.70	97.62 -29.74 12.52	99.77 -29.80 12.26	100.30 -31.95 12.86	101.40 -35.74 11.84	101.40 -39.63 12.58	104.10 -40.19 11.17	107.90 -40.59 6.94
6	4.01 85.20	99.99 -35.93 14.87	102.80 -35.75 13.38	103.90 -38.22 13.58	105.40 -42.68 11.83	105.80 -46.35 12.12	108.00 -46.98 10.18	112.30 -48.04 5.08
8	8.00 85.04	104.30 -42.37 16.70	107.40 -42.33 13.88	108.50 -45.02 13.09	109.80 -50.17 9.61	110.40 -54.27 7.82	112.00 -55.04 3.69	116.60 -51.60 -2.23
10	11.99 84.33	109.70 -52.73 14.36	113.10 -52.85 8.57	113.70 -55.61 4.28	117.30 -56.87 -4.24	118.00 -60.69 -8.37	117.40 -59.31 -9.92	120.40 -53.75 -10.88
15	22.01 95.88	119.00 -72.82 -9.18	125.10 -69.28 -15.09	124.20 -68.41 -21.38	127.60 -67.39 -27.12	127.00 -67.85 -25.92	122.50 -67.27 -20.21	123.40 -61.24 -14.59
16	22.00 95.81	119.30 -73.83 -9.53	125.30 -69.40 -15.40	123.90 -67.96 -21.65	127.90 -67.49 -27.08	127.60 -67.69 -25.92	122.80 -67.00 -20.79	123.30 -61.31 -15.03

PROPULSIVE MING FLOW FIELD

RAKE SUMMARY, RUN 217

PT	ALPHA BETA HEIGHT	VT1 ALP1 BET1	VT2 ALP2 BET2	VT3 ALP3 BET3	VT4 ALP4 BET4	VT5 ALP5 BET5	VT6 ALP6 BET6	VT7 ALP7 BET7
2	0.01 90.25	135.30 -28.06 9.54	139.20 -28.97 11.70	143.00 -31.37 11.45	143.60 -33.00 11.38	141.30 -36.90 10.37	144.00 -38.02 10.53	144.10 -42.64 9.58
4	3.99 88.13	137.00 -33.21 11.38	141.10 -34.62 13.03	145.20 -37.43 11.84	145.80 -39.58 10.44	144.00 -43.90 6.91	148.90 -45.21 4.92	147.30 -48.68 0.80
6	8.02 85.20	143.60 -43.76 10.47	148.80 -45.31 9.60	153.10 -47.58 4.98	154.10 -48.96 -0.07	153.10 -50.32 -6.22	154.70 -49.22 -6.45	152.00 -49.92 -8.75
8	12.00 84.70	152.00 -55.28 6.54	159.20 -56.12 3.25	162.40 -56.83 -3.66	162.00 -56.65 -9.74	160.50 -56.16 -15.00	158.50 -54.26 -12.75	154.30 -53.34 -13.05
13	22.03 92.47	122.70 -75.16 -33.31	133.60 -72.00 -32.82	141.20 -67.98 -37.95	145.60 -67.32 -36.78	149.80 -65.91 -34.53	144.00 -66.05 -25.63	142.10 -63.85 -20.77

PROPULSIVE WING FLOW FIELD  
RAKE SUMMARY, RUN 219

PT	ALPHA BETA HEIGHT	VT1 ALP1 BET1	VT2 ALP2 BET2	VT3 ALP3 BET3	VT4 ALP4 BET4	VT5 ALP5 BET5	VT6 ALP6 BET6	VT7 ALP7 BET7
2	0.00 0.00 89.06	71.38 -32.67 17.11	72.92 -29.95 11.68	70.38 -31.50 14.64	71.44 -40.01 11.57	73.62 -43.88 18.25	75.13 -45.01 16.19	83.24 -37.61 6.91
4	4.00 0.00 87.16	72.00 -36.63 19.45	73.29 -35.06 13.84	71.60 -37.42 16.12	73.18 -45.25 12.97	75.43 -49.12 17.21	77.14 -49.57 13.75	85.61 -41.73 4.28
6	7.99 0.00 86.92	74.12 -43.38 20.66	76.21 -42.02 14.72	75.01 -44.09 15.92	76.98 -52.61 11.49	79.34 -55.88 14.94	80.75 -56.77 9.90	88.34 -48.12 1.00
8	12.00 -0.01 87.53	78.24 -51.31 21.26	80.36 -50.40 14.56	79.42 -52.97 8.92	82.18 -59.83 8.92	84.01 -62.72 11.10	84.38 -63.18 6.42	90.58 -53.92 -0.45
13	22.00 -0.01 97.70	90.15 -75.46 11.32	92.74 -73.13 2.02	90.18 -74.66 -3.38	95.37 -76.43 -12.68	95.51 -77.76 -11.70	92.67 -75.95 -10.57	95.66 -65.43 -9.76

PROPULSIVE WING FLOW FIELD  
RAKE SUMMARY, RUN 230

PT	ALPHA BETA HEIGHT	VT1 ALP1 BET1	VT2 ALP2 BET2	VT3 ALP3 BET3	VT4 ALP4 BET4	VT5 ALP5 BET5	VT6 ALP6 BET6	VT7 ALP7 BET7
15	0.00 -0.01 86.93	157.00 -19.61 7.25	160.70 -20.56 4.87	158.90 -20.30 0.64	148.40 -18.69 -1.33	122.00 -15.82 -2.32	122.20 -9.08 0.55	145.60 -7.53 0.86
16	4.05 -0.01 87.75	155.20 -29.77 -5.74	164.80 -23.17 -7.14	157.10 -19.48 -6.33	136.40 -19.07 -5.90	107.80 -14.36 -4.68	125.30 -8.84 -0.47	150.20 -8.97 -0.80
17	8.07 -0.01 87.15	163.40 -27.69 -14.64	168.10 -24.48 -9.10	162.70 -23.27 -7.18	151.80 -23.87 -6.32	127.70 -22.02 -7.96	125.70 -14.91 -4.32	151.80 -13.50 -2.71
18	12.06 -0.01 87.74	164.20 -26.92 -14.01	165.50 -25.73 -9.16	156.70 -25.29 -8.10	143.30 -26.29 -8.53	123.70 -23.80 -10.28	128.70 -16.87 -5.12	153.80 -15.30 -2.74
19	22.02 -0.01 94.57	152.00 -35.74 -17.89	156.80 -36.18 -16.79	151.80 -35.50 -18.46	136.20 -35.09 -17.97	117.10 -29.04 -13.69	143.50 -21.42 -4.41	156.00 -19.77 -3.26

PROPULSIVE WING FLOW FIELD

RAKE SUMMARY, RUN 232

PT	ALPHA BETA HEIGHT	VT1 ALP1 BET1	VT2 ALP2 BET2	VT3 ALP3 BET3	VT4 ALP4 BET4	VT5 ALP5 BET5	VT6 ALP6 BET6	VT7 ALP7 BET7
2	0.03 -0.01 89.83	94.91 -26.64 10.15	98.59 -25.24 9.95	97.77 -27.56 10.84	98.13 -29.99 10.31	95.84 -33.02 12.34	96.89 -34.22 13.79	99.10 -33.59 12.67
4	4.01 -0.01 87.83	96.29 -32.87 11.62	100.40 -31.77 10.30	99.96 -35.00 10.99	100.80 -37.39 8.71	98.45 -40.54 8.70	98.71 -40.67 7.95	99.67 -37.90 5.71
6	8.09 -0.01 87.86	103.00 -41.78 12.26	107.80 -40.33 9.03	107.70 -43.95 5.62	107.90 -45.70 0.18	103.90 -47.39 -3.69	101.90 -45.78 -4.48	102.50 -40.60 -4.48
8	12.00 -0.01 86.79	109.90 -50.98 8.22	114.60 -50.07 2.47	114.80 -51.13 -4.25	114.50 -50.52 -11.00	108.50 -49.81 -14.91	103.90 -47.19 -13.23	104.80 -40.49 -10.33
13	22.03 -0.01 95.95	122.10 -73.42 -12.49	128.00 -69.18 -17.65	126.30 -65.92 -24.07	126.40 -62.16 -25.19	120.30 -59.90 -23.59	111.20 -57.45 -18.89	104.70 -50.81 -16.02

PROPULSIVE WING FLOW FIELD

RAKE SUMMARY, RUN 231

PT	ALPHA BETA HEIGHT	VT1 ALP1 BET1	VT2 ALP2 BET2	VT3 ALP3 BET3	VT4 ALP4 BET4	VT5 ALP5 BET5	VT6 ALP6 BET6	VT7 ALP7 BET7
2	-0.01 -4.17 87.80	113.40 -23.78 8.45	137.80 -25.93 9.15	137.90 -28.06 9.62	138.10 -30.24 8.90	134.70 -30.24 9.56	136.40 -30.35 9.60	138.80 -29.16 8.55
4	4.08 -0.01 87.16	115.90 -31.77 9.79	140.90 -34.54 8.77	142.10 -38.54 6.52	142.50 -35.90 2.85	138.10 -37.15 0.85	137.60 -35.41 0.85	139.50 -31.62 -0.19
6	8.02 -0.01 86.51	114.10 -43.47 8.02	149.90 -43.16 3.97	151.70 -43.69 -1.62	152.50 -42.63 -6.73	147.70 -40.81 -9.10	143.60 -37.86 -7.77	143.00 -33.07 -7.33
8	12.02 -0.01 87.92	115.10 -42.43 1.84	163.10 -50.60 -3.40	162.30 -49.81 -10.07	161.10 -47.51 -14.57	153.90 -44.89 -16.30	146.70 -40.97 -13.38	143.70 -35.58 -11.98
13	22.02 -0.01 93.06	116.20 -46.85 -8.56	173.30 -60.48 -32.44	172.10 -56.12 -33.00	165.00 -54.25 -30.15	154.30 -53.06 -28.59	144.00 -50.56 -19.99	140.10 -45.33 -15.53

PROPULSIVE MING FLOW FIELD

RAKE SUMMARY. RUN 235

PT	ALPHA BETA HEIGHT	VT1 ALP1 BET1	VT2 ALP2 BET2	VT3 ALP3 BET3	VT4 ALP4 BET4	VT5 ALP5 BET5	VT6 ALP6 BET6	VT7 ALP7 BET7
21	0.00 87.47	154.10 -10.48 4.20	154.20 -10.71 4.95	156.30 -12.75 5.73	139.00 -15.22 7.92	111.00 -13.22 7.35	130.00 -7.15 4.91	148.70 -6.82 1.45
23	4.09 88.15	153.10 -12.98 5.98	155.40 -12.57 4.89	150.90 -14.38 6.17	135.00 -17.45 6.23	107.20 -14.05 3.49	131.40 -9.30 3.12	152.60 -8.98 -0.69
25	8.02 88.01	157.10 -17.88 7.00	158.60 -17.56 6.09	159.10 -18.96 7.10	143.50 -21.53 6.81	115.80 -19.48 1.94	128.80 -13.54 -2.44	152.80 -13.19 -3.54
27	12.05 87.36	157.60 -20.02 5.24	160.50 -20.16 3.61	154.10 -22.67 5.09	136.60 -25.46 3.64	110.00 -20.49 -1.83	131.80 -14.56 -4.96	154.60 -14.76 -4.88
32	22.08 98.11	71.11 -38.73 -34.17	91.32 -33.52 -36.93	97.50 -31.09 -37.24	98.64 -27.79 -30.45	127.40 -20.34 -15.97	157.60 -16.63 -7.37	158.90 -14.82 -5.61

PROPULSIVE MING FLOW FIELD

RAKE SUMMARY. RUN 233

PT	ALPHA BETA HEIGHT	VT1 ALP1 BET1	VT2 ALP2 BET2	VT3 ALP3 BET3	VT4 ALP4 BET4	VT5 ALP5 BET5	VT6 ALP6 BET6	VT7 ALP7 BET7
2	0.05 -0.01 89.73	68.99 -28.33 10.92	70.48 -28.50 12.97	71.46 -31.70 14.15	73.27 -32.70 13.53	71.35 -35.65 15.45	72.65 -34.20 14.28	74.10 -35.50 14.98
4	4.06 -0.01 87.32	68.64 -32.17 12.04	70.09 -33.38 13.93	70.95 -37.08 14.37	73.07 -37.67 12.74	71.01 -40.89 13.66	72.52 -39.58 12.11	73.75 -40.96 12.08
6	8.04 -0.01 88.86	71.10 -39.50 12.46	72.66 -41.03 13.98	74.43 -44.54 13.11	78.02 -44.98 11.00	74.34 -47.94 9.96	75.95 -45.69 7.43	78.11 -44.60 5.65
8	12.03 -0.01 88.17	74.99 -49.48 13.54	77.86 -50.03 12.67	79.48 -53.68 9.64	80.19 -54.64 5.36	78.00 -56.53 0.70	78.10 -52.48 -1.30	79.32 -49.99 -2.28
13	22.08 -0.01 97.67	91.91 -70.76 3.73	95.54 -70.61 -3.23	95.80 -70.10 -12.27	94.94 -67.23 -18.17	89.25 -65.24 -22.80	82.88 -60.57 -20.51	79.32 -55.04 -17.35

PROPULSIVE MING FLOW FIELD

RAKE SUMMARY, RUN 237

PT	ALPHA BETA HEIGHT	VT1 ALP1 BET1	VT2 ALP2 BET2	VT3 ALP3 BET3	VT4 ALP4 BET4	VT5 ALP5 BET5	VT6 ALP6 BET6	VT7 ALP7 BET7
3	0.00 0.00 88.38	97.44 -26.25 8.45	99.58 -26.37 8.31	100.30 -27.86 8.50	101.80 -29.12 7.71	99.35 -31.43 9.58	101.10 -30.68 10.37	99.37 -32.05 10.52
5	3.99 0.00 87.38	97.84 -30.16 9.67	100.40 -29.64 8.08	100.40 -31.20 7.97	101.70 -32.84 6.25	99.55 -34.95 8.23	100.80 -34.24 8.49	102.30 -33.32 8.00
7	8.00 0.00 89.26	99.57 -34.56 10.00	102.60 -33.66 7.38	102.10 -34.85 6.78	103.50 -36.39 4.23	100.80 -38.26 6.19	101.90 -37.46 6.15	105.50 -35.13 5.25
9	11.99 0.00 89.59	102.40 -39.16 8.99	106.00 -37.55 5.52	104.90 -38.20 4.47	106.30 -39.10 1.74	102.80 -40.64 3.16	103.90 -39.57 3.12	108.00 -37.30 2.38
14	22.01 0.00 98.86	109.90 -51.16 5.65	113.20 -48.56 1.40	111.70 -47.40 -0.67	113.10 -46.18 -3.65	110.30 -43.98 -3.42	110.00 -40.96 -7.67	114.80 -39.88 -11.88

PROPULSIVE MING FLOW FIELD

RAKE SUMMARY, RUN 236

PT	ALPHA BETA HEIGHT	VT1 ALP1 BET1	VT2 ALP2 BET2	VT3 ALP3 BET3	VT4 ALP4 BET4	VT5 ALP5 BET5	VT6 ALP6 BET6	VT7 ALP7 BET7
2	0.01 0.00 89.24	136.50 -23.33 7.26	140.10 -23.21 7.48	140.80 -24.43 7.81	141.30 -25.69 7.36	137.40 -27.18 8.65	139.50 -26.74 9.69	139.10 -26.93 9.12
4	4.07 0.00 86.67	137.60 -26.98 7.94	141.70 -26.87 7.63	142.20 -28.00 7.34	142.80 -29.13 6.48	138.40 -30.43 7.41	140.30 -29.85 8.40	140.30 -29.89 7.97
6	8.09 0.00 87.01	139.10 -30.96 8.05	143.20 -30.62 7.09	143.60 -31.53 6.22	144.10 -32.32 4.85	139.00 -33.44 5.21	140.40 -32.88 6.23	141.90 -32.32 5.84
8	12.01 0.00 86.99	141.10 -34.90 6.97	145.60 -34.13 5.44	145.50 -34.48 3.92	145.60 -34.76 1.84	140.20 -35.48 1.59	140.20 -35.06 2.47	145.80 -34.08 2.16
13	22.19 0.00 99.00	151.40 -46.63 2.63	156.50 -43.68 0.38	156.10 -40.82 -2.41	155.40 -37.15 -6.97	145.60 -36.65 -13.99	139.00 -41.42 -15.02	157.50 -39.41 -10.20



PROPULSIVE WING FLOW FIELD

RAKE SUMMARY, RUN 236

PT	ALPHA	VT1	VT2	VT3	VT4	VT5	VT6	VT7
BETA	ALP1	ALP2	ALP3	ALP4	ALP5	ALP6	ALP7	ALP7
HEIGHT	BET1	BET2	BET3	BET4	BET5	BET6	BET7	BET7
2	-0.01	72.90	72.96	70.85	72.90	71.91	72.47	87.39
	0.00	-28.86	-27.84	-27.80	-32.91	-35.34	-36.09	-24.92
	89.70	12.10	5.96	7.45	3.21	10.90	9.24	4.92
4	4.00	73.44	73.36	72.33	74.03	72.84	73.29	87.88
	0.00	-32.76	-32.49	-32.25	-36.95	-39.35	-40.36	-28.92
	87.81	12.85	6.60	7.38	2.74	9.39	7.62	3.93
6	8.00	74.42	74.76	73.08	75.05	74.02	74.45	88.98
	0.00	-37.48	-36.92	-36.95	-41.06	-43.16	-43.26	-32.28
	86.75	12.91	6.28	6.60	1.27	7.73	5.41	2.98
8	12.00	75.38	76.30	75.12	77.03	74.93	75.48	90.06
	0.00	-43.11	-41.76	-41.15	-44.68	-46.77	-46.19	-35.73
	86.63	11.34	3.89	3.66	-1.49	4.36	2.61	1.52
13	21.99	80.84	82.04	80.21	82.93	79.87	80.72	95.35
	0.00	-55.15	-53.39	-52.43	-53.57	-54.73	-52.59	-42.94
	99.02	9.48	1.51	-0.34	-5.63	-1.33	-2.14	-2.53

PROPULSIVE WING FLOW FIELD

RAKE SUMMARY, RUN 239

PT	ALPHA	VT1	VT2	VT3	VT4	VT5	VT6	VT7
BETA	ALP1	ALP2	ALP3	ALP4	ALP5	ALP6	ALP7	ALP7
HEIGHT	BET1	BET2	BET3	BET4	BET5	BET6	BET7	BET7
2	-0.01	53.11	51.35	48.10	51.08	50.68	50.89	69.62
	0.00	-32.39	-30.38	-28.73	-36.34	-38.92	-43.55	-21.99
	89.79	17.36	3.87	6.62	-2.34	13.84	8.36	2.92
4	4.00	53.82	52.02	49.57	52.42	52.47	52.91	70.33
	0.00	-35.74	-35.79	-34.54	-41.54	-45.00	-45.90	-26.95
	88.32	16.93	5.01	7.31	-1.49	12.54	7.28	2.33
6	8.00	55.15	53.22	50.80	54.63	53.77	54.08	70.18
	0.00	-40.57	-40.86	-39.99	-45.04	-48.89	-50.15	-31.90
	86.65	16.52	5.29	7.07	-2.57	9.85	5.13	1.65
8	12.00	55.16	54.95	52.60	56.06	54.82	55.25	71.51
	0.00	-47.30	-45.10	-44.51	-50.17	-53.60	-54.39	-35.00
	85.99	15.83	3.69	3.67	-4.59	6.37	1.04	0.33
13	21.99	61.06	60.73	59.06	62.75	60.50	60.77	75.38
	0.00	-58.05	-57.42	-56.31	-58.66	-61.59	-60.62	-45.34
	99.06	13.73	2.43	1.47	-6.56	0.89	-2.07	-1.30

PROPULSIVE WING FLOW FIELD

RAKE SUMMARY, RUN 243

PT	ALPHA BETA HEIGHT	VT1 ALP1 BET1	VT2 ALP2 BET2	VT3 ALP3 BET3	VT4 ALP4 BET4	VT5 ALP5 BET5	VT6 ALP6 BET6	VT7 ALP7 BET7
3	0.01 0.00 88.00	155.00 -19.17 4.59	157.60 -20.02 3.38	157.50 -18.58 0.41	141.80 -17.43 0.79	110.80 -13.79 -0.41	125.50 -7.28 2.58	139.50 1.05
5	4.02 0.00 85.03	159.40 -26.20 -7.86	160.60 -21.40 -5.47	154.70 -18.93 -4.16	130.80 -19.33 -3.28	103.70 -13.66 -3.36	130.60 -9.11 0.77	145.20 -8.97 -0.46
7	7.99 0.00 84.97	165.90 -25.93 -12.09	164.50 -24.01 -6.63	160.50 -23.25 -4.87	148.00 -23.95 -4.34	123.70 -22.28 -6.61	127.10 -14.52 -3.79	145.40 -13.56 -2.66
9	12.01 0.00 83.97	160.60 -23.85 -10.46	153.80 -22.30 -6.18	147.80 -22.96 -5.48	124.20 -23.71 -7.20	108.40 -17.49 -6.68	137.70 -13.77 -2.22	148.40 -13.35 -2.24
14	21.99 0.00 94.43	157.50 -35.15 -17.34	157.80 -36.69 -16.16	153.30 -36.04 -16.85	136.40 -35.11 -15.84	116.90 -29.01 -12.91	143.90 -21.11 -3.50	149.50 -19.28 -3.15

PROPULSIVE WING FLOW FIELD

RAKE SUMMARY, RUN 240

PT	ALPHA BETA HEIGHT	VT1 ALP1 BET1	VT2 ALP2 BET2	VT3 ALP3 BET3	VT4 ALP4 BET4	VT5 ALP5 BET5	VT6 ALP6 BET6	VT7 ALP7 BET7
2	-0.02 0.00 89.09	40.08 -34.79 20.65	37.28 -35.32 0.52	33.15 -31.52 5.05	37.69 -42.06 -9.44	37.47 -44.26 18.02	37.46 -53.36 6.93	58.00 -18.67 1.77
4	4.01 0.00 88.66	40.81 -39.18 20.79	38.16 -39.36 3.02	34.11 -36.44 5.43	39.39 -44.86 -5.67	38.66 -49.77 16.78	38.77 -55.87 4.88	55.75 -25.28 1.67
6	8.00 0.00 86.07	41.30 -43.36 21.21	37.95 -48.07 3.02	36.13 -42.37 4.37	40.62 -49.18 -8.44	40.03 -55.69 18.27	39.81 -57.39 4.18	57.06 -28.72 0.90
8	11.98 0.00 85.09	42.24 -49.53 19.81	39.94 -52.86 3.28	38.17 -50.13 3.55	42.72 -54.71 -6.55	41.82 -58.82 8.85	41.99 -61.47 -0.47	57.83 -35.04 -0.08
13	21.99 0.00 99.14	44.71 -61.54 18.65	43.37 -64.11 2.82	41.78 -60.73 3.26	46.01 -63.94 -7.69	44.63 -70.01 6.35	44.41 -68.74 -1.07	60.10 -45.29 -0.98

PROPULSIVE WING FLOW FIELD

RAKE SUMMARY, RUN 244

PT	ALPHA BETA HEIGHT	VT1 ALP1 BET1	VT2 ALP2 BET2	VT3 ALP3 BET3	VT4 ALP4 BET4	VT5 ALP5 BET5	VT6 ALP6 BET6	VT7 ALP7 BET7
2	0.00 0.00 88.57	131.90 -24.30 6.94	134.50 -25.34 8.67	137.60 -26.88 8.33	137.70 -28.11 7.96	132.90 -28.95 6.95	135.20 -28.56 7.15	133.60 -28.65 6.84
4	4.02 0.00 86.14	138.20 -32.94 11.62	144.80 -34.60 12.72	150.70 -36.89 9.92	149.70 -38.79 5.87	142.20 -40.57 -0.36	139.20 -36.84 -3.07	133.90 -34.69 -5.19
6	8.02 0.00 85.12	149.30 -43.02 17.31	155.60 -47.97 15.98	159.30 -52.30 4.71	160.40 -50.74 -8.47	156.50 -45.80 -15.93	146.10 -39.66 -15.44	141.50 -34.49 -15.03
8	11.98 0.00 84.75	155.50 -59.12 16.50	158.80 -64.04 3.86	162.90 -60.26 -14.24	167.60 -53.11 -20.53	161.30 -47.56 -22.46	149.60 -42.55 -18.73	141.10 -38.13 -18.51
13	22.01 0.00 93.47	169.30 -61.11 -38.84	183.10 -57.59 -32.71	175.40 -53.94 -31.31	163.30 -52.74 -27.82	151.70 -51.33 -24.34	143.60 -48.12 -16.96	141.60 -43.31 -13.31

PROPULSIVE WING FLOW FIELD

RAKE SUMMARY, RUN 245

PT	ALPHA BETA HEIGHT	VT1 ALP1 BET1	VT2 ALP2 BET2	VT3 ALP3 BET3	VT4 ALP4 BET4	VT5 ALP5 BET5	VT6 ALP6 BET6	VT7 ALP7 BET7
3	0.00 0.00 85.80	95.61 -26.18 9.18	98.29 -25.70 8.79	98.94 -26.75 9.13	98.79 -29.70 8.38	96.83 -31.19 11.07	98.38 -31.27 11.12	101.80 -29.69 10.22
5	4.01 0.00 85.04	98.15 -33.29 11.21	101.40 -32.76 9.88	101.80 -34.73 9.44	101.90 -37.89 6.96	99.58 -39.92 7.33	99.66 -39.01 5.23	102.50 -34.89 3.17
7	8.02 0.00 85.35	108.70 -42.37 15.69	114.30 -42.32 12.35	115.20 -45.76 8.74	114.20 -48.79 0.77	109.90 -49.67 -4.94	107.90 -45.55 -8.84	111.10 -38.06 -8.36
9	12.00 0.00 82.32	114.40 -55.42 18.65	115.60 -60.20 8.63	116.60 -59.75 -6.72	121.80 -55.25 -17.14	119.90 -50.90 -19.07	115.10 -45.94 -17.41	112.10 -38.51 -16.26
14	22.03 0.00 96.51	106.80 -60.77 -22.89	115.90 -71.49 -28.38	121.30 -65.62 -31.87	125.70 -61.82 -31.60	122.10 -58.85 -27.90	115.80 -55.49 -22.64	112.80 -48.68 -18.77

PROPULSIVE MING FLOW FIELD

RAKE SUMMARY, RUN 247

PT	ALPHA BETA HEIGHT	VT1 ALP1 BET1	VT2 ALP2 BET2	VT3 ALP3 BET3	VT4 ALP4 BET4	VT5 ALP5 BET5	VT6 ALP6 BET6	VT7 ALP7 BET7
2	0.01 0.00 89.40	49.15 -35.42 18.13	51.05 -30.35 9.70	49.58 -31.00 11.98	49.09 -39.67 7.53	50.30 -39.14 19.95	50.21 -41.38 15.69	56.91 -30.62 10.65
4	4.01 0.00 87.82	50.82 -38.17 18.58	52.65 -34.33 10.72	51.24 -35.47 13.02	51.32 -42.57 7.95	52.50 -42.41 17.93	53.04 -44.78 14.75	60.05 -34.88 9.80
6	7.99 0.00 87.69	52.39 -43.10 17.81	53.84 -40.95 11.36	53.83 -42.50 13.31	53.92 -48.83 8.15	54.64 -48.57 16.95	54.90 -49.72 12.43	63.06 -38.59 7.07
8	11.99 0.00 88.57	62.23 -45.26 18.51	62.41 -43.71 12.87	60.37 -45.52 12.85	60.25 -51.16 8.17	60.18 -51.06 13.13	60.29 -52.19 7.47	67.35 -43.03 3.15
13	22.00 0.00 98.57	67.44 -67.17 20.24	69.46 -64.78 11.37	67.91 -68.15 7.47	68.95 -71.71 -3.39	67.63 -71.52 -2.86	66.80 -68.69 -7.90	70.07 -58.09 -7.28

PROPULSIVE MING FLOW FIELD

RAKE SUMMARY, RUN 246

PT	ALPHA BETA HEIGHT	VT1 ALP1 BET1	VT2 ALP2 BET2	VT3 ALP3 BET3	VT4 ALP4 BET4	VT5 ALP5 BET5	VT6 ALP6 BET6	VT7 ALP7 BET7
2	0.01 0.00 89.92	69.83 -29.65 12.87	72.48 -27.22 9.45	71.46 -28.66 11.02	71.43 -33.02 8.25	70.98 -34.77 14.98	71.75 -35.58 14.04	79.15 -28.76 10.98
4	4.00 0.00 88.40	70.66 -34.52 13.46	73.49 -32.50 9.92	73.12 -34.18 10.73	73.47 -38.70 7.47	73.24 -40.08 12.90	73.72 -40.63 11.14	79.91 -34.95 7.70
6	8.00 0.00 84.01	74.91 -42.26 15.21	76.79 -40.89 11.80	76.42 -42.95 11.76	77.28 -46.66 6.82	76.73 -47.91 9.19	77.58 -46.97 5.04	85.07 -38.91 1.86
8	11.99 0.00 86.43	80.85 -49.96 18.39	84.14 -49.14 12.98	84.03 -52.06 10.26	85.22 -55.37 2.47	83.12 -56.26 -0.05	82.91 -53.16 -5.65	87.23 -43.71 -5.90
13	22.00 0.00 97.87	73.98 -86.74 21.89	71.87 -81.63 -19.70	77.87 -73.40 -33.82	90.26 -66.81 -34.64	93.55 -63.62 -26.48	91.84 -60.02 -23.76	89.56 -51.68 -19.84

PROPULSIVE WING FLOW FIELD

RAKE SUMMARY, RUN 248

PT	ALPHA BETA HEIGHT	VT1			VT2			VT3			VT4			VT5			VT6			VT7		
		ALP1	BET1	HT1	ALP2	BET2	HT2	ALP3	BET3	HT3	ALP4	BET4	HT4	ALP5	BET5	HT5	ALP6	BET6	HT6	ALP7	BET7	HT7
2	0.00	35.74	37.23	33.88	35.26	35.02	35.81	42.54														
	0.00	-38.71	-29.40	-32.31	-47.48	-42.17	-45.40	-31.16														
	88.51	22.24	8.37	10.99	-0.98	22.37	10.88	8.72														
4	3.99	37.46	36.28	37.03	37.34	37.99	37.99	43.94														
	0.00	-42.53	-36.28	-37.62	-47.62	-47.90	-51.79	-35.35														
	87.44	24.19	11.30	12.81	5.10	23.59	15.51	9.91														
6	8.00	37.87	39.30	37.73	38.27	39.25	38.98	45.72														
	0.00	-46.40	-40.41	-42.58	-54.76	-52.64	-56.63	-38.71														
	87.32	24.54	12.15	13.45	6.70	24.37	14.48	8.87														
8	11.99	40.13	41.98	40.96	41.59	43.02	43.86	49.19														
	0.00	-51.69	-46.48	-48.45	-57.88	-55.78	-56.80	-45.51														
	87.33	24.09	12.38	14.23	6.71	19.01	11.94	8.91														
13	21.99	49.48	49.80	49.52	49.95	50.07	50.22	53.99														
	0.00	-51.20	-50.03	-51.19	-66.93	-66.01	-66.27	-58.69														
	98.99	23.17	17.07	14.75	10.06	15.35	8.14	4.48														

PROPULSIVE WING FLOW FIELD

RAKE SUMMARY, RUN 258

PT	ALPHA BETA HEIGHT	VT1			VT2			VT3			VT4			VT5			VT6			VT7		
		ALP1	BET1	HT1	ALP2	BET2	HT2	ALP3	BET3	HT3	ALP4	BET4	HT4	ALP5	BET5	HT5	ALP6	BET6	HT6	ALP7	BET7	HT7
3	0.03	153.10	157.10	157.10	157.10	155.10	132.00	156.10	157.10	155.10	132.00	156.10	157.10	155.10	132.00	156.10	157.10	155.10	132.00	156.10	157.10	155.10
	0.00	-10.15	-9.06	-8.32	-10.22	-10.34	-7.58	-6.63														
	89.29	5.57	5.15	6.33	6.20	4.06	-0.42	0.02														
5	4.05	153.40	158.10	158.00	153.70	136.90	156.20	156.90														
	0.00	-11.65	-10.95	-11.46	-13.28	-10.27	-9.10	-8.22														
	87.59	6.44	5.53	6.89	6.75	-1.32	-1.93	-1.39														
7	8.09	154.70	159.90	158.80	149.90	144.40	155.70	157.30														
	0.00	-13.81	-13.73	-14.16	-16.22	-12.00	-11.01	-10.01														
	87.44	6.88	5.83	6.94	5.78	-4.61	-3.36	-2.72														
9	12.09	156.10	160.80	145.40	123.00	153.70	155.60	156.80														
	0.00	-18.82	-18.46	-18.41	-16.95	-13.32	-12.21	-11.57														
	87.35	5.65	4.88	6.94	-2.87	-6.37	-4.21	-3.47														
14	22.09	85.32	106.60	115.60	142.80	161.60	160.50	157.50														
	0.00	-30.31	-27.23	-23.37	-18.37	-18.31	-13.21	-12.45														
	98.11	-31.00	-32.55	-28.35	-17.95	-10.85	-8.34	-7.06														

PROPULSIVE WING FLOW FIELD

RAKE SUMMARY, RUN 257

PT	ALPHA BETA HEIGHT	VT1		VT2		VT3		VT4		VT5		VT6		VT7		
		ALP1 BET1	ALP2 BET2	ALP3 BET3	ALP4 BET4	ALP5 BET5	ALP6 BET6	ALP7 BET7	VT1 VT2	VT3 VT4	VT5 VT6	VT7 VT8	ALP8 BET8	ALP9 BET9	ALP10 BET10	
2	-0.04 0.00 87.49	132.10 -18.02 6.69	136.80 -17.01 7.34	135.30 -17.21 7.73	135.30 -18.40 7.86	152.20 -15.72 8.38	379.40 -16.32 5.33	210.40 -22.04 1.01								
4	4.03 0.00 87.09	133.00 -21.17 7.48	138.10 -20.19 7.57	137.20 -20.46 7.64	136.20 -21.73 7.68	161.00 -18.67 7.98	385.40 -20.25 5.01	192.20 -24.87 -1.16								
6	8.01 0.00 87.43	134.10 -24.35 7.71	139.50 -23.29 7.29	138.30 -23.47 7.03	137.00 -24.87 6.63	172.40 -21.30 6.56	384.60 -24.15 4.35	171.10 -26.72 -3.61								
8	12.02 0.00 88.37	135.50 -27.89 6.89	140.70 -26.63 5.52	139.10 -26.59 4.43	137.60 -27.98 3.42	185.70 -23.19 4.28	364.70 -28.01 3.40	147.80 -26.25 -5.77								
13	22.03 0.00 98.23	140.00 -33.28 1.35	143.00 -29.13 -3.58	141.10 -30.65 -8.77	137.20 -34.37 -11.46	214.80 -30.00 -1.39	340.80 -37.20 1.22	125.20 -29.19 -7.87								

PROPULSIVE WING FLOW FIELD

RAKE SUMMARY, RUN 258

PT	ALPHA BETA HEIGHT	VT1		VT2		VT3		VT4		VT5		VT6		VT7		
		ALP1 BET1	ALP2 BET2	ALP3 BET3	ALP4 BET4	ALP5 BET5	ALP6 BET6	ALP7 BET7	VT1 VT2	VT3 VT4	VT5 VT6	VT7 VT8	ALP8 BET8	ALP9 BET9	ALP10 BET10	
2	-0.02 0.00 88.19	93.08 -20.84 7.47	96.46 -19.53 7.36	96.42 -19.42 7.85	95.05 -21.58 8.15	103.80 -19.52 9.36	305.70 -16.21 5.72	267.00 -24.26 3.69								
4	4.02 0.00 88.36	93.34 -24.45 8.19	96.42 -23.24 7.64	95.58 -23.29 7.86	95.45 -23.15 7.70	108.39 -22.25 8.63	315.20 -20.10 5.73	253.60 -27.81 2.97								
6	8.03 0.00 87.17	94.56 -28.04 8.38	98.76 -26.39 7.22	97.90 -26.37 6.99	96.57 -28.39 6.46	113.20 -25.05 7.30	327.90 -23.95 5.14	237.40 -31.28 1.82								
8	12.02 0.00 88.23	95.95 -32.11 7.46	100.10 -30.05 5.52	98.50 -29.42 4.47	97.83 -31.12 3.23	122.60 -26.94 4.33	343.10 -27.86 4.28	226.70 -34.98 1.01								
14	22.07 0.00 99.01	101.20 -41.06 3.46	105.40 -36.59 0.44	101.50 -32.57 -3.80	100.20 -34.62 -11.10	132.80 -33.70 -6.27	345.50 -37.11 2.06	185.10 -43.39 -2.06								

PROPULSIVE WING FLOW FIELD

RAKE SUMMARY, RUN 262

PT	ALPHA BETA HEIGHT	VI1 ALP1 BET1	VI2 ALP2 BET2	VI3 ALP3 BET3	VI4 ALP4 BET4	VI5 ALP5 BET5	VI6 ALP6 BET6	VI7 ALP7 BET7
3	0.00 88.03	156.70 -19.44 5.81	162.60 -17.90 1.63	161.00 -14.81 -0.88	159.30 -12.60 -1.37	132.80 -11.20 -2.02	155.70 -7.64 -0.54	161.30 -6.44 0.07
5	4.02 86.97	161.20 -24.25 -6.57	165.90 -18.28 -4.24	158.90 -15.18 -2.41	153.30 -14.46 -3.43	133.80 -12.98 -4.29	155.80 -10.27 -1.85	161.10 -8.97 -1.22
7	8.05 88.63	159.50 -21.34 -7.17	161.70 -16.51 -3.69	156.90 -16.08 -2.18	149.90 -14.61 -4.85	138.50 -12.97 -4.65	155.40 -11.87 -2.77	161.10 -10.86 -2.06
9	12.07 87.00	158.10 -21.20 -6.02	161.40 -18.27 -4.14	156.50 -17.06 -3.04	125.90 -15.88 -5.05	150.50 -14.09 -5.76	155.50 -13.60 -3.62	160.20 -12.90 -2.64
14	22.06 95.12	147.90 -29.73 -12.48	149.00 -26.86 -11.70	139.90 -24.55 -12.80	127.70 -22.51 -13.42	150.90 -20.06 -6.24	150.90 -17.90 -4.85	155.70 -17.27 -4.10

PROPULSIVE WING FLOW FIELD

RAKE SUMMARY, RUN 259

PT	ALPHA BETA HEIGHT	VI1 ALP1 BET1	VI2 ALP2 BET2	VI3 ALP3 BET3	VI4 ALP4 BET4	VI5 ALP5 BET5	VI6 ALP6 BET6	VI7 ALP7 BET7
2	0.01 87.66	64.47 -25.57 8.87	68.41 -22.08 7.18	67.30 -22.01 7.92	66.75 -25.13 7.72	72.02 -23.39 9.93	242.40 -16.57 5.58	287.80 -24.44 3.99
4	4.02 86.28	65.64 -28.93 9.67	69.02 -26.25 7.61	67.67 -26.18 8.05	67.31 -29.22 7.19	74.84 -26.38 9.33	250.50 -20.56 5.77	290.30 -28.37 3.89
6	8.05 86.84	66.32 -33.10 10.02	70.32 -29.88 7.34	69.11 -29.59 7.08	68.51 -32.63 6.18	78.21 -29.31 8.50	261.20 -24.35 5.33	283.20 -32.25 3.35
8	12.02 87.28	67.48 -37.57 9.05	70.95 -34.65 5.74	70.39 -33.43 5.13	69.62 -35.83 3.54	80.92 -32.19 4.67	276.10 -28.00 4.86	275.30 -36.10 3.15
13	22.02 98.88	73.39 -47.24 5.37	77.87 -42.51 1.86	76.55 -39.38 -0.69	75.50 -39.11 -6.11	96.81 -36.12 -6.61	294.30 -37.40 2.65	246.10 -45.43 2.00

PROPULSIVE WING FLOW FIELD

RAKE SUMMARY, RUN 264

PT	ALPHA BETA HEIGHT	VT1		VT2		VT3		VT4		VT5		VT6		VT7	
		ALP1 BET1	ALP2 BET2	ALP3 BET3	ALP4 BET4	ALP5 BET5	ALP6 BET6	ALP7 BET7	ALP1 BET1	ALP2 BET2	ALP3 BET3	ALP4 BET4	ALP5 BET5	ALP6 BET6	ALP7 BET7
2	0.02 0.00 87.00	98.02 -24.42 11.73	101.90 -22.73 10.02	102.50 -23.97 10.07	103.30 -26.65 5.90	108.60 -22.58 4.09	317.90 -16.39 2.07	246.20 -21.90 -0.31							
4	4.02 0.00 86.81	104.90 -34.07 14.92	112.70 -32.86 9.50	110.60 -34.37 3.33	105.40 -33.76 -5.26	106.30 -27.30 -5.50	318.80 -20.13 0.49	236.10 -25.73 -0.87							
6	8.01 0.00 86.94	122.00 -46.25 7.74	123.40 -43.08 -5.90	112.20 -37.74 -14.15	109.60 -33.68 -14.83	113.10 -28.15 -11.18	328.80 -23.88 -0.01	231.80 -30.30 -0.86							
9	11.99 0.00 86.64	124.80 -49.41 -16.04	126.80 -41.06 -16.46	115.90 -36.61 -18.39	106.40 -34.74 -19.92	116.00 -29.91 -13.61	334.60 -27.49 -0.26	226.00 -34.43 -1.09							
14	22.04 0.00 97.24	128.80 -47.93 -23.66	125.60 -45.25 -22.11	112.00 -42.11 -25.03	106.10 -41.63 -23.38	124.20 -36.13 -13.55	330.30 -36.23 -0.81	194.70 -42.35 -1.75							

PROPULSIVE WING FLOW FIELD

RAKE SUMMARY, RUN 263

PT	ALPHA BETA HEIGHT	VT1		VT2		VT3		VT4		VT5		VT6		VT7	
		ALP1 BET1	ALP2 BET2	ALP3 BET3	ALP4 BET4	ALP5 BET5	ALP6 BET6	ALP7 BET7	ALP1 BET1	ALP2 BET2	ALP3 BET3	ALP4 BET4	ALP5 BET5	ALP6 BET6	ALP7 BET7
2	0.01 0.00 87.36	134.30 -23.20 10.38	140.60 -23.09 9.00	141.20 -24.56 6.60	140.50 -24.78 1.76	145.90 -20.25 1.11	375.20 -16.38 1.64	218.40 -19.14 -0.89							
4	4.09 0.00 87.89	157.60 -33.37 11.75	161.80 -34.49 3.60	150.10 -32.87 -6.39	143.00 -28.23 -9.99	152.80 -22.54 -6.75	383.20 -20.08 0.66	200.10 -23.28 -2.21							
6	8.03 0.00 86.96	163.80 -46.80 -4.47	168.10 -38.20 -13.26	152.30 -31.62 -15.76	145.90 -28.85 -14.21	160.40 -24.05 -9.34	383.70 -23.67 0.10	186.70 -26.68 -3.03							
8	12.08 0.00 88.33	166.40 -41.69 -20.77	166.60 -35.99 -17.39	150.40 -32.38 -18.27	143.00 -30.40 -16.48	168.30 -26.23 -10.01	374.10 -27.06 -0.25	178.60 -29.55 -3.47							
13	22.05 0.00 94.85	159.60 -42.50 -20.76	158.00 -41.36 -18.06	147.20 -39.00 -17.49	141.80 -38.48 -15.43	166.20 -33.53 -9.24	361.00 -35.24 -0.41	157.80 -35.31 -4.59							



PROPULSIVE WING FLOW FIELD

RAKE SUMMARY, RUN 273

PT	ALPHA BETA HEIGHT	VT1 ALP1 BET1	VT2 ALP2 BET2	VT3 ALP3 BET3	VT4 ALP4 BET4	VT5 ALP5 BET5	VT6 ALP6 BET6	VT7 ALP7 BET7
3	0.01 0.00 88.76	157.20 -14.83 5.10	160.80 -14.75 5.52	157.00 -16.55 5.78	148.20 -20.64 7.02	116.40 -25.09 10.16	87.51 -16.35 7.07	123.10 -5.09 4.44
5	3.99 0.00 89.00	156.00 -17.00 5.88	160.00 -17.16 5.61	152.30 -19.60 5.42	136.10 -24.63 7.43	103.90 -27.68 9.15	91.27 -14.91 6.72	126.20 -7.72 3.72
7	8.02 0.00 86.39	154.50 -17.97 5.91	155.10 -18.24 4.48	145.40 -22.38 5.41	123.70 -28.06 7.71	93.15 -28.05 5.68	94.64 -14.56 3.97	130.20 -9.96 1.19
8	12.01 0.00 88.86	156.20 -20.11 4.13	155.60 -20.42 2.06	136.50 -25.59 1.94	103.00 -32.37 -1.57	79.98 -24.59 -1.87	100.50 -10.86 1.93	137.60 -10.86 -1.05
11	21.97 0.00 97.81	63.09 -41.61 -47.81	77.87 -37.04 -44.99	80.98 -35.39 -45.71	77.06 -26.76 -42.54	95.30 -11.44 -22.30	145.30 -11.98 -7.81	167.50 -13.54 -4.09

PROPULSIVE WING FLOW FIELD

RAKE SUMMARY, RUN 265

PT	ALPHA BETA HEIGHT	VT1 ALP1 BET1	VT2 ALP2 BET2	VT3 ALP3 BET3	VT4 ALP4 BET4	VT5 ALP5 BET5	VT6 ALP6 BET6	VT7 ALP7 BET7
2	0.01 0.00 87.26	67.03 -27.33 14.21	72.44 -22.42 9.45	72.66 -22.40 11.45	74.76 -27.65 9.30	86.79 -22.56 8.65	277.10 -16.37 2.88	268.20 -23.36 0.62
4	4.01 0.00 87.16	74.43 -34.14 18.21	81.66 -30.36 12.29	82.33 -31.88 10.77	81.72 -35.79 3.74	83.17 -31.15 -0.14	271.30 -20.30 1.16	260.60 -26.96 -0.64
6	8.06 0.00 87.88	85.69 -43.70 17.79	89.23 -42.37 7.93	84.70 -42.61 -1.98	82.34 -40.74 -12.44	84.25 -34.11 -10.73	274.30 -24.30 -0.12	255.80 -30.95 -0.81
8	12.07 0.00 88.07	93.00 -56.18 3.75	94.51 -48.20 -9.96	88.94 -42.38 -9.96	86.30 -40.75 -18.84	84.48 -35.38 -16.19	284.50 -27.76 -0.41	256.50 -35.20 -0.76
13	22.01 0.00 98.46	96.17 -57.46 -27.73	99.48 -50.25 -23.61	86.43 -46.01 -29.11	81.66 -45.13 -31.32	88.37 -41.01 -20.39	285.00 -37.01 -1.13	239.10 -44.74 -0.85

PROPULSIVE MING FLOW FIELD

RAKE SUMMARY, RUN 275

PT	ALPHA BETA HEIGHT	VT1 ALP1 BET1	VT2 ALP2 BET2	VT3 ALP3 BET3	VT4 ALP4 BET4	VT5 ALP5 BET5	VT6 ALP6 BET6	VT7 ALP7 BET7
2	0.02 0.00 88.72	65.28 -22.75 12.69	67.73 -20.63 11.76	66.60 -21.52 14.78	66.06 -25.13 16.69	62.28 -24.97 20.96	57.72 -25.76 21.47	67.95 -17.05 15.67
4	3.98 0.00 89.66	66.22 -25.94 14.22	68.48 -24.45 13.06	67.17 -25.44 16.20	66.46 -28.71 17.74	62.25 -28.52 22.16	57.43 -28.75 20.92	68.54 -20.93 14.96
6	8.00 0.00 87.18	66.61 -30.28 14.40	69.59 -27.96 12.87	68.91 -28.85 15.29	67.49 -31.93 17.18	62.81 -31.23 21.72	59.04 -31.74 21.01	71.09 -23.70 14.97
7	12.00 0.00 86.98	69.59 -36.62 13.56	72.28 -34.50 11.60	71.51 -35.63 12.82	70.45 -38.75 12.17	68.13 -39.16 14.55	62.91 -40.94 13.98	65.81 -30.77 9.98
10	22.01 0.00 98.96	67.35 -63.71 12.91	61.90 -62.49 6.79	50.95 -68.58 4.76	41.83 -76.32 -7.43	28.72 -73.17 -5.76	23.93 -67.93 -4.13	57.17 -26.71 6.10

PROPULSIVE MING FLOW FIELD

RAKE SUMMARY, RUN 274

PT	ALPHA BETA HEIGHT	VT1 ALP1 BET1	VT2 ALP2 BET2	VT3 ALP3 BET3	VT4 ALP4 BET4	VT5 ALP5 BET5	VT6 ALP6 BET6	VT7 ALP7 BET7
2	-0.01 0.00 91.61	91.95 -20.73 11.22	94.89 -19.43 12.02	94.68 -20.51 14.65	92.81 -23.28 16.81	85.91 -23.52 20.19	80.02 -23.55 20.52	87.17 -17.72 16.13
4	4.00 0.00 88.89	92.92 -24.01 12.75	96.10 -22.74 13.18	95.05 -23.57 15.86	93.29 -26.89 17.61	84.60 -27.82 19.44	80.69 -26.48 18.27	89.74 -20.07 15.77
6	8.03 0.00 88.42	94.57 -27.61 13.05	97.41 -26.34 13.11	96.60 -27.53 15.42	94.44 -29.99 17.43	85.99 -30.04 19.94	84.13 -27.68 19.15	92.14 -21.73 14.85
7	12.00 0.00 89.11	97.66 -33.70 10.12	100.40 -32.13 9.03	99.02 -32.35 9.14	97.59 -33.04 8.71	92.53 -33.04 12.91	88.41 -31.30 15.70	96.45 -24.69 14.41
10	22.00 0.00 98.73	89.15 -64.73 11.90	79.58 -65.70 6.79	65.62 -68.63 -0.22	51.56 -71.05 -12.81	35.86 -66.83 -14.58	33.84 -53.20 -6.24	62.36 -29.61 2.51

PROPULSIVE WING FLOW FIELD

RAKE SUMMARY, RUN 276

PT	ALPHA	VT1	VT2	VT3	VT4	VT5	VT6	VT7
BETA	ALP1	ALP2	ALP3	ALP4	ALP5	ALP6	ALP7	ALP7
HEIGHT	BET1	BET2	BET3	BET4	BET5	BET6	BET7	BET7
2	0.00	44.99	47.47	45.64	44.78	42.89	39.35	48.97
	0.00	-25.51	-20.79	-22.40	-27.38	-26.67	-31.52	-19.83
	88.13	14.65	11.18	15.30	15.65	22.70	20.59	12.76
4	4.02	45.69	47.89	46.65	46.11	44.42	40.63	50.42
	0.00	-28.57	-25.26	-27.02	-32.34	-29.73	-34.84	-23.26
	87.76	15.85	12.79	16.46	17.63	22.94	21.45	13.34
6	8.02	47.15	49.21	48.29	47.29	45.59	41.59	51.53
	0.00	-33.15	-29.49	-30.30	-35.71	-33.94	-38.04	-26.30
	85.00	16.09	12.73	15.37	16.38	21.04	19.25	12.46
7	11.99	48.26	51.44	49.96	48.87	46.80	41.38	46.98
	0.00	-38.52	-33.97	-37.29	-42.49	-42.15	-47.92	-31.39
	87.34	17.00	12.44	16.22	15.14	18.67	14.69	7.49
10	21.99	51.24	48.65	41.91	37.76	29.11	23.74	41.57
	0.00	-61.66	-61.49	-67.33	-74.37	-71.21	-73.76	-33.05
	98.96	16.15	9.40	10.44	-4.98	-2.51	-8.67	6.67

PROPULSIVE WING FLOW FIELD

RAKE SUMMARY, RUN 277

PT	ALPHA	VT1	VT2	VT3	VT4	VT5	VT6	VT7
BETA	ALP1	ALP2	ALP3	ALP4	ALP5	ALP6	ALP6	ALP7
HEIGHT	BET1	BET2	BET3	BET4	BET5	BET6	BET6	BET7
2	-0.01	45.30	47.71	46.33	45.60	44.24	39.81	48.19
	5.01	-24.26	-20.40	-21.70	-27.06	-24.50	-31.08	-19.25
	87.89	19.11	15.74	19.69	20.07	26.98	26.21	16.17
4	4.02	45.78	48.11	46.93	46.47	45.26	41.72	48.94
	5.01	-27.51	-24.21	-26.85	-31.12	-28.75	-32.41	-23.51
	91.48	20.52	16.41	20.97	20.62	25.70	25.37	16.82
6	7.99	47.70	51.23	47.78	47.67	47.28	42.97	50.97
	5.01	-31.57	-26.77	-30.76	-35.46	-33.27	-37.48	-25.35
	90.39	20.73	14.93	20.58	19.66	24.16	24.32	13.92
7	11.99	48.82	50.90	49.94	48.67	45.19	38.53	46.19
	5.01	-36.35	-33.70	-35.51	-40.70	-41.08	-47.63	-29.44
	87.98	20.52	16.33	19.42	19.56	23.17	19.20	9.79
10	22.00	50.87	48.19	43.01	37.93	29.15	23.47	42.28
	5.01	-60.70	-60.04	-62.50	-67.99	-63.59	-62.32	-30.06
	99.06	20.81	12.88	8.87	-6.03	-8.57	-7.45	6.42

PROPULSIVE WING FLOW FIELD

RAKE SUMMARY, RUN 299

PT	ALPHA BETA HEIGHT	VT1 ALP1 BET1	VT2 ALP2 BET2	VT3 ALP3 BET3	VT4 ALP4 BET4	VT5 ALP5 BET5	VT6 ALP6 BET6	VT7 ALP7 BET7
3	0.01 0.00 86.74	157.30 -14.87 4.53	163.00 -14.27 3.97	157.60 -15.67 3.51	146.60 -18.48 4.00	113.30 -20.20 10.94	111.80 -7.74 14.56	146.70 -3.60 8.88
6	3.99 0.00 87.14	156.90 -17.46 4.87	162.50 -16.46 3.54	155.20 -18.41 2.98	132.10 -23.18 4.10	99.35 -17.03 15.13	117.90 -4.38 14.64	149.20 -4.20 4.23
8	8.02 -0.01 87.55	155.00 -18.21 4.94	158.40 -17.15 2.42	146.70 -20.44 2.74	115.70 -24.46 5.42	96.44 -15.79 15.20	113.60 -7.26 11.81	145.90 -6.73 1.96
9	12.02 0.00 86.12	154.90 -19.71 3.23	155.60 -18.47 0.77	136.60 -22.04 2.15	103.60 -26.90 0.53	84.61 -16.80 6.42	105.90 -10.67 5.95	140.30 -10.22 -0.50
12	21.98 -0.01 97.88	65.09 -42.34 -49.15	78.01 -37.64 -46.29	74.88 -35.06 -49.95	71.83 -25.42 -46.33	94.67 -6.42 -20.35	148.00 -9.26 -6.93	169.80 -12.45 -3.46

PROPULSIVE WING FLOW FIELD

RAKE SUMMARY, RUN 278

PT	ALPHA BETA HEIGHT	VT1 ALP1 BET1	VT2 ALP2 BET2	VT3 ALP3 BET3	VT4 ALP4 BET4	VT5 ALP5 BET5	VT6 ALP6 BET6	VT7 ALP7 BET7
2	-0.01 5.01 88.42	64.81 -21.41 16.91	67.67 -19.23 15.77	67.06 -20.41 18.99	65.62 -23.63 21.09	62.17 -21.68 24.42	58.73 -21.39 25.07	67.59 -16.06 19.25

PROPULSIVE MING FLOW FIELD

RAKE SUMMARY. RUN 304

PT	ALPHA BETA HEIGHT	VT1 ALP1 BET1	VT2 ALP2 BET2	VT3 ALP3 BET3	VT4 ALP4 BET4	VT5 ALP5 BET5	VT6 ALP6 BET6	VT7 ALP7 BET7
2	0.00 0.00 90.51	35.11 -37.52 23.04	39.06 -22.41 7.51	33.55 -26.31 14.78	35.25 -43.00 7.04	35.16 -40.12 19.56	36.00 -47.42 14.42	46.85 -25.91 9.98
4	4.01 0.00 86.94	36.53 -40.47 23.13	39.36 -29.81 9.46	35.43 -32.91 15.97	36.64 -46.25 10.14	36.87 -43.29 19.38	37.67 -50.91 16.25	47.65 -30.98 11.67
6	7.98 0.00 84.26	37.52 -43.62 23.59	40.74 -32.58 9.93	36.04 -35.79 16.57	37.23 -49.42 11.30	38.22 -46.59 21.09	38.69 -54.79 20.07	47.87 -35.63 13.10
7	11.98 0.00 84.93	36.33 -47.38 24.68	40.27 -38.84 11.11	35.73 -44.89 19.72	37.68 -52.79 11.49	38.05 -51.08 22.32	37.51 -62.55 17.46	43.65 -38.43 9.27
10	21.99 0.00 99.10	41.24 -64.02 26.43	42.03 -56.30 12.55	39.17 -62.05 17.18	40.80 -69.86 5.14	38.52 -71.12 11.74	38.47 -75.63 -0.71	43.96 -51.83 3.64

PROPULSIVE MING FLOW FIELD

RAKE SUMMARY. RUN 305

PT	ALPHA BETA HEIGHT	VT1 ALP1 BET1	VT2 ALP2 BET2	VT3 ALP3 BET3	VT4 ALP4 BET4	VT5 ALP5 BET5	VT6 ALP6 BET6	VT7 ALP7 BET7
2	0.01 0.00 89.51	51.87 -30.30 15.00	54.69 -25.77 9.74	52.82 -28.14 13.59	53.25 -34.31 12.22	53.23 -34.87 18.40	54.28 -38.67 19.21	62.00 -30.43 17.05
4	4.04 0.00 87.50	52.59 -34.28 16.93	55.41 -29.51 11.20	52.91 -31.56 15.18	53.51 -38.63 13.58	54.22 -38.54 19.81	55.29 -42.21 21.76	62.39 -34.50 18.90
6	8.00 0.00 89.33	53.62 -38.52 17.91	55.77 -35.35 11.58	53.93 -37.60 15.79	54.89 -42.91 13.18	54.85 -44.05 19.76	55.94 -48.59 20.92	63.03 -40.24 17.77
7	11.95 0.00 87.78	54.64 -43.38 18.06	56.84 -40.03 12.14	54.87 -42.59 15.84	55.49 -48.65 13.46	56.02 -49.98 19.20	55.81 -55.20 18.60	58.04 -46.28 13.25
10	22.04 0.00 99.26	58.85 -61.64 18.06	60.51 -58.37 10.58	58.04 -62.40 11.32	59.96 -66.31 3.37	58.44 -69.42 6.57	57.73 -73.13 2.02	59.99 -62.86 3.21

PROPULSIVE WING FLOW FIELD

RAKE SUMMARY, RUN 307

PT	ALPHA BETA HEIGHT	VT1 ALP1 BET1	VT2 ALP2 BET2	VT3 ALP3 BET3	VT4 ALP4 BET4	VT5 ALP5 BET5	VT6 ALP6 BET6	VT7 ALP7 BET7
2	0.02 0.00 89.31	103.50 -24.69 11.51	107.60 -23.42 11.42	107.00 -25.53 13.73	107.90 -29.08 15.07	107.50 -32.08 20.60	107.90 -36.04 24.47	111.50 -36.13 24.94
4	3.99 0.00 85.90	104.50 -28.45 12.61	108.70 -27.29 12.37	108.40 -29.28 14.42	109.80 -32.83 15.54	109.00 -36.36 20.77	110.00 -40.51 23.97	114.10 -40.89 24.61
6	7.99 0.00 84.36	107.20 -33.25 12.33	111.50 -32.04 11.38	111.20 -33.82 12.61	112.10 -36.53 12.65	111.20 -39.60 16.99	113.60 -43.49 20.82	117.30 -45.50 22.52
7	12.03 0.00 87.59	111.10 -39.65 11.45	115.90 -38.14 9.62	115.60 -39.55 9.50	116.10 -41.73 8.00	114.00 -44.25 9.42	116.10 -46.52 10.44	120.30 -47.27 11.50
10	22.00 0.00 98.84	123.50 -58.81 6.79	127.20 -57.46 3.04	125.50 -59.11 -0.59	124.90 -60.38 -5.80	118.40 -62.10 -9.33	113.00 -63.31 -9.19	109.60 -61.11 -6.38

PROPULSIVE WING FLOW FIELD

RAKE SUMMARY, RUN 306

PT	ALPHA BETA HEIGHT	VT1 ALP1 BET1	VT2 ALP2 BET2	VT3 ALP3 BET3	VT4 ALP4 BET4	VT5 ALP5 BET5	VT6 ALP6 BET6	VT7 ALP7 BET7
2	0.02 0.00 88.95	72.46 -26.93 12.39	75.67 -24.49 10.70	74.03 -26.55 13.68	74.58 -30.55 13.13	74.31 -32.24 19.15	75.07 -35.88 25.01	79.88 -32.51 24.20
4	4.00 0.00 87.62	73.25 -30.75 14.08	76.40 -28.71 12.05	75.06 -30.41 14.49	75.96 -34.33 14.40	75.62 -36.42 20.63	76.66 -40.31 24.90	82.07 -37.03 24.02
6	8.07 0.00 89.30	74.63 -36.13 14.07	78.46 -33.86 11.65	77.34 -35.98 13.39	77.58 -39.57 12.70	77.42 -41.62 17.40	78.09 -45.17 19.89	84.39 -43.01 19.63
7	11.99 0.00 87.16	76.93 -41.45 14.62	80.67 -39.00 11.72	79.54 -41.22 13.07	80.38 -44.69 11.56	79.60 -47.43 15.03	79.42 -51.48 15.15	81.07 -46.85 13.49
10	22.01 0.00 99.15	85.75 -60.58 11.98	88.04 -58.76 6.94	86.95 -61.41 4.75	88.37 -64.21 -1.32	85.12 -66.97 -2.99	85.03 -70.07 -4.94	86.59 -66.64 -3.60

PROPULSIVE WING FLOW FIELD

RAKE SUMMARY. RUN 316

PT	ALPHA BETA HEIGHT	VT1		VT2		VT3		VT4		VT5		VT6		VT7	
		ALP1 BET1	ALP2 BET2	ALP3 BET3	ALP4 BET4	ALP5 BET5	ALP6 BET6	ALP7 BET7	ALP8 BET8	ALP9 BET9	ALP10 BET10	ALP11 BET11	ALP12 BET12	ALP13 BET13	ALP14 BET14
3	-0.01 87.39	48.65 -28.53 15.58	51.32 -28.44 17.99	53.16 -28.11 18.45	53.43 -28.85 18.99	51.40 -31.25 25.53	52.71 -31.60 29.25	53.93 -31.24 34.82							
4	2.01 0.00 87.97	49.06 -30.22 16.46	52.15 -28.81 17.68	53.78 -30.17 18.66	53.45 -31.54 19.63	52.26 -32.26 25.31	53.21 -33.49 28.89	54.71 -32.52 33.26							
6	8.05 -0.01 87.72	50.35 -34.64 20.70	53.48 -42.88 22.80	56.06 -44.58 22.03	56.02 -45.81 23.00	54.80 -46.90 26.87	54.51 -48.87 27.31	57.35 -42.73 33.47							
7	12.04 -0.01 87.25	52.45 -43.25 26.42	56.33 -42.88 26.30	55.62 -44.58 24.56	50.92 -45.81 21.28	46.26 -46.90 22.00	48.87 -44.97 21.96	56.17 -42.73 21.19							
10	22.01 -0.01 98.26	53.39 -78.09 2.47	55.14 -75.55 -1.90	54.34 -73.74 -7.94	53.43 -71.27 -12.76	51.57 -73.33 -13.73	50.30 -72.05 -10.33	50.54 -71.41 -4.80							

PROPULSIVE WING FLOW FIELD

RAKE SUMMARY. RUN 315

PT	ALPHA BETA HEIGHT	VT1		VT2		VT3		VT4		VT5		VT6		VT7	
		ALP1 BET1	ALP2 BET2	ALP3 BET3	ALP4 BET4	ALP5 BET5	ALP6 BET6	ALP7 BET7	ALP8 BET8	ALP9 BET9	ALP10 BET10	ALP11 BET11	ALP12 BET12	ALP13 BET13	ALP14 BET14
2	-0.02 -0.01 86.72	32.27 -12.80 -11.65	33.34 -33.05 42.07	41.59 -43.64 31.15	44.12 -24.61 36.30	33.97 -35.16 34.98	35.83 -27.72 33.52	48.55 -28.80 78.06							
4	4.02 -0.01 89.05	31.37 -20.25 -10.03	35.52 -36.55 44.59	43.90 -47.97 34.51	47.06 -28.76 37.95	36.44 -39.38 36.93	38.95 -31.29 36.47	49.75 -34.52 76.06							
6	7.98 -0.01 85.57	31.34 -25.64 -4.99	37.89 -42.34 49.70	45.38 -52.97 36.98	47.81 -33.59 38.60	37.85 -42.11 37.95	40.37 -34.77 39.26	50.35 -37.22 74.41							
7	11.99 -0.01 86.79	30.42 -28.78 -6.29	37.72 -45.19 50.25	44.15 -54.18 34.42	47.07 -36.62 38.61	36.84 -44.51 39.10	39.17 -38.04 40.84	48.81 -38.03 72.23							
10	21.99 -0.01 98.63	31.94 -50.50 3.00	39.79 -60.76 54.41	42.31 -74.70 37.89	40.10 -47.72 45.41	27.10 -65.28 44.83	33.19 -49.06 37.33	44.98 -61.41 70.74							

PROPULSIVE MING FLOW FIELD

RAKE SUMMARY, RUN 318

PT	ALPHA BETA HEIGHT	VT1		VT2		VT3		VT4		VT5		VT6		VT7	
		ALP1 BET1	ALP2 BET2	ALP3 BET3	ALP4 BET4	ALP5 BET5	ALP6 BET6	ALP7 BET7							
2	0.02 -0.01 87.55	100.50 -21.41 10.87	103.70 -21.41 12.33	105.00 -22.74 13.17	104.50 -25.06 14.35	98.80 -27.44 19.00	95.35 -29.09 22.84	96.75 -29.77 25.14							
4	4.00 -0.01 87.78	103.00 -31.00 14.45	107.20 -31.45 14.85	106.60 -34.66 14.42	102.80 -37.26 12.92	95.04 -40.68 12.23	93.52 -40.50 9.57	98.07 -38.88 10.24							
6	8.01 -0.01 86.34	109.20 -42.08 11.04	109.80 -41.82 8.80	103.70 -43.39 6.41	96.43 -45.12 4.29	88.37 -47.64 1.91	87.11 -48.10 2.80	94.60 -46.24 1.52							
7	12.07 -0.01 87.07	108.20 -61.57 9.41	112.40 -60.97 -0.30	114.40 -59.63 -10.25	114.50 -57.35 -14.79	113.80 -56.74 -17.18	113.00 -55.07 -12.58	114.20 -55.01 -9.68							
8	16.05 -0.01 87.58	109.60 -70.12 -1.96	115.00 -67.06 -7.82	116.60 -64.93 -14.71	118.20 -62.53 -16.70	118.30 -61.89 -17.24	115.80 -60.94 -13.36	115.00 -59.32 -11.61							
10	22.09 -0.01 95.78	92.76 -76.93 -20.03	93.67 -72.60 -19.65	90.90 -71.05 -25.71	88.84 -70.91 -28.18	89.79 -68.77 -30.01	91.77 -67.89 -24.20	95.99 -64.26 -20.14							

PROPULSIVE MING FLOW FIELD

RAKE SUMMARY, RUN 317

PT	ALPHA BETA HEIGHT	VT1		VT2		VT3		VT4		VT5		VT6		VT7	
		ALP1 BET1	ALP2 BET2	ALP3 BET3	ALP4 BET4	ALP5 BET5	ALP6 BET6	ALP7 BET7							
2	0.00 -0.01 87.75	69.87 -25.57 11.34	73.04 -25.19 12.52	73.97 -26.22 13.01	74.02 -28.35 13.69	72.19 -30.97 17.76	74.26 -31.59 20.52	75.94 -32.14 24.93							
4	4.05 0.00 86.92	70.38 -28.52 15.36	74.00 -27.45 16.49	74.50 -30.49 18.38	75.48 -31.72 18.62	72.55 -34.34 22.15	71.70 -34.50 24.61	72.73 -34.67 26.44							
6	8.02 -0.01 87.83	74.77 -38.16 19.14	77.44 -39.41 19.84	76.61 -41.76 18.45	72.35 -44.65 16.33	67.61 -46.71 15.50	67.77 -45.85 13.76	70.72 -44.36 15.13							
7	12.07 -0.01 88.09	78.96 -52.74 14.39	78.88 -53.51 11.07	76.17 -54.98 6.48	72.93 -56.43 1.95	68.64 -59.51 -0.13	65.95 -58.03 2.51	67.88 -56.10 4.95							
10	22.04 -0.01 97.42	69.04 -78.05 -21.94	76.02 -73.58 -24.04	77.44 -70.43 -26.93	78.74 -68.53 -26.82	78.91 -69.16 -26.07	77.38 -70.75 -20.09	77.25 -71.04 -12.33							



PROPULSIVE MING FLOW FIELD

RAKE SUMMARY, RUN 321

PT	ALPHA BETA HEIGHT	VT1 ALP1 BET1	VT2 ALP2 BET2	VT3 ALP3 BET3	VT4 ALP4 BET4	VT5 ALP5 BET5	VT6 ALP6 BET6	VT7 ALP7 BET7
1	8.06 5.00 47.58	34.13 -26.84 46.01	41.76 -8.02 -12.63	37.07 38.13 -22.17	40.40 -1.85 -39.20	19.88 -19.39 11.42	24.61 -2.29 -60.17	52.75 -12.88 -3.46
2	8.04 5.00 65.60	33.99 -25.94 42.88	38.75 -9.01 -15.28	37.04 34.45 -21.38	40.88 -1.56 -39.91	20.14 -23.73 8.70	24.00 -2.62 -58.25	50.92 -13.84 -3.92
3	8.04 5.00 87.05	33.53 -26.38 41.60	38.28 -8.81 -16.11	37.58 33.40 -21.46	40.13 -1.40 -43.00	22.71 -19.56 8.78	25.91 -3.63 -85.20	52.63 -13.01 -3.73

PROPULSIVE MING FLOW FIELD

RAKE SUMMARY, RUN 320

PT	ALPHA BETA HEIGHT	VT1 ALP1 BET1	VT2 ALP2 BET2	VT3 ALP3 BET3	VT4 ALP4 BET4	VT5 ALP5 BET5	VT6 ALP6 BET6	VT7 ALP7 BET7
2	-0.01 0.00 18.92	29.66 -18.04 43.70	37.36 -0.62 -14.54	34.27 48.27 -24.87	37.18 3.24 -36.70	19.28 -24.42 10.62	21.90 0.80 -56.46	47.11 -6.51 -4.08
3	-0.01 0.00 18.92	31.19 -18.35 42.09	34.91 -1.10 -16.98	35.32 44.58 -21.86	36.37 2.88 -38.95	20.49 -18.64 12.81	22.68 -1.15 -49.85	47.67 -6.07 -3.86
4	-0.03 0.00 32.23	32.22 -15.56 40.54	36.96 -0.81 -15.27	34.11 45.75 -23.80	39.54 2.61 -38.34	21.80 -25.56 14.68	23.82 0.58 -55.50	47.83 -6.86 -4.05
5	-0.04 0.00 65.61	32.26 -20.16 45.39	39.92 -0.66 -14.33	35.71 46.46 -24.33	41.00 4.64 -40.57	22.57 -24.08 12.88	26.74 -1.93 -55.59	51.57 -5.95 -3.64
6	-0.07 0.00 87.06	33.25 -17.56 40.82	38.04 -0.80 -16.12	38.56 42.74 -20.08	40.68 3.51 -43.43	27.23 -15.86 13.71	24.97 -2.27 -46.81	49.94 -6.59 -4.15

PROPULSIVE WING FLOW FIELD

RAKE SUMMARY, RUN 323

PT	ALPHA BETA HEIGHT	VT1 ALP1 BET1	VT2 ALP2 BET2	VT3 ALP3 BET3	VT4 ALP4 BET4	VT5 ALP5 BET5	VT6 ALP6 BET6	VT7 ALP7 BET7
1	8.04 5.01 47.96	35.17 -25.81 43.18	40.66 -5.76 -16.29	41.31 36.81 -21.11	43.18 0.51 -40.09	29.28 -24.09 13.27	27.67 -3.46 -64.73	57.46 -12.09 -3.44
2	8.03 5.01 65.06	33.66 -28.71 44.05	43.48 -5.54 -14.93	41.66 36.65 -22.31	43.38 -2.49 -33.94	27.04 -22.24 18.31	25.84 -1.12 -59.12	56.53 -11.56 -2.75
3	8.02 5.01 87.03	32.66 -30.54 45.38	44.96 -5.35 -14.26	42.46 32.19 -19.52	44.45 -2.10 -32.60	25.97 -22.29 15.01	26.96 -2.28 -60.46	55.13 -11.96 -2.52

PROPULSIVE WING FLOW FIELD

RAKE SUMMARY, RUN 322

PT	ALPHA BETA HEIGHT	VT1 ALP1 BET1	VT2 ALP2 BET2	VT3 ALP3 BET3	VT4 ALP4 BET4	VT5 ALP5 BET5	VT6 ALP6 BET6	VT7 ALP7 BET7
2	-0.11 0.00 19.11	34.01 -20.79 44.33	41.79 0.15 -13.41	38.14 46.71 -24.05	41.05 5.44 -38.60	24.07 -17.13 9.22	27.24 -0.26 -57.10	55.29 -5.11 -3.02
3	-0.12 0.00 32.81	33.68 -18.27 43.51	41.97 -0.08 -13.84	38.27 44.63 -23.24	41.65 4.87 -42.25	30.14 -19.65 15.65	27.97 -3.31 -56.42	55.23 -3.39 -3.46
4	0.06 0.00 65.67	34.46 -19.94 44.31	40.29 -0.75 -16.19	38.63 43.58 -23.25	42.94 4.57 -43.20	35.51 -20.68 18.28	29.45 -4.85 -63.52	55.52 -5.64 -3.43
5	0.04 0.00 87.08	34.62 -20.65 44.48	42.59 -0.67 -14.54	39.02 45.66 -24.38	42.99 3.84 -43.93	34.57 -20.39 16.22	29.07 -4.03 -59.61	54.70 -5.76 -3.70

PROPULSIVE WING FLOW FIELD

RAKE SUMMARY, RUN 324

PT	ALPHA BETA HEIGHT	VT1 ALP1 BET1	VT2 ALP2 BET2	VT3 ALP3 BET3	VT4 ALP4 BET4	VT5 ALP5 BET5	VT6 ALP6 BET6	VT7 ALP7 BET7
2	8.03 5.01 47.93	37.14 -30.36 47.31	43.62 -7.53 -12.98	41.68 36.09 -21.39	44.07 -2.42 -41.96	17.22 -27.08 8.18	29.63 -8.29 -66.46	60.35 -12.65 -2.49
3	8.02 5.01 65.62	36.32 -30.47 47.81	44.65 -6.83 -12.13	41.88 36.68 -20.45	43.80 -2.16 -38.82	16.05 -15.77 4.11	29.49 -8.25 -65.22	60.15 -12.54 -2.19
4	8.02 5.01 87.10	35.65 -31.25 48.21	44.49 -7.05 -13.68	41.42 32.66 -18.66	44.30 -2.66 -34.76	16.39 -15.98 4.28	29.11 -7.78 -64.87	60.66 -11.89 -2.40

PROPULSIVE WING FLOW FIELD

RAKE SUMMARY, RUN 325

PT	ALPHA BETA HEIGHT	VT1 ALP1 BET1	VT2 ALP2 BET2	VT3 ALP3 BET3	VT4 ALP4 BET4	VT5 ALP5 BET5	VT6 ALP6 BET6	VT7 ALP7 BET7
1	0.00 0.00 19.56	37.82 -21.13 45.81	43.06 0.18 -11.48	40.83 44.35 -21.83	44.75 5.60 -42.93	17.53 -15.68 -1.80	30.39 -3.04 -65.64	61.88 -4.98 -2.54
2	-0.02 0.00 32.81	37.96 -19.77 45.23	42.19 -0.22 -14.26	40.93 45.21 -21.41	43.78 5.80 -42.71	21.12 -17.06 4.63	30.15 -4.72 -64.17	60.70 -5.32 -2.77

PROPULSIVE MING FLOW FIELD

RAKE SUMMARY. RUN 326

PT	ALPHA BETA HEIGHT		VT1 ALP1 BET1		VT2 ALP2 BET2		VT3 ALP3 BET3		VT4 ALP4 BET4		VT5 ALP5 BET5		VT6 ALP6 BET6		VT7 ALP7 BET7	
	1	0.00	19.39	37.44	-21.72	43.28	0.44	44.09	40.67	5.83	42.99	18.94	-10.33	29.32	3.40	60.26
			47.02	-11.22	-19.48	-42.60	4.76	-62.03	-2.49							
2	-0.02	32.84	38.08	-21.79	43.48	0.08	44.46	40.81	4.67	44.15	21.75	-16.11	29.85	-5.09	61.09	-5.14
			46.64	-11.83	-20.41	-45.04	5.01	-63.41	-2.65							
3	-0.04	65.68	37.90	-20.84	44.12	-0.20	44.03	40.42	4.30	44.14	25.65	-18.75	30.92	-4.37	60.45	-5.39
			44.82	-12.64	-21.49	-43.95	10.03	-65.55	-2.67							
4	0.04	87.36	37.38	-21.81	43.60	0.24	44.03	41.91	6.86	44.06	24.65	-18.01	30.72	-3.53	60.60	-5.19
			47.13	-11.92	-20.10	-42.83	12.44	-64.36	-2.77							

PROPULSIVE MING FLOW FIELD

RAKE SUMMARY. RUN 327

PT	ALPHA BETA HEIGHT		VT1 ALP1 BET1		VT2 ALP2 BET2		VT3 ALP3 BET3		VT4 ALP4 BET4		VT5 ALP5 BET5		VT6 ALP6 BET6		VT7 ALP7 BET7	
	2	0.02	19.38	38.32	-21.43	44.05	-0.06	40.29	40.63	4.34	44.84	15.92	-8.27	30.74	-4.33	62.07
			47.03	-12.38	-17.75	-41.23	-7.13	-64.18	-2.46							
3	0.00	32.60	37.96	-21.23	43.58	-0.52	41.85	41.27	3.27	44.34	15.66	-11.69	31.31	-4.02	61.83	-5.05
			46.86	-13.29	-18.92	-41.43	-6.13	-66.51	-2.50							
4	-0.02	65.69	37.98	-21.46	44.42	0.84	42.42	41.50	5.65	44.50	15.95	-15.31	30.86	-5.16	60.33	-5.45
			47.52	-10.57	-18.61	-42.97	-6.85	-64.48	-2.57							
5	-0.04	87.09	38.64	-21.02	43.52	-0.56	43.03	41.26	4.49	44.49	18.26	-10.14	30.55	-4.14	61.58	-5.08
			47.11	-12.86	-18.52	-43.05	2.19	-65.88	-2.36							

PROPULSIVE WING FLOW FIELD

RAKE SUMMARY, RUN 328

PT	ALPHA BETA HEIGHT	VT1			VT2			VT3			VT4			VT5			VT6			VT7			
		ALP1	ALP2	ALP3	ALP4	ALP5	ALP6	ALP7	ALP8	ALP9	ALP4	ALP5	ALP6	ALP7	ALP8	ALP9	ALP4	ALP5	ALP6	ALP7	ALP8	ALP9	
1	8.07 5.01 48.08	27.28 -29.01 35.80	40.89 -3.69 -7.35	28.86 41.89 -43.01	37.21 -2.73 -44.86	23.12 -10.73 -0.53	29.54 -14.53 -71.42	52.29 -12.76 -1.90															
2	8.06 5.01 65.81	26.97 -29.87 35.00	40.12 -3.20 -7.65	28.75 43.82 -42.28	36.96 -1.92 -43.50	23.40 -10.28 1.32	29.49 -14.61 -70.51	52.20 -12.76 -1.72															
3	8.05 5.01 87.00	26.71 -30.33 34.15	39.29 -3.53 -8.17	30.64 46.61 -45.88	37.07 -3.36 -45.52	24.09 -12.02 2.48	28.67 -15.32 -71.37	50.59 -12.99 -1.69															

PROPULSIVE WING FLOW FIELD

RAKE SUMMARY, RUN 329

PT	ALPHA BETA HEIGHT	VT1			VT2			VT3			VT4			VT5			VT6			VT7			
		ALP1	ALP2	ALP3	ALP4	ALP5	ALP6	ALP7	ALP8	ALP9	ALP4	ALP5	ALP6	ALP7	ALP8	ALP9	ALP4	ALP5	ALP6	ALP7	ALP8	ALP9	
1	8.07 5.01 48.08	26.26 -32.28 39.75	40.34 -3.53 -7.85	31.28 44.02 -47.04	38.22 -2.53 -44.56	24.35 -15.39 4.20	30.40 -15.31 -71.94	51.59 -12.43 -1.91															
2	8.05 5.01 65.83	25.92 -31.29 37.83	39.38 -2.82 -9.24	32.08 45.81 -43.19	39.02 -2.21 -41.35	26.16 -12.89 4.60	29.47 -13.26 -73.16	51.88 -11.88 -1.55															
3	8.05 5.01 87.06	26.08 -28.24 30.37	38.36 -2.57 -10.46	31.27 45.76 -45.39	38.28 -2.11 -41.50	25.82 -12.76 4.42	29.74 -12.39 -72.77	52.98 -12.05 -1.78															

PROPULSIVE MING FLOW FIELD

RAKE SUMMARY, RUN 331

PT	ALPHA BETA HEIGHT	VT1		VT2		VT3		VT4		VT5		VT6		VT7	
		ALP1 BET1	ALP2 BET2	ALP3 BET3	ALP4 BET4	ALP5 BET5	ALP6 BET6	ALP7 BET7							
1	0.03 0.00 19.66	26.52 -23.73 42.98	42.57 5.28 -8.22	30.11 44.25 -40.66	39.85 4.65 -42.64	26.36 -15.48 6.90	31.78 -5.42 -67.71	54.10 -2.93							
2	0.01 0.00 32.80	27.11 -20.77 38.48	41.64 4.54 -8.95	32.29 49.43 -49.96	40.07 5.22 -48.97	34.03 -15.75 11.27	30.31 -8.93 -65.74	55.05 -2.70							
3	-0.01 0.00 65.61	25.97 -20.29 37.34	40.40 4.19 -10.05	32.90 49.33 -47.90	41.24 4.11 -46.38	38.82 -17.72 14.14	32.19 -7.85 -70.03	55.38 -4.90 -3.01							
4	-0.03 0.00 87.03	27.40 -22.28 35.18	40.54 4.31 -9.67	32.10 49.28 -46.26	42.20 5.40 -46.59	39.20 -18.99 12.47	33.34 -8.31 -69.84	55.25 -4.89 -2.94							

PROPULSIVE MING FLOW FIELD

RAKE SUMMARY, RUN 330

PT	ALPHA BETA HEIGHT	VT1		VT2		VT3		VT4		VT5		VT6		VT7	
		ALP1 BET1	ALP2 BET2	ALP3 BET3	ALP4 BET4	ALP5 BET5	ALP6 BET6	ALP7 BET7							
1	8.07 5.01 48.10	27.46 -25.64 34.52	39.38 -2.31 -12.29	33.94 43.87 -46.09	38.87 0.31 -43.21	34.36 -19.88 12.00	30.93 -6.99 -72.12	53.18 -11.73 -3.48							
2	8.06 5.01 65.61	25.49 -28.61 31.20	40.12 -1.35 -13.78	32.37 40.44 -41.64	39.63 -2.40 -35.86	34.16 -17.42 11.68	29.70 -4.63 -70.58	53.58 -10.75 -2.30							
3	8.05 5.01 86.73	25.09 -27.69 30.03	41.73 -1.90 -12.45	33.64 41.10 -39.63	39.45 -3.39 -36.92	33.39 -17.50 10.63	29.45 -6.44 -71.39	54.05 -10.95 -1.87							

PROPULSIVE WING FLOW FIELD

RAKE SUMMARY, RUN 332

PT	ALPHA BETA HEIGHT	VT1		VT2		VT3		VT4		VT5		VT6		VT7	
		ALP1 BET1	ALP2 BET2	ALP3 BET3	ALP4 BET4	ALP5 BET5	ALP6 BET6	ALP7 BET7							
1	0.13 0.00 19.67	27.60 -19.40 36.18	40.35 4.44 -9.53	30.51 48.79 -44.08	39.26 3.20 -45.81	27.74 -9.64 5.89	28.19 -5.20 -63.57	54.68 -5.55 -2.60							
2	0.13 0.00 32.80	27.89 -20.02 36.89	40.24 4.23 -9.87	32.02 47.49 -41.53	40.12 3.53 -43.73	28.17 -14.15 8.52	27.57 -6.78 -64.48	54.79 -5.65 -2.66							
3	0.11 0.00 65.70	27.89 -20.20 38.36	39.56 4.54 -10.45	31.45 45.67 -40.34	40.27 3.71 -45.64	29.71 -14.93 9.25	28.99 -6.64 -65.75	55.15 -5.22 -2.75							
4	-0.03 0.00 86.63	27.30 -18.84 35.32	38.50 4.28 -11.10	32.13 48.24 -57.97	39.57 3.56 -46.99	30.44 -12.66 8.50	28.43 -7.38 -64.49	54.67 -5.30 -2.79							

PROPULSIVE WING FLOW FIELD

RAKE SUMMARY, RUN 333

PT	ALPHA BETA HEIGHT	VT1		VT2		VT3		VT4		VT5		VT6		VT7	
		ALP1 BET1	ALP2 BET2	ALP3 BET3	ALP4 BET4	ALP5 BET5	ALP6 BET6	ALP7 BET7							
1	8.02 5.01 47.51	29.22 -25.16 37.39	38.87 -3.53 -10.42	32.20 43.31 -45.30	39.97 -0.77 -44.35	28.80 -15.16 4.87	29.89 -6.81 -70.81	54.93 -12.51 -2.61							
2	8.01 5.01 65.63	27.10 -28.36 39.55	40.33 -3.15 -9.35	31.08 38.32 -41.99	39.82 -2.72 -47.06	28.44 -16.49 5.23	27.83 -6.22 -70.45	52.81 -13.09 -3.04							
3	8.01 5.01 87.08	27.85 -26.90 37.87	39.28 -3.68 -10.59	30.44 38.80 -39.92	39.55 -0.31 -45.12	26.66 -18.83 5.40	28.41 -6.36 -70.63	54.08 -12.55 -2.83							

PROPULSIVE WING FLOW FIELD

RAKE SUMMARY, RUN 337

PT	ALPHA BETA HEIGHT	VT1 ALP1 BET1	VT2 ALP2 BET2	VT3 ALP3 BET3	VT4 ALP4 BET4	VT5 ALP5 BET5	VT6 ALP6 BET6	VT7 ALP7 BET7
2	-0.04 0.00 19.18	14.73 33.50 -65.22	27.37 -1.29 -23.21	23.85 -23.24 -24.01	23.45 -16.21 -12.33	29.08 -16.51 4.54	28.22 12.54 -21.98	30.33 -5.61 -19.54
3	-0.06 0.00 32.85	16.87 31.62 -65.45	28.47 -0.73 -21.94	22.35 -21.39 -42.49	25.83 -17.35 -19.60	33.21 -19.92 12.09	28.68 10.21 -20.58	30.49 -4.95 -18.74
4	0.01 0.00 65.66	17.79 27.01 -62.89	28.11 -1.13 -22.51	23.00 -8.06 -29.50	26.37 -18.01 -17.84	33.16 -21.38 11.57	30.51 7.13 -28.08	27.17 -6.43 -23.52
5	-0.02 0.00 87.09	13.08 42.48 -49.38	28.05 -0.92 -23.31	22.81 -15.32 -38.17	27.59 -15.59 -21.30	34.37 -21.98 15.70	30.56 6.93 -25.71	29.10 -5.97 -18.39

PROPULSIVE WING FLOW FIELD

RAKE SUMMARY, RUN 334

PT	ALPHA BETA HEIGHT	VT1 ALP1 BET1	VT2 ALP2 BET2	VT3 ALP3 BET3	VT4 ALP4 BET4	VT5 ALP5 BET5	VT6 ALP6 BET6	VT7 ALP7 BET7
2	-0.06 0.00 19.22	19.33 17.37 -51.65	30.63 35.52 84.45	19.70 -62.72 -9.93	22.47 10.00 54.10	21.57 -13.69 32.69	17.08 2.25 27.60	35.27 76.05 83.04
3	-0.08 0.00 32.75	18.12 13.94 -59.10	21.11 48.05 80.31	18.36 -49.17 -11.14	19.66 18.86 63.30	20.34 -15.61 29.08	15.45 4.13 21.51	34.02 82.05 -73.59
4	-0.10 0.00 65.84	15.12 11.55 -38.16	21.26 61.76 79.39	17.66 -45.64 -18.83	16.90 22.44 64.01	22.01 -13.43 27.93	14.32 2.91 25.24	32.21 84.38 -75.30



PROPULSIVE MING FLOW FIELD

RAKE SUMMARY, RUN 338

PT	ALPHA BETA HEIGHT			VT1 ALP1 BET1			VT2 ALP2 BET2			VT3 ALP3 BET3			VT4 ALP4 BET4			VT5 ALP5 BET5			VT6 ALP6 BET6			VT7 ALP7 BET7		
	1	-0.23	0.00	19.29	7.00	-43.97	-22.98	28.92	0.05	-16.40	20.73	-18.17	-45.74	21.56	-18.87	-9.12	33.04	-18.77	13.34	21.94	1.21	-44.49	30.25	-3.56
2	-0.06	0.00	32.83	14.91	15.17	-82.27	27.82	-0.41	-17.58	18.55	-14.03	-39.27	21.82	-20.28	-42.64	33.77	-23.33	15.80	26.25	-1.84	-33.52	31.07	-6.28	-12.34
3	0.00	0.00	65.68	16.12	-3.84	-81.52	28.29	-2.08	-16.49	20.13	3.41	-42.06	23.69	-22.25	-25.91	45.92	-22.83	17.13	25.39	-3.53	-55.67	31.08	-4.56	-15.08
4	-0.02	0.00	87.08	18.60	6.80	-77.02	31.54	-0.25	-9.86	19.97	5.56	-46.55	22.22	-25.75	-27.49	45.84	-22.74	17.71	26.12	-3.07	-56.74	30.04	-4.76	-15.24

PROPULSIVE MING FLOW FIELD

RAKE SUMMARY, RUN 339

PT	ALPHA BETA HEIGHT			VT1 ALP1 BET1			VT2 ALP2 BET2			VT3 ALP3 BET3			VT4 ALP4 BET4			VT5 ALP5 BET5			VT6 ALP6 BET6			VT7 ALP7 BET7		
	1	0.08	0.00	20.00	16.99	-42.41	-77.50	27.01	-1.02	-10.28	18.10	-15.80	-27.19	22.29	-23.26	-15.05	24.25	-21.73	14.59	19.81	-2.98	-43.31	31.91	-3.61
2	0.00	0.00	32.81	15.87	-72.56	62.16	25.92	-0.80	-12.08	16.75	-11.12	-26.79	21.25	-16.87	-22.50	23.59	-25.71	15.68	21.82	-5.50	-44.98	32.77	-3.51	-4.65
3	-0.02	0.00	65.69	11.88	-75.21	-0.20	24.78	-3.63	-17.15	18.36	-26.38	-38.84	22.57	-21.94	-13.47	34.22	-22.44	16.71	22.54	-8.79	-59.45	31.36	-2.25	-7.10
4	-0.01	0.00	87.01	14.35	-51.90	-80.92	25.51	-0.72	-11.28	19.44	-17.03	-19.59	21.06	-18.66	-26.51	35.71	-21.92	17.44	23.22	-8.36	-58.96	29.89	-2.51	-7.65

PROPULSIVE MING FLOW FIELD

RAKE SUMMARY, RUN 341

PT	ALPHA BETA HEIGHT	VT1			VT2			VT3			VT4			VT5			VT6			VT7		
		ALP1 BET1	ALP2 BET2	ALP3 BET3	ALP1 BET1	ALP2 BET2	ALP3 BET3	ALP3 BET3	ALP4 BET4	ALP4 BET4	ALP5 BET5	ALP5 BET5	ALP6 BET6	ALP6 BET6	ALP7 BET7	ALP7 BET7						
1	0.00 19.35	18.65 -70.67 -74.53	28.47 0.02 -8.28	17.25 -37.06 -34.06	20.66 -25.54 -12.90	13.56 -27.35 -6.65	19.83 -8.35 -50.22	32.46 -2.70 -2.81														
2	-0.05 32.79	17.70 -84.64 -31.41	29.38 -0.51 -6.09	15.85 -10.32 -18.40	20.55 -17.86 -9.18	14.99 -18.53 4.89	19.64 -8.66 -48.52	32.94 -2.54														
3	0.00 85.61	18.28 -54.83 -79.85	27.65 -0.57 -6.80	18.06 -1.41 -11.29	20.69 -20.13 -1.45	17.41 -23.24 4.01	31.48 -2.68 -3.82															
4	-0.01 86.98	15.59 -75.41 -52.19	23.56 -1.19 -11.69	20.62 -21.21 -11.22	19.78 -18.29 -18.53	19.85 -21.07 14.02	20.11 -6.51 -47.82	31.13 -3.17														

PROPULSIVE MING FLOW FIELD

RAKE SUMMARY, RUN 340

PT	ALPHA BETA HEIGHT	VT1			VT2			VT3			VT4			VT5			VT6			VT7		
		ALP1 BET1	ALP2 BET2	ALP3 BET3	ALP1 BET1	ALP2 BET2	ALP3 BET3	ALP3 BET3	ALP4 BET4	ALP4 BET4	ALP5 BET5	ALP5 BET5	ALP6 BET6	ALP6 BET6	ALP7 BET7	ALP7 BET7						
1	0.04 0.00 19.53	15.37 -80.54 -28.47	25.19 1.17 -8.90	18.90 -20.43 -18.61	18.83 -22.07 -17.82	19.97 -9.59 -49.78	31.88 -2.14 -3.39															
2	-0.02 32.81	15.04 -47.07 -75.63	27.88 0.29 -7.67	18.26 -13.02 -16.12	16.75 -18.51 -9.06	18.33 -9.17 -49.69	32.82 -2.51 -3.27															
3	0.00 65.69	16.14 -44.77 -78.68	24.11 -1.89 -12.60	18.78 -15.44 -17.63	19.26 -27.84 -9.43	24.67 -11.32 -45.91	31.10 -2.55 -4.28															
4	-0.02 87.00	13.94 -74.43 -48.21	24.01 -1.65 -10.29	15.05 -19.57 -38.00	19.25 -19.29 -9.53	25.61 -23.43 14.90	30.91 -2.45 -4.38															

PROPULSIVE MING FLOW FIELD

RAKE SUMMARY. RUN 342

PT	ALPHA BETA HEIGHT	VT1			VT2			VT3			VT4			VT5			VT6			VT7			
		ALP1	BET1	HEI1	ALP2	BET2	HEI2	ALP3	BET3	HEI3	ALP4	BET4	HEI4	ALP5	BET5	HEI5	ALP6	BET6	HEI6	ALP7	BET7	HEI7	
1	0.02 0.00 86.98	15.59 -36.66 -77.59	24.72 0.16 -8.23	19.02 -20.67 -14.26	22.55 -19.12 4.09	12.55 -28.69 6.39	17.83 -8.22 -43.64	25.35 -2.35 -4.54															
2	-0.01 0.00 19.26	15.27 -70.69 -69.38	26.70 1.88 -5.64	19.97 -12.78 -8.06	20.03 -22.63 9.35	10.18 -18.78 -24.67	17.71 -9.44 -42.92	28.50 -2.49 -2.61															
3	-0.02 0.00 32.85	15.57 -77.92 42.29	24.29 1.99 -8.69	19.57 -22.45 -9.61	19.86 -18.60 3.86	11.33 -14.51 -11.57	18.77 -8.96 -43.55	30.57 -2.32 -3.34															
4	-0.01 0.00 65.66	16.56 -71.31 -67.65	25.45 0.81 -7.82	19.91 -22.80 -9.85	20.60 -21.38 -5.43	14.23 -15.99 -5.41	18.91 -6.60 -46.28	30.30 -2.78 -3.61															
5	-0.02 0.00 87.01	18.15 -37.27 -81.00	29.27 -0.58 -6.25	17.31 -45.52 -34.83	20.49 -16.28 -16.11	14.22 -28.93 9.08	19.51 -5.12 -42.39	29.86 -2.77 -2.74															

PROPULSIVE MING FLOW FIELD

RAKE SUMMARY. RUN 343

PT	ALPHA BETA HEIGHT	VT1			VT2			VT3			VT4			VT5			VT6			VT7			
		ALP1	BET1	HEI1	ALP2	BET2	HEI2	ALP3	BET3	HEI3	ALP4	BET4	HEI4	ALP5	BET5	HEI5	ALP6	BET6	HEI6	ALP7	BET7	HEI7	
1	8.05 0.00 57.24	15.90 -48.94 -77.65	26.91 -8.91 -5.11	17.92 -37.20 -10.18	20.33 -28.14 1.18	11.61 -21.24 -15.75	18.08 -16.76 -42.04	27.07 -10.69 -3.61															
2	8.04 0.00 65.69	14.66 -53.27 -78.20	25.93 -8.05 -7.23	17.65 -48.27 -18.25	20.11 -33.25 -10.50	10.81 -30.82 -18.95	18.25 -14.77 -45.81	26.62 -10.94 -3.51															
3	8.03 0.00 87.06	17.24 -42.83 -78.50	27.85 -7.77 -5.66	17.00 -48.39 -17.97	19.76 -24.53 -6.50	12.05 -32.28 0.12	17.75 -16.36 -41.53	24.66 -10.30 -3.17															

PROPULSIVE WING FLOW FIELD

RAKE SUMMARY, RUN 345

PT	ALPHA BETA HEIGHT	VT1			VT2			VT3			VT4			VT5			VT6			VT7				
		ALP1 BET1	ALP2 BET2	ALP3 BET3	ALP4 BET4	ALP5 BET5	ALP6 BET6	ALP7 BET7	ALP8 BET8	ALP9 BET9	ALP10 BET10	ALP11 BET11	ALP12 BET12	ALP13 BET13	ALP14 BET14	ALP15 BET15	ALP16 BET16	ALP17 BET17	ALP18 BET18	ALP19 BET19	ALP20 BET20			
1	8.05 0.00 48.29	15.53 -46.61 -79.49	29.03 -9.90 -6.17	17.05 -51.29 -28.37	19.37 -21.72 -13.77	12.01 -38.03 -12.98	17.29 -15.57 -42.29	26.53 -10.61 -3.61	0.01 0.00 19.48	14.89 -82.08 -22.34	27.47 0.30 -7.63	14.24 -23.41 -26.98	19.71 -18.34 -16.69	14.79 -21.74 6.20	18.68 -9.04 -46.18	30.39 -2.88 -2.48	0.00 0.00 32.86	18.21 -72.98 -67.40	23.36 -0.96 -10.93	18.54 -10.16 -13.09	22.31 -18.39 -10.80	13.67 -21.17 8.58	19.41 -7.01 -46.12	32.91 -3.01 -2.95
2	8.03 0.00 65.60	12.74 -68.43 -66.34	22.35 -8.86 -8.90	13.31 -32.03 -38.19	19.97 -29.65 -1.50	15.42 -32.45 16.77	18.09 -18.42 -40.42	27.31 -9.92 -3.42	0.00 0.00 65.64	16.96 -72.34 56.68	28.24 0.62 -8.59	19.90 -21.78 -13.91	20.32 -21.46 -12.62	16.59 -23.52 -1.55	19.76 -4.78 -45.66	33.33 -3.28 -2.99	0.00 0.00 87.06	17.11 -77.10 39.70	25.75 -0.04 -9.33	21.21 -12.36 -10.44	20.06 -19.39 -13.24	17.03 -23.33 11.88	20.08 -8.31 -44.99	32.14 -3.13 -3.01
3	8.02 0.00 87.03	18.84 -86.17 -67.80	23.58 -8.05 -8.96	22.71 -15.62 -4.82	21.69 -34.51 -1.91	15.71 -28.88 7.91	19.04 -15.91 -44.20	27.72 -10.45 -3.69	0.05 0.00 87.06	17.11 -77.10 39.70	25.75 -0.04 -9.33	21.21 -12.36 -10.44	20.06 -19.39 -13.24	17.03 -23.33 11.88	20.08 -8.31 -44.99	32.14 -3.13 -3.01								

PROPULSIVE WING FLOW FIELD

RAKE SUMMARY, RUN 344

PT	ALPHA BETA HEIGHT	VT1			VT2			VT3			VT4			VT5			VT6			VT7				
		ALP1 BET1	ALP2 BET2	ALP3 BET3	ALP4 BET4	ALP5 BET5	ALP6 BET6	ALP7 BET7	ALP8 BET8	ALP9 BET9	ALP10 BET10	ALP11 BET11	ALP12 BET12	ALP13 BET13	ALP14 BET14	ALP15 BET15	ALP16 BET16	ALP17 BET17	ALP18 BET18	ALP19 BET19	ALP20 BET20			
1	8.05 0.00 48.29	15.53 -46.61 -79.49	29.03 -9.90 -6.17	17.05 -51.29 -28.37	19.37 -21.72 -13.77	12.01 -38.03 -12.98	17.29 -15.57 -42.29	26.53 -10.61 -3.61	0.01 0.00 19.48	14.89 -82.08 -22.34	27.47 0.30 -7.63	14.24 -23.41 -26.98	19.71 -18.34 -16.69	14.79 -21.74 6.20	18.68 -9.04 -46.18	30.39 -2.88 -2.48	0.00 0.00 32.86	18.21 -72.98 -67.40	23.36 -0.96 -10.93	18.54 -10.16 -13.09	22.31 -18.39 -10.80	13.67 -21.17 8.58	19.41 -7.01 -46.12	32.91 -3.01 -2.95
2	8.03 0.00 65.60	12.74 -68.43 -66.34	22.35 -8.86 -8.90	13.31 -32.03 -38.19	19.97 -29.65 -1.50	15.42 -32.45 16.77	18.09 -18.42 -40.42	27.31 -9.92 -3.42	0.00 0.00 65.64	16.96 -72.34 56.68	28.24 0.62 -8.59	19.90 -21.78 -13.91	20.32 -21.46 -12.62	16.59 -23.52 -1.55	19.76 -4.78 -45.66	33.33 -3.28 -2.99	0.00 0.00 87.06	17.11 -77.10 39.70	25.75 -0.04 -9.33	21.21 -12.36 -10.44	20.06 -19.39 -13.24	17.03 -23.33 11.88	20.08 -8.31 -44.99	32.14 -3.13 -3.01
3	8.02 0.00 87.03	18.84 -86.17 -67.80	23.58 -8.05 -8.96	22.71 -15.62 -4.82	21.69 -34.51 -1.91	15.71 -28.88 7.91	19.04 -15.91 -44.20	27.72 -10.45 -3.69	0.05 0.00 87.06	17.11 -77.10 39.70	25.75 -0.04 -9.33	21.21 -12.36 -10.44	20.06 -19.39 -13.24	17.03 -23.33 11.88	20.08 -8.31 -44.99	32.14 -3.13 -3.01								

PROPULSIVE MING FLOW FIELD

RAKE SUMMARY, RUN 346

PT	ALPHA	BETA	HEIGHT	VT1	ALP1	BET1	VT2	ALP2	BET2	VT3	ALP3	BET3	VT4	ALP4	BET4	VT5	ALP5	BET5	VT6	ALP6	BET6	VT7	ALP7	BET7
1	-0.02	0.00	19.53	15.77	-81.25	-46.60	27.29	0.27	-8.67	18.65	-2.90	-16.54	21.02	-18.68	-18.66	17.04	-24.57	9.89	20.27	-7.37	-44.82	34.17	-2.36	-2.85
2	0.01	0.00	32.85	15.57	-65.51	57.25	25.56	-0.46	-14.13	20.21	-7.33	-18.30	22.34	-20.63	-14.07	15.39	-25.00	-6.17	19.97	-10.95	-45.47	35.21	-3.39	-2.79
3	-0.01	0.00	65.66	14.62	-50.62	51.27	23.35	-0.18	-15.57	19.78	0.54	-17.76	21.30	-21.25	-15.48	24.17	-24.25	12.30	21.59	-9.36	-48.63	34.87	-3.20	-3.17
4	-0.03	0.00	87.08	17.63	-80.49	26.45	25.35	-1.76	-13.47	19.12	-14.48	-22.88	20.68	-18.26	-12.22	25.19	-21.97	16.85	21.22	-10.67	-50.69	34.81	-3.28	-3.52

PROPULSIVE MING FLOW FIELD

RAKE SUMMARY, RUN 347

PT	ALPHA	BETA	HEIGHT	VT1	ALP1	BET1	VT2	ALP2	BET2	VT3	ALP3	BET3	VT4	ALP4	BET4	VT5	ALP5	BET5	VT6	ALP6	BET6	VT7	ALP7	BET7
1	-8.01	0.00	48.17	15.78	-88.44	5.83	26.57	-7.02	-10.01	19.53	-10.30	-18.31	21.69	-32.69	-16.58	14.52	-33.41	-4.49	20.87	-19.17	-50.42	37.67	-10.89	-2.55
2	8.07	0.00	65.78	18.61	-74.15	61.83	29.14	-8.42	-9.11	17.96	-8.20	-22.37	21.39	-22.37	-27.65	23.30	-32.61	17.96	21.80	-17.85	-52.22	36.00	-11.25	-3.39
3	8.06	0.00	86.71	16.35	-63.97	56.97	27.30	-7.92	-12.31	18.51	-12.84	-17.52	21.29	-28.78	-24.53	24.62	-30.70	16.67	22.27	-14.38	-52.49	37.09	-10.86	-2.49

PROPULSIVE WING FLOW FIELD

RAKE SUMMARY, RUN 349

PT	ALPHA BETA HEIGHT	VT1 ALP1 BET1	VT2 ALP2 BET2	VT3 ALP3 BET3	VT4 ALP4 BET4	VT5 ALP5 BET5	VT6 ALP6 BET6	VT7 ALP7 BET7
1	0.02 5.01 19.66	17.02 -57.86 65.52	32.37 0.75 -8.45	17.57 -0.96 -28.31	21.12 -8.31 -28.41	16.91 -27.04 11.78	21.12 -9.24 -54.81	37.63 -2.36 -2.75
2	0.02 5.01 32.81	16.91 -50.85 62.52	29.17 2.44 -9.58	17.80 7.18 -27.14	20.65 -16.59 -16.74	14.75 -25.15 9.44	21.07 -6.14 -51.39	39.40 -2.80 -2.96
3	0.00 5.01 65.63	17.36 -59.34 59.61	28.14 1.59 -14.17	21.20 3.74 -14.86	22.53 -9.33 -24.98	19.72 -20.87 10.81	21.62 -5.99 -52.02	39.51 -2.76 -2.54
4	-0.02 5.01 87.00	17.91 -61.15 62.20	29.66 1.40 -11.38	18.47 4.62 -22.73	21.44 -11.98 -26.87	18.68 -20.51 10.28	22.11 -6.16 -53.71	39.24 -2.45 -2.77

PROPULSIVE WING FLOW FIELD

RAKE SUMMARY, RUN 348

PT	ALPHA BETA HEIGHT	VT1 ALP1 BET1	VT2 ALP2 BET2	VT3 ALP3 BET3	VT4 ALP4 BET4	VT5 ALP5 BET5	VT6 ALP6 BET6	VT7 ALP7 BET7
1	8.08 5.01 48.44	17.21 -55.06 50.99	22.95 -9.25 -18.27	21.98 -6.30 -11.92	21.90 -14.63 -28.55	15.37 -21.21 0.34	20.56 -14.49 -50.67	36.82 -10.08 -2.23
2	8.07 5.01 65.68	17.29 -66.38 65.78	28.76 -7.02 -12.22	17.79 -3.58 -27.76	21.78 -20.44 -14.80	14.09 -30.20 14.84	20.57 -11.35 -52.29	35.94 -10.13 -2.37
3	8.06 5.01 86.75	16.32 -88.06 -60.16	31.12 -5.46 -7.85	16.93 17.63 -40.45	21.86 -18.73 -16.72	14.18 -26.29 5.20	20.99 -13.25 -53.27	36.53 -9.77 -2.79

PROPULSIVE WING FLOW FIELD

RAKE SUMMARY, RUN 351

PT	ALPHA	VT1	VT2	VT3	VT4	VT5	VT6	VT7
BETA	ALP1	ALP2	ALP3	ALP4	ALP5	ALP6	ALP7	ALP8
HEIGHT	BET1	BET2	BET3	BET4	BET5	BET6	BET7	BET8
1	8.03	17.30	29.98	22.01	22.33	16.18	21.72	42.20
	5.01	-73.04	-6.47	1.04	-14.70	-25.63	-6.36	-10.03
	48.34	62.37	-11.88	-20.00	-27.63	0.35	-54.81	-3.28
2	8.01	17.22	33.51	20.97	25.99	19.48	21.93	41.68
	5.01	-80.03	-3.80	13.28	-15.75	-28.00	-5.22	-9.44
	65.67	53.56	-11.71	-35.15	-17.34	6.81	-53.70	-3.03
3	8.01	17.61	34.10	21.51	28.19	19.48	22.46	42.29
	5.01	-86.55	-3.98	14.35	-16.41	-28.47	-5.08	-9.30
	87.03	22.85	-10.03	-32.86	-16.64	4.79	-53.62	-3.24

PROPULSIVE WING FLOW FIELD

RAKE SUMMARY, RUN 350

PT	ALPHA	VT1	VT2	VT3	VT4	VT5	VT6	VT7
BETA	ALP1	ALP2	ALP3	ALP4	ALP5	ALP6	ALP7	ALP8
HEIGHT	BET1	BET2	BET3	BET4	BET5	BET6	BET7	BET8
1	-0.02	17.47	25.98	22.94	23.45	21.75	21.71	42.70
	5.01	-42.12	0.92	-0.23	-6.31	-15.14	3.05	-2.94
	19.76	55.26	-15.79	-14.01	-28.65	4.81	-57.65	-3.36
2	0.02	19.49	32.40	20.65	25.55	22.52	22.40	42.70
	5.01	-52.29	1.47	-2.91	-4.48	-16.10	2.28	-2.96
	32.80	62.08	-8.78	-18.10	-34.27	5.60	-55.82	-3.40
3	0.00	15.17	31.40	21.70	23.03	23.46	21.99	41.54
	5.01	-73.01	3.03	14.22	-6.75	-21.63	2.37	-2.20
	65.60	50.04	-13.59	-25.24	-23.12	14.42	-53.10	-3.82
4	-0.01	16.39	30.97	21.43	24.55	25.18	22.02	42.19
	5.01	-54.36	2.89	13.17	-4.87	-19.60	3.19	-2.04
	87.00	63.02	-15.21	-26.17	-29.41	13.31	-50.78	-3.15

PROPULSIVE WING FLOW FIELD

RAKE SUMMARY, RUN 353

PT	ALPHA BETA HEIGHT	VT1		VT2		VT3		VT4		VT5		VT6		VT7	
		ALP1 BET1	ALP2 BET2	ALP3 BET3	ALP4 BET4	ALP5 BET5	ALP6 BET6	ALP7 BET7							
1	0.01 0.00 19.86	17.97 -63.62 50.38	32.46 0.18 -10.30	19.76 8.98 -30.30	26.56 -14.74 -27.63	22.86 -22.72 11.91	22.31 -4.21 -45.02	42.20 -4.02 -3.87							
2	-0.02 0.00 32.80	18.05 -45.92 60.27	30.09 -1.00 -14.91	20.62 5.64 -25.93	25.59 -13.14 -34.95	22.79 -24.85 7.75	24.15 -5.80 -45.92	43.95 -4.07 -3.49							
3	-0.04 0.00 65.68	19.07 -44.01 54.85	30.30 -1.39 -16.05	20.67 7.91 -28.51	26.18 -8.17 -34.03	34.31 -22.23 13.80	25.46 -6.06 -56.84	43.42 -3.54 -4.13							
4	-0.06 0.00 87.09	19.65 -69.32 55.74	33.18 -0.09 -10.12	21.75 15.10 -25.41	25.55 -12.17 -30.19	34.84 -20.50 18.41	24.83 -8.89 -56.87	43.35 -3.76 -3.99							

PROPULSIVE WING FLOW FIELD

RAKE SUMMARY, RUN 352

PT	ALPHA BETA HEIGHT	VT1		VT2		VT3		VT4		VT5		VT6		VT7	
		ALP1 BET1	ALP2 BET2	ALP3 BET3	ALP4 BET4	ALP5 BET5	ALP6 BET6	ALP7 BET7							
1	8.04 0.00 48.35	18.95 -50.54 63.96	31.89 -8.35 -13.69	18.62 -9.01 -36.58	24.48 -20.36 -31.27	25.69 -31.43 11.32	23.45 -13.55 -42.84	42.21 -11.62 -4.39							
2	8.02 0.00 65.62	19.68 -61.37 67.54	29.75 -9.27 -16.14	21.25 0.84 -25.68	25.49 -21.46 -30.87	34.46 -29.01 17.01	24.87 -15.56 -53.18	42.08 -11.61 -4.44							
3	8.01 0.00 86.73	18.67 -64.65 62.50	32.24 -8.40 -12.23	20.45 -6.65 -26.05	25.43 -19.93 -30.97	34.82 -29.88 18.13	24.83 -14.66 -54.84	42.01 -11.12 -4.77							



PROPULSIVE WING FLOW FIELD

RAKE SUMMARY, RUN 355

PT	ALPHA BETA HEIGHT	VT1 ALP1 BET1	VT2 ALP2 BET2	VT3 ALP3 BET3	VT4 ALP4 BET4	VT5 ALP5 BET5	VT6 ALP6 BET6	VT7 ALP7 BET7
1	8.02 0.00 48.41	18.04 -36.11 57.77	35.35 -8.68 -16.28	23.40 13.81 -45.50	28.44 -21.46 -38.77	37.06 -30.68 14.74	28.24 -10.73 -41.17	43.82 -12.42 -6.58
2	8.01 0.00 65.64	19.63 -60.15 73.09	34.45 -8.35 -16.27	25.13 2.70 -23.01	30.44 -14.48 -43.36	46.18 -29.63 16.16	29.40 -12.12 -57.98	43.27 -11.87 -7.40
3	7.99 0.00 87.09	20.42 -54.08 71.01	31.13 -8.63 -23.69	24.50 2.64 -38.55	30.99 -20.14 -43.86	46.60 -30.59 15.69	29.72 -11.48 -58.73	43.27 -11.93 -7.55

PROPULSIVE WING FLOW FIELD

RAKE SUMMARY, RUN 354

PT	ALPHA BETA HEIGHT	VT1 ALP1 BET1	VT2 ALP2 BET2	VT3 ALP3 BET3	VT4 ALP4 BET4	VT5 ALP5 BET5	VT6 ALP6 BET6	VT7 ALP7 BET7
1	-0.01 0.00 20.09	18.20 -34.21 37.74	36.46 -1.23 -13.92	25.05 20.63 -34.29	27.07 -9.26 -26.41	34.29 -16.96 14.39	25.53 1.86 -47.76	44.05 -3.61 -5.46
2	-0.05 0.00 32.87	19.20 -55.47 75.71	35.75 0.44 -12.59	25.67 12.76 -21.90	30.55 -7.71 -46.09	35.52 -21.26 13.64	28.97 -3.20 -40.41	46.14 -4.85 -5.60
3	-0.06 0.00 65.67	18.26 -40.05 62.80	33.09 -1.02 -19.80	24.83 8.99 -32.87	29.67 -8.46 -42.17	45.01 -22.51 15.44	29.40 -4.20 -57.49	44.16 -4.51 -6.58
4	0.00 0.00 87.09	17.64 -38.79 60.84	32.01 -0.82 -19.42	25.43 14.51 -31.36	29.87 -7.84 -41.91	45.74 -21.52 16.32	28.99 -3.52 -56.04	43.82 -4.42 -6.72

PROPULSIVE MING FLOW FIELD

RAKE SUMMARY, RUN 357

PT	ALPHA BETA HEIGHT	VT1		VT2		VT3		VT4		VT5		VT6		VT7	
		ALP1 BET1	ALP2 BET2	ALP3 BET3	ALP4 BET4	ALP5 BET5	ALP6 BET6	ALP7 BET7							
1	8.02 5.01 48.40	18.63 -30.47 67.57	34.73 -6.15 -14.52	27.38 11.44 -24.16	24.77 -2.15 -35.37	29.71 -21.71 10.83	22.80 9.55 -49.05	43.80 -8.31 -4.88	17.50 -37.99 49.18	34.96 -0.79 -14.20	24.90 13.29 -31.09	25.99 -9.77 -35.67	29.74 -19.71 10.74	25.13 3.55 -48.34	44.46 -4.37 -5.70
2	8.00 5.01 65.68	15.65 -51.14 73.42	35.56 -2.12 -15.68	27.88 21.48 -29.90	29.67 -4.84 -26.51	32.95 -22.53 14.87	24.14 11.36 -52.58	44.82 -6.79 -3.64	18.62 -37.84 55.05	37.77 1.95 -8.08	24.98 25.42 -31.01	30.82 1.29 -41.70	30.05 -13.75 7.41	24.88 17.39 -52.30	45.98 -2.99 -5.79
3	8.05 5.01 87.21	15.89 -87.90 67.73	35.31 -1.19 -18.62	28.96 12.05 -22.25	30.44 -3.63 -20.60	31.30 -23.79 12.63	24.46 13.78 -56.04	44.62 -6.28 -3.56	17.67 -24.31 61.63	37.69 5.10 -14.18	29.63 32.29 -25.34	28.68 10.43 -40.23	35.37 -16.15 14.54	26.38 17.27 -58.32	47.99 -0.99 -3.73
4		17.11 -28.54 87.05	37.39 5.48 -16.01	28.67 22.23 -22.77	25.62 7.67 -29.62	32.88 -16.89 13.73	23.95 17.01 -57.64	43.91 -0.94 -5.36							

PROPULSIVE MING FLOW FIELD

RAKE SUMMARY, RUN 356

PT	ALPHA BETA HEIGHT	VT1		VT2		VT3		VT4		VT5		VT6		VT7	
		ALP1 BET1	ALP2 BET2	ALP3 BET3	ALP4 BET4	ALP5 BET5	ALP6 BET6	ALP7 BET7							
1	8.02 5.01 48.40	18.63 -30.47 67.57	34.73 -6.15 -14.52	27.38 11.44 -24.16	24.77 -2.15 -35.37	29.71 -21.71 10.83	22.80 9.55 -49.05	43.80 -8.31 -4.88	17.50 -37.99 49.18	34.96 -0.79 -14.20	24.90 13.29 -31.09	25.99 -9.77 -35.67	29.74 -19.71 10.74	25.13 3.55 -48.34	44.46 -4.37 -5.70
2	8.00 5.01 65.68	15.65 -51.14 73.42	35.56 -2.12 -15.68	27.88 21.48 -29.90	29.67 -4.84 -26.51	32.95 -22.53 14.87	24.14 11.36 -52.58	44.82 -6.79 -3.64	18.62 -37.84 55.05	37.77 1.95 -8.08	24.98 25.42 -31.01	30.82 1.29 -41.70	30.05 -13.75 7.41	24.88 17.39 -52.30	45.98 -2.99 -5.79
3	8.05 5.01 87.21	15.89 -87.90 67.73	35.31 -1.19 -18.62	28.96 12.05 -22.25	30.44 -3.63 -20.60	31.30 -23.79 12.63	24.46 13.78 -56.04	44.62 -6.28 -3.56	17.67 -24.31 61.63	37.69 5.10 -14.18	29.63 32.29 -25.34	28.68 10.43 -40.23	35.37 -16.15 14.54	26.38 17.27 -58.32	47.99 -0.99 -3.73
4		17.11 -28.54 87.05	37.39 5.48 -16.01	28.67 22.23 -22.77	25.62 7.67 -29.62	32.88 -16.89 13.73	23.95 17.01 -57.64	43.91 -0.94 -5.36							

PROPULSIVE MING FLOW FIELD

RAKE SUMMARY, RUN 359

PT	ALPHA			VT1			VT2			VT3			VT4			VT5			VT6			VT7		
	BETA	HEIGHT		ALP1	BET1		ALP2	BET2		ALP3	BET3		ALP4	BET4		ALP5	BET5		ALP6	BET6		ALP7	BET7	
1	8.05	47.50		17.63	74.46		36.96	-17.07		28.82	-21.35		29.44	-28.33		28.98	4.30		24.29	-37.58		44.17	-5.82	
2	8.03			17.20			37.26			28.20			30.16			26.94			23.32			41.17		
3	8.02			15.66			36.28			27.89			30.30			26.91			24.15			42.67		
	5.01			-23.55			-7.58			-3.11			-15.03			-19.67			9.15			-8.66		
	87.08			64.76			-17.64			-23.02			-31.91			0.39			-43.12			-8.93		

PROPULSIVE MING FLOW FIELD

RAKE SUMMARY, RUN 358

PT	ALPHA			VT1			VT2			VT3			VT4			VT5			VT6			VT7		
	BETA	HEIGHT		ALP1	BET1		ALP2	BET2		ALP3	BET3		ALP4	BET4		ALP5	BET5		ALP6	BET6		ALP7	BET7	
1	-0.01	19.38		16.88	57.45		37.14	-14.15		29.62	-21.53		30.82	-30.69		30.62	5.19		22.36	-47.08		40.92	-7.29	
2	-0.03			14.63			39.54			32.00			30.03			29.85			20.09			41.63		
3	-0.05			16.16			37.87			32.28			29.57			32.95			22.49			42.49		
4	0.00			-22.34			0.38			13.35			15.46			-10.39			27.42			-0.58		
	87.22			61.20			-15.27			-17.35			-39.51			8.78			-44.35			-6.38		

PROPULSIVE MING FLOW FIELD

RAKE SUMMARY, RUN 361

PT	ALPHA BETA HEIGHT			VT1		VT2		VT3		VT4		VT5		VT6		VT7	
	ALP1	BET1	HEI	ALP1	BET1	ALP2	BET2	ALP3	BET3	ALP4	BET4	ALP5	BET5	ALP6	BET6	ALP7	BET7
1	18.51	-70.13	19.15	36.24	-18.58	27.59	-27.49	30.02	-17.51	30.09	-28.24	30.09	6.53	29.54	-28.60	43.27	-8.54
2	17.48	-33.51	32.82	36.98	-18.91	28.46	-25.65	32.20	-8.76	31.69	-26.45	31.69	6.89	31.04	-30.88	44.14	-8.25
3	15.44	-21.80	65.69	36.60	-18.43	28.14	-28.23	31.87	-9.37	33.98	-30.17	33.98	9.34	31.68	-33.34	44.85	-7.86
4	16.35	-21.37	87.08	36.08	-18.77	27.44	-29.56	30.46	-9.83	33.68	-30.09	33.68	9.94	31.77	-31.20	44.69	-7.70

PROPULSIVE MING FLOW FIELD

RAKE SUMMARY, RUN 360

PT	ALPHA BETA HEIGHT			VT1		VT2		VT3		VT4		VT5		VT6		VT7	
	ALP1	BET1	HEI	ALP1	BET1	ALP2	BET2	ALP3	BET3	ALP4	BET4	ALP5	BET5	ALP6	BET6	ALP7	BET7
1	15.60	-14.59	47.50	37.74	-17.23	27.21	-28.64	28.78	-31.10	29.66	-22.35	29.66	2.58	28.23	-22.35	43.01	-9.43
2	15.05	-15.02	65.67	40.72	-13.70	28.18	-25.41	28.02	-17.76	28.27	-24.88	28.27	1.28	28.83	-24.88	43.80	-8.57
3	15.38	-11.30	87.01	37.88	-9.85	27.98	-25.39	29.46	-21.25	30.62	-25.32	30.62	4.38	27.91	-23.85	42.49	-9.82

PROPULSIVE WING FLOW FIELD

RAKE SUMMARY, RUN 362

PT	ALPHA BETA HEIGHT	VT1 ALP1 BET1	VT2 ALP2 BET2	VT3 ALP3 BET3	VT4 ALP4 BET4	VT5 ALP5 BET5	VT6 ALP6 BET6	VT7 ALP7 BET7
2	0.03 0.00 87.42	87.03 16.83 -9.84	125.70 18.39 -9.89	152.30 16.01 -6.06	160.00 13.38 -5.82	163.00 11.20 -5.35	181.50 10.03 -3.74	166.50 7.73 -3.51
3	4.06 0.00 87.32	85.88 8.68 -5.36	116.50 13.43 -10.44	147.00 11.33 -7.11	158.50 7.93 -6.76	157.90 5.77 -5.83	161.30 4.72 -4.49	166.60 2.36 -4.57
4	8.06 0.00 87.69	89.78 -0.12 3.30	111.50 6.39 -5.27	139.90 5.08 -8.23	152.50 1.47 -6.56	158.50 -0.28 -5.80	161.90 -1.08 -4.78	167.20 -3.19 -5.38
5	12.04 0.00 87.75	97.94 -8.52 3.43	106.20 0.18 0.87	133.40 0.02 -2.42	150.90 -3.18 -2.64	160.40 -4.79 -3.09	163.70 -5.57 -3.09	168.90 -7.45 -4.66
6	16.07 0.00 87.03	104.30 -17.77 15.42	111.50 -4.39 15.18	132.60 -0.83 14.71	140.10 0.88 10.25	144.20 1.20 4.64	152.90 -0.30 -0.97	165.00 -5.61 -5.24
7	22.05 0.00 98.15	129.70 -38.07 13.03	82.22 -30.71 29.71	75.45 -14.61 44.43	75.67 -7.55 51.47	70.13 -8.77 50.40	57.08 2.35 51.87	56.00 9.50 9.22

PROPULSIVE WING FLOW FIELD

RAKE SUMMARY, RUN 363

PT	ALPHA BETA HEIGHT	VT1 ALP1 BET1	VT2 ALP2 BET2	VT3 ALP3 BET3	VT4 ALP4 BET4	VT5 ALP5 BET5	VT6 ALP6 BET6	VT7 ALP7 BET7
1	-0.02 0.00 88.05	133.40 37.05 -4.83	136.40 33.61 -9.04	134.40 33.22 -9.26	131.40 30.53 -10.99	129.60 26.89 -10.95	127.60 25.22 -9.55	133.00 18.83 -8.98
2	4.05 0.00 87.40	134.50 31.73 -2.68	137.70 29.01 -7.65	136.10 28.74 -8.30	132.70 26.26 -10.56	130.90 22.68 -11.35	128.60 20.88 -10.42	133.20 14.35 -10.11
3	8.06 0.00 87.35	135.60 27.26 0.25	139.60 24.94 -4.88	138.50 25.46 -6.29	134.90 23.50 -9.69	132.80 19.99 -11.21	130.20 18.04 -11.02	134.30 11.13 -11.07
4	12.06 0.00 87.09	140.40 21.67 2.56	144.50 20.60 -2.66	143.90 21.38 -4.13	140.40 20.09 -8.50	138.40 16.89 -10.44	135.20 15.37 -11.34	139.20 8.02 -11.71
5	16.04 0.00 87.03	142.80 16.56 5.53	147.90 16.07 0.63	147.50 17.05 -1.01	144.30 16.98 -6.30	142.30 14.35 -9.28	138.90 13.27 -11.70	142.20 5.56 -12.73
6	22.06 0.00 99.03	146.20 9.23 9.60	152.00 10.53 5.52	152.70 11.82 5.05	150.70 12.84 0.01	149.70 11.84 -4.61	147.30 11.44 -8.59	148.70 4.46 -12.69

PROPULSIVE MING FLOW FIELD

RAKE SUMMARY. RUN 364

PT	ALPHA BETA HEIGHT	VT2			VT3			VT4			VT5			VT6			VT7					
		ALP1 BET1	ALP2 BET2	ALP3 BET3	ALP4 BET4	ALP5 BET5	ALP6 BET6	ALP7 BET7	ALP1 BET1	ALP2 BET2	ALP3 BET3	ALP4 BET4	ALP5 BET5	ALP6 BET6	ALP7 BET7	ALP1 BET1	ALP2 BET2	ALP3 BET3	ALP4 BET4	ALP5 BET5	ALP6 BET6	ALP7 BET7
1	0.02 0.00 87.07	105.20 40.68 -4.93	108.00 35.41 -10.49	106.80 34.84 -10.25	104.30 32.90 -13.14	102.00 28.55 -12.11	99.97 26.83 -10.31	107.10 17.97 -9.05	107.10 110.30 109.00	110.30 31.09 -9.36	109.00 31.34 -9.94	105.70 28.51 -13.58	103.30 24.72 -12.88	100.60 23.20 -11.93	108.00 13.73 -10.14	110.50 112.50 112.50	106.60 28.15 -12.31	103.40 26.15 -11.78	111.30 22.31 -12.66	105.80 19.42 -11.78	111.30 17.86 -12.52	111.30 7.92 -11.79
2	4.09 0.00 87.00	35.95 -2.89	110.30 -9.36	110.30 -9.36	105.70 -13.58	103.30 -12.88	100.60 -11.93	108.00 -10.14	107.10 110.30 109.00	110.30 31.09 -9.36	109.00 31.34 -9.94	105.70 28.51 -13.58	103.30 24.72 -12.88	100.60 23.20 -11.93	108.00 13.73 -10.14	110.50 112.50 112.50	106.60 28.15 -12.31	103.40 26.15 -11.78	111.30 22.31 -12.66	105.80 19.42 -11.78	111.30 17.86 -12.52	111.30 7.92 -11.79
3	8.07 0.00 87.03	110.60 30.93 0.36	113.50 27.73 -6.73	112.50 28.07 -7.74	108.90 26.15 -11.78	106.60 22.31 -12.66	103.40 20.65 -12.63	110.50 10.54 -10.91	112.20 115.40 111.90	115.40 24.69 -5.72	111.90 22.91 -10.48	109.20 19.42 -11.78	105.80 17.86 -12.52	111.30 7.92 -11.79	110.50 114.70 114.70	106.60 28.15 -12.31	103.40 26.15 -11.78	111.30 22.31 -12.66	105.80 19.42 -11.78	111.30 17.86 -12.52	111.30 7.92 -11.79	
4	12.03 0.00 87.38	112.20 26.70 2.96	115.40 24.00 -4.64	111.90 22.91 -10.48	109.20 19.42 -11.78	105.80 17.86 -12.52	111.30 7.92 -11.79	110.50 114.70 114.70	112.20 115.40 111.90	115.40 24.69 -5.72	111.90 22.91 -10.48	109.20 19.42 -11.78	105.80 17.86 -12.52	111.30 7.92 -11.79	110.50 114.70 114.70	106.60 28.15 -12.31	103.40 26.15 -11.78	111.30 22.31 -12.66	105.80 19.42 -11.78	111.30 17.86 -12.52	111.30 7.92 -11.79	
5	16.07 0.00 87.11	116.30 21.50 5.55	120.20 19.95 -1.67	120.20 20.61 -3.39	116.80 20.35 -8.95	114.20 17.02 -11.90	110.50 15.39 -13.37	114.70 5.39 -13.16	116.30 120.20 120.20	116.80 20.35 -8.95	114.20 17.02 -11.90	110.50 15.39 -13.37	114.70 5.39 -13.16	114.70 5.39 -13.16	116.30 21.50 5.55	120.20 19.95 -1.67	120.20 20.61 -3.39	116.80 20.35 -8.95	114.20 17.02 -11.90	110.50 15.39 -13.37	114.70 5.39 -13.16	
6	22.02 0.00 99.22	121.00 14.55 10.31	125.40 14.94 3.55	125.40 15.63 2.56	123.40 16.50 -3.40	121.50 14.51 -8.46	118.10 13.41 -11.75	121.40 3.28 -13.69	121.00 125.40 125.40	125.40 14.94 3.55	125.40 15.63 2.56	123.40 16.50 -3.40	121.50 14.51 -8.46	118.10 13.41 -11.75	121.40 3.28 -13.69	121.00 125.40 125.40	125.40 14.94 3.55	125.40 15.63 2.56	123.40 16.50 -3.40	121.50 14.51 -8.46	118.10 13.41 -11.75	121.40 3.28 -13.69

PROPULSIVE MING FLOW FIELD

RAKE SUMMARY. RUN 365

PT	ALPHA BETA HEIGHT	VT1		VT2		VT3		VT4		VT5		VT6		VT7	
		ALP1 BET1	ALP2 BET2	ALP3 BET3	ALP4 BET4	ALP5 BET5	ALP6 BET6	ALP7 BET7	ALP1 BET1	ALP2 BET2	ALP3 BET3	ALP4 BET4	ALP5 BET5	ALP6 BET6	ALP7 BET7
1	0.03 0.00 86.88	77.61 45.22 -4.50	81.34 36.52 -13.32	80.05 38.90 -13.55	77.68 34.88 -17.30	75.20 30.65 -14.56	72.76 29.89 -12.59	83.78 16.13 -8.94	77.61 45.22 -4.50	81.34 36.52 -13.32	80.05 38.90 -13.55	77.68 34.88 -17.30	75.20 30.65 -14.56	72.76 29.89 -12.59	83.78 16.13 -8.94
2	4.03 0.00 87.23	79.18 41.46 -2.65	82.11 34.25 -13.14	81.56 35.60 -13.16	78.48 31.83 -17.45	76.07 27.07 -15.35	73.40 25.68 -13.69	83.88 12.03 -9.85	79.18 41.46 -2.65	82.11 34.25 -13.14	81.56 35.60 -13.16	78.48 31.83 -17.45	76.07 27.07 -15.35	73.40 25.68 -13.69	83.88 12.03 -9.85
3	8.02 0.00 87.74	81.23 37.22 2.03	83.61 32.94 -10.44	83.24 34.07 -11.29	79.54 30.29 -16.52	77.06 25.05 -15.28	73.75 23.64 -13.56	83.91 8.92 -10.78	81.23 37.22 2.03	83.61 32.94 -10.44	83.24 34.07 -11.29	79.54 30.29 -16.52	77.06 25.05 -15.28	73.75 23.64 -13.56	83.91 8.92 -10.78
4	12.06 0.00 88.56	85.27 32.48 4.00	88.32 27.64 -7.32	88.06 29.13 -8.37	84.40 27.02 -14.41	80.84 22.83 -14.60	77.57 20.79 -11.56	85.53 6.64 -11.56	85.27 32.48 4.00	88.32 27.64 -7.32	88.06 29.13 -8.37	84.40 27.02 -14.41	80.84 22.83 -14.60	77.57 20.79 -11.56	85.53 6.64 -11.56
5	16.12 0.00 87.40	87.41 29.01 5.50	90.54 25.33 -6.56	89.27 26.11 -8.28	85.05 24.60 -14.90	83.13 20.40 -16.73	79.24 18.57 -17.09	86.48 3.51 -13.33	87.41 29.01 5.50	90.54 25.33 -6.56	89.27 26.11 -8.28	85.05 24.60 -14.90	83.13 20.40 -16.73	79.24 18.57 -17.09	86.48 3.51 -13.33
6	22.09 0.00 99.57	95.15 21.66 10.61	98.77 19.54 -0.51	98.14 21.00 -2.23	95.02 20.84 -10.17	92.36 17.76 -13.25	88.49 16.03 -14.64	93.48 1.20 -14.64	95.15 21.66 10.61	98.77 19.54 -0.51	98.14 21.00 -2.23	95.02 20.84 -10.17	92.36 17.76 -13.25	88.49 16.03 -14.64	93.48 1.20 -14.64

PROPULSIVE WING FLOW FIELD

RAKE SUMMARY, RUN 366																	
PT	ALPHA BETA HEIGHT	VT1 ALP1 BET1	VT2 ALP2 BET2	VT3 ALP3 BET3	VT4 ALP4 BET4	VT5 ALP5 BET5	VT6 ALP6 BET6	VT7 ALP7 BET7	PT	ALPHA BETA HEIGHT	VT1 ALP1 BET1	VT2 ALP2 BET2	VT3 ALP3 BET3	VT4 ALP4 BET4	VT5 ALP5 BET5	VT6 ALP6 BET6	VT7 ALP7 BET7
1	0.05 0.00 87.54	37.64 53.79 -7.35	45.42 30.19 -19.36	45.99 42.31 -20.81	44.98 39.11 -31.15	41.07 33.03 -21.52	37.40 36.53 -18.34	57.25 7.78 -5.29	27	0.01 0.00 88.36	53.33 53.35 -1.24	64.37 29.08 -13.10	61.40 38.06 -17.40	57.17 34.61 -29.12	54.27 32.53 -15.33	52.63 30.13 -18.64	57.51 18.61 -11.19
2	4.02 0.00 87.24	39.29 52.31 -7.46	45.27 28.52 -21.53	46.21 35.77 -19.36	44.99 36.74 -32.11	41.38 30.00 -26.83	37.70 31.99 -19.60	55.16 3.87 -6.61	28	4.02 0.00 88.45	55.10 48.85 0.81	65.81 25.34 -12.84	62.65 36.23 -17.87	56.87 30.92 -31.04	55.13 29.68 -16.41	52.88 26.83 -20.84	61.28 12.01 -10.57
3	8.08 0.00 87.02	39.85 51.72 -1.12	44.72 29.72 -23.42	46.49 36.28 -21.52	44.76 32.41 -32.72	41.08 27.73 -26.34	37.53 30.12 -22.29	56.09 -0.34 -6.62	29	8.02 0.00 88.81	57.17 46.64 7.08	65.58 23.73 -12.77	63.59 34.60 -17.30	59.41 29.60 -31.29	55.66 26.99 -16.68	53.10 24.32 -22.01	58.83 9.26 -12.74
4	12.03 0.00 87.65	42.99 47.18 3.67	46.30 28.41 -23.48	47.28 34.73 -24.43	45.53 31.76 -30.93	43.14 25.37 -28.27	39.17 28.51 -25.41	56.97 -3.31 -8.31	30	12.00 0.00 87.62	59.29 41.02 11.34	66.46 21.70 -11.08	65.74 31.38 -15.27	60.65 27.44 -30.56	56.41 25.27 -16.66	53.60 22.74 -22.98	59.70 5.87 -12.98
5	16.11 0.00 87.11	46.60 40.31 6.93	49.61 27.76 -21.39	50.72 31.13 -21.01	48.43 28.48 -27.29	45.36 22.66 -25.66	41.29 24.42 -21.74	56.31 -5.15 -10.56	31	16.01 0.00 88.61	61.74 36.40 10.28	68.84 18.93 -10.78	68.57 28.92 -15.97	63.38 24.79 -29.62	58.83 22.59 -17.94	55.70 19.40 -23.61	61.82 2.59 -13.91
6	21.96 0.00 99.22	52.22 37.04 5.98	54.22 25.27 -20.87	55.79 27.15 -21.15	53.49 25.16 -30.33	50.95 19.47 -28.98	46.00 19.71 -27.73	57.92 -8.83 -12.75	32	21.99 0.00 99.32	68.21 31.31 13.79	73.84 16.76 -9.50	73.88 25.21 -14.05	69.71 20.94 -29.71	64.86 19.40 -19.29	61.40 16.39 -26.08	63.73 0.06 -17.30

PROPULSIVE WING FLOW FIELD

PT	RAKE SUMMARY, RUN 370											
	ALPHA BETA HEIGHT	VT1 ALP1 BET1	VT2 ALP2 BET2	VT3 ALP3 BET3	VT4 ALP4 BET4	VT5 ALP5 BET5	VT6 ALP6 BET6	VT7 ALP7 BET7				
1	0.02 0.00 86.33	143.30 37.47 -6.38	149.00 30.83 -10.75	145.90 31.09 -11.60	140.90 27.60 -14.38	140.40 24.26 -11.82	136.50 22.69 -11.51	143.90 17.22 -10.02				
2	4.02 0.00 83.65	153.70 35.20 4.68	157.10 31.77 -5.42	154.40 31.60 -9.53	149.10 27.94 -15.72	147.40 23.43 -14.35	144.80 20.60 -14.76	147.70 14.29 -12.72				
3	7.99 0.00 85.82	161.30 30.95 18.04	165.70 31.85 7.68	163.60 33.89 3.82	156.80 33.12 -6.22	154.00 28.03 -10.45	149.80 25.84 -15.37	151.40 16.97 -15.42				
4	12.04 0.00 86.37	170.90 29.50 21.31	176.50 31.99 9.36	176.50 33.82 5.26	169.80 33.57 -5.51	166.00 28.47 -11.47	165.50 24.48 -17.16	167.20 16.22 -18.22				
5	16.01 0.00 87.22	175.00 23.99 26.80	182.60 28.34 16.98	182.40 31.48 16.75	177.30 35.01 6.90	176.40 32.63 0.20	173.70 29.98 -9.13	174.80 19.12 -14.61				
6	21.99 0.00 93.04	154.70 17.27 33.91	150.70 21.27 28.06	140.70 23.14 35.72	125.90 28.30 37.83	115.10 26.78 39.84	101.10 34.56 35.80	87.66 31.22 12.50				

PROPULSIVE WING FLOW FIELD

PT	RAKE SUMMARY, RUN 369											
	ALPHA BETA HEIGHT	VT1 ALP1 BET1	VT2 ALP2 BET2	VT3 ALP3 BET3	VT4 ALP4 BET4	VT5 ALP5 BET5	VT6 ALP6 BET6	VT7 ALP7 BET7				
2	0.01 0.00 85.38	96.43 12.67 7.41	128.50 16.28 0.96	150.70 19.39 1.72	154.80 21.03 -2.13	159.10 19.80 -6.87	161.20 16.13 -9.47	166.00 10.96 -9.11				
3	4.04 0.00 87.71	94.49 5.15 9.98	124.00 9.93 5.00	147.10 12.16 6.58	157.10 12.37 7.52	156.20 16.75 10.17	143.60 23.08 -1.18	156.30 13.80 -14.45				
4	8.02 0.00 87.82	93.55 -0.19 10.84	120.10 6.00 6.59	143.50 7.45 7.54	156.00 5.01 7.17	164.10 4.73 11.34	160.80 7.35 15.74	135.10 11.76 15.08				
5	12.05 0.00 89.06	101.70 -6.34 12.84	123.90 0.61 10.22	143.00 2.69 10.13	153.20 -0.48 8.13	162.60 -2.28 11.04	164.80 -2.55 14.42	156.40 -4.09 17.86				
6	16.00 0.00 87.44	99.48 -12.76 14.46	118.40 -4.48 13.06	136.70 -1.72 13.31	148.50 -4.82 10.31	159.50 -6.66 12.11	163.30 -7.95 14.12	161.80 -11.14 15.56				
7	22.02 0.00 94.64	112.30 -19.99 17.72	132.10 -11.21 17.31	143.10 -8.71 20.92	143.90 -11.11 17.95	146.70 -12.80 16.49	144.40 -13.82 13.96	142.20 -16.56 9.82				



PROPULSIVE WING FLOW FIELD

RAKE SUMMARY, RUN 372

PT	ALPHA BETA HEIGHT	VT1 ALP1 BET1	VT2 ALP2 BET2	VT3 ALP3 BET3	VT4 ALP4 BET4	VT5 ALP5 BET5	VT6 ALP6 BET6	VT7 ALP7 BET7
1	0.01 0.00 85.96	71.77 44.83 -8.31	81.36 30.15 -14.80	79.68 35.38 -17.34	75.27 31.00 -24.71	72.82 28.59 -15.40	71.23 26.33 -15.85	77.12 17.21 -10.86
2	4.00 0.00 87.17	76.17 44.71 -8.34	84.28 29.13 -15.41	82.50 33.70 -18.49	78.41 29.78 -26.26	75.26 27.27 -17.94	72.32 25.14 -19.05	76.88 14.93 -13.55
3	8.00 0.00 86.13	81.86 42.50 -4.56	88.06 29.85 -14.73	85.67 33.41 -17.57	82.66 29.83 -26.57	78.65 27.13 -18.61	75.30 24.83 -21.71	79.70 12.95 -14.74
4	12.03 0.00 86.64	92.45 38.63 -0.52	98.72 28.07 -12.58	99.46 29.63 -15.19	94.40 26.75 -23.54	91.15 23.91 -18.94	86.59 21.44 -21.90	87.33 11.65 -17.46
5	16.05 0.00 86.07	93.25 38.62 13.35	96.86 31.48 -10.52	99.43 30.95 -15.29	95.96 26.71 -25.21	94.64 22.04 -21.36	93.35 17.74 -23.83	97.64 7.12 -18.44
6	21.97 0.00 97.65	94.61 25.65 32.54	95.12 25.84 12.74	96.12 31.29 12.48	92.03 34.21 -5.04	91.90 29.12 -5.82	91.01 27.53 -16.87	93.00 14.76 -17.94

PROPULSIVE WING FLOW FIELD

RAKE SUMMARY, RUN 371

PT	ALPHA BETA HEIGHT	VT1 ALP1 BET1	VT2 ALP2 BET2	VT3 ALP3 BET3	VT4 ALP4 BET4	VT5 ALP5 BET5	VT6 ALP6 BET6	VT7 ALP7 BET7
1	0.00 0.00 87.47	101.40 39.37 -6.29	109.00 30.91 -12.15	106.80 33.23 -13.48	102.80 29.78 -18.03	101.40 26.83 -13.28	99.25 25.22 -13.61	104.40 17.83 -10.70
2	4.03 0.00 87.25	110.40 39.39 -5.02	116.60 30.57 -12.54	113.50 32.59 -14.95	108.20 29.09 -20.37	105.50 25.51 -15.50	102.60 23.12 -16.37	106.20 15.31 -13.11
3	8.02 0.00 87.12	119.60 38.17 5.79	124.90 31.92 -7.54	124.00 32.25 -11.52	120.60 27.83 -18.47	119.30 23.52 -16.29	115.90 20.40 -17.76	115.30 13.50 -16.03
4	12.02 0.00 86.04	122.20 35.99 21.01	122.80 35.09 1.68	121.70 36.42 -6.00	117.70 32.98 -18.17	116.40 27.27 -18.51	113.40 23.03 -21.90	116.50 12.92 -18.62
5	16.02 0.00 86.76	132.90 27.65 24.57	136.00 29.34 12.07	132.80 32.80 10.30	126.40 34.62 -1.71	124.70 30.84 -6.95	123.10 28.13 -15.57	124.60 17.81 -17.98
6	22.09 0.00 96.36	124.80 22.50 26.40	127.00 24.32 15.62	123.80 28.91 20.48	113.40 35.55 14.59	107.70 34.83 16.51	100.90 37.60 6.65	97.57 24.57 -4.10

PROPULSIVE WING FLOW FIELD

RAKE SUMMARY, RUN 374

PT	ALPHA BETA HEIGHT	VT1		VT2		VT3		VT4		VT5		VT6		VT7
		ALP1 BET1	ALP2 BET2	ALP3 BET3	ALP4 BET4	ALP5 BET5	ALP6 BET6	ALP7 BET7						
1	0.01 0.00 87.06	34.82 64.89 -5.60	48.38 21.23 -15.49	46.16 35.92 -22.07	43.23 27.36 -42.31	37.78 34.10 -18.99	35.98 30.69 -25.45	41.14 15.40 -13.20						
2	3.98 0.00 87.30	39.07 57.12 -27.37	49.33 20.54 -19.15	48.23 32.85 -24.73	45.35 26.47 -43.49	40.27 30.30 -21.91	38.25 27.59 -27.38	44.32 10.72 -13.94						
3	7.99 0.00 87.08	40.27 59.87 -23.00	48.40 16.12 -18.96	47.69 32.56 -28.30	46.25 20.19 -44.18	40.05 25.00 -23.41	37.95 23.90 -33.67	44.42 5.43 -14.35						
4	12.05 0.00 87.76	42.22 53.05 -24.53	48.30 14.50 -21.06	48.73 26.52 -28.02	46.75 16.34 -45.35	40.78 20.23 -26.01	38.89 16.90 -32.76	43.14 2.62 -17.37						
5	16.04 0.00 85.77	49.53 48.25 -17.90	53.23 17.39 -22.82	54.20 27.37 -30.33	51.69 18.11 -44.46	46.49 20.61 -28.07	43.94 16.31 -31.41	44.85 4.58 -21.86						
6	22.07 0.00 99.07	50.69 43.47 2.80	52.99 16.28 -20.71	54.86 25.51 -28.18	52.48 18.72 -46.69	47.34 19.97 -32.34	45.08 16.29 -36.75	43.60 3.85 -26.57						

PROPULSIVE WING FLOW FIELD

RAKE SUMMARY, RUN 373

PT	ALPHA BETA HEIGHT	VT1		VT2		VT3		VT4		VT5		VT6		VT7
		ALP1 BET1	ALP2 BET2	ALP3 BET3	ALP4 BET4	ALP5 BET5	ALP6 BET6	ALP7 BET7						
1	0.03 0.00 87.22	53.05 55.14 -16.85	63.80 27.91 -17.95	62.43 37.74 -22.24	58.40 32.30 -33.01	54.83 31.77 -18.18	52.70 29.68 -21.32	59.30 16.75 -11.48						
2	4.00 0.00 85.87	53.62 49.16 -10.16	63.78 24.36 -16.73	61.55 34.24 -22.77	58.14 27.64 -34.36	54.68 26.69 -19.19	52.98 23.67 -22.01	58.47 11.87 -12.87						
3	8.00 0.00 85.16	56.37 47.21 -9.12	62.94 26.01 -20.56	64.15 31.59 -23.68	60.14 25.71 -35.19	54.72 26.30 -23.85	52.79 22.28 -26.09	56.10 10.07 -16.81						
4	11.98 0.00 86.14	61.21 45.18 -7.53	66.37 24.96 -19.32	67.13 31.68 -24.06	63.37 25.74 -35.59	58.96 25.52 -24.00	56.23 21.40 -26.62	57.24 10.08 -18.96						
5	16.03 0.00 87.01	67.68 40.31 0.28	72.54 24.31 -14.87	73.00 31.06 -19.75	69.52 26.69 -32.20	65.76 25.31 -22.68	61.79 22.84 -26.91	61.31 11.05 -20.18						
6	21.99 0.00 98.54	78.35 36.20 12.59	81.54 24.38 -11.09	84.30 28.05 -16.63	81.07 23.96 -28.90	78.24 20.52 -22.77	75.14 17.87 -27.66	74.18 7.28 -23.07						

PROPULSIVE WING FLOW FIELD

RAKE SUMMARY, RUN 376

PT	ALPHA BETA HEIGHT	VT1 ALP1 BET1	VT2 ALP2 BET2	VT3 ALP3 BET3	VT4 ALP4 BET4	VT5 ALP5 BET5	VT6 ALP6 BET6	VT7 ALP7 BET7
1	0.02 0.00 19.22	78.86 9.79 6.70	98.86 15.72 7.03	121.80 16.08 4.79	128.30 18.77 4.71	128.00 21.49 -2.67	131.90 18.07 -8.19	128.40 -13.91 -11.17
2	0.00 0.00 32.82	79.29 12.33 3.94	98.82 16.73 4.58	122.40 17.02 4.07	128.00 19.95 2.69	129.40 21.10 -5.65	134.00 17.00 -9.10	129.60 13.44 -10.88
3	-0.03 0.00 65.63	80.69 13.96 3.57	103.30 17.64 2.89	123.70 17.97 2.75	129.40 20.40 0.43	130.60 20.27 -7.00	134.70 16.18 -8.87	129.90 12.96 -10.10
4	-0.02 0.00 86.87	80.52 14.97 2.88	102.20 17.52 2.71	123.80 17.77 2.56	129.00 20.39 0.15	131.10 19.92 -7.20	134.40 15.96 -8.83	130.10 12.69 -9.84

PROPULSIVE WING FLOW FIELD

RAKE SUMMARY, RUN 375

PT	ALPHA BETA HEIGHT	VT1 ALP1 BET1	VT2 ALP2 BET2	VT3 ALP3 BET3	VT4 ALP4 BET4	VT5 ALP5 BET5	VT6 ALP6 BET6	VT7 ALP7 BET7
2	-0.03 0.00 18.75	96.79 10.48 7.19	119.20 16.09 6.82	144.60 16.51 4.84	154.40 18.90 4.42	154.50 21.58 -2.97	158.70 18.32 -8.27	155.40 14.09 -11.12
3	-0.07 0.00 32.62	96.91 11.97 5.00	119.30 17.02 4.37	148.40 17.43 3.53	154.10 20.41 2.32	156.80 21.23 -5.58	160.60 17.42 -9.29	157.80 13.34 -10.67
4	-0.03 0.00 65.78	96.85 13.97 4.18	121.70 18.01 2.81	149.00 18.17 2.54	154.80 20.81 0.40	158.10 20.28 -6.87	161.40 16.43 -9.03	157.90 12.83 -9.99
5	0.03 0.00 87.32	94.98 13.74 3.82	120.50 17.73 3.11	148.00 18.27 2.65	154.60 20.62 0.07	158.30 19.97 -8.91	162.00 16.15 -8.88	158.90 12.56 -9.77

PROPULSIVE WING FLOW FIELD

RAKE SUMMARY, RUN 377

PT	ALPHA BETA HEIGHT	VT1		VT2		VT3		VT4		VT5		VT6		VT7	
		ALP1 BET1	ALP2 BET2	ALP3 BET3	ALP4 BET4	ALP5 BET5	ALP6 BET6	ALP7 BET7	ALP1 BET1	ALP2 BET2	ALP3 BET3	ALP4 BET4	ALP5 BET5	ALP6 BET6	ALP7 BET7
1	-0.03 0.00 19.29	54.08 10.83 5.44	67.49 16.55 7.55	84.84 14.67 4.47	89.59 18.10 5.26	88.68 21.61 -3.05	92.52 17.95 -6.27	86.73 14.91 -11.65	89.48 18.98 4.23	89.59 21.29 -5.35	93.81 16.90 -8.73	85.73 15.14 -12.03	94.15 16.07 -8.67	86.90 14.21 -10.75	87.13 13.93 -10.47
2	0.02 0.00 32.77	55.63 14.28 0.73	70.80 16.24 4.59	85.14 16.18 4.43	89.48 18.98 4.23	89.59 21.29 -5.35	93.81 16.90 -8.73	85.73 15.14 -12.03	89.48 18.98 4.23	89.59 21.29 -5.35	93.81 16.90 -8.73	85.73 15.14 -12.03	94.15 16.07 -8.67	86.90 14.21 -10.75	87.13 13.93 -10.47
3	0.00 0.00 65.50	55.60 16.46 1.36	71.07 18.52 3.37	88.78 16.29 2.97	90.64 19.81 2.27	90.17 20.56 -6.45	94.15 16.07 -8.67	86.90 14.21 -10.75	89.48 18.98 4.23	89.59 21.29 -5.35	93.81 16.90 -8.73	85.73 15.14 -12.03	94.15 16.07 -8.67	86.90 14.21 -10.75	87.13 13.93 -10.47
4	-0.02 0.00 87.20	55.95 15.25 0.39	71.15 17.66 3.44	86.91 16.80 2.93	89.38 19.71 1.75	90.43 20.03 -6.99	93.87 15.76 -8.59	87.13 13.93 -10.47	89.48 18.98 4.23	89.59 21.29 -5.35	93.81 16.90 -8.73	85.73 15.14 -12.03	94.15 16.07 -8.67	86.90 14.21 -10.75	87.13 13.93 -10.47

PROPULSIVE WING FLOW FIELD

RAKE SUMMARY, RUN 378

PT	ALPHA BETA HEIGHT	VT1		VT2		VT3		VT4		VT5		VT6		VT7	
		ALP1 BET1	ALP2 BET2	ALP3 BET3	ALP4 BET4	ALP5 BET5	ALP6 BET6	ALP7 BET7	ALP1 BET1	ALP2 BET2	ALP3 BET3	ALP4 BET4	ALP5 BET5	ALP6 BET6	ALP7 BET7
1	0.00 0.00 19.51	38.55 14.30 1.10	45.72 18.57 9.39	60.85 12.49 4.00	64.18 15.94 7.93	60.99 22.31 -1.89	64.19 18.25 -7.97	55.14 18.58 -13.94	60.85 12.49 4.00	64.18 15.94 7.93	60.99 22.31 -1.89	64.19 18.25 -7.97	64.19 18.25 -7.97	55.14 18.58 -13.94	
2	-0.02 0.00 32.52	36.77 17.11 -3.20	48.03 16.97 6.20	61.33 14.25 3.97	62.93 17.91 6.31	61.59 21.60 -5.19	65.20 16.95 -8.59	54.84 18.47 -13.89	61.33 14.25 3.97	62.93 17.91 6.31	61.59 21.60 -5.19	65.20 16.95 -8.59	65.20 16.95 -8.59	54.84 18.47 -13.89	
3	-0.02 0.00 65.71	38.76 19.07 -5.38	48.59 18.72 4.09	61.21 14.11 3.22	62.47 18.00 4.56	61.31 21.30 -6.90	65.32 16.38 -8.24	54.00 18.39 -13.61	61.21 14.11 3.22	62.47 18.00 4.56	61.31 21.30 -6.90	65.32 16.38 -8.24	65.32 16.38 -8.24	54.00 18.39 -13.61	
4	0.02 0.00 87.40	37.51 22.23 -5.04	50.20 18.51 4.39	62.56 14.46 2.49	61.97 18.37 4.98	60.96 21.05 -6.88	65.05 15.77 -7.45	53.96 18.18 -13.19	62.56 14.46 2.49	61.97 18.37 4.98	60.96 21.05 -6.88	65.05 15.77 -7.45	65.05 15.77 -7.45	53.96 18.18 -13.19	

PROPULSIVE WING FLOW FIELD

RAKE SUMMARY, RUN 379

PT	ALPHA	VT1	VT2	VT3	VT4	VT5	VT6	VT7
BETA	ALP1	ALP2	ALP3	ALP4	ALP5	ALP6	ALP7	ALP7
HEIGHT	BET1	BET2	BET3	BET4	BET5	BET6	BET7	BET7
2	0.01	41.41	41.51	43.08	41.11	40.37	44.76	34.47
	0.00	40.08	35.25	22.98	22.73	28.59	21.60	58.60
	19.27	-23.97	-1.31	1.03	13.15	-0.79	1.59	-2.15
3	-0.02	49.01	48.58	47.42	45.21	44.47	47.05	39.74
	0.00	48.27	47.35	29.80	31.01	35.48	27.95	51.02
	32.73	-20.44	-10.92	-7.71	1.11	-11.80	-7.06	-18.93
4	0.01	56.98	54.68	52.09	48.96	50.33	50.83	45.51
	0.00	47.35	45.57	32.68	36.39	37.34	31.21	48.81
	65.65	-32.94	-24.49	-17.19	-8.93	-18.84	-12.94	-27.81
5	-0.01	56.83	54.64	51.29	50.59	50.67	51.75	45.51
	0.00	45.75	43.46	34.82	34.50	35.58	29.75	47.64
	86.96	-29.16	-21.09	-17.63	-9.27	-17.97	-12.31	-27.92

PROPULSIVE WING FLOW FIELD

RAKE SUMMARY, RUN 380

PT	ALPHA	VT1	VT2	VT3	VT4	VT5	VT6	VT7
BETA	ALP1	ALP2	ALP3	ALP4	ALP5	ALP6	ALP7	ALP7
HEIGHT	BET1	BET2	BET3	BET4	BET5	BET6	BET7	BET7
1	0.01	35.37	33.26	33.13	34.00	29.73	34.04	32.36
	0.00	45.77	51.92	24.26	22.96	41.20	26.89	72.75
	19.43	-31.19	2.07	3.06	22.92	3.11	2.79	-0.06
2	0.00	37.80	33.92	36.79	32.67	33.43	34.06	33.46
	0.00	49.69	51.30	22.42	32.45	41.18	33.86	65.82
	32.73	-37.14	-10.92	-5.77	15.70	-12.51	-5.09	-24.95
3	-0.03	41.81	38.03	34.03	35.00	35.72	36.98	38.66
	0.00	45.81	51.82	32.45	35.37	42.35	31.89	63.75
	65.76	-35.66	-23.15	-15.55	4.73	-20.58	-11.14	-45.86
4	-0.01	42.82	38.38	35.99	33.85	36.53	37.15	37.39
	0.00	47.33	49.67	28.37	37.57	41.42	32.51	61.40
	87.10	-40.32	-22.78	-14.40	4.65	-19.05	-9.65	-41.23

PROPULSIVE WING FLOW FIELD

RAKE SUMMARY, RUN 302

PT	ALPHA			VT1			VT2			VT3			VT4			VT5			VT6			VT7		
	BETA	HEIGHT		ALP1	BET1		ALP2	BET2		ALP3	BET3		ALP4	BET4		ALP5	BET5		ALP6	BET6		ALP7	BET7	
1	0.01	18.53		82.02	-1.06		84.56	2.07		86.83	2.02		86.09	3.06		86.43	-1.58		88.97	-1.85		82.27	-4.55	
2	-0.01	32.86		100.10	-5.33		98.64	-6.71		98.41	-7.16		95.83	-6.29		95.61	-9.97		96.41	-8.66		89.69	-10.99	
3	0.00	65.67		104.60	-11.73		103.20	-12.92		102.00	-12.36		100.00	-11.14		99.83	-13.26		99.27	-11.41		92.65	-13.29	
4	-0.03	87.09		103.90	-11.86		102.40	-13.14		102.00	-12.28		99.56	-11.04		99.05	-13.38		99.74	-11.45		92.43	-13.36	

PROPULSIVE WING FLOW FIELD

RAKE SUMMARY, RUN 381

PT	ALPHA			VT1			VT2			VT3			VT4			VT5			VT6			VT7		
	BETA	HEIGHT		ALP1	BET1		ALP2	BET2		ALP3	BET3		ALP4	BET4		ALP5	BET5		ALP6	BET6		ALP7	BET7	
1	-0.01	19.01		57.50	-8.28		58.62	0.20		60.68	0.96		60.16	6.11		58.76	-1.17		62.20	-1.35		51.86	-4.24	
2	0.03	32.98		69.70	-12.15		68.09	-9.28		65.50	-9.51		64.38	-4.65		64.82	-10.27		66.24	-8.44		58.02	-12.82	
3	0.00	65.57		75.74	-17.67		74.22	-15.78		71.78	-14.91		69.37	-11.12		70.35	-15.61		71.07	-11.96		62.66	-17.08	
4	0.03	87.19		75.68	-18.28		73.79	-16.70		72.02	-14.88		69.76	-11.30		70.39	-16.15		70.86	-12.47		62.79	-17.60	

PROPULSIVE WING FLOW FIELD

RAKE SUMMARY. RUM 383

PT	ALPHA BETA HEIGHT	VT1			VT2			VT3			VT4			VT5			VT6			VT7		
		ALP1 BET1	ALP2 BET2	ALP3 BET3	ALP4 BET4	ALP5 BET5	ALP6 BET6	ALP7 BET7	ALP8 BET8	ALP9 BET9	ALP10 BET10	ALP11 BET11	ALP12 BET12	ALP13 BET13	ALP14 BET14	ALP15 BET15	ALP16 BET16	ALP17 BET17	ALP18 BET18	ALP19 BET19	ALP20 BET20	
1	0.02 0.00 17.50	122.50 32.00 3.29	127.70 31.35 1.90	129.30 28.14 0.52	127.80 25.88 -0.75	128.80 23.15 -3.80	131.10 20.54 -3.75	126.80 19.20 -5.69														
2	-0.08 0.00 32.80	143.30 38.11 -3.73	141.30 34.78 -6.65	139.30 30.38 -7.56	135.50 27.85 -8.14	136.10 24.72 -9.91	138.90 22.39 -8.86	132.20 20.85 -10.28														
3	0.01 0.00 66.14	146.60 37.31 -8.76	144.00 34.40 -10.71	142.70 29.99 -10.58	139.30 27.65 -10.10	138.70 24.77 -11.29	140.10 22.58 -8.88	134.70 21.30 -11.15														
4	-0.04 0.00 92.55	145.30 37.27 -9.83	144.90 33.91 -10.95	143.50 30.00 -10.73	140.30 28.10 -10.45	140.10 25.48 -11.95	140.60 23.23 -10.33	133.90 22.54 -11.66														

PROPULSIVE WING FLOW FIELD

RAKE SUMMARY. RUM 387

PT	ALPHA BETA HEIGHT	VT1			VT2			VT3			VT4			VT5			VT6			VT7		
		ALP1 BET1	ALP2 BET2	ALP3 BET3	ALP4 BET4	ALP5 BET5	ALP6 BET6	ALP7 BET7	ALP8 BET8	ALP9 BET9	ALP10 BET10	ALP11 BET11	ALP12 BET12	ALP13 BET13	ALP14 BET14	ALP15 BET15	ALP16 BET16	ALP17 BET17	ALP18 BET18	ALP19 BET19	ALP20 BET20	
2	-0.01 0.00 87.48	133.30 -8.03 7.74	139.30 -7.01 5.29	137.50 -7.39 5.90	128.90 -9.75 4.42	113.10 -11.87 5.37	94.56 -10.38 6.09	85.83 -5.39 8.19														
3	4.04 0.00 87.42	139.90 -18.77 10.20	145.90 -18.66 7.32	142.60 -18.45 4.21	138.60 -18.23 0.49	120.70 -17.14 -0.83	102.30 -13.64 -1.72	95.96 -8.72 -1.07														
4	12.05 0.00 87.56	140.60 -47.46 0.77	147.70 -42.45 -9.18	153.80 -34.62 -14.03	154.50 -29.86 -14.74	138.60 -27.13 -14.27	124.50 -22.87 -14.28	114.10 -16.19 -11.20														

PROPULSIVE MING FLOW FIELD

RAKE SUMMARY, RUN 389

PT	ALPHA BETA HEIGHT	VT1 ALP1 BET1	VT2 ALP2 BET2	VT3 ALP3 BET3	VT4 ALP4 BET4	VT5 ALP5 BET5	VT6 ALP6 BET6	VT7 ALP7 BET7
1	0.02 0.00 86.95	70.90 -13.35 11.01	74.43 -12.21 8.10	71.46 -13.95 10.45	73.14 -16.61 9.79	70.51 -18.80 13.96	72.80 -18.67 14.53	71.58 -18.36 17.38
2	4.02 0.00 87.63	70.88 -16.57 13.88	74.66 -15.58 11.27	71.76 -16.18 13.75	73.39 -20.39 11.23	70.65 -21.67 11.69	67.45 -20.13 12.38	65.76 -17.21 16.44
3	12.04 0.00 86.95	71.50 -37.75 15.29	72.29 -35.60 6.53	67.68 -35.31 2.23	71.68 -35.15 -3.07	69.55 -33.93 -4.19	68.70 -30.07 -2.13	63.88 -28.12 1.16

PROPULSIVE MING FLOW FIELD

RAKE SUMMARY, RUN 388

PT	ALPHA BETA HEIGHT	VT1 ALP1 BET1	VT2 ALP2 BET2	VT3 ALP3 BET3	VT4 ALP4 BET4	VT5 ALP5 BET5	VT6 ALP6 BET6	VT7 ALP7 BET7
1	0.01 0.00 87.04	97.51 -11.42 9.45	102.80 -10.16 7.74	99.91 -11.36 9.34	100.70 -14.66 8.41	95.29 -16.71 9.54	86.66 -17.10 11.99	78.84 -15.54 15.39
2	4.06 0.00 86.72	97.38 -19.39 12.19	102.90 -18.73 10.33	101.90 -20.82 10.13	101.80 -23.82 7.87	96.82 -24.72 7.00	93.63 -23.22 7.62	82.19 -21.95 10.07
3	12.10 0.00 87.92	85.44 -48.31 0.27	92.90 -37.87 -8.60	100.20 -34.18 -12.81	103.60 -30.01 -13.77	97.33 -27.51 -13.68	90.05 -25.34 -12.55	84.61 -19.20 -7.24



PROPULSIVE WING FLOW FIELD

RAKE SUMMARY, RUN 392

PT	ALPHA BETA HEIGHT	VT1 ALP1 BET1	VT2 ALP2 BET2	VT3 ALP3 BET3	VT4 ALP4 BET4	VT5 ALP5 BET5	VT6 ALP6 BET6	VT7 ALP7 BET7
1	-0.01 0.00 86.99	89.78 3.54 -9.20	92.56 0.38 -10.36	90.78 -1.90 -10.46	89.28 -4.62 -8.95	92.33 -3.33 -5.00	87.33 -6.50 -8.82	92.58 -7.49 -5.90
2	-0.02 0.00 56.99	93.52 -2.22 15.67	98.67 -4.81 13.78	98.58 -11.95 -12.79	97.55 -11.46 12.56	95.00 8.61	96.77 -14.21 7.08	101.20 -14.03 4.32
3	-0.01 0.00 59.98	95.78 -0.50 19.23	99.29 -4.80 18.72	100.10 -9.45 17.27	98.63 -15.17 16.88	94.46 11.49	97.56 -19.81 8.97	101.90 -19.40 4.59
4	-0.01 0.00 63.05	99.19 4.16 23.83	102.90 -1.34 25.40	104.30 -20.88 26.34	103.50 -27.65 24.49	95.78 16.34	101.00 -27.65 11.90	104.90 -26.45 6.62
5	-0.01 0.00 66.07	108.60 14.89 25.60	127.10 8.77 29.62	144.40 -26.45 33.01	141.80 -41.38 31.57	105.40 17.62	108.20 -36.41 12.58	109.50 -32.49 7.39
6	-0.01 0.00 69.10	137.90 18.40 9.11	148.10 19.25 12.61	149.24 27.15 51.61	96.61 -56.32 14.54	127.50 -50.07 3.18	115.60 -42.49 6.64	113.90 -36.92 5.69
7	-0.02 0.00 71.97	143.80 12.35 -5.21	146.10 11.97 -9.34	89.26 9.25 -28.47	109.40 -39.78 -22.18	123.90 -43.37 -12.04	116.20 -41.46 0.42	115.10 -37.21 4.43
8	-0.01 0.00 74.53	110.80 14.19 -4.93	136.10 0.30 -7.07	131.80 -13.71 -11.88	126.00 -28.66 -13.31	112.30 -30.92 -11.13	109.30 -35.04 -2.21	111.00 -33.42 4.59
9	-0.02 0.00 77.93	111.70 17.60 -8.59	161.30 -3.12 -13.36	163.20 -20.17 -10.67	129.10 -23.48 -10.16	129.30 -18.89 -6.85	121.50 -23.20 -0.06	113.10 -26.10 6.40
10	-0.02 0.00 80.99	100.10 12.46 -15.28	125.90 -4.11 -21.85	172.70 -16.49 -15.58	171.20 -19.85 -9.92	163.80 -17.40 -4.62	194.70 -21.11 0.06	225.30 -21.64 4.31
11	-0.01 0.00 83.96	92.59 6.16 -13.08	94.94 0.20 -14.99	93.84 -4.93 -15.24	91.62 -8.64 -11.79	93.15 -5.29 -6.83	105.30 -14.50 -7.71	149.00 -21.30 -0.44
12	-0.01 0.00 87.05	88.86 3.52 -9.35	92.50 0.56 -10.20	90.53 -1.83 -10.51	88.50 -4.20 -9.39	90.68 -3.43 -6.33	86.57 -6.63 -9.30	90.92 -8.91 -6.52

PROPULSIVE WING FLOW FIELD

RAKE SUMMARY, RUN 391

PT	ALPHA BETA HEIGHT	VT1 ALP1 BET1	VT2 ALP2 BET2	VT3 ALP3 BET3	VT4 ALP4 BET4	VT5 ALP5 BET5	VT6 ALP6 BET6	VT7 ALP7 BET7
3	0.02 0.00 87.05	..... -1.01 -4.36	..... -4.79 -1.44	..... 0.87 0.46	..... 0.41 -0.53	..... 88.32 -71.48	..... -2.91 -33.41	..... 89.99 36.83
4	0.03 0.00 84.07	..... -1.02 -4.17	..... -4.65 -1.39	..... 0.86 0.46	..... 0.42 -0.53	..... 87.97 -82.46	..... -2.83 -33.46	..... 90.09 44.94
5	0.03 0.00 81.08	..... -1.04 -3.86	..... -4.72 -1.33	..... 0.85 0.48	..... 0.43 -0.53	..... 87.48 -86.27	..... -2.85 -33.44	..... 90.32 61.60
6	0.03 0.00 78.08	..... -1.05 -3.55	..... -4.97 -1.23	..... 0.86 0.49	..... 0.44 -0.53	..... 90.33 -63.81	..... -2.71 -33.53	..... 97.91 88.46
7	0.04 0.00 75.08	..... -1.07 -3.17	..... -5.33 -1.08	..... 0.85 0.50	..... 0.45 -0.54	..... 89.68 16.47	..... -2.64 -33.58	..... 89.16 36.94
8	0.01 0.00 18.66	..... 3.78 1.87	..... 2.74 0.88	..... 3.14 0.79	..... 2.51 1.57	..... 3.14 2.06	..... 3.28 1.26	..... 2.87 1.48
10	0.02 0.00 57.07	..... 3.71 6.42	..... 136.90 5.60	..... 137.10 5.80	..... 135.20 5.76	..... 134.30 4.40	..... 135.40 3.34	..... 139.60 2.69
11	0.02 0.00 59.98	..... 5.93 8.02	..... 136.30 8.58	..... 134.70 9.66	..... 133.80 7.91	..... 134.80 5.44	..... 134.80 3.63	..... 139.70 2.62
12	0.02 0.00 62.96	..... 11.52 8.55	..... 130.50 14.39	..... 111.50 21.81	..... 141.40 10.56	..... 133.50 8.54	..... 134.70 3.10	..... 139.70 2.25
13	0.02 0.00 66.00	..... 12.59 0.66	..... 130.10 5.48	..... 131.90 -13.20	..... 138.80 -0.84	..... 132.50 2.67	..... 130.20 2.71	..... 131.60 2.52
14	0.02 0.00 69.00	..... 132.80 8.09	..... 139.00 6.61	..... 130.60 2.99	..... 119.70 -3.18	..... 116.60 -6.62	..... 111.90 -8.66	..... 114.90 -7.89
15	0.01 0.00 71.98	..... 132.10 -2.72	..... 137.80 -4.35	..... 137.50 -5.92	..... 134.90 -5.35	..... 132.50 -3.34	..... 126.30 -0.77	..... 127.60 2.33
16	0.02 0.00 75.04	..... 132.10 -1.94	..... 137.20 -2.92	..... 136.10 -3.66	..... 135.00 -3.02	..... 134.20 -2.27	..... 133.20 -2.07	..... 138.80 0.07
17	0.01 0.00 78.02	..... 131.40 3.97	..... 135.20 2.35	..... 136.30 1.93	..... 133.40 0.53	..... 134.30 -1.01	..... 132.80 -1.02	..... 138.20 0.26
18	0.00 0.00 81.01	..... 130.40 -0.55	..... 136.00 -1.32	..... 135.80 -1.62	..... 133.50 -0.75	..... 133.70 -0.57	..... 133.10 -0.68	..... 138.00 0.45
19	0.00 0.00 83.99	..... 129.90 3.45	..... 135.50 2.01	..... 135.30 1.15	..... 133.50 -0.22	..... 133.40 -0.29	..... 133.20 -0.18	..... 138.10 0.68
20	0.00 0.00 86.99	..... 129.90 3.34	..... 134.40 2.01	..... 135.50 2.22	..... 133.40 1.33	..... 133.70 0.82	..... 133.40 1.79	..... 138.10 1.43

PROPULSIVE WING FLOW FIELD

RAKE SUMMARY, RUN 394

PT	ALPHA BETA HEIGHT			VT1 ALP1 BET1			VT2 ALP2 BET2			VT3 ALP3 BET3			VT4 ALP4 BET4			VT5 ALP5 BET5			VT6 ALP6 BET6			VT7 ALP7 BET7			
	2	0.00	0.00	56.79	131.20	4.20	-3.69	135.80	4.19	-3.49	137.60	4.00	-3.71	133.50	4.55	-2.52	135.50	4.31	-3.29	136.90	5.00	-2.22	134.60	4.88	-1.29
3	0.00	0.00	59.97	131.10	4.53	-3.91	136.50	4.44	-3.65	138.00	4.41	-4.03	133.70	5.00	-2.80	136.90	4.73	-3.22	135.10	5.00	-2.35	133.80	6.48	-1.50	132.80
4	0.00	0.00	62.96	131.10	4.47	-4.23	136.40	4.58	-4.08	137.90	4.57	-4.41	133.80	5.53	-3.35	136.50	5.18	-3.64	135.30	6.76	-3.31	133.40	7.80	-2.95	132.70
5	0.00	0.00	66.00	131.40	4.48	-4.50	135.30	4.73	-4.45	136.70	4.68	-4.83	133.60	5.51	-3.86	136.40	5.32	-4.38	134.70	6.90	-4.57	132.00	7.81	-5.06	131.00
6	0.00	0.00	69.06	131.20	4.45	-4.77	134.70	4.66	-4.77	137.70	4.42	-5.35	132.90	5.35	-4.43	136.40	4.85	-4.85	134.50	6.30	-5.62	132.20	6.66	-6.48	131.80
7	-0.01	0.00	71.95	130.90	4.28	-5.11	135.20	4.47	-4.98	137.30	4.21	-5.56	133.20	5.06	-4.84	136.40	4.38	-5.18	134.10	5.60	-6.08	132.00	6.78	-7.77	131.80
8	0.01	0.00	74.95	130.20	4.08	-5.27	135.40	4.23	-5.09	137.30	3.92	-5.72	132.70	4.52	-5.10	136.10	3.84	-5.52	134.10	4.84	-6.32	131.80	6.55	-8.55	131.30
9	0.01	0.00	77.98	130.40	3.81	-5.40	135.40	4.01	-5.16	136.70	3.67	-5.71	132.40	4.34	-5.11	135.90	3.31	-5.33	133.90	4.36	-6.26	131.00	6.55	-8.55	131.00
10	0.01	0.00	80.97	130.80	3.64	-5.46	135.30	3.81	-5.25	136.30	3.49	-5.73	132.80	3.91	-5.13	135.60	3.08	-5.39	133.70	4.07	-6.08	131.00	7.76	-9.32	131.00
11	0.00	0.00	83.97	129.90	3.45	-5.57	134.80	3.61	-5.25	136.60	3.16	-5.78	132.40	3.85	-5.11	132.30	2.56	-5.68	133.80	3.89	-6.16	130.80	8.16	-10.16	130.70
12	0.00	0.00	86.89	130.80	3.20	-5.60	134.40	3.52	-5.38	136.30	3.05	-5.74	133.10	3.57	-5.10	130.40	2.49	-5.83	134.00	3.70	-6.08	130.70	9.43	-11.43	130.70

PROPULSIVE WING FLOW FIELD

RAKE SUMMARY, RUN 393

PT	ALPHA BETA HEIGHT			VT1 ALP1 BET1			VT2 ALP2 BET2			VT3 ALP3 BET3			VT4 ALP4 BET4			VT5 ALP5 BET5			VT6 ALP6 BET6			VT7 ALP7 BET7			
	1	0.01	0.00	57.12	66.09	-3.97	16.53	69.05	-7.48	13.71	68.63	-10.28	13.19	68.63	-14.70	13.14	66.72	-13.33	9.58	67.12	-16.87	6.83	72.57	-15.47	4.39
2	0.00	0.00	59.91	66.28	-8.40	20.95	69.15	-12.42	16.27	68.94	-17.86	17.16	66.66	-18.14	12.83	67.92	-22.91	9.26	73.67	-20.59	4.72	73.67	-20.59	4.72	73.67
3	0.00	0.00	62.99	69.13	-6.74	25.33	71.01	-13.99	25.17	72.10	-23.11	23.75	66.70	-31.02	13.05	75.25	-28.65	7.43	75.25	-28.65	7.43	75.25	-28.65	7.43	75.25
4	0.00	0.00	66.12	74.37	9.51	29.67	87.07	4.44	31.39	91.25	-10.24	36.13	84.30	-32.22	34.79	74.48	-40.83	23.31	76.56	-35.57	9.47	78.89	-35.57	9.47	78.89
5	0.00	0.00	69.09	85.50	18.10	26.82	112.40	7.15	32.97	127.00	-6.41	33.06	92.18	-54.42	20.74	83.52	-49.24	14.59	83.52	-49.24	14.59	83.52	-49.24	14.59	83.52
6	-0.01	0.00	72.06	108.70	15.52	6.10	118.70	9.77	11.53	49.82	-23.17	11.53	54.12	-66.25	2.89	105.90	-53.21	6.06	88.14	-48.00	7.38	84.58	-48.00	7.38	84.58
7	-0.01	0.00	75.00	112.90	6.82	-8.57	134.50	1.32	-7.79	100.50	-3.85	-20.01	91.32	-35.32	-13.91	94.11	-47.84	-1.22	85.81	-44.86	5.88	82.95	-44.86	5.88	82.95
8	-0.01	0.00	77.92	76.33	-2.19	-7.30	102.10	-6.01	-5.80	128.80	-16.07	-5.80	93.50	-30.62	-9.44	86.89	-34.94	-11.29	82.15	-39.53	5.05	78.05	-39.53	5.05	78.05
9	0.00	0.00	81.02	76.12	-8.49	-11.69	108.00	-11.69	-9.58	149.70	-20.63	-9.58	144.00	-25.47	-6.02	140.40	-23.86	2.00	120.70	-25.51	6.27	120.70	-25.51	6.27	120.70
10	0.00	0.00	83.97	69.43	-16.65	-15.79	90.34	-1.31	-22.30	143.30	-26.14	-15.14	163.90	-26.14	-8.43	156.70	-26.39	-0.47	167.30	-26.53	3.09	197.00	-26.53	3.09	197.00
11	0.00	0.00	86.95	62.56	-10.14	-16.47	63.38	3.25	-19.47	70.32	-6.56	-19.69	85.10	-15.65	-15.32	71.01	-13.72	-10.23	120.70	-13.72	-7.02	120.70	-13.72	-7.02	120.70

PROPULSIVE WING FLOW FIELD

RAKE SUMMARY, RUN 395

PT	ALPHA BETA HEIGHT	VT1 ALP1 BET1	VT2 ALP2 BET2	VT3 ALP3 BET3	VT4 ALP4 BET4	VT5 ALP5 BET5	VT6 ALP6 BET6	VT7 ALP7 BET7
2	0.00 56.97	133.50 4.62 -3.78	137.10 4.13 -3.69	135.90 4.30 -3.97	138.20 4.12 -2.99	134.50 4.35 -3.57	136.00 4.95 -2.13	136.40 4.79 -1.09
3	0.01 60.06	134.80 4.93 -3.98	136.60 4.41 -3.93	136.80 4.55 -4.39	137.60 4.45 -3.31	135.50 5.07 -3.56	136.00 5.95 -2.41	136.00 6.24 -1.33
4	0.01 62.96	133.80 4.88 -4.29	136.70 4.52 -4.26	136.60 4.70 -4.68	137.40 4.81 -3.81	135.70 5.40 -3.97	136.00 6.67 -3.35	135.60 7.52 -2.79

PROPULSIVE WING FLOW FIELD

RAKE SUMMARY, RUN 396

PT	ALPHA BETA HEIGHT	VT1 ALP1 BET1	VT2 ALP2 BET2	VT3 ALP3 BET3	VT4 ALP4 BET4	VT5 ALP5 BET5	VT6 ALP6 BET6	VT7 ALP7 BET7
1	0.01 56.95	95.40 6.01 -1.00	96.40 4.85 0.00	97.95 4.56 -0.37	99.28 4.21 1.46	96.36 3.92 1.13	97.64 3.85 4.07	97.75 2.91 5.54
2	0.01 59.97	95.40 6.55 -1.03	97.82 5.55 -0.20	96.70 6.11 -0.16	100.70 5.33 1.82	96.72 5.91 1.81	98.28 5.77 5.24	98.68 5.24 7.29
3	0.01 62.97	96.05 7.29 -1.45	97.40 6.73 -0.50	98.29 7.36 -0.64	101.10 7.39 1.26	97.83 8.43 1.47	99.47 8.99 5.51	102.80 9.24 9.31
4	0.01 65.99	96.36 7.96 -2.06	97.21 8.62 -1.32	97.47 8.73 -1.68	101.50 10.74 0.23	97.99 10.74 0.01	103.10 13.07 3.72	104.90 14.66 7.52
5	-0.03 68.95	95.60 8.55 -2.93	96.98 8.42 -2.41	97.48 9.58 -3.13	101.10 9.84 -1.45	100.50 12.19 -2.29	104.20 15.13 -0.28	105.20 18.42 1.25
6	0.03 71.97	95.16 8.71 -4.19	96.79 10.12 -3.88	96.16 12.19 -5.00	100.90 9.85 -3.60	100.90 14.75 -4.72	103.50 16.50 -5.02	104.50 16.60 -6.16
7	0.03 74.98	95.21 8.59 -5.19	97.02 8.70 -5.10	96.37 9.93 -6.45	99.70 9.85 -5.88	100.50 11.32 -6.72	102.50 13.62 -7.69	103.10 14.77 -8.76
8	0.03 78.00	95.39 8.52 -5.89	95.14 8.82 -6.24	98.56 9.55 -7.75	99.23 9.35 -7.11	99.35 10.84 -8.31	101.00 12.73 -9.68	100.50 13.83 -11.41
9	0.03 80.98	94.24 8.14 -6.50	94.77 8.23 -6.85	97.24 8.82 -8.98	97.48 8.50 -8.33	97.84 9.29 -9.24	98.23 10.63 -11.40	97.48 10.94 -13.49
10	0.02 83.97	95.06 7.19 -6.94	94.63 7.29 -7.64	95.45 7.87 -9.36	97.39 6.72 -8.61	96.89 7.47 -9.45	96.68 8.45 -12.05	95.28 7.51 -13.72
11	0.02 86.97	93.82 6.48 -7.60	93.17 6.44 -8.14	93.65 6.20 -9.78	96.93 5.68 -8.80	94.03 5.44 -9.38	95.55 6.05 -11.77	93.74 5.01 -12.87

PROPULSIVE MING FLOW FIELD

RAKE SUMMARY, RUN 399

PT	ALPHA BETA HEIGHT	VT1		VT2		VT3		VT4		VT5		VT6		VT7	
		ALP1 BET1	ALP2 BET2	ALP3 BET3	ALP4 BET4	ALP5 BET5	ALP6 BET6	ALP7 BET7	ALP8 BET8	ALP9 BET9	ALP10 BET10	ALP11 BET11	ALP12 BET12	ALP13 BET13	ALP14 BET14
3	0.02 0.00 56.96	133.60 3.94 -0.66	135.00 4.02 -0.51	135.50 4.33 -0.36	137.90 4.17 0.33	135.90 4.17 0.54	135.90 4.86 0.90	132.40 4.92 1.62							
4	0.02 0.00 60.00	134.30 4.20 -0.84	135.10 4.32 -0.56	135.90 4.68 -0.76	137.90 4.85 0.03	136.10 4.88 0.42	135.90 5.70 0.85	133.20 6.05 1.61							
5	0.02 0.00 62.97	133.40 4.21 -1.10	135.50 4.46 -0.85	136.00 4.95 -0.92	138.10 5.09 -0.30	136.30 5.41 0.08	136.00 6.46 0.24	132.90 7.20 0.82							
6	0.01 0.00 65.96	134.30 4.24 -1.36	134.30 4.88 -1.20	135.60 5.04 -1.44	137.70 5.25 -0.80	138.10 5.67 -0.41	136.00 6.76 -0.79	132.70 7.76 -0.82							
7	0.01 0.00 69.01	133.80 4.22 -1.65	134.70 4.65 -1.57	135.10 5.04 -1.75	137.80 5.19 -1.32	136.60 5.47 -0.82	135.70 6.55 -1.80	132.20 7.26 -2.36							
8	0.01 0.00 71.97	133.30 4.13 -1.93	134.90 4.53 -1.76	135.80 4.80 -2.06	137.10 4.98 -1.73	137.10 4.96 -0.93	135.50 6.00 -2.44	132.40 6.22 -3.17							
9	0.01 0.00 74.95	133.30 3.85 -2.09	134.50 4.36 -2.02	135.20 4.56 -2.30	137.20 4.69 -2.12	137.50 4.55 -0.80	135.40 5.35 -2.73	131.60 5.33 -3.41							
10	0.00 0.00 78.02	132.60 3.90 -2.23	134.60 4.08 -2.12	135.90 4.18 -2.64	138.20 4.18 -2.38	138.20 4.16 -0.43	135.30 4.82 -2.84	131.10 4.63 -3.32							
11	0.00 0.00 80.97	133.20 3.52 -2.35	134.40 3.87 -2.27	134.60 3.95 -2.54	136.70 3.81 -2.30	138.70 3.69 0.02	134.80 4.31 -2.87	131.00 4.11 -3.15							
12	0.00 0.00 83.95	133.30 3.22 -2.45	134.30 3.57 -2.34	134.20 3.68 -2.69	136.40 3.56 -2.31	139.70 3.39 0.83	134.70 3.90 -2.85	130.80 3.73 -2.96							
13	-0.01 0.00 87.10	133.30 2.97 -2.60	134.30 3.30 -2.45	134.70 3.28 -2.75	136.20 3.26 -2.31	141.70 3.20 2.31	134.50 3.60 -2.83	130.60 3.37 -2.89							

PROPULSIVE MING FLOW FIELD

RAKE SUMMARY, RUN 397

PT	ALPHA BETA HEIGHT	VT1		VT2		VT3		VT4		VT5		VT6		VT7	
		ALP1 BET1	ALP2 BET2	ALP3 BET3	ALP4 BET4	ALP5 BET5	ALP6 BET6	ALP7 BET7	ALP8 BET8	ALP9 BET9	ALP10 BET10	ALP11 BET11	ALP12 BET12	ALP13 BET13	ALP14 BET14
1	0.00 0.00 56.93	67.34 5.89 -0.32	65.15 4.34 1.34	66.77 4.06 1.04	72.40 2.89 2.24	67.06 2.91 2.90	67.58 2.40 5.43	66.16 1.43 7.20							
2	0.00 0.00 59.98	67.98 6.66 -0.24	64.17 5.58 1.52	67.25 5.27 1.60	72.93 4.26 2.66	66.75 5.23 3.76	68.67 4.39 6.89	66.90 3.35 9.67							
3	0.00 0.00 62.95	68.29 7.70 -0.42	64.46 7.03 1.36	67.38 6.76 1.36	73.56 5.89 3.11	67.11 7.37 3.93	69.03 7.59 8.03	70.32 8.85 12.68							
4	0.00 0.00 65.95	67.32 8.22 -0.50	66.15 7.82 0.93	67.73 8.43 1.01	73.63 8.36 2.51	68.99 9.94 2.41	73.68 11.52 7.42	73.59 12.35 11.95							
5	0.00 0.00 68.97	67.82 9.30 -1.51	64.11 9.81 0.02	68.79 9.61 -0.85	73.80 12.75 0.85	70.18 12.75 0.79	74.84 15.32 4.44	75.61 17.87 8.28							
6	0.00 0.00 71.99	67.52 10.00 -2.86	66.58 10.14 -1.57	68.57 10.89 -2.51	73.89 10.96 -1.16	71.85 13.85 -2.23	75.95 16.89 -0.39	78.65 20.79 0.17							
7	0.00 0.00 74.96	66.83 10.16 -3.97	66.73 10.40 -3.15	68.69 11.52 -4.70	72.72 10.95 -3.73	71.93 13.43 -4.89	74.90 16.25 -4.98	74.22 19.22 -7.15							
8	-0.01 0.00 77.98	67.11 10.15 -5.27	66.01 10.59 -5.03	67.83 12.21 -6.53	74.09 10.77 -5.56	71.22 12.71 -6.89	73.53 14.83 -7.87	72.15 16.70 -9.93							
9	-0.01 0.00 80.95	67.37 10.62 -6.02	65.89 10.60 -6.17	67.90 11.17 -7.91	73.22 10.78 -7.11	69.63 12.17 -7.99	71.24 14.13 -9.83	70.61 15.39 -11.90							
10	-0.02 0.00 83.95	66.74 10.01 -7.07	64.40 10.23 -7.12	66.11 11.14 -9.19	72.29 9.92 -8.04	68.68 11.06 -9.27	69.20 12.79 -11.65	67.36 13.66 -14.54							
11	-0.02 0.00 86.97	66.01 9.12 -7.50	65.28 9.41 -7.94	66.57 9.87 -10.50	71.48 8.34 -8.67	67.61 8.93 -10.10	67.51 10.44 -12.66	65.71 10.12 -15.48							

PROPULSIVE MING FLOW FIELD

RAKE SUMMARY, RUN 401

PT	ALPHA BETA HEIGHT			VT1 ALP1 BET1			VT2 ALP2 BET2			VT3 ALP3 BET3			VT4 ALP4 BET4			VT5 ALP5 BET5			VT6 ALP6 BET6			VT7 ALP7 BET7		
	0.02	0.00	56.95	93.51	3.99	2.30	91.96	4.17	3.19	93.56	4.29	3.56	97.88	3.55	3.62	94.49	2.79	4.89	94.99	2.84	4.89	98.89	2.19	5.82
1	0.02	0.00	56.95	93.51	3.99	2.30	91.96	4.17	3.19	93.56	4.29	3.56	97.88	3.55	3.62	94.49	2.79	4.89	94.99	2.84	4.89	98.89	2.19	5.82
2	0.02	0.00	59.96	93.34	4.56	2.47	91.67	4.91	3.83	94.82	4.10	4.57	98.37	4.35	5.04	94.24	3.73	6.02	95.30	3.60	6.02	99.39	2.33	7.40
3	0.02	0.00	62.95	94.37	5.12	2.49	92.21	5.78	3.84	93.95	6.03	4.66	97.95	5.45	5.15	94.81	4.70	5.86	95.88	4.52	5.86	99.97	3.97	9.35
4	0.02	0.00	65.95	95.31	6.16	2.31	93.80	7.19	3.74	94.37	7.19	4.51	98.23	6.87	5.42	94.86	6.53	6.48	96.41	6.34	6.48	93.86	5.32	12.09
5	0.00	0.00	68.95	94.27	7.10	1.95	93.71	8.63	4.24	95.58	8.63	5.20	99.13	8.32	6.84	94.81	8.13	8.84	99.90	8.13	8.84	95.33	8.59	14.16
6	0.00	0.00	72.03	95.51	7.72	1.03	92.84	9.31	2.58	94.41	10.53	3.38	98.79	10.65	4.74	98.02	12.13	6.03	101.60	13.81	9.19	98.98	15.08	13.37
7	0.00	0.00	75.03	93.79	8.62	-0.01	92.56	10.83	1.29	95.47	11.72	1.31	101.90	12.63	2.42	99.68	15.10	3.35	106.20	17.58	4.95	113.50	17.15	5.31
8	-0.01	0.00	78.01	94.42	8.78	-1.41	93.10	11.22	-0.37	97.27	12.37	-0.77	102.20	13.49	-0.40	101.40	15.68	-0.33	113.30	18.89	-2.39	126.50	13.46	-4.06
9	-0.01	0.00	81.01	94.32	8.53	-2.75	92.83	12.09	-2.12	97.01	12.09	-2.87	101.70	12.40	-3.19	102.60	13.81	-2.90	114.80	14.32	-7.51	129.30	10.67	-8.95
10	0.02	0.00	84.02	94.60	8.11	-3.93	93.36	10.69	-3.69	95.01	10.69	-5.14	101.50	10.88	-5.55	99.81	10.88	-3.84	108.80	11.87	-10.31	117.00	9.47	-12.42
11	0.02	0.00	87.03	94.37	7.26	-4.75	93.13	9.38	-4.67	93.63	9.38	-6.10	97.83	9.14	-6.10	100.60	8.26	-2.61	100.30	9.76	-9.68	99.19	9.20	-12.61

C.S

PROPULSIVE WING FLOW FIELD

PROPULSIVE WING FLOW FIELD

RAKE SUMMARY, RUN 403

PT	ALPHA BETA HEIGHT		VT1 ALP1 BET1		VT2 ALP2 BET2		VT3 ALP3 BET3		VT4 ALP4 BET4		VT5 ALP5 BET5		VT6 ALP6 BET6		VT7 ALP7 BET7	
	1	-0.09	87.09	115.00	7.57	5.76	3.43	0.34	-11.90	129.50	115.80	107.60	103.30	107.60	103.30	107.60
2	0.03	87.00	116.70	7.24	5.11	3.20	-12.06	-14.64	129.30	115.00	108.40	104.00	108.40	104.00	108.40	104.00
3	-0.10	84.03	133.70	7.26	7.95	10.53	9.45	-12.91	134.40	118.90	118.10	123.20	118.90	118.10	123.20	123.20
4	-0.09	81.13	131.70	8.09	-8.65	-12.91	-21.29	-25.22	134.40	107.50	88.75	125.00	107.50	88.75	125.00	125.00
5	0.04	78.12	127.30	9.81	9.86	13.92	16.06	-24.68	127.20	115.30	75.69	122.30	115.30	75.69	122.30	122.30
6	-0.01	75.04	118.00	12.21	9.27	5.30	-2.36	-16.30	128.60	128.70	117.60	120.90	128.70	117.60	120.90	127.30
7	-0.09	72.29	100.10	11.90	11.15	14.40	20.46	23.05	108.90	111.00	105.70	116.00	111.00	105.70	116.00	116.00
8	0.02	69.06	96.53	10.54	10.54	17.20	18.50	19.50	102.30	103.00	104.60	105.60	103.00	104.60	105.60	105.60
9	-0.08	66.22	93.91	9.77	-0.25	-2.68	-5.68	-9.89	100.70	100.40	97.34	98.11	100.70	97.34	98.11	97.77
10	-0.05	63.03	92.84	9.13	-1.35	-1.91	-3.93	-6.61	97.20	96.55	93.45	94.57	97.20	96.55	93.45	96.49
11	-0.08	60.47	92.83	8.21	6.34	7.42	7.66	6.64	97.04	96.86	94.78	94.95	97.04	96.86	94.78	94.41
12	0.06	57.20	92.54	-0.37	-1.34	-1.15	-2.83	-3.85	98.80	97.64	95.94	94.56	98.80	97.64	95.94	94.84
			6.65	5.17	5.61	6.04	4.20	3.60	57.20	57.20	57.20	57.20	57.20	57.20	57.20	57.20

RAKE SUMMARY, RUN 402

PT	ALPHA BETA HEIGHT		VT1 ALP1 BET1		VT2 ALP2 BET2		VT3 ALP3 BET3		VT4 ALP4 BET4		VT5 ALP5 BET5		VT6 ALP6 BET6		VT7 ALP7 BET7	
	2	-0.02	57.03	132.50	3.20	2.57	3.19	3.85	4.52	136.90	136.50	137.20	137.20	136.90	136.50	137.20
3	-0.02	60.04	132.60	4.51	3.72	4.44	5.76	7.13	137.20	136.20	137.70	138.10	137.20	136.20	137.70	138.10
4	0.03	63.18	133.30	6.72	6.66	5.32	9.60	15.20	135.60	136.00	138.00	138.50	135.60	136.00	138.00	138.50
5	-0.02	66.03	133.50	8.36	9.95	13.93	3.76	7.49	104.50	120.70	141.00	138.80	104.50	120.70	141.00	138.80
6	-0.02	69.08	133.80	8.12	8.67	8.40	2.97	-6.78	131.90	135.50	138.80	138.10	131.90	135.50	138.80	138.10
7	-0.02	72.10	133.40	6.44	6.64	5.31	1.99	-4.91	129.80	132.60	134.20	133.30	129.80	132.60	134.20	133.30
8	-0.02	75.00	133.10	-2.40	-3.69	-5.27	-4.91	-3.18	135.50	130.90	127.60	125.10	135.50	130.90	127.60	125.10
9	-0.03	78.01	132.60	5.01	4.93	4.44	3.08	0.62	136.60	137.70	135.10	131.10	136.60	137.70	135.10	131.10
10	0.00	81.11	132.30	-2.46	-2.90	-3.39	-2.98	-2.15	137.80	137.40	136.00	135.10	137.80	137.40	136.00	135.10
11	0.00	84.04	131.60	3.55	3.39	3.35	3.00	2.06	135.80	137.20	135.50	134.50	135.80	137.20	135.50	134.50
12	0.00	87.02	130.60	3.10	2.93	3.23	2.73	2.23	135.70	137.60	135.60	134.20	135.70	137.60	135.60	134.20
			-1.48	-1.75	-1.57	-1.08	0.18	-1.30	137.60	137.60	137.60	137.60	137.60	137.60	137.60	137.60

PROPULSIVE WING FLOW FIELD

RAKE SUMMARY, RUN 405

PT	ALPHA BETA HEIGHT	VT1 ALP1 BET1	VT2 ALP2 BET2	VT3 ALP3 BET3	VT4 ALP4 BET4	VT5 ALP5 BET5	VT6 ALP6 BET6	VT7 ALP7 BET7
1	0.05 0.00 30.23	63.90 2.54 0.68	70.95 1.16 -0.65	68.56 2.16 -1.15	67.97 1.99 0.48	67.72 1.34 0.52	66.98 1.61 -0.01	67.77 1.40 0.32
2	0.11 0.00 30.23	91.97 2.28 0.67	98.71 1.59 -0.33	97.35 2.20 -0.78	96.26 1.83 0.79	96.31 1.80 1.05	95.67 2.04 0.08	96.41 1.76 0.40
3	0.24 0.00 30.23	131.70 2.82 0.69	138.50 2.32 -0.02	137.60 2.71 -0.28	136.80 2.34 0.61	136.90 2.30 0.74	136.30 2.62 0.20	137.00 2.45 0.48

PROPULSIVE WING FLOW FIELD

RAKE SUMMARY, RUN 404

PT	ALPHA BETA HEIGHT	VT1 ALP1 BET1	VT2 ALP2 BET2	VT3 ALP3 BET3	VT4 ALP4 BET4	VT5 ALP5 BET5	VT6 ALP6 BET6	VT7 ALP7 BET7
1	0.09 0.00 57.85	64.36 -1.30 6.68	69.95 -2.37 4.61	68.14 -1.96 4.79	67.57 -4.12 5.31	66.23 -4.85 4.69	66.70 -5.70 3.29	65.67 -5.70 3.29
2	0.02 0.00 60.75	63.31 -1.48 8.43	68.78 -2.70 5.97	67.45 -2.06 7.53	66.96 -5.15 7.61	65.87 -6.03 6.03	65.86 -7.12 4.11	65.02 -7.12 4.11
3	0.02 0.00 63.04	64.64 -1.30 9.68	69.64 -2.38 7.05	67.29 -2.51 8.23	66.25 -3.03 8.94	64.68 -6.10 8.07	66.15 -7.78 6.40	65.75 -9.45 5.52
4	0.02 0.00 66.53	64.97 -1.59 14.31	70.16 -3.20 10.09	69.67 -2.49 11.61	69.31 -5.85 13.75	67.74 -11.57 11.70	67.84 -14.93 11.10	67.66 -20.79 9.23
5	0.08 0.00 69.09	66.66 -1.18 15.99	75.47 -1.95 12.41	73.67 -2.94 12.40	72.76 -6.54 15.48	70.27 -9.92 14.74	69.49 -12.94 15.14	69.08 -17.60 12.88
6	0.07 0.00 72.01	68.36 1.73 18.80	74.78 -0.21 16.71	74.68 -2.49 18.26	73.13 -4.93 20.03	70.91 -10.01 19.52	81.05 -13.83 20.65	75.57 -20.79 18.87
7	0.07 0.00 75.05	70.72 5.49 21.76	77.52 2.25 20.31	77.09 -1.41 22.33	80.25 -6.86 24.42	83.06 -12.29 21.73	92.98 -15.27 21.39	90.87 -22.23 20.84
8	0.00 0.00 78.07	78.52 10.77 20.98	88.43 6.99 19.04	89.81 1.92 21.03	90.41 -5.31 24.41	85.64 -16.68 24.41	92.16 -21.14 23.64	99.55 -24.70 19.63
9	0.00 0.00 81.11	93.24 11.60 8.11	101.90 5.82 5.19	100.10 4.90 7.49	100.70 0.23 16.04	93.70 -12.94 21.85	98.81 -24.75 23.85	99.85 -31.99 18.31
10	0.00 0.00 84.00	101.90 7.41 -2.70	105.10 5.92 -3.42	97.98 9.42 -2.78	88.65 13.45 4.99	48.58 5.38 21.15	63.65 -40.78 21.28	95.31 -40.66 10.13
11	-0.01 0.00 87.01	108.70 4.46 -7.18	109.90 4.95 -7.94	101.60 10.01 -11.59	91.38 14.60 -15.27	61.94 -37.18 -27.25	54.40 -42.19 -28.62	90.46 -42.19 -10.33

PROPULSIVE WING FLOW FIELD

RAKE SUMMARY, RUN 409

PT	ALPHA BETA HEIGHT	VT1 ALP1 BET1	VT2 ALP2 BET2	VT3 ALP3 BET3	VT4 ALP4 BET4	VT5 ALP5 BET5	VT6 ALP6 BET6	VT7 ALP7 BET7
2	0.05 0.00 57.02	130.50 4.08 2.28	140.20 2.10 1.29	135.30 2.20 0.63	135.80 0.30 1.39	135.00 1.51 1.71	134.50 0.96 1.45	145.60 0.81 1.59
3	0.05 0.00 60.01	130.10 4.73 2.45	140.00 2.87 1.91	135.10 2.90 2.05	136.10 -0.18 2.72	135.40 0.96 2.26	135.00 0.44 1.81	145.90 0.46 1.89
4	0.05 0.00 63.00	130.50 5.69 1.68	140.40 4.71 0.91	134.50 9.51 0.49	136.30 -5.23 0.93	135.70 -0.05 1.83	134.80 -0.15 1.76	146.50 0.16 2.09
5	0.02 0.00 66.04	130.50 5.32 0.70	140.20 3.64 -0.84	135.20 3.80 -3.73	134.00 0.91 -2.80	130.20 1.20 -0.01	128.20 0.48 0.65	140.90 -0.03 1.99
6	-0.01 0.00 69.01	131.20 4.74 0.44	139.90 2.78 -0.84	134.70 2.91 -2.34	135.70 0.86 -1.55	135.90 1.98 -0.23	134.50 -1.17 -0.20	146.40 0.97 0.96
7	-0.01 0.00 72.01	130.30 4.47 0.59	139.50 2.40 -0.55	134.90 2.68 -1.95	135.00 1.18 -0.73	135.50 2.48 0.48	134.20 2.01 0.38	146.20 1.80 1.47
8	-0.01 0.00 75.10	130.10 4.28 0.73	139.90 2.35 -0.37	134.70 2.80 -1.72	135.20 1.24 -0.59	135.60 2.81 0.91	134.20 2.59 0.62	145.70 2.54 1.48
9	-0.02 0.00 78.01	129.20 4.34 0.75	139.40 2.32 -0.23	134.50 2.73 -1.44	134.20 1.40 -0.33	136.00 3.01 1.06	133.90 2.93 0.58	145.30 2.87 1.24
10	-0.02 0.00 81.02	130.00 4.31 0.79	139.70 2.35 -0.24	134.70 2.85 -1.52	134.60 1.52 -0.48	136.00 3.13 1.18	133.60 3.07 0.45	144.90 2.99 1.00
11	-0.02 0.00 84.03	129.90 4.31 0.80	139.20 2.33 -0.25	134.50 2.81 -1.64	134.50 1.56 -0.45	135.70 3.18 1.27	133.50 3.08 0.27	144.70 2.97 0.87
12	-0.03 0.00 87.04	130.10 4.18 0.80	138.10 2.30 -0.23	133.90 2.80 -1.63	135.00 1.35 -0.55	135.80 3.25 1.25	133.40 2.99 0.15	144.30 2.87 0.76

PROPULSIVE WING FLOW FIELD

RAKE SUMMARY, RUN 406

PT	ALPHA BETA HEIGHT	VT1 ALP1 BET1	VT2 ALP2 BET2	VT3 ALP3 BET3	VT4 ALP4 BET4	VT5 ALP5 BET5	VT6 ALP6 BET6	VT7 ALP7 BET7
2	-0.01 0.00 57.02	0.12 8.30 0.33	0.10 10.96 -1.42	0.10 11.76 0.79	0.11 10.82 -0.55	0.10 12.67 -0.15	0.11 10.43 -1.21	0.10 11.93 -0.24



PROPULSIVE MING FLOW FIELD

RAKE SUMMARY, RUN 412

PT	ALPHA BETA HEIGHT	VT1 ALP1 BET1	VT2 ALP2 BET2	VT3 ALP3 BET3	VT4 ALP4 BET4	VT5 ALP5 BET5	VT6 ALP6 BET6	VT7 ALP7 BET7
1	0.01 0.00 57.02	61.80 9.35 9.97	78.69 -1.95 2.29	65.76 -2.64 -3.33	66.60 -10.16 0.72	65.97 -1.42 4.39	63.14 -5.97 3.40	91.50 -1.66 3.16
2	-0.01 0.00 60.00	63.89 9.95 10.30	78.98 -0.91 3.37	69.42 -0.69 0.38	71.82 -8.61 4.05	68.30 -2.42 6.11	62.89 -7.74 4.59	91.73 -2.54 3.49
3	-0.01 0.00 63.01	65.61 12.94 9.73	94.39 2.88 3.13	104.20 2.48 0.39	106.80 -2.91 3.60	86.86 -4.06 6.25	70.81 -10.98 5.89	93.85 -3.53 3.47
4	-0.01 0.00 66.02	66.80 13.22 5.85	104.60 2.36 -1.06	122.90 0.96 -2.70	133.50 -1.57 -0.40	120.90 -1.93 1.33	113.20 -3.94 2.07	133.40 -2.16 3.39
5	-0.02 0.00 69.00	64.74 13.29 5.44	87.45 1.42 -2.06	102.80 -0.56 -5.78	128.30 -3.41 -3.14	155.90 -2.25 -1.35	171.90 -3.25 -1.10	190.10 -2.93 0.74
6	-0.02 0.00 72.01	62.93 11.67 4.59	79.41 0.29 -1.32	70.02 0.18 -9.16	84.05 -5.61 -5.31	109.80 -3.23 -1.15	128.30 -5.59 -0.22	153.50 -4.05 1.58
7	-0.02 0.00 75.03	61.97 10.64 4.38	78.91 -0.36 -1.03	64.60 -0.30 -10.02	66.68 -7.37 -5.30	70.73 0.97 0.28	69.53 -4.32 -1.03	99.22 -1.28 1.93
8	-0.02 0.00 78.00	61.58 10.28 4.63	78.38 -0.69 -0.79	64.93 -0.87 -8.90	66.02 -7.41 -4.55	68.01 1.77 1.97	62.14 -2.52 -0.03	91.47 0.10 2.22
9	-0.03 0.00 81.03	62.44 10.01 4.17	78.66 -0.88 -0.64	64.82 -1.01 -8.73	66.37 -7.82 -3.92	68.14 2.11 2.44	62.02 -2.21 0.17	91.60 0.33 2.03
10	-0.03 0.00 84.14	60.75 9.73 4.87	77.34 -1.11 -0.55	65.91 -1.09 -8.23	66.41 -7.05 -4.03	67.92 2.45 2.68	62.47 -2.03 0.18	91.05 0.44 1.91
11	-0.04 0.00 87.03	61.34 9.37 4.72	77.87 -1.11 -0.45	64.99 -1.14 -7.93	66.62 -7.04 -3.51	68.45 2.14 3.01	62.10 -1.79 0.36	91.14 0.47 1.98

PROPULSIVE MING FLOW FIELD

RAKE SUMMARY, RUN 411

PT	ALPHA BETA HEIGHT	VT1 ALP1 BET1	VT2 ALP2 BET2	VT3 ALP3 BET3	VT4 ALP4 BET4	VT5 ALP5 BET5	VT6 ALP6 BET6	VT7 ALP7 BET7
2	0.02 0.00 57.00	90.60 5.73 5.01	103.50 0.24 2.38	94.88 0.30 0.06	95.05 -4.13 2.02	92.83 -0.51 3.42	113.60 -1.17 2.71	
3	0.02 0.00 60.36	90.51 6.89 5.66	105.40 2.18 3.97	104.50 2.59 4.44	103.50 -3.94 6.27	96.35 -2.28 5.45	113.90 -2.12 3.00	
4	0.01 0.00 63.00	92.79 6.83 5.03	122.60 3.07 2.30	141.90 3.43 0.69	139.00 -1.09 3.55	95.21 -4.38 4.92	115.40 -2.93 3.04	
5	0.01 0.00 66.01	92.31 9.24 2.41	122.90 4.58 -1.51	150.20 2.51 -2.96	155.50 -0.34 -0.99	141.10 -1.77 0.85	163.30 -1.36 2.64	
6	0.01 0.00 69.05	91.39 8.19 1.10	106.40 3.03 -2.17	113.20 2.07 -6.01	142.80 -1.73 -3.67	179.20 -1.92 -1.45	216.20 -2.55 0.35	
7	0.01 0.00 72.03	89.87 7.35 0.98	102.70 1.91 -1.57	94.72 2.19 -5.98	98.70 -1.95 -4.53	115.70 -0.75 -1.45	126.90 -3.35 -1.02	152.40 -2.71 1.23
8	0.01 0.00 75.02	90.84 6.73 1.06	102.30 1.30 -1.34	94.92 1.49 -5.22	94.67 -2.21 -3.34	96.10 1.67 0.73	113.80 -0.27 -0.68	149
9	0.01 0.00 78.08	89.44 6.19 1.40	103.30 0.94 -1.06	93.43 1.28 -4.72	93.87 -2.45 -2.35	96.66 2.02 1.33	113.30 0.25 -0.28	147
10	0.00 0.00 81.03	90.09 6.01 1.47	103.30 0.81 -0.92	92.66 1.25 -4.61	94.47 -2.59 -2.25	96.52 2.21 1.73	112.90 0.71 -0.10	142
11	0.00 0.00 84.01	89.71 6.00 1.89	103.30 0.71 -0.70	93.86 1.05 -4.65	93.95 -2.33 -2.30	96.39 2.41 1.94	113.30 0.85 -0.07	138
12	0.00 0.00 87.02	89.61 5.88 1.68	102.20 0.59 -0.68	93.85 1.07 -4.37	94.26 -2.26 -2.10	96.60 2.35 2.04	113.10 0.88 -0.04	130

PROPULSIVE WING FLOW FIELD

RAKE SUMMARY, RUN 415

PT	ALPHA BETA HEIGHT	VT1 ALP1 BET1	VT2 ALP2 BET2	VT3 ALP3 BET3	VT4 ALP4 BET4	VT5 ALP5 BET5	VT6 ALP6 BET6	VT7 ALP7 BET7
2	-0.04 0.00 29.94	65.01 3.53 2.14	66.93 1.49 0.74	65.06 2.05 1.05	67.10 2.03 1.50	64.67 2.80 1.14	66.64 2.41 1.48	65.98 2.54 1.70
3	-0.02 0.00 29.94	92.42 3.35 1.95	96.59 1.87 0.58	94.74 2.34 0.66	94.22 2.11 1.12	93.18 2.57 1.56	93.95 2.72 1.20	95.14 2.80 1.60
4	0.01 0.00 29.94	132.60 3.70 1.66	137.40 2.68 0.76	136.50 3.17 0.42	134.90 2.60 0.99	134.20 3.40 1.53	134.70 3.51 1.15	135.40 3.49 1.46

PROPULSIVE WING FLOW FIELD

RAKE SUMMARY, RUN 413

PT	ALPHA BETA HEIGHT	VT1 ALP1 BET1	VT2 ALP2 BET2	VT3 ALP3 BET3	VT4 ALP4 BET4	VT5 ALP5 BET5	VT6 ALP6 BET6	VT7 ALP7 BET7
1	-0.03 0.00 30.39	61.67 8.85 5.32	78.07 -1.50 0.00	67.61 -1.53 -7.28	67.90 -7.19 -3.05	68.09 1.58 2.48	63.54 -2.25 0.70	92.02 0.26 2.18
2	-0.02 0.00 30.39	91.44 5.60 2.38	103.80 0.42 -0.17	93.50 0.79 -3.89	94.86 -2.61 -1.54	97.52 1.94 2.37	92.26 0.57 0.25	114.50 1.10 1.48
3	0.01 0.00 30.39	129.30 4.88 1.34	140.10 1.96 -0.17	134.50 2.38 -2.07	134.80 0.44 -0.68	138.10 2.93 2.57	132.90 2.44 0.17	148.50 2.28 0.90



PROPULSIVE MING FLOW FIELD

PROPULSIVE MING FLOW FIELD									
RAKE SUMMARY, RUN 419									
PT	ALPHA BETA HEIGHT	VT1 ALP1 BET1	VT2 ALP2 BET2	VT3 ALP3 BET3	VT4 ALP4 BET4	VT5 ALP5 BET5	VT6 ALP6 BET6	VT7 ALP7 BET7	VT8 ALP8 BET8
1	-0.01 0.00 57.00	64.59 4.42 3.55	66.67 1.75 2.00	66.19 2.44 1.93	66.33 1.71 2.96	73.07 7.03 9.38	65.89 2.58 4.09	67.74 3.99 4.97	60.79 3.78 -1.14
2	-0.01 0.00 60.00	65.22 4.86 3.20	69.47 1.89 1.65	65.44 3.03 1.67	67.01 2.08 2.69	75.79 7.43 9.51	65.98 3.57 4.14	67.83 4.11 5.02	91.43 3.52 -0.72
3	-0.02 0.00 63.00	65.22 4.80 3.17	69.45 2.30 1.50	67.19 3.34 0.92	66.35 2.99 2.71	75.87 8.31 9.39	66.50 4.54 3.47	68.19 5.74 4.36	132.50 4.01 -0.80
4	-0.02 0.00 66.00	64.83 5.12 3.00	68.49 2.21 1.59	67.38 3.70 1.33	67.52 8.66 2.29	75.43 4.91 8.81	66.86 4.91 2.50	67.70 6.01 2.74	135.30 4.11 -0.94
5	-0.02 0.00 69.01	64.85 5.35 2.82	69.58 2.28 1.24	67.45 3.45 0.84	67.23 3.02 1.71	72.73 7.73 7.75	66.64 4.65 1.56	67.84 5.27 1.48	142.30 4.11 3.85
6	-0.02 0.00 72.00	66.00 5.30 2.35	67.44 2.43 0.92	67.92 3.28 0.08	67.85 2.56 1.34	72.43 7.32 7.38	66.64 4.10 1.05	67.89 4.52 1.18	135.90 3.44 -0.88
7	-0.03 0.00 75.02	65.23 4.91 1.95	69.10 2.20 0.66	67.04 3.08 -0.03	67.14 2.98 0.86	71.79 6.18 6.86	66.73 3.58 1.00	67.10 3.99 1.18	132.50 4.06 -0.80
8	-0.03 0.00 78.00	65.04 4.30 2.10	69.14 2.11 0.47	66.29 3.09 0.24	66.25 3.05 1.23	72.75 6.27 7.20	66.97 3.36 0.85	66.48 3.73 1.19	132.50 4.01 -0.94
9	-0.03 0.00 81.00	63.60 4.98 2.32	68.64 1.95 0.77	68.32 2.54 -0.03	66.09 2.62 0.81	72.75 6.78 8.05	67.49 2.97 0.74	66.68 3.43 1.17	132.50 4.01 -0.94
10	-0.04 0.00 84.00	65.53 4.37 1.84	68.38 2.02 0.42	66.19 2.84 0.36	66.97 2.67 1.02	75.55 7.36 8.88	66.52 2.93 1.03	66.68 3.25 1.34	132.50 4.01 -0.94
11	-0.04 0.00 87.01	63.67 3.81 1.86	68.84 1.76 0.61	66.13 2.50 0.34	65.99 2.63 1.17	79.94 8.11 10.43	66.80 2.91 1.02	66.01 3.19 1.21	132.50 4.01 -0.94



PROPULSIVE WING FLOW FIELD

RAKE SUMMARY, RUN 423

PT	ALPHA BETA HEIGHT	VT1 ALP1 BET1	VT2 ALP2 BET2	VT3 ALP3 BET3	VT4 ALP4 BET4	VT5 ALP5 BET5	VT6 ALP6 BET6	VT7 ALP7 BET7
2	-0.01 0.00 30.00	66.12 -0.95 -0.22	59.19 5.27 1.79	65.54 4.50 6.68	67.44 8.09 3.25	65.52 3.18 1.78	69.67 4.72 1.46	43.49 8.32 -0.84
3	0.01 0.00 30.00	93.11 1.22 1.16	92.44 3.55 1.61	94.69 3.92 3.83	95.92 5.23 2.64	95.74 3.08 2.90	97.66 3.83 1.74	82.72 4.46 1.17
4	0.04 0.00 30.00	133.60 2.68 1.78	133.70 3.62 1.68	137.20 3.92 2.58	136.30 4.49 2.48	139.70 3.48 4.44	138.10 3.98 1.95	128.40 4.16 1.80

PROPULSIVE WING FLOW FIELD

RAKE SUMMARY, RUN 422

PT	ALPHA BETA HEIGHT	VT1 ALP1 BET1	VT2 ALP2 BET2	VT3 ALP3 BET3	VT4 ALP4 BET4	VT5 ALP5 BET5	VT6 ALP6 BET6	VT7 ALP7 BET7
1	0.03 0.00 57.00	66.22 1.60 0.06	67.32 3.14 0.80	69.51 3.72 2.55	68.77 5.15 1.75	66.70 3.27 3.22	69.66 4.08 2.34	56.90 4.99 3.37
2	0.03 0.00 60.00	66.35 2.20 0.01	63.68 4.09 0.54	65.84 4.48 2.62	67.38 6.43 2.30	65.34 4.79 3.13	68.89 5.21 2.30	55.73 7.63 3.70
3	0.03 0.00 63.00	64.75 2.27 -0.15	64.32 4.11 0.81	68.17 4.52 2.53	68.73 6.84 1.71	66.13 5.23 2.02	69.32 6.38 1.45	55.41 10.83 1.78
4	0.03 0.00 66.00	65.97 2.59 -0.21	64.32 4.37 0.36	66.76 5.04 1.93	68.15 6.67 0.88	67.57 5.46 3.03	69.48 6.39 0.12	56.24 10.27 -2.05
5	0.03 0.00 69.00	66.07 2.07 -0.66	64.64 4.27 -0.21	66.52 4.75 1.59	67.17 6.84 0.55	67.68 4.81 2.98	69.87 5.66 -0.70	55.93 8.18 -3.36
6	0.02 0.00 72.00	68.70 2.49 -1.00	64.07 4.24 -0.54	65.43 4.72 0.95	66.96 6.70 0.27	68.35 4.35 3.88	69.76 5.05 -1.18	55.84 7.03 -3.52
7	0.02 0.00 75.00	65.16 2.50 -1.09	64.24 4.01 -0.60	67.93 4.14 0.76	68.27 5.78 -0.24	69.67 4.09 4.35	69.21 4.74 -1.10	55.63 6.46 -3.22
8	0.02 0.00 78.01	65.60 2.08 -1.30	65.06 3.77 -0.81	67.67 4.04 1.59	67.88 6.55 -0.05	69.28 3.87 3.98	69.48 4.59 -1.09	55.01 5.99 -3.21
9	0.02 0.00 81.00	66.10 1.77 -1.53	63.37 3.71 -0.79	65.86 4.15 0.69	67.59 6.17 0.04	68.32 3.93 4.02	69.63 4.43 -0.92	54.89 5.82 -3.16
10	0.01 0.00 84.01	65.13 2.04 -1.47	63.92 3.68 -0.94	67.00 3.89 0.61	68.21 5.82 -0.10	68.38 3.82 3.34	69.76 4.21 -1.08	55.34 5.65 -2.89
11	0.01 0.00 87.00	64.60 2.53 -1.43	62.98 3.92 -0.75	65.17 4.28 1.23	66.95 5.30 0.45	67.65 3.23 3.10	69.81 4.00 -0.97	56.08 5.13 -2.84

PROPULSIVE WING FLOW FIELD

RAKE SUMMARY, RUN 425

PT	ALPHA BETA HEIGHT	VT1 ALP1 BET1	VT2 ALP2 BET2	VT3 ALP3 BET3	VT4 ALP4 BET4	VT5 ALP5 BET5	VT6 ALP6 BET6	VT7 ALP7 BET7
1	0.03 0.00 57.01	132.80 2.71 3.18	133.70 3.10 3.27	136.00 3.13 4.13	136.00 3.27 3.81	135.70 2.12 3.12	138.10 2.44 2.77	128.20 2.34 2.71
2	0.03 0.00 60.01	132.70 3.42 3.77	134.00 3.38 4.56	136.80 2.76 5.26	135.40 2.83 4.26	137.90 1.77 3.47	128.00 2.11 2.93	128.00 2.02 2.79
3	0.03 0.00 63.01	132.90 5.90 2.56	133.60 16.67 11.65	136.40 0.35 5.02	137.10 1.69 4.18	135.80 1.21 3.51	138.10 1.58 2.86	127.10 1.63 2.46
4	0.03 0.00 66.00	133.20 4.11 -0.08	133.90 4.77 -1.37	135.80 3.15 -0.34	136.10 2.54 -0.10	137.60 1.18 0.76	127.10 1.72 0.30	127.10 1.57 0.92
5	0.03 0.00 69.00	132.40 2.96 0.26	133.20 3.81 0.09	136.30 3.40 0.92	136.90 3.39 0.66	136.20 1.95 1.48	137.80 2.45 0.66	126.50 2.23 0.78
6	0.03 0.00 72.00	132.40 2.60 0.60	132.90 3.59 0.66	136.40 3.50 1.79	136.70 3.68 1.33	136.50 2.35 1.95	137.90 2.87 1.08	126.50 2.59 1.12
7	0.02 0.00 74.01	132.90 2.49 0.86	132.60 3.57 0.88	135.30 3.82 2.10	136.00 3.62 1.61	137.30 2.69 2.40	138.00 3.14 1.37	126.40 2.95 1.50
8	0.02 0.00 78.00	132.90 2.35 1.11	133.50 3.53 1.16	135.30 3.82 2.37	136.00 4.12 2.00	138.00 3.11 3.72	138.20 3.60 1.64	126.50 3.80 1.68
9	0.02 0.00 81.00	132.90 2.30 1.19	133.60 3.52 1.38	136.00 3.81 2.65	136.40 4.26 2.16	139.10 3.33 4.41	138.40 3.84 1.68	126.30 4.10 1.60
10	0.01 0.00 84.00	133.00 2.47 1.29	132.80 3.70 1.44	136.00 4.05 2.48	136.30 4.42 2.18	140.20 3.43 4.78	138.60 3.95 1.70	126.40 4.29 1.58
11	0.01 0.00 87.01	132.50 2.47 1.34	133.10 3.67 1.51	135.90 4.06 2.74	136.30 4.55 2.26	140.10 3.61 4.64	138.40 4.06 1.70	126.10 4.41 1.53

PROPULSIVE WING FLOW FIELD

RAKE SUMMARY, RUN 424

PT	ALPHA BETA HEIGHT	VT1 ALP1 BET1	VT2 ALP2 BET2	VT3 ALP3 BET3	VT4 ALP4 BET4	VT5 ALP5 BET5	VT6 ALP6 BET6	VT7 ALP7 BET7
1	0.03 0.00 57.01	93.60 0.72 4.88	90.32 1.93 6.17	95.18 1.40 6.36	96.81 1.97 5.68	94.14 -1.10 4.43	98.84 -0.10 3.32	81.53 -1.34 2.59
2	0.03 0.00 60.00	93.12 2.06 6.58	89.75 2.01 5.00	95.09 0.01 10.28	96.52 0.07 6.64	93.46 -2.40 4.93	97.72 -1.29 3.60	80.81 -2.97 2.63
3	0.03 0.00 63.00	108.60 10.48 5.51	175.30 5.03 5.70	112.20 -6.49 11.33	96.97 -1.61 6.56	97.60 -2.64 4.97	101.90 -1.82 4.05	87.28 -3.86 2.84
4	0.03 0.00 66.01	96.47 6.35 -2.35	146.80 2.09 -3.91	207.00 -2.17 -0.16	229.20 -2.85 -3.58	283.90 -3.23 -3.56	272.30 -3.23 -3.56	298.70 -3.56 -1.37
5	0.03 0.00 69.01	93.22 3.48 -1.56	90.46 5.59 -1.85	93.83 4.06 -0.02	95.24 4.49 -1.02	95.72 0.74 0.86	97.76 1.10 -0.27	82.13 -0.58 -0.42
6	0.03 0.00 72.01	93.42 2.37 -0.78	89.94 4.73 -0.52	94.41 3.95 1.16	95.59 4.37 0.55	96.01 1.85 2.37	96.65 2.35 0.33	79.89 1.70 -0.06
7	0.04 0.00 75.00	93.22 1.86 -0.29	90.97 4.31 0.14	93.96 3.97 2.45	95.36 4.99 1.45	95.28 2.68 3.04	97.24 3.02 0.92	80.82 2.96 0.62
8	0.04 0.00 78.00	92.56 1.96 0.15	89.99 4.30 0.74	93.16 4.17 2.90	95.18 5.25 1.90	95.72 3.13 3.39	97.63 3.59 1.22	80.64 4.12 0.87
9	0.04 0.00 81.00	93.13 1.51 0.37	91.48 4.13 1.03	94.58 4.19 3.13	95.47 5.01 2.10	96.73 3.28 3.74	97.85 3.83 1.40	81.05 4.58 0.86
10	0.05 0.00 84.00	93.06 1.53 0.49	90.73 4.24 1.19	94.29 4.42 3.31	95.56 5.37 2.13	96.91 3.49 4.43	97.84 4.09 1.43	81.36 4.83 0.94
11	0.05 0.00 87.00	92.91 1.50 0.63	90.67 4.16 1.19	94.48 4.34 3.51	95.72 5.78 2.29	97.13 3.77 4.45	97.96 4.14 1.50	81.25 4.94 0.88

PROPULSIVE WING FLOW FIELD

RAKE SUMMARY, RUN 427

PT	ALPHA BETA HEIGHT	VT1 ALP1 BET1	VT2 ALP2 BET2	VT3 ALP3 BET3	VT4 ALP4 BET4	VT5 ALP5 BET5	VT6 ALP6 BET6	VT7 ALP7 BET7
2	0.03 0.00 30.00	67.08 2.34 0.67	69.50 1.13 0.21	64.47 2.21 -0.20	69.16 0.84 -0.06	67.12 2.61 0.75	68.71 2.24 0.02	68.66 1.30 0.51
3	0.00 0.00 30.01	95.76 2.60 0.84	98.46 1.65 0.15	95.12 2.35 -0.01	98.47 1.19 0.22	96.50 2.77 0.37	96.19 2.36 0.16	99.62 1.88 0.58
4	0.03 0.00 30.01	135.70 3.10 0.89	139.60 2.39 0.27	137.00 2.98 -0.06	138.50 2.17 0.39	138.00 3.10 0.41	137.60 3.02 0.24	140.30 2.65 0.55

PROPULSIVE WING FLOW FIELD

RAKE SUMMARY, RUN 426

PT	ALPHA BETA HEIGHT	VT1 ALP1 BET1	VT2 ALP2 BET2	VT3 ALP3 BET3	VT4 ALP4 BET4	VT5 ALP5 BET5	VT6 ALP6 BET6	VT7 ALP7 BET7
1	-0.05 0.00 57.00	65.45 -1.82 4.62	57.63 1.99 8.00	64.48 0.20 13.84	67.56 3.62 6.70	64.32 -2.00 4.43	69.96 -0.51 3.18	43.74 -4.42 1.31
2	-0.06 0.00 60.01	65.39 -1.05 6.63	61.68 2.02 12.21	68.01 -1.58 14.17	68.03 1.05 7.69	64.13 -4.41 5.04	68.87 -2.13 3.58	42.46 -8.68 1.41
3	0.00 0.00 63.01	81.64 8.41 5.53	137.00 5.06 6.60	89.50 -6.78 14.43	71.07 0.11 7.47	74.14 4.68	78.63 4.20	58.69 2.12
4	-0.06 0.00 66.01	74.19 -3.95 0.00	137.10 -2.97 -3.95	186.40 -3.66 0.56	210.50 -3.66 1.05	262.80 -4.41 2.27	251.30 -3.86 1.28	274.20 -4.39 1.47
5	-0.06 0.00 69.00	65.71 2.75 -2.61	59.84 7.87 -2.44	62.60 5.62 3.26	67.46 7.60 -0.41	70.94 -1.13 0.93	75.97 0.02 -0.11	56.42 -3.30 -2.11
6	-0.07 0.00 72.01	65.63 1.06 -1.84	60.14 6.42 -0.66	64.70 5.24 3.58	66.97 7.94 0.93	66.26 3.06 3.35	68.88 3.62 -0.03	41.08 4.82 -3.80
7	-0.07 0.00 75.00	64.76 0.84 -1.08	58.53 6.22 0.37	64.52 5.46 4.21	67.01 7.32 2.70	66.41 3.33 3.97	69.13 4.30 0.60	42.53 6.96 -2.32
8	-0.07 0.00 78.00	66.16 0.13 -1.15	61.19 5.66 0.60	64.61 5.21 5.13	67.67 8.19 2.23	66.80 3.61 4.24	69.70 4.40 1.09	43.15 8.08 -1.43
9	-0.07 0.00 81.00	66.48 -0.20 -1.10	61.59 5.44 1.00	65.86 5.26 5.02	68.01 8.17 2.77	67.30 4.18 4.27	69.83 4.84 1.11	43.15 8.90 -1.45
10	-0.08 0.00 84.01	64.87 -0.24 -0.62	59.12 5.96 1.25	64.63 5.65 6.37	67.96 7.64 3.21	67.51 3.75 4.65	70.53 4.89 1.15	43.44 9.11 -1.43
11	-0.08 0.00 87.00	65.25 -0.16 -0.56	61.86 5.48 1.29	66.32 5.38 5.90	68.15 8.15 2.34	67.23 4.04 4.15	70.78 4.97 1.18	43.59 9.46 -1.37



PROPULSIVE WING FLOW FIELD

RAKE SUMMARY, RUN 429

PT	ALPHA BETA HEIGHT	VT1 ALP1 BET1	VT2 ALP2 BET2	VT3 ALP3 BET3	VT4 ALP4 BET4	VT5 ALP5 BET5	VT6 ALP6 BET6	VT7 ALP7 BET7
1	0.00 57.01	96.60 1.72 4.63	100.20 -0.47 3.97	96.87 -0.84 4.23	99.25 -2.95 3.52	96.77 -2.63 2.72	97.66 -3.02 1.84	101.30 -2.97 1.41
2	0.00 60.00	96.18 3.17 6.28	98.38 -0.37 6.94	96.28 -4.88 6.46	98.38 -4.27 4.74	95.21 3.66 3.66	96.16 -4.93 2.45	100.90 -4.75 1.73
3	0.00 63.02	95.90 8.58 5.67	214.90 5.58 2.69	100.40 -8.69 7.20	100.50 -5.73 7.20	104.50 3.57 3.57	103.00 -4.76 3.22	108.90 -2.44 2.44
4	0.00 66.03	96.33 6.78 -0.88	101.70 4.39 -4.98	119.60 -2.94 -8.30	121.20 -5.61 -2.32	180.90 -8.29 0.33	162.40 -8.37 0.17	179.60 -8.59 1.30
5	0.00 69.02	95.65 4.55 -0.86	98.16 3.04 -2.07	93.94 2.60 -3.37	95.84 0.65 -2.61	92.96 0.98 -2.44	92.44 0.23 -1.19	97.27 0.03 0.03
6	0.00 72.03	95.26 3.61 -0.40	97.74 2.22 -1.15	94.16 2.40 -2.40	96.86 0.70 -1.47	93.75 1.73 -1.78	93.37 1.05 -0.75	98.54 0.53 0.18
7	0.01 75.02	95.01 3.45 -0.13	97.40 1.91 -0.77	93.65 2.32 -2.15	96.81 0.94 -1.30	94.51 1.69 -1.30	93.77 1.61 -0.30	98.77 1.14 0.58
8	0.01 78.01	95.18 2.89 0.12	98.29 1.86 -0.49	95.29 2.43 -1.56	96.90 1.05 -0.82	94.37 2.28 -1.03	94.52 1.88 -0.20	99.77 1.59 0.62
9	0.01 81.06	94.64 3.20 0.32	97.94 1.79 -0.34	94.36 2.39 -1.39	97.26 0.98 -0.58	94.95 2.18 -0.95	95.07 2.08 -0.09	99.72 1.78 0.55
10	0.02 84.05	95.52 2.94 0.52	98.28 1.70 -0.15	94.27 2.56 -0.94	96.64 0.84 -0.34	94.78 2.43 -0.82	95.13 2.20 -0.09	100.20 1.84 0.46
11	0.02 87.00	94.53 3.05 0.53	98.50 1.69 -0.05	94.34 2.44 -1.25	96.82 1.06 -0.45	94.87 2.45 -0.78	95.36 2.24 -0.07	100.50 1.89 0.55

PROPULSIVE WING FLOW FIELD

RAKE SUMMARY, RUN 428

PT	ALPHA BETA HEIGHT	VT1 ALP1 BET1	VT2 ALP2 BET2	VT3 ALP3 BET3	VT4 ALP4 BET4	VT5 ALP5 BET5	VT6 ALP6 BET6	VT7 ALP7 BET7
1	-0.02 56.86	135.20 2.72 1.98	139.70 1.65 1.39	137.50 1.78 1.29	139.00 0.67 1.39	137.30 1.33 0.81	140.70 0.81 0.96	
2	-0.02 60.01	135.60 3.51 2.54	139.60 2.01 2.54	139.60 1.57 2.23	139.60 0.09 2.07	137.80 0.94 1.21	140.90 0.42 1.05	
3	-0.02 63.00	135.70 5.44 1.50	139.50 11.79 7.07	138.80 -0.85 2.81	139.60 0.07 2.27	137.40 -0.01 1.38	140.60 -0.21 1.22	
4	-0.02 66.00	135.80 4.22 -0.68	139.80 3.41 -2.59	137.60 1.95 -3.22	138.80 0.16 -2.01	136.50 0.55 -1.31	138.80 -0.03 -0.10	
5	-0.02 68.00	135.90 3.05 -0.48	139.90 2.29 -1.37	137.00 2.18 -1.81	137.90 0.85 -1.27	136.00 1.15 -1.15	139.10 0.54 -0.24	
6	-0.02 72.01	135.10 2.73 -0.15	139.10 1.95 -0.82	137.00 2.15 -1.20	138.10 1.17 -0.65	136.30 1.59 -1.05	139.10 0.95 0.17	
7	0.00 75.00	135.70 2.54 0.08	139.40 1.86 -0.50	137.50 2.26 -0.77	138.40 1.39 -0.34	136.30 1.78 -0.73	138.70 1.54 0.54	
8	-0.03 78.01	135.40 2.58 0.25	138.90 1.90 -0.28	136.80 2.42 -0.52	138.20 1.68 -0.04	137.00 2.14 0.61	138.90 2.01 0.59	
9	-0.03 81.00	135.60 2.55 0.35	139.30 1.99 -0.17	136.60 2.49 -0.29	138.20 1.94 0.06	136.10 2.39 -0.52	139.20 2.29 0.50	
10	-0.04 84.00	135.80 2.54 0.40	139.30 2.09 -0.09	136.70 2.58 -0.33	138.30 1.95 0.12	136.30 2.42 -0.51	139.20 2.68 0.43	
11	-0.04 87.01	134.80 2.64 0.46	138.10 2.16 0.01	136.50 2.62 -0.14	138.10 2.00 0.05	135.80 2.55 -0.65	138.80 2.81 -0.02	0.34

PROPULSIVE WING FLOW FIELD

RAKE SUMMARY, RUN 431

PT	ALPHA BETA HEIGHT	VT1 ALP1 BET1	VT2 ALP2 BET2	VT3 ALP3 BET3	VT4 ALP4 BET4	VT5 ALP5 BET5	VT6 ALP6 BET6	VT7 ALP7 BET7
2	0.00 0.00 35.08	68.03 2.97 0.58	69.61 0.92 -0.03	65.22 2.24 -1.51	69.45 0.11 -0.76	72.88 5.39 3.38	66.88 2.37 -0.15	70.50 1.69 0.30
3	0.01 0.00 35.08	95.47 2.62 0.41	98.44 1.58 -0.39	93.58 2.50 -1.11	97.48 1.25 -0.44	103.70 6.20 3.66	95.38 2.56 -0.32	98.93 2.08 0.28
4	0.04 0.00 35.08	136.40 3.16 0.16	140.80 2.39 -0.47	137.60 3.08 -0.99	139.40 2.33 -0.46	149.80 6.37 3.80	137.70 3.26 -0.50	140.30 2.98 -0.05

PROPULSIVE WING FLOW FIELD

RAKE SUMMARY, RUN 430

PT	ALPHA BETA HEIGHT	VT1 ALP1 BET1	VT2 ALP2 BET2	VT3 ALP3 BET3	VT4 ALP4 BET4	VT5 ALP5 BET5	VT6 ALP6 BET6	VT7 ALP7 BET7
1	-0.02 0.00 57.07	67.94 1.75 5.94	71.15 -2.15 4.93	66.80 -2.76 3.70	70.05 -5.90 3.36	66.98 -4.26 3.15	67.04 -5.69 2.02	74.02 -4.83 1.62
2	-0.03 0.00 60.01	68.05 2.30 7.86	69.46 -2.34 8.31	65.90 -4.42 7.88	69.17 -7.13 5.20	65.79 -6.78 4.21	65.99 -8.19 2.78	73.18 -7.12 1.93
3	-0.03 0.00 63.00	69.54 3.49 9.45	176.90 5.39 3.29	78.23 -11.95 9.87	76.01 -6.51 6.40	85.09 -2.57 3.72	83.49 -4.38 3.41	91.77 -4.05 2.76
4	-0.03 0.00 66.01	68.19 7.88 0.56	79.53 2.10 -5.95	110.50 -6.38 -4.74	116.30 -8.75 -0.47	180.90 -11.47 1.85	154.60 -11.93 1.50	172.60 2.40
5	-0.03 0.00 69.01	68.03 5.38 0.12	70.93 2.90 -1.31	64.81 2.87 -4.08	68.24 0.58 -3.11	64.45 1.04 -2.38	63.56 1.04 -0.94	70.56 0.95 0.76
6	-0.03 0.00 72.01	67.04 4.88 0.42	69.71 2.07 -0.61	63.67 3.13 -3.06	67.90 3.02 -1.64	63.91 3.02 -1.56	64.05 1.73 -0.57	71.37 1.11 0.64
7	-0.03 0.00 75.22	68.49 3.86 0.50	70.82 1.67 -0.45	65.12 2.31 -2.75	68.84 0.49 -1.69	65.34 2.77 -1.61	65.33 1.53 -0.39	73.16 1.23 0.81
8	-0.04 0.00 78.00	68.81 3.58 0.56	70.18 1.34 -0.15	64.87 2.48 -2.65	68.66 0.87 -1.31	65.74 3.08 -1.30	65.54 1.94 -0.20	73.07 1.31 0.85
9	0.01 0.00 81.02	68.17 3.86 0.84	69.12 1.22 -0.09	63.71 2.27 -2.30	68.69 0.16 -1.04	65.45 3.28 -0.96	65.95 1.93 -0.16	73.31 1.50 0.77
10	0.00 0.00 84.11	67.19 3.83 0.81	71.09 1.06 -0.03	65.36 2.24 -2.18	69.11 -0.09 -1.30	65.97 2.81 -0.78	65.97 1.86 -0.13	73.50 1.48 0.86
11	0.00 0.00 87.01	67.58 3.26 1.00	70.89 0.95 0.00	65.66 2.08 -1.74	69.31 -0.08 -0.84	65.37 2.99 -0.81	66.09 1.89 -0.12	73.50 1.46 0.79



PROPULSIVE WING FLOW FIELD

RAKE SUMMARY, RUN 434

PT	ALPHA BETA HEIGHT	VT1 ALP1 BET1	VT2 ALP2 BET2	VT3 ALP3 BET3	VT4 ALP4 BET4	VT5 ALP5 BET5	VT6 ALP6 BET6	VT7 ALP7 BET7
1	0.00 0.00 57.02	64.30 3.89 3.11	71.45 1.88 0.79	64.67 2.85 1.84	68.69 -0.50 1.60	66.10 3.03 2.51	67.34 1.43 3.50	73.70 1.62 4.70
2	0.00 0.00 60.01	63.57 3.38 3.06	72.37 1.77 0.77	66.59 3.02 0.87	67.60 -0.05 1.74	64.72 3.64 2.69	66.39 2.70 3.73	72.66 3.34 5.34
3	0.00 0.00 63.04	62.63 4.36 3.16	71.89 2.12 0.83	67.80 3.31 0.28	69.00 0.21 1.32	65.72 4.87 1.81	67.26 4.15 2.74	72.75 5.43 3.71
4	0.00 0.00 66.01	63.39 4.05 2.99	72.75 2.20 0.56	66.44 3.51 0.07	67.41 0.72 0.46	65.09 4.58 0.88	66.94 4.10 1.12	73.45 4.95 1.45
5	-0.01 0.00 69.01	63.23 4.46 2.85	71.90 2.00 0.44	67.87 3.10 -0.40	69.44 0.16 -0.46	65.40 4.56 0.18	66.55 3.47 0.28	73.63 3.85 0.83
6	-0.01 0.00 72.01	62.87 4.16 2.29	71.73 1.93 0.21	67.41 3.01 -0.46	68.74 -0.29 -0.76	66.00 3.74 -0.16	66.54 2.77 -0.07	72.90 3.18 0.71
7	-0.01 0.00 76.08	63.41 4.32 2.12	72.83 1.88 -0.06	66.41 2.92 -1.57	67.62 -0.41 -1.20	65.51 3.48 -0.04	66.63 2.23 -0.34	73.68 2.66 0.73
8	-0.01 0.00 78.01	63.64 3.70 1.88	73.69 1.78 -0.25	67.34 2.80 -1.01	67.78 -0.11 -0.90	65.01 3.02 -0.34	66.56 2.00 -0.27	73.61 2.41 0.73
9	-0.02 0.00 81.04	63.57 4.37 1.80	72.98 1.66 -0.29	66.65 2.36 -1.30	68.03 -0.44 -1.02	65.40 3.20 -0.24	66.54 1.86 -0.36	74.21 2.17 0.80
10	-0.02 0.00 84.03	64.46 3.96 1.76	72.00 1.68 -0.44	65.15 2.43 -1.66	67.27 -0.92 -0.59	65.48 3.12 -0.14	66.75 1.59 -0.49	73.84 2.29 0.90
11	-0.02 0.00 87.02	61.33 4.05 2.16	72.38 1.32 -0.04	66.17 1.91 -1.79	68.20 -0.37 -1.39	65.29 3.14 0.06	66.41 1.32 -0.24	74.01 1.95 0.99

1. Report No. NASA CR-178349		2. Government Accession No.		3. Recipient's Catalog No.	
4. Title and Subtitle Low Speed Wind Tunnel Test of a Propulsive Wing/Canard Concept in the STOL Configuration - Volume II; Test Data				5. Report Date September 1987	
				6. Performing Organization Code	
7. Author(s) V. R. Stewart				8. Performing Organization Report No. NA-87-0015	
				10. Work Unit No.	
9. Performing Organization Name and Address North American Aircraft Operations Rockwell International Corporation P.O. Box 1259 Columbus, OH 43216				11. Contract or Grant No. NA81-17171	
				13. Type of Report and Period Covered Contractor Report	
12. Sponsoring Agency Name and Address National Aeronautics and Space Administration Langley Research Center Hampton, VA 23665-5225				14. Sponsoring Agency Code	
15. Supplementary Notes Langley Technical Monitor: John W. Paulson, Jr. Final Report Volume I: Test Description and Discussion of Results (NASA CR-178348)					
6. Abstract  A propulsive wing/canard model has been tested at STOL operating conditions in the NASA Langley Research Center 4 x 7 meter wind tunnel. Longitudinal and lateral/directional aerodynamic characteristics were measured for various flap deflections, angles of attack and sideslip, and blowing coefficients. Testing was conducted for several model heights to determine ground proximity effects on the aerodynamic characteristics. Flow field surveys of local flow angles and velocities were performed behind both the canard and the wing.  This report consists of two volumes. Volume I (NASA CR-178348) describes the model, instrumentation, and test procedures; and includes an analysis of the data. Volume II (NASA CR-178349) contains all of the test data in three appendices. Appendix A presents tabulated six component force and moment data, Appendix B presents tabulated wing pressure coefficients, and Appendix C presents the flow field data.					
17. Key Words (Suggested by Author(s)) Propulsive wing/canard STOL configuration Wind tunnel test Aerodynamic characteristics			18. Distribution Statement  Unclassified-Unlimited		
19. Security Classif. (of this report) Unclassified		20. Security Classif. (of this page) Unclassified		21. No. of pages 408	22. Price