



Smart LED Lighting

# 70W LED Street Light Fixture

## Outdoor Pole/Arm-Mounted Area and Roadway Luminaire

Listed to UL 1598 / CSA C22.2#250.0

Powered by  
**PHILIPS**  
LUMILEDS



### Features & Benefits:

- LM-82 Tested at 25~50°C •
- TM-21 139,000 Hrs @ 45°C •
- 20KV/10KA Surge Protection •
- High Power Factor • Low THD •
- 7-Pin NEMA Socket + Shorting Plug •
- High Efficacy 170 Lm/W • High CRI •
- EN 62471 Photobiological Safety RG0 •
- 10-Years | 100,000 Hours Warranty (\*) •
- Dimmable, Photocell & Wireless Ready •

U.S. Pat. D906,565S



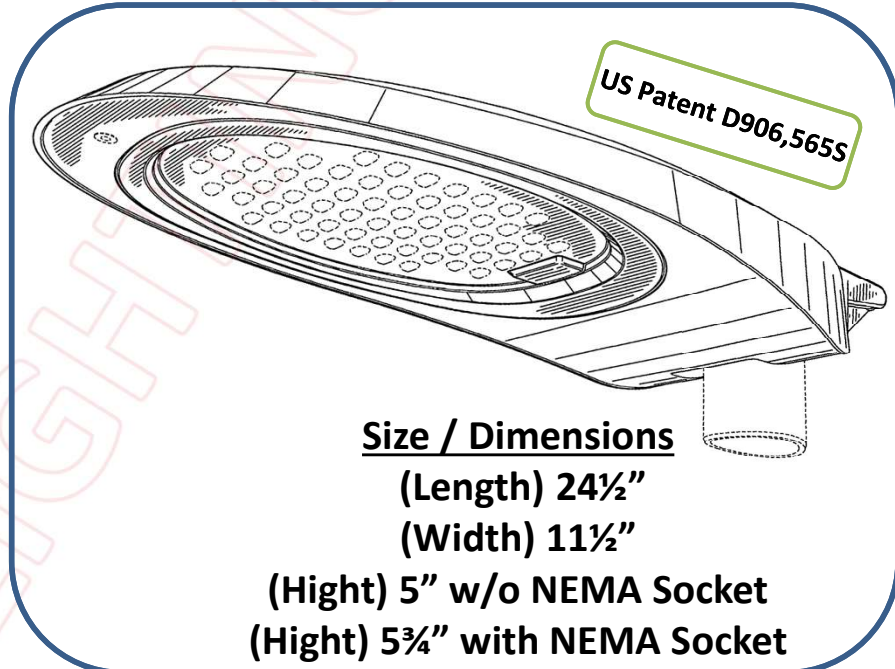
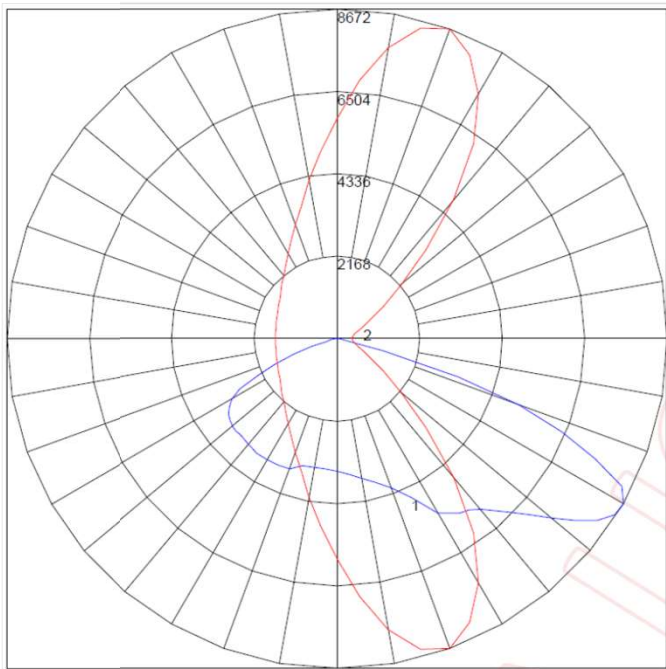
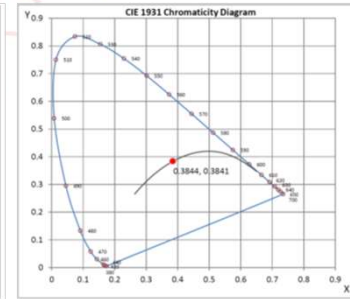
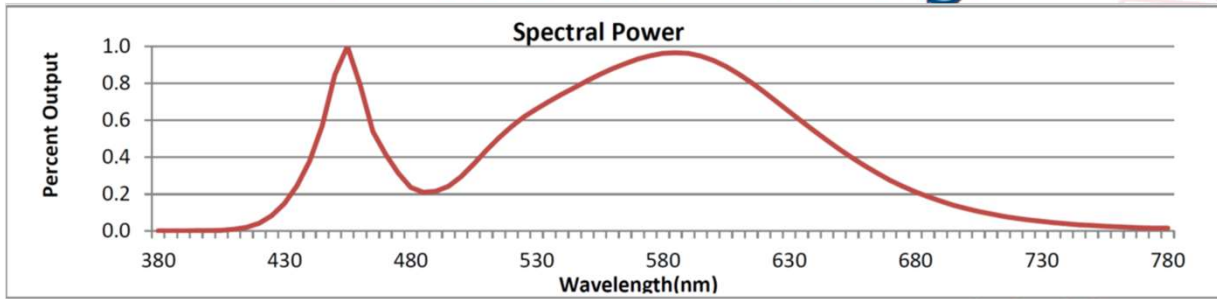
Model	Product	Size	Power	Flux	Equivalent
STL-70W-30K-277V	LED Street Light 70W 3000K 277V	L: 24½" W: 11½" H: 5 / 5¾"	70W	12,000 Lumens	250W HPS
STL-70W-40K-277V	LED Street Light 70W 4000K 277V	————— L: 62cm W: 29cm H: 13 / 15cm	70W	12,000 Lumens	250W MH/HPS
STL-70W-55K-277V	LED Street Light 70W 5500K 277V		70W	12,000 Lumens	250W MH

- "277V" 120-277Vac ~50/60Hz • P.F. > 0.9 • THD < 20% • Pigtail Wire/Cable Connection •
- EN 62471 Photobiological Safety Risk Group 0 • 170 Lumen per Watt • CRI ≈ 75 •
- Color Temp. (CCT) 55K = 5500K, 40K = 4000K (Standard), 30K = 3000K ±10% •
- Operating Temperature Range -20°F to 120°F (-30°C to 50°C) •
- Pass ANSI C136.31 Vibration Test 1.5G for Road & 3G for Bridges & Tunnel •
- (\*) Rated Life (L<sub>70</sub> B<sub>50</sub>) 100,000 Hrs. at T<sub>[A]</sub> 25°C & 50,000 Hrs. at T<sub>[A]</sub> 45°C Max. •



Smart LED Lighting

# 70W LED Street Light Fixture



**Size / Dimensions**  
 (Length) 24½"  
 (Width) 11½"  
 (Height) 5" w/o NEMA Socket  
 (Height) 5¾" with NEMA Socket

Model	Product	Power	Equivalent
STL-70W-40K-277V	LED Street Light 70W 4000K 277V	70W	250W MH/HPS
Input Voltage	Power/Power Factor	Efficacy	Flux
120-277Vac ~50/60Hz	70W P.F. ≈ 0.97	170 lm/W	12,000 Lumen
Color Rendering	Color Temperature	Beam Angle	Rated Life
CRI 75	30K ÷ CCT 3000K ±10% 40K ÷ CCT 4000K ±10% 55K ÷ CCT 5500K ±10%	150°x75°	10-Years / (L <sub>70</sub> B <sub>50</sub> ) 100 KHrs T <sub>[A]</sub> 25°C Max 50 KHrs T <sub>[A]</sub> 45°C Max