

2019

Load Cells



Load Cell Color Codes

This cross reference chart allows you to replace one brand load cell with another when they have the same output (mv/v) and the same physical size.

Mfg	+Excitation	+Sense	-Excitation	-Sense	+Output	-Output	Shield
A&D	Red		White		Green	Blue	Yellow
Allegany	Green		Black		White	Red	Bare
Alphatron	Red		Black		Green	White	Bare
Artech	Red		Black		Green	White	Orange
Beowulf	Green		Black		White	Red	Bare
BLH	Green		Black		White	Red	Yellow
Cardinal	Green		Black		White	Red	Bare
Cas	Red	Blue	Black	Brown	Green	White	Bare
Digi	Red		White		Green	Yellow	Silver
Electroscale	Red		Black		Green	White	Bare
Epelsa	Red	Violet	Black	Grey	Green	White	Bare
Evergreen	Green		Black		White	Red	Bare
General Sensor	Red		Black		Green	White	Bare
Genisco	Red		Black		Green	White	Bare
HBM (PW15)	Blue	Green	Black	Grey	White	Red	Yellow
HBM	Green		Black		White	Red	Yellow
HBM (PLC, SBE)	Red		Black		Green	White	Yellow
Huntleigh	Green	Blue	Black	Brown	Red	White	Bare
Interface	Red		Black		Green	White	Bare
Kubota	Red		White		Green	Blue	Yellow
LeBow	Red		Black		Green	White	Bare
National	Green		Black		White	Red	Yellow
NCI	Red	Yellow	Black	Blue	White	Green	Bare
Nikkei	Red		Black		Green	White	Bare
NMB	Red		White		Green	Blue	Yellow
Ormond	Red		Black		Green	White	Bare
Pesage Promotion	Blue		White		Red	Black	Yellow
Philips	Red		Blue		Green	Grey	Bare
Revere *	Red		Black		Green	White	Orange
Revere **	Green		Black		White	Red	Orange
Scaime (AG)	Brown	Grey	Green	Pink	Yellow	White	Bare
Sensortronics	Red		Black		Green	White	Bare
Sensortronics (60007)	Green		Black		White	Red	Yellow
Strainert	Red		Black		Green	White	Bare
T-Hydrionics	Red		Black		Green	White	Bare
Tedea	Green	Blue	Black	Brown	Red	White	Bare
Thames Side	Red		Black		Green	Yellow	Bare
Toledo	Green		Black		White	Red	Yellow
Totalcomp (T840-SS)	Blue	Green	Black	Grey	White	Red	Yellow
Totalcomp *	Red		Black		Green	White	Bare
Totalcomp **	Green		Black		White	Red	Bare
Transducers	Red		Black		Green	White	Orange
Transducers Sys	Red		Green		Yellow	Blue	Bare

- Notes:** 1. * Color code complies with ISA S37.8-1975 Specifications for Tests for strain gauge force transducers.
 2. ** Color code complies with SMA Scale Manufacturers Association standard.
 3. Always check the certificate with each load cell for the correct color code.
 4. Unidirectional load cells (Tension only or Compression only) - Positive output in the direction of rated load.
 5. Bi-Directional load cells (Universal, Tension and Compression) - Positive output in the direction of compression loading. Negative output in the direction of tension loading.
 6. Direction of Standardization (Calibration) - In the case of bi-directional load cells, the rated output shall apply in the direction of compression loading.
 7. To correct an indicator that displays a weight in the wrong direction, interchange the +Output and -Output connections. Example: If the load on the scale is increasing and the instrument display is decreasing, reverse the Output connections. Do not reverse the Excitation connections. The readout should now display increasing readings with increasing load.

© Copyright 2002 Totalcomp, Inc. Fair Lawn NJ. Not to be copied or duplicated for any purpose without consent of copyright owner. All rights reserved.

the weigh you want... *today!*



Dear Customer:

This catalog has been prepared especially for the professional in the weighing industry. I am sure that you will find it informative and helpful.

We pride ourselves on answering the phone on the first ring and shipping your order the same day that you place it.

You will also benefit from our huge inventory. Our records indicate that we ship 49 out of 50 orders from stock.

Price is also important and you can depend on our price being the best in the industry. If you have large quantities we can give you better prices.

You will note that there are many new items in this catalog. Please take the time to see what has been added to see if it fits what you need.

Thank you for being our customer. We look forward to many successful years with you.

Best Personal Regards
Rudolph J. Kolaci
President

Mission

Serve, Supply, & Inform You with Total**competence**.

Vision

Embrace Change While Maintaining Values.

Values

Honest in all of our dealings.

Helpful to our customers & each other.

Happy in both home and office.

Healthy in all aspects of our lives.

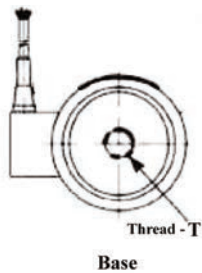
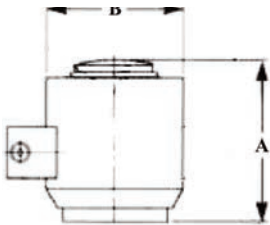
Canister compression

Industrial quality, heavy duty construction, load cells will perform well under extreme environmental conditions. These are top of the line with welded, hermetically sealed cases that contain the strain gages. They should be used as replacement cells for weighing applications that demand the highest degree of reliability such as Truck, Track, Hopper and Tank scales. These cells cost more than nonhermetically sealed units; but this must be compared to the potential cost of the scale being out of service.

Note: Resistance specifications are in the form "input"/"output" ohms if two values are given. Only one value is "input" ohms.



CP



Dimensions in inches

Capacity	A	B	T
10-50K	3.25	2.88	1/2-20 UNF
100K	5.00	4.12	3/4-16 UNF
200K-300K	7.25	6.00	3/4-16 UNF
500K	9.00	6.50	3/4-46 UNF

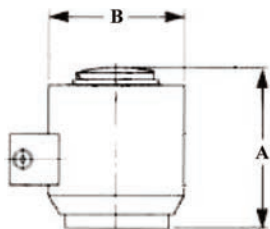
CSP Revere Transducers

2 mv/v, 0.05% nonlinearity, 450/480 ohm, 30ft 4 cond cable, stainless steel.
NTEP 88-082 S/M IIIIL 10,000 div (B10)

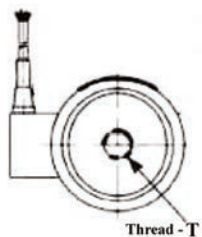
Part Number	Capacity	Weight	Stock	Price C
CSP-D3-10K-30P5*	10,000 lb	7 lb	8	\$ 1,599.00
CSP-B10-25K-30P5	25,000 lb	7 lb	9	1,599.00
CSP-B10-50K-30P5	50,000 lb	7 lb	10	1,599.00
CSP-B10-100K-30P5	100,000 lb	15 lb	11	1,779.00
CSP-B10-200K-30P5	200,000 lb	37 lb	12	2,389.00
CSP-D3-300K-30P5*	300,000 lb	39 lb	13	2,489.00
CSP-D3-500K-30P5*	500,000 lb	60 lb	14	4,679.00



CSP



Front



Base

Dimensions in inches

Capacity	A	B	T
10-50K	3.25	2.88	1/2-20 UNF
100K	5.00	4.12	3/4-16 UNF
200K-300K	7.25	6.00	3/4-16 UNF
500K	9.00	6.50	3/4-46 UNF

* Not NTEP

Prices are subject to change without notice. Please call for current prices.

Other items are available from the manufacturers, please call for prices.

TCP1 Totalcomp

Interchangeable with Revere model CP and TI model 392 but not NTEP.
1.75 mv/v, 0.15% nonlinearity, 450/480 ohm, 50 ft 4 cond cable, **stainless steel**.

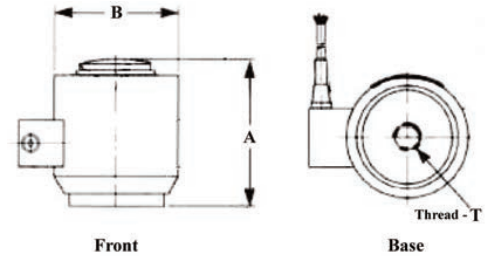
Part Number	Capacity	Weight	Stock	Price D
TCP1-10K-SS	10,000 lb	7 lb	1860	\$ 1,210.00
TCP1-25K-SS	25,000 lb	7 lb	1861	1,210.00
TCP1-50K-SS	50,000 lb	7 lb	1862	1,210.00
TCP1-100K-SS	100,000 lb	13 lb	1863	1,430.00
TCP1-200K-SS	200,000 lb	29 lb	1864	1,760.00
TCP1-300K-SS	300,000 lb	29 lb	1865	1,760.00
TCP1-500K-SS	500,000 lb	46 lb	1676	3,025.00



TCP1

Dimensions in inches

Capacity	A	B	T
10-50K	3.25	2.88	1/2-20 UNF
100K	5.00	4.12	3/4-16 UNF
200K-300K	7.25	6.00	3/4-16 UNF
500K	9.00	6.50	3/4-46 UNF



TCSP1 Totalcomp

Interchangeable with Revere model CP and TI model 392 but not NTEP.
2 mv/v, 0.15% nonlinearity, 450/480 ohm, 50 ft 4 cond cable, **stainless steel**.

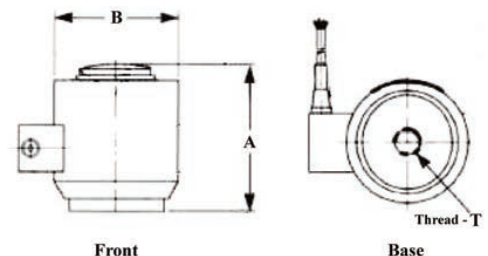
Part Number	Capacity	Weight	Stock	Price D
TCSP1-10K-SS	10,000 lb	7 lb	1866	\$ 1,210.00
TCSP1-25K-SS	25,000 lb	7 lb	1867	1,210.00
TCSP1-50K-SS	50,000 lb	7 lb	1868	1,210.00
TCSP1-100K-SS	100,000 lb	13 lb	1869	1,430.00
TCSP1-200K-SS	200,000 lb	29 lb	1870	1,760.00
TCSP1-300K-SS	300,000 lb	29 lb	1871	1,760.00
TCSP1-500K-SS	500,000 lb	46 lb	1893	3,025.00



TCSP1

Dimensions in inches

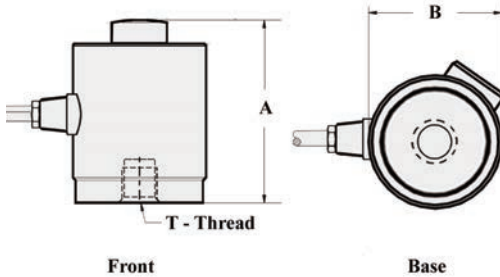
Capacity	A	B	T
10-50K	3.25	2.88	1/2-20 UNF
100K	5.00	3.25	3/4-16 UNF
200K-300K	7.25	4.88	3/4-16 UNF
500K	9.00	5.37	3/4-46 UNF



Canister compression



65088



65088 Sensortronics

Interchangeable with Revere model CSP1 and T1 model 682. but not NTEP.
 2 mv/v, 0.03% nonlinearity, 450/480 ohm, 35 ft 4 cond cable, **stainless steel**, IP67.
 NTEP 95-134 S III 3,000 div
 NTEP 95-134 M III 5,000 div
 NTEP 95-134 S III 6,000 div
 NTEP 95-134 M III 10,000 div

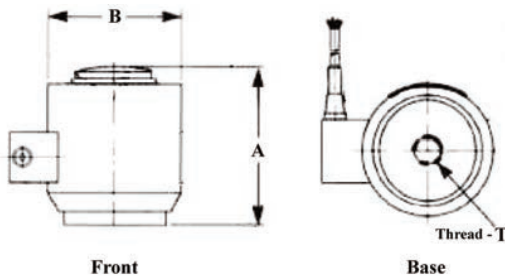
Part Number	Capacity	Weight	Stock	Price C
65088-25K-1000	25,000 lb	7 lb	4786	\$ 1,430.00
65088-50K-1000	50,000 lb	7 lb	4787	1,430.00
65088-100K-1000	100,000 lb	15 lb	4788	1,650.00
65088-200K-1000	200,000 lb	37 lb	4789	3,150.00

Dimensions in inches

Capacity	A	B	T
25-50K	3.25	3.00	1/2-20 UNF
100K	5.00	4.00	3/4-16 UNF
200K	7.25	6.00	3/4-16 UNF



90310



90310 Artech

Interchangeable with Revere model CSP1 and T1 model 692.
 2 mv/v, 0.05% nonlinearity, 450/480 ohm, 30 ft 4 cond cable, painted steel.
 NTEP 96-000 S/M IIIIL 6,000 div

Part Number	Capacity	Weight	Stock	Price C
90310-25K	25,000 lb	7 lb	3255	\$ 1,500.00
90310-50K	50,000 lb	7 lb	3256	1,500.00
90310-100K	100,000 lb	15 lb	3257	1,800.00
90310-200K	200,000 lb	37 lb	3258	2,000.00

Optional: NTEP 10,000 div

Dimensions in inches

Capacity	A	B	T
10-50K	3.25	2.87	1/2-20 UNF
100K	5.00	4.12	3/4-16 UNF
200K-300K	7.25	6.00	3/4-16 UNF
500K	9.00	6.53	3/4-16 UNF

Prices are subject to change without notice. Please call for current prices.

Other items are available from the manufacturers, please call for prices.

C3P1 BLH

3 mv/v, 0.05% nonlinearity, 350/350 ohm, 30 ft 4 cond cable, painted steel.

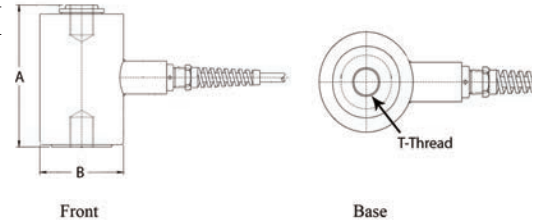
Part Number	Mfg	Capacity	Weight	Stock	Price A
C3P1-500	464916	500 lb	11 lb	19	\$ 1,679.00
C3P1-1K	464917	1,000 lb	11 lb	20	1,679.00
C3P1-2K	464918	2,000 lb	11 lb	21	1,679.00
C3P1-3K	464919	3,000 lb	11 lb	22	1,679.00
C3P1-5K	464924	5,000 lb	13 lb	23	1,742.00
C3P1-10K	464925	10,000 lb	13 lb	24	1,742.00



C3P1

Dimensions in inches

Capacity	A	B	T
500-3K	4.56	3.50	1/2-20 UNF
5K-10K	5.94	3.50	1-14 UNF



C2P1 BLH

2 mv/v, 0.03% nonlinearity, 350/350 ohm, 10 ft 4 cond cable, painted steel.

NTEP 87-060 IIL M 4,500 div

Part Number	Mfg	Capacity	Weight	Stock	Price A
C2P1-20K-A10	464710	20,000 lb	23 lb	25	\$ 1,975.00
C2P1-50K-A10	464712	50,000 lb	24 lb	27	2,008.00
C2P1-100K-A10	464713	100,000 lb	44 lb	28	2,057.00
C2P1-200K-A10	464714	200,000 lb	99 lb	29	3,187.00
C2P1-300K-A10	464715	300,000 lb	150 lb	6754	5,104.00
C2P1-300K	464716	500,000 lb	250 lb	6755	9,833.00

35ft cable

C2P-20K-A35	464730	20,000 lb	24 lb	26	2,062.00
C2P1-50K-A35	464732	50,000 lb	25 lb	47	2,096.00
C2P1-100K-A35	464733	100,000 lb	46 lb	48	2,139.00
C2P1-200k-A35	464734	200,000 lb	99 lb	49	3,269.00

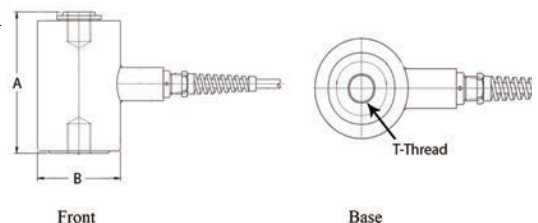
C2P1-300K-A35	464735	300,000 lb	150 lb	6879	5,183.00
C2P1-500K-A35	464736	500,000 lb	250 lb	6880	9,901.00

Dimensions in inches

Capacity	A	B	T
20-50K	7.50	4.50	3/8-20 UNF
100K	9.12	6.00	1/2-20 UNF
200K	11.62	8.00	5/8-18 UNF



C2P1



Prices are subject to change without notice. Please call for current prices.

Other items are available from the manufacturers, please call for prices.

99 Reagent Lane
Fair Lawn NJ 07410
201-797-2718 * 800-631-0347

Totalcomp
Load Cells

www.totalcomp.com
Fax 201-797-2287
Toll Free Fax 888-797-2288



TC3P1

TC3P1 Totalcomp

Interchangeable with BLH model C3P1. Order load button separately.
3 mv/v, 0.05% nonlinearity, 350/350 ohm, 30 ft 4 cond cable, **stainless steel**.

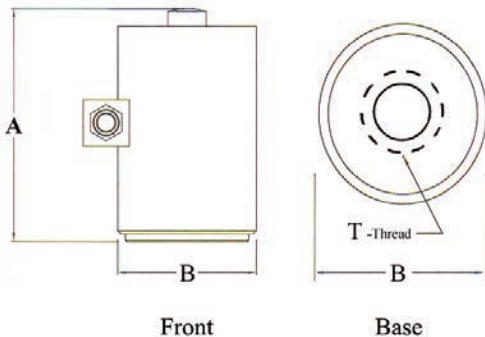
Part Number	Capacity	Weight	Stock	Price D
TC3P1-55-SS	500 lb	10 lb	1879M	\$ 1,119.25
TC3P1-1K-SS	1,000 lb	10 lb	1880M	1,119.25
TC3P1-2K-SS	2,000 lb	10 lb	1881M	1,119.25
TC3P1-3K-SS	3,000 lb	10 lb	1882M	1,119.25
TC3P1-5K-SS	5,000 lb	12 lb	1883M	1,270.50
TC3P1-10K-SS	10,000 lb	12 lb	1884M	1,270.50

Load buttons

1/2-20 UNF load buttons	500 to 3K	1 lb	272	83.00
1-14 UNF load button	5K to 10K	1 lb	273	97.00

Lod buttons

1 1/2-12 UNF load button	20K to 30K	4 lb	274M	208.00
2-12 UNF load button	50K	8 lb	275M	416.00



Dimensions in inches

Capacity	A	B	T
500-3K	4.56	3.00	1/2-20 UNF
5K-10K	5.94	3.50	1-14 UNF

TC-C2P1 Totalcomp

Interchangeable with BLH model C2P1. Order load button separately.
2 mv/v, 0.03% nonlinearity, 350/350 ohm, 30 ft 4 cond cable, **stainless steel**.

Part Number	Capacity	Weight	Stock	Price D
TC-C2P1-20K-SS	20,000 lb	19 lb	1885	\$ 1,540.00
TC-C2P1-30K-SS	30,000 lb	19 lb	1886	1,950.30
TC-C2P1-50K-SS	50,000 lb	19 lb	1887	1,540.00
TC-C2P1-50K-SS-1000 *	50,000 lb	19 lb	1984	1,540.00

* Replacement for BLH Supercell (yellow) w/1000 ohm bridge.

TC-C2P1-100K-SS	100,000 lb	33 lb	1888	1,760.00
TC-C2P1-200K-SS	200,000 lb	78 lb	1889	2,530.00

Load buttons

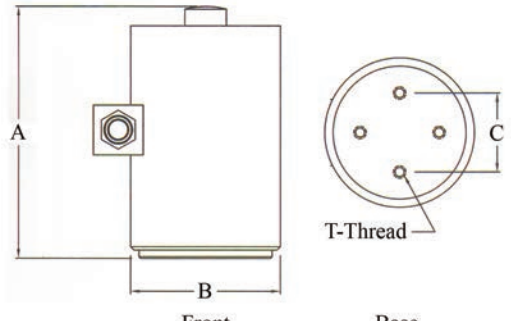
1 1/2-12 UNF load button	20K to 30K	4 lb	274M	208.00
2-12 UNF load button	50K	8 lb	275M	416.00



TC-C2P1

Dimensions in inches

Capacity	A	B	C	T
20-50K	7.50	4.50	2.375	3/8-24 UNF
20K-25K	9.125	6.00	4.00	1/2-20 UNF
50K	11.63	8.00	5.00	5/8-18 UNF



792 Revere Transducers

Interchangeable with BLH model C2P1.
2 mv/v, 0.025% combined error, 350/350 ohm, 35 ft 4 cond cable, **stainless steel**.
Factory Mutual Approved
NTEP 91-001 M IIIIL 10,000 div

Part Number	Capacity	Weight	Stock	Price C
792-B10-50K-35P5	50,000 lb	19 lb	2352	\$ 1,689.00
792-B10-100K-35P5	100,000 lb	35 lb	2353	1,689.00
792-B10-200K-35P5	200,000 lb	78 lb	2354	2,489.00

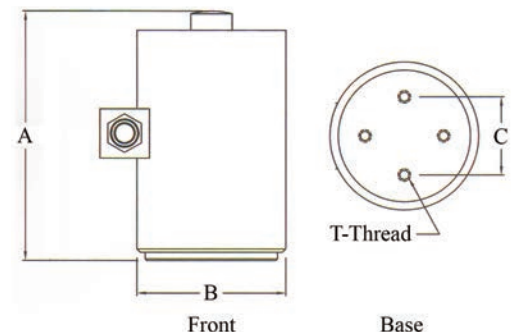


792



Dimensions in inches

Capacity	A	B	C	T
20-50K	7.50	4.50	2.375	3/8-24 UNF
20K-25K	9.125	6.00	4.00	1/2-20 UNF
50K	11.63	8.00	5.00	5/8-18 UNF



Prices are subject to change without notice. Please call for current prices.

Other items are available from the manufacturers, please call for prices.

99 Reagent Lane
Fair Lawn NJ 07410
201-797-2718 * 800-631-0347

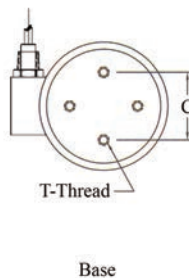
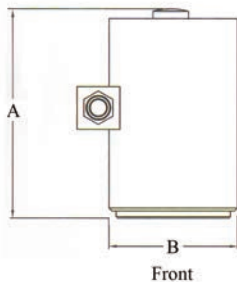
Totalcomp
Load Cells

www.totalcomp.com
Fax 201-797-2287
Toll Free Fax 888-797-2288

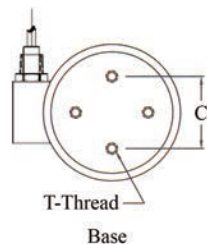
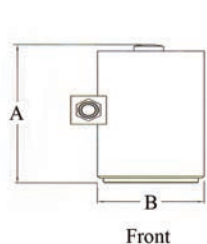
Canister compression



T752



T96/T496



T752 Totalcomp

Interchangeable with Toledo Model 752 cap check load cell. Cell only, does not include cap. Use existing cap with this replacement cell.
 50K - 4.5" dia tall, (4) 1/2-20 mtg threads in base on 3" bolt circle.
 100K - 6" dia, 8.125" tall, (4) 3/4-16 mtg threads in base on 4" bolt circle.
 2 mv/v, 0.03% nonlinearity, 825/775 ohm, 35 ft 4 cond cable, **stainless steel**.

Part Number	Toledo	Capacity	Weight	Stock	Price D
T752-50K-SS	B10883600A	50,000 lb	16 lb	1147	\$ 1,452.00
T752-100K-SS	B10887700A	100,000 lb	29 lb	1148	1,815.00

Mounting Hardware

Part Number	Weight	Stock	Price D
T752-50K-SS-Cap	5 lb	5406	628.10
T752-50K-SS-Pin	3 lb	5407	205.70
T752-50K-SS-Base	17 lb	5408	720.50
T752-100K-SS-Cap	5 lb	5409	960.30
T752-100K-SS-Pin	3 lb	5410	205.70
T752-100K-SS-Base	33 lb	5411	1,036.20

Dimensions in inches

Capacity	A	B	C	T
50K	6.000	4.50	3.00	5/8-18 UNF
100K	8.125	6.00	4.00	3/4-16 UNF

T96 & T496 Totalcomp

Interchangeable with Toledo canister compression cells.
 2 mv/v, 0.05% nonlinearity, 240/240 ohm, 35 ft cable, **stainless steel**.

Part Number	Toledo	Capacity	Weight	Stock	Price D
T96-500-SS	A09622700L	500 lb	8 lb	1448	\$ 1,083.00
T96-1K-SS	A09622700M	1,000 lb	8 lb	1449	1,083.00
T96-2K-SS	A09622700N	2,000 lb	8 lb	1450	1,083.00
T496-5K-SS	049660020	5,000 lb	12 lb	1451	1,391.50
T496-10K-SS	049665020	10,000 lb	12 lb	1452	1,391.50
T496-15K-SS		15,000 lb	21 lb	1713	1,573.00
T496-20K-SS	049675020	20,000 lb	21 lb	1453	1,573.00
T496-50K-SS	049680020	50,000 lb	21 lb	1455	1,573.00

Dimensions in inches

Capacity	A	B	C	T
500-2K	3.312	3.50	-----	1/2-20 UNF Both ends
5K-10K	5.31	4.00	2.38	3/8-24 UNF
15K-50K	7.12	4.50	2.38	3/8-24 UNF

Prices are subject to change without notice. Please call for current prices.

Other items are available from the manufacturers, please call for prices.

LPD General Sensor

Interchangeable with Interface 1211, and Emery Winslow 1211 Totalizer.
4 mv/v, 0.03% nonlinearity, 385/350 ohms, 20 ft 4 cond cable, nickel plated steel.

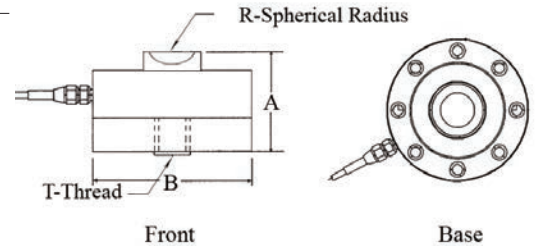
Part Number	Capacity	Weight	Stock	Price D
LPD-5K	5,000 lb	8 lb	3675	\$ 777.00
LPD-10K	10,000 lb	8 lb	3676	777.00
LPD-25K	25,000 lb	14 lb	3677	833.00
LPD-50K	50,000 lb	14 lb	3678	833.00
LPD-100K	100,000 lb	21 lb	3679	972.00



LPD

Dimensions in inches

Capacity	A	B	C	T
5-10K	2.50	4.12	0.625	1/2-20 UNF
25K-50K	3.06	4.75	0.875	3/4-16 UNF
100K	3.39	4.75	0.875	1 1/4-12 UNF



LCD Celtron low profile compression disk cell

4 mv/v, 0.03% nonlinearity, 385/350 ohms, 770/700 ohms for 100K cell, 49.2 ft cond cable, nickel plated steel, IP67.

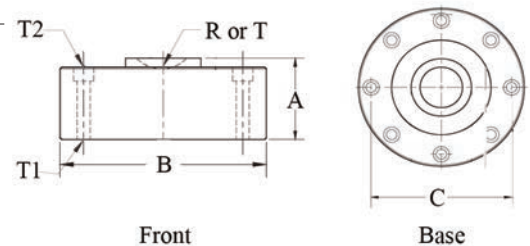
Part Number	Capacity	Weight	Stock	Price D
LCD-5K	5,000 lb	8 lb	1621	\$ 568.00
LCD-10K	10,000 lb	8 lb	1622	568.00
LCD-25K	25,000 lb	14 lb	1623	720.00
LCD-50K	50,000 lb	14 lb	1624	720.00
LCD-100K	100,000 lb	21 lb	1625	863.00



LCD

Dimensions in inches

Capacity	A	B	C	R	T	T1	T2
5-10K	1.37	4.12	3.50	-----	5/8-18 UNF	0.28	0.41 x 0.28DP
25K-50K	2.12	4.75	4.00	0.87	-----	0.34	0.53 x 0.38DP
100K	2.25	5.43	4.60	0.87	-----	0.41	0.65 x 0.43DP



Prices are subject to change without notice. Please call for current prices.

Other items are available from the manufacturers, please call for prices.

Canister compression



CG-26S1



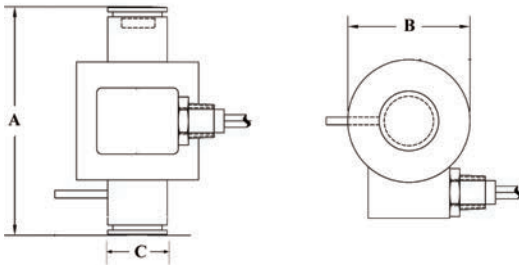
CG-26S1 Coti Global

Interchangeable with Sensortronics 65114S. **Stainless steel**, rocker column, compression cell for use in Thurman and Fairbanks truck scales
2 mv/v, 0.02% nonlinearity, 1000/1000 ohms, 50 ft 4 cond cable, **stainless steel**, IP67
NTEP 08-083 IIL 10,000 div

Part Number	Height	Capacity	Weight	Stock	Price D
CG-26S1-65114-50K	6.00"	50,000 lb	11 lb	4571	\$ 874.50
CG-26S1-65114-50KLE	7.56"	50,000 lb	14 lb	4572	874.50
CG-26S1-100K	8.86"	100,000 lb	17 lb	4574	962.50

Dimensions in inches

Capacity	A	B	C
50K,100K	6.00	3.00	1.46



C16



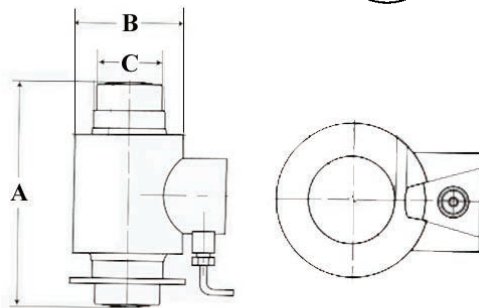
C16 HBM

Stainless steel, rocker column, compression cell, sealed to IP69K washdown cleaning.
2 mv/v, 0.05% nonlinearity, 700/706 ohms, 12m 6 cond cable, **stainless steel**, IP69.
NTEP 95-096 IIL M 10,000 div

Part Number	Capacity	Weight	Stock	Price C
1-C16A3C3/20T-1	20,000 kg	6 lb	2990	\$ 1,059.00
1-C16A3C3/30T-1	30,000 kg	6 lb	2991	1,059.00
1-C16A2C3/40T-1	40,000 kg	8 lb	2992	1,097.00
1-C16A2C3/60T	60,000 kg	10 lb	2993	1,169.00
1-C16A2C3/100T	100,000 kg	30 lb	2994	2,198.00

Dimensions in inches

Capacity	A	B	C
20-40t	5.91	3.00	1.73
60t	8.27	3.00	1.73
100t	10.24	3.74	2.52



Front

Base

Prices are subject to change without notice. Please call for current prices.

Other items are available from the manufacturers, please call for prices.

T92 Totalcomp

Interchangeable with RTI Model 92.

2 mv/v, 0.05% nonlinearity, 350/350 ohm, 30 ft 4 cond cable, **stainless steel**.

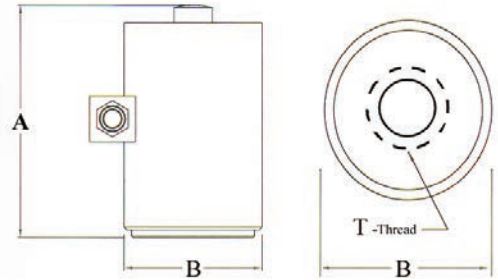
Part Number	Capacity	Weight	Stock	Price D
T92-5K-SS	5,000 lb	9 lb	2957	\$ 1,391.50
T92-10K-SS	10,000 lb	9 lb	2958	1,391.50
T92-20K-SS	20,000 lb	9 lb	2959	1,421.20
T92-25K-SS	25,000 lb	13 lb	2960	1,421.20
T92-50K-SS	50,000 lb	13 lb	2961	1,421.20
T92-100K-SS	100,000 lb	26 lb	2962	1,573.00
T92-150K-SS	150,000 lb	45 lb	2963	2,057.00
T92-200K-SS	200,000 lb	45 lb	2964	2,057.00



T92

Dimensions in inches

Capacity	A	B	T
5-10K	4.00	3.50	1/2-20 UNF
20K-25K	5.00	3.50	1/2-20 UNF
50K	6.00	4.00	3/4-16 UNF
100K	8.50	5.00	3/4-16 UNF
150K	11.13	6.50	3/4-16 UNF
200K	11.13	6.50	3/4-16 UNF



Front

Base

T93 Totalcomp

Interchangeable with RTI Model 93.

3 mv/v, 0.05% nonlinearity, 350/350 ohm, 30 ft 4 cond cable, **stainless steel**.

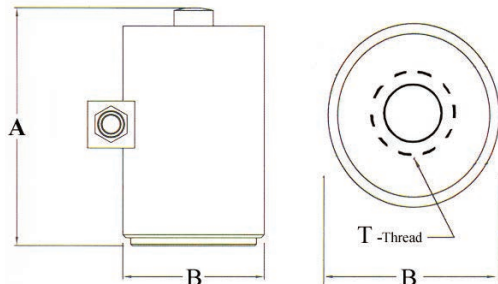
Part Number	Capacity	Weight	Stock	Price D
T93-5K-SS	5,000 lb	9 lb	2965	\$ 1,391.50
T93-10K-SS	10,000 lb	9 lb	2966	1,391.50
T93-20K-SS	20,000 lb	9 lb	2967	1,421.20
T93-25K-SS	25,000 lb	13 lb	2968	1,421.20
T93-50K-SS	50,000 lb	13 lb	2969	1,421.20
T93-100K-SS	100,000 lb	26 lb	2970	1,573.00
T93-150K-SS	150,000 lb	45 lb	2971	2,057.00
T93-200K-SS	200,000 lb	45 lb	2972	2,057.00



T92

Dimensions in inches

Capacity	A	B	T
5-10K	4.00	3.50	1/2-20 UNF
20K-25K	5.00	3.50	1/2-20 UNF
50K	6.00	4.00	3/4-16 UNF
100K	8.50	5.00	3/4-16 UNF
150K	11.13	6.50	3/4-16 UNF
200K	11.13	6.50	3/4-16 UNF



Front

Base

Prices are subject to change without notice. Please call for current prices.

Other items are available from the manufacturers, please call for prices.

99 Reagent Lane
Fair Lawn NJ 07410
201-797-2718 * 800-631-0347

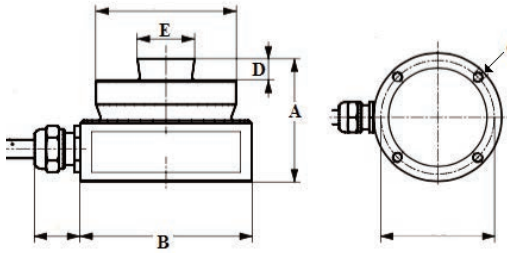
Totalcomp
Load Cells

www.totalcomp.com
Fax 201-797-2287
Toll Free Fax 888-797-2288

Canister compression



RTN



RTN HBM

Compression load cell

2.85 mv/v, 0.05% nonlinearity, 4450/4010 ohms, stainless steel, IP67
4 cond cable. 1T to 15T 5m, 22T 12m, 33T 15, 47T to 68T 12m.

Part Number	Capacity	Weight	Stock	Price C5
1-RTNC3/1T	1t	2 lb	466	\$ 1,386.00
1-RTNC3/2.2T	2.2t	2 lb	6466	1,386.00
1-RTNC3/4.7T	4.7t	2 lb	467	1,410.00
1-RTNC3/10T	10t	2 lb	468	1,444.00
1-RTNC3/15T	15t	2 lb	469	1,474.00
1-RTNC3/22T	22t	2 lb	470	1,586.00
1-RTNC3/33T	33t	2 lb	471	1,642.00
1-RTNC3/47T	47t	2 lb	472	1,746.00
1-RTNC3/68T	68t	2 lb	473	1,786.00
1-RTN0.05/100T	100t	15 lb	498	2,562.00
1-RTN0.05/150T	150t	17 lb	499	3,879.00
1-RTN0.05/220T	220t	22 lb	500	6,356.00

Dimensions in MM

Capacity	A	B	C	D	E
2.2t-4.7t	43	60	4 x M5	7.5	20
10t-22t	50	75	4 x M5	6.5	30
33t	65	95	4 x M5	10	40
47t	75	130	4 x M5	14	60
68t	85	130	4 x M5	14	60
100t	90	150	4 x M5	16	70
150t	100	150	4 x M5	16	70
220t	130	225	4 x M5	24	100

Prices are subject to change without notice. Please call for current prices.

Other items are available from the manufacturers, please call for prices.

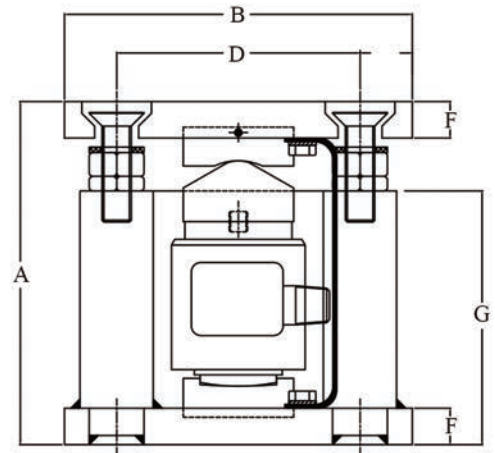
Canister compression

Compression Mount Vishay

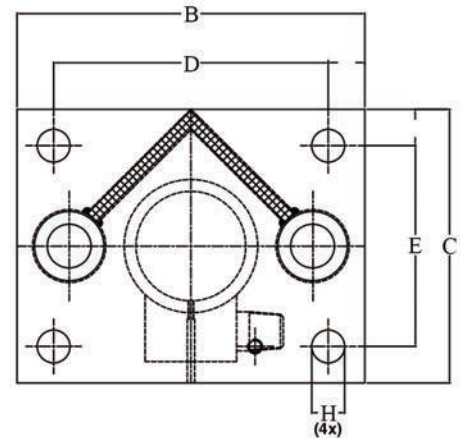
For use with RTI style CP/CSP canister load cells. Built in check rods simplify the installation and mounting. Carbon steel construction, zinc plated with chromate overcoat.

Part Number	Capacity	Weight	Stock	Price C
499050-00	10 to 25 ton	70 lb	1795	\$ 877.00
499051-02 *	40 to 60 ton	130 lb	1796	1,644.00

* Call for delivery. May be in stock to 3 weeks.



Capacity	A	B	C	D	E	F	G	H DIA
10 to 25 ton	7.40"	7.48"	5.90"	5.23"	4.33"	0.78"	5.47	0.70
40 to 60 ton	10.74"	9.84"	7.87"	7.16"	5.90"	1.18"	8.22	0.86



Compression Mount

C2 HBM

Compression load cell, rust resistant, low overall height. 2 mv/v, 0.1% nonlinearity, 340/200-400 ohms 6 cond cable, **stainless steel**, IP67

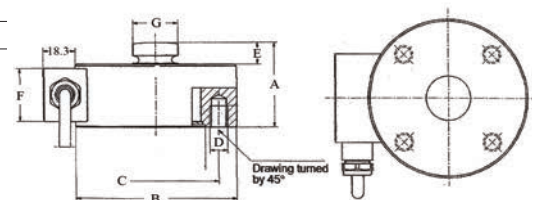
Part Number	Capacity	Weight	Stock	Price C
1-C2/500KG	500 kg	2 lb	7716	\$ 1,407.00
1-C2/1T	1,000 kg	2 lb	7717	1,407.00
1-C2/50T	50,000 kg	23 lb	7730	2,788.00



C2/1t

Dimensions in MM

Capacity	A	B	C	D	E	F	G
0.05-1	30	50	42	4 x M5	7	20	13
2 and 5	48	90	70	4 x M10	12.5	30	25
10 and 20	60	115	90	4 x M12	12.5	30	32
50	90	155	125	4 x M16	12.5	30	44



Prices are subject to change without notice. Please call for current prices.

Other items are available from the manufacturers, please call for prices.

99 Reagent Lane
Fair Lawn NJ 07410
201-797-2718 * 800-631-0347

Totalcomp
Load Cells

www.totalcomp.com
Fax 201-797-2287
Toll Free Fax 888-797-2288

Canister compression

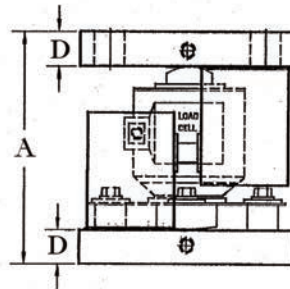
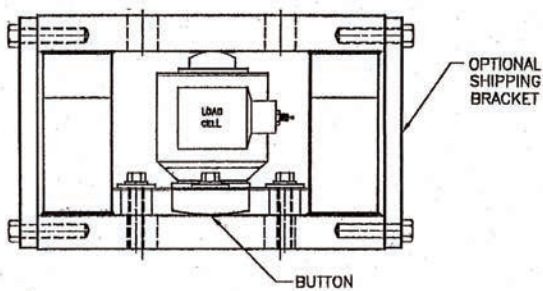
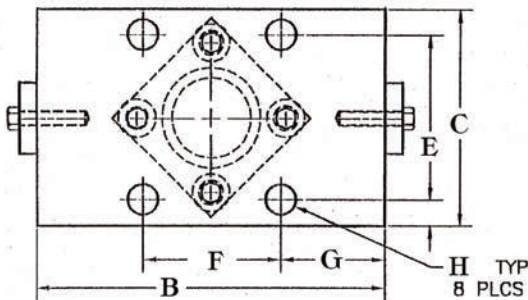
Compression Mount Artech

For use with CP, CSP, 90210 and 90310 canister. Self checking. Mild steel, zinc plated.



WM-VI

Part Number	Capacity	Weight	Stock	Price D4
WM-VI-A	10K-50K	80 lb	7361	\$ 1,400.00
WM-VI-B	100K	140 lb	7362	1,947.00
WM-VI-C	200K	235 lb	7364	3,767.00
WM-VI-D	300K	270 lb	7365	4,000.00
WM-VI-E	500K	350 lb	7709	5,667.00



Dimensions In Inches

Capacity	A	B	C	D	E	F	G	H DIA
10K-50K	6.15	10.00	6.00	1.00	4.50	4.00	3.00	0.69
100K	9.00	11.00	8.00	1.50	6.00	4.00	3.50	0.82
200K	12.20	13.00	10.00	2.00	8.00	4.00	4.50	1.12
300K	12.20	14.00	10.00	2.00	8.00	4.00	5.00	1.12

Prices are subject to change without notice. Please call for current prices.

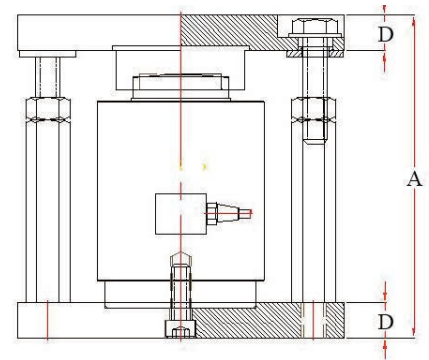
Other items are available from the manufacturers, please call for prices.

Canister compression

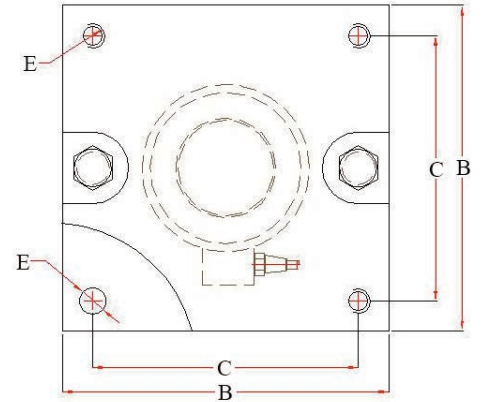
Compression Mount Revere

For Revere CP/CSP, T.I. 392/692, National 3000 CP/CSP load cells. Type III mounting includes Rc45 hardened steel top & bottom plates, bottom load button, stainless steel flexure plate, 4 spacers, 4 bolts.

Part Number	Capacity	Weight	Stock	Price C
152000-06	10K, 25K, 50K	25 lb	636	\$ 428.00
152000-07	100K	60 lb	637	581.00
152000-08	200K,300K	78 lb	638	683.00
152000-09	500K	100 lb	639	897.00



Capacity	A	B	C	D	E	F
10K-50K	5.31"	7.87"	5.90"	0.98"	0.62"	0.70"
100K	8.07"	9.84"	7.87"	1.18"	0.94"	0.86"
200K	10.72"	12.60"	10.23"	1.377"	0.94"	1.02"
300K	12.48"	12.60"	10.23"	1.377"	0.94"	1.02"



152000

Diaphragm Kit Emery

Replacement Diaphragm and "O" ring kit for Emery Winslow hydraulic load cell.

Part Number	Weight	Stock	Price C
B24746-13DK	1 lb	283	\$ 351.00
A23907-33DK	1 lb	3457	334.00
OR-35G RED load cell fluid-gallon	8 lb	3455	172.00



Diaphragm Kit

Totalizer Emery

The standard totalizer enclosure supplied is a Nema 4x FRP (fiberglass reinforced plastic) enclosure. Other materials such as painted carbon steel or stainless steel are available. Besides housing the totalizer, this enclosure also serves as the field interface box for the signal cables. A terminal strip is provided for that purpose. Dimension are 17.43"H x 16.75"W x 12"D

Part Number	Weight	Stock	Price C
181-4EM-1K Summary Totalizer w/closure	28 lb	198	\$ 4,206.00



181-4EM

Prices are subject to change without notice. Please call for current prices.

Other items are available from the manufacturers, please call for prices.

99 Reagent Lane
Fair Lawn NJ 07410
201-797-2718 * 800-631-0347

Totalcomp
Load Cells

www.totalcomp.com
Fax 201-797-2287
Toll Free Fax 888-797-2288

Canister compression



TSCA-50K-SS

TSCA Totalcomp

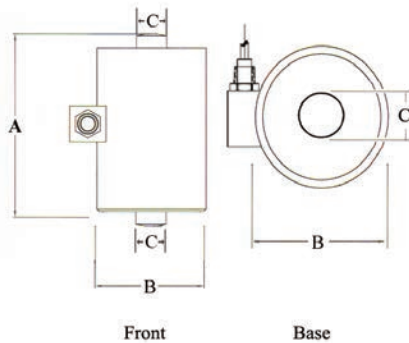
Interchangeable with Cardinal Model SCA load cell. 4" dia, 7.25" tall, 1.75" dia buttons on both ends.

2 mv/v, 0.05% nonlinearity, 1050/1050 ohm, 30 ft 4 cond cable, stainless steel.

Part Number	Capacity	Weight	Stock	Price D
TSCA-50K-SS	50,000 lb	15 lb	482	\$ 961.40

Cap for Load button

2.5" dia cap with "O" ring, for 1.75" dia button on TSCA	1 lb	737	B5	50.00
--	------	-----	-----------	-------



Dimensions in inches

Capacity	A	B	C
50K	7.25	4.50	2.30



CG-94

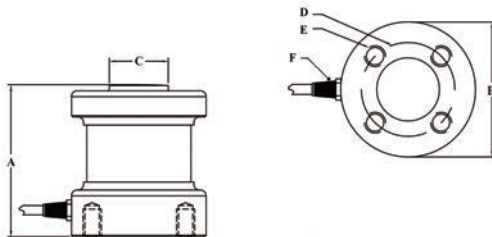
CG-94 Coti Global

2 mv/v, 385/350 ohms, 50 ft 4 cond. braided shield cable, alloy steel or stainless steel, IP67

Part Number	Capacity	Weight	Stock	Price C
Alloy Steel				
CG-94-50K	50,000 lb	40 lb	1437	\$ 924.00
CG-94-100K	100,000 lb	40 lb	1438	935.00
CG-94-200K	200,000 lb	60 lb	1439	1,375.00
CG-94-300K	300,000 lb	60 lb	1440	1,375.00
Stainless Steel				
CG-94-50K-SS	50,000 lb	40 lb	1441	1,089.00
CG-94-100K-SS	100,000 lb	40 lb	1442	1,100.00
CG-94-200K-SS	200,000 lb	60 lb	1443	1,540.00
CG-94-300K-SS	300,000 lb	60 lb	1444	1,540.00

Dimensions in inches

Capacity	A	B	C	D	E
50K	3.25	2.88	1.25	2.00	3/8-24 x 0.40
100K	5.00	3.94	2.31	3.00	1/2-20 x 0.88
200K	6.62	5.94	3.00	5.00	3/4-16 x 0.88
300K	7.00	5.94	3.00	5.00	3/4-16 x 0.88



Prices are subject to change without notice. Please call for current prices.

Other items are available from the manufacturers, please call for prices.

CG26S Coti Global

Interchangeable with Cardinal model SCA. Stainless steel compression cell 4" dia, 7.25" tall, 1.75" dia, button on both ends.
2 mV/v, 0.03% combined error. 1150/1050 ohms, 50 ft 4 cond cable, **stainless steel**, IP67.
NTEP 04-081 IIII M 10,000 div

Part Number	Capacity	Weight	Stock	Price D
CG26S-50K	50,000 lb	15 lb	6440	\$ 1,089.00

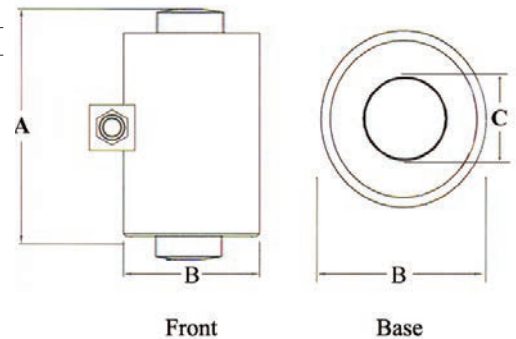


CG26S-50



Dimensions in inches

Capacity	A	B	C
50K	7.25	4.50	2.30



CG26S3 Coti Global

Interchangeable with Totalcomp model TC-C2P1 and BLH C2P1. **Stainless steel** compression cell.
2 mV/V, 0.05% combined error. 350/350 ohms, 50 ft 4 cond cable, **stainless steel**.

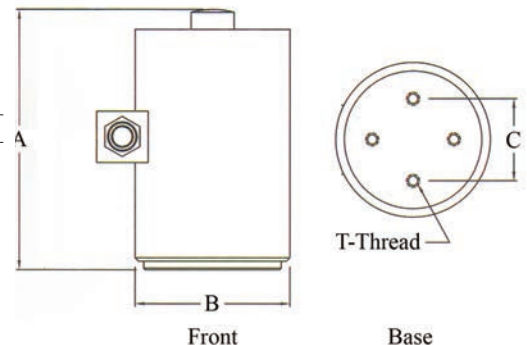
Part Number	Capacity	Dia	Ht	Weight	Stock	Price D
CG26S3-20K	20,000 lb	4.5"	7.5"	23 lb	2053	\$ 1,452.00
CG26S3-50K	50,000 lb	4.5"	7.5"	24 lb	2326	1,452.00
CG26S3-100K	100,000 lb	6.0"	9.3"	44 lb	2057	1,589.50
CG26S3-200K	200,000 lb	8.0"	11.6"	99 lb	2058	2,530.00



CG26S3-50K

Dimensions in inches

Capacity	A	B	C	T
20K-50K	7.500	4.50	2.38	3/8-24 UNF
100K	9.125	6.00	4.00	1/2-20 UNF
200K	11.625	8.00	5.50	5/8-18 UNF



Prices are subject to change without notice. Please call for current prices.

Other items are available from the manufacturers, please call for prices.

99 Reagent Lane
Fair Lawn NJ 07410
201-797-2718 * 800-631-0347

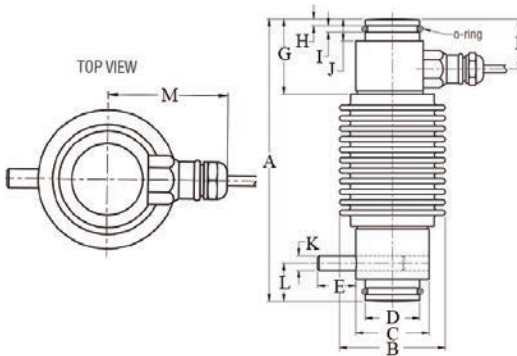
Totalcomp
Load Cells

www.totalcomp.com
Fax 201-797-2287
Toll Free Fax 888-797-2288

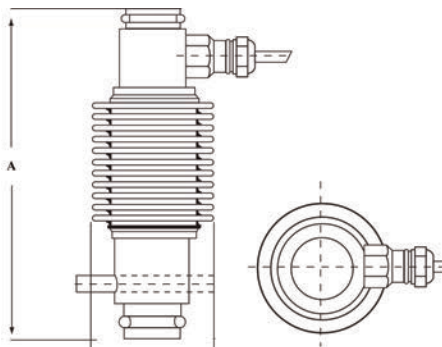
Canister compression



RC1



TRC1



RC1 Flintec

Interchangeable with Totalcomp TRC1. Stainless steel, rocker column, compression cell, sealed to IP68.

2 mv/v, 0.03% nonlinearity, 400/351 ohms, 4 cond cable, 12m for RC1-250kN, 16m for RC1-400kN, 18m for RC1-600 and 900kN, stainless steel, IP68(up to 2m water depth)/IP69K.

Part Number	Capacity	Weight	Stock	Price D
RC1-250kN	56,000 lb	4 lb	4307	\$ 795.00
RC1-400kN	90,000 lb	7 lb	4308	1,350.00
RC1-600kN	135,000 lb	8 lb	4309	1,771.00
RC1-900kN	200,000 lb	8 lb	4310	2,714.00

Dimensions in inches

Capacity	A	B	C	D	E	F	G	H
250kN	7.55	2.83	1.97	1.46	1.30	1.34	2.00	0.18
400kN	8.85	3.35	2.51	1.46	1.02	1.42	2.24	0.18
600kN	8.85	3.35	2.51	2.18	1.02	1.42	2.24	0.18
900kN	8.85	3.35	2.51	2.18	1.02	1.42	2.24	0.18

Dimensions in inches

Capacity	I	J	K	L	M
250kN	0.18	0.59	0.39	1.02	2.44
400kN	0.18	0.63	0.39	1.02	2.72
600kN	0.18	0.63	0.39	1.02	2.72
900kN	0.18	0.63	0.39	1.02	2.72

TRC1 Totalcomp

Interchangeable with Flintec RC1 used in Fairbanks truck scales. Alloy steel, rocker column, compression cell, sealed to IP67.

2 mv/v, 0.03% nonlinearity, 385/350 ohms, 50 ft 4 cond cable, nickel plated steel, IP67.

Part Number	Capacity	Weight	Stock	Price C2
TRC1-56K (250kN)	56,000 lb	6 lb	2078	\$ 695.00
TRC1-90K (400kN)	90,000 lb	15 lb	2079	895.00

Dimensions in inches

Capacity	A	B
56K	7.50	2.83
90K	8.86	3.35

Prices are subject to change without notice. Please call for current prices.

Other items are available from the manufacturers, please call for prices.

GF-11 General Sensor

Low profile. Easy to install and use. Innovative design patented cross bridge load cell. Strong for direction side force resistance and overload protection. For electronic truck scale, railroad scale and large capacity hopper scales. Hercules truck scale replacement load cell.

2 mv/v, 0.03% combined error. 350/350 ohms, 50' 4 cond cable, alloy steel, IP67
NTEP 12-046A1 IILL 10,000 div

Part Number	Capacity	Weight	Stock	Price C
GF-11-50K	50,000 lb	36 lb	7533	\$ 942.00
GF-11-60K	60,000 lb	36 lb	7534	942.00
GF-11-75K	75,000 lb	36 lb	7535	942.00

Capacity	A	B	C	D	E	F	G	H
50K	6.80	6.22	4.88	6.22	4.88	0.79	3.03	1.38
60K	6.80	6.22	4.88	6.22	4.88	0.79	3.03	1.38
75K	6.80	6.22	4.88	6.22	4.88	0.79	3.03	1.38

Dimensions in inches

Capacity	I	J	K	L	M	N
50K	0.86 dia	1.18 dia	2.75 dia	2.00 dia	0.43	3.54 dia
60K	0.86 dia	1.18 dia	2.75 dia	2.00 dia	0.43	3.54 dia
75K	0.86 dia	1.18 dia	2.75 dia	2.00 dia	0.43	3.54 dia

(4 sleeve inserts)

Dimensions in inches

Capacity	1A	1B	1C	1D	1E
50K	0.98	0.82	0.82	0.67	1.10
60K	0.98	0.82	0.82	0.67	1.10
75K	0.98	0.82	0.82	0.67	1.10

CG26S2 Coti Global

Interchangeable with Flintec RC1-250 kN. Stainless steel, rocker column, compression cell.

2 mv/v, 0.03% combined error. 350/350 ohms, 50' 4 cond cable, **stainless steel**, IP67
NTEP 04-081 IILL M 10,000 div

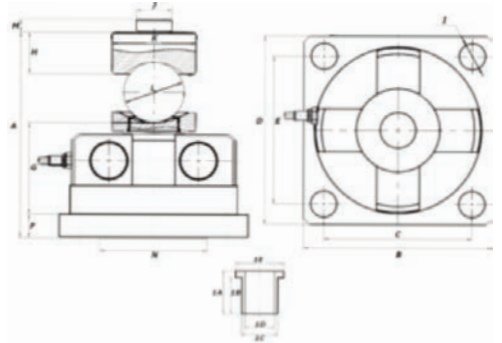
Part Number	Capacity	Weight	Stock	Price D
CG262-56K (250kN)	56,000 lb	15 lb	6512	\$ 874.50

Dimensions in inches

Capacity	A	B	C
56K	7.65	3.00	1.46



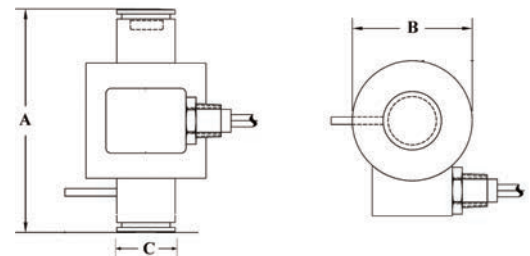
GF-11



Sep



CG26S2



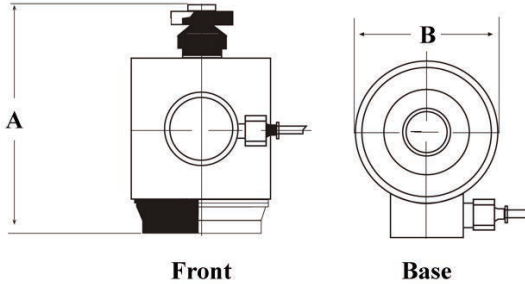
Prices are subject to change without notice. Please call for current prices.

Other items are available from the manufacturers, please call for prices.

Canister compression



120



120 Vishay Tedea

Stainless steel housing, includes zinc plated steel rocker mounting components, high capacity compression cell
1.5 mv/v, 0.02% total error. 670/605 ohms, 1.5m 6 cond cable, IP67

Part Number	Capacity	Weight	Stock	Price C
120-5t	5,000 kg	15 lb	6032	\$ 482.00
120-10t	10,000 kg	15 lb	6033	482.00
120-20t	20,000 kg	15 lb	6034	482.00
120-30t	30,000 kg	15 lb	6035	482.00
120-50t	50,000 kg	15 lb	6036	482.00

Dimensions in inches

Capacity	A	B
5-30t	6.66	3.46
50t	6.71	3.46



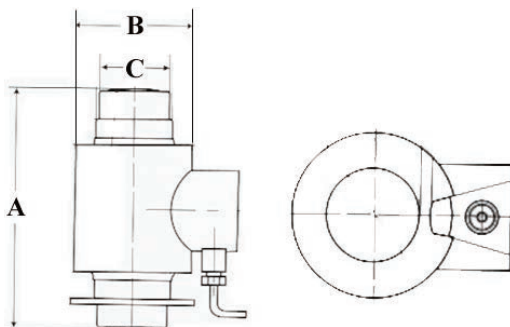
DC16

DC16 Diamond

Interchangeable with HBM C16. Stainless steel, rocker column, compression cell, sealed to IP68 washdown cleaning.

2 mv/v, 0.017% nonlinearity, 700/700 ohms, 12m 6 cond cable, stainless steel, IP68.

Part Number	Capacity	Weight	Stock	Price D
DC16-10t	10,000 kg	6 lb	7246	\$ 567.00
DC16-15t	15,000 kg	6 lb	7247	567.00
DC16-20t	20,000 kg	6 lb	7248	596.00
DC16-30t	30,000 kg	6 lb	7249	596.00
DC16-40t	40,000 kg	6 lb	7250	596.00
DC16-50t	50,000 kg	8 lb	7251	622.00
DC16-60t	60,000 kg	8 lb	7252	622.00
DC16-100t	100,000 kg	30 lb	7253	884.00



Dimensions in inches

Capacity	A	B	C
0-15t	5.12	3.00	1.73
20t	8.27	3.00	1.73
30t-40t	5.91	3.00	1.73
50t-60t	8.27	3.00	1.73
100t	10.24	3.74	2.52

Prices are subject to change without notice. Please call for current prices.

Other items are available from the manufacturers, please call for prices.

Canister compression

65114 Sensortronics

Stainless steel, rocker column, compression cell for use in Thurman and Fairbanks truck scales
 2 mv/v, 0.02% nonlinearity, 1000/1000 ohms, 30 ft 4 cond cable, **stainless steel**, IP67
 NTEP 97-081 III 5,000 div IIL 10,000 div

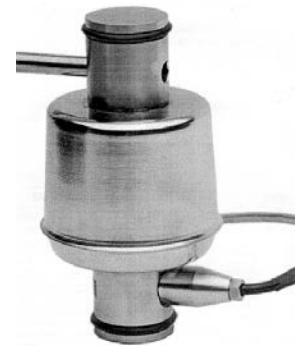
Part Number	Height	Capacity	Weight	Stock	Price C
65114S-50K-1000	6.00"	50,000 lb	5 lb	2281	\$ 689.00

Hermetic glass to metal seal

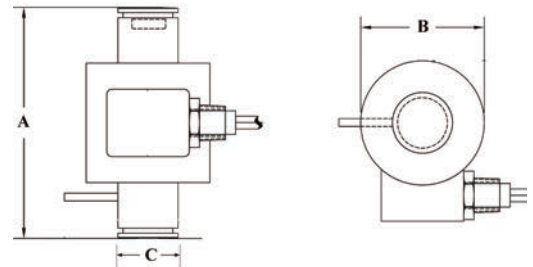
65114S-50K-1000H	6.00"	50,000 lb	5 lb	2585	765.00
65114S-50K-1500H	7.56"	50,000 lb	6 lb	2586	857.00

Dimensions in inches

Capacity	A	B	C
50K	6.00	3.00	1.46
100K	8.86	3.00	1.46



65114S



VPG Transducers

Celtron • Revere • Sensortronics • TedeA-Huntleigh

ASC Revere

Stainless steel, rocker column, compression cell.
 2mV/V.0.02% combined error, 700/700 ohms, 49 ft 4 cond cable, **Stainless steel**
 hermetically sealed IP66/IP68/IP69K
 NTEP 05-092A1 IIL 10,000 DIV, OIML R60 C6.

Part Number	Capacity	Nominal	Weight	Stock	Price D5
ASC-030t-C3-01X	30t	60,000 lb	15 lb	6663	\$ 695.00
ASC-040t-C3-01X	40t	80,000 lb	15 lb	6667	695.00
ASC-050t-C3-01X	50t	100,000 lb	15 lb	6668	695.00

Service parts

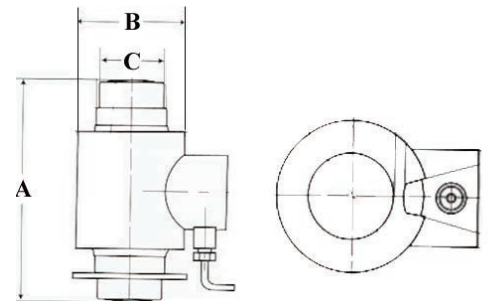
799863-00 mount self align			5 lb	6669	108.00
----------------------------	--	--	------	------	--------

Dimensions in inches

Capacity	A	B	C
30t-50t	5.90	3.50	2.12



ASC



Prices are subject to change without notice. Please call for current prices.

Other items are available from the manufacturers, please call for prices.

99 Reagent Lane
 Fair Lawn NJ 07410
 201-797-2718 * 800-631-0347

Totalcomp
 Load Cells

www.totalcomp.com
 Fax 201-797-2287
 Toll Free Fax 888-797-2288

Canister tension

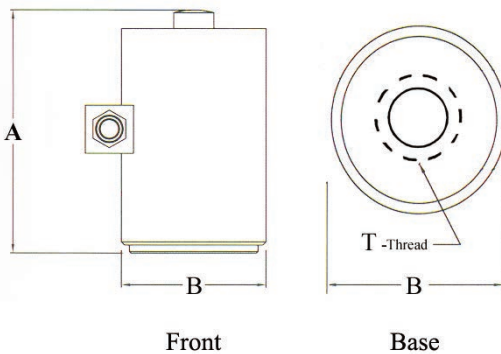


USP1

USP1 Revere Transducers, Universal Super Precision

Both tension and compression loads.
3 mv/v, 0.05% nonlinearity, 350/350 ohm, 30 ft 4 cond cable, painted steel.

Part Number	Capacity	Weight	Stock	Price C
USP1-D3-1K-30P5	1,000 lb	6 lb	36	\$ 3,436.00



Dimensions in inches

Capacity	A	B	C
100	3.32	2.00	3/8-24 UNF
250	4.45	2.50	3/8-24 UNF
500-1K	4.45	2.87	1/2-20 UNF
2.5K	3.00	2.87	1/2-20 UNF
5K-10K	5.75	3.50	1-14 UNS
25K	8.38	4.00	1 1/2-12 UNF
50K	11.44	6.00	2-12 UNF
100K	17.75	9.00	3-8 UNF



TUSP1

TUSP1 Totalcomp

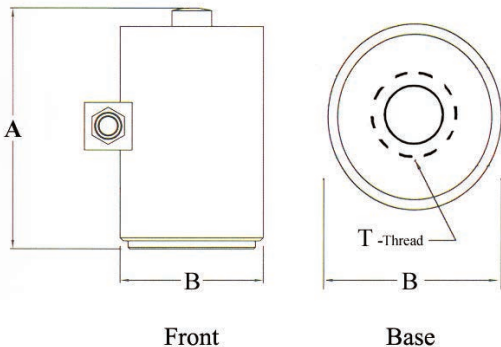
Interchangeable with Revere Model USP.
3 mv/v, 0.05% nonlinearity, 350/350 ohm, 30 ft 4 cond cable, stainless steel.

Part Number	Capacity	Weight	Stock	Price D
TUSP1-250-SS	250 lb	6 lb	387	\$ 1,331.00
TUSP1-500-SS	500 lb	5 lb	1872	1,331.00
TUSP1-1K-SS	1,000 lb	6 lb	1873	1,331.00
TUSP1-1K-50-SS **	1,000 lb	7 lb	265	1,375.00
TUSP1-2.5K-SS	2,500 lb	5 lb	1874	1,331.00
TUSP1-2.5K-HT-SS *	2,500 lb	5 lb	492	3,142.00
TUSP1-5K-SS	5,000 lb	9 lb	1875	1,633.50
TUSP1-10K-SS	10,000 lb	10 lb	1876	1,633.50
TUSP1-25K-SS	25,000 lb	21 lb	1877	2,057.00
TUSP1-50K-SS	50,000 lb	44 lb	1878	2,783.00
TUSP1-100K-SS	100,000 lb	106 lb	1556	6,655.00

* High Temperature 400 deg F w/50 ft cable

** 50 ft cable

Dimensions in inches



Capacity	A	B	C
100	3.32	2.00	3/8-24 UNF
250	4.45	2.50	3/8-24 UNF
500-1K	4.45	2.50	1/2-20 UNF
2.5K	3.00	2.25	1/2-20 UNF
5K-10K	5.75	3.00	1-14 UNS
25K	8.38	4.00	1 1/2-12 UNF
50K	11.44	6.25	2-12 UNF
100K	17.75	9.00	3-8 UNF

Prices are subject to change without notice. Please call for current prices.

Other items are available from the manufacturers, please call for prices.

Canister tension

T3P1 BLH

3 mv/v, 0.05% nonlinearity, 350/350 ohm, 35 ft 4 cond cable, painted steel.

Part Number	Mfg.	Capacity	Weight	Stock	Price A
T3P1-500	464912	500 lb	6 lb	51	\$ 1,679.00
T3P1-1K	464913	1,000 lb	6 lb	52	1,679.00
T3P1-2K	464914	2,000 lb	6 lb	53	1,679.00
T3P1-3K	464915	3,000 lb	6 lb	54	1,679.00
T3P1-5K	464922	5,000 lb	10 lb	55	1,742.00
T3P1-10K	464923	10,000 lb	10 lb	56	1,742.00

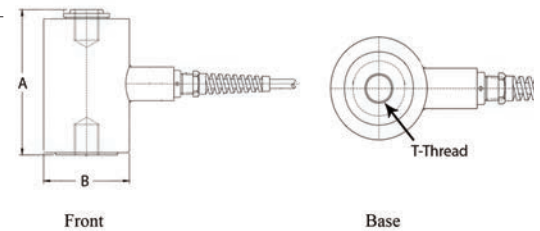


T3P1



Dimensions in inches

Capacity	A	B	C
500-3K	4 9/16	3.50	1/2-20 UNF
5K-10K	5 15/16	3.50	1-14 UNS



T2P1 BLH

2 mv/v, 0.03% nonlinearity, 350/350 ohm, 35 ft 4 cond cable, painted steel.

Part Number	Mfg.	Capacity	Weight	Stock	Price A
T2P1-20K	464781	20,000 lb	30 lb	368	\$ 2,513.00
T2P1-50K	464782	50,000 lb	60 lb	369	2,538.00
T2P1-100K	464783	100,000 lb	100 lb	370	10,716.00

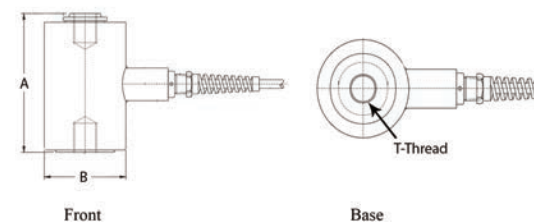


T2P1



Dimensions in inches

Capacity	A	B	C
20K	8.50	5.00	1-1/2 UNF
50K	11.43	6.50	2-12 UN-2B
100K	17.75	9.00	3-8 UN-2B



Prices are subject to change without notice. Please call for current prices.

Other items are available from the manufacturers, please call for prices.

99 Reagent Lane
Fair Lawn NJ 07410
201-797-2718 * 800-631-0347

Totalcomp
Load Cells

www.totalcomp.com
Fax 201-797-2287
Toll Free Fax 888-797-2288

Canister tension



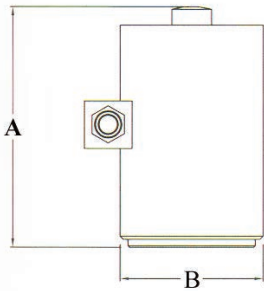
TC3P1

TC3P1 Totalcomp

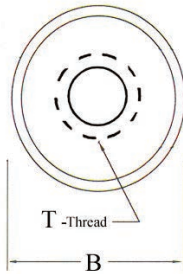
Interchangeable with BLH Model T3P1.

3 mv/v, 0.05% nonlinearity, 350/350 ohm, 30 ft 4 cond cable, **stainless steel**.

Part Number	Capacity	Weight	Stock	Price D
TC3P1-500-SS	500 lb	10 lb	1879M	\$ 1,119.25
TC3P1-1K-SS	1,000 lb	10 lb	1880M	1,119.25
TC3P1-2K-SS	2,000 lb	10 lb	1881M	1,119.25
TC3P1-3K-SS	3,000 lb	10 lb	1882M	1,119.25
TC3P1-5K-SS	5,000 lb	21 lb	1883M	1,270.50
TC3P1-10K-SS	10,000 lb	21 lb	1884M	1,270.50



Front



Base

Dimensions in inches

Capacity	A	B	T
500-3K	4.56	3.00	1/2-20 UNF
5K-10K	5.94	3.50	1-14 UNF



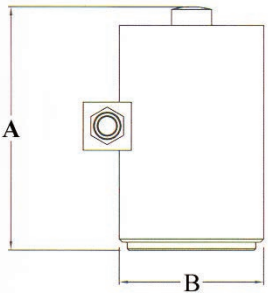
TT2P1

TT2P1 Totalcomp

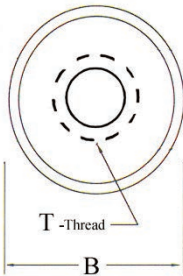
Interchangeable with BLH Model T2P1.

2 mv/v, 0.03% nonlinearity, 350/350 ohm, 30 ft 4 cond cable, **stainless steel**.

Part Number	Capacity	Weight	Stock	Price D
TT2P1-20K-SS	20,000 lb	21 lb	1890	\$ 1,512.50
TT2P1-50K-SS	50,000 lb	56 lb	1891	1,936.00



Front



Base

Dimensions in inches

Capacity	A	B	T
20K	8.50	5.00	1-1/2 UNF
50K	11.44	6.50	2-12 UNF

Prices are subject to change without notice. Please call for current prices.

Other items are available from the manufacturers, please call for prices.

T42 Totalcomp

Interchangeable with RTI Model 42.

2 mv/v, 0.05% nonlinearity, 350/350 ohm, 30 ft 4 cond cable, **stainless steel**.

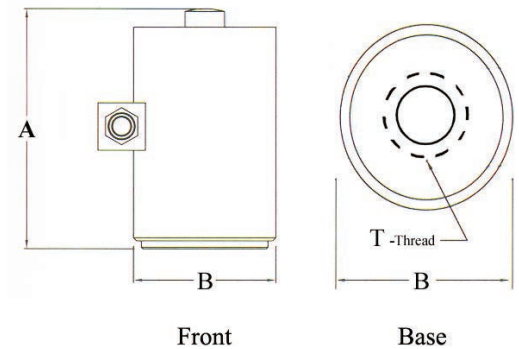
Part Number	Capacity	Weight	Stock	Price D
T42-5K-SS	5,000 lb	12 lb	3141	\$ 1,270.50
T42-10K-SS	10,000 lb	12 lb	3142	1,270.50
T42-20K-SS	20,000 lb	18 lb	3143	1,512.50
T42-50K-SS	50,000 lb	45 lb	3144	1,936.00
T42-100K-SS	100,000 lb	45 lb	3145	1,936.00
T42-200K-SS	200,000 lb	125 lb	3146	2,601.50
T42-250K-SS	250,000 lb	125 lb	3147	2,601.50



T42

Dimensions in inches

Capacity	A	B	T
5-10K	5.90	3.50	1-14 UNF
20K	8.50	5.00	1-1/2-12 UNF
50K	11.44	6.50	1-1/2-12 UNF
100K	11.44	6.50	2-12 UNF
200K	16.25	8.00	2-1/2-12 UNF



T43 Totalcomp

Interchangeable with RTI Model 43.

3 mv/v, 0.05% nonlinearity, 350/350 ohm, 30 ft 4 cond cable, **stainless steel**.

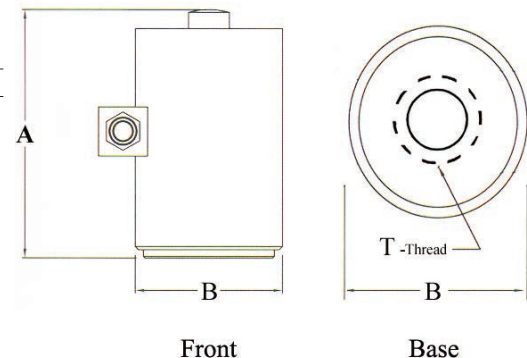
Part Number	Capacity	Weight	Stock	Price D
T43-5K-SS	5,000 lb	12 lb	3148	\$ 1,270.50
T43-10K-SS	10,000 lb	12 lb	3149	1,270.50
T43-20K-SS	20,000 lb	18 lb	3150	1,512.50
T43-50K-SS	50,000 lb	45 lb	3151	1,936.00
T43-100K-SS	100,000 lb	45 lb	3152	1,936.50
T43-200K-SS	200,000 lb	125 lb	3153	2,601.50
T43-250K-SS	250,000 lb	125 lb	3154	2,601.50



T43

Dimensions in inches

Capacity	A	B	T
5-10K	5.94	3.50	1-14 UNF
20K	8.50	5.00	1-1/2-12 UNF
50K	11.44	6.50	1-1/2-12 UNF
100K	11.44	6.50	2-12 UNF
200K-250K	16.25	8.00	2-1/2-12 UNF



Prices are subject to change without notice. Please call for current prices.

Other items are available from the manufacturers, please call for prices.

Canister tension



U2A HBM

Tension loads

2 mv/v, 0.05% nonlinearity, 340-450/356 ohm, 3 m 6 cond cable, **stainless steel**, IP67.

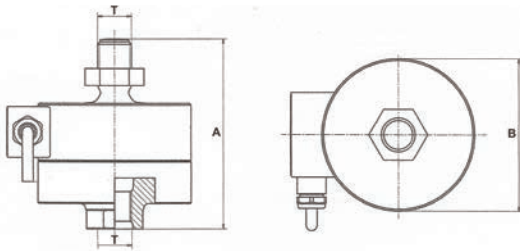
Part Number	Capacity	Weight	Stock	Price C
1-U2AD1/1T	1 t	4 lb	6394	\$ 1,450.00
1-U2AD1/2T	2 t	8 lb	6364	1,987.00
1-U2AD1/5T	5 t	12 lb	6395	2,423.00

Nov

U2A

Dimensions in inches

Capacity	A	B	T
1 t	2.83	1.95	M12
5 t	5.55	3.95	M24 x 2



Prices are subject to change without notice. Please call for current prices.

Other items are available from the manufacturers, please call for prices.

T62 Totalcomp

Interchangeable with RTI Model 62H.

2 mv/v, 0.05% nonlinearity, 350/350 ohm, 30 ft 4 cond cable, **stainless steel**.

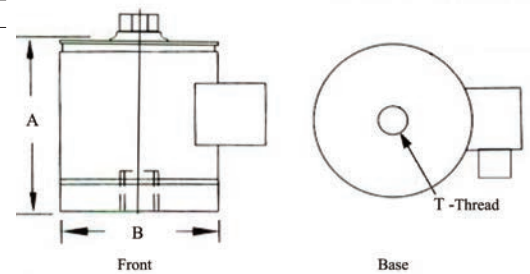
Part Number	Capacity	Weight	Stock	Price C
T62-200-SS	200 lb	7 lb	3156	\$ 1,028.50
T62-300-SS	300 lb	7 lb	3157	1,028.50
T62-500-SS	500 lb	9 lb	3158	1,119.25
T62-1K-SS	1,000 lb	9 lb	3160	1,119.50
T62-2K-SS	2,000 lb	9 lb	3161	1,270.00
T62-3K-SS	3,000 lb	9 lb	3162	1,270.00



T62

Dimensions in inches

Capacity	A	B	C
200-300	3.38	2.82	3/8-24 UNF
500-1K	4.56	3.53	1/2-20 UNF
2K-3K	5.00	4.03	1/2-20 UNF



T63 Totalcomp

Interchangeable with RTI Model 63H.

3 mv/v, 0.05% nonlinearity, 350/350 ohm, 30 ft 4 cond cable, **stainless steel**.

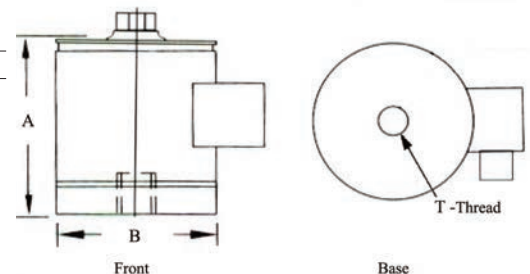
Part Number	Capacity	Weight	Stock	Price D
T63-200-SS	200 lb	6 lb	3164	\$ 1,028.50
T63-300-SS	300 lb	6 lb	3165	1,028.50
T63-500-SS	500 lb	9 lb	3166	1,119.25
T63-750-SS	750 lb	9 lb	3167	1,119.25
T63-1K-SS	1,000 lb	9 lb	3168	1,119.25
T63-2K-SS	2,000 lb	9 lb	3169	1,270.50
T63-3K-SS	3,000 lb	9 lb	3170	1,270.50



T63

Dimensions in inches

Capacity	A	B	C
200-300	3.38	2.82	3/8-24 UNF
500-1K	4.56	3.53	1/2-20 UNF
2K-3K	5.00	4.03	1/2-20 UNF



Prices are subject to change without notice. Please call for current prices.

Other items are available from the manufacturers, please call for prices.

99 Reagent Lane
Fair Lawn NJ 07410
201-797-2718 * 800-631-0347

Totalcomp
Load Cells

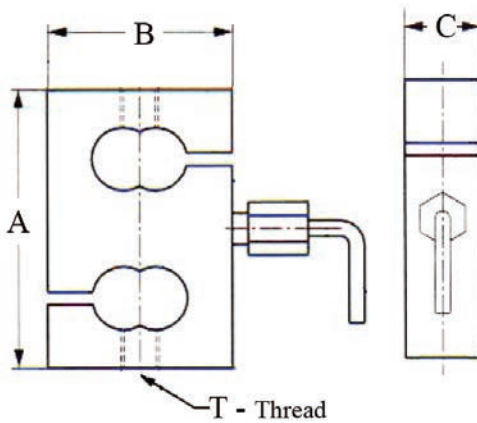
www.totalcomp.com
Fax 201-797-2287
Toll Free Fax 888-797-2288

S Type

Suitable for in-line mounting with tension links, rod ends, eyebolts, cables or other means. Can also be used in compression applications. Environmental protection is either clamped neoprene sleeve or elastic sealant which protects the strain gages from high humidity and moisture.



RSC



RSC HBM

Interchangeable with Toledo model 736.

2 mv/v, 0.03% combined error, 385/350 ohm, 25 ft 4 cond cable, **stainless steel**.

FM Approved.

NTEP 91-031 S/M III 3,000 div.

Part Number	Capacity	Weight	Stock	Price C
US-RSC-50-25555	50 lb	2 lb	115	\$ 561.00
US-RSC-100-25555	100 lb	2 lb	116	561.00
US-RSC-200-25555	200 lb	2 lb	117	561.00
US-RSC-300-25555	300 lb	2 lb	118	561.00
US-RSC-500-25555	500 lb	3 lb	119	561.00
US-RSC-750-25555	750 lb	3 lb	412	561.00
US-RSC-1K-25555	1,000 lb	3 lb	120	561.00
US-RSC-2K-25555	2,000 lb	3 lb	121	561.00
US-RSC-3K-25555	3,000 lb	3 lb	122	561.00
US-RSC-5K-2555	5,000 lb	4 lb	123	673.00
US-RSC-10K-25100 *	10,000 lb	5 lb	240	765.00

Dimensions in inches

Capacity	A	B	C	T
50-200	2.44	2.00	0.60	3/8-24 UNF
300	3.44	2.25	0.95	3/8-24 UNF
500-3K	3.44	2.25	0.95	1/2-20 UNF
5K, 10K	3.94	2.75	1.45	3/4-16 UNF

S Type

S35 HBM

FM Approved.

3 mv/v, 0.03% combined error, 350/350 ohm, 20 ft 4 cond cable, stainless steel, IP66.

NTEP 97-142 III S 3,000 div & IIII S 10,000 div

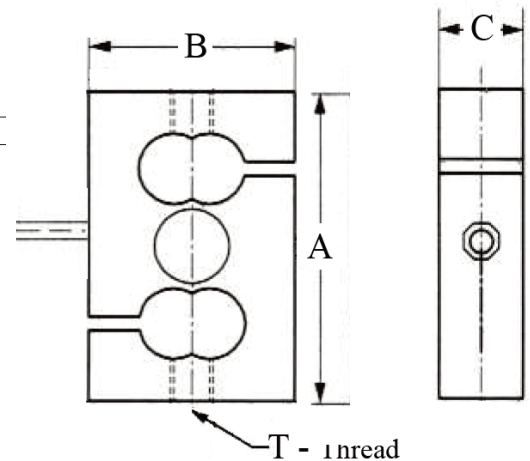
Part Number	Capacity	Weight	Stock	Price C
1-S35AN3/100-1	100 lb	3 lb	4327	\$ 224.00
1-S35AN3/200-1	200 lb	3 lb	4328	224.00
1-S35AN3/500-1	500 lb	3 lb	4330	224.00
1-S35AN3/750-1	750 lb	3 lb	4331	224.00
1-S35AN3/1K-1	1,000 lb	3 lb	4332	204.00
1-S35AN3/1.5K-1	1,500 lb	3 lb	6478	224.00
1-S35AN3/2K-1	2,000 lb	3 lb	4333	224.00
1-S35AN3/2.5K-1	2,500 lb	3 lb	4334	224.00
1-S35AN3/3K-1	3,000 lb	3 lb	4335	224.00
1-S35AN3/5K-1	5,000 lb	4 lb	4336	204.00
US-S35-10K-20555	10,000 lb	5 lb	4337	1,224.00
US-S35-15K-20555	15,000 lb	10 lb	4338	1,428.00
US-S35-20K-20575	20,000 lb	22 lb	4339	1,734.00



S35

Dimensions in inches

Capacity	A	B	C	T
50-300	2.40	2.00	0.46	1/4-28 UNF
500-1K	2.40	2.00	0.71	1/2-20 UNF
1.5K-2.5K	2.40	2.00	0.96	1/2-20 UNF
3K	3.90	3.00	0.96	1/2-20 UNF
5K-10K	3.90	3.00	0.96	3/4-16 UNF
15K	5.50	4.00	1.50	1-14 UNS
20K	7.00	5.00	2.00	1 1/4-12 UNF



Prices are subject to change without notice. Please call for current prices.

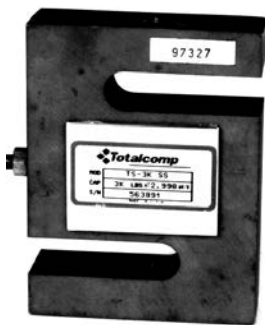
Other items are available from the manufacturers, please call for prices.

99 Reagent Lane
Fair Lawn NJ 07410
201-797-2718 * 800-631-0347

 **Totalcomp**
Load Cells

www.totalcomp.com
Fax 201-797-2287
Toll Free Fax 888-797-2288

S Type



TS



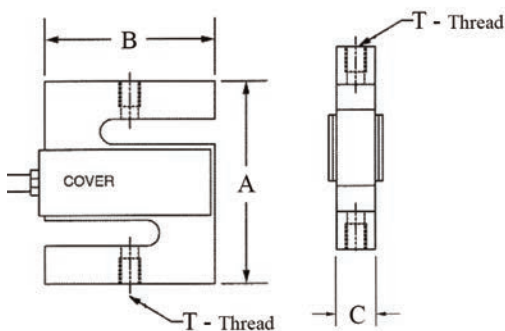
TS Totalcomp

Bi-directional for both tension & compression loads.

3 mv/v, 0.03% nonlinearity, 380/350 ohm, 20 ft 4 cond cable, nickel plated steel, IP67.

NTEP 93-028 S/M III 3,000 div & IIII 10,000 div

Part Number	Capacity	Weight	Stock	Price E5
TS-25	25 lb	2 lb	2181	\$ 295.00
TS-50	50 lb	2 lb	2182	295.00
TS-75	75 lb	2 lb	2183	295.00
TS-100	100 lb	2 lb	2184	295.00
TS-150	150 lb	2 lb	2185	295.00
TS-200	200 lb	2 lb	2186	295.00
TS-250	250 lb	2 lb	2187	295.00
TS-300	300 lb	2 lb	2188	295.00
TS-500	500 lb	2 lb	2189	295.00
TS-750	750 lb	2 lb	2190	295.00
TS-1K	1,000 lb	2 lb	2191	295.00
TS-1.5K	1,500 lb	2 lb	2192	295.00
TS-2K	2,000 lb	2 lb	2193	295.00
TS-2.5K	2,500 lb	2 lb	2194	295.00
TS-3K	3,000 lb	4 lb	2195	352.00
TS-5K	5,000 lb	4 lb	2196	475.00
TS-10K	10,000 lb	5 lb	2197	475.00
TS-15K	15,000 lb	8 lb	2198	886.00
TS-20K	20,000 lb	18 lb	2199	1,119.00
TS-30K	30,000 lb	35 lb	2426	1,560.00
TS-40K	40,000 lb	36 lb	2427	1,768.00



Dimensions in inches

Capacity	A	B	C	T
25, 200	2.50	2.00	0.75	1/4-28 UNF
250-300	2.50	2.00	0.75	1/4-28 UNF
500-2.5K	2.50	2.00	1.00	1/2-20 UNF
3K	4.00	3.00	1.00	1/2-20 UNF
5K, 10K	4.00	3.00	1.25	3/4-16 UNF
15K	5.50	4.00	1.50	1-14 UNF
20K	7.00	4.50	2.00	1 1/4-12 UNF
30K, 40K	10.00	5.75	2.75	1 1/2-12 UNF

Prices are subject to change without notice. Please call for current prices.

Other items are available from the manufacturers, please call for prices.

S Type

TS-SS Totalcomp

Bi-directional for both tension & compression loads.

3 mv/v, 0.03% nonlinearity, 380/350 ohm, 20 ft 4 cond cable, **stainless steel**, IP67.

NTEP 93-015 S/M III 3,000 div & III L 10,000 div (100 lb to 10,000 lb).

Part Number	Capacity	Weight	Stock	Price D
TS-25-SS *	25 lb	2 lb	2162	\$ 325.00
TS-50-SS *	50 lb	2 lb	2163	325.00
TS-100-SS	100 lb	2 lb	2165	325.00
TS-200-SS	200 lb	2 lb	2167	325.00
TS-250-SS *	250 lb	2 lb	2168	325.00
TS-300-SS	300 lb	2 lb	2169	325.00
TS-500-SS	500 lb	2 lb	2170	325.00
TS-750-SS	750 lb	2 lb	2171	325.00
TS-1K-SS	1,000 lb	2 lb	2172	325.00
TS-1.5K-SS	1,500 lb	2 lb	2173	325.00
TS-2K-SS	2,000 lb	2 lb	2174	325.00
TS-2.5K-SS *	2,500 lb	2 lb	2175	662.25
TS-3K-SS	3,000 lb	4 lb	2176	662.25
TS-5K-SS	5,000 lb	4 lb	2177	703.30
TS-10K-SS	10,000 lb	5 lb	2178	703.30
TS-15K-SS *	15,000 lb	8 lb	2179	703.30

* Not NTEP

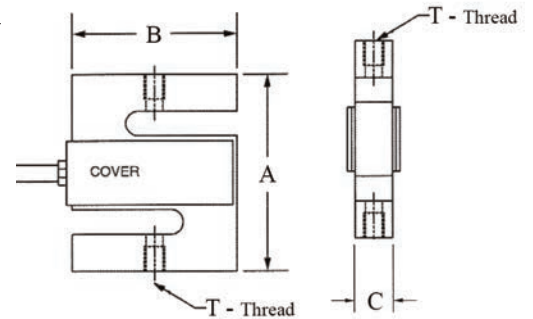


TS-SS



Dimensions in inches

Capacity	A	B	C	T
25-200	2.50	2.00	0.50	1/4-28 UNF
250-300	2.50	2.00	0.75	1/4-28 UNF
500-1.5K	2.50	2.00	0.75	1/2-20 UNF
2K-2.5K	2.50	2.00	1.00	1/2-20 UNF
3K	4.00	3.00	1.00	1/2-20 UNF
5K, 10K	4.00	3.00	1.25	3/4-16 UNF
15K	5.50	4.00	1.50	1 1/4 UNF



Prices are subject to change without notice. Please call for current prices.

Other items are available from the manufacturers, please call for prices.

99 Reagent Lane
Fair Lawn NJ 07410
201-797-2718 * 800-631-0347

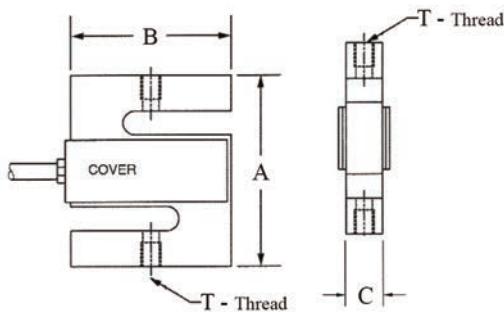
Totalcomp
Load Cells

www.totalcomp.com
Fax 201-797-2287
Toll Free Fax 888-797-2288

S Type



GS



GS General Sensor, Industrial Process Series

These economical tension load cells are intended for commercial use and also industrial process control.

3 mv/v, 0.02% nonlinearity, 380/350 ohm, 20 ft 4 cond cable, nickel plated steel, IP67.

NTEP 97-022 III, 3,000 div & IIIL, 10,000 div (50 lb to 1,500 lb)

Part Number	Capacity	Weight	Stock	Price D
GS-50 *	50 lb	2 lb	2753	\$ 181.50
GS-100	100 lb	2 lb	2754	181.50
GS-200	200 lb	2 lb	2755	181.50
GS-250	250 lb	2 lb	2725	181.50
GS-300	300 lb	2 lb	2756	181.50
GS-500	500 lb	2 lb	2757	181.50
GS-750	750 lb	2 lb	2758	181.50
GS-1K	1,000 lb	2 lb	2759	181.50
GS-1.5K	1,500 lb	2 lb	2760	181.50
GS-2K *	2,000 lb	3 lb	2761	181.50
GS-3K *	3,000 lb	4 lb	2762	181.50
GS-5K *	5,000 lb	4 lb	2763	357.50

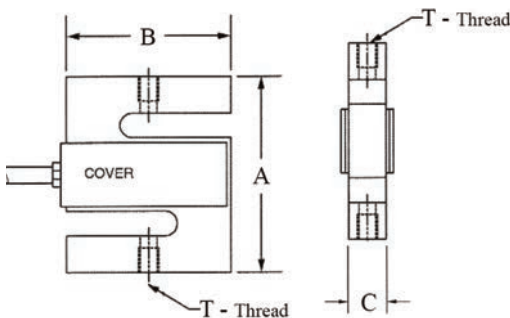
* Not NTEP

Dimensions in inches

Capacity	A	B	C	T
50-200	2.50	2.00	0.50	1/4-28 UNF
300	3.00	2.00	0.50	3/8-24 UNF
500, 750	3.00	2.00	0.75	1/2-20 UNF
1K-3K	4.00	3.00	1.00	1/2-20 UNF



GS-SS



GS-SS General Sensor, Industrial Process Series

Bi-directional for both tension & compression loads. These economical cells are intended for non commercial use such as industrial process control.

2 mv/v, 0.02% nonlinearity, 400/350 ohm, 20 ft 4 cond cable, stainless steel, IP67.

Part Number	Capacity	Weight	Stock	Price D
GS-100-SS	100 lb	2 lb	8382	\$ 357.50
GS-200-SS	200 lb	2 lb	8383	357.50
GS-300-SS	300 lb	2 lb	8384	357.50
GS-500-SS	500 lb	2 lb	8385	357.50
GS-750-SS	750 lb	2 lb	8386	357.50
GS-1K-SS	1,000 lb	2 lb	8387	357.50
GS-1.5K-SS	1,500 lb	2 lb	8388	357.50
GS-2K-SS	2,000 lb	3 lb	8389	434.50
GS-3K-SS	3,000 lb	3 lb	8390	434.50
GS-5K-SS	5,000 lb	4 lb	8391	618.20
GS-10K-SS	10,000 lb	4 lb	8392	618.20
GS-15K-SS	15,000 lb	8 lb	8393	1100.00
GS-20K-SS	20,000 lb	18 lb	8394	2,176.90

Dimensions in inches

Capacity	A	B	C	T
250	3.00	2.00	0.50	3/8-24 UNF
500, 750	3.00	2.00	0.75	1/2-20 UNF
1K-3K	3.00	2.00	1.00	1/2-20 UNF
5K	4.25	3.00	1.00	3/4-16UNF
10K	4.75	3.50	1.00	3/4-16UNF
15K	5.50	4.00	1.25	1-14UNF
20K	7.00	5.00	2.00	1 1/4-12UNF

Prices are subject to change without notice. Please call for current prices.

Other items are available from the manufacturers, please call for prices.

S Type

20210 Artech

3 mv/v, 0.03% nonlinearity, 380/350 ohm, 20 ft 4 cond cable, chrome plated steel.
NTEP 87-057A3 S III 5,000 div & IIIL 10,000 div.

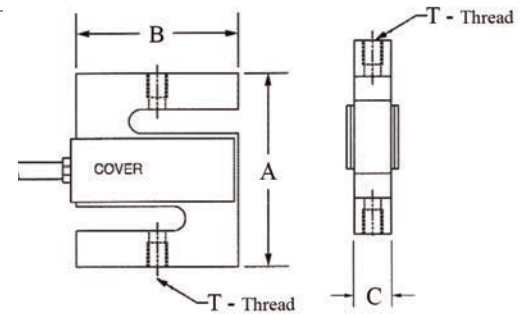
Part Number	Capacity	Weight	Stock	Price C
20210-25	25 lb	2 lb	1993	\$ 295.00
20210-50	50 lb	2 lb	1994	295.00
20210-75	75 lb	2 lb	1995	295.00
20210-100	100 lb	2 lb	1996	295.00
20210-150	150 lb	2 lb	1997	295.00
20210-200	200 lb	2 lb	1998	295.00
20210-250	250 lb	2 lb	1999	295.00
20210-300	300 lb	2 lb	2000	295.00
20210-500	500 lb	2 lb	2001	295.00
20210-750	750 lb	2 lb	2002	295.00
20210-1K	1,000 lb	2 lb	2003	295.00
20210-1.5K	1,500 lb	2 lb	2004	295.00
20210-2K	2,000 lb	2 lb	2005	295.00
20210-2.5K	2,500 lb	2 lb	2006	295.00
20210-3K	3,000 lb	4 lb	2007	335.00
20210-5K	5,000 lb	4 lb	2008	475.00
20210-10K	10,000 lb	5 lb	2009	475.00
20210-15K	15,000 lb	8 lb	2010	886.00
20210-20K	20,000 lb	14 lb	2011	886.00



20210

Dimensions in inches

Capacity	A	B	C	T
25-300	2.50	2.00	0.75	1/4-28 UNF
500-2.5K	2.50	2.00	1.00	1/2-20 UNF
3K	4.00	3.00	1.00	1/2-20 UNF
5K, 10K	4.00	3.00	1.25	3/4-16 UNF
15K	5.50	3.50	1.50	1-14 UNF
20K	7.00	4.50	2.00	1 1/4-12 UNF
30K, 40K	10.00	5.75	2.75	1 1/2-12 UNF



Prices are subject to change without notice. Please call for current prices.

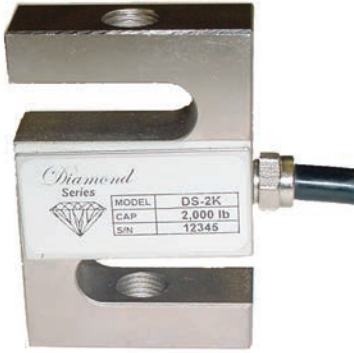
Other items are available from the manufacturers, please call for prices.

99 Reagent Lane
Fair Lawn NJ 07410
201-797-2718 * 800-631-0347

Totalcomp
Load Cells

www.totalcomp.com
Fax 201-797-2287
Toll Free Fax 888-797-2288

S Type



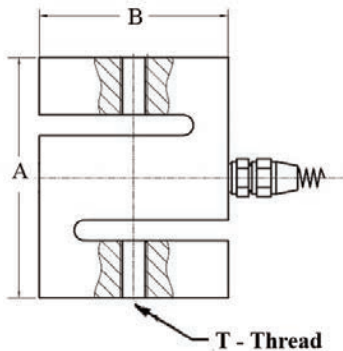
DS-SS

DS-SS Diamond

Bi-directional for both tension & compression loads.

3 mv/v, 0.03% nonlinearity, 385/350 ohm, 20 ft 4 cond cable, **stainless steel**, IP67.

Part Number	Capacity	Weight	Stock	Price D
DS-150-SS	150 lb	2 lb	7270	\$ 240.90
DS-200-SS	200 lb	2 lb	7271	240.90
DS-250-SS	250 lb	2 lb	7272	240.90
DS-500-SS	500 lb	3 lb	7273	240.90
DS-750-SS	750 lb	3 lb	7274	240.90
DS-1K-SS	1,000 lb	3 lb	7275	240.90
DS-1.5K-SS	1,500 lb	3 lb	7276	240.90
DS-2K-SS	2,000 lb	3 lb	7277	302.50
DS-2.5K-SS	2,500 lb	3 lb	7278	302.50
DS-3K-SS	3,000 lb	6 lb	7279	302.50
DS-5K-SS	5,000 lb	6 lb	7280	424.60
DS-10K-SS	10,000 lb	6 lb	7281	424.60
DS-15K-SS	15,000 lb	8 lb	7282	760.10
DS-20K-SS	20,000 lb	8 lb	7283	1,524.60



Dimensions in inches

Capacity	A	B	C	T
150-250	2.5	2.0	0.5	1/4-28 UNF
500-1.5K	2.5	2.0	0.7	1/2-20 UNF
2K, 2.5K	2.5	2.0	1.0	1/2-20 UNF
3K	4.0	3.0	1.0	1/2-20 UNF
5K	4.0	3.0	1.0	3/4-16 UNF
10K	4.0	3.0	1.2	3/4-16 UNF
15K	5.5	3.5	1.5	1-14 UNF
20K	7.0	4.5	1.7	1 1/4-12 UNF

Prices are subject to change without notice. Please call for current prices.

Other items are available from the manufacturers, please call for prices.

S Type

DS Diamond

Bi-directional for both tension & compression loads.

3 mv/v, 0.03% nonlinearity, 385/350 ohm, 20 ft 4 cond cable, alloy steel, IP67.

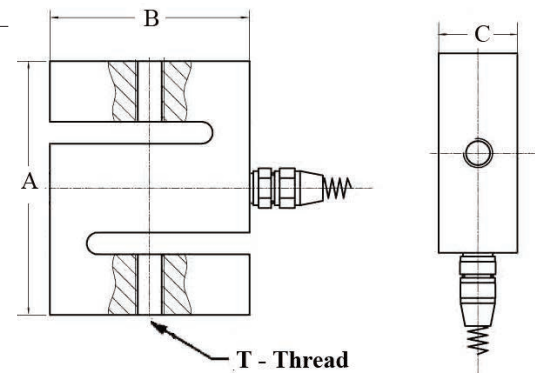
Part Number	Capacity	Weight	Stock	Price D
DS-50	50 lb	2 lb	7254	\$ 137.50
DS-100	100 lb	2 lb	7255	137.50
DS-150	150 lb	2 lb	7256	149.60
DS-200	200 lb	2 lb	7257	149.60
DS-250	250 lb	3 lb	7258	149.60
DS-500	500 lb	3 lb	7259	149.60
DS-750	750 lb	3 lb	7260	149.60
DS-1K	1,000 lb	3 lb	7261	149.60
DS-1.5K	1,500 lb	3 lb	7262	149.60
DS-2K	2,000 lb	3 lb	7263	179.30
DS-2.5K	2,500 lb	3 lb	7264	179.30
DS-3K	3,000 lb	4 lb	7265	179.30
DS-5K	5,000 lb	4 lb	7266	271.70
DS-10K	10,000 lb	5 lb	7267	271.70
DS-15K	15,000 lb	8 lb	7268	393.80
DS-20K	20,000 lb	16 lb	7269	607.20



DS

Dimensions in inches

Capacity	A	B	C	T
50-250	2.5	2.0	0.5	1/4-28 UNF
500-1.5K	2.5	2.0	0.7	1/2-20 UNF
2K, 2.5K	2.5	2.0	1.0	1/2-20 UNF
3K	4.0	3.0	1.0	1/2-20 UNF
5K	4.0	3.0	1.0	3/4-16 UNF
10K	4.0	3.0	1.2	3/4-16 UNF
15K	5.5	3.5	1.5	1-14 UNF
20K	7.0	4.5	1.7	1 1/4-12 UNF



Prices are subject to change without notice. Please call for current prices.

Other items are available from the manufacturers, please call for prices.

99 Reagent Lane
Fair Lawn NJ 07410
201-797-2718 * 800-631-0347

Totalcomp
Load Cells

www.totalcomp.com
Fax 201-797-2287
Toll Free Fax 888-797-2288

S Type



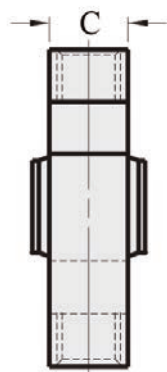
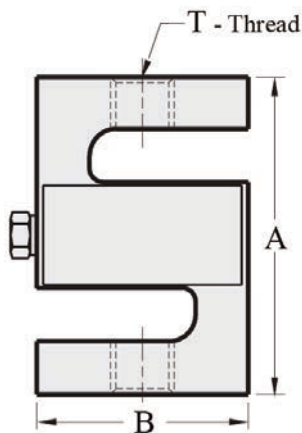
NS-SS

NS-SS Nikkei

Bi-directional for both tension & compression loads.

3 mv/v, 0.03% nonlinearity, 380/350 ohm, 20 ft 4 cond cable, **stainless steel**, IP67.

Part Number	Capacity	Weight	Stock	Price D
NS-25-SS	25 lb	2 lb	1454	\$ 325.00
NS-50-SS	50 lb	2 lb	1916	325.00
NS-100-SS	100 lb	2 lb	1917	325.00
NS-200-SS	200 lb	2 lb	2157	325.00
NS-250-SS	250 lb	2 lb	1918	325.00
NS-500-SS	500 lb	3 lb	1919	325.00
NS-750-SS	750 lb	3 lb	1456	325.00
NS-1K-SS	1,000 lb	3 lb	1920	325.00
NS-1.5K-SS	1,500 lb	3 lb	1921	325.00
NS-2K-SS	2,000 lb	3 lb	1477	325.00
NS-2.5K-SS	2,500 lb	3 lb	1922	686.00
NS-3K-SS	3,000 lb	6 lb	1923	686.00
NS-5K-SS	5,000 lb	6 lb	1924	703.30
NS-10K-SS	10,000 lb	6 lb	1925	703.30



Dimensions in inches

Capacity	A	B	C	T
250, 300	2.50	2.00	0.50	1/4-28 UNF
500-2.5K	2.50	2.00	0.70	1/2-20 UNF
3K	4.00	3.00	1.00	1/2-20 UNF
5K, 10K	4.00	3.00	1.00	3/4-16 UNF
15K	5.50	3.50	1.50	1-14 UNF

Prices are subject to change without notice. Please call for current prices.

Other items are available from the manufacturers, please call for prices.

S Type

NS Nikkei

Bi-directional for both tension & compression loads.

3 mv/v, 0.03% nonlinearity, 380/350 ohm, 20 ft 4 cond cable, nickel plated steel, IP67.

NTEP 99-126 S/M III 5,000 div & IIL 10,000 div.

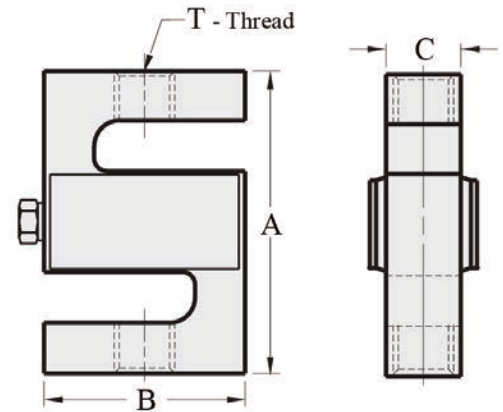
Part Number	Capacity	Weight	Stock	Price E5
NS-25	25 lb	2 lb	1403	\$ 295.00
NS-50	50 lb	2 lb	1019	295.00
NS-75	75 lb	2 lb	2159	295.00
NS-100	100 lb	2 lb	1020	295.00
NS-150	150 lb	2 lb	2160	295.00
NS-200	200 lb	2 lb	532	295.00
NS-250	250 lb	2 lb	1021	295.00
NS-300	300 lb	2 lb	2161	295.00
NS-500	500 lb	2 lb	1022	295.00
NS-750	750 lb	3 lb	1404	295.00
NS-1K	1,000 lb	3 lb	1023	295.00
NS-1.5K	1,500 lb	3 lb	1173	295.00
NS-2K	2,000 lb	3 lb	1072	295.00
NS-2.5K	2,500 lb	3 lb	1024	295.00
NS-3K	3,000 lb	4 lb	1025	335.00
NS-5K	5,000 lb	4 lb	1026	475.00
NS-10K	10,000 lb	5 lb	1027	475.00
NS-15K	15,000 lb	8 lb	1845	886.00
NS-20K	20,000 lb	16 lb	1724	886.00



NS

Dimensions in inches

Capacity	A	B	C	T
25-300	2.50	2.00	0.75	1/4-28 UNF
500-2.5K	2.50	2.00	1.00	1/2-20 UNF
3K	4.00	3.00	1.00	1/2-20 UNF
5K-10K	4.00	3.00	1.25	3/4-16 UNF
15K	5.50	3.50	1.50	1-14 UNF
20K	7.00	4.50	2.00	1 1/4-12 UNF



Prices are subject to change without notice. Please call for current prices.

Other items are available from the manufacturers, please call for prices.

99 Reagent Lane
Fair Lawn NJ 07410
201-797-2718 * 800-631-0347

 **Totalcomp**
Load Cells

www.totalcomp.com
Fax 201-797-2287
Toll Free Fax 888-797-2288

S Type



9363



9363 Revere Transducers

3 mv/v, 0.03% nonlinearity, 380/350 ohm, 20 ft 4 cond cable, **stainless steel**

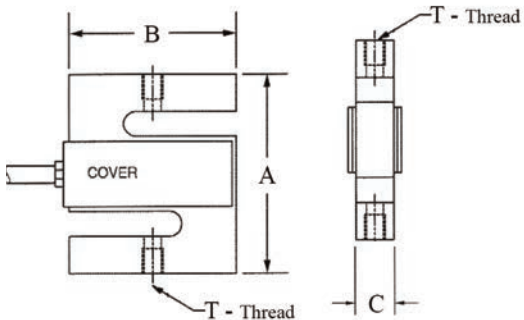
100 lb thru 10,000 lb are NTEP

NTEP 87-051 S III L 10,000 div (B10)

Part Number	Capacity	Weight	Stock	Price D
9363-D3-50-20T1R *	50 lb	2 lb	1056	\$ 295.00
9363-D3-75-20T1R *	75 lb	2 lb	6508	295.00
9363-B10-100-20T1R	100 lb	2 lb	1057	295.00
9363-B10-150-20T1R	150 lb	2 lb	6509	295.00
9363-B10-200-20T1R	200 lb	2 lb	1058	295.00
9363-B10-250-20T1R	250 lb	2 lb	6510	295.00
9363-B10-300-20T1R	300 lb	2 lb	1059	295.00
9363-B10-500-20T1R	500 lb	2 lb	1060	295.00
9363-B10-750-20T1R	750 lb	2 lb	1061	295.00
9363-B10-1K-20T1R	1,000 lb	2 lb	1062	295.00
9363-B10-1.5K-20T1R	1,500 lb	2 lb	1063	295.00
9363-B10-2K-20T1R	2,000 lb	3 lb	1064	295.00
9363-B10-2.5K-20T1R	2,500 lb	2 lb	6511	295.00
9363-B10-3K-20T1R	3,000 lb	4 lb	1065	295.00
9363-B10-5K-20T1R	5,000 lb	4 lb	1066	475.00
9363-B10-10K-20T1R	10,000 lb	5 lb	1067	550.00
9363-D3-15K-20T1R *	15,000 lb	7 lb	6513	495.00
9363-D3-20K-20T1R *	20,000 lb	10 lb	6514	722.00

* Not NTEP

Dimensions in inches



Capacity	A	B	C	T
100-300	2.50	2.00	0.50	1/4-28 UNF
500-1.5K	2.50	2.00	0.70	1/2-20 UNF
2K, 2.5K	2.50	2.00	1.00	1/2-20 UNF
3K	4.00	3.00	1.00	1/2-20 UNF
5K	4.00	3.00	1.00	3/4-16 UNF
10K	4.00	3.00	1.20	3/4-16 UNF
15K	5.50	3.50	1.50	1-14 UNF
20K	7.00	4.50	1.70	1 1/4-12 UNF

Prices are subject to change without notice. Please call for current prices.

Other items are available from the manufacturers, please call for prices.

S Type

363 Revere Transducers

3 mv/v, 0.03% nonlinearity, 350/350 ohm, 20 ft 4 cond cable, nickel plated steel.
100 lb thru 10,000 lb are NTEP.
NTEP 87-063 S III L 10,000 div (B10)

Part Number	Capacity	Weight	Stock	Price E5
363-D3-50-20P1*	50 lb	2 lb	5447	\$ 295.00
363-B10-100-20P1	100 lb	2 lb	5448	295.00
363-B10-200-20P1	200 lb	2 lb	5449	295.00
363-B10-300-20P1	300 lb	2 lb	5450	295.00
363-B10-500-20P1	500 lb	2 lb	5451	295.00
363-B10-750-20P1	750 lb	2 lb	5452	295.00
363-B10-1K-20P1	1,000 lb	2 lb	5453	295.00
363-B10-1.5K-20P1	1,500 lb	2 lb	5454	295.00
363-B10-2K-20P1	2,000 lb	3 lb	5455	295.00
363-B10-3K-20P1	3,000 lb	4 lb	5456	327.00
363-B10-5K-20P1	5,000 lb	4 lb	5457	465.00
363-B10-10K-20P1	10,000 lb	5 lb	5458	465.00
363-D3-15K-20P1*	15,000 lb	8 lb	5459	477.00
363-D3-20K-20P1*	20,000 lb	18 lb	5460	750.00

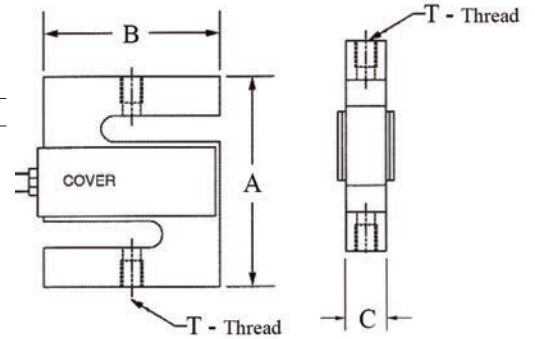
*NOT NTEP



363

Dimensions in inches

Capacity	A	B	C	T
100-300	2.5	2.0	0.5	1/4-28 UNF
500-1.5K	2.5	2.0	0.7	1/2-20 UNF
2K, 2.5K	2.5	2.0	1.0	1/2-20 UNF
3K	4.0	3.0	1.0	1/2-20 UNF
5K	4.0	3.0	1.0	3/4-16 UNF
10K	4.0	3.0	1.2	3/4-16 UNF
15K	5.5	3.5	1.5	1-14 UNF
20K	7.0	4.5	1.7	1 1/4-12 UNF



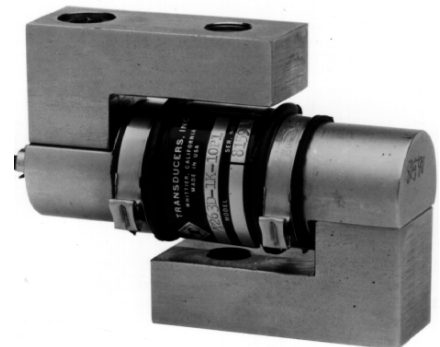
263D Revere Transducers

3 mv/v, 0.05% nonlinearity, 350/350 ohm, 10 ft 4 cond cable, nickel plated steel.

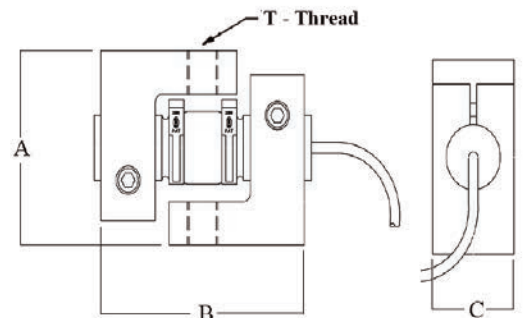
Part Number	Capacity	Weight	Stock	Price C
263D-D3-3K-10P1	3,000 lb	4 lb	69	\$ 516.0

Dimensions in inches

Capacity	A	B	C	T
3K	4.56	4.00	1.50	1/2-20



263D



Prices are subject to change without notice. Please call for current prices.

Other items are available from the manufacturers, please call for prices.

99 Reagent Lane
Fair Lawn NJ 07410
201-797-2718 * 800-631-0347

Totalcomp
Load Cells

www.totalcomp.com
Fax 201-797-2287
Toll Free Fax 888-797-2288

S Type



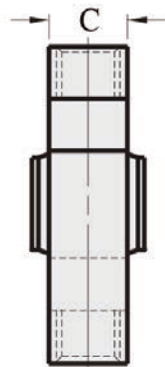
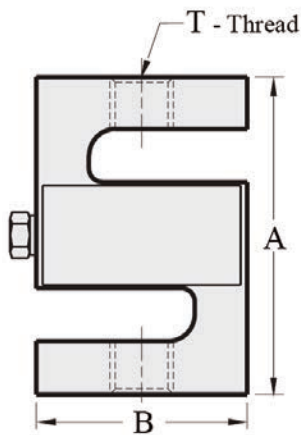
60001



60001 Sensortronics

3 mv/v, 0.03% nonlinearity, 350/350 ohms, 20 ft 4 cond cable, nickel plated steel, IP67.
NTEP 86-043 S/M III 5,000 div & IILL 10,000 div.

Part Number	Capacity	Weight	Stock	Price D5
60001A-25-1177	25 lb	2 lb	388	\$ 295.00
60001A-50-1177	50 lb	2 lb	389	295.00
60001A-100-1177	100 lb	2 lb	390	295.00
60001A-150-1000	150 lb	2 lb	408	295.00
60001A-200-1177	200 lb	2 lb	391	295.00
60001A-250-1177	250 lb	2 lb	148	295.00
60001A-300-1177	300 lb	2 lb	3422	295.00
60001A-500-1177	500 lb	2 lb	149	295.00
60001A-750-1177	750 lb	2 lb	150	295.00
60001A-1K-1177	1,000 lb	2 lb	151	295.00
60001A-1.5K-1177	1,500 lb	2 lb	152	295.00
60001A-2K-1177	2,000 lb	3 lb	153	295.00
60001A-2.5K-1177	2,500 lb	3 lb	154	335.00
60001A-3K-1177	3,000 lb	3 lb	155	335.00
60001A-5K-1177	5,000 lb	4 lb	156	475.00
60001A-10K-1177	10,000 lb	5 lb	157	475.00
60001A-15K-1177	15,000 lb	8 lb	158	575.00
60001A-20K-1177	20,000 lb	18 lb	159	895.00



Dimensions in inches

Capacity	A	B	C	T
25-200	2.50	2.00	0.65	1/4-28 UNF
250, 300	3.00	2.00	0.75	3/8-24 UNF
500-2K	3.00	2.00	1.00	1/2-20 UNF
2.5K	3.00	2.00	1.00	1/2-20 UNF
3K	3.00	2.00	1.00	1/2-20 UNF
5K	4.25	3.00	1.00	3/4-16 UNF
10K	4.75	3.50	1.00	3/4-16 UNF
15K	5.50	4.00	1.25	1-14 UNF
20K	7.00	5.00	2.00	1-1/4-12UNF

Prices are subject to change without notice. Please call for current prices.

Other items are available from the manufacturers, please call for prices.

S Type

60036 Sensortronics

3 mv/v, 0.03% nonlinearity, 350/350 ohms, 20 ft 4 cond cable, nickel plated steel, IP67.

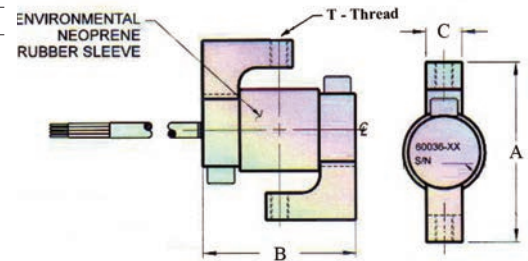
Part Number	Capacity	Weight	Stock	Price D
60036-25	25 lb	2 lb	576	\$ 295.00



60036

Dimensions in inches

Capacity	A	B	C	T
25-250	2.50	2.12	0.50	1/4-28 UNF



60050 Sensortronics

3 mv/v, 0.03% nonlinearity, 350/350 ohms, 20 ft 4 cond cable, stainless steel, IP67.

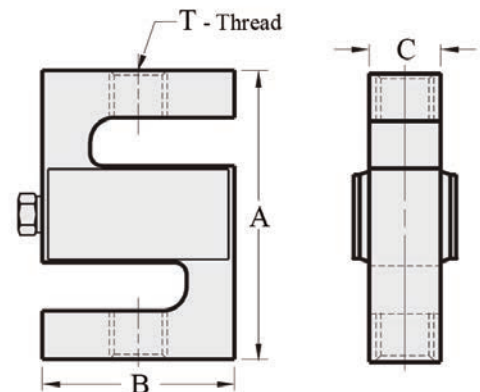
Part Number	Capacity	Weight	Stock	Price C5
60050-25	25 lb	2 lb	383	\$ 325.00
60050-50	50 lb	2 lb	384	325.00
60050-100	100 lb	2 lb	385	325.00
60050-200	200 lb	2 lb	386	325.00
60050-250	250 lb	2 lb	1086	325.00
60050-500	500 lb	2 lb	1087	325.00
60050-750	750 lb	2 lb	1088	325.00
60050-1K	1,000 lb	2 lb	1089	325.00
60050-1.5K	1,500 lb	2 lb	1090	325.00
60050-2K	2,000 lb	2 lb	1091	365.00
60050-2.5K	2,500 lb	3 lb	1092	365.00
60050-3K	3,000 lb	3 lb	1093	365.00
60050-5K	5,000 lb	4 lb	1094	550.00
60050-10K	10,000 lb	5 lb	1095	550.00
60050-15K	15,000 lb	8 lb	1096	650.00



60050

Dimensions in inches

Capacity	A	B	C	T
25-200	2.50	2.00	0.65	1/4-28 UNF
250, 300	3.00	2.00	0.75	3/8-24 UNF
500-2K	3.00	2.00	1.00	1/2-20 UNF
2.5K-3K	4.00	3.00	1.00	1/2-20 UNF
5K	4.25	3.00	1.25	3/4-16 UNF
10K	4.75	3.50	1.25	3/4-16 UNF
15K	5.50	4.00	1.50	1-14 UNF
20K	7.00	5.00	2.25	1 1/4-12 UNF



Prices are subject to change without notice. Please call for current prices.

Other items are available from the manufacturers, please call for prices.

99 Reagent Lane
Fair Lawn NJ 07410
201-797-2718 * 800-631-0347

Totalcomp
Load Cells

www.totalcomp.com
Fax 201-797-2287
Toll Free Fax 888-797-2288

S Type

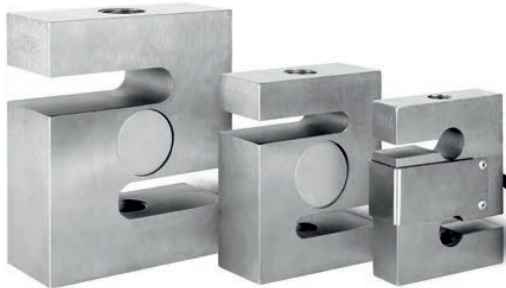
NEW



630 Utilcell

Interchangeable with Scentroidronics 60001.

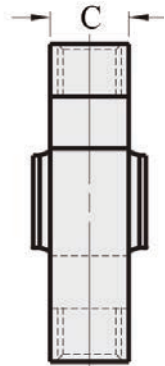
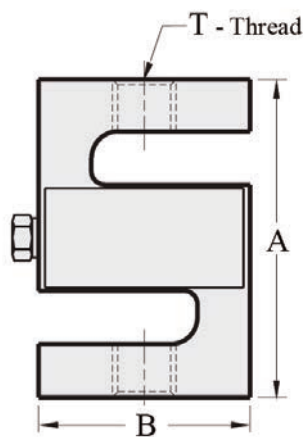
3 mv/v, 0.03% nonlinearity, 350/350 ohms, 20 ft 4 cond cable, nickel plated steel, IP67.



630

Part Number	Capacity	Weight	Stock	Price C
63-25-US	25 lb	2 lb	8286	\$ 195.00
63-50-US	50 lb	2 lb	8287	195.00
63-75-US	75 lb	2 lb	8288	195.00
63-100-US	100 lb	2 lb	8289	195.00
63-150-US	150 lb	2 lb	8290	195.00
63-200-US	200 lb	2 lb	8291	195.00
63-250-US	250 lb	2 lb	8292	195.00
63-300-US	300 lb	2 lb	8293	195.00
63-500-US	500 lb	2 lb	8294	195.00
63-750-US	750 lb	2 lb	8295	195.00
63-1K-US	1,000 lb	2 lb	8296	195.00
63-1.5K-US	1,500 lb	2 lb	8297	195.00
63-2K-US	2,000 lb	2 lb	8298	195.00
63-2.5K-US	2,500 lb	3 lb	8299	235.00
63-3K-US	3,000 lb	3 lb	8300	235.00
63-5K-US	5,000 lb	4 lb	8301	375.00
63-10K-US	10,000 lb	5 lb	8302	395.00
63-15K-US	15,000 lb	8 lb	8203	423.00
63-20K-US	20,000 lb	18 lb	8304	795.00

Dimensions in inches



Capacity	A	B	C	T
25-200	2.50	2.00	0.50	1/4-28 UNF
250, 300	3.00	2.00	0.50	3/8-24 UNF
500-2K	3.00	2.00	0.75	1/2-20 UNF
2.5K	3.00	2.00	1.00	1/2-20 UNF
3K	4.00	3.00	1.00	1/2-20 UNF
5K	4.25	3.03	1.00	3/4-16 UNF
10K	4.75	3.50	1.00	3/4-16 UNF
15K	6.50	4.00	1.25	1-14 UNF
20K	7.00	5.00	2.00	1 1/4-12 UNF

Prices are subject to change without notice. Please call for current prices.

Other items are available from the manufacturers, please call for prices.

S Type

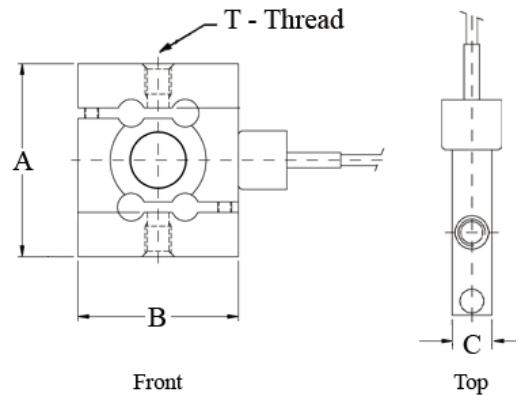
BSP Revere Transducers, Bidirectional Super Precision

Both tension and compression loads, hermetically sealed.
 3 mv/v for 100 lb to 2,500 lb, 2 mv/v for 5K & 10K, 0.03% nonlinearity, 350/350 ohms, 30 ft 4 cond cable, **stainless steel**.
 100 lb thru 5,000 lb are available in NTEP.
 NTEP 88-089 S/M IIL 10,000 div (100 lb - 5K)

Part Number	Capacity	mv/v	Weight	Stock	Price C
BSP-B10-100-30P5	100 lb	3	3 lb	972	\$ 725.00
BSP-B10-250-30P5	250 lb	3	3 lb	973	725.00
BSP-B10-500-30P5	500 lb	3	3 lb	974	725.00
BSP-B10-1K-30P5	1,000 lb	3	3 lb	975	725.00
BSP-B10-2.5K-30P5	2,500 lb	3	4 lb	976	775.00
BSP-B10-5K-30P5	5,000 lb	2	5 lb	977	775.00
BSP-D3-10K-30P5	10,000 lb	2	6 lb	978	775.00

Dimensions in inches

Capacity	A	B	C	T
100-250	3.32	2.48	0.91	3/8-24
500	3.50	2.44	0.71	1/2-20
1K	3.50	2.94	0.71	1/2-20
2.5K	3.75	2.44	0.95	1/2-20
5K, 10K	4.75	2.44	1.44	1-14



BSP

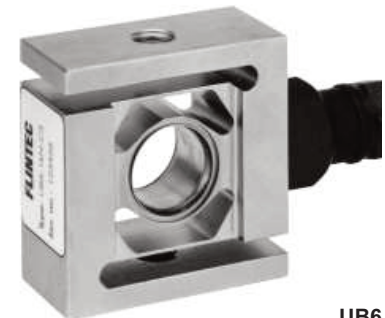
UB6 Flintec

Total **stainless steel** construction. Complete welded hermetic sealing.
 2 mv/v, 0.04% combined error, 1106/1000 ohm, 20 ft 4 cond cable, **stainless steel**, IP68.
 OIML R 60

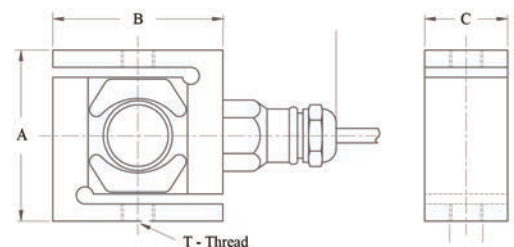
Part Number	Nominal	Capacity	Weight	Stock	Price C5
UB6-1kN-US-GP	225 lb	100 kg	2 lb	567	\$ 435.00
UB6-2kN-US-GP	450 lb	200 kg	2 lb	568	435.00
UB6-5kN-US-GP	1,125 lb	500 kg	2 lb	569	435.00

Dimensions in inches

Capacity	A	B	C	T
100-500kg	2.42	2.42	1.18	1/2-20



UB6



Prices are subject to change without notice. Please call for current prices.

Other items are available from the manufacturers, please call for prices.

99 Reagent Lane
 Fair Lawn NJ 07410
 201-797-2718 * 800-631-0347

Totalcomp
 Load Cells

www.totalcomp.com
 Fax 201-797-2287
 Toll Free Fax 888-797-2288

S Type



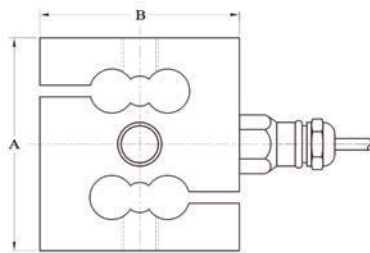
UB1



UB1 Flintec

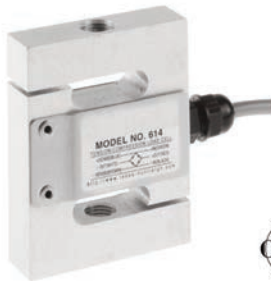
Total **stainless steel** construction. Complete welded hermetic sealing.
2 mv/v, 0.04% combined error, 1106/1000 ohm, 20 ft 4 cond cable, **stainless steel**, IP68.
OIML R 60

Part Number	Nominal	Capacity	Weight	Stock	Price C5
UB1-10kN-US-GP	2,250 lb	1,000 kg	4 lb	570	\$ 510.0
UB1-20kN-US-GP	4,500 lb	2,000 kg	4 lb	571	510.00
UB1-50kN-US-GP	11,250 lb	5,000 kg	4 lb	572	700.00



Dimensions in inches

Capacity	A	B	C	T
1t, 2t	3.62	3.38	1.18	5/8-18 UNF
50t	5.35	5.63	1.69	1-12 UNF

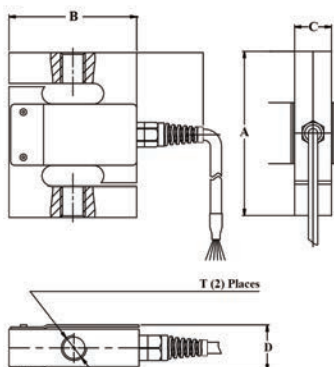


614 Tedeá Huntleigh

2mv/v 415/350. 3m 6 cond. cable, aluminum IP67
OIML R60 44.

Part Number	Nominal	Capacity	Weight	Stock	Price C5
614-50kg	100 lb	50 kg	2 lb	1420	\$ 157.14
614-100kg	200 lb	100 kg	2 lb	1421	157.14
614-200kg	400 lb	200 kg	2 lb	1422	157.14
614-300kg	600 lb	300 kg	2 lb	1423	157.14
614-500kg	1,000 lb	500 kg	2 lb	1424	157.14

614 Tedeá



Dimensions in inches

Capacity	A	B	C	D	T
50-500kg	3.15	2.45	0.70	0.87	1/2-20 UNF

Prices are subject to change without notice. Please call for current prices.

Other items are available from the manufacturers, please call for prices.

S Type

60063 Scentroidronics

Welded hermetic seal. Physically interchangeable with Scentroidronics 60001/60050.
2 mv/v, 0.03% nonlinearity, 349-450/349-355 ohms, 20 ft 4 cond cable, stainless steel, IP68.

NTEP 98-019 III S+M 5,000 div, IIII S+M 10,000 div 500 to 5,000 lb

Part Number	Capacity	Weight	Stock	Price C
60063S-500	500 lb	3 lb	3556	\$ 774.00
60063S-750	750 lb	3 lb	3557	774.00
60063S-1K	1,000 lb	3 lb	3558	774.00
60063S-1.5K	1,500 lb	3 lb	3559	774.00
60063S-2K	2,000 lb	3 lb	3560	774.00
60063S-2.5K	2,500 lb	3 lb	3561	774.00
60063S-3K	3,000 lb	3 lb	3562	774.00
60063S-5K	5,000 lb	4 lb	3563	1,296.00
60063S-10K*	10,000 lb	5 lb	3564	1,296.00

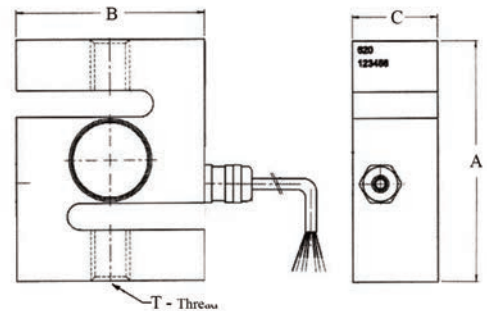


60063



Dimensions in inches

Capacity	A	B	C	T
500-3K	3.00	2.00	1.00	1/2-20 UNF
5K, 10K	4.75	3.50	1.00	3/4-16 UNF
15K	5.50	4.00	1.25	1-14 UNF
20K	7.00	5.00	2.00	1 1/4-12 UNF



Prices are subject to change without notice. Please call for current prices.

Other items are available from the manufacturers, please call for prices.

99 Reagent Lane
Fair Lawn NJ 07410
201-797-2718 * 800-631-0347

Totalcomp
Load Cells

www.totalcomp.com
Fax 201-797-2287
Toll Free Fax 888-797-2288

S Type



620



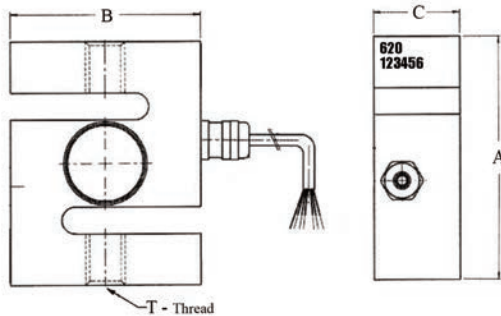
620 Teda Huntleigh

Ultimate protection for hostile weighing environment. All welded hermetic sealing and **stainless steel** construction while maintaining high accuracy. Polyurethane dual shielded cable.

2 mv/v, 0.03% total error, 400/350 ohm, 5m 6 cond cable, **stainless steel**, IP68.

NTEP 95-130A1 III S 3,000 div & M 5,000 div

Part Number	Nominal	Capacity	Weight	Stock	Price D
620-F-500kg	1,000 lb	500 kg	3 lb	2820	\$ 650.00
620-F-1000kg	2,000 lb	1,000 kg	3 lb	2821	650.00
620-F-2000kg	4,000 lb	2,000 kg	4 lb	2822	650.00
620-F-5000kg	10,000 lb	5,000 kg	5 lb	2823	815.00



Dimensions in inches

Capacity	A	B	C	T
0.5-1t	3.54	2.75	1.25	1/2-20
2t	3.54	2.75	1.25	3/4-16
5t	4.72	3.94	1.77	1-12

Prices are subject to change without notice. Please call for current prices.

Other items are available from the manufacturers, please call for prices.

S Type

SBA CAS

3 mv/v, 0.03% combined error, 400/350 ohm, 20 ft 4 cond cable, nickel plated steel, IP65
NTEP 96-073, III, 5,000 div, 25 lb - 20,000 lb

Part Number	Capacity	Weight	Stock	Price E5
SBA-50L	50 lb	3 lb	5682	\$ 275.00
SBA-75L	75 lb	3 lb	5683	275.00
SBA-100L	100 lb	3 lb	5684	275.00
SBA-150L	150 lb	3 lb	5685	275.00
SBA-200L	200 lb	3 lb	5686	275.00
SBA-250L	250 lb	3 lb	5687	275.00
SBA-300L	300 lb	3 lb	5688	275.00
SBA-500L	500 lb	3 lb	5689	275.00
SBA-750L	750 lb	3 lb	5690	275.00
SBA-1K	1,000 lb	3 lb	5691	275.00
SBA-1.5K	1,500 lb	3 lb	5692	275.00
SBA-2K	2,000 lb	3 lb	5693	275.00
SBA-2.5K	2,500 lb	3 lb	5694	315.00
SBA-3K	3,000 lb	3 lb	5695	315.00
SBA-5K	5,000 lb	4 lb	5696	315.00
SBA-7.5K	7,500 lb	5 lb	5697	440.00
SBA-10K	10,000 lb	5 lb	5698	440.00
				D5
SBA-15K	15,000 lb	8 lb	5699	555.00
SBA-20K	20,000 lb	18 lb	5700	875.00

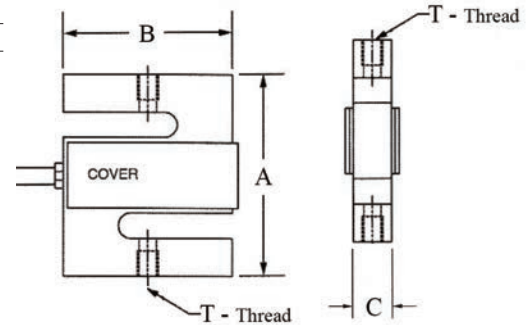


SBA



Dimensions in inches

Capacity	A	B	C	T
50-200	2.50	2.00	0.50	1/4-28 UNF
250, 300	3.00	2.00	0.50	3/8-24 UNF
500-2K	3.00	2.00	0.75	1/2-20 UNF
2.5K, 3K	4.00	3.00	1.00	1/2-20 UNF
5K	4.25	3.03	1.00	3/4-16 UNF
7.5K, 10K	4.75	3.50	1.00	3/4-16 UNF
15K	6.50	4.00	1.25	1-14 UNF
20K	7.00	5.00	2.00	1 1/4-12 UNF



Prices are subject to change without notice. Please call for current prices.

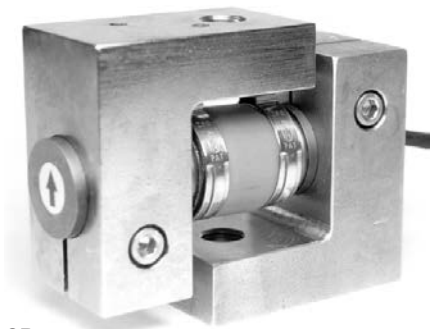
Other items are available from the manufacturers, please call for prices.

99 Reagent Lane
Fair Lawn NJ 07410
201-797-2718 * 800-631-0347

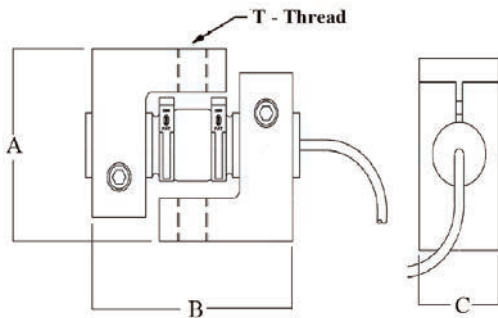
Totalcomp
Load Cells

www.totalcomp.com
Fax 201-797-2287
Toll Free Fax 888-797-2288

S Type



CB



CB Group Four

Interchangeable with RTI Model 263D. Stainless steel beam. Arms are nickel plated steel. 3 mv/v, 0.05% nonlinearity, 450/350 ohm, 11 ft 4 cond cable, **stainless steel**, IP67.

Part Number	Capacity	Weight	Stock	Price C
CB-50	50 lb	5 lb	4636	\$ 1,108.00
CB-100	100 lb	5 lb	4637	1,108.00
CB-200	200 lb	5 lb	4638	1,108.00
CB-250	250 lb	5 lb	4639	1,108.00
CB-300	300 lb	5 lb	4640	1,108.00
CB-500	500 lb	5 lb	4641	1,108.00
CB-1K	1,000 lb	5 lb	4642	1,108.00
CB-2K	2,000 lb	5 lb	4643	1,194.00
CB-3K	3,000 lb	5 lb	4644	1,194.00

Dimensions in inches

Capacity	A	B	C	T
50-1K	3.00	4.00	1.50	1/2-20
2K-3K	4.56	4.00	1.50	1/2-20

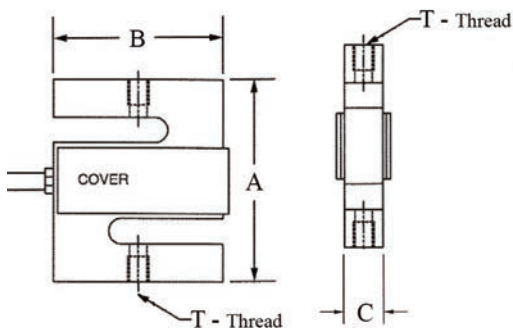


SB-10A

SB Group Four

3 mv/v, 0.05% combined error, 350/350 ohm, 20 ft 4 cond cable, aluminum, IP67.

Part Number	Capacity	Weight	Stock	Price C
SB-10A	10 lb	2 lb	5997	\$ 368.00
SB-25A	25 lb	2 lb	5998	368.00
SB-50A	50 lb	2 lb	5999	368.00
SB-100A	100 lb	2 lb	6000	368.00
SB-200A	200 lb	2 lb	6001	368.00



Dimensions in inches

Capacity	A	B	C	T
10-200	2.50	2.00	0.46	1/4-28 UNF

Prices are subject to change without notice. Please call for current prices.

Other items are available from the manufacturers, please call for prices.

TB745 Totalcomp

Hermetically sealed stainless steel cell that is interchangeable with Toledo beam load cells for 745 mount.

2 mv/v, 0.02% nonlinearity, 350/350 ohm, 4 cond cable length below, **stainless steel**, IP67.

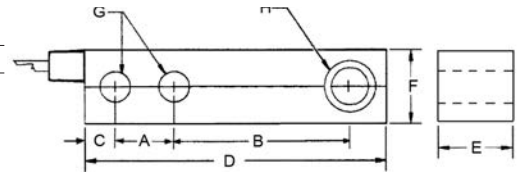
Part Number	Toledo	Capacity	Length	Weight	Stock	Price C
TB745-500-SS	TB600529	500 lb	15'	3 lb	3072M	\$ 595.00
TB745-1.25K-SS	TB600363-1	1,250 lb	15'	3 lb	3073M	595.00
TB745-2.5K-SS	TB600342-1	2,500 lb	15'	3 lb	3074M	595.00
TB745-2.5K-SS-30 w/ 30ft cable		2,500 lb	30'	5 lb	586	595.00
TB745-4K-SS		4,000 lb	15'	3 lb	3075M	595.00
TB745-5K-SS	TB600343-1	5,000 lb	15'	4 lb	3076M	666.00
TB745-5K-SS-30 w/ 30 ft cable		5,000 lb	30'	6 lb	784	666.00
TB745-10K-SS	TB600364-1	10,000 lb	15'	6 lb	3077M	709.00

Dimensions in inches

Capacity	A	B	C	D	E	F	G	H
500-4K	1.00	3.00	0.62	5.18	1.10	1.19	0.515	0.95
5K-10K	1.50	3.75	0.62	6.65	1.63	1.45	0.780	1.37



TB745



GB745 Totalcomp

Hermetically sealed stainless steel cell that is interchangeable with Toledo beam load cells for 745 mount.

2 mv/v, 0.02% nonlinearity, 350/350 ohm, 4 cond cable length below, **stainless steel**, IP67.

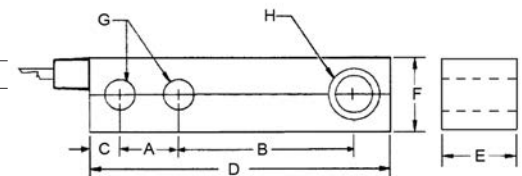
Part Number	Toledo	Capacity	Length	Weight	Stock	Price C
GB745-500-SS	TB600529	500 lb	15'	3 lb	7946	\$ 366.30
GB745-1K-SS		1,000 lb	20'	3 lb	7947	366.30
GB745-1.25K-SS	TB600363-1	1,250 lb	15'	3 lb	7948	366.30
GB745-2.5K-SS	TB600342-1	2,500 lb	15'	3 lb	7949	366.30
GB745-4K-SS		4,000 lb	15'	3 lb	7950	366.30
GB745-5K-SS	TB600343-1	5,000 lb	15'	4 lb	7951	387.20
GB745-10K-SS	TB600364-1	10,000 lb	15'	6 lb	7952	575.30

Dimensions in inches

Capacity	A	B	C	D	E	F	G	H
500-4K	1.00	3.00	0.62	5.18	1.10	1.19	0.515	0.95
5K-10K	1.50	3.75	0.62	6.65	1.63	1.45	0.780	1.37



GB745





3410



3410 Tedeo Huntleigh Half Thread Half Plain load hole

Interchangeable with Sensortronics 65023 and RTI 5123.
3 mv/v, 0.03% combined error, 380/350 ohm, 10 ft 6 cond cable, nickel plated steel.
NTEP 89-053A2 S III 3,000 div & M III 5,000 div (3410 w/ thru load hole)

Part Number	Capacity	Weight	Stock	Price D
Thru load hole				
3410-1000	1,000 lb	3 lb	2348	\$ 289.00
2410-1500	1,500 lb	3 lb	2349	289.00
3410-2500	2,500 lb	3 lb	2350	289.00
3410-4000-Metric	4,000 lb	3 lb	2347	289.00
Stainless steel				
3410-1500-Metric	1,500 lb	4 lb	1821	292.00



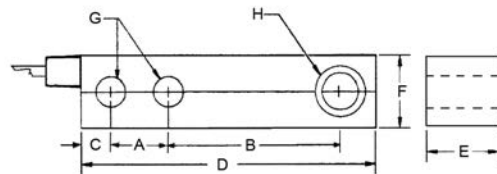
3411



3411 Tedeo Huntleigh Full Thread load hole

Interchangeable with Sensortronics 65023 and RTI 5123.
3 mv/v, 0.03% combined error, 380/350 ohm, 10 ft 6 cond cable, nickel plated steel.
NTEP 89-053A2 S III 3,000 div & M III 5,000 div (3410 w/ thru load hole)

Part Number	Capacity	Weight	Stock	Price D
Threaded load hole				
3411-1000	1,000 lb	3 lb	1814	289.00
3411-1500	1,500 lb	3 lb	1815	289.00
3411-2500	2,500 lb	3 lb	1816	289.00
3411-4000	4,000 lb	3 lb	1817	289.00
Stainless steel				
3411-1500	1,500 lb	4 lb	1818	440.00



Dimensions in inches

Capacity	A	B	C	D	E	F	G	H
3410/3411	1.00	3.00	0.62	5.12	1.24	1.24	0.53	1/2-20
3420/3421	1.50	3.75	0.75	6.75	1.49	1.49	0.78	3/4-16

3420 Tedeo Huntleigh Half Thread Half Plain load hole

Interchangeable with Sensortronics 65023 and RTI 5123.
 3 mv/v, 0.03% combined error, 380/350 ohm, 10 ft 6 cond cable, nickel plated steel.
 NTEP 89-053A2 S III 3,000 div & M III 5,000 div.

Part Number	Capacity	Weight	Stock	Price D
Thru load hole				
3420-5k	5,000 lb	4 lb	1783	\$ 369.00
2420-7.5k	7,500 lb	4 lb	2349	369.00
3420-2500	10,000 lb	3 lb	2350	426.00



3420



3421 Tedeo Huntleigh Full Thread load hole

Interchangeable with Sensortronics 65023 and RTI 5123.
 3 mv/v, 0.03% combined error, 380/350 ohm, 10 ft 6 cond cable, nickel plated steel.
 NTEP 89-053A2 S III 3,000 div & M III 5,000 div.

Part Number	Capacity	Weight	Stock	Price D
Threaded load hole				
3421-5k	5,000 lb	4 lb	1859	369.00
3421-1500	10,000 lb	3 lb	1786	415.00

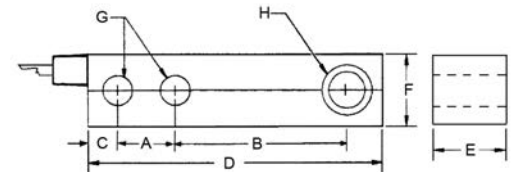


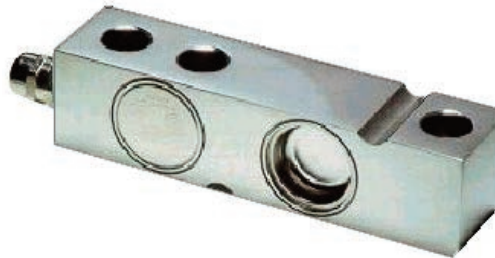
3421



Dimensions in inches

Capacity	A	B	C	D	E	F	G	H
3410/3411	1.00	3.00	0.62	5.12	1.24	1.24	0.53	1/2-20
3420/3421	1.50	3.75	0.75	6.75	1.49	1.49	0.78	3/4-16





3510
Stainless steel



3510 Tedeo Huntleigh Full thr

Hermetically sealed stainless steel cell that is interchangeable with Sensortronics 65023 and RTI 5123/9123.

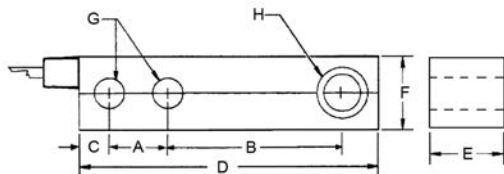
3 mv/v, 0.03% combined error, 380/350 ohm, 5m 6 cond cable, stainless steel.

NTEP 96-000 III S 3,000 div & M 5,000 div

Part Number	Capacity	Weight	Stock	Price C
Threaded load hole				
3510-G-1000 lb threaded	1,000 lb	3 lb	2112	\$ 479.00
3510-G-1500 lb threaded	1,500 lb	3 lb	2113	479.00
3510-G-2500 lb threaded	2,500 lb	3 lb	2114	479.00
3510-G-4000 lb threaded	4,000 lb	4 lb	2115	479.00

Thru load hole

3510-G-1000 lb thr	1,000 lb	3 lb	2401	429.00
3510-G-1500 lb thru	1,500 lb	3 lb	2402	429.00
3510-G-2500 lb thru	2,500 lb	3 lb	2403	429.00
3510-G-4000 lb thru	4,000 lb	4 lb	2404	429.00



Dimensions in inches

Capacity	A	B	C	D	E	F	G	H
300-2K	1.00	3.00	0.62	5.12	1.25	1.25	0.530	M12
5K	1.50	3.75	0.75	6.75	1.88	1.44	0.087	M20

Beam

65023 Sensortronics

3 mv/v, 0.03% nonlinearity, 350/350 ohm, 20 ft 4 cond cable, nickel plated steel, IP67.
NTEP 86-044 S/M III 5,000 div 1K thru 10K A in part number denotes NTEP certificate.

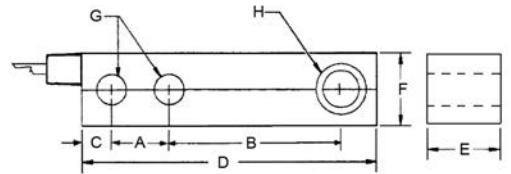
Part Number	Capacity	Weight	Stock	Price E5
65023-250-0107 *	250 lb	3 lb	1714	\$ 295.00
65023-500-0107 *	500 lb	3 lb	1737	295.00
65023A-1K-5107	1,000 lb	3 lb	107	295.00
65023A-1K-5507 **	1,000 lb	2 lb	1711	295.00
** Low profile 3/4" high, 10 ft cable				
65023A-1.5K-5107	1,500 lb	3 lb	4080	295.00
65023A-2K-5107	2,000 lb	3 lb	108	295.00
65023A-2.5K-5107	2,500 lb	3 lb	109	295.00
65023A-2.5K-5507 **	2,500 lb	2 lb	1712	295.00
** Low profile 3/4" high, 10 ft cable				
65023A-4K-5107	4,000 lb	4 lb	110	295.00
65023A-5KSE-5223	5,000 lb	4 lb	605	295.00
65023A-5K-5107	5,000 lb	5 lb	111	375.00
65023A-10K-5107	10,000 lb	5 lb	112	375.00
C5				
65023-15K-0107 *	15,000 lb	9 lb	113	650.00
65023-20K-0107 *	20,000 lb	9 lb	114	650.00
* Not NTEP				



65023

Dimensions in inches

Capacity	A	B	C	D	E	F	G	H
250,500	1.00	3.00	0.62	5.12	1.00	1.25	0.53	1/2-20
1K,4K, 5KSE	1.00	3.00	0.62	5.12	1.25	1.25	0.53	1/2-20
5K,10K	1.50	3.75	0.75	6.75	1.50	1.50	0.78	3/4-16
15K,20K	2.00	4.88	1.00	8.88	2.00	2.00	1.03	1"-14



65023-SS Sensortronics

3 mv/v, 0.03% nonlinearity, 350/350 ohm, 20 ft 4 cond cable, stainless steel, IP67.
NTEP 88-298A1 S/M III 5,000 div 1K thru 10K S in part number denotes NTEP certificate.

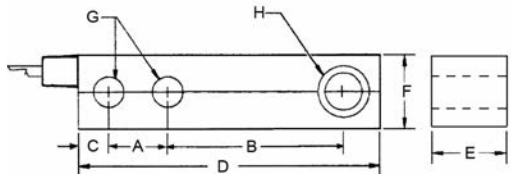
Part Number	Capacity	Weight	Stock	Price C
65023-250-0113 *	250 lb	3 lb	1715	\$ 359.00
65023-500-0113 *	500 lb	3 lb	1738	359.00
65023S-1K-5113	1,000 lb	3 lb	725	359.00
65023S-1K-5513 **	1,000 lb	2 lb	4768	359.00
** Low profile 3/4" high, 10 ft cable				
65023S-2K-5113	2,000 lb	3 lb	726	359.00
65023S-2.5K-5113	2,500 lb	3 lb	727	359.00
65023S-2.5K-5513 **	2,500 lb	2 lb	4769	359.00
** Low profile 3/4" high, 10 ft cable				
65023S-4K-5113	4,000 lb	3 lb	728	359.00
65023S-5KSE-5225	5,000 lb	4 lb	607	359.00
65023S-5K-5113	5,000 lb	5 lb	729	409.00
65023S-10K-5113	10,000 lb	5 lb	730	409.00
65023-15K-0113 *	15,000 lb	9 lb	731	759.00
65023-20K-0113 *	20,000 lb	9 lb	732	759.00
* Not NTEP				



65023-SS

Dimensions in inches

Capacity	A	B	C	D	E	F	G	H
250,500	1.00	3.00	0.62	5.12	1.00	1.25	0.53	1/2-20
1K,4K	1.00	3.00	0.62	5.12	1.25	1.25	0.53	1/2-20
5K,10K	1.50	3.75	0.75	6.75	1.50	1.50	0.78	3/4-16
15K,20K	2.00	4.88	1.00	8.88	2.00	2.00	1.03	1"-14



Prices are subject to change without notice. Please call for current prices.

Other items are available from the manufacturers, please call for prices.

99 Reagent Lane
Fair Lawn NJ 07410
201-797-2718 * 800-631-0347

Totalcomp
Load Cells

www.totalcomp.com
Fax 201-797-2287
Toll Free Fax 888-797-2288

Beam



B35



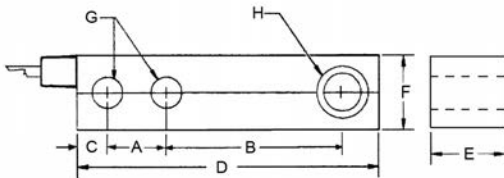
B35 HBM

Close interchange with Sensortronics 65023-SS, RTI 9123 and Toledo 713. The height of this cell is 3/8" shorter than the 65023 or the 9123.

3 mv/v, 0.04% combined error, 350/350 ohm, 20 ft 4 cond cable, **stainless steel**.

NTEP 88-278 III S 3,000 div & III M 5,000 div

Part Number	Toledo	Capacity	Weight	Stock	Price C
1-B35AN5/500-1	TB-600830-020	500 lb	3 lb	4340	\$ 307.00
1-B35AN5/1K-1	TB-600831-020	1,000 lb	3 lb	4341	282.00
1-B35AN5/2K-1	TB-600832-020	2,000 lb	3 lb	4342	307.00
1-B35AN5/2.5K-1	TB-600833-020	2,500 lb	3 lb	4343	307.00
1-B35AN5/4K-1	084751020	4,000 lb	3 lb	4345	307.00
1-B35AN5/10K-2	084753020	10,000 lb	5 lb	4347	446.00



Dimensions in inches

Capacity	A	B	C	D	E	F	G	H
250,500	1.00	3.00	0.62	5.12	0.93	1.21	0.53	1/2-20
1K-5K	1.00	3.00	0.62	5.12	1.12	1.21	0.53	1/2-20
10K	1.50	3.75	0.75	6.75	1.34	1.44	0.78	3/4-16



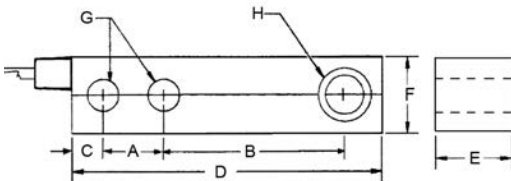
IDS608

IDS608 SDS

Replacement for 4' x 4' floor scale. Each scale has (2) 3' cable load cells and (2) 8' cable load cells. The replacement should have the same cable length as the original.

3 mv/v, 350/350 ohm, nickel plated steel.

Part Number	Capacity	Weight	Stock	Price C
3 ft cable 4 conductor				
IDS608-1K-C3-3ft	1,000 lb	3 lb	7090	\$ 275.00
IDS608-2.5KLB-C3-3ft	2,500 lb	3 lb	3354	275.00
8 ft cable 4 conductor				
IDS608-1K-C3-8ft	1,000 lb	3 lb	7091	275.00
IDS608-2.5KLB-C3-8 ft	2,500 lb	3 lb	3355	275.00



Dimensions in inches

Capacity	A	B	C	D	E	F	G	H
2.5K	1.00	3.00	0.60	5.12	1.25	1.25	0.53	1/2-20

Prices are subject to change without notice. Please call for current prices.

Other items are available from the manufacturers, please call for prices.

Beam

TSB Totalcomp

Interchangeable with Sensortronics 65023 and RTI 5123.
 3 mv/v, 0.03% nonlinearity, 350/350 ohm, 20 ft 4 cond cable, nickel plated steel, IP67.
 NTEP 93-123 S III 3,000 div & M III 5,000 div & M III L 10,000 div(1,000 - 10,000 lb)

Part Number	Capacity	Weight	Stock	Price F
TSB-250 *	250 lb	3 lb	2249	\$ 275.00
TSB-500 *	500 lb	3 lb	2250	275.00
TSB-1K	1,000 lb	3 lb	2251	275.00
TSB-1.5K	1,500 lb	3 lb	2694	275.00
TSB-2K	2,000 lb	3 lb	2252	275.00
TSB-2.5K	2,500 lb	3 lb	2253	275.00
TSB-4K	4,000 lb	3 lb	2254	275.00
TSB-5K-SE	5,000 lb	3 lb	2255	275.00
E5				
TSB-5K	5,000 lb	5 lb	2256	360.00
TSB-10K	10,000 lb	5 lb	2257	360.00
D5				
TSB-15K *	15,000 lb	9 lb	2258	686.00
TSB-20K-12	20,000 lb	9 lb	3998	812.00
TSB-20K-14 *	20,000 lb	9 lb	2259	812.00

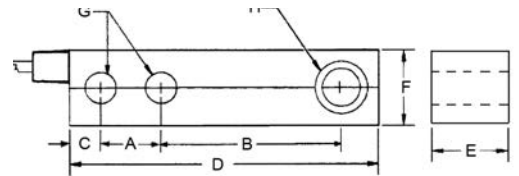
* Not NTEP



TSB

Dimensions in inches

Capacity	A	B	C	D	E	F	G	H
250,500	1.00	3.00	0.62	5.12	1.00	1.25	0.53	1/2-20
1K,4K, 5KSE	1.00	3.00	0.62	5.12	1.25	1.25	0.53	1/2-20
5K,10K	1.50	3.75	0.75	6.75	1.50	1.50	0.78	3/4-16
15K	2.00	4.88	1.00	8.75	2.00	2.00	1.03	1"-14
20K-12	2.00	4.88	1.00	8.75	2.00	2.00	1.03	1"-12
20K-14	2.00	4.88	1.00	8.75	2.00	2.00	1.03	1"-14



TSB-SS Totalcomp

Interchangeable with Sensortronics 65023-SS and RTI 9123.
 3 mv/v, 0.03% nonlinearity, 350/350 ohm, 20 ft 4 cond cable, **stainless steel**, IP67.
 NTEP 94-019 S III 3,000 div & M III 5,000 div & M III L 10,000 div(1,000 lb - 10,000 lb)

Part Number	Capacity	Weight	Stock	Price F
TSB-250-SS *	250 lb	3 lb	2260	\$ 401.50
TSB-500-SS *	500 lb	3 lb	2261	401.50
TSB-1K-SS	1,000 lb	3 lb	2262	401.50
TSB-1.5K-SS	1,500 lb	3 lb	2695	401.50
TSB-2K-SS	2,000 lb	3 lb	2263	401.50
TSB-2.5K-SS	2,500 lb	3 lb	2264	401.50
TSB-4K-SS	4,000 lb	3 lb	2265	401.50
TSB-5K-SE-SS	5,000 lb	3 lb	2266	401.50
TSB-5K-SS	5,000 lb	5 lb	2267	473.00
TSB-10K-SS	10,000 lb	5 lb	2268	473.00
D5				
TSB-15K-SS *	15,000 lb	9 lb	2269	1,020.80
TSB-20K-12-SS	20,000 lb	9 lb	3999	1,020.80
TSB-20K-14-SS *	20,000 lb	9 lb	2270	1,020.80

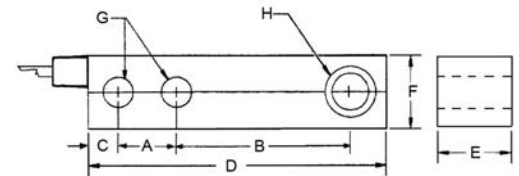
* Not NTEP



TSB-SS

Dimensions in inches

Capacity	A	B	C	D	E	F	G	H
250,500	1.00	3.00	0.62	5.12	1.00	1.25	0.53	1/2-20
1K,4K, 5KSE	1.00	3.00	0.62	5.12	1.25	1.25	0.53	1/2-20
10K	1.50	3.75	0.75	6.75	1.50	1.50	0.78	3/4-16
15K	2.00	4.88	1.00	8.75	2.00	2.00	1.03	1"-14
20K-12	2.00	4.88	1.00	8.75	2.00	2.00	1.03	1"-12
20K-14	2.00	4.88	1.00	8.75	2.00	2.00	1.03	1"-14



Prices are subject to change without notice. Please call for current prices.

Other items are available from the manufacturers, please call for prices.

99 Reagent Lane
 Fair Lawn NJ 07410
 201-797-2718 * 800-631-0347

Totalcomp
 Load Cells

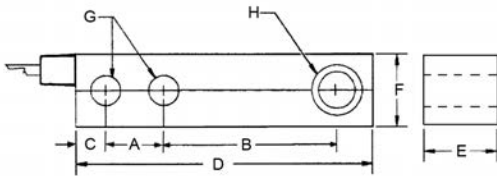
www.totalcomp.com
 Fax 201-797-2287
 Toll Free Fax 888-797-2288

Beam

NEW



350N



UTILCELL

350N Utilcell

Interchangeable with Sensortronics Model 65023.

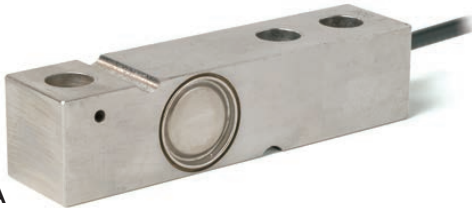
3 mv/v, 0.03% nonlinearity, 350/350 ohm, 20 ft 4 cond cable, nickel plated steel, IP66
NTEP 17-009.

Part Number	Capacity	Weight	Stock	Price C
350N-250-US	250 lb	3 lb	8263	\$ 265.00
350N-500-US	500 lb	3 lb	8264	265.00
350N-1K-US	1,000 lb	3 lb	8265	265.00
350N-1.5K-US	1,500 lb	3 lb	8266	265.00
350N-2K-US	2,000 lb	3 lb	8267	265.00
350N-2.5K-US	2,500 lb	3 lb	8268	265.00
350N-4K-US	4,000 lb	3 lb	8269	265.00
350N-5KSE-US	5,000 lb	3 lb	8270	265.00
350N-5K-US	5,000 lb	5 lb	8271	350.00
350N-10K-US	10,000 lb	5 lb	8272	350.00

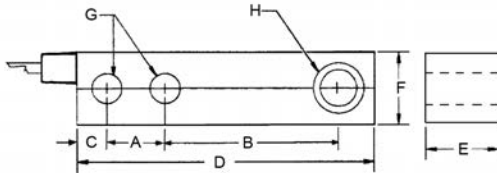
Dimensions in inches

Capacity	A	B	C	D	E	F	G	H
1K,4K	1.00	3.00	0.62	5.12	1.23	1.23	0.53	1/2-20
5K,10K	1.50	3.75	0.75	6.75	1.45	1.45	0.78	3/4-16

NEW



350A



UTILCELL

350A Utilcell

Interchangeable with Sensortronics Model 65023-SS.

3 mv/v, 0.03% nonlinearity, 350/350 ohm, 20 ft 4 cond cable, stainless steel, IP66.
NTEP 17-009

Part Number	Capacity	Weight	Stock	Price C
350A-1K-US	1,000 lb	3 lb	8273	\$ 355.00
350A-1.5K-US	1,500 lb	3 lb	8274	355.00
350A-2K-US	2,000 lb	3 lb	8275	355.00
350A-2.5K-US	2,500 lb	3 lb	8276	355.00
350A-4K-US	4,000 lb	3 lb	8277	355.00
350A-5K-US	5,000 lb	5 lb	8278	420.00
350A-10K-US	10,000 lb	5 lb	8279	420.00

Dimensions in inches

Capacity	A	B	C	D	E	F	G	H
1K,4K	1.00	3.00	0.62	5.12	1.23	1.23	0.53	1/2-20
5K,10K	1.50	3.75	0.75	6.75	1.45	1.45	0.78	3/4-16

Prices are subject to change without notice. Please call for current prices.

Other items are available from the manufacturers, please call for prices.

Beam

5123 Revere Transducers

Interchangeable with Sensortronics Model 65023.
 3 mv/v, 0.03% nonlinearity, 350/350 ohm, 20 ft 4 cond cable, nickel plated steel.
 NTEP 86-037 M III 5,000 div

Part Number	Capacity	Weight	Stock	Price C
5123-A5-1K-20P1	1,000 lb	3 lb	643	\$ 219.00
5123-A5-2.5K-20P1	2,500 lb	3 lb	644	219.00
5123-A5-4K-20P1	4,000 lb	3 lb	645	219.00
5123-A5-5K-20P1	5,000 lb	4 lb	646	369.00
5123-A5-10K-20P1	10,000 lb	5 lb	647	369.00

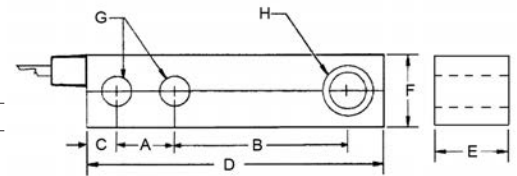


5123



Dimensions in inches

Capacity	A	B	C	D	E	F	G	H
1K,4K	1.00	3.00	0.62	5.12	1.23	1.23	0.53	1/2-20
5K,10K	1.50	3.75	0.75	6.75	1.45	1.45	0.78	3/4-16



9123 Revere Transducers

Interchangeable with Sensortronics Model 65023.
 3 mv/v, 0.03% nonlinearity, 350/350 ohm, 20 ft 4 cond cable, stainless steel.
 NTEP 00-001 M III 5,000 div

Part Number	Capacity	Weight	Stock	Price C
9123-A5-250-20IF *	250 lb	3 lb	1213	\$ 289.00
9123-A5-500-20IF *	500 lb	3 lb	1214	289.00
9123-A5-1K-20IF *	1,000 lb	3 lb	1206	289.00
9123-A5-1.5K-20IF *	1,500 lb	3 lb	1215	289.00
9123-A5-2.5K-20P1	2,500 lb	3 lb	1207	289.00
9123-A5-4K-20P1	4,000 lb	3 lb	1208	289.00
9123-A5-5KSE-20P1	5,000 lb	4 lb	1216	289.00
9123-A5-5K-20P1	5,000 lb	5 lb	1209	369.00
9123-A5-10K-20P1	10,000 lb	5 lb	1210	369.00
9123-A5-15K-20P1 **	15,000 lb	9 lb	1217	644.00
9123-A5-20K-20P1 **	20,000 lb	9 lb	1218	644.00

* Not NTEP

** Different physical size than 65023

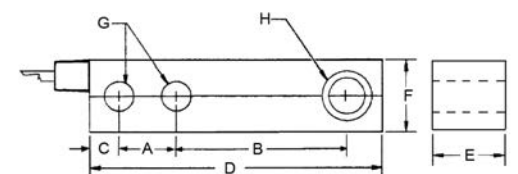


9123



Dimensions in inches

Capacity	A	B	C	D	E	F	G	H
1K,4K	1.00	3.00	0.62	5.12	1.23	1.23	0.53	1/2-20
5K,10K	1.50	3.75	0.75	6.75	1.45	1.45	0.78	3/4-16
20K	2.00	4.88	1.00	8.75	2.00	2.00	1.06	1-12



Prices are subject to change without notice. Please call for current prices.

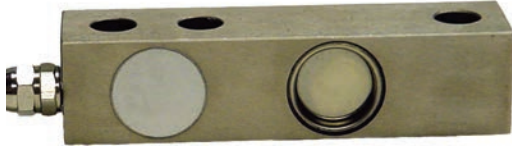
Other items are available from the manufacturers, please call for prices.

99 Reagent Lane
 Fair Lawn NJ 07410
 201-797-2718 * 800-631-0347

Totalcomp
 Load Cells

www.totalcomp.com
 Fax 201-797-2287
 Toll Free Fax 888-797-2288

Beam

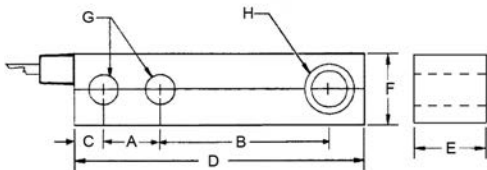


DSB

DSB Diamond

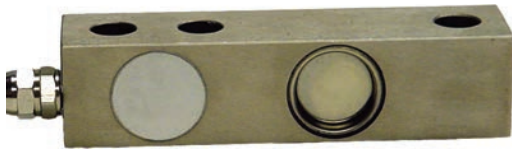
Interchangeable with Sensortronics Model 65023 and Revere Model 5123.
3 mv/v, 0.03% nonlinearity, 390/350 ohm, 20 ft 4 cond cable, nickel plated steel.

Part Number	Capacity	Weight	Stock	Price F
DSB-500	500 lb	3 lb	7292	\$ 148.50
DSB-1K	1,000 lb	3 lb	7293	148.50
DSB-1.5K	1,500 lb	3 lb	7294	148.50
DSB-2K	2,000 lb	3 lb	7295	148.50
DSB-2.5K	2,500 lb	3 lb	7296	148.50
DSB-4K	4,000 lb	3 lb	7297	148.50
DSB-5KSE	5,000 lb	3 lb	7298	148.50
DSB-5K	5,000 lb	5 lb	7299	202.40
DSB-10K	10,000 lb	5 lb	7300	202.40
DSB-20K	20,000 lb	9 lb	7326	324.50



Dimensions in inches

Capacity	A	B	C	D	E	F	G	H
500-5KSE	1.00	3.00	0.60	5.12	1.25	1.25	0.53	1/2-20
5K,10K	1.50	3.75	0.75	6.75	1.50	1.50	0.78	3/4-16
20K	2.00	4.88	1.00	8.75	2.00	2.00	1.03	1-14



DSB-M

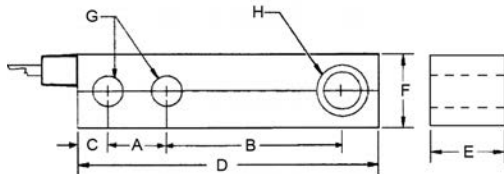
DSB-M Diamond, metric

Interchangeable with the metric Sensortronics Model 65023 and the metric Revere Model 5123. Metric thread in load cell.

3 mv/v, 0.03% nonlinearity, 390/350 ohm, 20 ft 4 cond cable, nickel plated steel.

Part Number	Capacity	Weight	Stock	Price F
DSB-1K-M	1,000 lb	3 lb	7197	\$ 135.00
DSB-1.5K-M	1,500 lb	3 lb	7198	135.00
DSB-5KSE-M	5,000 lb	3 lb	7202	135.00

* Stainlesssteel potted w/ side plate



Dimensions in inches

Capacity	A	B	C	D	E	F	G	H
500-5KSE	1.00	3.00	0.60	5.12	1.25	1.25	0.53	1/2-20
5K,10K	1.50	3.75	0.75	6.75	1.50	1.50	0.78	3/4-16



DSB-SSP Diamond

Potted with side plate, **stainless steel** cell that is interchangeable with Model 65023 and RTI Models 5123/9123. Orange jacket load cell cable is highly visible in any environment. 3 mv/v, 0.02% nonlinearity, 390/350 ohm, 20ft 4 cond cable.

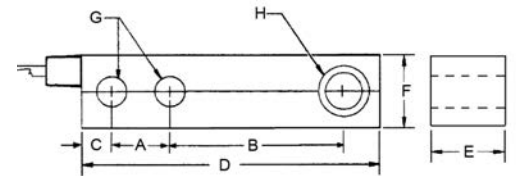
Part Number	Capacity	Weight	Stock	Price E
DSB-250-SSP	250 lb	3 lb	7078	\$ 235.00
DSB-500-SSP	500 lb	3 lb	7079	235.00



DSB-SSP

Dimensions in inches

Capacity	A	B	C	D	E	F	G	H
250-500 lb	1.00	3.00	0.60	5.12	1.25	1.25	0.53	1/2-20



DSB-SSH Diamond

Hermetically sealed **stainless steel** cell that is interchangeable with Model 65023 and RTI Models 5123/9123. Orange jacket load cell cable is highly visible in any environment. 3 mv/v, 0.02% nonlinearity, 390/350 ohm, 20ft 4 cond cable.

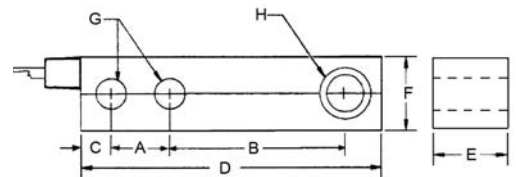
Part Number	Capacity	Weight	Stock	Price E
DSB-1K-SSH	1,000 lb	3 lb	7080	\$ 245.00
DSB-1.5K-SSH	1,500 lb	3 lb	7081	245.00
DSB-2K-SSH	2,000 lb	4 lb	7082	245.00
DSB-2.5K-SSH	2,500 lb	4 lb	7083M	245.00
DSB-4K-SSH	4,000 lb	4 lb	7084	245.00
DSB-5KSE-SSH	5,000 lb	4 lb	7085M	245.00
DSB-5K-SSH	5,000 lb	4 lb	7086	284.00
DSB-10K-SSH	10,000 lb	5 lb	7087	284.00
DSB-20K-SSH	20,000 lb	9 lb	7088	553.00



DSB-SSH

Dimensions in inches

Capacity	A	B	C	D	E	F	G	H
1K-5KSE	1.00	3.00	0.60	5.12	1.25	1.25	0.53	1/2-20
5K-20K	1.50	3.75	0.75	6.75	1.50	1.50	0.78	3/4-16



Prices are subject to change without notice. Please call for current prices.

Other items are available from the manufacturers, please call for prices.

Beam



GSB



GSB General Sensor

Interchangeable with Sensortronics 65023 and RTI 5123.

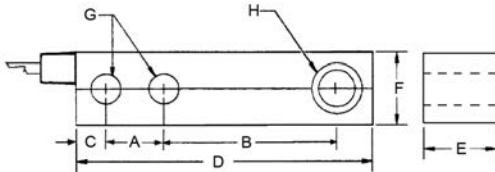
3 mv/v, 0.03% nonlinearity, 350/350 ohm, 20 ft 4 cond cable, nickel plated steel.
NTEP 98-033 S III 3,000 div & M III 5,000 div (1,000 - 10,000 lb)

Part Number	Capacity	Weight	Stock	Price D
GSB-250 *	250 lb	3 lb	3611	\$ 151.00
GSB-500 *	500 lb	3 lb	3347	151.00
GSB-1K	1,000 lb	3 lb	3348	151.00
GSB-1.5K	1,500 lb	3 lb	3612	151.00
GSB-2K	2,000 lb	3 lb	3349	151.00
GSB-2.5K	2,500 lb	3 lb	3350	151.00
GSB-4K	4,000 lb	3 lb	3351	151.00
GSB-5K-SE	5,000 lb	3 lb	3614	151.00
GSB-5K	5,000 lb	5 lb	3352	263.00
GSB-10K	10,000 lb	5 lb	3353	263.00
GSB-15K *	15,000 lb	9 lb	3615	400.00
GSB-20K *	20,000 lb	9 lb	3616	400.00

Larger envelope w/ 1-1/4" height rather than 1" for 100 lb - 500 lb

GSB-100-L *	100 lb	3 lb	4059	180.00
GSB-250-L *	250 lb	3 lb	2414	180.00
GSB-500-L *	500 lb	3 lb	4060	180.00

* Not NTEP



Dimensions in inches

Capacity	A	B	C	D	E	F	G	H
250-500	1.00	3.00	0.60	5.12	1.00	1.00	0.53	1/2-20
1K-5KSE	1.00	3.00	0.60	5.12	1.25	1.25	0.53	1/2-20
5K,10K	1.50	3.75	0.75	6.75	1.50	1.50	0.78	3/4-16
15K,20K	2.00	4.88	1.00	8.75	2.00	2.00	1.03	1-14



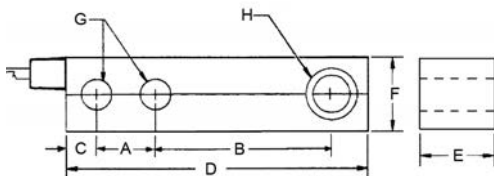
SBS-5KSE

SBS Transcell

Interchangeable with Sensortronics 65023 and RTI 5123.

3 mv/v, 0.03% nonlinearity, 350/350 ohm, 20 ft 4 cond cable, nickel plated steel.

Part Number	Capacity	Weight	Stock	Price C
SBS-250	250 lb	3 lb	4406	\$ 125.00
SBS-5KSE	5,000 lb	3 lb	661	125.00



Dimensions in inches

Capacity	A	B	C	D	E	F	G	H
250-5KSE	1.00	3.00	0.62	5.12	1.25	1.25	0.53	1/2-20

Prices are subject to change without notice. Please call for current prices.

Other items are available from the manufacturers, please call for prices.

Beam

PA6140 CCell

3 mv/v, 0.03% nonlinearity, 385/350 ohm, 20 ft 4 cond cable, alloy tool steel, IP67.
NTEP 05-123, Class III 5,000 div,

Part Number	Capacity	Weight	Stock	Price E
PA6140-100*	100 lb	3 lb	7092	\$ 206.00
PA6140-250*	250 lb	3 lb	7093	206.00
PA6140-500*	500 lb	3 lb	7094	206.00
PA6140-1K	1,000 lb	3 lb	7095	206.00
PA6140-2.5K	2,500 lb	3 lb	7096	206.00
PA6140-3K	3,000 lb	3 lb	7097	248.00
PA6140-4K	4,000 lb	3 lb	7098	206.00
PA6140-5KSE	5,000 lb	4 lb	7099	206.00
PA6140-5K	5,000 lb	5 lb	7100	262.00
PA6140-10K	10,000 lb	5 lb	7101	262.00

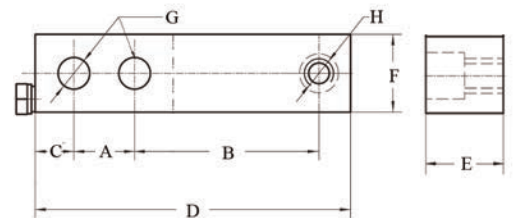
* Not NTEP



PA6140

Dimensions in inches

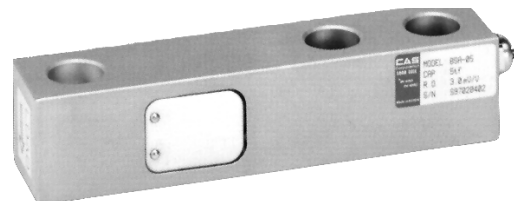
Capacity	A	B	C	D	E	F	G	H
100-4K	1.00	3.00	0.62	5.12	1.25	1.25	0.53	1/2-20
5KSE	1.00	3.00	0.62	5.12	1.25	1.25	0.53	1/2-20
5K-10K	1.50	3.75	0.75	6.75	1.50	1.50	0.78	3/4-16



BSA CAS

Interchangeable with Sensortronics 65023 and RTI 5123.
3 mv/v, 0.025% combined error, 350/350 ohm, 20 ft 4 cond cable, nickel plated steel, IP66.
NTEP 96-072, 5,000 div, 1,000 lb - 10,000 lb

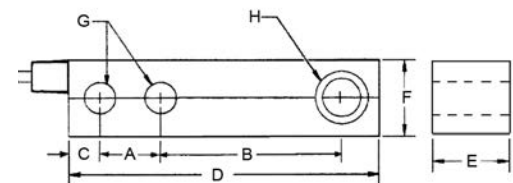
Part Number	Capacity	Weight	Stock	Price E
BSA-1K	1,000 lb	3 lb	5667	\$ 175.00
BSA-2K	2,000 lb	3 lb	5668	175.00
BSA-2.5K	2,500 lb	3 lb	5669	175.00
BSA-3K	3,000 lb	3 lb	5670	175.00
BSA-4K	4,000 lb	3 lb	5671	175.00
BSA-5K-SE	5,000 lb	3 lb	5672	175.00
BSA-10K	10,000 lb	5 lb	5673	275.00



BSA

Dimensions in inches

Capacity	A	B	C	D	E	F	G	H
1K-5K	1.00	3.00	0.62	5.12	1.25	1.25	0.53	1/2-20
5K,10K	1.50	3.75	0.75	6.75	1.50	1.50	0.78	3/4-16



Prices are subject to change without notice. Please call for current prices.

Other items are available from the manufacturers, please call for prices.

99 Reagent Lane
Fair Lawn NJ 07410
201-797-2718 * 800-631-0347

 **Totalcomp**
Load Cells

www.totalcomp.com
Fax 201-797-2287
Toll Free Fax 888-797-2288

Beam



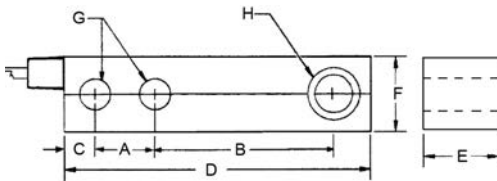
NSB-SS

NSB-SS Nikkei

Interchangeable with Sensortronics 65023-SS and RTI 9123.

3 mv/v, 0.03% nonlinearity, 350/350 ohm, 20 ft 4 cond cable, stainless steel, IP67.

Part Number	Capacity	Weight	Stock	Price D
NSB-250-SS	250 lb	3 lb	2117	\$ 258.00
NSB-500-SS	500 lb	3 lb	2118	258.00
NSB-1K-SS	1,000 lb	3 lb	2119	258.00
NSB-1.5K-SS	1,500 lb	3 lb	407	258.00
NSB-2K-SS	2,000 lb	3 lb	2120	258.00
NSB-2.5K-SS	2,500 lb	3 lb	2121	258.00
NSB-4K-SS	4,000 lb	3 lb	2122	258.00
NSB-5K-SE-SS	5,000 lb	3 lb	2123	258.00
NSB-5K-SS	5,000 lb	5 lb	2124	388.00
NSB-10K-SS	10,000 lb	5 lb	2125	388.00
NSB-10K-SS-40 w/ 40ft cable	10,000 lb	6 lb	3573	450.00
NSB-15K-SS	15,000 lb	9 lb	2126	1,041.00
NSB-20K-SS	20,000 lb	9 lb	2127	1,097.00



Dimensions in inches

Capacity	A	B	C	D	E	F	G	H
250-500	1.00	3.00	0.62	5.12	1.00	1.25	0.53	1/2-20
1K-4K	1.00	3.00	0.62	5.12	1.25	1.25	0.53	1/2-20
5K-10K	1.50	3.75	0.75	6.75	1.50	1.50	0.78	3/4-16
10K-20K	2.00	4.88	1.00	8.88	2.00	2.00	1.03	1"-14



NSB



NSB Nikkei

Interchangeable with Sensortronics 65023 and RTI 5123.

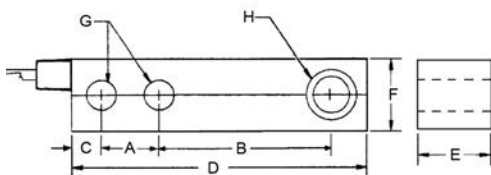
3 mv/v, 0.03% nonlinearity, 350/350 ohm, 20 ft 4 cond cable, nickel plated steel, IP67.

NTEP 93-123 S III 3,000 div & M III 5,000 div & M III L 10,000 div (1,000 lb - 10,000 lb)

Part Number	Capacity	Weight	Stock	Price F
NSB-250 *	250 lb	3 lb	970	\$ 275.00
NSB-500 *	500 lb	3 lb	1407	275.00
NSB-1K	1,000 lb	3 lb	1200	275.00
NSB-1.5K	1,500 lb	3 lb	301	310.00
NSB-2K	2,000 lb	3 lb	1201	275.00
NSB-2.5K	2,500 lb	3 lb	1202	275.00
NSB-4K	4,000 lb	3 lb	1203	275.00
NSB-5K-SE	5,000 lb	3 lb	985	275.00
NSB-5K	5,000 lb	5 lb	1204	360.00
NSB-10K	10,000 lb	5 lb	1205	360.00
NSB-15K*	15,000 lb	9 lb	1198	944.00
NSB-20K*	20,000 lb	9 lb	1199	944.00

Dimensions in inches

Capacity	A	B	C	D	E	F	G	H
250-500	1.00	3.00	0.62	5.12	1.00	1.25	0.53	1/2-20
1K-4K	1.00	3.00	0.62	5.12	1.25	1.25	0.53	1/2-20
5K-10K	1.50	3.75	0.75	6.75	1.50	1.50	0.78	3/4-16
10K-20K	2.00	4.88	1.00	8.88	2.00	2.00	1.03	1"-14



Prices are subject to change without notice. Please call for current prices.

Other items are available from the manufacturers, please call for prices.

Beam

H35 HBM

Hermetically sealed stainless steel. Interchangeable with Toledo model 713 and 793.
3 mv/v, 0.03% combined error, 350/350 ohm, 20 ft 4 cond cable, **stainless steel**, IP67.

Part Number	Capacity	Weight	Stock	Price C
1-H35AN5/500-1-SS	500 lb	3 lb	7851	\$ 285.00
1-H35AN5/1K-1-SS	1,000 lb	3 lb	7852	285.00
1-H35AN5/2.5K-1-SS	2,500 lb	3 lb	7853	285.00
1-H35AN5/4K-1-SS	4,000 lb	3 lb	7854	285.00
1-H35AN5/5K-1-SE-SS	5,000 lb	3 lb	7855	285.00



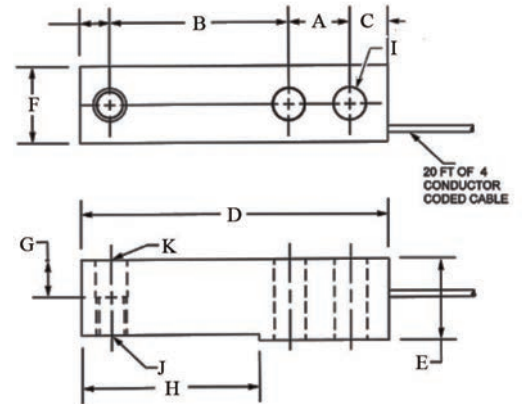
H35

Dimensions in inches

Capacity	A	B	C	D	E	F	G	H
500-5K	1.00	3.00	0.50	5.12	1.19	1.21	0.62	2.85
10K-SS	1.50	3.75	0.62	6.75	1.44	1.44	0.53	3.75

Dimensions in inches

Capacity	I	J	K
500-5K	0.53	1/2-20	0.53
10K	0.78	3/4-16	0.78



NEW

SQB-H Celtron

Stainless steel. Interchangeable with Sensortronics 65083 and Rice Lake RL35023.
3 mv/v, 0.02% combined error, 385/350 ohm, 20 ft 4 cond cable, **stainless steel**, IP68.
NTEP Class III, 5,000M

Part Number	Capacity	Weight	Stock	Price D
SQB-1K-HSS	1,000 lb	3 lb	8092	\$ 325.00
SQB-2K-HSS	2,000 lb	3 lb	8093	325.00
SQB-2.5K-HSS	2,500 lb	3 lb	8094	325.00
SQB-2.5K-HSS w/ 30' cable	2,500 lb	3 lb	8095	340.00
SQB-4K-HSS	4,000 lb	3 lb	8096	325.00
SQB-5K-SE-HSS	5,000 lb	3 lb	8097	325.00
SQB-5K-HSS	5,000 lb	5 lb	8098	425.00
SQB-10K-HSS	10,000 lb	5 lb	8099	425.00

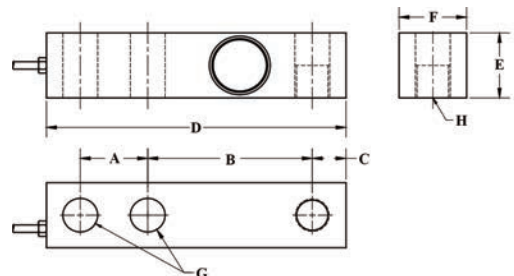


SQB-H



Dimensions in inches

Capacity	A	B	C	D	E	F	G	H
1-5K	1.00	3.00	0.50	5.12	1.22	1.22	0.53	1/2-20 UNF
5-10K	1.50	3.75	0.75	6.75	1.50	1.50	0.78	3/4-16 UNF



Prices are subject to change without notice. Please call for current prices.

Other items are available from the manufacturers, please call for prices.

99 Reagent Lane
Fair Lawn NJ 07410
201-797-2718 * 800-631-0347

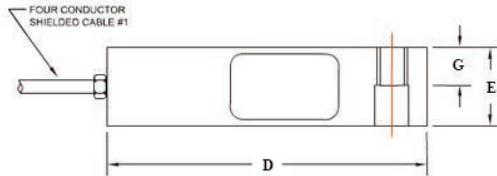
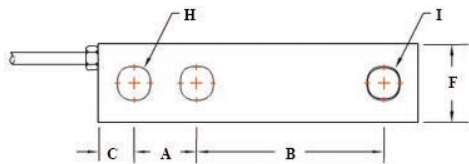
Totalcomp
Load Cells

www.totalcomp.com
Fax 201-797-2287
Toll Free Fax 888-797-2288

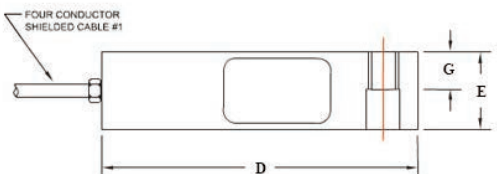
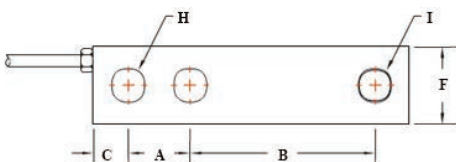
Beam



30310



SS30310



30310 Artech

3 mv/v, 0.03% nonlinearity, 350/350 ohm, 20 ft 4 cond cable, electroless nickel/chrome plated.

FM Approved

NTEP 87-058A6 Class III/III L 5,000 div

Part Number	Capacity	Weight	Stock	Price C
30310-250*	250 lb	3 lb	8062	\$ 265.00
30310-500*	500 lb	3 lb	8063	265.00
30310-1K	1,000 lb	3 lb	8064	265.00
30310-1.5K	1,500 lb	3 lb	8065	265.00
30310-2K	2,000 lb	3 lb	8066	265.00
30310-2.5K	2,500 lb	3 lb	8067	265.00
30310-3K	3,000 lb	3 lb	8068	265.00
30310-4K	4,000 lb	3 lb	8069	265.00
30310-5K-SE	5,000 lb	3 lb	8070	265.00
30310-5K-LE	5,000 lb	9 lb	8071	450.00
30310-10K	10,000 lb	9 lb	8072	450.00
30310-15K	15,000 lb	9 lb	8073	800.00
30310-20K	20,000 lb	9 lb	8074	885.00

* Bending beam

Dimensions in inches

Capacity	A	B	C	D	E	F	G	H	I
250-5k	1.00	3.00	0.60	5.12	1.25	1.25	0.60	0.53	1/2-20 UNF 2B
5KLE-10K	1.50	3.75	0.75	6.75	1.50	1.50	0.75	0.78	3/4-16 UNF 2B
15-20k	2.00	4.75	1.00	8.75	2.00	2.00	1.00	1.03	1-14 UNF 2B

SS30310 Artech

3 mv/v, 0.03% nonlinearity, 350/350 ohm, 20 ft 4 cond cable, **stainless steel**.

FM Approved

NTEP 87-058A6 Class III/III L 5,000 div

Part Number	Capacity	Weight	Stock	Price C
SS30310-250*	250 lb	3 lb	8075	\$ 433.00
SS30310-500*	500 lb	3 lb	8076	433.00
SS30310-1K	1,000 lb	3 lb	8077	433.00
SS30310-1.5K	1,500 lb	3 lb	8078	433.00
SS30310-2K	2,000 lb	3 lb	8079	433.00
SS30310-2.5K	2,500 lb	3 lb	8080	433.00
SS30310-3K	3,000 lb	3 lb	8081	433.00
SS30310-4K	4,000 lb	3 lb	8082	433.00
SS30310-5K-SE	5,000 lb	3 lb	8083	433.00
SS30310-5K-LE	5,000 lb	5 lb	8084	590.00
SS30310-10K	10,000 lb	5 lb	8085	590.00
SS30310-15K	15,000 lb	5 lb	8086	800.00
SS30310-20K	20,000 lb	5 lb	8087	890.00

* Bending beam

Dimensions in inches

Capacity	A	B	C	D	E	F	G	H	I
250-5k	1.00	3.00	0.60	5.12	1.25	1.25	0.60	0.53	1/2-20 UNF 2B
5KLE-10K	1.50	3.75	0.75	6.75	1.50	1.50	0.75	0.78	3/4-16 UNF 2B
15-20k	2.00	4.75	1.00	8.75	2.00	2.00	1.00	1.03	1-14 UNF 2B

Prices are subject to change without notice. Please call for current prices.

Other items are available from the manufacturers, please call for prices.

Beam

TBH35 Totalcomp

Hermetically sealed stainless steel cell that is interchangeable with Sentsortronics Model 65023, RTI Models 5123/9123 and Toledo model 713. The cable color code is different.
3 mv/v, 0.03% combined error, 350/350 ohm, 20 ft 4 cond cable, stainless steel, IP67.

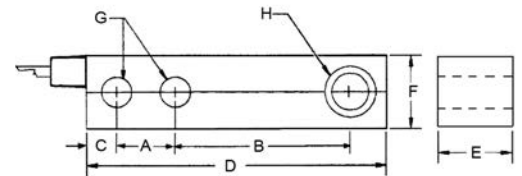
Part Number	Capacity	Weight	Stock	Price C
TBH35-500-SS	500 lb	3 lb	6181	\$ 257.00
TBH35-1K-SS	1,000 lb	3 lb	134	257.00
TBH35-2.5K-SS	2,500 lb	3 lb	135	257.00
TBH35-4K-SS	4,000 lb	3 lb	136	257.00
TBH35-5K-SE-SS	5,000 lb	4 lb	137	257.00



TBH35

Dimensions in inches

Capacity	A	B	C	D	E	F	G	H
1K-5KSE	1.00	3.00	0.62	5.12	1.12	1.21	0.53	1/2-20
10K-SS	1.50	3.75	0.62	6.75	1.44	1.44	0.75	3/4-16



GBH35 General Sensor

Hermetically sealed stainless steel cell that replaces HBM H35. The cable color code is different.
3.0 mv/v, 0.03% combined error, 350/350 ohm, 20 ft 4 cond cable, stainless steel, IP67.

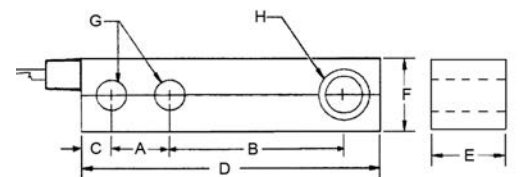
Part Number	Capacity	Weight	Stock	Price C
GBH35-1K	1,000 lb	3 lb	7163	\$ 265.00
GBH35-2.5K	2,500 lb	3 lb	7164	265.00
GBH35-4K	4,000 lb	3 lb	7165	265.00
GBH35-5K-SE	5,000 lb	4 lb	7166	265.00



GBH35

Dimensions in inches

Capacity	A	B	C	D	E	F	G	H
1K-5K-SE	1.00	3.00	0.50	5.12	1.18	1.21	0.53	1/2-20



Prices are subject to change without notice. Please call for current prices.

Other items are available from the manufacturers, please call for prices.

99 Reagent Lane
Fair Lawn NJ 07410
201-797-2718 * 800-631-0347

Totalcomp
Load Cells

www.totalcomp.com
Fax 201-797-2287
Toll Free Fax 888-797-2288

Beam



65083S



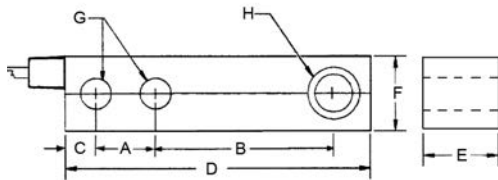
65083S Sensortronics, stainless steel 2 mv/v

Welded seal **stainless steel** cell that is physically but not electrically (2 mv/v rather than 3 mv/v) interchangeable with Sensortronics Model 65023 and RTI Models 5123/9123. White teflon load cell cable, except the 5KSE which has black cable
2 mv/v, 0.03% comb error, 350/350 ohm, 20 ft 4 cond cable, **stainless steel**, IP68.
NTEP 95-058 M III 5,000 div

Part Number	Capacity	Weight	Stock	Price D
65083S-1K-5100	1,000 lb	3 lb	2463	\$ 419.00
65083S-1.5K-5100	1,500 lb	3 lb	2464	419.00
65083S-2.5K-5100	2,500 lb	3 lb	2465	419.00
65083S-4K-5100	4,000 lb	3 lb	2466	419.00
65083S-5KSE-5132(black cable)	5,000 lb	3 lb	2683	419.00
65083S-5K-5100	5,000 lb	5 lb	2467	469.00
65083S-10K-5100	10,000 lb	5 lb	2468	469.00

OIML(C) and SS (S) with Metric thread (M)

65083CS-1000kg-3000M	1,000 kg	3 lb	4882	419.00
----------------------	----------	------	------	--------



Dimensions in inches

Capacity	A	B	C	D	E	F	G	H
1K-5KSE	1.00	3.00	0.62	5.12	1.22	1.22	0.53	1/2-20
5K,10K	1.50	3.75	0.75	6.75	1.50	1.50	0.78	3/4-16



65083



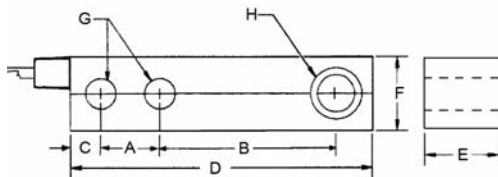
65083 Sensortronics, stainless steel 3 mv/v

Welded seal **stainless steel** cell that is interchangeable with Sensortronics Model 65023 and RTI Models 5123/9123. White teflon load cell cable.
3 mv/v, 0.03% combined error, 350/350 ohm, 20 ft 4 cond cable, **stainless steel**, IP68.

Part Number	Capacity	Weight	Stock	Price D
65083-1K-0100	1,000 lb	3 lb	3806	\$ 399.00
65083-1.5K-0100	1,500 lb	3 lb	3807	399.00
65083-2.5K-0100	2,500 lb	3 lb	3808	399.00
65083-4K-0100	4,000 lb	3 lb	3809	399.00
65083-5K-0100	5,000 lb	5 lb	3810	449.00
65083-10K-0100	10,000 lb	5 lb	3811	449.00
65083-15K-0100	15,000 lb	9 lb	3812	820.00

Dimensions in inches

Capacity	A	B	C	D	E	F	G	H
1K-5KSE	1.00	3.00	0.62	5.12	1.22	1.22	0.53	1/2-20
5K,10K	1.50	3.75	0.75	6.75	1.50	1.50	0.78	3/4-16
15K-20K	2.00	4.88	1.00	8.75	2.00	2.00	1.06	1"-14



Prices are subject to change without notice. Please call for current prices.

Other items are available from the manufacturers, please call for prices.

Beam

65083H Sensortronics

Hermetically sealed stainless steel cell that is physically but not electrically (2 mv/v rather than 3 mv/v) interchangeable with Sensortronics Model 65023 and RTI Models 5123/9123. Includes a glass thru metal seal at cable entry for true hermetic sealing. 2 mv/v, 0.03% combined error, 350/350 ohm, 20 ft 4 cond cable, **stainless steel**, IP68. NTEP 95-058 M III 5,000 div

Part Number	Capacity	Weight	Stock	Price E
65083S-1K-5000H	1,000 lb	3 lb	2305	\$ 505.00
65083S-1.5K-5000H	1,500 lb	3 lb	2306	505.00
65083S-2.5K-5000H	2,500 lb	3 lb	2307	505.00
65083S-4K-5000H	4,000 lb	3 lb	2308	505.00
D5				
65083S-5K-5000H	5,000 lb	5 lb	2309	569.00
65083S-10K-5000H	10,000 lb	5 lb	2310	569.00

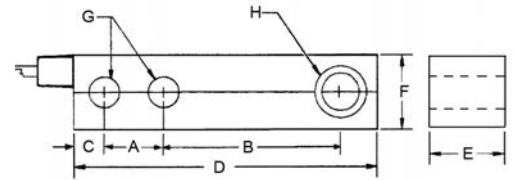


65083H



Dimensions in inches

Capacity	A	B	C	D	E	F	G	H
1K-5KSE	1.00	3.00	0.62	5.12	1.22	1.22	0.53	1/2-20
5K,10K	1.50	3.75	0.75	6.75	1.50	1.50	0.78	3/4-16



UTILCELL

350I Utilcell

Hermetically sealed stainless steel cell that is interchangeable with Sensortronics 65083-0100 and RTI 9123. White jacket teflon load cell cable for easy cleaning and high temperature usage.

3 mv/v, 0.02% nonlinearity, 390/350 ohm, 20ft 4 cond teflon cable, **stainless steel**, IP69K NTEP 17-009

Part Number	Capacity	Weight	Stock	Price C
350I-1K-US	1,000 lb	3 lb	8280	\$ 399.00
350I-1.5K-US	1,500 lb	3 lb	8281	399.00
350I-2.5K-US	2,500 lb	3 lb	8282	399.00
350I-4K-US	4,000 lb	3 lb	8283	399.00
350I-5K-US	5,000 lb	5 lb	8284	449.00
350I-10K-US	10,000 lb	5 lb	8285	449.00

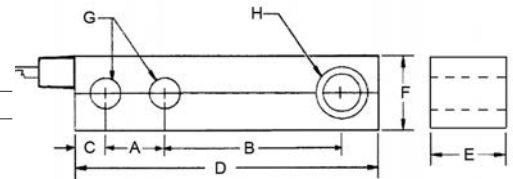


350I



Dimensions in inches

Capacity	A	B	C	D	E	F	G	H
1K-4K	1.00	3.00	0.60	5.12	1.25	1.25	0.53	1/2-20
5K,10K	1.50	3.75	0.75	6.75	1.50	1.50	0.78	3/4-16



Prices are subject to change without notice. Please call for current prices.

Other items are available from the manufacturers, please call for prices.

99 Reagent Lane
Fair Lawn NJ 07410
201-797-2718 * 800-631-0347

Totalcomp
Load Cells

www.totalcomp.com
Fax 201-797-2287
Toll Free Fax 888-797-2288

Beam



65023C



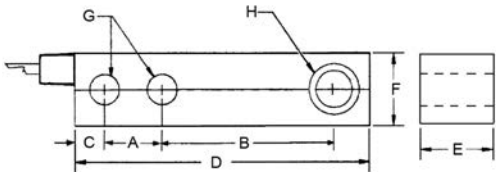
65023C Sensortronics

3 mv/v, 350/350 ohm, 20 ft 4 cond cable, nickel plated steel, IP67.
OIML with metric thread

Part Number	Capacity	Weight	Stock	Price C
65023C-500kg-3107M	1,000 lb	3 lb	8421	\$179.00
65023C-1000kg-3107M	2,000 lb	3 lb	8422	179.00
65023C-2000kg-3107M	4,000 lb	4 lb	8423	179.00
65023C-3000kg-3107M	6,000 lb	4 lb	8424	179.00

Dimensions in inches

Capacity	A	B	C	D	E	F	G	H
500	1.00	3.00	0.62	5.12	1.00	1.25	0.53	1/2-20
1K-3K	1.00	3.00	0.62	5.12	1.25	1.25	0.53	1/2-20



65023CS



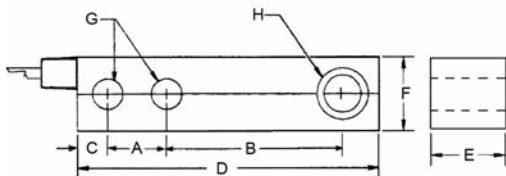
65023CS Sensortronics

3 mv/v, 0.03% nonlinearity, 350/350 ohm, 20 ft, stainless steel, IP67.
OIML with metric thread

Part Number	Capacity	Weight	Stock	Price C
65023CS-2000kg-3107M	4,000 lb	4 lb	8425	\$ 332.00

Dimensions in inches

Capacity	A	B	C	D	E	F	G	H
2K	1.00	3.00	0.62	5.12	1.25	1.25	0.53	1/2-20



Beam

65023 Sensortronics

OIML and metric threads

3 mv/v, 350/350 ohm, 20 ft 4 cond cable, nickel plated steel, IP67.

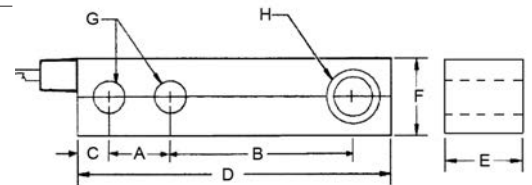
Part Number	Capacity	Weight	Stock	Price C
65023-002T-C3-03F	2,000 kg	3 lb	15	\$ 255.00
65023-003T-C3-00F	3,000 kg	3 lb	16	255.00
65023-005T-C3-00F	5,000 kg	3 lb	17	255.00



65023

Dimensions in inches

Capacity	A	B	C	D	E	F	G	H
2T	0.98	2.99	0.63	5.11	1.25	1.25	0.51	M12 x 1.75-6H
3T-5T	1.49	3.74	0.75	6.73	1.49	1.49	0.81	M20 x 2.50-6H



B8D ZEMIC

Stainless steel, NTEP for floor scales. 3mv/v, 350/350 ohms, 20 ft. cond. cable, stainless steel, IP67.

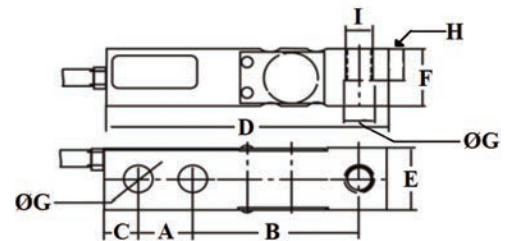
Part Number	Capacity	Weight	Stock	Price C
B8D-N5-250-6YB	250 lb	3 lb	3312	\$ 269.00
B8D-N5-500-6YB	500 lb	3 lb	3313	269.00
B8D-N5-750-6YB	750 lb	3 lb	3314	269.00
B8D-N5-1K-6YB	1.0K	3 lb	3315	269.00
B8D-N5-1.5K-6YB	1.5K	3 lb	3316	269.00
B8D-N5-2K-6YB	2.0K	3 lb	3317	269.00
B8D-N5-2.5K-6YB	2.5K	3 lb	3318	269.00
B8D-N5-3K-6YB	3.0K	3 lb	3319	269.00
B8D-N5-4K-6YB	4.0K	3 lb	3320	269.00
B8D-N5-5KSE-6YB	5.0K	3 lb	3321	269.00
B8D-N5-5KSE-6YB	5.0K	5 lb	3322	389.00
B8D-N5-7.5K-6YB	7.5K	5 lb	3323	389.00
B8D-N5-10K-6YB	10K	6 lb	3324	389.00
B8D-N5-15K-6YB	15K	9 lb	3325	389.00
B8D-N5-20K-6YB	20K	9 lb	3326	389.00



B8D

Dimensions in inches

Capacity	A	B	C	D	E	F	ØG	H	I
0.25k-1k	1.00	3.00	0.61	5.11	1.18	1.23	0.53	0.63	1/20-20UNF-2B
0.5t-5kSE	1.00	3.00	0.61	5.11	1.18	1.23	0.53	0.63	1/2-20UNF-2B
3t-15klb	1.50	3.75	0.75	6.73	1.45	1.45	1.44	0.81	3/4-16UNF-2B
S20klb	2.00	4.75	0.75	8.75	1.95	1.45	1.94	1.08	1-12UNF-2B



Prices are subject to change without notice. Please call for current prices.

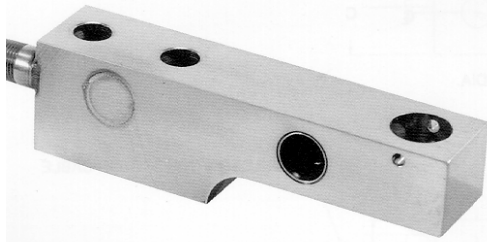
Other items are available from the manufacturers, please call for prices.

99 Reagent Lane
Fair Lawn NJ 07410
201-797-2718 * 800-631-0347

Totalcomp
Load Cells

www.totalcomp.com
Fax 201-797-2287
Toll Free Fax 888-797-2288

Beam



SB-2500S
Stainless steel



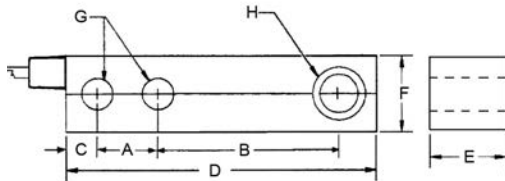
SB Cardinal

2 mv/v, 0.03% nonlinearity, 380/350 ohm, 20 ft 4 cond cable, **stainless steel**.

NTEP 87-059 III, M, 5,000 div; III, S&M, 10,000 div

OIML R60/1991-DK-97.02

Part Number	Capacity	Weight	Stock	Price B5
SB-2500S	2,500 lb	7 lb	4076	\$ 429.00
SB-5000S	5,000 lb	7 lb	4077	429.00
SB-10000S	10,000 lb	11 lb	4078	572.00
SB-20000S	20,000 lb	12 lb	4079	783.00



Dimensions in inches

Capacity	A	B	C	D	E	F	G	H1	H2
2500S	2.50	6.374	0.75	8.00	1.25	1.248	0.53	1.20	3/4-16
5000S	2.50	6.374	0.75	8.00	1.45	1.448	0.53	1.20	3/4-16
10000S	2.00	7.252	1.94	9.00	1.62	1.618	0.78	1.20	0.687
20000S	2.00	7.252	1.94	9.00	2.00	2.000	0.78	1.20	0.687



TSB3

TSB3 Totalcomp

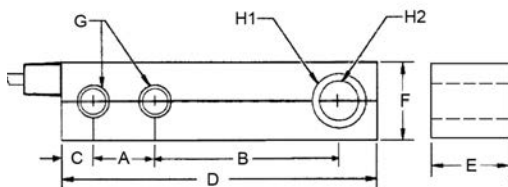
Interchangeable with HBM SB3

2 mv/v, 380/350 ohms, 20 ft 4 cond cable. **stainless steel (1K-10K)**, nickel plated steel (20K)

Part Number	Capacity	Weight	Stock	Price C
TSB3-1K	1,000 lb	6 lb	37	\$ 654.50
TSB3-2K	2,000 lb	6 lb	38	654.50
TSB3-5K	5,000 lb	6 lb	39	654.50
TSB3-10K	10,000 lb	12 lb	40	775.50
TSB3-20K	20,000 lb	19 lb	41	1,138.50

Dimensions in inches

Capacity	A	B	C	D	E	F	G	H1	H2
1-5K	2.50	3.87	0.75	8.00	1.88	1.44	0.52	1.19	0.68
10K	2.62	4.87	0.83	9.25	2.75	1.88	0.88	1.63	1.00
20K	3.25	5.50	1.00	11.00	3.25	2.38	1.06	2.01	1.25



Prices are subject to change without notice. Please call for current prices.

Other items are available from the manufacturers, please call for prices.

Beam

TB9523 Totalcomp

Hermetically sealed **stainless steel** cell that is interchangeable with Sensortronics 65023 and RTI 5123/9123.

3 mv/v, 0.03% nonlinearity, 350/350 ohm, 20 ft 4 cond cable, **stainless steel**, IP67.

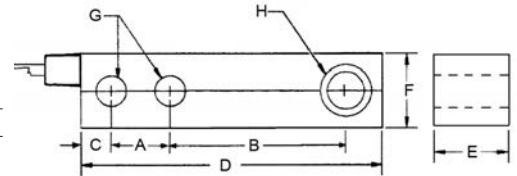
Part Number	Capacity	Weight	Stock	Price C
TB9523-1K	1,000 lb	3 lb	980	\$ 540.00
TB9523-2.5K	2,500 lb	3 lb	981	540.00
TB9523-4K	4,000 lb	3 lb	982	540.00
TB9523-5K	5,000 lb	5 lb	983	592.00
TB9523-10K	10,000 lb	5 lb	984	618.00

Dimensions in inches

Capacity	A	B	C	D	E	F	G	H
1K-4K	1.00	3.00	1.62	6.12	1.25	1.25	0.53	1/2-20
5K,10K	1.50	3.75	1.71	7.71	1.50	1.50	0.78	3/4-16



TB9523



BBS HBM

Interchangeable with BLH Model LBG1. Same as Model BBS1, BBS2 and BBS2F. The boot is filled with an insulating grease.

FM Approved.

2 mv/v, 0.03% nonlinearity, 810/750 ohm (50-1K), 375/350 ohm (2.5K-7.5K), 10 ft 4 cond cable, nickel plated steel.

NTEP 87-087 S/M III 3,000 div.

Part Number	Capacity	Weight	Stock	Price C
BBS-50-10121	50 lb	2 lb	483	\$1,047.00
BBS-100-10121	100 lb	3 lb	484	819.00
BBS-200-10121	200 lb	3 lb	475	771.00
BBS-250-10121	250 lb	3 lb	485	742.00
BBS-500-10121	500 lb	3 lb	486	742.00
BBS-1K-10121	1,000 lb	3 lb	487	742.00

Note: BBS-1KLE is replaced with NBB-1KLE Stock 1900.

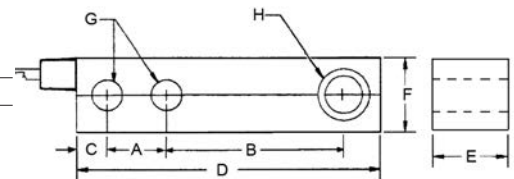
BBS-2.5K is replaced with NBB 2.5K Stock 1901.

Dimensions in inches

Capacity	A	B	C	D	E	F	G	H
50,100	0.88	4.25	0.38	6.00	1.06	1.38	0.31	0.31
200-1K	1.12	4.25	0.50	6.66	1.06	1.38	0.51	0.51



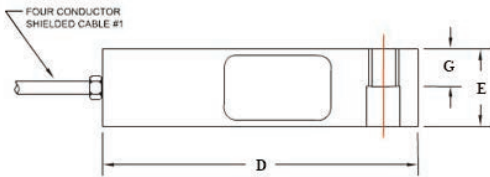
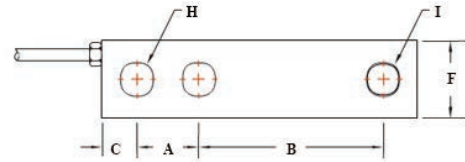
BBS



Beam



SS30510



SS30510 Artech

Stainless steel beam. 3 mv/v, 350/350 omhs, 20 ft 4 cond. cable, stainless steel IP67

Part Number	Capacity	Weight	Stock	Price C
SS30510-500	500 lb	4 lb	246	\$ 473.00

Dimensions in inches

Capacity	A	B	C	D	E	F	G	H	I
500 lb	0.53	2.25	1.20	5.12	0.60	1.20	3.00	0.81	1/2-20 UNF-2B

Beam

SB14 Flintec

Replacement for beam cell in Fairbanks LCF-4060 base. Load hole is blind. Cone counterbore. Set screw holes (2) on side of cell.
2 mv/v, 0.02% combined error, 1100/1000 ohm, 9 ft 4 cond cable, **stainless steel**, IP68.

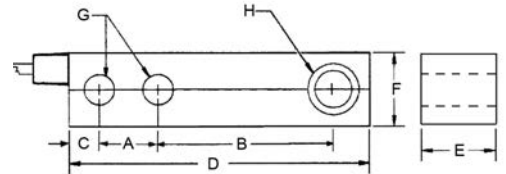
Part Number	Fairbanks	New	Capacity	Weight	Stock	Price C
SB14-500LB-HB	-----	-----	500 lb	4 lb	6049	\$ 346.00
SB14-1KLB-HB	LCF-HR4060-2	63895	1,000 lb	4 lb	6447	346.00
SB14-2.5KLB-HB	LCF-HR4060-3	63896	2,500 lb	4 lb	6448	346.00
SB14-5KLB-HB	LCF-HR4060-4	63897	5,000 lb	6 lb	6449	346.00



SB14
Fairbanks replacement

Dimensions in inches

Capacity	A	B	C	D	E	F	G	H
500-5K	1.00	3.00	0.75	5.25	1.22	1.18	0.51	Blind



SLB Flintec

Replacement for beam cell in Fairbanks Aegis base. Load hole is blind. Cone counterbore. Set screw holes (2) on side of cell.
2 mv/v, 0.02% combined error, 1100/1000 ohm, 9 ft 4 cond cable, **stainless steel**, IP67.
NTEP 97-061 III S 4,000 div M 7,500 div

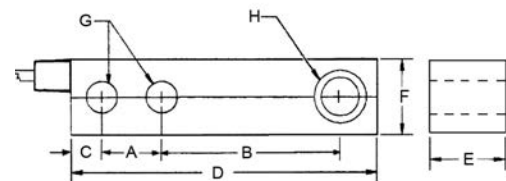
Part Number	Fairbanks	New	Capacity	Weight	Stock	Price C
Thru Hole						
SLB-200LB-HB	-----	-----	200 lb	4 lb	6052	\$ 240.00
SLB-500LB-HB	-----	-----	500 lb	4 lb	6053	240.00
SLB-1KLB-HB	92984-1	63889	1,000 lb	4 lb	6054	240.00
SLB-2.5KLB-HB	92984-2	63890	2,500 lb	4 lb	6055	240.00
SLB-5KLB-HB	92984-3	63891	5,000 lb	4 lb	6057	240.00
Threaded load hole						
SLB-200LB-CU-C3	-----	-----	200 lb	4 lb	747	240.00
SLB-500LB-CU-C3	-----	-----	500 lb	4 lb	748	240.00
SLB-1KLB-CU-C3	-----	-----	1,000 lb	4 lb	749	240.00
SLB-2.5KLB-CU-C3	-----	-----	2,500 lb	4 lb	750	240.00
SLB-5KLB-CU-C3	-----	-----	5,000 lb	4 lb	751	240.00



SLB
Fairbanks replacement

Dimensions in inches

Capacity	A	B	C	D	E	F	G	H
500-5K	1.00	3.00	0.75	5.25	1.22	1.18	0.51	Blind



Prices are subject to change without notice. Please call for current prices.

Other items are available from the manufacturers, please call for prices.

99 Reagent Lane
Fair Lawn NJ 07410
201-797-2718 * 800-631-0347

Totalcomp
Load Cells

www.totalcomp.com
Fax 201-797-2287
Toll Free Fax 888-797-2288

Beam



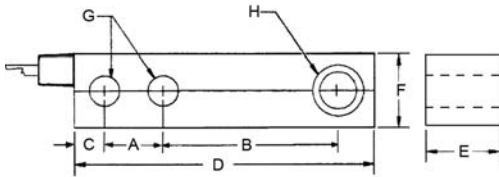
NBB

NBB-SS Nikkei

Interchangeable with HBM Model BBS.

2 mv/v, 0.03% nonlinearity, 810/750 ohm (50 to 1K), 375/350 ohm (1KLE to 7.5K), 30 ft 4 cond cable, **stainless steel**, IP67.

Part Number	Capacity	Weight	Stock	Price D
NBB-50-SS	50 lb	2 lb	1894	\$ 484.00
NBB-100-SS	100 lb	3 lb	1895	484.00
NBB-200-SS	200 lb	3 lb	1896	484.00
NBB-250-SS	250 lb	3 lb	1897	484.00
NBB-500-SS	500 lb	3 lb	1898	484.00
NBB-1K-SS	1,000 lb	3 lb	1899	484.00
NBB-1KLE-SS	1,000 lb	9 lb	1900	731.50
NBB-2.5K-SS	2,500 lb	10 lb	1901	731.50
NBB-5K-SS	5,000 lb	28 lb	1902	1,210.00
NBB-7.5K-SS	7,500 lb	28 lb	1903	1,210.00



Dimensions in inches

Capacity	A	B	C	D	E	F	G	H
50, 100	0.875	4.25	0.38	6.00	1.38	1.38	0.281	0.328

NEW



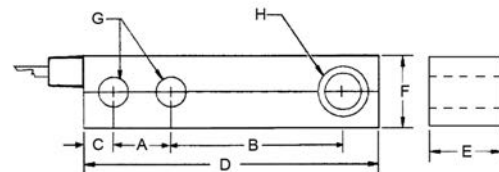
H8C

H8C Zemic

2 mv/v, 0.03% nonlinearity, 350/350 ohm 20 ft shielded 4 cond cable, **nickel plated alloy steel**, IP67.

NTEP CC12-028

Part Number	Capacity	Weight	Stock	Price B
H8C-N51K-6YB	1,000 lb	3 lb	7103	\$ 205.35
H8C-N5-1.5K-6YB	1,500 lb	3 lb	7104	205.35
H8C-N5-2.5K-6YB	2,500 lb	3 lb	7105	205.35
H8C-N5-4K-6YB	4,000 lb	3 lb	7106	205.35
H8C-N5-5KSE-6YB	5,000 lb	3 lb	7107	205.35
H8C-N5-5K-6YB	5,000 lb	5 lb	7108	244.20
H8C-N5-10K-6YB	10,000 lb	5 lb	7109	244.20
H8C-N5-20K-6YB	20,000 lb	9 lb	7110	338.35



Dimensions in inches

Capacity	A	B	C	D	E	F	G	H
1K-5KSE	1.00	3.00	0.62	5.11	1.25	1.25	1.33	1/2-20 UNF
5K-10K	1.50	3.75	0.75	6.75	1.50	1.50	1.57	3/4-16 UNF
20K	2.00	4.75	1.00	8.75	2.00	2.00	2.06	1-12 UNF

Prices are subject to change without notice. Please call for current prices.

Other items are available from the manufacturers, please call for prices.

Beam

ACB Revere

2 mv/v, 1000/1000 ohms, 3m 6 cond. cable for 500kg and 1 t, 6m 6 cond. cable for 2t and 5t, stainless steel, IP68.

Part Number	Capacity	Weight	Stock	Price C
00ACB-500k-C3-01X	500 kg	5 lb	144	\$ 319.00
00ACB-001T-C3-01X	1 t	5 lb	145	319.00
00ACB-002T-C3-01X	2 t	5 lb	146	319.00
00ACB-005T-C3-01X	5 t	5 lb	147	379.00



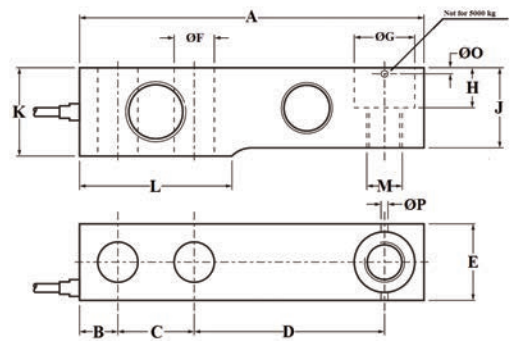
ACB

Dimensions in inches

Capacity	A	B	C	D	E	ØF	ØG	H	J
500K	5.11	0.61	1.00	3.00	1.25	0.51	0.80	0.55	1.02
1t	5.11	0.61	1.00	3.00	1.25	0.51	0.80	0.55	1.10
2t	5.11	0.61	1.00	3.00	1.25	0.51	0.80	0.55	1.25
5t	6.77	0.75	1.50	3.75	1.49	0.80	1.18	0.78	1.57

Dimensions in inches continued

Capacity	K	L	M	ØO	ØP
500K-1t	1.25	2.24	M12	3.00	3.20
2t	1.40	2.24	M12	3.00	3.20
5t	1.73	3.00	M20	3.00	3.20



Prices are subject to change without notice. Please call for current prices.

Other items are available from the manufacturers, please call for prices.

99 Reagent Lane
Fair Lawn NJ 07410
201-797-2718 * 800-631-0347

Totalcomp®
Load Cells

www.totalcomp.com
Fax 201-797-2287
Toll Free Fax 888-797-2288

Beam



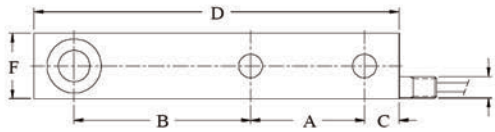
SSB



SSB Revere Transducers Inc

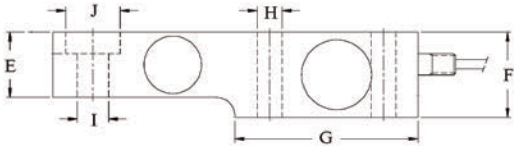
Hermetically sealed. Interchangeable with HBM Model SB3 and Nikkei NSSB.
 2 mv/v, 0.03% nonlinearity, 350/350 ohm, 15 ft 4 cond cable, stainless steel
 NTEP 86-041 S III 3,000 div, M III 10,000 div

Part Number	Capacity	Weight	Stock	Price C
SSB-B10-1K-15P5	1,000 lb	6 lb	478	\$ 685.00
SSB-B10-2K-15P5	2,000 lb	6 lb	479	685.00
SSB-B10-5K-15P5	5,000 lb	6 lb	480	685.00
SSB-B10-10K-15P5	10,000 lb	12 lb	481	760.00



Dimensions in inches

Capacity	A	B	C	D	E	F	G	H	I	J
5-2K	2.50	3.87	0.75	8.00	1.44	1.44	4.00	0.55	0.69	1.19
5K	2.63	0.50	0.81	9.25	1.87	2.75	4.38	0.87	1.00	1.63



Beam

GSE General Sensor

Replacement for HBM SBE & SBTE and ElectroScale low profile shear beams. Load hole is threaded. 500 lb is 3/8-16UNC, 4K is 1/2-20UNF, 10K is 3/4-10UNC.
3 mv/v, 0.02% nonlinearity, 412/352 ohm, 20 ft 4 cond cable, nickel plated steel, IP67.

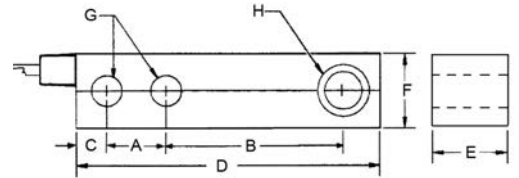
Part Number	ElectroScale	Capacity	Weight	Stock	Price C
GSE-500	017116-001	500 lb	2 lb	860	\$ 520.00



GSE
Beam Cell

Dimensions in inches

Capacity	A	B	C	D	E	F	G	H
500	1.50	2.25	0.40	4.50	0.49	0.73	0.257	3/8-16
4K	1.75	3.00	1.75	6.00	1.25	1.25	0.257	1/2-20
10K	2.60	4.80	0.81	9.25	1.75	1.88	0.810	3/4-10



NSSB Nikkei

Hermetically sealed stainless steel shear beam. Interchangeable with HBM Model SB3 and RTI SSB.

2 mv/v, 0.03% nonlinearity, 350/350 ohm, 20 ft 4 cond cable, **stainless steel**, IP67.

Part Number	Capacity	Weight	Stock	Price C
NSSB-1K-SS	1,000 lb	6 lb	1598	\$ 654.50
NSSB-2K-SS	2,000 lb	6 lb	1599	654.50
NSSB-4K-SS	4,000 lb	6 lb	1600	654.50
NSSB-5K-SS	5,000 lb	6 lb	1601	654.50
NSSB-10K-SS	10,000 lb	12 lb	1602	775.50
NSSB-40K-SS	40,000 lb	26 lb	1603	2,129.60

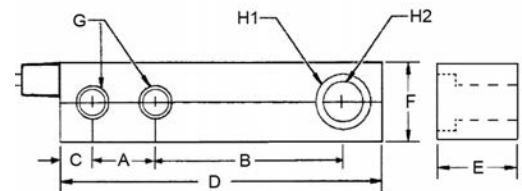


NSSB

* Resistance on 40K is 1,000/1,000 ohms

Dimensions in inches

Capacity	A	B	C	D	E	F	G	H1	H2
1K-5K	2.50	3.88	0.75	8.00	1.88	1.45	0.53	1.19	0.68
10K	2.63	4.88	0.81	9.25	2.75	1.88	0.88	1.63	1.00
40K	3.50	6.25	1.25	12.50	3.75	2.75	1.31	1.88	1-1/2-12



Prices are subject to change without notice. Please call for current prices.

Other items are available from the manufacturers, please call for prices.

99 Reagent Lane
Fair Lawn NJ 07410
201-797-2718 * 800-631-0347

Totalcomp
Load Cells

www.totalcomp.com
Fax 201-797-2287
Toll Free Fax 888-797-2288

Beam

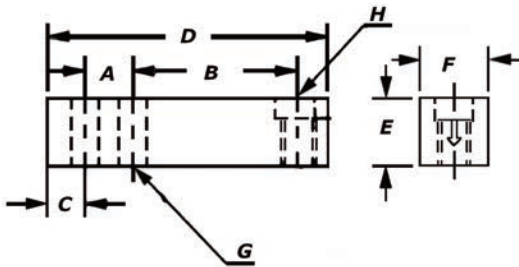


Revere 9523

Hermetically sealed, **stainless steel**. 3 mv/v, 350/350 ohms, 20 ft 4 cond. cable, stainless steel, IP68.

Part Number	Capacity	Weight	Stock	Price C
9523-1K	1,000 lb	3 lb	1281	\$ 545.00
9523-2.5K	2,500 lb	3 lb	1282	545.00
9523-4K	4,000 lb	3 lb	1283	545.00
9523-5K	5,000 lb	5 lb	1284	1,000.00
9523-10K	10,000 lb	5 lb	1285	625.00

9563



Dimensions in inches

Capacity	A	B	C	D	E	F	G	H
1K-4K	1.00	3.00	1.62	6.12	1.25	1.25	.53	.81
5K-10k	1.50	3.75	1.71	7.71	1.50	1.50	.78	1.19

Prices are subject to change without notice. Please call for current prices.

Other items are available from the manufacturers, please call for prices.

Beam

BLC HBM

Matched outputs. Nameplate on cell shows 1.5 mv/v at half capacity. Interchangeable with AW200 Airway Toledo 713 and Fairbanks 357416.

3 mv/v, 0.02% nonlinearity, 1000/1000 ohm, 17-4 stainless steel.

10 ft 4 cond cable - 500 lb, 1K, 2.5K, 4K ; 20 ft 4 cond cable - 5K, 10K.

Part Number	Capacity	Toledo	Weight	Stock	Price C
Threaded load hole					
BLC-250-10716*	250 lb	084756020	2 lb	2925	\$ 453.00
BLC-500-10125*	500 lb		2 lb	782	433.00
BLC-500-10531 (1K)	1,000 lb	084757020	3 lb	954	350.00
BLC-1.25K-10531 (2.5K)	2,500 lb	8476008020	3 lb	955	350.00
BLC-2K-10531 (4K)	4,000 lb	8476004020	3 lb	956	350.00
BLC-2.5K-20531 (5K)	5,000 lb	8476002020	4 lb	957	484.00
BLC-5K-20531 (10K)	10,000 lb	8476001020	5 lb	958	535.00

Counterbored & threaded load hole

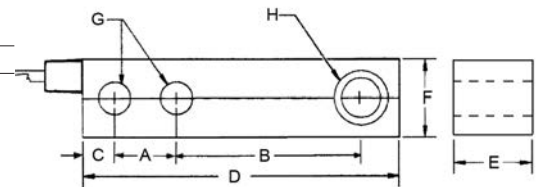
BLC-500-10225*	500 lb	08521620	2 lb	891	433.00
BLC-500-10631 (1K)	1,000 lb	08521920	3 lb	989	350.00
BLC-1.25K-10631 (2.5K)	2,500 lb	80328020	3 lb	990	350.00
BLC-2K-10631 (4K)	4,000 lb	80329020	3 lb	991	350.00
BLC-2.5K-20631 (5K)	5,000 lb	083220020	4 lb	992	484.00
BLC-5K-20631 (10K)	10,000 lb	083221020	5 lb	993	535.00

Dimensions in inches

Capacity	A	B	C	D	E	F	G	H
500-4K	1.0	3.00	0.645	5.25	1.19	1.21	0.52	1/2-20
5K	1.5	3.75	0.745	6.75	1.44	1.45	0.78	3/4-16
10K	1.5	3.75	0.745	6.75	1.69	1.69	0.78	3-4-16



BLC Beam Cell-SS



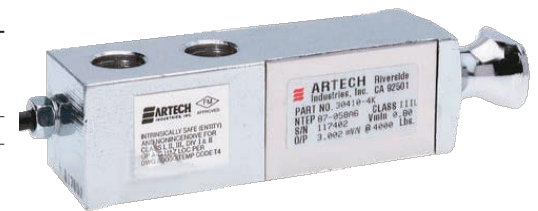
30410 Artech

Link beam

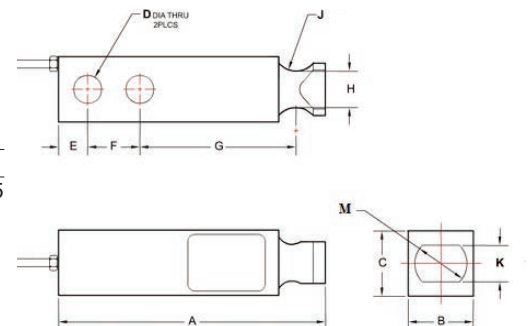
3mv/v, 350/350 ohm, 20 ft 4 cond cable, nickel plate steel, IP68

NTEP 87-058 SIII/IIIL, 5,000 div

Part Number	Capacity	Weight	Stock	Price C5
30410-1K	1,000 lb	4 lb	8426	\$ 302.00
30410-2K	2,000 lb	4 lb	8427	302.00
30410-2.5K	2,500 lb	4 lb	8428	302.00
30410-4K	4,000 lb	4 lb	8429	302.00
30410-5KSE	5,000 lb	4 lb	8430	302.00
30410-5KLE	5,000 lb	5 lb	8431	468.00
30410-10K	10,000 lb	5 lb	8432	468.00



30410



Dimensions in inches

Capacity	A	B	C	D	E	F	G	J	K	M
1K-10K	1.00	3.00	0.62	5.12	1.23	1.23	0.53	0.50	0.56	0.75

Prices are subject to change without notice. Please call for current prices.

Other items are available from the manufacturers, please call for prices.

99 Reagent Lane
Fair Lawn NJ 07410
201-797-2718 * 800-631-0347

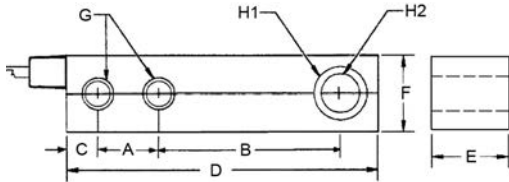
Totalcomp
Load Cells

www.totalcomp.com
Fax 201-797-2287
Toll Free Fax 888-797-2288

Beam



BLC
Beam Cell SS



BLC Diamond

Matched outputs. Nameplate on cell shows 1.5 mv/v at half capacity.
3 mv/v, 0.02% nonlinearity, 1000/1000 ohm, 17-4 **stainless steel**.
10 ft 4 cond cable - 500 lb, 1K, 2.5K, 4K ; 20 ft 4 cond cable - 5K, 10K.

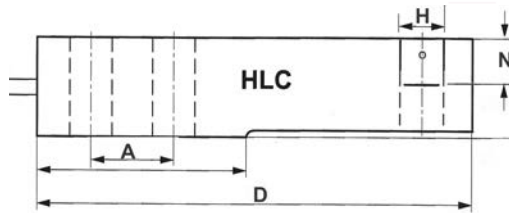
Part Number	Capacity	Toledo	Weight	Stock	Price C
Threaded load hole					
BLC-250-10716	250 lb	084756020	2 lb	7915	\$ 419.00
BLC-500-10125	500 lb		2 lb	7916	438.00
BLC-500-10531 (1K)	1,000 lb	084757020	3 lb	7917	323.00
BLC-1.25K-10531 (2.5K)	2,500 lb	8476008020	3 lb	7918	323.00
BLC-2K-10531 (4K)	4,000 lb	8476004020	3 lb	7919	323.00
BLC-2.5K-20531 (5K)	5,000 lb	8476002020	4 lb	7920	490.00
BLC-5K-20531 (10K)	10,000 lb	8476001020	5 lb	7921	542.00
Counterbored & threaded load hole					
BLC-500-10225	500 lb	08521620	2 lb	7922	438.00
BLC-500-10631 (1K)	1,000 lb	08521920	3 lb	7923	308.00
BLC-1.25K-10631 (2.5K)	2,500 lb	80328020	3 lb	7924	354.00
BLC-2K-10631 (4K)	4,000 lb	80329020	3 lb	7925	354.00
BLC-2.5K-20631 (5K)	5,000 lb	083220020	4 lb	7926	447.00
BLC-5K-20631 (10K)	10,000 lb	083221020	5 lb	7927	542.00

Dimensions in inches

Capacity	A	B	C	D	E	F	G	H
500-4K	1.0	3.00	0.645	5.25	1.19	1.2	0.52	1/2-20
5K	1.5	3.75	0.745	6.75	1.44	1.45	0.78	3/4-16
10K	1.5	3.75	0.745	6.75	1.69	1.69	0.78	3/4-16



HLC



HLC-B1 HBM

Hermetically sealed, low overall height.
1.94 mv/v, 350-480/350 ohm, **Stainless Steel**, IP68
6 cond cable, 220 & 550kg 3m, 2.2t 6m

Part Number	Capacity	Weight	Stock	Price C
1-HLC-B1-C3/2.2t	2.2 t	4 lb	8418	\$ 558.00
1-HLC-B1-D1/220kg-1	220 kg	4 lb	8419	462.00
1-HLC-B1-C3/550kg-1	550 kg	4 lb	8420	467.00
1-HLC-B1-C3/4.4t	4.4 t	6 lb	8358	750.00

Dimensions in inches

Capacity	A	D	E	H	N
2.2t	1.50	6.75	1.43	M20	0.67
220K-550K	1.00	5.25	1.18	M12	0.56

HLC-A1 HBM

Hermetically sealed, low overall height.
1.94 mv/v, 350-480/350 ohm, **Stainless Steel**, IP68
6 cond cable, 220 & 550kg 3m, 2.2t 6m

Part Number	Capacity	Weight	Stock	Price C
1-HLC-A1-C3/2201KG-1t	220 kg	4 lb	668	\$ 482.00
1-HLC-A1-C3/550kg-1	550 kg	4 lb	669	467.00
1-HLC-A1-C3/1.1T-1	1.1 t	4 lb	670	467.00
1-HLC-A1-C3-1.76T-1	1.76 t	4 lb	671	467.00
1-HLC-A1-C3-2.2T	2.2 t	5 lb	672	558.00
1-HLC-A1-C3-4.4T	4.4 t	6 lb	673	746.00



Prices are subject to change without notice. Please call for current prices.

Other items are available from the manufacturers, please call for prices.

Beam

TBM4 Totalcomp

Interchangeable with Toledo®/Masstron ML4000 Series with blind load hole. 12.5" long, 2.75"W, 2.75"H, 3.5" mounting hole spacing, 6.25" load hole spacing. 2 mv/v, 0.03% nonlinearity, 350/350 ohm, 30 ft 4 cond cable, nickel plated steel, IP67.

Part Number	Toledo	Capacity	Weight	Stock	Price D
TBM4-35K	ML4437	35,000 lb	26 lb	666	\$ 1,742.40
TBM4-45K	ML4447/49	45,000 lb	28 lb	871	1,742.40
TBM42-45K *	13329000B	45,000 lb	28 lb	129	1,742.40

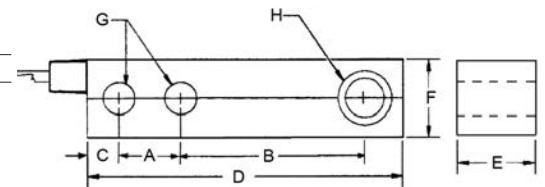
* 2,000 ohm bridge



TBM4
New Style shown with step
(pistol grip)

Dimensions in inches

Capacity	A	B	C	D	E	F	G	H
35K,45K	3.50	6.25	1.25	12.50	2.75	2.75	1.31	1.50



5102 Revere Transducers Inc

2 mv/v, 0.03% nonlinearity, 350/350 ohm, 10 ft 4 cond cable, nickel plated steel.

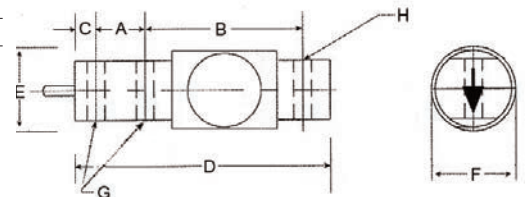
Part Number	Capacity	Weight	Stock	Price C
5102-D3-50-10P1		50 lb	2 lb	523 \$ 479.00
5102-D3-100-10P1		100 lb	2 lb	524 479.00
5102-D3-200-10P1		200 lb	2 lb	525 479.00
5102-D3-500-10P1		500 lb	2 lb	526 479.00
5102-D3-1K-10P1		1,000 lb	2 lb	527 499.00
5102-D3-2.5K-10P1		2,500 lb	3 lb	528 499.00
5102-D3-5K-10P1		5,000 lb	5 lb	415 579.00
5102-D3-10K-10P1		10,000 lb	5 lb	529 579.00



5102

Dimensions in inches

Capacity	A	B	C	D	E	F	G	H
50-200	0.62	3.50	0.38	5.00	1.23	1.25	0.27	0.39
500-1000	1.00	3.25	0.62	5.38	1.23	1.25	0.41	0.41
2500	1.00	3.25	0.62	5.38	1.23	1.25	0.41	0.53
5000-10,000	1.75	4.03	0.75	7.28	1.70	1.75	0.66	0.78



Prices are subject to change without notice. Please call for current prices.

Other items are available from the manufacturers, please call for prices.

99 Reagent Lane
Fair Lawn NJ 07410
201-797-2718 * 800-631-0347

Totalcomp®
Load Cells

www.totalcomp.com
Fax 201-797-2287
Toll Free Fax 888-797-2288

Beam



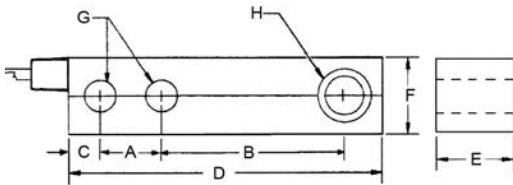
SB4-C



SB4 Flintec

Hermetically sealed stainless steel beam load cell w/counterbore for Paramount® HS. Load hole has a blind counterbore. Interchangeable with Fairbanks SB4 load cell. 2 mv/v, 0.03% combined error, 1,106/1,000 ohm, 4 cond cable length below, stainless steel, IP68. NTEP 90-086, III, 5,000 div.

Part Number	Capacity	Nominal	Weight	Stock	Price C
10ft cable					
SB4-5kN-C3	500 kg	1,125 lb	4 lb	4771	\$ 473.00
SB4-10kN-C3	1,000 kg	2,250 lb	4 lb	4772	473.00
SB4-20kN-C3	2,000 kg	4,500 lb	4 lb	4773	473.00
SB4-23kN-C3	2,300 kg	5,200 lb	6 lb	4785	621.00
15ft cable					
SB4-50kN-C3	5,000 kg	11,250 lb	9 lb	4774	781.00
SB4-100kN-C1	10,000 kg	22,500 lb	9 lb	4775	914.00



Dimensions in inches

Capacity	A	B	C	D	E	F	G	H
5kN-20kN	1.38	3.15	0.98	6.10	1.42	1.18	0.51	0.71
50kN	1.57	4.13	0.94	7.48	1.93	1.69	0.83	0.98
100kN	1.97	5.31	1.18	9.65	2.87	2.36	1.06	1.18



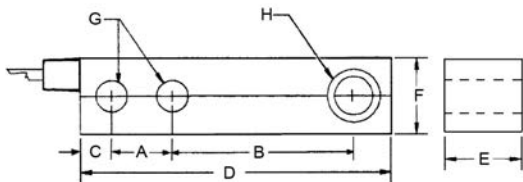
SB5-C



SB5 Flintec

Beam load cell w/counterbore for Paramount® EP. Load hole has a blind counterbore. 2 mv/v, 0.03% combined error, 1,106/1,000 ohm, 4 cond cable length below, stainless steel, IP67. NTEP 93-134, III, 5,000 div.

Part Number	Capacity	Nominal	Weight	Stock	Price C
3m cable					
SB5-5kN-C	500 kg	1,125 lb	4 lb	4776	\$ 323.00
SB5-10kN-C	1,000 kg	2,250 lb	4 lb	4777	323.00
SB5-20kN-C	2,000 kg	4,500 lb	4 lb	4778	323.00
4.5m cable					
SB5-50kN-C	5,000 kg	11,250 lb	9 lb	4779	507.00
SB5-100kN-C	10,000 kg	22,500 lb	15 lb	4841	784.00



Dimensions in inches

Capacity	A	B	C	D	E	F	G	H
5kN-20kN	1.38	3.15	0.98	6.10	1.42	1.18	0.51	0.71
50kN	1.57	4.13	0.94	7.48	1.93	1.69	0.83	0.98
100kN	1.97	5.31	1.18	9.65	2.87	2.36	1.06	1.18

Prices are subject to change without notice. Please call for current prices.

Other items are available from the manufacturers, please call for prices.

Beam

TB2 Totalcomp

Interchangeable with Toledo® beam load cells for 1985/2095/2155/2885 platforms.
2 mv/v, 0.02% nonlinearity, 440/450 ohm, 15 ft 4 cond cable, stainless steel, IP67.

Part Number	Toledo®	Capacity	Weight	Stock	Price D
Replacement for Toledo® 2095 platform.					
TB2-100-SS	11102200A	100 lb	4 lb	1457	\$ 598.40
TB2-200-SS	11103500A	200 lb	4 lb	1458	598.40
TB2-250-SS		250 lb	4 lb	4473	598.40
TB2-300-SS		300 lb	4 lb	4474	598.40

Replacement for Toledo® 2155 & 2885 low profile platforms.

TB2-500-SS	11785600A (2155) 12744300B (2885)	500 lb	4 lb	1459	598.40
TB2-1K-SS	11786900A	1,000 lb	4 lb	1460	598.40
TB2-2K-SS	11788500A	2,000 lb	4 lb	1461	598.40

Mounting hardware

Bearing cup and ball for TB2/TB3 beam	1 lb	1474MB	58.30
Conical load button for TB2/TB3 beam	1 lb	708MB	54.00



TB2



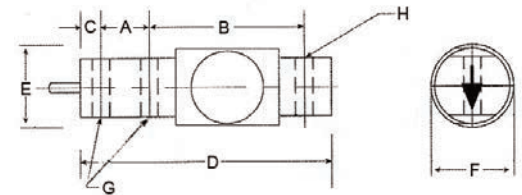
Conical
Load Button
100-300 lb



TB2-TB3
Bearing cup
and 7/8" dia ball
500-2K SS

Dimensions in inches

Capacity	A	B	C	D	E	F	G	H
100, 300	2.00	2.45	0.50	5.37	1.00	1.00	0.53	0.19
500-2K	1.00	4.00	0.50	6.13	1.75	1.75	0.53	1/2-20



NEW

5723 Revere Transducer

3 mv/v, 0.02% combined error, 350/350 ohm, 20 ft 4 cond cable, nickel plated steel, IP67

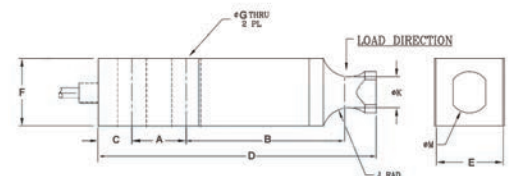
Part Number	Capacity	Weight	Stock	Price C
5723-A5-2.5K-20P1	2,500 lb	5 lb	1411	275.00



5723

Dimensions in inches

Capacity	A	B	C	D	E	F	G	J	K	M
2.5K	1.00	3.00	0.62	5.12	1.23	1.23	0.53	0.50	0.56	0.75



Prices are subject to change without notice. Please call for current prices.

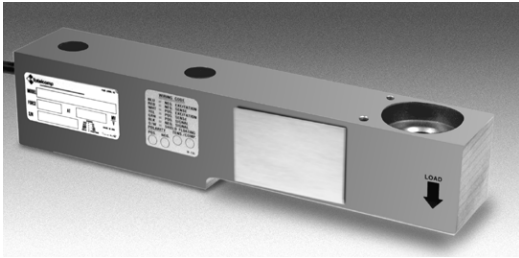
Other items are available from the manufacturers, please call for prices.

99 Reagent Lane
Fair Lawn NJ 07410
201-797-2718 * 800-631-0347

Totalcomp®
Load Cells

www.totalcomp.com
Fax 201-797-2287
Toll Free Fax 888-797-2288

Beam

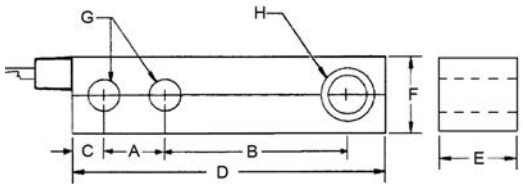


TB743

TB743 Totalcomp

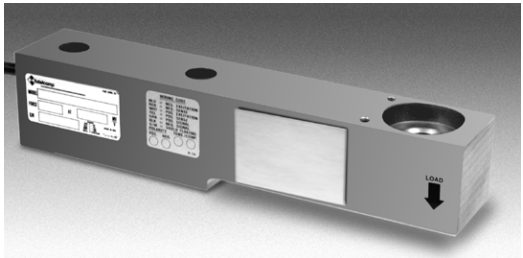
Interchangeable with Toledo® beam load cells for 743 Flexmount.
2 mv/v, 0.02% nonlinearity, 350/350 ohm, 20 ft 4 cond cable, **stainless steel**, IP68.

Part Number	Toledo	Masstron	Capacity	Weight	Stock	Price C
TB743-1K	13136900C	ML4311	1,000 lb	6 lb	2910	\$ 847.00
TB743-3K	13079300C	ML4331	3,000 lb	6 lb	2911	847.00
TB743-5K	13078900C	ML4350	5,000 lb	6 lb	2912	847.00
TB743-10K	13078400C	ML4410	10,000 lb	9 lb	2913	1,058.20
TB743-20K	13077500C	ML4420	20,000 lb	18 lb	2914	1,058.20



Dimensions in inches

Capacity	A	B	C	D	E	F	G	H
1K-5K	2.500	3.880	0.620	7.993	1.450	1.463	0.500	1.200
10K	2.625	4.860	0.754	9.250	2.059	1.702	0.767	1.480
20K	3.250	5.419	1.035	11.000	2.375	2.335	1.036	1.835

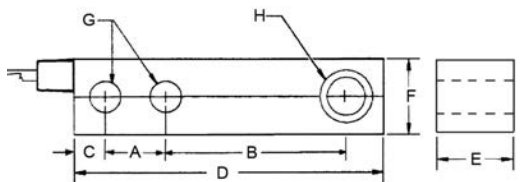


GB743

GB743 General Sensor

Interchangeable with Toledo® beam load cells for 743 Flexmount.
2 mv/v, 0.02% nonlinearity, 350/350 ohm, 20 ft 4 cond cable, **stainless steel**, IP68.

Part Number	Toledo	Masstron	Capacity	Weight	Stock	Price C
GB743-1K	13136900C	ML4311	1,000 lb	6 lb	7941	\$ 719.40
GB743-3K	13079300C	ML4331	3,000 lb	6 lb	7942	719.40
GB743-5K	13078900C	ML4350	5,000 lb	6 lb	7943	719.40
GB743-10K	13078400C	ML4410	10,000 lb	9 lb	7944	898.70
GB743-20K	13077500C	ML4420	20,000 lb	18 lb	7945	898.70



Dimensions in inches

Capacity	A	B	C	D	E	F	G	H
1K-5K	2.500	3.880	0.620	7.993	1.450	1.463	0.500	1.200
10K	2.625	4.860	0.754	9.250	2.059	1.702	0.767	1.480
20K	3.250	5.419	1.035	11.000	2.375	2.335	1.036	1.835

Prices are subject to change without notice. Please call for current prices.

Other items are available from the manufacturers, please call for prices.

Avery Weigh-Tronix

Interchangeable with Weigh-Tronix Weigh Bar®

2 mv/v, 0.03% nonlinearity, 350/350 ohm, 20 ft 4 cond cable, **stainless steel**, IP67.

Part Number	Weigh-Tronix	Capacity	Weight	Stock	Price C
WBP-5K	17257-0129	12 lb	-----	6393	\$ 798.00

Beam



NWB

NWB Nikkei

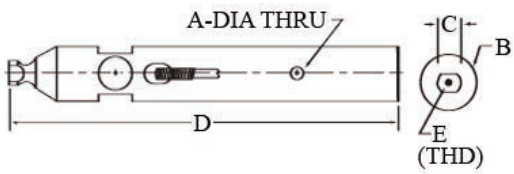
Interchangeable with Weigh-Tronix Weigh Bar®

2 mv/v, 0.03% nonlinearity, 350/350 ohm, 20 ft 4 cond cable, **stainless steel**, IP67.

Part Number	Weigh-Tronix	Capacity	Weight	Stock	Price C
----	14700	250 lb	----	----	----
----	14701	500 lb	----	----	----
NWB-1.25K	14702	1,250 lb	5 lb	1468	\$ 544.50
NWB-2.5K	14703 *	2,500 lb	7 lb	1469	544.50
* Not interchangeable with 13495-0054-2.5K					
NWB-5K	13498	5,000 lb	10 lb	1470	617.10
NWB-10K	13851	10,000 lb	17 lb	1471	665.50
NWB-25K	18824/17604	25,000 lb	38 lb	1472	998.25
NWB-37.5K (3mv/v)		37,500 lb	38 lb	3995	998.25

Weigh Bar® is a registered trademark of Weigh-Tronix Inc

Dimensions in inches



Capacity	A	B	C	D	E
1.25K	0.312	1.25	0.63	11.50	8-32
2.5K	0.375	1.25	0.70	11.50	6-32
5K	0.375	1.62	0.88	10.88	8-32
10K	0.50	2.50	0.88	12.63	8-32
25K	0.50	3.50	1.75	15.00	5/16-18
37.5K	0.50	3.50	1.75	15.00	5/16-18



CG-WB

CG-WB Coti Global

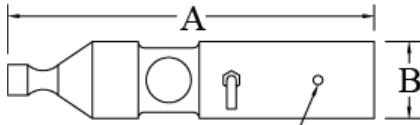
Interchangeable with Weigh-Tronix Weigh Bar®. Stainless steel single ended beam environmentally protected IP67.

2 mv/v, 0.03% nonlinearity. 350/350 ohms, 20' 4 cond cable, **stainless steel**, IP67

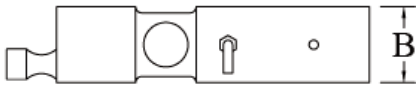
NTEP 05-043 IILL M 10,000 div

Part Number	Capacity	Weigh-Tronix	Weight	Stock	Price D
CG-WB-1.25K*	1,250 lb	14702	5 lb	6674	\$ 544.50
CG-WB-2.5K	2,500 lb	14703	7 lb	6723	544.50
CG-WB-5K	5,000 lb	13798	10 lb	6724	617.10
CG-WB-10K	10,000 lb	13851	17 lb	6725	665.50
CG-WB-25K	25,000 lb	18824/17604	38 lb	6726	998.25
CG-WB-37.5K	37,500 lb	18824	38 lb	6727	998.25
CG-WB-50K(3.50" dia)	50,000 lb	27173	38 lb	6728	1,130.80
CG-WB-50K(3.75" dia)	50,000 lb	50104	42 lb	6729	1,149.50
CG-WB-60K	60,000 lb	50935	45 lb	6467	1,149.50
CG-WB-75K*	75,000 lb	-----	100 lb	6591	1,391.50

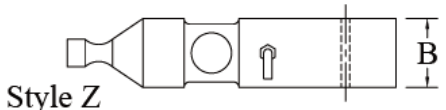
* Not NTEP



Style X



Style Y



Style Z

Dimensions in inches

Capacity	Style	A	B	C
1.25k	X	11.50	1.25	0.31
2.5K	X	11.50	1.62	0.38
5K	Y	10.88	2.00	0.38
10K	X	12.62	2.50	0.38
25K-50K-27173	X	14.88	3.50	0.50
50K-50104	Z	14.88	3.75	0.50
60K	Z	15.39	3.75	0.50
75K	X	18.88	5.00	0.50

Prices are subject to change without notice. Please call for current prices.

Other items are available from the manufacturers, please call for prices.

Beam

TZ6 Totalcomp

Hermetically sealed. Interchangeable with HBM Z6, RTI SHB, Tedea DC6, Cardinal CB6, Toledo model 777.

2 mv/v, 0.03% total error, 380/350 ohms, 3 m 6 cond cable, **stainless steel**, IP68.

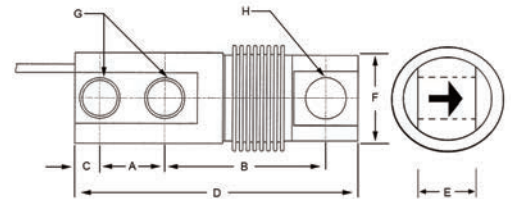
Part Number	Toledo	Capacity	Nominal	Weight	Stock	Price D
TZ6-5	TB600654-030	5 kg	10 lb	2 lb	2813	\$ 389.00
TZ6-10	TB600655-030	10 kg	20 lb	2 lb	2814	389.00
TZ6-20	TB600656-030	20 kg	40 lb	2 lb	2815	389.00
TZ6-50	TB600657-030	50 kg	100 lb	2 lb	2816	389.00
TZ6-100	TB600658-030	100 kg	200 lb	2 lb	2817	389.00
TZ6-200	083298-020	200 kg	400 lb	2 lb	2818	389.00
TZ6-250		250 kg	500 lb	2 lb	2819	389.00



TZ6

Dimensions in inches

Capacity	A	B	C	D	E	F	G	H
5-250kg	0.71	3.23	0.24	4.56	0.79	1.06	0.32	0.32



F60X Scame

Hermetically sealed. Interchangeable with HBM Z6 for capacities 10kg to 500kg.

2 mv/v, 0.017% total error, 385/350 ohms, 3 m 4 cond cable, **stainless steel**, IP68.

OIML 613 AK/PA Class III 3,000 div.

Part Number	Capacity	Nominal	Weight	Stock	Price C
F60X-10	10 kg	20 lb	2 lb	1933	\$ 532.00
F60X-20	20 kg	40 lb	2 lb	1934	532.00
F60X-50	50 kg	100 lb	2 lb	1935	532.00
F60X-100	100 kg	200 lb	2 lb	1936	532.00
F60X-200	200 kg	400 lb	2 lb	1937	532.00
F60X-300	300 kg	600 lb	2 lb	5745	532.00
F60X-500	500 kg	1,000 lb	2 lb	5746	532.00
F60X-0.5t	0.5 t	1,000 lb	4 lb	5747	500.00
F60X-1t	1 t	2,000 lb	4 lb	5748	500.00
F60X-2t	2 t	4,000 lb	4 lb	5749	500.00
F60X-5t	5 t	10,000 lb	8 lb	5750	706.00

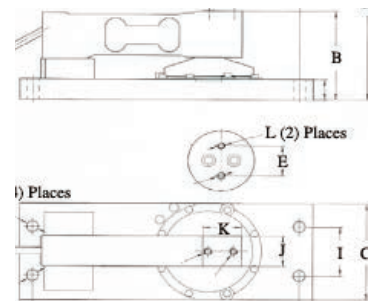


F60X



Dimensions in inches

Capacity	A	B	C	D	E	F	G	H
10-500kg	0.71	3.23	0.39	4.72	0.79	1.06	0.32	0.32
0.5-2t	1.00	3.00	0.45	5.00	1.10	1.42	0.51	M12
5t	1.50	3.75	0.51	6.57	1.97	1.57	0.81	M20



Prices are subject to change without notice. Please call for current prices.

Other items are available from the manufacturers, please call for prices.

99 Reagent Lane
Fair Lawn NJ 07410
201-797-2718 * 800-631-0347

Totalcomp
Load Cells

www.totalcomp.com
Fax 201-797-2287
Toll Free Fax 888-797-2288

Beam



LFB-250M
Stainless steel

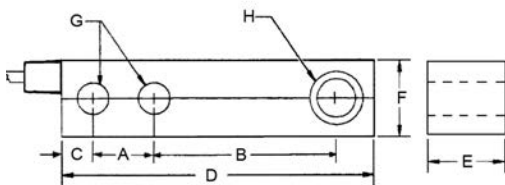
LFB Cardinal

2 mv/v, 0.03% nonlinearity, 380/350 ohm, 10 ft 4 cond cable, **stainless steel**.

Part Number	Capacity	Nominal	Weight	Stock	Price B5
LFB-250M	250 lb	125 kg	4 lb	5255	\$ 357.00
LFB-500HMT	500 lb	250 kg	4 lb	5256	357.00
LFB-1000HMT	1,000 lb	500 kg	4 lb	5257	357.00
LFB-2500HMT	2,500 lb	1,250 kg	4 lb	5258	357.00

M= 0.875" counterbore and (2) 0.31" side holes

HTM= 0.875" counterbore and M12 x 1,75 threaded hole



Dimensions in inches

Capacity	A	B	C	D	E	F	G	H
250M	0.75	2.45	1.00	4.74	1.00	1.00	0.68	0.85
500-2500HMT	0.75	2.45	1.00	4.74	1.00	1.00	0.68	M12

TB Cardinal

Environmentally sealed **stainless steel**, 2mv/v, 400/350 ohms, 10ft 4 cond. cable. IP67

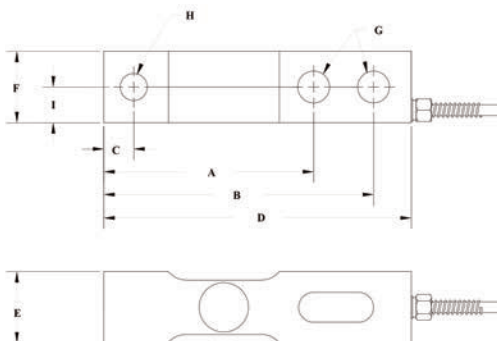
NTEP 99-0A18111, 5,000 div.

OIML R60/1991-DK-97.03

Part Number	Capacity	Nominal	Weight	Stock	Price B5
TB-2.5KM	2,500 lb	5,000 kg	4 lb	239	\$ 416.00



TB



Dimensions in inches

Capacity	A	B	C	D	E	F	G	H	I
2.5 lb	3.50	4.50	0.50	5.13	1.19	1.19	0.53	M12	0.59

Prices are subject to change without notice. Please call for current prices.

Other items are available from the manufacturers, please call for prices.

Beam

Weigh-Tronix WBL + WBP

For use in Weigh-Tronix scales.
2 mv/v, 350/350 ohms, 2 m 4 cond cable, painted steel, IP67.

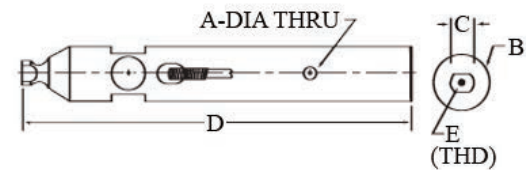
Part Number	Capacity	Weight	Stock	Price C
41035-1076	1.25K	5 lb	43	\$ 629.00
19180-0010	2.5K	7 lb	44	629.00
13498-0010	5K	10 lb	45	629.00
17256-0021	20K	30 lb	46	1,472.00



WBL WBP

Dimensions in inches

Capacity	A	B	C	D	E
1.25K	0.312	1.25	0.63	11.50	8-32
2.5K	0.375	1.25	0.70	11.50	6-32
5K	0.375	1.62	0.88	10.88	8-32
20K	0.50	3.50	1.75	15.00	5/16-18



60030 Sensortronics

Used in ElectroScale High Impact LC Scale.
3 mv/v, 0.05% nonlinearity, 350/350 ohm, 20 ft 4 cond cable, nickel plated steel, IP67.

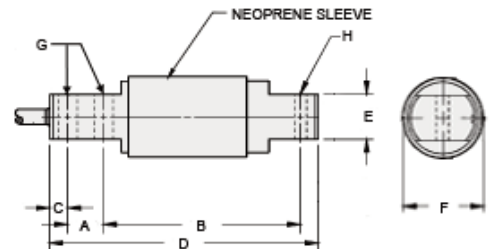
Part Number	Capacity	Weight	Stock	Price C
60030-50	50 lb	1 lb	393	\$ 330.00
60030-75	75 lb	1 lb	394	330.00
60030-150	150 lb	1 lb	395	330.00
60030-300	300 lb	1 lb	396	330.00



60030

Dimensions in inches

Capacity	A	B	C	D	E	F	G	H
25-300	0.50	2.75	0.25	3.75	0.63	1.12	0.265	0.172



Prices are subject to change without notice. Please call for current prices.

Other items are available from the manufacturers, please call for prices.

99 Reagent Lane
Fair Lawn NJ 07410
201-797-2718 * 800-631-0347

Totalcomp®
Load Cells

www.totalcomp.com
Fax 201-797-2287
Toll Free Fax 888-797-2288

Beam

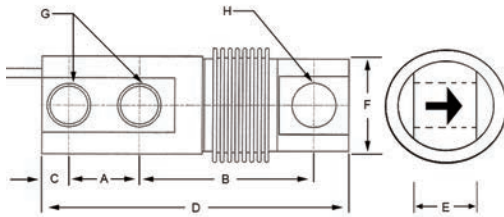


CFS

CFS - Rhino

Hermetically sealed. Interchangeable with TedeA 355, HBM Z6, RTI SHB, TedeA DC6, Cardinal CB6.
2 mv/v, 0.03% total error, 380/350 ohms, 3 m 6 cond orange cable, **stainless steel**, IP68.

Part Number	Capacity	Nominal	Weight	Stock	Price D
CFS Rhino 263505	5 kg	10 lb	2 lb	3618	\$ 258.00



Dimensions in inches

Capacity	A	B	C	D	E	F	G	H
5kg	0.71	3.23	0.39	4.72	0.79	0.91	0.32	0.32

Beam

60040 Sensortronics

3 mv/v, 0.03% nonlinearity, 350/350 ohm, 20 ft 4 cond cable, nickel plated steel, IP65.

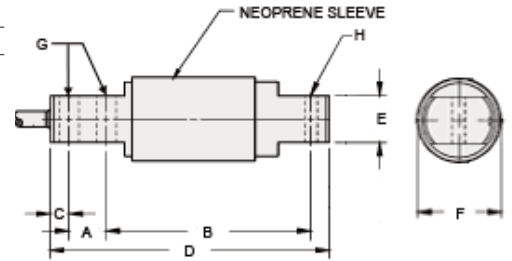
Part Number	Capacity	Weight	Stock	Price C
60040-25	25 lb	1 lb	105	\$ 245.00
60040-50	50 lb	1 lb	139	245.00
60040-75	75 lb	1 lb	140	245.00
60040-100	100 lb	1 lb	141	245.00
60040-150	150 lb	1 lb	142	245.00
60040-250	250 lb	1 lb	143	245.00
60040-500	500 lb	1 lb	106	245.00



60040

Dimensions in inches

Capacity	A	B	C	D	E	F	G	H
25-500	0.50	1.81	0.25	2.81	0.62	1.13	0.26	0.26



SHB Revere NTEP

2mv/v, 460/350 ohms, 3m 4 cond. cable, fully welded stainless steel, IP68..

Part Number	Capacity	Weight	Stock	Price C
00SHB-010k-B1-00N*	10 kg	2 lb	3299	\$ 428.00
00SHB-020k-B1-00N	20 kg	2 lb	3300	428.00
00SHB-030k-B1-00N	30 kg	2 lb	3301	428.00
00SHB-050k-B1-00N	50 kg	2 lb	3302	390.00
00SHB-100k-B1-00N	100 kg	2 lb	3303	390.00
00SHB-200k-B1-00N	200 kg	2 lb	3304	390.00
00SHB-350k-B1-00N	350 kg	4 lb	3305	390.00
00SHB-500k-B1-00N	500 kg	4 lb	3306	390.00

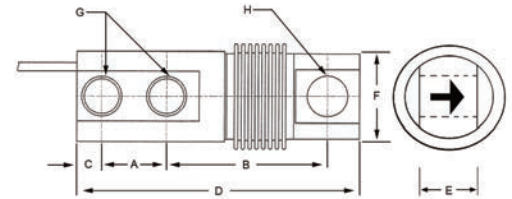
*not NTEP



SHB NTEP

Dimensions in inches

Capacity	A	B	C	D	E	F	G	H	I
7.2-72 kg	5.12	0.47	1.24	4.17	0.47	0.59	13.78	4 x M6	2.16



SHB Revere OIML

2mv/v, 460/350 ohms, 3m 4 cond. cable, fully welded stainless steel, IP68..

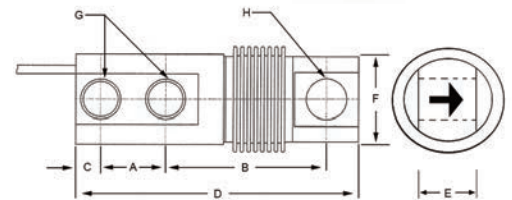
Part Number	Capacity	Weight	Stock	Price C
00SHB-010k-C3-01X*	10 kg	2 lb	3339	\$ 428.00
00SHB-020k-C3-01X	20 kg	2 lb	3340	428.00
00SHB-030k-C3-00X	30 kg	2 lb	3341	428.00
00SHB-050k-C3-01X	50 kg	2 lb	3342	390.00
00SHB-100k-C3-01X	100 kg	2 lb	3343	390.00
00SHB-200k-C3-01X	200 kg	2 lb	3344	390.00
00SHB-350k-C3-01X	350 kg	4 lb	3345	390.00
00SHB-500k-C3-01X	500 kg	4 lb	3306	390.00



SHB OIML

Dimensions in inches

Capacity	A	B	C	D	E	F	G	H	I
7.2-72 kg	5.12	0.47	1.24	4.17	0.47	0.59	13.78	4 x M6	2.16



Prices are subject to change without notice. Please call for current prices.

Other items are available from the manufacturers, please call for prices.

99 Reagent Lane
Fair Lawn NJ 07410
201-797-2718 * 800-631-0347

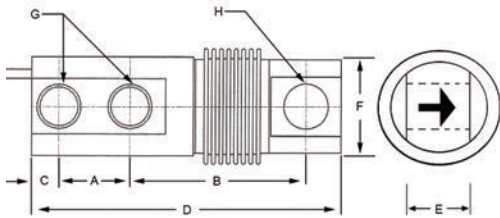
Totalcomp®
Load Cells

www.totalcomp.com
Fax 201-797-2287
Toll Free Fax 888-797-2288

Beam



Z6



Z6 HBM

Hermetically sealed, low profile, stainless steel bellows and element make this cell ideal for harsh or caustic environments as well as washdown applications.

2 mv/v, 0.05/0.1% combined error, 350/350 ohms & 380/350 ohms, 10 ft 4 cond cable, **stainless steel**.

OIML Class C3 3,000 div.

Part Number	Capacity	Nominal	Weight	Stock	Price C
1-Z6FD1-5KG-1	5 kg	10 lb	2 lb	2797	\$ 597.00
1-Z6FC3-10KG-1	10 kg	20 lb	2 lb	2798	597.00
1-Z6FC3-20KG-1	20 kg	40 lb	2 lb	2799	597.00
1-Z6FC3-50KG-1	50 kg	100 lb	2 lb	2800	597.00
1-Z6FC3-100KG-1	100 kg	200 lb	2 lb	2801	597.00
1-Z6FC3-200KG-1	200 kg	400 lb	2 lb	2802	597.00
1-Z6FC3-500-KG-1	500 kg	1,000 lb	2 lb	2803	597.00
1-Z6FC3-1T-1	1 t	2,000 lb	6 lb	2804	657.00

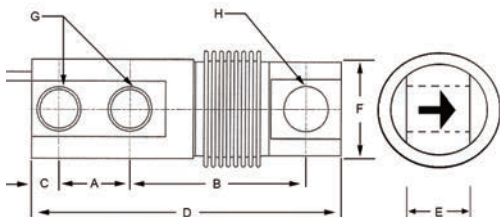
Dimensions in inches

Capacity	A	B	C	D	E	F	G	H
5-200kg	0.71	3.23	0.24	4.56	0.79	1.06	0.32	0.32
500kg	0.71	3.23	0.24	4.56	0.79	1.06	0.41	0.44
1t	1.57	5.24	0.59	8.27	0.98	1.57	0.51	0.44

NEW



300



UTILCELL

300 Utilcell

Hermetically sealed, low profile, stainless steel bellows and element make this cell ideal for harsh or caustic environments as well as washdown applications. Interchangeable with HBM Z6, RTI SHB, Tedea 355, Cardinal CB6, Scaime F60X, Toledo 777.

2 mv/v, 0.05% combined error, 350/350 ohms, 3 m 4 cond cable, **stainless steel**.

Part Number	Capacity	Nominal	Weight	Stock	Price C
30005-US	5 kg	10 lb	2 lb	8255	\$ 444.00
30010-US	10 kg	20 lb	2 lb	8256	444.00
30020-US	20 kg	40 lb	2 lb	8257	444.00
30050-US	50 kg	100 lb	2 lb	8258	444.00
30100-US	100 kg	200 lb	2 lb	8259	444.00
30200-US	200 kg	400 lb	2 lb	8260	444.00
30250-US	250 kg	500 lb	2 lb	8261	444.00
30500-US	500 kg	1,000 lb	6 lb	8262	444.00

Dimensions in inches

Capacity	A	B	C	D	E	F	G	H
5-250kg	0.71	3.23	0.24	4.56	0.79	1.06	0.32	0.32
500kg	0.71	3.23	0.24	4.56	0.79	1.06	0.41	0.44

Prices are subject to change without notice. Please call for current prices.

Other items are available from the manufacturers, please call for prices.

Beam

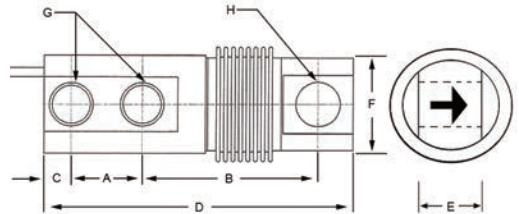
355 Tedeo Huntleigh

Hermetically sealed. Interchangeable with HBM Z6, RTI SHB, Tedeo DC6, Cardinal CB6.
2 mv/v, 0.03% total error, 380/350 ohms, 3 m 6 cond cable, **stainless steel**, IP68.

Part Number	Capacity	Nominal	Weight	Stock	Price C
355-5kg-C3-30	5 kg	10 lb	2 lb	7021	\$ 297.00
355-10kg-C3-30	10 kg	20 lb	2 lb	4669	\$ 297.00
355-20kg-C3-30	20 kg	40 lb	2 lb	4670	\$ 297.00
355-30kg-C3-30	30 kg	60 lb	2 lb	4671	\$ 297.00
355-50kg-C3-30	50 kg	100 lb	2 lb	4672	\$ 297.00
355-100kg-C3-30	100 kg	200 lb	2 lb	4673	\$ 297.00
355-200kg-C3-30	200 kg	400 lb	2 lb	4674	\$ 297.00
355-250kg-C3-30	250 kg	500 lb	2 lb	4675	\$ 297.00
355-500kg-C3-30	500 kg	1,000 lb	2 lb	4676	\$ 297.00



355



Dimensions in inches

Capacity	A	B	C	D	E	F	G	H
5kg	0.71	3.23	0.39	4.72	0.79	0.91	0.32	0.32
10kg	0.71	3.23	0.39	4.72	0.79	0.91	0.32	0.32
20kg	0.71	3.23	0.39	4.72	0.79	0.91	0.32	0.32
30kg	0.71	3.23	0.39	4.72	0.79	0.91	0.32	0.32
50kg	0.71	3.23	0.39	4.72	0.79	0.91	0.32	0.32
100kg	0.71	3.23	0.39	4.72	0.79	0.91	0.32	0.32
200kg	0.71	3.23	0.39	4.72	0.79	0.91	0.32	0.32
250kg	0.71	3.23	0.39	4.72	0.79	0.91	0.32	0.32
500kg	0.71	3.23	0.39	4.72	0.79	0.91	0.32	0.32

CB6 Cardinal

2 mv/v, 0.03% nonlinearity, 380/350 ohm, 10 ft 4 cond cable, **stainless steel**.
NTEP 96-091 III, S, 3,000 div

Part Number	Capacity	Weight	Stock	Price B5
CB6-10kg	10 kg	2 lb	5259	\$ 530.00
CB6-20kg	20 kg	2 lb	5260	530.00
CB6-50kg	50 kg	2 lb	5261	530.00
CB6-100kg	100 kg	2 lb	5262	530.00
CB6-200kg	200 kg	2 lb	5263	530.00

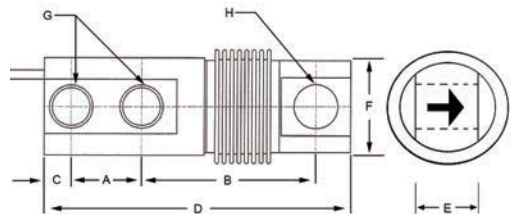


CB6-50kg
Stainless steel



Dimensions in inches

Capacity	A	B	C	D	E	F	G	H
10-200kg	0.71	3.30	0.39	4.72	0.79	0.96	0.32	0.32



Prices are subject to change without notice. Please call for current prices.

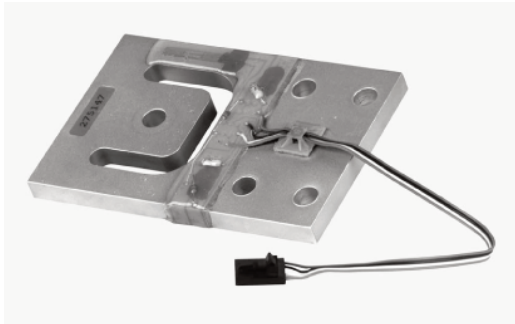
Other items are available from the manufacturers, please call for prices.

99 Reagent Lane
Fair Lawn NJ 07410
201-797-2718 * 800-631-0347

Totalcomp
Load Cells

www.totalcomp.com
Fax 201-797-2287
Toll Free Fax 888-797-2288

Beam



PB

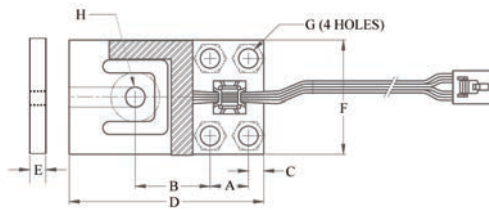
PB Flintec

Planar beam used in Cambridge base.

1 mv/v, 0.04% combined error, 1100/1000 ohm, 1m 4 cond ribbon cable, aluminum, IP65.

Part Number	Capacity	Nominal	Weight	Stock	Price C
PB-3.75 kg	3.75 kg	8 lb	1 lb	6968	\$ 75.00
PB-7.5 kg	7.5 kg	16 lb	1 lb	6969	75.00
PB-15 kg	15 kg	33 lb	1 lb	6970	75.00
PB-37.5 kg	37.5 kg	82 lb	1 lb	6971	80.00
PB-75 kg	75 kg	165 lb	1 lb	6972	85.00
PB-150 kg	150 kg	330 lb	1 lb	6973	100.00
PB-375 kg	375 kg	825 lb	1 lb	6974	115.00

Dimensions in inches



Capacity	A	B	C	D	E	F	G	H
3.75kg	0.55	1.102	0.193	2.76	0.079	1.54	0.201	0.165
7.5kg	0.55	1.102	0.193	2.76	0.098	1.54	0.201	0.165
15kg	0.55	1.102	0.193	2.76	0.161	1.54	0.201	0.244
37.5kg	0.59	1.153	0.237	3.00	0.189	1.75	0.260	0.244
75kg	0.59	1.339	0.252	3.32	0.252	2.16	0.260	0.323
150kg	0.90	1.82	0.307	4.22	0.311	2.75	0.32	0.323
375kg	1.00	2.07	0.359	4.70	0.500	3.00	0.39	0.323



SB6

SB6 Flintec

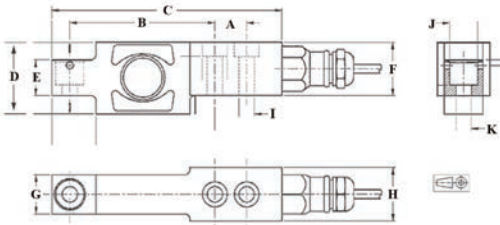
Hermetically sealed.

2 mv/v, 0.01% combined error, 1100/1000 ohm, 10 ft 4 conductor cable, stainless steel, IP68.

Part Number	Capacity	Weight	Stock	Price D
SB6-20kg-C3	44.1 lb	2 lb	7070	\$ 495.00
SB6-50kg-C3	102 lb	2 lb	7071	495.00
SB6-1kN-C3	224.8 lb	2 lb	7124	495.00
SB6-2kN-C3	440.9 lb	2 lb	7125	495.00



Dimensions in inches



Capacity	A	B	C	D	E	F	G	H	I	J	K
0.2-2kN	0.71	3.23	5.12	1.73	0.79	1.18	0.87	1.18	0.34	0.63	0.34

Prices are subject to change without notice. Please call for current prices.

Other items are available from the manufacturers, please call for prices.

Beam

Alpha BLH

OIML Certified Class C 5,000 div.

3 mv/v, 0.02% nonlinearity, 350/350 ohms, 5 ft 4 cond cable, beryllium copper, waterproof.

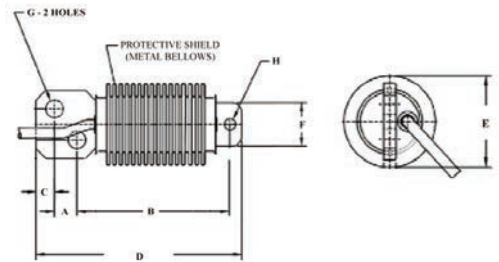
Part Number	Mfg.	Capacity	Nominal	Weight	Stock	Price C
Alpha-25	446972	2.5 kg	5 lb	1 lb	187	\$ 562.00
Alpha-50	434376	5 kg	10 lb	1 lb	648	562.00
Alpha-100	434377	10 kg	20 lb	1 lb	649	562.00
Alpha-150	446970	15 kg	30 lb	1 lb	650	562.00
Alpha-250	434378	25 kg	50 lb	1 lb	651	562.00
Alpha-500	434379	50 kg	100 lb	1 lb	652	562.00



Alpha

Dimensions in inches

Capacity	A	B	C	D	E	F	G	H
25-500	0.256	1.752	0.216	2.362	0.98	0.50	0.201	0.130



HTK BLH

Web tension measurement module.

2 mv/v, 350/350 ohms, 10m 4 cond cable, **stainless steel**, IP67

Part Number	Mfg.	Capacity	Nominal	Weight	Stock	Price A
HTK-2kN	472071	2kN	450 lb	14 lb	7449	\$2,268.00



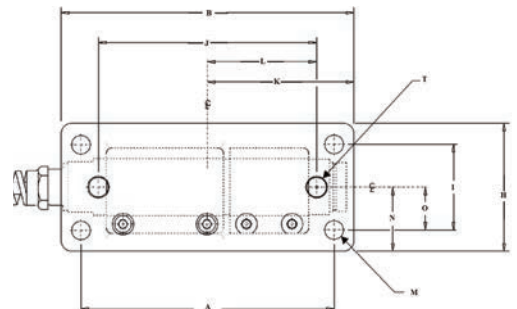
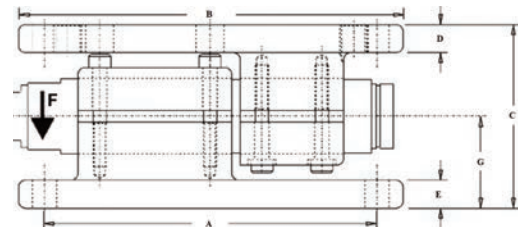
HTK BLH

Dimensions in inches

Capacity	A	B	C	D	E	G	H	I
2kN	5.94	6.87	3.27	0.50	0.50	1.63	3.00	2.01

Dimensions in inches

Capacity	J	K	L	M	N	O	T
500-5K	5.13	3.44	2.56	0.46	1.50	1.00	1/2-20UNF



Prices are subject to change without notice. Please call for current prices.

Other items are available from the manufacturers, please call for prices.

99 Reagent Lane
Fair Lawn NJ 07410
201-797-2718 * 800-631-0347

Totalcomp[®]
Load Cells

www.totalcomp.com
Fax 201-797-2287
Toll Free Fax 888-797-2288

Beam



KIS-1
Shown w/ optional
mounting assembly

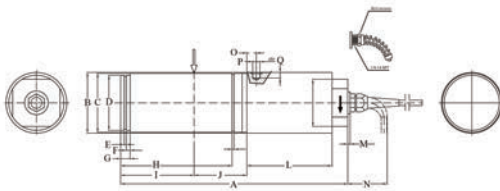
KIS-1 BLH Beam Only

2mv/v, 0.03% combined error, 350/350 ohm, 10m 4 cond cable, stainless steel, IP67.

Part Number	Capacity	Nominal	Weight	Stock	Price A
KIS-1-50	50kN	11,200 lb	25 lb	7863	\$ 1,460.00
KIS-1-100	100kN	22,400 lb	40 lb	7864	1,700.00
KIS-1-200	200kN	44,900 lb	50 lb	7865	2,547.00
KIS-1-500	500kN	112,00 lb	70 lb	7856	5,422.00

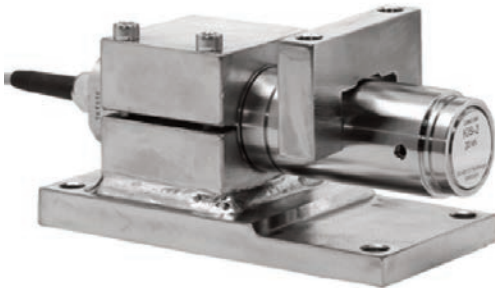
Dimensions in inches

Capacity	A	B	C	D	E	F	G	H
50kN	11.46	3.03	2.95	2.76	0.10	0.20	0.47	5.56
100kN	12.40	3.62	3.54	3.23	0.10	0.24	0.59	6.12
200kN	13.62	3.98	3.94	3.54	0.12	0.24	0.59	6.92



Dimensions in inches

Capacity	I	J	K	L	M	N	O	P	Q
50kN	3.66	2.56	0.10	4.33	0.12	1.97	0.55	0.36	0.28
100kN	4.21	2.56	0.12	4.72	0.12	1.97	0.67	0.50	0.31
200kN	5.04	2.56	0.12	5.12	0.12	1.97	0.75	0.62	0.33



KIS-2
Shown w/ optional
mounting assembly

KIS-2 BLH Beam Only

2mv/v, 0.03% combined error, 350/350 ohm, 10m 4 cond cable, stainless steel, IP67.

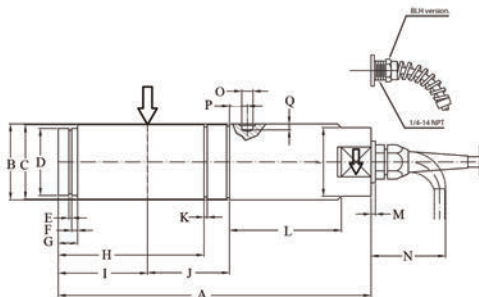
Part Number	Capacity	Nominal	Weight	Stock	Price A
KIS-2-0.5	0.5kN	112 lb	4 lb	7866	\$ 1,393.00
KIS-2-1	1kN	225 lb	4 lb	7867	1,393.00
KIS-2-2	2kN	450 lb	4 lb	7868	1,393.00
KIS-2-5	5kN	1,120 lb	4 lb	7869	1,393.00
KIS-2-10	10kN	2,250 lb	9 lb	7870	1,399.00
KIS-2-20	20kN	4,500 lb	9 lb	7871	1,410.00
KIS-2-30	30kN	6,750 lb	9 lb	7872	1,410.00
KIS-2-50	50kN	11,200 lb	21p lb	7873	1,750.00

Dimensions in inches

Capacity	A	B	C	D	E	F	G	H
0.5-5kN	6.65	1.34	1.30	1.14	0.06	0.10	0.39	-----
10-30kN	8.38	2.00	1.97	1.77	0.07	0.16	0.51	3.85
50kN	11.34	3.03	2.95	2.76	0.10	0.20	0.47	5.56

Dimensions in inches

Capacity	I	J	K	L	M	N	O	P	Q
0.5-5kN	1.81	1.38	-----	2.75	0.12	1.97	0.17	0.39	0.9
10-30kN	2.36	2.16	0.08	2.95	0.12	1.97	0.29	0.47	0.20
50kN	3.66	2.56	0.10	4.33	0.12	1.97	0.36	0.55	0.28



Prices are subject to change without notice. Please call for current prices.

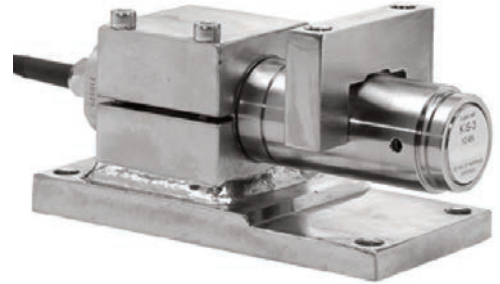
Other items are available from the manufacturers, please call for prices.

Beam

KIS-3 BLH Beam Only

2mv/v, 0.02% combined error, 350/350 ohm, 10m 4 cond cable, **stainless steel**, IP67.

Part Number	Capacity	Nominal	Weight	Stock	Price A
KIS-3-1	1 kN	225 lb	8 lb	7874	\$ 1,761.00
KIS-3-2	2 kN	450 lb	8 lb	7875	1,761.00
KIS-3-5	5 kN	1,120 lb	8 lb	7876	1,761.00
KIS-3-10	10 kN	2,250 lb	12 lb	7877	1,767.00
KIS-3-20	20 kN	4,500 lb	12 lb	7878	1,778.00



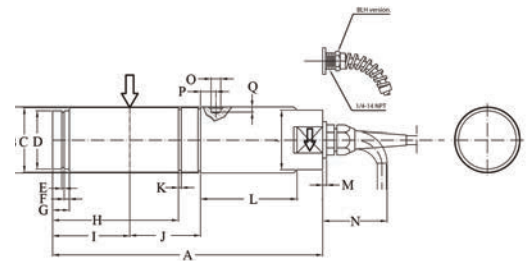
KIS-3
Mount not included

Dimensions in inches

Capacity	A	B	C	D	E	F	G	H
1-5 kN	6.65	1.34	1.30	1.14	0.06	0.10	0.39	----
10-20 kN	8.39	2.01	1.97	1.77	0.07	0.16	0.51	3.85

Dimensions in inches

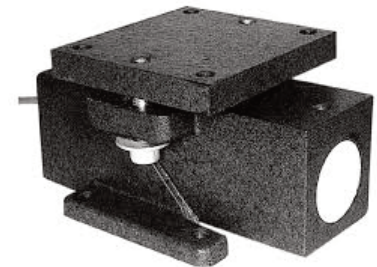
Capacity	I	J	K	L	M	N	O	P	Q
1-5 kN	1.81	1.38	----	2.76	0.12	1.97	0.17	0.39	0.09
10-20 kN	2.36	2.17	0.08	2.95	0.12	1.97	0.30	0.47	0.20



Z-BLOK BLH Beam w/ Mount

2mv/v, 0.10% combined error, 350/350 ohm, 32' 10 cable with conduit fitting, **15-5PH stainless steel** beam, painted single component, waterborne polyurethane copolymer - high gloss ductile iron.

Part Number	Capacity	Weight	Stock	Price A2
462797	5,000 lb	18 lb	934	\$ 1,601.00
462798	10,000 lb	35 lb	935	2,133.00
462799	20,000 lb	50 lb	936	2,198.00
462800	50,000 lb	85 lb	937	2,966.00



Z-BLOK

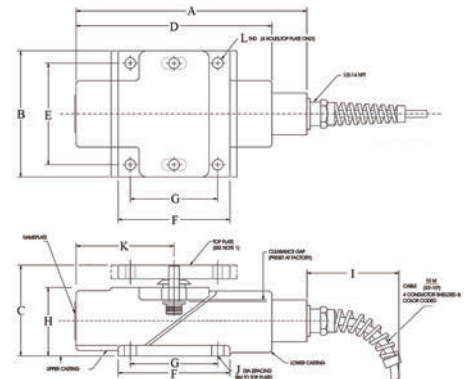


Dimensions in inches

Capacity	A	B	C	D	E	F	G	H
5,000 lb	8.25	4.50	3.47	7.0	3.62	4.0	3.12	2.49
10,000 lb	----	5.50	4.55	9.0	4.42	5.0	3.12	3.36
20,000 lb	----	6.38	5.39	10.0	5.06	5.0	4.18	3.92
50,000 lb	----	7.50	6.98	12.01	6.0	7.0	5.0	4.98

Dimensions in inches

Capacity	I	J	K	L
5,000 lb	3.00	0.43	3.50	3/8-16
10,000 lb	3.00	0.43	4.50	1/2-13
20,000 lb	3.00	0.50	5.0	5/8-11
50,000 lb	3.00	0.69	6.0	3/4-10



Prices are subject to change without notice. Please call for current prices.

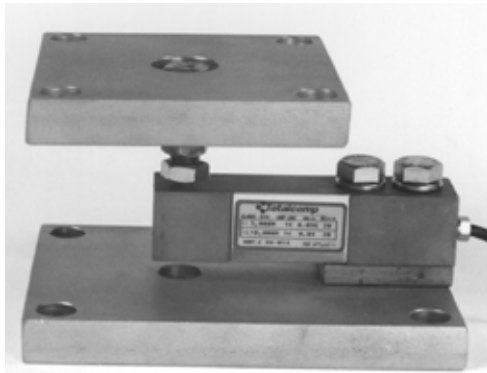
Other items are available from the manufacturers, please call for prices.

99 Reagent Lane
Fair Lawn NJ 07410
201-797-2718 * 800-631-0347

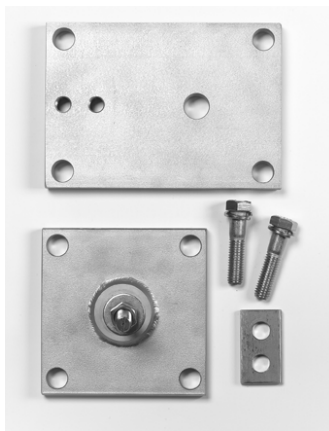
Totalcomp®
Load Cells

www.totalcomp.com
Fax 201-797-2287
Toll Free Fax 888-797-2288

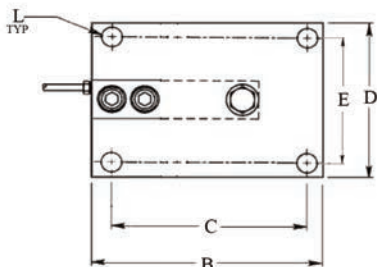
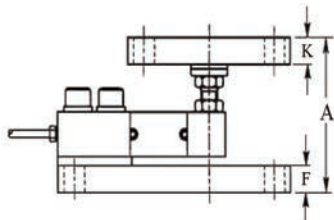
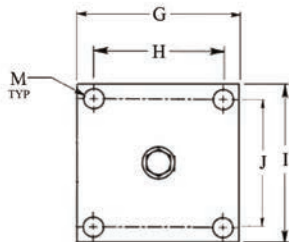
Tank Mount



TSWM-4K w/ optional mount



TSWM Kit



Spherical Washer Beam Mounting Assembly (without load cell)

Spherical Washer Mounting assembly for single ended beams w/threaded load hole, TSB, NSB, 65023, 5123. The weighing vessel will be on a top mounting plate that is on spherical washers. Includes top plate, bottom plate, spacer and (2) bolts. There is 1/8" clearance for alignment of the top plate to the threaded rod that screws into the load cell. Zinc plated steel and **stainless steel**. Add load cell from Beam section.

Part Number	Capacity	Thread	Weight	Stock	Price C
-------------	----------	--------	--------	-------	---------

Zinc Plated Steel					
TSWM-4K	250 - 5,000SE lb	1/2-20	13 lb	3510	\$ 253.00
SE = Small Envelope 5,000 lb cap					
TSWM-10K	5,000 - 10,000 lb	3/4-16	19 lb	3511	346.50
TSWM-20K-14 *	15,000 - 20,000 lb	1-14	45 lb	2557	401.50
* Note: TSB-20K, NSB-20K, 65023-20K have 1-14 thread					
TSWM-20K-12 **	15,000 - 20,000 lb	1-12	45 lb	3009	523.00
** Note: 5123-20K has 1-12 thread					

Stainless Steel

TSWM-4K-SS	250 - 5,000SE lb	1/2-20	13 lb	3512	368.50
SE = Small Envelope 5,000 lb cap					
TSWM-10K-SS	5,000 - 10,000 lb	3/4-16	19 lb	3513	522.50
TSWM-20K-14-SS *	15,000 - 20,000 lb	1-14	45 lb	3209	759.00
* Note: TSB-20K-SS, NSB-20K-SS, 65023-20K-SS have 1-14 thread					
TSWM-20K-12-SS **	15,000 - 20,000 lb	1-12	45 lb	3011	759.00
** Note: 9123-20K has 1-12 thread					

Dimensions in inches

Capacity	A	B	C	D	E	F	G
250-5KSE	4-4.50	7.12	6.00	5.00	4.00	0.70	5.00
5K-10k	5-5.50	8.50	7.00	5.00	4.00	0.94	5.00
15K-20k	5-5.50	8.50	7.00	5.00	4.00	1.44	5.00

Dimensions in inches

Capacity	H	I	J	K	L	M
250-5KSE	4.00	5.00	4.00	0.50	0.63	0.63
5K-10k	4.00	5.00	4.00	0.50	0.63	0.63
15K-20k	4.00	5.00	4.00	0.50	0.63	0.63

Prices are subject to change without notice. Please call for current prices.

Other items are available from the manufacturers, please call for prices.

Tank Mount

KIS-1 BLH Beam Only

2mv/v, 0.02% combined error, 350/350 ohm, 10m 4 cond cable, stainless steel, IP67.

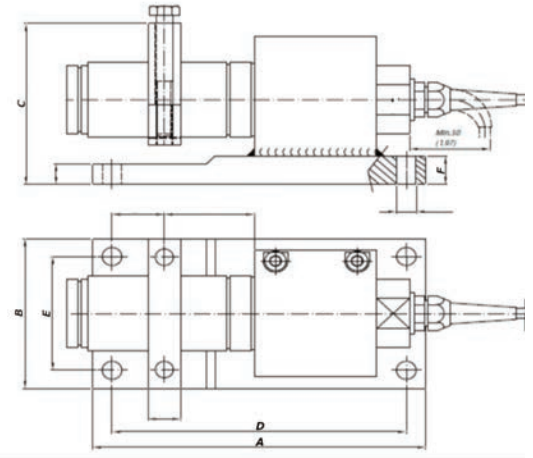
Part Number	Capacity	Nominal	Weight	Stock	Price A
KIS-1-50 w/ mount	50 kN	11,200 lb	75 lb	1498	\$ 2,374.00
KIS-1-100	100 kN	22,400 lb	105 lb	1499	2,759.00
KIS-1-200	200 kN	44,900 lb	145 lb	1500	3,907.00
KIS-1-1500	500 kN	112,000 lb	195 lb	1501	6,435.00



KIS-1 w/ mount

Dimensions in inches

Capacity	A	B	C	D	E	F
50 kN	11.02	5.91	5.98	9.65	4.53	1.18
100 kN	12.20	6.69	6.81	10.63	5.12	1.57
200 kN	13.39	7.09	7.83	11.81	5.51	1.97
300 kN	13.39	7.09	7.83	11.81	5.51	1.97
500 kN	18.90	11.02	12.40	16.54	8.66	2.36



Levermount Thames Side

The Levermount is a unique, well-established load cell weighing assembly that makes installation much simpler, safer, and more cost effective than traditional assemblies. Allows for fast load cell installation without any jacking tools or dummy load cells. Stainless steel, fully welded, and hermetically sealed with the highest levels of protection. Load cell is optional.

Part Number	Capacity	Weight	Stock	Price C
T85-1 levermount	250 lb - 5k	4 lb	260	\$ 498.00
T85-2 levermount	5k - 10k	9 lb	261	498.00

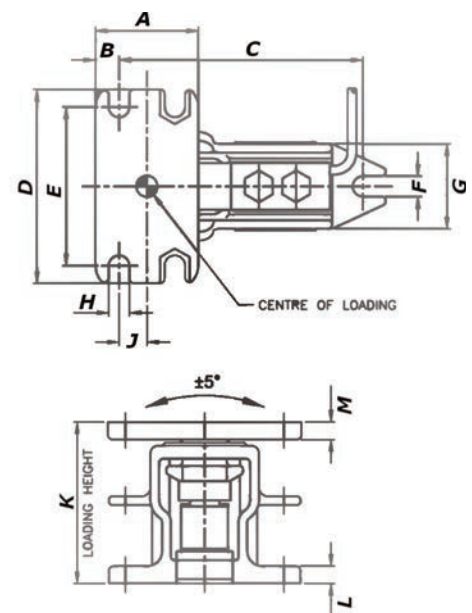


T85-1

Dimensions in inches

Capacity	A	B	C	D	E	F	G	H
250-5k	2.75	.63	6.61	5.20	4.25	.55	2.36	.55
5k-10k	3.94	.98	8.86	7.48	5.90	.86	3.15	.86

Capacity	J	K	L	M
250-5k	.75	4.33	.47	.47
5k-10k	.98	6.46	.59	.79



Prices are subject to change without notice. Please call for current prices.

Other items are available from the manufacturers, please call for prices.

99 Reagent Lane
Fair Lawn NJ 07410
201-797-2718 * 800-631-0347

Totalcomp
Load Cells

www.totalcomp.com
Fax 201-797-2287
Toll Free Fax 888-797-2288

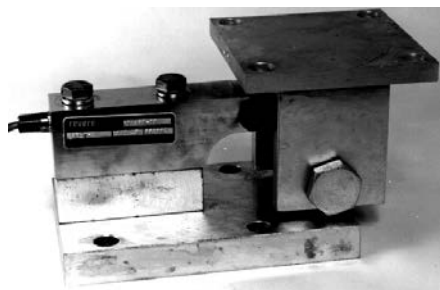
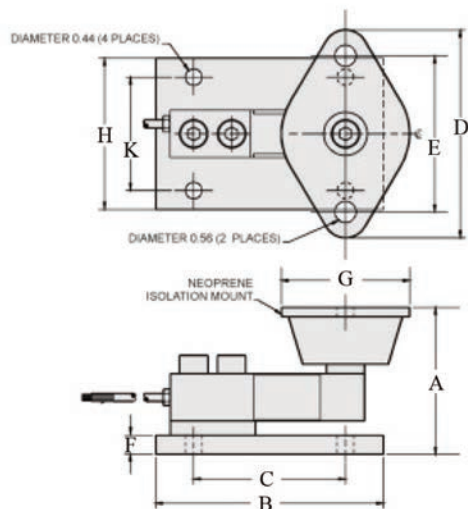
Tank Mount



TM59 Mount



Disassembled view



TM-SC-10-ZP

TM59 Tank Mount Assembly (without load cell) Totalcomp

This assembly will convert a single ended beam into a tank mount. Totalcomp Model TSB, Nikkei Model NSB, Sensortronics Model 65023 and RTI Model 5123 are used in 500 lb to 2,500 lb capacity. Totalcomp Model TB40 or TB41 and Sensortronics Model 60040 are used in 50 lb to 250 lb capacities. The hopper or tank will be mounted firmly to the top neoprene shock absorption pad. The steel base plate is bolted to the floor or suitable structure. Zinc plated steel. Optional **stainless steel**. Add load cell from Beam section.

Part Number	Capacity	Weight	Stock	Price C
TM59-500	500 lb	3 lb	2699	\$ 334.40
TM59-1K	1,000 lb	3 lb	2700	341.00
TM59-2.5K	1,500 lb - 2,500 lb	4 lb	2701	341.00
TM59-4K	4,000 lb	5 lb	522	354.20

Stainless Steel

TM59-250-SS	50 lb - 250 lb	3 lb	2698	379.50
TM59-500-SS	500 lb	3 lb	2702	379.50
TM59-1K-SS	1,000 lb	3 lb	2703	379.50
TM59-2.5K-SS	1,500 lb - 2,500 lb	4 lb	2704	379.50
TM59-4K-SS	4,000 lb	5 lb	1572	379.50

Dimensions in inches

Capacity	A	B	C	D	E	F	G	H	K
50-250	3.13	4.00	3.25	3.86	3.00	0.50	2.38	3.00	2.25
500	3.88	6.00	4.00	5.50	4.13	0.50	3.38	4.00	3.00
1K	4.00	6.00	4.00	5.13	4.13	0.50	3.00	4.00	3.00
1.5-2.5K	4.00	6.00	4.00	6.25	5.00	0.50	4.62	4.00	3.00

TM-SC Totalcomp, beam mounting assembly (without load cell)

Single ended beams, HBM Model SB3 or RTI Model SSB will mount in this assembly. The load from the hopper or tank will be transmitted to the bottom of a vertical tension bolt that hangs from the load hole. Spherical washers at top and bottom of tension bolt allow for self alignment of the vessel. Zinc plated steel. Add load cell from Beam section.

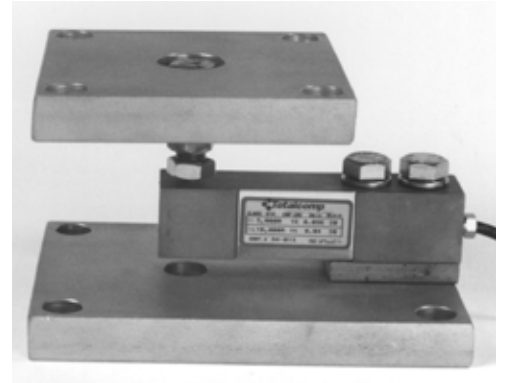
Part Number	Capacity	Weight	Stock	Price C
TM-SC-10-ZP	10,000 lb	36 lb	765	\$ 469.00

Tank Mount

Ball & Socket Beam Mounting Assembly (without load cell)

Ball and Socket Mounting assembly for single ended beams w/threaded load hole, TSB-SS, NSB-SS, 65023-SS, 9123. The weighing vessel will be on a top mounting plate that has a ball and socket for alignment. The ball and socket has a threaded rod that screws into the load cell. **Stainless steel.** Add load cell from Beam section.

Part Number	Capacity	Weight	Stock	Price D
TBSM-4K-SS	250 - 5,000SE lb	13 lb	3514	\$ 687.00
TBSM-10K-SS	5,000 - 10,000 lb	19 lb	3515	743.00



TBSM-4K-SS
w/ optional load cell



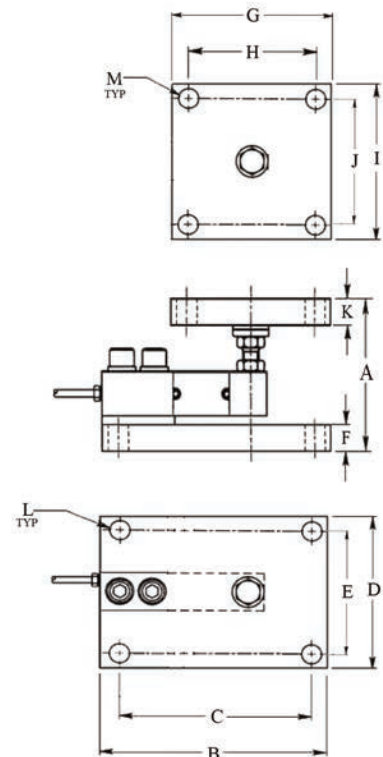
TBSM Kit

Dimensions in inches

Capacity	A	B	C	D	E	F	G
250-5KSE	4-4.50	7.12	6.00	4.00	4.00	0.50	5.00
5K-10k	5-5.50	8.50	7.00	4.00	4.00	0.50	5.00

Dimensions in inches

Capacity	H	I	J	K	L	M
250-5KSE	4.00	5.00	4.00	0.50	0.63	0.63
5K-10k	4.00	5.00	4.00	0.50	0.63	0.63



Prices are subject to change without notice. Please call for current prices.

Other items are available from the manufacturers, please call for prices.

99 Reagent Lane
Fair Lawn NJ 07410
201-797-2718 * 800-631-0347

Totalcomp[®]
Load Cells

www.totalcomp.com
Fax 201-797-2287
Toll Free Fax 888-797-2288

Tank Mount



CG-RTM Mount



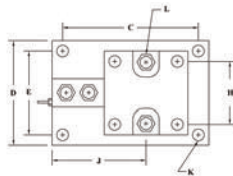
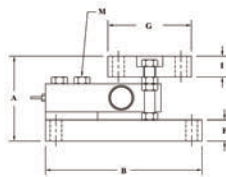
CG-RTM Coti Global, Tank Mount Assembly

Stainless steel construction. Expansion and contraction due to thermal changes and side load from external forces are handled with a rocker pin mounting. After the side load has been removed the mount will recenter itself using the rocker pin. This mount is unequaled for repeatability. Overload and overlift protection. Integral lateral stops.

FM Approved

NTEP 08-074A1 Class III/M 5,000 div

Part Number	Capacity	Weight	Stock	Price D
CG-RTM-500	500 lb	19 lb	8055	\$ 962.50
CG-RTM-1K	1,000 lb	19 lb	8056	962.50
CG-RTM-1.25K	1,250 lb	19 lb	8057	962.50
CG-RTM-2.5K	2,500 lb	19 lb	8058	962.50
CG-RTM-4K	4,000 lb	19 lb	8059	962.50
CG-RTM-5K	5,000 lb	19 lb	8060	1,127.50
CG-RTM-10K	10,000 lb	25 lb	8061	1,292.50



Dimensions in inches

Capacity	A	B	C	D	E	F	G	H	I
500-2.5K	3.78	7.50	6.50	0.50	4.00	1.00	4.00	3.00	1.00
4K	3.94	7.50	6.50	0.50	4.00	1.00	4.00	3.00	1.00
5K	4.03	7.50	6.50	0.50	4.00	1.00	4.00	3.00	1.00
10K	4.28	8.50	7.50	5.00	4.00	1.00	4.00	3.00	1.00

Dimensions in inches

Capacity	J	K	L	M
500-2.5K	4.50	0.56	1/2-13 UNC	1/2-13 UNC
4K	4.50	0.56	1/2-13 UNC	1/2-13 UNC
5K	4.50	0.56	1/2-13 UNC	1/2-13 UNC
10K	6.00	0.56	1/2-13 UNC	3/4-10 UNC

Mounting assembly parts Toledo

Mouting assembly parts.

Part Number	Weight	Stock	Price C
Service parts			
68004186 Top plate	15 lb	303	\$ 698.00
69034095 Rocker pin 20k	1 lb	304	89.00
68000587 O ring rocker pink	1 lb	305	14.30

Prices are subject to change without notice. Please call for current prices.

Other items are available from the manufacturers, please call for prices.

Tank Mount

RTM HBM, tank mount assembly

All **stainless steel** construction, this tank mount assembly uses a hermetically sealed beam load cell with a blind load hole that has a flat loading surface. Expansion and contraction due to thermal changes and side load from external forces are handled with rocker pin mounting. After the side load has been removed the mount will re-center itself using the rocker pin. This mount is unequalled for repeatability. Overload and overlift protection. Integral lateral stops.

2 mv/v, 0.03% combined error, 350/350 ohms, 15 ft 4 cond cable, 30 ft on 10K, **stainless steel** load cell and mount.

Part Number	Capacity	Weight	Stock	Price C
RTM-4K	4,000 lb	19 lb	5397	\$ 1,734.00

Replacement load cells

	Capacity	Weight	Stock	Price C
US-THC-500-30715 beam only	500 lb	3 lb	5400	714.00
US-THC-1.25K-30715 beam only	1,250 lb	3 lb	5401	714.00
US-THC-2.5K-30715 beam only	2,500 lb	3 lb	5402	714.00
US-THC-4K-13200 beam only	4,000 lb	3 lb	5403	714.00
US-THC-5K-30715 beam only	5,000 lb	4 lb	5404	800.00
US-THC-10K-30715 beam only	10,000 lb	6 lb	5405	851.00

Dimensions in inches

Capacity	A	B	C	D	E	F	G
500-2.5K	3.782	7.500	6.500	5.000	4.000	3.000	4.000
4K	3.946	7.500	6.500	5.000	4.000	3.000	4.000
5K	4.030	7.500	6.500	5.000	4.000	3.000	4.000
10K	4.280	8.500	7.500	5.000	4.000	3.000	4.000

Dimensions in inches

Capacity	H	K	L	M	N
500-2.5K	3.000	1.00	1.00	2.590	2.650
4K	3.000	1.00	1.00	2.590	2.650
5K	3.000	1.00	1.00	2.838	2.650
10K	3.000	1.00	1.00	3.088	3.900

TTM Totalcomp, tank mount assembly

All **stainless steel** construction, this tank mount assembly uses a hermetically sealed beam load cell with a blind load hole that has a flat loading surface. Expansion and contraction due to thermal changes and side load from external forces are handled with rocker pin mounting. After the side load has been removed the mount will re-center itself using the rocker pin. This mount is unequalled for repeatability. Overload and overlift protection. Integral lateral stops.

2 mv/v, 0.03% combined error, 350/350 ohms, 15 ft 4 cond cable, **stainless steel** load cell and mount, IP67.

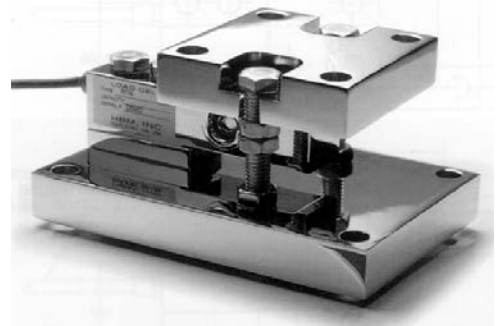
Part Number	Capacity	Weight	Stock	Price C
TTM-4K-SS	4,000 lb	19 lb	2537	\$ 1,619.00

Replacement load cells

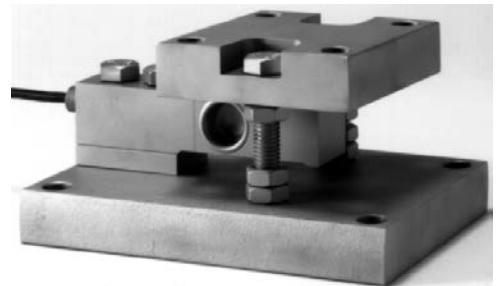
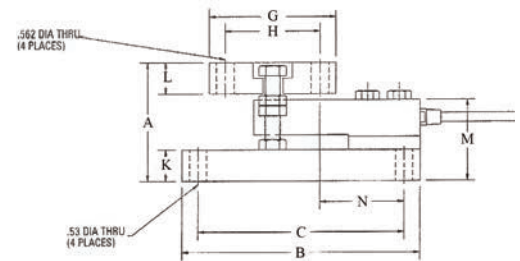
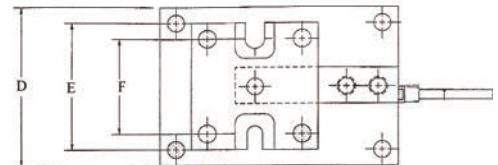
	Capacity	Weight	Stock	Price C
TB745-500-SS	500 lb	3 lb	3072M	595.00
TB745-1.25K-SS	1,250 lb	3 lb	3073M	595.00
TB745-2.5K-SS	2,500 lb	3 lb	3074M	595.00
TB745-4K-SS	4,000 lb	3 lb	3075M	595.00
TB745-5K-SS	5,000 lb	4 lb	3076M	666.00
TB745-10K-SS	10,000 lb	6 lb	3077M	709.00

Dimensions in inches

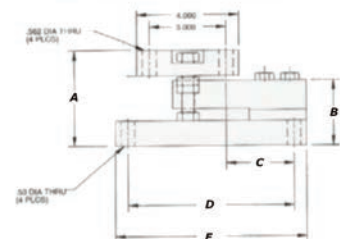
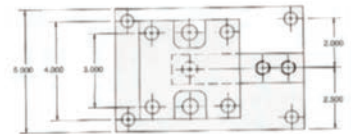
Capacity	A	B	C	D	E
500-2.5K	3.782	2.590	2.650	6.500	7.500
4K	3.986	2.590	2.650	6.500	7.500
5K	4.030	2.838	2.650	6.500	7.500
10K	4.280	3.088	3.900	7.500	8.500



RTM Tank Mount Assembly



TTM Tank Mount Assembly



Prices are subject to change without notice. Please call for current prices.

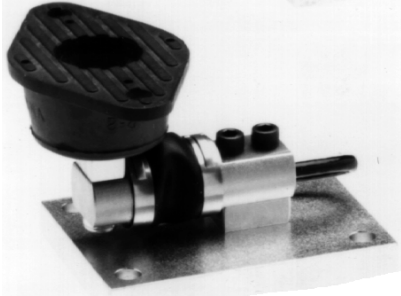
Other items are available from the manufacturers, please call for prices.

99 Reagent Lane
Fair Lawn NJ 07410
201-797-2718 * 800-631-0347

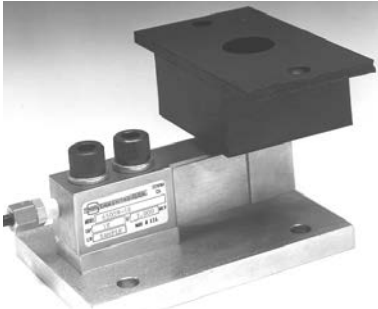
Totalcomp
Load Cells

www.totalcomp.com
Fax 201-797-2287
Toll Free Fax 888-797-2288

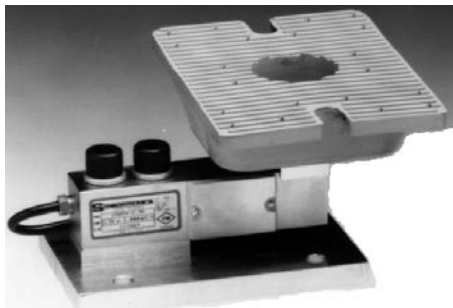
Tank



T65059-100 w/ TWA



65059-1K w/TWA



65059-2.5K w/TWA

65059 Sensortronics, Tank Weighing Assembly

Eliminates check rods, provides shock absorption for high impact loads.

3 mv/v, 0.1% accuracy, 350 ohms, 20 ft 4 cond cable, nickel plated steel load cell, zinc plated steel mount, neoprene shock mount, IP67.

Part Number	Capacity	Weight	Stock	Price C
65059-50 w/TWA	50 lb	4 lb	1483	\$ 422.00
65059-75 w/TWA	75 lb	4 lb	1484	422.00
65059-100 w/TWA	100 lb	4 lb	1485	422.00
65059-150 w/TWA	150 lb	4 lb	1486	422.00
65059-250 w/TWA	250 lb	4 lb	1487	422.0
65059-500 w/TWA	500 lb	8 lb	1488	562.00
65059-1K w/TWA	1,000 lb	9 lb	1489	562.00
65059-1.5K w/TWA	1,500 lb	9 lb	1490	562.00
65059-2K w/TWA	2,000 lb	10 lb	1491	562.00
65059-2.5 w/TWA	2,500 lb	10 lb	1492	562.00

Stainless steel load cell & mount

65059-500 w/TWA S.S.	500 lb	8 lb	1641	654.00
65059-1K w/TWA S.S.	1,000 lb	9 lb	1642	654.00
65059-1.5K w/TWA SS	1,500 lb	9 lb	1643	654.00
65059-2K w/TWA S.S.	2,000 lb	10 lb	1644	654.00
65059-2.5 w/TWA S.S.	2,500 lb	10 lb	1645	654.00

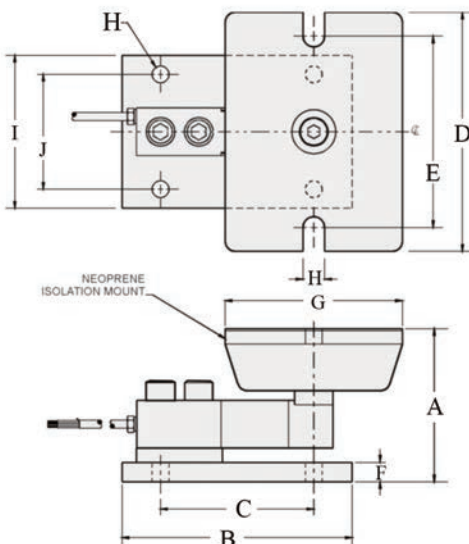
Replacement load cells are available as follows:

Capacities 50 lb through 250 lb use Sensortronics Model 60040.

Capacities 500 lb through 2,500 lb use Sensortronics Model 65023.

Dimensions in inches

Capacity	A	B	C	D	E	F	G	H	I	J
50-250	3.13	4.00	3.25	3.68	3.00	0.50	2.38	0.34	3.00	2.25
500	3.88	6.00	4.00	5.50	4.13	0.50	3.38	0.56	4.00	3.00
1K	4.00	6.00	4.00	5.13	4.13	0.50	3.00	0.44	4.00	3.00
1.5-2.5K	4.00	6.00	4.00	6.25	5.00	0.50	4.62	0.56	4.00	3.00



Prices are subject to change without notice. Please call for current prices.

Other items are available from the manufacturers, please call for prices.

Tank

Stabiflex Scaime, beam mounting assembly (without load cell)

Scaime Model F60X single ended beam will mount in this assembly. Includes top and bottom mounting plates. Electrical ground strap connects the top and bottom plate. Overload stops for downward and upward forces. Ball and cup design limits side load and is self centering. **Stainless steel.** Add load cell from Beam section.

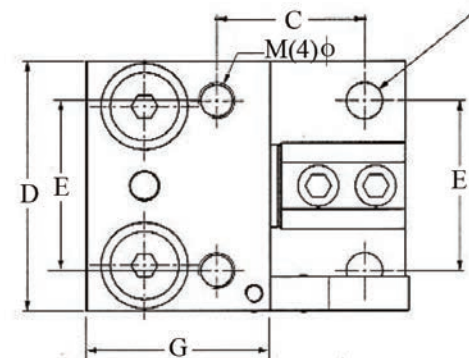
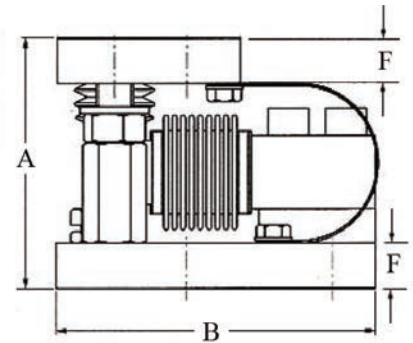
Part Number	Capacity	Nominal	Weight	Stock	Price C
Stabiflex 500	500 kg	1,000 lb	22 lb	5751	\$ 642.20
Stabiflex 2T	2 t	4,000 lb	36 lb	5752	836.78



Stabiflex

Dimensions in inches

Capacity	A	B	C	D	E	F	G	L	M
500	3.15	5.12	2.67	3.94	2.75	0.59	2.75	0.47	M12 X 1.75
2t	4.33	5.51	2.56	4.33	2.95	0.78	3.15	0.63	M16 X 2



Prices are subject to change without notice. Please call for current prices.

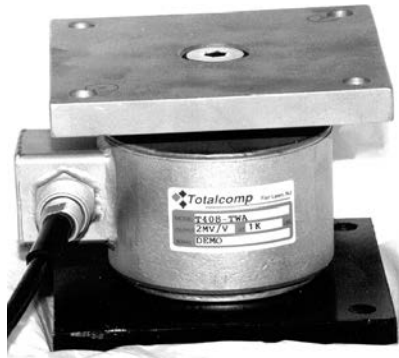
Other items are available from the manufacturers, please call for prices.

99 Reagent Lane
Fair Lawn NJ 07410
201-797-2718 * 800-631-0347

 **Totalcomp**[®]
Load Cells

www.totalcomp.com
Fax 201-797-2287
Toll Free Fax 888-797-2288

Tank



1408

T408 Totalcomp, Tank Canister Mount Assembly

Low profile canister load cell is hermetically sealed, self checking and has integral mounting plates. This mount allows for thermal expansion and contraction. Also includes built in vibration dampening and a self aligning design. Nickel plated alloy steel or stainless steel construction. Built in leveling assembly for easy installation. Interchangeable with Beowulf model 408 Flexmaster

Alloy steel, nickel plated

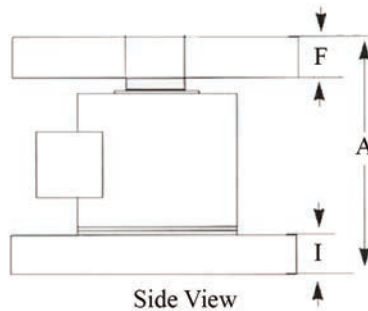
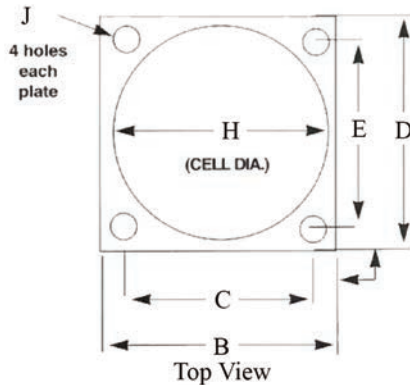
2 mv/v, 0.05% nonlinearity, 1050/1000 ohms, 25 ft 6 cond cable, nickel plated steel load cell and mounting plates, IP67.

Part Number	Capacity	Weight	Stock	Price C
T408-300	300 lb	13 lb	3823	\$ 1,166.00
T408-500	500 lb	13 lb	3824	1,166.00
T408-1,000	1,000 lb	13 lb	3825	1,166.00
T408-1,500	1,500 lb	13 lb	3826	1,166.00
T408-2,000	2,000 lb	13 lb	3827	1,166.00
T408-3,000	3,000 lb	13 lb	3828	1,166.00
T408-5,000	5,000 lb	13 lb	3829	1,166.00

Stainless steel

2 mv/v, 0.05% nonlinearity, 1050/1000 ohms, 25 ft 6 cond cable, stainless steel load cell and mounting plates, IP67.

Part Number	Capacity	Weight	Stock	Price C
T408-300-SS	300 lb	13 lb	3830	\$ 1,401.00
T408-500-SS	500 lb	13 lb	3831	1,401.00
T408-1,000-SS	1,000 lb	13 lb	3832	1,401.00
T408-1,500-SS	1,500 lb	13 lb	3833	1,401.00
T408-2,000-SS	2,000 lb	13 lb	3834	1,401.00
T408-3,000-SS	3,000 lb	13 lb	3835	1,401.00
T408-5,000-SS	5,000 lb	13 lb	3836	1,401.00



Dimensions in inches

Capacity	A	B	C	D	E	F	H	I	J
250-5K	4.00	5.00	4.00	5.00	4.00	0.50	3.50	0.50	0.44

Tank

TCM Totalcomp, tank canister mount assembly

This tank mount assembly uses a hermetically sealed canister load cell with two attached mounting plates. The lower plate is rigidly mounted to the load cell and the top plate allows horizontal expansion but does not allow the top plate to separate from the load cell. 2 mv/v, 0.05% nonlinearity, 350/350 ohms, 30 ft 4 cond cable, **stainless steel** load cell and mounting plates, IP67.

Part Number	Capacity	Weight	Stock	Price C
TCM7-1K-SS	1,000 lb	20 lb	2611	\$ 1,216.60
TCM7-2K-SS	2,000 lb	20 lb	2612	1,216.60
TCM7-5K-SS	5,000 lb	20 lb	2613	1,216.60
TCM8-10K-SS	10,000 lb	41 lb	2614	1,381.60
TCM8-20K-SS	20,000 lb	41 lb	2615	1,381.60
TCM8-25K-SS	25,000 lb	41 lb	2616	1,381.60
TCM8-50K-SS	50,000 lb	44 lb	2617	1,381.60
TCM8-100K-SS	100,000 lb	50 lb	2825	1,474.00
TCM8-150K-SS	150,000 lb	60 lb	2826	1,843.60
TCM8-200K-SS	200,000 lb	60 lb	2827	1,843.60
TCM8-250K-SS	250,000 lb	60 lb	4475	1,843.60

Replacement load cells

Part Number	Capacity	Weight	Stock	Price C
TC78-1K-SS	1,000 lb	6 lb	2618	900.00
TC78-2K-SS	2,000 lb	6 lb	2619	900.00
TC78-5K-SS	5,000 lb	6 lb	2620	900.00
TC78-10K-SS	10,000 lb	6 lb	2621	900.00
TC78-20K-SS	20,000 lb	6 lb	2622	900.00
TC78-25K-SS	25,000 lb	6 lb	2623	900.00
TC78-50K-SS	50,000 lb	6 lb	2624	900.00
TC78-100K-SS	100,000 lb	13 lb	2829	1,000.00
TC78-150K-SS	150,000 lb	29 lb	2830	1,400.00
TC78-200K-SS	200,000 lb	29 lb	2831	1,400.00
TC78-250K-SS	250,000 lb	29 lb	4476	1,400.00

Dimensions in inches

Capacity	A	B	C	D	E	F	G	H	I	J
1K-5K	5.25	5.00	3.50	5.00	3.50	1.00	1.25	3.00	0.35	3.25
10K-50K	5.25	8.00	6.00	8.00	6.00	1.00	1.25	3.00	0.35	3.25
100K	7.00	8.00	6.00	8.00	6.00	1.00	2.31	4.00	0.55	5.00
150K-250K	9.25	8.00	6.00	8.00	6.00	1.00	3.00	6.00	1.10	7.25

Dimensions in inches

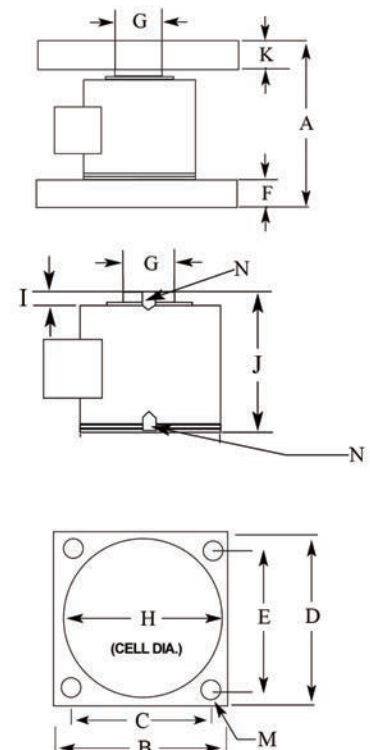
Capacity	K	M	N
1K-5K	1.00	0.560	1/2-20 UNF
10K-50K	1.00	0.560	1/2-20 UNF
100K	1.00	0.560	1/2-20 UNF
150K-250K	1.00	0.625	1/2-20 UNF



TCM8



TC78



Prices are subject to change without notice. Please call for current prices.

Other items are available from the manufacturers, please call for prices.

99 Reagent Lane
Fair Lawn NJ 07410
201-797-2718 * 800-631-0347

Totalcomp®
Load Cells

www.totalcomp.com
Fax 201-797-2287
Toll Free Fax 888-797-2288

Tank



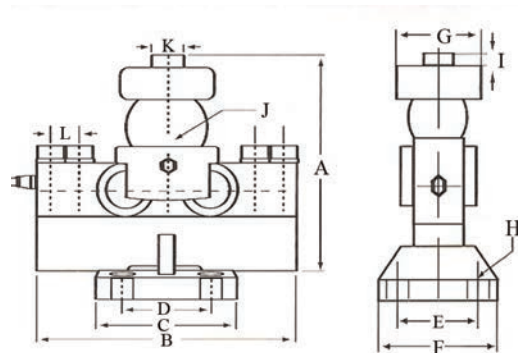
THWM
Weigh Module

THWM Totalcomp, weigh module

Alloy steel with a hermetically sealed welded covers.

2 mv/v, 0.2% nonlinearity, 700/700 ohms, 40 ft cond cable, nickel plated, IP68.

Part Number	Nominal	Capacity	Weight	Stock	Price C
THWM 10t weigh module	10 t	20,000 lb	38 lb	7231	\$ 545.00
THWM 20t weigh module	20 t	40,000 lb	38 lb	7232	545.00
THWM 30t weigh module	30 t	60,000 lb	38 lb	7233	545.00
THWM 40tse weigh module	40 t	80,000 lb	38 lb	7234	545.00
THWM 40t weigh module	40 t	80,000 lb	38 lb	7235	980.00
THWM 50t weigh module	50 t	100,000 lb	38 lb	7236	980.00



Dimensions in inches

Capacity	A	B	C	D	E	F	G	H	I
10t	7.68	9.45	4.92	3.15	3.94	5.31	3.46	0.71	0.43
20-40tse	8.86	9.45	4.92	3.15	3.94	5.31	3.46	0.71	0.43
40t, 50t	10.28	13.39	6.30	4.92	4.92	6.30	3.78	0.87	0.43

Prices are subject to change without notice. Please call for current prices.

Other items are available from the manufacturers, please call for prices.

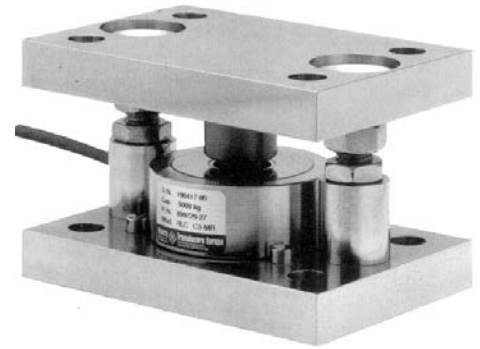
RLC & Weighing Assembly Revere Transducers

Hermetically sealed stainless steel cell and stainless steel weighing assembly.

Ring Torsion load cell

2 mv/v, 0.02% combined error, 1115/1025 ohms, 3m 4 cond cable 250kg to 1t, 5m 4 cond cable 2t to 10t, **stainless steel**.

Part Number	Capacity	Weight	Stock	Price C
43S-RLC-250kg-D3	250 kg	16 lb	4119	\$ 1,092.00
43S-RLC-500kg-A5	500 kg	16 lb	4120	1,140.00
43S-RLC-1t-A5	1,000 kg	16 lb	4121	1,140.00
43S-RLC-2t-A5	2,000 kg	18 lb	4122	1,190.00
43S-RLC-3.5t-A5	3,500 kg	18 lb	4123	1,236.00
43S-RLC-5t-A5	5,000 kg	18 lb	4124	1,236.00



RLC
w/ Weighing Assembly

RLC Revere Transducers, load cell only

Hermetically sealed stainless steel cell

2 mv/v, 0.02% combined error, 1115/1025 ohms, 3m 4 cond cable 250kg to 1t, 5m 4 cond cable 2t to 10t, **stainless steel**.

NTEP 97-082 III M 5,000 div

Part Number	Capacity	Weight	Stock	Price C
RLC-D3-250kg-3MP1 *	250 kg	2 lb	4126	\$ 619.00
RLC-B10-500kg-3MP1	500 kg	2 lb	4127	619.00
RLC-B10-1t-3MP1	1,000 kg	2 lb	4128	619.00
RLC-A5-2t-5MP1	2,000 kg	3 lb	4129	619.00
RLC-A5-3.5t-5MP1	3,500 kg	3 lb	4130	619.00
RLC-A5-5t-5MP1	5,000 kg	3 lb	4131	619.00
RLC-D3-10t-5MP1 *	10,000 kg	3 lb	4132	619.00

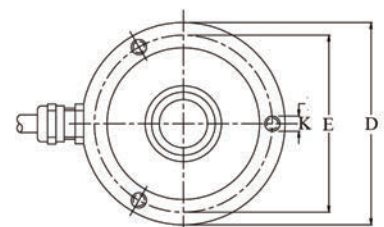
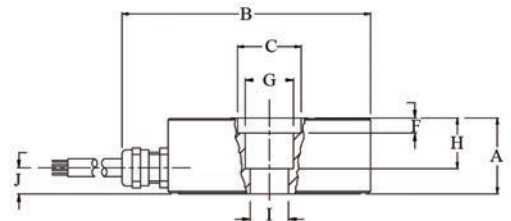
* Not NTEP



RLC

Dimensions in inches

Capacity	A	B	C	D	E	F	G	H	I	J
250-1kg	25	97.5	25	80	70	1.0	19.0	15.0	M10	9.5
2-5kg	30	97.5	25	80	70	6.0	19.0	20.0	15 H7	8.5
10kg	35	112.5	---	95	83	---	29.1	14.8	24.9	10.0



Prices are subject to change without notice. Please call for current prices.

Other items are available from the manufacturers, please call for prices.

99 Reagent Lane
Fair Lawn NJ 07410
201-797-2718 * 800-631-0347

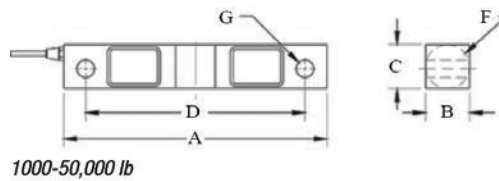
Totalcomp[®]
Load Cells

www.totalcomp.com
Fax 201-797-2287
Toll Free Fax 888-797-2288

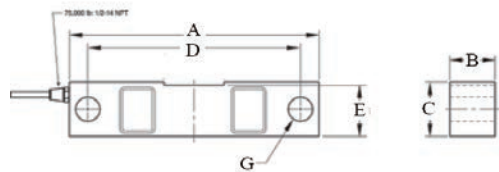
Tank



DSR



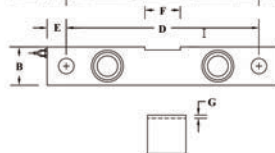
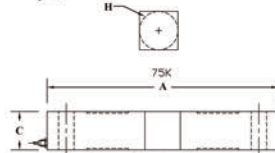
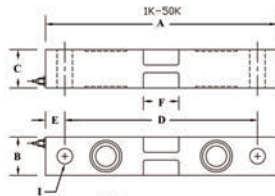
1000-50,000 lb



75,000 lb



CG-16 SSW



DSR Celtron

Alloy steel cell interchangeable with 65016 Sensortronics. Double ended shear beam tank cell.
3 mv/v, 0.03% nonlinearity, 770/770 ohms, 25 ft 4 cond cable, environmentally sealed, IP67.

Part Number	Capacity	Weight	Stock	Price D
DSR-1K	1,000 lb	4 lb	7996	\$ 495.00
DSR-1.5K	1,500 lb	4 lb	7997	495.00
DSR-2K	2,000 lb	4 lb	7998	495.00
DSR-2.5K	2,500 lb	4 lb	7999	495.00
DSR-5K	5,000 lb	4 lb	8000	495.00
DSR-10K	10,000 lb	8 lb	8001	575.00
DSR-15K	15,000 lb	8 lb	8002	575.00
DSR-20K	20,000 lb	8 lb	8003	575.00
DSR-25K	25,000 lb	8 lb	8004	575.00
DSR-50K	50,000 lb	25 lb	8005	825.00
DSR-75K	75,000 lb	25 lb	8006	825.00

Dec
↓

Dimensions in inches

Capacity	A	B	C	D	E	F	G
1K-5K	7.50	1.25	1.25	6.25	0.69	1.25	0.50
10K-50K	8.75	1.44	1.94	7.50	0.96	1.99	0.81
50K	13.50	2.44	2.94	11.50	1.50	3.00	1.31
75K	13.50	2.44	2.94	11.50	1.47	-----	1.31

CG-16 SSW Coti Global

Interchangeable with Rice Lake RL75016SS/RL75016WHE, Sensortronics 65016W/65015WH, Revere 9203 and Celtron DSR HHS.
3 mv/v, 0.03% nonlinearity, 700/700 ohms, 1K-5K 50 ft 4 cond cable, 10K-75K 50 ft braided shield, welded seal, **stainless steel**, IP67.

Part Number	Capacity	Weight	Stock	Price D
CG-16-1K-SSW	1,000 lb	4 lb	8033	\$ 588.50
CG-16-1.5K-SSW	1,500 lb	4 lb	8034	588.50
CG-16-2K-SSW	2,000 lb	4 lb	8035	588.50
CG-16-2.5K-SSW	2,500 lb	4 lb	8036	588.50
CG-16-3K-SSW	3,000 lb	4 lb	8037	588.50
CG-16-5K-SSW	5,000 lb	4 lb	8038	588.50
CG-16-10K-SSW	10,000 lb	7 lb	8039	660.00
CG-16-15K-SSW	15,000 lb	7 lb	8040	660.00
CG-16-20K-SSW	20,000 lb	7 lb	8041	660.00
CG-16-25K-SSW	25,000 lb	7 lb	8042	660.00
CG-16-35K-SSW	35,000 lb	7 lb	8043	660.00
CG-16-50K-SSW	50,000 lb	25 lb	8044	1,320.00
CG-16-75K-SSW	75,000 lb	25 lb	8045	1,320.00

Dimensions in inches

Capacity	A	B	C	D	E	F	G	H	I
1K-5K	7.50	1.25	1.25	6.25	0.62	1.15	0.50	1.25	-----
10K-25K	8.75	1.94	1.44	7.50	0.62	2.00	0.81	2.00	-----
35K	8.75	2.50	1.50	7.50	0.62	2.00	0.81	2.50	-----
50K	13.50	2.94	2.44	11.50	1.00	3.20	1.31	3.00	-----
75K	13.50	2.94	2.44	11.50	1.00	3.20	1.31	-----	0.17

Prices are subject to change without notice. Please call for current prices.

Other items are available from the manufacturers, please call for prices.

Complete Tank weighing assembly needs (1) load cell and (1) mount with corresponding capacity.

Tank

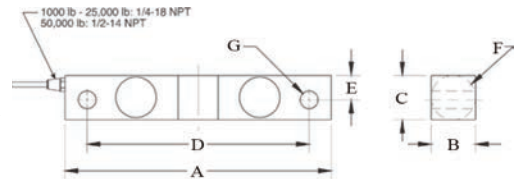
DSR-HSS Celtron

Stainless steel cell interchangeable with 65016 Sensortronics. Double ended shear beam tank cell.
 3 mv/v, 0.07% nonlinearity, 770/770 ohms, 25 ft 4 cond cable, **stainless steel**, IP67.
 FM Approval

Part Number	Capacity	Weight	Stock	Price D
DSR-1K-HSS	1,000 lb	4 lb	7987	\$ 535.00
DSR-2K-HSS	2,000 lb	4 lb	7988	535.00
DSR-2.5K-HSS	2,500 lb	4 lb	7989	535.00
DSR-5K-HSS	5,000 lb	4 lb	7990	535.00
DSR-10K-HSS	10,000 lb	8 lb	7991	600.00
DSR-15K-HSS	15,000 lb	8 lb	7992	600.00
DSR-20K-HSS	20,000 lb	8 lb	7993	600.00
DSR-25K-HSS	25,000 lb	8 lb	7994	600.00
DSR-50K-HSS	50,000 lb	25 lb	7995	Contact Factory

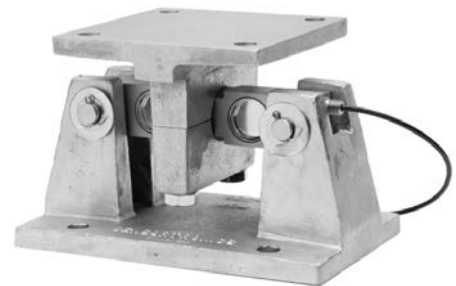


DSR-HSS



Dimensions in inches

Capacity	A	B	C	D	E	F	G
1K-5K	7.50	1.25	1.25	6.25	0.69	1.25	0.50
10K-50K	8.75	1.44	1.94	7.50	0.96	1.99	0.81
50K	13.50	2.44	2.94	11.50	1.50	3.00	1.31



65016-SS
w/ mounting assembly

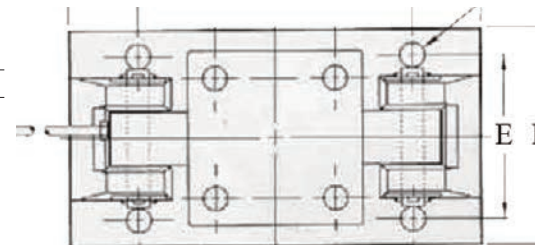
16-SS Sensortronics, mounting assembly only

Mounting assembly is cast **stainless steel**. These mounts are cast with 17-4 PH stainless steel and are prone to surface blemishes and discoloration. They are not suitable for food, medical or pharmaceutical applications.

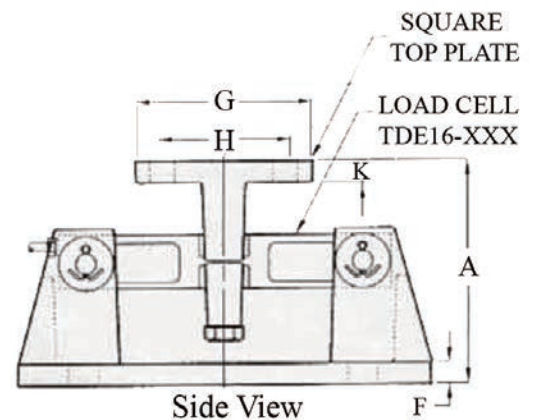
Part Number	Capacity	Weight	Stock	Price C
1605-SS	1,000 - 5,000 lb	17 lb	1385	\$ 480.00
1625-SS	10,000 - 25,000 lb	56 lb	1386	955.00
1625-0104-SS	35,000 lb	56 lb	1717	1,290.00
1650-SS	50,000 - 60,000 lb	130 lb	1387	2,595.00
1675-SS	75,000 lb	130 lb	1496	2,595.00

Dimensions in inches

Capacity	A	B	C	D	E	F	G	H	K	L
1K-5K	5.13	9.35	6.25	5	3.75	0.50	4	2.75	0.50	0.56
10K-35K	7.90	12.00	7.50	8	6.00	0.75	8	6.00	0.75	0.78
50K-75K	9.30	16.25	11.50	12	9.50	1.00	9	6.50	1.00	0.78
100K-200K	11.75	23.50	20.00	14	12.00	1.50	10	8.00	1.50	1.12



Top View



Side View

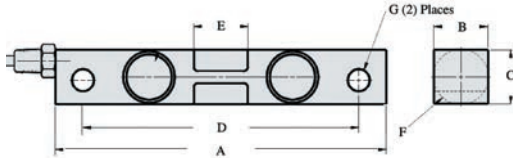
Prices are subject to change without notice. Please call for current prices.

Other items are available from the manufacturers, please call for prices.

Tank



65016WG-SS
Beam only



65016WH-SS Sentionics, beam only

Welded hermetically sealed.

3 mv/v, 0.05% nonlinearity, 700 ohms, 25 ft 4 cond cable, **stainless steel**, IP68.

Part Number	Capacity	Weight	Stock	Price C
65016-1K-0104WH-SS	1,000 lb	4 lb	5434	\$ 669.00
65016-1.5K-0104WH-SS	1,500 lb	4 lb	5435	669.00
65016-2K-0104WH-SS	2,000 lb	4 lb	5436	669.00
65016-2.5K-0104WH-SS	2,500 lb	4 lb	5437	669.00
65016-5K-0104WH-SS	5,000 lb	4 lb	5439	669.00
65016-10K-0104WH-SS	10,000 lb	8 lb	5440	749.00
65016-15K-0104WH-SS	15,000 lb	8 lb	5441	749.00
65016-20K-0104WH-SS	20,000 lb	8 lb	5442	749.00
65016-25K-0104WH-SS	25,000 lb	8 lb	5443	749.00

Dec



Dimensions in inches

Capacity	A	B	C	D	E	F	G
1-5K	7.50	1.22	1.22	6.25	1.12	1.25	1.22
10-25K	8.75	1.44	1.94	7.50	1.62	1.99	1.44
35K	8.75	1.44	2.44	7.50	1.62	2.50	1.44
50K	13.50	2.44	2.94	11.50	3.25	2.99	1.31
75K	13.50	2.44	2.94	11.50	3.25	----	1.31

Prices are subject to change without notice. Please call for current prices.

Other items are available from the manufacturers, please call for prices.

Tank

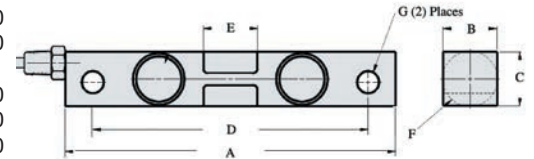
GDE16-SSW General Sensor, beam only

Interchangeable with Sensortronics 65016-SS with welded hermetic seal.
3mv/v, 0.03% nonlinearity, 700/700 ohm, 1K-5K 50 ft 4 cond cable, 10K-75K 50 ft braided shield cable, **stainless steel**, IP67.

Part Number	Capacity	Weight	Stock	Price C
GDE16-1K-SSW	1,000 lb	4 lb	6946	\$ 588.50
GDE16-2K-SSW	2,000 lb	4 lb	6947	588.50
GDE16-2.5K-SSW	2,500 lb	4 lb	6948	588.50
GDE16-5K-SSW	5,000 lb	4 lb	6949	588.50
GDE16-10K-SSW	10,000 lb	8 lb	6950	660.00
GDE16-15K-SSW	15,000 lb	8 lb	6951	660.00
GDE16-20K-SSW	20,000 lb	8 lb	6952	660.00
GDE16-25K-SSW	25,000 lb	8 lb	6953	660.00
GDE16-35K-SSW	35,000 lb	16 lb	6954	660.00
GDE16-50K-SSW	50,000 lb	25 lb	6955	1,320.00
GDE16-75K-SSW	75,000 lb	25 lb	6956	1,320.00



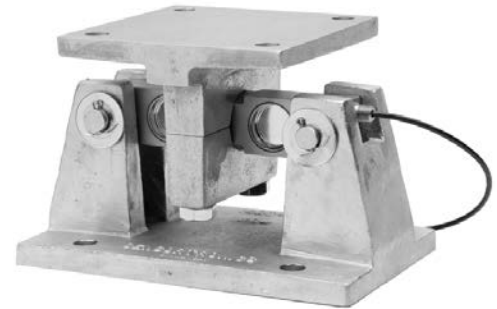
GDE16-SSW



Dec
↓

Dimensions in inches

Capacity	A	B	C	D	E	F	G
1-5K	7.50	1.22	1.22	6.25	1.12	1.25	1.22
10-25K	8.75	1.44	1.94	7.50	1.62	1.99	1.44
35K	8.75	1.44	2.44	7.50	1.62	2.50	1.44
50K	13.50	2.44	2.94	11.50	3.25	2.99	1.31
75K	13.50	2.44	2.94	11.50	3.25	----	1.31



TDE-16-SSW
w/ Tank Mount Assembly

TM16-SS tank mount assembly only

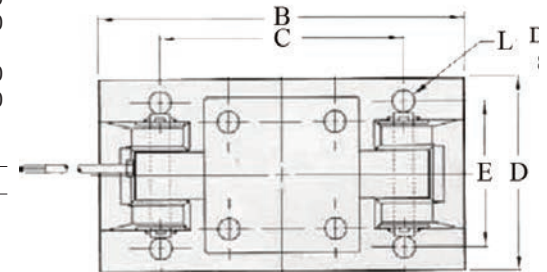
Welded steel, **stainless steel**. Suitable for food, medical and pharmaceutical applications.

Part Number	Capacity	Weight	Stock	Price C
TM-5-SS	5,000 lb	17 lb	2395	\$ 621.50
TM-25-SS	25,000 lb	55 lb	2396	1,204.50
TM-35-SS	35,000 lb	55 lb	4185	1,864.50
TM-50-SS	50,000 lb	130 lb	2397	2,854.50
TM-75-SS	75,000 lb	130 lb	2398	2,854.50

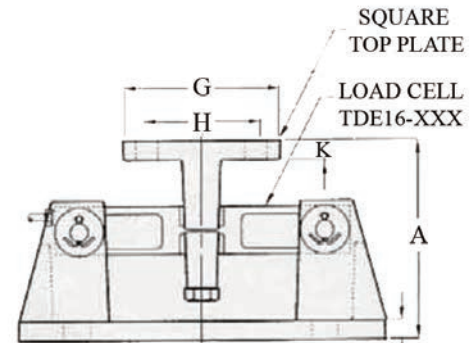
Dimensions in inches

Capacity	A	B	C	D	E	F	G	H	K	L
1K-5K	5.13	9.35	6.25	5	3.75	0.50	4	2.75	0.50	0.56
10K-35K	7.90	12.00	7.50	8	6.00	0.75	8	6.00	0.75	0.78
50K-75K	9.30	16.25	11.50	12	9.50	1.00	9	6.50	1.00	0.78
100K-200K	11.75	23.50	20.00	14	12.00	1.50	10	8.00	1.50	1.12

Dec
↓



Top View



Side View

Prices are subject to change without notice. Please call for current prices.

Other items are available from the manufacturers, please call for prices.

99 Reagent Lane
Fair Lawn NJ 07410
201-797-2718 * 800-631-0347

Totalcomp
Load Cells

www.totalcomp.com
Fax 201-797-2287
Toll Free Fax 888-797-2288

Prices are subject to change without notice. Please call for current prices.

Other items are available from the manufacturers, please call for prices.

Complete Tank weighing assembly needs (1) load cell and (1) mount with corresponding capacity.

Tank

TDE16-SS Totalcomp, beam only

Interchangeable with Sensortronics Model 65016.

3 mv/v, 0.03% nonlinearity, 700/700 ohm, 25 ft 4 cond cable 5K-20K, 30 ft 4 cond cable 30K-60K, stainless steel, IP67.

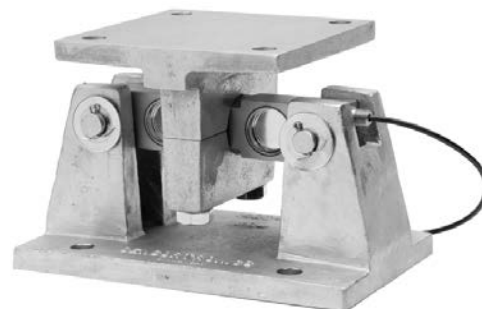
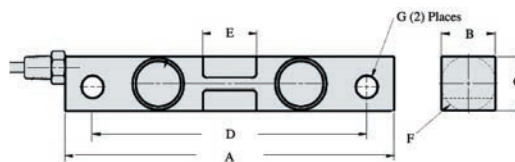
Part Number	Capacity	Weight	Stock	Price C
TDE16-1K-SS	1,000 lb	4 lb	2380	\$ 511.50
TDE16-1.5K-SS	1,500 lb	4 lb	2381	511.50
TDE16-2K-SS	2,000 lb	4 lb	2382	511.50
TDE16-2.5K-SS	2,500 lb	4 lb	2383	511.50
TDE16-5K-SS	5,000 lb	5 lb	2385	511.50
TDE16-10K-SS	10,000 lb	8 lb	2386	581.90
TDE16-15K-SS	15,000 lb	8 lb	2387	581.90
TDE16-20K-SS	20,000 lb	8 lb	2388	581.90
TDE16-25K-SS	25,000 lb	8 lb	2389	581.90
TDE16-35K-SS	35,000 lb	16 lb	1265	1,188.00
TDE16-50K-SS	50,000 lb	25 lb	2390	1,149.50
TDE16-75K-SS	75,000 lb	25 lb	2391	1,347.50

Dimensions in inches

Capacity	A	B	C	D	E	F	G
1-5K	7.50	1.22	1.22	6.25	1.12	1.25	1.22
10-25K	8.75	1.44	1.94	7.50	1.62	1.99	1.44
35K	8.75	1.44	2.44	7.50	1.62	2.50	1.44
50K	13.50	2.44	2.94	11.50	3.25	2.99	1.31
75K	13.50	2.44	2.94	11.50	3.25	-----	1.31



TDE16
Beam only



TDE-16-SS
w/ Tank Mount Assembly

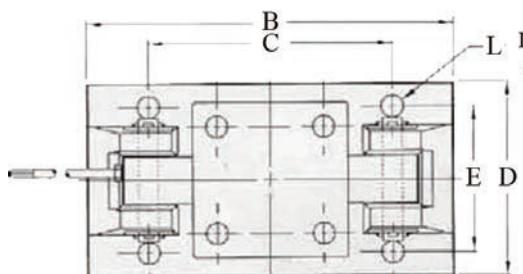
TM16-SS tank mount assembly only

Welded steel, stainless steel. Suitable for food, medical and pharmaceutical applications.

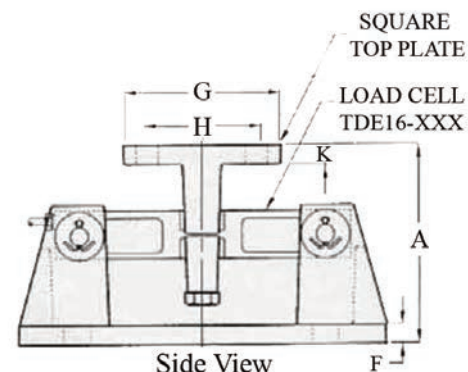
Part Number	Capacity	Weight	Stock	Price C
TM-5-SS	5,000 lb	17 lb	2395	\$ 621.50
TM-25-SS	25,000 lb	55 lb	2396	1,204.50
TM-35-SS	35,000 lb	55 lb	4185	1,864.50
TM-50-SS	50,000 lb	130 lb	2397	2,854.50
TM-75-SS	75,000 lb	130 lb	2398	2,854.50

Dimensions in inches

Capacity	A	B	C	D	E	F	G	H	K	L
1K-5K	5.13	9.35	6.25	5	3.75	0.50	4	2.75	0.50	0.56
10K-35K	7.90	12.00	7.50	8	6.00	0.75	8	6.00	0.75	0.78
50K-75K	9.30	16.25	11.50	12	9.50	1.00	9	6.50	1.00	0.78
100K-200K	11.75	23.50	20.00	14	12.00	1.50	10	8.00	1.50	1.12



Top View



Side View

Prices are subject to change without notice. Please call for current prices.

Other items are available from the manufacturers, please call for prices.

99 Reagent Lane
Fair Lawn NJ 07410
201-797-2718 * 800-631-0347

Totalcomp[®]
Load Cells

www.totalcomp.com
Fax 201-797-2287
Toll Free Fax 888-797-2288

Dec

Tank

This page will be deleted

Dec



Prices are subject to change without notice. Please call for current prices.

Other items are available from the manufacturers, please call for prices.

116

www.totalcomp.com
Fax 201-797-2287
Toll Free Fax 888-797-2288

 **Totalcomp**[®]
Load Cells

99 Reagent Lane
Fair Lawn NJ 07410
201-797-2718 * 800-631-0347

Complete Tank weighing assembly needs (1) load cell and (1) mount with corresponding capacity.

Tank

TDE16 Totalcomp, beam only

Interchangeable with Sensortronics Model 65016.

3 mv/v, 0.03% nonlinearity, 700/700 ohm, 25 ft 4 cond cable, nickel plated steel, IP67.

Part Number	Capacity	Weight	Stock	Price C
TDE16-1K	1,000 lb	4 lb	2359	\$ 489.50
TDE16-1.5K	1,500 lb	4 lb	2360	489.50
TDE16-2K	2,000 lb	4 lb	2361	489.50
TDE16-2.5K	2,500 lb	4 lb	2362	489.50
TDE16-5K	5,000 lb	4 lb	2364	489.50
TDE16-10K	10,000 lb	8 lb	2365	559.90
TDE16-15K	15,000 lb	8 lb	2366	559.90
TDE16-20K	20,000 lb	8 lb	2367	559.90
TDE16-25K	25,000 lb	8 lb	2368	559.90
TDE16-35K	35,000 lb	16 lb	4183	902.00
TDE16-50K	50,000 lb	25 lb	2369	867.90
TDE16-75K	75,000 lb	25 lb	2806	867.90

Dimensions in inches

Capacity	A	B	C	D	E	F	G
1-5K	7.50	1.22	1.22	6.25	1.12	1.25	1.22
10-25K	8.75	1.44	1.94	7.50	1.62	1.99	1.44
35K	8.75	1.44	2.44	7.50	1.62	2.50	1.44
50K	13.50	2.44	2.94	11.50	3.25	2.99	1.31
75K	13.50	2.44	2.94	11.50	3.25	----	1.31

TM16 Totalcomp, tank mount assembly only

Welded steel, epoxy painted finish.

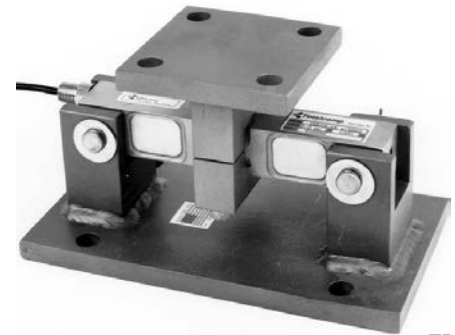
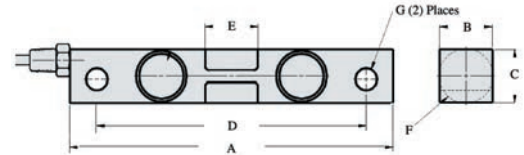
Part Number	Capacity	Weight	Stock	Price C
TM16-5	1,000 - 5,000 lb	17 lb	2374M	\$ 165.00
TM16-25	10,000 - 25,000 lb	56 lb	2375M	319.00
TM16-35	35,000 lb	56 lb	4184M	319.00
TM16-50	50,000 lb	130 lb	2376M	1,072.50
TM16-75	75,000 lb	130 lb	2810M	1,072.50
TM16-125	100,000 - 125,000 lb	250 lb	2811	1,465.00

Dimensions in inches

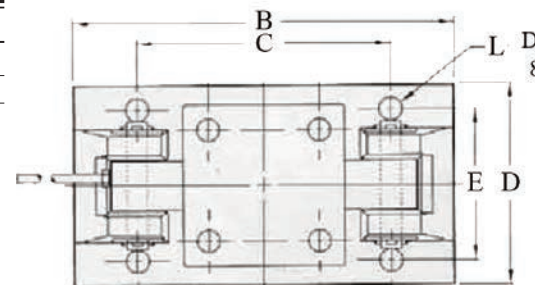
Capacity	A	B	C	D	E	F	G	H	I	J
1K-5K	5.13	9.35	6.25	5	3.75	0.50	4.00	2.75	0.50	0.56
10K-35K	7.90	12.00	7.50	8	6.00	0.75	8.00	6.00	0.75	0.78
50K-75K	9.30	16.25	11.50	12	9.50	1.00	9.00	6.50	1.00	0.78
100K-200K	11.75	23.50	20.00	14	12.00	1.50	10.00	8.00	1.50	1.12



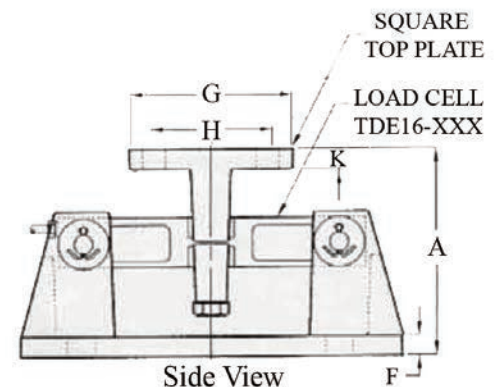
TDE16
Beam only



TDE-16
w/ Tank Mount Assembly



Top View



Side View

Prices are subject to change without notice. Please call for current prices.

Other items are available from the manufacturers, please call for prices.

99 Reagent Lane
Fair Lawn NJ 07410
201-797-2718 * 800-631-0347

Totalcomp
Load Cells

www.totalcomp.com
Fax 201-797-2287
Toll Free Fax 888-797-2288

This page will be deleted

Complete Tank weighing assembly needs (1) load cell and (1) mount with corresponding capacity.

Tank

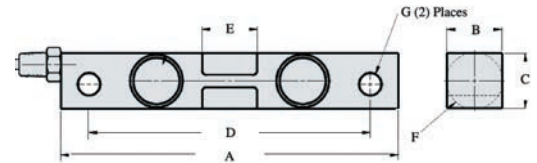
65016W-SS Sensortronics, beam only

3 mv/v, 0.05% nonlinearity, 700 ohms, 25 ft 4 cond cable, **stainless steel**, IP67.

Part Number	Capacity	Weight	Stock	Price C
65016-1K-0104W-SS	1,000 lb	4 lb	938	\$ 589.00
65016-1.5K-0104W-SS	1,500 lb	4 lb	939	589.00
65016-2K-0104W-SS	2,000 lb	4 lb	940	589.00
65016-2.5K-0104W-SS	2,500 lb	4 lb	941	589.00
65016-5K-0104W-SS	5,000 lb	4 lb	942	589.00
65016-10K-0104W-SS	10,000 lb	8 lb	943	669.00
65016-15K-0104W-SS	15,000 lb	8 lb	944	669.00
65016-20K-0104W-SS	20,000 lb	8 lb	945	669.00
65016-25K-0104W-SS	25,000 lb	8 lb	946	669.00
65016-35K-0104W-SS	35,000 lb	16 lb	2862	1,080.00
65016-50K-0104W-SS	50,000 lb	25 lb	947	1,219.00
65016-75K-0104W-SS	75,000 lb	25 lb	948	1,219.00

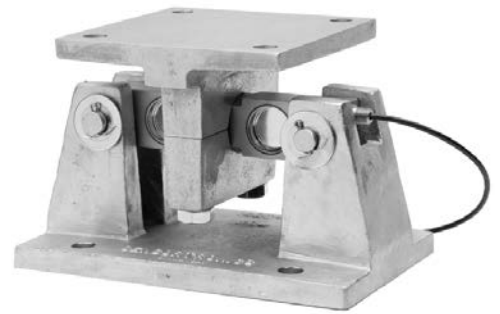


65016W-SS
Beam only

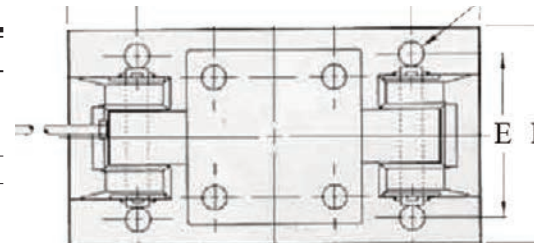


Dimensions in inches

Capacity	A	B	C	D	E	F	G
1-5K	7.50	1.22	1.22	6.25	1.12	1.25	1.22
10-25K	8.75	1.44	1.94	7.50	1.62	1.99	1.44
35K	8.75	1.44	2.44	7.50	1.62	2.50	1.44
50K	13.50	2.44	2.94	11.50	3.25	2.99	1.31
75K	13.50	2.44	2.94	11.50	3.25	----	1.31



65016-SS
w/ mounting assembly



Top View

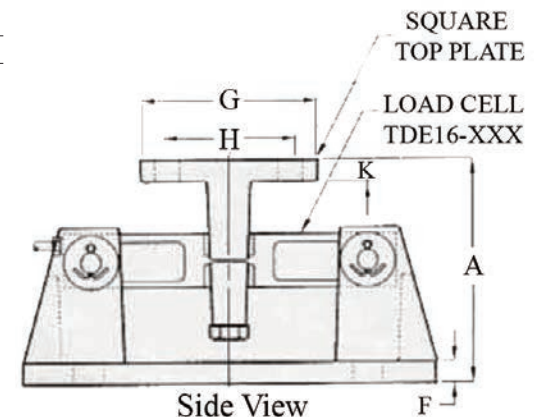
16-SS Sensortronics, mounting assembly only

Mounting assembly is cast **stainless steel**. These mounts are cast with 17-4 PH stainless steel and are prone to surface blemishes and discoloration. They are not suitable for food, medical or pharmaceutical applications.

Part Number	Capacity	Weight	Stock	Price C
1605-SS	1,000 - 5,000 lb	17 lb	1385	\$ 480.00
1625-SS	10,000 - 25,000 lb	56 lb	1386	955.00
1625-0104-SS	35,000 lb	56 lb	1717	1,290.00
1650-SS	50,000 - 60,000 lb	130 lb	1387	2,595.00
1675-SS	75,000 lb	130 lb	1496	2,595.00

Dimensions in inches

Capacity	A	B	C	D	E	F	G	H	K	L
1K-5K	5.13	9.35	6.25	5	3.75	0.50	4	2.75	0.50	0.56
10K-35K	7.90	12.00	7.50	8	6.00	0.75	8	6.00	0.75	0.78
50K-75K	9.30	16.25	11.50	12	9.50	1.00	9	6.50	1.00	0.78
100K-200K	11.75	23.50	20.00	14	12.00	1.50	10	8.00	1.50	1.12



Side View

Prices are subject to change without notice. Please call for current prices.

Other items are available from the manufacturers, please call for prices.

99 Reagent Lane
Fair Lawn NJ 07410
201-797-2718 * 800-631-0347

Totalcomp[®]
Load Cells

www.totalcomp.com
Fax 201-797-2287
Toll Free Fax 888-797-2288

This page will be deleted

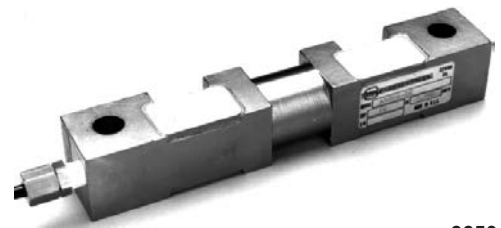
Complete Tank weighing assembly needs (1) load cell and (1) mount with corresponding capacity.

Tank

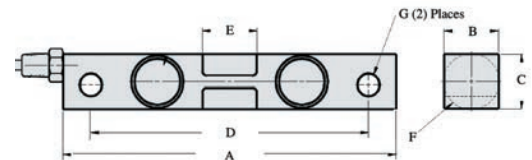
65016 Sensortronics, beam only

3 mv/v, 0.05% nonlinearity, 700 ohms, 25 ft 4 cond cable, nickel plated steel, IP67.

Part Number	Capacity	Weight	Stock	Price C
65016-1K	1,000 lb	4 lb	314	\$ 549.00
65016-1.5K	1,500 lb	4 lb	925	549.00
65016-2K	2,000 lb	4 lb	315	549.00
65016-2.5K	2,500 lb	4 lb	316	549.00
65016-3K	3,000 lb	4 lb	1961	549.00
65016-5K	5,000 lb	4 lb	317	549.00
65016-10K	10,000 lb	8 lb	318	619.00
65016-15K	15,000 lb	8 lb	319	619.00
65016-20K	20,000 lb	8 lb	328	619.00
65016-25K	25,000 lb	8 lb	320	619.00
65016-35K	35,000 lb	16 lb	2866	829.00
65016-50K	50,000 lb	25 lb	321	949.00
65016-75K	75,000 lb	25 lb	538	949.00

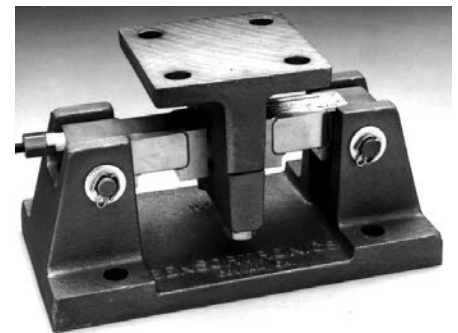


665016
Beam only



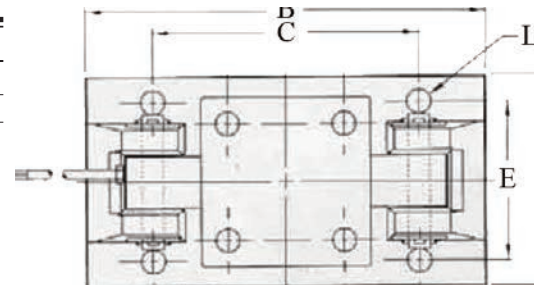
Dimensions in inches

Capacity	A	B	C	D	E	F	G
1-5K	7.50	1.22	1.22	6.25	1.12	1.25	1.22
10-25K	8.75	1.44	1.94	7.50	1.62	1.99	1.44
35K	8.75	1.44	2.44	7.50	1.62	2.50	1.44
50K	13.50	2.44	2.94	11.50	3.25	2.99	1.31
75K	13.50	2.44	2.94	11.50	3.25	----	1.31



65016

w/ mounting assembly



Top View

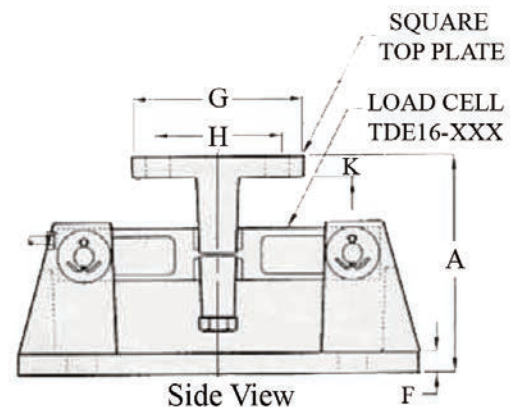
1605 Sensortronics, tank weighing assembly only

Mounting is cast ductile iron with baked on aluminized coating.

Part Number	Capacity	Weight	Stock	Price C
1605	1,000 - 5,000 lb	18 lb	878	\$ 158.70
1625	10,000 - 25,000 lb	63 lb	879	290.00
1625-0112	35,000 lb	63 lb	2473	565.00
1650	50,000 - 60,000 lb	140 lb	880	831.25
1675	75,000 lb	140 lb	104	831.25

Dimensions in inches

Capacity	A	B	C	D	E	F	G	H	K	L
1K-5K	5.13	9.35	6.25	5	3.75	0.50	4	2.75	0.50	0.56
10K-35K	7.90	12.00	7.50	8	6.00	0.75	8	6.00	0.75	0.78
50K-75K	9.30	16.25	11.50	12	9.50	1.00	9	6.50	1.00	0.78
100K-200K	11.75	23.50	20.00	14	12.00	1.50	10	8.00	1.50	1.12



Prices are subject to change without notice. Please call for current prices.

Other items are available from the manufacturers, please call for prices.

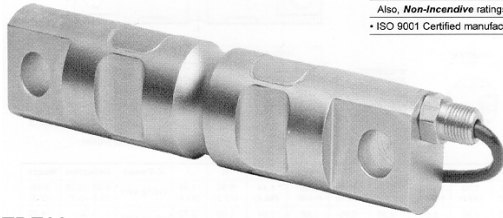
99 Reagent Lane
Fair Lawn NJ 07410
201-797-2718 * 800-631-0347

Totalcomp[®]
Load Cells

www.totalcomp.com
Fax 201-797-2287
Toll Free Fax 888-797-2288

Tank

Complete Tank weighing assembly needs (1) load cell and (1) mount with corresponding capacity.



Also, Non-Incendive ratings
• ISO 9001 Certified manufacturer

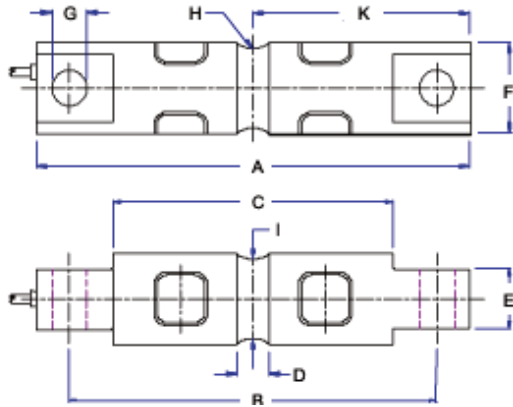
TDE03 Totalcomp, double ended beam only

Interchangeable with RTI Model 5103.

3 mv/v, 0.03% nonlinearity, 700/700 ohm, 30 ft 4 cond cable, nickel plated steel, IP67.

Part Number	Capacity	Weight	Stock	Price C
TDE03-5K	5,000 lb	6 lb	1219	\$ 550.00
TDE03-10K	10,000 lb	6 lb	1220	550.00
TDE03-20K	20,000 lb	6 lb	1221	550.00

TDE03



Dimensions in inches

Capacity	A	B	C	D	E	F	G	H	I
5K	8.11	6.87	5.24	0.84	1.19	1.70	0.66	0.50	1.50
20K	8.11	6.87	5.24	0.62	1.19	1.95	0.66	0.50	1.50



EZ Revere Transducers, mount only

Welded steel, stainless steel.

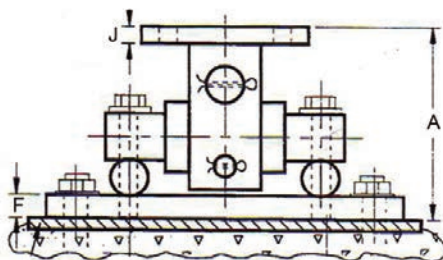
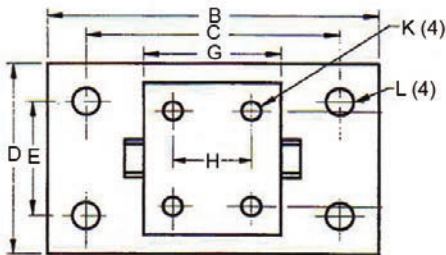
Part Number	Capacity	Weight	Stock	Price C
EZMI-20K-SS	5K - 20K	30 lb	1982	\$ 725.00
EZMI-60K-SS	30K - 60K	90 lb	1983	1,995.00
EZMI-100K-SS	100K	170 lb	4843	4,222.00
EZMI-150K-SS	150K	170 lb	2418	4,222.00

9703
w/ EZMI



Dimensions in inches

Capacity	A	B	C	D	E	F	G	H	K	L
5K-20K	5.31	11.00	8.00	8	4.00	0.75	5.5	3.00	0.56	1.06
30K-60K	8.43	15.00	11.50	10	6.00	1.00	8.0	5.10	0.75	1.22
100K-150K	10.38	18.00	14.00	12	9.00	1.25	10.0	7.50	0.81	1.38



Prices are subject to change without notice. Please call for current prices.

Other items are available from the manufacturers, please call for prices.

Complete Tank weighing assembly needs (1) load cell and (1) mount with corresponding capacity.

Tank

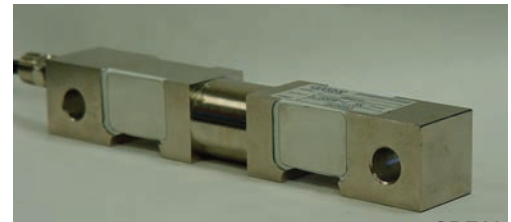
GDE16 General Sensor, beam only

3 mv/v, 0.05% nonlinearity, 700 ohms, 25 ft 4 cond cable, nickel plated steel, IP67.

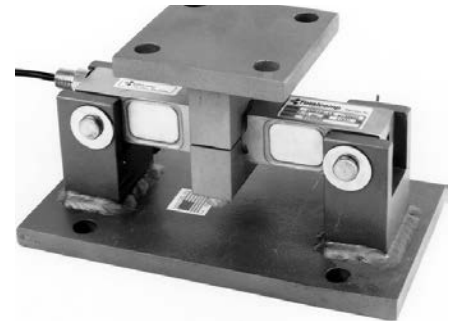
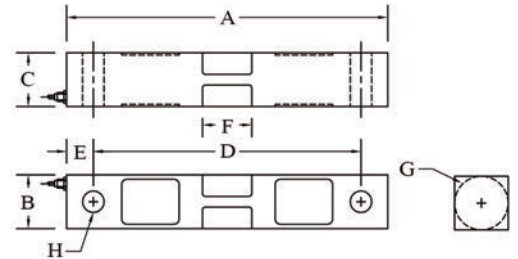
Part Number	Capacity	Weight	Stock	Price D
GDE16-1K	1,000 lb	4 lb	4314	\$ 400.00
GDE16-3K	3,000 lb	4 lb	4318	400.00
GDE16-5K	5,000 lb	4 lb	4319	400.00
GDE16-10K	10,000 lb	8 lb	4320	550.00
GDE16-15K	15,000 lb	8 lb	4321	550.00
GDE16-20K	20,000 lb	8 lb <td 4322	550.00	
GDE16-25K	25,000 lb	8 lb	4323	550.00
GDE16-50K	50,000 lb	25 lb	4325	650.00
GDE16-75K	75,000 lb	25 lb	4326	650.00

Dimensions in inches

Capacity	A	B	C	D	E	F	G	H
1-5K	7.50	1.25	1.25	6.25	0.62	1.15	1.25	0.50
10-25K	8.75	1.94	1.44	7.50	0.62	2.00	2.00	0.81
35K	8.75	2.50	1.50	7.50	0.62	2.00	2.50	0.81
50K	13.50	2.94	2.44	11.50	1.00	3.25	3.00	1.31
75K	13.50	2.94	2.44	11.50	1.00	3.25	----	1.31



GDE16
Beam only



GDE16
w/ mounting assembly

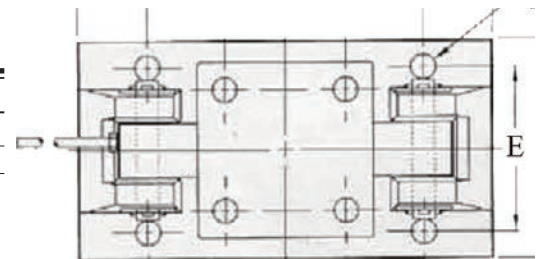
TM16 Totalcomp, tank mount assembly only

Welded steel, epoxy painted finish.

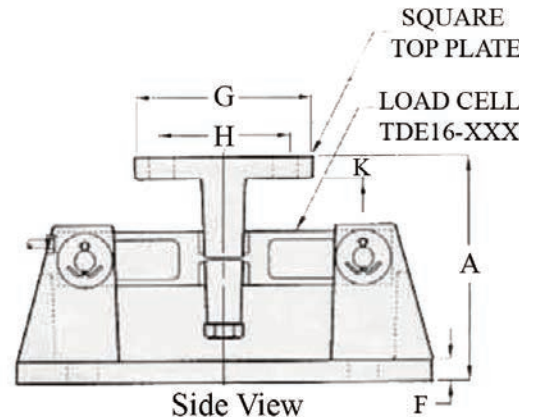
Part Number	Capacity	Weight	Stock	Price C
TM16-5	1,000 - 5,000 lb	17 lb	2374M	\$ 165.00
TM16-25	10,000 - 25,000 lb	55 lb	2375M	319.00
TM16-35	35,000 lb	55 lb	4184M	319.00
TM16-50	50,000 lb	155 lb	2376M	1,072.50
TM16-75	75,000 lb	155 lb	2810M	1,072.50

Dimensions in inches

Capacity	A	B	C	D	E	F	G	H	K	L
1K-5K	5.13	9.35	6.25	5	3.75	0.50	4	2.75	0.50	0.56
10K-35K	7.90	12.00	7.50	8	6.00	0.75	8	6.00	0.75	0.78
50K-75K	9.30	16.25	11.50	12	9.50	1.00	9	6.50	1.00	0.78
100K-200K	11.75	23.50	20.00	14	12.00	1.50	10	8.00	1.50	1.12



Top View



Side View

Prices are subject to change without notice. Please call for current prices.

Other items are available from the manufacturers, please call for prices.

99 Reagent Lane
Fair Lawn NJ 07410
201-797-2718 * 800-631-0347

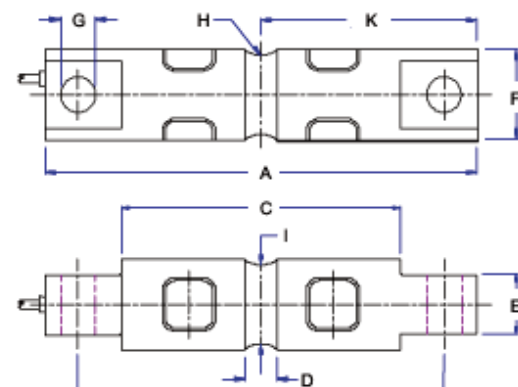
Totalcomp®
Load Cells

www.totalcomp.com
Fax 201-797-2287
Toll Free Fax 888-797-2288

Tank



GDE03

9703
w/ EZM I

GDE03 General Sensor, double ended beam only

Interchangeable with RTI Model 5103.

3 mv/v, 0.03% nonlinearity, 800/700 ohm, 50 ft 4 cond cable, nickel plated steel, IP67.

Part Number	Capacity	Weight	Stock	Price C
GDE03-5K	5,000 lb	5 lb	4652	\$ 536.80
GDE03-10K	10,000 lb	5 lb	4653	536.80
GDE03-20K	20,000 lb	5 lb	4654	536.80
GDE03-30K	30,000 lb	16 lb	4655	641.30
GDE03-40K	40,000 lb	16 lb	4656	641.30
GDE03-50K	50,000 lb	20 lb	4657	641.30
GDE03-60K	60,000 lb	20 lb	4658	641.30
GDE03-100K	100,000 lb	24 lb	4659	748.00
GDE03-150K	150,000 lb	34 lb	4660	842.60
GDE03-250K	250,000 lb	44 lb	4661	1,178.10

Dimensions in inches

Capacity	A	B	C	D	E	F	G	H	I
5K	8.11	6.87	5.24	0.84	1.19	1.70	0.66	0.50	1.50
20K	8.11	6.87	5.24	0.84	1.19	1.95	0.66	0.50	1.50
30K-60K	10.25	8.50	6.50	1.00	2.37	3.00	1.06	1.00	2.73
100K	11.25	9.50	7.50	1.25	2.50	3.50	1.06	1.50	3.24
150K	11.25	9.50	7.50	1.25	2.79	3.90	1.06	1.50	3.64
200K	16.09	13.00	10.00	1.29	4.59	5.37	1.55	2.00	5.17

EZ Revere Transducers, mount only

Welded steel, stainless steel.

Part Number	Capacity	Weight	Stock	Price C
EZMI-20K-SS	5K - 20K	30 lb	1982	\$ 725.00
EZMI-60K-SS	30K - 60K	90 lb	1983	1,995.00
EZMI-100K-SS	100K	170 lb	4843	4,222.00
EZMI-150K-SS	150K	170 lb	2418	4,222.00

Dimensions in inches

Capacity	A	B	C	D	E	F	G	H	K	L
5K-20K	5.31	11.00	8.00	8	4.00	0.75	5.5	3.00	0.56	1.06
30K-60K	8.43	15.00	11.50	10	6.00	1.00	8.0	5.10	0.75	1.22
100K-150K	10.38	18.00	14.00	12	9.00	1.25	10.0	7.50	0.81	1.38

Prices are subject to change without notice. Please call for current prices.

Other items are available from the manufacturers, please call for prices.

Complete Tank weighing assembly needs (1) load cell and (1) mount with corresponding capacity.

9103 Revere Transducers, beam only

3 mv/v, 0.1% combined, 860/700 ohm, 10 ft 4 cond cable 5K-20K, 30 ft 4 cond cable 30K-60K, **stainless steel.**
 NTEP 99-153 M IIIIL 10,000 div (B10)

Part Number	Capacity	Weight	Stock	Price C
9103-D3-5K-30P1 *	5,000 lb	5 lb	1975	\$ 750.00
9103-B10-10K-30P1	10,000 lb	5 lb	1976	750.00
9103-B10-15K-30P1	15,000 lb	5 lb	1081	750.00
9103-B10-20K-30P1	20,000 lb	5 lb	1977	750.00
9103-B10-30K-30P1	30,000 lb	18 lb	1978	825.00
9103-B10-40K-30P1	40,000 lb	18 lb	1979	825.00
9103-B10-50K-30P1	50,000 lb	18 lb	1980	925.00
9103-B10-60K-30P1	60,000 lb	18 lb	1981	925.00
9103-B10-75K-30P1	75,000 lb	18 lb	1055	925.00
9103-B10-100K-30P1	100,000 lb	24 lb	2416	1,825.00
9103-D3-150K-30P1 *	150,000 lb	24 lb	2417	1,875.00
9103-D3-200K-30P1 *	200,000 lb	36 lb	2088	2,895.00

* Not NTEP

Dimensions in inches

Capacity	A	B	C	D	E
5K, 10K	8.12	6.85	1.70	1.12	0.62
20K	8.12	6.85	1.95	1.12	0.62
30K-60K	10.25	8.5	3.00	2.37	1.06
100K	11.25	9.5	3.50	2.50	1.06
150K	11.25	9.5	3.90	2.79	1.06
200K	16.10	13.00	5.37	4.59	1.56

EZ Revere Transducers, mount only

Welded steel, **stainless steel.**

Part Number	Capacity	Weight	Stock	Price C
EZMI-20K-SS	5K - 20K	30 lb	1982	\$ 725.00
EZMI-60K-SS	30K - 60K	90 lb	1983	1,995.00
EZMI-100K-SS	100K	170 lb	4843	4,222.00
EZMI-150K-SS	150K	170 lb	2418	4,222.00

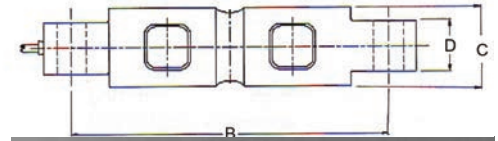
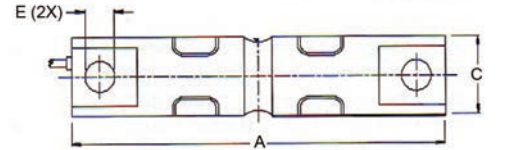
Dimensions in inches

Capacity	A	B	C	D	E	F	G	H	K	L
5K-20K	5.31	11.00	8.00	8	4.00	0.75	5.5	3.00	0.56	1.06
30K-60K	8.43	15.00	11.50	10	6.00	1.00	8.0	5.10	0.75	1.22
100K-150K	10.38	18.00	14.00	12	9.00	1.25	10.0	7.50	0.81	1.38

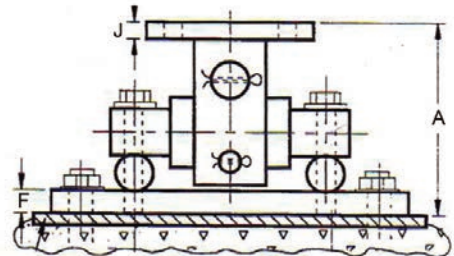
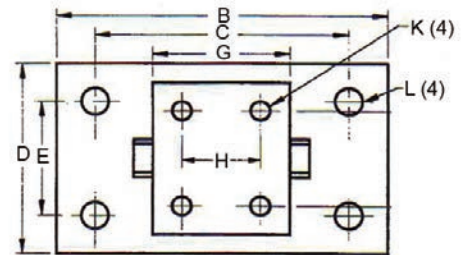
Tank



**9103
Beam only**



**9703
w/ EZMI**



Prices are subject to change without notice. Please call for current prices.

Other items are available from the manufacturers, please call for prices.

Truck



65061

65061 Scentroidronics, beam only

Interchangeable with Fairbanks Rodan Truck scale load cells. Load cell does not have a load button. It must be ordered separately or the existing button may be used.
3 mv/v, 0.03% nonlinearity, 700/700 ohm, 35 ft cable, nickel plated steel or stainless steel, IP67.

NTEP 87-053 M IIIIL 10,000 div.

Part Number	Fairbanks	Capacity	Weight	Stock	Price C
Nickel plated steel					
65061A-40K-1000	90814-60	40,000 lb	17 lb	4051	\$ 1,189.00
65061A-50K-1000	91088-60	50,000 lb	17 lb	4052	1,189.00

Stainless steel

65061S-50K-1107	----	50,000 lb	19 lb	6064	1,330.00
-----------------	------	-----------	-------	------	----------

Service Parts

61733 Load button w/ 54798 pin			2 lb	6212M	78.70
61729 Load pin			3 lb	6213M	56.40
61770 Support pin (2) per cell			2 lb	6214M	45.20
61833 Bushing (4) per cell			1 lb	6215M	44.20



Load Pin



Bushing



Load Button



Support Pin

Toledo Parts

Part Number	Weight	Stock	Price C
68002438 lever foot assembly	2 lb	160	\$ 191.00
68002451 load pin	1 lb	161	148.00

Dec



Load Pin



Lever Foot Assembly

TB61 Totalcomp, beam only

Interchangeable with Scentroidronics 65061, Fairbanks Rodan 90814(40K) & 91088 (50K) load cells. Load cell does not have a load button. It must be ordered separately or the existing button may be used.

3 mv/v, 0.03% nonlinearity, 700/700 ohm, 50 ft 4 cond cable, nickel plated steel, IP67.

Part Number	Fairbanks	Capacity	Weight	Stock	Price C
TB61-40K	90814-60	40,000 lb	16 lb	2090	\$ 850.00
TB61-50K	91088-60	50,000 lb	16 lb	2091	850.00



TB61

Service Parts

Load button	61733		2 lb	6212M	76.80
Load pin	61729		3 lb	6213M	52.60
Support pin	61770	(2) per cell	2 lb	6214M	40.30
Bushing	61833	(4) per cell	1 lb	6215M	44.20

Prices are subject to change without notice. Please call for current prices.

Other items are available from the manufacturers, please call for prices.

Complete Tank weighing assembly needs (1) load cell and (1) mount with corresponding capacity.

Tank

70210 Artech, double ended beam only

3mv/v, 0.03% nonlinearity, 700/700 ohm, 30 ft 4 cond cable, electroless nickel/chrome plated steel.

NTEP 87-094 A2 IIIIL 10,000 div

Part Number	Capacity	Weight	Stock	Price C
70210-5K	5,000 lb	5 lb	5353	\$ 760.00
70210-10K	10,000 lb	5 lb	5354	760.00
70210-20K	20,000 lb	5 lb	5355	760.00
70210-30K	30,000 lb	16 lb	5356	770.00
70210-40K	40,000 lb	16 lb	5357	770.00
70210-50K	50,000 lb	20 lb	5358	770.00
70210-60K	60,000 lb	20 lb	5359	770.00
70210-100K	100,000 lb	24 lb	6424	1,720.00
70210-150K-SE	150,000 lb	24 lb	6425	1,720.00
70210-150K-LE	150,000 lb	34 lb	6426	1,720.00
70210-200K	200,000 lb	44 lb	6427	2,800.00
70210-250K *	250,000 lb	44 lb	6428	3,280.50

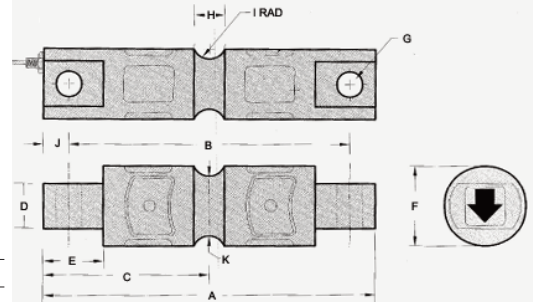
* Not NTEP

Dimensions in inches

Capacity	A	B	C	D	E	F	G	H	I	J	K
5K-20K	8.12	6.87	4.06	1.12	1.44	1.75	0.65	0.62	0.50	0.62	1.48
50K-65K	10.25	8.50	5.12	2.36	1.87	3.00	1.00	1.00	1.00	0.88	2.75
100K-150KSE	11.25	9.50	5.62	2.50	1.87	3.50	1.06	1.00	1.00	0.88	3.25
150KLE-250K	16.10	13.00	8.05	4.60	3.05	5.38	1.56	1.50	2.00	1.55	5.17



70210



9703
w/ EZMI I



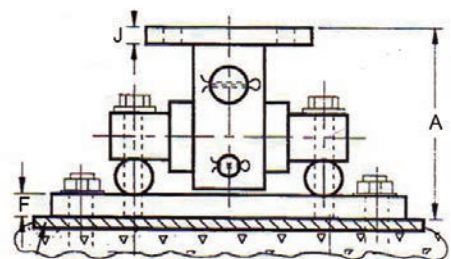
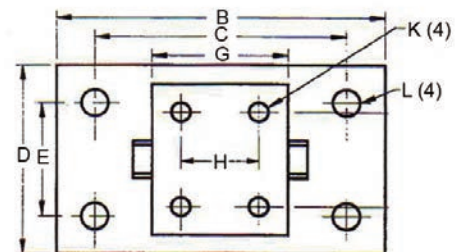
EZ Revere Transducers, mount only

Welded steel, stainless steel.

Part Number	Capacity	Weight	Stock	Price C
EZMI-20K-SS	5K - 20K	30 lb	1982	\$ 725.00
EZMI-60K-SS	30K - 60K	90 lb	1983	1,995.00
EZMI-100K-SS	100K	170 lb	4843	4,222.00
EZMI-150K-SS	150K	170 lb	2418	4,222.00

Dimensions in inches

Capacity	A	B	C	D	E	F	G	H	K	L
5K-20K	5.31	11.00	8.00	8	4.00	0.75	5.5	3.00	0.56	1.06
30K-60K	8.43	15.00	11.50	10	6.00	1.00	8.0	5.10	0.75	1.22
100K-150K	10.38	18.00	14.00	12	9.00	1.25	10.0	7.50	0.81	1.38



Prices are subject to change without notice. Please call for current prices.

Other items are available from the manufacturers, please call for prices.

99 Reagent Lane
Fair Lawn NJ 07410
201-797-2718 * 800-631-0347

Totalcomp[®]
Load Cells

www.totalcomp.com
Fax 201-797-2287
Toll Free Fax 888-797-2288

Truck



80310

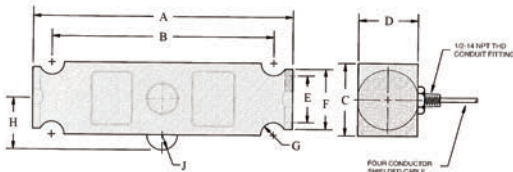


80310 Artech

Replacement for CMI Truck Scale load cells. Interchangeable with Sensortronics 65040. 3 mv/v, 0.03% nonlinearity, 700/700 ohms, 60 ft 4 cond cable, nickel plated steel, IP67. NTEP 90-083 M IIIIL 10,000 div

Part Number	Capacity	Weight	Stock	Price C
80310-50K-SE	50,000 lb	18 lb	6196	\$970.00
80310-60K-SE	60,000 lb	18 lb	6010	970.00
80310-75K-SE	75,000 lb	18 lb	6217	970.00
80310-60K	60,000 lb	21 lb	6101	1,100.00
80310-75K	75,000 lb	21 lb	6218	1,100.00
80310-50K	50,000 lb	21 lb	6045	1,100.00

SE = Small envelope



Dimensions in inches

Capacity	A	B	C	D	E	F	G	H	J
20K-60KSE	8.25	7.25	2.44	1.94	2.00	1.63	0.50	1.75	0.50
50K-75K	11.50	10.00	2.94	1.94	2.20	1.70	0.75	2.00	1.00
90K-200K	14.50	12.50	2.90	3.86	3.20	2.44	1.50	2.75	1.50



9423

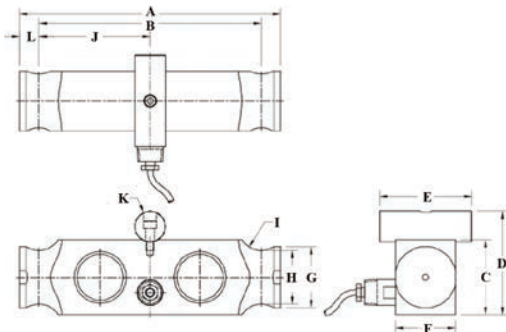


9423 Revere Transducers

3 mv/v, 0.03% nonlinearity, 700/700 ohms, 30 ft 4 cond cable, stainless steel, IP67. NTEP 00-050A1 IIIIL 10,000 div.

Part Number	Capacity	Weight	Stock	Price C
9423-B10-10K-30P1R*	10,000 lb	18 lb	8024	\$ 904.00
9423-B10-15K-30P1R*	15,000 lb	18 lb	8025	904.00
9423-B10-20K-30P1R	30,000 lb	18 lb	8026	904.00
9423-B10-25K-30P1R	25,000 lb	18 lb	8027	904.00
9423-B10-30K-30P1R	30,000 lb	18 lb	8028	904.00
9423-B10-40K-30P1R	40,000 lb	18 lb	8029	904.00
9423-B10-50K-30P1R	50,000 lb	18 lb	8030	904.00
9423-B10-60K-30P1R	60,000 lb	18 lb	8031	904.00
9423-B10-75K-30P1R	75,000 lb	18 lb	8032	904.00

Not NTEP



Dimensions in inches

Capacity	A	B	C	D	E	F	G	H	I	J	K	L
10-25k	8.00	7.12	1.94	2.57	1.94	1.44	1.00	0.80	0.38	3.56	0.75	0.44
30-75k	8.50	7.25	2.45	3.38	3.00	1.95	2.00	1.75	0.75	3.62	1.00	0.63

Prices are subject to change without notice. Please call for current prices.

Other items are available from the manufacturers, please call for prices.

Complete Tank weighing assembly needs (1) load cell and (1) mount with corresponding capacity.

5103 Revere Transducers, beam only

3 mv/v, 0.03% nonlinearity, 700/700 ohm, 30 ft 4 cond cable, nickel plated steel.
NTEP 86-039P IIL M 10,000 div (B10)

Part Number	Capacity	Weight	Stock	Price C
5103-B10-5K-30P1	5,000 lb	6 lb	557	\$ 655.00
5103-B10-10K-30P1	10,000 lb	6 lb	558	655.00
5103-B10-20K-30P1	20,000 lb	6 lb	559	655.00
5103-B10-30K-30P1	30,000 lb	18 lb	1967	755.00
5103-B10-40K-30P1	40,000 lb	18 lb	1968	755.00
5103-B10-50K-30P1	50,000 lb	20 lb	560	845.00
5103-B10-60K-30P1	60,000 lb	20 lb	1973	845.00
5103-B10-75K-30P1	75,000 lb	20 lb	574	845.00
5103-B10-100K-30P1	100,000 lb	24 lb	561	1,475.00
5103-B10-150K-30P1	150,000 lb	24 lb	562	1,475.00
5103-D3-200K-30P1	200,000 lb	46 lb	2419	2,450.00
5103-D3-250K-30P1	250,000 lb	46 lb	1722	2,450.00

Dimensions in inches

Capacity	A	B	C	D	E
5K, 10K	8.12	6.85	1.70	1.12	0.62
20K	8.12	6.85	1.95	1.12	0.62
30K-75K	10.25	8.50	3.00	2.37	1.06
100K	11.25	9.50	3.50	2.50	1.06
150K	11.25	9.50	3.90	2.79	1.06
200K	16.10	13.00	5.37	4.59	1.56

5103 Revere Transducers, mounting assembly only.

Welded steel, epoxy painted finish.

Part Number	Capacity	Weight	Stock	Price C
Mount for 5103-20K	5K - 20K	29 lb	1082	\$ 324.50
Mount for 5103-60K	30K - 60K	86 lb	1083	874.50
Mount for 5103-100K	100K	166 lb	1084	1,204.50
Mount for 5103-150K	150K	166 lb	1746	1,204.50

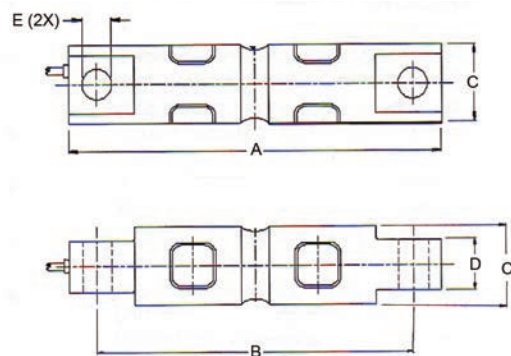
Dimensions in inches

Capacity	A	B	C	D	E	F	G	H	K	L
5K-20K	5.31	11.00	8.00	8	4.00	0.75	5.5	3.00	0.56	1.06
30K-60K	8.43	15.00	11.50	10	6.00	1.00	8.0	5.10	0.75	1.22
100K-150K	10.38	18.00	14.00	12	9.00	1.25	10.0	7.50	0.81	1.38

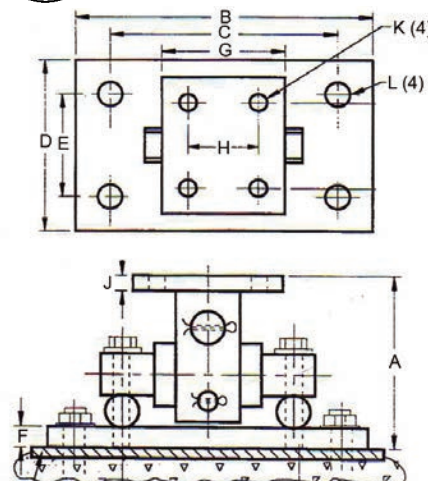
Tank



5103
Beam only



5103
w/ EZM I



Prices are subject to change without notice. Please call for current prices.

Other items are available from the manufacturers, please call for prices.

99 Reagent Lane
Fair Lawn NJ 07410
201-797-2718 * 800-631-0347

 **Totalcomp**
Load Cells

www.totalcomp.com
Fax 201-797-2287
Toll Free Fax 888-797-2288

Truck



WM-III

WM-III Artech

For use with stainless steel or tool steel versions of the 80210 and 80310. Artech's high strength machined link. WM-III A, B, & C are used with 80210 load cell. WM-III D, E & F are used with 80310 load cells. Mild steel, zinc plated steel.

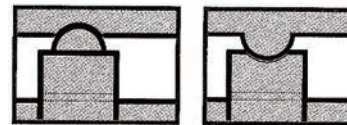
Part Number	Capacity	Weight	Stock	Price B
WM-III-A	20K-75KSE	80 lb	4429	\$ 795.00
WM-III-B	50K-75K	180 lb	4430	1,050.00
WM-III-C	200K	250 lb	4431	5,833.00
WM-III-D	20K-75KSE	80 lb	7058	795.00
WM-III-E	50K-75K	180 lb	7059	1,050.00
WM-III-F	90K-200K	250 lb	7060	6,333.00

Service Parts

Part Number	Capacity	Weight	Stock	Price B
WM-III Link-A	20K-50K	15 lb	4929	136.00
WM-III Link-B	50K-75K	20 lb	4930	291.00
WM-III Link-C	90K-150K	25 lb	4931	375.00

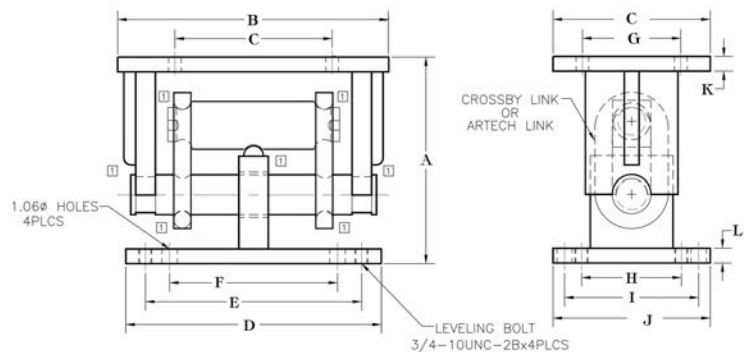


WM-III Link



A, B, C
80210

D, E, F
80310



Capacity	Load Cell	A	B	C	D	E	F	G	H	I	J	K	L
20K-60KSE	80210	10.50	13.00	8.00	13.00	11.50	8.00	0.690	6.00	6.00	8.00	0.75	0.75
50K-150KSE	80210	15.50	13.00	10.00	13.00	14.00	11.00	0.890	5.00	6.50	8.00	0.75	0.75
200K	80210	17.50	13.00	10.00	13.00	14.00	11.00	0.890	5.00	6.50	8.00	0.75	0.75
20K-60KSE	80310	10.50	13.00	8.00	13.00	11.50	8.00	0.690	6.00	6.00	8.00	0.75	0.75
50K-75K	80310	15.50	13.00	10.00	13.00	14.00	11.00	0.890	5.00	6.50	8.00	0.75	0.75
90K-150K	80310	17.50	10.50	10.00	14.00	14.00	11.00	0.890	5.00	6.50	8.00	0.75	0.75

Prices are subject to change without notice. Please call for current prices.

Other items are available from the manufacturers, please call for prices.

Truck

SS80310 Artech

Interchangeable with Sensortronics 65040

3 mv/v, 0.03% nonlinearity, 700/700 ohm, 40 or 60 ft 4 cond cable, **stainless steel**, IP67.
NTEP 90-083A2 III 10,000 div

Part Number	Capacity	Weight	Stock	Price C
SS80310-20K	20,000 lb	20 lb	7464	\$ 1,040.00
SS80310-30K	30,000 lb	20 lb	7465	1,040.00
SS80310-35K	35,000 lb	22 lb	7466	1,260.00
SS80310-40K	40,000 lb	25 lb	7467	1,260.00
SS80310-50KSE	50,000 lb	25 lb	7468	1,260.00
SS80310-50K	50,000 lb	28 lb	7469	1,260.00
SS80310-60K	60,000 lb	28 lb	7470	1,260.00
SS80310-65K	65,000 lb	28 lb	7471	1,260.00
SS80310-75KSE	75,000 lb	28 lb	7472	1,260.00
SS80310-75K	75,000 lb	28 lb	7473	1,260.00
SS80310-100K	100,000 lb	30 lb	7474	2,621.00
SS80310-125K	125,000 lb	30 lb	7475	2,621.00

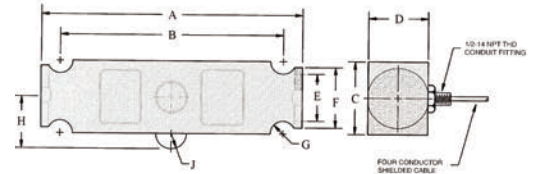


SS80310



Dimensions in inches

Capacity	A	B	C	D	E	F	G	H	J
20K-60KSE	8.25	7.25	2.44	1.94	2.00	1.63	0.50	1.75	0.50
50K-75K	11.50	10.00	2.94	1.94	2.20	1.70	0.75	2.00	1.00
90K-200K	14.50	12.50	2.90	3.86	3.20	2.44	1.50	2.75	1.50



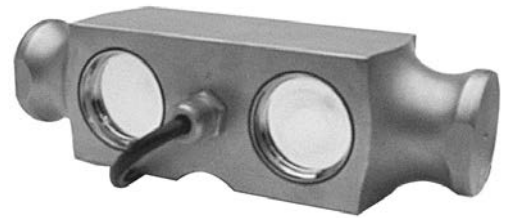
80210 Artech

Interchangeable with RTI 5223

3 mv/v, 0.03% nonlinearity, 700/700 ohm, 60 ft 4 cond cable, nickel plated steel w/welded covers, IP67.

NTEP 90-083 M IIIIL 10,000 div

Part Number	Capacity	Weight	Stock	Price C
80210-50K	50,000 lb	21 lb	6102	\$ 995.00
80210-65K	65,000 lb	21 lb	6103	995.00
80210-75KLE	75,000 lb	21 lb	6374	995.00
80210-100K	100,000 lb	21 lb	6189	1,500.00

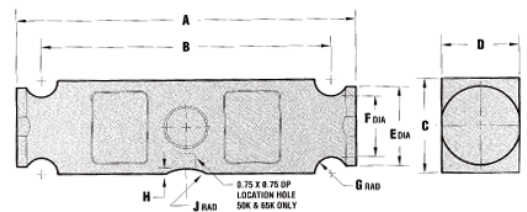


80210



Dimensions in inches

Capacity	A	B	C	D	E	F	G	H	J
20K-60KSE	8.25	7.25	2.44	1.94	2.00	1.63	0.50	0.25	0.50
50K-75K	10.25	8.50	2.90	2.90	2.40	2.05	1.00	0.25	1.00
90K-200K	11.50	10.00	3.40	3.40	2.75	2.35	1.50	0.40	1.50



Prices are subject to change without notice. Please call for current prices.

Other items are available from the manufacturers, please call for prices.

99 Reagent Lane
Fair Lawn NJ 07410
201-797-2718 * 800-631-0347

Totalcomp[®]
Load Cells

www.totalcomp.com
Fax 201-797-2287
Toll Free Fax 888-797-2288

Truck

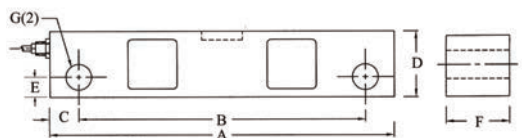
CG-STR Coti Global

Interchangeable with Epelsa STR. Alloy steel, two load buttons are included.
 3 mv/v, 0.03% nonlinearity, 700/700 ohms, 50ft 4 cond cable, environmentally protected.
 NTEP 03-079 M IIIIL 10,000 div



Part Number	Capacity	Weight	Stock	Price D
CG-STR-40K	40,000 lb	15 lb	5498	\$ 990.00
CG-STR-50K	50,000 lb	15 lb	5499	990.00

CI-STR



Dimensions in inches

Capacity	A	B	C	D	E	F	G
40K-50K	10.50	8.75	0.88	2.00	0.61	1.91	0.78

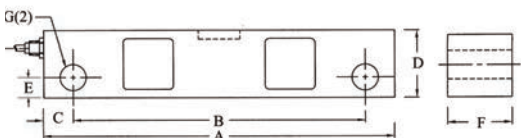
CG-STR1 Coti Global

Interchangeable with Fairbanks Rodan 90814, 9108, load button is included.
 3 mv/v, 0.03% nonlinearity, 700/ohms, 50ft 4 cond cable, alloy steel.
 NTEP 03-079 M IIIIL 10,000 div



Part Number	Capacity	Weight	Stock	Price D
CG-STR1-40K	40,000 lb	14 lb	2503	\$ 990.00
CG-STR1-50K	50,000 lb	14 lb	2504	990.00

CG-STR1



Dimensions in inches

Capacity	A	B	C	D	E	F	G
40K-50K	10.50	8.75	0.88	2.44	1.22	1.94	0.78

Prices are subject to change without notice. Please call for current prices.

Other items are available from the manufacturers, please call for prices.

Truck

DB-50000 Cardinal

Original Cardinal load cell used in Cardinal Truck scales.

2 mv/v, 0.03% non linearity, 790/700 ohms, 35ft integral multiconductor cable, **stainless steel**, IP67.

NTEP 97-133A2 M IIIIL 10,000 div

Part Number	Capacity	Weight	Stock	Price C
DB-50000	50,000 lb	20 lb	1229	\$ 1,487.00
DB-75000	75,000 lb	20 lb	2399	1,487.00

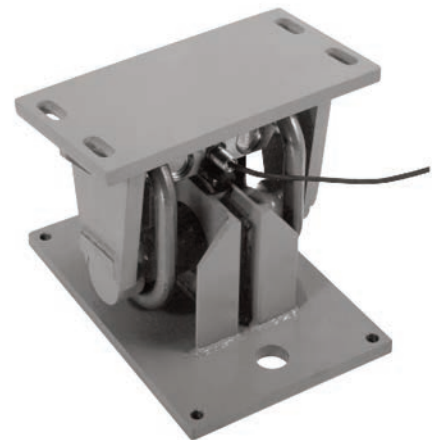
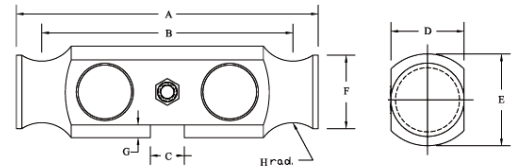


DB-50000



Dimensions in inches

Capacity	A	B	C	D	E	F	G	H
50K-75K	8.25	7.25	0.93	1.80	2.50	2.00	0.38	0.75



Mount shown for illustration only

Prices are subject to change without notice. Please call for current prices.

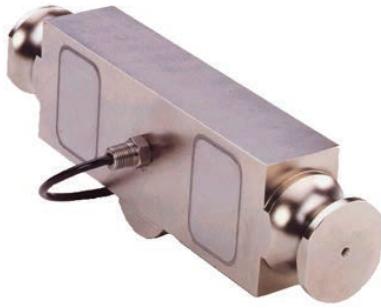
Other items are available from the manufacturers, please call for prices.

99 Reagent Lane
Fair Lawn NJ 07410
201-797-2718 * 800-631-0347

 **Totalcomp**[®]
Load Cells

www.totalcomp.com
Fax 201-797-2287
Toll Free Fax 888-797-2288

Truck



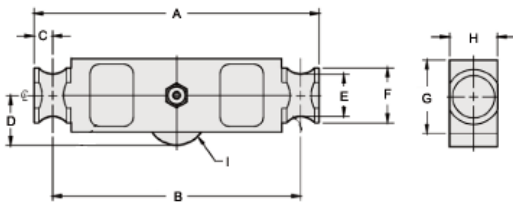
65040



65040 Sensortronics

Replacement for CMI Truck Scale load cells and Thurman TSC840 load cells.
3 mv/v, 0.05% nonlinearity, 700/700 ohms, 35 ft 4 cond cable, nickel plated steel, IP67.
NTEP 86-045 M IIIIL 10,000 div

Part Number	Capacity	Weight	Stock	Price C
65040A-25K	25,000 lb	17 lb	1276	\$ 629.00
65040A-40K	40,000 lb	17 lb	1278	749.00
65040A-50K (Small Envelope)	50,000 lb	17 lb	4186	759.00
65040A-50K	50,000 lb	18 lb	1280	829.00
65040A-60K	60,000 lb	18 lb	50	829.00
65040A-75K	75,000 lb	18 lb	1286	829.00
65040A-100K	100,000 lb	60 lb	1559	1,569.00
65040A-125K	125,000 lb	60 lb	1562	1,569.00



Dimensions in inches

Capacity	A	B	C	D	E	F	G	H	I	J
25K-40K	8.25	7.25	0.50	1.75	1.63	2.00	2.44	1.94	0.50	0.50
50K-75K	11.50	10.00	0.75	2.00	1.70	2.20	2.94	1.94	1.00	0.75
100K-125K	14.50	12.50	1.00	2.75	2.44	3.20	3.86	2.90	1.50	1.00

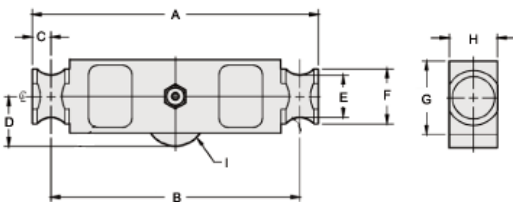


TDE40

TDE40 Totalcomp

Replacement for CMI Truck Scale load cells. Interchangeable with Sensortronics 65040, Airway AW900.
3 mv/v, 0.03% nonlinearity, 700/700 ohms, 35 ft 4 cond cable, nickel plated steel, IP67.

Part Number	Capacity	Weight	Stock	Price D
TDE40-25K	25,000 lb	16 lb	208	\$ 629.00
TDE40-40K	40,000 lb	16 lb	541	759.00
TDE40-50K-SE	50,000 lb	16 lb	4187	759.00
Small envelope w/120 ft cable				
TDE40-50K	50,000 lb	19 lb	542	829.00
TDE40-60K	60,000 lb	19 lb	543	829.00
TDE40-75K	75,000 lb	19 lb	545	829.00
TDE40-100K	100,000 lb	45 lb	2012	1,563.00
TDE40-125K	125,000 lb	45 lb	2013	1,563.00



Dimensions in inches

Capacity	A	B	C	D	E	F	G	H	I	J
25K-40K	8.25	7.25	0.50	1.75	1.63	2.00	2.44	1.94	0.50	0.50
50K-75K	11.50	10.00	0.75	2.00	1.70	2.20	2.94	1.94	1.00	0.75
100K-125K	14.50	12.50	1.00	2.75	2.44	3.20	3.86	2.90	1.50	1.00

Prices are subject to change without notice. Please call for current prices.

Other items are available from the manufacturers, please call for prices.

Truck

CG-DB Coti Global

Interchangeable with Cardinal DB-50000, RLDB50000S.

2 mv/v, 0.03% non linearity, 700/ ohms, 50ft braided shield cable, **stainless steel**. IP67.

FM Approved

NTEP 11-076 Class III 10,000 div

Part Number	Capacity	Weight	Stock	Price D
CG-DB-50000S-35K	35,000 lb	20 lb	1039	\$ 1,210.00
CG-DB-50000S-50K	50,000 lb	20 lb	1224	1,210.00
CG-DB-50000S-75K	75,000 lb	20 lb	1040	1,210.00

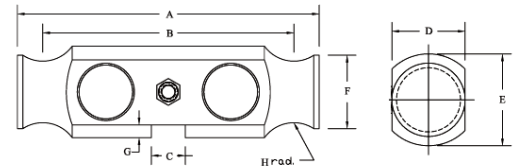


CG-DB-50000



Dimensions in inches

Capacity	A	B	C	D	E	F	G	H
35K-75K	8.25	7.25	0.93	1.80	2.50	2.00	0.38	0.75



TDE58 Totalcomp, beam only

Interchangeable with Sensortronics 65058.

3 mv/v, 0.03% nonlinearity, 700/700 ohms, 50 ft 4 cond cable, nickel plated steel, IP67.

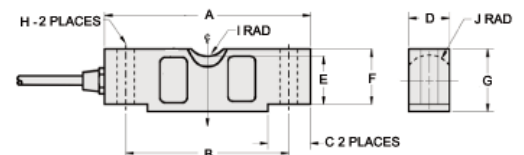
Part Number	Capacity	Weight	Stock	Price D
TDE58-10K	10,000 lb	7 lb	4662	\$ 555.00
TDE58-20K	20,000 lb	7 lb	4663	555.00
TDE58-25K	25,000 lb	7 lb	4664	555.00
TDE58-40K	40,000 lb	14 lb	4665	587.50
TDE58-50K	50,000 lb	19 lb	4666	587.50
TDE58-60K	60,000 lb	19 lb	4667	587.50
TDE58-75K	75,000 lb	19 lb	4668	587.50



TDE58

Dimensions in inches

Capacity	A	B	C	D	E	F	G	H	I	J
10K-25K	7.75	6.50	1.38	1.69	1.63	1.70	1.94	0.68	0.75	0.90
40K	10.25	8.50	1.93	1.94	2.00	2.10	2.44	0.81	1.00	1.12
50K-75K	10.25	8.50	1.93	2.44	2.54	2.65	2.94	1.06	1.00	1.37



Prices are subject to change without notice. Please call for current prices.

Other items are available from the manufacturers, please call for prices.

99 Reagent Lane
Fair Lawn NJ 07410
201-797-2718 * 800-631-0347

Totalcomp[®]
Load Cells

www.totalcomp.com
Fax 201-797-2287
Toll Free Fax 888-797-2288

Truck



STR-50K



STR Epelsa, beam only

Load cell has load button installed. Replacement for LC32 load cell in First Weigh Truck Scales.

3 mv/v, 0.05% nonlinearity, 700/700 ohm, 50 ft cable, nickel plated steel.
NTEP 92-030 M IIIIL 10,000 div.

Part Number	Equal	Capacity	Weight	Stock	Price D
STR-40K	LC32-40K	40,000 lb	14 lb	2357	\$ 983.00
STR-50K	LC32-50K	50,000 lb	14 lb	2358	983.00

Service Parts

Part Number	Weight	Stock	Price D	C
Load button with guide pin for LC32 load cell	1 lb	2284	32.10	
4300-0020 Support pin for LC32 mount	1 lb	4635	28.50	
1300-0003 Retaining clip for LC32 mount	1 lb	6179	2.00	
603 Load button w/o guide pin 1" dia x 5/8" H	1 lb	1768	28.50	



4300-0003 Support pin
w/ optional 4300-0020 retaining clips



Load button
w/o guide pin



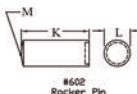
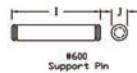
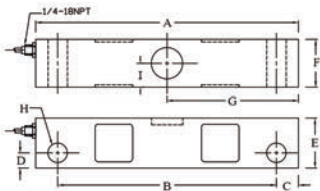
Load button
w/ guide pin

Dimensions in inches

Capacity	A	B	C	D	E	F	G	H	I
40-50K	10.50	8.75	0.88	0.61	2.00	1.91	5.25	0.78	-----
600 Support Pin	-----	-----	-----	-----	-----	-----	-----	-----	4.25
602 Support Pin	-----	-----	-----	-----	-----	-----	-----	-----	-----

Dimensions in inches

Capacity	J	K	L	M
40-50K	-----	-----	-----	-----
600 Support Pin	0.75	-----	-----	-----
602 Support Pin	-----	3.25	1.25	12.00



Prices are subject to change without notice. Please call for current prices.

Other items are available from the manufacturers, please call for prices.

BE40 Coti Global

Interchangeable with Sensortronics 65040.

3mv/v, 0.03% nonlinearity, 700/700 ohms, 50 ft braided shield cable, nickel plated steel.

NTEP 03-037 M III 6,000 div, III L 10,000 div

Part Number	Capacity	Weight	Stock	Price C
BE40-25K	25,000 lb	18 lb	6937	\$ 693.00
BE40-40K	40,000 lb	18 lb	6938	693.00
BE40-50KSE	50,000 lb	18 lb	6939	693.00
BE40-60KSE	60,000 lb	18 lb	6940	693.00
BE40-50KLE	50,000 lb	18 lb	6941	880.00
BE40-60KLE	60,000 lb	18 lb	6942	880.00
BE40-75K	75,000 lb	18 lb	6943	880.00
BE40-75KSE	75,000 lb	15 lb	6991	693.00
BE40-100K	100,000 lb	60 lb	6944	1,622.50
BE40-125K	125,000 lb	60 lb	6945	1,622.50

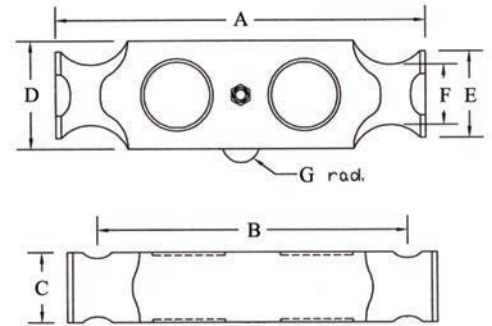


BE40



Dimensions in inches

Capacity	A	B	C	D	E	F	G
25K-75KSE	8.25	7.25	1.94	2.44	2.00	1.63	0.50
50K-75K	11.50	10.00	1.94	2.94	2.20	1.70	1.00
100K-125K	14.50	12.50	2.90	3.86	3.20	2.44	1.50



CG-5223 Coti Global

Interchangeable with RTI model 5223

3mv/v, 0.03% nonlinearity, 700/700 ohms, 50 ft 4 cond cable, nickel plated steel.

NTEP 03-044 M III 10,000 div

Part Number	Capacity	Weight	Stock	Price C
CG-5223-50K	50,000 lb	21 lb	6021	\$ 935.00
CG-5223-65K	65,000 lb	21 lb	6025	935.00
CG-5223-100K	100,000 lb	21 lb	6026	997.70

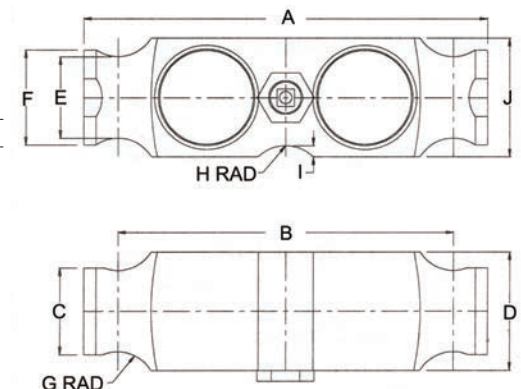


CG-5223



Dimensions in inches

Capacity	A	B	C	D	E	F	G	H	I	J
40K-125KSE	10.25	8.50	3.00	3.00	2.40	2.07	1.00	1.00	0.75	0.78



Prices are subject to change without notice. Please call for current prices.

Other items are available from the manufacturers, please call for prices.

Truck



65058-SS



65058 SS Sensortronics, beam only

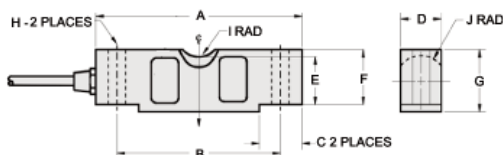
3 mv/v, 0.05% nonlinearity, 700/700 ohms, 25 ft 4 cond cable, **stainless steel**, w/welded gauge cover caps, IP67.

NTEP 20,000 lb thru 125,000 lb.

NTEP 86-046 M IIIIL 10,000 div

Part Number	Capacity	Weight	Stock	Price C
65058S-20K-SS	20,000 lb	9 lb	2095	\$ 869.00
65058S-25K-SS	25,000 lb	9 lb	2096	869.00
65058S-40K-SS	40,000 lb	11 lb	2098	1,089.00
65058S-50K-SS	50,000 lb	19 lb	2099	1,089.00
65058S-60K-SS	60,000 lb	19 lb	2100	1,089.00
65058S-75K-SS	75,000 lb	19 lb	2101	1,089.00

Dimensions in inches



Capacity	A	B	C	D	E	F	G	H	I	J
10K-25K	7.75	6.50	1.38	1.69	1.63	1.70	1.94	0.68	0.75	0.90
40K	10.25	8.50	1.93	1.94	2.00	2.10	2.44	0.81	1.00	1.12
50K-75K	10.25	8.50	1.93	2.44	2.54	2.65	2.94	1.06	1.00	1.37
100K-125K	15.25	12.75	3.13	2.90	3.30	3.43	3.86	1.62	1.50	1.80
150K-200K	19.25	15.25	4.00	3.80	4.44	5.12	5.80	1.62	2.00	2.37



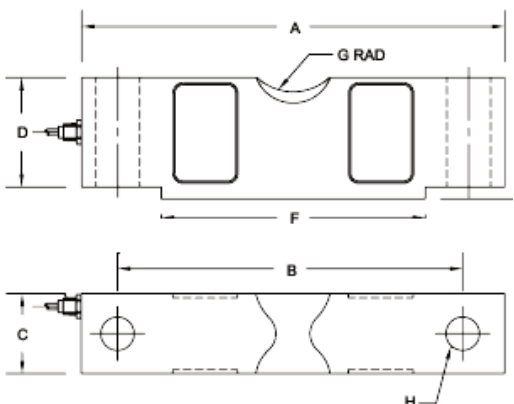
CG-58
Beam Only

CG-58 Coti Global, beam only

Interchangeable with Sensortronics 65058-SS.

3.0 mv/v, 0.05% nonlinearity, 700/700 ohms, 50" braided shield cable, alloy steel. IP67.

Part Number	Capacity	Weight	Stock	Price C
CG-58 10K	10,000 lb	12 lb	7023	\$ 671.00
CG-58 20K	20,000 lb	12 lb	7024	671.00
CG-58 25K	25,000 lb	12 lb	7025	671.00
CG-58 40K	40,000 lb	15 lb	7026	819.50
CG-58 50K SE	50,000 lb	15 lb	7027	819.50
CG-58 50K	50,000 lb	15 lb	7028	891.00
CG-58 60K	60,000 lb	19 lb	7029	891.00
CG-58 75K	75,000 lb	19 lb	7030	891.00
CG-58 100K	100,000 lb	40 lb	7031	1,622.50
CG-58 125K	125,000 lb	40 lb	7032	1,622.50



Dimensions in inches

Capacity	A	B	C	D	E	F	G	H
10K-25K	7.75	6.50	1.69	1.70	1.94	5.00	0.75	0.68
40K-50KSE	10.25	8.50	1.94	2.10	2.44	6.39	1.00	0.81
50K-75K	10.25	8.50	2.44	2.62	2.94	6.39	1.00	1.06
100K-125K	15.25	12.75	2.90	3.43	3.86	9.00	1.50	1.62

Prices are subject to change without notice. Please call for current prices.

Other items are available from the manufacturers, please call for prices.

Truck

Truck Load Cell Lodec

High accuracy on board load cell for use in truck mounted seals. Sealed for all weather environments. 0.5 mv/v 350/350 ohm, 7 pin connector, nickel plated steel.

Part Number	Capacity	Weight	Stock	Price C
8300420-10R	30,000 lb	44 lb	6771	\$1,135.00



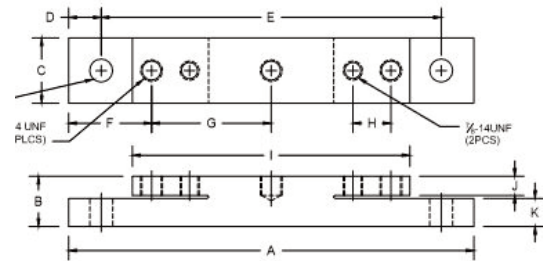
Dimensions in inches

Capacity	A	B	C	D	E
Lodec	22.62	2.31	3.00	1.50	19.62

Dimensions in inches

Capacity	F	G	H	I	J	K
Lodec	3.81	7.50	1.75	16.75	0.88	1.29

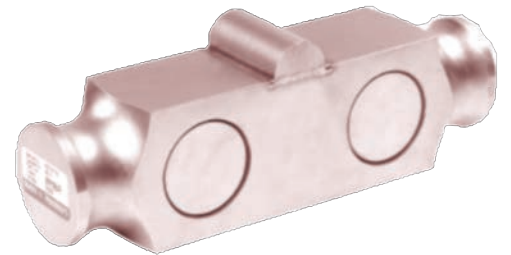
Lodec



Truck Load Cell Revere

The 9323 is a double ended beam type load cell. This product is designed for use in certified truck and rail scales and is available in capacities from 20K to 75Klbs. A reliable sealing and mechanical protection of the strain gage area is ensured by the use of potting compound with a metal cover. This load cell is rated intrinsically safe by the FM system, making it suitable for use in potentially explosive atmosphere.

Part Number	Capacity	Weight	Stock	Price C
9323-B10-50k-30PIR	50,000 lb	22 lb	218	\$692.00
9323-B10-60k-30PIR	60,000 lb	22 lb	219	714.00



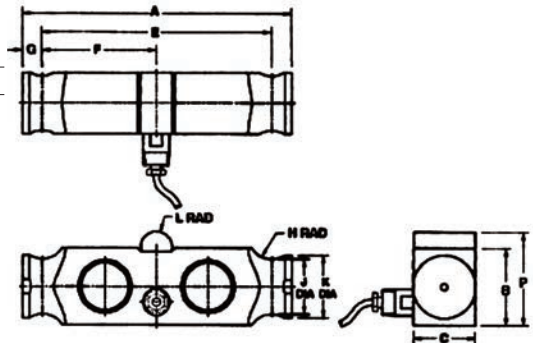
9323

Dimensions in inches

Capacity	A	B	C	E	F
50k	8.50	2.45	1.95	7.25	3.63
60k	8.50	2.45	1.95	7.25	3.63

Dimensions in inches

Capacity	G	H	J RAD	K	J	K	L RAD	P
50k	0.63	0.75	1.75	2.00dia	0.88	1.29	0.50	3.00
60k	0.63	0.75	1.75	2.00dia	0.88	1.29	0.50	3.00



Prices are subject to change without notice. Please call for current prices.

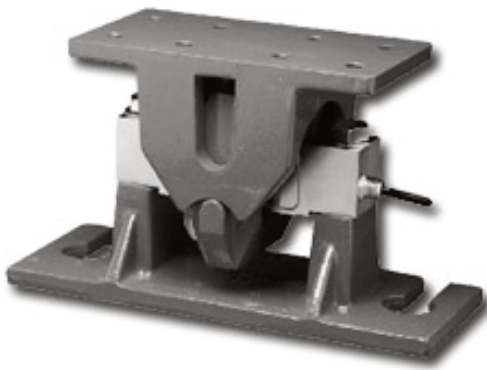
Other items are available from the manufacturers, please call for prices.

99 Reagent Lane
Fair Lawn NJ 07410
201-797-2718 * 800-631-0347

Totalcomp[®]
Load Cells

www.totalcomp.com
Fax 201-797-2287
Toll Free Fax 888-797-2288

Truck



65058 w/ TSA



65058 TSA Scentroidronics, truck scale corner assembly

3 mv/v, 0.05% nonlinearity, 700/700 ohms, 35 ft 4 cond cable, IP67.
 NTEP 20,000 lb thru 75,000 lb.
 NTEP 86-046 M IIIIL 10,000 div

Part Number	Capacity	Weight	Stock	Price C
65058A-20K w/TSA	20,000 lb	49 lb	548M & 1388M	\$ 1,233.16
65058A-25K w/TSA	25,000 lb	49 lb	549M & 1388M	1,233.16
65058A-50K w/TSA	50,000 lb	113 lb	552M & 1389M	1,542.34
65058A-60K w/TSA	60,000 lb	113 lb	553M & 1389M	1,542.34
65058A-75K w/TSA	75,000 lb	113 lb	554M & 1389M	1,542.34



65058



65058 Scentroidronics, beam only

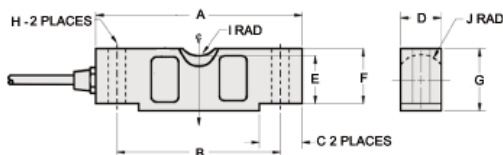
3 mv/v, 0.05% nonlinearity, 700/700 ohms, 35 ft 4 cond cable, nickel plated steel, IP67.
 NTEP 20,000 lb thru 125,000 lb.
 NTEP 86-046 M IIIIL 10,000 div

Part Number	Capacity	Weight	Stock	Price C
65058A-20K	20,000 lb	7 lb	548M	\$ 629.00
65058A-25K	25,000 lb	7 lb	549M	629.00
65058A-40K	40,000 lb	14 lb	551	759.00
65058A-50K	50,000 lb	21 lb	552M	829.00
65058A-60K	60,000 lb	21 lb	553M	829.00
65058A-75K	75,000 lb	21 lb	554M	829.00
65058A-100K	100,000 lb	42 lb	3701	1,569.00
65058A-125K	125,000 lb	42 lb	556	1,569.00

Howe Richardson replacement

65058A-50K-1127	50,000 lb	14 lb	2515	720.00
-----------------	-----------	-------	------	--------

Dimensions in inches



Capacity	A	B	C	D	E	F	G	H	I	J
10K-25K	7.75	6.50	1.38	1.69	1.63	1.70	1.94	0.68	0.75	0.90
40K	10.25	8.50	1.93	1.94	2.00	2.10	2.44	0.81	1.00	1.12
50K-75K	10.25	8.50	1.93	2.44	2.54	2.65	2.94	1.06	1.00	1.37
100K-125K	15.25	12.75	3.13	2.90	3.30	3.43	3.86	1.62	1.50	1.80
150K-200K	19.25	15.25	4.00	3.80	4.44	5.12	5.80	1.62	2.00	2.37

TSA Scentroidronics, truck scale assembly

Mounting assembly is cast iron.

Part Number	Capacity	Weight	Stock	Price C
5825	10,000 - 25,000 lb	42 lb	1388M	\$ 604.16
5875	40,000 - 75,000 lb	81 lb	1389M	713.34

Prices are subject to change without notice. Please call for current prices.

Other items are available from the manufacturers, please call for prices.

Truck

TB32 Totalcomp, beam only

Interchangeable with Epelsa LC32 (STR) double ended beam load cells. Load cell has load button installed.

3 mv/v, 0.03% nonlinearity, 700/700 ohm, 50 ft cable, nickel plated steel, IP67.

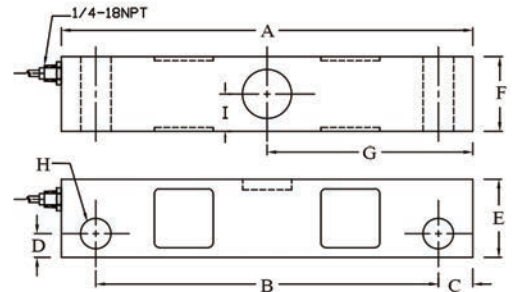
Part Number	Capacity	Weight	Stock	Price E
TB32-40K	40,000 lb	14 lb	1709	\$ 862.40
TB32-50K	50,000 lb	14 lb	1710	862.40



TB32

Dimensions in inches

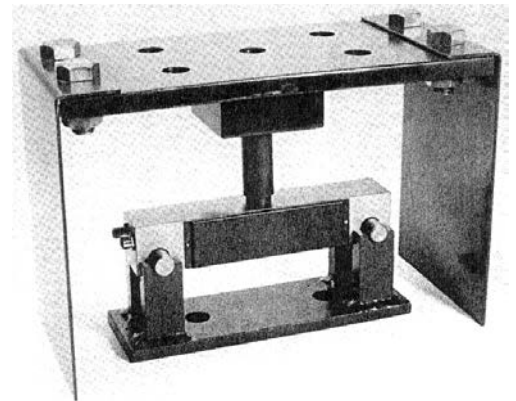
Capacity	A	B	C	D	E	F	G	H
40-50K	10.50	8.75	0.88	0.61	2.00	1.91	5.25	0.78



VE20 Epelsa, heavy duty mount

Service parts only.

Part Number	Weight	Stock	Price C
Service Parts			
4300-0017 Rocker pin	2 lb	6182	\$ 59.00



VE20-5000

Prices are subject to change without notice. Please call for current prices.

Other items are available from the manufacturers, please call for prices.

99 Reagent Lane
Fair Lawn NJ 07410
201-797-2718 * 800-631-0347

 **Totalcomp**[®]
Load Cells

www.totalcomp.com
Fax 201-797-2287
Toll Free Fax 888-797-2288

Truck



TDE23

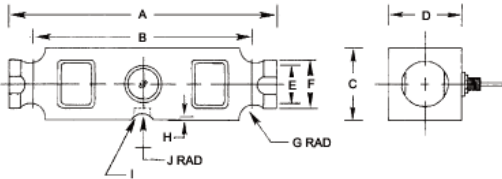
TDE23 Totalcomp, beam only

Interchangeable with RTI Model 5223

3 mv/v, 0.03% nonlinearity, 700/700 ohm, 35 ft 4 cond cable, nickel plated steel w/welded covers, IP67.

Part Number	Capacity	Weight	Stock	Price D
TDE23-50K	50,000 lb	21 lb	2016	\$ 825.00
TDE23-75K	75,000 lb	21 lb	2019	825.00

Dimensions in inches



Capacity	A	B	C	D	E	F	G	H	I	J
20K-40K	8.25	7.25	2.44	1.94	1.63	2.00	0.50	0.25	0.75	0.50
50K-150K	10.25	8.50	2.90	2.90	2.05	2.40	1.00	0.25	0.75	1.00
200K	11.50	10.00	3.40	3.40	2.35	2.75	1.50	0.40	0.75	1.50



GDE232

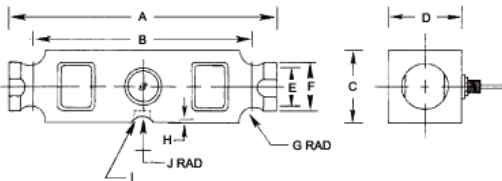
GDE23 General Sensor, beam only

Interchangeable with RTI Model 5223.

3 mv/v, 0.03% nonlinearity, 800/700 ohm, 50 ft 4 cond cable, nickel plated steel, IP67.

Part Number	Capacity	Weight	Stock	Price D
GDE23-20K	20,000 lb	16 lb	4645	\$ 534.00
GDE23-25K	25,000 lb	16 lb	4646	534.00
GDE23-40K	40,000 lb	16 lb	4647	534.00
GDE23-50K	50,000 lb	16 lb	4648	617.00
GDE23-65K	65,000 lb	16 lb	4649	617.00
GDE23-75K	75,000 lb	16 lb	4650	617.00
GDE23-100K	100,000 lb	16 lb	4651	617.00

Dimensions in inches



Capacity	A	B	C	D	E	F	G	H	I	J
20K-40K	8.25	7.25	2.44	1.94	1.63	2.00	0.50	0.25	0.75	0.50
50K-100K	10.25	8.50	2.90	2.90	2.05	2.40	1.00	0.25	0.75	1.00

Prices are subject to change without notice. Please call for current prices.

Other items are available from the manufacturers, please call for prices.

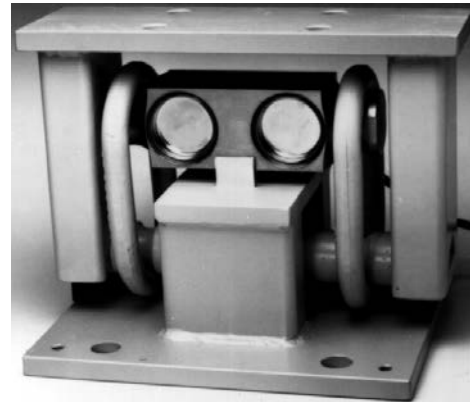
Truck

5223 Revere Transducers, with EZ Mount II

3 mv/v, 0.03% nonlinearity, 700/700 ohm, 40 ft 4 cond cable, hermetically sealed, nickel plated steel.

NTEP 86-038 M IIIIL 10,000 div

Part Number	Capacity	Weight	Stock	Price C5
5223-50K w/EZMII	50,000 lb	166 lb	866M & 1931M	\$ 1,525.00
5223-65K w/EZMII	65,000 lb	166 lb	867M & 1931M	1,525.00
5223-100K w/EZMII	100,000 lb	166 lb	868M & 1932M	2,140.00
5223-125K w/EZMII	125,000 lb	166 lb	1035M & 1932M	2,140.00
5223-200K w/EZMII	200,000 lb	747 lb	2422M & 2423M	4,310.00



5223 w/EZ Mount II



5223 Revere Transducers, beam only

Replacement for Thurman TSC800 load cells, Unibridge DL9000, AirWay AW901, NVTech BLC-2.

3 mv/v, 0.03% nonlinearity, 700/700 ohm, 40 ft 4 cond cable, hermetically sealed, nickel plated steel.

NTEP 86-038 M IIIIL 10,000 div

Part Number	Capacity	Weight	Stock	Price C
5223-B10-50K-40P1	50,000 lb	18 lb	866M	\$ 850.00
5223-B10-65K-40P1	65,000 lb	18 lb	867M	850.00
5223-B10-100K-40P1	100,000 lb	18 lb	868M	1,200.00
5223-B10-125K-40P1	125,000 lb	18 lb	1035M	1,200.00
5223-B10-200K-40P1	200,000 lb	32 lb	2422M	1,410.00

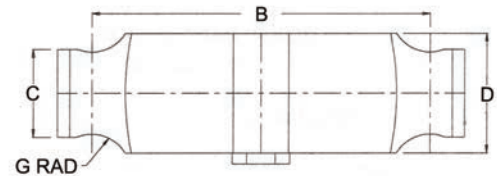
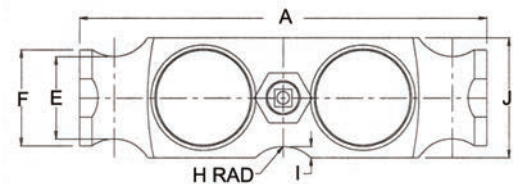


5223



Dimensions in inches

Capacity	A	B	C	D	E	F	G	H	I	J
50K-100K	10.25	8.50	2.20	3.00	2.06	2.40	1.00	1.00	0.28	3.00



EZ Mount II Revere Transducers

Mounting assembly is plated steel.

Part Number	Capacity	Weight	Stock	Price D
EZ Mount II for 5223	50K - 65K	148 lb	1931M	\$ 675.00
EZ Mount II for 5223	100,000 lb	148 lb	1932M	940.00
EZ Mount II for 5223	200,000 lb	715 lb	2423M	2,900.00

Prices are subject to change without notice. Please call for current prices.

Other items are available from the manufacturers, please call for prices.

99 Reagent Lane
Fair Lawn NJ 07410
201-797-2718 * 800-631-0347

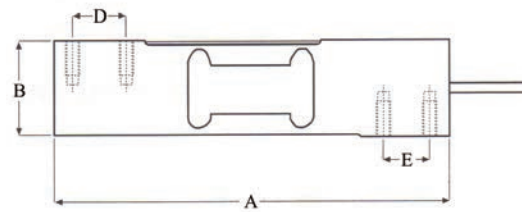
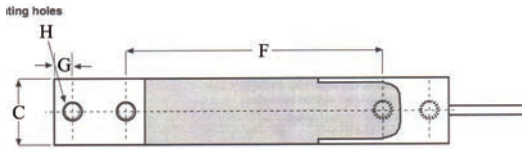
 **Totalcomp**[®]
Load Cells

www.totalcomp.com
Fax 201-797-2287
Toll Free Fax 888-797-2288

Single Point



1042



1042 Tedeo Huntleigh

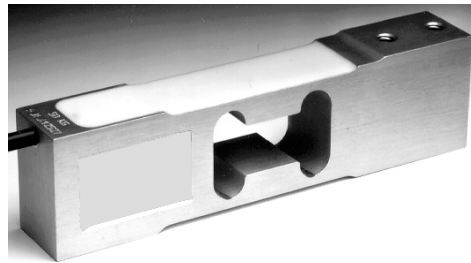
Replacement for Tedeo Model 1040. Mounting screws are 1/4-20 UNC(coarse) with 3/4" spacing on both top and bottom. These cells have a unique humidity resistant protective coating assures long term stability even under harsh environment and extreme temperatures.

2 mv/v, 0.02% total error, 9 ft 6 cond cable, 415/350 ohm, anodized aluminum.
NTEP 96-132 S III 5,000 div

Part Number	Capacity	Nominal	Weight	Stock	Price D
1042-I-1	1 kg	2 lb	2 lb	3267	\$ 169.00
1042-I-3	3 kg	6 lb	2 lb	3268	169.00
1042-I-5	5 kg	10 lb	2 lb	3496	169.00
1042-I-7	7 kg	15 lb	2 lb	3497	169.00
1042-I-10	10 kg	20 lb	2 lb	3498	169.00
1042-I-15	15 kg	30 lb	2 lb	3499	169.00
1042-I-20	20 kg	40 lb	2 lb	3500	169.00
1042-I-30	30 kg	60 lb	2 lb	3501	169.00
1042-I-50	50 kg	100 lb	2 lb	3502	169.00
1042-I-75	75 kg	150 lb	2 lb	3163	169.00
1042-I-100	100 kg	200 lb	2 lb	3503	169.00

Dimensions in inches

Capacity	A	B	C	D	E	F	G	H
1kg-30kg	5.90	1.57	0.79	0.75	0.75	3.94	0.25	1/4-20 UNC
50kg-250kg	5.90	1.57	1.00	0.75	0.75	3.94	0.25	1/4-20 UNC



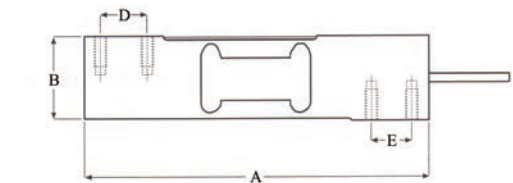
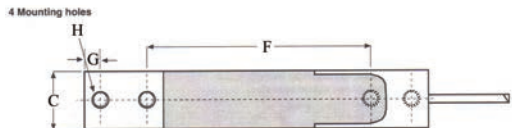
GS1042

GS1042 General Sensor

Interchangeable with Toledo model 774. Replacement for Tedeo Model 1040. Mounting screws are 1/4-20 UNC(coarse) with 3/4" spacing on both top and bottom. These cells have a unique humidity resistant protective coating assures long term stability even under harsh environment and extreme temperatures.

2 mv/v, 0.02% total error, 9 ft 6 cond cable, 415/350 ohm, anodized aluminum.

Part Number	Capacity	Nominal	Weight	Stock	Price C
GS1042-1kg	1 kg	2 lb	2 lb	6396	\$ 139.00
GS1042-3kg	3 kg	6 lb	2 lb	6390	139.00
GS1042-5kg	5 kg	10 lb	2 lb	6397	139.00
GS1042-7kg	7 kg	15 lb	2 lb	6391	139.00
GS1042-10kg	10 kg	20 lb	2 lb	6398	139.00
GS1042-15kg	15 kg	30 lb	2 lb	6399	139.00
GS1042-20kg	20 kg	40 lb	2 lb	6400	139.00
GS1042-50kg	50 kg	100 lb	2 lb	6401	139.00
GS1042-100kg	100 kg	200 lb	2 lb	6402	139.00



Dimensions in inches

Capacity	A	B	C	D	E	F	G	H
1kg-20kg	5.90	1.57	0.79	0.75	0.75	3.94	0.25	1/4-20 UNC
50kg-1000kg	5.90	1.57	1.00	0.75	0.75	3.94	0.25	1/4-20 UNC

Prices are subject to change without notice. Please call for current prices.

Other items are available from the manufacturers, please call for prices.

1010 Teda Huntleigh

Interchangeable with Toledo model 773. Replacement for ElectroScale 438, 920, 925, General 4535, MLC SS, NCI MK16, 3250, 8205, 5800, 3800. Mounting screws are 1/4-20 UNC(coarse) with 3/4" spacing on both top and bottom. These cells have a unique humidity resistant protective coating assures long term stability even under harsh environment and extreme temperatures.

2 mv/v, 0.02% total error, 415/350 ohms, 1 m 6 cond cable, anodized aluminum.

NTEP 89-074 S III 5,000 div

Part Number	Capacity	Nominal	Weight	Stock	Price C5
1010-I-3 *	3 kg	6 lb	2 lb	593	\$ 189.00
1010-I-5	5 kg	10 lb	2 lb	332	189.00
1010-I-7	7 kg	15 lb	2 lb	333	189.00
1010-I-10	10 kg	20 lb	2 lb	334	189.00
1010-I-15	15 kg	30 lb	2 lb	335	189.00
1010-I-20	20 kg	40 lb	2 lb	336	189.00
1010-I-30	30 kg	60 lb	2 lb	337	189.00
1010-I-50	50 kg	100 lb	2 lb	338	189.00
1010-F-90 *	90 kg	180 lb	2 lb	595	189.00

* Not NTEP

Dimensions in inches

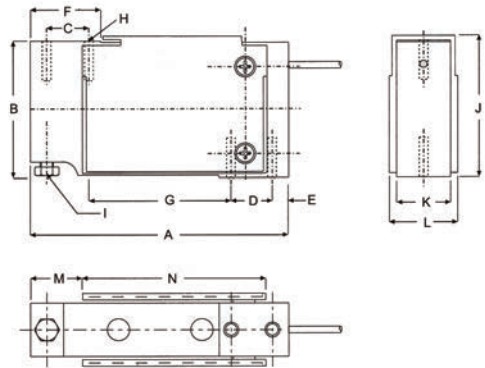
Capacity	A	B	C	D	E	F	G	H	I	J
3kg-90kg	4.64	2.48	0.75	0.75	0.29	1.26	2.55	1.26	M6 x 1.0	2.59

Dimensions in inches

Capacity	K	L	M	N
3kg-90kg	1.00	1.34	0.98	3.15



1010



1015 Teda Huntleigh

Interchangeable with Toledo model 773. Replacement for ElectroScale 438, 920, 925, General 4535, MLC SS, NCI MK16, 3250, 8205, 5800, 3800. Mounting screws are 1/4-20 UNC(coarse) with 3/4" spacing on both top and bottom. These cells have a unique humidity resistant protective coating assures long term stability even under harsh environment and extreme temperatures.

2 mv/v, 0.02% total error, 415/350 ohms, 3 m 6 cond cable, anodized aluminum.

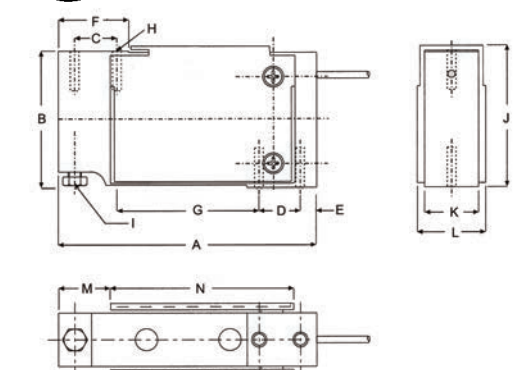
NTEP 89-074 S III 5,000 div

Part Number	Capacity	Nominal	Weight	Stock	Price C5
1015-I-3 *	3 kg	6 lb	3 lb	738	\$ 199.00
1015-I-5	5 kg	10 lb	3 lb	739	199.00
1015-I-7	7 kg	15 lb	3 lb	740	199.00
1015-I-10	10 kg	20 lb	3 lb	741	199.00
1015-I-15	15 kg	30 lb	3 lb	742	199.00
1015-I-20	20 kg	40 lb	3 lb	743	199.00
1015-I-30	30 kg	60 lb	3 lb	744	199.00
1015-I-50	50 kg	100 lb	3 lb	745	199.00
1015-F-90 *	90 kg	180 lb	3 lb	746	199.00

* Not NTEP



1015



Prices are subject to change without notice. Please call for current prices.

Other items are available from the manufacturers, please call for prices.

Dec

Single Point



1142
Stainless steel
Interchanges 1040

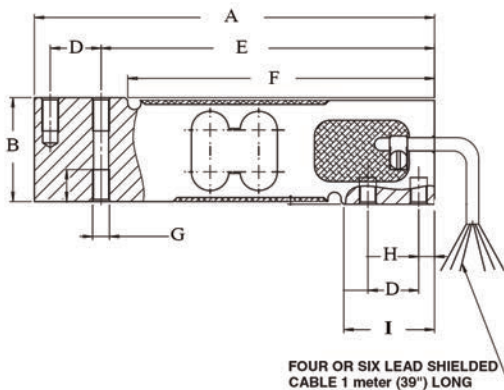
1142 Tedeo Huntleigh

Stainless steel load cell. Interchangeable with models 1040, 1041, 1042 and 1140. Made for harsh treatment and/or caustic environments. Mounting screws are 1/4-20 UNC(coarse) with 3/4" spacing on both top and bottom.

2 mv/v, 0.02% total error, 383/350 ohm, 1m 6 cond cable, **stainless steel**, IP66

Part Number	Capacity	Nominal	Weight	Stock	Price D
1142-F-15	15 kg	30 lb	3 lb	4903	\$ 310.00
1142-F-20	20 kg	40 lb	3 lb	4904	310.00
1142-F-30	30 kg	60 lb	3 lb	4905	300.00
1142-F-50	50 kg	100 lb	3 lb	4906	310.00
1142-F-75	75 kg	150 lb	3 lb	4907	310.00
1142-F-75-10*	75 kg	150 lb	3 lb	4851	330.00
1142-F-100	100 kg	200 lb	3 lb	4908	310.00
1142-F-150	150 kg	300 lb	3 lb	4909	310.00

* w/ 10 ft cable



Dimensions in inches

Capacity	A	B	C	D	E	F	G	H
1kg-30kg	5.90	1.57	0.79	0.75	0.75	3.94	0.25	1/4-20 UNC
50kg-250kg	5.90	1.57	1.00	0.75	0.75	3.94	0.25	1/4-20 UNC

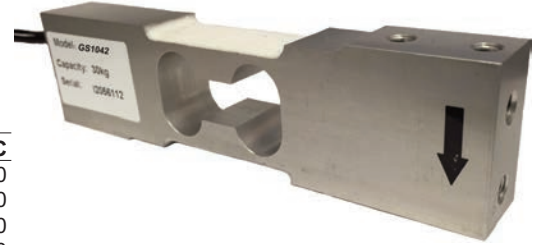
Single Point

GS1042-SS General Sensor

Replacement for Tedeo Model 1140, TP40-SS and Toledo 774. Mounting screws are 1/4-20 UNC (coarse) with 3/4" spacing on both top and bottom. These cells have a unique humidity resistant protective coating assures long term stability even under harsh environment and extreme temperatures.

2 mv/v, 0.02% total error, 9 ft 6 cond cable, 415/350 ohm, stainless steel.

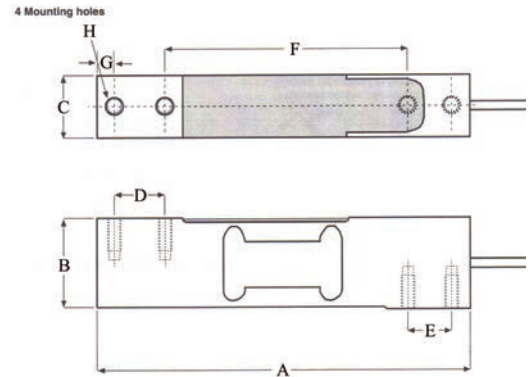
Part Number	Capacity	Nominal	Weight	Stock	Price C
GS1042-15kg-SS	15 kg	30 lb	3 lb	6403	\$ 273.90
GS1042-50kg-SS	50 kg	100 lb	3 lb	6404	273.90
GS1042-75kg-SS	75 kg	150 lb	3 lb	6405	273.90
GS1042-100kg-SS	100 kg	200 lb	3 lb	6406	273.90



GS1042-SS

Dimensions in inches

Capacity	A	B	C	D	E	F	G	H
1kg-30kg	5.90	1.57	0.79	0.75	0.75	3.94	0.25	1/4-20 UNC
50kg-250kg	5.90	1.57	1.00	0.75	0.75	3.94	0.25	1/4-20 UNC



UTILCELL

140 Utilcell

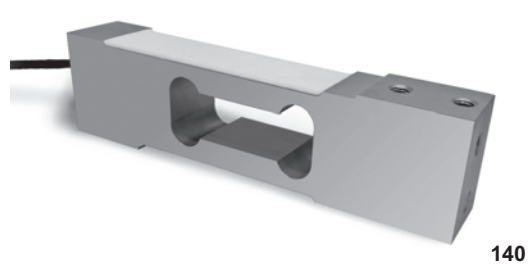
Replacement for Tedeo Model 1040, TP40 and Toledo 774. Mounting screws are 1/4-20 UNC (coarse) with 3/4" spacing on both top and bottom.

2 mv/v, 0.02% total error, 3 m 6 cond cable, 415/350 ohm, anodized aluminum.

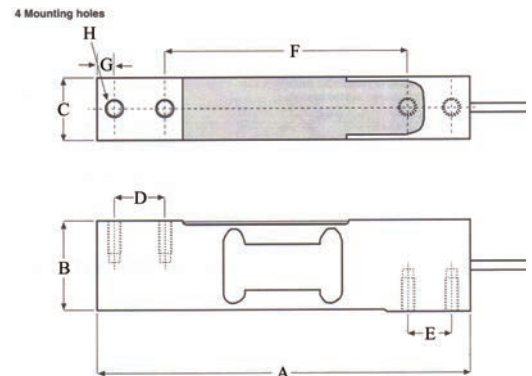
Part Number	Capacity	Nominal	Weight	Stock	Price C
14001-US	1 kg	2 lb	2 lb	8235	\$ 111.30
14003-US	3 kg	6 lb	2 lb	8236	111.30
14005-US	5 kg	10 lb	2 lb	8237	111.30
14007-US	7 kg	17 lb	2 lb	8238	111.30
14010-US	10 kg	20 lb	2 lb	8239	111.30
14015-US	15 kg	30 lb	2 lb	8240	111.30
14020-US	20 kg	40 lb	2 lb	8241	111.30
14030-US	30 kg	60 lb	2 lb	8242	111.30
14050-US	50 kg	100 lb	2 lb	8243	111.30
14075-US	75 kg	150 lb	2 lb	8244	111.30
14100-US	100 kg	200 lb	2 lb	8245	111.30

Dimensions in inches

Capacity	A	B	C	D	E	F	G	H
1kg-30kg	5.90	1.57	0.79	0.75	0.75	3.94	0.25	1/4-20 UNC
50kg-100kg	5.90	1.57	1.00	0.75	0.75	3.94	0.25	1/4-20 UNC



140



NEW

Prices are subject to change without notice. Please call for current prices.

Other items are available from the manufacturers, please call for prices.

99 Reagent Lane
Fair Lawn NJ 07410
201-797-2718 * 800-631-0347

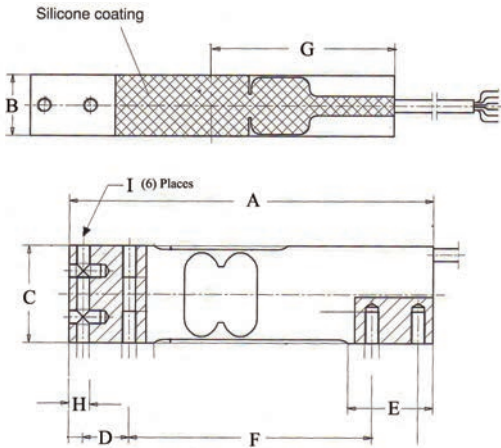
Totalcomp
Load Cells

www.totalcomp.com
Fax 201-797-2287
Toll Free Fax 888-797-2288

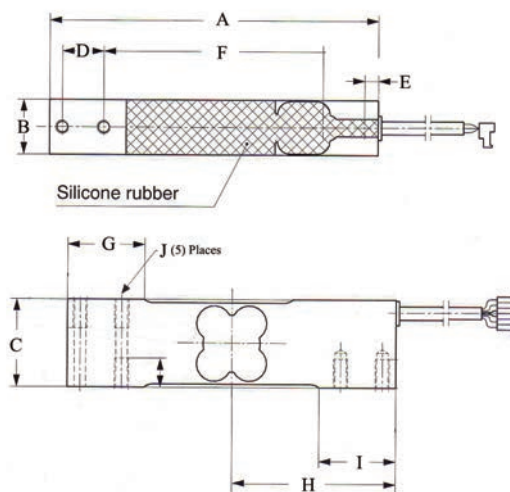
Single Point



TP40
Interchanges 1040



TP40-SS
Interchanges 1140



TP40 Totalcomp

Interchangeable with Tedeo Model 1040. Mounting screws are 1/4-20 UNC(coarse) with 3/4" spacing on both top and bottom.

2 mv/v, 0.03% total error, 350/350 ohm, 10 ft 6 cond cable, anodized aluminum, IP67.

Part Number	Capacity	Nominal	Weight	Stock	Price E
TP40-7kg	7 kg	15 lb	2 lb	3056	\$ 168.00
TP40-10kg	10 kg	20 lb	2 lb	3057	168.00
TP40-15kg	15 kg	30 lb	2 lb	3058	168.00
TP40-20kg	20 kg	40 lb	2 lb	3059	168.00
TP40-30kg	30 kg	60 lb	2 lb	3060	168.00
TP40-50kg	50 kg	100 lb	2 lb	3061	162.00
TP40-75kg	75 kg	150 lb	2 lb	3062	162.00
TP40-100kg	100 kg	200 lb	2 lb	3063	168.00
TP40-200kg	200 kg	400 lb	2 lb	6479	186.00

Dimensions in inches

Capacity	A	B	C	D	E	F	G	H	I
7kg-200kg	5.90	0.79	1.00	0.75	0.75	3.94	2.95	0.22	1/4-20 UNC

TP40-SS Totalcomp

Interchangeable with Tedeo Model 1140. Mounting screws are 1/4-20 UNC(coarse) with 3/4" spacing on both top and bottom. Used in hostile, corrosive and high shock environments.

2 mv/v, 0.03% total error, 350/350 ohm, 10 ft 6 cond cable, **stainless steel**, IP67.

Part Number	Capacity	Nominal	Weight	Stock	Price D
TP40-10kg-SS	10 kg	20 lb	3 lb	3065	\$ 317.00
TP40-15kg-SS	15 kg	30 lb	3 lb	3066	302.00
TP40-20kg-SS	20 kg	40 lb	3 lb	3067	348.00
TP40-30kg-SS	30 kg	60 lb	3 lb	3068	317.00
TP40-50kg-SS	50 kg	100 lb	3 lb	3069	302.00
TP40-75kg-SS	75 kg	150 lb	3 lb	3070	302.00
TP40-100kg-SS	100 kg	200 lb	3 lb	3071	302.00
TP40-150kg-SS	150 kg	300 lb	3 lb	6187	302.00

Dimensions in inches

Capacity	A	B	C	D	E	F	G	H	I	J
7kg-200kg	5.90	0.79	1.00	0.75	0.75	3.94	0.25	2.95	1.37	1/4-20 UNC

Prices are subject to change without notice. Please call for current prices.

Other items are available from the manufacturers, please call for prices.

Single Point

60051 Sensortronics

Replacement for Tedea Model 1010, NCI Mark III and NCI Mark IX. Mounting screws are 1/4- 28 UNF(fine) with 3/4" spacing on both top and bottom.
2 mv/v, 0.02% nonlinearity, 350/350 ohms, 10 ft 4 cond cable, **stainless steel**, IP67.

Part Number	Capacity	Weight	Stock	Price C
60051-10	10 lb	2 lb	1230	\$ 387.00
60051-15	15 lb	2 lb	1231	387.00
60051-25	25 lb	2 lb	1232	387.00
60051-50	50 lb	3 lb	1382	544.00
60051-100	100 lb	3 lb	1383	544.00
60051-200	200 lb	3 lb	1384	544.00



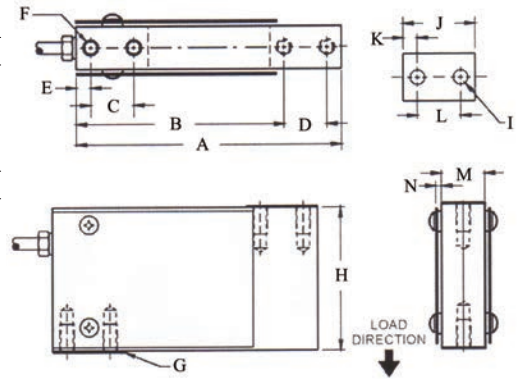
60051

Dimensions in inches

Capacity	A	B	C	D	E	F	G	H
10lb-25lb	4.63	3.63	0.75	0.75	0.25	1/4-20 UNC	0.25	2.50
50lb-200lb	4.63	3.63	0.75	0.75	0.25	1/4-20 UNC	0.25	2.50

Dimensions in inches

Capacity	I	J	K	L	M	N
10lb-25lb	0.25	1.25	0.25	0.75	0.50	0.10
50lb-200lb	0.25	1.25	0.25	0.75	0.75	0.10



TSP51 Totalcomp

Replacement for Sensortronics Model 60051. Mounting screws are 1/4- 28 UNF(fine) with 3/4" spacing on both top and bottom.
2 mv/v, 0.03% nonlinearity, 380/350 ohms, 10 ft 4 cond cable, **stainless steel**, IP67.

Part Number	Capacity	Weight	Stock	Price C5
TSP51-10 lb	10 lb	2 lb	204	\$ 337.70
TSP51-15 lb	15 lb	2 lb	205	337.70
TSP51-25 lb	25 lb	2 lb	426	337.70
TSP51-50 lb	50 lb	3 lb	258	440.00
TSP51-100 lb	100 lb	3 lb	215	440.00
TSP51-200 lb	200 lb	3 lb	214	440.00



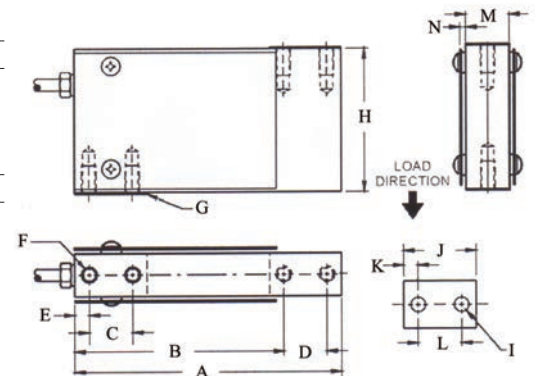
TSP51

Dimensions in inches

Capacity	A	B	C	D	E	F	G	H
10lb-25lb	4.63	3.63	0.75	0.75	0.25	1/4-20 UNC	0.25	2.50
50lb-200lb	4.63	3.63	0.75	0.75	0.25	1/4-20 UNC	0.25	2.50

Dimensions in inches

Capacity	I	J	K	L	M	N
10lb-25lb	0.25	1.25	0.25	0.75	0.50	0.10
50lb-200lb	0.25	1.25	0.25	0.75	0.75	0.10



Prices are subject to change without notice. Please call for current prices.

Other items are available from the manufacturers, please call for prices.

99 Reagent Lane
Fair Lawn NJ 07410
201-797-2718 * 800-631-0347

Totalcomp
Load Cells

www.totalcomp.com
Fax 201-797-2287
Toll Free Fax 888-797-2288

Single Point



1040



1140

1040, 1140 Tedeo Huntleigh

These cells have a unique humidity resistant protective coating assures long term stability even under harsh environment and extreme temperatures. Mounting screws are 1/4-20 UNC(coarse) with 3/4" spacing on both top and bottom.

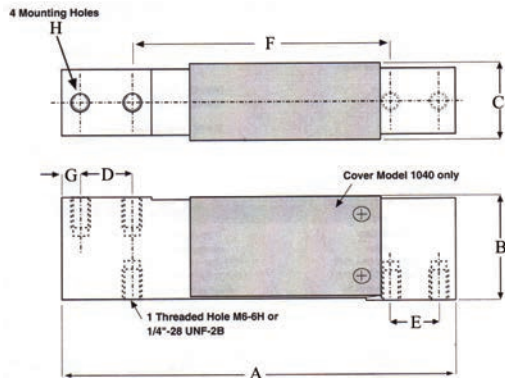
2 mv/v, 0.02% total error, 9 ft 6 cond cable

1040: 415/350 ohm, anodized aluminum.

1140: 380/350 ohm, **stainless steel**.

1040: NTEP 89-075 S III 5,000 div

Part Number	Capacity	Nominal	Weight	Stock	Price C5
Aluminum (NTEP)					
1040-I-5	5 kg	10 lb	2 lb	1799	\$ 189.00
1040-I-7	7 kg	5 lb	2 lb	1800	189.00
1040-I-10	10 kg	20 lb	2 lb	1801	189.00
1040-I-15	15 kg	30 lb	2 lb	1802	189.00
1040-I-20	20 kg	40 lb	2 lb	1803	189.00
1040-I-30	30 kg	60 lb	2 lb	1804	189.00
1040-I-50	50 kg	100 lb	2 lb	1805	189.00
1040-I-75	75 kg	150 lb	2 lb	950	189.00
1040-I-100	100 kg	200 lb	2 lb	1806	189.00
Stainless Steel					
					C2
1140-F-15	15 kg	30 lb	3 lb	1807	306.00
1140-F-20	20 kg	40 lb	3 lb	1808	306.00
1140-F-30	30 kg	60 lb	3 lb	1809	306.00
1140-F-50	50 kg	100 lb	3 lb	1810	306.00
1140-F-75	75 kg	150 lb	3 lb	1811	306.00
1140-F-100	100 kg	200 lb	3 lb	1812	306.00
1140-F-150	150 kg	300 lb	3 lb	709	306.00
High Temperature (280 deg F)					
					C
1040-I-10-280F-AL	10 kg	15 lb	3 lb	4188	794.00
1140-F-15-280F-SS	15 kg	30 lb	3 lb	4040	948.00



Dimensions in inches

Capacity	A	B	C	D	E	F	G	H
5kg-150kg	5.90	1.57	1.16	0.75	0.75	3.94	0.25	1/4-20 UNC

Prices are subject to change without notice. Please call for current prices.

Other items are available from the manufacturers, please call for prices.

Single Point

B6N Zemic

2 mv/v, 0.20.% total error, 385/350 ohms, 1m, 6 cond cable, **stainless steel**, IP67.

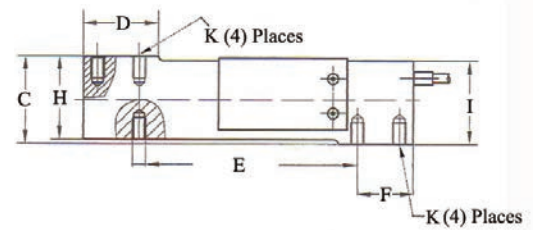
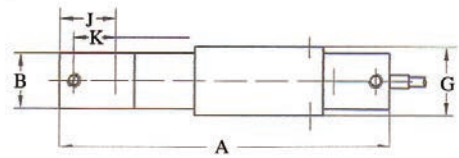
Part Number	Capacity	Nominal	Weight	Stock	Price C
B6N-C3-15-1B6	15 kg	30 lb	3 lb	7674	\$ 429.00
B6N-C3-20-1B6	20 kg	40 lb	3 lb	7675	429.00
B6N-C3-30-1B6	30 kg	60 lb	3 lb	7676	429.00
B6N-C3-50-1B6	50 kg	100 lb	3 lb	7677	429.00
B6N-C3-75-1B6	75 kg	150 lb	3 lb	7678	429.00
B6N-C3-100-1B6	100 kg	200 lb	3 lb	7679	429.00
B6N-C3-150-1B6	150 kg	300 lb	3 lb	7680	429.00
B6N-C3-200-1B6	200 kg	400 lb	3 lb	7681	429.00



B6N

Dimensions in inches

Capacity	A	B	C	D	E	F	G	H	I	J	K	L
15kg-200kg	5.91	1.0	1.58	1.34	3.94	0.98	1.23	1.50	1.5	0.98	0.75	M6

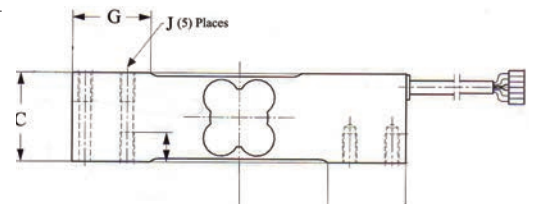
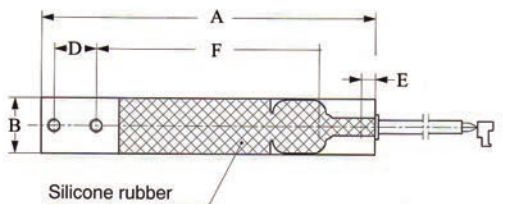
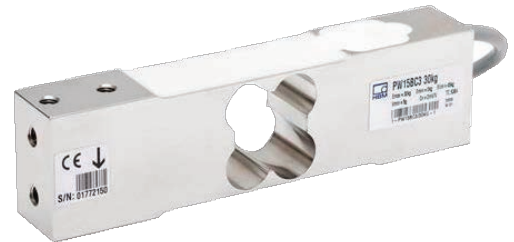


PW15 HBM

Interchangeable with Tedea Model 1140. Mounting screws are 1/4-20 UNC(coarse) with 3/4" spacing on both top and bottom. Used in hostile, corrosive and high shock environments.

2 mv/v, 0.03% total error, 350/350 ohm, 10 ft 6 cond cable, **stainless steel**, IP67.

Part Number	Capacity	Nominal	Weight	Stock	Price C
1-PW15BC3/10KGU1	10 kg	20 lb	3 lb	8401	\$ 297.00
1-PW15BC3/15KGU1	15 kg	30 lb	3 lb	8402	297.00
1-PW15BC3/20KGU1	20 kg	40 lb	3 lb	8403	297.00
1-PW15BC3/30KGU1	30 kg	60 lb	3 lb	8404	297.00
1-PW15BC3/50KGU1	50 kg	100 lb	3 lb	8405	297.00
1-PW15BC3/75KGU1	75 kg	150 lb	3 lb	8406	297.00
1-PW15BC3/100KGU1	100 kg	200 lb	3 lb	8407	297.00
1-PW15BC3/150KGU1	150 kg	300 lb	3 lb	8408	297.00



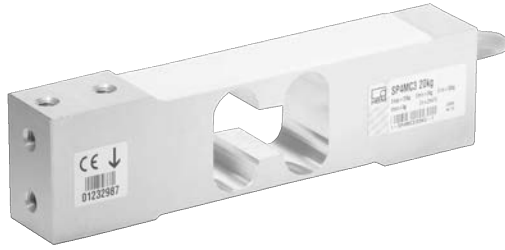
Dimensions in inches

Capacity	A	B	C	D	E	F	G	H	I	J
7kg-200kg	5.90	0.79	1.00	0.75	0.75	3.94	0.25	2.95	1.37	1/4-20 UNC

Prices are subject to change without notice. Please call for current prices.

Other items are available from the manufacturers, please call for prices.

Single Point

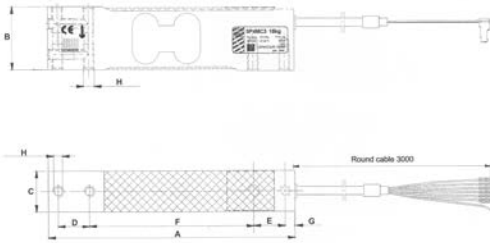


SP4 HBM Metric

Interchangeable with Tedeo Model 1040. Mounting screws are 1/4-20 UNC(coarse) with 3/4" spacing on both top and bottom. Metric threads
2 mv/v, 0.03% total error, 350/350 ohm, 10 ft 6 cond cable, anodized aluminum, IP67.

Part Number	Capacity	Nominal	Weight	Stock	Price B
1-SP4MC3MR/1KG-1	1 lb	2 lb	2 lb	3766	\$ 206.00
1-SP4MC3MR/3KG-1	3 lb	6 lb	2 lb	3767	206.00
1-SP4MC3MR/5KG-1	5 lb	10 lb	2 lb	3768	206.00
1-SP4MC3MR/7KG-1	7 lb	14 lb	2 lb	3769	206.00
1-SP4MC3MR/10KG-1	10 lb	20 lb	2 lb	3770	206.00
1-SP4MC3MR/15KG-1	15 lb	30 lb	2 lb	3771	206.00
1-SP4MC3MR/20KG-1	20 lb	40 lb	2 lb	3772	206.00
1-SP4MC3MR/30KG-1	30 lb	60 lb	2 lb	3773	206.00
1-SP4MC3MR/50KG-1	50 lb	100 lb	2 lb	3774	206.00
1-SP4MC3MR/75KG-1	75 lb	150 lb	2 lb	3775	206.00
1-SP4MC3MR/100KG-1	100 lb	200 lb	2 lb	3776	206.00
1-SP4MC3MR/150KG-1	150 lb	300 lb	2 lb	3777	206.00
1-SP4MC3MR/200KG-1	200 lb	400 lb	2 lb	3778	206.00

SP4 Metric



Dimensions in mm

Capacity	A	B	C	D	E	F	G	H	I
7kg-200kg	149.86	20.1	25.4	19.05	19.05	100.1	74.93	5.58	M6



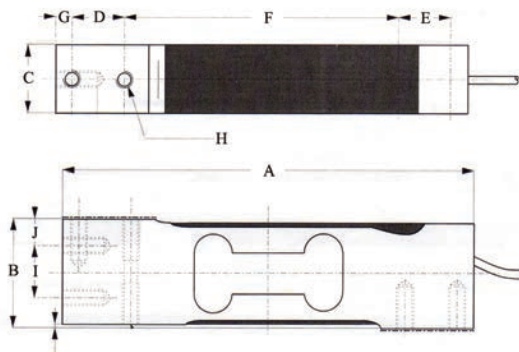
AG Scaime

Interchangeable with Tedeo Model 1040. Mounting screws are 1/4-20 UNC(coarse) with 3/4" spacing on both top and bottom.
2 mv/v, 0.02% total error, 415/350 ohms, 3m 6 cond cable, anodized aluminum.
NTEP 91-051 S III 5,000 div 5kg - 100kg

Part Number	Capacity	Nominal	Weight	Stock	Price C
AG-1*	1 kg	2 lb	2 lb	2679	\$ 220.00
AG-2.5 *	2.5 kg	5 lb	2 lb	2680	220.00
AG-5	5 kg	10 lb	2 lb	351	220.00
AG-10	10 kg	20 lb	2 lb	352	220.00
AG-15	15 kg	30 lb	2 lb	353	220.00
AG-20	20 kg	40 lb	2 lb	2681	220.00
AG-30	30 kg	60 lb	2 lb	354	220.00
AG-50	50 kg	100 lb	2 lb	356	220.00
AG-75	75 kg	150 lb	2 lb	2682	220.00
AG-100	100 kg	200 lb	2 lb	357	220.00

* Not NTEP

AG



Dimensions in inches

Capacity	A	B	C	D	E	F	G	H
5kg-150kg	5.90	1.57	1.16	0.75	0.75	3.94	0.25	1/4-20 UNC

Prices are subject to change without notice. Please call for current prices.

Other items are available from the manufacturers, please call for prices.

Single Point

B6E Zemic

2 mv/v, 0.02% total error, 406/350 ohms, ft 4 cond cable, stainless steel, IP67.

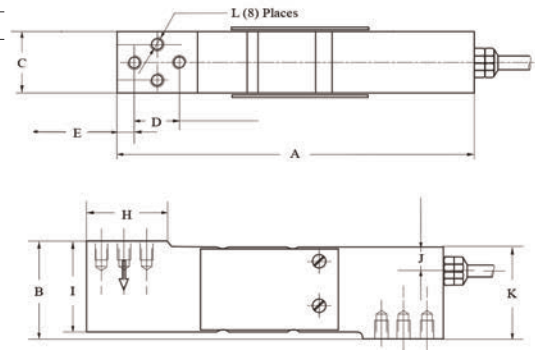
Part Number	Capacity	Nominal	Weight	Stock	Price C
B6E-C3-50kg	50 kg	100 lb	4 lb	7953	\$ 230.00
B6E-C3-75kg	75 kg	150 lb	4 lb	7954	230.00
B6E-C3-100kg	100 kg	200 lb	4 lb	7955	230.00
B6E-C3-150kg	150 kg	300 lb	4 lb	7956	230.00
B6E-C3-200kg	200 kg	400 lb	4 lb	7957	230.00
B6E-C3-250kg	250 kg	500 lb	4 lb	7958	230.00
B6E-C3-300kg	300 kg	600 lb	4 lb	7959	230.00



B6E

Dimensions in inches

Capacity	A	B	C	D	E	F	G	H	I	J	K	L
50kg-300kg	5.91	1.57	0.99	0.75	0.28	0.65	0.12	1.30	1.50	0.31	1.50	M6



L6E Zemic

2 mv/v, 0.02% total error, 406/350 ohms, ft 4 cond cable, anodized aluminum, IP65.

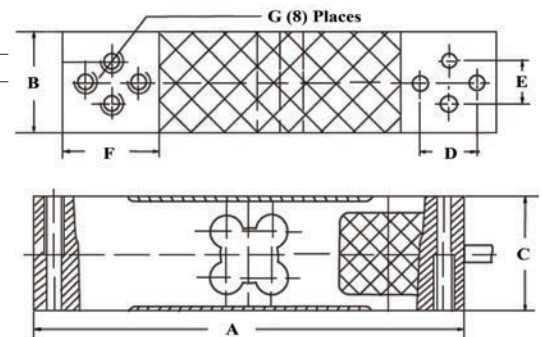
Part Number	Capacity	Nominal	Weight	Stock	Price C
L6E-C3-50-2B	50 kg	100 lb	2 lb	7682	\$ 85.00
L6E-C3-60-2B	60 kg	120 lb	2 lb	7683	85.00
L6E-C3-80-2B	80 kg	160 lb	2 lb	7684	85.00
L6E-C3-100-2B	100 kg	200 lb	2 lb	7685	85.00
L6E-C3-150-2B	150 kg	300 lb	2 lb	7686	85.00
L6E-C3-200-2B	200 kg	400 lb	2 lb	7687	85.00
L6E-C3-300-2B	300 kg	600 lb	2 lb	7688	85.00



L6E

Dimensions in inches

Capacity	A	B	C	D	E	F	G
50kg-300kg	5.91	1.38	1.57	0.75	0.59	1.30	M6



Prices are subject to change without notice. Please call for current prices.

Other items are available from the manufacturers, please call for prices.

Single Point



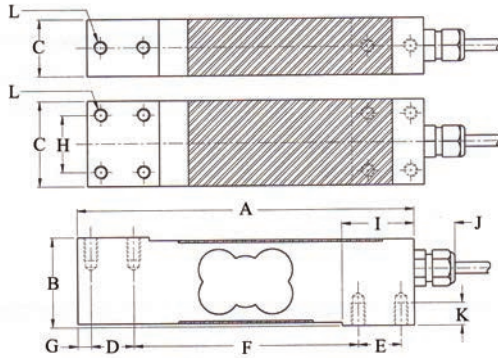
PC1



PC1 Flintec

Replacement for TedeA Model 1040. Mounting screws are M6 metric with 3/4" spacing on both top and bottom.
2 mv/v, 0.04% combined error, 3m 4 cond cable, 390/330 ohm, **stainless steel**, IP67.
NTEP 99-110 S III 3,000 div

Part Number	Capacity	Nominal	Weight	Stock	Price C
PC1-GP-6kg	6 kg	12 lb	2 lb	4804	\$ 280.00
PC1-GP-15kg	15 kg	30 lb	3 lb	4805	280.00
PC1-GP-30kg	30 kg	60 lb	3 lb	4806	280.00
PC1-GP-50kg	50 kg	100 lb	3 lb	4807	280.00
PC1-GP-100kg	100 kg	200 lb	3 lb	4808	280.00
PC1-GP-200kg	200 kg	400 lb	3 lb	4809	333.00



Dimensions in inches

Capacity	A	B	C	D	E	F	G	H	I	J	K	L
6kg-100kg	5.90	1.57	0.98	0.75	0.75	3.94	0.25	----	1.25	0.75	0.34	M6
200kg	5.90	1.57	1.47	0.75	0.75	3.94	0.25	1.00	1.25	0.75	0.34	M6



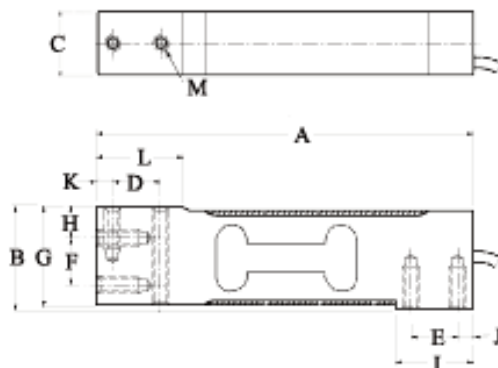
BCA



BCA CAS

Replacement for TedeA Model 1040. Mounting screws are 1/4-20UNC(coarse) with 3/4" spacing on both top and bottom.
2 mv/v, 0.03% combined error, 10 ft 4 cond cable, 400/350 ohm, anodized aluminum, IP67.
NTEP 96-131 S III 5,000 div

Part Number	Capacity	Nominal	Weight	Stock	Price F6
BCA-5L	5 kg	10 lb	2 lb	5674	\$ 215.00
BCA-10L	10 kg	20 lb	2 lb	5675	215.00
BCA-15L	15 kg	30 lb	3 lb	5676	215.00
BCA-20L	20 kg	40 lb	3 lb	5677	215.00
BCA-30L	30 kg	60 lb	3 lb	5678	215.00
BCA-50L	50 kg	100 lb	3 lb	5679	215.00
BCA-75L	75 kg	150 lb	3 lb	5680	215.00
BCA-100L	100 kg	200 lb	3 lb	5681	215.00



Dimensions in inches

Capacity	A	B	C	D	E	F	G	H	I	J	K	L
5kg-100kg	5.9	1.57	0.98	0.75	0.75	0.75	1.52	0.47	1.22	0.25	0.25	1.34

Prices are subject to change without notice. Please call for current prices.

Other items are available from the manufacturers, please call for prices.

Single Point

PCB Flintec, stainless steel

Interchangeable with Tedeo Model 1250, except the threads are UNC. Total **stainless steel** construction. Designed to withstand shock and fatigue loading.
 2 mv/v, 0.04% combined error, 1100/960 ohms, 10 ft 4 cond cable, **stainless steel**, IP68.
 NTEP 01-045 III 3,000 div 100kg to 1,000kg

Part Number	Capacity	Nominal	Weight	Stock	Price C
PCB-C3-50kg *	50 kg	100 lb	13 lb	4884	\$ 875.00
PCB-C3-100kg	100 kg	200 lb	13 lb	4885	875.00
PCB-C3-250kg	250 kg	500 lb	13 lb	4886	875.00
PCB-C3-500kg	500 kg	1,000 lb	13 lb	4887	875.00
PCB-C3-1,000kg	1,000 kg	2,000 lb	13 lb	4888	875.00

* Not NTEP

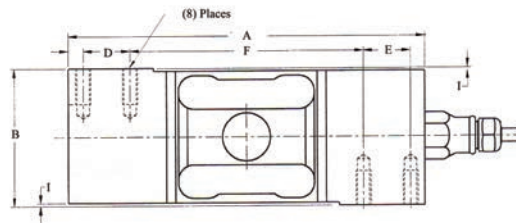
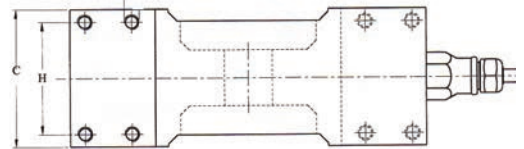


PCB



Dimensions in inches

Capacity	A	B	C	D	E	F	G	H	I	J
50kg-1000kg	7.50	2.90	2.90	0.31	0.98	4.92	0.25	2.36	0.06	5/16-18 UNC



BCM CAS

Interchangeable with Tedeo Model 1250.
 2 mv/v, 0.02% combined error, 400/350 ohms, 10 ft 4 cond cable, anodized aluminum.
 NTEP 97-008 III S 5,000 div, 50kg - 500kg

Part Number	Capacity	Nominal	Weight	Stock	Price F
BCM-50L	50 kg	100 lb	5 lb	5660	\$ 340.00
BCM-75L	75 kg	150 lb	5 lb	5661	340.00
BCM-100L	100 kg	200 lb	5 lb	5662	340.00
BCM-150L	150 kg	300 lb	5 lb	5663	340.00
BCM-200L	200 kg	400 lb	5 lb	5664	340.00
BCM-300L	300 kg	600 lb	5 lb	5665	340.00
BCM-500L	500 kg	1,000 lb	5 lb	5666	340.00

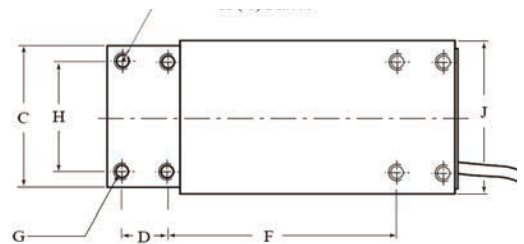


BCM



Dimensions in inches

Capacity	A	B	C	D	E	F	G	H	I	J	K
50kg-500kg	7.52	2.97	3.00	0.980	0.98	4.92	0.25	2.36	2.67	3.20	5/16-18



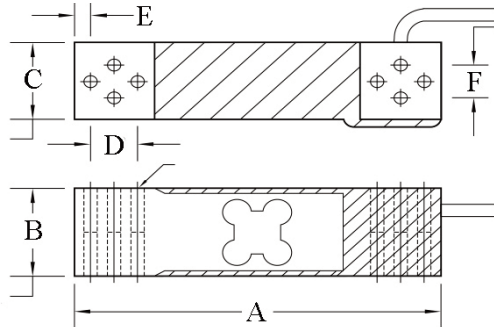
Prices are subject to change without notice. Please call for current prices.

Other items are available from the manufacturers, please call for prices.

Single Point



LPS



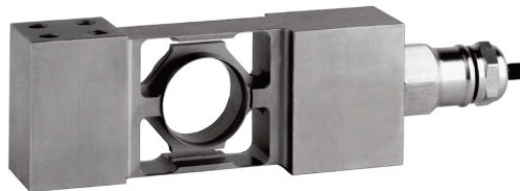
LPS Celtron

2 mv/v, 0.25 % nonlinearity, 410/350 ohms, 2.10M cable, anodized aluminum, IP66.

Part Number	Capacity	Nominal	Weight	Stock	Price D
LPS-2kg-S	2 kg	4 lb	2 lb	7659	\$ 120.00
LPS-60kg-S	60 kg	130 lb	2 lb	7656	120.00
LPS-100kg-S	100 kg	220 lb	2 lb	7657	120.00
LPS-200kg-S	200 kg	440 lb	2 lb	7658	120.00

Dimensions in inches

Capacity	A	B	C	D	E	F	G
2kg-200kg	5.91	1.57	1.38	0.75	0.28	0.59	M6 x 8



PC6



PC6 Flintec

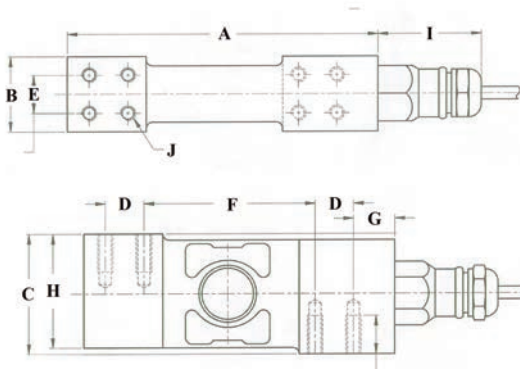
Interchangeable with Rice Lake Weighing Systems RLPC6 and Mettler model 799.

2mv/v, 0.02% total error, 960/1100 ohms, 3.3 ft cond cable, **stainless steel**, IP69.

Factory Mutual Approved.

NTEP 05-074 III 5,000 div

Part Number	Capacity	Nominal	Weight	Stock	Price C
PC6-10	10 kg	20 lb	3 lb	3621	\$ 595.00
PC6-20	20 kg	40 lb	3 lb	3622	595.00
PC6-50	50 kg	100 lb	3 lb	3623	595.00
PC6-100	100 kg	200 lb	3 lb	3624	595.00
PC6-200	200 kg	400 lb	3 lb	3625	595.00



Dimensions in inches

Capacity	A	B	C	D	E	F	G	H	I	J
10kg-200kg	4.84	1.18	1.89	0.60	0.60	2.66	0.70	1.80	1.61	M6 x 8

Prices are subject to change without notice. Please call for current prices.

Other items are available from the manufacturers, please call for prices.

Single Point

60060 Sensortronics, stainless steel

Interchangeable with Tedeo Model 1250.

2 mv/v, 0.02% total error, 350/350 ohms, 10 ft 4 cond cable, stainless steel, IP67.

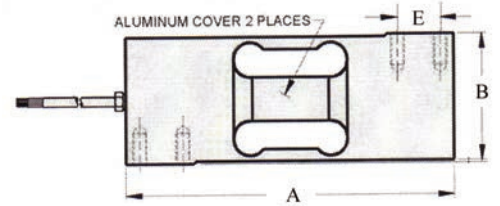
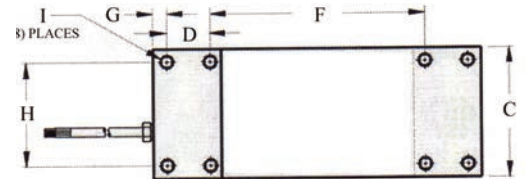
Part Number	Capacity	Weight	Stock	Price C
60060-500-SS	500 lb	15 lb	2209	\$ 1,875.00



60060-SS

Dimensions in inches

Capacity	A	B	C	D	E	F	G	H	I
100-2000	7.50	2.95	2.95	0.98	0.98	4.92	0.31	2.36	5/16-18 UNC



D1250 Diamond, stainless steel

Interchangeable with Tedeo Model 1250 and Sensortronics Model 60060-SS.

2 mv/v, 0.02% total error, 400/350 ohms, 8 ft 4 cond cable, stainless steel, IP67.

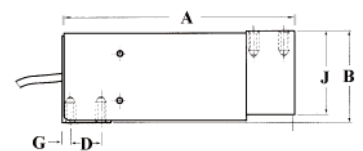
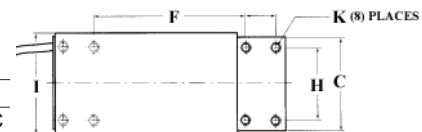
Part Number	Capacity	Weight	Stock	Price C
D1250-100-SS	100 lb	15 lb	7072	\$ 789.00
D1250-250-SS	250 lb	15 lb	7073	789.00
D1250-500-SS	500 lb	15 lb	7074	789.00
D1250-750-SS	750 lb	15 lb	7075	789.00
D1250-1K-SS	1,000 lb	15 lb	7076	789.00
D1250-2K-SS	2,000 lb	15 lb	7077	789.00



D1250-100-SS

Dimensions in inches

Capacity	A	B	C	D	E	F	G	H	I	J	K
50-2000	7.52	2.97	3.00	0.98	0.98	4.92	0.25	2.36	3.20	2.67	5/16-18 UNC



Prices are subject to change without notice. Please call for current prices.

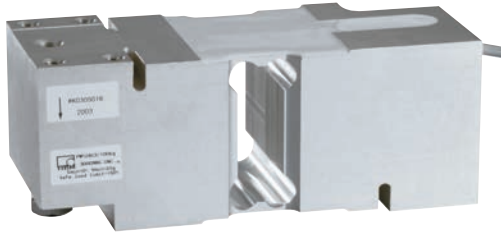
Other items are available from the manufacturers, please call for prices.

99 Reagent Lane
Fair Lawn NJ 07410
201-797-2718 * 800-631-0347

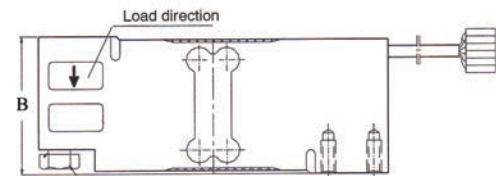
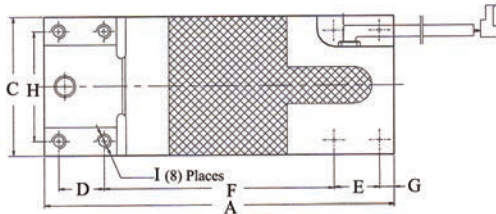
Totalcomp®
Load Cells

www.totalcomp.com
Fax 201-797-2287
Toll Free Fax 888-797-2288

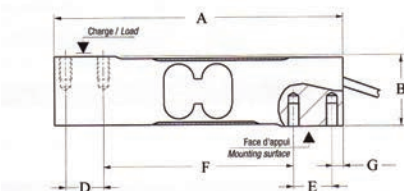
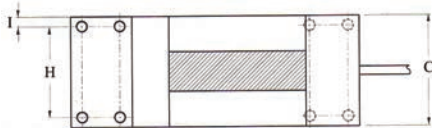
Single Point



PW12
Interchanges 1250



AP-500



PW12 HBM

Interchangeable with Tedeia 1250.

2 mv/v, 0.02% total error, 420/350 ohms, 9 ft 6 cond cable, anodized aluminum, IP67.
NTEP 99-106 III S 5,000 div

Part Number	Capacity	Nominal	Weight	Stock	Price C
1-PW12CC3/50KGU-1	50 kg	100 lb	7 lb	6468	\$ 297.00
1-PW12CC3/75KGU-1	75 kg	150 lb	7 lb	6469	297.00
1-PW12CC3/100KGU-1	100 kg	200 lb	7 lb	6470	297.00
1-PW12CC3/150KGU-1	150 kg	300 lb	7 lb	6471	297.00
1-PW12CC3/200KGU-1	200 kg	400 lb	7 lb	6472	297.00
1-PW12CC3/250KGU-1	250 kg	500 lb	7 lb	6473	297.00
1-PW12CC3/300KGU-1	300 kg	600 lb	7 lb	6474	297.00
1-PW12CC3/500KGU-1	500 kg	1,000 lb	7 lb	6475	297.00
1-PW12CC3/635KGU-1	635 kg	1,400 lb	7 lb	6476	297.00
1-PW12CC3/1000KGU-1	1,000 kg	2,200 lb	7 lb	6477	297.00

Metric Thread

K-PW12C-N-MR-150N-3A	150 kg	300 lb	7 lb	6439	604.00
----------------------	--------	--------	------	------	--------

Dimensions in inches

Capacity	A	B	C	D	E	F	G	H	I
50kg-1000kg	7.52	2.95	3.00	0.98	0.98	4.92	0.31	2.36	M8

Dimensions in inches (Metric Thread)

Capacity	A	B	C	D	E	F	G	H	I
50kg-1000kg	7.52	2.95	3.00	0.98	0.98	4.92	0.31	2.36	5/16 -18 UNC

Nov

AP Scaime

Interchangeable with Tedeia Model 1250 but half the height.

2 mv/v, 0.02% total error, 410/350 ohms, 3m 4 cond cable, anodized aluminum, IP65.
NTEP 00-133 III S or M 5,000 div

Part Number	Capacity	Nominal	Weight	Stock	Price C
AP-75kg	75 kg	150 lb	3 lb	4796	\$ 490.00
AP-100kg	100 kg	200 lb	3 lb	4797	490.00
AP-150kg	150 kg	300 lb	3 lb	4798	490.00
AP-200kg	200 kg	400 lb	3 lb	4799	490.00
AP-250kg	250 kg	500 lb	3 lb	4800	490.00
AP-300kg	300 kg	600 lb	3 lb	4801	490.00
AP-500kg	500 kg	1,000 lb	3 lb	4802	490.00
AP-675kg	675 kg	1,270 lb	3 lb	4803	490.00

Dimensions in inches

Capacity	A	B	C	D	E	F	G	H	I
75kg-675kg	7.48	1.85	2.87	0.98	0.98	4.92	0.29	2.36	M8

Prices are subject to change without notice. Please call for current prices.

Other items are available from the manufacturers, please call for prices.

Single Point

B6G Zemic

Interchangeable with GC2L1 and Tedeia 1263.

2 mv/v, 0.02% total error, 409/350 ohms, 3m, 6 cond cable, stainless steel, IP65.

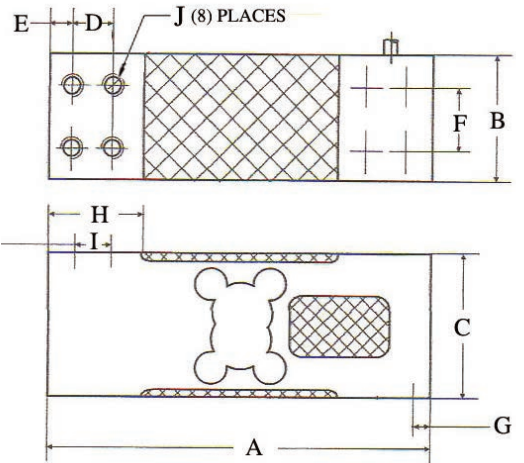
Part Number	Capacity	Weight	Stock	Price C
B6G-C3-100-3B6	100 kg	14 lb	7696	\$ 680.00
B6G-C3-150-3B6	150 kg	14 lb	7697	680.00
B6G-C3-200-3B6	200 kg	14 lb	7698	680.00
B6G-C3-250-3B6	250 kg	14 lb	7699	680.00
B6G-C3-300-3B6	300 kg	14 lb	7700	680.00
B6G-C3-500-3B6	500 kg	14 lb	7701	680.00
B6G-C3-600-3B6	600 kg	14 lb	7702	680.00



B6G

Dimensions in inches

Capacity	A	B	C	D	E	F	G	H	I	J
100kg-600kg	6.85	2.36	2.56	0.75	0.75	0.28	0.28	1.69	0.75	M8



1263 Tedeia-Huntleigh

2 mv/v, 0.02% total error, 415/350 ohms, 1.5m 4 cond cable, aluminum, IP66.

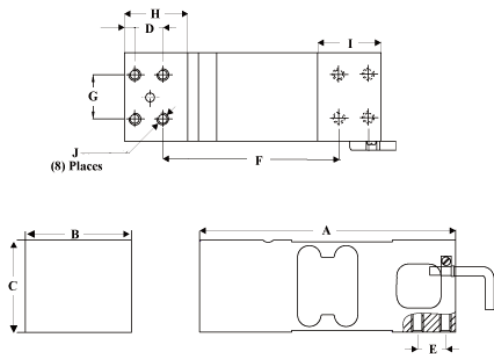
Part Number	Capacity	Weight	Stock	Price C
1263-50	50 kg	6 lb	5239	\$ 280.00
1263-100	100 kg	6 lb	5240	280.00
1263-150	150 kg	6 lb	5241	280.00
1263-200	200 kg	6 lb	5242	280.00
1263-250	250 kg	6 lb	5884	280.00
1263-300	300 kg	6 lb	5888	280.00
1263-500	500 kg	6 lb	5918	280.00
1263-635	635 kg	6 lb	6005	280.00



1263

Dimensions in inches

Capacity	A	B	C	D	E	F	G	H	I	J
50kg-635kg	6.85	2.36	2.46	0.75	0.75	4.80	1.18	1.69	1.69	M8-6H



Prices are subject to change without notice. Please call for current prices.

Other items are available from the manufacturers, please call for prices.

99 Reagent Lane
Fair Lawn NJ 07410
201-797-2718 * 800-631-0347

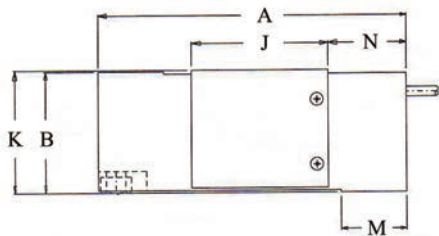
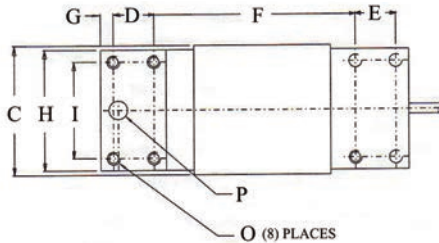
Totalcomp
Load Cells

www.totalcomp.com
Fax 201-797-2287
Toll Free Fax 888-797-2288

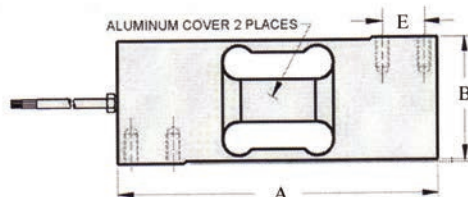
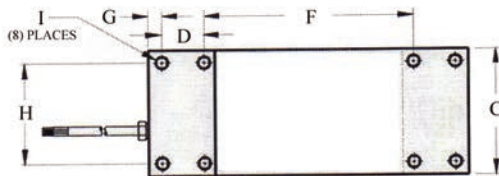
Single Point



1250



60060-AL



1250 Tedeo Huntleigh

Interchangeable with Toledo model 775. These cells have a unique humidity resistant protective coating assures long term stability even under harsh environment and extreme temperatures.

2 mv/v, 0.02% total error, 415/350 ohms, 10 ft 6 cond cable, anodized aluminum.

NTEP 89-054A III S 5,000 div

Part Number	Capacity	Nominal	Weight	Stock	Price C5
1250-50kg-D5-63X	50 kg	100 lb	7 lb	1233	\$ 309.00
1250-75kg-D5-60X	75 kg	150 lb	7 lb	596	309.00
1250-100kg-D5-60X	100 kg	200 lb	7 lb	597	309.00
1250-100kg-C3-04X Metric	100 kg	200 lb	7 lb	1926	289.00
1250-150kg-D5-60X	150 kg	300 lb	7 lb	598	309.00
1250-200kg-D5-60X	200 kg	400 lb	7 lb	599	309.00
1250-250kg-D5-60X	250 kg	500 lb	7 lb	600	309.00
1250-300kg-D5-60X	300 kg	600 lb	7 lb	1234	309.00
1250-500kg-D5-60X	500 kg	1,000 lb	7 lb	1235	309.00
1250-635kg-D5-50X	635 kg	1,400 lb	7 lb	1813	309.00
1250-1000kg-D5-50X	1,000 kg	2,200 lb	7 lb	1520	309.00

Dimensions in inches

Capacity	A	B	C	D	E	F	G	H	I
50kg-1000kg	7.52	2.95	3.16	0.98	0.98	4.92	0.31	2.95	2.36

Dimensions in inches

Capacity	J	K	M	N	O	P
50kg-1000kg	3.35	2.98	1.59	1.91	5/16-18 UNC	0.45

60060 Sensortronics, aluminum

Interchangeable with Tedeo Model 1250.

2 mv/v, 0.02% total error, 350/350 ohms, 10 ft 4 cond cable, anodized aluminum, IP67.

NTEP 98-038 III S, M 5,000 div

Part Number	Capacity	Weight	Stock	Price C3
60060-100L-NC-00F *	100 lb	6 lb	2684	\$ 350.00
60060-250L-A5-04F	250 lb	6 lb	2300	350.00
60060-500L-A5-06F	500 lb	6 lb	2301	350.00
60060-750L-A5-01F	750 lb	6 lb	2302	350.00
60060-001E-A1-03F	1,000 lb	6 lb	2303	350.00
60060-002E-A5-03F	2,000 lb	6 lb	2304	350.00

* Not NTEP

Dimensions in inches

Capacity	A	B	C	D	E	F	G	H	I
100-2000	7.50	2.95	2.95	0.98	0.98	4.92	0.31	2.36	5/16-18 UNC

Prices are subject to change without notice. Please call for current prices.

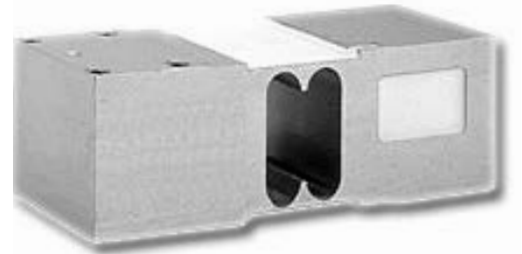
Other items are available from the manufacturers, please call for prices.

Single Point

1260S Tedea

10,000 div NTEP. Slightly smaller than the Model 1250.
2 mv/v, 0.02% total error, 415/350 ohms, 3m 6 cond cable, anodized aluminum, IP66.
NTEP 02-080 III S 10,000 div

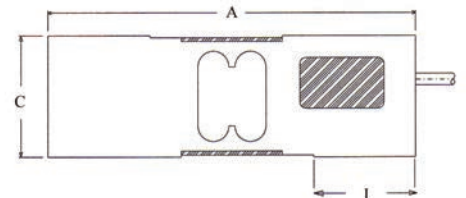
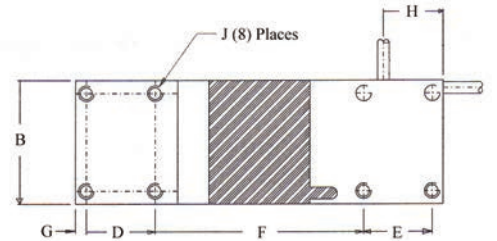
Part Number	Capacity	Nominal	Weight	Stock	Price C
1260S-75kg	75 kg	150 lb	5 lb	249	\$ 319.00
1260S-100kg	100 kg	200 lb	5 lb	251	319.00
1260S-150kg	150 kg	300 lb	5 lb	253	319.00
1260S-200kg	200 kg	400 lb	5 lb	264	319.00
1260S-250kg	250 kg	500 lb	5 lb <td 266	319.00	
1260S-300kg	300 kg	600 lb	5 lb	267	319.00
1260S-500kg	500 kg	1,000 lb	5 lb	268	319.00
1260S-635kg	635 kg	1,400 lb	5 lb	269	319.00



1260S

Dimensions in inches

Capacity	A	B	C	D	E	F	G	H	I	J
50kg-635kg	7.40	2.49	2.45	1.38	1.38	4.21	0.22	1.20	2.04	5/16-18



1004 Tedea

30,000 div OIML. M3 thread mounting holes, .9mv/v +/- 0.04%, 0.02% total error, 415/350 ohms. 4m .4 cond. cable, aluminum, IP66.

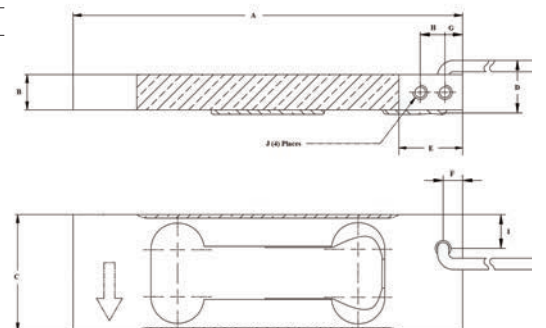
Part Number	Capacity	Nominal	Weight	Stock	Price C
1004-0.3kg-C3-C1	0.3 kg	0.60 lb	1 lb	377	\$ 79.00
1004-0.6kg-C3-C1	0.6 kg	0.12 lb	1 lb	378	79.00
1004-1.2kg-C3-C1	1.2 kg	2.40 lb	1 lb	379	79.00
1004-1.5kg-C3-C1	1.5 kg	2.10 lb	1 lb	380	79.00
1004-3kg-C3-C1	3 kg	6.00 lb	5 lb	381	79.00



1004

Dimensions in inches

Capacity	A	B	C	D	E	F	G	H	I	J
0.3kg-3kg	4.33	0.39	1.30	0.59	0.71	0.21	0.19	0.27	3.13	M3-6H



Prices are subject to change without notice. Please call for current prices.

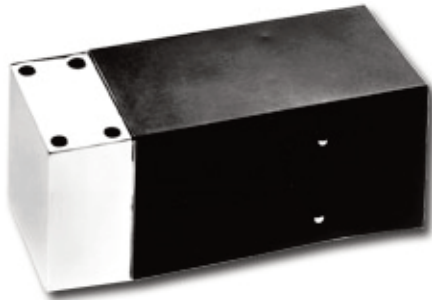
Other items are available from the manufacturers, please call for prices.

99 Reagent Lane
Fair Lawn NJ 07410
201-797-2718 * 800-631-0347

Totalcomp
Load Cells

www.totalcomp.com
Fax 201-797-2287
Toll Free Fax 888-797-2288

Single Point



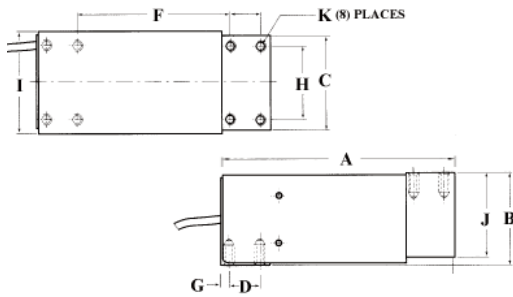
GS1250

GS1250 General Sensor

Interchangeable with Tedeia Model 1250.

2 mv/v, 0.02% total error, 410/350 ohms, 10 ft 4 cond cable, anodized aluminum, IP67.

Part Number	Capacity	Nominal	Weight	Stock	Price C
GS1250-50kg	50 kg	100 lb	6 lb	3789	\$ 203.50
GS1250-75kg	75 kg	150 lb	6 lb	3790	203.50
GS1250-100kg	100 kg	200 lb	6 lb	3791	203.50
GS1250-150kg	150 kg	300 lb	6 lb	3792	203.50
GS1250-200kg	200 kg	400 lb	6 lb	3793	203.50
GS1250-250kg	250 kg	500 lb	6 lb	2031	203.50
GS1250-300kg	300 kg	600 lb	6 lb	3794	203.50
GS1250-500kg	500 kg	1,000 lb	6 lb	3795	203.50
GS1250-1000kg	1,000 kg	2,200 lb	7 lb	3797	214.50



Dimensions in inches

Capacity	A	B	C	D	E	F	G	H	I	J	K
50-2000	7.52	2.97	3.00	0.98	0.98	4.92	0.25	2.36	3.20	2.67	5/16-18 UNC



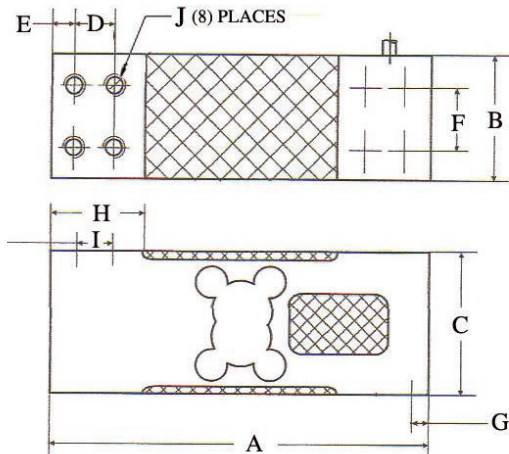
L6G

L6G Zemic

Interchangeable with Tedeia 1263.

2 mv/v, 0.02 % total error, 409/350 ohms, 9 ft 6 cond cable, aluminum, IP65.

Part Number	Capacity	Nominal	Weight	Stock	Price C
L6G-C3-100-3B6	100 kg	200 lb	14 lb	7689	\$ 280.00
L6G-C3-150-3B6	150 kg	300 lb	14 lb	7690	280.00
L6G-C3-200-3B6	200 kg	400 lb	14 lb	7691	280.00
L6G-C3-250-3B6	250 kg	500 lb	14 lb	7692	280.00
L6G-C3-300-3B6	300 kg	600 lb	14 lb	7693	280.00
L6G-C3-500-3B6	500 kg	1,000 lb	14 lb	7694	280.00
L6G-C3-600-3B6	600 kg	1,200 lb	14 lb	7695	280.00



Dimensions in inches

Capacity	A	B	C	D	E	F	G	H	I	J
100kg-600kg	6.85	2.36	2.56	0.75	0.28	1.18	0.28	1.69	0.75	M8

Prices are subject to change without notice. Please call for current prices.

Other items are available from the manufacturers, please call for prices.

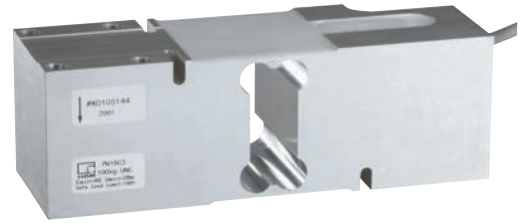
Single Point

PW16 HBM

Interchangeable with Tedeia Model 1260.

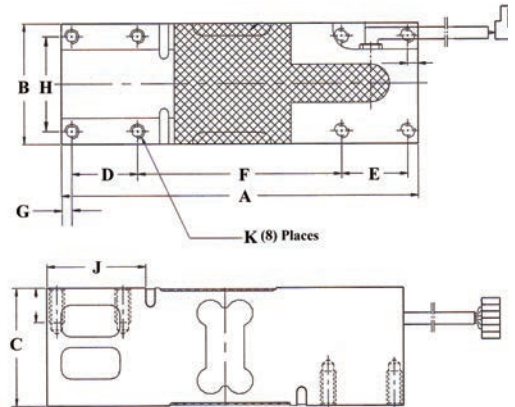
2 mv/v, 0.02% total error, 415/350 ohms, 3m 6 cond cable, anodized aluminum, IP67.

Part Number	Capacity	Nominal	Weight	Stock	Price C
1-PW16AC3/30KGU-1	30 kg	60 lb	6 lb	6202	\$ 163.00
1-PW16AC3/50KGU-1	50 kg	100 lb	6 lb	6203	195.00
1-PW16AC3/75KGU-1	75 kg	150 lb	6 lb	6204	195.00
1-PW16AC3/100KGU-1	100 kg	200 lb	6 lb	6205	195.00
1-PW16AC3/150KGU-1	150 kg	300 lb	6 lb	6206	195.00
1-PW16AC3/200KGU-1	200 kg	100 lb	6 lb	6207	195.00
1-PW16AC3/250KGU-1	250 kg	500 lb	6 lb	6208	195.00
1-PW16AC3/300KGU-1	300 kg	600 lb	6 lb	6209	195.00
1-PW16AC3/500KGU-1	500 kg	1,000 lb	6 lb	6210	195.00
1-PW16AC3/660KGU-1	660 kg	1,452 lb	6 lb	6211	195.00



PW16
Interchanges 1260

Capacity	A	B	C	D	E	F	G	H	I	J	K
50kg-500kg	7.40	2.50	2.45	1.38	1.38	4.21	0.22	1.96	0.63	2.05	5/16-18



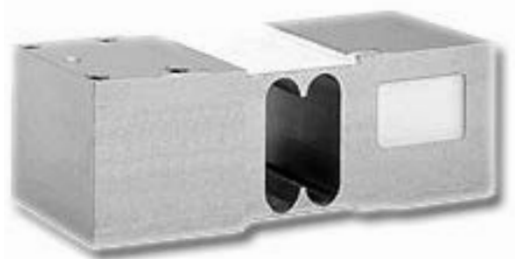
GS1260 General Sensor

Interchangeable with Tedeia 1260. Slightly smaller than the Model 1250.

2 mv/v, 0.02% total error, 415/350 ohms, 3m 6 cond cable, anodized aluminum, IP66.

NTEP 10,000 div

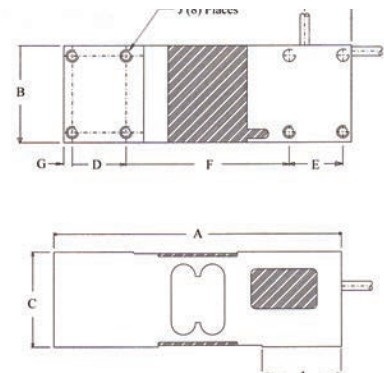
Part Number	Capacity	Nominal	Weight	Stock	Price C
GS1260-100	100 kg	200 lb	6 lb	7012	\$ 269.00
GS1260-150	150 kg	300 lb	6 lb	7013	269.00
GS1260-250	250 kg	500 lb	6 lb	7014	269.00



GS1260

Dimensions in inches

Capacity	A	B	C	D	E	F	G	H	I	J
100kg-250kg	7.40	2.49	2.45	1.38	1.38	4.21	0.22	1.20	2.04	5/16-18



Prices are subject to change without notice. Please call for current prices.

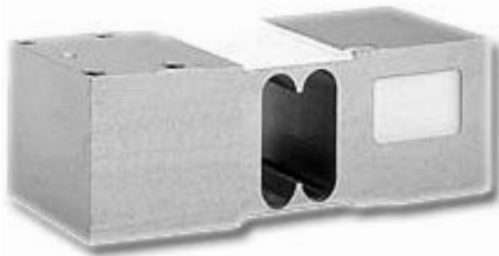
Other items are available from the manufacturers, please call for prices.

99 Reagent Lane
Fair Lawn NJ 07410
201-797-2718 * 800-631-0347

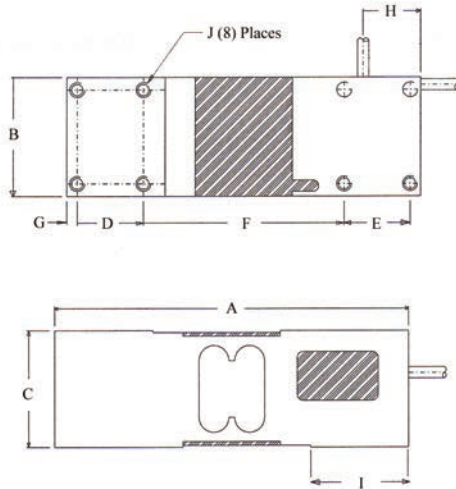
Totalcomp®
Load Cells

www.totalcomp.com
Fax 201-797-2287
Toll Free Fax 888-797-2288

Single Point



1260



1260 Tedeia

Slightly smaller than the Model 1250. This model is specially potted for use in high moisture scales.

2 mv/v, 0.02% total error, 415/350 ohms, 3m 6 cond cable, anodized aluminum, IP67.

NTEP 96-064 III S 5,000 div

Part Number	Capacity	Nominal	Weight	Stock	Price C4
1260-I-50	50 kg	100 lb	5 lb	2040	\$ 299.00
1260-I-75	75 kg	150 lb	5 lb	2041	299.00
1260-I-100	100 kg	200 lb	5 lb	2042	299.00
1260-I-150	150 kg	300 lb	5 lb	573	299.00
1260-I-200	200 kg	400 lb	5 lb	2043	299.00
1260-I-250	250 kg	500 lb	5 lb	2044	299.00
1260-I-300	300 kg	600 lb	5 lb	2045	299.00
1260-I-500	500 kg	1,000 lb	5 lb	2046	299.00
1260-I-635	635 kg	1,400 lb	5 lb	2356	299.00

Dimensions in inches

Capacity	A	B	C	D	E	F	G	H	I	J
50kg-500kg	7.40	2.49	2.45	1.38	1.38	4.21	0.22	1.20	2.04	5/16-18

Single Point

1240 Tedea Huntleigh

Interchange for LOCOSC 7160 load cell. **Stainless steel**, 1/4-20 UNC mounting holes. 2 mv/v, 0.02% total error, 380/350 ohms, 1.5 m 6 cond cable, **stainless steel**, IP54.

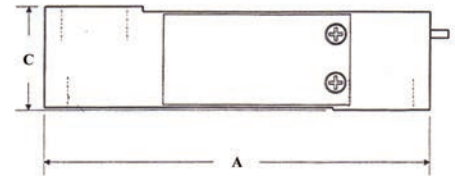
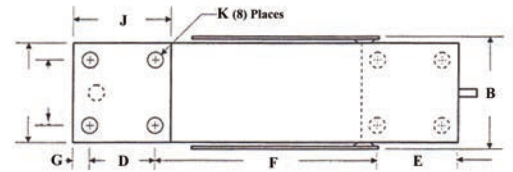
Part Number	Capacity	Weight	Stock	Price C
1240-200	200 kg	3 lb	3505	\$ 349.00
1240-250	250 kg	3 lb	3506	349.00



1240

Dimensions in inches

Capacity	A	B	C	D	E	F	G	H	I	J	K
200kg-500kg	5.91	1.71	1.57	1.00	1.00	3.41	0.25	1.50	1.00	1.50	1/4-20 UNC



GS1240-SS General Sensor

Interchange for LOCOSC 7160 load cell. **Stainless steel**, 1/4-20 UNC mounting holes. 2 mv/v, 0.02% total error, 380/350 ohms, 1.5 m 6 cond cable, **stainless steel**, IP67.

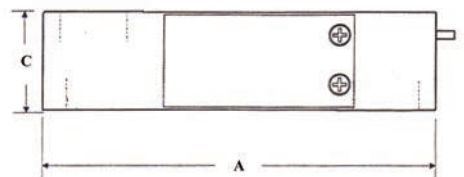
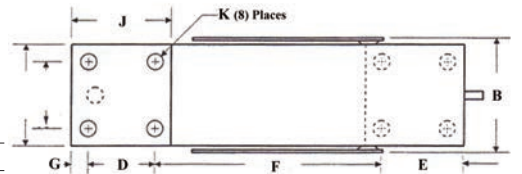
Part Number	Capacity	Weight	Stock	Price C
GS1240-50kg-SS	50 kg	3 lb	6916	\$ 295.00
GS1240-100kg-SS	100 kg	3 lb	6917	295.00
GS1240-150kg-SS	150 kg	3 lb	6897	295.00
GS1240-200kg-SS	200 kg	3 lb	6918	295.00
GS1240-250kg-SS	250 kg	3 lb	6919	295.00



GS1240-SS

Dimensions in inches

Capacity	A	B	C	D	E	F	G	H	I	J	K
50kg-250kg	5.91	1.71	1.57	1.00	1.00	3.41	0.25	1.50	1.00	1.50	1/4-20 UNC



Prices are subject to change without notice. Please call for current prices.

Other items are available from the manufacturers, please call for prices.

99 Reagent Lane
Fair Lawn NJ 07410
201-797-2718 * 800-631-0347

Totalcomp
Load Cells

www.totalcomp.com
Fax 201-797-2287
Toll Free Fax 888-797-2288

Single Point



TP-MK4

TP-MK4D Totalcomp

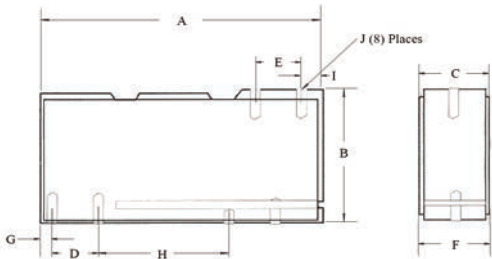
Interchangeable with NCI Model MK 4 load cells. Top has (2)1/4-20 mtg holes with 3/4" spacing. Bottom has (3)1/4-20 mtg holes with 3/4" & 2" spacing. Overload stops for both compression and tension loads.

2 mv/v, 0.03% nonlinearity, 350/350 ohms, 10 ft 4 cond cable, nickel plated steel, IP67.

Part Number	Capacity	Weight	Stock	Price C
TP-MK4D-10	10 lb	3 lb	654	\$ 468.00
TP-MK4D-15	15 lb	3 lb	655	468.00
TP-MK4D-25	25 lb	3 lb	656	468.00
TP-MK4D-30	30 lb	3 lb	657	468.00
TP-MK4D-50	50 lb	3 lb	658	468.00
TP-MK4D-100	100 lb	3 lb	659	468.00

Dimensions in inches

Capacity	A	B	C	D	E	F	G	H	I	J
50-2000	4.75	2.50	1.00	0.75	0.75	1.26	0.25	2.00	0.25	1/4-20 MTG



TP-MK4D-SS

TP-MK4D-SS Totalcomp

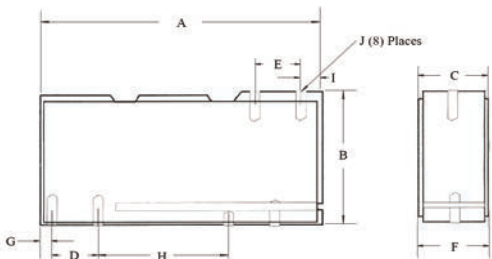
Interchangeable with NCI Model MK 4 load cells. Top has (2)1/4-20 mtg holes with 3/4" spacing. Bottom has (3)1/4-20 mtg holes with 3/4" & 2" spacing. Overload stops for both compression and tension loads.

2 mv/v, 0.03% nonlinearity, 350/350 ohms, 10 ft 4 cond cable, stainless steel, IP67.

Part Number	Capacity	Weight	Stock	Price C
TP-MK4D-10-SS	10 lb	3 lb	2428	\$ 531.30
TP-MK4D-15-SS	15 lb	3 lb	2429	531.30
TP-MK4D-25-SS	25 lb	3 lb	2430	531.30
TP-MK4D-30-SS	30 lb	3 lb	2431	531.30
TP-MK4D-50-SS	50 lb	3 lb	2432	531.30
TP-MK4D-100-SS	100 lb	3 lb	2433	531.30

Dimensions in inches

Capacity	A	B	C	D	E	F	G	H	I	J
50-2000	4.75	2.50	1.00	0.75	0.75	1.26	0.25	2.00	0.25	1/4-20 MTG



Single Point

AQ & EP Scaime

Interchangeable with BLH C2G1 and NMB used in Eaton/Consolidated Controls bases and Fairbanks 4900 Series scales.
2 mv/v, 0.02% nonlinearity, 410/350 ohms, 0.5 m 4 cond cable, anodized aluminum, IP65.
NTEP 02-005 S III 5,000 div.

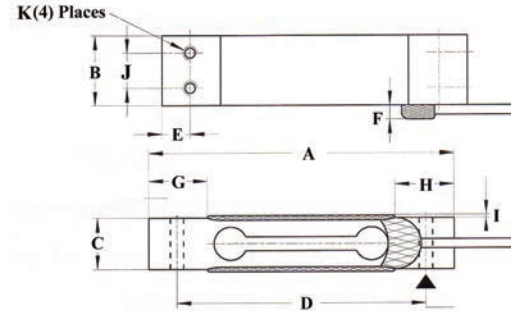
Part Number	Capacity	Nominal	Weight	Stock	Price C
EP-2	2 kg	4 lb	1 lb	621	\$ 192.00
AQ-5	5 kg	10 lb	1 lb	623	220.00
AQ-10	10 kg	20 lb	1 lb	702	220.00
AQ-15	15 kg	30 lb	1 lb	397	220.00
AQ-35	35 kg	70 lb	1 lb	398	220.00



AQ

Dimensions in inches

Capacity	A	B	C	D	E	F	G	H	I	J	K
2kg-20kg	5.11	0.98	0.86	4.17	0.24	0.23	0.98	0.98	0.03	0.59	M6
35kg	5.11	1.57	0.86	4.17	0.24	0.23	0.95	0.95	0.03	0.59	M6



0505H Vishay

2 mv/v, 415/350 ohms, 6 cond cable

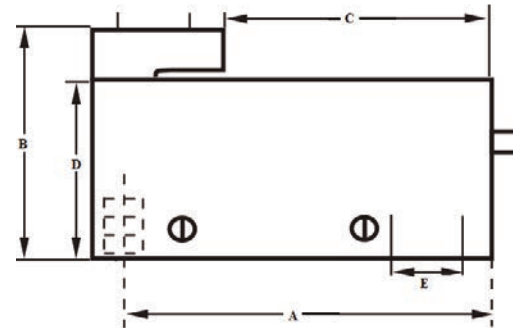
Part Number	Capacity	Nominal	Weight	Stock	Price C
0505H-2kg	2 kg	4 lb	1 lb	1071	\$ 265.00

Dimensions in inches

Capacity	A	B	C	D	E
2kg	4.35	2.48	3.20	1.88	0.74



0505H



Prices are subject to change without notice. Please call for current prices.

Other items are available from the manufacturers, please call for prices.

99 Reagent Lane
Fair Lawn NJ 07410
201-797-2718 * 800-631-0347

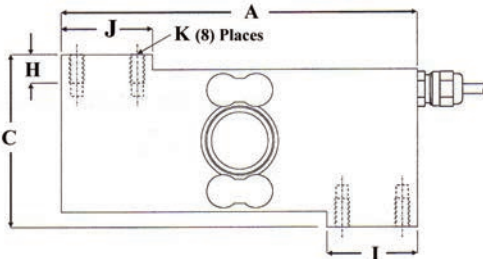
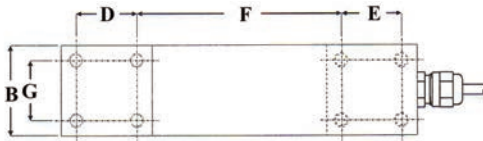
Totalcomp®
Load Cells

www.totalcomp.com
Fax 201-797-2287
Toll Free Fax 888-797-2288

Single Point



1510



1510 Tedea Huntleigh

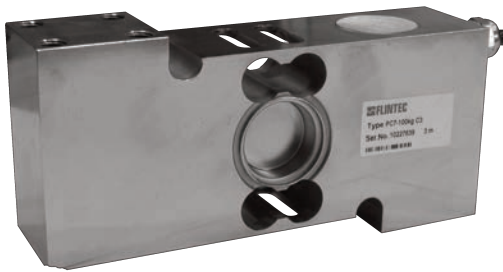
Hermetically sealed with all welded construction. M8 thread mounting holes
2 mv/v +/-10%, 0.02% total error, 380/350 ohms, 1m 6 cond cable, **stainless steel**, IP68.

Part Number	Capacity	Nominal	Weight	Stock	Price B5
1510-C3-100kg	100 kg	200 lb	5 lb	785	\$ 795.00
1510-C3-250kg	250 kg	500 lb	5 lb	786	795.00
1510-C3-500kg	500 kg	1,000 lb	5 lb	787	795.00

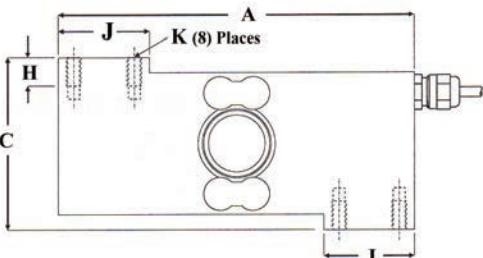
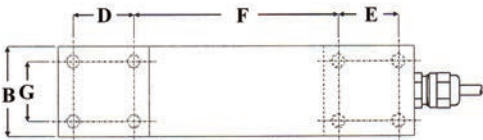
Dimensions in inches

Capacity	A	B	C	D	E	F	G	H	I	J	K
100kg-500kg	5.90	1.50	2.87	1.00	1.00	3.40	1.00	0.47	1.50	1.50	M8 x 1.25

NEW



PC7



PC7 Flintec

Hermetically sealed with all welded construction. M8 thread mounting holes
2 mv/v +/-10%, 0.02% total error, 380/350 ohms, 3m 6 cond cable, **stainless steel**, IP68.

Part Number	Capacity	Nominal	Weight	Stock	Price B5
PC7-C3-100kg	100 kg	200 lb	6 lb	5934	\$ 795.00
PC7-C3-250kg	250 kg	500 lb	6 lb	5935	795.00
PC7-C3-500kg	500 kg	1,000 lb	6 lb	5936	795.00

Dimensions in inches

Capacity	A	B	C	D	E	F	G	H	I	J	K
100kg-500kg	5.90	1.50	2.87	1.00	1.00	3.40	1.00	0.47	1.50	1.50	M8 x 1.25

Prices are subject to change without notice. Please call for current prices.

Other items are available from the manufacturers, please call for prices.

Single Point

GS1241 General Sensor

Interchangeable with Toledo MT1241. 1/4-20UNC thread mounting holes.
2 mv/v +/-10%, 0.02% total error, 415/350 ohms, 1m 6 cond cable, anodized aluminum.

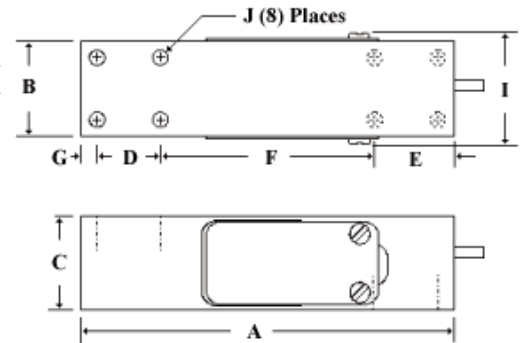
Part Number	Capacity	Nominal	Weight	Stock	Price C
GS1241-50kg	50 kg	100 lb	2 lb	7007	\$ 269.00
GS1241-100kg	100 kg	200 lb	2 lb	7008	269.00
GS1241-150kg	150 kg	300 lb	2 lb	7009	269.00
GS1241-200kg	200 kg	400 lb	2 lb	7010	269.00
GS1241-250kg	250 kg	500 lb	2 lb	7011	269.00



GS1241

Dimensions in inches

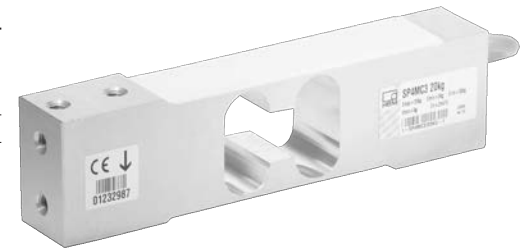
Capacity	A	B	C	D	E	F	G	J
50kg-250kg	5.91	1.50	1.50	1.00	1.00	3.41	0.25	1/4-20 UNC



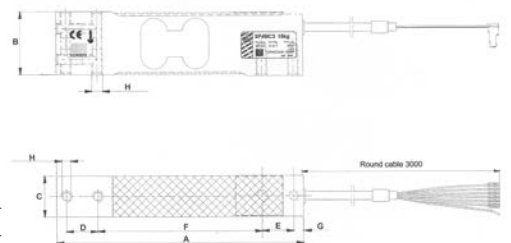
SP4 HBM

Interchangeable with Tedeo Model 1040. Mounting screws are 1/4-20 UNC(coarse) with 3/4" spacing on both top and bottom.
2 mv/v, 0.03% total error, 350/350 ohm, 10 ft 6 cond cable, anodized aluminum, IP67.

Part Number	Capacity	Nominal	Weight	Stock	Price C
1-SP4MC3/7KGU-1	7 kg	15 lb	2 lb	8409	\$ 111.00
1-SP4MC3/10KGU-1	10 kg	20 lb	2 lb	8410	111.00
1-SP4MC3/15KGU-1	15 kg	30 lb	2 lb	8411	111.00
1-SP4MC3/20KGU-1	20 kg	40 lb	2 lb	8412	111.00
1-SP4MC3/30KGU-1	30 kg	60 lb	2 lb	8413	111.00
1-SP4MC3/50KGU-1	50 kg	100 lb	2 lb	8414	111.00
1-SP4MC3/75KGU-1	75 kg	150 lb	2 lb	8415	111.00
1-SP4MC3/100KGU-1	100 kg	200 lb	2 lb	8416	111.00
1-SP4MC3/200KGU-1	200 kg	400 lb	2 lb	8417	111.00



SP4



Dimensions in inches

Capacity	A	B	C	D	E	F	G	H	I
7kg-200kg	5.90	0.79	1.00	0.75	0.75	3.94	2.95	0.22	1/4-20 UNC

Prices are subject to change without notice. Please call for current prices.

Other items are available from the manufacturers, please call for prices.

99 Reagent Lane
Fair Lawn NJ 07410
201-797-2718 * 800-631-0347

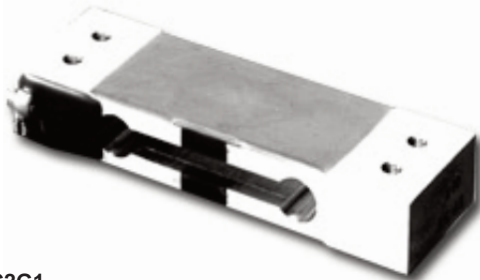
Totalcomp
Load Cells

www.totalcomp.com
Fax 201-797-2287
Toll Free Fax 888-797-2288

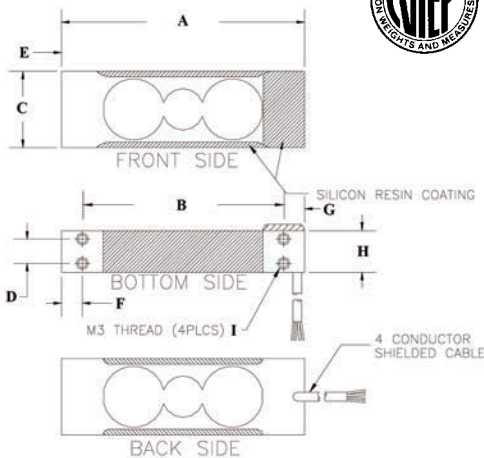
Single Point



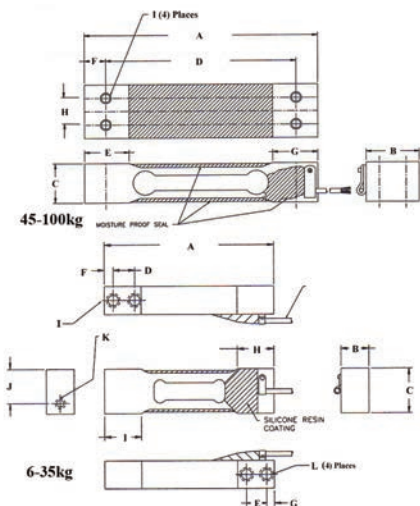
CB17



C2G1



CB17



C2G1

CB17 & C2G1 NMB

Interchangeable with BLH C2G1 and Scaime EP used in Eaton/Consolidated Controls bases and Fairbanks 4900 Series scales. M3 thread mounting hole 0.6kg to 3kg. M6 thread mounting hole 6kg to 100kg.
 1 mv/v +/-10%(.6 to 3kg), 2 mv/v +/-10%(6 to 100kg), 0.02% nonlinearity(0.015 for 6 to 100kg), 420/350 ohms, 15" 4 cond cable, anodized aluminum.
 NTEP 92-084 S III 3,000 div.

Part Number	Capacity	Nominal	Weight	Stock	Price D
CB17-0.6 *	0.6 kg	1.3 lb	1 lb	2285	\$ 263.00
CB17-0.6 * w/10 ft cable	0.6 kg	1.3 lb	2 lb	1930	305.00
CB17-1 *	1 kg	2.2 lb	1 lb	2286	263.00
CB17-2 *	2 kg	4.4 lb	1 lb	2287	263.00
CB17-3 *	3 kg	6.6 lb	1 lb	2288	263.00
C2G1-6	6 kg	13.2 lb	1 lb	2289	227.00
C2G1-10	10 kg	22.0 lb	1 lb	2290	227.00
C2G1-12	12 kg	26.5 lb	1 lb	2291	227.00
C2G1-15	15 kg	33.1 lb	1 lb	2292	227.00
C2G1-20	20 kg	44.1 lb	1 lb	2293	227.00
C2G1-25	25 kg	55.1 lb	1 lb	2294	291.00
C2G1-30	30 kg	66.1 lb	1 lb	2295	291.00
C2G1-35	35 kg	77.2 lb	1 lb	2296	291.00
C2G1-45	45 kg	99.2 lb	1 lb	2297	291.00
C2G1-60	60 kg	132.0 lb	2 lb	2298	319.00
C2G1-100	100 kg	220.0 lb	2 lb	2299	319.00

* Non NTEP

Dimensions in inches

CB17

Capacity	A	B	C	D	E	F	G	H	I
600g-3kg	2.76	1.97	0.87	0.28	0.39	0.24	0.55	0.47	M3

Dimensions in inches

C2G21

Capacity	A	B	C	D	E	F	G	H	I
6kg-35kg	5.90	0.98	1.57	0.75	0.75	0.28	0.28	1.97	3/8-16 UNC
45kg-100kg	10.23	1.57	1.73	8.35	1.96	0.94	1.96	1.18	M6

Prices are subject to change without notice. Please call for current prices.

Other items are available from the manufacturers, please call for prices.

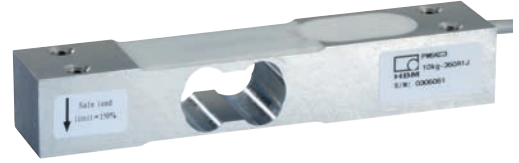
Single Point

PW6 HBM

Interchangeable with Tedeia 1022. M6 thread mounting holes on all capacities.
2 mv/v, 0.02% total error, 420/350 ohms, 1 ft 4 cond cable, anodized aluminum, IP65.
NTEP 02-094 S III 5,000 div.

Part Number	Capacity	Nominal	Weight	Stock	Price C
1-PW6DC3/3KG-1 *	3 kg	6 lb	1 lb	6460	\$ 211.00
1-PW6DC3/5KG-1	5 kg	10 lb	1 lb	6461	211.00
1-PW6DC3/10KG-1	10 kg	20 lb	1 lb	6462	211.00
1-PW6DC3/15KG-1	15 kg	30 lb	1 lb	6463	211.00
1-PW6DC3/20KG-1	20 kg	40 lb	1 lb	6464	211.00
1-PW6DC3/30KG-1	30 kg	60 lb	1 lb	6465	211.00
1-PW6DC3/72KG-1	72 kg	150 lb	2 lb	6660	211.00

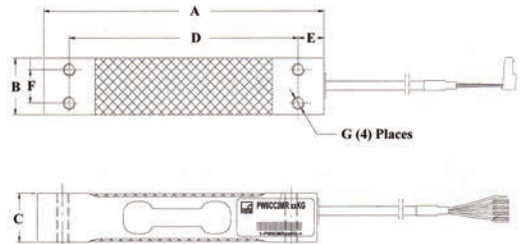
* Not NTEP



PW6
Interchanges 1022

Dimensions in inches

Capacity	A	B	C	D	E	F	G
3kg-100kg	5.12	1.00	0.86	4.17	0.47	0.59	M6



PW10 HBM

Interchangeable with Tedeia 1241. Except for M6 thread mounting holes
2 mv/v, 0.02% total error, 420/350 ohms, 5 ft 6 cond cable, anodized aluminum, IP67

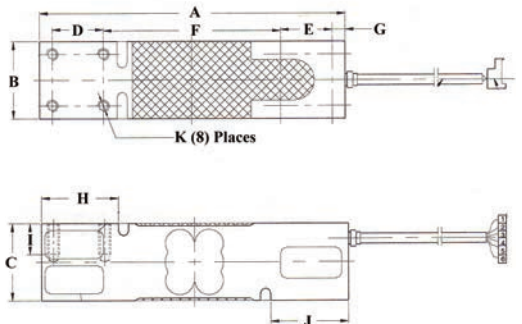
Part Number	Capacity	Nominal	Weight	Stock	Price C
1-PW10AC3/50KG-1	50 kg	100 lb	2 lb	6438	\$ 404.00
1-PW10AC3/100KG-1	100 kg	200 lb	2 lb	6441	404.00
1-PW10AC3/150KG-1	150 kg	300 lb	2 lb	6442	404.00
1-PW10AC3/200KG-1	200 kg	400 lb	2 lb	6443	404.00
1-PW10AC3/250KG-1	250 kg	500 lb	2 lb	6444	404.00



PW10
Interchanges 1241

Dimensions in inches

Capacity	A	B	C	D	E	F	G	H	I	J	K
100-250kg	5.90	1.50	1.50	1.00	1.00	3.41	0.25	1.50	0.47	1.50	M6



Prices are subject to change without notice. Please call for current prices.

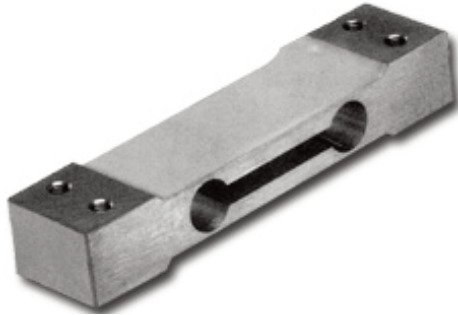
Other items are available from the manufacturers, please call for prices.

99 Reagent Lane
Fair Lawn NJ 07410
201-797-2718 * 800-631-0347

Totalcomp®
Load Cells

www.totalcomp.com
Fax 201-797-2287
Toll Free Fax 888-797-2288

Single Point

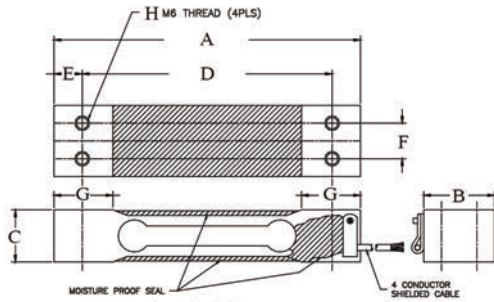


GC2G1

GC2G1 General Sensor

Interchangeable with BLH C2G1, Scaime EP, NMB CB17 used in Eaton/Consolidated Control bases and Fairbanks 4900 Series scales. M3 thread mounting hole 1kg to 3kg. M6 thread mounting hole 6kg to 35kg.
1 mv/v +/-10%(1 to 3kg), 2 mv/v +/-10%(6 to 35kg), 0.015% nonlinearity, 420/350 ohms, 400mm 4 cond cable, anodized aluminum, IP67.

Part Number	Capacity	Nominal	Weight	Stock	Price D
GC2G1-1kg	1 kg	2 lb	1 lb	4140	\$ 100.00
GC2G1-2kg	2 kg	4 lb	1 lb	4141	100.00
GC2G1-3kg	3 kg	6 lb	1 lb	4142	100.00
GC2G1-6kg	6 kg	12 lb	1 lb	4143	100.00
GC2G1-10kg	10 kg	20 lb	1 lb	4144	100.00
GC2G1-15kg	15 kg	30 lb	1 lb	4145	100.00
GC2G1-20kg	20 kg	40 lb	1 lb	4146	100.00
GC2G1-30kg	30 kg	60 lb	1 lb	4147	112.00
GC2G1-35kg	35 kg	70 lb	1 lb	4148	112.00



Dimensions in inches

Capacity	A	B	C	D	E	F	G	H
1-3kg	2.76	0.59	0.86	2.28	0.24	0.28	1.96	M3
6-20kg	10.23	1.18	0.86	8.34	0.94	1.18	1.96	M6
25-35kg	10.23	1.57	0.86	8.34	0.94	1.18	1.96	M6



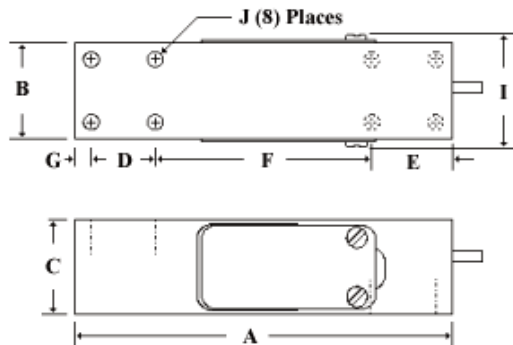
T1241

T1241 Totalcomp

Interchangeable w/ Tedeia 1241 and General Sensor GS1241
2 mv/v, 0.02% total error, 406/350 ohms, 5m 6 cond cable, anodized aluminum, potted.

Part Number	Capacity	Nominal	Weight	Stock	Price C
T1241-50kg	50 kg	100 lb	2 lb	8359	\$ 308.00
T1241-100kg	100 kg	200 lb	2 lb	8360	308.00
T1241-150kg	150 kg	300 lb	2 lb	8361	308.00
T1241-200kg	200 kg	400 lb	2 lb	8362	308.00
T1241-250kg	250 kg	500 lb	2 lb	8363	308.00
T1241-P-250kg*	250 kg	500 lb	2 lb	2520	308.00
T1241-P-250kg LP*	250 kg	500 lb	2 lb	2521	308.00

*Metric thread mounting holes



Dimensions in inches

Capacity	A	B	C	D	E	F	G	J
50kg-250kg	5.91	1.50	1.50	1.00	1.00	3.41	0.25	1/4-20UNC
250kg LP	5.91	1.50	1.50	1.00	1.00	3.41	0.25	1/4-20UNC

Prices are subject to change without notice. Please call for current prices.

Other items are available from the manufacturers, please call for prices.

Single Point

1022 Teda Huntleigh

Interchangeable with NMB C2G1, Scaime EP, Toledo 0765, General Sensor GC2G1 except for the 3kg, 5kg and 30kg capacities and Toledo model 0765. M6 thread mounting holes on all capacities.
2 mv/v +/-10%, 0.02% total error, 415/350 ohms, 10 ft 4 cond cable, anodized aluminum.
NTEP 96-122 S III 5,000 div.

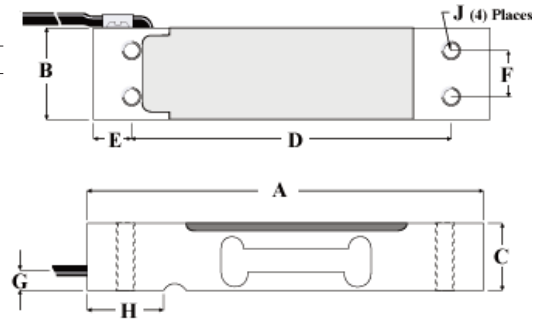
Part Number	Capacity	Nominal	Weight	Stock	Price C
1022-3kg	3 kg	6 lb	1 lb	4196	\$ 138.00
1022-5kg	5 kg	10 lb	1 lb	4197	138.00
1022-7kg	7 kg	14 lb	1 lb	4198	138.00
1022-10kg	10 kg	20 lb	1 lb	4199	138.00
1022-15kg	15 kg	30 lb	1 lb	4200	138.00
1022-20kg	20 kg	40 lb	1 lb	4201	138.00
1022-30kg	30 kg	60 lb	1 lb	4202	138.00
1022-35kg	35 kg	70 lb	1 lb	4203	138.00
1022-50kg	50 kg	100 lb	1 lb	4035	138.00

Dimensions in inches

Capacity	A	B	C	D	E	F	G	H	J
3kg-7kg	5.11	1.00	0.86	4.17	0.47	0.59	0.22	0.98	M6
10kg-30kg	5.11	1.18	0.86	4.17	0.47	0.59	0.22	0.98	M6
35kg-200kg	5.11	1.57	0.86	4.17	0.47	0.59	0.22	0.98	M6



1022
w/ 10 ft cable



CG-22 Coti Global

Interchangeable with NMB C2G1, Scaime EP, Toledo 0765, General Sensor GC2G1 except for the 3kg, 5kg and 30kg capacities and Toledo model 0765.
2 mv/v +/-10%, 0.02% total error, 415/350 ohms, 10 ft 4 cond cable, anodized aluminum.
NTEP 96-122 S III 5,000 div.

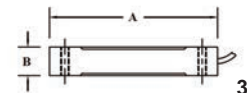
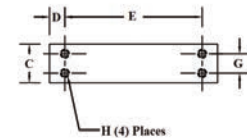
Part Number	Capacity	Nominal	Weight	Stock	Price C
CG-22-3K	3 kg	6 lb	1 lb	1770	\$ 151.80
CG-22-5K	5 kg	10 lb	1 lb	1771	151.80
CG-22-6K	6 kg	12 lb	1 lb	1772	151.80
CG-22-7K	7 kg	14 lb	1 lb	1773	151.80
CG-22-10K	10 kg	30 lb	1 lb	1774	151.80
CG-22-15K	15 kg	40 lb	1 lb	1775	151.80
CG-22-20K	20 kg	60 lb	1 lb	1776	151.80
CG-22-30K	30 kg	70 lb	1 lb	1777	151.80
CG-22-60K	60 kg	100 lb	1 lb	1778	151.80
CG-22-75K	75 kg	150 lb	1 lb	1779	151.80
CG-22-100K	100 kg	200 lb	1 lb	1780	151.80

Dimensions in inches

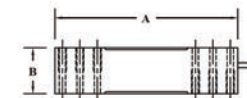
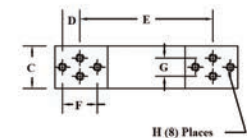
Capacity	A	B	C	D	E	F	G	H
3kg	2.76	0.87	0.59	0.24	2.28	-	0.28	M3
5kg-30kg	5.12	0.87	1.18	0.47	4.17	-	0.59	M6
60kg-100kg	5.91	1.57	1.38	0.28	4.61	0.75	0.59	M6



CG-22



3 KG to 30 KG



60 KG to 100 KG

Prices are subject to change without notice. Please call for current prices.

Other items are available from the manufacturers, please call for prices.

99 Reagent Lane
Fair Lawn NJ 07410
201-797-2718 * 800-631-0347

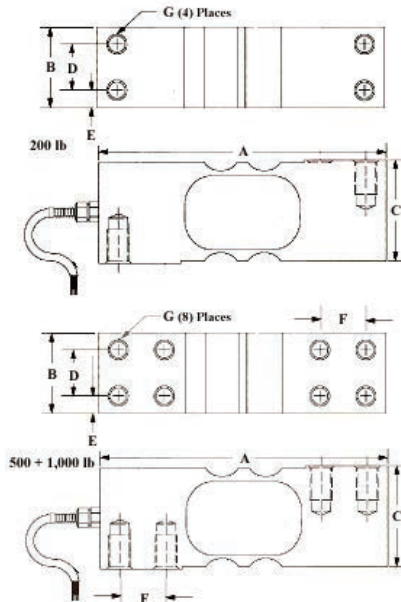
Totalcomp®
Load Cells

www.totalcomp.com
Fax 201-797-2287
Toll Free Fax 888-797-2288

Single Point



SP-200LM



SP-LM Cardinal

For use in bench or floor scales. Has metric thread.

2 mv/v, 0.03% combined error, 380/350 ohms, 10 ft 4 cond cable, **stainless steel**, IP67.

Part Number	Capacity	Weight	Stock	Price B5
SP-200LM	200 lb	5 lb	874	\$ 607.00
SP-500LM	500 lb	8 lb	875	668.00
SP-1000LM	1,000 lb	8 lb	876	763.00

Dimensions in inches

Capacity	A	B	C	D	E	F	G
200lb	5.00	1.50	1.98	1.00	0.25	----	M10
500-1000	7.00	1.96	2.50	1.12	0.41	1.12	M16

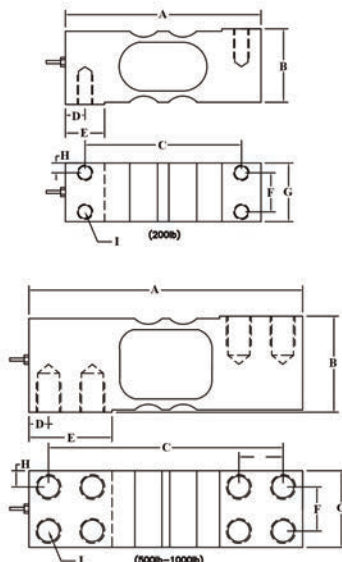
CG-SPLM Coti Global

Interchangeable with Cardinal SP-LM.

2 mv/v, 0.03% nonlinearity, 410/350 ohms, 10 ft 4 cond cable, environmentally sealed, **stainless steel**. potted, IP67.



CG-SPLM



Part Number	Capacity	Weight	Stock	Price D
CG-SPLM-200	200 lb	5 lb	8052	\$ 638.00
CG-SPLM-500	500 lb	8 lb	8053	715.00
CG-SPLM1000	1,000 lb	8 lb	8054	814.00

Dimensions in inches

Capacity	A	B	C	D	E	F	G	H	I
200lb	5.00	1.94	4.00	0.50	1.00	1.00	1.50	0.25	M10X1.5X0.75dp
500-1000lb	7.00	2.46	6.00	0.50	2.13	1.13	1.96	0.42	M16X2.0X0.75dp

Prices are subject to change without notice. Please call for current prices.

Other items are available from the manufacturers, please call for prices.

Single Point

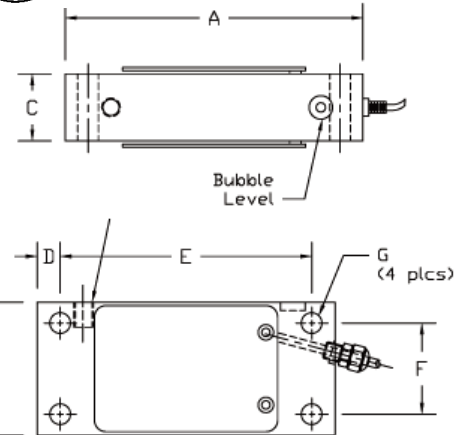
CG-FLS Coti Global

Interchangeable with Weigh-Tronix FLS single point load cell. (4) mounting holes 0.453" dia. 2" vertical spacing. 5.5" horizontal spacing, center to center. Over 250 lb has larger envelope 8" x 3.75" with hole spacing 7" x 2.75".
1 mv/v, 0.02% nonlinearity, 350/350 ohms, 10 ft 4 cond cable, **stainless steel**, IP67
NTEP 05-007

Part Number	Weight-Tronix	Capacity	Weight	Stock	Price C
CG-FLS-50	-----	50 lb	4 lb	5372	\$ 605.00
CG-FLS-125	49098-0075	125 lb	7 lb	5373	605.00
CG-FLS-250	49098-0042	250 lb	7 lb	5374	605.00
CG-FLS-625	49100-0022	625 lb	9 lb	5375	825.00



CG-FLS



Dimensions in inches

Capacity	A	B	C	D	E	F	G	H
50lb	6.50	2.90	0.74	0.50	5.50	2.00	0.45	5/16-UNC
125-250lb	6.50	2.90	1.46	0.50	5.50	2.00	0.45	5/16-UNC
625lb	8.00	3.75	1.91	0.50	7.00	2.75	0.52	5/16-UNC

60048 Sensortronics

These cells are potted with a special elastic sealant for use in high moisture scales.
2 mv/v, 0.03% nonlinearity, 350/350 ohms, 10 ft 4 cond cable, **stainless steel**, IP67.

Part Number	Capacity	Weight	Stock	Price C
60048-25-0108	25 lb	5 lb	162	\$ 549.00
60048-50-0108	50 lb	5 lb	163	549.00
60048-100-0108	100 lb	5 lb	164	549.00
60048-200-0108	200 lb	5 lb	165	549.00
60048-400-0108	400 lb	5 lb	166	589.00
60048-500-0108	500 lb	5 lb	372	609.00
60048-1K-0108	1,000 lb	7 lb	373	649.00



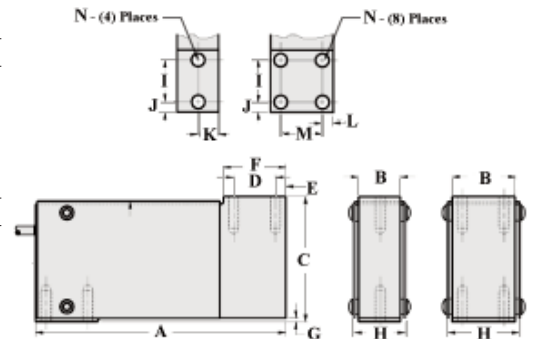
60048
60048-0108

Dimensions in inches

Capacity	A	B	C	D	E	F	G	H
25-200	6.00	1.00	3.00	1.00	0.25	1.50	0.09	1.25
400-500	6.00	1.00	3.00	1.00	0.25	1.50	0.09	1.25
1K	6.00	1.50	3.00	1.00	0.25	1.50	0.09	1.25

Dimensions in inches

Capacity	I	J	K	L	M	N
25-200	1.00	0.25	0.50	0.25	----	1/4-28 UNF
400-500	1.00	0.25	0.50	0.25	0.50	1/4-28 UNF
1K	1.00	0.25	0.50	0.25	1.00	5/16-24 UNF



Prices are subject to change without notice. Please call for current prices.

Other items are available from the manufacturers, please call for prices.

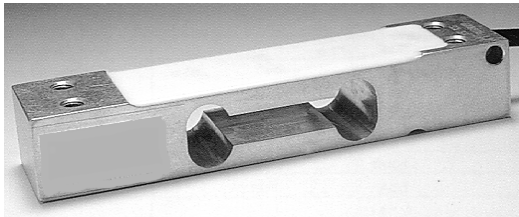
99 Reagent Lane
Fair Lawn NJ 07410
201-797-2718 * 800-631-0347

Totalcomp[®]
Load Cells

www.totalcomp.com
Fax 201-797-2287
Toll Free Fax 888-797-2288

Single Point

NEW



GS1022

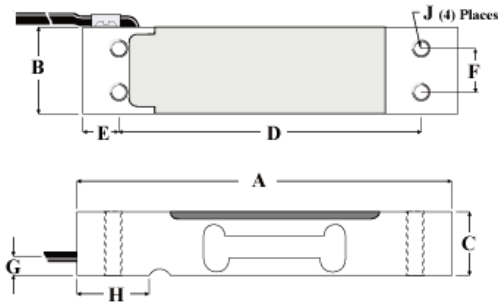
GS1022 General Sensor

Interchangeable with Tedeia 1022, HBM PW6, NMB C2G1, Scaime EP, General Sensor GC2G1 except for the 3kg, 5kg and 30kg capacities. M6 thread mounting holes on all capacities.

2 mv/v +/-10%, 0.02% total error, 415/350 ohms, 10 ft 4 cond cable, anodized aluminum.

Part Number	Capacity	Nominal	Weight	Stock	Price C
GS1022S-3kg *	3 kg	6 lb	1 lb	4958	\$ 119.00
GS1022-3kg	3 kg	6 lb	1 lb	4921	119.00
GS1022-10kg	10 kg	20 lb	1 lb	4959	119.00
GS1022-15kg	15 kg	30 lb	1 lb	4960	119.00
GS1022-30kg	30 kg	60 lb	1 lb	4961	119.00

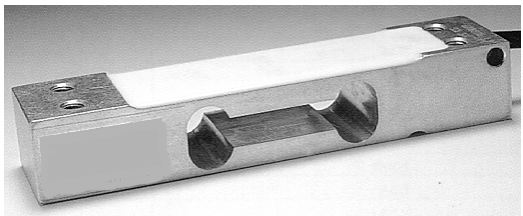
* Smaller envelope



Dimensions in inches

Capacity	A	B	C	D	E	F	G	H	J
3kg *	2.76	0.59	0.86	2.28	0.24	0.28	0.25	0.50	M3
3kg-30kg	5.11	1.18	0.86	4.17	0.47	0.59	0.22	0.98	M6

NEW



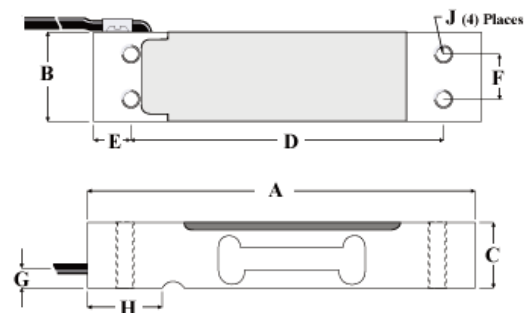
GS1022-SS General Sensor

Interchangeable with NMB C2G1, Scaime EP, General Sensor GC2G1 except for the 3kg, 5kg and 30kg capacities and Toledo model 0765. M6 thread mounting holes on all capacities.

2 mv/v +/-10%, 0.02% total error, 415/350 ohms, 10 ft 4 cond cable, **stainless steel**.

NTEP 96-122 S III 5,000 div.

Part Number	Capacity	Nominal	Weight	Stock	Price C
GS1022-3kg-SS	3 kg	6 lb	2 lb	8216	\$ 185.00
GS1022-5kg-SS	5 kg	10 lb	2 lb	8217	185.00
GS1022-10kg-SS	10 kg	20 lb	2 lb	8218	185.00
GS1022-15kg-SS	15 kg	30 lb	2 lb	8219	185.00
GS1022-20kg-SS	20 kg	40 lb	2 lb	8220	185.00
GS1022-35kg-SS	35 kg	70 lb	2 lb	8221	185.00
GS1022-50kg-SS	50 kg	100 lb	2 lb	8222	185.00



Dimensions in inches

Capacity	A	B	C	D	E	F	G	H	J
3kg-7kg	5.11	1.00	0.86	4.17	0.47	0.59	0.22	0.98	M6
10kg-30kg	5.11	1.18	0.86	4.17	0.47	0.59	0.22	0.98	M6
35kg-50kg	5.11	1.57	0.86	4.17	0.47	0.59	0.22	0.98	M6

Prices are subject to change without notice. Please call for current prices.

Other items are available from the manufacturers, please call for prices.

Single Point

PWS HBM

Moisture proof, low profile, resistant to shock loading.
 2 mv/v, 0.01% nonlinearity, 350/350 ohms, 10 ft 4 cond cable, **stainless steel**.
 NTEP 92-099 S/M III 3,000 div. FM Approved

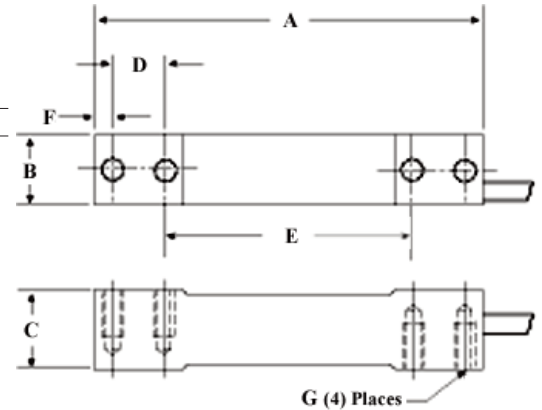
Part Number	Capacity	Nominal	Weight	Stock	Price C
US-PWS-7-05500	7 kg	15 lb	2 lb	1831	\$ 268.00
US-PWS-10-05500	10 kg	22 lb	2 lb	1832	295.00
US-PWS-15-05500	15 kg	33 lb	2 lb	1833	295.00
US-PWS-30-05500	30 kg	66 lb	2 lb	1834	268.00
US-PWS-60-05500	60 kg	130 lb	2 lb	1835	255.00
US-PWS-100-05500	100 kg	220 lb	3 lb	1836	255.00
US-PWS-150-05500	150 kg	330 lb	3 lb	1837	255.00



PWS

Dimensions in inches

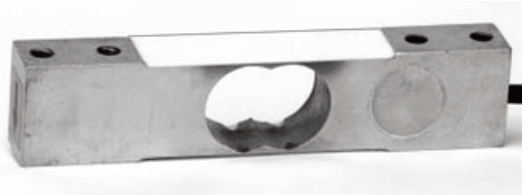
Capacity	A	B	C	D	E	F	G
7kg-15kg	5.50	0.75	1.19	0.75	3.50	0.25	1/4-20 UNC
30kg-60kg	5.50	0.94	1.19	0.75	3.50	0.25	1/4-20 UNC
100-150kg	5.50	1.21	1.19	0.88	3.12	0.31	3/8-16 UNC



GPWS General Sensor

Moisture proof, low profile, resistant to shock loading. Interchangeable with PWS - HBM.
 2 mv/v, 0.01% nonlinearity, 350/350 ohms, 10 ft 4 cond cable, **stainless steel**.

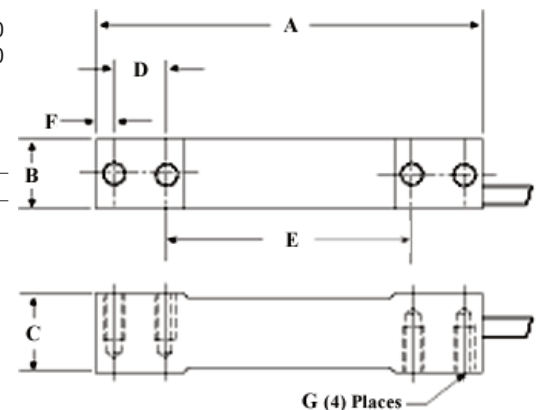
Part Number	Capacity	Nominal	Weight	Stock	Price C
GPWS-7-05500	7 kg	15 lb	2 lb	4933	\$ 269.50
GPWS-10-05500	10 kg	22 lb	2 lb	4934	269.50
GPWS-15-05500	15 kg	33 lb	2 lb	4936	269.50
GPWS-30-05500	30 kg	66 lb	2 lb	4937	269.50
GPWS-60-05500	60 kg	130 lb	2 lb	4939	269.50
GPWS-100-05500	100 kg	220 lb	3 lb	4941	269.50
GPWS-150-05500	150 kg	330 lb	3 lb	4942	269.50



GPWS

Dimensions in inches

Capacity	A	B	C	D	E	F	G
7kg-15kg	5.50	0.75	1.19	0.75	3.50	0.25	1/4-20 UNC
30kg-60kg	5.50	0.94	1.19	0.75	3.50	0.25	1/4-20 UNC
100-150kg	5.50	1.21	1.19	0.88	3.12	0.31	3/8-16 UNC



Prices are subject to change without notice. Please call for current prices.

Other items are available from the manufacturers, please call for prices.

99 Reagent Lane
 Fair Lawn NJ 07410
 201-797-2718 * 800-631-0347

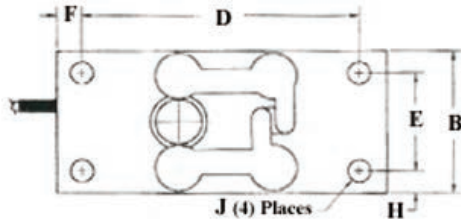
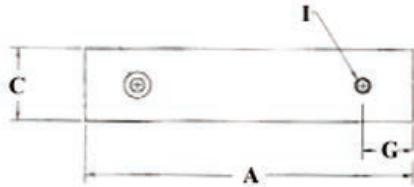
Totalcomp®
 Load Cells

www.totalcomp.com
 Fax 201-797-2287
 Toll Free Fax 888-797-2288

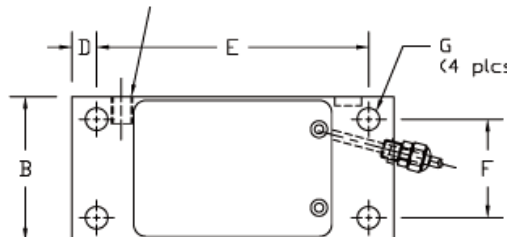
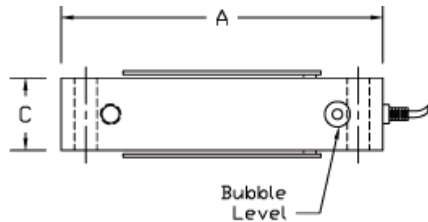
Single Point



TP-FLS



GS-FLS



TP-FLS Totalcomp

Interchangeable with Weigh-Tronix FLS single point load cell. (4) mounting holes 0.453" dia. 2" vertical spacing. 5.5" horizontal spacing, center to center. Over 250 lb has larger envelope 8" x 3.75" with hole spacing 7" x 2.75". Overall 6.5" x 2.9" high. 1 mv/v, 0.015% nonlinearity, 400/350 ohms, 10 ft 4 cond cable, stainless steel, IP67.

Part Number	Weigh-Tronix	Capacity	Weight	Stock	Price C
TP-FLS-30		30 lb	4 lb	4204	\$ 498.00
TP-FLS-50		50 lb	4 lb	4205	498.00
TP-FLS-75	49098-0067	75 lb	4 lb	4573	498.00
TP-FLS-125	49098-0075	125 lb	7 lb	4206	498.00
TP-FLS-250	49098-0042	250 lb	7 lb	4207	498.00
TP-FLS-625	49100-0022	625 lb	9 lb	4208	1,895.00
TP-FLS-1.25K	49100-0048	1,250 lb	9 lb	4209	1,895.00

Dimensions in inches

Capacity	A	B	C	D	E	F	G	H	I	J
30-1.25k	6.50	2.90	1.50	5.50	2.00	0.50	1.00	0.45	5/16-18 UNC	0.45

GS-FLS General Sensor

Interchangeable with Weigh-Tronix FLS single point load cell. (4) mounting holes 0.453" dia. 2" vertical spacing. 5.5" horizontal spacing, center to center. Over 250 lb has larger envelope 8" x 3.75" with hole spacing 7" x 2.75". Overall 6.5" x 2.9" high. 1 mv/v, 0.05% nonlinearity, 380/350 ohms, 10 ft 4 cond cable, stainless steel, IP67.

Part Number	Weigh-Tronix	Capacity	Weight	Stock	Price C
GS-FLS-30		30 lb	4 lb	4618	\$ 380.00
GS-FLS-50		50 lb	4 lb	4619	380.00
GS-FLS-125	49098-0075	125 lb	7 lb	4620	475.00
GS-FLS-250	49098-0042	250 lb	7 lb	4621	475.00
GS-FLS-625	49100-0022	625 lb	9 lb	4622	706.00
GS-FLS-1.25K	49100-0048	1,250 lb	9 lb	4623	706.00

Dimensions in inches

Capacity	A	B	C	D	E	F	G	H
30-50lb	6.50	2.90	0.75	0.50	5.50	2.00	0.45	5/16-18 UNC
125-250lb	6.50	2.90	1.50	0.50	5.50	2.00	0.45	5/16-18 UNC
625-1.25k	6.50	2.90	1.71	0.50	5.50	2.00	0.45	5/16-18 UNC

Prices are subject to change without notice. Please call for current prices.

Other items are available from the manufacturers, please call for prices.

Single Point

SP-L Cardinal

For use in bench or counter scales.

2 mv/v, 0.03% combined error, 400/350 ohms, 7 ft 4 cond cable, aluminum.

Part Number	Capacity	Weight	Stock	Price B5
SP-6L	6 lb	1 lb	2765	\$ 327.00
SP-10L	10 lb	1 lb	2766	327.00
SP-15L	15 lb	1 lb	2767	327.00
SP-25L	25 lb	1 lb	2932	327.00
SP-50L	50 lb	1 lb	2933	327.00
SP-100L	100 lb	1 lb	2934	327.00



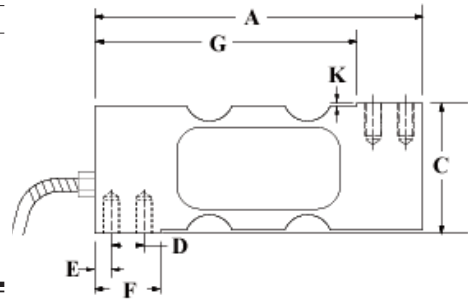
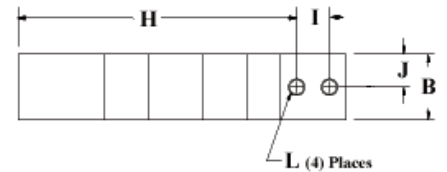
SP-10L

Dimensions in inches

Capacity	A	B	C	D	E	F	G
6lb	5.00	0.50	2.00	0.50	0.25	1.00	4.00
10-100 lb	5.00	1.00	2.00	0.50	0.25	1.00	4.00

Dimensions in inches continued

Capacity	H	I	J	K	L
6lb	4.25	0.50	0.25	0.50	1/4-28 NF
10-100 lb	4.25	0.50	0.50	0.50	1/4-28 NF



CG-SPL Coti Global

Interchangeable with Cardinal SP-L

2 mv/v, 0.02% nonlinearity, 410/350ohms, 10 ft 4 cond cable, environmentally sealed, aluminum, IP65.

Part Number	Capacity	Weight	Stock	Price D
CG-SPL-6	6 lb	2 lb	8046	\$ 346.50
CG-SPL-10	10 lb	2 lb	8047	346.50
CG-SPL-15	15 lb	2 lb	8048	346.50
CG-SPL-25	25 lb	2 lb	8049	346.50
CG-SPL-50	50 lb	2 lb	8050	346.50
CG-SPL-100	100 lb	2 lb	8051	346.50



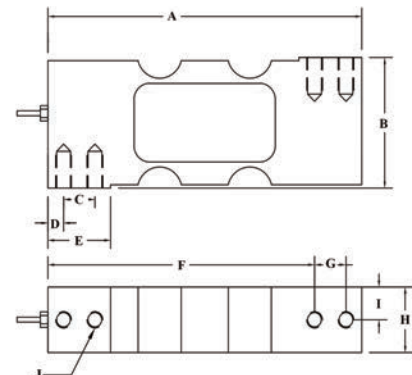
CG-SPL

Dimensions in inches

Capacity	A	B	C	D	E	F	G
6-100lb	5.00	1.99	0.50	0.25	1.00	4.25	0.50

Dimensions in inches continued

Capacity	H	I	J	K
6-100lb	1.00	0.50	1.00	1/4-28UNFX0.50dp



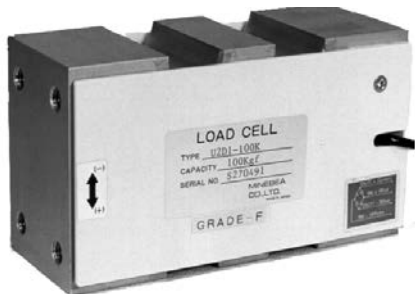
Prices are subject to change without notice. Please call for current prices.

Other items are available from the manufacturers, please call for prices.

Single Point

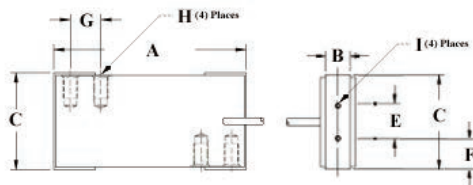


U2D1-F-20

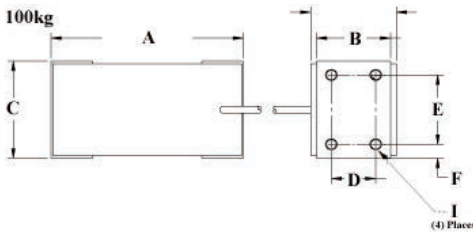


U2D1-F-100

3-50kg



100kg



U2D1 NMB

Interchangeable with BLH U2D1 used in Fairbanks 4500 Series Counting scales and 4700 Series Checkweigher Over/Under scales. M4 thread mounting holes 3kg to 20kg. M6 thread mounting holes 25kg to 50kg. M8 thread mounting holes 100kg. Moisture proof sealant and protective cover plates are standard. 2 mv/v, 0.015% nonlinearity, 400/350 ohms, 0.3m 4 cond cable, anodized aluminum.

Part Number	Capacity	Nominal	Weight	Stock	Price D
U2D1-F-3	3 kg	7 lb	1 lb	306	\$ 1214.00
U2D1-F-6	6 kg	13 lb	1 lb	307	1214.00
U2D1-F-10	10 kg	22 lb	1 lb	308	1214.00
U2D1-F-15	15 kg	33 lb	1 lb	309	1214.00
U2D1-F-25	25 kg	55 lb	2 lb	311	1522.00

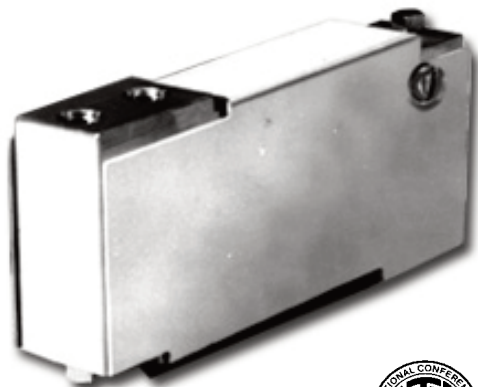
Dimensions in inches

Capacity	A	B	C	D	E	F	G	H	I
3kg-20kg	5.12	0.71	2.76	----	0.94	0.91	0.47	M5	M4
25kg-50kg	5.12	1.18	2.76	----	0.94	0.91	----	----	M6
100kg	5.12	1.97	2.76	1.18	1.97	0.39	----	----	M8

PLC HBM

Mounting screws are 1/4-20 UNC (coarse) with 0.75" spacing on both top and bottom. 2 mv/v, 0.02% nonlinearity, 400/350 ohms, 18" 4 cond cable, anodized aluminum. NTEP 87-096 S/M III 3000 div

Part Number	Capacity	Weight	Stock	Price C
PLC-20	20 lb	2 lb	606	\$ 380.00



PLC



Prices are subject to change without notice. Please call for current prices.

Other items are available from the manufacturers, please call for prices.

Single Point

1130 TedeA Huntleigh

Replacement for the Weigh-Tronix MK29.
2 mv/v, 0.02% combined error, 383/350 ohms, 10 ft 6 cond cable, **stainless steel**.

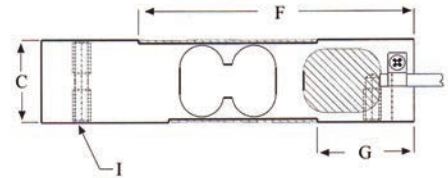
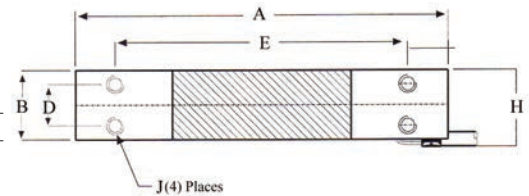
Part Number	Capacity	Nominal	Weight	Stock	Price C
1130-G-7	7 kg	17 lb	2 lb	2734	\$ 259.00
1130-G-10	10 kg	20 lb	2 lb	2589	259.00
1130-G-15	15 kg	30 lb	2 lb	2590	259.00
1130-G-20	20 kg	40 lb	2 lb	2591	259.00
1130-G-30	30 kg	60 lb	2 lb	2592	259.00
1130-G-50	50 kg	100 lb	2 lb	2593	259.00
1130-G-75	75 kg	150 lb	2 lb	2594	259.00



1130

Dimensions in inches

Capacity	A	B	C	D	E	F	G	H	I	J
7-75kg	5.31	0.98	1.18	0.59	4.17	3.94	1.37	1.09	1/4-20 UNF	1/4-20 UNF



NEW

GS1130 General Sensor

Replacement for the Weigh-Tronix MK29.
2 mv/v, 0.02% combined error, 383/350 ohms, 10 ft 6 cond cable, **stainless steel**.

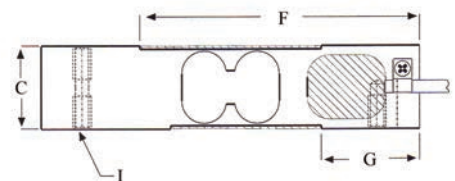
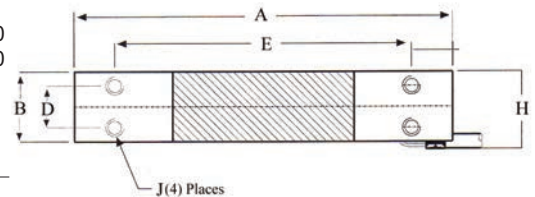
Part Number	Capacity	Nominal	Weight	Stock	Price C
GS1130-7kg-SS	7 kg	17 lb	2 lb	8100	\$ 250.00
GS1130-10kg-SS	10 kg	20 lb	2 lb	8101	250.00
GS1130-15kg-SS	15 kg	30 lb	2 lb	8102	250.00
GS1130-20kg-SS	20 kg	40 lb	2 lb	8103	250.00
GS1130-30kg-SS	30 kg	60 lb	2 lb	8104	250.00
GS1130-50kg-SS	50 kg	100 lb	2 lb	8105	250.00
GS1130-75kg-SS	75 kg	150 lb	2 lb	8106	250.00
GS1130-100kg-SS	100 kg	200 lb	2 lb	8107	250.00



GS1130

Dimensions in inches

Capacity	A	B	C	D	E	F	G	H	I	J
7-100kg	5.31	0.98	1.18	0.59	4.17	3.94	1.37	1.09	1/4-20 UNF	1/4-20 UNF



Prices are subject to change without notice. Please call for current prices.

Other items are available from the manufacturers, please call for prices.

99 Reagent Lane
Fair Lawn NJ 07410
201-797-2718 * 800-631-0347

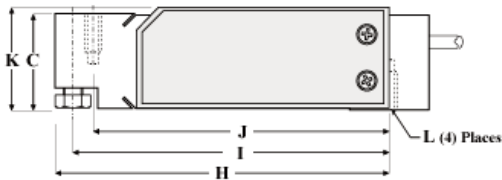
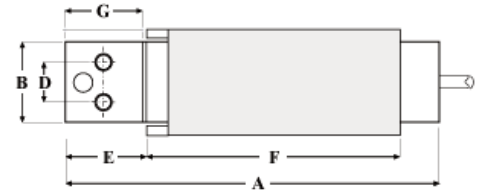
Totalcomp
Load Cells

www.totalcomp.com
Fax 201-797-2287
Toll Free Fax 888-797-2288

Single Point



1030



1030 Tedeo Huntleigh

1/4-20 UNC mounting holes

2 mv/v, 0.02% total error, 415/350 ohms, 1 m 6 cond cable, anodized aluminum.

Part Number	Capacity	Nominal	Weight	Stock	Price C
1030-F-3	3 kg	6 lb	1 lb	4239	\$ 232.00
1030-F-5	5 kg	10 lb	1 lb	4240	232.00
1030-F-7	7 kg	15 lb	1 lb	4241	232.00
1030-F-10	10 kg	20 lb	1 lb	4242	232.00
1030-F-15	15 kg	30 lb	1 lb	4243	232.00

Dimensions in inches

Capacity	A	B	C	D	E	F	G
3kg-15kg	4.64	1.00	1.22	0.50	0.98	3.14	0.96

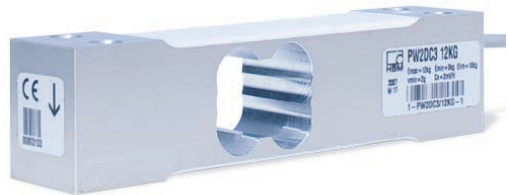
Dimensions in inches continued

Capacity	H	I	J	K	L
3kg-15kg	4.16	3.93	3.68	1.30	1/4-20 UNC

PW2D HBM

Mounting screw spacing is 1" both top and bottom.

Part Number	Capacity	Weight	Stock	Price C
60048-19-2 bracket	400 lb to 1,000 lb	1 lb	418	\$ 39.00



PW2D
Single point

PW2D HBM

2 mv/v, 300-500/300-500 ohms, 0.35m 4 cond. cable, aluminum, IP67.

Part Number	Capacity	Weight	Stock	Price C
1-PW2DC3/7.2 kg-1	7.2 kg	1 lb	861	\$ 276.00
1-PW2DC3/12 kg-1	12 kg	1 lb	862	276.00
1-PW2DC3/18 kg-1	18 kg	1 lb	863	276.00
1-PW2DC3/36 kg-1	36 kg	1 lb	864	276.00
1-PW2DC3/72 kg-1	72 kg	1 lb	865	276.00

Dimensions in inches

Capacity	A	B	C	D	E	F	G	H	I
7.2-72 kg	5.12	0.47	1.24	4.17	0.47	0.59	13.78	4 x M6	2.16

Prices are subject to change without notice. Please call for current prices.

Other items are available from the manufacturers, please call for prices.



A&D WEIGHING DIVISION

LC:4102 & LC:4103 A&D

Replacement for A&D Model HV & HW (FV & FW) (AP & APX)
1 mv/v, 0.015% combined error, 400/350 ohms, 1.5m (4102)/2m (4103) 4 cond cable, anodized aluminum.

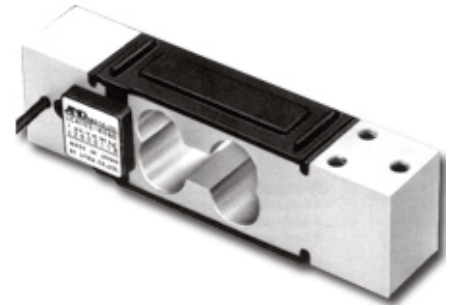
Part Number	Scale	Capacity	Weight	Stock	Price C
Load cells for HV					
LC:4102-K030	HV-30KA2	30 kg	2 lb	341M	\$ 253.00
LC:4102-K060	HV-60KA2	60 kg	2 lb	342M	270.00
LC:4103-K060	HV-60KA1	60 kg	3 lb	343	315.00
LC:4103-K150	HV-120KA1	150 kg	4 lb	345M	327.00

Load cells for HW

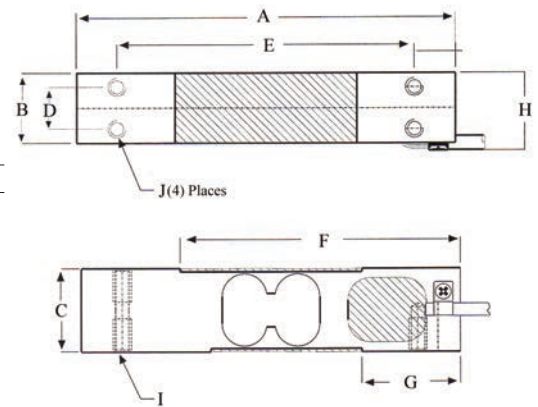
LC:4102-K010	HW-10KA2	10 kg	2 lb	339	280.00
LC:4102-K015	HW-15KA2	15 kg	2 lb	340	280.00
LC:4102-K030	HW-30KA2	30 kg	2 lb	341M	253.00
LC:4102-K060	HW-60KA2	60 kg	2 lb	342M	270.00
LC:4103-K100	HW-100KA1	100 kg	3 lb	344	315.00
LC:4103-K150	HW-150KA1	150 kg	4 lb	345M	327.00

Dimensions in inches

Capacity	A	B	C	D	E	F	G	H	I	J	K
LC-4102											
30-150kg	5.90	1.18	1.77	0.70	0.70	4.00	0.24	1.57	1.22	1.22	M6
LC-4103											
30-150kg	8.26	1.18	1.77	0.70	0.70	4.00	0.24	1.57	1.22	1.22	M6



1130



A&D WEIGHING DIVISION

LC:121 A&D

Replacement for Advantage Series Model SK
1 mv/v, 0.015% combined error, 350/350 ohms, 6" 4 cond cable, anodized aluminum.

Part Number	Scale	Capacity	Weight	Stock	Price A5
LC:121-2000	SK-1000/2000	2 kg	1 lb	3693	\$ 73.00
LC:121-10K	SK-5K/10K	10 kg	1 lb	3694	73.00
LC:121-20K	SK-20K	20 kg	1 lb	3695	73.00
LC:121-30K	SK-30	30 kg	1 lb	3696	100.00



LC:121



A&D WEIGHING DIVISION

LC:127 A&D

Replacement for HV HWG
1 mv/v, 0.015% combined error, 350/350 ohms, 1.5m 4 cond cable, anodized aluminum.

Part Number	Scale	Capacity	Weight	Stock	Price C
LC:127-60K	HV-60KWP	2 kg	2 lb	6063	\$ 219.00



LC:1271

Prices are subject to change without notice. Please call for current prices.

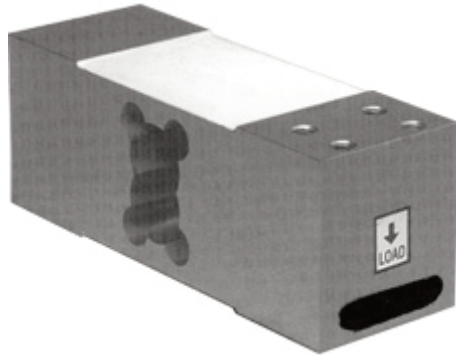
Other items are available from the manufacturers, please call for prices.

99 Reagent Lane
Fair Lawn NJ 07410
201-797-2718 * 800-631-0347

Totalcomp
Load Cells

www.totalcomp.com
Fax 201-797-2287
Toll Free Fax 888-797-2288

Single Point



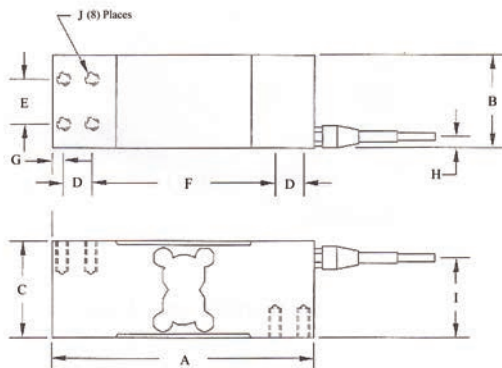
GC2L1 General Sensor

Interchangeable with NMB C2L1 M8 thread mounting holes.

2 mv/v +/-10%, 0.03% nonlinearity, 390/350 ohms, 20 ft 4 cond cable, anodized aluminum, IP67.

Part Number	Capacity	Nominal	Weight	Stock	Price D
GC2L1-60kg	60 kg	120 lb	5 lb	4149	\$ 330.00
GC2L1-100kg	100 kg	200 lb	5 lb	4150	330.00
GC2L1-150kg	150 kg	300 lb	5 lb	4151	330.00
GC2L1-250kg	250 kg	500 lb	5 lb	4152	330.00
GC2L1-300kg	300 kg	600 lb	5 lb	4153	330.00
GC2L1-500kg	500 kg	1,000 lb	5 lb	4154	330.00

GC2L1



Dimensions in inches

Capacity	A	B	C	D	E	F	G	H	I	J
60-500kg	6.86	2.36	2.56	0.75	1.18	4.80	0.28	0.31	1.81	M8



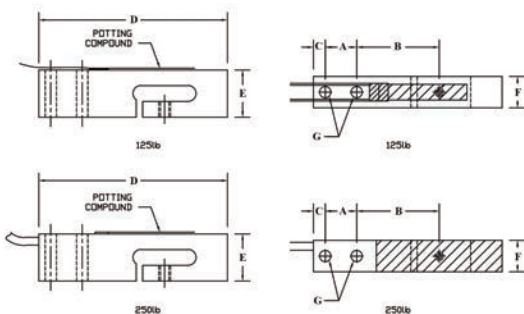
CG-FB Coti Global

Interchangeable with Fairbanks 3-551761-1 and Fairbanks 55383-2.

2 mv/v, 0.03% combined error, 385/350 ohms, 10 ft 4 cond cable, environmentally sealed, IP67.

Part Number	Capacity	Weight	Stock	Price C
CG-FB-125	125 lb	1 lb	200	\$ 627.00
CG-FB-250	250 lb	1 lb	201	627.00

CG-FB



Dimensions in inches

Capacity	A	B	C	D	E	F	G
125lb	0.50	1.31	0.19	3.00	0.75	0.50	0.18
250lb	0.50	1.31	0.19	3.00	0.85	0.75	0.18

Prices are subject to change without notice. Please call for current prices.

Other items are available from the manufacturers, please call for prices.



Single Point

PW27 HBM

Stainless steel with aseptic design. Uses (2) "O" ring seals. One on each end. 2 mv/v, 300-500/300-500 ohms, 3m 6 cond. cable, stainless steel, IP68/IP69.

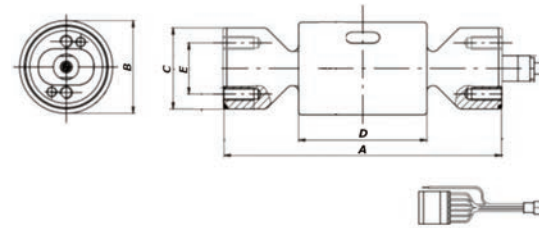
Part Number	Capacity	Weight	Stock	Price A8
I-PW27PC3/10kg-1	10 kg	3 lb	640	\$ 1,010.00
I-PW27PC3/20kg-1	20 kg	3 lb	641	1,010.00

Dimensions in inches

Capacity	A	B	C	D	E
10 kg	5.126	1.713	1.500	2.400	0.950
20 kg	5.126	1.713	1.500	2.400	0.950



**PW27
Beam**



KOSD Vishay

The KOSD load cell has a rugged design for harsh environment and is suitable for force measurement and overload protection. The sensing element consists of three sections, the two outer sections constitute supports and the middle section is the load sensing part.

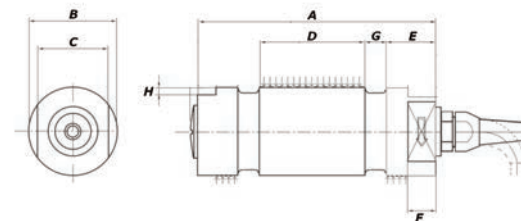
Part Number	Capacity	Weight	Stock	Price C
KOSD-0313	60kn	6 lb	712	\$1,860.00

Dimensions in inches

Capacity	A	B	C	D	E	F	G	H
60kn	4.33	1.57	1.26	1.38	1.10	0.63	0.47	0.16



0313



Prices are subject to change without notice. Please call for current prices.

Other items are available from the manufacturers, please call for prices.

99 Reagent Lane
Fair Lawn NJ 07410
201-797-2718 * 800-631-0347

Totalcomp®
Load Cells

www.totalcomp.com
Fax 201-797-2287
Toll Free Fax 888-797-2288

Single Point



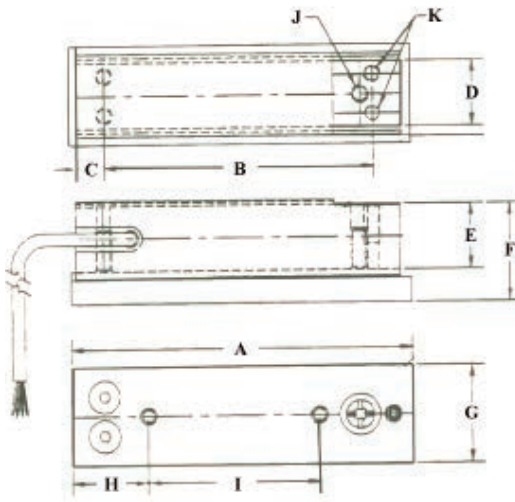
TP-MK21

TP-MK21 Totalcomp

Replacement for NCI Model MK-21 used in NCI Model 3270 scale.

2 mv/v, 0.02% nonlinearity, 350/350 ohms, 10 ft 4 cond cable, **stainless steel**, IP67.

Part Number	Capacity	Nominal	Weight	Stock	Price C
TP-MK21-4.5	4.5 kg	10 lb	3 lb	1608	\$ 544.50
TP-MK21-7.5	7.5 kg	15 lb	3 lb	1609	544.50
TP-MK21-18	18 kg	40 lb	3 lb	1610	544.50
TP-MK21-35	35 kg	75 lb	3 lb	1611	544.50
TP-MK21-50	50 kg	100 lb	3 lb	926	544.50



Dimensions in inches

Capacity	A	B	C	D	E	F	G	H
4.5-50kg	5.25	4.10	0.44	1.00	1.00	1.50	1.50	1.20

Dimensions in inches continued

Capacity	I	J	K
4.5-50kg	2.60	1/4-28 UNF	1/4-28 UNF



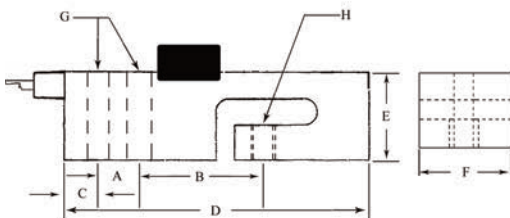
TFB-50 kg

TFB Totalcomp

Replacement for Fairbanks Series 7 base model 70-4050-2.

2 mv/v, 0.05% nonlinearity, 350/350 ohm, 18" 4 cond cable, beryllium copper, IP67.

Part Number	Fairbanks	Capacity	Weight	Stock	Price C
TFB-50 kg	13080	50 kg	1 lb	869	\$ 570.00



Dimensions in inches

Capacity	A	B	C	D	E	F	G	H
50kg	0.50	1-5/16	3/16	3.00	5/8	0.75	1/8	8-32

Prices are subject to change without notice. Please call for current prices.

Other items are available from the manufacturers, please call for prices.

462 Revere Transducers

2 mv/v, 0.03% nonlinearity, 350/350 ohms, 10 ft 4 cond cable, nickel plated steel.

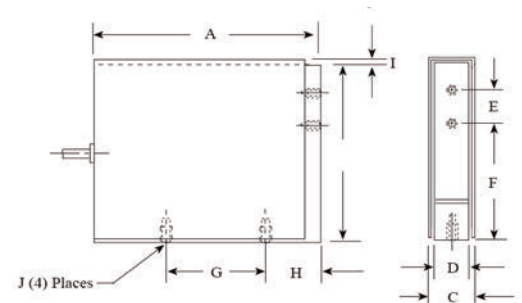
Part Number	Capacity	Weight	Stock	Price C1
462-D3-2-10P1	2 lb	3 lb	86	\$ 589.00
462-D3-5-10P1	5 lb	3 lb	87	589.00
462-D3-10-10P1	10 lb	3 lb	88	589.00
462-D3-20-10P1	20 lb	3 lb	89	589.00
462-D3-50-10P1	50 lb	5 lb	90	619.00
462-D3-70-10P1	70 lb	5 lb	2425	619.00
462-D3-100-10P1	100 lb	5 lb	91	619.00
462-D3-250-10P1	250 lb	5 lb	92	639.00
462-D3-750-10P1	750 lb	5 lb	94	774.00
462-D3-1K-10P1	1,000 lb	5 lb	95	774.00



462

Dimensions in inches

Capacity	A	B	C	D	E	F	G	H	I	J
2-20 lb	5.13	4.00	1.25	0.75	0.75	2.60	2.20	0.91	0.05	1/4-28 UNF
50-100 lb	6.00	4.68	1.90	1.00	1.00	2.60	2.20	1.16	0.05	3/8-24 UNF
250 lb	6.00	4.60	1.90	1.00	1.50	2.35	2.20	1.16	0.05	3/8-24 UNF



Prices are subject to change without notice. Please call for current prices.

Other items are available from the manufacturers, please call for prices.

99 Reagent Lane
Fair Lawn NJ 07410
201-797-2718 * 800-631-0347

Totalcomp[®]
Load Cells

www.totalcomp.com
Fax 201-797-2287
Toll Free Fax 888-797-2288

Single Point



HPS

HPS Revere Transducers, hermetic platform sensor

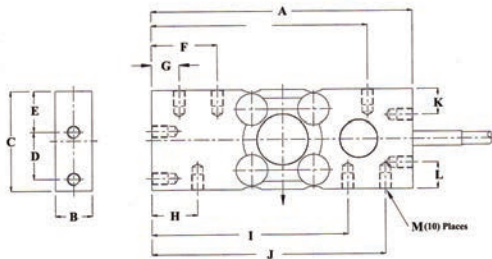
Lb unit has (2) mtg holes on top and (2) mtg holes on bottom, 1/4-20 thread with 3/4" spacing. Kg unit has (4) thru mtg holes 0.254" dia. The kg unit is 2 mv/v and the lb unit is 3 mv/v.

2 & 3 mv/v, 0.03% nonlinearity, 390/350 ohms, 10 ft 4 cond cable, **stainless steel**.

Part Number	Capacity	Nominal	Weight	Stock	Price C
3 mv/v (lb)					
HPS-D3-25-10P5	25 lb		3 lb	680	\$ 615.00
HPS-D3-50-10P5	50 lb		3 lb	681	615.00
HPS-D3-100-10P5	100 lb		3 lb	687	780.00
HPS-D3-50-10TB cable in tube	50 lb		3 lb	685	930.00
2 mv/v (kg)					
HPS-D3-6kg-10P5	6 kg	12 lb	3 lb	610	615.00
HPS-D3-15kg-10P5	15 kg	30 lb	3 lb	611	615.00

Metric dimensions OIML R60 Approved 3,000 div 20 ft 4 cond cable

HPSM-D3-6kg-20P9	6 kg	12 lb	3 lb	1696	615.00
HPSM-D3-12kg-20P9	12 kg	24 lb	3 lb	1697	615.00
HPSM-D3-30kg-20P9	30 kg	60 lb	3 lb	1705	615.00
HPSM-D3-60kg-20P9	60 kg	120 lb	3 lb	1706	615.00



Dimensions in inches

Capacity	A	B	C	D	E	F	G	H
6-30kg	5.11	0.72	1.96	0.94	0.78	1.28	0.53	0.88
60kg	5.11	2.36	1.96	0.94	0.78	1.28	0.53	0.88

Dimensions in inches continued

Capacity	I	J	K	L	M
6-30kg	3.84	4.58	0.51	0.51	M6
60kg	3.84	4.58	0.51	0.51	M6



1320

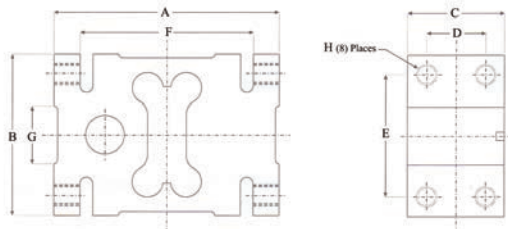
1320 Tedeo Huntleigh

High capacity off-center load cells are made for platform sizes up to 48" x 48". These cells have a unique humidity resistant protective coating assures long term stability even under harsh environment and extreme temperatures.

2 mv/v, 0.02% total error, 415/350 ohms, 6m 6 cond cable, anodized aluminum, IP65.

NTEP 94-115 III S 3,000 div

Part Number	Capacity	Nominal	Weight	Stock	Price C
1320-F-1000	1,000 kg	2,200 lb	8 lb	2323	\$ 519.00
1320-F-1500	1,500 kg	3,300 lb	8 lb	2324	519.00
1320-F-2000	2,000 kg	4,400 lb	9 lb	2325	519.00



Dimensions in inches

Capacity	A	B	C	D	E	F	G	H
1K-2K	6.93	4.96	2.99	1.81	3.74	5.31	1.77	M16

Prices are subject to change without notice. Please call for current prices.

Other items are available from the manufacturers, please call for prices.

Single Point

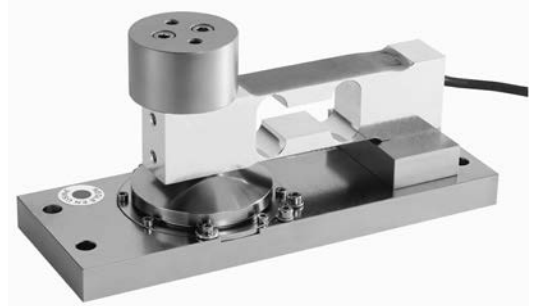
AG Scaime, fluid damped

Single point fluid damped load cell. For checkweighing and other high speed weighing. Mounting base is 80 x 220mm with (4) 9mm dia thru holes 40 x 200mm. Height is 85mm with (2) M6 mtg holes. Height with 240 adapter is 115mm with the 240 bolt pattern. 2 mv/v, 0.02% nonlinearity, 410/350 ohms, 10 ft 6 cond cable, aluminum cell, IP65, **stainless steel** mount. NTEP S III 5,000 div

Part Number	Capacity	Nominal	Weight	Stock	Price C
AG-5kg-5e-240	5 kg	10 lb	6 lb	3597	\$1,598.00
AG-10kg-5e-240	10 kg	20 lb	6 lb	3598	1,598.00
AG-15kg-5e-240	15 kg	30 lb	6 lb	3599	1,598.00
AG-20kg-5e-240	20 kg	40 lb	6 lb	3600	1,598.00
AG-30kg-5e-240	30 kg	60 lb	6 lb	3601	1,598.00

Options

AG Speed cell stainless steel cover	1 lb	3602	170.00	C
Adapter to Huntleigh 240 bolt pattern	1 lb	3596	224.00	



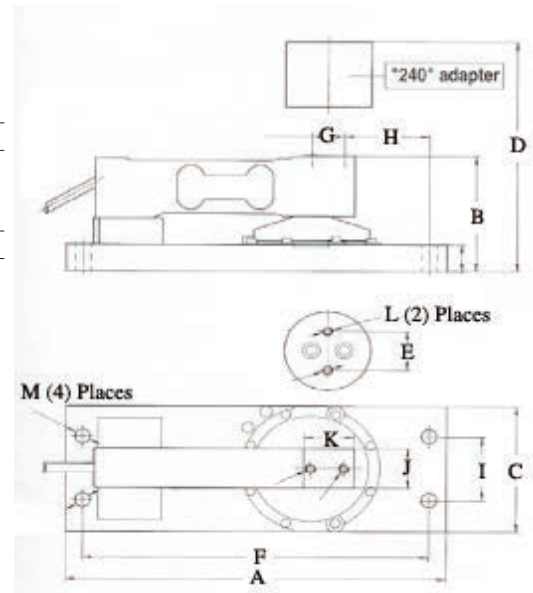
AG

Dimensions in inches

Capacity	A	B	C	D	E	F	G	H
5-30kg	8.66	2.87	3.14	4.52	0.98	7.87	0.75	1.92

Dimensions in inches continued

Capacity	I	J	K	L	M
5-30kg	1.57	0.98	1.14	M6	0.35



Prices are subject to change without notice. Please call for current prices.

Other items are available from the manufacturers, please call for prices.

99 Reagent Lane
Fair Lawn NJ 07410
201-797-2718 * 800-631-0347

 **Totalcomp**[®]
Load Cells

www.totalcomp.com
Fax 201-797-2287
Toll Free Fax 888-797-2288

Single Point



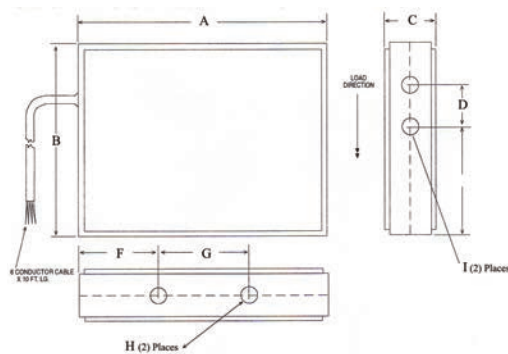
TP462

TP462 Totalcomp

Interchangeable with RTI Model 462.

2 mv/v, 0.03% nonlinearity, 350/350 ohms, 10 ft 4 cond cable, aluminum, IP67.

Part Number	Capacity	Weight	Stock	Price C1
TP462-5	5 lb	2 lb	1236	\$ 502.00
TP462-10	10 lb	2 lb	1237	534.00
TP462-20	20 lb	2 lb	1238	534.00
TP462-50	50 lb	3 lb	1239	582.00
TP462-100	100 lb	3 lb	1240	582.00



Dimensions in inches

Capacity	A	B	C	D	E	F	G	H	I
5-20 lb	5.11	4.00	1.24	0.75	2.60	1.68	2.20	3/8-24 UNF	1/4-28 x .5
50-100 lb	6.00	4.68	1.24	1.00	2.60	1.90	2.20	3/8-24 UNF	1/4-28 x .5
250 lb	6.00	4.00	1.24	1.50	2.35	1.90	2.20	3/8-24 UNF	1/4-28 x .5



AK

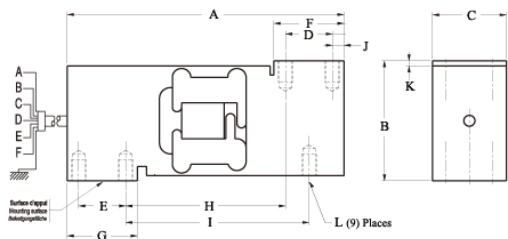
AK Scaime

Interchangeable with Revere HPS. Welded hermetically sealed stainless steel.

2 mv/v, 0.017% comb error, 385/350 ohms, 10 ft 4 cond cable, **stainless steel**, IP68.

NTEP Pending III S 5,000 div

Part Number	Capacity	Nominal	Weight	Stock	Price C
AK-6	6 kg	12 lb	3 lb	5754	\$ 619.00
AK-12	12 kg	24 lb	3 lb	5755	619.00
AK-30	30 kg	60 lb	3 lb	5756	619.00



Dimensions in inches

Capacity	A	B	C	D	E	F	G	H
6 kg	5.11	1.96	0.70	0.53	1.45	1.27	-----	3.83
12-30kg	5.90	2.63	1.57	1.00	1.00	1.49	1.49	3.40

Dimensions in inches continued

Capacity	I	J	K	L
6 kg	4.58	1.45	0.11	M8
12-30kg	3.90	0.24	0.11	M8

Prices are subject to change without notice. Please call for current prices.

Other items are available from the manufacturers, please call for prices.



260 Utilcell

Interchangeable with Tedeo 240. Stainless steel replacement for painted steel Tedeo 240. Single point fluid damped load cell. For checkweighing and other high speed weighing applications where washdown protection is required. Mounting base is 8.7" x 3.2" with (4) .35" dia thru holes. Height is 4.5" with (2) 1/4-20 mtg holes.

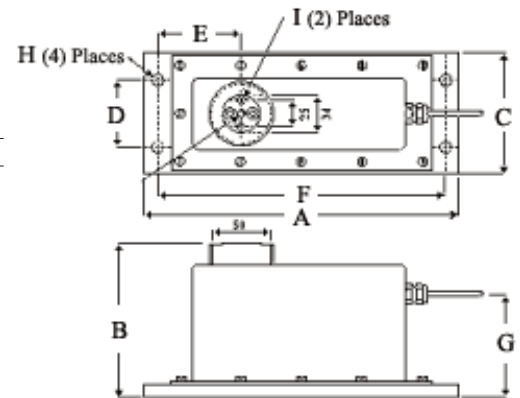
2 mv/v, 0.015% nonlinearity, 415/350 ohms, 3 m 6 cond cable, **stainless steel**

Part Number	Capacity	Nominal	Weight	Stock	Price C
26002-US	2 kg	4 lb	8 lb	8246	\$ 510.30
26003-US	3 kg	6 lb	8 lb	8247	482.30
26005-US	5 kg	10 lb	9 lb	8248	482.30
26007-US	7 kg	14 lb	9 lb	8249	482.30
26010-US	10 kg	20 lb	9 lb	8250	482.30
26015-US	15 kg	30 lb	9 lb	8251	482.30
26020-US	20 kg	40 lb	9 lb	8252	482.30
26030-US	30 kg	60 lb	9 lb	8253	482.30
26050-US	50 kg	100 lb	9 lb	8254	482.30

Dimensions in inches

Capacity	A	B	C	D	E	F	G	H	I
2-50 kg	8.66	4.52	3.14	1.57	2.30	7.87	2.51	0.35	1/4-20 UNC

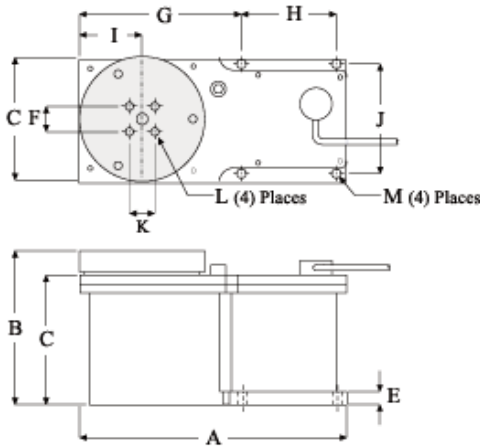
NEW



Single Point



9010



9010 Tedea Huntleigh, Fluid damped

Single point fluid damped load cell. For checkweighing, hopper and other high speed weighing applications where vibration and tare weight are concerns. These cells are not normally in stock and must be manufactured for each order. An application and order data sheet must be completed prior to placing an order. This data sheet needs information such as live load, dead load, type of vibration, required settling time, operating temperature, conveyor dimensions, belt speed, size of weighed product, direction of travel, tare weight distribution and position, center of gravity and loading position. Simply ask for a data sheet and it will be faxed to you.

Mounting base is 92mm x 199.5mm with (4) 7.0mm dia thru holes. Height is 115mm with (2) 1/4-20 mtg holes.

2 mv/v, 0.03% nonlinearity, 415/350 ohms, 1 m 6 cond cable, anodized aluminum.

Part Number	Capacity	Nominal	Weight	Stock	Price C
9010-3	3 kg	6 lb	8 lb	4487	\$ 850.00
9010-5	5 kg	10 lb	8 lb	4488	850.00
9010-7	7 kg	14 lb	8 lb	4489	850.00
9010-10	10 kg	20 lb	8 lb	4490	850.00
9010-15	15 kg	30 lb	8 lb	4491	850.00
9010-20	20 kg	40 lb	8 lb	4492	850.00
9010-30	30 kg	60 lb	8 lb	4493	850.00
9010-50	50 kg	100 lb	8 lb	4494	850.00

Dimensions in inches

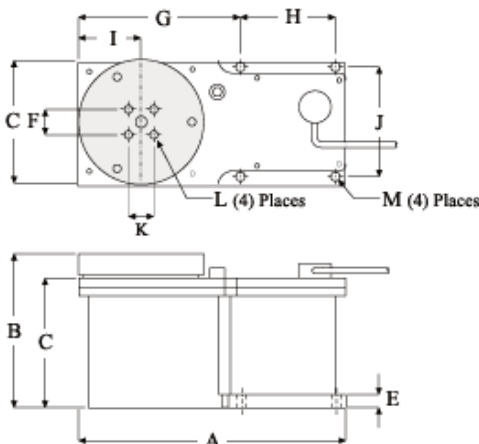
Capacity	A	B	C	D	E	F	G	H
3-50 kg	7.85	4.53	3.62	3.83	0.39	0.75	4.71	2.81

Dimensions in inches continued

Capacity	I	J	K	L	M
3-50 kg	1.81	3.22	0.75	1/4-20 UNC	0.27



9010
Stainless steel



9010 Tedea, Fluid Damped, Stainless Steel

Single point fluid damped load cell. For checkweighing, hopper and other high speed weighing applications where vibration and tare weight are concerns. These cells are not normally in stock and must be manufactured for each order. An application and order data sheet must be completed prior to placing an order. This data sheet needs information such as live load, dead load, type of vibration, required settling time, operating temperature, conveyor dimensions, belt speed, size of weighed product, direction of travel, tare weight distribution and position, center of gravity and loading position. Simply ask for a data sheet and it will be faxed to you.

Mounting base is 92mm x 199.5mm with (4) 7.0mm dia thru holes. Height is 115mm with (2) 1/4-20 mtg holes.

2 mv/v, 0.03% nonlinearity, 415/350 ohms, 1 m 6 cond cable, stainless steel.

Part Number	Capacity	Nominal	Weight	Stock	Price C
9010-3kg-NA-C3-85	3 kg	6 lb	8 lb	1511	\$ 950.00
9010-5kg-NA-C3-85	5 kg	10 lb	8 lb	1512	950.00
9010-7kg-NA-C3-85	7 kg	14 lb	8 lb	1513	950.00
9010-10kg-NA-C3-85	10 kg	20 lb	8 lb	1514	950.00
9010-15kg-NA-C3-85	15 kg	30 lb	8 lb	1515	950.00
9010-20kg-NA-C3-85	20 kg	40 lb	8 lb	1516	950.00
9010-30kg-NA-C3-85	30 kg	60 lb	8 lb	1517	950.00
9010-50kg-NA-C3-85	50 kg	100 lb	8 lb	1518	950.00

Dimensions in inches

Capacity	A	B	C	D	E	F	G	H
3-50 kg	7.85	4.53	3.62	3.83	0.39	0.75	4.71	2.81

Dimensions in inches continued

Capacity	I	J	K	L	M
3-50 kg	1.81	3.22	0.75	1/4-20 UNC	0.27

Prices are subject to change without notice. Please call for current prices.

Other items are available from the manufacturers, please call for prices.



DSS Doran, stainless steel base

304 stainless steel construction to resist the corrosive effects of a wet environment. All square tube construction. Platters are fully removable for easy cleaning. Seven overload stops provide 250% protection shielding the load cell from damaging shock. Four adjustable feet and a bubble level to allow precise leveling in your work area. IP66 rated load cell. Two year warranty.

NTEP 05-062 Class III 5,000 div

Part Number	Capacity	Load Cell	Weight	Stock	Price C
18" x 18" Platform x 5.25" high					
DSS3100	100 lb	1260-75kg	67 lb	6840	\$ 1,095.00
DSS3250	250 lb	1260-150kg	67 lb	6846	1,095.00
DSS3500	500 lb	1260-300kg	67 lb	6852	1,095.00
18" x 24" Platform x 5.25" high					
DSS4250	250 lb	1260-150kg	69 lb	6850	1,195.00
DSS4500	500 lb	1260-300kg	69 lb	6851	1,195.00
24" x 24" Platform x 5.25" high					
DSS5250	250 lb	1260-150kg	85 lb	6853	1,495.00
DSS5500	500 lb	1260-300kg	85 lb	6854	1,495.00
DSS51000	1000 lb	1260-500kg	85 lb	6855	1,495.00



**DSS Series
Stainless Steel Scale Bases**



DMS Doran, mild steel base

Heavy gauge steel construction. All square tube construction. Seven overload stops provide 250% protection shielding the load cell from damaging shock. Royal blue Epoxy paint. Four adjustable feet and a bubble level to allow precise leveling in your work area. Two year warranty

NTEP 05-062 Class III 5,000 div

Part Number	Capacity	Load Cell	Weight	Stock	Price C
18 x 18 Platform x 5.25" high					
DMS3100	100 lb	1260-75kg	65 lb	6856	\$ 650.00
DMS3250	250 lb	1260-250kg	65 lb	6857	650.00
18 x 24 Platform x 5.25" high					
DMS4250	250 lb	1260-250kg	71 lb	6858MB	675.00
DMS4500	500 lb	1260-300kg	71 lb	6859MB	675.00
24 x 24 Platform x 5.25" high					
DMS5250	250 lb	1260-250kg	83 lb	6861MB	795.00
DMS5500	500 lb	1260-300kg	83 lb	6862MB	795.00
DMS51000	1000 lb	1260-500kg	83 lb	6863MB	795.00



**DMS Series
Mild Steel Scale Bases**



Prices are subject to change without notice. Please call for current prices.

Other items are available from the manufacturers, please call for prices.

Single Point



240



240 Teda Huntleigh, fluid damped

Single point fluid damped load cell. For checkweighing and other high speed weighing applications where washdown protection is required. Mounting base is 8.7" x 3.2" with (4) .35" dia thru holes. Height is 4.5" with (2) 1/4-20 mtg holes.

2 mv/v, 0.015% nonlinearity, 415/350 ohms, 3 m 6 cond cable, zinc passivated base, painted steel case, aluminum upper load bearing.

NTEP 92-181 S III 5,000 div

Part Number	Capacity	Nominal	Weight	Stock	Price C
-------------	----------	---------	--------	-------	---------

US threads 1/4-20 mtg holes

240-2 *	2 kg	4.4 lb	8 lb	360	\$ 699.00
240-3 *	3 kg	11 lb	8 lb	284	629.00
240-5	5 kg	11 lb	9 lb	361	629.00
240-7	7 kg	15 lb	9 lb	362	629.00
240-10	10 kg	22 lb	9 lb	363	629.00
240-15	15 kg	33 lb	9 lb	364	629.00
240-20	20 kg	44 lb	9 lb	365	629.00
240-30	30 kg	66 lb	9 lb	366	629.00
240-50	50 kg	110 lb	9 lb	367	629.00

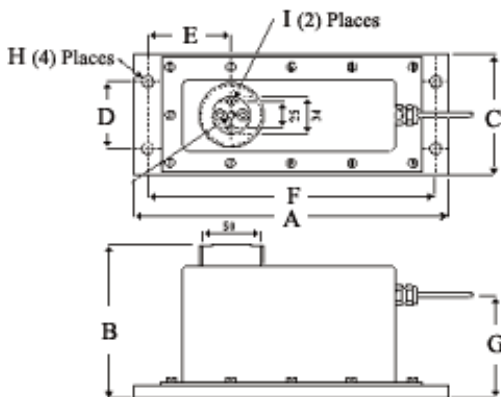
Metric threads M6-1.0 mtg holes

240-2 w/metric thd *	2 kg	4.4 lb	8 lb	2355	731.00
240-3 w/metric thd *	3 kg	11 lb	8 lb	3976	629.00
240-5 w/metric thd	5 kg	11 lb	9 lb	3977	629.00
240-7 w/metric thd	7 kg	15 lb	9 lb	3978	629.00
240-10 w/metric thd	10 kg	22 lb	9 lb	3979	629.00
240-15 w/metric thd	15 kg	33 lb	9 lb	3980	629.00
240-20 w/metric thd	20 kg	44 lb	9 lb	3981	629.00
240-30 w/metric thd	30 kg	66 lb	9 lb	3982	629.00
240-50 w/metric thd	50 kg	110 lb	9 lb	3983	629.00

All stainless steel construction w/ 1/4-20 mtg holes

240-2-SS *	2 kg	4.4 lb	8 lb	1851	739.00
240-2-SS w/ 20 ft cable	2 kg	11 lb	11 lb	4575	759.00
240-3-SS *	3 kg	11 lb	8 lb	289	699.00
240-5-SS	5 kg	11 lb	9 lb	1852	699.00
240-7-SS	7 kg	15 lb	9 lb	1853	699.00
240-10-SS	10 kg	22 lb	9 lb	1854	699.00
240-15-SS	15 kg	33 lb	9 lb	1855	699.00
240-20-SS	20 kg	44 lb	9 lb	1856	699.00
240-30-SS	30 kg	66 lb	9 lb	1857	699.00
240-50-SS	50 kg	110 lb	9 lb	1858	699.00

* Not NTEP



Dimensions in inches

Capacity	A	B	C	D	E	F	G	H	I
2-50 kg	8.66	4.52	3.14	1.57	2.30	7.87	2.51	0.35	1/4-20 UNC

Prices are subject to change without notice. Please call for current prices.

Other items are available from the manufacturers, please call for prices.



TBT Totalcomp, painted mild steel base

Painted mild steel base and heavy gauge **stainless steel** pan. Aluminum or nickel plated steel load cell. Integral overload protection is provided for both static and dynamic overloads. Adjustable rubber feet. Bubble level.
 2 mv/v, 0.02% total error, 405/350 ohms, 9 ft 6 conductor cable.
 NTEP 14-050 III 5,000 div



**TBT
Platform
Mild Steel**



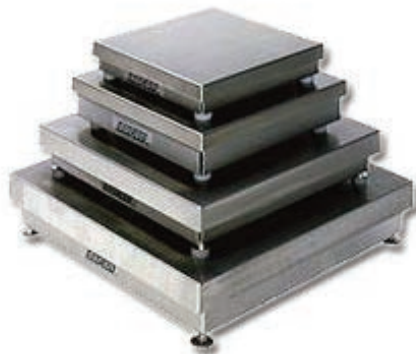
Part Number	Load Cell	Capacity	Weight	Stock	Price C
12" x 12" Platform x 4.25" High w/ aluminum load cell.					
TBT-1212-15	GS1022-15 kg	15 lb	30 lb	5782	\$ 187.00
TBT-1212-30	GS1022-30 kg	30 lb	30 lb	5783	187.00
TBT-1212-50	1022-50kg	50 lb	30 lb	5784	187.00
TBT-1212-100	L6E-100 kg	100 lb	30 lb	5786	187.00
16" x 16" Platform x 4.75" High w/ aluminum load cell.					
TBT-1616-50-CS	L6E-50 kg	50 lb	30 lb	7751	191.00
TBT-1616-100-CS	L6E-100 kg	100 lb	30 lb	7752	191.00
TBT-1616-200-CS	L6E-200 kg	200 lb	30 lb	7753	191.00
TBT-1616-400-CS	L6E-300 kg	400 lb	30 lb	7754	191.00
18" x 18" Platform x 5.5" High w/ aluminum load cell.					
TBT-1818-100-CS	L6E-100 kg	100 lb	70 lb	7151	239.00
TBT-1818-200-CS	L6E-200 kg	200 lb	70 lb	7152	239.00
TBT-1818-300-CS	L6E-300 kg	300 lb	70 lb	7450	239.00
24" x 24" Platform x 5.5" high w/ aluminum load cell.					
TBT-2424-100-CS	L6G-100 kg	100 lb	82 lb	7755	379.00
TBT-2424-200-CS	L6G-200 kg	200 lb	82 lb	7756	379.00
TBT-2424-250-CS	L6G-250 kg	250 lb	82 lb	7757	379.00
TBT-2424-300-CS	L6G-300 kg	300 lb	82 lb	7615	379.00
TBT-2424-500-CS	L6G-500 kg	500 lb	82 lb	7758	379.00
TBT-2424-1000-CS	L6G-600 kg	1,000 lb	82 lb	7759	379.00
Options					C
TBT-1616 SS pole and bracket 23" high			4 lb	7662M	48.60
TBT-2424 SS pole and bracket 26" high			4 lb	7663M	52.40
Service Parts					C
Foot for 16" x 16" & 24" x 24"					
TBT-M12-SPB-SS foot M12, 2 3/4" dia			1 lb	7660M	4.80
TBT-M12-PB-MS foot M12, 2 3/4" dia			1 lb	7666M	4.90
Corner bumper, internal 9.5x9.5, 12x12, 12x14			1 lb	6011	6.00
Corner bumper, internal 16 x 16, 18 x 18, 24 x 24			1 lb	6012	8.00
Flat bumper, internal 16 x 16, 18 x 18, 24 x 24			1 lb	6013	7.00

Prices are subject to change without notice. Please call for current prices.

Other items are available from the manufacturers, please call for prices.

Base

doran



DXL7050



Atlas Column



Atlas Column
w/o Indicator and Base

DXL7000 Scale Base

Stainless steel platform and base. Shockproof base with Quad Spring design that protects against shock and overload damage.

2 mv/v, 0.02% total error, 415/350 ohms, 10 ft 6 conductor cable, w/ Model 1022, 1042, 1260 load cell.

Canadian AM-5241

NTEP 97-097 5,000 div

Part Number	Load Cell	Capacity	Weight	Stock	Price C
10" x 10" platform x 2" High					
DXL7002	1022-3kg	2 lb	13 lb	3706	\$ 560.00
DXL7005	1022-5kg	5 lb	13 lb	3649	560.00
DXL7010	1022-10kg	10 lb	13 lb	3650	560.00
DXL7025	1022-15kg	25 lb	13 lb	3651	560.00
DXL7050	1022-30kg	50 lb	13 lb	3652	560.00
12" x 12" platform x 3" High					
DXL8050	1042-30kg	50 lb	19 lb	3653	700.00
DXL8100	1042-75kg	100 lb	19 lb	3654	700.00
15" x 15" platform x 3" High					
DXL9050	1042-30kg	50 lb	34 lb	3033	950.00
DXL9100	1042-50kg	100 lb	34 lb	3034	950.00
DXL9200	1042-100kg	200 lb	34 lb	3035	950.00
Service Parts					
ENC 0148 platter	10" x 10"	3 lb		3671MB	84.30

doran

Atlas Column

Heavy duty column for mounting any Doran indicator 7000M, 7000XLM, 8000XLM, 4300M to any Doran DXL or DSP base. Platform sizes 10" x 10" to 24" x 24". Column has a built in handle for easy carrying.

Part Number	Height	Weight	Stock	Price C
SUB0417 Atlas column	14"	8 lb	417MB	\$ 213.00
SUB0425 Atlas column	20"	12 lb	422MB	233.00
SUB0426 Atlas column	30"	16 lb	425MB	353.00

BLH Nobel

Rugged **stainless steel** 'I'beam sensing section. HTZ-3 Web Tension Measurement Modules are designed to mount directly below roller pillow blocks in new or existing installations.

Factory calibration eliminates need for on-site test weights. Space required below the pillow block bearing is minimal effort. Modules are calibrated and certified with matched output signals to permit on-site, push-button system calibration.

Part Number	Capacity	Weight	Stock	Price A3
HTZ-3-500	500 lb	10 lb	1288	\$ 1,354.00
HTZ-3-1k	1,000 lb	10 lb	1289	1,354.00
HTZ-3-2k	2,000 lb	15 lb	1290	1,460.00
HTZ-3-5k	5,000 lb	15 lb	1291	1,460.00
HTZ-3-10k	10,000 lb	35 lb	1292	1,776.00
HTZ-3-20k	20,000 lb	50 lb	1293	1,845.00
HTZ-3-50k	50,000 lb	75 lb	1294	2,547.00

Prices are subject to change without notice. Please call for current prices.

Other items are available from the manufacturers, please call for prices.



TPB Totalcomp, stainless steel base

Platform aluminum load cell. Carbon steel subframe with heavy gauge **stainless steel** cover.

2 mv/v, 0.02% total error, 415/350 ohms, 9 ft 6 conductor cable
NTEP 00-126, III, 5,000 div

Part Number	Capacity	Load Cell	Weight	Stock	Price C6
12" x 12" Platform x 4" High					
TPB-1212-5-CS	5 lb	1040-8 kg	36 lb	3895	\$ 650.00
TPB-1212-15-CS	15 lb	1040-10 kg	36 lb	3896	650.00
TPB-1212-30-CS	30 lb	1040-20 kg	36 lb	3897	650.00
TPB-1212-60-CS	60 lb	1040-50 kg	36 lb	3898	650.00
TPB-1212-100-CS	100 lb	1040-75 kg	36 lb	3899	650.00



TPB-1212-50-SS



18" x 12" Platform x 4" High					
TPB-1812-50-CS	50 lb	1040-30 kg	46 lb	3900	770.00
TPB-1812-100-CS	100 lb	1040-75 kg	46 lb	3901	770.00
TPB-1812-150-CS	150 lb	1040-100 kg	46 lb	3902	770.00
TPB-1812-200-CS	200 lb	1040-100 kg	46 lb	3903	770.00

18" x 18" Platform x 4" High					
TPB-1818-50-CS	50 lb	1040-50 kg	57 lb	3904	720.00
TPB-1818-100-CS	100 lb	1040-75 kg	57 lb	3905	720.00
TPB-1818-150-CS	150 lb	1040-100 kg	57 lb	3906	720.00



**Internal view
TPB-1212-50-SS**

18" x 18" Platform x 5.25" High					
TPB-1818-200-CS	200 lb	1250-100 kg	70 lb	3907	950.00
TPB-1818-300-CS	300 lb	1250-200 kg	70 lb	3908	950.00
TPB-1818-500-CS	500 lb	1250-300 kg	70 lb	3909	950.00

24" x 18" Platform x 5.25" High					
TPB-2418-50-CS	50 lb	1250-50 kg	80 lb	3910	1,120.00
TPB-2418-100-CS	100 lb	1250-75 kg	80 lb	3911	1,120.00
TPB-2418-200-CS	200 lb	1250-150 kg	80 lb	3912	1,120.00
TPB-2418-300-CS	300 lb	1250-200 kg	80 lb	3913	1,250.00
TPB-2418-500-CS	500 lb	1250-300 kg	80 lb	3914MB	1,250.00

24" x 24" Platform x 5.25" High					
TPB-2424-50-CS	50 lb	1250-50 kg	120 lb	3916	1,100.00
TPB-2424-100-CS	100 lb	1250-75 kg	120 lb	3917	1,100.00
TPB-2424-200-CS	200 lb	1250-150 kg	120 lb	3918	1,100.00
TPB-2424-300-CS	300 lb	1250-200 kg	120 lb	3919	1,270.00
TPB-2424-500-CS	500 lb	1250-300 kg	120 lb	3920M	1,270.00
TPB-2424-1000-CS *	1,000 lb	1250-500 kg	120 lb	3921	1,370.00

* Not NTEP

30" x 30" Platform x 5.25" High					
TPB-3030-50-CS	50 lb	1250-50 kg	140 lb	4708	1,450.00
TPB-3030-100-CS	100 lb	1250-75 kg	140 lb	4709	1,450.00
TPB-3030-200-CS	200 lb	1250-150 kg	140 lb	4710	1,450.00
TPB-3030-300-CS	300 lb	1250-200 kg	140 lb	4711	1,450.00
TPB-3030-500-CS	500 lb	1250-300 kg	140 lb	4712M	1,450.00
TPB-3030-1000-CS *	1,000 lb	1250-500 kg	140 lb	4713	1,550.00

* Not NTEP

Options

Column for indicator, carbon steel, detachable, 24" for T500E, UMC555, UMC600	5 lb	2227MB	230.00	C
---	------	--------	--------	----------

Service Parts

912-00003 foot <200 lb	1 lb	3285	23.10	C
912-00005 foot >=200 lb	1 lb	3286M	77.10	

Prices are subject to change without notice. Please call for current prices.

Other items are available from the manufacturers, please call for prices.

NEW



**TBT-SS
Platform Base
Stainless Steel**



**TBT-99
Platform Base
Stainless Steel**

TBT-SS Totalcomp, stainless steel base

All **stainless steel** base and heavy guage **stainless steel** pan. **Stainless steel** load cell. Integral overload protection is provided for both static and dynamic overloads. Adjustable rubber feet. Bubble level.

2 mv/v, 0.02% total error, 385/350 ohms, 9 ft 6 conductor cable.

NTEP 14-050 III 5,000 div

Part Number Load Cell Capacity Weight Stock Price C

9.5" x 9.5" Platform x 2.25" High

TBT-99-6-SS	GS1022-5kg-SS	6 lb	10 lb	7348	\$ 239.00
TBT-99-15-SS	GS1022-15kg-SS	15 lb	10 lb	7630	239.00
TBT-99-30-SS	GS1022-30kg-SS	30 lb	10 lb	7631	239.00

12" x 12" Platform x 4.25" High

TBT-1212-15-SS	B6N-15 kg	15 lb	27 lb	7731	413.00
TBT-1212-30-SS	B6N-30 kg	30 lb	27 lb	7732	413.00
TBT-1212-50-SS	B6N-50 kg	50 lb	27 lb	7733	413.00

12" x 12" Platform x 4.25" High

TBT-1212-100-SS	B6N-100 kg	100 lb	27 lb	7734	413.00
TBT-1212-200-SS	B6N-200 kg	200 lb	27 lb	7735	413.00

12" x 14" Platform x 4.25" High

TBT-1214-15-SS	B6N-15 kg	15 lb	30 lb	7736	428.00
TBT-1214-30-SS	B6N-30 kg	30 lb	30 lb	7737	428.00
TBT-1214-50-SS	B6N-50 kg	50 lb	30 lb	7738	428.00

12" x 14" Platform x 4.25" High

TBT-1214-100-SS	B6N-100 kg	100 lb	30 lb	7739	428.00
TBT-1214-200-SS	B6N-200 kg	200 lb	30 lb	7740	428.00

16" x 16" Platform x 4.25" High

TBT-1616-15-SS	B6N-15 kg	15 lb	32 lb	7741	438.00
TBT-1616-30-SS	B6N-30 kg	30 lb	32 lb	7742	438.00
TBT-1616-50-SS	B6N-50 kg	50 lb	32 lb	7743	438.00

16" x 16" Platform x 4.25" High

TBT-1616-100-SS	B6N-100 kg	100 lb	32 lb	7744	438.00
TBT-1616-300-SS	B6N-200 kg	200 lb	32 lb	7745	438.00

18" x 18" Platform x 4.25" High

TBT-1818-100-SS	B6E-100 kg-SS	100 lb	87 lb	7111	464.00
TBT-1818-200-SS	B6E-200 kg-SS	200 lb	87 lb	7117	464.00
TBT-1818-300-SS	B6E-300 kg-SS	300 lb	87 lb	7118	464.00

24" x 24" Platform x 4.25" High

TBT-2424-100-SS	B6G-100 kg	100 lb	87 lb	7746	765.00
TBT-2424-200-SS	B6G-200 kg	200 lb	87 lb	7747	765.00
TBT-2424-250-SS	B6G-250 kg	250 lb	87 lb	7748	765.00

24" x 24" Platform x 4.25" High

TBT-2424-300-SS	B6G-300 kg	300 lb	87 lb	7342	765.00
TBT-2424-500-SS	B6G-500 kg	500 lb	87 lb	7749	765.00
TBT-2424-1000-SS	B6G-600 kg	1,000 lb	87 lb	7750	765.00

Options

TBT-1212/1214-SS pole and bracket 8" high	4 lb	7661M	34.30	C
TBT-1616/2424-SS pole and bracket 23" high	4 lb	7662M	48.60	
TBT-1616/2424-SS pole and bracket 26" high	4 lb	7663M	48.60	

Service Parts

Foot for 12" x 12" + 12" x 14" **C**

TBT-M10-SPB-SS foot M10, 2 1/8" dia	1 lb	7673M	4.70	
-------------------------------------	------	-------	------	--

Foot for 16" x 16" + 24" x 24"

TBT-M12-SPB-SS foot M12, 2 3/4" dia	1 lb	7660M	4.80	
TBT-M12-PB-MS foot M12, 2 3/4" dia	1 lb	7666M	4.90	

Prices are subject to change without notice. Please call for current prices.

Other items are available from the manufacturers, please call for prices.



6900 Pennsylvania, barrel weighing base

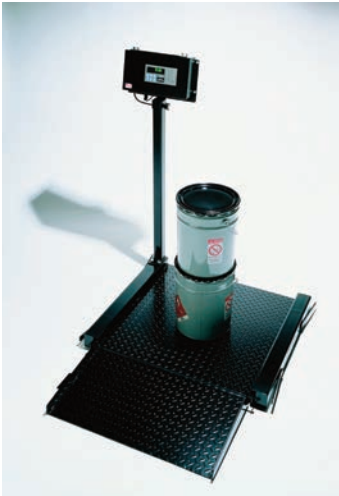
Clean compact low profile design and rugged construction. For use with Pennsylvania Counting scales as a remote platform. Optional stainless steel construction is available.

6900 is permanent unit. It includes (1) detachable ramp, (1) indicator column and mounting plate for indicator. Indicator is not included. Flat portion is 30" x 30" or 36" x 36". Side rails are live. Overall size is 30" x 36" or 36" x 42".

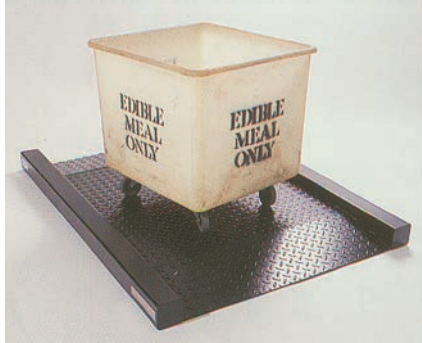
6950 is a permanent unit. It includes a flat platform with (2) built in ramps. Adjustable leveling feet. Flat portion is 30" x 30". Live side rails and integral ramps have overall dimensions 36" x 48"

2 mv/v (1K unit is 1 mv/v), 0.01% nonlinearity, 415/350 ohms, 20 ft 6 conductor cable

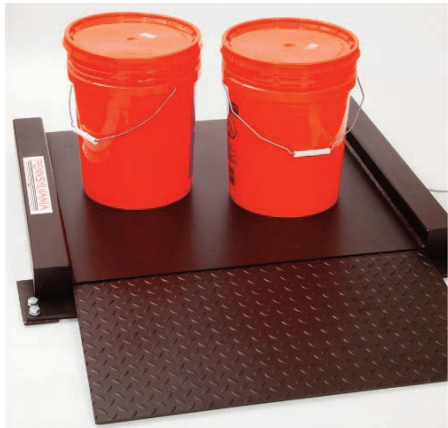
Part Number	Height	Capacity	Nominal	Weight	Stock	Price C
Permanent detachable ramp, column & mounting for indicator						
M6900-3030-1K	1.5"	1,000 lb	30" x 30"	250 lb	6612	\$ 1,795.00
M6900-3030-2K	1.5"	2,000 lb	30" x 30"	250 lb	6613	1,795.00
M6900-3636-1K	1.5"	1,000 lb	36" x 36"	250 lb	6452	1,895.00
M6900-3636-2K	1.5"	2,000 lb	36" x 36"	250 lb	6453	1,895.00
Permanent w/live side rails and built in ramps						
M6950-3030-1K	1.5"	1,000 lb	30" x 30"	250 lb	6614	2,395.00
M6950-3030-2K	1.5"	2,000 lb	30" x 30"	250 lb	6615	2,395.00
Portable w/ hinged ramps and wheels and levers						
M69PB-3030-1K	1.5"	1,000 lb	30" x 30"	250 lb	6388	2,395.00
M69PB-3030-2K	1.5"	2,000 lb	30" x 30"	250 lb	6389	2,395.00
Options						C
Stainless steel construction for 6900, price adder					6616	1,821.00
SS construction for 6950, price adder					6455	2,678.00



**M69PB Series
Barrel Weighing Base
Shown w/ optional
indicator**



**6950 Series
Barrel Weighing Base
built in ramps**



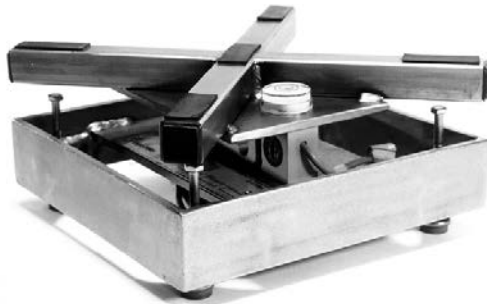
M6900

Prices are subject to change without notice. Please call for current prices.

Other items are available from the manufacturers, please call for prices.



TPB-1212-50-SS



Internal view
TPB-1212-50-SS

TPB-SS Totalcomp, stainless steel base

Platform aluminum load cell. All **stainless steel** substructure with heavy gauge stainless steel cover. Integral overload protection is provided for both static and dynamic overloads. 2 mv/v, 0.02% total error, 415/350 ohms, 9 ft 6 conductor cable
NTEP 00-126, III, 5,000 div

Part Number	Load Cell	Capacity	Weight	Stock	Price C6
12" x 12" Platform x 4" High					
TPB-1212-5-SS	1040-8 kg	5 lb	36 lb	3922	\$ 830.00
TPB-1212-15-SS	1040-10 kg	15 lb	36 lb	3923	830.00
TPB-1212-30-SS	1040-20 kg	30 lb	36 lb	3924	830.00
TPB-1212-60-SS	1040-50 kg	60 lb	36 lb	3925	830.00
TPB-1212-100-SS	1040-75 kg	100 lb	36 lb	3926	830.00
18" x 12" Platform x 4" High					
TPB-1812-50-SS	1040-30 kg	50 lb	46 lb	3927	1,040.00
TPB-1812-100-SS	1040-75 kg	100 lb	46 lb	3928	1,040.00
TPB-1812-150-SS	1040-100 kg	150 lb	46 lb	3929	1,040.00
TPB-1812-200-SS	1040-100 kg	200 lb	46 lb	3930	1,040.00
18" x 18" Platform x 4" High					
TPB-1818-50-SS	1040-50 kg	50 lb	57 lb	3931	1,050.00
TPB-1818-100-SS	1040-75 kg	100 lb	57 lb	3932	1,050.00
TPB-1818-150-SS	1040-100 kg	150 lb	7 lb	3933	1,050.00
18" x 18" Platform x 5.25" High					
TPB-1818-200-SS	1250-100 kg	200 lb	70 lb	3934	1,250.00
TPB-1818-300-SS	1250-200 kg	300 lb	70 lb	3935	1,250.00
TPB-1818-500-SS	1250-300 kg	500 lb	70 lb	3936	1,250.00
24" x 18" Platform x 5.25" High					
TPB-2418-50-SS	1250-50 kg	50 lb	80 lb	3937	1,450.00
TPB-2418-100-SS	1250-75 kg	100 lb	80 lb	3938	1,450.00
TPB-2418-200-SS	1250-150 kg	200 lb	80 lb	3939	1,450.00
TPB-2418-300-SS	1250-200 kg	300 lb	80 lb	3940	1,600.00
TPB-2418-500-SS	1250-300 kg	500 lb	80 lb	3941	1,600.00
24" x 24" Platform x 5.25" High					
TPB-2424-50-SS	1250-50 kg	50 lb	120 lb	3943	1,500.00
TPB-2424-100-SS	1250-75 kg	100 lb	120 lb	3944	1,500.00
TPB-2424-200-SS	1250-150 kg	200 lb	120 lb	3945	1,500.00
TPB-2424-300-SS	1250-200 kg	300 lb	120 lb	3946	1,650.00
TPB-2424-500-SS	1250-300 kg	500 lb	120 lb	3947	1,650.00
TPB-2424-1000-SS *	1250-500 kg	1,000 lb	120 lb	3948	1,750.00
* Not NTEP					
30" x 30" Platform x 5.25" High					
TPB-3030-50-SS	1250-50 kg	50 lb	140 lb	4702	2,200.00
TPB-3030-100-SS	1250-75 kg	100 lb	140 lb	4703	2,200.00
TPB-3030-200-SS	1250-150 kg	200 lb	140 lb	4704	2,200.00
TPB-3030-300-SS	1250-200 kg	300 lb	140 lb	4705	2,200.00
TPB-3030-500-SS	1250-300 kg	500 lb	140 lb	4706	2,200.00
TPB-3030-1000-SS *	1250-500 kg	1,000 lb	140 lb	4707	2,300.00
* Not NTEP					

Options

Column for indicator, SS, detachable, 24" for T500E, UMC555, UMC600	8 lb	2226	325.00	C
---	------	------	--------	----------

Service Parts

912-00003 foot <200 lb	1 lb	3285	23.10	C
912-00005 foot >=200 lb	1 lb	3286M	77.10	

Prices are subject to change without notice. Please call for current prices.

Other items are available from the manufacturers, please call for prices.



Defender Ohaus, washdown base

Square pan, all 304 stainless steel design, 2 mv/v, 0.02% total error, 387/350 ohms, 8.25 ft 6 cond cable, stainless steel load cell, IP67.
NTEP 01-048A1, III, 5,000 div.

Part Number	Height	Capacity	Nominal	Weight	Stock	Price C5
12" x 12"						
D10WR	3.7"	25 lb	30 kg	32 lb	7402	\$ 891.00
D25WR	3.7"	50 lb	50 kg	32 lb	7403	891.00
18" x 18"						
D50WL	4.5"	100 lb	100 kg	64 lb	7404	956.00
D100WL	4.5"	250 lb	200 kg	64 lb	7405	1,322.00
24" x 24"						
D250WX	5.4"	500 lb	500 kg	90 lb	7406	2,022.00



W Series Washdown Scale Base



Defender Ohaus, rectangular base

Stainless steel platform. Tubular welded painted steel frame. Aluminum load cell.
NTEP 08-021, III, 3,000 div.

Part Number	Height	Capacity	Nominal	Weight	Stock	Price C5
14" x 12" Platform						
D30BR	4.8"	60 x 0.01 lb	50 kg	25 lb	2721	\$ 634.00
D60BR	4.8"	150 x 0.02 lb	100 kg	25 lb	2722	634.00
21.6" x 16.5" Platform						
D60BL	5.4"	150 x 0.02 lb	100 kg	41 lb	2723	634.00
D150BL	5.4"	300 x 0.05 lb	150 kg	41 lb	2724	634.00
25.6" x 19.7" Platform						
D150BX	5.6"	300 x 0.05 lb	150 kg	71 lb	2709	634.00
D300BX	5.6"	600 x 0.1 lb	300 kg	71 lb	2710	634.00



Defender Basic Rectangular Scale Base



Prices are subject to change without notice. Please call for current prices.

Other items are available from the manufacturers, please call for prices.

99 Reagent Lane
Fair Lawn NJ 07410
201-797-2718 * 800-631-0347

Totalcomp[®]
Load Cells

www.totalcomp.com
Fax 201-797-2287
Toll Free Fax 888-797-2288

Base



H Series Painted Rectangular Scale Base

Defender-H Ohaus, painted rectangular base

2 mv/v, 0.02% total error, 410/350 ohms, 6.6 ft 6 cond cable, aluminum load cell, IP67

Part Number	Height	Capacity	Nominal	Weight	Stock	Price C5
14" x 14"						
D15HR	3.7"	30 lb	30 kg	24 lb	7412	\$ 760.00
D30HR	3.7"	60 lb	50 kg	24 lb	7413	760.00
D60HR	3.7"	150 lb	100 kg	24 lb	7414	760.00
19.7" x 15.7"						
D60HL	4.1"	150 lb	100 kg	49 lb	7415	760.00
D100HL	4.1"	250 lb	200 kg	49 lb	7416	977.00
21.7" x 16.5"						
D150HX	4.9"	300 lb	300 kg	60 lb	7417	1,199.00
D300HX	4.9"	600 lb	500 kg	60 lb	7418	1,199.00



Q Series Painted Square Scale Base

Defender-Q Ohaus, painted square base

Square pan, all 304 stainless steel design, 2 mv/v, 0.02% total error, 410/350 ohms, 8.25 ft 6 cond cable, aluminum load cell, IP67 NTEP 01-048A1, III, 5,000 div.

Part Number	Height	Capacity	Nominal	Weight	Stock	Price C5
12" x 12"						
D10QR	3.7"	25 lb	30 kg	32 lb	7407	\$ 673.00
D25QR	3.7"	50 lb	50 kg	32 lb	7408	757.00
18" x 18"						
D50QL	4.5"	100 lb	100 kg	64 lb	7409	757.00
D100QL	4.5"	250 lb	200 kg	64 lb	7410	1,041.00
24" x 24"						
D250QX	5.4"	500 lb	500 kg	90 lb	7411	1,398.00



Prices are subject to change without notice. Please call for current prices.

Other items are available from the manufacturers, please call for prices.



Heavy duty base Totalcomp, stainless steel

Sturdy smooth deck construction for heavy usage. Constructed of 304 stainless steel, with stainless steel load cells and a NEMA 4X stainless steel junction box. Optional **stainless steel** ramps. Adjustable height, minimum 3.75" to 4.75" maximum height.

NTEP 16-016 III, 5,000 div.

Part Number	Size	Capacity	Load Cell	Weight	Stock	Price B5
T2x2-1K-SS*	2' x 2'	1,000 lb	500 lb	80 lb	3384	\$ 2,924.00
T2x2-2K-SS*	2' x 2'	2,000 lb	1,000 lb	80 lb	3385	2,924.00
T30x30-1K-SS*	30" x 30"	1,000 lb	500 lb	140 lb	3386	3,322.00
T30x30-2K-SS*	30" x 30"	2,000 lb	1,000 lb	140 lb	3387	3,322.00
B5						
T3x3-2K-SS	3' x 3'	2,000 lb	1,000 lb	200 lb	3388	3,853.00
C						
T3x3-5K-SS	3' x 3'	5,000 lb	2,500 lb	120 lb	3389	1,714.00
T4x4-5K-SS	4' x 4'	5,000 lb	2,500 lb	190 lb	3390	2,142.00
T4x4-10K-SS	4' x 4'	10,000 lb	5,000 lb	190 lb	3391	2,142.00
B5						
T4x5-5K-SS	4' x 5'	5,000 lb	2,500 lb	380 lb	3392	4,408.00
T4x5-10K-SS	4' x 5'	10,000 lb	5,000 lb	380 lb	3393	4,408.00
T4x6-5K-SS *	4' x 6'	5,000 lb	2,500 lb	430 lb	3394	4,587.00
T4x6-10K-SS *	4' x 6'	10,000 lb	5,000 lb	430 lb	3395	4,587.00
C						
T5x5-5K-SS	5' x 5'	5,000 lb	2,500 lb	455 lb	3396	5,416.00
B5						
T5x5-10K-SS	5' x 5'	10,000 lb	5,000 lb	405 lb	3397	3,695.00
C						
T5x7-5K-SS *	5' x 7'	5,000 lb	2,500 lb	690 lb	3398	7,661.00
T5x7-10K-SS *	5' x 7'	10,000 lb	5,000 lb	690 lb	3399	7,661.00
T5x7-20K-SS *	5' x 7'	20,000 lb	10,000 lb	1,630 lb	3400	9,991.00

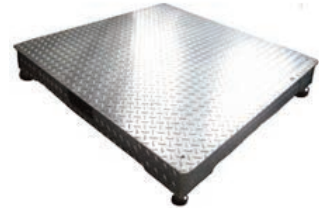
* Not NTEP

Options

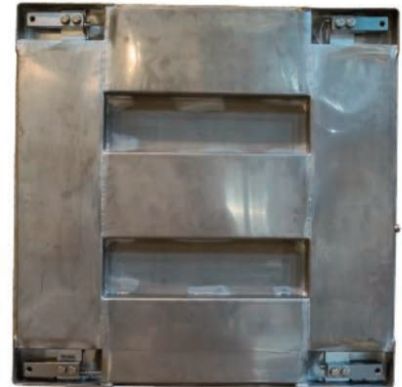
Ramps, **stainless steel**

Part Number	Size	Capacity	Weight	Stock	Price B5
TR-22-SS-10	2' x 2'	10,000 lb	65 lb	3401	1,319.00
TR-33-SS-10	3' x 3'	10,000 lb	125 lb	3402	1,407.00
TR-44-SS-10	4' x 4'	10,000 lb	220 lb	3404	1,647.00
TR-54-SS-10	5' x 4'	10,000 lb	270 lb	3406	2,293.00
TR-54-SS-20	5' x 4'	20,000 lb	475 lb	3408	4,090.00

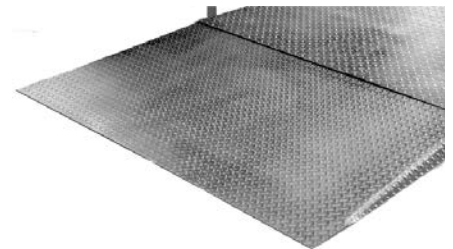
Prices for Heavy Duty Stainless Steel Scale Bases are FOB Factory



T4x4-5K-SS
Stainless steel
floor scale base



Bottom view
Stainless steel
floor scale base



Ramp

Base



6400 Series
Remote Base
Optional Stainless (upper)
Powder coat finish (lower)



PENNSYLVANIA

6400 Pennsylvania, remote scale base

Heavy duty cast construction Powder coat finish steel base. Uses Scaime AG single point load cells. For use with Pennsylvania Counting scales as a remote platform. Optional stainless steel construction is available.

2 mv/v, 0.01% nonlinearity, 415/350 ohms, 10 ft 6 conductor cable

NTEP 90-161, III, 5,000 div. 250 lb to 1,000 lb

Canada AM-4714 Rev. 4 5,000 div

Part Number	Height	Capacity	Cell(s)	Weight	Stock	Price C
18" x 18" Platform						
6400-1818-100 *	5"	100 lb	50 kg	65 lb	6592	\$ 675.00
6400-1818-250	5"	250 lb	150 kg	65 lb	6593	675.00
6400-1818-500	5"	500 lb	250 kg	65 lb	6594	675.00
6400-1818-1000	5"	1,000 lb	500 kg	65 lb	6595	675.00
18" x 24" Platform						
6400-1824-100 *	5"	100 lb	50 kg	75 lb	6596	775.00
6400-1824-250	5"	250 lb	75 kg	75 lb	6597	775.00
6400-1824-500	5"	500 lb	250 kg	75 lb	6598	775.00
6400-1824-1000	5"	1,000 lb	500 kg	75 lb	6599	775.00
24" x 24" Platform						
6400-2424-100 *	5"	100 lb	50 kg	85 lb	6600	875.00
6400-2424-250	5"	250 lb	150 kg	85 lb	6601	875.00
6400-2424-500	5"	500 lb	250 kg	85 lb	6602	875.00
6400-2424-1000	5"	1,000 lb	500 kg	85 lb	6603	875.00

* Not NTEP

Options

						C
SS Top cover 18" x 18"				6 lb	4285	294.00
SS Top cover 18" x 24"				8 lb	4286	316.00
SS Top cover 24" x 24"				12 lb	4287	348.00
56750-3 Ball top transfer plate 18" x 18"				26 lb	6604	316.00
56750-1 Ball top transfer plate 18" x 24"				26 lb	6605	369.00
56750-2 Ball top transfer plate 24" x 24"				26 lb	6606	375.00
Stainless steel construction, price adder					6611	822.00

PENNSYLVANIA

7000 Pennsylvania, remote scale base

Heavy duty cast construction or fabricated design for 8" x 8" size. Stainless steel platform cover. Painted steel base. Uses Scaime AG single point load cells. For use with Pennsylvania Counting scales as a remote platform.

2 mv/v, 0.01% nonlinearity, 415/350 ohms, 10 ft 6 conductor cable

NTEP 91-149, III, 10,000 div.

Canada AM-4869 Rev. 2 5,000 div

Part Number	Height	Capacity	Cell(s)	Weight	Stock	Price C
8" x 8" Platform						
7000-2 lb *	3.5"	2 lb	1 kg	8 lb	6582	\$ 525.00
7000-5 lb *	3.5"	5 lb	2.5 kg	8 lb	6583	525.00
* Not NTEP						
12" x 14" Platform						
7000-10 lb	4"	10 lb	5 kg	18 lb	6584	525.00
7000-20 lb	4"	20 lb	10 kg	18 lb	6585	525.00
7000-50 lb	4"	50 lb	30 kg	18 lb	6586	525.00
7000-100 lb	4"	100 lb	50 kg	18 lb	6587	525.00
7000-150 lb	4"	150 lb	75 kg	18 lb	6588	525.00
7000-220.5 lb	4"	100 kg	100 kg	18 lb	6589	525.00

Options

56750-5 Ball top transfer plate 12" x 14"				26 lb	6590	251.00
For 50 lb and higher capacity, factory installed						



7000 Series
Remote Base



Prices are subject to change without notice. Please call for current prices.

Other items are available from the manufacturers, please call for prices.



Galvanized Totalcomp, floor base

Galvanized floor scale with checkered safety tread plate is a great alternative to stainless steel platforms. Hot-Zinc coating galvanization provides the most effective and economical way of protecting steel against corrosion. Galvanized steel offers a unique combination of properties unmatched by any other material. Hot-Dip galvanizing is a process where the steel is immersed in a tub of molten zinc, resulting in a metallurgically bonded alloy coating that protects the steel from corrosion. Galvanized floor scales are used where moisture and dampness present at the installation site. Our floor scales are equipped with standard stainless steel hermetically sealed load cells, stainless steel captured ball feet and a stainless steel junction box.

Part Number	Size	Capacity	Load Cell	Weight	Stock	Price C
TGB-44-5K	4' x 4'	5,000 lb	2,500 lb	330 lb	6019	\$ 1,715.00
TGB-44-10K	4' x 4'	10,000 lb	10,000 lb	330 lb	6020	1,715.00

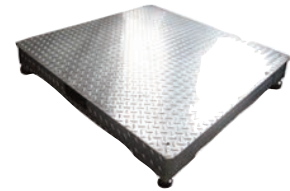
Service Parts

DSB-2.5K-SSH load cell	4 lb	7083M	245.00	E
DSB-5KSE-SSH load cell	4 lb	7085M	245.00	

DS-JB-4-SS junction box	2 lb	32MB	100.00
CBBF-1/2-20x1-7/8-SS Beam Feet	1 lb	4864MB	55.50

Options

TGB-44 Ramp, galvanized	175 lb	6028	629.00	C
-------------------------	--------	------	--------	----------



**TGB
Galvanized Floor Scale Base**



**Bottom view
Galvanized steel
floor scale base**



**Internal view
junction box
Galvanized base**

Prices are subject to change without notice. Please call for current prices.

Other items are available from the manufacturers, please call for prices.

Base



T4' x 4'-5K Slide top



Opening Slide top



High Pressure Cleansing



Closing Slide top

Removable top base Totalcomp, stainless steel

This low profile base has a removable **stainless steel** cover plate shroud. Formed single piece cover on sizes 2' x 2' and 30" x 30". Larger sizes have two piece covers. 2 mv/v, 0.02% total error, 415/350 ohms, 9 ft 6 conductor cable.

Part Number	Capacity	Weight	Stock	Price C
2' x 2' Platform, 3" high				
T2'x2'-1K Slide top base	1,000 lb	105 lb	4296	\$ 4,433.00
T2'x2'-2.5K Slide top base	2,500 lb	105 lb	4297	4,433.00
30" x 30" Platform, 3" high				
T30"x30"-1K Slide top base	1,000 lb	138 lb	4298	4,900.00
T30"x30"-2.5K Slide top base	2,500 lb	138 lb	4299	4,900.00
3' x 3' Platform, 3" high				
T3'x3'-1K Slide top base	1,000 lb	195 lb	4300	5,445.00
T3'x3'-2.5K Slide top base	2,500 lb	195 lb	4301	5,445.00
T3'x3'-5K Slide top base	5,000 lb	195 lb	4302	5,445.00
4' x 4' Platform, 3" high				
T4'x4'-1K Slide top base	1,000 lb	270 lb	4303	6,300.00
T4'x4'-2.5K Slide top base	2,500 lb	270 lb	4304	6,300.00
T4'x4'-5K Slide top base	5,000 lb	270 lb	4305	6,300.00
T4'x4'-10K Slide top base	10,000 lb	395 lb	4306	6,838.00
5' x 5' Platform, 3" high				
T5'x5'-10K Slide top base	10,000 lb	625 lb	4312	9,723.00

Options

Diamond Plate 10% price adder.
Type 316 Stainless steel cover 20% price adder.
Remote junction box is no extra charge.

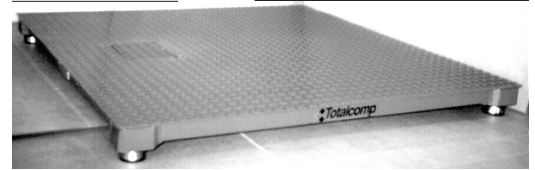
Prices are subject to change without notice. Please call for current prices.

Other items are available from the manufacturers, please call for prices.



Heavy Duty Totalcomp, floor base

Extra rugged with sturdy deck and channel construction. Checkered safety tread deck. Powder coat finish on sizes up to 48" x 48". Industrial Enamel on sizes over 48" x 48". Load cells are NTEP approved. 20 ft cable to indicator. Optional ramps. Adjustable height, minimum 3.75" to 4.75" maximum height. NTEP 16-016 III, 5,000 div



T4x4-5K-HD



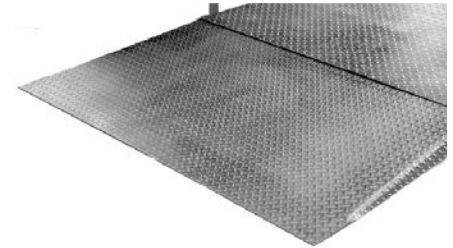
Part Number	Size	Capacity	Load Cell	Weight	Stock	Price C
T2.5x2.5-1K-HD*	2.5' x 2.5'	1,000 lb	500 lb	100 lb	7857	\$ 521.00
T2.5x2.5-2K-HD*	2.5' x 2.5'	2,000 lb	1,000 lb	100 lb	7858	521.00
T3x3-1K-HD	3' x 3'	1,000 lb	500 lb	134 lb	7859	541.00
T3x3-2.5K-HD	3' x 3'	2,000 lb	1,000 lb	134 lb	3418	541.00
T3x3-3K-HD	3' x 3'	3,000 lb	1,500 lb	134 lb	4371	541.00
T3x3-5K-HD	3' x 3'	5,000 lb	2,500 lb	138 lb	3419	541.00
T4x4-5K-HD	4' x 4'	5,000 lb	2,500 lb	214 lb	3433MB	685.00
T4x4-10K-HD	4' x 4'	10,000 lb	5,000 lb	240 lb	3434MB	685.00
T4x5-5K-HD	4' x 5'	5,000 lb	2,500 lb	385 lb	3435	1,075.00
T4x5-10K-HD	4' x 5'	10,000 lb	5,000 lb	385 lb	3436	1,075.00
T4x6-5K-HD*	4' x 6'	5,000 lb	2,500 lb	445 lb	3437	1,188.00
T4x6-10K-HD*	4' x 6'	10,000 lb	5,000 lb	445 lb	3438	1,188.00
T5x5-5K-HD	5' x 5'	5,000 lb	2,500 lb	455 lb	3440	788.00
T5x5-10K-HD	5' x 5'	10,000 lb	5,000 lb	455 lb	3441	788.00
T5x7-10K*	5' x 7'	10,000 lb	5,000 lb	640 lb	3443	1,640.00
T6x6-10K-HD*	6' x 6'	10,000 lb	5,000 lb	660 lb	3445	2,990.00



Options			C
3' x 2' Ramp steel safety tread	130 lb	5716	229.00
4' x 3' Ramp steel safety tread	150 lb	5712MB	329.00
4' x 4' Ramp steel safety tread	175 lb	5704MB	400.00
5' x 4' Ramp steel safety tread	218 lb	5726	495.00

Prices for Heavy Duty Floor Scale Bases are FOB Factory

Underside showing load cell and structure



Ramp

Prices are subject to change without notice. Please call for current prices.

Other items are available from the manufacturers, please call for prices.



Versadeck polyethylene base

Versadeck Polyethylene floor base

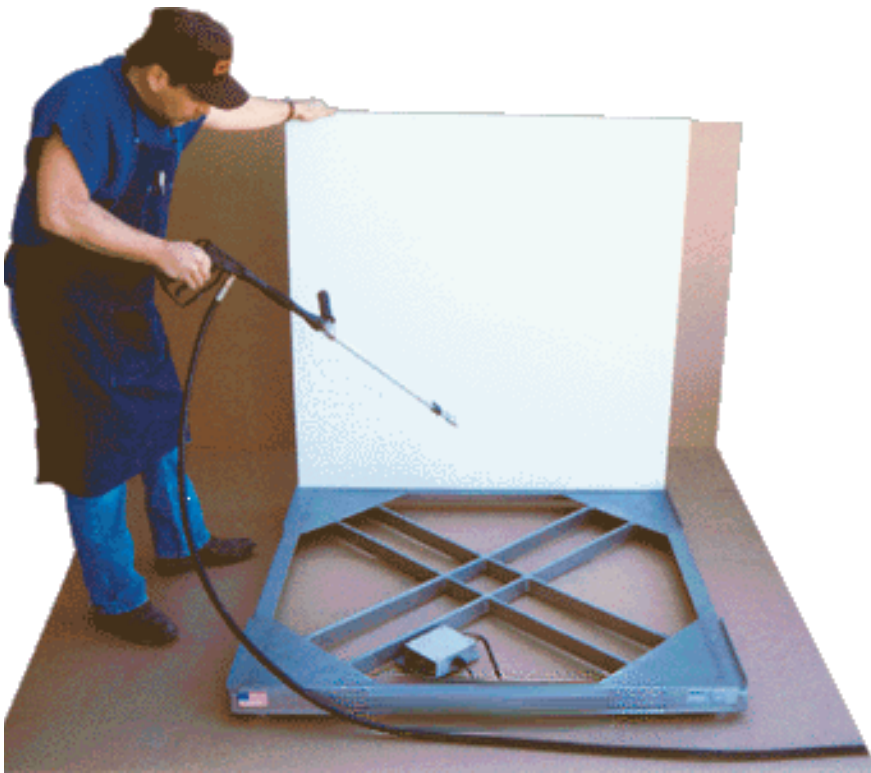
Removable 1" thick polyethylene Butcher Block top. **Stainless Steel** low profile scale base. Junction box is **stainless steel** for washdown protection.

Part Number	Size	Capacity	Weight	Stock	Price B5
TV-3030-1-LT	30" x 30" x 4"	1,000 lb	105 lb	4163	\$ 4,181.00
TV-3030-2-LT	30" x 30" x 4"	2,000 lb	105 lb	4164	4,181.00
TV-33-1-LT	3' x 3' x 4"	1,000 lb	140 lb	4165	5,052.00
TV-33-2-LT	3' x 3' x 4"	2,000 lb	140 lb	4166	5,052.00
TV-44-5-LT	4' x 4' x 4"	5,000 lb	210 lb	4167	5,506.00
TV-45-5-LT	4' x 5' x 4"	5,000 lb	300 lb	4169	5,929.00
TV-45-5-LT	4' x 6' x 4"	5,000 lb	325 lb	4171	6,216.00
TV-55-5-LT	5' x 5' x 4"	5,000 lb	380 lb	4173	5,929.00
TV-57-5-LT	5' x 7' x 4"	5,000 lb	465 lb	4175	7,261.00

Stainless steel ramps (width x length)

TR-3030-10R	30" x 30"	10,000 lb	95 lb	4177	1,407.00
TR-33-10R	3' x 3'	10,000 lb	125 lb	4178	1,407.00
TR-44-10R	4' x 4'	10,000 lb	220 lb	4179	1,647.00
TR-54-10R	5' x 4'	10,000 lb	270 lb	4180	2,293.00

Prices for Versadeck polyethylene floor scale bases are FOB Factory



Versadeck polyethylene base
High pressure hose cleaning

Prices are subject to change without notice. Please call for current prices.

Other items are available from the manufacturers, please call for prices.



TLB Totalcomp, low profile base

Low profile base. Polished stainless steel cover. Powder coated steel base. Uses (1) or (4) Flintec planar beam load cells. Leveling feet are vibration absorbent and anti-skid.

10" x 10":

1 mv/v, 0.04% combined error, 390/390 ohms, 10 ft 6 conductor cable, IP65

12" x 12", 16" x 16", 20" x 20", 24" x 24":

1 mv/v, 0.04% combined error, 1190/1000 ohms (each cell), 297.5/250 ohms (Base w/4 cells), 10 ft 6 conductor cable, IP65



TLB-2424-300

Part Number	Height	Capacity	Cell(s)	Weight	Stock	Price C
10" x 10" Platform						
TLB-1010-6	1"	6 lb	3 kb	15 lb	5701	\$ 315.00
12" x 12" Platform						
TLB-1212-25	1"	25 lb	3.75 kg(4)	18 lb	5706	500.00
TLB-1212-50	1"	50 lb	7.5 kg(4)	18 lb	5707	500.00
TLB-1212-100	1.5"	100 lb	15 kg(4)	19 lb	5708	558.00
18" x 18" Platform						
TLB-1818-250	1.5"	250 lb	37.5 kg(4)	36 lb	5444	748.00
TLB-1818-500	1.5"	500 lb	75 kg(4)	36 lb	5445	748.00
TLB-1818-1,000	1.5"	1,000 lb	150 kg(4)	36 lb	5446	795.00
24" x 24" Platform						
TLB-2424-250	1.5"	250 lb	37.5 kg(4)	45 lb	5719	853.00
TLB-2424-500	1.5"	500 lb	75 kg(4)	45 lb	5720	913.00
TLB-2424-1000	1.5"	1,000 lb	150 kg(4)	48 lb	5721	971.00
Options						C
Portable wheels and 44" column for indicator For 18" x 18" amd 24" x 24" only				35 lb	5722	376.00
Ramp 12" long for 24" x 24"				20 lb	5723	265.00



**TLB-2424-300
w/ optional portable
wheels, colum & indicator**

Portable Base

NEW



TDB
Portable Drum Scale



TDB Totalcomp, portable drum base

TDB platform is made out of industrial weight heavy duty 1/4" checkered thread steel plate baked powder painted. Two built in folding ramps are low enough to get the hand truck on with ease. Lifting handle and built in wheels for easy moving. Platform uses standard (4) 3 mv/v, 350 ohm load cells and stainless steel signal trim summing junction box. For easy leveling, top bubble level is included. Live rail makes the weighing surface even larger than 36". Select an indicator from our line of indicators and we will calibrate for you. Platform 36" x 36", ramps are 10", overall w/ ramps 44" x 56" x 3"H.

Part Number	Min Height	Capacity	Cell(s)	Weight	Stock	Price C
TDB-1K	2.25"	1,000 lb	500 lb	148 lb	5426	\$ 1,047.00
TDB-2.5K	2.25"	2,500 lb	1,000 lb	148 lb	5428	1,047.00
TDB-5K	2.25"	5,000 lb	2,500 lb	155 lb	5429	1,178.00

NEW

CAMBRIDGE SCALE WORKS INCORPORATED

Portable Cambridge, platform base

Platform is 304 stainless steel. Rugged tubular frame with heavy gauge polished **stainless steel** platter. Equipped with environmentally protected NTEP aluminum load cell. (4) 4" USDA/FDA approved white plastic wheels (2) roller and (2) swivel with locking brakes, all wheels with bearings and grease fittings. OSHA orange safety handle grips on a 40" tall **stainless steel** column.

Base: Canadian AM-5881; NTEP 12-115A1

Part Number	Capacity	Platform	Weight	Stock	Price B5
SS640-PS-1824	100 lb	18" x 24" x 6"	170 lb	8157	\$ 2,970.00
SS640-PS-1824	250 lb	18" x 24" x 6"	170 lb	8158	2,970.00
SS640-PS-1824	500 lb	18" x 24" x 6"	170 lb	8159	3,080.00
SS640-PS-1824	1,000 lb	18" x 24" x 6"	170 lb	8160	3,080.00
SS640-PS-2424	100 lb	24" x 24" x 6"	190 lb	8161	3,190.00
SS640-PS-2424	250 lb	24" x 24" x 6"	190 lb	8162	3,190.00
SS640-PS-2424	500 lb	24" x 24" x 6"	190 lb	8163	3,300.00
SS640-PS-2424	1,000 lb	24" x 24" x 6"	190 lb	8164	3,300.00

Options

TLI Indicator W/ RS232 & Adapter	10 lb	2658	288.00	C
----------------------------------	-------	------	--------	---



SS-640-PS
Portable Platform Scale



Prices are subject to change without notice. Please call for current prices.

Other items are available from the manufacturers, please call for prices.

Floor Scale Kit



TFK

TFK Totalcomp, floor scale kit

Build your own floor scale with quality components. Each floor scale kit includes:

- 1.(4) TSB single ended beam load cells, nickel plated steel, NTEP
- 2.(4) beam feet, alloy steel
- 3.(1) CSB Compact summing junction box, **stainless steel**
- 4.20 ft 6 conductor cable.

Part Number	Cell Cap	Base Cap	Weight	Stock	Price D
TFK-250 *	250 lb	500 lb	17 lb	3188	\$ 1,122.00
TFK-500 *	500 lb	1,000 lb	17 lb	3189	1,122.00
TFK-1K	1,000 lb	2,000 lb	17 lb	3190	1,122.00
TFK-1.5K	1,500 lb	3,000 lb	17 lb	3191	1,122.00
TFK-2K	2,000 lb	4,000 lb	17 lb	3192	1,122.00
TFK-2.5K	2,500 lb	5,000 lb	17 lb	3193	1,122.00
TFK-4K	4,000 lb	8,000 lb	17 lb	3194	1,122.00
TFK-5KSE	5,000 lb	10,000 lb	17 lb	3195	1,122.00
TFK-5K	5,000 lb	10,000 lb	28 lb	3196	1,575.00
TFK-10K	10,000 lb	20,000 lb	28 lb	3197	1,575.00

* Not NTEP

Prices are subject to change without notice. Please call for current prices.

Other items are available from the manufacturers, please call for prices.

99 Reagent Lane
Fair Lawn NJ 07410
201-797-2718 * 800-631-0347

 **Totalcomp**[®]
Load Cells

www.totalcomp.com
Fax 201-797-2287
Toll Free Fax 888-797-2288

Floor Scale Kit



TFK-SS



TFK-SS Totalcomp, floor scale kit

Build your own floor scale with quality components. Each floor scale kit includes:

- 1.(4) TSB-SS single ended beam load cells, **stainless steel**, NTEP
- 2.(4) beam feet, **stainless steel**
- 3.(1) CSB Compact summing junction box, **stainless steel**
- 4.20 ft 6 conductor cable.

Part Number	Cell Cap	Base Cap	Weight	Stock	Price D
TFK-250-SS *	250 lb	500 lb	20 lb	3178	\$ 1,482.00
TFK-500-SS *	500 lb	1,000 lb	20 lb	3179	1,482.00
TFK-1K-SS	1,000 lb	2,000 lb	20 lb	3180	1,482.00
TFK-1.5K-SS	1,500 lb	3,000 lb	20 lb	3181	1,482.00
TFK-2K-SS	2,000 lb	4,000 lb	20 lb	3182	1,482.00
TFK-2.5K-SS	2,500 lb	5,000 lb	20 lb	3183	1,482.00
TFK-4K-SS	4,000 lb	8,000 lb	20 lb	3184	1,482.00
TFK-5KSE-SS	5,000 lb	10,000 lb	20 lb	3185	1,482.00
TFK-5K-SS	5,000 lb	10,000 lb	32 lb	3186	1,815.00
TFK-10K-SS	10,000 lb	20,000 lb	32 lb	3187	1,815.00

* Not NTEP

Prices are subject to change without notice. Please call for current prices.

Other items are available from the manufacturers, please call for prices.

Floor Scale Kit



GSFK



GSFK General Sensor, floor scale kit

Build your own floor scale with economically priced components. Each floor scale kit includes:

- 1.(4) GSB single ended beam load cells, nickel plated steel, NTEP
- 2.(4) beam feet, rigid rubber
- 3.(1) GS-JB-4-SS Summing junction box, **stainless steel**
- 4.20 ft 6 conductor cable.

Part Number	Cell Cap	Base Cap	Weight	Stock	Price E2
GSFK-250 *	250 lb	500 lb	17 lb	2851	\$ 1,045.00
GSFK-500 *	500 lb	1,000 lb	17 lb	2852	1,045.00
GSFK-1K	1,000 lb	2,000 lb	17 lb	2854	1,045.00
GSFK-1.5K	1,500 lb	3,000 lb	17 lb	2855	1,045.00
GSFK-2K	2,000 lb	4,000 lb	17 lb	2856	1,045.00
GSFK-2.5K	2,500 lb	5,000 lb	17 lb	2857	1,045.00
GSFK-4K	4,000 lb	8,000 lb	17 lb	2858	1,045.00
GSFK-5KSE	5,000 lb	10,000 lb	17 lb	2859	1,045.00
GSFK-5K	5,000 lb	10,000 lb	28 lb	2860	1,522.00
GSFK-10K	10,000 lb	20,000 lb	28 lb	2861	1,522.00

* Not NTEP

Prices are subject to change without notice. Please call for current prices.

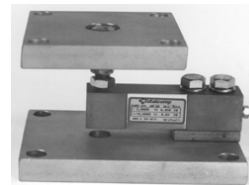
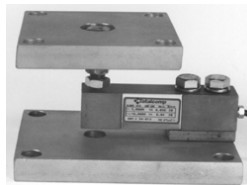
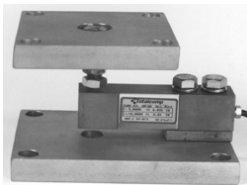
Other items are available from the manufacturers, please call for prices.

99 Reagent Lane
Fair Lawn NJ 07410
201-797-2718 * 800-631-0347

 **Totalcomp**[®]
Load Cells

www.totalcomp.com
Fax 201-797-2287
Toll Free Fax 888-797-2288

Tank Scale Kit



TTK3-SS



TTK-SS Totalcomp, tank scale kit

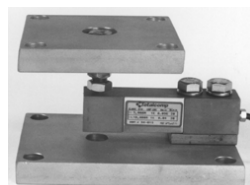
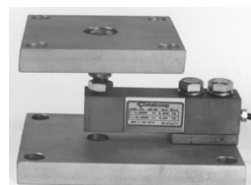
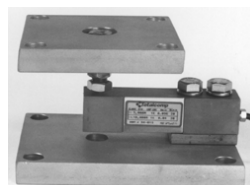
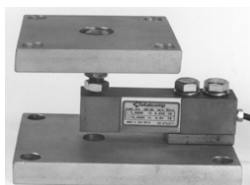
Make tanks and hoppers into scales with quality components. Each tank scale kit includes components for 3 legs or 4 legs depending on the style of tank or hopper.

3 Leg Kit Stainless Steel

- 1.(3) TSB-SS single ended beam load cells, **stainless steel**, NTEP
 - 2.(3) TSWM-SS Spherical Washer mounting assy for single ended beam, **stainless steel**
 - 3.(1) CSB Compact summing junction box, **stainless steel**
- 4.20 ft 6 conductor cable.

Part Number	Cell Cap	Base Cap	Weight	Stock	Price D
TTK3-250-SS *	250 lb	750 lb	52 lb	3516	\$ 1,957.00
TTK3-500-SS *	500 lb	1,500 lb	52 lb	3517	1,957.00
TTK3-1K-SS	1,000 lb	3,000 lb	52 lb	3518	1,957.00
TTK3-1.5K-SS	1,500 lb	4,500 lb	52 lb	3519	1,957.00
TTK3-2K-SS	2,000 lb	6,000 lb	52 lb	3520	1,957.00
TTK3-2.5K-SS	2,500 lb	7,500 lb	52 lb	3521	1,957.00
TTK3-4K-SS	4,000 lb	12,000 lb	52 lb	3522	1,957.00
TTK3-5K-SE-SS	5,000 lb	15,000 lb	52 lb	3523	1,957.00
TTK3-5K-SS	5,000 lb	15,000 lb	80 lb	3524	2,457.00
TTK3-10K-SS	10,000 lb	30,000 lb	80 lb	3525	2,457.00

* Not NTEP



TTK4-SS



4 Leg Kit Stainless Steel

- 1.(4) TSB-SS single ended beam load cells, **stainless steel**, NTEP
 - 2.(4) TSWM-SS Spherical Washer mounting assy for single ended beam, **stainless steel**
 - 3.(1) CSB Compact summing junction box, **stainless steel**
- 4.20 ft 6 conductor cable.

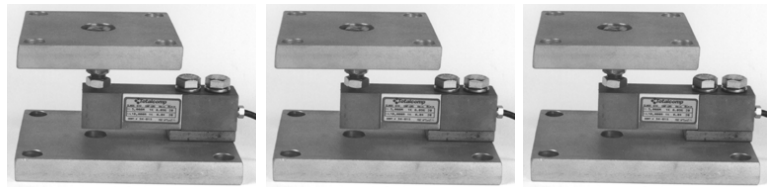
Part Number	Cell Cap	Base Cap	Weight	Stock	Price D
TTK4-250-SS *	250 lb	1,000 lb	68 lb	3526	\$ 2,522.00
TTK4-500-SS *	500 lb	2,000 lb	68 lb	3527	2,522.00
TTK4-1K-SS	1,000 lb	4,000 lb	68 lb	3528	2,522.00
TTK4-1.5K-SS	1,500 lb	6,000 lb	68 lb	3529	2,522.00
TTK4-2K-SS	2,000 lb	8,000 lb	68 lb	3530	2,522.00
TTK4-2.5K-SS	2,500 lb	10,000 lb	68 lb	3531	2,522.00
TTK4-4K-SS	4,000 lb	16,000 lb	68 lb	3532	2,522.00
TTK4-5K-SE-SS	5,000 lb	20,000 lb	68 lb	3533	2,522.00
TTK4-5K-SS	5,000 lb	20,000 lb	105 lb	3534	3,189.00
TTK4-10K-SS	10,000 lb	40,000 lb	105 lb	3535	3,189.00

* Not NTEP

Prices are subject to change without notice. Please call for current prices.

Other items are available from the manufacturers, please call for prices.

Tank Scale Kit



TTK3

TTK Totalcomp, tank scale kit

Make tanks and hoppers into scales with quality components. Each tank scale kit includes components for 3 legs or 4 legs depending on the style of tank or hopper.

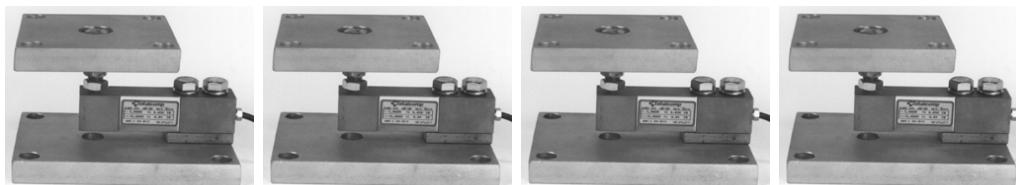
3 Leg Kit

- 1.(3) TSB single ended beam load cells, NTEP
- 2.(3) TSWM Spherical Washer mounting assembly for single ended beam
- 3.(1) CSB Compact summing junction box, **stainless steel**
- 4.20 ft 6 conductor cable.



Part Number	Cell Cap	Base Cap	Weight	Stock	Price D
TTK3-250 *	250 lb	750 lb	52 lb	3536	\$ 1,522.00
TTK3-500 *	500 lb	1,500 lb	52 lb	3537	1,522.00
TTK3-1K	1,000 lb	3,000 lb	52 lb	3538	1,522.00
TTK3-1.5K	1,500 lb	4,500 lb	52 lb	3539	1,522.00
TTK3-2K	2,000 lb	6,000 lb	52 lb	3540	1,522.00
TTK3-2.5K	2,500 lb	7,500 lb	52 lb	3541	1,522.00
TTK3-4K	4,000 lb	12,000 lb	52 lb	3542	1,522.00
TTK3-5KSE	5,000 lb	15,000 lb	52 lb	3543	1,522.00
TTK3-5K	5,000 lb	15,000 lb	80 lb	3544	2,037.00
TTK3-10K	10,000 lb	30,000 lb	80 lb	3545	2,037.00

* Not NTEP



4 Leg Kit

- 1.(4) TSB single ended beam load cells, NTEP
- 2.(4) TSWM Spherical Washer mounting assembly for single ended beam
- 3.(1) CSB Compact summing junction box, **stainless steel**
- 4.20 ft 6 conductor cable.

Part Number	Cell Cap	Base Cap	Weight	Stock	Price D
TTK4-250 *	250 lb	1,000 lb	68 lb	3546	\$ 1,942.00
TTK4-500 *	500 lb	2,000 lb	68 lb	3547	1,942.00
TTK4-1K	1,000 lb	4,000 lb	68 lb	3548	1,942.00
TTK4-1.5K	1,500 lb	6,000 lb	68 lb	3549	1,942.00
TTK4-2K	2,000 lb	8,000 lb	68 lb	3550	1,942.00
TTK4-2.5K	2,500 lb	10,000 lb	68 lb	3551	1,942.00
TTK4-4K	4,000 lb	16,000 lb	68 lb	3552	1,942.00
TTK4-5KSE	5,000 lb	20,000 lb	68 lb	3553	1,942.00
TTK4-5K	5,000 lb	20,000 lb	105 lb	3554	2,629.00
TTK4-10K	10,000 lb	40,000 lb	105 lb	3555	2,629.00

* Not NTEP



TTK4



Prices are subject to change without notice. Please call for current prices.

Other items are available from the manufacturers, please call for prices.

99 Reagent Lane
Fair Lawn NJ 07410
201-797-2718 * 800-631-0347

 **Totalcomp**[®]
Load Cells

www.totalcomp.com
Fax 201-797-2287
Toll Free Fax 888-797-2288

Livestock Kit



EziWeigh5i

EziWeigh Tru-Test, indicator

Extremely simple to use. Fine mode allows smaller resolution that is necessary for weighing small animals. Auto zero to accommodate dirt buildup. Hold key will retain the displayed weight even after the animal leaves the scale. Keys for ON/LIVE, OFF, AUTO-ZERO, HOLD, FINE, ZERO. Internal rechargeable batteries for 8 hours of operation. 12 VDC.

Part Number	Weight	Stock	Price A5
EziWeigh 5i indicator w/battery	3 lb	4349	\$ 785.00



XR5000

XR5000 Tru-Test, Indicator

Includes all standard features plus 50,000 individual animal records. Animal history table provides full history including weight, treatment and birth rates. Build customized reports. Multiple data fields for recording additional information. Custom fields provide fast entry of data from preset tables. Keys for ON, OFF, ESCAPE, SETUP, INFO, BACK, ENTER, keypad 0-9, keypad A-Z, space, shift. RS232 output for printer or computer. Internal battery and Low battery warning. 12VDC. IP67.

Part Number	Weight	Stock	Price A5
XR5000 indicator	5 lb	4354	\$ 2,799.00

Indicator options Tru-Test

AC adapter, software, cable, connectors.

Part Number	Weight	Stock	Price C
Computer interface cable for 2000 series	1 lb	4359	\$ 24.50
Connector w/ resistor for MP-600	1 lb	1398	64.30
Connector for MP-800/MP-1010	1 lb	2945	64.30
Dust cap for load cell cable connector	1 lb	2946	23.10

Load Bars Totalcomp

Set of (2) load bars made for use with any standard strain gauge load cell indicator. Each load bar has built in horizontal checking and unique flex bases to ensure accurate weights in the roughest conditions. Load bars will take 10 times the shock load of shear beam load cells. Each pair of load bars are the electrical equivalent of a 350 ohm bridge load cell. The 2 load bars are interconnected with a cable 8' long. The attached indicator cable is 3' long.

Part Number	Size	Capacity	Weight	Stock	Price C
Standard load bars					
2500U-22 load bars	22" x 4"H	2,500 lb	51 lb	3753	\$ 2,164.00
5000U-33 load bars	33" x 4"H	5,000 lb	70 lb	3754	2,571.00
10000U-48 load bars	48" x 4"H	10,000 lb	120 lb	3755	2,571.00

Portable load bars

2500UP-22 load bars	22" x 4"H	2,500 lb	51 lb	3756	2,164.00
---------------------	-----------	----------	-------	------	----------

Options

CW-11 Ohaus stainless steel indicator	9 lb	1299	662.00
Custom load bar length	Please call for pricing		

Typical calibration configurations

2500U	2,500 lb x 0.5 lb
5000U	5,000 lb x 0.5 lb
10000U	10,000 lb x 1 lb



**2500U
Load Bars**

Alleyway Tru-Test, platform

Complete platforms made for use with Tru-Test indicators and MP-600 loadbars.

Part Number	Weight	Stock	Price A
24" x 7'4" Aluminum Alleyway platform	70 lb	4361	\$ 585.00

MP Tru-Test, multi purpose loadbars

Set of (2) loadbars made for use with Tru-Test indicators. Designed for portability. With a firm and level surface, it's quick and easy to set up this scale. Multi-purpose loadbars come in three sizes: 23", 32" and 39". Coated to resist corrosion.

Part Number	Size	Capacity	Weight	Stock	Price A5
MP-600 Loadbars	23"x4"H	4,400 lb	33 lb	4364	\$ 1,165.00
MP-800 Loadbars	32"x4"H	6,600 lb	48 lb	4365	1,489.00



**MP
Load Bars**

HD Tru-Test, heavy duty loadbars

Set of (2) loadbars made for use with Tru-Test indicators. Designed for permanent installations. Usually used under manual squeeze chutes. Their unique footing absorbs the tremendous side force which typically occurs, thereby preventing damage to the scale. Heavy duty loadbars come in two sizes: 34" and 39". Coated to resist corrosion.

Part Number	Size	Capacity	Weight	Stock	Price A5
HD-850 Loadbars	34"x4"H	6,600 lb	76 lb	4367	\$ 1,759.00
HD-1010 Loadbars	39"x4"H	6,600 lb	92 lb	4368	1,819.00



**HD
Load Bars**

Prices are subject to change without notice. Please call for current prices.

Other items are available from the manufacturers, please call for prices.

99 Reagent Lane
Fair Lawn NJ 07410
201-797-2718 * 800-631-0347

Totalcomp®
Load Cells

www.totalcomp.com
Fax 201-797-2287
Toll Free Fax 888-797-2288

International Wire Transfers

Beneficiary Bank	Wells Fargo
Beneficiary Bank Address	1266 Market St San Francisco CA 94102
Beneficiary Bank Swift #	WFBIUS6WFFX
Beneficiary Name	ConnectOne Bank
Beneficiary Address	301 Sylvan Ave Englewood Cliffs NJ 07632
Beneficiary Customer #	4124911215
To Further Credit	
Customer Name	Totalcomp Inc.
Customer Address	99 Reaqqent Ln Fair Lawn NJ 07410
Cust Account #	xxxxxxxxxxx

* Please contact us for Customer Account #.

Domestic ACH (Automated Clearing House)

Bank Name	ConnectOne Bank
Bank Address	301 Sylvan Ave Englewood Cliffs NJ 07632
Bank ABA #	021213944
Beneficiary Name	Totalcomp Inc
Beneficiary Address	99 Reagent Ln Fair Lawn NJ 07410
Beneficiary Account #	xxxxxxxxxxx

* Please contact us for Customer Account #.

Tarjetas de Crédito

El despacho se hará el mismo día

Solo aceptamos VISA y MASTERCARD

Nota: Proveer siempre el número de cuenta y la Fecha de Vencimiento.

Estimado cliente tener en cuenta que: Mastercard y Visa cobran el 3.15% mas \$1.15 por transacción. Estos costos serán agregados a su factura.

Con Cheque

Cheque de banco de USA o Money Order.

Despachamos cuando el cheque arrije a nuestras oficinas. Por ejemplo si lo envían por servicio courier como DHL o FedEx, el cheque llegaría en 2 ó 3 días a Totalcomp.

Cheque a nombre de: Totalcomp, Inc.

Enviarlo a: Totalcomp Inc
99 Reagent Ln
Fair Lawn NJ 07410
USA

Cheque por fax/email

Agilizan sus ordenes de compras

En Totalcomp ahora tenemos el nuevo sistema de cheques por fax que permitira el despacho de los productos el mismo día. Tambien agiliza los pagos de facturas vencidas, y ahorra gastos de transferencia y de courier cuando envian un cheque a nuestras oficinas.

¿Como trabaja?

Ustedes consiguen un cheque de un banco local con nexos bancarios Norteamericanos en Dólares Americanos y lo envían vía fax a Totalcomp, con una autorización firmada por el dueño de la cuenta que diga lo siguiente:

Este cheque autoriza cargar a nuestra cuenta la suma de \$_____

Una vez que lo tengamos tomaremos el número de cuenta del cheque, el número de tránsito y el número MICR que identifica el banco original. Luego imprimimos un cheque con esos datos y lo depositamos normalmente. Esta transaccion es completamente legal y es permitida en los Estados Unidos.

Una vez que tengamos el cheque por fax podremos despachar el mismo día. Ustedes se ahorran los gastos de DHL, FEDEX, transferencia, o cargos del 2.8% cuando pagan con Visa o MasterCard.

Terms

Your choice of payment.

1. Check or money order with order.
2. Net 30 days for approved credit customers. If you desire a Total-comp charge account, simply request a credit application with your next order (or at any time) and we will ship your order when your credit is approved.
3. C.O.D. will be delivered by UPS or Federal Express. They will collect total charges which will include merchandise, freight and handling.

Prices are FOB Fair Lawn, New Jersey or FOB Factory and are subject to change without notice. Orders will be filled with prices in effect at the date of shipment.
 Minimum order is \$20.00 excluding shipping charges.

Stock

Your components will be shipped within 24 hours from when we receive your order.
 We normally carry an ample supply of every item on our stock shelf. It is very infrequent that our supply is depleted to zero due to unusual requests from our other customers.

Shipping

- U.P.S. Your order will be shipped U.P.S. whenever possible, unless you request a different method of shipment. Maximum 150 lbs per carton.
- U.P.S. 2nd day air Air freight via U.P.S. It is a guaranteed 2-day delivery not including Saturday or Sunday.
- U.P.S. Next day air Air freight via U.P.S. It is a guaranteed 1-day delivery not including Sunday.
- R.P.S Roadway Parcel Service is similar to UPS with a maximum weight of 150 per carton.
- Express mail Air freight via U.S. Postal Service. Guaranteed next day delivery not including Sunday.
- Air Freight Air freight via Federal Express, Emery Express, AirBorne and other independent air cargo service. Normally next day service. Extra cost for Saturday delivery. No Sunday deliveries.
- Truck When shipping load cells and other parts by truck specify shipping class as SCALES NOI CLASS 85.

Warranty

Your Customer Warranty is the standard manufacturer's warranty, which is normally 1 year from date of shipment.

No prior return authorization is required.

Return to us the defective items. Enclose a note with the model number, serial number, invoice number and date of purchase and a brief description of defect.

Defective part will be forwarded to the manufacturer for evaluation. Customer will be advised of the status.

No credit will be issued unless offered by the manufacturer.

Return Policy

All merchandise must be authorized prior to return. No return will be accepted without a **Return Authorization Number**, except for warranties.

If the wrong part was ordered:

1. A 20% restocking charge plus shipping charges will apply.
2. The merchandise being returned must be returned within 2 weeks of original shipping date.
3. The Merchandise being returned must be unused and received in new condition. If merchandise appears to have been used or received in poor or damaged condition, a refurbishing charge will be applied before credit is given.

If the wrong part was shipped:

1. The correct merchandise will be shipped at once.
2. Full credit will be issued upon return of incorrect merchandise.

Damaged in Shipment

Merchandise that has been damaged in shipment must be reported to the freight carrier immediately.

Do not return the merchandise until after the freight carrier has inspected the damage. Keep all the original packaging material for the inspection. The freight carrier will not honor a claim for damage if the merchandise is not as you received it.

After the freight carrier has inspected the damage and has given us approval, we will give you a **Return Authorization Number**.

Email

- sales@totalcomp.com
- purchasing@totalcomp.com
- accountspayable@totalcomp.com
- accountsreceivable@totalcomp.com

Index

0505H 167
0505H-2kg 167
1004 161
1010 145
1022 173
1030 182
1040 150
1042 144
1130 181
1140 150
1142 146
120 20
1240 165
1250 160
1260 164
1260S 161
1263 159
1320 188
140 147
1510 168
152000 15
1605 121
1605-SS 119
181-4EM 15
20210 33
240 194
240-2-SS 194
2500U-22 217
2500UP-22 217
260 191
263D-D3 39
300 92
30310 64
30410 79
3410 50
3411 50
3420 51
3421 51
350A 56
350I 67
350N 56
3510 52
355 93
363 39
41035-1076 89
4300-0017 141
462 187
462797 97
499050-00 13
499051-02 13
5102 81
5103 124, 129
5123 57
5223 143
5723 83
5825 140
5i 216
60001A 40
60030 89
60036 41
60040 91
60048 175
60048-19-2 182

60050 41
60051 149
60060 157
60060-AL 160
60063 45
614 44
620 46
63-25 42
6400 204
65016 118, 121
65016-SS 119
65016W-SS 116
65016WH-SS 113
65023 53, 69
65023-002T-C3-03F 69
65023-SS 53
65023C 68
65023CS 68
65040 134
65058 140
65058 SS 138
65059 104
65061 126
65083 66
65083H 67
65083S 66
65088 4
65114 21
68002438 126
68004186 102
6900 199
7000 204
70210 127
792 7
80210 131
80310 128
8300420-10R 139
9010 192
9010 Stainless 192
90310 4
9103 120
9103 w/EZMI 125
9123 57
9323 139
9363 38
9423 128
9523 78

A

A&D, LC:121 183
A&D, LC:127 183
A&D, LC:4102 183
A&D, LC:4103 183
A23907 15
ACB 75
AG 189
AG-1 152
AK 190
Alleyway 217
Alpha 95
AP 158
AQ 167
Artech, 20210 33

Artech, 30310 64
Artech, 30410 79
Artech, 70210 127
Artech, 80210 131
Artech, 80310 128
Artech, 90310 4
Artech, Compression Mount 14
Artech, SS30310 64
Artech, SS30510 72
Artech, SS80310 131
Artech, WM-III 130
ASC 21
Atlas 196

B

B24746 15
B35 54
B6E 153
B6G 159
B6N 151
B8D 69
Ball & Socket 101
Base 193, 195, 196, 197, 198, 199, 200, 201, 202, 203, 204, 205, 206, 207, 208, 209
BBS 71
BCA 154
BCM 155
BE40 137
Beam 49, 50, 51, 52, 53, 54, 55, 56, 57, 58, 59, 60, 61, 62, 63, 64, 65, 66, 67, 68, 69, 70, 71, 72, 73, 74, 75, 76, 77, 78, 79, 80, 81, 82, 83, 84, 85, 86, 87, 88, 89, 90, 91, 92, 93, 94, 95, 96, 97
BLC 79, 80
BLH, Alpha 95
BLH, C2P1 5
BLH, C3P1 5
BLH, HTK 95
BLH, KIS-1 96
BLH, KIS-1 Beam Only 99
BLH, KIS-2 96
BLH, KIS-3 97
BLH, Nobel 196
BLH, T2P1 23
BLH, T3P1 23
BLH, Z-BLOK 97
BSA 61
BSP 43

C

C16 10
C2 13
C2G1 170
C2P1 5
C3P1 5
Cambridge, Portable 210
Canister 2, 3, 4, 5, 6, 7, 8, 9, 10, 11, 12, 13, 14, 15, 16, 17, 18, 19, 20, 21, 22, 23, 24, 25, 26, 27
Cardinal, CB6 93
Cardinal, DB-50000 133
Cardinal, LFB 88

Cardinal, SB 70
 Cardinal, SP-L 179
 Cardinal, SP-LM 174
 Cardinal, TB 88
 CAS, BCA 154
 CAS, BCM 155
 CAS, BSA 61
 CAS, SBA 47
 CB 48
 CB17 170
 CB6 93
 Celtron, DSR 110
 Celtron, DSR-HSS 111
 Celtron, LCD 9
 Celtron, LPS 156
 Celtron, SQB-H 63
 CFS 90
 CG 10
 CG-16 110
 CG-22 173
 CG-5223 137
 CG-58 138
 CG-94 16
 CG-DB 135
 CG-FB 184
 CG-FLS 175
 CG-RTM 102
 CG-SPL 179
 CG-SPLM 174
 CG-STR 132
 CG-STR1 132
 CG-WB 86
 CG262 19
 CG26S 17
 CG26S3 17
 CNcell, PA6140 61
 Coti Global, BE40 137
 Coti Global, CG-16 SSW 110
 Coti Global, CG-22 173
 Coti Global, CG-5223 137
 Coti Global, CG-58 138
 Coti Global, CG-94 16
 Coti Global, CG-DB 135
 Coti Global, CG-FB 184
 Coti Global, CG-FLS 175
 Coti Global, CG-RTM 102
 Coti Global, CG-SPL 179
 Coti Global, CG-SPLM 174
 Coti Global, CG-STR 132
 Coti Global, CG-STR1 132
 Coti Global, CG-WB 86
 Coti Global, CG26S 17
 Coti Global, CG26S1 10
 Coti Global, CG26S2 19
 Coti Global, CG26S3 17
 CP 2
 CSP 2

D

 D10QR 202
 D10WR 201
 D1250 157
 D15HR 202

D30BR 201
 DB-50000 133
 DC16 20
 Diamond, BLC 80
 Diamond, D1250 157
 Diamond, DC16 20
 Diamond, DS 35
 Diamond, DS-SS 34
 Diamond, DSB 58
 Diamond, DSB-M 58
 Diamond, DSB-SSH 59
 Diamond, DSB-SSP 59
 DMS 193
 Doran, Atlas Column 196
 Doran, DMS 193
 Doran, DSS 193
 Doran, DXL7000 196
 DS 35
 DS-SS 34
 DSB 58
 DSB-M 58
 DSB-SSH 59
 DSB-SSP 59
 DSR 110
 DSR-HSS 111
 DSS 193
 DXL7000 196

E

Emery, Diaphragm Kit 15
 Emery, Totalizer 15
 EP 167
 Epelsa, STR 136
 Epelsa, VE20 141
 EZ Mount II 143
 EZMI 125

F

F60X 87
 Flintec, PB 94
 Flintec, PC1 154
 Flintec, PC6 156
 Flintec, PC7 168
 Flintec, PCB 155
 Flintec, RC1 18
 Flintec, SB14 73
 Flintec, SB4 82
 Flintec, SB5 82
 Flintec, SB6 94
 Flintec, SLB 73
 Flintec, UB1 44
 Flintec, UB6 43
 Floor Scale Kit 211, 212, 213
 FormasDePago 218

G

GB743 84
 GB745 49
 GBH35 65
 GC2G1 172
 GC2L1 184
 GDE03 122

GDE16 118, 123
 GDE16-SSW 113
 GDE23 142
 General Sensor, GB743 84
 General Sensor, GBH35 65
 General Sensor, GC2G1 172
 General Sensor, GC2L1 184
 General Sensor, GDE-SSW 113
 General Sensor, GDE03 122
 General Sensor, GDE16 118, 123
 General Sensor, GF-11 19
 General Sensor, GPWS 177
 General Sensor, GS 32
 General Sensor, GS-FLS 178
 General Sensor, GS-SS 32
 General Sensor, GS1022 176
 General Sensor, GS1022-SS 176
 General Sensor, GS1042 144
 General Sensor, GS1042-SS 147
 General Sensor, GS1130 181
 General Sensor, GS1240-SS 165
 General Sensor, GS1241 169
 General Sensor, GS1250 162
 General Sensor, GS1260S 163
 General Sensor, GSB 60
 General Sensor, GSE 77
 General Sensor, GSFK 213
 General Sensor, LPD 9
 General Ssensor, GDE23 142
 GF-11 19
 GPWS 177
 Group Four, CB 48
 Group Four, SB 48
 GS 32
 GS-FLS 178
 GS-SS 32
 GS1022 176
 GS1042 144
 GS1042-SS 147
 GS1130 181
 GS1240-SS 165
 GS1241 169
 GS1250 162
 GS1260S 163
 GSB 60
 GSE 77
 GSFK 213

H

H35 63
 H8C 74
 HBM, B35 54
 HBM, BBS 71
 HBM, BLC 79
 HBM, C16 10
 HBM, C2 13
 HBM, H35 63
 HBM, HLC-A1 80
 HBM, HLC-B1 80
 HBM, PLC 180
 HBM, PW10 171
 HBM, PW12 158
 HBM, PW16 163

Index

HBM, PW27 185
HBM, PW2D 182
HBM, PW2D Single Point 182
HBM, PW6 171
HBM, PWS 177
HBM, RSC 28
HBM, RTM 103
HBM, RTN 12
HBM, S35 29
HBM, SP4 169
HBM, SP4 Metric 152
HBM, U2A 26
HBM, Z6 92
HD 217
HLC-A 80
HLC-B 80
HPS 188
HTK 95
HTZ 196

I

IDS608 54

K

KIS 97
KIS-1 96
KIS-1-50 99
KIS-2 96
KOSD 185

L

L6E 153
L6G 162
LC:121 183
LC:127 183
LC:4102 183
LC:4103 183
LCD 9
LFB 88
Livestock Kit 216, 217
Lodec, Truck Load Cell 139
LPD 9
LPS 156

M

M6950 199
M69PB 199
Mount for 5103 129
MP 217

N

NBB-SS 74
NDE-SS 124
Nikkei, NBB-SS 74
Nikkei, NDE-SS 124
Nikkei, NS 37
Nikkei, NS-SS 36
Nikkei, NSB 62
Nikkei, NSB-SS 62
Nikkei, NSSB 77

Nikkei, NWB 86
NMB, C2G1 170
NMB, CB17 170
NMB, U2D1 180
NS 37
NS-SS 36
NSB 62
NSB-SS 62
NSSB 77
NWB 86

O

Ohaus, Defender 201
Ohaus, Defender-H 202
Ohaus, Defender-Q 202

P

PA6140 61
PB 94
PC1 154
PC6 156
PC7 168
PCB 155
Pennsylvania, 6400 204
Pennsylvania, 6900 199
Pennsylvania, 7000 204
PLC 180
Portable Base 210
PW10 171
PW12 158
PW15 151
PW15BC3 151
PW16 163
PW27 185
PW2D 182
PW6 171
PWS 177

R

RC1 18
Revere Transducer, 5723 83
Revere Transducers, 263D 39
Revere Transducers, 363 39
Revere Transducers, 462 187
Revere Transducers, 5102 81
Revere Transducers, 5103 124, 129
Revere Transducers, 5123 57
Revere Transducers, 5223 143
Revere Transducers, 792 7
Revere Transducers, 9103 120, 125
Revere Transducers, 9123 57
Revere Transducers, 9363 38
Revere Transducers, 9423 128
Revere Transducers, BSP 43
Revere Transducers, CP 2
Revere Transducers, CSP 2
Revere Transducers, EZ Mount I only 125
Revere Transducers, EZ Mount II 143
Revere Transducers, HPS 188
Revere Transducers, RLC 109
Revere Transducers, SSB 76
Revere Transducers, USP1 22

Revere, 9523 78
Revere, ACB 75
Revere, ASC 21
Revere, Compression Mount 15
Revere, SHB NTEP 91
Revere, SHB OIML 91
Revere, Truck Load Cell 139
Rhino, CFS 90
RLC 109
RSC 28
RTM 103
RTN 12

S

S Type 28, 29, 30, 31, 32, 33, 34, 35, 36, 37,
38, 39, 40, 41, 42, 43, 44, 45, 46, 47, 48
S35 29
SB 48, 70
SB14 73
SB4 82
SB5 82
SB6 94
SBA 47
SBS 60
Scaime, AG 152, 189
Scaime, AK 190
Scaime, AP 158
Scaime, AQ 167
Scaime, EP 167
Scaime, F60X 87
Scaime, Stabiflex 105
SDS, IDS608 54
Sensortronics, 16-SS 119
Sensortronics, 1605 121
Sensortronics, 60001 40
Sensortronics, 60030 89
Sensortronics, 60036 41
Sensortronics, 60040 91
Sensortronics, 60048 175
Sensortronics, 60050 41
Sensortronics, 60051 149
Sensortronics, 60060 157, 160
Sensortronics, 60063 45
Sensortronics, 65016 118, 121
Sensortronics, 65016-SS 119
Sensortronics, 65016W-SS 116
Sensortronics, 65016WH-SS 113
Sensortronics, 65023 53
Sensortronics, 65023-SS 53
Sensortronics, 65023C 68
Sensortronics, 65023CS 68
Sensortronics, 65040 134
Sensortronics, 65058 140
Sensortronics, 65058 SS 138
Sensortronics, 65059 104
Sensortronics, 65061 126
Sensortronics, 65083 66
Sensortronics, 65083H 67
Sensortronics, 65083S 66
Sensortronics, 65088 4
Sensortronics, 65114 21
Sensortronics, TSA 140
SHB NTEP 91

SHB OIML 91
 Single Point 144, 145, 146, 147, 148, 149,
 150, 151, 152, 153, 154, 155, 156, 157, 158,
 159, 160, 161, 162, 163, 164, 165, 166, 167,
 168, 169, 170, 171, 172, 173, 174, 175, 176,
 177, 178, 179, 180, 181, 182, 183, 184, 185,
 186, 187, 188, 189, 190, 191, 192, 194
 SLB 73
 SP-200LM 174
 SP-L 179
 SP4 169
 SP4 Metric 152
 Spherical Washer Beam 98
 SQB-H 63
 SS30310 64
 SS30510 72
 SS640 210
 SS80310 131
 SSB 76
 Stabiflex 105
 STR 136

T

T1241 172
 T2.5x2.5-1K-HD 207
 T2P1 23
 T2x2-1K-SS 203
 T3P1 23
 T4'x4' 206
 T408 106
 T408-SS 106
 T42 25
 T43 25
 T496 8
 T62 27
 T63 27
 T752 8
 T85 99
 T92 11
 T93 11
 T96 8
 Tank 104, 105, 106, 107, 108, 109, 110, 111,
 112, 113, 114, 115, 116, 117, 118, 119, 120,
 121, 122, 123, 124, 125, 127, 129
 Tank Mount 98, 99, 100, 101, 102, 103
 Tank Scale Kit 214, 215
 TB 88
 TB2 83
 TB32 141
 TB61 126
 TB743 84
 TB745 49
 TB9523 71
 TBH35 65
 TBM4 81
 TBSM 101
 TBT 195
 TBT-SS 198
 TC-C2P1 7
 TC3P1 6, 24
 TCM 107
 TCP1 3
 TCSP1 3

TDB-1K 210
 TDE03 122
 TDE16 114
 TDE16-SS 112, 115, 117
 TDE23 142
 TDE40 134
 TDE58 135
 Tedea Huntleigh, 1004 161
 Tedea Huntleigh, 1010 145
 Tedea Huntleigh, 1022 173
 Tedea Huntleigh, 1030 182
 Tedea Huntleigh, 1040 150
 Tedea Huntleigh, 1042 144
 Tedea Huntleigh, 1130 181
 Tedea Huntleigh, 1140 150
 Tedea Huntleigh, 1142 146
 Tedea Huntleigh, 1240 165
 Tedea Huntleigh, 1250 160
 Tedea Huntleigh, 1260 164
 Tedea Huntleigh, 1260S 161
 Tedea Huntleigh, 1263 159
 Tedea Huntleigh, 1320 188
 Tedea Huntleigh, 1510 168
 Tedea Huntleigh, 240 194
 Tedea Huntleigh, 3410 50
 Tedea Huntleigh, 3411 50
 Tedea Huntleigh, 3420 51
 Tedea Huntleigh, 3421 51
 Tedea Huntleigh, 3510 52
 Tedea Huntleigh, 355 93
 Tedea Huntleigh, 614 44
 Tedea Huntleigh, 620 46
 Tedea Huntleigh, 9010 192
 Tedea Huntleigh, 9010 Stainless 192
 Terms 219
 TFB 186
 TFK 211
 TFK-SS 212
 TGB 205
 Thames Side, Levermount 99
 THWM 108
 TLB 209
 TM-5-SS 115
 TM-SC 100
 TM16 117, 123
 TM59 100
 Toledo, Mounting Assembly Parts 102
 Toledo, Parts 126
 Totalcomp, Galvanized 205
 Totalcomp, GB745 49
 Totalcomp, Heavy Duty 207
 Totalcomp, Heavy duty base 203
 Totalcomp, Load Bars 217
 Totalcomp, Removable top base 206
 Totalcomp, T1241 172
 Totalcomp, T408 106
 Totalcomp, T42 25
 Totalcomp, T43 25
 Totalcomp, T496 8
 Totalcomp, T62 27
 Totalcomp, T63 27
 Totalcomp, T752 8
 Totalcomp, T92 11
 Totalcomp, T93 11

Totalcomp, T96 8
 Totalcomp, TB2 83
 Totalcomp, TB32 141
 Totalcomp, TB61 126
 Totalcomp, TB743 84
 Totalcomp, TB745 49
 Totalcomp, TB9523 71
 Totalcomp, TBH35 65
 Totalcomp, TBM4 81
 Totalcomp, TBT 195
 Totalcomp, TBT-SS 198
 Totalcomp, TC-C2P1 7
 Totalcomp, TC3P1 6, 24
 Totalcomp, TCM 107
 Totalcomp, TCP1 3
 Totalcomp, TCSP1 3
 Totalcomp, TDB 210
 Totalcomp, TDE03 122
 Totalcomp, TDE16 114
 Totalcomp, TDE16-SS 112, 115, 117
 Totalcomp, TDE23 142
 Totalcomp, TDE40 134
 Totalcomp, TDE58 135
 Totalcomp, TFB 186
 Totalcomp, TFK 211
 Totalcomp, TFK-SS 212
 Totalcomp, THWM 108
 Totalcomp, TLB 209
 Totalcomp, TM 123
 Totalcomp, TM-SC 100
 Totalcomp, TM16 117
 Totalcomp, TM16-SS 115
 Totalcomp, TM59 100
 Totalcomp, TP-FLS 178
 Totalcomp, TP-MK21 186
 Totalcomp, TP-MK4D 166
 Totalcomp, TP-MK4D-SS 166
 Totalcomp, TP40 148
 Totalcomp, TP40-SS 148
 Totalcomp, TP462 190
 Totalcomp, TPB 197
 Totalcomp, TPB-SS 200
 Totalcomp, TRC1 18
 Totalcomp, TS 30
 Totalcomp, TS-SS 31
 Totalcomp, TSB 55
 Totalcomp, TSB-SS 55
 Totalcomp, TSB3 70
 Totalcomp, TSCA 16
 Totalcomp, TSP51 149
 Totalcomp, TT2P1 24
 Totalcomp, TTK 215
 Totalcomp, TTK-SS 214
 Totalcomp, TTM 103
 Totalcomp, TUSP1 22
 Totalcomp, TZ6 87
 Totalcomp, Versadeck 208
 TP-FLS 178
 TP-MK21 186
 TP-MK4D 166
 TP-MK4D-SS 166
 TP40 148
 TP40-SS 148
 TP462 190

Index

TPB 197
TPB-SS 200
TR-3030 208
Transcell, SBS 60
TRC1 18
Tru Test, EziWeigh 216
Tru Test, HD 217
Tru Test, MP 217
Tru Test, XR-5000 216
Tru- Test Indicator Options 216
Tru-Test, Alleyway 217
Tru-Test, Indicator Opt 216
Truck 126, 128, 130, 131, 132, 133, 134, 135,
136, 137, 138, 139, 140, 141, 142, 143
TS 30
TS-SS 31
TSB 55
TSB-SS 55
TSB3 70
TSCA 16
TSP51 149
TSWM 98
TSWM-4K-SS 98
TT2P1 24
TTK 215
TTK-SS 214
TTK4-250-SS 214
TTM 103
TUSP1 22
TV 208
TZ6 87

U

U2A 26
U2D1 180
UB1 44
UB6 43
USP1 22
Utilcell, 140 147
Utilcell, 260 191
Utilcell, 300 92
Utilcell, 350A 56
Utilcell, 350I 67
Utilcell, 350N 56
Utilcell, 630 42

V

Vishay Tedeo, 120 20
Vishay, Compression Mount 13
Vishay, KOSD 185

W

WBP-5K 85
Weigh Tronix, Avery 85
Weigh Tronix,WBL 89
Weigh Tronix,WBP 89
WM-III 130
WM-VI 14

X

XR-5000 216

Z

Z6 92
Zemic, B6E 153
Zemic, B6G 159
Zemic, B6N 151
Zemic, B8D 69
Zemic, H8C 74
Zemic, L6E 153
Zemic, L6G 162

Tension Load Cell Thread Sizes

Model	1/4-28	3/8-24	1/2-20	3/4-16	1-14	1 1/4-12	1 1/2-12	2-12	2 1/2-12	3-8	4-8
USP		100-250	500-2.5K		5K-10K		25K	50K		100K	200K-300K
T3P1			500-3K		5K-10K						
T2P1							20K	50K			
42, 43					5K-10K		20K-50K	100K	200K-250K		
TC33		250	500-2.5K		5K-10K		25K	50K			
TC31			500-3K		5K-10K						
TC21							20K	50K			
62, 63		100-300	500-3K								
RSC		50-300	500-3K	5K-10K							
TS2		50-300	500-3K	5K-10K							
USB		200	500-3K	10K							
BSP		100-250	500-2.5K		5K-10K						
TS	25-300		500-3K	5K-10K	15K	20K	30K-40K				
NS	25-300		500-3K	5K-10K	15K	20K					
GS	25-300		500-3K	5K							
GS-SS			250-3K								
20210	25-300		500-3K	5K-10K	15K	20K					
263D			500-3K								
363, 9363	50-300		500-3K	5K-10K							
60036	50-300										
60001	25-150	250	500-3K	5K-10K	15K	20K					

Note: Thread size 1/2-20 refers to a 1/2" O.D. having 20 threads per inch of length.

Prices are subject to change without notice. Please call for current prices.

Other items are available from the manufacturers, please call for prices.

99 Reagent Lane
Fair Lawn NJ 07410
201-797-2718 * 800-631-0347


Load Cells

www.totalcomp.com
Fax 201-797-2287
Toll Free Fax 888-797-2288



99 Reagent Ln
Fair Lawn NJ
07410
USA

Change Service Requested

BOUND PRINTED
MATTER
U.S. POSTAGE PAID
PARAMUS, NJ
PERMIT 545

Mail Room Supervisor: Our customer at your location has requested this catalog. If this catalog cannot be delivered as addressed, please forward to your company's Purchasing Manager and call us at **800-631-0347** to update the changes.

If for any reason you need additional copies of this catalog, please call us at **800-631-0347**



INTERNATIONAL
SOCIETY OF
**WEIGHING AND
MEASUREMENT**

write: 99 Reagent lane
Fair Lawn NJ 07410

phone: Toll free: 800-631-0347
Inside NJ: 201-797-2718

fax: Toll Free Fax: 888-797-2288
Inside NJ fax: (201) 797-2287

browse: www.totalcomp.com

e-mail: sales@totalcomp.com