



# Model Line-Up

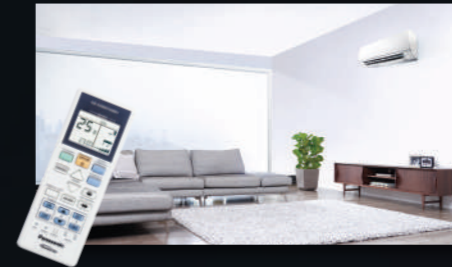
Capacity(kW)	Wall-Mounted (Deluxe Type)	Wall-Mounted (Standard Type)	Mini Cassette	Slim Ducted
	 			
2.8kW	 CS-MS9SKH-1	 CS-MPS9TKH		 CS-MS9SD3H-1
3.2kW	 CS-MS12SKH-1	 CS-MPS12TKH	 CS-S12SB4HW-1	 CS-MS12SD3H-1
4.0kW	 CS-MS15SKH-1	 CS-MPS15TKH		
5.0kW	 CS-MS18SKH-1	 CS-MPS18TKH	 CS-S18SB4HW-1	 CS-MS18SD3H-1
6.0kW	 CS-MS24SKH-1	 CS-MPS24TKH	 CS-S24SB4HW-1	 CS-MS24SD3H-1
7.0kW	 CS-MS28SKH-1	 CS-MPS28TKH		

# QUALITY AIR FOR LIFE



**nanoe-G**  
Air Purification System

Pg 04 - 05



### Dust Removal

Keep your house clean and fresh with nanoe-G working round-the-clock to remove dust particles as small as PM 2.5 from your room.

### Purifies Even When Cooling is Off

nanoe-G is able to operate even when the cooling is off, so it can continue to purify your room while you are away.



### Healthy Airflow

Healthy Airflow for Better Comfort

Pg 06 - 07



### INVERTER

Energy Saving for Greater Efficiency

Pg 08 - 09

### Product Line-Up

Pg 10 - 20

### Features Comparison

Pg 21

### Features Explanation

Pg 22

### RAC Interface Adaptor

Pg 23

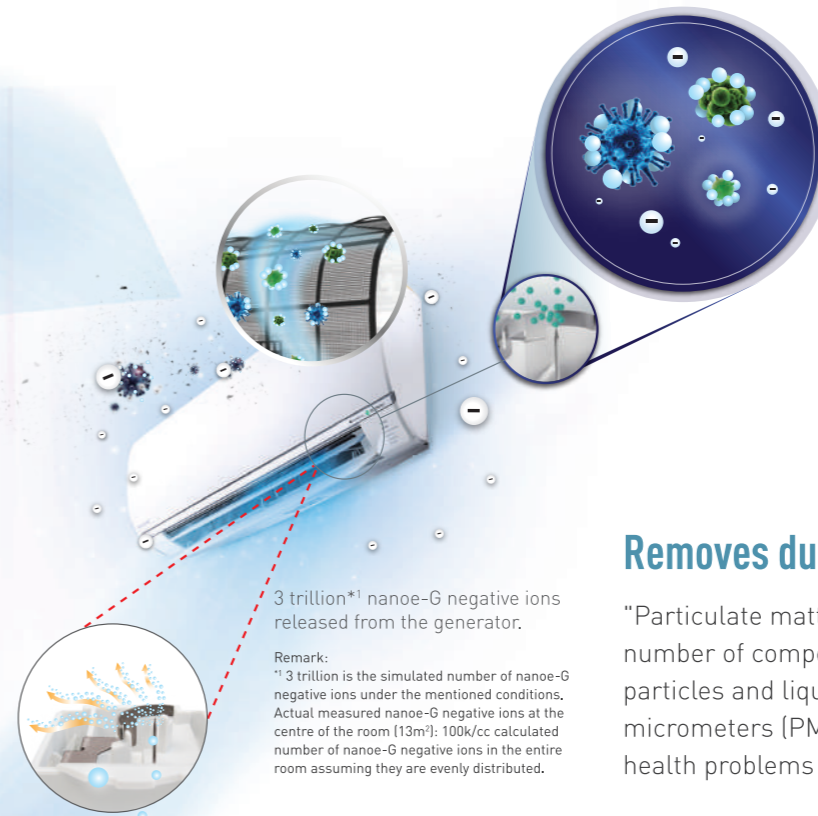
### Indoor Dimension

Pg 24 - 27



# Live In A Breath Of Clean Air

nanoe-G air purification system removes microorganisms and dust particles as small as PM2.5 from the air by trapping them in the filter. Purify your living environment for better breathing.

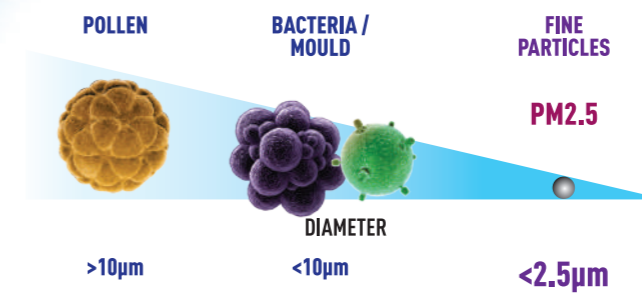


nanoe-G generator produces 3 trillion negative ions from the atomised electrode. Then, natural ion wind spreads the negative ions that are released from the nanoe-G generator to attach to airborne dust particles (PM2.5). These particles are carried back and trapped at the filter.

## Removes dust particles as small as PM2.5

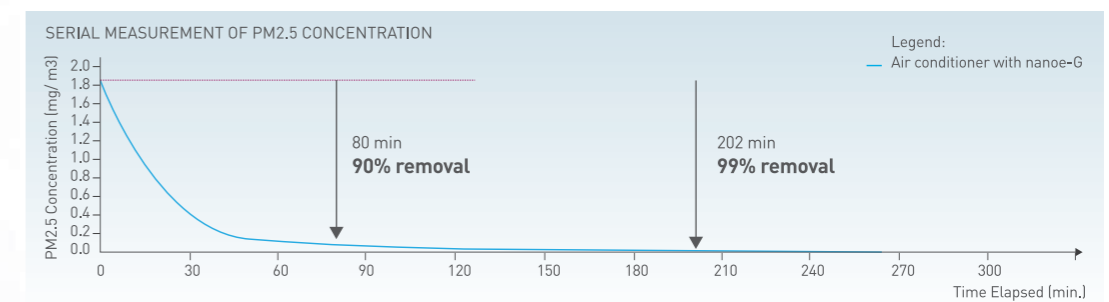
"Particulate matter," also known as PM is made up of a number of components including extremely small particles and liquid droplets. Sized at less than 2.5 micrometers (PM2.5), these particles are said to pose health problems as they can easily enter our lungs.

### PARTICLE SIZE COMPARISON



- PM2.5 is found in
- Industrial Smoke
  - Exhaust Gas
  - Haze
  - Cigarette Smoke

### PM2.5 REMOVAL EFFICIENCY BASED ON TIME



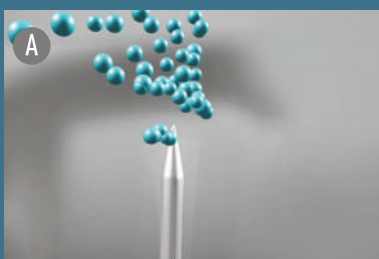
[ Representative evidence ]

\*2: Units based on Panasonic standards

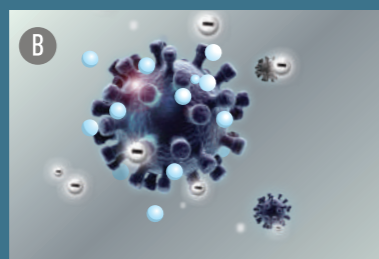
Substances name	Result*2	Capacity	Time (Hr.)	Testing organisation	Report No.
Airborne Cigarette smoke [as PM2.5]	Removed by 99% [compared to the initial concentration]	23m <sup>3</sup>	202 mins.	FCG Research Institute, Inc.	25034

\*nanoe-G function applicable to CS-MS9/12/15/18/24/28SKH-1.

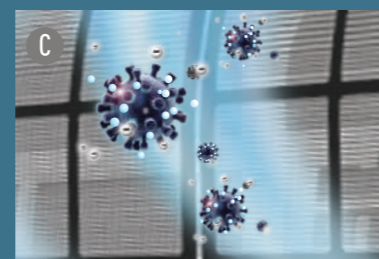
### How nanoe-G works



nanoe-G ion generator releases negative ions.



Negative ions attach to dust particles.



These particles are being carried back and trapped at the filter.

# Healthy Airflow

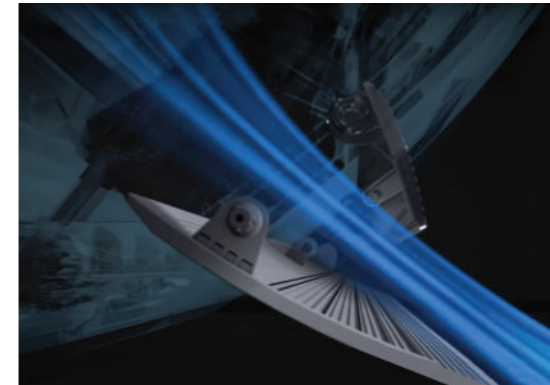
## Healthier Cooling With Faster, Further Airflow

Panasonic's air solutions deliver cooling comfort that adapts to you and your family's lifestyle in a healthier way.



### AEROWINGS can cool you in two ways :

#### FAST COOLING



AEROWINGS twin flaps angle downwards to deliver concentrated airflow to cool you instantly at start up.

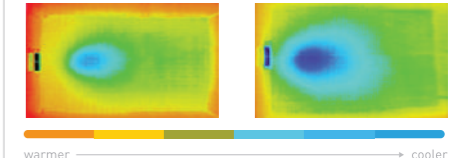
#### FAST COOLING AIRFLOW ASSESSMENT

##### AIRFLOW SMOKE TEST



AEROWINGS directs airflow downwards and straight to room occupants for a fast cooling effect.

##### TEMPERATURE DISTRIBUTION TEST



**CONVENTIONAL COOLING**  
Cool air blows downwards and cools the room at a slow pace, resulting in uneven cooling. The edge of the room remains warm.

**FAST COOLING**  
Concentrated airflow cools instantly. Room is evenly cooled.

#### SHOWER COOLING



AEROWINGS angles upwards to spread cool air over a wider area, then showers down gently and evenly across the room after reaching the set temperature.

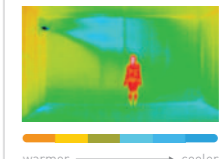
#### SHOWER COOLING AIRFLOW ASSESSMENT

##### AIRFLOW SMOKE TEST



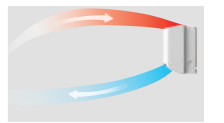
Instead of blowing cold air directly onto people, AEROWINGS directs airflow upwards over a wider area, then showers down gently and evenly across the room.

##### TEMPERATURE DISTRIBUTION TEST



**SHOWER COOLING**  
AEROWINGS directs cool air further and higher towards the ceiling to avoid direct cooling.

##### TOP AIR INTAKE



Hot air is drawn in from the top, and cool air is discharged from the bottom to facilitate cool air showering down over the entire area.

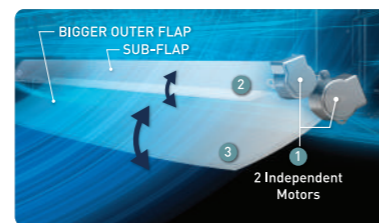
## AEROWINGS

### 2 Independent Flaps & Motors

The AEROWINGS is controlled by 2 independent motors and dual independent flaps. Airflow is delivered at a faster pace, spreading further at a concentrated level.

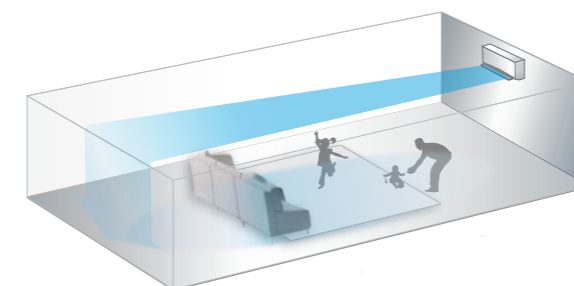


**Concentrated Airflow, Further**  
Further and faster airflow across the room.



- 1 **2 Independent Motors** control the Sub-Flap and Bigger Outer Flap separately.
- 2 **Sub-Flap** compresses and concentrates cool air.
- 3 **Bigger Outer Flap** helps to deliver airflow further.

## BIG FLAP



#### LONG AIRFLOW

Big bottom flap directs cool air across the room.



#### FAST COOLING

BIG FLAP directs airflow downwards and straight to room occupants for a fast cooling effect.



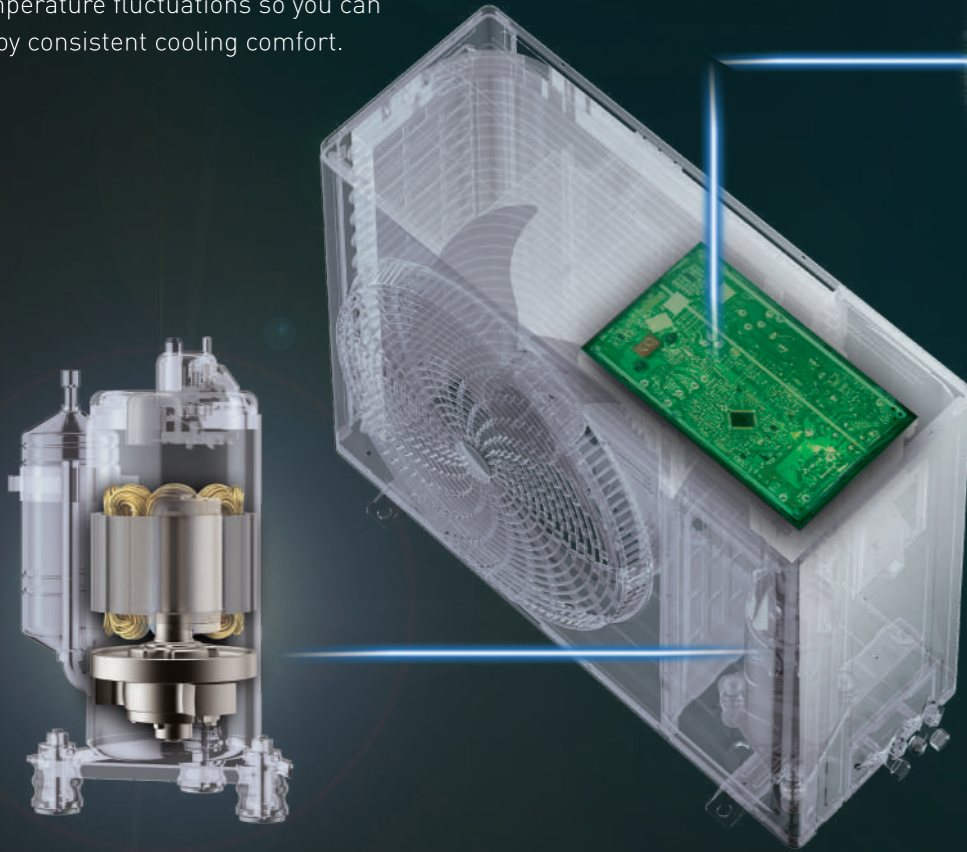
#### SHOWER COOLING

Cool air is directed upwards to spread across room and showers down gently.



# Energy Saving & Precise Temperature Control

Panasonic's INVERTER reduces power consumption by varying the speed of the compressor according to temperature changes with the aim of minimising the temperature fluctuations so you can enjoy consistent cooling comfort.



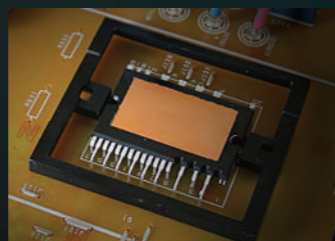
## THE "BRAIN" OF THE INVERTER

Micro computer determines the most suitable operation mode as time passes and automatically adjusts output power for maximum comfort always.



## PAM (Pulse Amplitude Modulation)

Increases compressor voltage rapidly, to provide powerful cooling to reach the set temperature fast at start up, just like turbo charging a car.



## PWM (Pulse Width Modulated Wave)

Stabilises the compressor rotation speed when maintaining the set temperature, like putting a car on cruise control.



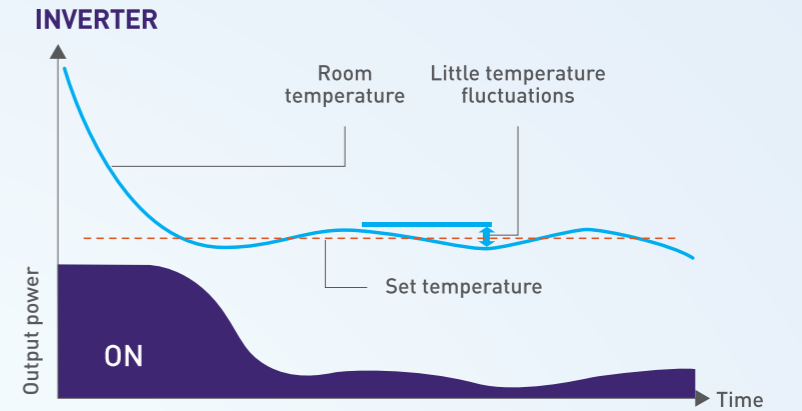
The Panasonic INVERTER air conditioner varies the rotation speed of the compressor, providing a precise method of maintaining the set temperature. Thus, Panasonic INVERTER air conditioners give you exceptional energy saving performance while ensuring you stay comfortable at all times.

## NON INVERTER

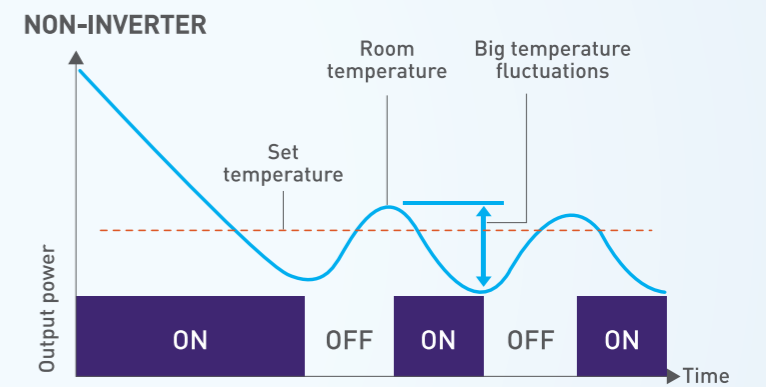
A conventional non-INVERTER air conditioner can only operate at a constant speed which is too powerful to maintain the set temperature. Thus, it switches the compressor on and off repeatedly. This results in wider temperature fluctuations leading to wasteful consumption of energy.

## PAM + PWM Control Higher Output Power & Efficiency

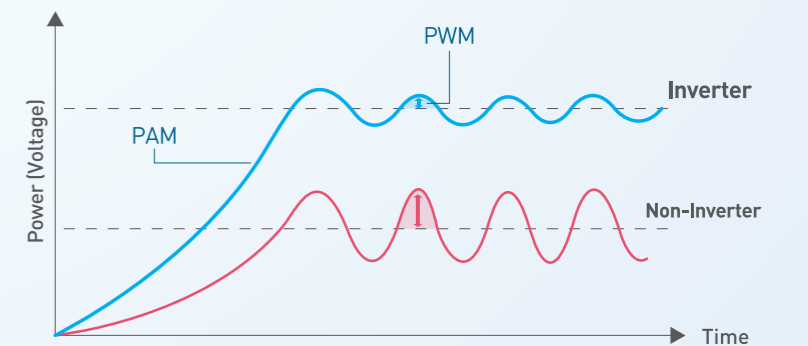
Advanced control technology achieves both high output power and energy-saving operation. PAM control improves efficiency during high-speed compressor operation to provide more power. PWM control improves efficiency during low-speed operation to save more energy.



Legend: ■ Output Power — Temperature  
 Remark: Saves energy by varying the rotation speed of the compressor to maintain the set temperature.



Legend: ■ Output Power — Temperature  
 Remark: Energy is wasted by switching the compressor ON and OFF to maintain the set temperature.



## ADVANTAGES OF THE MULTI INVERTER SYSTEM

Indoor unit

Outdoor unit

A variety of indoor units

**Air-quality features**  
(Wall-Mounted models type only)  
• nanoe-G (only for deluxe type wall mounted)

Adjusts the operation settings for each indoor unit independently

Space-saving

Single Split Type CU-S10TKH

**BIG SPACE SAVINGS!**  
CU-4S34SBH-1

With a single outdoor unit, control up to 4 indoor units. (Maximum)

**Inverter control**  
The inverter offers energy-saving efficiency, quick comfort, and flexible power control. Our compressor saves more energy while reducing vibration, noise and unit size.

## STANDARD TYPE WALL MOUNTED



CS-MPS9TKH (2.8kW) / CS-MPS12TKH (3.2kW) / CS-MPS15TKH (4.0kW)



CS-MPS18TKH (5.0kW) / CS-MPS24TKH (6.0kW) / CS-MPS28TKH (7.0kW)



Wireless



Wired (Optional)



**COOLING MODELS**

SLEEP	mode	24
fan	fan	fan
fan	fan	fan
fan	(Random)	fan
fan	(Optional)	fan

## DELUXE TYPE WALL MOUNTED



CS-MS9SKH-1 (2.8kW) / CS-MS12SKH-1 (3.2kW) / CS-MS15SKH-1 (4.0kW)



Wireless



CS-MS18SKH-1 (5.0kW) / CS-MS24SKH-1 (6.0kW) / CS-MS28SKH-1 (7.0kW)



Wired (Optional)



**COOLING MODELS**

ECONAVI	mode	AUTOCLEAN	fan
nanoe-G	fan	fan	fan
mode	fan	fan	fan
fan	(Random)	fan	fan
fan	(Optional)	fan	fan

## MINI CASSETTE



CS-S12SB4HW-1 (3.2kW) / CS-S18SB4HW-1 (5.0kW) / CS-S24SB4HW-1 (6.0kW)



Panel CZ-BT20EW



Wireless



**COOLING MODELS**

mode	fan	fan	fan
mode	fan	fan	fan
fan	fan	fan	fan
fan	fan	fan	fan
fan	(Random)	fan	fan

## SLIM DUCTED



CS-MS9SD3H-1 (2.8kW) / CS-MS12SD3H-1 (3.2kW) / CS-MS18SD3H-1 (5.0kW) / CS-MS24SD3H-1 (6.0kW)



Wireless



Receiver  
(Cable Length: 2 meter)



Wired (Optional)




**COOLING MODELS**

mode	fan	fan	fan
mode	fan	fan	fan
fan	fan	fan	fan
fan	fan	fan	fan
fan	(Random)	fan	fan


## OUTDOOR

### DUAL-SPLIT MODEL

Models	CU-2S18SKH-1	Indoor Units: Possible Combination Patterns ( Must be within capacity range )
2 Rooms		Port A <span style="background-color: #0056b3; color: white; padding: 2px;">2.8</span> or <span style="background-color: #0070c0; color: white; padding: 2px;">3.2</span> Port B <span style="background-color: #0056b3; color: white; padding: 2px;">2.8</span> or <span style="background-color: #0070c0; color: white; padding: 2px;">3.2</span>


- It is possible to have a combination of wall-mounted models [CS-MS9 & 12SKH-1 & MPS9 & 12TKH] and Slim Ducted [CS-MS9 & 12SD3H-1] for the [CU-2S18SKH-1] Outdoor Unit Ports.
- A minimum of 2 indoor units must be connected.

### TRIPLE-SPLIT MODEL

Models	CU-3S27SBH-1	Indoor Units: Possible Combination Patterns ( Must be within capacity range )
3 Rooms		Port A <span style="background-color: #0056b3; color: white; padding: 2px;">2.8</span> or <span style="background-color: #0070c0; color: white; padding: 2px;">3.2</span> or <span style="background-color: #0099cc; color: white; padding: 2px;">4.0</span> or <span style="background-color: #00b050; color: white; padding: 2px;">5.0</span> Port B <span style="background-color: #0056b3; color: white; padding: 2px;">2.8</span> or <span style="background-color: #0070c0; color: white; padding: 2px;">3.2</span> or <span style="background-color: #0099cc; color: white; padding: 2px;">4.0</span> or <span style="background-color: #00b050; color: white; padding: 2px;">5.0</span> Port C <span style="background-color: #0056b3; color: white; padding: 2px;">2.8</span> or <span style="background-color: #0070c0; color: white; padding: 2px;">3.2</span> or <span style="background-color: #0099cc; color: white; padding: 2px;">4.0</span> or <span style="background-color: #00b050; color: white; padding: 2px;">5.0</span>


- It is possible to have a combination of wall-mounted models [CS-MS9, 12, 15, 18SKH-1 & MPS9, 12, 15, 18TKH] and mini cassette [CS-S12, 18SB4HW-1] and Slim Ducted [CS-MS9, 12, 18SD3H-1] for the [CU-3S27SBH-1] Outdoor Unit Ports.
- A minimum of 2 indoor units must be connected.

### TRIPLE-SPLIT MODEL

Models	CU-3S28SBH-1	Indoor Units: Possible Combination Patterns ( Must be within capacity range )
3 Rooms		Port A <span style="background-color: #0056b3; color: white; padding: 2px;">2.8</span> or <span style="background-color: #0070c0; color: white; padding: 2px;">3.2</span> or <span style="background-color: #0099cc; color: white; padding: 2px;">4.0</span> or <span style="background-color: #00b050; color: white; padding: 2px;">5.0</span> or <span style="background-color: #0099cc; color: white; padding: 2px;">6.0</span> Port B <span style="background-color: #0056b3; color: white; padding: 2px;">2.8</span> or <span style="background-color: #0070c0; color: white; padding: 2px;">3.2</span> or <span style="background-color: #0099cc; color: white; padding: 2px;">4.0</span> or <span style="background-color: #00b050; color: white; padding: 2px;">5.0</span> or <span style="background-color: #0099cc; color: white; padding: 2px;">6.0</span> Port C <span style="background-color: #0056b3; color: white; padding: 2px;">2.8</span> or <span style="background-color: #0070c0; color: white; padding: 2px;">3.2</span> or <span style="background-color: #0099cc; color: white; padding: 2px;">4.0</span> or <span style="background-color: #00b050; color: white; padding: 2px;">5.0</span> or <span style="background-color: #0099cc; color: white; padding: 2px;">6.0</span>

- It is possible to have a combination of wall-mounted models [CS-MS9, 12, 15, 18, 24SKH-1 & MPS9, 12, 15, 18, 24TKH] and mini cassette [CS-S12, 18, 24SB4HW-1] and Slim Ducted [CS-MS9, 12, 18, 24SD3H-1] for the [CU-3S28SBH-1] Outdoor Unit Ports.
- A minimum of 2 indoor units must be connected.

### QUADRUPLE-SPLIT MODEL

Models	CU-4S34SBH-1	Indoor Units: Possible Combination Patterns ( Must be within capacity range )
4 Rooms		Port A <span style="background-color: #0056b3; color: white; padding: 2px;">2.8</span> or <span style="background-color: #0070c0; color: white; padding: 2px;">3.2</span> or <span style="background-color: #0099cc; color: white; padding: 2px;">4.0</span> or <span style="background-color: #00b050; color: white; padding: 2px;">5.0</span> or <span style="background-color: #0099cc; color: white; padding: 2px;">6.0</span> or <span style="background-color: #00b050; color: white; padding: 2px;">7.0</span> Port B <span style="background-color: #0056b3; color: white; padding: 2px;">2.8</span> or <span style="background-color: #0070c0; color: white; padding: 2px;">3.2</span> or <span style="background-color: #0099cc; color: white; padding: 2px;">4.0</span> or <span style="background-color: #00b050; color: white; padding: 2px;">5.0</span> or <span style="background-color: #0099cc; color: white; padding: 2px;">6.0</span> or <span style="background-color: #00b050; color: white; padding: 2px;">7.0</span> Port C <span style="background-color: #0056b3; color: white; padding: 2px;">2.8</span> or <span style="background-color: #0070c0; color: white; padding: 2px;">3.2</span> or <span style="background-color: #0099cc; color: white; padding: 2px;">4.0</span> or <span style="background-color: #00b050; color: white; padding: 2px;">5.0</span> or <span style="background-color: #0099cc; color: white; padding: 2px;">6.0</span> or <span style="background-color: #00b050; color: white; padding: 2px;">7.0</span> Port D <span style="background-color: #0056b3; color: white; padding: 2px;">2.8</span> or <span style="background-color: #0070c0; color: white; padding: 2px;">3.2</span> or <span style="background-color: #0099cc; color: white; padding: 2px;">4.0</span> or <span style="background-color: #00b050; color: white; padding: 2px;">5.0</span> or <span style="background-color: #0099cc; color: white; padding: 2px;">6.0</span> or <span style="background-color: #00b050; color: white; padding: 2px;">7.0</span>

- It is possible to have a combination of wall-mounted models [CS-MS9, 12, 15, 18, 24, 28SKH-1 & MPS9, 12, 15, 18, 24, 28TKH] and mini cassette [CS-S12, 18, 24SB4HW-1] and Slim Ducted [CS-MS9, 12, 18, 24SD3H-1] for the [CU-4S34SBH-1] Outdoor Unit Ports.
- A minimum of 2 indoor units must be connected.

## SPECIFICATIONS - INDOOR (Deluxe Wall Mounted)

MODEL		CS-MS9SKH-1	CS-MS12SKH-1
Operation		1-Unit	1-Unit
Cooling Capacity	Btu/h	9,550	10,900
	kW	2.80	3.20
Electrical Data	Voltage	V	220 - 240
Sound Pressure Level	Indoor (Hi/Lo)	dB-A	41 / 29
Moisture Removal		L/h	1.6
Air Circulation (Indoor/Hi)	m³/min.	11.2	12.6
	cfm	395	445
Fan Output		W	40
Dimensions	Height	mm	296
	Width	mm	870
	Depth	mm	236
Net Weight Indoor		kg	9
Refrigerant Pipe Diameter	Liquid Side	mm	ø 6.35
	Gas Side	mm	ø 9.52
Power Supply		Outdoor	Outdoor

## SPECIFICATIONS - INDOOR (Deluxe Wall Mounted)

MODEL		CS-MS15SKH-1	CS-MS18SKH-1	CS-MS24SKH-1	CS-MS28SKH-1
Operation		1-Unit	1-Unit	1-Unit	1-Unit
Cooling Capacity	Btu/h	13,600	17,100	20,500	23,900
	kW	4.00	5.00	6.00	7.00
Electrical Data	Voltage	V	220 - 240	220 - 240	220 - 240
Sound Pressure Level	Indoor (Hi/Lo)	dB-A	45 / 32	47 / 38	48 / 39
Moisture Removal		L/h	2.3	2.7	3.3
Air Circulation (Indoor/Hi)	m³/min.	13.3	17.6	17.9	18.4
	cfm	470	620	630	650
Fan Output		W	40	40	40
Dimensions	Height	mm	296	296	296
	Width	mm	870	1,070	1,070
	Depth	mm	236	241	241
Net Weight Indoor		kg	9	12	12
Refrigerant Pipe Diameter	Liquid Side	mm	ø 6.35	ø 6.35	ø 6.35
	Gas Side	mm	ø 9.52	ø 9.52	ø 12.70
Power Supply		Outdoor	Outdoor	Outdoor	Outdoor

### SPECIFICATIONS - INDOOR (Standard Wall Mounted)

MODEL		CS-MPS9TKH	CS-MPS12TKH	CS-MPS15TKH	CS-MPS18TKH	CS-MPS24TKH	CS-MPS28TKH
Operation		1-Unit	1-Unit	1-Unit	1-Unit	1-Unit	1-Unit
Cooling Capacity	Btu/h	9,550	10,900	13,600	17,100	20,500	23,900
	kW	2.80	3.20	4.00	5.00	6.00	7.00
Electrical Data	Voltage	V	220 - 240	220 - 240	220 - 240	220 - 240	220 - 240
Sound Pressure Level	Indoor (Hi/Lo)	dB-A	40 / 29	42 / 32	44 / 32	47 / 38	48 / 39
Moisture Removal	L/h	1.6	1.8	2.3	2.7	3.3	3.9
Air Circulation (Indoor/Hi)	m³/min.	11.0	11.4	11.8	20.3	21.2	21.8
	cfm	390	400	415	715	750	770
Fan Output	W	40	40	40	40	30	30
Dimensions	Height	mm	290	290	290	302	302
	Width	mm	799	799	799	1,102	1,102
	Depth	mm	197	197	197	244	244
Net Weight Indoor	kg	8	9	9	12	12	12
Refrigerant Pipe Diameter	Liquid Side	mm	ø 6.35	ø 6.35	ø 6.35	ø 6.35	ø 6.35
	Gas Side	mm	ø 9.52	ø 9.52	ø 9.52	ø 9.52	ø 12.70
Power Supply		Outdoor	Outdoor	Outdoor	Outdoor	Outdoor	Outdoor

### SPECIFICATIONS - INDOOR (Mini Cassette)

MODEL		CS-S12SB4HW-1	CS-S18SB4HW-1	CS-S24SB4HW-1
Operation		1-Unit	1-Unit	1-Unit
Cooling Capacity	Btu/h	10,900	17,100	20,500
	kW	3.20	5.00	6.00
Electrical Data	Voltage	V	220 - 240	220 - 240
Sound Pressure Level	Indoor (Hi/Lo)	dB-A	34 / 26	36 / 28
Moisture Removal	L/h	1.8	2.7	3.3
Air Circulation (Indoor/Hi)	m³/min.	10.5	11.0	12.8
	cfm	370	390	450
Fan Output	W	40	40	40
Dimensions	Height	mm	260	260
	Width	mm	575	575
	Depth	mm	575	575
Net Weight Indoor	kg	18	18	18
Refrigerant Pipe Diameter	Liquid Side	mm	ø 6.35	ø 6.35
	Gas Side	mm	ø 9.52	ø 9.52
Power Supply		Outdoor	Outdoor	Outdoor

### SPECIFICATIONS - INDOOR (Slim Ducted)

MODEL		CS-MS9SD3H-1	CS-MS12SD3H-1	CS-MS18SD3H-1	CS-MS24SD3H-1
Operation		1-Unit	1-Unit	1-Unit	1-Unit
Cooling Capacity	Btu/h	9,550	10,900	17,100	20,500
	kW	2.80	3.20	5.00	6.00
Electrical Data	Voltage	V	220 - 240	220 - 240	220 - 240
Sound Pressure Level	Indoor (Hi/Lo)	dB-A	35 / 28	35 / 28	41 / 30
Air Circulation (Indoor/Hi)	m³/min.	13.2	13.2	15.5	15.5
	cfm	465	465	545	545
Dimensions	Height	mm	200	200	200
	Width	mm	750	750	750
	Depth	mm	640	640	640
Net Weight Indoor	kg	19	19	19	19
Refrigerant Pipe Diameter	Liquid Side	mm	ø 6.35	ø 6.35	ø 6.35
	Gas Side	mm	ø 9.52	ø 9.52	ø 9.52
Power Supply		Outdoor	Outdoor	Outdoor	Outdoor

### SPECIFICATIONS - OUTDOOR

MODEL		DUAL-SPLIT MODEL	TRIPLE-SPLIT MODEL		QUADRUPLE-SPLIT MODEL	
		CU-2S18SKH-1	CU-3S27SBH-1	CU-3S28SBH-1	CU-4S34SBH-1	
Cooling Capacity	Btu/h (min ~ max)	17,100 (5,120-20,500)	25,600 (9,550-27,300)	25,600 (9,550-30,700)	34,100 (9,890-37,500)	
	kW (min ~ max)	5.00 (1.50-6.00)	7.50 (2.80-8.00)	7.50 (2.80-9.00)	10.0 (2.90-11.00)	
EER	Btu/hW	11.96	12.43	12.43	12.18	
	W/W	3.5	3.64	3.64	3.57	
Electrical Data	Voltage	V	220 - 240	220 - 240	220 - 240	
	Running Current	A	6.8 - 6.2	10.2 - 9.4	10.1 - 9.2	13.5 - 12.4
Sound Pressure Level	Power Input (min ~ max)	W	1,430 (250-1,780)	2,060 (520-2,650)	2,060 (520-2,830)	2,800 (560-3,460)
	Outdoor (Hi/Lo)	dB-A	50	49	49	52
Maximum Current	A	12	15.2	15.2	21.3	
Starting Current	A	6.8	10.2	10.1	13.5	
Compressor Output	W	900	1,300	1,300	1,700	
Fan Output	W	40	44	60	90	
Dimensions	Height	mm	619	695	795	999
	Width	mm	824 (+70)	875 (+95)	875 (+95)	940
	Depth	mm	299	320	320	340
Net Weight Outdoor	kg	37	57	68	76	
Pipe Extension**	Chargeless Pipe Length	m	20	30	30	45
	Maximum Pipe Length	1 Room	20	25	25	25
		Total	30	60	60	70
	Maximum Elevation Length	m	10	15	15	15
	Additional Refrigerant Gas*	g/m	15	20	20	20

\* When pipes are not extended from the standard pipe length, the required amount of refrigerant is already in the unit.



### INVERTER DUAL-SPLIT MODEL (CU-2S18SKH-1)

INDOOR UNIT COMBINATION	TOTAL	COOLING CAPACITY (kW)				POWER INPUT (W)		CURRENT (A)		MOISTURE REMOVAL L/H
		A	B	TOTAL	MIN - MAX	RATED	MIN - MAX	240V / 50Hz		
1 Room	28	28	2.80		2.80	1.1 ~ 3.5	750	220 ~ 1000	3.65 / 3.40	1.6
	32	32	3.20		3.20	1.1 ~ 4.0	920	220 ~ 1220	4.50 / 4.20	1.8
2 Room	28 + 28	56	2.40	2.40	4.80	1.5 ~ 5.8	1340	250 ~ 1720	6.50 / 6.05	1.5 + 1.5
	28 + 32	60	2.30	2.70	5.00	1.5 ~ 5.9	1520	250 ~ 1740	7.40 / 6.90	1.5 + 1.6
	32 + 32	64	2.50	2.50	5.00	1.5 ~ 6.0	1430	250 ~ 1780	6.75 / 6.25	1.5 + 1.5

### INVERTER TRIPLE-SPLIT MODEL (CU-3S27SBH-1)

INDOOR UNIT COMBINATION	TOTAL	COOLING CAPACITY (kW)				POWER INPUT (W)		CURRENT (A)		MOISTURE REMOVAL L/H
		A	B	C	TOTAL	MIN - MAX	RATED	MIN - MAX	240V / 50Hz	
1 Room	28	28	2.80		2.80	1.7 ~ 3.4	700	380 ~ 890	3.8 / 3.5	1.6
	32	32	3.20		3.20	1.7 ~ 4.0	800	380 ~ 1,200	4.3 / 3.9	1.8
	40	40	4.00		4.00	1.7 ~ 4.8	1,180	380 ~ 1,480	6.1 / 5.6	2.3
	50	50	5.00		5.00	1.9 ~ 5.8	1,460	400 ~ 1,890	7.4 / 6.8	2.7
2 Rooms	28 + 28	56	2.80	2.80	5.60	1.7 ~ 6.4	1,750	420 ~ 2,600	8.7 / 8.0	1.6 + 1.6
	28 + 32	60	2.80	3.20	6.00	1.7 ~ 6.5	2,010	420 ~ 2,600	10.0 / 9.2	1.6 + 1.8
	28 + 40	68	2.80	4.00	6.80	2.5 ~ 7.3	2,420	550 ~ 3,330	12.0 / 11.0	1.6 + 2.3
	28 + 50	78	2.69	4.81	7.50	2.7 ~ 7.7	2,810	530 ~ 3,310	13.9 / 12.7	1.6 + 2.6
	32 + 32	64	3.20	3.20	6.40	2.3 ~ 7.1	2,290	570 ~ 3,350	11.3 / 10.4	1.8 + 1.8
	32 + 40	72	3.20	4.00	7.20	2.5 ~ 7.4	2,770	550 ~ 3,330	13.7 / 12.5	1.8 + 2.3
	32 + 50	82	2.93	4.57	7.50	2.8 ~ 7.7	2,760	530 ~ 3,310	13.6 / 12.5	1.7 + 2.5
	40 + 40	80	3.75	3.75	7.50	2.7 ~ 7.6	2,870	540 ~ 3,310	14.2 / 13.0	2.2 + 2.2
	40 + 50	90	3.33	4.17	7.50	2.8 ~ 7.8	2,600	530 ~ 3,300	12.8 / 11.8	1.9 + 2.4
	50 + 50	100	3.75	3.75	7.50	2.9 ~ 8.0	2,440	520 ~ 3,300	12.1 / 11.1	2.2 + 2.2
3 Rooms	28 + 28 + 28	84	2.50	2.50	2.50	2.4 ~ 7.6	2,740	580 ~ 3,170	13.5 / 12.4	1.5 + 1.5 + 1.5
	28 + 28 + 32	88	2.39	2.39	2.72	2.4 ~ 7.7	2,690	580 ~ 3,170	13.3 / 12.2	1.5 + 1.5 + 1.6
	28 + 28 + 40	96	2.19	2.19	3.12	2.6 ~ 8.0	2,490	600 ~ 3,260	12.3 / 11.3	1.4 + 1.4 + 1.8
	28 + 28 + 50	106	1.98	1.98	3.54	2.8 ~ 8.0	2,250	600 ~ 2,910	11.1 / 10.2	1.3 + 1.3 + 2.0
	28 + 32 + 32	92	2.28	2.61	2.61	2.4 ~ 7.7	2,690	580 ~ 3,180	13.3 / 12.2	1.5 + 1.6 + 1.6
	28 + 32 + 40	100	2.10	2.40	3.00	2.6 ~ 8.0	2,450	600 ~ 3,200	12.1 / 11.1	1.4 + 1.5 + 1.7
	28 + 32 + 50	110	1.91	2.18	3.41	2.8 ~ 8.0	2,250	600 ~ 2,910	11.1 / 10.2	1.2 + 1.4 + 2.0
	28 + 40 + 40	108	1.94	2.78	2.78	2.7 ~ 8.0	2,290	600 ~ 3,020	11.3 / 10.4	1.3 + 1.6 + 1.6
	28 + 40 + 50	118	1.78	2.54	3.18	2.8 ~ 8.0	2,170	580 ~ 2,760	10.7 / 9.8	1.1 + 1.6 + 1.8
	28 + 50 + 50	128	1.64	2.93	2.93	2.8 ~ 8.0	2,070	520 ~ 2,650	10.2 / 9.4	1.0 + 1.7 + 1.7
	32 + 32 + 32	96	2.50	2.50	2.50	2.4 ~ 7.7	2,650	590 ~ 3,190	13.1 / 12.0	1.5 + 1.5 + 1.5
	32 + 32 + 40	104	2.31	2.31	2.88	2.6 ~ 8.0	2,450	600 ~ 3,210	12.1 / 11.1	1.5 + 1.5 + 1.7
	32 + 32 + 50	114	2.11	2.11	3.28	2.8 ~ 8.0	2,250	600 ~ 2,920	11.1 / 10.2	1.4 + 1.4 + 1.9
	32 + 40 + 40	112	2.14	2.68	2.68	2.8 ~ 8.0	2,290	600 ~ 2,960	11.3 / 10.4	1.4 + 1.6 + 1.6
	32 + 40 + 50	122	1.97	2.46	3.07	2.8 ~ 8.0	2,170	580 ~ 2,760	10.7 / 9.8	1.3 + 1.5 + 1.7
	32 + 50 + 50	132	1.82	2.84	2.84	2.8 ~ 8.0	2,060	520 ~ 2,650	10.2 / 9.4	1.2 + 1.7 + 1.7
	40 + 40 + 40	120	2.50	2.50	2.50	2.8 ~ 8.0	2,170	590 ~ 2,820	10.7 / 9.8	1.5 + 1.5 + 1.5
	40 + 40 + 50	130	2.31	2.31	2.88	2.8 ~ 8.0	2,070	540 ~ 2,650	10.2 / 9.4	1.5 + 1.5 + 1.7

• Specification based on JIS C 9612 standard.  
 • A minimum of 2 indoor units must be connected.

### INVERTER TRIPLE-SPLIT MODEL (CU-3S28SBH-1)

INDOOR UNIT COMBINATION	TOTAL	COOLING CAPACITY (kW)				POWER INPUT (W)		CURRENT (A)		MOISTURE REMOVAL L/H
		A	B	C	TOTAL	MIN - MAX	RATED	MIN - MAX	240V / 50Hz	
1 Room	28	28	2.80		2.80	1.7 ~ 3.4	700	380 ~ 890	3.7 / 3.4	1.6
	32	32	3.20		3.20	1.7 ~ 4.0	800	380 ~ 1,200	4.2 / 3.9	1.8
	40	40	4.00		4.00	1.7 ~ 4.8	1,180	380 ~ 1,480	6.0 / 5.5	2.3
	50	50	5.00		5.00	1.9 ~ 5.8	1,460	400 ~ 1,890	7.3 / 6.7	2.7
2 Rooms	28 + 28	56	2.80	2.80	5.60	1.7 ~ 6.7	1,750	420 ~ 2,340	8.6 / 7.9	1.6 + 1.6
	28 + 32	60	2.80	3.20	6.00	1.7 ~ 6.7	2,010	420 ~ 2,340	9.8 / 9.0	1.6 + 1.8
	28 + 40	68	2.80	4.00	6.80	2.5 ~ 7.6	2,420	550 ~ 2,990	11.8 / 10.8	1.6 + 2.3
	28 + 50	78	2.69	4.81	7.50	2.7 ~ 8.0	2,810	530 ~ 2,980	13.7 / 12.6	1.6 + 2.6
	28 + 60	88	2.39	5.11	7.50	2.7 ~ 8.0	2,810	530 ~ 2,980	13.7 / 12.6	1.5 + 2.8
	32 + 32	64	3.20	3.20	6.40	2.3 ~ 7.4	2,290	570 ~ 3,010	11.2 / 10.3	1.8 + 1.8
	32 + 40	72	3.20	4.00	7.20	2.5 ~ 7.7	2,770	550 ~ 2,990	13.5 / 12.4	1.8 + 2.3
	32 + 50	82	2.93	4.57	7.50	2.8 ~ 8.0	2,760	530 ~ 2,970	13.5 / 12.4	1.7 + 2.5
	32 + 60	92	2.61	4.89	7.50	2.8 ~ 8.0	2,760	530 ~ 2,970	13.5 / 12.4	1.6 + 2.7
	40 + 40	80	3.75	3.75	7.50	2.7 ~ 7.9	2,870	540 ~ 2,980	14.0 / 12.9	2.2 + 2.2
	40 + 50	90	3.33	4.17	7.50	2.8 ~ 8.1	2,600	530 ~ 2,970	12.7 / 11.6	1.9 + 2.4
	40 + 60	100	3.00	4.50	7.50	2.8 ~ 8.1	2,600	530 ~ 2,970	12.7 / 11.6	1.7 + 2.5
	50 + 50	100	3.75	3.75	7.50	2.9 ~ 8.3	2,440	520 ~ 2,970	11.9 / 10.9	2.2 + 2.2
	50 + 60	110	3.41	4.09	7.50	2.9 ~ 8.3	2,440	520 ~ 2,970	11.9 / 10.9	2.0 + 2.3
	60 + 60	120	3.75	3.75	7.50	2.9 ~ 8.3	2,440	520 ~ 2,970	11.9 / 10.9	2.2 + 2.2
	3 Rooms	28 + 28 + 28	84	2.50	2.50	2.50	2.4 ~ 7.9	2,740	580 ~ 2,840	13.4 / 12.3
28 + 28 + 32		88	2.39	2.39	2.72	2.4 ~ 8.0	2,690	580 ~ 2,850	13.1 / 12.1	1.5 + 1.5 + 1.6
28 + 28 + 40		96	2.19	2.19	3.12	2.6 ~ 8.4	2,490	600 ~ 2,930	12.2 / 11.2	1.4 + 1.4 + 1.8
28 + 28 + 50		106	1.98	1.98	3.54	2.8 ~ 8.8	2,250	600 ~ 3,010	11.0 / 10.1	1.3 + 1.3 + 2.0
28 + 28 + 60		116	1.81	1.81	3.88	2.8 ~ 8.8	2,250	600 ~ 3,010	11.0 / 10.1	1.2 + 1.2 + 2.3
28 + 32 + 32		92	2.28	2.61	2.61	2.4 ~ 8.0	2,690	580 ~ 2,860	13.1 / 12.1	1.5 + 1.6 + 1.6
28 + 32 + 40		100	2.10	2.40	3.00	2.6 ~ 8.4	2,450	600 ~ 2,930	12.0 / 11.0	1.4 + 1.5 + 1.7
28 + 32 + 50		110	1.91	2.18	3.41	2.8 ~ 8.8	2,250	600 ~ 3,020	11.0 / 10.1	1.2 + 1.4 + 2.0
28 + 32 + 60		120	1.75	2.00	3.75	2.8 ~ 8.8	2,250	600 ~ 3,020	11.0 / 10.1	1.1 + 1.3 + 2.2
28 + 40 + 40		108	1.94	2.78	2.78	2.7 ~ 8.7	2,290	600 ~ 3,000	11.2 / 10.3	1.3 + 1.6 + 1.6
28 + 40 + 50		118	1.78	2.54	3.18	2.8 ~ 9.0	2,170	580 ~ 3,050	10.6 / 9.7	1.1 + 1.6 + 1.8
28 + 40 + 60		128	1.64	2.34	3.52	2.8 ~ 9.0	2,170	580 ~ 3,050	10.6 / 9.7	1.0 + 1.5 + 2.0
28 + 50 + 50		128	1.64	2.93	2.93	2.8 ~ 9.0	2,070	520 ~ 2,830	10.1 / 9.3	1.0 + 1.7 + 1.7
32 + 32 + 32		96	2.50	2.50	2.50	2.4 ~ 8.0	2,650	590 ~ 2,860	13.0 / 11.9	1.5 + 1.5 + 1.5
32 + 32 + 40		104	2.31	2.31	2.88	2.6 ~ 8.4	2,450	600 ~ 2,940	12.0 / 11.0	1.5 + 1.5 + 1.7
32 + 32 + 50		114	2.11	2.11	3.28	2.8 ~ 8.8	2,250	600 ~ 3,020	11.0 / 10.1	1.4 + 1.4 + 1.9
32 + 32 + 60		124	1.94	1.94	3.62	2.8 ~ 8.8	2,250	600 ~ 3,020	11.0 / 10.1	1.3 + 1.3 + 2.1
32 + 40 + 40		112	2.14	2.68	2.68	2.8 ~ 8.7	2,290	600 ~ 3,000	11.2 / 10.3	1.4 + 1.6 + 1.6
32 + 40 + 50		122	1.97	2.46	3.07	2.8 ~ 9.0	2,170	580 ~ 3,060	10.6 / 9.7	1.3 + 1.5 + 1.7
32 + 40 + 60		132	1.82	2.27	3.41	2.8 ~ 9.0	2,170	580 ~ 3,060	10.6 / 9.7	1.2 + 1.5 + 2.0
32 + 50 + 50	132	1.82	2.84	2.84	2.8 ~ 9.0	2,060	520 ~ 2,830	10.1 / 9.2	1.2 + 1.7 + 1.7	
40 + 40 + 40	120	2.50	2.50	2.50	2.8 ~ 9.0	2,170	590 ~ 3,040	10.6 / 9.7	1.5 + 1.5 + 1.5	
40 + 40 + 50	130	2.31	2.31	2.88	2.8 ~ 9.0	2,070	540 ~ 2,830	10.1 / 9.3	1.5 + 1.5 + 1.7	

• Specification based on JIS C 9612 standard.  
 • A minimum of 2 indoor units must be connected.



### Connection of Cooling Multi Inverter

Outdoor Unit	Indoor		
	Type	Maximum Connectable Indoor unit kW	kW
 CU-2S18SKH-1	<b>Wall Mounted</b>  	6.4	2.8 3.2
	<b>Slim Ducted</b> 		2.8 3.2
 CU-3S27SBH-1	<b>Wall Mounted</b>  	13.2	2.8 3.2 4.0 5.0
	<b>Mini-Cassette</b> 		2.8 3.2 4.0 5.0
	<b>Slim Ducted</b> 		3.2 5.0
	<b>Slim Ducted</b> 		2.8 3.2 5.0
 CU-3S28SBH-1	<b>Wall Mounted</b>  	13.2	2.8 3.2 4.0 5.0 6.0
	<b>Mini-Cassette</b> 		2.8 3.2 5.0 6.0
	<b>Slim Ducted</b> 		3.2 5.0 6.0
	<b>Slim Ducted</b> 		2.8 3.2 5.0 6.0
 CU-4S34SBH-1	<b>Wall Mounted</b>  	17.4	2.8 3.2 4.0 5.0 6.0 7.0
	<b>Mini-Cassette</b> 		2.8 3.2 4.0 5.0 6.0 7.0
	<b>Slim Ducted</b> 		3.2 5.0 6.0
	<b>Slim Ducted</b> 		2.8 3.2 5.0 6.0
	<b>Slim Ducted</b> 		2.8 3.2 5.0 6.0
	<b>Slim Ducted</b> 		2.8 3.2 5.0 6.0

Pipe size reducer CZ-MA1P must be used(ID connect to 3/8" piping). \* SD3 Ducted wireless remote control as standard.  
 Pipe size expander CZ-MA2P must be used(OD connect to 1/2" piping). \* Wired remote control as optional part.  
 Pipe size reducer CZ-MA3P must be used(ID connect to 1/2" piping).

### FEATURES COMPARISON

Split Type	Multi-Split Wall-Mounted				Inverter Multi-Combination	
	Deluxe		Standard		Mini Cassette	Slim Ducted
Cooling Models	CS-M59SKH-1 CS-M512SKH-1 CS-M515SKH-1	CS-M518SKH-1 CS-M524SKH-1 CS-M528SKH-1	CS-MPS9TKH CS-MPS12TKH CS-MPS15TKH	CS-MPS18TKH CS-MPS24TKH CS-MPS28TKH	CS-S125B4HW-1 CS-S185B4HW-1 CS-S245B4HW-1	CS-M59SD3H-1 CS-M512SD3H-1 CS-M518SD3H-1 CS-M524SD3H-1
<b>COMFORT</b>						
ECONAVI	•	•				
Temperature Wave	•	•				
AUTOCOMFORT	•	•				
SLEEP			•	•		
Inverter Control	•	•	•	•	•	•
Quiet Mode	•	•	•	•	•	•
Powerful Mode	•	•	•	•	•	•
Soft Dry Operation Mode	•	•	•	•	•	•
Personal Airflow Creation	•	•				
Airflow Direction Control (Up & Down)			•	•	•	•
Manual Horizontal Airflow Direction Control			•	•		
Automatic Operation Mode (Cooling)	•	•	•	•	•	•
<b>CLEANER AIR</b>						
nanoe-S	•	•				
Anti-Bacterial Filter			•	•		
Odour-Removing Function	•	•	•	•	•	•
Removable, Washable Panel	•	•	•	•		
Anti-Mould, One-Touch Air Filter					•	•
<b>CONVENIENCE</b>						
24-Hour Dual ON & OFF Real Setting Timer	•	•				•
24-Hour ON & OFF Real Setting Timer			•	•	•	•
LCD Wireless Remote Control	•	•	•	•	•	•
Wired Remote Control	(Optional)	(Optional)	(Optional)	(Optional)		(Optional)
Bottom Air Intake					•	•
Built-in Drain Pump					•	•
<b>RELIABILITY</b>						
Random Auto Restart (32 Restart Patterns)	•	•	•	•	•	•
Blue Fin Condenser	•	•	•	•	•	•
Long Piping (Numbers indicate the maximum pipe length)	Refer Page 19	Refer Page 19	Refer Page 19	Refer Page 19	Refer Page 19	Refer Page 19
Top-Panel Maintenance Access	•	•	•	•	•	•
Self-Diagnostic Function	•	•	•	•	•	•

## FEATURES EXPLANATION

COMFORT					
<b>ECONAVI</b> Detects and reduces waste for more energy savings.		<b>QUIET MODE</b>		<b>PERSONAL AIRFLOW CREATION</b> Vertical and horizontal airflow patterns can be combined as desired to achieve optimum comfort, with operation possible by remote even from a distance.	
<b>TEMPERATURE WAVE</b> Rhythmic temperature-controlled pattern to save energy without sacrificing comfort.		<b>POWERFUL MODE</b>		<b>AIRFLOW DIRECTION CONTROL (UP &amp; DOWN)</b>	
<b>AUTOCOMFORT</b> Detects high activity levels and adjusts cooling power to improve comfort.		<b>SLEEP MODE</b> Delays off timer with temperature control for better sleep.		<b>MANUAL HORIZONTAL AIRFLOW DIRECTION CONTROL</b>	
<b>INVERTER CONTROL</b> Varies the rotation speed of the compressor for higher energy savings.		<b>SOFT DRY OPERATION MODE</b> Starts with cooling to dehumidify, then provides continuous breeze at a low frequency to keep a room dry without much change to the temperature.		<b>AUTOMATIC OPERATION MODE (COOLING)</b>	
CLEANER AIR					
<b>nanoe-G</b> nanoe-G works effectively on airborne particles including PM2.5, adhesive and in-filter micro-organisms such as bacteria, viruses and mould ensuring a cleaner living environment.		<b>ODOUR-REMOVING FUNCTION</b> With this function, there's no unpleasant odor when the unit starts up. That's because the fan remains off momentarily, while the source of the odour inside the air conditioner is suppressed.		<b>REMOVABLE, WASHABLE PANEL</b>	
<b>ANTI-BACTERIAL FILTER</b> The Anti-Bacterial Filter combines three effects in one: anti-allergen, anti-virus and anti-bacteria protection to provide clean air.		The unit must be in cool or dry mode and the fan speed must be set to automatic.		<b>ONE-TOUCH AIR FILTER</b>	
CONVENIENCE					
<b>24-HOUR DUAL ON &amp; OFF REAL SETTING TIMER</b> This feature enables you to preset two different sets of start/stop operation timer (hour and minute) within a 24-hour time frame.		<b>24-HOUR ON &amp; OFF REAL SETTING TIMER</b> The exact operating time (hour and minute) of the air conditioner can be set in advance. From here on, the unit will operate in accordance to these preset hours every day until the system is reset.		<b>BUILT-IN DRAIN PUMP</b>	
<b>LCD WIRELESS REMOTE CONTROL</b>		<b>WIRED REMOTE CONTROL</b>		<b>BOTTOM AIR INTAKE</b>	
RELIABILITY					
<b>RANDOM AUTO RESTART</b>		<b>LONG PIPING</b>		<b>SELF-DIAGNOSTIC FUNCTION</b> Should a malfunction occur, the unit diagnoses the problem and shows the corresponding alphanumeric code. This allows for quicker servicing.	
<b>BLUE FIN CONDENSER</b>		<b>TOP-PANEL MAINTENANCE ACCESS</b>			

## OPTIONAL ACCESSORIES

PIPE SIZE REDUCER	PIPE SIZE EXPANDER	RAC INTERFACE ADAPTOR	REMOTE CONTROL
Use at the indoor unit's connection port	Use at the outdoor unit's connection port		Wired Remote Control
 CZ-MA1P	 CZ-MA3P	 CZ-CAPRA1	 CZ-RD514C
 CZ-MA2P			 CZ-RD52CP-1
CS-S12SB4HW-1, CS-S18SB4HW-1	CS-S24SB4HW-1	CS-MS24SKH-1, MS28SKH-1, CS-MPS24TKH, CS-MPS28TKH, CS-MS24SD3H-1, CS-S24SB4HW-1	CS-MS9SKH-1, CS-MS12SKH-1, CS-MS15SKH-1, CS-MS18SKH-1, CS-MS24SKH-1, CS-MS28SKH-1, CS-MPS9TKH, CS-MPS12TKH, CS-MPS15TKH, CS-MPS18TKH, CS-MPS24TKH, CS-MPS28TKH, CS-MS9SD3H-1, CS-MS12SD3H-1, CS-MS18SD3H-1, CS-MS24SD3H-1
		CS-MS9SKH-1, CS-MS12SKH-1, CS-MS15SKH-1, CS-MS18SKH-1, CS-MS24SKH-1, CS-MS28SKH-1, CS-MPS9TKH, CS-MPS12TKH, CS-MPS15TKH, CS-MPS18TKH, CS-MPS24TKH, CS-MPS28TKH	

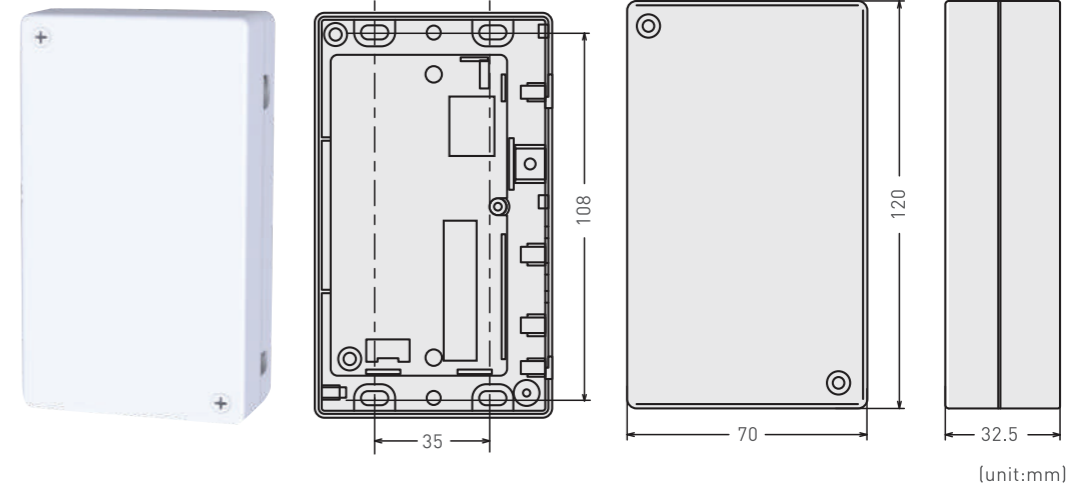
## RAC INTERFACE ADAPTOR

### SPECIFICATIONS

#### RAC Interface Adaptor

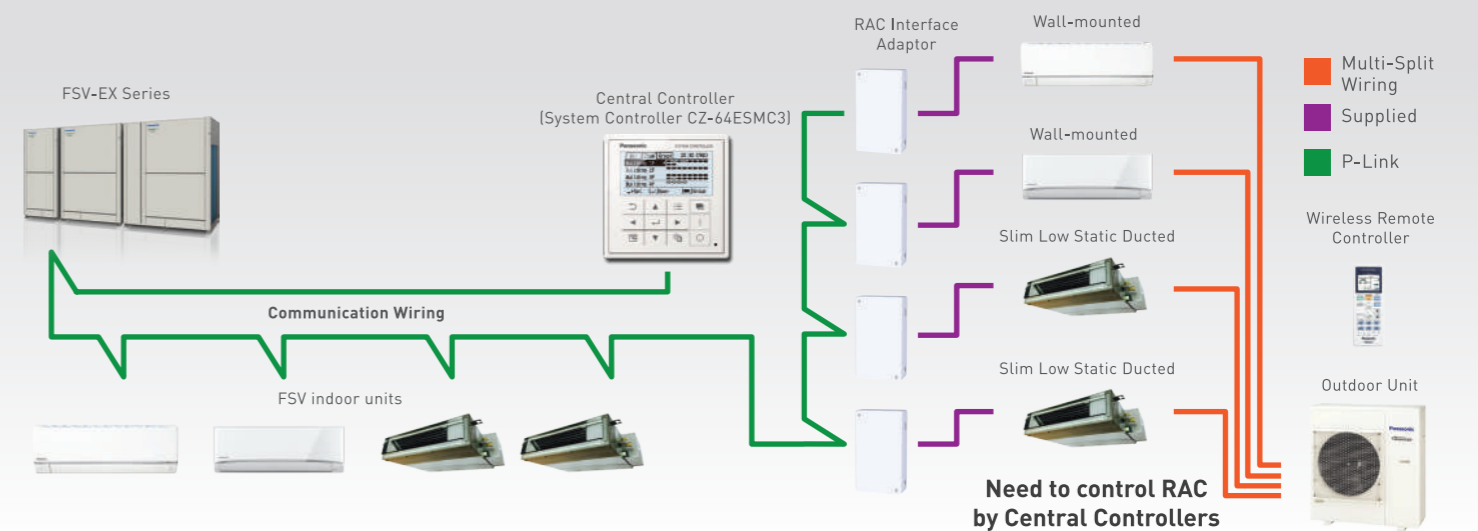
This adaptor serves as an interface required to connect a central control device such as an intelligent controller with a room air conditioner. Using this adaptor can operate or monitor the room air conditioner from the the central control device. Panasonic room air conditioners equipped with the CN-CNT terminal are supported.

### DIMENSIONS



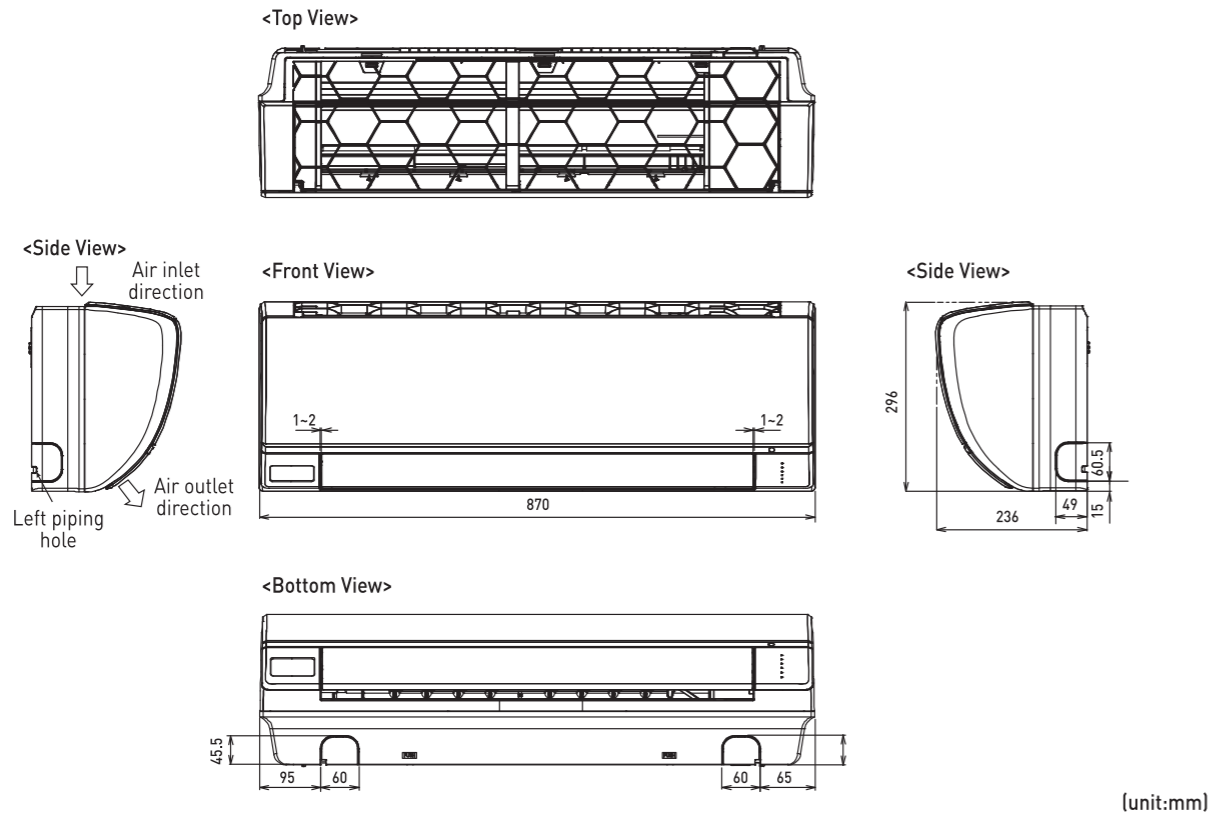
<b>Model No.</b>	CZ-CAPRA1
<b>Dimensions (mm)</b>	(H) 120 x (W) 70 x (D) 32.5
<b>Weight</b>	130 g
<b>Power Source</b>	DC12 V (Supplied with room air conditioner) (Connection wiring (1.9m) supplied with adaptor.)

### RAC INTERFACE ADAPTOR CONNECTION



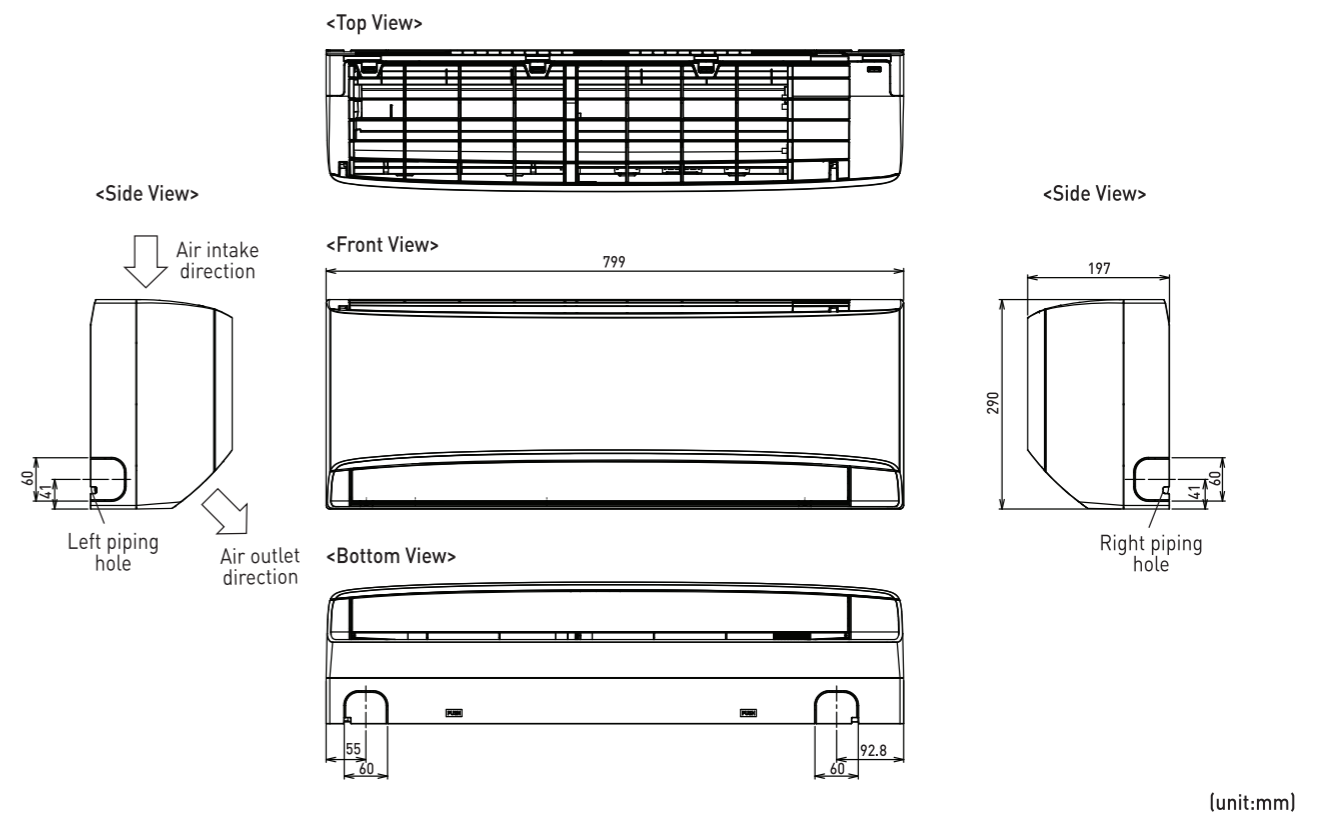
INDOOR DIMENSIONS

CS-MS9SKH-1 / CS-MS12SKH-1 / CS-MS15SKH-1

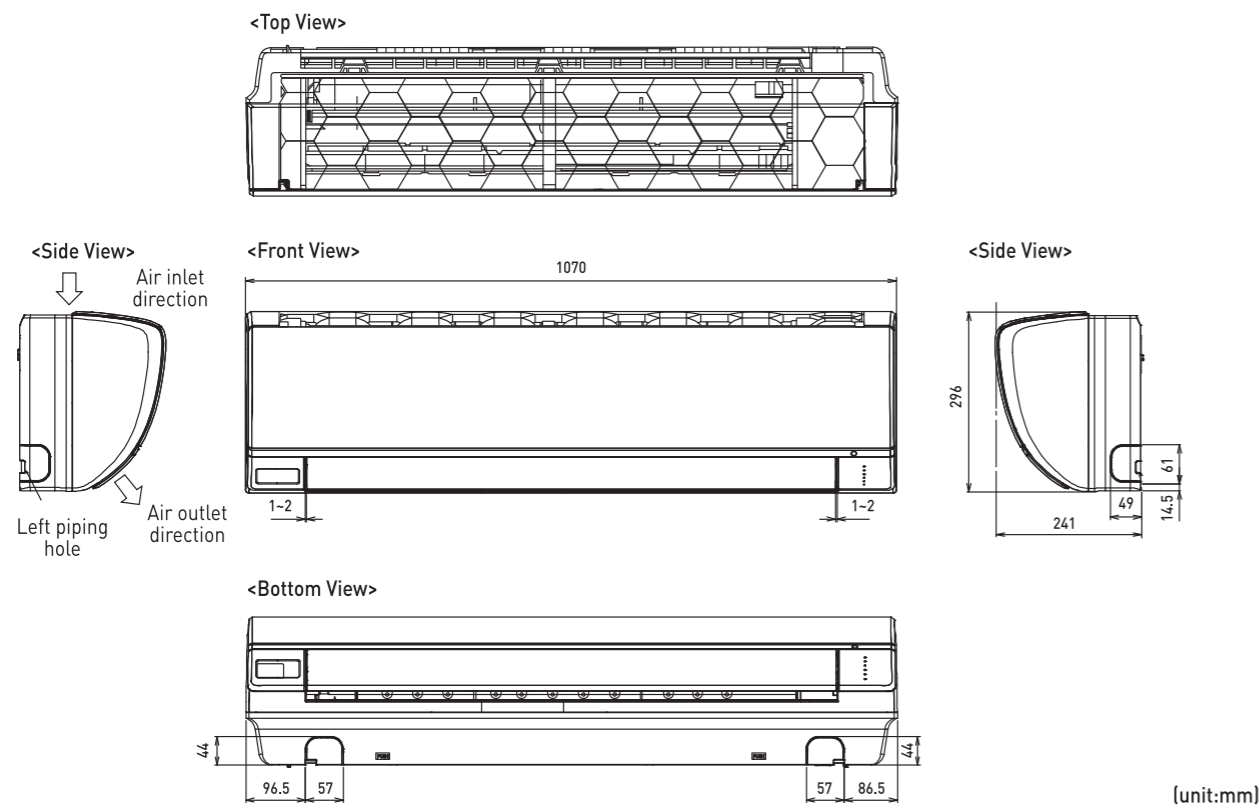


INDOOR DIMENSIONS

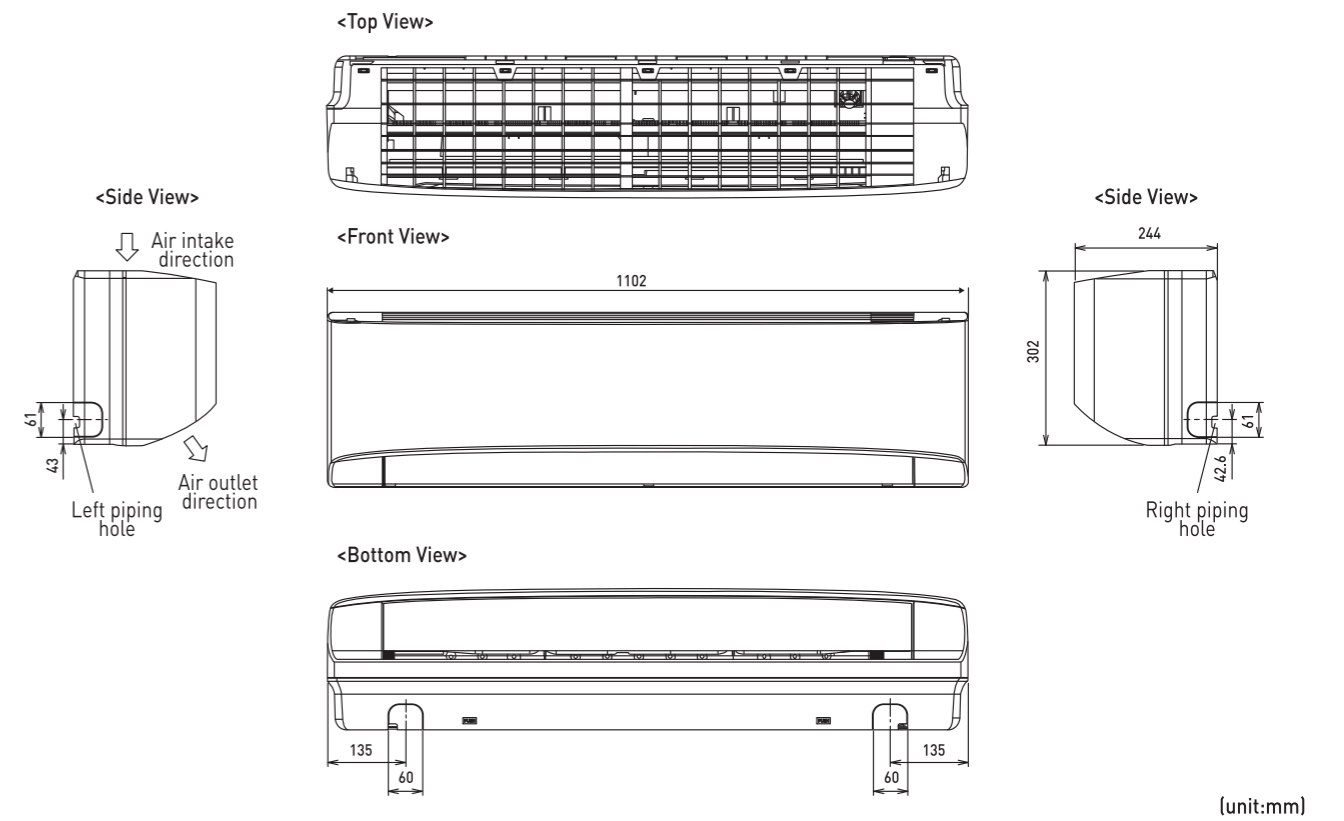
CS-MPS9TKH / CS-MPS12TKH / CS-MPS15TKH



CS-MS18SKH-1 / CS-MS24SKH-1 / CS-MS28SKH-1

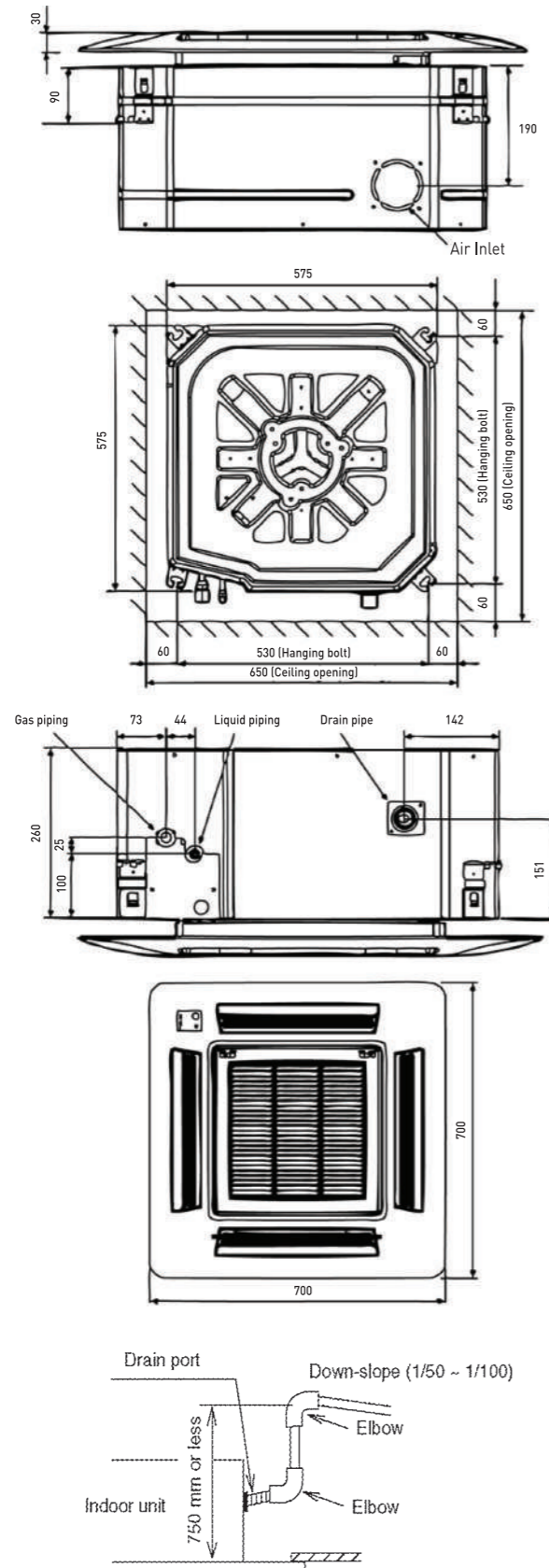


CS-MPS18TKH / CS-MPS24TKH / CS-MPS28TKH



INDOOR DIMENSIONS

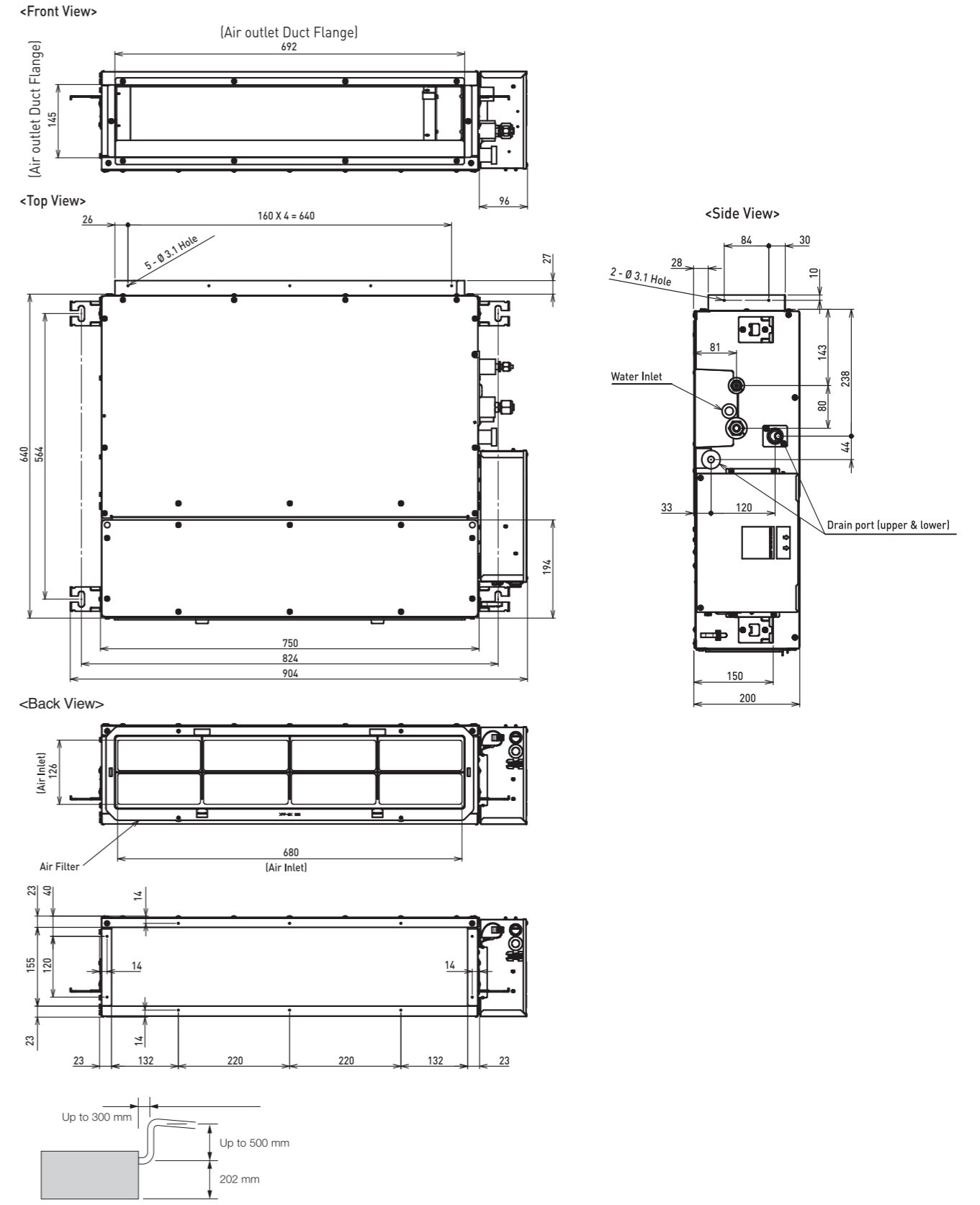
CS-S12SB4HW-1 / CS-S18SB4HW-1 / CS-S24SB4HW-1



(unit:mm)

INDOOR DIMENSIONS

CS-MS9SD3H-1 / CS-MS12SD3H-1 / CS-MS18SD3H-1 / CS-MS24SD3H-1



(unit:mm)