

MAY 1986

Australia \$2, New Zealand \$2.50, Malaysia \$5.75 **£1.20**

# TELEVISION

## SERVICING·PROJECTS·VIDEO·DEVELOPMENTS

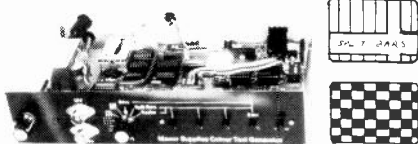


**Servicing Sinclair Computers  
Tuners and IF Arrangements  
TV Fault Finding • DX-TV  
VHF Sound Receiver  
VCR Clinic • Trade News  
Simple CRT Tester/booster**

# MANOR SUPPLIES

MKV PAL COLOUR  
TEST GENERATOR FOR TV & VCR.

TEST  
DEMONSTRATIONS  
AT 172  
WEST END LANE



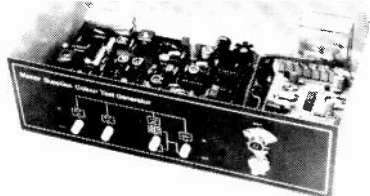
- ★ 40 different patterns and variations.
- ★ Broadcast transmission accuracy (fully interlaced sync pulses with correct picture blanking).
- ★ EBU colour bars, BBC colour bars, whole rasters & split bars (specially useful for VCR service), white, yellow, cyan, green, magenta, red, blue and black.
- ★ Chequerboard.
- ★ Mono outputs with border castellations, cross hatch, grey scale, vertical lines, horizontal lines and dots.
- ★ UHF modulator output plugs straight into receiver aerial socket.
- ★ Additional video output for CCTV & VCR.
- ★ Facilities for sound output.
- ★ Easy to build kit, standard parts. Only 2 adjustments. No special test equipment required.
- ★ Mains operated with stabilised power supply.
- ★ All kits fully guaranteed with back-up service.
- ★ Also available with VHF Modulator.

Price of Kit **£70.00**  
Case (10"×6"×2¼") app. **£8.60**  
Optional Sound Module (6MHz or 5.5MHz) **£3.90**  
Built & Tested in Case including Sound Module **£108.00**

SPECIAL TEST  
REPORT  
'TELEVISION'  
DEC. 1982

Post/Packing £2.50  
Add VAT 15% TO ALL PRICES

## PAL COLOUR BAR GENERATOR (Mk4)



- ★ Output at UHF, applied to receiver aerial socket.
- ★ In addition to colour bars R-Y, B-Y etc.
- ★ Cross-hatch, grey scale, peak white and black level.
- ★ Push button controls, battery or mains operated.
- ★ Simple design, only five i.c.s on colour bar P.C.B.

**PRICE OF MK 4 COLOUR BAR GENERATOR KIT £30.00. CASE £8.60. BATT HOLDERS £4.20. MAINS SUPPLY KIT £4.20 (Combined P&P £2.20).**

MK 4 (BATTERY) BUILT & TESTED £58.00 + £2.20 P & P.  
MK 4 (MAINS) BUILT & TESTED £68.00 + £2.20 P & P.  
VHF MODULATOR (CH 1 to 4) FOR OVERSEAS £5.75.  
EASILY ADAPTED FOR VIDEO OUTPUT & C.C.T.V.

ADD  
VAT  
15%

THORN TX9 MK2/3, TX10, teletext  
Mullard Decoder panel + Interface **£35.00** p.p. £1.80  
THORN TX10, PHILIPS G11 PRESTEL, TELETEXT  
Mullard Units VM 6230, 6330 plus Line Coupler & Interface **£38.00**  
p.p. £2.50

EXTERNAL TELETEXT ADAPTOR  
(RADOFIN) with cable remote control. Fully tested. **£150.00** p.p. £3.00.

SPECIAL OFFER (shop customers only).  
SURPLUS 'AYR' TELETEXT EXTERNAL ADAPTOR UNITS.  
Ideal for experimental use **£50.00**.

## TV SERVICE SPARES

BACKED BY TWENTY YEARS EXPERIENCE & STAFF OF  
TECHNICAL EXPERTS

LOPTS, TRIPLERS, PANELS, TUNERS, SELECTORS ETC.  
SPECIAL OFFER Mullard/Philips quality UHF modulator (audio & video input) ex new equipment **£5.00** p.p. £1.00.

PHILIPS G11 PANELS (tested).  
Power, frame, IF, decoder **£18.00** each p.p. £2.00. Scan Panel **£28.00** p.p. £2.80.  
PHILIPS G11 PANELS ex rental (untested).

Power, frame, IF, decoder **£10.00** each p.p. £2.00.  
PHILIPS HANDSETS ex rental (untested) CTX, K4, K35 etc. Teletext + Video **£5.00** p.p. 80p.

THORN 9000 Fault Finding Guide **£1.00** p.p. 30p.  
THORN REMOTE CONTROL HANDSETS

8800/9800 (2-button) **£10.00**; TX9 ULTRASONIC (3-button) **£15.00**; TX9, TX10 Infra red **£18.00**; TX9, TX10 Infra red Teletext **£20.00**, p.p. £1.20.

TX10 Remote & Tuning control panel (1515) **£9.40** p.p. £1.50  
TX9/TX10 Teletext interface panel (1524) **£5.00** p.p. 80p.

THORN TX10 Facia Control Panel incl. Infra Red Remote Control receiver **£7.50** p.p. £1.50.  
THORN TX10 Series Facia Control Panel with 8 position Channel Selector **£6.50** p.p. £1.50.

SAW FILTER IF AMPLIFIER PLUS TUNER complete and tested for T.V. Sound & Vision **£28.50** p.p. £1.20.  
THORN TX9, TX10 Saw Filter IF Panel. **£5.00** p.p. 80p.

PAL DECODER KIT (Video to RGB) for Monitors **£27.00** p.p. £1.00.  
PAL ENCODER KIT (RGB to Video) **£18.50** p.p. £1.30.

TELETEXT DECODERS New & Tested Mullard VM 6101 **£30.00**, Texas XM11 **£40.00**, KT3 Tested **£30.00**, Untested **£5.00** p.p. £1.60

CROSS HATCH UNIT KIT, Aerial Input type, incl. T.V. sync. and UHF Modulator, Battery Operated, also gives Peak White & Black Levels, can be used for any set **£12.00** p.p. 80p. (Alum. Case **£2.90**, De Luxe Case **£6.80** p.p. £1.40.)

ADDITIONAL GREY SCALE Kit **£2.90** p.p. 45p.  
UHF SIGNAL STRENGTH METER KIT **£22.00** (VHF version **£24.00**). Alum. Case **£2.90**, De Luxe Case **£8.60** p.p. £1.80.

CRT TESTER & REACTIVATOR KIT For Colour & Mono complete with Case, Panel Meter Indicator - can be adapted for latest CRTs **£28.60** p.p. £2.80.

BUSH A823 Convergence, Time Base Panels **£5.00** each, p.p. £1.80.  
BUSH Z718 BC6100 series IF Panel **£5.00** p.p. 90p.

BUSH A816 IF Panel (Surplus) **£1.00** p.p. 90p, 5 for **£4.00** p.p. £1.40.  
GEC 2040 Decoder Panels. **£1.50** p.p. £1.80.

GEC 2110 PANELS Frame **£8.50** p.p. £1.40. Sound **£2.50** (tested) p.p. 80p.  
GEC 20AX Line Time Base **£18.00**, IF-Decoder **£12.50** p.p. £2.00.

PYE 691-7 CDA Panels, Makers tested stock. **£6.00** p.p. £1.45.  
THORN TX9 Panels ex factory for small spares. Includes LCs & Semiconductors etc. **£3.00** p.p. £1.80.

THORN TX9 Panels salvaged ex factory for spares incl. LOPT & Mains Transformers. **£10.00** p.p. £2.80.

THORN TX9 Panels ex factory salvaged complete cond. **£20.00** p.p. £2.80.  
THORN 3000/3500 Power supply P.C.B. **£3.50** p.p. £1.00.

THORN 8000, 8500, 8800 IF Decoder Panels Tested **£10.00** p.p. £2.30.  
THORN 8000/8500 IF/Decoder Panels salvaged **£3.20** p.p. £1.80.

THORN 9000 IF/Decoder Panels Salvaged. For spares **£2.50** p.p. £1.80.  
THORN 9000 Frame Time Base **£8.50** p.p. £1.80.

PHILIPS G8/G9 IF/Decoder Panels for small spares incl ICs **£2.50** p.p. £1.60.  
G11 PANELS, Ex Rental SCAN (incl LOPT) **£28.00** p.p. £2.50 (tested).

G11 PANELS, Power, Frame, IF, Decoder. **£18.00** each, p.p. £2.00 (tested).  
GRUNDIG 8630 Series Varicap Tuners **£5.00** p.p. £1.00.

U32L ELC1043/5 **£7.80** p.p. 80p. Makers Controls PYE CT200 4PSN **£7.50**, BUSH 4PSN **£4.80**, DECCA 4PSN **£5.80**, 6PSN **£6.80** p.p. 80p. etc.

BUSH "TOUCH TUNE" Varicap Control Z585, 710 **£3.80** p.p. £1.00.  
VARICAP UHF-VHF ELC 2000S **£9.80** p.p. £1.00.

UHF/625 TUNERS, many different types in stock. DECCA Bradford 5 position. MULLARD 4 position **£2.50**, JAP Rotary **£4.80** p.p. £1.80.

TV SOUND IF Panels **£6.80** p.p. £1.00.  
LOPT TESTER, Service Dept approved **£15.90** p.p. £1.20.

LOPTS New and guar. P&P Mono **£1.35**, Colour **£1.50**, Bobbins **80p**.

BUSH, MURPHY 774 series. .... **£9.80**  
BUSH, MURPHY A816 series. .... **£9.80**  
FERG., JIMV, MARCONI, ULTRA

1500, 1590, 1591, 1612, 1613, 1712. .... **£4.80**  
THORN 1600, 1615, 1690, 1691. .... **£9.15**  
GEC series 1 & 2. .... **£8.00**

INDESIT 2024EGB. .... **£7.65**  
ITT/KB VC200, 300. .... **£7.90**  
PHILIPS 170, 210, 300 series. .... **£7.65**

PYE, INVICTA, EKCO. .... **£7.65**  
368, 169, 569, 769 series. .... **£7.65**

SPECIAL OFFER  
DECCA 1700, 2001, 2020, 2401, 2420 **£3.80**  
GEC 2114/Junior Finesline. .... **£2.80**

PHILIPS 320. .... **£2.80**  
RBM A823. .... **£4.80**  
GEC 2028, 2040, 2100. .... **£4.80**

PYE 713, 715. .... **£6.80**  
PHILIPS 570, 571. .... **£6.80**

R.B.M. 120, T22. .... **£9.80**  
R.B.M. 120, T22 Bobbin. .... **£5.60**  
DECCA Bradford (state Mod No). .... **£8.80**

DECCA 80, 100. .... **£8.80**  
FIDELITY ZX2000, 3000. .... **£16.00**  
GEC 2110 series. .... **£10.60**

ITT CVC5 to 9, CVC20. .... **£9.80**  
ITT CVC25, CVC30 series. .... **£8.80**  
ITT CVC45. .... **£9.80**

PYE 691-697 (state model no). .... **£10.00**  
PYE 725 (907) 731 to 741. .... **£9.20**  
PHILIPS G8. .... **£8.80**

PHILIPS G9. .... **£9.80**  
PHILIPS KT3. .... **£9.80**  
THORN 3000/3500SCAN, EHT. .... **£6.90**

THORN 8000, 8500, 8800. .... **£12.80**  
THORN 9000 to 9600. .... **£19.80**  
THORN 9800. .... **£19.80**

THORN TX9. .... **£14.80**

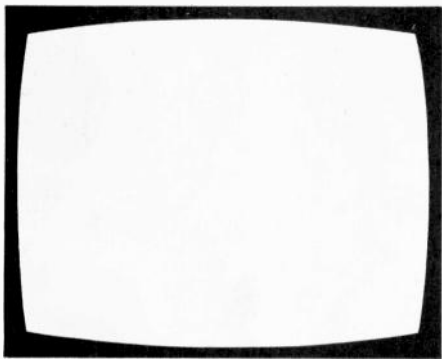
OTHERS AVAILABLE, PRICES ON REQUEST.  
TRIPLERS Full range available, Mono & Colour.  
Special Offer: THORN 3000/3500 EHT Tripler **£2.50** p.p. £1.30.  
THORN 8000 EHT TRAY (2 lead) **£2.80** p.p. £1.00

6-3V CRT Boost Transformers for Colour & Mono **£5.90** p.p. £1.40.  
THORN TX10 focus control **£8.80** p.p. 80p.

## MANOR SUPPLIES

172 WEST END LANE, LONDON, NW6 1SD  
NEAR: W. Hampstead Tube Stn. (Jubilee) Buses 28, 159, C11 pass door  
W. Hampstead Brit. Rail Stn. (Richmond, Dalston, Stratford, N. Woolwich)  
W. Hampstead Brit. Rail Stn. (St. Pancras, Bedford)  
Access from all over Greater London.

Mail Order: 64 GOLDERS MANOR DRIVE, LONDON NW11 9HT  
PLEASE ADD VAT 15% TO ALL PRICES INCL P+P



# TELEVISION

May  
1986

Vol. 36, No. 7  
Issue 427

## COPYRIGHT

© IPC Magazines Limited, 1986. Copyright in all drawings, photographs and articles published in *Television* is fully protected and reproduction or imitation in whole or in part is expressly forbidden. All reasonable precautions are taken by *Television* to ensure that the advice and data given to readers are reliable. We cannot however guarantee it and we cannot accept legal responsibility for it. Prices are those current as we go to press.

## CORRESPONDENCE

All correspondence regarding advertisements should be addressed to the Advertisement Manager, "Television", King's Reach Tower, Stamford Street, London SE1 9LS. Editorial correspondence should be addressed to "Television", IPC Magazines Ltd., King's Reach Tower, Stamford Street, London SE1 9LS.

## SUBSCRIPTIONS

An annual subscription costs £14 in the UK, £17 overseas (by surface mail). Send orders with payment to Quadrant Subscription Services Ltd., Oakfield House, Perrymount Road, Haywards Heath, Sussex, RH16 3DH.

## BINDERS AND INDEXES

Send orders for binders (£4.50) and indexes (75p) to the Editorial Office, Television, IPC Magazines Ltd., King's Reach Tower, Stamford Street, London SE1 9LS. Prices include VAT and postage. Add 60p for overseas orders.

## BACK NUMBERS

Some back issues published during the last six months are available from the Editorial Office at £1.40 inclusive of postage and packing. Address as above.

## QUERIES

We regret that we cannot answer technical queries over the telephone nor supply service sheets. We will endeavour to assist readers who have queries relating to articles published in *Television*, but we cannot offer advice on modifications to our published designs nor comment on alternative ways of using them. All correspondents expecting a reply should enclose a stamped addressed envelope.

Requests for advice on dealing with servicing problems should be directed to our Queries Service. For details see our regular feature "Service Bureau". Send to the address given above (see "correspondence").

## this month

- 421 Leader**
- 422 Servicing Sinclair Computers, Part 1** *Ken Taylor*  
This first instalment introduces the chips used in Sinclair microcomputers and presents a block diagram of the ZX81.
- 427 VHF/UHF Sound Receiver** *Paul Barton*  
Originally designed for DX band monitoring, this receiver enables the various TV sound channels to be received without the problems of different sound-vision spacing with different TV standards. Coverage depends on the tuner used.
- 430 The VPS VCR Switching System** *James Fletcher*  
Devised by the W. German broadcasting organisations and the ZVEI trade organisation the Video Programme System adds coded signals to the transmissions to switch VCRs on to record automatically when the corresponding code has been entered into the machine.
- 432 TV Fault Finding**  
Reports from Roger Burchett, Philip Blundell, Eng. Tech., Leonard Allsopp, Steve Leatherbarrow and Steve Illidge.
- 434 Teletopics**  
News, comment and developments, including the latest on the satellite TV front.
- 436 Hush My Mouth** *Les Lawry-Johns*  
Well if you brag about a G6 you're likely to be in trouble before long!
- 437 Second-hand VCRs** *Derek Snelling*  
An up-date on things to check when contemplating the purchase of a second-hand VCR.
- 438 Long-distance Television** *Roger Bunney*  
Reports on DX reception and conditions plus news and details of a wideband Band I aerial design.
- 442 Letters**  
Including microcomputer servicing notes from Roger Burchett.
- 444 Short- and Open-circuit Checks** *S. Simon*  
There are two basic electrical fault conditions, the short- or open-circuit. Some typical cases and their effects.
- 445 Next Month in Television**
- 446 VCR Clinic**  
Reports from Derek Snelling, Steve Beeching, T. Eng. and Philip Blundell, Eng. Tech.
- 448 Modern Receiver Circuitry, Part 2** *J. LeJeune*  
This time tuner and i.f. strip techniques.
- 450 Simple CRT Tester/Booster** *Jim Littler.*  
A design capable of dealing with delta-gun and PIL tubes.
- 451 Service Bureau**
- 452 Test Case 281**

OUR NEXT ISSUE DATED JUNE WILL  
BE PUBLISHED ON MAY 21











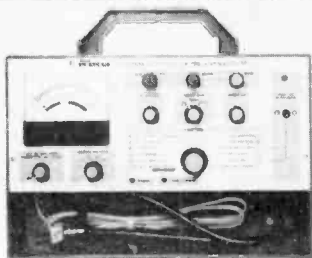
**INCREASE YOUR PROFITS IMPROVE YOUR SERVICE WITH RELIABLE COST EFFECTIVE TEST EQUIPMENT**

**LEADER LCT-910A**

**C.R.T. TESTER-REJUVENATOR**

Our top selling instrument is designed to readily test the various characteristics and rejuvenation of both colour and B/W C.R.T's.

- ★ Tests for shorts and leakage between electrodes.
  - ★ Tests cathode emission characteristics.
  - ★ Separately checks condition of guns.
  - ★ Removal of shorts and leakage between electrodes.
  - ★ Checks heater warm-up characteristics.
  - ★ Rejuvenation of low emission cathodes with automatic timing.
  - ★ Super rejuvenation with manual control.
  - ★ Complete with tube base adaptors.
- Size: H 230mm W 330mm D 120mm.

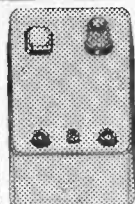


PRICE £260 + £39 VAT

**LOPT TESTER**

**BK's REVOLUTIONARY DYNAMIC 'LOPT' TESTER**  
 Revolutionary L.O.P.T. tester. Operates in dynamic mode which actually tests the L.O.P.T. under high voltage conditions without de-soldering or removal.  
 Size 75x100x40 mm. Supply 240V AC

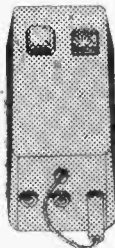
PRICE £25.99 + £3.90 VAT



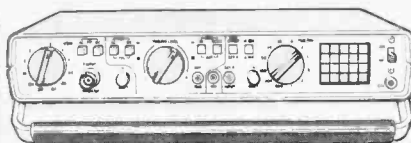
**CRT TESTER-REJUVENATOR**

**BK's C.R.T. TESTER-REJUVENATOR**  
 Tests and rejuvenates blue, green & red guns separately. Fitted with delta and P.I.L. sockets. Compact size 120x65x60 mm. Supply 240V AC

PRICE £32.00 + £4.80 VAT



**THE VERY LATEST SC110A LOW POWER, FULLY PORTABLE OSCILLOSCOPE.**



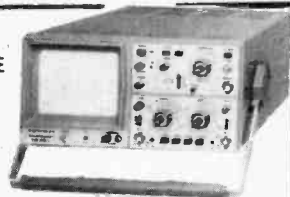
The new Thandar SC110A represents a break-through in oscilloscope development. The SC110A is ONLY TWO INCHES thick and weighs under two pounds, yet retains the standard features and controls of a bench oscilloscope. **FITS IN A BRIEFCASE**

- Full Sized Performance**
- \* 10 MHz bandwidth.
  - \* Full trigger facilities are provided including TV frame, or TV filtering.
  - \* Runs on 4 to 10V DC via disposable batteries, re-chargeable cells, or AC adaptor.
  - \* Size 255mm x 148mm x 50mm.
- PRICE £165.00 + £24.75 VAT

- Accessories:** Carry Case £5.95 + £0.89 V.A.T.  
 x 1 Probe £7.50 + £1.13 V.A.T.  
 x 10 Probe £8.50 + £1.28 V.A.T.  
 x 1/x 10 Switched Probe £10.50 + £1.58 V.A.T.  
 AC Adaptor £6.95 + £1.04 V.A.T.

**HAMEG HM 203-5 20MHz DUAL TRACE OSCILLOSCOPE:**

- SPECIFICATION:**
- \*BANDWIDTH DC-20MHz
  - \*SENSITIVITY CH1, CH2 2mV-50V/DIV
  - \*TIMEBASE 40ns to 0.2S CM
  - \*TRIGGER DC-40MHz Auto-Normal-TV
  - \*CALIBRATION OUTPUT
  - \*CH1 ADD AND INVERT FACILITY
  - \*ALT/CHOP SWITCH
  - \*LARGE RECTANGULAR SCREEN 8 x 10 cms.
  - \*BUILT IN SEMICONDUCTOR COMP. TESTER
  - \*SIZE 285mm x 145mm x 380mm.
  - \*SUPPLY 110-125-220-240V AC 50-60Hz



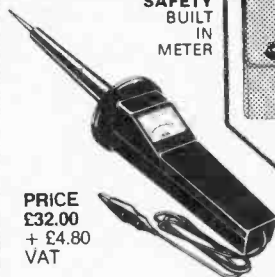
**WITH COMPONENT TESTER**

PRICE £270.00 + £40.50 VAT  
 Optional probes as above

**2 YEAR WARRANTY**

**LEADER HIGH VOLTAGE METER EHT PROBE**

Measures up to 40 K.V. D.C. with SAFETY BUILT IN METER



PRICE £32.00 + £4.80 VAT

**\* FULLY GUARANTEED**

U.K. Post Paid, Export orders welcome, please deduct V.A.T. and enquire for Overseas carriage cost. Barclaycard/Access orders welcome, or Cheque, Bank Draft, etc., with order please. Large S.A.E. for technical leaflets of complete range. Delivery normally within 7 days.



**B. K. ELECTRONICS** Dept. 'T'

UNIT 5, COMET WAY, SOUTHEND-ON-SEA, ESSEX. SS2 6TR TEL: 0702-527572



**SPEND AT LEAST £1000 IN TOTAL ON**

- \* **VCR's — £55 each** (minimum quantity 20)
- \* **Portable CTV's — £45 each**
- \* **TX9 TX10 — £35 each**
- \* **9600 — £25 each**

**& you get from us**

**YES FREE £1000 Cheque**



**Kent Ledgerwood Wholesale Ltd.**

**BRADFORD TRITEL TV**  
 1043 Leeds Road  
 Thornbury Roundabout  
 BRADFORD

Tel: 0274 665670

**LEEDS TRITEL DISCOUNT STORES**  
 Long Row  
 Horsforth  
 LEEDS

Tel: 0532 590252

**SCOTLAND TRITEL TV**  
 Unit 4  
 Peacock Cross

**Industrial Estate**  
 Burnbank Road  
 HAMILTON

Tel: 0698 282141

**Now Open in London at:-**

**UNIT 1E, WATERLOO ROAD, STAPLES CORNER, LONDON NW2**

Tel: 01 208 2063





# HUSSAIN CENTRAL T.V. LTD.

If you are serious about your business you must visit one of our warehouses where you will find the best quality stock at the lowest prices in the U.K.

## SEEING IS BELIEVING

### Late Late Model VHS Video's

Hitachi VT014E, Panasonic NV777, Ferguson 3V31, JVC, Sharp, ITT, Toshiba.

Portable VHS Video's complete with camera in stock.

### Hundreds of Beta Video's to clear.

Late Model TV's, Remote Control and Teletext.  
Grundig, Toshiba, ITT, Sanyo, Sony, Pye,  
Philips, Thorn TX.

Plus our usual stock of high quality ex  
rental T.V.'s.



**PRESTON**  
UNIT 439  
OAKSHOTT PLACE  
WALTON SUMMIT IND. EST.  
M6 JUNCTION 29  
0772 312101

**BIRMINGHAM**  
48-52 PERSHORE ST.  
021-622 1023  
021-622 1517

**CHEPSTOW**  
UNIT 4  
BULWARK IND. EST.  
GWENT  
0291 271000

LINEOUT TRANSFORMERS

Table listing various lineout transformers with part numbers, descriptions, and prices. Includes items like DECCA 1700, DECCA 1700/1830, DECCA 1830, etc.

ELC 104306 EXCH TUNER

Table listing ELC 104306 Exch Tuner parts with part numbers, descriptions, and prices. Includes items like ELC 104306 NEW TUNER, ELC 2003 EXCH TUNER, etc.

VALVES

Table listing various valves with part numbers, descriptions, and prices. Includes items like 3832 PCF802 VALVE, 3838 PCL205, etc.

THORN SPARES

Table listing Thorn spares with part numbers, descriptions, and prices. Includes items like THORN 1500 20, THORN 1500 24, etc.

REMOTO CONTROL UNITS

Table listing Remote Control Units with part numbers, descriptions, and prices. Includes items like PLEASE STATE MODEL NUMBER, DECCA 1000 NONTX RCU, etc.

EHT TRAYS

Table listing EHT Trays with part numbers, descriptions, and prices. Includes items like 81G1895-641, 81G1897-642, etc.

PUSH BUTTON UNITS

Table listing Push Button Units with part numbers, descriptions, and prices. Includes items like 4 WAY DECCA ETC, 6 WAY DECCA ETC, etc.

ISOLATION UNITS

Table listing Isolation Units with part numbers, descriptions, and prices. Includes items like 2 WAY DECCA ETC, 4 WAY DECCA ETC, etc.

THORN VIDEO SPARES

Table listing Thorn Video Spares with part numbers, descriptions, and prices. Includes items like THORN 1500 20, THORN 1500 24, etc.

THORN VIDEO SPARES (OVER 450 PARTS)

Table listing Thorn Video Spares (Over 450 Parts) with part numbers, descriptions, and prices. Includes items like QUOTE THORN PART NUMBER IF POSSIBLE, 3292 BOOSTER, etc.

TV ELECTROLYTICS

Table listing TV Electrolytics with part numbers, descriptions, and prices. Includes items like DECCA 1030 400X2/350V, DECCA 1000 400+800 350V/250V, etc.

REISTORS

Table listing Resistors with part numbers, descriptions, and prices. Includes items like STANDARD RANGES, 1/4 WATT X 10, etc.

OTHER RESISTORS

Table listing Other Resistors with part numbers, descriptions, and prices. Includes items like 22M HV FOCUS RESISTOR, 32M HV FOCUS RESISTOR, etc.

MAIN DROPPERS

Table listing Main Droppers with part numbers, descriptions, and prices. Includes items like MAINS DROPPER RANK A640, MAINS DROPPER DECCA 80/100, etc.

SERVICE MANUALS

Table listing Service Manuals with part numbers, descriptions, and prices. Includes items like DECCA 101/100, DECCA 80 CHASIS, etc.

MIXED DIALECTIC CAPACITORS

Table listing Mixed Dielectric Capacitors with part numbers, descriptions, and prices. Includes items like 0.01 600V X5, 0.022 1KV X5, etc.

SLIDE CONTROLS

Table listing Slide Controls with part numbers, descriptions, and prices. Includes items like 100K LIN STD TV, 100K LOG STD TV, etc.

UNIVERSAL CONVERGENCE POTS

Table listing Universal Convergence Pots with part numbers, descriptions, and prices. Includes items like 5R, 10R, 22R, 25R, 50R, 75R, 100R, 200R, 250R, 500R, etc.

STANDARD RANGES

Table listing Standard Ranges with part numbers, descriptions, and prices. Includes items like 220M HV FOCUS RESISTOR, 32M HV FOCUS RESISTOR, etc.

REISTORS

Table listing Resistors with part numbers, descriptions, and prices. Includes items like 1/4 WATT X 10, 1/2 WATT X 10, etc.

TUNER UNITS

Table listing Tuner Units with part numbers, descriptions, and prices. Includes items like DECCA 30 SERIES MECHANICAL, ELC 104306 EXCH TUNER, etc.

FIDELITY SPARES

Table listing Fidelity Spares with part numbers, descriptions, and prices. Includes items like 2940 CHOPPER TX FIDELITY CTY14R, 2942 DRIVER TX FIDELITY CTY14R, etc.

REISTORS

Table listing Resistors with part numbers, descriptions, and prices. Includes items like 1/4 WATT X 10, 1/2 WATT X 10, etc.

REISTORS

Table listing Resistors with part numbers, descriptions, and prices. Includes items like 1/4 WATT X 10, 1/2 WATT X 10, etc.

REISTORS

Table listing Resistors with part numbers, descriptions, and prices. Includes items like 1/4 WATT X 10, 1/2 WATT X 10, etc.

QUICK SAVE TV SPARES THE COACH HOUSE, MUXTON LANE, TELFORD, SALOP

FULL LIST OF OVER 3000 ITEMS SENT WITH ORDER OR SEND 9" x 4" SAE. PLEASE USE STOCK NUMBER WHEN ORDERING, OR USE SET MAKER'S PART NUMBER. ACCESS AND VHS ACCEPTED. OFFICIAL ORDERS FROM GOVERNMENT OR SCHOOLS WELCOMED. ALL GOODS ARE STOCK ITEMS.

**WE WILL ONLY SUPPLY TOP QUALITY, BRANDED COMPONENTS. REPUTATION COUNTS WITH US**

# G.G.L. COMPONENTS

108 SCOTLAND ROAD, CARLISLE, CUMBRIA CA3 9EY  
PHONE (0228) 20358/39693

**BUY WITH**



**E.H.T. TRAYS**

DECCA 80	7.20
DECCA 100	7.35
ITT CVC 20/30	6.85
PHILIPS G8-550	7.90
PHILIPS KT3	7.95
RBM T20/T22A	7.35
THORN 8500/8800	7.60
THORN 9000	8.70
Universal	5.95

INTEGRATED CIRCUITS	TYPE	PRICE (£)
AN214	SASS570S	1.95
AN301	SASS580S	2.40
AN303	SASS590S	2.40
AN305	SL1430	1.95
AN710	SL1432	1.75
AN7114E	STK0039	6.45
AN7115	STK0040	5.95
AN7116	STK0050	7.50
AN7145	STK0077	7.25
BA312	STK078	7.45
BA511A	STK082	9.75
BA521	STK415	9.66
BA532	STK430	7.75
BA536	STK433	6.50
HA1166	STK435	6.75
HA1322	STK437	7.25
HA1338	STK439	7.55
HA1339	STK441	8.50
HA1342A	STK451	7.35
HA1366 WWR	STK461	7.95
HA1370	STK463	9.30
HA1374	STK465	9.95
HA1388	TA7193P	4.30
HA1397	TA7202	2.25
LA1201	TA7203P	2.25
LA1230	TA7204P	1.90
LA1365	TA7205AP	1.40
LA3350	TA7208P	1.95
LA4031	TA7222AP	1.85
LA4032	TA7223P	2.85
LA4101	TA7277P	2.95
LA4102	TA7310	1.55
LA4400	TA7313	1.45
LA4430	TAA550	0.43
LA4440	TBA120AS	0.95
LA4460	TBA120SB	0.90
LA461	TBA120T	1.25
MB3712	TBA520	1.30
MB3713	TBA530Q	1.00
ML2318	TBA540	1.37
ML2328	TBA550	2.45
ML2376	TBA560	2.45
SA1124	TBA720A	2.65
SA1125	TBA750	2.45
SA11250	TBA800	0.80
SA11251	TBA810	1.35
SA1250	TBA820	1.40
SA1251	TBA890	2.95
SA5010	TBA920	1.50
SA5012	TBA950	2.65
SAF1032P	TCA270	1.55
SAF1039P	TCA900	5.45
SAS560S	TCA900	1.55

TYPE	PRICE (£)
TDA440	3.25
TDA1002	1.50
TDA1003	2.80
TDA1006A	2.95
TDA1035T	2.75
TDA1037	3.10
TDA1044	1.95
TDA1170	1.80
TDA1270	2.20
TDA1470	3.65
TDA2002	1.85
TDA2003	2.33
TDA2004	3.15
TDA2006	2.25
TDA2020	2.95
TDA2190M	4.95
TDA2522	1.80
TDA2523	2.25
TDA2530	2.10
TDA2532	2.20
TDA2540	1.95
TDA2560	1.80
TDA2578A	3.25
TDA2581	2.15
TDA2582	2.20
TDA2591	2.30
TDA2593	2.30
TDA2594	2.95
TDA2600	6.35
TDA2611A	1.50
TDA2640	2.40
TDA3560	5.10
TDA3561A	5.35
TDA3562A	5.50
TDA4500	5.85
TDA4600	2.85
TDA4600-16PIN	3.95
TDA9503	2.35
UPC555C	0.70
UPC585C	2.10
UPC585C	1.40
UPC1031H	2.95
UPC1032H	0.95
UPC1156H	2.45
UPC1181H	2.20
UPC1182H	2.20
UPC1185H	3.30
UPC1230H	3.95
UPC1238H	2.35
UPC1350C	4.50
UPC1353C	2.60
UPC1365C	5.05
UPC2002H	1.85

TRAN-SISTORS	TYPE	PRICE
BC107	BD439	0.70
BC108	BD707	1.05
BC109	BF337	0.28
BC141	BF338	0.30
BC142	BF458	0.30
BC143	BF459	0.36
BC147	BF757	0.75
BC148	BFR90	1.60
BC157	BR100	0.18
BC158	BR101	0.32
BC159	BR103	0.55
BC237	BR303	2.95
BC327	BT106	1.15
BC328	BT116	1.30
BC337	BT151	1.10
BC338	BU126	1.78
BC547	BU205	1.42
BC548	BU208A	1.45
BC557	BU208D	1.85
BC558	BU326A	1.48
BD124M	BU407	1.12
BD131	BU407D	1.45
BD132	BU500	1.80
BD201	BU508A	1.95
BD202	BU526	2.00
BD203	BU807	1.30
BD204	BUE26A	3.20
BD222	BU101B	1.45
BD225	R2540	2.35
BD235	TIP31C	0.46
BD236	TIP32C	0.47
BD237	TIP33C	0.80
BD238	TIP34C	0.95
BD410	TIP41C	0.48
BD434	TIP42C	0.48
BD437	TIP47	0.75
BD438	TIP295E	0.70
	TIP305E	0.70

**THORN/SONY**  
LARGE RANGE OF SPARES FOR ABOVE MAKES OF TV/VIDEOS INCLUDING INSTRUCTION AND SERVICE MANUALS. PHONE OR WRITE FOR NEW LISTS. WE CAN ALSO SOURCE & SUPPLY OVER THREE THOUSAND I/Cs & SEMI CONDUCTORS.

**SONY SPARES**

C5/C7 Rewind Kit	4.65
C5/C7 Belt Kit	3.50
C6 Rewind Kit	4.35
C7 Pinch Roller	4.85
SG 613/6533	8.95
CX 143A	6.95
TDA 3652	4.35

Large range of Sony spares available

**VALVES**

PCF802	1.09
PCL82	0.97
PCL85	1.03
PCL86	1.07
PL504	1.58
PL508	2.98
PL509/519	5.99
PS500A	7.40

**TV ELECTROLYTICS**

DECCA 30(400/400)350V	3.99
DECCA 80-80/100(400)350V (800)250V	2.45
PHILIPS G8(600)300V	2.65
PHILIPS G9(2200)63V	1.45
PHILIPS G11(470)250V	2.20
RBM A823(2500/2500)30V	1.65
RBM T20A(220)400V	2.35
THORN1690/1(4700)25V	0.94
T-HORN3500(1000)70V	0.99
THORN9000(400)400V	3.10

**PUSH BUTTONS/NEW TUNERS**

DECCA/ITT 6 way	8.50
PHILIPS G8 S/L	14.90
PHILIPS G8 S/Q	14.75
PYE-G11P/B	8.95
HITACHI 4 way	8.95
ITT CVC5 7 Button	10.40
ITT CVC8/9	12.80
1043/05	8.95
U321	8.75
U322	7.40

**HITACHI I/Cs**

STR 441	8.95
STR 451	8.95
STR 6020	7.90

**SUNDRIES**

G8 TRANSDUCTOR	2.25
G8 ON/OFF SW	1.40
G11 E/W Coil	1.65
G11 Lin Coil	1.80
G11 Bridge Coil	1.35
G11 E/W Lead	2.25
PYE IF Gain MOD	7.85
ITT On/Off SW	1.10
THORN On/Off SW	1.90
CUT OUT 2A	1.95
TX10 FOCUS UNIT	8.95
VCR Pilot Bulb	0.75

Available also a range of 2SA/B/C/D Transistors. Phone or write for lists.

**ORDERING**  
Please Add 50p For P/P U.K.  
Add 15% VAT To This Total.  
Export Orders - Cost.  
DELIVERY BY RETURN ON ALL STOCK ITEMS.

# CRICKLEWOOD ELECTRONICS LTD

**FREE! catalogue**

**It's no secret...**

...that there is a real difference at Cricklewood Electronics. That's why you should never be without the FREE CRICKLEWOOD ELECTRONICS COMPONENTS CATALOGUE, for sheer variety, competitive prices and service from the U.K.'s number one 100% component shop. No gimmicks, no gadgets or computers, just components, millions of them, all easily available by mail order, calling or credit card telephone orders. Just pick up the phone for a pen! to get your FREE copy now (no SAE required). You have nothing to lose.

**CRICKLEWOOD ELECTRONICS LIMITED**  
40 Cricklewood Broadway, London NW2 3ET  
Tel: 01-450 0995/01-452 0161  
Telex: 91 4977

VISA, Access, ETI

## MAKE YOUR INTERESTS PAY!!

Train at home for one of these Career Opportunities

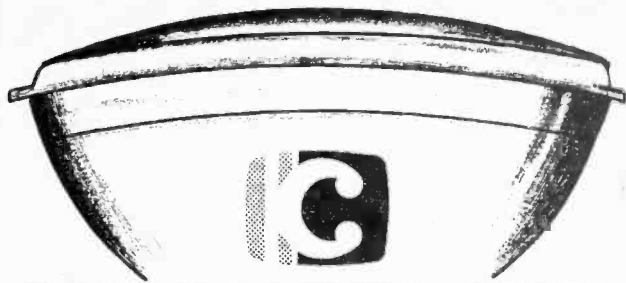
More than 8 million students throughout the world have found it worth their while! An ICS home-study course can help you get a better job, make more money and have more fun out of life! ICS has over 90 years experience in home-study courses and is the largest correspondence school in the world. You learn at your own pace, when and where you want under the guidance of expert 'personal' tutors. Find out how we can help YOU. Post or phone today for your FREE INFORMATION PACK on the course of your choice. (Tick one box only!)

Electronics <input type="checkbox"/>	Radio, Audio & TV Servicing <input type="checkbox"/>
Basic Electronic Engineering (City & Guilds) <input type="checkbox"/>	Radio Amateur Licence Exam (City & Guilds) <input type="checkbox"/>
Electrical Engineering <input type="checkbox"/>	Car Mechanics <input type="checkbox"/>
Elec. Contracting/Installation <input type="checkbox"/>	Computer Programming <input type="checkbox"/>

**GCE over 40 'O' & 'A' level subjects**

Name: \_\_\_\_\_  
Address: \_\_\_\_\_  
P. Code \_\_\_\_\_

**ICS** International Correspondence Schools,  
Dept. EGS56, 312/314 High St., Sutton, Surrey  
SM1 1PR. Tel: 01-643 9568 or 041-221 2926  
(both 24 hours).



**CHROMAVAC**

**QUALITY  
REBUILDS**

**SPECIAL  
OFFERS**  
ON  
INLINE

 **Get on the hot-line today!**

SUPERIOR QUALITY TUBES 061  
**DELTA RE-BUILDS** **681 2959**  
 most types of Inline Re-builds or  
 new ex-stock PRICES SUBJECT TO  
GLASS EXCHANGE

**Delta Rebuilds**

Up to 19" .....	£28
Up to 22" .....	£30
Up to 26" .....	£34
110° up to 22" .....	£34
110° up to 26" .....	£38
Low focus .....	+£2
A47 342 New .....	£28
17FHP New .....	£30
470EHB New .....	£30
Delta only. Less 5% 5+	

**Inline Rebuilds**

Up to 22" .....	£40
Up to 26" .....	£45
A56 - 540x .....	£56
A66 - 540x .....	£58
Bonded Coil ....	+£5

ALL SIZES OF  
NEW MONO TUBES  
AT COMPETITIVE PRICES

**IN LINE TYPES EX-STOCK SELECTION NOT REBUILDS**

*Please enquire types not listed*

370 HFB-A37-590 .....	£45	560 DMB .....	£62
370 HUB .....	£45	AXT 56-001 .....	£62
AXT 37-001 .....	£45	660 AB .....	£65
420 CSB .....	£45	A67-701 .....	£65
420 EDB-A42-590 .....	£45	670 CZB .....	£65
420 EZB .....	£45	A66-540 .....	£65
420 ERB .....	£45	420FSB .....	£55
470 KUB .....	£50		
510 UFB/A51-590 .....	£55		
510 VSB .....	£60		
AXT 51-001 .....	£60		
560 DYB-560 DTB .....	£62		
560 EGB .....	£62		
560 CGB .....	£62		

CARRIAGE  
 £5 Singles, 2-3 £10, 4 £12  
 10 £15, 10+ Carriage paid  
 EXCLUSIVE OF VAT  
 TERMS  
 Cash with order

QUANTITY  
DISCOUNT  
AVAILABLE  
Ask for details

★ ASK FOR DETAILS. OUR TECHNICAL DEPT.  
WILL ADVISE YOU ON PROBLEMS YOU MAY  
ENCOUNTER ON FITTING INLINE TUBES

DELIVERY: Ex stock items immediate dispatch on receipt of order.  
Others allow 14 days.

THE COMPANY WHO PUT HIGH STANDARDS FIRST

**CHROMAVAC**

CHROMAVAC LTD., PUMP STREET,  
HOLLINWOOD, OLDHAM OL9 7LR

Ask for Mr Butterworth ON: 061-681 2959

**SPRING CLEARANCE  
SALE!**



TV'S  
TX 9/10, 9600  
etc

VCR'S  
working stock to order  
special discounts for  
quantity.

TO TRADERS ONLY  
**CELTEL**

2 BREACH RD, WEST THURROCK. Tel: Purfleet (0708) 861404

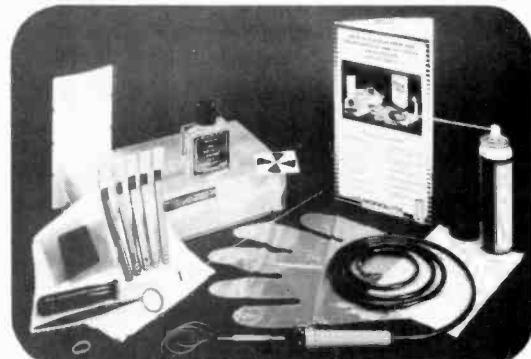
**LOOK AHEAD!**  
WITH MONOLITH MAGNETIC TAPE HEADS

DOES YOUR VCR GIVE WASHED OUT NOISY PICTURES - ITS PROBABLY IN NEED OF A NEW HEAD - FAST FROM OUR EX-STOCK DELIVERIES. SAVE £££'s ON REPAIR CHARGES.

Our replacement video heads fit most models of VHS or Betamax VCR's. Following our replacement guide and with a practical ability, you can do the whole job in your own home with our head replacement kit.

**VIDEO HEADS  
AT LOW LOW  
PRICES!**

**VIDEO HEAD REPLACEMENT KIT**



VMC-02 KIT ONLY £19.95 inc. VAT. + £2.50 p&p  
(Kit does not include video head)

TELEPHONE US NOW FOR INFORMATION OF THE REPLACEMENT HEAD FOR YOUR VIDEO RECORDER.

**CATALOGUE:** For our full Catalogue of Replacement Video and Audio Cassette/Reel to Reel Heads, Motors, Mechanisms, etc. Please forward 50p p&p.

**THE MONOLITH ELECTRONICS CO. LTD.**  
5-7 Church Street, Crewkerne, Somerset TA18 7HR, England.  
Telephone: Crewkerne (0460) 74321 Telex: 46306 MONLTHG



# CENTRAL TV & VIDEO WHOLESALE LTD.

**For the Best Quality and Best Prices in the UK**

Brand New 14" Portable TV .....	from £105
Brand New 22" Stereo Txt .....	from £235
TX Stereo Teletext .....	from £150

## VIDEO

Soft Touch Video Recorder VHS Working .....	from £155
Mechanical Video Recorder VHS Working .....	from £95
Mechanical Video Recorder VHS Untested .....	from £75
Sanyo Betamax Working .....	from £49
2020 Philips Untested .....	from £8

*Quality used television & videos. Excellent cabinets and good workers, teletext and remote (both with handsets). Just look at our unbeatable prices on our Spring Sale.*

## EX-RENTAL TVs

G11 .....	from £30
G11 TXT .....	from £60
G8 550 .....	from £10
PYE 222 .....	from £12
ITT S/S .....	from £25
ITT S/S W/Remote .....	from £45
Thorn 9000 .....	from £25
Thorn 9200 .....	from £40
Thorn 9600 .....	from £40
TX9 .....	from £50

**200 TVs & Videos a day arriving at our branch**

*Why not collect straight from our lorry – ring for details!*

*All prices are based on quantity and + VAT*

**GET ON THE HOT-LINE NOW**

**ASK FOR TONY**

**01-807 4090**

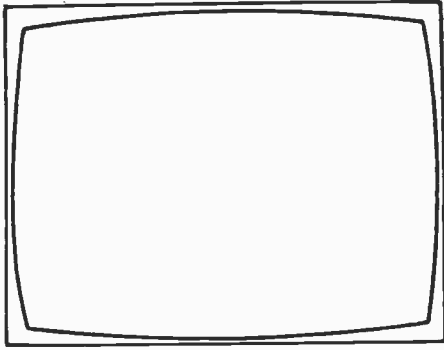
**01-884 1314**

**CEDAR HOUSE**

**Nobel Road, Eley Estate,**

**Edmonton N18 3BH**





# TELEVISION

## What a business to be in!

The pioneer firms in the early days of radio were often set up by technically gifted individuals who wanted to develop innovative designs. One wonders what they would make of the situation today. It's certainly a very long time since we last saw a new name with a new product in our industry, which despite continuing innovation must now be classified as "mature". Quite apart from the fact that to develop and put into production new consumer electronics goods is an horrendously expensive business, there's very little incentive for anyone to try to break into the industry. Why? Simply because it's so unprofitable.

Let's consider some examples. Our one major UK consumer electronics manufacturer Ferguson has been struggling for some time to achieve profitability. While Thorn has traditionally been a profitable business the basis of this has been the cash flow from the rental side, which continues to make good profits. It seems that in the past Thorn paid less attention than now to the profitability of the various sections of the company. Sets were required and the plants were there: the costs of the manufacturing side were covered by the overall profitability of the business. Ferguson is understood to have broken even in recent months, but it's been a trying time.

What about Amstrad you might say? Surely this company shows that profitability is not impossible? The firm has indeed produced impressive figures in recent years, but its position is rather unusual - it's largely a one-product company. By concentrating on particular market sections in succession it has been able to achieve profits that would probably have eluded it had it attempted to offer an across the board range of consumer electronics goods.

Philips recently announced reduced earnings for the year 1985 despite turnover up by twelve per cent. The main problems were in the semiconductor business and disappointing sales and earnings in the USA. Philips has been setting itself higher targets but is finding these hard to achieve. The company's wide spread of activities across the world emphasize the difficulty of trading profitably in today's electronics markets.

What about the famed Japanese electronics industry? Over the last few years most Japanese consumer electronics manufacturers have managed to achieve sometimes spectacular earnings growth. They've been helped by operating under favourable economic conditions. If you can hold down your costs and inflation is not a problem you can be very competitive. Even more so if your currency is relatively undervalued. Japanese success has been almost the mirror image of US problems. For two years the value of the dollar soared despite horrendous trade deficits. This strange situation arose because the US government's growing deficits were financed by sucking in loose cash from around the world. By offering high real interest rates the US government was able to balance its books. But that sort of situation cannot last indefinitely, especially in view of the international economic distortions it introduces. Last September the US government and the other main trading nations decided to take action on the overvalued dollar. Unusually - it's said that governments can't control free markets - the move has been highly successful. The key dollar/yen exchange rate fell from Y240 to around Y180.

The effect of this on the earnings of the traditionally prosperous Japanese manufacturers has been profound. Matsushita increased profits by three per cent in the year to last November 20th but expects a decline of 20 per cent this year. Hitachi is expecting a profit downturn of 34 per cent, with export earnings falling for the first time in nineteen years. Mitsubishi anticipates a fall in profits of 40 per cent while Toshiba is expecting a decline of 45 per cent. At NEC the expected fall in earnings is put at 16 per cent. Sony has already announced a sharp fall in first quarter earnings. In all cases the problem has been put down to the fall in the value of the yen and difficult market conditions, i.e. it's harder to sell anything at a profit.

In the past Japanese success has continued despite awkward market conditions. The key to this has been product innovation. If you can produce goods that people want to buy, at a price they can afford, you've got it made. But what happens when markets become saturated? The VCR has made the main contribution to the profitability of Japanese consumer electronics manufacturers over the last three years but it seems that this market, though still a major one, is now no longer in an expansionary phase. What next? There are still plenty of "goodies" on offer - the compact disc player, new lightweight camcorders and satellite TV equipment for example. But with the exception of the CD player it's hard to see these items producing the sort of output/profits growth we've been used to seeing.

The CD player market is a particularly interesting one. Traditionally a new product is offered at a relatively high price: it's regarded as a high-margin item till the mass market/mass production phase occurs. But the price of CD players has already fallen substantially, at an early stage in the product's life. Recently the £200 barrier has been breached, which brings us back to Philips. The company has been taking a certain amount of flak in the trade over its CD pricing policy and the profit margins offered. It seems that Philips hopes to use the CD player as a means of gaining a significant increase in its share of the international consumer electronics market. That's fair enough in view of Philips' role in the development of the compact disc, and one can't help but admire Philips' efforts to lead a resurgence of the European consumer electronics industry. But we're back with the problem of low manufacturing - and retailing - profitability.

The consumer benefits from all this competitive activity, but if you were looking for an industry that offers an easy life you'd certainly not choose consumer electronics.

### EDITOR

John A. Reddihough

### ADVERTISEMENT MANAGER

David Tilleard  
01-261 6671

### CLASSIFIED ADVERTISEMENTS

Pat Bunce  
01-261 5942

Please note that the telephone numbers above are for contact with the advertisement departments only. Editorial enquiries should be sent to the editor at the address given on page 410.

### FRONT COVER

This month's front cover photograph shows a Sinclair ZX Spectrum microcomputer on the workbench with a scope monitoring digital waveforms.

### TELETEXT SERVICING

Publication of the next instalment in Mike Phelan's series will be delayed. Mike is at present in hospital with a back injury: we wish him a speedy recovery.

# Servicing Sinclair Microcomputers

Part 1

Ken Taylor

Mike Phelan's series "The Lid off Microcomputers" last year evoked considerable interest among readers. It's clear that many of you are keen to get to grips with these devices which seem to be taking over the electronics world. They come in quite a lot of different types and forms. The single-chip types used in VCRs, washing machines and cars are special-purpose devices: they are not ideal subjects for an initial assault even if the wife would let you at them. So forget these and Head Office's IBM main-frame computer. In this series we're going to deal with some of Sir Clive's products, which happen to be among the cheapest, simplest and most abundant to have been put on the market. They have the added advantage that spares are readily available, which must appeal to anyone used to the problems of the TV servicing trade.

circuits that have been published if you wish to keep the initial expenditure down.

In some ways a logic probe duplicates a scope, which can be used instead. It's very much quicker and easier however to use a device with an in-built indicator when checking for pulses along the pins of an i.c.: you don't have to look up and check each response on the scope. The signals you'll be looking at are generally TTL ones (0-5V), so if you use a scope for the purpose its sensitivity need be no greater than that required for TV work, though the essential high-impedance probe does reduce the signal a bit. The crystal oscillator used in a microcomputer often runs at about 14MHz, i.e. rather higher than the basic frequencies encountered in a TV set, but there's rarely need to study waveforms at this frequency and the more critical system clock frequency is in the 2-4MHz range.

## Servicing Equipment

One of the first thoughts that will probably cross your mind is the cost of the servicing equipment required. Perhaps, like me, you've wandered round the exhibitions looking at £2,000 plus scopes and sneaking envious glances at the logic analysers - "no self-respecting computer repair organisation should be without one". I often wonder whether I'd have the time to learn how to use one of these even if I could afford it. But fear not. The most I recommend, in addition to the usual TV servicing equipment (scope, multimeter, bench PSU etc.), is a logic probe. Even this could be made from one of the many

## The Central Processing Unit

The system clock frequency just mentioned depends on the type of central processing unit (CPU, i.e. microprocessor) used in the microcomputer. Sinclair use the Z80 family: the Z80 runs at a clock frequency of 2MHz, the Z80A at 4MHz and the Z80B at 8MHz. The Z80A, which is used in all the microcomputers we'll be considering, is housed in a 40-pin package - Fig. 1 shows the connections. Some of the names used may be new to you, so we'll briefly run through the pins and their functions.

Note that the address and data bus lines are the only "active high" ones: all the rest go low (to 0V) when operative and should thus be written as  $\overline{\text{RESET}}$  for example (= not reset when high, i.e. 5V).

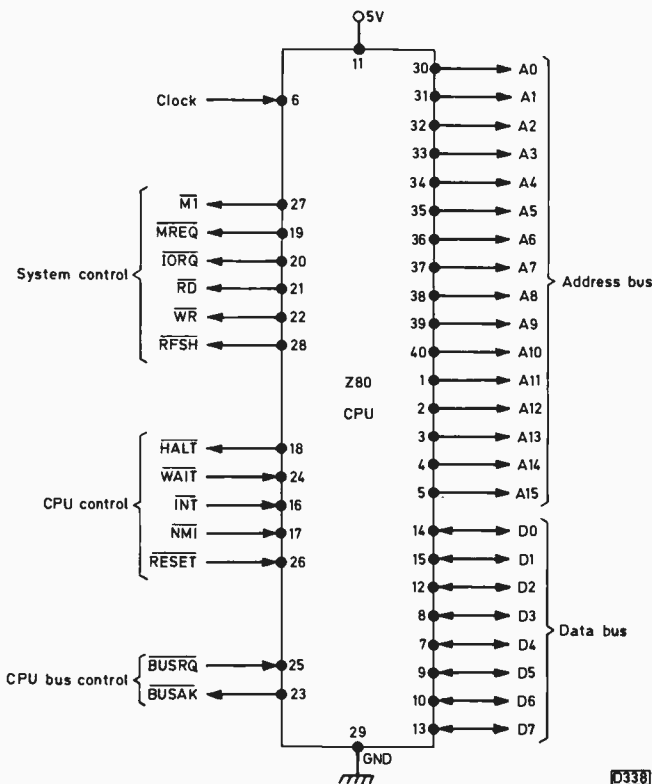


Fig. 1: Z80 CPU (microprocessor) pin connections.

Designation	Function
5V, GND	Chip's 5V supply and chassis connections.
A0-A15	Address bus outputs which are tri-state, active high; i.e. either high (active) = 5V, low = 0V, or open-circuit (high impedance) - this latter state allows other devices to control the line without loading problems. A0 is the least significant bit. These 16 lines can address 64K binary addresses (65,536 in decimal as 1K = 1,024 decimal, i.e. $64 \times 1,024$ ).
D0-D7	Data bus lines (in/out), again tri-state, active high. D0 is the least significant bit. These eight lines carry the data to and from the CPU. They represent 1 byte in binary (256 decimal).

The CPU generates signals on the following six lines to inform and control the other devices in the system. When the lines carry signals from the rest of the system the CPU output is tri-state.

$\overline{\text{M1}}$	Machine cycle one, active low. Used by the CPU to signal that a particular loading cycle is being carried out.
$\overline{\text{MREQ}}$	Memory request, active low, tri-state. Indicates that the address bus holds a valid



address for a memory read or write operation.

**$\overline{\text{IORQ}}$**  Input/output request, active low, tri-state. Indicates that the lower half of the address bus holds an address for use by an input/output device.

**$\overline{\text{RD}}$**  Memory read, active low, tri-state. Signals read to a memory or input/output device.

**$\overline{\text{WR}}$**  Memory write, active low, tri-state. Signals write to a memory or input/output device.

**$\overline{\text{RFSH}}$**  Refresh, active low. Indicates that memory refresh is taking place. Every address in a dynamic memory has to be refreshed at 2msec intervals. This line signals that a refresh is taking place. More on this when we come to memories.

The remaining lines are used by the system to initiate action or to indicate that action has been taken.

**$\overline{\text{HALT}}$**  Halt output, active low. CPU output signal indicating that it has obeyed a software halt instruction.

**$\overline{\text{WAIT}}$**  Wait input, active low. Allows external devices to halt the CPU. Must be of short duration because refresh is stopped.

**$\overline{\text{NMI}}$**  Non-maskable interrupt input, active low. Allows an external device to interrupt the CPU and make it carry out a special software program.

**$\overline{\text{INT}}$**  Interrupt request input, active low. Similar to  $\overline{\text{NMI}}$  but disregarded when instructed by the program running.

**$\overline{\text{RESET}}$**  Reset input, active low. Resets the CPU to the start address (0000 Hex). Takes place automatically at switch on. Refresh stops and dynamic memory is cleared.

**Clock** System clock input. This signal controls the speed of the system and all the CPU's operations are synchronised to it. The frequency depends on the CPU but is usually 2-4MHz.

**$\overline{\text{BUSRQ}}$**  Bus request input, active low. This line is activated by an external device when it requires control of the system. The CPU outputs other than  $\overline{\text{BUSAK}}$  go to the open-circuit state and refresh ceases.

**$\overline{\text{BUSAK}}$**  Bus acknowledge output, active low. Reply signal to  $\overline{\text{BUSRQ}}$ .

It's not necessary to worry too much about the precise function of each of the above lines: the important thing is whether a high, low or a dynamic signal is to be expected. For instance the  $\overline{\text{RESET}}$  line has to be high (except at switch on) or the CPU ceases to function. Many other lines, particularly the address and data lines, are continually changing even when the computer is apparently doing nothing. At all times the refresh system is putting out addresses and indicating their presence via the  $\overline{\text{RFSH}}$  line. Although this dynamic action is rarely cyclic and often produces a meaningless pattern on an oscilloscope we shall see later that it can be turned to advantage when fault finding.

### Programming Knowledge

After dismissing the need for a detailed knowledge of the operation of the CPU this is perhaps an appropriate time to stress the need for some knowledge of programming. Unlike other electronic systems the computer is controlled by the software program and the program resident in the ROM. To expect to be able to carry out fault diagnosis without an understanding of how to program the machine is naive, and a knowledge of how the system is designed and functions can be a great help. Most home computer handbooks give instructions on programming – usually in the “universal” BASIC (Beginners' All-purpose Symbolic Instruction Code) language. Unfortunately however there are different BASIC systems. Sinclair BASIC is one of the most way-out, and although devotees swear by it the differences between it and others are considerable. So too are the computer start-up sequences, and it's a great help if one knows what ought to happen when the machine is switched on. To sum up, I'd not advise anyone to attempt repairing a machine before obtaining practice and experience of its operation. More on this when we come to the ZX81 next month.

### Memory Chips

While discussing the CPU we mentioned dynamic memories. We'd better next look at the memory family. As you probably know by now there are two basic types of memory, ROM (read only memory) and RAM (random access memory). The former are preprogrammed and non-volatile, i.e. they contain the manufacturer's program for operating the machine/system: this program is permanent and unchangeable. The memory in a RAM can be changed however and is used to store the data produced by the computer system. It's volatile in that all the data is lost if the supply voltage fails, but some RAMs are even more vulnerable. These are the dynamic memories (DRAMs) that require constant refreshing. With these each binary bit of every data word is stored as an electrical charge at the input of a high input-impedance transistor. This charge leaks away in about 2msec. So each bit – and there may be as many as 64K bits – has to be recharged every 2msec. A daunting task you may think.

It's not quite as bad as it looks however since another feature of the dynamic RAM helps. We said earlier that sixteen address lines are required to count up to 64K. So a DRAM is going to be a multi-pin device with probably

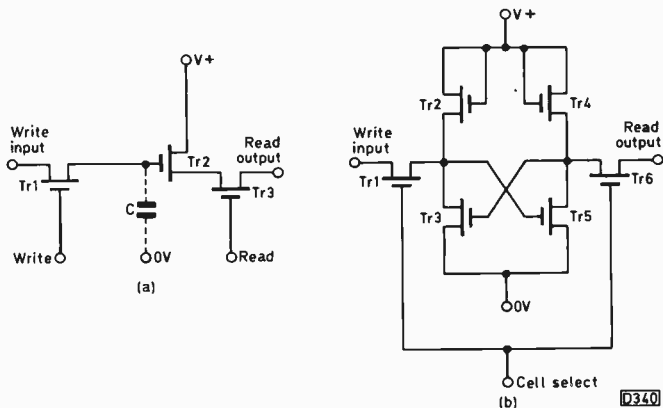


Fig. 2: Examples of basic MOS dynamic RAM (a) and static RAM (b) memory cells. In the DRAM cell the data bit is stored as an electrical charge by the capacitor shown as C – in practice this is Tr2's input capacitance. The SRAM cell uses a bistable circuit for storage (Tr3/5, with Tr2/4 as loads): the cell selection line enables data to be written in or read out. The DRAM memory cell is much simpler, giving greater storage per square area of silicon chip, but requires refreshing every 2msec.

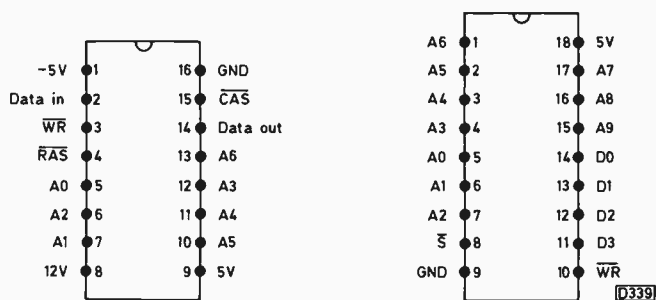


Fig. 3 (left): 4116 dynamic RAM pin connections.  
 Fig. 4 (right): 2114 static RAM pin connections.

over twenty pins. In fact it has sixteen. This is achieved by matrixing the address lines. The address matrix is formed of rows and columns and a system built into the chip switches eight of the pins first to one and then the other. Externally the sixteen address lines are also switched, first to one set of eight addresses then to the remaining eight. Both these switching operations are synchronised by the CPU: the data appears on the data bus at a precise time and is read by the CPU or the memory in sync with the switching.

Back to our refresh problem. The internal circuitry that does the row/column switching also assists with the refresh by recharging all the column bits each time a row is addressed. It's necessary to refresh only the rows therefore to refresh the memory completely. The number of refresh operations is thus reduced from 64K to less than 256.

Fig. 3 shows the pin connections for the 4116 DRAM. The RAS (row address strobe) and CAS (column address strobe) pins are used to synchronise the switching. This is a 16K by one bit (serial bits enter at pin 2 and leave at pin 14) memory. Despite requiring three voltage supplies (12V at pin 8, 5V at pin 9 and -5V at pin 1) it's still only a 16-pin device. Seven lines (A0-A6) are used for the addresses. The other pins are chassis (16) and WR (3) - read/write select. Compare this with the 2114 static RAM - see Fig. 4. Static RAMs use flip-flops to store the bits. This device has only one supply and has a 1K by four bit memory, i.e. it can store 1,024 four-bit numbers. Its storage capacity is a quarter of that of the 4116, yet 18 pins are required.

The Z80 is an eight-bit microprocessor, these eight bits being known as one byte. It connects with an eight-line data bus and when it addresses a memory location it

expects to receive an eight-bit instruction to direct its operation. The memory chips are arranged to meet this requirement: in the case of the 4116 eight of these devices would be used, providing a 16Kbyte memory; as the 2114 is a four-bit memory two of these would provide a 1Kbyte memory.

When memories are assembled in this way the address lines are common to all the memory chips. If there is more than one memory group with the same address pins confusion would exist if they all unloaded their data together. To overcome this problem memories are generally provided with chip select (CS or S) or chip enable (CE) pins - often more than one. These switch the memory on only when they are active.

Suppose for example that four 2114 memories are paralleled on the address bus to provide 2K x 8 bits of memory. If an address in the 0-1K range is required the first two memories will be enabled whereas for an address in the 1-2K range the decoder detects the higher number (usually the next binary address line) and enables only the second memory pair. The data pins are tri-state and remain in the high-impedance state until the memory is enabled.

### Complete Microcomputer System

It's time to look at the computer system as a whole. Fig. 5 shows a block diagram for a simple computer using the absolute minimum of components. We've already dealt with most of the important items - in fact the only major item remaining is the ULA (Uncommitted Logic Array). This is a collection of logic circuits assembled to the computer manufacturer's specification, replacing the many standard and special logic chips that would otherwise be required. In this example it would provide the address decoding, produce the clock pulses, decode the keyboard, condition the analogue tape input signals and control the output of data to the tape recorder and video modulator. Some of these tasks are carried out by the ULA alone, some are controlled by the CPU.

The clock oscillator for example is driven and divided automatically and the chip select signals are continually produced by the ULA logic alone. The output to the video modulator however is a complex signal consisting of screen character pixels and sync signals: the CPU is needed to sequence these correctly. The CPU and ULA also combine to carry out the keyboard decoding. Electrically the keyboard is organised in matrix form, one set of contact connections running from top to bottom and the other along the rows of keys. Signals are sequenced in the vertical lines via the ULA, a key producing a pulse on the address line. This pulse can then be decoded in a time sequence to find the key pressed.

We've now covered the major components in this simple example of a microcomputer. But we haven't finished with Fig. 5 because it's not a fictitious example. In fact it's a block diagram of the ZX81, the simplest Sinclair computer produced. Because of its many limitations this model has become obsolete and has little marketable value. As a result ZX81s can be purchased second-hand for as little as £10. They make ideal initial practice machines. Anyone contemplating microcomputer servicing would, if he doesn't already have a machine, be well advised to buy one of these for both the software and hardware experience.

Next month we'll look at the ZX81 in detail and start to establish a fault-finding procedure.

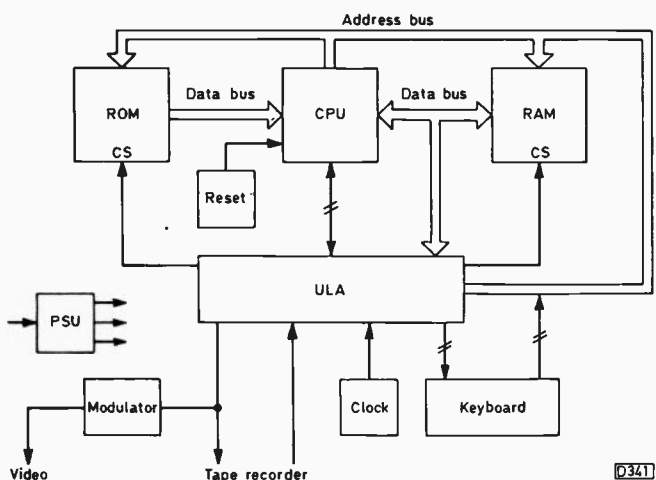


Fig. 5: Simple microcomputer block diagram.



# CHROMAVISION

## MANCHESTER and BIRMINGHAM

061-736 6333                      021-784 2561

★ **WORKING VIDEOS**  
100's IN STOCK

**HUNDREDS OF ELECTRONIC VIDEOS WORKING**  
**NOW IN STOCK**

**WORKING, NON WORKING + UNTESTED TV'S**  
**AT LOW, LOW PRICES**  
**MOST MAKES**

**THORN, ITT,**  
**BUSH, PHILIPS, ETC.**

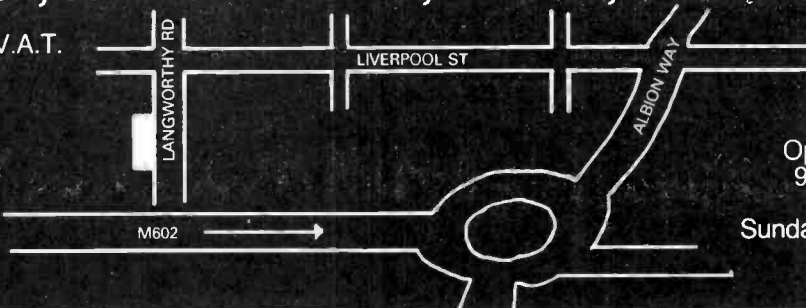
**WORKING SETS FROM £25.00**  
**TELETEXT, REMOTES, BASICS**  
**ALSO COLOUR PORTABLES, NORDMENDE, T.X. ETC.**

**CLOCK TRIMS FOR 3V16/22 VCRs £2.00**

**CASH ONLY**

**CHROMAVISION, 95 LANGWORTHY RD, SALFORD, MANCHESTER M6 5PH**

All prices subject to V.A.T.



**WE ARE HERE**  
Only 2 minutes from  
end of motorway

Open 6 days a week  
9.30 a.m. - 6.30 p.m.

Sundays by appointment

## SADELTA

### FIELD STRENGTH METER MODEL TC-402

THE SADELTA FIELD STRENGTH METER TC-402 has been designed to measure the signal levels delivered by the antenna to a TV or FM receiver, in order to test the performance of the antenna and evaluate the best conditions during installation etc. To facilitate measurements, the tuning frequency readout is shown on a digital display.



- FEATURES**
- Covering FM and all TV bands (UHF/VHF) including CATV freq. ● Digital tuning display (3 digits) for direct frequency readout.
  - Accurate 10 turn tuning potentiometer.
  - Built-in loudspeaker enables monitoring of sound in AM/FM.
  - Meter measurement in voltage and dB from 20uV (26dB/uV).
  - Continuity tester 0-500 Ohms.
  - Fully portable (battery).
  - Sturdy carry case.

PRICE £249 + £37.35 VAT

U.K. POST PAID, export enquiries welcome, Visa/Access or cheque with order, payable to B.K. Electronics. Official orders welcome from Govt. Depts., Colleges, P.L.C.s etc. Large S.A.E. for technical leaflets of complete range delivery normally within 7 days.

**B. K. ELECTRONICS** Dept. 'T',  
UNIT 5, COMET WAY, SOUTHBEND-ON-SEA,  
ESSEX. SS2 6TR TEL: 0702-527572

## TELEPART

### Telegen-1

- PRICE £18.35 (Inc. VAT)
- \* EXCEPTIONALLY LIGHT AND DURABLE
  - \* POCKET SIZE FOR OUTSIDE SERVICE
  - \* PP3 BATTERY POWER SOURCE
  - \* FIVE DIFFERENT TEST PATTERNS FOR COLOUR & MONO TV
  - \* CROSSHATCH GRID \* DOT MATRIX
  - \* WHITE RASTER
  - \* HORIZONTALS \* VERTICLES
  - \* 3.5mm JACK SOCKET FOR OPTIONAL P.S.U.



A lightweight, extremely portable and versatile pattern generator for black/white and colour T.V. alignment and service at the customer's home. At the turn of a switch, the generator can provide five essential test patterns for correct installation, fast checks and repairs. Pattern stability is first class and compares favourably with other more costly bulky generators only suitable for bench work. The generator is pocket size measuring 10 x 7.5 x 4 cm and weighs only 190 grams. Switched 3.5 mm jack socket allows use of external power supply with battery in situ.

### Telegen-2

- PRICE £34.45 (Inc. VAT)
- \* EXCEPTIONALLY LIGHT & DURABLE
  - \* COMPACT 10 x 12 x 4.5 cms
  - \* RED RASTER \* GREEN RASTER
  - \* BLUE RASTER
  - \* COLOUR BARS
  - \* 3.5 mm JACK SOCKET FOR P.S.U.
  - \* PROVIDES UHF SIGNAL APPROX. CHANNEL 35



Telegen 2 is a colour bar generator at a very modest price and yet is extremely effective, stable and durable. It is the perfect compliment to Telegen 1, giving colour bars arranged in the following sequence: white, yellow, cyan, green, magenta, red, blue and black. The unit provides a signal in the UHF band approx. Channel 35 and requires a supply of 14 to 18 volts D.C.

### Power Supply

A switchable power supply ideally suited to both Telegen 1 and Telegen 2.  
PRICE £4.55 (Inc. VAT)

ALL ITEMS POST AND PACKING £1.44 (Inc. VAT)  
All goods should be delivered within 4 working days.  
**32 TEMPLE STREET, WOLVERHAMPTON**  
**WV2 4AN. TEL: (0902) 29022**



# VHF/UHF Sound Receiver

Paul Barton

A DX-TV enthusiast wishing to use a standard UK TV set to monitor foreign TV sound channels has a considerable problem: the set will be designed to operate with the UK system I sound-vision spacing of 6MHz and will thus not respond to the system M, B/G and D/K sound-vision spacings of 4.5MHz, 5.5MHz and 6.5MHz respectively. An imported set could be used, but this would have a wide vision bandwidth, as a result of which unwanted signals will "spread" on to adjacent channels – the narrow i.f. bandwidths often used by DX enthusiasts enable much weaker signals to be seen, but the sound is obviously lost.

This article describes a totally separate, self-contained radio receiver with a very wide frequency range (depending on the tuner unit used). Fig. 1 shows the receiver in block diagram form. The 36MHz output from the varicap tuner unit is converted to 10.7MHz by a second mixer so that narrow bandwidth ceramic filters can be used. The initial i.f. amplifier has a low noise figure and when a low-noise tuner is used excellent performance is achieved.

## Circuit Description

Fig. 5 show the circuit of the receiver. To avoid shortwave breakthrough, the input from the aerial is fed to the varicap tuner via a high-pass filter. Several different types of tuner can be used. The tuner's i.f. output, at approximately 37.7MHz, is capacitively coupled to the gate of the BFW10 i.f. amplifier transistor whose double-tuned drain load provides some selectivity at this frequency. The original prototype receiver used two Philips U800 (G8) selectivity modules in this position, but these are now very hard to obtain. With the tuner's output connected directly to the 40673 MOSFET mixer transistor it was found that each station appeared at more than one tuning position, probably due to signals at 43.3MHz, present at the tuner's output, mixing with the second harmonic of the 2N3819 oscillator's output. Fortunately the combination BFW10/L3 was found to work well. Constructional details for L3 are shown in Fig. 2: note that if only 12.7mm dust cores are available these can easily be shortened using sidecutters.

The second frequency-changer stage employs a 40673 MOSFET. The 2N3819 f.e.t. local oscillator provides an output at 27MHz, i.e.  $37.7 - 10.7\text{MHz}$ . The signal is converted from 37.7MHz to 10.7MHz so that readily available ceramic filters can be used. This approach provides a narrow bandwidth without the problems of coil alignment: with the specified filters the bandwidth is 150kHz at the -6dB points. L6 is specified as a MAXI-Q type. If this is too large physically it may be possible to use a Toko coil though it would be necessary to experiment with the connections. Similarly L4 is specified as a Toko coil but a number of other 10.7MHz transformers may be suitable, such as the MAXI-Q type IFT15.

A TBA120AS i.c. provides the main i.f. gain and f.m. demodulation. The d.c. volume control facility (pin 5) is not used since it's useful to have a tape recorder socket which calls for a constant audio level. Audio amplification is provided by a TBA800 i.c.

A simple power supply circuit is shown. This provides a

33V tuning supply and 12V at 0.5A. The transformer secondary voltages need not be exactly as shown but use the nearest available. Mount the regulator i.c.s on small heatsinks, isolated from the chassis.

Most of the receiver can be built on a PCB. Keep the tracks around the i.f. stages and the TBA120 i.c. short and construct the oscillator in a well-screened case (there's some harmonic radiation which can be picked up by the aerial wiring).

With a little ingenuity a cord drive can be operated from the tuning potentiometer (ten-turn potentiometers are available from Cirkit). The completed receiver should be housed in a metal case to prevent signals at the i.f. (10.7MHz) breaking through – alternatively the i.f. stages can be built in tinplate boxes.

## Tuners

As previously mentioned several different types of varicap tuner can be used: the choice depends on availability and the frequency coverage required. The original prototype receiver used the early NSF non-MOSFET type tuner which covers 43-104MHz and 110-240MHz at v.h.f. plus the normal u.h.f. bands. Better performance and a slightly greater frequency range can be obtained using the ET021 NSF MOSFET tuner, though these no longer seem to be available. Both these tuners also cover Band II (f.m.) which may be an advantage when DX conditions are quiet. The Mullard ELC2000 series tuners also work satisfactorily: the ELC2000M for example covers approximately 45-90MHz, 110-240MHz and u.h.f. with fair sensitivity. I'm at present using a GEC-Hitachi ET547 part-MOSFET tuner which covers the TV bands only. Although the frequency coverage is restricted (43-70MHz, 150-230MHz plus u.h.f.) the performance is excellent: it should suit Band I SpE enthusiasts – u.h.f. performance seems to be about average.

## Alignment

Alignment is simplified if you have access to a shortwave receiver covering approximately 10-30MHz and a signal generator. Alignment can be done without these but is a little less precise and more time consuming.

First set the oscillator coil L6 to about 27MHz. This can be done using a shortwave radio. If you have a TV set with Band I coverage the oscillator's second harmonic at

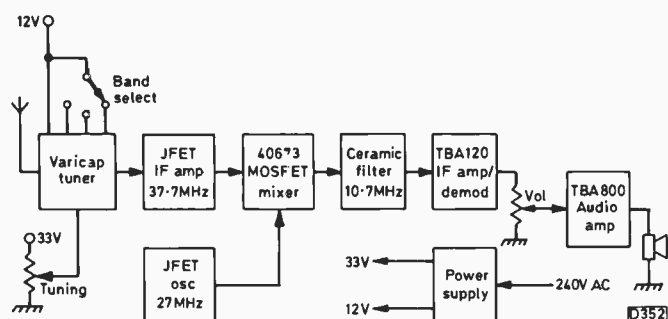


Fig. 1: Block diagram of the receiver.

about 54MHz should be found if a lead from the set's aerial socket is passed close to the oscillator.

Inject a 10.7MHz signal at the mixer transistor's drain – or attempt to tune in a station. Adjust L4 and L5 for maximum output/least background noise – L5 requires the most care in setting up. Tune to a semi-distant f.m. signal with slight background hiss (either u.h.f. TV sound or a Band II radio station is suitable). Adjust L5 carefully to minimise this hiss, using a plastic (not bronze) tool. Finally adjust L3 (both cores) then L4 and L5 for least background noise.

If the receiver isn't working the individual sections can be checked with the generator and/or the shortwave receiver.

It may be found that with the receiver in use the oscillator's second harmonic can be detected on the tuning range in Band I. In this event, ensure that it doesn't interfere with either ch. E2 sound (53.75MHz) or ch. E3 vision (55.25MHz). If it does, adjust the oscillator slightly so that the harmonic falls into a gap between these channels. Changing the oscillator's setting also moves the positions at which stations are tuned in on the dial but the harmonic will move relative to these stations, enabling a

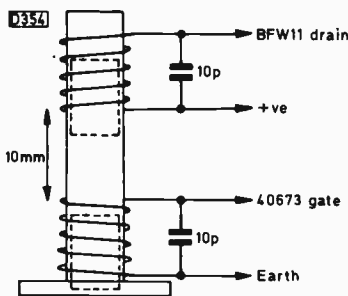


Fig. 2: Details of L3. Both coils 13 turns of 26-28 s.w.g. close spaced on an 0.3in (7mm) former with two 6 x 9mm long dust cores. Mount in a screening can.

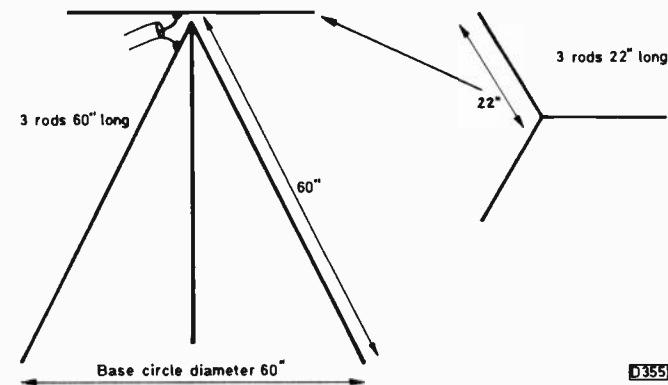


Fig. 3: Simple discone aerial design.

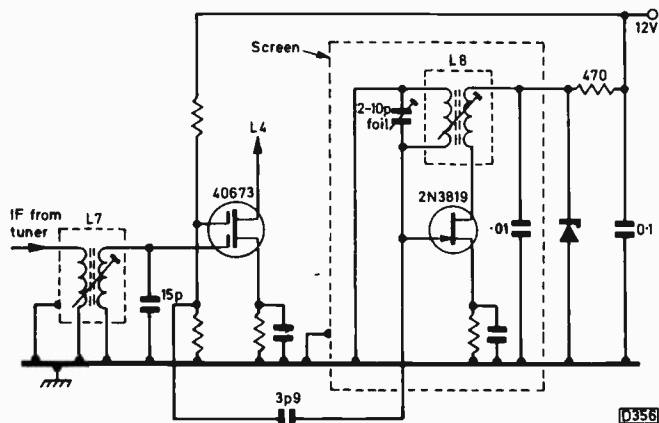


Fig. 4: Modified circuitry used in the miniature portable version. L7 is Toko type KANK3335R, L8 Toko type KANK3428R.

clear spot to be found. If the pick-up is excessive, try additional screening of the oscillator and aerial wiring. There's every possibility that the harmonic pick-up will be inaudible (it will appear as a blank carrier, possibly with hum, if present).

Finally the tuning scale can be marked. If a v.h.f. signal generator isn't available it will be necessary to wait for signals to appear to calibrate Bands I and III.

Tuning drift is normally very slight. Any abnormal drift will usually be due to the tuning supply, though the oscillator could obviously cause problems. I did come across a faulty batch of 33V regulators which produced random up and down drifting of the output voltage. The prototype receiver uses a ZTK33 regulator which gives excellent results – once the receiver has been switched on for a minute or so it will stay on tune for hours. A TAA550 is shown in the circuit diagram since this is more readily available.

## Performance

Good results can be obtained using a telescopic aerial, with clear reception of quite distant local f.m. radio stations. Audio quality is excellent. For fixed operation the use of a discone aerial is suggested: this has a very wide frequency coverage (40-700MHz or so) with predominantly vertical polarisation – a simple design is shown in Fig. 3.

A.M. signals can be resolved by tuning the receiver slightly to one side of the signal. This method gives reception of a wide variety of mobile stations, public services, aircraft and so on which use a.m.

The receiver is ideal for monitoring DX conditions since Band I can be checked in an instant without having to wait for the main TV receiver to warm up (I use a Bush TV183D, which is a hybrid set). It's proved invaluable for monitoring DX-TV sound signals – it enabled CBHT, Halifax, Nova Scotia ch. A3 to be logged in June 1984.

## Alternative Arrangements

More recently I decided to build a miniature, portable receiver using the same basic circuit. A miniature, double-tuned i.f. transformer is not available commercially however and is difficult to wind by hand. As a result, an adequate level of pre-mixer selectivity couldn't be achieved. To overcome the problem I decided to use just a single-tuned i.f. transformer prior to the mixer and an oscillator working at about 47MHz (36MHz plus 10.7MHz). The circuit changes are shown in Fig. 4. This approach also eliminates the previously mentioned problem of unwanted signals due to the oscillator's second harmonic, and enables the whole of the oscillator and mixer circuitry to fit on to a PCB measuring just 2 by 1 1/4in. It's necessary to keep the tracks associated with the tuned circuits to 1cm or less in length, and to screen the oscillator circuitry from the rest of the set.

Remove the tuning slug from the oscillator coil and set the trimmer near minimum. Signals should be received, and can be peaked using the core of the input coil.

Receiver sensitivity with this simplified arrangement is still high.

In its present form the receiver doesn't resolve a.m. signals too well. A TDA4420/4421 i.c. could be used instead of the TBA120 (for details of this i.c. see "System L-I Converter", *Television* February 1983). This should enable both f.m. and a.m. signals to be resolved at

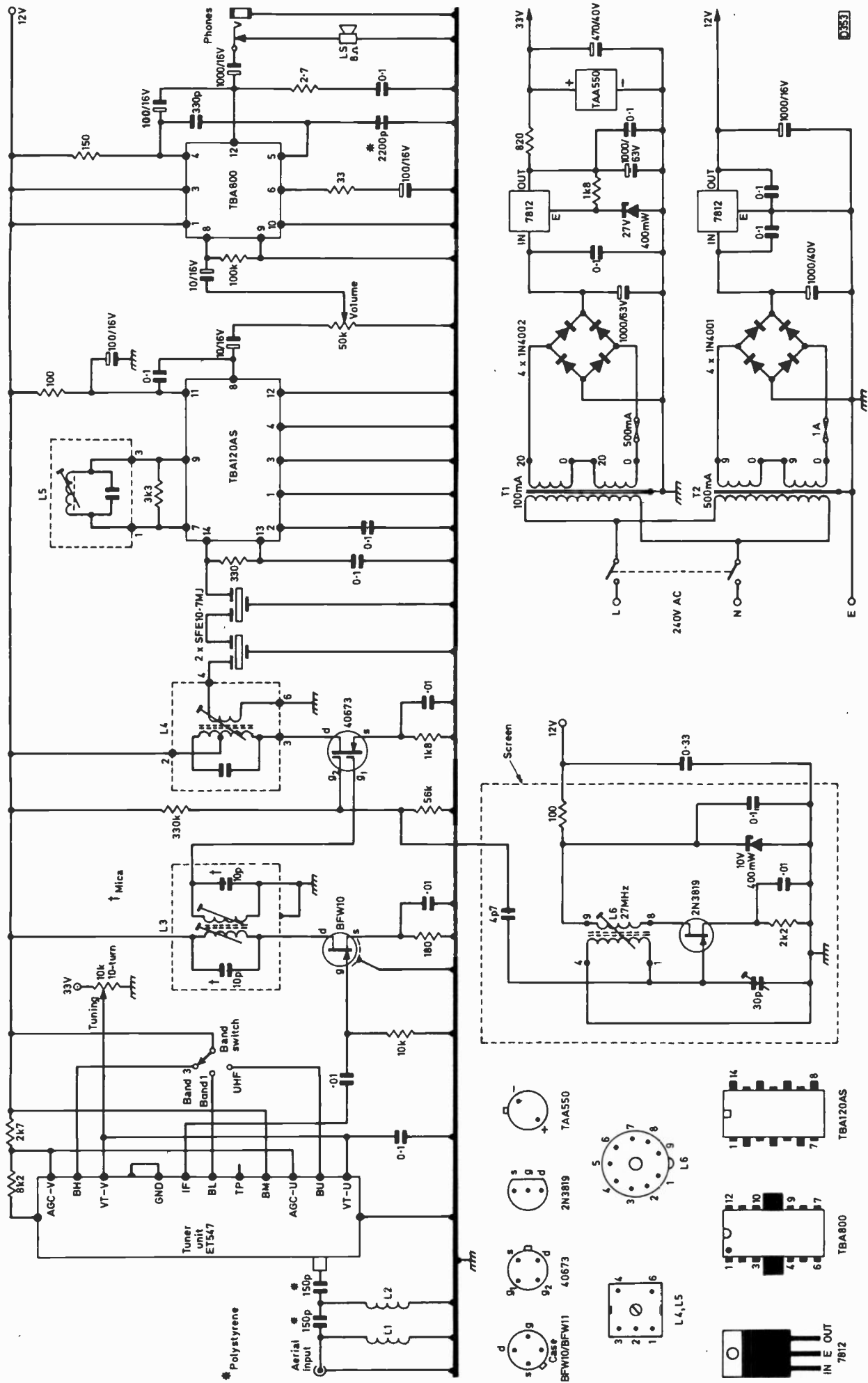


Fig. 5: Circuit diagram of the receiver. L1 and L2 consist of ten turns of 28 s.w.g., 2.5mm in diameter, close spaced and air cored. L4 and L5 are Toko type KALSA4520A coils - base on left viewed from below. L6 is a MAXI-Q R4T (white) coil, base also viewed from below. The JUGFET i.f. amplifier transistor can be type BFW10 or BFW11.

optimum quality, and would also provide a.g.c. to drive both the tuner and a signal strength meter. Switchable wide/narrow band i.f. filters would improve the results on the 2m amateur band, and would allow the use of a stereo decoder. . .

### Component Sources

Ceramic filters and Toko coils can be obtained from Cirkit Holdings plc, Park Lane, Broxbourne, Herts EN10 7NQ. L4 and L5 (KALSA4520A, order code 35-45200) cost 67p each while the SFE10-7MJ (order code 16-10756) ceramic filters cost 55p each. Various other filters are

listed. A 10kΩ, ten-turn potentiometer (48-10310) costs £4.45. Add VAT then 60p postage – note that the minimum order is £5.

L6 is available from G. and P. Powles, Unit 8, Brunel Road, Gorse Lane Industrial Estate, Clacton-on-Sea, Essex CO15 4LU. Specify White range R4T (for transistor use). Cost is £1.45 each. The IFT15 is a double-tuned 10.7MHz type costing £1.37 each. Add postage at 25p up to £2 order value, 7p on each additional £1 or part thereof. Then add VAT.

Tuner unit type ET547 is available from Sendz Components (see advertisement on back pages) who also list various other types of tuner.

# The VPS VCR Switching System

James Fletcher

Surveys have shown that the vast majority of VCRs are used primarily to record programmes off-air for playback later at a time more convenient to the user. The one thing that the new VCR owner soon discovers however is that it won't provide more hours per day for TV watching: I wonder how many of these timed recordings are in fact subsequently watched. It's also interesting to speculate on how many people can actually understand the instructions that come with their recorders. Many modern machines offer very sophisticated timed recording facilities, often allowing the user to record different programmes at different times over a period of up to a year, or to have individual episodes of their favourite serials recorded each night for a week. Unfortunately most users never take the trouble to learn how to make full use of the timer facilities, restricting themselves to being able to record just one programme and finding this adequate for everyday purposes.

Another major problem with timed recordings is that the broadcasters don't always keep to their published schedules, leading to disappointment when a programme you've been planning to record doesn't appear on the tape, or when the film doesn't start until after the time shown in *Radio Times* so that you lose the last ten minutes and don't know who dunnit!

Such problems are not restricted to our own shores of course. To help overcome them the Germans have developed a much simpler way of controlling timed recording sessions. The system is known as VPS – video programming system – and has been developed by the W. German broadcasting organisations in conjunction with their version of BREMA, the ZVEI. It's been in operation since the autumn of last year.

With VPS each programme carries a teletext-like coded signal on line 16 of each picture. When the transmitted signal on line 16 matches information previously put into the recorder by the user, and not before, the programme will be recorded. At the end of the programme the recorder switches off – until it recognises another line 16 signal for a programme it has been asked to record. The actual time at which the programme is transmitted is unimportant therefore, since the machine won't spring into action till it recognises the appropriate signal at the start of the wanted programme. If the broadcasters would co-operate by leaving the advertisements uncoded films could be recorded without the "natural breaks", but there are presumably commercial reasons for not doing this.

For some years now the W. German broadcasters have been carrying bi-phase coded data at a rate of 2.5Mbit/s on line 16 of each TV picture, one of the so-called insertion data lines. This data is used for source information, remote control of the network, identification of stereo sound channels and the transmission of test measurement results. The VPS signals that identify each programme item use four previously spare bytes of data on line 16 – bytes 11-14, see Fig. 1. The comparator in the domestic VCR continuously checks whether information decoded from bytes 11-14 on this line matches information

		Byte 11								Byte 12								Byte 13								Byte 14																							
Data bit number		1								8								1								8																							
VPS bit number		0								1								0								1																							
Normal signal	Address region	Day								Month								Hour								Minute								Country								Programme source							
System status code	Special system codes																																																
'No VPS' code	A	A	0	0	0	0	0	0	1	1	1	1	1	1	1	1	1	1	1	1	1	1	1	1	1	1	1	1	1	1	1	N	.	N	P	.	.	.	P										
Interrupt code	A	A	0	0	0	0	0	1	1	1	1	1	1	1	1	1	1	1	1	1	1	1	1	1	1	1	1	1	1	N	.	N	P	.	.	.	P												

A = Address code      N = Country code      P = Programme code

\* Switches to 'Timer' when 'No VPS' code is received  
 † Recorder pauses when 'Interrupt' code is received

Fig. 1: Format of the VPS data transmitted on line 16.

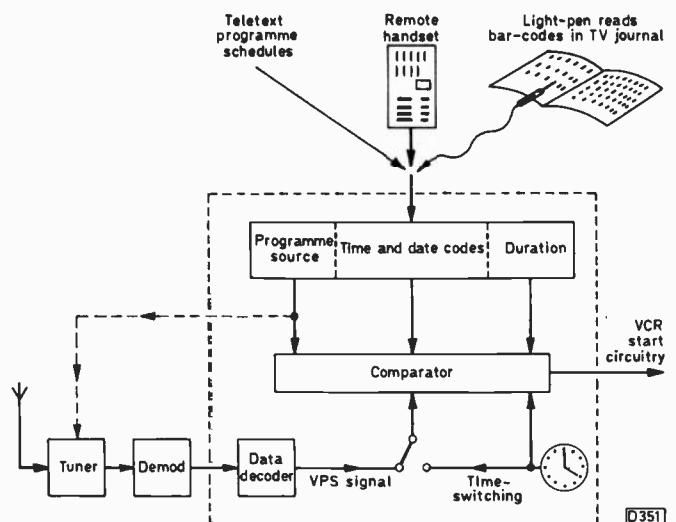


Fig. 2: Block diagram of the VPS VCR switching system.



programmed into it by the user. The system – see Fig. 2 – allows for automatic selection of VPS-controlled or timer-controlled operation of the VCR (to cope with programmes not VPS coded) and the timer can be used so that the VCR responds to VPS codes only during particular time slots, perhaps half an hour before and after the expected transmission time, thus minimising power consumption.

Feeding instructions into the machine to tell it which programmes to record can be done in several ways. Since the identification signals contain the month, date, hour and minute of the programme source, it's simple to use a remote control handset to insert the required information when prompted by a message on the screen. It's even easier to wipe a simple "light-pen" over the bar codes printed in programme timetable magazines: merely passing the pen over the codes for all the programmes you want to record sets up the required comparison signals without any further action.

Many engineers may wonder why the Germans don't make use of the standard teletext transmissions for VCR switching purposes – the IBA demonstrated that such a scheme was practical in the late seventies. The intention at that time was to use automatic teletext-controlled switching to allow UK schools' broadcasts to be transmitted and recorded at night. The UK teletext standard, on which the German one is based, actually contains a pseudo row address in magazine eight specifically for this purpose.

When asked about this the German engineers say that the lower VPS data rate of 2.5Mbit/s (compared to 6.9375Mbit/s for teletext) gives a better error rate, with simpler error detection and clock regeneration, i.e. a more reliable system. This sounds fine in theory until you

recall that the teletext system was not adopted by the W. Germans until a large numbers of tests had shown that the 6.9Mbit/s transmissions were reliable over a wide range of different terrains, including that of Bavaria. It also seems strange to introduce yet another decoder circuit now that millions of sets are equipped for teletext reception. A more plausible explanation for not using a teletext-based system is that with the federal structure of broadcasting in W. Germany each region has its own programming but not necessarily its own teletext service. The Germans say that to multiplex teletext signals from a central service with locally generated VCR switching signals would be extremely expensive. All regions already made use of the existing data transmissions on line 16, so it's a fairly simple matter to introduce the VCR switching bytes in each region. In the UK line 16 is used for teletext transmissions.

Grundig are now making VPS equipped VCRs, several W. German networks are transmitting the VPS switching signals, and both Austria and Switzerland have announced that they will be adopting the system shortly.

It looks as though this W. German initiative is set for considerable success, thanks to the broadcasters and manufacturers working together. In fact the VPS system could well become standard throughout Europe. The chances for an alternative, teletext-based switching system don't look too good, especially when you consider that the earlier IBA ideas were never taken up. The bar-code system of programme identification was demonstrated by the BBC several years ago, for use in conjunction with radio recorders. It was claimed however that the printers couldn't print accurate bar codes on the type of paper used for the *Radio Times*!

## 3 WEEK FULL-TIME

Tuition Fees £230, £575 and £690.

*(Grants available – see below)*

Courses commence on **MAY 12th, JUNE 30th and JULY 21st**

# VIDEO CASSETTE RECORDER AND MICROCOMPUTER SERVICING COURSES

INTENSIVE COURSES INTENDED FOR QUALIFIED SERVICE ENGINEERS OR APPLICANTS WITH SIMILAR BACKGROUND. THE COURSES COMBINE THE ADVANTAGES OF INDUSTRIAL AND ACADEMIC TRAINING WITH A HIGH PERCENTAGE OF PRACTICAL WORK.

*(MSC grants available on JTS/ATS training schemes, subject to approval. If you are unemployed, or are currently employed and require retraining, or updating, you or your employer may be eligible for financial assistance under one of the above schemes.)*

Further details from:

**LONDON ELECTRONICS COLLEGE (VC Dept.)**  
20 Penywern Road, Earls Court, London SW5 9SU  
Tel: 01-373 8721

# TV Fault Finding

*Reports from Philip Blundell, Eng., Tech., Leonard Allsopp, Steve Leatherbarrow, Roger Burchett and Steve Illidge*

## Finlux 1000 Series

The complaint was a blue screen. Now these sets have a tendency to produce a coloured raster if the first anode preset is incorrectly set, but with this receiver it was very difficult to find the correct setting. We also noticed that with a test card there was a slight green tint to the white sections of the picture and a blue ghost to the right of any vertical line. The semiconductor devices in the red and blue channels were swapped over one by one but the fault persisted. A burst of resistance checks finally revealed that Rb47 (1.8k $\Omega$ ) in the coupling to the blue output stage was high in value.

Field collapse can be a difficult fault to trace in these sets. If the sound is working you've probably got a run-of-the-mill field fault such as a defective TDA3652 field output chip or loss of the 26V supply due to Rz11 and Rz12 (1 $\Omega$ ) being open-circuit – modified types are available from Finlux. There's one trap for the unwary however. Parts of the field timebase are in two different chips, the TDA3652 output chip and the TDA2578A sync processor/timebase oscillator i.c. The driver stage in the latter chip monitors the feedback from the output stage and if this is wrong the driver shuts down. So a fault in the output stage, open-circuit print or failure of resistors Rk17/18/19 in the feedback network can be responsible for lack of drive from the TDA2578A. The fun really starts when the fault is field collapse and no sound. You could have a TDA2578A supply problem. Check the voltage at the cathode of D21 in the 11.5V regulator circuit on the video/i.f. board – the reading should be 11.5V. If this voltage is missing fusible resistor Ra3 is probably open-circuit. If o.k. check the voltage at pin 10 of the TDA2578A. A low voltage here, at some 6V instead of 10.7V, should lead to a check on the associated circuitry including transistors Th6/7 etc. Diode Dh7 (1N4148) in this circuit can be responsible for this when leaky.

E.H.T. but no sound or vision was the complaint with one of these sets. Turning up the first anode preset produced a coloured raster – so it wasn't a field fault this time! The interstation muting was disabled by disconnecting pin 13 of the TDA2578A i.c. This produced sound, so out came the scope. The video signal was present at the output of the TDA3541 i.f. chip but was missing at pin 19 of the scart connector. Ri20 (100 $\Omega$ ) turned out to be open-circuit – it fell apart when unsoldered from the board!

P.B.

## Tatung 160 Series Chassis

This set, actually a GEC 2296, was only a month old when the top of the picture began to fold over. All the voltages around the TDA3651 field output chip were low, including the 25V supply. This was due to the h.t. line being low. After many d.c. and resistance checks in the switch-mode power supply we discovered that the h.t. control itself, R813, had gone low in value.

P.B.

## Philips KT4 with VST

This set was dead – stuck in standby. An initial check on the power supply revealed that the VST module wasn't giving the on command. The momentary contact on the

power switch was working and the supplies to the microcomputer i.c. were normal, but the voltage at pin 7 (reset) was low at 2V. C2121 was leaky.

P.B.

## Panasonic TC48G/TC862G

The trouble with this set was line hold drift. All the voltages in the line generator department were within tolerance and the flywheel sync discriminator diodes were o.k. Use of freezer eventually identified C505 (1 $\mu$ F, 50V) as the cause of the trouble. This electrolytic couples the feedback pulse from the line output stage to the discriminator circuit: it measured all right but a replacement did the trick.

L.A.

## Hitachi NP8CQ Chassis

This set wouldn't start up. There was h.t. at the collector of the 2SC1942 chopper transistor but precious little else. After a check on the three high-value start-up resistors R907/8/11 the chopper transistor's base lead was disconnected to that a resistance check could be made. We discovered that there was base-emitter leakage, but when the lead was touched back on with the power still applied the set sprang to life. Fitting a new chopper transistor restored normal operation.

S.L.

## Rank T20 Chassis

The symptom here was a vertical scan covering only a third of the screen but perfectly linear. Adjustment of the height control made matters worse! Its 470k $\Omega$  feed resistor checked out perfectly but when the height control was removed from the panel some sort of substance could be seen between the pins. Dismantling and cleaning the track and metal case solved the problem. One of those "suitable for TV" type aerosols had been used in the past. There had then been a build up of conductive gunge which ate up the height circuit volts.

S.L.

## Fidelity ZX3000 Chassis

We had fitted a new tube to this receiver and had just completed the setting up procedure when we noticed that black lines appeared across the screen at low beam current levels and that if the brightness control was used quickly to darken the picture the black level sort of floated around with picture content. Our fault of course: we'd left off the aquadag earth tag at the tube base.

S.L.

## Philips KT4 Chassis

No picture but normal sound was the problem here. With the set on and the back off horrible dry-joints and nasty blue sparks were seen around the connections to the line output transformer. Set off, joints resoldered, switch on and no blue sparks – but no picture either. Turning up the first anode preset on the tube base panel gave us a new symptom – field collapse. Checks around the field timebase chip at the top right of the board gave hope – there were no voltages anywhere. Moving back to the line output transformer derived 26V supply was a short step

and we soon found that the 3.9Ω surge limiter resistor was open-circuit. Replacing this and resetting the first anode supply gave good results. The blanking circuit within the TDA3650 field timebase chip had presumably removed the raster. **S.L.**

### Fidelity AV System

Whilst removing the back cover on one of these units I hoped I was going to find something recognisable inside. Amongst the jumble of wires I could just make out a ZX3000 chassis. Not too bad really, but a glance at the audio side shows that it leaves a lot to be desired regarding accessibility. Anyway, the TV side was dead. Not totally dead, as the power supply was delivering a "quiet" 112V to the line output transistor. No line drive maybe? The TDA8180 "do all" sync/timebase oscillator i.c. was getting its 25V supply from the chopper transformer but not doing a lot with it. Replacing this chip along with the BF460 line driver transistor produced line drive but then the set tripped. After many fruitless checks in and around the line output stage we discovered that the h.t. supply was low. Resetting it gave good results – apart from the usual vicious geared-down tuning arrangement. Maybe the set interpreted low h.t. as excessive current flow? **S.L.**

### Decca 100 Series Chassis

This set was brought in off rental when it blew a 3.15A mains fuse for the second time in three weeks. Suspecting a problem in the crowbar circuit we connected a 60W bulb in series with the thyristor and left the set on test. Sure enough after a couple of days the bulb lit, indicating that the thyristor had fired. As a first go the thyristor and the transistors in its trigger circuit were changed. Result: perfect operation till it did the same thing again! Replacing the 186V over-voltage sensing zener diode D617 finally cured the fault. **S.L.**

### Thorn 9000 Chassis

After a number of complaints about muffled sound on this set I consulted a friend at R\*\*\* R\*\*\*. He suggested a check on the soldering of the coil (L712) that lives at the left-hand front corner of the Syclops panel, viewed from the back. The fault was present next time I called and tapping under the board here cured it: resoldering the coil provided a permanent cure. The chassis connection for the audio circuit is made via this coil. **R.B.**

### Philips TX Chassis

A common fault with these sets as they age is no field scan with uncontrollable brightness. The cause is a break in the 95V line just behind the aerial socket bracket. This disconnects the supply to the video output transistor and the field driver transistor.

Line collapse to a vertical bar about half an inch wide was caused by the line scan coupling capacitor C455 (47μF) leaking. Fortunately there's nothing too close to get corroded, and as the panel is horizontal the gunge doesn't spread. **R.B.**

### Philips G11 Chassis

I've come across several cases recently of dry-joint trouble at the lower end of the line flyback tuning capacitor C3131. In one set it had burnt a large hole in the panel,

## TV LINE OUTPUT TRANSFORMERS

PRICES INCLUDE VAT & CARRIAGE

Delivery by return of post.

<b>BAIRD:</b> 8290, 8752, 8773	<b>10.44</b>	<b>ITT:</b> VC200 to VC402	<b>9.20</b>
<b>RANK BUSH MURPHY</b>		CVC1, CVC2 (FORGESTONE)	<b>11.50</b>
A774 with stick rectifier	<b>9.78</b>	CVC5, CVC7, CVC8, CVC9, CVC20	<b>10.35</b>
A816, T16, T18, Z712, Z715	<b>10.35</b>	CVC25, CVC30, CVC32, CVC45	<b>9.20</b>
T20, T22, T26, Z179, A823	<b>11.50</b>	CVC800, 1100, 1150	<b>P.O.A.</b>
Z718 Basic unit	<b>13.50</b>	CVC1200, 1204, 1210, 1215, 2600	<b>P.O.A.</b>
<b>DECCA:</b> 1210, 1211, 1511	<b>11.50</b>	<b>PYE:</b> 169, 173, 569, 368	<b>9.20</b>
1700, 2001, 2020, 2401, 2404	<b>9.20</b>	CT200, CT200/1, CT213	<b>10.35</b>
CS1730, 1733, 1830, 1835	<b>9.20</b>	725-731, 735, 737, 741	<b>9.78</b>
30, 70, 80, 90, 100, 120, 130	<b>9.20</b>	<b>PHILIPS:</b> 170, 210, 300 series	<b>9.20</b>
<b>FERGUSON, THORN:</b> 1590, 1591	<b>9.20</b>	320 series	<b>9.78</b>
1690, 1691, built in rect.	<b>9.78</b>	TX, T8, TX2, TX3 mono	<b>P.O.A.</b>
1600, 1615, 1700, 1790	<b>P.O.A.</b>	G8 and G9 Series	<b>£9.20</b>
3000, 3500, 8000, 8500, 8800	<b>P.O.A.</b>	KT2, KT3, series	<b>9.20</b>
9000, 9200, 9300 series	<b>12.00</b>	G11, K30, split diode	<b>P.O.A.</b>
9500, 9600, 9650 series	<b>10.99</b>	<b>BINATONE:</b> 9909, 9860, 9488	<b>P.O.A.</b>
9800, TX9, TX10 series	<b>P.O.A.</b>	<b>DORIC</b> Mk3, Mk1	<b>11.50</b>
<b>MOVIESTAR</b> 3781, 3787	<b>12.00</b>	<b>FINLUX</b> 9560, 9670	<b>P.O.A.</b>
TX10 focus unit	<b>10.25</b>	<b>GRUNDIG:</b> most models in stock	
<b>FIDELITY:</b> FTV12 mono	<b>10.35</b>	<b>NORDMENDE:</b> 8290, Z206, Z306	<b>P.O.A.</b>
ZX2000 ZX3000	<b>P.O.A.</b>	<b>SANYO:</b> 5101, 5103, 7118	<b>P.O.A.</b>
<b>G.E.C.</b> 2047 to 3135 mono	<b>9.20</b>	<b>SHARP:</b> C1851H, C2051H	<b>P.O.A.</b>
1201H, 1501H, 2114, 3133, 3135	<b>9.20</b>	<b>TOSHIBA:</b> C800, C800B	<b>P.O.A.</b>
DUAL & SINGLE hybrid col.	<b>10.00</b>	<b>TANDBURG:</b> 190, CTV2, CTV3	<b>P.O.A.</b>
SINGLE STD solid state	<b>12.00</b>	<b>TELEFUNKEN:</b> most models in stock	
SINGLE STD split diode	<b>P.O.A.</b>	<b>HITACHI:</b> 1471, CPB260, 2501	<b>P.O.A.</b>
<b>INDESIT:</b> 24EGB, 12LGB, 12SGB	<b>10.35</b>	<b>SIEMANS:</b> FF series	<b>P.O.A.</b>
<b>WINDINGS</b>		<b>Tidman Mail Order Ltd.,</b>	
<b>TYNE:</b> main winding	<b>6.80</b>	<b>236 Sandycombe Road,</b>	
<b>RBM:</b> T20, T22, T26, Z179	<b>6.33</b>	<b>Richmond, Surrey.</b>	
<b>WALTHAM:</b> W125 eht winding	<b>2.37</b>	<b>Approx. 1 mile from Kew Bridge.</b>	
<b>WALTHAM:</b> W190, W191 eht coil	<b>6.00</b>	<b>Phone: 01-948 3702</b>	
<b>KORTING:</b> hybrid winding	<b>6.90</b>	Mon-Fri 9 am to 12.30 pm &	
<b>THORN:</b> 8000, 8500, 8800 eht	<b>6.70</b>	1.30-4.30 pm	
		Sat 10 am to 12 noon.	

breaking the print and disconnecting the line output transistor from the transformer: C3131 was a misshapen mess and the smell must have been pungent, but still they used the set!

Difficulty in setting up the EW and width controls (you can almost get it right) is due to one of the EW modulator diodes (D3132, type BYX55-600) being leaky. **R.B.**

### Decca 10/30 Series Chassis

A fault that's becoming more common as these sets age is low, sometimes varying contrast, with a noticeable difference in contrast between channels. The culprit is the a.g.c. smoothing capacitor C60 (22μF). **R.B.**

### Hitachi CPT2248 (NP83CQ Chassis)

The fault with this set was no channel change, just a blank raster with the green video light illuminated. The 12V rail was low and the 2Ω resistor R716 which feeds the 12V regulator transistor Q703 was found to be high in value. Replacing this didn't cure the problem however: the 12V rail was still low and Q703 ran hot. The cause was found to be Q1454 on the CITAC board assembly. This transistor is used as a 5V regulator, fed from the 12V rail. It was short-circuit. **S.I.**

### Sony KV2207UB

The complaint with this set was dark pictures. A check on the voltages at the tube base revealed that the focus voltage was low. The feed resistor R724 (1MΩ) had gone high in value. **S.I.**

# Teletopics

## EURO DBS

Plans for the services to be broadcast via the French TDF-1 TV satellite keep changing. In the January issue we reported that Robert Maxwell had signed a contract to run one of the channels. Since then Mr. Maxwell has entered into an agreement with four partners to form a European satellite television broadcasting corporation (Consortium Européen pour la Télévision Commerciale) which will be providing the programmes on two of TDF-1's five channels. Mr. Maxwell is the president of the Corporation whose other members, all with equal shares, are Sylvio Berlusconi's Italian Fininvest company, Jerome Seydoux's French Channel Five group, Leon Kirch's W. German Taurus Films group and a so far unnamed Spanish company. The Corporation will be paying an annual rental of some £10 million for the two channels and the deal is to last for eight years initially. One channel will provide English-language programmes while the other will be multilingual – mainly Italian. The service area includes the UK and Ireland to the west, across Europe as far east as central Poland. There will be eighteen hours of broadcasting daily, paid for by advertising. Of the other five TDF-1 channels one has been assigned to a French cultural programme (Channel Seven), one is to be run by the French Channel Five group while an option on the fifth has been offered to the Luxembourg broadcasting organisation CLT. TDF-1, which is due to be launched in November, is a high-power satellite which will operate in the 12.5GHz band.

Mr. Berlusconi's TV interests continue to expand: he's a partner with Jerome Seydoux in Channel Five and also runs three Italian private TV networks. The TDF-1 programme, which was started in 1981, has received substantial government aid.

Meanwhile a new report from CIT (Communications and Information Technology) Research considers that the potential European market for domestic satellite TV equipment has been much overrated. It suggests that there will be only some 400,000 domestic installations in use by 1990 and warns that it would be misleading to base forecasts on the situation in the USA where the rapid rise in TVRO use has been mainly in rural areas. One would be inclined to go along with this if the European services continued to be primarily from the low/medium-power Eutelsat and Intelsat birds, but it could be a different matter if the TDF-1 services catch on. Patrick Whitten, managing director of CIT Research, points out that none of the European satellite TV channels are at present making a profit. It will be interesting in this respect to see how Mr. Maxwell's Corporation fares and what effect it will have on his cable/satellite TV interests.

The European Telecommunications Satellite Organisation has issued an official statement on the performance of two of the transponders on Eutelsat I-F1 (one of these is used by Sky Channel). It points out that the transponders continue to provide the nominal transmitter power without degradation of the quality of the signals received and that the launch of an additional ECS flight will not be necessary. ECS-4 is due for launch in July 1986 and ECS-5 in March 1987. Sky Channel has renewed its Eutelsat transponder lease contract. A new

generation of Eutelsat birds is planned for launch starting in late 1989.

## LITIGATION

As forecast last month the IBA decided to block the Rank Organisation's proposed £753m bid for the Granada Group. The IBA's action upset Rank who promptly on the day upon legal action. Once the men of law got in on the act things became decidedly complex, as is inclined to happen. The case came up before the High Court and was dismissed on the grounds that the IBA, in making its decision not to grant Rank permission to exercise more than five per cent of the voting rights in Granada (it already had an eight per cent stake) under Granada's articles of association, had been exercising an adjudicatory power conferred upon it by those articles and had not been exercising a power given to it by the 1981 Broadcasting Act. Well now you couldn't get much clearer than that, could you? Not good enough said Rank who immediately took the case to the Court of Appeal which agreed with the High Court's ruling. Rank is now considering an appeal to the House of Lords.

## PHILIPS SERVICE POLICY CHANGE

As a result of continuing product reliability improvement and following general acceptance of the warranty claim form policy introduced last June Philips Service is changing the way in which it will in future operate. A comprehensive network of Approved Service Dealers is being appointed. These will have the support of a specialist team of Philips technical liaison officers. Consumer electronics repair facilities, both field and workshop, will cease to operate at the present eight Philips Service branches on May 1st. In addition all branch trade spares counters apart from Waddon (Croydon) will be closed from the same date. Spares will continue to be available from Central Stores, Waddon. In many cases spares will be available locally only from the Approved Service Dealers – a directory of these is to be made available shortly. The existing major appliance field service system will continue to be available using the network of telephone numbers currently in use and the repairs service for small domestic appliances will remain unchanged.

## SMALLEST CAMCORDER

A new lightweight camcorder (Model GRC7) weighing only 1.3kg with cassette has been launched by JVC on the Japanese market. It's expected to be available in the UK this summer at a price of around £1,300. The new camcorder is a full-feature model with  $\times 6$  power zoom, electronic viewfinder, auto white balance and fade, backlight compensation and one-button fully automatic or manual operation. A half speed setting gives a recording time of up to an hour. The size is 121  $\times$  165  $\times$  223mm with the detachable viewfinder retracted – size reduction has been aided by using a CCD image sensor instead of a pickup tube.

## BUSH TAKEN OVER

Bush Radio, a USM listed company which acquired the rights to the Bush brand name from the Rank Organisation in 1981, has been taken over by the video distribution group Prestwich Holdings in an agreed bid that values Bush Radio at £15.5m. Paul Levinson, chairman of Prestwich, intends to extend the range of products

handled by the group. Bush Radio's technical and purchasing office in Hong Kong will give the combined group access to Far Eastern suppliers.

### **TV/VCR SPARES GUIDE**

In presenting our spares guide last month we mentioned the rapid changes at present taking place in the industry. Already a correction is required. Spares for Rank produced sets are now handled by HRS Electronics Ltd., Great Barr Street, Birmingham B9 4BB (021 771 2525) who have taken over the total stock of components previously held by Mastercare Ltd. The agreement between the two companies assigns to HRS sole distribution rights for Rank Radio International service components. Orders should now go to HRS quoting the same part numbers as previously used.

One brand that was accidentally omitted from our list was Metz. Spares for Metz receivers can be ordered from Kolbyco Ltd., 65 Valleyfield Road, London SW16 2HS (01 677 6224).

### **MULLARD'S SLIMSCREEN TUBE**

Mullard have developed a new tube which is believed to be a "world first" in flat TV tube technology. Known as the Slimscreen the new tube is 50mm deep with a screen diagonal of 19cm. It's described as a high-technology, folded-optics c.r.t. with a conventional 4:3 aspect ratio, offering high resolution, good brightness and excellent contrast. The tube has been shown in a working demonstration and is primarily intended for military and avionic applications where space is at a premium. We assume that it stems from the design described in this column last November (page 39). The currently available tube is a monochrome one though colour versions are being developed.

### **AVOMETERS RECALLED**

Certain Model 1000 and 1001 Avometers are being recalled by Thorn EMI Instruments for modification. The meters concerned have serial numbers with the second letter C or D or adjoining letters AE, BE, CE or DE. The problem is on the 1kV range. Meters should be returned to the Thorn EMI Instruments Parts and Service Centre at Archcliffe Road, Dover, Kent CT17 9EN marked "for modification".

### **35mm SLIDE CONVERTER**

OpTex (22-26 Victoria Road, New Barnet, Herts EN4 9PF) have introduced the simple to use Duplikin III 35mm slide to 2/3in. video converter. Transferring slides to video is achieved by inserting either mounted or unmounted slides into the converter, which attaches to the camera's lens port, and pointing the assembly at a constant light source. Slides are focused by moving the lens barrel back and forth: the barrel is then fixed in position by four screws. Duplikin III sells at £575 plus VAT and can be used with the following cameras: Sony 330 and BVW3P; Hitachi SK97/91/81; JVC KY310/320/900/950.

### **PHILIPS' PROJECTION TV SYSTEM**

Philips is to introduce a new projection TV receiver later this year at a price of around £2,000. It provides a 37in. colour display using back projection, the cabinet dimensions being remarkably compact - 41in. high, 33in. wide and 20.5in. deep. Performance is said to be excellent, with

high resolution and good focusing, colour rendition and contrast. Two techniques have been adopted to get sufficient contrast for viewing under bright ambient light conditions. First there is liquid coupling between the three tubes and the objective lens. Secondly the projection screen consists of a PMMA plastic structure arranged like a Fresnel lens - this is in effect an optical equivalent to a black-stripe c.r.t. Four speakers mounted beneath the screen provide high-quality stereo sound and the set has remote control, teletext and various connectors including two scart sockets.

### **MULTISTANDARD CTV**

Toshiba's new 26in. FST Model 289X4M is a multistandard, multivoltage receiver with midband cable capability - it can handle eleven different broadcasting standards including PAL, SECAM and NTSC colour. The suggested price is £800. Other features include 23-button remote control and AV input/output sockets. For further details contact Toshiba (UK) Ltd. at Toshiba House, Frimley Road, Frimley, Camberley, Surrey GU16 5JJ.

### **NESAT PRODUCTION MOVE**

Manufacture of NEC's NESAT satellite TV receiver system has been moved from the company's Fuchu plant in Tokyo to a mass production facility at the Fukushima factory in N. Japan. Sales of the system, which is tailored specifically to the requirements of the European market, are said to have surpassed all initial projections. Production is now running at up to 100 a day.

### **NEW MULLARD TV CHIPS**

The latest addition to be Mullard TDA4500 series of chips, which incorporate the i.f./a.g.c./sync/timebase generator sections of a receiver, is the TDA4505 which features an external connection between the video amplifier and sync separator. Since the i.c. can synchronise signals from an external source manufacturers using it can produce sets able to display teletext, VCR and video camera inputs. It can also be used in surveillance monitors etc.

The original TDA4500 was followed by the TDA4503 which has improved crosstalk suppression. The TDA4501 reduced the external component count further by incorporating a sandcastle pulse generator. The new TDA4505 has the same features as the TDA4501 plus the additional external video connection. These chips also provide sound signal processing. The TDA4502 is a version of the TDA4501 without the sound processing but with an internal video switch. A further version, the TDA4504, was originally developed for the French market and will be available later this year: it's pin-compatible with the TDA4502 and can handle both negative and positive video modulation.

The new TDA3566 colour decoder chip is a higher performance version of the TDA3562A and can handle both PAL and NTSC signals.

### **DIGITALLY ASSISTED TV**

BBC research engineers have proposed a new technique called Digitally Assisted Television (DATV). With this system on analogue picture signal is transmitted along with high data rate digital signals that carry control or supplementary information about the picture. One application could be for bandwidth reduction with a high-definition TV signal to enable it to be accommodated



within a single DBS channel designed for a 625-line signal. DATV is basically a bandwidth compression technique: the role of the digital component of the transmitted signal is to provide the receiver with control information to enable it to reconstruct the picture without significant degradation compared to the original. One example of the use of the DATV digital component is to carry information about which parts of the picture are moving and which parts are stationary – several bandwidth reduction techniques rely upon this information being made available to the receiver. Another example is to carry data to help reconstruct a sequentially scanned picture which, to save transmission bandwidth, has been converted from

sequential to interlaced scanning.

Early results of experiments at the BBC's Kingswood Warren Research Department indicate that the DATV technique can provide HDTV quality even where the signal bandwidth has been reduced by a factor between two and four. DATV can also be used to improve the performance of 625-line systems with associated digital capacity such as the MAC/packet family of transmission standards. The BBC's deputy director of engineering Charles Sandbank sees DATV as "a powerful technique to squeeze HDTV signals through the bottleneck of transmission channels using the sort of technology that will be in our homes in the 1990s".

## Hush My Mouth

*Les Lawry-Johns*

If you remember, a couple of months ago I bragged about Mrs. Furnace's set: a Philips G6 which I'd sold to them some sixteen years ago. I mentioned how good the picture was. Well, she phoned the other day to say that the picture had gone into lines. So I packed my bag with care, taking with me in particular a PCF802 and a PFL200, the latter in case it was rolling too. In these sets you see the luminance output valve is a PFL200, the second pentode section being the sync separator.

We arrived at the house and switched the set on. When it had warmed up, the picture was in lines and I could see that it was also rolling over. So I decided to fit the new PFL200. As I did so I noticed that a small nearby resistor looked the worse for wear. It was one of the sync separator's anode load resistors, R2121 (68k $\Omega$  – it's a single-standard G6). Just to be sure I measured it and found that in fact it wasn't too far out. To be safe I replaced it, then tried the set again. This time the picture looked fine: I left Mrs. Furnace with her praise ringing in my ears. "Don't retire yet Les."

### Next Day

Next day she was on the phone again. "The picture's all white with no picture but the sound sounds fine." I didn't doubt what had happened. The glass of the PFL200 had cracked when I'd put it in. It's happened before to ham-fisted idiots like me. So off I went again, this time with three PFL200s just in case.

The valve hadn't cracked, but I noticed a resistor laying in the bottom of the rear edge. It was the luminance output pentode's screen grid feed resistor R2111. My lightning sharp (what?) mind immediately pointed out that an open-circuit screen grid feed resistor would have caused the valve's anode voltage to rise, not fall, thus blacking out the screen. But I checked the resistor's value, which was correct at 2.7k $\Omega$ . So I refitted it and to be on the safe side checked the resistance to chassis (in case the decoupling capacitor was short-circuit, which it wasn't) and fitted another PFL200. The picture was now as poor as it could be. There was plenty of colour but no luminance. I decided to try the previous PFL200. There was a puff of smoke from R2111 and it fell off its tags again, this time damaged beyond salvation. I kicked myself hard, then fitted a new PFL200 and a new resistor.

We were now back to the lack of luminance.

I looked askance at the BC148 black-level clamp transistor in the luminance PFL200's control grid circuit: if the previous valve had gone short-circuit between its screen and control grids the transistor would have been dealt a mortal blow. I looked twice at the chassis and decided to remove the panel (three screws at the top). This done it was a simple matter to replace the BC148 – except that I didn't have one with me. I did however find a BC147, and decided to fit that. It worked fine and once more we had a lovely picture. I tottered out into the snow and managed to find my way to the nearest off-licence – I never drink at work but make up for it in the evening.

Mrs. Furnace phoned later that night, after I'd downed a few whiskeys, to say that her picture was rolling. "If you look at the back of the set you'll see that a knob sticks out at the lower rear centre. Turn it slightly, looking at the picture through a mirror: get the picture to roll down, then turn the control so that the picture rolls up and clicks into lock. O.K.?" I presume that when I refitted the rear cover the last time I'd moved the control slightly without realising it. She hasn't phoned back, so it's either all right or she's called in a more able engineer who's not thinking about retiring.

### A Handy Tip

Here's a handy tip that's been passed on to me. Apparently lots of 20in. Philips sets fitted with the KT3 chassis are suffering from loss of blue and green to leave a predominantly red picture. The cause is loss of emission in the blue and green guns – the heaters are slightly underrun and the cathodes become contaminated. The tip is to short out the heater chokes on the tube base. Put a link across one of the two chokes and note the difference after a day or two. If there's no improvement, put a link across the other choke as well and leave the set working in this way for a day or so. When full emission has been restored, remove the links to leave the set in the original condition (chokes in circuit). I haven't tried this yet myself but we've a couple of KT3s that could do with it.

### Reggie's Mum

Reg Butcher is in fact our butcher. He's an important person since he supplies Zeb with his weekly bones as well as our meat. When H.B. called into his shop last Friday Reg told her that his mother was in dire straits with her TV set. Would Uncle Les put in an urgent call?

So Les paid her a visit. She opened the door and I said "I've called about the TV". She told me my visit wasn't necessary as it had been fixed. I was a bit taken aback

because I knew they wouldn't call in anyone else and Reg always paid the bill. I told her that Reg had asked me to call.

"My Reg? Oh, you must mean the TV. I thought you were the telephone man. Come in." I went in and switched on the Thorn 8800. There was no green. She was talking away ten to the dozen about her ailments and the weather and what not whilst I tried to listen and answer, at the same time checking the voltages around the three top transistors. The voltage at the collector of the green output transistor was a lot higher than the voltages at the collectors of the other two output transistors. "What's wrong? Something gone has it? I suppose you'll have to order it and I'll have to wait as usual." I didn't answer as I was searching in my bag for a BF337. I found one, fitted it and the picture was then green. So I set the controls and wrapped the job up. "Oh you've done it then. I suppose they give you all those things in case you need them."

"No dear I have to buy them in case you need them."

"What happens if no one needs them?"

"I just have to keep them till they are needed."

"Oh, well. Never mind. Give my love to my Reg."

So off I went to present him with my bill.

"Thanks Uncle Les."

### **A Smashing Time**

Later that day I called to a customer who said the set was too big to bring in. It turned out to be a Ferguson set fitted with the TX10 chassis – a 26in. model that lived quietly in a corner of the room, under a shelf on which were displayed many china articles which I presumed to be Ming or something.

I pulled the set out and removed the rear cover. The fuse under the right side red cover had failed so I looked suspiciously at the focus control. "There was a spark and then the set went off altogether." That confirmed my suspicion. I replaced the fuse and rummaged in my bag for a focus unit (the long type with improved insulation). I found one and took it out of the box. "Oh" said the lady of the house, "look at the pretty elephants on that box." So I had to tell them what Stan had told me months ago, about Small Elephants and Mammoth Elephants. I could see they didn't believe me and I don't blame them.

As I was fitting the unit my shoulder caught against the shelf. There was a resounding crash as the china descended into the fireplace. I managed to catch one lovely plate in its plastic holder and handed it over to the lady. As I did so the plate toppled out and joined the others in pieces in the fireplace. "Oh, I'm so sorry" I mumbled, expecting to be attacked at any moment. "Don't worry" was the surprising reply, "they were only raffle prizes." Well I never. Most other people would have done their nuts, raffle or not. I fixed the focus unit and refitted the red cover. When I switched on a good picture appeared. We watched it for a few minutes to make sure, then I took my leave.

### **Smoke and Moans**

A chap was waiting when I got back to the shop. He was tapping his foot and moaning his head off. "You repaired this set for me a few months ago, now it's smoking."

"It's not good for it you know."

"It's not good for me either" he groaned. "Paying out all this money. I paid you ten pounds for this set only six months ago."

"No you didn't. You paid me ten pounds for an e.h.t. unit to save replacing the line output transformer which would have cost a lot more." The set was a Ferguson Model 3840 (1690 chassis) which has an e.h.t. rectifier buried inside the transformer. We fix an external, shrouded diode in series with the e.h.t. lead and this restores normal working. It was the lead from the transformer to the diode that was smoking, running a bit too close to the heatsink. I unsoldered it and slipped a used solder mop cover over it. This held it away from the heatsink. Soldered it up again and the job was done, i.e. no more smoke.

"There you are sir. You can stop moaning now. Good afternoon. May you have many more male children and don't let them smoke." As I rolled myself a cigarette.

---

## **Second-hand VCRs**

**Derek Snelling**

In the November 1983 issue of *Television* I wrote an article on checking over second-hand VCRs. Since then some of the more modern machines have started to appear on the second-hand market. While everything said in the previous article still holds, certain extra points need to be borne in mind. So here's a short up-date on what to look for.

In the previous article the problem of pulsing with the Ferguson 3V22 was mentioned – the picture or colour moving from side to side when playing back a recording of a stationary picture. The most common cause of this at the moment is a worn pinch roller.

When checking in the picture search mode the presence of extra wide noise bars may be the first indication of head wear. The problem can also be caused by the fast forward/rewind idler slipping – this results in varying tension, particularly in reverse search. It applies of course only to machines fitted with this type of idler.

With the newer machines it's best to find out as much as possible about the model before you go to inspect it – in particular what it's supposed to be able to do and how many motors it has. For example, is the pause supposed to have a noise bar or not? Is the timer a one event or several type? Knowing the number of motors can have a bearing on such problems as poor rewind: if this is done by the same motor used for fast forward then a clean or a new idler is probably all that's required, but if each turntable is directly driven by its own motor the problem could well be due to a faulty motor.

Another point concerning motors. In some machines a noisy capstan motor is a precursor to wow on sound. If the machine you're checking seems noisy in the playback mode, press pause: if the noise goes away it's coming from the capstan motor; if it remains the lower cylinder could be worn.

Finally, most of the more recent machines have remote control. Don't forget to check its operation. Faulty wired remote control systems are usually easy to repair but beware of the type with multipin plugs. If the machine has an infra-red remote control system try to arm yourself with a set of batteries to counter any claim that "it's all right – just needs some new batteries".

Armed with the above notes and the previous article you should be able to avoid most of the pitfalls of buying a second-hand VCR.

# Long-distance Television

Roger Bunney

The reception talking point during February 1986 was the intense aurora that started on the 7th and produced dramatic results on the 8th. Major solar storms across the Sun's surface during the first week of February produced large flare disturbances resulting in a collapse of the ionosphere, with resultant high levels of noise and very low m.u.f.s. The magnetic storms that followed produced dramatic auroral displays (Northern lights) and v.h.f. signal reflection from the auroral sheets. Minor signal reflection occurred during the first phase in the late afternoon and the later phase at midnight on the 7th. The following day produced the most intense aurora for several years, again with the first phase during the afternoon from late lunchtime to 1800 and the second phase from around 2100 to well past midnight. Fortunately the 8th was a Saturday, allowing many enthusiasts to experience the aurora. Reports from both DX-TVers and radio amateurs show that signals from across Europe were received via the northerly reflections. Unusually, signals from the lower latitudes were well received – from Yugoslavia and Hungary for example as well as from Czechoslovakia, Poland, Russia, Germany, the Benelux countries, Scandinavia and the UK itself. Signals from France, Switzerland, Austria and Ireland were also logged. The optimum direction for reflection seemed to be around 20-55° from north.

As usual Scotland did well with auroral reception throughout Band I, though the characteristic fading/hum effects caused some difficulties with signal identification. Ian Menzies (Aberdeen) logged many Band I signals from SR (Sweden) and NRK (Norway): TSS (USSR) was logged up to ch. R4. An unusual identified reception was that of Radio Kent at 104.2MHz. Cyril Willis (Downham) noted signals throughout Band I and into the lower part of Band III, though none of the latter could be identified. On the east coast Tim Anderson received signals up to ch. E3 with reasonable quality, though they consisted of unidentified programmes. Following the solar storms and disrupted ionosphere the E and F layers gradually returned to a more normal state. The intensity of this aurora suggests however that a repeat performance will occur after the next solar rotation (27 days).

There was little SpE propagation during the month, though short periods were noted during the daytime – particularly signals from Scandinavia. The 5th produced CST (Czechoslovakia) ch. R1, RAI (Italy) IA and TVP (Poland) R1; the 9th TVP R1 and ORF (Austria) E2a. Signals from JRT (Yugoslavia) were seen during the early morning on March 2nd – on chs. E3 and E4.

There was a slight tropospheric lift on February 27/28th with reception in eastern England of the nearer Benelux/French u.h.f. transmitters, also RTL (Luxembourg) ch. E7. A further lift occurred on March 3rd. Improved tropospheric conditions on February 22nd produced French fifth network signals (Bouvigny ch. E51 and Lille town ch. E65), also the Bouvigny sixth network transmitter (ch. E54), in Brussels.

Ryn Muntjewerff (Holland) probably received MTV-2 (Hungary) on ch. R37, a 20W relay at Vamosmikola, during the tropospheric opening on October 27th last year. SpE reception in Australia during February produced many signals in Band I, also signals in the 88-108MHz f.m. band.

## An Interesting Band I Aerial

Various wideband Band I aerials have been featured in these pages in the past. One particularly interesting design, by Ian Beckett (Buckingham), is shown in Fig. 1. It features an active dipole with two tightly coupled passive resonators – not unlike the Antiference Tru-Match design, though that had a single passive element tightly coupled to the dipole. Ian's design has proved to be surprisingly effective – one memorable reception was of a prolonged, multiple-hop SpE signal from Ghana on ch. E2. The design is shown here to enable other enthusiasts to experiment with it: coverage is basically 45-62.3MHz but I feel that an improvement at the top end of the band to give coverage of ch. E4 would be obtained by decreasing the length of the forward passive resonator from 90in. to 83in. This step plus reduction of the reflector length from 124in. to 117in. would change the coverage to 48-68MHz, i.e. chs. E2/3/4. Many DXers use a single element cut to the centre of the band, say 55MHz, which means that a lot of signals are missed. If there are other interesting designs "out there" we would appreciate hearing about them.

## DX Converter Unit

In the February-April 1982 issues we featured an outboard DX-TV system incorporating an up-converter so that the output could be fed to the aerial input socket of a standard system I TV set. The system gave full coverage of the v.h.f./u.h.f. bands with switchable i.f. bandwidth facilities for weak signal working. A commercial unit, type D100, is now available from HS Publications, 7 Epping Close, Derby DE3 4HR. The single box includes a v.h.f./u.h.f. tuner, variable bandwidth arrangement plus gain and tuning controls and costs £73 plus £1.99 post and packing.

## Transmitter Listings

The latest EBU supplement mentions that the e.r.p. of the French (SSR) ch. E32 and Italian (TSI) service transmitters in Switzerland has been increased from 70kW to 130kW.

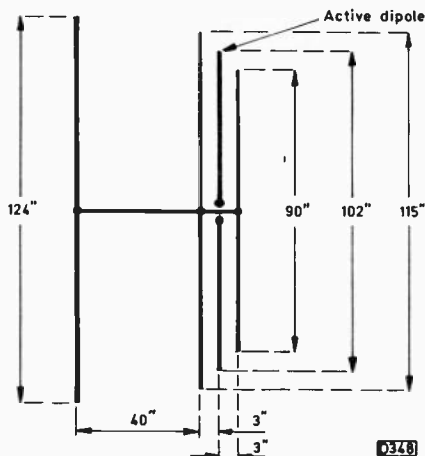


Fig. 1: Ian Beckett's wideband Band I aerial design. Boom 1in. OD. Elements 1/2in. OD. (OD = outside diameter.) Connect coaxial feeder to the active dipole, terminated at 75Ω unbalanced.

The latest issue of the *World Radio/TV Handbook* (1986) – the fortieth anniversary issue – lists Soviet forces transmitters in various E. European countries. Czechoslovakia is shown as having eleven relays including one that uses ch. R2 – Krupka, 100W. E. Germany has fifteen relays operating in Band III and at u.h.f. The GDR is well received during good tropospheric openings – look for Cottbus ch. R8, Karl-Marx-Stadt ch. R27 and Dresden ch. R32 (all with horizontal polarisation). No e.r.p.s are given for the E. German relays. The eight relays in Hungary all operate in Band III. SpE possibilities from Poland are Legnica ch. R2 and Szczecin ch. R3 – there are also two Band III relays. Bulgaria has one relay, Sofia ch. R31, Rumania none. The network relayed is TSS-1, via Gorizont at 14°W (Euro spot beam), so programme times relate to the USSR. It's understood that some very local news insertions are made. In general, identification of any transmitter carrying the TSS-1 service will be extremely difficult.

The timetable for extending the coverage of the French fifth TV network is as follows:

<b>In operation</b>			
Besancon/Bregille	ch.45	Nancy/Malzeville	ch.55
Bordeau/Bouillac	ch.56	Nevers	ch.41
Cannes	ch.63	Nimes (town)	ch.31
Dijon (town)	ch.46	Paris (Tour Eiffel)	ch.30
La Rochelle	ch.48	Saint-Nazaire	ch.55
Lens-Bouvigny (Lille)	ch.51	Saint-Quentin	ch.30
Lille	ch.65	St. Etienne	ch.65
Lyon/Fourviere	ch.28	Toulon	ch.57
Marseilles/Gd Etoile	ch.32	Toulouse	ch.32
Maubeuge	ch.32		


<b>End June</b>			
Ales	ch.62	Lorient	ch.62
Amiens-Dury	ch.49	Mantes	ch.53
Angers-Rochefort	ch.50	Marseille/Pomegues	ch.54
Avignon	ch.47	Montlucon	ch.49
Bayonne	ch.56	Nantes	ch.21
Bourg-en-Brasse	ch.38	Orleans	ch.52
Caen-Chu	ch.38	Poitiers	ch.41
Clermont-Ferrand	ch.58	Tours	ch.57
Dunkerque	ch.59	Valence	ch.53
Le Creusot	ch.38	Valenciennes	ch.49
Le Havre	ch.53		

<b>End September</b>			
Angouleme	ch.31	Niort	ch.38
Belfort	ch.30	Pau	ch.29
Bourges	ch.21	Rouen	ch.59
La Baule	ch.38	Vannes	ch.58
Limoges	ch.38		

<b>Mid-December</b>			
Beauvais	ch.49	Reims	ch.53
Brest	ch.34	Rennes	ch.34
Chartres	ch.47	Troyes	ch.39
Cherbourg	ch.35		

### News Items

**Scrambling:** CNN (Cable News Network) has been noted via Intelsat V-F2 at 1°W experimenting with various types of scrambling including MAC and random line displacement with digital sound in synchs. Nick Harrold presumes evaluation is in progress prior to CNN adopting scrambling in June. Teleclub has also been conducting tests, during the early morning, using – according to the test pattern caption inlay – “carrier remote switching”.

**TRIAX OMNI-FM AERIAL      FRINGE FM RADIO AMPLIFIER**

The **TRIAX OMNI-FM** represents fine value in omni-directional reception. This high quality aerial gives a level pick-up from all directions – ideal for locations where diverse transmitter sites are available.

For increased omni-directional gain (unity), 2 similar aerials can be stacked one above the other, a further advantage being reduced pickup above/below the aerials (gives reduced aircraft flutter and household electrical interference). No complicated phasing harness needed – just equal feeder lengths to a **TRIAX** Stripline stacking filter!

To complement the above systems we recommend the new **FRINGE ELECTRONICS 'FM RADIO SET-BACK AMPLIFIER'**. Very low noise (1.9dB), HIGH gain (20dB) and with excellent signal handling characteristics are the essential features of this attractively housed mains powered unit.


Indoor use allows optional amplification on weak signals only and for DXing – we suggest also very low loss coaxial feeder to maintain optimum low noise input performances. When thinking FM, Think **TRIAX**.

<b>TRIAX OMNI-FM</b> , Horizontally polarised 88-108MHz balun matched aerial.....	<b>£12.33</b>
<b>TRIAX</b> Twin OMNI-FM Aerials, higher output system which includes the Triax 721/BIH stripline stacking filter/combiner .....	<b>£35.00</b>
<b>FRINGE</b> Electronics FM Radio set-back amplifier, High 20dB Gain, very Low Noise figure only 1.9dB, mains powered.....	<b>£18.60</b>
<b>TRIAX 'Stereo 8'</b> 88-108MHz 'Continental' Style 8 element high quality FM Antenna with Twin reflectors, Gain 9.5dB.....	<b>£39.95</b>

WHETHER YOUR NEED IS FOR LOCAL OR FRINGE RECEPTION, ALTERNATIVE CHANNELS, TV/FM DXING, OR FOR A DISTRIBUTION SYSTEM, AERIAL TECHNIQUES IS THE 'ONE STOP' ADDRESS FOR ALL EQUIPMENT.


**AERIAL TECHNIQUES IS UNIQUE –**  
**OUR HIGH QUALITY CATALOGUE COSTS ONLY 65p.**

Send for your copy today – please include an SAE with all enquiries.  
All prices inclusive of VAT and carriage      Delivery 7-10 days.  
**ACCESS & VISA** Mail and Telephone orders welcome



**AERIAL TECHNIQUES (T)**

**11 Kent Road, Parkstone,**  
**Poole, Dorset BH12 2EH. Tel: 0202 738232**



**France:** The fifth network is now partially in operation and the identification on the PM5544 test pattern has been changed to “RES 5” – the programming also carries an inlay identification at the lower right-hand corner, a small square with a dominant figure five and “La Cinq” above this. The sixth network officially opened on March 1st: both Paris ch. E33 and Bouvigny ch. E54 have been received in Belgium. The sixth network Paris transmitters (chs. E30 and E33) operate at 3kW (not e.r.p.): this will be increased to 50kW. There are apparently no plans for Band I stations.

### From our Correspondents. . .

Ian White (Waterford) is replacing his u.h.f. aerial system with a twin stacked bowtie Triax grid array. He comments that there's great difficulty in many parts of the u.h.f. band in his part of the Republic due to the use of active reflectors. Many are illegal. Others with low engineering standards drive up to five amplifiers in cascade, with serious cross-modulation spreading on to adjacent channels. The Presely, West Pembroke group B transmitter is favoured as a programme source, usually being up-converted to group C.

Jean Dubler recently visited Malaysia and sent us a shot of the local test pattern. The first and second networks provide nationwide services: the coverage of the third service is more limited but with stereo/dual sound tests in the mornings and afternoons using the German system. Teletext, known locally as “Beriteks”, is carried by the third network in both English and Malay and is operated by a company independent of TV3.

# ECONOMIC DEVICES, PO BOX 228, TELFORD TF2 8QP

15/80H	3.05	2SA940	1.81	2SC535	0.79	AF180	0.55	BA656	0.99	BC560C	0.14	BDX63A	1.96	BFY52	0.27	BYX71-350	0.72
15/85R	3.05	2SA940-2	2.14	2SC536	0.29	AF181	0.53	BA7100	10.85	BC635	0.36	BDY20	1.21	BFY79	0.49	BYX94	0.14
16039	0.79	2SA950	0.72	2SC537	0.54	AF186	0.53	BA841A	16.72	BC636	0.42	BDY81	1.18	BFY90	0.61	BYX96	1.20
16181	1.04	2SA951	1.26	2SC605L	1.16	AF239	0.43	BA843	3.96	BC637	0.24	BF115	0.40	BLV49	2.20	BZ33C30	1.86
16182	1.04	2SA966-Y	1.16	2SC620	1.46	AF279	0.86	BA854	5.76	BC639	0.20	BF117	0.66	BR00	0.22	BZ88 RANGE	0.10
16334	0.98	2SA999	1.36	2SC643A	1.54	AL113	1.36	BAV18	0.21	BC640	0.24	BF118	0.67	BR01	0.75	BZ61 RANGE	0.18
16335	0.94	2SB774	1.15	2SC668	0.67	AN115	3.98	BAV19	0.11	BC879	0.39	BF121	0.25	BR03	0.75	BZ79 RANGE	0.10
16446	0.98	2SB185	1.13	2SC681	4.40	AN156	1.89	BAV20	0.31	BC880	0.31	BF123	0.13	BR03	1.26	C106D	0.46
16600	1.38	2SB375	3.87	2SC682	1.88	AN206	2.58	BAV21	0.34	BCX34	0.40	BF127	0.13	BRC116	0.67	C106M	0.76
16802	1.27	2SB400	0.40	2SC684	1.65	AN208	3.55	BAW62	1.98	BCY70	0.30	BF137	0.29	BRC300	2.01	C1129	0.58
17052	5.61	2SB405	1.03	2SC693	0.63	AN210	2.28	BAX12	0.44	BCY71	0.21	BF153	0.58	BRC5296	0.77	CA3046	2.06
17053	5.61	2SB407	3.24	2SC710	0.69	AN211	3.25	BAX13	0.11	BCY72	0.26	BF154	0.26	BRC6109	0.83	CA3089	0.83
17074	9.30	2SB449B	6.93	2SC711A	0.50	AN214Q	2.75	BAX16	0.11	BD115	0.30	BF157	0.33	BRC82	1.08	CA3090AQ	3.25
17089	5.35	2SB511	2.50	2SC717	1.28	AN231	14.43	BC107	0.13	BD116	0.70	BF158	0.18	BRC83	2.19	CA3094	2.20
17127	3.51	2SB54	1.39	2SC734	1.43	AN234	5.92	BC107A	0.11	BD124	1.31	BF159	0.18	BRC84	2.08	CA3131EM	3.12
17376	1.58	2SB546	3.75	2SC761-Y	0.95	AN236	3.78	BC107B	0.18	BD124P+KIT	0.69	BF160	0.31	BRC85	0.60	CBF16848N-071	1.58
17523	1.32	2SB56	2.80	2SC783	3.98	AN239	5.88	BC108	0.15	BD131	0.42	BF167	0.15	BRX49	0.53	CD401	0.38
17524	1.32	2SB618A	2.22	2SC790Y	1.64	AN240P	1.52	BC108B	0.15	BD132	0.42	BF173	0.34	BRX49	0.69	CD402	0.27
1N4001	0.06	2SB631	3.25	2SC828	0.20	AN241	1.71	BC109	0.12	BD133	0.42	BF177	0.35	BRX49	0.69	CD408	1.35
1N4002	0.06	2SB643	0.54	2SC867A	3.05	AN245	4.49	BC109B	0.15	BD135	0.36	BF178	0.40	BSTBD140G	5.25	CD4011	0.29
1N4003	0.06	2SB669	3.67	2SC876	0.96	AN253	2.97	BC109C	0.12	BD136	0.26	BF179	0.36	BSTCD246	7.25	CD4012	0.24
1N4004	0.06	2SB681	3.96	2SC930	0.54	AN260	3.85	BC113	0.14	BD137	0.36	BF180	0.36	BSTCD233	7.25	CD4013	0.47
1N4005	0.06	2SB695	1.98	2SC935	4.13	AN262	1.98	BC119	0.36	BD138	0.46	BF181	0.36	BSTCC0143	3.07	CD4016	0.46
1N4006	0.08	2SB75	1.04	2SC936	8.66	AN272	7.92	BC126	0.20	BD139	0.34	BF182	0.34	BSTD1043	2.85	CD4017	1.82
1N4007	0.07	2SB774	0.65	2SC940	4.68	AN281	6.85	BC132	0.14	BD140	0.37	BF183	0.39	BSTV57B	3.49	CD4020	0.23
1N4148	0.04	2SB819	0.87	2SD1128	2.90	AN295	5.52	BC135	0.14	BD144	1.70	BF184	0.63	BSTW68	0.60	CD4021	0.39
1N4448	0.05	2SC1034	6.75	2SD1138	0.99	AN301	5.55	BC137	0.18	BD150	0.75	BF185	0.39	BSTX11	0.34	CD4023	0.28
1N5401	0.14	2SC1050	5.06	2SD1273	1.25	AN302	3.99	BC138	0.34	BD157	0.67	BF194	0.14	BSTX20	0.34	CD4025	0.64
1N5402	0.15	2SC1096	1.16	2SD1453	0.75	AN303	4.39	BC139	0.28	BD160	1.60	BF195	0.14	BSTY52	0.50	CD4028	0.84
1N5403	0.16	2SC1104	3.98	2SD152K	2.64	AN305	9.47	BC140	0.46	BD163	0.71	BF196	0.17	BSY79	0.51	CD4040B	0.85
1N5404	0.15	2SC1106	4.54	2SD198	3.87	AN315	2.46	BC141	0.34	BD165	0.62	BF197	0.16	BT100A	1.61	CD4047	1.06
1N5408	0.35	2SC1114	6.75	2SD234	0.49	AN316	5.53	BC142	0.34	BD166	0.42	BF198	0.17	BT106	1.55	CD4049	0.46
1N914	0.04	2SC1116	4.95	2SD235	0.60	AN318	6.27	BC143	0.30	BD168	0.73	BF199	0.17	BT108	1.45	CD4052	0.75
IR3403	5.00	2SC1124	1.26	2SD24	2.29	AN320	5.47	BC147	0.08	BD175	0.60	BF200	0.37	BT119	1.76	CD4066	0.39
1S1555	0.20	2SC1129	0.34	2SD257	2.94	AN321	2.25	BC148A	0.10	BD179	0.49	BF218	0.36	BT120	2.17	CD4069	0.28
1S44	0.10	2SC1131	0.50	2SD292	2.59	AN322	5.85	BC148B	0.13	BD181	0.99	BF224	0.17	BT121	2.48	CD4070	0.66
1S5012A	0.81	2SC1158	3.33	2SD313	2.59	AN331	4.59	BC148C	0.11	BD182	0.99	BF227	0.65	BT123	1.98	CD4081	0.35
1S921	0.10	2SC1162	1.05	2SD325D	1.95	AN337	5.37	BC149	0.11	BD183	0.99	BF240	0.17	BT907	3.06	CD4083	0.72
2N1303	0.38	2SC1172	2.22	2SD348	16.13	AN340P	1.17	BC149B	0.11	BD184	1.21	BF241	0.17	BT151-800R	1.15	CD4511	1.10
2N2219A	0.40	2SC1195	3.26	2SD350	5.20	AN355	5.98	BC153	0.14	BD187	0.53	BF245	0.50	BT6018	2.42	CD4528	2.04
2N2222	0.38	2SC1212A	1.97	2SD350A	2.80	AN362	1.75	BC154	0.14	BD189	0.69	BF245A	0.37	BT712A	4.89	CD4556	3.47
2N2646	0.80	2SC1213	0.89	2SD353	7.50	AN370	3.95	BC159	0.16	BD190	0.69	BF245B	0.49	BU106	2.48	CD4582	1.55
2N2904	0.36	2SC1226	1.46	2SD389	2.41	AN5010	2.41	AN5010	0.40	BD201	0.60	BF246A	2.52	BU108	1.50	CV12E	3.07
2N2905	0.43	2SC1293	0.90	2SD401	2.55	AN5111	2.52	BC161	0.28	BD202	0.50	BF256	0.20	BU109	2.25	CV095D	3.14
2N2906	0.38	2SC1306	1.98	2SD414	1.98	AN5120N	4.50	BC168	0.36	BD203	0.60	BF256	0.28	BU110	5.69	CV104	9.64
2N2926	0.15	2SC1316	4.10	2SD471	2.13	AN5132	4.39	BC169C	0.16	BD204	0.40	BF256LB	0.42	BU111Y	4.16	CV108	10.50
2N3053	0.27	2SC1317	0.87	2SD560	2.95	AN5250	2.89	BC170	0.16	BD207	0.16	BF256L	0.42	BU125	2.48	CV109	7.86
2N3054	0.99	2SC1364	0.49	2SD588A	1.99	AN5435	3.08	BC171	0.11	BD208	1.23	BF257	0.13	BU126	1.55	CV130	8.76
2N3055	0.61	2SC1383	1.20	2SD600	3.25	AN5610	7.43	BC172	0.13	BD222	0.46	BF258	0.36	BU137	9.25	CV134	11.84
2N3442	1.16	2SC1391	2.45	2SD601R	0.65	AN5612	3.81	BC172B	0.27	BD225	0.49	BF259	0.34	BU1205	1.08	CV136	11.89
2N3702	0.14	2SC1398	0.84	2SD613	1.03	AN5613	3.80	BC173	0.17	BD228	0.63	BF262	0.57	BU1206	1.27	CV139	11.83
2N3703	0.14	2SC1413A	5.26	2SD621	12.67	AN5630	3.95	BC174B	0.27	BD229	1.05	BF263	0.57	BU1207	1.65	CV157	4.84
2N3705	0.16	2SC1446	1.25	2SD636	0.55	AN5701N	1.66	BC177	0.20	BD232	0.50	BF271	0.34	BU1208	1.12	CV158	4.84
2N3706	0.14	2SC1447	2.07	2SD639-R	0.85	AN6250	2.95	BC178	0.26	BD234	0.42	BF273	0.20	BU1208/02	1.97	CV177	6.75
2N3707	0.16	2SC1475	0.37	2SD655	0.98	AN6300	7.00	BC179	0.27	BD237	0.47	BF274	0.20	BU1208A	1.12	CV187	5.26
2N3711	0.11	2SC1505	1.00	2SD657	2.85	AN6310	8.74	BC182	0.09	BD238	0.46	BF324	0.23	BU1208D	1.95	CV255	6.85
2N3773	2.29	2SC1514	1.37	2SD661A	0.80	AN6320N	4.28	BC182L	0.08	BD239	0.46	BF336	0.33	BU1209	1.93	CV285A	12.95
2N3772	1.71	2SC1573Q	1.25	2SD731	2.45	AN6340	6.46	BC182LB	0.14	BD240	0.37	BF337	0.40	BU1226	2.95	DEC1	2.20
2N3819	0.42	2SC1578	8.74	2SD773	0.33	AN6341	4.00	BC183	0.11	BD241	0.39	BF338	0.40	BU1326	2.00	DEC2	2.20
2N3823	1.17	2SC1583	1.17	2SD811	5.54	AN6342	1.61	BC183LB	0.26	BD242	0.39	BF355	0.69	BU1326A	2.20	DS3488N	4.33
2N3904	0.62	2SC1617	3.89	2SD823	1.98	AN6363	16.00	BC184	0.13	BD243A	0.37	BF362	0.46	BU1326S	2.20	DS3487N	4.33
2N3908	0.62	2SC1675	1.41	2SD837	1.20	AN6371	2.80	BC184L	0.16	BD243C	0.51	BF363	0.60	BU1406	1.49	E1222	0.40
2N4101	1.33	2SC1678	1.98	2SD841	3.65	AN6387	7.95	BC184LB	0.26	BD244	0.79	BF371	0.50	BU1406D	1.79	ES024	0.28
2N4240	3.30	2SC1741	1.25	2SD856	2.25	AN6531	1.95	BC186	0.27	BD244C	0.79	BF391	0.25	BU1407	0.82	ES386	0.25
2N4444	0.90	2SC1810	1.70	2SD857Q	1.84	AN6551	1.35	BC187	0.28	BD245C	0.96	BF417	0.84	BU1407D	1.00	ES903	0.46
2N5253	0.50	2SC1815	0.66	2SD882	1.50	AN6552	0.68	BC204	0.16	BD246C	0.89	BF418	1.87	BU1412	5.29	ES905	0.50
2N5294	0.50	2SC1826	0.65	2SD894	1.50	AN6610	2.40	BC207	0.14	BD253	1.05	BF422	0.29	BU1426A	1.17	ESM3108P	4.15
2N5296	0.49	2SC1829	2.22	2SD898	5.45	AN6677	6.60	BC212	0.11	BD278A	0.80	BF423	0.52	BU1500	1.99	FDN500	5.78
2N5297	0.50	2SC1875	5.19	2SK105H	2.15	AN7111	1.45	BC212B	0.26	BD317	2.60	BF450	0.35	BU508A	1.85	GC374	1.65
2N5298	0.61	2SC1881K	2.98	2SK152	2.95	AN7114E	5.94	BC213L	0.10	BD318	2.85	BF451	0.29	BU536	5.80	GD243	4.95
2N5711	1.18	2SC1893	3.02	2SK194	0.76	AN7115	5.94	BC213LB	0.15	BD319	0.42	BF457	0.41	BU608	2.65	GF758	0.84



**TEL 0902 712083    TELEX 338490**

HA1374	4.80	LR3419	9.37	NE565N	1.33	SKE4F208	1.24	STK3042	11.05	TA7312P	2.45	TD62105P	2.50	TDA3560	5.00	TUA2000	6.98
HA1377	2.06	LR3471	9.37	NE6458N	3.35	SKE4F206	0.85	STK3044	5.75	TA7313AP	1.50	TD62104P	2.50	TDA3571Q	2.83	TV106	1.76
HA1389R	3.95	LU1141	7.27	NP1106	5.61	SKE4F210	1.24	STK3019	4.50	TA7314	5.94	TD62706P	4.50	TDA3576	7.09	TV6010B	2.97
HA1389	2.39	LU52012	5.95	OA202	0.11	SKE4F202	0.96	STK430	11.75	TA7333P	3.15	TDA1001B	2.31	TDA3590	5.79	U05G	11.45
HA1392	3.90	LU52011	4.95	OA47	0.14	SKE5F310	1.80	STK433	5.45	TA7335P	1.15	TDA1003A	2.25	TDA3591	6.45	ULN2204	1.14
HA1394	3.76	LU03112	12.37	OA91	0.09	SKS1/10	2.15	STK4332	8.25	TA7338P	1.35	TDA1005A	2.22	TDA3650	7.50	UPA53C	4.94
HA1397	3.95	M193	12.75	OA95	0.09	SL1310	3.14	STK435	5.94	TA7340P	5.06	TDA1006A	2.11	TDA3652	5.44	UPC1003	4.95
HA1396	3.98	M21C	1.00	OC28	2.95	SL1430T	3.15	STK4352	12.25	TA7607AP	13.90	TDA1010AF	4.25	TDA3651AQ	4.35	UPC1009C	6.32
HA1406	2.07	M23C	0.83	OC29	2.95	SL1414	2.69	STK4329	7.21	TA7609	3.28	TDA1011	2.40	TDA3651	4.30	UPC1025B	2.90
HA1452	1.63	M293	9.15	OC36	1.28	SL432A	3.44	STK437	7.80	TA7611AP	4.80	TDA1010	1.15	TDA3651A	2.65	UPC1026C	1.24
HBF4030AF	2.48	M51102L	6.35	OC44	0.35	SL439	2.48	STK4372	3.85	TA7616P	5.25	TDA1011A	5.25	TDA3950	3.25	UPC1028B	2.00
HD14538	2.07	M51152L	5.24	OC45	0.18	SL471	3.28	STK439	8.31	TA7622AP	8.94	TDA1028	2.45	TDA4050B	3.95	UPC1020H	2.77
HD38702-A2	7.45	M51203L	3.15	OC72	0.44	SL480	3.12	STK441	11.28	TA7628P	5.62	TDA1034B	2.42	TDA4280	7.20	UPC1032H	0.62
HD38750A53	8.71	M51231P	3.04	OC75	0.44	SL490	2.37	STK443	10.29	TA7629P	7.50	TDA1035S	2.56	TDA4290	4.47	UPC1042C	8.95
HD38750A-7	7.25	M5134-9341	4.13	ON236	1.06	SL901B	2.32	STK457	13.45	TA7630P	2.98	TDA1035T	2.95	TDA4400	2.27	UPC1156H	2.96
HD38800A50	14.08	M51353P	5.25	ON782	1.98	SL918A	9.07	STK460	10.75	TA7640AP	1.19	TDA1037	1.95	TDA4420	5.01	UPC1158	5.84
HD44801A05	17.49	M51381P	4.50	OT121	1.45	SN18661AN0	4.95	STK461	9.68	TA7672P	1.75	TDA10370	3.28	TDA4422	8.32	UPC1161C	4.50
HEF40018P	0.67	M51392AP	7.78	PT6042	2.45	SN18662AN	2.98	STK463	11.53	TA7676P	2.81	TDA1044	4.62	TDA4427S	9.00	UPC1182H	1.82
HIS11010	8.59	M51394P	11.97	PT8504	4.95	SN18666N	10.25	STK466	11.77	TA7726P	10.25	TDA1047	2.10	TDA4431	2.27	UPC1186H	1.05
HIS11004	6.00	M5142P	5.49	RI038	2.19	SN29717N	7.19	STK4833	16.95	TAA320A	1.27	TDA1059B	1.80	TDA4440	2.87	UPC1181H	1.25
HIS11002	9.50	M5144P	4.25	RI039	2.19	SN29718N	3.16	STK501	6.32	TAA350A	0.80	TDA1054M	0.80	TDA4442	4.85	UPC1185H	2.94
HM6231	9.81	M51513L	2.56	R2008B	1.33	SN29715N	6.04	STK502	5.74	TAA570	1.74	TDA1060	2.60	TDA4500	3.70	UPC1188	6.95
HM6232	8.89	M51515BL	3.23	R2009	1.98	SN29722	1.98	STK5314	9.48	TAA621AX1	2.48	TDA1082	3.25	TDA4600	2.84	UPC1213C	0.99
HM6251	5.70	M51517L	3.71	R2010B	1.33	SN29723AN	1.33	STK5730	3.95	TAA621A12	2.14	TDA1151	1.22	TDA4610	4.80	UPC1212C	1.72
HM7103	2.46	M5192	2.20	R2029	1.33	SN29764AN	1.38	STK7216	12.67	TAA651B	1.00	TDA1170S	2.25	TDA4620	4.46	UPC1225H	3.25
HM9032	3.22	M5194AP	5.74	R2030	1.33	SN29767	4.28	STK772	6.95	TAA691	8.58	TDA1190	3.11	TDA4630	2.73	UPC1230	6.25
HM9012	3.22	M5231L	1.95	R2257	2.38	SN297708N	4.94	STR1096	4.50	TAA700	3.75	TDA1190Z	2.96	TDA4650	2.60	UPC1238	2.98
HM9015	3.24	M53274P	1.33	R2265	1.49	SN297728N	4.91	STR4090	11.75	TAA930	4.87	TDA1200	3.50	TDA4720S	2.25	UPC1263	3.45
HT4207	17.16	M54532P	2.15	R2305	1.18	SN297718N	4.93	STR440	7.85	TAA970	2.83	TDA1235	3.88	TDA8190	3.47	UPC1277H	3.85
HT4208	18.25	M54544L	4.75	R2322	0.59	SN29791	1.57	STR441	9.45	TAA110	2.52	TDA1236	4.30	TDA9403	3.15	UPC1278H	4.85
HS401	0.11	M58478P	6.75	R2323	0.76	SN29798N	5.66	STR451	4.95	TAG232-600	0.73	TDA1270	3.76	TDA9503	2.92	UPC1351C	1.81
IR2403	4.25	M58485P	10.74	R2354A	2.01	SN2709	0.44	STR453	8.16	TAG626-600	1.06	TDA1327A	1.33	TDA9513	5.44	UPC1350C	7.85
IR2C05	4.25	MA06	1.07	R2354B	2.01	SN7400N	0.34	STR454	7.50	TBA120AS	1.24	TDA1412	1.05	TDB1033	2.08	UPC1353	1.40
IR3P06	2.25	MA8001	0.82	R2443	0.88	SN7401N	0.36	STR6020	8.31	TBA120SB	1.05	TDA1420	1.55	TDE1081	6.61	UPC1355C	2.13
IR3P08	4.95	MA8003	1.16	R2461	1.10	SN7402N	0.65	T6029V	5.75	TBA120T	0.95	TDA1440	3.16	TE626	1.49	UPC1363	4.20
IR9458	6.25	MB3705	1.98	R2540	3.31	SN7404AN	0.24	T6035V	0.73	TBA120U	2.50	TDA1470	3.15	TEA1002	3.47	UPC1362	7.75
IS751	2.85	MB3712	1.85	R2540X	2.30	SN7408N	0.27	T6036	0.67	TBA120A	1.05	TDA1470P	4.26	TEA1009	1.86	UPC1365C	6.98
IT425	0.18	MB3713	1.89	R2615	0.67	SN7410N	0.27	T6037	2.11	TBA1440	2.03	TDA1506	7.45	TEA1014	2.88	UPC1366	7.14
I22003GE	5.37	MB3730	3.25	RCA16029	2.01	SN7411N	1.60	T6044V	0.95	TBA1441	1.62	TDA1510	5.90	TEA1020SP	4.21	UPC1368C	4.51
I22002GE	5.93	MC13002	4.50	RCA16600	1.38	SN7413N	0.37	T6045	1.45	TBA1440G	5.20	TDA1512	2.89	TIC106C	0.61	UPC1378H	4.25
K174YP	3.46	MC13002	4.50	RCA16802	1.08	SN74141N	2.65	T6049	1.20	TBA1441	1.75	TDA1515	16.60	TIC106M	0.77	UPC141C	3.75
K2101	2.92	MC1310P	2.25	RCA17074	6.60	SN74151AN	1.51	T6052V	0.87	TBA290A	3.99	TDA1559	3.15	TIC116Y100	2.07	UPC1458	8.66
KC581C	6.32	MC1327P	1.33	RCA17376	1.58	SN74154AN	1.27	T6058	0.59	TBA395	1.10	TDA1670	4.48	TIC44	1.40	UPC151C	2.95
KC582C	3.97	MC1330P	1.89	RCA17524	0.83	SN74190	2.00	T6059	0.65	TBA395Q	1.10	TDA1770	6.85	TIC45	0.77	UPC2002	1.48
KC583C	5.54	MC1350P	1.61	RCA17523	0.83	SN7420N	0.34	T9003V	1.25	TBA396	0.80	TDA1905	1.76	TIC47	0.35	UPC30C	2.51
L200CV	1.69	MC1351P	3.96	RCA2060	2.00	SN7430	0.49	T9005V	2.38	TBA460	2.39	TDA1908	1.75	TIP120	1.06	UPC324C	4.70
LA1201	1.02	MC1352P	1.98	RGPO1-15	0.70	SN7440N	0.27	T9011V	0.49	TBA440P	2.45	TDA1940	1.95	TIP110	0.53	UPC32C	4.94
LA1210	1.56	MC1357P	2.15	RG10	0.50	SN7472	1.54	T9013V	7.96	TBA480Q	1.30	TDA1950	4.75	TIP112E	0.85	UPC339C	4.90
LA1230	2.87	MC1358P	1.30	RGF30M	0.59	SN7474AN	0.44	T9014V	2.60	TBA500P	6.58	TDA2005	5.08	TIP112	0.88	UPC41C	4.10
LA1320	2.87	MC14001	2.40	RT402	1.58	SN7480AN	0.93	T9016	1.02	TBA510	1.37	TDA2006	1.15	TIP117	0.95	UPC4558C	2.15
LA1352	1.75	MC14013	0.41	RT905A	2.38	SN74LS26N	0.53	T9019V	1.98	TBA520	1.84	TDA2004	2.27	TIP121	0.87	UPC474	5.11
LA1357N	11.07	MC14493P	3.44	SI299	5.74	SN76001N	1.65	T9034V	1.38	TBA520Q	1.68	TDA2002	0.90	TIP126	0.73	UPC554C	1.85
LA1363	7.25	MC14494P	2.15	SI75	31.48	SN76013ND	2.48	T9035V	1.39	TBA530	1.30	TDA2003	1.75	TIP132	1.40	UPC566H	2.95
LA1364	3.02	MC14497	14.99	S2062D	2.07	SN76023N	5.15	T9051	4.29	TBA530	1.30	TDA2010	1.85	TIP137	1.50	UPC574	3.25
LA1365J	3.44	MC14510BAL	3.75	S2800D	5.54	SN76023ND	3.96	T9054V	1.15	TBA540	1.15	TDA2020	2.77	TIP29	0.66	UPC575C2	2.40
LA1385	1.94	MC14511BCP	1.10	S2802	3.47	SN76033N	4.15	T9057V	0.70	TBA540Q	1.15	TDA2030	1.99	TIP295S	0.95	UPC576H	2.58
LA1387	1.60	MC145288CP	2.70	S2818	4.05	SN76110N	0.90	T9062V	0.49	TBA560C	1.40	TDA2140	1.59	TIP29A	0.46	UPC577H	0.76
LA3155	1.25	MC1712	3.88	S3702S	6.15	SN76115AN	1.61	T9064	1.51	TBA560CQ	1.60	TDA2150	6.20	TIP29B	0.63	UPC578C	7.35
LA3301	1.41	MC5192	13.50	S40W	10.89	SN76131	1.92	TAG602	4.35	TBA570Q	1.60	TDA2151	1.93	TIP29C	0.40	UPC580C	4.13
LA3350	1.43	MC7724CP	3.49	S6800B	8.80	SN76227N	1.33	TAG727	1.98	TBA570A	1.71	TDA2160	4.01	TIP29D	0.75	UPC587C2	1.34
LA3361	1.23	MC7818C	2.18	SA8063	5.17	SN76228DN	1.98	TAG7050	1.74	TBA641A12	4.13	TDA2161	1.85	TIP305S	0.75	UPC592H	2.15
LA3365	3.98	MCR1007	1.65	SAA1006	1.75	SN76228N	3.27	TAG7051	2.44	TBA641B72	3.03	TDA2170	2.98	TIP30A	0.41	UPC595	2.95
LA3390	4.25	MCR106-5/6	0.85	SAAI020	4.76	SN76242	8.95	TAG7054	1.55	TBA651	1.76	TDA2190	4.95	TIP30C	0.30	UPC596	1.98
LA4030P	4.20	MCR2207	2.28	SAAI025	4.40	SN76243	5.23	TAG7060AP	1.27	TBA673	2.60	TDA2270	7.65	TIP31A	0.34	UPD1514C	8.95
LA4031P	3.20	ME0402	0.17	SAAI024	2.81	SN76396	2.90	TAG7061AP	1.27	TBA780	1.85	TDA2510	4.85	TIP31B	0.38	UPD2819C	4.98
LA4032P	2.35	ME0404/2	0.47	SAAI075	6.25	SN76533N	2.47	TAG7069	3.13	TBA720	1.55	TDA2520	2.37	TIP31C	0.36	UPD4013B	4.00
LA4100	1.25	ME0411	0.28	SAAI121	4.43	SN76532N	2.95	TAG7070P	1.83	TBA730	2.55	TDA2522	3.46	TIP32A	0.53	UPD4066B	4.95
LA4101	1.30	ME6002															

# Letters

## MICROCOMPUTER SERVICING

I've been servicing microcomputers – mainly Sinclair machines – for a couple of years now and notice that information on this subject is beginning to appear in *Television*. The following notes may be of interest to your readers: they are based on practical, often hard-won, experience.

**Commodore VIC20:** Intermittent non-initialisation (rubbish sometimes appears at switch on) has on a few occasions been traced to the ROM i.c.s. Intermittent program crashing and/or lines (looks like no line lock), usually when the machine has warmed up, is generally due to the 6560 microprocessor i.c.

**Commodore 64:** For no cassette motor drive check whether diode CR2 (type Y068, part no. 900941-01) is short-circuit. Will not load from the cassette – check i.c. U2 (6526).

**Commodore cassette recorders:** Head realignment has been necessary on dozens of these, even when the adjusting screw has not been disturbed. The case is usually full of cat's hairs etc. and orange squash appears to be the favourite tippie!

**Sinclair Spectrum:** With any Spectrum the first check is to listen for coil buzz from the inverter. If there's no buzz and pin 1 of IC6 is not at  $-5V$  change TR4 (ZTX650). Switch on with a finger on TR4 to monitor its temperature. If you're lucky there'll be coil buzz and the machine will initialise. There may however be faulty RAMs (see later). If you're unlucky, TR4 will heat up and go short-circuit again. In this case change TR5 (ZTX213) and replace TR4. If you've been wise enough to get in a bulk supply of ZTX650s you can switch on again. This may be enough, but if TR4 immediately burns your finger again replace TR4, TR5 and the coil. This should bring success. If you're short of ZTX650s change the coil first.

Once a cool-running TR4 and a  $-5V$  supply have been established it may be necessary to look for faulty RAMs. A shorted RAM often shows itself up by getting very hot. Open-circuit RAMs can be found by "piggy-backing" good ones on top (if the originals are soldered in). Don't forget to count up to five slowly after each test and powering down, before removing any such test i.c., and be prepared for more than one RAM to be faulty. Fit new RAMs in holders for future convenience (you'll be glad you did).

On issue 1 and 2 machines modify the inverter circuit as follows: change R60 from  $100\Omega$  to  $270\Omega$  and add a  $4.7\mu F$  capacitor with the positive side to the positive end of C34 (emitter of TR5) and the negative side to R58 (base of TR5).

So far we've considered the 16K RAM machines. Faults do occur with 32K versions. A memory test may indicate loss of memory space. Again, piggy-backing will often locate a faulty, open-circuit RAM. Short-circuit RAMs do happen, sometimes getting warm. Occasionally an address chip fails. A scope will indicate the faulty device – a logic probe is useful too. IC25 and IC26 both fail (type 74LS157): I've never yet had IC23/4 fail.

Returning to power supplies, I should point out that no buzz can be caused by the 5V regulator being open-circuit. Heatsinks are often loose and inefficient and the regulator frequently fails because of this – also for more

obvious reasons like the legs twisting when the screw is tightened during assembly, often breaking off at the bottom or coming away from the print. The remedy is obvious – replace the regulator and take care to improve the heatsinking.

The ULA chips often fail – this usually starts as an "intermittent when warm" fault. Heatsinking can be tried, but it's usually too late.

Check for poor holder contact when replacing i.c.s. Some holders had tarnished pins from the start – this seems to apply mostly to the microprocessor chip. The result is that odd intermittent faults appear later. Tapping and flexing the board shows this up. Cut the faulty holder out and replace it.

These are the main faults we've had within these machines. I can't stress too much that all the leads and add-ons should be brought in for checking. More on this later. First some odd faults.

A machine tested with interface and microdrive and passed o.k. by the test tape came back as it refused to work with a modem. This proved to be due to dirty edge connectors. So, as a final precaution before reassembly, clean the edge connectors. Also replace any missing feet: these are there to allow cool air to circulate.

I've twice been caught by faulty clock crystals: flicking them with a finger proved their guilt.

In Spectrum Pluses and some later Spectrums a Texas colour modulator chip (SN prefix) was used instead of an LM1889. These tend to fail and we sent dozens back to the wholesalers. Some machines will escape the net but the remedy is simple – change to an LM1889.

Now for customer induced faults. Loose add-ons cause havoc, destroying microprocessor and ULA chips and sometimes the ROM as well. The customer often suspects that something is wrong and "waggles it to see". Kemston interfaces appear to be the worst. Too quick switching on and off often destroys the odd RAM at least. I know, I've done it myself.

The dirtiest deeds are done in the power supply however. Considering the cost of some of the equipment on sale today (VCRs etc.) the quality of the mains plug and wiring used is often abysmal. Even reputable dealers often fit cheap, imported plugs – or a customer may fit a plug liberated from say a defunct toaster. I remove these, fit an MK plug and lecture the owner on his folly. If the mains supply is suspect, either because the customer lives in the country with overhead lines or uses multiple adaptors, sharing with a vacuum cleaner etc., I advise either a "power cleaner" plug (expensive) or a mains transient suppressor. I fit the type used in the Philips G11 chassis – for the simple reason that I keep these handy to fit to Thorn TX9s (the early ones).

The d.c. power plug is also liable to attack. Replacement leads are available from Sinclair agents but the 2.2mm plug is generally available – from tape recorder spares stockists for example.

A few odd "loading" and "saving" faults occur when the leads are used a lot. If the machine is frequently used it's worth making up new leads, using quality plugs with strain-relief sleeves. The same applies to the TV lead. These leads are o.k. but basic.

Finally, spares. CPC of Preston are Sinclair agents and are very helpful. Service manuals are available and all components seem reasonably easy and quick to obtain. **Microvitec Cub Monitors (1441 etc.):** The first anode supplies have been a problem, with R933 burning out and the preset VR932 suffering as well. Recommended modi-

fications are as follows. Remove wire link R236 (on the main board, adjacent to the line output transformer) and fit a 150k $\Omega$ , 1W resistor in this position. Remove R933 and fit a 150k $\Omega$ , 1W resistor. Replace VR932 if damaged – use a 2.2M $\Omega$ , 1W preset. Remove R934 and fit a 220k $\Omega$ , 1W resistor. Then set up the first anode supply as follows. Turn the contrast to minimum. Turn up VR932 for a just visible raster, then extinguish it. Turn up the contrast and if necessary adjust the focus control.

*Roger Burchett,  
Hythe, Kent.*

### CASSETTE BULB TIP

The cassette bulb in the Ferguson 3V00 VCR – and similar machines – is not the most reliable of components. Neither is it cheap at £2 plus VAT etc., especially if you are unemployed. This prompted me to look for something cheaper. After all there's nothing very special about a filament bulb operated from a 12V supply. A check on the current consumption revealed that this was about 50mA. I found something suitable in the Maplin catalogue – bulb type WQ13P, which sells for about 30p. To fit it the lighthouse holder must be drilled out to 6.2mm or a quarter of an inch. It's plastic and can be drilled by hand – clamp the drill in a vice and turn the fitting by hand. The wire ends are short but soldering on a length of hook-up stranded wire and sleeving this overcomes the problem. It's a great saving.

*Ian Ruddock,  
Stanstead Abbots, Herts.*

### PYE 697 CHASSIS

These sets are getting on now but can still give very good results. The problem of lines at the top of the screen is usually caused by the underrated preset control RV41 on the convergence panel, but in a recent case the problem was traced to the e.h.t. lead from the line output transformer to the tripler. This runs very close to the transformer's shield: corona discharge between the lead and the shield was cured by moving the lead away and wrapping a couple of turns of insulating tape around the "hot spot".

*B. L. Trainor,  
North Ormesby, Middlesbrough.*

### WORD OF WARNING

We recently purchased a number of ex-rental sets fitted with the Rank T20/22 chassis. A few had power supply faults, the remainder the usual stock faults – 5R8 in the line output stage, the line oscillator start-up capacitor 4C19, 4R16 in the 12V regulator circuit, etc. The sets in which the power supplies were working all needed new h.t. reservoir capacitors (7C13 220 $\mu$ F and 7C2 100 $\mu$ F).

Out came the first power supply unit and 7C2/13 were replaced. It was noted that a lot of work had previously been carried out on the unit by the rental boys. Both thyristors had been replaced, along with the BU326 chopper transistor and the bridge rectifier diodes. The PSU was set up on the bench, loaded with a 100W bulb and with a digital meter to monitor the output. On test we found that the output could be wound up to well over 200V without the over-voltage trip operating. The reason for this was that 7R15 (8.2 $\Omega$ ), which is in series with the crowbar thyristor, was open-circuit. It seems that the

crowbar had operated and the faulty components had been changed but 7R15 had not been checked: it's essential to check this item after carrying out any repair in this area – if the fuses have blown, check 7R15 to ensure continued protection and safety. We found that with the other PSUs that had to be tested in every case components had been replaced but 7R15 had been left open-circuit.

*Michael Dranfield,  
Dranfield and Harrop TV Repairs,  
Buxton, Derbyshire.*

### VERY SMEARY PICTURE

The following fault had me baffled for some hours, so perhaps this report on it will help others. The set was a Sony KV1612UK and the symptoms were a very smeary picture with something of the appearance of a clamp or d.c. restoration fault: the colour was correct though weak. Oscilloscope checks in the luminance stages provided what appeared to be correct waveforms up to the RGB output stages on the tube base. The voltages at the collectors of the RGB output transistors seemed to be about right but were extra sensitive to either the meter or scope probe, causing even more severe loss of h.f. response. The h.t. supply to these three transistors comes via a small choke, L701 (270 $\mu$ H): the meter showed a difference of 20V across this item which, when measured, turned out to be open-circuit. Fitting a replacement restored a perfect picture. Mystery: where were the output transistors getting their h.t. supply from?

*Laurie Watkinson, Telesonic Services,  
Holsworthy, Devon.*

### TELETEXT TROUBLES

I've been following the correspondence on teletext decoding faults with interest and believe, like Mr. Sears, that Mr. Beard's problem is probably caused by reception difficulties. The Texas XM11 decoder is capable of coping with the extra teletext lines on Ch. 4: mine gives perfect results.

I've been experiencing problems since just before Christmas however on BBC-2 and occasionally on ITV. Prior to this time I'd no problems on any channel and the results were consistently good. The BBC-2 fault is always the same: rows of text are missing – usually every fifth row at the time of writing, earlier it was every fourth row.

The local BBC tell me that everything is o.k. at their end and occasionally BBC-2 text is o.k. – every few days. When BBC-2 text is really troublesome bits of another page appear to fill the gaps in the page called up! During the times when this happens BBC-1 and Ch. 4 text are perfect. When BBC-2 is at its worst ITV gets twitchy and it needs two goes to get a page right.

I've spent quite a lot of time on this problem. Text transitions look good on the scope. The only difference between BBC-2 and the other signals is the level after the clock run-in – this is about fifteen per cent down.

Adjustment of the video signal level is not very critical on BBC-1 and Ch. 4 and the "window" of satisfactory signal levels is about 2:1. ITV is more critical while nothing seems to help BBC-2. I've tried another aerial at this site and the results are just the same. So far I've not taken the set to a different site to try it there.

Another experiment involved the introduction of a passive LC network to alter the group delay characteris-

tics. Any adjustment away from the normal situation caused eyeheight reduction however, with errors appearing on the good channels. Consequently this approach was abandoned! I came to the conclusion that as nothing in the receiver and decoder had changed the problem must lie either in the transmission or short-term echoes – so short that they don't show up on a normal picture.

So what could cause the change? One thought is the loss of foliage on nearby trees. To prove this theory (or otherwise!) will mean waiting till later in the year. We have docks and containers only a few degrees off beam but two or three miles away. Varying reflections due to movement of large objects in this area could be responsible. Perhaps an aerial with very narrow beamwidth would help. Investigations continue, but the evidence to date leads me to believe that what Mr. Beard and I are seeing is probably the result of short-term echoes. Hamming correction is inadequate on certain rows which consequently don't get loaded into the memory and thus appear blank.

*Keith Cummins,  
Southampton.*

The comment about Ch. 4 text problems north of Leeds in my previous letter (March issue) was not correct, though it was based on information given to me when I phoned the IBA office in Leeds to report the fault. I've since been told by John Rogers of Yorkshire Television that faults in Leeds can affect only local transmitters directly served by YTV. He also mentioned that the decoding errors I described, i.e. call page 597 and get page 598, were due to page 597 programming errors and not a data bridge fault. I used page 597 as an example however – the same trouble occurred with other pages. Decoding of Ch. 4 pages has been correct for some time now so the fault, if there was one, has been cured or has "gone away". The BBC-1 opt-out clockcracker page fault has also been corrected. When the BBC first increased the number of data lines and changed some of the transmission parameters certain decoders wouldn't function correctly on subtitles and newsflashes. This fault has also now been corrected.

*L. D. Sears, Chief Engineer,  
Hepworth and England Ltd.,  
Batley, W. Yorks.*

## Open- and Short-circuit Checks

**S. Simon**

According to theory only two basic faults can occur in an electrical circuit – either an open-circuit or a short-circuit. Complication is added by the fault's degree. For example, a resistor can go high in value – a partial open-circuit. Or a capacitor can leak – a partial short. Thus the faults that blight our daily lives are only variants on a very old theme. Let's look at some examples.

### **Ticking Thorn 9800**

You have a set fitted with the Thorn 9800 chassis in for service. It just ticks and does nothing else. You apply an external 25V d.c. source to pin 5 of plug 4 on the decoder panel, negative to chassis, and the set then works with sound and a picture. This means that the 25V supply is absent of course. It's derived from the 48V supply generated in the line output stage, via a series stabiliser circuit in the power supply. So you check the left side power supply panel, in particular the series regulator transistor VT702 and the driver/error detector transistor VT703. Without the external supply you find that the supply from the line output transformer is pulsing up but that nothing is reaching the base of VT702. When R708 is removed, or isolated at one end, it's found to be open-circuit. Fitting a new 1.8k $\Omega$  resistor restores normal operation. We mention this as an example of an open-circuit fault because it's becoming extremely common, and can be puzzling when first encountered.

It's most helpful to have available a source of 25V d.c. when handling these sets. Pin 5 of plug 4 on the decoder panel is the mauve lead at the bottom right. Plug 4 is at the centre of the board, almost.

### **Severely Reduced LT Supply**

A small Ferguson portable, Model 3845 (1690 chassis), is received suffering from severely reduced l.t. supply: the sound is very low and the tube's heater barely lights.

Removal of the e.h.t. lead from the tube restores normal supplies, i.e. the e.h.t. rectifier has gone short-circuit. Snag: it's located within the line output transformer. You have two options: replace the transformer, or fit an external stick rectifier (well insulated in its own housing) in series, i.e. if the internal diode is short-circuit you fit another suitable diode in series with it. This will restore normal operation.

If removing the e.h.t. cap makes no difference, check to see whether the 95V supply rectifier is overheating. If it is, disconnect one end and check for leakage – you should get a low reading one way round, infinity the other way round. If the diode is without fault, check the associated reservoir capacitor which may have shorted.

These nice little sets often show signs of poor smoothing, i.e. a background hum and a badly distorted picture. This tends to direct attention to the 4,700 $\mu$ F reservoir capacitor or perhaps the series regulator transistor, either of which could be at fault. All too often however the cause of the trouble turns out to be an improper clip contact on the front right feed from the mains transformer, i.e. the full-wave mains rectifier has become a half-wave circuit due to an open-circuit connection. The cause may be at the transformer itself, where the centre tap may not be securely soldered.

### **No Line Drive**

On many imported portables the supply to the line driver transistor passes via a small resistor raised on insulated legs. This resistor often goes open-circuit, depriving the line output transistor of its drive (sound o.k., no picture). It's always worthwhile to check the driver transistor's collector voltage as a start.

### **No LT Supply**

A fairly large Murphy Acoustic De Luxe (Rank A823

chassis) was brought in with the complaint "no results". The mains lead and plug were in a dangerous condition and were changed, but still no results. Voltage checks showed that h.t. was present at the top fuse and that a.c. l.t. was present at the fuse that supplies the bridge rectifier, but there was no l.t. output from the bridge. Since this provides the supply for the line oscillator and driver stages (amongst other things) the absence of e.h.t. as well as sound was explained. In this case the bridge consisted of four BY126 diodes, two of which were open-circuit.

### Primary and Secondary Faults

It's often the case that a primary fault will cause a secondary one that's more obvious. Here's a simple example. No results again, this time with a Fidelity CTV14R colour portable. An initial check found the obvious bit: the h.t. filter resistor R828 (10 $\Omega$ , 2W) was open-circuit. There was a low-reading to chassis at one end and a lower one at R901 (4.7 $\Omega$ , 5W) which feeds the line output stage. The line output transistor was suspected but proved to be blameless, as did the BY127 efficiency diode in parallel with it. Further checks brought us to the primary fault, the line output transformer – as so often in these sets. The replacement and more reliable transformer has built in focus and first anode supply presets – the originals on the tube base have to be removed. The new transformer also has different pin connections: an adaptor board is supplied to enable it to be married into the main board.

### One Thing Leading to Another

The Philips G8 chassis often gives us an example of a short causing an open-circuit. If the right side 800mA h.t. fuse in the line timebase is found to be open-circuit, examine the top winding on the line output transformer. If this is scorched, cut the wires to it and keep them clear. Wire an insulated link from the lower to the upper tag and fit another fuse. Try again. In many cases the fuse will hold and the set will function normally. If a spark is seen in the lower winding you've no option but to replace the transformer – if this is in fact the cause of the trouble. There are several other possible causes, for example faulty line output transistors or perhaps a shorted line shift control: it's prudent to check these possibilities before replacing the transformer.

If the left side mains fuse has failed a check for shorts must be made, starting with the thyristor h.t. rectifier, but often there's no fault and a new fuse will restore normal operation. Another open-circuit that's frequently encountered with this chassis occurs in the front, vertical dropper, where the 2.2 $\Omega$  lower section often goes open-circuit to remove the supply to the thyristor. If the upper section (h.t. filter) goes open-circuit one tag will be left charged due to the 600 $\mu$ F h.t. reservoir electrolytic having nowhere to discharge itself – except perhaps through you. Shunt this section with a resistor to discharge the capacitor before handling.

### In Conclusion

The short or open-circuit rule holds good for most parts of a set but doesn't take into account such things as phase errors in the decoder or incorrect alignment. For the vast majority of faults however the theory holds good.

# next month in

# TELEVISION

#### ● DEVELOPMENTS IN COLOUR TUBES

The earliest shadowmask tubes came into use in the USA in the early fifties. Though the fundamental concept of the tricolour screen, three guns and shadowmask has been used ever since a very great deal of development work has gone into the tube over the intervening years. In a new series Eugene Trundle outlines the progress of the tube to the present-day 45AX/FST versions.

#### ● MICROCOMPUTER SERVICING

Ken Taylor provides a description of the Sinclair ZX81, with complete circuit, followed by a detailed fault-finding procedure. This simple machine provides a ready introduction to computer fault finding.

#### ● SERVICING THE NORDMENDE F10/11 CHASSIS

The NordMende F10/F11 series chassis first went into production in 1981: the basic design brief was to produce an international chassis with a single mother board on to which subpanels to meet the requirements of individual markets could be fitted. The sets, which have also appeared under the Thomson, Saba and Hitachi brands, have not sold widely in the UK though they have taken a major share of the market in Ireland. Some novel techniques are used, including a step-up power supply and switch-mode field output stage. Christopher Holland describes the chassis and provides a fault-finding summary.

#### ● VIDEO SIGNAL PROCESSING

The next instalment in J. LeJeune's series looks at the video signal path in a modern colour receiver, from the detector to the tube's cathodes. The widely used TDA35E0 is taken as an example of a single-chip decoder: an account of the processing undertaken in this i.c. is given. The problems of maintaining the response in the RGB output stages are discussed and a recent output stage design is described.

**PLUS ALL THE REGULAR FEATURES**

**ORDER YOUR COPY ON THE FORM BELOW:**

TO ..... (Name of Newsagent)

**Please reserve/deliver the June issue of TELEVISION (£1.20), on sale May 21st, and continue every month until further notice.**

NAME .....

ADDRESS .....



# VCR Clinic

*Reports from Philip Blundell, Eng. Tech.,  
Derek Snelling and Steve Beeching, T. Eng.*

## Hitachi VT8000

It's finally happened – my own video went faulty! I have an Hitachi VT8000 and the other night I inserted a cassette, pressed play and after a few seconds the machine switched off. A closer look showed that after pressing play the tape laced up and the capstan and take-up spool rotated as normal though the picture, which is blanked out during lace-up, did not appear during the few seconds that the machine operated. Removing the cassette and looking inside showed that the drum was rotating, so although the machine appeared to be operating correctly, at least from the mechanical point of view, it must have thought otherwise. On trying another cassette the take-up spool refused to rotate and upon selecting stop no other function would work. Ejecting the cassette and reinserting it brought back the original fault.

Perhaps the microcomputer chip was confused – always a good standby this when you're stuck for an answer. When I unplugged the machine however and counted to ten before switching on again it went into the rewind mode without a cassette in and the only way to stop it was to unplug it again. At this point I decided to take it into the workshop next day and look at it there. In the workshop the machine reverted to its original fault condition of switching off after a few seconds in play, and it was while I was debating whether to look for the fault logically by discovering why it switched off or whether to change the microcomputer i.c. that the machine started to work normally. Whilst trying to persuade it to go faulty again I noticed a peculiar thing: if the mains was switched on with the cassette housing in the down position all was well, but if the mains was connected with the cassette housing in the up position the machine went into the rewind mode and only unplugging would stop it. At this point I decided to change the microcomputer chip (IC901, type HD44801A05). This cured the problem. I've known this i.c. to fail on at least three previous occasions, each time with obscure fault symptoms. **D.S.**

## Mitsubishi HS306 and HS318

The problem we've had with several HS306s, and the newer HS318s, is failure to load correctly. It's a mechanical problem. The front loading mechanism consists of a cassette carrier which is raised and lowered along grooves formed by two metal plates at each side. It's held in these grooves by two white nylon pieces and what happens is, that one or both of these jump out of the groove for no apparent reason. They're a bit tricky to refit but once back the problem does not seem to recur. Perhaps it's caused by the customer inserting the cassette incorrectly. **D.S.**

## Hitachi VT11

I had to go out to see this machine, the complaint being intermittent tracking and sound. When I got there I discovered that the picture was all right at first. Then a rolling noise bar appeared, accompanied by fading sound – as if the audio/control head was way out of alignment. A check in this area showed that the tape was riding down the head and that the pinch roller seemed to be crooked.

In fact the pinch roller wobbled all over the place as the inner brass ring had come adrift. A replacement roller cured the problem. **D.S.**

## Toshiba V65B

We've had several of these machines come in with the complaint of intermittent sound recording, with the old sound track left on the tape. This appears to be another case of erase head plug and socket trouble – several other models by different manufacturers have suffered from this problem. Certainly removing the plug and socket and soldering directly to the head appears to have cured the problem. **D.S.**

## Ferguson 3V29

This machine came in with no clock display. Investigation revealed that the 315mA fuse had blown, and a replacement lasted only a few seconds. The 22.3V zener diode D13 and transistor Q5 (2SB642Q) turned out to be faulty – these items supply the -22V rail for the fluorescent display. **D.S.**

## Mitsubishi HS318

We've recently had two instances, both with HS318s, where the customer has managed to get two cassettes into the machine at once. How they manage this I don't know as there's a metal piece that comes up after a cassette has been inserted to prevent another one being put in. This of course makes it very difficult to get the extra cassette out afterwards. Luckily no damage was done to the machine in either case – in fact one customer said that the first cassette would play quite happily despite the presence of the second one. **D.S.**

## Mitsubishi HS700

The HS700 is prone to a customer induced fault which is rather misleading. The symptom is that the machine stops playing after a few seconds although it appears to be operating correctly. Before scoping various pulses check the still frame adjustment potentiometer. This is adjustable through the back of the machine and you'll probably find that it's been broken by over-enthusiastic use of a screwdriver by the customer. To be fair to the customer, making this a subminiature preset for customers to adjust was probably asking for trouble. We've had half a dozen cases of this fault. **D.S.**

## Panasonic NV333

The complaint with this machine was permanent eject. Normally the machine goes buzz, buzz as the loading motor overtravels to unlock the cassette carrier for eject, then reverses back to a rest position. In the rest position the cassette carrier will lock down – but not in this case as the loading motor had stopped in the unlocking position. It was not too easy at first to spot precisely what was happening – it seemed probable that the loading motor was revolving in only one direction. Attention was di-

rected to the loading motor and the VCR was switched on to reset and eject: the negative terminal then went high and the positive terminal went low, the motor turned then both terminals went high! The motor stopped in the eject position. A few more resets later it could be seen that Q6028 was being turned on by Q6025 but its collector voltage stayed high. Replacing Q6028 restored normal operation. S.B.

### Sharp VC482

After inserting the cassette and selecting play this machine would enter the forward visual search mode. Selecting play for a second time would produce the play mode, but without a picture. At first the video heads were suspected, but the machine's recordings (played back on a test machine) were fine. We then found that the record 9V line was still active in the playback mode. Q803 was at first suspected of being short-circuit or leaky but we then found that it was being turned on by a low output at pin 12 of IC802. The corresponding input pin 5 should have been at 0V instead of the 3V that was recorded here. So was the microcomputer chip IC801 faulty, producing a rogue output, or was IC802's input circuit at fault? It turned out to be IC802. S.B.

### Sony SLC7

There was no servo lock in record. This one was a bit more difficult since the reference (pin 19) and feedback (pin 20) signals were both present at IC2 and the servo locking was good in playback. We slowed down the capstan flywheel in record to check the reaction of the pulses but there wasn't any. As the pulses, or the ramp on pin 20, are derived from the capstan flywheel the pulse period should have increased. When the input signal was unplugged the pulses went away. This proved that they were derived from the incoming sync pulses and not from the capstan flywheel as they should have been. The fault was traced to the switching transistor Q25 which had an open-circuit emitter, allowing the record control pulses back to the capstan servo. When Q25 is properly switched on D15 is reverse biased and the input to the capstan servo consists of FG pulses via D16. S.B.

### JVC HRD120/Ferguson 3V35

Dead easy this one – no colour due to the VXO crystal block XB401 being non-operational. S.B.

### JVC HRD565

There was no hi-fi muting in visual search. The muting signal from the mechacon PCB is sent to the muting i.c. via R330. This is mounted on the print side and is stuck with the glue which somehow becomes conductive. It prevented pin 9 of IC208 going low because of current leakage from a higher voltage source. Removing the glue also removed the fault. S.B.

### Sanyo VTC5000

The problem with this machine was poor capstan servo lock when replaying its own recordings. A replacement audio/sync head improved matters but the performance was still unsatisfactory. A small servo PCB mounted on the main servo panel contains the control track record/replay circuit. Full drive from the CTL record logic was

available at the head but the replay was only about two thirds the level of the pulses obtained with a test tape. The unstable results could be seen as an intermittent interruption of the squarewave output at pin 2 of IC4501. This sent the servo off lock. I eventually got fed up trying to find out why the level was low and got over the problem by adding a 390Ω resistor in parallel with R4515, the preamplifier transistor's emitter resistor. S.B.

### Akai VS5

"Breakdown" it flashed. Damn nuisance that word: it's obvious that the machine has broken down since it doesn't work – we don't need to be told as well. The light had gone out, the rewind didn't rewind and there was a crackle on sound. The first two were easy: the third is down to the record/playback signal path relay RL1. It responds to a quick squirt on its contacts. S.B.

### Grundig VS180

This little note comes care of Grundig Pete. Very occasionally on a small number of these machines one of the reel motors fails to stop when requested, with loud squeals from the reel brakes. The logic level FKT is low and the motor drive amplifiers should be off: in some cases however capacitor C301 or C305 has been found to be leaky. The leakage is low – some 10MΩ or so – but is sufficient to prevent the amplifier turning off by biasing the inverting input. In each case C301 and C305 have been the round black disc types. S.B.

### Sharp VC381

An easy one for a change. The clock couldn't be reset, cured by replacing the MP2812 microcomputer chip. It's hidden beneath the display panel. S.B.

### Sharp VC390

This machine wasn't erasing the vision or recording the sound. We found that the erase oscillator transistor wasn't being switched on as Q602 (oscillator control) was held on because Q603 (2SC2001) was leaky. P.B.

### Sony SLC6

The problem with this machine was no reel functions. This was soon traced to R061 (1Ω, 1W) which supplies the collector of the upper reel motor drive transistor being open-circuit, but when this resistor was replaced the machine wouldn't thread up after accepting a cassette. After a happy hour spent chasing around the microcomputer control chip we found that the threading end switch was wrongly adjusted – the phantom fiddler had been there before us! P.B.

### Sharp VC381

This machine appears to use the same black electrolytics that cause so many troubles in ITT TV sets. Problems have so far shown up as faults that occur from cold – thank goodness a dash of freezer reveals the faulty component otherwise a long session with the scope would be required. Faults up to now have been in the Y/C module, common ones being C438 or C439 defective resulting in E-E luminance problems. P.B.

# Modern Receiver Circuitry

## Part 2: Tuners and IF Arrangements

J. LeJeune

With the total shift to u.h.f. transmission for TV in the UK easy selection of the input frequency has become imperative: for a number of years now the familiar "tuner box" has made this possible with a good level of reliability. The Mullard ELC1043 and Thorn SC4 are excellent examples of mass-produced u.h.f. tuners.

### Tuners

The purpose of the u.h.f. tuner is to select and amplify the off-air signals available at the aerial socket and convert the required signal to a fixed intermediate frequency (i.f.). Most u.h.f. tuners employ some pre-mixer selectivity to reduce image or "second channel" interference due to an input signal whose frequency equals the sum of the local oscillator and intermediate frequencies. The local oscillator frequency is always above the required input signal frequency, so both inputs will produce the same i.f. and thus interfere with each other. The preselectivity or r.f. stage in the tuner provides some gain. Its input is designed for optimum low-noise performance rather than an accurate match to the aerial and feeder.

Early u.h.f. tuners used ganged rotary capacitors for tuning, with bandpass circuits at the input and to couple the two stages (r.f. amplifier and self-oscillating mixer). They were of sturdy mechanical construction. The very earliest types used valves and had poor long-term stability – as the valves aged their internal capacitances altered and the tuning drifted. Subsequent transistor versions provided better stability: heat was less of a problem and transistors do not age in the way that valves do.

The adoption of varicap diodes for tuning brought about a minor revolution in u.h.f. tuner design. A.F.C. was easy to apply and an even response was obtained right across the u.h.f. TV bands. But the main feature of the varicap tuner is tuning by means of an adjustable voltage, making preset tuning very easy to provide in the receiver. In essence however the basic circuit configuration remains the same.

The r.f. amplifier or preselectivity stage employs a transistor in the grounded-base mode. Fig. 1 shows a typical circuit, with untuned coupling between the aerial input and the emitter of the transistor. C2 and C3 are feedthrough ceramic decoupling capacitors. C3 is particularly important: in a grounded-base stage the base connection is common to both the input and output circuits, and as there's no signal inversion in such a stage any appreciable impedance in the base lead will provide a coupling between the input and output – the ideal con-

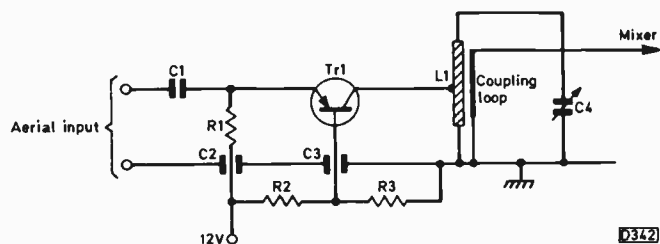


Fig. 1: Grounded-base r.f. amplifier stage.

ditions for oscillation. It's essential therefore to achieve efficient decoupling of the base connection, with the decoupling component as close to the transistor as practical.

The mechanical tuner circuit shown in Fig. 2 uses pnp transistors with the collectors returned to chassis. This was a common arrangement with older tuners. It was convenient for two reasons. First the tuned lines could be grounded directly to the tuner's body. Secondly the preferred transistors at the time for u.h.f. use were germanium pnp types – the most common being the AF139 and AF239 – that required the collector to be negative with respect to the base and emitter. Varicap tuners ushered in some changes. Silicon npn transistors with improved gain and lower noise figures had by then become available, and a move was made to the use of printed-circuit tuned lines. The compartmentalised box that forms the body of the tuner was retained to provide screening between stages and to keep the whole assembly stable.

The grounded-base stage is ideal for use as an r.f. amplifier in a u.h.f. tuner. The gain is principally the result of the large change in impedance, from a low input impedance of typically  $25\Omega$  to a high output impedance of the order of  $5k\Omega$ . Although the input impedance is not a correct match to the aerial and feeder the degree of mismatch is not too serious and the design of the stage is optimised for low noise performance rather than a low voltage standing wave ratio at the input. The output impedance is such that tapping too far down the collector tuned line to achieve critical damping of the bandpass-coupled interstage circuit is not required.

Various types of mixer circuits are to be found in UK made and imported receivers. Most UK made receivers employ a self-oscillating mixer. An alternative approach is to use a diode mixer followed by an i.f. amplifier to make up the loss. Use of a Schottky diode as the mixer gives improved results since the cross-modulation performance is better.

The self-oscillating mixer is essentially a grounded-base amplifier stage with positive feedback to make it oscillate at a frequency determined by a tuned line in the collector circuit. Common-mode feedback, i.e. via the base circuit, is not used as this is unreliable and does not provide stable operation across the u.h.f. bands. Two other methods are used, providing positive feedback between the collector and emitter. One is to incorporate a "window" in the screening wall between the oscillator and input sections so that the emitter coupling line receives some of the oscillator signal: the other is inductive or capacitive coupling between the emitter and collector circuits. The latter has become the general practice. The window method has the virtue that it can be adjusted to give the optimum degree of feedback to maintain an even response throughout the tuner's range: it requires skilled setting up however, which is not possible under modern production-line conditions. The window technique is used in the circuit shown in Fig. 2, with a.f.c. applied to a varicap diode to "pull" the oscillator to the correct frequency – the diode is inductively coupled to the oscillator tuned line.

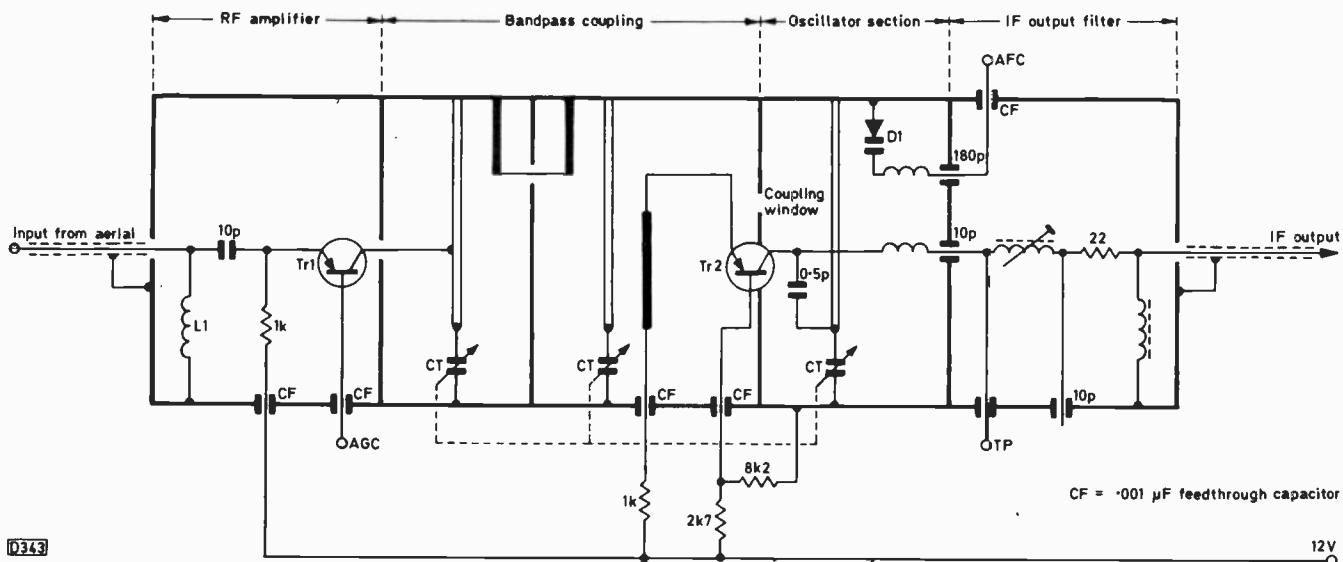


Fig. 2: Typical mechanical tuner circuit, with a.f.c. applied via varicap diode D1.

The mixer transistor's collector current will contain input and oscillator signal components and, because of the non-linearity of the device, the sum and difference products of the two frequencies. Since the oscillator frequency is always at a fixed difference above the input frequency, the difference frequency is constant across the unit's tuning range. This difference frequency is maintained by "tracking": in mechanically tuned units this is done by adjusting the split outer rotor vanes of the variable tuning capacitor; with varicap tuners it's done either by a tracking capacitor in series with the varicap diode or by using a dedicated varicap diode formulated for the purpose.

The standard vision and sound i.f. carrier frequencies in the UK are 39.5MHz and 33.5MHz respectively. The mixer's output circuit contains an adjustable pi filter whose response is centred between these frequencies: the tuning is broad to cover them without much loss. Frequencies present in the tuner's i.f. output range from about 33MHz to 40.75MHz, i.e. the sound and vision carriers and their sidebands. With teletext there's another carrier at 32.6MHz, the clock signal.

### The IF Strip

The bulk of the amplification occurs in the i.f. strip where the signal is raised to a suitable level for detection. Until five or six years ago the i.f. amplifier section would consist of three-four transistor stages with tuned interstage coupling. Forward a.g.c. was applied to the first or the first two stages. The a.g.c. detector operated on the sync tips which represent peak signal level with negative-going vision: gating the detector so that it operates only during the sync pulse period reduces the influence of noise.

Current practice has moved on to the use of i.c. amplifiers with, generally, a surface acoustic-wave filter (SAWF) at the input to determine the passband. Fig. 3 illustrates a typical integrated circuit i.f. amplifier/detector arrangement. IC1 is a preamplifier stage which serves a dual purpose: it provides enough gain to compensate for the loss in the SAWF and also gives a balanced output to drive the SAWF correctly. Some designs use a discrete transistor preamplifier and do not provide a balanced drive for the SAWF, but a glance at Fig. 4 will show that this is essentially a balanced device. The loss introduced by the SAWF is typically 20dB: the preamplifier's gain

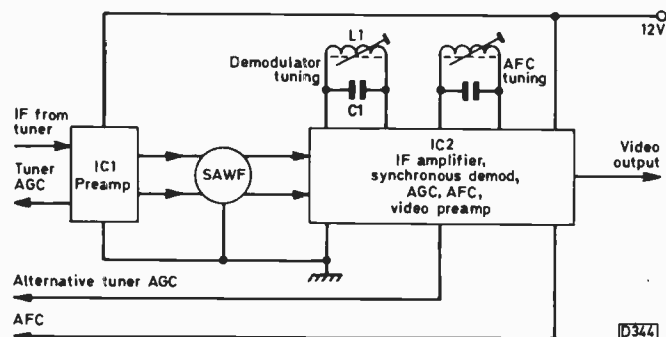


Fig. 3: Block diagram of a modern i.f. strip.

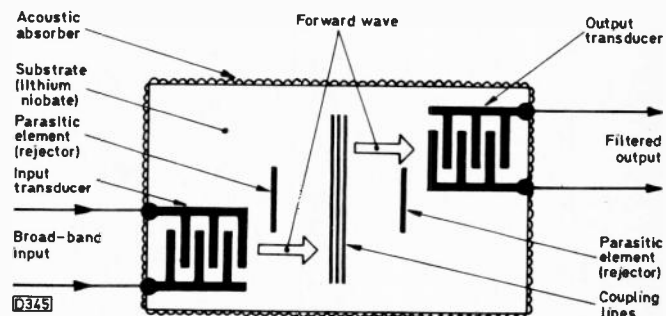


Fig. 4: Principle of the surface acoustic-wave filter.

will be a little higher – some 26dB. Some preamplifier i.c.s provide an a.g.c. output to control the tuner.

Fig. 4 shows an idealised SAWF arrangement. The filter's substrate is a slab of piezoelectric material – lithium niobate. The filter elements are deposited on the surface of the substrate so that in some ways it resembles a printed circuit. The relatively broadband tuner output is amplified and fed to the input transducer which produces an electrical field between its interleaved fingers. This field in turn induces mechanical vibrations in the substrate. The resultant wave-like motion passes both forwards and backwards: only the forward wave is used, the back wave being absorbed at the edge of the substrate by the acoustic absorber. This is necessary since without the absorber the wave would be reflected by the edge of the substrate back into the filter – but with a time delay. The loss of the backward wave does however contribute to the filter's high through loss.

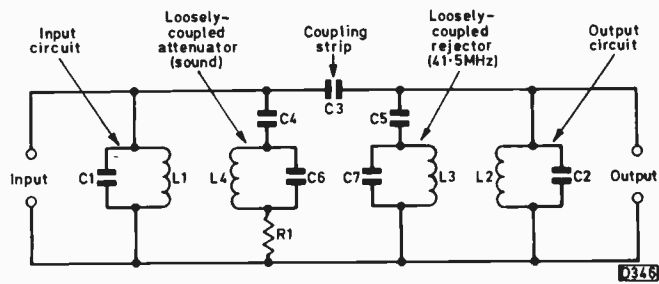


Fig. 5: Electrical analogue of a SAWF.

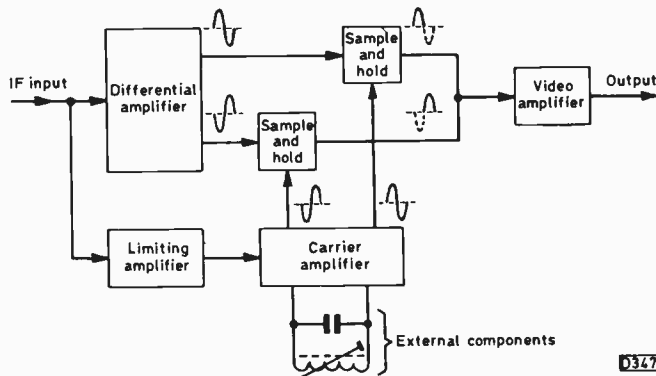


Fig. 6: Principle of the i.c. synchronous demodulator.

The forward wave travels across the output transducer and is then similarly absorbed at the edge of the substrate: without absorption here the wave would bounce back towards the output transducer and produce a second, delayed signal. On its path from the input to the output transducer the forward wave encounters some tuned, parasitic elements which lie partially in its path. These behave as loosely coupled rejectors: one is the sound attenuator, which introduces a loss of 20-26dB at the sound carrier frequency; the other is the lower adjacent sound carrier rejector. The dimensions of the parasitic

elements are such that they are resonant at the required frequency: the extent to which they intrude into the path of the forward wave determines the attenuation provided. The output transducer produces a filtered electrical signal between its interleaved fingers. The coupling lines shown provide broad-band resonant coupling across the required i.f. range. Fig. 5 shows an electrical analogue of the SAWF.

The output signal from the SAWF passes to IC2 where it's amplified to a suitable level for application to the integrated synchronous demodulator. An internal gated a.g.c. system holds the signal level constant. The vision i.f. chip nowadays usually incorporates an a.f.c. circuit, white-spot limiter and video preamplifier. The use of synchronous demodulation gives improved results compared to the use of a diode detector, with virtually no odd-harmonic distortion.

The basic principle of a TV synchronous demodulator is shown in Fig. 6. The i.f. signal is fed to a differential amplifier which acts as a phase splitter and to a limiting amplifier which strips off any a.m. The latter is followed by a carrier amplifier which produces sinewave outputs at 39.5MHz. The external tank circuit - L1/C1 in Fig. 3 - is used to adjust the phase of the carriers - correct adjustment of this gives the excellent odd-harmonic suppression of which the system is capable. The carriers are used to control a pair of sample-and-hold circuits which switch on at the peaks of the carriers. As a result, the hold circuits are charged to the peaks of the incoming, modulated i.f. signal. The detected outputs are combined and fed to the following video amplifier, whose output will contain the luminance signal, the chrominance signal on its 4.43MHz subcarrier and the 6MHz intercarrier sound signal. There are differences in the way in which synchronous detection can be carried out but the basic idea, as indicated, is to use a carrier to control switching circuits that sample the incoming i.f. signal - the switching circuits sample alternate half cycles of the i.f. signal, thus providing demodulation.

## Simple CRT Tester/Booster

Jim Littler

This c.r.t. tester/reactivator unit is simple to use and cheap to make - the mains transformer is one taken from a scrap Decca Bradford chassis, though two separate transformers could be used to provide the heater and first anode supplies required. It's based on an earlier design that appeared in the November 1984 issue of *Television* and has been built by a number of readers. The earlier design was suitable for use with delta-gun tubes only however: the present circuit (see Fig. 1) has been rearranged so that PIL tubes can also be handled.

In the test mode the grid of the gun being checked is connected to chassis, about 75V is applied to the first anode and the cathode is connected to chassis via meter M1 (0.0.5 or 0.1mA f.s.d.). For a good gun a cathode current reading of around 0.1mA should be recorded.

In the reactivate mode h.t. is applied between the relevant grid and cathode, the boost current cleaning up the cathode. The pygmy bulb lights to indicate current flow. Do not reactivate for more than five seconds - check the outcome by switching to the test position. Don't try a second reactivation.

The electrolytics are RS type 105-240.

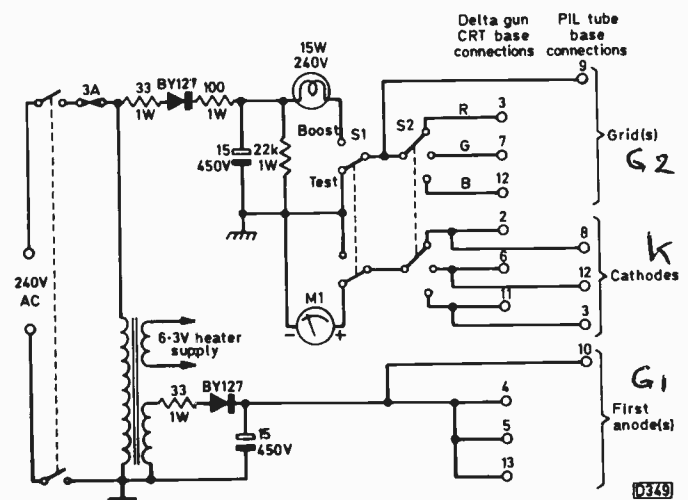


Fig. 1: Circuit diagram of the c.r.t. tester/booster.



# Service Bureau

*Requests for advice in dealing with servicing problems must be accompanied by a £1.50 cheque or postal order (made out to IPC Magazines Ltd.), the query coupon and a stamped addressed envelope. We can deal with only one query at a time. We regret that we cannot supply service sheets nor answer queries over the telephone.*

## PANASONIC U1 CHASSIS

After three-five minutes the field starts to jitter, sometimes becoming a momentary field collapse. The set may settle to give normal operation for say half an hour then the jitter will return. The transistors and electrolytics in the field output stage have been checked by replacement but the fault persists.

A very common cause of this fault is a defective bias diode, D403, in the field output stage. The correct type must be used. Check also the safety resistor R442 which must be type ERQ12HJ1R0. The fault can damage the field driver and output transistors. If necessary check the scan coupling capacitor C415 (2,200 $\mu$ F) and for dry-joints in the deflection coil circuit.

## SANYO VTC9300

On playing back one of the machine's own recordings there's breakup of one line only about a third of the way down the screen – the line appears to "twinkle". The problem does not arise with prerecorded tapes and the machine works satisfactorily in all other respects. At first the fault was only occasional, now it's present all the time.

Since one TV field is recorded across the tape per head scan the twinkling line must be due to a longitudinal fault in the tape. Close examination of an affected tape will probably show a crease or defect running along it. The usual cause is an abrasive particle or scratch on the surfaces encountered by the tape during its path across the deck. Clean and inspect the tape heads, guides, poles etc.

## SONY KV1340UB

The mains fuses blew without warning. Checks showed that Q601, Q603 and Q604 in the power supply and the line output transistor Q802 were all short-circuit. Replacing these items restored normal operation for about a week, then they all blew again.

The power supply is unusual in employing a switching circuit to reduce the mains input to 144V at the series regulator. Q601 is the switching transistor, Q604 the series regulator and Q603 its driver. It's essential that these critical components, also the line output transistor, are approved, Sony supplied types. Use of alternatives will lead to premature failure. Other possibilities for early failure are the line output transistor's base feed resistor R802 – the value of this component depends on the Sony hFE number shown on the output transistor – and D601, which is in series with Q601, being defective. The other diodes in the mains input circuit – D602/3/4 – are worth replacing just in case. Before restoring power check the power supply and line timebase panels carefully for dry-joints.

## AMSTRAD 7000 VCR

This machine won't load. When a cassette is inserted the machine will lace up then unload and stop. It appears that the right-hand spool is not taking up the slack tape.

Check that the loading gear is being driven far enough to engage the pinch wheel – if not, suspect the drum pickup head next to the flywheel of being open-circuit, therefore no drum flip-flop pulses. If the loading gear is going right home but the reel motor doesn't appear to be driving the idler, clean the nylon pulley and the idler with alcohol. Replace the idler if necessary. To do this the cassette lift must be removed: when replacing it the flat spring goes above the little arm, not in the slot in the end of the arm – otherwise eject will not operate.

## ITT CVC20

The width suddenly decreased by one and half inches on each side – the picture is otherwise perfect. Transistor T903 on the EW modulator board was found to be short-circuit collector-to-emitter – removing this panel leaves a perfect picture.

T903 commonly goes short-circuit as a result of failure of the EW modulator driver transistor T17 (BD233) on the main panel. After replacing both transistors it's worth checking modulator diode D24 (BYX71), filter capacitor C72 (4.7 $\mu$ F) and the modulator transformer L33/34 – check this for signs of overheating.

## SONY C5

This machine will no longer play back its own recordings though these play back perfectly on another machine. Playback of its own recordings produces a blank screen, with no sounds or noise except on fast forward/rewind and freeze frame when a perfect picture is obtained – in monochrome of course. When fast forward/rewind or freeze frame are released the picture starts to colour up, then goes blank. Playback of prerecorded tapes is all right.

What you are seeing is the effect of the muting circuit which monitors the level of the off-tape control track pulses. Their level has dropped due to a problem with the control head. It may be dirty but is probably badly worn. Ideally a new one should be fitted, but the assembly is expensive and not easy to fit. To stave off the evil day the following modification can be carried out on audio/servo board AS-6: replace D30 with a 180 $\Omega$  resistor and change R123 to 2.7k $\Omega$ . Clean the head first of course!

## REDIFFUSION Mk. 4 CHASSIS

This set works perfectly for an hour or so then the power supply trips and doesn't restart. Fusible resistor 4R2 in the start-up circuit then opens. By resoldering 4R2 and waiting about ten minutes normal operation resumes but the set

### QUERY COUPON

Available until 21st May 1986.  
One coupon, plus a £1.50 (inc. VAT)  
cheque or postal order, must accompany EACH PROBLEM sent in accordance with the notice above.

TELEVISION MAY 1986

trips again after half an hour to an hour. No obvious faults can be found but the intermittent nature of the trouble makes testing difficult.

Failure of the fusible resistor 4R2 indicates that the start-up circuit is being called upon to deliver sustained energy. This will be because winding G-A on the chopper transformer 4T1 is failing to provide the 12V necessary to maintain zener diode 4D5 in conduction. Check 4D6 (BA157) and 4C6 (1,000 $\mu$ F) in the 12V power supply then the chopper transformer 4T1 for dry-joints. The TDA1060 chopper control chip could be faulty.

# TEST CASE

## 281

*Each month we provide an interesting case of TV/video servicing to exercise your ingenuity. These are not trick questions but are based on actual practical faults.*

Unlike most domestic electronic equipment, VCRs contain a lot of precision mechanical components. VCR technology has improved so much that failure rates are now very low, and when troubles do crop up there's a very good chance that their cause will lie in the mechanical sections where wear, dirt and corrosion are amongst the causes of faults. The fact that the electronic circuits in a VCR operate at low signal and power levels greatly increases their reliability.

Not all problems are down to the mechanics however! An interesting case came our way recently and provided an object lesson in logical diagnosis. It concerned an Hitachi VT33, and the typically vague and unhelpful shop assistant's entry in the job card's fault box read "picture rolls". It took some considerable time to establish that playback was faultless, but that on playback of the machine's own recordings a wiggly, 1cm high bar occasionally travelled up the picture, followed shortly after by a few seconds' loss of field hold and a burst of snow over the picture. A further symptom was a lateral picture wobble. For those not too familiar with VCR servicing the story so far forms a mini test case: what do the symptoms imply? But to continue the saga.

Most of you will probably have recognised the symptoms as loss of drum servo lock during record. So did the technician, and his reaction was to check the setting of the drum servo circuit. This is easy to do thanks to the diagnostic pins so thoughtfully provided by Hitachi in their machines. With the shorting link in place between pins 2 and 7 of PG601 the disparity in frequency between the sampling and tacho pulses was very small: only a tiny tweak to preset RT604 (cylinder free speed) was needed to bring them into line.

Needless to say the problem of intermittent drum lock in the record mode was still present. Had the problem been in the servo circuit itself it would have shown up on playback of a known good tape of course. Accordingly our intrepid technician transferred his scope to check the field sync pulse input to the drum servo chip, at pin 16 of IC602. There should be sharp positive spikes of 1.5V amplitude here, derived from the off-air field sync pulses. In this machine the pulses at this point were erratic, misshapen spikes of no more than 500mV amplitude, wavering like corn stalks in a wind and varying in shape with picture content. Closer examination of the field sync input to the drum servo section confirmed that all was not well with the separated sync pulses coming from IC202 in the Y/chroma section. The waveform at pin 27 of this chip was of adequate amplitude – 0.8V peak-to-peak – but strange things were happening during the field sync pulses, especially during commercial breaks in ITV programmes and at scene changes in other programmes. A quick check confirmed that the chip was receiving the correct level of off-air video signal, so the chip was condemned and a new one was ordered.

This i.c. is not an integrated circuit in the usual sense of these words – it's a hybrid thick-film assembly. When the replacement was fitted the performance was no better. In fact in spite of its distorted output the original chip was not faulty. Now for the questions. What simple recording test would have established where the fault lay more precisely? And where in fact did the real cause of this "video nasty" lie? Clue: a long way from the servo circuit! Answer next month.

### ANSWER TO TEST CASE 280 – page 388 last month –

If there was one thing that last month's puzzler brought home it was the need to consider all the fault symptoms present. They usually stem from a common cause and a little careful thought will generally save much time in arriving at a diagnosis. So, in the case of the Philips TX chassis reported last month, the two coincident fault symptoms were excessive brightness and field collapse. The common denominator here is the 95V supply provided by the line output transformer in conjunction with a simple rectifier circuit. It's used by the video output transistor and the field driver transistor. Hence the excessive brightness (tube cathode at zero volts) and the field collapse.

The 95V supply was missing of course. The pulses at pin 7 of the line output transformer are rectified by D453 which charges reservoir capacitor C452. The transformer winding is connected between pins 7 and 8, the latter being connected to chassis. Meter checks showed that D453 and C452 were in order, as was the surge limiter resistor R450. There was no measurable short-circuit across the 95V line, and in any case if there had been R450 would have burnt up. There was no measurable continuity from pin 7 of the transformer to chassis either! In fact pin 8 was found to be dry-jointed to the print land.

Published on approximately the 22nd of each month by IPC Magazines Limited, King's Reach Tower, Stamford Street, London SE1 9LS. Filmsetting by Trutape Setting Systems, 220-228 Northdown Road, Margate, Kent. Printed in England by The Riverside Press Ltd., Thanet Way Whitstable, Kent. Distributed by IPC Magazines Ltd., Lavington House, 25 Lavington Street, London SE1 0PF. Sole Agents for Australia and New Zealand – Gordon and Gotch (A/sia) Ltd.; South Africa – Central News Agency Ltd. Subscriptions: Inland £14, overseas (surface mail) £17 per annum, payable to Quadrant Subscription Services Ltd., Oakfield House, Perrymount Road, Haywards Heath, Sussex RH16 3DH. "Television" is sold subject to the following conditions, namely that it shall not, without the written consent of the Publishers first having been given, be lent, resold, hired out or otherwise disposed by way of Trade at more than the recommended selling price shown on the cover, excluding Eire where the selling price is subject to currency exchange fluctuations and VAT, and that it shall not be lent, resold, hired out or otherwise disposed of in a mutilated condition or in any unauthorised cover by way of Trade or affixed to or as part of any publication or advertising, literary or pictorial matter whatsoever. ISSN 0032-647X.

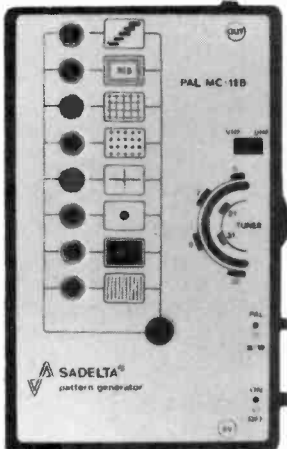
# SONY TUBES rebuilt

- Also other types including Hitachi, Mullard, Panasonic, Philips, Thorn, Toshiba, Sharp, 20AX, 30AX etc.
- All tubes built to highest standard using top quality components and latest technology.
- Two year guarantee with a four year option.
- Tube fitting service available.
- Allowance made for certain types of in-line glass.
- Prices on request. Nationwide delivery.

<b>Sherwood Tubes Ltd</b> Nottingham <b>0602-786896</b>	<b>Lincoln Teleservice</b> Lincoln <b>0522-37338</b>	<b>A. Hargreaves Ltd</b> Crewe <b>0270-211622</b>	<b>Express T.V. Supplies</b> Bristol <b>0454-316285</b> (after 4 pm)
<b>Express T.V. Supplies</b> Rugeley, Staffs <b>08894-77600</b>	<b>A.J.C.</b> Exmouth <b>0395-266210</b>	<b>Double D Distributors</b> Poole, Dorset <b>0202-742347</b>	<b>RING</b> <b>NOW FOR</b> <b>DETAILS</b>

## SADELTA TV COLOUR PATTERN GENERATOR MODEL PAL MC 11B UK

THE SADELTA TV HAND HELD COLOUR PATTERN GENERATOR is intended for use in production, installation and service of both colour and monochrome TV sets. In order to control and adjust the various parameters of the colour TV, eight switchable patterns are provided. The technician has ready access to laboratory workshop and field use as the generator has been designed using the latest micro technology to achieve a truly pocket size instrument.



### FEATURES

- PAL System I
- Eight switchable patterns:— colour bar, grey scale, red, crosshatch, dots, centre cross, centre dot, white and vertical lines.
- Sound output.
- Band IV (21-34)
- Band III (5-12)
- Output 10mV into 75 Ohms.
- Internal rechargeable Ni-Cd battery.
- Supplied with soft carry case and 9 volt power supply/charger.
- Pocket size 131 x 81 x 23mm.
- Weight only 250 gms.

PRICE £124.95 + £18.74 VAT

Also available to special order SECAM, Video Composite, and R.G.B. versions. Details available upon request.

U.K. POST PAID, export enquiries welcome. Visa/Access or cheque with order, payable to B.K. Electronics. Official orders welcome from Govt. Depts., Colleges, P.L.C.s etc. Large S.A.E. for technical leaflets of complete range delivery normally within 7 days.

**B. K. ELECTRONICS** Dept. 'T',  
UNIT 5, COMET WAY, SOUTHBEND-ON-SEA,  
ESSEX. SS2 6TR. TEL: 0702-527572

## TV LINE OUTPUT TRANSFORMERS

FAST RETURN OF POST SERVICE

<b>RANK BUSH MURPHY</b> A816 solid state mono 9.00 CROWN 14CX25 15.00	<b>PHILIPS</b> 170 series dual std mono 8.00 210 300 series mono 8.00 G8 & G9 series colour 8.00
<b>DECCA</b> MS1700200120202401 mono 7.00 MS2404 2420 2424 mono 7.00 CS1730 1733 colour 9.00 CS1830 1835 colour 9.00 '30' series Bradford colour 9.00 80 series colour 8.00 100 series colour 8.00	<b>PYE 368, 169, 569, 769 mono 8.00</b> 725-741 colour 8.00 <b>SANYO 5101 &amp; 5103 10.00</b> <b>REDIFFUSION Doric Mk.3 10.00</b>
<b>FERGUSON HMV MARCONI</b> 1600 8.00	<b>WINDINGS</b> Autovox 2282 2693 8.00
<b>G.E.C.</b> 2047 to 2105 7.00 2000 to 2064 dual std mono 7.00 2147 single std 9.00	<b>RANK BUSH MURPHY</b> A640, A793, A774 overwind 6.00 T20a T22, T26 Pri & Sec 6.00 Z718 primary state 18" or 22" 6.00 Z718 EHT overwind 8.00 <b>SONY 1320UB overwind 15.00</b>
<b>Indesit 20EGB 24EGB mono 8.00</b>	<b>SOVEREIGN FARA</b> £15.00 14" colour overwind
<b>KB - ITT</b> VC200 VC205 VC207 mono 8.00 CVC5 CVC7 CVC8 CVC9 col. 9.00 CVC20 series colour 8.00 CVC30 CVC32 series colour 8.00 CVC45 8.00 FT100 FT110 state p/no. 10.00 TXV80 10.00	<b>ULTRA THORN</b> 1690-1691 EHT overwind 7.00 Waltham 190 EHT overwind 6.00
<b>PRICES INCLUDE P.P. &amp; 15% VAT</b>	

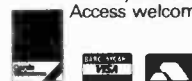
All lopts and windings are new and guaranteed

Open Mon.-Fri. 9 to 5.30 pm  
Delivery by return.

**PAPWORTH TRANSFORMERS**

80 Merton High Street,  
London SW19 1BE

**REWIND SERVICE**  
S.A.E. all enquiries  
Barclaycard and  
Access welcome



For orders placed at the post office  
Trans cash  
506 4056

01-540 3955

AA117	9p	BC337	6p	BF184	20p	BFY57	25p	TFP32A	24p	2N.1131	28p	BY296	20p	7818	35p	PCL805	55p	LA-4461	180p	TBA560	100p	74LS22	17p
AA119	9p	BC338	6p	BF185	20p	BFY58	25p	TFP32C	24p	2N.1132	28p	BY298	20p	7824	35p	PFL200	55p	LA-5112	120p	TBA750	100p	74LS24	38p
AA132	9p	BC339	6p	BF186	20p	BFY59	25p	TFP33	24p	2N.1613	24p	BY299	20p	7905	35p	PL36	80p	LM301	28p	TBA800	35p	74LS26	17p
AC126	17p	BCY32	180p	BF195	5p	BLY48	85p	TFP41A	22p	2N.2102	50p	BY476	95p	7912	40p	PL82	32p	LM311	35p	TBA9105	100p	74LS27	17p
AC127	15p	BCY34	150p	BF197	7p	BR100	14p	TFP41C	22p	2N.2160	30p	BYX10	10p	7915	40p	PL83	32p	LM348	40p	TBA920	75p	74LS28	17p
AC128	15p	BCY42	20p	BF198	7p	BR101	43p	TFP42A	22p	2N.2218A	24p	BYX55/550	30p	7918	40p	PL84	32p	LM352	45p	TBA950	100p	74LS30	17p
AC128K	15p	BCY70	16p	BF200	16p	BR102	37p	TFP42C	22p	2N.2219	24p	BYX55/600	30p	7924	40p	PL95	140p	LM339	40p	TBA980	100p	74LS32	17p
AC141K	30p	BCY56	18p	BF209	16p	BSX20	15p	TFP47	40p	2N.2221	23p	BYX70/300	29p	7812	28p	PL504	95p	LM348	80p	TCA270	40p	74LS33	17p
AC142K	30p	BCY71	18p	BF210	16p	BSX26	18p	TFP48	40p	2N.2222	23p	BYX70/500	32p	7815	28p	PL508	170p	LM380	100p	TCA800	200p	74LS37	17p
AC153K	23p	BCY72	18p	BF211	16p	BSX29	19p	TFP50	60p	2N.2269	15p	BYX70/800	36p	7818	28p	PL519	450p	LM381	150p	TCA940	100p	74LS38	17p
AC176	18p	BD175	25p	BF255	12p	BU108	100p	TFP51	12p	2N.2484	74p	BYX71/600	40p	7905	35p	PL800	110p	LM382	130p	TDA1170	100p	74LS41	17p
AC176K	20p	BD181	25p	BF256	12p	BT109	90p	TFP52	120p	2N.2646	40p	OAA7	6p	7915	40p	PY88	48p	LM387	100p	TDA1412	60p	74LS42	39p
AC187	15p	BD124	110p	BF257	18p	BT116	80p	TFP53	120p	2N.2904	20p	OAA9	4p	7912	45p	PY500A	160p	LM387	100p	TDA2002	80p	74LS43	39p
AC187K	15p	BD128	35p	BF258	18p	BT119	100p	TFP54	140p	2N.2905	20p	OAA9	4p	7915	45p			LM387	100p	TDA2003	150p	74LS44	39p
AC188	17p	BD130	25p	BF259	18p	BT120	100p	TFP105	65p	2N.2906	18p	OAZ200	7p	LM309K	150p			LM387	100p	TDA2004	100p	74LS45	39p
AC188K	23p	BD131	25p	BF259	18p	BT120	100p	TFP106	65p	2N.2907	18p	OAZ202	7p	LM317K	220p	LINEAR IC'S		LM741 MET	45p	TDA2030	140p	74LS54	17p
AC188L	23p	BD132	25p	BF260	18p	BT121	100p	TFP107	65p	2N.2926	8p	IN-914	4p	LM317T	180p	AN-214P	200p	LM747	58p	TDA2522	100p	74LS55	17p
AC189	17p	BD135	20p	BF263	25p	BU10A	110p	TFP108	65p	2N.3292	8p	IN-919	4p	LM323K	420p	AN-360	120p	LM748	35p	TDA2530	100p	74LS73	28p
AC191	48p	BD136	20p	BF270	18p	BU108	100p	TFP109	65p	2N.3019	28p	IN-901	4p	LM748	35p	AN-7110	140p	LM748	35p	TDA2530	100p	74LS73	28p
AD149	48p	BD137	20p	BF273	18p	BU110	110p	TFP110	65p	2N.3054	35p	IN-903	4p	AN-7114	140p	AN-7115	160p	LM3900	30p	TDA2540	100p	74LS75	32p
AD161	22p	BD139	20p	BF274	18p	BU111	140p	TFP111	65p	2N.3055	35p	IN-904	4p	AN-7120	140p	M-51513L	180p	M-51513L	180p	TDA2560	100p	74LS76	28p
AD182	22p	BD140	20p	BF276	20p	BU124	60p	TFP115	45p	2N.3055H	40p	IN-905	4p	AN-7120	140p	M-51515BL	270p	SAS560	110p	TDA2593	100p	74LS78	34p
AF124	25p	BD141	90p	BF277	20p	BU126	70p	TFP121	45p	2N.3440	85p	IN-906	4p	AN-7120	140p	SA560	110p	TDA2630	100p	74LS83	46p		
AF125	25p	BD142	90p	BF278	20p	BU204	75p	TFP120	43p	2N.3442	85p	IN-907	5p	AN-7125	160p	M-51517L	280p	UPC-556H	60p	74LS85	50p		
AF126	25p	BD150	30p	BF280	20p	BU205	70p	TFP121	45p	2N.3702	9p	IN-918	4p	AN-7125	160p	AV3-8912	400p	UPC-556H	60p	74LS86	50p		
AF127	25p	BD150	30p	BF280	20p	BU205	70p	TFP121	45p	2N.3702	9p	IN-918	4p	AN-7125	160p	AV3-8912	400p	UPC-556H	60p	74LS86	50p		
AF132	25p	BD150	30p	BF280	20p	BU205	70p	TFP121	45p	2N.3702	9p	IN-918	4p	AN-7125	160p	AV3-8912	400p	UPC-556H	60p	74LS86	50p		
AF239	22p	BD156	38p	BF362	30p	BU208	75p	TFP122	47p	2N.3703	9p	IN-940	9p	DAF96	60p	AV7-3600	470p	UPC-556H	60p	74LS90	39p		
AL112	70p	BD177	30p	BF414	18p	BU208D	100p	TFP126	56p	2N.3705	9p	IN-942	10p	DF96	50p	CA270	70p	UPC-556H	60p	74LS92	46p		
AL113	80p	BD179	32p	BF420	18p	BU325	55p	TFP127	56p	2N.3706	9p	IN-943	11p	DY86	50p	CA3048	190p	UPC-556H	60p	74LS93	40p		
AS215	100p	BD181	45p	BF421	21p	BU326	85p	TFP141	90p	2N.3707	9p	IN-944	11p	DY87	50p	CA3060	280p	UPC-1029H	230p	74LS95	52p		
ASZ17	100p	BD182	45p	BF422	21p	BU406D	95p	TFP145	95p	2N.3771	85p	IN-945	13p	DY88	45p	CA3080E	40p	UPC-1029H	230p	74LS95	52p		
AU110	110p	BD183	45p	BF423	21p	BU407	75p	TFP146	95p	2N.3772	85p	IN-946	13p	DY89	45p	CA3080E	40p	UPC-1029H	230p	74LS95	52p		
AY102	180p	BD187	30p	BF440	18p	BU407D	95p	TFP147	100p	2N.3773	85p	IN-947	13p	E891	44p	CA3080E	40p	UPC-1029H	230p	74LS95	52p		
AY106	180p	BD201	33p	BF451	17p	BU408D	95p	TFP205.4	45p	2N.3868	65p	IN-948	13p	E891	44p	CA3080E	40p	UPC-1029H	230p	74LS95	52p		
BA145	10p	BD202	33p	BF452	17p	BU409	95p	TFP305.5	42p	2N.3903	11p	IN-949	13p	E891	44p	CA3090AO	300p	UPC-1029H	230p	74LS95	52p		
BA148	10p	BD203	33p	BF453	17p	BU426	120p	TS43	45p	2N.3904	11p	IN-950	13p	E891	44p	CA3130E	250p	UPC-1029H	230p	74LS95	52p		
BA154	6p	BD204	33p	BF459	19p	BU500	110p	TS44	40p	2N.3905	11p	IN-951	13p	E891	44p	CA3130E	250p	UPC-1029H	230p	74LS95	52p		
BA157	12p	BD222	31p	BF461	60p	BU526	80p	TS61	15p	2N.3906	11p	IN-952	13p	E891	44p	CA3130E	250p	UPC-1029H	230p	74LS95	52p		
BB101	13p	BD225	31p	BF462	60p	BU801	95p	TS88A	45p	2N.4031	25p	IN-953	13p	E891	44p	CA3130E	250p	UPC-1029H	230p	74LS95	52p		
BB103	19p	BD232	31p	BF463	60p	BU806	120p	TS90	15p	2N.4036	26p	IN-954	13p	E891	44p	CA3130E	250p	UPC-1029H	230p	74LS95	52p		
BB105.6	18p	BD234	32p	BF470	28p	BU807	95p	TS93	20p	2N.4037	26p	IN-955	13p	E891	44p	CA3130E	250p	UPC-1029H	230p	74LS95	52p		
BB205.6	24p	BD235	28p	BF471	28p	C106D	23p	VK1010	85p	2N.4443	76p	IN-956	13p	E891	44p	CA3130E	250p	UPC-1029H	230p	74LS95	52p		
BC107	7p	BD236	30p	BF479	30p	MJ2500	100p	VN.1010M	80p	2N.4444	76p	IN-957	13p	E891	44p	CA3130E	250p	UPC-1029H	230p	74LS95	52p		
BC108	7p	BD237	30p	BF483	18p	MJ2501	110p	VN.46AF	80p	2N.5061	20p	IN-958	13p	E891	44p	CA3130E	250p	UPC-1029H	230p	74LS95	52p		
BC109	7p	BD238	24p	BF494	16p	MJ2501	110p	VN.46AF	80p	2N.5061	20p	IN-958	13p	E891	44p	CA3130E	250p	UPC-1029H	230p	74LS95	52p		
BC115	10p	BD244	50p	BF595	18p	MJ2595	85p	VN.66AF	100p	2N.5296	30p	IN-959	13p	E891	44p	CA3130E	250p	UPC-1029H	230p	74LS95	52p		
BC118	11p	BD245	50p	BF596	18p	MJ3000	115p	VN.85AF	110p	2N.6106	40p	IN-960	13p	E891	44p	CA3130E	250p	UPC-1029H	230p	74LS95	52p		
BC143	19p	BD343	30p	BF615	30p	MJE29A	30p	ZTX107	11p	2N.6107	40p	IN-961	13p	E891	44p	CA3130E	250p	UPC-1029H	230p	74LS95	52p		
BC142	19p	BD345	31p	BF658	41p	MJE340	25p	ZTX108	11p	2N.6128	55p	IN-962	13p	E891	44p	CA3130E	250p	UPC-1029H	230p	74LS95	52p		
BC143	19p	BD347	28p	BF689	22p	MJE350	80p	ZTX109	12p	2N.6143	65p	IN-963	13p	E891	44p	CA3130E	250p	UPC-1029H	230p	74LS95	52p		
BC147	6p	BD438	40p	BF872	23p	MJE350	80p	ZTX112	27p			IN-964	13p	E891	44p	CA3130E	250p	UPC-1029H	230p	74LS95	52p		
BC148	6p	BD439	40p	BF873	23p	MJE350	80p	ZTX112	27p			IN-964	13p	E891	44p	CA3130E	250p	UPC-1029H	230p	74LS95	52p		
BC149	6p	BD440	40p	BF874	23p	MJE350	80p	ZTX112	27p			IN-964	13p	E891	44p	CA3130E	250p	UPC-1029H	230p	74LS95	52p		
BC157	6p	BD441	40p	BF875	23p	MJE350	80p	ZTX112	27p			IN-964	13p	E891	44p	CA3130E	250p	UPC-1029H	230p	74LS95	52p		
BC159	6p	BD442	40p	BF876	23p	MJE350	80p	ZTX112	27p			IN-964	13p	E891	44p	CA3130E	250p	UPC-1029H	230p	74LS95	52p		
BC182	6p	BD533	50p	BF966	60p	OC28	100p	ZTX301	16p	BY103	32p	IN-965	13p	E891	44p	CA3130E	250p	UPC-1029H	230p	74LS95	52p		
BC182L	6p	BD534	38p	BF940	25p	OC35	100p	ZTX302	24p	BY126	6p	IN-966	13p	E891	44p	CA3130E	250p	UPC-1029H	230p	74LS95	52p		
BC183	6p	BD535	38p	BF941	25p	OC36	120p	ZTX303	2														

## **HITACHI VHS COLOUR CAMERAS**

**Mains Only Tested/  
Working**

## **VHS VIDEOS**

**FERGUSON**

**3V00, 3V22, 3V23, 3V16, 3V29,  
3V30, 3V31, 3V32, 3V35**

**NATIONAL PANASONIC  
NV8600, 8610, 2000, 7000,  
370, 333, 2010**

**SHARP**

**620, 630, 640, 2300 H T/P**

## **BETAMAX**

**SANYO VTC 9300, 5000, 5300**

**SONY C5, C6, C7, C9  
and SL F1UB T/P**

**Also Bush, Toshiba, Hitachi and Blau Punkt**

**PLUS**

**17" 18" 20" 22" 26" Hybrid/  
Solid State CTVs**

**Remote Control & Teletext**

**Discount for Quantities**

**Complete loads delivered from pick up point**

**JOHN CARTER  
(Electrical) LTD  
FURNACE ROAD,  
GALLOWES INN,  
ILKESTON**

**Phone: 0602 303124**

## **CINEMA VISION PROJECTION UNITS**

**★ ★ ★ ★**

**Philips, Grundig,  
Toshiba, National  
Panasonic and ITT. 40",  
45" and 78" screens.**

**Floor and suspended  
models. New boxed and  
used. Quantity of test  
equipment.**

**Oscilloscopes, cross  
hatch – pattern – colour  
match – colour bar –  
and signal generators.**

**Avo and Taylor test  
meters. Televerters slot  
meters.**

**RADIO TELEPHONE SYSTEMS**

**★ ★ ★ ★**

**John Carter (Electrical) Ltd.,  
Furnace Road,  
Gallows Inn,  
Ilkeston,  
Derbyshire.  
Phone 0602 303124**



# SPECIAL OFFER THIS MONTH

## PHILIPS YEARS AHEAD THE CREDIT CARD CALCULATOR SOLAR POWERED £6.00

NEW PHILIPS SBC 1833 Solar & Battery Powered Calculator £10.00

## NEW PANELS

K30 Mains Switch remote	£1.00
K35 Mains Switch remote	75p
K35 Aerial Socket and Plug in Lead to Tuner	£1.50
KT3-K30 Slider Pots 4.7ku 47ku	20p each
Fits Pye, GEC, ITT, Decca	
LARGE Foacs Pots	50p
G8 Power Supply Panel	£4.00
THORN 4000 LOPT Panel	£15.00
THORN 9000 Line Panel	£12.00
G11 LOPT Panel	£15.00
G11 IF Panel	£8.00
THORN 9600 Line Panel	£12.00
G11 Decoder Panel	£8.00
POWER SUPPLY 731	£6.00
G11 611 Condenser 470/250V ITT	£1.50
G9 Power Panel	£3.50
G8 Line Panel	£12.00
G8 6 Push Button	£9.00
KT4-KT3-K30 Handset Replacement	£8.00
HT520 METER 20,000 Fuse Diode Protector Logic Test Facility	£15.90
9000 SERIES Decoder 01 929 014 080 Thorn	£5.00
THORN TX remot panel. 51.C. ML923-SL498-MC14528B-MC14493P-SL470 & Main Trans	£5.00
30AX GEC LOPT Panel with Split Diode	£4.00
LOPT Split Diode 2432871	£7.00
RANK T20 Fouces Pot	75p
RANK 718 Fouces Pot	£1.00
THORN 9000 LOPT Panel	£12.00
26" LOPT Split Diode 2432301	£8.00
16" LOPT Split Diode 2433481	£6.00
Fx Panel Split Diodes 2432871/2432981	£5
HITACHI Mains Switch	50p
HITACHI AE Socket	30p
1 CONDENSER Axial Leads 450 A/C 1200 D/C	15p
MAINS TRANSFORMER 240v m/20v/8v	£1.00
GREEN LED	3p each 10k for £2
12+12V 2.8VA Print 1"x1"	75p
8+8V 1 Amp Print	75p
HITACHI 6 x 4 - 841 Speaker	50p
ET596 UHF V/CAP Tuner, small	£2.50
FIDELITY Panels with I.C.	£1.00
FIDELITY LOPT Split Diode AT2076/80	£3.00
FIDELITY FBS 1245AE 1 OPT Mono	£1.00
FIDELITY Split Diode FCC2015BE	£5.00
HI-FI MICROPHONE N8501 Philp	£8.00
G8 TUNER V/CAP on Panel	£3.50
G8 SPEAKER	75p
4000 TRIPLERS	£3.50
9,000 SPEAKER	£1.00
THORN 9000 Sound OP Panel	£30p
ONE I.C. K35 Decoder	£7.00
THICK FILM, Hitachi RB-32 4A	£2.00
K30 IF/K35 IF	£3.00
THICK FILM, Hitachi Frame	£5.00
THORN Lopt 8500-8900	£4.00
K9 THORN Tuner Panel with ICS Pots	£3.00
80 Ω THORN Speaker	15p
9000 Speaker	£1.00
Split Diode 2433752	£6.00
BY223 Replacement	30p
THORN CHASSIS 1600-1700 Series Mono	£10.00
THORN 1600 Rec- & Anode Cap	50p
ET-614 UHF V/CAP Tuner	£2.00
6 x 2 1/4 SPEAKER SW Hitachi 841	50p
K35 20 Turn Pots	6p each
KT3 K30 Speaker	30p
K35 Sound O/P Panel Plug in	£3.00
K35 12 way Push Button Unit	£1.50
K35 L.O.P.T. Split Diode	£6.00
RANK T20 Front Panel	£6.00
G8 6 Button Unit, New Type	£9.00
6 off LED DISPLAYS, Mixed	£1.00
HAND SET TESTER, Infra Red	£8.00
PHILIPS SBC 471 2 Way Stereo Headphone with Volume Controls	£17.00
DYNAMIC STEREO HEADPHONE EM 6146	£10.00
UNI DIRECTIONAL Dynamic Microphone	£10.00
20 TURN POTS with Band Switch	10p
PUSH BUTTON Mains Switch with Screw Holes Fixing	4 for £1

# SENDZ COMPONENTS

63 BISHOPSTEIGNTON,  
SHOEBURYNESSE, ESSEX SS3 8AF.  
SAME DAY SERVICE

All items subject to availability. No Accounts: No Credit Cards. Postal Order/  
Cheque with order. Add 15% VAT, then £1 Postage. Add Postage for Overseas.

Callers: To shop at

212 LONDON ROAD, SOUTHCEND. Tel. 0702-332992

Open 9-1/2.30-6. GVMT + school orders accepted on official headings. Add 10% handling charge.

## ★★ CHANGE OF ADDRESS ★★

ALL ORDERS SHOULD NOW BE SENT TO OUR NEW ADDRESS SHOWN BELOW

## TOP 50 VIDEO SPARES

CASSETTE LAMP (FERG/JVC)	£1.80	PINCH ROLLER (SANYO)	£7.95
CASSETTE LAMP (PANASONIC)	£1.80	PINCH ROLLER (SONY C5/C7)	£5.95
CASSETTE LAMP (SHARP, 9300 ETC)	£2.15	VIDEO HEAD DRUM (FERG)	£37.50
BELT KIT SONY (STATE MODEL)	£6.50	VIDEO HEAD DRUM (PANASONIC)	£39.50
BELT KIT FERGUSON (STATE MODEL)	£6.50	VIDEO HEAD DRUM (PAN NV366)	£56.95
BELT KIT SHARP (STATE MODEL)	£6.50	VIDEO HEAD DRUM (HITACHI)	£39.95
BELT KIT PANASONIC (STATE MODEL)	£6.50	VIDEO HEAD DISC (SONY C5/C6/C7)	£39.50
BELT KIT SANYO (9300, 5300, 5400)	£6.50	VIDEO HEAD DISC (SONY SL8000)	£44.50
BELT KIT SONY (5000)	£1.99	VIDEO HEAD DISC (SANYO)	£49.50
BELT KIT HITACHI (STATE MODEL)	£6.50	VIDEO HEAD (SHARP 7300, 7700)	£51.58
REWIND KIT SONY C5/C7	£6.95	VIDEO HEAD (SHARP 9300, 381 ETC)	£49.90
REWIND KIT SONY C6	£6.95	VIDEO HEAD (TOSHIBA 9600)	£49.95
REEL IDLER (SHARP, 9300, 381, ETC)	£3.90	VIDEO HEAD (TOSHIBA 8600)	£54.60
FF/REW IDLER (HITACHI VT-11, ETC)	£6.50	REEL DRIVE PULLEY (SANYO 5000)	£8.88
FF/REW IDLER (HITACHI VT8000)	£4.72	REEL MOTOR (SANYO 5000 ETC)	£14.20
FF/REW IDLER (HITACHI VT9300)	£4.75	REEL MOTOR (SHARP 9300, 381, ETC)	£15.30
REEL IDLER (FERG, 3V29/30)	£3.46	CAPSTAN MOTOR (SONY C5/C7)	£39.85
PLAY IDLER (HITACHI 9300)	£6.50	A.C.E. HEAD (SONY C5/C7)	£26.45
FF/REW IDLER (NAT/PAN NV370)	£4.50	CAPSTAN MOTOR FERG/JVC 3V22 ETC	£36.45
REEL IDLER (NAT/PAN) STATE MODEL	£3.45	DRUM MOTOR FERG/JVC 3V22 ETC)	£36.60
PLAY IDLER (NAT/PAN) STATE MODEL	£4.72	TAKE-UP CLUTCH (FERG/JVC)	£6.95
PLAY CLUTCH (PAN NV7000)	£5.50	CLUTCH ASSY (FERG 3V29/30)	£4.50
PINCH ROLLER (FERG)	£5.95	AUDIO RELAY (SONY C5/C7)	£3.95
PINCH ROLLER (SHARP)	£7.90	HEAD CLEANING STICKS	£0.50
PINCH ROLLER (PANASONIC)	£5.95	HEAD CLEANING FLUID	£1.50

MOST SPARES AVAILABLE FOR HITACHI, PANASONIC, SONY, SANYO, SHARP ETC.  
RING FOR AVAILABILITY.

## TELEVIDEO SERVICES NOTTINGHAM (0602) 226070 145 STATION RD, BEESTON, NOTTINGHAM.

Please add 50p post & packing and then add 15% VAT to the total.

ALL STOCK ITEMS ARE DESPATCHED BY RETURN OF POST

Send 17p stamp for full list

### OSCILLOSCOPES

COSSOR CDU150. Dual Trace 35MHz Solid State. Portable 8x10cm display. With Manual	£200
TELEQUIPMENT D61 Dual Trace 10MHz With Manual	£150
ADVANCE OS250TV. Dual Trace 10MHz With Manual	£160
S.E. LABS SM111. Dual Trace 18MHz Solid State. Portable AC or External DC operation 8x10cm display. With Manual	£150
TELEQUIPMENT D43. Dual Trace 15MHz. With Manual	£100
TELEQUIPMENT 554A. Single Trace 10MHz. Solid State. With Manual	£110
TELEQUIPMENT 543 Single Trace 25MHz With Manual	£75

### PHILIPS DIGITAL MULTIMETERS

4 digit, auto ranging. Complete with batteries and leads (P&P £5)  
TYPE PM2517X (LCD) £75

### MULTIMETERS

AVO 8 Mk 4 Complete with batteries & leads	£60
AVO 8 Mk 2 Complete with batteries & leads	£50
AVO TEST SET No 1 (Military version of AVO 8) Complete with batteries, leads & Carrying Case	£65
AVO Model 7x. Complete with batteries, leads & carrying case	£40
AVO Model 73. Pocket Multimeter (Analogue) 30 ranges. Complete with batteries & leads	£18
AVO 72 - Similar to above but no AC current range. With batteries & leads	£10

AVO TRANSISTOR TESTER TT169  
Handled. GO/NO GO for In-situ Testing. Complete with batteries, leads & instructions. (p&p £3) NOW ONLY £12

PROFESSIONAL 9" GREEN SCREEN MONITORS made by KGM for REUTERS Gives quality 80 column x 24 line display. Composite video in. Cased. Good condition. ONLY £32 each  
DISK DRIVE PSU.240V 1N; 5V 1.6A & 12V 1.5A out. Size: W125mm, H75mm, D180mm. Cased. Un-used. Only £10.00 each (P&P £2)  
Qwerty keyboard (as in Lynx Micro). Push to make. Cased. £5 each (P&P £2)  
Various 5 1/4" Floppy Disk Drives and Stepping Motors Available.

This is a VERY SMALL SAMPLE OF STOCK. SAE or Telephone for Lists. Please check availability before ordering. CARRIAGE all units £12. VAT to be added to Total of Goods & Carriage.

**STEWART OF READING**  
110 WYKEHAM ROAD, READING, BERKS RG6 1PL  
Telephone: 0734 68041  
Callers welcome 9 am-5.30 pm Mon.-Fri. (until 8 pm Thurs.)

### LARGER COLOURMATCH PATTERN GENERATOR

Type CM6038-D6 Crosshatch/Grey Scale/Blank Raster. Mains or Battery.	ONLY £12 each (P&P £2)
ADVANCE AM/FM SIGNAL GENERATOR Type SG63A 7.5-230MHz	£75
ADVANCE AM SIGNAL GENERATOR SG62B. 150 KHz-220MHz	£45
ADVANCE AM SIGNAL GENERATOR Type 62. 150KHz-220MHz	£30
METRIX WOBBLULATOR Type 210. 5-220MHz	£20
PHILIPS WOBBLULATOR GM28775 5-220MHz & 440-880MHz	£100
LARGEAR COLOUR BAR GENERATOR CM6037 (P&P £4)	£80
VIDEO CIRCUITS V31A CRT ANALYSER/BOOSTER (Scratched Case)	£80
WAYNE KERR COMPONENT BRIDGE B521 (CT375) 100uH-500KHz; 1pF-5F; 1 milliOhm-1000Mohm	£35
RACAL 32MHz UNIVERSAL COUNTER TIMER Type 836	£50
MARCONI TF2604 (Later version of TF 1041 VTVM) 20Hz-1500MHz; AC/DC/Ohms AC 300mV-300V FSD	£60
MARCONI VALVE VOLTMETER TF2600 10Hz-10MHz; 1mV-300V FSD	£40
PHILIPS COLOURBAR GENERATOR type 5501 (P&P £5)	£100
PHILIPS COLOURBAR GENERATOR type 5508. Video out. Many Functions	£125
TES FIELD STRENGTH METER type HC661 in Carrying Case (P&P £5)	£80

### NEW EQUIPMENT

HAMEG OSCILLOSCOPE 605. Dual Trace 60MHz. Delay Sweep. Component Tester
 £515 || HAMEG OSCILLOSCOPE 203.5. Dual Trace 20MHz. Component Tester | £270 |
| All Other Models Available. | |

BLACK STAR COUNTER TIMERS	P&P £5
APOLLO 10 - 100MHz Ratio/Period/Time Interval etc.	£219
APOLLO 100 - 100MHz (As above - with more functions)	£285
BLACK STAR FREQUENCY COUNTERS P&P £4	
Meteor 100 - 100MHz	£99
Meteor 600 - 600MHz	£126
Meteor 1000 - 1GHz	£175
BLACK STAR JUPITOR 500 FUNCTION GENERATOR. Sine/Square/Triangle. 0.1Hz - 500KHz. P&P £4	£110
HUNG CHANG DMM 6010. 3 1/2 digit. Hand held 28 ranges including 10 Amp AC/DC. Complete with batteries & leads. P&P £4.	£33.50
OSCILLOSCOPES PROBES. Switched x1; x10. P&P £2	£11

AN127Q	£1.75	CM143A	£7.50	HA11788	£4.50	M54543L	£2.75	TA7136P	£1.00	UJC1028H	£0.90	2SA899	£0.75	2SC1427	£3.30	<b>VIDEO BELT KITS</b>		<b>LATE EXTRA</b>	
AN203	£2.20	CM157	£3.95	HA1181BNT	£3.50	M54548L	£6.75	TA7137P	£0.80	UJC1031H	£1.90	2SA940	£0.80	2SC1505	£0.70	AKAI VS-2E/G/5EG (5)	£1.50	AN5033	£5.25
AN210	£1.75	CM158	£3.95	HA1182BNT	£3.50	M545705	£1.80	TA7138P	£1.80	UJC1032H	£0.50	2SA952	£0.50	2SC1546	£0.30	AKAI VS 9700EG (6)	£1.75	AN5620X	£6.25
AN211A	£2.25	CM160	£2.50	HA12035	£3.50	M553712	£1.80	TA7145P	£1.80	UJC1035C	£1.20	2SA1015	£1.20	2SC1654	£2.50	FISHER VBS 7000 (6)	£2.20	AN6387	£5.63
AN2140	£1.80	CM161A	£2.50	HA12413	£2.50	M553730	£1.75	TA7146P	£1.80	UJC1037H	£2.50	2SA1102	£1.90	2SC1682	£0.30	FISHER VBS 9000 (3)	£1.40	HA1140A	£3.75
AN217B	£2.20	CM162	£3.40	HA13402	£3.50	M553731	£2.50	TA7150P	£1.80	UJC1043C	£1.70	2SA1103	£1.90	2SC1741	£0.70	HITACHI VT5000 (7)	£2.70	HA112001W	£6.50
AN228W	£2.75	CM170	£3.50	HA13403	£7.50	M553756	£2.50	TA7152P	£1.70	UJC1058H	£1.40	2SA1104	£1.90	2SC1815	£0.25	JVC HR3300/3600 (9)	£2.00	HA12038	£6.75
AN236	£2.50	CM181	£3.50	HA13430A	£3.50	M553759	£2.50	TA7173P	£1.80	UJC1158H	£0.60	2SA1105	£2.25	2SC1826	£0.60	JVC HR3360/3660 (7)	£2.00	LA1140	£1.75
AN239Q	£3.00	CM182	£2.75	LA1117P	£3.80	M553759	£2.50	TA7176P	£1.50	UJC1161C	£0.60	2SA1106	£2.25	2SC1849	£0.30	JVC HR7700 (3)	£1.20	LA1230	£1.75
AN240P	£1.50	HA1125	£1.50	LA1201	£3.85	PL101A	£2.30	TA7193P	£3.50	UJC1163H	£0.60	2SA1198	£0.35	2SC1945	£3.50	JVC HR7700 (3)	£1.20	LA1370	£2.80
AN241P	£1.50	HA1137	£1.75	LA1222	£0.80	PL103A	£4.95	TA7200	£2.00	UJC1167C	£2.00	2SA1210	£0.35	2SC1945A	£3.50	JVC HR7700 (3)	£1.20	LA1416	£2.50
AN247P	£2.50	HA1149	£1.40	LA1230	£1.50	SI-1125H	£7.50	TA7201	£2.00	UJC1168C	£2.00	2SB22	£0.40	2SC1945A	£3.50	PANASONIC NV333 (5)	£1.40	LA4370	£2.80
AN259	£2.75	HA1151	£2.40	LA1240	£1.75	STK011	£3.75	TA7202P	£2.00	UJC1170H	£0.70	2SB75	£0.70	2SC1957	£0.80	PANASONIC NV2000 (5)	£1.40	LA4507	£4.85
AN262	£1.50	HA1156	£1.10	LA1250	£1.50	STK013	£6.25	TA7203P	£1.80	UJC1171C	£1.50	2SB75	£0.60	2SC2021	£0.30	PANASONIC NV7000 (5)	£1.25	LA7016	£2.50
AN271A	£2.50	HA1166	£1.80	LA1365	£1.20	STK014	£6.25	TA7204P	£1.10	UJC1175C	£1.10	2SB841V	£1.20	2SC2026	£0.65	PANASONIC NV8600 (7)	£1.75	LA7215	£2.75
AN274	£2.50	HA1196	£3.75	LA1368	£2.20	STK014	£5.00	TA7205AP	£1.00	UJC1177H	£1.00	2SB842	£1.40	2SC2028	£0.75	PANASONIC NV8600 (7)	£1.75	LA7521	£4.50
AN295	£3.25	HA1197	£1.50	LA1460	£1.95	STK015	£7.50	TA7207P	£1.50	UJC1178C	£1.50	2SB846	£2.60	2SC2028	£0.75	PANASONIC NV8600 (7)	£1.00	LA7571	£4.75
AN303	£2.50	HA1199	£1.40	LA2200	£1.75	STK020	£4.50	TA7208P	£1.50	UJC1180C	£1.50	2SB846	£2.60	2SC2028	£0.75	PANASONIC NV8600 (7)	£1.00	LA7575	£4.75
AN313U	£2.75	HA1306W	£1.60	LA3101	£1.60	STK022	£5.25	TA7210P	£2.00	UJC1181H	£1.00	2SB842	£2.60	2SC2028	£0.75	PANASONIC NV8600 (7)	£1.00	LA7575	£4.75
AN315	£2.00	HA1319	£2.80	LA3155	£3.95	STK025	£6.75	TA7214P	£2.50	UJC1182H	£1.00	2SB846	£2.60	2SC2028	£0.75	PANASONIC NV8600 (7)	£1.00	LA7575	£4.75
AN316	£3.50	HA1322C	£1.60	LA3160	£3.90	STK025	£6.75	TA7215P	£1.80	UJC1183H	£1.20	2SB846	£2.60	2SC2028	£0.75	PANASONIC NV8600 (7)	£1.00	LA7575	£4.75
AN318	£2.75	HA1339A	£1.60	LA3201	£3.95	STK041	£6.50	TA7217AP	£1.20	UJC1185H	£1.20	2SB846	£2.60	2SC2028	£0.75	PANASONIC NV8600 (7)	£1.00	LA7575	£4.75
AN331	£4.75	HA1342A	£1.70	LA3300	£1.40	STK077	£5.95	TA7220P	£1.75	UJC1186	£1.75	2SB846	£2.60	2SC2028	£0.75	PANASONIC NV8600 (7)	£1.00	LA7575	£4.75
AN360	£1.20	HA1366W	£1.50	LA3301	£1.20	STK078	£5.50	TA7222AP	£1.20	UJC1187V	£1.20	2SB846	£2.60	2SC2028	£0.75	PANASONIC NV8600 (7)	£1.00	LA7575	£4.75
AN362L	£1.30	HA1366WR	£1.50	LA3350	£1.20	STK080	£7.20	TA7223P	£1.95	UJC1190C	£0.90	2SB846	£2.60	2SC2028	£0.75	PANASONIC NV8600 (7)	£1.00	LA7575	£4.75
AN366P	£1.15	HA1367	£3.25	LA3361	£1.20	STK080	£7.20	TA7223P	£1.95	UJC1191V	£0.90	2SB846	£2.60	2SC2028	£0.75	PANASONIC NV8600 (7)	£1.00	LA7575	£4.75
AN369P	£1.75	HA1368	£1.60	LA4030P	£2.00	STK086	£2.50	TA7225P	£2.50	UJC1192H	£1.20	2SB846	£2.60	2SC2028	£0.75	PANASONIC NV8600 (7)	£1.00	LA7575	£4.75
AN372	£1.50	HA1368R	£1.85	LA4031P	£1.40	STK430	£4.75	TA7226P	£2.20	UJC1200V	£0.80	2SB755	£2.50	2SC2028	£0.75	PANASONIC NV8600 (7)	£1.00	LA7575	£4.75
AN5722	£1.50	HA1370	£2.75	LA4032P	£1.40	STK433	£4.50	TA7227P	£1.50	UJC1206C	£1.50	2SB772Q	£0.90	2SC2028	£0.75	PANASONIC NV8600 (7)	£1.00	LA7575	£4.75
AN5730	£1.85	HA1374	£2.50	LA4051P	£1.50	STK435	£5.00	TA7229P	£3.00	UJC1211V	£0.90	2SB772Q	£0.90	2SC2028	£0.75	PANASONIC NV8600 (7)	£1.00	LA7575	£4.75
AN5732	£1.85	HA1377A	£2.20	LA4100	£1.00	STK436	£5.00	TA7230P	£1.75	UJC1215V	£1.75	2SB772Q	£0.90	2SC2028	£0.75	PANASONIC NV8600 (7)	£1.00	LA7575	£4.75
AN5753	£1.95	HA1398	£2.35	LA4101	£1.00	STK437	£3.30	TA7232P	£2.75	UJC1216V	£0.95	2SB772Q	£0.90	2SC2028	£0.75	PANASONIC NV8600 (7)	£1.00	LA7575	£4.75
AN5759	£2.30	HA1399	£1.75	LA4102	£1.20	STK439	£3.50	TA7235P	£1.40	UJC1217V	£1.40	2SB772Q	£0.90	2SC2028	£0.75	PANASONIC NV8600 (7)	£1.00	LA7575	£4.75
AN5344	£4.75	HA1398R	£1.40	LA4110	£1.40	STK441	£3.00	TA7312P	£1.30	UJC1218H	£1.30	2SB772Q	£0.90	2SC2028	£0.75	PANASONIC NV8600 (7)	£1.00	LA7575	£4.75
AN7105	£2.20	HA1392	£2.30	LA4112	£1.30	STK443	£3.95	TA7313AP	£1.30	UJC1222C	£1.30	2SB772Q	£0.90	2SC2028	£0.75	PANASONIC NV8600 (7)	£1.00	LA7575	£4.75
AN7110	£1.40	HA1394	£2.75	LA4120	£2.50	STK457	£5.50	TA7315P	£1.75	UJC1223C	£1.75	2SB772Q	£0.90	2SC2028	£0.75	PANASONIC NV8600 (7)	£1.00	LA7575	£4.75
AN7114E	£1.60	HA1397	£2.50	LA4125	£2.00	STK459	£5.75	TA7325P	£0.85	UJC1225H	£0.85	2SB772Q	£0.90	2SC2028	£0.75	PANASONIC NV8600 (7)	£1.00	LA7575	£4.75
AN7115E	£1.60	HA1398	£2.40	LA4140	£3.70	STK480	£7.50	TA7328	£1.60	UJC1226C	£1.60	2SB772Q	£0.90	2SC2028	£0.75	PANASONIC NV8600 (7)	£1.00	LA7575	£4.75
AN7120	£1.40	HA1457W	£3.90	LA4182	£2.00	STK461	£3.50	TA7370AP	£2.75	UJC1227V	£1.40	2SB772Q	£0.90	2SC2028	£0.75	PANASONIC NV8600 (7)	£1.00	LA7575	£4.75
AN7310	£1.50	HA11215A	£4.25	LA4192	£1.95	STK463	£7.40	TA7608	£3.50	UJC1230H	£2.50	2SB772Q	£0.90	2SC2028	£0.75	PANASONIC NV8600 (7)	£1.00	LA7575	£4.75
AN7145M	£1.80	HA11221	£2.30	LA4200	£1.50	STK465	£3.50	TA7609P	£2.30	UJC1236V	£0.85	2SB772Q	£0.90	2SC2028	£0.75	PANASONIC NV8600 (7)	£1.00	LA7575	£4.75
AN7146M	£1.80	HA11223W	£3.00	LA4220	£1.20	STK0025	£4.95	TA7611	£2.75	UJC1245V	£1.20	2SB772Q	£0.90	2SC2028	£0.75	PANASONIC NV8600 (7)	£1.00	LA7575	£4.75
AN7154	£1.75	HA11225	£1.95	LA4230	£1.75	STK0029	£4.35	TA7658P	£1.50	UJC1277H	£2.75	2SB772Q	£0.90	2SC2028	£0.75	PANASONIC NV8600 (7)	£1.00	LA7575	£4.75
AN7158N	£2.40	HA11235	£2.00	LA4400	£1.90	STK0039	£4.25	UH1001	£4.00	UJC1278H	£2.50	2SB772Q	£0.90	2SC2028	£0.75	PANASONIC NV8600 (7)	£1.00	LA7575	£4.75
AN7159M	£2.75	HA11423	£4.75	LA4420	£1.50	STK0040	£5.50	UH1004	£4.00	UJC1350C	£1.20	2SB772Q	£0.90	2SC2028	£0.75	PANASONIC NV8600 (7)	£1.00	LA7575	£4.75
AN7168	£2.50	HA11701	£4.50	LA4422	£1.20	STK0049	£5.75	UPC16C	£1.30	UJC1353C	£1.75	2SB772Q	£0.90	2SC2028	£0.75	PANASONIC NV8600 (7)	£1.00	LA7575	£4.75
AN7310	£3.80	HA11702	£4.90	LA4430	£1.30	STK0059	£5.00	UPC20C	£2.20	UJC1356C	£2.20	2SB772Q	£0.90	2SC2028	£0.75	PANASONIC NV8600 (7)	£1.00	LA7575	£4.75
AN7311	£1.00	HA11703	£4.50	LA4440	£2.20	STK0080	£3.50	UPC30C	£1.80	UJC1358H	£1.80	2SB772Q	£0.90	2SC2028	£0.75	PANASONIC NV8600 (7)	£1.00	LA7575	£4.75
BA301	£0.75	HA11704	£4.75	LA4460	£1.75	STK2028	£3.50	UPC41C	£2.00	UJC1360C	£2.00	2SB772Q	£0.90	2SC2028	£0.75	PANASONIC NV8600 (7)	£1.00	LA7575	£4.75
BA311	£0.95	HA11705	£3.50	LA4461	£1.75	STK2029	£3.75	UPC354C	£1.25	UJC1363C	£1.95	2SB772Q	£0.90	2SC2028	£0.75	PANASONIC NV8600 (7)	£1.00	LA7575	£4.75
BA313	£3.75	HA11706	£4.75	LA4500	£2.50	STK2230	£3.80	UPC355	£0.60	UJC1365C	£3.00	2SB772Q	£0.90	2SC2028	£0.75	PANASONIC NV8600 (7)	£1.00	LA7575	£4.75
BA318	£1.30	HA11710	£3.50	LA4505	£2.50	STK2240	£3.75	UPC561C	£2.00	UJC1366C	£2.00	2SB772Q	£0.90	2SC2028	£0.75	PANASONIC NV8600 (7)	£1.00	LA7575	£4.75
BA402	£0.75	HA11711	£3.50	LA6458	£3.90	STK3042	£5.50	UPC566H	£0.60	UJC1367C	£0.60	2SB772Q	£0.90	2SC2028	£0.75	PANASONIC NV8600 (7)	£1.00	LA7575	£4.75
BA511A	£3.80	HA11713	£3.00	LA7800	£1.95	STK5211	£6.75	UPC571	£1.95	UJC1368H	£1.95	2SB772Q	£0.90	2SC2028	£0.75	PANASONIC NV8600 (7)	£1.00	LA7575	£4.75
BA514	£1.75	HA11714	£3.75	LA7806	£2.50	STK5421	£3.50	UPC73C	£2.20	UJC1370C	£2.20	2SB772Q	£0.90	2SC2028	£0.75	PANASONIC NV8600 (7)	£1.00	LA7575	£4.75
BA521	£1.75	HA11715	£9.25	LC7120	£3.30	STK5451	£3.75	UPC74J	£3.50	UJC1373H	£3.50	2SB772Q	£0.90	2SC2028	£0.75	PANASONIC NV8600 (7)	£1.00	LA7575	£4.75
BA527	£1.50	HA11716	£3.25	LC7130	£3.50	STK5720	£3.50	UPC75C	£1.80	UJC1378H	£1.80	2SB772Q	£0.90	2SC2028	£0.75	PANASONIC NV8600 (7)	£1.00	LA7575	£4.75
BA532	£2.50	HA11717	£9.25	LC7131	£3.75	STK5730	£3.75	UP											

# JUNCTION 11

A NEW COMPANY IN THE NORTH WEST  
OFFERING A FRIENDLY, FIRST CLASS SERVICE  
TO THE TRADE AT COMPETITIVE PRICES

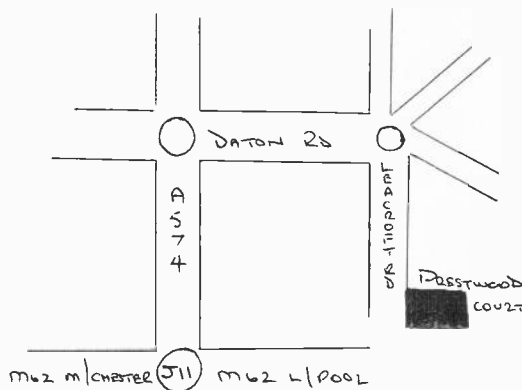
OUR RANGE INCLUDES

**G.E.C. PYE PHILIPS I.T.T. DECCA R.B.M.**

Now in stock V.H.S. V.C.R.s from £60 plus full range of Thorn remote control including T/Text

★ **DISCOUNT FOR QUANTITY** ★

The directors of this new company assure all our prospective customers of a warm welcome, and a fair deal.



**COME TO JUNCTION 11, M62,  
YOU'LL FIND US HERE**

**JUNCTION 11  
TV TRADE DISPOSALS LTD.,  
Unit 11, Prestwood Court,  
Leacroft Road,  
Birchwood, Warrington.  
Phone 0925 826387.**

Open 6 days 9 - 5.30 (later by appointment)

## V.H.S. VIDEOS

PIANO KEY & ELECTRONIC

**SONY BETAMAX VIDEOS WORKERS**

**£68.50 EACH + V.A.T.  
MINIMUM LOT OF 5**

## COLOUR T.V.s

WORKERS OR NON-WORKERS

DECCA            FERGUSON  
G.E.C.            DORIC  
PHILIPS          ETC.

PANELS AND VALVES ALSO AVAILABLE

**SOUTHPARK DISTRIBUTORS**

Unit 4 Rubastic Road  
Brent Park Industrial Estate  
Southall, Middlesex UB2 5LL  
01-574 4631 Ext. 28

## SPRING SPECIALS

10 BUSH 2 CHIP	£50
10 BUSH T20	£250
10 REDIFFUSION MARK 3	£250
10 REDIFFUSION MARK 1	
REVAMP	£120
10 THORN 8000 17"	£150

**LARGE QUANTITIES  
OF BETA VIDEOS  
RING FOR SPECIAL PRICES**

ALL + VAT

## TELETRADERS

Forde Road, Brunel Industrial Estate,  
Newton Abbot, Devon  
Telephone: (0626) 60154  
**THE NO. 1 WHOLESALE IN THE SOUTH**

# BOLTEN LTD.

45/46 London House,  
271, King Street, London W6 9LZ.  
Tel: 01-748 4137 (2 lines)  
Telex: 262421 BOLTEN G

## Video Heads

Sony C5/C7/T7 .....	£31.95
Ferguson/JVC (Universal) .....	£30.95
National Panasonic (Universal) .....	£30.95
National Panasonic (370/380) .....	£33.95
Hitachi .....	£33.95
Sanyo .....	£44.95
Fisher VHS Genuine .....	£51.95
Akai (most Models) .....	£30.95
Sharp .....	£44.95

Heads suitable for many other Brands also available.  
Please call for full list.

Belt Kits (Most Models) .....	£3.99
Remote Controls for T.V.	
Grundig/Philips .....	£16.95
Video Cable Kit (any model to any model) .....	£7.50
Pinch Wheels (Various Models) .....	£5.95

Please add 15% VAT plus £1.00 p&p per order.

Delivery within 7-14 days  
subject to availability



## TVS TRADE SERVICES BROMSGROVE

Large selection of quality clean TV & Video  
always in stock, including:

BUSH T20/24      DECCA 80/100  
GEC STARLINE  
HITACHI      ITT (full remote)  
PHILIPS G8  
PHILIPS GII      PHILIPS KT3  
THORN 9600 including TELETEXT  
THORN 8800      THORN 9000  
(remote)      (remote)  
THORN TX

### VHS VIDEO from £85 (working)

We specialise in working sets, fully serviced and ready  
to deliver to your customer's home. Spares back up  
service available to customers. You've seen the junk,  
so why not now come and pay us a visit - we think  
you will be pleasantly surprised by our prices and the  
quality of our equipment. Delivery service available.

### STOP PRESS

Electronic Video including Ferguson 3V29/30, Amstrad  
7000, Sharp 9300, now in stock at unbeatable prices.  
We also specialise in direct loads delivered to your  
door direct from source.

For further details phone:

COLIN BROOMFIELD,  
UNIT 7, STATION STREET,  
BROMSGROVE, WORCS.  
(0527) 37037/71186



# UNTESTED EX-RENTAL CTVs

## OVER 1500 WEEKLY

WITH THIS QUANTITY WE DO NOT  
HAVE TIME TO PLAY ABOUT.

NO BUMPED TUBES

BEST SOURCE IN U.K.

COLOUR TVs FROM £3

VIDEO RECORDERS  
FROM £60

TANDBURG S/S CTVs  
DUAL TUNERS IDEAL FOR  
EXPORT

VIDEO RECORDERS FROM £50:  
SONY C5: C6: C7 & C9  
PANASONIC : SHARP  
FERGUSON : GRUNDIG ETC.

CALL & SEE OUR SELECTION  
DELIVERY ARRANGED FOR  
BULK PURCHASES  
LOAD DIRECT FROM SOURCE  
AT VERY KEEN PRICES

22"/26" TELETEXT VIEWDATA  
COLOUR IN STOCK NOW

CASH ONLY

## FRANK FORD

(TV TRADE DISPOSALS)

SCHOOL LANE

GUIDE

BLACKBURN, LANCs

TEL: 0254 64489

# HOCKLEY DISCOUNT TELEVISIONS

We give "The Best Deals" that's why we have the cleanest reputation in the trade!!!

Prices start      Working sets  
From £6.00      From £12.00

OR

Lorry loads delivered from SOURCE

We have huge stocks of TV's + V.H.S. Videos to offer, including:-

Philips G8's, G11's ..... Thorn 8000, TX9,  
Pye Solid State ..... 9000, 9600, TX10,  
Pye Chelsea ..... Latest Hitachi  
G.E.C. Solid State ..... I.T.T. CVC30, CVC45,  
Rediffusion MkI, MkIII ..... Bush T20, T22

ALSO

VIDEO + T.V. STANDS AVAILABLE!

**DON'T HESITATE TO CONTACT US  
BECAUSE YOU WILL NEVER LOOSE!!**

## MIDLANDS BRANCH:-

Hockley Discount Televisions,  
94 Soho Hill, Hockley, Birmingham B19 1AE.  
021-551-2233 - Ask for Jazz



## NORTH-EAST BRANCH:-

Northern TV Distributors, Unit 2, Pert Court,  
11th Ave, Team Valley,  
Gateshead, Tyne & Wear.  
091-487-5389 - Ask for Joe



# CentreVision

TEL: 0222-44754

SLOPER ROAD

LECKWITH

CARDIFF CF1 8AB

OPPOSITE CITY FOOTBALL GROUND  
5 MINS FROM M4

**FERGUSON  
VHS VIDEO  
£75**

MANY TOP QUALITY REMOTE CONTROL WORKING TV's.

PHONE FOR LATEST PRICES

**PRICES SUBJECT TO VAT**

OPENING HOURS:

MONDAY - FRIDAY 9.00 - 5.30

SATURDAY 9.00 - 1.00

LONDON'S LARGEST  
TELEVISION WHOLESALER...  
with over 4½ thousand sq. feet

**"TELEMANN"**

Export  
orders  
welcomed

8-10 RHODA STREET (off Bethnal Green Road)  
LONDON E2. FREE CAR PARK

**SPECIAL OFFER!!**

Parcel of 25 Monos .....	£1.00 each
Parcel of 10 Philips 22" G8 550 .....	£15.00 each
Parcel of 10 Decca Bradfords (6 buttons) .....	£12.00 each
Parcel of 10 Japs Colour .....	£20.00 each

LORRY LOADS DELIVERED DIRECT FROM SUPPLIERS  
NO CHARGE FOR DELIVERY IN THE LONDON AREA!

**01-739 2707** → 2 LINES ← **01-739 3123**

FREE CAR PARK + NO YELLOW LINES OUTSIDE!

# TUNERS + TUNERS

- ★ If you repair sets regularly - phone us today and we will dispatch immediately - no need to send cash 'up front'.
- ★ All tuners dispatched by first class post for receipt by you the next day.
- ★ All popular tuners/tuner repairs supplied 'off the shelf'.
- ★ Unusual types repaired same day as received (subject to spares availability).

**TELEPART**

32 Temple Street,  
Wolverhampton WV2 4LJ.  
Phone: (0902) 29022.

# SIGHT & SOUND

STOKE-ON-TRENT 0782 335262

FERGUSON 3V23  
NAT-PAN 7200  
NAT-PAN 366  
HITACHI 8600  
HITACHI  
NAT-PAN 2010

Factory Reconditioned  
Infra Red Video  
Cord Remote Video  
Infra Red Video  
Cord Remote Video  
Basic Video

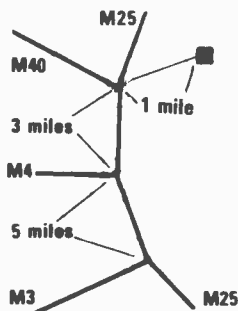
G11  
T-20  
THORN 9600  
G11 TEXT  
COLOUR PORTABLES  
THORN 9000

200 Always in Stock  
100 Always in Stock  
Always in Stock  
100 in Stock  
In Stock  
Always in Stock

**SATISFACTION GUARANTEED**  
**FRIENDLY SERVICE – NO GIMMICKS**  
**PERSONAL ATTENTION – ASK FOR JOHN SAHOTA**

## REBUILT TUBES?

Come to one of the most experienced firms in the business. We have been rebuilding cathode ray tubes for industry, broadcasting authorities, major airlines, M.O.D. universities, and, of course, the TV trade in general since the '60's.



### WE ARE LOCATED IN ◀ UXBRIDGE

At probably the most accessible part of S.E. England. The nearest junction of the M25 is only about 1 mile away and we are less than 10 minutes from the interchanges on the M25/M3, M25/M4, M25/M40.

LOCAL AREA MAP AND PRICE LIST  
AVAILABLE ON REQUEST

## DISPLAY ELECTRONICS LTD.

UNIT 4, SWAN WHARF,  
WATERLOO ROAD,  
UXBRIDGE, MIDDLESEX.  
UXBRIDGE (0895) 55800.

## D.I.Y. TV TUBE POLISHING

with our DIY Polishing Kit

The Kit includes everything you need to polish approx. 25" tubes to a high standard. Detailed instructions on how to do the polishing. All you require is an Electric Drill.

**Kit Price £49 inc P&P and VAT.** Available from Luton only.  
*\*Depends on depth and area to be polished.*

**TV TUBES FREE DELIVERY\***

**5% DISCOUNT ON TUBES COLLECTED FROM LUTON**  
Quality, High Temperature Reprocessing

TUBE SIZE	DELTA i.e. A51-110X A56-120X A66-120X A67-120X	DELTA SPECIALS i.e. A47-342X 470CTB22 510GLB22 A56-410X A66-410X A67-150X A67-200X	IN LINE & PIL i.e. 470ESB22 470ERB22 A51-161X A51-570X 510QKB22 560AKB22 A56-510X A66-510X	HITACHI IN LINE etc. AXT37-001 AXT51-001 AXT56-001 510VAB22 510VLB22 510VSB22 A51-421X A51-426X A51-580X A51-590X A51-610X A51-701X	HITACHI IN LINE etc. A56-540X A56-615X A56-711X 560BYB22 560DYB22 560ZB22 560EGB22 560FGB22 560GAB22 A66-540X A67-711X	SONY TRINITRON 330AB22 400FB22 470EB22 470FLB22 470FWB22 520KB22 520NB22 520SB22 570EB22 570HB22 680DB22 680EB22
UP TO 20"	£30	£32	£40	£44	£58	
UP TO 22"	£34	£36	£42	£46	£64	
UP TO 26"	£36	£38	£44	£48	£70	

*Tube types not listed, please enquire.*

All tubes sold with 1 or 2 year guarantee, with optional extension by extra 2 years. Prices shown are for 12 months guarantee. All tubes exchange glass required.

Your good, working tubes with scratches or small chips, can be POLISHED with our purpose built polishing equipment. From £7 per tube.

Delivery charge on colour tubes: Within 40 miles of Luton.

1 or 2 tubes £6. 3 or more tubes FREE DELIVERY\*

Nationwide delivery available, charges on application.

Please add 15% VAT to all prices. Callers welcome. Please phone first.

## WELL VIEW

114-134 Midland Rd,  
Luton, Beds.

Open Mon-Fri 8am-6pm, Sat 9am-1pm. Tel. 0582-410787.

Your Local Tube Stockist:

Well View, Southampton. Tel. 0703 331837.

H. K. Television, London, E.2. Tel. 01-729 1133.

West One Distributors Ltd., Gt. Missenden, Buckinghamshire.

Tel. 024 06 3609

Rushden Rentals Ltd., Rushden, Northants. Tel. 0933 314901

Rea & Holland, Ipswich, Suffolk. Tel. 0473 827562.

Phone between 12-2p.m., & 6-9 p.m.

WANTED A56/A66-510X/540X, Hitachi and Sony, old glass for cash

## IRISH T.V. DEALERS

(PLEASE NOTICE)

LARGE SELECTION OF RECONDITIONED PRECISION-IN-LINE UHF-VHF COLOUR TVs, SOME WITH RE-GUN TUBES FITTED, "CABINETS RESTORED TO A1 CONDITION". PRICES START @ £60.00 VAT INCLUDED. ALSO 20" & 22" RE-GUN TUBES IN STOCK, QUANTITY DISCOUNT, DELIVERY ARRANGED. VIDEO HEADS ALSO IN STOCK.

(EXPORT SPECIALISTS)

T.V. TRADE SALES  
E.D.I. HOUSE  
KYLEMORE PK. WEST  
DUBLIN 10.

ALSO

T.V.T.S.  
CLOVER PLACE  
COLLEGE ST.  
KILLARNEY.

Tel: 0001-264139 (Local calls 01-)

Tel: 064-33655



## SETS & COMPONENTS

**PHILIPS G11 AND BUSH T20** regular supplies. For prices phone 01-845-2036.

**C.R.T. REGUNNING PLANT** for sale. For further details apply: Box no. 213.

**OCHRE MILL TECHNICAL.** Genuine GRUNDIG spares, massive stocks, sensible prices, fast helpful service. **OSCILLOSCOPES** manuals testgear **TELEQUIPMENT PHILIPS.** 0785 814643.

**TUBE REGUNNING PLANT.** Wide range of essential equipment always in stock - pumps, compression heads, drop sealers, R.F. units. Installation, service and training provided. Contact: **T.V.I. LTD.,** Industrial Estate, Donore Road, Drogheda.

**CASH PAID** Now for your surplus TV spares, transistors, I.C.'s etc. Tel. **MR. FORSHAW,** 0902 29022.

**TURN YOUR SURPLUS** capacitors, transistors, etc., into cash. Contact **COLES-HARDING & CO,** 103 South Brink, Wisbech, Cambs. 0945 584188. Immediate settlement.

**HITACHI, MITSUBISHI,** Panasonic, Sony, Toshiba, JVC, Sharp, fully refurbished. **PEARSON TELEVISION,** 0484 863489. Delivery arranged.

**GRUNDIG 2x4 SUPER VIDEO** remote control VIF-K1 with tele-pilot TPV355. Brand new, boxed. £12.95 p&p £2 (plugs straight in). **STAN WILLETTS,** 37 High Street, West Bromwich, West Midlands B70 6PB. Tel. 021 553 0186.

**THORN, GEC, DECCA's** stripped for spares. Panels, Tuners from £2.50. Phone for prices: **WELLINGTONS,** Dartford 0322 337212.

### EAST ANGLIA SUPPLIES (BARRY T.V. SERVICES)

WE SPECIALISE IN LATE MODEL TELEVISIONS AND V.H.S. VIDEOS.

**T.V.'s**  
G11's, KT3, K30, K35.  
Other makes available.

**VIDEOS**  
Ferg 3V29, 3V30, 3V35, 3V36.  
Nat Pan 2000, 2010, 333.  
Hitachi 8000.  
Mitsubishi - various models.

All items fully serviced and ready for sale or rent in excellent condition. Free delivery for sensible size orders (petrol only charged).

Phone today for prices and availability to:  
**CAMBRIDGE 69215**

### STARLITE ELECTRONICS

**WILLOWS FARM,  
A13 RAINHAM, ESSEX.**  
Rainham 23225 also  
Hornchurch 50238.

**EX RENTAL TVs  
UNTESTED FROM £15.00  
WORKING TVs £20.00  
RE-GUNNING TUBES**

2 year guarantee  
Most types available  
including Sony



# TELEVISION

No other consumer magazine in the country can reach so effectively those readers who are wholly engaged in the television and affiliated electronic industries. They have a need to know of your products and services.

The prepaid rate for semi display setting £6.78 per single column centimetre (minimum 2.5 cms). Classified advertisements 40p per word

## FYLDE T.V. AND VIDEO DISTRIBUTORS

Unit 7, Arkwright Court.

Blackpool/Fylde Industrial Estate  
Very End of M55 left at roundabout.

## UNLIMITED SELECTION OF

<b>THORN</b> 8800	<b>PHILIPS</b> G11
8800 R/C	G11 R/C
9000	G11 TTX
9000 R/C	<b>GEC</b> S/S
9600 R/C	<b>JVC</b> 20"
9600 TTX	<b>MONO's</b> 20" + 24"

## AND MANY MORE

**TRADE WORKERS TO ORDER**

**PHONE BLACKPOOL**

**(0253) 64413**

### LOOK HEAR TV

THE BEST TRADE WAREHOUSE IN THE EAST  
MIDLANDS FOR QUALITY TV'S AND VIDEOS

LARGE SELECTION COLOUR TV'S,  
VHS VIDEOS. ANY QUANTITY.  
ELECTRONIC VIDEOS TO ORDER

### SPECIAL OFFERS

**THORN 9000** working inc. handset £35 + VAT  
**3V22** with new head, working £120 + VAT

OPEN: Mon-Sat 10-5.30, Sunday 10-12.30

CASH ONLY PLEASE

Unit 4, King Street Buildings,  
King Street, Enderby, Leicester.  
Only 5 mins from Junction 21, M1  
Ring **ADRIAN BALMER** on  
**LEICESTER (0533) 867530**

### PRECISION VISION LTD.

For:

- ★ LATE MODEL USED COLOUR TVs
- ★ REFURBISHED TO HIGH STANDARDS
- ★ BECOME ONE OF OUR REGULAR  
HIGHLY SATISFIED CUSTOMERS
- ★ EARLY COLOUR TVs FROM £5

Unit 10, Chiltern Business Centre,  
Garsington Road, Cowley, Oxford  
(next to B.L. Works).  
Phone 0865 711966

### HALTON TV TRADE DISPOSAL

Wide range of TVs available.  
Working and non-working.

TRADE ONLY

(We have NO retail outlet)

St Michaels Industrial Estate, Widnes  
Tel. 051 423 1577

### PHILIPS VIDEO SPARES

Model VR 2324. Brand new unused includes  
power supply tuner, timer clock, R.F. panels,  
cabinet, all electronics, no mechanism £35 inc  
VAT and postage.

EFJAY PRODUCTS

13 Placehouse Lane, Old Coulsdon, Surrey  
Phone: Downland (07375) 55287

# SERVICE PAGES

(minimum 12 words), box number 70p extra. All prices plus 15% VAT. All cheques, postal orders etc., to be made payable to Television, and crossed "Lloyds Bank PLC". Treasury notes should always be sent registered post. Advertisements, together with remittance, should be sent to the Classified Advertisement Dept., Television Room 2612, IPC Magazines Limited, Kings Reach Tower, Stamford Street, London SE1 9LS. (Telephone 01-261 5942).

## PRICE BUSTERS IN BIRMINGHAM FOR

TESTED AND UNTESTED TV'S AND VIDEO'S

ALSO AVAILABLE DIRECT LORRY LOAD

RING - 021-772 2733

## WILTSGROVE LIMITED

(Next Door to UNCLE'S DISCOUNT STORE)

128-130 Ladypool Road,  
Sparkbrook, Birmingham B12 8JA.

### CASH ONLY

"STOP PRESS"

NOW IN STOCK ELECTRONIC VIDEO'S AT UNBEATABLE PRICES

## AT LAST!

### QUALITY USED TELEVISIONS & VIDEOS

EXCELLENT CABINETS & GOOD WORKERS  
TELETEXT & REMOTES (BOTH WITH HANDSETS)  
THORN TX 9600, 9000, 9200, 8800 & 8000  
BUSH T20 & Z TYPE PHILIPS G11

**WORKING VHS VIDEOS FROM £85**

**NON WORKING VIDEOS FROM £50**

MONITEC

The Heathlands, Kidderminster Road, Bewdley, Worcs. Tel. 0299 400233/400933

**T.V. SPARES, PANELS AND MANUALS**  
PHILIPS · GRUNDIG

TELEVIEW 01-994 5537  
194, Acton Lane, London W.4.

### B.G. COMPONENTS

T.V. & VIDEO SPARES

We supply spares for most makes including Sony and Fidelity all at competitive prices.

We also stock a comprehensive range of rebuilt C.R.T.'s including Hitachi and Sony.

Open Monday-Saturday.

Hill Street, Oldham OL4 2AG.  
061-624 1753.

### EXPRESS PANELS

A highly skilled staff using specialized service jigs and some of the most up to date techniques and test equipment available means we can save you time, money and heartache.

**EXAMPLES FROM OUR RANGE (exch. basis)**  
 Bush T20/22/26 power supply £14.75  
 G11 power supply £14.60  
 Sony 1820/2000/2204 power supply £16.75  
 GEC 20AX/30AX power supply £14.75

All prices subject to VAT, P&P FREE (if orders over £10.00). Panels also available for outright sale, discount for quantities (any mix) all panels guaranteed 3 months, are chemically cleaned and print re lacquered, and have no damaged print etc, so they not only work they look good too. Send S.A.E. for NEW CATALOGUE or ring with your requirements.

**TRADE SERVICE AVAILABLE for VCR's.**  
Callers by appointment only. Telephone orders accepted using Access & Visa.

021-359 3753

ARGO SERVICES (B.HAM) 53,  
Lawley St, B.Ham B4 7XH

## IRELANDS

BEST REGUNNED TUBES

## KOLOR KROM

GUARANTEED TO LAST

★ ALL TYPES AVAILABLE

★ 32 COUNTY SERVICE

Phone: 041-31361

FOR DETAILS OF YOUR LOCAL DISTRIBUTORS

## KOLOR KROM

GUARANTEED TO LAST

### NORMAN

### ENTERPRISES LTD

Weston-Super-Mare, Avon.

Tel: 413991/418545

Colour TVs fully engineered with a special care on tubes

Hitachi 217 Remote Control ..... £85  
 Thorne 9000 Remote Control £42.50  
 Pye G11 ..... £47.50  
 Rank T20 ..... £42.50  
 Pye Chelsea 6 Button ..... £27.50  
 Pye 725 ..... £37.50  
 Pye 721 ..... £27.50  
 Thorne 9600 ..... £45  
 Thorne 9200 ..... £42.50  
 Bush T20 Remote Control .... £49.50  
 Bush T24 ..... £55.50

### SPECIAL OFFER

20" ITT Pill Tubes completely engineered, superb. Spotless condition cabinets. 200 only.

**£49.50** + VAT.

All above prices include hand sets if available. Ready for sale.

Phone now, limited number each month. All the above off the pile, less a 3rd

**BESCO LTD T/A**  
**NORTH WEST ELECTRONICS**  
 25 YEARS SUPPLYING THE TRADE

**LAUREL STREET**  
**LEEDS ROAD**  
**BRADFORD**  
**Tel (0274) 660995**

**H.P. REPOS AND EX. RENTALS**  
**COLOUR TV'S AND VIDEOS**

**Refurbished TV's**

BUSH T20/T26 ..... £45  
 G11 ..... £50  
 PYE KT3 ..... £65

Others done to order.  
**DISCOUNT FOR QUANTITY**

**Annual Clearance**  
**Rock Bottom Prices**

PYE G11 EXC CAB. £40	PYE KT3.....£50
BUSH T20/26 CH.... £35	GEC 2213.....£30
HITACHI 191.....£20	THORN 3000.....£7
FERGUSON TX	GRUNDIG G415/4206
(NOT D.E.R. Etc.)£65	Best Stock in Country
GEC 2010.....£20	over 2000 in stock (90%
PYE 222.....£20	of our TV's Switch on)
PHILIPS 550.....£15	Special Price Quoted
BUSH 718.....£20	For Bulk Purchases
BUSH 2 CHIP.....£8	From Source.
GRUNDIG 5010.....£10	

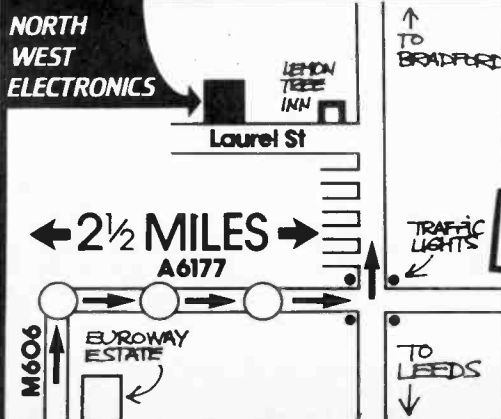
**Video**

SHARPS 7300, 8300  
 9300, HITACHI,  
 VT11, FERGUSON  
 3V29  
 (Not Ex D.E.R.etc.)  
**SANYO, SONY,  
 BETA**

**NEW TRADE SHOWROOM NOW**  
**OPEN. WORKING TVS AND VIDEOS**  
**ON SHOW. BARGAIN BASEMENT**  
**PRICES. OLD AND NEW CUSTOMERS**  
**WELCOME. 5 MINS FROM MOTORWAY**

**100's PX**  
**HOOVER JUNIOR**  
**VACS**  
 All models in stock

**Tel (0274)**  
**660995**



**HOOVER JUNIORS**  
 Fully reconditioned  
 (Like new) £27

**CASH ONLY**

**OPEN 6 DAYS**  
**SAT 9-5.30**

# LOOK!

# IMPORTANT

## DON'T FORGET WE SPECIALISE IN PHILIPS

### PHILIPS 2020/21

TESTED, WORKING AND BAGGED.

WITH INSTRUCTION BOOK & CABLES. **£45.00**

VHS & BETA MODELS 100's AVAILABLE

**COMPLETE Machines for Spares £10.00**

# TELEVISIONS

Off Pile		Tested Working	Cleaned
G8's	£15.00		£22.00
BUSH T20/22	£35.00		£55.00
PYE G11's	£35.00		£55.00

## TELEVISION WORLD,

Thornton Road, Bradford, West Yorkshire

Telephone 0274 722499

Why Waste Time *Ring in an order and it will be waiting.*

## COLOUR TV PANELS Fully Tested & Working

	IF	CDA/ Video	Decoder	LTB	Line Board	Power
GEC 2040	3.50	3.50	4.00	5.00	-	-
DECCA 13/30	3.00	-	7.00	5.00	-	4.00
BUSH A823	4.00*	-	10*	5.00*	2.50	4.00
THORN 8/8 1/2	-	-	10.00	5.00	-	5.00
PYE 205	3.00	3.50	5.00	10.00	-	-
THORN 3/3 1/2	5.00	5.00	8.00	8.00	-	10.00
G8	6.00	-	8.00	7.00	15.00	5.00

\* Please specify prefix A or Z.

Please add 15% VAT to above prices, then add post + packing.

Post + Packing: 1 panel £1.50; 2 panels £2.25; 3 panels £3.00 etc.

Hybrid panels do not include valves.

Terms cash with order.

Also a vast selection of modern working and non-working TVs at low prices. Please ring for current stock.

## GOLCAR T.V. SERVICES (formerly LAVITE LTD.),

Old C of E School, Church Street, Golcar, Huddersfield. Tel.: 0484 643273

Callers by appointment only.

## WIZARD DISTRIBUTORS MANCHESTER TV & VIDEO SPARES

We stock spares for THORN, PHILIPS, PYE, RANK, GEC, SHARP, SONY, DECCA + ITT.

FIDELITY SPARES MAIN DISTRIBUTOR.

Did you know we also stock

FUSES	I.Cs
TUBES	TOOLS
AERIALS	VIDEO LEADS
AEROSOLS	AUDIO LEADS
RESISTORS	SEMICONDUCTORS
CAPACITORS	SERVICE MANUALS
VALVES	TEST EQUIPMENT
HANDSETS	TV/VIDEO TROLLEYS

AND MUCH MORE

Counter open Monday-Friday 9am-4.45pm

**TRADE ONLY**

EMPRESS STREET WORKS,  
EMPRESS STREET,  
MANCHESTER M16 9EN.

Tel: 061-872 5438; 061-848 0060.

### COLOUR BAR GENERATOR

Pal Colour Generator with 11 patterns plus sound. Grey scale, Colour Bars, Red, Green & Blue Raster, Cross-hatch, Dots, Chequer Board, Black Raster, White Raster, Half Black & White, Mains Powered. **£75.90**

#### OUTPUTS PROVIDED

UHF OUTPUT  
VIDEO OUTPUT  
SOUND OUTPUT  
LINE PULSE  
FIELD PULSE



Same as above plus RGB output **£81.50**  
Line Output Transformer Tester **£11.50**  
B/W Generator, Crosshatch, Peak White, Dots, Half Black & White and Grey Scale UHF output **£18.50**  
Same as above but with Video Output **£20.50**  
Capacitance Meter measures 10pF to 1µF complete with moving coil meter **£14.75**

#### CRT TESTER/REJUVENATOR SEND S.A.E.

S.A.E. for details. Prices include VAT.  
Postage on Colour Bars £1.75, others 75 pence.

### C.M.J. ELECTRONICS

Unit 8, 16 Union Mill Street, Horseley Fields,  
Wolverhampton WV1 3DW.  
Tel: (0902) 871563

## INDEPENDENT TELEVISION AND VIDEO COMPANY

LARGE STOCKS TO CLEAR EVERY WEEK

COMPETITIVE PRICES

### EXAMPLES:

B&W 20"-24" From **£1.00**

### COLOUR:

Bush 1-2 I.C.	£4.00
Philips 520-550, 26"	£6.00
Thorn 3500	£6.00
GEC-Decca-ITT	£6.00

Philips 550 22" **£10.00**

Pye 18"-20"-22" **£10.00**

GEC 20"-22" 26" **£12.00**

Thorn 8800-9000-9800 **£15.00**

Many Other Modern Sets and VHS Videos

PHILIPS G11 - ITT - Bush T20-T22-T26, Hitachi, Nat. Pan. - Sony  
Off Pile from **£40**

Phone Frank: Nottingham

(0602) 864627

Unit 3

Meadow Trading Estate,

Meadow Lane,

Nottingham NG2 3HQ.

## WOODSDALE COMPONENTS

### RANK BUSH MURPHY

#### TRANSFORMERS

#### Line Output

Z718 (T703A, T706A)

New (Complete) **£19.00**

Less Focus Module and Rectifier **£10.50**

T20, T22 (T705A) **£11.00**

T26 (T705B) **£11.00**

TDA2190 Plug-in Replacement module suitable for Bush T22/26 and any set using same device **£6.00**

#### Switch Mode

T114A **£6.00**

Genuine RBM Units.

Prompt Postal Service P&P Paid.

Add 15% VAT to all prices.

DISCOUNT for QUANTITIES.

34 Field End Road, Eastcote,

Pinner, Middlesex. HA5-2QT.

Tel: 01-868 5580.

N. Skehan

Agents Office. Callers by appointment only.

## IRISH T.V. DEALERS

New re-gunning plant

- TUBES -

Super View - Delta - In-line - P.I.L.

CHRIS KELLEHER'S T.V.

Kanturk, Co. Cork

Large stock G.8 - Decca - Ferg - T.V.'s UHF/VHF

029-50046 - Cash/Carry

## Trent Tubes

31 RADCLIFFE ROAD, WEST BRIDGFORD, NOTTINGHAM  
PHONE: (0602) 813329

TWO year guarantee extendable to FOUR years  
THE PROFESSIONAL REBUILDER

ALL STD DELTAS  
ONE PRICE £32.00

A51-161 - A51-163 £43.00

A51-A56-A66/500/510 (20AX)  
One price £43.00

560DZB 510VLB etc £48.00

A56-A66/540 (30AX) £49.00

560DZB22 £46.00

SONY TYPES FROM £55.00

SPECIALIST SONY SERVICE

1000's more types available. VDUs, MONDs, Industrials etc.

Suppliers to Broadcasting Authorities  
& National Companies and Manufacturers

ALL PRICES EX WORKS + VAT & EXCHANGE

WE SPECIALISE IN JAPANESE TYPES

INSURED DELIVERY SERVICE AVAILABLE

QUANTITY DISCOUNTS

TECHNICAL ADVICE SERVICE AVAILABLE

Agents, wholesalers required high discount rates

# TELEVISION

## SCREENPLAY Your Friend in the TV Business

COLOUR SETS FROM £5.00

MONOS FROM £3.00

PANELS BY POST - PRE-CALIBRATED

WORKING SETS TO ORDER

Phone Baldock 894905

SECTION 3, UNIT 4,

SERL COMPLEX,

LONDON ROAD,

BALDOCK, HERTS.

OPEN 6 DAYS 10-6.30pm/10-5pm SAT.

## COME OVER TO

## FOR GREAT DEALS ON SUPER SETS

★ 96 CHASSIS IN 5's £30.00 ★

★ VHS VIDEO'S FROM £50.00 ★

All Thorn range in stock from 8.8 to T x 10 Stereo

Large stocks of working TV's and Video's.

Phone or call in today. You won't be disappointed.

Delivery to you can also be arranged.

Also complete postal service for all Thorn range of panels and spares. All panels and spares for mech. videos.

**DATEL LTD.**

**0245 469779**

2 Oyster Place, Montrose Rd., Dukes Park Ind. Est., Chelmsford, Essex

## WORKING CTVs THE BEST & CHEAPEST IN LANCASHIRE SPECIAL OFFER

Working Decca Bradford Including  
Black Fronts

18" 20" 22" 26" ONLY £20.00 each in 6  
units

Working GEC Plastic & Wooden. All models  
20" 22" 26" ONLY £22.00 each in 6 units

Working Bush 20" 22" 26"  
ONLY £15.00 each

Philips G8 (520) 22" & 26"  
ONLY £20.00 each

Plus many more makes & sizes in stock,  
inc. Tanburg, Nordmende, Thorn.

1st COME 1st SERVED

ALL SETS TESTED & WORKING

CALL

JOHN POWNEY

TRADE TV SALES & SERVICE

Unit 31 Progress Industrial Estate,  
Kirkham, nr Preston

(0772) 683392

UNTESTED PANELS FOR ALL MAKES OF TV  
£1.25 per panel plus post & packing

Thorn 3000/3500  
Thorn 9000  
UNIVERSAL  
1 year guarantee

**TRIPLERS**  
**£4.95** inc. p&p

The UNIVERSAL TRIPLER can be used in most  
G.E.C., I.T.T., Pye, Rank, Decca & Continental  
sets.

WING ELECTRONICS

15 Waylands, off Tudor Rd, Hayes End, Middlesex

★ STAR BUYS ON QUANTITY

## FREE, FREE CASE OF WINE

WHEN YOU SPEND OVER ON OUR  
SUPER MAY DEALS ON SELECTED  
PRODUCTS CAN'T BE BAD

## £250

★ Philips G8s £7, Clearance Colours £5, G11s, G8s, 550-520,  
GEC, 2002, 2242, 2202, 2220. Finelines, Decca BDFDS 80/88/  
100, Grundig, Tandberg, Korting, from £7. ITT CVC 20/23/30  
Remotes. Thorn 9000, 9200, 8800, 9600 TX older types from  
£8. Panasonic, Hitachi, Mitsubishi, Sony. Small Screen Colours  
from £8 ★ 17" & 18" Screens, Sony, Panasonic, Pye, Decca,  
Philips, Hitachi Videos, as available, from £8, VHS, Beta, 2020.  
Slot Meters from £2, Panels, all types call & go through them,  
from 50p, Stands from £2, legs 50p, Valves from 10p, sort  
through, many new & boxed.

## GENERAL FACTORS

UNION ST., DONCASTER

0302-49583 WE ARE DOUBLING OUR SIZE SOON

CASH ONLY, NO CHEQUES  
ONLY 2½ MILES FROM  
(A1M) FOR M18-M1



# SERVICE PAGES

## BOURNEMOUTH

**LARGE STOCKS OF WORKING  
NON-WORKING SETS, MOST  
MAKES AND SIZES.**

**FAIR PRICES – TRADE ONLY**

**WAREHOUSE OPEN:  
Mon-Fri 9-1, 2-5; Sat 9-1**

**HILLIER'S, UNIT 2A,  
11-15 FRANCIS AVENUE,  
WALLISDOWN. TEL: 0202 581932**

PLEASE  
MENTION  
TELEVISION  
WHEN  
REPLYING  
TO  
ADVERTISEMENTS



- \* Britain's most reliable source of quality TVs.
- \* Hundreds of working polished TVs.
- \* GEC Starline
- \* Decca 80
- \* Decca 88
- \* Decca 100
- \* Pye G11
- \* Thorn 8800
- \* Pye 222 Series

All working and polished. These are not from major companies. A lot are from hotels and have had very little use. Excellent reliable sets for rental.

Krystal Marketing Ltd,  
Breedon Cross  
Storage,  
Dale Road, Selly Oak,  
Birmingham B29 6AQ.

Phone 021-471 3023  
Telex 335540-G  
Ask for Les

## VIDEO

## V.H.S. VIDEO'S 100's IN STOCK

Famous brands:

**JVC · PANASONIC · FERGUSON**  
Also stockists of Grade B Units, Micro-waves, Hi-Fi, Radio/Cassettes etc. etc.

**CONTACT MICK ON:**

**021-772 1591**

## FOR SALE

## DEVONICS

**Quality Rebuilt Tubes  
2 YEAR WARRANTY**

470 ERB22	£43
510 KCB22	£45
A51-161/500/510'	
570/580/590X	£45
560 AKB/DZB/TE22	£45
A56-500/510X	£45
A56-540X	£53
A66-500/510X	£46
A66-540X	£53
670 XB22	£46

Deltas from £30  
Plus carriage and VAT  
**2A BARTON HILL ROAD,  
TORQUAY TQ2 8JH  
0803 - 33035**

## TUBES

**£29.00** INCLUSIVE, REGUNS TWO YEAR  
GUARANTEE. QUANTITY DISCOUNTS SIX  
**£14.50** MONTH GUARANTEE SLIGHTLY USED  
A56-120 A56-140 A51-110 A49-191 A47-342 or 343  
A44-270-1 A66-120 A66-140 (410) A67-120  
(All 26" add £5)  
No need to spend £5 returning old delta tube.  
Slightly used in-line tubes from £29.  
Six months guarantee.

<b>IN-LINE 1 YEAR GUARANTEE</b>	<b>PORTABLE TV TUBES From £45</b>
51-575 510JKB 51-161	370 - KRB - LHB - HGB - HFB
51-580 56-611 51-510	- JRB - HUB - EGB - EFB
51-590 56-615 51-570	BCB - MEB - GUB - GVB -
51-001AXT 56-001AXT 56-500... inclusive	AXT 37-001. AXM 37-001.
	37-565, 420 ED8, 42-001,
56-540	42-590. Brand new.
66-540	
66-500	

**£55** inclusive

**SONY £66** (Cash & Carry only)

**HITACHI**

490DKB22	£34	490DVB	£49
560DZB22	£49	510VLB	£49

**PROFESSIONAL STICK  
DE-GAUSSING COILS  
£19.50** (1 YEAR GUARANTEE)

**Philips G11 AND DECCA 100**  
Panels from £10.00. Breaking for spares. Push button units, Tube bases. All good working order.

**RADIO and TELEVISION SERVICING BOOKS**  
(MacDonalds). New 74/75 £15; 75/76, 76/77, 77/78, 78/79, 79/80, 80/81, 84/85, 82/83, 83/84 £22.50.

**FREE DELIVERY**  
Except Tubes £5 each. All prices are inclusive

**U-VIEW**  
29, Warmsworth Road, Doncaster,  
Yorkshire DN4 0RP. Tel: 0302 855017.  
Callers ring first, open every day including Sunday  
1/2 a mile from A1

## IRISH

### SPARES MARKET

IRELANDS LARGEST STOCKISTS OF TV & AUDIO SPARES FOR ASA - TELEFUNKEN - NORDMENDE - SIEMENS - GRUNDIG - PYE - BUSH - PHILIPS - THORN

### TUNERS

BUSH SYLVANIA VHF/UHF  
MODEL 20 & 30, TYPE T607B REPLACEMENT  
**£15.00 + V.A.T.**

### HEADS

CONVERT BUSH 50 & 60 TO 7 BUTTON - KIT  
INCLUDES PRAE HEAD & NEW FACIA  
**£9.00 + V.A.T.**

### TUBES

REGUNNED TUBES OF ALL TYPES AVAIL-  
ABLE FROM OUR FACTORY. 11 YEARS IN  
OPERATION IS YOUR GUARANTEE OF  
HIGHEST QUALITY AND FITTING ADVICE.

### L.O.P.T.S.

WE ALSO MANUFACTURE L.O.P.T.S. OF ALL  
TYPES

EXPORT ENQUIRIES WELCOME

SEND FOR OUR CATALOGUE

## VISION SPARES

**29 BRIDGEFOOT STREET,  
DUBLIN 8, IRELAND  
TEL: 716200/716486  
DEAL WITH THE EXPERTS**

## VIDEO & HI-FI ELECTRONICS

379 EDGWARE ROAD  
LONDON W2  
TEL. 01-258 0328

ALL VHS PARTS AVAILABLE. EXAMPLES:

<b>VIDEO HEADS</b>	
JVC, Ferguson, Akai, Saba, Telefunken	£35.00
Sony (Betamax)	£45.00
National Panasonic	£45.00
All Hitachi heads from	£42.00
<b>INTEGRATED CIRCUITS</b>	
UPC 1365C	£6.30
UPD 553C	£10.20
UPD 552C	£9.56
HA 11711	£10.50

All makes of idlers, pressure rollers, clutch assembly and motors in stock.

Many other parts available. Send SAE for list.

ALL PRICES INCLUSIVE OF VAT  
ADD £2.00 FOR P&P



 **Sabaco** For a great deal!

**TRY US YOU'LL LIKE US  
TOP QUALITY TV'S & VIDEO'S AT  
ROCK BOTTOM PRICES**

**VAN LOAD DIRECT FROM SOURCES  
ALL SETS & VIDEO'S OFF THE PILE  
(Mostly switch-ons)**

**Largest selection of 4000/8800/9000/9200/  
9600/Ferg TX9/TX10 Stereo Teletext  
Colour Portables**

**Mainly teletext and remote with handset.**

**Also Pye KT30/G11/T20/T26/Hitachi/  
Philips 550/Grundig & many more.**

**BRAND NEW SETS AT LOW PRICES**

## VHS VIDEO'S

**Good Working Order from 3V22, 3V23,  
3V29 Portable Video's etc.**

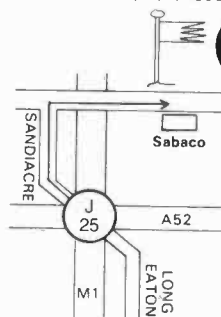
**Also a selection of brand new video &  
£180 video tapes**

**OPENING HOURS:**

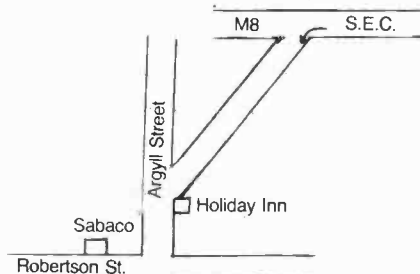
**MONDAY TO SATURDAY 9am to 5.30pm  
SUNDAY 10am to 4 pm**

**CASH ONLY All goods subject to VAT & availability  
PHONE NOW FOR UP TO DATE COMPUTERISED PRICES  
AND DELIVERY DAYS, BE HERE WHEN LORRY ARRIVES  
FOR FIRST CHOICE — PHONE US NOW ON:**

**(0602) 397555**



Only 2 minutes  
Junction 25 M1



(2 minutes from M8)

**Head Office:  
Sabaco  
Saba House,  
46A Derby Road,  
Sandiacre, Nottingham  
(0602) 397555**

**Sabaco  
75 Robertson Street,  
Glasgow  
(041) 221-2146**

OSCILLOSCOPE COSSOR CDU150 dual trace  
35MHZ 8 x 10cm, £150 with manual. 037 882 2434  
(Epping) Evenings.

2 SETS OF FULLY RECONDITIONED tube re-  
gunning plants for sale. Training provided. From only  
£3.995. Tel. 0582-410787.

**VHS VIDEO'S  
3V00/3V22  
£45 each + VAT  
Minimum quantity 10  
Tel: (0602) 397555**

**REPAIR SERVICE**

**BRISTOL – SOUTH WEST  
SOUTH WALES**

Scratched and chipped CRTs  
can be Re-polished.

**Tel: 0454 778635 for details**

INSTRUMENT REPAIRS, Oscilloscopes, generators,  
multimeters & more. Phone VIKING ELECTRON-  
ICS, 0394 450006.

**PRINTED PANEL  
REPAIR SERVICE**

for example: G11 – T20 – AX PSU – £15.00  
G11 – T20 – AX – LTB – £16.00

Most makes and models covered.

**RING 0934 418545**

**for price list or quotation**

**AERIALS**

**AERIAL BOOSTERS**

B45-UHF TV next to the set fitting. Gain 10dbs  
(trebles gain), works off PP3 type battery or 8V to 14V  
working. Price complete (excluding battery) £5.70.

Beam Video This will beam good quality pictures and  
sound more than 30ft. Price complete (excluding battery)  
£10.50

We also make aerial boosters for VHF/FM radio £7.70, and  
VHF television, prices £7.70 & £8.70. p&p 50p per order.

**ELECTRONIC MAILORDER,**

**62 Bridge Street, Ramsbottom,  
Lancashire, BL0 9AGT.**

**Tel: Ramsbottom (070 682) 3036. (24 hr).  
Phone for leaflets. Access/Visa Welcome.**

**SATELLITE TELEVISION**

Buy direct from the manufacturers,  
low cost, full band satellite TV  
systems.

Agents/Distributors required

Write or telephone for details or call in at  
our factory showroom

**NETWORK SATELLITE SYSTEMS LTD.**

Unit 7-8, Newburnbridge Ind. Estate,  
Hartlepool, Cleveland  
Tel. 0429 74239

MULTI-OUTLET/MULTI-CHANNEL Installations.  
Large or small distribution systems. Equipment and/or  
consultancy by post or on site. Catalogue (full of trade  
know-how and trade equipment) £1 (refundable).  
WRIGHTS AERIALS, 43 Greaves Sike Lane,  
Micklebring, Rotherham. (0709) 813419.



**Euro-Sat**  
**Parabolic Dish Antennas**  
 (Parent company est. in TV communications since 1969)  
**SATELLITE TVRO ANTENNAS**  
**TOP QUALITY SOLID GLASSFIBRE DISH ANTENNAS**  
**TRADE PRICES**

1M. DIA 11-12.4 GHZ BANDS	£77.00
1.2M. DIA 11-12.4 GHZ BANDS	£93.00
2M. DIA. 11-12.4 GHZ BANDS	£215.10
3M. DIA 11-12.4 GHZ BANDS	£437.00

Trade & Export Enquiries Welcome  
 Prices do not include delivery

**Euro-Sat**  
 107 Cross Street, Sale, Cheshire, England.  
 Tel. 061-437 2631 061-881 4249

MISCELLANEOUS

GET  
**SHARP PARTS FAST**  
 TELEPHONE  
**0734 - 876444**  
 TELEX 848953



**SHARP**  
 Main U.K. Spare Parts Distributor

Audio-TV-Video ★ Microwave ★ Photo-copier ★ Typewriter  
 All U.K. model spares available. Same day despatch of orders received before 1pm.  
 Microwave, photocopier and typewriter spares to authorised service dealers/centres only.

**WILLOW VALE ELECTRONICS LTD.**  
 11 Arkwright Road, Reading, Berks.

**BOOKS AND PUBLICATIONS**

A-Z LIST OF MANUFACTURERS ADDRESSES. All major TV, audio etc plus many hard to get ones. Send Cheques/PO for £3.75 to **DOWNS ELECTRONICS**, 135 Main Street, Newton Grange, Midlothian EH22 2PF.

"**RADIO AND TELEVISION SERVICING**" books, new editions for the last 6 years usually in stock. Prices on request. **BELLS TELEVISION SERVICES**, 190 Kings Road, Harrogate, N. Yorkshire. Tel. (0423) 505885.

**MACDONALDS R&TV BOOKS**. New 74/75 £15. 75/76, 76/77, 77/78, 78/79, 79/80, 80/81, 82/83, 83/84, 84/85 £22.50. Free delivery. **U-VIEW**, 29 Warmsworth Road, Doncaster. 0302 855017.

**WANTED**

**WANTED VIDEO'S**, Portables, colour TV etc. Any quantity. Immediate collection, cash paid. Tel. Stoke on Trent 416401.

**SONY KV 1300 UB TRIPLER ASSEMBLY** Required. Also circuit for solatron. CD 1014.3 scope. 0676 33060.

**CASH PAID** now for your surplus TV spares, transistors, I.C.'s etc. Tel. MR. FORSHAW, 0902 29022.

**WANTED**  
**Ex RENTAL COLOUR TVs IN BULK**  
**QUICK COLLECTION**  
**Phone 0742 312832**  
 (Sheffield)  
**IN STRICTEST CONFIDENCE**

**METERS**

**METERS**. Reconditioned 10p/50p available from stock. Contact **THE METER CO.** (Poole) LTD. (0202) 683498.

**AVON METERS**  
 We buy and sell and repair TV coinmeter. Reasonable prices, one year guarantee.  
**213 Cheltenham Road,**  
**Redland, Bristol.**  
**0272-425281**

**C.R.T. REBUILDING PLANT AND EQUIPMENT**  
 Installation, commissioning, training and technical after sales assistance.  
**C.R.T. INTERNATIONAL**  
 136 Badmington Road,  
 Coalpit Heath,  
 Bristol BS17 2SZ  
 Tel: 0454 778635

**SPARES/MANUALS**  
**BURROWS SERVICE** SAE QUOTES AND CREDIT DETAILS  
**415a WHITEHORSE ROAD,**  
**THORNTON HEATH, SURREY**  
**CR4 8SD. 01-683 1911 (2 lines)**

**SOLE SUPPLIERS TV/VIDEO** Repair manuals/circuits, 1000s s/manuals supplied by return. S/sheets £2.50 except CTV/m.centres/stereos £3.50. LSAE with every order/query please brings free price list/magazine inc s/sheet - or phone 0698 884585 (883334 outside business hours) **TIST**, 76 Church Street, Larkhall, Lanarkshire.

*The Theory and Practice of PAL Colour Television in three important Video Cassette Programmes*

**Part 1.**  
**The Colour Signal**  
**Part 2.**  
**The Receiver Decoder**  
**Part 3.**  
**Receiver Installation**


VHS★★★★V2000★★★  
 BETAMAX★★★UMATIC 

For full details telephone  
**0253 725499 (Day)**  
**0253 712759 (Night)**

Or send for precis details  
**FLINTDOWN CHANNEL 5**  
**339 CLIFTON DRIVE SOUTH,**  
**LYTHAM ST ANNES FY8 1LP**  
 (enclosing this advert)

NAME .....  
 ADDRESS .....  
 TEL.....

**NOW TOTAL SPARES SUPPORT FOR** 

FROM 

**ALL from STOCK**  
 (Subject to availability from Fidelity)

**CABINETS ★ KNOBS ★ TUNERS ★ CONTROLS ★ CRT'S ★ TRANSFORMERS**  
**SEMI'S ★ I.C.'S ★ CAPACITORS ★ REMOTES ★ TRIMS ★ END USER PARTS**

Tel: 0734 876444  
**Willow Vale Electronics Ltd**  
 11 Arkwright Road, Reading, Berkshire RG2 0LU  
 Tel: 0734 876444

**GENUINE FIDELITY PARTS AT STANDARD FIDELITY TRADE PRICES**

**BUSINESS OPPORTUNITIES**

**TV VIDEO-AUDIO SALES AND SERVICE BUSINESS FOR SALE**  
 Modern premises shop and workshop. Good class North London area. Ideal for ambitious engineer. Established 30 years, new lease.  
**PRICE £18,500 + S.A.V.**  
**Details: Box 201**

**FOR SALE T/V VIDEO RENTAL COMPANY**, income £1,000+ per month, Tunbridge Wells area. £30,000 o.n.o. Box no. 211.

**BUSINESS WANTED**

**BUSINESS WANTED.** Video hi-fi sales and service business wanted in London or within 20 miles radius of London. Freehold preferred but good leasehold business will be considered. Box no. 212.

**SERVICE SHEETS**

**TECHNICAL INFO SERVICES (T) - 76 Church St., Larkhall, Lanarkshire ML9 1HE.**

World's Sole Publishers of Comprehensive TV/Video Repair Manuals & Largest Known Stockists of Service Manuals and Service Sheets for all kinds of equipment both British and Foreign from 1935 to latest issues.

Big Catalogues of thousands of Service Sheets & Manuals + Chassis Guide + £4 Vouchers - saves time and expense **£3.**

Any published single service sheet for **£2.50** + Isae except ctv/mus-c/combis from **£3.50** + Isae. A selection from our stocks of thousands of Service Manuals ready for despatch by return post. Any Sony: Hitachi ctv from **£8.50**. Thom 3000/3500 **£9.50**. Thom 8000/8004/8500/8600 **£9.50**. Philips G8 complete **£9.50**. Decca 30/31 **£8.50**. Ferguson/JVC 1st video **£19.50** or 3V00 types basic manual **£19.50**. Any Finlandia: Tyne CTV **£9.50** each. Rank A823 complete **£9.50**.

COMPREHENSIVE PRACTICAL TV REPAIR MANUAL **£9.50** PRACTICAL RADIO SERVICING & REPAIR COURSE **£9.50**  
 THE 11 TUNBRIDGE REPAIR MANUALS **ONLY £88** THE 5 McCOURT REPAIR MANUALS **ONLY £55**  
 ANY SET OF 5 INDIVIDUAL VIDEO REPAIR MANUALS FOR **£12.50** OR ALL 3 SETS (15 MANUALS) FOR **£36.**

**UNIQUE COLLECTIONS OF CIRCUITS, LAYOUTS, ETC. . . . FANTASTIC VALUE**

British ctv from hybrids to modern (3 binders) **£55** Videos, all types (3 binders) **£58** . . . any 1 for **£20**  
 Mono TV (2) **£35** Foreign ctv (2) **£35** Domestic Eqpt (2) **£35** Portable British ctv (1) **£20.**

**COMPLETE REPAIR SYSTEMS . . . huge savings from published prices**

British ctv 3 binders of Circuits plus 6 Repair Manuals plus ref books, etc. **for only £140**  
 Foreign ctv 2 binders of Circuits plus 4 Repair Manuals, etc. **for only £65**  
 Videos 3 binders plus 15 individual Repair Manuals cover all the commonest models **for only £85**  
 Complete Integrated T.V. Repair System **only £250** or in 12 sections at **£25 per section.**  
 Contents: 8 binders of circuits/16 Repair Manuals/dozens of other manuals . . . Any new publications from us within 1 year of ordering 1st section will be added at no extra charge.

**NEW** - PRACTICAL TRANSISTOR - **NEW** - VIDEO REPAIR SYSTEM 3 **£28** - **NEW**  
 From beginners/students elementary theory to more advanced. Huge section British/Foreign equivalents/alternatives/other data. **£4.50** + £1 P&P. Binder of Circuits alone **£20**  
 5 Repair Manuals **£12.50**  
 3V31/32 3V35/36/38 Pan 7200 etc.

Repair data/Circuits/Service data almost any individual mono tv **£12.00** basic ctv **£16.00** video **£25.00**  
 Repair data/Circuits almost any individual mono tv **£10.50** ctv **£12.00** video **£10.50**

**LSAE BRINGS ANY REQUESTED QUOTATION - FULLER DETAILS - FREE MAGAZINE - PRICE LISTS ETC.**

**PHONE 0698 884585 Mon-Fri before 5pm or 0698 883334 any other time - FOR FAST QUOTES**

**BELL'S TELEVISION SERVICES** for service sheets on Radio, TV, etc. £1.50 plus S.A.E. Service manuals on colour TV and Video Recorders, prices on request. S.A.E. with enquiries to B.T.S., 190 Kings Road, Harrogate, N. Yorkshire. Tel. (0423) 505885.

\*\*\*\*\*  
**SERVICE PAGES SERVICE PAGES**  
**PLEASE MENTION TELEVISION WHEN**  
**REPLYING TO ADVERTISEMENTS**  
**SERVICE PAGES SERVICE PAGES**  
 \*\*\*\*\*

**TELEVISION SERVICE SHEET SPECIALISTS**

Thousands of British, European and Japanese models in stock.

**Colour £3.00 Mono £2.00**

Manual prices on request.

All our prices include post and packing costs.

Send stamped envelope for free catalogue and any enquiries.

**SANDHURST TV SERVICES (MAIL ORDER)**

**57 High Street, Sandhurst, Camberley, Surrey GU17 8HB.**

**ORDER FORM PLEASE WRITE IN BLOCK CAPITALS**

Please insert the advertisement below in the next available issue of

Television for .....

insertions. I enclose Cheque/P.O. for £ .....

(Cheques and Postal Orders should be crossed Lloyds Bank Ltd and made payable to Television)


NAME .....

ADDRESS .....

Send to: Classified Advertisement Dept.

**TELEVISION**

Classified Advertisement Dept., Room 2612, King's Reach Tower, Stamford Street, London SE1 9LS. Telephone 01-261 5846.

Rate: 40p per word, minimum 12 words. Box No. 70p extra + 15% VAT.

Company registered in England. Registered No. 53626. Registered Office: King's Reach Tower, Stamford Street, London SE1 9LS. 5/86

If an advertisement is wrong we're here to put it right.

If you see an advertisement in the press, in print, on posters or in the cinema which you find unacceptable, write to us at the address below.

**The Advertising Standards Authority.**

ASA Ltd, Dept 3  
 Brook House, Torrington Place,  
 London WC1E 7HN

**MAIL ORDER ADVERTISING**

**British Code of Advertising Practice**  
 Advertisements in this publication are required to conform to the British Code of Advertising Practice. In respect of mail order advertisements where money is paid in advance, the code requires advertisers to fulfil orders within 28 days, unless a longer delivery period is stated. Where goods are returned undamaged within seven days, the purchaser's money must be refunded. Please retain proof of postage/despatch as this may be needed.

**Mail Order Protection Scheme**  
 If you order goods from Mail Order advertisements in this magazine and pay by post in advance of delivery, Television will consider you for compensation if the Advertiser should become insolvent or bankrupt provided:

- (1) You have not received the goods or had your money returned; and
- (2) You write to the Publisher of Television summarising the situation not earlier than 28 days from the day you sent your order and not later than two months from that day.

Please do not wait until the last moment to inform us. When you write, we will tell you how to make your claim and what evidence of payment is required.

We guarantee to meet claims from readers made in accordance with the above procedure as soon as possible after the Advertiser has been declared bankrupt or insolvent.

This guarantee covers only advance payment sent in direct response to an advertisement in this magazine not for example, payment made in response to catalogues etc., received as a result of answering such advertisements. Classified advertisements are excluded.

**THE WORLD OF "TELEPANELS"**

P+P 1 PANEL £1.50  
2 PANELS OR MORE  
£3.00

Export orders welcomed

**WORKING PANELS GALORE!**

52 Mount Pleasant Road, Chigwell, Essex, 1G7 5ER. Tel: 01-729 0506.

	IF	TUNER	DECODER	G8/G9 DECODER IF COMBINED	LINE OUTPUT	POWER	CONVERG	FRAME	VIDEO	6 WAY TUNER SWITCH BANK
PHILIPS G.8	5.00	4.50	7.00	15.00	14.00	8.00	5.00	8.00		3.50
THORN 3000/3500	2.00	5.75	4.00		8.00	8.00	5.00	6.00	5.00	1.75
GEC 2110	10.00		5.00		12.00	6.00	5.00	5.00	5.00	5.00
PYE 731			10.00		18.00	10.00	7.00	8.00		4.50
BUSH Z/718	7.50	6.50	14.00		24.00	3.00	5.00	14.00		
BUSH T/20	7.50	6.50	14.00		19.00	19.00	5.00	14.00		
DECCA BRADFORD	3.00		7.00			4.00		4.00		
DECCA 80	12.00	POA	14.00		12.00	10.00		14.00		POA

**POST OFF YOUR CHEQUE NOW! AND YOUR PANELS SENT BY RETURN OF POST!!!**

### N.G.T. COLOUR TUBES

First Independent Rebuilder with  
**B.S.I. CERTIFICATION**

**DELTA - IN-LINE - PIL - BONDED YOKE**  
including  
AXT Series, DZB series 20AX - 30AX  
A56 610/67 610 series, A51 570/580/590X  
A51 161X, Sony types etc.

- ★ Rebanded with new adhesives
- ★ Excellent high voltage clean-up
- ★ Accurate alignment of Gun and Yoke for optimum convergence

**N.G.T. ELECTRONICS LTD.,**  
120 SELHURST ROAD, LONDON SE25  
Phone: 01-771 3535.

*25 years experience in television tube rebuilding.*

## IRISH T.V. TRADE NOTICE

Large stocks of Ferguson 9000s and 9500s. Philips G11s and G8s. Decca 80s and 100s. Ferguson and Nordmende Portables. Video Recorders and Regunned CRTs.

**Sets off the pile . . . . . from £30.**  
**Working . . . . . from £60.**

VAT inclusive.

### TELE SPARES LTD.

Unit 113, Elm Road,  
Western Industrial Estate,  
Dublin 12, Ireland.  
Telephone: Dublin 521211/521756.

**EMCO - EUROSONIC - GRUNDIG - TELETON + ALL BRITISH MAKES  
ETC. ETC. ● ALL SPARES READILY AVAILABLE ●**

### IMMEDIATE CREDIT AVAILABLE — TRADE ONLY

If you are a trader simply phone for the part you require and we will send it - no quibble - no hold up for status check. Satisfy us over the phone that you are a trader and we will supply almost any TV component by return "off the shelf", e.g. LOPTZ - EHT trays - droppers - OSC coils - switches - cans - smoothers - I.C.'s, etc. etc.

**YOU CAN BE 95% SURE WE CAN SUPPLY ANY  
TV COMPONENT BY RETURN  
IF YOU NEED SPARES FAST — RING NOW!**

ACCESS AND BARCLAYCARD ACCEPTED. *Applies to U.K. only*

**TELEPART (W'TON)** 32 TEMPLE STREET,  
WOLVERHAMPTON (0902) 29022

## SATELLITE RECEIVING SYSTEMS

1m and 2m Parabolic Dishes, other sizes available.

A range of other components available, eg, LNAs, Downconverters, receivers, for both 4 and 11 GHz. Complete Terminals for ECS and Intelsat, both single channel and tunable versions.

Terminals for other frequencies available.  
Demonstration by appointment.

**L & S Bear Electronics Ltd**  
Yeo Lane, Colley Lane,  
Bridgwater, Somerset.  
Telephone: Bridgwater (0278) 421719

## JUST OPENED

FOR

South Yorkshire/Derbyshire Dealers

**Come and see our range of  
Colour TVs from £6**

### BARGAINS GALORE

South Yorks Trade Supply, Anderson House, Cally-  
white Lane, Dronfield, Sheffield, S18 6XR.

**PHONE 0246 411325**  
**Chesterfield**

Philips small stereo headphones £4	1A/1600V 2 amp bridge rec. wire end CV 8617 10p	G11 condenser 1.75	10 Mixed TV & radio speakers £4	12 Volt Aerial Changer over Relays 144 Mc/s 45 watts 50p	MODEM Line Terminal Unit VM6501 £6
Rank Philips Stereo UHF 4 push button tuner £4	Y 729 10p	300M + 700 320V £1.80	Philips car radio speaker door pair £7		Designed to work at 1200/75 or 1200/1200. Diagram and Connection Data Supplies
GRC power supply PC743B £10	Y 827: 6A/1KV 20p	200 + 100 + 100 + 50 300V 50p	2x Hi-Fi Philips car tune up tweeter EN8320 £10		ITT Display Tube 58705 50p
Rank front panel Z950 £5	Y 960 30p	150 + 200 + 250M 300V 50p	ITT CVC45 8 way resistor unit for v/cap £3	GEC Hitachi V/Cap tuner, after 1979 Series £8	8 Seg Display FND500 20p
Power panel 8.500 Thom £5	Y 969 50p	Chassis complete Computer Transformer 20V/2.25A; 20V/1.5A; 17.5A; 19.5A; 28.05A £3	4700/10v x 10 50p	6 Push Button Unit for GEC 2100 Series	Mullard 12.5V/170 Mc/s 45 watts £4.00
Fedility mains switch & lead and filter panel £1	Y 997 75p	Mains ViewData Toroids £3.75	68/16 x 10 50p	Replacement for Touch Button Unit £8	BLW60C Mullard Broadband R.F. power modules UHF. BGYZ2E £10.00
Fedility mono loop with diode FBS1245AE £3	Min 12 volt Relays R 1038 40p	240V/240V6V/4 amp/6v 500m/a in / out ----- £3.50	150/16 x 10 50p		PT4236C, PT8706C, PT9783 £3
6 TAG prim mains switch PREH 1983 ITT £7.5p	R 1039 40p		220/25 x 10 50p		ITT Micro Phone M5 50p with switch
Rank T603A tuner on panel £6	R 2010b 80p		1/250 x 10 50p		1/2 Volt Sub Min Relays 25p
Scan control panel Z544 £3	R 2029 50p	Voltage Regulators +5V/UA78P05SC 30p	800/30v 50p	8 SEG LED Display with driver I.C. LM1017 50p	Double changer over 10A contacts 35p
Rank Z582 IF £3	R 2210 60p	-5V/LM79M05CP 25p	470/40v x 10 £1		Sub-min Relay low voltage 50p
Rank convergence Z910 £3	R 2257 60p	+6V/79M08c 30p	22/100v x 10 £1		Mains relay coil 230v 30p
GEC IF tuner panel PC786B £12.50	R 2265 50p	+8V/78M06c 30p	100/350v 70p		Philips PP3 batteries 10 for £3
ML 232 I.C. on panel touch unit Fidelity £3	R 2305 50p	+10v/78LA10 20p	400/350v 70p		12v battery holders A.A. 50p 1.5 battery lead 30p
Z5C643A £1	R 2323 15p	LM 337 30p	.47/500v 25p		
Z5C1617 £1	R 2322/2323 pair 80p	LM 342/18 30p	1/600v 25p		
Z5C1942 £1	R 2396 50p	LM 340T 5.0 50p	.022/1kv 10p		
Hitachi power panel PC036A £1	R 2461 80p	+12V/LM1340T12 50p			
Rank IF 742 £3	R 2030 50p	+15V/78M15 15p			
Rank decoder Board MTS 200/1 Tuner & IF £12.	R 2443=BD124 40p	+18V/MC78M18 20p			
Z733 Rank mains in put-panel £1	R 2737 40p	+24V/78M24 30p			
G11 Chroma Can 3113 108 25300 £3	R2738=TTP41 30p	MC 7724c 40p			
20AX Line in coil 50p	R2775=TTP41c 40p	MC 7824 40p			
GEC switch mode trans 20AX £1	R3129=TTP47 40p				
ITT CVC20 etc mains switch 60p	S 2008b 80p				
ITT 2.800 mains remote switch 50p	2SD898B £1				
2110 GEC Power Panel £8.00	2SC1942 £1				
Line o/p frame £10.00	Hitachi sets etc. £2.50				
GEC 20 AX £10.00	STR441 £2				
GEC 20 AX £10.00	STR454 £2				
Transductor £1.00	2SC940 £1				
ITT CVC40 Push Button Unit & Mains Switch £8	BU 105/04 80p				
Rank Panels £10	BU 108 80p				
Z904 18" Line £10	BU 124 50p				
Z905B Decoder £10	BU 126 80p				
Z736 Tuner I.F. £10	BU 180a 65p				
A805 Conv. 7/8 £2	BU 204 70p				
Z780 Line O/P £10	BU 205 70p				
Z968 £10	BU 206 £1				
Z582 I.F. Panel £5	BU 207 £1				
Rank Power Panel 300+300m with diodes degaussing £3	BU 208 80p				
BA 301 £1	BU 208A £1.10				
TA 4127 £1	BU 208D 90p				
HD 3884 2A23 £3	BU 222 £1				
TA 4184 £1	BU 225 £1				
TA 2125 £1	BU 226 £1				
TA 4190 £1	BU 227 £1				
TA 4138 £1	BU 228 £1				
TA 4196 £1	BU 229 £1				
TA 4174 £1	BU 230 £1				
TA 4139 £1	BU 231 £1				
TA 4198 £1	BU 232 £1				
TA 4167 £1	BU 233 £1				
TA 4199 £1	BU 234 £1				
BA 546 £1	BU 235 £1				
BA 328 £1	BU 236 £1				
TA 4176 £1	BU 237 £1				
TA 4145 £1	BU 238 £1				
TA 4191 £1	BU 239 £1				
HA 11710 £1	BU 240 £1				
TA 4188 £1	BU 241 £1				
TA 4197 £1	BU 242 £1				
TA 4183 £1	BU 243 £1				
TA 4197 £1	BU 244 £1				
TA 4183 £1	BU 245 £1				
TA 4195 £1	BU 246 £1				
TA 4175 £1	BU 247 £1				
TA 4177 £1	BU 248 £1				
TA 4192 £1	BU 249 £1				
TA 4146 £1	BU 250 £1				
The Service Engineers Guide to Teletex £	BU 251 £1				
Teletex Colour Training Manual £3	BU 252 £1				
Mains Trans C. Core 240v 4v+4v 4v/04v 2AMP 12v 1amp £2	BU 253 £1				
Mullard split diode AT2076/80 £6	BU 254 £1				
4 Types Fedility front panels with t.c. & pats £2 each	BU 255 £1				
Amstrad TV chassis Complete damaged print £5 + £5 post	BU 256 £1				
BB 103 10p	BU 257 £1				
BB 105A x12 £1	BU 258 £1				
BB 105B x12 £1	BU 259 £1				
BB 105C x12 £1	BU 260 £1				
BB 121a 10p	BU 261 £1				
4 823A chassis Scan drive £5 IF £3 Scan control panel £3 NEW A31510 tubes with s/coil £6 + £2 post	BU 262 £1				
	BU 263 £1				
	BU 264 £1				
	BU 265 £1				
	BU 266 £1				
	BU 267 £1				
	BU 268 £1				
	BU 269 £1				
	BU 270 £1				
	BU 271 £1				
	BU 272 £1				
	BU 273 £1				
	BU 274 £1				
	BU 275 £1				
	BU 276 £1				
	BU 277 £1				
	BU 278 £1				
	BU 279 £1				
	BU 280 £1				
	BU 281 £1				
	BU 282 £1				
	BU 283 £1				
	BU 284 £1				
	BU 285 £1				
	BU 286 £1				
	BU 287 £1				
	BU 288 £1				
	BU 289 £1				
	BU 290 £1				
	BU 291 £1				
	BU 292 £1				
	BU 293 £1				
	BU 294 £1				
	BU 295 £1				
	BU 296 £1				
	BU 297 £1				
	BU 298 £1				
	BU 299 £1				
	BU 300 £1				
	BU 301 £1				
	BU 302 £1				
	BU 303 £1				
	BU 304 £1				
	BU 305 £1				
	BU 306 £1				
	BU 307 £1				
	BU 308 £1				
	BU 309 £1				
	BU 310 £1				
	BU 311 £1				
	BU 312 £1				
	BU 313 £1				
	BU 314 £1				
	BU 315 £1				
	BU 316 £1				
	BU 317 £1				
	BU 318 £1				
	BU 319 £1				
	BU 320 £1				
	BU 321 £1				
	BU 322 £1				
	BU 323 £1				
	BU 324 £1				
	BU 325 £1				
	BU 326 £1				
	BU 327 £1				
	BU 328 £1				
	BU 329 £1				
	BU 330 £1				
	BU 331 £1				
	BU 332 £1				
	BU 333 £1				
	BU 334 £1				
	BU 335 £1				
	BU 336 £1				
	BU 337 £1				
	BU 338 £1				
	BU 339 £1				
	BU 340 £1				
	BU 341 £1				
	BU 342 £1				
	BU 343 £1				
	BU 344 £1				
	BU 345 £1				
	BU 346 £1				
	BU 347 £1				
	BU 348 £1				
	BU 349 £1				
	BU 350 £1				
	BU 351 £1				
	BU 352 £1				
	BU 353 £1				
	BU 354 £1				
	BU 355 £1				
	BU 356 £1				
	BU 357 £1				
	BU 358 £1				
	BU 359 £1				
	BU 360 £1				
	BU 361 £1				
	BU 362 £1				
	BU 363 £1				
	BU 364 £1				
	BU 365 £1				
	BU 366 £1				
	BU 367 £1				
	BU 368 £1				
	BU 369 £1				
	BU 370 £1				
	BU 371 £1				
	BU 372 £1				
	BU 373 £1				
	BU 374 £1				
	BU 375 £1				
	BU 376 £1				
	BU 377 £1				
	BU 378 £1				
	BU 379 £1				
	BU 380 £1				
	BU 381 £1				
	BU 382 £1				
	BU 383 £1				
	BU 384 £1				
	BU 385 £1				
	BU 386 £1				
	BU 387 £1				
	BU 388 £1				
	BU 389 £1				
	BU 390 £1				
	BU 391 £1				
	BU 392 £1				
	BU 393 £1				
	BU 394 £1				
	BU 395 £1				
	BU 396 £1				
	BU 397 £1				
	BU 398 £1				
	BU 399 £1				
	BU 400 £1				
	BU 401 £1				
	BU 402 £1				
	BU 403 £1				
	BU 404 £1				
	BU 405 £1				
	BU 406 £1				
	BU 407 £1				
	BU 408 £1				
	BU 409 £1				
	BU				

# SENDZ COMPONENTS

## TO ORDER SEE BACK PAGE

<b>Thorn Spares</b> New 9000 Decoder £8.50 9000 Frame panel £8 9000 Cyclops panel £1.50 9000/9500 lambase panel £8 8800 convergence panel £6 8500 convergence panel £6 4000 Power supply £3 1600 Mains lead, switch £2 3500 6 push button + cable form £1.50 1605 1vNPN T066 80v/6A £1 9000 Sound output panel £1 3500 Focus unit £1.50 3500 Mains Trans £4 3500 cut outs 10 for £4 3500 IF panel £2 3500 Frame panel £3 3500 Line panel £3 3500 A1 Diode 20p Export 3500 IF panel £2 IC board with set of SN74LS £1 4000 Tube base £4 3500 A1 pots 50p Beam limiter panel £1.50 3500 Power panel with Y969 £1 3 Way regulated adaptor 240V 6V/7.59V/300mA £3.50 Rank/Toshiba preb unit 0354 £9.50 2 banks of 3 PB unit. Pyc 731 £2 4 Push button unit. Pyc 731 £1.00 6 Push button VHF/UHF for v/cap. GEC-Decca type £7.00 7 Push button for CVC5 IFT £8.00 G8 Push Button Unit £10.00 KT3 12 Push button unit £2.00 KT3 (Export) 12 P.B.u £2 6 Push Button Unit Thorn £1.00 6 Push button Unit fits GEC & Decca etc. £6.00 Hearing aid unit £3 Rank Z718 4 PB/Unit MECH £4 7 Button Unit GEC with Lamps £7 Bush TS15A 6 button unit with Pos & mains lead. 6 push buttons. Bush £6.00 697 Push Button Unit £6.00	K35 Decoder £8 K35 Sound OP £4 K35 Split Diode 3122-138-35930 £10.00 Fidelity Tube Base with transistor & focus pot £1.50 Bush Tube Base on panel £1.00 <b>Line Transformers</b> Hitachi Split Diode and GEC 1981 to 1984 £13 2 J/Pots, 3,500 1 off each type £3.00 G8 Trans. Philips £7.00 G11 Split Diode £12.00 CVC820 Split Diode IFT £10.00 Thorn B.W AD5308F + Suk + Lead £1.50 (690) Thorn EHT over-wind with diode lead & anode cap £2.50 GFC 2040 £3.00 GFC 2110 £7.00 Mullard AT 2036 £1.50 Pyc 169 Line Trans £3.00 Pyc mono £3.00 Rank mono 1704A £3.50 Split Diode Trans £7.00 GEC 20 AX Rank Z522 £3 Rank 1 (O.P.T. Z970) £3 CVC 5-8-9 £3.50 CVC20 IFT £3.50 AT2080/15 £5.00 CVC30 IFT £5.00 CVC32 Line Tran £6.00 CVC900 Line Trans £6.00 CVC80 Slip/Diode £12.00 CVC 45 £5.00 GFC Portable G10T2041 £3.00 GFC Portable G10T2046 £3.00 IFT Split Diode Leads IFT 35001. O.P.T. & IFT Trans each £2 IOPT Rank Z763 £5	NEW Pack THORN 17 off Manual £5.00 NEW 1617 THORN Chassis with ICs & AU113 £5.00 30V Power Supply 500mA 4x2/4 £2.50 Pyc 731 Power Panel £13 6 Diode Universal Triplers £4.00 NEW Pyc 725 line O/P panel with L.O.P.T. & Tripler £10.00 NEW GEC 20AX Power Supply Switch Mode £12.00 Complete new GEC portable chassis M120111/M150111 with P.B.U / v.cap/LOPTI £10 Field + Jungle panel for GEC 3133/3135 £1.50 GEC 2110 line panel with transformer £7.00 GEC 2110 tuner unit + IF Panel £12.00 Pyc/Chelsea Line op panel £3.90 Pyc 205 Tuning £7.50 Pyc 205 Line op panel £7.00 Pyc 713 IF panel and tuner £7.00 Pyc 713 Chroma £7.00 Pyc/Chelsea Timebase panel with LOPTI £10.00 Pyc 731 Frame Panel £5.00 Pyc 731 Convergence Panel £10.00 Pyc 731 Chroma £10.00 Pyc 731 IF panel + tuner £7.00 Pyc CDA/205 panel £6.00 GEC portable chassis + LOPTI 2114 New £4.00 Thorn 1613/1713 chassis 9.75 G9 Power Panel £2.00 Mono RANK Chassis 127A NE-W £10.00 NEW G9 Frame Panel £10.00 NEW G11 IF Panel £7.00 G8 Tuner Unit + Panel £4.00 G8 Power Supply £5.00 G8 6 Sloping PBU £8.00 G8 IF & Chroma £6.00 G8 Chroma £7.00 G8 Tuner Unit + Panel £4.00 G8 Power Supply £5.00 G8 6 Sloping PBU £8.00 G8 IF & Chroma £6.00 G8 Chroma £7.00 G11 IF Detector £3.00 G11 Selector gam module £3.00 Complete CVC 825 Chassis (both panels) £40.00 AFC V/Cap Resistor Unit UHF with IC 2.2 250k £2.25 SAS660 SAS670 £3.00 Z714 RANK IF Panels 6MHz 1 L.C. £3.00 SL437F £3.00 Z900B RANK IF Panels £3.00 Export 5.5MHz 2 L.C.s £2.50 TBA1205B TCA2705Q £6.00 K35 IF £6.00 Z743 RANK IF Panel £3.00 Export 5.5MHz 3 L.C.s £3.00 TBA750+SC9504P+ £1.50 SC9503P £1.50 Pyc G11 Front panel with transducer. pots, tuner pots, 6 pb switch + lead £5.00 Pyc 6 button switch portable £1.00 GEC V/Cap VHF/UHF tuner and IF + sound O/P PC 706B3 (Export) £12.00 GEC Line O/P PC 659B3 £6.00 2110 GFC Power Panel £8.00 GFC Power Supply (Export) £10.00 G11 dynamic correction panel £6 CVC 20 Front panel with sliders + mains input panel £4 CVC 40 PUSH BUTTON ASSY with sliders, complete with lamp assy + pots £9.00 CVC9 slider pots panel £50p CVC 5 Mains on/off + 5 pots £2 Universal Focus. Fits Pyc, Thorn and Decca Units £10.00 T147 Rank tube base on panel £1.00 Z718 Focus Unit £1.50 T20 focus Unit £1.00 Large Type £75p Decca Small £75p KT3 Focus Unit £75p K30 Focus Pot £75p K30 Tube base on panel £1.00 TX10 Focus Units £75p CVC 32 Focus Unit £7.00 Fidelity Focus Unit 14R-14S £30p 3500 Thorn Focus Unit £1.00 IFT Small for use with Split Z718 Bush Focus £2.00 Diode £50p TV11 £50p Remo IV12SP £50p 1600 Thorn EHT Rec and Lead £50p TV13 £50p TV 14 £50p IV18 £60p IV20 £1.00 IV45 £50p Thorn 141/500 rec stick 5p G11 drawer ASS 3 pots Mains switch and lead £2.00 K30 Drawer Ass with pots cable forme £1.00 Line O/P panel GEC 2217/2218/2213/2214/2226/2227/2228 £10 Diode £50p 4040 Clock £1.00 7seg Red LED £50p 2 digit LED 8.8 £50p 2 digit LED + I.N with panel + MC 14511 £1.00 4700/63 £1.50 250/64 10p CVC 20-25-30 Mains Switches 75p Infra Red and Ultrasonic G11 Teletext Decoder Panel £30 RANK & IFT Mains Remote On-Off Switch (Z20R) £1.50 RANK & IFT Mains Remote Switch 2865 ohm £1.50 RANK & IFT Remote Switch 2800 ohm £1.50 G11 Mains Switch £50p 4 amp Mains Switch £25p GEC Mains Switch 4 amp £30p K13 Mainswitch £10.00 THORN Rotary Mains Switch £1.00 G8 Mains Switch 75p Thyristor 600/4 amp C106/2 £25p G11 Preh Red LED P/Buton for C.H. Change £20p RANK TOSHIBA Transducers TPC-2011 £50p Mains Switch IFT Long Type Print £75p Mains Switch Philip Long Type TAG £75p Mains Switch GFC Long Type TAG £75p Thorn 12 or 24 volt battery converter for portable colour TV £6.00	Tube Thermaph 167 £1.00 Rank Secam Decoder Panel UHF & VHF I115A £13.00 <b>Multi-Caps</b> 4,700/75 6 amp Rip £2.00 350V 300M + 300M £1.00 400V 400M £60p 350V 400M £60p Thorn 3500 £1.00 175/100/100/350n £1.00 KTS300/25/25/385v £1.00 300+300+150+100+50MFD 350V £2 47/20/350n £60p 150/150/100/100/320n £2.00 2500/2500/63v £5.00 150/200/200/300n £70p 400/400/200n £1.70 300/100/100/16/275v £1.50 100/200/325v £1.50 150/150/100/375v £1.50 300/300/100/32/300v £2.00 1500/2000/300v £3p Jelly pot Thorn 00144013 £50 150/150/100/100/320v £2.00 100/350 + 300/200/100/16/275v £2.00 225+25+380 GEC £70p 300/100/100/350n £1.50 500/500/255v £50p 150/150/100/300n £50p 200/150/150/300n 1.00 FT 8 and 6 Push Button £1.00 Pyc 725 LOPTS £6.00 Pyc 731 LOPTS £6.00 Thorn 8500-8800 LOPTS £5.00 CMD 800 Chassis. No tuner £20.00 TAG 226/600 £50p BD 650 £50p UPC 574 £30p BSS 38 £30p WT 456 £1.00 L.M 317T £30p AF 114 £50p FET Power VN88AF £50p PHILIPS SBC 469 Stereo Microphone £23.00 Meters Hills 520 £17.00 Meters Hills 420 £15.00 Infra-red Tester Handset £12.00 <b>Infra Red Handset Tester</b> Works at 24 feet - Sound repeater Works off 9 volt battery Fits in top pocket. <b>Repaired Handsets</b> Philips K4-K35, RC5350-RC5300, RC5370, RC5375, repaired same day £10.00 RC4001 Full Remote KT3 K30 Teletext Handsets exchanged £9.00 GEC Full Remote Infra-red, 1983 models £15.00 Timers, 60 mins, small £1.00 G11 Ultrasonic Teletext Handset £24.00 8 C.H. Ultrasonic GEC Full Remote C20141C 22191 £15.00 New Replacement for G11 Ultrasonic Full Remote £12.00 Thorn 4000 insert with 7 buttons £5.00 Decca RC 11 £14.00 Decca RC 12 £14.00 G11 Infra-red full teletext £24.00 Dynatron-Full remote CTV 62, 63, 64 £19.00 Hitachi infra red handset £18 Philips full remote K13, 16v/928/208/934; 7228/7324; K12 26c/797/IST 66K 1826 £12.00 G11 Full remote top button assy. £12.00 G11 Full remote repair service (exchange unit) £12.00 Philips infra red full remote 9 channel for 60/CP2605 £6.00 Philips infra red full remote 12 channel for 60/CP2605 £12.00 K35 £15.00 KT3/K30 1/Text £15.00 KT3/K30 Full remote £15.00 KT3 Power supply £4.00 Hitachi 8 button unit with resistor unit £7.00 Last year mod £7.00 GFC infra-red 2236-2026 £4.00 GEC push pad hand-set button blobs 10p each Pyc & Philips handset KT3-K30 chassis No RC5150-RC5176-RC5171-RC5177 £13.00 Special Price IFT Hand Set with TV-Teletext-VCR £12.00 RC4001 KT3 and Teletext £14.00 Philips Tops for Teletext & Full Remote KT3-K30 £9.75
--	--	--	--



