

1995

£2.20

# TELEVISION

SERVICING·VIDEO·SATELLITE·DEVELOPMENTS

A REED BUSINESS PUBLICATION

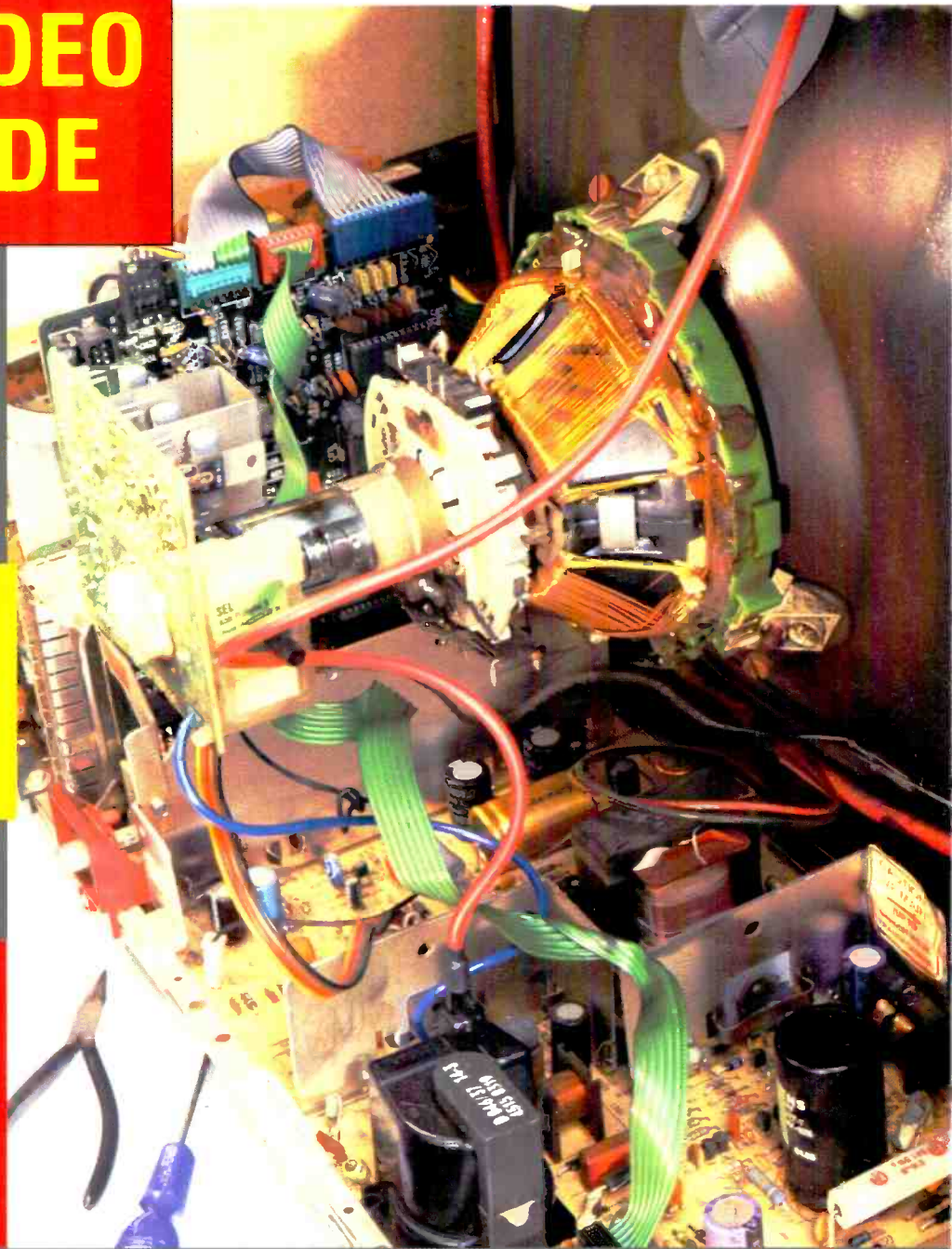
**FREE TV/VIDEO  
SPARES GUIDE**

***Servicing  
the ITT DIGI-  
3 Chassis***

***Sony CCD380  
Camcorder  
faults guide***

***Long-distance TV***

***Astra 1D  
Reception  
Problems***



***Health in the Workshop***



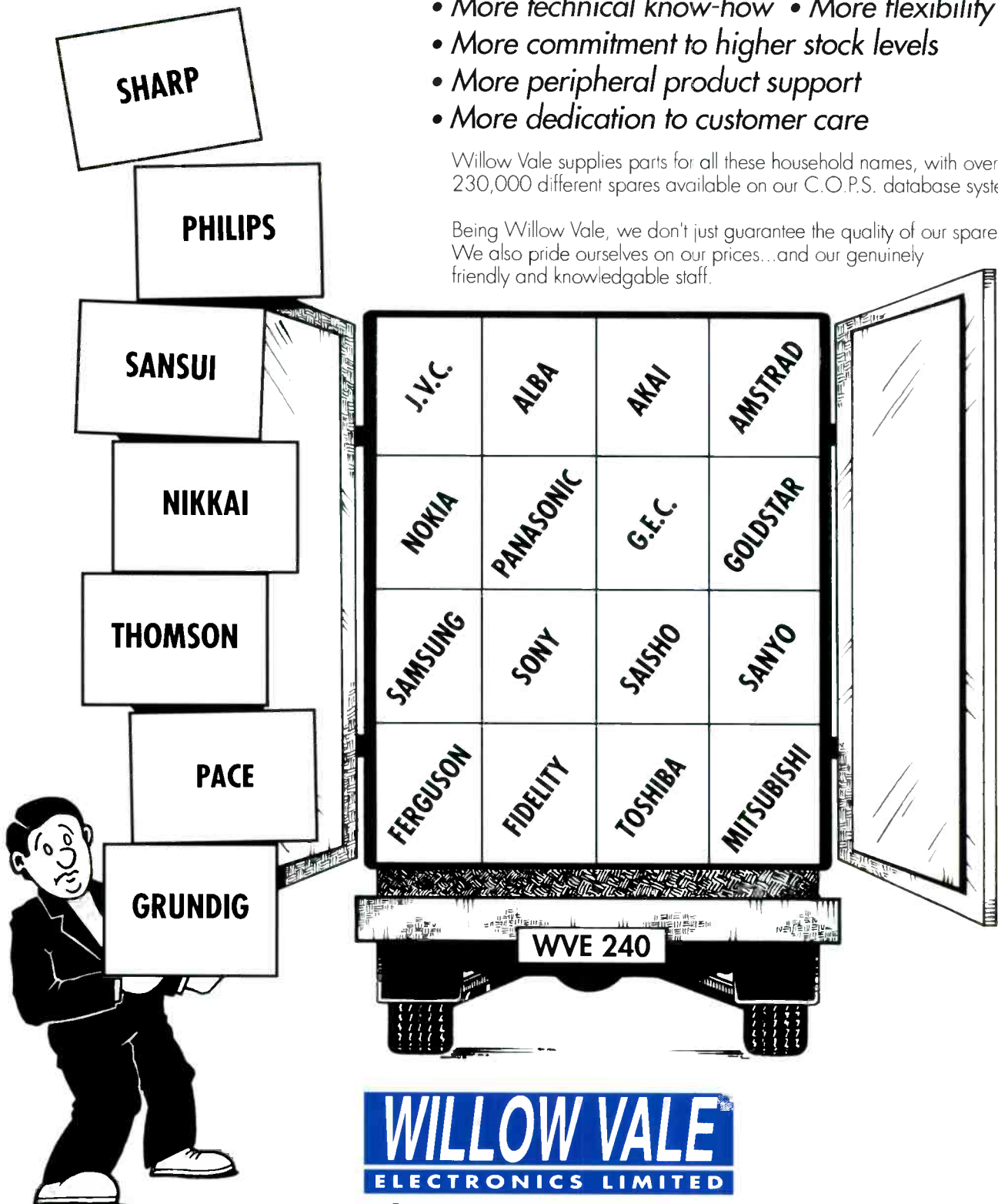
# WILLOW VALE ELECTRONICS LIMITED

## Willow Vale gives you more...

- More technical know-how
- More flexibility
- More commitment to higher stock levels
- More peripheral product support
- More dedication to customer care

Willow Vale supplies parts for all these household names, with over 230,000 different spares available on our C.O.P.S. database system.

Being Willow Vale, we don't just guarantee the quality of our spares. We also pride ourselves on our prices...and our genuinely friendly and knowledgeable staff.



**WILLOW VALE**  
ELECTRONICS LIMITED

**'The Better Choice'**

Reading (0734) 876444 Manchester (061) 682 1415

# TELEVISION

APRIL 1995

On Sale

March 15th

Vol. 45, No. 6

Issue 534

## 398 Servicing the ITT DIGI-3 chassis

*Chris Watton*

The first time we've taken a look at servicing a TV chassis in which the signal processing is carried out in digital form. The article concludes with a faults list covering the three chassis dealt with in this series - the Compact 80R, the Monoprint B and the Digi-3.

## 404 Further confessions of a TLO

*Mark Paul*

A true story, believe it or not, on the mayhem that can arise when a customer has a deep grievance.

## 410 Pace SS9000 Series Modification for Use with the Global ADX Plus Frequency Converter

*Nick Beer and Ian Bowden*

A means of providing automatic frequency converter switching on channel change.

## 415 Fault Notes for the Sony CCDF380

*Keith T. Keeton*

A summary of fault conditions experienced with this camcorder.

## 420 Astra 1D Upgrades

*Jack Armstrong*

How to deal with the various problems that have arisen now that the fourth Astra satellite is in operation. Interference with u.h.f. reception has caused difficulties, and there can be problems when a frequency converter is used.

## 426 Inside the Ferguson ICC9 Chassis Part 2

*Mark Paul*

This instalment takes a look at the operation of the scart and

front socket interfacing circuitry, the audio processing arrangements including Nicam, and the operation of the microcontroller chip and its ancillary circuitry.

## 431 Workshop Health

*Pete Roberts*

There is a lot that can be done to improve health conditions in the workshop, despite the inevitable limitations presented by the premises. It's worth making the effort, since stress and strain will be avoided. Lighting, heating and ventilation and ionisation all require attention.

## REGULAR FEATURES

Camcorner.....	392
Help Wanted.....	411
Leader.....	389
Letters.....	394
Long-distance Television.....	412
Next Month in Television.....	391
Teletopics.....	390
Test Case 388.....	397
TV Fault Finding.....	406
VCR Clinic.....	422
What a Life!.....	418

**The May issue will be published on April 19th**

### COPYRIGHT

© Reed Business Publishing Ltd., 1995. Copyright in all drawings, photographs and articles published in *Television* is fully protected and reproduction or imitation in whole or in part is expressly forbidden. All reasonable precautions are taken by *Television* to ensure that the advice and data given to readers are reliable. We cannot however guarantee it and we cannot accept legal responsibility for it.

### CORRESPONDENCE

All correspondence regarding advertisements should be addressed to the Advertisement Manager, "Television", Quadrant House, The Quadrant, Sutton, Surrey SM2 5AS. Editorial correspondence should be addressed to "Television", Editorial Department, Reed Business Publishing, Quadrant House, The Quadrant, Sutton, Surrey SM2 5AS.

### INDEXES AND BINDERS

Indexes for Vols. 38 to 44 are available at £3.50 each from Video Interface Products Ltd., who can also supply a seven-year consolidated index on computer disc. For further details see page 419.

Binders that hold twelve issues of *Television* are available for £5.50 each from Television Binders, 78 Whalley Road,

Wilpshire, Blackburn BB1 9LF. Make cheques payable to "Television Binders".

### SUBSCRIPTIONS

Annual subscription rates (inclusive of postage) are as follows: UK £26.00; overseas £30.00 (airfreight); Europe £37.00 (airmail); rest of the world £48.00 (airmail). Send orders with payment (make cheques payable to Television) to Television, Subscriptions Dept., PO Box 302, Haywards Heath, West Sussex RH16 3YY (UK). Telephone 01444 445 566.

**Subscription hotline for 24-hour ordering with Credit Card telephone 01622 778 000 quoting INJ.**

### NEWSAGENT ENQUIRIES

0181 652 8171, fax 0181 652 8997.  
Distributed by Marketforce (UK) Ltd., 247 Tottenham Court Road, London W1P 0AU. 0171 261 5555.

### BACK NUMBERS

Some back issues are available at £2.75 each. For further details see box on page 390.

ISSN 0032-647X

# GRANDATA LTD

K.P. HOUSE, UNIT 15, POP IN COMMERCIAL CENTRE, SOUTHWAY, WEMBLEY, MIDDLESEX, ENGLAND HA9 0HB

Telephone: 081-900 2329 Fax: 081-903 6126

## TRANSISTORS / LINEAR ICs

Part	Price	Part	Price	Part	Price	Part	Price	Part	Price	Part	Price	Part	Price	Part	Price
AAV32	9p	BD246A	50p	BFY64	25p	MJ15004	300p	2N1613	24p	3.276	115p	BR84D	37p	6502A	350p
AC107	40p	BD265	45p	BFY90	45p	MJ2511	100p	2N1711	24p	4.0	115p	2A400V	44p	65C02	930p
AC125	30p	BD267	45p	BLY48	85p	MJ2955	55p	2N1893	30p	5.0	130p	BR86D	43p	6522	280p
AC126	30p	BD269	45p	BR100	14p	MJ3000	100p	2N2102	50p	10.0	140p	2A/600V	21p	6800	210p
AC127	30p	BD278	50p	BR103	37p	MJ3001	100p	2N2218A	24p	11.0	120p	BR88D	43p	6802	220p
AC128K	40p	BD311	100p	BR303	85p	MJE29A	30p	2N2219	24p	12.0	250p	2A/800V	68p	6808	500p
AC141K	45p	BD314	100p	BS574	33p	MJE30A	30p	2N2221	23p	14.756	200p	BR92	43p	6809	500p
AC176	22p	BD315	150p	BSX20	15p	MJE340	25p	2N2222	23p	15.0	160p	2A/200V	68p	6809	500p
ACV18	48p	BD317	150p	BT100A	70p	MJE350	70p	2N2369	15p	24.0	250p	BR34	43p	6810	500p
ACV19	48p	BD331	40p	BT106	180p	MJE520	30p	2N2484	15p			2A/400V	68p	6818	380p
AD149	60p	BD332	40p	BT109	90p	MPB112	45p	2N2646	45p			BR36	44p	6821	130p
AF125	50p	BD361	60p	BT119	100p	MPSA05	15p	2N2904	20p			2A/600V	68p	6840	290p
AF135	30p	BD362	60p	BT146	95p	MPSA06	20p	2N2905	20p			BR62	60p	6845	200p
AF239	30p	BD370	30p	BTY79	140p	MPSA13	15p	2N2906	18p			6A/200V	80p	6850	90p
BB105B	18p	BD371	30p	BU105	80p	MPSA20	15p	2N2907	18p			BR64	72p	8085A	30p
BB205B	24p	BD410	50p	BU108	100p	MPSA42	15p	2N3019	28p			6A/400V	80p	8086	500p
BC107	8p	BD433	28p	BU109	80p	MPSA43	15p	2N3053	18p			BR251	150p	8088	480p
BC108	8p	BD434	30p	BU110	90p	MPSA47	15p	2N3054	40p			BR256	80p	8156	390p
BC109	8p	BD441	40p	BU201	70p	OC35	350p	2N3705	30p			BR258	165p	8271	340p
BC109C	10p	BD436	30p	BU124	60p	MPSA33	30p	2N3055H	50p			7824	25p	8226	240p
BC140	20p	BD437	28p	BU128	65p	MR510	25p	2N3442	85p			7905	25p	8250	750p
BC141	20p	BD438	36p	BU180	100p	MR856	36p	2N3702	9p			7906	30p	8251	200p
BC142	20p	BD439	40p	BU184	100p	OC28	350p	2N3703	9p			7908	30p	8253	160p
BC143	20p	BD440	40p	BU204	95p	OC29	250p	2N3704	9p			7912	30p	8257	220p
BC147	20p	BD441	40p	BU205	70p	OC36	250p	2N3705	9p			7915	30p	8271	340p
BC149	8p	BD533	30p	BU206	100p	OC36	250p	2N3706	9p			7918	30p	8279	170p
BC159	8p	BD534	38p	BU208	70p	OC45	50p	2N3707	9p			7924	30p	8283	400p
BC160	30p	BD535	38p	BU208A	75p	OC200	180p	2N3710	12p			78L05	24p	8284	440p
BC171	10p	BD536	38p	BU208AT	200p	R2008B	100p	2N3711	12p			78L08	24p	8287	260p
BC172	10p	BD537	40p	BU208D	130p	R2109B	100p	2N3771	85p			78L12	24p	8288	650p
BC173	14p	BD538	40p	BU209	90p	S200A3	175p	2N3772	85p			78L15	24p	8748	160p
BC178	14p	BD643	50p	BU225	120p	S200AF	175p	2N3773	100p			78L18	24p	8755	900p
BC179	14p	BD645	50p	BU226	120p	S205A	175p	2N3799	18p			78L24	24p	8756	110p
BC182	7p	BD647	50p	BU312	90p	S205AF	200p	2N3819	29p			79L05	35p	8756	95p
BC183	7p	BD676	40p	BU325	55p	S2530A	100p	2N3903	11p			79L08	35p	8756	110p
BC184	7p	BD677	40p	BU326A	75p	S2800M	72p	2N3906	11p			79L12	35p	8756	110p
BC184L	7p	BD678	40p	BU406D	85p	TIP29A	25p	2N4031	25p			79L15	35p	8756	110p
BC212	7p	BD679	40p	BU407	85p	TIP29C	25p	2N4401	12p			LM309K	100p	8756	110p
BC212L	7p	BD680	40p	BU408	60p	TIP29E	25p	2N4403	10p			LM317T	100p	8756	110p
BC213	7p	BD681	45p	BU409	55p	TIP29C	25p	2N5061	40p			LM323K	350p	8756	110p
BC214	7p	BD705	50p	BU426A	70p	TIP30C	25p	2N5088	20p			78H08KC	700p	8756	110p
BC214L	7p	BD707	50p	BU500	100p	TIP31C	27p	2N5192	50p			79H12KC	800p	8756	110p
BC237	7p	BD709	50p	BU505	90p	TIP32A	21p	2N5241	45p			79H08K	800p	8756	110p
BC238	7p	BD711	50p	BU505DF	90p	TIP32C	21p	2N5294	30p						
BC239	7p	BD736	50p	BU506	90p	TIP33	21p	2N5296	30p						
BC300	20p	BD828	50p	BU506DF	70p	TIP34	50p	2N5448	12p						
BC301	20p	BD828	50p	BU506G	100p	TIP34	50p	2N5610	40p						
BC302	20p	BD839	55p	BU506DF	120p	TIP34C	60p	2N5617	40p						
BC303	20p	BD839	55p	BU509A	70p	TIP35C	60p	2N6292	50p						
BC304	25p	BD839	55p	BU509AF	95p	TIP36C	60p	2N6385	120p						
BC327	7p	BD977	50p	BU508D	75p	TIP41A	25p	2N6403	160p						
BC328	7p	BD977	50p	BU508DF	110p	TIP41C	15p								
BC337	7p	BDX65	80p	BU508DF	110p	TIP42A	22p								
BC338	7p	BDW24	55p	BU508VF	100p	TIP42C	22p								
BC441	28p	BDW93	50p	BU526	75p	TIP47	40p								
BC446	8p	BDW94	50p	BU536	100p	TIP48	40p								
BC477	18p	BDY32	100p	BU546	125p	TIP60	60p								
BC495	7p	BF131	25p	BU546	125p	TIP60	60p								
BC537	25p	BF167	30p	BU626	160p	TIP52	80p								
BC546	8p	BF181	18p	BU705	130p	TIP54	85p								
BC547	8p	BF183	17p	BU706DF	175p	TIP105	65p								
BC548	8p	BF195	7p	BU706F	150p	TIP106	65p								
BC549	8p	BF199	45p	BU801	70p	TIP110	65p								
BC555	8p	BF205	16p	BU806	70p	TIP114	40p								
BC556	8p	BF225	30p	BU807	60p	TIP111	40p								
BC557	7p	BF240	16p	BU902	110p	TIP112	35p								
BC558	8p	BF245	25p	BU903	110p	TIP112H	50p								
BC559	8p	BF254	15p	BU920	100p	TIP115	30p								
BC560	8p	BF255	12p	BU922	110p	TIP116	30p								
BC571	15p	BF311	30p	BU924	120p	TIP117	30p								
BC599	20p	BF257	18p	BU9508A	130p	TIP120	37p								
BC640	20p	BF259	18p	BU9508AF	130p	TIP121	35p								
BCY33	200p	BF282	25p	BU9508D	130p	TIP122	35p								
BCY34	200p	BF270	15p	BU9508DF	150p	TIP126	30p								
BCY70	16p	BF273	15p	BU9520AF	225p	TIP126	40p								
BCY71	16p	BF300	22p	BU9520AF	225p	TIP127	40p								
BCY72	16p	BF336	20p	BU9525AF	325p	TIP130	30p								
BD115	30p	BF337	20p	BUH515	200p	TIP131	30p								
BD124P	50p	BF338	20p	BUH515	200p	TIP132	30p								
BD131	25p	BF362	13p	BUH515	200p	TIP132	30p								
BD132	25p	BF367	13p	BUH515	200p	TIP132	30p								
BD133	50p	BF371	17p	BUH515	200p	TIP145	50p								
BD135	20p	BF421	18p	BUH515	200p	TIP146	75p								
BD136	20p	BF422	21p	BUH515	200p	TIP147	80p								
BD137	20p	BF423	25p	BUH515	200p	TIP148	90p								
BD138	20p	BF458	12p	BUH515	200p	TIP151	60p								
BD140	20p	BF462	50p	BUH515	200p	TIP195	42p								
BD141	40p	BF471	28p	BUH515	200p	TIP295	42p								
BD157	38p	BF472	28p	BUH515	200p	TIP305	20p								
BD166	30p	BF479	30p	BUH515	200p	TIP305	20p								
BD175	30p	BF494	16p	BUH515	200p	TIP305	20p								
BD177	30p	BF495	16p	BUH515	200p	TIP305	20p								
BD179	32p	BF595	16p	BUH515	200p	TIP305	20p								
BD181	45p	BF596	16p	BUH515	200p	TIP305	20p								
BD182	60p	BF615	30p	BUH515	200p	TIP305	20p								
BD184	60p	BF617	30p	BUH515	200p	TIP305	20p								
BD187	30p	BF750	30p	BUH515	200p	TIP305	20p								
BD232	31p	BF763	30p	BUH515	200p	TIP305	20p								
BD202	38p	BF870	22p	BUH515	200p	TIP305	20p								
BD203	42p	BF871	22p	BUH515	200p	TIP305	20p								

**PLEASE PHONE US FOR TYPE NOT LISTED HERE**  
**AS WE ARE HOLDING 17,000 ITEMS**  
**AND QUOTATIONS ARE GIVEN FOR LARGE QUANTITIES**

Please send **£1 P&P** and VAT at 17½%. Govt. Colleges, etc. Orders accepted. Quotations given for large quantities.  
 Please allow 7 days for delivery. All brand-new Components. All valves are new and boxed.  
 Prices quoted are subject to stock availability and may be changed without notice.



TV & video parts sold as replacement parts.  
 Access & Visa Card accepted



## LINEAR Cs / JAPANESE TRANSISTORS

Part	Price	Part	Price	Part	Price	Part	Price	Part	Price	Part	Price	Part	Price	Part	Price	Part	Price		
LM431	50p	STK441	680p	STK5422	375p	STR3015	275p	TA7784	250p	TDA1574	125p	TDA3586	750p	TDAB170	170p	UPC1158H	70p	2SA937	20p
LM710	40p	STK443	700p	STK5431	850p	STR3020	240p	TA7784AN	200p	TDA1576	170p	TDA3590	300p	TDAB172	250p	UPC1178H	250p	2SA939	140p
LM723	40p	STK457	470p	STK5434	570p	STR3033	450p	TA8205	250p	TDA1578A	210p	TDA3591	360p	TDAB173	280p	UPC1180C	200p	2SA940	50p
LM7410IL	18p	STK459	560p	STK5436	500p	STR30125	550p	TA8210	300p	TDA1579	200p	TDA3592A	350p	TDAB174	300p	UPC1185H2	400p	2SA942	60p
LM741MET	55p	STK460	660p	STK5441	400p	STR30310	250p	TA8215	300p	TDA1598	200p	TDA3640	350p	TDAB175	300p	UPC1186	80p	2SA949	50p
LM747	45p	STK461	620p	STK5451	390p	STR40090	350p	TA8216H	375p	TDA1598	250p	TDA3651	200p	TDAB178	400p	UPC1187	150p	2SA950	18p
LM1889	300p	STK463	950p	STK5461	500p	STR41090	400p	TA8227	250p	TDA1600	275p	TDA3652	500p	TDAB185	300p	UPC1188H	350p	2SA952	50p
LM1894N	290p	STK465	720p	STK5462	500p	STR4115	550p	TA8239H	350p	TDA1610A	280p	TDA3652TX10	800p	TDAB190	200p	UPC1189	140p	2SA953	60p
LM3900	40p	STK501	550p	STK5464	300p	STR45111	550p	TA8718N	550p	TDA1675	250p	TDA3661	150p	TDAB191	150p	UPC1191	140p	2SA954	75p
LM3909	100p	STK561	450p	STK5466	500p	STR50020	450p	TA8A550	25p	TDA1701	300p	TDA366A	90p	TDAB192	275p	UPC1222	130p	2SA958	60p
LM3914	160p	STK563	415p	STK5467	400p	STR50092	550p	TBA120S	40p	TDA1711	250p	TDA3710	300p	TDAB196	150p	UPC1225H	220p	2SA963	120p
LM3915	160p	STK583	600p	STK5468	300p	STR50103A	260p	TBA396	70p	TDA1870A	200p	TDA3720	175p	TDAB214B	225p	UPC1230	150p	2SA965	40p
LM3918	270p	STK580	500p	STK5471	330p	STR50113	500p	TBA520	120p	TDA1872A	275p	TDA3724	500p	TDAB215B	300p	UPC1238	120p	2SA966	35p
L200	200p	STK770	400p	STK5473	480p	STR50115	500p	TDA530	100p	TDA190A	200p	TDA3725	500p	TDAB230	350p	UPC1274V	250p	2SA968	55p
LM4948B1	700p	STK780	480p	STK5476	350p	STR50141	500p	TBA540	90p	TDA190S	80p	TDA3730	400p	TDAB304	600p	UPC127AV	250p	2SA972	25p
M50115P	320p	STK1039	460p	STK5478	380p	STR50213	500p	TBA560	90p	TDA1908A	90p	TDA3740	480p	TDAB305	500p	UPC1277	240p	2SA979	35p
M50117P	500p	STK1040	460p	STK5479	300p	STR54041	500p	TBA800	40p	TDA1910	225p	TDA3750	400p	TDAB340	200p	UPC1278	240p	2SA984	25p
M50119P	525p	STK1049	700p	STK5481	520p	STR54041	350p	TBA810AS	40p	TDA1940	180p	TDA3760	350p	TDAB341	250p	UPC128BV	230p	2SA985	60p
M5078P	300p	STK1050	650p	STK5482	285p	STR56041	500p	TBA820	55p	TDA1941	300p	TDA3771	460p	TDAB380	200p	UPC129BV	320p	2SA988	25p
M50786	500p	STK1060	700p	STK5483	440p	STR56041	500p	TBA820M	35p	TDA1950	175p	TDA3791	300p	TDAB390A	650p	UPC1318	300p	2SA992	150p
M50790	600p	STK1070	850p	STK5486	450p	STR58041	325p	TBA830	100p	TDA2002	500p	TDA3800	350p	TDAB405	550p	UPC1335V	320p	2SA993	50p
M51161	300p	STK1080	940p	STK5488	480p	STR59041	475p	TBA950	100p	TDA2003	65p	TDA3803A	500p	TDAB415	650p	UPC1350	115p	2SA999	30p
M51381P	200p	STK2025	620p	STK5490	450p	STR60001	525p	TBA990	60p	TDA2004	150p	TDA3810A	200p	TDAB417	550p	UPC1363	190p	2SA1006	90p
M51387P	800p	STK2028	500p	STK5632	450p	STR61001	550p	TC5020	200p	TDA2005	150p	TDA3825	225p	TDAB421	500p	UPC1363C	300p	2SA1008	125p
M51544	150p	STK2029	480p	STK5725	450p	STR61045	600p	TC5081AP	80p	TDA2006	70p	TDA3840	300p	TDAB425	500p	UPC1364C	350p	2SA1009	200p
M51848	150p	STK2038	700p	STK5730	450p	STR61145	600p	TC9106	500p	TDA2007	120p	TDA3843	200p	TDAB432	500p	UPC1384	425p	2SA1018	100p
M54523P	200p	STK2048	950p	STK6316	300p	STRD1206	600p	TC9125BP	500p	TDA2008	100p	TDA3845	325p	TDAB433	600p	UPC1370C	300p	2SA1011	80p
M54563P	200p	STK2110	550p	STK6324B	500p	STRD1406	600p	TC9134	750p	TDA2009	160p	TDAB440	400p	UPC1373	85p	2SA1012	85p		
M54844	500p	STK2125	580p	STK6431	850p	STRD1706	450p	TC9142	320p	TDA2010	150p	TDAB442	350p	UPC1378	200p	2SA1013	100p		
M51516	260p	STK2129	610p	STK6722	725p	STRD1808	400p	TC9143	300p	TDA2020	120p	TDAB443	225p	UPC137C	180p	2SA1015	15p		
M5187P	200p	STK2135	670p	STK6732	1000p	STRD1816	400p	TC9145	150p	TDA2030	80p	TDAB444	150p	UPC1382	110p	2SA1016	30p		
MB3712	160p	STK2155	900p	STK6732	900p	STRD3035	300p	TC9148	200p	TDA2037	140p	TDAB452	250p	UPC1384	250p	2SA1018	100p		
MB3713	130p	STK2230	740p	STK6932	500p	STRD4412	500p	TC149	410p	TDA2048	600p	TDAB453	250p	UPC1387C	250p	2SA1020	30p		
MB3714	270p	STK2240	470p	STK6932	525p	STRD4512	400p	TC9150	425p	TDA2054M	110p	TDAB490	350p	UPC1394	120p	2SA1021	35p		
MB3715	250p	STK2250	650p	STK6962	275p	TA7054	190p	TC9152	425p	TDA2107	250p	TDAB702	275p	UPC1397	350p	2SA1023	60p		
MB3722	280p	STK3051	370p	STK6972	490p	TA7061	115p	TC9153	300p	TDA2148	350p	TDAB703	500p	UPC1403CA	650p	2SA1028	90p		
MB3730	180p	STK3072	375p	STK6981B	600p	TA7066	120p	TC9156	300p	TDA2151	375p	TDAB708	900p	UPC1420CA	450p	2SA1029	60p		
MB3731	220p	STK3044	500p	STK6982	600p	TA7069	160p	TC9157	300p	TDA2152	280p	TDAB732	400p	UPC1421CA	650p	2SA1036	60p		
MB3756	160p	STK3062	500p	STK7216	420p	TA7119	150p	TC9164	400p	TDA2220	200p	TDAB737	400p	UPC1423CA	550p	2SA1037	30p		
MB3759	200p	STK3082	530p	STK7217	400p	TA7120	55p	TC9172P	300p	TDA2270	250p	TDAB908	550p	UPC1470	200p	2SA1038	40p		
MB8719	360p	STK3102II	550p	STK7225	600p	TA7137	60p	TC9A940	100p	TDA2320	80p	TDAB903	180p	UPC1488H	150p	2SA1048	25p		
MC1455	45p	STK3152II	900p	STK7226	600p	TA7140	100p	TCEP100	100p	TDA2501	400p	TDAB905	150p	UPC1505C	400p	2SA1051	300p		
MC1393	45p	STK3153II	900p	STK7251	500p	TA7157	100p	TDB2308AP	200p	TDA2503	200p	TDAA426	170p	UPC1514CA	200p	2SA1060	120p		
MC1401	45p	STK4017	400p	STK7251	500p	TA7193	100p	TDB2382	200p	TDA2503	200p	TDAA452	200p	UPC1515CA	250p	2SA1069	25p		
NE555	20p	STK4019	480p	STK7309	400p	TA7200	200p	TDB2506	200p	TDA2505	100p	TDAA431	150p	UPC1520A	250p	2SA1076	23p		
NE556	40p	STK4021	380p	STK7310	470p	TA7205	150p	TDB2705	250p	TDA2506	500p	TDAA437	300p	UPC1536C	550p	2SA1077	300p		
NE558	110p	STK4024II	550p	STK7348	400p	TA7207	150p	TDB304AP	300p	TDA2510	450p	TDAA438	220p	ZN423	100p	2SA1081	80p		
NE585	80p	STK4025	530p	STK7356	425p	TA7208	125p	TDB306P	350p	TDA2514A	500p	TDAA440	180p	ZN424	100p	2SA1082	40p		
NE587	115p	STK4026	480p	STK7358	440p	TA7214	220p	TDB309P	350p	TDA2515	450p	TDAA442	240p	ZN425	320p	2SA1084	100p		
NE571	290p	STK4028	550p	STK7402	560p	TA7217	145p	TDB358P	450p	TDA2517	450p	TDAA445	250p	ZN426	560p	2SA1085	150p		
NE592	85p	STK4032II	510p	STK7404	400p	TA7220	220p	TDA1001	200p	TDA2532	120p	TDAA445	250p	ZN427	560p	2SA1089	100p		
NE5932P	140p	STK4036	470p	STK7406	65p	TA7222	90p	TDA1002	200p	TDA2540	85p	TDAA450	225p	ZN429	215p	2SA1094	19p		
SA11006	300p	STK4038	680p	STK7408	675p	TA7223	210p	TDA1003	150p	TDAA452	120p	TDAA452	250p	ZN459	190p	2SA1095	300p		
SA11014	450p	STK4040II	650p	STK7410	900p	TA7225	300p	TDA1005A	150p	TDAA453	175p	TEA1087P	170p	ZN1040	640p	2SA1096	80p		
SA11024	450p	STK4044	800p	STK7554	600p	TA7226	290p	TDA110A	80p	TDAA454	280p	TEA1101	425p	ZN134H	2150p	2SA1102	130p		
SA11025	250p	STK4046	950p	STK7556	800p	TA7227	175p	TDA1101	75p	TDAA455	350p	TEA1130	65p			2SA1103	60p		
SA11075	350p	STK4048	1280p	STK7562	1000p	TA7230	100p	TDA1102	120p	TDAA456A	400p	TEA1151	150p			2SA1104	140p		
SA11124	280p	STK4060	510p	STK7563	800p	TA7232	195p	TDA1013A	110p	TDAA457	300p	TEA2000	275p			2SA1105	250p		
SA11200	280p	STK4065	650p	STK7568	750p	TA7233	120p	TDA1015	85p	TDAA458	500p	TEA2014A	80p			2SA1106	160p		
SA11274	280p	STK411																	

# JAPANESE TRANSISTORS

Part	Price	Part	Price	Part	Price	Part	Price	Part	Price	Part	Price	Part	Price	Part	Price	Part	Price		
2SA1371	100p	2SC1008	20p	2SC1730	10p	2SC2270	60p	2SC2750	300p	2SC3277	280p	2SC3893	225p	2SD836A	60p	2SD1279	600p	2SD1815	100p
2SA1380	75p	2SC1010	225p	2SC1735	70p	2SC2271	30p	2SC2751	270p	2SC3280	200p	2SC3895	400p	2SD1288	55p	2SD1288	175p	2SD1825	60p
2SA1381	100p	2SC1012	75p	2SC1739	800p	2SC2274	15p	2SC2752	140p	2SC3281	200p	2SC3897	650p	2SD1289	300p	2SD1289	250p	2SD1843	100p
2SA1382	120p	2SC1013	170p	2SC1740	10p	2SC2275	50p	2SC2757	300p	2SC3284	600p	2SC3907	250p	2SD1291	400p	2SD1291	400p	2SD1846	350p
2SA1385	180p	2SC1014	140p	2SC1741	35p	2SC2278	70p	2SC2769	400p	2SC3293	85p	2SC3927	250p	2SD1292	60p	2SD1292	60p	2SD1849	325p
2SA1386	400p	2SC1030	150p	2SC1755	90p	2SC2290	1800p	2SC2773	700p	2SC3298	700p	2SC3950	120p	2SD1297	300p	2SD1297	300p	2SD1850	325p
2SA1423	30p	2SC1047	20p	2SC1756	35p	2SC2291	40p	2SC2774	500p	2SC3299	120p	2SC3953	60p	2SD1302	170p	2SD1302	20p	2SD1858	40p
2SA1489	300p	2SC1050	280p	2SC1758	30p	2SC2295	60p	2SC2785	60p	2SC3300	400p	2SC3973	210p	2SD1308	48p	2SD1308	80p	2SD1877	250p
2SA1491	300p	2SC1060	70p	2SC1775	10p	2SC2298	35p	2SC2786	70p	2SC3303	100p	2SC3987	220p	2SD1309	250p	2SD1309	140p	2SD1878	230p
2SA1493	500p	2SC1061	85p	2SC1781	20p	2SC2307	500p	2SC2787	10p	2SC3306	130p	2SC3996	1200p	2SD1310	140p	2SD1310	140p	2SD1879	275p
2SA1516	280p	2SC1070	65p	2SC1789	100p	2SC2308	10p	2SC2791	500p	2SC3307	600p	2SC4006	100p	2SD1313	1000p	2SD1313	1000p	2SD1884	300p
2SA1535	175p	2SC1096	40p	2SC1809	40p	2SC2312	300p	2SC2792	220p	2SC3309	150p	2SC4020	280p	2SD1326	200p	2SD1326	200p	2SD1886	450p
2SB324	40p	2SC1098	120p	2SC1810	250p	2SC2314	70p	2SC2793	700p	2SC3316	280p	2SC4023	325p	2SD1328	140p	2SD1328	60p	2SD1887	450p
2SB546	45p	2SC1106	180p	2SC1815	10p	2SC2316	150p	2SC2808	40p	2SC3317	350p	2SC4056	350p	2SD1366	260p	2SD1366	260p	2SD1910	280p
2SB560	25p	2SC1114	415p	2SC1819	70p	2SC2320	10p	2SC2810	360p	2SC3321	480p	2SC4106	200p	2SD1370	190p	2SD1370	190p	2SD1911	300p
2SB561	50p	2SC1115	280p	2SC1826	60p	2SC2324	120p	2SC2812	40p	2SC3327	60p	2SC4123	450p	2SD1371	300p	2SD1371	300p	2SD1913	50p
2SB562	25p	2SC1116	290p	2SC1827	60p	2SC2324	120p	2SC2812	40p	2SC3331	25p	2SC4124	250p	2SD1376	60p	2SD1376	125p	2SD1929	60p
2SB566	90p	2SC1124	270p	2SC1829	500p	2SC2329	480p	2SC2814	40p	2SC3337	60p	2SC4169	60p	2SD1379	100p	2SD1379	100p	2SD1939	75p
2SB595	55p	2SC1161	110p	2SC1833	40p	2SC2331	50p	2SC2824	75p	2SC3343	120p	2SC4236	550p	2SD1379	100p	2SD1379	100p	2SD1941	500p
2SB596	50p	2SC1162	30p	2SC1834	50p	2SC2333	200p	2SC2825	900p	2SC3345	100p	2SC4237	650p	2SD1380	100p	2SD1380	100p	2SD1949	280p
2SB598	30p	2SC1164	600p	2SC1844	50p	2SC2334	80p	2SC2826	200p	2SC3352	200p	2SC4242	170p	2SD1382	100p	2SD1382	50p	2SD1959	50p
2SB600	500p	2SC1165	750p	2SC1845	15p	2SC2335	75p	2SC2827	200p	2SC3353	280p	2SC4242	170p	2SD1384	50p	2SD1384	50p	2SD1961	50p
2SB646	20p	2SC1166	100p	2SC1846	45p	2SC2344	150p	2SC2832	300p	2SC3355	50p	2SC4301	550p	2SD1391	250p	2SD1391	250p	2SD1978	50p
2SB647	40p	2SC1170	180p	2SC1847	35p	2SC2347	60p	2SC2834	400p	2SC3356	120p	2SC4372	275p	2SD1392	150p	2SD1392	150p	2SD1984	450p
2SB648	45p	2SC1172	150p	2SC1855	85p	2SC2353	120p	2SC2837	250p	2SC3358	50p	2SC4769	300p	2SD1395	400p	2SD1395	400p	2SD2012	50p
2SB649	35p	2SC1173	40p	2SC1856	25p	2SC2360	120p	2SC2839	140p	2SC3361	50p	2SC4998	140p	2SD1396	450p	2SD1396	120p	2SD2125	225p
2SB688	90p	2SC1195	210p	2SC1865	700p	2SC2361	150p	2SC2853	70p	2SC3376	300p	2SC4999	195p	2SD1397	120p	2SD1397	120p	2SD2333	300p
2SB703	90p	2SC1212	35p	2SC1870	700p	2SC2362	50p	2SC2877	120p	2SC3377	120p	2SC5000	180p	2SD1398	100p	2SD1398	100p	2SD2348	425p
2SB705	200p	2SC1213	15p	2SC1875	220p	2SC2365	280p	2SC2878	20p	2SC3378	120p	2SC5001	260p	2SD1399	320p	2SD1399	300p	2SD2350	425p
2SB707	200p	2SC1214	15p	2SC1881	70p	2SC2369	100p	2SC2879	3200p	2SC3383	80p	2SC5027	195p	2SD1400	280p	2SD1400	280p	2SD2350	425p
2SB716	20p	2SC1215	25p	2SC1890	15p	2SC2371	25p	2SC2883	60p	2SC3387	550p	2SC5031	25p	2SD1402	150p	2SD1402	150p	2SD2356	700p
2SB718	60p	2SC1216	200p	2SC1904	125p	2SC2373	210p	2SC2888	200p	2SC3393	80p	2SC5033	75p	2SD1406	60p	2SD1406	60p	2SD2374	60p
2SB727	200p	2SC1222	75p	2SC1906	15p	2SC2383	50p	2SC2889	50p	2SC3399	50p	2SC5035	30p	2SD1407	60p	2SD1407	60p	2SD2375	280p
2SB754	80p	2SC1226	75p	2SC1907	20p	2SC2389	45p	2SC2909	60p	2SC3400	35p	2SC5036	65p	2SD1408	125p	2SD1408	125p	2SD2376	220p
2SB755	25p	2SC1252	850p	2SC1909	250p	2SC2407	110p	2SC2912	120p	2SC3401	50p	2SC5037	40p	2SD1409	170p	2SD1409	170p	2SD2377	350p
2SB772	310p	2SC1278	110p	2SC1913	90p	2SC2408	120p	2SC2921	650p	2SC3402	400p	2SC5038	40p	2SD1412	75p	2SD1412	75p	2SD2379	225p
2SB774	50p	2SC1279	30p	2SC1921	15p	2SC2412K	10p	2SC2922	480p	2SC3411	800p	2SC5041	240p	2SD1415	190p	2SD1415	190p	2SD2380	60p
2SB775	100p	2SC1306	90p	2SC1923	10p	2SC2458	10p	2SC2928	550p	2SC3416	30p	2SC5043	650p	2SD1417	125p	2SD1417	125p	2SD2381	525p
2SB791	280p	2SC1308K	350p	2SC1929	180p	2SC2459	50p	2SC2929	280p	2SC3417	90p	2SC5045	50p	2SD1425	260p	2SD1425	260p	2SD2381	550p
2SB795	60p	2SC1311	40p	2SC1940	110p	2SC2470	65p	2SC2934	75p	2SC3419	120p	2SC5046	150p	2SD1426	160p	2SD1426	160p	2SD2381	700p
2SB825	135p	2SC1317	15p	2SC1941	27p	2SC2481	120p	2SC2937	250p	2SC3420	80p	2SC5048	60p	2SD1427	180p	2SD1427	180p	2SD2381	650p
2SB861	110p	2SC1318	10p	2SC1942	350p	2SC2482	20p	2SC2938	235p	2SC3422	75p	2SC5049	14p	2SD1428	220p	2SD1428	220p	2SD2382	680p
2SB882	180p	2SC1325	400p	2SC1944	350p	2SC2483	120p	2SC2939	400p	2SC3423	60p	2SC5051	50p	2SD1429	410p	2SD1429	410p	2SD2382	45p
2SB886	90p	2SC1327	20p	2SC1945	350p	2SC2484	185p	2SC2944	300p	2SC3424	150p	2SC5052	120p	2SD1430	280p	2SD1430	280p	2SD2382	50p
2SB890	180p	2SC1328	15p	2SC1946	1500p	2SC2483	120p	2SC2958	50p	2SC3446	200p	2SC5054	55p	2SD1431	400p	2SD1431	400p	2SD2382	50p
2SB951	180p	2SC1342	15p	2SC1947	450p	2SC2491	200p	2SC2958	50p	2SC3447	200p	2SC5055	200p	2SD1432	400p	2SD1432	400p	2SD2382	50p
2SB1009	110p	2SC1345	15p	2SC1957	70p	2SC2495	1900p	2SC2962	800p	2SC3456	200p	2SC5056	125p	2SD1433	750p	2SD1433	750p	2SD2382	700p
2SB1077	180p	2SC1346	100p	2SC1959	100p	2SC2498	50p	2SC2967	160p	2SC3457	150p	2SC5057	150p	2SD1438	140p	2SD1438	140p	2SD2382	75p
2SB1189	75p	2SC1359	15p	2SC1969	160p	2SC2500	25p	2SC2987	250p	2SC3459	180p	2SC5058	200p	2SD1439	165p	2SD1439	165p	2SD2382	40p
2SC372	25p	2SC1360	70p	2SC1970	100p	2SC2502	200p	2SC2988	150p	2SC3460	180p	2SC5059	35p	2SD1446	200p	2SD1446	200p	2SD2382	40p
2SC380	10p	2SC1364	25p	2SC1971	400p	2SC2519	60p	2SC2985	60p	2SC3461	350p	2SC5060	15p	2SD1447	180p	2SD1447	180p	2SD2382	40p
2SC382	50p	2SC1383	25p	2SC1972	600p	2SC2527	300p	2SC2999	50p	2SC3466	225p	2SC5061	15p	2SD1448	200p	2SD1448	200p	2SD2382	50p
2SC388A	60p	2SC1384	20p	2SC1973	150p	2SC2534	150p	2SC3001	1400p	2SC3468	70p	2SC5062	15p	2SD1450	60p	2SD1450	60p	2SD2382	100p
2SC394	60p	2SC1393	20p	2SC1983	75p	2SC2535	300p	2SC3012	300p	2SC3481	300p	2SC5065	50p	2SD1451	260p	2SD1451	260p	2SD2382	650p
2SC403	25p	2SC1394	15p	2SC1984	150p	2SC2538	100p	2SC3019	320p	2SC3482	275p	2SC5066	18p	2SD1452	350p	2SD1452	350p	2SD2382	415p
2SC454	15p	2SC1398	50p	2SC1985	100p	2SC2540	1800p	2SC3025	500p	2SC3486	275p	2SC5067	18p	2SD1453	140p	2SD1453	140p	2SD2382	415p
2SC458	10p	2SC1400	55p	2SC1986	100p	2SC2542	300p	2SC3026	550p	2SC3487	100p	2SC5069	120p	2SD1455	250p	2SD1455	250p	2SD2382	160p
2SC460	10p	2SC1403	500p	2SC2001	15p	2SC2545	55p	2SC3030	300p	2SC3488	50p	2SC5070	300p	2SD1457	165p	2SD1457	165p	2SD2382	150p
2SC461	15p	2SC1407	550p	2SC2002	15p	2SC2546	25p	2SC3033	125p	2SC3489	125p	2SC5071	240p	2SD1458	120p	2SD1458	120p	2SD2382	40p
2SC495	45p	2SC1413	150p	2SC2003	20p	2SC2547	65p	2SC3038	125p	2SC3490	240p	2SC5072	50p	2SD1459	60p	2SD1459	60p	2SD2382	40p
2SC496	25p	2SC1419	50p	2SC2004	20p	2SC2550	50p	2SC3039	80p	2SC3491	80p	2SC5073	20p	2SD1468					







# VCR BELT KITS / REPLACEMENT VIDEO LAMPS

Model	Price	Model	Price	Model	Price	Model	Price
HRD520, 600, 620, 637, 641, 650, 830 HRD540, 550, 580, 660, 860, 960, HR55800	95p 130p	VR6010, VR9010 VR8020, VR6022, VR6023, VR6028, VR7730 VR6024 VR6520, VR6540, VR6560 VR6710, VR6720, VR6735, VR8720 VR6720, VR6730, VR6760, VR6775, VR6780	70p 75p 75p 90p 130p 160p	<b>Models &amp; Description</b> UNIVERSAL VIDEO LAMP 9V 80mm V (310mm WIRES)	Order Code	Price 25p	<h3>ON/OFF MAIN SWITCHES</h3> <p><b>GRUNDIG</b> PART NO: 29703, 29102 USED ON: C7500, C7500TT, C8500, C8502, C8712, C8714, C8894, M68-190, M68-190/99, M70-195, P40-345, ST66-1602, T55-340, V7722</p> <p>PRICE: £3.00</p> <p><b>ITT</b> PART NO: 13/1074 USED ON: CP0200, 0211F, 0323, 0323/1, 0341/14, 0345F, 0351/1, 0361, 0361/1, 9350, CT0500, 0500/1T, 0500T</p> <p>PRICE £3.25 PART NO: LFC 005 USED ON: CVC40 PRICE: £3.00</p> <p><b>MATSUI/SAISHO</b> USED ON: MATSUI-2190, SAISHO- PST2130TX</p> <p>PRICE: £3.50</p> <p><b>PHILIPS</b> USED ON: K30, K35, K40, KT3, KT4 PRICE: £1.00</p> <p><b>SONY</b> PART NO: (POWER SWITCH + REMOTE SWITCH) USED ON: KV1612 MK1, KV1612 MK2, KV1614, KV2052, KV2056, KV2062, KV2068, KV2212, KV2216, KV2252, KV2256, KV2704, KV2705, KV2706, KV2752PE3, KX20PS1, KX20PS2, KX27PS1</p> <p>PRICE: £3.50 PART NO: (POWER SWITCH + REMOTE SWITCH) USED ON: KV2022, KV2024</p> <p>PRICE: £3.25 PART NO: (POWER SWITCH) USED ON: KV1810 MK1, KV1810 MK2, KV1820, KV1822, KV2000 MK1</p> <p>PRICE: £8.00 PART NO: (POWER SWITCH 26mm) USED ON: KV1400, KV1440, KV2040, KV2060</p> <p>PRICE: £2.00 PART NO: (POWER SWITCH 21mm + REMOTE SWITCH) USED ON: KV2020</p> <p>PRICE: £2.50 PART NO: 2 PIN (FUNCTION SWITCH) USED ON: KV1612 MK1, KV1612 MK2, KV2052, KV2056, KV2212, KV2215, KV2216, KV2252, KV2256, KV2704, KV2705, KV2706, KV2752PE3, KV2756PE3</p> <p>PRICE: £0.45 PART NO: (4 PIN FUNCTION SWITCH) USED ON: VARIOUS</p>
<b>KENWOOD</b> KV801 KV903	70p 90p	<b>SAISHO</b> VR2000, VHL3 VR3800	82p 75p	PANASONIC VIDEO LAMPS	VL02	35p	
<b>LOEWE</b> OC11, OC40 OC410, OC420, OC440, OC460 OC50, OC55, OC60, OC65, OC70, OC75	95p 130p 120p	<b>SALORA</b> SV6500 SV6600 SV8000 SV8100 SV9500, SV8520, SV9500 SV7400, SV8400, SV8420, SV8550 SV6700, SV8710, SV8750, SV9700 SV6800, 6900, 8810, 8820, 8870, 8910, 8920, 8970 SV8600, 8620, 8700, 8720, 8830, 9600, 9610	100p 150p 120p 60p 150p 120p 120p 95p 130p	SHARP VIDEO LAMPS	VL02	35p	
<b>LOGIK</b> VR955	180p	<b>SAMSUNG</b> SV716, 717, V1616, V1621, V1626, VX616, VX617, VX619, VX626, VX627, VX629 85p VB520, 510, 610, 616, 617, 619, 620, 626, 627, 629, V1610, 520, 611, 618, 621, 626, VK510, 520 VB900, VB910, V1900, V1910 PX980, 981, 982, SE9001, SV9001, SVX307, 319, 322, VB770, 8220, 8225, V1770, 790, 8220, 8225, VK8220, VPX31, VX750, VX790, 8220, 8225 SVX301, 303, 305, SX7301, VB710, 971, V1730, 710, VX712, VX720, 730, 970, 971, 972 VX9880	100p 110 100p 95p 220p 90p 150p 110p	HITACHI 5381682 (VT63, VT64) VIDEO LAMPS	VL04	135p	
<b>LUXOR</b> 9245, 9251 9252 9253 9254 9255 9256 9270, 9271, 9273, 9274 9272, 9280 9281, 9284, 9285, 9292, VR3701, 3721, 3731, 3761, 3781	130p 140p 140p 100p 130p 130p 115p 95p	<b>MATSUI</b> VX850	75p	AKAI, AKAI, ALBA, AMSTRAD, BLAUPUNKT, FERGUSON, FIDELITY, FISHER, FUJITSU, FUNAI, G.E.C., GOLDSTAR, GRANADA, GRUNDIG, HINARI, HITACHI, ITT, JVC (HRD SERIES), MATSUI, MITSUBISHI, NEC, ORION, NATIONAL, PHILIPS, SAISHO, SALORA, SAMSUNG, SANYO, SHARP, SIEMEN, SONY, TELEFUNKEN, THOMSON, TOSHIBA	VL05	150p	
<b>MITSUBISHI</b> HS200 HS300, 301, 302, 307, 310, 337, 338, 347, 349, 411, 412, 421, HSB10, 20, 30, HSE10, 20, 30, 70 HS303, HS304, HS306, HS307, HS330, HS400, HS700 HS318, HS319, HS410	200p 180p 150p 150p 130p	<b>N.E.C.</b> N830, N831, N832, N833 N895 PVC2300, PVC2400 DX1000, 1600, 2000, 3000, N9012, 9013, 9014, 9016, 9033, 9034, 9053, 9054, 9055, 9066, 9110, 9120, 9510, 9520, 9530, 9610	100p 80p 80p 95p 95p	AKAI, GRANADA (VHSTJ2), HITACHI (VT3000), ITT (VR3912, VRP3833), JVC (HR2200, 3300, 3330, 3660), MITSUBISHI (HS200), TELEFUNKEN (VR510, 519, 610), THOMSON (VK300, 305, 306, 3301), FERGUSON (3V00, 16, 22, 24, 3292, 8900, 8901, 8902, 8903, 8909, 8912, 8922, 8925)	VL01	25p	
<b>NATIONAL PANASONIC</b> NV200, NV332, NV333, NV340, NV366 NV777, NV788 NV2000, NV2010, NV3000 NV7000, NV7200, NV7800 NV8600, NV8610, NV8620 NV230, 250, 260, 430, 431, 433, 450, 456, 465, 470, 730, 770, 810, 870, 890, AG1000, 1050 NV370, NV380, NV480, NV630, NV780, NV830, NV850 NV600, NV688, AG6010, AG6015 NV57, 10, 12, 14, 15, 18, 30, 130, 400, NVH70	125p 100p 130p 95p 145p 80p 125p 100p 110p 70p	<b>NORDMENDE</b> V100, V140 V1000M, 1005M, 1205, 1215, 1235, 1245, 1305, 1403, 1405, V1500P, 1503, 1505K, 1805K, 2000D, 2405, 2500H, 3000H, V3405H, 3105, 4405H, 5000, 8005, 900, 905 V1001, 1005, 1015, 1025, 1035, 1041, 1055, 1065, 1105, 3005, 304, 5005, 502, 503 V101, V102, V103, V112, V141, V142, V301, V302 V110, V333 V1500T, V2000B, V2000P, V400H V250, V460, V9460, V20035542, V20035543 V300, V303, V380 V500	125p 100p 130p 95p 145p 80p 125p 100p 110p 70p	BLAUPUNKT, ORION (VH1, 2A), NATIONAL (NV200, 2010, 3000, 7000, 8150, 8200, 8400, 8600, 8610, 8620), SHARP (VC2300, 6000, 6200, 6300, 7300, 7700, 8000, 8300)	VL02	40p	
<b>ORION</b> COMB15000, 16000, NEVHM, TYP230RC, 1000MH1012, VH1030, 1040, 1060, 1070, 1100, 1120, 1440, 1500, 1660, 1800, 2150, 2308, 2400, 2500, 2600, 2700, 2960, 300, 358, 360, 362, 4010, 4015, 4016, 4020, 4300, 5010, 5015, 530, 535, 536, 630, 635, 640, 730, 735, VP220, 225, 245, VR1032, 2966, 2980, 821, 925, VXL25 NEVHL, VCP, VH1204, 2004, 2204, 3050, 3060, 4008, 400, 4012, 412, 512, 600, 666, 744, 774, 7905, 800, 820, 900, 974, VP200, VR2949, 2956, 2957, VXL20 VC150, 180, VH1000, 200, 201, 205, 212, 250, 254, 288, 300, 303, 3030, 312, 33, 3312, 404, 555, 700, 704, 708, 712, 770, 780, 844, 900, VHF2, VH3 VH1, VH2A	65p 80p 80p 110p 95p 130p 75p 75p	<b>SIEMENS</b> FM350, FM352, FM355 FM484, FM485 FM391, FM392, FM394, FM462 FM461, FM464, FM468, FM561 FM361, FM362, FM363, FM364	60p 55p 100p 150p 120p	AKAI (VS10), GRANADA VH(XS)J3, ITT (VR3993, 3994), JVC (HR2650, 7600, 7610, 7650, 7655), TELEFUNKEN (VR530, 535, 539, 550, 630, 650), THOMSON (V309, 316, 357, VK309, 411, TX8000), FERGUSON (3V31, 8941, 8942)	VL06	40p	
<b>PHILIPS</b> VR6460, VR6920 VR6540 DV186, 286, 291, 292, 468, 471, 562, 571, 761, VR201, 202, VR20DV1, 20DV2, 20RW7, 25B01, 25B02, 302, 303, 305, VR30DV2, 35B02, 35B03, 63587, 715B4, 715B5, 715B8, VR86582, 91582, 925B3, VR6180, 6185, 6285, 6290, 6291, 6293, 6367, 6390, 6391, 6393, 6467, 6468, 6470, 6561, 6570, 6581, 6670, 6676, 6760, VR66584, 86S81, 925B3 VR6442, VR6542 VR6025, VR6280 VR44589, BR445B920, VR445B922, BR6843 VR6548, VR6648, VR49SB620, VR644869S	170p 100 85p 70p 100p 100p 100p 100p 110p	<b>SONY</b> SLC6, SLJ10, SLT6ME SLC1, SL7, SLJ9 SLC9, SLB000, SLB080, SLT50 SLB000F, SLB080E, SLB200, SLB600 SLV255	140p 140p 150p 175p 95p	AUTHENTIC (N850), DECCA VLO7 40p	VL07	40p	
<b>SABA</b> VR6420, 6435, 6440, 6460, 6480, 6620, 6770, 7200, 9420, 2A10, 70, 2B20, 3B20, 4A10, 4B20, 6A10, 6A70, 6B20, 8B20 VR6004, 6005, 6011, 6014, 7004, 7011, 7014, 8011, 8014, BERLIN VR2000, VR6000, VR6012, VR7000, VR7720, PVR608 VR5005, VHR7000 VR6006, 6007, 6008, 6009, 6015, 9016, 9018, 6038, 7006, 7007, 7016, 7018, 9006	65p 90p 130p 135p 85p 85p 150p 95p 120p 115p	<b>THOMSON</b> SV1000, V410, 430, 450, 510, 520, 530, 540, 620, 630, 640, 4240, SV5540 TX8000, V309, V357, VK411 TX8500, V342, 343, 351, 352, 353, 360, 364, 368, 4210, 4230, 4260, 4400, 5500, 6000, 9521 V320, V321, V323, V326, V4200, V4300 V333 V340 V4100, VK308, VK309, VK410 VK300, VK301, VK302, VK303, VK305, VK301 VK312	85p 85p 75p 85p 90p 90p 100p 90p 120p 135p 85p	GRANADA (VHSA3), SHARP VLO8 60p	VL08	60p	
<b>TOSHIBA</b> V55, V57 V33, V31, V51, V53, V9600, V9680 V61, V63, V65, V66, V67 DV808, DV800, V71, 73, 74, 75, 81, 83, 85, 86 V108, V109, V199, V209, V609 V91G, V95G	85p 85p 150p 95p 120p 115p	<b>PANASONIC MODE SWITCHES</b> NV2000, 2010, 7000, 7200, 7800 (VSS0048) NV230, 260, 430, 810, 870, 2300, 4300 (VSS0110) NV830 (VSS0091) NV300, 333, 340, 366, 688, 777, 778 (VSS0060) NVG21, 25, NVH65, NV080 (VSS0175A)	£3.50 £2.25 £2.10 £3.75 £2.00	<b>REPLACEMENT IDLER TYRES</b> AKAI M132773 IT01 MZ366960J2 IT02 GOLDSTAR VXP0521 IT17 HITACHI 6861471 IT03 6861482 IT04 6886971 IT05 JVC/ FERGUSON PU 48967B IT06 PU 51380 IT07 PU 51402A IT08 PU 55373 IT09 PU 55374 IT10 NATIONAL VXP 0329 IT11 PANASONIC VXP 0343 IT12 VXP 0344 IT13 VXP 0401 IT14 VXP 0433 IT15 VXP 0463 IT16 VXP 0521 IT17 VXP 0581 IT18 SANYO 1430662T15620 IT19 SHARP NIDL005GEZZ IT20 NIDL0006GEZZ IT21 NPLY0107GEZZ IT22			

**VIDEO SERVICE KITS**

**AMSTRAD**  
VC700  
*Contents*  
BELT SET, PINCH ROLLER, REEL IDLER, VIDEO LAMP  
Order Code: SK41 £5.50

**FERGUSON & JVC**  
3V42/43  
HRD455/HRD725  
*Contents*  
BELT SET, PINCH ROLLER  
CLUTCH MECHANISM, TENSION BAND  
Order Code: SK37 £17.50

*Economy Kit Contents*  
BELT SET, PINCH ROLLER  
SUPPLY CLUTCH, TAKE UP CLUTCH  
Order Code: SK38 £9.50

3V58/59/64/65  
HRD170/180/210/230/300/320/370/400/430/530/700/750  
HRS5000  
*Contents*  
BELT SET, PINCH ROLLER, IDLER ARM, TENSION BAND  
Order Code: SK44 £8.50

3V29/3V30  
HR7200/7300/7350  
*Contents*  
BELT SET, PINCH ROLLER, TENSION BAND, IDLER TYRES  
Order Code: SK05 £6.00

3V35/36/38/39/49  
HRD110/111/120/225  
*Contents*  
BELT SET, PINCH ROLLER, TENSION BAND, IDLER TYRES  
Order Code: SK04 £5.50

3V31/3V42  
HR7600/7610/7650/7655  
*Contents*  
BELT SET, T.U. REEL TABLE  
PINCH ROLLER, REEL IDLER, T.U. CLUTCH, T.U. IDLER, TENSION BAND, VIDEO LAMP  
Order Code: SK33 £12.00

*Economy Kit Contents*  
BELT SET, T.U. REEL TABLE  
TYRE, PINCH ROLLER, REEL IDLER TYRE, T.U. IDLER TYRE, T.U. CLUTCH  
Order Code: SK34 £5.50

3V35/36/38/39/49  
HRD110/111/120/121/225  
*Contents*  
BELT SET, T.U. REEL TABLE  
TYRE, SUPPLY REEL TABLE  
TYRE, PINCH ROLLER, T.U. CLUTCH, T.U. IDLER, REEL IDLER, TENSION BAND  
Order Code: SK35 £10.50

*Economy Kit Contents*  
BELT SET, T.U. REEL IDLER TYRE, SUPPLY REEL TABLE TYRE, PINCH ROLLER, REEL IDLER TYRE, T.U. IDLER TYRE, T.U. CLUTCH  
Order Code: SK36 £5.80

3V29/3V30  
HR7200/7300/7350  
*Contents*  
BELT SET, T.U. REEL TABLE  
TYRE, SUPPLY REEL TABLE  
TYRE, PINCH ROLLER, REEL IDLER, T.U. CLUTCH, T.U. IDLER, TENSION BAND, VIDEO LAMP  
Order Code: SK31 £11.00

*Economy Kit Contents*  
BELT SET, T.U. REEL IDLER TYRE, SUPPLY REEL TABLE TYRE, PINCH ROLLER, REEL IDLER TYRE, T.U. IDLER TYRE, T.U. CLUTCH  
Order Code: SK32 £5.10

3V44/45/48/53/54/55/57  
HRP50/HRD140/150/158/160  
HRD250/257/565/566/755  
*Contents*  
BELT SET, PINCH ROLLER, CLUTCH MECHANISM, TENSION BAND  
Order Code: SK39 £15.00

*Economy Kit Contents*  
BELT SET, PINCH ROLLER  
Order Code: SK40 £9.50

**FISHER**  
FVHP905/906/907/908/910/911/916/918  
*Contents*  
BELT SET, PINCH ROLLER, IDLER, GEAR IDLER UNIT, TENSION BAND  
Order Code: SK57 £13.00

*Economy Kit Contents*  
BELT SET, PINCH ROLLER, IDLER TYRE  
Order Code: SK58 £5.00

FVHP615/618/620/622/710/711/715/716/720/721/722/725/730/830/840  
*Contents*  
BELT SET, PINCH ROLLER, IDLER, GEAR IDLER UNIT, TENSION BAND  
Order Code: SK68 £12.50

*Economy Kit Contents*  
BELT SET, PINCH ROLLER, IDLER TYRE  
Order Code: SK69 £3.60

**VIDEO SERVICE KITS (Cont.)**

VT11/VT33  
*Contents*  
BELT SET, T.U. REEL TABLE TYRE, SUPPLY REEL TABLE TYRE, PINCH ROLLER, FF/REW IDLER, CLUTCH PLATE, TENSION BAND  
Order Code: SK45 £14.00

*Economy Kit Contents*  
BELT SET, PINCH ROLLER, FF/REW IDLER TYRE, T.U. REEL TABLE TYRE, SUPPLY REEL TABLE TYRE  
Order Code: SK46 £4.50

VT52/61/62/63/64/65/85/86/640  
*Contents*  
BELT SET, PINCH ROLLER, FF/REW ARM, CLUTCH PLATE, TENSION BAND  
Order Code: SK49 £14.00

*Economy Kit Contents*  
BELT SET, PINCH ROLLER, FF/REW IDLER  
Order Code: SK50 £3.25

VT400/405/410/13/14/15/18/420/25/26/28/430/31/35/48/450/498/510/520/25/26/530/35/36/540/545/46/48/670/75/5/6/580/85/88  
*Contents*  
TIMING BELT, PINCH ROLLER, FF/REW ARM, CLUTCH BASE, TENSION BAND  
Order Code: SK52 £11.50

VT100/110/111/113/115/118/120/125/128/130/135/138/145/150/175/220/225/250/255/258/260/VTL30  
*Contents*  
BELT SET, PINCH ROLLER, FF/REW ARM, CLUTCH PLATE, TENSION BAND  
Order Code: SK51 £14.00

**PANASONIC**  
NV2000/NV2010  
*Contents*  
BELT SET, PINCH ROLLER, TENSION BAND, IDLER TYRES  
Order Code: SK03 £6.25

NV7000/NV7200/NV7800  
*Contents*  
BELT SET, PINCH ROLLER, TENSION BAND, IDLER TYRES  
Order Code: SK02 £5.50

NV300/NV330/NV333/NV340/NV366  
*Contents*  
BELT SET, PINCH ROLLER, TENSION BAND, IDLER TYRE  
Order Code: SK01 £5.50

NV2000/NV2010  
*Contents*  
BELT SET, PINCH ROLLER, FF IDLER, PLAY IDLER, TENSION BAND, VIDEO LAMP  
Order Code: SK13 £8.00

*Economy Kit Contents*  
BELT SET, PINCH ROLLER, IDLER TYRE, PULLEY TYRE  
Order Code: SK14 £4.50

NV7000/NV7200/NV7800  
*Contents*  
BELT SET, PINCH ROLLER, IDLER UNIT, PLAY IDLER, TENSION BAND  
Order Code: SK11 £8.50

*Economy Kit Contents*  
BELT SET, PINCH ROLLER, IDLER TYRE, CLUTCH TYRE  
Order Code: SK12 £4.20

NV300/NV330/NV333/NV340/NV366  
*Contents*  
BELT SET, PINCH ROLLER, IDLER UNIT, PLAY IDLER, TENSION BAND  
Order Code: SK15 £7.50

*Economy Kit Contents*  
BELT SET, PINCH ROLLER, IDLER TYRE, PLAY IDLER TYRE  
Order Code: SK16 £4.00

NVG7/NVG9/VNG10/NVG11/NVG12/NVG14/NVG15/NVG16/NVG18/NVG30/NVG120/NVG130/NVG400/NV465 (PX/AC)/AG1810 (PK)  
*Contents*  
LOADING BELT, CAPSTAN BELT, PINCH ROLLER, IDLER TENSION BAND  
Order Code: SK27 £8.00

*Economy Kit Contents*  
LOADING BELT, CAPSTAN BELT, PINCH ROLLER, IDLER TYRE  
Order Code: SK28 £4.00

NV332  
*Contents*  
BELT SET, PINCH ROLLER, PLAY IDLER, FF/REW IDLER, TENSION BAND, FF/REW TYRE  
Order Code: SK29 £12.00

*Economy Kit Contents*  
BELT SET, PINCH ROLLER, PLAY IDLER TYRE, FF/REW IDLER TYRE  
Order Code: SK30 £5.10

NV230/250/260/280/430/450/460/470/650/810/890/AG1200PK/AG1500PK  
*Contents*  
BELT SET, PINCH ROLLER, IDLER, TENSION BAND  
Order Code: SK23 £6.00

*Economy Kit Contents*  
BELT SET, PINCH ROLLER, IDLER TYRE  
Order Code: SK24 £3.50

NV600/NV688  
*Contents*  
BELT SET, PINCH ROLLER, PLAY IDLER, FF/REW IDLER, TENSION BAND  
Order Code: SK25 £12.00

*Economy Kit Contents*  
BELT SET, PINCH ROLLER, PLAY IDLER TYRE, FF/REW IDLER TYRE  
Order Code: SK26 £6.00

NV730/NV770  
*Contents*  
SLOT IN BELT, LOADING BELT, PINCH ROLLER, IDLER UNIT, TENSION BAND  
Order Code: SK19 £6.50

*Economy Kit Contents*  
SLOT IN BELT, LOADING BELT, PINCH ROLLER, IDLER TYRE  
Order Code: SK20 £4.00

NV370/NV380/480/630/780/830/850/AG2100PK/AG2200PK  
*Contents*  
BELT SET, PINCH ROLLER, IDLER, TENSION BAND  
Order Code: SK21 £6.00

*Economy Kit Contents*  
BELT SET, PINCH ROLLER, IDLER TYRE  
Order Code: SK22 £3.00

NV777/NV786  
*Contents*  
BELT SET, PINCH ROLLER, IDLER UNIT, TENSION BAND  
Order Code: SK17 £7.00

*Economy Kit Contents*  
BELT SET, PINCH ROLLER, IDLER TYRE  
Order Code: SK18 £4.00

**VIDEO SERVICE KITS (Cont.)**

**SHARP**  
VC381  
*Contents*  
BELT SET, PINCH ROLLER, REEL IDLER, TENSION BAND, VIDEO LAMP  
Order Code: SK47 £9.00

*Economy Kit Contents*  
BELT SET, PINCH ROLLER, REEL IDLER TYRE  
Order Code: SK48 £4.75

VC500/VC571/VC581/VC582/VC583/VC584/VC5F3  
*Contents*  
BELT SET, PINCH ROLLER, REEL IDLER, TENSION BAND  
Order Code: SK60 £9.50

*Economy Kit Contents*  
BELT SET, PINCH ROLLER, REEL IDLER  
Order Code: SK61 £6.50

VC781/VC781Q/VC7822/VC785/VC786/VC793/VC800/VC100/VC102/VC104/VC202  
*Contents*  
BELT SET, PINCH ROLLER, REEL DRIVE UNIT, TENSION BAND  
Order Code: SK64 £13.50

*Economy Kit Contents*  
BELT SET, PINCH ROLLER, REEL DRIVE UNIT TYRE  
Order Code: SK65 £6.25

VC681/VC682/VC684/VC685/VC693/VC699/VC6F3/VC700  
*Contents*  
BELT SET, PINCH ROLLER, REEL DRIVE UNIT, TENSION BAND  
Order Code: SK62 £13.50

*Economy Kit Contents*  
BELT SET, PINCH ROLLER, REEL DRIVE UNIT TYRE  
Order Code: SK63 £6.00

**FOR MORE DETAILS OF OVER 500 TYPES OF SERVICE KITS... PLEASE RING US!**

**BACKUP BATTERIES**

**REPLACEMENT PHILIPS NI-CAD BACKUP BATTERIES**  
Replaces Ferguson Part No: 00E6-067-001, used on TX10, L2V 150p  
Replaces Philips Part No's: 138-10138, 138-10313, 1.2V - 90mAh 120p  
Replaces Philips Part No's: 138-10229, 2.4V - 90mAh 180p

**REPLACEMENT FERGUSON NI-CAD BACKUP BATTERIES**  
Replaces Ferguson Part Nos: 00E6-066-001, 2.4V 200p  
Used on: 3V35, 3V56, 3V58, 3V65

**REPLACEMENT LINE OUTPUT TRANSFORMERS**

Description	Price	Order Code
HITACHI 2433752	1500p	LOT01
ORION 3714002	1500p	LOT02
FIDELITY ZX300	1500p	LOT03
FE TX100 90 DEG	1500p	LOT04
SABA 490007182	1500p	LOT05
FE TX90 WHITE	1650p	LOT06
ITT D307/37 EQ	1600p	LOT07
BLAUPUNKT 210	1600p	LOT08
GRUNDIG 2922010	1600p	LOT09
ITT CVCB009/1/3	1500p	LOT10
ITTD218/37 EQ	1600p	LOT11
NORMENDE 5255	1600p	LOT12
SABA 81000 200	1600p	LOT13
SALORA T236 EQ	1650p	LOT14
SABA 911-50-24	1600p	LOT15
SABA 770235500	1600p	LOT16
TELEFUNKEN AT1	1450p	LOT17
TELEFUNKEN EQ	1400p	LOT18
SALORA FM0218B	1600p	LOT19
NORMENDE 5255	1600p	LOT20
ITT CVC 1150/1	1500p	LOT21
ITT COMPACT 80	1500p	LOT22
FE TX100 GREEN	1450p	LOT23
HINARI CT45 5113	1500p	LOT24
SELECO 6320410	1600p	LOT25
BLAUPUNKT 8667	1600p	LOT26
ITT COMPACT B1	1450p	LOT27
ITT CT3326 MUL	1500p	LOT28
ITT D066/37 EQ	1600p	LOT29
ITT 3546 EQ	1500p	LOT30
LUXOR 5810110	1600p	LOT31
SABA 849380920	1600p	LOT32
HITACHI 2434141 CP	1450p	LOT33
FE TX100 110 D	1700p	LOT34
HANTAREX 28021	1600p	LOT35
SHARP C3700 EQ	1600p	LOT36
HITACHI 2432981 CP	1500p	LOT37
FERGUSON 00D3-508-002	1650p	LOT38
Fits Chassis TX99 41cm + 51cm Used On: 51K2, 51J8, 51J7, 41H3, 41H3, 41H2, 51K3		
PANASONIC TLF14567F	1850p	LOT39
Used On: TC2043, TC2243, TX300		
PANASONIC TLF14568F	1850p	LOT40
Used On: TX2231, TX2244		
PANASONIC TLF14584F	2350p	LOT41
Used On: TC2210, TC2160, TX1752, TX2112		
TX2112, TX2162, TXC22		
PANASONIC TLF14586F	2350p	LOT42
TC1651, TC2051, TC2061, TC2253, TC2263, TX5500		
HINARI	1600p	LOT43
Used On: CT15		
HITACHI 2434274	1400p	LOT44
CPT2174, CPT2176, CPT2178, 2434274		

We stock line output transformers for over 100 different models. Please ring 081-900 2329 for more information.

**UNIVERSAL TRIPLER**  
Price: £4.00 each

**AMSTRAD MODE KIT**  
Price: £3.00 each

**SEE OTHER PAGES FOR MORE GRANDATA BARGAINS**

**IDLERS & PULLEYS REPLACEMENT**

<b>AKAI</b>			
VS1-2, VS4-5, VS15	FF-REW IDLER	M1327773	400p
VS3, 6, 12, 58, 58, 59	T-UP IDLER	BV327815	500p
VS12, VS4-5, VS15	T-UP IDLER	BV327815	500p
VS3, 6, 12, 58, 59	IDLER	BV321979	600p
V9700	IDLER ASSY	MZ3686602	900p
VS125, 126, 156,			
VS165, 240, 244, 245, 247, 248, 250, 512, 515, 516			
VS22, 38, 106, 112, 115, 116, 226, 270			
VP1700, VS9300	T-UP IDLER	PU47752	E4.50
VS9500, VS9800			
VP1700, VS9300	UNLOADING	PU46381	E4.00
VS3500, VS9800	IDLER	PU46380	500p
VP1700, VS9300	REW IDLER	BV336067	E5.00
VS9500, VS9800	IDLER	BR347731	450p
VP88	REEL CLUTCH	ML373043	1100p
VS1, 3, 4, 9, 12			
VS15, 58			
VS23, 35, 37, 53, 55			
VS66, 75, VSA77			
VS9700	FF IDLER	BV321761	E3.20
VS9700	REW IDLER	W321762	E4.25
<b>AMSTRAD</b>			
VCR7000	IDLER	150280	E1.50
VCR4500	CLUTCH	150873	E3.75
VCR4600, VCS200, VCR9000			
TVR1, VCR4500	GEAR HOLDER	151284	E3.50
VCR4600, VCR5200, VCR9000			
TVR1, VCR4600	REF CLUTCH		E3.50
VCR5200			
VCR6000, VCR6100	CLUTCH	153202	E3.80
VCR4500, VCR9000	CLUTCH		E4.00
VCR4500, VCR4600	MOD KIT		300p
VCR4700			
MOB KIT TAPE CREATING FOR AMSTRAD			
VCR4500, 4600, 4700			E3.00
<b>HERGUSON</b>			
3V00, 3V01, 3V16	T UP IDLER	PU47752	E4.50
3V22, 3292, 8900, 8901, 8904, 8906			
3V16, 3V22	T UP IDLER	PU49280	E5.50
8903, 8908, 8912, 8922			
3V23, 3V29, 3V30	REEL IDLER	PU48967	175p
3V31, 3V32, 3V35, 8923, 8924, 8929, 8930, 8931, 8940, 8941, 8942			
3V23, 3V31	ROLLER ASSY	PU49042A	350p
3V29, 3V30, 3V31	T UP IDLER	51402	100p
3V32, 3V35, 3V36, 3V38, 3V39, 3V40, 8930, 8931, 8940, 8941, 8942			
3V29, 3V30, 3V31	T UP CLUTCH	PU51380	200p
3V32, 8930, 8931, 8940, 8941, 8942			
3V35, 3V36, 3V38	REEL IDLER	PU55374	200p
3V38, 3V49, 8943, 8944			
3V35, 3V36, 3V48	T UP CLUTCH	PU55373	150p
3V39, 3V49, 8943, 8944			
3V58, 3V59, 3V64	IDLER ARM	PU58645	E2.25
V665, FV110, FV112, FV12, FV13, FV14, FV20, FV21, FV22, FV26			
FV26, FV27, FV33, 8950, VC1411			
3V42, 3V43	CLUTCH ASSY	PU56822	1200p
3V43, 3V44, 3V45	CLUTCH ASSY	PU57658	1050p
3V48, 3V53, 3V54, 3V55, 3V57, 8947, 8948			
3V42, 3V43, 3V44	T UP CLUTCH	PU56043-1-4	240p
3V45, 3V48, 3V53, 3V54, 3V55, 3V56, 3V57, 8947, 8948			
3V42, 3V43, 3V44	SUPPORT CLUTCH	PU56044-1-5	160p
3V45, 3V48, 3V53, 3V54, 3V55, 3V56, 3V57, 8947, 8948			
3V00, 3V01, 3V16	LOADING IDLER	PU43681	E4.00
3V22, 3292, 8900, 8901, 8902, 8903, 8904, 8906, 8909			
8912, 8922			
3V00, 3V01, 3V16	REW IDLER	PU46380	500p
3292, 8900, 8901, 8904, 8906			
3V16, 3V22, 3962	IDLER	PU49281	E1.70
3969, 8912, 8922			
<b>FISHER</b>			
FVHP420, 520, 530	FF-REW PULLEY	H1635531	80p
FVHP615, 618, 620	COMP. IDLER ASSY	F14330420400300	E220p
FVHP622, 710, 711, FVHP720, 721, 722, FVHP725, 730, 830			
FVHP840, 905, 906, FVHP908, 910, 911, FVHP915, 916, 918			
FVHP615, 618, 620	GEAR IDLER ASSY	F14330430400900	380p
FVHP622, 710, 711, FVHP720, 721, 722			
FVHP725, 730, 830, FVHP840			
FVHP615, 618, 620	REEL T-UP ASSY	F14330410400900	E5.50
FVHP622, 710, 711, FVHP720, 721, 722			
FVHP725, 730, 830, FVHP840			
FVHP905, 908, 909	GEAR IDLER ASSY	F14330430402400	275p
FVHP910, 911, 915, FVHP918, 918			
FVHP975, 980, 990	IDLER	F14330420400700	300p
FVHP909, 5000, 5005			
FVHP950, 5075, 5100			
FVHP340, 55, 140	REEL DRIVE ROLLER		E6.00
FVHP1, 10, 20			
FVHP975, 980, 990	CLUTCH	F12430510404200	E9.50
FVHP420, 520, 530	IDLER		E2.80
FVHP420, 520, 530	TAKE UP IDLER		290p
FVHP950	LOADING GEAR		90p
VBS3500	REEL DRIVE PULLEY		E3.20
VBS3500	IDLER		250p
VBS7000	REW IDLER		95p
<b>GOLDSTAR</b>			
GHV1221, 1232, 1240	CLUTCH GEAR	435038A	E2.50
GHV1241, 1242, 1243, GHV1244, 1245, 1246, GHV1247, 1248, 8000,			
GHV8200, 8210, 8215, GHV151, VCP4100, 4130			
GHV1221, 1232, 1240			110p
GHV1241, 1242, 1243, GHV1244, 1245, 1246, GHV1247, 1248, 8000,			
GHV8200, 8210, 8215, GHV151, VCP4100, 4130			
<b>HINARI</b>			
VXL3, VXL20	REEL IDLER	40000009	110p
VXL2	IDLER		110p
VXL4, VXL35	IDLER		E2.75
VXL4, VXL35	CLUTCH		E6.50
VXL4, VXL12, VXL25	LIMITER POST		E1.30
VXL30, VXL35, VTV300			
VXL5, VXL6	CLUTCH		E3.75
VXL5, VXL6	GEAR HOLDER		E3.50
VXL7, VXL8, VXL9	CLUTCH		E3.80
<b>HITACHI</b>			
VT11-33, VT63-64	CLUTCH ASSY	6879515	E7.50
VT14, 17, 19, 38, 57, 86, 88, 34, 35, 39, 52, 61			
62, 65, 85, 300, 640, VT16S			
VT120-220, 100, 110			
111, 113, 115, 118, 200	CLUTCH ASSY	6885824	E7.50
125, 128, 130, 135, 138, 145, 150, 175, 225, 250			
255, 258, 280, VTL30			
VT9000, 8300, 7000	FF-REW IDLER	6413663	E2.80
VT8500, 8700			
VT9000, 8300, 7000	PLAY IDLER	6414221	290p
VT8500, 8700			
VT9000, 8300, 7000	FF-REW PULLEY	6383531	80p
VT8500, 8700			
VT9000, 8300, 7000	FF-REW IDLER	6881471	250p
VT7300, 9500, 6500			
VT680, 6800, 9700, 9900			
VT9300, 9500, 6500	PLAY IDLER	6861482	230p
VT680, 6800, 9700			
VT3900			
VT8300, 9500, 6700	IDLER	681505	230p
VT9900, 6500, 6800, 6800	IDLER	687043	E3.80
VT11-33, VT63-64	FF-REW IDLER	6886971	125p
VT14, 16S, 17, 19, 34, VT35, 38, 39, 52, 61, 62			
VT65, 85, 86, 88, 330, 640			
VT1000, 110, 111, 113	FF-REW ARM	6886792	240p
VT115, 118, 119, 120, 125, 128, 130, 135, 138, 145, 150			
VT175, 220, 225, 250, 255, 258, 260, VTL30			
VT400, 405, 410, 413	FF-REW ARM	6887094	E1.30
VT414, 415, 418, 420, 425, 426, 428, 430, 4, 4, 435			
VT438, 450, 488, 510, 518, 520, 525, 535, 535, 535			
VT536, 540, 545, 546, 548, 570, 575, 576, 580, 585			
VT588, VTM625, 626, 630, 635, 636, 640, 645, 646, VTS80, 85			
VT400, 405, 410, 413	CLUTCH BASE	6889691	E3.25
VT414, 415, 418, 420, 425, 426, 428, 430, 435			
VT438, 450, 488, 510, 518, 520, 525, 535, 535, 535			
VT536, 540, 545, 546, 548, 570, 575, 576, 580, 585			
VT588, VTM625, 626, 630, 635, 636, 640, 645, 646, VTS80, 85			
VT3000	T-UP IDLER (LARGE)		E4.50
VT3000	REW IDLER		E6.00

VT690, 6900, 6900	FS-BRAKE	6861505	230p
VT9700, 9300			
<b>HITACHI TV</b>			
OUTPUT MODULE HM 6251			E5.50
OUTPUT MODULE HM 6232			E8
<b>JVC</b>			
HR330, 3660, 4100	T-UP IDLER SML	PU49280	E5.50
HR7200, 7600, 7650	T-UP CLUTCH	PU53652A	175p
HR7650, 7600, 7350, 7610			
HR7200, 7300, 7350	REEL IDLER	PU498567	220p
HR7600, 7610, 7650, 7655, 7700			
HR7650, 7610, 7650	ROLLER ASSY	PU4942A	350p
HR7655, 7700			
HR3300, 3660, 4100	T-UP IDLER LRG	PU47752	E4.50
HR7200, 7600, 7650	T-UP IDLER	PU51402A	100p
HR7655, HRD110, HRD111, HR7300, 7350, 7610, HRD120, 121, 225			
HRD225, HRD111	T UP CLUTCH	PU55373	150p
HRD110, HRD120, 121, 225	IDLER ARM	PU55374 3-8	200p
HRD225, HRD111			
HRD170, 180, 210, 230	IDLER ARM	PU58465	E2.25
HR5200, HR55500			
HRD455, HRD725	CLUTCH MECH	PU558827	1200p
HRD140, 150, 157, 158	CLUTCH MECH	PU57658	1050p
HR3000, HR3300	REW IDLER	PU46380	500p
HR6500, HR4100			
HRD140, 150, 157, 158	TAKE UP CLUTCH	PU58043-1-4	240p
HRD160, 250, 257, 455, 565, 566, 725, 755, HRP50			
HRD140, 150, 157, 158	TAKE UP CLUTCH	PU58044 1-5	160p
HRD160, 250, 257, 455, 565, 566, 725, 755, HRP50			
<b>MATSUJI</b>			
VX730, 735, 750, 755,	CLUTCH	850A00005	420p
VX810, 820, 850, 890, 990			
VX730, 735, 750, 755	LIMITED POST LEVER		E1.30
VX770, 800, 810, 880	ASSY		
VX900			
VX800A, VX900	IDLER REEL		E1.50
VX800A, VX820	REEL UNIT CLUTCH		E28.25
<b>MTSUBISHI</b>			
HS305, 307, 318, 319,	GEAR ASSY	522800201	E1.50
HS400, 410, 710			
HS337, 338, 347, 349	IDLER	552801701	325p
HS411, 412, 421, HSB10, HSB20, HSB30, HSE10, HSE20, HSE30,			
HSE70			
HS305, 307, 318, 319	IDLER	641C34301	E2.00
HS400, 410, 710			
HS347, 349, 412	IDLER	522902002	E3.00
HSB10, HSB20, HSB30, HSE10, HSE20, HSE30, HSE70,			
HS337, 338, 411, 421	IDLER	552801801	320p
HS200	TAKE UP IDLER (LARGE)		E4.50
HS200	UNLOADING IDLER		E4.00
HS200	REWIND IDLER		E6.00
HS306, 307, 318, 319	SUPPLY REEL	522A00110	E3.20
HS400, 410, 710	DISK	522A00102	E3.20
HS306, 307, 318, 319	TAKE UP REEL		
HS400, 410, 710	DISK	522C06301	E3.00
HS320	REEL DISK	522P00601	E5.90
HS337, 338, 411, 421	REEL DISK	522P00601	E2.25
HS900, 301, 302, 310	PULLEY	641D71101	E1.50
HS306, 307, 318, 319	GEAR WHEEL	641D71001	E1.50
HS400, 410, 710			
<b>NEC</b>			
N830, N831, N832, N833	TAKE UP CLUTCH		150p
N830, N831, N832, N833	TAKE UP IDLER		100p
N830, N831, N832, N833	REEL IDLER		200p
N895	TAKE UP IDLER SMALL		550p
N911, N915, N916, N917	REEL DRIVE PULLEY		350p
N912, 9013, 9014, 9016, 9033, 9034, 9054, 9065, 9066, 9110			
N9510, 9520, 9530, 9610			
<b>NATIONAL</b>			
NV322, NV600, NV688	IDLER UNIT	VXP0463	E2.75
NV777, NV788, NV332, AG6100, 6200, 6800, 6810			
NV300, NV333, NV340	IDLER ARM	VXL0987	E3.80
NV366			
NV330, NV330, NV333	IDLER UNIT	VXP0401	60p
NV340, NV366			
NV300, NV330, NV333	PLAY IDLER	VXP0431	E2.75
NV340, NV366, NV620			
NV300, NV332, NV333	ACTION GEAR	VDG0016	E6.00
NV340, NV366, NV600, NV777, NV788, NV2000, NV2010, 3000, 7000			
AG6010, AG6015			
NV330, NV388, NV2000	LOADING GEAR	VXP0325	E2.00
NV3000, NV7800			
NV200, NV332, NV333	INTERMEDIATE GEAR	VXG0017	E6.05
NV340, NV450, NV600, NV777, NV788, NV2000, NV2010, 3000, 7000			
AG6010, AG6015			
NV330, NV333, NV340	CAM GEAR	VXG0158	E1.00
NV366, NV777, NV788			
NV230, NV290, NV260	IDLER ARM	VXP0521	110p
NV280, NV370, NV380, NV430, NV450, NV460, NV470, NV480			
NV630, NV650, NV730, NV780, NV810, NV830, NV850, NV870			
NVG7, NVG9, NVG10, NVG11, NVG12, NVG14, NVG15, NVG16, VG18			
NVG30, NVG400, AG1000, AG1200, 1500, 1810, 2100,			
AG2200, NVH65, NVH70			
NV370, NV430, NV570	CAM GEAR	VDG0200	E1.20
NV730, NV830, NV850, NVG10, NVG12, NVG18			
NV730, NV770	IDLER UNIT	VXP0581	E2.50
NV2000, 2010, 3000	IDLER UNIT	VXP0331	80p
NV2000, 2010, 3000	IDLER UNIT	VXP0329	80p
NV2000, NV			

# REMOTE CONTROLS

Description	Order Code	Price	Description	Order Code	Price
<b>GRUNDIG</b>			<b>PHILIPS (continued)</b>		
TP160E	RC 107	900p	RC38	RC 301	875p
TP200, TP300	RC 380	800p	KT3 TEXT	RC 5301	800p
TP400	RC 401	800p	RC5352	RC 5352	800p
TP590-600	RC 600	850p	RC5375	RC 5375	850p
TP390, TP610	RC 610	850p	RC5 STANDARD	RC 5534	850p
TP621	RC 621	850p	RC5901	RC 5901	850p
TP630, TP650	RC 650	850p	RC5903	RC 5903	800p
TP660	RC 660	850p	<b>SABA</b>		
TP661	RC 661	850p	T6772	RC 149	900p
<b>HITACHI</b>			TC319-320	RC 328	875p
CLE800-CLE830	RC 140M	850p	TC356	RC 356	875p
A617402/655602	RC 192	875p	TC358	RC 358	850p
A512120/230	RC 900	800p	TC360	RC 360	800p
A514790	RC 901	850p	TC365	RC 365	800p
A5088470	RC 902	800p	<b>SALORA</b>		
A518612	RC 903	900p	SERIES L	RC 190	875p
SCL002	RC904	850p	86173	RC 882	850p
C2096	RC 905	850p	<b>SANYO</b>		
A511940	RC 906	800p	RC218, RC222, RC228, RC238	RC 140M	850p
655602H	RC 907	850p	JXGE	RC 878	850p
<b>ITT</b>			JXDE	RC 884	850p
IFB13, 14, 15	RC 143	875p	VHR2300	RC 890	850p
FS4	RC 148	850p	RC628	RC 865	900p
RG305	RC 305	825p	<b>SHARP</b>		
RG306	RC 306	825p	GO121CESA, 123CESA, 204, 251	RC 140M	850p
FS9/1-10/1	RC 307	850p	<b>SIEMENS</b>		
V55 RUK	RC 308	825p	FC616	RC 130	850p
VS4-1	RC 310	850p	FC631	RC 132	850p
MULTICONTROL (17C20)	RC 311	800p	FC742	RC 164	900p
<b>KORTING</b>			<b>SONY</b>		
18279, 18396, 18460, 18521 SE	RC 108	850p	RM604, RM605, RM606	RC 140	850p
40540 VTS	RC 108	900p	32 CHANNEL	RC 140M	850p
<b>LOEWE</b>			RM613	RC 141	850p
DC11	RC 146	850p	RM632, RM636	RC 160	850p
<b>MATSUI</b>			<b>TATUNG</b>		
010270601	RC 889	850p	FXA	RC 877	850p
VX770	RC 892	850p	RC70	RC 883	750p
<b>METZ</b>			FX70 FASTTEXT	RC 894	850p
JAVA COLOR (6890)	RC 166	850p	<b>TELEFUNKEN</b>		
COLOR (7156)	RC 183	850p	FB632	RC 632 ST	850p
JAVA (7180)	RC 184	850p	FB639	RC 639 ST	850p
<b>MITSUBISHI</b>			<b>THORN/FERGUSON</b>		
939P/03607, 939P/03609	RC 140M	850p	3V35-42	RC 342	850p
<b>NOKIA</b>			3V31-32	RC 344	850p
SATELLITE	RC 550	850p	3V57-58	RC 628	900p
<b>NORDMENDE</b>			TX10 TEXT	RC 732	750p
TC2336	RC 351N	850p	TX10 STEREO TEXT	RC 738	750p
CMC1, TC3519	RC 356	875p	TX9-90-100	RC 740	750p
<b>OCEANIC</b>			3V55, FV11	RC 783	900p
390C9500	RC 339	900p	TX100 FASTTEXT	RC 785	800p
<b>ORION</b>			TX100 STEREO FASTTEXT	RC 789	800p
RC53	RC 892	850p	PROFESSIONAL	RC 790	800p
<b>PANASONIC</b>			<b>TOSHIBA</b>		
EUR51200	RC 200	850p	CT937	RC 950	850p
TC2200	RC 201	850p	CT9117	RC 951	850p
VSQ0357/NV730	RC 202	875p	201R4B	RC 952	850p
TNQ1621	RC 203	900p	<b>UNIVERSAL PROGRAMMABLE REMOTE CONTROL</b>		
<b>PHILCO</b>			Controls up to 4 different devices which use infra red remote controls including TV, audio, VCR and satellite. (need original remote control TC program)		
CARVEL, CONCORDE, MERCURY, TELESTAR	RC 108	850p	Order code: IR100R Price: 1950p		
TC10	RC 152	900p	<b>We stock Remote Controls for over 5000 different models. Ring for further details on 081-900-2329.</b>		
<b>PHILIPS</b>					
RC5002.5154	RC 134	850p			
KT3 NON TEXT	RC 135	825p			
69117032	RC 178	875p			
69117194	RC 180	875p			
RC5991-UNIV	RC 300	850p			

## VCR ALIGNMENT KIT

CONTAINS:  
**SET OF 7 HEAD & TAPE PATH ALIGNERS**  
 \* RCA TYPE AUDIO & CONTROL HEAD POSITIONING TOOL  
 \* RCA ADJUSTMENT TOOL FOR TAPE GUIDE POSTS  
 \* RCA TYPE BACK TENSION TOOL  
 \* TENSION ADJUSTMENT TOOL FOR VARIOUS USES  
 \* VCR ADJUSTMENT TOOL

**SET OF 8 ALLEN KEYS**  
 \* 0.77mm  
 \* 0.90mm  
 \* 1.27mm  
 \* 1.50mm  
 \* 1.60mm  
 \* 2.00mm  
 \* 2.40mm  
 \* 3.00mm

3 Reversible Screwdrivers  
 Spring Hook  
 VCR Head Extractor  
 Circlip Pliers  
 Micro Screwdriver

Order Code: TOOL10 Price: 3000p

## FUSES

Value	TIME LAG (20mm)		QUICK BLOW (20mm)	
	Order Code	Price	Order Code	Price
160mA	FUSE01	75P	FUSE17	60P
250mA	FUSE02	75P	FUSE18	60P
315mA	FUSE03	75P	FUSE19	60P
400mA	FUSE04	75P	FUSE20	60P
500mA	FUSE05	75P	FUSE21	60P
630mA	FUSE06	75P	FUSE22	60P
800mA	FUSE07	60P	FUSE23	60P
1A	FUSE08	60P	FUSE24	60P
1.25A	FUSE09	60P	FUSE25	60P
1.6A	FUSE10	60P	FUSE26	60P
2A	FUSE11	50P	FUSE27	60P
2.5A	FUSE12	50P	FUSE28	60P
3.15A	FUSE13	55P	FUSE29	50P
4A	FUSE14	55P	FUSE30	50P
5A	FUSE15	60P	FUSE31	50P
6.3A	FUSE16	60P	FUSE32	50P

## FUSES

CURRENT RATING	ORDER CODE	PRICE
<b>CERAMIC PLUG TOP</b>		
3A	FUSE33	100P
5A	FUSE34	100P
13A	FUSE35	100P
<b>20MM CERAMIC TIME LAG</b>		
3.15A	FUSE41	100P
4A	FUSE42	100P
5A	FUSE43	100P
6.3A	FUSE38	100P
8A	FUSE39	100P
10A	FUSE40	100P
<b>32MM CERAMIC SLOW BLOW</b>		
8A	FUSE44	210P
10A	FUSE45	210P
15A	FUSE46	210P
20A	FUSE47	210P
<b>38MM CERAMIC SLOW BLOW</b>		
10A	FUSE48	875P

ALL THE ABOVE PRICES ARE FOR PACKS OF 10 FUSES

## I.C. PROTECTOR

ICPF10 ICPF38 ICPN10 ICPN38  
 ICPF15 ICPF50 ICPN15 ICPN50  
 ICPF20 ICPF75 ICPN20 ICPN75  
 ICPF25 ICPN5 ICPN25

Price: Only 30p each

**AUDIO CONTROL HEAD**  
 Amstrad Original No: 150751  
 Used on Amstrad TVR1 2.3, VCR4600, 4600MII, 4700  
 Funai V2S, VCR4600, 4800, 5200, 5600, 6600, VIP3000, 5000  
 Also fits: Fidelity, Funai, Hinari, Proline, Schneider, Towada.  
 Ultravox  
 Order Code: AH01 Price: £13.50

Amstrad Original No: 153154  
 Used on Amstrad 008900, 8904, VCR2000, 6000, 8600,  
 8602, 8603, VCR8604, 8700, 8704, 8714, 8800, 9005,  
 9244  
 Also fits: Antitech, Boadstec, Casio, Crown, Fidelity,  
 Goldhead, Granada, Hinari, Marguant, Omega, Protex,  
 Schneider, SEG, Sentra, Shiplom, Tashiko, Tatung,  
 Towada, Universum  
 Order Code: AH02 Price: £14.50

# GRANDATA LTD

K.P. HOUSE, UNIT 15, POP IN COMMERCIAL CENTRE, SOUTHWAY,  
 WEMBLEY, MIDDLESEX, ENGLAND HA9 0HB

Telephone: 081-900 2329 Fax: 081-903 6126

OPEN Monday to Saturday. Times: Mon-Fri 9.00-5.30 Sat 9.00-2.00

# JUST ARRIVED!!! NEW ITEMS

## Satellite PSU Repair Kits

Experience shows that 50% of all receiver power supplies 'bounce' unless the correct precautionary measures are taken when being serviced. A kit of all the recommended parts is supplied for the 4 most popular models, which when fitted should overcome this.

MAKE & MODEL	ORDER CODE	PRICE
PACE PRD900, PRD900	SATPSU1	650p
PACE SS9000 9200, 9010, 9020, 9220	SATPSU2	650p
AMSTRAD SRD510, SRD520	SATPSU3	650p
AMSTRAD SRD500	SATPSU4	650p

## Replacement Video Heads

MAKE	MODELS	PRICE
HITACHI	VT570, VT575, VT576, VT580, VT585 VT588, VT570	3100p
I.T.T.	VR3761	3100p
JVC & FERGUSSON	HRD950, HRD960, HRD980, FV46	5000p
LUXOR	VR3761	3100p
MITSUBISHI	HSE51	3000p
NATIONAL PANASONIC	NVFS200, NVFS90, NVV8000	4600p
	NVHD100, NVHD101, NVHF100	3100p
	NVSD	1400p
	AG7330, AG7350, AG7355, AG7450	5000p
	NVFS100	5000p
N.E.C.	D5600	3500p
SANYO	TLS1000P, TLS1001P, TLS1100	3100p
	VHR7800, VHR7810, VHR8000SP, VHR801SP, VHRD4800	3100p
SHARP	VCH80, VCH81, VFH815	2800p
	VCA33, VCA36, VCA43, VCA44, VCA46, VCA49	1500p
	VCA55, VCA63	2200p
SONY	SLV656, SLV715, SLV757, SLV777, SLV815, SLV825	4600p
	SLV353UB	3200p
	CCDF340E, CCDF500E, CCDV90E, CCDV95E, CCDSPE	4800p

## Original Video Heads

MAKE	MODELS	PRICE
NATIONAL PANASONIC	NVG20, NVG21, NVG22, NVG25 NVG25, NVG28, NVG200, NVD48 PART NO: VEH 0343	3000p
	NVG33, NVG45, NVG46, NVL23 NVL25, NVL28 PART NO: VEH 0417	2900p
	NVJ30, NVHJ33, NVL20, NVL21, NVG30, NVG31, NVG40, NVG130 PART NO: VEH 0416	2700p

## Audio Control Head

**AMSTRAD ORIGINAL NO: 150751**  
Used on: AMSTRAD TVR1, 2, 3, VCR4600, 4600MKII, 4700, FUNAI VS2, VCR4600, 4800, 5200, 5600, 6600, VIP3000, 5000  
Also fits: FIDELITY, FUNAI, HINARI, PROLINE, SCHNEIDER, TOWADA, UNIVERSUM ORDER CODE: AH01 PRICE: 1350p

**AMSTRAD ORIGINAL NO: 153134**  
Used on: AMSTRAD DD8900, 8904, VCR2000, 6000, 6100, 8600, 8602, 8603, VCR8604, 8700, 8704, 8714, 8800, 9005, 8244  
Also fits: ANITECH, BONDSTEC, CASIO, CROWN, FIDELITY, GOLDHAND, GRANADA, HINARI, MARQUANT, OMEGA, PROFEX, SCHNEIDER, SEG, SENTRA, SHINTOM, TASHIKO, TATUNG, TOWADA, UNIVERSUM ORDER CODE: AH02 PRICE: 1450p

## Replacement Audio Control Video Sound Head for National Panasonic

PART NUMBER	MODELS	PRICE
VBR 0091	NVG7 etc	875p
VBR 0050	NV300, NV340 etc	875p
VBR 0061	NV777 etc	875p
VBR 0103A	NV250, NV450 etc	625p
VBR 0125		625p

## 4 way Preprogrammed Universal Remote Control

A single remote control to operate Televisions, Videos and Satellite Receivers. Plus Auxiliary Options!!!  
\* Replaces up to 8 remotes with one \* Simple 4 digit setup routine  
\* Controls 1000s of models \* Teletext functions with Fastext  
\* Clear (large key) layout \* Code Search Facility  
\* Stylish and easy to operate \* Replace broken or lost remotes  
\* Original Remote not required  
Order Code: RCW0200 Price 1450p + VAT

## Replacement Video Cassette Housings

MAKE	MODELS	CODE	PRICE
AKAI	VS35, VS53, VS55, VS56, VS25	CH18	2600p
GRANADA	VHSDP1	CH05	1100p
	VHSYJ2	CH01	2600p
GOLDSTAR	GHV1290P, 1291P, 1295P, 9400, 73401, GSE1295P, GSE1891P, 20001Q, 20051Q, VCP4200, 4300, 4301, 4305, VCP4306, 4311, 4315, 4316, 4320, 4321, 4325	CH25	2000p
	GHV51, 1221, 1232, 1240, 1241, 1242, 1244, 1246, 1248, GHV800, 8200	CH26	2900p
FERGUSON & J.V.C.	3V38, 3V39, 8943, 8944, 8951, 3V35, 3V36, 3V49, HRD 110, 111, 120, 121, 225	CH01	2600p
	3V42, 3V43, 3V44, 3V45, 3V4E, 3V53, 3V54, 3V55, 3V57, 8945, 8947, 8948, HRD140, 141, 150, 157, 158, 160, 250, HRD257, 455, 565, 566, 725, 755	CHC2	2600p
	8948, 8950, FV10B, 12L, 13H, 14T, 20B, 21R, 22L, 26, 395, HRD230, 430, 530	CH03	2600p
	3V58, 3V59, 3V64, 3V65, FV11R, 8950, 8951, HRD170, HRD180, HRD370	CH04	2600p
	FV31R	CH19	4300p
	HRD515, 520, 527, 540, 550, 580, 600, 610, 620, 660, 670, HRD300, 840, 850, 860, 4050, 6600, FV37H	CH20	2400p
	HRD540, 580, 830, 860, 910, 960, HRD970, HRDX20, FERGUSON FV57H	CH27	2400p
I.T.T.	VR3605, VR3905	CH01	2600p
	VR3916, 3926, 3946, 3948, 3976, 3986, 3995, 3997, 6948	CH02	2600p
	VR3916, 3926, 3946, 3948, 3976, 3986, 3995, 3997, 6948	CH02	2600p
NATIONAL PANASONIC	NV730	CH06	4300p
N.E.C.	N830EG, N831EG, N832, N83:EG	CH01	2600p
	N895	CH02	2600p
PHILIPS	CASSETTE LIFT ASSEMBLY (#9120366) DV186, 190, 286, 471, 562, 761, VR6180, 6182, 6185, 6285, VR6290, 6291, 6293, 6362, 6367, 6393, 6467, 6468, 6470, VR6561, 6670, 6760, 6761, 6870, 6970	CH05	1100p
	VR6443	CH22	2900p
	VR6448	CH23	2500p
	49S86	CH24	2500p
SHARP	VCA100, VCH851, VCH852	CH22	2900p
	VCA103, 103GV, 106, 106GVM, 254GVM	CH23	2500p
	VCS211, 244, 5055, 605, VCB210, VCD806G, 810G, VCT212, 31M, 410G, 610	CH24	2500p
TELEFUNKEN	VR2970	CH02	2600p
THOMSON	V320, 321, 323, 326, 4200, 4300	CH01	2600p
	V342, 343, 352, 353, 360, 364, 368, 4210, 4230, 4260, 4400, V5500, 6000, 8540	CH02	2600p
TOSHIBA	V55, V57	CH01	2600p
	V65, V66	CH02	2600p

## Service Aids

DESCRIPTION	VOLUME	CODE	PRICE
VIDEO HEAD CLEANER	75ML	SP01	140p
SWITCH CLEANER	176ML	SP02	150p
SILICONE GREASE	200ML	SP03	170p
FREEZE IT	170ML	SP04	200p
FREEZE IT	400ML	SP16	350p
FOAM CLEANER	400ML	SP05	170p
ANTI STATIC	150ML	SP06	170p
AEROKLEANE	135ML	SP07	140p
AERO DUSTER	150ML	SP08	200p
AERO DUSTER	400ML	SP17	425p
PLASTIC SEAL	200ML	SP09	200p
GLASS CLEANER	250ML	SP10	160p
COLDKLENE	250ML	SP13	160p
EXCEL POLISH 8C	250ML	SP18	150p
ADHESIVE 120	400ML	SP19	190p
LABEL REMOVER 130	200ML	SP20	240p
REFURB 140	400ML	SP21	240p
TUBE SILICON GREASE	50 GRAMMES	SP11	200p
TUBE SILICON SEALANT WHITE	75ML	SP22	280p
TUBE SILICON SEALANT CLEAR	75ML	SP23	280p
TUBE HEAT SINK COMPOUND	25 GRAMMES	SP12	150p
DRIVE CLEANER	200ML	SP24	150p
SCREEN CLEANER	200ML	SP25	150p
COMPUTER CARE KIT		SP26	2100p

All the above items are manufactured by Servisol  
If you purchase more than one Servisol Product, postage & package will be charged as follows:  
300p for 5 cans 450p for more than 5 cans

## CD Pick Ups

PART NO.	DESCRIPTION	PRICE
SONY OPTICAL PICK UP		
PART NO: KSS210A	SONY CDPC 301M, CDPC 305M	2200p
	Fits most Sony, Akai & J.V.C. Portable Hi-Fi and Midi Systems	
PART NO: KSS210B	USED ON MODELS: CFD100, 105L, 120, 300, 440, 454, 455, 50, 500, 55, 58, 60 CFD68, 750, 755, 760, 765, 770, 775, 440S, W100, 100S	2200p

## Cassette DC Motors

MOTOR TYPE	PRICE
6V MOTOR	170p
9V MOTOR	170p
12V CW MOTOR	170p
12V CCW MOTOR	170p
13.2 CCW MOTOR	290p

## Cassette Tape Heads

HEAD TYPE	PRICE
MONO HEAD	90p
STEREO HEAD	110p
MINI HEAD	150p
AUTO REVERSE HEAD	200p

## Soldering Accessories

DESCRIPTION	CODE	PRICE
ANTEX SOLDERING IRONS		
25 WATT 240 VAC (XS25W 240V)	S101	900p
15 WATT 240 VAC (XS15W 240V)	S102	900p
25 WATT SPARE ELEMENT	S103	450p
15 WATT SPARE ELEMENT	S104	450p
SOLDERING STAND & SPONGES		
SOLDERING STAND (MADE BY ANTEX)	S108	350p
SPARE SPONGE	S109	55p
SOLDER		
18 SWG 500 GRAMMES	S110	500p
20 SWG 500 GRAMMES	S111	650p
22 SWG 500 GRAMMES	S112	700p
DESOLDERING AIDS		
SOLDER MOP STANDARD GAUGE 1.2mm x 1.5M	S107	70p
SOLDER MOP 1.2mm x 10M	S113	300p
DESOLDERING FUJMP	S105	320p
SPARE NOZZLE	S106	60p

## Transistors & ICS

BU 508A (PHIL)	80p	MJE 13009	100p	2SC 3885A	350p
BU 810	110p	MJE 18004	125p	2SD 633	70p
BUZ 90A	180p	STK 6982H	600p	2SD 1680	225p
CXA 1044P	550p	STK 7253	450p	2SK 793	400p
HA 13408	350p	TDA 2030H	100p	2SK 956	1400p
IRFBC40	400p	TEA 2019	260p	2SK 1023	550p
L272	200p	TMP 47C434N	1250p	2SK 1342	750p
LG210	250p	SAA 1300	200p	2SK 1358	600p
MC 3423P	100p	2SA 1540	55p	68000	500p
MJ 15015	250p	2SC 3788	60p	82S147	450p
MJ 15016	350p	2SC 3885	350p		

**GRANDATA LTD**  
Tel: 081-900 2329  
Fax: 081-903 6126

**ELC EAST LONDON COMPONENTS**  
AUDIO TELEVISION VIDEO  
COMPONENTS AT VERY KEEN PRICES  
TEL: 081-472 4871 FAX: 081-503 5926

**REMOTE CONTROLS FROM £7.99**

IDLER TYRES 50p 1+, 25p 10+

VIDEO HEADS FROM £6.99

Over 200 models at very attractive prices.

AKAI, AMSTRAD, FERGUSON, FISHER, GOLDSTAR, HINARI, HITACHI, LOGI, MATSUI, ORION, PANASONIC, SAISHO, SHARP AND MANY MORE

**VIDEO SPARES**

3V29 TAKE UP IDLER	£1.30p
3V29 F/F REW IDLER	£2.60p
5V5965 FV1014 IDLER	£1.50p
3V23 LOADING ROLLER BAR	£1.95p
SHARP 0055 & 0006	£1.95p
SHARP VC651 ASSEMBLY	£6.99p
VT11/14/17 IDLER	£1.95p
VT11 CLUTCH ASSEMBLY	£6.99p
VT100225/260 IDLER	£2.75p
NEC 9013 IDLER	£4.99p
SANYO VHR3300 IDLER	£3.99p
AKAI VS10520 CLUTCH ASSEMBLY	£11.99p
SAISHO VR380 CLUTCH	£4.99p
MITSUBISHI H5337 F/F IDLER	£2.70p
ALBA SENTRA PULLEY	£1.35p
MATSUI LUMITER POST	£1.25p
PANASONIC NV370 IDLER	£1.95p
FISHER 615 IDLER	£3.50p
FISHER GEAR ASSEMBLY	£4.50p
AMSTRAD PINCH WHEEL MOD KIT	£3.99p
UNIVERSAL TRIPLER	£4.99p
UNIVERSAL TRIPLER WITH FOCUS	£7.99p
HITACHI MODULE HM6251	£16.99p
CU2410 TRIPLER	£16.99p
TENSION BAND FOR MOST MOD FROM CIRCUIT PROTECTOR ICP	£1.99p
50p	
TX10 FOCUS UNIT	£7.99p
VHR3300	2.15
PHILIPS BACK-UP BATTERY	£1.30p
ALBA BATTERY 1F 5.5V	£2.50p
TV SWITCHES FOR MOST MOD FROM SONY FUNCTION SWITCH	£1.99p
VC651/681	1.25
VC900	1.50

**ELC EAST LONDON COMPONENTS**  
63 PLASHET GROVE, EAST HAM,  
LONDON E6 1AD. TEL: 081-472 4871  
two minutes walk from Upton Park Tube Station  
PLEASE PHONE US IF WHAT YOU NEED  
IS NOT LISTED AS WE HOLD THOUSANDS  
OF ITEMS IN STOCK  
ADD £1 P/P ADD 17.5% VAT  
ALL GOODS DESPATCHED SAME DAY  
PRICE SUBJECT TO CHANGE WITHOUT NOTICE  
VISA ACCESS ACCEPTED. MIN ORDER £5.00

**LINE OUTPUT TRANSFORMERS**

AKAI	19.99	MATSUI	19.99	AN3822K	7.99	LA7835	1.99	STK5730	3.50	TDA1510	3.50	UPC1378	2.20	ZS8755	3.50
CT2570E	19.99	1420	16.99	AN3511	6.99	ME42901	2.60	STK6962	6.00	TDA1515	2.50	UPC1394	1.90	ZS8817	2.00
CT2870	19.99	1401B	24.99	AN9435	2.50	M6490B1	8.50	STK7216	7.00	TDA1516	4.00	UPC1420	6.50	ZS8861	0.60
ALBA	19.99	1450	16.99	AN5515	2.99	M491BB1	8.50	STK7226	8.50	TDA1518	4.00	UPC1470	2.00	ZS8882	0.80
CTV14RS	19.99	1465	19.99	AN4981	8.50	M49481	8.50	STK7308	4.25	TDA1520	4.00	UPC1488	3.50	ZS8891	1.40
AMSTRAD	14.99	1480A	16.99	AN5521	2.99	M5444A-84	3.99	STK7348	4.00	TDA1521	3.50	UPC1498	3.50	ZS8902	0.80
CTV2210	14.99	CT2528E TX	16.99	BA3402	3.99	M545431	2.99	STK7356	9.00	TDA1522	3.99	X2402F	4.25	ZS8910	0.75
TVR12/24	16.99	CT2839ETX	16.99	BA5402	2.50	M545444	2.99	STK8250	8.00	TDA1670	3.00	SG264A THY	7.00	ZS8910	0.80
BUSH	16.99	ORION	16.99	BA5402	2.50	M546447L	3.99	STR5412	4.50	TDA2003	1.00	SG264A THY	7.00	ZS8928	0.25
ORION	16.99	BA6109	1.80	M546481	4.25	M546481L	4.25	STR5421	4.50	TDA2005	1.00	TRANSISTORS		ZS8932	0.25
PHILIPS	16.99	BA6121	2.99	M546481L	3.99	M546481L	3.99	STR5421	4.50	TDA2003	1.00	BC366	0.30	ZS8932	0.25
KT3	13.99	BA6209	2.50	M546481L	3.99	M546481L	3.99	STR5421	4.50	TDA2005	1.00	BF869	0.30	ZS8932	0.25
KT4	16.99	BA6219	2.99	M546481L	3.99	M546481L	3.99	STR5421	4.50	TDA2003	1.00	BU208A	1.30	ZS8932	0.25
KT40	16.99	BA6222	1.99	M546481L	3.99	M546481L	3.99	STR5421	4.50	TDA2003	1.00	BU208A	1.30	ZS8932	0.25
KT40	16.99	BA6223	2.80	M546481L	3.99	M546481L	3.99	STR5421	4.50	TDA2003	1.00	BU208A	1.30	ZS8932	0.25
KT40	16.99	BA6223	2.80	M546481L	3.99	M546481L	3.99	STR5421	4.50	TDA2003	1.00	BU208A	1.30	ZS8932	0.25
KT40	16.99	BA6223	2.80	M546481L	3.99	M546481L	3.99	STR5421	4.50	TDA2003	1.00	BU208A	1.30	ZS8932	0.25
KT40	16.99	BA6223	2.80	M546481L	3.99	M546481L	3.99	STR5421	4.50	TDA2003	1.00	BU208A	1.30	ZS8932	0.25
KT40	16.99	BA6223	2.80	M546481L	3.99	M546481L	3.99	STR5421	4.50	TDA2003	1.00	BU208A	1.30	ZS8932	0.25
KT40	16.99	BA6223	2.80	M546481L	3.99	M546481L	3.99	STR5421	4.50	TDA2003	1.00	BU208A	1.30	ZS8932	0.25
KT40	16.99	BA6223	2.80	M546481L	3.99	M546481L	3.99	STR5421	4.50	TDA2003	1.00	BU208A	1.30	ZS8932	0.25
KT40	16.99	BA6223	2.80	M546481L	3.99	M546481L	3.99	STR5421	4.50	TDA2003	1.00	BU208A	1.30	ZS8932	0.25
KT40	16.99	BA6223	2.80	M546481L	3.99	M546481L	3.99	STR5421	4.50	TDA2003	1.00	BU208A	1.30	ZS8932	0.25
KT40	16.99	BA6223	2.80	M546481L	3.99	M546481L	3.99	STR5421	4.50	TDA2003	1.00	BU208A	1.30	ZS8932	0.25
KT40	16.99	BA6223	2.80	M546481L	3.99	M546481L	3.99	STR5421	4.50	TDA2003	1.00	BU208A	1.30	ZS8932	0.25
KT40	16.99	BA6223	2.80	M546481L	3.99	M546481L	3.99	STR5421	4.50	TDA2003	1.00	BU208A	1.30	ZS8932	0.25
KT40	16.99	BA6223	2.80	M546481L	3.99	M546481L	3.99	STR5421	4.50	TDA2003	1.00	BU208A	1.30	ZS8932	0.25
KT40	16.99	BA6223	2.80	M546481L	3.99	M546481L	3.99	STR5421	4.50	TDA2003	1.00	BU208A	1.30	ZS8932	0.25
KT40	16.99	BA6223	2.80	M546481L	3.99	M546481L	3.99	STR5421	4.50	TDA2003	1.00	BU208A	1.30	ZS8932	0.25
KT40	16.99	BA6223	2.80	M546481L	3.99	M546481L	3.99	STR5421	4.50	TDA2003	1.00	BU208A	1.30	ZS8932	0.25
KT40	16.99	BA6223	2.80	M546481L	3.99	M546481L	3.99	STR5421	4.50	TDA2003	1.00	BU208A	1.30	ZS8932	0.25
KT40	16.99	BA6223	2.80	M546481L	3.99	M546481L	3.99	STR5421	4.50	TDA2003	1.00	BU208A	1.30	ZS8932	0.25
KT40	16.99	BA6223	2.80	M546481L	3.99	M546481L	3.99	STR5421	4.50	TDA2003	1.00	BU208A	1.30	ZS8932	0.25
KT40	16.99	BA6223	2.80	M546481L	3.99	M546481L	3.99	STR5421	4.50	TDA2003	1.00	BU208A	1.30	ZS8932	0.25
KT40	16.99	BA6223	2.80	M546481L	3.99	M546481L	3.99	STR5421	4.50	TDA2003	1.00	BU208A	1.30	ZS8932	0.25
KT40	16.99	BA6223	2.80	M546481L	3.99	M546481L	3.99	STR5421	4.50	TDA2003	1.00	BU208A	1.30	ZS8932	0.25
KT40	16.99	BA6223	2.80	M546481L	3.99	M546481L	3.99	STR5421	4.50	TDA2003	1.00	BU208A	1.30	ZS8932	0.25
KT40	16.99	BA6223	2.80	M546481L	3.99	M546481L	3.99	STR5421	4.50	TDA2003	1.00	BU208A	1.30	ZS8932	0.25
KT40	16.99	BA6223	2.80	M546481L	3.99	M546481L	3.99	STR5421	4.50	TDA2003	1.00	BU208A	1.30	ZS8932	0.25
KT40	16.99	BA6223	2.80	M546481L	3.99	M546481L	3.99	STR5421	4.50	TDA2003	1.00	BU208A	1.30	ZS8932	0.25
KT40	16.99	BA6223	2.80	M546481L	3.99	M546481L	3.99	STR5421	4.50	TDA2003	1.00	BU208A	1.30	ZS8932	0.25
KT40	16.99	BA6223	2.80	M546481L	3.99	M546481L	3.99	STR5421	4.50	TDA2003	1.00	BU208A	1.30	ZS8932	0.25
KT40	16.99	BA6223	2.80	M546481L	3.99	M546481L	3.99	STR5421	4.50	TDA2003	1.00	BU208A	1.30	ZS8932	0.25
KT40	16.99	BA6223	2.80	M546481L	3.99	M546481L	3.99	STR5421	4.50	TDA2003	1.00	BU208A	1.30	ZS8932	0.25
KT40	16.99	BA6223	2.80	M546481L	3.99	M546481L	3.99	STR5421	4.50	TDA2003	1.00	BU208A	1.30	ZS8932	0.25
KT40	16.99	BA6223	2.80	M546481L	3.99	M546481L	3.99	STR5421	4.50	TDA2003	1.00	BU208A	1.30	ZS8932	0.25
KT40	16.99	BA6223	2.80	M546481L	3.99	M546481L	3.99	STR5421	4.50	TDA2003	1.00	BU208A	1.30	ZS8932	0.25
KT40	16.99	BA6223	2.80	M546481L	3.99	M546481L	3.99	STR5421	4.50	TDA2003	1.00	BU208A	1.30	ZS8932	0.25
KT40	16.99	BA6223	2.80	M546481L	3.99	M546481L	3.99	STR5421	4.50	TDA2003	1.00	BU208A	1.30	ZS8932	0.25
KT40	16.99	BA6223	2.80	M546481L	3.99	M546481L	3.99	STR5421	4.50	TDA2003	1.00	BU208A	1.30	ZS8932	0.25
KT40	16.99	BA6223	2.80	M546481L	3.99	M546481L	3.99	STR5421	4.50	TDA2003	1.00	BU208A	1.30	ZS8932	0.25
KT40	16.99	BA6223	2.80	M546481L	3.99	M546481L	3.99	STR5421	4.50	TDA2003	1.00	BU208A	1.30	ZS8932	0.25
KT40	16.99	BA6223	2.80	M546481L	3.99	M546481L	3.99	STR5421	4.50	TDA2003	1.00	BU208A	1.30	ZS8932	0.25
KT40	16.99	BA6223	2.80	M546481L	3.99	M546481L	3.99	STR5421	4.50	TDA2003	1.00	BU208A	1.30	ZS8932	0.25
KT40	16.99	BA6223	2.80	M546481L	3.99	M546481L	3.99	STR5421	4.50	TDA2003	1.00	BU208A	1.30	ZS8932	0.25
KT40	16.99	BA6223	2.80	M546481L	3.99	M546481L	3.99	STR5421	4.50	TDA2003	1.00	BU208A	1.30	ZS8932	0.25
KT40	16.99	BA6223	2.80	M546481L	3.99	M546481L	3.99	STR5421	4.50	TDA2003	1.00	BU208A	1.30	ZS8932	0.25
KT40	16.99	BA6223	2.80	M546481L	3.99	M546481L	3.99	STR5421	4.50	TDA2003	1.00	BU208A	1.30	ZS8932	0.25
KT40	16.99	BA6223	2.80	M546481L	3.99	M546481L	3.99	STR5421	4.50	TDA2003	1.00	BU208A	1.30	ZS8932	0.25
KT40	16.99	BA6223	2.80	M546481L											



## The Mayhem Business

Over the last couple of years electrical retailing has been one of the worst types of business in which to be. Despite some growth in the economy recently, consumers are still not feeling particularly happy and are unwilling to spend unless it's absolutely necessary. Combine this with the fact that the traditional video/TV market is a saturated one, with most households already having whatever equipment they feel they need, and you can appreciate the crunch situation that has arisen in electrical retailing. Had there been new products that everyone felt they had to have, things may have been rather different. But how often do such products appear on the scene? The radio receiver, the TV set, the VCR and the CD player are all items that have assured markets, though saturated ones. Things like camcorders and interactive video systems are not regarded as essentials. People feel that they can take them or leave them. Right now they are tending to leave them.

The problem for retailers is that there have been far too many outlets to cater for today's more limited demand. Just how did we come to have so many chain stores anyway? Probably because the prospects looked quite different in the boom times of the mid and late Eighties.

However that might be, retrenchment is the present order of the day. Too many shops chasing too few sales amounts, as Thorn EMI's chairman Sir

Colin Southgate put it, to a "mayhem market", one in which "no one makes any money, either in or out of town". The result is the general contraction in the number of outlets, the most notable example being Thorn EMI's closure of its Rumbelows chain with the loss of some 2,500 jobs. Not only are the 285 Rumbelows stores to go, but also Thorn EMI's 36 Fona stores and its Focus concessions. Colorvision has closed nine stores, while Yorkshire Electricity and East Midlands Electricity have sold off their Homepower stores. Clydesdale collapsed over a year ago. Perhaps we may, after all these losses, be getting to the situation where the number of outlets is appropriate to the current market. We shall see.

Rumbelows went because it had been running at an annual loss of £12m over the last three years. Amstrad has recently announced a profits slump, which reflects high street conditions, while Comet's recently announced half-year sales declined ten per cent year-on-year. Dixons however seems to be getting it right, with improved results compared to a year ago. Thorn EMI's rental operations are also doing very well. It seems that when times are hard people prefer to rent rather than enter into hire-purchase commitments. Thorn EMI is also doing well out of exploiting a sort of half-way approach called rent to buy. It combines the advantages of rental with the possibility of purchase. In strict economic terms it makes no

sense for the consumer, but it can be seen as a logical compromise when times are hard.

During the years 1986-88 the electrical retail sector did extremely well, recording double-digit sales increases year on year. The lively housing market and growth in personal income combined to produce boom conditions. At the same time there was an accelerating move from high street outlets to out-of-town superstores. According to Department of Trade and Industry figures, the number of electrical retail outlets fell from 16,800 in 1984 to 14,800 in 1993. During the same period the number of superstores grew from around 150 to over 600, increasing their share of the market from 6.6 per cent to almost twenty per cent. Rumbelows problem seems to have been that it remained over committed to the high street.

Are things now likely to settle down? The shake out should mean a more secure life for those who remain – provided they study their market opportunities and move as the market shifts. Sales of mobile phones and personal computers are doing very well, which means that there are markets to exploit. And the rental companies have been able to come up with offers that cater for particular market needs. Not all is gloom, though it's unlikely that we shall ever again see the easy money-making conditions of a decade ago in our trade.

---

### EDITOR

John A. Reddihough

### PRODUCTION EDITOR

Tessa Winford

### EDITORIAL OFFICE

0181 652 8120

Fax 0181 652 8956

Note that we are unable to answer technical queries over the telephone and cannot provide information on spares other than that given in our Spares Guide.

### PUBLISHING DIRECTOR

Susan Downey

### ADVERTISEMENT MANAGER

Carol Nobbs

0181 652 8327

### ADVERTISEMENT SALES EXECUTIVE AND PRODUCTION

Pat Bunce

0181 652 8339

Fax 0181 652 8931

### SUBSCRIPTION ENQUIRIES

01444 445 566

Fax 01444 445 599

### SUBSCRIPTION HOTLINE

24-hour subscription ordering with credit card number, phone 01622 778 000 and quote reference INJ.

### COVER PHOTO

This month's cover photograph shows the ITT DIGI-3 chassis. See servicing article on pages 398-402.

# Teletopics

## TERRESTRIAL TV GOES DIGITAL

NTL plans to build the first digital terrestrial TV network in the UK. At only moderate cost it will offer far more channels, with improved picture quality, than the present analogue services. The company, which provides the ITV and Channel 4 transmission facilities, is to invest millions of pounds in constructing a pan-UK network which should be completed in 1997. The BBC is being offered digital transmission facilities at less than £4.8m per service. Viewers will need a digital TV decoder, which will enable them to tune in to between twelve and thirty extra channels depending on the frequencies available locally.

## DVDs

Toshiba has released some technical details of the Digital Video Disc (DVD) format it has developed with Time Warner (see Teletopics last month, page 314). Known as DVD-SD (for Super Density), the format uses discs that are formed by bonding together back-to-back two 0.6mm diameter discs, each of which can store up to 5Gbytes of data. This means that when used for playing movies each side will hold up to 142 minutes of MPEG-2 video and sound. The data transfer rate is variable, with an average speed of 4.69Mbits/sec. Laser wavelength is 635/650nm and the track pitch is 0.725µm.

DVD-SD can also be used to store broadcast programmes

of a higher picture quality standard. For this application the average data rate is increased to 9Mbits/sec, each side then storing up to 74 minutes of video.

On the audio side DVD-SD can be used with the Dolby AC3 digital 5.1 Surround Sound format, offering up to eight audio channels and 32 subtitle channels. According to Toshiba the format can be used as a high-density CD-ROM and is compatible with existing CDs and LaserDiscs.

Nimbus Technology and Engineering (NTE) is to supply the high-density mastering system used to produce the DVD-SD discs. The company has been working with Toshiba and WEA Manufacturing Inc. (Time Warner's manufacturing arm) for over seven months: the first laser beam recorder was installed in February.

Despite the backing that the DVD-SD format has received, Sony and Philips are to go ahead with their system which will be launched next year.

PMI, the video arm of EMI, has launched digitally remastered versions of its first five Video CD titles. The new discs offer improved picture quality and additional features such as slow motion.

## PALPLUS UPDATE

The PALplus group met in London recently to review the format's progress. Dr Albrecht Zeimer, chairman of the PALplus board, reported that fifty per cent of the upmarket TV sets being sold in Japan are widescreen models. Over 400,000 widescreen sets with a D2-MAC decoder were sold in France last year and a further 400,000 without such a decoder. Sales of widescreen sets in Germany are expected to reach 200,000 this year, rising to a million in 1996. Dr Zeimer expects PALplus to co-exist with digital TV systems for about twenty years.

Sony, Nokia, Philips, Grundig and Thomson will be showing PALplus sets at this year's Berlin electronics show. JVC will show a prototype PALplus S-VHS deck. The first custom PALplus chips will also be seen. The PALplus group has decided that there will be two types of PALplus sets: higher-priced sets will include Colourplus picture enhancement. A licensing policy is at present being developed by the group. More than 2,000 hours of PALplus programmes were transmitted in Germany last year. The number of hours will double this year. In the UK Channel 4 will transmit 400 hours of PALplus programmes and Granada 150 hours. Viewer reaction is being carefully monitored by UK manufacturers: most complaints about letterboxing come from those with large-screen TV sets.

## CH 5 BIDS

Bids for the ten-year franchise to run Channel 5 are to be submitted by May 1st. Time Warner has withdrawn from the Channel 5 consortium that includes MAI and Pearson. According to a senior vice-president of Time Warner the company, which had previously been enthusiastic, has dropped out because of uncertainty on the technical side. A consortium that consists of Mirror Group Newspapers and the US NBC Superchannel is preparing a bid. Other possible bidders are News International/Granada and Virgin.

## SATELLITE TV

According to GfK Marketing the number of UK households with satellite TV dishes grew by 465,000 last year, 14,000 more than in 1993. The total at the end of 1994 was 2,931,000.

Philex PLC, Philex House, 110-124 The Broadway, West

## BACK COPIES

We have available a limited stock of the following back issues of *Television*:

**1992** February, April, May, July, August, September, October, November and December

**1993** January, May, June, July, August, September, October, November and December

**1994** January, February, March, April, May, June, July, August, September, October, November and December

**1995** January, February and March

Copies are available at £2.75 each including postage.

Send orders to:

Reed Business Publishing,  
Television Back Issues,  
Room L302,  
Quadrant House,  
The Quadrant,  
Sutton,  
Surrey SM2 5AS.

Make cheques/postal orders payable to Reed Business Publishing Ltd.



Hendon, London NW9 7BP (0181 202 1717, fax 0181 202 0014) has launched a new Astra 1D converter with RFS – remote function selection. This patented feature enables the converter to be sited away from the receiver, using the polarisation voltage shift that occurs during channel changes to provide automatic switching. The converter is compatible with all receivers that use dual-voltage polarisation switching, including the Amstrad SRD510 and 520. An integral double filter reduces interference from backwards radiation. The suggested retail price is £24.95.

Satellite Solutions, 1 Hartburn Close, Crow Lane Industrial Park, Northampton NN3 9UE (01604 787 888, fax 01604 787 999) has launched the Japanese-made Palcom SL7900 receiver/positioner which has a <4dB threshold adjustable in steps. Other features include a two-input, wide-range tuner; three scart connectors; Ku, C and S band operation; and an output that can be programmed for any channel in the u.h.f. band.

### VIDEO TECHNOLOGY

Sony is extending its Mini Disc re-recordable disc technology to enable it to store still pictures. Called Picture MD, the new format enables up to 365 images with audio to be stored on the 2.5in. discs, using the JPEG still-image compression standard and Sony's ATRAC audio compression technology.

A new 3D display system has been developed by engineers at Sharp's Oxford research laboratories. There is no need to wear special glasses, and the view of the image changes when the viewer moves his head. This latter feature is implemented by monitoring the position of the viewer's head and adjusting the image projection accordingly. Novel light sources operate with standard TFT LCD panels mounted at right angles for the left- and right-eye images, which are combined for projection by a half-silvered mirror at 45° between the panels.

A new form of liquid-crystal display, known as the SPD (suspended particle display), has been developed by a US research company in collaboration with a team at Imperial College, London. The advantages over standard active-matrix LCDs are higher brightness with better contrast and viewing angles. The problem has been to stabilise the particles within the liquid: this has been solved by using colloidal-sized particles stabilised with a polymer. The display uses an electric field to control the orientation of the particles. Brightness performance is improved because light polarisers are not required.

### NEWS FROM WILLOW VALE

Peter Bartlett, chairman and managing director of Willow Vale Electronics, has decided to retire to concentrate on other interests. The remaining members of the board have acquired the business. WVE has been appointed as a spares distributor by Grundig Satellite Communications Ltd. of Llantrisant, Mid Glamorgan.

The first video training tape for those servicing satellite TV equipment has been released by Willow Vale. It covers the Pace Models PRD800 and PRD900 and has been produced by Visions in conjunction with Pace. Running time is 55 minutes, price £19.99, order code 182028TT.

### CORRECTION

Our apologies for the omission of the last three words in the article on fax technology last month. They are "TV/video workshop".

# Next Month in TELEVISION

## FREE DATA CARD

Next month's issue includes a free cover-mounted data card that provides quick-reference details for STK series multi-regulators. These have been widely used in VCRs: it's useful to have pin and voltage details to hand for speedy fault diagnosis.

## SERVICING THE HITACHI CPT1471/1473

These colour portables were sold in large quantities. John Coombes provides a quick service run-down on them.

## INSTALLING A CD-ROM DRIVE

With the arrival of CD-ROM technology a PC without a CD-ROM drive and its associated stereo sound card is only half complete. David Botto explains how to add a CD-ROM drive, which can be done at modest cost. Strange acronyms and terms abound in the world of CD-ROMs: you need to understand them, if only to be able to explain to your customers what it's all about.

## SATELLITE RECEIVER SERVICING

Jack Armstrong on common faults with the Grundig GRD150/250 range plus a page of servicing tips on satellite receivers.

## TUBE TESTING

In these days of solid-state technology, how many remember about thermionic tube operation? Yet the tube is the most expensive item in a TV set. Les Austin on tube testers and what they can tell you.

## CAMCORDER SERVICING

Keith Keeton on the Sony CCDF450 plus the usual faults page.

## MORE ON THE ICC9 CHASSIS

Our concluding instalment on this chassis deals with the timebases and video processing plus some guidance on fault-finding.

## ORDER FORM

To.....  
(Name of Newsagent)

**Please reserve/deliver the May issue of TELEVISION (£2-20), on sale April 19th, and continue every month until further notice.**

Name.....

Address.....

.....

# Camcorner

*Reports from David C. Woodnott  
Noel Evans and Keith T. Keeton*

## Sanyo VEMS1P

Known in some parts as the LEMSIP model, this one had its cassette mechanism in the half-ejected position. Removal of the LS mechanism revealed that the two plastic guide rails had fractured. So they and the ribbon cable that connects the two halves of the mechanism had to be replaced. When fitting a new ribbon attach it to the main mechanism first, leaving the other end free. When the mechanism has been refitted, solder the other end of the ribbon to the LS deck. This will avoid any tendency for the ribbon to twist. As mentioned before, realigning these mechanisms can be fun! **D.C.W.**

## JVC GRAX5E

This camcorder had been dropped. As a result there was no camera E-E picture, though the machine worked correctly in all other respects. With this range of camcorders it's quite common for the camera section to detach itself from the main PCB after such treatment. In this case connector CN33 was damaged and had to be replaced. **D.C.W.**

## Panasonic VWF15E Camera

This S-VHS camera didn't operate. Replacing the 1.5A ceramic fuse F1 on the audio PCB restored the input to the power supply PCB, with the standby LED alight, but there were still no video or audio output signals. Attention was focused on the power supply PCB which, like all the other subassemblies, can be detached from the mother PCB. The 5V and 9V outputs were present, but the 17V and 27V outputs were missing. The 27V supply is generated from the 9V supply, with Q7 operating as the driver for a d.c.-d.c. converter. Checks here showed that Q7 was leaky base-to-emitter while L6 had short-circuit turns. Other components that had to be replaced were C14 (180 $\mu$ F) in the 9V supply, R24 (24k $\Omega$ ) which had increased in value to 68k $\Omega$ , D5 (27V supply) which was short-circuit and the control chip IC1.

Note that this power supply runs rather warm, and that the correct replacement components must be used. **D.C.W.**

## Ferguson FC05/JVC GR45

This machine produced no pictures, either from the EVF or the AV connector. There was an audio output however. The playback f.m. signal was present at the input to the YC board, via the main board, but didn't appear at the outputs. We then found that the video mute line on the YC board was permanently high. The source of this signal is pin 51 of the mechacon controller chip, where it was correct. Failure of the buffer/inverter transistor Q409 was the cause of the permanently high mute signal. **D.C.W.**

## Mitsubishi HSC40B

This well-engineered S-VHSC machine would remain powered up for only a few seconds. It's not an easy model to work on, as ribbon cables abound. Gently tapping the main PCB seemed to affect the fault – on occasions this would produce a period of operation. We eventually traced the cause of the trouble to Q409 and IC401, which were both dry-jointed at all pins. The only thing that was keeping

them in contact appeared to be the large helping of goo beneath which they were burried. Beware! **D.C.W.**

## Sony CCDTR60E

The reported fault was no camera E-E picture. In fact the chroma component of the E-E signal was present, but there was no luminance contribution. The cause was C305 which was disconnected at one end. Refitting it cured the problem – it's on the camera PCB. **D.C.W.**

## Fujix-8 FF120SW

Intermittent colour dropout was the problem with this camcorder, a clean mono picture remaining when the colour was lost. Absence of a manual sent us in search of dry-joints on the main video processing board. Fortunately it's the top section of a layered structure. Flexing around the screened part of the board would instigate the fault: a closer inspection here showed that one of the pads for a surface-mounted resonator package had failed to flow solder. **N.E.**

## Ferguson F801

We've had the following faults with this model:

**No titler operation:** Cause was a dry-joint at IC901.

**No power:** This can be caused by a faulty d.c.-d.c. converter. On occasions we've found that the 5V supply is o.k. at pin 72 of IC901 but not at the function switch block chip IC912 because pins 3 and 4 are shorted together. This error can result in failure of IC901.

**Will not memorise title when powered down fully:** Pins 5 and 6 of PG052 on the fuse PCB soldered together, so no voltage at pin 6. Lithium battery drains slowly.

**Tape loads then unloads after a few seconds:** As arms don't load fully the mode switch doesn't complete its cycle. Supply guide roller two bent at its base. Replace arm assembly (item 268).

**Mechanism jams when loaded:** Head support catches cylinder. Adjust or replace.

**No power to mechanism:** CP open-circuit.

**Ejects partly then stops. Reloads after a few seconds:** Arm operation pressure roller drive spring bent. Replace arm or pressure roller.

**Pinch roller spools tape out:** Washer on central gear idler missing. Replace.

**Batteries don't charge – charge light flashes slowly:** Faulty d.c. jack (SW101) fails to provide power.

**Distorted sound and noise bars on playback picture:** Faulty capstan. Replace. **K.T.K.**

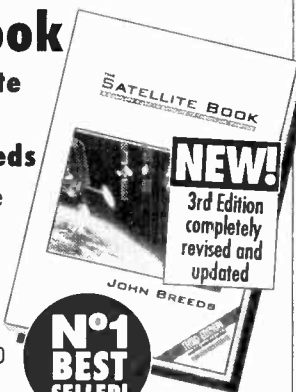
# 2 GREAT NEW BOOKS!

## The Satellite Book

A Complete Guide to Satellite TV Theory and Practice

3rd Edition John Breeds

- ✓ Acknowledged by leading reviewers as the best work of its kind.
- ✓ How to set up a motorised dish in less than 5 mins! All angles given.
- ✓ Includes comprehensive details of new digital TV systems.
- ✓ Written in easy-to-read style with over 300 illustrations on 300 pages of large A4!
- ✓ Covers directly related practical aspects such as tools for the trade, customer care, wall fixing systems, signal meters, cable types, fault-finding, site survey etc!
- ✓ Explains relevant theoretical subjects such as IF distribution, SMATV, Frequency Modulation, EIRP levels, satellite footprints, ASTRA and EUTELSAT satellites, antenna design, link analysis, microwaves, plus lots more!



A bible for the satellite TV industry... includes invaluable hints, tips and tricks of the trade.

### Interspace

... All in all most of the information you'll ever need or want to know about satellite television is at your fingertips.

### What Satellite

... the most comprehensive, incisive and informative book ever published on satellite television.

Satellite Trader

ONLY £32

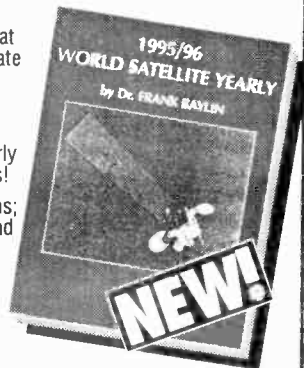
ISBN 1 872567 05 3

Postage:- UK: £2.50  
Europe: £5 Rest of World: £16

# 1995-96 WORLD SATELLITE YEARLY

by Dr Frank Baylin

- ✓ Mammoth 780 page reference book at an affordable price provides up-to-date information about programming, equipment, dish size, etc!
- ✓ 500 page satellite section presents characteristics and footprints of nearly all of the World's broadcast satellites!
- ✓ Divided into four easy-to-use sections; technical, satellites, programming and reference!
- ✓ Complete directory of satellite programmers and manufacturers!
- ✓ Includes information about MPEGII broadcasts, inclined orbit tracking systems and broadcast standards!
- ✓ Contains complete tables and graphs outlining az-el and polar angles!
- ✓ Includes SCPC, spread spectrum, FM-Squared and FM-Cubed transmission methods!
- ✓ Written for professionals and educated laymen in a concise style!



Postage:-  
UK: £5.00  
Europe: £9.00  
Rest of World: £16

ONLY £59

Send stamped, addressed envelope for complete list of satellite books, videos and software...

## SWIFT TELEVISION PUBLICATIONS

17 Pittsfield, Cricklade, Wilts, SN6 6AN, England  
Tel 44 (0)1793 750620 Fax 44 (0)1793 752399



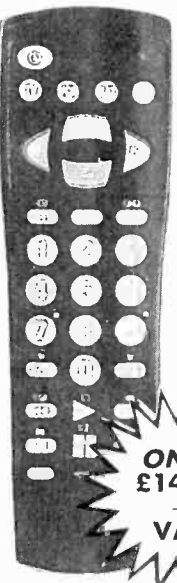
## 4way Infra Red

### PREPROGRAMMED EASY TO USE UNIVERSAL REMOTE CONTROL

A single remote to operate your TV, video & satellite receiver.  
Plus auxiliary options!

- **Replace up to 8 remotes with 1**  
Ideal if you have multiple TVs, VCRs, satellite receivers or cable TV.
- **Replace lost or broken remotes**  
The 4 way can save you the trouble and expense of tracking down a replacement.
- **Teletext functions with Fastext**  
All the most useful text functions covered including fastext.
- **Easy & simple to set up**  
Just tap in the correct codes listed for your equipment or use 'code search routine'.
- **Controls 1000's of models**  
Preprogrammed for the most popular brands of TV, VCR, Satellite & cable.
- **Clear (Large Key) Layout**  
Carefully designed for maximum ease of use.
- **Freefone helpline**  
Any problems just call. Its free!

ONLY £14.95 + VAT



**TO ORDER Your 4 way remote control**  
BY POST simply send your cheque for £18.74 inc P&P/VAT P.V. TUBES, 104 Abbey Street, Accrington, Lancs BB5 1EE  
(Please enclose your Name, Address & Telephone No.)

**BY TELEPHONE call now on 01254-232611 or 01254-236521**  
with your Credit Card details for immediate dispatch.



Please allow 21 days for delivery



## MARAPET ELECTRONIC COMPONENTS

Tel: (01452) 53 22 53 24hr Answering Service for out of hours ordering

PHONE for a PRICE & AVAILABILITY on your requirements or send S.A.E. for more information on our service

IC SELECTION		
Ams40054	£11.69	TAB410K £4.59
Ams40092	£9.01	TAB530 £1.25
AY38912/P	£7.74	TBA810P £1.29
BUV48A	£4.17	TBA810S £1.35
CA741CE	£0.25	TDA10019 £2.39
CNY65	£3.99	TDA2595 £4.24
CDP6818AE	£7.24	TDA3562A £4.26
CO24947	£10.03	TFK £4.36
CO25913	£27.99	TDA3654 £2.89
DS1488N	£0.79	TDA4600-2 £3.70
DS1488N	£0.79	TDA8170 £3.45
DS75150N	£1.49	TEA2000 £5.78
DS75154N	£1.50	TDA10019 £2.39
H11L3	£2.99	TL43CLP £1.99
HA12006	£7.08	TL49ACN £3.39
LM1203N	£9.92	TM54532N14 £0.99
LM309	£2.15	UC3842 £2.34
LM833	£1.95	UM6845 £8.72
M48846P.069	£19.04	UPD8039LC £10.55
MB81416-12	£3.75	ZK8302 £5.49
MC1377P	£8.73	Z8400APS £4.75
MC74HC85	£0.85	Z8401 £5.44
MK4564-15	£1.79	14DN476G £14.30
MSM6242B	£9.99	25A1705 £1.34
NE5550DP	£0.27	25C2031 £1.35
P8255A	£2.85	27C256-200 £3.50
PC713V	£2.89	4116-2N £1.75
RCG	£1.29	8569R5 VIC £13.49
S2000AFI	£1.99	8569R2 VIC £15.03
SE0420CAC	£14.93	74LS00 £0.15
TA7280P	£4.95	74LS157 £0.25
TA7281P	£4.95	74LS245 £0.39

IC Protection - For N Series 50p each

**EQUIPMENT MANUALS**  
Large selection of Manufacturers Service & User information available. Original manuals supplied if possible. We only show a few Computer Equipment examples here. Contact us for TV, VCR, Audio Equip.

Amstrad PCW9512 Service	£14.53
Amstrad PC14CD O Service	£5.00
CBM C84-C64C Service	£14.99
CBM C64 User	£5.49
CBM C64C User	£4.99
CBM C-4 User	£5.49
CBM 1084S-P	£9.87
Panasonic KXP-1-23 Service	£14.95
Philips CM8833 (Mk1) Service	£3.35
Philips CM88xx Service Supp	£3.00
Philips CM8873 Service	£8.76
Philips CM1342/62 Service	£9.39

\*NO VAT ON MANUALS\*

### SELECTED COMPUTER SPARES

AMSTRAD PCV9512 Armature	£3.58	A3000 IC 8372B	£29.91
CP-3464 Keyboard	£25.52	C64C Modulator	£15.96

### PHILIPS MONITOR LEAD

CM9073 On/Off Switch	£5.25	Amiga to Scart I/P	£8.29
----------------------	-------	--------------------	-------

We are unable to list all we can supply. A large range of Amstrad, CBM, Philips, parts is available - plus selected spares for Acorn, Atan, Epson, Sinclair, Sincilar, Star and others

**THIS IS JUST A VERY SMALL SAMPLE OF OUR STOCK**

### TV/MONITOR LINE OUTPUT TRANSFORMERS

AMSTRAD IBM DIGITAL etc	P.O.A.
COMMODORE 1084-P-SP etc	P.O.A.
PHILIPS CM8533/CM8833 etc	£21.27
PHILIPS CM11342/62 (CM8833 Mk II)	£24.49
Ferguson TX90 14" 30"	£19.75
Ferguson TX100 20" 90"	£19.82
Ferguson TX100 22" 26" 110"	£18.99
Ferguson TX100 51cm FST	£20.49
Fidelity (Please quote model)	P.O.A.
GED C2089H 90H/C2288 to 2291H/C2294H	£21.60
Hitachi CPT2036/46/76/78/CPT2234/36/CPT2246/78	£21.60
Hitachi CPT12174/2176/2178	£21.43
ITT Philips	P.O.A.
Panasonic TC2160 & TX2122/2162	£24.64

We can also supply LOPTX's for many other makes. MATSUI, MITSUBISHI, SAISHO, SONY - to name just a few others. Please supply Model Info. & No. on part.

### AUDIO SPARES

AMSTRAD MX200/CDX400 (FUNAI) CASSETTE DOOR	£2.90
B FREEWAY TELEPHONE - REPLACEMENT AERIAL	£3.65
SHARP RGT278 281 284 MAIN BELT	£1.19
TOSHIBA STU2L MAINS TRANSFORMER	£9.99

Many other specific Parts and Manuals available

### TV SPARES

GED/HITACHI FRAME MODULE HM6251	£7.94
GCL DSTAR CISA361/4441/CIT2162X/2172X D/O SWITCH	£5.65
HITACHI CPT2180/2650 On/Off SWITCH	£12.95
SAWSUN CIG37V/CX558WT On/Off SWITCH	£5.05

Large range of TV Spares available for many makes

### VIDEO SPARES

Large range of Video Heads, rollers, Bet Kits, Pinch Rollers from stock - plus much, much more. Please contact us

### REMOTE CONTROLS FOR SATELLITE

AMSTRAD SRX200/SRD400 & SRD510/520/600	each type £12.75
PACE PRD800/PRD900/SR9200/SR9200	each type £12.95

We also stock other Remote Controls - Many General Components

When ordering: Please add £1.20 P & P (+50p for LOPT) & then add 17.5% VAT (NB VAT is due on P&P - Manuals are Zero-rated)

Validity dates: required for card orders, also issue No. for SWITCH Please send S.A.E. with all written enquiries

All items subject to availability - Prices can change without notice

We are Unable to accept callers at present PLEASE ORDER BY POST OR PHONE

We accept payment by VISA, Access, DELTA, SWITCH, Cheque or P.O

MAIL ORDER ONLY to: M.E.C. (Dept. TV)

1 HORNBEAM MEWS

GLOUCESTER GL2 0UE

# Letters

## RECHARGEABLE BATTERIES

There have been a couple of developments since I wrote on this subject in the February issue. When that article was being prepared I was trying out nickel metal hydride AA cells in my hand-portable cellphone. After using them for a couple of months I've come to the conclusion that they don't particularly like rapid charging. This is not a problem where NiMH camcorder batteries are concerned, as camcorder chargers don't usually use a high charging current, but the AA type would be best charged using a standard 'overnight' type NiCad charger. NiMH cells have now become available in the 'industrial sizes' 2/3AA, 2/3AF, 4/5AF, AF and 7/5AF in addition to the standard AA type. This range is stocked by Farnell Electronic Components. No doubt the more familiar consumer sizes will follow shortly.

The NiCad button cells used for memory back-up are gradually giving way to lithium coin cells in industrial and professional equipment, for environmental reasons. It's probably only a matter of time before they appear in consumer equipment. As I mentioned in the previous article, attempting to charge a standard non-rechargeable lithium cell can have the most horrendous consequences. The resultant explosion will expel metallic lithium, which will react violently with any water that may be handy (guess what's the main ingredient of the human body!); lithium is a strongly alkaline metal, like its cousins sodium and potassium. Just to confuse things, a new rechargeable lithium system has been announced, with rechargeable coin cells in the same sizes as the standard types and the same terminal voltage. When dealing with lithium cells or batteries, great care will be needed to ascertain the type fitted before attempting any replacement.

In normal use NiCad batteries shouldn't really be discharged to below about 1V per cell: the deep discharge method mentioned in my article is used only when reactivating very lazy cells. My apologies for not making this clear. Dischargers (or conditioners as they are usually called) are available for specialised batteries but not for the usual domestic type. As well as my mobile phone I have a portable CD player and a conventional personal stereo. To keep this lot going I have two dozen AA cells and a rapid charger that does eight at a go. In order to keep my investment in good health I'm working on a discharger to suit AA and other sizes of NiCad cells. If it proves successful, I'll publish details in the magazine.

In connection with my article on workshop health elsewhere in this issue, a new type of lamp that's brilliant in both senses of the word has become available. Osram has introduced a mains-voltage halogen bulb which replaces standard GLS tungsten lamps. Called Halolux, it consists of a miniature version of the familiar tubular halogen lamp mounted inside a clear glass bulb shaped like, but a lot smaller than, the large octal-based valves used in the days when electronics was fun. The light is a brilliant white, which is ideal for close work, and the heat output appears to be less than that of the equivalent GLS lamp. I bought mine at Tesco, which stocks 60W and 100W Halolux bulbs. Incidentally, Halolux lamps impart a

striking sparkle when fitted in cut-glass or lantern type lighting fittings.

*Pete Roberts,  
Runcorn, Cheshire.*

## TECHNICAL ADVICE

I would like to reply to John C. Priest (letters, February). Pardon the pun, but "Praise the Lord" at last we have someone who admits that service has to be paid for. Of particular interest to me is John's idea of technical help being chargeable through an 0891 type telephone number.

As most people in the trade are aware, the Willow Vale Techline was set up in 1993 to fill some gaps left in manufacturers' technical help to small independent service departments. We had a feeling that the response would be good, but little did we know how good, with more and more manufacturers passing their non-account queries to Techline. Recently we reached a hundred calls a day, and BT tells us that the number of calls getting an engaged tone is rising.

Much of Techline's success is due to the technical ability of Alan Dyson, and it's becoming clear that our staff will have to be increased, with engineers of the same calibre as Alan. They don't come cheap (though Alan will disagree).

If every technical query we received generated a parts order we would not have a problem. But it's a fact that much of our advice leads away from parts – telling you where to look for a dry-joint for example doesn't create much income.

So from May the telephone number for Techline will change to an 0891 type number, with calls costing 49p per minute. John Priest suggests that the average cost to a dealer would be around £5. The good news is that a survey of all the calls taken by Techline suggests that the average call will cost less than £2.

On average the call time is four minutes, and feedback from our customers suggests that we have a success rate of 60 per cent – in fact we feel that the success rate is nearer 75 per cent. Now you don't need a Philips SBC1848 calculator (stock code 48013A) at £8.50 to work out how much can be saved in not ordering the wrong part after days at the bench spent head scratching.

*Mike Molloy, Director, Special Services,  
Willow Vale Electronics Ltd., Manchester.*

## WHY NOT FAX FOR TECHNICAL ADVICE?

Manufacturers who have withdrawn access to technical information for those who are not their dealers must be of the opinion that their customers go only to their chosen dealers for service. How wrong can they be? In my corner of the South East, Comet, Currys and Dixons must sell the largest number of TV sets and VCRs produced by firms such as Sony and Samsung, to name but two manufacturers who withhold technical information from non-dealers. But customers know as well as the rest of us that large organisations are not always the cheapest places to which to go for service work. This is where the one-man business, such as my own, fits into the picture.

I'm not a freeloader. Just give me a fax number for technical assistance and I'll write down all the relevant information with a credit card number. All I want is help when it's needed, at a reasonable cost. At the end of the day the manufacturer's customer will be happy, I'll be happy, and who knows customer brand loyalty may have been gained.

# MANOR SUPPLIES

MKV PAL COLOUR TEST GENERATOR  
FOR DOMESTIC TV & VCR

TEST  
DEMONSTRATIONS  
AT 172  
WEST END LANE



- ★ 40 different patterns and variations.
- ★ Fully interlaced syne pulses with correct picture blanking.
- ★ EBU colour bars, BBC colour bars, whole rasters & split bars (specially useful for VCR service), white, yellow, cyan, green, magenta, red, blue and black.
- ★ Chequerboard.
- ★ Mono outputs with border castellations, cross hatch, grey scale, vertical lines, horizontal lines and dots. UHF modulator output plugs straight into receiver aerial socket.
- ★ Additional video output for CCTV & VCR.
- ★ Facilities for sound output.
- ★ Easy to build kit, standard parts. Only 2 adjustments. No special test equipment required.
- ★ Mains operated with stabilised power supply.
- ★ All kits fully guaranteed with back-up service.
- ★ Also available with VHF Modulator.

Price of Kit **£79.00**  
Case (10" x 6" x 2 1/4") app **£19.00**  
Optional Sound Module (6MHz or 5.5MHz) **£5.90**  
Built & Tested in Case including Sound Module **£139.00**  
Post/Packing £4.50  
Add VAT 17.5% TO ALL PRICES

## PAL COLOUR BAR GENERATOR (Mk4)

- ★ Output at UHF, applied to receiver aerial socket.
- ★ In addition to colour bars R-Y, B-Y etc.
- ★ Cross-hatch, grey scale, peak white and black level.
- ★ Push button controls, battery or mains operated.
- ★ Simple design, only five i.c.s on colour bar P.C.B.
- ★ Backup service available.

PRICE OF Mk4 COLOUR BAR GENERATOR KIT **£39.00**  
CASE **£5.80**. BATT HOLDERS **£4.20**

MAINS SUPPLY KIT **£5.80**

(Combined P&P £4.50)

VHF MODULATOR (CH 1 to 4) FOR OVERSEAS **£6.80**  
EASILY ADAPTED FOR VIDEO OUTPUT & C.C.R.V

ADD  
VAT  
17.5%

## LINE OUTPUT TRANSFORMER TESTER

- ★ Service Aid.
- ★ Saves time and Money.
- ★ Checks short turns.
- ★ Simple to use.
- ★ Reliable.
- ★ Battery operated.
- ★ Pocket size

PRICE **£24.00**

POST/PACKING **£2.50**

ADD  
VAT  
17.5%

## VIDEO (PAL) TO R.G.B. CONVERTER

- ★ Ready built & tested
- ★ R.G.B. + Sync Out - Scart
- ★ Incl. Power Supply
- ★ Colour/Brightness/Contrast Controls
- ★ Video In - Phono
- ★ 5-VHS Adaptable
- ★ Size 5" x 5" x 2"

PRICE **£99.00** POST/PACKING **£3.50**

## CRT TESTER & REACTIVATOR KIT

★ For Colour & Mono complete with Case. Panel Meter Indicator - can be adapted for latest CRTs **£55.00 P.P. £4.50**

## KITS AND PROJECTS

SAW IF AND TURNER UNIT complete and tested for video & audio outputs **£28.50** p.p. £1.80.  
PAL DECODER KIT (Video to RGB) for Monitors **£27.00** p.p. £1.80.  
PAL ENCODER KIT (RGB to Video) **£20.00** p.p. £1.80.  
INFRA RED REMOTE CONTROL TESTER Infra Red Remote Control Tester **£10.00** P.P. £2.50.

# MANOR SUPPLIES

QUALITY TV & VIDEO SPARES SUPPLIED FOR ENGINEERS BY ENGINEERS

## TV & VIDEO SPARES

### REMOTE CONTROLS

Replacement for: Ferguson, Hitachi, Philips, Panasonic, Grundig, ITT, Sony, Saisho, Granada, Saisho + many others Phone for make and model no.

### IC SELECTION

I4DN487	£15.80	SA11039	£2.20	TBA121	£5.80	TDA2900	£6.80	TDA5510	£12.50
ANSS21	£3.80	SDA2546	£9.00	TBA1205	60p	TDA2611A	£1.90	TDA5850	£2.80
AN5900	£2.20	SL470471	£4.00	TBA750	£2.20	TDA2640	£3.20	TDA7052	£2.50
BA6209	£6.80	SL486	£3.20	TBA920	£2.80	TDA2653A	£2.90	TDA8140	£2.20
BA6219	£3.80	SL490	£3.80	TBA9505	£2.20	TDA2654	£5.70	TDA8153	£7.00
BA6229	£3.80	SL1430	£2.40	TBA2800	£1.80	TDA2655B	£16.60	TDA8170	£3.00
BA6238A	£6.80	SL1432	£6.80	TCA270	£1.80	TDA2670	£3.20	TDA8172	£12.95
BA6239	£3.80	SN7622613N	£1.80	TC4800	£6.80	TDA2680	£3.80	TDA8175	£3.50
CCFIRG07	£14.80	SN767035	£9.80	TD63160P	£4.80	TDA2680	£3.80	TDA8180K1	£7.50
CNK62	£4.00	SLK5322	£21.80	TD1035T	£2.40	TDA2780	£6.80	TDA8190	£3.80
HA11211	£2.80	SLK5325	£6.80	TD1037	£3.90	TDA2900	£4.20	TDA8305	£12.90
HA11423	£3.80	STK5326	£6.80	TD1044	£2.90	TDA3101	£6.80	TDA8341	£4.20
HA51385SP	£21.50	STK5332	£4.80	TD1060	£3.80	TDA3303	£19.80	TDA8372A	£8.40
LA4445	£3.00	STK5333	£13.80	TD1082	£4.00	TDA3330	£12.50	TDA8380	£3.20
LA4270	£4.95	STK5337	£4.80	TD11705	£1.80	TDA3504	£6.80	TDA8442	£2.50
LA4520	£3.80	STK5338	£6.80	TD1180	£2.20	TDA3505	£15.80	TDA9303	£3.80
LA7800	£4.80	STK5339	£6.80	TDA1185A	£3.20	TDA3510	£9.80	TDA9503	£3.80
LA7520	£2.80	STK5342	£4.80	TD1190Z	£2.20	TDA3540	£2.50	TDA9513	£4.80
LA7801	£3.50	STK5372H	£7.80	TD1432P	£5.70	TDA3541	£3.50	TEA1099	£2.20
LA7820	£3.80	STK5392	£6.80	TD1512	£3.20	TDA3561A	£5.80	TEA1034	£1.50
LA7800	£4.80	STK5421	£5.80	TD1524	£3.20	TDA3561B	£9.50	TEA1039	£1.90
M1047B	£6.80	STK5422	£5.30	TD1524	£6.80	TDA3565	£7.80	TDA1080	£2.20
M293B1	£18.80	STK5471	£3.50	TD1670A	£3.20	TDA3566	£5.80	TEA2026	£5.80
M490B1H	£18.80	STK5481	£5.80	TD1701	£3.80	TDA3571H	£9.50	TEA2164	£3.95
M491B1H	£9.80	STK5482	£5.80	TD1704A	£4.80	TDA3576	£10.25	TEA2166	£3.95
MCI3002P	£9.80	STK5490	£7.80	TD1870	£6.80	TDA3640	£5.20	TEA2168A	£6.80
MDA2062	£3.80	STK5492	£3.80	TD1872	£9.80	TDA3650	£7.95	TEA5115	£6.80
MDA2062	£4.80	STK7253	£5.80	TD1908	£2.80	TDA3651	£2.50	TEA5115	£6.80
MN15425	£15.80	STK7348	£5.40	TD1950	£3.50	TDA3653A	£3.20	TEA5115	£6.80
PCD8572P	£9.00	STR3125	£4.80	TD2004	£2.80	TDA3654	£3.80	TEA5115	£6.80
SAA1024	£5.80	STR4090	£13.50	TD2006	£2.80	TDA3810	£5.50	TEA5115	£6.80
SAA1061	£5.80	STR4220	£12.80	TD2009A	£4.80	TDA4429	£2.20	TEA5115	£6.80
SAA1124	£3.80	STR4090G	£6.80	TD2030	£3.80	TD4426	£3.20	TEA5115	£6.80
SAA1250	£3.80	STR4115	£9.80	TD2030A	£2.80	TD4427	£3.20	TEA5115	£6.80
SAA1251	£8.40	STR50020	£6.80	TD2040	£7.80	TD4442	£2.80	TEA5115	£6.80
SAA1293 02	£6.00	STR50115	£5.80	TD2050	£4.80	TD4443	£7.80	TEA5115	£6.80
SAA5001	£5.80	STR54041	£6.80	TD2270	£3.90	TD4501	£5.00	TEA5115	£6.80
SAA5010	£5.80	STR55041	£10.50	TD2540	£2.20	TD4502A	£18.50	TEA5115	£6.80
SAA5012	£5.80	STR56041	£6.80	TD2579A	£4.80	TD4503	£7.80	TEA5115	£6.80
SAA5020	£5.80	STR6020	£7.80	TD2576A	£5.80	TD4505L	£5.00	TEA5115	£6.80
SAA5030	£6.80	STRD1806E	£5.80	TD2578A	£2.70	TD4510	£3.80	TEA5115	£6.80
SAA5050	£11.80	STRD420	£12.80	TD2580	£2.70	TD4555	£9.80	TEA5115	£6.80
SAA5231	£7.80	STRD6108E	£5.80	TD2581	£3.80	TD4600	£3.85	TEA5115	£6.80
SAA5243	£23.50	T A7680AP	£5.80	TD2582	£2.50	TD4601	£2.80	TEA5115	£6.80
SAB3035	£9.80	T A7681P	£7.80	TD2593	£1.50	TD4605	£2.20	TEA5115	£6.80
SAB3037	£8.80	T A7682P	£6.80	TD2594	£3.80	TD4610	£6.80	TEA5115	£6.80
SAB1032	£4.50	T A8739P	£4.50	TD2595	£4.80	TD4950	£1.60	TEA5115	£6.80

### LINE OUTPUT TRANSFORMERS p.p. £1.80

ALBA CTV14RS	£23.80	PHILIPS KT3	£12.90
B&O LX2500, 2800 AT2077R1	£23.50	PHILIPS K30	£22.80
BLSH 29147	£15.50	PHILIPS CTX-L/S	£23.80
BUSH AT2079/10	£34.80	PHILIPS KT4	£22.50
DECCA TATUNG 145,146,147 P/N853786	£21.80	PHILIPS 2A	£16.90
FIDELITY ZX2000	£15.50	PHILIPS KA	£27.50
FIDELITY ZX3000	£14.50	PHILIPS 3A	£16.90
FIDELITY ZX3000 22"	£21.80	PHILIPS 2B	£16.90
FIDELITY CTV140	£15.00	PHILIPS CT1	£23.80
GOODMANS TV20	£15.50	PHILIPS CP90	£15.50
GRUNDIG CUC790	£19.80	PHILIPS CT110	£43.00
GRUNDIG CUC790, 2400	£19.80	PHILIPS GR1AX	£15.50
HINARI CT4, CT5	£14.00	PHILIPS NC3	£29.50
HITACHI CPT1455, 1456, 1476, 24341/1	£14.50	SAISHO CTH4R, CT141, 3714002	£15.00
HITACHI CPT1518	£19.50	SAISHO CTH14B, CT142B, 3214009	£16.80
HITACHI CPT1446, 1426, 2432981	£18.60	SANYO CBP2144, 2145	£22.80
HITACHI CP12174, 2476, 2178, 2434274	£14.00	SANYO CTP1722, 7135	£39.80
HITACHI CP12476, 2478, 2434062	£17.80	SOLAXON 14R19	£16.50
HITACHI CPT2074, 374, 343752	£15.50	SOLAXON 16R19	£16.50
HITACHI/SALORA FM503A	£49.80	SOLAXON 21X10T 201	£21.80
HITACHI/SALORA FM0513	£55.00	SOLAXON 22R19	£15.00
ITT/NOKIA Compact B 110P	£17.80	SOLAXON 22S19	£15.00
ITT/NOKIA Compact 80 110P	£14.80	SOLAXON 23T09	£15.00
ITT/NOKIA Compact 80 90P	£14.70	SOLAXON 23T19	£15.00
ITT/NOKIA Compact 80 110P FST	£19.80	SONY KV1412	£21.80
ITT/NOKIA CVC 25, 30, 32	£16.00	SONY KV1440, 1460	£20.00
ITT/NOKIA CVC 80, 80L, 803	£14.95	SONY KV1882	£24.80
ITT/NOKIA CVC1100 Picos	£16.50	SONY KV2056, 2062	£32.00
ITT/NOKIA CVC1150 1175	£14.95	SONY KV2092/96	£24.80
ITT/NOKIA CVC1212 1201, Mini 2	£16.80	SONY 2212, 2216, 2217	£24.80
ITT/NOKIA CVC1204	£11.50	SONY KV21XR/TU	£16.90
ITT/NOKIA CVC1210 12 15/17	£15.80	SONY KV252/56, 2752/56, 2762/66 PE3	£29.00
ITT/NOKIA Digi 3, 110P	£18.45	SONY KV2704	£29.00
ITT/NOKIA Core 90P, 8513-03-46	£19.80	SONY KV27XR/TU	£25.00
ITT/NOKIA Core 110P, 4515-03-48	£19.80	THORN/FERG TX9	£23.50
ITT/NOKIA Core 110P FST	£19.95	THORN/FERG TX85 86	£22.80
LOEWE C9000, Art1, Art 21, Art 228, Contur	£25.90	THORN/FERG TX89	£23.50
T24, T28, Profi 328	£22.80	THORN/FERG TX90 14", T9031, Red Spot	£16.90
LOEWE C6001, Class M24, S127, S28, Contur	£22.80	THORN/FERG TX90 20", T9044 White Spot	£14.80
S124, S127, S128, S24, S28, Profi S28	£22.80	THORN/FERG TX100110T T6031 Green Spot	£14.80
LOEWE Classic M124, M27, Contur M27	£34.40	THORN/FERG TX10090T 243892, Yellow Spot	£16.90
LOEWE Profi M21	£34.40	THORN/FERG TX100110T FST T6045L	£16.80
LUXOR S810110 01	£27.60	THORN/FERG TX10090F, T6031, Blue Spot	£15.00
MATSUI 1440A, 1480A, 3714002	£15.00	THORN/FERG TX10090F	£15.00
MATSUI 1420B, 1430B, 3214009	£16.80	THORN/FERG TX10090F	£15.00
MATSUI 1455	£21.80	THORN/FERG TX10090F	£15.00
MATSUI 1465	£21.80	THORN/FERG TX10090F	£15.00
PANASONIC TLF14520F, TLF14568F	£18.50	THORN/FERG TX10090F	£15.00
PANASONIC TLF14521F, TLF14576F	£18.50	THORN/FERG TX10090F	£15.00
PANASONIC TLF14584F	£21.80	THORN/FERG TX10090F	£15.00
PANASONIC TLF14586F	£21.80	THORN/FERG TX10090F	£15.00

MANY OTHER LOTS IN STOCK, PLEASE PHONE WITH MAKE AND MODEL NUMBER

### TRIPLERS EHT MULTIPLIERS p.p. £1.80

CONTINENTAL UNIVERSAL TVK & BG	£23.80	DECCA/TATUNG BG 200/44 TYP.E	£7.80
RANGE (Quote exact no) £13.80		GRUNDIG BG 2077-642-1003/1004	£14.80
TVK 96-£13.80		GRUNDIG BG 2087-642-1001/1002/1006	£14.80
TVK 96-£18.00		GRUNDIG BG 2000-641	£13.80
U.K. UNIVERSAL (best quality) £7.80		THORN 9000	£9.80

### MISCELLANEOUS p.p. £1.80

VHF/UHF upconverter £40.00 p.p. £3.50		TRANSPARENT VIDEO SERVICE CASSETTE	£6.80 p.p. £1.80
INFRA RED REMOTE CONTROL TESTER		TV FAULT FINDING GUIDE	£14.80
CRT TESTER & REACTIVATOR (under kits & projects) Swap places		VCR FAULT FINDING GUIDE	£14.80
MAINS TRANSFORMERS 6.3 Volts CRT		HITACHI FRAME MODULE HM 6251	£9.80
boost £8.80 p.p. £1.80		HM6232	£12.80 p.p. £1.80
Mains Isolating 500VA £51.25 p.p. £5.25		HITACHI THERMISTOR TH902	£2.85
455 CRYSTALS for handsets 4 for £2.00 p.p. 80p		FERGUSON TX10 FOCUS UNIT	£8.50 p.p. £1.80
DEGAUSSING ROD £33.75 p.p. £3.50		PHILIPS BACK UP BATTERY: 2.4V £3.00, 1.2V £2.00 p.p. 90p	

HOW TO ORDER: ADD P&P TO ORDER + VAT 17.5% TO THE TOTAL  
PRICES ARE SUBJECT TO CHANGE WITHOUT NOTICE

Telephone 071-794 8751/794 7346 Fax 071-431 5778

172 WEST END LANE, LONDON NW6 1SD

CALLERS WELCOME AT SHOP

Mon-Fri 9.30-6pm - Thurs 9.30-1pm - Sat 9.30-5pm



So come on all you manufacturers, put *all* your customers needs first. Pull your heads out of the sand and move into the real service world of the Nineties. This could in fact be a nice little earner, with negligible capital outlay – you're probably already using a fax machine in the technical department.

*R.J. Longhurst,  
East Grinstead, West Sussex.*

### **TEST TAPES**

There was an error in my article on Test Tapes and Cassettes in the February issue. Under the heading "What to Record" on page 245 the input level for recording an audio signal should have read 850mV peak-to-peak (not 1.5V) when terminated with the 75Ω load presented by the VCR at its audio input socket.

During playback 850mV peak-to-peak is also the correct level when the measuring instrument has an input impedance of 75Ω. In practice it's simpler and easier to connect an oscilloscope, with or without a probe, directly to the VCR's audio output line: in either case the line is in effect unterminated and, with virtually all VCRs and camcorders, the peak-to-peak amplitude rises to approximately 1.5V.

*Eugene Trundle,  
St. Leonards on Sea, East Sussex,*

### **LOSS ADJUSTMENT**

I read with interest Robert Blair's article on insurance loss adjustment in the February issue. As he says, it is indeed unusual for us TV engineers to be able to sell our skills in any sphere other than our own. On having found a possible avenue to explore however he suggests a charge of £15. I had to check the date on the cover to make sure that I wasn't reading a 1975 issue. Has Robert Blair tried to get anybody, and I mean anybody, no matter how lowly his skills, to visit his house and perform a task for £15? How much is vehicle insurance around his way, and petrol? But he is certainly correct in saying that you won't become rich doing this work. At minimum however you must cover your costs and make a profit – that's business!

If you are willing to offer a service that a large company requires, the company will pay you for it. I know this from my own daily experience. To sell our skills for such a meagre sum makes a mockery of our profession and encourages the too common view that the trade can be learnt in a few weeks, less if you attend college.

The very act of visiting someone in his own home and playing the role of a policeman – for that is exactly how the customer will see it – is one that requires extreme tact and diplomacy, in addition to the necessary technical skill. This is what you are selling, and it commands a fair price.

*Stephen Russell, AV Media Services,  
Horns Cross, Kent.*

### **SERVICING SATELLITE RECEIVERS**

A typing error occurred in Chris Watton's note regarding a dead Echostar SR5500 on page 320 of the March issue (Satellite Notes). The value of R2 is correctly given as 100kΩ, but R1 should be 110kΩ. These resistors equalise the leakage currents through the large electrolytics and should be high-voltage types. The originals are carbon composition and are almost impossible to obtain. So I use

Farnell type MFR4-100k in both positions and add an MFR4-10k in series with R1 to make up the value, which is critical.

It's also a good idea to replace the two small 100μF capacitors, using Farnell type part no. 148-851, since these cause the output voltage to change from its correct value of 5.05V. This information is taken from page 190 of *Satellite Secrets Revealed*, which is available from Davenham Satellite Systems at £19.95 – telephone 0606 49 085.

An error crept into my own article in the same issue, on page 347. The 100Ω surface-mounted resistor referred to is beneath R5, i.e. on the underside of the board where R5 is on the top side. The text suggests that it *is* R5! Hope this is now clear.

*Jack Armstrong,  
Manchester.*

### **TAXAN MONITORS**

While some manufacturers are less than helpful, others couldn't provide a better service. I had been having problems with a couple of Taxan monitors and needed parts. Just ring 0344 861 644 and ask for Zanna or Paul. Believe it or not, they'll send you drawings and fault-finding guides free! It's a pity that other computer companies are not the same. Wake up IBM and Compaq!

*Alan Bonhomme,  
AB Computers, Walsall.*

### **SONY AGAIN**

John Pitt-Francis (letters February) couldn't get anyone at Sony to discuss a fault on the telephone. The company's attitude does present problems. I wrote to complain about a socket which is fitted to most of Sony's products that have an external d.c. input. A spring contact had fatigued, shorting out the battery pack. Having had difficulty finding a socket of identical pattern from a number of sources, I asked Sony whether a replacement could be supplied – other firms have often given me a pleasant surprise by posting a replacement without charge. No so Sony. I was told that the company is unable to condone any repair carried out by unauthorised personnel. Now amongst other things I do have a couple of degrees and experience in the trade. Replacing a failed d.c. socket doesn't tax me. But pointing these things out got me nowhere. I've now replaced the socket with one of the wrong pattern, with the aid of some short wire links, and believe that this is a more sturdy item than the original. If Sony is listening, I did get the wires round the right way, and it works.

It's sad that the service trade in the UK today isn't so buoyant that it can afford to turn work away. Unfortunate then that a company such as Sony won't discuss faults in its equipment over the phone and seems to want to restrict even the most simple repairs to itself.

*Andrew R. Churchley, B.Sc. (Tech.), Ph.D., C.Eng.,  
Appleton, Cheshire.*

### **WORDPERFECT WP6.0 FOR WINDOWS**

An error crept into my reply to Peter Tomlinson's letter last month (see page 322). WP6.0 for windows requires a minimum of 8Mbytes of RAM (not 4Mbytes) in the PC for reasonable operation, a 386 processor etc.

*David Botto,  
Poole, Dorset.*

## TOOLS – TOOLS FOR ENGINEERS

### NEW – NEW ARRIVALS FOR 1995

- 1) WATCHMAKERS SCREWDRIVER SET (11 PCS) TOOL 300 £2.75  
6 pcs Slotted, 1.0, 1.2, 1.4, 1.8, 2.4 and 3.0mm  
5 pcs Phillips PH0000, PH000, PH00, PH0, and PH1
- 2) WATCHMAKERS SCREWDRIVER SET (10 PCS) TOOL 301 £2.50  
6 pcs slotted 1.0, 1.4, 2.0, 2.4, 3.0 and 3.8mm  
4 pcs Phillips, PH0000, PH000, PH00, and PH0
- 3) WATCHMAKERS SCREWDRIVER AND TOOL SET (15 PCS) TOOL 302 £6.99  
6 pcs slotted 1.0, 1.4, 2.0, 2.4, 3.0 and 3.8mm  
6 pcs Phillips PH0000, PH000, PH00, PH0 and PH1  
1 fine pointed tweezer, 1 trip holding tool & 1 magnifying glass
- 4) PRECISION SCREWDRIVER SET 3PCS TOOL 303 £3.75  
2 pcs slotted 2.4 and 3.0mm  
1 pc Phillips PH00
- 5) PRECISION SCREWDRIVER SET 6 PCS TOOL 304 £6.75  
3 pcs slotted 2.4, 3.0 and 4.0mm  
3 pcs Phillips PH00, PH0 and PH1
- 6) PRECISION SCREWDRIVER SET TOOL 305 £2.25  
6 pcs slotted 1.0, 1.2, 1.6, 2.0, 2.4 and 3.0mm
- 7) PRECISION SCREWDRIVER SET TOOL 306 £2.25  
4 pcs slotted 1.0, 1.6, 2.4 and 3.0mm  
2 pcs Phillips PH0 and PH1
- 8) SET WITH 7 PCS OF ELECTRONIC SCREWDRIVER FOR SLOTTED SCREWS 0.8, 1.2, 1.6, 2.0, 2.4, 3.0 AND 3.5MM TOOL 307 £6.99  
Total length screwdriver 120mm
- 9) ELECTRONIC SCREWDRIVER SET (7 PCS) TOOL 308 £6.75  
4 pcs slotted 1.4, 2.0, 2.4 and 3.0mm  
3 pcs Phillips PH000, PH00 and PH0  
Total length screwdriver 120mm

## NEW – NEW

### HEY – LOOK – READ AND THINK??

### TIME IS MONEY, WHY WASTE IT

#### SATELLITE RECEIVERS PSY REPAIR KITS NOW AVAILABLE

- PACE PRD 800, 900 REPAIR KIT:  
Kit 141 £6.50 each
- PACE SS 9000, 9010, 9020, 9200, 9210, 9220  
PSU REPAIR KIT:  
Kit 142 £6.50 each
- AMSTRAD: SRD 510, 520, PSU REPAIR KIT:  
Kit 143 £6.50 each
- AMSTRAD: SRD 500, PSU REPAIR KIT:  
Kit 144 £6.50 each

#### TECHNICAL BOOKS

**FAULT FINDING GUIDE BOOKS:** For VCR, TV and Satellite. One fault found from these books can cover your cost, so hurry.

**VIDEO RECORDERS (Issue 3).**  
Lists over 500 faults. For nearly all makes of VCRs.

**BOOK/VCR £10/15**

**TV RECEIVER FAULT FINDING GUIDE £9**  
(Issue 3).

**TV RECEIVERS (Issue 4).**  
Just released Over 5500 faults listed. For nearly all popular television receivers. £11.50 each

**COMPREHENSIVE GUIDE TO RECEIVERS SERVICING.** Featuring stock faults and many installation tips. £14.50

*No VAT on Books*

## SPECIAL OFFERS

Valid up to 15/4/95

M491 BB1 = £4.00

M494 B1 = £4.00

TMP47C 432AP 8189 = £7.00

TMP47C 432AP 8180 = £7.00

TMP47C 434N 3537 = £8.00

TMS 4116 25NL = 10 P/C @ £3.00

*Subject to stock availability*

Correct at time of going to press – SUBJECT TO ALTERATION



Please phone us for the types not listed. Please add 60p post & packing and then add 17.5% VAT to the total. Callers by appointment only.

### J.J. COMPONENTS

63 THE CHASE, EDGWARE,  
MIDDX. HA8 5DN, ENGLAND

Hotline No: 0181-381 1700/0181-952 4641  
Free fax orderline ONLY: 0800 318498  
General Fax: 0181-381 1700

## Test Case

# 388

Doesn't time fly? It seems just a few short years ago that the Ferguson TX100 chassis was introduced. In fact it first appeared over ten years ago, and the Ferguson products of today bear not the slightest resemblance to the British-designed stalwarts of the TX era – notwithstanding the inexplicable use of the TX90 designation for a currently-produced Ferguson chassis of Thomson design.

Many TX100 series sets are still going strong, though in most cases the picture tube shows the effects of long use. The one that sat on Cathode Ray's bench had been a previous visitor to the workshop. According to the job card its problem this time was excessive picture width. Sure enough with the set on test the picture looked to be about six inches wider than the screen allowance – this particular set was a large one, with a 23in./59cm 110° tube.

Big pictures are generally caused by high supply voltages, thought CR, so he

went to the power supply section of the chassis to measure the h.t. voltage. The reading at C129 should be 119V. It was correct to within a few volts. Reducing the setting (RV13) decreased the width, though not to the correct extent, and also introduced two unwanted effects: pincushion distortion at the sides of the screen, and a picture with an even more tired and weary look to it, obviously because the tube was being underrun.

The lack of EW correction gave CR a new idea however. He turned to the EW modulator section, which is incorporated in 110° sets like this one. It's on a pluggable subpanel that contained a TIP110 driver transistor (TR73), some shaping and control components and a very tired-looking pair of inductors (L701 and L702) whose soldered joints were dry and crystallised. After removing this subpanel, CR found that the Darlington type TIP110 transistor was short-circuit collector-to-emitter. So he replaced this item and resoldered the coils – having thoroughly cleaned and fluxed their leadouts. The other three transistors on the subpanel checked out o.k., as did the modulator diode D701 and the associated capacitors C702 and C703.

With the subpanel back in place and the set switched on, CR was pleased to see that the trouble appeared to have been cured. After resetting the h.t. for 119V he found that correct width and picture geometry could be obtained by adjusting the presets on the subpanel, though the settings were a long way from the original wiper positions. The tube's emission had stabilised when the set had been running for about half an hour, and CR thought that the picture didn't look too bad considering the set's age. He put it on the delivery rack and turned to a sick Hitachi.

He hadn't seen the last of this TX100 however! Four days later it was back on the awaiting-repair shelf, with a note that said "wide picture, as previously". On test the symptoms were seen to be the same as before. CR went straight to the EW driver transistor TR73, which had failed in exactly the same way as the original one. After fitting another TIP110 the scan amplitude was again correct. But the transistor failed during a soak test. Pouncing on it, CR found that it was too hot to touch. Could there have been a batch problem with the TIP110s in store, or was there a contributory cause elsewhere? For the answer, see page 414.

# Servicing the ITT Digi-3 Chassis

Chris Watton

In this final article in the present series we'll look at the Digi-3 chassis. There are fault notes at the end for all three chassis we've covered. The Digi-3 chassis is able to drive, 21, 24 and 28in. tubes. All sets have teletext and some have hi-fi sound. The main panel contains the power supply and the line and field timebase. Three panels plug into it: an i.f./tuner module, an audio output and interfacing panel, and the digital signal processing panel.

## Service Adjustments

There are very few controls, as most adjustments are carried out via the remote control unit. In the alignment mode this becomes the service processor. As the original unit will probably have been replaced by the time the set arrives on your bench, a list of the relevant functions and the button to push is given below. The LED channel display gives an indication of the mode.

To set up the receiver, feed in a suitable test signal and move the small lever switch (the mode switch) on the digital panel to the SE position. The display will read SE. A preset in the power supply adjusts the operating voltages. Set it for a reading of 133V at the cathode of D795. The other adjustments can then be carried out. All settings are altered by using the volume  $\pm$  buttons. The adjustment sequence is not important, though the geometry adjustments are best carried out in the order given below.

(1) Vertical shift. Button 1, display U1. Adjust for correct top position.

(2) Height. Button 2, display U2.

(3) Field linearity. Button 3, display U3.

(4) Width. Button 4, display H1.

(5) Pincushion correction. Button 5, display H2.

(6) Trapezium correction. Button 6, display H3. Repeated pincushion and trapezium adjustments may be required.

(7) First anode (G2) voltage adjustment. Button 7, display C. There are three LEDs above the display, red, yellow and orange. Use R536 to adjust the G2 voltage for a flashing yellow LED. If the red LED is lit the voltage is too low, if the orange LED is lit it's too high. A stationary picture is essential, as varying beam current upsets this adjustment.

After setting the first anode voltage, set the gun cut-off points. Determine the most sensitive cathode. This cannot be adjusted – any attempt will give ‘–’ in the display. Set the other cut-off points to match the fixed one.

(8) Red cut-off. Button 8, display C1.

(9) Green cut-off. Button 9, display C2.

(10) Blue cut-off. Button 2 (twenties), display C3.

Next adjust the drives. Alter only the predominant colours: at least one setting must be left unchanged.

(11) Red drive. Button treble +, display C4.

(12) Green drive. Button text i, display C5.

(13) Blue drive. Text button, display C6.

(14) Decoder reference oscillator. Button bass –, display F. Adjust for near-stationary colour.

Finally, load the new information into the memory by pressing the TV key (the one that should return the set from the text to the TV mode). SE will reappear in the display. Return the mode switch to normal operation.

## The Power Supply

These sets use a discrete-component chopper circuit that provides mains isolation. It's similar to the circuit used in the 80R chassis – see Fig. 1. The following output voltages are provided: 133V h.t. (I); 5V (III); 8V (IV); 17V (VI); –17V (VII); 43V (IX). The other supply lines in the set are either derived from these or from the line output stage. They are 12.6V (V); 16.8V (VIII); 13V (X); –13V (XI); 220V (XIII). The LOPT also provides the e.h.t., focus and first anode voltages. A bridge rectifier produces 300V for the chopper circuit, which also has a 12V line on the primary side. A separate bridge rectifier and regulator provide a 5V (I) supply for the control circuit (microcontroller IC1401 and the associated components).

At switch on the bridge rectifier D703-6 charges its reservoir capacitor C705 to approximately 300V. At the same time C714 charges via R731. The link via T733 to the base of T721 switches it on and transistors T726 (the chopper driver) and T742 (the chopper transistor) switch on. Because of T742's inductive load, the voltage across R743 rises linearly. When it reaches 0.7V transistors T716 and T711 conduct. Since T711 shorts the base and emitter of T726 it switches off, removing the drive at the base of T742 which also switches off. The energy stored in the transformer is then released, driving the rectifiers on the secondary side of the circuit.

When T726 switches off its collector voltage falls very rapidly, taking the base of T721 negatively via R726 and C726. Thus T721 switches off. With T742 off there's no voltage drop across R743. T716 and T711 switch off, removing the short-circuit across the base and emitter of T726. T726 cannot switch on again however until T721 conducts. This depends on the time taken for C726 to charge via R733. Once it does, T726 and T742 switch on again, building up energy in the transformer.

The conductive T721 switches T722 on via C718 and R724. These transistors latch on. Meanwhile C743 is



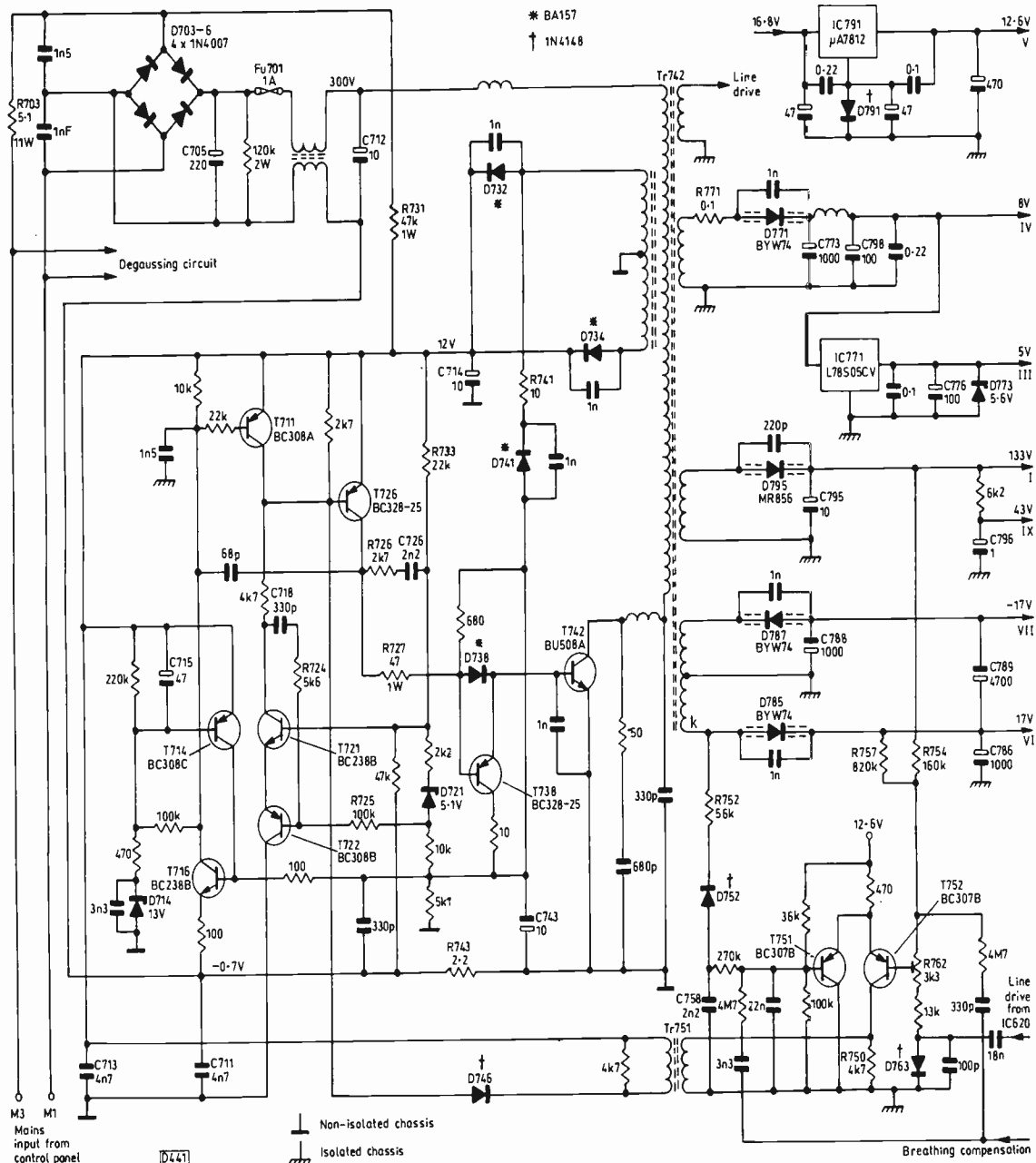


Fig. 1: The chopper power supply circuit used in the ITT Digi 3 chassis.

charged negatively via D741. Thus T716 is switched on only when the voltage across R743 exceeds 0.7V. As the energy in the transformer builds up between cycles, the charge across C743 increases and eventually zener diode D721 is biased on. This switches off T722 via R725, and as a result the chopper switch off is initiated by T721 instead of T716/T711. In this way T742's collector current is limited at a certain level and the output voltages are stabilised at about 80 per cent of their normal level.

Once the set is running normally T726 is switched on by a drive waveform from the DPU2540 deflection processor chip IC620 via T752 and pulse transformer Tr751. T752 acts as an error detector/pulse width modulator. The point at which it switches on when the drive waveform is applied to its base depends on the d.c. conditions at its base and emitter. Base bias is set by R762 (set h.t.) which is taken to and thus samples both the 133V and the 17V supplies. Thus variation in these supply voltages with loading changes adjusts the conduction point of T752 and the on/off time of T742 to compensate. T751 also varies the biasing. A negative voltage derived from

tap k of the transformer via D752 is applied to the base of T751. This adjusts for mains voltage fluctuations, which are instantly reflected by the transformer. There is also an input to the circuit from the beam sensing point in the line output stage (breathing compensation).

As with the other chassis we've looked at in this series, the line output transistor is driven by a secondary winding on the chopper transformer.

### Overload Protection

In the event of an overload the 'electronic fuse' will operate. Transistors T716/714/711 provide this trip action, sensing the voltage across R743. If the overload is permanent, the charge developed across C715 when T716 conducts will build up until the point is reached when T714 switches on. T714 and T716 then latch on, with T711, and the drive to the chopper is removed. The power supply will not start up again until C715 has discharged. To do this, switch the set off for a minute or connect a 15kΩ resistor across C715. To operate the power supply

with the electronic fuse disabled, leave the 15kΩ resistor in place then switch on. This can be useful when you are trying to assess the source of an overload. Never leave the resistor in place if it makes the set come on.

### **The HF Module**

The h.f. module, type TCU-CCU, differs from those used in the earlier sets. It contains a frequency-divider chip in addition to the u.h.f. tuner and i.f. section. This module's important pins are: TZ6 12.5V input; TZ7 0-30V tuning voltage input; TZ14 12.5V output; TZ15 1.3-14.2MHz f/64 frequency-divider output; TZ16 5V input; TZ23 CVBS output; TZ30 audio output. There are also various earthing pins.

As with previous h.f. modules, you can get trouble with the PCB/can soldering and the electrolytics can give up. But the problems are fewer than with the previous modules. Once again if you don't fancy repairing one of these cans MCES of Manchester will do a good job for you.

### **The Interface/Audio Output Panel**

The interface/audio output panel carries the set's input/output signal links and the audio demodulator and output stages. Various slightly different boards have been used – they are all similar. Power for the TDA2040 audio output chips is applied at pins ST3 –17V, ST2 17V and ST1 chassis. The demodulated audio signal goes to the digi board from which processed L and R audio signals return to this board. There's an audio muting circuit which is controlled by the microcontroller chip IC1401. It works by shorting out the inputs to the audio output chips. The mute control input is at pin 5 of socket BN: 12V here mutes the sound, 0V gives normal sound.

There are two 14503 switching chips on the panel, one for the audio signals and the other for video. The audio chip switches between scart and tuner inputs. Plug DN is the connection to the digital signal processing panel. Pins 5 and 7 are the tuner signal inputs, pins 6 and 8 are the scart audio inputs. The video routes are via the other chip, IC3004. Tuner video comes in at pin ST10, passing through the chip from which it finally emerges at pin 15. It goes in at pin 12, comes out at pin 14, goes back in at pin 5, comes out again at pin 4, passes through transistor T3031, returns at pin 2 then passes out from pin 15 to transistor T3039. It goes to the digi board via pin 12 of plug DN.

Scart audio and video inputs are selected by a control voltage from the microcontroller chip IC1401. It enters the panel at pin 4 of plug BN, then goes via transistor T3032 to pins 9 and 11 of the two switching chips. At plug BN the voltage levels are 5V for TV, 0V for AV: after T3032 the levels are 12V for TV, 0V for AV. The RGB inputs from the scart socket pass straight through this panel to the digital signal processing board. The status switching input at pin 8 of the scart socket passes via transistor T3982 to the microcontroller chip, which tells the switches on the interface/audio output panel which state to be in.

### **The Control Panel**

The control panel houses the microcontroller chip, a memory chip, a tuner interfacing chip and the remote control receiver chip. It's coupled to the digital signal processing board, messages being passed between them. The control panel is mounted behind the customer control

unit. It has five main functions, as follows.

First on/off power switching. A small mains transformer, fed from the mains on/off switch, feeds a bridge rectifier and 78L05AC regulator which produces the 5V standby supply (I). A relay circuit controls the mains power feed to the main chassis. The relay is controlled by the on/off output at pin 5 of the microcontroller chip IC1401. It's also controlled by a momentary contact on the mains switch. This activates the relay at receiver switch on. Thereafter IC1401 takes over control. There are two transistors in the relay circuit, T1403 and T1404.

Photodiode D1411 detects the infra-red remote control signals, passing them to the TBA2800 receiver/amplifier chip IC1404. The output from this is fed to pin 12 of IC1401 and also, via plug DB2, to the digi board.

IC1403 (MEA2901) is the tuner interfacing chip. It converts digital information from IC1401 into an analogue voltage to control the varicap tuner. IC1403 receives 12.6V at pin 7, 16.8V at pin 13 and the 33V tuning supply at pin 14. The tuning supply is stabilised by a ZTK33B regulator which is linked to the 43V supply via R1459. Channel up/down commands from IC1401 enter IC1403 at pins 3 and 2 respectively: the tuning voltage output appears at pins 15 and 16 which are connected together.

Memory chip IC1402 (different types are used in different models) stores the customer audio and video settings, the tuning information and the alignment information. It's a reprogrammable, non-volatile device that can be responsible for various faults. When ordering a replacement it's essential to quote the part number, which is on a white label stuck to the chip, as the preprogramming is done at the factory. Fitting an incorrect chip can lead you astray.

The SEL02 microcontroller chip IC1401 is responsible for the operating and tuning systems. It receives a supply from the on-board 5V regulator at pin 27. This supply is also used by the emitter-follower T1401 which feeds the 4MHz crystal clock oscillator signal (at pin 1 of IC1401, the crystal being X1401) to the digi board. The standby LED circuit is also fed from this rail. IC1401 receives, at pins 2, 29 and 40, 5V from the main chassis: this voltage appears once the power supply is up and running. IC1401 controls the keyboard, the display and the LEDs. The IM bus is connected to IC1401, the memory chip IC1402 and the digi board.

### **Output Stages**

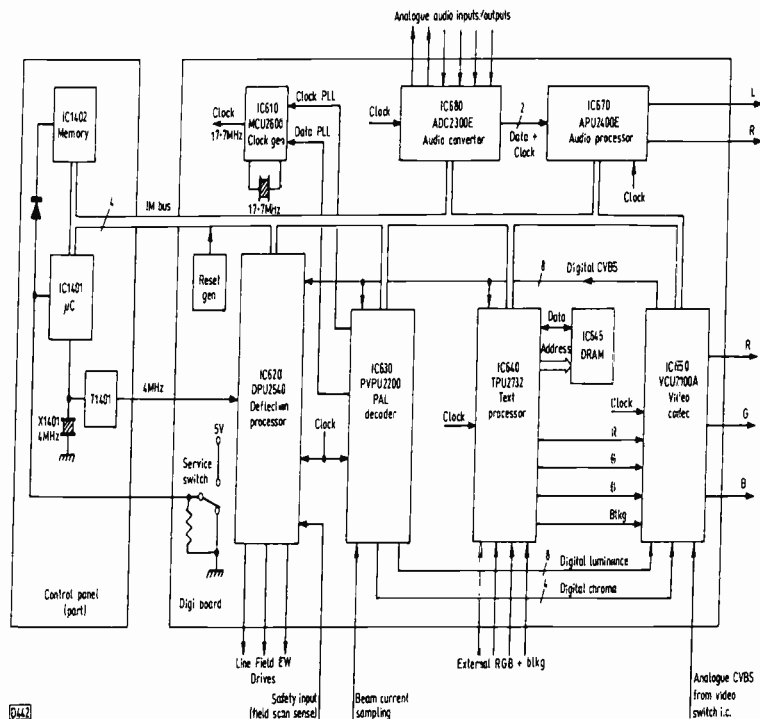
The line and field output stages, the EW modulator and the RGB output stages are all conventional and have some similarities with the Compact 80 series.

### **The Digi Board**

There are eight i.c.s on the digital signal processing panel, as follows:

**IC610 MCU2600 master clock generator:** This generates, with crystal X610, a 17.734MHz clock signal which is fed to all the other chips on the panel.

**IC620 DPU2540 deflection processor:** This is fed with the composite video signal, in digital form, and produces the line, field and EW correction drive signals. The line drive is fed to the chopper circuit. There's a return safety voltage at pin 25, via connector DV1. In the event of field collapse, this will operate the blanking circuit. Check here



**Fig. 2: General arrangement of the digi board.**

if the symptom is no raster with the tube's heaters alight.

**IC630 PVP2200 PAL video processor:** This separates the digital composite video signal into its chroma and luminance components and carries out PAL decoding. It also carries out automatic black-level adjustment, with feedback from the RGB output stages on the tube base panel at pins 15 and 16.

**IC640 TPU2732 teletext processor:** In addition to teletext decoding this chip accepts the RGB signals from the interfacing/audio output panel. It provides RGB plus blanking outputs, either text of AV, at pins 6-9.

**IC645 HM4816AP-7 DRAM:** This memory chip operates with IC640 as a page store.

**IC650 VCU2100A video codec:** This converts the analogue composite video signal to digital form, which is then fed to IC620 for sync purposes, to IC630 for PAL decoding and to IC640 for teletext processing. It receives RGB plus blanking inputs from IC640 and separate digital luminance (8 bits) and chroma (4 bits) inputs from IC630, converting them to analogue RGB outputs at pins 28, 27 and 26 respectively.

**IC670 APU2400E audio processor:** After digital audio signal processing this chip produces analogue L and R outputs at pins 19 and 20 respectively.

**IC680 ADC2300E audio converter:** This chip receives the demodulated and external audio inputs and converts them to digital form for feeding to IC670. It also carries out signal selection in conjunction with the MC14053 audio switch on the interface/audio output panel.

There's a reset pulse generator on this board, consisting of transistors T691 and T692 and the associated components. The reset pulses are fed to the IM bus which links

all the chips on the digi board and the microcontroller and memory chips on the control panel. The IM bus has four lines, clock (4MHz), data, ident and reset.

This is a simplified summary of what goes on in the digital signal processing section of the receiver, but when faced with the unfamiliar it's useful to know which of these large chips does what. Note that they are all MOS devices. Fig. 2 shows the general arrangement. The digital audio data is sent from IC680 to IC670 in serial form: IC680 incorporates a parallel-to-serial converter while IC670 has a serial-to-parallel converter.

The clock chip IC610 can give some misleading results, and the memory chip IC1402 on the control panel is often the cause of trouble. As the reset and supply lines are common to all the chips on the board it should be necessary to check them at only one point – unless there's broken print. The supplies are as follows: 12.5V at DV15, 5V (III) at DV17, 8V at DV16 and 5V (II) at DV18.

## FAULTS LISTS

We'll conclude this article with faults lists for the three chassis that have been covered in the series.

### Compact 80R Chassis

**Dead set:** Check C701, D712 and D714.

**Dead set with electronic fuse in operation, works when this is overridden:** Check C703.

**Dead set, electronic fuse in operation:** Line output transformer faulty or a short across one of the supply lines on the secondary side of the chopper circuit.

**No picture:** Lack of the sandcastle pulses at the decoder

chip because of field collapse or failure of T401 (BC238B).

**Excessive width:** EW modulator driver transistor T536 (BD135) short-circuit.

### ***Monoprint B Chassis***

**Dead set:** Check D733, IC701, R715, R721, D702.

**Dead set, tripped:** Line output transformer faulty or a short across one of the supply lines on the secondary side of the chopper circuit.

**Dead set, primary side of the power supply o.k.:** Check D733 and C734.

**Set appears to be in standby but the e.h.t. is present:** Check C772.

**Set is stuck in standby:** Check C715.

**Intermittent dead set:** Check pins of chopper transformer.

**Poor starting:** Check C701 and C707.

**Low h.t., set runs but no e.h.t.:** Line output transformer defective. Look at the line output transistor's collector waveform. If ragged with lots of spikes the LOPT is suspect.

**Cuts out, intermittently loses channel memory:** Replace 5V regulator IC1405.

**No on-board control:** The keypad may be defective. Cleaning it may cure the fault.

**No teletext, though the indicator comes on when teletext is selected, and channels won't change:** Replace the DPU2540 chip on the teletext panel.

### ***Digi-3 Chassis***

**Dead set:** Check the chopper transistor T742. A defective DPU2540 deflection processor chip can drive the chopper/line output stage at the wrong frequency with the result that the power supply shuts down.

**Dead set, h.t. very low:** C535 (1nF) short-circuit.

**Dead set, chopper transistor blows:** Change all the bridge rectifier diodes (D703-6).

**Dead set, R519 burnt up:** Replace D513 (BY448).

**Dead set, tripped:** Check the rectifiers that produce the  $\pm 13\text{V}$  supplies (D547-8).

**Dead set, line output stage fault:** Check for shorts across the secondary supplies before condemning the line output transformer. Disconnect the scan plug to check the power supply.

**Dead set, electronic fuse in operation:** Various faults that load secondary circuits will activate the electronic fuse, i.e. faulty field or audio output chips or digi board faults.

**Intermittent tripping:** Check the value of R754 (160k $\Omega$ ).

**Poor starting:** Replace C714 (10 $\mu\text{F}$ ).

**Intermittent standby:** Check the 5V regulator (IC1405) on the control panel.

**No picture or sound, e.h.t. present:** D771 short-circuit.

**Field faults:** Can be caused by the 5V regulator chip IC771 (L78S05CV).

**Unlinear field scan:** Replace the 6.8V zener diode D411.

**Picture shifted downwards:** Another fault that can be caused by the 6.8V zener diode D411.

**Line at top of screen:** Replace R431 (330 $\Omega$ ).

**Line phase faults:** C209 and C234 in the h.f. module, also dry-joints in this module, will cause apparent line timebase faults.

**Intermittent loss of remote control operation:** Check T1410 (BC238C) on the control panel.

**Intermittent loss of colour:** Replace the MCU2600 chip IC610.

**Incorrect colour:** IC630 (PVPV2200) or crystal X610.

**No colour:** Memory chip on the control panel (IC1402).

**No picture or sound:** Was caused by the video switch chip IC3004 on the interface/audio output panel.

**Weak picture:** Was caused by T1013 (BF493), one of the feedback transistors on the tube base panel.

**Poor resolution:** Can be caused by the VCU2100A codec chip IC650 on the digi board.

**Blank raster:** Can be caused by the VCU2100A chip IC650 on the digi board.

**No tuning:** Likely to be caused by the MEA2901 tuner interface chip IC1403 on the control panel.

**Noisy picture, low gain:** Can be caused by the memory chip IC1402 on the control panel.

**No tuning, channel display o.k.:** Microcontroller chip IC1401 faulty.

**No text:** Can be caused by failure of D403 (1N4148).

**Corrupt text:** IC640 (TPU2732) faulty.

**Text information displaced:** IC640 (TPU2732) faulty.

**Horizontal lines on the picture:** The MEA2901 tuner interface chip IC1403 on the control panel faulty.

**Picture unstable:** Deflection processor IC620 (DPU2540) faulty.

**Most sound faults:** The APU2400E audio processor chip IC670 faulty.

ADASTRA • ADCOLA • AEG • AIPHO  
 AIWA • AKAI • AKURA • ALBA •  
 AMBERSIL • ANTEX • ANTIFERRECE • AQUA  
 ARISTON • AYO • BASF • BAUKNECHT • BE  
 BERDIX • BETACOM • BISSELL • BLACK & DECKER •  
 STAR • BURCO • BUSH • CANON • CEITEK • C.F. • CME • C  
 CROWN • DELONGHI • DELTRON • DIALTRON • DIRT DEVIL • D  
 PARIS • ELECTROLUBE • ELECTROLUX • FERGUSON THOMSON TECHNO  
 FLUKE • FLYMO • GLEN • GOBLIN • GOLDMARK • GOODMAN'S • HADEN • HAIK  
 HAMA • HAMEG • HINARI • JVC • SAMSUNG • SAISHO • PHILEX • PHILIPS • RUSSELL HOBBS • ROWENTA • ROSS • RING • RAYO  
 INKEL • INDESIT • JAMO • JYU • PIONEER • PHILIPS • PHILEX • PAMASONIC • PACE • ONE FOR ALL • NUMATIC • NOVA • NJD • NIK  
 RAACO • POWER BREAKER • PIONEER • PHILIPS • PHILEX • MERCURY TELECRAFT • MEM • MELLERWARE • MATSUI • LUXO • KONIG • KEW • KELVIN  
 MOULINEX • MORPHY RICHARDS • MK • MILLBANK • MERCURY TELECRAFT • MEM • MELLERWARE • MATSUI • LUXO • KONIG • KEW • KELVIN  
 KAMASA • SANYO • SERVISOL • SHARP • SHURE • SMEG • SONA • SONY • SUNBEAM • SWAN • TATUNG • TEFAL • TOA • TOSHIBA • TO  
 TRICITY • TTI THURLBY THANDAR • UMIROSS • VAX • VIDAL SASSOON • VIDOR • VOGEL'S • WHIRLPOOL • ZANUSSI • ZEROWATT



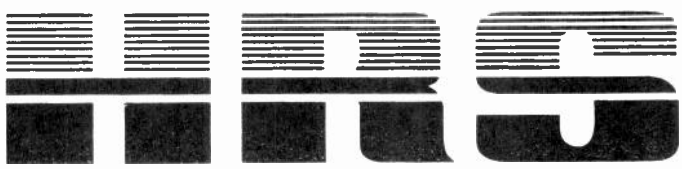
# your hot-line to 250 suppliers and 170,000 different spare parts

Through HRS and Electrue you can access an unprecedented range of over 170,000 component spares from 250 suppliers of both white and brown goods.

Just one call to the company where you have your account and you can plug into our entire stock including a wide range of finished goods.

Or call us now to open your account.

## The Big Connection!



*...servicing the future*

**HRS ELECTRONICS**  
**TEL: 0121 766 6668**  
**FREE FAX: 0800 212179**



# ELEC TRUE

**ELECTRUE SALES LTD**  
**TEL: 0121 766 6222**  
**FREE FAX: 0800 181659**

**100 GREAT BARR STREET • BIRMINGHAM B9 4BB**

# Further Confessions of a TLO

Mark Paul

"Look mister, whatever your name is." She paused.

I gave her my name again.

"I don't care what you say, get this bacon off my television" she continued.

Her plea did not refer to a new low in the trade, a high street shop that sold consumer electronics as an adjunct to being a butchers. Rather it was an emotional cry from the heart of a customer whose TV set was suffering from amateur radio interference. Before I could reply there was another outburst.

"Look. I've written to him, the Troublevision repair man has checked the set, and I've even had two government men around checking for radiation and leakage. This is the end. I've reached my limit.

She left and went upstairs, leaving me alone at the living room window. I was in a modest semi-detached house in a leafy suburbia, looking out with hatred at the cause of my problems – a 20ft mast with a crosshatch array of Yagis, reflecting dipoles, dishes, rods and whatever else could possibly be attached. The whole assemblage of bits and bobs cast a long, ominous shadow, even with a late morning sun, across the back lawn and straight into the house. As I looked, the gantry slowly started to rotate towards me, as if reading my mind. I shook my head. Reading far too much Asimov, I thought. Yet there it was, fascinating to behold as it slowly swayed on its mount, a monster-like Meccano set gone mad.

It seemed to me that life can be very lonely for a TLO. What was I doing here anyway?

## Angelique

The phone had rung the evening before. It was Head Office. The all-important Customer Relations Office, which is linked with that other world of crazies, Marketing Department.

"Hello there, this is Angelique Matthew-Henry here". Where do they get these names, I thought to myself. "Look" she continued, "we've got this customer having a bit of a problem with interference from somewhere on her television."

"What kind of interference?" I asked.

"You know, lines on the picture stuff. Probably only aerial trouble. McGurgle's the name and she thinks it's to do with a butchers next door – at least that's what I think she meant. She was a bit excited when I spoke to her."

"You mean something like thermostat interference" I suggested.

"That's it! Probably faulty switching."

This was all I needed, an Angelique telling me there was a faulty thermostat. She wouldn't know one from a hen.

"So what do you want me to do?"

"I think you'll have to play it by ear when you get there."

Wonderful. A great help.

"Out of interest, where is 'there'?"

"Redcar in Yorkshire. Not far from you really. I promised the customer you'd be there tomorrow."

'Not that far really'. Had she no sense of geography and distance?

"I've spoken to the Interference People" she continued. "They'll send someone along to be with you. The dealer has also been contacted and says he will be present. Please send us a report on the outcome for our files. Bye." "

Where do they come from I asked myself. Surely genetic engineering is not that advanced. . .

## On the Day

It had been a long drive, of over 200 miles, which had meant an earlier than usual start – always a painful experience. And I was now beginning to feel the effects as I gazed out of the window.

Reality came back with a sudden loud noise as the living room door burst open. As I swung round I caught my first sight of Mr McGurgle.

He probably looked worse than he was. At least that was my earnest hope at the time as, with a smile, I stretched out my hand and introduced myself. He stood there like a mountain, at least 6-5ft high. As he took my hand it disappeared inside a mass of calloused flesh. I considered myself lucky to get it back again.

While I was taking in this spectacle Mrs McGurgle was moving about excitedly, giving in a garbled fashion a potted history of the events to date. She regularly pointed wildly out of the window at the cause of her discomfort, referring to it in language that even Rab C. Nesbit wouldn't recognise.

I wondered whether Mr McGurgle would like Angelique's home phone number. For a brief moment I let my mind wander down dark avenues of thought as I considered what I would do if I ever got out of this alive.

Mr McGurgle glowered at me, then at the TV set, then at the mast and finally at his wife who was waving her arms about and carrying on remorselessly. He simply bellowed "shut up, woman".

This sort of direct approach in such a situation can have a very positive effect, breaking the tension and sharply focusing everyone's mind on the current problem. I decided to move slowly towards the door.

En route I was arrested by Mr McGurgle who addressed me with a stare. "All right, what's the score?" He was a man of few words.

I explained, gently, that as the manufacturer's representative I was on this bright-light mission to give whatever assistance was necessary to the dealer who, by the way, was in a better position to accept any legal proceedings under the Sale of Goods Act. But any such action would be unnecessary, as he would sort out the problem once he arrived with the engineers from the DTI.

As I finished this little presentation there was a sudden gust of wind that whistled and moaned through the swaying gantry. We all turned and looked at the common enemy. This brief pause in the proceedings was interrupted by the chiming of the front door bell.

## Visitors

The now calmer Mrs McGurgle disappeared into the hall to open the front door for the visitors. Mr McGurgle and I fell silent as we waited expectantly for the next phase in the drama to start.

"Mrs McGurgle?" a man's voice enquired. A very smooth and confident voice.

"Yes."

"Good morning, I'm Nick the Greek from Troublevision, come to have a look at your television. I believe you met these two men on their previous visit."

"Hello again Mrs McGurgle. Still got trouble then?" said one of the 'government men' in a fatherly tone.

The outside door closed and the three men entered the lounge, to be confronted with the presence of Mr McGurgle. Mrs McGurgle came in behind them and almost collided with their collective backs as they came to a halt.

"This is my husband" she volunteered.

There was a frozen moment of time as the little group took in the situation. The body language of all three visitors clearly indicated that this would be the right time to take early retirement. But the moment of tenseness passed quickly, and Nick the Greek was once again wearing his 'double-glazing' smile.

"Mr McGurgle, I'm Nick the Greek from Troublevision." He thrust out his hand, to be encompassed by that massive paw.

"And my name's Cranford" a tall government man said, "and this is Mr Manners", pointing to his frowning and much shorter colleague, "but please just call us Mutt and Jeff." He finished with a strained smile. I noted that neither of them offered his hand. Chickens!

I introduced myself to them and laid the ground rules for the game by saying that 'we' were sure that between them 'they' would be able to solve the problem.

I must break in here to explain things to all you aspiring TLOs. In my experience it's always good practice in such a situation to be seen as fully identified with the customer and his needs as quickly as possible. Being one with the customer polarises the relationships and produces the following advantages:

- (1) The 'real enemy' is registered in the customer's mind and stays that way whatever the future developments.
- (2) Your company gets the kudos for a successful outcome while the now recognised enemy gets kicked in the event of failure.
- (3) The TLO-to-customer bonding thus established generally produces a cup of tea and improves your self-preservation count.

Nick didn't know quite how to take this pronouncement of mine. His fading smile showed that he knew something had happened, though he couldn't put his finger on it. Mutt and Jeff just grunted.

### **Down to Business**

Things then got down to business rapidly. Under the watchful eye of the McGurgles, with whom I was sharing a mug of tea, there was a confab followed by Jeff leaving the house to head for the Ham's shack to co-ordinate the investigation from there. Nick tried to look busy by switching the set on, cycling through the channels and producing a circuit diagram.

A few minutes later there was a crackle and hiss from the little walky-talky that Mutt held in his hand, with a voice that sounded vaguely like Jeff's.

"Mutt? Over."

"Read you Jeff. Over."

"Preliminary checks on equipment and installation seem good. Rigg impedance matching normal. Harmonic radiation within spec on analyser. Equipment leakage acceptable. Frequency counter verifies accuracy of crystal control. Equipment earth-bonding to water pipe good. Double screening on sensitive bits. Ham's licence o.k. Over."

I was watching Mrs McGurgle who seemed to twitch at the technical phrases. Mr McGurgle looked mesmerised.

"Ask the Ham to start transmitting. Over."

Almost immediately the picture broke up, with complete loss of sync and a very heavy superimposed pattern. The loud-speaker tried desperately to say something, but only an odd noise came through. Mrs McGurgle, witnessing her bane, went into the beginnings of another fit.

Mutt took command of the situation. "Is this the problem you're having, Mrs McGurgle?" It was hardly a tactful question.

From the corner of my eye I saw Mr McGurgle shift his position, his hand gripping tighter the now empty mug. To delay the missile launch I asked soothingly "does it happen on all channels?" Mutt blinked and returned to the task in hand.

"Jeff. Tell the Ham to keep transmitting on that frequency, then come over here with the gear. Over and out."

With the return of Jeff things began to heat up. Mutt and Jeff started the ritual of trying to capture the unwanted signal. As we sat there watching – by now Nick had joined me and the McGurgles on the settee with a second mug of tea – we felt a sense of awe. The two men raced around the television set, fitting then removing various traps, aerial braidbreakers, stub filters and so on. The receiver was moved first this way then that. There were ferrite rings, large and small, on the mains lead, the extension speaker leads, the aerial lead and the scart lead. After each manoeuvre both men would pause and stare intently at the screen.

Time went by. The speaker still produced a choked-off rasping noise, and the picture was still buried beneath moving lines. The government men were beginning to slow down.

As I viewed the scene before me I couldn't help feeling a shade uneasy. The area around the television set, which was now positioned near the centre of the room, looked like a cross between the Battleship Galactica and a plumber's merchant. But what really brought the situation to a critical state was when Mutt asked Mrs McGurgle if she had a roll of bacon foil he could use.

### **Mayhem**

All mayhem then broke out. Mrs McGurgle jumped up and started to shout, gesticulate and question the parentage of the 'bacon'. Mr McGurgle rose slowly from where he was sitting and, with the determination of a man who has a plan, strode over to Jeff who was trying yet another filter. With one hand he gripped Jeff's lapels, lifted him bodily away from the television set and dumped him on the settee next to me. He then threw into the garden, through the window which was open behind the receiver, adjustable traps, breakers, ferrite rings, leads, tools, equipment and anything else he could lay his hands on – all the while muttering threats of murder.

Nick from Troublevision felt that he had a duty to protect the receiver, which was on rental, and stood over it like a dog guarding his bone. Cool I thought.

Mutt was half-heartedly trying to get Mr McGurgle to desist. He oscillated nervously between the window and the door, not knowing which way to go as the noise of crashing equipment continued.

I sat there on the settee, still holding the half empty mug of tea, like an island of peace amidst the stormy sea. Mrs McGurgle was in a frenzy, while Mr McGurgle was totally absorbed in the task of ridding his home of all intrusive technology. Mutt held his face in his hands and was ready to weep as his prized technology was being scattered across the wet earth. Jeff, who had been beneath the set, attempted to rescue his precious rings before they whizzed out of the window. Nick, with his circuit diagram tucked under one arm and one eye on Mr McGurgle, was struggling to lift the receiver off its stand to safety.

Ah me! Such is life I thought as I rose and laid down my mug, saying my goodbyes – which no one heard – as I left. "Play it by ear" she had said!

# TV Fault Finding

*Reports from Philip Blundell, AMIEIEE, John C. Priest, David Chaplin, Dave Mackrill, Glyn Dickinson, John Edwards, David Belmont, Michael Dranfield, Tony Ashworth, Keith Evans and Terry Lamoon*

## **Philips 26CE2080/05T (2A Chassis)**

Other engineers often bring me one of these sets with the following 'fault' condition. The set is dead, and if the power supply is run up with a dummy load the bulb lights then gradually dims and goes out. What they've usually done is to fit the wrong degaussing thermistor. Sets fitted with 110° tubes require a dual-thermistor that consists of one positive and one negative temperature coefficient element. The correct part no. is 4822 116 40033. **P.B.**

## **Mitsubishi CT2155**

If the picture has horizontal bars superimposed on it check around the 12V regulator IC902 for ripple. You'll probably find that C920 (470µF, 25V) has dried up. **P.B.**

## **Philips CP110 Chassis**

For ragged verticals check C2633 (100µF) by replacement. It decouples the supply to the line driver stage. **P.B.**

## **Panasonic TC2622 (U3W Chassis)**

The complaint about this set was of persistent intermittent field collapse over a long period of time. The underside of the main PCB certainly showed evidence of much previous work in the area of the field output transistors Q402/Q403 and the jungle chip IC501. As flexing the heatsink plate on which the field output transistors are mounted momentarily restored full scan the relevant area of print was desoldered with braid and cleaned up and major components in the area were removed, scraped and tinned. Then everything was refitted. A general check of the print was carried out, using a strong magnifier and lamp, and any doubtful areas were resoldered.

On test the symptoms were exactly as before. Voltage checks again showed that under the fault condition the field output pair of transistors were not conducting, though drive was present at pin 9 of IC501 and all relevant resistors measured correctly. To cut a long story short, the lower transistor (Q403) of the output pair had an intermittently open-circuit base-emitter junction. With a meter clipped across the transistor's base and emitter pins, while it was out of circuit for diode checks, a pull on the base pin opened the connection. Releasing the pin restored the reading. A new 2SD837 restored permanent field scanning. **J.C.P.**

## **JVC AV21F1EK (JX Chassis)**

Our field engineer found that this set would come on for ten seconds, with the LEDs lit but no raster, then go off again as a result of the operation of the power supply protection shut-down circuit. As he could find no shorts in the power supply or the line output stage he uplifted the set for workshop attention.

With the set on the bench the preliminary findings were

first confirmed then plug R on the power supply panel was disconnected to isolate the 127V feed to the line output stage. A 60W bulb was fitted as a dummy load instead. On test we found that the h.t. supply rose to 123V before the power supply shut down. When plug Q was removed, disconnecting the 27V feed to the audio PCB, the power supply came on and stayed on. When the dummy load was disconnected there was a normal picture. A new TA8216AH audio power amplifier chip (IC801) cleared the fault. **J.C.P.**

## **Ferguson TX90 Chassis (20in version)**

This set would intermittently display a narrow, rippling picture. When the fault was present the h.t. was low and the set-h.t. control RV224 had no effect. Inspection showed that heat had darkened the PCB in the vicinity of the boost regulator circuit. More to the point, the track between diodes D112 and D114 had cracked. When the track had been repaired the h.t. was reset to 115V. All was then well. **D.C.**

## **Grundig P55-245 (CUC2401 Chassis)**

Sound but no picture, with a smell of burning, was the report on this set. The owner said that a new mains switch had recently been fitted. We found that the previous repairer hadn't tied back the twin lead that conveys the mains voltage to the main PCB. It was lying alongside the line output transformer's e.h.t. overwinding. As a result there had been arcing, and both the lead and the transformer had subsequently burnt. A new LOPT had to be fitted. All the leads were properly dressed well out of harm's way. **D.C.**

## **Huanyu 37C3**

The chopper transformer whined: otherwise the set was dead. A check showed that the full h.t. reached the collector of the line output transistor. We eventually found that L782, which is in series with the line output transistor's emitter connection, was dry-jointed. **D.C.**

## **Pye 68KE3985/05M (Philips CP110 Chassis)**

This set is used, with a VCR, in the lecture theatre of our local D.G. hospital. The lecturers had complained that there was a loud whistling once the set had warmed up. Hot-melt glue on the line linearity coil ensured silence. **D.C.**

## **Hitachi G8Q Chassis – Warning**

In this chassis the mains bridge rectifier's reservoir capacitor C906 (220µF, 385V) retains a heavy charge for several days. If the power supply isn't working it charges to the usual 300V or so. With normal operation this drops to around 170V. Before cold testing or carrying out any resoldering C906 should be discharged, using a 1kΩ resistor –



otherwise you may soon regret not having done so.

If you are lucky, you'll receive only a nasty shock. But if, for example, the pins of Q902 (SGSIF344) are momentarily short-circuited a small spark can occur. This may damage the UC3844 chopper control chip IC901. If power is then applied without replacing this chip fuse FS901 may blow together with Q902, ZD901 (BZX79-C27) and D905 (BYD33D). Guess how I found out! **D.M.**

### Philips CF1 Chassis

Rolling was the complaint with one of these sets. There was in fact lack of field sync, as the picture could be made to roll down or up. Most of the sync processing is carried out in the TDA2577A chip but, since this chip is becoming hard to obtain, we decided to check any relevant peripheral components. R3379 and C2377 form the field sync pulse integrator: when checked C2377 (10 $\mu$ F) was found to be almost open-circuit. **G.D.**

### Sanyo CTP7132 (80P Chassis)

If the 2SD871 line output transistor has gone short-circuit, replace C312 (10 $\mu$ F) in the power supply and check the other two small electrolytics before switching on again. Also clean the line hold control (under the control flap), as little fingers twiddling this often lead to failure of the line output transistor. If the latter fails again at switch on, the line output transformer is suspect. If a picture does appear it will probably be slightly out of focus. The transformer is again to blame – the tubes have a long life in these sets.

The cause of field collapse is usually the 2,200 $\mu$ F field scan coupling capacitor C445 going open-circuit. **G.D.**

### Matsui 14/16/2060

Intermittent sound is a very common fault with these sets – though it never seems to occur in the workshop! The cure is to remove connector JA03 on the audio/AV switching PCB, throw it away and solder the wires directly to the panel. **G.D.**

### Alba CT744

The line output transformer in these sets has a short life. Replacements are quite cheap, but beware! If the overwinding has broken down lots of volts will have been sent down the beam limiter and contrast control lines. In one case we had to replace R425 (0-68 $\Omega$ , 1W), R435 (10k $\Omega$ ), R383 (220 $\Omega$ ), IC301 (TA7698AP), R419, R424 (10k $\Omega$ ), D302/3/4 and D409 (all 1N4148) as well as the transformer. All this after we'd given an estimate!

To avoid the same mistake, check closely around the LOPT and the colour decoder chip for burnt resistors. **G.D.**

### Matsui 1422

The cause of a dead set or a buzzing power supply is almost always C617 (4-7nF, 1kV), a blue disc ceramic capacitor. Also check C612 which lives next door. Faulty ones will have started to crack, but this isn't always visible with the component in situ. It's easy to mistake this fault for an overload in the line output stage. The surge limiter resistor will fail if the set is left on. **G.D.**

### Hitachi G6P Chassis

This set refused to do anything other than produce a snow-filled raster. Operation of the remote and manual controls

had no effect, and there were no on-screen graphics. So we carried out checks around the M50432551SP microcontroller chip IC1101. There were normal scan pulses when commands were present, a 4MHz clock signal was present at pins 33 and 34 and there was a ripple-free supply at pin 42. But there was no movement at any of the data output pins. So there was nothing for it but to replace the chip. Fortunately the set was happy with its new brain and burst into life – I didn't even have to tune it in. **J.E.**

### Saisho CM16R

This set was dead with the standby indicator on. A replacement STK7308 chopper chip (IC501) restored normal operation. **J.E.**

### Philips 2A Chassis

There was normal sound but just a blank screen. When the first anode control was turned up there was a full raster with flyback lines. Scope checks around the TDA3561A colour decoder chip IC7300 showed that there was a video input at pin 10 but no RGB outputs at pins 12, 14 and 16. A new chip restored the picture. **J.E.**

### Toshiba 255T7B

We found that the line output transistor Q404 (ON4408) was short-circuit, the cause being dry-joints at plug/socket 570. Intermittent field collapse is another fault you get because of dry-joints at this plug. **J.E.**

### Boots CTV1417R

This set was dead apart from a squealing power supply. The cause of this was the 2SD1426 line output transistor which was short-circuit. When a replacement was fitted the set came to life but there was no sound and a blank screen. So we turned up the first anode preset and found that there was field collapse. R234 (47 $\Omega$ ) was discoloured and charred though it measured all right. Its distress was caused by a short-circuit 12V zener diode (ZD212). The set worked normally when we'd replaced these two items. **J.E.**

### Solavox 141

There were no signals, just snow. A check showed that the tuning voltage was missing at pin VT of the tuner. We didn't have a circuit diagram, but as the tuning and channel preset circuitry is on the front vertical panel this seemed to be a good place to start. As luck would have it there was a very sad looking 470k $\Omega$  resistor (R010) – the colour bands could just be recognised. It read open-circuit and on fitting a replacement the set's tuning was restored. **J.E.**

### Hitachi G6P Chassis

One of these sets would sometimes fail to start up from standby at switch on. The cause was a dry-joint at R1172 (1k $\Omega$ ), which is connected between pin 38 of the microcontroller chip IC1101 and the collector of Q1103. To come out of standby at switch on, Q1103 momentarily connects pins 2 and 38 of IC1101. **J.E.**

### Decca/Tatung 130 Chassis

The picture displayed by one of these sets looked as if the contrast or the tube's emission was low. We traced the cause

to R425 and R426 (both 68kΩ) however. They are in the beam limiter circuit and were both open-circuit. **D.B.**

### Hitachi C2564N

A crackling noise from the speakers was the complaint with this set. The cause was traced to IC4010 which was intermittently giving a low-voltage output. **D.B.**

### Hitachi C2519R (G8Q Chassis)

One of these sets lost its green picture content intermittently. The cause was a defective green output transistor. As we didn't have the BF459 in stock we replaced all three RGB output transistors with BF462s. **D.B.**

### Philips 14GR1021 (GR1-AX Chassis)

This set was dead with no line drive. We found that the small choke (L5524, 1.5mH) in the supply to the line driver stage had failed. It's fitted by the side of the line output transformer. One taken from a scrap set cured the fault. **M.Dr.**

### Ferguson TX90 Chassis

Here's a quick summary of various faults we've had:

**Field collapse or linearity faults:** Replace D106 if leaky. Its type varies between different models.

**Bad ripple on picture and hum on sound:** Check the 12V regulator IC105's output. This must be spot on at 12V. If not, replace it.

**Ragged verticals, condition improves if the brightness/contrast is reduced:** Replace C189 (22μF, 50V) in the power supply. It dries up.

**Intermittent failure of R4050 (Model 20E1):** Check/replace TR107, TR108, D112, D114, D110 and R267 in the power supply, D113 and D125 associated with the line output transistor, and check for dry-joints at the line scan coupling capacitor C193. This last item may have changed value because of heating and thus be in need of replacement.

**Field collapse or partial collapse with no video information displayed:** Check at the collectors of the RGB output transistors to see whether the supply contains line-frequency hash. If line ripple is present here replace C190 (22μF), the reservoir capacitor for the 175V supply. In addition to powering the RGB output transistors this supply is used to bias the field output stage.

**No colour:** Disable the colour-killer by fitting a shorting link across R156. If this produces unlocked colour bars, check whether R171 (270kΩ) is open-circuit.

**Dim picture, the contrast and brightness controls having no effect:** The beam limiter is operating. Check whether R233 (470kΩ) is open-circuit.

**No signals:** Try changing the SL1432 SAWF driver before condemning the tuner. **M.Dr.**

### ITT Compact 80R-DSP Chassis

The power supply was running at the wrong frequency, with a loud whistle and all the output voltages low. We thought

we'd cured this one by resoldering the pins of the little feedback pulse transformer Tr712. Two weeks later the set bounced, with the same fault. This time the transformer had to be replaced. We assume that the resoldering heat the first time round had temporarily healed a defect within the transformer. **M.Dr.**

### Hitachi C2574TN

There was a faint purple band through the picture, noticeable only on very dark scenes. The cause was ringing in the chroma delay line (DL501) – scope checks showed that the band was actually a reflection of the burst signal. The cure was a new delay line, part no. 2164051. **T.A.**

### Matsui 2092T

The cause of a set which is slow to start from cold or completely dead is usually R507 (1MΩ) in the power supply. For added reliability R506 (820kΩ) should also be replaced. **T.A.**

### Sony KV2972U (AE2B Chassis)

Random on-screen display characters would appear on the picture. By swapping over panels with a working set we found that the cause of the fault was on PCB M2. A look at the circuit diagram showed that the on-screen and teletext displays originate from the SDA5273P chip IC2002. A replacement (part no. 875926258) cured the fault. **T.A.**

### Matsui Remote Control Units

A problem has arisen recently with several Matsui TV models. During production a number of changes were made to the basic chassis, including two different types of microcontroller chip. This can create a problem should the remote control unit have to be replaced, as the two chips operate with different codes. The chips can be easily identified by the fact that the OEC1021A or B has 64 pins while the OEC6021A, B or C has 42 pins.

Before ordering replacement remote control units for these sets, always find out which type is required by checking the microcontroller chip type. Alternatively if the old RC unit is available you'll find its part number printed at the bottom right-hand corner of the fascia. The following list shows the type of RC unit required for each set. **T.A.**

<i>Model</i>	<i>IC type</i>	<i>RC part no.</i>
1476	OEC1021A or B	076L067040
	OEC6021A	076L078040
1492	OEC1021B	076G047210
	OEC6021B	076R077080
2076R	OEC1021B	076L067140
	OEC6021C	076L078020
2092T	OEC1021B	076G047240
	OEC6021C	076R077070

### Toshiba 1400TBZ

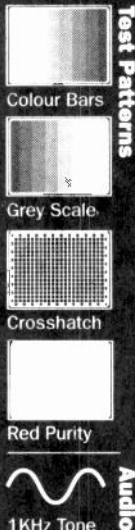
When the channel was changed this set would display a picture for a fraction of a second followed by a blue screen. After checking all the inputs to the M34300-583SP microcontroller chip ICA01 I decided to replace it and was pleasantly

# TELETEST £99.95

## offer ends this month...

**Order now!** From next month the TELETEST will be available from OZAN and leading distributors at the RRP of £149.95

(above prices are ex P&P and VAT)



### HANDHELD TV TEST PATTERN & AUDIO SIGNAL GENERATOR

#### Signal Outputs

Composite Video: Phono skt 75 $\Omega$   
Line out Audio: Phono skt 1K $\Omega$   
UHF ch32-39 PAL I: Co-Axial skt 75 $\Omega$   
(PAL G version also available)

#### Power

9V PP3 battery (not included)  
or External PSU  
included with the TELETEST

#### Synchronisation

Fully interlaced, 50Hz, CCIR spec  
Size: 155x75x40mm  
Weight: 265g



## HOW TO ORDER



**ORDER PACK.....** Call us now for your free information & ordering pack  
**CREDIT CARD.....** Phone, Fax or Post us your credit card details  
**CHEQUE.....** Send us a cheque made payable to "OZAN"

Total UK price is £124.43 (Includes mains PSU, £5.95 P&P & £18.53 VAT)

**Tel: 01202 877270 Fax: 01202 877271**  
**OZAN, FREEPOST, Wimborne, Dorset, BH21 7BR**

**OVERSEAS** Specify: PAL I or PAL G & UK 3-pin or Euro 2-pin PSU.  
Overseas price is £114.95 in Pounds Sterling, including  
4-7 day recorded P&P. If you belong to the EC and are  
not VAT registered, please add £20.12 VAT.  
**Tel: +44 1202 877270 Fax: +44 1202 877271**  
**OZAN, 37 Haviland Road, Ferndown Ind Est, Wimborne, Dorset, BH21 7SA. UK**

The TELETEST is Designed & Manufactured in the UK by OZAN and comes with a One Year Parts & Labour Guarantee

surprised to find that the fault had been cured. The chip's part no. is 23319016. T.A.

### Beko 10214

This Turkish-made portable suffered from a field fault: the picture had shifted downwards in the raster, a bright glow coming from the top of the screen. Any attempt at adjusting the vertical shift control simply blanked out the screen. The cause of the fault was R725 (150k $\Omega$ ) which had risen in value to around 240k $\Omega$ . T.A.

### Toshiba 2505DB/2805DB

We've had this fault several times now. On the first occasion the customer complained of intermittent loss of signals accompanied by a blue screen (mute mode). He said that the fault occurred after five minutes, but it actually took three hours to appear. I was able to instigate the fault by carefully tapping the tuner. As I didn't have a replacement tuner I decided to attempt a repair.

I removed the tuner and used a magnifying glass to examine the soldering. The crystal in the pre-scaler circuit appeared to be dry-jointed. Resoldering it cleared the fault. T.A.

### Samsung CI5013T (P58SC Chassis)

Stuck in standby was the complaint with this set. Checks in the power supply revealed that the 16.5V and 12V outputs were missing. As these are switched on by the system microcontroller chip RIC01 we checked here and found that the required switch-on voltage was missing. Unfortunately the service manual is of little help in this connection as there are no voltages or waveforms. Since microcontroller chips are

expensive and seldom fail we decided to persevere with our blind investigation in this area.

The two most important things for the operation of such a chip are its 5V supply and the clock signal derived from an associated crystal. The 5V supply was o.k. Replacing the 10MHz crystal put matters right. K.E.

### Sanyo CBP2152

On occasions one of these sets would fail to come out of standby. It also suffered from disturbance on the picture and random channel changing. After fruitless checks in the power supply we decided to take a look at the army of zener diodes between the front panel 'tac' switches and the system microcontroller chip. By disconnecting each one in turn and watching the results we found that D746 was the culprit. A new 6.2V zener diode restored correct operation. K.E.

### Matsui 1420A

If the problem with one of these sets is intermittent field scan, check for cracks near the line output transformer, where the securing lugs go through – especially near R437 and D409. This is becoming a common problem. T.L.

### Hitachi C14-P216 (G7P Mk 2 Chassis)

The complaint with this set was that it went off after twenty minutes to half an hour. Sure enough, that's exactly what it did. After removing the back I did the technical tap bit. This revealed a perfect dry-joint at capacitor C711, the reservoir capacitor for one of the supplies derived from the line output transformer. Resoldering it cured the problem. T.L.

# Pace SS9000 Series Modification for Use with the Global ADX Plus Frequency Converter

Nick Beer and Ian Bowden

Many satellite receivers produced up to last year are not able to tune to the Astra 1D transmissions. In many cases the quality, lack of features and poor reliability of such sets means that replacing them is no great hardship. The Pace SS9000/9200 ranges however are superb receivers that many would like to keep.

Global Communications has produced a box of tricks to facilitate this. The original Global ADX frequency converter has been available for some time now. To get full coverage of the Astra 1D channels you really need to use an enhanced LNB with a 9.75GHz local oscillator instead of a standard LNB with a 10GHz oscillator. This means two things. First, obviously, that the tuning points will shift up by 250MHz, with the result that the display for each channel will be that much out. Secondly that with most receivers the upper Astra 1B channels, such as UK Gold, will be lost above the tuning range.

To overcome this latter problem Global has introduced the ADX Plus converter. With a standard 10GHz LNB it operates in exactly the same way as the ADX, shifting the 1D channels up by 500MHz into 1A space. It has to be switched in or out therefore, depending on which channel is required. This is done either by operating the switch on the front of the unit or by remote switching, which with some receivers can be achieved by connecting the black wire from within to pin 8 of the satellite receiver's TV scart or D socket and then, in the case of the Pace models covered here, using the TV/Sat button for switching.

If the ADX Plus is configured (by means of an internal switch) for use with an enhanced 9.75GHz LNB, Astra 1D upconversion is no longer required. When switched in, the ADX Plus now downconverts the 1B channels. This means that when tuning the receiver the 1A, 1C and 1D must be tuned in at +250MHz and the 1B channels at -250MHz. Then, every time a 1B channel is required, the ADX Plus must be switched in. When in use a red LED at the front comes on.

Thus the problems with day-to-day operation of our receivers that are equipped with the ADX Plus are twofold. First the customer must identify the 1B channels and press the TV/Sat button. This is a rather cumbersome procedure to say the least. Secondly when this is done the audio and video outputs from the scart socket will be lost – which is a problem when the customer uses this connection for stereo sound.

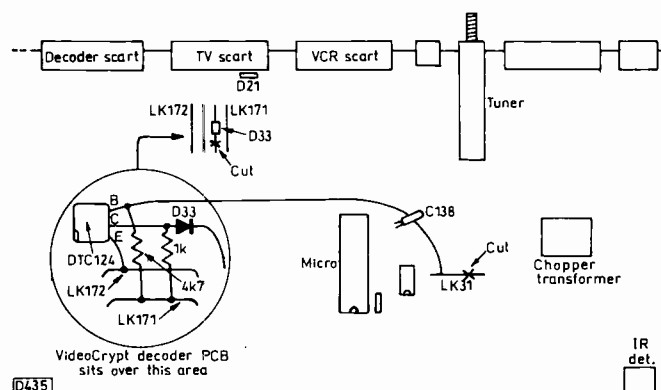
## Automatic Switching

We felt that it ought to be fairly simple to make the switching automatic on channel change, i.e. program the switching for each preset via the menu. This can be achieved as long as the MAC-AUX decoder facility isn't required.

The circuit we designed uses the MAC switching line from the microcontroller chip. Unfortunately this is inverted to drive the load in the receiver, working the wrong way round for us, i.e. low for on. What we want is to take this line to pin 8 of the TV scart socket and arrange for

it to go high to switch on the ADX Plus converter. We could have done it the other way round, but this would have meant setting all the non-1B channels to MAC via the menu's baseband option. As there are more 1A/C/D channels it doesn't seem logical to have to set them all to MAC. So we adopted the circuit arrangement shown in Fig. 1, using a DTC124 digital transistor to switch between 12V and chassis (0V). The switching thus operates in the preferred manner. We also arranged for permanent output from the TV scart socket by putting a positive voltage on the switching line.

As Fig. 1 shows, the extra three components required can be easily fitted by making use of very conveniently placed links provided by Pace. The whole job can thus be done by opening up the receiver and removing the VideoCrypt decoder, which can be unplugged. There is no



**Fig. 1: Automatic frequency conversion switching circuit for Pace SS9000/9200 series receivers. Pin 8 of the decoder scart socket switches high when MAC-AUX is set on the menu.**

need to remove the main PCB, as access to the copper side is not required.

## Fitting the Extra Circuitry

With the receiver viewed from the front, cut link LK31. Cut D33's anode connection as close to the board as possible. Solder the emitter of a DTC124EA transistor to LK172 – endways down. Solder a 1kΩ, 0.25W resistor between LK171 and the collector of the added transistor/the anode of D33 – these two items must also be soldered together. D33 can be turned to the transistor's leg simply by slipping some sleeving over it to prevent it shorting to the adjacent link. Solder a 4.7kΩ, 0.25W resistor between LK171 and the base of the transistor, and a single sleeved wire from the latter point to the left-hand side of the cut link LK31. By routing this lead as shown, C138 can be bent over to hold it in place.

If required, the switching line to pin 8 of the VCR scart socket can be disabled by cutting the connection at one end of D21.

The single lead from the ADX Plus unit can be fed

through the slot in the rear case beside the TV scart socket and soldered to pin 8 inside, or alternatively it can be integrated into the scart plug used in the socket. Naturally this switching line to the TV set should not be connected – cut the lead to the TV receiver inside the plug and isolate it.

### Testing

Fit a 9-75GHz LNB, reset the tuning for the different satellites' channels as described above, set the i.f. offset

and switch all the 1B channels to MAC-AUX baseband. You should then find that when changing from non-1B channels to 1B channels the LED comes on and perfect reception is obtained. The customer doesn't know the difference!

The ADX Plus retails for £25-£30. If you charge £30 or so for carrying out this modification you are still talking about considerably less than the cost of a new Pace receiver. Remember that whichever way you go a new LNB will be required.

# Help Wanted

*The Help Wanted column is intended to assist readers who require a part, circuit diagram etc. that's not generally available. Requests are published at the discretion of the editor. Send them to the editorial department – do not write to or phone the advertisement department about this feature.*

**Wanted:** Lower head drum assembly (or the complete assembly if possible) for the Ferguson 3V46 portable VCR. David Woodnott, Spring Cottage, Iron Hill, Dunkirk, Faversham, Kent ME13 9PD. 0227 751 594.

**Wanted:** PSU and regulator boards (must be in full working order) for the Ferguson 3V43 VCR. Also full set of circuit diagrams (including the RC and text panels) for the Philips G11 chassis. Kieth Sargeant, 128 London Road, Stanway, Colchester, Essex CO3 5HD. 01206 563 471.

**Wanted:** Two servo and two MDA panels for the Ferguson 3V30/Baird 8930 VCR, new or used in serviceable condition. G.H. Brown, 12 Cranwell Road, Greasby, Wirral, Merseyside L49 3PP. 051 678 6183.

**Wanted:** Circuit diagram or service manual for the Tektronix 422 scope. V. Smith, Smith Electronics, 175 Lyon Park Avenue, Wembley, Middx HA0 4HD. 0181 902 5447.

**Wanted:** Service manual for the JVC BR6400TR-R industrial video recorder. R. Miller, 65 West Road, Oakham, Rutland LE15 6LT. 0572 770 038.

**Wanted:** M58476-141P chip for the Sharp CB4470 transceiver, or the name of a supplier. K. Partington, 14 Napier Road, Monton, Eccles, Greater Manchester M30 8AG. 061 789 2088.

**Wanted:** Circuit diagram for the

Sanyo Model CTP3132W TV receiver (a photocopy will do). D. McGee, 8 Lower Dunbar Street, Wick, Caithness.

**Wanted:** Service manual for the Matsui Model VX6600 VCR – to borrow or a decent photocopy. John Thompson, 3 Compass Road, Beverley High Road, Hull, Yorks HU6 7AH. 0482 856 034.

**Wanted:** Digital tuning board for the B & O 5502-8902 TV set, or a complete set of spares. Stuart Adamson, 48 Crosshill Road, Strathaven, Lanarkshire ML10 6DS. 0357 20 049.

**Wanted:** The small spring that's part of the loading arm assembly in the Ferguson 3V35 VCR. F.S. Yarham, 18 Ivel View, Sandy, Beds SG19 1AU.

**Wanted:** Service information for or help with the Vivanco video editing processor. Also a new or used line output transformer (part no. TLF14610B) for the Panasonic Model TC482. G. Steel, TJS Electronics, 185 Charter Road, Chippenham, Wilts SN15 2RF. 01249 448 796.

**Wanted:** Service manual and 2SC4834 transistors or equivalents for the Sony KV529MN1 multi-standard TV set. Lee Aitchison, 36 St Paul's Road, London N1 2QW. 0171 354 3290.

**For sale:** Retired TV/radio engineer has for sale vintage radio and TV valves, TV tubes, radio sets, test equipment, meters etc. Also amplifiers, speakers, video spares, CB radios, professional reel-to-reel tape recorders, colour TV sets complete and spares, pre 1981. Ask for Ken or Paul, 0934 622 238.

**Wanted:** Handset for the Akura TV Model CX25; PSU panel for the Doric Mk 4 chassis; parts for an Hitachi VT17 VCR or a faulty machine. E.J. Edwards, 43 Hoose Court, Market Street, Hoylake, Wirral L47 5AB. 0151 632 0614.

**Wanted:** Line output transformer for the Matsui Model 1460. J. Currie, 9 Woodside Walk, Strathaven, Lanarkshire ML10 6HL. 01357 22 862.

**Wanted:** Mains transformer for the

Fisher FVHP906 VCR. Justin Johns, 28 Woodland Road, Neath, West Glamorgan SA11 3AL. 01639 638 629.

**Wanted:** Line output transformer (part no. 37-001541-38L) for an apparently unknown portable TV set, the Aiko CT18. Mark Grogan, 46 Beardsworth Street, Blankburn, Lancs BB1 5PL. 01254 664 828 (day), 01254 264 640 (evenings).

**Wanted:** Remote control unit for the Dynatron 24706EK/052 24in. TV set. Serial no. of the remote control unit is RC5525. Set is understood to be fitted with the Philips 2A chassis, with teletext. F.C. Bailey, 2 Elmridge, Leigh, Lancs WN7 1HN. 01942 675 299.

**Wanted:** Service manual/circuit diagrams (photocopy would do) for the Canon E80 camcorder. Peter Ewens, The Service Centre, Woods Way, Goring by sea, West Sussex BN12 4QY. 01903 262 499 or 0585 205 100.

**Wanted:** 1986-1991 copies of *Television* and February and June 1992 and March 1993 issues. J. Roose, 16 Bois de Valbonne, F-06560 Valbonne, France. 33 93 120 872 or fax 33 93 120 404.

**Wanted:** Nashua YSH06 switch-mode power supply chip IC1 for the Nashua F820/Philips 3500/Ricoh fax machine manufactured around 1988-89. PCB is no. FAX-4ME-CIC. Or the power supply or a fax for spares. Any information would be welcome – parts sourcing, output voltages etc. or diagrams. Brian Nicholson, 8 Rushden Road, Bletsoe, Bedford MK44 1QP. 01234 782 268.

**Wanted:** PCB PC240 DIN circuit and PCB PC241 main circuit, in working order, for the Hitachi Model CPT2568. Please phone Sam on 071 232 1177 or write to Sam TV Services, 117 Francis Avenue, Ilford, Essex IG1 1TT. State your price: willing buyer!

**Wanted:** D.C.-d.c. converter (IC711) for the Hitachi VT35 VCR and circuit diagrams for the Amstrad TVR2, Sony KV2200UB and B and O TV Model 7433. F.O. Tester, 31 Longsands Road, St. Neots, Cambs PE19 1SS.

# Long-distance Television

Roger Bunney

January was an extremely wet month in the UK, and I can only assume that it washed away the E layer! Virtually no reports (three actually) of Sporadic E reception have come in. A minor Band I event occurred on January 28th, with unidentified programming. The Quadrantids provided only a slight MS lift, and you can forget about tropospheric reception.

A letter from Robert Copeman in Melbourne, Australia offers some encouragement, though there's no established relationship between conditions in the northern and southern hemispheres, i.e. it doesn't follow that if they have a good SpE season we will subsequently. There have been good SpE openings on most days during the current Australian season, with signals at up to Band II f.m., Samoa ch. A2 and most of the usual New Zealand low-band stations. Thank goodness that here in the UK satellite reception can offer us a wide variety of interesting signals.

For the record the 16:9 aspect ratio PALplus test pattern we illustrated recently in use by BRT (Belgium) is provided by the Philips PM5644/85 test pattern generator.

## Interference

Interference is an increasing problem in the v.h.f. bands, particularly in built-up areas. At my own location office equipment, 49MHz baby alarms, thermostats, ignition and radiation from domestic items such as VideoCrypt decoders are all troublesome. Only channels E3/R2 and E4 can now be received – with background noise. As more of the spectrum is released for low-power devices, mobile and fixed communications etc. so the difficulties will intensify.

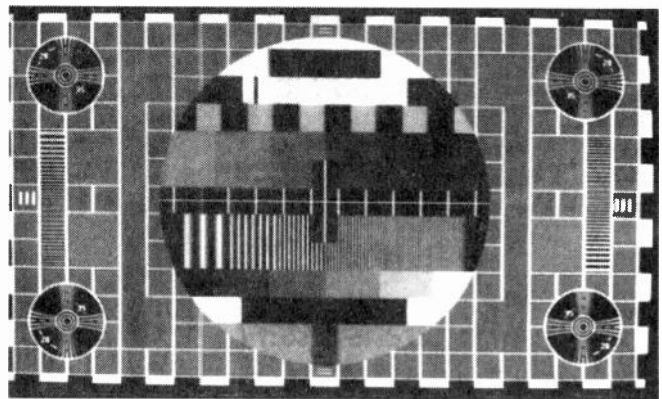
Band III also suffers, with PMR networks, and new domestic electronic devices are causing problems at u.h.f. The RSGB's EMC committee reports that the DTI has allowed a low-power device band at 433MHz. Appliances that will make use of this band include radio car keys for locking/alarms, garage-door openers and suchlike. One radio amateur investigating u.h.f. hash found that the Response Electronics RE3000 security alarm includes a super-regen u.h.f. receiver that produces radiation peaks every 820kHz, spreading both h.f. and l.f. and into the group

A section of TV Band IV. Another amateur reports interference from a garage door opener – the Stanley Door Systems Model 1045. The receiver, operating at 173.3MHz, was picking up v.h.f. paging transmitters between 138-153MHz and re-radiating them at various points across the v.h.f. and u.h.f. bands.

These reports highlight the increasing problem of interference to TV reception. It's not getting any easier. We'd be interested in hearing from anyone else who has experience of or has any observations to make on the subject of interference intrusion.

## Satellite Sightings

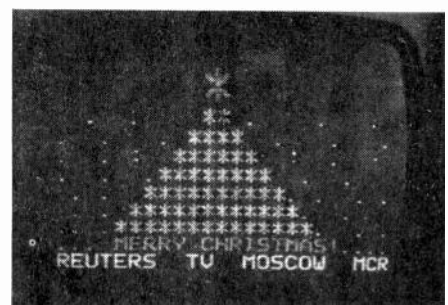
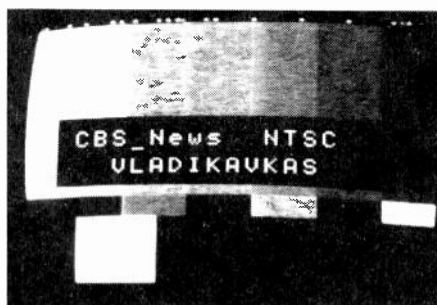
Several readers have written to say that BBC World is now available via Eutelsat II F1 at 13°E (11.619GHz with mono audio at 6.6MHz, stereo audio at 7.02/7.2MHz). The signal quality is excellent – it cannot be missed. The new



The 16:9 aspect ratio PALplus test pattern produced by the Philips PM5644/85 pattern generator.

European Union channel that broadcasts the various proceedings of this organisation live is available via Eutelsat II F2 at 10°E. Tune to 11.084GHz horizontal: mono audio is at 6.6MHz with other carriers at 7.02MHz; 7.2MHz; and 7.38/7.56MHz Wegener Panda 1. Most of the meetings are in the afternoon: at other times a scrolling caption sequence lists events during the week ahead.

Donald Lynn notes that the Microsoft programme via Intelsat K at 21.5°E, on the first and third Tuesday of each month at 1430 GMT, tends to change from one transponder to another. The early January transmissions moved from transponder 21 (used in December) to transponder 18. The programme content consists of various aspects of Microsoft software and its office use. Ian Waller reports that transmissions from the TV Sat craft at 19°W have ceased: it is thought that the craft will be sold to Sweden and moved to



Left: The events in Chechnya have produced many news feeds such as this 525-line SNG insert via Eutelsat II F3. This satellite's footprint just reaches the UK, where a 1.5m dish will produce noisy images. Centre: An RTL/TV1 test transmission via Telecom 2B at 5°W, using PAL. Right: Merry Christmas from the Reuters news team in Moscow via Eutelsat II F4 at 7°E. This is a sound-in-sync signal, stabilised by using a sync inserter.

the vicinity of 1°W to provide spot beams for Scandinavia.

January was an eventful month for satellite news feeds. The massive earthquake that devastated Kobe occurred on the 17th. Reuters relayed the first pictures via its usual 13°E broadcasters' feed. They came from a locked-off surveillance camera and showed the office suddenly shaking and furniture crashing about. The full magnitude of the disaster was apparent via many NHK feeds to Europe during the following days.

One reader was shocked by the coverage of the double suicide bombing in Israel on the 22nd. There were also reports from news teams on the battle for Grozny.

While monitoring the news from Israel via the Eutelsat circuit I noticed the caption "ABC Amman" on colour bars. This wasn't the US broadcaster but the Middle East bureau of the Australian Broadcasting Commission (confirmed by a later caption).

There have been new sightings via Eutelsat II F3 at 16°E. The Hungarian channel Duna TV is using the 11.596GHz horizontal transponder, while programmes uplinked from the Ukraine are present via the Slavenski Channel at 11.580GHz vertical. Our thanks to Roy Carman for this information.

Orion 1 Atlantic is now up and working. I've seen clear video on two channels, 11.618GHz horizontal with an NTSC Dallas Fort Worth Teleport and the Xerox Document University at 12.581GHz. It's encouraging that good old analogue transmissions are alive and well.

Numerous programmes dealt with the Fiftieth anniversary of the relief of Auschwitz by Russian troops on the 27th.

### News Items

**UK:** Broadcasters in the UK and nine other countries have formed the EuroDAB Forum to press for the adoption of digital audio broadcasting as the standard for radio in the long term instead of analogue f.m. transmissions in Band II.

**Russia:** Ostankino is to become a joint-stock company called Russian Public Television, though the government will retain a 51 per cent holding. The plan to merge Ostankino and RTR (Russian State TV) has been put on hold.

**France:** The following TF1 transmitters are now using Nicam: Paris Tour Eiffel ch. L25; Lille L27; Toulouse L27; Rouen L23; Lyon L46; Clermont L22; Nantes L23; Bourges L23; Tours L65. The following should have Nicam by August: Marseilles L23; Saint Raphael L25; Chartres L55; Niort L28; Le Mans L24; Dyon L59. Bordeaux L63; Rennes L39; Montpellier L56; Brest L27; Caen L22 should be so equipped by December. There is no information so far on relay transmitters below 20kW.

**Czech Republic:** TV Nova is to open a second channel called Supernova. Another independent broadcaster, TV Premiera, is in operation at Liberec, Zlin and Plzen, using low-power u.h.f. transmitters.

**Switzerland:** Now that Milan airport no longer uses ch. E36 radar the Swiss TSI is to use this frequency for an Italian-language transmitter at Castel San Pietro.


**Poland:** Bad news. Yet another Band I transmitter has bit the dust. Bydgoszcz has moved to ch. R4.

### The EBU TV Station List

The EBU is now able to accept subscriptions for the *List of European TV Broadcasting Stations No. 39*. Send 70 Swiss Francs to the EBU, Case postale 67, CH-1218 Grand-Scaonnex GE, Switzerland. This well established work, with two six-monthly updates, covers all TV transmitters on air across Europe, North Africa and the nearer Middle East, from Megawatt power houses to milliwatt lamp-post relays.

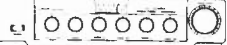
## NEW PRODUCTS

### MULTISYSTEM DIGITAL VIDEO CONVERTER



- Input Signal NTSC 3.58, NTSC 4.43, PAL, SECAM
- Output Signal NTSC 3.58, PAL (B,D,G,I)
- Input Auto Detecting
- Input Signal Indication (PAL SECAM, NTSC) via LED's
- Video Input & Output via RCA Phono Socket
- Line Conversion: 525 to 625 Lines  
625 to 525 Lines
- Field Conversion 60 to 50 and 50 to 60 Fields
- Power: Supply DC 15 volts @ 450mA
- Accessories, set of leads & AC Adaptor


**£399.00**



NEW! Fully manually controlled satellite receiver. Built-in Bandwidth Filter, C/Ku band switching, 14/18V LNB options, low threshold, eight front panel user controls, ideal for weak signal work (SAE for details).

**£199.00**

### Kansai TVR51K 21" Multi-system Colour TV





Aerial Techniques brings you more new products to complement our already extensive range.

- "Personal Preference" memory function - (Volume, Colour, Brightness, Contrast and Hue)
- S-System: PAL-B/G, PAL-D/K, PAL-L, SECAM B/G, SECAM D/K and NTSC 3.58/4.43
- Infrared Remote Control
- 90 Preset Channels
- Automatic Tuning
- On Screen Display - Volume, Colour, Brightness, Contrast, Hue and Channel
- EURO-AV (SCART) Socket
- Sound Muting Function
- Presettable Off Timer (15-120 Minutes)
- Automatic Power Off Function - when no broadcasting signal is received within 10 minutes
- Full VHF/UHF Coverage
- Cable Tuner
- Single or Dual Digital Control

**£269.00**

(All prices are inclusive of VAT, Carriage & Insurance delivery £9.00 on large items)  
Full range of satellite equipment supplied

Our CATALOGUE at £1 samples some but not all that we can supply, send for your copy today. UK & overseas despatch normally ex stock within 24 hours, we'll accept the usual credit cards, cash, cheques, POs - as convenient. Ring daytime with your query or late on our 24 hr 'phone or send in your fax and we'll get back to you shortly.

**11 Kent Road, Parkstone, Poole, Dorset BH12 2EH**  
Tel: 0202 738232 Fax: 0202 716951

It resembles a telephone directory. Alternatively it's available from the same source and at the same price as a disc, reference number TV 39 0395. A diskette user's guide is available for another 15 Swiss Francs.

### The MIR Space Station

We have in the past reported reception by enthusiasts of signals from the Russian MIR space station. Information on MIR is provided nightly in the *Space Night* programme - tune to the BR-Bayern 3 transponder (11.140GHz horizontal) at 19.2°E.

It's possible to receive downlink TV pictures from MIR: Steve Birkill and myself have monitored them at 10.835GHz while John Locker has received them at 10.820GHz. Along with all the other changes in Russia, flight control monitoring has changed. Receiving stations aboard ships previously gave world coverage, but most of these have been recalled. Instead, reliance is placed on direct pick up from MIR by earth stations across Russia or via satellite links. Fortunately for us the ZSSRD-2/Cosmos 2054 satellite is in orbit at 16°W, though the orbit is inclined. This offers us direct access to the satellite when it crosses the Clarke Belt and is sending one of its infrequent and non-timetabled TV transmissions to Moscow. It's a matter of pure luck whether one happens upon a TV transmission, but it's very exciting when signals are received. There have been additional satellites in the past at 95°E and 160°W, but these proved to be less than durable.

When MIR is in line-of-site with Russia, communications and TV signals can be downlinked to any of six main Earth stations at Yepatoriya, Dzhusaly, Kolpashe-vo, Ulan-Ude,

## THE SATELLITE NEWSLINE

The Satellite Newsline is available, **7 days a week, 24 hours a day** and covers all the latest news, including:

- ◆ **New Channel Launches**
- ◆ **The Latest Scams and Cons**
- ◆ **New Products and Services**
- ◆ **Adult Viewing - What's Really Going On**
- ◆ **Smartcards & Decoders - who has What and Where**
- ◆ **The latest Rumours and Issues Investigated**
- ◆ **All the News that affects the Satellite World**

**Either** Call and listen to today's news in the Satellite World, updated twice a day, 7 days a week.

**0336-413 413** (VOICE BASED)

**Or** Using your Fax machine call this number and follow the instructions for a written copy of the Satellite Newsline. This written copy is downloaded onto your Fax machine immediately.

**0336-422 888** (FAX BASED)

## TRANSPONDER WATCH

**0336-422 889** (FAX BASED)

Using your Fax machine call this number and follow the instructions for a written copy of the current Transponder Watch. This written copy is downloaded onto your Fax Machine immediately. This Line is Updated at least 4 times a week and contains:

- ◆ **The latest Transponder and Satellite Information**
- ◆ **News on New channels**
- ◆ **Test Cards**
- ◆ **Intermittent use of Transponders**

TV LIVE Limited . 3 Ebury . Northwood . Middlesex HA6 2PF  
Providing Satellite News & Information since 1990.

All calls to all services detailed above cost 39p per minute cheap rate and 49p per minute at all other times.  
The Copyright in these services is owned by TV LIVE Limited. No part of these recordings may be reproduced or transmitted in any form without the written permission of the copyright holder.

Ussuriysk and Petropavlovsk. There's further linking via the Gorizont network of almost geostationary satellites, which all send received data to the Kalingrad (Moscow) control centre via the Sholkovo central communications centre. MIR orbits the earth about every ninety minutes (sixteen times daily). Depending on MIR's orbital path, transmission access times vary from three to twenty minutes. The video downlink signals from MIR are in PAL form with a 2MHz bandwidth (they are transcoded to Secam at the Moscow control centre).

Enthusiast-quality reception, which means rather noisy, requires a dish with a diameter of at least 1m and an LNB

with a noise figure of less than 1dB. Efficient frequency converters such as the Global ADX for Astra 1D make Cosmos reception easy.

Launches in particular bring TV transmissions from MIR. The launch itself may be carried by the Gorizont craft at 11° or 14°W, at 11.526GHz with right-hand circular polarisation. Because of this signals will be received with the LNB switched to either vertical or horizontal polarisation.

You can usually find Cosmos 2054 by monitoring the 11.835GHz data downlink. Look for black/white flashing lines. It seems that reception during the inclined orbital track is best at around 1000 hours – transmissions have been monitored at 1035-1050 GMT daily. MIR has also been seen as early as 0500, and at 1700 hours. A receiver capable of reduced i.f. bandwidth operation is ideal, particularly if it also has threshold extension. We would like to hear from anyone who has success with MIR reception.

## Satellite TV News

Orion is now in operation at 37.5°W, transmitting corporate video presentations on east-bound feeds to Europe. Clear PAL/NTSC transmissions are being carried along with digitally-compressed video. The UK lottery will shortly use the satellite to obtain nationwide coverage.

Iran has now outlawed the ownership and operation of satellite equipment. Iranians were given four weeks to remove equipment or suffer fines of up to £1,000. It's reckoned that there were a quarter of a million private satellite installations in Tehran alone. The Syrian authorities are also unhappy about satellite reception and are considering a ban on all unlicensed satellite installations.

As Telecom 2B viewers will be aware, the LC1 news channel has signed an agreement with Canal Plus to join its programme package. Thus LC1 programming is now scrambled.

China has launched the Dongfanghong-3 TV/telecomms satellite which can transmit six TV channels. Intelsat 703 and 704 are now in operation at 177°E and 66°E respectively. 704 will be transmitting the TV output of Orbit International across the Middle East and into Europe via west spot beams. Signal levels in the centre of the beam covering central Europe as far as London approach 50dBW.

TV Asia has moved to Astra 1D and is transmitting in the clear to help established viewers retune and/or fit an ADX type frequency converter.

# Answer to Test Case 388

– see page 397 –

The situation described in this month's puzzle is not an uncommon one in sets that incorporate EW geometry correction, and is not confined to any particular make or model. The principle of

EW correction is to use a parabolic waveform to amplitude-modulate the line scan current. In this particular chassis modulation is carried out by TR73 in conjunction with bridge coil L701, modulator diode D701 and tuning capacitor C702. The second inductor (L702) acts mainly as a filter, to prevent line-scan energy reaching the driver transistor.

Problems with L701 upset the tuning of the EW bridge circuit. While correct (or passable) scan geometry can be achieved when this coil is defective, the losses are high and efficiency is low. A fault with L702 will impair its filtering action,

putting the driver transistor at risk – at the very least running it under operating conditions for which it was not designed. When coils of this sort get hot, short-circuits between turns can develop. This is what had happened, with either one or both coils. It's very difficult to test or measure the condition: the only sure way of proving the diagnosis is replacement, though the clapped-out appearance of the windings provided a good clue.

With two new inductors and yet another Darlington transistor installed the set worked reliably. How many more years does it have in it?



# Fault Notes for the Sony CCDF380

Keith K. Keeton

*The following is a summary of the fault experiences we've had with this camcorder.*

## Camera

**E-E picture smears vertically when camera is pointed at a bright light:** DT79A hybrid i.c. on panel CV9 faulty. The substrate voltage appears to be out and the picture is slightly grainy.

**E-E picture dark under low-light conditions, playback o.k.:** DT79A hybrid i.c. on panel CV9 faulty. Gain was not changing to compensate for light level.

**E-E picture dark, playback o.k.:** Iris was fully open. Cause of the trouble was a dry-joint on panel CD17P.

**E-E picture flickers like an old movie:** Iris motor not damped because damping coil open-circuit. Lens section had to be replaced.

**E-E titles will not memorise or change colour:** D655 on panel CK19P faulty. Titler worked correctly with buttons to D656 shorted.

**No E-E sound, playback o.k.:** LA7293 chip IC451 on panel MA37P faulty (signal input but no output).

**Record picture white. E-E and playback o.k.:** Dry-joint at IC101 on panel CO2P. IC101 had an input signal but no output.

**E-E picture red:** IC605 on board CV9 faulty.

## Camera/VTR

**No record sound, E-E and playback o.k.:** Hybrid chip IC401 on panel CO2P faulty.

**Record/playback picture very bright, E-E picture o.k.:** CX1200BQ chip IC203 on panel CV9 faulty.

## Mechanism Faults

**Grating noise with fast forward/eject/load:** The LB gear block assembly rattled. Cause was a spring missing from

the LB gear assembly.

**Intermittent failure to eject:** LB1631M chip IC504 on panel CO2P faulty. Tape would load half way then stop.

**Failure to eject/load:** Reel sensor on panel CC26P faulty. Remote commander said fault code 2. Loading arms came out half way then stopped. On another occasion the cassette assembly was slightly bent and had to be replaced.

**When eject is selected the mechanism goes to fast forward before ejecting. Mechanism only half loads:** No FG output from capstan sensor which was faulty – replace capstan.

**Take-up reel spins fast during eject:** Replace capstan motor – feedback faulty.

## VTR

**When a function is selected, i.e. playback, the screen goes black then the eject sign appears:** The CXP80116 chip IC501 on panel CO2P was faulty. Pin 3 (VTR DD on) went low when the fault occurred, shutting down the VTR and camera DD on.

**No video playback, sound o.k. E-E operation o.k.:** C287 on panel CV9 faulty.

**VTR picture smeary with grey lines. Playback and E-E o.k.:** The sync pulses at pin 8 of IC201 occurred at 61µsec instead of 64µsec because the VCO was running slowly. Remedy was to adjust CV502 for the correct frequency.

**Playback picture whites out. Melts sideways with h.f. playback:** Replace faulty drum.

**Black streaks on picture with own recordings. Playback otherwise o.k.:** Deviation adjustment R204 on panel CV9 incorrect.

**Excessive playback dropout; sometimes flashing white lines:** The CX1200BQ chip IC203 on panel CV9 was faulty. Dropout pulses at pin 2 were detected, but no correction followed.

## VTR/Camera

**No playback colour, E-E o.k.:** The CXA1200BQ chip IC203 on panel CV9 was faulty. Signal input at pin 3 was o.k. but no output.

**No power to camcorder:** We have experienced several causes of this condition, as follows.

(1) PS902/3 on panel PS225P open-circuit. Still no go when they were replaced. No output from the d.c.-d.c. converter which was faulty.

(2) PS902/3 on panel PS225P open-circuit. Still no go when they were replaced. Cause of the fault was the 2SA1385 transistor Q941 whose output was low.

(3) Pin 2 of W901 was shorted-circuit to chassis because the plastic earthing sheet behind the camera was shorting the capstan motor. Remedy is to insulate the pins from the sheet. Area of fault mechanism/panel CO2P.

# USE YOUR ACCESS OR VISA TEL 0902 773122 FAX 0902 29052

15.80H	3.83	25C1942	7.48	25D401A	0.77	BC149	0.04	BD911	0.41	BU280A	2.57	KSR1004	0.14	MPSA56	0.12	STR59041	9.68	TD11770A	15.01	TEA1039	2.19
15.85R	3.84	25C1959	0.18	25D438	0.35	BC157	0.13	BD912	0.63	BU290	3.90	L200CV	2.19	MPSA92	0.18	STR6020	5.04	TD11904	2.04	TEA2018A	1.70
1N4001	0.04	25C1969	2.48	25D468	0.24	BC158B	0.17	BD939F	1.61	BU290A	2.55	LA918	1.27	MPSA93	0.11	STR6020K1	15.05	TD11905	2.12	TEA2029C	5.69
1N4002	0.07	25C1983	1.87	25D526	0.85	BC161	0.27	BD1264C	1.18	BY127	0.14	LD1206	1.95	MR854	0.65	STRD1816	6.78	TD11908A	1.12	TEA2031A	3.40
1N4003	0.05	25C2001	0.23	25D555	0.54	BC178B	0.18	BD165C	1.66	BY133	0.08	LA1503	1.29	MR856	0.21	STRD4420	10.15	TD11950	1.86	TEA2164	2.96
1N4004	0.07	25C2060	0.29	25D592	0.82	BC182L	0.06	BD1963C	0.64	BY164	0.67	LA15161	0.94	NE545B	3.20	T6064V	2.63	TD2002	1.12	TEA2165	4.27
1N4006	0.06	25C2068	0.77	25D600	0.64	BC183L	0.09	BF197	0.52	BY179	0.80	LA4410	0.44	NE555N	0.37	T6076V	5.04	TD2003	0.90	TEA2165A	9.58
1N4007	0.06	25C2073	0.72	25D613	0.94	BC183LB	0.10	BF199	0.04	BY184	0.42	LA4420	0.73	NE556	0.43	T9053V	0.93	TD2004	2.57	TEA2261	3.25
1N4148	0.06	25C2078	0.86	25D636	0.19	BC184A	0.05	BF240	0.11	BY206	0.20	LA4280	3.12	NE592N	1.91	T9064V	1.44	TD2005	2.57	TEA5101A	3.95
1N4448	0.06	25C2120	0.23	25D637	0.16	BC184L	0.06	BF244	0.43	BY210400	0.19	LA4282	4.53	NE646N	4.45	T9205AP	1.68	TD2006	1.06	TEA5115	2.91
1N5062	0.51	25C2166	1.29	25D638	0.41	BC184LC	0.10	BF244A	0.60	BY226	0.16	LA4422	1.36	DA200	0.22	T92217AP	1.46	TD2009	2.29	TC1060	0.82
1N5400	0.07	25C2168	3.01	25D639	0.60	BC204	0.14	BF245A	0.19	BY227	0.08	LA4440	2.40	DA47	0.25	T92217AP	1.28	TD2030H	1.12	TC1060M	0.75
1N5401	0.14	25C2229	0.31	25D666	0.43	BC212B	0.06	BF245B	0.41	BY228	0.38	LA4445	2.99	DA90	0.64	T92222AP	1.87	TD2030V	1.05	TC1225M	1.02
1N5402	0.12	25C2230	0.68	25D667	0.38	BC212L	0.08	BF258	0.04	BY2291000	1.31	LA4460	2.02	DC71	0.03	T92227P	2.29	TD2040H	1.21	TC1P1060	1.95
1N5404	0.13	25C2236	0.36	25D669A	0.64	BC213	0.11	BF324	0.12	BY229600	0.92	LA4461	2.05	P600A	0.33	T92233P	1.97	TD2170	3.25	TL111	0.66
1N5406	0.12	25C2240	0.17	25D671	1.46	BC213L	0.04	BF338	0.43	BY229800	1.02	LA4475	3.09	PC814	1.29	T92240P	2.74	TD2270	2.45	TP110	0.34
1N5408	0.12	25C2271	0.36	25D718	2.21	BC214C	0.08	BF393	0.17	BY230	0.43	LA4476	3.74	PCD8582P	3.54	T92250	4.07	TD2530	4.24	TP112H	0.95
1N914	0.04	25C2274	0.35	25D734	2.26	BC214L	0.09	BF420	0.21	BY232	0.14	LA4508	2.13	PIC16C57XTSD	6.61	T92250BP	4.49	TD2540	1.12	TP120	0.42
2N2222	0.22	25C2278	1.29	25D762	1.80	BC237B	0.08	BF421	0.24	BY255	0.14	LA4700	4.27	R2M	0.67	T92251BP	4.40	TD2541	1.80	TP121	0.42
2N2222A	0.29	25C2314	0.38	25D820	5.06	BC237C	0.08	BF422	0.19	BY298	0.15	LA5512	0.72	R4050	3.04	T92270P	1.59	TD2576A	5.95	TP122	0.47
2N2369A	0.34	25C2320	0.19	25D837B	1.12	BC238	0.11	BF423	0.14	BY299	0.14	LA5521	0.84	R4051	3.18	T92271P	2.79	TD2577A	4.25	TP125	0.41
2N9057	0.20	25C2325	1.56	25D856	1.03	BC238A	0.06	BF458	0.31	BY359	1.86	LA6358S	0.62	RB156	2.40	T92273P	4.10	TD2578A	4.27	TP127	0.47
2N9053	0.38	25C2458	0.14	25D863	0.35	BC238B	0.06	BF459	0.29	BY398	0.18	LA6510	2.77	RC4558	0.48	T92274P	2.74	TD2579A	4.97	TP132	0.65
2N9055	0.06	25C2482	0.33	25D869	5.19	BC238C	0.07	BF469	0.34	BY399	0.23	LA7520	2.46	RGBABY10	14.80	T92280P	2.98	TD2581	4.27	TP137	0.48
2N3442	1.00	25C2500	0.33	25D870	3.81	BC239	0.04	BF470	0.33	BYD14J	0.26	LA7800	1.77	RGPI0G	0.26	T92281P	2.98	TD2581Q	2.99	TP142	1.14
2N3772	1.24	25C2570A	0.30	25D871	5.08	BC239C	0.06	BF480	1.10	BYD33D	0.14	LA7801	1.41	RGPI5J	0.33	T92283	2.23	TD2582	2.05	TP295	0.83
2N3773	1.01	25C2603	0.25	25D879	0.33	BC252B	0.07	BF493	0.36	BYD33J	0.27	LA7820	2.71	RGPI5J	0.24	T92288P	2.04	TD2593	0.76	TP29C	0.31
2N3819	0.55	25C2655	0.31	25D880	0.36	BC258	0.09	BF494	0.12	BYD33M	0.21	LA7830	1.46	RGPI5M	0.44	T92299P	2.65	TD2594	2.21	TP29E	0.47
2N3904	0.32	25C2660	2.93	25D882	0.46	BC261B	0.27	BF558	0.32	BYD33W	0.25	LA7835	1.63	RGPI0M	0.30	T92317P	0.93	TD2595	3.19	TP305S	0.94
2N4123	0.30	25C2724	0.74	25D898B	6.41	BC300	0.48	BF759	0.38	BYW5B	0.29	LA7837	1.63	RM11C	1.71	T92609P	2.75	TD2600	3.74	TP30C	0.41
2N4201	0.08	25C2979	2.19	25D965	0.67	BC301	0.28	BF760	0.26	BYW5C	0.21	LA7851	2.82	S2000A	1.98	T92680AP	4.55	TD2611A	0.64	TP31A	0.33
2N5296	0.69	25C3117	0.60	25D973	0.38	BC303	0.24	BF762	0.30	BYW6E	0.27	LC1232	3.76	S2000A3	2.52	T92681A	4.41	TD2611AQ	1.32	TP31B	0.30
2SA1013	0.35	25C3155	2.40	25I115	6.41	BC307	0.06	BF788	0.52	BYW6E	0.52	LD03G	0.10	S2000AF	1.68	T92705P	1.70	TD2653A	2.99	TP31C	0.77
2SA1015	0.11	25C3156	6.61	25I117	3.06	BC307B	0.06	BF869	0.25	BYW34	0.32	LD3R3	0.10	S2055AF	2.02	T92769P	3.01	TD2655B	1.93	TP32A	0.41
2SA1015GR	0.11	25C3199	4.43	25I1168	6.41	BC307C	0.15	BF869S	0.38	BYW56	0.42	FD51	0.89	SAA129302	6.69	T92778P	5.11	TD3190	1.27	TP32C	0.39
2SA1020	0.44	25C3225	0.50	25K68	0.52	BC308	0.11	BF871	0.41	BYW76	0.31	LM1203	10.47	SAA129303	10.25	T92784P	2.25	TD3301B	9.40	TP33C	1.39
2SA1029	0.26	25C3242	0.19	25K727	8.12	BC308A	0.09	BF879	0.18	BYW95C	0.65	LM1303N	0.88	SAA5012	3.34	T92800AH	4.95	TD3330	12.29	TP36C	1.37
2SA1048	0.19	25C3311	0.29	25K794	6.41	BC308C	0.06	BF960	0.30	BYW96E	0.94	LM3177	1.29	SAA5243P1	10.87	T92801	3.93	TD3305	2.40	TP41A	0.41
2SA1115	0.18	25C3355	0.96	30S4	0.62	BC309	0.04	BF966	0.26	BYX55600	0.23	LM324N	1.48	SAB3035	1.71	T92805	3.93	TD3541	0.98	TP41C	0.47
2SA1123	0.59	25C3358	0.69	35K88	1.54	BC309C	0.14	BF970	0.30	BYX71600	1.45	LM339N	0.31	SG264A	11.57	T92805AH	4.10	TD3560	2.96	TP42A	0.52
2SA1286	0.60	25C3423	0.60	74L500	0.21	BC317	0.23	BF934A	0.78	BZ110	1.08	LM340T	0.40	SG3IF344	7.28	T92807	2.74	TD3561A	4.79	TP42C	0.53
2SA1301	3.37	25C3460	2.80	74L5247	0.62	BC327	0.10	BF939	0.43	CD4001	0.21	LM358N	0.42	SL1430	1.53	T92810H	4.79	TD3562A	3.90	TP47	1.51
2SA1306	1.13	25C3468	0.60	7805	0.78	BC327B	0.17	BF939	0.69	CD4008	0.21	LM380N	1.03	SL1431	1.70	T92815H	4.79	TD3562APH	5.18	TP1761A	0.58
2SA1370	0.43	25C3502	0.62	7806	0.60	BC328	0.07	BF990A	0.68	CD4011	0.21	LM386N	0.57	SL1432	8.54	T92816H	8.01	TD3562ATF	4.93	TP1791A	1.25
2SA1489	2.40	25C3656	0.18	7808	0.72	BC337	0.09	BF991	0.60	CD4013	0.45	LM393	1.63	SL471	1.70	T92820H	7.69	TD3565	2.95	TL062	0.60
2SA1706	0.52	25C3679	3.59	7809	0.69	BC337L	0.22	BF991A	0.92	CD4016	0.12	LM393N	1.19	SN76705AN	1.70	T92821H	6.56	TD3566	5.98	TL071	0.69
2SA562	0.17	25C3788	0.77	7810	0.52	BC338	0.06	BF996	0.55	CD4017	0.47	M1041B	8.54	SN76705AN	3.35	T92821H	7.19	TD3571BQ	9.17	TL072	1.03
2SA608	0.24	25C3795	1.97	7812	0.30	BC368	0.15	BFW16	2.14	CD4024B	0.23	M192B1	1.88	SN76705AN	4.51	T928410K	4.27	TD3576B	11.31	TL072C	0.53
2SA673	0.12	25C3798	1.64	7815	0.82	BC369	0.17	BFW2A	5.12	CD4047	0.45	SN9381	23.49	SN76705AN	6.70	T928691N	7.01	TD3640	5.92	TL074	1.15
2SA684	0.60	25C3807	0.84	7824	0.31	BC372	0.62	BFY51	0.32	CD4049	0.26	M491	7.94	SN76705AN	8.89	T928691N	0.24	TD3650	9.91	TL082CP	0.69
2SA733	0.17	25C3853	3.34	78L05	0.26	BC461	0.61	BR100	0.21	CD4053	0.39	M4946B1	5.65	SN76705AN	6.12	T928691N	0.30	TD3653	3.90	TMP47C43A2P8189	15.19
2SA769	1.29	25C3883	5.92	78M05	0.35	BC517	0.14	BR101	1.15	CD4060B	0.76	M51387B	10.68	SN76705AN	11.03	T928691N	0.53	TD3653B	2.57	TMP47C43A2P8189	15.19
2SA794	0.91	25C3892A	4.74	7905	0.35	BC546A	0.07	BR103	0.53	CD4066	0.30	M51393AP	4.64	SN76705AN	9.40	T928691N	0.65	TD3653C	1.37	TMP47C43A2P8189	15.19
2SA844	0.26	25C3937B	2.57	7915	0.62	BC546B	0.12	BR303	1.22	CD4070	0.21	M5218L	1.59	SN76705AN	10.68	T928691N	0.89	TD3653CQ	2.57	TMP47C43A2P8189	15.19
2SA872A	0.35	25C4106	2.05	AA119	0.36	BC547	0.17	BRX44	0.20	CD4093	0.32	M5231L	2.36	SN76705AN	10.48	T928691N	0.51	TD3654	1.34	TMP47C43A2P8189	15.19
2SA900	0.67	25C4204	0.38	AC126	0.37	BC547A	0.04	BRX46	0.43	CD4094	0.36	M54519P	1.37	SN76705AN	13.20	T928691N	0.40	TD3654Q	2.26	TPU2732	10.63

# TELEVISION

## TV/VCR SPARES GUIDE SPRING 1995

*The following list gives spares department addresses and telephone numbers or, where these are the same, service department or head office addresses and telephone numbers. Also included are details of various spares distributors.*

**Aiwa** UK Ltd., Unit 5, Heathrow Summit Centre, Skyport Drive, West Drayton, Middx UB7 0LY.  
**0181-897 2425**  
Fax 0181-899 0055.  
See also CPC and Willow Vale.

**Akai** UK Ltd., Haslemere Heathrow Estate, 12 Silver Jubilee Way, Parkway, Hounslow, Middx TW4 6NF.  
**0181-897 6388**  
Fax 0181-759 6118.

**Akura.** Spares available from Akura Components Ltd., 44 Deerdikes View, Westfield, Cumbernauld, Glasgow G68 9HP.  
**01236-457 022**  
Fax 01236-457 053.

**Alba** Radio Ltd., Harvard House, 12 Thames Road, Barking, Essex. Spares for Alba, Bush, Goodmans, some Hinari and some Brother microwave.  
**0181-557 9085**  
Fax 0181 507 2132  
See also Willow Vale.

**Ambassador.** Brand name used by Sentra Electronics.

**Amstrad.** Spares available from CPC Ltd., Chas Hyde & Son Ltd., Willow Vale and Amstrad PLC, Brentwood House, 169 Kings Road, Brentwood, Essex CM14 4EF.  
**01277-209 509**  
Fax 01277-209 559.

**Autovox.** See Comet Group plc.

**Beko** (UK) Ltd., 40 Caxton Way, Watford Business Park, Watford, Herts WD1 8QZ.  
**01923 818 121**  
Fax 01923 819 653.

**Beon** Corporation, 6-10 Badenheath Place, Westfield Industrial Estate, Cumbernauld, Glasgow G68 9HX.  
**01236-728 845**  
Fax 01236-738 477.

**Beovision/Beocord.** Bang and Olufsen UK Ltd., Eastbrook Road, Gloucester GL4 7DE.

**01452-307 377**  
Fax 01452 423 693.

**Binatone** International Ltd., Binatone House, 1 Beresford Avenue, Wembley, Middx HA0 1YX.

**0181-903 5211**  
Fax 0181-903 5521. Trade only.

**Blaupunkt.** Merrivale Television Services, 1 Lockside, Tatbank Road, Oldbury, Warley, W. Midlands.

**0121-544 6250**  
Fax 0121-552 1503. Trade only.

**Bush.** See Alba Radio Ltd. Also HRS and Willow Vale.

**Canon** UK Ltd., Unit 4, Brent Trading Centre, North Circular Road, London NW10.  
**0181-459 1266**  
Fax 0181-459 4202.

**Cathay.** Spares from Diamond Television.

**Commodore.** Spares available from CPC.

**Comet** Group plc., Service Dept., Unit 5, City Park Ind. Estate, Gelderd Road, Leeds LS12 6DR.  
**01132-311 024**  
Fax 01132-311 463.

**Connexions** UK plc., Unit 3, Travellers Close, Travellers Lane, Welham Green, Herts AL9 7LE.  
**01707-272 091**  
Fax 01707-269 444.

**Contec** CTVs sold by Dixons. Spares available from Mastercare Components.

**CPC** Ltd., Component House, Faraday Drive, Fulwood, Preston, Lancs PR2 4PP.  
**01772-654 455**  
Fax 01772-654 466.

Official spares stockists for Aiwa, Alba/Bush, Amstrad, Citizen, Commodore, Epson, Ferguson, Fidelity, Finlux, GEC, GoldStar, Goodmans, Hinari, Ingersoll, ITT, Logic, Luxor, Matsui, Nokia, Olympia, Olivetti, Orion, Osime, Pace, Philips, Pye, Saisho, Salora, Sinclair, Sony, Toshiba and Triumph. Other spares available.

**Crown.** Some spares available from HRS.

**Daewoo** Electronic Sales UK

Ltd., Unit 640, Winnersh Triangle, Wokingham, Berks RG11 5TP.

**01734-272 272**  
Fax 01734-699 000.  
Note: Daewoo brand products only, not OEM products. For the latter, refer to the original distributor.  
See also Willow Vale.

**Dansai** TV and Video spares available from NEI.

**Decca.** See Tatung (UK) Ltd. and Wizard Distributors. Spares for chassis up to and including the 110/115 series available from D&S Electronic Services, Building 15, Unit 4, Stanmore Industrial Estate, Bridgnorth, Salop WV15 5HR.  
**01746-766 641.**

**Definition.** Spares available from Wiltsgrove Ltd.

**Denon.** Hayden Laboratories Ltd., Hayden House, Chiltern Hill, Chalfont St Peter, Gerrards Cross, Bucks SL9 9UG.  
**01753-888 447**  
Fax 01753-880 109.

**Diamond Television,** 15a Rodbourne Road, Dodbourne, Swindon, SN2 2AG  
**01793-497 591**  
Fax 01793-431 687.

**Doric.** Some spares available from Granada Rental Services.

**Dynatron.** Pre 1981 sets see Philips Service, post 1981 sets spares from SEME.

**Elftone** Electronics Ltd., 4 Beresford Avenue, Wembley, Middx HA0 1YZ  
**0181-902 6222**  
Fax 0181-903 5011.

**Etron.** Brand name used by Nikkai Imports Ltd.

**Expert.** Sets use Tatung, GEC, or Luxor chassis.

**Ferguson** Ltd., Service Division, Crown Road, Enfield, Middx EN1 1DZ.  
**0181-344 4412**  
Fax 0181-344 4452. Trade only. See also CPC, HRS, Chas Hyde, Willow Vale and Wizard.

**Fidelity.** Spares available from SEME, HRS, CPC, Wizard and Willow Vale.

*Simply  
the best!*



Good people to deal with



ELECTRONIC COMPONENTS CATALOGUE

**1600  
PAGE  
CATALOGUE  
FREE  
TO ACCOUNT  
HOLDERS**

**TO OPEN YOUR  
ACCOUNT  
CONTACT EPC  
Now!**

**...best on price,  
product range  
and service**



Component House  
Faraday Drive  
Fulwood, Preston  
Lancs. PR2 4PP  
Tel: 01772 654455  
Fax: 01772 654466

**Finlux.** Spares available from NCS and CPC.

**Finlandia.** Spares available from UK Rental and Retail Ltd.

**Fisher.** Spares available from Sanyo UK Sales Ltd., Sanyo House, Otterspool Way, Watford, Herts.

**01923-222 244**  
Fax 01923-818 251.

**Fujitsu General,** 154 Great North Road, Birchwood Industrial Estate, Hatfield, Herts  
**01707 272 841**  
Fax 01707 273 111. Spares available from HRS.

**GEC.** Spares available from CPC, HRS, SEME.

**General.** See Fujitsu General

**GoldStar** UK Sales Ltd., Goldstar House, 264 Bath Road, Slough SL1 4DT.  
**01753-691 888**  
Fax 01753-693 061.  
See also CPC, Granada Rental Services and Willow Vale.

**Goodmans.** See Alba Radio Ltd. Also CPC.

**Granada Rental Services,** Unit 37, Roman Way Industrial Estate, Preston, Lancs PR2 5BD.  
**01772-651 551**  
Fax 01772-655 801.  
Spares for Finlandia, Granada, Grundig, Hitachi, Salora TV, Sanyo, Sony, Tashiko. Trade only.

**Granada.** Spares available from Granada Rental Services.

**Grundig** International Ltd., Mill Road, Rugby, Warwickshire CV21 1PR.  
**01788-577 155**  
Fax 01788-562 354. Account holders only supplied.  
See also Granada Rental Services and Willow Vale.  
Spares for VCR4000 and SVR4004 ranges available only from Willow Vale.

**Grundig** Satellite Communications Ltd., Unit 10, Llantrisant Business Park, Llantrisant, Mid Glamorgan CF7 8LF.  
**01443-220 220**  
Fax 01443-237 206.  
See also Willow Vale and Wizard Distributors.

**Harwood.** Spares available from HI Group, Express Way, Whitwood, Nr. Wakefield WF10 5QJ.  
**01977-603 333**  
Fax 01977 603 159.

**Hinari.** Spares available from CPC, Chas Hyde, SEME.

**Hitachi** Sales (UK) Ltd., Hitachi House, Station Road, Hayes, Middx UB3 4DR.

**0181-569 1975**  
Fax 0181-569 1441.  
See also Chas Hyde, Granada Rental Services, Willow Vale and Wizard.

**HMV.** Sets use Ferguson or Fidelity chassis.

**HRS** Electronics Ltd., Electron House, 100 Great Barr Street, Birmingham, B9 4BB.  
**0121-766 6668**  
Freefax orderline 0800-212 179  
Truedata orderline 0121-753 0600.  
Wide range of video, audio and television spares including Bush, Crown, Ferguson, Fidelity, GEC, Hitachi, Nikkai, Pace, Philips, Pye, Saisho, Sanyo, Sharp, Tatung, Toshiba and many more. Also all leading domestic appliance brand spares. Trade only.

**Chas Hyde & Son Ltd.,** Prospect House, Barmby Road, Pocklington, Yorks YO4 2DP.  
**01759-303 068**  
Fax 01759-303 620. Sole non-account distributor for Sanyo and Hitachi. Approved distributors for Ferguson, Matsui, Philips, Saisho and Toshiba. Some spares available for other brands. Trade only.

**Indesit.** Spares no longer available from manufacturers/agents.

**ITT.** Spares available from NCS. See also CPC and Wizard.

**JVC** (UK) Ltd., JVC House, JVC Business Park, Eldonwall Trading Estate, Priestley Way, Staples Corner, London NW2 7BA.  
**0181-450 3282**  
Fax 0181-452 2534. Trade only.  
See also Willow Vale.

**Kenwood.** See Trio-Kenwood (UK) Ltd.

**Konica,** Plane Tree Crescent, Feltham, Middx TW13 7HD.  
**0181-751 6121**  
Fax 0181-755 0681.

**Korting.** Spares available from Telefaults, St Michael's Road, Pitts Hill, Turnstall, Stoke-on-Trent ST6 6LS.  
**01782-813 757**  
Fax 01782-835 762.

**Lloytron** Electronics Ltd., Service Dept., Laltex House, Matthews Street, Ardwick, Manchester M12 5DT.  
**0161-272 8833**  
Fax 0161-272 8844.

**Logik.** Brand name used by Dixons. See Mastercare Components, CPC, HRS.

**Loewe-Opta.** Spares available from Wizard.

**Longreach** Marketing Ltd., Riverside Business Park, Lower

Bristol Road, Bath, Avon BA2 3DW.  
**01225-444 894**  
Fax 01225-448 676. Distributors of satellite equipment.

**Luks Industrial Company UK Ltd.,** 1/3 Mollins Court, Westfield, Cumbernauld, Glasgow G68 9HP.  
**01236-457 989.** Ext.18.  
Fax 01236-457 919.

**Luxor.** Spares available from NCS, CPC and Willow Vale.£

**Marconiphone.** See Ferguson Ltd.

**Marantz** Hi Fi UK Ltd., Kingsbridge House, Padbury Oaks, 575/583 Bath Road, Longford, Middx UB7 0EH.  
**01753-680 868**  
Fax 01753-680 428.

**Mastercare** Components Division, Maylands Court, Maylands Avenue, Hemel Hempstead, Herts HP2 7DE.  
**01442-888 444**  
Fax 01442-888 145.

**Matsui.** Brand name used by Currys and Dixons. Spares available from Mastercare Components, CPC, Chas Hyde and Wizard.

**Metz.** No UK source of spares. Manufacturers address: Metz Werke GmbH 2 Co., D8510, Furth, Germany.

**Minoka.** Spares available from Luks Industrial Co. UK Ltd.

**Mitsubishi** Electric (UK) Ltd., Travellers Lane, Hatfield, Herts AL10 8XB.  
**01707-276 100**  
Fax 01707-278 859.  
See also Willow Vale.

**Morphy Richards** Technical Services Ltd., 6 Albany Parade, Brentford, Middx.  
**0181-560 5331**  
Fax 0181-569 7737.

**Murphy.** Spares available from Diamond Television for TV sets beginning with CTV and VCR 7101. Some sets fitted with Fidelity chassis. Older sets fitted with Rediffusion chassis. Earlier sets fitted with Rank chassis (some spares available from HRS).

**National, National Panasonic.** See Panasonic.

**NCS,** Bridgmead Close, Westmead Industrial Estate, Westmead, Swindon, Wilts SN5 7YG.  
**01793-511 636**  
Fax 01793-485 406.  
Account holders only.

**NEC.** Spares available from SEME.

**NEI, Network** Spares Division,

## AN OFFER YOU CANNOT REFUSE . . .

IF YOUR COMPANY IS INVOLVED IN THE SERVICING OF CAR STEREO EQUIPMENT YOU WILL BE AWARE OF THE PROBLEMS ASSOCIATED WITH THE SECURITY CODED SETS

**FOR A £100 REFUNDABLE DEPOSIT WE WILL SEND YOU A COMPLETE JOULE A-400 CAR RADIO DECODER/REPROGRAMMER**

**THIS SPECIAL SYSTEM PRODUCES AN ENCRYPTED CODE. YOU THEN TELEPHONE US WITH THIS CODE AND WITHIN SECONDS WE WILL GIVE YOU THE SECURITY CODE**

**FOR EACH CODE SUPPLIED THERE IS A CHARGE OF ONLY £5.00 WHICH WILL BE DEBITED TO YOUR ACCOUNT ON A MONTHLY BASIS**

### ELECTRONIC SOUND SYSTEMS

Hilton Road, Aycliffe Industrial Estate,  
Newton Aycliffe, Co. Durham DL5 6EN  
Tel: (01325) 301007 or 307442  
Fax: (01325) 300189

**. . . CAN YOU?**

## P.V. TUBES

104 ABBEY ST  
ACCRINGTON  
LANCS BB5 1EE  
Tel: 0254-236521  
Fax: 0254-395361

**HAS A COMPLETE A-Z OF ALL YOUR ELECTRONIC NEEDS - RING US FIRST**

A - Aerials/alarms  
B - Brackets  
C - CHRISTINE + capacitors  
D - Degaussing Coils  
E - Ever Ready Batteries & EMMA  
F - Fuses/F connectors  
G - Gas Soldering Iron  
H - Hangovers Monday morn.  
I - Integrated Circuits  
J - Job Cards/Jack Plugs  
K - Kits (Scart)  
L - Leads/LNBs/Labgear  
M - Masts/Meters  
N - Nervous Breakdowns (once a week)  
O - Outlet boxes  
P - Plugs/Posistors/Probes  
Q - Queries answered  
R - Resistors/Remotes  
S - SHEILA + Satellites

T - Transistors/TV sets  
U - Ultimate Scart kit  
V - Valves/Video Spares  
W - Wireless Security System  
X - Xenon Flashers  
Z - Zener Diodes

**DON'T THROW YOUR OLD SET AWAY - WE MAY HAVE THE PART YOU NEED - ASK US !**

CALL IN AT OUR TRADE COUNTER (CLOSED ON WED. ALL DAY/SAT. AT 1pm)  
**THERE'S MORE TO ACCRINGTON THAN STANLEY !!!**

**EXPORT ENQUIRIES WELCOME**



Goods are despatched on the day we receive your order. If for any reason we are out of stock we will try to inform you as quickly as possible. We try our best to give a speedy, fair and efficient service. Please ask if what you need is not listed - we will try to help. Prices are subject to change without notice. In some cases we may have to supply an equivalent. We need expiry dates for credit card orders. MIN. ORDER £5.



## GRANDATA STOCKS TV, VIDEO AND COMPUTER PARTS, WITH OVER 30,000 DIFFERENT TYPES IN STOCK.

AUDIO CONTROL HEAD  
BRIDGE RECTIFIERS  
CASSETTE HOUSING  
CASSETTE TAPE HEAD  
CMOS & 74 SERIES  
CRYSTALS  
FAULT FINDING BOOKS  
HEAD EXTRACTOR TOOL  
IC SOCKETS  
IDLER TYRES  
JAPANESE TRANSISTORS 2SA, 2SB, 2SC, 2SD, 2SK, 3SK, 3SK SERIES  
LED'S  
LINEAR IC'S A, B, C, H, I, K, L, M, N, S, T, U, Z, SERIES  
MODE SWITCHES  
OPTO COUPLERS  
PLUG & SOCKETS  
REMOTE CONTROLS  
SERVICE AIDS  
SPRINGS & WASHER KITS  
THYRISTORS  
TRANSFORMERS  
TRIPLERS  
TV OUTPUT MODULE  
VALVES  
VCR BELT KIT  
VIDEO HEAD CLEANING STICKS  
VIDEO LAMPS  
VIDEO MOTORS  
VOLTAGE REGULATORS

BACK UP BATTERIES  
CAMCORDER KITS  
CASSETTE DC MOTOR  
CD PICK UPS  
COMPUTER IC'S  
DIODE SPLIT TRANSFORMERS  
FUSES  
IC PROTECTORS  
IDLERS & PULLEYS

MODULATORS (RF)  
PINCH ROLLERS  
RECTIFIER DIODES  
SCART KITS  
SOLDERING ACCESSORIES  
SWITCHES (TV)  
TRANSISTORS  
TRIACS  
TOOLS  
TV TO VIDEO LEADS  
VCR ALIGNMENT KIT  
VIDEO HEADS

VIDEO MAINTENANCE TOOL  
VIDEO SERVICE KITS  
ZENER DIODES

# GRANDATA LTD

**K.P. HOUSE, UNIT 15, POP IN COMMERCIAL CENTRE, SOUTHWAY, WEMBLEY, MIDDLESEX, ENGLAND HA9 0HB**

**Telephone: 081-900 2329 Fax: 081-903 6126**

**OPEN Monday to Saturday. Times: Mon-Fri 9.00-5.30 Sat 9.00-2.00**

Unit 6, Southfork Industrial Park,  
Dartmouth Way, Leeds LS11 5JL.  
**0113 277 4310**  
Fax 0113 277 4312.  
Trade only.

**Nikkai.** See NEI. Also HRS,  
SEME, Willow Vale and Wizard.

**Nokia.** Spares available from  
NCS and Willow Vale.

**NordMende.** Spares available  
from Ferguson Ltd. In Ireland  
EID Ireland Limited, Longmile  
Road, Dublin 12.  
**010 353 145 65222.**

**Olympus** Optical Co. (UK) Ltd.,  
2-8 Honduras Street, London  
EC1Y 0TX.  
**0171-253 2772**  
Fax 0171-251 6330. Trade only.

**Orion.** Sole UK spares  
distributor CPC Ltd.

**Osaki.** Brand name used by  
Rumbelows. Spares available  
from Granada Rental Services.  
Spares for models  
VCR31, VCR32, VCR33 available  
from Diamond Television.

**Pace** Micro Technology Ltd.,  
Victoria Road, Saltaire, Shipley,  
West Yorkshire, BD18 3LF.  
**01274-532 000**  
Fax 01274-537128. Spares  
available from HRS, CPC,  
Willow Vale and Wizard.

**Panasonic** (UK) Ltd., Panasonic  
House, Willoughby Road,  
Bracknell, Berks RG12 4FP.  
**01344-860 133**  
Fax 0344-861 598.  
Non-dealer orders handled by  
SEME Ltd., School Lane,  
Buckingham, Bucks MK18 1HD.  
**01280-823 523** (trade)  
Fax 0280-814 916  
**01280-822 755** (retail).  
Also Willow Vale.

**Philips** Service, P.O. Box 97,  
City House, 420/430 London  
Road, Croydon CR4 4QX.  
**0181-686 5414**  
Fax 0181-681 0796. Account  
holders only supplied. See also  
CPC, Granada Rental & Retail  
Ltd., HRS, Chas Hyde, Willow  
Vale, Wizard.

**Pioneer** High Fidelity (GB) Ltd.,  
Pioneer House, Hollybush Hill,  
Stoke Poges, Slough SL2 4QP.  
**01753-789 789**  
Fax 01753-789 534.  
See also SEME.

**Prinz.** Brand name used by  
Dixons. See Mastercare  
Components.

**Proline.** Brand name used by  
Comet Group plc.

**Pye.** See Philips Service.

**Radionette.** See Tandberg.

**Roadstar** (UK) Ltd.,

Roadstar House, Tavistock  
Industrial Estate, Ruscombe  
Lane, Twyford, Berks RG109NJ.  
**01734 321 032**  
Fax 01734 343 011.

**Roberts Radio** Co. Ltd.,  
Molesey Avenue, West Molesey,  
Surrey KT8 0RL.  
**0181-979 7474**  
Fax 0181 979 9995.  
Spares available from SEME.

**Saba.** Spares available from  
Blair's Electrical Services, 13  
Belgrave Road, Dresden, Stoke-  
on-Trent ST3 4PR.  
**01782-599 377**  
01782-599 378.

**Saisto.** Brand name used by  
Dixons. See Mastercare  
Components, CPC, HRS, Chas  
Hyde, Willow Vale and Wizard.

**Salora.** Spares available from  
NCS and Granada Rental Services.

**Samsung** Electronics UK Ltd.,  
Industrial Unit A, Stafford Park,  
Shropshire TF3 3BJ.  
**01952-207 171**  
Fax 01952-293 459.  
Also Willow Vale and Wizard.  
Belfast Agents Michael Black, 33  
Somerton Industrial Park,  
Dargan Crescent, Duncrue  
Industrial Estate, Belfast.  
**01232-370 587.**

**Sansui.** Spares available from  
Willow Vale Electronics Ltd. Also  
Diamond Television for Video  
SV77.

**Sanyo** UK Sales Ltd., Sanyo  
House, Otterspool Way, Watford,  
Herts WD2 8JF.  
**01923-222 244**  
Fax 01923-818 251.  
See also Chas Hyde, Willow  
Vale.

**Schneider.** Spares available  
from Wizard.

**Seiko.** Audio spares from  
Diamond Television.

**SEME** Ltd., Units 2E and 2F,  
Saxby Industrial Estate, Melton  
Mowbray, Leics LE13 1BS.  
**01664-65 392**  
Fax 01664-63 976.  
Wide range of spares including  
Ferguson, Fidelity, GEC, Hinari,  
NEC, Nikkai, Philips, Pioneer,  
Pye, Roberts Radio and Sentra.  
Trade only except for Fidelity  
and NEC cabinet parts. Official  
Panasonic stockists – for  
separate address and telephone  
number see under Panasonic.

**Sentra.** Spares for pre-1991  
models available from  
Electrontechnik, Mandale Mill,  
Beacon Road, Wibsey, Bradford  
BD6 3DQ.  
**0274-693 331.**  
Post-1991 spares available from  
Roadstar (UK) Ltd, Roadstar  
House, Tavistock Industrial  
Estate, Ruscombe Lane,

Twyford, Berks RG109NJ.  
**01734 321 032**  
Fax 01734 343 011.  
See also SEME.

**Sharp.** Spares available from  
Willow Vale Electronics Ltd.

**Siemens.** Spares for Model  
numbers beginning FF available  
from Mastercare Components.  
Spares for Model numbers  
beginning FC available from  
John Langman Ltd., 111/117,  
Victoria Street, Bristol BS1 6AX.  
**01272-298 040**  
Fax 01272-251 528. Trade only.  
Spares available in Ireland from  
Appliance Care Limited, Unit 4,  
Ballymount Drive, Ballymount  
Road Industrial Estate, Dublin 12.  
**010 353 145 02655.**

**Sinclair.** Spares available from  
CPC.

**Skantic.** Spares available from  
NCS.

**Solavox.** Brand name used by  
Comet Group plc.

**Sonatel.** Brand name used by  
Morphy Richards Consumer  
Electronics Ltd.

**Sony** UK Ltd., Spares Division,  
PO Box 58, Newbury, Berks  
RG13 4LX.  
**01635-860 000**  
Fax 01635-874 099.  
Account holders only supplied.  
Spares are available from SES at  
Oldbury **0121-544 8818**,  
Dulwich **0181-693 9622**,  
Glasgow **0141-554 2751**,  
Leeds **01132-527 387**,  
Staines **01784-466 111**.  
See also CPC, Chas Hyde,  
Granada Rental Services, Willow  
Vale.

**Steepletone** Products Ltd.,  
Park End Works, Croughton, Nr  
Brackley, Northants NN13 5RD.  
**01869-810 081**  
Fax 01869-810 784.

**Sunkyoung** Europe Ltd., Cedar  
House, Vine Lane, Hillingdon,  
Middx UB10 0BX.  
**01895-272 200**  
Fax 01895-813 282.  
Trade only.

**Tandberg.** R.D.E. Tandberg,  
Holly Tree House, The Green,  
Full Sutton, York YO4 1HW.  
**01759-372 795.**

**Tashiko.** Brand name used by  
Granada. Spares available from  
Granada Rental and Retail Ltd.

**Tatung** (UK) Ltd., Service  
Division, Stafford Park 10,  
Telford, Shropshire TF3 3AB.  
**01952-290 111**  
Fax 01952-292 096.  
Trade only. Spares also  
available from HRS.

**Technics.** See Panasonic (UK)  
Ltd.

## CAR RADIO SECURITY DECODING SOFTWARE

The most comprehensive software package ever  
from only £275+VAT

This package is fully upgradeable to any model of radio currently on our radio decoding list. Please phone for comprehensive radio decoding list and free demonstration disc (3½")

Upgrades will even cover the latest radios on the market. We can supply/design a package to decode any radio that you choose. Updated software available absolutely free.

### Package comprises models including:-

Ford, Philips, Blaupunkt, Clarion, Pioneer, Panasonic, Grundig, Hitachi, Volvo, J V C. In fact over 50 models covered including Ford RDS V1 & V2, Grundig SC303

Interface and all necessary probes for connection to the radios are also supplied. Installed in seconds, no modification to your computer required.

### Features:-

Fully IBM or compatible, to run on all computers including lap tops, note books and even palm tops. Requires graphics capability for P.C.B. layouts. Runs from parallel port of LPT1.

1. Full user friendly menu's
2. Help screens with P.C.B. layouts for exact positioning of probes
3. Help screens to show you exactly how to enter the codes after decoding the radio
4. Error messages to advise possible fault occurrences (e.g. incorrectly fitted probe)
5. Adjustable for either b&w or colour monitors (Useful for notebooks, laptops etc.)
6. Fully reprograms blank or corrupted eeproms (using internal database)

7. Customised with your company details
8. Security coded with your choice of code to stop unauthorised access
9. Runs from C drive
10. Keeps a record of all codes (date, time, make, model)
11. Fully upgradeable

### Upgrades - Check this out!

Memphis SQR 88, CDP09, Bremen, Atlanta, Montreux, Symphony, Kolin, Philadelphia, Toronto, Montreal, Paris, Peugeot PF3, Vauxhall CD300, SC202, Berlin, Frankfurt, Barcelona, Stockholm, Kingston, Nashville, Woodstock, and many many more. POA.

### RADIO DECODING SERVICE:-

WE COVER ALL MODELS STARTING FROM £10.00 + CARRIAGE (£4.20 EACH WAY) + VAT. That's only £16.69 or £21.62. If we arrange collection, all you have to do is make sure it's boxed and adequately protected.

### Eeprom re-programming service:-

All eeproms are decoded for as little as £5.00 including VAT.

Please send all eeproms in a padded envelope, to stop damage.

## CDH ELECTRONICS, leading the way - not following

Our warehouse is only 24 x 30 sq ft but it's not the size that counts, it's how you use it!

3 Common Walk, Huntington, Cannock, Staffs. WS12 4NB  
Tel: 0543 572 523 VAT Reg No 636 876 011

# Fault-Fact-Files

## Helping Engineers Worldwide

VCR Alignment Guides

IC Re-programming

Help Desk Service

TV Fault Guides

VCR Deck Guides

IC Voltage Readings

TV - Chassis Guides

Business Advice

Engineers' Tips

Contribution Incentives

VCR Fault Guides

NEW! Satellite Fault Guides

## Just £1.35 monthly + p&p

For more information and samples send a large SAE

Prices below include monthly p&p plus discounts for longer subscriptions

Min. yr	UK	EUROPE	WORLD
1Yr	£19.80	23.70	27.70
2Yrs	38.60	46.50	54.40
3Yrs	56.80	68.70	80.60
4Yrs	74.40	90.20	106.00

Cheque/PO/Visa/Access/Mastercard

Credit card holders can phone/fax (01232) 843779

Vision-On 16 Hillview Park  
Newtownabbey BT36 8HW

ALL UNDER ONE ROOF  
WITSGROVE LTD  
28/29 RIVER ST, DIGBETH, B'HAM, B55SA

- IDLERS
- L.O.P.T.S.
- VIDEO HEADS
- PINCH ROLLERS
- REMOTE CONTROLS
- CASSETTE HOUSINGS
- ECONOMY VIDEO KITS

RING WITH YOUR MODEL No  
OR THE O.E.M. No FOR US TO  
LOCATE YOUR PARTS

TEL : 0121 772 2733 FAX : 0121 766 6100



TV AND VCR

## COMPONENTS CATALOGUE

AVAILABLE

HUGE RANGE OF ITEMS IN STOCK

## TV TUBES

RE-PROCESSED

NEW

B GRADE

HUNDREDS OF TYPES IN STOCK

## VIDEO HEADS

MANUFACTURED BY VISTA TO TOP QUALITY  
STANDARDS COVERING 2000+ VCR MODELS

TUBES: 0429 837100  
COMPONENTS: 0429 838057 FAX: 0429 837101

Vista Electronics Ltd  
Unit 18, Wingate Grange Industrial Estate, Wingate, Co. Durham YS18 5AH





AN ASSOCIATE COMPANY OF  
SONY UNITED KINGDOM LTD  
WHY COMPROMISE?  
SONY SERVICE CENTRE  
S.E.S. (LEEDS) LTD  
UNIT J GILDERSOME SPUR  
MORLEY, LEEDS LS27 7JJ  
SPARES 0532 527387  
REPAIRS 0532 526822



## CANVEY COLOUR TUBES

Registered Office: 'Fairlands', Beckney Avenue,  
Hockley, Essex SS5 5NR  
Tel: Southend on Sea (0702) 201108

**C.R.T.'s REPROCESSED TO ORIGINAL  
MANUFACTURER'S SPECIFICATION.**

PHILIPS, SONY, HITACHI, etc.  
**POLISHING SERVICE AVAILABLE**

**EAST LONDON  
COMPONENTS  
SPECIALIST IN VIDEO, TV  
HI FI COMPONENTS,  
IC's & Japanese Transistors,  
Video Heads, Motors, Idlers, Tyres,  
Loops, and Remote Controls.**  
64, Plashet Grove, Eastham,  
London E6 1AD.  
OPEN 9AM TO 7PM.  
TEL: 081-472 4871  
FAX: 081-503 5926  
2 Minutes from Upton Park Tube  
Station.

### SATELLITE TV RECEPTION



Fixed - motorised  
components for domestic and  
commercial systems -  
receivers - IRDs - dishes -  
actuators - polarisers etc.  
1.5m prime focus antenna only  
£110 - 1.1dB Triple band LNB  
only £89 80cm dish c/w wall mount from £29  
Dish sizes to 3.0m LNBs of all types custom  
frequency alteration service Accessories  
feedhorns, splitters Distribution equipment  
Modulators Taps Cable Connectors  
Prices exclude VAT & carriage S.A.E. for list

**KESH ELECTRICS (SAT SYSTEMS) LTD**

Main St, Kesh, Co Fermanagh, BT93 1TF Tel (03656) 31449

VIDEO HEADS - BELT KITS - PINCH ROLLERS - IDLERS - IDLER TYRES - AUDIO-VIDEO LEADS

J.J.



## COMPONENTS

Reputation is our motto - UK's number one for:

- Quality components • Competitive prices • Cheap postage • 10,000 items in stock
- Stocked items posted on the same day • 140 page catalogue free of charge
- Free fax order line open 24 hours a day

**63 THE CHASE, EDGWARE, MIDDLESEX, UK HA8 5DN**

Sales Hotlines: 081-381 1700/081-952 4641. FREE Fax order line only: 0800-318498.

General Fax: 081-381 1700. Answering machine: 081-952 4641

When you have been let down by the rest come and try us for fast and friendly service

CAPACITORS - REPAIR KITS - BATTERIES - CONNECTORS - ON-OFF SWITCHES - MOTORS - LINE OUTPUT TRANSFORMERS - CASSETTE HOUSINGS - SEMICONDUCTORS - REMOTE CONTROLS

### SENDZ COMPONENTS

63 Bishopsteighton,  
Shoeburyness,  
Essex SS3 8AF

1000's OF HANDSETS  
AVAILABLE. WE REPAIR  
ALL TV AND VIDEO  
HANDSETS. FOR FURTHER  
DETAILS PHONE:  
0702-338894

### One Million Valves in stock, including:

- \* CRT for Radar, Monitors, Scopes  
etc - Not Domestic TV
- \* Camera Tubes, Image Intensifiers,  
Magnetrons, Vidicons
- \* Audio Valves
- We wish to purchase valve types  
KT66, KT77, KT88, PX4, PX25, DA100

**BILLINGTON EXPORT LTD**

Unit 1E, Gillmans Industrial Estate  
Billingshurst, Sussex RH14 9EY  
Tel: (0403) 784961 Fax: (0403) 783519  
Minimum order is £50 UK, £100 Export  
Callers strictly by appointment only



### WIZARD DISTRIBUTORS

TV Video and Satellite Spares  
Loewe, Matsui, Philex, Konig, Schneider, Hitachi,  
Ferguson and many others, see Spares Guide Entry  
Grundig S.C. Ltd

Huge range of spares and components  
including T.V. tubes in stock.

Send for Catalogue, Trade only

Mail order - Access Visa

**Empress St Works, Empress St., Manchester M16 9EN**  
Tel: 061-372 5438, 061-848 0060 Fax: 061-873 7365

BS5750 Certified Company

### SURPLUS/REDUNDANT ELECTRONIC COMPONENTS WANTED

I/Cs - Tuners - Transistors - Valves -  
Diodes etc. any quantity considered -  
immediate payment.

**ADM General Trading**

Tel: 0827 873311. Fax: 0827 874835

## R.W.S. ELECTRONICS LTD (MAIL ORDER)

- \* QUALITY T.V., VIDEO AND SATELLITE SPARES \*
- \* RAPID DELIVERY \* COMPETITIVE PRICES \*
- \* SPECIFIC NUMEROUS PARTS AVAILABLE \*

59 REDSTONE FARM ROAD, HALL GREEN, BIRMINGHAM B28 9NU

**TEL: 0121 778 3609**  
**FAX: 0121 778 3679**

### Microwave Oven Component Parts

Guaranteed  
Quality

Guaranteed  
Products

Competitive  
Price



AWI Ltd

Samuel Whites Estate, Medina Road,  
Cowes, Isle of Wight PO31 7LP  
Tel: (0983) 296121 Telex 86736 Sortex G  
Fax: (0983) 296122

**Telefunken.** See Ferguson.  
Spares in Ireland available from  
EID Ireland Ltd. - see under  
NordMende.

**Teleton.** See Fujitsu General.

**Thomson.** TV and VCR spares  
available from Willow Vale.  
In Ireland spares are available  
from EID Ireland Ltd. - see under  
NordMende.

**Toshiba (UK) Ltd.,** Toshiba  
Technical Centre, Units 6/7  
Admiralty Way, Southern  
Trading Centre, Camberley,  
Blackwater, Surrey GU15 3DT.  
**01276-694 000**  
Fax 01276-600 521.  
Trade only. See also CPC,  
Granada Rental Services, HRS,  
Chas Hyde, Willow Vale and  
Wizard.

**Trical.** Brand name used by  
Hinari Consumer Products Ltd.

**Trio-Kenwood (UK) Ltd.,**  
Kenwood House, Dwight Road,  
Watford, Herts WD1 8EB.  
**01923-816 444**  
Fax 01923-819 133.

**Triumph.** Brand name used by

Currys. See Mastercare  
Components, CPC.

**Ultra.** See Ferguson Ltd.

**Uniden.** Eurosat Distribution  
Ltd., Oxgate Lane, London NW2  
7JA.  
**0181 452 6699**  
Fax 0181 452 6777.

**Venturer.** Audio spares  
available from Diamond  
Television.

**Willow Vale Electronics Ltd.,**  
11 Arkwright Road, Reading  
Berks RG2 0LU.  
**01734-876 444**  
Fax 01734-867 188.  
Spares stockists for Alba,  
Amstrad, Ferguson, Fidelity,  
GEC, GoldStar, Grundig  
International, Grundig Satellite  
Communications, JVC,  
Mitsubishi, Nikkai, Nokia, Pace,  
Panasonic, Philips, Pye, Saisho,  
Samsung, Sansui, Sanyo, Sharp,  
Sony, Thomson, Toshiba. Other  
spares available.  
Also at Enterprise Park, Reliance  
Street, Newton Heath,  
Manchester M10 OAL.  
**0161-682 1415**  
Fax 0161-682 9031.

**Wiltsgrove Ltd.,** 28-29 River  
Street, Digbeth, Birmingham B5  
5SA.

**0121-772 2733**  
Fax 0121 766 6100.  
Sole distributor for Definition  
brand. Official distributor for  
CME, Futek, Iroda, Konig, Nikkai,  
Philex and Thorn.

**Wintronics.** Limited amount of  
spares available from Lloytron  
Electronics Ltd.

**Wizard Distributors,** Empress  
Street Works, Empress Street,  
Manchester M16 9EN  
**0161-872 5438** or  
**0161-848 0060**  
Fax 0161-873 7365.  
Spares stocked include Akai,  
Alba, Amstrad, Decca, Ferguson,  
Fidelity, Grundig Satellite,  
Hitachi, ITT, Loewe, Matsui,  
Mitsubishi, Nikkai, Pace, Philips,  
Pye, Saisho, Samsung,  
Schneider, Sentra, Sharp, Sony,  
Tatung, Toshiba. Trade only.

**Yamaha Electronics (UK) Ltd.,**  
Yamaha House, 200  
Rickmansworth Road, Watford,  
Herts WD1 7JS.  
**01923-233 166**  
Fax 01923-244 930.

## General/miscellaneous parts suppliers

**Allparts Distributors,**  
101 Rocky Lane,  
Tuebrook, Liverpool.  
**0151-260 4825.**

**AZ Electronics,**  
183 Acre Lane,  
Northampton, NN2 8DX  
**01604-841 871**  
Fax 01604-454 871.

**Chromavision,**  
95 Langworthy Road,  
Salford, Manchester M6  
5PH.  
**0161-736 6333.**

**Economic Devices,**  
32 Temple Street,  
Wolverhampton WV2  
4AN.  
**01902-712 083**  
Fax 01902-29 052.

**East London  
Components,** 63  
Plasheet Grove, East Ham,  
London E6 1AD.  
**0181-472 4871.**

**Electromail,** PO Box 33,  
Corby, Northants NN17  
9EL.  
**01536-294 555**  
Fax 01536-405 555.

**Electrovalue Ltd.,**  
Unit 3, Central Trading  
Estate, Staines, Middx.  
**01784-442 253.**

Fax 01784-460 320.  
Northern branch  
680 Burnage Lane,  
Manchester M19 1NA.  
**0161-432 4945**  
Fax 0161-432 4127.

**Express TV Supplies,**  
The Mill, Mill Lane,  
Rugeley, Staffs WS15  
2JW.  
**01889-577 600**  
Fax 01889 575 600.

**Farnell Electronic  
Components,** Canal  
Road, Leeds LS12 2TU.  
**01132-636 311**  
Fax 01132-633 411.

**GGL Components,** PO  
Box 72, Unit 7, South  
John Street, Carlisle,  
Cumbria CA2 5AL.  
**01228-39 693/20 358**  
Fax 01228-515 127.

**Grandata Ltd.,**  
KP House, Unit 15, Pop  
In Commercial Centre,  
Southway, Wembley,  
Middx HA9 0HB.  
**0181-900 2329**  
Fax 0181-903 6126.

**J.W. Hardy,**  
231 Station Road,  
Stechford, Birmingham  
B33 8BB.  
**0121-784 8478.**

**Harrison Electronics,**  
Century Way, March.  
Cambs PE15 8QW.  
**01354-51 289**  
Fax 01354-51 416.

**Irwin Electronics,**  
Unit 200, JC Albyn  
Complex, Burton Road,  
Sheffield S3 8BX.  
**0114-273 9622.**

**JJ Components,**  
63 The Chase, Edgware,  
Middx HA8 5DN.  
**0181-952 4641.**

**KSA Wholesale  
Components,** 582  
Green Lane, Small  
Heath, Birmingham B9  
5QG.  
**0121-772 2834.**

**LRC (Spares),**  
3-5 Whitfield Street,  
London W1P 5RA.  
**0171-323 2107.**

**Manor Supplies,**  
172 West End Lane,  
London NW6 1SD.  
**0171-794 8751/7346**  
Fax 0171-431 5578.

**Marapet,**  
1 Hornbeam Mews,  
Gloucester GL2 0UE.  
**01452-532 253.**

**MPS Electronics,** PO  
Box 777, Rayleigh, Essex  
SS6 8LU.  
**01702-554 171**  
Fax 01702-553 935.

**Nikko Electronics,**  
Dalbani House, 257  
Burlington Road, New  
Malden, Surrey KT3 4NE.  
**0181-336 0566.**

**T. Powell,** 16  
Paddington Green,  
London W2 1LG.  
**0171-723 9246.**

**PV Tubes,** 104 Abbey  
Street, Accrington, Lancs  
BB5 1EE.  
**01254-236 521/232  
611**  
Fax 01254-395 361.

**RS Components,** PO  
Box 99, Corby, Northants  
NN17 9RS.  
**01536-201 201**  
Fax 01536-201 501.

**Vista Electronics,**  
Unit 1B, Wingate Grange  
Industrial Estate,  
Wingate, Co. Durham  
S28 5AH.  
Tubes: **01429-837 100.**  
Components: **01429-  
838 057**  
Fax 01429 837 101.

**1000's** Thousands of semiconductors I.C's etc.  
**50,000** of video parts, heads, belt kits, etc.  
 over 50,000 database records to help find the difficult  
 video parts quickly. Stock availability & price in seconds  
 of remote controls, etc. etc.

We compete on **QUALITY** - We compete on **SERVICE**  
 We will not compromise and yet our prices are often less.

.....and look at the special offers (strictly while stocks last)

BU208A	X5	£4.50	BUT11AF	X5	£3.25	3V29 etc. Belt kit	X5	£4.50
BU508A	X5	£3.60	BU426A	X5	£3.75	3V35/36 etc. Belt kit	X5	£4.25
BU508AF	X5	£5.00	TDA4601	X2	£2.55	VT11E etc. Belt kit	X5	£5.50
BUT11A	X5	£2.25	TDA3654	X2	£2.50	Standard video sensor lamp	X10	£2.50
Philips type 1.2 volt Back up battery	X5	£4.50				Standard video sensor lamp + plug	X10	£4.00
Philips type 2.4 volt Back up battery	X5	£8.75				Thorn TX9/10 Remote control	each	£7.49
Scart - Scart lead 1.5m Fully wired	X2	£2.90				Thorn TX10 Green spot LOPTX	each	£14.95

.....and now ask for a full price list.

(please add £1.00 handling all + VAT)

## Satellite PSU Repair/Refurb kits

Experience in one of the largest repair centres has shown that all repairs to Power supply units require special treatment with not only the obviously faulty parts being replaced but a number of others also changed to ensure a satisfactory repair. Experience shows that up to 50% of all power supply repairs 'bounce' unless the correct procedure and the correct precautionary changes to certain components are made.

At last 4 repair kits are available to cover the majority of all Amstrad and Pace receivers each with a simple to understand instruction sheet to guide you through the correct way of repairing and refurbishing satellite receiver power supply units.

	MANUFACTURERS	MACHINE NO.		PRICE
SATKIT1	PACE	PRD800	PRD900	£6.95
SATKIT2	PACE	SS9000	SS9200	£6.95
		SS9010	SS9210	
		SS9020	SS9220	
SATKIT3	AMSTRAD	SRD510	SRD520	£6.95
SATKIT4	AMSTRAD	SRD500		£6.95

all + £1.00 handling and + VAT

## IMPORTANT ANNOUNCEMENT

ALL SATELLITE RECEIVERS purchased before MAY 1994

It is almost certain that if you purchased your satellite receiver before May 1994 you will be unable to receive all the projected channels when they become available on ASTRA 1D neither will you be able to receive the lower two channels on ASTRA 1C. The lower two channels on ASTRA 1D are Filmnet Movies (H - 10.921) and RTL-5 (V - 10.934). These are broadcasting now. If you wish to receive these two channels now and the projected possible 16 channels on ASTRA 1D when it is launched later this year, you will need to purchase extra equipment. The SUPER 'D' CONVERTOR is a clever, low cost frequency converter which can be purchased now. Millions of satellite receivers will need converting in Europe so it is good advice to buy now while stocks are readily available.

Can I receive

**ASTRA 1D**  **YES!**

### Method 1

- 1) Purchase an enhanced satellite receiver with tuning range of 950 - 2050 MHz
  - 2) Purchase an LNB with a conversion frequency of 9.75 GHz
  - 3) Book an engineer to install the equipment
- TOTAL COST AROUND £200**

### Method 2

- 1) Purchase a SUPER 'D' converter
  - 2) Install the SUPER 'D' converter - All by yourself.
- TOTAL COST EXACTLY £29.95**

### What is a SUPER 'D' converter ?

The super 'D' converter is a small box (110mm x 60mm x 50mm) which is inserted into the down lead from the satellite dish at the rear of the receiver (no power supply is required). A suitable connecting lead is supplied together with end user simple instructions. At the flick of a switch or in most cases a touch on the remote control, channels on ASTRA 1D can be tuned in when available. The bottom 2 channels on ASTRA 1C which up to now you may not have been able to tune in, will be immediately available.

Personal callers welcome or dispatched same day - Payment by PO's or Credit Card. Allow 7 days for cheques  
 Send £31.95 to include Post & Handling.

# Economic Devices

PHONE (0902) 773122 FAX (0902) 29052

32 Temple Street, Wolverhampton WV2 4AN, United Kingdom  
 International Phone + + 44 902 773122 Fax + + 44 902 29052  
 Also available - D2mac Decoders - RTL Decoders - Secam/PAL Transcoders - A/B Switches  
 Tone Switches - Multiswitches - Please phone for current prices.  
 Larger Quantity Trade Enquiries Welcomed.

# What a Life!

**Donald Bullock**

Life is funny – if you don't weaken. It doesn't seem so long ago that I managed to give our local newspaper the slip and wheedled my way into Foyles Furnishing store. In the early Fifties old Tom Foyle's shop housed the biggest and best television business in the city. Television was new, and it was big business. And since every set then produced was a trouble timebomb the shop needed, and had, a fair-sized service department.

If there was one thing that I enjoyed as much as scribbling it was tinkering with wires. I was happy indeed when Foyles took me on as a workshop lackey and vanboy.

I can still remember my first solo service call. It was to a local pub. The landlady, Mrs Brawler, was rough, loud and wayward. And always somewhat sloshed. But no one at Foyles would tell her so – she spent a lot of money at Foyles.

## **The Faulty Ferguson**

She had this 14in. Ferguson set, a Model 932 or 934 I seem to recall. There were two similar models, hers being the one with flywheel line sync. It had about twenty two valves but still had difficulty locking to the ITV signal, which crawled from Sutton Coldfield to our city in Band III.

Anyway, back to the story. One day Mrs Brawler rolled into the shop in a nasty mood and asked to see the service manager. He was afraid to see her, and the only mug in the workshop was me. So I was sent down to the showroom, where Mrs Brawler was amusing herself pounding the ivories of some new pianos.

"I've come to help with your television problem" I announced.

"You don't look to me as if you could do much about it" she replied. "ITV slipped all over the place last night, then it collapsed to a bright line across the screen. That's not what I pays you good money for. The set's here more than it's with me. I've a good mind not to go on having it."

She eventually departed after I'd promised her that something would be done. When I went back upstairs the service manager handed me an ECL80 and a screwdriver, and explained which of the many valves to change. I had to walk there, but felt too important to mind.

## **The Field Call**

Mrs Brawler's sitting room was even scruffier than her pub. Her TV set sat on a mountain of shoes and other things in the corner. When I'd got the back off I juggled the ECL80 about and to my amazement restored the field scan. Then I gripped the chassis and picked up the aerial lead by the coaxial plug, learning the hard way about live chassis. I tried again and got a picture. Fortunately the ITV signal was good that day. Mrs Brawler was delighted.

"You don't look up too much" she said, "but you've got more brain than all the others there put together. That service manager would have taken the set away and sat on it for a month. Come on with me."

We went down to the bar, which was closed. She gave me a pound out of the till, then poured me a whisky.

"I don't, er. . . drink whisky" I said.

"You do when I gives it to you" she said.

And I did. And another. And that's all I'm going to say about that day.

## **Steven's Approach**

This reflective spell was brought about by son Steven who decided, two or three years ago, that he wanted to learn the trade. He started to work beside me, and the speed at which he picked things up astonished me. He's now taken a nearby shop, where I'm allowed in from time to time to sweep up and make the tea.

There are differences about the way in which things are done. He's polished and professional. He bobs about a lot, has a thousand books to hand and uses proper job cards that I can't even fill in. I prefer my way of doing it. Just keeping still, jotting the customer's name, address and telephone number on a bit of paper and having a yap and laugh with some of them. He seems to attract a different type of customer – younger, brighter, better off and more go ahead. Ah well.

## **The Rev Goode**

The phone rang and I decided to answer it.

"Which Mr Bullock is that?" asked a fruity voice.

"The wrong one" I said.

"Good" the voice said. I squinted into the earpiece. "The Reverend Goode here. My daughter's new boyfriend borrowed her GoldStar video. It now accepts a tape partially then rejects it. I'll be along in half an hour."

And he was. The machine he brought in was a player only, not a recorder. I examined the cassette carriage and saw that when a cassette is inserted its lower front edge should depress two levers, one on each side. This releases a pair of spring-loaded levers, easing the tape transport mechanism into the playing position. Because of some rough handling the levers were bent and the cassette was barred. Bending them back gently restored proper operation. It had taken only a minute, and the Reverend had seen it all. I put the machine's top back and handed it to him.

"I shall remember your kindness, my son" he said, "and bear this in mind – what a man feels in his heart, he is."

"Oh, er, yes" I said.

## **A Spotty Video**

A dapper little man then danced in.

"How d'ye doo" he yelled. "Nubb's the name, Naylor Nubb. And I don't mind telling you I have a problem. It's spotty. It works all right but it's spotty."

"Let's have a look at it then" I replied.

He darted out to his car and returned with an Osaki VCR33 VCR. "Oh God" I said.

"Picture's covered in spots" he shouted. "Spots, spots, nothing but spots."

Then he departed and I opened up the Osaki. It played, but the picture was, as he had said, a mass of spots. And there was no rewind or fast forward.

I decided to get the tape transport right first, and examined the idler. It made contact, but the spools didn't move. Cleaning it made no difference. So I took the bottom off the machine, de-gooed the mechanism then lubricated it. This did the trick, and a video head clean cured the spotty picture.

## **The Shed Door**

Just as I'd finished the Osaki the phone rang. I answered

# TELEVISION INDEX/DIRECTORY AND FAULTS DISCS PLUS REPRINTS SERVICE

## INDEX DISC

Version 3 of the computerised index to *TELEVISION* magazine covers Volumes 38 to 44 (1988 – 1994). It has over 6,000 references to TV/VCR fault reports and articles, with synopses. Includes a TV/VCR spares guide, an advertisers list and a directory of trade and professional organisations. The software is easy to use and very quick. It runs on any IBM or compatible PC with 512K RAM and a hard disc.

Price £30 (specify 5.25" or 3.5")

Those with version 1 or 2 discs can have them upgraded for £12 each: return the disc quoting its serial number.

## FAULT REPORT DISCS

Each disc contains the full text for TV, VCR, camcorder, satellite TV and CD fault reports published in individual volumes of *TELEVISION*, giving you easy access to this vital information. Note that the discs cannot be used on their own, only in conjunction with the Index disc: you load the contents of the Fault Report disc on to your computer's hard disc then access it via the Index disc. Fault Report discs are now available for:

Volume 42 (November 1991 – October 1992)

Volume 43 (November 1992 – October 1993)

Volume 44 (November 1993 – October 1994)

Price £15 each (specify 5.25" or 3.5")

## REPRINTS

Reprints of articles from *TELEVISION* back to 1986 are also available: ordering information is provided with the index, or can be obtained from the address below. Hard copy indexes of *TELEVISION* are available for Volumes 38 to 44 at £3.50 each.

All the above prices include UK postage and VAT where applicable. Add an extra £1 postage for overseas EC orders, or £5 for non-EC overseas orders. Cheques should be made payable to Video Interface Products.

**Video Interface Products Ltd., 1 Vineries Close, Cheltenham GL53 0NU, UK.**

it and heard nothing but silence. Then Dr. Beckett came on. He's nearly ninety and a bit soft in the head. Since I repaired his old radio he seems to think I'm an odd job man.

"My shed door is jammed half open" he said, "and the drain smells."

"Right" I said. Off he went. I lifted the phone and dialled.

"Sam? Your Pa's been on again. Shed door jammed, drain stinks."

I put the phone down and turned around to see Creepy Gertrude Global beside me. She seems to materialise out of thin air, and it's always bad news.

### Gertrude's Panasonic

"It's my video recorder" Mr Bulbous, "it's going like hell." She had this Panasonic NV430 in her arms.

When she'd departed I put the machine on the bench and tried it. She was right. The capstan rotated at a ridiculous speed. And it did this with all functions. I looked out the manual and homed in on IC2. When I applied freezer to it the capstan slowed to normal. When I heated it the capstan raced off again. We had a similar machine in the rack, so I borrowed the chip and fitted it in the NV430. The fault was still present.

What next? I peered about and spotted C9, a 1µF, 60V electrolytic. Switching my brain from logic to prejudice, I proceeded on the basis of an old principle of mine – distrust low-value electrolytics. To confirm my prejudice I took the electrolytic out and checked it with my bridge. It read exactly 1µF. I stopped and thought. Then I stopped thinking and replaced it anyway. The fault had been cured.

As I was boxing it up Gertrude reappeared and the phone rang. I lifted it but got only silence. By this time I was beginning to feel a bit frayed.

"I've had enough of this" I shouted, and put the phone down.

Gertrude drew back. "Can't you do it?" she asked. "My husband said it was only a condenser."

"No such thing as 'can't' around here" I snapped. "But you're dead right, it was a condenser. It's been done and the charge is twenty pounds."

"Twenty pounds for half an hour's work?" she whimpered. "How much are condensers. About sixpence each, aren't they?"

"Cheaper than that" I said. "They grow on trees. But you have to know which one. It's the diagnosis that takes time, and I don't live on air."

She came up with the tenners, but I could detect that she was less than convinced about it.

# Astra 1D Upgrades

Jack Armstrong

The fourth Astra satellite, 1D, which was launched at the end of 1994 is co-located with the other three at 19.2°E. As far as Astra is concerned it simply adds another sixteen channels to those already available. But there are problems in practice.

The frequencies used (10.7-10.95GHz) are beneath the designed operating band of most LNBs. Thus to be sure of receiving all the channels available from Astra the dish owner is likely to have to change his LNB to an 'enhanced' type whose local oscillator runs at 9.75GHz and, possibly, upgrade his receiver to a 'wideband' type with a tuning range of 1.1GHz (950-2,050MHz).

Many existing 'standard' LNBs do have a useful gain at the Astra 1D frequencies however, though the noise figure may not be as good as at the higher frequencies. This is both good news and bad news. The good news is that, simply by adding a frequency converter such as the ADX made by Global Communications, it's possible to obtain the full range of Astra channels using a standard receiver with a narrowband tuning range (800MHz).

## Interference

The bad news is that because the local oscillator of a standard LNB drops the Astra 1D frequencies by 10GHz its outputs with this satellite will coincide with the top end of the u.h.f. TV band. In theory this might not be too bad, since f.m. is used for satellite transmissions and a.m. for terrestrial ones. But in practice many satellite TV viewers are experiencing severe interference. Table 1 indicates the satellite transponder frequencies that, after

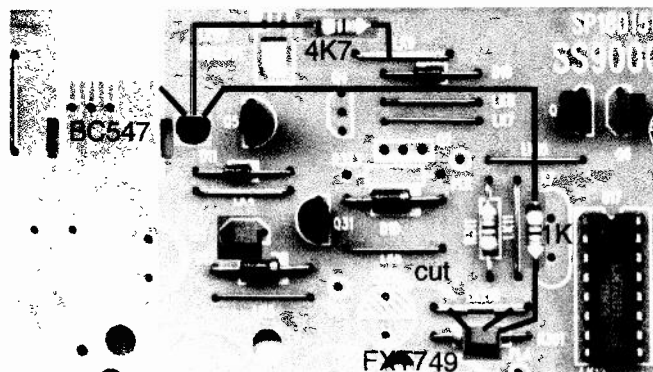
**Table 1: Astra 1D/u.h.f. channel overlapping.**

Astra transponder	Centre frequency (GHz)	U.H.F. channel	Vision carrier (MHz)
49	10.714	51	711.25
50	10.729	53	727.25
51	10.744	55	743.25
52	10.758	57	759.25
53	10.773	59	775.25
54	10.788	61	791.25
55	10.803	62	799.25
56	10.817	64	815.25
57	10.832	66	831.25
58	10.847	68	847.25

downconversion by the LNB, overlap with u.h.f. TV channels. If your local transmitter uses any of these channels, the output from a standard LNB may cause interference to the u.h.f. TV picture.

The interfering signals will be present along the satellite cable whenever the LNB is powered. With LNBs that use voltage-switching to alter the polarisation, channels of

only one polarisation will be present at one time. With 13V fed to the LNB the vertically-polarised channels are selected, while with 17V fed to it the horizontally-polarised channels are selected. Thus changing the polarisation voltage or removing the supply to the LNB will eliminate the interference caused to particular u.h.f. TV channels. To eliminate the interference at source, the LNB



**Fig. 1: Modification to Pace SS9000/9200 series receivers to remove the LNB supply in the standby mode.**

will have to be replaced with an 'enhanced' type with a 9.75GHz local oscillator. The lowest frequency present along the cable will then be above the highest u.h.f. TV channel and direct interference will be removed – though intermodulation could still be a problem.

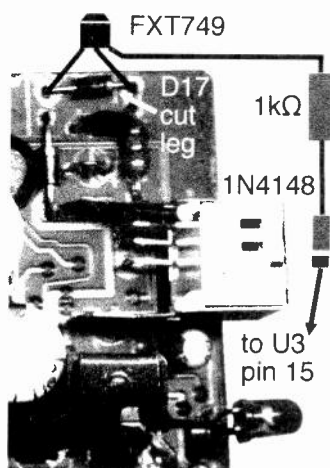
A partial solution is simply to remove the supply to the LNB. You could do this by disconnecting the LNB cable, but it's not a very elegant solution! Satellite receivers such as those made by Amstrad switch off the LNB supply in the standby mode, but receivers made by Pace do not.

Figs. 1 and 2 show how this feature can be incorporated in the most common Pace receivers simply by adding a few components. The reason Pace prefer to maintain LNB powering even in standby is to ensure frequency stability. It also keeps the ice (a cause of failure incidentally) off in winter. Since Amstrad seems to get away with no LNB supply in standby however, you might consider the risk worthwhile with Pace receivers if it rids you of the interference. Bear in mind that the LNB supply will be restored when the receiver is in the timer mode waiting to record a programme.

With the Pace SS9000/9200 range the modification requires the addition of two transistors and two resistors on top of the PCB, see Fig. 1. It's important to disconnect the receiver from the mains supply before working on it or removing any of the other connections. Solder the emitter of a BC547 transistor to the metal side of the infra-red sensor screen and its base to link LK9 via a 4.7kΩ resistor. Solder an FXT749 transistor across link LK210 as shown. This link may consist of an inductor or a resistor. It must be cut to leave it open-circuit. Finally solder a 1kΩ resistor between the collector of the BC547 transistor and the base of the FXT749 transistor.

A similar modification for the later Pace PRD range is

as follows, see Fig. 2. Solder an FXT749 transistor across diode D17, with its emitter at the rear and its collector



**Fig. 2: Modification to Pace PRD series receivers to remove the LNB supply in the standby mode.**

(the centre lead) at the banded end of D17. Cut one leg of D17. Solder a 1N4148 diode with its cathode lead (banded end) to pin 15 of U3; connect the other end of this diode via a 1kΩ resistor to the FXT749 transistor's base lead.

Such modifications provide a partial solution to interference problems with Astra 1D. But they don't help you to view the programmes!

### **Astra 1D Reception**

Earlier receivers in the Pace PRD range can be upgraded to make them compatible with the output from an enhanced LNB – at a cost. If the serial number label contains the inscription “2GHz” the tuner module has a bandwidth that extends to 2GHz and the receiver will be capable of working with an enhanced LNB. But if the unit is not fitted with the latest microcontroller chip, which allows for selection of either a 10 or 9.75GHz local oscillator frequency to match the LNB in use, the frequency display in the tuning menu will be incorrect. Even if the label doesn't say so, the tuner unit inside may be a 2GHz type. Look at the top edge of the tuner. If the code number begins G77, the tuner is a 2GHz type. G75 means an expensive replacement job.

Thus with perhaps a new tuner, microcontroller chip and a few internal track and resistor modifications an early PRD receiver can be upgraded. What about even earlier Pace receivers?

Although it's possible to fit a 2GHz tuner to say an SS9000, there's no microcontroller chip available to allow the full tuning range to be achieved. No doubt a pulse subtraction circuit could be added in the phase-lock loop feedback line, but none exists at present (any takers?).

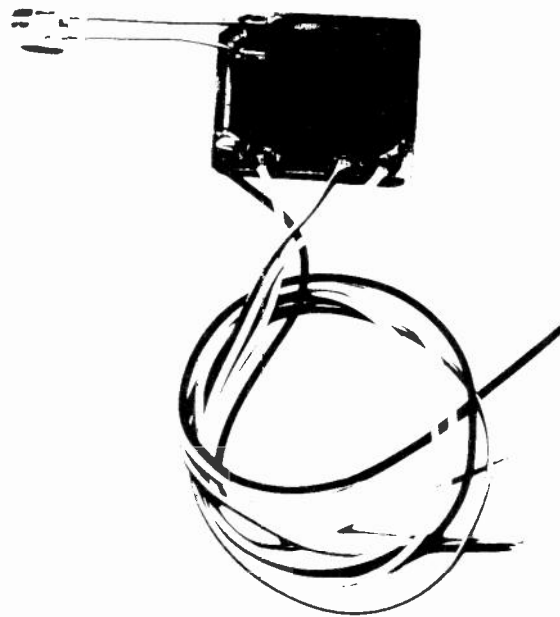
By far the simplest method of achieving Astra 1D reception in such a situation is to use an external (to the receiver) frequency converter. Several types are available. They all use a similar approach, shifting the relevant block of frequencies up or down by 500MHz so that the LNB's output is always within the receiver's tuning range of 950-1,750MHz. Various good, low-cost types have been introduced, but perhaps the most versatile is the ADX Plus made by Global Communications. This provides the options of frequency shifting up or down. Because of this it can be used with a standard or an enhanced LNB.

In order to watch the Astra 1D channels however you must get out of your chair to switch the converter on. Alternatively you can connect a wire from it to pin 8 of the satellite receiver's TV scart socket then use the remote control unit's TV/Sat button. This method works, but you have to remember which channels are tuned to Astra 1D and press the TV/Sat button accordingly. The system can confuse some people – and cannot be readily used with a receiver that already uses the TV scart socket or has no TV/Sat button.

### **A More Elegant Solution**

Davenham Satellite Systems has come up with a more elegant solution that requires a tiny PCB assembly to be fitted inside the receiver. It provides an additional menu option, enabling you to select Astra 1D and store the relevant channels. Once the circuit has been added, 12V is fed to pin 14 of the decoder scart socket to which the frequency converter can be connected. Operation is then fully automatic, so that selecting the appropriate channel number is all you have to do.

The PCB assembly uses surface-mounted components and is hardly bigger than a postage stamp (see Fig. 3).



**Fig. 3: The Davenham Satellite Systems AutoSelect unit.**

Solderless versions with hook connectors are available: so all that's necessary is to remove the top from the receiver and clip the unit in.

Version A suits the Amstrad SRD510, SRD520 and SRX320.

Version B suits the Pace SS9000/9200 series, the Ferguson SRV1, the Grundig GIRD2000/3000, the Nokia SAT1500 and the Maspro SRE250S.

More information on converting Pace or Amstrad receivers for Astra 1D operation is available from Davenham Satellite Systems, 1 Firth Fields, Davenham, Norwich, Cheshire CW9 8JB, telephone number 0606 49 085. Send two stamps for a list of satellite spares and accessories. Trade enquiries are welcome.

# VCR Clinic

*Reports from Philip Blundell, AMIEEIE, John C. Priest, Ed Rowland, Terry Lamoon, Roger F. White, Nick Beer, Savio DaCosta, John Hepworth, Denis Parsons, David Belmont and Michael Dranfield*

## JVC HRD580

This machine had a sound fault. Operation in the E-E and record modes was o.k., but playback produced only a loud hum. Checks around the BA7765 sound chip showed that there was a problem with the switching lines – Q6's collector didn't go low for playback. The command comes from pin 34 of the main microcontroller chip IC601, where we found that the voltage rose to only 9V instead of 12V for playback. IC601 (JPC2002B-263) was faulty. **P.B.**

## GEC V4100/Hitachi VT11

Although the take-up reel rotated this machine thought that it didn't. By removing the Hall-effect reel sensor and using a magnet to test for an output change I was able to prove that the sensor was o.k. All was revealed when the reel was removed: the magnetic ring had come loose and moved out of position. A blob of glue soon had it back in its rightful place. **P.B.**

## Toshiba V110B

For no E-E tuning, just snow on the screen, check for 30V at power supply test point BP08. If it's missing the items to check are DP04 (ZTK33B) and RP03 (2.2k $\Omega$ ). **P.B.**

## Philips VR502

This machine had an intermittent fault: the capstan would occasionally start to rotate uncontrollably. If this happened when a tape was threaded it would be moved though the drum didn't rotate and the rest of the circuitry would be shut down. If it happened without a cassette the lift mechanism would lock and the capstan clutch would slip. The fault condition would last for five minutes or so after which it would clear and the machine would be fine for days.

Board swapping enabled me to prove that the cause of the fault was on the family board. With the machine in the service mode while the fault was present I found that the microcontroller chip read the deck state correctly but seemed unable to control the capstan motor. New tape servo and interfacing chips made no difference.

Two signals, CAP and CREV, control the tape servo chip. Resistor/capacitor integrating networks are used to DA convert these signals. C2316, a 22nF surface-mounted capacitor, was found to be intermittently leaky – it read 6k $\Omega$  when faulty. **P.B.**

## Akai VSF280

This machine came into the workshop to have the drum replaced. On test however we found that there was a substantial hum bar on the screen in the playback mode: it was much less noticeable in the E-E mode. Scope checks on the supply lines showed that the problem related to the IDL9/12V line (pin 6 of power supply plug 1). Bridge rectifier diodes D5-8 and D10, 12, 17, 18 were all o.k., as were capacitors C3, C8 and the 2SD2061 series regulator transistor TR3. We then noticed that the regulation control comes from the main (A) PCB via pin 5 of plug 1. The operational amplifiers in IC201a/b (type NJM455BL) are involved with this.

Replacing IC201, also the 5.3V zener diode D204, restored correct voltages and removed the hum bar.

Note that the lead/pin numbering (1-12) of plug P1 on the power supply panel is the reverse of that at the corresponding connector WF201 on the main (A) PCB. This can be confusing when checking voltages at both ends of the harness. Another point is that individual leads of the harness can rub against the lower edge of the aluminium heatsink that carries TR2/4, causing possible damage to IC201. As a precaution, put a couple of turns of vinyl tape around the harness to act as a sleeve. **J.C.P.**

## Toshiba V213B

This machine led us quite a dance. The complaint was of intermittent loss of sound during playback. On test we found that the sound was lost a few minutes after the start of playback, then returned for random periods of time till the end of the tape. We started by confirming that the fault occurred with both prerecorded tapes and the machine's own recordings, a check with another machine showing that the fault occurred in only the playback mode.

As this is not a Nicam or hi-fi stereo machine we were concerned with normal linear audio circuits. Voltage checks on the audio PCB didn't provide any clues. Fortunately there was a Toshiba V212B, with an identical audio PCB, in the workshop. Swapping over the audio PCBs proved that the cause of the fault was not in this area. A similar step cleared the audio/control head.

We refitted the original audio board and monitored pin 3 of connector B002 – the mute line. This proved that the loss of audio was being caused by operation of the mute circuit. Tracing the source back brought us to the TDA8128 chip IA01, the muting chip which monitors the video playback signal at pin 1 and the power on at pin 4. Pins 3 and 6 feed field and line sync to the on-screen display chip IA40, while pin 5 supplies the mute control output to various other circuits. The composite video signal at pin 1 looked all right, but as there's no waveform in the manual we couldn't be sure. We checked the buffer transistor TN01 then ordered a new TDA8128.

During our wait for this chip we checked and rechecked the tape path in case playback f.m. variations, masked by the digital tracking, were the cause of the mute circuit operation. No luck. But we also noticed that the E-E signal varied a bit sometimes – white areas of some programmes tended to go a bit negative. Adjustment of the E-E level control PN39 didn't help matters: in fact at one end the contrast would start to fluctuate with picture content. Other things we noticed were that the amount of dropout increased the longer the machine was left on, while the sound sometimes dropped out within thirty seconds of the start of playback and didn't return. Also if the upper drum rotation was momentarily impeded during a period of sound muting this would trigger sound restoration for a few seconds, and that if the picture displayed at that time had a mainly dark content the sound would remain on until the scene changed or the luminance level rose, when the sound would again be muted.

By the time that the TDA8128 arrived – it made no



difference when fitted – suspicion had already turned to the AN3248NK luminance processor chip IN01. A scope check on the composite sync output at pin 1 showed that there were wide amplitude variations as the picture contrast varied. We replaced the chip along with CN37 (22 $\mu$ F) and CN43 (3.3 $\mu$ F) which provide coupling and decoupling around the a.g.c. detector/amplifier area of the chip. This cured all the symptoms, with no more sound dropouts, consistent and adjustable E-E and improved video record/playback quality.

The Toshiba part number for this chip is 70010966. If you order the service manual you'll also need the one for Model V212, as the former gives only the variations from the basic model. Part numbers are 780-050 and 783-050. Incidentally freezing IN01 had no effect on the symptoms. The customer, who is also in electronics, was highly intrigued to learn that a fault in the video processing could cause loss of sound without any noticeable loss of picture quality. So was I!

**J.C.P.**

### Sharp VCA105

We get quite a few of these machines in the workshop with the complaint that either the mechanical functions are faulty or, as with this machine, a tape is jammed inside. Dirty mode switch contacts are the usual cause. The best cure is to remove the switch assembly, dismantle the switch, then clean the contacts using a fibre pen or a cotton bud moistened with methylated spirit. Simply squirting cleaner into the switch does not always provide a permanent remedy. The markers on the rotary centre piece must be aligned when the assembly is refitted – otherwise the assembly will not go back into place.

When we'd done all this we connected the machine to the mains supply and inserted a cassette. Everything seemed to be fine until play was selected. We then found that the capstan ran far too fast. The control chip had failed. This meant a new capstan motor, more than doubling the cost of the repair.

**E.R.**

### JVC HRJ205/400/600

White static spots are becoming a common problem with these machines. The JVC cure is to replace the drum brush assembly: if the fault persists you can fit a special cap. The most important thing is to remove all grease in the contact area and clean thoroughly.

**T.L.**

### General VGX520/Panasonic NV430

The playback picture had a moving band, like a hum bar, in which the colour was missing. The cause was traced to C1003 and C1007 on the power supply PCB.

**R.F.W.**

### Goodmans TX1100

The capstan motor ran slow intermittently, as though there was a problem with the control pulses. I eventually traced the cause to C509 on the power board. It decouples the 5V supply.

**R.F.W.**

### Ferguson FV12/JVC HRD230

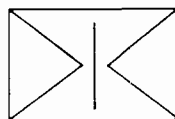
The capstan motor was free-running. It would lock only occasionally, when the machine had warmed up (after five minutes). Use of freezer in the servo area was inconclusive. Replacing C25 and C26, both 4.7 $\mu$ F, finally cleared the fault.

**R.F.W.**

### Finlux VR5250/Philips VR212/3 (IDM2/3 deck)

This machine came in with an unlaced tape stuck in it. I disconnected the loading motor and then used a battery to power it, winding the mechanism through its modes to eject (with a few turns on the capstan motor flywheel at the right point to take up the loop of tape). This confirmed that there was no mechanical problem.

A cassette could be inserted, but no other functions were possible. The drum failed to spin and the display, consisting of only the time and the symbol shown in Fig. 1, flashed when any function was tried – even install. The



*Fig. 1: The flashing display symbol in the Finlux VR5250/Philips VR212 fault report.*

drum was clearly not being turned on: its switched 8V supply was missing, the cause being traced back to incorrect communication on the I2C bus. In fact the cause of the fault turned out to be the TMP47C167ON timer microcontroller chip IC7101. During the bus fault-finding process I replaced the syscon microcontroller chip first though! A point to note is that the service mode couldn't be entered: maybe this should have suggested trying IC7101 first.

**N.B.**

### Sharp VC381HM

This old-timer apparently cut out intermittently. The customer said that it often happened, usually preceded in play by a still frame/pause. This suggested that the capstan was stopping. The first fault I found however was that the cassette-down switch was defective, causing all deck functions to cut out. After replacing this the machine was put on soak test. It was ages before the capstan fault showed up. Its cause turned out to be a dry-joint at pin 1 of IC7006. I resoldered all the connections as they were going the same way.

**N.B.**

### Pye 2SB11

There were two faults with this machine. First the r.f. loop-through signals were severely attenuated, and secondly the playback audio level was very low. The second fault was an easy one: the audio/control head was dirty. The first fault was not difficult either, but the failure was quite interesting. There was no 5V supply to the amplifier section of the r.f. amplifier/modulator because the series choke L510 on the main board was open-circuit.

**N.B.**

### Panasonic NV7200

As the operation of the capstan motor was not stable the pictures in both the playback and record modes were unstable. When I opened the machine up I found that all the chips in the servo department had been replaced. As a first step I checked the supplies and found that the voltage on the 45V line read low at 35V, falling to 25V. C1010 and C1013 had dried out, replacements restoring normal operation.

**S.DaC.**

### JVC HRD1520

The picture was unstable because the exit guide was loose.

As the plastic boss that holds the guide unit and the arm drive was loose the guide wouldn't sit in the slot. A new boss cured the problem. **S.DaC.**

### **Panasonic NVG21**

This machine was dead because C1018 (47 $\mu$ F, 50V) which provides the supply for IC1001 was open-circuit. It's best to replace C1022 and C1025 as well. C1022 can be responsible for patterning on the screen. **S.DaC.**

### **Sony SLVX20/30/50 series**

If one of these machines comes in with a blue screen problem, i.e. when playing a tape all you get is a blue screen, clean the audio/control head. The cause of the problem is that the CTL pulses are of low amplitude. I've recently had the problem with five of these machines. A worn AC head will produce the same symptom. **S.DaC.**

### **Saisho VR605/Matsui VX500/Hinari VXL3**

When the power button was pressed the timer mode flashed and the standby light came on. Connector 6D2 on the front panel had dry-jointed connections. **S.DaC.**

### **JVC HRD520/540/1540 series**

Failure of the tape to be wound back into the cassette when stop/eject is pressed, leaving a loop in the machine, is becoming a common problem with these VCRs. The cause is the mode switch. **S.DaC.**

### **Amstrad DD8900**

There were no functions with this double-decker VCR, though both decks would accept a cassette. The display showed only the cassette-in indicators and a row of flashing dashes in the clock section. The display board has a 19-way ribbon connector. I had a spare board with a 21-way connector so I tried this, fitting the ribbon between pins 1-19. There were now no display functions at all, but when I looked at the display closely I saw that all the segments were lit very dimly. This suggested that there was a power supply fault. C27 (33 $\mu$ F) in the power supply module was open-circuit, a replacement putting matters right. **J.H.**

### **Baird 8942/Ferguson 3V32**

After watching this machine operate for a bit I realised that it was loading, unloading and ejecting too fast. So I checked regulator Q16's output which should be 14V, with 12V across zener diode D34. Instead of 14V there was 25V! Replacing D34 put that right. The end sensors also had to be replaced, and there was yet another fault: the machine ejected tapes in the timer mode. The cause of this final fault was that pin 32 of IC3 was open-circuit (the reading was 9V). When IC3 had been replaced the machine worked normally in every respect. **D.P.**

### **Goodmans VCR1000**

This machine ruined tapes. On inspecting the tape path I saw that there was some oxide lodged in the groove of the tape guide that runs around the head drum. This was cleaned off, and the heads and tape path were also given a clean. When I pressed my finger lightly on the right-hand spool there wasn't a lot of torque, so I cleaned the pinch

roller and rewind pulley. Everything then seemed to be o.k. during a soak test, with no tape snagging. **D.P.**

### **Baird 8930/40/Ferguson 3V29/30**

There were no clock functions and the machine was stuck on channel 1. Disconnecting the machine from the mains supply didn't do any good, so off came the top cover. This revealed that there had been some spillage on the tuner/timer board, around IC201. One of the chip's pins almost disintegrated when touched. I cleaned the area with alcohol and repaired the pin connection with a piece of wire. This brought success, though a guarantee couldn't be given of course. **D.P.**

### **Saisho VR2000/Matsui VX900/Orion VHX**

If there are no E-E signals – it looks as if the VCR is in the camera mode but the channel LEDs light up – replace circuit protector ICP201 (N20). **M.Dr.**

### **Hinari VXL5**

If the machine is dead with no clock display and no power-on signal to the power supply, check whether the 33V zener diode D504 in the power supply is short-circuit. **M.Dr.**

### **Hitachi VTM740**

If there's a loud squealing in the fast forward and rewind modes, dismantle the capstan motor, clean the capstan shaft and bearing and lubricate with one drop of Castrol DWF. We've had this fault a few times now. **M.Dr.**

### **Philips VR6462**

E-E sound o.k. but no playback sound should lead to a check on C2027 (330 $\mu$ F, 16V) on the audio PCB. You will probably find that it's short-circuit. To avoid further trouble replace it with a 25V type. **M.Dr.**

### **Panasonic NVG40**

As there was no always 12V supply this machine produced no signals, not even via the r.f. loop-through. Q04 in the power supply was open-circuit. **D.B.**

### **Ferguson FV68**

There was intermittent right-hand channel distortion during a Nicam transmission. The cure for this is to fit 5.6pF capacitors (part no. 50876240) in positions CM50 and CM51. **D.B.**

### **Samsung VIK310**

When this machine came in the mechanism was out of alignment. After realigning it I found that the carriage would go back and forth on its own. The BOT sensor, which is mounted on the main PCB, also acts as a tape inserted sensor. It was dry-jointed. **D.B.**

### **Matsui VX888**

There was an intermittent fault with this machine: if a completely rewound tape was inserted the machine would sometimes eject it. The end sensors were both found to be leaky, replacement curing the trouble. **D.B.**

# A SAMPLING OSCILLOSCOPE AND LOGIC ANALYSER

IN AN AFFORDABLE PORTABLE PACKAGE

- 10 Mega samples per second single channel DSO
- 1MHz analogue bandwidth
- 0.2v-50v input range
- Various Triggering options
- 10 Mega samples per second 8 channel logic analyser
- 5v TTL/4.5-15v CMOS logic level inputs
- Crisp, clear LCD screen
- Zoom and Scroll facilities (selected ranges only)
- Battery or mains adapter powered
- 12 Months Warranty (Built version only)
- "Get you working" service (kits only)

*The Miniscope*



**MINISCOPE KIT £159**  
**MINISCOPE BUILT £199**  
**MAINS PSU £6 P&P £6**  
**PLEASE ADD VAT AT 17.5%**

Write or phone for a free Information Pack to

**AUDON ELECTRONICS**

36 Attenborough Lane, Chilwell, Nottingham NG9 5JW 0115 9259737

# TV RENTAL ARREARS?



**By fitting Alberice Teletime coin meters, you'll keep your customer - and your money!**

Packed full of features, Teletime will even recover past arrears for you! At the same time, its attractive design ensures your customer will find the unit acceptable in the home.

- Uses £1 coins
- Compatible with all modern sets
- Counts coins used for added security
- 50,000 already installed in UK by major rental companies

**Alberice**  
METERS LTD

Alberice Meters Ltd, 38 Nuffield Road, Poole, Dorset BH17 7RA  
Telephone: (0202) 674272

**PHONE FOR FULL DETAILS TODAY!**

## FANTASTIC SAVINGS ON METERS AND MORE !!!

ALL PRICES INCLUDE VAT

### TEST METERS

- Satellite Finder** £29.95  
Easy to use kit
- Professional Satellite** £89.95  
F/S meter
- LCR Meter** £37.95  
3 1/2 Digit 7 Cap 6 Inductance 7 resistance ranges
- Capacitance Meter** £62.95  
3 1/2 Digit 9 ranges 1.8mm LCD display
- Digital Lux Meter** £62.95  
3 ranges 3 1/2 digit LCD Data hold output terminal
- Sound Level Meter** £46.95  
40 to 120 db Two ranges
- Analogue Clamp Meter** £32.95  
0/300 amps AC 5 ranges 0/750 VAC 0/75v DC 0/200 K OHM
- Digital Clamp Meter** £56.95  
3 1/2 Digit 11 ranges incl temperature Data hold etc
- AC/DC Current Clamp** £51.95  
0/2000 amps AC/DC two ranges for use with Dimms
- Temperature Measurement** £41.95  
Dual input 3 1/2 Digit °C/°F with thermocouple (X)

### BENCH INSTRUMENTS

- Digital LED Capacitance autorange bench meter 0.1% £93.00
- LCR bridge £126.00
- 7 Digit frequency counter 10HZ to 200MHZ £87.00
- POWER SUPPLIES**
- Single meter twin meter
- 0/24v dc 0/30amps £74.00
- 0/24v dc 0/50amps £88.00
- 0/30v dc 0/3 amps \*£140.00
- twin version \*£260.00
- 5-15v dc 0/4 amps £52.95
- 0/30v DC 0/2A Amps digital display £99.95
- SIGNAL SOURCES** 220,240V AC
- 6 Range RF Gen 100 KHZ to 150 MHz (350MHz Harmonics) £122.00
- 5- range Audio Gen 10HZ to 1 MHz Sine/Square £119.00
- 0.5HZ to 500KHZ Function Gen Sine/Sq/Triang £124.00

**METEX 4 1/2 DIGIT DMM M4630** 30 Range 4 1/2 Digit Display 17mm 0.05% Accuracy  
 Features: 5 range capacitance test 5 ohms ranges to 20M Transistor and Diode Test Continuity LED and buzzer Data hold switch 5 ranges AC/DC Volts AC/DC current to 20 Amps With leads, battery, instructions and hard case **£49.95**

**TL34** 33 Range 3 1/2 digit 24mm Large Display  
 Features: 5 Capacitance ranges 6 resistance ranges to 20M ohm Diode and transistor test 5 AC/DC volts ranges Basic 0.5% accuracy 5 ranges AC/DC current to 20 Amps With leads, battery and instructions **£27.95**

**MX190** 19 Range 3 1/2 Digit  
 Features: AC/DC Volts (0.7%) 0.10 ADC current 0.2k/2MEG ohmmittance Diode test Signal injector function With leads, battery and instructions **£13.95**

Full details send for instruments info pack (SAE 36p UK) Ref: TG

ALL PRICES INCLUDE VAT OPEN 6 DAYS A WEEK

**HENRY'S**  
AUDIO ELECTRONICS  
(Reg. Prop. Cubegate Ltd)

404 Edgware Rd, London W2 1ED  
Tel: 071-724 3564/071-258 1831  
Fax: 071-724 0322

Discounts for quantity and education



**Alberice**  
METERS LTD

Yes, I would like increased income from TV, Cable and Satellite rental - please rush me details of Alberice's

## TELETIME COIN METERS

Name: \_\_\_\_\_

Business Name: \_\_\_\_\_

Address: \_\_\_\_\_

Telephone: \_\_\_\_\_

Post this coupon **FREE** of charge to:

Alberice Meters Ltd  
**FREEPOST**

38 Nuffield Road, Poole, Dorset BH17 7RA

# Inside the Ferguson ICC9 Chassis

## Part 2

Mark Paul

In this instalment we'll look at the scart interfacing circuitry, the audio signal processing and the microcontroller section of the chassis.

### The Scart Interface

Different versions of the ICC9 chassis have either one or two scart sockets. The scart interfacing circuitry enables the signals from the tuner or external AV signals to be selected. The video input may be in RGB, S-Y/C (separate luminance

and chroma) or CVBS (composite video, blanking and sync) form. With CVBS or S-Y/C inputs switching is done by an HEF4052B CMOS chip, IX01, under the control of the microcontroller chip IR01. When the inputs are in RGB form they are taken straight to the STV2160 chip IV01, with switching controlled by the fast blanking input at pin 16 of the scart socket.

Scart socket AV1 is fully wired to the Cenelec standard. When fitted, the AV2 scart socket functions as a video link, being arranged specifically for use with cameras/VCRs. It provides standard video/audio and S-Y/C inputs, with pin 8 controlling the input selection and automatic 16:9 aspect ratio signal detection, and video/audio outputs from socket AV1 to give loop-through facilities for camera/VCR editing and dubbing. This loop-through facility continues to be available in the standby mode.

In addition front panel sockets provide a link for other external equipment, enabling CVBS, S video and audio signals to be looped through to the AV2 socket. Although the AV1 and front socket inputs are wired in parallel, it's not possible to make connections to both at the same time.

### Scart Circuitry

The scart interfacing circuitry with a single scart

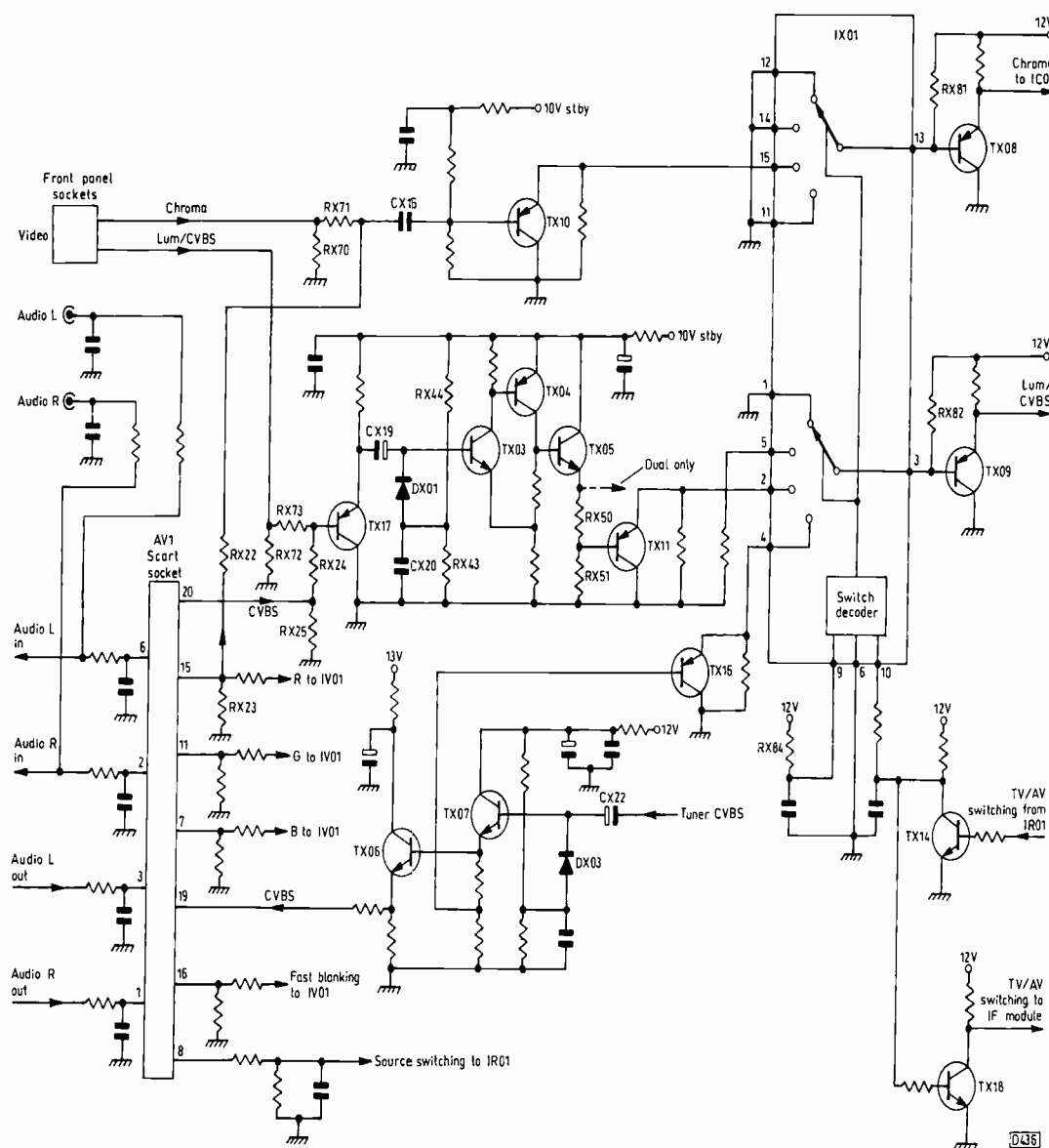
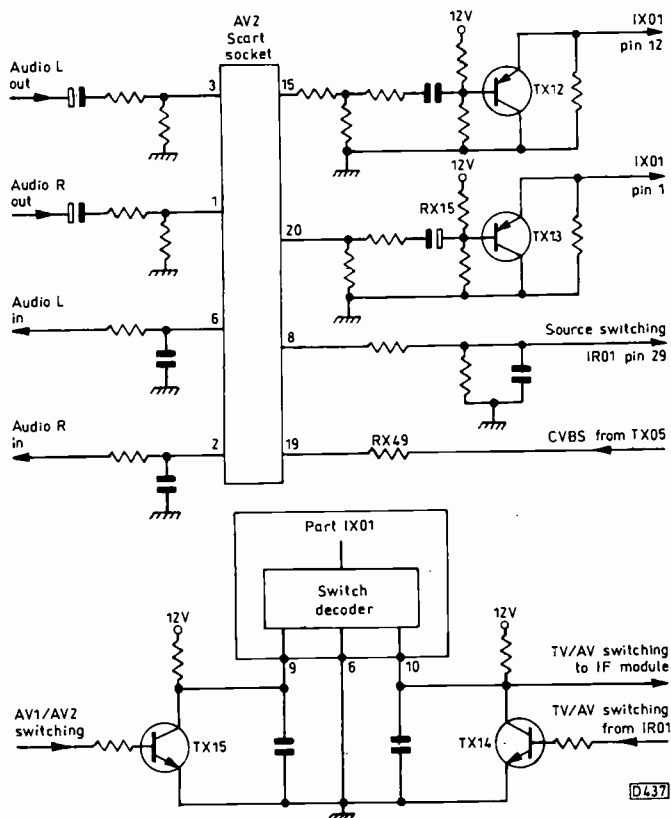


Fig. 1: The mono scart interface circuit.



**Fig. 2: Scart interface circuit differences when a second scart socket is fitted.**

connector (AV1) is shown in Fig. 1 (most of it remains the same with two scart sockets, the differences and additional circuitry being shown in Fig. 2). The CVBS or S luminance input at pin 20 of scart socket AV1 or the front video socket is taken to the resistor network RX24/25 or RX72/73. There are equivalent networks for the S chroma inputs - RX22/23 and RX70/71. These networks reduce the signal amplitudes by about 6dB, which in the case of the S chroma signal means that a burst signal amplitude of 150mV is presented to the chroma stages.

The video input (CVBS or S luminance) is fed to the base of the emitter-follower/buffer transistor TX17, which is a.c. coupled to the following amplifier stage TX03-TX05 via CX19. Because of this a.c. coupling, d.c. restoration is provided by DX01, CX20, RX43 and RX44 at the input to the amplifier, whose output is buffered by TX05. RX50/RX51 attenuate the output, which is fed via TX11 to pin 2 of the switching chip IX01. TX11's emitter load is RX82, which is connected to pin 3 of the chip. The use of an amplifier prior to the switching improves the signal cross-talk performance. The output from this switch is passed via TX09 to the colour decoder chip IC01, to the sync separator in IV01 and to the teletext panel (Fig. 1 last month was simplified in this respect).

A simpler arrangement is used for the S chroma input, which is fed via buffer transistor TX10 to pin 15 of IX01. The output is via TX08 to IC01.

Signal selection depends on a comparison (by the switch decoder) between the voltage levels at pins 9 and 10 of IX01. Pin 9 is held high via RX84. Pin 10 receives the selection request from the microcontroller chip IR01 (also pin 10) via TX14. When TX14 is switched on, the AV1 input is selected. This change is also sent to the AV/tuner switch in the i.f. module via TX18.

The CVBS signal from the tuner is a.c. coupled via CX22 to the base of TX07, with d.c. restoration by DX03 etc. to suit the input requirement of IX01 and the Cenelec

standard requirement at scart socket AV1. The input to IX01 is via TX16 (whose load resistor is again RX82); to the AV1 socket it's via TX06.

The RGB inputs at socket AV1, also the fast blanking input (pin 16), are attenuated then passed directly to IV01 for selection and processing. The scart switching input (pin 8) is also attenuated and is then fed to pin 28 of the microcontroller chip IR01 for status detection. The three possible voltage levels at pin 8 of AV1 indicate the following: 0-2.4V TV function; 3-6-7.4V 16:9 aspect ratio; 8.6-12V 4:3 aspect ratio.

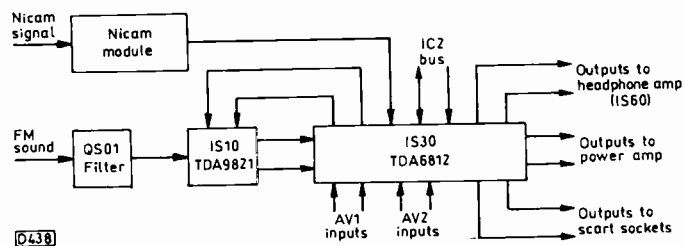
## Dual-scart Arrangement

Fig. 2 shows the circuit differences when a second scart socket, AV2, is incorporated. The AV2 circuitry is much simpler than that for socket AV1. The CVBS/S-luminance input is fed to pin 1 of IX01 via TX13 while the S-chroma input is fed to pin 12 via TX12. Stereo audio inputs from all three socket arrangements (AV1, AV2 and front panel) are routed to the audio processor board where input selection is carried out under the control of IR01 via the I2C bus. The switching signal at pin 8 of socket AV2 is attenuated then fed to pin 29 of IR01 for format and scart switching selection. There is audio loop-through from the AV1 connector or front panel sockets via the audio processor board, and video loop through from the junction of TX05's emitter and RX50 via RX49 to pin 19 of socket AV2.

Signal selection switching is a bit more complicated as pin 9 of IX01 may be either high or low. With pins 9 and 10 both high the tuner CVBS signal appears at pin 3 and pin 13 is taken to chassis. With pin 9 low and pin 10 high the AV1 CVBS/S-luminance input appears at pin 3 while the AV1 S-chroma input appears at pin 13. With pins 9 and pin 10 both low pins 3 and 13 are both taken to chassis. With pin 9 high and pin 10 low the AV2 video/luminance input appears at pin 3 and the AV2 chroma input at pin 13.

## Audio Signal Processing

The audio processing arrangements in the ICC9 chassis are completely new. The circuitry has been designed for multi-standard operation, and has been further modified for Nicam sound. Fig. 3 shows the basic arrangement. The



**Fig. 3: Block diagram of the audio processing arrangement.**

TDA9821 chip IS10 demodulates the standard f.m. mono sound signal (only one half is used with mono only and Nicam receivers, the other half being used with dual f.m. sound carrier systems). This process is alignment free.

With both f.m. and Nicam sound the next circuit block consists of the TDA6812 audio processor chip IS30. The audio signals are here subjected to tone control and quasi-stereo conditioning. After this the main audio signal is sent to the mother board for power amplification. A Motorola

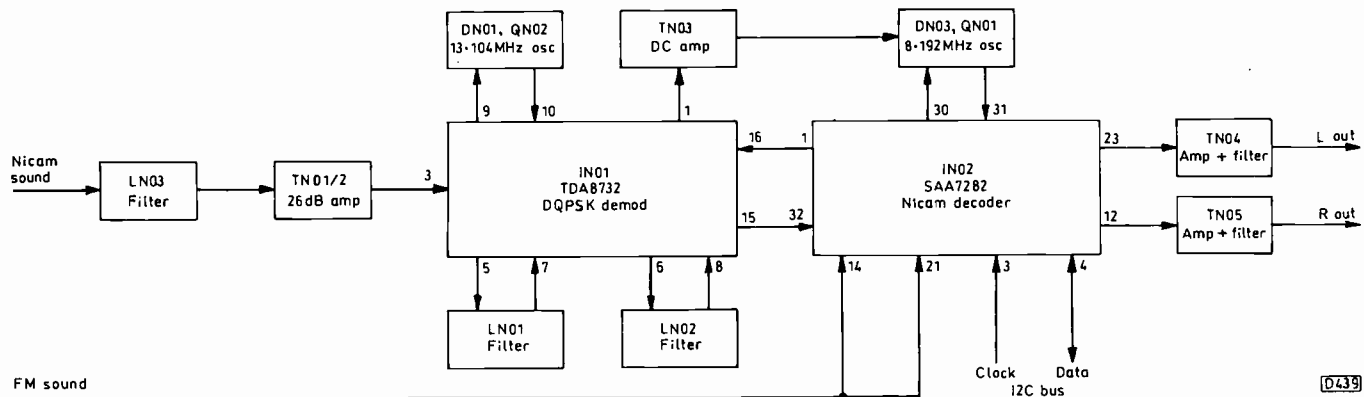


Fig. 4: Block diagram of the Nicam module.

MC33076P1 chip (IS60) provides amplification for the headphone outputs.

### Nicam Decoder

Fig. 4 shows the Nicam module in block diagram form. It's designed as a plug-in addition to the audio processor board.

The 6.552MHz Nicam signal from i.f. module type IF2145 is filtered, amplified and then fed to the TDA8732 dual quadrature phase-shift key detector (DQPSK) chip IN01. This is followed by the SAA7282 Nicam decoder chip IN02 whose output is filtered and amplified then passed to the audio signal module for further processing.

There are two phase-locked loop crystal oscillators, both with varicap diode control. The 13.104MHz oscillator (QN02, DN01) is used for carrier regeneration while the 8.192MHz oscillator (QN01, DN03) is the bit-rate clock. Filtering in the two channels is provided by LN01/02.

IN02 informs the microcontroller chip IR01 about the state of the Nicam signal so that the decoder status can be displayed on the screen. At receiver power up a default value for the maximum acceptable bit error rate is sent to the module. If this rate is exceeded because the quality of the Nicam signal is poor, the module tells IR01 which can then switch to the f.m. sound signal. A minimum value is also noted so that if the Nicam signal quality improves the microcontroller chip can be asked to switch back to Nicam. The value difference between these two conditions is such that switching does not oscillate between the two.

### Audio Processing

Fig. 3 showed the basic audio processing configuration. The TDA9821 dual-PLL f.m. demodulator is a multi-standard device with standard selection carried out by inter-communication between this chip and the following TDA6812 audio processor chip. As this feature is not required in the UK it's engineered out.

The supplies to both chips are stabilised by series regulator transistors with zener diode control.

The TDA6812 chip is also a multi-standard device designed to meet the requirements of international markets. Various sections intended for use with the German f.m. stereo sound system are simply ignored in UK sets. The following notes outline the functions of this chip:

**I2C bus connection:** Pin 34 is the data and pin 33 the clock input from pins 1 and 2 of the microcontroller chip IR01. The bus controls audio signal input selection;

volume, balance, bass and treble control; audio 'dimension'; and headphone volume.

**Adjustment amplifier:** This provides design flexibility so that different demodulator chips can be used. With i.c.s that have an output signal level of 250mV, such as the TDA9820, a compensatory gain can be introduced to increase the level by 6dB to 500mV, the nominal scart output level.

**Input switching:** Selects either TV f.m. mono at pin 1, Nicam stereo at pins 11 and 12; AV1 scart stereo at pins 7 and 8; or AV2 scart stereo at pins 9 and 10.

**Headphone volume control:** Adjustable in 32 steps of 2dB, giving a range of 64dB.

**Main pre-volume and quasi-stereo:** Following signal selection this section can provide a quasi-stereo effect, which is switchable, with a mono input signal. The trick used – it was employed as far back as some versions of the TX10 chassis – is to introduce a 180° phase shift in one channel at around 1kHz.

**Bass control:** This is adjustable in steps of 3dB over a range of +15dB to –12dB.

**Basewidth (alternatively known as stereo-wide):** When activated this feature expands the basewidth for stereo reproduction by introducing frequency-dependent crosstalk in opposite phase at frequencies below the bass control cut-off frequency.

**Volume control:** Independently adjustable for right and left signals. The range at the speakers is 70dB, adjustable in 67 1.25dB steps.

**Treble control:** Adjustable over a range of ±12dB in steps of 3dB.

The main L and R audio outputs from the chip appear at pins 22 and 21 respectively. The outputs to the headphone amplifier chip IS60 are at pins 30 and 31. This device is a dual wideband operational amplifier which is powered from the ±20V rails.

### The Microcontroller Chip

Fig. 5 shows the microcontroller arrangement, with some of the peripheral circuitry. The ST9093 microcontroller chip IR01 has 32Kbytes of ROM and 640 bytes of

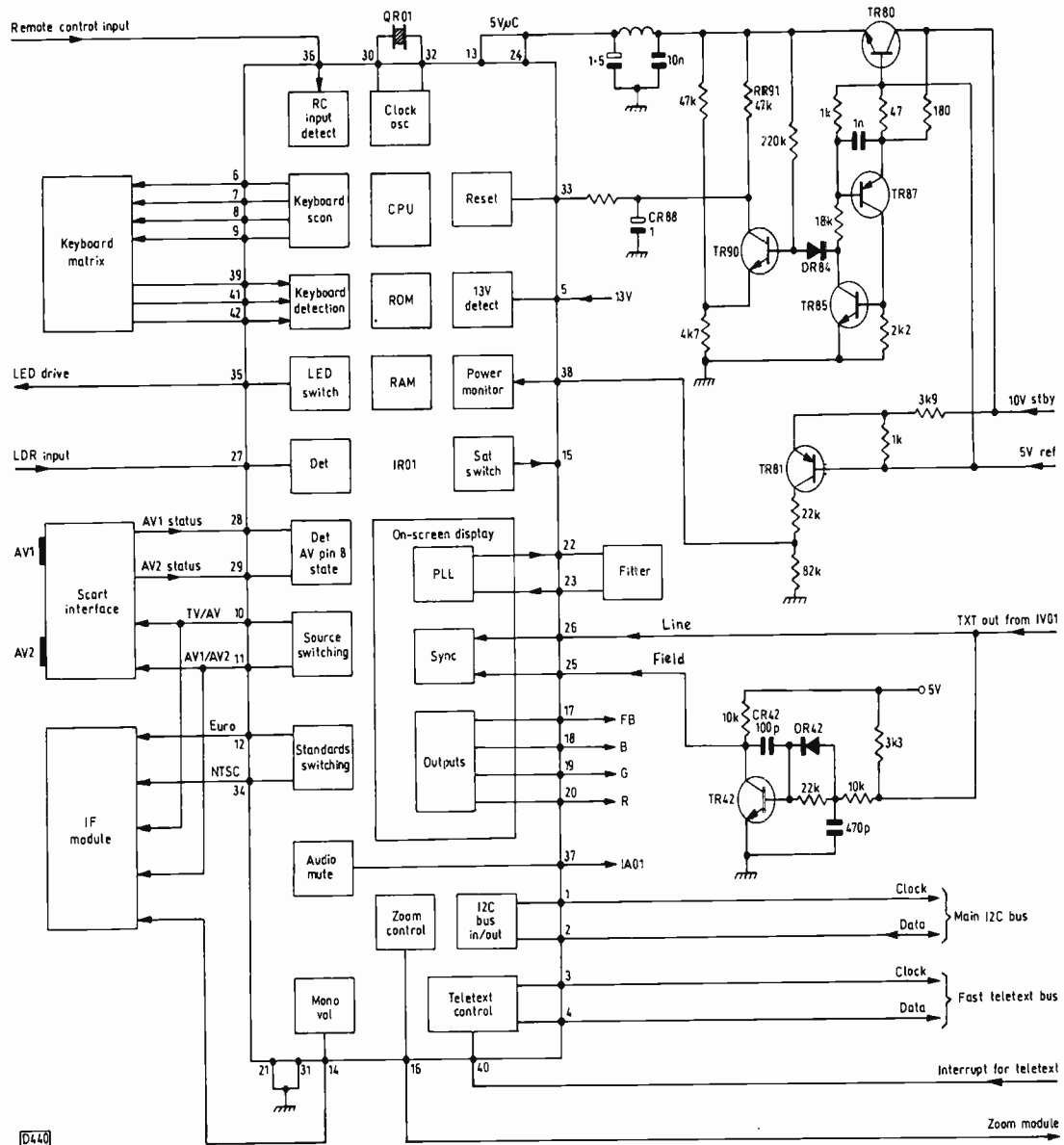


Fig. 5: Illustrating the main aspects of the microcontroller chip's operation.

RAM built in. The crystal oscillator runs at 22MHz: divided by two this gives a clock frequency of 11MHz. Orders are sent to IR01 either via the remote control line or via the on-board keyboard, which has a 4 x 3 matrix with ten key input combinations. IR01 controls the chassis via 23 input/output communication lines and two serial I2C bus lines.

Two pins read pin 8 information from the AV1 and AV2 scart sockets. One pin accepts an input from an LDR (a light-dependent resistor that senses the ambient light level, its output being used to provide automatic contrast adjustment to suit). The chip generates on-screen displays consisting of up to eight lines of 32 characters each, in eight colours.

One other chip, a non-volatile 512-byte EEPROM (IR02), is used in the control section of the chassis. It stores all the service data, user and factory-defined variables and the tuning programme information.

We'll now look at the various control circuit functions.

**Power-on sequence:** When the set is first switched on the power supply will start to generate the 10V standby voltage. As this voltage rises, the 5V ref. voltage becomes

available at pin 21 of IV01. This is fed to the base of TR80, which produces a regulated 5VµC supply for IR01. TR81 switches on, generating the power monitor input signal at pin 38 of IR01. When pin 38 goes high, IR01 knows that power on has been initiated and its oscillator circuit starts. A reset signal is then required to complete IR01's initialisation procedure. This is generated externally by a circuit which will be described later (see pin 33 below). Once IR01's initialisation has been completed the red standby LED comes on. Data is then sent to IV01 via the main I2C bus, using the values stored in IR02, and the set is fully on.

**Power-off sequence:** The power monitor circuit in effect continuously monitors the 10V standby supply. When this circuit detects a fall in the 10V standby voltage, IR01 receives an indication that the power has been switched off. All data currently held IR01 is then stored in IR02, via the I2C bus, before the 10V standby supply voltage falls below a workable level.

**Pins 1 and 2, main I2C bus:** This links IR01 with the tuner, the audio circuit, the EEPROM, the multi-function

chip IV01 and the two colour decoding/processing chips IC01/2. Normal operating speed is 50kHz.

**Pins 3 and 4, fast I2C bus:** This links IR01 to the teletext decoder chip, operating at the faster rate of 750kHz.

**Pin 5, 13V detection input:** The 13V supply produced in the line output stage is reduced to CMOS level by a potential divider network and fed to pin 5 of IR01. This level is checked by IR01: once a high is detected, an initialisation routine for the other I2C controlled chips is started.

**Pins 6-9 keyboard output, pins 39/41/42 keyboard interrupt input:** IR01 normally keeps its keyboard output pins low. The input pins are linked to the 5V $\mu$ C supply via pull-up resistors. When a keyboard button is depressed, one of the input pins goes low. IR01 then scans all the keyboard lines to identify the key pressed and put into effect the requested operation.

**Pin 10, tuner/AV switching output; pin 11, AV1/AV2 switching output:** These pins select different signal sources. When pins 10 and 11 are both low the CVBS signal from the tuner is selected. When pin 10 is low and pin 11 is high external CVBS is selected. When pin 10 is high and pin 11 low the AV1 input is selected. When pins 10 and 11 are both high the AV2 input is selected.

**Pin 12, standard switching output:** This is fed to transistor TR22 which acts as an inverter. Low = standard B/G, DKK or I; high = standard L or PALplus. The output from TR22 is fed to the i.f. module.

**Pins 13 and 24:** IR01's supply pins. The 5V $\mu$ C supply is derived from the 10V standby supply via the series regulator transistor TR80, whose base is controlled by the 5V ref. supply generated within IV01 (output at pin 21).

**Pin 14, mono volume:** This pin produces a pulse-width modulated (PWM) volume control output for mono sound sets. The range is 32 steps, each step width being 1msec. TR55 and the associated components convert the PWM to an analogue voltage.

In stereo sets this pin is used to control an additional degaussing circuit for tubes with screen sizes in excess of 33in.

**Pin 15, satellite standby:** Used only when a satellite tuner is incorporated.

**Pin 16, zoom function output:** This pin produces a PWM output to control zoom operation when a zoom module is incorporated. Low = normal TV scan size; pulsed = 25 per cent increase in scan size; high = 33 per cent increase in scan size.

**Pin 17, OSD fast blanking:** A 5V pulse is present here while the on-screen display is active. A potential divider reduces the level to 1.5V which is fed to IV01.

**Pins 18, 19, 20:** OSD RGB outputs, at 5V p-p. Reduced to 600mV p-p by potential dividers before application to IV01.

**Pins 21 and 31:** Chassis connections.

**Pins 22 and 23:** OSD PLL and filter connections.

**Pins 25 and 26, H and V sync inputs respectively:** The

source of these inputs is the TXT OUT output at pin 30 of IV01. It consists of line and field sync pulses. Pin 26 requires field sync pulses only: the circuitry around TR42 suppresses the line sync pulses.

**Pin 27, LDR detector:** Used to monitor the output from an ambient light detector when fitted. The contrast level is adjusted accordingly.

**Pins 28 and 29, scart socket AV1 and scart socket AV2 respectively pin 8 level detection:** The inputs from the scart sockets are reduced by potential dividers. At IR01 0-0.9V = TV, 1.5V-2.9V = AV 16:9; 3.4V-4.8V = AV 4:3.

**Pins 30 and 32, oscillator:** Connected to the external crystal QR01 which runs at 22MHz. The internal clock frequency is 11MHz. In the halt mode, with the oscillator stopped, pin 30 goes high with pin 33 low. To leave this condition a reset pulse must be applied to pin 33.

**Pin 33, reset input:** The reset pulse goes low and must have a duration of at least 10msec. It's generated by the circuitry around TR90 and the Schmitt trigger TR85/87. After switch on IV01 produces the 5V ref. supply at pin 21 and TR80 produces the 5V $\mu$ C supply for IR01. TR90 will be biased on, holding pin 33 at around 0.5V. When the voltage at the base of TR87 rises above 0.6V it will switch on, in turn switching on TR85. The two transistors latch on, with TR85 shorting out the base of TR90 via DR84. TR90 is thus switched off, the voltage at pin 33 rising at a rate determined by the time-constant of CR88 and RR91.

**Pin 34, NTSC switching:** Operates in the same manner as pin 12. Is used only in sets fitted with a special NTSC i.f. module.

**Pin 35, LED switching:** Used to control the red/green standby/on LED. Also used in the child-lock mode to blink the standby LED. When the TV set is on pin 35 is low and the LED shines green. In the standby mode pin 35 is high and the LED shines red. In the child-lock mode pin 35 is pulsed and the LED blinks red.

**Pin 36, remote-control input:** This pin has a Schmitt-trigger interrupt input to guarantee rapid IR command identification.

**Pin 37, audio mute output:** This pin is high in the mute condition. Mute is activated on viewer request, during channel change, when there is no 'valid signal', and in the standby mode.

**Pin 38, power monitor input:** The operations associated with this pin were described in the sections on the power-on and power-off sequences earlier. With the 10V standby supply falling at power off, IR01 feeds into the EEPROM via the main I2C bus information on the system status and the last volume control setting. Once the data has been saved the halt mode is entered.

**Pin 40, text information interrupt:** The teletext decoder uses this pin to tell IR01 that the requested page is ready to be displayed. The pin then goes low.

## Next Month

In Part 3 we'll look at the video signal processing and the timebases and provide some notes on fault-finding.



# Workshop Health

Pete Roberts

No one can deny that servicing consumer electronic goods can sometimes be a hiding to nowhere. Customers nowadays expect instant service at minimal cost, and are only too ready to run snivelling to the nearest solicitor should their equipment go wrong again, even when the new fault is totally unrelated to the previous one or is caused by their own stupidity. Is it any wonder that the trade is in the Premier Division for heart attacks and nervous breakdowns?

A factor which doesn't help is the working conditions that many engineers have to endure during their whole working day. I've had the misfortune to work in some dingy, depressing dives – one in particular had toadstools growing from the walls! While there's little that can be done about the moaning customers, a few simple measures can lift the workshop lads' spirits, health and productivity.

## Lighting

The first and possibly the most important factor to take into account is lighting. Lack of daylight, especially during the winter months with their grey skies and short days, has for some years been known to give rise to a state of clinical depression in susceptible people: there's a name for it, Seasonally Affected Disorder, with the very appropriate acronym SAD.

SAD is not a psychological condition that's "all in the mind", something "to snap out of". It's caused by biochemical changes whose origin can be traced to the fact that we humans are a subtropical species not really cut out for the drab, grey environment which is our lot in the UK for much of the year. SAD is in fact an acute manifestation of a hibernating instinct that affects us all to some extent as the nights draw in. Severe cases warrant proper medical treatment with drugs. Changes in the amounts of two neurotransmitters present in the brain, serotonin and melatonin, lead to SAD. It's known that these chemical changes are triggered by changes in the ambient light level perceived by the eyes.

A person who is depressed for any reason is not a good worker: his concentration, attention span and social skills are all impaired. Depression is

also thought to lower the effectiveness of the immune system, leaving the victim even more vulnerable to all the colds, flu and worse that our glorious climate can throw at us.

The simple fact is that artificial lighting is not a satisfactory substitute for daylight. Those who work all the time with artificial light will have experienced the gloom of a 'fully lit' workshop after having been outside on a sunny day. The human eye has the capacity to adapt itself to a vast range of ambient light intensity. Use of a simple photographic exposure meter will demonstrate just how dim an artificially lit workshop actually is.

The average amount of heat and light radiation that reaches the ground in the UK, known as the 'insolation', is about 1kW per square meter. To simulate that light intensity in the workshop would require something like eight 300W bathroom heat/light lamps over the average workbench! Not a practical proposition to say the least. So the first task is to get as much daylight as possible into the workshop.

As bright sunshine can be a hindrance in a TV workshop, the windows should be north facing or curtains could be provided for use when needed. Direct sunlight can on the other hand be a help in audio or white goods workshops, where workbenches would be best sited under south facing windows. As the working day outlasts daylight hours in winter we still have to consider the workshop's artificial lighting, which needs to be as bright as possible. First however a note about security.

## Security

The main problem nowadays with windows is the security risk, especially where the workshop is situated at ground level behind the premises. If you are setting up a new workshop it may be better to site it upstairs, though this may mean lugging heavy sets up and down stairs with the accompanying risk of back injury – can't win, can we? To prevent undesirables seeing in 'to case the joint', ground-level windows can be glazed with the wire-reinforced, dimpled glass much loved by the makers of council house front doors. Or you could consider

using Makrolon plastic glazing, which is next to impossible to break and would deter vandals and casual thieves. Bear in mind however that any plastic glazing is vulnerable to a determined individual with a thermic lance!

Some kind of secondary security will be needed. This could be anything from wire mesh or steel bars to perhaps wrought iron with interesting scrolly bits. You could even use the same kind of roller shutters that probably adorn the front of your shop. Your local Police Crime Prevention Officer will be glad to provide advice free of charge. And don't forget that you'll need some sort of glass breakage detector on each window, including any skylights, connected to your security system.

## Artificial Lighting

The bog-standard fluorescent lighting we're all used to is not the best for close work. Conventional fluorescent tubes flicker at twice the mains frequency and, as the tubes wear, the hot cathodes at each end lose their emission – usually at different rates. As a result the tube acts as a crude rectifier, passing more current one way than the other. This 'half waving' produces that annoying 50Hz flicker. Though the 100Hz flicker of a tube that's working normally is not particularly noticeable, it can still lead to eyestrain, headaches and tiredness.

For bench lighting you could use standard incandescent light bulbs or even halogen lamps, though at 300W or 500W the latter are costly to run and hot to work under. Better still would be one or two of the new compact fluorescent lamps that use h.f. electronic ballasts. These are basically switching regulators that run at several tens of kHz. Thus their use eradicates flicker. H.F. ballasts to run standard-size fluorescent tubes are also available, but they are a bit pricey. RS lists them in the lighting section of catalogue 1; Farnell lists special electronic ballasts for the Thorn 2D range of compact fluorescent lamps. Bear in mind that h.f. ballasts can cause interference to LW and MW radio reception in their vicinity. The colour temperature

(warm or daylight) of fluorescent tubes is a matter of preference, but try to keep them all the same.

If your premises have a three-phase supply, any overall flicker will be effectively eliminated by installing the main lighting in multiples of three fittings, each connected to a different phase. This technique is standard in industrial units, as it prevents the strobe effect that has the dangerous ability to apparently freeze rotating machinery. Incidentally three-phase supplies should not be present anywhere on the workbench, as there is 415V between any two phases: all non-isolated sockets and those on immediately adjacent benches must be fed from the same phase. Otherwise anyone leaning over from his bench to the next while accidentally touching live gear could end up on the wrong side of a 415V crack.

## Heating and Ventilation

Ventilation isn't a problem during the summer: just open the windows and doors and breath in deeply all that lovely fresh car exhaust gas! In winter the problem is to get all the fag smoke and soldering fumes out while keeping expensive heat in. So ventilation is vital! The recent death of Roy Castle underlined the risks of even secondary smoking, and asthma due to soldering fumes is a recognised industrial disease. Line output transformer and other component burn-ups also release highly toxic fumes. For example burning PVC forms hydrogen chloride while burning polyurethane forms hydrogen cyanide. Most fumes from burning plastics are garnished with some tasty dioxins for good measure.

Even without any poisonous fumes, an ill-ventilated workshop will become stuffy, smelly and unpleasant, considerably increasing the risk of airborne infection passing from one person to another. Lack of ventilation also leads to dampness, which is not only unhealthy but can encourage mildew, wet- and dry-rot and other fungi to attack the building's fabric – we're back to those toadstools growing on the walls! More importantly, fungal spores aggravate and can cause asthma, bronchitis and other severe

respiratory complaints.

Where natural ventilation is difficult to arrange, or during cold weather, a Vent Axia extraction fan will probably do the trick – mount it above the bench of the most recalcitrant smoker.

## Air Ionisation

A problem that's particularly associated with TV and AV workshops is the wrong sort of ionisation. The air molecules present are generally not electrically neutral. The atoms of which they are composed can be either negatively ionised (carrying extra electrons) or positively ionised (carrying too few electrons). Air ionisation has been proved to affect human health and wellbeing – amongst other things it influences brain serotonin levels.

Negative ions are the good guys, while positive ions are decidedly anti-social. A net surplus of them in the air will leave you feeling under the weather: literally so, as the tired, headachy feeling associated with thundery weather is known to be mostly caused by strong positive air ionisation.

There's a lack of negative ions in polluted air: TV sets, with their 25kV tube final anode voltage, are excellent positive ion generators. Any corona discharge at this voltage also produces ozone and nitrous oxides, which are most definitely not good for you.

The cure is simple: install one or two ionisers. These devices are basically high-voltage generators that run at typically -7kV. This potential has been found to give efficient ionisation with negligible production of ozone. To eliminate any shock hazard the high voltage is at a very high impedance. It's applied to several sharply-pointed electrodes which ionise by corona discharge. The ionised air is strongly repelled by the electrodes, forming an 'electric wind' that disperses the ions efficiently.

In addition to having a significant 'feel good' effect, negative ionisation clears the air of spores, dust, bacteria, smoke and fumes. Air ionisers are cheap to run, costing typically a penny or so a week. As they should be run continuously it's probably better to buy a ready-made model that

conforms to BS415 rather than try to knock one up from odd bits and pieces. Most of the airborne garbage ends up on and around the ioniser, so dust it regularly to ensure maximum efficiency – this goes for domestic ionisers as well.

If you really feel like pushing out the boat you could buy one of the so-called 'air processors'. These draw room air through a series of filters, removing particles and ionising the filtered air before returning it. But remember that conditioning your workshop air is no substitute for adequate ventilation, as normal respiration produces carbon dioxide and removes oxygen – which need to be removed and replaced respectively.

## Research

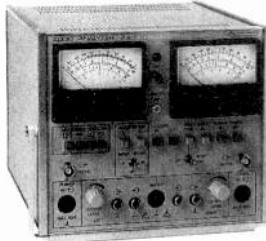
None of the above is quackery or old-wives' tales! Much research was carried out during the Seventies to discover the cause of the so-called 'sick-building syndrome'. Staff who worked in certain office blocks, shopping malls (which were new at the time) and factory buildings would be off-colour, listless and prone to taking time off for sickness.

The numbers involved, together with their wide social distribution, ruled out malingering as the cause, and firms located in 'sick buildings' tended to have a high staff turnover. It was found that the major causes of the problem were lack of natural light and stale, recirculated conditioned air, especially when it was tainted with traces of chemical fumes escaping from plastic building materials.

## In Conclusion

Whether you are self-employed, an employee or a company service manager you should find that the suggestions outlined in this article will help to establish a better working atmosphere (literally!) in the workshop. It's worth repeating that happy engineers are productive engineers, and that you could end up with less stress, sickness and absenteeism. Let's face it: there's enough nastiness from the front of the counter without having to put up with ill-feeling out back as well.

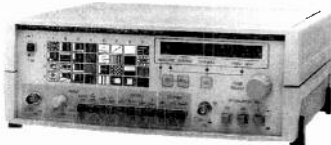
*The manufacturer who cares about quality & features rather than being lowest in price !*



**Audio Analyser**  
Model AA-930


Multi-function meter. Measures distortion, wow & flutter, stereo power, signal levels in & out; generates audio test signals. Features include large clearly marked analogue meters. Performs the work of many individual instruments. £ 490

**Television Pattern Generator**  
Model GV-698/11




32 patterns, 32 internal memories. PAL/NTSC/SECAM standards, with I, B, G, H, M, M, N, D & K, NICAM, teletext all in one instrument. Optional on screen logotype. (Other pattern generators available from £ 210). £ 1428

**Television Pattern Generator**  
Model GV-298

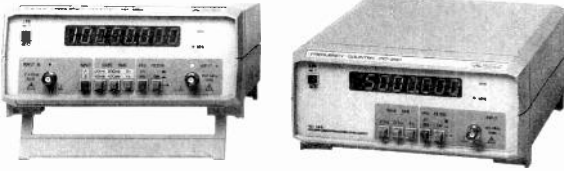


Compact high performance generator, RF and video outputs. Frequency range same as GV-698/11, 37 to 865 MHz. Circle pattern included. £ 433

**TV & Satellite Level Meter**  
Model MC-360

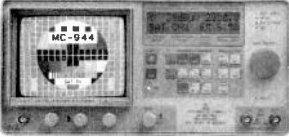


Ideal instrument for the professional installer of FM/TV aerials and satellite TV dishes. Covers 48 to 856 MHz and 950 to 2050 MHz. Lightweight, compact and rechargeable battery operated. £ 654



**Frequency counters** Models FD-250 & FD-252


FD-250 covers 20 Hz to 160 MHz and FD-252 covers same plus, 100 MHz to 2.4 GHz. Large L.E.D. display. Wide performance at low cost. £ 153 & £ 206



**TV & Satellite Level Meter**  
Model MC-944

This meter has everything for the top flight installer of aerials, dishes, CCTV, MATV, SMATV and others systems. Features include TV monitor, spectrum analyser, sync pulse, teletext, printer output, 99 memories, tuneable audio subcarriers, etc. Full autocorrection for superb, unequalled accuracy!. RS-232 as standard. £ 1895

**Low Distortion Low Frequency Generator**  
Model GB-212



20 Hz to 200 kHz, harmonic distortion 0.02 % maximum over audio band. Frequency counter resolution as high as 0.1 Hz. 600 ohms impedance. Output level attenuation range 60 dB, with analogue meter for setting accuracy. Excellent output level flatness. £ 219

**Functions Generators**  
Models GF-230 & GF-232




Two versions available: 0.1 z to 1 MHz and 0.2 Hz to 2 MHz. Producing sine, triangular and square waveforms, with variable symmetry. Excellent performance. £ 153 & £ 206



**CRT Rejuvenator**  
Model TA-903

Similar to TA-901, but has three meters to monitor cathode current. Special technique allows repeated rejuvenation of CRT. Supplied in attaché style case, for easy field and workshop use. £ 498

**CRT Rejuvenator**  
Model TA-901

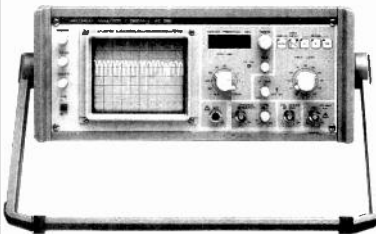


An essential tool for every TV workshop. Promax have made many thousands. Supplied complete with a set of base adaptors. £ 235



**TV/FM Level Meter**  
Model MC-160B

The aerial installers best friend. Calibrated for accurate signal level measurements. Digital frequency display ensures correct signal selection and identification. Built-in demodulator for easy station ident, and audible tone for easy positioning. This meter is light in weight, but has outstanding technical features. £ 354



**R.F. Spectrum Analyser**  
Model AE-566

1 to 1000 MHz, with 950 MHz to 1750 MHz option. Built-in tracking generator. Offers spanwidths from 1 MHz to 1000 MHz. Includes normalizer. This analyser is ideal for production and educational applications, as well as R+D. £ 2800

The company has been producing test equipment in Spain for over thirty years, earning a strong reputation for excellent engineering, quality performance at budget prices. The equipment is supported by Alban Electronics from their St Albans facility. These products are suitable for only professional and educational applications.



Prices shown exclude VAT, but includes UK delivery. Most items available for immediate despatch.



**ALBAN ELECTRONIC LIMITED**  
4 - St Albans Enterprises Centre - Long Spring  
Porters Wood - St Albans - Hertfordshire - AL3 6EN  
Tel: 0727 332266 - Fax: 0727 810546

TRY THE FOLLOWING EQUATION. THE ANSWER WILL BE  
A COMPELLING REASON TO USE OUR SERVICES

**M**ODERN TECHNOLOGY

TEL 0161 746 8037

+

**C**OMPETITIVE PRICES

0161 746 8038

+

**E**XPERT WORKFORCE

FAX 0161 746 8136

+

**S**AME DAY TURNROUND

= A FIRST CLASS FACILITY

TO ASSIST YOUR BUSINESS  
WE ARE ONLY A PHONE  
CALL AWAY

**MCES LTD,**  
15 LOSTOCK ROAD,  
DAVYHULME,  
MANCHESTER  
M41 0SU

**AMSTRAD HANDSETS**

VCR4500	18.08
VCR4600, 4600MkII	11.75
VCR4700	17.63
VCR5200	11.75
VCR6100 (Indexer)	25.85
VCR6100 (Barcode Indexer)	32.44
VCR6200 Barcode	32.44
VCR9000 (Old type)	11.75
TVR 2	8.46
SRD400	18.15
SRD400 (Equivalent)	11.05
SRD500	11.75
SRD510/520	13.81
TS90/99 Tower System	11.75
GOODMANS VCR102	11.75
PROLINE 5100TX	17.63

**AMSTRAD LOPTS**

CTV1000 FB182K	12.93
CTV1400 FB165KA	23.50
CTV1401/9 3714002	22.33
CTV2000 FB171	10.58
CTV2200 FB171K	10.58
CTV2200 3722002	15.28
CTV2210 3722002	15.28
TVR3 181297	14.69
PCW9512,8256,8512	7.05

**AMSTRAD TUNERS**

UE33-B01 VCR4600/4700	9.40
UE2-B31F CTV2200/2210	5.88
1810829 VCR5200	7.05
ENV87509F2 CTV1400	5.88
UVE33-F01 VHF-UHF	14.10
UVE33-F02 VHF-UHF	14.10
1813766 VHF-UHF	14.10
FX9600 FAX PSU	29.38

**AMSTRAD IF UNITS**

TPS7-B0006 VCR4600/4700	9.40
TPS7-L0002	14.10
1813766	14.10

**AMSTRAD MODULATORS**

18108221 VCR5200	7.05
ENP-E730-2 VCR7000	5.88
VCR4600MkII,4700	7.05
SRD100/200/400	7.05

**AMSTRAD SERVICE**

<b>MANUALS</b>	
VCR4600MkII,4700	9.00
VCR6000/6100	11.50
VCR7000	9.00
VCR8700	8.00
VCR8800	9.75
VCR9000/9004	9.00
VMC100	16.50
SRX100/200	4.70
SRX100/200 SRD400	11.50
SRD510/520	6.50
PC1512	11.50
PC2086	12.00
PC2286	12.00
PC2386	15.00
PC3086	11.00
FX9600 FAX	15.00

**AMSTRAD COMPUTER OPERATORS MANUAL**

PC1640	11.75
PC2286/2386	11.75
PPC512/640	11.75
PC1512 (Tech. Ref.)	6.00
PC1640 (Tech. Ref.)	8.00

**AMSTRAD VCR CABINET PARTS**

VCR4500 Cabinet Front	15.28
VCR4700 Cabinet Front	12.93
VCR6000 Cabinet Front	15.28

VMC100 - Various parts available, please phone for prices.

**AMSTRAD COMPUTER**

<b>MONITOR PARTS</b>	
12" HRCD Monitor PCB (DAEW00)	32.32
PC/ECD Monitor Tube	58.40

**AMSTRAD VCR DECK 4500, 4700, TVR1,2,3**

Head Base Assy. (Audio)	5.88
	7.05

**AMSTRAD MOTORS**

Loading Motor MCB9B02	3.53
Drum Motor E20EL05	10.87
Capstan Motor LLA4B02	10.28
Capstan Motor JLN4B02	10.28
Tape Loading MCF9B02	9.99
Cassette Housing RF280R	9.99
Capstan Motor LLN4802	10.28

**AMSTRAD PCB's**

(Complete, fully populated)	
4500 Timer	12.93
4500 Systems Control	10.58
4600 Systems Control/Servc.	
Display & Control PCB's	31.73
4600 Display	12.93
4600 Control	6.46
4600 Video & Audio	19.98
4600 Power Supply	16.98
4600MkII Main PCB Assy.	43.17
4600MkII Timer	15.28
4600MkII Control	6.46
4600MkII Head Amp	5.88
4600MkII Power Supply	6.46
4600MkII Hybrid, Luminance	9.40
4700 Main PCB Assy.	43.17
4700 Timer	15.28
4700 Control	6.46
4700 Head Amp Assy.	5.88
4700 Power Supply	6.46
5200 Timer & Channel Disp.	18.81

5200 Video	15.28
5200 Switch Panel	5.88
6000 Power Supply	8.81
6100 Main PCB	31.73
6100 Audio PCB	7.05
6100 Power Supply	8.81
6100 Hybrid, Chrominance	9.40
6100 Hybrid, Luminance	9.40
7000 Switch PCB no:7	2.35
CTV1400 MkII Main TV PCB	31.73
CTV1400 Switches, Presets & Tuner (ENV87509F2)	9.70
CTV2200 PCB no:3	3.53
CTV2200 PCB no:4	4.70
TVR 2 Main TV PCB	41.13
TVR2 Video Front Display PCB	
	15.86
TVR 3 Main TV PCB	47.00
TVR 3 Head Amp Assy.	5.88
TVR 3 Video Power Supply	6.46
VMC100 Main PCB	29.38

**AMSTRAD PC12MD**

<b>VGA MONO MONITOR</b>	
Suitable for use with 2000/3000 series and any other VGA compatible PC (Carr. at Cost)	64.63

**AMSTRAD SOFTWARE**

ACCOUNTSMASTER	19.98
(Full accounts program for running small business on any PC)	
Many AMSTRAD COMPUTER & PRINTER SPARES available, please phone for price.	

**PRICES INCLUDE VAT.**

ALL ITEMS ARE BRAND NEW AND GUARANTEED

★ ★ SAME DAY DESPATCH ★ ★

Write or Phone for FULL LIST.

★ ★ POST & PACKING ★ ★

★ ★ £1.18 ★ ★



**Harrison Electronics**

CENTURY WAY, MARCH, CAMBS PE15 8QW.  
FAX: (01354) 51416. TEL: (01354) 51289

WE ALSO STOCK MANY SEMICONDUCTORS, RESISTORS, FUSES ETC.

EST. 1977

# J.W. HARDY

## YOUR ONE-STOP-SHOP

FOR THESE FINE BRANDED PRODUCTS  
— AND SO MUCH MORE . . .

**WOLSEY** SMATV

**DIAMOND AERIALS** UHF/FM

**GLOBAL COMMUNICATIONS** FIRST IF. SMATV

**J.W. HARDY** communications UHF AERIALS  
UHF AMPLIFIERS

**Labgear Cablevision** SMATV

**LENSON HEATH** SATELLITE ANTENNA

**PACE** SATELLITE RECEIVERS, DECODERS

**PALCOM** SATELLITE RECEIVERS

**PROMAX** TEST EQUIPMENT

**Spit fixings** BOLTS PLUGS

**mungo** BOLTS PLUGS

**Teleste** SMATV

**TRIAx U.K.** UHF/VHF AERIALS

**TOWER CLIPS**

**UNI-FIX** CLIPS **VOLEX RAYDEX** COAX CABLES

- WE PROVIDE FULL TECHNICAL ASSISTANCE AND SERVICE BACK UP ON ALL OUR PRODUCTS
- SMATV — DISH SHARING — DESIGN CONSULTANT

Trace Price List available to bona fide TV Aerial and Satellite Dealers on proof of trading.

J.W. Hardy, 231 Station Road, Stechford, Birmingham B33 8BB Telephone: 021 784 8478

# TUBES TUBES TUBES

This month's special  
**21" Sony FST £89**

16" Narrow neck tube to replace 38EAC, 38EAP, 420PSB, 480GAB etc **£39**

16" tube to replace 42-590 AXT42-001 4202B, 420EFB, 420EDB **£25**

14" Sony tube 34JBU 10x **£79**

14" tube to replace 37-570, 37-573, 37-554, 3701B, 370EFB, 375X101Y **£39**

20" non-FST 510YUB22 **£59**

21" FST tube 51EAK 01X04 **£79**

20" non-FST 510YUB22 **£59**

25" FST 59EAS 00X01 **£109**

We need 66cm and 68cm used FST glass (must not be broken or have faulty shadow mask)

We have large quantity of part-used tubes — picture tested

Ring Irene or Jane with your tube number for latest price and availability

Carriage and VAT extra

**EXPRESS TV**  
The Mill, Mill Lane,  
RUGELEY, Staffs WS15 2JW  
Tel: 01889-577600  
Fax: 01889-575600

**WE HAVE THE WIDEST CHOICE OF USED OSCILLOSCOPES IN THE COUNTRY**

TEKTRONIX 7000 SERIES OSCILLOSCOPES AVAILABLE FROM £200 Plug-ins sold separately

TEKTRONIX 2245A 4 Channel 100MHz Cursor etc	£1000
TEKTRONIX 2246A 4 Channel 100MHz Cursor Voltmeter etc	£1250
TEKTRONIX 475 Dual Trace 200MHz Delay Sweep	£500
TEKTRONIX 465 Dual Trace 100MHz Delay Sweep	£400
TEKTRONIX SC5014 Dual Trace 80MHz in TMS102B	£500
IWATSU 5557 11C 4 Channel 100MHz Delay Sweep with DMH	£500
TRIO 2100 4 Channel 100MHz Delay Sweep	£400
TRIO CS2070 4 Channel 20MHz Delay Sweep	£450
TEKTRONIX 2215 Dual Trace 60MHz Delay Sweep	£450
KIKUSUI COS5060T M 3 Channel 60 MHz Delay Sweep	£400
HITACHI V650F Dual Trace 60MHz Delay Sweep	£250
PHILIPS PM3217 Dual Trace 50MHz Delay Sweep	£400
GOULD OS1100 Dual Trace 30MHz Delay Sweep	£240
GOULD OS 300 Dual Trace 20MHz	£200
TRIO CS1566A Dual Trace 20MHz	£125
GOULD OS2508 Dual Trace 15MHz	£125
HITACHI VC6045 2 Channel 40 MHz Digital Storage Cursors	£1100
LE CROY 9400 Dual Trace 125MHz Digital Storage	£1000
GOULD OS4000 Dual Trace 10MHz Digital Storage	£200

THIS IS JUST A SAMPLE. MANY OTHERS AVAILABLE

**HEWLETT PACKARD 1740A OSCILLOSCOPES**  
100MHz Dual Trace. Delay Sweep For only **£350**

MARCONI 2018 Synth AM/FM Sig Gen 80KHz 520MHz	£700
H.P. 8640B Sig Gen 20Hz - 1024MHz	£1000
H.P. 8630C Sweep Oscillator with 86245A S 9 12.4GHz	£400
SYSTEM DOWNER 1702 Syn Sig Gen 100Hz - 1GHz	£400
RACAL 9081 Synthesized AM/FM Sig Gen 5 520MHz	£500
FARNELL SSG520 Synth AM/FM Sig Gen 10 520MHz	£400
MARCONI TF2015 AM/FM Sig Gen 10 520MHz	£200
MARCONI TF2015 with Synth TF2171 (lock box)	£300
PHILIPS PMS 326 AM/FM Sig Gen 100kHz 100MHz	£300
H.P. 8690B Microwave Sweep Osc 26.5-40GHz	£300
H.R. SMITH ANTENNA type 12-602.4	£2000
H.P. 436A Power Meter with sensor	£1000
RACAL INSTRUMENTATION RECORDER type Store 40N	£500
H.P. 3375A Gain Phase Meter 1Hz-13MHz	£400
H.P. 3312A Func Gen 0.1Hz-13MHz AM/FM Sweep Sin/Sq Tr	£400
MARCONI TF2337 Automatic Distortion Meter	£200
SAVROSA Automatic Modulation Meter type 152B	£125
TEKTRONIX CP5250 Tripper Output PSU 2x20V 5A Var.	£225
SV22A Fixed	£225
TEKTRONIX CFG250 Func Gen 0.2Hz-2MHz Sine/Sq Tr/TTL	£180
TEKTRONIX CDM250 Digital Multimeter 3 1/2 digit Led	£180

**SPECTRUM ANALYSERS**

H.P. 853 with 8559A 0.0121GHz	£4500
H.P. 3580A Led 5Hz-50KHz	£1000
ANRITSU MS628 with Trac Gen 10kHz-1700MHz	£1500
POLARON 6411 10MHz	£1500
ANDO AC8281 with AC821 1700MHz	£1500
H.P. 182 with 8558B 100kHz-500MHz	£1500
H.P. 1411 with 8558B & 8552B 500kHz-1250MHz	£1200
H.P. 1411 with 8553B & 8552A 1kHz-110MHz	£800
MARCONI TF2370 30Hz-110MHz	£1000
H.P. 8443 Tracking Generators Available from	£1000
H.P. 1411 Main Frames only Good Tubes	£225

H.P. 3456A DVM 6 1/2 digit DC/True RMS AC/Res HRB	£600
EIP/DANA 3510 Microwave Freq Counter 20Hz-18GHz	£500
H.P. 5341A Frequency Counter 50MHz-1.5GHz LED	£300
MARCONI 2435 Digital Frequency Meter 2GHz	£400
RACAL 1998 Freq Counter 1.3GHz Ops GRB & High Stab	£900
RACAL/DANA 1991 Counter/Timer 160MHz 9 digit	£800
MARCONI 2437 Counter/Timer DC 100MHz 8 digit	£175
MARCONI 2431A Freq Counter 10Hz-200MHz 8 digit	£150
MARCONI 2430A Frequency Counter 10Hz-80MHz 8 digit	£125
RACAL 9918 Frequency Counter 10Hz-520MHz 9 digit	£200
RACAL 9913 Frequency Meter 10Hz-200MHz 8 digit	£125
RACAL 9911 Frequency Meter 10Hz-120MHz 7 digit	£100
RACAL 9905 Universal Counter/Timer DC 200MHz 8 digit	£150
RACAL 9904 Universal Counter/Timer DC 50MHz 7 digit	£175
RACAL 9901 Universal Counter/Timer DC 50MHz 6 digit	£100
DATRON 1061A 6 1/2 digit Autocal Multimeter True RMS AC Current	£850
H.P. 3490A 5 digit Multimeter AC/DC Ohms	£700
H.P. 3435A 3 1/2 digit M M AC/DC Ohms/Current Led	£100
PHILIPS PM254 Multi Func DMM 3 1/2 digit GPM/BEF	£450
SOLARTRON 7150 6 1/2 digit DMM with IEEE	£400
SOLARTRON 7045 4 1/2 digit Multimeter Volts/Amps Ohms	£80
WAYNE KERR B905 Automatic Precision Bridge 0.05%	£900
MARCONI TF2700 Universal Bridge Bar Op	£1150
MARCONI TF1134 Universal LCR Bridge 0.1%	£125
WAYNE KERR B424 Digital Component Meter LCR	£200
HEATHKIT BR LC Bridge	£60
MARCOLETT 192 Oscilloscope Calibrator	£600
WILTRON 560 Scalar Network Analyser with Detectors	£1000
H.P. 5005A Signature Multimeter	£250
FARNELL H30100 D-30V 0-100A Metered	£800
FARNELL TV570M 2 70V 5A 35V 10A Metered	£300
FARNELL B3010 30V 10A Variable	£200
FARNELL L30E 0-30V 0-5A Metered	£125
MARCONI (WBR) TF2154 0-30V 1A 0-15V 2A 0-75V 4A Metered	£60
H.P. 0518A 0-3Kv 0-6mA Metered	£150
BRANDENBURG Model 472R 2KV Metered	£60
FEDBACK FG600 Sine/Sq Tr 0.01Hz-100KHz	£275
LYONS PG71N Pulse Gen PRF 1Hz-5MHz 10 nanoseconds	£75
FARNELL PG101 Pulse Gen 100ns-100MHz 1 Sec 1Hz	£125
LUNDOS LA1 Mk2B Audio Analyser	£500
UNAOHM EP501 Audio Analyser	£350
PHILIPS PM5518 Colour TV Pattern Generator	£1250
RADFORD LDH Low Distortion Oscillator	£200
RADFORD LDH52 Low Distortion Measuring Set	£100

**NEW EQUIPMENT**

**BLACK STAR EQUIPMENT (P&P all units £5)**

APOLLO 10 100MHz Counter Timer Ratio/Period/Time Interval etc	£225
APOLLO 100 100MHz (As above with more functions)	£325
METEOR 100 FREQUENCY COUNTER 100MHz	£119
METEOR 600 FREQUENCY COUNTER 600MHz	£145
METEOR 1000 FREQUENCY COUNTER 1 GHz	£189
AIRTOR 500 FUNCTION GEN 0 Hz-500kHz Sine/Sq Tr	£159
ORION COLOUR BAR GENERATOR Pal/TV/Video	£229

All other Black Star Equipment available

**OSCILLOSCOPE PROBES**  
Switchable  $\times 1$  or  $\times 10$  (P&P £3) **£12**

Used Equipment. Guaranteed. Manuals supplied if possible. This is a VERY SMALL SAMPLE OF STOCK. SAE or Telephone for list. Please check availability before ordering. CARRIAGE all units £16. VAT to be added to Total of Goods and Carriage.

**STEWART of READING**

110 WYKEHAM ROAD, READING, BERKS RG6 1PL

Telephone: 0734 268041 Fax: (0734) 351696

Callers Welcome 9am-5.30pm Mon-Fri (until 8pm Thurs)



**A4 DTP MONITORS** Brand new, 300 DPI. Complete with diagram but no interface details. (so you will have to work it out!) Bargain at just £12.99 each!!!!

**OPD MONITORS** 9" mono monitor, fully cased complete with raster board, switched mode psu etc. CGA/ATL input (15way D), IEC mains. £15.99 ref DEC23. Price including kit to convert to composite monitor for CCTV use etc is £21.99 ref DEC24

**LOW COST LASER NIGHT SIGHT just £79!!!!**

Cheaper version of our £245 Cyclops model, works ok in low light levels or in complete darkness with the built in Laser. ref 95/79 (please allow about 1 month delivery for these due to import difficulties)

**PC CONTROLLED 4 CHANNEL TIMER** Control (on/off times etc) up to 4 items (8A 240v each) with this kit. Complete with Software, relays, PCB etc. £25.99 Ref 95/26

**LOW COST RADAR DETECTOR** Built and tested pocket radar detector, ideal for picking up speed traps etc. Why pay £70 or more? ours is just £24.99 ref 95/25.

**COMPLETE PC 300 WATT UPS SYSTEM** Top of the range UPS system providing protection for your computer system and valuable software against mains power fluctuations and cuts. New and boxed, UK made Provides up to 5 mins running time in the event of complete power failure to allow you to run your system down correctly. SALE PRICE just £119.00.

**RACAL MODEM BONANZA!** 1 Racal MPS1223 1200/75 modem, telephone lead, mains lead, manual and comms software, the cheapest way onto the net! all this for just £13 ref DEC13.

**HOW LOW ARE YOUR FLOPPIES?** 3.5" (1.44) unbranded. We have sold 100,000+ so ok! Pack of 50 £24.99 ref DEC16

**BRITISH TELECOMM MULTIMETERS SA9083** These are 'returns' so they may have faults but look ok. Complete with new leads and leather case. Price for two meters & 1 case is £10 ref DEC89.

**6mw LASER POINTER.** Supplied in kit form, complete with power adjuster, 1.5mw, and beam divergence adjuster. Runs on 2 AAA batteries. Produces thin red beam ideal for levels, gun sights, experiments etc. Cheapest in the UK! just £39.95 ref DEC49

**SHOP WOBBLERS!** Small assemblies designed to take D size batteries and 'wobble' cardboard model signs about in shop windows! £3.99 Ref SEP4P2.

**RADIO PAGERS** Brand new, UK made pocket pagers clearance price is just £4.99 each 100x40x15mm packed with bits! Ref SE5P.

**BULL TENS UNIT** Fully built and tested TENS (Transcutaneous Electrical Nerve Stimulation) unit, complete with electrodes and full instructions. TENS is used for the relief of pain etc in up to 70% of sufferers. Drug free pain relief, safe and easy to use, can be used in conjunction with analgesics etc £49 Ref TEN/1

**STEREO MICROSCOPE** 155X195MM, up to 600mm high, so items up to 10" will fit under lens. Rack and pinion focusing, 6 interchangeable rotating objectives, interchangeable eyepieces, +scaled eyepiece for accurate measuring etc. Powerful low voltage illumination system with green filter and variable intensity, 100mm black/white + ground glass stage plate, 70mm swivel mirror, adjustable eyepieces (both focus and width), Magnification range 4.6-100.8, field of view 39-2.4mm). Price is £239 for complete setup. Ref 95/300.

**3D 36MM CAMERA SYSTEM** Complete kit to convert a standard 35mm camera into a 3D version!, enable you to take 3D colour slides with your own camera! Kit contains a prism assembly for the front of your existing lens, a sample 3D slide, a 3D slide viewer and 2 different lens mounts 49mm and 52mm, (other sizes available from photo shops at about £3 ea) all you need is standard slide film. Price for the complete kit is £29.99 ref 95/30.

**COMPUTER RS232 TERMINALS. (LIBERTY)** Excellent quality modem units, (like wyse 50, s) 2xRS232, 20 function keys, 50 thro to 38,400 baud, menu driven port, screen, cursor, and keyboard setup menus (18 menu's). £29 REF NOV4.

**OMRON TEMPERATURE CONTROLLERS (E6C2).** Brand new controllers, adjustable from -50 deg C to +1,200 deg C using graduated dial, 2% accuracy, thermocouple input, long life relay output, 3A 240v o/p contacts. Perfect for exactly controlling a temperature. Normal trade £50+, ours £15. Ref ESC2.

**ELECTRIC MOTOR BONANZA! 110x60mm.** Brand new precision, cap start (or spin to start), virtually silent and features a moving outer case that acts as a fly wheel. Because of their unusual design we think that 2 of these in a tube with some homemade fan blades could form the basis for a wind tunnel etc. Clearance price is just £4.99 FOR A PAIR! (note-these will have to be wired in series for 240v operation Ref NOV1.

**MOTOR NO 2 BARGAIN 110x90mm.** Similar to the above motor but more suitable for mounting vertically (ie tumtable etc). Again you will have to wire 2 in series for 240v use. Bargain price is just £4.99 FOR A PAIR! Ref NOV3.

**OMRON ELECTRONIC INTERVAL TIMERS.**

Minor adjustable timers, 4 pole e/o output 3A 240v, HY1230S, 12vDC adjustable from 0-30 secs. £9.99  
HY1210M, 12vDC adjustable from 0-10 mins. £9.99  
HY1260M, 12vDC adjustable from 0-60 mins. £9.99  
HY2460M, 24vAC adjustable from 0-60 mins. £5.99  
HY241S, 24vAC adjustable from 0-1 secs. £5.99  
HY2460S, 24vAC adjustable from 0-60 secs. £5.99  
HY243H, 24vAC adjustable from 0-3 hours. £8.99  
HY2401S, 240v adjustable from 0-1 secs. £9.99  
HY2405S, 240v adjustable from 0-5 secs. £9.99  
HY24060M, 240v adjustable from 0-60 mins. £12.99

**PC PAL VGA TO TV CONVERTER** Converts a colour TV into a basic VGA screen. Complete with built in psu, lead and sware. £49.95. Ideal for laptops or a cheap upgrade.

**EMERGENCY LIGHTING UNIT** Complete unit with 2 double bulb floodlights, built in charger and auto switch. Fully cased, 6v 8AH lead acid req'd. (secondhand) £4 ref MAG4P11.

**GUIDED MISSILE WIRE.** 4,200 metre reel of ultra thin 4 core insulated cable, 28lbs breaking strain, less than 1mm thick! Ideal alarms, intercoms, fishing, dolls house's etc. £14.99 ref MAG15P5

**300v PANEL METER** 70X60X50MM, AC, 90 degree scale. Good quality meter. £5.99 ref MAG 6P14. Ideal for monitoring mains etc.

**ASTEC SWITCHED MODE PSU** BM41012 Gves + @ 3.75A, +12 @ 1.5A, -12 @ 4A, 230/110, cased, BM41012. £5.99 ref AUG6P3.

**TORRODIAL TX 30-0-30 480VA.** Perfect for Mosfet amplifiers etc. 120mm dia 55mm thick. £18.99 ref APR19.

**AUTO SUNCHARGER** 155x300mm solar panel with diode and 3 metre lead fitted with a ogar plug. 12v 2watt. £9.99 ea ref AUG10P3.

**FLOPPY DISCS** DSDD Top quality 5.25" discs, these have been written to once and are unused. Pack of 20 is £4 ref AUG4P1.

**ECLATRON FLASH TUBE** As used in police car flashing lights etc, full spec supplied, 60-100 flashes a min. £9.99 ref APR10P5.

**24v AC 96WATT** Cased power supply. New. £13.99 ref APR14.

**MILITARY SPEC GEIGER COUNTERS** Unused straight from Her Majesty's forces. £50 ref MAG 50P3.

**STETHOSCOPE** Fully functioning stethoscope, ideal for listening to hearts, pipes, motors etc. £6 ref MAR6P6.

**OUTDOOR SOLAR PATH LIGHT** Captures sunlight during the day and automatically switches on a built in lamp at dusk. Complete with sealed lead acid battery etc. £19.99 ref MAR20P1.

**ALARM VERSION** Of above unit comes with built in alarm and pir to deter intruders. Good value at just £24.99 ref MAR25P4.

**CARETAKER VOLUME METER** Alarm, will cover the whole of the ground floor against forced entry. Includes mains power supply and integral battery backup. Powerful internal sander, will take external bell if req'd. Retail £150+, ours? £49.99 ref MAR50P1.

**TELEPHONE CABLE** While 6 core 100m reel complete with a pack of 100 clips. Ideal 'phone extns etc. £7.99 ref MAR8P3.

**MICRODRIVE STRIPPER** Small cased tape drives ideal for stripping, lots of useful goodies including a smart case, and lots of components. £2 each ref JUN2P3.

**SOLAR POWER LAB SPECIAL** You get TWO 6"x6" 6v 130mA solar cells, 4 LED's, wire, buzzer, switch plus 1 relay or motor. Superb value kit just £5.99 REF: MAG6P8

**SOLID STATE RELAYS** Will switch 25A mains. Input 3.5-25v DC 57x43x21mm with terminal screws £3.99 REF MAG4P10

**300DPI A4 DTP MONITOR** Brand new but shop soiled so hence bargain price! TTL/ECL inputs, 15" landscape, 1200x1664 pixel complete with circuit diag to help you interface with your projects JUST £14.99. REF JUN15P2.

**BUGGING TAPE RECORDER** Small voice activated recorder, uses micro cassette complete with headphones. £28.99 ref MAR29P1.

**ULTRAMINI BUCMIC** 6mmx3.5mm made by AKG. 5-12v electret condenser. Cost £12 ea, Ours? just four for £9.99 REF MAG10P2.

**RGB/CGA/EGA/ATL COLOUR MONITORS** 12" in good condition. Back analysed metal case. £79 each REF JUN79

**ANSWER PHONES** Returns with 2 faults, we give you the bits for 1 fault, you have to find the other yourself. BT Response 200's £18 ea REF MAG18P1. PSU £5 ref MAG5P12.

**SWITCHED MODE PSU** eq equip, 60w +5v @5A, -5v @.5A, +12v @2A, -12v @.5A 120/220v cased 245x88x55mm IEC Inlet socket £6.99 REF MAG7P1

**PLUG IN PSU 9V** 200mA DC £2.99 each REF MAG3P9

**PLUG IN ACORN PSU** 19v AC 14w, £2.99 REF MAG3P10

**POWER SUPPLY** fully cased with mains and o/p leads 17v DC 900mA output. Bargain price £5.99 ref MAG6P9

**ACORN ARCHIMEDES PSU** +5v @ 4.4A, on/off sw uncased, selectable mains input, 145x100x45mm £7 REF MAG7P2

**GEIGER COUNTER KIT** Low cost professional twin tube. complete with PCB and components. Now only £19 REF AUG19.

**9v DC POWER SUPPLY** Standard plug in type 150mA 9v DC with lead and DC power plug. price for two is £2.99 ref AUG3P4.

**AA NICAD PACK** encapsulated pack of 8 AA nicad batteries (tagged) ex equip, 55x32x32mm. £3 a pack. REF MAG3P11

**13.8V 1.9A** psu cased with leads. Just £9.99 REF MAG10P3

**PPCMODE CARDS.** These are high spec plug in cards made for the Amstrad laptop computers, 2400 baud dial up unit complete with leads. Clearance price is £5 REF: MAG5P1

**INFRA RED REMOTE CONTROLLERS** Originally made for hi spec satellite equipment but perfect for all sorts of remote control projects. Our clearance price is just £2 REF: MAG2

**200 WATT INVERTER** Converts 10-15v DC into either 110v or 240v AC. Fully cased 115x36x156mm, complete with heavy duty power lead, cigar plug, AC outlet socket. Auto overload shutdown, auto short circuit shut down, auto input over voltage shutdown, auto input under voltage shut down (with audible alarm), auto temp control, auto shuts down if overheated and sounds audible alarm. Fused reversed polarity protected. output frequency within 2%, voltage within 10%. A extremely well built unit at an excellent price. Just £64.99 ref AUG65.

**UNIVERSAL SPEED CONTROLLER KIT** Designed by us for the C5 motor but ok for any 12v motor up to 30A. Complete with PCB etc. A heat sink may be required. £17.00 REF: MAG17

**MAINS CABLE** Precut black 2 core 2 metre lengths ideal for repairs, projects etc. 50 metres for £1.99 ref AUG2P7.

**COMPUTER COMMUNICATIONS PACK** Kit contains 100m of 6 core cable, 100 cable clips, 2 line drivers with RS232 interfaces and all connectors etc. Ideal low cost method of communicating between PC's over a long distance. Complete kit £8.99.

**MINI CYCLOPS PIR** 52x62x40mm runs on PP3 battery complete with shroud sensor. Cheap protection at only £5.99 ref MAR6P4.

**ELECTRIC MOTOR KIT** Comprehensive educational kit includes all you need to build an electric motor. £9.99 ref MAR10P4.

**VIDEO SENDER UNIT.** Transmits both audio and video signals from either a video camera, video recorder, TV or Computer etc to any standard TV set in a 100' range! (tune TV to a spare channel) 12v DC op. Price is £15 REF: MAG15 12v psu is £5 extra REF: MAG5P2

**\*SOME OF OUR PRODUCTS MAY BE UNLICENSABLE IN THE UK**

**BULL ELECTRICAL**  
250 PORTLAND ROAD HOVE SUSSEX  
BN3 5QT (ESTABLISHED 50 YEARS)  
MAIL ORDER TERMS: CASH PO OR CHEQUE  
WITH ORDER PLUS £3.00 POST PLUS VAT.

PLEASE ALLOW 7 - 10 DAYS FOR DELIVERY  
TELEPHONE ORDERS WELCOME

TEL: 01273 203500

FAX: 01273 323077

VISA

**\*FM CORDESS MICROPHONE** Small hand held unit with a 500' range! 2 transmit power levels. Reqs PP3 9v battery. Tuneable to any FM receiver. Price is £15 REF: MAG15P1

**LOW COST WALKIE TALKIES** Pair of battery operated units with a range of about 200'. Ideal for garden use or as an educational toy. Price is £8 a pair REF: MAG 8P1 2 x PP3 req'd.

**\*MINATURE RADIO TRANSCIVERS** A pair of walkie talkies with a range of up to 2km in open country. Units measure 22x52x155mm. Including cases and earpops. 2xPP3 req'd. £30.00 p.r. REF: MAG30

**COMPOSITE VIDEO KIT.** Converts composite video into separate H sync, V sync, and video. 12v DC. £8.00 REF: MAG8P2.

**LQ3600 PRINTER ASSEMBLIES** Made by Amstrad they are entire mechanical printer assemblies including printhead, stepper motors etc In fact everything bar the case and electronics, a good snapper! £5 REF: MAG5P3 or 2 for £8 REF: MAG8P3

**LED PACK** of 100 standard red 5m leds £5 REF MAG5P4

**UNIVERSAL PC POWER SUPPLY** complete with flyleads, switch, fan etc. Two types available 150w at £15 REF: MAG15P2 (23x23x23mm) and 200w at £20 REF: MAG20P3 (23x23x23mm)

**\*FM TRANSMITTER** housed in a standard working 13A adapter!! the bug runs directly off the mains so lasts forever! why pay £700? or price is £26 REF: MAG26 Transmits to any FM radio.

**\*FM BUG KIT** New design with PCB embedded coil for extra stability. Works on any FM radio. 9v battery req'd. £14 REF: MAG5P5

**\*FM BUG BUILT AND TESTED** superior design to kit. Supplied to detective agencies. 9v battery req'd. £14 REF: MAG14

**TALKING COINBOX STRIPPER** originally made to retail at £79 each, these units are designed to convert an ordinary phone into a payphone. The units have the locks missing and sometimes broken hinges. However they can be adapted for their original use or used for something else?? Price is just £3 REF: MAG3P1

**TOP QUALITY SPEAKERS** Made for HiFi televisions these are 10 watt 4R Jap made 4" round with large shielded magnets. Good quality. £2 each REF: MAG2P4 or 4 for £6 REF: MAG6P2

**TWEETERS** 2" diameter good quality tweeter 140R (ok with the above speaker) 2 for £2 REF: MAG2P5 or 4 for £3 REF: MAG3P4

**AT KEYBOARDS** Made by Apricot these quality keyboard need just a small mod to run on any AT, they work perfectly but you will have to put up with 1 or 2 foreign keycaps! Price £6 REF: MAG6P3

**HEADPHONES** Ex Virgin Atlantic. 8 pairs for £2 REF: MAG2P8

**DOS PACKS** Microsoft version 3.3 or higher complete with all manuals or price just £5 REF: MAG5P8 Worth it just for the very comprehensive manual! 5.25" only.

**DOS PACK** Microsoft version 5 Original software but no manuals hence only £5.99. 3.5" only.

**PIR DETECTOR** Made by famous UK alarm manufacturer these are hi spec, long range internal units. 12v operation. Slight marks on case and unboxed (although brand new) £8 REF: MAG8P5

**MOBILE CARPHONE** £5.99 Well almost complete in car phone excluding the box of electronics normally hidden under seat. Can be made to illuminate with 12v also has built in light sensor so display only illuminates when dark. Totally convincing! REF: MAG6P6

**ALARM BEACONS** Zenon strobe made to mount on an external bell box but could be used for caravans etc. 12v operation. Just connect up and it flashes regularly! £5 REF: MAG5P11

**6"x12" AMORPHOUS SOLAR PANEL** 12v 155x310mm 130mA Bargain price just £5.99 ea REF MAG6P12.

**FIBRE OPTIC CABLE BUMPER PACK** 10 metres for £4.99 ref MAG5P13 ideal for experimenters! 30 m for £12.99 ref MAG13P1

**HEATSINKS** (finned) TO220, designed to mount vertically on a pcb 50x40x25mm you can have a pack of 4 for £1 ref JUN11P11.

**INFRARED LASER NIGHT SCOPES**

Image intensifier complete with hand grip attachment with built in adjustable laser lamp for zero light conditions. Supplied with Pentax 42mm camera mount and normal eye piece. 1.6kg, uses 1xPP3, 3xAAA's. Please allow us about 1 month for delivery on this product due to import problems! £245+Vat

**NEW HIGH POWER LASERS**

15mW, Helium neon, 3 switchable wavelengths. 63um, 1.15um, 3.39um (2 of them are infrared) 500: 1 polarizer built in so good for holography. Supplied complete with mains power supply 790x65mm. Use with EXTREME CAUTION AND QUALIFIED GUIDANCE. £349+Vat.

**WE BUY SURPLUS STOCK FOR CASH**

1995 100 PAGE CATALOGUE NOW

AVAILABLE, 45P STAMP OR FREE

WITH ORDER.

3FT X 1FT 10WATT SOLAR PANELS

14.5v/700mA

£44.95

(PLUS £2.00 SPECIAL PACKAGING CHARGE)

TOP QUALITY AMORPHOUS SILICON CELLS HAVE ALMOST A TIMELESS LIFESPAN WITH AN INFINITE NUMBER OF POSSIBLE APPLICATIONS, SOME OF WHICH MAY BE CAR BATTERY CHARGING, FOR USE ON BOATS OR CARAVANS, OR ANYWHERE A PORTABLE 12V SUPPLY IS REQUIRED.

**PORTABLE RADIATION DETECTOR**

WITH NEW COMPUTER INTERFACE.

£59.00

A Hand held personal Gamma and X Ray detector.

This unit contains two Geiger Tubes, has a 4 digit LCD display with a Piezo speaker, giving an audio visual indication. The unit detects high energy electromagnetic quanta with an energy from 30K eV to over 1.2M eV and a measuring range of 5-9999 UR/h or 10-99990 Nr/h. Supplied complete with handbook. Ref. NOV 18.

TELEVISION APRIL 1995

# B.K. TEST

B.K. Electronics, Suppliers of Test Equipment Excellence

**B.K. TEST**  
The Test Equipment Division of  
**B.K. Electronics**

Unit 1 Comet Way, Southend-On-Sea,  
Essex, SS2 6TR.  
Tel: 0702-527572 Fax: 0702-420243

## FOUR-IN-ONE INSTRUMENT MODEL MX-9000



All in one bench test instrument with frequency counter, autoranging digital multimeter, 3 D.C. power supplies (2 fixed & 1 variable) and function generator, integrated into one compact and lightweight unit with full overload protection. Ideal for use in laboratories, education, production lines or research and development environments with its simple and easy operation.

**FREQUENCY COUNTER**  
Range: 1Hz - 100MHz  
Display: 8 Digit LED

**FUNCTION GENERATOR**  
Output Waveforms:  
Square, Pulse, Triangle,  
Skewed Pulse, Sine,  
TTL Level Square  
Frequency: 0.02Hz - 2MHz  
Output: 0.1Vpp - 20Vpp

**Please Note:-** It is not possible to list all of this instrument's functions and specifications above. A detailed leaflet is available on request.

**Price:**  
**£353.00 + £61.78 V.A.T.**

**DIGITAL MULTIMETER**  
3 1/2 Digit LCD Display  
Auto/Manual Ranging  
Measurement:

DC V: 1000V Max  
AC V: 750V Max  
DC A: 10A Max  
AC A: 10A Max  
Resistance: 2M0hm Max

**POWER SUPPLY**  
3 1/2 Digit LCD Display  
Triple Output:

0 - 50V Variable, 0.5A Max  
15V, 1A (Fixed)  
5V, 2A (Fixed)

Full Over Current Protection

## Multifunction Meter PC Compatible, Metex M3850



The Metex M3850 is excellent value for money and is packed with so many features that only a few can be included here. The M3850 is an autoranging DMM, but also includes a frequency counter, thermometer, capacitance meter, logic probe, diode check and transistor hFE. Also, the M3850 can communicate with a PC using the software and leads provided. The M3850 is supplied complete with a carry case, test leads and a manual.

DC Volts 0 - 1000V  
AC Volts 0 - 750V  
DC Current 0 - 20A  
AC Current 0 - 20A  
Resistance 0 - 40M  
Capacitance 0 - 400uF  
Frequency 5Hz - 40MHz  
Temperature -40 - +1200 C

**Price:**  
**£99.00**  
**+ £17.33**  
**V.A.T.**

### OTHER HAND HELDS

**CAPACITANCE METER DM9023**  
3 Ranges OpF (with set zero) to 20,000uF \* Large, 3.5 Digit, 16mm LCD Display.  
**Price: £57.90 + £10.13 V.A.T.**

**LCR METER LCR195**  
3.5 Digit LCD Display \* 7 Capacitance Ranges 0 - 200uF  
\* 3 Inductance Ranges 0 - 200uH \* 7 Resistance Ranges 0 - 200M0hm  
**Price: £57.90 + £10.13 V.A.T.**

**FREQUENCY COUNTER (SAGE) SC130**  
5Hz - 13GHz \* 8 Digit LCD \* High Sensitivity  
\* Freq. Period-Count-RPM-Min-Max-Average-Difference  
\* Data Hold \* High Accuracy  
**Price: £109.00 + £19.08 V.A.T.**

**MICROWAVE OVEN LEAKAGE DETECTOR PY-13**  
Complete with Probe \* Detects microwave leakage around doors and seals \* Positive Indication of Leak with Meter Level Indication **Price: £34.00 + £5.95 V.A.T.**

## KENWOOD TEST & MEASURING INSTRUMENTS



FM-AM Signal Generators \* Colour Pattern Generators \* Video Signal Analyser \* Video Timing Analyser \* Video Noise Meter \* Distortion Meter \* Waveform Monitors \* Vectorscopes \* Audio Generators \* Wow and Flutter Meters \* Electronic Voltmeters \* Digital Multimeters \* Function Generators \* Frequency Counters \* Bus Analyser \* Resistance Attenuator \* Oscilloscopes \* Fully Programmable Digital Storage Oscilloscopes \* Regulated D.C. Power Supplies

The following is just part of the vast range of Kenwood equipment, all of which is available from B.K. Electronics. A full catalogue and price list is available on request.

### OSCILLOSCOPES

CS 1305 5MHz, 1 Channel, Low Cost  
CS 4025 20MHz, 2 Channel, General Purpose  
CS 4035 40MHz, 2 Channel, High Brightness, General Purpose  
CS 5250 60MHz 3 Channel, 8 Trace, High Performance with Cursors (PAL & NTSC) Synch Circuit  
CS 6040 150MHz, 4 Channel, 10 Trace, High Performance, Multi-featured  
DCS 8200 50MHz Real - 20Ms/s Digital 2 Channel

### WAVEFORM MONITORS & VECTORSCOPIES

CV 1255 Vectorscope PAL  
CV 1245 Waveform Monitor PAL (NTSC Versions of above are available. POA.)  
**SIGNAL GENERATOR**  
SG 5110 100KHz - 110MHz AM/FM Standard RF Generator (FM Stereo)

### COLOUR GENERATORS

CG 932 PAL Colour Pattern Generator, Video & RF O/Ps, Calibrated & Adjustable Levels, Interlaced and Progressive Scanning, Full Range of Patterns  
CG 922 Battery Portable PAL Pattern Generator, Video, RF and Sound Outputs, Full range of Patterns.

### AUDIO GENERATORS

AG203A 10Hz to 1MHz Low Distortion (0.1%) Audio Generator, Sine & Square Wave

### AUDIO GENERATORS (Cont.)

AG252 10Hz to 1MHz Ultra Low Distortion 0.004%, Full Attenuator O/P

### ELECTRONIC MILLIVOLTMETERS

VT 171 AC Millivolt Meter, 1mV - 300V  
VT 176 Dual AC Millivolt Meter, 0.3mV - 100V

### GENERAL PURPOSE

DL 711 3.5 Digit Auto Bench / Portable Multimeter, Approx 3000 hrs Battery

FG 273 Sweep Function Generator, 0.2Hz - 2MHz  
FG 758 Frequency Counter, 1.3GHz

### POWER SUPPLIES

PD 35-10 0 to 35 Volts, 0 to 10 Amps  
PR 19-3A 0 to 18 Volts, 0 to 3 Amps  
PS 20-54 0 to 20 Volts, 0 to 54 Amps

### KENWOOD PRICE LIST

CO 1305	£210.00 +	£36.75 V.A.T.
CS 4025	£369.00 +	£62.83 V.A.T.
CS 4035	£565.00 +	£98.88 V.A.T.
CS 2580	£1,195.00 +	£209.13 V.A.T.
CS 6040	£2,395.00 +	£419.13 V.A.T.
DCS 8200	£2,489.00 +	£437.33 V.A.T.
CV 1255	£2,249.00 +	£399.58 V.A.T.
CV 1245	£1,599.00 +	£279.83 V.A.T.
SG 5110	£1,825.00 +	£319.38 V.A.T.
CG 932	£795.00 +	£128.88 V.A.T.
CG 922	£445.00 +	£77.88 V.A.T.
AG 203A	£195.00 +	£34.13 V.A.T.
AG 252	£399.00 +	£69.83 V.A.T.
VT 171	£235.00 +	£41.13 V.A.T.
VT 176	£475.00 +	£83.13 V.A.T.
FG 273	£149.00 +	£26.08 V.A.T.
FG 758	£450.00 +	£78.75 V.A.T.
FC 758	£555.00 +	£97.13 V.A.T.
PD 35-10	£645.00 +	£112.88 V.A.T.
PR 19-3A	£235.00 +	£41.13 V.A.T.
PS 20-54	£1,810.00 +	£281.75 V.A.T.

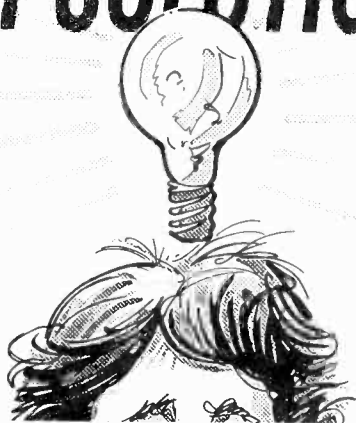
**DON'T FORGET - THERE ARE OVER 100 KENWOOD MODELS**

**U.K. POST PAID.** Export enquiries welcome. Visa / Mastercard or cheque with order, payable B.K. Electronics. Official Orders welcome from Govt. Depts., Colleges, PLCs etc. Technical leaflets and price list for the complete range are available on request. Credit card orders are accepted by post, phone and fax. Despatch is subject to payment clearance (10 days for cheques).



**VISA**

# EURAS GIVES YOU NOTHING BUT SOLUTIONS



## FOR JUST £12 A MONTH

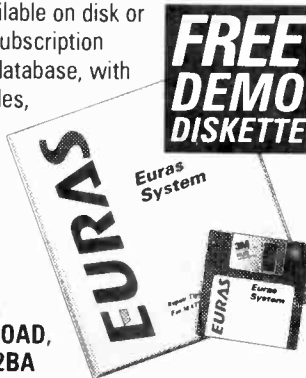
When repairing TVs, videos or CDs seems to bring nothing but problems, you want the fast and helpful solution that you'll find in the Euras System - now available on subscription for just £12 a month.

The Euras System is Europe's largest repair tips database for video, TV and CD with over 140,000 time-saving tips for 15,000 models from 270 manufacturers. So you're almost certain to find the help you need, even for unusual faults and unfamiliar models.

This essential help is available on disk or in a range of manuals. The PC subscription gives you access to our entire database, with regular free updates and upgrades, for only £12 a month, making Euras even more affordable. For full details, including your free demonstration disk, clip the coupon or call us direct on 0117 986 0900.

EURAS INTERNATIONAL LTD,  
EURAS HOUSE, 51 BRISTOL ROAD,  
KEYNSHAM, BRISTOL, BS18 2BA

**FREE  
DEMO  
DISKETTE**



**NOW! EVEN EASIER TO BUY**  

# EURAS

TV 4/95 C

**Solutions at your fingertips**

PLEASE SEND ME A FREE DEMONSTRATION DISK AND DETAILS  
OF EURAS PC SUBSCRIPTION   
PLEASE SEND ME A FREE SAMPLE EURAS MANUAL

NAME \_\_\_\_\_

TITLE \_\_\_\_\_

COMPANY \_\_\_\_\_

ADDRESS \_\_\_\_\_

POSTCODE \_\_\_\_\_ TEL \_\_\_\_\_

TV **FREE** VCR

COMPONENTS  
CATALOGUE

HUGE RANGE OF SPARES  
COMPETITIVE PRICES

+

**TV TUBES**

RE-PROCESSED

NEW

B GRADE

+

Over 150 Types in Stock  
VISTA are BSI approved

**VIDEO**

**HEADS**

Manufactured by Vista to Hi-Tech  
Specifications

150+ types available covering  
2000+ VCR models

+

**TECHNICAL  
HELP-LINE**

**vista  
electronics**

FOR CUSTOMER CARE AND SERVICE CALL

TUBES: 0429 837100

COMPONENTS: 0429 838057

FAX: 0429 837101



Vista Electronics Ltd

Unit 1B, Wingate Grange Industrial Estate, Wingate, Co. Durham, TS28 5AH.



# A Z ELECTRICS

## 183 ACRE LANE, NORTHAMPTON NN2 8DX

### Telephone: (01604) 841871 Fax: (01604) 454884

WE ARE REOPENING OUR LONDON SPARES TRADE COUNTER AT 18 BROOKWOOD ROAD, SOUTHFIELDS, LONDON SW 18 5BP. PLEASE SEE OUR ADVERT IN THE NEXT ISSUE OF TELEVISION MAGAZINE FOR FURTHER INFORMATION

#### Stock items despatched by return

#### VIDEO HEADS

**Amstrad**  
TVR1, 2, 3, 4, VCR4500, 5200, 4600, 4700, 6000, 6100, 81600, 9000, DD8900, 8904 etc ..... **£14.00**

**Ferguson/JVC**  
Universal 2 Head many models ..... **£7.50**  
8950, 8951, 3V64, 3V65, FV10, 11, 20, 21, 22, 26, 30 etc ..... **£14.50**

FV31, 14, HRD210, 211, 520, 540, 550 etc ..... **£17.50**

**Hitachi**  
VT130, 135, 250, 420, 425, 430, 530, 630 etc ..... **£22.00**  
VTVT100, 110, 120, 220, 400 etc ..... **£19.00**  
VT52, 60, 61, 63, 640 etc ..... **£16.00**  
VT11, 33, 6500, 8000, 9300 etc ..... **£14.00**

**Matsui/Saisho**  
VX730, 750, 735, 755, 990, VR2000, 3200, 3300, 3500, 3600 ..... **£18.00**

**Panasonic**  
Universal 2 Head many models ..... **£7.50**  
NVG130, 30, 40, NVJ30, NVL20 etc ..... **£17.50**  
NVG33, NVJ35, NVL25 ..... **£22.50**

**Sharp**  
VC9300, 381, 481, 500, 571, 600, 682, 772, VCA100, 105, 106, 202, VCD801, VCM73, T72 ..... **£14.50**

Not all models are shown for each make. A vast range of other makes & models i.e. Akai, Alba, Aiwa, Fidelity, Fisher, Funai, GEC, Goldstar, Granada, Grundig, Hinari, Orion, Philips, Sanyo, Sentra, Proline, Salaria, Sony, Samsung, Toshiba & Mitsubishi are available

#### IDLER ASSEMBLIES

**Akai**  
FF/Rew Idler VS1, 2, 4, 5, 6, 9, 15 ..... **£3.45**  
Take up Idler VS1, 2, 4, 5, 6, 9, 15 ..... **£4.45**  
Clutch Assemb. VS112, 105, 125, 165, 205 ..... **£10.00**  
Cassette Housing Repair Kit VS 22, 23 ..... **£10.50**

**Amstrad**  
Tape Creasing Kit VCR4500, 4600, TVR1 ..... **£5.00**

**Ferguson**  
Take up Idler 3V29, 30, 35 etc ..... **£1.20**  
Reel Idler 3V29, 30, 31, 32, 35, 36, 38, 39 ..... **£3.00**  
Take up Clutch 3V29, 30, 35, 36, 38, 39 ..... **£2.85**  
Idler Arm 3V58, 59, 65, FV10, 11, 13 etc ..... **£2.25**  
Cam Control Gear FV37, 43, 44, 46 ..... **£2.75**

Cap Motor Cog Repair Kit FV37 etc ..... **£3.50**  
**Fisher**  
Idler Assembly FVHP615, 715, 905 etc ..... **£5.00**  
Gear Idler Assembly for above models ..... **£4.50**

**Hitachi**  
FF/Rew Idler VT11, 14, 33, 64, 88 etc ..... **£2.50**  
Clutch Assembly VT11, 14, 33, 64, 88 etc ..... **£8.50**  
Idlers for earlier models in stock also

**Panasonic**  
Idler Arm Unit NV370, 430, 830, G7, 10 ..... **£3.50**  
Idler Unit NV332, 777, 780 ..... **£3.00**

All G Mechanism Parts & Kits available  
G Mechanism Training Tape ..... **£15.00**

**Sanyo**  
Idler VHR1100, 1300, 1500, 2100, 2500 ..... **£5.50**

**Sharp**  
Idler Assembly VC9300, 381, 481, 581 ..... **£3.50**  
Idler Assembly VC651, 751, 781 etc ..... **£6.50**  
Master Cam VC651, 772, VCA100 etc ..... **£1.50**

#### MISCELLANEOUS MAKES

**ALBA** - MOTOR PULLEY 4000 ..... **£1.20**  
Idler VCR5000, 6000 ..... **£3.50**

**Goldstar** - Idler GHV51, 1221, VCP4000 ..... **£3.00**  
**NEC** - Idler N9013, 9033, 9053, 9066 ..... **£6.65**  
**Philips** - Idler Mod. - VR6462, 6463 ..... **£4.50**  
**Samsung** - Idler VI510, 520, 620, 626, Idler Assemb. VB710, 790 ..... **£9.75**

Not all the models are given under each make. Please ask for models & makes not listed.

#### VIDEO MOTORS

**Ferguson**  
Capstan Motors 3V35, 36, 38, 39, 49 ..... **£24.00**  
FV14, 26, 29 ..... **£33.00**

**Hitachi**  
Capstan Motors - VT11, 14, 17, 38, 39 ..... **£30.00**  
VT33, 34 ..... **£32.00**  
VT62, 63, 64, 640, 65 ..... **£22.75**  
VT100, 110, 220, 225 ..... **£22.00**

**Sharp**  
Reel Motors - VC200, 381, 481, 581, 9300 ..... **£21.00**  
Sharp Reel Motor Pulley ..... **£1.20**

#### PINCH ROLLERS & BELT KITS

A large selection of pinch rollers and belt kits for most models are in stock. Belt kit prices start from 40p and

most of the pinch rollers are priced @ **£2.80**. Please ask for list  
JVC S20 etc Pinch Roller Assy ..... **£6.00**

#### TRIPLERS

Universal Tripler ..... **£6.20**  
Universal Tripler with Focus Unit ..... **£9.50**  
Decca 120/130 Series ..... **£8.50**  
Thorn TX10 Focus Unit ..... **£6.50**  
Grundig Triplers ..... **POA**

#### REPAIR KITS - TV/SATELLITE/VIDEO

**Akai** - Power Board VS22, 23 etc ..... **£29.00**  
**Amstrad** - PSU Kit PRD500, 510 Satellite ..... **£7.00**  
**Ferguson** - PSU Kit Video ..... **£7.00**  
**ITT** - Pico I/1A Chassis ..... **£11.00**

**Philips** - PSU Kit Anubis "A" Kit ..... **£8.50**  
PSU Kit G110 Chassis ..... **£12.00**  
PSU Kit G90AE/G90B Chassis ..... **£11.00**  
PSU Kit Philips Video ..... **£3.00**

**Pace** - PSU Kit 800, 900, 8000, 9000 ..... **£7.00**

**Panasonic** - G Deck genuine kits in stock  
**Sharp** - Cassette Housing Kit VCA113 Series ..... **£6.50**

A wide range of maintenance kits also in stock

#### LINE OUTPUT TRANSFORMERS

**Fidelity** - Up to 20" ZX2000, 3000 ..... **£14.50**  
**Ferguson** - TX100 Green Spot ..... **£14.50**  
TX100 Blue Spot ..... **£18.50**  
TX100 Yellow Spot ..... **£18.50**  
TX90 State Screen Size ..... **£15.50**

Ask for models not listed  
**Hinari** - CT4/5, TVA1 ..... **£17.50**  
**Hitachi** - CPT1476, 2174, 76, 78 ..... **£15.00**  
CPT2276, 2476, 78 ..... **£15.00**

Ask for models not listed  
**Matsui** - 1440, 420 ..... **£19.00**  
**ITT** - CV25/30/32 ..... **£9.50**  
Compact 80, 110 ..... **£16.75**  
Computer Monitor Loops ..... **POA**  
Mode transformer TX100 ..... **£15.50**  
Compact 80, 90 ..... **£19.75**  
CVC1204 ..... **£11.50**  
CV800/1/3 ..... **£21.50**  
CVC1100 ..... **£16.50**  
CVC1150/1175 ..... **£20.00**

**Hitachi** - Lopt1471/72/73 ..... **POA**  
**Sony** - 27XR4 Lopt ..... **POA**

Ask for models not listed  
**Panasonic** - Originals ..... **From £15.50**  
**Sony** - Please quote Sony part No. for price  
Other makes & models in stock. Please ask.

#### BACK UP BATTERIES

Philips 1.2V Back Up Battery ..... **£1.75**  
Philips 2.4V Back Up Battery ..... **£2.80**  
Ferguson TX10 1.2V ..... **£2.10**  
Ferguson TX10 2.4V ..... **£3.85**  
0.1 Farad 5.5V Capacitor ..... **£1.85**

State model and make for television on off switches and video mode switches

#### OTHER SPARES

**Hitachi** TV Frame Module HM6251 ..... **£8.00**  
**Hitachi** TV Frame Module HM6232 ..... **£10.00**  
Degausing Positor White ..... **£1.30**  
Degausing Positor Blue ..... **£4.00**  
Degausing Positor Philips ..... **£3.00**  
Degausing Positor Hitachi ..... **£3.40**  
End Sensors Hitachi VT63, 64 etc ..... **£2.75**  
IC Circuit Protectors Most Values ..... **£0.60**  
Matsui Limiter Post ..... **£1.75**  
Clear Service Cassette ..... **£5.90**  
1994 TV Fault Guide ..... **£12.90**  
1994 Video Fault Guide ..... **£3.00**  
Satellite Fault Guide ..... **£15.00**  
Akai Alignment Training Tape ..... **£15.00**  
**Panasonic** G Mechanism Training Tape ..... **£15.00**

#### TRAINING TAPES

**Akai** ..... **£22**  
**"G" Mec** ..... **£15**  
**Ferguson** ..... **£22**

#### SATELLITE SPARES

**LNB** 1.2DB Standard or Enhanced ..... **£24.00**  
Frequency Extender for 1D Reception on most receivers (Excluding LNB) ..... **£25.00**  
**TV/Video and Satellite Remote Controls** start from **£7.50**  
A large range of Semiconductors in stock. Popular STKs, STRs, TAs, TDAs, 2SBs, 2SCs, 2SDs, BUS, BDs and many more types.  
TX 90 complete Board. Limited stock at **£25.00**.  
Idler Tyres for popular makes in stock for as little as 35p each.



Prices subject to change without notice. Please add **£1.25** per order for p&p and then add **17.5% VAT**.  
**POSTAGE VARIES ON HEAVY ITEMS. SEND A4 SAE FOR LIST (MAIL ORDER ONLY)**  
Cheques and Postal orders should be crossed and made payable to **A.Z. Electrics**



## RENTAL FINANCE

Expand your CTV and VCR rental business with no capital outlay and increase your profitability.

Broughfame has the solution and their rental finance plan will provide facilities from £2,500 upwards.

For further details ring or write to Bob Wickham at the address below:

### BROUGHFAME LIMITED

115A ST JOHN'S HILL  
SEVENOAKS  
KENT TN13 3PE

Telephone: (0732) 743400

Fax: (0732) 743335

Specialist Distributor of T.V., Video, Satellite Audio Components & Accessories

## WIZARD DISTRIBUTORS

### WIZARD OFFER YOU...

**SPARES FOR:** Akai, Alba, Amstrad, Decca, Ferguson, Fidelity, Hitachi, I.T.T., Loewe, Mitsubishi, Matsui, Nikkai, Pace, Philips, Pye, Schneider, Sentra, Sharp, Sony, Saisho, Samsung, Tatung, Toshiba.

**TECHNICAL HELP:** Nothing new for Wizard, we have been offering this service for years.

**DELIVERY:** Fast and efficient next day service.

**SPECIAL OFFERS:** Monthly offers on popular parts (ask for our current leaflet).

**CATALOGUE:** Free comprehensive catalogue to trade customers.

Huge range of supporting components and accessories including C.R.T.s

Empress Street Works, Empress Street  
Manchester M16 9EN

Tel: 0161-872 5438, 0161-848 0060  
Fax: 0161-873 7365

# BI TEL South Wales

Competitive prices on  
Thorn Ex rental and used  
spares

All prices include  
VAT

**Telephone Bob**  
**01633 430040**

M4 Junction 25

Unit 11-12 Tavener  
Estate, Caerleon, Newport,  
Gwent MP6 1BU

**SERVICING THE NORTH EAST,  
YORKSHIRE AND SCOTLAND**

## SUPERSCREEN

**STOCK WHEN YOU WANT  
HOW YOU WANT**

OFF THE PILE ? ..... ✓ YES !  
WORKING ? ..... ✓ YES !  
SHOWROOM READY ? ..... ✓ YES !  
GUARANTEED ? ..... ✓ YES !

**AND NOW —**

**DAILY DELIVERIES THROUGHOUT  
THE NORTH EAST AND YORKSHIRE  
— RING FOR INFORMATION —**

## SUPERSCREEN

**5 Redesdale Court, Forest Grove, Riverside Park  
Industrial Estate, Middlesbrough, Cleveland  
Tel: 01642-250850 or 0831-715423**

## HI TECH AERIAL AND SATELLITE SUPPLIES

**Wholesale distributors  
for**

**Triax Fringe ABC Delta  
Enfield Cables etc**

**Videoman  
Surveillance  
Systems**

**Unit 6,  
Annvale Business Centre,  
Keady, Co Armagh,  
N. Ireland**

**Phone: 01861 538604  
Fax: 01861 539751**

### ADVERTISERS' INDEX

3Js.....	445	Henry's Audio Electronics.....	425
Aerial Techniques.....	413	Hitec.....	440
Alban Electronics Ltd.....	433	HRS Electronics.....	403
Alberice Meters.....	425	HST Distribution.....	443
Anglian TV Wholesale.....	446	J.J. Components.....	397
Audon Electronics.....	425	Manor Supplies.....	395
AZ Electrics.....	439	Marapet Electronic Components.....	393
Besco.....	444	MCES.....	434
Bitel.....	440	OZAN.....	409
BK Electronics.....	437	P.V. Tubes.....	393
Broughfame Ltd.....	439	Red Bank.....	442
Bull Electrical.....	436	Repo TV.....	445
Campion Wholesale TV Ltd.....	443	Sendz Components.....	IBC & BC
Central TV Wholesale.....	446	Stewart of Reading.....	435
Centrevision.....	446	Superscreen.....	440
Coastal Aerial Supplies.....	443	Swift Television Publications.....	393
Colour Trade.....	445	Teleplace.....	447
CTV (Midlands).....	443	Teleprice Ltd.....	442
CTV (N.E.).....	447	Trec. W.....	447
East London Components.....	388	TV Live.....	414
East London Wholesale.....	441	TVs Direct.....	441
Economic Devices.....	416-7	Vision Care.....	441
Euras.....	438	Vista Electronics.....	438
Express TVs.....	435	West Midlands TV.....	447
Grandata Ltd.....	378-387	Willow Vale Electronics Ltd.....	IFC
Hardy, J.W.....	435	Wiltsgove Ltd.....	441
Harrison Electronics.....	434	Wizard Distributors.....	439
HCTV.....	444		

# akura TV, VIDEO & HI-FI



**AKURA  
QUARTET**  
REMOTE  
CONTROLLED  
TV/AUDIO  
HI-FI SYSTEM  
COMPLETE WITH  
14" TV • CD • TAPE DECK  
• DIGITAL RADIO.

**£130.00**  
(PLUS VAT)

**BRAND  
NEW  
COKE CANS  
AVAILABLE  
£180  
+VAT**

SPARES F.O.C. FOR  
ONE YEAR FROM DATE  
OF PURCHASE.

MINIMUM ORDER  
OF 5 UNITS (MIXED).

DELIVERY: £2.50+VAT  
PER UNIT.

ALL PRODUCTS ARE  
WORKING & BOXED AS  
NEW WITH ALL ACCESS-  
ORIES.

PAYMENT BY  
"PRG-FORMA".

WHEN WE'RE OPEN  
MON-FRI: 9.00-5.30  
SATURDAY: 9.30-5.00

**TV  
DIRECT**

- AKURA CX30**  
14" REMOTE CONTROL..... **£85.00+VAT**
- AKURA NR1**  
14" NON-REMOTE..... **£65.00+VAT**
- AKURA CDM4**  
CD MICRO HI-FI..... **£40.00+VAT**
- AKURA M4**  
RECORD DECK MIDI HI-FI..... **£22.00+VAT**
- AKURA CDC103**  
MULTI-PLAY CD MIDI HI-FI  
WITH RECORD DECK..... **£85.00+VAT**
- AKURA CX240**  
20" REMOTE CONTROL..... **£110.00+VAT**
- AKURA CX250T**  
20" FASTEXT REMOTE..... **£123.00+VAT**
- AKURA CX1400T**  
14" FASTEXT REMOTE..... **£105.00+VAT**

14 PAYNE STREET, PORT DUNDAS, GLASGOW G4 0LF.  
TEL: 0141 353 1665 • FAX: 0141 353 1124

## WILTSGROVE LTD



28-29 RIVER STREET, DIGBETH  
BIRMINGHAM B5 5SA

TEL: 021 772-2733 FAX: 021 766-6100

Complete range of  
**THORN - GRANADA**  
EX-RENTAL, GRADED STOCK, TVS,  
VIDEO, AUDIO, HI-FI, MICROWAVE ETC

Also complete range of spares and components  
ICS, Handsets, Video Heads, Flaps, Trims,  
Tools, Aerials, Batteries, etc

**LORRY LOADS OF FRESH STOCK EVERY DAY  
COME AND PICK YOUR STOCK FROM THE LORRY**

Free delivery service to most areas of the UK  
(with reasonable order)

**GRADED STOCK (good as new) MAJOR BRANDS**  
TVs, Hi-Fi, Videos

Complete with original box, handset and instruction book  
(name cannot be mentioned for security)

*ALMOST HALF PRICE OF RETAIL*

**EXPORT ENQUIRIES ARE WELCOME**

All stock subject to availability and VAT

## VISIONCARE

THE NEW NAME IN BERKSHIRE FOR



HIGH QUALITY EX-RENTAL  
THORN AND GRANADA STOCK  
PLUS GRADED STOCK  
AUDIO, TVs, VCR etc.  
**RING IN FOR PRICES**



**FREE DELIVERY FOR MOST AREAS OF UK  
WITH REASONABLE ORDER**

**NOW AVAILABLE  
GRADED STOCK — MAJOR BRAND**

Complete with original boxed, handset and  
instruction book — Good as new  
Latest Nicam, Fastext, Prologic

**ALMOST HALF PRICE OF RETAIL**

★★★ STAR BUY ★★★

SANYO - SX915 SPEAKERS (NEW) £14.95 per pair  
DEFINITION VIDEO TAPES E-180  
TRADE PRICE £0.79 (Minimum Quantity 50)

**WE HAVE NOW MOVED TO OUR NEW ADDRESS**

**UNIT 21, DEACON WAY, SCOURS LANE,  
TILEHURST, READING BERKSHIRE RG3 6AZ  
TEL: 0734 420251 and 0734 420555**

OPEN MONDAY TO FRIDAY 9am-5.30pm  
EXPORT ENQUIRIES ARE WELCOME  
All stock subject to availability and VAT



## EAST LONDON WHOLESALE CENTRE

NEW TO LONDON!

**EX-RENTAL COLOUR  
TV's AND VIDEO  
RECORDERS**

Tel: 0171 538 0306

OPEN  
MONDAY TO FRIDAY 9 am to 5.30 pm  
SATURDAY 9 am to 1 pm



**WORKING COLOUR  
TELEVISIONS**

- ◆ BASIC FROM £14
- ◆ REMOTE CONTROL FROM £25
- ◆ TELETEXT FROM £35

**WORKING VHS VIDEO  
RECORDERS**

- ◆ TOP LOADING FROM £35
- ◆ FRONT LOADING FROM £45



**WHY NOT COME TO SEE US AT  
UNIT 16, BOW ENTERPRISE PARK, CRANWELL CLOSE  
BOW, LONDON E3 3 QY**

GREATER MANCHESTER'S NO 1 WHOLESALE

# RED BANK UNIT 20

## HERE

**STRUGGLING FOR STOCK?**

WE HAVE GOT WHAT YOU NEED

**THORN and GRANADA  
PORTABLES and F.S.T's  
AVAILABLE NOW!!**

Televisions from £5, F/loading Videos from £20  
Working Teletext from £35, 1,000s of TVs and Videos in stock

FRESH STOCK ARRIVING DAILY  
RING NOW FOR STOCK UPDATE

\*Export Enquiries Welcome  
Open 10am - 5pm Mon-Fri

**UNIT 20, RED BANK ARCHES,  
MANCHESTER M4 4HF**

— CHEQUE — ACCESS — VISA —

PHONE 061 832 4220  
FAX 061 834 6368  
PRICES SUBJECT  
TO  
VAT



# TELEPRICE

LIMITED

**Leaders in the supply of:**

Ex-rental, End-of-line, Customer returns and Surplus stocks of Televisions,  
Video and Audio Equipment, and Domestic Washing Machines,  
Dryers, Refrigerators, etc.

**to the Trade**

Contact your nearest Area Manager for latest prices:

Area	Contact:	Mobile:	Fax/Tel:
South East	Colin Gordon	0374 738701	01227 741312
South West	Tony Lewis	0374 732784	01291 425018
North/N.I.	Ian McClelland	0831 597331	01244 400602

Head Office: Baird House, Arlington Business Park, Theale, Reading, Berks RG7 4SA.

Tel: 01734 309933 Fax: 01734 309934

**C.T.V.**

UNIT 5, THE PHOENIX BUILDING, RUSHOCK  
TRADING ESTATE, DROITWICH ROAD,  
NEAR KIDDERMINSTER  
TELEPHONE: 0299-251522  
0836-585829/0860-809673 (24HR)

**SUPPLIERS OF HIGH QUALITY  
EX-RENTAL TELEVISIONS AND VIDEOS  
LARGE STOCKS ALWAYS AVAILABLE**

**ALL AT COMPETITIVE PRICES**

**Also available: 'B' Grade Products,  
Audio, and Complete Range**

**of Televisions and Videos**

**OPEN: MON-FRI - 9.30-5.30**

**TEL:**

0299-251522

0836-585829/0860-809673 (24HR)

**Fax: 0299-251543**

**EXPORT ENQUIRIES WELCOME**

**APPROVED  
TELEPRICE  
DISTRIBUTOR**

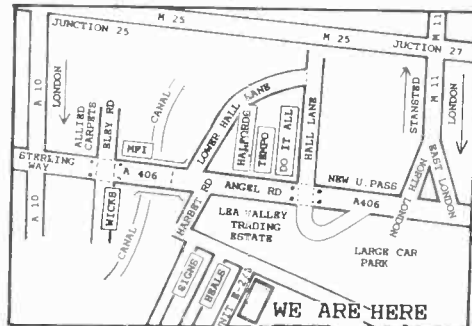
**HST  
DISTRIBUTORS  
LONDON**

Suppliers of high quality  
**THORN EX-RENTAL STOCK**  
*Direct from source*

**PHONE FOR DELIVERY DAYS ON**

**081 803 0505**

UNIT E2/3, Stonehill Business Park, Lea Valley Trading Estate,  
ANGEL ROAD, LONDON N18 3LD



**AERIALS**

FOR TV & FM RADIO, PLUS 1000's  
OF MASTS, BRACKETS, LASHING  
KITS, CLAMPS, PLUGS, CABLES,  
OUTLETS, DIPLEXERS ETC

**AMPLIFIERS**

FOR DISTRIBUTION SYSTEMS  
AND DOMESTIC, MAST HEAD  
OR SET BACK. WE HAVE ONE  
OF THE LARGEST RANGES,  
AVAILABLE FROM STOCK

**MAIN DISTRIBUTORS**

FOR ANTIFERRENCE, LABGEAR,  
WOLSEY FRINGE, TRIAX,  
TELEVES, VOLEX-RAYDEX,  
KUBLER + MANY MORE

**COASTAL**

**AERIAL SUPPLIES**

UNIT X2, Rudford Industrial Estate, Ford, Arundel

**0903 723726**

NO MINIMUM ORDER VALUE  
NEXT DAY DELIVERY ACROSS UK  
CARRIAGE FREE ON ORDERS £250+



**CAMPION  
WHOLESALE LTD.**

**QUALITY USED  
TV & VIDEO**

**COMPLETE RANGE OF TV'S AND  
VIDEOS MOST MAKES AND  
MODELS AVAILABLE**

**STOCK ARRIVING DAILY**

**TV's from £3.00 · Videos from £30.00  
Prices Ex-VAT**

Free Delivery Service to most areas of the UK

UNIT 75, BARRACKS ROAD,  
SANDY LANE INDUSTRIAL ESTATE,  
STOURPORT-ON-SEVERN,  
WORCESTERSHIRE DY13 9QB  
Just 10 Mins from M5 Junct. 6 Worcs North

**UK's LARGEST EXPORT  
WHOLESALE. CONVERSIONS  
TO MOST COUNTRIES**

**0299-879642 (3 lines)**

**FAX: 0299 827984**



LTD

TV & VIDEO WHOLESALERS

# PRICES SLASHED



\* MEGA DEALS ON GRADED STOCK

NOBODY BEATS OUR PRICES \*

**GRADED STOCK** – Boxed with remote and instructions,  
 14" Portable – £50 14" R/C Portable – £60  
 20" Fasttext – £115 21" Fasttext – £135 21" Nicam – £165  
 25" Fasttext – £155 25" Nicam – £175

**THE ULTIMATE CLEARANCE OFFER!  
 MUST END 31<sup>ST</sup> MARCH**

**TX100 Text FST and TX100 Remote FST For Only  
 £40 EACH**

*All prices are subject to VAT*

**PRESTON**

TEL: 01772 312101

**BIRMINGHAM**

TEL: 0121-327 3273 FAX: 0121-322 2011

**LONDON**

TEL: 0181-961 5005

## WE HAVE EVERYTHING YOU WANT!!

TV's, VIDEO, Hi Fi, Ghetto Blasters, WALKMANS,  
 Portable CD's, Stack Systems etc.  
 NEW, RETURNS, 'B' GRADE, EX-RENTAL

F.S.T. TV from £80 working  
 F.S.T. Text from £90 working  
 Nicam TV from £120 working  
 Boxed F.S.T. from £100 (depending on make)

Slim front loading video, off the pile £20 Working front loading video from £45  
 Centre deck, Video Plus, Latest models JVC, Philips, Toshiba, all boxed from only £110

Standard CTV's, off the pile, from £5 Text TV, off the pile, from £25

Mini/Micro system with CD from £35 boxed makes include Pioneer, Sanyo,  
 Kenwood, Aiwa etc. HiFi Midi Systems from £15!!

**SPECIALS:** Walkmans from £7, Twin ST/RAD/Cass, boxed, £12  
 ST/RAD/Cass, boxed, £8. Car radios from £12.

Brand new Microwaves, boxed, 1/2 retail price.

FREE!! Coffee, Tea, Pop, Bacon/Sausage/Egg Sandwich, Loud Music  
 Bring plenty of money! Please, no overnight queuing!  
 All Prices Subject to VAT

## BESCO LTD

**Walker House, 16 Bottomley Street, Manchester Road,  
 Bradford BD5 7LJ. Tel: 01274 308186**

Open Mon/Fri 9 to 5, Sat 9 to 4, Sunday by Appointment  
 Few minutes end of M62/M606.

# COLOURTRADE

ESTABLISHED 1973 – WHOLESALE ONLY

## NEW 'B' GRADE

Major Brands ONLY TV's – Video – Audio.  
 Microwaves, Satellite Receivers, Decoders  
 COMPLETE BOXED – WITH STAND – HANDSET – BOOK ETC  
 MINT LATEST NICAM FASTEXT F.S.T.

## FERGUSON

FULL RANGE – ALL CURRENT MODELS OF TV-VIDEO IN STOCK

NATION-WIDE NEXT DAY DELIVERY SERVICE – VISITORS BY APPOINTMENT

**Phone 021-359 7020**

**FAX 021-359 6344**

221-222 BRIDGE ST WEST, HOCKLEY,  
 BIRMINGHAM B19 2HU – JUST OFF M6-J6



## 3 J's

**MAIDSTONE – KENT**

**WHOLESALE TRADE WAREHOUSE**

We offer the best quality range of Ex-Rental Televisions and Video Recorders –  
 Plus – A range of Ex-Rental White Goods,  
 Washing Machines, Washer Dryers,  
 Dishwashers etc

*All at Very Competitive Prices*

For further information  
 ring Janet NOW! on:

**MAIDSTONE 0622 755525**

or call in:– You will find us on the corner of  
 Upper Stone St. and Brunswick St. East

**45a UPPER STONE ST.  
 MAIDSTONE  
 KENT**

## REPO WHOLESALE

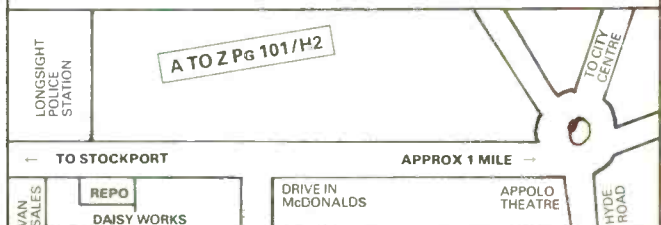
DAISY WORKS, 345 STOCKPORT ROAD  
 LONGSIGHT, MANCHESTER M13 0LF  
**0161-273-2854/274-3409/Fax 273-4486**

GOOD SELECTION OF VARIOUS  
 MAKES OF T.V. AND VIDEO  
 FST - TEXT - REMOTES - BASICS - VIDS  
 – **NEW HANDSETS IN STOCK** –

- ★ Serviced and Ready to Sell ★
- ★ "As they come" Complete ★
- ★ "Direct from Source" full loads ★

*No order too small – If you are new to the  
 business call in and let us help you*

CHEQUE/CASH/ACCESS/VISA/AMEX ETC.



# CENTRAL TV

WHOLESALE DISTRIBUTOR

**Attention All Traders**

**If you are looking for Serious Deals on Videos, TVs, Camcorders, Satellite Equipment, Microwaves, B Grade TVs & Videos**

**CALL US NOW!**

**Best deals on Ex-Rental TVs & Videos off the pile or buy direct from source at Agent Prices.**

**Agents required for export**

London contact: Joshi  
Eley Estate, Nobel Road, Edmonton N18  
Tel: 0181-807 4090  
Fax: 0181-884 1314

Birmingham contact: Mick  
369 Stratford Road, Sparkhill, Birmingham B11  
Tel: 0121-772 1591  
Fax: 0121-766 6383



## CENTREVISION



CENTREVISION HOUSE  
SLOPER ROAD · LECKWITH · CARDIFF · CF1 8AB  
Fax: 01222 344218

**100's OF WORKING TV's  
IN STOCK**

**FST FASTEXT NICAM  
TV's WORKING ON DISPLAY  
READY FOR  
DIRECT RE-SALE**

**PHILIPS, SHARP, SANYO, TOSHIBA**



**HITACHI, SALORA, FERGUSON**



**SO DON'T DELAY  
PHONE 01222 344754**

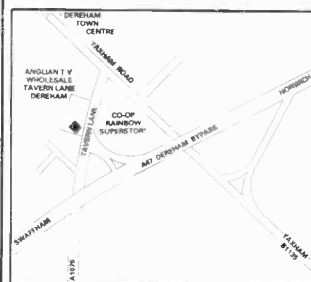
## EAST ANGLIA'S PREMIER WHOLESALER

# A.T.V.

**FST ★ FASTEST  
PORTABLES ★ REMOTES**

*Stock arriving regularly*

**EX-RENTAL TV & VCRs  
TOP QUALITY STOCK  
BEST POSSIBLE PRICES  
RING FOR DETAILS (0362) 691611  
DIRECT LOADS AVAILABLE –  
DELIVERY SERVICE  
EXPORT ENQUIRIES WELCOME**



## ANGLIAN T.V. WHOLESALE

Unit 4  
Brecklands Business Centre  
Tavern Lane  
East Dereham  
Norfolk NR19 1PX  
Tel/Fax: (0362) 691611  
OPEN MON-FRI 10am-5pm



**EVERYTHING MUST GO**

Large stock of B Grade TVs  
Top Brand Names Boxed & Working

14" Portables now £75

TV & Video Package Deal  
21" NICAM FASTEXT &  
NICAM L/P Videorecorder £328

20" R/Control TV £110

**EVERYTHING MUST GO**  
28" NICAM FASTEXT &  
NICAM L/P Videorecorder  
Package Price £439

MICROWAVES from £10

**EX RENTAL TVs**  
Direct from source. Untouched  
Basic TVs £5, £10 and £15, R/C £20  
Teletext £30. Videos from £25

Mini Micro Systems with CD  
from £25 various makes.  
Hi-fi Midi System from  
£12 Boxed.

Stereo Radio Cassettes. Boxed £10.

**W TREE WAREHOUSE**  
UNIT 1, SUNSHINE MILLS, WORTLEY RD, LEEDS 12  
TEL: 0113 2638804 FAX: 0113 2310275

**C.T.V. (NORTH EAST)**

**9A/B, 94 Carrmere Road  
Leechmere Ind. Est.  
Sunderland  
SR2 9TE**

No. 1 in the North East  
for all makes and models  
of high quality ex-rental  
televisions and video recorders  
at very competitive prices

**Now Open  
Saturday morning  
by APPOINTMENT ONLY**

**091-523 5554  
Fax: 091-523 8035**

**Export Enquiries Welcome.**

**TELEPLACE  
SCOTLAND**

**TV & VIDEO WHOLESALE.**

**Working Faulty  
Refurbished Stock  
Delivered.**

**8, Colquhoun Park  
Hillington Industrial  
Estate  
Glasgow  
G52 1XX**

**041-883 2610**

**W.M.T.V.**

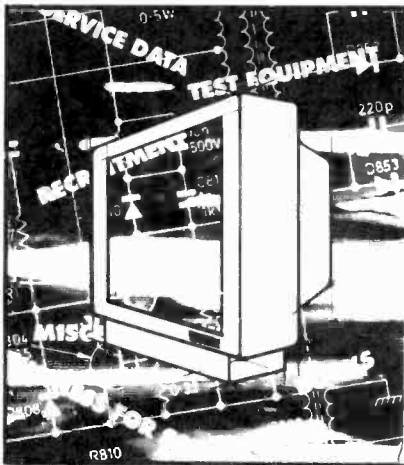
THE LARGEST INDEPENDENT  
WHOLESALE IN WALSALL  
- SUPPLIERS OF HIGH QUALITY EX-RENTAL  
TVs AND VIDEOS TO THE TRADE  
AT COMPETITIVE PRICES  
ALSO AVAILABLE: NEW B-GRADE PRODUCTS  
- TVs, VIDEOS, AUDIO & MICROWAVES -  
ALL TESTED & BOXED

1/2 Mile of Junction 10 M6. Easy Parking Facilities

**UNIT 3, BENTLEY LANE BUSINESS PARK  
BENTLEY LANE, WALSALL WS2 3TL  
Tel: 0922-724542. Fax: 0922-722208  
Mobile: 0831-246622 (24 Hours)**

**OPEN:  
MON-FRI,  
9-6pm  
SAT 9-2pm  
SUNDAY BY  
APPOINTMENT  
DELIVERY  
SERVICE  
THROUGHOUT  
THE COUNTRY**





# TELEVISION CLASSIFIED

No other consumer magazine in the country can reach so effectively those readers who are wholly engaged in the television and affiliated electronic industries. They have a need to know of your products and services.

The prepaid rate for semi display setting is £13.50 per single column centimetre (minimum 4 cm). Classified advertisements £2.00 per word (minimum 20 words), box number £22.00 extra. All prices plus 17½% VAT. All cheques, postal orders etc., to be made payable to Reed Business Publishing. Advertisements, together with remittance, should be sent to The Television Classified, 11th Floor, Quadrant House, The Quadrant, Sutton, Surrey SM2 5AS.



PHONE 0181-652 8339 FAX 0181-652 8931



## TV/VIDEO/SATELLITE/ HI-FI FAULT GUIDES & SERVICE SHEETS

### FRYERNS

Most makes covered old and new. This service offers technical advice and cure plus Schematic diagram all for the price of £3.50

Add £1.50 Post/Packing & Handling for 1 item. 2 Items or More Post & Packing Free

Access and Visa Fax Service

Phone **01268 558938**

Anytime 7 days a week

4 Pincey Mead, Basildon,  
Essex SS13 3EW  
Fax: 01268 475548

## START YOUR OWN MOBILE COMMUNICATIONS BUSINESS

Our unique independently written manual gives you all the information you need to start full or part time along side your existing business.

Include confidential trade suppliers telephone numbers, available now at only £9.95 postage paid, cheques/P.O.:

Global Media Communications (TV)  
1a Park Place, Leeds LS1 2RU

# SERVICE MANUALS

We have what is probably the largest range of Service Information available anywhere.

From the Earliest Valve Wireless to the Latest Video Recorders. Colour Televisions, Test Gear, Audio, Computers, Amateur Radio, in fact practically anything.

Originals or Photostats as available.

Also available. Our **FREE** catalogue detailing Hundreds of Technical Books and Repair Guides available.

Now Available. Our Service Manuals Index on P.C. Disc (3.5") for use on your Computer. Just £3.50 with FREE everlasting Updates. Order MP-285.

**Mauritron Technical Services (5TV),**  
8 Cherry Tree Road, Chinnor, Oxon OX9 4QY

Tel: 01844-351694 Fax: 01844-352554

Please forward your latest catalogue for which I enclose 2 x 1st Class Stamps. or £3.50 for the Technical Books Catalogue plus Manuals Index on PC Disc(s).

NAME \_\_\_\_\_

Address \_\_\_\_\_

POSTCODE \_\_\_\_\_

## SERVICE MANUAL BOOKS

Professionally Produced with the Manufacturers Full Co-operation

Satellite Servicing 1993-94 .....	£79.00
New Edition. Covers 316 Models. ISBN: 0 898598 05 3	
Satellite Servicing 1991-92 .....	£69.00
Covers 251 Models. ISBN: 0 9513897 8 5	
Satellite Servicing 1987-90 .....	£59.00
Covers 127 Models. ISBN: 0 9513897 6 9	
Television Servicing 1993-94 .....	£89.00
New Edition. Covers 629 Models. ISBN: 1 898598 03 7	
Television Servicing 1991-92 .....	£89.00
Covers 307 Models. ISBN: 0 9513897 7 7	
Television Servicing 1989-90 .....	£69.00
Covers 463 Models. ISBN: 0 9513897 1 8	
Television Servicing 1987-88 .....	£59.00
Limited Reprint Now Available. ISBN: 0 9513897 0 X	
Video Servicing 1991-92 .....	£195.00
Three Volume Set. Covers 322 Models. ISBN: 0 9513897 9 3	
Video Servicing 1989-90 .....	£99.00
Limited Number Available. Was £145. ISBN: 0 898598 04 5	

### ALL BOOKS CONTAIN

Circuit Diagrams, Scope Readings, Voltage Tables, Part No's, Adjustments & Troubleshooting Guides.

Send For Brochure Listing Models

All Prices Include UK Post, Packing & Ins.



Interest Free Credit on orders over £150  
(From £30 Per Month). RING FOR DETAILS.

## U-VIEW

4 South Parade Bawtry Doncaster  
Yorkshire England DN10 6JH

Technical Publishers

Tel: 01302 719997 Fax: 01302 719995

# SERVICE MANUALS

For most U.K. European, Far East & USA makes

Thousands of different models available

Prices (Stock Items):-

VCR, VCP, Camcorder, TV/Vid -	£13.50
CTV, Colour Monitor, Camera -	£8.50
MTV, Mono Monitor, SAT, MWV -	£6.00

Add P/P £1.50 for first item then 50p for each additional item - no VAT

Cheque/PO with order only please.

### D-TEC

PO BOX 1171, FERNDOWN, DORSET BH22 9YG

Tel: 0202 870656

# SERVICE MANUALS

1901's TO 1984  
BRITISH - FOREIGN

We Have the worlds Largest Selection of Manuals



## SELECTED TITLES

So many titles, it's criminal!



### VCR/CAMERA EQUIV'S & CHASSIS

Chassis & Equivalents Guide £4.00

### CTV/SATELLITE EQUIV'S & CHASSIS

Chassis & Equivalents Guide £4.00

### DATA REF GUIDE 5th Edn.

Contains all the above plus Audio, Mono TV, Test Equip, CD's etc.. £9.95

### CTV SERVICING BY KING

G.King's 2nd Edn. Trade Standard £16.95

### \*NEW\*SERVICING CD PLAYERS

Problem solving bench companion £25.00

### BUY/SELL & SERVICING USED

TV's, VCR's OR CD'S (Pocket Books) £9.95 each

### CTV CIRCUIT COLLECTIONS

Alba/Bush	£29	Ans'd/Fid'ly	£25	B&O	£25
Decca	£29	GEC	£25	Grundig	£45
Hitachi	£55	ITT/Nokia	£45	Matsui	£45
Mitsubishi	£45	Phillips	£39	Rediffusion	£25
Sanyo	£35	Sony	£74	Toshiba	£43

SEE CATALOGUE FOR FULL LIST

## DATA LIBRARY

### HOW IT WORKS IN 3 EASY STEPS



**STEP 1:** You pay a joining fee of £69.95 (the annual renewal charge is £25), & tell us what service manual you want. We'll send it to you, usually by return.

**STEP 2:** When you want another manual, just return your current one with £4.95, for exchange & handling, and tell us what manual you want in exchange.

**STEP 3:** Repeat "Step 2" as often as required!

Your joining fee of £69.95 also includes:-

### Your First 12 Months Membership



Technical Help Line

All STREE Newsletters

Data Reference Guide



We also offer any 20 manuals for **£190**

Order them as required, there is no time-limit & postage is included

This offer is open to non-Library members

### \*NEW\*EUROPEAN SCRAMBLING SYSTEMS 4th Edn. £32.00

John McCormac's latest update of his best selling book, showing how to beat the Videocrypt and build your own decoder!



### PRACT' TV REPAIRS 2nd Edn. £16.95

Update of worlds most successful general repair guide. Now includes Nicam & Fastext.

### \*NEW\*SOFTWARE ENGINEERS P/B

System development, maintenance & repair are fully explained in depth £12.95

## ABOUT TIS & INFOTECH

We started out as 'Ause-Enterprises' in 1971 as a partnership between several Electronic Writers and an independent Publishing Co..

In 1980 we bought-out STREE (Society for Television, Radio and Electronic Engineers) and a Electrical Manual Supplier. We have since grown into, not only, the largest supplier of Service Manuals/Circuits, Repair data & Technical books, but now run a Service Manual Library and even a PC Games Library.

## TECHNICAL INFORMATION SERVICES

76 CHURCH STREET, LARKHALL,

LANARKSHIRE, ML9 1HE



TEL (0698) 883334/888343

FAX (0698) 884825



SEND A LARGE S.A.E. FOR YOUR FREE CATALOGUE  
PLEASE ADD £2.00 POST & PACKING TO ANY ORDER

## INDEXES ! INDEXES !

In BOOK form or now on DISK !

**DISK** - This easy to use custom written program provides an index to approx 12,000 Tv, video, satellite, camcorder & cd faults listed in 14 years of television magazine. Specifically developed for this application & using compression technology to bring you a program thats fast, Yet requires just 95k of ram & 740k of disk space. Runs on any IBM PC or compatible - even straight from the floppy (amazing). Features include - pop up menus, on screen help & keyword searches to name but a few.

All this for our special introductory price - **only £17.50**

Please specify disk size (3.5 or 5.25 inch) when placing your order.

**BOOKS** - Now in their 13th Edition with thousands of copies sold worldwide the E.C.S. Television, Video, satellite, camcorder & CD indexes contain over 10,000 fault references listed in 12 years of television magazine.

Price per full set (indexes listed above) - **only £14.75**

## FIX IT KWIK !!

After many requests for further servicing information E.C.S. has now produced the KWIK TIPS range of technical publications for the TV & video engineer.

**KWIK TIPS TELEVISION** covers a broad range of makes, models & chassis and contains a unique collection of over 2500 television fault solutions.

ISBN 1 898394 00 8 First edition now available - **only £13.95**

**KWIK TIPS VIDEO** is ideal for dealing with those video "nasties", A superb collection of over 2000 video fault solutions from a wide spectrum of manufacturers.

ISBN 1 898394 01 6 First edition now available - **only £10.95**

Chassis & equivalent identification made easy with the E.C.S. Television & video equivalents, TV model to chassis guide & camcorder equivalents - A massive 4500 entries brought together in 1 book.

ISBN 1 898394 02 4 First edition now available - **only £13.95**

# E.C.S. TECHNICAL PUBLISHING

31, Prenton road west, Prenton, Wirral, Merseyside. L42 9PY.

Please add £1.75 P & P to total (europe £2.75, r.o.w please enquire).

# TECHNICAL BOOKS

A selection from our range of books for the repair trade

- TELEVISION CHASSIS GUIDE**  
Full cross reference for all models.  
Order MP-18. £6.00
- TELEVISION EQUIVALENTS**  
Lists models which are the same.  
Order MP-150. £6.00
- FAULT LIST FOR TELEVISIONS**  
Hundreds of specific faults for dozens of different makes and models.  
Order MP-205. £7.00
- TELETEXT REPAIR MANUAL**  
Covers SAA range of boards.  
Order MP-36. £7.00
- TELEVISION REMOTE CONTROL CIRCUITS**  
Dozens of Diagrams on many remotes.  
Order MP-167. £10.00
- TV POWER SUPPLY CIRCUITS**  
Dozens of T.S. circuit stages.  
Order MP-218. £10.00
- SCART EUROCONNECTOR SYSTEM**  
Comprehensive details of the system.  
Order MP-21. £3.00
- P.C. HARD DISC DRIVE REFERENCE MANUAL**  
Comprehensive Drive Details.  
Order MP-84. £5.00
- P.C. DIAGNOSTICS SOFTWARE**  
Dozens of programs to aid you in diagnostics of PC's and Drives etc.  
2 sets of 7 x 3.5" Discs per set  
Set 1. Order MP-250. £12.50  
Set 2. Order MP-251. £12.50
- VIDEO RECORDER AND CAMCORDER EQUIVALENTS**  
Full Cross-reference guides  
Makes A-J. Order MP-218. £6.00  
Makes K-Z. Order MP-219. £6.00
- FAULT LISTINGS FOR VIDEO**  
Lists Hundreds of Faults for dozens of makes and models.  
Volume 1. MP-206. £7.00  
Volume 2. MP-228. £7.00
- VHS VIDEO RECORDER PRINCIPLES**  
Detailed guide on how it works.  
Order MP-58. £4.00
- VIDEO TEST JIG**  
Special cassette lets you operate the machine in test mode.  
Order VTF. £15.00
- VIDEO HEAD CLEANING KIT**  
Special kit with comprehensive instructions on how to service heads.  
Order VHCK. £5.00
- VIDEO RECORDER FAULTS**  
Unique repair guide for beginners  
Order MP-5. £3.00
- WIRE ANTENNAS FOR H.F. OPERATORS**  
THE Aerial book for Amateurs.  
Order MP-243. £5.95
- KEEL TO REEL TAPE RECORDER SERVICING**  
Theory and circuits for repairs.  
Order MP-301. £4.95
- TRANSISTOR RADIO REPAIR GUIDE**  
Comprehensive servicing charts.  
Order MP-7. £1.95
- RECORDER PLAYER SPEED DISC**  
Get your phonograph up to speed.  
Order MP-8. £3.95
- SWITCH MODE POWER SUPPLY I.C. TYPE TDA 4600**  
Circuitry and operation explained.  
Order MP-37. £6.00
- VOLTAGE REGULATORS, STABILISERS & POWER SUPPLIES**  
Identification and specifications.  
Order MP-9. £3.00
- CMOS DATABOOK**  
Pinouts and circuits for 4000 series.  
Order MP-10. £5.00
- TTL DATABOOK**  
Pinouts and circuits for 7400 series.  
Order MP-34. £5.00
- TRANSISTOR EQUIVALENTS**  
Includes details on testing them.  
Order MP-24. £3.00
- OFFICE EQUIPMENT EQUIVALENTS**  
Photocopiers & Fax machines covered.  
Order MP-200. £6.00
- TELEPHONE CODE LOCATION GUIDE**  
Find the Town from the Phone Code.  
Order MP-19. £4.00
- MANUFACTURERS EQUIVALENTS**  
What makes are the same.  
Order MP-220. £3.00

The above selection are just a few of the Hundreds of Unique Repair and Data Guides shown in our FREE catalogue - Yours for the asking. Sent FREE with all orders or send 2 x 1st class stamps for your copy TODAY!

Order TODAY using Access/Visa for immediate despatch. All order plus £2.94 Post and Packing. (Overseas £5.00)

**MAURITRON TECHNICAL SERVICES (6TV1)**

8 Cherry Tree Road, Chinnor, Oxfordshire OX9 4QY  
Tel: 0844-351694. Fax: 0844-352554

## SPARES & COMPS

### TUNERS FOR PACE SATELLITES

PRD 800 7.5 GHZ C75 G01 .....	£17.45
PRD 800 + 2 GHZ 221, 2077 .....	£28.20
PRD 900 2 GHZ 221, 2177 .....	£32.90
9000 Series Tuner Kits .....	£26.00
9000 Series Original repaired	
Direct replacement .....	£19.45
Remotes for PRD 800 .....	£8.75

### ALDER COMPONENTS

127A Westgate, Heckmondwike,  
West Yorkshire WF16 0EW  
Tel/Fax: (01924) 411089



Prices Inc VAT. Free Post & Packing. Cheques with Order

## COMPAC ELECTRONICS

**TV Video & Satellite Components**  
Large range of Lopts, IC's, Remote Controls available + Other components  
Universal Remote Controls Special Offer.  
Phone for best prices  
We buy surplus components  
Phone For Your Requirements  
**0181 984 0831**  
3L Weyland Road, Dagenham, Essex RM8 3AB

## MICROTEL WHOLESALE

"SIMPLY THE BEST"  
FOR ALL YOUR QUALITY REPLACEMENT PARTS

## MAIL ORDER LINE

PHONE: 0115 987 9050

SEMICOND'S		REMOTES	MORE LOPTS	VIDEO HEADS	IDLER/CLUTCH	BACK UP BATTERY
2SA	AN	PHILIPS RC5.	FERG TX100	FERG/JVC	SPECIAL OFFER	PHILIPS 1.2V 110p
2SB	BA	VERY POP ... 600p	110deg ..... 1450p	3V29/30 ..... 625p	SHARP ..... 100p	PHILIPS 2.4V 180p
2SC	HA	FERGUSON	GOLDSTAR	FERG/JVC	0005/61type	FERG TX10 .... 150p
2SD	KIA	TX10/100 ..... 600p	CIS4441 ..... 1450p	3V35/36 ..... 625p	FISHER	FERG VCR ..... 190p
AD	LA	VARIOUS TYPE	PANASONIC	FERG/JVC	615 idler ..... 175p	<b>TV SWITCHES</b>
BC	LC	INC SONY ITT	TC2200 ..... 1695p	3V42 ..... 1125p	615 gear ..... 270p	
BD	LM	GRUNDIG ETC	PHILIPS	AMSTRAD ver4600	FERG 3V29/30	UNIVERSAL ... 330p
BF	MDA	FROM ..... 600p	CP90 ..... 1495p	..... 1100p	play idler ..... 100p	inc 2 brackets
BT	SAA	<b>LOPTS</b>	PHILIPS 2A 1499p	AMSTRAD ver6000	reel idler ..... 170p	TX85 pe/re ..... 125p
BU	SAB		HITACHI CPT	ITT TX3236 1495p	..... 1200p	t/up clutch ..... 200p
BUT	SLA	HITACHI CPT	ITT COMPACT	PANASONIC	HIT VIII ..... 120p	GEC nis 10 ..... 99p
BUW	STA	2036 ..... 1596p	FX3458 ..... 1650p	nvg/j30 ..... 1750p	SPECIAL OFFER - ASTRA ID CONVERTOR'S ..... Only 1495p	
BUX	STK	HITACHI CPT	ITT CJ3437 1495p	PANASONIC		
MJ	STR	2174 ..... 1665p	<b>EHT TRIPLERS</b>	nvg/10 ..... 1625p	SATELLITE REPAIR KITS FOR PACE AMSTRAD PSU ..... From 695p	
MTE	STRD	HITACHI CPT	UNIVERSAL	SAMSUNG		
1N	TA	2478 ..... 1883p	TYPE ..... 495p	vi710 ..... 1345p	IF YOU CAN'T SEE THE PART YOU REQUIRE PLEASE CALL US NOW	
2N	TEA	FERGUSON TX	30AX TYPE 875p	SANYO		
TIP	TEA	100grn spt ..... 1199p	GRUNDIG 1350p	vhr3200 ..... 1475p		
TIPL	ZC	FERGUSON TX		GOLDSTAR		
		100yel spt ..... 1199p		ghv ..... 1299p		
		MANY MORE				
		CONTINUED				

IT'S IMPOSSIBLE TO LIST ALL PARTS THAT WE KEEP IN STOCK. THIS IS A VERY SMALL SAMPLE FROM OUR EXTENSIVE STOCK. PLEASE PHONE OUR HELPFUL STAFF FOR YOUR PARTS ENQUIRY. ORDERS FROM SCHOOLS AND OVERSEAS WELCOME. MINIMUM ORDER 500p post & packing from 50p plus VAT. ALL PRICES ARE PLUS VAT AT 17.5% AND SUBJECT TO AVAILABILITY

UNIT 10, CARLTON BUSINESS & TECH CENTRE,  
STATION RD, CARLTON, NOTTINGHAM NG4 3AT  
TEL & FAX: 0115-987-9050.  
Open Monday-Friday 9-6pm

WE CAN SUPPLY MOST POPULAR SERVICE AIDS ETC. TOOLS. TEST EQUIPMENT. SERVICE MANUALS. GENUINE PARTS FOR MOST TV VCR AUDIO ETC. A LARGE RANGE OF MICROWAVE REP/PARTS. NEW JUST ARRIVED 4/8 IN ONE PREPROGRAMMED ONE FOR ALL REMOTE CONTROL. ONLY 1400p. ALL CREDIT CARD ORDERS NORMALLY DESPATCHED SAME DAY - PERSONAL CALLERS WELCOME

# CLASSIFIED CLASSIFIED CLASSIFIED CLASSIFIED CLASSIFIED

## CAR RADIO SECURITY DECODING SOFTWARE

The most comprehensive software package ever from only £275+VAT

This package is fully upgradeable to any model of radio currently on our radio decoding list. Please phone for comprehensive radio decoding list and free demonstration disc (3½")

Upgrades will even cover the latest radios on the market. We can supply/design a package to decode any radio that you choose. Updated software available absolutely free.

### Package comprises models including:-

Ford, Philips, Blaupunkt, Clarion, Pioneer, Panasonic, Grundig, Hitachi, Volvo, J.V.C. In fact over 50 models covered including Ford RDS V1 & V2, Grundig SC303

Interface & all necessary probes for connection to the radios are also supplied. Installed in seconds, no modification to your computer required.

### Features:-

Fully IBM or compatible, to run on all computers including lap tops, note books and even palm tops. Requires graphics capability for P.C.B. layouts. Runs from parallel port of LPT1.

1. Full user friendly menu's
2. Help screens with P.C.B. layouts for exact positioning of probes
3. Help screens to show you exactly how to enter the codes after decoding the radio
4. Error messages to advise possible fault occurrences (e.g. incorrectly fitted probe)
5. Adjustable for either b&w or colour monitors (Useful for notebooks, laptops etc.)

6. Fully reprograms blank or corrupted eeproms (using internal database)
7. Customised with your company details
8. Security coded with your choice of code to stop unauthorised access
9. Runs from C drive
10. Keeps a record of all codes (date, time, make, model)
11. Fully upgradeable

### Upgrades:- Check this out?

Memphis SQR 88, CDP09, Bremen, Atlanta, Montreux, Symphony, Koln, Philadelphia, Toronto, Montreal, Paris, Peugeot PF3, Vauxhall CD300, SC202, Berlin, Frankfurt, Barcelona, Stockholm, Kingston, Nashville, Woodstock, and many many more. POA.

### RADIO DECODING SERVICE:-

WE COVER ALL MODELS STARTING FROM £10.00 + CARRIAGE (£4.20 EACH WAY) + VAT. That's only £16.69 or £21.62. If we arrange collection, all you have to do is make sure it's boxed and adequately protected.

### Eeprom re-programming service:-

All eeproms are decoded for as little as £5.00 including VAT. Please send all eeproms in a padded envelope, to stop damage.

## CDH ELECTRONICS, leading the way – not following

Our warehouse is only 24 x 30 sq ft but it's not the size that counts, it's how you use it!

3 Common Walk, Huntington, Cannock, Staffs. WS12 4NB

Tel: 0543 572 523 VAT Reg No 636 876 011

## MÜTER · AT2 · BMR 95 · BMR 700

**AT 2. Audi-Multi-Tester.** 16 test-circuits for loudspeakers, tuners, amplifiers, headphones, tape recorders, mikes, boosters.



car radios, CD-players; measurement of millivolt, drift, watt, performance, with generator, radio, signal tracer/injector, 13 volt supply etc.



BMR 95



BMR 700

**Regenerating Computers & Measurers for CRT's** with cathode protection, gas clean-up aid, short repair; exhausted CRT's becomes bright and sharp again even if all other machines do not succeed.

United Kingdom: P & E Services, Llandudno, Tel. (0492) 549246, Fax 547880.  
Ireland: Dönberg Electronics, Ranafast, Co. Donegal. Tel: 353 75 48275 and 48532. Fax: 353 75 71031.  
New Zealand: TDON Ltd., Onehunga, Auckland. Tel. 6 68-9 07, Fax 668-4 99.  
Germany: Ulrich Müter, Oer-Erkenschwick, Fax (0 23 68) 5 70 17.

## Microwave Oven Component Parts

Guaranteed Quality

Guaranteed Products

Competitive Price



AWI Ltd, 29 Manner's View, Dodnor Ind Estate, Newport, Isle of Wight, PO30 5FA  
Tel (01983) 520121 Fax: (01983) 520122

## JOULE A-400

### ADVANCED CAR RADIO DECODER/RE-PROGRAMMER

#### Features:

Plugs directly into your IBM or compatible computer. Remove the baseplate from the radio, place the probe onto the PCB and the security code is instantly displayed. Changing the code or even fully re-programming is just as easy.

#### ABSOLUTELY NO MODIFICATIONS TO YOUR COMPUTER ARE REQUIRED

The A-400 can use either Comms 1 or Comms 2, connected via the serial lead supplied.

Two levels of password protection (user selectable) to prevent unauthorised use.

Each decode is recorded and may be accessed at any time, again, to prevent unauthorised use.

Operates from 12 volts, either from mains (via any mains adapter) for bench use or, via vehicle cigarette lighter socket, for on site use.

Easy to use software includes on-screen PCB layouts for probe location, very detailed help screens and information on how to enter codes into the radio once the set has been decoded.

Supplied complete with connecting lead, purpose designed probes and a comprehensive instruction manual.

**Technical help line available to all registered users.**

**We will supply a starter kit, ready for use, that will decode most Philips, Ford, Blaupunkt, JVC, Hitachi, Volvo and Toyota radios for £375.00 + VAT.**

**We also write software to decode the more sophisticated RDS models and can supply at very competitive prices.**

**Currently the A-400 can decode most makes of radio, covering 166 models with more being added weekly.**

**PHONE NOW FOR OUR FREE DEMONSTRATION DISK AND INFORMATION PACK, OR WHY NOT VISIT US AT OUR BRAND NEW 4000 sq. ft. FACTORY**

## ELECTRONIC SOUND SYSTEMS

Hilton Road, Aycliffe Industrial Estate, Newton Aycliffe, Co. Durham DL5 6EN.

Tel. Sales: 0325 301007 Fax: 0325 300189 Mobile: 0860 221 099

**M&M Tronics**

Recycled TV, VCR, Microwave and Satellite TV spares

		Why pay:
Capstan motors from	£12	£30-£40
Carrages motors from	£12	£25-£60
Lower drum assy from	£12	£20-£60
Tuner PCBs from	£10	£18-£30
Servo PCBs from	£10	N/A
VCR power supplies from	£15	N/A
Front cabinet assy from	£10	£25
Colour TV tubes from	£10	£40.00
Line transformers from	£8	£15-£30
Text PCBs from	£12	N/A
Tuners from	£7	£18-£30
Magnatrons from	£12	£30-£50
HiV transformers from	£12	£45.00
Control panels from	£15	£60-£112
LNB tuners from	£12	£30.00

We break over 100 units per week  
TVs and videos wanted for cash, any quantity  
UNIT 41, OLD PARK, HONEYWOOD  
ROAD, DOVER, KENT CT16 3EH  
Tel: 01304 821595, 01385 253364

**SURPLUS/REDUNDANT ELECTRONIC COMPONENTS WANTED**

ICs - Tuners - Transistors - Valves - Diodes etc. any quantity considered - immediate payment.

**ADM General Trading**

Tel. 0827 873311. Fax. 0827 874835

**BUSINESS FOR SALE**

Well established, lock up shop + 4 bedrooms living accommodation.

T.V. Video and Satellite repairs/sales + T.V. and video rental + video library (1800 members). Low rent, profit £30K P.A. owner emigrating

Ring Redditch 0532 63529

**TRANSFORMERS**

**TV LINE OUTPUT TRANSFORMERS**

PHONE 081-948 3702 FAX: 081-332 0583

ALBA · AMSTRAD · BUSH · DECCA · DORIC · BLAUPUNKT · FERGUSON · FIDELITY · GEC · GRUNDIG · GRANADA · HITACHI · HINARI · INDESIT · ITT · KIMARA · NIKKAI · MATSUI · MURPHY · OSAKI · NORDMENDE · LOEWE-OPTA · PANASONIC · PYE · PHILIPS · SANYO · SAISHO · SHARP · SONY · SOLOVOX · SUSUMU · TANDBERG · TELEFUNKEN · THORN · TRIUMPH · THOMSON · GOLDSTAR · BINATONE ·

**FULL RANGE OF KONIG: VIDEO HEADS, BELT KITS, IDLERS, PINCH ROLLERS, TENSION BANDS. LARGE RANGE OF REMOTE CONTROLS IN STOCK**

TIDMAN MAIL ORDER LTD · 236 SANDYCOMBE ROAD · RICHMOND · SURREY · TW9 2EQ

Approx. 1 mile from Kew Bridge.

Mon-Fri 9 am to 12.30 pm & 1.30-4.30 pm

**LINEAGE**

**CAMCORDER SERVICE MANUALS** for sale various makes and models, ring for list. Wanted complete non working camcorders required for spares, cash available. Tel: 0903 262499.

**OCHRE MILL** Technical Services, Grundig TV spares for most models to 1985, fast, friendly, helpful, sensible prices. Gt Lype Farm, Charlton, near Malmesbury, Wilts SN16 9DR. Tel: 0666 823228.

**AVO MULTIMETER** Model 8, £45.00. 500 volt meggers £30.00. Prices plus VAT and p&p. Send SAE for lists of Surplus Instruments and Scopes etc. A. C. Electronics, 17 Apleton Grove, Leeds LS9 9EN. Tel: 0532 496048.

**B & K 467 CRT Restorer** Analyser 3 meters with 6 base adaptors £180. Tel: 0151 639 9019.

**VIDEOCRYPT DECODER** Service sheet with smartcard contact details Eurocrypt card interlace £12.00. E.M.O., Ramsbottom, Lancs BL0 9AG. Tel: 0706 823036.

**TV/VIDEO** experienced bench engineer required to work without supervision full or part time good rates of pay. Semi skilled engineer also required for field work. Tel: Barry 081 594 2980.

**100 TV's Portables Basics** Text mainly untouched £1,200. Tel. 0374 460079.

**PRIVATE RETAILER** has excellent part exchange colour televisions and videos to clear. Tel: 0494 814317.

**COLOUR SOUND NORTHERN IRELAND**

**Wholesale Unit**

66 High Street Bangor (0247) 453000

Now disposing of all Thorn stock also some B Grade. Northern Ireland distributors for replacement handsets & components.

**Export Enquiries Welcome**

**TUBES**

**REBUILT CRTs**

**VDU - MONITOR - TV**

*Image Burn-In Removed From Screen Phosphors*

**N.G.T. ELECTRONICS LTD**

Unit 116, 62 Tritton Road, London SE21 8DE

**PHONE: 081-766 0114**

*Britain's Oldest Established Tube Rebuilder*

**TRAINING**

**John Carrington** electronics training

*Specialists in Hi Tech Product Knowledge Sales and Technical Training*

Telephone: 01773 743245

**TELEVISION CLASSIFIED LINEAGE**

Advertisements can be submitted on this coupon with a cheque made payable to Reed Business Publishing, Television Classified Room, 11th Floor, Quadrant House, The Quadrant, Sutton, Surrey SM2 5AS. The charge is £2.00 per word (minimum 20 words).


For Issued Dated ..... or next available.

Total insertions ..... Total of Cheque £ .....

Name .....

Address .....

Post Code ..... Tel No .....

Signature .....

--	--	--	--	--	--	--	--	--	--	--	--	--	--	--	--	--	--	--	--

Expiry Date ..... VAT Reg. No. 238 8937 10



**Debit my Access/ Visa Card (delete)**



<b>MARCONI COMPACT L.N.B.</b> <b>1.DB £25</b> <b>10.7 TO 11.7GHZ</b>		<b>Switched Mode Trans 3112.</b> <b>338. 32642 Ferguson £1</b> <b>Philips switched mode transformers for K40 £5</b>		<b>VIDEO AMSTRAD (L,C,D Types) HANDSETS</b> <b>(HOME MARKET) £4.00</b> <b>(EXPORT) £2.50</b> <b>WILL WORK IN HOME MARKET</b> <b>6.000 and 4.600 4.700 £3</b> <b>PB500 Panic and Button Transmitter 180MHz £1.00</b> <b>G11 CAP 250V, 470M £1.35</b> <b>LEADS Scart to Scart all pin connected £2.00 1 1/2 meters</b> <b>New Eprom for converting Ferguson BSB Receivers to D2 MAC and PAL - 99 channel is tunable and each one can be put into memory - also has menu. £20</b> <b>PAL panel (to convert to PAL) £20</b> <b>SEND FOR DATA</b>		<b>SEND FOR DATA</b> <b>D2 MAC SATELLITE RECEIVER £35 (£5 Post)</b> <b>TELEPHONE BATTERY SANYO 3.6V 250MA - £2</b> <b>VARTA 3.5V 280 MA £3.00</b> <b>FEEDHORN FOR OFFSET ANTENNA £8.00</b> <b>FOR NOKIA LNB's £3.00 each Washer Kit included</b> <b>HITACHI U/V HAND SET VIDEO - £10</b>			
<b>SATELLITE RECEIVERS - New Ferguson BSB</b> <b>Chassis with Tuner, Modulator etc £10</b> <b>Hand Set £1.50 £4 Post</b>		<b>33V33, 3V37 BATTERY £10</b> <b>Postage £5</b>		<b>TX100 HAND SRT (785) £10</b> <b>Power Supply 0-15 Volts 0-30 Volts 3 Amps with Meters £34 Post £5</b>		<b>SMALL SATELLITE TUNERS (950 to 1750 MHz), L.F. frequency 4000MHz</b> <b>VHF/UHF S BAND TUNER £9.00 each</b> <b>DAM MAINS CHASSIS AMSTRAD MONITOR C £10</b> <b>UNIVERSAL TRIPLER, NEW TYPE £4.00</b> <b>VIDEO LEADS £4.00</b> <b>AMSTRAD Line O.P. Transistors with Diode 2SD/453 £1.00</b> <b>VIDEO LAMPS, Long Lead £2.00</b> <b>HITACHI &amp; GEC FRAME, Thick Film £2.00</b> <b>FIDELITY SPLIT DIODE FCC2215AE £20 FCC2015BE £10 FCC2215BE £10</b> <b>K30 FRONT PANEL TEL-TEX TYPE £5.00</b> <b>NEW G11 LINE OP PANEL £8.00</b> <b>PHILIPS YEARS AHEAD</b> <b>THE CREDIT CARD CALCULATOR Solar Powered £3.75</b> <b>NEW PHILIPS SBC 1833 Solar &amp; Battery Powered Calculator £8.00</b> <b>THORN PANEL TX9 REC &amp; REMOTE PANELS with Mains Trans £5.00</b> <b>TX10 REC &amp; REMOTE PANELS with Mains Trans £5.00</b> <b>TX100 FRONT PANEL £5.00</b> <b>TX10 TUBE BASE ON PANEL £3.00</b> <b>TX91F £2.00</b> <b>THORN PANEL No.515-353, 548.02, 565-01, 509/102, 515/173, 508/161 £5.00</b> <b>THORN TX STEREO SOUND O.P. PANEL (1 C 1A7227P) £1.00</b> <b>THORN VIDEO AERIAL AMP 01 M4-597-001 £6.00</b> <b>ULTRASONIC TRANSDUCER 15p</b>			
<b>TX100 REMOTE PANEL</b> <b>No.56413IC M293B/and SAA5012 £10 etc</b>		<b>6251 FRAME O/P THICK FILM HITACHI GEC £9.00</b> <b>THICK FILM HITACHI HM9205A £4.00</b>		<b>PHILIPS UNIVERSAL BATTERY TESTER SBC 169 £3.00</b>		<b>TX100 SWITCH MODE TRANS 5157/48 £5 AND 00D4252001 06D3082001</b>			
<b>NICAM UNIT - Ferguson made for ICC5</b> <b>Chassis - circuit diagram and can be converted to most sets - £15.</b> <b>TOSHIBA Nicam panel &amp; IF export only has the Toshiba chip set £7.00</b>		<b>Hitachi Lopt 2435062 £10</b> <b>Hitachi 2433274 LOPT £10</b> <b>Ferguson 2435121 TX85-TX86 £8</b> <b>TX 9 Remote Panels £5</b> <b>TX 10 Remote Panels £5</b> <b>TX 100 Remote Panels IC M293B1-SAA5012 £10</b> <b>TX 100 Remote Panels with Stand-by Battery and H.v. £10</b> <b>TX 85 - 86 - 89 - 91 - 98 - 99 - 100 Tuners £4</b> <b>Orion Modulator Video MDL 6H513A £2.50</b> <b>Hitachi Mains Switch with Stand-by 50p</b> <b>Scart to 4 Phone Leads 1/2m £2.50</b> <b>SNT2302234 Sat. Tuner with Base Band Min £4</b>		<b>HITACHI UHF-VHF SMALL TUNER £5.00</b> <b>ETS98A £5.00</b> <b>ETS95A £5.00</b>		<b>GREY OR BLACK £1.50</b> <b>SAMP MAINS LEAD WITH PLUG SOCKET FOR TEST EQUIPMENT ETC. £1.00</b> <b>06D4-025-001 Mains input choke for TX9 £4</b> <b>THORN M494B1 on Remote Panel £5</b>			
<b>LARGE Foacs pots. Fits Pye, GEC, ITT, Decca 75p</b>		<b>PHILIPS NEW TYPE U/V HANDSET £10</b>		<b>REGULATED PWR. SUP. 500MA 1.5V-12V DC switched + &amp; - £5.00</b>		<b>STEREO SOLAR RADIO VHF AND MW £10.00</b>			
<b>BSB SAT/REC NEW. CHASSIS, TUNER AND MOD £5 + Post £3</b>		<b>PHILIPS NEW TYPE U/V HANDSET £10</b>		<b>ELECTRONIC SWITCH</b> <b>Sat - TV - Video. All plugged Into One Box</b> <b>SUMMARY OF THE SCART SYSTEM BENEFITS</b> <ul style="list-style-type: none"> <li>* Avoids picture quality loss which occurs when using the aerial socket connections.</li> <li>* Stereo audio inputs and outputs.</li> <li>* RGB signal inputs and outputs.</li> <li>* Simple to install - standardised connectors and no tuning.</li> <li>* Eliminates interference.</li> <li>* Provides 'Command' signals for the TV.</li> </ul>		<b>TX100 and TX90 (Chassis Type or Print Type) 8 Push Button Unit with Adjustable Pots £2.50</b>			
<b>G11 LOPT Panel £4.00</b> <b>G11 Tip Switch £20.00</b> <b>G11 IF Panel £3.00</b>		<b>Mitsubishi/RM M45/43308 Hand set £6</b> <b>ICC 5 Hand sets £5</b> <b>CASSETT MAINS LEAD 50p</b>		<b>AMSTRAD 14DN513 OEC 9009 OFC 0015C OEC 9005 14DN728</b>		<b>3V33 HAND SET £10</b>			
<b>Have you got Acid Rain in your garden? PH METER £5.00</b> <b>Post £5 Actuator Antennmotor £15.00</b>		<b>RGB SIGNAL CONVERTER VA341</b> <b>In black metal case and mains power supply built in £20.00</b>		<b>REGULATED PWR. SUP. 500MA 1.5V-12V DC switched + &amp; - £5.00</b>		<b>12 Volt Relays 20p with D/P changeover</b>			
<b>LATEST VIDEO</b> <b>For Latest Philips, GEC, Pye and Hitachi, Front panel with memory chip and push button and pots and LED's £6.00 NEW</b>		<b>TX100 FRONT PANEL £5 8 Button</b>		<b>PULSE CAPACITOR 20 for a £1 mixed (1500V to 2KV)</b>		<b>LEAD SCART TO D PLUG £50p</b>			
<b>FERGUSON YELLOW SPOT</b> <b>TX100 NEW CHASSIS £12 £5 Post</b>		<b>PHILIPS HIGH CAPACITY BATTERY VA310 £10</b>		<b>56420A 20A/600V THYRISTOR £1.75</b>		<b>BRIDGES RECTIFIER Mixed BR-31 to 34 2 Amp to 5 Amp 8 for £1.00</b>			
<b>LNC 11GHZ NOKIA - LNB FOR OFFSET DISH £13.00</b> <b>ELECTROMAGNETIC POIARIZER 10.95-12.75GHZ £9.00</b> <b>11GHZ LOW NOISE BLOCK DOWN CONVERTER SCE 975 MADE BY MASPRO £14.00</b> <b>5 Mixed AMSTRAD VIDEO MOTORS £5.00</b>		<b>VPT ADAPTOR VA354 FERGUSON £5.00</b>		<b>ITT BG2032-642A TRIPLER £5.00</b>		<b>1 METRE SCART LEAD £1.00</b>			
<b>SATELLITE TUNER UNIT 2427611 with Base Band, Video Out £8.00</b> <b>TX10 8 way button unit £8.00</b> <b>24v O 24v 3Amp MAINS TRANSFORMER £3.00</b>		<b>TX85 2435701 £15</b> <b>2434393 £10</b> <b>2435016 £10</b> <b>2435014 £10</b> <b>2436797 £10</b> <b>2434494 £15</b>		<b>TERE 7-008A - 115-B-2010 FCC-2885PLE TEEF 1-030A UHF, VHF TUNER - SMALL TYPE £4 EACH</b>		<b>BURGLAR ALARM USE INFRA RED DETECTOR WIDE AND SHORT ANGLE WALL MOUNT OR WITH RELAY</b>			
<b>2433752 £20</b> <b>2432984</b> <b>2432971</b> <b>2432901</b> <b>2435016</b> <b>2433952</b> <b>2434393</b> <b>2432211</b> <b>79048A</b> <b>DS1858243</b> <b>TF-B3069D</b> <b>K41 O.P.T</b> <b>K40</b> <b>2432904</b> <b>2434451 £14</b>		<b>SPLIT-DIODE</b> <b>2433752 £15</b> <b>TX100 Green Spot £15.00</b> <b>TX100 Yellow Spot £10.00</b> <b>L.O.P.T £10.00</b> <b>TX90 White Spot £15.00</b> <b>Split Diode 110V £12.50</b> <b>Orion 05-3M GEC R5-9793-6 TX99 Thorn 2432100-2 £5</b> <b>TOSHIBA DST 186N243 £10</b> <b>TFB-4023AD £10</b> <b>CPS90 Philips Split Diode £10.00</b> <b>2434141 £ACH</b> <b>2434492</b> <b>2434493 £10</b>		<b>TRANSFORMERS</b> <b>2435701 £10</b> <b>2435012 £10</b> <b>FERGUSON 4700/3483 £10</b> <b>AMSTRAD TVR3 LPTS £10</b> <b>TFB3069D EQU</b> <b>TFB4009AN</b>		<b>AT2036/00 A12048/11 A12051 A2370/35 A12076/34 A12076/51 CVC 820 CVC 821 A2706/55 A12076/71T RCOST C7325 Q12341 FB185KA Orion 2076/51 2432461 2433451 CVC 820</b> <b>TUNER UNITS</b> <b>Small V/Cap Mitsumi UHF £4.00</b> <b>VHF £3.00</b> <b>Portable &amp; Rotary Tuners Sanyo &amp; Mitsumi UHF £5.00</b> <b>Moskit UHF/VHF (new type) £8.00</b> <b>UF2-B31 Fidelity V/Cap T Unit £6.00</b> <b>UHF-VHF V/Caps on panel £3.00</b> <b>HITACHI 20 Turn Pot £4.00</b> <b>U321 cu panel £10.00</b> <b>U/V 615 £10.00</b> <b>U/V 616 £10.00</b>		<b>SHARP MSHFPC80 £10</b> <b>FIT MOST SETS New Thora Hand Set 0004-235 002-01 Type u/v (£10)</b> <b>VIDEO MOTOR for VT568 type VCCDED £6.00</b> <b>AMP TUNER IF for VT568 Hitachi &amp; GEC £9.00</b>	
<b>SATELLITE TUNER 950MHz-1750MHz £5.00</b> <b>TTT PANEL</b> <b>CMC 301 CMC 113 CMC 302 CMC 115 CMC £5.00 303 CMC 964</b>		<b>BURGLAR ALARM £2.00 with siren 9 VOLT</b> <b>25 Way Plug and Socket with Case £1.50</b>		<b>PHILIPS HAND SET G11 TEXT ULTRASONIC £10</b> <b>G11 HAND SET ULTRASONIC £10</b> <b>PHILIPS RC5 EASY CONTROL £10</b>		<b>INFRA RED DETECTOR (for outside use) with Time Control &amp; Distance Control £12</b> <b>Sensitivity Adjustment Control</b> <b>Night Adjustment Time Delay Adjustment</b>		<b>FERGUSON SAT HAND SET</b> <b>SR D1 £2</b> <b>SR D2</b> <b>SR D3</b> <b>SR D4</b>	
<b>BRIDGE RECTIFIERS 10 FOR £1.00</b> <b>4 Amp for Video Power Supply</b>		<b>SEL ITT IFB254F2 Front Panel £15.00</b> <b>DECCA - GEC - ITT 6 push button £5.00</b>		<b>FERGUSON ICC5 STEREO O.P. PANEL ICs TDA8405 TDA8421 TBA1204 £10</b>		<b>U/V 6, DIODE TRIPLERS £2.00</b> <b>4600 TO 9800 AMSTRAD VIDEO HAND SET WITH LCD £10</b> <b>NICAM KIT KIT MODULE £20.00 with data</b> <b>Burglar Alarm Has time delay to set £2</b> <b>Mains Transformer 240v in 110V to 120v out 1 amp post £3</b>			

**SENDZ COMPONENTS**  
**01702 338894**  
**(To order see back page)**

Ferguson White Spot Line O/P Trans	£8	Samsung & Orion Video decks with heads	£16.00	ORION	Hand set	TDA3561A	£3.00
<b>FERGUSON CHASSIS</b>		TV & Video hand set	£2.00	LCD Video Easy Programmer	£10.00	TDA3566	£3.50
New		Orion TV and video hand set	£2.00	RC18	£3.00	TDA3564	£4.00
TX 100	£15.00	B.Sky.B VHF to IF Block Converter	£1.00	<b>PHILIPS</b>		TDA3565	£3.00
TX80	£15.00	10 Panels Ferguson		U/V Handset TV/VCR/TXT		TDA3581	£3.00
TX 99	£30.00	Mixed from TX9 to ICC5	£20.00	Remote RC 5903	£12.00	TDA3590	£3.00
TX 98 VHF/UHF	£15.00	TV Aerial Ring Type	40p	<b>ORION</b>	Hand set	TDA3591	£1.00
TX 90 Push Button Chassis 14"	£15.00	TX100 Remote Hand Sets	£6.00	Video RC44	£3.00	TDA3592A	£3.00
TX 10 Metal Chassis	£15.00	ITT-Nokia Tuner IF		Video RC07	£3.00	TDA3650	£7.00
PP on each chassis £5.00		RF-IF-Module 5829 02 58	£6.00	LCD		TDA3651	£3.00
Quartz Halogen		SEL-ITT HF-Module 2		<b>PANASONIC-TV</b>	Original	TDA3651AQ	£3.50
500w. 240v. For outdoor lamps	£1.00	UK 5828-04-10	£6.00	Handsets for models:		TDA3652	£3.50
Plastic Front with Flap 8.900	£3.00	Amstrad-Double Decker Switch Mode		TC1632, TC1642, TC2232		TDA3653AQ	£2.00
Clock Display Panel 8.900	£5.00	POWER SUPPLY	£5.00	TX2034, TX2044, TX2200		TDA3654	£1.00
TX 100 FST Chassis		Amstrad-Long Chassis and short Chassis		TX2234, TX2244, TX2300		TDA3654Q	£2.00
LOPT No 260482	£20.00	Power supply	£4.00	TX2636, TX3300, RC201		TDA3654	£1.00
£5 Post		Models 1991/1992		replaces TNQ1411/2	£8.00 each	TDA3654Q	£2.00
Sharp Tuner & IF		BU 208A, BU 508A, BU 508D,		<b>TOSHIBA</b>	Hand sets	TDA3710	£3.50
1810587 PAL1 UK	£3.00	BU 508AF, BU 508DF,	£1.00 each	CT 9511	£5.00	TDA3800	£4.00
Tuner IF UE30-BO 3		BU 801	60p	CT 9234		TDA3803A	£4.00
Amstrad	£3.00	2SD 1398	£1.00	CT 9455		TDA3800	£4.00
10 Mixed Tube Bases		2SD 1428	£1.00	CT 2233		TDA3180	£2.00
All New Types	£1.00	2SD 1556	£1.00	CT 938		TDA4260	50p
SFE 6 Meg. Filter	25p	2SD 1844	£1.00	CT 9268A		TDA4501	£3.00
CDA 6 MHz Filter	25p	TDA 2600	£1.50	CT 9384		TDA4505NE	£3.00
SFE 5.5 MHz Filter	25p	TX90 Mains Transformer	£10.00	CT 9194		TDA4420	£2.00
455 Filters	25p	TDA 3560	£2.00	CT 9296		TDA4439	£2.00
480 Filters	25p	TDA 3654	90p	CT 9186		TDA4400	£3.00
Ferguson Red Spot LOPTS	£8	TDA 3653AQ	£1.00	CT 9187A	£3.00 each	TDA4601	£2.00
Ferguson Green Spot LOPTS	£10	TDA 3562A	£1.00			TDA8190	£3.00
Ferguson Y260482 FST LOPTS	£10	STR 4211	£6.00	<b>AMSTRAD Long Chassis</b>		TDA8703	£3.00
Ferguson Tuners		STR 6020	£6.00	Display Panel 1992/1993	£4.00	TDA8349	£3.00
TX 90 to TX100	£4	STR 6602D	£4.00	Amstrad Tuner UE33-B01	£3.00	TDA9403	£1.50
U/V 615	£10.00 each	01 M4-412-001-RU1		TX10 Focus Units	6 for £10.00	TDA9503	£1.50
U/V 616		8 Way Pre sets for TX10-TX100	£3.00	Conversion Kit ITT Teletext	£8.00	TDB2033	£1.00
Tuners		Philips Handsets		Burglar Alarm Siren 12 Volt	50p	TDD1610S	50p
Nat. Pan. Small		RC 5353		Amstrad 6000 Head with motor LP	£10.00	D6306P	£2.00
UHF/VHF	£3.00	RC5300		Good Lower Drum	£3.00	TDA1060	£3.00
U321 - U341 - U342 - U343 - U344		RC 5176	£8.00 each	<b>HITACHI</b> sets etc		TEA1039	50p
Tuners	each £5.00	RC5177		STR454	£2.00	TEA1060	£2.00
U411 Tuner	£5.00 each	Philips 36832 2A LOPT	£15.00	STR6020	£6.00	TEA2029C	£3.00
U412		2433274 LOPT	£12.00	S2000AF line o.p.	£1.00	ST6393 B1/1M	£3.00
<b>LNB'S MARCONI</b>		Line Transformers		25C940	£1.00	BYX10	10p
Ex Rental Black Cap	£2.00	Green Spot		BU105/04	80p	BYX38/300	25p
No Guarantee		White Spot	£10.00	BU108	£1.00	BYX55/350	10p
Bridge Rectifiers	10 for £1.00	Blue Spot		BU124	50p	BYX55/600 (Head)	10p
Matsumi Miniature Infra Red		Yellow Spot		BU126	80p	BYT71/600	15p
Receiver	£1.00	<b>FERGUSON</b>		BU180a	65p	BYV95B	10p
Turntable Satellite Modulator TV	£1.00	KT3-K30 Tripler	£5.00	BU204	60p	BYV96D	10p
Sound 5.5 MHz MPM 1000T	£1.00	U/V Tripler	£4.00	BU205	75p	BYZ106	10p
Sound 6.0 MHz MPM 1040	£1.00	Grundig Tripler with Focus Pot	£7.00	BU206	£1.00	BW44	15p
<b>FEROX</b>		BG 2087-642-1005 Triplers	£7.00	BU207	£1.00	BYW562A/1000vG11	8p
RF Filter Clamp for Coax Cable	50p	BG 2032-642-3002	£7.00	BU208	80p	BYW29/50	15p
Circuit for detecting R.F. Send for Circuit using clamp	£1	<b>PERDIO PV 1188 Hand sets</b>	£3.00	BU208A	£1.50	BYW95C	10p
Ferguson Switch Mode Transformer		HANDSETS		BU208D	90p	25C3705	30p
TX85, TX86, TX100	each £3.50	Amstrad Export	£3.00	BU222	£1.00	25C3973B	30p
ICCS Ferguson Switch Mod Trans 3112-338-32642	£4.00	Amstrad U/V	£3.00	BU326	£1.00	25C4313	£1.00
12v DC and 24v DC power supply regulated	£2.00	Amstrad 6800	£4.00	BU407	60p	25C7350	15p
Philips		Amstrad 6000	£15.00	BU508A	£1.00	25D180 TO3 80v/6A	15p
Text Decoder K40	£8.00	Amstrad 4700	£5.00	BU508AF	£1.00	25D200	£2.00
ICCS Tube Base on panel		Amstrad 4600	£3.00	BU508D	80p	25D401	£1.00
ICCS Decoder panel	each £5.00	IQ081 GEC	£3.00	BU705	£1.00	25D716	£1.00
KT3/K30 T/Text Hand Set	£8.00	<b>FERGUSON</b>		BU806A	£1.00	25D787	30p
KT3K30 Full Remote	£15.00	Hand sets		BU807	£1.00	25D789	30p
Pye & Philips handset		BSB	£1.50	BU808DF1	£1.00	25D820	£1.00
KT3-K30 chassis		ICCS	£5.00	BU826	£1.00	25D868	75p
No. RCS150-RC5176-RC5071-RC5177		IK2000	£5.00	BUK454/600	£1.00	25D880	75p
Special Price	£13.00	IK7000	£5.00	BU824	50p	25D1264	£1.00
RC4001 KT3 and Teletex	£12.00	SRD 2	£1.00	BU111	50p	25D1266	£1.00
TX10 Hand Set Text	£12.50	SRD 3	£1.00	BU111AF	£1.00	25D1398	£1.00
TX9 with Text	£12.50	T780	£2.00	BU113 600V-28A	£1.00	25D1415	£1.00
TX9 & TX10 button print	£1.00	SRD 4	£1.00	BU18AF	£1.00	25D1427	£1.00
TX10 Focus Pots	£4.00	TX85 - TX8 Ferguson	£10	BUW84	60p	25D1432	£1.00
Mains Stand By Switch with Coil	£1.00	<b>PANASONIC TV Video Handset</b>		BYW20-08-9	£1.00	25D1453	£1.00
Nicam Boards		1993 models with door-		BYW95	10p	25D1556	£1.00
Texas Instruments MkII	£15.00	3 types	£7.00 each	BYW39 25A-150V	£1.00	25D1576	£1.00
Toshiba Nicam Board	£6.00			BUX84	50p	25D1577	£2.00
Ferguson Nicam Board	£15.00			BUY49	20p	25D1878	£1.00
Text-Type				BUK444/800	£2.00	<b>RGB SIGNAL CONVERTER</b>	
Replace Hand Set for Philips KT3-K30, K4 etc	£6.00			BUK445/600	£2.00	For use with Ferguson Video Star S-VHS Camcorders & Video Cassette Recorders	
Thorn Handsets				BUK454/600	£2.00	£20 Post £3	
9000-9600-TX9-TX10-TX100				TDA3047	£1.00	<b>VA 354 VPT ADAPTER</b>	£5 each
Text and NonText	£10.00			TDA3048	£3.00	<b>ITT - NOKIA Tuner Modules</b>	
Philips RCS171 (Handset)	£8.00			TDA3083	£2.00	RF-IF Module 4828-04-10	
Sanyo Magnatron				TDA3199	£1.00	RF-IF Module 5827-02-51	
Type 2M218H	£10.00			TDA3301	£3.00	RF-IF Module 5827-03-51	
1992 to 1993 Mod.				TDA3505	£3.00	RF-IF Module 5827-01-51	
Orion Video Hand Set with LCD	£5			TDA3506	£3.00	RF-IF Module 5829-01-05	
				TDA3561	£4.00	£8 each	
						950 to 1750 NOKIA Sat-Tuner	£4 each
						<b>KIT FOR NOKIA ITT SETS</b>	
						SA A 5231-SAA 5243 P/E	
						L11 5164D - IC's	30p
						On Text Panel	
						Text Decoder, Fastext 6911-11-61	£10 each
						<b>FERGUSON LOWER DRUM PDM2024F</b>	£20 each
						<b>MATSUI - ORION - SASHIO Video hand set</b>	
						L.C.D. 1992-1993 models	£5 each
						and RC07 and RC44	£2
						<b>CVC 40 Push Unit with 4 Sliders</b>	
						4K - 1.5K, 2.5K, 10K	£5 each
						<b>PANASONIC Hand Set TNQ 8E 0442</b>	
						<b>PANASONIC Hand Set TNQ 1E 1411</b>	£8 each
						<b>FERGUSON HANDSETS</b>	
						3V58-3V57 3V43-3V53	£15 each
						FV31R-EV32I	£25 each
						AAA Batteries (handset type)	5p each
						<b>SENDZ COMPONENTS</b>	
						63 BISHOPSTEIGNTON, SHOEBURNESS, ESSEX SS3 8AF	
						NORMALLY SAME DAY SERVICE • SUBJECT TO AVAILABILITY	
						No accounts • Technical information by telephone only • No credit cards	
						Unless specified add £1.70 P/P to small orders • Additional charges for heavier items • Specific P/P charges are PER ITEM • For UK addresses please add P/P TO ORDER THEN 17 1/2% VAT TO TOTAL • This applies for the EC unless VAT No. is given • EXPORTS - P/P at cost •	
						Postal Order/Cheque with order	
						Callers to shop - 212 London Road, Southend • Open 9.30-1, 2.15-5.	
						Tel: 01702 332992 • Fax: 01702 338805 •	
						GVMT/School orders on official headings	
						<b>SENDZ FOR "SECTION 2"</b>	
						Please send SAE	