

**JULY 1990**

Ireland £IR2.35 (inc. VAT) **£1.60**

# TELEVISION

**SERVICING·PROJECTS·VIDEO·DEVELOPMENTS**



**De Luxe Component Tester Project  
The Ferguson FV30's Chopper PSU  
Philips' BSB Receiver • DX-TV  
CD Player PS and Control Systems  
TV Fault Finding • VCR Clinic  
Test Report • CD Player Casebook**



9 770032 647016



**A COMPLETELY NEW DIMENSION IN SOUND QUALITY!**

# NICAM

## FULLY ASSEMBLED

### DECODER

- ★ Fully tested and aligned
- ★ Ready to install into almost any modern colour TV set

The Maplin NICAM 728 Decoder converts the additional digital code present† in the TV signal to a high quality stereo soundtrack with a quality similar to that of Compact Disc.

This fully working system is based upon the Toshiba NICAM chip set, and comes ready assembled.

†Currently being transmitted from Crystal Palace, Emley Moor, Wenvoe, \*\*Winter Hill, \*\*Mendip and \*\*\*Black Hill.

**Upgrades almost any modern colour TV set – no need to purchase a new TV set or VCR!**

\* From April, \*\*From May, \*\*\*From June according to IBA schedule.



**British Digital Stereo Sound for Television**

*The World's most advanced high quality stereo system for land-based television!*

#### Features

- ★ Single +12V power requirement
- ★ Automatic audio switching (Mono-Stereo-Bilingual)
- ★ British Design
- ★ Reverts to FM audio if NICAM is not present
- ★ High Quality Optimum Performance without any additional IC's
- ★ NICAM mode indicators

## ARE YOU SWITCHED ON TO NICAM



Issues 34, 35 & 36 of the Maplin Magazine contain full details of the NICAM decoder and the NICAM TV tuner projects.  
Order codes:  
XA34M price £1.00,  
XA35Q price £1.20,  
XA36P price £1.20.

★ Build-it-yourself NICAM decoder in kit form; order as LP02C £99.95

### TELEVISION ENGINEERS

**COMPLETELY ASSEMBLED FROM**  
**£60\***  
**PLUS VAT EACH**

This price available to trade only, ring 0702 554171 and quote AM00A special 250 off deal reference: Television.  
Trade: 1 off – £113, 10 off – £75, 50 off – £69.50, \*250 off – £60 plus VAT each.  
Normal Retail Price £129.95 (inc. VAT) each (Order Code AM00A)

*Initial availability limited – book your orders now!*

**Maplin ELECTRONICS**

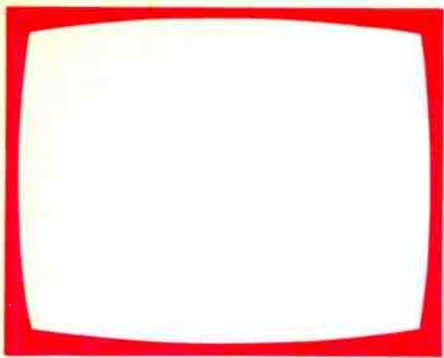
**CREDIT CARD HOTLINE**



PHONE BEFORE 5PM FOR SAME DAY DESPATCH

# 0702 554161

ALL PRICES INCLUDE VAT.  
All items subject to availability, all items will be on sale in our shops in Birmingham, Bristol, Leeds, Hammersmith, Edgware, Manchester, Nottingham, Newcastle-upon-Tyne, Reading, Southampton and Southend-on-Sea.



# TELEVISION

July  
1990

Vol. 40, No. 9  
Issue 477

On sale June 20th

## COPYRIGHT

© IPC Magazines Limited, 1990. Copyright in all drawings, photographs and articles published in *Television* is fully protected and reproduction or imitation in whole or in part is expressly forbidden. All reasonable precautions are taken by *Television* to ensure that the advice and data given to readers are reliable. We cannot however guarantee it and we cannot accept legal responsibility for it. Prices are those current as we go to press.

## CORRESPONDENCE

All correspondence regarding advertisements should be addressed to the Advertisement Manager, "Television", King's Reach Tower, Stamford Street, London SE1 9LS. Editorial correspondence should be addressed to "Television", IPC Magazines Ltd., King's Reach Tower, Stamford Street, London SE1 9LS.

## INDEXES AND BINDERS

Indexes to Vols. 36 and 37 are available at 80p each from the Editorial Office (address above).

Binders that hold twelve issues of *Television* are available for £4.50 from Television Binders, 78 Whalley Road, Wilpshire, Blackburn BB1 9LF. Make cheques out to "Television Binders".

## SUBSCRIPTIONS

Annual subscription £20 UK, £24 overseas by surface mail (air mail rate on application). Send orders with payment to Quadrant Subscription Services Ltd., Oakfield House, Perrymount Road, Haywards Heath, Sussex, RH16 3DH.

## BACK NUMBERS

Subject to availability, copies of issues published during the last 12 months are available at £1.80 each from Television, John Denton Services, Unit 13, Thornham Grove, Stratford, London E15 1DN. Please make cheques/postal orders payable to IPC Magazines Ltd.

## QUERIES

We regret that we cannot answer technical queries over the telephone nor supply service sheets. We will endeavour to assist readers who have queries relating to articles published in *Television*, but we cannot offer advice on modifications to our published designs nor comment on alternative ways of using them. Correspondents should enclose a stamped addressed envelope.

## this month

- 677 Leader**
- 678 TV Fault Finding**  
Reports from Philip Blundell, AMIEE, Eugene Trundle, Ian Bowden, Chris Avis, Mick Dutton, T.J. Welford, Hugh MacMullen, Stephen Leatherbarrow and Nick Beer.
- 681 The Philips BSB Satellite TV Receiver** *Ian Martin*  
The STU902 satellite TV receiver was found to be easy to install and capable of providing excellent sound and vision, particularly with RGB connection to the main receiver.
- 682 Teletopics**  
News, comment and developments.
- 684 Next Month in Television**
- 685 Ferguson's R and D Activities**  
Ferguson's R and D laboratories at Enfield have now been integrated with Thomson's world-wide network of laboratories in eight countries.
- 686 Servicing CD Players, Part 17** *Joe Cieszynski*  
This concluding instalment in the series looks at CD player power supplies and the CPU from the point of view of servicing. With recommendations on tests to make when the CPU chip is suspect.
- 689 De Luxe Component Tester, Part 1** *David Botto*  
This easy to build and simple to use tester enables a wide range of components to be checked in conjunction with an oscilloscope to provide the display. Using it to check all the components on a PCB can save much time. It can be used as a signature tester and for continuity tests, and is useful for identifying unmarked components.
- 696 The Ferguson FV30's Chopper PSU** *J. LeJeune*  
The design of the FV30 represents a shift to a more European approach, in particular with its chopper power supply. The latter may present a problem to those not familiar with this technique. How the circuit works and how to deal with a dead VCR.
- 699 The House Husband** *Les Lawry-Johns*
- 700 CD Player Casebook**  
Reports from Mike Leach and Keith H.C. Parker.
- 701 Long Distance Television** *Roger Bunney*  
DX conditions and reception and news from abroad.
- 706 Test Report: Electronic Visuals' Vectorscopes** *Nick Beer*  
Serious camera/camcorder servicing calls for the use of a vectorscope to set up the circuits. The units available from Electronic Visuals provide excellent performance at an affordable price.
- 707 Test Case 331**
- 708 VCR Clinic**  
Reports from Philip Blundell, AMIEE, Eugene Trundle, Ian Bowden, Alfred Damp, Stephen Leatherbarrow and Nick Beer.
- 710 Letters**

OUR NEXT ISSUE DATED AUGUST WILL  
BE PUBLISHED ON JULY 18







LINEAR IC'S — Cent	2SA 979	85p	2SC-1114	415p	2SC-2228A	60p	2SC-3179	160p	2SD-789	80p	2SD-1608	210p	2SD-1941	500p
TEA-1002	2SA-984	50p	2SC-1115	285p	2SC-2229	25p	2SC-3181	240p	2SD-792	40p	2SD-1609	100p	2SD-1942	150p
TLO-61	2SA-992	30p	2SC-1116	290p	2SC-2230	80p	2SC-3209	120p	2SD-794	100p	2SD-1632	500p	2SJ-49	425p
TLO-64	2SA-1006	120p	2SC-1161	110p	2SC-2233	100p	2SC-3212	510p	2SD-795A	140p	2SD-1649	260p	2SJ-50	425p
TLO-71	2SA-1009	200p	2SC-1162	35p	2SC-2235	60p	2SC-3225	100p	2SD-811	450p	2SD-1651	270p	2SJ-77	350p
TLO-72	2SA-1010	225p	2SC-1164	600p	2SC-2236	30p	2SC-3244	80p	2SD-819	400p	2SD-1663	450p	2SK-19	45p
TLO-74	2SA-1011	140p	2SC-1173	45p	2SC-2238	70p	2SC-3260	400p	2SD-821	550p	2SD-1666	120p	2SK-49	50p
TLO-81	2SA-1013	100p	2SC-1195	210p	2SC-2240	25p	2SC-3261	500p	2SD-822	400p	2SD-1667	120p	2SK-55	100p
TLO-82	2SA-1015	30p	2SC-1212	120p	2SC-2258	120p	2SC-3263	550p	2SD-826	100p	2SD-1677	300p	2SK-134	415p
TLO-83	2SA-1016	40p	2SC-1213	50p	2SC-2259	80p	2SC-3264	310p	2SD-836	150p	2SD-1739	450p	2SK-135	415p
ULN-2002	2SA-1060	150p	2SC-1214	40p	2SC-2271	60p	2SC-3277	280p	2SD-836A	200p	2SD-1783	100p	2SK-147	160p
ULN-2003	2SA-1069	150p	2SC-1215	60p	2SC-2274	40p	2SC-3280	300p	2SD-837	70p	2SD-1815	100p	2SK-192	45p
ULN-2004	2SA-1071	150p	2SC-1216	200p	2SC-2275	50p	2SC-3281	300p	2SD-838	400p	2SD-1825	120p	2SK-195	150p
ULN-2068	2SA-1076	280p	2SC-1226	75p	2SC-2278	120p	2SC-3293	85p	2SD-841	160p	2SD-1843	100p	2SK-197	140p
ULN-2803	2SA-1084	100p	2SC-1278	110p	2SC-2290	1800p	2SC-3298	120p	2SD-844	200p	2SD-1846	350p	2SK-312	750p
ULN-2804	2SA-1091	100p	2SC-1279	30p	2SC-2291	125p	2SC-3299	120p	2SD-845	250p	2SD-1884	300p	2SK-323	130p
UPC-156	2SA-1094	190p	2SC-1306	90p	2SC-2295	60p	2SC-3303	170p	2SD-850	250p	2SD-1910	280p	2SK-283	70p
UPC-554	2SA-1102	180p	2SC-1308	350p	2SC-2298	120p	2SC-3306	200p	2SD-856	80p				
UPC-555	2SA-1104	200p	2SC-1317	25p	2SC-2307	500p	2SC-3316	280p	2SD-858	250p				
UPC-556	2SA-1105	250p	2SC-1318	25p	2SC-2312	300p	2SC-3327	60p	2SD-863	60p				
UPC-571	2SA-1106	250p	2SC-1325	400p	2SC-2314	70p	2SC-3333	120p	2SD-864	200p				
UPC-574	2SA-1111	150p	2SC-1327	20p	2SC-2320	40p	2SC-3355	90p	2SD-866A	140p				
UPC-575C7	2SA-1123	70p	2SC-1328	40p	2SC-2324	120p	2SC-3356	120p	2SD-868	450p				
UPC-576	2SA-1124	80p	2SC-1342	90p	2SC-2329	480p	2SC-3358	80p	2SD-870	400p				
UPC-577	2SA-1133	200p	2SC-1345	60p	2SC-2331	150p	2SC-3360	200p	2SD-871	450p				
UPC-580	2SA-1141	350p	2SC-1359	60p	2SC-2334	240p	2SC-3383	80p	2SD-879	60p				
UPC-582	2SA-1142	150p	2SC-1383	35p	2SC-2344	150p	2SC-3402	50p	2SD-882	80p				
UPC-585	2SA-1156	150p	2SC-1384	35p	2SC-2347	60p	2SC-3416	80p	2SD-892A	100p				
UPC-596	2SA-1157	150p	2SC-1390	55p	2SC-2353	120p	2SC-3419	120p	2SD-894	120p				
UPC-1001	2SA-1170	500p	2SC-1393	80p	2SC-2362	120p	2SC-3421	120p	2SD-898	120p				
UPC-1018	2SA-1186	500p	2SC-1398	70p	2SC-2361	150p	2SC-3422	110p	2SD-896	200p				
UPC-1023	2SA-1206	100p	2SC-1403	500p	2SC-2369	100p	2SC-3426	50p	2SD-900	400p				
UPC-1023	2SA-1208	70p	2SC-1407	550p	2SC-2399	100p	2SC-3457	200p	2SD-905	600p				
UPC-1026	2SA-1209	100p	2SC-1413	240p	2SC-2373	210p	2SC-3459	250p	2SD-917	300p				
UPC-1028	2SA-1212	120p	2SC-1419	150p	2SC-2389	45p	2SC-3460	300p	2SD-921	320p				
UPC-1032	2SA-1220	120p	2SC-1446	100p	2SC-2407	110p	2SC-3462	100p	2SD-923	360p				
UPC-1158H2	2SA-1262	160p	2SC-1448	100p	2SC-2412K	50p	2SC-3467	70p	2SD-946	120p				
UPC-1167L	2SA-1263	280p	2SC-1449	120p	2SC-2413	50p	2SC-3468	70p	2SD-947	100p				
UPC-1181	2SA-1265	280p	2SC-1450	200p	2SC-2458	40p	2SC-3469	70p	2SD-950	300p				
UPC-1182	2SA-1290	150p	2SC-1454	320p	2SC-2459	60p	2SC-3502	120p	2SD-951	350p				
UPC-1183	2SA-1294	450p	2SC-1472	40p	2SC-2470	65p	2SC-3503	120p	2SD-957	60p				
UPC-1184	2SA-1294	450p	2SC-1473	70p	2SC-2481	120p	2SC-3504	120p	2SD-965	100p				
UPC-1185H2	2SA-1301	350p	2SC-1474	125p	2SC-2482	40p	2SC-3541	100p	2SD-970	170p				
UPC-1186	2SA-1302	400p	2SC-1475	60p	2SC-2484	240p	2SC-3568	120p	2SD-973	100p				
UPC-1187	2SA-1307	160p	2SC-1505	80p	2SC-2500	80p	2SC-3583	170p	2SD-973A	70p				
UPC-1188H	2SA-1318	30p	2SC-1507	140p	2SC-2519	60p	2SC-3605	60p	2SD-985	120p				
UPC-1190	2SA-1329	200p	2SC-1509	45p	2SC-2527	300p	2SC-3612	100p	2SD-1012	120p				
UPC-1230	2SA-1336	30p	2SC-1515	60p	2SC-2547	65p	2SC-3657	40p	2SD-1022	400p				
UPC-1238	2SA-1353	100p	2SC-1520	120p	2SC-2550	70p	2SC-3658	120p	2SD-1024	130p				
UPC-1253	2SA-1356	100p	2SC-1541	110p	2SC-2551	70p	2SC-3671	150p	2SD-1031	130p				
UPC-1271	2SA-1370	100p	2SC-1542	120p	2SC-2552	150p	2SC-3678	280p	2SD-1046	200p				
UPC-1278	2SA-1371	100p	2SC-1567	140p	2SC-2555	150p	2SC-3715	480p	2SD-1051	130p				
UPC-1335V	2SA-1380	100p	2SC-1570	180p	2SC-2562	90p	2SC-3719	50p	2SD-1064	250p				
UPC-1350	2SA-1381	100p	2SC-1570	240p	2SC-2564	230p	2SC-3719	50p	2SD-1071	150p				
UPC-1353	2SA-1386	400p	2SC-1583	30p	2SC-2565	260p	2SC-3746	120p	2SD-1073	350p				
UPC-1365	2SA-1443	250p	2SC-1586	540p	2SC-2568	120p	2SC-3747	120p	2SD-1094	520p				
UPC-1368H	2SA-1489	300p	2SC-1617	340p	2SC-2670	60p	2SC-3769	120p	2SD-1111	60p				
UPC-1373	2SA-1491	300p	2SC-1624	140p	2SC-2671	125p	2SC-3770	120p	2SD-1112	60p				
UPC-1378	2SA-1516	350p	2SC-1625	130p	2SC-2672	130p	2SC-3795	200p	2SD-1135	150p				
UPC-1384	2SB-70	40p	2SC-1627	60p	2SC-2680	240p	2SC-3798	220p	2SD-1138	80p				
UPC-1392	2SB-546	70p	2SC-1674	50p	2SC-2681	100p	2SC-3812	200p	2SD-1159	90p				
1A03CA	2SB-560	35p	2SC-1675	200p	2SC-2682	200p	2SC-3853	220p	2SD-1163A	220p				
UPC	2SB-562	35p	2SC-1678	120p	2SC-2693	40p	2SC-3855	280p	2SD-1164	120p				
UPC	2SB-566	110p	2SC-1685	60p	2SC-2694	40p	2SC-3880	280p	2SD-1168	425p				
UPC	2SB-595	80p	2SC-1729	900p	2SC-2695	40p	2SC-4020	280p	2SD-1185	400p				
UPC	2SB-598	75p	2SC-1730	40p	2SC-2696	30p	2SC-4242	260p	2SD-1186	400p				
UPC	2SB-600	500p	2SC-1741	45p	2SC-2697	60p	2SC-4251	150p	2SD-1189	125p				
UPC	2SB-646A	400p	2SC-1755	90p	2SC-2698	40p	2SC-4252	150p	2SD-1190	150p				
UPC-1525C	2SB-647	30p	2SC-1756	40p	2SC-2699	30p	2SC-4253	150p	2SD-1196	150p				
UPC-1525C	2SB-648	30p	2SC-1757	20p	2SC-2700	20p	2SC-4254	150p	2SD-1210	280p				
UPC-1571C	2SB-649	40p	2SC-1775	20p	2SC-2694	180p	2SC-4255	150p	2SD-1211	280p				
UPC-1571C	2SB-688	120p	2SC-1781	65p	2SC-2695	75p	2SC-4256	150p	2SD-1225	120p				
UPC-1571C	2SB-703	125p	2SC-1789	100p	2SC-2696	550p	2SC-4257	150p	2SD-1229	250p				
UPC-1571C	2SB-707	100p	2SC-1802	100p	2SC-2697	100p	2SC-4258	150p	2SD-1237	300p				
UPC-1571C	2SB-716	200p	2SC-1815	15p	2SC-2671	120p	2SC-4259	150p	2SD-1248	270p				
UPC-1571C	2SB-716	30p	2SC-1819	140p	2SC-2681	270p	2SC-4260	150p	2SD-1251	180p				
UPC-1571C	2SB-718	70p	2SC-1826	60p	2SC-2682	120p	2SC-4261	150p	2SD-1266	180p				
UPC-1571C	2SB-724	200p	2SC-1827	120p	2SC-2683	70p	2SC-4262	150p	2SD-1272	200p				
UPC-1571C	2SB-754	80p	2SC-1845	20p	2SC-26									



VCR PINCHROLLERS	
<b>AKAI</b>	
VS9300, VS9500, VS9700, VS9800	280p
VS1, VS2, VS3, VS4, VS5, VS6, VS9, VS10	360p
<b>AMSTRAD</b>	
VCR4500, VCR4600, VCR4600 Mk2, VCR4700	280p
VCR5200	360p
VCR7000	360p
<b>FERGUSON</b>	
3V00, 3V16, 3V22, 3V23	280p
3V29-30, 3V31-32	280p
3V35-36, 3V38, 3V42-43, 3V44-45, 3V48	280p
3V53, 3V54-55, 3V56-57, 3V58-59, 3V64-65, FV10-11, FV12-14	280p
<b>HITACHI</b>	
VT11, VT33	280p
VT61-62, VT63-64, VT65, VT86-88	280p
VT110-122, VT120-128, VT130-135, VT138-150, VT168-220, VT5000, VT8000, VT9300, VT9500	280p
<b>JVC</b>	
HR3300, HR3330, HR3360, HR3660, HR4100, HR7700, HR7200, HR7330, HR7660, HR7610, HR7650, HR7655	280p
HRD110, HRD111, HRD120, HRD121, HRD140, HRD150	280p
HRD160, HRD225, HRD455, HRD565, HRD725	280p
<b>MITSUBISHI</b>	
HS200, HS300, HS301, HS302, HS303, HS304, HS310, HS320, HS700	280p
<b>NATIONAL</b>	
NV100, NV180, NV300, NV333, NV340, NV366, NV600, NV777, NV788	280p
NV230, NV370, NV430, NV460, NV730, NV810, NV830, NV850, NV870, NV890, NV2000, NV2010, NV3000, NV7000, NV7200, NV7800, NV8600, NV8610, NV8620, NVG14	280p
NV67, NVG10, NVG12, NVG18, NVG21, NVG25, NVH65	360p
<b>PHILIPS</b>	
VR6460	280p
<b>SANYO</b>	
VHR1100, VHR1300, VHR1500, VHR2300	360p
VTC5000, VTC5150, VTC5500, VTC9300, VTCM10, VTCM20	280p
<b>SHARP</b>	
VC381, VC386, VC2300, VC3300, VC7300, VC7700, VC8300	360p
VC9100, VC9300, VC9500, VC9700	360p
VC387, VC481, VC482, VC483, VC486, VC496, VC581	360p
VC582, VC583, VC585	360p
VC651, VC681, VC685, VC750, VC780, VC781, VC785, VC787	360p
VC793, VCT72	360p
<b>SONY</b>	
SLC5, SLC6, SLC7	360p
SLC9, SLC20, SLC24, SLC30, SLC33, SLC44, SLHF100	360p
SLF1, SLF11, SLF25, SLF30, SLF60, SLF100	360p

VCR BELT KITS	
<b>AKAI</b>	
VP-7100	160p
VS-1	150p
VS-2EG	100p
VS-4	120p
VS-5EG	100p
VS-9300	160p
VS-9500	155p
VS-9700	160p
VS-9800	155p
<b>AMSTRAD</b>	
TVR-1-2-3	210p
VCR-4600 & Mk 2	210p
VCR-4700	210p
VCR-5200	210p
VCR-7000	80p

FERGUSON	
3292, 3V00, 3V01, 3V16, 3V22, 3V23	150p
3V29/30, 3V31/32, 3V35/36, 3V38-39, 3V42/43, 3V44/45, 3V45/54, 3V55	150p
<b>FISHER</b>	
VBS-7000, VBS-9000	245p
<b>HITACHI</b>	
VT-11, VT-33, VT-5000, VT-5500, VT-8000, VT-8500, VT-9300, VT-9500, VT-9700	100p
<b>JVC</b>	
HR-3300, HR-3330, HR-3360, HR-4100, HR-7200, HR-7330, HR-7660, HR-7610, HR-7650, HR-7655	150p
HRD110, HRD111, HRD120, HRD121, HRD140, HRD150	180p
HRD160, HRD225, HRD455, HRD565, HRD725	70p
<b>MITSUBISHI</b>	
HS-200	200p
<b>NATIONAL</b>	
NV-300, NV-333, NV-777, NV-2000, NV-3000, NV-7000, NV-7200, NV-8600	160p
VR-6460	170p
<b>PHILIPS</b>	
VR-6460	170p
<b>SANYO</b>	
VTC-5000, VTC-5300, VTC-5500, VTC-9300	75p
<b>SHARP</b>	
VC-381/383/386, VC-6300, VC-7300/7700/7750, VC-8300, VC-8381, VC-9100, VC-9300, VC-9500	125p

SONY	
SL-C5, SL-C6, SC-C7, SC-C9, SL-8000-8080	140p
<b>TOSHIBA</b>	
V-55/57, V-5250/5280, V-5480, V-5475, V-7540, V-8600, V-9600	85p

VIDEO MOTORS	
<b>AMSTRAD</b>	
VCR-7000 REEL MOTOR	1700p
<b>FERGUSON &amp; JVC</b>	
CAPSTAN MOTOR PU-45979	2100p
CAPSTAN MOTOR PU-55371V	1950p
DRUM MOTOR PU-46414	1950p
REEL MOTOR PU-51381V	2650p
<b>NATIONAL</b>	
REEL MOTOR MYN-135VSL FOR NV333, NV366	1350p
<b>SANYO</b>	
REEL MOTOR 4-529V-10800	630p
<b>SHARP</b>	
REEL MOTOR RMT0V 1008 GEZZ	1350p
<b>SONY</b>	
CAPSTAN MOTOR A-6751131A FOR SLC6	700p
CAPSTAN MOTOR BHF 1100D FOR SLC7	2500p
<b>VIDEO LAMPS</b>	
VIDEO LAMPS UNIVERSAL 12V60mA (300mm WIRES)	30p
PANASONIC VIDEO LAMPS	60p
<b>IDLERS &amp; PULLEYS REPLACEMENTS</b>	
<b>HITACHI</b>	
FF REW IDLER 6886971	190p
PLAY IDLER V-6861482	320p
<b>JVC</b>	
IDLER ASSEMBLY PU-47752	450p
TAKE UP IDLER PU-51402A	145p
TAKE CLUTCH PU-55373	225p
IDLER ARM PU-55373-3-8	285p
FAST FORWARD IDLER PU-45896C	210p
<b>NATIONAL</b>	
IDLER	200p
<b>SANYO</b>	
REEL PULLEY 143-0-662T-01201	520p
<b>SHARP</b>	
IDLER NIDL0005 GEEZ	195p
IDLER NIDL0006 GEEZ	195p
<b>SONY</b>	
REW. PULLEY A-6706-348-B	400p
REW. PULLEY A-6706-391-A/B	300p

SERVICES AID	
<b>SERVISOL PRODUCTS</b>	
V HEAD CLEANER	100p
SWITCH CLEANER	115p
SILICONE GREASE	135p
FREEZE IT	125p
FOAM CLEANER	120p
ANTI-STATIC	120p
AEROKLEANER	100p
AERO DUSTER	125p
PLASTIC SEAL	115p

PHILIPS SWITCHES	
40182, 40192, 40193, 40194, 40195, 40196, 40197, 40198, 40199, 40200, 40201, 40202, 40203, 40204, 40205, 40206, 40207, 40208, 40209, 40210, 40211, 40212, 40213, 40214, 40215, 40216, 40217, 40218, 40219, 40220, 40221, 40222, 40223, 40224, 40225, 40226, 40227, 40228, 40229, 40230, 40231, 40232, 40233, 40234, 40235, 40236, 40237, 40238, 40239, 40240, 40241, 40242, 40243, 40244, 40245	150p

SONY SWITCHES	
40182, 40192, 40193, 40194, 40195, 40196, 40197, 40198, 40199, 40200, 40201, 40202, 40203, 40204, 40205, 40206, 40207, 40208, 40209, 40210, 40211, 40212, 40213, 40214, 40215, 40216, 40217, 40218, 40219, 40220, 40221, 40222, 40223, 40224, 40225, 40226, 40227, 40228, 40229, 40230, 40231, 40232, 40233, 40234, 40235, 40236, 40237, 40238, 40239, 40240, 40241, 40242, 40243, 40244, 40245	200p

SEE PREVIOUS PAGES FOR MORE GRANDATA BARGAINS

4000 SERIES CMOS IC'S	
7400	20p
7401	16p
7402	18p
7403	20p
7404	35p
7405	10p
7406	36p
7407	26p
7408	25p
7409	20p
7410	45p
7411	45p
7412	32p
7413	22p
7414	48p
7415	48p
7416	48p
7417	48p
7418	48p
7419	48p
7420	48p
7421	48p
7422	48p
7423	48p
7424	48p
7425	48p
7426	48p
7427	48p
7428	48p
7429	48p
7430	48p
7431	48p
7432	48p
7433	48p
7434	48p
7435	48p
7436	48p
7437	48p
7438	48p
7439	48p
7440	48p
7441	48p
7442	48p
7443	48p
7444	48p
7445	48p
7446	48p
7447	48p
7448	48p
7449	48p
7450	48p
7451	48p
7452	48p
7453	48p
7454	48p
7455	48p
7456	48p
7457	48p
7458	48p
7459	48p
7460	48p
7461	48p
7462	48p
7463	48p
7464	48p
7465	48p
7466	48p
7467	48p
7468	48p
7469	48p
7470	48p
7471	48p
7472	48p
7473	48p
7474	48p
7475	48p
7476	48p
7477	48p
7478	48p
7479	48p
7480	48p
7481	48p
7482	48p
7483	48p
7484	48p
7485	48p
7486	48p
7487	48p
7488	48p
7489	48p
7490	48p
7491	48p
7492	48p
7493	48p
7494	48p
7495	48p
7496	48p
7497	48p
7498	48p
7499	48p
7500	48p

74 SERIES	
74HC251	25p
74LS114	28p
74LS122	35p
74LS123	35p
74LS124	85p
74LS125	30p
74LS126	30p
74LS132	30p
74LS133	30p
74LS136	30p
74LS138	28p
74LS145	65p
74LS147	90p
74LS148	75p
74LS151	27p
74LS152	36p
74LS153	31p
74LS154	78p
74LS155	36p
74LS156	36p
74LS157	36p
74LS158	27p
74LS160	38p
74LS161	38p
74LS162	38p
74LS163	38p
74LS164	38p
74LS165	38p
74LS166	38p
74LS167	38p
74LS168	38p
74LS169	38p
74LS170	38p
74LS171	38p
74LS172	38p
74LS173	38p
74LS174	38p
74LS175	38p
74LS176	38p
74LS177	38p
74LS178	38p
74LS179	38p
74LS180	38p
74LS181	38p
74LS182	38p
74LS183	38p
74LS184	38p
74LS185	38p
74LS186	38p
74LS187	38p
74LS188	38p
74LS189	38p
74LS190	38p
74LS191	38p
74LS192	38p
74LS193	38p
74LS194	38p
74LS195	38p
74LS196	38p
74LS197	38p
74LS198	38p
74LS199	38p
74LS200	38p
74LS201	38p
74LS202	38p
74LS203	38p
74LS204	38p
74LS205	38p
74LS206	38p
74LS207	38p
74LS208	38p
74LS209	38p
74LS210	38p
74LS211	38p
74LS212	38p
74LS213	38p
74LS214	38p
74LS215	38p
74LS216	38p
74LS217	38p
74LS218	38p
74LS219	38p
74LS220	38p
74LS221	38p
74LS222	38p
74LS223	38p
74LS224	38p
74LS225	38p
74LS226	38p
74LS227	38p
74LS228	38p
74LS229	38p
74LS230	38p
74LS231	38p
74LS232	38p
74LS233	38p
74LS234	38p
74LS235	38p
74LS236	38p
74LS237	38p
74LS238	38p
74LS239	38p
74LS240	38p
74LS241	38p
74LS242	38p
74LS243	38p
74LS244	38p
74LS245	38p
74LS246	38p
74LS247	38p
74LS248	38p
74LS249	38p
74LS250	38p
74LS251	



# Link-up <sup>★ EXTRA</sup> to PROFITS <sup>★</sup>

## FILMNET DECODER

- ★ WITH BUILT IN INTERFACE
- ★ SWITCHES TO & FROM FILMNET — SKY — NORMAL TV CHANNELS. *NO PLUGGING OR UNPLUGGING.*
- ★ COMPLETELY AUTO
- ★ FIT AND FORGET
- ★ COMPLETE WITH LEADS
- ★ POWER ON LED INDICATOR
- ★ 12 MONTHS GUARANTEE
- ★ DIRECT FROM MANUFACTURER MEANS EXTRA PROFITS
- ★ OPERATES FROM EXTERNAL 12v 300ma DC POWER SUPPLY

**£55**  
in  
**ones**

PLUS VAT CALL OR PHONE:  
\*QUALITY DISCOUNTS 24 HOUR ANSWERING SERVICE.

# Link-up <sup>Communications</sup> Limited

20 ELMORE GREEN ROAD, BLOXWICH, WALSALL,  
WEST MIDLANDS WS3 2HW.  
(0922) 402786

## MAKE YOUR INTERESTS PAY!

Train at home for one of these Career Opportunities

Over the past 100 years more than 9 million students throughout the world have found it worth their while! An ICS home-study course can help you get a better job, make more money and have more fun out of life! ICS has over 90 years experience in home-study courses and is the largest correspondence school in the world. You learn at your own pace, when and where you want under the guidance of expert 'personal' tutors. Find out how we can help YOU. Post or phone today for your **FREE INFORMATION PACK** on the course of your choice. (Tick one box only!)

Electronics <input type="checkbox"/>	TV, Video & Hi-Fi Servicing <input type="checkbox"/>
Basic Electronic Engineering (City & Guilds) <input type="checkbox"/>	Refrigeration & Air Conditioning <input type="checkbox"/>
Electrical Engineering <input type="checkbox"/>	Car Mechanics <input type="checkbox"/>
Elec. Contracting/Installation <input type="checkbox"/>	Computer Programming <input type="checkbox"/>
GCSE / GCE / SCE over 40 examination subjects to choose from <input type="checkbox"/>	

Name: \_\_\_\_\_

Address: \_\_\_\_\_

P. Code \_\_\_\_\_



International Correspondence Schools, Dept. EGS70,  
312/314 High Street, Sutton, Surrey SM1 1PR.  
Tel: 081-643 9568 or 041-221 2926 (both 24 hours).

## VIDEO HEADS DIRECT FROM THE IMPORTERS

<b>AKAI</b>	<b>SANYO</b>	VC-6000	41.09
VS 1-2 45	VHR 1100	VC-651	17.95
VS 105 112	VHR 1150	VC-7300	41.09
	VHR 1200SP	VC-8300	41.09
<b>AMSTRAD</b>	VHR 1300	VC-9300	17.95
TVR1	VHR 1500	VCA SERIES	17.95
TVR2/3	VHR 1700	<b>SOLAVOX</b>	
VCR 4500	VHR 2300	1000	23.21
VCR 4600	VHR 2500	<b>SONY</b>	
VCR 4700	VHR 3100	SL C5/6/7	14.50
VCR 5200	VHR 3200	SL C8/9	31.37
VCR 6000/1	VHR 3300	SL C20	16.57
VCR 7000	VHR 3400	<b>TATUNG</b>	
VCR 9000	VTC 5000	8300/8500	9.25
<b>FERGUSON</b>	<b>SENTRA</b>	<b>TOSHIBA</b>	
3V00 (3HSSV)	8000	V-21/31/32	17.86
3V32	VXL 8/9	V-33/50/51	17.86
3V35/36	VXL 10/11	V-55/57	9.50
3V12/44/45	<b>HITACHI</b>	V-63/64	18.80
3V43/53	VT 7	V-71/73/74	18.80
3V48	VT 8/9	V-75/78/81	18.80
3V54/55/56	VT 11/14/16	V-80	20.55
3V58/59	VT 17/18/19	V-83/85/86	18.80
3V64/65	VT 33/34	V-8600/96	17.86
FV 10/11	VT 35/38/39	VX800A/810A	19.04
FV 121/130	VT 52	VX820/880A	19.04
FV 14T	VT 56/57	VX850	21.03
FV 20/21/22	VT 61/62/63	<b>mitsubishi</b>	
	VT 65	HS300/301	33.98
<b>FISHER</b>	VT 100/111	HS302/310	33.98
FVH P520	VT 112/113	HS303/304	26.52
FVH P975	VT 115/118	HS318/710	35.06
<b>GOLDSTAR</b>	VT 120/125	HS700	26.52
8000	VT 128/220	<b>N.E.C.</b>	
GHV 1221	VT 130/135	N9 SERIES	28.51
GHV 12321	VT 138	N91 SERIES	38.01
	VT 145/150	<b>ORION</b>	
<b>GRUNDIG</b>	VT 220/225	VH SERIES	19.04
VS 400	VT 250/255	<b>PANASONIC</b>	
VS 500	VT 5000	NV 100/200	12.43
	VT 6500/80	NV 180	33.98
<b>HINARI</b>	VT 9000	NV 230/260	21.52
YXL 2/3/4	<b>J.V.C.</b>	NV 250/280	21.37
YXL 5/V20H	3HSSV	NV 300	9.00
	HR 7655	NV 366	25.79
<b>PHILIPS</b>	HR D110/120	NV 370	12.43
VR 6420	HR D140/141	NV 430	21.57
VR 6440	HR D150/157	NV 450/460	21.37
VR 6441	HR D158/160	NV 630	42.03
VR 6460	HR D170/171	NV 688	43.34
VR 6541	HR D180/230	NV 730/770	25.79
VR 6660	HR D250	NV 777	21.84
VR 6642	HR D370/430	NV 780	42.03
VR 6920	HR D455	NV 788	51.68
	HR D470	NV 810/830	43.01
<b>SAISHO</b>	HR D530	NV 850/950	P.O.A.
VH 1200HQ	HR D565/566	NV 870/890	51.18
VH 1600	HR D725/755	NV 970	51.18
VR 1000/11	HR S10	NV 418	33.98
VR 1200/16	<b>MATSUI</b>	NV D80	47.51
VR 2000	VX500E/600A	NV G7/9	21.57
VR 3200/33	VX730/735/A	NV G10/11	21.37
VR 3300/X	VX755/755A	NV G12/120	21.37
VR 3500/36	VX765	NV G130	20.05
VR 3800	VX770B/773B	NV G11/15	21.37
VR 605/705	<b>SHARP</b>	NV G14/15	21.37
VR 8058	VC-381-388	NV G20/21	33.98
VR 9058	VC-402-481	NV G25/28	33.98
	VC 483/486	NV G30/31	20.05
<b>SAMSUNG (D.O.A.)</b>	VC-581/582	NV G33	34.21
SV SERIES	VC-583/584	NV G45/46/5	34.71
SVP SERIES	VC-584	NV H65/70	52.26
VB SERIES	VC-5/6		
VI SERIES			
VX SERIES			

Please add VAT and p&p 90p

## OMEGA ELECTRONICS

CROWN HOUSE,  
NORTH CIRCULAR RD, LONDON NW10 7PN.  
TEL: 081-965 5748 FAX: 081-965 7813





**WE WILL ONLY SUPPLY TOP QUALITY, BRANDED COMPONENTS. REPUTATION COUNTS WITH US**

# G.G.L.COMPONENTS

PO BOX 72, UNIT 7, SOUTH JOHN STREET, CARLISLE, CUMBRIA CA2 5AL  
PHONE (0228) 39693/20358 FAX (0228) 515127

**BUY WITH**



CAPACITORS		INTEGRATED CIRCUITS		TYPE		PRICE (£)		TYPE		PRICE (£)		LINE O/P TRANS		TRANSISTORS		TYPE		PRICE (£)	
1UF at 250V	20			STR4090	8.95	TDA2577	2.95	DECCA 100	8.90	TYPE		BUS08AF	2.75			BUS08AF	2.75		
4.7UF at 250V	25	TYPE	PRICE (£)	STR40090	7.95	TDA2578A	2.95	FERGUSON 1690/1	9.30	BC107	15	BUS08V	1.90			BUS08V	1.90		
10UF at 250V	35	AN303	3.75	STR50103A	6.50	TDA2579	2.95	FERGUSON 1790/1	7.95	BC148	10	BUR26A	2.25			BUR26A	2.25		
22UF at 250V	40	AN305	3.50	STR4211	3.95	TDA2582	1.95	FERGUSON TX9	23.50	BC148	10	BUR26B	2.95			BUR26B	2.95		
33UF at 250V	55	AN318	6.95	STR441	4.95	TDA2581/3	1.95	FERGUSON TX90(14")	19.75	BC307	12	BUR26C	1.95			BUR26C	1.95		
47UF at 250V	65	AN318	6.95	STR451	6.95	TDA2594	2.95	FERGUSON TX90(20")	19.50	BC327	11	BUT11AF	2.95			BUT11AF	2.95		
100UF at 250V	1.25	AN5620	4.95	STR454	4.95	TDA2595	4.95	FERGUSON TX100 90	20.95	BC328	12	BUT12A	2.95			BUT12A	2.95		
(All Single Ended PCB Type)		AN7145M	2.95	STR5412	6.95	TDA2600	6.35	FERGUSON TX100 110	20.95	BC337	11	BUX84	90			BUX84	90		
-1F5.5V-Cap	2.50	HA1339A	2.95	STR58041	6.95	TDA2611A	1.50	FIDELITY ZX2000 14"/20"	14.75	BC338	12	R2540	2.95			R2540	2.95		
		HA1366W	1.85	STR6020(KIT)	5.75	TDA2653A	1.50	(Inc. Mod.)	12.50	BC360	10	RA050	2.95			RA050	2.95		
		HA1366WVR	1.85	TA7193P	4.50	TDA2655B	5.95	FIDELITY ZX3000 14"/20"	11.50	BC547	10	SG264A	5.95			SG264A	5.95		
		HA1374	2.45	TA7205AP	1.40	TDA3190	1.95			BC547	10	T607(V/KIT)	5.75			T607(V/KIT)	5.75		
		HA1377	2.95	TA7222P	1.85	TDA3330	3.95			BC547	10	T9053V	3.50			T9053V	3.50		
		HA1392	2.95	TA7227	2.95	TDA3540	2.95			BC547	10	T9054V	3.50			T9054V	3.50		
		HA1397	3.95	TA7270	3.25	TDA3541	2.95			BC557	10	T9064V	1.95			T9064V	1.95		
		HA13001	4.50	TBA120AS	1.00	TDA3560	4.95	FIDELITY ZX22"/26"	22.95	BC558	10	TIP29E	70			TIP29E	70		
		HA13008	12.95	TBA120U	1.00	TDA3562A	5.50	HINARI CT4/5	19.95	BC639	25	TIP31C	45			TIP31C	45		
		LA1201	1.25	TBA800P	85	TDA3565	4.95	ITT CVC2/5	8.50	BC640	25	TIP32C	45			TIP32C	45		
		LA1230	2.95	TBA810S	1.25	TDA3571 B/Q	3.95	ITT CVC25/30/32	8.50	BD131	50	TIP41C	45			TIP41C	45		
		LA1365	2.95	TBA820	1.50	TDA3650	4.95	ITT Compact 80	21.95	BD132	50	TIP42C	45			TIP42C	45		
		LA4440	2.75	TBA820M	1.25	TDA3651	1.95	PHILIPS G8	9.95	BD222	50	TIP112H	75			TIP112H	75		
		LA4445	2.45	TBA920S	1.95	TDA3651AQ	1.95	PHILIPS G11	18.95	BD225	50	15/80H	2.95			15/80H	2.95		
		LA4460	2.45	TBA950/ZX	2.25	TDA3652 (Genuine)	7.75	PHILIPS G11 (Rem)	1.75	BD237	40	2SC867A	3.20			2SC867A	3.20		
		LA4461	2.45	TBA1440G	2.95	TDA3653AQ	4.95	PHILIPS CTX 20"	17.95	BD238	40	2SC1034	3.95			2SC1034	3.95		
		LA7800	1.95	TD4440	2.95	TDA3654AQ	4.75	PHILIPS CTX 22"	9.95	BD278A	70	2SC1114	5.95			2SC1114	5.95		
		LA7801	2.95	TD4440	2.95	TDA4500	3.95	PHILIPS K30	19.95	BD437	40	2SC1413A	2.95			2SC1413A	2.95		
		M29381	6.95	TD41020	2.75	TDA4503	4.65	PHILIPS 147/16"	17.95	BD438	40	2SC1942	2.90			2SC1942	2.90		
		MC13002	3.95	TD41035T	1.90	TDA4500/2	2.95	PHILIPS CTX 20"	17.95	BD677	65	2SC3156	3.95			2SC3156	3.95		
		MC14497P	4.50	TD41037	2.45	TDA4600/2D	3.30	RBM T20/22A	9.95	BD701	70	2SD0725	4.50			2SD0725	4.50		
		SAA1250	3.85	TD41044	2.95	TD41810	6.95	SHARP C1410	23.95	BD707	95	2SD0870	6.50			2SD0870	6.50		
		SAA1251	4.95	TD41151	1.25	TD418190	2.80			BD807	95	2SD1398	2.35			2SD1398	2.35		
		SAA5000A	3.95	TD41170S	1.80	TD41950A	1.50			BF337	28	2SD1453	2.95			2SD1453	2.95		
		SAA5010	4.95	TD41180P	2.65	TD42002	1.55			BF337	28	7805	50			7805	50		
		SAA5012	4.95	TD41190Z	2.85	TD42003	1.55			BF422	35	7812	50			7812	50		
		SAA5030	5.95	TD41470	3.25	TD42003	1.55			BF422	35	7815	50			7815	50		
		SAA5050	6.95	TD41506	4.35	TD42003	1.55			BF422	35	7824	70			7824	70		
		SAF1039P	2.75	TD41510	3.80	TD42004	2.90			BF422	35								
		SL4701DP	2.95	TD41512	3.50	TD42005	2.55			BF422	35								
		SL480	2.85	TD41515	4.50	TD42005	2.55			BF422	35								
		SL490	2.90	TD41670A	4.20	TD42005	2.55			BF422	35								
		SL1430	1.95	TD41770A	3.70	TD42005	2.55			BF422	35								
		SL1431	1.95	TD41908A	1.95	TD42005	2.55			BF422	35								
		SL1432	1.95	TD41950A	3.95	TD42005	2.55			BF422	35								
		SL1433	1.75	TD42002	1.50	TD42005	2.55			BF422	35								
		SL1434	1.95	TD42003	1.55	TD42005	2.55			BF422	35								
		SL1435	1.95	TD42003	1.55	TD42005	2.55			BF422	35								
		SL1436	1.95	TD42003	1.55	TD42005	2.55			BF422	35								
		SL1437	1.95	TD42003	1.55	TD42005	2.55			BF422	35								
		SL1438	1.95	TD42003	1.55	TD42005	2.55			BF422	35								
		SL1439	1.95	TD42003	1.55	TD42005	2.55			BF422	35								
		SL1440	1.95	TD42003	1.55	TD42005	2.55			BF422	35								
		SL1441	1.95	TD42003	1.55	TD42005	2.55			BF422	35								
		SL1442	1.95	TD42003	1.55	TD42005	2.55			BF422	35								
		SL1443	1.95	TD42003	1.55	TD42005	2.55			BF422	35								
		SL1444	1.95	TD42003	1.55	TD42005	2.55			BF422	35								
		SL1445	1.95	TD42003	1.55	TD42005	2.55			BF422	35								
		SL1446	1.95	TD42003	1.55	TD42005	2.55			BF422	35								
		SL1447	1.95	TD42003	1.55	TD42005	2.55			BF422	35								
		SL1448	1.95	TD42003	1.55	TD42005	2.55			BF422	35								
		SL1449	1.95	TD42003	1.55	TD42005	2.55			BF422	35								
		SL1450	1.95	TD42003	1.55	TD42005	2.55			BF422	35								
		SL1451	1.95	TD42003	1.55	TD42005	2.55			BF422	35								
		SL1452	1.95	TD42003	1.55	TD42005	2.55			BF422	35								
		SL1453	1.95	TD42003	1.55	TD42005	2.55			BF422	35								
		SL1454	1.95	TD42003	1.55	TD42005	2.55			BF422	35								
		SL1455	1.95	TD42003	1.55	TD42005	2.55			BF422	35								
		SL1456	1.95	TD42003	1.55	TD42005	2.55			BF422	35								
		SL1457	1.95	TD42003	1.55	TD42005	2.55			BF422	35								
		SL1458	1.95	TD42003	1.55	TD42005	2.55			BF422	35								
		SL1459	1.95	TD42003	1.55	TD42005	2.55			BF422	35								
		SL1460	1.95	TD42003	1.55	TD42005	2.55			BF422	35								
		SL1461	1.95	TD42003	1.55	TD42005	2.55			BF422	35								
		SL1462	1.95	TD42003	1.55	TD42005	2.55			BF422	35								
		SL1463	1.95	TD42003	1.55	TD42005	2.55			BF422	35								
		SL1464	1.95	TD42003	1.55	TD42005	2.55			BF422	35								
		SL1465	1.95	TD42003	1.55	TD42005	2.55			BF422	35								
		SL1466	1.95	TD42003	1.55	TD42005	2.55												



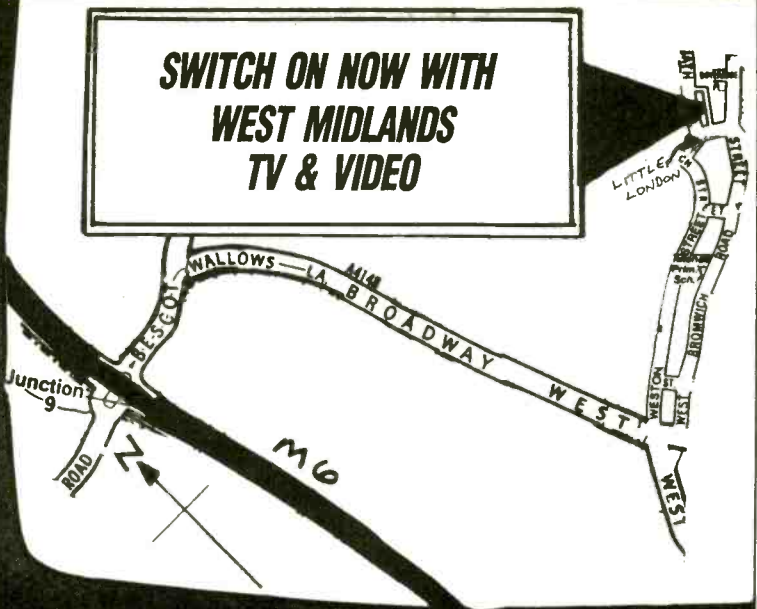
**WE OFFER A FULL RANGE OF EX-RENTAL TV'S & VIDEO'S.**

**SPECIAL OFFERS FOR THIS MONTH**

**10 WORKING TX TEXT ONLY £450**

**10 WORKING 3V29/30 VIDEOS ONLY £550**

- ★ PORTABLE COLOUR TV'S ARE AVAILABLE
- ★ CAN DELIVER ANY DISTANCE



**West Midlands T.V. & Video Wholesale**

2 mins from Junction 9 – M6. Warehouse in Passage off, Little London, Caldmore, Walsall.  
 Tel: 0922-724542/722208. Open: Mon.-Fri. 9am-6pm Sat. 9am-2pm.

**W. TREE ★ TRADE ★ WAREHOUSE**

**Largest in the North with over 9,000 sq ft of TV, VIDEO, HI-FI and ELECTRICAL GOODS.**

**WE MAY BE ABLE TO ARRANGE DELIVERY FOR BULK PURCHASERS!!!**

**'B' GRADE TVS + VIDEOS TOP BRAND NAMES (SONY, HITACHI, etc) — ALWAYS AVAILABLE —**

**GENEROUS Discounts given for buying in BULK!!**

**OFFER STILL AVAILABLE.**

10 THORN TEXT TVs INCLUDING 2 STEREO TEXT.

★ **£474** ★

OFF-THE-PILE COLOUR TVS Available From Only

**£3.00**

MICROWAVE OVENS From Only

**£15.00**

**MANY MODERN VIDEOS IN STOCK FOR SPARES OR REPAIR**

From as Little as **£15**

**UNIT ONE, SUNSHINE MILLS, WORTLEY ROAD, LEEDS 12. Telephone: 0532 638804**

— HAND UNITS EXTRA —

ALL PRICES QUOTED ARE EXCLUSIVE OF V.A.T. —



**Our selection of stock in July  
will shock you to the sky**

**Our prices are  
best and you will  
pay less!!**

**The UK's  
Largest  
Wholesalers**

**HUSSAIN  
CENTRAL  
T.V. LTD.**

**LEEDS**

**Tel:  
0532 422774**

**CARDIFF**

**Tel:  
0222 471485**

**PRESTON**

**Tel:  
0772 312101**

**LONDON**

**Tels:  
081-961 5005  
081-965 3962**

**BIRMINGHAM  
HEAD OFFICE**

**Tel:  
021 327 3273  
Fax: 021 322 3011**

**SOUTHAMPTON**

**Tel:  
0703 777254**

**We are the largest export dealers  
Call us NOW on  
Fax 021 322 2011**

**FOR FURTHER DETAILS CALL YOUR  
LOCAL BRANCH NOW!**

**BIRMINGHAM HEAD OFFICE: 208 BROMFORD LANE · ERDINTON  
NEXT BRS DEPOT**



# ★ STAR ATTRACTIONS ★

CARDIFF – CARDIFF – CARDIFF – CARDIFF

Largest selection of TV's & Video's in South Wales

The UK's Largest  
Independent Wholesalers  
of Ex-Rental TV & Video has  
expanded  
to the  
City of Cardiff

GRAND OPENING

**HURRY HURRY!!**

Selection of stock at special  
prices

**OPENING SPECIAL OFFER**

TX Stereo Text Working

**£35.00 + VAT**

**Unbeatable Prices**

Hurry and  
get yourself a  
bargain!

Our prices are  
unbeatable!

# HUSSAIN CENTRAL T.V. LIMITED

T/A JENHUT LTD, CARDIFF  
J7 COLCHESTER INDUSTRIAL ESTATE,  
COLCHESTER AVENUE, CARDIFF CF3 7AP  
Tel. 0222-471485

Fax.

021-322 2011

**Vast Choice**

**Quality Stock**

We won't let  
you struggle

We can deliver  
on the double!

*We will export any quantity  
Contact us now on Fax 021 322 2011*

★ **Don't delay it doesn't pay** ★  
**Ring your Cardiff Branch NOW!!**  
**Tel: 0222 471485**

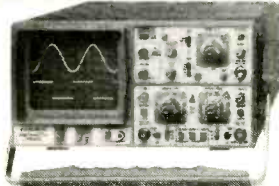


HOW TO INCREASE YOUR PROFITS, IMPROVE YOUR SERVICE, WITH COST EFFECTIVE TEST EQUIPMENT.

### HAMEG OSCILLOSCOPES

HAMEG are Europe's top selling DUAL TRACE OSCILLOSCOPES. Select from four superb models. All, with the exception of the HM 1005, incorporate a useful COMPONENT TESTER. Size - all models - 285mm x 145mm x 380mm. Clear display 8 x 10cm. Mains supply, 110-125-220/240V AC 50/60Hz. All supplied with 2 PROBES, a COMPREHENSIVE MANUAL and a 2 YEAR WARRANTY.

#### HM203-6 20MHz STANDARD



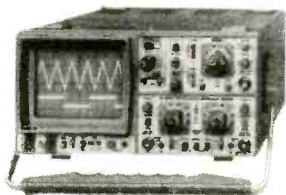
Price £314.00 + £47.10 V.A.T.

#### SPECIFICATION

- \* 2 Channels
- \* Bandwidth: DC-20MHz
- \* Sens: Ch1., Ch2., 2mV/cm
- \* Timebase: 0.2s-20ns/cm
- \* Triggering: DC-40MHz
- \* Active TV-Sync-Separator
- \* Variable hold-off
- \* Trigger LED indicator
- \* Calibrator: 1KHz Square wave
- \* Component tester
- \* Plus many features

FREE Securicor Delivery

#### HM604 60MHz UNIVERSAL



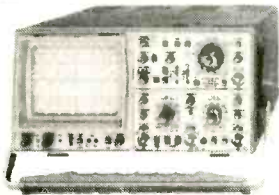
#### SPECIFICATION

- \* 2 Channels
- \* Bandwidth: DC-60MHz
- \* Sens: Ch1., Ch2., 1mV/cm
- \* Timebase: 2.5s-5ns/cm
- \* Triggering: DC-80MHz
- \* Active TV-Sync-Separator
- \* After delay trigger
- \* Sweep delay \* Delay line
- \* Trigger LED indicator
- \* Calibrator: 1KHz & 1MHz Sq. Wave
- \* Component tester
- \* Plus many more superb features

Price £575.00 + £86.25 V.A.T.

FREE Securicor Delivery

#### HM1005 100MHz UNIVERSAL



Price £726.00 + £108.90 V.A.T.

#### 3 CHANNELS-UP TO 6 TRACES

#### SPECIFICATION

- \* 3 Channels
- \* Bandwidth: DC-100MHz
- \* Sens: Ch1., Ch2., Ch3., 1mV/cm
- \* Timebase A: 2.5s-5ns/cm
- \* Timebase B: 0.2s-5ns/cm
- \* Triggering: DC-130MHz
- \* After delay trigger \* Delay line
- \* Trigger LED indicator
- \* Overscan LED indicator
- \* Active TV-Sync-Separator
- \* Calibrator: 1KHz & 1MHz Sq. Wave
- \* Plus many more excellent features

FREE Securicor Delivery

#### HM205-2 20MHz DIGITAL STORAGE

#### SPECIFICATION

- \* Digital Storage
- \* Analogue real time (Same as 203-6)
- \* Bandwidth: DC-20MHz
- \* Sens: Ch1., Ch2., 2mV/cm
- \* Timebase Analogue: 0.2s-20ns/cm
- \* Timebase Digital: 5s-2µs/cm
- \* Triggering DC-40MHz
- \* Active TV-Sync-Separator
- \* Max sampling rate: 2x5MHz
- \* Memory: 2x1024x8 Bit
- \* Dot joiner
- \* Printer/plotter output
- \* Component tester
- \* Plus many more useful features

Price £527.00 + £79.05 V.A.T.

FREE Securicor Delivery

#### B.K.'s CRT TESTER-REJUVENATOR



Tests and rejuvenates blue, green & red guns separately. Fitted with delta and P.I.L. sockets. Compact size 120x65x60 mm. Supply 240V AC

Price £32.00 + £4.80 V.A.T.

#### B.K.'s REVOLUTIONARY DYNAMIC 'LOPT' TESTER

Revolutionary L.O.P.T. tester. Operates in dynamic mode which actually tests the L.O.P.T. under high voltage conditions without de-soldering or removal. Size 75x100x40 mm. Supply 240V AC

Price £25.99 + £3.90 V.A.T.



#### THANDAR SC110A PORTABLE OSCILLOSCOPE



Price £195.00 + £29.25 V.A.T.

\* Full trng. fac. inc. TV frame etc.

- \* Only 2 1/4" thick
  - \* Fits in a brief case
  - \* Sens. 10mV
  - \* Bandwidth 10MHz
  - \* Battery or mains adaptor
  - \* Size 255mm x 148mm x 50mm
- ACCESSORIES**  
Carry Case £6.25 + £0.93 V.A.T.  
Probe £7.50 + £1.30 V.A.T.  
Mains Adaptor £7.30 + £1.09 V.A.T.

#### DIGITAL LCR METER

- \* LCD Display
- \* 18 Ranges
- \* Inductance 1µH - 2H
- \* Capacitance 1pF - 200µF
- \* Resistance 1ohm - 20Mohm
- \* High accuracy

Price £95.00 + £14.25 V.A.T.

#### INSULATION TESTER 500V



- \* Electronic battery operated
- \* Measuring Voltage 500V DC
- \* Measuring Range 0-100Mohm
- \* Centre scale 2Mohm

Price £65.00 + £9.75 V.A.T.

### B & K PRECISION CRT ANALYSER-RESTORER

The number one CRT Test Instrument. Over 5000 U.K. Television engineers wouldn't be without it.

\* All CRT's checked identically including all in-line and one gun types \* Tests all three guns of colour CRT's simultaneously under actual operating conditions (model 467) \* Exclusive multiplex technique (model 467) \* Measures true dynamic beam current that actually passes through G1 aperture to screen \* Measures all shorts and leaks - preserving more CRT's \* Tests focus electrodes lead continually finding faults that other Testers miss \* Uses most powerful restoration method known with minimum danger to CRT \* Rejuvenated CRT's guaranteed as new for two years \* Obsolescence proof: Perpetual set up chart up-dated and new adaptors development \* Tests and rejuvenates VDU's and Oscilloscope tubes \* A range of over 40 CRT base adaptors available \* Increases profit \* Pays for itself in months.

#### PRICES

Model 467 Tri-dynamic three meter instrument Inc. 6 common adaptors ..... £395.00 + £59.25 V.A.T.  
Without adaptors ..... £344.00 + £51.60 V.A.T.  
Model 470 Single meter instrument Inc. 6 common adaptors ..... £294.00 + £44.10 V.A.T.  
Without adaptors ..... £244.00 + £36.60 V.A.T.

Technical leaflets available. GET INTO PROFIT NOW!

#### SADELTA FIELD STRENGTH METER TC-402

THE SADELTA FIELD STRENGTH METER TC-402 has been designed to measure the signal levels delivered by the antenna to a TV or FM receiver, in order to test the performance of the antenna and evaluate the best conditions during installation etc. To facilitate measurements, the tuning frequency readout is shown on a digital display.

#### FEATURES

- \* Covering FM and all TV bands (UHF/VHF) including CATV freq.
- \* Digital tuning display (3 digits) for direct frequency readout.
- \* Accurate 10 turn tuning potentiometer.
- \* Built-in loudspeaker enables monitoring of sound in AM/FM.
- \* Meter measurement in voltage and dB from 20µV (26dB/µV).
- \* Continuity tester 0-500 ohms.
- \* Fully portable (battery).
- \* Sturdy carry case.

Price £249.00 + £37.35 V.A.T.



#### SADELTA COLOUR PATTERN GENERATORS

THE SADELTA RANGE OF HAND HELD COLOUR PATTERN GENERATORS is intended for use in production, installation and service of both colour and monochrome TV sets, video and computer monitors. In order to control and adjust the various parameters eight switchable patterns are provided. The technician has ready access to Laboratory, workshop and field use as the Generator has been designed using the latest micro-technology to achieve truly pocket size instruments. Internal re-chargeable Ni-Cd's. Supplied with 9V power supply charger. Size 131mm x 81mm x 23mm.

#### T.V. PATTERN GENERATOR PAL MC11B UK

- \* Band IV (21-34)
- \* Band III (5-12)
- \* PAL I
- \* O/Put 10mV into 75ohms
- \* Sound output

Price £124.95 + £18.74 V.A.T.

#### PAL VIDEO COMPOSITE GENERATOR

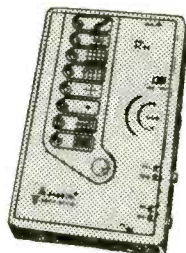
- \* PAL B.G.I.
- \* O/Put 1V p.p. @ 75ohms
- \* Audio O/Put 10mV
- \* Switching 12V @ 4K7ohms

Price £124.95 + £18.74 V.A.T.

#### R.G.B. PATTERN GENERATOR

- \* O/Put sigs. Pos. RGB
- \* Neg. Composite
- \* O/Put TTL 5V P-P
- \* Blank Pulse etc. CCIR

Price £111.95 + £16.79 V.A.T.



#### DIGITAL THERMOMETER

- \* Pocket Size
- \* -50°C to +750°C
- \* 1°C Resolution
- \* 0.5" LCD
- \* Supplied with thermocouple

Price £59.50 + £8.92 V.A.T.

#### 200MHz DIG. FREQ. METER

- \* Pocket Size
- \* 8 Dig. LED Display
- \* Freq. Range 20Hz to 200MHz
- \* Resolution 0.1Hz
- \* Sensitivity 10mV

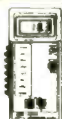
Price £75.50 + £11.32 V.A.T.

#### DIGITAL CAPACITANCE METER

- \* High Accuracy
- \* 0-1pf-2,000µF
- \* LCD display
- \* 8 Ranges
- \* Accuracy ±0.5%
- \* Full scale ±1 digit

#### PRICE

£38.00  
+ £5.70 VAT  
Case Included



Price £23.00 + £3.45 V.A.T. each

The THANDAR TP1 LOGIC PROBE and TP2 LOGIC PULSER are effective and economical tools for checking both TTL and CMOS circuits. TP1 can show 14 different circuit conditions and can detect pulses down to typically 10ns. TP2 can inject a signal directly into a circuit without damaging sensitive components. Together they can stimulate and monitor responses of components 'in circuit', greatly aiding fault finding.



U.K. POST PAID, export enquiries welcome. Visa/Access or cheque with order, payable B.K. Electronics. Official Orders welcome from Govt. Depts., Colleges, P.L.C.'s etc. Large S.A.E. for technical leaflets of complete range. Delivery normally within seven days.



**B. K. ELECTRONICS DEPT. T**  
UNIT 5, COMET WAY, SOUTHEND-ON-SEA,  
ESSEX, SS2 6TR TEL: 0702-527572



### ONE POUND PACKS

All packs are £1 each. Note the figure on the extreme left is the pack ref number and the next figure is the quantity of items in the pack, finally a short description.

- BD2 5 13A spurs provide a fused outlet to a ring main where devices such as a clock must not be switched off.
- BD9 2 6V 1A mains transformers upright mounting with fixing clamps.
- BD11 1 6 1/2in speaker cabinet ideal for extensions, takes our speaker. Ref BD137.
- BD13 12 30 watt reed switches, it's surprising what you can make with these - burglar alarms, secret switches, relay, etc., etc.
- BD22 2 25watt loudspeaker two unit crossovers.
- BD30 2 Nical constant current chargers adapt to charge almost any nicad battery.
- BD32 2 Humidity switches, as the air becomes damper the membrane stretches and operates a microswitch.
- BD42 5 13A rocker switch three tags so on/off, or change over with centre off.
- BD45 1 24hr time switch, ex-Electricity Board, automatically adjust for lengthening and shortening day, original cost £40 each.
- BD49 5 Neon valves, with series resistor, these make good night lights.
- BD56 1 Mini selector, one use is for an electric jigsaw puzzle, we give circuit diagram for this. One pulse into motor, moves switch through one pole.
- BD67 1 Suck or blow operated pressure switch, or it can be operated by any low pressure variation such as water level in water tanks.
- BD103A 1 6V 750mA power supply, nicely cased with mains input and 6V output leads.
- BD120 2 Stripper boards, each contains a 400V 2A bridge rectifier and 14 other diodes and rectifiers as well as dozens of condensers, etc.
- BD128 10 Very fine drills for pcb boards etc. Normal cost about 80p each.
- BD132 2 Plastic boxes approx 3in cube with square hole through top so ideal for interrupted beam switch.
- BD134 10 Motors for model aeroplanes, spin to start so needs no switch.
- BD139 6 Microphones inserts - magnetic 400 ohm also act as speakers.
- BD148 4 Reed relay kits, you get 16 reed switches and 4 coil sets with notes on making c/o relays and other gadgets.
- BD149 6 Safety cover for 13A sockets - prevent those inquisitive little fingers getting nasty shocks.
- BD180 6 Neon indicators in panel mounting holders with lens.
- BD193 6 5 amp 3 pin flush mounting sockets make a low cost disco panel.
- BD199 1 Mains solenoid, very powerful, has 1in pull or could push if modified.
- BD201 8 Keyboard switches - made for computers but have many other applications.
- BD211 1 Electric clock, mains operated, put this in a box and you need never be late.
- BD221 5 12V alarms, make a noise about as loud as a car horn. Slightly soiled but OK.
- BD252 1 Panostat, controls output of boiling ring from simmer up boil.
- BD259 50 Leads with push-on 1/4in tags - a must for hook-ups - mains connections etc.
- BD263 2 Oblong push switches for bell or chimes, these can mains up to 5 amps so could be foot switch if fitted into pattress.
- BD268 1 Mini 1 watt amp for record player. Will also change speed of record player motor.
- BD305 1 Tubular dynamic mic with optional table rest.
- BD653 2 Miniature driver transformers. Ref. LT44. 20k to 1k centre tapped.
- BD548 2 3.5V relays each with 2 pairs changeover contacts.
- BD667 2 4.7 µf non-polarised block capacitors. pcb mounting.

There are over 1,000 items in our Catalogue. If you want a complete copy please request this when ordering.

**12-220V INVERTER KIT.** This kit will convert 12V DC to 220V AC. It will supply up to 130 Watts with a large transformer. As supplied it will handle about 15 Watts. Heatsink required. Price is £12.00. Ref. 12P17.

**PERSONAL STEREOs.** Again customer returns but complete and with stereo headphones a bargain at only £3.00 each. Our ref. 3P83.

**MAINS OPERATED MICROWAVE CONTROL PANEL** with touch switches. This unit has a 4 digit display with a built in clock & 2 relay outputs - one for power & 1 for pulsed power level. Could be used for all sorts of timer control applications. Only £6.00. Our ref. 6P18.

**EQUIPMENT WALL MOUNT.** It is a multi-adjustable metal bracket that could be used for mounting flood light, loud speaker, TV camera, even a fan and on almost any sort of wall or ceiling even between wall and ceiling. Our price only £3. Our ref 3P72. Or 2 for £5. Our ref 5P152.

**STABILIZED POWER SUPPLY KIT 2-25V 2A.** A kit for a bench or lab power supply containing PCB, transformer, heatsink and all other components. Short circuit protected. Case required. Priced at £20.00. Ref. 20P25.

**GEIGER COUNTER KIT.** Complete with tube, PCB and all components. 9V operation. Only £39.00. Ref. 39P1.

**COPPER CLAD PANEL** for making PCB. Size approx 12in long x 8 1/2in wide. Double-sided on fibreglass middle which is quite thick (about 1/16in) so this would support quite heavy components and could even form a chassis to hold a mains transformer, etc. Price £1 each. Our ref BD683.

### POWERFUL IONISER

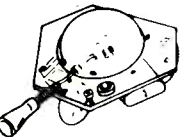
Generates approx. 10 times more IONS than the ET1 and similar circuits. Will refresh your home, office, shop workshop etc. Makes you feel better and work harder - a complete mains operated kit, case included £12.50. Our ref 12P5/1.

**REAL POWER AMPLIFIER** for your car, it has 150 watts output. Frequency response 20hz to 20Khz and signal to noise ratio, better than 60 db. Has built in short circuit protection and adjustable input level to suit your existing car stereo, so needs no pre-amp. Works into speakers. Ref. 30P7 described below. A real bargain at only £58.00. Order ref. 57P1.

**REAL POWER CAR SPEAKERS.** Stereo pair output 100w each. 4-Ohm impedance and consisting of 6 1/2" woofer, 2" mid range and 1" tweeter. Ideal to work with the amplifier described above. Price per pair £30.00. Order ref. 30P7.

**STEREO CAR SPEAKERS.** Not quite so powerful - 70w per channel. 3" woofer, 2" mid range and 1" diameter. Again, in a super purpose built shelf mounting unit. Price per pair: £28.00. Order ref. 28P1.

**VIDEO TAPES.** These are three hour tapes of superior quality, made under licence from the famous JVC company. Offered at only £3 each. Our ref. 3P63. Or 5 for £11. Our ref: 11P3. Or for the really big user: 10 for £20. Our ref. 20P20.



**ELECTRONIC SPACESHIP.** Sound and impact controlled, responds to claps and shouts and reverses when it hits anything. Kit with really detailed instructions. Ideal present for budding young electrician. A youngster should be able to assemble but you may have to help with the soldering of the components on the pcb. Complete kit £10. Our ref 10P81.

**12" HIGH RESOLUTION MONITOR.** Amber screen, beautifully cased for free standing, needs only a 12v 1.5 amp supply. Technical data is on its way but we understand these are TTL input. Brand new in maker's cartons. Price: £22.00. Order ref: 22P2.

**MICROWAVE TURNTABLE MOTOR.** Complete with weight sensing electronics that would have varied the cooking time. Ideal for window displays etc. Only £5.00. Ref: 5P165.

**MAINS FANS.** Snail type construction approx 5" x 4" mounted on a metal plate for easy fixing. New. £5.00 each. Ref. 5P166.

**COMPUTER KEYBOARDS.** Brand new uncased. Only £3.00 each. Ref: 3P89.

**PANEL METERS.** 270 deg movement. New. £3.00 each. Ref: 3P87.

**SURFACE MOUNT KIT.** Makes a super high gain snoothing amplifier on a PCB less than an inch square! £7.00. Ref: 7P15.

**CB CONVERTERS.** Converts a car radio into an AM CB receiver. £4.00. Ref: 4P48.

**EHT TRANSFORMER.** Television type line output transformer, good for high voltage experiments. £2.00 each. Ref: 2P277.

**COMPOSITE VIDEO KITS.** These convert composite video into separate H, sync, V, sync and video. Price £8.00. Our ref: 8P39.

**BUSH RADIO MIDSPEAKERS.** Stereo pair, BASS reflex system, using a full range 4in driver of 4ohms impedance. Mounted in very nicely made black fronted walnut finish cabinets. Cabinet size approx 8 1/2in wide, 14in high and 3 1/2in deep. Fitted with a good length of speaker flex and terminating with a normal audio plug. Price £5 the pair plus £1 post. Our ref 5P141.

**3 1/2in FLOPPY DRIVES.** We still have two models in stock: Single sided, 80 track, by Chinton. This is in the manufacturers metal case with leads and ICID connectors. Price £40, reference 40P1. Also a double sided, 80 track, by NEC. This is uncased. Price £60.00, reference 60P2. Both are brand new.

**ASTEC PSU.** Mains operated switch mode, so very compact. Outputs: +12V 2.5A, +5V 6A, +5V 5A, +12V 5A. Size: 7.1in long x 4.9in wide x 2.9in high. Cased ready for use. Brand new. Normal price £30+, our price only £13.00. Our ref 13P2.

**VERY POWERFUL 12 VOLT MOTOR.** 1/4rd Horsepower. Made to drive the Sinclair C5 electric car but adaptable to power a go-kart, a mower, a rail car, model railway, etc. Brand new. Price £20. Our ref 20P22.

**SINCLAIR C5 WHEELS**  
INCLUDING INNER TUBES AND TYRES  
13" AND 16" DIAMETER SPOKED POLY CARBONATE  
WHEELS  
ONLY £6 EACH. 13" Ref 6P10, 16" Ref 6P11.

### PHILIPS LASER

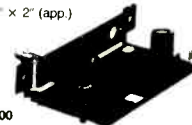
This is helium-neon and has a power rating of 2mW. Completely safe so long as you do not look directly into the beam when eye damage could result. Brand new, full spec, £35. Mains operated power supply for this tube gives 8kv striking and 1.25kv at 5mA running. Complete kit with case £15, ditto for 12v battery. Also £15. Our ref 15P22.

**ORGAN MASTER.** Is a three octave musical keyboard. It is beautifully made, has full size (piano size) keys, has gold plated contacts and is complete with ribbon cable and edge connector. Can be used with many computers, request information sheet. Brand new, only £15 plus £3 postage. Our ref 15P15.

**FULL RANGE OF COMPONENTS** at very keen prices are available from our associate company SCS COMPONENTS. You may already have their catalogue, if not request one and we will send it FOC with your goods.

**12 VOLT BRUSHLESS FAN.** Japanese made. The popular square shape (4 1/2in x 4 1/2in x 1 1/4in). The electronically run fans not only consume very little current but also they do not cause interference as the brush type motors do. Ideal for cooling computers, etc., or for a caravan. £8 each. Our ref 8P26.

**MINI MONO AMP.** on p.c.b. size 4" x 2" (app.) Fitted volume control. The amplifier has three transistors and we estimate the output to be 2W rms. More technical data will be included with the amp. Brand new, perfect condition, offered at the very low price of £1.15 each of 13 for £12.00



## J & N BULL ELECTRICAL

Dept. T.V., 250 PORTLAND ROAD, HOVE, BRIGHTON, SUSSEX BN3 5QT.

MAIL ORDER TERMS: Cash, P.O. or cheque with order. Please add £2.50 Service Charge. Monthly account orders accept from schools and public companies. Access & B card orders are accepted - minimum £5. Phone (0273) 734648 or 203500. Fax 0273 23077.

### POPULAR ITEMS - MANY NEW THIS MONTH

**JOYSTICKS** for BBC, Atari, Oregon, Commodore, etc. All £5 each. State which required.

**TELEPHONE TYPE KEY PAO.** Really first class rear mounting unit. White lettering on black buttons. Has conductive rubbers contacts with soft click operation. Circuit arranged in telephone type array. Requires 70mm by 55mm cut out and is connected by 10-pin IDC socket. Price: £2.00 each. Order ref. 2P251.

**SUB-MIN PUSH SWITCHES.** Not much bigger than a plastic transistor but double pole. PCB mounting. Three for £1. Our ref BD688.

**AA CELLS.** Probably the most popular of the rechargeable NICALD types. 4 for £4.00. Our ref. 4P44.

**20WATT 400HM SPEAKER.** With built-in tweeter. Really well made unit which has the power and the quality for hi-fi reproduction. 6 1/2in diameter. Price £5. Our ref 5P155. It is heavy so please add £1 to cover postage if not collecting.

**MINI RADIO MODULE.** Only about 2in square with ferrite aerial and solid dia tuner with its own knob. It is a superhet and it operates from PP3 battery and would drive a crystal headphone direct but better with our mini mono amp. Price £1. Our ref BD716.

**BULGIN MAINS PLUG AND SOCKET.** The old faithful 3 pin with screw terminals. The socket mounts through a 1 1/2in hole and the mains is brought in by the insulated plug. Used to be quite expensive but you can have 2 pairs for £1 or 4 of either plug or socket for £1. You could make yourself a neat and compact bench panel with these. Our ref BD715, BD715S or BD715P.

**MICROPHONE.** If you want a low cost microphone then just arrived we have a very small hand-held dynamic mic with on/off switch in the handle, its lead terminates with one 3.5 pin and the other a 2.5 pin for remote control. Price only £1. Our ref BD711.

**MOSFETS FOR POWER AMPLIFIERS AND HIGH CURRENT DEVICES.** 140v 100w pair made by the famous Hitachi company. Reference 25K413. Only £4 the pair. Available in H pack. Ref: 2S99 and 2SK343. Ref: 4P51.

**TIME AND TEMPERATURE LCD MODULE.** A 12 hour clock a Celsius and Fahrenheit thermometer a too hot alarm and a top cold alarm. Approx 50 x 20mm with 12 7mm digits. Requires 1AA battery and a few switches. Comes with full data and diagram. Price £6.00. Our ref: 9P.

**REMOTE TEMPERATURE PROBE FOR ABOVE.** £3.00. Our ref: 3P60.

**600 WATT AIR OR LIQUID MAINS HEATER.** Small coil heater made for heating air or liquids. Will not corrode, lasts for years. Coil size 3in x 2in mounted on a metal plate for easy fixing. 4in dia. Price £3.00. Ref: 3P78 or 4 for £10.00. Our ref. 10P76.

**EX-EQUIPMENT SWITCHED MODE POWER SUPPLIES.** Various makes and specs but generally +5, +12v ideal bench supply. Only £8.00. Our ref: 8P36.

**ACORN DATA RECORDER.** Made for the Electron or BBC computer but suitable for others. Includes mains adaptor, leads and book. £12.00. Ref: 12P15.

**PFTE COATED SILVER PLATED CABLE.** 19 strands of .45mm copper will carry up to 30A and is usually indestructible. Available in red or black. Regular price is over £120 per reel. Our price only £20.00 for 100m reel. Ref: 20P21 or 1 of each for £35.00. Ref: 35P2. Makes absolutely superb speaker cable!

**NEW PIR SENSORS.** Infra red movement sensors will switch up to 1000w mains. UK made. 12 month manufacturers warranty, 15-20m range with a 0-10min timer, adjustable wall bracket. Only £25.00. Ref: 25P.

**10 MEMORY PUSHBUTTON TELEPHONES.** These are customer returns and 'sold as seen'. They are complete and may need slight attention. Price £5.00. Ref: 6P16 or 2 for £10.00. Ref: 10P77. BT approved.

**NON-MEMORY PUSHBUTTON TELEPHONES.** Same condition as above with radial £3.00. Our ref: 3P79. BT approved.

**SPECTRUM PRINTER INTERFACE.** Add a centronics interface to your Spectrum complete with printer cable for only £4.00. Our ref: 4P52.

**SPECTRUM SOUND BOX.** Add sound to your Spectrum with this device. Just plug in. Complete with speaker, volume control and nicely boxed. A snip at only £4.00. Our ref: 4P52.

**BBC JOYSTICK INTERFACE.** Converts a BBC joystick port to an Atari type port. Price £2.00. Our ref: 2P261.

**TELEPHONE EXTENSION LEAD.** 5mm phone extension lead with plug on one end, socket on the other. White. Price £3.00. Our ref: 3P70 or 10 leads for only £19.00! Ref: 19P2.

**LCO DISPLAY.** 4 1/2" digits supplied with connection data £3.00. Ref: 3P77 or 5 for £10. Ref: 10P78.

**CROSS OVER NETWORK.** 8 Ohm 3 way for tweeter midrange and woofer nicely cases with connections marked. Only £2.00. Our ref: 2P255 or 10 for £15.00. Ref: 15P32.

**REVERSING LIGHT ALARM.** Fits to car reversing light and sounds when reversing. Only £2.00. Our ref: 2P248.

**BASE STATION MICROPHONE.** Top quality uni-directional electret condenser mic 600Ω impedance sensitivity 16-18kHz - 68db built in chime complete with mic stand bracket. £15.00. Ref: 15P28.

**MICROPHONE STAND.** Very heavy chromed mic stand, magnetic base 4" high. £3.00 if ordered with above mic. Our ref: 3P80.

**SOLAR POWERED NICAD CHARGER.** 4 Nicad AA battery charger. Charges 4 batteries in 8 hours. Price £6.00. Our ref: 6P3.

**HIGH RESOLUTION MONITOR.** 9in black and white. Uses Philips tube M24/306W. Made up in a lacquered frame and has open sides. Made for use with OPD computer but suitable for most others. Brand new. £20.00. Our ref: 20P26.

**MAINS 15 WATT SOLDERING IRON.** Price £3.00. Our ref: 3P65.

**SOLDERING IRON STAND.** Price £3.00. Our ref: 3P66.

**SHARP PLOTTER PRINTER.** New 4 colour printer originally intended for Sharp computers but may be adaptable for other machines. Complete with pens, paper etc. Price £16.00. Our ref: 16P3.

**CENTRONICS ADAPTER KIT** for above plotter printer converts it to Centronics compatible. Price is £4.00. Ref: 4P57.

**CAR IONIZER UNIT.** Improve the air in your car, clears smoke and helps prevent fatigue. Case req. Price £12.00. Our ref: 12P8.

**NEW FM BUG KIT.** New design with PCB embedded coil 9v operation. Priced at £5.00. Our ref: 5P158.

**NEW PANEL METERS 50UA.** Movement with different scales that are brought into view with a lever. Price only £3.00. Ref: 3P81.

**STROBE LIGHTS.** Fit a standard edison screw light fitting 240V 40W. Flash rate available in yellow, blue, green and red. Complete with socket. Price £10 each. Ref: 10P80 (state colour required).

**ELECTRONIC SPEED CONTROL KIT.** Suitable for controlling our powerful 12v motors. Price £17.00. Ref: 17P3 (heatsink required).

**EXTENSION CABLE WITH A DIFFERENCE.** It is flat on one side making it easy to fix and look tidy. 4 core, suitable for alarms, phones etc. Our price only £5.00 for 50m reel. Ref: 5P153.

**METAL PROJECT BOX.** Ideal for battery charger, power supply etc. Sprayed grey size 8" x 4" x 4 1/2". Louvered for ventilation. Price £3.00. Ref: 3P75.



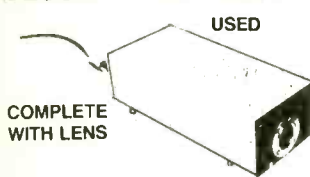
## EAST CORNWALL COMPONENTS

119 HIGH STREET DEPT. TV6  
WEM  
SHROPSHIRE SY4 5TT TEL: 0939 32689  
TELEX: 35565  
FAX: 0939 33800

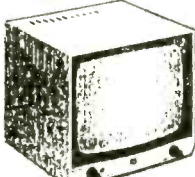
★ ★ LATEST CATALOGUE ★ ★  
1990 Catalogue - over 200 pages incl. Credit Tickets (3), Special Offer sheets, Prepaid Envelope & Order Form - £1, or free on application with orders of £15 and over. Prices in Catalogue may vary as material for advert is prepared 6/8 weeks before issue.

## JULY SPECIAL OFFER - Only Valued till July 31st ★ ★ ★

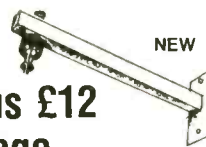
### SECURITY EQUIPMENT - SURVEILLANCE



COMPLETE WITH LENS



USED



NEW

£150 plus £12  
Carriage  
(Normally £175)

A small range of 'Used' Closed-Circuit Television Equipment, offering exceptional value-for-money with a real saving over new, often unaffordable, equipment prices. Illustrations not to scale & for guidance only - items supplied may vary.

## VISIT OUR OTHER BRANCHES

### SUPERTRONICS

Tel: 021-666 6504  
65 HURST STREET,  
BIRMINGHAM B5 4TE

### WALTONS

Tel: 0902 22039  
55A WORCESTER STREET  
WOLVERHAMPTON WV2 4LL

### 225WG RESIN SOLDER

500gm REEL 1+ 10+  
£4.99 £4.75

ALSO 18SWG at £4.95 500gm.  
Orders of 5 or more reels please add a further 75p P&P

### LOGIC PROBE

Y132A £17.50 M625

Logic probe/pulsar, suitable for detecting the logic state of each gate of TTL, CMOS, etc devices. Pulsar junction can be used to inject a pulse train into the circuit to aid fault finding.  
Working voltage: 5-15Vdc  
Thresholds: Hi 70% Vcc  
Lo 15% Vcc  
Input impedances: 120kΩ  
500MΩ  
Max input frequency: 50MHz  
Output pulse rate: 0.5 or 400Hz  
Pulse width: 10µs

### PROBES - X1, X10

Useful set of X1 and X10 probes. One that which is switchable. BNC connectors.



Price £14.95

### DESOLDERING PUMP

£2.99

ORDER CODE  
TOOL/DESOL

STAR BUY

### VIDEO HEAD TESTER

A VHS video head tester for determining whether a video head is in good condition by detecting the wear state and displaying it on a meter. Complete with carrying case and leads.  
SPECIAL PRICE £35

### VIDEO HEADS

AAAI	£19.99
VP-77	£19.99
VP-88	£19.99
VP-7100	£19.99
VS-1	£19.99
VS-2	£19.99
VS-3	£19.99
VS-4	£19.99
VS-5	£19.99
VS-6	£19.99
VS-7	£19.99
VS-8	£19.99
VS-9	£19.99
VS-10	£19.99
VS-11	£19.99
VS-12	£19.99
VS-13	£19.99
VS-14	£19.99
VS-15	£19.99
VS-16	£19.99
VS-17	£19.99
VS-18	£19.99
VS-19	£19.99
VS-20	£19.99
VS-21	£19.99
VS-22	£19.99
VS-23	£19.99
VS-24	£19.99
VS-25	£19.99
VS-26	£19.99
VS-27	£19.99
VS-28	£19.99
VS-29	£19.99
VS-30	£19.99
VS-31	£19.99
VS-32	£19.99
VS-33	£19.99
VS-34	£19.99
VS-35	£19.99
VS-36	£19.99
VS-37	£19.99
VS-38	£19.99
VS-39	£19.99
VS-40	£19.99
VS-41	£19.99
VS-42	£19.99
VS-43	£19.99
VS-44	£19.99
VS-45	£19.99
VS-46	£19.99
VS-47	£19.99
VS-48	£19.99
VS-49	£19.99
VS-50	£19.99

### NATIONAL (Cont.)

NV7850	£19.99
NV8170	£19.99
NV8200	£19.99
NV8400	£19.99
NV8600	£19.99
NV8610	£19.99
ORION	£19.99
VH-11	£19.99
VH-2	£19.99
PHILIPS	£19.99
VR-6460	£29.99
VR-6520	£29.99
SANYO	£29.99
VTC-3000	£29.99
VTC-5000	£29.99
VTC-5500	£45.00

### FERUGSON

3V00	£19.99
3V01	£19.99
3V02	£19.99
3V03	£19.99
3V04	£19.99
3V05	£19.99
3V06	£19.99
3V07	£19.99
3V08	£19.99
3V09	£19.99
3V10	£19.99
3V11	£19.99
3V12	£19.99
3V13	£19.99
3V14	£19.99
3V15	£19.99
3V16	£19.99
3V17	£19.99
3V18	£19.99
3V19	£19.99
3V20	£19.99
3V21	£19.99
3V22	£19.99
3V23	£19.99
3V24	£19.99
3V25	£19.99
3V26	£19.99
3V27	£19.99
3V28	£19.99
3V29	£19.99
3V30	£19.99
3V31	£19.99
3V32	£19.99
3V33	£19.99
3V34	£19.99
3V35	£19.99
3V36	£19.99
3V37	£19.99
3V38	£19.99
3V39	£19.99
3V40	£19.99
3V41	£19.99
3V42	£19.99
3V43	£19.99
3V44	£19.99
3V45	£19.99
3V46	£19.99
3V47	£19.99
3V48	£19.99
3V49	£19.99
3V50	£19.99
3V51	£19.99
3V52	£19.99
3V53	£19.99
3V54	£19.99
3V55	£19.99
3V56	£19.99
3V57	£19.99
3V58	£19.99
3V59	£19.99
3V60	£19.99

### SHARP

VC200-300-482-3300-9100	£39.99
5300-9400-9500-9600-9700	£39.99
VC381384-385-386-387	£28.50

### FISHER

FVE-PR15	£40.50
FVE-PR10	£40.50

### GRUNDIG

Full range now available  
PHONE FOR PRICE

### HITACHI

VT11	£29.99
VT14	£29.99
VT15	£29.99
VT16	£29.99
VT17	£29.99
VT18	£29.99
VT19	£29.99
VT20	£29.99
VT21	£29.99
VT22	£29.99
VT23	£29.99
VT24	£29.99
VT25	£29.99
VT26	£29.99
VT27	£29.99
VT28	£29.99
VT29	£29.99
VT30	£29.99
VT31	£29.99
VT32	£29.99
VT33	£29.99
VT34	£29.99
VT35	£29.99
VT36	£29.99
VT37	£29.99
VT38	£29.99
VT39	£29.99
VT40	£29.99
VT41	£29.99
VT42	£29.99
VT43	£29.99
VT44	£29.99
VT45	£29.99
VT46	£29.99
VT47	£29.99
VT48	£29.99
VT49	£29.99
VT50	£29.99

### TELEFUNKEN

POA

### THOMSON

POA

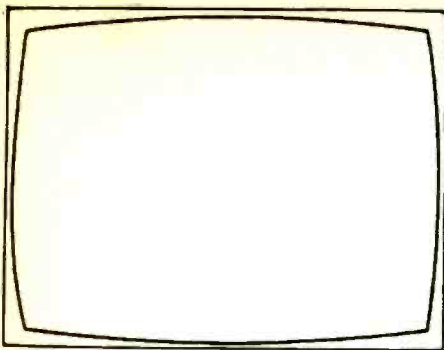
### TOSHIBA

VS1	£25.00
VS2	£25.00
VS3	£25.00
VS4	£25.00
VS5	£25.00
VS6	£25.00
VS7	£25.00
VS8	£25.00
VS9	£25.00
VS10	£25.00
VS11	£25.00
VS12	£25.00
VS13	£25.00
VS14	£25.00
VS15	£25.00
VS16	£25.00
VS17	£25.00
VS18	£25.00
VS19	£25.00
VS20	£25.00
VS21	£25.00
VS22	£25.00
VS23	£25.00
VS24	£25.00
VS25	£25.00
VS26	£25.00
VS27	£25.00
VS28	£25.00
VS29	£25.00
VS30	£25.00
VS31	£25.00
VS32	£25.00
VS33	£25.00
VS34	£25.00
VS35	£25.00
VS36	£25.00
VS37	£25.00
VS38	£25.00
VS39	£25.00
VS40	£25.00
VS41	£25.00
VS42	£25.00
VS43	£25.00
VS44	£25.00
VS45	£25.00
VS46	£25.00
VS47	£25.00
VS48	£25.00
VS49	£25.00
VS50	£25.00

### REMOTE HANDSETS

AMSTRAD CT1140R	£17.50
CT1140S	£17.50
CT1140T	£17.50
CT1140U	£17.50
CT1140V	£17.50
CT1140W	£17.50
CT1140X	£17.50
CT1140Y	£17.50
CT1140Z	£17.50
CT1140AA	£17.50
CT1140AB	£17.50
CT1140AC	£17.50
CT1140AD	£17.50
CT1140AE	£17.50
CT1140AF	£17.50
CT1140AG	£17.50
CT1140AH	£17.50
CT1140AI	£17.50
CT1140AJ	£17.50
CT1140AK	£17.50
CT1140AL	£17.50
CT1140AM	£17.50
CT1140AN	£17.50
CT1140AO	£17.50
CT1140AP	£17.50
CT1140AQ	£17.50
CT1140AR	£17.50
CT1140AS	£17.50
CT1140AT	£17.50
CT1140AU	£17.50
CT1140AV	£17.50
CT1140AW	£17.50
CT1140AX	£17.50
CT1140AY	£17.50
CT1140AZ	£17.50
CT1140BA	£17.50
CT1140BB	£17.50
CT1140BC	£17.50
CT1140BD	£17.50
CT1140BE	£17.50
CT1140BF	£17.50
CT1140BG	£17.50
CT1140BH	£17.50
CT1140BI	£17.50
CT1140BJ	£17.50
CT1140BK	£17.50
CT1140BL	£17.50
CT1140BM	£17.50
CT1140BN	£17.50
CT1140BO	£17.50
CT1140BP	£17.50
CT1140BQ	£17.50
CT1140BR	£17.50
CT1140BS	£17.50
CT1140BT	£17.50
CT1140BU	£17.50
CT1140BV	£17.50
CT1140BW	£17.50
CT1140BX	£17.50
CT1140BY	£17.50
CT1140BZ	£17.50
CT1140CA	£17.50
CT1140CB	£17.50
CT1140CC	£17.50
CT1140CD	£17.50
CT1140CE	£17.50
CT1140CF	£17.50
CT1140CG	£17.50
CT1140CH	£17.50
CT1140CI	£17.50
CT1140CJ	£17.50
CT1140CK	£17.50
CT1140CL	£17.50
CT1140CM	£17.50
CT1140CN	£17.50
CT1140CO	£17.50
CT1140CP	£17.50
CT1140CQ	£17.50
CT1140CR	£17.50
CT1140CS	£17.50
CT1140CT	£17.50
CT1140CU	£17.50
CT1140CV	£17.50
CT1140CW	£17.50
CT1140CX	£17.50
CT1140CY	£17.50
CT1140CZ	£17.50
CT1140DA	£17.50
CT1140DB	£17.50
CT1140DC	£17.50
CT1140DD	£17.50
CT1140DE	£17.50
CT1140DF	£17.50
CT1140DG	£17.50
CT1140DH	£17.50
CT1140DI	£17.50
CT1140DJ	£17.50
CT1140DK	£17.50
CT1140DL	£17.50
CT1140DM	£17.50
CT1140DN	£17.50
CT1140DO	£17.50
CT1140DP	£17.50
CT1140DQ	£17.50
CT1140DR	£17.50
CT1140DS	£17.50
CT1140DT	£17.50
CT1140DU	£17.50
CT1140DV	£17.50
CT1140DW	£17.50
CT1140DX	£17.50
CT1140DY	£17.50
CT1140DZ	£17.50
CT1140EA	£17.50
CT1140EB	£17.50
CT1140EC	£17.50
CT1140ED	£17.50
CT1140EE	£17.50
CT1140EF	£17.50
CT1140EG	£17.50
CT1140EH	£17.50
CT1140EI	£17.50
CT1140EJ	£17.50
CT1140EK	£17.50
CT1140EL	£17.50
CT1140EM	£17.50
CT1140EN	£17.50
CT1140EO	£17.50
CT1140EP	£17.50
CT1140EQ	£17.50
CT1140ER	£17.50
CT1140ES	£17.50
CT1140ET	£17.50
CT1140EU	£17.50
CT1140EV	£17.50
CT1140EW	£17.50
CT1140EX	£17.50
CT1140EY	£17.50
CT1140EZ	£17.50
CT1140FA	£17.50
CT1140FB	£17.50
CT1140FC</	





# TELEVISION

## Satellite Success

Although it is still early days and the broadcasters are still making substantial losses it's beginning to look as though satellite TV is going to be a success story, at least in the UK. Another two-three years and both Sky and BSB could be breaking even, if not showing a profit. The significant factor is that the public is clearly taking to satellite TV. You see more and more dishes around. There are now well over 800,000 Sky Television installations in the UK. Possibly a significant help has been the trouble-free nature of satellite TV reception. The equipment has turned out to be reliable, apart from a few sillies. There has been nothing to frighten the public, like the expense of tube replacement in the early days of TV and damage to expensive tapes in the early days of the VCR. And the pictures are good. Early suggestions that PAL was not suited to satellite transmission have proved to be false. MAC is significantly better of course, especially with RGB interconnection, but the public has never been all that bothered about the quality of its TV pictures. The important points have always been acceptable programming and low cost. As far as equipment is concerned, satellite TV has turned out to be a bargain.

That Sky's programming has so far proved to be acceptable to the public is proved by its success in getting people to subscribe to its scrambled services. By early June Sky had something like 540,000 subscribers, a good proportion of the total number of Sky installations. Apart from films, sport has as expected turned out to be a major draw. During England's cricket tour of the West Indies Sky broadcast 175 hours of live cricket. According to Sky, 125,000 Sky TV installations were carried out during the period.

Despite the delays over the start of its services BSB seems to have got off to a good start. The company is well funded – the total investment now stands at some £1.35bn – and is expecting to break even in year three or four of its present fifteen year franchise, when it should have around three million subscribers.

Public acceptance of satellite TV and take-up of the equipment has turned out to be greater than in the case of either colour or the VCR in their early days. That alone should indicate success. For most people the cost of subscription to scrambled services is marginal, much the same as renting two-three video cassettes a week, which is common enough practice. It's certainly less than most people spend on other forms of entertainment. One wonders whether this will have an adverse effect on the burgeoning video chains, which have been a substantial growth industry over the last couple of years. One might have thought that the traditional moan about the cost of the TV licence would suggest reluctance to pay for TV. But it's a matter of psychology: a weekly or monthly sum looks less than an annual one.

Once the advertising revenue starts to build up, satellite TV should be made. But will there be enough room for both Sky and BSB, and what effect will they have on the ITV services – and on the still infant cable industry? Provided costs are kept down there should be room for both Sky and BSB. People seem to like the thought of lots and lots of channels, and as a precedent ITV and the BBC have coexisted successfully for about 35 years now. Once the number of satellite installations/hook-ups has increased satellite TV will have the advantage over ITV of a much larger potential audience. That's something which could concern the ITV companies, but the public is unlikely to desert its traditional viewing habits overnight. It will be up to the terrestrial broadcasters to get their programming right. What is beginning to look doubtful is the likelihood of the Ch. 5 service getting off the ground. Cable has the advantage of providing all the channels from a single source, but loses out on MAC. At one time the government, rather naively, seemed to look upon cable as being the vehicle for a great leap forward into an information-based society – or some such notion. The public showed little interest. It does seem to be the simplest way of getting the most channels, but then again the public is used to sticking up an aerial and plugging in and seems to have accepted the dish in the same way. There's growing alarm amongst environmentalists as the number of dishes increases, and many local councils have put their feet down. The Squarial is almost insignificant outdoors however while environmentally friendly dishes have now become available.

Satellite TV has not to date taken off in the same way in the main Continental European countries. It seems that continuing debate over transmission standards and unwillingness to invest in suitable programming are responsible for this. The greater reliance on cable networks could also be a factor. Perhaps they simply need Rupert Murdoch to give them a shove! Be that as it may, SES, the Luxembourg-based company that owns the Astra satellites, has turned out to be a success. It was a considerable gamble to put up a private satellite using what are officially non-broadcasting frequencies. SES is now in profit however and has paid its first dividend.

Further ahead, satellite TV is seen as the way to further technological advances – enhanced TV, high-definition TV and so on. This could be a major factor from the point of view of the electronics industry, but one wonders whether the public will take to such offerings. In the UK, certainly, what the public seems to want is simply lots of channels and acceptable programmes at little cost. Cheap and cheerful you could say. It will need a mammoth sales effort to get HD-TV across. But doubtless someone will come up with a way of doing it at little extra expense, and as usual we'll be left moaning about the lack of profit for the trade!

## EDITOR

John A. Reddihough

Please note that the telephone numbers below are for contact with the advertisement departments only. Editorial enquiries should be sent to the editor at the address given on page 665.

## ADVERTISEMENT MANAGER

Kevin Attridge  
071-261 6671

## SECRETARY

Janet Reeve  
071-261 6671

## CLASSIFIED ADVERTISEMENTS

Pat Bunce  
071-261 5942

## ADVERTISEMENT COPY AND MAKE-UP

Ron Scorey  
071-261 6035

## PUBLISHER

Philippa Gardner  
071-261 6408

## SUBSCRIPTION ENQUIRIES

044 440 421

## COVER PHOTO

This month's cover photograph shows David Botto's De Luxe Component Tester being used with a Scopex oscilloscope (see article on pages 689-694). It was taken at Rawling's Radio's workshop in Bournemouth.

Last month's cover photograph showed the Ferguson TX100 chassis, not the TX10 as stated on page 597.



# TV Fault Finding

Reports from Philip Blundell, AMIEE, Eugene Trundle, Ian Bowden, Chris Avis, Mick Dutton, Nick Beer, Hugh MacMullen, T.J. Welford and Stephen Leatherbarrow

## Philips G110 Chassis

This set would intermittently come on with the picture shifted over and a black vertical bar in the centre of the screen. I finally found that there was a leak from pin 12 of the TDA2579 timebase generator chip to chassis due to a solder bridge under chip capacitor C2460. **P.B.**

## Philips 25GR57/63/25B

This set had no sound. I don't know whether the Nicam section was working as our transmitter doesn't have stereo sound yet, but the fault was on the Nicam panel. The mono a.f. signal was present at the input to IC7100 but there was no output. Fitting a new TDA8415 put matters right. **P.B.**

## Finlux 1000 Series

We've found the cause of a blown 1.25A fuse to be a dry-joint at one end of LU3. Check this, especially in cases where a replacement fuse appears to cure the fault. If you don't you'll be back sooner or later. **E.T.**

## Panasonic Z3T Chassis

This set frequently failed to start up. When the fault was present there was no drive to the power supply control octocoupler D811. In addition the set didn't respond to remote commands as it should have done since there's a separate standby supply for the remote control receiver and the microcomputer control chip. This is a 5V supply that's derived from a small transformer and regulator circuit. A check on the output from this circuit, at TPE2, showed that the voltage was 4.4V which was not too far down. After checking the regulator circuit we found that the 5.1V zener diode D1124 was leaky, with only 4.4V at its top end. This small voltage drop was enough to cause the fault. **I.B.**

## Philips KT3 Chassis Edition II

The initial fault caused us no problems – the usual tripping tripler. A replacement produced sound and e.h.t. but no picture. When the setting of the first anode control was advanced we found that there was a blank raster with flyback lines. In went the usual TDA3560 colour decoder chip, and out went my last flicker of self-confidence – there was still no picture. Several voltages around the TDA3560 were very low, the blanking/reference input pin 8 being at virtually zero volts. This led me to the TDA2571Q chip IC367 on the sync panel. It wasn't producing the burst key output at pin 13. Fitting a replacement completed the job. **C.A.**

## Bush 2044

This Amstrad clone had poor sound with erratic flashes on the picture. It's the chassis with the little intercarrier sound panel and a tweak of the quadrature coil restored normal sound. The flashes were caused by the tuner, but an impatient owner meant that we'd no time for an MCES repair. Hang on though, the tuner looks familiar. Yes, it's the one used in the old Ferguson/Baird VCRs (8930 etc.)! A quick exhumation in our scrap graveyard

produced an identical tuner and another happy customer. **C.A.**

## Hitachi CPT2050

This multi-standard Salora set had erratic height variations with simultaneous changes from pink to green faces. Pin 12 of the TDA2653 field chip provides a 50/60Hz control voltage for system switching. At 50Hz field frequency the voltage should be 0.2V. It was fluctuating wildly, which confused the decoder. Fitting a new chip cured the height problem and restored pink cheeks. **C.A.**

## Mitsubishi CT2101TX

This set had suffered from line output transformer failure about six months previously. The failure had been spectacular, with a room full of black smoke that came from a pin hole in the transformer's plastic encapsulation. A new transformer restored perfect operation until a few days ago when the customer phoned to say that the picture had gone small all round but was super sharp.

When we collected the set we found that the output from the power supply was 145V instead of 115V. We'd no time to make any further tests since the chopper transistor failed and blew the fuse. A complete rebuild was necessary, changing all the semiconductor devices and checking the capacitors and resistors. We then powered the set via a variac. The output from the power supply reached 115V long before the input was raised to 200V. The set-volts control worked, but its range was limited. Substitution checks were the next step, starting with capacitors. When we came to C918 and C915 (both 33 $\mu$ F) which are in parallel we found that C915 had never been fitted. Replacing C918 provided a cure: a capacitance check showed that it was only 10 $\mu$ F, hence the insufficient control. If we'd taken more notice of the board rather than the circuit we would probably have found the fault more quickly. Wouldn't it be helpful to have accurate information and an update service? **M.D.**

## GEC C1407H

This colour portable was dead except for a whining noise that came from the power supply. We suspected the regulator chip but the cause of the problem turned out to be the 3V zener diode 2D910. It was short-circuit. **M.D.**

## Luxor SX9 Chassis

The customer's complaint was that the remote control sometimes didn't work. We put the set on soak test for a long time and confirmed that the remote control system stopped working on several occasions. Another handset was tried, and we found that by switching the set off and on normal operation was restored. One time while the set was on soak test we noticed the width jump in and out. A check around the switch-mode transformer



revealed that there were several dry-joints, particularly at pin 1. Repairing these cleared both the width and the remote control problem.

Incidentally if you get one of these sets that switches on and goes straight to standby, check the diodes on the secondary side of the switch-mode transformer. If these are o.k. the problem is almost always due to shorted turns in the line output transformer. **M.D.**

### Saisho CM260TT

This teletext set is fitted with the Fidelity ZX5000 digital chassis. The chopper transistor TR1 was found to be short-circuit between all its legs and the 1.6AT mains fuse was open-circuit. Replacing the BU145A still left us with the dead set symptom however – time to look a little deeper.

The operation of the auxillary 5V supply was found to be all right, but the TIL111 optocoupler IC13 was providing a negative voltage at the input to the chopper control chip IC1 (type UC3844 fitted). Fitting a new optocoupler cured the dead set fault but bearing in mind the nature of the chopper transistor's failure we also replaced IC1. **S.L.**

### Ferguson TX90 Chassis (20in)

The problem with this set was occasional partial field collapse. After some very inconclusive cold checks I took some voltage readings. The upper transistor TR104 in the field output stage is biased by a chain of four resistors. The third resistor in this chain, R187 (6.2k $\Omega$ ), was found to be going open-circuit. When removed its body had a tell-tale ring around it. **S.L.**

### Schneider STT6010

If you find the on/off switch faulty in one of these sets don't panic. The "universal" PC mounting Sony switches fit perfectly. This set is similar to some Telefunken models of late, with a plug-in teletext module at the rear of the set. **S.L.**

### Ferguson TX100 Chassis

The fault with this 110° set was lack of width. Both the width and the EW presets worked and the h.t. was correct at 119V, but the picture could not be made to fill the screen. The 110° version of this chassis has a separate EW/width correction panel fitted: it plugs into the main board. We eventually found that the cause of the trouble was that the width coil had been fitted – it should be present only in the 90° version. Linking it out brought full width. Watch out for that one! **S.L.**

### Grundig CUC70KT

When this set was powered it would make a strained attempt to start then trip. The longest time it stayed on for was one and a half minutes – long enough for us to discover that the h.t. was low and that the line output transistor was hot. We soon found that D471 in the diode modulator circuit had gone short-circuit. Replacing it with a BY299 produced a good picture but there were EW problems. R571 was open-circuit. **S.L.**

### Ferguson TX90 Chassis (20in)

There was excessive height with poor linearity and the height control had minimal effect. The cause of the

trouble was that D137, a 68V zener diode, was faulty. It didn't measure short- or open-circuit however, nor did it have any reverse leakage. But a replacement cured all the symptoms. **S.L.**

### Fidelity CTV140R

This remote-control set refused to budge from channel one, which is selected at switch on. Voltage checks suggested that the ML923 selector chip was faulty, so a new one was obtained and fitted. There was now a change in the voltages obtained around this i.c., but the basic problem remained the same. C221 (0.01 $\mu$ F) was eventually found to be leaky.

On soak test the set developed another fault. The signals would disappear intermittently or, more often, drift a little. Replacing the SL471 chip and the tuner put this right. **S.L.**

### Philips K35 Chassis

The symptoms were a blank raster with brilliant, defocused flyback lines. A scope check showed that drive signals were reaching the RGB amplifiers on panel U10. The 155V and 13V supplies were present here but there were no clamp pulses at pins 3, 11 and 18. These 140V pulses come from the line output transformer via R455 (560 $\Omega$ ) which was dry-jointed. **T.J.W.**

### Philips K30 Chassis

We've had two of these sets in recently. The problem with the first one was that the sound remained all right but after about half an hour there were just lines on the screen, with no luminance or chrominance information. We eventually discovered that R8380 (47 $\Omega$ ) was open-circuit. This resistor feeds 13V to pin 12 of the TDA2571AQ sync/line generator chip. It wasn't burnt in any way.

The second set would periodically switch off then come back on again. The usual faults were not apparent, but after a long time and some very careful listening we found that the bead at the end of the e.h.t. lead in the line output transformer socket was a dry-joint. Resoldering this put matters right. **H.MacM.**

### Decca DT9476

Spurious channel changing with this set was caused by occasional flashovers in the focus gap at the c.r.t. base. **H.MacM.**

### Ferguson TX10 Chassis

The display would fade out after a couple of hours or so. After prolonged examination we discovered that the c.r.t. heaters went out. The cause was that the two wrap-round connections for the c.r.t.'s heater supply were dirty. Soldering them cured the trouble. I've always hated these wrap-round connections. **H.MacM.**

### Panasonic U3/U4 Chassis

A common fault with these sets is that they come on in standby permanently or intermittently when you use the mains switch on the set. We've found that the cause has always been carbonised contacts on relay RY1001 (TSE1827). The cover is easy to remove for cleaning but replacement relays are very reasonably priced. **N.B.**



# P. V. TUBES

104 ABBEY STREET, ACCRINGTON,  
LANCS BB5 1EE

☎ 0254 36521/32611/390936

Fax No. 0254 395361. Telex 635562 Griffin G

24 hr. answering service

(For P.V.)

Partners: S & B Cucknell

## SECURITY ALARM SYSTEMS

Full range of security products for your own requirements. We list two examples of complete packages from our extensive range.

### PACKAGE A £105.00

(Typical 3 bed house)

- a) Two zone keyswitched panel
- b) Polyprop. bell box/back plate/sticker
- c) Battery/lamp switch
- d) External Sounder
- e) Two passive infra red detectors
- f) Five pairs window/door contacts
- g) 100m 4 core cable and clips
- h) Internal sounder
- i) Buzzer for exit/entry timer
- j) Panic button

### PACKAGE B £150.00

(Larger house or shop)

- \* Commander 5 Zone Digital Panel with built in internal sounder
- \* Light and Sound Unit - Sounder in 'Foam Resistant' zinc coated steel box with back and front tamper switch and strobe
- \* Battery
- \* Five Pairs Window/Door Contacts
- \* Three Passive infra red Detectors
- \* 100m 6 Core Cable & Clips

## EXTERNAL LIGHTS/DETECTORS

WE HAVE A FULL RANGE OF UNITS. SELF-CONTAINED COURTESY LIGHTS, FLUORESCENT LIGHTS INCL. DETECTOR 500w FLOODLIGHTS, PASSIVE INFRA RED DETECTORS.

### PHANTOM FLOOD £49.00

IS A COMBINED EXTERNAL PASSIVE INFRA RED DET. AND TUNGSTEN HALOGEN FLOODLIGHT. 15m RANGE WIRED TO MAINS WITH AUTOMATIC SWITCHING DEVICE.

**EXCELLENT VALUE!**

## DEGAUSSING COILS

EXTERNAL STICK TYPE COIL FOR DEMAGNETISING

**£27.50**

### LOADFAST LADDER LOCK

PREVENTS LADDERS SLIPPING OFF ROOF RACK. STOPS THEFT

**£15.99** PER PAIR

AVAILABLE ALSO - RANGE OF FIXING STRAPS MADE TO ANY REQUIREMENTS

**We have parts others can't reach!!**

## IDLERS/TAKE UP CLUTCH ASSY.

Our stock of idlers is extensive. We are adding new types all the time. Send us your old one if you are not sure. We'll match it up.

### New Types are:

- (14201) GOLDSTAR 435038A **£1.85**
- (14107) JVC FV10/11/12 PU58645 **£2.10**
- (14085) HITACHI H16876043 **£3.30**

We have **GENUINE** parts for Philips, Ferguson, Nat. Pan., NEC, Sony, Hitachi, GEC, Fidelity.

**JUST ASK!!!**

## REPLACEMENT VIDEO HEADS

As well as the better known types:

- FERGUSON 3HSSV **£10.50**
- NATIONAL PANASONIC 3HSSN **£10.50**

We have 1000's of heads which cover most makes. **NEW** one are:

- AMSTRAD 6000/6110 (10028) **£27.00**
- HINARI VXL8/9/10/11 (10028) **£27.00**
- VTY100/200 **£27.00**
- SAMSUNG 6900 (10302) **£27.00**
- FUNAI (G) 8059-01-19 (10029G) **£27.00**
- HITACHI VT61E/62/64 (10083) **£29.00**
- VT120/220/225 (10082) **£40.00**
- VT130/138/250 (10081) **£32.00**

## BELT KITS

WE HAVE MANY GENUINE INDIVIDUAL BELTS FOR FERGUSON, SONY, HITACHI ETC. AS WELL AS A COMPLETE RANGE OF GOOD QUALITY REPLACEMENT BELT KITS.

### COMPLETE VIDEO REPAIR KITS

CONTAIN A TOTAL PACKAGE TO REPAIR VIDEOS. CONTAIN IDLERS, BELTS, TENSION BANDS FOR E.G.

3V35 **£19.95**

### MANY OTHERS

**TRANSPARENT TEST CASSETTE** TO DIAGNOSE FAULTS IN ACTION **£4.50**

## PINCH ROLLERS

ALL REPLACEMENT TYPES

**£2.75**

### VIDEO TAPES

WATCH OUR SPECIAL OFFERS FOR BEST PRICES ON SKC E180/E240 VHS. BY POPULAR REQUEST WE ARE ABLE TO SUPPLY VIDEO TAPE FOR BETA AND PHILIPS 2000 VIDEOS.

- L750 (Beta) **£3.35**
- VCC 240 **£4.00**
- VCC 480 **£8.75**

— FEW ONLY —  
PHILIPS 2000 VIDEO HEADS

## COMPUTER SPARES

Got a Commodore 64 or Sinclair Spectrum to repair? We have the bits!

- Membrane 48k Spectrum **£2.50**
- Membrane Spectrum Plus **£6.00**
- ULA Spectrum **£11.00**
- ROM Spectrum **£3.50**
- Z80A CPU **£1.70**

### COMMODORE CHIPS

- 906114 **£9.50** COMM.
- 6581 **£12.00** POWER
- 6526 **£8.50** SUPPLY
- 901227 **£10.44** UNIT

AND THERE'S MORE! **£19.95**

## NEW VALVES

Over 2000 types available for domestic radio, TV, amateur radio and industrial. Send S.A.E. for list.

### ELECTRONIC KITS

For the enthusiast, DIY, or college and school projects.

- e.g. ROBOT VOICE **£8.32**
- IC RADIO **£8.10**
- U STROBOSCOPE **£17.25**
- LIE DETECTOR **£5.17**

## REMOTE CONTROLS

100's OF HAND UNITS IN STOCK. SPECIAL TYPES TO ORDER. ASK!!

### NEW TYPES THIS MONTH

- HITACHI A518612 **IR9124**
- IR9141**
- IR9143**
- IR9144**
- IR9092**
- IR9121**
- PANASONIC 2031/3 **ALL ONE**
- MATSU/SAISHO **PRICE**
- RC12 RC51 **£15.35**
- SAISHO/MAT/TRIUMPH **IR9119**
- AMSTRAD

## TRIPLERS

FULL LIST IN CATALOGUE. SEND S.A.E.

- UNIVERSAL **£4.75**
- PHILIPS KT3 **£7.00**
- THORN 9000 **£8.70**
- RANK T20 **£7.12**

### LOPTX

- FIDELITY 14", 20" with Mod Kit **£12.00**
- HINARI (Genuine) **£18.00**
- PHILIPS (Gen) C90 (4822-140-10306) **£27.50**
- FERGUSON TX 1087-001 **£25.00**
- 06D3-093-001 **£26.99**
- 06D3-088-001 **£22.00**
- THORN/THOMPSON ICCS **£18.70**

### WEAK SIGNAL?

## LABGEAR BOOSTERS

Amplifier to Improve TV/Video Reception (Up to 3 times signal strength)

CM7253 **£17.00**

Amplifier to operate 2 TVs/Video from one aerial (Doubles Signal)

CM7243 **£15.84**

**GOOD SIGNAL?** Use a SET TDP AERIAL. ANTIFER-

ENCE are super sensitive.

Silver Sensor Hi-Tech **£7.40**

Power Sensor with built in Amp **£24.95**

Traveller - Ideal for boats/caravans **£11.50**

Simple Loop Aerial **£1.00**

Olympic Set Top - SEE SPECIAL OFFERS

## ARE YOU ABOUT TO INSTALL A SATELLITE SYSTEM?

YOU WILL NEED THE FOLLOWING:

- H.T.S. SAT. FINDER/METER **£335.00**
- Top of the Range - Recharge - Batteries built in Astra/BSB etc - Pretuned - Carry Case.
- FLUID FILLED COMPASS **£7.50**
- TWIST ON F CONNECTOR **£0.35**
- CRIMP ON F CONNECTOR **£0.24**
- (State cable type for ordering F conn.)
- RG59 COAX 100m **£19.95**
- RG6/TR100 COAX 100m **£29.95**
- CRIMPING TOOL **£29.95**
- SELF AMALGAMATING TAPE **£0.48**
- FIXING BRACKETS WITH U BOLTS **£6.00**

## AERIALS READY FOR FITTING

COMPLETE KIT FOR LOFT OR GUTTER FIXING. COAX CONNECTED.

INCLUDES

- 10Eie WIDEBAND AERIAL
- 3in CRANKED MAST
- LOFT BRACKET
- 15H COAX AND CLIPS
- COAX PLUG

**£9.50**

ALSO EVERYTHING FOR RIGGERS!!

### F.M. AERIALS

FM Stereo 108 range 88-108 MHz

ALL ROUNDER OMNI Directional **£8.93**

RADIO-ROD OMNI (Vertical) **£7.99**

WANT TO RUN A FEW TELLY'S/VIDEOS. YOU NEED A DISTRIBUTION AMP. FROM OUR RANGE OF

## LABGEAR OR ANTIFERENCE

**CM7298** **XS4/6**  
WIDE BAND ONE UHF + FOR UP TO 6 POINTS  
ONE FILTERED FM IN- TV/FM.  
PUT. EXTRA OUTPUTS SINGLE VHF/UHF  
AND FULL OUTPUT INPUT.  
WHICH MAY BE SPLIT ALL PLUG IN CONN.  
TO SERVE OTHER OUT- 12V LINE POWER  
LETS. MAINS. FOR PRE-AMP.

**£51.27** **£49.12**

## GENUINE SPECIFIC SPARES

We can obtain original parts for the following makes to order:

- JVC **E.G.**
- FERGUSON **GENUINE SHARP IDLERS**
- NAT. PAN. 0005GE27 (14275G) **£3.30**
- FIDELITY 0006GE22 (14276G) **£3.30**
- PHILIPS **FERGUSON**
- NEC 3V54 Mains Trans **£21.90**
- HITACHI 3V35 Cap. Motor (15152G) **£22.29**
- SONY FV10 Cap. Motor (15154G) **£30.26**
- SHARP

## TRADE SALES OF TOP QUALITY USED TELEVISIONS AND VIDEOS

14", 16", 20", 22", 26" STANDARD/REMOTE/TELETEXT First Class Condition & Appearance

### TOP LOADING VIDEOS

### FRONT LOADING VIDEOS

### SOME REMOTE CONTROLS

Complete with instruction book + leads.

TV STANDS **£5.00**

LITTLE TWISTER TV BRACKET **£14.00**

### ★ SPECIAL OFFERS ★

- 100m 75R LOW LOSS COAX **£12.95**
- 13A PLUG TOPS (British) (10) **£3.50**
- SKC E180 VHS TAPE (10) **£18.90**
- SKC AUDIO TAPE 6x90 (3pkt) **£1.50**
- CASTLE PETITE ALARM PANEL **£36.00**
- (5 Zone Digital)
- DUMMY ALARM BOX **£3.00**
- METAL COAX PLUGS (100) **£15.00**
- W/B SET TOP AERIAL (5) **£10.00**
- (Olympic)

**NEW OFFERS EACH MONTH**

## "WORKSHOP MUSTS"

- Fine Tip 15w Antex Iron 240v **£6.20**
- Stand Tip 25w Antex Iron 240v **£6.50**
- Cordless Gas Iron Portable **£15.99**
- Solder Sucker **£5.40**
- Super Wick Desolder Braid **£11.99**
- 2mm x 30m **£5.00**
- Solder 18 SWG **£6.50**
- 22 SWG **£1.42**
- Servisol Switch Cleaner/LWB **£1.18**
- Video Head Cleaner Servisol **£1.34**
- Servisol Foam Cleanser **£1.72**
- Freezer Servisol **£2.00**
- Servisol Silicone Grease Tube **£1.32**
- Servisol Heat Sink Compound **£2.98**
- Silicone Compound Sealant **£15.95**
- Test Meters HT700 Bench **£9.95**
- HT500 Pocket **£28.42**
- Digital Bench **£14.92**
- Digital Pocket **£2.50**
- Sidcutters 4.5" **£5.00**
- Micro Cutters **£5.50**
- Heavy Duty Snips **£5.95**
- Heavy Duty Cutters **£4.45**
- Wire Stripper Ideal for Coax **£1.95**
- Philips Screwdrivers 5m **£2.35**
- 1g **£0.65**
- Neon Screwdrivers 1g

## LISTED IN OUR CATALOGUE

SEND LARGE S.A.E. PLEASE

BATTERIES  
CABLE  
CAPACITORS  
CONNECTORS  
CMOS ICs  
COMPUTER DISKS  
ELECTRICAL ACCES.  
FUSES  
INTEGRATED CIRCUIT  
LOPTX  
LEADS  
MANUALS  
PUSH BUTTON UNITS  
PHONE ACCES.  
POTENTIOMETERS  
RELAYS  
SEMICONDUCTORS  
STRIPBOARD  
STYLI  
SMOKE DETECTORS  
SWITCHES ON/OFF  
TURNERS  
TV WALL STANDS  
TOOLS  
TUBES  
TEST EQUIPMENT  
ZENERS/DIODES

### PHILIPS

PART FOR HI-FI  
MIDIS/CD'S,  
TELEVISION AND  
VIDEO REC.

**RING US!**  
or call at  
our Trade  
Counter  
Open 6  
Days a  
Week



**HOW TO ORDER:** Up to 1K ADD £1.00 per order P+P (U.K.). Heavier parcels e.g. cable, service aids, degaussing coils please allow £3.25 P+P (U.K.). Export orders charged at cost. First Class Mail is used whenever possible. Add 15% VAT to total except where it states zero rate. Over 3K will be sent by carrier £8.50 + VAT up to 25k (except tubes). We do not despatch on Saturdays.



**TRADE COUNTER OPEN**

MON-FRI 9am-5pm

SAT 9am-4pm

**THERE IS VAT ON P+P.**

Goods are despatched on the day we receive your order. If for any reason we are out of stock we will try to inform you as quickly as possible. We try our best to give a speedy, fair and efficient service. VAT Invoice on request. Give us a ring - we'll give you service. Please ask if what you need is not listed - we'll try to help. Prices are subject to change without notice. In some cases we may have to supply an equivalent. We need expiry dates for credit card orders. **MILL ORDER ES.**

BOOKS & MANUALS ARE ZERO VAT



# Philips' BSB Satellite Receiver

Ian Martin

Just over a year ago I wrote in these pages on my experiences in installing an Amstrad SRX200 Astra satellite TV receiver system. After many delays the BSB satellite is now on air and set-top receivers are beginning to become available from the four appointed receiver manufacturers. As a former "Sky Pioneer" and now a BSB "Launch Club Member" I awaited the arrival of yet another set-top box.

The Philips STU902 D-MAC receiver and aerial arrived four days after the official launch of the BSB services. I opened the aerial carton first as I was eager to find out which type had been supplied. It turned out to be the Matsushita flat-plate Squarial – compact dish aerials from Channel Master and Marconi are the other alternatives. Incidentally the Philips receiver is sold with the aerial unspecified, whereas with some brands either type can be ordered at cost.

## Description

The STU902 appears to be quite large, with its VCR-sized front panel, but is less than ten inches deep and of light weight. Peeping through the ventilation slots I could see a double-sided PCB with surface-mounted components – and lots of empty space. I was glad to note that the receiver runs cool.

The only control on the front panel is the on/standby button. Accompanying it are two LEDs that indicate standby and stereo reception. All other functions are selected via the remote control handset. Ten channels can be selected, giving provision for the current five BSB channels and five future channels. Standby, TV/sat mode and a range of specific BSB functions are also catered for, and the handset can be used to control the volume and for programme selection with recent Philips TV sets.

The receiver's rear panel has three Belling-Lee type r.f. connectors, for aerial input, r.f. output and satellite TV aerial input. There's also a 21-pin scart socket for AV outputs, wired for both composite video and RGB, utilising both slow and fast blanking, plus stereo audio. Other connectors include jacks for future expansion of the internal data bus and access control module (the part that gives the receiver its identity and authorisation to receive programmes). With a view to the future, the STU902 has an option to provide video outputs with either the current 4:3 aspect ratio or the future 16:9 aspect ratio. This option is again selected via the on-screen menu system. There's no decoder loop-through, as external descramblers will not be required. Unfortunately there are no separate audio outputs for connection to a hi-fi system.

The Squarial, though larger than the original specification because of BSB's power reductions to cater for the extra channels (there were originally to have been three), seems small. It's solid and a joy to handle in comparison with the Astra dishes. In fact it seemed a pity to put it outside! The tubular metal wall bracket supplied is very easy to attach to a wall, using four 10mm bolts that were not supplied. The Squarial and its alternatives use an F connector for their output and power supply feed. All the BSB channels employ

right-hand circular polarisation, so there's no need for a polariser cable as required with some linearly polarised systems. Although the BSB signals are at higher frequencies than those from Astra, the same type of signal cable can be used, e.g. RG59, as the i.f. output from the LNB is in the same range, around 1GHz.

## Installation

And so to the ladder! BSB's Marco Polo satellite is at 31°W while Astra is at 19.2°E, i.e. the satellites are about 60° apart when viewed from the UK. Thus if you know the direction of Astra in your area, Marco Polo shouldn't be too difficult to find. In any case a map showing elevation angles and magnetic azimuth bearings is included in the aerial pack. As I don't have a signal-strength meter – though I do now have a compass – I set up the STU902 and a portable TV set near the proposed aerial fixing point and set the receiver to the set-up mode, using the back panel switch. This useful feature provides a split-screen display, one half showing the actual signal noise and the other an internally generated signal-strength bar graph and noise level indication. A picture was seen almost immediately, sliding sideways across the screen. It was a D2-MAC signal from the TDF-1 satellite. Moving the aerial further westward resulted in the noise disappearing and a welcome to BSB message appearing. The signal was so strong that maximum signal with zero noise could easily be achieved. To get the "centre" position I rocked the Squarial from side to side and up and down, selecting the mid-position. Even covering the aerial with my hands didn't reduce the signal level at the receiver.

After locking the Squarial in position I quickly ran cable round and through the wall, moved the receiver back indoors and connected it to my TV set via a scart lead. BSB's customer service centre was then called. A lady answered and asked me a few questions about the system. Shortly after I'd disclosed the receiver's identity number, which can be called up from the handset, it was authorised for reception and BSB's five channels came in, very loud and very clear.

## Performance

Picture and sound quality are excellent via an r.f. link, superb by AV connection and simply stunning when connected to the receiver in RGB form. With a normal picture the extended video response can easily be seen in the RGB mode, the MAC originated picture having none of the PAL coloured "fluff" that snags the sharp edges. The stereo also seems to be better than with Astra transmissions, the digital audio having almost zero noise, though this does depend on the programme content and quality.

I found that in general the system performs very well, the picture and sound quality surpassing anything I've seen before. There are some niggles however. The lack of teletext is a major omission. It's a convenient way of finding out the day's programme schedule with terrestrial TV and Astra. We're promised teletext in the future with the BSB channels however. In the meantime a



feature built into the Philips STU902 and other BSB receivers enables you to see details of the current programme, running time and classification rating, as well as those of the next programme. The classification system also works in conjunction with the parental lock, whereby a four-digit secret code can be entered via the handset to lock out certain groups of movies and other programmes.

When the receiver is switched on from standby it comes on in the RGB mode, using the composite video signal for synchronisation. At the same time the scart slow switch and fast blanking (pins 8 and 16 respectively) go high. This means that a TV set connected to the receiver via the scart connectors is forced into the external AV mode. If the TV set accepts external RGB but has no slow switch, the RGB will appear synchronised to the video signal from the set's tuner until the

TV/sat button on the STU902's handset is pressed. The logic of going into the RGB mode at switch on is understandable from the point of view of offering the best picture quality. But a method of overriding it by presetting the receiver would be helpful, to accommodate customer preferences and TV set variations.

BSB's D-MAC transmission standard provides better quality pictures and sound than any other current source, including terrestrial and satellite TV. Thus if a choice is to be made between the two rival satellite broadcasters BSB and Sky on technology alone, BSB would be the one to go for. In the final analysis however success will go to whichever company offers the better programming. For the present, in my opinion the two systems complement each other. If you're after the BSB service the Philips STU902 can provide excellent reception of it.

# Teletopics

## LASER DISC ASSOCIATION FORMED

Philips has announced the formation of a European Laser Disc Association to promote the video disc system in Europe. Participating companies include Panasonic, Philips, Pioneer, Polygram, Sony, Telemedia Bertelsmann and Warner Home Video. The three main objectives are to create awareness of the Laser Disc System (formerly known as LaserVision or Compact Disc Video), to organise software availability and to maintain compatibility within the Laser Disc standard. According to Philips there are over 9,000 Laser Disc titles available in Japan and the sales of players are expected to reach the million mark this year. US sales are expected to reach 400,000 with over 4,000 titles available. Philips says that the European market is more difficult because of the diversity of languages and tastes.

## TELETEXT LATEST

Channel 4 plans to start a teletext timer service next year. The system will work by inserting digital start codes in the Oracle teletext transmissions. To use the system consumers will have to buy a new type of VCR that will contain a teletext decoder and additional circuitry. To operate the timer, the user simply calls up the teletext TV listings page and selects programmes with a cursor: the timer details are stored and the VCR starts to record only when it senses the start code. In addition to its simplicity the system ensures that viewers don't miss programmes that start later than scheduled. The first of the new VCRs are expected to be on sale by the end of the year.

The latest top-of-the-range models from Sony incorporate Nicam decoders and a 200-page teletext memory. The memories are constantly updated, offering the viewer instant access to the 200 selected pages. The 29in. Model KVE2912 has a suggested price of £1,000 while the 25in. KVE2512 sells at around £800.

## SATELLITE NEWS

The DTI's Radiocommunications Agency has applied for five additional channels, at present unallocated, to be made available for UK DBS use. Application has been made to the International Frequency Registration

Board. The frequencies would be at the same orbital position as the UK's present five allocated channels. It's not expected that any new services using the extra channels would start for several years - the application has been made to provide for possible future growth in satellite TV services in the second half of the decade. To avoid possible interference to other radiocommunications services extensive consultation with other European countries will be necessary.

Amstrad has introduced the first integrated receiver/decoder, Model SRD400, for use with the Astra satellite. According to Sky Television the overwhelming majority of receiver installations during April were for its own subscription package - a total of 62,414 systems compared to some 14,000 sold by High Street outlets.

Marconi has developed a 60cm "squarish" satellite TV aerial with a 60° pick-up field, wide enough to cover the major satellites broadcasting to Europe including Astra and BSB's Marco Polo. Since no movement of the aerial is required the user would be able to record programmes from one satellite while viewing programmes from another. The aerial would cost around £400 but Marconi does not think production would be worthwhile until combined BSB/Sky receiver/decoders become available.

Now that there are a number of Filmnet decoders on the market many viewers have two or more decoders. Manually changing from one to another can be a chore. JDA Audio Visual (32 Branbridges Industrial Estate, East Peckham, Tonbridge, Kent TN12 5HF - telephone 0622 872 400) has thus introduced Proswitch, an automatic decoder switch which controls up to three decoders of automatic switching type at once. The unit is an electronic switching interface, not just a diode steering arrangement. The trade price is £15 plus leads.

## HD-TV

The CCIR, meeting in Dusseldorf, failed to agree on an international standard for high-definition TV. While agreement was reached on 27 characteristics, including such things as screen dimensions and colour shades, there was no agreement on the two main features - the number of lines and the field rate.

Philips and Thomson have signed an agreement to devote over £2bn to the development of a complete HD-TV system for Europe. The aim is to have the system in operation by 1995. The agreement includes the companies' work on the Eureka programme but goes far beyond this to include everything from



# MANOR SUPPLIES

MKV PAL COLOUR TEST GENERATOR  
FOR DOMESTIC TV & VCR.

TEST  
DEMONSTRATIONS  
AT 172  
WEST END LANE

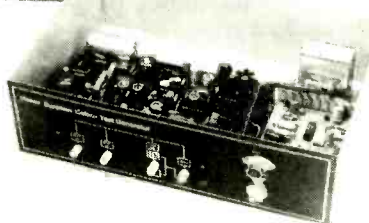


- ★ 40 different patterns and variations.
- ★ Fully interlaced sync pulses with correct picture blanking.
- ★ EBU colour bars, BBC colour bars, whole rasters & split bars (specially useful for VCR service), white, yellow, cyan, green, magenta, red, blue and black.
- ★ Chequerboard.
- ★ Mono outputs with border castellations, cross hatch, grey scale, vertical lines, horizontal lines and dots.
- ★ UHF modulator output plugs straight into receiver aerial socket.
- ★ Additional video output for CCTV & VCR.
- ★ Facilities for sound output.
- ★ Easy to build kit, standard parts. Only 2 adjustments. No special test equipment required.
- ★ Mains operated with stabilised power supply.
- ★ All kits fully guaranteed with back-up service.
- ★ Also available with VHF Modulator.

Price of Kit **£75.00**  
Case (10"×6"×2 1/4") app. **£12.00**  
Optional Sound Module (6MHz or 5.5MHz) **£3.90**  
Built & Tested in Case including Sound Module **£119.00**

Post/Packing £3.00  
Add VAT 15% TO ALL PRICES

## PAL COLOUR BAR GENERATOR (Mk4)



- ★ Output at UHF, applied to receiver aerial socket.
- ★ In addition to colour bars R-Y, B-Y etc.
- ★ Cross-hatch, grey scale, peak white and black level.
- ★ Push button controls, battery or mains operated.
- ★ Simple design, only five i.c.s on colour bar P.C.B.
- ★ Backup service available.

PRICE OF MK 4 COLOUR BAR GENERATOR KIT  
**£35.00. CASE £8.60. BATT HOLDERS £4.20.**  
MAINS SUPPLY KIT **£5.80**  
(Combined P&P **£3.00**).

ADD  
VAT  
15%

VHF MODULATOR (CH 1 to 4) FOR OVERSEAS **£6.80.**  
EASILY ADAPTED FOR VIDEO OUTPUT & C.C.T.V.

## KITS & PROJECTS

SAW IF AND TUNER UNIT complete and tested for video & audio outputs **£28.50 p.p. £1.80.**  
PAL DECODER KIT (Video to RGB) for Monitors **£27.00 p.p. £1.00.**  
PAL ENCODER KIT (RGB to Video) **£18.50 p.p. £1.30.**  
CROSS HATCH UNIT KIT, Aerial Input type, incl. T.V. sync. and UHF Modulator, Battery Operated, also gives Peak White & Black Levels, can be used for any set. **£13.50 p.p. 80p.** (Alum. Case **£3.20 p.p. £1.40**.)  
ADDITIONAL GREY SCALE Kit **£2.90 p.p. 45p.**  
UHF SIGNAL STRENGTH METER KIT **£30.00** Alum. Case **£3.20.** De Luxe Case **£12.00** (Built & Tested **£48.00**) p.p. **£2.50.**  
CRT TESTER & REACTIVATOR KIT For Colour & Mono complete with Case, Panel Meter Indicator - can be adapted for latest CRTs **£35.00 p.p. £3.00.**

# TV SERVICE SPARES

## PHILIPS SPARES

GB CHANNEL SELECTOR **£2.50 p.p. £1.50.**  
KT3, K30 PANELS, tested, exchange, sound, power, bridge rect, frame, RGB **£7.50** each. Decoder (Non-text) **£10.00 p.p. £1.50.**  
G11 6 POS touch tune channel selector (replaces old type) **£18.00 p.p. £1.80**  
G11 PANELS (tested), frame, IF, decoder **£12.50** each. p.p. **£2.00.** Scan **£15.00** p.p. **£2.80.** Power tested exchange **£18.00 p.p. £2.80.**  
G11 PANELS EX-RENTAL (untested) Scan, Frame. Decoder **£2.50 p.p. £2.00.**  
G11 IF PANEL (new) less Tuner **£2.50 p.p. £1.30.**  
MANUALS K35, 2A, 2B, CP90 **£3.50.** KT3 **£4.50.** CTX-E, CTX-S, CF1 **£1.50.** KT4, K40, 3A **£4.50 p.p. £2.50.**  
BACK UP BATT. 2.4V **£6.00.** 1.2V **£3.20 p.p. 80p.**  
K30, KT4, CTX-EHT Lead **£3.20 p.p. £4.00.**

## THORN/FERGUSON SPARES

8000, 8500, 8800, 9800 Decoder **£10.00 p.p. £2.30.**  
9000 Series IF/Decoder tested **£10.00 p.p. £2.80.**  
TX9 RFI Choke L64 **£3.50 p.p. 80p.**  
TX9/TX10 Facia, control panel incl. infra-red receiver **£5.00 p.p. £2.00**  
TX10 Focus control **£8.50 p.p. £1.00.**  
TX9/TX10 Saw filter IF panel **£5.00 p.p. 80p.**  
TX9 Ultrasonic remote control panel **£7.50 p.p. £2.50.**  
TX9/10 Remote & tuning 1508A (incl. SAA5012) **£2.50 p.p. £1.80.**  
TX9/10 Remote & tuning 1536 (incl. SAA5012, SL471) **£3.50 p.p. £1.80.**  
TX Sweep Tune 1509G (incl. UAA1008 + BATT.) **£3.50 p.p. £1.80.**  
TX10 Stereo Audio Board **£3.50 p.p. £1.80.**  
TX90 20" Chassis Brand new (untested) **£25.00 p.p. £2.80.**  
TX90 Mains TX **£18.60 p.p. £2.80.**  
TX90 14" Chassis complete & boxed (untested) **£20.00 p.p. £2.80.**  
TX90 16" Dual Standard. New (untested) **£25.00 p.p. £2.80.**

## IC SELECTION

AN5900	£2.20	SAF1032	£4.50	TA7681AP	£5.80	TDA2577A	£4.80	TDA3566	£5.80
CNX62	£4.80	SAF1039	£2.20	TA7698AP	£9.80	TDA2578	£3.80	TDA3571	£4.80
LA4445	£3.00	SL470/471	£4.00	TBA120	£1.20	TDA2579	£3.80	TDA3576	£5.80
LA7800	£1.80	SL486	£3.20	TBA750	£2.20	TDA2581	£2.20	TDA3650	£8.30
LA7520	£7.20	SL490	£2.80	TBA920	£2.20	TDA2582	£2.80	TDA3651	£4.20
LA7811	£3.50	SL1430	£1.80	TBA950	£2.20	TDA2593	£2.80	TDA3653A	£2.90
M293B1	£5.80	SL1432	£1.20	TCA270	£1.80	TDA2594	£3.80	TDA3653B	£3.20
M494	£9.80	SN7622/60N	£1.80	TCA800	£6.80	TDA2595	£4.80	TDA3654	£3.20
MC1302P	£5.80	SN76705	£9.80	TDA1035T	£2.40	TDA2600	£7.50	TDA4420	£2.20
MDA2061	£3.80	STK5325	£6.80	TDA1037	£1.90	TDA2611A	£1.90	TDA4421	£3.21
MDA2062	£3.80	STK5332	£6.80	TDA1044	£2.20	TDA2640	£3.20	TDA4442	£6.80
ML237	£3.80	STK5421	£5.80	TDA1082	£3.80	TDA2654	£5.70	TDA4500	£5.80
ML238	£6.80	STK5422	£7.50	TDA1170	£2.20	TDA2655B	£8.60	TDA4501	£6.80
ML926	£4.80	STK5471	£6.50	TDA1180	£2.20	TDA2655C	£8.60	TDA4502A	£13.50
SAA1024	£5.80	STK5481	£8.80	TDA1190Z	£2.20	TDA2670	£3.20	TDA4505	£6.80
SAA1025	£5.80	STK7308	£10.80	TDA1470	£2.80	TDA2680	£3.80	TDA4600	£3.45
SAA1124	£3.50	STK7348	£10.80	TDA1670A	£3.20	TDA2690	£3.80	TDA4601	£2.80
SAA1250	£3.80	STR441	£7.80	TDA1701	£3.20	TDA2780	£3.50	TDA4610	£6.80
SAA1251	£6.80	STR450	£6.80	TDA1770	£3.20	TDA3190	£4.20	TDA5510	£5.80
SAA3027	£5.80	STR451	£5.80	TDA1870	£6.80	TDA3300	£3.50	TDA8180	£6.80
SAA5000	£2.80	STR454	£5.80	TDA1908	£2.80	TDA3330	£3.50	TDA8190	£3.80
SAA5010	£5.80	STR4090A	£8.80	TDA1940	£3.20	TDA3500	£6.80	TDA9403	£3.80
SAA5012	£5.80	STR4090S	£10.50	TDA1950	£3.50	TDA3510	£9.80	TDA9513	£4.80
SAA5020	£5.80	STR4211	£6.80	TDA2150	£3.20	TDA3540	£2.50	TEA1009	£2.20
SAA5030	£5.80	STR5412	£5.80	TDA2270	£2.80	TDA3541	£3.50	TEA1014	£3.50
SAA5040	£6.80	STR50103	£8.80	TDA2510	£6.80	TDA3561A	£5.80	TEA2018A	£2.20
SAA5050	£6.80	STR54041	£6.80	TDA2576A	£3.80	TDA3562A	£5.80	THIS1000N2L1	£3.80
SAA5230	£5.80	STR58041	£13.50	TDA2577	£4.80	TDA3565	£3.80	UPC1378	£5.00
SAB3035	£6.80	STR6020	£5.80						
SAB3037	£15.80	TA7680AP	£5.80						

IC p.p. 50p

VARICAP TUNERS: Grundig 8630 series **£5.00 p.p. £1.00.** U321, U322/ U341/N, ELC1043 (equiv), SC4, VHF NSF203 **£7.80 p.p. £1.80.** UHF/VHF UV411 **£10.80.** U343 **£10.80 p.p. £1.00.**

## LINE OUTPUT TRANSFORMERS

BUSH T20, T22	£9.80	PHILIPS KT3	£9.80
DECCA 80, 100	£8.80	PHILIPS K30, 35	£22.50
FIDELITY ZX2000, CTV140	£15.50	PHILIPS CTX-E, S	£22.50
FIDELITY ZX3000	£14.50	PHILIPS KT4, 40	£22.50
FIDELITY ZX3000, 22"	£22.80	PHILIPS 2A	£23.80
HINARI CT4, CT5	£24.80	PHILIPS CFI	£32.80
HITACHI OPT1456	£28.80	PYE 731, 741	£9.20
ITT Compact 80, 100	£17.80	SONY KV1882	£34.50
ITT CV5-9, CV20	£9.80	SONY KV2092, 2096	£34.50
ITT CV25, 30, 32	£8.50	SONY KV2704	£60.00
ITT CV45	£9.80	THORN 1590, 91, 1612, 13, 1712	£4.80
ITT CVC800, 801, 803	£24.00	THORN 3787 (NORDMENDE)	£9.80
ITT CVC1100	£18.50	THORN 3000/3500 Scan, EHT	£4.00
ITT CVC1150, 1175	£22.80	THORN 9000, 9600	£19.80
ITT CVC1200, 1201	£18.50	THORN TX9	£2.50
ITT CVC1204	£11.50	THORN TX10 (Chopper)	£16.50
ITT Digi 3	£19.80	THORN TX85	£16.80
PHILIPS 320	£2.80	THORN TX90 14", 20"	£19.80
PHILIPS G8	£8.80	THORN TX100, 110" Green Spot	£19.80
PHILIPS G9	£12.80	THORN TX100 90" FST Yellow Spot	£21.80

LOPT's p.p. £1.50

TRIPLERS: THORN 9000 **£8.80 p.p. £1.50.**  
UNIVERSAL (best quality) **£7.80 p.p. £1.50.**  
CONTINENTAL TVK & BG RANGE (quote exact no.) replacements **£13.80**  
DECCA/TATUNG **£7.80 p.p. £1.50.**  
6-3V CRT Boost Transformers for Colour & Mono **£5.90 p.p. £1.40.**  
455 CRYSTALS for Remote Control Handsets. 4 for **£1.00 p.p. 50p.**  
VHF to UHF Converters **£29.85 p.p. £2.50.**

CALLERS WELCOME AT SHOP PREMISES  
THOUSANDS OF ADDITIONAL ITEMS, ENQUIRIES INVITED  
LARGE SELECTION TESTED COLOUR PANELS POPULAR MODELS



Telephone 071-794 8751, 794 7346



MANOR SUPPLIES

172 WEST END LANE, LONDON, NW6 1SD

PLEASE ADD VAT 15% TO ALL PRICES INCL P+P



next month in

# TELEVISION

## ● SERVICING THE PANASONIC U4 CHASSIS

The U4 chassis was a successor to the U3 with updating in the remote control, microcomputer tuning and teletext areas – there were no non-remote control versions. Screen sizes are 16-26in. and Model numbers include the TC1631, TC1641, TC1632, TX1642, TC2033, TC2043, TX2034, TC2232, TC2233, TX2200, TX2230, TX2230/1, TX2233, TX2234, TX2244, TX2636, TX2646, TX3300 and TX-C21. While the power supply, timebase and signals circuits are reliable there were problems initially with the microcomputer control system. Nick Beer reports.

## ● PAL/SECAM ADAPTATION OF THE TX9

Richard Edson, G4FBA, discovered that a Mullard technical handbook gives details of the TDA3591 SECAM decoder which works in conjunction with the TDA3560 PAL decoder chip. It's available from Sendz Components on a PCB and the decision was taken to try it out in a Ferguson TX9 chassis. The System was found to work well. So here you are, PAL/SECAM operation of the TX9 with full circuit details.

## ● TEST REPORT: MUTER TUBE REGENERATOR

Since a duff tube often means that a set has come to the end of its economic life it's essential to be sure that it is in fact defective and that nothing can be done to restore it. The Muter BMR90 is a sophisticated tube tester/reactivator that uses the latest technology in this field. Eugene Trundle tried one out.

## ● COMPONENT TESTER USES

Part 2 of David Botto's De Luxe Component Tester feature provides full details for carrying out tests on a wide variety of components including i.c.s. Also signature and in-circuit testing.

## PLUS ALL THE REGULAR FEATURES

– including a Test Case item on an ITV reception problem following a BSB satellite TV installation.

ORDER YOUR COPY ON THE FORM BELOW:

TO .....

(Name of Newsagent)

**Please reserve/deliver the August issue of TELEVISION (£1.60), on sale July 18th, and continue every month until further notice.**

NAME .....

ADDRESS .....

.....

.....

complete studios to flat-screen displays and i.c.s.

Thomson is due to start producing 36in. sets with 16:9 aspect ratio screens at its Anagni plant in Italy this autumn. Both Philips and Thomson have set up production lines for 33in. FS tubes in Europe.

## TRADE NEWS

The Kingfisher bid for Dixons/Currys has been barred by the government following the Monopolies and Mergers Commission's report on the bid. Philips has taken a 25 per cent interest in Bang and Olufsen. The aim is to benefit from B and O's design and marketing expertise. Toshiba is to increase CTV production at its Plymouth plant from 500,000 to 600,000 sets a year.

The Sentra brand has returned to the market now that Sentra has been taken over by Roadstar UK Ltd. The new address is Roadstar UK Ltd., Roadstar House, Tavistock Industrial Estate, Ruscombe Lane, Berks RG10 9NJ - telephone 0734 321 032.

Poly Peck International plc has increased its holding in Sansui to 70 per cent. Poly Peck's Capetronic and Imperial subsidiaries are now part of Sansui. Capetronic is one of the world's largest original equipment manufacturers of consumer electronics products, with operations in the USA, Taiwan, Hong Kong, Malaysia and China. Imperial produces large-screen colour sets in Italy and distributes a wide range of consumer electronic products. It was founded in Germany in the 30s.

## SERVICING NEWS

Sony has established a network of fifteen Video-8 repair centres to provide specialist camcorder servicing. Seven are SES companies (former Sony Service Departments) and a further eight have been chosen from Sony's 115 authorised service companies.

Willow Vale Electronics has published for the trade the second edition of its spare parts listing guide for all Grundig TV, audio and video equipment. In A4 size the perfect-bound catalogue is the most up-to-date Grundig components parts list available. It includes exploded diagrams and complete information on straight service exchange units. Thomson has appointed Willow Vale distributor for its range of consumer electronics spares. For further details contact Willow Vale Electronics, 11 Arkwright Road, Reading, Berks RG2 0LU - telephone 0734 876 444.

A.Z. Electrics has moved to 183 Acre Lane, Northampton NN2 8DX. Telephone 0604 847 800, fax 0604 844 382.

Charles Hyde and Son Ltd. has withdrawn, for policy reasons, from being an approved supplier of spares and components for Sharp UK Ltd. CHS is still able to obtain and supply the popular range of Sharp genuine spares usually required.

SEME's latest catalogue, with 230 pages, features a special video spares supplement for easy reference and also contains details of Fidelity spares. Since Fidelity ceased production some eighteen months ago warranty claims are no longer applicable, but SEME will continue to supply chargeable spares for as long as possible. SEME Ltd., Unit 2E, Saxby Road Industrial Estate, Melton Mowbray, Leics LE13 1BS - telephone 066 465 392.

Adcola has introduced an updated range of desoldering stations known as the 565 series. The units have proved to be virtually impossible to block due to the unique design of both the heating element and the



combined stored vacuum system. They are now static free, following use of a polycarbonate static passive material, type D-FR. For further details apply to Adcola Products Ltd., Adcola House, Gauden Road, London SW4 6LH - telephone 071 622 0291.

### **3-D TV SYSTEM**

A 3-D TV system has been on display recently at laboratories in Covent Garden, London. It produces the depth effect without the need for the viewer to wear special glasses. The principle used is to digitise the programme material, identifying focus points in each field and processing these to produce what are called stereo cues. These activate a special screen in front of the TV set, with the result that the eyes receive slightly different images. For obvious reasons technical information on the system is at present limited.

### **NEW PANASONIC CAMCORDER**

Panasonic has released details of a new camcorder that incorporates some interesting technology. The following specifications apply to the NTSC version, but Panasonic says that a PAL version would be similar.

Model NV-S1 is a VHS-C camcorder weighing just 750g without battery and tape. The new C1 tape loading mechanism is 29 per cent lighter than a conventional mechanism. A lighter head drum and four-layer PCB that incorporates the camera and VCR circuitry contribute to the compactness. Other design features include a new lightweight lens system and a 1/3in. CCD imager with 270,000 pixels and the performance of a 1/2in. unit.

The electronic image stabilising (EIS) system is claimed to reduce picture shake by up to 15 per cent. Each field is stored in a RAM and analysed during record signal processing to check whether movement between successive fields is due to hand shake or a fast moving object being tracked by the camera. When shake is detected the EIS system cuts off the picture edge and enlarges the stable centre portion to fill the display area.

An 8-bit digital AF system is claimed to offer improved focusing performance. The NV-S1 also offers "snap shot" recording (a five-second still picture) and a still/strobe feature that records a still image every 0.2 sec for picture effects. No UK price has been announced but launch is expected before next Christmas.

---

## ***Ferguson's R and D Activities***

Our May issue leader gave a decidedly misleading impression in suggesting that research and development at Ferguson's Enfield headquarters have come to an end. We have since been briefed on Ferguson's current R and D activities and take this opportunity to put the record straight.

There have been redundancies at Enfield, a total of 104 of whom 70 are leaving the company. The main reason for this is the ending of manufacturing activities at Enfield. Many of those who have left were engaged in technical back-up activities for the plant, work which is obviously no longer required. Some of those made redundant at Enfield have moved to a new applications laboratory which has been set up at Ferguson's Gosport plant, where all manufacturing activities are now centred. A further sixty engineers at Gosport are engaged in test gear, production engineering, etc.

Research and development will continue at Enfield, as part of an eight-laboratory network operated by Ferguson's parent company Thomson Consumer Electronics. These laboratories are responsible for a wide range of activities from basic research through to applications technology. Together the laboratories employ over 1,200 qualified engineers and technicians and the number is growing. Each laboratory has specific expertise, but all contribute to overall development and the system gives each market access to a wide range of research and applications development work.

Thomson's R and D laboratories are situated at Enfield, Los Angeles, Indianapolis, Strasbourg, Hanover, Villingen, Tokyo and Singapore. Enfield's activities are obviously focused on product development for the UK market but subjects of special expertise include Nicam, Fastext, PAL and D-MAC systems and equipment. The highly specialised laboratory at Los Angeles concentrates on the development of complex software and operating systems for audio and video equipment. Interactive menu control is an example of the work

carried out here. Indianapolis acts as the R and D centre for the Americas, concentrating on basic research and TV development, digital signal processing and the development of new chassis and i.c.s. The laboratory works in close collaboration with the David Sarnoff Research Centre, in particular on an HD-TV standard for the American market. In Europe, work on HD-TV and future TV systems is being mainly carried out at Strasbourg, which is also concerned with improvements to existing TV standards and digital signal processing in both the transmission and recording fields. Hanover is involved in fundamental research, in particular digital signal processing in the context of the Eureka and Race projects. The Tokyo laboratory enables Thomson to keep in touch with the Japanese research scene. Singapore is the product development centre for the Far East. It's engaged in audio, video and TV products for both local and world markets, and in conjunction with other Thomson laboratories develops key components such as tuners and modulators.

Villingen is the control centre for Thomson research worldwide and is by far the largest of the eight laboratories. Its responsibilities include audio, video and TV product development, the development of key components for micromechanics (CD drives, video decks, optical and magnetic pickups), the development of microelectronic components such as i.c.s, also h.f./s.h.f. components, SMD and hybrid technology and product-specific software. The laboratory is involved in fundamental work on new recording techniques including matrix scanning, and undertakes contract research for third parties.

As a major company in the international consumer electronics field - market leader in the USA and number two in Europe - Thomson is well aware of the need to invest in R and D and be at the forefront of product development. Enfield continues to play an important role in this work.



# Servicing Compact Disc Players

## Part 17: Power Supplies and CPUs

Joe Cieszynski

The power supply and central processor unit are the only two sections of a CD player we've not so far considered in this series of articles. Although there's nothing particularly novel about them, the series would be incomplete without some comments on these subjects.

### Power Supplies

CD player power supply arrangements are straightforward and require little attention. It's important however to remember that the power supply circuitry is there! When fault finding it's all too easy to forget obvious things such as a missing supply rail. Such problems can cause havoc, especially when everything is under the control of a central microcomputer chip.

Perhaps the most important feature to bear in mind is the use of both positive and negative supply lines for motor direction control. When we covered the servos in parts 10-13 we saw that forward and reverse drive is required not only for the various motors (e.g. disc, sled and drawer) but also for the two-axis device. In most cases the direction of the current flowing through these motors and coils is controlled by a push-pull transistor arrangement. Fig. 1 shows two methods. The arrangement shown at (a) employs four transistors and a single supply line: current direction is controlled by switching on either Tr1 and Tr2 or Tr3 and Tr4. The second circuit shows two transistors connected across equal but opposite supply rails: because of the number of motors and coils that require two-way operation in a CD player this is the simplest approach and is used in most machines. In addition to this, some of the preset controls operate with the slider moving between a positive and a negative supply. An example was the focus offset circuit shown in Fig. 4, part 10 (December 1989).

When one considers the number of devices that require two-way drive it's easy to see why the loss of a single supply rail can give rise to any number of symptoms, from the sled racing to one end of its travel at switch on to the disc running backwards at great speed. Further problems may arise when a player has been left

on for a long period, for example if it's part of a midi system and the customer continues to use the rest of the system for a number of weeks before sending it in for repair. In such cases be on the lookout for burnt out driver transistors, burnt out motors and possibly even an open-circuit coil in a two-axis device.

Such problems may not arise where adequate protection is provided by means of circuit protectors. But this brings us to another point. Although effective when a fault develops, these small devices can themselves be the cause of many complaints. When you encounter a player with a missing supply line a quick check on the circuit protection is always advisable.

Fig. 2 shows a typical CD player power supply. The +5V line will be used by i.c.s such as the CPU and decoder chips. Other i.c.s may make use of both the +5V and -5V lines to form an overall 10V supply. Motor driver circuits would use positive and negative lines as shown in Fig. 1(b). The regulators may consist of i.c. packages or discrete component circuitry.

### The Central Processor Unit

One point we've emphasised during the course of this series is that a set of i.c.s is often found in the r.f., decoder and servo sections of players produced by different manufacturers. One chip that will always differ however is the central processor/microcomputer, since this i.c. contains the program that customises the player to the manufacturer's specification. A CD player's CPU is very often a single VLSI chip that controls everything from the basic player operation to the front display. There will generally be some additional logic to control the servos, generally contained within the servo chip, and some of the more sophisticated players may have a separate display control chip. Despite its major role in the player, the CPU is generally a far less complex device than that found in VCRs and modern TV sets.

The CPU's inputs come from the customer keypad, the deck sensors and the decoder. One important piece of data is the Q subcode which, as we've seen, contains information such as track number, index, playing and running times and pre-emphasis control. The decoder also generates an error flag when the Q subcode is corrupt: this flag is sent to the processor which then carries out CRCC error correction. The Q subcode was discussed in part 7.

Another important central processor input is the focus o.k. (FOK) signal which is generated in the r.f. stage. We saw in part 10 how this signal is produced when correct focus is achieved, and that the CPU will not permit disc run up until it has received an FOK input. Thus the presence or absence of the FOK signal is a valuable clue when the player won't spin the disc at all.

Outputs from the CPU are sent to the drawer and deck driver circuits, the servo and decoder chips, and the front display. In addition the processor provides output signals to control the laser power supply, the de-emphasis circuit and the audio mute system.

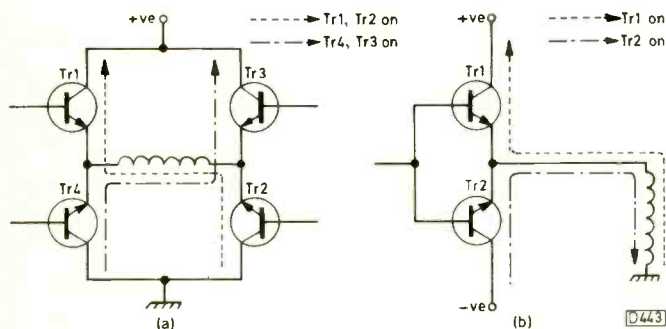


Fig. 1: Two methods of controlling the direction and amount of current flowing through a motor or actuator coil, (a) with four transistors and a single supply line, (b) with two transistors connected between positive and negative supply lines.



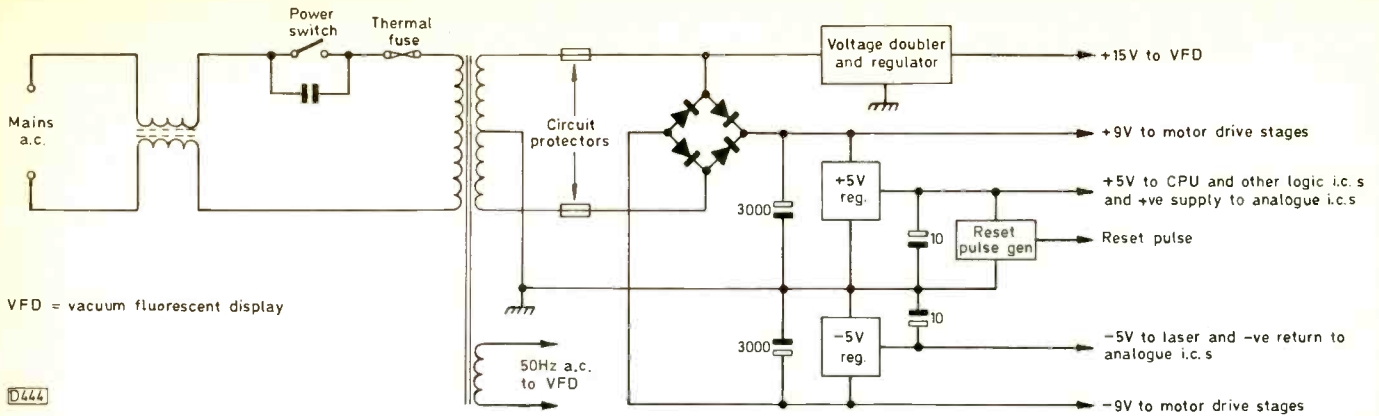


Fig. 2: A typical CD player power supply arrangement.

Fig. 3 shows in block diagram form the basic CPU arrangement.

When the player is dead or haywire it's all too easy to blame the CPU chip. Unfortunately such chips are often surface mounted and sensitive to static damage, as a result of which they are not easy to replace. It's important therefore that other possibilities are ruled out before the CPU is condemned. The following standard checks apply not only to a CD player's CPU but to any simple microcomputer chip.

(1) Check the supply rail(s). The microcomputer control chip will be powered from a 5V supply and this line should be one of the first checks to make when the player is dead, especially if the front display is out or is providing a very strange reading. In some cases there may be more than one supply to the CPU chip, so beware.

(2) The second thing to check is the clock oscillator. The CPU chip can't function unless this is working, and it's not uncommon for the oscillator to fail. The oscillator is normally within the CPU chip, but will operate in conjunction with an external ceramic resonator or quartz crystal. Most problems occur with ceramic resonators as they are prone to breaking loose inside their plastic encapsulation as a result of which they go open-circuit either permanently or intermittently.

It's best to check the oscillator using an oscilloscope. A signal in the 2-10MHz region should be seen, at an amplitude of about 5V peak-to-peak. The output may be sinusoidal but is more often than not some form of

clipped sinewave. Don't fall into the trap of looking at a much lower-amplitude, "mushy" waveform and mistaking this for the real thing. When the oscillator is defective the usual culprit is the resonator or crystal, although it could be the part within the chip. Either way the recommendation is to change the resonator first – it has two legs rather than eighty!

(3) Check the reset pulse. This is generated at switch-on to clear the CPU of any rubbish that it may store in its memory during power-up. Many strange faults in audio, video and TV equipment can be caused by failure of a reset pulse generator, so it's wise to check this signal when the microcomputer chip is misbehaving. We'll return to the reset pulse generator circuit shortly.

(4) Check the earthing or, to be more precise, the lack of it. Don't forget to test for breaks in the PCB, the wiring, the plug connectors, etc. A common give-away is when you get a supply rail voltage reading at all the i.c. pins.

The above are the main tests that apply to any microcomputer circuit. If the fault persists it may prove useful, depending on the fault symptom(s), to check the following.

(5) The key scan signals, if used. These may be generated by the CPU chip or by an additional "function-control" chip and appear on the scope's screen as a constant data stream. If this is missing the most likely culprit is the chip from which it emanates.

(6) The input logic conditions. The signals here are not of the same type as the high frequency data signals. They come mainly from sensor switches in the player's mechanism and provide a simple high/low logic reading.

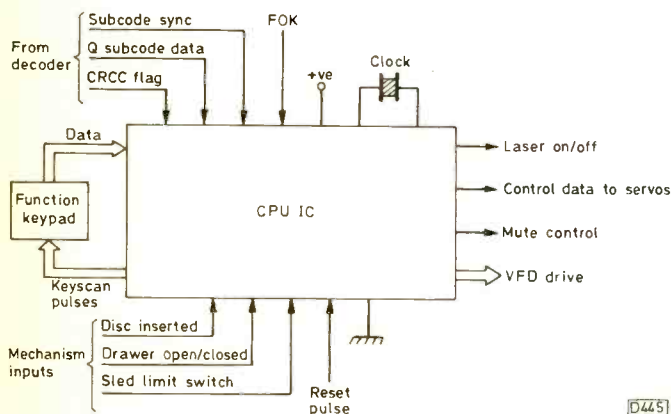


Fig. 3: The basic central processor system used in a CD player, showing the main input and output data lines and signals including the clock and reset pulse.

## gàribàl'di (gar-i-böl'di, -bal'di)

Defined as-n. Type of biscuit with currants: Name of famous Italian general (1807-1882): Woman's loose blouse, coloured red: Kind of hat: Red pomacentrid fish from California: Recruitment agency specializing in RF & Microwave.

**We are the specialist agency for 'Radio Frequency' Engineers working from 1MHz to light! We have hundreds of top positions in RF mobile comms, opto, satellite, mm-wave and microwave projects. Please contact our consultant Simon Luttrell MSc today.**

**Garibaldi** 160 Bellingdon Road, Chesham, Buckinghamshire. HP5 2HF  
RF & Microwave **Tel: 0494 773918**

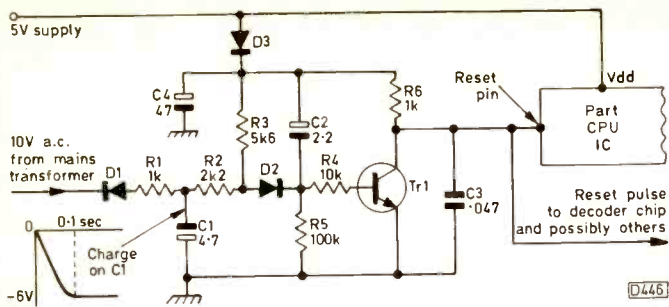


Fig. 4: Typical reset pulse generator circuit. This one is used in the Sanyo Model CP-08.

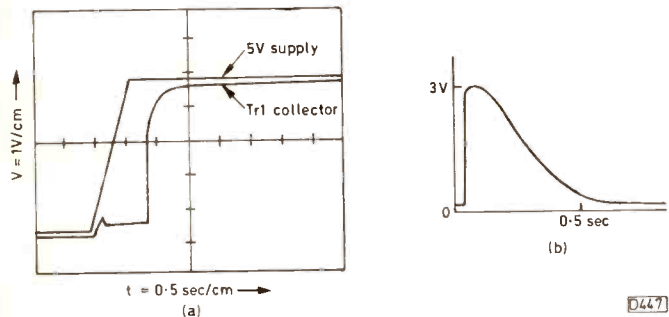


Fig. 5: Timing diagrams for the circuit shown in Fig. 4.

You can easily check them using a logic probe or a d.c. voltmeter. Where the condition is incorrect, be on the look out for such things as a defective switch, a worn or broken cam, worn belts, a sticking mechanism, an open-circuit lead or a defective buffer (transistor or gate) between a sensor and the relevant CPU input.

(7) The function keypad. We've already mentioned the key scan signals which are the outputs at several pins of either the CPU or a function control chip. The presence of these signals themselves is not an indication that the function selector keypad is operational. When a key is depressed there must be a signal that goes back to the CPU. It may be a key scan signal or an analogue signal that consists of a d.c. level – developed by a resistor ladder arrangement. Check that the appropriate input is present at the relevant pin of the CPU when a key is depressed. Possible faults are open-circuit keypads or hairline cracks in the front panel.

It's equally important that the CPU should not receive an input when no keys have been depressed. Short-circuits or resistive leaks in the function keys are not uncommon. In addition buffers or diodes between the keys and the CPU can fail, making a CPU input look as though a key is permanently depressed.

(8) The output conditions. Before condemning a CPU chip, check that its output conditions are in fact wrong. Although this is uncommon, it's possible for the observed symptoms to give the impression that the CPU is faulty when the fault actually lies in circuitry beyond this point.

### Reset Pulse Generator

There are many variations in the way in which a reset pulse is generated. The basic idea however is to use an RC circuit with a short time-constant to take the CPU's reset pin (and the reset pins of any other chips containing memory) briefly either high or low after switch-on. The reset signal is necessary to prevent corrupt data being

stored in an i.c.'s memory – this data is generated at random during the period when the supply rails are being established.

Fig. 4 shows an example of a reset pulse generator circuit. In this case when the mains supply is switched on capacitor C1 begins to charge to a negative potential via D1 and R1. At the same time the 5V rail starts to rise from 0V, this supply appearing at the CPU's Vdd pin. The positive supply also appears at the base of transistor Tr1, via R3, D2 and R4. Thus Tr1 conducts, taking the CPU chip's reset pin low. This condition continues until the point is reached where the negative charge developed by C1 reverse biases D2. Tr1 is then cut off and the reset pin rises to 5V. The timing of the circuit is such that the charge developed by C1 does not cut Tr1 off until the 5V supply has been fully established.

The trace in Fig. 5(a), made using d.c. input coupling to the scope, shows the reset pin being held low until the 5V supply is firmly established. It was obtained using a digital storage scope set for a single sweep (the scope had a built-in printer). Such equipment is not generally available in a service workshop, but I've obtained the same trace using a standard dual-beam scope set for a single-shot trigger with the brightness turned up to make use of the phosphor's persistence.

The trace in Fig. 5(b) shows the waveform at the collector of Tr1 following switch-on, with the scope set to a.c. input coupling. This is often helpful as an initial check to see whether the reset circuit is doing anything at all.

If the reset generator fails, the player is likely to show all sorts of fault symptoms because the CPU and other chips such as the decoder will be operating with rubbish locked into their memories. This data will be lost every time the player is switched off, but new rubbish will be stored at the next power up. This can lead to the situation where the customer complains that the player is suffering from faults too numerous to mention, though the troubles are all due to a single component.

### In Conclusion

So we come to the end of this series. I'm aware that in some sections there was rather a lot of theory, but wherever possible I've attempted to relieve this with practical comments and advice.

At the start of the series I commented on the value of having a good grasp of the theory on which CD players are based and concluded that such an understanding is helpful when you are faced with what appear to be difficult and obscure faults. The value of such an understanding extends beyond just CD players however. The principles of DA and AD conversion for example are used in a lot of other equipment today. I feel that the CD player provides a sound training for servicing much of the domestic electronic equipment that we will be encountering during the next few years, since it introduces the engineer to such new features as optical pick-up control and readout, digital servos, data handling systems, data storage and so on.

### Acknowledgements

In conclusion some thanks are due. First to Ken Clements of Pioneer UK for his technical support in the early stages of preparing these articles, and more recently to George Cole for answering my queries on the unused subcode words.



# De Luxe Component Tester

Part 1

David Botto

More and more TV/video service engineers are finding that a component tester makes their life easier. The de luxe component/signature tester described in this article is easy to construct and simple to use. You'll find that it's often quicker to use the tester to check every component on a PCB rather than having to spend time tracing out the circuitry then testing likely suspects. Colleague Pete, who has been using my first component tester unit since details of it were published back in 1984, now wants to get his hands on this latest one which incorporates many extra features.

The de luxe tester will rapidly check bipolar transistors, diodes, zener diodes, thyristors, LEDs, VCR end sensors, capacitors, resistors, chokes, mains transformers, loudspeakers and many other components. It also operates as a signature tester, and is particularly helpful when you're trying to identify unmarked surface-mounted or other components.

The tester can be used with almost any oscilloscope. If you've an old one that's gathering dust because it doesn't meet modern requirements you can connect it to the tester permanently. Set the scope to its X/Y mode: the internal timebase isn't used because the tester supplies a horizontal scanning voltage. The waveform displayed on the scope's screen instantly and accurately reveals the condition of the component under test.

The usual way of checking transistors and diodes is with an ohmmeter. This is o.k. when the fault is a dead short or an open-circuit, but it's not a completely reliable test procedure. The component tester really scores here, by revealing the slightest defect or leakage in a transistor or diode. Another benefit, except when testing thyristors, is that only two test leads are required. This is a lot easier than having to do the juggling act that some transistor testers call for, as you try to hold three prods in contact with a transistor's leads.

The unit also serves as a useful continuity tester for general servicing work.

## Principle of Operation

The tester operates as an extension of an oscilloscope's circuitry. To obtain the best results, it's essential to understand exactly how the tester works.

Fig. 1 shows at (a) to (f) the operation of the tester. In Fig. 1(a) an a.c. voltage is connected across the two resistors R-low and R-high via terminals A and B. Almost the full a.c. voltage is applied to the scope's X (horizontal) input, producing a horizontal line on the screen - see Fig. 2(a). If terminals Ch and T are shorted across, as shown in Fig. 1(b), the entire a.c. voltage is applied to the scope's Y (vertical) input, producing a vertical line on the screen - see Fig. 2(b).

If a diode or transistor junction is connected across T and Ch (chassis), as shown in Fig. 1(c), the diode will conduct when the a.c. waveform at Ch is positive-going - the diode is reverse biased when the waveform at Ch is negative-going. Fig. 2(c) shows the resultant waveform displayed on the scope. Reverse the diode and you'll see the waveform shown at Fig. 2(d). With a good diode (or transistor) junction the waveforms displayed will be

sharp and clear, with sharp right-angled corners.

A zener diode produces the waveform shown in Fig. 2(e). The diode's barrier potential produces one upright line, the other being produced by the reverse conduction zener characteristic.

Fig. 1(d) shows a thyristor connected with its anode to terminal T and its cathode to terminal Ch. With a good thyristor you'll see the waveform shown in Fig. 2(a). When a suitable d.c. voltage is applied to thyristor's gate the device will fire, producing a diode waveform of the type shown in Fig. 2(d).

A resistor connected across T and Ch - see Fig. 1(e) - lowers the value of R-high. As a result less a.c. voltage is fed to the scope's X input while the a.c. voltage at the Y input increases. This produces an angled line, see Fig. 2(f), because an a.c. voltage is present at both the X and Y inputs of the oscilloscope. The angle of this line depends on the ohmic value of the test resistor. If the scope's sensitivity at its X and Y inputs is the same, the angle of the line will be 45° when the ohmic values of R-low and the parallel combination of R-high and R-test are equal.

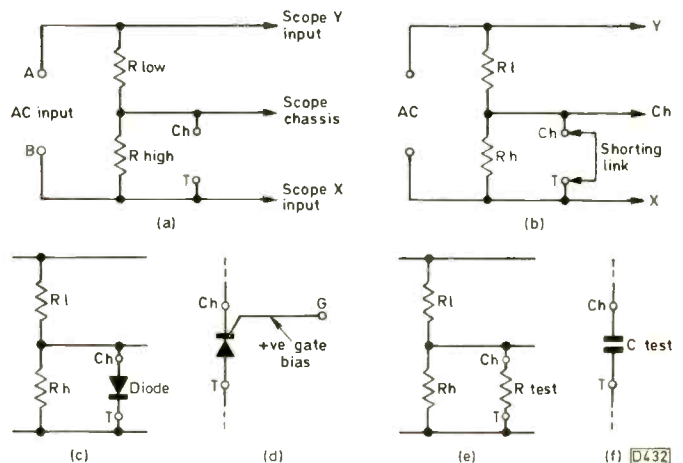


Fig. 1: Principle of the tester (a-b); (c) shows a diode test, (d) a thyristor test, (e) a resistor test and (f) a capacitor test.

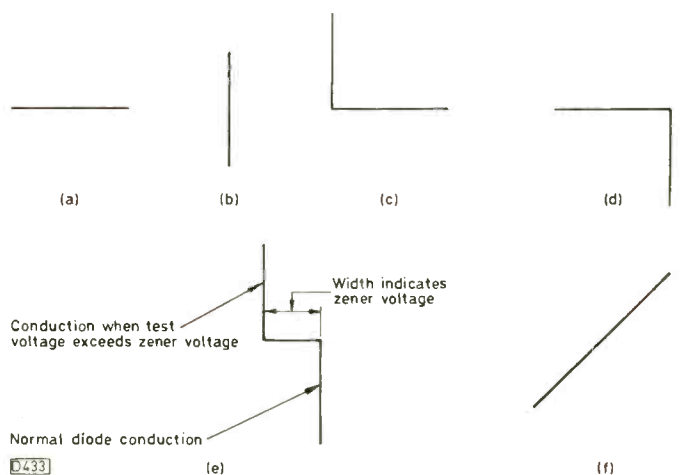


Fig. 2: Basic waveforms (a-d); zener diode waveform (e); resistor waveform (f).

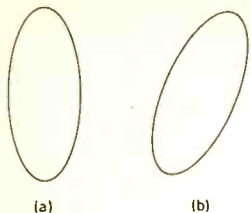


Fig. 3 (left): Waveform produced by a good capacitor (a) and a leaky capacitor (b).

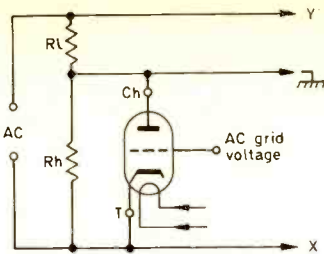


Fig. 4 (right): Valve testing circuit.

A capacitor connected across T and Ch will charge first in one direction then the other. The result is an elliptical display on the screen as shown in Fig. 3(a). The size of the ellipse depends on the value of the test capacitor. Leakage in the capacitor shows up as a badly tilted ellipse – see Fig. 3(b) – since this is the same as connecting a resistor across R-high. Because of the low test voltage used, electrolytic capacitors can be checked.

The a.c. voltage applied to points A and B can range in frequency from 20Hz to 25kHz. The tester makes use of the 50Hz mains frequency because this is convenient and stable.

The tester's principle is not new – it dates back to the days when the valve was supreme in fact. When a diode valve is connected with its anode to Ch and its cathode to T it will conduct only when Ch is positive with respect to T. With a triode or multigrid valve the anode current will vary with changes in the a.c. or d.c. voltage at the control grid. If the a.c. grid voltage is of a different frequency to the mains the circuit operates as an effective dynamic valve tester. Anyone interested in servicing vintage equipment might find this feature useful. See Fig. 4.

### Circuit Description

Fig. 5 shows the complete circuit of the de luxe component tester. The 240V a.c. mains supply is applied to points A and B, the miniature green neon N1 providing an indication that the instrument is powered. Fuses F1/2 and resistors R1/2 connect the mains input to the primary windings of the two miniature mains transformers M1 and M2. Resistors R1 and R2 limit the power applied to the component under test. With no load connected to the secondary windings of transformers M1 and M2 the a.c. voltage across their primary windings is 240V. When a load is connected across either secondary winding however the a.c. voltage across the primary windings drops. This limits the power applied to the component under test, protecting small diodes, transistors and i.c.s.

Two miniature transformers, from RS Components, were used to obtain the correct voltage drop and to save space and cost. It's best to use the transformers specified. The secondary windings are connected in series so that, off load, 20V, 40V and 80V a.c. test voltages are fed to switch SW4A. When a component is being tested these voltage levels fall considerably. SW4B is ganged with SW4A: when position 2 is selected the amber neon N2 lights, indicating that the correct a.c. input voltage has been selected for i.c. testing. By selecting position R on switch T4 the voltage applied to the i.c. under test is reduced still further. Switch SW4 is rated at 125V a.c., which is appropriate since it's connected to the centre tap on M1: the neon N2 still

lights brightly at this reduced voltage.

User control VR1 sets the amplitude of the vertical trace. Initial adjustment is done with the "set" position of switch T4 selected. VR2 adjusts the horizontal drive output voltage applied to the scope's X (horizontal) input. It has a calibrated scale so that the user can measure the voltage of a zener diode under test. The zener voltage scale's range of 1.1-63V could be extended to cater for higher voltage zener diodes, but for general servicing a maximum of 63V is usually sufficient.

ICH1 is a 28-pin, zero-force insertion type i.c. socket. Switches SW1/2/3 together with toggle switches T1/2/3 select the i.c. pins so that waveform tests can be made between all adjacent pins. Each pin of socket ICH2 is directly wired to the same number pin of socket ICH1.

Small transistors or diodes can be inserted in sockets Q1 and Q2. Switch SW3B selects these sockets in turn: they are handy for making comparison checks between two devices.

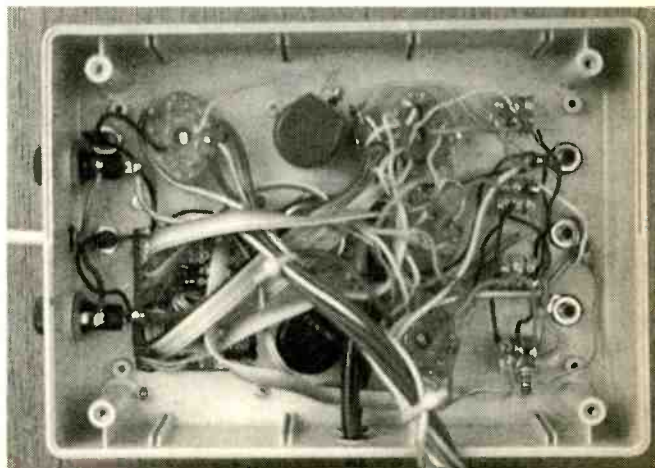
T is the thyristor test socket. VR3 adjusts the gate bias voltage applied to the device from the 1.5V battery. This socket is intended for use with small thyristors: larger ones can be checked by using three test leads plugged into the instrument's T, G and Ch sockets.

### Construction

The accompanying photographs show the finished unit and its interior layout. Everything possible has been done to ensure ease of construction and reliability in use. The case, obtained from RS Components, is a tough one designed to stand up to everyday use in the workshop. It's made of a type of plastic that's easy to drill. The useful built-in battery compartment holds four batteries, though the tester uses only one. The case size is such that all the components can be housed without being packed too closely. It doesn't take up much room on the bench.

The components list includes everything you'll need to build the tester. The parts have been carefully selected taking quality, price and ease of construction into account. By using them you'll need only to drill some round holes and make the cut-out section behind the PCB. To ensure trouble-free construction and operation it's best to stick to the recommended parts. The specified resistors are of higher wattage rating than is strictly necessary, but this will contribute to long-term stability and reliability. To avoid scratching the case it's best to have a rubber instrument mat on the bench while constructing the unit.

Begin by drilling the round holes required in the top



Inside view of the top section of the tester.



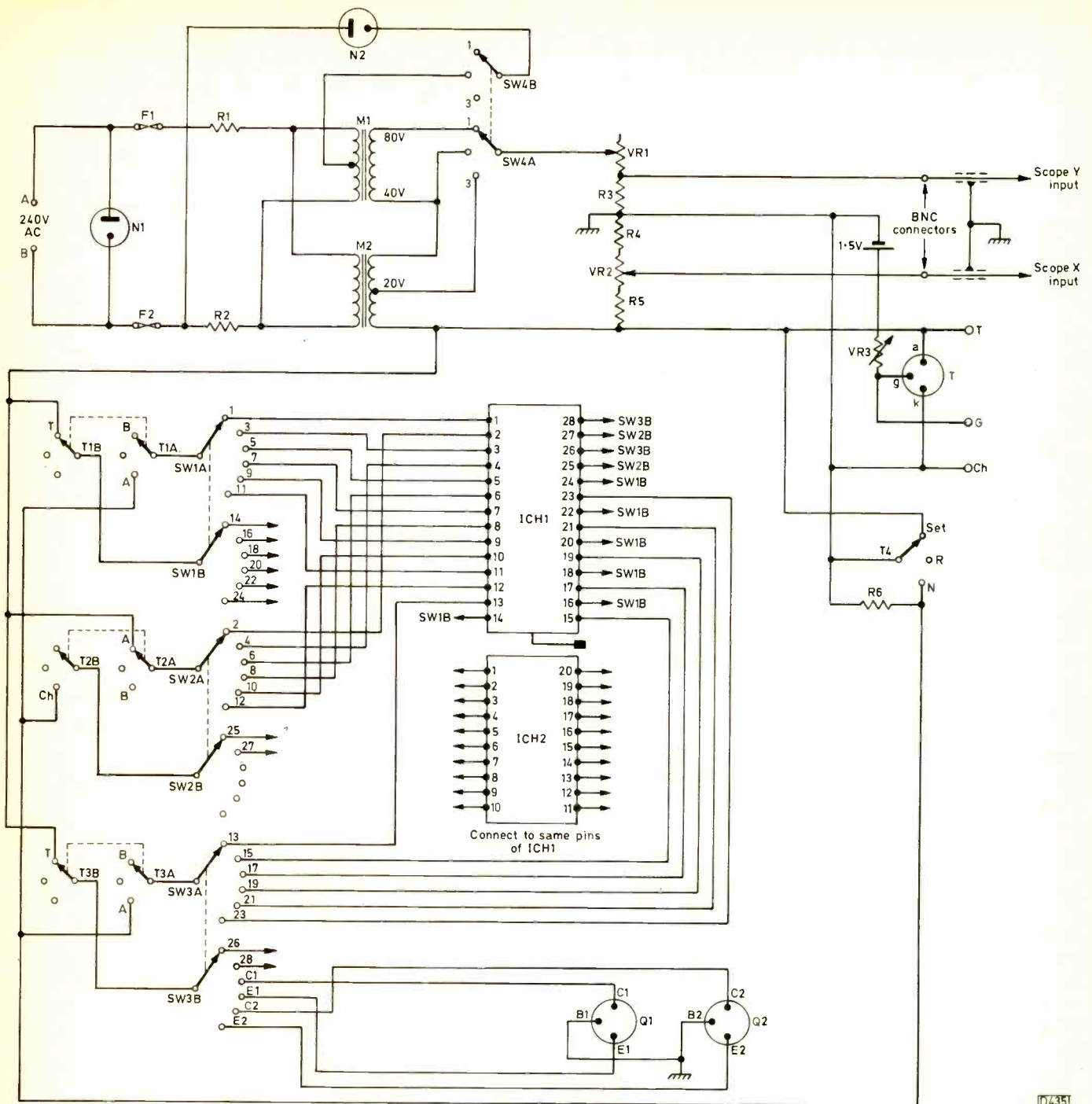


Fig. 5: Circuit diagram of the de luxe component tester.

panel. This is the larger section of the case: the lower section is the one with the battery compartments. Fig. 6 shows the top panel layout and measurements. The hole sizes suit the specified components. Next drill the holes at the top of the case for the two fuseholders and the mains lead grommet, see Fig. 8. Then drill the two holes (see Fig. 7) for the X and Y black coaxial cables that go to the scope: these holes are on the right-hand side of the case and are fitted with grommets.

You can now fit all the panel-mounted controls, lamps and sockets. Leave the fixing nuts for switches SW1/2/3 slightly loose. Fit the fuseholders and the grommets for the mains lead and the leads to the scope. Continue by drilling four small holes at each corner of the rectangular plastic section that has to be removed. Use the small PCB as a template. The rectangular hole is easy to cut out using a trimming knife with a suitable saw blade fitted.

Be sure to wear a pair of safety goggles Kitemarked to BS2092 standard when you drill and cut the holes. Flying plastic chips can cause serious damage to your eyes.

The positions of the two miniature mains transformers and resistors R1/2 can be seen in the accompanying photograph. It's preferable to use nylon plastic nuts and bolts to secure the parts to the case. Four heavy-duty self-sticking cushion feet should be fitted to the bottom of the tester: these will keep it rock-steady on your bench.

Complete the instrument wiring as shown in the circuit diagram but leave the wiring to switches SW1/2/3 and the small panel-mounted PCB for the present.

Fig. 9 shows the socket layout on the small PCB, which is available from Tandy. It's not necessary to make you own panel: the two i.c. holders and three transistor sockets fit nicely on the Tandy one. Use either

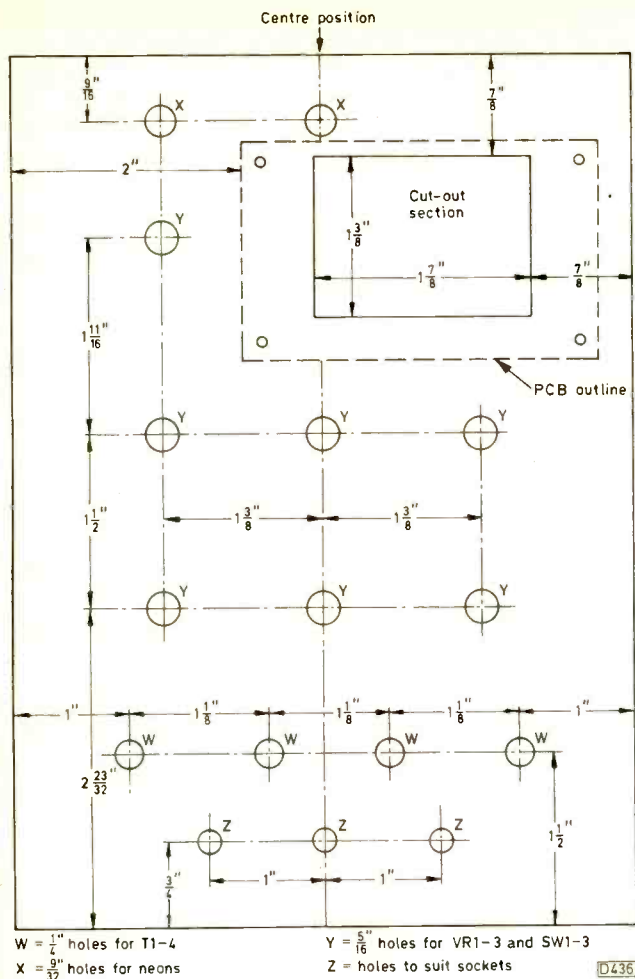


Fig. 6: Top panel layout.

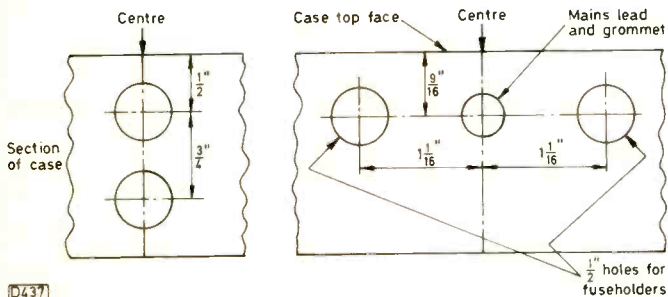


Fig. 7 (left): Side holes for the coaxial cable leads – sizes according to grommet and cable diameter.

Fig. 8 (right): Holes at top of case for the fuseholders and mains cable. Mains lead hole to suit cable/grommet.

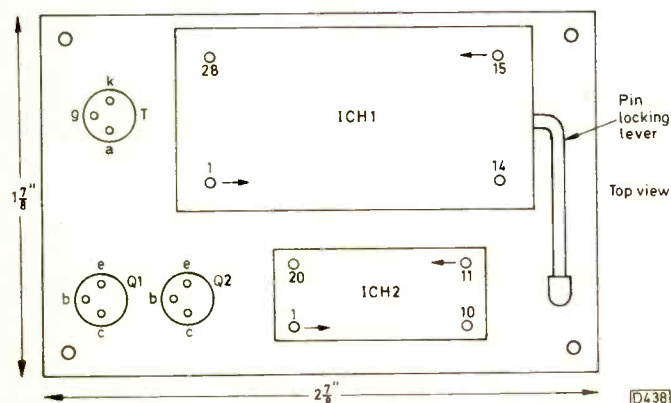


Fig. 9: Layout of the small PCB.

a small 17W iron or preferably a temperature-controlled iron fitted with a suitable bit to wire up the panel.

Wire pins 1-20 of holder ICH1 to pins 1-20 of holder ICH2, using light-gauge insulated wire. Take care when working on the PCB that solder blobs don't short sections of the copper print together.

Next solder strips of ribbon cable to the panel for connection to switches SW1/2/3. Cut and divide a sufficient quantity of ten-conductor bonded-ribbon cable into pieces of 14in. length – this length gives you a little extra tolerance during the wiring process. The specified cable is colour coded and the divisions and colours used in the original unit are shown in Table 1. Solder the cables to the i.c. socket pins, marking each bunch of coloured cables with the numbers of the i.c. pins to which they are connected. Bolt the PCB to the top of the case so that the cables feed into the instrument. You can

Table 1: Connections to SW1-3.

Suggested colour coding for ribbon cable divided into strips. Pin numbers are for holders ICH1 and ICH2.

Colour	ICH pin	Switch
<b>Strip 1</b>		
Brown	1	SW1A
Red	2	SW2A
Orange	3	SW1A
Yellow	4	SW2A
Green	5	SW1A
Blue	6	SW2A
<b>Strip 2</b>		
Green	7	SW1A
Blue	8	SW2A
Mauve	9	SW1A
Grey	10	SW2A
White	11	SW1A
Black	12	SW2A
<b>Strip 3</b>		
Brown	13	SW3A
Red	14	SW1B
Orange	15	SW3A
Yellow	16	SW1B
<b>Strip 4</b>		
Green	17	SW3A
Blue	18	SW1B
Mauve	19	SW3A
Grey	20	SW1B
White	21	SW3A
Black	22	SW1B
<b>Strip 5</b>		
Brown	23	SW3A
Red	24	SW1B
Orange	25	SW2B
Yellow	26	SW3B
<b>Strip 6</b>		
Green	27	SW2B
Blue	28	SW3B
<b>Strip 7 to transistor holders</b>		
Yellow	Q1/2	SW3B
Orange	Q1 collector	SW3B
Red	Q1 emitter	SW3B
Red	Q2 collector	SW3B
Brown	Q2 emitter	SW3B



## Components List

### Electrical items

- M1, M2 6VA miniature mains transformers with 0-20V/0-20V secondary windings. RS Components stock no. 196-319
- F1, F2 1AT 20mm fuses
- N1 240V a.c. green neon light. Tandy stock no. 272-708
- N2 240V a.c. high-brightness amber neon light. Tandy stock no. 272-707
- VR1 1k $\Omega$  linear taper potentiometer
- VR2 1M $\Omega$  linear taper control. Preferred type Tandy 271-211
- VR3 3k $\Omega$  wirewound linear taper control
- R1, R2 4.7k $\Omega$ , 5W small wirewound
- R3 1.2k $\Omega$ , 1W
- R4 10k $\Omega$ , 1W
- R5 470k $\Omega$ , 1W
- R6 4.7k $\Omega$ , 1/2W
- 1.5V Ever Ready Silver Seal RS6 or equivalent battery

### Switches

- SW1-4 Rotary two-pole six-way switches. Tandy stock no. 275-1386. SW4 could be a three-way type
- T1-4 Miniature d.p.d.t. toggle switches, on-off-on. Tandy stock no. 275-620

### Case

- Plastic instrument case, style 3, RS Components stock no. 505-117. 190mm long, 138mm wide, 68mm high
- Four heavy-duty cushion feet, Tandy stock no. 642-342
- Small sheet of thin transparent plastic to cover panel scale
- Lettering plus Klarlack clear varnish. See text

### Mechanical parts

- Length of terminal block for transformer leads
- 4BA nylon nuts and screws to secure transformers and tagstrip. RS Components stock no. 522-055.
- Two 2ft 6in lengths of good-quality black coaxial cable to connect to scope plus two BNC plugs
- Mains cable, 3ft, white
- Moulded grommets to suit mains and scope leads
- Experimenter's i.c. Perfboard, Tandy stock no. 276-150. Four screws, nuts, washers and spacers to suit
- One zero-insertion force 28-way i.c. socket. RS Components stock no. 402-248
- One 20-pin i.c. holder
- Three PCB transistor holders (Q1, Q2, T). RS Components stock no. 401-661
- Ten-conductor bonded ribbon cable. Tandy stock no. 278-7050
- Three 4mm insulated panel mounting sockets, two black one red
- Three miniclip test leads with 4mm plugs, Tandy stock no. 278-1160
- Nylon wire ties
- Six moulded knobs with 1/4in shaft fittings and white line indicator, 3/4in diameter. Tandy stock no. 274-415
- One moulded knob with 1/4in shaft fitting and white line indicator, 1in diameter. Tandy stock no. 274-416
- Circuit varnish
- Panel scale - see text
- Calibration zener diodes**
- 1.1V, 2.7V, 3.3V, 4.4V, 5.1V, 5.6V, 7.5V, 9.1V, 12V, 30V, 47V, 56V, 61V

now cut the cables to the correct lengths to reach switches SW1/2/3. Allow a little extra length in case you need to remove the PCB. Fig. 10 shows the switch contact arrangement used by the two-pole, six-way Tandy switches which are well made and reasonably priced. Finally wire the PCB leads to the switches. At this stage it's worth making ohmmeter checks to ensure that the ribbon cables from the switch connections of SW1/2/3 go to the correct i.c. pins and transistor holders. Check all wiring carefully.

Fit 4mm plugs at one end and mini or micro clips at the other end of the three test leads that plug into sockets Ch, T and G. The small clips are useful when holding small devices and when making in-circuit tests.

The last job, after completing the construction, is to fit the scales with the zener diode voltage indications and

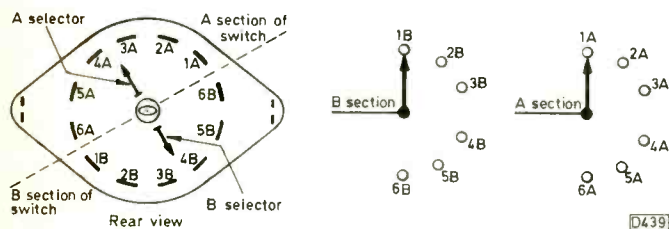
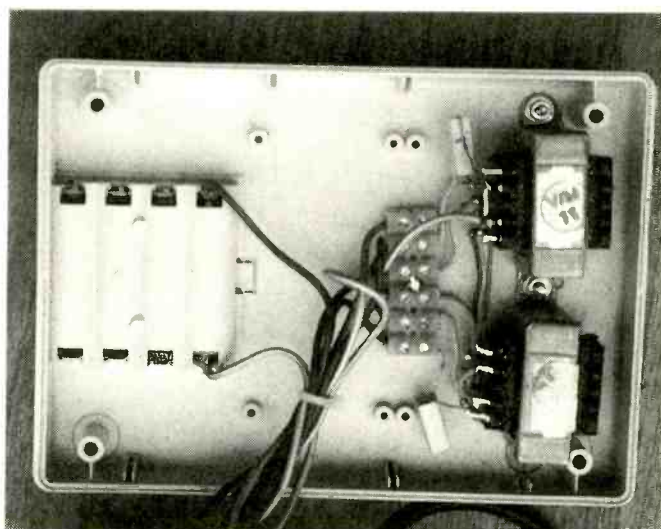


Fig. 10: Details of the Tandy switch suggested for use in positions SW1-4.

the SW1/2/3 switch position indications. Fig. 11 shows the scale full size. Copy it on to white paper and then photocopy it on to a thin white card. The fixing nuts of the panel controls will hold the card in position.

The lettering on the front of the tester is best done with dry-transfer lettering. Apply a coat of Pelikan Klarlack clear varnish over each letter, using a tiny



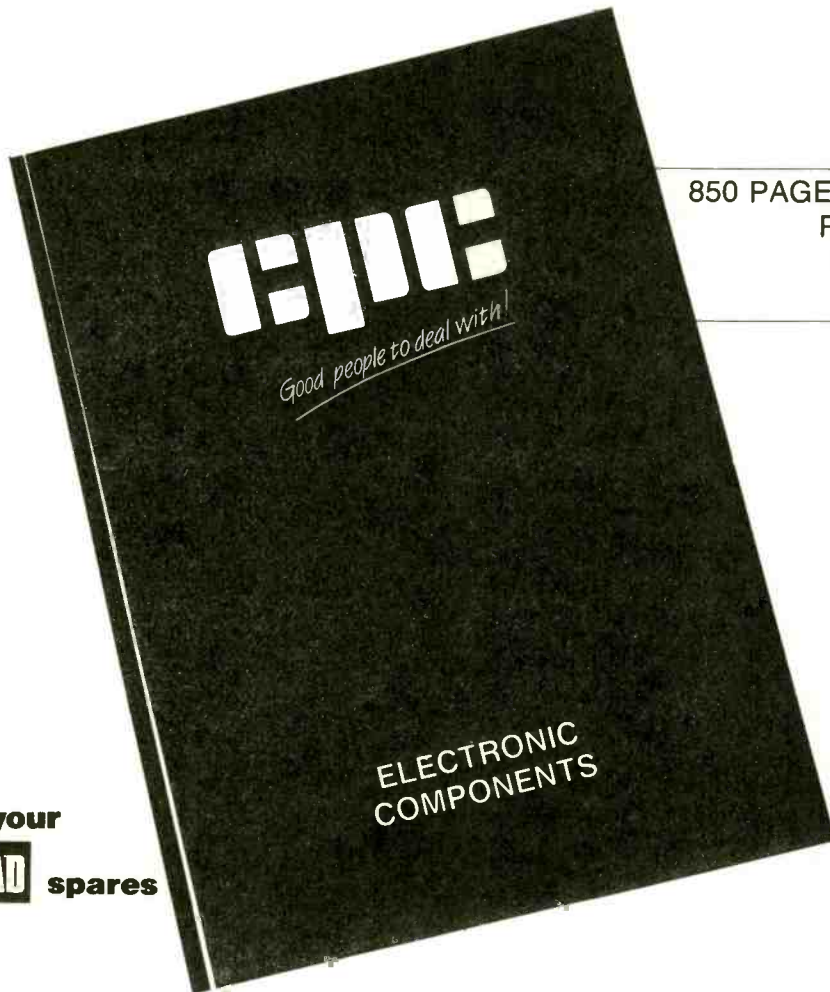
Inside view of the bottom section of the tester.





# AMSTRAD SPARES

The Complete Range is available from



850 PAGE CATALOGUE  
PACKED WITH  
ELECTRONIC  
SPARES.

**EPC** For all your  
**AMSTRAD** spares

## IT'S EASY

### To open a trade account

Simply let us have two trade references  
and one bank reference.

Just complete the form alongside, cut out  
and Fax. or post FREEPOST to C.P.C.  
and you can enjoy the many benefits and  
cash savings you get when you trade with C.P.C.

**24 HOUR ORDERING  
SERVICE**

**ORDERS PLACED UP TO 5.30pm  
DESPATCHED THAT DAY**

Phone: (0772) 555034. Fax: (0772) 201905

To **EPC** 186-200 North Road, Preston, PR1 1YP (Freepost PR1 1BR)  
Fax: (0772) 201905

I wish to open a trade account and list below TWO trade references and  
ONE bank reference.

Trade Reference 1. \_\_\_\_\_ Trade Reference 2 \_\_\_\_\_

\_\_\_\_\_

\_\_\_\_\_

Bank Reference \_\_\_\_\_

\_\_\_\_\_

Name (Business or Company) \_\_\_\_\_

Address \_\_\_\_\_

\_\_\_\_\_

Postcode \_\_\_\_\_ Authorised Signature \_\_\_\_\_

Tel. Number \_\_\_\_\_ Name (Block Capitals Please) \_\_\_\_\_

# The Ferguson FV30's Chopper PSU

J. LeJeune

The FV30 was the first of a new generation of Ferguson VCRs that show a trend away from Japanese design ideas towards a more European approach. Notable amongst these design trends is the use of a switch-mode power supply which is energised as long as the mains supply is connected to the machine. Although servicing the FV30 is not as simple as its predecessors, the power supply need not be a daunting prospect in a fault condition.

You'll find the power supply on the right-hand side of the machine. Take care over physical handling as the live mains and other high voltages are present on the PCB. Use of a mains isolating transformer is strongly recommended. With transistors that are directly connected you can get multiple failures under a fault condition. This is particularly so when the chopper transistor TP37 fails.

The power supply is capable of operating with a mains input over the range 110-240V a.c., either 50 or 60Hz. Consumption is 42VA maximum. There are three operating modes: (1) standby, (2) tuner (E-E) and (3) full operation. In the standby mode the power supply provides outputs for the microcomputer chip, the panel display, the r.f. mixer-booster and for tuning. In the tuner operation or E-E mode (tuner switch at "on") the

power supply energises all the signal processing and control unit circuitry: this enables the machine to be used as a receiver with an output on ch. 36 or a video output via the scart connector. With full operation all the circuits are energised.

As there's no master switch the power supply is constantly on (when the mains supply is connected), providing a standby voltage. The microcomputer chip controls the application of power to the various parts of the machine. Fig. 1. shows the basic power supply circuit.

## Circuit Operation

Three voltages are established when the machine is connected to the mains supply. These are: (1) a 300V supply which is provided by the mains bridge rectifier DP01-4 in conjunction with the reservoir capacitor CP07. (2) A 2-2.5V supply which is produced in under two seconds by DP11, RP12 and CP14. (3) A 3.5V supply which is produced in under two seconds by DP11 with RP11 and CP38.

When the second of these supplies has reached 1.5V the start-up oscillator TP16/17 will run at about 20kHz, driving the chopper transistor TP37 via TP28 and the

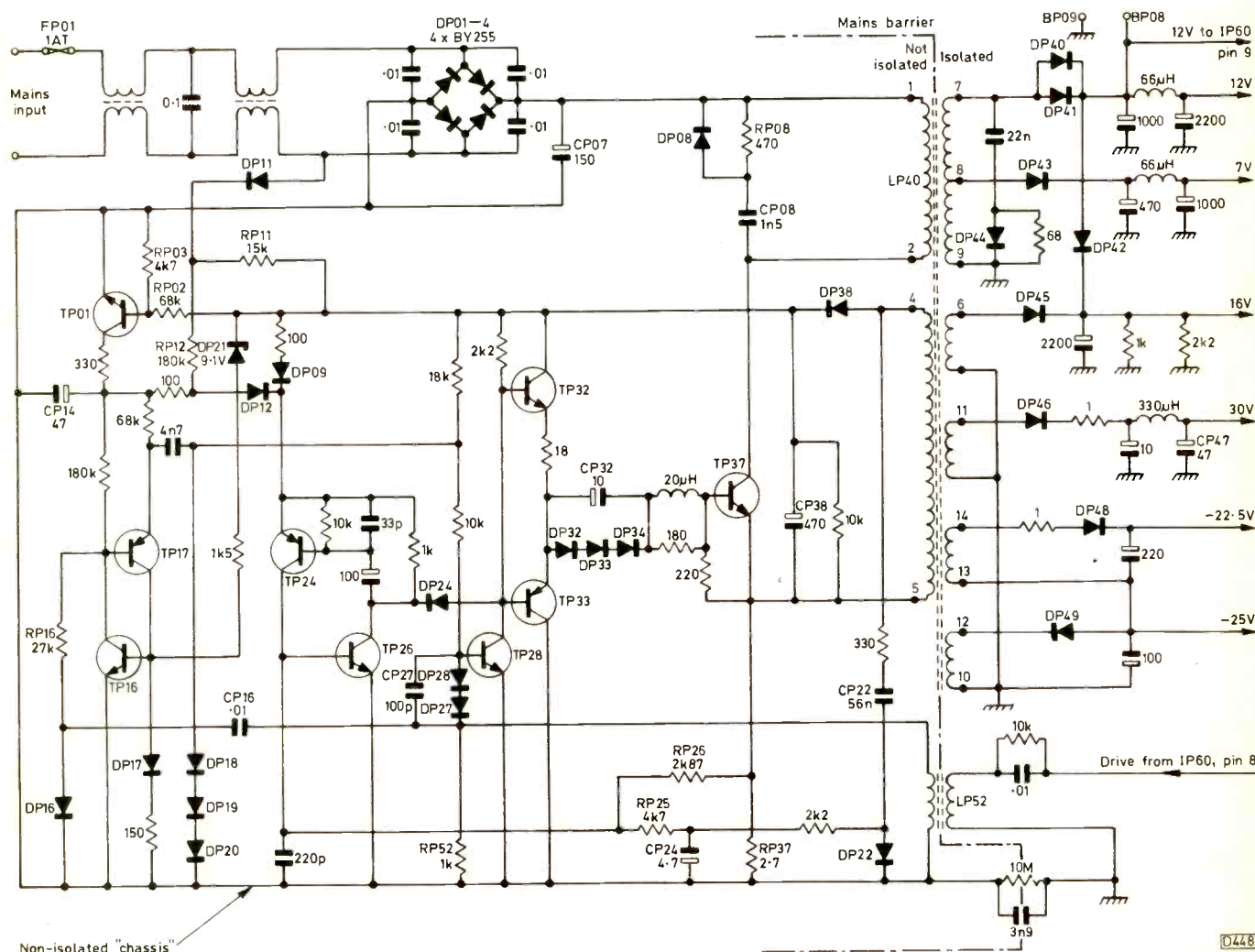


Fig. 1: The Ferguson FV30's chopper power supply circuit.



driver transistors TP32/3. At this time supply (3) powers these latter transistors (TP28/32/33). When the chopper transistor TP37 is switched on, the lower end of the chopper transformer's primary winding (pin 2 of LP40), which is supplied by the mains bridge rectifier, is grounded via RP37. As a result, a rising ramp current flows through the winding. When TP37 is switched off by the drive waveform the flux established by the ramp current collapses, energising the transformer's secondary windings.

Once the circuit has got going the drive for TP28/32/33/37 is provided by the regulator chip IP60 (see Fig. 2) via the isolating transformer LP52. DP40/41 supply 12V to pin 9 of this chip to power the emitter-follower output transistor within IP60. DP46 provides a 30V supply which is fed via RP59 to the 24V zener diode DP59. This is the main supply to the chip, which generates a reference voltage that appears at pin 12 and is then fed to pins 2 and 13. Within the chip the voltage at pin 2 is compared with that at pin 1, tapped from the set 12V control PP57. The error voltage thus produced is added to a sawtooth signal generated within the i.c. This is the classic pulse-width modulator arrangement. Over the whole feedback loop, the on time of the drive pulse applied to the chopper transistor is determined by the sample voltage at pin 1 of IP60.

The pulse-width modulated drive at pin 8 of IP60 is coupled to the base of TP28 via LP52 and DP27/28/CP27. During the start-up period it also synchronises the start-up oscillator via CP16/DP16/RP16.

As the circuit starts up DP38 develops about 13V across CP38. This supply powers TP28/32/33 and also, via the potential divider RP02/3, switches on TP01. As a result the supply to the start-up oscillator is effectively removed and it stops, leaving the chopper transistor under the control of IP60 which, via the PWM feedback, compensates for variations in the mains supply voltage and the VCR's current consumption, keeping the various voltages derived from the chopper transformer's secondary windings constant.

Transistors TP24/26 provide drive limiting in the event of excessive current demand from any of the circuits within the machine. CP22 and DP22 develop about -6V across CP24. This voltage is linked to the base of TP26 via RP25. When the chopper transistor TP37 switches on a positive voltage is developed across RP37. This appears at the base of TP26 via RP26. As a result TP26's base is normally at around -2V. Should the current demand be excessive TP37 will remain on for a longer period during each cycle of the switch-mode power supply's operation and the voltage developed across RP37 will rise. Should the voltage at the junction of RP25/6 swing positively TP24/26 will switch on, interrupting the drive to TP37. TP24/26 form a monostable oscillator which will remain on long enough to allow the circuit to stabilise and resume normal operation.

As voltages (2) and (3) rise slowly due to the time-constants RP12/CP14 and RP11/CP38, the chopper transistor is switched on for only very short periods initially, then for progressively longer periods until IP60 takes over. This constitutes a soft-start system, to ensure that the power is brought up slowly.

We'll next take a closer look at the operation of IP60. The inputs to the voltage comparator stage are at pins 1 (feedback from PP57) and 2 (reference voltage from pin 12). The second comparator (input pins 13 and 14) is so biased that it does not affect the regulation. Pin 3 provides a feedback path to stabilise the comparator,

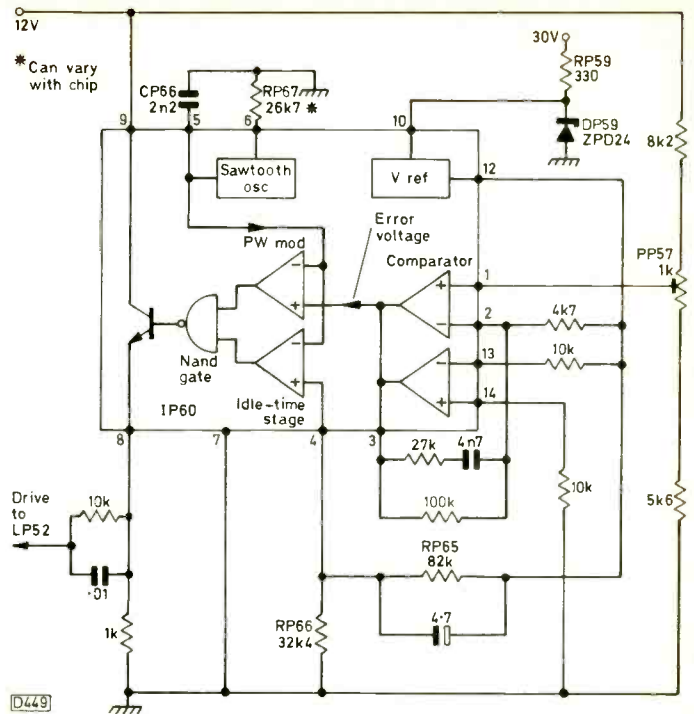


Fig. 2: The MC34060 regulator chip.

whose output at this point is applied to the non-inverting input of the following pulse-width modulator. The other (inverting) input to this stage (pin 5) comes from the internal sawtooth oscillator whose timing components CP66 and RP67 are connected to pins 5 and 6 respectively. The point during the sawtooth when the pulse-width modulator's output changes state depends on the error voltage. In this way a variable pulse-width drive waveform is produced to control the on/off times of the chopper transistor. The oscillator runs at approximately 20kHz.

The pulse-width modulator's output is one input to a NAND gate whose other input comes from the "idle-time" stage. This stage receives the sawtooth waveform at its inverting input and the reference voltage from pin 12 at its non-inverting input (pin 4) via a potential divider (RP65/6). It produces at its output a constant pulse-width 20kHz signal. When both its inputs are positive the NAND gate provides a negative-going output. The maximum pulse-width output from the NAND gate is therefore determined by the output from the idle-time stage. This provides stable limiting of the maximum output pulse width provided by the chip.

The chopper transistor TP37 is driven by a complementary-symmetry driver stage (TP32/33). When TP28 is turned off by the output from IP60 TP32 conducts and TP33 is cut off. CP32 charges until there is sufficient forward bias for diodes DP32/3/4 to turn on. This arrangement provides the correct drive conditions for TP37 which switches on. When TP28 is switched on again by the PWM drive TP32 is turned off and TP33 conducts, discharging CP32 via TP37's base current. As a result TP37 is rapidly switched off. The flow of current in LP40's primary winding is thus interrupted and the magnetic flux it created in the transformer's core collapses rapidly. This produces a high back-e.m.f. in the primary winding and the other windings coupled to the core. These secondary outputs are rectified to produce the various rails required by the VCR.

IP60 monitors the 12V supply and as a result of the tight coupling of the other windings to LP40's core all the

supplies derived from the transformer are stabilised.

The snubber network RP08, DP08, CP08 is included to protect TP37 from the fast-rising transient that would otherwise be present when it switches off.

Many of the supplies derived from the chopper transformer are fed to a switching circuit which consists of a simple transistor logic arrangement controlled by two switching signals – see Fig. 3.

In the standby mode the on/off monitor line is low because of the connection via RP93 to the -25V line. When the machine is set to the tuner (E-E) mode the on/off monitor line goes high, switching on TP77. As a result TP75 switches on and the 12V supply is applied to the signal circuits. TP73 also switches on, allowing 7V to be fed to the low-level servo stages and to the 5V regulator IP73. The latter supplies 5V to the signal circuits and to the collector of TP88. When play is pressed the servo on/off line goes high, switching on transistors TP71 and TP70. Thus 16V is passed to the servo system. In addition TP83 and TP88 are switched on to supply 12V and 5V to the servos. As a result of this arrangement power is applied to the servos in correct sequence.

## Servicing

Switch-mode power supplies are about to become a way of life in the video sector. Though many engineers may hanker after the traditional mains transformer and static regulator designs, the switch-mode power supply operates at higher efficiency and does this at lower cost and less weight. Now to the servicing aspects.

The FV30's power supply, also the similar arrangements used in the FV31 and FV32, have a characteristic which, in human beings, would be described as volatile. Care is therefore required when servicing these power supplies as mistakes like forgetting to change the testmeter to volts from amps when checking a voltage, or

a slight slip of a meter probe, will cause mayhem amongst the directly-connected transistors. Great caution is also necessary because of the high voltages present.

We should point out from the start that the circuit is sensitive to mains-borne transients. This can be the cause of repeated failure in the field. Make sure that the connections to the mains plug are sound and that the wall socket is satisfactory. If a domestic appliance is suspected of creating mains-borne voltage spikes, try fitting a suitably rated VDR to the offending item's mains input – or to the mains input in the VDR. These VDRs provide effective transient limiting.

The most common failure is a dead machine with fuse FP01 blown. In this event the chopper transistor TP37 is suspect number one. If you find that it's short-circuit RP37 will almost certainly have suffered as well. It should be investigated and if necessary replaced. If RP37 has been damaged it's certain that other items will have been affected because the 300V supply from the mains bridge rectifier will have passed via the shorted TP37 to the driver and preceding stages. It's therefore advisable to check TP24/26/28/32/33 plus diodes DP22/24/27/28/32/33/34. The start-up oscillator normally survives, but DP11, DP08 and DP38 could also have been damaged and may need replacement. It's often more economical to replace all the semiconductor devices en masse rather than risk another catastrophe when you switch on.

Say you've replaced all the dead silicon but you're reluctant to switch on before making certain that the same event won't instantly occur. Check the copper tracks around RP08 and the soldering to this resistor. These steps could save further mass destruction. Look for cracks in the print and bridge any you find with hook-up wire between the nearest solder pads.

A stage by stage check can now be made to ensure that all is well. First, if you've fitted a new TP37 take it out again! Remove TP01 and DP21. The start-up oscillator should now run continuously. Look for a sawtooth signal at the emitter of TP17 and check for 3V across CP14. There should also be about 12V across CP38. If there isn't, check that RP37 is o.k. The drive signal is applied to the base of TP28, but under these conditions it may be insufficient to turn TP28 on.

With no drive TP28 is on and TP32 is off. Check this part of the circuit by turning off TP28, using a shorting link between TP28's base and "chassis" – remember that it's live on this side of the chopper transformer. TP28 should switch off, TP32 on and TP33 off.

Checking the trip circuit under these conditions is not easy. A suggestion is to connect a 1.5V dry cell between the base of TP26 and "chassis", positive side to TP26's base, with a 470Ω resistor in series with the cell to limit the base current. This should turn TP26 on and indicate whether the trip circuit is likely to work in the restored power unit.

The regulator chip IP60 can be checked with the aid of a 12V supply. You need to apply this to test point BP08 and the positive side of CP47 as IP60 requires supplies at pins 9 and 10 to get going (the latter supply is normally derived from the 30V line). Connect an oscilloscope to pin 8 of IP60. If the chip is working you should see a pulse output.

You will find that you can work on the power supply more easily if it's removed from the cabinet. Desolder the mains lead and use another one for testing if you've no desire to struggle with the one fitted to the cabinet. Bare live terminals will be all too readily accessible, so

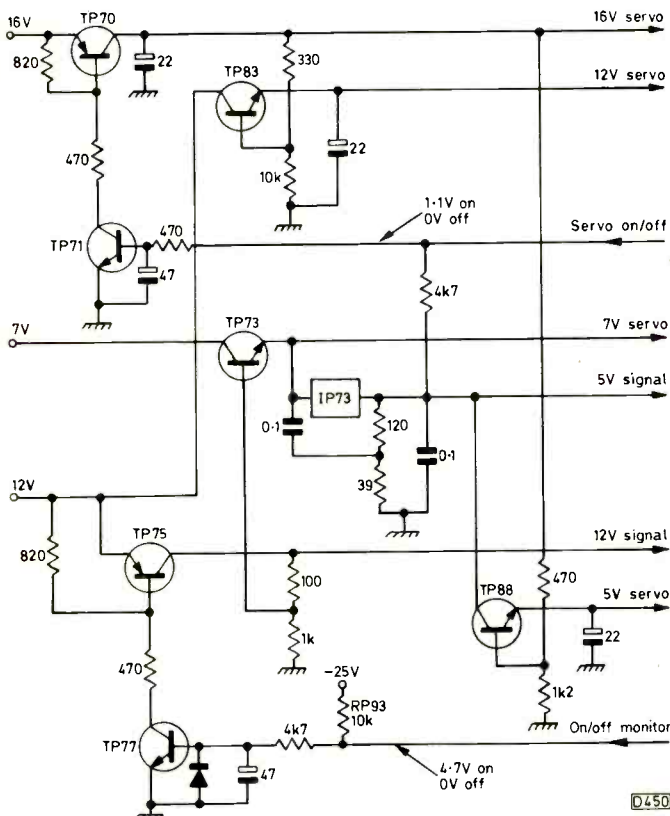


Fig. 3: The power switching circuitry.



great care must be taken.

When you are sure that your checks confirm that the unit will run, replace TP01 and DP21, fit TP37 and switch on. If you have a variac you can be more prudent, using it to set the mains input at 110V before you try the unit. If the power supply works under these conditions,

set the 12V rail correctly (monitor at test point BP08) by adjusting PP57 *slowly*. Then raise the mains input to 240V and check that the 12V setting is maintained. If you've been thorough the power supply should work normally and the machine can be returned to its owner. If you haven't – go back to square one and try again!

# The House Husband

Les Lawry-Johns

Well here I am, still trying to get used to retirement: confined to the bungalow and wondering what to do after I've done some of the jobs a housewife does. I never realised how hard they work and the different things they have to do. H.B. goes out most mornings to earn a few bob and I'm left to my own devices. I suppose I'll get used to it but I don't know when. The shop hasn't sold yet and I don't suppose it will for a while. If things don't change I might even rent it out to someone. At least that would help me pay the bank a little of what I owe it. I still get a few jobs, some of which might interest you.

For example the Philips G11 set I had to pick up the other day. There was only a vertical white line in the centre of the screen. This told me that the line timebase was working but the line scan coils weren't being driven. On inspection I found that the scan coupling capacitor C3135 (0.91 $\mu$ F) had bulged out. When it was removed and checked it proved to be open-circuit. I found a replacement of the same value and rating but of more rectangular shape and fitted it, ensuring that it didn't touch any nearby components. When the set was switched on again there was a full raster but no vision or sound. I had to tune in all the stations as the owner had probably tried retuning in an effort at clearing the white line. It was then soak tested for a while before being returned to the owner who was pleased that it had been done so quickly – and cheaply (I can't bring myself to charge the current rates).

The next set I had to visit was a Bush one fitted with the Rank T20 chassis. This had no visible picture. The e.h.t. was o.k. so I took the coward's way out and increased the first anode voltages. This produced a picture but I'd forgotten the brightness network, so I couldn't do the job properly. The customer seemed to be quite happy however so I left him with it. I know a resistor had gone high in value but I didn't have the circuit with me. I may go back and do the job properly one day: when he calls me again for something else.

Then there was the Philips K30 with a scrambled picture and poor sound. I'd repaired the set some time ago – removing the aerial socket and repairing it. I thought that the present trouble would be a repeat performance but when a screwdriver was placed in the socket a much better picture was resolved. So I checked the cable from the VCR and then connected the main aerial cable to the set directly. The picture was still scrambled and as the plug and cable were o.k. I had to refer the owner to an aerial rigger. I used to put up aerial cable to the set directly. The picture was still

The jobs are not all that many, which is why I'm not writing so much. It's mainly a question of doing things like peeling the potatoes, which I'm doing while H.B. is out teaching her daughter to drive. Nobody did that for me. I had to teach myself on an airfield in Egypt. The

second time I drove the lorry a Chief Petty Officer hailed me down and asked for a lift. As I was driving he commented "you blokes amaze me the way you can handle these vehicles". I didn't like to tell him I couldn't drive and wasn't licenced. A few nights later I was in charge of the night guard and had to post several men around the airfield. It was coming up for midnight so I popped over to the marine section and borrowed one of their lorries. While I was driving it around the hangers the port side wheels slipped into a hollow and the whole thing turned over. Luckily no one was hurt but we were unable to turn it back up. I waited till the next morning before reporting it and was subsequently charged and brought up before the C.O. As the officers from my squadron appeared on my behalf I got off lightly. A month's stoppage of leave I think, which didn't mean much being stuck out there. It's funny that I can remember such things that occurred fifty years ago but can't remember what happened yesterday.

But I can remember popping down to the shop when who should turn up but Beardy and Nonbeardy. This surprised me after the dust up we'd had on the previous occasion. They carted in a Philips K30 and said that it went off a few moments after it was switched on. When I switched it on I could hear the sparking. After removing the back cover I saw the arcing around the e.h.t. cap. I switched off and to my surprise the cap wasn't even clipped on. So I cleaned the area around the top of the tube and sprayed it with antistatic solution, then looked at the cap which was in a sorry state. I had to clip it off and look for another one, then peel the insulation back to prevent further discharge. Having done this it was just a matter of soldering the leads and pulling back the covering. When I clipped on the cap and switched the set on it came to life and stayed that way. After refitting the rear cover it was time to face the intrigued two.

"That's that" I said.

"Is that all it was?" said Beardy. "We don't have to pay for a little thing like that, do we?"

"Oh yes you do, and the next time you can try to do it yourself" I commented, wondering whether they would remember to discharge the e.h.t. cap to earth as I had done if they did try. After a struggle I managed to get £15 out of them before they left, vowing never to return to such a pricey establishment.

When I got back to the bungalow Stan from SEME called, not to take an order but to see if I was still alive and to see H.B. He left me the latest SEME catalogue which is full of interesting things. After he'd gone H.B. started on me.

"That cassette in the car is mucking about all over the place."

I'd fitted it only the week before and it was brand new. So that's another job I've got to do. I suppose I may get around to doing it one of these years . . .

# CD Player Casebook

Reports from Mike Leach  
and Keith H. C. Parker

## Sony Laser Problems

I've had a few problems recently with Sony laser assemblies. The type concerned is the KSS-150, which is used in various machines from different manufacturers. Various symptoms have been present. The first time I had trouble was with a Sony CDM20S that suffered from focus problems (jumping and skipping, etc.). Next there was a Denon DCD920 which spun the disc backwards at TOC readout. A Yamaha CDX630XE came in with the focus offset control at one end, while a Samsung CD ghetto blaster had no light emission at all. All these machines were fitted with variants of the KSS-150. Replacements cured the various faults. M.L.

## Technics 5LP-420

Amongst the domestic machines available, Technics, Sony and Philips players are my favourites. When working correctly they knock spots off many other makes, especially the cheaper ones. This particular Technics player however produced all the signs of having a nasty fault: the laser assembly wouldn't return to the centre of the disc for TOC readout. I tried the plugs and sockets, to no avail, then took the main board out to check circuit protectors IC4 and IC5. As everything seemed to be all right I replaced the panel and ordered a service manual. Thought I'd just check again – and the machine worked! When I took the board out a second time I saw the cause of the problem. There were bad dry-joints around the regulators. A good old solder up and the machine worked very well. So there you are madam: your CD player is repaired but now weighs 3lb more than when you brought it in! M.L.

## Pioneer Laser Problems

I've had problems getting the right laser unit for recent Pioneer models. Pioneer now supply revised versions of their lasers and until I discovered the code we were putting the wrong laser in certain machines. Most of these assemblies look exactly alike and all use the same method of fitting. They also have the same pin connections to the flexi PCB. The original part numbers were:

PWY1003, used in Model PDM-50 for example  
PWY1007, used in Model PDX-940 for example

The correct replacements are type PWY1010 for the PWY1003 and type PWY1009 for the PWY1007. The two different types of laser are not interchangeable. If you fit a PWY1010 in place of a PWY1009 or vice versa it will not work and you could end up with the same fault symptom you had before. It's easy to do, I've done it and believe me you can be chasing your tail for hours. So check the part number with the manual first, then when the new one arrives check it against the replacement part numbers above. M.L.

## Pioneer Multiplay PDM-610

This machine wouldn't eject the CD magazine fully. Instead of ejecting it by a couple of inches there would be partial ejection with the magazine jammed inside the player. I watched the operation of the mechanism for

some while before I realised what was going on. Basically, the machine didn't return the disc into the magazine fully when eject was pressed. Thus the machine couldn't carry out the full eject operation.

The mechanism is rather complicated and difficult to explain. What was happening was that the lever that returns the disc into the magazine moved too slowly. It's driven by two sliding plastic plates beneath the top half of the mechanism. These two drive plates are separated by two ball bearings, presumably to reduce friction, and the problem was that one of the ball bearings was missing.

Stripping the mechanism is easy. Putting it back together isn't! But I was pleased that when everything had been reassembled after replacing the ball bearing the machine played and ejected perfectly. M.L.

## Yamaha CDX2

We've had many of these machines with the complaint that the drawer will not open, close, does so intermittently or produces an occasional smell of burning. In all cases we've found that transistors TR220/1/2/3 have failed. Yamaha recommended that in addition to these motor-control transistors the 7V regulator TR232 and the mechacon control chip IC401 (MSM6404A-42RS) should be replaced. It seems that the chip can on occasions produce open and close control signals at the same time. Following this advice has cured the problem on all the machines I've had until recently when a player that had previously suffered from the problem was returned. There was a bit of additional information however – the player hadn't been used for some time.

After much thought I recalled that an almost identical circuit is used in the Yamaha CD2. My records showed that we'd not had failures of this type with the CD2. The difference is that with the CD2 the mechacon chip is on the main PCB while in the CDX2 it's on a small subpanel (operation 2). The problem turned out to be due to dirty contacts on the three- and four-pin plugs associated with the drawer limit switch and the logic drive between IC401 and TR220/1/2/3. K.H.C.P.

## Denon DCD1300/1500/1700

On examination you may find that when the complaint with one of these machines is skipping and jumping the motor drive to the laser sled is very erratic in direction and seems to move with large jumps. In almost every case we've found that the cause of the fault is not the sled motor or its control but a laser with very low output. So check this first before ordering a very expensive motor. If the laser is poor I suggest you give the customer a quote as the laser assembly is even more expensive at approximately £150. K.H.C.P.

## Interference from CD Players

Since the introduction of low-power Band II Community radio stations I've started to receive f.m. tuners for checking with the complaint that the local stations are sometimes "noisy" or "slightly unstable". No fault has



been found with the tuners but on house calls to several customers I've discovered that they sometimes switch from playing a CD to the tuner in their hi-fi separates system without stopping the disc, allowing it to play to the end. The "unstable" interference is caused by the harmonics of the player's PLL, as it tracks the data from

the disc, getting out of the player and into the tuner. If the player is on but stopped the interference is not apparent or at worst there's a slight hiss. The best cure is physical separation of the tuner/aerial lead and the CD player. I've found that Philips machines in particular give rise to this complaint. **K.H.C.P.**

# Long-distance Television

**Roger Bunney**

April was a relatively quiet month, though there are indications that sporadic E conditions are already building up: a minor SpE spell occurred during the month, which is always a good pointer for a reasonable season to follow. The log below is varied and includes a flurry of excitement. Reception is SpE unless otherwise indicated.

- 5/4/90 TVE (Spain) ch. E2.
- 6/4/90 During a minor F2 opening Simon Hamer logged Australia ch. 0 at 1215 GMT, also TSS (USSR) ch. R1 and an unidentified ch. E2 signal, probably from the Arabian Gulf.
- 7/4/90 ARD (West Germany) E2.
- 9/4/90 +PTT (Switzerland) E2; TVE E2; TVP (Poland) R2.
- 10/4/90 TSS Eeste R2.
- 11/4/90 RAI (Italy) IA, B; Telemarket E2, TVA IA and a third Italian E2 signal - these are all "Private" stations.
- 12/4/90 RTP (Portugal) E3.
- 14/4/90 TVE E2; unidentified E2 programmes.
- 18/4/90 TVE E2; TSS R1, 2; YLE (Finland) E3; TDF (France) L3; RAI IC.
- 19/4/90 +PTT E2, 3.
- 20/4/90 TVE E2, 3.
- 21/4/90 TVA IA.
- 22/4/90 TVE E2.
- 23/4/90 TVE E2, 3, 4; RTP E2.
- 28/4/90 JRT (Yugoslavia) E3, 4; CST (Czechoslovakia) R2.
- 30/4/90 DR (Denmark) E3; +PTT E3; TVE E3.

A massive auroral event was seen on the evening of the 10th, giving signals throughout Band I and into Band III. RTE (Ireland) was seen on chs. B, D, F, G, H, I and J, all with distortion and the characteristic humming effects.

There was a minor tropospheric opening from the 23rd to the 26th, with signals mainly from West Germany, Denmark and the Benelux countries. High pressure at the end of the month, continuing into early May, produced an established lift and at the time of writing reports of reception from West/East Germany and Denmark are coming in from DXers in Scotland and down to the southern UK. The weather maps suggest that this could be a "big" one.

My thanks to the following for sending in reception reports: Tim Anderson (St. Leonards), Roger Fussell (Torpoint), Iain Menzies (Aberdeen), Peter Schubert (Rainham), Simon Hamer (Powys), David Glenday (Arbroath) and Bill Cotterill (Tipton).

The French La Sept service is to transmit to Czechoslovakia and Poland via the TDF satellite. The service will include a compilation of East European offerings,

CNN, MTV and sports from current satellite fare. Poland hopes to transmit the La Sept service for three hours daily on each TVP network.

Superchannel, currently at 13°E, is to move to a new higher-powered satellite in the Eutelsat-2 series due for launch later this year. There are to be six Eutelsat-2 series satellites in all, one held as an in-orbit spare. Eutelsat has also confirmed that it's seeking tenders for the Eurosat DBS craft which it hopes to launch in the mid 90s.

## News Items

**Romania:** There is now regional programming at several locations, usually between the morning and afternoon network programmes and after the main network close-down at night. The networks now call themselves TRL - Televiziunea Romana Libera. TRL-2 is back on air. During 1300-1330 local time weekdays TRL-1 relays the satellite distributed French-language programme Canal France Internationale.

**East Germany:** The GDR TV network is now known as DFF (Deutscher Fernsefunk), as it was in the early 70s. Test cards show either DFF-1 or DFF-2. Regional programming is spreading, with "Nord Report" going out from the Rostok studios over the Schwerin, Marlow and Helpferberg transmitters at 1600 local time. The Dresden studios will provide the next regional opt out, from the Dresden, Lobau, Leipzig and Karl-M-Stadt transmitters. Following German reunification DFF-1 will transmit ARD-1 and DFF-2 ZDF-2, with private stations such as RTL+, Sat 1 etc. also being transmitted in the GDR area. Neighbouring countries have agreed in principle to permit DFF programming in their schedules. RTL+ is to start transmissions on ch. E44 at 100kW e.r.p. soon.

**Czechoslovakia:** CT-1 (Russian service relay) is now carrying a mix of satellite distributed programming including the French TV5 service.

**Lithuania:** Ch. R38 (600kW e.r.p.) now carries the Polish TVP-1 service, Leningrad TV having been dropped.

**Iceland:** All Stod-2 programmes (Reykjavik ch. E12) are now scrambled. There are plans for a second commercial service to start this autumn, using the logo SYN-TV - with scrambling.

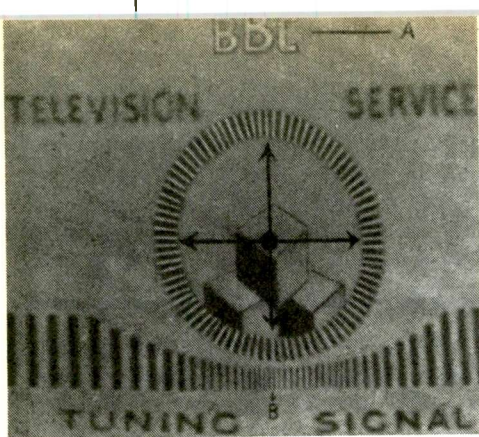
**Greece:** More private stations are due to open - to date the government has received over a hundred applications from programmers seeking channels. Several private stations are at present on air illegally.

**Poland:** It looks as though advertising will be included with TVP-2. The country's first private station, TV Echo, is now transmitting from Wrocklaw on ch. R28 for four-five hours daily. Satellite programming is included. Lublin is to have its own station soon. TVP-3 Warsaw is now on ch. R44.

**Spain:** The Channel 9 regional station in Valencia is now in operation, transmitting from 1900-2400 weekdays and longer at the weekends. Approval has been given for the start of a fourth nationwide service.

**Cyprus:** Coverage is being increased in the Turkish





*Times past. On the left the 1938/9 BBC tuning signal from Alexandra Palace. Arrows A and B had been added in the magazine (see text) to indicate particular points. The centre photo shows BBC announcer Elizabeth Cowell while that on the right shows Jasmine Bligh, another BBC duty announcer, both received in 1938 at the New York RCA research station via F2 layer propagation. Alexandra Palace operated on ch. 1 (vision carrier 45MHz).*

controlled area. A new transmitter in the far eastern part of the island will broadcast to Israel, Syria and the Lebanon.

**Africa:** TVZ (Zanzibar) is seeking funds to upgrade its system. A microwave link is being set up between Libya and Egypt. A new station and studio are to be set up in Rwanda within five years.

**New Zealand:** Private stations are being set up, using the u.h.f. channels. It's thought that with careful planning twelve main and sixty relay transmitters could be accommodated.

**Amateur radio:** Over 120 permits have been issued in Italy allowing 50MHz operation with 6W input to the aerial. Limited 50MHz operation is now allowed in Egypt, and in West Germany amateurs can in most areas operate at up to 25W e.r.p. with horizontal polarisation.

### **From our Correspondents . . .**

George Gaskin, our correspondent in Gibraltar, has installed a WB4 Band I wideband array atop the block of flats in which he lives. His first reception turned out to be not exactly exotic! Noting a weak ch. E3 TVE signal he assumed that good tropospheric conditions were providing him with reception from the Canaries. It later transpired that reception was from a communal distribution system over the border at a distance of 1km. Identification was established when computer-generated advertisements were inserted.

Wenlock Burton writes from Victoria, Australia reporting that a teletext service, Austext, is now carried on his local ch. 7. It includes promotions for "Data Broadcasting", a firm specialising in point-to-point links similar to page 777 on Oracle.

W. Drake in Lowestoft is currently using XG21W and Fernseh aerials for DXing and has experienced considerable success with tropospheric reception, including DFF ch. E34 and signals from Denmark and West Germany.

David Tilley has received several satellites as well as Astra using his 60cm Amstrad dish. He wants to swap his JVC C-210KM FST receiver, in new condition with PAL/SECAM/NTSC (3-58/4-43) and baseband inputs/outputs, for a JVC FST set incorporating teletext. Write to him at 6 West Down, Ashthomas, Tiverton, Devon EX16 4NR or telephone 0884 820 765.

### **EBU Listings**

**Belgium:** Two American Forces stations have been listed this month, clearing up a mystery. They are Everbert ch. 33 with 2kW e.r.p. and Florennes ch. 34 at

10W e.r.p., both with horizontal polarisation. Note that AFRTS Shape continues to use ch. 34 with 4.5kW e.r.p. vertical. These transmitters all use 525 lines.

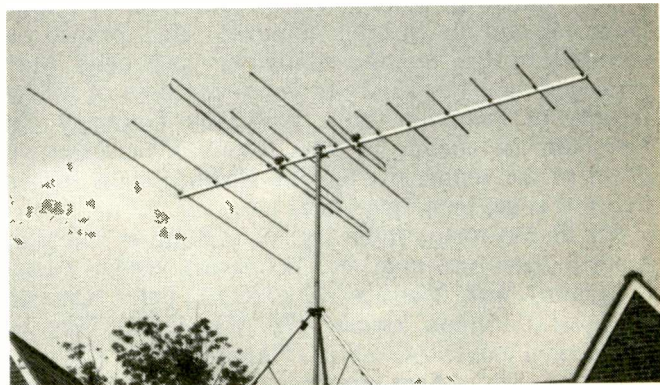
**Holland:** Smilde ch. E6 and Markelo ch. E7 (NOS-1) now have two-carrier sound.

**France:** Many new La Cinq and M6 transmitters are listed. Those with over 1kW e.r.p. are as follows: Valenciennes ch. E34 M6, ch. E49 La5, 5kW horizontal; Chalon-Sur-Sadne ch. E41 M6, ch. E44 La5, 2kW vertical; Parthenay ch. E60 La5 30kW horizontal.

### **New DX-TV Array**

Bearing in mind environmental considerations, there's long been a need for an efficient, compact v.h.f. array for DX use covering Bands I, II and III. I was asked to produce such a design by Aerial Techniques, and the result is shown in the accompanying photograph. At the rear of the array there's a three-element wideband system covering chs. E2-4 (48-70MHz) with a gain of typically 2-4.5dBd over the range 50-65MHz. For Band II a three-element proximity coupled system covers 75-100MHz (chs. R3-5 and IC) with a gain of around 2.5dBd: it's coupled to the Band I dipole by the closely spaced discrete Band II elements at each side of the main folded dipole. At the front there's an eight-element wideband system covering 175-230MHz (chs. E5-12) with a gain of 7-9dBd.

A single one-inch sided square boom is used with half-inch diameter hard-drawn seamless elements throughout, giving a really strong system. Connections can be made to each dipole (low v.h.f. and high v.h.f.) using 75Ω feeders. Alternatively a phasing harness with single feeder or a diplexer can be used. For DX use separate feeders are best. The photograph shows the



*The new TV-DXing/export wideband v.h.f. aerial available from Aerial Techniques.*



aerial prior to being erected on a conventional mast and less feeder(s). Aerial Techniques is distributing the aerial - see nearby advertisement or phone 0202 738 232 for further details.

### DTI News

The Radiocommunications Division of the DTI is to operate as an "Executive Agency" in future. Its aims are laid down as providing an effective, quality service to radio users by managing the radio spectrum, allocating and assigning radio frequencies and ensuring interference-free use of the spectrum. This should mean obtaining licences more quickly for fixed, mobile and marine applications.

The Agency has listed frequencies allocated for "independent programme making" for contracted work to IBA franchise holders and the BBC and for radio/TV links. The frequency bands to be used impinge on the conventional TV broadcasting bands used for TV-DXing. For radiomicrophones, at 10mW or less, the frequencies are 191.9, 208.3, 216.1, 583.455, 584.435, 585.570 and 588.4MHz - the latter four frequencies will be subject to geographical limitations after mid-1992. The bands for talkback and sound links are: 48.4-48.5MHz (8 12.5kHz channels); 52.85-52.95MHz (8 12.5kHz channels); 199.6-199.8MHz (20kHz channels); 457.25-457.35MHz (8 12.5kHz channels); 460.5-460.75MHz\* (20 12.5kHz channels); 462.75-462.85MHz (8 12.5kHz channels); 467-467.25MHz\* (20 12.5kHz channels); 854.75-855.25MHz (20 25kHz channels); 860.25-860.75MHz (20 25kHz channels). Allocations asterisked are temporary.

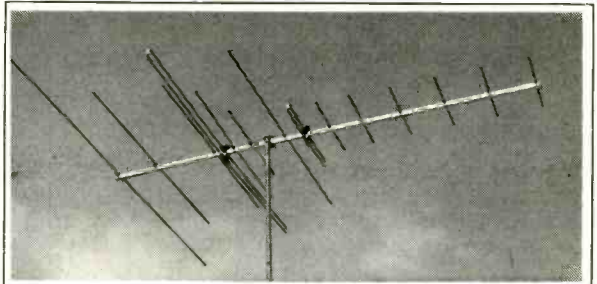
### Times Past

A reader has sent me several copies of vintage TV magazines, all pre-war, that make very interesting reading. *Television and Short Wave World*, dated April 1939, claimed to be the "first television journal in the world", though No. 1, Vol. 1 of *Television*, the "world's first television journal", appeared as the monthly official organ of the Television Society back in March 1928 (it continues to be published by the Royal Television Society). The content of this latter issue was mainly concerned with mechanical scanning, selenium cells and televisions. The 1939 magazine informed readers of progress with French TV from an experimental station at Montrouge, using 405 lines. Details of the studio and transmitter are given - the latter fed 6-8kW to the aerial, providing signals over a 20km radius.

TV activity was on the increase in 1939. NBC and RCA were conducting experimental services in Washington, USA. JOAK-TV intended to transmit a 25-frame signal from a 100m mast at the Kamatacho Laboratory, Tokyo. In London an OB relay point had been established at Swains Lane, Highgate, with onward connection to Alexander Palace via coaxial cable. The BBC was planning to build a transmitter in the Manchester area, and setmakers were operating at full capacity - one large company had a 30 per day quota and was 350 receivers behind schedule.

A 1939 article on receiver problems and transient distortion used the BBC tuning signal to illustrate various points. Of DX interest are two photographs of F2 reception taken in October 1938 at RCA's Riverhead, Long Island establishment. They show 405-line signals from Alexandra Palace!

# AERIAL TECHNIQUES



## AT/1/2/3/DX WIDEBAND HIGH GAIN TV-DXING AERIAL

This is the new wideband VHF aerial designed by Roger Bunney and produced exclusively for Aerial Techniques, intended originally for the export market into the Arabian Gulf. We can offer the system in a no-compromise version for general wideband TV reception and the TV-DXer.

Constructed in hard drawn seamless alloy throughout with a rugged square sided 1" boom ensuring great strength and no 'boom sag', elements are 1/2" diameter in all bands for full wideband operation over its design bandwidth. The Gulf version model AT/1/3/G covers Band 1 (47-70MHz) at 4dB gain, Band 3 (175-230MHz) at 9.5dB gain maximum. The TV-DXing variation type AT/1/2/3/DX is shown above and features additional elements to increase coverage within Band 2 (TV) spectrum 75-100MHz at 3.5dB gain. Coaxial downlead connection allows individual 'Low' and 'High' band VHF downleads, or with a phasing harness for a single wideband downlead. A substantial plated aerial clamp maintains aerial alignment under the most extreme weather conditions. This aerial sets a new standard for high quality ruggedised construction.

AT/1/3/G Wideband VHF TV Aerial (Export/Gulf version) £49.95  
AT/1/2/3/DX Wideband VHF TV Aerial (TV-DXing complete coverage) £57.60

Carriage & Insurance on either aerial is £5.95. All prices are inclusive of VAT. We supply aerial and receiving equipment for all types of domestic, TV-DXing, amateur and professional application. Our 29 page CATALOGUE at 75p is unrivalled in quantity, quality and sheer volume of content. Multi-standard TV's from 5" to 33" screen, also PAL/SECAM Multi-standard Video recorders are our speciality. UK and Overseas orders undertaken both retail and wholesale, ring or write with your query.

Available from stock SECAM to PAL Transcoders, also Telecom IC Signal Decoders for CANAL + and CANAL J (SAE for leaflet).

ACCESS & VISA Mail & Telephone orders welcome.

Also American Express (24hr. service)



11, KENT ROAD, PARKSTONE, POOLE, DORSET BH12 2EH

Tel: 0202 738232

## ELECTRONIC COMPONENT DISTRIBUTORS

AN115	205p	TA7063	60p	STK0029	400p	TIP33	50p	<b>VOLTAGE REG</b>			
AN203	290p	TA7069	180p	STK0040	560p	TIP41A	20p	8 PIN	05p		
AN304P	270p	TA7140	120p	STK0050	430p	TIP42C	23p	14 PIN	05p		
AN610P	160p	TA7208	135p	STK0080	675p	UIE340	25p	16 PIN	07p		
AN3310K	285p	TA7214	260p	STK043	960p	UIE371	55p	28 PIN	10p		
AN5011	425p	TA7230	160p	STK080	700p	UIE521	35p	33p	20 PIN	12p	
AN5071	120p	TA7233	235p	STK082	700p	2N3055	38p	7912	35p	22 PIN	14p
AN526	385p	TA7267	270p	STK435	600p	2N3773	110p	7908	35p	28 PIN	17p
AN5410	475p	TA7317	150p	STK459	600p	2SA350	60p	2N768T	05p	40 PIN	20p
AN5512	290p	TA7325	80p	STK563	450p	2SA463	42p	1.3WATTS	10p	3mm R.G.Y	08p
AN5615	400p	TA7401	350p	STK2028	600p	2SA765	385p	2V7-68V	05p	5mm R.G.Y	09p
AN5701	128p	TA7604	235p	STK2230	570p	2SA765	385p	1.3WATTS	10p	3mm R.G.Y	08p
AN5732	155p	TA7613	360p	STK2250	910p	2SA765	385p	2V7-68V	05p	5mm R.G.Y	09p
AN5340	250p	TA7626	210p	STK3041	500p	2SA949	80p	<b>DIODES</b>			
AN6371	500p	TA7654	105p	STK3042	500p	2SA1080	145p	IN4001	03p	IN5401	08p
AN6912	225p	TA7668	145p	STK1070	1185p	2SA1103	195p	IN4002	04p	IN5402	08p
AN7105	206p	TA7757	230p	STK1421	780p	2SA1166	350p	IN4003	03p	IN4148	04p
AN7224	219p	TA8111	210p	STK4121-2	780p	2SA1220	110p	BY133	09p	BY127	10p
AN7421	250p	TA81205	65p	STK4191-2	1060p	2SA1250	398p	<b>IOLERS</b>			
BA301	60p	TA8231A	140p	STK4332	600p	2SA1306	80p	HITACHI VT11 FF-REW IDLER	155p		
BA328	45p	TA8440	35p	STK4562	600p	2SB176	65p	HITACHI VT9000 PLAY IDLER	295p		
BA402	50p	TA8120U	50p	STK5325	640p	2SB337	145p	AKAI C20 TAKE UP IDLER	745p		
BA682	300p	TA820M	50p	STK5331	400p	2SB435	198p	JVC HR7650 REEL IDLER	245p		
BA1330	150p	TA8900	350p	STK5332	275p	2SB507	90p	JVC HR7650 TAKE UP CLUTCH	275p		
BAG219	315p	TA81441	165p	STK5471	475p	2SB524	65p	JVC HR7650 TAKE UP IDLER	145p		
BA6235	1135p	TA8650	285p	STK5482	500p	2SB549	65p	AKAI C20 TAKE UP IDLER	425p		
HA1137	150p	TA8660	180p	STK6325	400p	2SB557	160p	AKAI VS4 FF-REW IDLER	425p		
HA1151	185p	TA8630	70p	STK7216	600p	2SB596	70p	PAN NV730 FF-REW/PLAY IDLER	350p		
HA1377	180p	TA9000	100p	STK7404	672p	2SB646	70p	PAN NV370 PLAY IDLER	185p		
HA11221	200p	TA93089	175p	STK8250	700p	2SB701	122p	PAN NV2000 PLAY IDLER	90p		
HA11244	165p	TA9311V	165p	STK7217	640p	2SB775	150p	PAN NV333 FF-REW IDLER	120p		
HA12002	290p	TA91010	90p	STK7308	555p	2SB829	295p	HRD 110-120 CARRIAGE	2350p		
HA13001	185p	TA91012	165p	STR370	630p	2SB886	220p	HRD 110-120 CAPSTON MOTOR	2050p		
HA13403	550p	TA91029	280p	STR441	460p	2SC380	22p	<b>SPECIAL OFFERS</b>			
KA2101	165p	TA91047	360p	STR451	470p	2SC506	39p	<b>VIDEO HEADS</b>			
LA1207	245p	TA91705	100p	STR455	660p	2SC998	305p	JVC-FERGUSON-ITT 3HSS(v)	975p		
LA1260	300p	TA91412	100p	STR456A	665p	2SC1018	185p	PANASONIC 4HSS(N)	1000p		
LA1352	145p	TA9198A	95p	STR1096	400p	2SC1172	145p	JVC-HRD140-150	2385p		
LA1365	110p	TA92002	110p	STR4090	625p	2SC1185	300p	PANASONIC NV730-770	2300p		
LA3365	110p	TA92005	110p	STR620	480p	2SC1293	45p	PANASONIC NV600 (3Head)	2200p		
LA3390	110p	TA92700	285p	STR40090	590p	2SC1342	108p	PANASONIC NV366 (4Head)	3672p		
LA4110	115p	TA92578A	330p	STR5103A	580p	2SC1394	50p	PANASONIC NV470-NV10-G11	2200p		
LA4140	65p	TA92582	210p	STR58041	650p	2SC1413	230p	PANASONIC NV450 (3Head)	2200p		
LA4185	300p	TA92590	300p	STK4843	850p	2SC1569	135p	PANASONIC NV1000-FF-REW IDLER	425p		
LA4420	130p	TA93562	225p	STK4191-5	1850p	2SC1577	600p	AKAI VS4 FF-REW IDLER	425p		
LA4445	215p	TA92630	465p	STK4311	790p	2SC1678	112p	PAN NV333 FF-REW IDLER	120p		
LA5527	145p	TA93590	340p	STK7309	650p	2SC1682	145p	HITACHI VT5000-VT5500	2200p		
LM301	20p	TA93653	365p	AC141	35p	2SC1730	38p	HITACHI VT8000-VT9500	1700p		
LM339	35p	TA94100	325p	AC142	35p	2SC1942	180p	SONY C20-C30-C40	1850p		
LM318	115p	TA94503	655p	AC120	30p	2SC2238	65p	BUZORA (Mn 10P/C)	600p		
LM358	40p	TA93652	485p	BC182A	07p	2SC2466	340p	BUZORA (Mn 10P/C)	665p		
LM747	55p	TA946002D	465p	BC108	08p	2SD357	38p	Please phone us for types not listed			
LM1112	235p	TA94600-2	325p	BC307B	08p	2SD387	75p	Please add 60p post & packing and			
LM3906	38p	TA93554	390p	BC337	07p	2SD5612	80p	men add 15% VAT TO THE TOTAL			
MS315	240p	TA93890	300p	BC135	25p	2SD655	50p	All items subject to availability, and			
LB1405	225p	UPC324C	70p	BD124	110p	2SD792	380p	prices can change without notice			
LB1416	225p	UPC571H	190p	BD238	32p	2SD819	370p	Govt, colleges, schools & institutes			
M5143P	285p	UPC1001H	200p	BF240	12p	2SD836	140p	orders accepted. All components are			
M5186AP	325p	UPC1161C	140p	BF259	70p	2SD845	240p	brand new. Best quotations given on			
MS214	115p	UPC1178C	105p	BU126	68p	2SD849	225p	large quantities			
MS219L	160p	UPC1177	245p	BU208	68p	2SD888H	150p	Export-Mail Order enquiries welcome.			
MS0120	700p	UPC1197C	120p	BU268A	70p	2SD951	365p	Access and Visa accepted.			
M51381P	240p	UPC1212C	170p	BU208A (JAP)	90p	2SD1135	100p	<b>J.J. COMPONENTS</b>			
MS4544AL	635p	UPC1230H2	150p	BU326A	75p	2SD1153	40p	63, THE CHASE, EDGWARE,			
MS4848	900p	UPC1366	175p	BU407	55p	2SD1265	110p	MIDDY, HA8 5DN, ENGLAND			
MS3712	138p	UPC1397C	300p	BU500	105p	2SD1365	300p	Tel: 081-952 4641. Fax: 081-952 4641			
MS3722	300p	UPC4556C	50p	BU506A	80p	2SD1397	240p	CALLERS BY APPOINTMENT ONLY			
MS3731	280p	UPC1378H	210p	BU508D	65p	2SD1492	300p				



# ECONOMIC DEVICES PO BOX 15 WOLVERHAMPTON, WV2 4AZ

1580H	2.72	25C1678	1.28	AN2140	2.40	B207	0.19	BDX54B	0.31	BU126	1.10	HA1196	7.43	MC1330P	1.88	SA5560T	5.42	STR190E	6.20	T8A970	3.60	TD4440	1.95
1585R	3.28	25C1741	1.25	AN2140	2.40	B207	0.19	BDX62A	2.09	BU127	6.53	HA1300T	1.73	MC1350P	0.45	SA5570T	5.42	STR4900	11.43	T8A990	1.98	TD4442	1.85
17052	5.61	25C1810	1.20	AN226	0.33	BD213L	0.10	BDX63A	1.91	BU205	1.15	HA1306	2.26	MC1351P	1.25	SA5570S	1.95	STR440	6.18	T8A270S	2.15	TD4450	1.75
17074	9.00	25C1826	0.67	AN241	1.71	BD225	0.40	BDY20	1.20	BU206	1.27	HA1307	7.06	MC1352P	1.25	SA5580	2.85	STR451	6.18	T8A270SQ	1.95	TD4460-2	1.75
17089	3.45	25C1829	2.25	AN245	5.04	BD235	0.70	BDY21	1.18	BU207	1.62	HA1334Z	2.65	MC1357P	2.15	SA5590	1.33	STR453	5.16	T8A290A	2.39	TD4460	1.75
17127	2.58	25C1875	4.50	AN253	1.80	BD238	0.70	BDY22	1.07	BU211	0.66	HA1335	4.02	MC1358P	1.48	SA5595	1.33	STR454	8.62	T8A290B	2.19	TD4470	1.40
17376	1.58	25C1893	4.50	AN260	3.85	BD239	0.80	BDY23	1.07	BU212	0.66	HA1336	2.02	MC1359P	5.58	SA5600	1.33	STR455	1.40	T8A290C	2.40	TD4480	1.40
1N4001	0.04	25C1901	1.37	AN261	2.75	BD242	0.25	BDY24	1.12	BU213	0.25	HA1337	1.95	MC1449P	2.15	SA5610	1.33	STR456	1.98	T8A290D	2.24	TD4490	1.25
1N4002	0.06	25C1911	1.37	AN262	7.63	BD251A	0.31	BDY25	0.31	BU214	0.31	HA1338R	1.95	MC1497	7.10	SA5620	1.21	STR457	6.96	T8A290E	2.25	TD4500	2.25
1N4003	0.06	25C1923	0.30	AN261	2.45	BD251A	0.31	BDY26	0.13	BU229	1.75	HA1338	2.26	MC1450LBP	3.75	SA5630	1.61	STR458	0.73	T8A290F	2.07	TD4510	3.00
1N4004	0.05	25C1929	2.25	AN262	0.30	BD251A	0.31	BDY27	0.13	BU229	1.75	HA1337	3.71	MC1451RBP	2.15	SA5640	1.95	STR459	2.11	T8A290G	0.63	TD4520	3.70
1N4005	0.05	25C1942	1.98	AN265	0.88	BD260	0.38	BDY28	0.29	BU236A	0.29	HA1337A	1.80	MC1452RBP	2.15	SA5650	1.95	STR460	1.95	T8A290H	0.73	TD4530	2.75
1N4006	0.08	25C1959	0.20	AN215	2.45	BD262	0.53	BDY29	0.25	BU243	0.25	HA1338	1.24	MC1512	3.88	SA5660	0.97	STR461	1.95	T8A290I	0.27	TD4540	3.15
1N4146	0.05	25C1957	0.85	AN216	4.86	BD263	0.46	BDY30	0.18	BU243	0.18	HA1338R	2.09	MC1512R	19.50	SA5670	1.20	STR462	1.95	T8A290J	0.85	TD4550	2.85
1N4148	0.05	25C1962	1.83	AN220	5.47	BD264	0.06	BDY31	0.18	BU244	0.54	HA1338R	2.09	MC1724CP	1.49	SA5680	5.26	STR463	1.85	T8A290K	2.38	TD4560	1.25
1N5401	0.11	25C1969	1.83	AN221	2.25	BD269	0.11	BDY32	0.17	BU250	0.17	HA1339	2.25	MC1724CP	1.23	SA5690	10.70	STR464	2.44	T8A290L	5.84	TD4570	0.80
1N5402	0.13	25C1983	0.51	AN222	6.78	BD271A	0.13	BDY33	0.17	BU250	0.17	HA1339	2.25	MC1724CP	1.23	SA5700	8.27	STR465	3.02	T8A290M	1.00	TD4580	0.80
1N5403	0.18	25C1985	1.55	AN237	5.37	BD272	0.09	BDY34	0.34	BU256	1.55	HA1339	1.50	MC1724CP	0.26	SA5710	9.00	STR466	4.08	T8A290N	1.65	TD4590	2.00
1N5404	0.10	25C2009	0.34	AN246P	0.17	BD273	0.34	BDY35	0.34	BU256	1.55	HA1339	1.50	MC1724CP	0.26	SA5720	7.50	STR467	2.50	T8A290P	0.82	TD4600P	4.33
1N5408	0.15	25C2029	2.23	AN255	1.65	BD273	0.34	BDY36	0.10	BU256	1.55	HA1339	1.50	MC1724CP	0.26	SA5730	19.00	STR468	2.50	T8A290Q	1.40	TD4610	1.65
1N814	0.04	25C2028	2.11	AN262	1.65	BD273	0.09	BDY37	0.40	BU205	2.50	HA1406	2.07	MC1724CP	0.26	SA5740	1.40	STR469	2.30	T8A290R	2.93	TD4620	0.61
1S1555	0.18	25C2063	0.99	AN370	3.95	BD278	0.19	BDY38	0.36	BU206	2.50	HA1452	0.85	MC1724CP	0.26	SA5750	0.73	STR470	2.45	T8A290S	5.50	TD4630	0.72
1S44	0.10	25C2078	3.39	AN311	3.43	BD280	0.09	BDY39	0.18	BU210	0.36	HA1458	2.07	MC1724CP	0.26	SA5760	3.30	STR471	4.92	T8A290T	2.31	TD4640	0.55
1S921	0.10	25C2073	1.55	AN320N	4.50	BD281	0.46	BDY40	0.18	BU210	0.36	HA1458	2.07	MC1724CP	0.26	SA5770	1.07	STR472	1.07	T8A290U	1.34	TD4650	0.77
25C219A	0.37	25C2085	1.65	AN512	4.42	BD282	0.46	BDY41	0.34	BU219	0.66	HA1458	2.07	MC1724CP	0.26	SA5780	1.43	STR473	0.80	T8A290V	1.02	TD4660	0.75
2N3653	0.25	25C2141	1.30	AN520	4.42	BD283	0.46	BDY42	0.34	BU219	0.66	HA1458	2.07	MC1724CP	0.26	SA5790	1.43	STR474	1.02	T8A290W	1.02	TD4670	0.75
2N3654	0.25	25C2141	2.44	AN510	4.42	BD283	0.46	BDY43	0.43	BU219	0.66	HA1458	2.07	MC1724CP	0.26	SA5800	1.25	STR475	6.85	T8A290X	6.85	TD4680	1.25
2N3655	0.66	25C2141	0.87	AN512	7.20	BD283	0.46	BDY44	0.47	BU219	0.66	HA1458	2.07	MC1724CP	0.26	SA5810	1.06	STR476	1.36	T8A290Y	1.14	TD4690	0.95
2N3656	1.16	25C2216	0.69	AN513	4.20	BD283	0.46	BDY45	0.30	BU219	0.66	HA1458	2.07	MC1724CP	0.26	SA5820	1.25	STR477	1.36	T8A290Z	1.05	TD4700	0.30
2N3657	0.14	25C2233	1.20	AN530	3.95	BD283	0.46	BDY46	0.32	BU219	0.66	HA1458	2.07	MC1724CP	0.26	SA5830	1.34	STR478	5.98	TD4710A	1.51	TD4710	0.40
2N3658	0.18	25C2238	1.89	AN570N	1.68	BD283	0.46	BDY47	0.41	BU219	0.66	HA1458	2.07	MC1724CP	0.26	SA5840	1.31	STR479	4.28	TD4710B	2.45	TD4710C	0.98
2N3705	0.15	25C2278	1.14	AN570N	1.14	BD283	0.46	BDY48	0.17	BU219	0.66	HA1458	2.07	MC1724CP	0.26	SA5850	1.31	STR480	4.28	TD4710D	2.45	TD4710E	0.98
2N3706	0.14	25C2278	1.14	AN570N	1.14	BD283	0.46	BDY49	0.17	BU219	0.66	HA1458	2.07	MC1724CP	0.26	SA5860	1.31	STR481	4.28	TD4710F	2.45	TD4710G	0.98
2N3707	0.16	25C2335 + Kit	1.00	AN610	4.54	BD283	0.46	BDY50	0.17	BU219	0.66	HA1458	2.07	MC1724CP	0.26	SA5870	1.31	STR482	4.28	TD4710H	2.45	TD4710I	0.98
2N3711	0.11	25C2551	1.26	AN630	5.62	BD283	0.46	BDY51	0.37	BU219	0.66	HA1458	2.07	MC1724CP	0.26	SA5880	1.31	STR483	4.28	TD4710J	2.45	TD4710K	0.98
2N3717	1.56	25C2565	4.10	AN634	2.22	BD283	0.46	BDY52	0.10	BU224	0.17	HA1938	1.62	MC1724CP	0.26	SA5890	1.31	STR484	4.28	TD4710L	2.45	TD4710M	0.98
2N3722	1.55	25C2570	1.85	AN638	1.60	BD283	0.46	BDY53	0.10	BU227	0.62	HA1938	1.62	MC1724CP	0.26	SA5900	1.31	STR485	4.28	TD4710N	2.45	TD4710O	0.98
2N3719	1.61	25C2571	1.94	AN651	1.95	BD283	0.46	BDY54	0.11	BU227	0.62	HA1938	1.62	MC1724CP	0.26	SA5910	1.31	STR486	4.28	TD4710P	2.45	TD4710Q	0.98
2N3720	0.40	25C2571	1.94	AN651	1.95	BD283	0.46	BDY55	0.11	BU227	0.62	HA1938	1.62	MC1724CP	0.26	SA5920	1.31	STR487	4.28	TD4710R	2.45	TD4710S	0.98
2N3722	1.17	25C2571	1.94	AN651	1.95	BD283	0.46	BDY56	0.11	BU227	0.62	HA1938	1.62	MC1724CP	0.26	SA5930	1.31	STR488	4.28	TD4710T	2.45	TD4710U	0.98
2N3704	0.50	25C288A	1.85	AN610	1.85	BD283	0.46	BDY57	0.10	BU245	0.50	HA1938	1.62	MC1724CP	0.26	SA5940	1.31	STR489	4.28	TD4710V	2.45	TD4710W	0.98
2N3808	0.62	25C3153	6.50	AN711	1.25	BD283	0.46	BDY58	0.11	BU245B	0.10	HA1938	1.62	MC1724CP	0.26	SA5950	1.31	STR490	4.28	TD4710X	2.45	TD4710Y	0.98
2N4101	1.33	25C373	1.10	AN715	2.52	BD283	0.46	BDY59	0.20	BU224	0.60	HA1938	1.62	MC1724CP	0.26	SA5960	1.31	STR491	4.28	TD4710Z	2.45	TD4710AA	0.98
2N4120	2.68	25C373	1.16	AN715	2.80	BD283	0.46	BDY60	0.15	BU225	0.15	HA1938	1.62	MC1724CP	0.26	SA5970	1.31	STR492	4.28	TD4710AB	2.45	TD4710AC	0.98
2N4444	1.66	25C383	1.33	AN716	2.80	BD283	0.46	BDY61	0.27	BU227	0.27	HA1938	1.62	MC1724CP	0.26	SA5980	1.31	STR493	4.28	TD4710AD	2.45	TD4710AE	0.98
2N4523	0.23	25C383	1.27	AN715	2.37	BD283	0.46	BDY62	0.15	BU258	0.15	HA1938	1.62	MC1724CP	0.26	SA5990	1.31	STR494	4.28	TD4710AF	2.45	TD4710AG	0.98
2N5294	0.50	25C394V	0.81	AN716	2.37	BD283	0.46	BDY63	0.24	BU259	0.34	HA1938	1.62	MC1724CP	0.26	SA6000	1.31	STR495	4.28	TD4710AH	2.45	TD4710AJ	0.98
2N5296	0.50	25C403C	0.80	AN716	2.10	BD283	0.46	BDY64	0.55	BU262	0.55	HA1938	1.62	MC1724CP	0.26	SA6010	1.31	STR496	4.28	TD4710AI	2.45	TD4710AK	0.98
2N5297	0.50	25C458	0.34	AN721B	0.80	BD115	0.36	BD263	0.57	BU225	0.60	HA1938	1.62	MC1724CP	0.26	SA6020	1.31	STR497	4.28	TD4710AL	2.45	TD4710AM	0.98
2N5298	0.61	25C495	0.92	AN723	4.55	BD116	0.16	BD271	0.10	BU221	0.10	HA1938	1.62	MC1724CP	0.26	SA6030	1.31	STR498	4.28	TD4710AN	2.45	TD4710AO	0.98
2N6109	1.58	25C515A	1.85	AU107	7.72	BD124	1.31	BD272	0.23	BU224	0.20	HA1938	1.62	MC1724CP	0.26	SA6040	1.31	STR499	4.28	TD4710AP	2.45	TD4710AQ	0.98
2N6130	0.85	25C526	0.75	AU112	5.89	BD111	0.42	BD273	0.24	BU224	0.20	HA1938	1.62	MC1724CP	0.26	SA6050	1.31	STR500	4.28	TD4710AR	2.45	TD4710AS	0.98
2N6180	0.73	25C537	0.56	AU113	14.63	BD132	0.42																



# ★ VIDEO HEADS ★ FROM £11.95 EACH

PLUS + PLUS + PLUS GENEROUS MIXED QTY DISCOUNTS

**AKAI**  
Machine Nos.: VP77 VP88 VP7100 VP7200 VS1 VS2 VS3 VS5  
VS10 VS9300 VS9500 VS9700 VS-P1 VS-P5

VHS A

**AMSTRAD**  
Machine Nos.: VCR4500 VCR5200 VCR9000  
Machine Nos.: VCR7000  
VCR4600

VHS T

VHS R

9VH4600

**FERGUSON/JVC**  
Machine Nos.: 3292 8903 3V00 3V01 3V06 3V16 3V22 3V23 3V24  
3V29 3V30 3V31 3V35 3V36 3V38 3V39 3V49

VHS A

**FISHER**  
Machine Nos.: FVH — D520 D530 D620 D720 P420 P510 P520  
P530 P615 P620 P622 P710 P720 P721 P722

VHS U

**GEC**  
Head Part Nos.: 5458161 5458165  
Machine Nos.: 4000H 4001H 4002H  
Head Part Nos.: 5458282 5458413 5458415 5458992  
Machine Nos.: 4001H 4004H

VHS I

VHS K

VHS A

VHS H

**HITACHI**  
Machine Nos.: VT3000  
Head Part Nos.: 5458104  
Machine Nos.: VT4000 VT4200 VT5000 VT5500  
Head Part Nos.: 5458161 5458165  
Machine Nos.: VT6500 VT7000 VT8000 VT8040 VT8100 VT8500  
VT8700 VT9000 VT9300 VT9500 VT9700 VT9900

VHS I

Head Part Nos.: 5458282 5458413 5458415 5458992  
Machine Nos.: VT11 V14 VT33 VT34 VT330 VT340 VT5030 VTP10 VTP30

VHS K

**ITT**  
Machine Nos.: VR3605 VR3033 VR3905 VR3913 VR3914 VR3935  
VR3943 VR3963 VR3993 VR3975 VR3985 VR3986 VR3833

VHS A

**JVC (see also Ferguson)**  
Machine Nos.: HP4000 HR3300 HR3320 HR3330 HR3350 HR3360  
HR3750 HR3860 HR4100 HR7200 HR7600

VHS A

**MITSUBISHI**  
Machine No.: HS200  
HS700 HS303 HS304

VHS A

VH700

**NATIONAL PANASONIC**  
Head Part Nos.: VEHO099 0103 0115 0121 0131  
Machine Nos.: NV300 NV322 NV332 NV333 NV340 NV390 NV2000  
NV3000 NV7000 NV7200 NV7500 NV7800 NV7850 NV8170  
NV8200 NV8400 NV8600 NV8610 NV8620

VHS B

VHS M

VHS N

VHS W

VHS X

VHS S

VHS C

VHS D

VHS E

VHS L

VHS F

**SHARP**  
Head Part Nos.: DDRMU 0002 HE17721/27  
Machine No.: VC5812/3 651 6812/3/5 659 699  
Head Part Nos.: DDRMU 0001 HE00 HE02 HE02 04 05 06  
Machine No.: 209 VC110 VC200 VC220 VC300 VC381 VC384  
VC386 VC387 VC388 VC477 VC481 VC482 VC930 VC970 VC3300  
VC9100 VC9300 VC9400 VC9500 VC9600 VC9700

Head Part Nos.: DDRMU 0001 HE09  
Machine No.: VC7300 VC7700 VC7750  
Head Part Nos.: DDRMU 0001 HE10  
Machine No.: VC6300  
Head Part Nos.: DDRMU 0001 HE12  
Machine No.: VC8300  
Head Part Nos.: DDRMU 0001 HE14  
Machine No.: VC2300

**SANYO**  
Head Part Nos.: 1430242 T01700 1430242 T22300  
Machine No.: VTC5000 VTC5150 VTC5300 VTC5400  
Head Part Nos.: 1430242 T02200  
Machine No.: VTC5350 VTC5500  
Head Part Nos.: 1430762 T02000  
Machine No.: VTC9300 VTC9455 VTC9500  
Head Part Nos.: 143072 T02100  
Machine No.: VTC9300PS VTC9350

VHS I

VHS K

VHS A

**SONY**  
Head Part Nos.: A6762 044A, 044B, 054A, 147A  
Machine No.: SL3000, 8000, 8080, SLT 6Me, 7, 7E, 7ME  
Head Part Nos.: A6762 012A, 038A, 055A, 129A  
Machine No.: SL5W, 5000 5100 SLC5, C6, C7  
Head Part Nos.: A6762 072A, 122A, 136A, 139A, 213A  
Machine No.: SLC20, C30, C33, C40, C44  
SLF1, F30, HF72, T20, T30

VHS A

VHS A

Please see next col. for prices.

**HEADS**  
Head Part No. Price  
1 + £17.50  
BETA A £16.95  
BETA B £23.75  
BETA D £34.49  
BETA E £21.00  
BETA T £19.95  
BETA W £31.92  
BETA X

**VHS VIDEO**  
VHS A £11.95  
VHS B £11.95  
VHS C £18.75  
VHS D £81.76  
VHS E £75.43  
VHS F £47.81  
VHS H £21.28  
VHS I £21.28  
VHS J £21.25  
VHS K £81.87  
VHS L £14.75  
VHS M £26.95  
VHS N £21.00  
VHS R £19.81  
VHS S £18.98  
VHS T £21.95  
VHS U £29.00  
VHS V £24.24  
VHS W £35.00  
VHS X £14.25  
VHS Z

**ORIGINAL FERGUSON**  
01X0 003 222 £31.35  
01X0 027 085 £46.02  
01X0 033 825 £47.05  
01X0 040 002 £48.32  
01X0 056 013 £61.55  
01X0 057 002 £31.36  
01X0 082 001 £46.02  
01X0 083 063 £66.03

**PHILIPS**  
310 274 44 POA  
691 200 54 £49.68  
691 200 98 £62.02  
691 201 12 £61.66  
691 201 66 £61.93  
691 201 78 £49.96  
691 202 87 £55.37

**FERGUSON/JVC**  
VID1 01X0-003-381 Tension band T3292/PU545904A 2.55  
VID2 01X0-018-024 Take up idler T3292/PU47752 6.73  
VID3 01X0-018-025 Rewind idler assembly T3V16/PU49282 6.20  
VID4 01X0-018-729 Take up idler T3V00/PU49280 7.96  
VID5 01X0-040-006 Loading belt T3V29/30/PU48941-2 0.26  
VID6 01X0-033-454 Roller Assy. (cass. Housing) T3V23/PU49042 4.50  
VID7 01X0-040-007 Take up idler 3V29/30/PU48967B 2.45  
VID8 01X0-040-017 Reel motor assembly 3V29/30/PU51381V 27.95  
VID9 01X0-065-009 Capston motor 3V35/36/38/39/PU55371V 20.92  
VID10 01X0-065-016 Cass. housing Assy. 3V35/36/38/39/PU29825 22.55

**GEC/HITACHI**  
VID11 V5577355 GEC 4100/Hitachi VT11E capston motor 26.78  
VID12 V6413663 GEC 4000/Hitachi VT33 1/1 rewind arm 2.10  
VID13 V6861471 GEC 4001/2/Hitachi 93/9500 1/1 rewind arm 2.07  
VID14 V6861482 GEC 4001/2/Hitachi 93/9500 play idler assy. 4.20  
VID15 V6868971 GEC 4004/Hitachi VT33 1/1 rewind arm 1.80  
VID16 V2423461 ET541 Tuner Unit 13.50

**NATIONAL PANASONIC**  
VID17 VXP0329 Fast forward idler NV2000 0.85  
VID18 VXP0344 Idler NV7000/7200 0.85  
VID19 VX20078 Tension Band NV7000 2.85  
VID20 VXP0521 Idler NV370 1.65  
VID21 VXP0463 Reel Idler NV777 4.30  
VID22 VXP0432 Pinch Roller NV333 3.50  
VID23 VXP0401 Idler wheel NV333 0.85

**SANYO/FISHER**  
VID24 4529V10800 Reel motor VTC5000/5150 9.50  
VID25 1430662T01201 Reel drive pulley VTC 5000 5.49  
VID26 PR2758 Pinch roller VTC5000/5150 2.95  
VID27 1430490400900 Gear Idler Fisher FVH-P615 4.50  
VID28 1430420400300 Heart idler Fisher FVH-P615 2.95

**SHARP**  
VID29 RMOTP1029 Capston motor 73/9300 29.95  
VID30 RMOTV1008 Reel motor VC9700 16.14  
VID31 NIDL0006 Idler VC387H etc 1.60  
VID32 NIDL0005 Reel idler VC9300 etc 1.80  
VID33 NIDL0004 Idler wheel VC2300 3.50

**VIDEO LAMPS/BULBS**  
VID34 LA9295 Universal lamp without socket 290mm 0.35  
VID35 LA9210S Universal lamp with socket 310mm 0.50  
VID36 NAT/PAN. P.C. MTG. leadless lamp 0.20  
VID37 SHARP 9300 Etc. lamp plus plastic shroud. 1.27

**PLEASE NOTE  
ALL VIDEO SPARES  
HANDLING  
£1.25 + VAT**

## DRIVE BELTS

**AKAI**  
VP 77 DBK135 £0.86  
VP 68 DBK135 £0.86  
VP 7100 DBK103 £1.42  
VS 1 DBK134 £1.76  
VS 2 EG DBK101 £1.50  
VS 3 DBK134 £1.76  
VS 5 EG DBK101 £1.50  
VS 10 DBK136 £0.68  
VS 9300 DBK129 £1.42  
VS 9500 DBK103 £1.42  
VS 9700 DBK102 £1.96  
VS 9800 DBK103 £1.42

**JVC**  
HR 2200 DBK137 £0.68  
HR 3300 DBK107 £5.25  
HR 3330 DBK126 £1.65  
HR 3360 DBK103 £1.42  
HR 3600 DBK107 £5.25  
HR 3660 DBK103 £1.42  
HR 4100 DBK127 £2.50  
HR 7200 DBK139 £1.22  
HR 7600 DBK138 £0.86  
HR 7650 DBK132 £0.86  
HR 7700 DBK108 £0.85

**FERGUSON**  
3292 DBK103 £1.42  
3 V 01/16 DBK103 £1.42  
3 V 22 DBK103 £1.42  
3 V 23 DBK108 £0.85  
3 V 24 DBK137 £0.85  
3 V 31/22 VID7806 £1.40  
3 V 35/36 DBK150 £1.25  
3 V 38/39 DBK150 £1.25  
3 V 42/43/44 VID7540 £1.95  
3 V 45/48/54 VID7540 £1.95  
3 V 55/57 VID7540 £1.95

**NATIONAL PANASONIC**  
NV 300 DBK110 £2.20  
NV 330 DBK110 £2.20  
NV 332/333 VID7521 £2.10  
NV 336 VID7521 £2.10  
NV 450 DBK133 £1.50  
NV 450 777 DBK131 £1.28  
NV 2000 DBK109 £1.57  
NV 3000 DBK113 £1.95  
NV 7000 DBK111 £1.15  
NV 7200 DBK140 £1.15  
NV 8600 DBK112 £1.76

**FISHER**  
VBS 7000 DBK146 £2.66  
VBS 7600 DBK105 £1.15  
VBS 7000 DBK105 £1.15  
VBS 9000 DBK10 £1.76  
FVHP 420 VID7532 £1.99

**GEC**  
V 4000 H DBK129 £1.10  
V 4001 H DBK129 £1.10  
V 4002 H DBK129 £1.10  
V 4100 H DBK128 £1.95

**HITACHI**  
VT 11-VT 88 DBK128 £1.95  
VT 3000 DBK103 £1.42  
VT 5000 DBK125 £1.46  
VT 6500 DBK142 £0.77  
VT 7000 DBK143 £0.68  
VT 8000 DBK129 £1.10  
VT 8500 DBK144 £0.68  
VT 9300 DBK129 £1.10  
VT 9500 DBK129 £1.10

**SANYO**  
VTC 5000,5150 VID7807 £1.19  
VTC 6000 VID7807 £1.19  
VTC 5300 DBK105 £1.15  
VTC 5400 DBK105 £1.15  
VTC 5500 DBK106 £1.95  
VTC 6500 VID7533 £1.90  
VTC 9300 DBK104 £3.12  
VTC 9350 DBK145 £1.70  
VTC M10 11/20 VID7809 £0.61  
VTC M21600/31 VID7809 £0.61  
VTC M50 VID7809 £0.61

**SHARP**  
VC 381/383 DBK116 £2.15  
VC 385/386 DBK116 £2.15  
VC 2300 VID7545 £0.99  
VC 6000/6300 DBK117 £1.40  
VC 6500 DBK117 £1.40  
VC 7300 DBK118 £1.50  
VC 8300 DBK119 £2.10  
VC 9300/9500 DBK120 £1.20  
VC 9700 DBK121 £2.65

**SONY**  
SL 8000 DBK115 £2.00  
SL 8500 DBK115 £2.00  
SL 8500 DBK115 £2.00  
SLC 5 DBK100 £1.95  
SLC 6 VID7519 £1.65  
SLC 7 DBK100 £1.95  
SLC 9 DBK130 £2.66  
SLT 7 DBK100 £1.95  
SLT 7 ME DBK100 £1.95  
SLT 7 MER DBK100 £1.95

**TOSHIBA**  
VID7543 £1.95  
VID7540 £1.95  
DBK123 £1.78  
DBK124 £1.24  
VID7810 £1.95  
V 5260 DBK148 £2.66  
V 5290 DBK148 £2.66  
V 5475 DBK122 £1.50

Full list available with order or SAE please 9" x 4" Telephone 0902 - 712083 (24hr. answering machine for Access & Barclaycard users)

Prices subject to alteration without notice Stock queries by post only For quantities of 100+ per line - Please ask for special quote. Orders from Govt. Institutions, Schools, Nationals etc., accepted with official order. All goods should be delivered within 4 working days.

**NEW IN STOCK, A LARGE RANGE OF SLIMLINE REMOTES. JUST SUPPLY MAKE, MODEL & PART No. IF POSSIBLE FOR AN IMMEDIATE QUOTE. AVERAGE PRICE £18.00**

**NEW FAX NUMBER 0902-29052**

# Test Report: Electronic Visuals Vectorscopes

Nick Beer

The number of cameras and camcorders in use is steadily increasing. This has implications for the service department. Many smaller dealers have adopted the policy of returning all such units to the manufacturer when repair is necessary unless the fault is particularly straightforward. The result is complaints from manufacturers that they are getting far too much equipment back with faults that are in no way special. One complaint is that they don't like being used as dealers' service departments. A knock-on consequence is that when a dealer has a real problem and desperately needs assistance he's likely to encounter considerable delays.

The suggestion for this test gear review came from a Panasonic engineer. Panasonic has always been amongst the best when it comes to dealer support. The company has very good terms for the test gear it feels dealers should have. With the increase in camera/camcorder work, Panasonic considers that more dealers should invest in a vectorscope, particularly where an appreciable number of cameras with tube type pickup devices are handled.

That same Panasonic engineer seems to have got the wrong idea about my article on camera workshop accessories back in January 1989. My comment about the alignment charts in Panasonic service manuals was not intended to be derogatory. The purpose of that article was simply to suggest ways in which the smaller workshop could make a start with camera/camcorder servicing without having to invest large sums of money, the aim being to provide a better back-up service by carrying out the simpler repairs required. If the amount and complexity of work increases, the situation must naturally be reviewed. In this case more money should be invested so that the job can be done as well as possible. There are various things on which the money can be spent, the largest single investment being a vectorscope – hence this review. But you should certainly consider getting the manufacturers' approved alignment charts, particularly the colour chart for use in conjunction with a vectorscope.

## The EV4061

The Electronic Visuals Model EV4061 reviewed here is a combined vectorscope and waveform monitor. Electronic Visuals also has available a similar unit without the waveform monitor, Model EV4021. The prices are around £1,700 and £1,000 respectively, but for overseas customers these prices are subject to alteration to take exchange rate variations into account. The EV4021 is understood to be the lowest priced vectorscope available in Europe.

The unit came well packed in a sturdy box. Also included were a detachable mains lead (of the same type as used in the old Sony SLC7 VCR), an instruction/service manual and a plug for the remote socket. This appeared to be of the B9A valve base pattern. My first impression was of the unit's small size, measuring 132 × 216 × 432.5mm. When I put it on the bench it was dwarfed by the trusty Gould oscilloscope.

The front panel is uncluttered, with the controls bordering the 10 × 8cm display. Beneath the display

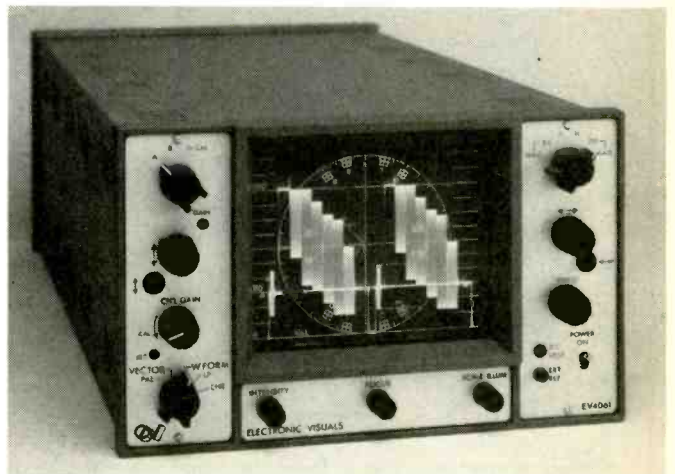
there are the familiar scope controls for trace intensity, focus and backlight brightness. The latter has a fantastic range, allowing excellent viewing in any conditions. Switching between the vectorscope and waveform monitor displays is by means of a very sound switch at the bottom left-hand corner. A "six vector" presentation is given in the PAL vectorscope mode. In the waveform mode there's a choice between displays at field rate, twice field rate, line rate and twice line rate, with optional magnification in the two times ranges.

The inputs are arranged at the back of the unit, using BNC sockets. Each of the three inputs A, B and reference has a pair of sockets, allowing loopthrough. There's also a buffered monitor output socket. With the unit unpowered there's no output here – if you require an output for a monitor when the unit is switched off you use the loopthrough provided by the two sockets for each input.

Some adjustments require the vectorscope to be terminated at 75Ω, so a plug made up with suitable resistors will be useful. Input switching is carried out by means of the switch at the top left. This also has a 1V, 60kHz calibration setting.

The horizontal and vertical position potentiometers are on opposite sides of the front panel. The two remaining major controls are for vector gain and phase control. Vector gain increases the vector by up to five times. A calibrate position is included. The phase control provides a continuous 360° rotation. Finally at the bottom right corner of the control panel there are a small toggle switch and push-switches for d.c. restoration and external reference.

The instructions provided summarise these controls, the rest of the manual containing circuits and service information. This is understandable since to explain the possible uses of the unit would be a very lengthy business. The manufacturer has therefore decided to leave things to the individual. As most service manuals for video equipment explain exactly what's needed for a particular adjustment this should cause no problems.



The Electronic Visuals' EV4061 combined vectorscope and waveform monitor which was received for review. The EV4021 vectorscope only is housed in the same case and is of similar appearance – it would be more suitable for the average workshop contemplating camera and camcorder servicing.



In the past the unit has been used mainly in TV studio and field applications. It's only now beginning to appear in service workshops – Panasonic's amongst them. I found the unit magnificent to use. The display is superb, easy to see and to use. To be able to flick over and see the signal at field or line rate is very helpful. The unit's compact size makes it easy to add to an already busy bench area. Camera adjustments are very much quicker and more accurate than with an oscilloscope – if indeed you can do it with just the latter.

I would not expect the average workshop to invest in the EV4061 version since the price differential is quite

large and you would seldom need the waveform monitor facility. The EV4021 represents excellent value for money: at around £1,000 it should end further argument – the price is little more than that of a new high-specification scope.

### Availability

For further details contact Electronic Visuals Ltd. at Goldsworth Road, Woking, Surrey GU21 1RU (telephone 4083 771 663). My thanks to Brian Elliott of Electronic Visuals for his help.

# TEST CASE

## 331

*Each month we provide an interesting case of TV/video servicing to exercise your ingenuity. These are not trick questions but are based on actual practical faults.*

Philbert had the usual motley selection of deliveries and service calls to make this Friday morning. The symptom in one case was given as "jumbled teletext". Mr. Hayes, the customer concerned, wanted to go on holiday. Two weeks in Ten\$ribe or ton deys in Maj $\frac{1}{2}$ rwa? He had a good guess at G&tw $\frac{1}{2}$ c\$ airport but wanted to be sure.

Philbert knew that he lived in an area that was not of the best for TV reception, and by luck he had in the van a teletext receiver for delivery after repair. Into Mr. Hayes' living room it went to provide a check. On this set the pages were displayed clearly, with virtually no incorrect symbols or misspellings. Not the aerial then, so Philbert turned his attention to the teletext decoder in the ailing TV receiver. It was a middle-aged model using the Mullard/Philips SAA series four-chip teletext decoder set of i.c.s. First he checked the 5V and 12V supplies. The voltages were correct and the ripple levels were low.

Next he carefully examined the text display on each channel in turn. Some of the four were better than the others. Channel Four was the worst, though the TV picture on this channel was acceptable. Each channel was then tuned for best results, at the front control panel, but this didn't improve the text situation at all. Indeed things were so bad with the Ch. 4 text display that even the clock and header row sometimes flickered over to nonsensical figures and symbols. Our man finally had a judicious twiddle of the clock tuning coil at pin 21 of the SAA5030 VIP chip while watching the clock display in the header row of the Ch. 4 index page. If the slug was moved far from its original setting in either direction the display went from bad to worse. He restored the setting to the original position and went off to consult the workshop worthies on the matter.

Back at the base the story was recounted in detail to a sympathetic colleague. The upshot of this was that Philbert returned to Mr. Hayes later that afternoon armed with an anti-static outfit and some electronic bits and pieces. Following his instructions, he first decoupled the decoder's supply lines with capacitors large and small. Then he checked the earthing of the teletext

decoder panel. There was no change to the symptoms with the extra decoupling capacitors temporarily hooked in, and the earthing leads and joints proved to be o.k. Next then for Philbert's hour of glory, with the impressed Mr. Hayes as an onlooker. Philbert spread out his anti-static mat, earthed his wrist and his little soldering iron with a flourish, and produced a foil-wrapped SAA5030 chip fresh from the stores.

Fifteen minutes later the new chip had been fitted. The teletext panel was replaced in the set and Ch. 4 text was selected via the remote control keypad. How their faces fell! The text display was as mixed up and confused as before, with sprinklings of £ symbols, odd blocks of graphics and misspellings. Philbert, crestfallen, twiddled the bit-clock coil again. There was no improvement. He wished he was in Ten\$ribe or Maj $\frac{1}{2}$ rwa.

Bright and early next day Dave appeared on the scene – it was Philbert's day off – with a replacement decoder panel that had proved to be o.k. in the workshop. Into the set it went, but the symptoms remained as before with very little improvement. Dave was convinced that there was something wrong with the signal from the aerial. So he tried a complete replacement TV set. Good teletext! Where lay the problem then? See next month for the answer.

### ANSWER TO TEST CASE 330 – page 617 last month –

Picture foldover, and in fact linearity problems generally, are much rarer now than they were in the old days. The Ferguson TX10 set featured in last month's puzzle had foldover at the top of the picture, indicative of a slow or constricted field flyback. The lads in the workshop were on the right trail in checking out the flyback generator circuit associated with pins 6 and 8 of the TDA3652 field output chip, and the low-amplitude pulse at pin 6 should have led to further investigation in this area.

The normal action of this circuit is that C776 (100µF) charges to the supply line potential (26V) via D771 and R774 during the scan period. At the end of the scan the flyback generator within the chip whips pin 8 up to 26V, thus raising the positive plate of C776 to 48V and reverse biasing D771. In this way the supply to the deflection yoke is boosted, ensuring a fast reversal of the current flowing in the field scan coils. This wasn't happening, because R774 had increased in value from its normal 620Ω to about 1.7kΩ. Maybe a little more thought about the low-amplitude pulse at pin 6 would have got our fault-finders there a bit more quickly. Maybe that was what Sage was muttering as he settled down at his own bench, while RT dismantled the Christmas tree of components under the TX10's main PCB.

# VCR Clinic

Reports from Philip Blundell, AMIEE,  
Eugene Trundle, Ian Bowden, Alfred Damp,  
Stephen Leatherbarrow and Nick Beer

## Philips DMP Series Decks

When taking the top plate from the mechanism be careful as you remove the erase plug: if you don't release the clips first you can easily break off part of the erase head mounting. This happens to be where the 180° roller adjusting screw operates, the result being that the tape path goes way off adjustment. Usually the engineer glues the erase head back on but leaves the L-shaped lug off, thinking that it has no effect – it comes into use only when threaded up. . . . To do the job properly a new scanner ring is required. **P.B.**

## Pye DV464/Philips VR6462

"Goes beserk" said the fault note, which wasn't far wrong. At switch on the deck would initialise then the clock would go off, the deck would go into wind and wouldn't stop. All this was accompanied by clouds of smoke from the i.f. module. The smoke was coming from R3426 as C2422 was short-circuit. It's part of the tuning voltage generator. . . . **P.B.**

## Philips VR6468

On occasions the cassette would eject when play or rewind was selected. If the service mode was selected the error was -2 (capstan not rotating). This time it wasn't loss of the tacho signal: the capstan motor had a dud spot. **P.B.**

## Blaupunkt RTV310

The problem was tuning drift, with a hum bar superimposed on the snow. C1103 (47µF, 100V) on the power supply PCB was open-circuit. **P.B.**

## Philips VR6362

The clock display would either go off or only one digit would appear – it was an intermittent fault. When it occurred the machine didn't answer the keyboard. Crystal 1001 on the clock module was dry-jointed. **P.B.**

## JVC HRD320

The problem was very intermittent loss of the playback picture. Days would pass without the fault showing. Sometimes it would tease us for a few minutes at first switch-on from cold. We tried replacing the luminance chip IC101 but this didn't cure the problem. The symptom finally stayed for long enough to enable us to do some scope tests. These proved that low-pass filter LPF102 was the culprit. These filters have many internal joints, which probably explains why they are so often the cause of exasperating intermittent signal problems. **E.T.**

## Samsung VI910

The reported fault was of cutting out intermittently on playback. No cause could at first be found: the most likely suspect, the reel drive idler, appeared to be fine. After the machine had worked correctly for several days it came to a stop – when we noticed it the tape had unlaced and the machine was in the off mode. We restarted it and it ran for only a few seconds before

stopping again. This time we noticed that the power LED went out momentarily just as the machine cut out. We restarted it again, with a meter handy. This time when the fault occurred the machine just stopped dead with the tape still fully laced. We quickly found that the 13V supply, from which all the other supplies are derived, was missing. The cause was the 3132V regulator chip IC1. It could be turned on again by applying just a few drops of freezer to its case. **I.B.**

## Panasonic NV-G21

When we switched the machine on a squealing noise came from it. After removing the top cover we noticed that the capstan rotor was vibrating. A check at the torque control input pin of the BA6430S motor driver chip IC2001 revealed some bursts of 1.8V spikes that sat on a d.c. level of 1.5V. The timing of these bursts seemed to coincide with changes in pitch in the noise coming from the motor. After checking with another machine however we found that these bursts are quite normal. We also discovered that the noise would fade away when the machine had been on for a few moments. A quick spray of freezer on the motor driver chip brought the fault back again, proving that the i.c. itself was the cause of the problem. **I.B.**

## Panasonic NV-L25

This seemed to be a very strange fault at first. The customer said that the two words "write" and "release" would intermittently appear in the display and that when this happened nothing could be done with the machine. Unusually for an intermittent fault it showed up straight away for us, and we found that by lifting the front right corner of the machine slightly it cleared. As soon as the top cover screws had been removed however the fault wouldn't occur, no matter how the machine was flexed. With the top cover removed the cause of the fault was spotted straight away. A flat 14-way connecting cable goes from P7401 on the main PCB to P7501 on the display PCB. It hadn't been bent down far enough and the insulation had been cut through at connection five (serial data line) by the front of the metal top cover. This connection was thus earthed when the cover screws were fitted. **I.B.**

## Panasonic NV-G21

This machine showed very little sign of life. There was no display and no LED indications. In fact all that worked was the r.f. amplifier. The cause was quickly traced to the power supply – there was no 6V and hence no switched 5V output from the STK5338 multi-voltage regulator chip IC1001. It was the second machine we'd had in a single week with the same fault. **I.B.**

## Mitsubishi HS-B30

The owner complained that the counter didn't work correctly. In fact the digital readout didn't change at all. At the same time a noise bar moved through the picture, indicating absence of the CTL pulses. Replacement of



the audio/control head cured both faults. This is rather intriguing: why complain about something as trivial as the counter when the playback picture quality is so poor?

As a footnote I received another VCR with the same complaint/symptoms later the same day. This one was a brand new Akai, but this time all that was necessary was to clean the control head. **A.D.**

### **Ferguson 3V57**

This machine would intermittently stop due to either reduced amplitude or missing take-up reel pulses. The usual causes of this problem with these machines are dry-joints or a defective reel optocoupler. This time however I found that the switched 12V supply to the reel sensor board was low and varying. When the supply and the reel pulse waveform were monitored you could see that the latter disappeared when the supply dropped to 9.5V. The cause of the problem was on the power supply board: D3 was leaky with a reading of approximately 600Ω. **A.D.**

### **Ferguson FV13H**

The job card said "dirty heads". When the machine was tested there was no picture but sound could be heard. So I switched off and set about cleaning the heads. When the test tape was tried again the symptoms were the same. I stopped the tape, ejected it and was about to attempt to clean the heads a second time when I noticed that the drum, which was slowing and about to stop, was actually running backwards! Not really believing my eyes I tried the test tape again and sure enough the drum was rotating backwards. So attention was turned to the servo board. After finding an incorrect voltage I replaced the VC2023B2 servo chip. This restored normal drum rotation. **A.D.**

### **Tashiko VVE922**

Failure to record colour was the complaint with this particular Japanese nightmare. The more I looked for the cause of the fault the more intermittent it became. I tried creeping up on it but this didn't help. How do they know? Anyway, after a long foray into the machine with a hairdryer in one hand and freezer in the other VR303 (627kHz set potentiometer) proved to be the cause. Don't twiddle – the setting is critical. **S.L.**

### **Amstrad VCR4500/9000**

On several occasions we've had no tuning or poor band coverage due to the 43V zener diode D517 on the power supply module. It's type GZA43Y but I always make do with a 33V and 9.1V zener diode together as 43V zeners don't exactly grow on spares cabinets. **S.L.**

### **Panasonic NV370/Philips VR6520**

There was severe hum on both picture and sound in the E-E mode. It also showed very clearly with the test signal displayed. C1102 (2,200μF, 25V) on the power supply panel was bulging out its innards for all to see and was virtually open-circuit. **S.L.**

### **Amstrad VCR7000**

Due to no take up, poor fast wind etc. we had to replace the reel idler in this machine. No surprise here of course,

but we were surprised to find that the symptoms were still present after the replacement. The drive circuitry is very simple and the fault was quickly traced to Q15 (2SD1348) which was short-circuit base-to-collector. For those who may not know this, the idler is the same as the one used in the Sharp VC9300/VC381 range of VCRs. **S.L.**

### **Panasonic NV333**

A case of no tuning voltage was traced to R7019 on the panel mounted vertically at the rear of the deck. Its value is 10Ω and there appeared to be no contributory cause to its failure. **S.L.**

### **B and O VHS80**

Chewing tapes it said. Easy I thought – the idler is faulty for sure. More fool me! I found that the capstan motor didn't move in fast forward and rewind, nor did it move to give take-up in play or record. But it did thread. There was also a loud scratching noise during threading. A check on the circuit revealed that I'd had this problem before, but the resistor was o.k. this time. So time for some proper fault-finding.

There was no output from the capstan drive switching chip IC1151 though it was being switched correctly. This was because there was no motor supply input. There should be a regulated 4.2V input which is obtained from the 16V rail via Q1158. This transistor's collector voltage was high as it had no base bias because R1153, a tiny 1kΩ resistor, was open-circuit. Replacing this resistor restored motor drive. In the fast modes the reel drive was sluggish. A new idler upped the torque, but the deck didn't lace completely and because of this there was no take-up in the play and record modes. The cause was much simpler this time: the loading belts were very worn – as were the pinch roller and the other belts.

The mechanism is very similar to that in the Hitachi VT11. **N.B.**

### **Sony CCD-F340E**

The card listed two faults, a loud screeching sound when rewinding and poor life from the battery – there was no indication as to whether it was the sole battery that had been used. I decided to deal with the noise first as I'd a fair idea of the likely cause, a faulty supply reel table. This had to be ordered and was fitted a couple of days later. I then looked into the battery problem.

The battery sent with the machine wasn't of Sony manufacture. It was a high-capacity (1,400mAh) Maxell one. As it was flat we charged it then tried it out. On continuous play it lasted for just a quarter of an hour. The camcorder was drawing the correct 6.5W in the camera record mode, and when flat the battery voltage had dropped to just over 5V.

We've found that the most common cause of loss of battery capacity is incorrect use/charging. The problem arises when people charge the battery, use it for a short time without "flattening" it, then charge it again. This is commonplace in the shop of course, where camcorders are constantly being demonstrated and the batteries left on charge. We've had some success with continually flattening and recharging batteries for a period to reactivate them. Customer education is the best cure. The fault seems to affect mainly batteries used with Sony camcorders and their clones – not just Sony batteries either. **N.B.**

# Letters

## MEDIUM-WAVE INTERFERENCE

I can sympathise with Ivor Nathan (Letters, March) over his problem with interference. Fortunately there's a well established solution, at least for medium-wave reception. The subject was very well covered in "The Loop Aerial Revived", *Wireless World* July 1979. The main point is that a long-wire aerial is unsuitable for a.m. reception in an urban environment because it's very sensitive to local electrical interference. Due to the short distance between the interference source and the aerial capacitive coupling is significant. Since most of the radiation is produced by high r.f. voltages (sparks, TV video output, TV line pulses) this capacitive coupling results in a high interference level. Electromagnetic interference radiation is relatively small.

What's required is a magnetic pickup device. One can be made for next to nothing. Make a frame about 1m × 1m × 50mm. This is easy to do with two lengths of 50 × 20mm timber joined in an X formation. Wind seven turns of fairly heavy wire round the frame, keeping a few mm between the turns. Connect the ends to a 500pF tuning capacitor. Place a radio with a ferrite-rod aerial inside the loop, with the coils on the rod in the same orientation as the loop. Tune the loop and the signal strength will rise dramatically. An alternative method of coupling is to wind a one-turn loop on the frame and connect it via twin cable to the receiver's external aerial socket.

Not only does this produce lots of signals with hardly any interference, it's also directional. Thus interference can often be nulled out by turning the loop. In addition, being tuned it helps to suppress image reception. Here in Nottingham I've received local stations as far away as Bradford and Southend using this loop aerial.

David Robinson,  
Radcliffe-on-Trent, Nottingham.

## INTERLACED SCANNING

I was interested to read David T. Looser's letter in the May 1990 issue and feel prompted to make the following comments. Interlacing provides 25 complete pictures per second at an overall flicker rate of 50Hz. The technique is to transmit 50 half pictures by scanning odd lines during the first fiftieth of a second and even lines during the second fiftieth. The price paid for doing this is an adjacent line-to-line flicker at 25Hz. If interlacing is not used and the other system parameters remain substantially unchanged only half the screen area is scanned, in other words half the elements that make up the picture have gone. This of course affects the camera as well – half the photosensitive area wouldn't be scanned either. So, even if David Looser prefers to watch such a picture, half the information has disappeared. I don't understand how his claim that "the vertical resolution is virtually the same" can be compatible with his later statement that "the line structure is quite noticeable". I recall the importance of interlacing with the 405-line system. Failure produced a 202-line picture which even the uninitiated thought was pretty awful! The idea for interlaced scanning came from the EMI team that developed the 405-line system fifty years ago. I think it

unlikely that any great revelation is going to contradict their theory.

The argument that since VDUs don't employ interlacing TV sets needn't either is specious since we're not comparing like with like. At normal TV viewing distances the angle subtended to the eye by the screen is typically ten degrees in the vertical plane and the 25Hz line-to-line flicker is not very obvious. VDU users sit much closer to the screen and the ten-degree angle just mentioned can be thirty degrees. As a result the line structure is far more obvious. With interlacing there's a further problem that's far more relevant to VDUs than TV sets. If you get close to an interlaced picture and run your eye up and down the screen the raster breaks into a pattern of half the number of lines, moving up or down. When you stop the eye movement the number of lines appears to double, back to normal, and the 25Hz flicker can be seen.

So there are good reasons for not using interlacing with VDU displays. First, any 25Hz flicker is more obvious, because the operator is close to the screen. Secondly when reading down the screen, or having the display scroll through, the eye's tracking movement causes the break-up effect described above. Enduring this for a day can cause headache and eye fatigue. The definition of small 312-line VDUs is quite adequate for the characters used in word processing etc.

Truly high-definition computer displays employ both sequential scanning and a large number of lines – typically 1,250 – so that even with a magnifying eyepiece it's impossible to see the line structure. All you see are the phosphor dots of the delta-gun tube which, incidentally, is perfectly converged. This level of performance is essential for the computer-aided design of modern densely-packed PCBs for example. Such definition calls for a video bandwidth in excess of 25Hz, which brings us back full-circle to the use of interlacing as a means of reducing the bandwidth requirement with a TV transmission.

Keith Cummins,  
Holbury, Hants.

## THE FISHER FVHP615

With reference to the problems Dave Mackrill mentions at the end of his article on the fishy Fisher FVHP615, we service hundreds of these machines and can say that the final problem of tight supply and take-up reels is normally caused by the reel assemblies beginning to fall apart. All that's required is a push down on the centres of the reels and the problem is solved. Fred will most likely be calling back with tight reels!

C. Green, Budget Video Warehouses Ltd.,  
Dartford, Kent.

## PIONEER LASER UNITS

In the CD Player Casebook column for May Mike Leach quotes the price of the laser pick-up for the Pioneer PDZ-72T as £27 plus VAT. I wish we could sell them for that! As it is, our target retail price is £43.87 plus VAT, though trade customers will of course pay less. Mike's point about laser pick-up prices is well understood by ourselves and probably by most manufacturers. At our trade price Pioneer actually make a loss on each one we sell, but frankly we want to make a profit selling CD units, not laser pick-ups!

Of more concern to us is the fact that many if not most



laser pick-ups are changed "on spec". All too often it's a question of "problem with a CD player - change the laser pick-up"!

Our training officer Ken Clements has been running two-day courses on CD for a few years now, all over the country. We think, and many engineers write to tell us, that it's an excellent course, with a very high practical content. Any of your trade readers who repair Pioneer CD players are welcome to contact us to find out when they can join one of them.

*Roger J. Wood, National Service Manager,  
Pioneer High Fidelity (GB) Ltd., Service Division,  
Field Way, Greenford. Middx UB6 8UZ.*

## QUALITY OF 625-LINE TRANSMISSIONS

I'm writing to support Ray Truner's views (Letters, May) on the present quality of 625-line transmissions. I remember being astounded at the quality provided by early colour TV programmes transmitted during the BBC's sixtieth anniversary celebrations a year or so ago, particularly the edition of "Going for a Song". By adjusting my TV set just to underscan the tube face I can see that much broadcasting equipment is out of alignment, whether on BBC where the start of the active line is delayed or Channel Four where the active line finishes too early - with ITV this varies from company to company. I can also see the lining up of shots from mixer desks. Further, why does London Weekend Television use so much clipping and correction that the pictures produce a "cardboard cutout" effect? Is there no such thing as true black level? I'm beginning to think that it's all a plot to show how good HD-TV is. Would any TV company care to comment?

*S.J. Cowie,  
Shrewsbury, Shropshire.*

## SOUND QUALITY ETC

I read with interest John C. Priest's letter on cabinet design and TV sound quality in the April issue. Like John Priest I think that the sound quality of TV sets has got progressively worse over the years, due in part to the flimsy cabinets used and the tiny speakers often fitted in large-screen TV sets these days, but I feel that the type of audio amplifier also plays a large part in the sound quality obtained.

Nowadays the vast majority of sets tend to use amplifier chips, reducing labour costs. To my ears these chips often sound harsh and are fatiguing to listen to for any length of time. They tend to suffer from crossover distortion at low volume levels, and many are inherently unstable, the TBA820 for example - if you don't believe me, try disconnecting the Zobel network (usually 1Ω plus 0.22μF) connected across the output and hear it scream!

Many older designs used a transformer-coupled class A audio amplifier which provided a more pleasant sound despite greater distortion (on paper anyway!). Most of the distortion produced by this type of circuit is in fact second harmonic distortion, to which the human ear is very insensitive. Transformer-coupled amplifiers do tend to sound a bit on the warm side, but I don't find this colouration unpleasant - though my Decca 30 does sound as if it has a cold at times!

Many of the discrete push-pull designs used in TV sets over the years are capable of providing good sound, notably the class A designs once used by Philips. Class B

designs can also sound good, though the rather under-biased effort in the Philips TX portable chassis sounds awful, with crossover distortion clearly in evidence.

In TV Fault Finding, February, Stephen Leatherbarrow comments on the unreliability of many STK type thick-film modules. This may be because too much heatsink compound has been used during assembly. My Onkyo tuner-amplifier uses an STK463 in its output stage and gives excellent sound but the STK463 blew after the first few months. On removing it I found a thick dollop of heatsink compound on the underside. This had prevented good contact between the module and its heatsink, the result being an excessive local temperature rise and early failure. The replacement was installed with a small amount of compound carefully smeared over the whole surface. It has given trouble-free service now for seven years.

Incidentally my Sony KV2000 suffered from decoder trouble recently. The colour was weak, with considerable noise on saturated primary colours. Voltage checks in the decoder showed that Q302 was conducting excessively. This was caused by the a.c.c. preset VR303 being dirty. A squirt of switch cleaner cured the fault. Dirty potentiometers seem to mar this set's otherwise excellent reliability now that it's getting on a bit.

*S. Pearson,  
Chipping Norton, Oxon.*

## CHARLES HYDE

Your TV/VCR Spares Guide 1990 failed to list the full range of spares we can provide. In addition to being the sole non-account spares distributor for Sanyo UK we are one of the three approved distributors for Ferguson and one of the five approved suppliers of spares and components for Philips Consumer Electronics in the UK. We also carry a range of spares for Decca, Fidelity, Hinari, Hitachi, ITT, Sentra, Seleco, Sharp, Sony and Toshiba.

We at CHS, as we are often called, have been operating since October 1959 and are the oldest, by at least six years, of the established national independent spares and components distributors. We have no diversification into finished goods, industrial electronics or office equipment goods and spares, concentrating our efforts on supplying the home entertainment service trade with the spares and components dealers need very quickly to get consumers' equipment back into working order as soon as possible.

We have an automatic computer ordering system called CHES (Charles Hyde Express System for Spare parts ordering) which enables customers to gain direct access into our main frame computer and enquire about the availability and price of all products in our catalogues and place orders for immediate processing.

*Freddie Whipp, Sales Manager,  
Charles Hyde and Son Ltd.,  
Prospect House, Barmby Road,  
Pocklington, York YO4 2DP.*

## WELL DONE SES

There have been many letters in recent times about the poor service given to the small Independent Retailer/Service Department by manufacturers and their agents. Occasionally however one obtains exceptional service, so I'd like to commend Sony agents SES (Staines) Ltd.

(Unit 1, Causeway Industrial Estate, Lovett Road, Staines TW18 3AN). During a recent visit the reception area simply oozed efficiency and all staff were quite exceptionally polite and helpful. Despite the fact that we are not Sony dealers we obtained immediate replacement of a failed on/off switch in a couple of KV2092 receivers free of charge while we waited – and a three-month guarantee covering the complete sets! Well done.  
*Barrie Hay TV,  
Lancing, Sussex.*

### MANOR SUPPLIES TELETXT ADAPTOR

I wonder whether anyone can provide details of the i.c. and transistor working voltages for the Manor Supplies Mk II Mullard teletxt adaptor as this information is no longer held by Manor? Any expenses would of course be reimbursed.

*E.G. Kempshall, 109 Portland Road,  
Hove, East Sussex BN3 5DP.*

### HOW GREEN IS SATELLITE TV?

I wonder whether satellite technology is as green as David Tilley suggests. The satellites themselves are green so long as they don't re-enter the atmosphere. But putting a satellite into orbit requires a huge expenditure of highly volatile energy in relation to the size of the payload, and as the launch vehicle punches its way through the atmosphere, including the ozone layer, its propellant gases hurtle back into the atmosphere. Three decades of satellites and space probes have greatly increased our knowledge, but can anyone place his hand on his heart and declare that rockets are environmentally friendly?

*D.F. Bishop,  
Ripley, Derby.*

### CABINET DESIGN

May I echo John C. Priest's views (Letters, April) on the awful design of CTV cabinets in particular? It's clear that manufacturers are either so arrogant about the reliability of their products that they think they'll never need to be fixed, or they just don't give a damn for the poor beleaguered service engineer. Many field engineers must at some time have had no choice but to balance a large, unwieldy PCB on one knee while squatting in a corner of a dingy room and work on it while it's live. Sometimes we have to handle metalwork that we know is at half mains potential due to the use of the ubiquitous bridge rectifier.

Until quite recently TV sets had a servicing position that gave access to both sides of the main PCB without having to undo numerous cable clips. The service manuals blandly instruct you to ensure that all cables are fastened back in their original positions – which is impossible unless a Polaroid camera is part of your toolkit. We are also told always to use an isolating transformer when servicing. I'd like to ask those who

write this sort of thing to carry one up to a top flat after having parked a couple of streets away.

Refitting the backs of some modern receivers is more difficult than repairing them. Numerous screws, PCB support slots moulded into the back, AV/audio/scart/aerial socket bits and pieces etc. all cause hassles. One top name Japanese set flaps alarmingly when the back is off: the paper-thin plastic can't support the weight of the c.r.t. properly.  
*Dave Henniker,  
Edinburgh.*

### TRANSFERRING FILM TO VIDEOTAPE

A correction is required to my article on transferring film to videotape (May 1990). The audio/video output from the JVC GRA-30E camcorder is available at an 8-pin mini DIN plug. If connection is to be made to a JVC VCR with a 10-pin camera socket the JVC VC-V810U conversion cable will be required. While writing I would like to thank Ernie Kendall (Letters, page 525) for his interesting and helpful comments on the interference problems I described in an earlier letter.

*Ivor Nathan,  
Southgate, London N14.*

### SATELLITE RECEPTION ON OLD SETS

There has been mention in the daily press of Sky TV reception on old TV sets. I have for some time owned a Pye Model 99 (T14 chassis) monochrome portable which has a v.h.f./u.h.f. tuner of Italian manufacture. It had a small power supply fault and after putting this right I tuned through the v.h.f. band. Skysport came through with a little snow on the screen but quite a stable picture. The aerial used is outside my premises and has only five elements, of Z design, with two vertical bars as reflectors.

I'm puzzled as to how on earth microwave signals can be picked up by this 1972-vintage receiver and demodulated. Perhaps other readers would care to comment?

*D.H. Davies,  
Ebbw Vale, Gwent.*

### RGB DRIVE TO THE TX10

Now that the BSB satellite with its D-MAC transmissions is in operation I'm wondering whether the analogue RGB output from a BSB receiver could be fed to the RGB data inputs in a Ferguson TX10 chassis? These inputs go to pins 13, 15 and 17 of the TDA3560 colour decoder chip. The appropriate write voltage would be required at pin 9, and sync would have to be fed to the timebases. Or can these inputs handle digital data only?

*Brian Webb,  
Havant, Hants.*

**J. LeJeune comments:** The data inputs at plug 18 on the signals processing board in the TX10 chassis can be used for analogue inputs. They should be a.c. coupled into the



colour decoder chip, which has black-level restoration in it. The brightness can be controlled but not the contrast as this is carried out before demodulation of the chroma signal. Contrast control at RGB level is very difficult – one has to maintain accurate tracking in order to preserve the grey scale. The inputs can be switched by feeding 1.5V to pin 5 of plug 18, which goes to pin 9 of the TDA3560. Sync can be fed to the pin marked “video” adjacent to C748 on the main chassis or to pin 2 of plug 19 on the signals board.

The very last version of the TX10, the 22B5 professional series, was equipped with a scart socket for analogue/TTL signals. Unfortunately parts are no longer available for this model. The contrast problem remains.

### FOR DISPOSAL

I have for disposal two new 19in. twin-panel c.r.t.s of the type used in the Pye 11U and KB 801. An excellent A66-120X must also go. These are free for collection but a phone call first would be appreciated.  
D. Goulbourne, 130 Dunedin Road,  
Great Barr, Birmingham B44 9DG.  
Telephone 021 325 0833.

A good home is wanted for a Dynatron Model TV51 with 24in. screen, full wired remote control and multi-band radio. They don't make them like this any more. It's in immaculate condition in a highly-polished cabinet with double doors. Very clean chassis. No cocktail cabinet makers please.  
S.J. lemon, 34 Guildford Road,  
Frimley Green, Camberley, Surrey GU16 6NP.  
Telephone 0252 836 519.

### HELP WANTED

Can anyone supply an i.f. panel for the Thorn 2000 chassis? The set has been in working order for 21 years but the panel met with an accident recently. Also does anyone know of a cure for teletext lines at the top of the screen with this chassis? All costs will be met in full.  
J. M. Williams, Ardro, Pendyffryn,  
Valley, Anglesey, N. Wales.  
Telephone 0407 740 710.

Can anyone supply a seven push-button selector (assembly 959P00501) for the Mitsubishi Model CT180B, new or secondhand? All expenses paid.  
J. Aldrich, 38 Parsonage Lane,  
Burwell, Cambs CB5 0EN.

Can anyone lend or sell me a circuit diagram for the Sharp multi-standard Model CP1491SP?  
Leon Electronics, 11 Woodland Close, Three Bridges,  
Crawley, West Sussex.  
Telephone 0293 20 536.

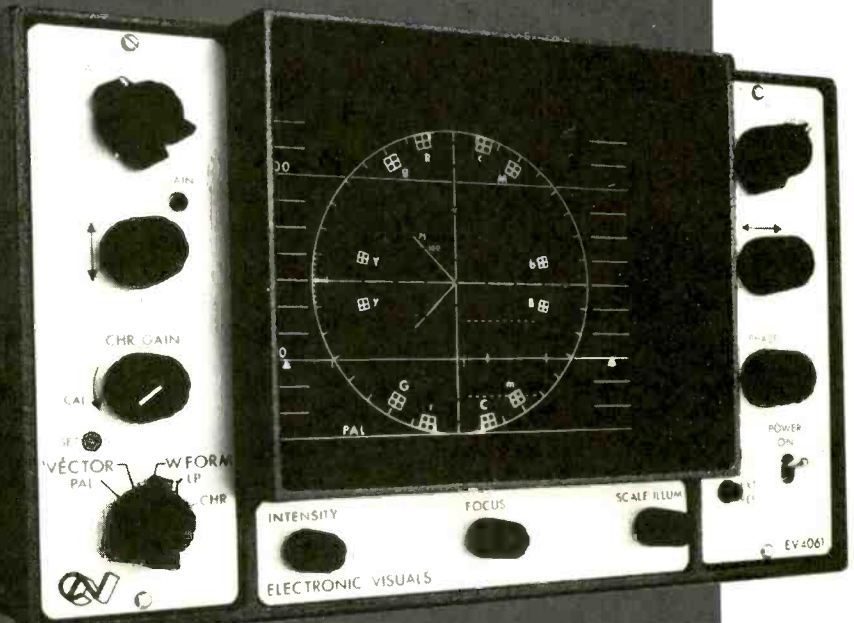
I urgently require two E421 dual n-fet input amplifier transistors for my Scopex 4D-10A oscilloscope. All expenses paid.  
Ben Hosseinally, 3 Villa Chambly,  
Curepipe Road, Mauritius.

Does anyone know where we can obtain the moving-coil meter used in the Ferrograph RTS-1 test set?  
R. Sherwin, Bristol Sony Centre,  
8-10 Bond Street, Bristol BS1 3LU.  
Telephone 0272 290 448.

## THE FIRST – and still the lowest cost – TV SIGNAL MONITOR

### EV4061 COMBINED VECTORSCOPE & WAVEFORM MONITOR

- Broadcast standard measurements
- Ideal for edit suites
- Simple operation
- Amplitude and Phase checks at the turn of a switch

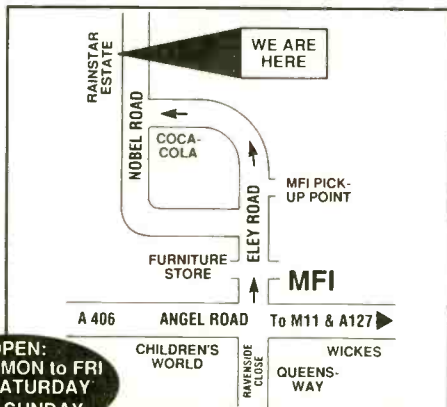


## ELECTRONIC VISUALS LIMITED

Goldsworth Road, Woking, Surrey, England GU21 1RU

Tel. 0483 771663 Tx 859139

# VISIONS LONDON

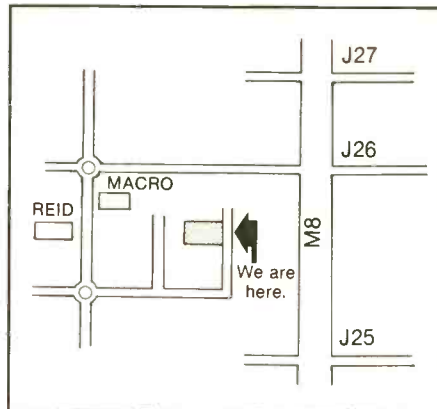


**OPEN:**  
9 - 5.30 MON to FRI  
9 - 1 SATURDAY  
10 - 1 SUNDAY

Contact Neil Patel  
Tel: 081-807 7476

Unit 4, Rainstar Ind. Estate, Eley Estate,  
Nobel Rd, Edmonton N18 0AA. (Off A406)

# BI-TECH SCOTLAND



Contact Jack Swann  
Tel: 041-883 2610

Unit 9, Colquhoun Ave, Hillington  
Industrial Estate, Glasgow G52 4BN

**APPROVED THORN DISTRIBUTORS - FULL  
RANGE OF THORN & GRANADA STOCK**

# JDA

*Audio Visual*

## THE SOUTH EAST'S LARGEST INDEPENDENT WHOLESALER OF SATELLITE TV EQUIPMENT

**CONNEXIONS - UNIDEN - VORTEC - ECHOSTAR - ETC**

OFFICIAL S.E. ENGLAND  
*Connexions* **VORTEC** WASO  
and HYPEX-ERARD Distributors

We stock a full range from basic ASTRA to  
MULTI-SATELLITE including the full range of  
CONNEXIONS and VORTEC equipment

### 3 WAY SATELLITE DECODER SWITCH

Our PROSWITCH automatically controls  
3 Decoders of automatic switching types.  
This is an electronically switching  
interface not just diode steering.

— **£15** plus lead  
and carriage

— ALSO AVAILABLE —



Size: 79x61x40mm

ALL ITEMS  
PLUS VAT.

### PROLOCK FILMNET DECODERS

Lead supplied. Software  
digitally follows all 33 modes  
of Filmnet Encryption.



**£75**

Size: 190x55x100mm

ACCOUNT TERMS AVAILABLE SUBJECT TO REFERENCE, FULL RANGE OF ACCESSORIES AND INSTALLATION AIDS.  
TECHNICAL ADVICE & BACK-UP FROM OUR ENGINEERS. PLEASE ENQUIRE FOR CATALOGUE & PRICE LIST.

#### HEAD OFFICE

32 Branbridges Industrial Estate, East Peckham,  
Tonbridge, Kent, TN12 5HF.

Telephone (0622) 872400 Fax (0622) 872635

**EXPORT  
ENQUIRIES  
WELCOME**

23B Chichester Road,  
Southend-on-Sea,  
Essex.

Telephone 0702 468222



# THE NATION'S BIGGEST SUPPLIER OF THE BEST EX-RENTAL T.V.'s & VIDEO RECORDERS

# TELEPRICE

## LIMITED

### FARNBOROUGH WAREHOUSE



**CLIFF PARSONS**  
0252 540814

7/8 KINGSGROVE INDUSTRIAL EST.  
INVINCIBLE ROAD  
FARNBOROUGH  
HANTS. GU14 7QS

### AVONMOUTH WAREHOUSE



**KARLA REALE**  
0272 235093

5 PORTVIEW ROAD  
AVONMOUTH  
BRISTOL BS11 7LQ

### SUNDERLAND WAREHOUSE



**BRIAN CADE**  
091 523 5554

9A/B  
94 CARRMERE ROAD  
LEECHMERE INDUSTRIAL EST.  
SUNDERLAND SR2 9TE

### LINWOOD WAREHOUSE



**IAN DORAN**  
0505 29284

1a LYON ROAD  
LINWOOD INDUSTRIAL ESTATE  
LINWOOD  
RENFREWSHIRE PA3 3BQ

### AINTREE WAREHOUSE



**IAN McCLELLAND**  
051 530 1285

UNIT 2, RACECOURSE IND. EST.  
ORMSKIRK ROAD  
AINTREE  
LIVERPOOL L9 5AL

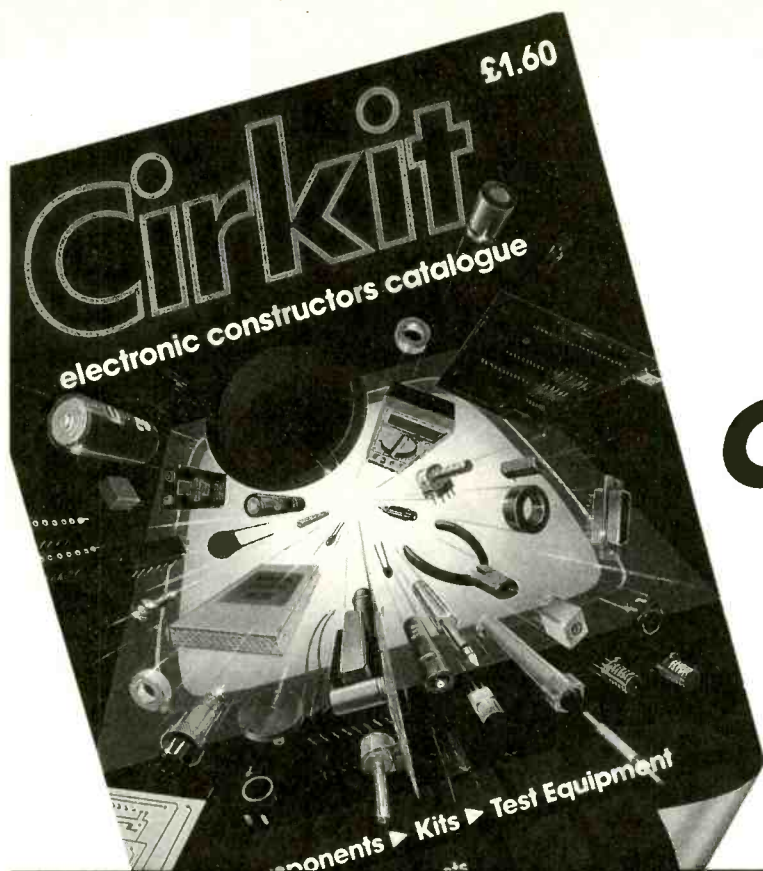
### NOTTINGHAM WAREHOUSE



**JOHN JEYS**  
0602 491385

REAR ENTRANCE, UNIT 7  
ORCHARD BUSINESS PARK  
SANDIACRE  
NOTTINGHAM NG10 5BP

**!!!! STOP PRESS !!!!**  
**NEW WAREHOUSE OPENING SOON AT**  
**MAIDSTONE, KENT**  
For details ring Janet Snook on 0252 540814



# The New Cirkit Summer Catalogue

- 100s new products
- £10 worth discount vouchers
- Latest books
- Low cost multimeters
- 184 pages
- Only £1.60 available from larger newsagents or directly from Cirkit



**Cirkit Distribution Ltd.**  
 Park Lane, Broxbourne, Herts EN10 7NQ  
 Telephone (0992) 444111

**OUT NOW! OUT NOW! OUT NOW!**



## PHOENIX TV'S

### SPECIAL SUMMER OFFER

KT3 .....	£25	Tested
KT30 .....	£30	Tested
G11 .....	£10	
Japanese .....	£25	

**VCR'S TESTED  
 EX-RENTAL. FRONT  
 LOADING FROM - £75**  
 ie Philips and Ferguson.

**CHEAP  
 Special Offer  
 10 Working  
 CTV's £85**

**PHOENIX TV WHOLESALE**  
 UNIT 3A SANDALL LANE, KIRK SANDALL IND EST  
 Telephone CHERYL on 0302 890117

### YOUR PRICES CAN COMPETE WITH MAJOR ELECTRICAL RETAILERS - 'B' GRADE HITACHI STOCK

Typical Examples	RRP	Trade	Zoneport Price
Nicam 25"	£599.99	£405.78+VAT	£350+VAT
21" FST	£499.99	£304+VAT	£215+VAT



**PHONE FOR  
 ZONEPORT  
 PRICES**

Ex-rental TV's & VCR's in good condition available

\*\*\*\*\*

*Selection of White Goods*

**UPRIGHT VACUUM CLEANERS  
 £35 MINIMUM QUANTITY 5**

### ZONEPORT

S.E. England 0795 428166 BRIAN	Lancashire 0524 61122 HANIF
Unit N2, London Rd Trad. Est, Sittingbourne, Kent Fax 0795 429716	High St, Lancaster



# CHROMAVAC

CHROMAVAC LTD., PUMP STREET, HOLLINWOOD, OLDHAM OL9 7LR



**SONY**  
**FST**  
**45AX**  
**30AX**  
**INLINE**  
**DELTA**  
**MONO**

**061 681 2959**

**FAX 061 682 0646**

## REBUILT TV TUBES



**HITACHI**  
**MULLARD**  
**ORION**  
**PHILIPS**  
**RCA**  
**SHARP**  
**TOSHIBA**  
**VIDEOCOLOR**  
**ETC.**

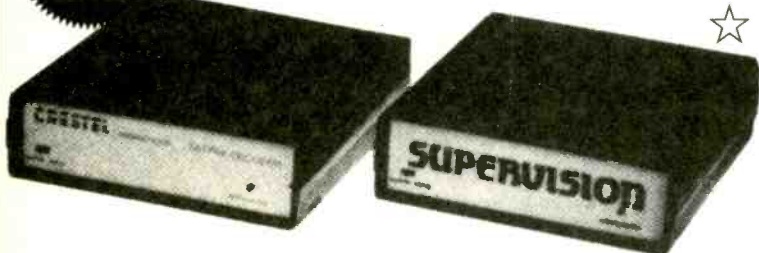
**DIRECT FROM THE COMPANY**  
**WHO PUT HIGH STANDARDS FIRST**

**FROM THE FACTORY**

**DAILY DELIVERIES ANYWHERE IN UK**

**WHATEVER YOUR TUBE REQUIREMENTS GIVE US A CALL**

**THE  
ULTIMATE  
IN TODAY'S  
DECODERS**



★ **NOW AVAILABLE** ★

FILMNET/RTL-V

★ **DUAL DECODERS** ★

"STATE OF THE ART MICROPROCESSOR TECHNOLOGY"

- Full Auto Switching
- Loop through facility for additional decoders
- Internal power supply
- Full upgradable for high level scrambling
- Complete with leads
- Compatible with all Receivers
- Simple installation

★ **PRICE ON APPLICATION** ★ **NO QUIBBLE, EXCHANGE GUARANTEE** ★

★ **FULL TECHNICAL SUPPORT AND HELPLINE** ★

**ALSO  
AVAILABLE  
FILMNET  
ONLY  
DECODERS**

**SALES HEAD OFFICE FOR TRADE AND EXPORT ENQUIRIES — 0532 444195**

Contact your nearest dealer on:—

Blackpool	Fylde Colourvision	0253-826136
Channel Islands	L.J. Electronics	0534-74951
Glasgow	Nu-View	0355-264842
Isle of Man	Quay Satellites	0624-812133
Leamington Spa	Allied Aerials	0926-814289
Leeds	Supervision	0532-444195
London	Videotech	081-769 1029
Leicester	Tele-Tel	0455-283249
Llanrwst	Crestel	0492-640313

Merseyside	Astro Satellites	051-638 2518
Newcastle	Johnson Vision	091-221 0912
Skegness	Hanwell Automatics	0754-68425
Southampton	Southern Satellites	0703-207747
Torquay	Satellite T.V. Centre	0803-200747
Aberdeen	Anderson Enterprises	0771-22827
Northern Ireland	Trade Prices	0504-59911
Southern Ireland	McGroarty's TV	010 353 73 36037

Sales Head Office

Manufactured by

## SUPERVISION

UNIT 16, TOWER WORKS, 2 GLOBE ROAD, HOLBECK  
LEEDS LS11 5QG (off Water Lane)

Telephone: (0532) 444195 Fax: (0532) 425777

## CRESTEL PRODUCTS LTD

UNITS 1-2, INDUSTRIAL ESTATE, STATION ROAD,  
LLANRWST, GWYNEDD LL26 0EH

Telephone: (0492) 640313 Fax: (0492) 640930

ALL PRICES  
EXC. VAT.  
Orders under  
£15 Add 85p P&P

# SMJ ELECTRONICS

C N Z



55 SLATEFORD ROAD, EDINBURGH EH11 1PB. Tel: 031 337 6950/031 346 7497. Fax: 031 337 2446. Telex: 72165

## VIDEO HEADS

FERG/JVC 3V16 etc.	VHS A	£11.55
FERG/JVC 3V29 etc.	VHS Z	£11.55
PANASONIC NV333	VHS B	£11.55
PANASONIC NV366 original	VHS X	£42.00
PANASONIC NV370	VHS M	£14.50
PANASONIC NV430	VHS W	£21.75
PANASONIC NV730 original	VHS Y	£42.00
PANASONIC NV777	VHS N	£26.75
PANASONIC NVG10 original	VEH 0287	£42.00
PANASONIC NVG21 original	VEH 0343	£42.00
HITACHI VT11	VHS K	£17.25
HITACHI VT9300	VHS I	£17.25
SHARP VC9300	VHS C	£19.25
SHARP VC581	VHS S	£19.25
AMSTRAD 7000	VHS R	£19.90
AMSTRAD 4500/9000	VHS T	£19.90
FISHER FVHP615 etc	VHS U	£19.25
SANYO 5000	BETA D	£27.25
SONY C5/6/7	BETA B	£16.75
SONY C20/30/40	BETA W	£19.85
Copies of original PANASONIC heads available	P.O.A.	

## STK & STR ICs

STK0029	£5.63
STK4141 Mk2	£8.48
STK4141 Mk5	£10.08
STK4151 Mk2	£10.43
STK5481	£4.70
STK5482	£4.29
STK7308	£5.09
STK7309	£5.81
STK7348	£4.74
STR441	£6.79
STR451	£6.12
STR50020	£6.15
STR50103	£5.45
STR54041	£5.91
STR58041	£6.15

## VIDEO BELT KITS

JVC HR3300C/3V16 (7)	£1.75
JVC HR7200/3V29 (5)	£1.13
JVC HR7700/3V22 (3)	£0.84
JVC HRD120 genuine	£1.28
JVC HRD140 genuine	£1.86
PANASONIC NV333	£1.52
PANASONIC NV370	£0.91
PANASONIC NV730	£1.68
PANASONIC NV777	£1.05
PANASONIC NV2000	£1.72
PANASONIC NV7000	£1.08
PANASONIC NV8600	£1.76
HITACHI VT11	£1.28
HITACHI VT5000	£1.79
HITACHI VT7000	£0.83
HITACHI VT8000	£0.75
HITACHI VT9300	£0.75
SANYO VTC5000	£1.31
SANYO VTC9300	£2.89
SHARP VC381	£1.09
SHARP VC6300	£1.38
SHARP VC7300	£1.74
SHARP VC8300	£1.53
SHARP VC9300	£1.24
SONY C5/C7	£1.54
SONY C6	£1.66
AKAI VS2/V55	£1.24
FISHER FVHP615	£1.38

AT TIME OF GOING TO PRESS WE  
HAVE 214 DIFFERENT STK/STR ICs,  
PLEASE PHONE FOR PRICES

THIS IS JUST A SMALL SELECTION OF THE WIDE RANGE OF PRODUCTS IN THE VIDEO AND SEMI-CONDUCTOR FIELD WHICH WE CAN NOW SUPPLY.

SMJ ELECTRONICS, inc. IBC, is the sole Scottish distributor for Ross consumer electronics and Kewmode products, and have a wide range of portable audio, televisions, headphones, leads, camcorder batteries and accessories available.

Importer and Wholesaler of Electronic Components

Distributor of Audio and Video Products

QUALITY  
QUALITY  
QUALITY



IN THE HEART  
OF THE SOUTH  
JUST OFF A24  
NEAR HORSHAM

ALL TRADE GOODS GUARANTEED AND EXCHANGED IF REQUIRED.

ALL GOODS READY FOR SHOWROOM.

- ★ WORKING P.I.L. TYPE TVs FROM £15
- ★ ELECTRONIC TYPE VIDEO RECORDERS FROM £65
- ★ TELETXT TVs INC. HANDSETS FROM £65.

**LOW PRICES FOR MARKED STOCK**

### ★ SUMMER SPECIAL OFFERS ★

BUY ANY 5 T/TEXT SETS AND GET ONE FREE  
KT3 AND K30 WITH FULL 3 MONTHS GUARANTEE ON CRT.  
WHILE STOCKS LAST!!! DON'T DELAY RING TODAY

TOP LOADERS	From £60	NV 333 Nat. Pan	£70
SHARP 8300	£65	Mk3 ALL	£15
SHARP 9300	£75	Mk3A	From £20
SHARP 8381/381H	£80	Mk 4	£35
SHARP 482/581	£90		
HITACHI VT11	£75	PANASONIC, HITACHI, GEC, ITT, PHILIPS, PYE etc	
FRONT LOAD HITACHI	From £90		£P.O.A.

Many other makes. Subject to availability.  
ABOVE PRICES SUBJECT TO V.A.T.

**LOTS OF TEXT INC. HANDSETS FROM £50**

ADVANCE ORDERS TAKEN ON ALL STOCK

Telephone Dave or Alan between 9 & 5.30 Weekdays,  
9 till 1 Saturdays

0403 732966

OR MOBILE 0860 227995

FAX 0403 733178 24 HOUR ANSWERPHONE



Rear of UNIT 31, STATION ROAD INDUSTRIAL ESTATE, SOUTHWATER,  
NEAR HORSHAM, WEST SUSSEX



# FAST VIDEO SPARES FAST

ALL STOCK ITEMS ARE DESPATCHED BY RETURN OF POST  
MINIMUM ORDER VALUE £3.50 + VAT

## VIDEO HEADS

### REPLACEMENTS

All our replacement heads are brand new precision Japanese heads not refurbished.

#### Panasonic

3HSS(N) £12.50  
Fits model numbers:  
NV2000, NV2010, NV7000, NV7200,  
NV333, NV8600, NV8610.

3HSS-UI(N) £12.66  
Fits model numbers: NV370 & Philips  
VR6400

3HSS(4N) £26.25  
Fits model number: NV366

3HSS(4NB) £26.25  
Fits model number: NV730

#### Ferguson

3HSS(V) £12.50  
Fits model numbers: 3V00, 3V16, 3V22,  
3V29, 3V30, 3V31, 3V35, 3V36, 3V38, 3V39,  
HR2200, HR3300, HR3330, HR3360,  
HR7200, HR7300, HRD120, HRD130.

3HSS4VB £29.75  
Fits model numbers: 3V32.

#### Sharp

3HSS(SP) £19.68  
Fits model numbers: VC9100, VC9300,  
VC9500, VC9700, VC381, VC8381, VC383,  
VC388, VC482.

#### Toshiba

PS3B(T) £21.57  
Fits model numbers: V9600, V31B, V33B.

#### Hitachi

3HSS(H) £24.92  
Fits model numbers: VT8000, VT9300 etc.

#### Sony

PS3B(S) £17.82  
Fits model numbers: SLC5, SLC6, SLC7,  
SL3000 also various NEC models.

PS4B(2S) £18.33  
Fits model numbers: SLC20, SLC30, SLC40,  
SLF1.

PS5B(3S) £44.25  
Fits model numbers: SLC9, SLT50, SLC8,  
SLF60.

#### Amstrad/Saisho

3HSS(R) £21.71  
Fits model numbers: VCR7000 and all mod-  
els using Onon chassis.

3HSS(F) £16.89  
Fits model numbers: VCR4500, VCR5200,  
VCR9000 etc.

#### Fisher/Fidelity

3HSS(SF) £18.75  
Fits model numbers: FVHP615, FVHP710,  
V1000.

### GENUINE HEADS

#### Panasonic

NV2000, NV2010 £48.30

NV7000, NV7200 £48.30

NV333, NV370 £48.30

NV366 £67.28

NV688, NV777, NV788 £67.28

NV730 £64.50

All others available P.O.A.

#### Ferguson

3V00, 3V16, 3V22 £49.50

3V29, 3V30 £31.95

3V32 £66.95

3V35, 3V36, 3V38, 3V39 £31.95

#### Sharp

VC7300 (equiv only) £45.24

VC8300 £70.25

VC9300, VC9500, VC9700 £65.50

VC381, VC383, VC386 £65.50

VC482 £65.50

All others available P.O.A.

#### Sanyo

VTC5000, VTC5150 (equiv only) £26.46

VTC5300, VTC5400 (equiv only) £26.46

VTC9300 (equiv only) £35.02

#### Sony

SLC5, SLC6, SLC7 £49.50

SL8000, SL8080 £49.50

SLC20, SLC30 £54.50

SLC9 £54.50

#### Toshiba

V9600 £59.90

V8600 (White Stocks Last) £49.50

V31, V33 £59.90

V55, V56 £31.95

#### Hitachi

VT5000, VT5500 £49.50

VT6500, VT8000, VT8300 £49.50

VT8500, VT8700 £49.50

VT9300, VT9500, VT9700 £49.50

VT11E, VT14E £45.50

VT17E, VT19E £56.60

VT33E £49.50

#### Philips

VR6460 £48.30

VR6462 £42.63

VR6467 £37.47

Please call if your model is not listed.

### GENUINE

#### Panasonic

NV2000, NV2010 £6.50

NV7000, NV7200 £6.50

NV333, NV366 £6.50

NV370, NV830, NV850 £2.80

NV688 £6.50

NV777, NV788 £4.70

NV8600, NV8610 £6.50

NV730 £1.90

NV230, NV430, NV870 £3.20

NV870, NV810 £2.80

#### Ferguson

3V00, 3V16, 3V22 £6.50

3V23 £3.90

3V29, 3V30 £4.90

3V35, 3V36, 3V38, 3V39 £3.90

#### Sanyo

VTC5000, VTC5150 £1.99

VTC5300, VTC5400 £4.50

VTC9300 £6.50

#### Sony

SLC5, SLC7 £6.50

SLC6 £7.50

SL8000, SL8080 £6.50

#### Sharp

VC7300, VC7700, VC7750 £6.50

VC8300 £6.50

VC9100, VC9300, VC9500 £6.50

VC381, VC383, VC386 £6.50

#### Hitachi

VT5000, VT5500 £6.50

VT8000, VT8300, VT8500 £2.90

VT9300, VT9500, VT9700 £3.30

VT11E, VT14E, VT17E, VT19 £6.50

VT33E £6.50

#### Akai

VS9700 £6.50

VS2, VS3, VS4, VS5 £4.90

VS9300, VS9500, VS9700 £6.50

#### AMSTRAD

VCR4500, 4600 mod kit £4.95

Many others available

CREDIT CARD ORDERS BY TELEPHONE RECEIVED BY 4 PM. ARE DESPATCHED SAME DAY

### BELT KITS

### REPLACEMENTS

#### Panasonic

NV2000, NV2010 £3.50

NV7000, NV7200 £3.00

NV333, NV366 £3.00

NV8600, NV8610 £3.95

#### Ferguson

3V00, 3V16, 3V22 £3.50

3V23 £2.90

3V29, 3V30 £3.50

3V35, 3V36, 3V38, 3V39 £2.90

#### Sanyo

VTC5000, VTC5150 £1.00

VTC5300, VTC5400 £2.50

VTC9300 £4.25

#### Sony

SLC5, SLC7 £3.60

SLC6 £4.95

SL8000, SL8080 £4.25

#### Sharp

VC7300, VC7700, VC7780 £3.50

VC8300 £3.90

VC9100, VC9300, VC9500 £3.90

VC381, VC383, VC386 £3.90

#### Hitachi

VT5000, VT5500 £4.50

VT8000, VT8300, VT8500 £1.50

VT9300, VT9500, VT9700 £1.50

VT11E, VT14E, VT17E, VT19 £3.90

VT33E £3.90

#### Akai

VS9700 £3.90

VS2, VS3, VS4, VS5 £3.95

VS9300, VS9500, VS9800 £3.50

Many others available

### SENSOR LAMPS

All Panasonic £1.80

All Ferguson/JVC £0.65

Sharp VC9300 etc. £2.90

Sharp VC7300 etc. £1.80

Amstrad 7000 £2.30

All Hitachi £1.80

### SENSOR L.E.D.'s

All Panasonic £2.90

All Ferguson/JVC £2.90

All Hitachi £5.75

### END SENSORS

Hitachi VT64E £1.20 each

Amstrad £5.96

### REEL MOTORS

Sharp VC9300, VC381 etc. £18.20

Amstrad/Saisho etc. £18.20

Panasonic NV333, NV366 £16.80

Sanyo VTC5000, 5300, 5400 £9.90

Panasonic NV7000, 7200 £19.80

### DRUM MOTORS

Ferguson/JVC 3V00, 3V22, etc. £24.75

Sharp VC7300, VC7700 £26.40

Sharp VC8300 £26.40

Hitachi VT5000 £25.80

### CAPSTAN MOTORS

Sharp VC8300 £39.90

Sharp VC7300, VC7700 £29.30

Ferguson/JVC 3V00, 3V16, 3V22 £24.75

Ferguson/JVC 3V29, 3V30 £34.50

Ferguson/JVC 3V35, 3V36, etc. £25.80

Hitachi VT5000 £25.80

Hitachi VT8000, 8500, etc. £34.50

Hitachi VT9300, 9500, etc. £34.50

Hitachi VT11, VT14, VT17 £28.80

Sony CS, C7 £42.90

Akai VS1-VS5 £29.90

Many, many more!

### IDLER WHEELS

### LARGE RANGE

OF IC'S

& SEMI-

CONDUCTORS

AVAILABLE

FOR TV,

AUDIO &

VIDEO

#### Panasonic

NV2000, NV2010 (Genuine) £2.90

NV7000, NV7200 (Genuine) £2.90

NV333, NV366 (Genuine) £2.90

NV370, NV830, NV850 (Genuine) £4.50

NV777, NV788 (Genuine) £4.50

NV730 (Genuine) £4.50

#### Ferguson/JVC

3V00, 3V16, 3V22 (Large clutch) £5.95

3V00, 3V16, 3V22 (Small clutch) £6.95

3V29, 3V30, HR7200, HR7300 £3.90

3V35, 3V36, 3V38, 3V39, HRD120. £3.90

#### Sanyo

VTC9100, VTC9300 £1.90

VTC5000 Reel drive pulley £6.50

VTCM10 Reel drive pulley £3.90

#### Sony

SLC5, SLC7 Rewind kit £4.95

SLC6 Rewind kit £4.95

#### Sharp

VC9100, VC9300, VC9500 (Genuine) £3.90

VC381, VC383, VC386 (Genuine) £3.90

VC482, VC483, VC581 (also Saisho) (Genuine) £3.90

VC482 etc. (Equivalent) £2.98

VC9300, 381 etc. (Equivalent) £2.98

#### Hitachi

VT8000, VT8300, VT8500 £4.72

VT9300, VT9500, VT9700 £4.75

VT11E, VT14E, VT17E, VT19 £3.96

VT33, VT63, VT64, VT65 £3.96

#### Akai

VS2, VS3, VS4, VS5 £5.20

#### Fisher

FVHP615, FVHP710, FVHP725, etc. £6.90

# A1

No order too  
Large or Small

Ring Bill Parry Now  
on:- **0733 320193**  
or call in at

**UNIT 21,  
BENEDICT SQ.,  
WERRINGTON,  
PETERBOROUGH.**

## DISCOUNT TRADE WAREHOUSE

Ex-rental Thorn and Granada T.V.'s. Sold as it arrives — untouched — direct from the depots.

★ ★ ★ ★ ★

### LARGE SELECTION OF VIDEOS

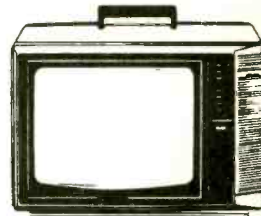


Buy them as you please!! —

Working — Untested — or Non-working

★ ★ ★ ★ ★

B'Grade F.S.T.'s and other modern T.V.'s  
working — at Discount Prices



★ ★ ★ ★ ★

Non-working TX9/10 Text and K30 Basics —  
Limited Supply Available at LOW LOW Prices!

#### VIDEO SERVICE MANUALS

Nat. Pan. Compendium 2000/2010/333/370	19.00
Sony Compendium C5/C6/C7/C9	19.00
Ferguson Compendium 3V00/3V22/3V23	19.00
Nat. Pan. 2000	10.00
Ferguson 3V23	10.00
Ferguson 3V31	5.00
Sharp 9500H	10.00
Sanyo VHR330	10.00
Sanyo Fisher VTE5000 VHSAS1	10.00
Samsung VT5107	10.00
Hitachi 8300	10.00
Sanyo VHR2300	10.00

#### TELEVISION MANUALS

Tashico 140 971	2.50
Philips CTX-5	3.00

#### QUALITY POWER SUPPLY UNITS

120 2am + 9v 1amp ideal for bench servicing	6.00
---	------

#### VIDEO PLASTIC PANELS

Front Panels Ferg. 3V22	5.00
Front Panels Pan 2000/2010	5.00
Sony C5/C6/C7	5.00

#### SELECTED SPARES

Hitachi 5000 Series Video Heads	8.00
Ace Assemblies Sony C9, C5	10.00
Ace Assemblies Sony C9, C7	15.00
Modulator/Splitter Sony C6	10.00
EHT Probes for use with Ave 8 etc	5.00
Sanyo 5000 Channel Select PCB	10.00
Sanyo VTC9300 Modulators	6.00
Hitachi VT63 Servo PCB	10.00
Hitachi VT63 Loading Gear	6.00
Hitachi 5500 Loading Motor	3.50
Hitachi 5500 Reel Motor	4.00
Hitachi 5500 Capstan Motor	10.00
Hitachi VTH-VT14 Loading Motor	4.00
Nat Pan NV333 Guide Roller	2.00
Nat Pan NV333 Loading Gear	3.00
Nat Pan NV333 Supply Roller	1.50
Nat Pan NV333 Take-up Roller	2.50
Nat Pan 2000 Inertia Roller	2.50
Nat Pan 2000 Supply Reel Table	2.50
Sony C7 Capstan Motor	10.00
Loudspeakers 50 x 90mm 8Ω 2 Watt	2.00

**SHOP NOW OPEN AT 6 OAKLAND AVENUE,  
HASLINGTON, Near CREWE.**

SINCLAIR ZX PRINTER ROLLS	Box 5 £5.00
C12 DATA TAPES	each £0.25

#### SEMICONDUCTORS

AN 3313	0.90	LM 383T	0.90	SN 2973AN	0.40
AN 3320K	1.00	LM 8363	0.90	SN 29771AN	3.00
AN 5854	2.00	MS448L	2.00	SN 29861N	0.50
AN 7112E	1.00	MS4898AP	8.00	SN 74LS741	0.20
HA 1124	0.55	MS8480P	4.00	STK 461	6.00
HA 1319	0.40	MS8657P	3.00	TA 7122P	0.90
HA 1397	0.60	MC 1309	1.50	TA 7193P	3.00
HA 12017	0.90	MC 1458CP	1.40	TA 7203	1.40
KM 4164B	0.90	MM 4864V	0.90	TA 7288P	2.00
LA 7016	1.80	MIN 1204P	0.90	TA 7302P	1.95
LA 7530N	2.40	S-40W	10.00	TBA 4800	1.20
LM 324N	0.50	SA 1124	2.00	TBA 510	1.20
LM 380N	0.90	SA 1276	2.00	TBA 673	0.90

GOOD NEWS. ALL PRICES NOW INCLUDE VAT AND CARRIAGE.

POSTAGE U.K. ONLY

### BELL RADIO SYSTEMS

322 HUNGERFORD ROAD, CREWE, CHESHIRE CW1 1HG.  
Telephone 0270 582849

#### WE HAVE THE WIDEST CHOICE OF USED OSCILLOSCOPES IN THE COUNTRY

TEKTRONIX OSCILLOSCOPE 2235 Dual Trace 100MHz Delay Sweep	£650
PHILIPS OSCILLOSCOPE PM3217 Dual Trace 50MHz Delay Sweep	£425
GOULD D5300 Oscilloscope Dual Trace 20MHz	£250
GOULD 1421 Digital Storage Dual Trace 20MHz	£750
H.P. 1740A Dual Trace 100MHz Delay Sweep Trig	£400
TELEQUIPMENT 083 Dual Trace 50MHz Delay Sweep	£250
GOULD OS3000A Dual Trace 40MHz Delay Sweep TV Trig	£275
TELEQUIPMENT 0755 Dual Trace 50MHz Delay Sweep	£130
S.E. LABS SM 111 Dual Trace 18MHz	£160
PHILIPS PM3233 Dual Trace 15MHz TV Trig	£150
GOULD OS25B Dual Trace 15MHz TV Trig	£160

THIS IS JUST A SAMPLE - MANY OTHERS AVAILABLE

TEKTRONIX 2215 Dual Trace 60MHz Sweep Delay, With manual, Probes, Front Cover, Pouch	only £500
MARCONI TF2015 AM/FM 10.520MHz Sig Gen with TF2171	£450
MARCONI TF2015 without Synchroniser TF2171	£250
MARCONI TF2016 AM/FM 120MHz Sig Gen with TF2171	£400
MARCONI TF2016 without Synchroniser TF2171	£175
MARCONI M00 Meters TF2300, TF2308, TF2303	from £100
FERRUGRAPH RTS2 Recorder Test Set	from £200
LEADER LMV185A Two Channel Millivoltmeter 5Hz-500kHz	£100
MARCONI TF2337A Automatic Distortion Meter 400Hz-1kHz	£100
MARCONI TF2700 Universal LCR Bridge Battery	from £125

TEKTRONIX 491 SPECTRUM ANALYSER 1.5-17.4GHz	£1,500
SYSTRON DONNER 1702 Sig Gen 100Hz-1GHz	£1,250
POLARAD Sig Gen type 11075B 0.8-4.6GHz	£500
POLARAD Sig Gen type 11074 3.7-6.4GHz	£500
POLARAD Sig Gen 1208A 8.95-11GHz with Freq Doubler 1510 15-21GHz	£750
POLARAD 1207A Sig Gen 3.7-8.4GHz with Freq Doubler 1509 10.15-5.5GHz	£750

THANOR TA2080 Logic Analyser 20MHz, 8 CHANNEL	£375
THURLEY PL3200MD 0.30V 2A Twice Quad Mode Digital Meters	£200
FEEDBACK F56G06 Sweep Function Generator 0.01Hz-1MHz (P&P £7)	£175
FARNELL Oscillator LFM3 10Hz-10MHz Sine/Square	£200
RACAL 9015 Freq Counter 10Hz-520MHz (Crystal Over)	£150
MARCONI ATTENUATORS TF2162 DC 1MHz 600 ohm 0.11dB (P&P £7)	£35

FARNELL GUS00 Isolating transformer 240V In 240V out 500VA. Casued with lead & 13 Amp socket (P&P £7)	ONLY £45 EACH
IMV185Z 2 Amp	from £20 (P&P £3)
from £30 (P&P £7)	

#### TELEPHONES

YES! REAL DIAL TYPE TELEPHONES that don't slide around the desk. Type no 746 supplied with standard B 1 plug (used). Quantity Discount. Only £5 each (P&P £3)

#### "SUMMER SALE"

TEKTRONIX 475 Dual Trace 200MHz Delay Sweep	£550
TEKTRONIX 465 Dual Trace 100MHz Delay Sweep	£400
GOULD OS3100 Dual Trace 50MHz TV Trig	£150
COSSOR ODU150 Dual Trace 35MHz Delay Sweep from £100-£150	
TELEQUIPMENT C71 Curve Tracer	£175
MARCONI TF2603 RF Millivoltmeter 50KHz-1.5GHz 1mV-3V FSO	£350
MARCONI TF2430 Digital Freq Counter 10Hz-80MHz	£75
MARCONI AF Power Meter TF830A 20Hz-35KHz 20mw-10W 50 ohm	£20
MARCONI RF Power Meter TF1152 1 DC-500MHz 0.5-25W 50 ohm	£25
FARNELL Pulse Generator System 1Hz-10MHz Single Double	£40
KIKUSUI AVM23 AC Voltmeter Dual Chan 10Hz-500kHz 300V-100V	£75
SOLARTRON 7045 Multimeter 4.5 digit LED 30 ranges. Auto Manual (P&P £7)	£95
AVO 8 Multimeters with Batteries & Leads	from £30
AVO C1446 Transistor Analyser Mk2 Suitcase style. With Batteries & operation instructions	£20

#### COLOUR BAR GENERATION-KG1 8 PATTERNS (RP £4) Only £25

LEVELL TM38 AC Microvoltmeter 1Hz-3MHz 5uV-500V	£90
LEVELL TM38 AC Microvoltmeter 1Hz-3MHz 5uV-500V	£40
LEVELL Oscillator TG152 3Hz-300kHz Sine Sq	from £25
LEVELL Oscillator TG150M 1.5Hz-150kHz Sine Wave	£30
LEVELL Oscillator TG100M 1.5Hz-150kHz Sine Sq Wave	£25
LEVELL Decade Osc TG66A 0.2Hz-1.22MHz. Low Distortion	from £35
FRANELL RME RF Millivoltmeter 50KHz-1.5GHz 1mV-300V £60	£10
LOGIC PROBE type 3300A TTL CMOS (P&P £3)	£10

MANY MORE ITEMS AT RIDICULOUS PRICES - List available.

#### NEW EQUIPMENT

HAMEG OSCILLOSCOPE HM1005 Triple Trace 100MHz Delay Timebase	£726
HAMEG OSCILLOSCOPE HM604 Dual Trace 60MHz Delay Sweep	£575
HAMEG OSCILLOSCOPE HM2003 6 Dual Trace 20MHz Comp-nent Tester	£314
HAMEG OSCILLOSCOPE HM2005 3 Dual Trace 20MHz Digital Storage	£575

All other models available

All oscilloscopes supplied with 2 probes

#### BLACK STAR EQUIPMENT (p&p all units £3)

APOLLO 10-100MHz Counter Timer Ratio/Period/time interval etc	£222
APOLLO 100-100MHz (As above with more functions)	£235
METECTOR 100 FREQUENCY COUNTER 100MHz	£109
METECTOR 600 FREQUENCY COUNTER 600MHz	£135
METECTOR 1000 FREQUENCY COUNTER 1GHz	£178
JUPITOR 500 FUNCTION GENERATOR 0.1Hz-500kHz Sine Sq Tri	£110
ORION COLOUR BAR GENERATOR Pal/TV/Video	£209

All other Black Star Equipment available

HUNG CHANG DMM 7030 3-digit. Hand held 28 ranges including 100mV AC DC 0.1% Acc (Sig 5)	£38.50
As above DMM 6010 0.25% Acc	£33.50
Carrying Cases for above	£11
OSCILLOSCOPE PROBES Switchable 1x1x1 (P&P £3)	£13

Used Equipment - With 30 days guarantee. Manuals supplied if possible. This is a VERY SMALL SAMPLE OF STOCK. SAE or Telephone for lists. Please check availability before ordering. CARRIAGE all units £16. VAT to be added to Total of Goods and Carriage.



### STEWART of READING

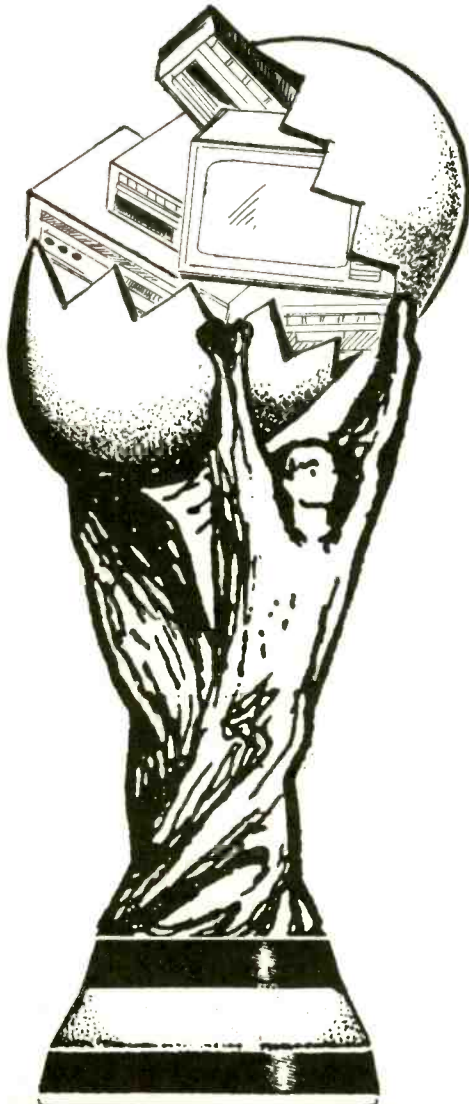
110 WYKHEAM ROAD, READING, BERKS RG6 1PL  
Telephone: (0734) 68041 Fax: (0734) 351696  
Callers Welcome 9am-5.30pm Mon-Fri (until 8pm Thurs)





# KICK OFF WITH A WORLD CUP BARGAIN

The Final is July 8th,  
can you cope with demand?



Gary Winterton offers a full  
range of ex-rental TV & Videos.

No order too large or too small.

You collect or we deliver.

## T.E.S.D. LTD.

Unit 6, 68 Bayton Road,  
Exhall, Coventry CV7

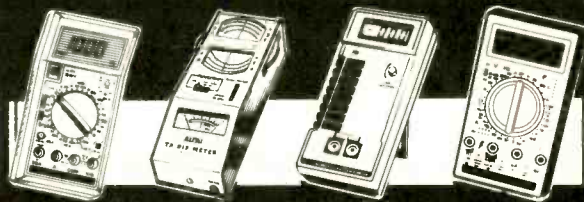
Ring Gary on 0203 368437

Trade Only

**HENRY'S** Edgware Road,  
London, W2

### 45th ANNIVERSARY

METEX AND TEST LAB INSTRUMENTS  
YOU PAY TRADE PRICES



### 3½ AND 4½ DIGIT Dmms

ALL MODELS WITH CONTINUITY TEST (\* With Capacitance + Hfe test. 0 with 200KHZ Frequency counter)

#### METEX PROFESSIONAL\*

3½ and 4½ digit Dmm's with hard carry case.

Large LCD Displays. with leads, battery and instructions. 20A AC/DC.

#### BARGRAPH SERIES\*

M3610B 3½ Digit 30 Range 0.3% (+) £46.04  
M3650B 3½ Digit 30 Range 0.3% (\*\*\*) £51.26  
M4650B 4½ Digit 30 Range 0.05% with  
Data Hold (\*\*\*) £78.22

#### AUTO RANGE SERIES\*

3½ Digit with Data Hold and Freq. Counter  
M80 21mm Display 20KHZ Counter £46.04  
M818 17mm Display True Rms. 400 KHZ  
Counter £58.22  
M818B Bargraph Version £66.04

#### NON-BARGRAPH\*

M3800 32 Range 3½ Digit 0.5% (+) £32.13  
M3630 30 Range 3½ Digit 0.3% (\*\*\*) £41.70

M4600 30 Range 4½ Digit 0.05% with  
Data Hold (+) £52.13  
M4360 30 Range 4½ Digit 0.05% with  
Data Hold (\*\*\*) £63.43

#### ALSO STOCKED\*

M3610, M3650, M4650, M3630B, M4630B

#### STANDARD SERIES

- with soft carry case 3½ digit 12mm Displays

M23158 17 Range 10 ADC £20.00  
M23188 23 Range 10 ADC (+) £23.72  
M2335 31 Range 10A AC/DC (+) £27.74  
M2325 32 Range 10A AC/DC (\*\*\*) £30.42  
M2355 32 Range 10A AC/DC (\*\*\*) £34.57  
M2365 38 Range 10A AC/DC (\*\*\*) £37.25  
(2355/2365 HAVE TTL LOGIC TEST)

### TEST INSTRUMENTS

3000 LCR AC Bridge	£103.20	TE220 1 MHZ Audio Generator	£81.75
M3002A AC Millivolt Meter 1MHZ	£85.80	3300 Autorange Digital Cap. Meter	£84.00
2020 500 KHZ Function Generator	£96.50	6100 Signal Tracer/Injector	£52.30
4162AD 150 MHZ Fr Gen. Plus 6 Digit Counter	£172.86	5250 150 MHZ 7 Digit Frequency Counter	£64.50
2603AD 1 MHZ Af Gen. plus 6 Digit Counter	£166.16	0ST5M 5 MHZ Bench Scope	£168.00
TE200 150 MHZ Rf Gen. (450 MHZ Harmonic)	£80.00	243 0/24V 0/3A Variable PSU	£56.00
		245 0/24V 0/5A Variable PSU	£69.55
		154 4/15V 0/4A Variable PSU	£40.00

### "POCKET" TEST INSTRUMENTS

YF20 Dual Scale Sound Level Meter 120dB	£32.85	3900TD LCD Dmm With Dwell And Tach Ranges 20A AC/DC	£45.17
225V VHS Video Head Tester	£30.69	KT50 LCD 8 Range Capacitance Meter	£36.20
1065 Digital Lux Meter - 3 Ranges	£46.83	6060 LCD Digital True Power Meter	£64.00
07 Logic Probe	£7.63	6KW 19	
M625 Logic Probe/Pulsar	£14.74	2070 19 Range Multimeter 10ADC + Buzz	£12.00
300 AC Clamp Meter 600A/300V/ Resis	£33.50	2030ET 27 Range 10A AC/DC. Cap Hfe Temp. Buzz	£29.30
M265 Add on AC Clamp Probe for Dmm's	£16.48	5050E 41 Range FET mm	£26.77
501 Electronic Insulation Tester 500V	£53.25	0M5 Wallet Autorange Dmm	£17.35
504 Electronic Insulation Tester 1000V	£70.88	921 Pen Type Autorange Dmm	£24.78
KDM6 TR Dip Meter 1.5 to 250 MHZ	£41.88	850 Mains Phase Tester	£21.20
1062 LCD Temperature & data hold	£36.72	260 1000A AC Digital clamp meter	£40.25
302K LCD Temperature Two 1/P	£32.00	261 Add on insulation tester for 260	£29.35

Henry's are also instrument  
distributors for HAMEG, FLIGHT,  
ALTAI, BLACKSTAR, THURLBY,  
HITACHI, CROTECH, THANDAR.  
Phone for best prices.

Also stocked  
Tools, components, CB, public  
address, CCTV, security,  
communications, TV, video,  
audio, computer accessories.

Prices correct at Dec 89.

TELEPHONE YOUR ORDER WITH VISA/ACCESS  
OPEN 6 DAYS A WEEK FOR CALLERS

ADD 15% VAT  
(UK ONLY)

## HENRY'S AUDIO ELECTRONICS

404 Edgware Road, London W2 1ED

Instruments/Audio 01-724 3564

Security/Communications/CCTV 01-724 0323

Components 01-723 1008 Fax: 01-724 0322

Trade/Education/Export 01-258 1831

(Please note - from 6 May 1990 the 01 Code changes to 071)

CATALOGUES  
IN COLOUR

- Instruments
- Security
- Supplements
- Components

Ask Henry's first  
£1 for callers: large  
SAE £2 stamp UK  
by post. Free to  
Education with  
Trade Prices

# SEMPLER SERVICE

THE ONLY APPROVED THORN TELEPRICE DISTRIBUTOR FOR E. ENGLAND

# SIMPLY THE BEST

BEST PRICES

BEST QUALITY

## IN EX-RENTAL TV & VIDEO EQUIPMENT

RING TONY ON  
**0553 766766**  
FOR YOUR BEST DEAL YET!

**SEMPLER SERVICE**  
59 HALL RD  
CLENCHWARTON  
KINGS LYNN  
NORFOLK



### TELEVISIONS – VIDEOS – TELEVISIONS

# VIEW-TEL

CO DURHAM

A NEW NAME IN

## TRADE SURPLUS TVs

Large selection mainly  
**THORN — GRANADA STOCK**

*Discount ten or over*

### ALL SIZES AVAILABLE

Thousands in stock. Good quality.  
Fresh stock every week.

Portables, Teletext, VHS Videos, STD 20", 22", 26"

*Complete loads at discount prices*

All stock collected from source by our transport and  
handled with care.

 **VIEW-TEL TELEVISIONS**  
(0388) SWAN STREET, EVENWOOD,  
832832 Nr. BISHOP AUCKLAND, CO. DURHAM.

VHF/UHF CTV ..... from £30  
VHF/UHF F/L VHS Videos from £150

*All Serviced to a High Standard*

*FOR EXPORT CALL*

## T.V. TRADE SALES

E.D.I. House, Kylemore Park West  
DUBLIN 10

Telephone: 6264139/6263517

### THRIFTY SPARES (WALES)

C/O CENTREVISION, SLOPER ROAD, LECKWITH, CARDIFF CF1 8AB

### INCREASE YOUR PROFITS WITH USED SPARES

MANY MAKES OF USED VIDEO AND TV PANELS – GUARANTEED WORKING  
HUNDREDS NOT LISTED – PHONE OUR HOTLINE

**0222 344218**

VIDEO THORN, HITACHI, TOSHIBA, ITT, SHARP, AMSTRAD, PANASONIC ETC.

#### USED WORKING VIDEO SPARES

MIXED BOOSTER .....	£12.50	MECH COM .....	£15.00
SERVO PANEL .....	£15.00	DRUM ASS .....	£12.50
LOADING MOTOR ASS .....	£10.00	CAPSTAN MOTOR .....	£15.00
BOTTOM BOARD .....	£20.00	POWER PANEL .....	£15.00
MODULATOR .....	£15.00	TUNING BOARD .....	£17.50

ALL ABOVE PRICES VAT INC.

MANY MAKES OF TV USED SPARES ALSO IN STOCK

TV TUBES A1 TESTED ..... £20.00

OPENING HOURS 9am-1pm – 2pm-5pm  
POSTAGE & PACKING £2.00 ORDERS OVER £50 P&P FREE  
DON'T DELAY PHONE 0222 344218 TODAY



# VIDEO DISPLAY CORPORATION

NEW VIDEO HEADS – NEW REPLACEMENT HANDSETS – NEW MONITOR CRT TUBES  
BELTS – IDLERS – FLAPS & TRIMS – VINYLs – PAINTS – SERVICE MANUALS  
MOTORS – PINCH ROLLERS – CO-AX & SCARTS – TOOLS – TRIPLERS etc etc

★ AT UNBEATABLE PRICES ★

## SPECIAL 'PICK & MIX' QUANTITY DISCOUNTS

### HANDSETS

#### THORN/FERGUSON

TX 9/10/90/100 (State Type) ..... £10.75  
3V31/2/5/43/45 ..... £13.00  
3V23 ..... £11.00  
Professional Series ..... £10.50  
8000-9000 ..... £10.50

GRUNDIG ..... £11.50

PHILIPS/PYE ..... £11.75

#### NEC/HITACHI

A512230/A514620 type ..... £15.00  
4 Button 2 Function ..... £10.00  
Text Granada Universal ..... £11.50

#### SONY

KV1612UB/1614E/2204E/KV2704UB/  
2760E/5020 ..... £13.00  
KV2210/2220/2730/2740 ..... £15.00

#### ITT

Trimline Srs. Non Text ..... £11.50  
Trimline Srs. Text ..... £11.50

**ONE FOR ALL**

UNIVERSAL REMOTE CONTROL Replaces up to 15 Remotes. Does not require original Upgradable.

Other 'Head to Head' Universals available

CALL FOR BEST PRICE

## AND MANY MANY MORE TYPES . . . ASK FOR LISTS

### VIDEO HEADS

#### AKAI

VS 1/2/3/5/10 etc ..... £24.68  
all models 3HSS-V

#### AMSTRAD

4500/5200/9000/PSF1 ..... £18.90  
TVR2/4600/4700/PSF2 ..... £21.45  
VCR7000 3HSS-R ..... £21.45

#### FERGUSON

3V00/1/6/22-3HSS-V ..... £12.00  
3V29/30 etc 3HSS-V ..... £12.00  
3V16/23/24/-3HS-VL ..... £12.00  
3V31/35/6/8 3HSS-VL ..... £12.00  
3V39/49/etc 3HSS-VL ..... £12.00  
3V42/44/45 3HSS-VA ..... £24.68  
3V46/47/52-3HSS-VA ..... £24.68

3V54/55/57-3HSS-VA ..... £24.68  
3V32-8942-3HSS4VB ..... £37.95  
3V43/53/57-3HSS6VA ..... £48.55  
3V48-3HSS4VC ..... £40.50

#### ITT

VR3605/95-3HSSL ..... £12.75  
VR3833/3906-3HSSV ..... £12.75  
and other models

#### SHARP

VC105 etc 3HSSSP ..... £20.25  
VC205 etc 3HSSSPB ..... £20.25

#### HITACHI

VT11/14/33/-3HSSHB ..... £17.85  
VT61/63/-3HSSHB ..... £17.85  
VT3000-3HSS-V ..... £12.75  
VT5000/5500-3HSS-H ..... £21.45  
VT6500/7000-3HSSHA ..... £17.85  
VT8000/8300-3HSSHA ..... £17.85  
VT8000/8700-3HSSHA ..... £17.85  
VT9300/9500-3HSSHA ..... £17.85  
VT9700-3HSSHA ..... £17.85

**SPECIAL OFFER**

**NEW HITACHI VT5000 HEAD**

**£5.00**  
each

#### JVC

HR2200/3660-3HSSVL ..... £12.75  
7600/10/50/700 etc ..... £12.75  
HRD140-160-3HSSVA ..... £23.00  
HRD725/755-3HSS6VA ..... £48.55

#### PANASONIC

NV2000 types 3HSS-N ..... £12.75  
NV250 etc 3HSSU2N ..... £24.55  
4 Head types  
NV366 etc 3HSS4NA ..... £31.00

#### SANYO

VHR1100 etc 3HSSSYB ..... £22.00  
VHR1300 etc 3HSSSY ..... £27.00  
VTC5000 etc PS3BSF ..... £24.30  
VTC9300 etc PS4BSF ..... £31.30

#### SONY

SL5000 etc PS3BS1 ..... £15.55  
SL8000 etc PS3BS2 ..... £15.55  
SLC20 etc PS4B2S ..... £20.00  
SLF60 etc PS5B3S ..... £33.75

### PLEASE ENQUIRE ABOUT TRADE AND QUANTITY DISCOUNTS

#### BELT KITS

AMST. 7000 3 Bells ..... £0.65  
FERG. 3V22 Bells ..... £1.15  
FERG. 3V23 3 Bells ..... £0.40  
FERG. 3V29 4 Bells ..... £0.70  
FERG. 3V31 4 Bells ..... £0.70  
FERG. 3V35 4 Bells ..... £0.62  
HIT. VT111 6 Bells ..... £1.10

HIT. 5000 7 Bells ..... £1.20  
HIT. 9300 3 Bells ..... £0.46  
N.PAN 300 6 Bells ..... £1.10  
N.PAN 777 4 Bells ..... £0.78  
N.PAN 7000 6 Bells ..... £0.87  
N.PAN 8600 7 Bells ..... £1.45  
SANYO 5000 2 Bells ..... £0.39

SANYO 5300 5 Bells ..... £0.72  
SANYO 5500 3 Bells ..... £1.40  
SANYO 9300 5 Bells ..... £1.68  
SHARP 7300 7 Bells ..... £1.32  
SHARP 8300 5 Bells ..... £1.32  
SHARP 9300 5 Bells ..... £0.84  
SONY SLC5 6 Bells ..... £1.18

SONY SLC6 6 Bells ..... £1.18  
SONY SLC7 6 Bells ..... £1.18  
SONY SLC9 6 Bells ..... £1.50  
SONY SL8000 6 Bells ..... £2.62  
TOSH. V55-57 4 Bells ..... £0.75  
TOSH. 9600 4 Bells ..... £0.58



### YOUR SOLUTION TO CATHODE RAY TUBE REPLACEMENT!



Video Display Corporation is the world's largest company dedicated to the cathode ray tube replacement market.

NEW CATHODE RAY TUBES FOR ALL POPULAR MONITORS (INCL. COLOUR PS2 TYPES) ALL PHOSPHOR GRADES AVAILABLE, OUR MAIN DEPOT CARRIES AN INVENTORY OF 250,000 TUBES (Minimum Order – 5 Pieces/Mixed)



ALL PRICES EXCLUSIVE OF V.A.T. (UNLESS OTHERWISE STATED) MINIMUM ORDER £5.00  
PLEASE ADD £1.00 P&P FOR SINGLE ITEMS (+V.A.T.) OR £1.50 FOR MULTIPLE ORDERS

## VIDEO DISPLAY CORPORATION

UNIT 2, AVENUE FARM INDUSTRIAL ESTATE, BIRMINGHAM ROAD,  
STRATFORD-ON-AVON, WARCS CV37 0HU

PHONE: (0789) 295883/298510/292978 FAX: (0789) 415243 TELEX: 31470 GRIFEM G

*Did you know that the faults and remedies for video, CD and TV in the*

## **ASWO VIDEOTEXT INFORMATION SYSTEM**

*are from hundreds of technicians all over Europe*

**ASWO**(UK) LTD  
VIDEOTEXT INFORMATION SERVICE

For more information write, phone or fax: ASWO (UK) LTD Heston House, 7/9 Emery Road, Brislington, Bristol BS4 6PF  
Tel: 0272 724475 - Fax: 0272 723374

**TECHNICIANS AND ASWO VIDEOTEXT INFORMATION SERVICE · THE UNION OF THE FUTURE!**

### **TRADE SALE OF EX-RENTAL CTV'S & VCR'S CHEAPEST POSSIBLE PRICES**

ANY AMOUNTS SMALL OR LARGE  
GRADE 'A' STOCK

#### **THORN CTV's**

COLOUR PORTABLES, ALL MAKES, £50.  
FERGUSON TX9 AND TX10 TEXT, £58 incl. Hand Set.  
FERGUSON STEREO TEXT SUPER SOUND  
ALL MODELS, £70 incl. Hand Set.  
FERGUSON TX9 & TX10 NON-TEXT, £29.  
ALSO SOME NON-THORN SETS FROM £20.

*All Sets Serviced and Working*

#### **VIDEOS ELECTRONIC**

FERGUSON/DER  
8929/8930/8940

8941/44 & 3V31/39

SELECTION OF NON THORN

ALSO 3V32/8942 PLUS

3V42 ONWARDS &

8945 ONWARDS.

#### **CROYDON TV'S**

26A Portland Road  
South Norwood SE25

PHONE or CALL Tel: 081-655 0894

FOR DIRECTIONS AND STOCK PRICES

Non  
Working Sets  
Prices  
Negotiable

**NEW  
SOUTH  
LONDON  
OUTLET**

### **EX-RENTAL TV & VCR WAREHOUSE**

- ★ VCR TOPLOADERS/Front LOADERS
- ★ TV's — FERGUSON, TX STEREO, NATIONAL PANASONIC, GRUNDIG, DECCA, TOSHIBA, JVC, SAMSUNG and a lot more.

PHONE PAUL ON GRAB SOME ACTION NOW —  
0375 640800 (2 lines) Strictly Trade Only

### **CLEARVISION**

30A CORRINGHAM RD.  
STANFORD-LE-HOPE, ESSEX

OPEN MON-SAT 9AM-6PM

APPROX. 5 MINS FROM  
DARTFORD TUNNEL  
TAKE A13 TILBURY ROAD  
FROM JUNCTION 30/31, M25

### **HOCKLEY DISCOUNT TELEVISION**

Tel: 021-551 2233

Fax: 021-551 5510

TV's	VIDEO'S
8800 R/C	3V22
9000 R/C	3V23
9600 R/C	3V29
9900 R/C	3V30
TX9/50 R/C	3V43/45
STEREO TEXT	3V47
FSTs etc	Slimline etc

*For Friendly Service! Try us, you will like us*

REMOTE HANDSETS, VIDEO HEADS PLUS MANY  
SPARES FOR CTV'S, VIDEOS IN STOCK NOW.

**94 SOHO HILL, HOCKLEY, BIRMINGHAM B19 1AE**



AN3792	£2.95	AN7169	£2.95	HA11706	£3.75	LA4145	£1.70	PLL02A	£5.00	STK5211	£6.75	TA7609P	£2.70	BC516	£0.20
AN3821K	£5.95	AN7171K	£3.50	HA11710	£3.75	LA4160	£2.20	SA1124	£2.50	STK5314	£6.75	TA7611AP	£2.20	BC517	£0.20
AN3822K	£6.95	AN7172K	£3.50	HA11711	£6.50	LA4170	£1.75	SA5000	£1.95	STK5315	£6.75	TA7628P	£2.20	BC639	£0.22
AN5010	£2.95	AN7173K	£3.50	HA11713	£3.50	LA4178	£2.20	SA5030	£3.50	STK5324	£5.75	TA7640AP	£1.30	BD240	£0.50
AN5011	£2.95	AN7178	£2.50	HA11714	£3.50	LA4182	£1.95	SA5042	£8.00	STK5325	£5.75	T091068P	£4.95	BD243C	£0.50
AN5030	£5.25	AN7420	£1.95	HA11715	£3.50	LA4183	£2.20	SA5011A	£3.95	STK5332	£3.50	TD1010A	£1.40	BD244C	£0.50
AN5033	£5.25	AN7470	£2.20	HA11716	£4.75	LA4190	£1.75	ST401A	£3.50	STK5337	£7.25	TD1010A	£1.40	BF990	£0.70
AN5071	£1.20	BA1335	£2.50	HA11717	£4.75	LA4192	£1.75	ST401A	£3.50	STK5338	£4.50	TD1010A	£1.40	BF991	£0.70
AN5135K	£3.95	BA1355	£2.50	HA11718	£4.75	LA4201	£1.60	STK0029	£4.75	STK5421	£6.50	TD1170N	£1.50	BF990	£0.70
AN5150	£5.50	BA1022A	£2.50	HA11724	£8.00	LA4220	£1.50	STK0039	£4.75	STK5422	£6.50	TD1170N	£1.50	BU426A	£0.80
AN5151N	£6.50	BA5115	£2.50	HA11727	£8.50	LA4260	£2.30	STK0040	£6.25	STK5451	£5.30	TD1170S	£1.50	BU208A	£1.00
AN5256	£2.20	BA5204	£2.20	HA11736	£6.50	LA4261	£2.30	STK0049	£6.50	STK5471	£5.50	TD1506	£4.35	BU208D	£1.00
AN5265	£1.75	BA5402A	£2.50	HA11744	£5.95	LA4270	£2.75	STK025	£8.50	STK5482	£5.95	TD1510	£3.60	BU326A	£1.00
AN5410	£3.95	BA5406	£1.50	HA11745	£7.95	LA4280	£2.95	STK077	£6.95	STK5482	£4.25	TD1515A	£3.95	BU406	£0.70
AN5435	£2.20	BA5408	£2.20	HA11745NT	£7.50	LA4420	£1.50	STK078	£6.95	STK5725	£4.25	TD1522	£1.95	BU407	£0.70
AN5436	£2.20	BA6104	£2.20	HA11747A	£7.50	LA4430	£1.50	STK441C	£5.25	STK5730	£4.25	TD1522	£1.95	BU408	£0.70
AN5510	£2.75	BA6122	£2.20	HA11749	£4.25	LA4440	£2.50	STK437	£7.50	STK6732	£11.75	TD1770A	£2.95	BU426E	£0.70
AN5512	£2.95	BA6124	£2.50	HA11750	£5.00	LA4445	£2.20	STK443	£8.95	STK7308	£5.95	TD2002	£0.80	BU500	£1.50
AN5515	£2.20	BA6208	£1.95	HA12002	£1.95	LA4446	£2.20	STK457	£7.50	STK7309	£6.50	TD2003	£0.90	BU508A	£1.00
AN5521	£2.20	BA6209	£1.95	HA12003	£2.20	LA4460	£1.80	STK459	£7.75	STR7404	£6.95	TD2003	£1.95	BU508D	£1.00
AN5612	£3.75	BA6218	£1.95	HA12045	£3.25	LA4461	£1.80	STK461	£8.50	STR8380	£9.50	TD2005	£1.95	2N3055	£0.50
AN5613	£2.50	BA6219	£2.20	HA12046	£4.75	LA4465	£2.30	STK463	£9.50	STR8950	£9.50	TD2006	£1.50	2N3773	£1.50
AN5620X	£3.50	BA6229	£2.20	HA13001	£1.90	LA4466	£2.30	STK465	£9.95	STR8950	£9.50	TD2020	£1.50	2SA1106	£0.75
AN5622	£3.20	BA6238A	£1.95	HA13007	£4.50	LA4500	£2.50	STK1050M	£7.25	STR370	£5.20	TD2030	£1.50	2SA1186	£0.95
AN5700	£1.75	BA6239A	£2.20	HA13008	£4.95	LA4505	£2.80	STK1060	£7.25	STR371	£5.20	TD2510	£3.95	2SA1264	£2.95
AN5701	£1.20	BA6302A	£1.80	HA13118	£2.75	LA4507	£2.50	STK1070M	£9.75	STR372	£5.20	TD2600	£6.00	2SA1489	£2.95
AN5722	£1.60	BA6304	£1.75	HA13403V	£5.50	LA4508	£2.50	STK2025	£7.50	STR380	£5.20	TD2611A	£1.30	2SA1516	£2.50
AN5730	£1.85	BA6305	£1.95	KA2101	£1.90	LA4510	£1.75	STK2028	£7.50	STR381	£5.20	TD2653A	£3.50	2SB528	£0.60
AN5732	£1.85	BA6328	£2.20	KA2206	£1.75	LA4520	£1.50	STK2029	£7.50	STR440	£5.20	TD2653A	£3.50	2SB611	£0.60
AN5750	£3.75	BA6411	£2.20	KA2212	£1.20	LA4570	£2.20	STK2038I	£9.50	STR450	£5.20	TD3501	£4.50	2SB775	£1.80
AN5753	£1.95	BA7005	£2.20	KA2261	£1.20	LA6358D	£1.20	STK2045B	£9.75	STR451	£5.20	TD3505	£4.50	2SB863	£1.90
AN5900	£1.40	BA7023L	£2.50	KA2284	£1.20	LA7031	£2.60	STK2125	£6.75	STR453	£5.20	TD3510	£4.50	2SC1403A	£4.50
AN6130N	£2.50	BA7751AL	£1.95	LA1130	£2.50	LA7032	£2.95	STK2129	£8.95	STR454	£5.20	TD3561A	£3.95	2SC1815	£1.00
AN6136	£1.95	EBX341	£4.50	LA1135	£2.50	LA7042	£2.80	STK2139	£8.00	STR455	£5.20	TD3562A	£4.50	2SC1913	£1.20
AN6247	£1.75	HA1196	£1.75	LA1140	£2.20	LA7520	£2.20	STK2155	£9.50	STR457	£5.20	TD3651	£2.70	2SC1969	£1.75
AN6250	£1.90	HA1197	£1.80	LA1150	£1.75	LA7530	£2.75	STK2230	£6.50	STR1096	£4.95	TD3651AQ	£3.95	2SC2166	£0.40
AN6310	£5.50	HA1199	£1.50	LA1170	£1.75	LA7800	£1.50	STK2240	£9.50	STR2005	£5.95	TD3652	£5.95	2SC2235	£1.00
AN6326N	£3.50	HA1338	£2.95	LA1185	£1.60	LA7801	£1.50	STK2250	£9.50	STR2012	£6.20	TD4500	£3.95	2SC2335	£1.50
AN6327	£3.50	HA1339A	£2.50	LA1230	£1.50	LA7806	£2.50	STK2250	£9.50	STR2013	£6.20	TD4501	£3.95	2SC2570	£1.20
AN6328	£3.50	HA1366W	£1.80	LA1231N	£2.00	LA7808	£2.75	STK3042	£6.50	STR3115	£5.95	TD4503	£4.50	2SC2580	£2.75
AN6330	£2.95	HA1366WR	£1.85	LA1320	£1.60	LA7820	£2.75	STK3044	£5.75	STR381	£5.20	TD4505	£3.95	2SC2581	£2.95
AN6332	£4.75	HA1367	£3.50	LA1363	£1.20	LA7830	£2.20	STK3062	£7.75	STR4090	£6.20	TD4510	£3.95	2SC2681	£2.80
AN6340	£3.75	HA1372	£3.50	LA1365	£1.50	LA7831	£2.50	STK3082B	£6.95	STR4211	£4.50	TD4600	£2.75	2SC3153	£3.20
AN6341N	£2.80	HA1377	£2.20	LA1385	£1.95	LB1403	£2.20	STK3102M	£5.75	STR5015	£6.20	TD4600-2	£2.50	2SC3156	£3.70
AN6342N	£2.50	HA1388	£2.95	LA1460	£1.50	LB1405	£2.20	STK3152M	£9.50	STR5412	£5.20	TD4600-2D	£2.50	2SC3281	£2.95
AN6344	£4.75	HA1392	£2.20	LA2000	£2.75	LB1416	£1.50	STK4017	£5.75	STR6020	£5.20	TD4720	£4.95	2SC3300	£2.95
AN6346N	£3.75	HA1394	£2.50	LA2100	£2.20	LB1640	£2.20	STK4025	£6.50	STR6020	£6.20	UPC1250	£1.00	2SC3409	£2.75
AN6356A	£3.85	HA1396	£2.75	LA2200	£1.50	LB1649	£2.50	STK4121H	£5.95	STR50103A	£5.50	UPC1025H	£2.30	2SC3466	£2.95
AN6357N	£4.50	HA1397	£2.50	LA2400	£1.50	LC7137	£4.50	STK4122H	£5.95	STR54041	£6.20	UPC1156H	£3.50	2SD358	£0.60
AN6359N	£5.50	HA1398	£2.50	LA3101	£1.75	LC7363	£3.75	STK4131H	£6.75	STR58041	£6.20	UPC1185H	£2.50	2SD371	£2.95
AN6360	£2.60	HA1122W	£2.95	LA3160	£0.95	LC7800	£3.75	STK4132H	£6.75	TR193P	£4.00	UPC1188H	£2.75	2SD424	£2.50
AN6362	£4.50	HA11211	£2.30	LA3161	£1.20	LC7815	£3.75	STK4141H	£7.50	TA7205AP	£1.00	UPC1191V	£1.20	2SD476	£1.00
AN6371	£3.25	HA11215A	£2.20	LA3201	£0.95	LM1303N	£1.50	STK4141V	£7.95	TA7217AP	£1.60	UPC1197C	£1.60	2SD505	£2.95
AN6387	£5.50	HA11219	£1.75	LA3210	£0.85	LM3914N	£2.75	STK4142H	£7.30	TA7222AP	£1.30	UPC1230H	£2.50	2SD600	£1.00
AN6582	£1.50	HA11221	£2.20	LA3220	£1.50	LM3915N	£2.75	STK4151H	£7.50	TA7229P	£3.25	UPC1237H	£2.20	2SD768	£1.00
AN6610	£1.80	HA11223W	£2.50	LA3300	£1.65	M5218L	£1.95	STK4152H	£7.85	TA7230P	£1.50	UPC1241H	£1.95	2SD811	£2.95
AN6611K	£4.95	HA11225	£1.95	LA3301	£1.30	M5218P	£0.95	STK4161H	£7.95	TA7232P	£1.95	UPC1263C	£2.30	2SD845	£2.95
AN6676	£5.50	HA11226	£4.50	LA3310	£2.20	M51102L	£2.95	STK4162H	£7.95	TA7233P	£2.50	UPC1277H	£2.50	2SD898B	£2.95
AN6677	£4.95	HA11227	£2.20	LA3350	£1.30	M51104L	£3.20	STK4171H	£8.95	TA7240AP	£2.95	UPC1278H	£2.50	2SD1207	£1.00
AN6678	£1.50	HA11235	£1.95	LA3361	£1.20	M51358P	£1.75	STK4172H	£9.95	TA7241AP	£2.95	UPC1288C	£2.75	2SD1275	£1.00
AN7062	£2.75	HA11244	£2.95	LA3370	£2.50	M51393AP	£4.50	STK4181H	£8.95	TA7243P	£2.95	UPC1318AV	£2.75	2SD1276	£1.00
AN7106K	£2.50	HA11251	£2.50	LA3376	£2.20	M51397AP	£5.50	STK4191H	£9.50	TA7250B	£2.95	UPC1335V	£2.75	2SD1397	£2.00
AN7143	£2.50	HA11401	£2.80	LA3600	£1.90	M51521L	£1.90	STK4192H	£9.50	TA7251BP	£2.95	UPC1363C	£2.75	2SD1398	£1.50
AN7147	£2.50	HA11423	£2.20	LA4030	£1.90	M51522L	£1.50	STK4332	£4.50	TA7270P	£2.50	UPC1364C	£4.20	2SD1406	£1.95
AN7148	£2.50	HA11440	£2.95	LA4031P	£2.95	M54543L	£1.75	STK4352	£3.90	TA7271P	£2.50	UPC1365C	£2.95	2SD1407	£1.95
AN7149N	£2.50	HA11580	£5.25	LA4032P	£1.90	M54544L	£2.75	STK4793TV	£9.50	TA7280P	£2.95	UPC1373H	£1.20	2SD1426	£2.95
AN7156N	£2.50	HA11701	£3.50	LA4100	£1.20	MB3712	£1.50	STK4803	£5.50	TA7281P	£2.75	UPC1387C	£1.95	2SD1427	£3.30
AN7161	£3.50	HA11703	£4.50	LA4101	£1.00	MB3730	£2.20	STK4833	£9.50	TA7289P	£2.95	UPC1391H	£1.50	2SD1439	£2.20
AN7166	£3.70	HA11704	£5.20	LA4102	£1.40	MB3731	£2.75	STK4843	£8.95	TA7317P	£1.50	UPC1403CA	£5.50	2SD1453	£1.85
AN7168	£2.75	HA11705	£5.95	LA4110	£1.75	MB8841	£5.75	STK4851	£9.50	TA7607AP	£2.20	UPC1420CA	£5.20	2SD1455	£2.95

## T. POWELL

**16 PADDINGTON GREEN,  
LONDON W2 1LG**  
Tel: 071-723 9246

### VIDEO HEADS

JVC/FERGUSON 3HSS	£10.50
PANASONIC 4HSS	£10.50
PANASONIC NV366	£30.00
PANASONIC NV366 Original	£41.00
PANASONIC NV730/770 Original	£41.00
PANASONIC NV230/450/470	£27.50
PANASONIC NV370/380	£20.00
PANASONIC NV330/777	£23.00
PANASONIC NV788	£44.50
HITACHI VT111/14/33	£18.50
HITACHI VT5000	£15.00
HITACHI VT8000/9000	£18.50

# NEW TRADE WAREHOUSE IN SCOTLAND

The Ultimate Choice In Scotland

in ex-rental TV & VIDEO

**TX9/TX10 TEXT Working From £45**

**VHS VIDEO'S Working From £50**

**THORN VHS Working From £55**

# Videotech

**VHS Non-Working From £15**

**TV'S For REPAIR Or SPARES From £3**

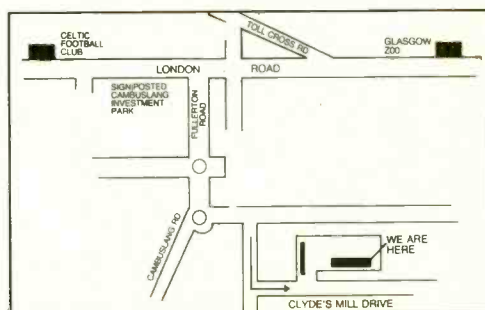
**TEST FACILITIES AVAILABLE  
WHY TRAVEL TO ENGLAND?**

"ALL PRICES ARE SUBJECT TO VAT"

12 CLYDESMILL GROVE  
BLOCK 11, UNIT 12  
CAMBUSLANG INVESTMENT PARK  
GLASGOW G32 8NL  
Tel: 041 641 7444 (2 Lines)



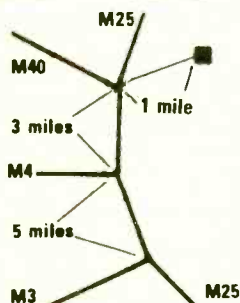
You will not be disappointed in either quality or quantity



## DISPLAY ELECTRONICS LTD.

- ★ Do you use cathode ray tubes?
- ★ Can't find a replacement or shocked by the cost?
- ★ It may well be that a rebuilt tube will solve your problem.

Come to one of the most experienced firms in the business. We have been rebuilding cathode ray tubes for industry, broadcasting authorities, major airlines, M.O.D. universities, and, of course, the TV trade in general since the '60's.



WE ARE LOCATED IN

### UXBRIDGE

At probably the most accessible part of S.E. England. The nearest junction of the M25 is only about 1 mile away and we are less than 10 minutes from the interchanges on the M25/M3, M25/M4, M25/M40.

Why not telephone **Dave Dyson** on (0753) 630137 to discuss your requirements?

## DISPLAY ELECTRONICS LTD.

UNIT 3, SWAN WHARF,  
WATERLOO ROAD,  
UXBRIDGE, MIDDLESEX.

## TELE-VIDEO SERVICES (N.I)

Tel: 0232-617222 Fax: 0232 621631  
Unit 6, Kilwee Industrial Estate, Dunmurray,  
Belfast BT17 0HQ.

NEW AND USED SPARE PARTS FOR A WIDE RANGE OF TV AND VIDEO PANELS, MOTORS, HEADS ETC AT VERY GOOD PRICES.

HANDSETS, FLAPS + DOORS, IC'S, CLEANING FOAM, PAINT, VINYL COVERING AND MUCH MORE.

**All at competitive prices**

We also wholesale ex-rental TV and video to the trade.

Mon to Fri: 9.00am-5.30pm Saturday: 9.00am-5.00pm

# SOUTHSIDE TV

UNIT 8, APPLE IND. ESTATE, WHITTLE AVE.,  
SEGENSWORTH WEST, FAREHAM, HANTS.  
OFF JUNCTION 9, M27

Telephone: LOCKSHEATH (0489) 577251. 24 Hours

SIMPLY THE WHOLESALE SUPPLIER  
OF THE BEST WORKING EX-RENTAL  
TVs AND VIDEO RECORDERS.

Opening times: Mon-Fri 10am-5.30pm.  
Sat Mornings 10am-1pm.



# A.Z. ELECTRICS

Stock items despatched by return

PLEASE NOTE NEW ADDRESS & TELEPHONE NO.

Access & Visa Accepted

## REMOTE CONTROLS

Ferguson, Grundig, IIT, Philips, Pye, Sony and Hitachi. Various models TV & Video From £14.50

SONY REMOTE CONTROL RUBBER PADS.  
STATE MODEL FOR PRICE.

## TV ON/OFF SWITCHES

IIT, Philips, Decca, Thom, Fidelity, Grundig, Sony and Hitachi. State model for price.

## BELT KITS

Akai, Amstrad, Fisher, Ferguson, Hitachi, JVC, Panasonic, Sanyo, Sony, Sharp and Toshiba. Prices start from £0.55

## PINCH ROLLERS

Akai, Amstrad, Fidelity, Ferguson, GEC, Hitachi, IIT, JVC, Mitsubishi, Panasonic, Philips, Sanyo, Sony and Toshiba all at £2.80 except Sharp VC387, 481, 483, 486, 488, 496, 581, 583, 585 which is at £3.50. Please note Pinch Rollers for most models for the above mentioned makes are available.

## OTHER SPARES

Universal Video Copying Kit £3.60  
Universal Video Copying Kit (Scart) £5.20  
Video Cassette Lamp Ferguson with/without plug £0.50  
Video Cassette Lamp Sharp, Panasonic, Amstrad, Hitachi £0.50  
Video Cassette Lamp Sharp 9300 etc. with plastic moulding £0.75  
Universal Cassette Lamps 40mA/60mA £0.50  
CRT Anode Caps £0.60  
Video Tape Splicing Kit £6.95  
Hitachi TV Frame Module HM6251 £5.50  
Cassette Housing Assembly Ferguson 3V35, 35, 36, 39, 42, 43, 44 £25.25  
Cassette Loading Roller Assembly 3V23, 3V31, 3V32 £3.50  
Philips 1.2V Back up Battery £2.55  
Philips 2.4V Back up Battery £5.25  
Degaussing Positor Blue £1.55  
Degaussing Positor White £1.30  
Cassette Housing Assembly Hitachi VT11 £19.50  
End Sensor for Hitachi VT63, 64, 65 (Pair) £2.75  
Cassette LED Sensor for Panasonic etc £1.60  
I.C. Circuit Protectors £0.60

☆☆☆  
**SERVICE AIDS - SWITCH CLEANERS, HEAD CLEANERS, FOAM CLEANERS, SILICON GREASE, DESOLDERING BRAID, INSULATING TAPE ETC. NOW AVAILABLE.**  
☆☆☆

**RESISTORS, ELECTROLYTIC CAPACITORS, FUSES ETC. NOW IN STOCK.**  
☆☆☆

**FOR SONY AND PANASONIC SPARES PLEASE QUOTE MANUFACTURERS PART No.**  
☆☆☆

**WORKING TV PANELS FOR BUSH, GEC, IIT, PHILIPS, SONY AND THORN ETC AVAILABLE. MANY MODELS.**  
☆☆☆

**OFFICIAL ORDERS ACCEPTED FROM GOVT. INSTITUTIONS, SCHOOLS, COLLEGES, ETC. EXPLORE ORDER ENQUIRIES WELCOME, POSTAGE AT COST.**  
☆☆☆

SEND FOR PRICE LIST.

☆☆☆

MAIL ORDER ONLY

## VIDEO HEADS SPECIAL OFFER

FERGUSON AND PANASONIC UNIVERSAL HEADS (3HSSV AND 3HSSN) AT £12.00

**AMSTRAD**  
3HSSR-VC7000 (Saiso/Orion) £21.50  
PSF1-VCR4500, 5200, 9000 £18.00  
PSF2-VCR4600, 4700 £18.50

**FERGUSON**  
3HSSVA-3V42, 44, 45, 46 etc £22.00  
3HSS4VB-3V32/HR7655 £33.00  
3HSS4VC-3V48/HRD565 £37.00  
3V48, 3V58, 3V59, 3V65, FV10, FV11, FV12, FV13, FV14, FV20, FV21, FV26  
And most other Ferguson POA

**HITACHI**  
3HSSHA-VT8000, 9000 series £19.00  
3HSSHB-VT11, 33 etc £19.00  
10078-VT17 etc £43.00

**PANASONIC**  
3HSSU1N-NV370, 380, 100/Philips VR6460 £16.00  
3HSSU2N-NV230, 470, 480, G9, 10, G11, G15PX £30.60  
3HSSU3N-NV430, 460 £21.50  
3HSS3N-NV777, 330 £21.50  
3HSS4NB-NV730 £30.80  
3HSS4NA-NV366 £30.80  
NVG30, 33, 40, 45, 46, 130 & most other Panasonics POA

**SANYO**  
3HSSSY-VHR1100, 1110, 1300 £26.50  
3HSS3SY-VHR1500 £30.80

**SHARP**  
3HSSSP-VC9300, 9500, 9700, 381, 481, 482, 483, 486 etc £21.00  
3HSSSPB-VC581, 583, 651, 750 etc £21.00  
VC7000, 8000 series (Brass) £42.00

**OTHER MAKES**  
Alba 4000 £25.50  
Fisher FVHP510, 520, 530, 615, 710 etc £21.00  
Fisher VBS7000, 9000 etc £33.75  
Goldstar 8000 £23.00  
Goldstar Universal £23.00  
Hinari VXL2, 4, 35 £23.00  
Hinari VXL5, 20H £23.00  
Hinari VXL20H £23.00  
Mitsubishi HS303, 304, 320, 700, 310 £36.00  
Saiso VR100, 605, 705, 805, 905 £23.00  
Samsung Universal 2 Head £24.25  
Toshiba V71, 81, etc £25.50  
Toshiba V93 £25.50

### ASK FOR VIDEO HEADS NOT LISTED

The above heads are replacements.  
For originals please ask for quotations.

## TRANSISTORS

BC107B	£0.10	BU407	£0.50
BC108B	£0.10	BU426A	£0.75
BC147A	£0.07	BU500	£0.95
BC172C	£0.07	BU508A	£0.90
BC214A	£0.07	BU508D	£0.95
BC214B	£0.07	BU536	£1.75
BC237	£0.07	BU806	£0.75
BC238	£0.07	BU807	£0.75
BC308B	£0.07	BU111	£0.75
BC327-25	£0.07	BUX84	£0.60
BC328	£0.07	TIP29	£0.30
BC337	£0.07	TIP31	£0.30
BC547A	£0.07	TIP32	£0.30
BC548	£0.07	TIP41	£0.27
BC549	£0.07	TIP42	£0.25
BC559B	£0.07	TIP42C	£0.40
BD137	£0.30	TIP112	£0.45
BD237	£0.22	2SA1102	£1.90
BD238	£0.22	2SB1016	£1.50
BD243C	£0.30	2SC1413A	£2.50
BD244	£0.30	2SC2027	£4.50
BD244C	£0.30	2SC2331	£1.00
BF195	£0.07	2SC2577	£1.40
BF196	£0.15	2SC2958	£2.50
BF197	£0.15	2SC3153	£3.40
BF198	£0.07	2SC3678	£2.75
BF259	£0.22	2SD639	£0.35
BF458	£0.22	2SD869	£3.00
BF459	£0.22	2SD898B	£2.75
BF469	£0.30	2SD1047	£2.75
BF471	£0.25	2SD1265	£1.30
BF472	£0.25	2SD1275	£1.30
BU108	£0.75	2SD1397	£3.75
BU126	£0.70	2SD1398	£2.25
BU208	£0.90	2SD1426	£4.50
BU208A	£0.90	2SD1497	£2.60
BU208D	£0.90	2SD1497-02	£5.95
BU208 (Toshiba)	£0.85	2SD1497-06	£5.95
BU326A	£0.90	Ask for Transistors not listed	

## INTEGRATED CIRCUITS

AN247	£4.50	TA7609P	£2.70
AN321K	£6.75	TA7628P	£2.40
AN3822	£7.50	TA7629	£4.00
AN5132	£3.95	TA7698A	£6.85
AN5521	£2.60	TBA120S	£0.50
AN5760	£2.00	TBA530	£1.00
AN5900	£1.50	TBA560	£1.00
AN6326	£4.00	TBA800	£0.85
AN6332	£4.40	TBA820M	£0.45
AN6341	£2.75	TBA920S	£1.00
AN6344	£6.50	TCA640	£3.75
AN6346	£4.50	TCA650	£3.95
AN6360	£3.75	TCA660B	£3.50
AN6362	£4.25	TDA1010A	£1.10
AN6671K	£5.50	TDA1013A	£1.90
AN6777	£5.25	TDA1023P	£4.50
AN7169	£3.50	TDA1035S	£1.90
BA718	£1.80	TDA1035T	£1.90
BA728	£1.10	TDA1044	£2.50
BA5102	£2.45	TDA1044U	£1.50
BA5406	£2.50	TDA1057	£2.00
BA6109	£1.80	TDA1082	£3.50
BA6209	£3.20	TDA1170S	£1.20
BA6219	£1.95	TDA1180	£1.80
BA6238A	£1.95	TDA1190	£1.90
BA6301	£2.00	TDA1412	£1.00
BA6302A	£1.80	TDA1510	£4.50
BA6304	£1.70	TDA1512	£1.00
BA6305	£1.75	TDA1515A	£1.00
HA13008	£2.00	TDA1520P	£1.00
HA1714	£3.50	TDA1701	£3.00
HA11715	£3.20	TDA1770	£3.00
HA12005	£3.80	TDA1870A	£2.60
HA13001	£1.80	TDA1905	£1.40
HA13403	£4.00	TDA1940	£1.80
HA1377	£2.00	TDA1950	£2.50
LA4125	£2.00	TDA2003	£1.30
LA4140	£0.70	TDA2005	£1.70
LA4192	£1.70	TDA2030	£1.40
LA4445	£2.50	TDA2270	£2.20
LA4460	£1.70	TDA2510	£4.30
LA4461	£1.80	TDA2521	£9.75
LA7520	£3.25	TDA2540	£1.00
LA7800	£1.50	TDA2560D	£1.10
LA7801	£1.25	TDA2563A	£2.75
LA7802	£1.90	TDA2576A	£2.90
LM386N	£0.80	TDA2577A	£2.80
M51393	£4.25	TDA2578A	£2.80
M54543	£1.75	TDA25810	£1.55
M54544L	£1.85	TDA2582	£1.55
M54548L	£4.50	TDA2590	£2.00
MC1330P	£2.95	TDA2593	£1.00
MC1458 use UPCI458		TDA2600	£6.80
MDA2061	£3.50	TDA2611A	£1.00
MEA2050	£4.60	TDA3190	£0.95
SAA1293	£4.00	TDA3330	£4.45
STA401A	£3.75	TDA3541	£2.25
TA444C	£3.00	TDA3560	£2.80
STK0029	£10.00	TDA3563A	£1.25
STK0029	£4.30	TDA3562A	£2.80
STK441	£7.30	TDA3565	£3.00
STK772B	£4.75	TDA3571BQ	£5.50
STK1215	£10.00	TDA3650	£7.00
STK1411 II	£6.90	TDA3651	£3.00
STK1412 II	£10.00	TDA3651AQ	£2.80
STK1472 II	£11.00	TDA3652	£2.50
STK5322	£6.50	TDA3653	£1.50
STK5325	£5.50	TDA3654	£2.80
STK5331	£6.00	TDA3810	£2.90
STK5332	£3.50	TDA3950	£3.00
STK5338	£6.00	TDA4300	£3.80
STK5361	£6.25	TDA4501	£4.50
STK5421	£6.50	TDA4505	£3.95
STK5422	£5.00	TDA4510	£4.00
STK5451	£5.50	TDA4600-2	£2.60
STK5471	£5.25	TDA4601	£2.10
STK5481	£7.00	TDA4610	£4.50
STK5482	£7.00	TDA8180	£6.00
STK5730	£5.25	TDA8190	£3.50
STK6962	£3.20	TDA9530	£2.55
STK6972	£6.00	TEA1014	£4.45
STK7308	£5.75	UPC122H	£2.75
STK7309	£5.50	UPC1230	£3.00
STK7348	£5.00	UPC1233V	£2.10
STR440	£5.00	UPC1361	£3.90
STR441	£5.00	UPC1363	£2.20
STR451	£4.95	UPC1365	£3.50
STR454	£4.85	UPC1377C	£2.20
STR1096	£3.60	UPC1378H	£2.00
STR4211	£5.95	UPC1382	£1.50
STR5412	£5.95	UPC1394	£1.70
STR6020	£4.90	UPC1420A	£7.00
STR5103A	£5.50	UPC1458	£1.95
STR58041	£6.75	UPC339C	£0.70
TA7205AP	£1.25	MB3730	£2.75
TA7227P	£2.00	HD4538BP	£1.50
TA7240	£2.50	HD14081BP	£1.50
TA7241	£2.50	UPD4011	£1.75
TA7243	£3.30	UPD4066	£1.95
TA7267P	£2.80		
TA7270P	£2.50		
TA7271P	£3.25		

Ask for ICS not listed

## DIODES

BY127	£0.08	SKE262/02	£0.75
BY164(SKB 2/02)	£0.65	SKE5F3/10	£1.65
BY179(SKB 2/08)	£0.85	SKE263/04	£1.25
BY223	£1.50	SKE4F1/04	£0.40
BYX10	£0.21	SKE4F1/06	£0.45
BYX55/600	£0.25	SKE1M15	£0.67
KL8L Bridge Rec	£2.10	SR 2M	£0.75
SKE1/02	£0.45	Ask for Diodes not listed	

Zener Diodes @ £0.10 each

State value.

Please add £1.00 per order for p&p and then add 15% VAT.



183 ACRE LANE, NORTHAMPTON NN2 8DX. TEL: (0604) 847800. FAX: (0604) 844382



# L.R.C. SPARES

## NEW 1990 CATALOGUE OUT NOW!

**PHONE NOW FOR YOUR FREE COPY**

TEL 071-323 2107

FAX 071-323 2191

### JULY SPECIAL OFFER

**IR738 & IR740 REPLACEMENT REMOTE HANDSETS  
FOR MOST FERGUSON CTV'S £11.50 + VAT**

**We carry thousands of original & replacement  
parts to fit**

**JVC, Panasonic, Sony, Ferguson, Akai etc.**

**3/5, WHITFIELD STREET, LONDON W1P 5RA**

**ARE YOU FED UP  
OF BUYING  
WORKING STOCK  
THAT DOESN'T WORK  
PROPERLY?**

If so come to Teletraders

We believe we have the best range and display  
of working stock that you are likely to see  
anywhere.

Why not come along and see for yourself  
You won't be disappointed

★ **Guarantee's available on all sets** ★

**TELETRADERS**

**Brunel Industrial Estate**

**Newton Abbot, Devon**

**Tel. 0626 60154**

### TV LINE OUTPUT TRANSFORMERS

PHONE 01-948 3702

ALBA . AMSTRAD . BUSH . DECCA . DORIC . ETRON .  
FERGUSON . FIDELITY . GEC . GRUNDIG . GRANADA .  
HITACHI . HINARI . INDESIT . ITT . KIMARI . NIKKAI .  
MATSUI . MURPHY . OSAKI . NORDMENDE . REDIFFUSION .  
PYE . PHILIPS . SANYO . SAISHO . SHARP . SONY .  
SOLOVOX . SUSUMU . TANDBURG . TELEFUNKEN .  
THORN . TRIUMPH.

We also supply: TRANSISTORS . EHT TRAYS . VIDEO HEADS  
FROM £14.25 . BELT KITS . PINCH ROLLERS . IDLERS .  
FUSES . IC's . etc.

Callers welcome at our self service shop.

We also manufacture TOROIDAL TRANSFORMERS.

**TIDMAN MAIL ORDER LTD . 236 SANDYCOMBE ROAD .  
RICHMOND . SURREY . TW9 2EQ.** Mon-Fri 9 am to 12.30 pm &  
1.30-4.30 pm  
Sat 10 am to 12 noon  
Approx. 1 mile from Kew Bridge.

## RELAY

OMAGH LTD

COMPUTER SOFTWARE

### DO YOU RENT TELEVISIONS?

#### DO YOU STILL USE A CARD SYSTEM?

#### DO YOU FIND IT DIFFICULT TO KNOW YOUR ARREARS TOTAL AT ANY GIVEN TIME?

If you do then we recommend our computer TV and Video Rental package. This package includes

- ★ automatic updating of each customer's record
- ★ alphabetical print-out of each customer's arrears and payments missed
- ★ total arrears immediately available
- ★ easy to use and operate.

New Higher Purchase programme now available as well.

These programmes operate on all IBM compatibles running under MS-DOS. Free demonstration discs available.

## CONTACT

**WILLIAM J THOMPSON  
Donaghane Post Office  
Beragh Co. Tyrone  
Telephone Beragh 58214 (0662 7)**



# PARTS PROBLEM?

For  
**Sharp**  
Sansui



Phone David Allen  
0734-876444

**Grundig**



Phone Stan Perkins  
0734-876444

**Philips/Pye**  
Whirlpool



Phone Frank Pratt  
0734-876444

**Ferguson**  
**GEC**  
**Fidelity**



Phone Philip Pratt  
0734-876444

**Amstrad, Akai, Fisher,**  
**Mitsubishi, Moulinex, Goldstar,**  
**JVC, Nat Panasonic, Pioneer,**  
**Matsui, Saisho, Samsung,**  
**Salora, Sanyo, Sony, Toshiba,**  
**Yamaha and many others.**



Phone Mike Curtis  
0602-870789

You will not be disappointed, they  
know what they are talking about

# NO PROBLEM



The Parts Distributor  
who says YES

**Willow Vale Electronics Ltd**





# SERVICE PAGES

box number £2.00 extra. All prices plus 15% VAT. All cheques, postal orders etc., to be made payable to Television, and crossed "Lloyds Bank PLC". Treasury notes should always be sent registered post. Advertisements, together with remittance, should be sent to the Classified Advertisement Dept., Television Room 2331, IPC Magazines Limited, Kings Reach Tower, Stamford Street, London SE1 9LS. (Telephone 071-261 5942).



WELCOME

## NOW OPEN IN CORNWALL

DECENT, CLEAN WORKING & NON WORKING THORN TV's & VCR's AT COMPETITIVE TRADE PRICES  
LARGE WAREHOUSE PREMISES

## COWELL TV & VIDEO WHOLESALE

MEVAGISSEY  
(0726) 842582

ST. AUSTELL  
(0726) 69384

### BOOKS AND PUBLICATIONS

NO COLOUR DEAD SET TRIPPING

**FAST FIX**

TV & VIDEO FAULT FILES

If you keep back issues of *Television* then read on. The Fast Fix fault card filing systems list the symptoms of either television faults or Videorecorder, camcorder and camera faults found in *Television Magazine* under *TV Fault Filing, VCR Clinic and Service Bureau* from 1981-1989 inclusive. Each card file contains thousands of faults which are collated and indexed under manufacturers name and then chassis or model. An example is a Philips K30 with a blank raster, look on p744/Aug '88. The Fast Fix card files will provide you with a speedy means of locating faults published in this magazine saving you time and money. Ready boxed, quick to use and easily updatable. Fast Fix could pay for itself with just one successful repair. Fast Fix Television £35.00 inclusive.

Fast Fix Video £30.00 inclusive.

Send cheque/P.O. payable to:

A. G. Humphreys,  
13 Mansfield Avenue,  
St John's Park, Hawarden, Deeside, Clwyd.  
For further details telephone 0244 532961

WILL NOT ACCEPT A CASSETTE

### SATELLITE SYSTEMS

#### EURO-SAT

SUPPLIERS TO H.M.F. — M.O.D.

MANUFACTURERS OF G.R.P. DISH ANTENNAS

1.0M DIA	£58	80cm DIA	£48.50
1.2M DIA	£78	2.0M DIA	£180
1.2M OFF SET	£88	2.3M (PETAL)	£248
1.5M OFF SET	£109	3.0M DIA	£637
1.6M DIA	£96	FEED SUPPORT	
1.8M (PETAL)	£157	ASSEMBLY	£21

PLEASE NOTE: We are dish manufacturers only and do not supply systems.

Please enclose S.A.E.

EURO-SAT, 107 CROSS ST., SALE,

CHESHIRE, M33 1JM, ENGLAND

TEL: 061-962 0524 = 061-881 4249

OCHRE MILL TECHNICAL SERVICES. Are now on 0666 (Malmesbury) 823228. Grundig TV spares, all models to 1983. Fast, friendly, helpful, sensible prices. Gt Lype Farm, Charlton, Nr Malmesbury, Wilts SN16 9DR.

#### D.I.Y. SCRATCH REMOVAL + TUBE POLISHING KIT

First class results can be obtained every time with this kit. The kit, which comes with full instructions is especially useful on ex-rental work for those sets with excellent cabinets and good but scratched tubes which may be had at very much reduced prices. The kit could pay for itself with your first job!

SPECIAL PRICE £35.00 + £2.50 P&P Electric drill required

#### PC TV SERVICES

8 ORCHARD CLOSE Tel. 0920 871474 \* MAIL ORDER \*  
Stanstead Abbots, Herts SG12 8AH \* CALLERS STRICTLY BY APPOINTMENT \*

#### LINE OUTPUT TRANSFORMERS

ASA	from 8.39	Nordmende	from 5.25 to 8.39
Autovox	from 9.45	Philips	from 5.25
B & O	from 8.39 to 9.45	Saba	from 5.25 to 8.39
Blaupunkt	from 10.49 to 18.90	Siemens	from 5.25 to 8.39
Decca	from 8.39 to 13.65	Telefunken	from 5.25 to 8.39
Grundig	from 6.30 to 12.60	<b>TRIPLERS - Grundig Chassis</b>	
ITT	from 8.39 to 13.65	CUC 2201	each 9.95
Körting	from 7.35 to 9.45	CUC 3400	each 9.95
Loewe Opta	from 9.45 to 13.65	CUC 3410	each 9.95
Luxor	from 9.45	CUC 2600	each 9.95
Nordmende	from 8.39 to 18.90	CUC 2800	each 9.95
Philips	from 6.30 to 16.80	CUC 2400	each 9.95
Saba	from 10.49 to 14.69	CUC 2410	each 9.95
Salora	from 8.39	CUC 2200	each 9.95
Siemens	from 9.45 to 18.90	CUC 3300	each 9.95
Telefunken	from 9.45 to 11.55	CUC 2210	each 9.95

#### TRIPLERS

ASA	from 7.35	SWITCH MODE TRANSFORMER	
Autovox	from 5.25	for Grundig Chassis	
Decca	from 5.25 to 6.30	CUC 95	each 7.95
Grundig	from 5.25 to 9.95	CUC 120	each 7.95
ITT	from 5.25 to 8.39	CUC 220	each 7.95
Körting	from 5.25 to 8.39	NO ACCOUNTS/NO CREDIT CARDS	
Loewe Opta	from 5.25 to 9.49	POSTAL ORDER/CHEQUE WITH ORDER/ADO 2.50 FOR P&P	

LOPTX for Siemens FF 3057 Colour TV, Original Part No. 52-46300 3009, 24.95

PLEASE ASK FOR OUR TRADE CATALOGUE

#### DÖNBERG ELECTRONICS LTD

SCHOOLMASTERS HOUSE, RANAFAST, CO. DONEGAL, EIRE  
TEL: 075/48275 FAX: 075/48275 EIRE

RCS VARIABLE VOLTAGE D.C. BENCH POWER SUPPLY  
1 to 24 volts up to 1/2 amp. 1 to 20 volts up to 1 amp. 1 to 16 volts up to 1 1/2 amps D.C. Fully stabilised. Twin panel meters for instant voltage and current readings. Overload protection.

Fully variable.  
Operates from  
240V A.C.  
Compact Unit  
size 9x5 1/2 x 3ins



£42 incl. VAT + Post £2

#### RADIO COMPONENT SPECIALISTS

ACCESS 337 WHITEHORSE ROAD, CROYDON SURREY, U.K. Tel: 081 684 1665 VISA  
List, Large S.A.E. Delivery 7 days Callers Welcome Closed Wednesday

### TV TRADE CENTRE

NEW MILTON HANTS

"THE BEST WAREHOUSE IN THE SOUTH"

Large selection of good clean ex-rental TV's and videos for the trade. Guaranteed working or untested/faulty. PHONE (0425) 638885 for details/prices.

Unit 2, Millfield, Queensway, Stem Lane Ind Estate, New Milton, Hants.

### MERSEYSIDE + NORTHWEST DEALERS

PRICES FOR GOOD CLEAN WORKING STOCK - SERVICED, READY TO RETAIL

Mk III	£15.00
Mk IIIA	£17.00
G11	£17.00
Mk IV	£36.00
Mk IV TEXT	£65.00
G11 TEXT	£60.00
K30 TEXT	£65.00
PANTEXT	£70.00

#### MECHANICAL VIDEOS VHS

IN 5's - £10 each

TO CLEAR

Ideal for Spares or Repair

SLOT METERS £2 each

Please ring with your requirements

### DISCOUNT TV SERVICES

29 CHURCH STREET

RUNCORN, CHESHIRE

Tel: 0928 577203

### USED VIDEO SPARES

#### VHS - BETA - 2000

PANELS, MOTORS, CABINETS, TUNERS, LOADING MECHANISMS, ETC.

SAVE £££s

PHONE US WE MAY HAVE IT.

Mail Order and S.A.E. for Enquiries

#### GENERAL FACTORS

Union Street, Doncaster, Yorks DN1 3AE

Tel. 0302 349583 Fax 0302 349510



# PRICE BUSTERS

## VIDEO HEAD

New Jap. precision upper cylinders  
 Ferg 22, 29, 35, basic etc. £10.75  
 Pan 333, 3000, 7000, 7200, 8610  
 etc. £10.75  
 Pan 370 etc. £14.75

Mixed in tens, discount available on basic heads for most V.C.R.s. We have Amstrad, Saisho, Fisher, Fidelity, Hitachi, Sharp at trade prices. Phone for Best Price

## VIDEO LAMPS

Wire End Lamp £0.25  
 Lamp with Plug £0.35  
 Sharp/Pan £0.40  
 Sharp with Plastic Moulding £0.68

### THIS MONTH'S BARGAIN BUY

High quality £180 video tapes (3hr) £14.00 for 10 tapes plus VAT, plus £1.50 postage and packing. Not rubbish, JVC approved.

## IDLERS

Ferg 29,23,etc. £1.99  
 35 £3.00  
 Sharp Idler Tyres  
 GEZ006 £0.30ea  
 GEZ005 £0.30ea

## Sharp Idlers

Large £1.99  
 Small £1.99  
 Pan  
 Most types i.e. 370 £1.99  
 Hitachi - VT11, 33 etc. £1.99

## MISC

Ferg/JVC Function buttons for 3V29, 3V30, HR7300 etc only £2.95  
 Sharp idler springs £0.30p each  
 Back up cap for Alba, Sentra etc. £1.99 each  
 R2M diode £0.65 ea  
 STK5332 £3.00 ea  
 STK5481 £4.90 ea  
 STK5482 £5.50 ea  
 TDA3654 £2.20 ea  
 Copy Kits Video £4.25 ea  
 Copy Kit Scart £5.75 ea

Min. order £5.00 P.O.'s & Cheques + P/P  
 £1.00, then add VAT. Mail Order Only to:  
 Video & Electronic Components (L'pool),  
 101 Rocky Lane, Tuebrook, Liverpool 64BB.  
 Phone 051 530 1543 Fax 051 525 8602

# Admin TELEVISION

KT3 BASIC £20 INC  
 GEC 26 CHASSIS £20 INC  
 ITT TRIMLINE IN 10'S £15 INC  
 K30 BASIC IN 50'S £12 INC  
 MK 4 DORICS BASIC £15 INC  
 ALL TEXT FROM £35 INC  
 PORTABLES FROM £40 INC  
 PYE G11 £14 INC  
 TX9s/10s £20 INC  
 PHILIPS G11 BASIC £12 INC  
 JAPS FROM £10 INC

## VIDEOS

FROM £25.00 INC

### PHONE

051-548 4414

UNIT J, ADMIN BUILDINGS,  
 KIRKBY, LIVERPOOL L33 7JX

## LINE TRANSFORMERS

Decca 80-100 £8.50 Pye 725-741 CT200 KT2 £8.50  
 30 Series £10.00 Redifusion Doric Mk 3 £9.00  
 ITT-CVC 5-7-8-9 £10.00 Philips G8-G9 £8.50  
 CVC 20 £9.00 Pustron CTV 6000 £20.00  
 CVC 45 £8.50 Prices include all necessary charges.  
 We can repair the choke for Thorn 3787 £10.00  
**E. PAPWORTH, 120 Risegate Rd., Gosberton,  
 Mr. Spalding, Lincs PE11 4EY.  
 Tel. 0775 840778. Callers by Appointment.**

# WIZARD DISTRIBUTORS MANCHESTER TV & VIDEO SPARES

We stock spares for PHILIPS, PYE, RANK, GEC, SHARP, SONY, HITACHI, SCHNEIDER, HINARI & DECCA  
 And also THORN & ITT  
**FIDELITY SPARES MAIN DISTRIBUTOR.**

### 1990 Catalogue Now Available

FUSES I.C.s  
 TUBES TOOLS  
 AERIALS VIDEO LEADS  
 AEROSOLS AUDIO LEADS  
 RESISTORS SEMICONDUCTORS  
 CAPACITORS SERVICE MANUALS  
 VALVES TEST EQUIPMENT  
 HANDSETS TV/VIDEO TROLLEYS  
 VIDEO HEADS TELEPHONE ACCESSORIES

Counter open Monday-Friday 9am-4.45pm  
 Mail Order-Access/Visa

**TRADE ONLY**  
**EMPRESS STREET WORKS,**  
**EMPRESS STREET,**  
**MANCHESTER M16 9EN.**  
 Tel: 061-872 5438; 061-848 0060.

## SKY + FILMNET PROBLEM?

Now you can easily interface 'SKY' box with the 'HI-TECH VIDEO COMPANION II'. Simple circuit, fits inside HI-TECH box. Full circuit details plus a suggested layout - uses readily available parts - £10.  
 Please send cheque or P.O. made out to 'CRB Engineering' to:  
**CRB Engineering, 2 Larks Way,  
 Knaphill, Woking GU21 2TB.**

# DIFFICULTY OBTAINING SPARES?

Try us on Plymouth (0752) 225946  
 Trade or retail or send S.A.E. for special offers list.  
**AGS Electronics, 2 Haxter Close, Belliver,  
 Roborough, Plymouth PL6 7DD. Fax: (0752) 767738.**

## ELC EAST LONDON COMPONENTS AUDIO TELEVISION VIDEO COMPONENTS AT VERY KEEN PRICES TEL: 01-472 4871

### REMOTE CONTROLS FROM £12.99

#### VIDEO HEADS

JVC FERUGSON 3HS5V £10.00p  
 JVC FERUGSON 3HS5VA £22.00p  
 AKAI VS201.301 £24.99p  
 PANASONIC 3HS5N £30.00p  
 PANASONIC NV370 £30.00p  
 PANASONIC NV366 £30.00p  
 PANASONIC NV730 £30.00p  
 PANASONIC NV777 £24.00p  
 HITACHI VT8000/9000 £17.99p  
 HITACHI VT11.33 £17.99p  
 HITACHI VT17.35.39 £27.99p  
 HITACHI VT120/220 £34.99p  
 FISHER FVH15/10910 £22.99p  
 AMSTRAD PSF1 £19.99p  
 AMSTRAD PSF2 £20.99p  
 SAISHO, HINARI £20.99p  
 SHARP £19.99p

#### VIDEO BELT KITS

HITACHI £1.25p  
 VT-8000 85p  
 VT-9300 85p  
 VT-11.33 £1.00p  
 VT-62/63/65 £1.75p  
 SHARP  
 VC-381 85p  
 VC-496 £1.00p  
 VC-585 £1.00p  
 VC-651/800 £1.00p  
 VC-7300 £1.50p  
 VC-9300 £1.50p  
 AN7145 85p  
 AN7161 85p  
 AN7168 85p  
 AN7171 85p  
 AN7172 85p  
 AN7178 85p  
 BAS32 85p  
 BAS36 85p  
 BAS38 85p  
 BAS402 85p  
 BAS406 85p  
 BAS408 85p  
 BAB109 85p  
 BAB208 85p  
 BAB209 85p  
 BAB219 85p  
 BAB239 85p  
 BAB238 85p  
 BAB304 85p  
 BAB366 85p  
 BAB367 85p  
 BAB368 85p  
 BAB369 85p  
 BAB370 85p  
 BAB371 85p  
 BAB372 85p  
 BAB373 85p  
 BAB374 85p  
 BAB375 85p  
 BAB376 85p  
 BAB377 85p  
 BAB378 85p  
 BAB379 85p  
 BAB380 85p  
 BAB381 85p  
 BAB382 85p  
 BAB383 85p  
 BAB384 85p  
 BAB385 85p  
 BAB386 85p  
 BAB387 85p  
 BAB388 85p  
 BAB389 85p  
 BAB390 85p  
 BAB391 85p  
 BAB392 85p  
 BAB393 85p  
 BAB394 85p  
 BAB395 85p  
 BAB396 85p  
 BAB397 85p  
 BAB398 85p  
 BAB399 85p  
 BAB400 85p  
 BAB401 85p  
 BAB402 85p  
 BAB403 85p  
 BAB404 85p  
 BAB405 85p  
 BAB406 85p  
 BAB407 85p  
 BAB408 85p  
 BAB409 85p  
 BAB410 85p  
 BAB411 85p  
 BAB412 85p  
 BAB413 85p  
 BAB414 85p  
 BAB415 85p  
 BAB416 85p  
 BAB417 85p  
 BAB418 85p  
 BAB419 85p  
 BAB420 85p  
 BAB421 85p  
 BAB422 85p  
 BAB423 85p  
 BAB424 85p  
 BAB425 85p  
 BAB426 85p  
 BAB427 85p  
 BAB428 85p  
 BAB429 85p  
 BAB430 85p  
 BAB431 85p  
 BAB432 85p  
 BAB433 85p  
 BAB434 85p  
 BAB435 85p  
 BAB436 85p  
 BAB437 85p  
 BAB438 85p  
 BAB439 85p  
 BAB440 85p  
 BAB441 85p  
 BAB442 85p  
 BAB443 85p  
 BAB444 85p  
 BAB445 85p  
 BAB446 85p  
 BAB447 85p  
 BAB448 85p  
 BAB449 85p  
 BAB450 85p  
 BAB451 85p  
 BAB452 85p  
 BAB453 85p  
 BAB454 85p  
 BAB455 85p  
 BAB456 85p  
 BAB457 85p  
 BAB458 85p  
 BAB459 85p  
 BAB460 85p  
 BAB461 85p  
 BAB462 85p  
 BAB463 85p  
 BAB464 85p  
 BAB465 85p  
 BAB466 85p  
 BAB467 85p  
 BAB468 85p  
 BAB469 85p  
 BAB470 85p  
 BAB471 85p  
 BAB472 85p  
 BAB473 85p  
 BAB474 85p  
 BAB475 85p  
 BAB476 85p  
 BAB477 85p  
 BAB478 85p  
 BAB479 85p  
 BAB480 85p  
 BAB481 85p  
 BAB482 85p  
 BAB483 85p  
 BAB484 85p  
 BAB485 85p  
 BAB486 85p  
 BAB487 85p  
 BAB488 85p  
 BAB489 85p  
 BAB490 85p  
 BAB491 85p  
 BAB492 85p  
 BAB493 85p  
 BAB494 85p  
 BAB495 85p  
 BAB496 85p  
 BAB497 85p  
 BAB498 85p  
 BAB499 85p  
 BAB500 85p

#### VIDEO IDLERS

3V29 TAKE UP IDLER £1.45p  
 VT 9300 PLAY IDLER £2.95p  
 VT 11/14/17 £1.95p  
 VC 0005/6EZZ £1.95p  
 VC 0006/6EZZ £1.95p  
 VC 651 IDLER ASSEMBLY £6.99p  
 NV 370 IDLER £2.95p  
 FISHER 615/625 £3.50p  
 FISHER GEAR ASSEMBLY £5.00p  
 VT 11 CLUTCH ASSEMBLY £7.99p  
 IDLER TYRES FOR MOST MODELS £5.00p  
 CASSETTE HOUSING 3V35/45 £24.99p  
 PINCH ROLLERS FOR MOST MODELS £2.95p  
 AMSTRAD MOD. KIT £7.99p  
 UNIVERSAL CASSETTE LAMP 30p  
 SHARP CASSETTE LAMP 50p  
 SHARP REEL MOTOR £14.99p  
 HITACHI MODULE HM6251 £1.99p  
 3V29 TENSION BAND £5.00p  
 UNIVERSAL TRIPLERS £5.00p  
 CIRCUIT PROTECTORS ICP 80p  
 TX 10 FOCUS UNIT £7.99p  
 PHILIPS BACKUP BATTERY £2.50p

### SPECIAL OFFER

LA7800 180p  
 AN214 170p  
 AN245 90p  
 AN272 480p  
 AN303 250p  
 LM3914 250p  
 LM3915 460p  
 AN5111 475p  
 AN5265 320p  
 AN5410 350p  
 AN5431 250p  
 AN5435 250p  
 AN5510 275p  
 AN5620 330p  
 MB3731 150p  
 MB3732 310p  
 MB3730 200p  
 MB3731 200p  
 MB3732 350p  
 MB3733 610p  
 AN7145 195p  
 AN7156 240p  
 AN7161 325p  
 AN7168 120p  
 AN7171 425p  
 AN7172 425p  
 AN7178 270p  
 BAS32 140p  
 BAS36 180p  
 BAS38 280p  
 BAS402 250p  
 BAS406 280p  
 BAS408 220p  
 BAB109 180p  
 BAB208 250p  
 BAB209 300p  
 BAB219 200p  
 BAB239 250p  
 BAB238 190p  
 BAB304 160p  
 BAB366 800p  
 BAB367 800p  
 BAB368 800p  
 BAB369 800p  
 BAB370 800p  
 BAB371 800p  
 BAB372 800p  
 BAB373 800p  
 BAB374 800p  
 BAB375 800p  
 BAB376 800p  
 BAB377 800p  
 BAB378 800p  
 BAB379 800p  
 BAB380 800p  
 BAB381 800p  
 BAB382 800p  
 BAB383 800p  
 BAB384 800p  
 BAB385 800p  
 BAB386 800p  
 BAB387 800p  
 BAB388 800p  
 BAB389 800p  
 BAB390 800p  
 BAB391 800p  
 BAB392 800p  
 BAB393 800p  
 BAB394 800p  
 BAB395 800p  
 BAB396 800p  
 BAB397 800p  
 BAB398 800p  
 BAB399 800p  
 BAB400 800p  
 BAB401 800p  
 BAB402 800p  
 BAB403 800p  
 BAB404 800p  
 BAB405 800p  
 BAB406 800p  
 BAB407 800p  
 BAB408 800p  
 BAB409 800p  
 BAB410 800p  
 BAB411 800p  
 BAB412 800p  
 BAB413 800p  
 BAB414 800p  
 BAB415 800p  
 BAB416 800p  
 BAB417 800p  
 BAB418 800p  
 BAB419 800p  
 BAB420 800p  
 BAB421 800p  
 BAB422 800p  
 BAB423 800p  
 BAB424 800p  
 BAB425 800p  
 BAB426 800p  
 BAB427 800p  
 BAB428 800p  
 BAB429 800p  
 BAB430 800p  
 BAB431 800p  
 BAB432 800p  
 BAB433 800p  
 BAB434 800p  
 BAB435 800p  
 BAB436 800p  
 BAB437 800p  
 BAB438 800p  
 BAB439 800p  
 BAB440 800p  
 BAB441 800p  
 BAB442 800p  
 BAB443 800p  
 BAB444 800p  
 BAB445 800p  
 BAB446 800p  
 BAB447 800p  
 BAB448 800p  
 BAB449 800p  
 BAB450 800p  
 BAB451 800p  
 BAB452 800p  
 BAB453 800p  
 BAB454 800p  
 BAB455 800p  
 BAB456 800p  
 BAB457 800p  
 BAB458 800p  
 BAB459 800p  
 BAB460 800p  
 BAB461 800p  
 BAB462 800p  
 BAB463 800p  
 BAB464 800p  
 BAB465 800p  
 BAB466 800p  
 BAB467 800p  
 BAB468 800p  
 BAB469 800p  
 BAB470 800p  
 BAB471 800p  
 BAB472 800p  
 BAB473 800p  
 BAB474 800p  
 BAB475 800p  
 BAB476 800p  
 BAB477 800p  
 BAB478 800p  
 BAB479 800p  
 BAB480 800p  
 BAB481 800p  
 BAB482 800p  
 BAB483 800p  
 BAB484 800p  
 BAB485 800p  
 BAB486 800p  
 BAB487 800p  
 BAB488 800p  
 BAB489 800p  
 BAB490 800p  
 BAB491 800p  
 BAB492 800p  
 BAB493 800p  
 BAB494 800p  
 BAB495 800p  
 BAB496 800p  
 BAB497 800p  
 BAB498 800p  
 BAB499 800p  
 BAB500 800p

LA7270 250p  
 TA7271 275p  
 TA7272 260p  
 TA7273 350p  
 TA7274 260p  
 TA7275 400p  
 TA7280 330p  
 TA7281 270p  
 TA7282 260p  
 TA7283 260p  
 TA7284 400p  
 TA7285 400p  
 TA7286 400p  
 TA7287 400p  
 TA7288 400p  
 TA7289 400p  
 TA7290 400p  
 TA7291 400p  
 TA7292 400p  
 TA7293 400p  
 TA7294 400p  
 TA7295 400p  
 TA7296 400p  
 TA7297 400p  
 TA7298 400p  
 TA7299 400p  
 TA7300 400p  
 TA7301 400p  
 TA7302 400p  
 TA7303 400p  
 TA7304 400p  
 TA7305 400p  
 TA7306 400p  
 TA7307 400p  
 TA7308 400p  
 TA7309 400p  
 TA7310 400p  
 TA7311 400p  
 TA7312 400p  
 TA7313 400p  
 TA7314 400p  
 TA7315 400p  
 TA7316 400p  
 TA7317 400p  
 TA7318 400p  
 TA7319 400p  
 TA7320 400p  
 TA7321 400p  
 TA7322 400p  
 TA7323 400p  
 TA7324 400p  
 TA7325 400p  
 TA7326 400p  
 TA7327 400p  
 TA7328 400p  
 TA7329 400p  
 TA7330 400p  
 TA7331 400p  
 TA7332 400p  
 TA7333 400p  
 TA7334 400p  
 TA7335 400p  
 TA7336 400p  
 TA7337 400p  
 TA7338 400p  
 TA7339 400p  
 TA7340 400p  
 TA7341 400p  
 TA7342 400p  
 TA7343 400p  
 TA7344 400p  
 TA7345 400p  
 TA7346 400p  
 TA7347 400p  
 TA7348 400p  
 TA7349 400p  
 TA7350 400p  
 TA7351 400p  
 TA7352 400p  
 TA7353 400p  
 TA7354 400p  
 TA7355 400p  
 TA7356 400p  
 TA7357 400p  
 TA7358 400p  
 TA7359 400p  
 TA7360 400p  
 TA7361 400p  
 TA7362 400p  
 TA7363 400p  
 TA7364 400p  
 TA7365 400p  
 TA7366 400p  
 TA7367 400p  
 TA7368 400p  
 TA7369 400p  
 TA7370 400p  
 TA7371 400p  
 TA7372 400p  
 TA7373 400p  
 TA7374 400p  
 TA7375 400p  
 TA7376 400p  
 TA7377 400p  
 TA7378 400p  
 TA7379 400p  
 TA7380 400p  
 TA7381 400p  
 TA7382 400p  
 TA7383 400p  
 TA7384 400p  
 TA7385 400p  
 TA7386 400p  
 TA7387 400p  
 TA7388 400p  
 TA7389 400p  
 TA7390 400p  
 TA7391 400p  
 TA7392 400p  
 TA7393 400p  
 TA7394 400p  
 TA7395 400p  
 TA7396 400p  
 TA7397 400p  
 TA7398 400p  
 TA7399 400p  
 TA7400 400p  
 TA7401 400p  
 TA7402 400p  
 TA7403 400p  
 TA7404 400p  
 TA7405 400p  
 TA7406 400p  
 TA7407 400p  
 TA7408 400p  
 TA7409 400p  
 TA7410 400p  
 TA7411 400p  
 TA7412 400p  
 TA7413 400p  
 TA7414 400p  
 TA7415 400p  
 TA7416 400p  
 TA7417 400p  
 TA7418 400p  
 TA7419 400p  
 TA7420 400p  
 TA7421 400p  
 TA7422 400p  
 TA7423 400p  
 TA7424 400p  
 TA7425 400p  
 TA7426 400p  
 TA7427 400p  
 TA7428 400p  
 TA7429 400p  
 TA7430 400p  
 TA7431 400p  
 TA7432 400p  
 TA7433 400p  
 TA7434 400p  
 TA7435 400p  
 TA7436 400p  
 TA7437 400p  
 TA7438 400p  
 TA7439 400p  
 TA7440 400p  
 TA7441 400p  
 TA7442 400p  
 TA7443 400p  
 TA7444 400p  
 TA7445 400p  
 TA7446 400p  
 TA7447 400p  
 TA7448 400p  
 TA7449 400p  
 TA7450 400p  
 TA7451 400p  
 TA7452 400p  
 TA7453 400p  
 TA7454 400p  
 TA7455 400p  
 TA7456 400p  
 TA7457 400p  
 TA7458 400p  
 TA7459 400p  
 TA7460 400p  
 TA7461 400p  
 TA7462 400p  
 TA7463 400p  
 TA7464 400p  
 TA7465 400p  
 TA7466 400p  
 TA7467 400p  
 TA7468 400p  
 TA7469 400p  
 TA7470 400p  
 TA7471 400p  
 TA7472 400p  
 TA7473 400p  
 TA7474 400p  
 TA7475 400p  
 TA7476 400p  
 TA7477 400p  
 TA7478 400p  
 TA7479 400p  
 TA7480 400p  
 TA7481 400p  
 TA7482 400p  
 TA7483 400p  
 TA7484 400p  
 TA7485 400p  
 TA7486 400p  
 TA7487 400p  
 TA7488 400p  
 TA7489 400p  
 TA7490 400p  
 TA7491 400p  
 TA7492 400p  
 TA7493 400p  
 TA7494 400p  
 TA7495 400p  
 TA7496 400p  
 TA7497 400p  
 TA7498 400p  
 TA7499 400p  
 TA7500 400p

25A-726 25p  
 25A-733 20p  
 25A-748 90p  
 25A-755 300p  
 25A-765 25p  
 25A-771 130p  
 25A-774 50p  
 25A-781 60p  
 25A-788 55p  
 25A-791 25p  
 25A-798 25p  
 25A-804 15p  
 25A-811 50p  
 25A-818 20p  
 25A-825 20p  
 25A-832 20p  
 25A-839 20p  
 25A-846 35p  
 25A-853 35p  
 25A-860 20p  
 25A-867 20p  
 25A-874 35p  
 25A-881 10p  
 25A-888 25p  
 25A-895 25p  
 25A-902 25p  
 25A-909 25p  
 25A-916 10p  
 25A-923 10p  
 25A-930 25p  
 25A-937 25p  
 25A-944 25p  
 25A-951 25p  
 25A-958 70p  
 25A-965 60p  
 25A-972 65p  
 25A-979 25p  
 25A-986 25p  
 25A-993 25p  
 25A-1000 25p  
 25A-1007 25p  
 25A-1014 25p  
 25A-1021 25p  
 25A-1028 25p  
 25A-1035 25p  
 25A-1042 25p  
 25A-1049 25





# BESCO LIMITED

T/A

## NORTH WEST ELECTRONICS ENTIRE RANGE OF EX-RENTAL TVs & VIDEOS

**NEW STOCKS EVERY DAY, WORKING OR OFF THE PILE**

makes include:- Sharp, Hitachi, Ferguson, Pye, NAT PAN, ITT etc.

Working VHS video from £35.00. Late models always available.

**KNOCKOUT PRICES ON COLOUR TVs**

FERGUSON, PYE, HITACHI, PHILIPS, BUSH, ITT, etc.

TELETEXT BARGAINS FROM £30.00 (WORKING).

FERGUSON TX TELETEXT ONLY £55.00. PHILIPS/PYE TEXT ALWAYS AVAILABLE.

**OVER 1000 COLOUR TV AND VIDEOS AVAILABLE.**

RING OUR HOTLINE NOW FOR PRICES OR CALL IN YOU WILL BE DELIGHTED.

### Working Ex-Equipment Panels

IF	Converger	Decoder	Line scan	Power	Frame
T20//22X	5	14	18	17	14
T26 X	5	16	20	17	X
718 7.50	5	14	20	3	14.00
Philips G11 14.50	5	12	20	20	11.50

All prices include Postage & Packing. But + VAT

★ IF THE PANEL YOU REQUIRE IS NOT LISTED PLEASE ASK ★

#### BRADFORD

SPRINGMILL STREET  
MANCHESTER ROAD, BD5 7RL.  
RING: TONY OR TERRY (0274) 308186  
OPEN 6 DAYS 9am-5pm.

Prices are plus VAT  
& based on quantity

#### MANCHESTER

UNIT 3, MERSEY RD. NORTH IND EST.,  
FAILSWORTH  
RING: DAVID (061) 683 4612  
OPEN 6 DAYS 9am-5pm.

VISA WELCOME

CHEQUES ACCEPTED WITH BANK CARD

## INDEPENDENT TELEVISION & VIDEO COMPANY

FERG TX TESTED UNTESTED  
all sizes from £30 from £20

TOSHIBA TESTED UNTESTED  
all sizes from £30 from £20

VARIOUS COLOUR TELEVISIONS  
untested from £5.00

TELETEXT TELEVISION R/C  
untested from £30.00

DIRECT LOADS AVAILABLE

**VHS**

VIDEO TESTED FROM

**£55**

KT3 TESTED UNTESTED  
all sizes from £30 from £20

GRUNDIG TESTED UNTESTED  
all sizes from £30 from £20

VARIOUS COLOUR TELEVISIONS  
tested from £10.00

TELETEXT TELEVISION R/C  
Tested from £50.00

ACCESS & VISA ACCEPTED

THESE ARE ALL GENUINE PRICES ONE & TWO'S INCLUDED JUST BRING YOUR TRADE CARD

**WE ARE EUROPE'S LARGEST EXPORTERS OF  
RE-FURBISHED TELEVISIONS & VIDEOS  
ALL ENQUIRIES WELCOME**

TELEX: 378414 BLBIRD G

FAX: 0602 861027

ALL OUR TELEVISIONS AND VIDEOS ARE IN GOOD ORDER WITH CLEAN CABINETS AND WORKING REMOTE CONTROL.

#### NOTTINGHAM

(10,000 sq. feet Warehouse)  
Unit 3-3a Meadow Trading Est.  
Meadow Lane  
Near Notts County Football Ground  
In National Tyre Yard, Nottingham NG2 3HQ  
Telephone:

**(0602) 864627**

**NEW Black &  
White Portable  
TV's Battery &  
mains for  
export only**

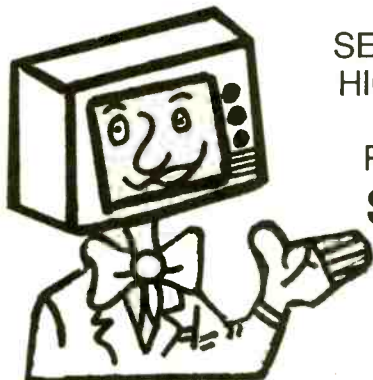
#### SHEFFIELD

(6,000 sq. feet Warehouse)  
2 min from Junc 34 of the M1  
Unit 17,  
Meadowhall Trading Estate  
27 Amos Road, Sheffield 4  
Telephone:

**(0742) 422633**

## N. IRELAND TV TRADE

- ★ TVs FROM ONLY £15
- ★ VCR FROM ONLY £40



★ WE HAVE  
A HUGE  
SELECTION OF  
HIGH QUALITY  
B GRADE  
PRODUCTS  
SAVE £££s

MAKES  
INCLUDE  
TOSHIBA,  
HITACHI,  
SANYO etc

## JMG ELECTRONIC

UNIT 13A  
GORTRUSH IND. EST.  
DERRY ROAD,  
OMAGH,  
CO. TYRONE.

TELEPHONE  
(0662) 247911

WHOLESALE

## TV & VIDEO COMMERCIALS OF DONCASTER

JUST  
OPENED

COLOUR TV's from <b>£8</b>	<b>LARGE STOCK OF ORIGINAL SECONDHAND REMOTES FROM £2</b>		NEW STOCK ARRIVING EVERY WEEK
FERG K30 from <b>£30</b>	WORKING TEXT from <b>£55</b>	<b>DISCOUNT FOR QUANTITY</b>	WORKING VIDEOS from <b>£65</b>
WORKING G11's <b>£18</b>	WE STOCK GRANADA & THORN	BPW from <b>£2</b>	WORKING TV's from <b>£15</b>
PORTABLES from <b>£55</b>	<b>DELIVERY SERVICE</b>	THORN FRONT LOADER from <b>£80</b>	TV/VIDEO LEADS 10 for <b>£2</b>

UNIT 43 APLEY RD — 0302 344553  
DONCASTER SOUTH YORKSHIRE  
(Entrance Elmfield Road)

# MULTIVISION TELEVISION WHOLESALERS

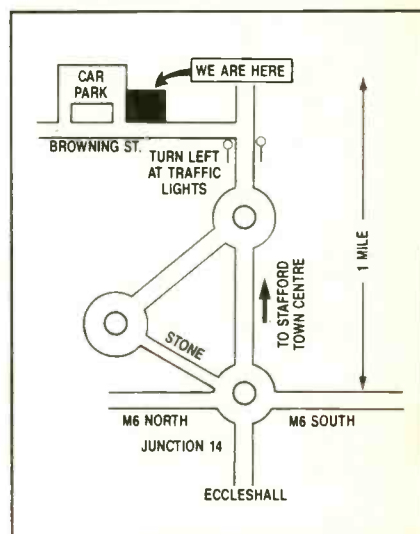
## WORKING TELEVISIONS

Decca (Various models)	£15	Rediffusion Mk4	£28
Finlandia CTVs	from £12	Rediffusion Mk3 cable	£5
Ferguson TX10	£20	Toshiba	from £15
GEC Starline (some remote)	£15	Nat Pan T/Text	£60
ITT Triline	£25	Philips KT3 + K30 T/Text	£60
Nat Pan remote	£30	Philips G11 T/Text	£45
Philips/Pye	£15	Rediffusion Mk4 T/Text	£60
Philips KT3 + K30	£28	B/W TVs	£5
Rediffusion Mk3	£12		

## NON WORKING

Philips VR6462 (for spares)	£18	Delta CTV's (off the pile)	£5
Philips VR6467 (for spares)	£18	B/W TV's (off the pile)	£2
Hitachi Various Models (for spares)	£18		

*Genuine untested stock always available  
All prices subject to V.A.T.*



**UNIT 6, BROWNING ST.  
STAFFORD ST16 3AT.  
TELEPHONE: 0785 58222.**



# REPO TV AND VIDEO TRADE SUPPLIES

DAISY WORKS, 345 STOCKPORT ROAD, LONGSIGHT, MANCHESTER M13 0LF

## GOOD CHEAP STOCK – OFF THE VAN

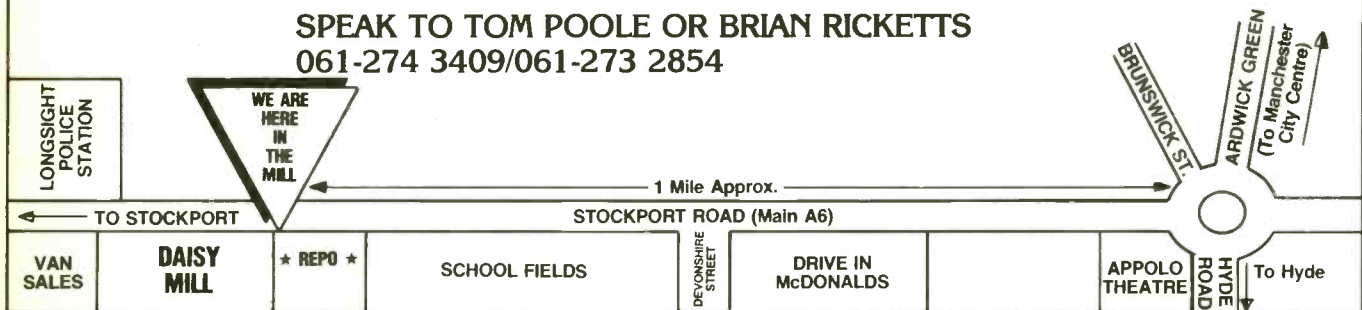
IF THE ABOVE INTERESTS YOU PLEASE MAKE CONTACT – WE HAVE A NEW CONTRACT AND REQUIRE TO ESTABLISH TRADING RELATIONS WITH A FEW REGULAR DEALERS BEFORE THE WINTER TRADING SEASON.

WE CAN  
SUPPLY A  
SELECTION  
OF MAKES, MODELS  
AND PRICES  
FOR YOUR SHOP

## PANASONIC Etc TV & VIDEO

WE CONTINUE TO SUPPLY OUR HIGH QUALITY WORKING STOCK SUITABLE FOR SALE OR RENTAL – GOOD PROFIT, LESS HEADACHES.

SPEAK TO TOM POOLE OR BRIAN RICKETTS  
061-274 3409/061-273 2854



# C. T. V.

2 NORTON ROAD, STOURBRIDGE, WEST MIDLANDS

TELEPHONE: 0384-390706 / 0836-585829 (24 HR)

LARGE SELECTION THORN TV + VIDEOS  
QUANTITY OF NON THORN TV + VIDEOS  
QUANTITY OF PORTABLES AVAILABLE

ALL AT COMPETITIVE PRICES

OPEN: MON-FRI – 9.30-5.30

SAT – 9.30-3.00

**TEL:** 0384-390706  
0836-585829 (24HR)

# SONIC TV

DISTRIBUTORS



**HUGE STOCK OF  
'B' GRADE  
AVAILABLE**

## TELEVISIONS

Philips .....	£15.00
GII Teletext .....	£30.00
KT3/30 Basic .....	£25.00
KT3/30 Text .....	£45.00
GEC Starline .....	£15.00
GEC Hitachi Basis .....	£20.00
GEC Hitachi R/C .....	£25.00
TX9-10 .....	£25.00
TX10-9 Teletext .....	£45.00
Jap Basic from .....	£25.00
Jap R/C from .....	£25.00
Jap Text from .....	£50.00
Rediffusion Mk II Basic .....	£25.00
Rediffusion Text .....	£50.00
Tatung F.S.T. Basic .....	£65.00
Tatung F.S.T. Text .....	£95.00
Finlandia Inline .....	£12.00
Trimline from .....	£20.00

## VIDEO

Hitachi VT8300/EQ .....	£48.00
3V29-30 .....	£55.00
Sharp VT9300/EQ .....	£75.00
NV333/366 .....	£65.00
NV230/ .....	£95.00
Philips Various types from .....	£75.00

**MINIMUM QUANTITY OF FIVE**

<b>MIDI SYSTEM .....</b>	<b>£35</b>
<b>80w STEREO .....</b>	<b>£55</b>
<b>50w STEREO .....</b>	<b>£30</b>
<b>5" B/W TV .....</b>	<b>£35</b>

**VIDEOS  
FOR  
SPARES**



### BIRMINGHAM

UNIT 4A  
ABBERLEY STREET  
SMETHWICK  
BIRMINGHAM  
B66 2QU  
TEL: 021 565 1727  
FAX: 021 555 5367  
TELEX NO. 0902 333 199

### PRESTON

UNIT 34 ROMAN WAY  
LONGBRIDGE ROAD  
PRESTON  
PR2 5BB  
TEL: 0772 655011

### PANASONIC

**JVC**

**EX-GRANADA**



**EXPORT ENQUIRIES WELCOME**

ALL PRICES ARE SUBJECT TO 15% VAT & BASED ON QUANTITY



## TVs – COLOUR – TVs

Fully working TVs, all with **EXCELLENT CABINETS**. Fully soak tested for immediate sale and all on working display.

Always a good mix of K-73 – K-30 Mark 3 and 4 Grundig and many others. Basic to text. Changes daily.

Off the pile stock available from around **£5** upwards. Direct loads available to suit you – **Phone us**.

### MAIL ORDER USED VCR SPARES

3-V29-30-35 etc. **Panasonic** 2000, 2010, 7000, 7200, 777, 370 and others. **Akai, Hitachi, Sharp, Pye, Philips, Samsung** changing daily. **Phone for details and prices. S.A.E. by post.**

### GENERAL FACTORS – Open 10am-5pm Mon-Fri

Union St., off Sepulchre Gate West,  
Doncaster South Yorks DN1 3AE  
Tel 0302-349583 Fax 0302-349510  
2½ miles from A1M for M18 – M1

# REBUILT TV TUBES

**DIRECT FROM THE FACTORY  
WHERE THE BEST COSTS LESS**

**FINEST QUALITY  
LOWEST PRICES**

**SPECIAL DISCOUNTS FOR  
BULK BUYERS**

2 YEAR GUARANTEE, 4 YEAR OPTIONAL

ALL MAKES INC. SONY

NATIONWIDE DELIVERY

### SHERWOOD TUBES LTD

60A PEVERIL STREET, NOTTINGHAM NG7 4AH.  
Tel. 0602 786896

## THIS MONTH'S SPECIAL OFFERS FROM HRS

	Save	Price	Order Code
Original Ferguson/ JVC Head	£4.00	£11.95	PU3132J
7 Seg Led Display Red	£1.25	0.25	LDD05
5 Volt 1 amp Regulator	0.40	0.25	T7805
TV Thyristor (BT106)	£1.00	£1.50	VT106
BFY 50 Transistor	0.11	0.18	BFY50
Octal Tri State Bus	0.24	0.65	74LS245
3 State 4×2 inp Mulpxr	0.50	0.47	74LS257
Dual VCO	0.40	£1.99	74LS629K

**OFFER VALID  
UNTIL 31st JULY 1990**

*Telephone your order NOW.*

**All offers apply to account  
customers only.**

If you would like to hear more about  
the 35,000 HRS stocklines, 24 hour  
delivery and account facilities

**☎ 021-789 7575**

### HRS ELECTRONICS Plc

Garretts Green Lane, Birmingham B33 0UE.  
Tel. 021-789 7575 Fax: 021-789 8040

**TECHNICAL INFORMATION SERVICES**

1970 '20 YEARS IN BUSINESS' 1990



76 Church Street, Larkhall, Lanarkshire ML9 1HE.  
Telephone (0698) 884585/883334.



'Worlds widest selection of  
TECHNICAL SERVICE MANUALS and SERVICE SHEETS'

The next 500 orders receive VHS Common Faults FREE!  
Any order of '4' manuals and up at HALF PRICE.  
FREE vouchers worth £4 with every order.

**FAST, EFFICIENT, FRIENDLY**



**SERVICE MANUALS**



Available for most Video Recorders, Colour & Mono  
Televisions, Cameras, Test Equipment, Amateur Radio,  
Vintage Valve Wireless, Any Audio, Music Systems,  
Computers, Kitchen Appliances etc.

Equipment from the 1930's to the present and beyond.  
Over 100,000 models stocked, originals and photostats.  
FREE catalogue Repair & Data Guides with all orders.

**MAURITRON TECHNICAL SERVICES (TV),**  
8 Cherry Tree Road, Chinnor, Oxfordshire, OX9 4QY.  
Tel:-(0844) 51694. Fax:- (0844) 52554

**TECHNICAL INFO SERVICES (T)**

76 Church Street, Larkhall, Lanarkshire ML9 1HE  
Phone 0698 884585 Mon-Fri 9-5, 0698 883334 any other time FOR FAST QUOTES

IMMEDIATE DESPATCH of all Phone Orders by ACCESS, VISA, etc. or to Listed Customers  
WORLD'S LARGEST COLLECTION OF SERVICE MANUALS . . . from £3.50 to £50 . . . Most unobtainable elsewhere  
Every issued FULL SIZE SERVICE SHEET in stock; CTV's or Combinations £3.50/Singles £2.50; Plus LSAE  
LSAE for any Quotation, plus FREE large Catalogue, STREE Review, Pricelists, etc.

T.I.S. Publications		Other Publications	
Practical TV Repairs by Tunbridge	£12.95	Oscilloscopes, How to Use/How to Work	£6.95
Spectrum Repair and Service Guide	£5.00	Mobile Radio Servicing Handbook	£25.00
Colour TV Servicing by King	£10.95	VCR Servicing Guide by Beeching	£20.00
Practical Radio, Repair & Service Course	£11.95	Refrigeration & Air Conditioning	£8.95
Microwave Servicing Manual by Coombes	£6.95	Video Techniques 2nd ed by G White	£30.00
		VHS Common Faults from Thorn	£3.50
		Newnes Guide to TV & Video Technology	£9.95
		Servicing Personal Computers by Tooley	£20.00
			£59.00
			£139.00

COMPUTER PROGRAMMES for Smaller the Business	
STANDARD WAGES	Each book costs only . . . . . £9.95
SMALL FIRM BOOKKEEPING	Each disc costs only . . . . . £20.00
PRINTERS PRICING	Disc/Manual, ordered together costs only . . . . £29.00

Every programme follows certain important rules:  
Simple to use; As few entries as possible; Compact; Easy to understand; Clear explanations;  
Above all — USEFUL &/OR NECESSARY.

**GERMAN SERVICE SHEET SPECIALISTS**

Our connections are world-wide. We furnish any kind of German, European and Japanese service sheet or manual. Thousands of different sheets and manuals in stock. For any enquiries:

**DÖNBERG ELECTRONICS**  
Schoolmasters House, Rannafast,  
Co. Donegal, Republic of Ireland.  
Phone: 075 48275

**SERVICE MANUALS**

VCR - CTV - MTV - MICROWAVE

Most makes and models - UK, Japanese, Korean, German, USA etc. types available. For list with money-saving vouchers send £2.50  
**DATA-GO 112 AMEYSFORD RD., FERNDOWN, DORSET BH22 9QE. Tel: 0202 894207**

Telephone enquiries can be made only between 2pm-4pm Mon-Fri. Fax is available on the above number from 5.30pm-8.30am any day. No credit cards, no accounts, callers please telephone first.

**SPECIAL OFFERS**

from

**INFOTECH (T)**

76 CHURCH STREET LARKHALL,  
LANARKSHIRE ML9 1HE  
ACCESS or VISA by return post

or  
Phone (0698) 884585/883334 NOW  
**HURRY WHILE OFFER LASTS**

**T.V. - AUDIO - RADIO  
REPAIR & SERVICING  
VOL. 1a & VOL. 1b**

**VOL. 1a:** Over 160 large pages giving all servicing, alignment, stock faults, faultfinding etc. for CTV (including Philips System 4, Decca & ITT for 1980-89, plus a host of others); Over 50 popular audio sets from radios to full hi-fi systems from 1987-89; plus over 20 CD players and systems up to 1989.

**VOL. 1b:** Giant diagrams, each page over 2 feet by nearly 1.5 feet - includes the full size circuits for all the equipment in 'VOL. 1a' plus waveforms, layouts and other data. Not the tiny near-useless sizes supplied by all the other publishers.

**VOL. 1a: £16.95; VOL. 1b: £29.50; BOTH: £45.00**

**COMPUTER PROGRAMS  
FOR THE SMALLER BUSINESS**

**WAGES** - includes full P11 weekly/monthly Payslips.  
**BOOKKEEPING** - includes Invoice, VAT returns, etc. VAT inspected.

**PRINT-PRICER** - Complete system for the small Printer.  
**FOR ALL IBM/PC COMPATIBLES**  
**BOOK: £9.95; DISC: £20.00; BOTH: £29.00**

**MISCELLANEOUS**

**The Theory and Practice of PAL Colour Television in three important Video Cassette Programmes**

- Part 1.**  
**The Colour Signal**
- Part 2.**  
**The Receiver Decoder**
- Part 3.**  
**Receiver Installation**



**VHS★★★V2000★★★  
BETAMAX★★★UMATIC**

For full details telephone  
**0253 725499 (Day)**  
**0253 712769 (Night)**

Or send for precise details  
**FLINTDOWN CHANNEL 5**  
339 CLIFTON DRIVE SOUTH,  
LYTHAM ST ANNES FY8 1LP  
(enclosing this advert)

NAME.....  
ADDRESS.....  
TEL:.....



# DIGIMETER 732

Automatic Multimeter & 125MHz Frequency Counter

## 4 DIGIT AUTORANGE MULTIMETER

- TOUCH AND HOLD FACILITY BUILT-IN, SIMPLY SELECT (DCV)
- RELATIVE MEASURING (DCV)
- PEAK MIN/MAX RECORDING
- INDESTRUCTIBLE AGAINST ANY VOLTAGE IN COLOUR TELEVISIONS UP TO 50 000 VOLT!!!

## 7 DIGIT 125MHz FREQUENCY COUNTER WITH 2 GATE TIMES

- WIDEBAND PRE-AMPLIFIER 5Hz ... 125MHz
- SENSITIVITY 25mV (1M OHM)



"50 000 Volt leave me cold"

BRIGHT 7 DIGIT VACUUM FLUORESCENT DISPLAY (GREEN)  
HEIGHT 13mm DIMENSIONS W 274, D 172, H 64 WEIGHT 2.7KG  
ACCESSORIES HT PROBE 30kV

made in Germany  
2 years guarantee

sole agency for the Republic of Ireland,  
N.-Ireland & U.K.

### DÖNBERG-ELECTRONICS LTD.

DÖNBERG-ELECTRONICS · SCHOOLMASTERS HOUSE  
RANAFAST · CO. DONEGAL · EIRE TEL. 075-48275 · FAX 075-48275

### WANTED

EX-RENTAL TV & VIDEOS wanted in any quantity.  
Top prices paid. Tel. Cheryl, 0302 890117.

TV TUBE REGUN REQUIRED URGENTLY. If tube regunning is your business and you operate in the London area please contact Mr Finlayson 081-749 3598 or Bicos 4597693.

### INDEXES

# ASTRA: THE SATELLITE TV REVOLUTION

£15

## 35 Contributors

This is an A4 colour book which examines the whole satellite scene related to ASTRA. Sections include selected contributions from well-known names in the satellite technology field. Some of the titles include, Getting ASTRA up there; The Launch; Finding the Right Slot; Controlling ASTRA; The Technology of Satellite Television; The Equipment Challenge; European Business Channel; Equipment Installation, a Guideline; Satellite TV Reception in Communal Housing; The Market Potential; etc etc. (Advertising supported)



### Pay by Cheque



# NEW!

Price includes P&P UK. Airmail Europe £4.00. Outside Europe £8.00 per item.

**SWIFT TELEVISION PUBLICATIONS**  
17 Pittsfield, Cricklade, Swindon, Wilts SN6 6AN. Tel: 0793 750620

VIDEO SCRAMBLING & DESCRAMBLING. By R. Graf, W. Sheets. Advanced theory and circuits..... £23

EUROPEAN SCRAMBLING SYSTEMS. Circuits, Tactics & Techniques, by J. McCormac. Fascinating Filmet hacking information for the service engineer..... £29

HOME SATELLITE TV INSTALLATION VIDEOTAPE. VHS PAL format. 40 mins. Includes how to install large, motorised dishes on C & Ku Band systems..... £27

HIDDEN SIGNALS ON SATELLITE TV. By T. Harrington, B. Cooper. Teletext, telephone channels, teletype, audio sub-carriers information..... £20

SATELLITE, OFF-AIR & SMATV. By S. Berkoff. Private Cable, Multi-Unit Handbook..... £25

WORLD SATELLITE ALMANAC. 2nd Edition. By M Long. 650 pages. All footprints and details..... £33

1990 WORLD SATELLITE ANNUAL. By M Long. The official Supplement of the World Satellite Almanac. Contains detailed descriptions of most satellites..... £31

SATELLITE DISH ANGLES. Personalised print-out of 30 satellites across Europe. Correct angles for Azimuth, Elevation, Polar and Apex Elevation. Just send your Lat/Long..... £3

SATELLITE TELEVISION, INSTALLATION GUIDE. 2nd edition. By J. Breeds. Full of essential information for the working installer. Number one best seller in Europe..... £12

SATELLITE AND CABLE SCRAMBLING AND DESCRAMBLING. By B. Gale. 2nd Edition. 280 pages. Basic theory. Explores the new technology, in clear language..... £19

AND MANY MORE. Send SAE for Book List

RING NOW FOR FURTHER INFORMATION ON SERIES DISCOUNTS AND CURRENT RATES

# MÜTER

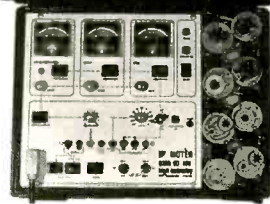
## BMR-90-Hi-Ec

\$446 + VAT

Incl. 7 sockets

Europe's most frequently bought CRT-Regenerator-Analyzer; pays itself within 4 weeks;

regenerates picture tubes even better; removes shorts filament-cathode; cathode - grid 1, grid 1 - grid 2; carries gas to getter; 131 adaptors available; has 11 heating-voltages; new adaptor-list with more than 8000 tubes-types; also available: BMR 44 - \$286 + VAT, Incl. 7 sockets.



### RTT 2

Safety Isolated Variable Transformer  
Input: 220/230 V AC  
Output: 0-270 V AC  
4 A, 1100 VA  
\$281 + VAT

Please, ask for catalogue  
U.K.: Blendown LTD, Tel. (0492) 49246.  
Fax 47880 - A.G.S.-Electronics, Tel. (0752) 767738, Fax 768693  
I.R.L.: Dönberg Electronics, Tel. (075) 48275, Fax 48275  
N.Z.: TDON Ltd., Tel. 668-907, Fax 646-216

# NEW PRODUCT!!

How many wasted hours have you spent on servicing?

E.C.S. offers you complete index of approx. 5,000 TV and video faults listed in 10 years of TV mag.

Index's are alphabetically listed by make, model, fault and are now available for just:

£7.50 for Television Faults

£7.50 for Video Faults

or £15.00 for both sets complete with protective ring binder. Regular updates are also available. But one of the above index's must be purchased in order to qualify for this service. To secure your order please make Cheques/Postal Orders payable to:

### E.C.S.

31 Prenton Road West,  
Prenton, Birkenhead,  
Merseyside L42 9PY.

Please add £1.50 per order for P&P

## TELEVISION CLASSIFIED ADVERTISEMENT

LINEAGE 60p PER WORD (MINIMUM INSERTION £10).  
5% DISCOUNT 6 INSERTIONS. 10% DISCOUNT 12 INSERTIONS.  
SEMI-DISPLAY £9.00 PER S.C. CM. (MINIMUM 2.5 CMS)  
£8.60 PER S.C. CM. 6 INSERTIONS, £8.10 PER S.C. CM. 12 INSERTIONS.  
ALL PRICES PLUS 15%. BOX NUMBER £2.00 EXTRA


HEADING .....

ADDRESS .....

SIGNATURE .....

PLEASE OEBIT MY ACCESS/BARCLAYCARD NO.



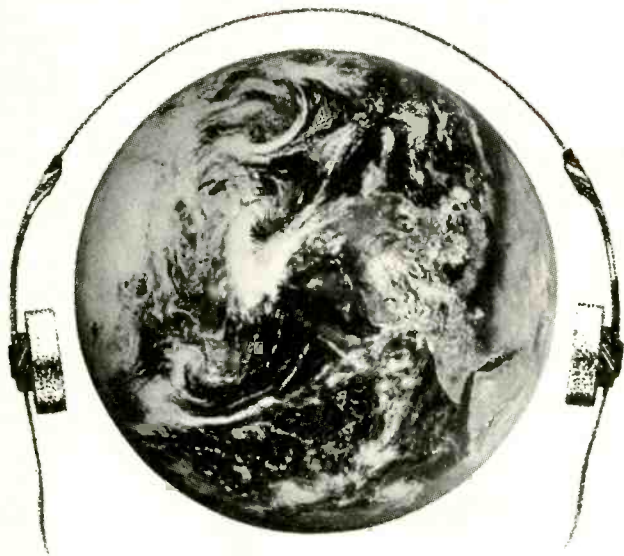
£ ..... FOR ..... INSERTIONS

SEND TO: CLASSIFIED ADVERTISEMENT, TELEVISION ROOM 2331,  
IPC MAGAZINES LTD., KING'S REACH TOWER, STAMFORD STREET, LONDON SE1 9LS.

Company registered in England. Registered No. 5326.

Registered Office: King's Reach Tower,  
Stamford Street, London SE1 9LS.

7/90



## TECHNICALLY SPEAKING WE'RE ON TOP OF THE WORLD

Thattham, Berkshire

Salary range c.£15k-£19k  
(+ Car for some positions)

*Sony's success is due not only to our extensive product range, but also to our commitment to both quality and people. To help continue this success, we're keen to hear from Service Technical Support and Product Support professionals at several levels. With City and Guilds 224, HNC or equivalent, you could join the team whose ability and enthusiasm have helped establish a worldwide reputation for product excellence.*

### SERVICE TECHNICAL SUPPORT Service Engineering Manager

*Already accomplished in a Technical Support role you will take responsibility for the management of your department. Your section will research and resolve product, trade and customer related problems, and investigate service technical requirements. You will be involved in liaising with factories and dealers and maintaining a hands-on approach.*

### Technical Support Engineer

*Using a practical approach, your responsibility is the investigation and resolution of technically related product, trade and customer problems. You will maintain close liaison with factories, and make planned visits to dealers and service companies to provide information, assist technicians and monitor the market place. Evaluating new products you will influence future product serviceability, and research technicians' repair requirements.*

### Trade Technical Adviser

*Providing technical expertise, the majority of your service contact will be by telephone. After training you will be fully conversant with Sony circuitry, providing information to technicians on fault finding, diagnostic procedures and circuit operation. By collating information from your calls you will provide feedback to our Service Engineering and Product Quality Departments. You will also spend periods repairing product to maintain hand-on knowledge.*

### PRODUCT SUPPORT Product Quality Engineers

*Your key responsibility is the investigation of design and production problems on new products and resolving these with our factories. You will initiate action on quality issues, monitoring the market by close liaison with our dealers and evaluating products for quality and customer acceptability.*

*Whichever position you are best suited to, you should demonstrate good communication skills, finding it easy to interface at all levels. In return, we offer salaries ranging from c.£15k-£19k and a car for some positions. You will also enjoy the kind of benefits one would associate with a name like Sony. These include BUPA, 25 days' holiday, discount on our products and, where appropriate, relocation assistance.*

*For an application form, please telephone Maggie Swann on 0784 467234. Alternatively, please write to her at Sony (UK) Limited, Sony House, South Street, Staines, Middlesex TW18 4PF.*

# SONY®



## A UNIQUE OPPORTUNITY TO EXPAND YOUR SKILLS

You're a qualified repair technician with some experience of TV or video, maybe working in the Service industry. You're looking for a way to use and develop your skills.

**AGB Television is the answer.**

We're one of the world's leading research organisations, and have just been awarded the world's largest ever contract to install our specialist electronic devices to TV's and VCR's throughout the country.

### TECHNICAL SERVICE ENGINEERS

Initially, we need 40 engineers to work until March 1991. After that, the cream of the group will be offered permanent positions.

It's well paid, non-rental, non-routine work, and the rewards include a company car.

If you've got the qualifications and the enthusiasm, and a clean driving licence, switch on to AGB Television.

For details, contact Sarah de Buriatte, on 081 997 8484, or send a curriculum vitae to

**AGB television**

The Research Centre, West Gate, London W5 3HH.

AGB TELEVISION RECRUITMENT

# REBUILT COLOUR TUBES

First Independent Rebuilder with B.S.I. Certification

PIL - In Line - FST

**N.G.T. ELECTRONICS LTD.**

120, Selhurst Road, London SE25 6LL

**PHONE: 081-771 3535**

Britain's Oldest Established TV Tube Rebuilder

## BOWTIL LTD.

TV & VIDEO WHOLESALEERS

38 HORNSBY SQUARE SOUTHFIELDS IND. ESTATE, LAINDON, ESSEX

FOR A LARGE SELECTION OF  
RECONDITIONED EX-RENTAL  
THORN TVs + VIDEOS  
PLUS MANY OTHER MAKES AT  
MOST COMPETITIVE PRICES

NEW & SECOND HAND SPARES ALSO AVAILABLE

QUANTITY  
DISCOUNTS

OPEN 9 a.m. - 6 p.m.  
MONDAY - SATURDAY

DELIVERY SERVICE  
THROUGHOUT UK

COME AND PAY US  
A VISIT AT OUR  
NEW LARGER  
PREMISES

(JUST OFF M25 JUNCTION 29)

Don't Delay Phone TODAY!  
**0268-412711**



## IBEX OF SCOTLAND

SCOTLAND'S  
INDEPENDENT

TV & VIDEO  
WHOLESALE

FRESH STOCK EVERY WEEK	COLOUR TVs FROM £3	DIRECT LOADS AVAILABLE	WORKING TEXT FROM £40
WORKING K30 £25	VIDEOS ALWAYS AVAILABLE	WORKING TVs FROM £10	DELIVERY SERVICE AVAILABLE
WORKING G11s £18	OVER 800 TV'S IN STOCK	PHONE FOR OUR PRICE LIST	MK.4 TEXT £55

UNIT D/B,

PROJECT 9 INDUSTRIAL ESTATE,  
McPHAIL STREET, GLASGOW G40 1ND

041-554 7637 (Gerry)



## TUBES

New and rebuilt for most makes of T.V.

including: Hitachi, Panasonic, Philips, Thorn, Toshiba, Sharp, Sony Mullard 20AX, 30AX, 45AX, F.S.T.

Special offer: 14" Colour Tubes from £39 + V.A.T.

Two year guarantee with a four year option.  
Price list available on request.

### EXPRESS T.V. SUPPLIES

The Mill, Mill Lane, Rugeley, Staffs. 0889-577600

Bristol South-West London  
0454-316285 (AJC) 0395-266210 081-863 9371



# CENTRAL



LONDON

TV WHOLESALE DISTRIBUTION LTD.  
BIGGEST SELECTION - KEENEST PRICES

BIRMINGHAM  
BOLTON

**FOR THE BEST DEAL AROUND**

ENTIRE RANGE OF EX-RENTAL T.V.S & VIDEOS FROM

**THORN — GRANADA**

PLUS MANUFACTURERS NEW 'GRADE B' T.V. & VIDEO  
Audio — Hi-Fi — Microwave etc — Handsets — Video Heads — Aerials — Set-top — Selfix-R.F. Leads-A.C. Leads

★ STOP PRESS ★ STOP PRESS ★ STOP PRESS ★ STOP PRESS ★

**NEW CONTRACT — LORRY LOADS  
OF FRESH STOCK EVERY DAY**

AGENTS REQUIRED FOR UK & EXPORT

# SALE

100's of COLOUR TV's from £3

TELETEXT from £25

100's of VCR's

T/L from £45 and £50 F/L

ALL PLUS V.A.T.

Head Office

**C.T.V. BIRMINGHAM**

369 Stratford Rd,

Sparkhill B11

021 772 1591

Fax: 021 766 6383

**C.T.V. LONDON**

Eley Estate, Noble Rd,

(Off Angel Rd, (A406)

Edmonton N.18

081-807 4090, 081-884 1314

**C.T.V. BOLTON**

Nile St., Unit 1,

Bolton, Lancs.

0204 384 868

## WE ARE MOVING!!

### CREWE WHOLESALE TV LTD. CHESHIRE'S LARGEST WHOLESALE

*Specialists in working TVs & Videos*

TVs & Videos working, non working & Off the pile.

TV & Video stands, shelving, shop fittings

Thousands of Ex-Demo VHS tapes

Hand Units — Heads — Slotmeters  
Workshop Manuals

TONS of assorted spares — ALL BRAND NEW  
IDEAL JOB LOT or RADIO RALLY GEAR

Pattern Generators/Scopes/Translaters

ALMOST EVERYTHING FOR THE  
TV & VIDEO RETAILER

Tel:- 0270 582924

Fax:- 0270 505470

Please note change of address

**HEWIT STREET  
CREWE**

M6 J16 (head  
towards Crewe  
Town Centre)

Railway  
Station

Fire  
Station

Garage

GRESTY ROAD

WE ARE  
HERE

HEWIT STREET

Comet

## ENGINEERS

Have you ever wished that YOU could make FAST VIDEO REPAIRS to most makes?

EVER WISHED that you could tap on the vast experience of manufacturers and workshop technicians from around the world?

### WELL NOW YOU CAN

We have compiled & listed many hundreds of Stock & Repetitive faults from these sources. All simply documented with their remedies. Now in one large arch lever file.

DESIGNED TO ELIMINATE WORKSHOP MANUALS ALSO TIME COSTING SET-UP PROCEDURES.

LARGE SIZE A4 — clear layout of design & print — two repair formats per page.

What could be simpler than a page format showing:

- (a) LISTED FAULT SYMPTOM.
- (b) FAULT AREA LOCATION.
- (c) FAULTY COMPONENT(S).

Well proven and used in many countries throughout the world. ACROSS THE BOARD COVERAGE. MOST BRAND NAMES including:

FERGUSON — PANASONIC — JVC — HITACHI  
— SHARP — PHILIPS — PYE — SAISHO —  
GRUNDIG — GEC — FIDELITY — AKAI —  
TOSHIBA — TATUNG — ITT — MITSUBISHI —  
AMSTRAD — ALBA — NIKKAI — PROLINE —  
SOLAVOX — HINARI — ETC, ETC.

No matter how experienced you are, you will benefit greatly, especially so if you are a self employed small business with limited resources.

A vast work carefully designed by engineers for all repair personnel.

HIGHLY RECOMMENDED WITH THE BACK-UP UPDATING SUBSCRIPTION.

ORDER YOURS NOW. THE SYSTEM WILL PAY FOR ITSELF VERY QUICKLY.

STILL ONLY £73 inclusive.

12 months subscription updating still only £30 (now includes timely circulars with tips & modifications etc.)



Further information literature — cheques payable to:  
**TECHNICAL ADVISORY SYSTEMS,  
33 FOXCOTE, ASTLEY VILLAGE,  
CHORLEY, LANCASHIRE PR7 1XE.  
Telephone: (02572) 75667**



## INDEX TO ADVERTISERS

Admin Television	732
Aerial Techniques	703
AGB Television	741
AGS Electronics	732
A1 Discount TV Warehouse	720
Aswo (UK) Ltd.	724
A-Z Electrics	727
Bell Radio Systems	720
B. K. Electronics	674
Bowfil Ltd.	741
Bull, J & N Electrical	675
Campion Wholesale Ltd.	743
Central TV	742
Centrevision	743
Chromavac Ltd.	717
Cirkit	716
Clearvision	724
Colebourne Electronics	730
Cowell TV & Video Wholesale	730
CPC	695
Crewe Wholesale TV	742
Croydon TV's	724
C.T.V.	735
Dalbani (UK) Ltd.	725
Data-Go	738
Discount TV Services	731
Display Electronics Ltd.	726
Donberg Electronics	730, 738, 739
East Cornwall Components	676
East London Components	732
Economic Devices	704, 705
E.C.S.	741
Electronic Visuals Ltd.	713
Electrosmart	743
Express TV Supplies	741
Flintdown Channel 5	738
Garibaldi	687
General Factors	731, 737
G. G. L. Components	670
Grandata Ltd.	666, 667, 668
Hardy, J. W.	730
Henry's	721
Highsurge	718
Hockley Discount Televisions	724
HRS Electronics	737
Humphreys, A. G.	730
Hussain Central TV	672, 673
Ibex of Scotland	741
ICS	669
Infotech	738
I.T.V.C.	733
JDA Audio Visual	714
J.J. Components	703
JMG Electronics	734
Kesh Electrics	730
Link-Up Communications Ltd.	669
L.R.C. Spares	728
Manor Supplies	683
Maplin Electronics	Cover II
Mauritron (TV)	738
Multivision	734
Muter, Ulrich	739
N.G.T. Electronics Ltd.	741
North West Electronics	733
Omega Electronics	669
Papworth, E.	732
PC TV Services	730
Phoenix TV Wholesale	716
Powell, T.	725
P.V. Tubes	680
Radio Component Specialist	730
Relay Omagh Ltd.	728
Repo TV	735
Sample Service	722
Senz Components	744, Cover III, Cover IV
Sherwood Tubes Ltd.	737
SMJ Electronics	718
Sonic TV Distributors	736
Sony	740
Southside TV	726
Stewart of Reading	720
Supervision	717
Technical Advisory Systems	742
Technical Information Services	738
Teleprice Ltd.	715
Teletraders	728
Televideo Services	719
Teie-Video-Services (NI)	726
T.E.S.D. Ltd.	721
Thrifty Spares (Wales)	722
Tidman Mail Order Ltd.	728
Tree, W., Trade T.V.	671
TV & Video Commercial	734
TV Trade Centre	730
TV Trade Sales	722
Video and Electronic	732
Video Display Corporation	723
Videotech	726
View-Tel	722
Visions London	714
West Midlands TV & Video	671
Williams, Dave	732
Willow Vale Electronics Ltd.	729
Wizard Distributors	732
Zoneport	716

## CentreVision

SLOPER ROAD,  
LECKWITH,  
CARDIFF CF4 5RU  
Phone: 0222 344744

BETTER STOCK TURNOVER ARRIVING  
EVERY DAY

DIRECT PICK-UPS AVAILABLE.  
ONLY A FEW LEFT.

VIDEOS WORKING from ..... £50.00

**TV'S WORKING  
FROM £11.00**

**SAMSUNG, GOLDSTAR, SALORA**  
New and B-Grade

TEST BENCH AVAILABLE

We have over 20 years experience

6,000 sq. ft. Warehouse with a wide variety  
of good quality stock

All our Rubbish TV's and Video's are  
disposed of each day

EXPORT ENQUIRIES WELCOME

**PHONE: 0222 344754**  
FOR OUR PRICE LIST

**CAMPION  
WHOLESALE LTD.**

**QUALITY USED T.V.  
& VIDEO**

**COMPLETE RANGE OF  
T.V's AND VIDEOS  
MOST MAKES AND  
MODELS AVAILABLE**

**STOCK ARRIVING DAILY**  
T.V's from £3.00  
Videos from £30.00

**Free Delivery Service  
to most areas of the U.K.**

**UNIT 80, BARRACKS ROAD,  
SANDY LANE INDUSTRIAL ESTATE,  
STOURPORT-ON-SEVERN,  
WORCESTERSHIRE DY13 9QB**

Just 10 Mins from  
M5 Junct. 6 Worc's North

**02993-79642 or  
79643**

**LEADING BRANDS  
MANUFACTURERS  
NEW RETURNS  
GRADE 'A' QUALITY**

**LOW, LOW PRICES**

**EXTRA 10% OFF  
THESE PRICES NOW!**

**CTV 20" RC Monitor** £139.00  
Style - Stand

**VCR RC** Many £139.00  
Features

**MONO 12" AC/DC** £29.00  
Portable

**MIDI CD Twin Cass.** £107.00  
GR. EQ.

**M/WAVE** Touch Control 0.6CF £65.00  
Auto Sensor, etc.

**FULLY GUARANTEED**  
12 MONTHS SERVICESPEED WARRANTY  
PARTS & LABOUR

**MANY LARGE  
MODELS QUANTITIES  
ALWAYS IN STOCK**

**MIDI SYSTEMS + CD + R/C**  
ST. RAD. TWIN CASS. PLAYERS  
UP TO 60 WATTS  
MICROWAVE + COMBI OVENS  
1000 WATT VACS  
TABLE TOP  
DISHWASHERS  
DEHUMIDIFIERS  
CTV. FST.  
STX. CCTX  
14" PORTABLES  
15", 21", 24", 27"  
AC/DC MONO PORTS  
VIDEO CASSETTE RECORDERS  
REMOTE. LCD. HQ. TWIN SPEED

**HIGH PROFITS - LOW PRICES**

**OVERNIGHT DELIVERY**

**ELECTROSMART**

Full List from ELECTROSMART LTD. 1043  
Leeds Road, BRADFORD BD3 7DB. Tel: (0274)  
665670/660196. Fax: (0274) 665246

OR  
CTV LTD  
199 TYBURN ROAD, BIRMINGHAM  
TEL: 021 327 1066 FAX: 021 327 0685

**LARGE SELECTION OF  
EX RENTAL  
TV's and VCR's**

# SPECIAL OFFER THIS MONTH

<b>UNIVERSAL TRIPLER. NEW TYPE</b> .....£4.00 <b>VIDEO LEADS</b> .....80p AMSTRAD Line O.P. Transistors with Diode 2SD/453.....£1.00 BU208A.....85p or 20 for £12.50 VIDEO LAMPS, Long Lead.....24p HITACHI & GEC FRAME, Thick Film.....£6.00 FIDELITY SPLIT DIODE.....FCC2215AE.....£20 FCC2015BE.....£10 FCC2215BE.....£10 K30 FRONT PANEL TEL-TEX TYPE.....£5.00 NEW G11 LINE OP PANEL.....£9.00 <b>PHILIPS YEARS AHEAD</b> THE CREDIT CARD CALCULATOR Solar Powered.....£3.75 NEW PHILIPS SBC 1833 Solar & Battery Powered Calculator.....£8.00 THORN PANEL TX9 REC & REMOTE PANELS with Mains Trans.....£5.00 TX10 REC & REMOTE PANELS with Mains Trans.....£5.00 TX100 FRONT PANEL.....£5.00 TX10 TUBE BASE ON PANEL.....£3.00 TX9 IF.....£2.00 THORN PANEL No. 515-353, 548.02, 564.01, 509/102, 515/173, 508/161.....£5.00 THORN TX STEREO SOUND O.P. PANEL (I.C. TA7227P).....£1.00 THORN VIDEO AERIAL AMP 01 M4-597-001.....£6.00		<b>PHILIPS HIGH GRADE VHS 180 TAPE</b> £2.50 <b>PHILIPS TAPES</b> V200 £6 V200240 £6.50 VCC360 £7.50 <b>THORN TX85 CHASSIS</b> £15 Late TX100 Thorn Hand Set Pads Mixed Fast-Text and Non-Text £1 each or 5 for £4 TX100 Manuals £1 each <b>AUTO RANGE</b> DC and AC and Resistance Pocket 3000 Philips £12.00 G11 8 Touch Button with Lamps, Non-remote £18.00 Philips New Hand Set Digital RC5991 fit all Text Sets after G11 £12.50 <b>NEW PHILIPS G11</b> 6 Touch Unit £12.50	
KT3-K30-K4-K40 CTX ETC Mains Switch 75p each G8 LOPTS PHILIPS £6.00 G11 LOPTS £3.00 PHILIPS DESK TYPE Dual Power Calculator SBC1704 £7.00 K40 FOCUS POT £1.00 4.7u KT3 W/W 10 for £1.00 FOCUS POT HDK TPA6006 £2.00 KT3 Triplers £6.00 K3 Text Front Panels with I.C.s (SAA3027P/SAB3013/HO448328) £5.00 G8 100K Pots on Panel & Lead for 6 Push Button Unit £2.00 K30 Mains Switch remote £1.00 K35 Mains Switch remote 75p K35 Aerial Socket and Plug in Lead to Tuner £1.50 KT3-K30 Slider Pots 4.7ku 20p each LARGE Focus Pots. Fits Pye, GEC, IIT, Decca 75p 8 PUSH BUTTON UNIT for CTX Chassis £1.50 G8 Power Supply Panel £4.00 EX DECCA 80-100 Decoder £5.00 EX DECCA 80-100 Frame £5.00 THORN 8090-8500-8800 Decoder £6.00 GLASS BEADS Diodes 200V/1.2A 50 for £1.00 G11 Tip Switch £20.00 G11 IF Panel £8.00 IVC Decoder Panel £8.00 IVC HEADS JHS5 £2.00 G11 Condenser 470/250V IIT £2.00 G9 Power Panel £3.50 G8 Transductor £1.25 G8 Push Button Unit £2.00 G8 Con/Panel New Back Type £4.00 KT4-KT3-K30 Handset Replacement £12.00 HT520 METER 20,000 Fuse Diode Protector Logic Test Facility £15.90 HT420 £12.00 9000 SERIES Decoder 01 929 014 (880) Thorn £5.00 <b>LATEST VIDEO</b> For Latest Philips, GEC, Pye and Hitachi. Front panel with memory chip and push button and pots and LED's. £6.00 NEW 20AX GEC LOPT Panel with Split Diode £4.00 RANK T20 Focus Pot 75p RANK 718 Focus Pot £11.00 10' LOPT Split Diode 2433481 £6.00 Ex Panel Split Diodes 2432871/2432981 £5 Split Diode 2433752 £6 T703A LOPT Transformer Rank with Focus Pots and Diode £2.00 HITACHI Mains Switch 50p HITACHI AE Socket 30p 1 CONDENSER Axial Leads 450 A/C 1200 D/C 15p MAINS TRANSFORMER 240v in/20v/8v £1.00 GREEN FLAT, NEC, LED's 3p each 100 for £2 15V015V 1 Amp Print Type £1 12+12V 2.8VA Print 1"x1" 75p 8+8V 1 Amp Print 75p ET596 UHF V/CAP Tuner, small £2.50 FIDELITY Panels with I.C. £1.00 FIDELITY LOPT Split Diode AT2076/80 £3.00 AT 2076/80 £5.00 IIT CVC20 to 45 PANELS Send for list MULLARD TEL-TEX DECODER Type VM6103 £7.00 WE HAVE OVER 1,000 6 DIODE TRIPLER AT £1 EACH THORN main TV chassis complete TX90-TX925 and TX90.20" £15.00 TX10 8 way button unit £8.00 TX900 with PRR-SR7 £6.00 PHILIPS VHS Tape 180 £2.25	SBC3135 £7.00 SBC3140 £5.00 Philips Stereo Head Phone Philips SBC3050 Stereo Condenser Electric Microphone £11.00 Philips SBC3040 Mono Uni Directional Condenser Microphone £9.00 Microphone Philip Dynamic £6.00 <b>TX100 FRONT PANEL £5 WITH REMOTE</b> <b>PHILIPS NEW TYPE U/V HAND SET £10</b> <b>NEW TEXT AND NON-TEXT TOSHIBA HAND SET MIXED - £10 FOR FOUR</b> KT3-K30 Slider Pots 4.7k £1.00 for 10 K35 20 Turn Pots 6p each HITACHI & GEC 20k Pots and 100K and 69K Philips 20 for £1.00 100K POT & 20K v/cap type with band switch 5p KT3 K30 Speaker 30p K30 Push Button Switch 6 Way £1.00 K35 Sound O/P Panel Plug in and KT3 sound o/p £3.00 K35 12 way Push Button Unit £1.50 G8 6 Button Unit, New Type £2.00 6 off LED DISPLAYS, Mixed £1.00 HAND SET TESTER, Infra Red £3.00 AERIAL SPLITTER with filter £1.00 UNI DIRECTIONAL Dynamic Microphone £2.00 20 TURN POTS with Band Switch 10p PUSH BUTTON Mains Switch with Screw Holes Fixing 4 for £1 PYE 731 Line Trans £3.50 PYE 731 New Power Supply £4.00 800V DIODES at 3 amps. Glass Beads 6p each, 20 for £1.00 KT3 Line Output Transformer £5.00 THORN 8500 Time Base £3.00 7 SEG DISPLAYS 4 Bank Displays Z-6042T 25p SPLIT DIODE FBS12454R £5.00 GEC TEXT PANEL PC895A7 £10 SEND FOR LIST OF VIDEO SPARES £13 to £46 HEADS		
243271 TX100 Green Spot 243281 TX100 Blue Spot £15 2435016 TX100 Yellow Spot 2433952 L.O.P.T. £10.00 2434393 TX901 White Spot 2432211 L.O.P.T. £12.00 TF888A Split Diode 110P £12.50 DST85B243 Orion 65-3M TFB3069D GEC 85-9793-6 K4 L.O.P.T. K35 L.O.P.T. K40 TX9 L.O.P.T. 2432101-2	CTX Lopt 36212 36211 33651 36072 36383 36382 36482 36761 36631 36832 36833 3692179 3692279	<b>TRANSFORMERS</b> 3112-338-30942 £1.00 3112-338-30633 £1.00 3111-268-30050 £1.00 3112-138-98094 £1.00 3112-338-30634 £2.00 3122-138-96044 £1.00 3122-138-53861 £1.00 3122-138-98094 £1.75 AT20360/0 AT2076/55 AT2048/11 AT2076/71T AT2055 AT2080/15 AT2076/35 RCO ST CT3325 AT2076/38 OT2041 AT2076/51 FB165KA Orion CVC 820 2076/51 CVC 800 2432461 2433451 <b>REGULATED POWER SUPPLY</b> Size 6"x5"x2 1/2". 0-3v - 0-4.5v - 0-6v Lamp. Pre-set 3v-to-12 volts. 1 amp. £5.00 Post £2.00	SHARP MSHIF-CF09 TX9 LOPT £10 EACH (0104-235 012-01) VIDEO MOTOR for VT568 type VCS2D/8 £8.00 AMP TUNER IF for VT568 Hitachi & GEC £9.00 T6070V TX9 Transistor £1.00 TX9 90D4-106-004 £1.00 TX9 90D4-099-001 £1.00 Chopper Transformer £1.00 TX9 06D4-025-001 choke £1.00 TX9 90D4-093-001-01G £1.00 BRIDGES RECTIFIER BR-31 50V 2Amp 8 for £1.00 TX90 MOP 37141B The Sweep Tuning System TX9 139/001 £5.00 20MM 1Amp A5 Fuse £3.00 per 100 TX90 TX925 TX100 Mains Switch with Stand-by and Lead 3 for £1 or 50p each UNIVERSAL VIDEO - RECORD Mono 11 Piece Kit £8.00 Stereo 14 Piece Kit £8.00
<b>ITT TUNER CAN</b> CMR 800/3 £20.00 Decca 100 Lopt Panel and Frame £5.00 <b>WITH DATA</b> Min with co-ax socket UHF v/cap tuner 4dB gain £1.50 or 10 for £10 Can be adapted for video <b>ITT PANEL</b> CMC 301 CMC 113 CMC 302 CMC 115 CMC 303 CMC 90/4 £5.00 <b>CMR 800</b> Power Supply Switch Mode £5.00 <b>SEL IIT</b> IFB254F2 Front Panel £15.00 <b>DECCA - GEC - IIT</b> 6 push button - £5.00 100 BC-BF Transistor £1.00	<b>I.C. Holders</b> DIL - DIL 40 Pin x 4 £1.00 42 Pin x 5 £1.00 28 Pin x 5 80p 16 Pin x 10 70p 24 Pin x 5 70p 18 Pin x 10 80p DIL - QIL 16 Pin x 10 £1.00 18 Pin x 10 £1.00 28 Pin x 4 £1.00 AB Mains Switch u/v 30p Philips Electrodynamic Stereo Headphones N6315 £10	SEND FOR LIST BRITISH MADE V.H.S. VIDEO HEADS FROM £15 to £20. SEND FOR LIST OF VIDEO SPARES, VIDEO LEAD AND BELTS SEND FOR DATA 20 AMP COST OVER £400. 30 VOLT TO 15 VOLTS FARNELL POWER SUPPLY 19" RACK MOUNT POST £8, IN CASE £20 12V/1 AMP POWER SUPPLY WITH MAINS PLUG £4 <b>PHILIPS HALOGEN LIGHT. NEW. NO ON/OFF SWITCH, NO HANDLE WITH CORD. BLACK IN COLOUR £5</b> 1 OFF - NEW ROHDE & SCHWARZ SBUF.E1 VISION MODULATOR A.T.V./RF 25-1000MHZ T.V. TEST TRANSMITTER £8,000 1 OFF - ROHDE & SCHWARZ EK2 T.V. MONITORING RECEIVER £1,200 <b>TVR3 Amstrad Cassette Mechanisms. New £35 with heads. Toshiba V-81F Cassette Mechanisms. New £35 with heads. Amstrad Television Tuner UHF. Small. Fits most Amstrads. £6.</b> <b>SENDZ COMPONENTS, 63 BISHOPSTEIGNTON, SHOEBOURNESS, ESSEX SS3 8AF. SAME DAY SERVICE</b> All items subject to availability. No Accounts: No Credit Cards. Postal Order/Cheque with order. Add 15% VAT, then £1 Postage. Add postage for Overseas. Callers: To shop at 212 LONDON ROAD, SOUTHEN. Tel. 0702-332992. Fax 0702 338805 Open 9-12/2.30-6. GVMT + school orders accepted on official headings. Add 10% handling charge.	







# SENDZ COMPONENTS

63 Bishopsteignton,  
Shoeburyness, ESSEX SS3 8AF  
SAME DAY SERVICE

All items subject to availability. Technical Information by telephone only. No Accounts - No Credit Cards  
Postal Order/Cheque with order  
Add 15% VAT, then £1 Postage  
Add Postage for overseas  
Callers: To shop at 212 London Rd.,  
Southend, Tel. 0702 332992. Fax 0702 338805  
Open 9-1/2.30.6. GMT + school orders accepted on official  
headings add 10% handling charge.

Astec UMI623 VHF	£2.00	BD646	50p
Astec UMI286	£4.00	BD676A	30p
<b>Modulators with Data</b>			
UHIF Modulator CCYR	£3.00	BD826	50p
<b>UHIF/VHF Tuner EGG13F</b>			
ENV-57465G2 VHF/UHF	£5.00	BD930	30p
<b>9000 Thorn Tuner on Panel</b>			
Change over switch co-ax type box with lead	50p	BD948	30p
<b>Delay Lines</b>			
DL700	£1.00	BDT31A	50p
Luminescence Delay Line (CVC 45)	75p	BDX75	50p
Co-Ax Joint	15p	BDV64B	50p
Co-Ax Belling Lee Plug	12p	BDU65	50p
Co-Ax Splitter	£1.00	BF769	30p
Infra Red Emitting Diode	20p	BF788	30p
NE236H Small Neon Lamps GEC & Philips	5p	BFK9A	30p
Mullard 5 Watt Amps. LPH162 New	75p	BF858	30p
<b>T.V. Tubes</b>			
12" 90° black and white	£10	BF869	30p
12 1/2" 11P 31/510	Post £20.55	BF871	30p
<b>S.W. Filters</b>			
HW2011 50p	CA270AE	£1.00	
HW2013 50p	CA270W	50p	
SW453 50p	CA270E	£2.50	
SW150 1p	CA1310	£1.00	
HW2013 50p	CA304b	50p	
RW303 50p	CA305Q	50p	
SY2153 50p	CA309AE	50p	
	CA3123	50p	
	CA3146	£1.00	
	CA3189	40p	
	CA3248	30p	
	CD4510	30p	
	CD4555BE	30p	
	DM7492	50p	
	HA1124A	40p	
	HA1130	40p	
	HA1137	£2.00	
	HA1170	£3.00	
	HA1172	£3.00	
	HA1182	£3.00	
	HA1182A	£1.00	
	HA1182B	£1.00	
	HA1182C	£1.00	
	HA1182D	£1.00	
	HA1182E	£1.00	
	HA1182F	£1.00	
	HA1182G	£1.00	
	HA1182H	£1.00	
	HA1182I	£1.00	
	HA1182J	£1.00	
	HA1182K	£1.00	
	HA1182L	£1.00	
	HA1182M	£1.00	
	HA1182N	£1.00	
	HA1182O	£1.00	
	HA1182P	£1.00	
	HA1182Q	£1.00	
	HA1182R	£1.00	
	HA1182S	£1.00	
	HA1182T	£1.00	
	HA1182U	£1.00	
	HA1182V	£1.00	
	HA1182W	£1.00	
	HA1182X	£1.00	
	HA1182Y	£1.00	
	HA1182Z	£1.00	
	HA1182AA	£1.00	
	HA1182AB	£1.00	
	HA1182AC	£1.00	
	HA1182AD	£1.00	
	HA1182AE	£1.00	
	HA1182AF	£1.00	
	HA1182AG	£1.00	
	HA1182AH	£1.00	
	HA1182AI	£1.00	
	HA1182AJ	£1.00	
	HA1182AK	£1.00	
	HA1182AL	£1.00	
	HA1182AM	£1.00	
	HA1182AN	£1.00	
	HA1182AO	£1.00	
	HA1182AP	£1.00	
	HA1182AQ	£1.00	
	HA1182AR	£1.00	
	HA1182AS	£1.00	
	HA1182AT	£1.00	
	HA1182AU	£1.00	
	HA1182AV	£1.00	
	HA1182AW	£1.00	
	HA1182AX	£1.00	
	HA1182AY	£1.00	
	HA1182AZ	£1.00	
	HA1182BA	£1.00	
	HA1182BB	£1.00	
	HA1182BC	£1.00	
	HA1182BD	£1.00	
	HA1182BE	£1.00	
	HA1182BF	£1.00	
	HA1182BG	£1.00	
	HA1182BH	£1.00	
	HA1182BI	£1.00	
	HA1182BJ	£1.00	
	HA1182BK	£1.00	
	HA1182BL	£1.00	
	HA1182BM	£1.00	
	HA1182BN	£1.00	
	HA1182BO	£1.00	
	HA1182BP	£1.00	
	HA1182BQ	£1.00	
	HA1182BR	£1.00	
	HA1182BS	£1.00	
	HA1182BT	£1.00	
	HA1182BU	£1.00	
	HA1182BV	£1.00	
	HA1182BW	£1.00	
	HA1182BX	£1.00	
	HA1182BY	£1.00	
	HA1182BZ	£1.00	
	HA1182CA	£1.00	
	HA1182CB	£1.00	
	HA1182CC	£1.00	
	HA1182CD	£1.00	
	HA1182CE	£1.00	
	HA1182CF	£1.00	
	HA1182CG	£1.00	
	HA1182CH	£1.00	
	HA1182CI	£1.00	
	HA1182CJ	£1.00	
	HA1182CK	£1.00	
	HA1182CL	£1.00	
	HA1182CM	£1.00	
	HA1182CN	£1.00	
	HA1182CO	£1.00	
	HA1182CP	£1.00	
	HA1182CQ	£1.00	
	HA1182CR	£1.00	
	HA1182CS	£1.00	
	HA1182CT	£1.00	
	HA1182CU	£1.00	
	HA1182CV	£1.00	
	HA1182CW	£1.00	
	HA1182CX	£1.00	
	HA1182CY	£1.00	
	HA1182CZ	£1.00	
	HA1182DA	£1.00	
	HA1182DB	£1.00	
	HA1182DC	£1.00	
	HA1182DD	£1.00	
	HA1182DE	£1.00	
	HA1182DF	£1.00	
	HA1182DG	£1.00	
	HA1182DH	£1.00	
	HA1182DI	£1.00	
	HA1182DJ	£1.00	
	HA1182DK	£1.00	
	HA1182DL	£1.00	
	HA1182DM	£1.00	
	HA1182DN	£1.00	
	HA1182DO	£1.00	
	HA1182DP	£1.00	
	HA1182DQ	£1.00	
	HA1182DR	£1.00	
	HA1182DS	£1.00	
	HA1182DT	£1.00	
	HA1182DU	£1.00	
	HA1182DV	£1.00	
	HA1182DW	£1.00	
	HA1182DX	£1.00	
	HA1182DY	£1.00	
	HA1182DZ	£1.00	
	HA1182EA	£1.00	
	HA1182EB	£1.00	
	HA1182EC	£1.00	
	HA1182ED	£1.00	
	HA1182EE	£1.00	
	HA1182EF	£1.00	
	HA1182EG	£1.00	
	HA1182EH	£1.00	
	HA1182EI	£1.00	
	HA1182EJ	£1.00	
	HA1182EK	£1.00	
	HA1182EL	£1.00	
	HA1182EM	£1.00	
	HA1182EN	£1.00	
	HA1182EO	£1.00	
	HA1182EP	£1.00	
	HA1182EQ	£1.00	
	HA1182ER	£1.00	
	HA1182ES	£1.00	
	HA1182ET	£1.00	
	HA1182EU	£1.00	
	HA1182EV	£1.00	
	HA1182EW	£1.00	
	HA1182EX	£1.00	
	HA1182EY	£1.00	
	HA1182EZ	£1.00	
	HA1182FA	£1.00	
	HA1182FB	£1.00	
	HA1182FC	£1.00	
	HA1182FD	£1.00	
	HA1182FE	£1.00	
	HA1182FF	£1.00	
	HA1182FG	£1.00	
	HA1182FH	£1.00	
	HA1182FI	£1.00	
	HA1182FJ	£1.00	
	HA1182FK	£1.00	
	HA1182FL	£1.00	
	HA1182FM	£1.00	
	HA1182FN	£1.00	
	HA1182FO	£1.00	
	HA1182FP	£1.00	
	HA1182FQ	£1.00	
	HA1182FR	£1.00	
	HA1182FS	£1.00	
	HA1182FT	£1.00	
	HA1182FU	£1.00	
	HA1182FV	£1.00	
	HA1182FW	£1.00	
	HA1182FX	£1.00	
	HA1182FY	£1.00	
	HA1182FZ	£1.00	
	HA1182GA	£1.00	
	HA1182GB	£1.00	
	HA1182GC	£1.00	
	HA1182GD	£1.00	
	HA1182GE	£1.00	
	HA1182GF	£1.00	
	HA1182GG	£1.00	
	HA1182GH	£1.00	
	HA1182GI	£1.00	
	HA1182GJ	£1.00	
	HA1182GK	£1.00	
	HA1182GL	£1.00	
	HA1182GM	£1.00	
	HA1182GN	£1.00	
	HA1182GO	£1.00	
	HA1182GP	£1.00	
	HA1182GQ	£1.00	
	HA1182GR	£1.00	
	HA1182GS	£1.00	
	HA1182GT	£1.00	
	HA1182GU	£1.00	
	HA1182GV	£1.00	
	HA1182GW	£1.00	
	HA1182GX	£1.00	
	HA1182GY	£1.00	
	HA1182GZ	£1.00	
	HA1182HA	£1.00	
	HA1182HB	£1.00	
	HA1182HC	£1.00	
	HA1182HD	£1.00	
	HA1182HE	£1.00	
	HA1182HF	£1.00	
	HA1182HG	£1.00	
	HA1182HH	£1.00	
	HA1182HI	£1.00	
	HA1182HJ	£1.00	
	HA1182HK	£1.00	
	HA1182HL	£1.00	
	HA1182HM	£1.00	
	HA1182HN	£1.00	
	HA1182HO	£1.00	
	HA1182HP	£1.00	
	HA1182HQ	£1.00	
	HA1182HR	£1.00	
	HA1182HS	£1.00	
	HA1182HT	£1.00	
	HA1182HU	£1.00	
	HA1182HV	£1.00	
	HA1182HW	£1.00	
	HA1182HX	£1.00	
	HA1182HY	£1.00	
	HA1182HZ	£1.00	
	HA1182IA	£1.00	
	HA1182IB	£1.00	
	HA1182IC	£1.00	
	HA1182ID	£1.00	
	HA1182IE	£1.00	
	HA1182IF	£1.00	
	HA1182IG	£1.00	
	HA1182IH	£1.00	
	HA1182II	£1.00	
	HA1182IJ	£1.00	
	HA1182IK	£1.00	
	HA1182IL	£1.00	
	HA1182IM	£1.00	
	HA1182IN	£1.00	
	HA1182IO	£1.00	
	HA1182IP	£1.00	
	HA1182IQ	£1.00	
	HA1182IR	£1.00	
	HA1182IS	£1.00	
	HA1182IT	£1.00	
	HA1182IU	£1.00	
	HA1182IV	£1.00	
	HA1182IW	£1.00	
	HA1182IX	£1.0	