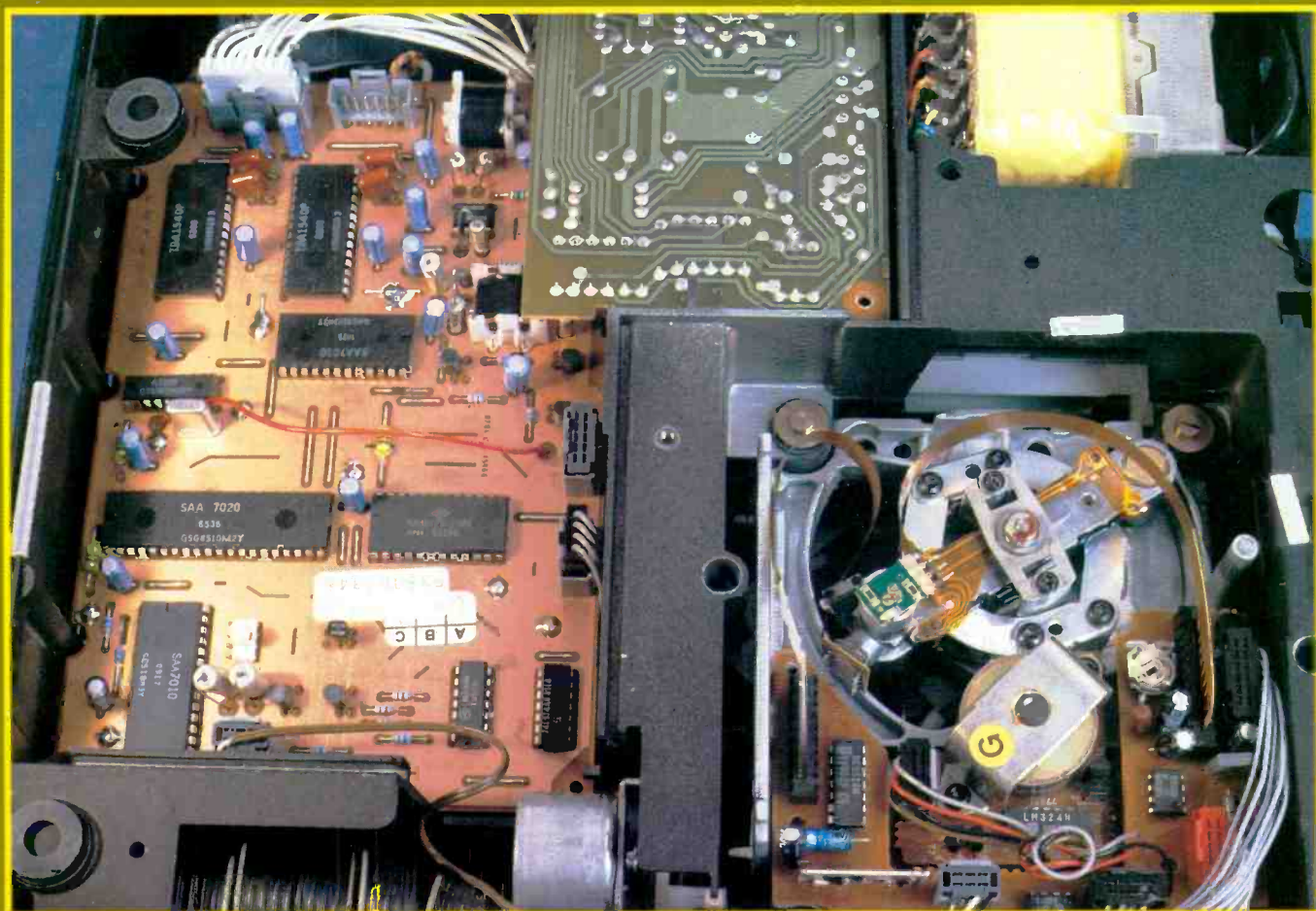


MAY 1992

£1.95

# TELEVISION

SERVICING · VIDEO · SATELLITE · DEVELOPMENTS



**Servicing the Philips CD104**  
**Master-slave Switch-mode PSUs**  
**Telephone Test Set • Test Report**  
**1590 Chassis Power Supply Rebuild**  
**Satellite TV Notebook • DX-TV**  
**VCR Clinic • TV Fault Finding**

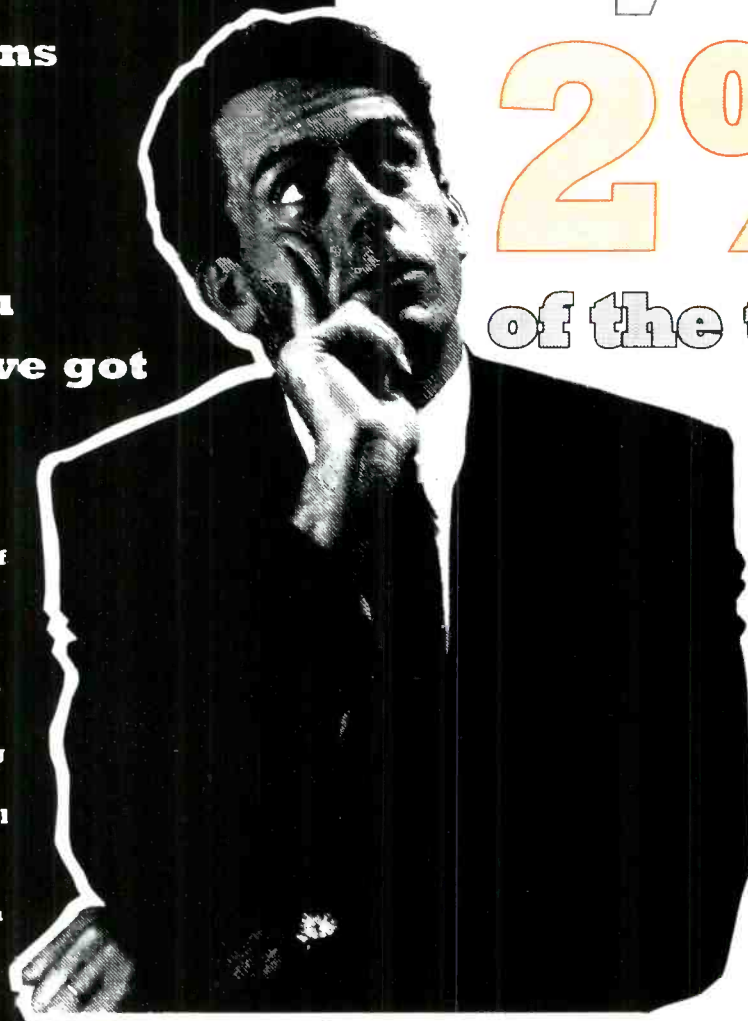


# We would like to point out that we say no

**This means  
that no  
matter  
what  
spare you  
need we've got  
it!**

**Our aim is to offer  
you the customer  
the widest range of  
spares, service  
aids and  
equipment to  
enable you to keep  
abreast with  
today's demanding  
technology.**

**No order is too small  
phone us now and  
order your spares.  
And remember you  
don't have to use  
part numbers, so  
it's even easier to  
get what you need.**



# 20%

of the time.

**SHARP  
PHILIPS**

**FERGUSON**

**GRUNDIG**

**NIKKAI**

**SANSUI**

and many others

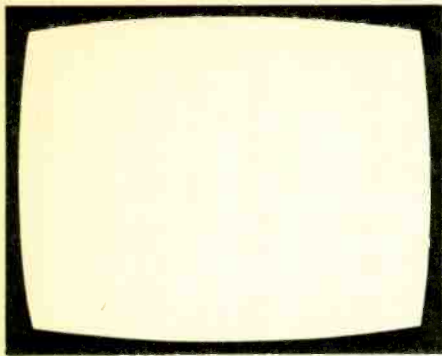
# WYE

**TEL: 0734 876444**

Head Office: 11, Arkwright Road, Reading, Berks. RG2 0LU  
Tel: 0734-876444 Fax: 0734-867188 COPS No: 0734-311969

Enterprise Park, Reliance Street, Manchester. M10 0AL  
Tel: 061-682-1415 Fax: 061-682-9031 COPS No: 061-683-4411

11, Warhill Road, Carlton, Nottingham. NG4 3AJ  
Tel: 0602-870789 Fax: 0602-878772



# TELEVISION

May  
1992

Vol. 42, No. 7  
Issue 499

On sale April 15th

## COPYRIGHT

© Reed Business Publishing Ltd., 1992. Copyright in all drawings, photographs and articles published in *Television* is fully protected and reproduction or imitation in whole or in part is expressly forbidden. All reasonable precautions are taken by *Television* to ensure that the advice and data given to readers are reliable. We cannot however guarantee it and we cannot accept legal responsibility for it.

## CORRESPONDENCE

All correspondence regarding advertisements should be addressed to the Advertisement Manager, "Television", Quadrant House, The Quadrant, Sutton, Surrey SM2 5AS. Editorial correspondence should be addressed to "Television", Editorial Dept., Reed Business Publishing Group, Quadrant House, The Quadrant, Sutton, Surrey SM2 5AS.

## INDEXES AND BINDERS

Indexes to Vols. 37 and 38 are available at £1 each from the Editorial office (address above). Photostats of the indexes to Vols. 31-36 can be supplied at £1 each. Make cheques etc. payable to Reed Business Publishing Ltd.

Binders that hold twelve issues of *Television* are available for £5 from Television Binders, 78 Whalley Road, Wilpshire, Blackburn BB1 9LF. Make cheques out to "Television Binders".

## SUBSCRIPTIONS

An annual subscription costs £23 in the UK, £28 overseas (by surface mail - ask for airmail quote if required). Send orders with payment to Quadrant Subscription Services Ltd., Oakfield House, Perrymount Road, Haywards Heath, Sussex, RH16 3DH.

Subscription hotline for 24-hour ordering with Credit Card number 0789 200 255.

## BACK NUMBERS

Subject to availability, copies of issues published during the last 12 months are available at £2.50 each from Television Back Issues, Room L333, Quadrant House, The Quadrant, Sutton, Surrey SM2 5AS. Make cheques/postal orders payable to Reed Business Publishing Ltd.

## QUERIES

We regret that we cannot answer technical queries over the telephone nor supply service sheets. We will endeavour to assist readers who have queries relating to articles published in *Television*, but we cannot offer advice on modifications to published designs nor comment on alternative ways of using them.

## this month

- 477 Leader**
- 478 Letters**
- 481 Photostat Service**
- 484 1590 Chassis Power Supply Rebuild** *J. LeJeune*  
These popular monochrome portables were produced in large quantities in the early Seventies. Getting replacement series regulator transistors is now becoming a problem, hence this revised circuit which also provides improved performance, giving these sturdy sets extra life.
- 485 Help Wanted**
- 486 Servicing the Philips CD104 CD Player** *Mike Leach*  
A guide to fault finding in the various sections of this popular CD player. Conveniently arranged with separate PCBs for each section, this is a good machine to get to grips with CD player servicing if you are new to it.
- 491 What a Life!** *Donald Bullock*
- 492 Teletopics**  
News, comment and developments.
- 494 TV Fault Finding**  
Reports from Philip Blundell, AMIEIE, L.V. Cooper, Eugene Trundle, Brian Storm, Liz Hopkins, John Edwards, Steve Cannon, Stephen Leatherbarrow and Michael Dranfield.
- 497 CD Player Casebook**  
Reports from Mike Leach, Brian Storm and P.J. Roberts.
- 498 Test Report: Tandy Micronta 22-167 DMM** *David Botto*  
A thorough bench test on this new digital multimeter which includes a bar graph analogue display and offers good value for money.
- 500 Master-slave Switch-mode Power Supplies** *Ray Porter, M.Sc., C.Eng., M.I.E.E.*  
Some chip sets have the power supply pulse-width modulator on the isolated side of the circuit, working as a master controlling a slave chopper drive chip on the non-isolated side of the supply. Circuit operation and fault finding.
- 501 Next Month in Television**
- 502 Telephone Test Set** *Ian Rees*  
A simple unit that enables you to carry out testing on telephone equipment.
- 506 VCR Clinic**  
Reports from Philip Blundell, AMIEIE, Brian Storm, Alfred Damp, John Edwards, Eugene Trundle, Nick Beer, Ian Bowden and Graham Richards.
- 508 Satellite Notebook** *Nick Beer*  
Mainly this time on a motorised satellite TV system.
- 509 Long-distance Television** *Roger Bunney*  
DX conditions and reception and news from abroad. Also, looking forward to the SpE season, aerial designs for Band 1 reception.
- 512 Test Case 353**

OUR NEXT ISSUE DATED JUNE WILL  
BE PUBLISHED ON MAY 20

AA32	9p	B0332	40p	BTY79	140p	TP117	50p	OA70	10p	PCF801	110p	AN7145	198p	ICL7106	650p	LM3902	80p	STK437	490p	STK7226	800p	TA7310	100p
AC107	40p	B0361	60p	BU100A	110p	TP120	37p	OA90	10p	PCF802	80p	AN7146	210p	ICL7611	90p	LM3911	160p	STK438	490p	STK7308	410p	TA7312	100p
AC125	30p	B0370	30p	BU105	80p	TP122	47p	OA200	10p	PCF801	110p	AN7156	240p	ICM7555	80p	LM3914	160p	STK439	490p	STK7309	410p	TA7313	110p
AC127	30p	B0371	30p	BU108	100p	TP125	47p	OA202	10p	PCLH01	80p	AN7158	240p	ICM7556	80p	LM3916	270p	STK440	640p	STK7348	410p	TA7315	200p
AC128	36p	B0410	60p	BU109	80p	TP126	56p	IN14	2p	PCL82	80p	AN7178	270p	KA2101	100p	M50115P	320p	STK447	600p	STK7356	400p	TA7317	240p
AC128K	40p	B0411	60p	BU110	80p	TP127	56p	IN140	2p	PCL85	80p	AN7180	270p	KA2102	100p	M50117P	320p	STK448	600p	STK7357	400p	TA7318	240p
AC141K	46p	B0434	30p	BU111	140p	TP130	30p	IN4002	3p	PCL85	80p	AN7254	150p	KA2105	150p	M50119P	825p	STK449	600p	STK7358	400p	TA7319	240p
AC142K	46p	B0435	31p	BU124	60p	TP131	30p	IN4003	3p	PCL86	80p	AN7256	250p	KA2130	150p	M50120P	825p	STK450	600p	STK7359	400p	TA7320	240p
AC147	22p	B0436	30p	BU126	60p	TP132	21p	IN4004	3p	PCL85	80p	AN7310	30p	KA2206	150p	M50130P	600p	STK463	700p	STK7406	800p	TA7335	200p
AC167K	24p	B0437	30p	BU180	25p	TP140	25p	IN4005	3p	PL36	120p	AN7311	30p	KA2207	150p	M50131P	600p	STK465	700p	STK7407	800p	TA7336	250p
AC174	25p	B0438	38p	BU190	100p	TP142	90p	IN4006	4p	PL2	60p	AN7312	30p	KA2210	230p	M50132P	600p	STK466	700p	STK7408	800p	TA7337	250p
AC177K	40p	B0439	40p	BU204	75p	TP145	65p	IN4007	4p	PL2	60p	AY3-1015	290p	KA2212	80p	M50133P	600p	STK467	700p	STK7409	800p	TA7338	250p
AC188	25p	B0440	40p	BU205	70p	TP146	90p	IN4148	2p	PL3	60p	AY3-1270	800p	KA2213	130p	M50134P	600p	STK468	700p	STK7410	800p	TA7339	250p
AC188K	40p	B0441	40p	BU206	100p	TP147	100p	IN4149	2p	PL4	60p	AY3-1350	450p	KA2214	150p	M50135P	600p	STK469	700p	STK7411	800p	TA7340	250p
AC189	40p	B0442	40p	BU208	70p	TP150	90p	IN4201	2p	PL5	180p	AY3-8910	360p	KA2263	100p	M51387P	900p	STK470	600p	STK7412	800p	TA7342	250p
AC191	48p	B0534	38p	BU208A	80p	TP151	90p	IN4202	2p	PL504	110p	AY3-8912	360p	KA2264	100p	M51389P	900p	STK471	600p	STK7413	800p	TA7343	250p
AD149	60p	B0535	38p	BU208AT	90p	TP2955	42p	IN4503	8p	PL504	110p	BA301	85p	KA2265	100p	M51391P	900p	STK472	600p	STK7414	800p	TA7344	250p
AF125	60p	B0536	38p	BU209	80p	TP3054	49p	IN4504	8p	PL508	200p	BA311	85p	KA2266	100p	M51392P	900p	STK473	600p	STK7415	800p	TA7345	250p
AF127	50p	B0539	40p	BU209	140p	TP3056	42p	IN4505	11p	PL519	430p	BA313	85p	KA2267	100p	M51393P	900p	STK474	600p	STK7416	800p	TA7346	250p
AF139	30p	B0538	40p	BU225	180p	TS44	40p	IN4506	12p	PY81	100p	BA333	100p	KA2268	100p	M51394P	900p	STK475	600p	STK7417	800p	TA7347	250p
AF239	30p	B0643	60p	BU228	190p	TS61	15p	IN4507	12p	PY88	100p	BA340	100p	KA2269	100p	M51395P	900p	STK476	600p	STK7418	800p	TA7348	250p
BA145	10p	B0647	60p	BU265	85p	TS31	18p	IN4508	12p	PY500A	190p	BA401	100p	KA2270	100p	M51396P	900p	STK477	600p	STK7419	800p	TA7349	250p
BA148	10p	B0649	60p	BU326	75p	TS93	20p	RGF30	16p	3mm		BA402	100p	KA2271	100p	M51397P	900p	STK478	600p	STK7420	800p	TA7350	250p
BA149	10p	B0675	40p	BU370	70p	SKF4206	60p	SRM2	100p	RED		BA511	160p	KA2272	100p	M51398P	900p	STK479	600p	STK7421	800p	TA7351	250p
BA175	12p	B0676	38p	BU407	85p	VM1010	86p	SRM2	100p	YELLOW		BA516	160p	KA2273	100p	M51399P	900p	STK480	600p	STK7422	800p	TA7352	250p
BA1810B	12p	B0677	38p	BU407	85p	VM1010K	86p	SRM2	100p	GREEN		BA521	160p	KA2274	100p	M51400P	900p	STK481	600p	STK7423	800p	TA7353	250p
BB205B	24p	B0678	40p	BU407D	80p	VM66AF	100p	SRM2	100p	BROWN		BA524	240p	KA2275	100p	M51401P	900p	STK482	600p	STK7424	800p	TA7354	250p
BC107	8p	B0679	40p	BU408	75p	VM88AF	115p					BA528	240p	KA2276	100p	M51402P	900p	STK483	600p	STK7425	800p	TA7355	250p
BC108	8p	B0680	40p	BU408D	80p							BA529	240p	KA2277	100p	M51403P	900p	STK484	600p	STK7426	800p	TA7356	250p
BC109	8p	B0689	40p	BU408D	80p							BA532	240p	KA2278	100p	M51404P	900p	STK485	600p	STK7427	800p	TA7357	250p
BC109C	10p	B0682	45p	BU426A	70p	ZTX107	11p	8PIN	5p	RECTANG. LED's		BA536	240p	KA2279	100p	M51405P	900p	STK486	600p	STK7428	800p	TA7358	250p
BC118	11p	B0705	60p	BU500	100p	ZTX109	11p	18PIN	7p	5mm x 2.5mm		BA537	240p	KA2280	100p	M51406P	900p	STK487	600p	STK7429	800p	TA7359	250p
BC140	20p	B0707	60p	BU508A	70p	ZTX122	27p	18PIN	10p	RED		BA538	240p	KA2281	100p	M51407P	900p	STK488	600p	STK7430	800p	TA7360	250p
BC141	20p	B0708	60p	BU508AF	70p	ZTX122	27p	18PIN	10p	YELLOW		BA539	240p	KA2282	100p	M51408P	900p	STK489	600p	STK7431	800p	TA7361	250p
BC142	20p	B0711	60p	BU508D	80p	ZTX130	12p	20PIN	12p	GREEN		BA540	240p	KA2283	100p	M51409P	900p	STK490	600p	STK7432	800p	TA7362	250p
BC143	20p	B0736	60p	BU508DF	115p	ZTX302	10p	22PIN	13p			BA545	240p	KA2284	100p	M51410P	900p	STK491	600p	STK7433	800p	TA7363	250p
BC147	8p	B0826	60p	BU526	75p	ZTX303	24p	24PIN	14p			BA546	240p	KA2285	100p	M51411P	900p	STK492	600p	STK7434	800p	TA7364	250p
BC148	8p	B0826	60p	BU526	75p	ZTX303	24p	24PIN	14p			BA547	240p	KA2286	100p	M51412P	900p	STK493	600p	STK7435	800p	TA7365	250p
BC149	8p	B0827	60p	BU546	140p	ZTX320	20p	28PIN	15p			BA548	240p	KA2287	100p	M51413P	900p	STK494	600p	STK7436	800p	TA7366	250p
BC157	8p	B0899	60p	BU608	180p	ZTX600	13p	40PIN	18p			BA549	240p	KA2288	100p	M51414P	900p	STK495	600p	STK7437	800p	TA7367	250p
BC159	8p	B0901	60p	BU626	180p	ZTX501	13p					BA550	240p	KA2289	100p	M51415P	900p	STK496	600p	STK7438	800p	TA7368	250p
BC163	8p	B0936	60p	BU636	180p	ZTX502	13p					BA551	240p	KA2290	100p	M51416P	900p	STK497	600p	STK7439	800p	TA7369	250p
BC171	10p	B0D32	100p	BU801	80p	ZTX503	13p					BA552	240p	KA2291	100p	M51417P	900p	STK498	600p	STK7440	800p	TA7370	250p
BC172	10p	B0D33	100p	BU806	75p	ZTX504	25p					BA553	240p	KA2292	100p	M51418P	900p	STK499	600p	STK7441	800p	TA7371	250p
BC177	14p	B0D65	90p	BU827	70p	ZTX560	24p					BA554	240p	KA2293	100p	M51419P	900p	STK500	600p	STK7442	800p	TA7372	250p
BC178	14p	B0D74	65p	BU903	130p	ZN696	22p					BA555	240p	KA2294	100p	M51420P	900p	STK501	600p	STK7443	800p	TA7373	250p
BC182	7p	B0D93	60p	BU920	130p	ZN697	22p					BA556	240p	KA2295	100p	M51421P	900p	STK502	600p	STK7444	800p	TA7374	250p
BC182C	7p	B0D94	60p	BU921	130p	ZN698	40p					BA557	240p	KA2296	100p	M51422P	900p	STK503	600p	STK7445	800p	TA7375	250p
BC183	7p	B0F13	36p	BU930	130p	ZN708	22p					BA558	240p	KA2297	100p	M51423P	900p	STK504	600p	STK7446	800p	TA7376	250p
BC184	7p	B0F14	26p	BU111AF	70p	ZN914	24p					BA559	240p	KA2298	100p	M51424P	900p	STK505	600p	STK7447	800p	TA7377	250p
BC194	7p	B0F17	30p	BUT11	80p	ZN930	18p	1.0	20p			BA560	240p	KA2299	100p	M51425P	900p	STK506	600p	STK7448	800p	TA7378	250p
BC212	7p	B0F25	30p	BU164	80p	ZN932	18p	2.4578	70p			BA561	240p	KA2300	100p	M51426P	900p	STK507	600p	STK7449	800p	TA7379	250p
BC212L	7p	B0F178	30p	BUX80	180p	ZN1132	25p	2.578	180p			BA562	240p	KA2301	100p	M51427P	900p	STK508	600p	STK7450	800p	TA7380	250p
BC213	7p	B0F180	16p	BUX82	180p	ZN1613	24p	3.276	115p			BA563	240p	KA2302	100p	M51428P	900p	STK509	600p	STK7451	800p	TA7381	250p
BC213L	7p	B0F181	18p	BUX84	50p	ZN1711	24p	3.579	95p			BA564	240p	KA2303	100p	M51429P	900p	STK510	600p	STK7452	800p	TA7382	250p
BC214	7p	B0F182	18p	BUX86	50p	ZN1712	24p	4.194	130p			BA565	240p	KA2304	100p	M51430P	900p	STK511	600p	STK7453	800p	TA7383	250p
BC214L	7p	B0F184	7p	BU98A	200p	ZN2102	50p	4.0	110p			BA566	240p	KA2305	100p	M51431P	900p	STK512	600p	STK7454	800p	TA7384	250p
BC2																							







TRIPLERS			
UNIVERSAL	£4.50	41256-10	150p
THORN 9000 SERIES	£8.00	41464-12	240p
PHILIPS G9	£7.50	41464-10	250p
KT3	£4.50	6116	110p
G8 520/550	£7.50	6264-15	160p
DECCA 100 SERIES	£4.50	6264-12	200p
120/130	£6.50	6264-10	210p
ITT CVC 20/30	£7.00	62256-12	450p
CVC 825	£8.00	6502	300p
RANK T20A	£7.00	6502A	360p
UNIVERSAL		6502	930p
To fit: 20AX TUBE	£8.00	6522	280p
30AX TUBE	£8.00	6551	380p
		6800	210p
		6802	220p
		6803	500p
		6808	500p
		6809	500p
		6810	150p
		6818	380p
		6821	130p
		6840	290p
		6845	370p
		6850	110p
		8080A	380p
		8085A	300p
		8086	500p
		8088	480p
		8156	300p
		81L596	130p
		81L597	130p
		81L598	130p
		824	240p
		8228	240p
		8243	256p
		8250	750p
		8251	240p
		8253	210p
		8255	200p
		8256	8256
		8257	8257
		8271	3400p
		8279	270p
		8283	400p
		8284	440p
		8287	260p
		8288	650p
		8748	700p
		8755	800p
		Z80ACPU	110p
		Z80ABCPU	200p
		Z80ADMA	300p
		Z80AP10	170p
		Z80BP10	200p
		Z80ACTC	170p
		Z80BCTC	250p
		Z80AS10	350p
		Z80AS10-1	300p
		Z80AS10-2	300p
		Z80ADART	350p
		74S289	180p
		74S387	200p
		75107	65p
		75110	75p
		75113	100p
		75122	110p
		75150	95p
		75154	100p
		75162	700p
		75182	95p
		75183	95p
		75188	55p
		75189	55p
		75195	185p
		75451	40p
		75454	700p
		75492	220p
		8T26	270p
		8T28	400p
			95p
			110p

DIODE SPLIT TRANSFORMER	
LEADS TO FIT CHASSIS CODE: CTX TYPE	£2.50
G11 TYPE	£2.50
KT4 TYPE	£2.50

COMPUTER IC's	
2114	150p
2532	310p
2716	150p
2732	250p
2732A	280p
2764	180p
27C64	400p
27128	190p
27256-25	300p
27512	500p
4116	50p
4164-15	110p
4164-12	120p
4164-10	130p
41256-15	130p
41256-12	140p

SIMMS	
256K x 9-80	1300p
256K x 9-70	1500p
1MB x 9-80	3800p
1MB x 9-70	4000p

SIPS	
256K x 9-80	1400p
256K x 9-70	1600p
1MB x 9-80	3900p
1MB x 9-70	4100p

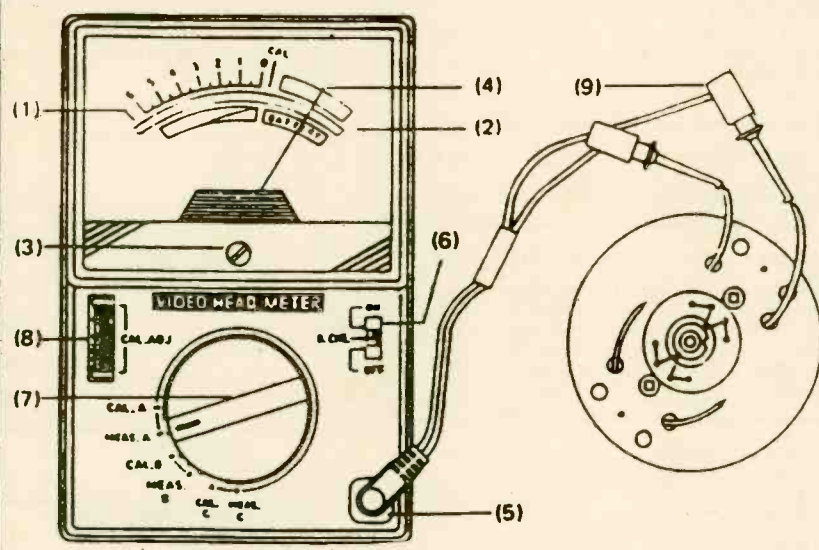
  

OPTO COUPLERS	
4N25	50p
4N26	50p
4N27	50p
4N28	50p
4N29	90p
4N30	90p
4N31	90p
4N32	100p
4N33	100p
4N36	58p
4N37	58p
4N38	68p

LED DISPLAY	
MAN74	100p
MAN8910	200p
DL747	120p

# VIDEO HEAD TESTER



1. Mechanical Position of Pointer
2. Scale Plate
3. Pointer Adjusting Screw
4. Pointer
5. Measuring Socket
6. Power ON/OFF and Battery Check Switch
7. Range Selector Rotary Switch
8. CAL. ADJ (calibration volume)
9. Measuring Clip

\*\*\*\*\* STOP PRESS \*\*\*\*\*

## PHILIPS PRESSURE ROLLER ASSEMBLY

for the following models:  
 DV186, 190, 286, 562, 761,  
 VR6180, VR6185, VR6285,  
 VR6382, VR6367, VR6467,  
 VR6468, VR6870, VR6182.  
 6290, 6291, 6293, VR6393,  
 VR6468, VR6670, 6760, 6761,  
 VR6970  
 Part Number: PS 403-40205 Price ... 625p

## SOLDERING IRONS

Wooden Handle  
 30 Watt 220/100 Volts Soldering Iron ..... 3.50  
 40 Watt 220/100 Volts Soldering Iron ..... 3.50  
 60 Watt 220/100 Volts Soldering Iron ..... 3.50

## PRICE

YF-225 VHS £30.00 + VAT  
 YF-225B BETAMAX £29.00 + VAT

# GRANDATA LTD

K.P. HOUSE, UNIT 15, POP IN COMMERCIAL CENTRE,  
 SOUTHWAY, WEMBLEY, MIDDLESEX, ENGLAND  
 Telephone: 081-900 2329 Telex No: 932 885 (Sunmit)  
 Fax: 081-903 6126

Access & Visa Card accepted. Open Monday to Saturday.

PLEASE PHONE US FOR TYPE NOT LISTED  
 HERE AS WE ARE HOLDING 5000 ITEMS  
 AND QUOTATIONS ARE GIVEN FOR LARGE  
 QUANTITIES.

Please send £1 P&P and VAT at 17½%. Govt,  
 Colleges, etc. Orders accepted. Quotations  
 given for large quantities. Please allow 7 days for  
 delivery. All brand-new Components. All valves  
 are new and boxed. Prices quoted are subject to  
 stock availability and may be changed without  
 notice.



# WHATEVER YOU NEED IN SATELLITE TV EQUIPMENT, WE HAVE THE SOLUTION.



**Satellite Solutions** offers an unbeatable service for SMATV and all multi-viewer TV systems.

We have the best equipment at the most competitive prices. But most importantly, every item is available with our famous Installer/Contractor technical and **on-site** support. This ensures you success with TV system contracts of every size.

In fact, **Satellite Solutions** can make even the largest, most complex projects risk free for you with the following products and services:

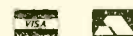
- ★ On-Site Survey
- ★ Full Design & Installation Support
- ★ Full Range of Equipment
- ★ Leading Names in Satellite TV
- ★ Widest Range of Test Equipment
- ★ Repair & Maintenance Contracts
- ★ Regular Trade Newsletter
- ★ Pro. and Domestic LNBs
- ★ LNB Components
- ★ Wide Range of Dishes
- ★ Pro. HV Switches
- ★ Head End Equipment
- ★ UHF/VHF Products
- ★ Wide Accessory Range

So call Jo Griffiths on the **HELPLINE** for your **FREE** copy of our *Trade Only Catalogue* offering the best **Satellite Solutions** around.

**HELPLINE**  
**0604 670900**

**SATELLITE SOLUTIONS**

35 Quarry Park Close,  
Moulton Park,  
Northampton NN3 1QB  
Fax: (0604) 671343

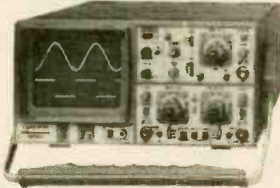


**HOW TO INCREASE YOUR PROFITS, IMPROVE YOUR SERVICE, WITH COST EFFECTIVE TEST EQUIPMENT.**

**HAMEG OSCILLOSCOPES**

HAMEG are Europe's top selling DUAL TRACE OSCILLOSCOPES. Select from four superb models. All, with the exception of the HM 1005, incorporate a useful COMPONENT TESTER. Size - all models: 285mm x 145mm x 380mm. Clear display 8cm x 10cm. Mains supply: 110/220/240V AC 50/60Hz. All supplied with 2 PROBES, a COMPREHENSIVE MANUAL and a 2 YEAR WARRANTY.

**HM203-7 20MHz STANDARD**



Price £338.00 + £59.15 V.A.T. FREE Specialist Carrier Delivery

**SPECIFICATION**

- \* 2 Channels
- \* Bandwidth: DC - 20MHz
- \* Sens: Ch.1, Ch.2, 1mV/cm
- \* Timebase: 0.1s - 20ns/cm
- \* Triggering: DC - 40MHz
- \* Active TV - Sync - Separator
- \* Variable hold-off
- \* Trigger LED Indicator
- \* Calibrator: 1KHz Square wave
- \* Component tester
- \* Plus many features

**SPECIFICATIONS**

- \* 2 Channels
- \* Bandwidth: DC - 60 MHz
- \* Sens: Ch.1, Ch.2, 1mV/cm
- \* Timebase: 2.5s - 5ns/cm
- \* Triggering: DC - 80MHz
- \* Active TV - Sync - Separator
- \* After delay trigger
- \* Sweep delay
- \* Delay line
- \* Trigger LED Indicator
- \* Calibrator: 1KHz & 1MHz Sq. Wave
- \* Component tester

**HM604 60MHz UNIVERSAL**



Price £610.00 + £106.75 V.A.T. FREE Specialist Carrier Delivery

**HM1005 100MHz UNIVERSAL**

3 CHANNELS - UP TO 6 TRACES



Price £792.00 + £138.60 V.A.T.

**SPECIFICATION**

- \* 3 Channels
- \* Bandwidth: DC - 100MHz
- \* Sens: Ch.1, Ch.2, Ch.3, 1mV/cm
- \* Timebase A: 2.5s - 5ns/cm
- \* Timebase B: 0.2s - 5ns/cm
- \* Triggering DC - 130MHz
- \* After delay trigger
- \* Delay line
- \* Trigger LED Indicator
- \* Overscan LED Indicator
- \* Active TV - Sync - Separator
- \* Calibrator: 1KHz & 1MHz Sq. Wave

FREE Specialist Carrier Delivery

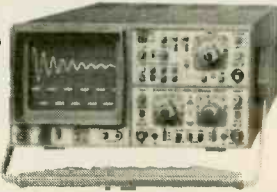
**HM205-3 20MHz DIGITAL STORAGE**

**SPECIFICATION**

- \* Digital Storage
- \* Analogue real time (Same as 203-7)
- \* Bandwidth: DC - 20MHz
- \* Sens: Ch.1, Ch.2, 1mV/cm
- \* Timebase Digital: 5s - 1µs/cm
- \* Triggering DC - 40MHz
- \* Active TV - Sync - Sampling
- \* Max sampling rate: 2 x 20MHz
- \* Memory: 2 x 2048 x 8 Bit
- \* Dot joiner
- \* Printer/plotter output

Price £610.00 + £106.75 V.A.T.

FREE Specialist Carrier Delivery



**B.K.'s CRT TESTER REJUVENATOR**



Tests and rejuvenates blue, green and red guns separately. Fitted with delta and P.I.L. sockets. Compact size 120 x 65 x 60mm. Supply 240V AC  
Price £34.00 + £5.95 V.A.T.

**DIGITAL CAPACITANCE METER**



- \* High accuracy.
- \* 0.1pF-2,000µF.
- \* LCD display.
- \* 8 ranges.
- \* Accuracy +/- 0.5%.
- \* Full scale +/- 1 digit.
- \* Inc. protective case.

Price £39.99 + £6.99 V.A.T.

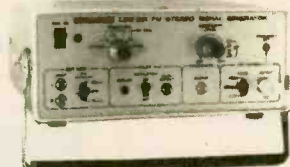
**LEADER FM STEREO SIGNAL GENERATOR**

At last! A generator specifically designed for testing and fault finding on FM stereo and monaural VHF receivers including stereo multiplex circuits.

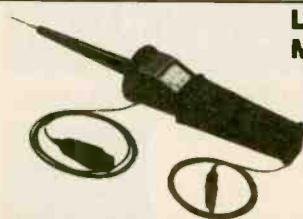
**FEATURES**

- \* Carrier frequency 100 +/- 1MHz (adjustable).
- \* Output level 0.1mV - 10mV.
- \* Pilot signal 19KHz +/- 2Hz.
- \* L & R separation over 50dB.
- \* External Modulation 50Hz - 15KHz.
- \* Pre-emphasis 50µs, 75µs & off.
- \* Comprehensive test lead set included.
- \* Mains powered.
- \* Size: 80 x 200 x 250mm.

Price £299.00 + £52.33 V.A.T.



**LEADER HIGH VOLTAGE METERED EHT PROBE**



Light weight, easy-to-grip high-impact plastic handle with arc-over protection and no need of extra equipment. An Indispensable Item in your TV service kit. Measures up to 40KV DC with safety and the greatest of ease. Entirely self-contained. Connect the lead clip to chassis and probe tip to the check point, read the meter for voltage.  
A must for the Health and Safety at Work Acts.  
Price £66.00 + £11.55 V.A.T.

**B & K PRECISION CRT ANALYSER-RESTORER**

The number one CRT Test Instrument. Over 5000 U.K. Television engineers wouldn't be without it.



- \* All CRT's checked identically, including all in-line and one gun types
- \* Tests all three guns of colour CRT's simultaneously under actual operating conditions (model 490)
- \* Exclusive multiplex technique (model 490)
- \* Measure true dynamic beam current that actually passes through G1 aperture to screen
- \* Measures all shorts and leaks - preserving more CRT's
- \* Tests focus electrodes lead continuity finding faults that other testers miss
- \* Uses most powerful restoration method known with minimum danger to CRT
- \* Rejuvenated CRT's guaranteed as new for two years
- \* Obsolescence proof - perpetual set up chart updated and new adaptors developed
- \* Tests and rejuvenates VDU's and oscilloscope tubes
- \* A range of over 40 CRT base adaptors available
- \* Increase profit
- \* Pays for itself in months.

**Prices**

Model 490 Tri-dynamic three meter instrument inc. 6 common adaptors	£509.00 + £89.08 V.A.T.
Without adaptors	£446.00 + £78.05 V.A.T.
Model 480 Single meter instrument inc. 6 common adaptors	£375.00 + £62.63 V.A.T.
Without adaptors	£310.00 + £54.25 V.A.T.

**SADELTA SIGNAL STRENGTH METERS**

The Sadelta Field Strength Meters have been designed to facilitate the dish alignment of satellite TV systems and aerial alignment of VHF/UHF television and radio systems. Signal levels can be accurately measured on the TC402-C and the TC90, allowing the evaluation of signal conditions for satisfactory operation. Both models have a clear LCD direct frequency readout, coupled to a multiturn tuning control enabling precise channel identification.

**TC402-C VHF & UHF**

**FEATURES**

- \* Three bands:
- Low VHF: 45-110MHz
- High VHF: 110-300MHz
- UHF : 470-862MHz
- \* Digital display for direct frequency readout.
- \* Built-in monitor loudspeaker AM/FM.
- \* Signal measurement from 20µV to 100mV.
- \* Powered by eight 1.5 AA batteries.
- \* Fully portable with sturdy carrying case.



Price 259.00 + £45.33 V.A.T.

**TC90 VHF-UHF- SAT.**

**FEATURES**

- \* Five bands:
- Low VHF : 45-110MHz
- High VHF : 110-300MHz
- Hyper VHF : 300-470MHz
- VHF : 470-862MHz
- Satellite : 950-1750MHz.
- \* Digital display for direct frequency readout.
- \* Signal measurement VHF/UHF 20µV to 3V.
- \* Signal measurement satellite -70dBm to -10dBm.
- \* Audible indication of satellite signal level.
- \* Built-in-monitor loudspeaker AM/FM (not satellite).
- \* Powered by rechargeable battery (complete with charger 220/240V AC).
- \* Fully portable with sturdy carry case.



Price £ 499.80 + £87.47 V.A.T.

**BLACK STAR COLOUR PATTERN GENERATOR THE 'ORION' THREE-IN-ONE PAL VHF/UHF - PAL VIDEO COMPOSITE - R.G.B.**

The Orion is a compact, bench instrument offering a wide range of patterns and facilities at a truly low cost.

In addition to a switchable sound carrier facility which allows use with the majority of PAL TV systems, the Orion provides highly flexible RGB outputs, ensuring compatibility with most video monitors.

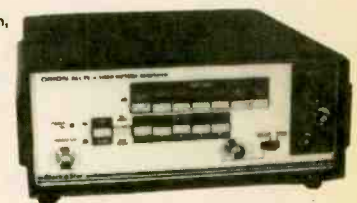
More than 50 pattern combinations can be selected, including those for testing static and dynamic divergence, video amplifier linearity, colour purity, general colour performance, focus etc.

A separate video input to modulate camera signals; fully variable RF and video output levels facilitating AGC testing; trigger output allowing easy triggering of difficult oscilloscope waveforms; external sound modulation input via DIN connector for frequency response testing of TV sound systems; adjustable wide frequency coverage of VHF and UHF TV bands.

Just some of the features making the Orion Pattern Generator an indispensable tool in the manufacture, test, and servicing of televisions, and computer and video monitors.

**FEATURES**

- \* Colour bars, purity, greyscale, crochatch, dots, focus, etc.
- \* VHF/UHF Channels.
- \* 5.5MHz, 6.0MHz, 6.5MHz Sound Carriers.
- \* Internal/External Sound.
- \* External Video Output.
- \* Trigger Output.
- \* PAL, B.D.G., H.I., K.
- \* Separate R, G, B and sync. O/P's.
- \* RGB @ TTL & 1V.
- \* Green + 0.3V Syncs.
- \* Composite Video Output.
- \* Variable RF/Video Output.
- \* Switchable Video Polarity.
- \* Mains powered 220/240V AC 50/60Hz.
- \* Size: 98 x 219 x 240mm.



Price £229.00 + £40.08 V.A.T.



**U.K. POST PAID**, export enquiries welcome. Visa/Access or cheque with order, payable B. K. Electronics. Official Orders welcome from Govt. Depts., colleges, P.L.C.s etc. Large (A5) S.A.E. for technical leaflets of complete range. Credit card orders are accepted by 'phone, fax or post. Delivery normally within seven days.



**B. K. ELECTRONICS**  
UNITS 1 & 5 COMET WAY, SOUTHEND-ON-SEA  
ESSEX SS2 6TR  
Tel.: 0702 - 527572 Fax.: 0702 - 420243

**E.E.C. SATELLITE SERVICES  
ARE PROUD TO PRESENT  
THE**

**Barcom RANGE**

**This top quality range of satellite equipment from Sweden is designed for the FUTURE . . .**

The **Barcom** MAC301/11 receiver. This is a top quality D2 mac satellite receiver decoder incorporates a Eurocrypt decoder, S-VHS output, twin I.F. input (for two dishes), Dual scart output one for T.V. and one for V.C.R. Plus much more . . .

The **Barcom** MAC201/11 D2mac stand alone decoder. This is the most versatile Mac Decoder available today. It includes RF loop through, S-VHS, Twin Scart plus much more . . .

The **Barcom** 5151 Positioner. This intelligent positioner matches the MAC 301 receiver and can store 40 satellite positions.

And now to complete the Best system available we can now offer you the **FIRST 55cm MOTORISED GREGORIAN DISH**. This dish performs like a 90cm dish **BUT** is **SMALLER** than an **ASTRA DISH**. We also stock a 90cm version which performs like a 1.2 metre dish.



*FOR THE BEST IN EUROPEAN TECHNOLOGY  
CONTACT THE BEST IN EUROPE*



**E.E.C. SATELLITE SERVICES  
1426 LONDON ROAD  
LEIGH-ON-SEA  
ESSEX**



**TEL: 0702 480169**

**0702 471321**

WE WILL ONLY SUPPLY TOP  
QUALITY, BRANDED COMPONENTS.  
REPUTATION COUNTS WITH US

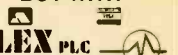
# G.G.L. COMPONENTS

PO BOX 72, UNIT 7, SOUTH JOHN STREET, CARLISLE, CUMBRIA CA2 5AL  
PHONE (0228) 39693/20358 FAX (0228) 515127

AUTHORIZED DISTRIBUTOR

PHILEX P.L.C.

BUY WITH



AERIAL ACCESSORIES		INTEGRATED CIRCUITS		TYPE		PRICE (£)		LINE O/P TRANS		REMOTE CONTROLS		TRANSISTORS		VIDEO HEADS			
Coax Connector	18	DA1516	7.75	Decca 100	9.95	Ferguson 1725	12.95	TYPE	PRICE	Alba 4000X	21.50			Alba 5000X	21.50		
Fly Lead 2m	20	DA1518	5.50	Ferguson TX85	21.75	Ferguson 1734	14.95	BC307	10	BC307	10	Amstrad 4500/9000	18.75			Amstrad 4600/4700	18.75
Video Lead 2m	75	CXN62A	4.75	Ferguson TX90 (14")	19.75	Ferguson 1742	14.95	BC327	10	BC327	10	Amstrad 4600/4700	18.75			Amstrad 4600/4700	18.75
Y Splitter	95	CXN83A	3.95	Ferguson TX90 (20")	21.50	Ferguson 1785	12.50	BC337	10	BC337	10	Amstrad 4600/4700	18.75			Amstrad 4600/4700	18.75
4 Way Distribution		HA1377	2.95	Ferguson TX99	22.75	Ferguson 1789	12.50	BC547/8	10	BC547/8	10	Amstrad 4600/4700	18.75			Amstrad 4600/4700	18.75
Amplifier Mains	21.75	HA13001	4.50	Ferguson TX100 90D	19.95	Ferguson TX10 Non Text	12.95	BC557/8	10	BC557/8	10	Amstrad 4600/4700	18.75			Amstrad 4600/4700	18.75
		HM6251	5.95	Ferguson TX100 110D	19.95	Ferguson TX10 Text	12.95	BC639	20	BC639	20	Ferguson 3V00/39	9.50			Ferguson 3V00/39	9.50
		HM6232	5.95	Ferguson TX100		Ferguson TX10 Stereo	12.95	BC640	20	BC640	20	Ferguson 3V32	24.95			Ferguson 3V32	24.95
						Ferguson 3V23	14.95	BD238	40	BD238	40	Ferguson 3V42/55	19.50			Ferguson 3V42/55	19.50
						Ferguson 3V35	14.50	BD677	65	BD677	65	Ferguson 3V43	32.50			Ferguson 3V43	32.50
						Ferguson 3V45	14.50	BF337	30	BF337	30	Ferguson 3V45/FV11	23.50			Ferguson 3V45/FV11	23.50
						Fidelity ZX2000 + Mod.	12.50	BF422	35	BF422	35	Fisher 615/910	17.50			Fisher 615/910	17.50
						Fidelity ZX2000	11.50	BF423	35	BF423	35	Hitachi 8000/9700	17.50			Hitachi 8000/9700	17.50
						Fidelity ZX 22'36"	21.50	BF458	35	BF458	35	Hitachi VT11/33	17.50			Hitachi VT11/33	17.50
						Hinari CT4/5	19.95	BF475	70	BF475	70	Hitachi VT17/19	34.95			Hitachi VT17/19	34.95
						Hinari CT6/7	19.95	BF871	95	BF871	95	Hitachi VT63/64	22.50			Hitachi VT63/64	22.50
						Hitachi CPT1446	22.95	BR103	75	BR103	75	Hitachi VT65	34.95			Hitachi VT65	34.95
						ITT Compact 80	12.95	BT151/800	1.35	BT151/800	1.35	Hitachi VT120E	24.95			Hitachi VT120E	24.95
						ITT CVC25/30/32	9.95	BU126	1.95	BU126	1.95	Hitachi VT130E	29.95			Hitachi VT130E	29.95
						ITT CVC800/1/2/3	23.95	BU208A	1.45	BU208A	1.45	JVC HRD250	29.95			JVC HRD250	29.95
						ITT CVC830	19.95	BU208D	1.95	BU208D	1.95	Matsui VX730	22.95			Matsui VX730	22.95
						ITT CVC1100	19.95	BU326A	1.95	BU326A	1.95	Matsui VX735A	22.95			Matsui VX735A	22.95
						ITT CVC1150	21.50	BU500	2.00	BU500	2.00	Mitsubishi HS301/302	24.95			Mitsubishi HS301/302	24.95
						ITT CVC1200/1	19.95	BU508AF	1.95	BU508AF	1.95	Mitsubishi HS303/305	24.95			Mitsubishi HS303/305	24.95
						ITT CVC1204	14.75	BU508DF	2.50	BU508DF	2.50	NEC 9034/9053	22.50			NEC 9034/9053	22.50
						ITT CVC1215	19.95	BU508V	2.75	BU508V	2.75	Panasonic NV230	22.50			Panasonic NV230	22.50
						ITT Monoprint 110D	22.50	BU705	2.95	BU705	2.95	Panasonic NV333	9.50			Panasonic NV333	9.50
						ITT Monoprint B	22.50	BU807	1.75	BU807	1.75	Panasonic NV366	24.95			Panasonic NV366	24.95
						Matsui C1410/1420	26.95	BU826A	2.95	BU826A	2.95	Panasonic NV370	12.50			Panasonic NV370	12.50
						Matsui C1480A	26.95	BU907	2.95	BU907	2.95	Panasonic NV688	33.50			Panasonic NV688	33.50
						Philips CF1	23.50	BUT11AF	2.75	BUT11AF	2.75	Panasonic NV777	27.50			Panasonic NV777	27.50
						Philips CP90	22.95	BUT12A	2.95	BUT12A	2.95	Panasonic NV788	36.50			Panasonic NV788	36.50
						Philips CTX 14/20"	21.50	BUT56A	2.75	BUT56A	2.75	Panasonic NV799	19.50			Panasonic NV799	19.50
						Philips K30	23.75	BUX8A	80	BUX8A	80	Panasonic NV818	29.95			Panasonic NV818	29.95
						Philips K35	22.95	R4050	2.95	R4050	2.95	Panasonic NV820/21	29.95			Panasonic NV820/21	29.95
						Philips K40	23.75	T9053V	3.50	T9053V	3.50	Panasonic NVG30/40	24.50			Panasonic NVG30/40	24.50
						Philips K42	23.50	T9064V	1.95	T9064V	1.95	Philips 6460/6520	12.50			Philips 6460/6520	12.50
						Philips K44	23.50	TIP29E (TD168V)	75	TIP29E (TD168V)	75	Philips 6462/6560	12.50			Philips 6462/6560	12.50
						Philips K45	23.50	TIP41C	50	TIP41C	50	Philips 6462/6560	12.50			Philips 6462/6560	12.50
						Philips K46	23.50	TIP12H (TD167V)	50	TIP12H (TD167V)	50	Philips 6462/6560	12.50			Philips 6462/6560	12.50
						Philips K47	23.50	TIP191A	1.95	TIP191A	1.95	Philips 6462/6560	12.50			Philips 6462/6560	12.50
						Philips K48	23.50	25C1942	2.95	25C1942	2.95	Philips 6462/6560	12.50			Philips 6462/6560	12.50
						Philips K49	23.50	25C3156	2.95	25C3156	2.95	Philips 6462/6560	12.50			Philips 6462/6560	12.50
						Philips K50	23.50	25D725	2.95	25D725	2.95	Philips 6462/6560	12.50			Philips 6462/6560	12.50
						Philips K51	23.50	25D1398	2.50	25D1398	2.50	Philips 6462/6560	12.50			Philips 6462/6560	12.50
						Philips K52	23.50	25D1453	2.95	25D1453	2.95	Philips 6462/6560	12.50			Philips 6462/6560	12.50
						Philips K53	23.50	7812	50	7812	50	Philips 6462/6560	12.50			Philips 6462/6560	12.50
						Philips K54	23.50					Philips 6462/6560	12.50			Philips 6462/6560	12.50
						Philips K55	23.50					Philips 6462/6560	12.50			Philips 6462/6560	12.50
						Philips K56	23.50					Philips 6462/6560	12.50			Philips 6462/6560	12.50
						Philips K57	23.50					Philips 6462/6560	12.50			Philips 6462/6560	12.50
						Philips K58	23.50					Philips 6462/6560	12.50			Philips 6462/6560	12.50
						Philips K59	23.50					Philips 6462/6560	12.50			Philips 6462/6560	12.50
						Philips K60	23.50					Philips 6462/6560	12.50			Philips 6462/6560	12.50
						Philips K61	23.50					Philips 6462/6560	12.50			Philips 6462/6560	12.50
						Philips K62	23.50					Philips 6462/6560	12.50			Philips 6462/6560	12.50
						Philips K63	23.50					Philips 6462/6560	12.50			Philips 6462/6560	12.50
						Philips K64	23.50					Philips 6462/6560	12.50			Philips 6462/6560	12.50
						Philips K65	23.50					Philips 6462/6560	12.50			Philips 6462/6560	12.50
						Philips K66	23.50					Philips 6462/6560	12.50			Philips 6462/6560	12.50
						Philips K67	23.50					Philips 6462/6560	12.50			Philips 6462/6560	12.50
						Philips K68	23.50					Philips 6462/6560	12.50			Philips 6462/6560	12.50
						Philips K69	23.50					Philips 6462/6560	12.50			Philips 6462/6560	12.50
						Philips K70	23.50					Philips 6462/6560	12.50			Philips 6462/6560	12.50
						Philips K71	23.50					Philips 6462/6560	12.50			Philips 6462/6560	12.50
						Philips K72	23.50					Philips 6462/6560	12.50			Philips 6462/6560	12.50
						Philips K73	23.50					Philips 6462/6560	12.50			Philips 6462/6560	12.50
						Philips K74	23.50					Philips 6462/6560	12.50			Philips 6462/6560	12.50
						Philips K75	23.50					Philips 6462/6560	12.50			Philips 6462/6560	12.50
						Philips K76	23.50					Philips 6462/6560	12.50			Philips 6462/6560	12.50
						Philips K77	23.50					Philips 6462/6560	12.50			Philips 6462/6560	12.50
						Philips K78	23.50					Philips 6462/6560	12.50			Philips 6462/6560	12.50
						Philips K79	23.50					Philips 6462/6560	12.50			Philips 6462/6560	12.50
						Philips K80	23.50					Philips 6462/6560	12.50			Philips 6462/6560	12.50
						Philips K81	23.50					Philips 6462/6560	12.50			Philips 6462/6560	12.50
						Philips K82	23.50					Philips 6462/6560	12.50			Philips 6462/6560	12.50
						Philips K83	23.50					Philips 6462/6560	12.50			Philips 6462/6560	12.50
						Philips K84	23.50					Philips 6462/6560	12.50			Philips 6462/6560	12.50
						Philips K85	23.50					Philips 6462/6560	12.50			Philips 6462/6560	12.50

# P.V. TUBES

**104 ABBEY STREET  
ACCRINGTON, LANC'S  
BB5 1EE**  
☎ 0254 236521/232611  
FAX 0254 395361  
24 Hr Answering Service

SEND LARGE S.A.E. FOR TRADE CATALOGUE

**COMPLETE SECURITY**  
We have a complete range of security products and sell them individually or can tailor make a package to your own requirements. E.G. this package is basic and low cost and would fit a 3 bed house.

**COST £125.00 PACK INCLUDES**  
(Typical 3 bed house)  
★ Two zone keyswitched panel Logic 4 ★ Polyprop. bell box/back plate/sticker ★ Battery/tamper switch ★ External sounder ★ Two passive infra red detectors ★ Five pairs window/door contacts ★ 100m 4 core cable and clips ★ Internal sounder ★ Buzzer for edit/entry timer ★ Panic button.  
TELL US YOUR NEEDS — WE DELIVER FAST

**NEW VIDEO PLUS + NEW**  
FOR RECORDING YOUR FAVOURITE PROGRAMMES — LOOKS LIKE A REMOTE CONTROL.  
THIS PRODUCT MAKES VIDEO PROGRAMMING SO SIMPLE EVEN A GROWN UP CAN DO IT!  
IT'S SO EASY TO USE — FROM 6 DEC. NATIONAL WEEKLY AND DAILY PAPERS INC. TV TIMES WILL PUBLISH VIDEO PLUS CODE NUMBERS NEXT TO THE PROGRAMME LISTINGS FOR TV AND SATELLITE. JUST TAP IN THE CODE LISTED NEXT TO THE PROGRAMME YOU WANT TO RECORD AND ITS DONE! VIDEO PLUS WILL RECORD PROGRAMMES FROM ANY TV OR SATELLITE CHANNEL ON NEARLY ALL INFRA-RED CONTROLLED VIDEOS.  
**£45.00 + VAT**

**SPECIAL OFFER**  
WHILE STOCKS LAST  
AMSTRAD SRD 400  
Satellite System  
60cm Black Mesh Disc, Receiver and LNB  
**£157 + VAT**

**NEW VALVES**  
Over 2000 types available and now an exciting NEW RANGE of specialist HI-FI, PRE-AMP, and POWER VALVES.

**DEGAUSSING COILS**  
External Stick Type Degaussing Coil for Demagnetising **£27.50**

**VIDEO RABBIT**  
SEND VIDEO/AUDIO SIGNAL TO ANY OF THE TV SETS IN YOUR HOUSE LIKE HAVING A VIDEO IN EVERY ROOM. TRANSMITTER AND WIRE SO THIN IT CAN HARDLY BE SEEN. ALSO WORKS FOR SATELLITE. **£47.00**

**ONE FOR ALL II REMOTES**  
IDEAL FOR REPLACING LOST OR DAMAGED REMOTES. WILL WORK FOR MOST INFRA-RED EQUIPMENT **£35.00**

**PERISWITCH £63.00**  
LOOK AT LAST! A Scart connecting system without loss of quality. Compatible with all TVs, satellites & VCRs which have Scart connectors. Has 3 Scart sockets and is fully automatic! Without manual or remote switching, totally reliable. Delivers stereo audio from stereo VCRs and satellite receivers to twin audio channel TVs. Delivers RGB signals. Retains function switching and maintains recording/viewing playback options.

**FILMNET DECODERS**  
ALFASAT 1 DECODER WITH RTL/V **£95.00 + VAT**  
PLEASE RING FOR AVAILABILITY ON DIGITAL SOUND MODULE FOR FILMNET DECODERS.  
RTL/V IS A GENERAL ENTERTAINMENT CHANNEL (WITH SOUND) MAINLY ENGLISH WITH DUTCH SUB-TITLES.

**SATELLITE SYSTEMS**  
We can supply DISHES, RECEIVERS, LNB, FIXING BRACKETS, CABLES, CONNECTORS, CABLE SAT FINDER METERS, CRIMPING TOOLS, TAPE, LEADS, MASTS ETC. FULL RANGE AVAILABLE AS LISTED IN CATALOGUE. PLEASE SEND LARGE SAE.

**NEW PRODUCT**  
EXCITING NEW SATELLITE ACCESSORIES  
DUAL OUTPUT LNB AND MULTISWITCH  
AT LAST THE DUAL OUTPUT LNB IS AVAILABLE! YOU CAN NOW WATCH DIFFERENT PROGRAMMES ON RECEIVERS ALL OVER THE HOUSE. EACH RECEIVER WILL THINK THAT IT HAS ITS OWN DISH.  
DUAL OUTPUT LNB **£87.00**  
FOUR-WAY MULTISWITCH **£27.00**  
1.2db LNB — THIS BRAND NEW LNB HAS BEEN DESIGNED AS A DIRECT REPLACEMENT FOR THE BLUE CAP LNB.  
ALSO AVAILABLE: 60cm AMSTRAD BLACK MESH DISH WITH LNB (i.e. NO RECEIVER) **£70.00**

**SUPER BUY**  
SATELLITE CABLE. EXCELLENT QUALITY.  
100m ..... **£17.50 + VAT**

**NEW PRODUCTS**  
A/C D/C DIGITAL METER **£25.00**  
AMPL SET TOP TV/FM AERIAL **£21.00**  
VHS ALIGNMENT TEST TAPE **£69.00**  
HITACHI VT64 CAPSTAN MOTOR **£23.00**  
MATSUI/ORION LOPT 1410/1420 **£17.85**  
ULTIMATE SCART KIT **£8.95**  
CASSETTE HOUSING ASSY HRD 527 **£19.95**  
THORN FV11 R/C **£18.95**

**SUPER BUY**  
4M M/M Fly Leads 10 FOR **£7.00**

# BRAND NEW TV'S AND VIDEOS

BRANDED MAKE — 12 MONTHS PARTS WARRANTY — FULL SPARES BACK UP — SERVICE INFORMATION AVAILABLE — FULL BROCHURE ON REQUEST

- 14" MONO TV UHF/VHF ..... **£42.00**
- 6" MONO TV WITH RADIO/CLOCK COMBINATION ..... **£52.00**
- 10" REMOTE CONTROL TV MAINS/BATTERY COLOUR TV ..... **£140.00**
- 14" REMOTE CONTROL COLOUR TV ..... **£125.00**
- 14" REMOTE CONTROL, TEXT, COLOUR TV ..... **£155.00**
- 14" MULTISYSTEM REMOTE CONTROL TV NTSC/SECAM ETC ..... **£143.00**
- 20" REMOTE CONTROL TV ..... **£165.00**
- 20" REMOTE CONTROL TEXT TV ..... **£192.00**
- 28" FST REMOTE CONTROL TEXT TWIN SPEAKERS ..... **£359.00**
- 25" STEREO NICAM FASTEXT TV ..... **£350.00**
- 28" STEREO NICAM FASTEXT TV ..... **£387.00**
- VIDEO RECORDER, TWIN SPEED, REMOTE CONTROL, VHS 8 EVENT, 30 DAY TIMER, UP TO 8 HOURS ..... **£174.00**
- VHS VIDEO PLAYER, PLAY ONLY, MAINS/BATTERY ..... **£128.00**
- 14" COMBI VIDEO/TV REMOTE (2 TUNERS) ..... **£330.00**
- 21" FST MULTISYSTEM TELEVISION ..... **£222.00**

Will work on eleven different overseas systems, PAL/SECAM/NTSC etc. Has audio and video in & out

**VIDEOCRYPT DECODER B GRADE ..... £70.00**  
WE CAN'T LIST EVERYTHING THAT WE STOCK. OUR RANGE IS EXTENSIVE. WE HAVE A TRADE CATALOGUE ON REQUEST. WE ARE ALSO ON LINE WITH MOVIES! TO ORDER ANY PHILIPS PART QUICKLY. SOME OF THE THINGS WE SELL: AERIALS, BRACKETS, BATTERIES, CABLE CONNECTORS, CMOS CAPACITORS, COMPUTER ACCESSORIES, DISCS, DIODES, ELECTRICAL ACCESS, FUSES, IC'S, LOOPT, LEADS, MANUALS, PUSH BUTTON UNITS, PROBES, PHONE ACCESS, POTENTIOMETERS, RELAYS, SEMICONDUCTORS, STRIPBOARD, STYLUS, SMOKE DETECTORS, SWITCHES, TUNERS, TV BATTERY LEADS, TV WALL BRACKETS, TOOLS, TEST EQUIPMENT, VALVES AND EVERYTHING YOU NEED FOR VHS, BETA, HEADS, IDLERS, TYRES, PHILIPS, ROLLERS, CLEANERS, TEST CASSETTES, VIDEO TAPE (inc. BETA and V2000) etc.

**NIKKAI SPARES AVAILABLE**  
TRANSFORMERS  
ICS SWITCHES  
TUNERS  
SERVICE MANUALS etc

**NEW**  
TDK 8mm Video tape 60min **£4.20**  
TV/Video Stand for Nikkai stereo/Nicam sets **£19.00**

**TRADE COUNTER OPEN**  
MON-FRI 9am-5pm SAT 9am-4pm

HOW TO ORDER: Up to 1K Add £1.00 per order + P.P. (U.K.). Heavier parcels e.g. cable, service aids, degaussing coils please allow £3.25 P+P (U.K.). Export orders charged at cost. First Class Mail is used whenever possible. Add 17.5% VAT to total amount where it states zero rate. Over 3K will be sent by carrier £10.00 + VAT up to 25K (except tubes). We do not despatch on Saturdays.

THERE IS VAT ON P+P. Goods are despatched on the day we receive your order. If for any reason we are out of stock we will try to inform you as quickly as possible. We try our best to give a speedy, fair and efficient service. VAT invoice on request. Give us a ring — we'll give you service. Please ask if what you need is not listed. We will try to help. Prices are subject to change without notice. In some cases we may have to supply an equivalent. We need expiry dates for credit card orders. MIN. ORDER IS...

BOOKS & MANUALS ARE ZERO VAT

**ELC EAST LONDON COMPONENTS**  
AUDIO TELEVISION VIDEO  
COMPONENTS AT VERY KEEN PRICES  
TEL: 081-472 4874 FAX: 081-503 5926

**REMOTE CONTROLS FROM £9.99**  
IDLER TYRES 50p  
VIDEO HEADS FROM £6.99  
Over 200 models at very attractive prices.

**AKAI, AMSTRAD, FERGUSON, FISHER, GOLDSTAR, HINARI, HITACHI, LOGI, MATSUI, ORION, PANASONIC, SAISHO, SHARP AND MANY MORE**

**VIDEO SPARES**  
3V29 TAKE UP IDLER **£1.00**  
3V29 FF REW IDLER **£2.00**  
3V59/65 FV10/14 IDLER **£1.50**  
3V23 LONDRER ROLLER BAR **£3.99**  
SHARP 0005 & 0006 **£1.99**  
SHARP VCG51 ASSEMBLY **£6.99**  
VT11 CLUTCH ASSEMBLY **£2.75**  
VT100/225/260 IDLER **£4.99**  
NEC 9013 IDLER **£3.99**  
SANYO VHR3300 IDLER **£1.99**  
AKAI VS105/250 CLUTCH ASSEMBLY **£1.99**  
SAISHO VR380 CLUTCH **£4.99**  
MITSUBISHI H5337 FF IDLER **£2.70**  
ALBA SENTRA PULLLEY **£1.35**  
MATSUI LIMITER POST **£1.25**  
PANASONIC NV370 IDLER **£1.95**  
FISHER 615 IDLER **£3.50**  
FISHER GEAR ASSEMBLY **£5.99**  
AMSTRAD PINCH WHEEL MOD KIT **£4.50**  
UNIVERSAL TRIPLER **£4.99**  
UNIVERSAL TRIPLER WITH FOCUS **£7.99**  
HITACHI MODULE HM6251 **£5.99**  
TENSION BAND FOR MOST MOD. FROM £1.99 **TV L.D.P.T.**  
CIRCUIT PROTECTOR ICP **80p**  
TX10 FOCUS UNIT **£18.99**  
PHILIPS BACK-UP BATTERY **£7.99**  
ALBA BATTERY 1F 5V **£2.50**  
TV SWITCHES FOR MOST MODELS FROM **£1.00**  
SONY FUNCTION SWITCH **£1.00**  
SCART TO SCART LEAD **£3.99**

VIDEO SERVICE KITS FROM	£4.99	TAT741	250p	25A-726	25p	25B548	40p	25C-1345	30p	25C-2238	60p	25D-523	150p
3V35/3V45 CASSETTE HOUSING	£24.99	TAT720	250p	25A-733	20p	25B-554	350p	25C-1359	20p	25C-2240	25p	25D-525	70p
VT33/VT65 CASSETTE HOUSING	£24.99	TAT721	250p	25A-740	30p	25B-557	300p	25C-1368	40p	25C-2274	30p	25D-526	70p
VR6467 CASSETTE HOUSING	£17.99	TAT722	260p	25A-758	30p	25B-558	300p	25C-1382	40p	25C-2275	50p	25D-560	50p
3V35 CAPSTAN MOTOR	£22.99	TAT724	260p	25A-769	330p	25B-560	35p	25C-1384	35p	25C-2278	75p	25D-570	50p
VT11/VT33 CAPSTAN MOTOR	£24.99	TAT729	299p	25A-771	130p	25B-561	25p	25C-1384	35p	25C-2320	25p	25D-571	30p
		TAT728	275p	25A-774	50p	25B-562	35p	25C-1393	30p	25C-2335	120p	25D-592	20p
		TAT729	350p	25A-777	60p	25B-564	70p	25C-1399	60p	25C-2337	45p	25D-600	80p
		TAT730	395p	25A-798	55p	25B-566	110p	25C-1403	250p	25C-2427	80p	25D-612	40p
		TAT731	395p	25A-811	25p	25B-568	60p	25C-1423	250p	25C-2440	70p	25D-613	70p
		TAT732	350p	25A-841	40p	25B-595	80p	25C-1413A	240p	25C-2456	30p	25D-656	80p
		TAT733	350p	25A-844	15p	25B-596	75p	25C-1417	20p	25C-2482	40p	25D-636	40p
		TAT734	350p	25A-861	50p	25B-598	550p	25C-1445	250p	25C-2500	30p	25D-637	20p
		TAT735	275p	25A-872	15p	25B-631	40p	25C-1446	60p	25C-2501	85p	25D-639	25p
		TAT736	275p	25A-893	20p	25B-632	40p	25C-1447	75p	25C-2502	90p	25D-641	310p
		TAT737	100p	25A-896	35p	25B-633	50p	25C-1454	320p	25C-2537	450p	25D-666	25p
		TAT738	100p	25A-899	35p	25B-634	20p	25C-1473	80p	25C-2546	60p	25D-667	25p
		TAT739	100p	25A-900	35p	25B-643	20p	25C-1474	20p	25C-2557	70p	25D-669	40p
		TAT740	100p	25A-905	20p	25B-644	25p	25C-1475	45p	25C-2555	150p	25D-687	60p
		TAT741	100p	25A-910	20p	25B-647	30p	25C-1507	50p	25C-2564	230p	25D-716	120p
		TAT742	130p	25A-916	30p	25B-648	55p	25C-1509	45p	25C-2565	260p	25D-718	130p
		TAT743	130p	25A-917	35p	25B-649	40p	25C-1514	40p	25C-2570	50p	25D-721	150p
		TAT744	130p	25A-921	110p	25B-673	80p	25C-1520	80p	25C-2575	25p	25D-725	350p
		TAT745	200p	25A-940	50p	25B-681	250p	25C-1550	60p	25C-2577	125p	25D-745	250p
		TAT746	250p	25A-950	25p	25B-686	120p	25C-1567	60p	25C-2579	130p	25D-748	150p
		TAT747	350p	25A-958	70p	25B-688	130p	25C-1568	60p	25C-2580	170p	25D-761	50p
		TAT748	350p	25A-962	35p	25B-695	325p	25C-1573	40p	25C-2581	200p	25D-773	30p
		TAT749	350p	25A-965	25p	25B-695	20p	25C-1577	80p	25C-2582	40p	25D-781	30p
		TAT750	350p	25A-966	25p	25B-716	30p	25C-1584	600p	25C-2603	20p	25D-788	30p
		TAT751	350p	25A-966	25p	25B-717	70p	25C-1627	30p	25C-2611	40p	25D-789	25p
		TAT752	350p	25A-966	70p	25B-718	70p	25C-1667	150p	25C-2631	40p	25D-792	340p
		TAT753	350p	25A-966	15p	25B-738	25p	25C-1669	85p	25C-2634	40p	25D-794	60p
		TAT754	350p	25A-966	65p	25B-744	60p	25C-1670	85p	25C-2637	85p	25D-822	40p
		TAT755	350p	25A-966	25p	25B-755	30p	25C-1675	50p	25C-2688	30p	25D-836	80p
		TAT756	350p	25A-966	25p	25B-757	350p	25C-1677	80p	25C-2750	50p	25D-837	80p
		TAT757	350p	25A-966	20p	25B-764	25p	25C-1708	20p	25C-2781	50p	25D-1047	200p
		TAT758	350p	25A-1015	20p	25B-772	25p	25C-1722	60p	25C-2785	50p	25D-845	250p
		TAT759	350p	25A-1020	30p	25B-792	45p	25C-1756	40p	25C-2791	325p	25D-850	250p
		TAT760	350p	25A-1048	70p	25B-793	35p	25C-1758	30p	25C-2792	275p	25D-859	100p
		TAT761	350p	25A-1060	90p	25B-817	200p	25C-1760	50p	25C-2944	150p	25D-863	10p
		TAT762	350p	25A-1062	125p	25B-837	60p	25C-1775	20p	25C-3078	40p	25D-869	320p
		TAT763	350p	25A-1094	150p	25B-856	60p	25C-1815	15p	25C-3156	325p	25D-870	320p
		TAT764	350p	25A-1095	275p	25B-857	60p	25C-1819	50p	25C-3179	200p	25D-871	110p
		TAT765	350p	25A-1104	20p	25B-861	60p	25C-1845	20p	25C-3182	250p	25D-880	40p
		TAT766	350p	25A-1106	200p	25B-886	65p	25C-1846	45p	25C-3284	175p	25D-882	70p
		TAT767	350p	25A-1136	50p	25B-898	50p	25C-1847	100p	25C-3285	45p	25D-885	100p
		TAT768	350p	25A-1123	40p	25B-900	60p	25C-1848	45p	25C-3288	120p	25D-888	200p
		TAT769	350p	25A-1141	40p	25B-900	60p	25C-1875	260p	25C-3508	250p	25D-917	180p
		TAT770	350p	25A-1142	50p	25B-902	25p	25C-1890	20p	25C-3281	299p	25D-921	175p
		TAT771	350p	25A-1145	60p	25B-928	25p	25C-1920	30p	25C-3298	100p	25D-922	80p
		TAT772	350p	25A-1146	190p	25B-929	20p	25C-1939	250p	25C-3300	210p	25D-925	80p
		TAT773	350p	25A-1147	190p	25B-929	25p	25C-1917	100p	25C-3294	40p	25D-9	

# MARCO TRADING

INCORPORATING EAST CORNWALL COMPONENT ELECTRONIC COMPONENTS & EQUIPMENT



MAIL ORDER • WHOLESALE RETAIL TV



SEND ORDERS TO — DEPT TV5

## MARCO TRADING

THE MALTINGS, HIGH STREET, WEM SHROPSHIRE SY4 5EN

Tel: (0939) 232763 Telex: 35565

Fax: (0939) 233800 (0939) 232689

ELECTRICAL & ELECTRONIC COMPONENT SUPPLIERS

24HR ANSAPHONE

VISIT

OUR OTHER BRANCHES

**SUPERTRONICS**  
Tel: 021 866 6504  
65 HURST STREET  
BIRMINGHAM B5 4TE

**WALTONS**  
Tel: 0902 22039  
55A WORCESTER ST  
WOLVERHAMPTON WV2 4LL

## LATEST 1992 CATALOGUE

- ★ Velleman Kit Catalogue
- ★ Free pre-paid envelope
- ★ Many new lines
- ★ Pages of special offers
- ★ Free gifts

132 PAGES £2.00



## POST & PACKING IS NOW

£2.25

ALL PRICES INCLUDE

17 1/2% VAT

# MAY SPECIAL OFFER PIR COACH LIGHT ONLY

in black & white



## PIR COACH LAMP

A stylish coach lamp with built-in PIR detector which reacts to body heat, switching on the lamp whenever somebody is within the detection zone. A photo-detector built into the unit prevents activation during daylight hours. The sensitivity (detection range) is adjustable from 4m to 10m. An additional override facility allows the unit to operate as a normal light. Power: 220/240V ac 50Hz

L130 BSN80003 Black

L131 WSN80004 White

## ALSO PIR FLOODLIGHT



L132 PIR FLOODLIGHT

£25.99 BN5000  
SPARE TUBE £4.00 (not included)

A high power security floodlight with built-in PIR detector which reacts to body heat, switching on the floodlight whenever somebody is within the detection zone. The PIR detector is adjustable for horizontal and vertical angle and contains a photo detection detector to prevent daylight operation.

Power: 220/240V ac 50Hz

### TWIN FLUORESCENT LAMP — 12V

A very attractive twin tube lampholder with two 12V BW fluorescent tubes. White plastic case with clear plastic ribbed diffuser and ON/OFF switch. Supplied with 90cms of twin flex for connection to 12V battery (Red stripe to positive). Ideal for caravans, boats, vans etc. Overall dimensions: 370 x 65 x 41mm  
ORDER CODE: Opto/TF12 1+ 10+ 50+  
Price: £5.50 £8.00 £25.25

### SINGLE FLUORESCENT LAMP — 12V

Identical to above unit but single tube.  
12V dc 8 Watts. Dims: 360 x 62 x 37mm  
ORDER CODE: Opto/SL £5.50

### SPARE TUBES 8W

Replacement tube for above Twin and Single fluorescent lamps. Fits most 12V fluorescent lamps, Philips etc. Tube length: approx 300mm (inc pins)  
ORDER CODE: Opto/Tube £1.50 ea 10 for £12

### PORTABLE FLUORESCENT LAMP — 12V

Free-standing or hanging with 15ft cable terminating in lighter plug. For use in car, boat, van or home emergency. 12V dc. EVEN FLUOROS IN WATER!  
Overall dimensions 430 x 30mm  
ORDER CODE: 1+ 10+ 50+  
Price: £6.50 £8.00 £25.25

### NIC-CAD CHARGER

Charges AA AAA, C, D & PP3 Ni-Cads 240V AC  
£4.99

### NIC-CAD RECHARGEABLE BATTERIES

PRICE	EACH
1+	10+
AAA £1.50	£1.30
AA 85p	85p
C £1.95	£1.80
D £2.00	£1.85
PP3 £3.90	£3.75

ONLY £130.00  
• BACK UP LEAD ACID BATTERY 12v 1.9 £14.00

### SCART ADAPTOR T113Z (2XSC)

Scart plug to two scart sockets for coupling three pieces of audio, video equipment with scart sockets.  
£10.50

### AER/002 £5.25

Scart plug to 2 BNC plugs (video) and 2 Phono plugs (audio). Length 1.5m.

### AER/003 £4.99

Scart plug to 4 phono plugs (audio) and 2 phono plugs (video). Length 1.5m.

### HOME ALARM PACKAGE

Includes:  
• Optima Alarm Control Panel  
• External Feed Bell Box  
• 2 x 1 Internal Passive I/R  
• 2 x Door Contacts  
• Siren for Bell Box  
• 100m cable and clips  
• Full fitting instructions

ONLY £130.00  
• BACK UP LEAD ACID BATTERY 12v 1.9 £14.00

AER/004 £6.99

### MOTORS

Description	Order Price
12V CW 5mm Shaft	VID/2102 5.80
12V CW 5mm Shaft	VID/2103 6.25
12V CW 7mm Shaft	VID/2105 6.85
12V CW 7mm Shaft	VID/2106 6.85
12V CW 10mm Shaft	VID/2114 4.00
9V CW 10mm Shaft	VID/2115 4.95
9V CW 10mm Shaft	VID/2107 5.40
Reel VC9300/9700	VID/2121 21.35
Reel VC4834	VID/2122 22.00
Loading 93.93/9700	VID/2142 21.60
Capstan VC9100/9300	VID/2152 45.45
Drum VC200/9300/9500	VID/2139 24.20
Reel VIC-5150	VID/2123 7.15
Reel Beta M10-50	VID/2179 27.30
Reel VHR1200/1300	VID/2198 16.30
Capstan SL-C6E/ES	VID/2163 96.00
Drum BH1100	VID/2184 3.85
Capstan PL144/5979	VID/2194 27.35
Drum HR3300/3330	VID/2120 28.10
Reel HR7000	VID/2162 8.10
Capstan HR7100	VID/2181 9.85
Reel HR220/2650	VID/2175 8.50
Capstan TR2650	VID/2174 60.80
Reel 3V23	VID/2162 8.10
Capstan 3V23	VID/2184 9.85
Capstan 3V35/36/38/39	VID/2163 2.50
Load 3V42-48/54/55	VID/2167 15.75
Capstan 3V44/45/48/54	VID/2188 7.75
Capstan VT33	VID/2148 37.10
Capstan VT-5000	VID/2149 47.50
Capstan VT-8000/8500	VID/2157 66.65
Capstan VT-9300/9500	VID/2158 30.30
Drum VT-5000/5500	VID/2154 7.75
Reel NV833/366	VID/2182 76.70
Reel NV7000E	VID/2159 37.10

CW = Clockwise CCW = Anti-clockwise

### ADDITIONAL KITS

Disc separator 50V	125 pieces	£3.99
Zener Diodes Sea	55 pieces	£3.99
Electrolytic caps.		
radial	100 pieces	£8.50
Fuses 0 blow 20mm	80 pieces	£4.75
Fuses T delay 20mm	80 pieces	£8.50
Pre-set pots. Hor.	120 pieces	£7.75
Pre-set pots. Vert.	120 pieces	£7.75
Polyester 100V	110 pieces	£5.00
Nuts & Bolts	800 pieces	£5.99

### RESISTOR KITS — each value individually packed

1/4w pack 10 each value E12 — 10R to 1M 610 pieces	£5.10
1/4w pack 5 each value E12 — 10R to 1M 305 pieces	£3.75
1/4w pack Popular — 10R to 10M 1000 pieces	£6.99
1/2w pack 10 each value E12 — 2R2 to 2M2 730 pieces	£8.75
1/2w pack 5 each value E12 — 2R2 to 2M2 65 pieces	£3.40
1/2w pack Popular — 2R2 to 10M 1000 pieces	£10.75
1W pack 5 each value E12 — 2R2 to 1M 365 pieces	£15.25
2W pack 5 each value E12 — 10R to 2M2 317 pieces	£25.00

### SOLDER 18 & 22 SWG — 500gm REEL

18sw	1+	10+
22sw	£4.95	£4.70
	£4.99	£4.75

Remember: Our prices INCLUDE VAT!

### 20mm FUSES

QUICK BLOW — 80mA 100, 125, 160, 200, 250, 315, 400, 500, 630, 800, 1A, 1.25, 1.5, 1.8, 2.2, 2.5, 3.15, 4.5, 6.3	50p/10 Order 100 pcs any one value
TIME DELAY — 50mA 60, 80, 100, 125, 160, 200, 250, 315, 400, 500, 630, 800, 1A, 1.25, 1.6, 2, 2.25, 3.15, 4.5, 6.3, 10	1.50/10 and pay

### 8 WAY SPLITTER

8 way splitter amplifier to supply 8 TVs from one antenna. White plastic box with aluminium panel. On/off switch with neon. Band width: 40MHz-850MHz. Gain: ~3dB per channel. Total 21dB. Impedance: 75Ω. Max output: 80mV (38dBmV). Noise: 60dB. Isolation between outputs: 40dB. Power: 240V ac 500Hz. Dims: 250 x 100 x 60mm

£29.99

### FM TRANSMITTER

Made In U.K.  
Very high quality "Mini Bug" — ideal for baby alarm etc!! A very good range is obtainable — we have obtained over 1/2 mile, but it does depend on conditions. Simply remove cover — insert battery — and you're ready to go. Reception can be obtained on any FM radio.  
Frequency: 105-109MHz FM  
ORDER CODE: SEC/FMB1  
PRICE: £9.99

### FM KIT

For those of you who enjoy building kits — we now offer the above transmitter in kit form. Ideal for the beginner — supplied complete with full, easy to follow instructions. Box NOT INCLUDED — See our BOXES Section for suitable housing.  
ORDER CODE: SEC/FM KIT  
PRICE: £7.50

### "CLOSED CIRCUIT" TELEVISION

1 x CAMERA BRACKET	£120
1 x CAMERA NEW	£75
USED 1 x MONITOR TOGETHER (Plus £10.00 carriage)	£7.75

### FULL RANGE OF VIDEO BELT KITS — See our Catalogue

FULL RANGE OF CASSETTE PLAYER DRIVE BELTS  
19.57mm 25p 60.94mm 29p  
100-110mm 35p each

TURNABLE DRIVE BELTS 121-710 Ohm	£1.99
CASSETTE DRIVE BELTS 68-78mm	45p
CASSETTE DRIVE BELTS (Walkman type)	30p

TRIPLERS  
Universal Philips - KT3 VID/TH3B £8.35

### CASSETTE LAMP

UNIVERSAL High quality 12 Volt Universal Video Cassette Recorder Lamp and Head. Lead length: Approx. 30cm.  
ORDER CODE: VID/LAMP ALL £8.00 EACH

### SONY

Reel VHR1200/1300 VID/2198 16.30  
Capstan SL-C6E/ES VID/2163 96.00  
Drum BH1100 VID/2184 3.85  
Capstan PL144/5979 VID/2194 27.35  
Drum HR3300/3330 VID/2120 28.10  
Reel HR7000 VID/2162 8.10  
Capstan HR7100 VID/2181 9.85  
Reel HR220/2650 VID/2175 8.50  
Capstan TR2650 VID/2174 60.80  
Reel 3V23 VID/2162 8.10  
Capstan 3V23 VID/2184 9.85  
Capstan 3V35/36/38/39 VID/2163 2.50  
Load 3V42-48/54/55 VID/2167 15.75  
Capstan 3V44/45/48/54 VID/2188 7.75  
Capstan VT33 VID/2148 37.10  
Capstan VT-5000 VID/2149 47.50  
Capstan VT-8000/8500 VID/2157 66.65  
Capstan VT-9300/9500 VID/2158 30.30  
Drum VT-5000/5500 VID/2154 7.75  
Reel NV833/366 VID/2182 76.70  
Reel NV7000E VID/2159 37.10

### MAIN SWITCHES

PB3009 Decca SEC MS10	1.15
SONY (Universal)	4.80
PB5030 Rank Remote MS11	1.60
PH3003 Philips G8 Plastic MS09	1.15
PHILIPS K13 (Remote)	1.99
5031 PHILIPS G11 Remote MS20	1.75
285 1 ITT GVCS CV20 MS62	4.15
PB3005 PHILIPS G11 MS07	1.15
THORN TX90 002 158-001 MS39	1.20

### PHILIPS VR 6450

VR 6550 £3.45  
VR 6750 £3.45  
VR 6950 £3.45  
VR 7150 £3.45  
VR 7350 £3.45  
VR 7550 £3.45  
VR 7750 £3.45  
VR 7950 £3.45  
VR 8150 £3.45  
VR 8350 £3.45  
VR 8550 £3.45  
VR 8750 £3.45  
VR 8950 £3.45  
VR 9150 £3.45  
VR 9350 £3.45  
VR 9550 £3.45  
VR 9750 £3.45  
VR 9950 £3.45

### FULL RANGE OF VIDEO REPAIR KITS

#### REMOTE CONTROLS P.O.A.

#### VIDEO HEADS

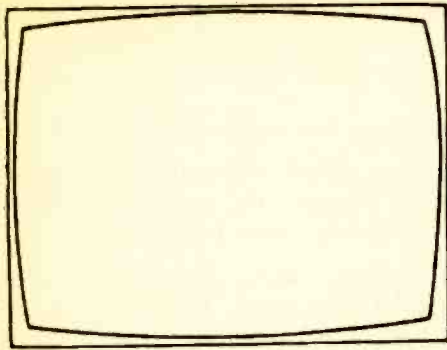
AKAI VP-77/88/1100/VS1/2/3/5/10/VS77/8300/9500/9700/9900	VID/2511 15.85
FERGUSON 3V00/3V01/3V29	VID/2511 15.85
3V16/3V22/3V23/3V24/3V30/3V31	VID/2511 15.85
3V35/3V36/3V38/3V39/8903	VID/2647 15.85
HITACHI VT111/VT14V/VT33	VID/2504 28.20
VT111/VT14V/VT33	VID/2511 15.85
VT4000/4200/5000	VID/2503 29.15
VT6500/7000/8000/V4/8000/8500/9000/9300/9500/9700/9900	VID/2509 28.20
JVC HRD 110E/110EG/111/120/121/225/2200/3660/7600/7610/7650/7700	VID/2647 15.85
HR3300/4100/7200	VID/2511 15.85
N.E.C. N830/831/833	VID/2647 15.85
PVC-2300/2400	VID/2543 23.00
NATIONAL PANASONIC NV1300/370/380	VID/2526 18.50
VEH12/333	VID/2520 15.85
VEH17/4NV366	VID/2521 46.75
NV730	VID/2528 47.85
SANYO VTC5000	VID/2530 34.00
SHARP VC200/300/330	VID/2536 28.55
VC51/481	VID/2537 28.75
VC581/583	VID/2539 29.95
VC483/486	VID/2541 49.00
SL-C3/C6/C10	VID/2545 21.80
SL-C9	VID/2541 44.15
SL-C20/C24/C30	VID/2546 27.75
SL-8000	VID/2543 23.00
TOSHIBA VS470/5480	VID/2547 32.75
V9600	VID/2548 29.50
V7301/8385	VID/2597 24.35

### PINCH ROLLERS

AKAI 1EG/2EG/4EG/5EG/6EG/9EG/SC15EG	£3.45
VC3710	£4.85
FERGUSON 3V00/3V24	£3.45
3V29/3V32	£3.45
HITACHI ALL	£3.45
JVC HR2000/3000/3300/3660/4100/7700	£3.45
NEC N830/N833	£3.45
ORION VH-17	£3.45
PANASONIC NV100/180/332/333/366/602/777/778	£3.45
2000/2300/3000/370/430/480/465/7000/7200/730/780/810/8200/830/8400/850/8600/8610/870/890	£3.45
PHILIPS VR 6450	£3.45
VR 6550	£3.45
VR 6750	£3.45
VR 6950	£3.45
VR 7150	£3.45
VR 7350	£3.45
VR 7550	£3.45
VR 7750	£3.45
VR 7950	£3.45
VR 8150	£3.45
VR 8350	£3.45
VR 8550	£3.45
VR 8750	£3.45
VR 8950	£3.45
VR 9150	£3.45
VR 9350	£3.45
VR 9550	£3.45
VR 9750	£3.45
VR 9950	£3.45

### VALVES

DAF	1.20
DF96	1.40
D84	1.30
DY86/87	1.00
DY802	1.30
EB8CC	7.65
EB830	2.30
EF442	1.85
EB91	0.75
EB841	3.85
EB842	1.20
EB80	0.90
EB83	1.70
EB89	1.20
EB82	16.25
EC81	3.15
EC82	2.75
EC83	3.05
EC84	0.75
EC85	1.85
EC88	3.80
EC89	3.50
EC90	1.55
EC82	1.45
EC83	2.10
EC85	4.30
EC82	1.70
EC81	1.30
EC80	0.90
EC82	1.35
EC84	0.30
EC85	1.30
EC86	3.10
EC87A	0.60
EF80	2.50
EF86	2.50
EF89	0.90
EF90	0.75
EF91	0.45
EL36	1.50
EL81	8.65
EL82	2.50
EL84	2.50
EL85	1.85
EL89	9.80
EL519	9.50
EM84	1.35
EM87	2.35
EM86/87	0.75



# TELEVISION

## Standards Again

It is difficult to know exactly what to make of the unfolding widescreen TV saga, which seems to be yet another example of failure to agree to a TV standard. Is it perhaps simply an attempt by the European TV industry to snatch a temporary advantage over Far Eastern manufacturers? Certainly it's the European tubemakers that have developed the technology. But if this is the case the question that has to be asked is whether widescreen TV is a further example of an attempt by technology rather than consumer demand to drive the market forwards? If so it could well be a mistake. People won't buy technology for the sake of it: they'll buy only what suits them.

The 16:9 aspect ratio sets that have been announced so far are a mixed batch. Nokia has opted for 625-line PAL, Thomson has opted for 1,250-line PAL while Philips has decided on 625-line PAL with a 100Hz field rate. Nokia feels that the wide screen is the important thing rather than any change to basic TV standards. The company points to the cost advantage of using a standard chassis to drive the new type of tube. But even here the wide screen presentation is seen as essentially a top of the range phenomenon. In this case why not go the whole hog? With a chassis that features digital signal processing, why not take advantage of the opportunity to improve the definition and get rid of flicker once and for all? There are arguments as to exactly how much better a picture you get for your money at higher timebase frequencies. What this seems to boil down to is that compromises, as always with TV, have to be accepted. The argument is over what compromise to accept. It's a rather pointless argument really and one can't help but feel that the motivation behind it is simply a matter of gaining marketing clout rather than achieving the best in good picture reproduction. There is much to be said for the view that a well set up display using conventional technology and a decent aerial system, with no corner-cutting in circuit design, will with the presently available transmissions provide as good a picture as any for the viewer rather than the technology buff.

Representatives of the main Japanese manufacturers in the UK have been making disparaging comments about widescreen TV. The case was put forcibly by Mark Todd, Toshiba's marketing director. He hit the headlines with comments that widescreen TV was "premature" and "a joke", but rather more to the point he suggested that instead of buying a set that is "too big" and "too expensive" the consumer would be better off with a 34in. Nicam set featuring surround sound. The money saved could, he added, be invested in a building society. The debate has been clouded by dispute over what programming is available. At present it seems to be limited to a few tapes and Continental satellite channels transmitted in D2-MAC form. Not much really to justify lashing out on a set that costs a few thousand pounds.

Since some rather rude remarks about the 16:9 picture format on this page a few months ago I have been somewhat severely taken to task over what is and what isn't a natural display based on the characteristics of human vision, in particular by John Dagg (January) who quoted a considerable amount of research. The fact that human eyes are horizontally displaced, giving perception somewhat elongated in the horizontal plane compared to the vertical plane, looks a clincher. But this rather overlooks the reason for us having two eyes in the first place - to achieve bifocal vision. The images from the two eyes are superimposed to give us a three-dimensional field of view. It's nothing to do with aspect ratio!

The aspect ratio debate continues in our columns and I've been gratified by some support amongst more recent letter writers. A particularly interesting letter has come in from Geoff Darby who makes some pertinent, down-to-earth comments. It arrived too late for this issue, but watch this space as they say. What does rather intrigue me in all this is whether sight is really a scientific matter. It is, of course, as a subject for study. But as an aspect of natural history it seems more akin to disciplines such as economics rather than pure science. Those who take an interest in the endless economic debate, with one plausible argument after another seeming to establish opposite points of view, will appreciate this. The problem of course is that you can't conduct conclusive experiments with the subject matter of economics. You can't say right, call a halt, go back five years and see what happens if we alter the conditions. Anything of an historical nature can only be observed and, in a more or less helpful manner, explained. That seems to be the case with human perception. You can't experiment with different vision systems. You have to understand as best you can the one we've ended up with.

However that may be, the TV industry is not doing itself any great favours with its continual change. To the 4:3 and 16:9 aspect ratios we now have a proposed compromise 14:9. It's not easy of course to arrive at decisions with absolute certainty. Technological evolution continuously and often suddenly shifts, and new possibilities have a habit of coming at times that are inconvenient for the standards decision makers. Perhaps we should give up worrying about TV standards and accept the fact that there have always been and always will be different ways of going about things, with various advantages and disadvantages. Let's just sit back and watch the thing unfold. It would be nice to take a relaxed view like that. But of course there's more at stake. Sets have to be manufactured to standards, broadcasters have to observe system parameters and, at our end of things, the public has to be presented with a good case for buying what's available. It doesn't help the salesman to have to work in an atmosphere of continuing uncertainty.

### EDITOR

John A. Reddihough

### EDITORIAL ASSISTANT

Tessa Winford

Please note that the telephone numbers below are for contact with the advertisement departments only. Editorial enquiries should be sent to the editor at the address given on page 465 or faxed to 081-652 8956.

### ADVERTISEMENT MANAGER

Jan Thorpe  
081-652 8114

### DISPLAY SALES MANAGER

Shona Finnie  
081-652 8115

### CLASSIFIED SALES EXECUTIVE

Pat Bunce  
081-652 8339  
Fax 081-652 8931

### ASSISTANT CLASSIFIED MANAGER

Carol Nobbs  
081-652 8327

### GROUP CLASSIFIED MANAGER

Breda James  
081-652 8327

### ADVERTISING ADMINISTRATION

Kathy Lambart  
081-652 8116

### ADVERTISING PRODUCTION

Brian Chapman  
081-652 8681  
Fax 081-652 8917

### READER HELPLINE

For help if you have difficulty obtaining *Television* phone 081-652 8620

### SUBSCRIPTION ENQUIRIES

0444 440 421

### SUBSCRIPTION HOTLINE

24-hour subscription ordering with credit card number phone 0789-200 255

### PUBLISHER

Robert Marcus  
081-652 3930

### COVER PHOTO

This month's cover photograph shows the internal layout of the Philips CD104 CD player - see servicing article on pages 486-490.



**REED  
BUSINESS  
PUBLISHING**

# Letters

## OPERATING CONSUMER ELECTRONICS

I feel that the frequent complaints about poor instruction books and over complex products in the consumer electronics field have been rather over done. Because of familiarity many people regard cars as being easy to drive. They forget that it took many lessons, hours of practice and a test to be declared "proficient" to drive, though still with a lot to learn. If the driver seldom uses his car, skill and confidence are lost and safety is adversely affected. And when a car is exchanged for another model a familiarisation period is required. The user's handbook supplied with a car is very basic. It explains where the controls are and what they do, but very little else. Actual driving isn't explained. Driving skill comes with practice. Nobody complains about the book!

VCRs today generally have a complex microcomputer control system. Anyone who uses a computer in the office or at home will remember that it took several hours of learning to master the system. When the computer is replaced with a newer/different type a learning period follows. No one complains!

A VCR's control processes have been simplified, but practice and continual use are required before the customer can operate his machine without thinking.

There is nevertheless some truth in the general complaint. Very often a VCR's instruction book has been written in a certain way, language and form that suits the market in its country of origin. It is then translated, sometimes very badly, into another language. It seems that time and resources don't allow the transformation to be done properly. But manufacturers and distributors can do something about this!

The educational system is not without blame in relation to these problems. Since the early Sixties, when teaching methods were "liberated", the art of proper composition and proficiency in the use of language has declined. Most of those responsible for preparing instruction books are part of the "suspect" generation. Combine this with the general lack of comprehension that goes hand-in-hand with falling educational standards and it's easy enough to understand why some customers find products difficult to operate.

*P. Milligan,  
Birmingham.*

## CHANNEL FIVE

My letter on Channel 5 in the January issue was concerned mostly with the problems of modifying commercial and domestic u.h.f. distribution systems so that Channel 5 reception won't cause interference to existing arrangements. I wrote to the ITC about this and received a full and interesting reply. The all-important question of course is who pays? It seems that the scepticism expressed in my letter was well founded. The bottom line is as follows. If the Channel 5 licensee comes across a system that needs any more than a tweak, all he needs to do to fulfill his responsibilities is to fit a notch filter. This removes the Channel 5 signal and so removes the problem. What about customers who complain that they can't get Channel 5? Hard luck! This might be reasonable with a large SMATV, but not in the case of a domestic system. In the latter case we've always worked on the assumption that channels 35-

38 are exclusively for locally-generated channels. Domestic VCRs, satellite TV receivers etc. continue to be supplied with modulators whose output is restricted to these and nearby channels.

The channel allocations will apparently be as follows:

**Channel 35:** Mounteagle, Durris, Perth, Selkirk, Black Mountain, Burnhope, Winter Hill, Belmont, Oxford, Chelmsford, Huntshaw Cross, Plympton and Fawley.

**Channel 37:** Tay Bridge, Black Hill, Londonderry, Cambret Hill, Emley Moor, Sutton Coldfield, Presely, Tacolnaston, Mendip, Croydon, Redruth and Fenham.

**Other frequencies:** Craiggelly, Caldbeck, Sheffield, Nottingham, Sandy Heath, Churchdown Hill and Storeton.

The ITC calculates that channels 35 and 37 will provide coverage for 70 per cent of the UK population. The transmitters on "other frequencies" will add only another four per cent. As an interesting comparison old hands will recall that in the 405-line days five Band 1 channels were needed to give national BBC-1 coverage. This was at v.h.f., where fewer fill-in stations were required. Even here, BBC-1 eventually had to spread to channels 6 and 13, though this was partly because of interference from the Continent in Band 1.

Readers might like to study the ch. 35 and 37 transmitter lists and consider likely levels of co-channel interference in their parts of the country. The ITC's coverage map suggests that in most cases the power levels and radiation patterns will be similar to those of the existing four services. Channel reuse will however be far greater than we have previously experienced in this country. There will be high-powered transmitters that use the same channel not so very far apart.

As we all know, u.h.f. signals often surprise us by appearing at usable strength in odd pockets well outside the nominal service area. Many places where a second ITV service can be easily received are going to be problem areas for Channel 5. I would expect some problems in a large area south of Sheffield where signals from Emley Moor and Sutton Coldfield are often receivable well into each others' service areas. Occasional interference due to unusual atmospheric conditions is going to be a real problem with such extensive channel reuse. In many parts of North Yorkshire for example large high-gain aerials and amplifiers are needed. The aerials point south towards Emley Moor, but this means that they are also pointing roughly towards Sutton Coldfield, which is only about a hundred miles away. Without the directional properties of the aerial to help, bouts of severe co-channel interference seem to be a distinct possibility in such a case even if the two transmissions have opposite polarities.

It seems that there will be pockets of occasional or permanent co-channel interference all over the country. Many locations well inside the nominal service area of a transmitter will suffer from impaired pictures in varying degrees, especially if they are screened from the "local" transmitter but clear in the direction of another one that uses the same channel. In the light of all this I think that the 70 per cent coverage figure may well prove to be optimistic - unless it's accepted that many viewers will suffer from degraded reception.

The national four-channel u.h.f. system, carefully planned in the Sixties, has served us well. Coverage is well nigh 100 per cent, with co-channel interference and other reception problems minimal in the vast majority of locations. In most areas one small aerial gives good reception of the four channels. In addition we've had in the



# VISTA

## ELECTRONICS

FOR QUALITY

NEW AND RE-BUILT TUBES

VIDEO HEADS

REMOTE CONTROL HANDSETS

TV AND VCR SPARES

**MOST ITEMS EX-STOCK**

**PLEASE CONTACT US  
FOR COMPETITIVE PRICES**



## VISTA ELECTRONICS



Unit 1B, Wingate Grange Industrial Estate,  
County Durham, TS28 5AH

Tel: 0429 837100

Fax: 0429 837101

**COMPONENTS  
For TV ★ Video  
Audio ★ Computer**

**THIS IS JUST A SMALL SAMPLE OF STOCK**  
We can supply spares for many makes of equipment. WRITE  
(Encl. s.a.e. please) or PHONE  
FOR A "PRICE & AVAILABILITY"  
on your requirements. **0452 526883**

### TRANSISTORS & DIODES

2SA664	£1.14	2SC2331	£1.59
2SA668	£0.98	2SC2621	£1.57
2SA673	£0.33	2SC3150	£2.33
2SA683	£0.63	2SC3156	£4.97
2SA715	£1.01	2SD313	£0.49
2SA844	£0.41	2SD325	£0.71
2SA864	£0.49	2SD389	£1.03
2SA1011	£1.51	2SD401A	£1.39
2SA1015GR	£0.74	2SD468C	£0.76
2SA1706	£1.69	2SD571	£0.94
2SD507	£1.23	2SD680	£2.97
2SD772	£1.49	2SD787	£0.94
2SC388A	£1.49	2SD788	£1.18
2SC1096	£0.71	2SD917	£3.52
2SC1383	£0.93	2SD1111	£0.95
2SC1384	£0.83	2SD1266	£2.11
2SC1741	£0.53	2SD1397	£4.49
2SC1756	£1.49	2SD1426	£4.86
2SC1815Y	£0.26	2SD1667	£1.58
2SC1907	£0.89	2SD1668	£1.87
2SC2060	£0.97	BA157	£0.29
2SC2271	£1.10	RD9.1EB2	£1.43
2SC2274	£0.48	RB156	£2.29

### IC SELECTION

HAI137W	£3.61	TA7607	£4.75
HAI1235	£3.55	TA7668BP	£1.99
HAI2006	£6.09	TBA530	£1.74
HAI2413	£5.05	TBA800	£1.17
LA1585	£2.95	TBA810P	£1.16
LA3160	£2.28	TBA810S	£1.62
LA3361	£1.79	TBA820L	£1.67
LA4500	£3.69	TC940	£3.33
LA7351	£3.95	TD1A1021B	£2.89
LM733CN	£2.27	TD1A1020	£2.93
M54548L	£5.29	TD1A1908A	£2.06
MC7805	£0.78	TD2A003	£2.84
MC145025CP	£0.78	TD2A041	£2.52
SAA1124	£3.88	TD3330	£6.49
SAA1294-2	£12.96	TD4A601	£2.49
TA7240AP	£2.96	TD4B170	£3.53
TA7273P	£5.35	UPC1277	£4.70
TA7280P	£6.92	UPC1378H	£2.45
TA7324	£3.21	14DN476	£19.29

### COMPUTER SPARES

IC 40010 G Array	£18.86	C780109D031 CPU	£30.24
IC AY8928	£5.32	HA13007 T Array	£4.66
IC HA13408 (PCW/DMP)	£7.67		
IC HD6845SP	£15.18	IC 40054 ROM (+2)	£16.99
IC LA4140	£1.70	IC ROM (48K+)	£7.99
IC LA824	£4.11	IC TEA2000	£4.49
IC PEGA1A (PC1640)	£30.65	IC TMS4522-15N14	£1.72
IC SED94200IC	£14.93	IC ULAB0001E7	£16.77
Joystick (CPC range)	£6.71	IC Z8B401 (Spec.)	£10.48
Printer Armature	£4.20	ZTX213 Transistor	£7.54
(PCW 9512)		ZTX650 Transistor	£0.49
Cement Resistor 5.6R/5W	£1.69	UM1233 Modulator	£6.56
(Monitors)		Membrane (Spec. 48K)	£4.73
Service Manual	£8.49	Membrane (+128K)	£3.59
(CPC454 early)		Bubble Mat (+128K)	£1.18
Service Manual	£13.99	Speaker (48K+)	£1.55
(PCW8256/8512)		PCB Power Skt. (Spec.)	£0.55
Serv. Manual (PCW8512)	£14.49	Power Plug (Spec.)	£0.29
		Edge Conn. (28way)	£3.49
<b>ATARI</b>			
IC CO25913 DMA (ST)	£33.24		
IC CO14806 (XEL)	£11.40	<b>COMMODORE</b>	
IC CO29947 (XEL)	£4.49	IC 65669 VIC (Sp. Offer)	£19.95
Thermistor (ST-PSU)	£1.34	IC 8520 CIA	£11.22
IC TL431 (ST-PSU)	£1.20	IC 8565 VID	£22.96
ONV65 (ST-PSU)	£4.42	IC 251641-02 PLA	£3.98
PC101 (ST-PSU)	£4.73	IC 901225-01 ROM	£6.55
PC173V (ST-PSU)	£2.94	IC 906114-01 PLA	£3.24
User Manual (STFM)	£10.00	Modulator 25916-02	£18.76
		User Manual (C64)	£4.25
<b>PHILIPS</b>		User Manual (C64C)	£4.39
Serv. Manual BM7513	£2.99	Serv. Manual (A500)	£19.95
Serv. Manual CM8633 (Mk 1)	£3.80		

All above are manufacturers original spares

### OTHER COMPUTER CHIPS

AM26LS31PC	£1.63	74LS00 TTL	£0.16
6602 CPU	£5.05	74LS157 TTL	£0.36
6818 P.T. Clock	£7.24	75154PC 4-line driver	£1.65
8255A PPI	£2.82	64Kx1 DRAM (120ns)	£1.99
8272A PC	£14.09	64Kx1 DRAM (150ns)	£1.65

### AUDIO, TV & VIDEO SPARES

AMSTRAD VCR4500, 4600, 4700, TVR1-3 BELT KIT	£2.46
FISHER PVH-P420, £20, 530 REEL/SPool TYRE	£1.75
FERGUSON/VIC 3V29, 3UNRY200, 7300 REEL IDLER	£1.00
GEC STR6020 MOD. KIT	£7.61
GED/HIACHI V4004/V711, 33 VIDEO HEAD	£22.95
PANASONIC NV230, 430, 465, 630 TENSION BAND	£3.67
PHILIPS RT4K49 SERVICE MANUAL	£10.00
SHARP RGF278, 281, 284 MAIN BELT	£1.40
TOSHIBA STU2/L MAINS TRANSFORMER	£9.95
TRIUMPH VR851S CAPSTAN MOTOR	£34.95

We are pleased to serve both the Trade and End User.

**SEND LARGE 34p S.A.E. FOR CATALOGUE\***

or ask for a free copy with your first order

\* Supplement available to Bona fide traders - on request.

All items subject to availability - Prices can change without notice. Please add £1.20 P&P - but not VAT.

ORDER BY POST OR PHONE

We accept payment  
by VISA, Access,  
DELTA, SWITCH,  
Cheque or P.D.



**MARAPET (TVE)  
1 HORNBEAM MEWS  
GLOUCESTER GL2 0UE**

# EURAS SYSTEM

The largest Database of CD, TV and Video  
Repair Tips information in Europe  
Available On-Line or in Books and now...

## NEW STAND-ALONE PC VERSION

- Purchase the whole system or just one manufacturer
- It's fast and easy to use
- There are no hidden costs
- Updates available
- Suitable for any IBM compatible PC
- You can even enter all your own repair tips

*"No more bits of paper"*

## STILL AVAILABLE: The Books or The On-Line System

- 73,000 Repair Tips
- 5,300 Models
- 180 Manufacturers

**Tel:  
0272 724475  
Fax:  
0272 723374**

Euras International Limited  
Heston House, 79 Emery Rd,  
Brislington, Bristol BS4 5PF,  
England

- AIWA
- AKAI
- ALBA
- AMSTRAD
- ARISTON
- ARISTONA
- B & O
- BAUER
- BOSCH
- BRANDT
- BLAUPUNKT
- BUSH
- CANON
- CHINON
- DECCA
- DUAL
- FERGUSON
- FIDELITY
- FISHER
- FUNAI
- GEC
- GRAFTZ
- GRUNDIG
- HANSEATIC
- HITACHI
- INTERFUNK
- ITT
- JVC
- KENDO
- KENWOOD
- LOEWE
- MARANTZ
- MATSUI
- METZ
- mitsubishi
- NEC
- NECKERMAN
- NOVA
- NORDMENDE
- ORION
- PANASONIC
- PHILIPS
- PIONEER
- PYE
- QUELLA
- QUELLA
- SABA
- SAMSUNG
- SANYO
- SCHNEIDER
- SHARP
- SIEMENS
- SONY
- TATUNG
- TELEFUNKEN
- THOMSON
- THORN
- TENSAI
- TOSHIBA
- TELERENT
- UHER
- UNIVERSUM

middle of the band the boon of a group of channels that have been clear almost everywhere. As VCRs and satellite TV have become more popular, this has been invaluable. It was too sensible to last, wasn't it? Something that will go against everything the four-channel plan stood for is to be brought in. It will add greatly to the clutter of aerials that even now is a far more prevalent eyesore than are satellite dishes. It will bring with it a plethora of tuning and aerial problems, taking us some way towards the level of electromagnetic chaos that reigns in Italy and the USA. And all for what? For one more channel serving perhaps half the population. With so many people having access to satellite and cable systems, isn't one more terrestrially radiated channel a bit of an irrelevance? No one really wants this channel, except maybe the advertising agencies.

In the years that I've been in this industry the picture quality produced by colour sets has improved enormously. Even within the limitations of the 625-line PAL system we can now give people lovely sharp, clear pictures. But pulling the other way are those forces that, for one reason or another, want us to compromise. We lost BSB, which in Marco Polo and D-MAC had the best way of getting good-quality pictures and clear sound into people's homes. Now we have most satellite viewers watching the grotty, slightly sparkly, Videocrypt-degraded pictures that £199 buys. Sad that so many people now regard this "sub-PAL" reception as the norm.

The introduction of Channel 5 will inevitably leave a percentage of viewers with some degree of reception impairment on VCR playback, satellite and/or Channel 5 itself, thus on average reducing people's expectations still further.

As we approach the 21st century, we should expect any system for delivering pictures and sound to the home to give perfect or near perfect reception: this is the ideal that manufacturers, installers, broadcasters and regulatory bodies should be working towards. Admittedly the viewer is often his own worst enemy – he'll buy the cheapest possible satellite TV equipment and make do with a hopelessly inadequate aerial installation. At this level it's usually a waste of breath arguing, but at the broadcasting regulation level standards should be going up all the time, not down. In my opinion the plans for Channel 5 represent a decline in broadcasting technical standards in the UK and as such are much to be regretted.

*Bill Wright, Wright's Aerials,  
Rotherham, South Yorkshire.*

### GRUNDIG VS200

The suggested cure for a clock that cannot be reset in a Grundig VS200 VCR (Service Bureau, February issue) might be right – but a shorted memory battery is rather more likely.

*Philip Blundell, AMIEIE.,  
Great Barr, Birmingham.*

### MICROWAVE OVENS

The article on a high-voltage tester for use with microwave ovens (April issue) calls for comment. It's not true to say that there's no point in having a hand in your pocket "because the high voltage is earthed". This implies that with one hand holding and adjusting the probe there's no danger in contacting the chassis with the other hand. But the potential difference exists between chassis and the magnetron's cathode. A fault in the tester could place the user straight across the low-impedance 4kV source. With

the oven not producing energy and the magnetron not drawing current this could mean full whack for the engineer – and possibly death.

Any experienced microwave oven engineer will confirm that there's rarely need to measure the voltage in this circuit. I feel that Ian Rees is thinking in terms of TV practice, which won't do.

What is particularly alarming is the thought that DIY enthusiasts could be encouraged to dabble in microwave oven repairs without realising the very great dangers.

*Jim Garrod,  
Sandown, Isle of Wight.*

### NOT A SQUARIAL

There was an editorial amendment to my letter last month. Unfortunately the "square-ish" Marconi dish aerial I referred to was changed to a Squarial antenna, which is quite different. It means that the references to a boom and to declination will be confusing to anyone aligning a Squarial which has no boom and is inclined not declined to the vertical.

*Colin McCormick,  
Plymouth, Devon.*

### SAISHO CT142RX

Now come on Donald about this Saisho CT142RX you dabbled with (April). Was that really the end of the story? I've dealt with a lot of these sets and the first thing I check when one comes in dead as you described is the avalanche diode D508 (type SR-2M). If this is short-circuit and F501 and R501 have expired it's odds-on favourite that some other component has also gone to meet its maker. You might have been in luck, but if that was all you had to replace it was an unusual situation. Every time I've tried replacing this safety component the line output transformer has seen it off along with the fuse and the resistor.

*Mark Thomason,  
Stretford, Manchester.*

**Editorial note:** Sorry, the faulty diode was D506, not D508, but thanks for the tip.

### SERVICING CHARGES

With reference to Mrs. Rabble's Toshiba VCR, Donald Bullock's column last month, we're in the business to make a good living: £15 for an immediate repair plus a load of insults is far too cheap. Our price would be £20 for the repair, £15 for the insults, as the VCR could soon be back again. In comparison with many others this business is full of stress and strain. To balance everything up we give good, guaranteed service and charge well for it (no freebys) unless under guarantee.

*E.R. Webb, KTV Warehouse,  
Camborne, Cornwall.*

### SERVICING VALVE RADIOS

I found Stanley Johnson's article (March) on restoring valve radio receivers comprehensive and interesting. Although relevant his reference to valve manufacturers' data could be misleading as the figures they give are not always typical operating conditions. One has to be careful in interpreting such data. Nevertheless if you are going to do a number of restorations a comprehensive valve manual is of real use.

I would also like to make the point that measuring a valve's anode current to ascertain its gain will not in itself give a figure for mutual conductance, which is the relationship between anode current change and grid voltage variation. In practice however anode current measurement can give a good indication of the condition of a valve. It's often possible to calculate the total valve current from the cathode voltage and the value of the cathode bias resistor (where one is present). This avoids having to disconnect wiring or components.

A circuit diagram can be useful, particularly if it carries valve voltages. Some advertisers in *Television* can go back quite a long way. Other sources are *Radio Servicing* and the earlier volumes of *Radio and Television Servicing*. Some public libraries in larger towns carry a full set of these books.

Mr. Jackson's reference to signal injection gave me a smile and took me back to the "old days" when test equipment was a bit thin on the ground. We used to reckon that the i.f.s wouldn't be far out and would set the dial pointer to a weak station in the middle of the medium waveband. We then tuned the i.f.s for either maximum sound or minimum voltage across the cathode resistor (if fitted) of the i.f. amplifier valve - this voltage varies with the a.g.c. action. After checking that the dial pointer was correctly positioned, we would tune in two stations of known frequency at either end of the band so that they appeared in the correct position. The LW band was similarly treated. We finally adjusted the r.f. circuits for maximum sound or minimum voltage, like the i.f. circuits. If the i.f.s were badly out we "signal injected" the i.f. from another set for initial rough tuning, then followed the usual procedure. Rough and ready maybe, but it worked very well!

*Eric G. Kempshall,  
Hove, East Sussex.*

### HINARI SPARES

I recently had some difficulty in finding a source of spares and service information for the Hinari Model HIT51T TV receiver. Spares for this model are not available from CPC. They are available from Tosumi Spares and Service, PO Box 277, Acton Grange Distribution Centre, Birchwood Lane, Moore, Nr. Warrington, Cheshire WA4 6XL (telephone 0925 56770). This company is a division of Hamilton Electrical Distributors Ltd.

*A. Robertson, Enterprise TV,  
Abram, Wigan.*

### BETAMAX VCRs

Pete Hills asked in the March issue whether there were any other Beta enthusiasts out there. I have several Sony Beta machines, Models SLC5/6/7. It seems that the public is quite happy to give or even throw these machines away when the heads require replacement.

Since pattern heads are available for under £20 these machines are usually well worth repairing, though an engineers' dial gauge must be used to align the head concentrically before tightening the screws. The results obtained are excellent, putting to shame the pictures produced by even the most expensive standard VHS recorders. Electronic faults seem to be very rare, most problems being caused by slipping idlers and belts. The SLC5 and SLC7 can suffer from a worn audio/control head however. The symptoms are poor sound and/or intermittent muting of the video signal with own recordings. In my

experience the SLC6 range doesn't seem to suffer from this problem.

Incidentally worn out or chewed up Beta cassettes can be refilled with new VHS tape. Fit the empty Beta spools temporarily inside a VHS cassette in order to wind the tape. Use the correct splicing tape to join the tape to the stop foils at either end. It's not worth doing this if new Beta tapes are still available in your area. But I never discard old cassettes for this reason.

*Martin McCluskey,  
Billingham, Cleveland.*

### SMOKING SETS

I read with some amusement John Hopkins' account (March) of a customer phoning to say that his set had just caught fire. At least his customer had switched the set off before calling. It reminded me of a time about fifteen years ago when I was working late at the small workshop where I was employed and the phone rang. It was rare for us to work late and our customers knew this, so I answered the

## PHOTOSTATS SERVICE

Newer readers may have missed important servicing features published in *Television* over the past few years. We have therefore started a photostat service to make this information readily available. Photostats of the following servicing features, listed in alphabetical order, can be supplied at the prices shown. Please send requests to: Television Editorial Department, Room L323, Quadrant House, The Quadrant, Sutton, Surrey SM2 5AS. Cheques/POs should be made payable to Reed Business Publishing Ltd. There are two standard prices, see below.

<i>Feature</i>	<i>Price</i>
B and O L/LK2500/2800 chassis	A
Decca 80/100 chassis	A
Decca 120/130 chassis	A
Ferguson FV31R VCR	A
Ferguson TX10 chassis	A
Ferguson TX100 chassis	A
Finlux 1000 series chassis	A
Fisher FVH-P520 VCR	A
Mitsubishi CT2227	A
Mitsubishi Euro-4 chassis	A
Mitsubishi HS304 VCR	A
Panasonic D1 VCR deck	A
Panasonic G VCR deck	B
Panasonic NV333/366 VCRs	A
Panasonic NV370/830/850 VCRs	A
Panasonic NV730 VCR	A
Panasonic NV777/788 VCRs	A
Panasonic NV2000/2010/3000 VCRs	A
Panasonic U3 chassis	A
Panasonic U4 chassis	A
Panasonic U5 chassis	A
Salora F chassis	A
Salora G and H chassis	B
Salora J chassis	A
Salora K and L chassis	B
Sanyo CTP7130/12	A
Sony KV2252/2256/2752/2762	B

Prices, A = £2.50, B = £3.50.

phone out of interest to see who it could be. The voice of an elderly lady came on and said "I'm so glad there is someone in as my TV is on fire. Could you please send an engineer?". This lady rented a Bush TV315 from us and lived about four miles away. I asked her if she'd switched off and she replied that she was afraid of getting a shock. Not as big a shock as having your house catch fire I thought. Thinking fast, I persuaded her to call in a neighbour who disconnected the set from the wall socket and poured plenty of water into it. When we examined the set we found that it wasn't on the point of combustion. All that had happened was that a shorted PL504 line output valve had seen off its screen grid feed resistor.

*Joe Cieszynski,  
New Moston, Manchester.*

## MANUFACTURERS' SERVICE POLICIES

With reference to Mr. Goldring's letter on Grundig policy (March), I feel he has lost sight of the fact that it's the customer who has made the important commitment in purchasing a particular brand of equipment and that it's the customers as a whole who keep the manufacturer in business. Every product sold has profited the manufacturer. Mr. Goldring's purpose should be to provide damage limitation to the reputation of the brand, which may have already suffered because a repair is required. Making information on faults, whether obscure or stock, inaccessible does nothing to pacify the customer.

Television's offer to help manufacturers by disseminating official fault information would seem to overcome an understandable reluctance to overburden their technical support facilities whilst still satisfying the overall objective that the public receives speedy, low-cost repairs to defective products, limiting the damage to manufacturers' reputations/standing.

*John Whitehouse,  
Park Hall, Walsall.*

## INTERFACING PROBLEM

Some editorial changes to my letter on a Scart interfacing problem (March issue) made the situation difficult to follow. The third paragraph was altered from the past to the present tense, making it incompatible with the final (current) situation described at the end of paragraph four. Paragraph three was written in the past tense originally because the Nicam decoder change, which restored the TV and VCR sound to the same levels (except when playing prerecorded tapes), followed the change described in paragraph three.

*Keith Cummins,  
Holbury, Hants.*

## DECIBELS

The old problem of dBs has come up in Keith Cummins' letter (March issue) – I refer to confusion between voltage and power levels and the related impedances. Decibels are used to express power ratios, whether electrical, acoustic, optical, electromagnetic or even (though I can't think of any examples) mechanical in nature. Voltage ratios cannot be expressed in dBs unless another value, the impedance of the load, is known.

Keith states that "0dBm is the r.m.s. signal that causes 1mW to be dissipated in a terminating load of 600Ω, i.e. 775mV". This is not really true: 0dBm is the level (a.c. or d.c., though normally used for a.c.) that is equal to 1mW,

which in a load of 600Ω is equivalent to 775mV r.m.s. The same level, 0dBm, would give 4.472mV into a 50Ω load. It's not possible to express voltage levels in dBm, or even dBV, dBμV etc., unless the system impedance is known and thus the power can be calculated.

In the case of Keith's VCR, the quoted output level of -3.8dBm should probably have been quoted as 500mV, which it clearly is. I suspect that the "specification" was written by someone who, wanting to make the rather uninteresting data look more exciting by adding a few more sophisticated technical terms, fell headlong into the same trap. "How can I make 500mV look better? I know, call it dBm. Now 0dBm is 775mV, and to get dBs you just do  $20 \cdot \log_{10} (V/0.775V)$  and, presto, -3.8dBm." This may of course be true if the source impedance is known (or very low, and hence the voltage is unaffected by the load impedance) and the load impedance is also known. In the case of the TV set the load impedance is not known. Even if the scart specification defines it I doubt whether many manufacturers, no doubt for cost reasons, stick to the required impedance. Also, for reasons of short-circuit protection, I doubt whether the VCR's output impedance is very low. Thus -3.8dBm cannot mean anything useful. So we must work with the voltage level, assumed to be 500mV, and also assume that the TV set's input impedance is high in relation to the VCR's output impedance. Thus Keith has added a straightforward potential divider (voltage division by two) and not a -6dB attenuator, which would give division by some value greater than two when the input and output impedances are taken into account. By now it should be clear that Keith had really attempted to make a "6dB attenuator", as the minus sign would have implied amplification, but perhaps this is labouring the point somewhat.

All this may be unnecessary however as from what Keith describes the tape with which he noticed the problem seems to have been faulty – unless other prerecorded tapes showed the same symptoms, in which case the VCR's record level had been incorrectly set low and the playback level increased to compensate. Unlikely perhaps, but not impossible. I recently bought a Hitachi VCR to go with an older Hitachi TV set (Model CPT2176, fitted with the G6P chassis – it suffered from a short-circuit line output transistor after about three years...). The first machine had very poor still and long-play performance. It went back the next day, though most consumers would probably have thought it behaved as it was meant to do. The second machine obtained works fine but shows distinct signs of incorrect head switch timing. This VCR has a scart connector but the TV set, dating back to the Stone Age of 1986, has a 7-pin DIN connector for the video input (it may not be standard DIN). One day I'll get round to wiring it up. In the meantime I'll use the r.f. connection which gives fine, though of course mono, sound and picture.

*C.J. Boyce, B.Sc.,  
Godshill, Isle of Wight.*

## TUBE CHANGES

It's always a pleasure to read George Wilding, whether for information or nostalgia. I would like to add a note to his article (February) in which he mentions the difficulty with substituting round Mullard tubes for Mazda types. In our area (Staffordshire) in the mid-Fifties sets employing the Plessey five-channel chassis with 9 and 12in. Mazda tubes abounded. Although the 9in. sets were usually binned on tube failure, a number of 12in. models, such as the Regentone Big 12 and Marconiphone VT75A, came in for

# MANOR SUPPLIES

MKV PAL COLOUR TEST GENERATOR  
FOR DOMESTIC TV & VCR.

TEST  
DEMONSTRATIONS  
AT 172  
WEST END LANE



- ★ 40 different patterns and variations.
- ★ Fully interlaced sync pulses with correct picture blanking
- ★ EBU colour bars, BBC colour bars, whole rasters & split bars (specially useful for VCR service), white, yellow, cyan, green, magenta, red, blue and black
- ★ Chequerboard
- ★ Mono outputs with border castellations, cross hatch, grey scale, vertical lines, horizontal lines and dots. UHF modulator output plugs straight into receiver aerial socket.
- ★ Additional video output for CCTV & VCR.
- ★ Facilities for sound output.
- ★ Easy to build kit, standard parts. Only 2 adjustments. No special test equipment required.
- ★ Mains operated with stabilised power supply.
- ★ All kits fully guaranteed with back-up service.
- ★ Also available with VHF Modulator.

Price of Kit **£75.00**  
Case (10" x 6" x 2 1/4") app **£15.00**  
Optional Sound Module (6MHz or 5.5MHz) **£3.90**  
Built & Tested in Case including Sound Module **£122.00**  
Post/Packing £4.50  
Add VAT 17.5% TO ALL PRICES

## PAL COLOUR BAR GENERATOR (Mk4)

- ★ Output at UHF, applied to receiver aerial socket.
- ★ In addition to colour bars R-Y, B-Y etc.
- ★ Cross-hatch, grey scale, peak white and black level.
- ★ Push button controls, battery or mains operated.
- ★ Simple design, only five i.c.s on colour bar P.C.B.
- ★ Backup service available.

PRICE OF MK4 COLOUR BAR GENERATOR KIT **£35.00. CASE £5.80. BATT HOLDERS £4.20**

**MAINS SUPPLY KIT £5.80**  
(Combined P&P £4.50)

VHF MODULATOR (CH 1 to 4) FOR OVERSEAS **£6.80.**  
EASILY ADAPTED FOR VIDEO OUTPUT & C.C.T.V.

ADD  
VAT  
17.5%

## LINE OUTPUT TRANSFORMER TESTER

- ★ Saves time and money.
- ★ Checks short turns.
- ★ Simple to use
- ★ Reliable.
- ★ Battery operated.
- ★ Pocket size.

**PRICE £20.00**  
POST/PACKING £2.50

ADD  
VAT  
17.5%

## KITS AND PROJECTS

SAW IF AND TUNER UNIT complete and tested for video & audio outputs **£28.50 p.p. £1.80.**

PAL DECODER KIT (Video to RGB) for Monitors **£27.00 p.p. £1.80.**

PAL ENCODER KIT (RGB to Video) **£18.50 p.p. £1.80.**

CRT TESTER & REACTIVATOR KIT For Colour & Mono complete with Case, Panel Meter Indicator - can be adapted for latest CRTs **£40.00 p.p. £4.50.**

# TV & VIDEO SPARES

**NEW** INFRARED WIRELESS REMOTE CONTROL EXTENDER  
Use your existing remote controls to control your TV, VCR, SAT, etc. from anywhere in your home  
PRICE **£59.55 p.p. £4.50**

## PHILIPS SPARES

GH 6 POS touch tune channel selector (replaces old type) **£14.00 p.p. £1.80**  
MANUALS 2B, CP90 **£3.50. CTX-E, CTX-S, CF1 £2.50. KT4, K40, 3A £4.50 2A £10.50. KT3 £12.00 p.p. MANUALS £1.80**  
BACK UP BATT. 2.4V **£3.80, 1.2V £2.60 p.p. 90p.**  
K30, KT4, CTX-EHT Lead **£4.90 p.p. £1.00.**

## THORN/FERGUSON SPARES

9000 Series IF/Decoder tested **£10.00 p.p. £2.80.**  
TX10 Focus control **£8.50 p.p. £1.80.**  
TX9/10 Remote & tuning 1515N **£5.00 p.p. £1.80.**  
TX9/10 Remote & tuning 1508A (incl. SAA5012) **£2.50 p.p. £1.80.**  
TX9/10 Remote & tuning 1536 (incl. SAA5012, SL471) **£3.50 p.p. £1.80.**  
TX10 Stereo Audio Board **£3.50 p.p. £2.50.**  
TX90 Mains TX **£23.00 p.p. £4.50.**  
TX100 Chopper TX **£22.80 p.p. £2.50.**  
TX90 14" Chassis Untested complete **£20.00 p.p. £4.50.**  
TX86 Chassis Untested Complete **£30.00 p.p. £4.50.**  
TX89 Chassis Untested Complete **£30.00 p.p. £4.50.**  
ICCS Chassis Untested Complete incl. Fastext Panel **£40.00 p.p. £4.50.**

## IC SELECTION

AN5521	£3.80	SAA5231	£5.80	TBA120S	£1.20	TDA2594	£3.80	TDA4503	£5.80
AN5900	£2.20	SAH3035	£6.80	TBA750	£2.20	TDA2595	£4.80	TDA4505	£6.80
BA6238A	£2.80	SAH3037	£15.80	TBA750T	£1.80	TDA2600	£6.80	TDA4555	£9.80
CN862	£4.80	SAH3032	£4.50	TBA950	£2.20	TDA2611A	£1.90	TDA4600	£3.85
FRG07	£7.20	SAF1039	£2.20	TCA270	£1.80	TDA2640	£3.20	TDA4601	£2.80
HA11211	£2.80	SL470/471	£4.00	TCA800	£6.80	TDA2653A	£3.20	TDA4610	£6.80
HA11423	£2.10	SL486	£3.20	TDA1035T	£2.40	TDA2654	£5.70	TDA5510	£5.80
HA513365P	£1.80	SL490	£3.80	TDA1037	£1.90	TDA2655B	£8.60	TDA5850	£2.80
LA4445	£1.00	SL1430	£1.80	TDA1044	£2.90	TDA2670	£3.20	TDA5851	£7.80
LA7800	£1.80	SL1432	£1.40	TDA1049	£2.80	TDA2680	£3.80	TDA5880	£6.80
LA7520	£2.80	SN762261DN	£1.80	TDA1082	£4.80	TDA2690	£3.80	TDA5890	£3.80
LA780H	£1.50	SN76705	£9.80	TDA1170S	£2.20	TDA2780	£6.80	TDA5903	£3.80
LA7830	£2.80	STK5325	£6.80	TDA1180	£2.20	TDA3190	£4.20	TDA5903	£3.80
M293B1	£7.80	STK5332	£6.80	TDA1190Z	£2.20	TDA3300	£6.80	TDA5913	£4.80
M4900B1	£14.80	STK5333	£18.40	TDA1432P	£5.70	TDA3301	£7.50	TEA1009	£2.20
M4910B1	£9.80	STK5338	£6.80	TDA1470	£2.80	TDA3330	£6.80	TEA1014	£3.50
M494	£9.80	STK5339	£6.80	TDA1524	£6.80	TDA3500	£6.80	TEA1039	£1.80
MC13002P	£5.80	STK5421	£6.80	TDA1670A	£3.20	TDA3505	£4.50	TEA2018A	£2.20
MDA2061	£7.80	STK5422	£8.50	TDA1701	£3.80	TDA3510	£9.80	TEA2165A	£6.80
MDA2062	£3.80	STK5471	£6.50	TDA1770	£3.20	TDA3540	£2.50	TMS100N2LL	£3.80
ML237	£3.80	STK5481	£5.80	TDA1870	£6.80	TDA3541	£3.50		
ML976	£4.80	STK5482	£5.80	TDA1908	£2.80	TDA3561A	£5.80	TMF47C432AP	£13.50
MM15425	£15.80	STK7308	£6.80	TDA1940	£3.20	TDA3562A	£5.80	8389	£13.50
SAA1034	£5.80	STK7348	£10.80	TDA1950	£3.50	TDA3565	£3.80	TMF47C434N-3555	£16.80
SAA1025	£5.80	STR441	£7.80	TDA2040	£7.80	TDA3566	£5.80	TMF47C434N-3559	£15.80
SAA1124	£3.50	STR450	£6.80	TDA2150	£3.20	TDA3571	£2.80	TLA2000	£8.50
SAA1250	£3.80	STR451	£7.80	TDA2270	£6.80	TDA3576	£13.50	UC3844N	£4.95
SAA1251	£8.40	STR454	£5.80	TDA2310	£2.80	TDA3577	£4.80	UPC1378	£1.90
SAA1292	£1.20	STR4211	£6.80	TDA2348	£5.80	TDA3651	£4.20	UPC1394	£3.80
SAA1293-02	£8.80	STR4412	£6.80	TDA2576A	£3.80	TDA3651A	£4.20	UPC1420	£6.60
SAA5000	£2.80	STR50103	£5.80	TDA2577	£4.80	TDA3653A	£3.80	UPC1488	£3.20
SAA5010	£5.80	STR54041	£10.80	TDA2577A	£3.80	TDA3653B	£3.20		
SAA5012	£5.80	STR58041	£6.80	TDA2578	£4.80	TDA3654	£3.20		
SAA5020	£5.80	STR6020	£5.80	TDA2579	£3.80	TDA4442	£6.80		
SAA5030	£6.80	TA7680AP	£5.80	TDA2581	£2.20	TDA4500	£5.80		
SAA5040	£6.80	TA7681P	£5.80	TDA2582	£2.80	TDA4501	£7.80		
SAA5050	£11.80	TA7688P	£6.80	TDA2593	£1.50	TDA4502A	£13.50		

**VARICAP TUNERS:** Grundig 8630 series **£5.50 p.p. £1.00. U321, U322/U341/N, ELC1043 (equiv). SC4, VHF NSF203 £7.80 p.p. £1.80. UHF/VHF UV411 £10.80, U343 £10.80 p.p. £1.00.**

## LINE OUTPUT TRANSFORMERS p.p. £1.80

DECCA 100	£10.80	PHILIPS G9	£8.80
FIDELITY ZX300, CTV140	£15.50	PHILIPS K13	£13.80
FIDELITY ZX300	£15.50	PHILIPS K30	£31.80
HINARI CT4, CT5	£24.80	PHILIPS CTX-E-S	£27.50
HITACHI CP11455, 1456, 1476, 1491	£28.80	PHILIPS KT4	£22.40
HITACHI CP114646, PN2432981	£21.80	PHILIPS 2A	£25.80
HITACHI CP12174/76/78	£28.80	PHILIPS K40	£27.50
HITACHI PN2432982	£21.80	PHILIPS 3A, 2B	£23.80
ITT Compact B, 110	£19.80	PHILIPS CF1	£32.80
ITT Compact 80, 110	£17.80	PHILIPS CP90	£28.50
ITT Compact 80, 90P	£22.80	PHILIPS CP110	£24.25
ITT Compact 80, 110P FST	£19.80	PHILIPS GR1AX	£25.90
ITT CVC 20	£9.80	PHILIPS NC3	£22.50
ITT CVC 25, 30, 32	£15.80	SANJIO/MAISUI 3714002	£21.80
ITT CVC 45	£9.80	SANYO CT17132, 80P Chassis	£39.80
ITT CVC 800, 801, 803	£18.50	SONY KV1882	£34.50
ITT CVC1100, 1206, Picos	£18.50	SONY KV3092/6	£34.50
ITT CVC1150, 1175	£22.80	SONY KV2704	£60.00
ITT CVC1200, 1201, Mini 2	£18.50	THORN 1500, 91, 1612, 13, 1712	£4.80
ITT CVC1204	£11.50	THORN 1600, 1691	£9.80
ITT CVC1210/1215/17	£17.80	THORN 9000	£9.80
ITT Digi 3, 110P	£19.80	THORN 9600	£9.80
ITT Core 110P, 90P	£19.80	THORN ICC5	£21.00
ITT Core 110P FST	£19.95	THORN TX10 (Chopper)	£16.50
ITT TX3267	£22.80	THORN TX85	£19.80
ITT TX3446	£22.80	THORN TX90 14"	£19.80
ITT Monoprint A	£21.80	THORN TX90 20"	£21.80
ITT Core 110P FST	£19.95	THORN TX100, 110P Green Spot	£19.80
LOEWE - Classic M124, M27	£33.00	THORN TX100 90P FST Yellow Spot	£21.80
LOEWE - Contur M27	£33.00	THORN TX100 FST T6045L	£25.50
LOEWE - Other (Quote model No.)	£21.80	POST/PACKING LOTS	£1.80
PHILIPS 320	£2.80		

**TRIPLERS: THORN 9000 £9.80 p.p. £1.80.**  
**UNIVERSAL (best quality) £7.80 p.p. £1.80.**  
**CONTINENTAL TVK & BG RANGE (quote exact no.) replacements £13.80**  
**DECCA/TATUNG £7.80 p.p. £1.80.**  
**BG2087-642-1001 £21.80.**  
**BG2087-642-1006 £21.80 p.p. £1.80.**  
**6.3V CRT Boost Transformers for Colour & Mono £6.80 p.p. £1.80.**  
**455 CRYSTALS for Remote Control Handsets, 4 for £1.00 p.p. 50p.**  
**AERIAL DISTRIBUTION AMP, 6 way £35.00 p.p. £2.80**  
**VHF to UHF Converters £35.00 p.p. £2.50.**  
**DEGAUSSING ROD £33.75 p.p. £2.80**  
**TRANSPARENT SERVICE CASSETTE £6.80 p.p. £1.80**

HOW TO ORDER: ADD p&p TO ORDER + VAT 17.5% TO THE TOTAL.  
PRICES ARE SUBJECT TO CHANGE WITHOUT NOTICE



Telephone 071-794 8751, 794 7346  
Fax 071-431 5778

**MANOR SUPPLIES**  
172 WEST END LANE, LONDON NW6 1SD



attention because of faded pictures – often when a Band 3 converter was being fitted. It was the boss's standard policy with these sets to replace any failed Mazda CMR121A or B tube with the Mullard MW31-74, which he felt gave a better picture. As the youngster in the workshop, it was my lot to do the swaps.

I recall no serious problems. We managed to fit the scan coils, changed the base to a B12A type and transferred the tube's heater supply to a 6.3V tapping on the mains transformer. Set up the picture, tweak the ion trap magnet and you were soon in the van. Perhaps the Plessey coils had a looser fit, or perhaps the cool running of these sets was a help as the plastic material in scan coils does shrink with heat and age - I've come across the odd Philips and

Stella set where the scan coils couldn't be moved at all.

The only real drawback with this chassis was the lack of a boost h.t. rail for the tube's first anode, but taking the supply from the h.t. rail itself produced a picture that was at least equal to that provided by the CRM tubes, probably better. We experimented with tapping pulses from the anode of the EL38 line output valve and stick rectifiers, but the improvement wasn't worth the effort. On one occasion an old hand mounted a 6U4 efficiency diode on the chassis and modified the circuit to give a genuine boost h.t. supply. I can't imagine the servicemen of today having the time to experiment like this!

*Alistair Jones,  
Shrewsbury, Shropshire.*

## 1590 Chassis Power Supply Rebuild

*J. LeJeune*

A relative recently handed me an Ultra 6816 12in. monochrome portable with low width and wavering edges to the picture. These are the classic symptoms of regulator circuit failure and a voltmeter check quickly confirmed that regulator's output was at 8.5V instead of 11.6V.

The set is fitted with the Thorn 1590 series chassis, which was produced in large quantities in the early Seventies. There were two different versions of the series regulator circuit, one with a germanium power transistor in position VT21 and the other, later version with a silicon power transistor. Whichever is used, replacement transistors are becoming hard to obtain. The set is also designed to operate with a nominally 12V battery, and the regulator has to take this into account. It means that the dissipation in the regulator circuit is fairly high on mains operation. One consequence of this is that after a long, long time failures occur. Fig. 1 shows the original version of the circuit.

Two types of failure can be diagnosed immediately from the regulator's output voltage, which is labelled HT1 in the official circuit diagram. If the voltage has fallen to about 8.5V you will find that R99 (10Ω, 5W), which is connected in parallel with VT21 to provide a start-up feed and share the dissipation, is running very hot while VT21 is switched off. The usual reason for this is that R100 has gone open-circuit. If on the other hand the circuit's output voltage is high, at over 15V, then VT21 is defective or the error sensing/driver transistor VT22 is for one reason or another switched off.

Apart from the regulator fault the set before me on the bench seemed to be in good condition. It seemed a shame to scrap it, but I didn't want to spend too long sorting it out. I decided that the best solution was to rebuild and slightly redesign the regulator, and ended up with a circuit that works beautifully and doesn't get too hot. The original circuit didn't have a lot of gain, which reduced the tightness of the regulation somewhat. So extra gain and tighter regulation became design requirements.

### Modifications

The modified circuit is shown in Fig. 2. To carry out the modification, proceed as follows. Remove the following components from the original circuit: R99, R100, R101, R102, R106, C83, C86, W17 and VT21. If VT22 is o.k., leave it in place. Fit a 560Ω, 0.25W resistor in the R100 position and a 470Ω resistor in position R106. Refit the

zener diode W17 in the position previously occupied by R102, with its cathode to the emitter of VT22. Fit an 0.1μF, 63V capacitor in the place vacated by C86, to decouple VT22's base. This completes the modifications to the printed circuit part of the regulator.

An extra transistor VT23, type BFY50, is introduced to increase the circuit's current gain. This results in the circuit's series element (VT21/23) taking the form of a Darlington pair. The modified circuit is conventional, using very common devices.

VT23 is wired to a five-way tagstrip: the arrangement is shown in Fig. 3. The strip's centre, mounting tag is secured by one of the screws that holds VT21 to the heatsink. This provides VT23 with a 20V feed. Also mount a 100μF capacitor (use the previously removed C83 if you like) on the tagstrip to provide a slow-start action. The wire from

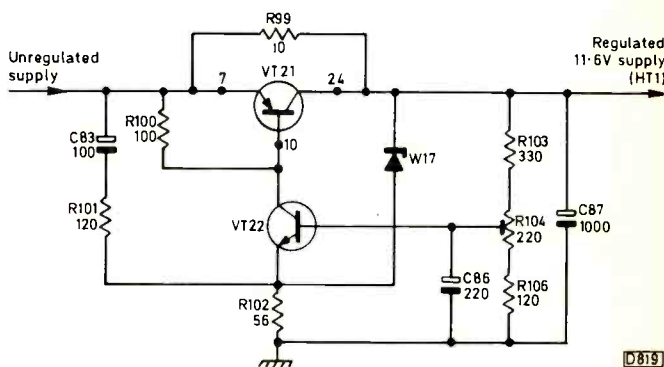


Fig. 1: The original series regulator circuit with germanium power transistor.

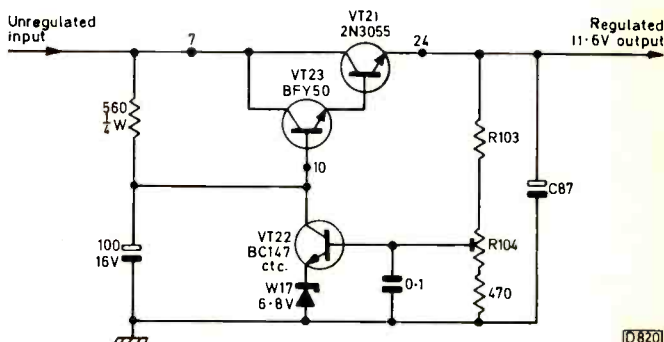


Fig. 2: The modified circuit, with 2N3055 power transistor. Note that the 100μF electrolytic is mounted on the tagstrip though not shown in this way above.

tag 10 on the PCB goes to the base of VT23. The wire from the 11.6V output tag 24 goes to the emitter of VT21, which is now a 2N3055. The wire from tag 7 goes to the collectors of VT21/3 – for convenience to the tagstrip's centre tag.

This completes the rebuilding and you are now ready to switch on. Before doing so rotate the slider of the set-voltage control R104 to the R103 end of its track, i.e. fully clockwise. Switch on and bring the output voltage up by turning R104 anticlockwise. If you're not too happy about doing this with the rest of the circuitry connected unsolder the wire (usually purple) to tag 24 and instead connect it to chassis via a 12V, 6W car bulb to act as a test load. When you are satisfied that you have 11.6V, reconnect the lead to the rest of the circuitry. The regulator should set up to provide 11.6V with the slider of R104 reasonably near the centre of its track. The 0.1µF capacitor connected to the base of VT22 is there to prevent h.f. oscillation.

### Alternative Circuit

Those who want to try a simpler, non-adjustable version of the supply will find that VT22 and W17 can be removed and a 13V zener diode used in their place, see Fig. 4. This arrangement will give almost exactly the correct output voltage on load, but it's not suitable for battery operation. With the full circuit battery operation will be satisfactory down to 12.5V. Below that the regulation stops and the output voltage falls.

### Performance

All the dissipation you get with a series regulator is with this circuit within VT21: the 2N3055 will handle it easily provided there's good thermal conduction between the transistor's case and the heatsink. Use a *thin* smear of

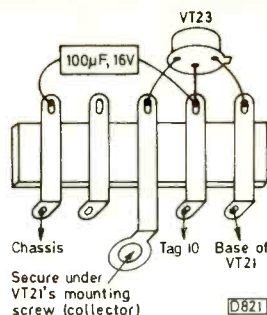


Fig. 3 (left): Method of mounting the extra transistor VT23.

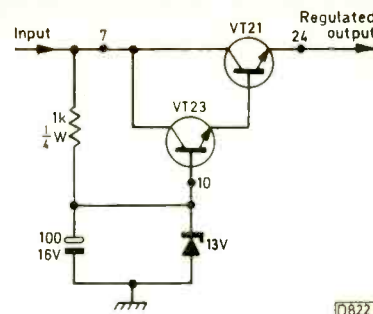


Fig. 4 (right): Alternative, non-adjustable circuit for mains-only operation.

thermally conductive grease on each side of a mica insulator or one of the grey plastic mounting pads. With normal care over the construction, the new regulator should provide trouble-free performance for a long period before any attention is required. The extra components can all be found in the average TV repair workshop. With a little common sense, alternative semiconductor devices can if necessary be selected using characteristics tables.

The modified circuit copes with a wide variety of mains input voltages. I found that the set still worked normally with an input of only 190V a.c. If a mains only version is required the simplified fixed regulator works very well, providing regulation with inputs down to 210V a.c. The ability to cater for different mains voltage inputs varies with different transistor gains and component tolerances. The upper limit is around 260V a.c. Above this the regulator becomes very hot!

The circuit will put life back into a very sturdy and reliable monochrome receiver.

## HELP WANTED

Can anyone supply 2SC867 and 2SC1316 transistors for a Sony 1340UB portable CTV? Also a PSU for a Dragon 32 computer. M. Staunton, 61 Adderley Gardens, Saltley, Birmingham B8 1LB.

Can anyone supply a circuit diagram for the Panasonic KX-P1180 printer? Will pay costs. 2 Heol Vaughan, Burry Port, Dyfed SA16 0HF.

Can anyone supply at a reasonable cost a service manual for the Telequipment D66 oscilloscope and a c.r.t. for the Philips PM3240 scope, type D14-125GH/08? P. Garrett, 21 Wychbury Road, Finchfield, Wolverhampton WV3 8DN (0902 762 346, evenings).

Can anyone supply an SG629 GCS (Q602) and R608 (820Ω, 2W) for the Sony KV1810UB CTV? Two each required, please state price. Are there any equivalents for the GCS? Can anyone advise on a protection circuit to prevent Q603 and Q510 going short-circuit? V. Jeremy, 7 Tai Penyard, Penyard, Merthyr Tydfil, Mid-Glamorgan CF47 0LP.

Can anyone provide the name and address of a supplier of service manuals for the Osaki and Hinari range of VCRs? – data for only a few models is available from the distributor listed in the 1991 *Television* spares guide. J. Edwards, 49 Fairmead, Bromley, Kent BR1 2JT (081 462 6894).

Has anyone a copy of *Television Servicing 1987-88*, published by U-View, that they would be willing to sell?

Express TV, The Mill, Mill Lane, Rugeley, Staffs WS15 2JW (0889 577 600).

Does anyone have a working transformer (T001) for the chopper PSU panel of a Novex colour monitor, Model NC-1414-CL-UK? I understand that this monitor was mainly produced for use with the BBC-B computer. Phil Nichols, 57 Grange Road, West Bromwich, West Midlands B70 8PB (0902 321 991 daytime only).

Wanted, early colour TV sets in any condition for restoration, particularly dual-standard types e.g. Philips G6, ITT CVC1, RRI CVC25 etc., also single-standard sets of special interest, e.g. Philips K70, K80 and ITT CVC2. Richard Gregory, 12 Leonard Close, Manor Top, Sheffield S2 1HH (0742 640 141).

Wanted – old Philips N1500 VCR. Mine has just packed up after twenty years' use but the heads are still in good condition. Steven Morland, 77 Deerland Avenue, Parson Cross, Sheffield S5 7WS.

Wanted – Sanyo VTC5000 VCR with service data or Sony SL8000UB or a Module PU47154 for the 8922 Baird VCR (MultiBroadcast) or any Beta VCR. My thanks to those who helped with the Hartley CT436 scope. Donald Bills, 69 Greenfields Road, Kingswinford DY6 8EG.

Can anyone supply circuits for the Pierre Cardin Ambiance 16 cordless telephone/clock radio, manufactured by Far East United Electronics Ltd., and a Radio Shack telephone – this doesn't appear to have a model number, but the PCB is marked Tandy (c) 1979 1700105C. We also require an idler wheel for a Philips AG1015/95 autochanger or a source for the rubber tyre if it's replaceable. S. Shaw, PO Box 1404, Randfontein, 1760, S. Africa.

# Servicing the Philips CD104 CD Player

Mike Leach

The Philips CD104 compact disc player has been around in various guises since the mid-Eighties. Amstrad for example used the basic machine in some midi systems while Mission put it in a smarter looking box. In addition to machines that come into the workshop with specific faults, some can come in because they have been part-exchanged for a more recent model and require certain checks and adjustments to ensure reliable operation before being resold. The purpose of the following notes is to provide guidance on basic servicing and some of the fault conditions likely to be encountered.

## Layout

One excellent feature of these machines is the general design and layout. There are various PCBs that are all separate and pluggable. This can help when there's an awkward fault since it's easy to interchange boards with those in a working machine. As I've said on previous occasions, we're all allowed to cheat occasionally. In this connection it's particularly helpful that each board does a specific job, e.g. power supply, decoder, servo, tray control, laser preamplifier etc. In contrast most modern machines have just about everything mounted on a single PCB which has several surface-mounted chips interconnected by very fine print. Thus if you have limited experience of CD players the CD104 is an ideal machine to practice on – provided you get up on the Philips single-beam laser and tracking system that's used instead of the usual Japanese three-beam laser with sled drive.

Fig. 1 shows a basic block diagram of the CD104. It illustrates the way in which the various functions are split up between the boards. It's worth noting at this point that the focus and radial motors are both incorporated within the laser assembly.

The first thing you see when you remove the top cover is the servo board. It can be hinged up after removal of the two torx ten screws to give easy access to the decoder board beneath. To gain access to the component side of the decoder board and the laser preamplifier board the bottom cover has to be removed. The tray control PCB is mounted alongside the servo board at the top of the machine while the control/display board is on the front panel. Fig. 2 shows the PCB layout.

You can run the machine on its side when fault finding. I don't recommend this however as it's all too easy to press the open/close button by mistake and jam the disc in the carriage mechanism. If it happens to be a Philips test disc you say goodbye to £35 straight away.

## Circuitry and Abbreviations

Before delving into particular sections of the machine it's worthwhile familiarising yourself with the terms and abbreviations that Philips use. This helps you to understand what's going on between the various chips, particularly those in the decoder section. These terms may seem to be of little consequence at the moment if you don't have a circuit diagram to hand: if you do have a circuit take a quick look at it and pick out some of the terms listed below.

Basically each chip has a particular function and name.

For example the decoder PCB has on it a demodulator (DEMOD) chip, an error-correction (ERCO) chip, an interpolator (concealment, interpolation and muting – CIM) chip, a filter (FIL) chip and two digital-to-analogue converter (DAC) chips. Each chip has to "speak" to others, and in most cases each data line has its own abbreviation. Thus the data line from the demodulator to the error correction chip is called the DADE signal line – it stands for Data from Demodulator to Error correction chip. Some of the main data lines relevant to routine fault finding are listed below. You may find this list of help when you take a look at the circuit diagram for the first time. Since it's difficult to print inversion bars, where relevant we'll precede the abbreviation with a slash (/).

/CLDE = clock from DEMOD to ERCO chip.

/CLEC = clock from ERCO to CIM chip.

CLOX = clock output from the CIM chip (system clock).

DADE = data from the DEMOD to the ERCO chip.

/DEEMPH = de-emphasis.

DLCF = data (left) from the CIM to the FIL chip.

DRCF = data (right) from the CIM to the FIL chip.

FSDE = frame sync from the DEMOD to the ERCO chip.

FSEC = frame sync from the ERCO to the CIM chip.

HF = h.f. input to the DEMOD chip (eye pattern).

HFD = h.f. detector for demodulator.

MCES = motor control from the ERCO to the SERVO chip (turntable motor).

/MUTE = mute signal.

UNEC = unreliable data flag from the ERCO to the CIM chip.

These lines are generally easy to find on the various panels – in most cases you can go to one pin of a particular chip.

## The Laser Unit

The laser unit used in these players is pretty reliable. Some years back when I was at Serviscope we had to replace some of them but on the whole not many. In recent times they've proved to be very good, unlike the later type used in the CD150/160 series machines. Tolerances may change with age however, and the laser supply should be checked in every machine that comes into the workshop. It's possibly a good idea to adjust the laser supply only when you are sure that it's wrong or been got at by a broddler. If the machine is not spinning the disc for example or has some other fault, try to explore all other possibilities first or you could end up with two faults instead of one. I usually check the laser supply once the machine is basically working.

The official, accurate way of checking/adjusting the laser supply, laid down in the Philips service manual, is as follows: Insert the Philips test disc no. 5, part no. 4822 397 30096 (the disc without defects). Connect a d.c. voltmeter across R3308 on the servo PCB or between the emitter of transistor 6239 and the earth line. Play track one and adjust R3180 for a voltage reading of  $575\text{mV} \pm 75\text{mV}$ .

That's fine if you have a Philips test disc. But many workshops don't. So we need to find a reasonably accurate



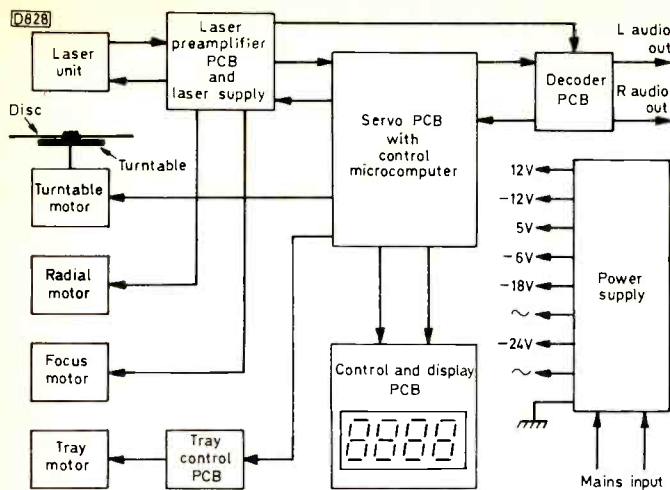


Fig. 1: Basic block diagram of the Philips CD104.

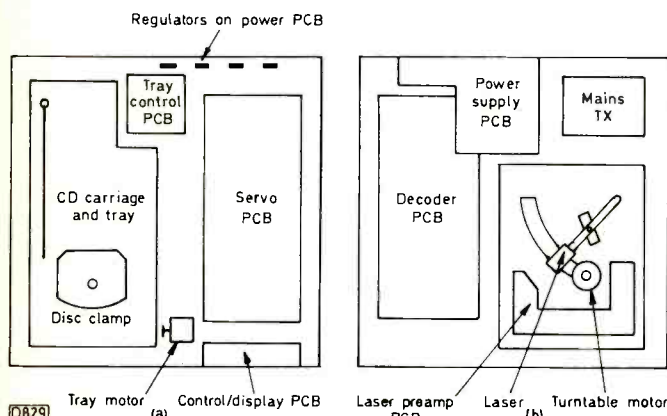


Fig. 2: Top layout (a), bottom layout (b).

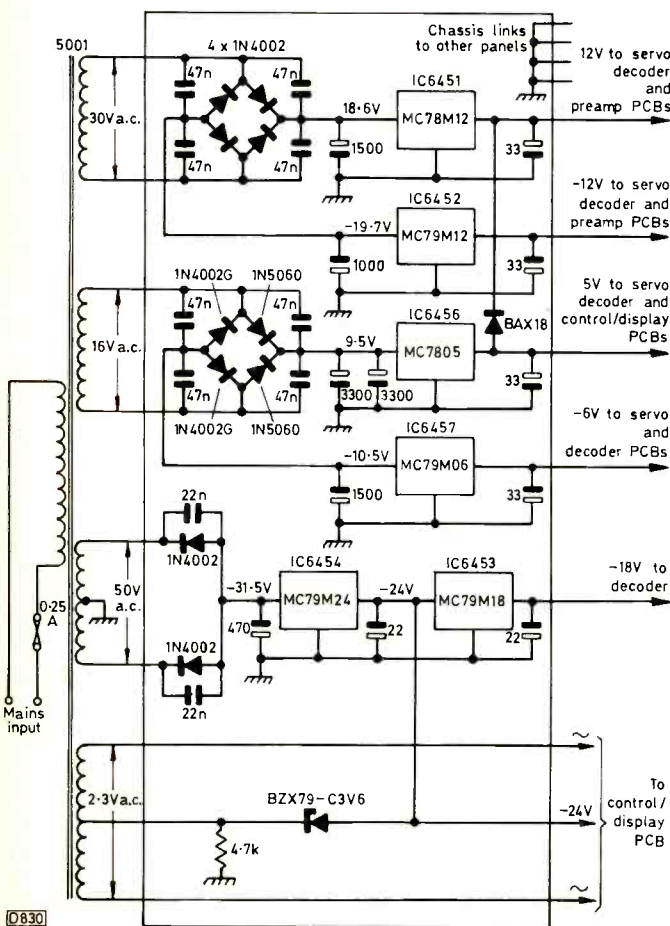


Fig. 3: The power supply circuit.

way of setting the laser supply in the absence of this disc. When a machine has been set up and is in good working order the r.f. eye pattern at pin 7 of the SAA7010 demodulator chip on the decoder board is, with the test disc, at approximately 1.4V peak-to-peak. On most other discs you'll find that this waveform is at approximately 1.2V p-p. So with most domestic discs it's a good idea to set the r.f. waveform to 1.2V p-p. I stress that this is only a rule of thumb, but I've found it to be reasonably accurate.

One thing that can have a significant effect on the laser supply is the cleanliness of the lens. Quite often you can check the supply and find that it's in the region of some 300mV. Clean the lens and you're quite likely to find that it has risen to 400mV. Try this with the next machine that comes into the workshop. So remember, always clean the laser before adjusting its supply.

## Power Supply

Fig. 3 shows the power supply circuit used in the CD104. As with most CD players, there are no frills. Basically just straightforward 78 and 79 series regulators and a couple of bridge rectifiers. The power supply does however give rise to a few problems, mainly because of dry-joints rather than component failure. The bridge rectifiers seem to be adequately rated and seldom give trouble. There are no switched supplies, so voltage checks can be made without a disc in the tray. It's best at this point to work with the machine on its side and the bottom cover removed and no disc in the tray. Before you try to locate the cause of a power supply fault note that when the player is switched on and no disc is inserted a normal working machine will show only two dots in the left-hand side of the display window.

The following is a list of some of the power supply faults you could encounter:

- (1) **Display lights normally (two dots in the window) but the tray moves extremely slowly and when it's fully loaded the disc doesn't spin.** Check the MC78M12 12V regulator 6451 which could be faulty or dry-jointed. If the voltage on the 12V line is low check for a fault on the servo panel. The 12V supply feeds the servo, decoder and laser preamplifier panels.
- (2) **Display lights normally. Very loud hum is present and the disc doesn't spin.** Check the -12V line. The MC79M12 regulator 6452 could be defective or dry-jointed.
- (3) **No functions and no display.** Check the 5V regulator 6456 (MC7805).
- (4) **Display o.k. but no laser light and the disc doesn't spin.** Check the -6V regulator 6457 (MC79M06).
- (5) **Display lit dimly. All functions o.k. but no sound. Possibly a low noise in the background.** Check the -24V regulator 6454 (MC79M24).
- (6) **All functions o.k. but no sound.** Check the -18V regulator 6453 (MC79M18). (See also decoder faults.)

If there's a power supply fault you'll usually find yourself with one of the conditions listed above. I've never had to change any of the smoothing capacitors so I can't comment on faults that could be caused by the electrolytics.

## The Decoder

Most incorrect sound symptoms are due to a fault on the decoder board. Fig. 4 shows a simple block diagram of the

decoder and the basic data lines. The decoder is obviously far more complex than this, but it does show that when the fault is confined to one channel you can start at the SAA7000 CIM chip and follow through to the relevant audio output stage.

The h.f. signal (eye pattern) from the laser preamplifier board enters the SAA7010 demodulator chip at pin 7. This chip performs various functions. It supplies demodulated data and timing signals to the SAA7020 error correction chip and subcode information to the subcode processor chip on the servo panel. The EFM (eight-to-fourteen modulation) decoder is also in the demodulator chip. The data output (DADE signal) is taken from pin 27 from which it goes to pin 5 of the error correction chip.

The SAA7020 error correction chip is responsible for deinterleaving and unscrambling the off-disc data signal. It detects and corrects small data errors. It also generates the MCES (turntable motor control) signal which stabilises the input data rate via the turntable motor servo system, thus eliminating wow and flutter. The UNEC signal that appears at pin 36 is known as the unreliable data flag: this signal warns the CIM chip that unreliable data is on the way

The SAA7000 CIM chip unscrambles the data and separates it into the left and right channels. By means of interpolation it replaces small errors with good audio data – when it comes to unreliable data it replaces this with good data taken from adjacent information. The interpolation system enables the CIM chip to conceal error bursts of up to 12,304 bits. The left and right channel outputs appear at pins 13 and 15 respectively.

Next comes the SAA7030 digital filter chip. Left and right data enters this chip at pins 20 and 17. The chip contains two identical filters which have a sampling rate that's four times the digital audio sampling frequency, i.e. 44.1kHz times 4 = 176.4kHz. This helps to filter out any unwanted frequencies that don't form part of the original audio signal. The outputs at pins 3 and 10 are fed to the two digital-to-analogue converter chips.

The TDA1540 is a 14-bit mono DAC: it has a 14-bit input shift register with output latches. Input is at pin 1 and output at pin 22. Following the DACs the signals are once again in analogue form. From here they go to the player's audio stages.

## Decoder Fault Finding

By now it's common knowledge that the decoder suffers badly from dry-joints. The fault symptoms can be varied, the most common one being no TOC readout. On occasions I've had to repair a machine that has obviously been soldered up before. So a good job is required. It can take some time to do properly.

If the machine powers up and spins the disc but doesn't read the TOC the most likely cause is dry-joints on the earth-through connections on the decoder and servo panels. The most efficient cure is as follows. Note the small solder blobs on the decoder and remove the solder from both sides of the panel until a small hole can be seen through the board. Insert a thin piece of tinned copper wire through the hole. Solder well on both sides of the panel. If the solder bubbles up, it's likely that not all the original solder was removed. Although this is time consuming I've found that this is the most effective method of repairing these earth-through connections. The same job must be done on the servo board.

It's good policy to carry out this soldering even when the machine works all right – it's a good base from which to

start. These dries can cause many fault symptoms. If you still have say a no TOC fault after soldering up you can forget about dries and get down to the nitty gritty as it were.

I've had to replace the SAA7010 demodulator chip on a couple of occasions. In each case the disc spun very fast and of course couldn't read the TOC. A quick scope check on the eye pattern at pin 7 of the chip can tell you quite a lot. For instance is the waveform clean? Is it approximately 1.2-1.4V peak-to-peak? If the waveform appears to expand and contract, the turntable servo could be at fault. Fig. 5 shows the turntable spindle waveform at pin 4 of the error correction chip. You may find that this waveform contracts slightly with each revolution of the disc. Two transistors, 6233 (BC635) and 6234 (BC636), on the servo board drive the turntable motor. They rarely fail. It's always worth a solder up here as part of routine servicing. More on the turntable servo when we get to the servo board – and more on TOC problems.

The cause of a one channel dead fault is usually on the decoder board. The first check to make ought to be on the reed switches in the audio output stages. The TDA1540 DAC chips rarely fail, but always check the -18V supply to these chips at pin 11. If the -18V regulator chip IC6453 on the power supply panel fails the supply can go high or low. I've had this supply rise to about -23V and affect one channel only, making the relevant DAC suspect. Thus if one channel is missing or distorted, always check this supply.

The one channel missing fault can also be caused by the CIM and filter chips. Follow through the data lines with a scope as described earlier (Fig. 4). I've had both these chips fail and can't say which is the more common fault.

The surface-mounted resistors and capacitors on the decoder panel don't seem to give any trouble. Failure of any of these is unlikely though there's always a first time.

I've never known the SAA7020 error corrector chip or the associated RAM chip IC6512 fail and would put them at the bottom of the list of suspects in the event of an unusual fault.

If the player appears to work only when pressure is applied to the decoder or servo board and all relevant dry-joints have been resoldered there's a good chance that the cause of the problem may be to do with the crimped leads at the edge of the relevant board. The boards themselves rarely suffer from cracked print but the various plugs can be suspect. Be careful of these.

## The Servo Board

One of the most common faults is no TOC readout. Rarely do CD104s skip and jump like most modern players. A fault on the servo panel can also be responsible for the no TOC symptom. All three servos – turntable, focus and radial – are on the board, under the control of a microcomputer chip. This chip, IC6201, can vary from player to player though you will usually find that it's an MAB8440-D041 (or -D061). Some players were fitted with the -D034 version which gives the no sound symptom in service mode B – more on this later. Fig. 6 shows a simple block diagram of the servo systems on the board.

## Service Modes

A fault in any of the three servos will give the no TOC symptom. Use of the service mode enables the servo systems and the display PCB to be checked. Service loop A provides a check on the focus and turntable servos plus the display section of the machine. Service mode B switches on

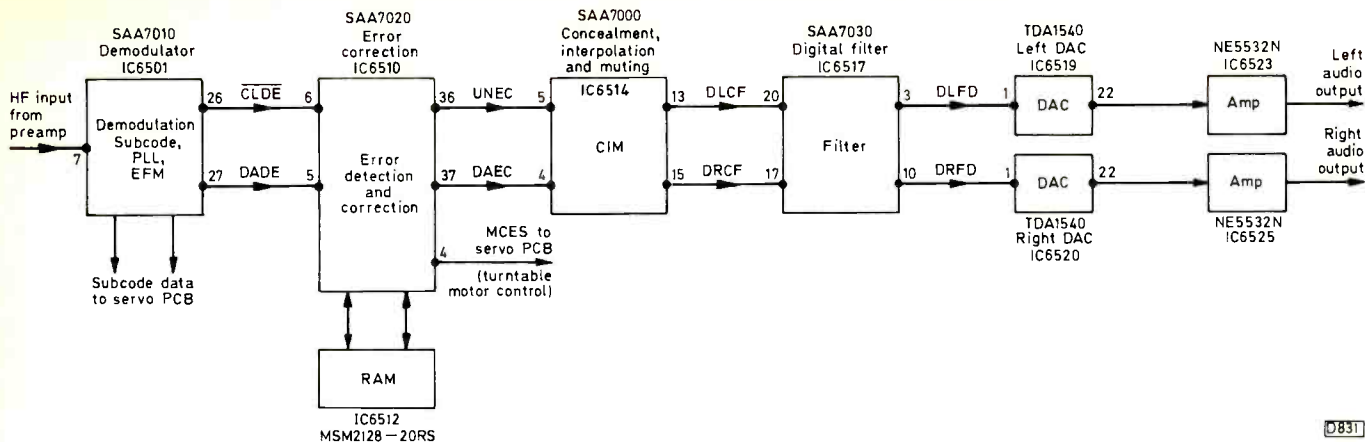


Fig. 4: Block diagram of the decoder section, showing the signal paths from chip to chip.

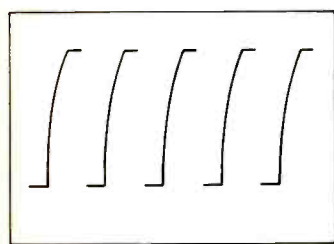


Fig. 5: Turntable motor spindle waveform (MCES). Scope settings 50µsec, 0.1V per graticule division.

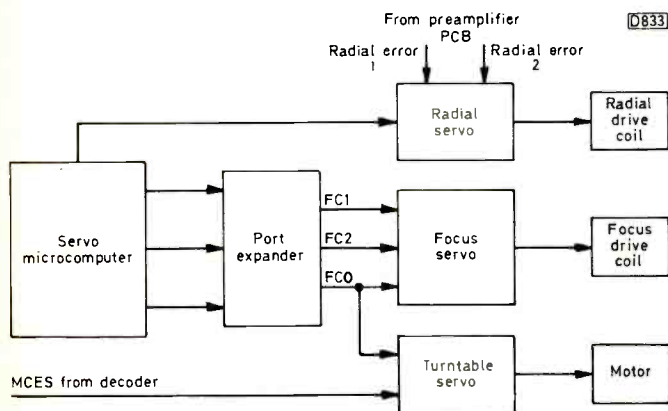


Fig. 6: Simplified block diagram of the servo panel.

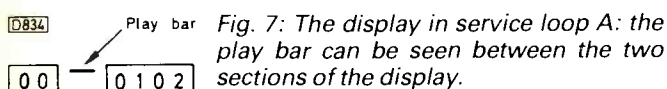


Fig. 7: The display in service loop A: the play bar can be seen between the two sections of the display.

the radial servo: if the player is left in this condition for a minute or so music can be heard. Although not essential, it's a good idea to scope pin 7 of the SAA7010 demodulator chip on the decoder board when you try the service mode. You can then look at the eye pattern and see the waveform differences at each level of the service mode: as the servo systems are turned on in the service mode the eye pattern changes.

For service loop A, proceed as follows. Place a disc in the machine: tray closed, mains off. Press stop, next and pause simultaneously and switch on the mains supply. You should see the eye pattern start to appear, but blurred. At this stage the laser and focus control are working and the turntable should be rotating. The laser will stay permanently under the lead-in section of the track. Numbers should be visible in the display: they will start at 00 - 0102 and increase, shifting to the left.

Now press the search reverse key for approximately one second. The error, repeat and pause LEDs will light. The play bar in the display (see Fig. 7) will light. The radial servo is switched off. If search reverse is pressed again the

player will revert to the previous mode.

To use service loop B, first obtain service loop A. Then press search forward for approximately one second. The pause and error LEDs light and the play bar will go out but the repeat LED will stay on, indicating that service loop B has been found. The r.f. eye pattern will have become clearer. The radial servo has now been switched on, irrespective of the subcode and P bit. Music will be heard after about a minute. This may vary depending on the length of the run-in section of the track. As the music is played a normal r.f. eye pattern will be seen.

That's it. Quite an easy service mode really. If play is pressed while music is playing in service loop B the player will leave the service mode and revert to normal operation. Two bars will appear in the display's left-hand window. If play is pressed again the machine will play normally.

Note that if the servo microcomputer chip is type MAB8440-D034 music will not be heard in service loop B. To obtain music, the mute line to pin 39 of the ERCO chip must be interrupted and linked to the +2 supply line (5V). Most of the players I've come across have type -D041 or -D061 micros however: both allow music to be heard in the service mode.

This is all very well with a working player. But what we're interested in is a player that doesn't work and for one reason or another the service loops can't be found. What to do?

In the service manual several pages of arduous test procedures are set out to determine which section of the player may be faulty when a service mode can't be reached. We've neither the time nor the space to cover all this, so we'll keep to first-line servicing and possible causes of problems, based on my own experience.

Let's assume that the player won't read the TOC and that the decoder and servo panels have been checked for dry-joints and the supplies are in order. We'll also assume that the machine won't initiate service loop A and worked all right prior to the onset of the fault condition, also that nobody has tampered with the player. Four questions need to be asked:

- (1) Is the laser producing light?
- (2) Is the laser producing enough light?
- (3) Does the laser focus?
- (4) Does the turntable rotate?

If the answer to any of these questions is no, the player won't initiate service loop A.

If there's no light, check the laser supply. If this is o.k.,

it's very likely that the laser is faulty. If light is emitted, check with the laser power meter. I've found that good working players give a reading in the region of 0.1mW. If the reading is significantly lower than this, again suspect the laser – but try cleaning it first!

If the objective lens doesn't move up and down, check the focus drive waveform at pin 2 of plug 23 on the servo board and press play. The d.c. level should rise and fall three or four times. If this is o.k., check the connections on the h.f. preamplifier panel underneath the deck. Also check the flexi PCB connections to the laser assembly. If all is o.k. here, suspect a faulty laser assembly.

If the drive waveform isn't present at pin 2 of plug 23, check the waveform at pin 1 of the MC1458 chip IC6208. Presence of the waveform at this point suggests a fault in the region of the focus drive transistors 6231/2, types BD135 and BD136 respectively. If there's no waveform at pin 1 of IC6208, check the supplies at pins 4 and 8. If these are o.k., check the FC1 and FC2 waveforms at pins 13 and 12 of the HEF4094B chip IC6202. Also check the FCO (focus control on) waveform at pin 14 of IC6202. Absence of this waveform will affect the focusing – the objective lens will rise only very slightly. The absence of this waveform will also stop the turntable rotating, which is part of service loop A. The FCO line should be at 5V in the stop mode and 0V in play or TOC. If there are no waveforms at pins 12, 13 and 14, suspect IC6202 or possibly the servo microcomputer chip IC6201.

## Turntable Servo

Turntable servo faults are rare. If a turntable servo fault is present the cause is likely to be in the driver stage or the motor. The motor can seize up – I've had this one on several occasions. Fortunately it's easy to strip the motor down to service it. To do the job properly you'll need to remove the loading carriage to gain access to the turntable.

To remove the bottom half of the motor, just take out the torx 10 screws that hold the bottom bearing in place. The centre screw is for adjusting the turntable height: provided the locking paint on this screw has not been broken adjustment shouldn't be necessary. A small drop of oil on the long motor spindle and a small blob of grease on the bottom bearing should put a seized or noisy motor to rights. I always go through this procedure when skipping and jumping is the problem with a CD104, especially when the motor has become noisy, although again this is fairly rare.

If after servicing the motor you find that the turntable is still unstable or jumping and skipping are experienced, check the r.f. eye pattern to see if it's stable. The most likely cause of skipping is when the waveform is contracting to the right-hand side – you may find that the condition gets worse as the laser moves across the disc. If the waveform is stable the turntable servo is likely to be o.k. When the waveform is contracting, check by substitution the two 2V zener diodes D6261/2 in the turntable drive stage: also check C2220 (33µF) by substitution. You get very few faults in the turntable motor drive circuit which is generally speaking very reliable. If the waveform still contracts, replace the turntable motor.

## Radial Servo

Fortunately the radial servo is also free of common faults: it's a very complicated circuit, and fault finding is difficult. Arriving at the diagnosis that the radial servo is at fault can itself be difficult. The service loop can be of use

here. In service loop B the radial servo is switched on: if no music is heard after one minute the radial servo is likely to be at fault and a service manual will definitely be required. Obviously the radial drive transistors T6240/1 are suspects.

If a radial servo fault is present there's a good chance that the TCA240 chip IC6216 is defective. It's readily accessible, but a word of warning is required here – make sure that you obtain the correct chip. Recognising the number, I once dived into a scrap Philips VR2020 VCR which has a TCA240V on one of its subpanels. Beware of this: the V version is different and doesn't work in the CD104. When dealing with sticky faults in the servo system it's also worth trying a replacement servo microcomputer chip (IC6201) if you have one to hand.

## The Mechanics

The CD104 has a very robust metal carriage which, unlike modern players, doesn't fall to bits or go out of sync. The tray in/out switches often need cleaning as part of a routine service, and of course the loading belt. The only item that's likely to break is the tray itself. I once had to replace a tray due to a customer's heavy-handed approach to fault finding! This item is easy to fit but not so easy to obtain – CPC eventually managed to get one for me. Presumably all mechanical and electrical parts should be readily available to those with a direct Philips Service account. Some useful part numbers are listed later on.

The disc clamp can also cause niggly problems. I've known one or two to be noisy, and in extreme cases the clamp can produce a skipping effect.

That's about it with the mechanics: no real problems here. Really the only time you may have to work on the carriage is when a player has been dropped or abused.

## Summary

When all is said and done the CD104 is an extremely reliable, good-quality player. As a secondhand machine it's a far more viable proposition than one of the Japanese types from the same era. A reliable laser, accessible components, robust design and excellent sound quality combine to provide one of the best home CD players of the Eighties. If you've just taken one in as a part-exchange item and find that it doesn't work, hopefully this article will provide a clue and insight into fixing it.

Most of the major spares suppliers either have in stock or can still obtain any parts likely to be required. Here are some useful part numbers:

Tray	4822 444 40113
Disc clamp	4822 526 10261
Loading belt	4822 358 30335
SK2 in switch (tray in)	4822 276 10863
SK3 out switch (tray out)	4822 276 11277
Turntable motor	4822 361 20484
Play button (CD104/30)	4822 410 23971
Tray front	4822 443-40148
Reed relays (decoder)	4822 280 20115
TCA240 chip	4822 209 80629

## Model CD304

Finally note that the Philips CD304 is in many ways similar to the CD104 but has remote control and other features. Many of the panels are not interchangeable with those in the CD104. The control and display board is completely different.

# What a Life!

Donald Bullock

"Now that we've got a nice new carpet, what about mending our television?" complained Greeneyes the other day. "Not only is it the oldest set in the city, it's been intermittent for over six months."

It's a Philips G11 and the trouble of course is dry-joints on the line panel. The screen keeps going dark and the picture twists into an hour-glass shape: now and again you get line collapse. I really must find time to mend it before she calls in Snoddies.

## Walter's Philips GR1-AX

One customer of mine, Walter Wingnut, is a wizened little chap with protruding ears. He called in the other day with his Philips colour portable. It's a 14GR1221/05B, which uses the GR1-AX chassis. Walter had bought it for a song from someone who'd won it, and he wasn't too sure about the guarantee situation. The trouble was that it displayed a bright red screen from switch on. It was the first GR1-AX I'd encountered and I didn't have a manual. I did however notice that it had a TDA3565 colour decoder chip. So I ordered a manual and a TDA3565 from Manchester. The spares arrived that afternoon - delivered by the firm's director. "I just happened to be passing" he said. Then Wingnut phoned to find out how I was doing.

"The spare part has just arrived" I said, "it'll be ready shortly."

## A Brace of Bush 2020Ts

Just then a customer I'm always glad to see called in. Old Miss Catchem. She's portly, tweed-clad, full of life and as bright-eyed as a sparrow. Travels around in an old shooting-brake packed with guns, fishing rods, gaffs and waders. As down-to-earth a lady as they come. She hauled out a couple of Bush 2020T television sets and plonked them on the bench. "Dead as doornails, both of 'em" she said. "Try to fix them fast" she added as she departed.

I took the back off the first one and saw that the fuses were all right. So I busied myself around the power supply, which is of the TDA4601 type. The 4-7 $\Omega$ , 5W surge limiter resistor R816 looked groggy and when checked produced a reading of about 500k $\Omega$ . So I fitted a replacement and switched on. Still dead. My next check was on the BU508A chopper transistor Q801 which was short-circuit. Fitting a new one again made no difference. It was time to look out the circuit and do a little thinking. The high-value, low-wattage resistor connected to pin 4 of the chip is of course notorious in TDA4600-type power supplies. In this circuit its value should be 270k $\Omega$ . I made a bee-line for it and found that it had increased in value to almost a megohm. A replacement brought the set back to life and after refitting the back I settled down to the other one.

This one had a heavy short - at switch-on the relay clicked for five or six seconds. I went straight to the line output stage and checked the output transistor and just about every semiconductor device I could find, using the component tester built into my Hamag scope. But I failed to find anything amiss here. Eventually I resorted to the ruse of running the set until the relay stopped clicking, then repeatedly switching off, waiting a second or two and

switching on again, thus achieving some degree of continuous operation. After a few cycles of this I felt the line output transformer. It was hot. Fortunately I had one in stock. Fitting it restored normal operation. I put both sets near the door in anticipation of Miss Catchem's return visit. Then the phone rang.

## Smoke

"D'you sell reconditioned sets?" a raucous voice asked. "My old mum's set billowed smoke and frightened her to death. It's finished I think."

"I'd best take a look" I replied, "sometimes there's smoke without fire."

The set was brought in shortly afterwards. I took the back off and peered inside. It was one of the earlier Matsuis, a 1460. The trouble centred around choke L403 in the line output stage. What had started off as dry-joints had progressed to carbonised holes in the PCB. I took out the choke, cleaned off and tinned the contacts, cut away the carbonised parts of the panel and cleaned away the soot. Then I made good the printed wiring with sturdy jumpers and refitted the choke. The result was a perfectly good picture.

"You're magic" the raucous one said when she came to collect it. "Have an extra fiver on me."

## The G11 Sorted Out

Just then Greeneyes looked in. "That set of ours has really given up the ghost this time. Do I lift the phone or are you going to mend it?"

So I carted it back to the workshop and spent ages mopping up the dried out solder on the line panel, scraping and retinning the wirewound resistor leads and generally resoldering it back into good shape. This cured the intermittencies and I thought that for good measure I'd set it up nicely. I soon noticed that a half inch strip of the raster pulled to the left and was slowly travelling downwards, kinking the picture as it went. I spent ages checking through the power supply panel, even to the extent of removing the diodes, including the zeners, for testing, but couldn't find anything wrong.

After a while I recalled that I'd had this fault before. Time to refer to the card index I keep on obscure faults. Sure enough there was a reference to it. The cause was listed as the 27V zener diode D4021 in the active smoothing circuit. But I'd tested the power supply diodes, including this one.

I decided to investigate. After removing D4021 I fitted a replacement. This cured the fault. Then I compared the meter readings with the original diode and the new one. Identical. Scope traces using the component tester were then compared. The new zener diode produced a perfect right angle while the faulty one produced a right angle with a very slightly upturned tail at one end.

## TDA3562A Chips

While I was reflecting on the vagaries of our trade Alan Humphries of Fast Fix phoned. He's the compiler of the card index system of collated *Television* magazine faults and their remedies.

"Just had a game with a Matsui 1580 colour portable" he said. "Vision was intermittent at switch on. Changing the TDA3562A colour decoder chip made no difference except that when there was a picture it now had a green cast. I spent many frustrating hours before I discovered

that the cause of the fault was indeed to do with the TDA3562A chip. The one I'd taken out bore the legend TFK (Telefunken) whilst the replacement I'd used was of Philips manufacture. There's a difference, and this set wouldn't work properly until I'd fitted a Telefunken replacement."

"I'll pass the tip on in *Television*" I said. "Do get it into future editions of your *Index*: could save hours of soul-destroying searching for some poor soul like me."

I refer to Alan's excellent *Index* almost daily, as I do the *ECS book Index* compiled and produced by Mike Lyons. And dealer Dave of Criccieth TV, Gwynedd, North Wales has sent me an advance copy of a five-year *Television* index he's compiling.

The nature of my business means that I have to try to service just about every make of VCR and TV set under both the Eastern and Western suns (except for Philips VCRs). It's obviously not possible to have a thorough knowledge of them all, nor to have every manual. These indexes not only save me time but often enable me to repair sets that would otherwise prove too daunting. I'm working on an article that describes their usefulness in my workshop of late.

### **A Tube Dodge**

Time to return to Walter's GR1-AX. I fitted the replacement TDA3565 chip and switched on. The screen came up as red as ever. So I worked on from the TDA3565 towards the tube. The red output transistor's collector voltage was of course low – about 12V instead of 115V. When I swapped over the red and green output drives to

the tube the voltage drop was also transferred, which pointed to a short inside the tube. I switched off and checked the resistance between pin 7 (red cathode) and pin 6 (the grid). It was only a few ohms. The tube was useless – or was it?

I recalled a little dodge we used to get up to with monochrome tubes. As there was nothing to lose I took off the tube base, wired pin 6 of the tube to the negative side of the set's h.t. reservoir capacitor C2606 (output from the mains bridge rectifier) and pin 7 to a spare meter probe. Then I switched the set on and dabbed the probe on to the positive side of C2606. Just once. There was an odd noise in the tube's neck. I dismantled my wiring, reconnected the tube base and switched on. Up came one of the nicest, and most welcome, pictures I'd seen.

I phoned Wingnut and told him what had happened. "It's all right now" I said, "come and get it."

### **Nannie's Rank Z718**

There was one further call that afternoon. Nannie Finch squeezed through the door carrying a Murphy MC6301 colour set – the Rank Z718C chassis.

"Wherever did you find that, Nannie?" I asked, "thought I'd long since seen the last of them."

"It's the sound" she said, "quiet, distorted and peaky. A loose wire I 'spex."

I took the back off and gave the audio output stage a tap or two. This brought me to the BD166 transistor 3VT15, which is actually a constant-current source in this rather unusual circuit. I resoldered its legs and up came the sound. Time to bid Nannie goodbye and shut shop.

---

# **Teletopics**

### **Satellite TV**

At a meeting held at the International Telecommunication Union on March 11th Eutelsat and SES agreed to conduct a joint series of tests to assess potential interference between transmissions from the Eutelsat II-F3 and I-F5 satellites, at 16°E and 21.5°E respectively, and Astra 1B at 19.2°E when 60cm dishes are used for reception. Tests have already been carried out by Eutelsat and a number of TVRO manufacturers in France, Germany, Switzerland and the UK. According to Eutelsat these have established that there is no noticeable interference to Astra 1B reception provided the 60cm dishes are aligned with reasonable accuracy. The narrower beamwidth and higher gain of an 80cm dish gives greater protection against interference and better quality pictures of course.

According to the *Financial Times* satellite TV monitor some 78,000 dishes were installed in February. Apparently exclusive coverage of World Cup cricket by Sky Sports helped to boost sales. On March 9th BSkyB announced that it had made its first operating (excluding interest costs) profit – £100,000 for the week after subscription revenue of £3.8m and advertising/other revenue of £1m. This compares with a loss of £10m a week back in November 1990 when BSB and Sky Television merged. When financing charges are taken into account BSkyB is still making a loss of around £200m a year.

Space and Scientific Ltd., First Base, Beacontree Plaza, Gillette Way, Reading, Berks RG2 0BP (44 734 311 881,

fax 44 734 753 051) has introduced a C band Yagi aerial system that's designed to give the same forward gain as a 2.4m dish aerial. The system consists of a dual Yagi aerial, LNB and indoor receiver. A phasing harness is available for four arrays if required. Advantages are ease of installation, small size and reduced wind loading.

### **CD-I Launch**

The UK launch of the Compact Disc Interactive (CD-I) system is to be at the end of the month (April). Philips has announced that there will be a "rolling programme", with the first CD-I players available in London and the South East. These early machines are expected to retail at between £500 and £600 and will not have full-motion video (FMV) capability. In mid-March, however, Philips for the first time demonstrated full-screen, full-motion video at a multimedia conference in San Francisco. The 12cm disc also had stereo sound and a dedicated chip set was used for the decoding. Philips will be launching FMV CD-I decks later in the year and there will also be an FMV upgrade cartridge, costing around £175, to slot into the back of early CD-I decks. Forty to fifty CD-I titles are expected to be available at the launch, with prices ranging from £15 to £50. Two to five new titles will be released a month.

Philips plans to market the CD-I players as "super CD" decks that can handle CD-I, audio CD, Photo CD and CD-ROM-XA bridge discs. The UK is to be the first European country in which CD-I is on sale. A September launch is planned for Holland and France, with October scheduled for Germany, Austria and Switzerland while early in 1993 is the expectation for Spain, Italy, Portugal and the Scandinavian countries. Players have also been developed by Pioneer, Matsushita (Panasonic), Sanyo, JVC, Yamaha and Sony.

Philips and Motorola have established a joint venture to produce CD-I chip sets. The price of CD-I is expected to fall significantly over the next few years.

### **CD News**

Kodak has announced that its Photo CD system is to be launched in the UK this summer. A set of prints, negatives and a Photo CD disc will cost the consumer about £17. The system is backed by Boots, Supasnaps, Agfa, Fuji and co-developer Philips. Three decks will be released by Kodak, a basic model at about £300, a model with effects like picture zoom and panning at £350 and a multidisc machine at £400. Toshiba, Philips and Pioneer have announced plans to market Photo CD compatible CD-ROM drives while Kodak and the computer company Apple are co-developing Photo CD software.

JVC has launched a "multi-amusement" player with a built-in CD-ROM drive in Japan, Model RG-M1. The player, called the Wondermega, has been co-developed with games company Sega and allows users to play 16-bit TV games recorded on a CD-ROM, music CDs and compact discs encoded with graphics or MIDI (musical instrument digital interface). It comes with a control pad, a.c. adaptor, signal cable, video cable and CD-ROM software. There are S, composite and r.f. outputs. Price in Japan is around £360: no UK launch details have been announced.

Philips has introduced a professional CD recorder, Model CDD521, that can record all types of compact discs at double speed. Price is around £3,300.

Nimbus has developed a CD-ROM encryption system known as CD-secure: the data is encrypted during the mastering stage and can be read only with a computer that's equipped with special software.

### **GEC Spares**

SEME has been appointed official stockist of spares for GEC television and video equipment. Enquiries should be sent to SEME Ltd., Units 2E and 2F, Saxby Industrial Estate, Melton Mowbray, Leics LE13 1BS (telephone 066 465 392, fax 066 463 976).

### **Transmission Notes**

ZDF, the German broadcaster which is leading the work on PAL Plus, has told the broadcast and telecommunications standards body ETSI that it plans to add a 14:9 aspect ratio option. This would enable compatible TV sets to recognise transmissions using either the 4:3, 14:9 or 16:9 picture format. It's thus possible that all three may come into general use in Europe.

Existing broadcasters in the USA are to be allocated an extra channel each by the FCC, free of any charge, to encourage them to transmit HDTV services. The broadcasters would be required to give up one of the two channels once HDTV has become established, which the FCC predicts will be some time in the next decade.

### **New DX-TV Converters**

Two new DX-TV converters have been introduced by HS Publications, 7 Epping Close, Derby DE3 4HR (0332 381 699). The first is a new version of the popular D100 De Luxe with an automatic band scanning facility to enable the DXer to preview the most productive v.h.f. or u.h.f. channels when an opening is imminent. The new unit has variable and switchable vision i.f. bandwidths for weak

signal enhancement plus multi-system sound which is heard via an f.m. radio – an optional a.m. to f.m. adaptor is available for monitoring French TV a.m. sound. The D100 with bandscan costs £99.99 while the a.m.-f.m. adaptor costs £19.95. Both prices include UK postage and packing.

The second is a low-cost, simple-to-use DX-TV tuning system that has been designed as a superior alternative to a v.h.f.-u.h.f. converter. Known as the D400 it also has variable vision i.f. bandwidth (6-3MHz approximately) and covers the most productive DXing channels, i.e. NZ1-R4 in Bands 1/2, M4-E12 in Band 3 and E21 to approximately E50 at u.h.f. Operation is from 13-28V d.c. or 220-240V a.c. using the adaptor supplied. Price is £49.95 UK post free.

### **Technical Information**

Infotech, 76 Church Street, Larkhall, Lanarkshire ML9 1HE (0698 884 585) has published a new (third) edition of its *Electronic Data Reference Manual* at £5.95. The book lists models (audio, TV and video) for which data is available from Infotech, with many equivalents. Infotech will send a copy for only £1.50 to anyone who returns an earlier edition.

### **Video/TV News**

Ferguson has now released its 1,250-line, widescreen TV set, Model B86W. Selling at around £3,500, the set has an impressive specification including multistandard (PAL/SECAM/NTSC) capability, a built-in satellite tuner and D2-MAC receiver, a 99-programme tuner, the facility for five external AV programmes, Nicam sound, a five-band graphic equaliser, a two 70W five-speaker audio system with surround sound and a 36in. Black Matrix tube with anti-glare coating. Whatever their standard the incoming signals are converted to 1,250 lines: 4:3 images can be zoomed up to occupy the entire screen width. The handset works with an interactive menu control system to simplify operation. 28 and 32in. models will follow.

Panasonic has launched two new TV sets, Models TX21MIT and TC21MIR, which have the "top dome" sound system – there's a speaker grille directly above the screen. Other features include a built-in calendar and calculator and a mood light function that can be used to illuminate the room in any one of seven colours. The TX21MIT has an S terminal and Fastext decoder. Prices are £399.95 and £349.99 respectively.

Recent Hitachi video releases include the VT-F860 Nicam VCR with hi-fi and theatre sound at £479.99, and the VM-SP1 Video 8 camcorder which has a weatherproof body, ×64 digital zoom and a digital signal processor for improved picture quality at £999.99.

JVC is marketing the Video Plus+ programming system in Japan: the RM-VP1 handset costs around £45. Panasonic has launched a video printer in the UK, Model NV-MP1, at £1,199.95. It's S-VHS compatible and can record images from a camcorder, VCR or TV set. Features include multi-image printing in which the printed page is divided into 4, 9, 16 or 26 frames, strobe printing, digital enlargement and picture-in-picture.

Canon has launched a new still video camera, Model RC560, whose features include multi-image display; in-camera editing to rearrange, erase or edit pictures; and a 28mm wide-angle lens. Price is around £1,800. Another Canon release is a budget camcorder, Model E230, whose features include a ×10 zoom, video light and built-in titler at £599.99.

# TV Fault Finding

*Reports from Philip Blundell, AMIEE, Eugene Trundle, Brian Storm, L.V. Cooper, Stephen Leatherbarrow, Steve Cannon, Liz Hopkins, Michael Dranfield and John Edwards*

## **Grundig M63-370 (CUC3600 Chassis)**

How's this for an odd symptom? When the set was first switched on in the morning the SECAM light came on and the picture had a broad white vertical bar in the centre of the screen. The power supply was producing the normal 152V output but the BU508A line output transistor was overheating. A scope check on the BU508A's base drive waveform showed that it was being driven at twice the correct frequency. The TDA8140 chip was faulty. **P.B.**

## **Philips CTX Chassis**

Thanks to Michael Dranfield for his tip (October 1991 issue) on coloured patterning with this chassis. The set with which I had the fault was a Pye 42KT2142/05T: it had very severe colour patterning. The faulty coil is shown as 5153 on the circuit diagram but was 5150 in my set. I was able to rob a coil from a scrap KT3 two-chip decoder panel – Toko type 91792. **P.B.**

## **Philips NC3 Chassis**

I've had another of these portables that was stuck in standby because someone had fitted the wrong type of Preh on-off switch. These sets need low-voltage contacts that make when the set is on, not the momentary-make type. The part no. is 4822 276 12503. **P.B.**

## **Ferguson TX10 Chassis**

For low width check whether the width control RV851 has fallen in value. **P.B.**

## **Hitachi CPT2176 (G6P Chassis)**

The problem with this set was intermittent failure to come to life when it was switched on: the power LED was off and there was a gentle squeal from the power supply. The cause of the problem was dry-joints on the line driver transformer. Not on the operational pins but on the lugs that secure the transformer's metal frame to the PCB lands – they are used as an earthing link between two sections of the circuit. We've also encountered this with other makes like Tatung, Finlux and ITT. **E.T.**

## **Osaki P60G**

An obscure set perhaps, but it uses the TDA3562A colour decoder chip whose reliability is not of the best. If you replace it was an ordinary stock TDA3562A, as we did, various problems arise: a delay of thirty seconds in the appearance of the picture; no picture at all; or a blue hue with a generally poor grey scale. To avoid these problems order and fit a "Telefunken specification" chip, type TDA3562A-TFK, which is stocked by the large component wholesalers. **E.T.**

## **Panasonic TX2472 (Alpha 1 Chassis)**

Everything seemed to work perfectly until an attempt was made to change channel or alter the volume, whereupon the set would initially ignore the command then, nine times

out of ten, it would obey the command after a few minutes' delay. Attention was first paid to the two micro control chips IC1203 and IC171, but nothing seemed to be amiss here. On an impulse I removed the teletext PCB and linked across pins 4 and 6 of plug E10 to restore picture synchronisation. After this the set behaved faultlessly. The teletext PCB has three more micro chips that work in conjunction with IC1203 and IC171. When we checked around them we found that crystal X3505 was dry-jointed. Resoldering this item solved the problem. **B.S.**

## **Panasonic Alpha 1 Chassis**

Lack of colour at the top of the screen when playing back prerecorded video tapes has been the complaint we've had with several of these sets. The cure is to change C604 from 0.047 $\mu$ F to 0.33 $\mu$ F. **B.S.**

## **Fisher CFB1410P**

The trouble with this set was no colour. We tried fitting a new colour decoder chip but this made no difference. More detailed checks showed that D430 was going leaky, changing the bias on Q430. As a result the phase of the pulses fed to pin 8 of IC201 was inverted. **L.V.C.**

## **Toshiba C1695**

Over the entire length of the tuning potentiometer's range this set would tune in only stations at the bottom end of the band. The cause of the problem was that CA23 on the front panel was dry-jointed. **L.V.C.**

## **Nikkai TLG99**

This colour portable had two faults. It arrived in the workshop dead, but prior to that it had had an intermittent low-gain problem. As it has remote control, standby switching is incorporated. This is done by altering the voltage applied to pin 2 of the STK5412 power supply chip IC104. The switch-on signal comes from the front panel via the three transistors Q116/7/8. D.C. continuity checks showed that the print between the collector of Q117 and R106 was open-circuit. The cause of the low-gain problem was an a.g.c. fault. This was again due to open-circuit print – between pin 4 of the tuner and pin 5 of the TDA4501 chip IC101. The damage had been done by insertion into the board of TP1 (the a.g.c. voltage test point), the print being a little thin here. **S.L.**

## **Finlandia Nicam CTV**

The first of these sets to enter our workshop threatened to empty it due to the ear-splitting whistle/howl that accompanied the blank screen. We soon discovered that there was a short-circuit across the 15V supply. The cause of this was one of the TDA2040 audio output chips, IC2040. When this had been put right we had to fathom out how to operate the set. Why is it that these days I have to spend so much time figuring out which button to press without erasing all previously stored information while



simultaneously trying to remember which sequence stored the information in the first place?! Why use all these symbols: what's wrong with words? **S.L.**

### **Philips 2A Chassis**

This set was brought in to have the back-up battery replaced, which is now a very common requirement. After doing this the tuning system behaved erratically. The set would search all right, but all was not well when a station was found. The tuning system stopped its search as it should, but would then alternate on either side of the correct tuning point, drifting in and out of tune continuously. Tuning is carried out by the SAB3037 CITAC chip. Its supplies and the 4MHz clock signal at pin 21 were fine and as the tuning system stopped its search on finding a station we concluded that the channel identification input signal was o.k. On finding a signal the SAB3037 chip is supposed to carry out fine tuning by doing an a.f.c. test. This can be monitored at pin 7. The fault lay here. It seemed that the test was being carried out but the chip ignored the outcome. Fitting a new chip and tuning in restored normal operation. **S.L.**

### **Decca/Tatung 160 Series Chassis**

This colour portable was dead. The h.t. was present and correct but there was no 11.5V supply to the signal circuits. This supply is provided by a very simple regulator consisting of transistor Q501 and a zener diode. Q501 was without base bias because R508 (10k $\Omega$ ) was open-circuit. **S.L.**

### **Ferguson TX9 Chassis**

This fault is more annoying than anything else, but it may save much cussing and destruction of TDA1170S field timebase chips to make a note of it. If the flyback boost voltage capacitor C208 (100 $\mu$ F) goes open-circuit every TDA1170S fitted will be instantaneously destroyed. **S.L.**

### **Ferguson TX100 Chassis**

A recent case of a dead set was caused by C115 in the power supply being short-circuit. In this condition the outputs from the chopper circuit are at only ten per cent of the normal level.

No sound with a remote control plus teletext set led us to pin 10 of the SAA5012 chip on the remote control panel. The response here to remote commands was normal but was not reaching the audio circuit because D123 was open-circuit. **S.L.**

### **Cathay CTV3000**

The problem with this portable was line drift when warm. We found that the area around the TA7698A chip was very sensitive to heat. The cause of the trouble was C232, which is connected to pin 33. **S.L.**

### **Philips K35 Chassis**

This set bounced on us with an intermittent tripping fault. During its first visit we'd attended to all the dry-joints around the line output transformer and the power supply. The receiver had then been carefully set up and given a soak test for several days before being returned. On its

return to us slight EW bowing was noted. A meter check at the emitter of the BD234 EW driver transistor TS490 produced a very low reading (should be 10V). Working back we found that the voltages around TS485 were also wrong. The cause of the problem was TS494, which had a 1k $\Omega$  collector-to-emitter leak. Replacement of this transistor enabled us to set up the receiver again and stopped the intermittent tripping. **S.L.**

### **Hitachi CPT1446**

I haven't seen this one since the days before 625 lines came to the UK. When the set was first switched on the picture was perfectly clear, with good colour, but after a short time the colour would disappear from the centre of the screen, leaving a circular hole of monochrome picture that moved around rather like a jellyfish. It transpired that the phosphor was peeling away inside the tube. As it wasn't torn there was no obvious marking on the tube when the set was switched off. **L.H.**

### **Hitachi CPT1646**

This set was dead with number one and the standby LEDs alight in the display. If the programme up or down button was pressed the number changed but the standby LEDs remained lit. It seemed that the microcomputer control chip thought that the set was in standby and on at the same time: very strange! We followed the standby line from the chip. This brought us to the BC548B standby switching transistor Q1455, where the voltages showed that something was definitely amiss. The transistor was open-circuit base-to-emitter. A replacement restored normal operation. **S.C.**

### **Sony KVD2512 – Nicam**

The more things that get crammed into TV sets the more there is to go wrong. Nicam is the latest addition, and we've had a few faults relating to Nicam on sets from various manufacturers. When receiving a Nicam broadcast this set would intermittently revert to mono, analogue sound with the Nicam lights extinguished. Now for the sound to revert to analogue mono the input to the Nicam circuit must be of pretty dire quality, but the picture and the analogue sound seemed to be perfect. A scope check on the input to the Nicam panel was carried out: not much could be seen as it's a 6MHz i.f. signal, but the signal amplitude at the 6MHz trap did seem quite low. A further scope check showed that there was ample output from the i.f. module. The only item in between these points is the Nicam buffer transistor Q181. When a replacement (type JC501 or 2SC2785) was fitted Nicam sound boomed through. **S.C.**

### **Panasonic TX24A1 (Alpha 2 Chassis)**

The problem with this set was that the on-screen display wasn't line locked. If the volume or any other function was adjusted the relevant bar came up on the screen but it was as though the line hold control was misadjusted: the picture in the background was fine however. We were all of the opinion that the cause of the fault was on the teletext panel. Sure enough when text was selected with the handset the decoder had real trouble processing the information. The page header kept corrupting, the selected page would only very rarely update and most of the display was garbage. Curiously if mix was selected the

text line hold also went out, with the background picture very much line locked.

We replaced the SAA5231 VIP chip IC3501 and checked the supplies and the 6MHz clock, all to no avail. A check on the video input to the chip showed that this was perfect. I was sure that the cause of the fault was somewhere around this chip, probably something to do with the data slicing or sync separator sections. So the capacitors connected to the relevant pins were replaced. This eventually paid off: the culprit was C3511 (220pF) which is connected to pin 24, the pulse generator pin. Since then we've heard from Panasonic that this is a known fault with Alpha 1 and 2 series receivers. **S.C.**

### **Sony KV2256 (RX Chassis)**

There were six wide bands across the entire screen: the effect from left to right was light grey, black, white, black, white, black. These bands were of approximately equal width. The sound was normal but no picture content was visible. As the electrolytic capacitors give trouble in this chassis we checked all those on the power supply panel. The culprit turned out to be C655 (220 $\mu$ F, 25V) in the 5V supply that feeds the microcomputer chip. **J.E.**

### **Matsui 1580**

This set was dead with fuse F851 shattered. We found that the BU508A chopper transistor Q801 was short-circuit. It's driven by a TDA4601 chip and checks here showed that R808 (270k $\Omega$ ) which is connected to pin 4 was open-circuit. **J.E.**

### **Akashi 1450**

We'd never heard of this colour portable before and didn't recognise it when the back was removed. The complaint was that the set was dead with the standby indicator on. Fortunately the PCB is well laid out, so it didn't take us long to discover that there was no a.c. feed to the power supply as R801 (1.5 $\Omega$ , 5W) was open-circuit. There didn't appear to be any shorts so we replaced the resistor and switched on. Thankfully the set now worked all right. **J.E.**

### **Philips NC3 Chassis**

The customer complained that the stations drifted off tune every few seconds. We found that the cause was the 13-position rotary channel selector switch S300. A spray with switch cleaner immediately put matters right and improved the feel of the switch. **J.E.**

### **Bush 2020**

The problem with this set was no colour. Checks showed that normal chroma was present at the input to the TDA3562A colour decoder chip (pin 4) but there was no output at pin 28, which feeds the delay line circuit. A new chip put matters right. Another common cause of no colour with these sets is R251 (18k $\Omega$ ) going open-circuit. This removes the bias from the chip's colour control pin 5. **J.E.**

### **Sanyo CBP2145**

When this set was switched on from cold it would emit a loud arcing noise with flashing lines across the picture, almost as though the focus spark gap was arcing. The fault

would clear after ten minutes or so, making fault finding difficult. To cut a long story short, after using three-quarters of a can of freezer we found that the culprit was C364 (100 $\mu$ F, 16V) which smooths the 12V supply. When we had removed this capacitor we plugged it into the bench digital capacitance meter and then heated and cooled it to see what was happening. The more it was cooled the further its value dropped towards zero. **M.Dr.**

### **Grundig GSC100 Chassis**

The symptoms were e.h.t. but no picture, no sound, no channel LED alight and R607 springing open after a few minutes. The cause of the trouble was the SKE2G 1.t. rectifier Di511. If in doubt replace this diode. It works very hard and can become intermittent. **M.Dr.**

### **Hitachi CPT2656**

Every one of these sets that has come in for repair has had exactly the same fault: dead with the supply line voltages very low and a slight chirp from the power supply at switch off. The cause has every time been slight reverse leakage in the BY228 diode D508 in the line output stage. We use a DG3P diode as a replacement. **M.Dr.**

### **Fidelity ZX2000 Chassis**

This set had a horizontal shift fault: the picture had moved over, leaving one third of the screen blank. Adjusting the horizontal shift preset control restored a normal display but it seemed best to look for the cause of the shift. The shift control itself had fallen in value from 220k $\Omega$  to only 163k $\Omega$ . **M.Dr.**

### **Nikkai BG001-N**

If you get one of these 14in. portables in for repair the chances are that the fault will be in the power supply. We find that the most common fault is a defective mains rectifier thyristor. You may find it short-circuit with a blown fuse, or the power supply may be hunting or drawing excessive current. Under these latter conditions the set may work all right from a soft start when powered via a variac, but the variac will buzz very loudly. Then, on connecting the set directly to the mains, the fuse will blow at switch on. The thyristor (Q811) is type SF8J41 and is marked with the number F8J. No other type seems to be suitable and the correct one from Nikkai costs around £9. You'll sometimes find that in addition to Q811 being faulty both R832 (1 $\Omega$ , 1W) and R831 (330 $\Omega$ ) are open-circuit. **M.Dr.**

### **Decca 130 Chassis**

This set was stuck on channel one. The cause of the fault was traced to R003 (10k $\Omega$ , 1W) being open-circuit – it feeds the 33V supply to the tuning PCB. The cause was given away by the fact that channel one couldn't be tuned in. **M.Dr.**

### **Murphy CTV3500**

The power supply in this 14in. colour portable was tripping. Disconnecting the line output stage made no difference but disconnecting the 12V supply from the chopper transformer stopped the tripping. As no fault could be found here we used a regulated power supply to provide the 12V feed. The result – still tripping! Attention

was next turned to the 2SA794 standby switching transistor Q118. When its collector was disconnected the set worked, but Q118 was found to be o.k. We checked back through two other transistors and found that there was no standby power supply voltage. The standby power supply is extremely simple, just a mains transformer that feeds a

half-wave rectifier diode with a reservoir capacitor and 15Ω surge limiting resistor (though the service manual gave the value of this resistor as 22Ω). Both the mains transformer and the resistor were open-circuit. After fitting replacements the set worked fine and no reason for the failure could be found. **M.Dr.**

## CD Player Casebook

*Reports from Mike Leach,  
Brian Storm and P.J. Roberts*

### Akai CDM300

This machine looked very Akai from the outside but when it was opened I saw a Philips laser assembly and chips. It didn't use a Philips PCB however: this item was obviously all Akai designed. Anyway, the complaint was that after a short while the sound would deteriorate, slowly becoming very distorted. The customer said that it sounded like white noise. On test the machine worked all right for at least an hour. I was able to instigate the fault by using the trusty hairdryer. It was brought on when a short burst of heat was directed at a TDA1541 DAC chip. Fitting a replacement produced good results even when the player was thoroughly warm. **M.L.**

### Dennon DCD960

Skipping and jumping was the reported fault with this fairly new machine. We found that it played all right for the first twenty minutes. When a fresh disc was inserted it read the TOC, played the first minute of the track then started to skip very badly. After that it wouldn't read any other discs. When a disc was inserted all that would happen would be that the disc rotated and the laser would chirp. It would carry on like this indefinitely. I dived in suspecting, too soon, a faulty laser – I tried one from a similar machine without looking to see what was really happening. The fault remained the same of course.

When the fault was present you could see, with the door open, that the laser didn't return to the centre of the disc to read the TOC. After much hassle I discovered that the cause of the trouble was the helical gear that drives the laser assembly. This gear receives its drive from beneath the chassis, protruding through the chassis to drive the laser unit. After removing the gear then cleaning and greasing it the player worked perfectly. **M.L.**

### Technics SLP222A

The disc would spin then the machine would lapse into a sullen state, clunking and doing nothing else. Watching the eye waveform appear and disappear wasn't much help, so a new Philips laser assembly (part no. 4822 691 30209) was fitted. It was completely dead. The next one I fitted read the disc but failed to play past track two on any disc. The third replacement set up and played beautifully. Just as well as the spares storage drawer was now empty! **B.S.**

### Technics SLP222AK

Intermittent skipping was the complaint with this unit. Sure enough on test it played all right for a short time then developed a slight hiccup every few minutes. Unusually, the symptom was more in evidence at the start of the disc. In my experience a tendency to skip at the start of a disc is generally an indication of trouble with the turntable motor.

This model uses a Philips radial laser unit (type CDM4)

which is quick and easy to change – the motor and the radial pickup are incorporated in one block. When a replacement had been fitted the fault was still present and we found that there was no interruption to the motor drive voltage when the hiccups occurred. So attention was turned to the clamp bearing. We had no further trouble after replacing the small plastic end bearing, part no. 4822 4669 2257. **B.S.**

### Akai CDM512

The customer brought in this player and explained that though he had bought it about a year ago he'd never tried to use it until now. Unfortunately it didn't work. On examining the unit we found that everything seemed to be o.k. physically but, as the customer said, it didn't function – it wouldn't even read the TOC. A look at the manual revealed that the player has a test mode. Good! There are some mistakes in the manual however, so I suggest that you follow the test-mode instructions below:

To engage the test mode, start with the player switched off. Short-circuit J304 (marked test), turn on the power, count to three then remove the short-circuit across J304. The display should now show "0 TEST". In this condition the laser and all the servos are off.

Press play/pause to engage test mode one. The display should show "1 TEST". The laser should be lit and all the servos off.

Press play/pause a second time to engage test mode two. The display should show "2 TEST". The laser should be lit, the focus servo should be on and the spindle and tracking motors off.

Press play/pause again for test mode 3. The display should show "3 TEST". The spindle servo should now be operative, with only the tracking servo off.

A fourth press on play/pause should bring up "4 TEST" on the display, with all the servos on and locked and sound available at the audio output sockets.

A further press on play/pause should reset to test mode zero.

I engaged the test mode and ran through the above sequence. This proved that the player could focus on the disc. But in mode three the disc ran away, so it seemed that there was something wrong with the spindle servo operation. I decided to check whether there was any r.f. output (eye pattern) from pin 4 of IC001. When the scope's probe was connected to this point only a very low-amplitude, noisy signal was displayed. From this I deduced that the preamplifier marked HF inside IC001 was faulty – since focus was found the pickup and the two input preamplifiers at pins 5 and 6 of IC001 were o.k. So a new CXA20109 chip was fitted (part no. E1-3961233). The focus, tracking offset and E-F balance adjustments were then carried out. After doing all this the player worked, playing the test disc with no difficulty. **P.J.R.**

# Test Report: Tandy Micronta 22-167 DMM

David Botto

Tandy's new Model 22-167 Micronta autoranging digital multimeter incorporates a high-speed sampling bar-graph and has the look of an expensive instrument you'd expect to cost far more. Its tough plastic case is housed in a shock-retardant grey moulded rubbery holster that protects the meter against knocks and general hard use. That it does this well was proved by the fact that the test DMM sent to me had burst from its packaging and had been repacked by the Post Office. Despite this hard treatment the instrument arrived undamaged and in good working order.

The 22-167 weighs 250g including its two 1.5V AA (or equivalent) batteries – 400g with the holster. Without the holster its grey plastic case measures approximately 160 × 75 × 42mm. A slot at the rear of the holster enables the meter to be hung upright for viewing at eye level. There's also a convenient tilt stand that makes the display easy to read when the meter is standing on the bench. The holster also prevents the meter from sliding about in use and makes it less likely that the instrument will slip over the edge of the bench.

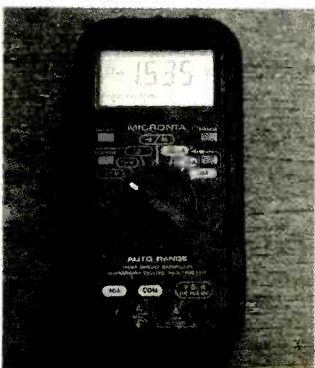
## Readouts

There's a 3.75-digit readout (3,200 count). This is fast becoming the norm with DMMs and is far better than the older 3.5-digit readout (1,999 count) that was so common. For example, 2.151V measured with a 3.5-digit display reads off as 2.15V. With the Micronta 22-167 you get an accurate 2.151V readout. This additional accuracy is a real boon with modern solid-state equipment.

Each display digit is 0.5in. high and is of a nice black that's easy to view without straining your eyes. The 33-dot, fast-response bar-graph display, which is fine for nulling and peaking measurements, has nicely numbered bold segments that are easy to read. Updating is carried out twelve times a second. The fast bar-graph response makes this DMM first rate for diode and transistor checks.

## Ranges

A seven-position rotary switch with a good positive feel selects the ranges. The switch positions are clearly marked in amber lettering for the voltage and resistance ranges and in silver-white lettering for the diode test, audible continuity and current ranges. Table 1 lists the range specification. Except for the power on switch which is red the button selector controls are grey. When you press one of these buttons to select a function the meter emits a



*The new autoranging Tandy Micronta 22-167 digital multimeter in its matching shock-retardant rubbery holster that provides protection, enables the meter to be hung and includes a tilt stand.*

cheerful beep, giving positive confirmation that the function has been selected.

The meter is fully autoranging, with a range-lock button if you want to stay in a single range and a data hold button. Another button switches between diode and audible checks, and between alternating and direct current. In any mode over range is indicated by a large O.L. in the display. There's a full set of annunciators to indicate the mode and range selected. The exception here is with the current ranges, where the decimal point, d.c. positive and negative and a.c. modes are shown but not the range selected.

## Power Consumption

Battery power consumption averages only 5mW. So the batteries should give good service, especially when long-life types are used. The automatic power-off circuit operates when no measurements have been made during a period of ten minutes. This power-off feature, now found on many DMMs, is fast becoming essential for the service engineer who works in a busy workshop where telephones and other distractions are facts of life.

A picture of a battery appears when the battery voltage falls, telling you that it's time to fit a replacement. Only one screw has to be removed: the complete back then comes away. This reveals the meter's internal construction. It's neatly laid out and well made.

## Meter Protection

Overload and transient protection help to guard the meter on most ranges. The d.c. voltage ranges are protected to a maximum of 1kV d.c. and the a.c. voltage ranges up to 750V a.c. A fast-blow fuse (Tandy catalogue no. 270-1241) rated at 0.5A, 250V provides protection on the current ranges. Tandy say that for continued protection against fire only this special fuse should be used. A spare is supplied, clipped inside the meter. The manual states that care is required with the 1kV d.c., 750V a.c. and 10A a.c./d.c. ranges as exceeding the maximum limits on these ranges can damage the meter and prevent an over-range indication. The resistance ranges are protected against excess voltage – 450V a.c. for one minute.

## Safety

The three test sockets are recessed for safety and cannot be touched. Despite this it seems to me that it's possible with this type of socket for an odd piece of wire, solder or a component lead to touch the metal of an unused socket, a point I've made before. It would have been nicer to have had plastic insulated recessed sockets. An excellent safety feature however is that the sockets are all clearly labelled with internationally recognised safety and warning symbols. Following what now seems to be standard practice with modern DMMs, a separate socket is provided for the 10A a.c./d.c. ranges.

The two test prods are fitted with right-angled safety plugs at the socket end and finger guards at the test end. They are rated at 1.2kV. When using this or any other DMM bear in mind that any voltage exceeding 25V is

potentially dangerous. The rubber holster provides additional safety when the 22-167 is hand held whilst taking a measurement.

### On the Bench

I found the Micronta 22-167 easy and convenient to use. When checking d.c. voltages in the autorange mode the O.L. symbol appears briefly at the moment when the meter changes range automatically. When measuring a 9V d.c. source for example the O.L. symbol appears briefly just before the display indicates 9V. I soon got used to this however and didn't find it distracting.

The autoranging is reasonably fast. Just the same when carrying out measurements on the 30V range – the one most frequently used by TV/video/computer service engineers – I found it best to lock to the 30V range.

The acid test of a DMM is whether the stated accuracy ratings are confirmed. With this in mind I made a number of accuracy checks using precision voltage sources and comparison checks with known accurate precision DMMs. The claimed accuracy of the d.c. readings on the 300mV to 3V ranges is  $\pm 0.5$  per cent. When a close-tolerance 5V d.c. test source was measured the reading was 5.01V, which I thought was pretty good. Further checks proved the accuracy on all the a.c. and d.c. voltage ranges to be well within the claimed accuracy. See Table 2.

The a.c. ranges are average responding, which means that they respond to the average a.c. value (0.637 times the peak value), though they are scaled to read the r.m.s. value of a sinewave.

I was particularly impressed with the autoranging ohms ranges which read pretty well spot on. These ranges were checked with a number of known accurate precision resistors. It's especially handy for the TV/video/computer engineer to be able to measure resistance values from 0.1 $\Omega$  to 30M $\Omega$  without having to touch the meter's settings. When the ohms ranges are selected the O.L. symbol appears together with the M $\Omega$  symbol. The instruction book says that with resistors of over 1M $\Omega$  the meter may take a few seconds to stabilise. The meter I tested had a fast response – less than one second – on all the resistance

**Table 1: Brief electrical specification.**

**300mV-3V d.c. ranges:**  $\pm 0.5$  per cent of reading and  $\pm 0.2$  per cent of full scale.  $\pm 1$  in last digit.

**30, 300 and 1,000V d.c. ranges:**  $\pm 1$  per cent of reading and  $\pm 0.2$  per cent of full scale.  $\pm 1$  in last digit.

**3, 30, 300 and 750V a.c. ranges:**  $\pm 1.2$  per cent of reading and  $\pm 0.5$  per cent of full scale.  $\pm 1$  in last digit.

**300 $\mu$ A, 30mA d.c.:**  $\pm 1$  per cent of reading and  $\pm 0.5$  per cent of full scale.  $\pm 1$  in last digit.

**3,000 $\mu$ A, 300mA d.c.:**  $\pm 1.5$  per cent of reading and  $\pm 0.2$  per cent of full scale.  $\pm 1$  in last digit.

**10A d.c.:**  $\pm 2$  per cent of reading and  $\pm 0.2$  per cent of full scale.  $\pm 1$  in last digit.

**300, 3,000 $\mu$ A, 30, 300mA a.c.:**  $\pm 2$  per cent of reading and  $\pm 0.5$  per cent of full scale.  $\pm 1$  in last digit. Maximum measurement 300mA.

**10A a.c.:**  $\pm 2.5$  per cent of reading and  $\pm 0.5$  per cent of full scale.  $\pm 1$  in last digit.

**300 $\Omega$ , 3, 30, 300k $\Omega$ :**  $\pm 1$  per cent of reading and  $\pm 0.2$  per cent of full scale.  $\pm 1$  in last digit.

**3M $\Omega$ :**  $\pm 2$  per cent of reading and  $\pm 0.2$  per cent of full scale.  $\pm 1$  in last digit.

**30M $\Omega$ :**  $\pm 3.5$  per cent of reading and  $\pm 0.5$  of full scale.  $\pm 1$  in last digit.

**Range:** Full auto or manual range control for voltage measurements; semi-auto or manual range control for current measurements; automatic polarity.

**Input impedance:** 10M $\Omega$  on the a.c./d.c. voltage ranges – over 100M $\Omega$  on the 300mV d.c. range.

**Operating temperature:** 0-50°C.

ranges however and I found that I didn't need to use the range-hold facility.

The open-circuit voltage across the test prods on the ohms range is 1.233V. It drops to about 0.4V when connected to a semiconductor junction. I was able to make in-circuit checks on PCBs without encountering any problems. Continuity measurements can be made using the internal piezoelectric buzzer – this is useful when you are trying to locate a break in a printed circuit track.

The data-hold function is handy when you need to carry out measurements in awkward places. With the common test prod clipped to chassis and the meter held in one hand it's easy to freeze the display by pressing the Data-H button. You can then read the measured value at your convenience.

### Conclusion

In conclusion I rather liked the Micronta 22-167 DMM. A fully autoranging digital multimeter with the performance that this one provides must be good value for money at less than £50. The price complete with test prods and an easy to understand operator's manual is £49.95 including VAT – batteries are extra. Insulated slip-on alligator clips to fit the test prods are available at 99p a pair including VAT (Tandy part no. 270-354).

My thanks to Mr. Brant and Dianne Webber of Intertand UK Ltd., Tandy Centre, Leamore Lane, Walsall WS2 7PS for arranging the loan of the sample instrument.

**Table 2: Voltage test results.**

Voltage source	Micronta 22-167 reading
1mV	1.1mV
2mV	2.1mV
2.5mV	2.6mV
10mV	10.06mV
1V	1.001V
3V	3.004V
4V	4.01V
5V	5.01V
6V	6.01V
8V	8.00V
10V	10.02V
12V	12.01V
15V	15.02V
20V	20.23V
24V	24.00V
30V	30.15V
32V	32.20V
2.58V at 1Hz	2.57V
16.76V at 50Hz	16.75V
33V at 50Hz	33.5V

The sample voltage values chosen present the stiffest test to a DMM.

# Master-slave Switch-mode Power Supplies

Ray Porter, M.Sc., C.Eng., MIEE

Previous articles in *Television* have described the use of switch-mode power supplies in TV receivers and have covered particular applications and trends. One system that hasn't been covered to date is known as the master-slave circuit, because the timebase generator chip contains the pulse-width modulator and acts as the master, mains isolated from the chopper drive chip which operates as a slave to the pulse-width modulator. This article describes the principles and fault diagnosis techniques. We'll take as our example the ITT Monoprint B chassis, which was used in several ITT models manufactured during 1986-7. The relevant i.c.s in this chassis are the TDA8371 sync/timebase generator chip IC601 and the TEA2165 chopper drive chip IC701, though the principles are the same with several i.c. sets made by Philips and SGS-Thomson.

## Circuit Operation

Fig.1 shows in much simplified form the master-slave switch-mode power supply circuit used in this chassis. The chopper transformer TR701 provides mains isolation. It operates at line frequency and, when working normally, provides the drive for the line output transistor.

Several supplies are generated by this transformer. The main one is the 115V supply which is fed to the line output stage and is sampled by the pulse-width modulator circuit in IC601. The pulse-width modulator controls the average

level of the energy that's stored in TR701 and then delivered to its secondary circuits as the chopper transistor T701 is switched on and off. This switching varies in accordance with the error between the portion of the 115V supply at pin 22 of IC601 and the reference voltage at pin 23.

The chopper driver chip IC701 has built-in under and over voltage and excess current protection systems. These remove the drive to the base of T701 when the chip's supply goes outside its correct limits or the current demand on T701 is excessive.

In the standby mode transistor T602 is switched on and the reference voltage at pin 23 of IC601 falls to zero. As a result the voltage on the 115V line falls to 35V, IC701 providing an output in the form of bursts of pulses. Most of the set's functions are then disabled because of lack of the supply voltages. The remote control system still functions however, ready to bring the set back into full operation by removing the drive to D611/T602. This restores the reference voltage at pin 23 of IC601. The pulse-width modulator then takes over the drive to T701 and the supplies all increase.

In normal operation the line oscillator controls the timing of the drive to T701 so that beats, and thus interference, between the line timebase and power supply switching are avoided. Good saturation of T701 when it switches on, and thus low dissipation, is ensured by the collector current imaging waveform fed to pin 2 of IC701.

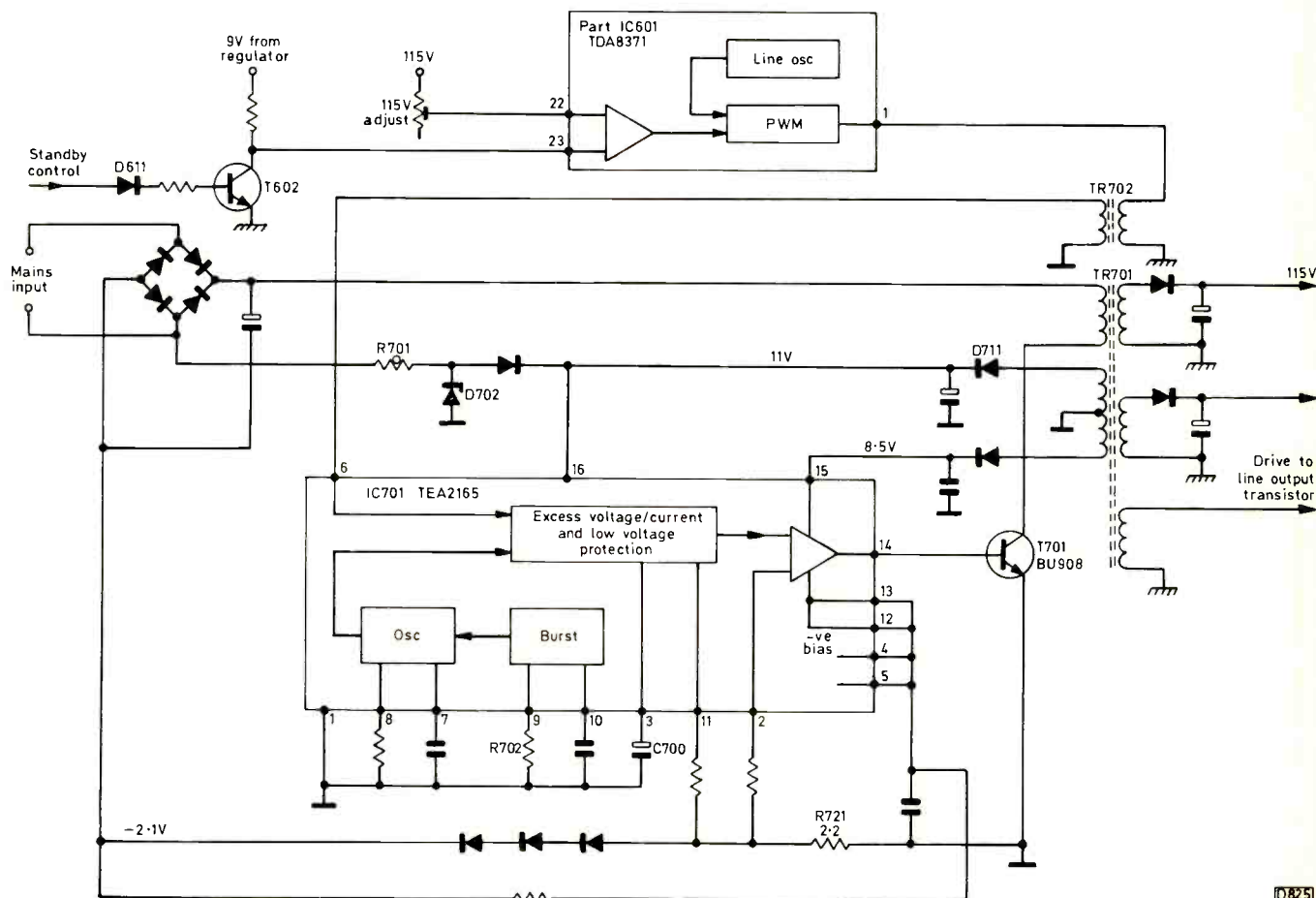


Fig. 1: Simplified circuit of the master-slave switch-mode power supply used in the ITT Monoprint B chassis.

This results in T701's base drive being increased when its collector current is in the region where the transistor's gain starts to fall off.

When the mains switch is closed the voltage developed across zener diode D702 supplies IC701. A soft-start action controlled by R702 and IC701 then occurs so that the supplies rise slowly until the microcomputer control chip brings the set out of the standby mode. Full voltages are then established. During the start-up period the resistance of resistor R701 increases and the supply to IC701 is supplemented by the action of D711/TR701.

In the standby mode the voltage at the anode of D611 rises to about 4V. T602 switches on and as we've seen the voltage to which the level of the 115V supply is referred falls to zero. The pulse-width modulator's output falls to minimum and the 115V supply drops to 35V. When the user selects a channel number the power supply returns to the fully-regulated condition.

### Safety Systems

IC701 has several monitoring circuits built into it. These remove the drive output at pin 14 when safe limits are exceeded. The under and over voltage systems shut down the power supply then allow it to start up again. The monitoring system for current overloads checks on both a pulse-by-pulse basis and on an average assessment of current demand. C700 is charged by an 80 $\mu$ A source within IC701 and, so long as an excess-current situation has not been detected by IC701, is similarly discharged. In the overload condition C700 charges to 3V at which point IC701 shuts down. C700 then remains charged until the mains supply is switched off. This is the average-current monitoring. T701's collector current is monitored at pin 11 of IC701. When the voltage here exceeds 0.8V IC701 shuts down, this feature providing the pulse-by-pulse overload protection.

### Fault Finding

If the set is apparently dead, check the voltage on the 115V line. If there's no voltage here check at C700. More than 3V here indicates that a current overload or an incorrect supply voltage to IC701 has been detected. Check that IC701's supply voltage is satisfactory during start-up – poor decoupling capacitors can result in transient supply excursions that trip the i.c. into its off state. Check for shorts across the various supplies obtained from TR701. If nothing amiss is found, disconnect pin 4 of the line output transformer and instead connect a 60W bulb across the 115V line as a dummy load. If there's a fault associated with the line output transformer the voltage on the 115V line will now be 85V.

C700 may also become charged if IC701's supply voltage dips because of poor smoothing capacitors. Those in the positive supply to the chip and the negative-bias network should be checked by substitution. If none of these actions restores drive from IC701, disconnect it from T701, use a 9V battery if necessary to provide it with a supply and use a scope to monitor its output. Look for bursts of 14-6kHz pulses at pin 14, spaced a few hundred milliseconds apart.

If the voltage on the 115V line is 35V the set may be stuck in standby. Check whether the voltage at the anode of D611 is 4V: if the 7V reference voltage at pin 23 of IC601 is also absent investigate why the microcomputer control chip is demanding the standby mode.

If you find that the chopper transistor T701 is faulty IC701 should also be replaced as it should have protected T701 against damaging overloads.

# next month in

# TELEVISION

#### ● FREE SPARES GUIDE

An essential day-to-day reference source for the service department, the 1992 edition of the *Television TV/VCR Spares Guide*. Lists sources – manufacturers service departments and major stockists – of spares for most TV and video brands.

#### ● SERVICING THE HINARI VXL8

About six years ago Hinari introduced a range of budget VCRs of which the VXL8 was the main model. The relatively low cost combined with many features such as an LP mode, HQ circuitry and remote control programming made them a great success, not only in High Street stores but also through some large retail outlets. Many rental machines were subsequently put out on the secondhand market when repairs were required. There are therefore many of these VCRs around. They have a reputation for being difficult, mainly because so many engineers are not familiar with them, but are well worth repairing. Graham Rees and Joe Cieszynski describe the machine, the fault conditions you are likely to encounter and the action necessary to restore correct operation.

#### ● DISH ALIGNMENT AID

Meter readings at receiver test terminals are usually not very helpful for dish alignment since the voltage change is small and is obscured by the effects of noise. Bas Carter describes a simple circuit that gives a twenty times increase in the test voltage change, enabling a dish to be positioned with great accuracy.

#### ● TRANSISTOR JUNCTION BREAKDOWNS

Junction breakdown is a common failure in electronics and can sometimes produce misleading results. George Wilding describes the effects of junction defects and the checks to make.

#### ● FILTERS FOR DX-TV

A common problem with DX reception is interference. Various remedies, described by Keith Hamer and Garry Smith, will provide a cure in most cases – some enthusiasts suffer needlessly for the sake of not adding a simple filter.

PLUS ALL THE REGULAR FEATURES

ORDER YOUR COPY ON THE FORM BELOW

TO .....

(Name of Newsagent)

**Please reserve/deliver the June issue of TELEVISION (£1.95), on sale May 20th, and continue every month until further notice.**

NAME .....

ADDRESS .....

.....

.....

# Telephone Test Set

Ian Rees

My workshop is six miles from any main town and to make ends meet I have to service anything that runs on electricity, be it brown, white or grey. I turn away nothing, from agricultural to nautical equipment. This leads to many problems – but the variety of work means that I'm never bored.

When a particular type of equipment starts to come in fairly regularly I find it best to knock up some simple test sets to help with future repairs. So it was when telephone equipment started to come in: cordless telephones, ordinary telephones and answerphones all now arrive in a steady trickle and there's also the occasional modem and fax machine. Repairing such items is no great problem, but a source of signal apart from the BT line, both for monitoring and calling, is needed to speed up service.

The test set described in this article is able to ring both two- and three-wire equipment and check the audio and dialling circuits, including the old bell-type phones that seem to have come back into favour.

## Principle of Operation

Fig. 1 shows the basic arrangement used in the test set. Many modern telephones operate with just two wires that are connected to pins 2 and 5 of the modern BT plug. The ringing tone, which consists of the line switching between positive and negative supplies at around 60V, is simulated by switch S1. As well as some surge suppression the master BT socket contains a 1.8 $\mu$ F capacitor and a 470 $\Omega$  resistor that are connected in series across pins 2 and 5. These components are duplicated, as shown, in the test set. Their junction is connected to pin 3, which on some phones is used as the ringing line for the bell etc. When the handset is lifted the impedance of the line falls, pulling down the voltage between pins 5 and 2 to some 8V depending on the equipment. This is shown by the light. A microphone can be switched in via amplifier one and monitored by the equipment being tested. Alternatively the equipment's microphone can be checked by amplifier two, whose output is fed to a deaf-aid type earpiece, avoiding acoustic feedback. Dialling can be checked by watching the light flicker and listening to the clicks in the earpiece.

## Circuit Description

The full circuit is shown in Fig. 2. I built the test set mostly from odds and ends that happened to be around.

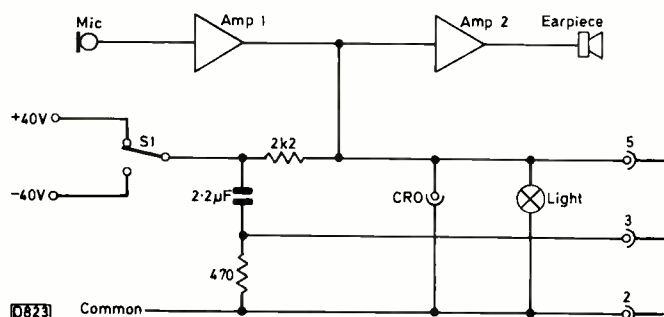


Fig. 1: Simplified circuit showing the way in which the telephone test set works.

Nothing exotic is used and most of the parts are non-critical.

The ringing voltage is supplied via the contacts of relay RLA. Tr1 switches the supply when S2 is closed. If you want to slow the ringing rate, increase the value of C3. The small 12V relay used must have contacts that break before they make. C7 and R4 duplicate the components in the master BT socket and supply ringing pulses to pin 3.

The two amplifiers are as simple as they come and are switched into use by S1. Tr2 and Tr3 amplify the signal from the line, via C8: the output can be monitored using a standard low-impedance earpiece plugged into the 3.5mm jack. The output from a small electret type microphone is amplified by Tr4 and Tr5 and fed on to the line so that it can be heard via the equipment being tested. The circuit is quite sensitive and the microphone can be several feet away.

A socket, labelled CRO, is provided for connection of an oscilloscope. This can be very useful at times when tracing the source of distortion etc.

## Use

The test set is simple to use and requires no setting up.

When a telephone is plugged into the test set's BT socket, the LED should shine brightly with the phone rest

## Components List

R1	2.2k	C1	470 $\mu$ F, 25V electrolytic
R2	100 $\Omega$	C2	1,000 $\mu$ F, 50V electrolytic
R3	47k	C3	1 $\mu$ F, 100V
R4	470 $\Omega$	C4	1,000 $\mu$ F, 50V electrolytic
R5	220k	C5	0.1 $\mu$ F, 100V mylar
R6	10k	C6	220 $\mu$ F, 16V electrolytic
R7	390k	C7	2.2 $\mu$ F, 100V
R8	2.2k	C8	0.1 $\mu$ F, 100V mylar
R9	10k	C9	4.7 $\mu$ F, 10V electrolytic
R10	220k	C10	0.047 $\mu$ F, 100V mylar
R11	2.2k	C11	4.7 $\mu$ F, 10V electrolytic
All 0.25W, 5 per cent			

D1	BY127
D2	1N4148
D3-6	BY127
D7	1N4148
Tr1	BC107
Tr2	BD131
Tr3-5	BC107
LED	Standard red LED
IC1	7812 12V regulator
MIC	Electret microphone
T1	25-0-25V and 0-16V a.c. 1A mains transformer
F1-2	1A anti-surge fuses
RLA	12V one-pole changeover relay with break before make contacts
BT	Standard 4-pin BT socket
S1	1-pole changeover toggle switch
S2	1-pole on/off toggle switch
JK	3.5mm jack socket
CRO	BNC socket
	8 $\Omega$ earpiece



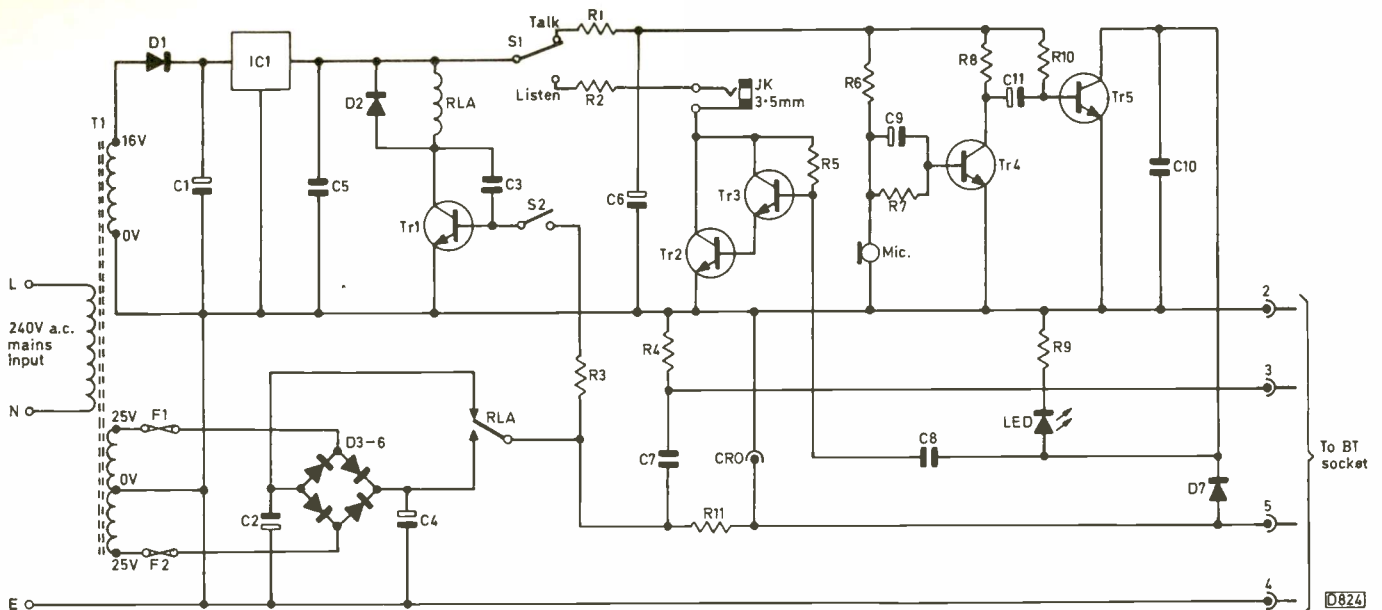


Fig. 2: Full circuit of the telephone test set.

on. If S2 is then closed the phone should ring or beep etc. When the phone's handset is lifted, the LED's brightness should drop and a burr should be heard in the phone's earpiece, similar to the dialling tone. Open switch S2 and with S1 in the talk position anything spoken should be heard loudly in the phone's earpiece (you may have to move back a little to avoid feedback). With S1 in the listen position and the test earpiece to your ear, anything spoken into the phone's mouthpiece should be heard clearly.

Test the dialling by watching that the light flashes each

time a pulse is sent to the phone. Count the pulses. They can also be heard in the earpiece. Memory can be checked to see if stored numbers are correct.

Answerphones can be set to pick up after a certain number of rings: this can be simulated by flashing S2. Where remote answering is a feature this can be tested by applying the tone to the electret microphone.

The CRO BNC socket for scope connection can also be used with a suitable BNC T connector to inject tones when repairing faxes and modems.

# RECESSION – RECESSION – TIRES – TIRES

**HEY LOOK,** recession is still on and why not increase your profit margin by using J.J. COMPONENTS Idler tires?

EXAMPLE: 10x Sharp tires cost £1.80 + P&P + VAT. That repairs 10 videos each at £20 – Totals to £200.

1x Sharp original idler cost £2.85 + P&P + VAT. That repairs 1 video at £30 – Totals to £30

**THIS PROVES THAT  
"£" GETS BIGGEST BY  
USING J.J.'S TIRES**



**IN MOST IDLERS IT'S  
TIRES THAT GETS  
WORN OUT AND NOT  
THE PLASTIC**

**MOST POPULAR TIRES AVAILABLE: PACK OF 10 EACH: MINIMUM 3 PACKS ORDER**

AKAI	PT. NO.
VS1-5	32773: FF/REW
WS1-5	327815: TAKEUP

FERGUSON/JVC	PT. NO.
3V29/HR7200	PU 48961: REEL
3V29/HR7200	PU 51402: PLAY
3V35/HRD110	PU 55374: REEL
FV11/HRD170	PU 58645: PLAY
8902/HR3660	PU 49282: REWIND

FISHER	PT. NO.
725/840	1430420400400: FF/REW
975	1430420400700: FF/REW

HITACHI	PT. NO.
VT11/17	6886971: FF/REW
VT5000	6413144: REWIND
VT8000	6414221: PLAY
VT9300	6861471: FF/REW
VT9300	6861482: PLAY

MITSUBISHI	PT. NO.
HS318	TIRE

NEC	PT. NO.
19013/9033	1618081: PLAY

PANASONIC	PT. NO.
NV300	VXP 0433: PLAY
NV300	VXP 0401: FF/REW
NV370	VXP 0521: PLAY
NV600	VXP 0515: FF/REW
NV600	VXP 0488: PLAY
NV730	VXP 0581: FF/REW
NV2000	VXP 0331: PLAY
NV2000	VXP 0329: FF/REW
NV7000	VXP 0344: FF/REW
NV7000	VXP 0343: PLAY
NV8600	VXP 0245: REWIND
NV8600	VXP 0243: PLAY

SANYO	PT. NO.
VHR1500	143-0-662T14730: PLAY

SHARP	PT. NO.
VC481	NIDL0006GE22: TIRE
VC9300	NIDL0005GE22: TIRE
VC699	NPLYV0107GE22: TIRE
VCA100	NPLYV0111GE22: TIRE

SONY	PT. NO.
SLC7	6706342B: TIRE

**UK'S NUMBER ONE  
MAIL ORDER COMPANY**

Please phone us for the types not listed. Please add 60p post & packing and then add 17.5% VAT TO THE TOTAL

ALL items subject to availability, and prices can change without notice. Government, Colleges, Schools & Institutes orders accepted. All components are brand new. Best quotations given in large quantities.

**STOP PRESS: ALSO HITACHI & JVC SPOOL TIRE AVAILABLE AT 50p EACH**

Stock subject to time of ordering, but don't get disappointed as delivery arrives every month.

**J.J. COMPONENTS**  
63 THE CHASE, EDGWARE,  
MIDDX. HA8 5DN, ENGLAND  
Tel: 081-952 4641 Fax: 081-952 4641

Callers by appointment only. Hold for telephone line to connect due to Faxlink.

# ECONOMIC DEVICES 32 TEMPLE STREET, WOLVERHAMPTON, WV2 4AN

## SPECIAL OFFERS

AVAILABLE UNTIL 31-5-92 OR WHILE STOCKS LAST

BU508AF	£1.06	TDA4505E	£3.99	TDA2600	£3.05	1038 (3V32 Take Up Idler)	£1.08
BUT11AF	£0.75	TDA4601	£1.32	BU508A	£0.75	VCR Fault Finding Guide	£6.99
TDA2579	£2.70	TDA3561A	£3.21	BU326A	£0.87	1620-IC Protector Kit	£19.95
TDA3562A	£2.31	STK5481	£4.37	1036 (3V29 Reel Idler)	£2.04	LT1215 - ITT LOP Transformer (Pt. No. 4515-03-25)	£15.75

1580H	3.72	2SC2482	0.25	AN245	5.78	BC237B	0.04	BD707	0.49	BU536	1.53	HM6231	12.30	MCR1065	1.56	STA441C	2.39	TA7241	2.23	TDA1512	2.48	TEA1002	5.14
1585R	3.72	2SC2565	0.25	AN318	7.42	BC238B	0.05	BD710	0.80	BU608	1.54	HM6232	5.77	MDA2062	2.14	STA471C	2.23	TA7243P	2.71	TDA1515A	1.93	TEA1009	1.48
17089	3.28	2SC2570	0.46	AN3821K	12.70	BC239	0.03	BD809	0.52	BU705	1.56	HM6251	5.69	MJ2955	0.94	STK0029	5.71	TA7250	3.28	TDA1518Q	3.05	TEA1014	1.49
17127	1.88	2SC2570A	0.28	AN3991K	3.26	BC251	0.31	BD810	0.45	BU806	0.79	HM7103	0.97	MJ802	3.06	STK0039	5.71	TA7267P	1.96	TDA1522	1.24	TEA1039	1.60
1N4002	0.06	2SC2632	0.28	AN5111	3.56	BC252	0.69	BD839	0.49	BU806A	0.78	KA2101	2.58	MJE13005	0.79	STK0040	7.18	TA7270	1.50	TDA1670A	2.02	TEA2018A	1.46
1N4004	0.06	2SC2655	0.29	AN5265	1.30	BC252B	0.16	BD901	0.45	BU807	0.48	KBL08	0.45	MJE2955	0.66	STK0059	9.46	TA7271P	1.90	TDA1701	4.71	TEA2164	3.67
1N4005	0.05	2SC2671	0.65	AN5435	1.24	BC300	0.38	BD902	0.58	BU826A	2.31	L200CV	1.35	MJE3055	0.49	STK025	9.37	TA72723	3.22	TDA1770	2.49	TEA2165	3.69
1N4006	0.05	2SC2688	0.29	AN5512	1.82	BC301	0.23	BDV658	1.12	BU908	1.13	LA1201	0.54	MJE340	0.38	STK043	10.72	TA7274P	2.15	TDA1870	2.45	TEA2166	3.54
1N4007	0.05	2SC2785	0.16	AN7521	1.60	BC303	0.26	BDW83	1.15	BU111	0.71	LA1230	1.28	ML237B	1.95	STK129	9.82	TA7274P	2.15	TDA1904	1.17	TEA2167	0.54
1N4448	0.05	2SC2971	4.25	AN5612	2.26	BC307	0.05	BDW84C	0.94	BU111A	1.01	LA1357N	2.77	ML923	4.95	STK3042	4.82	TA7281	2.29	TDA1905	0.91	TEA2168	0.55
1N5402	0.05	2SC3153	2.21	AN5900	1.23	BC307A	0.05	BDW93C	1.06	BU122A	1.07	LA1385	1.40	MM1405VKF	11.41	STK1431	7.56	TA7289	2.34	TDA1908	4.63	TEA2169	0.54
1N5404	0.07	2SC3156	3.61	AN6310	4.55	BC308A	0.11	BDX32	1.65	BU125A	0.87	LA3161	0.37	MM1435VXB	12.75	STK1411	8.00	TA7313AP	0.69	TDA1940	3.89	TEA2170	0.28
1N5408	0.10	2SC3182	1.73	AN6326	3.50	BC308C	0.05	BDY20	2.06	BUW11A	0.84	LA4112	0.94	MM1435VXB	9.98	STK1412	7.97	TA7325P	1.63	TDA1940	1.90	TEA2171	0.54
1N914	0.03	2SC3225	0.33	AN6341	2.23	BC327	0.05	BF115	0.39	BUW41B	0.81	LA4140	0.35	MM6168	4.13	STK162M	9.22	TA7361P	2.11	TDA2002	0.62	TEA2172	0.55
1S1555	0.21	2SC3715	3.79	AN6552	0.61	BC327B	0.17	BF123	0.17	BUW84	0.68	LA4182	0.75	MM650	2.27	STK4171	10.56	TA75358P	0.66	TDA2003V	0.83	TEA2173	0.40
1S2076	0.28	2SC388A	0.66	AN6610	0.74	BC328	0.06	BF127	0.13	BUX84	0.33	LA4192	1.10	MPS4A2	0.22	STK4181H	12.47	TA7670P	1.89	TDA2004	1.24	TEA2174	0.51
2N2219A	0.26	2SC458	0.08	AN7110	0.99	BC337L	0.21	BF179	0.30	BUX85	0.74	LA4220	1.25	MPSA56	0.11	STK433	6.19	TA7679A	1.90	TDA2005	1.24	TEA2175	0.51
2N2222	0.16	2SC536	0.05	AN7156	2.45	BC338	0.05	BF184	0.40	BUZ71	0.50	LA4261	1.60	MPSU10	2.54	STK4332	5.38	TA7628P	1.45	TDA2006	1.02	TEA2176	0.41
2N2905	0.20	2SC867A	5.52	AN7161	3.48	BC368	0.08	BF185	0.08	BY127	0.05	LA4270	2.04	MPSU60	2.21	STK4352	1.65	TA7646P	1.04	TDA2020	2.29	TEA2177	0.79
2N3054	0.85	2SC945	0.08	AN7171K	2.74	BC369	0.21	BF194	0.39	BY133	0.06	LA4282	2.06	MR818	0.33	STK437	7.96	TA7657P	4.33	TDA2161	2.88	TEA2178	0.40
2N3055	0.57	2SD1051	0.46	AU107	7.72	BC372	0.43	BF195	0.07	BY164	0.49	LA4400	2.95	MR854	0.13	STK4392	5.78	TA7680AP	4.19	TDA2170	1.61	TEA2179	0.29
2N3442	1.12	2SD1138	0.71	AU113	12.99	BC546A	0.05	BF196	0.14	BY176	0.93	LA4422	1.07	MR856	0.14	STK441	9.73	TA7681AP	5.09	TDA2270	1.98	TEA2180	0.39
2N3773	1.03	2SD1207	0.21	BA145	0.10	BC546B	0.05	BF197	0.24	BY179	0.77	LA4440	1.52	NE545B	3.10	STK459	7.73	TA7698AP	5.61	TDA2522	14.78	TEA2181	0.51
2N3819	0.41	2SD1265	0.71	BA157	0.10	BC547	0.10	BF198	0.08	BY184	0.29	LA4445	0.94	NE555	0.21	STK461	8.99	TA7705P	1.38	TDA2524	0.41	TEA2182	0.29
2N3904	0.10	2SD1273	0.79	BA158	0.07	BC547B	0.10	BF199	0.03	BY199	0.18	LA4460	1.30	NE555N	0.23	STK5211	12.63	TA7769P	1.39	TDA2525	3.54	TEA2183	0.64
2N4444	2.00	2SD1275	0.66	BA159	0.07	BC549	0.05	BF200	0.37	BY206	0.12	LA4461	1.25	NE556	0.41	STK5315	6.30	TA8210H	4.93	TDA2530	0.41	TEA2184	0.26
2SA1015	0.86	2SD1308	0.69	BA317	0.05	BC556	0.05	BF245	0.50	BY207	0.17	LA4500	1.63	NE646N	1.68	STK5322	6.58	TA8215	3.99	TDA2532	0.41	TEA2185	0.15
2SA1020Y	0.30	2SD1397	1.44	BA5102A	1.23	BC556B	0.05	BF245A	0.18	BY210-400	1.18	LA4505	1.73	OA47	0.24	STK5325	4.85	TA8691N	5.74	TDA2540	0.36	TEA2186	0.31
2SA1095	5.71	2SD1398	1.63	BA536	1.52	BC557	0.05	BF245B	0.37	BY224-600	4.95	LA4505	2.05	OA90	0.09	STK5326	10.31	TA8695O	0.30	TDA2541	1.46	TEA2187	0.28
2SA1102	1.73	2SD1427	2.81	BA6109	1.38	BC557B	0.05	BF255	0.10	BY226	0.15	LA4520	1.04	OA91	0.14	STK5331	3.51	TA8700P	2.37	TDA2560	2.47	TEA2188	0.35
2SA1175	0.49	2SD1432	4.74	BA6209	1.27	BC558	0.05	BF256	0.23	BY227	0.12	LA4700	3.42	PH425	0.66	STK5332	2.38	TA8706P	1.04	TDA2577A	5.77	TEA2189	0.36
2SA1186	3.42	2SD1453	1.49	BA6210	1.48	BC558A	0.05	BF257	0.34	BY228	0.36	LA5112	3.30	PT8504	5.65	STK5333	2.88	TA8710A	0.51	TDA2577	2.68	TEA2190	0.63
2SA1208	0.25	2SD1497-06	6.85	BA6222	1.16	BC558A	0.05	BF258	0.02	BY229	1.64	LA5512	0.46	R2540	1.00	STK5372	3.71	TA8120AS	0.85	TDA2578A	2.76	TEA2191	0.89
2SA473	0.49	2SD1497-06	6.85	BA656N	1.81	BC560C	0.20	BF259	0.30	BY229-600	1.18	LA7042	2.48	R2540X	1.86	STK5421	2.52	TA8120T	0.57	TDA2581	2.1	TEA2192	0.51
2SA562	0.16	2SD1541	3.30	BA511	0.28	BC637	0.14	BF324	0.10	BY229-800	0.88	LA7223	2.46	R2M	0.66	STK5422	5.28	TA8120U	0.46	TDA2581Q	1.65	TEA2193	1.15
2SA634	0.52	2SD1577	3.25	BAV18	0.07	BC639	0.17	BF337	0.36	BY255	0.12	LA7520	2.00	R4051	1.85	STK5466	5.36	TA81440	0.47	TDA2582	2.60	TEA2194	0.26
2SA673	0.08	2SD1876	4.47	BAV21	0.11	BC640	0.05	BF338	0.38	BY298	0.12	LA7800	1.24	RA051	2.22	STK5471	4.64	TA82800	0.66	TDA2590	2.50	TEA2195	0.89
2SA684	0.33	2SD1877	1.90	BAW62	0.03	BC679	0.37	BF355	0.46	BY299	0.12	LA7801	1.24	RB156	1.55	STK5476	4.85	TA8395	0.66	TDA2591	1.15	TEA2196	0.30
2SA733	1.36	2SD2324	0.91	BAX14	0.27	BC880	0.36	BF362	0.99	BY476A	0.66	LA7820	1.52	RGP10	0.27	STK5482	4.08	TA8396	0.41	TDA2593	0.75	TEA2197	0.26
2SA769	1.07	2SD313	0.41	BB105B	0.16	BD131	0.26	BF392	0.15	BY713	0.74	LA7830	0.99	RGP15	0.41	STK6962	2.22	TA8520	1.20	TDA2594	2.14	TEA2198	0.29
2SA940	0.76	2SD325D	0.50	BC107	0.13	BD132	0.20	BF422	0.13	BYD33G	0.34	LG7120	2.72	RG3P0M	0.29	STK7216	5.20	TA8530	2.40	TDA2595	2.06	TEA2199	0.35
2SA952	0.13	2SD350A	3.71	BC107B	0.19	BD135	0.21	BF423	0.09	BY95C	1.13	LM1303N	0.85	RM11C	0.29	STK7226	7.94	TA8540	1.72	TDA2611A	0.60	TEA2200	0.49
2SA966Y	0.28	2SD401	0.94	BC108	0.14	BD136	0.19	BF450	0.18	BY96D	0.05	LM1877	1.40	S200AF4	1.15	STK7308	4.70	TA8540Q	1.15	TDA2611AQ	1.30	TEA2201	1.70
2SA970	0.13	2SD468C	0.41	BC108B	0.37	BD137	0.43	BF458	0.30	BYW19	0.87	LM1881	6.80	S205AF	2.14	STK7348	4.49	TA8560C	0.66	TDA2640	3.71	TEA2202	1.12
2SA984	0.20	2SD476	0.94	BC108C	0.13	BD139	0.28	BF459	0.28	BYW56	0.16	LM3127	0.46	S230A	2.20	STK7356	5.42	TA8651	0.98	TDA2652	9.33	TEA2203	0.64
2SB1010	0.33	2SD5613	0.61	BC109	0.11	BD140	0.23	BF469	0.33	BYX55-600	0.20	LM324N	0.29	SA4100A	1.10	STK7358	5.30	TA8750Q	4.95	TDA2653	0.00	TEA2204	1.32
2SB46	0.51	2SD621	5.37	BC117	0.13	BD150	1.10	BF472	0.21	BZV85C68	0.41	LM339N	0.14	SA11174	3.95	STR1096	3.94	TA8800	0.69	TDA2653A	2.64	TEA2205	0.36
2SB616	3.00	2SD636	0.13	BC139	0.39	BF479	0.63	CA1310E	0.75	LS358	0.21	SA11250	1.45	STR4090	6.63	STR1096	3.94	TA8810P	0.41	TDA2658	4.25	TEA2206	0.36
2SB643S	0.20	2SD637	0.12	BC140	0.20	BD190	0.29	BF480	0.62	CA309A	2.97	LM358N	0.21	SA11251	3.20	STR4211	4.20	TA8810SH	1.60	TDA2680	4.95	TEA2207	1.12
2SB688	1.24	2SD667	0.25	BC141	0.25	BD201																	

DECLARATION OF QUALITY

AS DISTRIBUTORS OF QUALITY VIDEO SPARES FOR THE LAST TEN YEARS, WE FULLY UNDERSTAND THE REQUIREMENTS OF THE REPAIR TRADE. THERE IS A CERTAIN QUALITY WHICH MUST BE MAINTAINED IN ORDER TO EXECUTE HONEST, RELIABLE REPAIRS. THEREFORE, WE GUARANTEE THAT ALL VIDEO SPARES SUPPLIED BY US ARE OF THE FINEST QUALITY AND WE CAN ASSURE YOU THAT ALL STOCKED ITEMS WILL BE DISPATCHED THE SAME DAY.

Part No.	Price	Part No.	Price	Part No.	Price	Part No.	Price	Part No.	Price	Part No.	Price										
<b>AIWA</b>		<b>3-V-36</b>		<b>FVH-P72725</b>		<b>VT-16 S</b>		<b>HR-D110111/20121</b>		<b>NV-300333</b>											
AV-66		Video Head	VID 2546	£16.95	Video Head	VID 2501	£21.43	Video Head	VID 2647	£9.81	Video Head	VID 2520	£9.85								
Video Head	VID 2546	£16.95	Pinch Roller	VID 1813	£3.05	Pinch Roller	VID 1788	£3.05	Pinch Roller	VID 1813	£3.05	Pinch Roller	VID 1787	£3.05							
Pinch Roller	VID 1755	£3.87	Belt Kit	VID 7543	£9.99	Belt Kit	VID 7538	£1.23	Pinch Roller	VID 1813	£3.05	Belt Kit	VID 7521	£1.48							
Belt Kit	VID 7519	£1.32	Take Up Clutch	VID 1031	£3.21	FFREW Idler Arm	VID 1020	£1.73	Belt Kit	VID 7543	£9.99	Play Idler	VID 1048	£2.58							
Idler Replacement Set	VID 1001	£4.94	Take Up Idler	VID 1038	£1.56	Clutch Plate	VID 1211	£9.81	Take Up Clutch	VID 1031	£3.21	Idler	VID 1057	£1.94							
Idler	VID 1005	£1.81	Reel Idler	VID 1039	£3.30	Capstan Motor	VID 2147	£18.02	Take Up Idler	VID 1038	£1.56	Idler Arm	VID 1220	£4.20							
Capstan Motor	VID 2160	£28.50	Brake Pad	VID 1361	£0.36	Cassette LED	VID 1981	£1.48	Reel Idler	VID 1039	£3.30	Cam Gear	VID 1215	£0.88							
Tension Band	VID 1423	£4.54	Capstan Motor	VID 2165	£22.87	Tension Band	VID 1379	£2.31	Brake Pad	VID 1361	£0.36	Intermediate Gear	VID 1216	£1.23							
Reel Table Rubber Tyre	VID 1335	£9.90	Loading Motor	VID 2168	£8.30	Take Up Reel Table	VID 1295	£7.83	Capstan Motor	VID 2165	£22.87	Driving Gear	VID 1217	£9.99							
CTL Unit	VID 2637	£59.75	Supply Reel Table	VID 1981	£3.30	Supply Reel Table	VID 1294	£5.77	Reel Motor	VID 2168	£8.30	Reel Motor	VID 2158	£11.98							
			Cassette LED	VID 1981	£1.48	<b>FVH-P980K/V</b>		<b>VT-39390</b>		Front Loading Motor	VID 2168	£8.30	Capstan Motor	VID 2421	£39.43						
			Tension Band	VID 1389	£1.73	Video Head	VID 2501	£19.94	Video Head	VID 2504	£19.94	Cassette LED	VID 1981	£1.48	Cassette LED	VID 1982	£1.62				
			Remote Control	IR 9100	£11.92	Pinch Roller	VID 1818	£3.05	Video Head	VID 1788	£3.05	Tension Band	VID 1389	£1.73	Tension Band	VID 1389	£2.64				
			Repair Kit	VID 7540	£9.66	Pinch Roller	VID 1788	£3.05	Pinch Roller	VID 1788	£3.05	Repair Kit	VID 7918	£18.09	Reel Motor	VID 2158	£11.98				
			Mains Transformer	VID 2223	£21.61	Idler	VID 7568	£2.40	Belt Kit	VID 7538	£1.23	Mains Transformer	VID 2223	£21.61	Take Up Reel Table	VID 1312	£10.12				
			Take Up Reel Table	VID 1080	£0.66	Clutch	VID 1093	£2.00	FFREW Idler Arm	VID 1020	£1.73	Take Up Reel Table	VID 1080	£0.66	<b>PHILIPS</b>						
			Rubber Tyre	VID 1080	£0.66	Cassette LED	VID 1094	£15.52	Capstan Motor	VID 2148	£18.02	Video Head	VID 2526	£10.87	Video Head	VID 2526	£10.87				
			Supply Reel Table	VID 1080	£0.66	Tension Band	VID 1377	£2.10	Capstan Motor	VID 1981	£1.48	Pinch Roller	VID 1757	£3.21	Pinch Roller	VID 1757	£3.21				
			Cassette Housing	VID 1099	£22.51	Idler	VID 1364	£2.25	Cassette LED	VID 1379	£2.31	Belt Kit	VID 7530	£1.32	Belt Kit	VID 7530	£1.32				
			<b>3-V-57</b>		<b>FUNAI</b>		<b>VCR-4600</b>		Repair Kit	VID 7922	£16.50	Idler	VID 1052	£2.25	Idler	VID 1052	£2.25				
			Video Head	VID 2573	£17.29	Video Head	VID 2676	£20.94	Video Head	VID 2628	£24.25	Pinch Roller	VID 1815	£5.19	Idler	VID 1370	£1.98				
			Pinch Roller	VID 1813	£3.05	Pinch Roller	VID 1758	£3.05	Pinch Roller	VID 1815	£5.19	Pinch Roller	VID 1815	£5.19	Idler	VID 1371	£5.94				
			Pinch Roller	VID 1755	£3.87	Clutch	VID 1226	£4.32	Pinch Roller	VID 1756	£3.21	Belt Kit	VID 1440	£1.32	Idler	VID 1440	£1.32				
			Belt Kit	VID 7509	£11.95	Capstan Motor	VID 2127	£10.71	Belt Kit	VID 1316	£5.47	Clutch	VID 1031	£3.21	Idler	VID 1400	£2.55				
			Idler Replacement Set	VID 1002	£3.95	Gear Holder	VID 1231	£9.52	Clutch	VID 1031	£3.21	Cassette LED	VID 1981	£1.48	Repair Kit	VID 7906	£9.92				
			FFW Limiter	VID 1002	£3.95	RF Clutch	VID 1231	£9.52	Capstan Rubber Tyre	VID 1211	£9.81	Repair Kit	VID 7906	£9.92							
			Idler	VID 1004	£1.40	Cassette LED	VID 1981	£1.48	Clutch Plate	VID 1211	£9.81	Cassette LED	VID 1981	£1.48							
			Idler	VID 1005	£1.81	VCR-5843		VT-2706	£24.31	Capstan Motor	VID 1981	£1.48									
			Capstan Motor	VID 2118	£3.30	Video Head	VID 2706	£24.31	Video Head	VID 2509	£15.96	Tension Band	VID 1379	£2.31							
			Tension Band	VID 1423	£4.54	Pinch Roller	VID 1758	£3.05	Pinch Roller	VID 1758	£3.05	Take Up Reel Table	VID 1292	£11.47							
			CTL Unit	VID 2567	£46.43	Belt Kit	VID 7615	£3.05	Idler	VID 1981	£1.48	Supply Reel Table	VID 1292	£11.47							
						Cassette LED	VID 1981	£1.48	Reel Idler Unit	VID 1030	£0.74	Rubber Tyre	VID 1300	£0.74							
						<b>GOLDSTAR</b>		<b>VT-8000/6500</b>		<b>HS-316</b>		<b>HS-316</b>									
						GHV-8006/2008/2108215		Video Head	VID 2509	£15.96	Video Head	VID 2607	£42.37	Video Head	VID 2607	£42.37	Video Head	VID 2607	£42.37		
						Video Head	VID 1815	£5.19	Pinch Roller	VID 1788	£3.05	Pinch Roller	VID 1815	£5.19	Pinch Roller	VID 1815	£5.19	Pinch Roller	VID 1815	£5.19	
						Pinch Roller	VID 1813	£3.05	Pinch Roller	VID 1788	£3.05	Pinch Roller	VID 1815	£5.19	Pinch Roller	VID 1815	£5.19	Pinch Roller	VID 1815	£5.19	
						Belt Kit	VID 7585	£1.98	Idler	VID 1030	£0.74	Reel Idler Unit	VID 1040	£8.48	Reel Idler Unit	VID 1040	£8.48	Reel Idler Unit	VID 1040	£8.48	
						Bracket Centre	VID 1052	£1.32	FFREW Idler Arm	VID 1020	£1.73	FF Idler Rubber Tyre	VID 1081	£0.74	FF Idler Rubber Tyre	VID 1081	£0.74	FF Idler Rubber Tyre	VID 1081	£0.74	
						Clutch Gear	VID 1228	£2.22	Capstan Rubber Tyre	VID 1211	£9.81	Capstan Rubber Tyre	VID 1294	£1.32	Capstan Rubber Tyre	VID 1294	£1.32	Capstan Rubber Tyre	VID 1294	£1.32	
						Limiter Roller	VID 1440	£1.32	Cam Gear A	VID 1274	£1.20	Cam Gear A	VID 1274	£1.20	Cam Gear A	VID 1274	£1.20	Cam Gear A	VID 1274	£1.20	
						Cassette LED	VID 1981	£1.48	Gear 2	VID 1275	£1.20	Gear 2	VID 1275	£1.20	Gear 2	VID 1275	£1.20	Gear 2	VID 1275	£1.20	
						Tension Band	VID 1386	£1.65	Cam Gear B	VID 1276	£1.27	Cam Gear B	VID 1276	£1.27	Cam Gear B	VID 1276	£1.27	Cam Gear B	VID 1276	£1.27	
						Repair Kit	VID 7921	£14.16	Capstan Motor	VID 1951	£0.80	Cassette LED	VID 1981	£1.48	Cassette LED	VID 1981	£1.48	Cassette LED	VID 1981	£1.48	
						<b>VCR-4100/4130</b>		<b>VT-9000/9500/9700</b>		Capstan Motor	VID 1951	£0.80	Capstan Motor	VID 1951	£0.80	Capstan Motor	VID 1951	£0.80	Capstan Motor	VID 1951	£0.80
						Video Head	VID 2645	£33.81	Video Head	VID 2509	£15.96	Tension Band	VID 1382	£1.90	Tension Band	VID 1382	£1.90	Tension Band	VID 1382	£1.90	
						Pinch Roller	VID 1815	£5.19	Pinch Roller	VID 1788	£3.05	Remote Control	IR 9097	£12.63	Remote Control	IR 9097	£12.63	Remote Control	IR 9097	£12.63	
						Belt Kit	VID 7585	£1.98	Idler	VID 1981	£1.48	Repair Kit	VID 7928	£15.49	Repair Kit	VID 7928	£15.49	Repair Kit	VID 7928	£15.49	
						Bracket Centre	VID 1052	£1.32	Take Up Reel Table	VID 1080	£0.66	Take Up Reel Table	VID 1080	£0.66	Take Up Reel Table	VID 1080	£0.66	Take Up Reel Table	VID 1080	£0.66	
						Clutch Gear	VID 1228	£2.22	Supply Reel Table	VID 1292	£11.47	Supply Reel Table	VID 1292	£11.47	Supply Reel Table	VID 1292	£11.47	Supply Reel Table	VID 1292	£11.47	
						Limiter Roller	VID 1440	£1.32	Rubber Tyre	VID 1300	£0.74	Rubber Tyre	VID 1300	£0.74	Rubber Tyre	VID 1300	£0.74	Rubber Tyre	VID 1300	£0.74	
						Cassette LED	VID 1981	£1.48													
						Tension Band	VID 1386	£1.65													
						Repair Kit	VID 7921	£14.16													
						<b>FIDELITY</b>		<b>ITT</b>		<b>VR-3913</b>		<b>VR-3913</b>		<b>VR-3913</b>		<b>VR-3913</b>		<b>VR-3913</b>			
						Video Head	VID 2502	£14.72	Video Head	VID 2511	£9.95	Video Head	VID 2511	£9.95	Video Head	VID 2511	£9.95	Video Head	VID 2511	£9.95	
						Pinch Roller	VID 1758	£3.05	Pinch Roller	VID 1814	£3.05	Pinch Roller	VID 1814	£3.05	Pinch Roller	VID 1814	£3.05	Pinch Roller	VID 1814	£3.05	
						Belt Kit	VID 7593	£1.73	Belt Kit	VID 7812	£1.07	Belt Kit	VID 7812	£1.07	Belt Kit	VID 7812	£1.07	Belt Kit	VID 7812	£1.07	
						Bracket Centre	VID 1052	£1.32	Idler	VID 1036	£2.80	Idler	VID 1036	£2.80	Idler	VID 1036	£2.80	Idler	VID 1036	£2.80	
						Clutch Gear	VID 1228	£2.22	Take Up Clutch	VID 1038	£1.56	Take Up Clutch	VID 1038	£1.56	Take Up Clutch	VID 1038	£1.56	Take Up Clutch	VID 1038	£1.56	
						Limiter Roller	VID 1440	£1.32	Take Up Idler	VID 1038	£1.56	Take Up Idler	VID 1038	£1.56	Take Up Idler	VID 1038	£1.56	Take Up Idler	VID 1038	£1.56	
						Cassette LED	VID 1981	£1.48	Brake Pad	VID 1361	£0.36	Brake Pad	VID 1361	£0.36	Brake Pad	VID 1361	£0.36	Brake Pad	VID 1361	£0.36	
						Tension Band	VID 1386	£1.65	Capstan Motor	VID 2169	£28.12	Capstan Motor	VID 2169	£28.12	Capstan Motor	VID 2169	£28.12	Capstan Motor	VID 2169	£28.12	
						Repair Kit	VID 7921	£14.16	Capstan Motor	VID 1951	£0.80	Capstan Motor	VID 1951	£0.80	Capstan Motor	VID 1951	£0.80	Capstan Motor	VID 1951	£0.80	
						<b>VCR-4200/4326</b>		<b>VR-3993</b>		Capstan Motor	VID 1951	£0.80	Capstan Motor	VID 1951	£0.80	Capstan Motor	VID 1951	£0.80	Capstan Motor	VID 1951	£0.80
						Video Head	VID 2645	£33.81	Video Head	VID 2647	£42.37	Capstan Motor	VID 1951	£0.80	Capstan Motor	VID 1951	£0.80	Capstan Motor	VID 1951	£0.80	
						Pinch Roller	VID 1815	£5.19	Pinch Roller	VID 1814	£3.05	Capstan Motor	VID 1								

# VCR Clinic

*Reports from Philip Blundell, AMIEE,  
Brian Storm, Alfred Damp, John Edwards,  
Eugene Trundle, Nick Beer, Ian Bowden  
and Graham Richards*

## Grundig VS340

This machine had a capstan servo fault. In play the capstan would stop, then go too fast, then stop and so on. Checks showed that the capstan tacho signal at pin 2 of IC700 was erratic while there was no input at pins 17 and 18 of this chip. The wire to the tacho coil was dry-jointed where it connects to the threading motor's PCB. **P.B.**

## Mitsubishi HS349

This machine kept stopping in play. The reel tacho signal at the collector of Q5A0 was intermittent because the reel sensor PCB's earthing screws were making poor contact. **P.B.**

## Grundig VCRs with Panasonic G Deck

If you encounter one of these machines with the timing gears out of alignment, check socket P1503 for dry-joints – it's on the right-hand side of the cassette carriage. **P.B.**

## Philips DMP2 and DMP3 Decks

Further to Nick Beer's note (February Clinic, page 272) on the VR6180, a number of changes were made to later versions of these decks, which have the capstan tacho head on the outside of the flywheel. The following parts were changed: top plate item 255, part no. 4822 466 82467; scanner ring item 227, part no. 4822 532 11776; erase head item 247, part no. 4822 249 40252; capstan item 262, part no. 4822 535 92909; tacho head and PCB, part no. 4822 214 32587; threading motor item 252, part no. 4822 361 21242; crank item 259, part no. 4822 528 20593; control lever item 272, part no. 4822 403 53744; in addition a washer and spring were added under item 256, washer part no. 4822 532 11775, spring part no. 4822 492 52095. **P.B.**

## Grundig VS700

The complaint was that this machine wouldn't play. When a cassette was inserted the counter was displayed after ATTS, not the time used on the tape, while if any deck function was tried it would operate for only a second after which stop was selected. Checks showed that the reel tacho signals were present at the optocouplers but were missing at pin 32 of the SDA2087 chip. The TDA8118 chip was faulty with pin 14 short-circuit to chassis. **P.B.**

## Panasonic NV-G45

Erratic capstan was the complaint with this machine. So it proved to be on test, speeding up and slowing down at random. On this machine (G deck) the capstan also drives the mechanism operation, so you have to be careful with capstan speed faults because you can damage the mechanism. The fault would show up when any point in the capstan circuit was touched, but it seemed logical to start by checking the capstan FG waveforms. Sure enough we found that the FG waveforms fluctuated up and down wildly at the capstan FG amplifier IC2104. The key seemed to lie with R2184 at the input to the FG amplifier, as there was no waveform amplitude variation at one end

of this component and a very erratic variation at the other end. We removed this surface-mounted resistor and tacked a conventional 1k $\Omega$  resistor in its place. The capstan circuit then operated perfectly in all modes. **B.S.**

## National NV-H75

This foreign machine had a dead power supply. Power was restored when the 2SC1384 crowbar transistor Q1006 on the secondary side of the switch-mode power supply was replaced. It was leaky. The machine then seemed to work – until the deck solenoid was engaged. The power supply then current limited sharply. Investigation in the primary side feedback circuit brought us to a rather sorry looking capacitor, C1042 (10 $\mu$ F, 25V). It was brown and discoloured. Fitting a replacement restored normal power. **B.S.**

## Hinari VXL6

This machine would stop intermittently and the counter was very erratic in the play mode. We also noticed that the counter continued to count even in the stop mode. Replacing the take-up reel sensor cured the fault. **A.D.**

## Mitsubishi HS330

The problem here was no playback colour. We scoped the video output when a known good tape was tried. This showed that the colour burst was present, so the next step was to check the alignment of the colour playback circuit. The voltage-controlled crystal oscillator was found to be running at 4.4328MHz instead of 4.4336MHz. Adjusting this as laid down in the manual restored the playback colour. **A.D.**

## JVC HRD520

If you get one of these machines with what appears to be a loading-mechanism or mode-switch fault, e.g. the pinch roller drive peg hits the end of its cam, check that the slit washer (item 40 in the mechanical parts list) is present and correct. If it falls off, the sliding plate assembly's teeth can jump across those of the control cam. **E.T.**

## Sony SLV615

This machine wouldn't carry out any reverse functions (rewind, review, reverse slo-mo): within a few seconds of one of these being selected the deck would shut down. The obvious suspect was the right-hand end sensor, but both this and the nearby operational-amplifier buffer chip proved to be innocent. The 100-pin flatpack syscon/servo chip was the cause of the trouble. **E.T.**

## Sanyo VHR4350 (P88 Mechanism)

This machine would intermittently fail to rewind or fast wind the tape because it tried to drive the reels via the clutch instead of directly. The mechanism is in the same position for stop, fast forward and rewind: when the fault was present we saw that the cam slide assembly at the rear right-hand side of the deck had jumped out of cam groove

3. The cure for this problem is to replace the cam slide assembly with a modified one, available under the same part number (613 022 0059), which comes with fitting instructions. Also replace the loading belt.

An occasional problem with this deck is tape snagging when the cassette is ejected. Cure it by cleaning the periphery of the capstan flywheel and the brake pad that bears on it.

E.T.

### **Akai VS967**

This machine worked perfectly in every respect apart from the fact that the fluorescent display panel wasn't lit up. Very low heater drive was the cause of this, and replacement of C446/7 in the voltage-doubler circuit on the main PCB provided a complete cure. The faulty capacitors measured o.k. when removed from the machine... This and several contemporary models can suffer from premature display panel wear unless the circuit in the area of C446/7 is modified – details are available from Akai in modification sheet AV10015.

E.T.

### **Philips VR6290**

This machine half accepted a tape then the carriage made a squealing noise and ejected it. Inspection of the carriage's operation with the top cover removed showed that the carriage attempted to go in all the way but the cassette flap didn't open and thus fouled on the left-hand guide roller. The cause of this was that the tape flap opener spring had become displaced. Simply relocating the spring into the opener cured the problem.

J.E.

### **Panasonic NV7200**

No tape functions and won't eject said the job card. There was a tape in the machine but there was no response from the function selectors and their indicators though the power-on LED and the channel indicator were as normal. Our past experience has often been that this problem is caused by either dirty contacts or a broken cassette-in leaf switch. Not this time however. With a cassette in there should be 12V at each tag of the switch (contacts closed). There was no voltage at either tag, so we had a 12V feed problem. When we traced back to pin 2 of plug/socket P6014 on the system control panel we found that the 12V supply was missing here as well. L6001 was open-circuit.

J.E.

### **Toshiba V57/Ferguson 3V35/JVC HRD120**

"Went haywire, then o.k. except that it wouldn't eject, now no functions" read the report. This is becoming a common fault. CPI (ICP-F15) goes open-circuit due to failure of the M54544L cassette motor driver chip. Another reason for this can be a defective motor. The same two possibilities apply with the loading motor and its drive chip, which are also fed via the same ICP. When CPI goes open-circuit the 13V supply to both circuits is removed.

N.B.

### **Panasonic NV7200**

This machine had been serviced by one of our apprentices – he'd fitted the parts in the VUD kit, changed the heads and one or two other items, but there was now no drive. The absence of a familiar sound when ejecting was noted: the solenoids weren't being energised, so the brakes were

on. R6083 (2.2Ω fusible) which feeds the unregulated 20V supply to the solenoid drive circuits was open-circuit because the 2SA768 transistor Q6027 was short-circuit – it had run hot and melted its solder. The reason for this failure was the presence of an extraneous conductor that had fallen on to the syscon board from the mechanism – a circlip that was missing from the brake band under the back-tension post.

N.B.

### **Grundig VS310**

The display said F1. This was because there was no loading motor movement – it wasn't being driven as R2155, the PTC thermistor in series with the output to the motor from pin 3 of IC2150, was dry-jointed at one end.

N.B.

### **Toshiba V109**

This full-lace machine was accused of damaging tapes, as a result of which the heads were now clogged. After cleaning these we found that the cause of the problem was very slightly weak reel drive due to a worn drive clutch. It's a delight to change this item from underneath.

N.B.

### **Sanyo VHR2300/Granada VHSDS2**

The complaint was that the sound had been poor and had subsequently disappeared. On inspection we noticed that the 820Ω resistor R10 looked a little discoloured. A check then showed that it was open-circuit. Fitting a replacement restored the sound, but it was poor. This was due to a contaminated audio-control head. After cleaning the tape path we had perfect operation.

G.R.

### **Sharp VC780HM**

This machine would eject any cassette that was inserted. We soon found that it could be fooled into accepting a cassette if it was switched off immediately after inserting the cassette then switched on again. Checks at pins 47 and 14 of the IX0234GE system control chip showed that they changed state before the cassette was ejected. The reason for this became clear when we checked at pins 17 and 18: there were no end or start sensor pulses. When attention was turned to the sensors themselves we found that two tiny black squares of tape had been applied. Where had they come from?

G.R.

### **Panasonic NV-G25**

The fault report said that the playback picture was noisy: it was also worse with its own recordings. On test we found that the noise on the screen had a definite pattern and wasn't random. As a start we checked the earth continuity between the video head preamplifier unit and the main PCB and other possible earth paths. All measured o.k. but the strange thing was that the noise was made worse when an extra lead was connected from the head preamplifier to the main PCB. A scope was next used to check the noise on the various supply lines – the main connector from the switch-mode power supply seemed a convenient place to do this. Apart from the –19V supply at pin 10 of P1001 the supplies had very little noise. At pin 10 however there were noise spikes of around 1V amplitude. When the power supply can was removed the cause of the trouble was obvious: smoothing capacitor C1022 had split its top and was open-circuit. A new capacitor greatly reduced the spikes and cured the problem.

I.B.

# Satellite Notebook

**Nick Beer**

Some years ago, well before the advent of Astra and the recent growth in the sales of small, cheap fixed-satellite TV systems, I was involved with a 1.5m offset motorised system produced by Skyscan of Maidenhead who I believe are no longer active in this field. The kit was reasonable for its time, and I found the installations very interesting because of the relatively wide range of channels available via the Eutelsat I and Intelsat V satellites. Until recently I'd not worked for some years with motorised systems, then....

## Motorised Systems

The Bang and Olufsen product development manager came to see us and asked whether we could put together a package that would enable them to offer a motorised satellite TV system alongside the fixed, Fuba manufactured Astra systems they were marketing. He was quite confident that they could sell a more elaborate and expensive system, and I must admit that his enthusiasm for the project was contagious.

I investigated the possibilities and came up with a Channel Master kit that's of US origin. It came to my attention as a result of a mailshot from Longreach Marketing of Bath. The price, though this was not the prime consideration, is exceptional – more on this in a minute. A system was obtained on a trial basis. It seemed to be well built, and installation and alignment were straightforward. The dish is a moulded, non-metallic one: a 1.2m offset type with a triple arm mounting for the head end that consists of an LNB, an electromagnetic polariser (manufactured by Racal) and a large feedhorn assembly. This head ensemble is encased in a plastic hood that tidies everything up, providing one of the neater approaches to this part of an installation. We specified one or two improvements to the system – an 18in instead of a 12in arm and an LNB with a noise figure of 0.9dB instead of 1.1dB.

From a consumer point of view to run a motorised system with the current B and O range couldn't be simpler. The Beosat LM satellite receiver fits neatly inside the TV set, installation taking only a few minutes. It's a great improvement on the earlier Beosat LX. The Posit LM positioner unit also fits inside the main set. All the sockets are grouped together at the back. Connections are made via DIN leads to the positioner, polariser, LNB, decoders etc. When the customer changes channel, the dish moves to the required position if a change is necessary. Each of the 99 locations has its own frequency, audio subcarrier, dish position and polariser skew adjustments. There's an on-screen display that shows all 99 locations and their names. Vision can be muted automatically on a location used for a radio channel.

I decided that this kit would provide us with a package that could be sold at around £1,400 retail excluding installation. We don't carry out our own Astra installations though we do handle any servicing required. We did however want to undertake the motorised installations as this is a more specialised job and they would be exclusively for B and O customers. It's also far easier to justify a sensible installation charge at this end of the market. The next step, so that there wouldn't be any

misunderstandings, was to draw up guidelines and conditions as to what we would and wouldn't do as part of an installation and what reception we could guarantee.

We don't build the concrete base or do the wiring – we have a builder and an electrician on call for this work. This is handy as a satellite installation often coincides with a Link installation.

## Problems

We have had one or two problems in implementing this system however, though our display system, the original test rig, has been working without any trouble since it was first installed.

When we installed the first system we found that a number of bits were missing from the kit – the actuator mounting bracket and bolts for the polar mount for example, while instead of a Channel Master arm we'd been supplied with an Echostar version which, while still being an 18in arm, is much smaller. Aside from the missing bits, which we had to pinch from our display system because Longreach took a time to get them, the installation worked – for a week. The customer then complained that she had lost signals. When I checked I found that the dish positions were off on every location – by a greater amount at each extremity of the dish's movement. I had a strong suspicion that the customer had been fiddling, but there was fairly obviously a fault. After resetting all the positions I asked her to try again, and was soon back. Maybe the positioner was miscounting the tacho pulses fed back from the arm? A scope check showed that the pulses were of fairly low amplitude and noisy. Much cleaner pulses were obtained when I fitted the genuine Channel Master arm from our display system, and after resetting everything again no further problems occurred. It was obvious from all this that the Echostar arm that had been supplied instead of the Channel Master one was not a suitable alternative when interfaced with the B and O kit.

We've more recently been obtaining equipment from Eurosat Distribution, who have a number of branches across the country. We now obtain our Pace IRDs from the Exeter branch. The first Channel Master kit I ordered from this company was of original source throughout, apart from the LNB, and was slightly cheaper. The LNB was a Sharp one with a noise figure of 0.8dB. The Exeter branch has proved to be helpful and knowledgeable and, particularly important, has always had what we want in stock.

One problem we found was that when the hefty positioner was used with the B and O Posit LM unit the dish would in cold weather move slightly then stop. B and O is aware of this. The load of course increases in cold weather, and with certain arms the positioner is not able to deliver enough current. There's a modification which adds another transformer to the circuit. This overcomes the problem and speeds up movement of the dish. We now carry out this modification before installation to prevent problems and enhance the performance.

We've found that the B and O equipment works very well and when interfaced with the Channel Master kit provides a superb motorised package.

There are one or two software modifications I'd like to see in the Beosat LM receiver. First the ability to dump a dish position to a number of locations to save having to set it up every time. Secondly not having to rename locations when you restore data after sweep tuning. And finally an expansion of the location total to about 150 would make life easier and make better provision for the future – it's

amazing how soon you fill up 99 locations with all the radio stations that are currently available in addition to the TV channels.

### Servicing Tips

We have a couple of servicing tips to pass on this month. With the Ferguson SRA1S receiver patterning on the high-power transmissions of Sky One, News and Movies has been traced to C65 being faulty. We found that the reason for a dead (squealing) Ferguson SRV1 receiver was that the chopper transistor was short-circuit: it's also worth checking whether D5 is open-circuit.

### Correction

Finally a correction is required to the March issue Notebook. This is due to an editorial misunderstanding. The gold spot LNB introduced by Ferguson is intended to help when the field strength is low. There's a premium to pay, but the LNB is helpful when used with the poorer SRD4 receiver. The cure to the basic problem mentioned, LNBs producing a low output after some time, is simply to replace the faulty LNB.

# Long-distance Television

*Roger Bunney*

February was another fairly active month for DX-TV reception. There was considerable propagation via the F2 layer during the month, but DXers in the south did better than those in the north. A dash of Sporadic E reception and some tropospheric propagation made for an interesting month.

Simon Hamer received IRIB (Iran) and Dubai on ch. E2 during most days in February, sometimes at very high levels. On the few mornings that I was able to monitor Band 1 ch. E2 was jammed with signals – on the days when New Zealand and Australian TV were seen I was of course at work! The F2 log is as follows:

- 1/2/92 Iran E2.
- 2/2/92 NTA (Nigeria) ch. E3 via TE.
- 5/2/92 Dubai, Iran E2; TSS (Russia/CIS) R1.
- 6,7/2/92 Dubai E2.
- 8/2/92 Australia A0 (ABMN-0 and RTO-0); New Zealand ch. 1, three channels with offsets measured by scanner, weak video seen; RTM (Malaya) E2; Thailand E2; China C1, 2; TSS R1; Iran, Dubai E2.
- 11/2/92 Australia A0 (ABMN-0, RTO-0); unidentified FubK test card at 1017 (not Iran).
- 12/2/92 Iran and Dubai E2; unidentified signals as follows: Arabic E3, A2 and E2 FubK pattern.
- 13/2/92 CIS R1; Dubai, Iran E2.
- 14/2/92 CIS R1.
- 15-20, 22-24/2/92 CIS R1; Iran, Dubai E2.
- 29/2/92 Dubai E2 with teletext programme guide.

The SpE log is as follows:

- 15/2/92 TVE (Spain) E2, 3; TSS R1.
- 16/2/92 TSS R1.
- 20/2/92 RUV (Iceland) E4.
- 29/2/92 TVE E3.

Several DXers logged an aurora on the 25th though there were no reports of TV reception.

There were several minor tropospheric openings. On the 5th TVE was received from ch. E3 through Band 3 to u.h.f., also German signals in Band 3 and at u.h.f., mainly along the south coast. During the 5th to the 9th there were further periods of cross-channel reception from as far as Spain. Mark Baldwin received Band 3/u.h.f. signals in Northampton, possibly partly due to ducting. There were signals from Germany and the Benelux countries across the UK on the 8th and 9th. More lively tropospheric conditions were present on the 24-25th, with Band 3/u.h.f. signals from France, Spain, Germany and the Benelux countries and, on the 25th, Sweden and Denmark.

Our thanks to David Glenday (Arbroath), Simon Hamer (Powys), Tim Anderson (St. Leonards), Roger Fussell (Torpoint), Peter Schubert (Rainham) and Mark Baldwin (Northampton) for sending in reception reports.

Ryn Muntjewerff (Holland) reports that there's a second ch. E2 outlet operational in Thailand, relaying Bangkok ch. E9, power unknown. It seems that the ch. E2 PM5534 test pattern seen by Robert Copeman and Anthony Mann in Australia via F2 on February 5th originated from SVT-1 (Sweden)!

Tim Anderson asks whether any overseas readers can assist with the following queries. (1) Where does the ch. E2  $\pm 2$ kHz FubK test pattern come from? – it's not from Iran. (2) Likewise the 48.24 and 48.26MHz Arabic signals with no VITS, which are again neither Dubai nor the two Iranian transmitters. (3) Any thoughts on the long-standing mystery of the ch. R1 525-line signals seen in Australia from the north? Tim wonders whether left-over NTSC equipment from US army activities in Vietnam could be the origin, especially as this country is listed as using both 525-line NTSC and 625-line SECAM.

### News Items

**Poland:** The Lublin ch. R2 transmitter now radiates a local TV service instead of TVP-2. Oddly, TVP carries BBC World Service TV teletext – World News and Markets are on pages 103 and 104 respectively. Our thanks to Andy Emmerson for this information.

**Hungary:** As with Czechoslovakia a change from SECAM to PAL is envisaged – experimental PAL transmissions are expected to start this summer. Conversion to PAL would be expensive nationally as most receivers in use are single-standard SECAM ones. A further problem is MTV's financial difficulties: there have been severe staff cutbacks and programme hour reductions. Nine high-power transmitters are currently on order to improve coverage in five border regions. The authorities are giving consideration to the commercial possibilities of cross-border transmissions, which would have to use PAL.

**Cyprus:** In the January column I referred to the use of both PAL and SECAM. This has brought a response from Costas Mouhtaros, Chairman of the Union of TV Technicians in Cyprus. He writes as follows: "Cyprus is one country, with 37 per cent of the island under Turkish occupation since 1974. There are three relays that are not licensed by either the EC or the Cyprus government in the occupied territory. Otherwise there are three main transmitters in Cyprus. CBC-1 ch. E6 and CBC-2 ch. E31 both use the PAL B/G standard. The Greek ET-1 ch. E28 service uses SECAM." Our thanks for this information.

**CIS (formerly the USSR):** The former Gostelradio is now known as the Russian State Television and Radio

Company. It operates as Ostankino, which is the name of the Moscow TV centre. During the current year Ostankino is to receive a state budget. It will subsequently be privatised and operate as a commercial enterprise. The CT-1 network is to be used as a CIS platform, with each of the independent states having air time. Use of the four main channels is expected to be as follows: 1 CIS, 2 Russia, 3 Moscow, 4 educational. The Ostankino TV centre is to continue as the main source of transmissions in all time zones.

### **Transmitter Update**

The Swedish third programme (TV4) is now being distributed terrestrially. High-power transmitters currently in operation for the service are as follows: Goteborg ch. E46, Horby E50, Karlstad E46, Malmo E47, Norrkoping E54, Stockholm E42, Sundsvall E50, Uppsala E52, Vasteraas E51, Orebro E58. The following transmitters are due to come into service by the end of June: Bollnas E49, Borlange E60, Boraas E55, Gavle E30, Helsingborg E41, Karlshamn E44, Skovde E47, Vannas E50, Alvsbyen E52.

The Norddeutscher Rundfunk is now using the following formerly East German transmitters: Helpterberg E37 (250kW H), Marlow E8 (100kW H), Schwerin E11 (100kW H) for the NDR-1 service; Helpterberg E22 (300kW H), Marlow E24 (500kW V) and Schwerin E29 (500kW H) for the NDR-3 service. Our thanks to the BDXC for the above information.

A correction is required to the Australian ch. 0 transmitter references in the January column (F2 reception report). Robert Copeman points out that DTQ-0 should have read RTQ-0 (Toowomba), which was formerly DDQ-0. Queensland (vision carrier 46.171MHz, transmitter power 150kW e.r.p.). The ABMN-0 Wagga Wagga, NSW transmitter remains in operation as before (vision carrier 46.24MHz, 100kW e.r.p.).

### **Interference**

*Six News* has drawn attention to two sources of strong Band 1 interference. The Panasonic NV-L20HQ radiates at 50.112MHz: a high-pass filter in the aerial lead, adjacent to the VCR, solves the problem. Use of a toroid would reduce the radiation. The Binatone 01/3150 telephone answering machine radiates at 50.115MHz. There is at present no solution to this one. Has anyone any ideas? It appears that the microcomputer clock or dividers are the source of the radiation.

### **Satellite News**

The footprints of the Eutelsat II F4, 5 and 6 satellites are being modified to give greater coverage of the CIS. Eutelsat is also investigating the possibility of co-locating two craft with up to forty TV transponders at a single orbital position.

Canal Plus will use SECAM for its transmissions via the new Telecom 2A satellite, with Nagravision scrambling. The latter is similar to the Canal Plus Espana/Premiere scrambling, which requires a smart card for reception. Seven transponders on the new satellite are being leased by Canal Plus for its own service plus Canal Jimmy/Canal J, TV Sport, Cine Cinema, Cine-Cinefil, MCM Euromusique and Planete. Anyone thinking of acquiring a pirate Canal Plus decoder might find it best to postpone such a move. Filmnet is ready to use D2 MAC with Eurocrypt.

There are strong suggestions that by early autumn Thames TV will be providing a subscription-based commercial TV service via Astra 1B, in direct competition with BSkyB. Other projected satellite TV services for the UK include the Eurosoccer Channel and two channels, Indra Dhnush Television and TV Asia, aimed at viewers of Asian origin. The African Caribbean cable channel is also considering satellite TV distribution.

CNN parent company Turner Broadcasting is to offer a 24-hour cartoon channel across the USA from October 1st. The company recently bought the Hanna Barbera cartoon library (Tom and Jerry, the Flintstones, Yogi Bear etc.). If all goes well a pan-European service will be launched.

British Aerospace's Sportscast subscription service via Eutelsat II F3 at 16°E is to use Videocrypt scrambling, mainly on grounds of security and cost: the decoders are plentiful and cheap whereas B-MAC encoded distribution is costly and the decoders are more complex.

Swift Television Publications (17 Pittsfield, Cricklade, Swindon SN6 6AN, phone/fax 0793 750 620) has released on a 3.5in disc that runs on IBM type PCs compatible with MS DOS 3.0 or higher a new satellite program for those in the installation trade, research workers and the (very) dedicated satellite enthusiast. The "Satmaster", written by D.J. Stephenson, provides information on orbital positions, interference protection, establishing the correct azimuth and elevation settings for any satellite at any part of the world and much else. It works out reception characteristics, given information on the satellite, the receiving site and the equipment to be used (i.e. dish size, LNB noise figure etc.), also polarisation offsets for any satellite above your horizon. The various graphs and calculation results can be displayed on a VDU screen or printed out. Use of the program enables all manner of tedious and difficult calculations to be sorted out with ease. It includes a 20,000-word technical guide. The UK price is £33 including UK postage: add £2 for Continental Europe and £4 for other parts of the world.

### **Equipment for DXing**

Last month we discussed tuning to receive Sporadic E signals in Band 1. It's not unfortunately possible to predict when an SpE opening will occur. Many TV-DXers develop a feel for when conditions are right however. I've found for example that a hot, sultry, overcast day with a feel of thunder during June or July is a likely time: not always, but often. Such propagation occurs when patches in the E layer, either localised or widespread, become sufficiently densely ionised to be able to reflect incident v.h.f. signals, usually in Band 1 but sometimes into Band 2 and very occasionally reaching into Band 3. In a similar manner to the medium-wave band signal reflection that occurs after dark, E-layer signals received may have come from distances between 400 miles and 1,500 miles in a single hop. Multiple-hop propagation greatly increases the distance. At times when multiple-hop reflections occur it's possible to receive in the UK Band 1 signals from the Middle East, Africa and, occasionally, the eastern seaboard states of Canada. An SpE opening can occur at any time during May through to late August. Due to the transmitters closing down, night-time reception is infrequent.

As signal strengths can be very strong even a simple aerial can provide dramatic reception during a good opening. Thus SpE DXing is a hobby that can be enjoyed using minimal equipment – and certainly without the need to erect a 60ft mast! A simple wideband dipole mounted on



a short pole will suffice. Though some DXers use multi-element Yagi arrays, a simpler aerial system can be just as effective.

When I started DXing in 1962-3 I read an early Bernard Babani publication by a Mr. West who explained "how to TVDX" and the equipment to use/modify. I well remember the photographs of Mr. West's aerials: basic single dipoles and H-type arrays. The mass of reception photographs proved that such simple aerial systems, held aloft with one-inch steel conduit pipe, worked well.

In the UK SpE signals may arrive from any direction, including the west, i.e. from North America. A horizontally-mounted dipole responds to signals that arrive broadside to it. Thus a dipole mounted along an east-west axis will pick up signals across a broad range to the north and the south. Similarly a horizontal dipole mounted along a north-south axis will pick up signals from the west and east. Two such dipoles mounted horizontally at right angles on a common mast will thus provide omnidirectional reception when a wideband combiner is used to combine the outputs. Alternatively a two-way switch can be used to select the outputs. The latter approach may be preferred in order to obtain directional discrimination. A vertically-mounted dipole is responsive to signals from all directions: since SpE signals undergo considerable polarisation shift this simpler approach may be preferred.

Gain and directivity can be achieved by adding a slightly longer element, called a reflector, behind the dipole. This reduces signal pick up from behind. A third, slightly shorter, element added in front of the dipole further increases the gain and directivity. This is called a director. The spacing between the three elements can be adjusted for optimum results. This is the Yagi-type array. You can use an aerial rotator with such an array or alternatively employ hand rotation. I feel that the simpler type of aerial is best for the newcomer however. As interest develops, so the aerial system can be improved.

For Band 1 coverage we need reception across the 48-70MHz spectrum. A standard half-wave dipole has a bandwidth of some 5MHz, falling off sharply at each side. The dipole's length determines its resonant frequency. For a wider bandwidth we could therefore arrange to have two dipoles cut for say 54 and 64MHz mounted close together, with selection of the outputs by switching. This is effective but very inconvenient. It's more efficient to use a wideband dipole that covers the whole 48-70MHz bandwidth - either a single vertical dipole or two such dipoles mounted horizontally at right angles to each other with switch selection as necessary. The aerials can be fitted to a pole or metal mast, preferably 18-20ft above ground to clear local obstructions. Run low-loss feeder(s) to the receiver and you're in business!

Fig. 1 shows various types of aerial for Band 1.

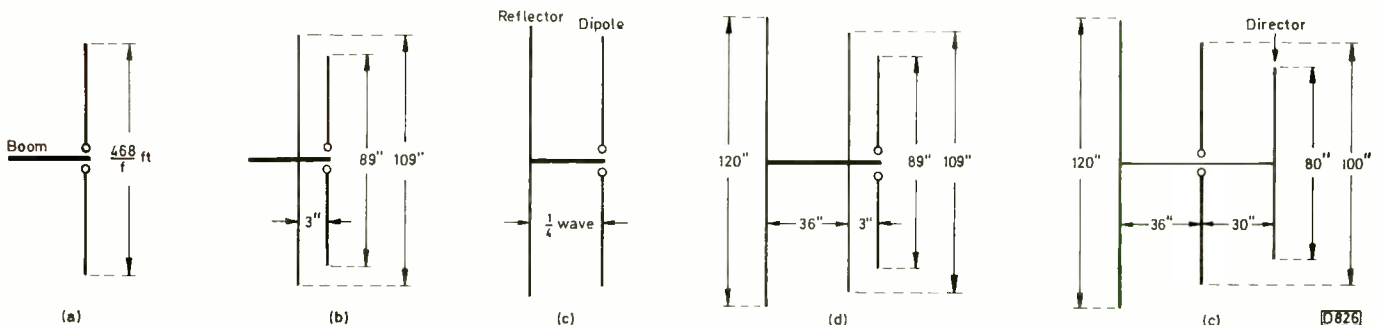
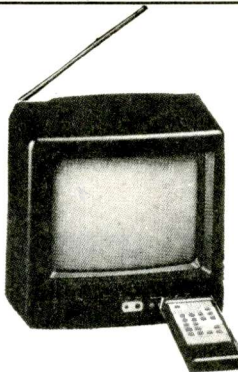


Fig. 1: Band 1 aerial designs. (a) Narrow-band dipole. Cut to the required channel frequency. (b) Wideband dipole. (c) Semi-wideband H array. Cut the reflector to ch. E3 and the dipole to ch. E2 or the reflector to ch. E4 and the dipole to ch. E3. (d) Wideband H array. (e) Wideband Yagi array. Boom 1in. tubing, elements 0.5in. tubing, feeder 75Ω coaxial cable.

## AERIAL TECHNIQUES



**STAG CTV-9400  
PAL/SECAM  
MULTI-STANDARD  
COLOUR TV**

**PRICE £329.00 + £10.00**  
overnight delivery by insured Courier.  
(inclusive of VAT).

- Built-in Peritel/Scart sockets allows connection of a variety of other AV equipment.
- Built-in whip aerial.
- 75 ohm aerial input at the rear.
- Covers Band 1, 3 & UHF plus all cable channels.
- Compact dimensions: Height 255mm (10.03in); Width 266mm (10.4in); Depth 323mm (12.6in); Weight 8.75Kg.

We stock a large range of equipment for all types of aerial and satellite installation, all detailed in our 29 page **Catalogue at 75p**, send for your copy today. We also have available Multi-standard TV's and Video recorders for all systems, **PAL, SECAM & NTSC**. Most makes of Satellite equipment carried, together with decoders for **Canal Plus, RAI UNO, RAI DUE, PAL/D2-MAC** Satellite receivers now in stock, also **SECAM to PAL** Transcoders (SAE for details).

**SPECIAL OFFER!!! UNIDEN UST-92 D2-MAC to PAL Decoder with built-in Eurocrypt card reader ..... £399.00 + Vat.**

ACCESS, VISA & AMERICAN EXPRESS  
Mail & Telephone orders welcome (24hr service)

**11, KENT ROAD, PARKSTONE, POOLE, DORSET BH12 2EH**  
Tel: 0202 738232 Fax: 0202 716951

- 10" Picture tube.
- PAL/SECAM compatibility, together with 5.5, 6.0 and 6.5MHz automatic sound switching, enables this set to be used in FRANCE, UK, Western Europe and the Middle East.
- 12v DC or 220/240v AC operation from mains or battery.
- 32 Programme storage tuning.
- Full function remote control.
- Features on screen graphics showing the various modes.
- Interactive 2 digit LED display.

To calculate the length of a half-wave dipole use the formula  $468/f$ , where  $f$  is the wavelength in MHz. The answer obtained is in feet. As an example, the channel E2 vision carrier frequency is 48.25MHz.  $468/48.25$  gives the result 9.69, i.e. 9ft 8.5in. This is the tip-to-tip length of a dipole cut to the ch. E2 vision carrier frequency.

The vision carrier frequencies for the various Band 1 channels are as follows: E2 48.25MHz, E3 55.25MHz, E4 62.25MHz, IA 53.75MHz, IB (Italy) 62.25MHz, IB (Ireland) 53.75MHz, R1 49.75MHz, R2 59.25MHz, L2 55.75MHz, L3 60.5MHz, L4 63.75MHz, A2 55.25MHz, A3 61.25MHz, A4 67.25MHz.

Aerials and aerial insulators/components can be purchased from HS Publications, 7 Epping Close, Mackworth Estate, Derby DE3 4FS (send s.a.e. with enquiries). Aerial tubing can be purchased from local suppliers: it may be expensive (0.5in. diameter hard-drawn is best). The boom can be made of standard one-inch outside diameter aerial mast tubing, which should be

available cheaply from aerial rigging firms. Many aerial riggers may have old v.h.f. aerial stocks – or even aerial systems that have been taken down from customers' premises. Aerial Techniques who advertise in this magazine can supply specialised TV-DXing aerials.

# TEST CASE

## 353

*Each month we provide an interesting case of TV/video servicing to exercise your ingenuity. These are not trick questions but are based on actual practical faults.*

Amongst all the charcoal-grey plastic cabinets ranged along the waiting-repair racks there was a brown one! Its cabinet really was made of chipboard and Fablon, a genuine bit of old English craftsmanship on the part of some factory machine now relegated to the scrap pile or maybe recycled into razor blades. Ah, the nostalgia for real chipboard!

This remarkable cabinet enclosed a Philips K30 chassis no less. It had gathered a great deal of dust during its ten years of service. Sherlock, who had been delegated to repair it, was a schoolboy when this set first saw the light of day. The job card told him that the picture was jittering so, after vacuuming out the dust, he switched the set on to assess the situation.

Since the tube was by now worn, the picture was somewhat weary. But this apart the set seemed to work well enough. Sherlock turned the brightness and contrast up a bit. The picture then began to jitter. Not up and down, nor side to side, but in a strange way with fragments of the image expanding and contracting over the edge of the screen, almost as if the picture was being zoomed in and out optically over a period of a fraction of a second. Sage plodded past the bench en route to the stores. "Dag's off" he said. Beg pardon?!

"Dag's off ground – that plays about with the e.h.t." Sage explained when quizzed on his return journey. To translate, what he was suggesting was that the tube's external conductive coating (Aquadag) was not connected to the set's chassis. But it was, as Sherlock quickly proved with his ohmmeter. Nevertheless the idea that the e.h.t. voltage was jittering seemed a credible one to Sherlock – the effect of low or poorly-regulated e.h.t. is to zoom the picture. So he hooked an e.h.t. meter to the tube bowl's cavity connector and sure enough the needle twitched as the picture jittered.

Now the e.h.t. voltage depends on the h.t. voltage, so this was where the next check was made. At HT2, which should be at 140V. One hundred and forty volts it was, with no detectable jitter even when the picture was playing its tricks. There was a variation of a volt or two between

full and minimum brightness. The picture jitter/zoom occurred only at high brightness/contrast levels, but this was not reflected to any discernible degree in the h.t. voltage

Attention was next turned to the line output stage, which has a diode-split line output transformer and a BU208A transistor. Sherlock connected his scope probe to the BU208A's collector and turned the Y gain setting fully anticlockwise. The pulses, of around 1kV peak amplitude, changed shape a bit as the brightness and contrast controls were turned up and down but showed little or nothing of the jitter that so badly affected the picture. Sherlock's course was now clear to him: the line output transformer, or at least its diode-split section, was in trouble and had to be changed. Was there a K30 line output transformer in the stores? There was indeed, complete with an invoice from Purley Way. Sherlock fitted it while Sage reminisced about Croydon Aerodrome, G11s and the girl at the reception desk in the days when his hair hadn't a streak of grey in it and he'd just been on a servicing course on the G8. What was that? A type of aeroplane? A specific size of intimate underwear? No, a TV chassis – one even older than the K30...

The new line output transformer made no difference to the symptom. This will come as no surprise to regular readers of the test-case column. Even though the e.h.t. was varying – or was it? – the transformer assembly was not responsible. Which somewhat cheaper component was causing the trouble? For the answer and another test case puzzler, see next month's issue.

## ANSWER TO TEST CASE 352 – page 437 last month –

There was a shortage of workshop staff last month. And a shortage of inspiration. Dylan had run out of ideas for a somewhat ancient VHS machine with sound problems. He'd set up the relevant electronic circuits, changed the pinch roller and tilted the top (audio section) of the audio/control head stack until it was leaning across like the Tower of Pisa. But the sound from the tape was still low, hissy and fluctuating.

Finally, in an attempt to tie down the cause of the fault to a mechanical or an electrical problem, he connected the scope's probe direct to the audio head's output. Despite the scope's full gain setting there was no signal to be seen. Dylan tried the same test on a VCR with perfectly good sound playback and likewise got no response on his scope. Plainly the signal at this point is very small at the best of times! The machine was put on one side while a reel idler was fitted to the Hitachi one that had gobbled Jane Fonda's tape and Mr. Harper's picture tube was boosted.

The mystery was soon solved when Sage and the others returned to the workshop. The audio head assembly was badly worn: the erosion was plainly visible, rather like a water-worn pebble, when the head's front face was examined with the bench light at just the right angle. A replacement head restored good sound performance, though Dylan had to reset the recording and bias levels as well as align the new assembly in the tape path.

Published on the third Wednesday of each month by Reed Business Publishing Ltd., Quadrant House, The Quadrant, Sutton, Surrey SM2 5AS. Filmsetting by Trutape Setting Systems, 220-228 Northdown Road, Margate, Kent. Printed in England by the Riverside Press Ltd., St Ives plc. Distributed by IPC Marketforce, Independent Publishers Group, Kings Reach Tower, Stamford Street, London SE1 9LS (071 261 5000). Sole Agents for Australia and New Zealand – Gordon and Gotch (Asia) Ltd; South Africa – Central News Agency Ltd. "Television" is sold subject to the following conditions, namely that it shall not, without the written consent of the Publishers first having been given, be lent, resold, hired out or otherwise disposed of by way of Trade at more than the recommended selling price shown on the cover, excluding Eire where the selling price is subject to currency exchange fluctuations and VAT, and that it shall not be lent, resold, hired or otherwise disposed of in a mutilated condition or in any unauthorised cover by way of Trade or affixed to or as part of any publication or advertising, literary or pictorial matter whatsoever. ISSN 0032-647X.

# SYSTEM DECODE 92

A highly profitable 'Bolt On' or 'Start Your Own' business. Decoding Philips radio/cassettes as fitted by Vauxhall, A. Rover, Peugeot, Renault, Volvo and others. 22DC series 570/670/680/751/752/755/846/864/954.

Due to demands on our Service Dept. and technical staff (approx 1000 units in 1991) we designed a non hardware dependant system enabling **NON TECHNICAL STAFF** to perform the decoding operation.

**SYSTEM DECODE 92** requires;  
**NO** technical knowledge.  
**NO** specialist equipment.  
**NO** soldering.  
**NO** spares/parts to buy.  
**NO** waiting for 'timeouts'.

All you will need in addition to '**SYSTEM DECODE 92**' is a 12vdc power source and a few simple hand tools.

It's fast and easy, it snowballs and you start immediately to earn your share of the thousands to be made Decoding.

The demand is there. We also show you **EXACTLY** where and how to start the units rolling in, growing as required. Should you choose to expand your services, included also, are numerous fault reports, repair procedures, tips, data, suppliers etc. relating to the repair of these units.

All in all – a goldmine, and it pays for itself within the first 20 units. (Std. Charge £15 unit)

**SYSTEM DECODE 92 £295.** – (fully inclusive)

T.E.M.S., Dept. TV05, 36 Springvale, Gayton,  
 Norfolk PE32 1QZ. (0553) 636618

Note: Only 200 System Decode 92 to be sold.  
 Sorry. Not available within a 45 mile radius of E. Dereham, Norfolk.  
 Please allow for cheque/PO clearance.  
 UK Regional/Worldwide distribution rights available.

## PHONE TODAY

**RENTAL FINANCE**  
 TVs, VCRs, Satellite

**0903**  
**821020**

**STOCKING FINANCE**  
 TVs, VCRs, Satellite

**0903**  
**821020**

**BLOCK DISCOUNTING**  
 Rental & HP Agreements

**0903**  
**820968**

*Written Quotations Available  
 On Request*



**Broughfame Limited**  
 Colonnade House  
 High Street  
**WORTHING**  
 West Sussex BN11 1NZ

# TUBES

## 1000's of C.R.T's in stock

14" and 16" portables	from £29
20" KT3	£39
20" TX9	£44
22" TX10, ITT, Rediffusion Mk IV	£44
20" GEC/Hitachi	£29
26" Thorn 9.6K	£29
20" G11, Bush	£5
14" & 20" Mono	£5

WHILE STOCKS LAST

- ★ New, rebuilt, ex-equipment.
- ★ Scan coils available.

Contact Irene or Jane – you'll be amazed how much they know about tubes.



Add carriage and  
 VAT to all prices



## EXPRESS TV

The Mill, Mill Lane,  
 RUGELEY, Staffs WS15 2JW

**Tel: 0889-577600**  
**Fax: 0889-575600**

# MAKE YOUR INTERESTS PAY!

Train at home for one of these Career Opportunities

Over the past 100 years more than 10 million students throughout the world have found it worth their while! An ICS home-study course can help you get a better job, make more money and have more fun out of life! ICS has over 100 years experience in home-study courses and is the largest correspondence school in the world. You learn at your own pace, when and where you want under the guidance of expert 'personal' tutors. Find out how we can help YOU. Post or phone today for **FREE INFORMATION** on the course of your choice. (Tick one box only!)

Electronics <input type="checkbox"/>	TV, Video & Hi-Fi Servicing <input type="checkbox"/>
Basic Electronic Engineering (City & Guilds) <input type="checkbox"/>	Refrigeration & Air Conditioning <input type="checkbox"/>
Electrical Engineering <input type="checkbox"/>	Car Mechanics <input type="checkbox"/>
Elec. Contracting/Installation <input type="checkbox"/>	Computer Programming <input type="checkbox"/>
<b>GCSE/GCE/SCE</b> over 40 examination subjects to choose from <input type="checkbox"/>	

Name: \_\_\_\_\_

Address: \_\_\_\_\_

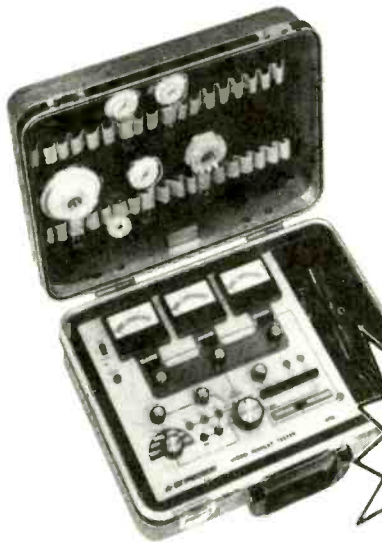
P. Code \_\_\_\_\_



International Correspondence Schools, Dept. EGS52  
312/314 High Street, Sutton, Surrey SM1 1PR. or  
041-221 7373 (24 hours).

# NUMBER ONE CRT ANALYSER-RESTORER

By B & K Precision



**CAN PAY FOR ITSELF IN MONTHS**

This CRT test and rejuvenation instrument gives you definite "yes" or "no" answers to tube condition – then restores automatically at the touch of a button. 95% of CRTs will function as well as new after restoration, enabling you to offer a two year guarantee and ensuring you good profits for years to come.

- ★ TV and VDU colour or monochrome CRTs
- ★ Test emission, tracking, leakage, shorts & life
- ★ Remove shorts, clean and balance guns, rejuvenate cathodes
- ★ Test and rejuvenate virtually all TV, VDU & scope tubes
- ★ Continual set-up chart updates and new adaptor development
- ★ Most powerful restoration method known with minimum danger to CRT
- ★ Rejuvenated CRTs guaranteed as new for two years

Send for a leaflet on this and other exclusive items of test equipment and for the address of your local distributor

**CANADIAN INSTRUMENTS & ELECTRONICS LTD**  
THE BASS BUILDING, WIDDOWSON CLOSE, BLENHEIM INDUSTRIAL ESTATE, BULWELL, NOTTINGHAM NG6 8WB  
TEL: (0602) 770075 FAX: (0602) 770081

## WE HAVE THE WIDEST CHOICE OF USED OSCILLOSCOPES IN THE COUNTRY

TEKTRONIX 2445B Four Channel 150MHz	£2000
TEKTRONIX 2236 Dual Trace 100MHz Delay Sweep Counter/Timer DMM	£800
TEKTRONIX 2336 Dual Trace 100MHz Delay Sweep	£800
TEKTRONIX 485 Dual Trace 350MHz Delay Sweep	£800
TEKTRONIX 475 Dual Trace 200MHz Delay Sweep	£550
SCHLUMBERGER 5218 Dual Trace 200MHz Delay Sweep	£550
TEKTRONIX 2225 Dual Trace 50MHz Delay Sweep	£500
TEKTRONIX 465 Dual Trace 100MHz	£450
PHILIPS PM3260 Dual Trace 120MHz Delay Sweep	£300
GOULD DS3000A Dual Trace 40MHz Delay Sweep	£250
PHILIPS PM3217 Dual Trace 50MHz Delay Sweep	£250
TELEQUIPMENT 075 Dual Trace 50MHz Delay Sweep	£200
TELEQUIPMENT V3 Differential Amplifier	£40
HAMAG 605 Dual Trace 60MHz Delay Sweep	£400
HITACHI V212 Dual Trace 20MHz	£250
TRIO CS1022 Dual Trace 20MHz	£225
GOULD OS1100 Dual Trace 30MHz	£180
TEKTRONIX 422 Dual Trace 15MHz	£125

THIS IS JUST A SAMPLE — MANY OTHERS AVAILABLE

## ELECTRON MICROSCOPES

A E I CORINTH 500-TRANSMISSION I S I SUPER 111A-SCANNING	
RACAL/DANA Wideband Level Meter 5002	£1000
RACAL/DANA (AM) LCR Databridge 93A1	£350
TEKTRONIX 577 Curve Tracer with 277 fixture	£3000
WAYNE KERR LCR4250 with Biring Option	£2250
WAYNE KERR LCR Meter 4210	£600
WAYNE KERR Automatic Component Bridge B605	£450
WAYNE KERR Universal RF Bridge B602	£150
FARNELL Synthesised Oscillator Disc 1 — 0.001Hz-99.99kHz	£275
MARCONI TF2008 AM/FM 10KHz-510MHz Sig Gen	£300
MARCONI TF2015 AM/FM 10-520MHz Sig Gen with TF2171	£400
MARCONI TF2015 without Synchroniser TF2171	£250
MARCONI TF2016 AM/FM 10KHz-120MHz with TF2173	£350
MARCONI TF2016 without Synchroniser TF2173	£175
MARCONI TF2356/2357 Level Osc/Meter 20MHz The pair	£950
MARCONI SANDERS Sig Sources Various models covering 400MHz-8.5GHz	From £300
RACAL 9009 Mod Meter 10MHz-1.5GHz	£300
RACAL Instrumentation Recorders Store 4D & 7D	From £500
KEITHLEY 224 Programmable Current Source	£1000
FERRORAGPHY RY52 Recorder Test Set	From £150

## SPECTRUM ANALYSERS

TEKTRONIX 491 1.5-10MHz	£750
H.P. 141T with 8555A & IF plug-in 10MHz-18GHz	£3000
H.P. 140 Series with 8554 & IF plug-in 500KHz-1250MHz	£1500
H.P. 140 Series with 8553 & IF plug-in 1KHz-110MHz	£800
H.P. 180 Series with 8558B 0.1-1500MHz from	£2000
POLARD type 641-1 10MHz-18GHz	£3000

Used Equipment — With 30 days guarantee. Manuals supplied if possible. This is a VERY SMALL SAMPLE OF STOCK. SAE or Telephone for lists. Please check availability before ordering. CARRIAGE all units £16. VAT to be added to Total of Goods and Carriage.

Access **STEWART OF READING**  
110 WYKEHAM ROAD, READING, BERKS RG6 1PL  
Telephone: 0734 268041 Fax: (0734) 351696  
Callers Welcome 9am-5.30pm Mon-Fri (until 8pm Thurs)

## PHILIPS PM2525 MULTIFUNCTION DMM

4 1/2 digit with GPIB/IEEE 488 ONLY £300	
THURLBY PL320T-GP Bench PSU 0-30V 2 Amp Twice with GPIB ONLY £350	
HANDHELD MULTIMETERS 3 1/2 digit. DM105 — 14 ranges DC: 2Amp ONLY £18	
M2355 — 32 ranges AC/DC — 10 amps. Diode Transistor Tester. Freq Counter etc only £32.50	
THORN PSU 0-40V. 0-50Amps Metered	£300
FARNELL PSU H30-100 30V 100Amps	£750
FARNELL PSU H60-25 60V 25Amps	£400
TELEQUIPMENT CT71 Curve Tracer	£250
MARCONI TF2100 Universal LCR Bridge Battery	From £125
MARCONI TF237A Auto Distort Meter 400Hz-1KHz 0.01%	£175
RACAL 9915 Freq Counter 10Hz-520MHz (Crystal Oven)	£150
MANNESSMAN TALLY Plot 3 XY Plotter RS232	£100
PHILIPS PM5131 Function Gen 0.1Hz-20MHz	From £700
FARNELL PSU L30-5 30V 5 Amp	£150

## AVO MULTIMETERS

Model 8 or 9 (what's available)	£40
Test Set No 1: 8x 95X	£55
8 Mk5 with Carrying Case	£90
8 Mk6 with Carrying Case	£120
All meters supplied with Batteries & Leads	

## MARCONI DIGITAL FREQUENCY METERS

Type 2430A 10Hz-80MHz	£125
Type 2431A 10Hz-200MHz	£160

## MARCONI UNIVERSAL COUNTER TIMERS

Type 2437 DC-100MHz	£175
Type 2438 DC-520MHz	£225

## LEVEILL TM60 Broadband Voltmeter 1Hz-450MHz

15uV-500uV	£150
3uV-300V	£60
LEVEILL TM3A AC Multivoltmeter 1Hz-3MHz; 5uV-500V	£40
LEVEILL TG200 range 1Hz-1MHz Sine/Sq	£125
LEVEILL Oscillator TG152 3Hz-300KHz Sine/Sq	£75
LEVEILL Decade Osc TF96A 0.2Hz-1.22MHz	From £35
Low Distortion	From £75

## NEW EQUIPMENT

HAMEG OSCILLOSCOPE HM1005 Triple Trace 100MHz Delay Timebase	£792
HAMEG OSCILLOSCOPE HM 804 Dual Trace 60MHz Delay Sweep	£610
HAMEG OSCILLOSCOPE HM2037 Dual Trace 20MHz Component Tester	£338
HAMEG OSCILLOSCOPE HM2053 Dual Trace 20MHz Digital Storage	£610
All other models available. All oscilloscopes supplied with 2 probes.	

## BLACK STAR EQUIPMENT (P&P all units £5)

APPOLLO 10 — 200MHz Counter/Timer/Ratio/Time Interval etc.	£295
METEOR 100 FREQUENCY COUNTER 100MHz	£109
METEOR 800 FREQUENCY COUNTER 800MHz	£135
METEOR 100 FREQUENCY COUNTER 15GHz	£178
JUPITOR 500 FUNCTION GENERATOR 0.1Hz-500KHz Sine/Sq In	£110
ORION COLOUR BAR GENERATOR Pal/TV/Video	£229
All other Black Star Equipment available.	
OSCILLOSCOPE PROBES Switchable x1 x10 (P&P) £3	£11

**AMSTRAD PORTABLE PC'S FROM £149 (PPC1512SD), £179 (PPC1512DD), £179 (PPC1640SD), £209 (PPC1640DD), MODEMS £30 EXTRA. NO MANUALS OR PSU.**

**HIGH POWER CAR SPEAKERS.** Stereo pair output 100w each, 40hm impedance and consisting of 6 1/2" woofer 2" mid range and 1" tweeter. Ideal to work with the amplifier described above. Price per pair £30.00 Order ref 30P7R.

**2KV 500 WATT TRANSFORMERS** Suitable for high voltage experiments or as a spare for a microwave oven etc. 250v AC input. Now only £4.00 ref 4P157

**MICROWAVE CONTROL PANEL.** Mains operated, with touch switches. Complete with 4 digit display, digital clock, and 2 relay outputs one for power and one for pulsed power (programmable). Ideal for all sorts of precision timer applications etc. Now only £4.00 ref 4P151.

**FIBRE OPTIC CABLE.** Stranded optical fibres sheathed in black PVC. Five metre length £7.00 ref 7P29R

**12V SOLAR CELL.** 200mA output ideal for trickle charging etc. 300 mm square. Our price £15.00 ref 15P42R

**PASSIVE INFRA-RED MOTION SENSOR.** Complete with daylight sensor, adjustable lights on timer (8 secs -15 mins), 50' range with a 90 deg coverage. Manual override facility. Complete with wall brackets, bulb holders etc. Brand new and guaranteed. Now only £19.00 ref 19P29

Pack of two PAR38 bulbs for above unit £12.00 ref 12P43R

**VIDEO SENDER UNIT** Transmits both audio and video signals from either a video camera, video recorder or computer to any standard TV set within a 100' range! (tune TV to a spare channel). 12v DC op. £15.00 ref 15P39R Suitable mains adaptor £5.00 ref 5P191R

**FM TRANSMITTER** housed in a standard working 13A adapter (bug is mains driven). £26.00 ref 26P2R

**MINIATURE RADIO TRANSCEIVERS** A pair of walkie talkies with a range of up to 2 kilometres. Units measure 22x52x155mm. Complete with cases. £30.00 ref 30P12R

**FM CORDLESS MICROPHONE.** Small hand held unit with a 500' range! 12 transmit power levels reqs PP3 battery. Tuneable to any FM receiver. Our price £15 ref 15P42AR

**12 BAND COMMUNICATIONS RECEIVER.** 9 short bands, FM, AM and LWDX/local switch, tuning eye/ mains or battery. Complete with shoulder strap and mains lead NOW ONLY £19.00!! REF 19P14R.

**CAR STEREO AND FM RADIO.** Low cost stereo system giving 5 watts per channel. Signal to noise ratio better than 45db w/w and flutter less than .35%. Neg earth. £25.00 ref 25P21R.

**LOW COST WALKIE TALKIES.** Pair of battery operated units with a range of about 200'. Our price £8.00 a pair ref 8P50R

**7 CHANNEL GRAPHIC EQUALIZER** plus a 60 watt power amp! 20-21KHz 4-8R 12-14v DC negative earth. Cased. £25 ref 25P14R.

**NICAD BATTERIES.** Brand new top quality. 4 x AA's £4.00 ref 4P44R. 2 x C's £4.00 ref 4P73R, 4 x D's £9.00 ref 9P12R, 1 x PP3 £6.00 ref 6P35R

**TOWERS INTERNATIONAL TRANSISTOR SELECTOR GUIDE.** The ultimate equivalents book. Latest edition £20.00 ref 20P32R.

**CABLE TIES.** 142mm x 3.2mm white nylon pack of 100 £3.00 ref 3P104R. Bumper pack of 1,000 ties £14.00 ref 14P6R

**1992 CATALOGUE AVAILABLE NOW IF YOU DO NOT HAVE A COPY PLEASE REQUEST ONE WHEN ORDERING OR SEND US A 6"X9" SAE FOR A FREE COPY.**

**GEIGER COUNTER KIT.** Complete with tube, PCB and all components to build a battery operated geiger counter. £39.00 ref 39P1R

**FM BUG KIT.** New design with PCB embedded coil. Transmits to any FM radio. 9v battery req'd. £5.00 ref 5P158R

**FM BUG** Built and tested superior 9v operation £14.00 ref 14P3R

**COMPOSITE VIDEO KITS.** These convert composite video into separate H sync, V sync and video. 12v DC. £8.00 ref 8P30R

**SINCLAIR C5 MOTORS** 12v 29A (full load) 3300 rpm 6"x4" 1/4" O/P shaft. New. £20.00 ref 20P22R.

As above but with fitted 4 to 1 inline reduction box (600rpm) and toothed nylon belt drive cog £40.00 ref 40P8R.

**SINCLAIR C5 WHEELS** 13" or 16" dia including treaded tyre and inner tube. Wheels are black, spoked one piece poly carbonate. 13" wheel £6.00 ref 6P20R, 16" wheel £6.00 ref 6P21R.

**ELECTRONIC SPEED CONTROL KIT** for c5 motor. PCB and all components to build a speed controller (0-95% of speed). Uses pulse width modulation. £17.00 ref 17P3R

**SOLAR POWERED NICAD CHARGER.** Charges 4 AA nicads in 8 hours. Brand new and cased £6.00 ref 6P3R.

**12 VOLT BRUSHLESS FAN** 1/2" square brand new ideal for boat, car, caravan etc. £5.00 ref 5P206.

**ACORN DATA RECORDER ALF503** Made for BBC computer but suitable for others. Includes mains adaptor, leads and book. £15.00 ref 15P43R

**VIDEO TAPES.** Three hour superior quality tapes made under licence from the famous JVC company. Pack of 5 tapes New low price £8.00 ref 8P161

**PHILIPS LASER. 2MW HELIUM NEON LASER .TUBE.** BRAND NEW FULL SPEC £40.00 ref 40P10R. MAINS POWER SUPPLY KIT £20.00 REF 20P33R READY BUILT AND TESTED LASER IN ONE CASE £75.00 REF 75P4R.

**12 TO 220V INVERTER KITS** supplied it will handle up to about 15w at 220v but with a larger transformer it will handle 80 watts. Basic kit £12.00 ref 12P17R. Larger transformer £12.00 ref 12P41R.

**VERO EASI WIRE PROTOTYPING SYSTEM** Ideal for designing projects on etc. Complete with tools, wire and reusable board. New low bargain price only £2.00 ref B2P1

**HIGH RESOLUTION 12" AMBER MONITOR** 12v 1.5A Hercules compatible (TTL input) new and cased £22.00 ref 22P2R

**VGA PAPER WHITE MONO** monitors new and cased 240v AC. £59.00 ref 59P4R

**25 WATT STEREO AMPLIFIER.** STK043. With the addition of a handful of components you can build a 25 watt amplifier. £4.00 ref 4P69R (Circuit dia included).

**BARGAIN NICADS AAA SIZE 200MAH 1.2V PACK OF 10** £4.00 REF 4P92R, PACK OF 100 £30.00 REF 30P16R

**FRESNEL MAGNIFYING LENS** 83 x 52mm £1.00 ref 8D827R.

**ALARM TRANSMITTERS.** No data available but nicely made complex radio transmitters 9v operation. £4.00 each ref 4P81R.

**12V 19A TRANSFORMER.** Ex equipment but otherwise ok. Our price £20.00

**GX4000 COMPUTERS.** Customer returned games machines complete with plug in game, joysticks and power supply. Retail price is almost £100. Ours is £12.00 ref B12P1

**ULTRASONIC ALARM SYSTEM.** Once again in stock these units consist of a detector that plugs into a 13A socket in the area to protect. The receiver plugs into a 13A socket anywhere else on the same supply. Ideal for protecting garages, sheds etc. Complete system £25.00 ref B25P1 additional detectors £11.00 ref B11P1

**IBM XT KEYBOARDS.** Brand new 86 key keyboards £5.00 ref 5P612

**IBM AT KEYBOARDS** Brand new 86 key keyboards £15.00 ref 15P612

**386 MOTHER BOARDS.** Customer returned units without a cpu fitted. £22.00 ref A22P1

**COLOUR MONITORS**

**AMSTRAD CTM644**

**RGB INPUT**

**£75.00 REF A75P1**

**286 MOTHER BOARDS.** Brand new but customer returns so may need attention. Complete with technical manual £20.00 ref A20P2

**286 MOTHER BOARDS.** Brand new and tested complete with technical manual. £49.00 ref A49P1

**UNIVERSAL BATTERY CHARGER.** Takes AA's, C's, D's and PP3 nicads. Holds up to 5 batteries at once. New and cased, mains operated. £6.00 ref 6P36R.

**IN CAR POWER SUPPLY.** Plugs into cigar socket and gives 3,4,5,6,7,5,9, and 12v outputs at 800mA. Complete with universal spider plug. £5.00 ref 5P167R.

**RESISTOR PACK.** 10 x 50 values (500 resistors) all 1/4 watt 2% metal film. £5.00 ref 5P170R.

**MIRACOM WS4000 MODEMS**

**V21/23**

**AT COMAND SET**

**AUTODIAL/AUTOANSWER**

**FULL SOFTWARE CONTROL**

**STONE AND PULSE DIALLING**

**£29**

**WASHING MACHINE PUMP.** Mains operated new pump. Not self priming. £5.00 ref 5P18R.

**IBM PRINTER LEAD.** (D25 to centronics plug) 2 metre parallel. £5.00 ref 5P186R.

**COPPER CLAD STRIP BOARD** 17" x 4" of 1" pitch "vero" board. £4.00 a sheet ref 4P62R or 2 sheets for £7.00 ref 7P22R.

**STRIP BOARD CUTTING TOOL.** £2.00 ref 2P352R.

**50 METRES OF MAINS CABLE** £3.00 2 core black precut in convenient 2m lengths. Ideal for repairs and projects. ref 3P91R

**4 CORE SCREENED AUDIO CABLE** 24 METRES £2.00 Precut into convenient 1.2 m lengths. Ref 2P365R

**TWEETERS** 2 1/4" DIA 8 ohm mounted on a smart metal plate for easy fixing £2.00 ref 2P366R

**COMPUTER MICE** Originally made for Future PC's but can be adapted for other machines. Swiss made £8.00 ref 8P57R. Atari ST conversion kit £2.00 ref 2P362R.

**6 1/2" 20 WATT SPEAKER** Built in tweeter 4 ohm £5.00 ref 5P205R

**ADJUSTABLE SPEAKER BRACKETS** Ideal for mounting speakers on internal or external corners, uneven surfaces etc. 2 for £5.00 ref 5P207R

**WINDUP SOLAR POWERED RADIO!** FM/AM radio takes re-chargeable batteries complete with hand charger and solar panel 14P200R

**240 WATT RMS AMP KIT** Stereo 30-0-30 psu required £40.00 ref 40P200R

**300 WATT RMS MONO AMP KIT** £55.00 Psu required ref 55P200

**BULL ELECTRICAL**

**250 PORTLAND ROAD HOVE SUSSEX BN3 5QT TELEPHONE 0273 203500**

**MAIL ORDER TERMS: CASH PO OR CHEQUE WITH ORDER PLUS £3.00 POST PLUS VAT.**

**PLEASE ALLOW 7 - 10 DAYS FOR DELIVERY**

**NEXT DAY DELIVERY £8.00**

**FAX 0273 23077**



**ALARM PIR SENSORS** Standard 12v alarm type sensor will interface to most alarm panels. £16.00 ref 16P200

**ALARM PANELS** 2 zone cased keypad entry, entry exit time delay etc. £18.00 ref 18P200

**MODEMS FOR THREE POUNDS!!** Fully cased UK modems designed for dial up system (PSTN) no data or info but only £3.00 ref 3P145R

**TELEPHONE HANDSETS** Bargain pack of 10 brand new handsets with mic and speaker only £3.00 ref 3P146R

**BARGAIN STRIPPERS** Computer keyboards. Loads of switches and components excellent value at £1.00 ref CD40R

**DATA RECORDERS** Customer returned mains battery units built in mic ideal for Computer or general purpose audio use. Price is £4.00 ref 4P100R

**SPECTRUM JOYSTICK INTERFACE** Plugs into 48K Spectrum to provide a standard Atari type joystick port. Our price £4.00 ref 4P101R

**ATARI JOYSTICKS** Ok for use with the above interface, our price £4.00 ref 4P102R

**BENCH POWER SUPPLIES** Superbly made fully cased (metal) giving 12v at 2A plus a 6V supply. Fused and short circuit protected. For sale at less than the cost of the case! Our price is £4.00 ref 4P103R

**SPEAKER WIRE** Brown twin core insulated cable 100 feet for £2.00 REF 2P79R

**MAINS FANS** Brand new 5" x 3" complete with mounting plate quite powerful and quiet. Our price £1.00 ref CD41R

**DISC DRIVES** Customer returned units mixed capacities (up to 1.44M) We have not sorted these so you just get the next one on the shelf. Price is only £7.00 ref 7P17R (worth it even as a stripper)

**HEX KEYBOARDS** Brand new units approx 5" x 3" only £1.00 each ref CD42R

**PROJECT BOX** 5 1/2" x 3 1/2" x 1" black ABS with screw on lid. £1.00 ref CD43R

**SCART TO SCART LEADS** Bargain price leads at 2 for £3.00 ref 3P147R

**SCART TO D TYPE LEADS** Standard Scart on one end, Hi density D type on the other. Pack of ten leads only £7.00 ref 7P2R

**OZONE FRIENDLY LATEX** 250ml bottle of liquid rubber sets in 2 hours. Ideal for mounting PCB's fixing wires etc. £2.00 each ref 2P379R

**QUICK SHOTS** Standard Atari compatible hand controller (same as joysticks) our price is 2 for £2.00 ref 2P380R

**VIEWDATA SYSTEMS** Brand new units made by TANDATA complete with 1200/75 built in modem infra red remote controlled qwerty keyboard BT approved Prestel compatible, Centronics printer port RGB colour and composite output (works with ordinary television) complete with power supply and fully cased. Our price is only £20.00 ref 20P1R

**AC STEPDOWN CONVERTOR** Cased units that convert 240v to 110v 3" x 2" with mains input lead and 2 pin American output socket (suitable for resistive loads only) our price £2.00 ref 2P381R

**SPECTRUM +3 LIGHT GUN PACK** complete with software and instructions £8.00 ref 8P58R

**CURLY CABLE** Extends from 8" to 6 feet! D connector on one end, spade connectors on the other ideal for joysticks etc (6 core) £1.00 each ref CD44R

**COMPUTER JOYSTICK BARGAIN** Pack of 2 joysticks only £2.00 ref 2P382R

**BUGGING TAPE RECORDER** Small hand held cassette recorder that only operate when there is sound then turn off 6 seconds after so you could leave it in a room all day and just record anything that was said. Price is £20.00 ref 20P3R

**IEC MAINS LEADS** Complete with 13A plug our price is only £3.00 for TWO! ref 3P148R

**COMPUTER SOFTWARE BARGAIN** 10 cassettes with games for commodore 64, Spectrum etc. Our bargain price one pound! ref CD44R

**NEW SOLAR ENERGY KIT** Contains 8 solar cells, motor, tools, fan etc plus educational booklet. Ideal for the budding enthusiast! Price is £12.00 ref 12P2R

**POTENTIOMETER PACK NO 1** 30 pots for £3.00! ideal for projects etc. Ref CD45R

**286 AT PC** 286 MOTHER BOARD WITH 640K RAM FULL SIZE METAL CASE, TECHNICAL MANUAL, KEYBOARD AND POWER SUPPLY £139 REF 139P1 (no i/o cards or drives included) Some metal work req'd phone for details.

**36MM CAMERAS** Customer returned units with built in flash and 28mm lens 2 for £8.00 ref 8P200

**STEAM ENGINE** Standard Mamod 1332 engine complete with boiler piston etc £30 ref 30P200

**TALKING CLOCK** LCD display, alarm, battery operated. Clock will announce the time at the push of a button and when the alarm is due. The alarm is switchable from voice to a cock crowing! £14.00 ref 14P200R

**HANDHELD TONE DIALERS** Small units that are designed to hold over the mouth piece of a telephone to send MF dialling tones. Ideal for the remote control of answer machines. £5.00 ref 5P209R

**COMMODORE 64 MICRODRIVE SYSTEM** Complete cased brand new drives with cartridge and software 10 times faster than tape machines works with any Commodore 64 setup. The original price for these was £49.00 but we can offer them to you at only £25.00! Ref 25P1R

**USED SCART PLUGS** Pack of 10 plugs suitable for making up leads only £5.00 ref 5P209R

**C CELL SOLAR CHARGER** Same style as our 4x AA charger but holds 2C cells. Fully cased with flip top lid. Our price £5.00 ref 6P79R

**IN SUSSEX? CALL IN AND SEE US!**

INTEGRATED CIRCUITS	BA3704	£2.75	L7808	£0.80	LMLM6417	£1.80	MM5458N	£2.50	STK4352	£5.80	TA7241AP	£3.00	TD41035	£1.90	TD42600	£6.80	UA78M15	£2.00	25C2655	£0.60
AN103	BA4210	£2.50	L7812	£1.00	LMT48CN 8 PIN	£1.25	MM55108	£2.65	STK4377	£10.00	TA7243	£3.30	TD41035T	£1.90	TD42611A	£1.00	UA1008DP	£2.00	25C2958	£2.50
AN240	BA4220	£2.50	L7815	£1.00		£1.25	MM7317	£2.85	STK4392	£7.00	TA7245	£4.50	TD41037	£2.90	TD42640A	£3.50	UC38445	£3.00	25C2979	£3.00
AN240P	BA4230	£2.50	L7818	£1.00	LM748N	£2.00	MM74C90T	£1.10	STK441	£10.50	TA7267P	£2.25	TD41040	£2.50	TD42822	£2.00	UC1185H2	£5.00	25C3153	£3.40
AN253P	BA4402	£1.90	L7824	£0.95	M104	£7.00	MP04011C	£2.00	STK453	£11.00	TA7270P	£2.50	TD41044U	£1.50	TD43190	£0.95	UC1255H	£2.75	25C3402	£0.40
AN3821K	BA4403	£2.75	L7905	£0.80	M4908B1	£12.50	MP04081	£1.10	STK463	£14.50	TA7274	£2.60	TD41082	£3.50	TD43303	£15.00	UC1283V	£3.00	25C3519	£4.60
AN3822	BA5102	£2.45	L7912	£0.80	M4918BB1	£11.50	MP045148C	£1.00	STK465	£12.00	TA7280	£3.00	TD41083	£1.70	TD43330	£5.50	UC1283V	£2.10	25C3715	£4.80
AN5015	BA5204	£2.75	L7915	£1.00	M50127AP	£6.00	MP05521066	£1.00	STK5315	£6.50	TA7280P	£3.00	TD41151	£1.50	TD43340	£4.00	UC1283V	£2.20	25C3789	£2.50
AN5033	BA524	£3.00	L7918	£1.00	M50431-101SP	£6.00	MSL9378RS	£3.00	STK5322	£6.50	TA7281P	£2.75	TD41154	£2.70	TD43351	£2.25	UC1288V	£2.95	25C458	£0.20
AN5132	BA5402	£2.40	L7924	£0.80	M104	£7.00	MSL9393	£4.25	STK5323	£5.50	TA7281P	£2.75	TD41170S	£1.50	TD43360	£1.00	UC13161C	£3.90	25C478	£1.25
AN5265	BA5406	£2.50	L1180	£2.00	M50453-012P	£2.70	MSA1006	£2.50	STK5332	£6.00	TA7299P	£3.00	TD41180	£1.80	TD43361	£2.50	UC1362C	£4.50	25D1047	£2.75
AN5510	BA5406	£2.50	L1180	£2.00	M50560-01P	£2.70	SAA1006	£2.50	STK5332	£6.00	TA7300	£3.00	TD41180P	£3.00	TD43362A	£2.50	UC1363C	£1.90	25D1051	£0.85
AN5512	BA5406	£2.50	L1180	£2.00	M50560-01P	£2.70	SAA1025	£3.95	STK5333	£12.00	TA7303	£1.10	TD41190	£1.90	TD43365	£2.50	UC1367C	£3.50	25D1128	£1.50
AN5521	BA5412	£1.80	L1201	£2.00	M51164	£1.40	SAA1124	£3.80	STK5338	£12.00	TA7310	£1.75	TD41270M	£4.10	TD43371BQ	£5.50	UC1376C	£2.20	25D1138	£0.85
AN5730	BA5412	£1.80	L1201	£2.00	M51366P	£1.50	SAA1174	£3.50	STK5361	£6.25	TA7312	£1.75	TD41365	£4.90	TD43371BQ	£5.50	UC1377C	£2.20	25D1138	£0.85
AN5750	BA5412	£1.80	L1201	£2.00	M51381P	£1.50	SAA1250	£2.60	STK5421	£6.50	TA7312	£1.75	TD41365	£4.90	TD43371BQ	£5.50	UC1378H	£2.00	25D1159	£0.75
AN5760	BA5412	£1.80	L1201	£2.00	M51393	£1.40	SAA1251	£3.50	STK5422	£6.50	TA7313	£0.90	TD41412	£1.00	TD43371BQ	£5.50	UC1378H	£2.00	25D1159	£0.75
AN6346	BA5412	£1.80	L1201	£2.00	M51513	£1.00	SAA1276	£4.50	STK5434	£6.50	TA7313AP	£1.00	TD41470	£5.00	TD43371BQ	£5.50	UC1382	£1.50	25D1173	£1.00
AN6326	BA5412	£1.80	L1201	£2.00	M51515L	£1.00	SAA1290.02	£10.70	STK5451	£5.30	TA7314	£2.00	TD41501A	£3.20	TD43383	£4.00	UC1394	£1.70	25D1275	£1.30
AN6332	BA5412	£1.80	L1201	£2.00	M51516	£1.00	SAA1293.02	£14.00	STK5471	£5.25	TA7323	£3.25	TD41506	£8.50	TD43383	£4.00	UC1420A	£7.00	25D1288	£1.70
AN6341	BA5412	£1.80	L1201	£2.00	M51903L	£3.50	SAA3027	£6.00	STK5476	£6.00	TA7325	£2.00	TD41510	£3.20	TD43390	£3.00	UC1458	£1.95	25D138	£0.85
AN6342	BA5412	£1.80	L1201	£2.00	M5213L	£3.10	SAA5000	£6.00	STK5481	£5.00	TA7325P	£1.50	TD41510A	£3.20	UC1513HA	£2.00	UCP1513HA	£2.48	25D1381	£4.20
AN6346	BA5412	£1.80	L1201	£2.00	M52195L	£1.00	SAA5010	£5.90	STK5482	£5.20	TA7328	£2.00	TD41512	£1.00	UCP1520CA	£2.00	UCP1520CA	£2.48	25D1381	£4.20
AN6346	BA5412	£1.80	L1201	£2.00	M52314	£1.10	SAA5012	£6.00	STK5720	£2.00	TA7335	£1.50	TD41515A	£2.50	UCP339C	£0.70	UCP339C	£0.70	25D1398	£2.25
AN6359	BA5412	£1.80	L1201	£2.00	M54519P	£1.00	SAA5020	£5.80	STK5730	£3.25	TA7335P	£1.50	TD41520	£3.95	UCP4066	£1.95	UCP4066	£1.95	25D1426	£4.50
AN6360	BA5412	£1.80	L1201	£2.00	M54543	£1.75	SAA5030	£5.80	STK5962	£3.20	TA7342	£2.10	TD41670A	£3.00	UCP4066	£1.95	UCP4066	£1.95	25D1453	£1.60
AN6362	BA5412	£1.80	L1201	£2.00	M54544L	£1.85	SAA5040A	£5.90	STK6972	£6.00	TA7343	£1.75	TD41701	£3.00	UCP4066	£1.95	UCP4066	£1.95	25D1453	£1.60
AN6367	BA5412	£1.80	L1201	£2.00	M54548L	£1.50	SAA5040B	£5.90	STK7358	£6.50	TA7350	£2.10	TD41770A	£3.00	UCP4066	£1.95	UCP4066	£1.95	25D1453	£1.60
AN6612	BA7001	£1.90	LA182	£2.10	M58479P	£4.75	SAA5048	£9.50	STK7358	£6.50	TA7355	£2.10	TD41770A	£3.00	UCP4066	£1.95	UCP4066	£1.95	25D1453	£1.60
AN6651	BA718	£1.80	LA183	£2.75	M58655P	£6.50	SAA5050	£7.00	STK7309	£7.00	TA7607AP	£2.70	TD41908A	£1.75	UCP4066-2	£2.60	UCP4066-2	£2.60	25D1497-02	£5.95
AN6671K	BA728	£1.10	LA192	£2.70	M58839	£8.00	SAA5231	£9.00	STK7348	£5.00	TA7609AP	£2.40	TD41940	£1.80	UCP4066-2	£2.60	UCP4066-2	£2.60	25D1497-06	£5.95
AN6677	BA7675S	£5.00	LA422	£1.30	M708	£9.75	SAB3013	£4.50	STK7356	£6.50	TA7614	£2.50	TD41950	£2.50	UCP4066-2	£2.60	UCP4066-2	£2.60	25D1650	£3.50
AN6884	BT16018	£3.50	LA440	£2.70	M708	£9.75	SAB3037	£11.00	STK7358	£6.50	TA7628P	£2.40	TD42002	£1.40	UCP4066-2	£2.60	UCP4066-2	£2.60	25D1650	£3.50
AN6912	HA11215A	£3.50	LA445	£2.50	MA150 E	£2.20	SAR1032P	£6.00	STK7216	£6.50	TA7629	£4.00	TD42003	£1.30	UCP4066-2	£2.60	UCP4066-2	£2.60	25D1650	£3.50
AN7111	HA11223	£3.75	LA446	£1.70	M83106	£1.00	SAR1039P	£2.00	STK7216	£6.50	TA7632P	£2.75	TD42003H	£2.00	UCP4066-2	£2.60	UCP4066-2	£2.60	25D1650	£3.50
AN7112	HA11225	£2.10	LA461	£1.80	M83730	£3.25	SAS560	£3.50	STR1096	£3.60	TA7632P	£2.75	TD42004	£1.70	UCP4066-2	£2.60	UCP4066-2	£2.60	25D1650	£3.50
AN7116	HA11226	£3.75	LA4500	£2.70	M83731	£3.25	SAS570	£3.00	STR40090	£8.00	TA7632P	£2.75	TD42005	£1.70	UCP4066-2	£2.60	UCP4066-2	£2.60	25D1650	£3.50
AN7143	HA11235	£3.10	LA4570	£2.20	MC13002P	£3.00	SAS580	£3.50	STR4211	£8.95	TA7632P	£2.75	TD42006V	£1.95	UCP4066-2	£2.60	UCP4066-2	£2.60	25D1650	£3.50
AN7148	HA1124A	£1.75	LA522	£2.20	MC1310	£1.25	SAS590	£3.00	STR440	£5.00	TA7668	£2.00	TD42020	£3.50	UCP4066-2	£2.60	UCP4066-2	£2.60	25D1650	£3.50
AN7158	HA11414	£2.50	LA527	£1.95	MC1330P	£2.95	SL430	£3.80	STR451	£4.95	TA7668	£2.00	TD42020	£3.50	UCP4066-2	£2.60	UCP4066-2	£2.60	25D1650	£3.50
AN7160	HA11701	£3.10	LA6358	£5.00	MC14001BCP	£1.10	SL1431	£2.80	STR454	£4.95	TA7681AP	£2.00	TD42030H	£2.00	UCP4066-2	£2.60	UCP4066-2	£2.60	25D1650	£3.50
AN7169	HA11713	£3.90	LA7016	£2.50	MC14383BC	£1.10	SL1432	£1.20	STR50020	£7.90	TA7687	£2.00	TD42030V	£1.75	UCP4066-2	£2.60	UCP4066-2	£2.60	25D1650	£3.50
AN7171K	HA11714	£3.00	LA7096	£4.00	MC14426P	£2.20	SL471DP	£2.10	STR5103A	£5.50	TA7698A	£6.85	TD42040	£2.00	UCP4066-2	£2.60	UCP4066-2	£2.60	25D1650	£3.50
AN7205	HA11715	£3.20	LA7210	£3.10	MC14429P	£2.20	SL480	£3.30	STR5412	£6.95	TA7698AP	£6.50	TD42151	£3.00	UCP4066-2	£2.60	UCP4066-2	£2.60	25D1650	£3.50
AN7213	HA11747A	£12.75	LA7305	£6.00	MC14497P	£5.50	SL490	£3.00	STR58041	£6.75	TA7705P	£1.50	TD42151	£3.00	UCP4066-2	£2.60	UCP4066-2	£2.60	25D1650	£3.50
AN7218	HA11749	£7.00	LA7309	£3.75	MC14511BCP	£2.50	SL9018	£1.25	STR6020	£4.90	TA7709	£2.50	TD42170	£3.00	UCP4066-2	£2.60	UCP4066-2	£2.60	25D1650	£3.50
AN7220	HA11750	£3.00	LA7507	£4.00	MC14516BCP	£2.00	SL9178	£2.50	STR6050	£74.15	TA7732P	£2.50	TD42210	£3.00	UCP4066-2	£2.60	UCP4066-2	£2.60	25D1650	£3.50
AN7222	HA12005	£3.80	LA7520	£3.25	MC1458UPC1458	£1.50	SN76670N	£1.00	SVM993C	£2.00	TA7732P	£2.50	TD42320	£3.00	UCP4066-2	£2.60	UCP4066-2	£2.60	25D1650	£3.50
AN7223	HA12017	£2.00	LA7800	£1.50	MC1458UPC1458	£1.50	SSA1075	£5.90	TA4180	£3.00	TA7732P	£2.50	TD42320	£3.00	UCP4066-2	£2.60	UCP4066-2	£2.60	25D1650	£3.50
AN7224	HA12026	£2.00	LA7801	£1.25	MC2359	£1.95	SSA1250	£5.90	TA4193	£3.00	TA7732P	£2.50	TD42521/3	£4.75	UCP4066-2	£2.60				

# A.Z. ELECTRICS

Stock items despatched by return

Access & Visa Accepted

## TDA8100 ORIGINAL £9.50

TRANSISTORS	BD244	£0.30	BU406	£0.90	
BC184	£0.09	BD244C	£0.30	BU406D	£1.50
BC212	£0.09	BD278A	£0.80	BU407	£0.50
BC213	£0.09	BD434	£0.80	BU426A	£1.00
BC214A	£0.07	BF058	£0.90	BU500	£1.00
BC214B	£0.07	BF195	£0.07	BU508A	£1.00
BC214L	£0.09	BF196	£0.15	BU508AF	£1.70
BC237	£0.07	BF197	£0.15	BU508D	£1.00
BC238	£0.07	BF198	£0.07	BU806	£0.75
BC307	£0.12	BF199	£0.14	BU807	£0.75
BC308B	£0.07	BF244	£0.40	BU111	£0.95
BC327.25	£0.07	BF259	£0.22	BU111AF	£1.95
BC328-40	£0.05	BF422	£0.15	BUW84	£1.65
BC337	£0.07	BF458	£0.22	BUX84	£0.60
BC372	£0.95	BF459	£0.22	SD12659	£0.75
BC392	£1.50	BF469BF471		T9064V	£2.28
BC441	£0.25	BF471	£0.25	TIP110	£0.45
BC461	£0.25	BF472	£0.25	TIP41	£0.70
BC547	£0.07	BF472	£0.25	TIP112	£0.45
BC548	£0.07	BF870BF472		TIP29	£0.30
BC549	£0.07	BF870BF472		TIP30	£0.45
BC557	£0.30	BU108	£0.75	TIP31	£0.30
BC559B	£0.07	BU126	£0.70	TIP32	£0.30
BC639	£0.18	BY110	£1.00	TIP41	£0.70
BC640	£0.30	BU208A	£1.00	TIP47	£0.98
BD131	£0.50	BU208D	£1.15	TIPL791A	£1.20
BD132	£0.40	BU208T	£1.00	ZTR604	£0.55
BD137	£0.35	BU326A	£1.00	ZTX650	£0.70
BD237	£0.22				
BD238	£0.22				
BD243B	£0.30				
BD243C	£0.40				

## DIODES AND THYRISTORS

BA157	£0.07	BY206 (BY996F)	DA91	£0.20
BR100	£0.20	BY210	OT112	£2.20
BR101	£1.40	BY210600BY996	RGP15G	£0.20
BR103	£0.75	BY227	RGP15J	£0.55
BR303	£1.50	BY227	RGP15K	£0.30
BRV56	£0.75	BY228	RGP30K	£0.70
BT116	£2.50	BY229	RH1	£1.30
BT128P	£4.50	BY259	RM11C	£0.45
BT129P	£4.50	BY96D	SG264	£8.50
BT151600R	£1.75	BY96D	SG613	£12.00
		BYW56	SKB02	£0.60
BY125	£0.20	BYW96E	SKB08	£1.20
BY137	£0.08	BYX10	SKB202	£0.90
BY133	£0.18	BYX55600	SKB208	£1.10
BY164	£0.90	F82506	SKK102	£0.60
BY164SKB202	£0.90	IN4001	SKK1M15	£0.65
		IN4002	SKK2G202	£0.75
BY179	£1.10	IN4004	SKK2G304	£1.30
BY179SK208	£1.10	IN4005	SKK4F104	£0.45
		IN4006	SKK4F106	£0.45
BY184	£0.65	IN4007	SKK5F370	£2.20
BY189	£2.00	IN4148	SR2M	£0.75
BY190	£2.00	IN5408	TS903V	£1.40
BY223	£2.00	KBL08	T9064V	£2.28

ASK FOR SEMICONDUCTORS NOT LISTED

## VIDEO HEADS

AMSTRAD		
3HSSR-VCR7000 (Saisho/Orion)		£18.00
PSF1-VCR4500,5200,9000		£15.00
PSF2-VCR4500,4700		£15.00
PSF3-VCR6000		£21.50

FERGUSON		
3HSSV-2 Head universal		£7.50
3HSSVA-3V42,44,45,46 etc		£20.00
3HSS4VB-3V32HR7655		£25.00
3HSS4VC-3V48HRD565		£26.00
3V48,58,59,65,FV10,11,12,13,14,20,21,26		
And most other Fergusons		POA

HITACHI		
3HSSHA-VT8000,9000 series		£15.00
3HSSHB-VT11,33 etc		£15.00
10082-VT120,220		£27.00
10081-VT130,135		£30.50

PANASONIC		
3HSSN-2 Head universal		£7.50
3HSSU1N-NV100,370,380/Philips VR6460		£11.00
3HSSU2N-NV230,470,480,G9,10,11,15PX		£21.00
3HSSU3N-NV430,460		£13.00
3HSS3N-NV777,330		£18.50
3HSS4NB-NV730		£19.00
3HSS4NA-NV366		£24.00
NVG30,33,40,45,46,130, & most other Panasonics		POA

SANYO		
3HSSSY-VHR1100,1110,1300		£18.00
3HSS3SY-VHR1500		£34.00

SHARP		
3HSSSP-VC9300,9500,9700,381,481,482,483,486 etc		£15.50
3HSSSPB-VC581,583,651,670 etc		£15.50
VC7000,8000 series (Brass)		£42.00

OTHER MAKES		
Alba 4000, Goldstar 8000, Sentra 8000, 1000		£21.00
Fisher FVHP510,520,530,615,710 etc		£18.00
Fisher VBS7000,9000 etc		£25.00
Hinari VXL2,4,3,20,25		£18.00
Hinari VXL5,6,20H		£15.00
Mitsubishi HS306,710		£30.00
Orion VC150,180,VH1,2,3 etc		£18.00
Saisho VR100,605,705,805,905		£18.00
Samsung Universal 2 Head		£24.25
Toshiba		
V71,73,74,75,81,82,83,84,85,87		£20.00
Toshiba V93		£21.00

ASK FOR VIDEO HEADS NOT LISTED

The above heads are new.

## BELT KITS

Belt Kits for most models are stocked. Some examples are:

AKAI		
VS1,2,5		1.20
VS4,6,9,15		1.10
Ask for models not listed.		
AMSTRAD		
TVR1,2,3, VCR4600, 4700,5200		1.90
Ask for models not listed.		
FERGUSON/JVC		
3V003V163V22 etc		1.60
3V293V30		1.20
3V35363839		1.10
3V42434445485354		1.00
5567		1.00
Ask for models not listed.		
Loading belts on certain models also available.		
FISHER		
FVHP520530		1.00
FVHP61562062271071V		1.00
715716720721725830V		1.00
840		1.00
FVHP905906907908910		1.20
911915916		1.20
GRUNDIG		
VS400410440450V		1.10
460		0.65
VS180200220262V		1.95
2625267		2.20
Ask for models not listed.		

Many other belt kits in stock. Examples are Alba, Funai, GEC, Goldstar, Granada, Grundig, Hinari, ITT, Mitsubishi, NEC, Orion, Saisho, Samsung, Schneider, Sony, Tensai etc.

## NEW LINES

LOPT Hitachi CPT1476		£18.00
LOPT Hitachi CPT2276 etc		£19.00
LOPT Matsui 1440		£18.00
Trip Grundig CUC2401 etc.		£17.00

## OTHER GRUNDIG TRIPLERS IN STOCK

LINE OUTPUT TRANSFORMERS		
Decca 100		9.50
ITT CVC20		12.50
ITT CVC25/30/32		9.50
ITT Compact 80 Series 110		16.75
ITT Compact 80 Series 90		19.75
ITT CVC45		18.00
ITT 1109F		14.00
ITT CVC1204		11.50
ITT CVC8001/3		21.50
ITT CVC1100		16.50
ITT CVC11501175		20.00
ITT 6325		18.50
ITT 3546		18.50
ITT 12001		20.00
Other ITT transformers available		10.50
Fidelity all models up to 20" ZX3000		1.00
Fidelity Panel for ZX2000		18.50
Fidelity 22" ZX3000		14.75
Hinari CT45 & TVA1		12.95
Philips KT3		11.50
Rank Bush T20A		16.75
Thorn TX100 Green Spot 110		17.75
Ferguson TX90 LOPT specify size/screen		23.00
Ferguson 3V3536 Mains Transformer		18.85
Ferguson 3V444445 Mains Transformer		18.85
Sony - Please state model for price		
Universal Tripler		4.75
Universal Tripler with focus unit		9.50
Decca 120/130 series tripler		8.50
Thorn TX10 Focus Unit Kit		9.00

Hitachi and Matsui LOPTs in stock

## VIDEO MOTORS

REEL MOTORS		
Ferguson 3V2930		£20.00
Ferguson 3V58,59,65,FV10,11,12,13,14,20,21,22		£17.25
Ferguson FV260		£14.50
Hitachi 8000,8300,8500		£8.50
Sanyo VTC5000,5150,5400,5300,6500		£7.50
Sharp VC9300, 9500 etc, Original		£15.00
Panasonic NV333,366 Original		£13.20
All other Panasonics		POA
CAPSTAN MOTORS		
Ferguson 3V35,36 Original		£22.50
Ferguson/JVC (Mechanical models)		£20.00
Hitachi VT11 Original		£30.00
Hitachi VT33 Original		£32.00
Hitachi VT64 Original		£19.75
Hitachi VT8000 series Original		£34.50
Hitachi VT9000 series Original		£34.50
Sharp VC7000 series Original		£30.50

Prices subject to change without notice.

Please add £1.00 per order for p&p and then add 17.5% VAT.

18 BROOKWOOD ROAD, SOUTHFIELDS, LONDON SW18 5BP. TEL: 081-877 3492/877 3518.

FAX: 081-877 3518.

## MODE CONTROL MOTORS

Ferguson 3V42,43,44,45,48,49,52,53		£6.00
Ferguson 3V58,59,65,FV10,11,12,13,14,20,21,22,26		£4.50

## Sharp Reel Motor Pulley only £1.20

Replacement of plastic pulley on a number of Sharp Reel Motors with the above metal pulley gives better rewind performance.



## IDLER ASSEMBLIES

FERGUSON		
Take up Clutch (Mechanical models)		£5.00
3V2930 Take up Idler		£2.00
3V2930 Take up Clutch		£2.85
3V2930 Reel Idler		£3.00
3V35 Reel Idler		£2.85
3V35,36,38,39 Take up Clutch		£1.80
3V58,59,64,65,FV10,11,12,13,14 Idler Arm		£1.80
Clutch Assembly 3V44,45,48,49,52,53,54,55		£14.00
Clutch Assembly 3V42,43		£14.00
FISHER		
FVHP615,905,910, Idler Assembly Original		£5.00
FVHP615 Gear Idler Assembly		£4.35
FVHP905,910 Gear Idler Assembly		£5.00
FVHP520,530 Idler		£3.00
FVHP520,530 Pulley		£0.70
HITACHI		
VT11,33 etc. Original Idler Arm		£2.50
VT11,33 etc. Idler Replacement		£1.75
VT9300,9500 etc. Play Idler		£3.65
VT9300,9500 etc. FF Idler		£2.95
VT9300,9500 etc. Idler		£2.95
VT8000,8500 etc. FF Rew Idler		£2.95
VT8000,8500 etc. Play Idler Assembly		£3.00
VT8000,8500 etc. FF Rew Pulley		£0.70
VT11,33 etc. Clutch Assembly		£8.00
PHILIPS		
VR6460,6920 Idler Arm (Original)		£3.00
DV464,6462,6463,650 etc. Idler Mod. Kit		£4.50
VR6542,6843 Reel Idler		£6.50
VR6542 Reel Drive Pulley		£7.75
VR6843 Reel Drive Pulley		£9.50
PANASONIC (All Original)		
NV370 Idler Arm Unit VXP0521 Gen		£3.00
NV8600,8610 Play Idler VXP0243		£0.95
NV332,777,788 Idler Unit VXP0463		£3.00
NV600,688 Idler VXP0515		£3.00
NV333,366 Idler Arm 2 Unit VXL0997		£10.50
NV8400,8600,8610 etc. VXP0245		£0.95
NV333,366 etc. Idler VXP0401-NV700,7200,7800 Idler VXP0344		£0.90
NV2000,3000 Play Idler VXP0331-NV2000,3000 Idler Unit VXP0329		£1.10
Back Tension Bands		From £1.50
All Panasonic Maintenance Kits		POA
QUOTE PANASONIC PART No. FOR PARTS NOT LISTED		

AN3215K	£4.50	AN7166	£3.70	LA3210	£0.95	MB3730	£2.20	STK5337	£7.25	TA7271P	£2.50	TEA1017	£2.75	2N3055	£0.50
AN3310K	£2.95	AN7168	£2.75	LA3370	£2.50	MB3731	£2.75	STK5338	£4.50	TA7280P	£2.95	TEA1039	£2.20	2N3773	£1.50
AN3312	£2.95	AN7169	£2.95	LA3375	£2.50	MB8841	£5.75	STK5421	£6.50	TA7281P	£2.75	TEA1042	£3.75	2N3819	£3.30
AN3320K	£4.95	AN7171K	£3.50	LA3376	£2.20			STK5422	£6.50	TA7299P	£2.95	TEA1060	£2.20		
AN3331K	£5.75	AN7172K	£2.95	LA4108	£2.20	SAA124	£2.50	STK5451	£5.30	TA7306P	£1.95	TEA1061	£2.75	2SA769	£0.95
AN3372	£3.50	AN7173K	£3.50	LA4137	£1.95	SAA5030	£3.50	STK5471	£5.30	TA7607AP	£2.20	TEA1080P	£2.50	2SA1106	£0.95
AN3321K	£5.95	AN7178	£2.50	LA4145	£1.70	SAA5042	£8.00	STK5481	£5.95	TA7609P	£2.70	TEA2018A	£1.95	2SA1111	£0.95
AN3322K	£6.95	AN7310	£1.20	LA4160	£2.20	SA4547	£3.95	STK5482	£5.95	TA7611AP	£2.20	UPC575C	£1.00	2SA1186	£3.95
AN3330K	£6.50	AN7420	£1.95	LA4162	£2.50	ST401A	£4.50	STK5720	£4.25	TA7628P	£1.95	UPC1025H	£2.30	2SA1232	£2.60
AN5010	£3.95	BA5408	£2.20	LA4170	£1.75	ST441C	£2.75	STK5725	£4.25	TA7640AP	£1.30	UPC1188H	£2.75	2SA1265	£2.40
AN5011	£3.95	BA5410	£2.95	LA4182	£1.95	STK0029	£4.75	STK5730	£4.25	TC9106BP	£4.95	UPC1191V	£1.20	2SA1294	£3.95
AN5030	£4.50	BA6208	£1.95	LA4183	£2.20	STK0039	£4.75	STK7308	£5.50	TDA1010A	£1.40	UPC1197C	£1.60	2SA1302	£3.25
AN5033	£5.25	BA6209	£1.95	LA4190	£1.75	STK0040	£6.25	STK7309	£6.50	TDA1015	£1.40	UPC1237H	£1.20	2SA1306	£3.80
AN5135K	£3.95	BA6209	£1.95	LA4192	£1.75	STK0049	£6.50	STK7344	£4.95	TDA1011	£1.40	UPC1241H	£1.95	2SA1307	£1.10
AN5150	£5.50	BA6229	£2.20	LA4260	£2.30	STK433	£5.25	STK7348	£4.95	TDA1107N	£1.50	UPC1263C	£2.30	2SA1516	£2.50
AN5151N	£6.50	BA6239A	£2.20	LA4261	£2.30	STK435	£5.50	STK7404	£6.95	TDA1170S	£1.50	UPC1277H	£2.50		
AN5256	£2.20	BA7002A	£1.85	LA4265	£2.30	STK437	£7.50	STK8050	£9.50	TDA1515A	£2.30	UPC1318AU	£2.75	2SB560	£0.50
AN5265	£1.75	BA7005	£2.20	LA4270	£2.75	STK443	£8.95	STK8250	£11.75	TDA15160	£3.50	UPC1335V	£2.75	2SB561	£1.35
AN5410	£3.95	BA751AL	£1.95	LA4282	£2.50	STK457	£7.50	STK8501	£9.50	TDA1510S1	£3.95	UPC1363C	£2.75	2SB562	£0.60
AN5435	£2.20	HA1339A	£3.50	LA4440	£2.50	STK459	£7.75	STK8501	£9.50	TDA15180	£2.95	UPC1364C	£4.20	2SB563	£0.60
AN5515	£2.20	HA1374	£2.95	LA4445	£2.20	STK465	£9.95	STK8501	£9.50	TDA1522	£1.95	UPC1365C	£2.95	2SB564	£0.60
AN5521	£2.20	HA1377	£2.20	LA4446	£2.20	STK1050H	£7.25	STK8501	£9.50	TDA1522	£1.95	UPC1373H	£1.20	2SB565	£0.60
AN5560	£2.95	HA1388	£2.95	LA4460	£1.80	STK1060	£7.95	STK8501	£9.50	TDA1770A	£2.95	UPC1387C	£1.95	2SB566	£0.60
AN5610N	£4.50	HA1392	£2.20	LA4461	£1.80	STK1070H	£9.75	STK8501	£9.50	TDA2002	£0.80	UPC1391H	£1.20	2SB567	£0.60
AN5615	£2.95	HA1394	£2.50	LA4465	£2.30	STK2028	£7.50	STK8501	£9.50	TDA2003	£0.95	UPC1391H	£1.20	2SB568	£0.60
AN5620X	£3.50	HA1395	£3.75	LA4466	£2.30	STK2029	£6.50	STK8501	£9.50	TDA2004	£1.95	UPC1400A	£2.50	2SB569	£1.00
AN5622	£3.50	HA1397	£2.50	LA4475	£2.50	STK2038B	£9.50	STK8501	£9.50	TDA2005	£1.95	UPC1420CA	£5.20	2SB570	£1.00
AN5635N	£3.75	HA1398	£2.50	LA4476	£2.50	STK2048H	£9.75	STK8501	£9.50	TDA2005S	£2.50	BD131	£0.35	2SB571	£1.20
AN5700	£1.75	HA11211	£2.50	LA4495	£2.95	STK2125	£6.75	STK8501	£9.50	TDA2006	£1.50	BD132	£0.35	2SB572	£1.00
AN5750	£3.75	HA11219	£1.75	LA4498	£2.95	STK2129	£6.95	STK8501	£9.50	TDA2009	£2.75	BD133	£0.25	2SB573	£1.00
AN5760	£2.20	HA11223W	£2.50	LA4505	£2.80	STK2139	£8.00	STK8501	£9.50	TDA2020	£1.30	BD137	£0.25	2SB574	£1.00
AN5790	£2.95	HA11226	£4.50	LA4505	£2.80	STK3064	£5.75	STK8501	£9.50	TDA2020	£1.30	BD138	£0.25	2SB575	£1.00
AN5836	£3.20	HA11235	£1.95	LA4508	£2.50	STK3065	£6.75	STK8501	£9.50	TDA2020	£1.30	BD139	£0.25	2SB576	£1.00
AN5900	£3.20	HA11244	£2.95	LA4700	£3.50	STK2230	£6.50	STK8501	£9.50	TDA2540	£1.70	BD140	£0.25	2SB577	£1.00
AN6250	£1.50	HA11251	£2.50	LA5527	£1.95	STK2250	£9.50	STK8501	£9.50	TDA2577	£2.95	BD244C	£0.95	2SB578	£1.00
AN6256	£2.75	HA11716	£4.75	LA7031	£2.60	STK3041	£6.50	STK8501	£9.50	TDA2578A	£2.50	BD607	£0.95	2SB579	£1.00
AN6270	£3.50	HA11717	£4.75	LA7032	£2.95	STK3042	£6.50	STK8501	£9.50	TDA2579A	£4.50	BD608	£0.95	2SB580	£1.00
AN6310	£2.50	HA11724	£8.00	LA7033	£2.75	STK3044	£5.75	STK8501	£9.50	TDA2579B	£6.00	BD712	£0.65	2SB581	£1.00
AN6320	£2.95	HA11745	£7.50	LA7035	£4.95	STK3064	£5.75	STK8501	£9.50	TDA2600	£1.50	BD911	£0.95	2SB582	£1.00
AN6326N	£3.50	HA11747A	£7.50	LA7042	£2.80	STK3082H	£6.95	STK8501	£9.50	TDA2611A	£1.30	BD912	£0.95	2SB583	£1.00
AN6327	£3.50	HA11747ANT	£7.50	LA7223	£2.75	STK3102H	£5.75	STK8501	£9.50	TDA2633A	£3.50	BD913	£0.95	2SB584	£1.00
AN6332	£4.75	HA11781INT	£3.95	LA7224	£1.95	STK3152H	£9.50	STK8501	£9.50	TDA3501	£4.50	BD914	£0.95	2SB585	£1.00
AN6337	£3.95	HA11788	£4.50	LA7520	£3.25	STK4017	£7.75	STK8501	£9.50	TDA3505	£4.50	BD915	£0.95	2SB586	£1.00
AN6340	£3.75	HA11827N	£8.50	LA7755	£3.20	STK4025	£6.50	STK8501	£9.50	TDA3510	£4.50	BD916	£0.95	2SB587	£1.00
AN6342N	£2.50	HA11870NT	£5.25	LA7830	£1.50	STK4121H	£6.95	STK8501	£9.50	TDA3550	£3.90	BD917	£0.95	2SB588	£1.00
AN6344	£4.75	HA11870NT	£5.25	LA7830	£1.50	STK4121H	£6.95	STK8501	£9.50	TDA3551A	£4.50	BD918	£0.95	2SB589	£1.00
AN6346N	£3.75	HA12047	£3.50	LA7806	£2.50	STK4131H	£6.75	STK8501	£9.50	TDA3562A	£4.50	BD919	£0.95	2SB590	£1.00
AN6350	£7.50	HA13001	£1.90	LA7808	£2.75	STK4132H	£6.75	STK8501	£9.50	TDA3654	£2.95	BD920	£0.95	2SB591	£1.00
AN6356	£3.85	HA13007	£4.50	LA7910	£1.75	STK4141H	£7.50	STK8501	£9.50	TDA3730	£4.75	BD921	£0.95	2SB592	£1.00
AN6357N	£4.50	HA13108	£2.95	LB1403	£1.50	STK4141V	£7.95	STK8501	£9.50	TDA3771	£4.75	BD922	£0.95	2SB593	£1.00
AN6359N	£5.50	HA13117	£2.75	LB1405	£1.50	STK4142H	£7.30	STK8501	£9.50	TDA4427	£2.95	BD923	£0.95	2SB594	£1.00
AN6360	£2.60	HA13118	£2.75	LB1416	£1.50	STK4151H	£7.50	STK8501	£9.50	TDA4437	£3.90	BD924	£0.95	2SB595	£1.00
AN6362	£4.50	HA13119	£2.50	LB1416	£1.50	STK4152H	£7.85	STK8501	£9.50	TDA4440	£2.75	BD925	£0.95	2SB596	£1.00
AN6363	£5.80	HA13128	£3.95	LB1640	£2.20	STK4161H	£7.95	STK8501	£9.50	TDA4500	£3.95	BD926	£0.95	2SB597	£1.00
AN6367K	£5.50	HA13403V	£5.50	LB1649	£2.50	STK4162H	£7.95	STK8501	£9.50	TDA4501	£4.50	BD927	£0.95	2SB598	£1.00
AN6387	£5.50	KA2206	£1.75	LC4066B	£2.95	STK4171H	£8.95	STK8501	£9.50	TDA4510	£3.95	BD928	£0.95	2SB599	£1.00
AN6394	£5.20	KA2210	£2.40	LC7132	£3.50	STK4172H	£8.95	STK8501	£9.50	TDA4600	£2.75	BD929	£0.95	2SB600	£1.00
AN6671K	£4.95	KA2210	£2.40	LC7132	£3.50	STK4172H	£8.95	STK8501	£9.50	TDA4600-2	£2.50	BD930	£0.95	2SB601	£1.00
AN6676	£5.50	KA2213	£1.30	LC7137	£4.50	STK4191H	£9.50	STK8501	£9.50	TDA4725A	£4.95	BD931	£0.95	2SB602	£1.00
AN6677	£4.95	KA2214	£1.50	LC7815	£2.95	STK4191H	£9.50	STK8501	£9.50	TA7217AP	£1.60	BD932	£0.95	2SB603	£1.00
AN6678	£2.95	LA1130	£2.50	LC7818	£2.95	STK4332	£4.50	STK8501	£9.50	TA7222AP	£1.30	BD933	£0.95	2SB604	£1.00
AN6875	£3.50	LA1132	£2.50	MS218L	£1.95	STK4352	£5.90	STK8501	£9.50	TA7229P	£3.25	BD934	£0.95	2SB605	£1.00
AN7105	£2.50	LA1170	£1.75	MS218P	£0.95	STK4793TV	£9.50	STK8501	£9.50	TA7230P	£1.50	BD935	£0.95	2SB606	£1.00
AN7106K	£2.50	LA1185	£1.60	MS1102L	£2.95	STK4803	£8.50	STK8501	£9.50	TA7232P	£1.95	BD936	£0.95	2SB607	£1.00
AN7143	£2.50	LA1240	£1.95	MS1104L	£3.20	STK4833	£9.50	STK8501	£9.50	TA7233P	£2.50	BD937	£0.95	2SB608	£1.00
AN7147	£2.50	LA1260	£2.95	MS1358P	£1.75	STK4843	£8.95	STK8501	£9.50	TA7240AP	£2.95	BD938	£0.95	2SB609	£1.00
AN7148	£2.30	LA1266	£2.95	MS1393AP	£4.50	STK4853	£9.50	STK8501	£9.50	TA7241AP	£2.95	BD939	£0.95	2SB610	£1.00
AN7149	£2.50	LA1365	£1.50	MS1397AP	£5.50	STK5315	£6.75	STK8501	£9.50	TA7243P	£2.95	BD940	£0.95	2SB611	£1.00
AN7158N	£3.05	LA2400	£1.50	MS4543L	£1.75	STK5324	£5.75	STK8501	£9.50	TA7250BP	£2.95	BD941	£0.95	2SB612	£1.00
AN7161 NFP	£3.50	LA3101	£1.75	MS4544L	£2.75	STK5325	£6.75	STK8501	£9.50	TA7251BP	£2.95	BD942	£0.95	2SB613	£1.00
AN7163	£2.95	LA3160	£0.95	MS6712	£1.50	STK5332	£3.50	TA7270P	£2.50	TEA1014	£2.20	ZTX650	£0.30	2SD1887	£3.75

## T. POWELL

**15 PADDINGTON GREEN,  
LONDON W2 1LG**  
Tel: 071-723 9246  
Fax: 071-262 0591

### VIDEO HEADS

AMSTRAD 4500/5200/9000
------------------------



# TBC SATELLITE SYSTEMS

## WALES No. 1 DISTRIBUTOR

**\* FREE** WITH ANY FIXED ASTRA SYSTEM  
EITHER 5 IN 1 HANDSET OR VIDEO SENDER



**FREE  
CHOOSE  
EITHER**

£34.95

£34.95

NOT LICENSED FOR UK

AMSTRAD .....£199.00  
PACE 9200 ....£299.00  
MASPRO .....£299.00  
PHILIPS .....£299.00  
NEC .....£399.00



DECODER  
CARDS  
AVAILABLE

5 in 1 remote  
with Alarm Timer  
Built in TV

**£34.95**

**AVAILABLE:** YUGOSLAVIAN TURKISH ARABIC SPANISH FROM £230

**Amstrad SRD 600 D2 MAC receiver ..... £399.00**

### MOTORISED SYSTEMS

Prosat 96ch, 80cm H-H Drive, 1.2db LNB.....£499.00  
Echostar 5500, 80cm, H-H Drive, 0.8db LNB .....£949.00  
Chapparral Monterey 40 with triple band LNB.....receiver only.....£899.00.....£1395.00  
Winnersat 80cm 0.8db LNB, H-H Drive.....receiver only.....£399.00.....£799.00

**FREE 5 in 1 REMOTE + VIDEO SENDER WITH ANY MOTORISED SYSTEM**

**Motorised Upgrade Kit ..... £295.00**

### ACCESSORIES

#### LNB's

Gardiner 0.8dB.....£125.00  
MTI 1.3 .....£69.00  
MTI 1.3 .....£79.00  
Tristar 1.2.....£45.00  
Tripleband.....£199.00  
Marconi Twin .....£79.00  
Marconi Dual .....£79.00  
Telecom .....£79.00  
C Band .....P.O.A.  
S Band .....P.O.A.  
Used + Tested  
LNB's 1.3 or 1.5 .....£20.00

### POLARISERS

KU Band .....£25.00  
Wide Band .....£29.00

### SWITCHERS

4 Way Sitching Box .....£49.00  
2 Way Active .....£14.95  
OMT .....£59.00  
Cable MTR .....45  
Connectors .....35  
Replacement Kits for Blue Cap  
LNB's .....£75.00

### JAEGER H-H

Mount .....£95.00



### ACTUATORS

Video Sender .....£34.95  
Five In One Remote .....£34.95  
Sky Decoder .....£75.00  
Secam to PAL  
Transcoder .....£150.00

### EXPORT

**WE EXPORT TO  
ANYWHERE IN THE  
WORLD**

**MAIL ORDER  
+  
TRADE ENQUIRIES  
WELCOME**



# TBC SATELLITE SYSTEMS

814 Newport Road, Rumney, Cardiff CF3 8DH  
TEL: 0222 792675 FAX: (44) 0222 790853



- PACE SS9200 IRD ..... £179
- PACE SS9210 IRD ..... £185
- MASPRO SRE 350S ..... £189

**ASTRA BARGAINS  
OF THE MONTH**

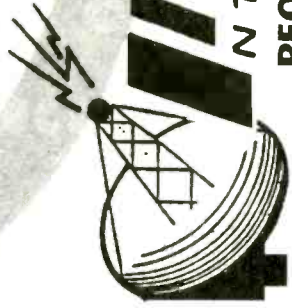
Pace MRD 920 D-MAC/PAL (Built-in Eurocrypt) **£299.00**  
 NEC 4012 Best Astra Award Winner **£249.00**

**ASTRA SYSTEMS**

- AMSTRAD SRD 400 60cm system ..... £179
- AMSTRAD SRD 400 80cm system ..... £199
- PACE SS 9200 IRD 60cm system ..... £259
- PACE SS 9200 IRD 80cm system ..... £279
- PACE SS 9210 IRD 60cm system ..... £265
- PACE SS 9210 IRD 80cm system ..... £285
- MASPRO SRE 350S 60cm system ..... £269
- MASPRO SRE 350S 80cm system ..... £289
- NEC 4012 60cm system ..... £319
- NEC 4012 80cm system ..... £339
- PACE MRD 920 D-MAC/PAL 60cm system ..... £379
- PACE MRD 920 D-MAC/PAL 80cm system ..... £399

116 BALLS POND ROAD  
 ISLINGTON N1 4AE  
 LONDON

Tel: 071 254 5788/  
 071 249 1830  
 Fax: 071 249 0265



**INWISAT**  
 INTERNATIONAL  
 PEOPLE WITH A BIG HEART



- UNRAE ESR 250E ..... £399
- ECHOSTAR SR5500 ..... £455
- CHAPARRAL MONTEREY 40 ..... £829
- NEC 5022 ..... £299

**DISHES**

- 60cm BLACK MESH + LNB (AMSTRAD) ..... £79
- 80cm BLACK MESH + LNB (AMSTRAD) ..... £99
- LENSON HEATH 60cm square mesh 1.2dB LNB ..... £85
- LENSON HEATH 80cm mesh dish 1.2dB LNB ..... £99
- LENSON HEATH 80cm solid dish 1.2dB LNB ..... £105
- CHANNEL MASTER 90cm off set dish + Azel Mount ..... £109
- CHANNEL MASTER 90cm off set Polar Mount ..... £119
- CHANNEL MASTER 1.2m off set dish - Azel Mount ..... £129
- CHANNEL MASTER 1.2m off set dish - Polar Mount ..... £139

**LNB's**

- MARCONI BLUE CAP LNB ..... £49
- MARCONI COMPACT LNB ..... £59
- STC 1.2dB LNB ..... £69
- SHARP DUAL BAND LNB ..... £149
- SHARP TRIPPLE BAND LNB ..... £179
- GARDINER 0.9dB KU BAND LNB ..... £99
- GARDINER 0.8dB TELECOM LNB ..... £99
- GARDINER C BAND LNB 21°/27°K ..... £99

**Echostar SR5500 receiver/positioner.**  
 90cm or 1.2m Channel Master off set dish  
 Sharp tripple band LNB, Polariser, 12"  
 actuator, ground/wall mount

**£799.00**

**Drake ESR 250E receiver/positioner.**  
 90cm or 1.2m Channel Master off set dish  
 0.9dB Gardiner LNB - Polariser, 12" actuator,  
 ground/wall mount

**£699.00**

**UNBELIEVABLE OFFER!!!**

**Chaparral Monterey 40 receiver/positioner.**  
 90cm or 1.2m Channel Master off set dish  
 Sharp tripple band LNB - Polariser, 12"  
 actuator, ground/wall mount

**£1249.00**

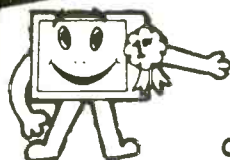
**NEC 3122**  
 80cm Motorised System  
**£399.00**

**ALL PRICES INCLUDE VAT  
 EXPORT - TRADE - RETAIL - SERVICE**

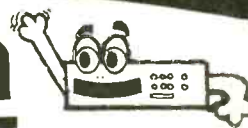
*Please note:  
 We do not have  
 anything to do with  
 Filmnet Decoders and  
 cannot help you with  
 your enquiries.*



SKY "QUICKSTART"  
 CARDS AVAILABLE  
 IMMEDIATELY



# CentreVision



Suppliers of Surplus TVs & Videos to the Trade  
CENTREVISION HOUSE · SLOPER ROAD · LECKWITH · CARDIFF · CF1 8AB

**ALL SIZES, ALL MAKES  
TELETEXT INCLUDED —  
NON FST £38**

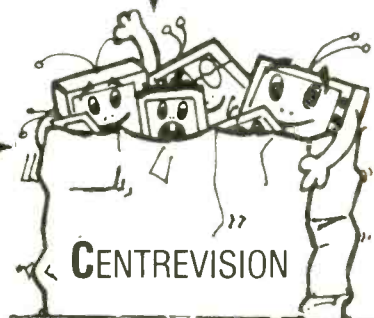
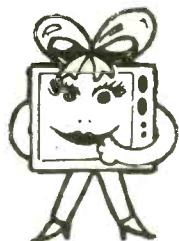
**Phone:  
0222 344754**

**WE WON'T BE BEATEN ON TV AND VIDEO . . .  
CALL IN PERSON FOR THE BEST DEAL AROUND.**

**SPECIAL  
ONE-DAY  
OFFERS**

**STOCK  
ARRIVING  
DAILY**

**THE LARGEST  
WHOLESALE  
IN WALES**



**EXPORT ENQUIRIES WELCOME — ALL PRICES + VAT**

# NEW FOR EAST ANGLIA

Save time and  
travelling costs

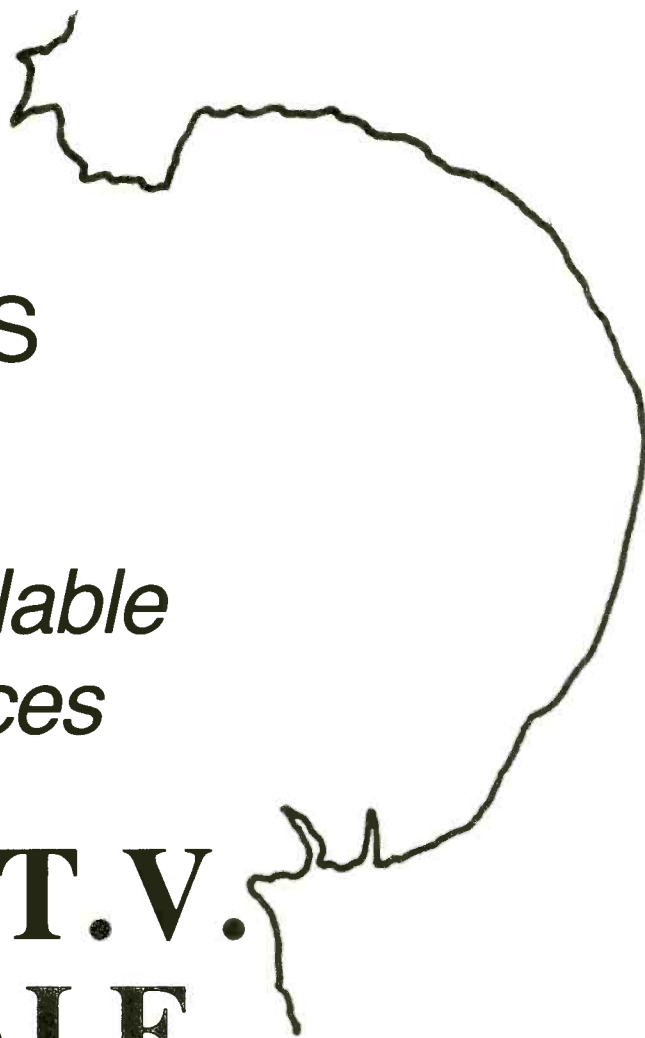
EX RENTAL TV'S  
& VCRS

*Most makes available*  
*Best possible prices*

**ANGLIAN T.V.  
WHOLESALE**

**Rashes Green Industrial Estate  
Dereham, Norfolk.**

**Telephone: (0362) 691611**



PLEASE NOTE: ADVERT APPEARING IN FEBRUARY ISSUE OF  
TELEVISION SHOWED INCORRECT TELEPHONE NUMBER.  
OUR CORRECT NUMBER IS SHOWN ABOVE.



# C.T.V.

UNIT 5, THE PHOENIX BUILDING, RUSHOCK TRADING ESTATE,  
DROITWICH ROAD, NEAR KIDDERMINSTER

TELEPHONE: 0299-251522 0836-585829/0860-809673 (24 HR)

**SUPPLIERS OF HIGH QUALITY EX-RENTAL  
TELEVISIONS AND VIDEOS**

**LARGE STOCKS ALWAYS AVAILABLE**

**ALL AT COMPETITIVE PRICES**

Also available: 'B' Grade Products, Audio, Microwaves  
and Complete Range of Televisions and Videos

**OPEN: MON-FRI - 9.30-5.30**

**TEL: 0299-251522**  
**0836-585829 / 0860-809673 (24 HR)**

**Fax: 0299-251543**

**EXPORT ENQUIRIES WELCOME**

## VISIONS • LONDON

Suppliers of THORN ex-rental TVs and Videos Working *or* Off-the-pile  
Unit 4, Rainstar Ind. Estate, Eley Estate, Nobel Rd, Edmonton N18 0AA (just off the A406)

Phone Now!! 081-807 7476/7579

OPEN  
9 - 5.30 MON to FRI  
9 - 1 SATURDAY

EXPORT  
ENQUIRIES:  
Fax 081-345 6597



Main Distributor in London



APPROVED  
THORN TELEPRICE  
DISTRIBUTOR

OPEN SUNDAYS BY APPOINTMENT ONLY

SEMPLÉ  SERVICE

THE ONLY APPROVED THORN TELEPRICE DISTRIBUTOR FOR E. ENGLAND

# SIMPLY THE BEST

BEST PRICES

BEST QUALITY

## IN EX-RENTAL TV & VIDEO EQUIPMENT

**RING LUKE ON**  
**Tel: 0945 476319**  
FOR YOUR BEST DEAL YET!

**SEMPLÉ SERVICE**  
15 REGAL ROAD  
WEASENHAM LANE  
WISBECH  
PE30 2RQ



**BRAND NEW TV & VCR STOCK  
IN STOCK NOW**

VCR SP/LP .....	From £155.00
25", 28" FST Nicam Fast Text .....	£POA
14" Portable, Remote .....	£POA
10" Colour Main/Battery, Remote .....	£130.00

**NIKKAI MULTISYSTEM TV IN STOCK**

14", 20", 21" FST (VHF/UHF) PAL, SECAM, NTSC

AMSTRAD DD8900 Double Deck .....	£279.00
AMSTRAD STV20 CTV with Stereo Satellite Receiver and Decoder .....	£279.00

**NEW (B) GRADED FERGUSON STOCK**

NEW 59P7 FAST TEXT .....	£POA
41P3 FAST TEXT .....	£POA
68K4BQ FAST TEXT WITH NICAM .....	£POA
59L5Q Nicam Fast Text .....	£POA
FV37 (Nicam), FV41, FV42 .....	£POA

**EXCELLENT RANGE OF  
EX-RENTAL TVs & VCRs THORN**

THORN TX9 Basic .....	From £25.00	THORN FST Stereo/Text .....	£POA
THORN TX9 R/C .....	£POA	THORN 8940 (3V9) (Stereo) .....	£48.00
THORN TX9 Text .....	£48.00	THORN 8941 (3V31) .....	£65.00
THORN TX10 Basic .....	£POA	THORN 8942 (3V32) .....	£70.00
THORN TX10 R/C .....	£POA	THORN 8943 (3V36) .....	£115.00
THORN TX10 Text .....	£POA	THORN 8944 (3V35) .....	£POA
THORN TX10 Stereo/Text .....	£POA	THORN 8945 .....	£POA
THORN FST Basic R/C .....	£75.00	THORN 8947 .....	£POA
THORN FST Text .....	£85.00		

**NON-THORN VCRs FROM £35.00. MIDI SYSTEMS FROM £45.00.  
CD HI-FI SYSTEMS FROM £110.00**



**Fresh Stock arriving daily –  
ring for update on stock**



**PORTABLES ★ LATE FST – TOP BRANDS  
ALL BOXED – IN STOCK  
TOO MANY TO LIST**

**LARGE STOCKS  
ALWAYS AVAILABLE**

**Brand New Handsets for  
TVs & Videos from only £7.50**

★ ALL PRICES ARE SUBJECT TO VAT ★  
★ (OFFERS APPLY WHILE STOCKS LAST) ★

OPEN MON.-FRI. 9 a.m. – 5.30 p.m. SAT. 9 a.m. – 1.00 p.m.



**WHY TRAVEL THE WHOLE COUNTRY?**

**RING AFF OR AMIN NOW ON DIRECT LINE TO TV WAREHOUSE**

**LEEDS (0532) 444200 FAX: (0532) 425777  
MOBILE PHONE – 0850 326866 – 24HRS**

**EXPORT ENQUIRIES WELCOME**

**SUPERVISION**

**UNIT 16, TOWER WORKS, 2 GLOBE ROAD, LEEDS LS11 5QG  
OFF WATER LANE, NEAR HILTON HOTEL. EASY ACCESS FROM M1 & M62 (2 Mins)**

# BRITAIN'S LARGEST INDEPENDENT

## PRESTON

439 Oakshott Place,  
Walton Summit Ind. Estate  
Preston (M6 Junc. 29)  
Tel: 0772-312101



## BIRMINGHAM

208 BROMFORD LANE  
ERDINGTON,  
BIRMINGHAM B24 8DL  
Tel: 021-327 3273  
Fax: 021-322 2011

TV & VIDEO WHOLESALERS

## CARDIFF

Unit J7,  
Colchester Trading Estate  
Colchester Avenue  
Cardiff CF3 7AP  
Tel: 0222-471485

★ ★ ★ ★ ★ ★ ★ ★ ★ ★  
**THIS MONTH'S SPECIAL**

HRD830  
JVC NICAM HI-FI VIDEO  
**£115.00 NO HANDSET**

## LONDON

The Royal London Estate,  
Unit 2, 29-35 North Acton Rd  
London NW10  
Tel: 081-961 5005

(ALL PRICES SUBJECT TO VAT)

---

**'B' GRADE  
AVAILABLE  
(BOXED)**

### TELEVISIONS

A51F  
59M5  
68M5  
78M5

### VIDEOS

FV42L  
FV41R  
FV32L  
FV31R

---

**CALL IN AT YOUR LOCAL BRANCH TODAY AND SEE OUR RANGE  
OF EX-RENTAL AND B GRADE STOCK**

EXPORT ENQUIRIES WELCOME



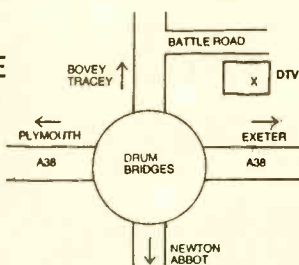
**DEVON  
TV &  
VIDEO**

UNIT 7, ANCHOR BUILDING,  
BATTLE ROAD,  
HEATHFIELD IND. EST.,  
NEWTON ABBOT  
PHONE 0626 835900

**REGULAR QUANTITY OF FST  
WORKING STOCK,  
TOSHIBA, SANYO, GRUNDIG,  
JVC, PHILIPS ETC. FROM £75,  
ALL CLEAN, TIDY STOCK.**

A TRADE WAREHOUSE WITH CLEAN STOCK,  
SENSIBLE PRICES, FRIENDLY, HELPFUL  
SERVICE **AND** IT'S RIGHT NEXT TO THE MAIN  
A38 AT HEATHFIELD INDUSTRIAL ESTATE.

LESS TRAVELLING TIME  
MEANS MORE SELLING  
TIME FOR YOU! POP IN  
AND SEE US - YOU  
WON'T BE  
DISAPPOINTED!



**CALLING SCOTLAND**

WE CAN NOW SUPPLY GOOD CLEAN  
WORKING BOXED B GRADE STOCK IN  
YOUR AREA. PLEASE CONTACT US  
FOR PRICE LIST AND FURTHER  
INFORMATION.

**CALLING IRELAND**

NOW AVAILABLE DUAL STANDARD  
BRAND NEW 21" REMOTE CONTROL  
CTVs FROM £130.  
ALSO DUAL STANDARD 14" REMOTE  
CONTROL CTVs.

**B GRADE STOCK RETURNED GOODS**

14" Portables from .....	£70	14" Portables from .....	£25
20" Remote CTV from ..	£105	Front load VHS from .....	£50
20" Fasttext from .....	£140	Midi Hi-Fi's from .....	£20
L/P VHS from .....	£120	21" CTVs from .....	£40
10" Mains/bat from .....	£90	Radio Cassettes from....	£15

**GOGGLEBOX** TEL: LEEDS  
DISCOUNT ELECTRICAL WAREHOUSE **0532-310359**  
ASK FOR ROBERT

ALL ABOVE PRICES PLUS VAT AT 17.5%

**TOP CLASS PANASONIC  
WORKING TV & VIDEO**

+  
**GOOD CHEAP STOCK**

**"OFF THE VAN"**

Good Selection of Makes

**Tom Poole or Brian Ricketts**

**061-273 2854/274 3409**

**REPO**

DAISY WORKS,  
345 STOCKPORT ROAD,  
LONGSIGHT,  
MANCHESTER

(A6 Between Stockport & Manchester)

**ST CLEMENTS**

TV Wholesale

Most makes ex rental T.V.s and videos

BEST POSSIBLE PRICES

New stock arriving weekly.

30 Minutes from

Peterborough, Cambridge and Bedford.

*RING*

**0480 52539**

142 HIGH ST,

HUNTINGDON, CAMBS.

# TELEPRICE

LIMITED

**SWITCH ON!**  
**TO QUALITY**  
**EX-RENTAL TV**  
**& VCR. PLEASE**  
**RING FOR DETAILS**

## AINTREE

UNIT 2, RACECOURSE IND. EST.  
ORMSKIRK ROAD, AINTREE  
LIVERPOOL L9 5AL. TEL:  
051 530 1285 IAN MAC

## LEEDS

UNIT F2, COPLEY HILL  
TRADING EST., WHITEHALL  
RD, LEEDS LS12 1HS. TEL:  
0532 422774 LES CORKE

## AVONMOUTH

5 PORTVIEW ROAD  
AVONMOUTH, BRISTOL  
BS11 7LQ. TEL:  
0272 235093 KARLA REALE

## GLASGOW

9 COLQUHOUN AVENUE  
HILLINGTON IND. EST.  
GLASGOW G52. TEL:  
041 883 2610 IAN DORAN

## NOTTINGHAM

UNIT 8, ASCOT PARK  
INDUSTRIAL ESTATE  
SANDIACRE, NOTTINGHAM. TEL:  
0602 491385 JOHN JEYS

## SUNDERLAND

9A/B, 94 CARRMERE RD  
LEECHMERE IND. EST.  
SUNDERLAND SR2 9TE. TEL:  
091 523 5554 BRIAN CADE

## SOUTH LONDON

22 FRANTHORNE WAY,  
OFF RANDESDOWN ROAD, BELLINGHAM,  
LONDON SE6 3BS. TEL:  
081-695 0877 JAMES MAYE

## FARNBOROUGH

7/8 KINGSGROVE IND. EST.  
INVINCIBLE RD, FARNBOROUGH  
HANTS. GU14 7QS. TEL:  
0252 540814 COLIN GORDON





**THIS MONTH'S SPECIAL OFFERS (DON'T MISS OUT!!!)**

**SPARES**

*Giving you the Edge in Sales!*

**LOPTS**

FERGUSON TX100 Series (any LOPT) (Green Spot), (Blue Spot), (Red Spot), (White Spot) .....	£13.95
FIDELITY 14" up to 20" (FC201SBE) .....	£9.50
HINARI CT45/TVA1 .....	£13.95
TX10 Cropper Transformer .....	£4.50

**SEMICONDUCTOR**

BU 508A .....	70p
TDA 3654 .....	£1.85
STK 5481 .....	£4.20
STR 50103A .....	£3.10
TDA 4600-3 .....	£1.90
TDA 2600 .....	£3.95

**SERVICE MANUALS**

<b>TV</b>	
PHILIPS 2A Provisional Technical Data .....	£3.00
PHILIPS KT3 .....	£3.00
ITT/NOKIA FX4030CT5110 (Solara 21C60) .....	£3.00
TOSHIBA CT2020B1 .....	£3.00
FERGUSON 51LB I.C. C5 Service Information .....	£2.00
SONY CAMERA CCD-V8AF Service Manual .....	£15.00

**VIDEO**

JVC HRD-180E .....	£6.00
SANYO VCR VHR2300 .....	£6.00
OSAKI VCR 33 .....	£6.00
ITT VR3938 .....	£6.00
ITT VR3929 .....	£6.00
TOSHIBA V83B .....	£6.00
SONY EV-S600 .....	£6.00
JVC HRD725 .....	£6.00
JVC HRD225K .....	£6.00
JVC HRD755EK .....	£6.00
JVC HRD7655EK .....	£6.00
LOEWE CIC 420 .....	£6.00
THORN 8930 (3V30) .....	£6.00
THORN 8941 (3V31) .....	£6.00
THORN 8942 (3V32) .....	£6.00
THORN 8943 (3V36) .....	£6.00
THORN 8944 (3V35) .....	£6.00
THORN 8945 .....	£6.00
FERGUSON 3V24 .....	£6.00
FERGUSON 3V48 .....	£6.00
FERGUSON 3V53 .....	£6.00
FERGUSON 3V5455 .....	£6.00
FERGUSON 3V59 .....	£6.00
FERGUSON 3V65 .....	£6.00
FERGUSON FV11 .....	£6.00
FERGUSON FV12 .....	£6.00
FERGUSON FV20B .....	£6.00
FERGUSON FV30B .....	£6.00
FERGUSON FV33H .....	£6.00
GRUNDIG VS400 .....	£6.00

**SATELLITE MANUALS**

AMSTRAD SRD400 .....	£4.00
FERGUSON SRA1 .....	£4.00
ITT/NOKIA SAT1100 .....	£4.00

**REMOTE CONTROLS**

SONY RM632, RM635 ... £9.95

FERGUSON TX10ST ... £7.95

FERGUSON 3V31/3V32 . £7.00

FERGUSON TX9  
ULTRA-SONIC ..... £10.75

PHILIPS UNIVERSAL .. £6.75

REDIFFUSION Mk4 ..... £6.50

**VIDEO HEADS**

FERGUSON 3V2930	
THORN 8930/40	
VHD-2511	
FERGUSON 3V35/36/38	
THORN 8943/8944	
VHD-2647	<b>£6.50</b>

**SERVICE AIDS**

BLACK VINYL 15 Metre long 45cm wide ... Only	£13.50
SPRAY PAINT	
MATT BLACK .....	£2.95 each
ROLLS ROYCE SILVER .....	£2.95 each
SOLDER 500g 1.2mm PRIMA .....	£4.75
VIDEO HEAD PULLER .....	£14.95

**VIDEO SPARES**

FERGUSON 3V35 CASSETTE HOUSING .....	£19.50
FERGUSON 3V35 CAPSTAN MOTOR .....	£16.50
HITACHI VT11, VT33 CAPSTAN MOTOR .....	£18.95
SHARP VC383 FRONT FACIA .....	£14.95
FERGUSON 3V24 FRONT FACIA .....	£9.50
THORN 8930 FRONT FACIA .....	£14.95
THORN 8940 FRONT FACIA .....	£14.95
THORN VC121 FRONT FACIA .....	£9.50
THORN VT430 FRONT FACIA .....	£9.50
HITACHI VT8000E FRONT FACIA .....	£9.50

<b>TV REMOTE CONTROLS</b>	
PHILIPS RC5 UNIVERSAL IR9005 .....	£11.50
FERGUSON TX10 TEXT TR-RC732 .....	£7.50

**1,000s OF MORE SPARES AVAILABLE IN STOCK**

**EX-RENTAL**

RE-GUN T.V. TUBE K56-540X .....	<b>£40</b>
TELETEXT WORKING COLOUR TV .....	<b>From £35</b>
PORTABLE WORKING COLOUR TV 14" .....	<b>From £39</b>
VCR TOP LOADER Working .....	<b>From £45</b>
VCR FRONT LOADER Working with RC .....	<b>From £60</b>
HRD 750 EK with hand set .....	<b>£180</b>

**EX-RENTAL FST TV IN STOCK**

**NOW IN STOCK BRAND NEW TVs - VCR AND PORTABLE 14" COLOUR RC AT A VERY SPECIAL PRICE!!!**

**NOTE: ALL REMOTES ARE EXTRA. STOCK SUBJECT TO AVAILABILITY. ALL PRICES SUBJECT TO VAT PLUS CARRIAGE**

**NOW IN STOCK - IRODA BUTANE POWERED SOLDERING IRONS - £12.75**

*Wiltsgrove Ltd*

**28/29 RIVER STREET, DIGBETH, BIRMINGHAM B5 5SA**

**Tel: 021-772-2733**

**Fax: 021-766-6100**



**WE ARE SPECIALISTS IN EXPORT**

**FAX: 0274  
722229**

**BESCO LTD  
EX-RENTAL TV'S  
& VIDEOS**

**Huge selections. Complete range.  
All makes and models available.**

**★ New Stocks Every Day ★**

**VHS Video from £30  
Television from £3**

**PICK YOUR OWN VHS VIDEOS**

**Lots of 10 £20.00 each (mostly complete)**

**Working Ex-Equipment Panels**

IF	Converger	Decoder	Line Scan	Power	Frame
T20/22X	5	14	18	17	14
T26 X	5	16	20	17	X
Philips G11 14.505		12	20	20	11.50

**All prices include Postage & Packing. But + VAT**

**★ IF THE PANEL YOU REQUIRE IS NOT LISTED PLEASE ASK ★**

**BRADFORD**

**Springmill St  
Manchester Rd, BD5 7RL  
Ring Tony (0274) 308186**

**MANCHESTER**

**Unit 3, Mersey Rd.  
North Ind Est., Failsworth  
Ring David (061) 683 4612**

**Visa/Access welcome  
Prices are Plus VAT & Based on Quantity  
OPEN 6 DAYS 9-5**

**WESTERN  
TRADE  
SERVICES**

**TV & VIDEO  
WHOLESALE  
FOR  
DEVON & CORNWALL**

EST 14 YEARS

**SUPPLIERS OF EX-RENTAL TV & VIDEO'S  
THORN & NON THORN  
REMOTE TEXT & VIDEO HAND UNITS  
SUPPLIED WHERE NECESSARY  
ALL PRICES SUBJECT TO VAT**

**DELIVERIES THROUGHOUT DEVON  
CORNWALL TWICE WEEKLY**

**GIVE US A RING OR CALL IN  
2A BARTON HILL ROAD,  
TORQUAY, DEVON  
TEL: 0803 312222 FAX: 326767**

**ELECTRONICS  
WORLD**

**+ WIRELESS WORLD**

**SIX PAGES  
OF ELECTRONIC  
CIRCUIT DESIGN  
EVERY MONTH**

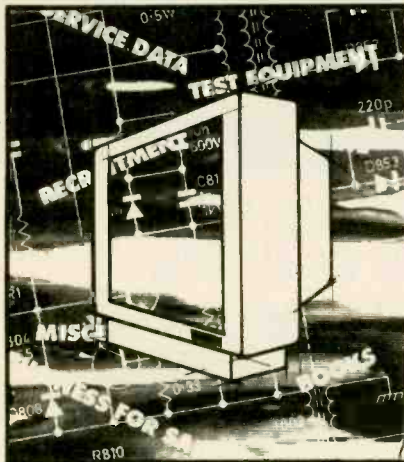
**Subscribe today and save £10**

**Simply phone our credit card  
hotline on 0789 200 255 for a  
special subscription price of £20  
for 12 issues\*.**

**INDEX TO ADVERTISERS**

ABI Electronics .....	516
Aerial Techniques .....	511
Antex Electronics Ltd .....	518
AZ Electric .....	516, 517
BK Electronics .....	472
Broughame Ltd .....	513
Bull Electrical .....	515
Canadian Instruments & Electronics .....	514
Central TV Wholesale Distribution Ltd .....	529
Centrevision .....	522
Devon TV & Video .....	527
East Cornwall Components .....	476
East London Components .....	475
Economic Devices .....	504, 505
EEC Satellite Services .....	473
Electronic Sound Systems .....	518
Electronics World .....	531
Euras International Ltd .....	479
Express TV Supplies .....	513
GGL Components .....	474
Grandata Ltd .....	466-470
Hussain Central TV Ltd .....	526
ICS-Intertext Group Ltd .....	514
Insat International .....	520, 521
JJ Components .....	503
KSA Wholesale Components .....	529
Manor Supplies .....	483
Marapet .....	479
Powell, T .....	518
PV Tubes .....	475
Satellite Solutions (UK) Ltd .....	471
Semple Service .....	524
Sendz Components .....	540, Cover iii, cover iv
Stewart of Reading .....	515
Supervision .....	525
TBC Satellite Systems .....	519
Teleprice Ltd .....	528
Thunderbird Electron Management .....	513
Visions (GB) Ltd .....	524
Vista Electronics .....	479
Willow Vale Electronics .....	Cover ii
Wittsgrove Ltd .....	530

# CLASSIFIED CLASSIFIED CLASSIFIED CLASSIFIED CLASSIFIED



## TELEVISION CLASSIFIED

No other consumer magazine in the country can reach so effectively those readers who are wholly engaged in the television and affiliated electronic industries. They have a need to know of your products and services.

The prepaid rate for semi display setting is £10.35 per single column centimetre (minimum 3 cm). Classified advertisements 70p per word (minimum £12), box number £4.00 extra. All prices plus 17½% VAT. All cheques, postal orders etc., to be made payable to Reed Business Publishing Group. Advertisements, together with remittance, should be sent to the Television Classified Room L327, Quadrant House, The Quadrant, Sutton, Surrey SM2 5AS.



PHONE 081-652 8339 FAX 081-652 8931



### LINEAGE

**2700 SERVICE MANUALS** for sale covering TV's videos, audio, £300. Also wanted none working TV's and/or videos. Tel/fax (0472 240300).

**SKY VIDEOCRYPT DECODER** service sheets with colour decoding tracks £15. Amstrad satellite tuneable audio £18. E.M.O., Ramsbottom, Lancashire BL0 9AG. 0706-823036.

**EXPERIENCED TV VIDEO ENGINEER** required to join our well established company in Taunton, Somerset. Contact: Armtec Electronic Services (0823-279401).

**OSCILLOSCOPES.** Gould OS4040, OS4050, logic analyzer LA5000 as new with service manuals from £150 each. Tel. 081-591-0572.

**CAR AUDIO SPARES** and service manuals. Repairs and decoding. Manufacturers authorised workshops. Radio/cass. alarms at trade. C.A.T.S. 0273-670306.

**AVO MULTIMETER MODEL 8,** £45.00. 500 volt megers £30.00. Prices plus VAT and p&p. Send SAE for lists of Surplus Instruments & Scopes etc. A.C. Electronics, 17 Apleton Grove, Leeds LS9 9EN. Tel: 0532 496048.

**GFG-813 FUNCTION GENERATOR** 13 MHz brand new in box. Complete probes and manuals. catalogue price £700, bargain at £350. Call 0737 643130 evenings.

**OCHRE MILL TECHNICAL SERVICES.** Grundig TV spares for most models to 1985, fast, friendly, helpful, sensible prices. Gr Lype Farm, Charlton, Nr. Malmesbury, Wilts SN16 9DR. Tel. 0666 823228.

**SAVE TIME — SAVE MONEY.** Find out exactly where you are dialing before you pick up that phone. Reverse STD Directory only £7.50 (inc. p&p) from JM Associates. 61 Medlock Street, Droylsden, Lanes M35 7AG.

**CD'S TAPES** at wholesale prices + commission. For free details write to MCP, 33 Box Close, Whitnash, Leamington Spa CV31 2QD.

**C.R.T.** for oscilloscopes, monitors, etc. Regret no domestic TV types. Possibly biggest stock of scope type in England! Big stocks of DG7-5/6/32, M31-184W etc. Billington Export, Unit F2, Oakdene Industrial Estate, near Horsham, West Sussex RH13 8AZ. Callers strictly by appointment only. Phone 0403 865105; Fax 0403 856106; Telex 923492 TRA G.

**WANTED KT66, KT88, PX4, PX25,** transistors etc. If possible send a written list. Prompt reply and payment. Billington Export, Unit F2, Oakdene Ind Est, near Horsham, West Sussex RH13 8AZ. Callers strictly by appointment only. Phone 0403 865105; Fax 0403 856106; Telex 923492 TRA G.

**EX EQUIPMENT TELEVISION** and video spares available. Panels, lopt, tuners, handsets, etc. JH Services. 0243 820311.

**USED SSI/WAVE TEC MODEL 301 TV IF** sweep generator for systems R/BG plus, 2 level amplifiers and 0/100 DB attenuators. Ideal for factory production department. Telephone 081-677 1730.

**TELEVISION MAGAZINES FOR SALE.** 1968 to 1987. 20 years issues. £110, collected. — Tel. 0502 713016.

**VALVES, HUGE STOCKS,** credit cards accepted. Full 45 page valve catalogue now available. £2.00 post paid. VNC, 20a Cossham Street, Mangotsfield, Bristol BS17 3EN. Telephone: 0272 565472 (24 hours). Fax: 0272 575442 (24 hours).

### SPARES & COMPONENTS

#### SURPLUS/REDUNDANT ELECTRONIC COMPONENTS WANTED

I/Cs — Tuners — Transistors — Valves — Diodes etc. any quantity considered — immediate payment.

ADM Electronic Supplies

Tel. 0827 873311.

Fax 0827 874835

#### ALLPARTS DISTRIBUTORS

##### SATELLITE SPARES

TV & VIDEO SPARES FOR THE TRADE AND PUBLIC BELT KITS, TRANSISTORS, ICS, REMOTES, FERGUSON, PANASONIC, SHARP, GRUNDIG, SONY, KONIG, PHILEX, AMSTRAD

##### ALLPARTS DISTRIBUTORS

101 ROCKY LANE, TUEBROOK, LIVERPOOL 6 4BB

051-260 4825

#### RCS VARIABLE VOTAGE D.C. BENCH POWER SUPPLY

1 to 24 volts up to 1/2 amp. 1 to 20 volts up to 1 amp. 1 to 16 volts up to 1 1/2 amps D.C. Fully stabilised. Twin panel meters for instant voltage and current reading. Overload protection.

Fully variable. Operates from 240V A.C. Compact Unit: size 9 x 5 1/2 x 3 ins.

**NEW MODEL.** Up to 38 volts DC at 6 amp. 10 amps peak. Fully variable. Twin panel meters. Size 14 1/2" x 11" x 4 1/2". £96 inc VAT. Carr £6.

#### RADIO COMPONENT SPECIALISTS

ACCESS 337 WHITEHORSE ROAD, CROYDON

SURREY, U.K. Tel: 081 684 1665

List, Large S.A.E. Delivery 7 days Callers Welcome Closed Wednesday



£45 inc VAT + Post & Ins. £4

## TELEVISION CLASSIFIED LINEAGE

advertisements can be submitted on this coupon with a cheque made payable to Reed Business Publishing Group. Television Classified Room L327, Quadrant House, The Quadrant, Sutton, Surrey SM2 5AS. The charge per word is 70p plus 17½% (minimum £12.00 + VAT.)


For Issue Dated ..... or next available. Total insertions ..... Total of Cheque £.....  
 Name ..... Address .....  
 Post Code ..... Tel Num ..... Signature .....



Debit my Access/ Visa Card (delete)



--	--	--	--	--	--	--	--	--	--

Expiry Date ..... VAT Reg. No. 238 8937 10

# CLASSIFIED CLASSIFIED CLASSIFIED CLASSIFIED CLASSIFIED

## INTEGRATED CIRCUITS

PRICES INCLUDE VAT, Add £1.18 POSTAGE

TV & VIDEO I.C.s	LA7033	3.29	
AN262	1.12	LA7210	1.47
AN304	2.96	LA7505	2.06
AN5015K	2.94	LA7910	2.23
AN5612	1.81	LU11417A	4.23
AN5620X	3.11	LU52511A	4.23
AN6306	6.46	LVA508	1.65
AN6320N	2.47	LM1889N	3.29
AN6326N	2.88	M51393AP	2.94
AN6328	2.88	MC1408P8	1.18
AN6346N	3.08	MN15823FVG	12.69
AN6347	2.47	OEC0001B	5.23
AN6350	5.02	OEC0005	5.23
AN6360	2.14	OEC2001	3.35
AN6362	3.47	SONY CX134A	4.99
AN6881	2.70	TD62105P	1.18
BA618	1.35	ULA1H035E2	1.82
BA6301	1.65	UPA53C	4.05
BA7001	1.23	UPC1382C	.90
BA7004	1.65	UPC1397C	3.70
BA8500	11.69	14DN156	5.29
HA17458PS	.82	14DN157	5.29
LA7031	2.06	14DN244C	5.70
LA7032	2.42		

## HANDSETS

VCR4600/4600MKII	£11.75
VCR4700	£17.63
VCR5200	£11.75
VCR6100 Barcode	£29.38
TS90/99 Tower System	£11.75
VCR9000 (Old Type) Handset	£11.75

L. D. P. T.		
CTV1000	FB182K	£11.75
CTV1400	FB165KA	£11.75
CTV2000	FB171	£9.40
CTV2000	FB171K	£9.40
TVR2	1810951	£13.51
TVR3	181297	£13.51
PC12-HRCD/D	MSH1FCT31	£14.10

CONVERTERS		
4700 RF CONVERTER		£5.88
5200 RF CONVERTER		£7.05

SATELLITE EQUIPMENT  
DISHES, FEEDS, LNB'S ETC.  
AVAILABLE. PHONE FOR LIST.

## Harrison Electronics

CENTURY WAY, MARCH, CAMBS PE15 8QW.  
FAX: (0354) 51416. TEL: (0354) 51289

## AMSTRAD

PRICES INCLUDE VAT, POST AND PACKING EXTRA.  
P.C.B.'s

4600 Video and Audio PCB	£17.63
4600 Systems Control/Servo PCB, Display and Control PCBs	£29.38
4600 MKII Video and Audio/Timer/Control PCB Assy.	£40.82
4700 Video and Audio/Timer/Control PCB Assy.	£40.82
VCR100 Video and Audio/Timer/Control PCB Assy.	£40.82
5200 Timer and Channel Display PCB Assy.	£17.63
5200 Audio Tuner PCB.	£15.28
5200 Video PCB	£14.10
5200 Syscon. Servo Power PCB	£23.50
4600 Mk II/4700 Power Supply	£4.70
CTV1400 Main PCB	£29.38
CTV2200 PCB No:3 (Part 270087)	£3.53
CTV2200 PCB No:4 (Part 270088)	£4.70
TVR1 Control Panel/Preset PCB	£7.05
TVR2 Main TV PCB	£37.60
TVR3 Main TV PCB	£43.48

## MECHANISMS

4600 Video Cassette complete mechanism (no drum or video heads)	£29.38
4600 Video Cassette complete mechanism (with drum no video heads)	£35.25
9000 Cassette Housing Assy.	£15.28

## MOTORS

4600/4700 Capstan Motor	£11.75
7000 Loading Motor MCB2B01	£3.53
9000 Loading Motor MCB9B02	£3.53

## TUNERS

5200 Varicap Tuner Type 1810829	£7.05
7000 Tuner ENV87358C2	£7.05
CTV1400 Tuner ENV87509F2	£5.88
CTV2200 Tuner UE2-B31F	£5.88

PARTS OFF PCB'S AND MECHANISM.  
PHONE FOR PRICING

ALL ITEMS ARE BRAND NEW AND GUARANTEED  
\* \* SAME DAY DESPATCH \* \*  
Write or Phone for FULL catalogue.



## THRIFTY SPARES (WALES)

Centrevision House, Sloper Road, Leckwith, Cardiff CF1 8AB

### INCREASE YOUR PROFITS WITH USED SPARES

MANY MAKES OF USED VIDEO AND TV PANELS -  
GUARANTEED WORKING HUNDREDS NOT LISTED -  
PHONE OUR HOTLINE

# 0222 344218

VIDEO THORN, HITACHI, TOSHIBA, IIT, SHARP, AMSTRAD, PANASONIC ETC.

USED WORKING VIDEO SPARES	From	WORKING DORIC MK3, MK4, MK4A BOARDS	
MIXED BOOSTER	£12.80	MK3A LINE SCAN (STATE TUBE)	£10.00
SERVO PANEL	£15.50	MK3A POWER PANEL	£10.00
LOADING MOTOR ASS	£10.50	MK3A IF VIDEO ETC.	£9.00
BOTTOM BOARD	£20.50	MK4 LINE SCAN	£22.50
MODULATOR	£15.50	MK4 POWER PANEL 90 OR 110	£15.50
MECHAON	£15.50	MK4 IF PANEL	£12.50
DRUM ASS.	£12.80	MK4 VIDEO	£7.50
CAPSTAN MOTOR	£15.50	MK4 MANUAL TUNER HEAD ASS.	£5.00
POWER PANEL	£15.50	MK4 REMOTE BOARD	£12.50
TUNING BOARD	£18.00	MK4 REMOTE BOARDS	£10.00
IR100 PROGRAMMABLE REMOTE CONTROL	£20.50	MK4 FRONT ASSEMBLY	£10.00
RC5301 KT330	£10.50	MK4 TRIPLEXERS	£5.50
RC306 IIT	£10.50	MK4 CRT TUBE CALLERS ONLY	£23.90
+ VAT ALSO SPECIAL RATES FOR P&P		MK4 TEXT HANDSET	£11.50
		MK4A TEXT HANDSET	£11.50



DON'T DELAY PHONE 0222 344218 TODAY

24 HOUR ANSWER PHONE

## FOR FURTHER

### DETAILS ON

### CLASSIFIED

### PLEASE

### CONTACT

## PAT BUNCE

### ON

## 081-652 8339

## TVs FOR EXPORT

Good working colour TVs VHF/UHF PAL system. Also C.R.T. regunning plant 5 ovens for sale.

**TELE SPARES LIMITED**  
Unit 3, Ashling House, Kylemore Park  
South, Dublin 10, Ireland.

Tel: Dublin 626 9490 or 626 9771

## WIZARD DISTRIBUTORS

### MANCHESTER

TV, VIDEO & SATELLITE SPARES

**LOEWE, SCHNEIDER, FERGUSON, HITACHI**

and many other always in stock -

Video Heads for over 500 models  
Service Manuals for over 200 models  
Handsets for over 200 models  
Spares for over 20 manufacturers

Plus huge range of IC's, Semiconductors and Service Aids, etc. etc.

### WIZARD OFFER A GREAT DEAL

Counter open Monday-Friday 9am-4.45pm  
Mall Order-Access/Visa

**TRADE ONLY**

**EMPRESS STREET WORKS,**  
EMPRESS STREET,  
MANCHESTER M16 9EN.

Tel: 061-872 5438; 061-848 0060.

## TRAINING

## BASIC ELECTRONICS TUITION

Do you have an interest in electronics, either as a future career or to pursue as a leisure activity? Do you have trouble locating faults in equipment, or safely adapting circuits to meet your specific needs? If so, and want to do something about it, send for details of the:-

Direct Personal Learning course  
K. Sparrow etc . . . 11 Claydon Green  
Whitchurch BRISTOL Avon BS14 0NG  
Telephone: (0275) 835669

## WANTED

## WANTED

Regular Supply of Ex-Rental Colour TVs and Videos.

Cash on Collection - Quick Service

# Tel. 0742 312832

## TV WHOLESALE

### AERIALS

FOR TV & FM RADIO, PLUS 1000'S OF MASTS, BRACKETS, LASHING KITS, CLAMPS, PLUGS, CABLES, OUTLETS, DIPLEXERS ETC.

### AMPLIFIERS

FOR DISTRIBUTION SYSTEMS AND DOMESTIC, MAST HEAD OR SET BACK. WE HAVE ONE OF THE LARGEST RANGES, AVAILABLE FROM STOCK

### MAIN DISTRIBUTORS

FOR ANTIFERRENCE, LABGEAR, WOLSEY FRINGE, TRIAX, TELEVES, VOLEX-RAYDEX, KUBLER + MANY MORE

## COASTAL AERIAL SUPPLIES

UNIT X2 Rudford Industrial Estate  
Ford, Arundel

# 0903 723726

NO MINIMUM ORDER VALUE  
NEXT DAY DELIVERY ACROSS UK  
CARRIAGE FREE ON ORDERS £100+



# CREWE WHOLESALE TV LTD.

### UNIT 1

OUR SPECIALITY IS SUPPLYING TRADE CUSTOMERS WITH TOP NAME WORKING TV'S AND VIDEOS. OUR LARGE SELECTION OF EX-RENTAL TV'S & VIDEOS ARE OF EXCELLENT QUALITY. WITH DISCOUNT FOR QUANTITY, YOU WILL FIND OUR KEEN PRICES HARD TO BEAT. WE HAVE NEW STOCK ARRIVING EVERY WEEK. RING NOW FOR A PRICE LIST. WITH OUR FRIENDLY STAFF AND PERSONAL SERVICE, YOU CAN'T MISS THE CHANCE TO COME AND SEE FOR YOURSELVES.

TEL: 0270 582924

**WILLIAM STREET CREWE, CHESHIRE**

### UNIT 2

WHY NOT COME AND SEE OUR EXCELLENT SELECTION OF UNTESTED TOP NAME, TV'S AND VIDEOS. NEW STOCK ARRIVING EVERY WEEK. COMPETITIVE PRICES AND DISCOUNT FOR QUANTITY. PHONE NOW FOR CURRENT STOCK LIST, AND PRICES.

TEL: 0254 64489

**SCHOOL LANE GUIDE, BLACKBURN**

DELIVERIES CAN BE ARRANGED

# CLASSIFIED CLASSIFIED CLASSIFIED CLASSIFIED CLASSIFIED

## REPAIRS

### LOEWE OPTA TV REPAIRS FAST EFFICIENT SERVICE

Factory Trained Engineers  
Competitive Rates

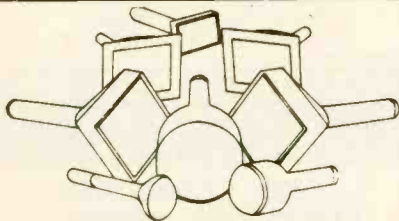
**MARWETECH,**  
Unit A7B, Aladdin Workspace,  
426 Longdrive, Greenford,  
Middlesex UB8 8UH.

Tel: 081-575 0434 Fax: 081-575 0468

## TUBES

### NEW CENTURY ELECTRONICS LTD.

UNIT 3, SWAN WHARF, WATERLOO ROAD,  
UXBRIDGE, MIDDLESEX UB8 2RA.



MANUFACTURERS OF HIGH PRECISION, HIGH  
RESOLUTION PHOTOQUALITY CATHODE RAY TUBES

Applications:—

- Scanning Electron Microscopes
- Medical Imaging
- Telecine
- Camera Viewfinders etc

Remanufacture Service also available

Why not telephone us on  
(0895) 255800 to discuss your requirements?  
Fax No.: 0895 255619

## SATELLITE BOOKS

### WORLD SATELLITE TV & SCRAMBLING

**METHODS — NEW 2nd EDITION**

£29

F Baylin, R Maddox and J McCormac. Large format  
340 pages providing in-depth study of many scrambling  
methods.

### EUROPEAN SCRAMBLING SYSTEMS 2 New!

£29

J McCormac. Circuits, Tactics and Techniques. How are  
smartcards hacked? How secure is VideoCrypt? Decoder  
circuits for Filmnet, RTL 4V and SAVE. Includes video  
manipulative systems.

### KU-BAND SATELLITE TV — NEW 4th EDITION

£23

F Baylin & B Gale. Comprehensive introduction to satellite TV. Includes many  
footprints, dish theory. Completely revised edition.

### SATELLITE TELEVISION INSTALLATION GUIDE — NEW 3rd EDITION

£12

J Breeds. Europe's most popular satellite book. Includes all practical aspects of dish  
installation. Used in City & Guilds satellite courses.

### VIDEO SCRAMBLING & DESCRAMBLING

£25

R Graf & W Sheets. Advanced theory. How to build encoders/decoders. Contains  
details of many cyphering patents and circuits.

### SATELLITE, OFF-AIR & SMATV

£25

F Baylin, S Berkoff & T Meints. Aspects of private cable and multi-unit dwellings.  
SMATV systems in hotels, condominiums, apartments etc.

### 1991 WORLD SATELLITE ANNUAL

£36

M Long. More than 600 pages. Includes over 100 footprints and other satellite details.  
Colour coded sections.

### 1992 WORLD SATELLITE ALMANAC New 3rd Edition

£55

M Long. Hefty 1120 page reference to worldwide satellites, footprints charts etc.

### THE SATELLITE BOOK — A Complete Guide to Satellite TV Theory & Practice

£28

J Breeds. The definitive guide! Covers every possible technical and practical related  
subject. Invaluable tips and tricks of the trade. Well illustrated throughout. Easily the  
best value satellite book today!

### SERVICING ELECTRONIC SYSTEMS VOL 1 & VOL 2 Pt 1

£24

I Sinclair, G Lewis. Massive 590 pages. All aspects of electronic systems. Designed for  
City & Guilds/BTEC courses. Excellent value. Count as one book for postage.

**ORDERING. Postage per book: Add £2.50 in UK. Add £5 for Europe. Add £15 for  
Rest of World.**

Please send me the book(s) as indicated. I enclose cheque/PO for £ made payable to  
**Swift Television Publications**, or please debit my Access/Visa card;

Number Expiry  
Name Signature  
Address Postcode



### Swift Television Publications

17 Pittsfield, Cricklade, Wilts, SN6 6AN Tel or Fax 0793 750620

## SONY TUBES REPROCESSED WITH ORIGINAL SONY GUNS

HIGH TEMPERATURE RE-PROCESSING of Sony, Mullard 45AX,  
30AX, In-line, PIL, Mini (22.5mm) Neck and FST Tubes.

370KR822	£48.00	A51-231X	£46.00	A51EAL00X	£58.00
370LH822	£48.00	A51-570X	£46.00	A51EBS00X	£58.00
400EFB22	£58.00	A51-580X	£46.00	A51JAR00X	£64.00
510YXB22	£58.00	A51-590X	£46.00	A53JBW00X	£64.00
520SB22	£64.00	A56-540X	£48.00	A59EAK00X	£64.00
560EB22	£54.00	A56-701X	£48.00	AXM37-001	£48.00
560DYB22	£54.00	A66-540X	£56.00	AXT37-001	£44.00
570HB22	£64.00	A67-701X	£56.00	AXM51-001	£46.00
680DB22	£85.00	A34JBU10X	£74.00	AXT56-001	£52.00
680EB22	£85.00	A49JHT00X	£64.00		

For tube types not listed  
please enquire.

All prices quoted are  
excluding VAT.  
Exchange CRT is required.

Callers welcome.  
Please phone first.  
Nationwide Delivery Available.

**WEST ONE**  
Distributors Ltd.  
Chesham, Bucks.  
Tel. 0494 778197

Your local stockists are:  
**WELL VIEW,**  
114 134 Midland Road,  
Luton, Beds. LU2 0BL  
Tel. 0582-402499

**WELL VIEW,**  
Southampton, Hants.  
Tel. 0703 449783

## BOOKS

### GERMAN SERVICE SHEET SPECIALISTS

Our connections are world-wide. We furnish any  
kind of German, European and Japanese service  
sheet or manual. Thousands of different sheets and  
manuals in stock. For any enquiries:

**DÖNBERG ELECTRONICS**  
Schoolmasters House, Rannafast,  
Co. Donegal, Republic of Ireland.  
Phone: 075 48275

## TEXSCAN CATV DECODER

Tuner FX range 54MHz-450MHz. Features: full  
60 channel capability. High performance. 611  
MHz IF. Built-in prescaler. Uses advanced  
ECL. Integrated circuits and dual gate  
MOSFETS. Output on channel 48 UHF-PAL  
synthesiser controlled. Brand new, boxed,  
with circuits and information. Not tested.

**TELFORD ELECTRONICS**  
Tel: 0952 605451. Fax: 0952 677978

## SATELLITE

### SATELLITE TV RECEPTION



DRAKE Receiver/Positioners from £299  
Wideband Magnetic Polarisers from £29  
60cm to 3m Antennas, polar mounts  
11/12/4Ghz LNBs - feeds, accessories  
SAE for Leaflets

**KESH ELECTRICS LTD**  
Main Street, Kesh, Co Fermanagh BT93 1TF  
Tel. 03656 31449 Fax. 39250 Tlx 747412





# CLASSIFIED CLASSIFIED CLASSIFIED CLASSIFIED CLASSIFIED

## BOOKS

### MAURITRON TECHNICAL PUBLICATIONS

The following is a selection from our vast range of Technical Manuals for the TV and Video Servicing Trade. Order some today.

Order Code	Title	Price
MTP-5	Video Recorder Faults - Repair Guide	£1.95
MTP-58	VHS Video Recorder Principles	£1.95
MTP-7	Transistor Radio Repair Guide	£1.00
MTP-34	TTL Integrated Circuits Databook	£4.95
MTP-10	CMOS Integrated Circuits Databook	£4.50
VHCK	Video Head Cleaning Kit	£3.50
MTP-9	Power Supplies & Voltage Regulators	£2.95
MTP-24	Transistor Equivalents and Testing Manual	£4.50
MTP-8	Record Player Speed Disc	£0.95
MTP-19	Telephone STD Code Location Guide	£3.95

**SPECIAL OFFER:** Order the full set of the above for only £25.00, a saving of £5.20 over the individual price of £30.20. Use Order code MTP-189.

Phone your order today using Access or Visa for immediate despatch. All orders plus £2.35 post and packing.

Hundreds of other Repair and Data Guides available from our Catalogue available FREE upon receipt of a stamped envelope and sent with all orders.

### MAURITRON PUBLICATIONS (TV3)

8 Cherry Tree Road,  
Chinnor, Oxfordshire  
OX9 4QY



Tel: (0844) 51694 Fax: (0844) 52554

Service Manuals available: See our other advert for details

## MICROWAVES

TRADE ONLY

### MICROWAVE OVEN PARTS

MAGNETRONS · DIODES · TRANSFORMERS  
LAMPS · FUSES · MICROSWITCHES

PHONE NOW FOR PRICE LIST  
**A.W.I. MICROWAVE OVEN COMPONENTS**

Samuel Whites Estate, Medina Road,  
Cowes, Isle of Wight PO31 7LP  
Telephone: 0983 296121  
Fax: 0983 296122

### HOW THEY WORK! HOW TO TEST! HOW TO REPLACE!

Designed specifically for Domestic Appliance Engineers who want to enter the fast growing microwave industry.

Packed full of useful information, presented in a simple yet informative style

with comprehensive diagrams and illustrations.

Fault finding procedures are included at the end

of each section.

The book contains easy to follow electronic control systems.

**SWIFTPARK LIMITED**

113 LONDON ROAD, HORNDEAN, WATERLOOVILLE, HANTS. PO8 0BJ



ORDER YOUR COPY TODAY!



We also supply microwave oven components

## SOFTWARE

User Friendly

### SOFTWARE

FOR IBM COMPATIBLE PC'S RUNNING ON MSDOS  
FOR THE BUSY TV/VCR SHOP/SERVICE DEPT  
RECEIPT/INVOICE PROGRAM £89 + VAT + P&P

**OUR TV/VCR RENTAL PROGRAMME IS NOW AVAILABLE**

Phone or write for details:

**TBR Software** 369 Chepstow Road  
Newport, Gwent. NP9 8HJ  
Tel. 0633 282556

### TV LINE OUTPUT TRANSFORMERS

PHONE 081-948 3702 FAX: 081-332 0583

ALBA · AMSTRAD · BUSH · DECCA · DORIC · BLAUPUNKT · FERGUSON · FIDELITY · GEC · GRUNDIG · GRANADA · HITACHI · HINARI · INDESIT · ITT · KIMARA · NIKKAI · MATSUI · MURPHY · OSAKI · NORDMENDE · LOEWE-OPTA · REDIFFUSION PYE · PHILIPS · SANYO · SAISHO · SHARP · SONY · SOLOVOX · SUSUMU · TANDBURG · TELEFUNKEN · THORN · TRIUMPH · HUANYU · GOLDSTAR · BINATONE ·

**FULL RANGE OF KONIG: VIDEO HEADS, BELT KITS, IDLERS, PINCH ROLLERS, TENSION BANDS. LARGE RANGE OF REMOTE CONTROLS IN STOCK**

TIDMAN MAIL ORDER LTD. 236 SANDYCOMBE ROAD · RICHMOND · SURREY · TW9 2EQ.  
Mon-Fri 9 am to 12.30 pm & 1.30-4.30 pm  
Sat 10 am to 12 noon  
Approx. 1 mile from Kew Bridge.

## SERVICE SHEETS



### INFOTECH



76 CHURCH ST, LARKHALL, LANARKS ML9 1HE  
Tel. (0698) 884585 Mon-Fri 8.30 am-5.00pm  
Tel. (0698) 883334 Outwith business hours  
FAX available all day, Mon-Sat, either line  
Large SAE for FREE catalogue of other publications

### PRACTICAL GUIDE TO BUY, SELL, REPAIR & SERVICE USED VCRs



At last! Everything you need for handling VCRs  
How to buy ex-rental lots or single recorders  
More stock faults for the commonest ex-rental models than elsewhere at many times the cost  
Brilliant practical repair and service system.

Introductory price £6.99

### PRACTICAL GUIDE TO BUY, SELL, REPAIR & SERVICE USED TVs

More real data than books at three times the price  
Only £9.95

BOTH GUIDES for only £13.90

### COMPREHENSIVE ELECTRONIC DATA REFERENCE MANUAL

Still only £5.95

Thousands of models, CTV, VCR, Camera, CD, Satellites, Audio, etc. All known equivalents & identification shown with all types of available data for each at latest prices.

# CLASSIFIED CLASSIFIED CLASSIFIED CLASSIFIED CLASSIFIED

Commercial & Trade Technical suppliers for over 20 years  
**Technical Information Services**



76 CHURCH STREET, LARKHALL, LANARKSHIRE, ML9 1HE  
 Tel.(0698) 884585 Mon-Fri 8.30am - 5.00pm or (0698) 883334 Outwith business hours



FAX facility available all day on both lines  
 Write now with an SAE for your **FREE QUOTE, FREE CATALOGUE & FREE NEWSLETTERS**

**ALL TRADE ADDRESSES GIVEN !FREE! JUST PHONE TO FIND THE NUMBER/ADDRESS YOU NEED**

## Some Selected titles (Taken from over 150)

Practical TV Repairs 2nd Ed.	£16.95	S.Beeching's VCR Servicing	£25.00	Refrigeration Pocket Book	£14.95
CTV Servicing by G.King	£16.95	Servicing Mono TV's	£17.95	Spectrum Repair Guide	£5.00
The PAL System	£8.50	VHS Common Faults	£3.50	Spectrum Complete (+,128k,etc)	£35.00
TV & Video Technology	£12.95	Microwave Servicing	£9.95	Europ'n Scrambling Sys's *New Sections	£29.00
TV & Video Engineers P/Book	£12.95	Hi-Fi Servicing Guide	£9.95	Data Reference Manual	£5.95
Practical Radio Serv' & Repair	£12.95	Servicing Audio & Hi-Fi	£25.00	Principles of Compact Disc	£3.50



Remember, not only do we have EVERY service sheet ever produced, but we also have

THE WORLDS LARGEST COLLECTION OF

## SERVICE MANUALS

& WE ARE SOLE SUPPLIERS OF VARIOUS FAULT-FINDING GUIDES, REPAIR MANUALS & TECHNICAL MANUALS



### INTEGRATED SYSTEMS from TIS

10 Giant binders of CTV Circuits, Schematics, PCB's, Waveforms, etc.	£265.00
6 Giant binders of VCR Circuits, Schematics, PCB's, Waveforms, etc.	£190.00
All 6 VCR binders PLUS 30 Fault-Finding Guides for ALL models covered	£230.00
The 10 CTV Binders PLUS over 20 CTV Repair Guides & lots, lots more	£399.00
All the CTV & Repair Guides PLUS VCR binders PLUS fault finding, etc.	£599.00
TVAR complete, Two books & two binders of Giant diagrams (upto A2)	£89.45

## NEW PRODUCT!!

How many wasted hours have you spent on servicing?

E.C.S. offers you complete index of approx. 5,000 TV and video faults listed in 10 years of TV mag.

Index's are alphabetically listed by make, model, fault and are now available for just:

£7.50 for Television Faults

£7.50 for Video Faults

or £15.00 for both sets complete with protective ring binder. Regular updates are also available. But one of the above index's must be purchased in order to qualify for this service. To secure your order please make Cheques/Postal Orders payable to:

**E.C.S.**

**31 Prenton Road West,  
 Prenton, Birkenhead,  
 Merseyside L42 9PY.**

Please add £1.50 per order for P&P

### TV & VIDEO

#### TRADE REFERENCE MANUALS

UNIQUE REFERENCE DATA FOR THE TV AND VIDEO SERVICING TRADE.

- **TELEVISION CHASSIS GUIDE**  
 Listing thousands of Models (Colour & Mono) and their Chassis Designations. Enables you to identify any chassis for any TV from the model number. Order Code MTP-18.
- **VIDEO RECORDER EQUIVALENTS**  
 Lists all known models and their alternatives. Fully cross referenced for fast and easy use. Order Code MTP-143.
- **TRADE ADDRESSES**  
 Hundreds listed including TV, Video, Test and Computers. Includes all the obscure and hard to find suppliers of the unusual brand names. Order Code MTP-23.

THESE 3 BOOKS CONTAIN THE MOST COMPREHENSIVE REFERENCE DATA AVAILABLE ANYWHERE FOR THE TV AND VIDEO TRADE.

ONLY £5.00 EACH BOOK

PLUS £2.35 POST/PACKING PER ORDER.

Phone your order with Access or Visa for immediate despatch.

Hundreds of other Repair and Data Guides available from our Catalogue available FREE upon receipt of a stamped envelope.

#### MAURITRON TECHNICAL SERVICES

8 CHERRY TREE ROAD

CHINNOR

OXFORDSHIRE

OX9 4QY



Tel:- (0844) 51694. Fax:- (0844) 52554

Service manuals available - See our other advert elsewhere in the magazine.

**INFOTECH**  
 76 CHURCH ST, LARKHALL, LANARKS ML9 1HE  
 Tel. (0698) 884585 Mon-Fri 8.30 am-5.00pm  
 Tel. (0698) 883334 Outwith business hours  
 FAX available all day, Mon-Sat, either line  
 Large SAE for FREE catalogue of other publications

**VIDEO RECORDERS**  
*Save a fortune buying data*

**CIRCUIT COLLECTIONS £219**  
 All JVC/Ferguson/Baird as 3V00-3V01-3V16-3V22-3V23-3V29-3V30-3V31-3V35-3V36-3V38-3V39-3V43-3V44-3V45-3V48-3V53-3V58-3V59-3V64-3V65-FV11-FV12 plus all the main models from AMSTRAD FIDELITY GRUNDIG HINARI HITACHI PANASONIC PHILIPS PYE SANYO SHARP SONY TOSHIBA plus all clones, modifications and other brands in 7 huge binders.

**FAULT GUIDES £79.95**  
 35 guides covering the stock and standard faults for every model included in the above collection.

**COMPLETE SYSTEM £399**  
 Enough data to set anyone up in the business of servicing and repairing VCRs. Includes all the above circuits, layouts and repair guides plus over £350 worth of Service Manuals plus many other VCR publications.

**VIDEO CASSETTE RECORDERS  
 A SERVICING GUIDE**  
 3rd Ed. by S. Beeching Price £30.00  
**FREE WITH CIRCUITS COLLECTION**

**SERVICE MANUALS**

Available for most equipment. TV. Video, Audio, Test, Amateur Radio, Military Surplus, Kitchen, Vintage Valve, Computers etc.

Over 100,000 manuals available for equipment from 1920's to the present. Originals or photostats supplied as available.

FREE Repair and Data Guide Catalogue with all orders or send SAE for your copy today.

**MAURITRON(TV)**  
 8 Cherry Tree Road, Chinnor, Oxfordshire, OX9 4QY.  
 Tel: (0844) 51694 Fax: (0844) 52554

**EQUIPMENT FOR SALE**

**MICRO-LAB**  
 Save TIME and MONEY by speeding up fault diagnosis.  
 Our MICRO-LAB instruments will help you find faults faster. The improvements can be dramatic. We know! We use them!  
 Write or phone for a free brochure.

**COLEBOURN ELECTRONICS**  
 Dept TV, 20 Folly Lane, Telephone St Albans, AL3 5JT 0727 44785

**VHF/UHF CONVERTERS**  
**From £9.99**  
 MINIMUM QUANTITY 10

**JOMILL ENTERPRISES**  
 173 Dalston Lane, Hackney E8  
 TEL/FAX 081-533 2229  
 081-986 4710

**TEST EQUIPMENT**

**P & E SERVICES**  
 SUPPLIERS OF ALL MUTER REPAIR AND TEST EQUIPMENT.

BMR 95	TUBE REGENERATOR
BMR 700	TUBE REGENERATOR
CBE	DEGAUSSER
RTT 2	VARIABLE ISOLATING TRANSFORMER
CSG 4	PATTERN GENERATOR
AT 2	AUDIO SERVICING UNIT
ION 2	IONISER

ASK FOR FREE BROCHURE

**34 GLAN-Y-MOR ROAD, PENRHYN BAY, LLANDUDNO, GWYNEDD LL30 3PF.**  
**TEL: 0492 549246 FAX: 0492 547880**



**CAR RADIO CASSETTES**

Do you turn away work on car radio cassettes because they have security codes. Most radio cassettes can be decoded just by replacing the Eeprom (Memory IC) with that of a known code, or sending the original for re-coding. All popular makes including Philips, Ford, Pioneer, Clarion, Grundig, Blaupunkt, Fisher, JVC, Alpine, Volvo, etc.

Send now for introductory offer, one of each of most popular Eeproms + comprehensive Eeprom/radio decoding list.

**Eeprom Re-Coding Service £10.00 inc of VAT and p&p**  
**Radio's Sent for Decoding £20.00 inc of VAT and p&p**  
 For Technical or General Information phone 0543 572 523 or 0831 806 574.  
 Ask for Colin Humphries  
 C.D.H. Electronics, 3 Common Walk, Huntington, Cannock, Staffs WS12 4NB  
**C.D.H. ELECTRONICS**

**MUTER · AT2 · BMR95 · BMR700**

<p>AT 2, Audi-Multi-Tester, 16 test-circuits for loudspeakers, tuners, amplifiers, headphones, tape recorders, mikes, boosters.</p> 	<p>BMR 95</p> 	<p>BMR 700</p> 
---	---	--

Regenerating Computers & Measurers for CRT's with cathode protection, gas clean-up aid, short repair; exhausted CRT's becomes bright and sharp again even if all other machines do not succeed.

United Kingdom: P & E Services, Llandudno, Tel. (0492) 549246, Fax 547880.  
 Ireland: Donberg Electronics, Ranafast, Co. Donegal, Tel./Fax (0 75) 4 82 75.  
 New Zealand: TDON Ltd., Onehunga, Auckland, Tel. 6 68-9 07, Fax 6 68-4 99.  
 Germany: Ulrich Muter, Oer-Erkenschwick, Fax (0 23 68) 5 70 17.

car radios, CD-players; measurement of millivolt, drift, watt, performance; with generator, radio, signal tracer/injector, 13 volt supply etc.

# CLASSIFIED CLASSIFIED CLASSIFIED CLASSIFIED CLASSIFIED

## TEST EQUIPMENT

### HIGH QUALITY TEST TAPES

Audio Speed Test Tape (15 minute) with test tones for head azimuth alignment, frequency response and speed checking (in conjunction with frequency counter).

#### ALSO

Video Test Tape (30 minute) with colour bars, grey scale, audio test tones, etc. For video and audio head alignment and interchangeability adjustments. For use in conjunction with an oscilloscope and frequency counter.

Audio Test Tape £25.95 (TT1)  
or Video Test Tape £45.95 (TT2)

(IF ORDERED TOGETHER £70.00)  
PRICES FULLY INCLUSIVE

### A B TELEVIDEO SERVICES

2 HUNTON BRIDGE HILL, KINGS LANGLEY, HERTS. WD4 8PU. Tel: (0923) 262319

## HUGE SAVINGS ON MANUFACTURERS NEW RETURNS

★ LEADING BRANDS ★ FULLY TESTED ★ COMPLETE ★ BOXED ★

**COLOUR TVS** - FST. F/TEXT. NICAM ST. 10" 14" 15" 17" 21" 25" 28" 33"

**VIDEOS** - LCD PROG. EX. PLAY. T/TEXT. NICAM STEREO

**MICROWAVES** - MANUAL, DIGITAL 0.6 TO 1.0 CU.FT. 550-750 WATT

**COMBIOVENS** - 1.0 CU.FT. INC. GRILL & ROTISSERIE

**AUDIO** - MIDL. MIDH. CD. MINI CD SYS. SEPARATES. CD PLAYERS

**PORTABLE AUDIO** ALL MODELS OF RAD/CASS INC. CD. PERSONAL STEREO.

FURTHER DISCOUNTS AVAILABLE ON UNTESTED PORTABLE & PERSONAL STEREO'S

#### ★ THE BENEFITS TO YOU ★

- ★ QUALITY BRAND NAMES
- ★ LOW DISCOUNTED PRICES
- ★ GOOD PROFIT MARGINS
- ★ QUICK TURNOVER
- ★ AVAILABLE STOCK
- ★ CONTINUOUS SUPPLY

#### THE PRICE !!

WE WILL GIVE ALL NEW CUSTOMERS THE OPPORTUNITY OF PURCHASING AT BEST TRADE ★ QUANTITY DISCOUNT RATES REGARDLESS OF ORDER VALUES ★

**LOW COST NATIONAL DELIVERY**  
- 24 HOURS IF REQUIRED

**KEVIN GARDNER**

1043 Leeds Road  
Bradford BD3 7DB

Tel: (0274) 665670/660196

Fax: (0274) 665246

OR

**FRED BEAN**

Unit 7, Lloyds Court,  
Manor Royal, Crawley

Tel: (0293) 615363

Fax: (0293) 615359



## RECRUITMENT

### TV-AUDIO ENGINEERS

Due to a large expansion programme we are currently recruiting technical staff.

The work involves working with modern TV receivers and CD players and video recorders.

Please telephone John Heath on

**0708 381863**

## EQUIPMENT FOR SALE

### VIDEO RECORDERS

LOWEST PRICES EVER

Phone for Details

Bill Eades

**081-543-5437**



### QUADRANT VIDEO SYSTEMS

#### A rare opportunity for an experienced TV/Video Engineer

To work in a non domestic environment on domestic video recorders, CC TV cameras and monitors.

Applicants should be fully conversant with the repair and maintenance of domestic VCR and associated equipment down to component level.

This is a responsible position requiring self motivation and reliability.

Field and Bench work involved.

Company car provided

For further details please contact

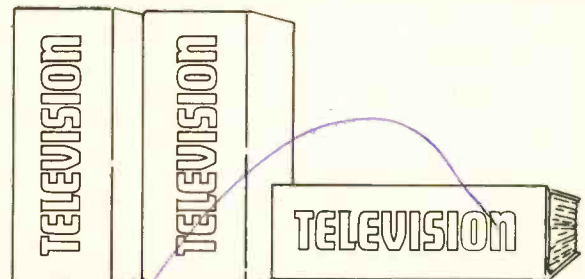
Mr D.R. Stone,

Technical Services Manager,

Quadrant Video Systems,

140/148 Cricklewood Lane,  
NW2 2DT.

Telephone: 081-450 8933



## BINDERS

Binders that hold twelve issues of *Television* are available for £5 from

Television Binders,  
78 Whalley Road,  
Wilpshire, Blackburn  
BB1 9LF.

Make cheques out to "Television Binders".

SERVICING · VIDEO · SATELLITE · DEVELOPMENTS





