

# SERVICE MANUAL



ISSUE DATE: Sep. 5, 2016



- ▶ Please read the manual carefully and keep it in mind before using this machine.
- ▶ Put this manual within touch of your reference in anytime.

# PRECAUTIONS FOR USE

The following safety precautions are given throughout this manual. They must be strictly followed to protect those who install, use or maintain this product as well as to protect players, visitors and property.

For safety reasons.

- The following suggestions should be adhered to:



**WARNING**

Disregarding could result in serious injury.



**CAUTION**

Disregarding could result in injury or product damage.

- The following graphic suggestions describe the types of precautions to be followed.



Indicates a care should be taken.



Forbidden.



Indicates a matter which must be performed.

- **Precautions to be followed:**

**Certain procedures require a qualified in-shop maintenance person or industry specialist. For such instructions, a qualified person must take care of the jobs.**

- Otherwise an electric shock, machine trouble, or a serious accident may result.
- Replacing the machine parts, inspecting and maintaining the machines, and troubleshooting must be assigned only to a qualified in-shop maintenance person or industry specialist. This booklet gives instructions that hazardous jobs in particular must be handled by an industry specialist. Qualified in-shop maintenance person and industry specialist are defined as follows.

#### **Qualified in-shop maintenance person**

- A service staff shall have experience in operations of game machines. The staff shall be responsible for assembly, installation, inspection and maintenance of the machine.

#### **Industry specialist**

- An industry specialist must be engaged in designing, manufacturing, inspecting and servicing amusement machines. He or she must have an education in electrical, electronic and mechanical engineering, and routinely maintain and repair amusement machines.

# PRECAUTIONS FOR USE

## WARNING

**Be sure to consult an industry specialist when setting up, moving or transporting this product.**

- This product should not be set up, moved or transported by any one other than an industry specialist.
- When installing this product, set the 4 leg levelers evenly on the floor and make sure that the product is installed stably in a horizontal position. Unstable installation may result in injury or accident.
- When installing this product, do not apply undue force on movable parts. Otherwise, injury and accident may result, or the product may be damaged.

**The machine for indoor usage only does not install outside.**



**Do not set the game machine up near emergency exits.**



**Protect the game machine from:**

- Rain or moisture.
- Direct sunlight.
- Direct heat from air-conditioning and heating equipment, etc..
- Hazardous flammable substances.
- Otherwise an accident or malfunction may result.



**Do not place containers holding chemicals or water on or near the game machine.**



**Do not place objects near the ventilating holes.**



**Do not bend the power cord by force or place heavy objects on it.**



**Never plug or unplug the power cord with wet hands.**



**Never unplug the game machine by pulling the power cord.**



## CAUTION

**Be sure to use indoor wiring within the specified voltage requirements. For extension cord, use the specified rating or more.**

**Be sure to use the attached power cord.**

**Never plug more than one cord at a time into the electrical receptacle.**



**Do not lay the power cord where people walk through.**



**Be sure to ground this product.**



**Do not exert excessive force when moving the machine.**




**For proper ventilation, keep the game machine 100mm(4") away from the walls.**

**Do not alter the system related dipswitch settings.**

# PRECAUTIONS FOR USE

## WARNING

If there is any abnormality such as smoke, bad smell or abnormal noise being emitted from the machine, immediately turn OFF the main power switch and unplug the power cord from the receptacle to stop operating it. 

- Using the machine in abnormal conditions could result in fire or accidents.


In case of abnormality

1. Turn OFF the main power switch.
2. Unplug the power cord from the receptacle.
3. Contact your nearest dealer.

**Do not leave the power cord plugged in improperly or covered with dust.** 

- Doing so could result the power cord periodically.


## CAUTION

**Do not use this product anywhere other than industrial areas.** 

- Using in a residential area or an area next to a residential area could affect signal reception of radios, television sets, telephones, etc..
- Do not give shock the surface of glass products.

- Please do not play this game if
  - When you do drinking;
  - When your physical condition is not normal;
  - When you are in pregnancy;
  - When you have on a pulse controller;
  - When you have recently experienced a cramp or fainting away while watching TV.
- Avoid excessive force/shock while playing/moving the game.
- While do games, pay attention to surrounding.

**Do not plug or unplug the power cord with wet hands.** 


**In handling the power cord, follow the instructions below.** 


- |   |  |
|---|--|
| • Do not damage the power cord.           | • Do not modify the power cord.            |
| • Do not bend the power cord excessively. | • Do not twist the power cord.             |
| • Do not heat the power cord.             | • Do not pull the power cord.              |
| • Do not bind the power cord.             | • Do not stand on the power cord.          |
| • Do not sandwich the power cord.         | • Do not drive a nail into the power cord. |


**If the power cord or power plug becomes damaged, stop using the machine immediately and ask your nearest dealer to replace the parts.**


# PRECAUTIONS FOR USE


## WARNING

Be sure to turn OFF the main power switch and unplug the power cord from the receptacle before inspecting or cleaning the machine. 

When replacing parts, be sure to use parts of the correct specifications. Never use parts other than the specified ones. 

Opening inside the machine shall be done by machine specialist only as high electric current is being sent inside. For game machine with monitor, a care should be taken while opening its back door. If not, a damage to the inside parts or the monitor may occur. 


If the sub power switch of the service panel is turned OFF without turning OFF the main power switch of the power supply unit, some parts in the units remain live. When opening the back door, be sure to turn OFF the main power switch and unplug the power cord from the receptacle. 

Strictly refrain from disassembly and repair of parts which are not indicated in this manual, as well as settings and remodeling. 


To clean the game machine, wipe it with a soft cloth dampened in a neutral detergent.

- Using thinner or other organic solvent or alcohol may decompose the material.
- Electrical shock or equipment failure could be caused by water entering the inside of the machine.

## CAUTION

Components in the game are sensitive to vibrations and impact. Care should be used when moving and transporting the game machine. 

Be sure not to let the machine tip over.

Before moving the machine, be sure to turn OFF the main power switch, unplug the power cord from the receptacle and remove the power cord from the machine. 

Before moving take the machine, off the levelers and move it on the casters.

Avoid excessive force while moving the machine.

.....

## PRECAUTIONS IN HANDLING

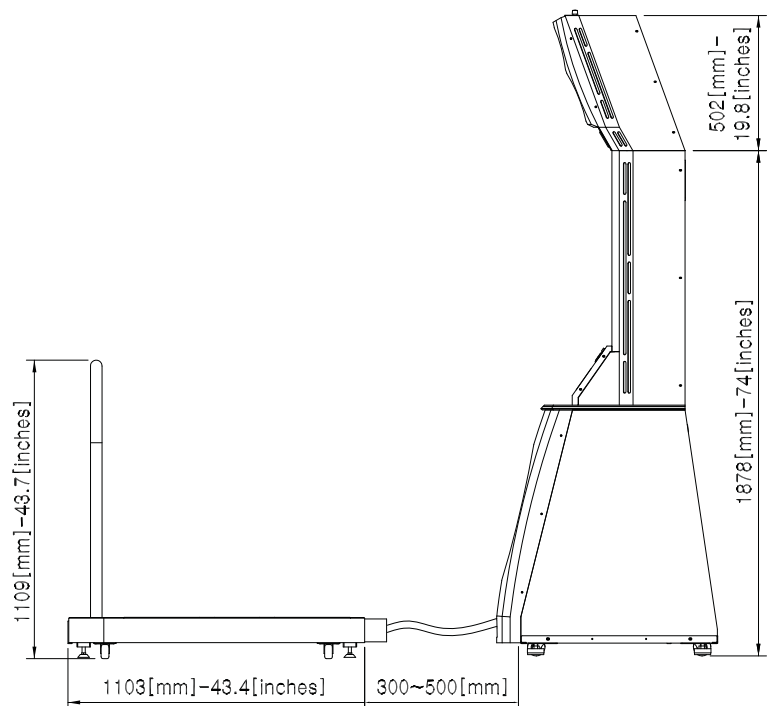
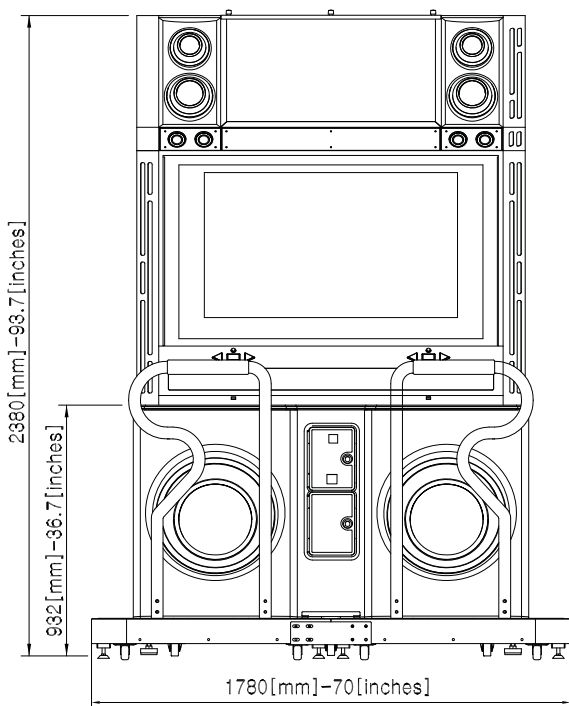
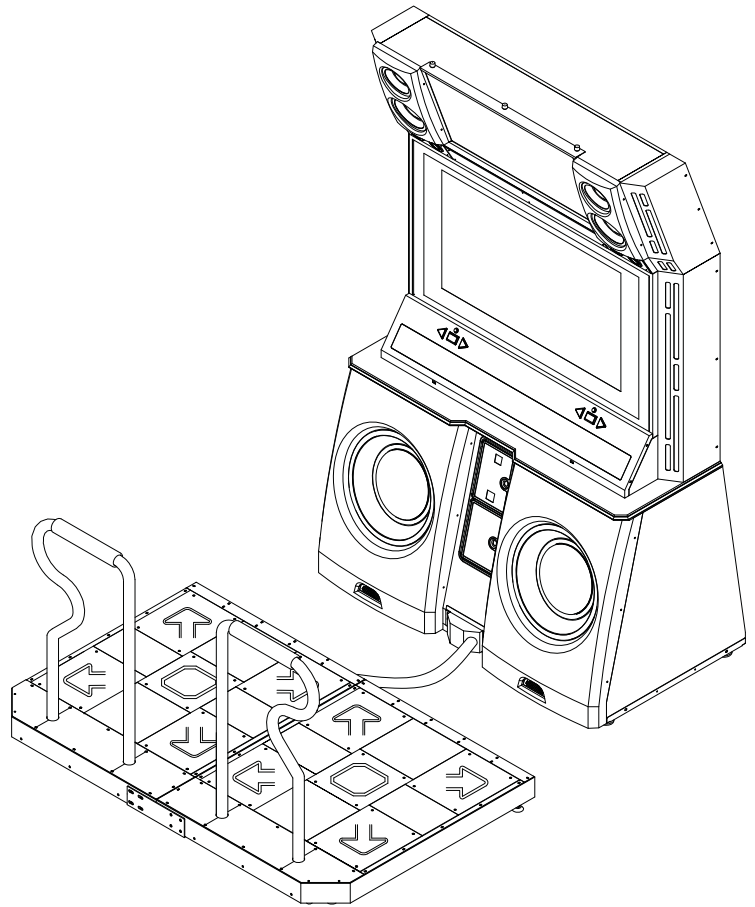
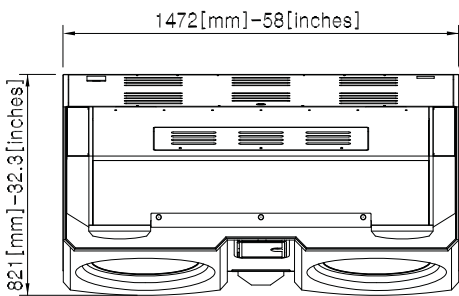
- When setting up, inspecting, maintaining, moving or transporting this product, follow the procedures and instructions set forth in this manual and perform such work safely.
- Do not set up, handle, inspect, maintain, move or transport this product under conditions equivalent to the condition of "WARNING" or "CAUTION" specified in this manual.
- If a new owner is to have this product as a result of transfer, etc., be sure to give this manual to the new owner.

# CONTENTS

<b>1. SPECIFICATION AND DIMENSION</b>	.....P02	<b>7. REPLACEMENT METHOD OF CONSUMABLE PARTS</b>	.....P30
1-1. DIMENSION	.....P03	7-1. LED LAMP	.....P30
1-2. SPECIFICATION	.....P03	7-2. BILLBOARD SHEET	.....P31
[ COMPONENTS ]	.....P04	7-3. SHEET FOR “HOW TO PLAY”	.....P31
<b>2. INSTALLATION</b>	.....P05	<b>8. PART LIST</b>	.....P32
<b>3. STICKER LOCATION</b>	.....P07	8-1. EXPLODED VIEW	.....P32
[ SERVICE PANEL	.....P07	8-2. LIST	.....P33
BUTTON EXPLANATION ]		<b>9. WIRING DIAGRAM</b>	.....P34
<b>4. PRODUCT CHARACTER</b>	.....P08		
<b>5. SETUP MENU</b>	.....P09		
5-1. SYSTEM INFO	.....P10		
5-2. I/O TEST	.....P11		
5-3. GAME SETTING	.....P14		
5-4. CREDIT SETTING	.....P15		
5-5. USB DRIVE	.....P16		
5-6. SOUND SETTING	.....P17		
5-7. BOOKKEEPING	.....P18		
5-8. STATISTICS	.....P19		
5-9. RESTRICTION	.....P20		
5-10. FACTORY SETTING	.....P21		
<b>6. TROUBLESHOOTING</b>			
6-1. PICTURE	.....P22		
6-2. BUTTON	.....P23		
6-3. STEP SENSOR	.....P24		
6-4. STEP LED	.....P25		
6-5. COIN SELECTOR	.....P26		
6-6. USB ON/OFF	.....P27		
6-7. LAMP	.....P28		
6-8. SOUND	.....P29		

# 1. SPECIFICATION AND DIMENSION

## 1-1. DIMENSION



## 1-2. SPECIFICATION

DIMENSIONS (W x D x H)	BODY	1472 x 821 x 2380 (mm)	
	STEP	1780 x 1103 x 93 (mm)	
WEIGHT (kg)	BODY	320 kg	
	STEP	135 kg	
SCREEN SIZE		PDP 52"	
POWER RATED VOLTAGE RANGE		AC 110V / AC 220V	
POWER RATED FREQUENCY RANGE		50 Hz ~ 60 Hz	
CONSUMPTION		<b>110V</b>	<b>220V</b>
TOTAL		1200 W	1200 W

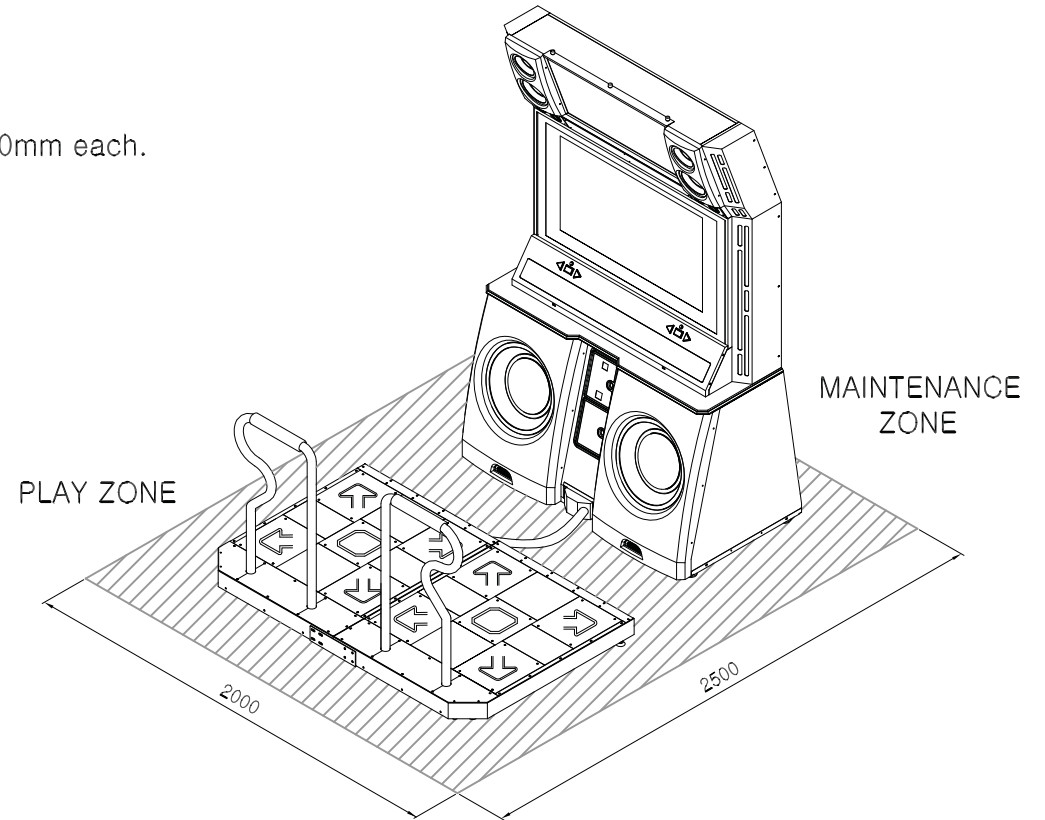


# [ COMPONENTS ]

NO.	PART NAME	SPEC.		QTY
1	CASH BOX KEY	6001		2
2	FRONT DOOR KEY	7001		2
3	AC POWER CORD	110V or 220V		1
4	WIRING	-		1
5	CONNECTOR BRACKET-[STEP]	-		1
6	JOINT BRACKET	-		2
7	STEP STICKER	-		1
8	RENCH	5mm, 6mm, 8mm		1
9	RENCH BOLT	M8x15L		18
10	RENCH BOLT	M10x16L		20
11	BOLT	M4x25		8
12	BOLT	M6x20		4
13	WASHER	M10, M8		20,18
14	SPRING WASHER	M10		20
15	PDP REMOTE CONTROL	-		1
16	PDP MANUAL	-		1
17	PRODUCT MANUAL	-		1

## 2. INSTALLATION

- Need to have installation place.  
Maintenance Zone & Play zone should have at least 2000mm x 2500mm each.

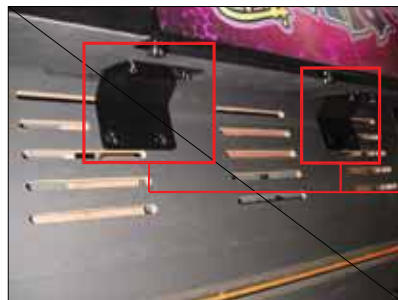


### [ How to Installation ] – MAIN CASE

1



2



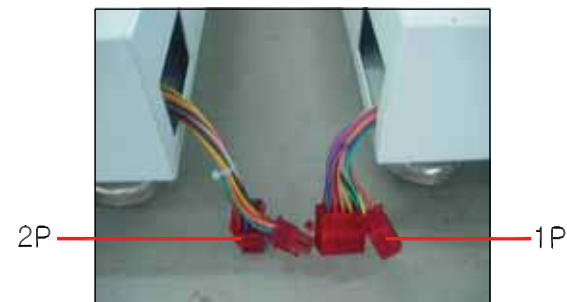
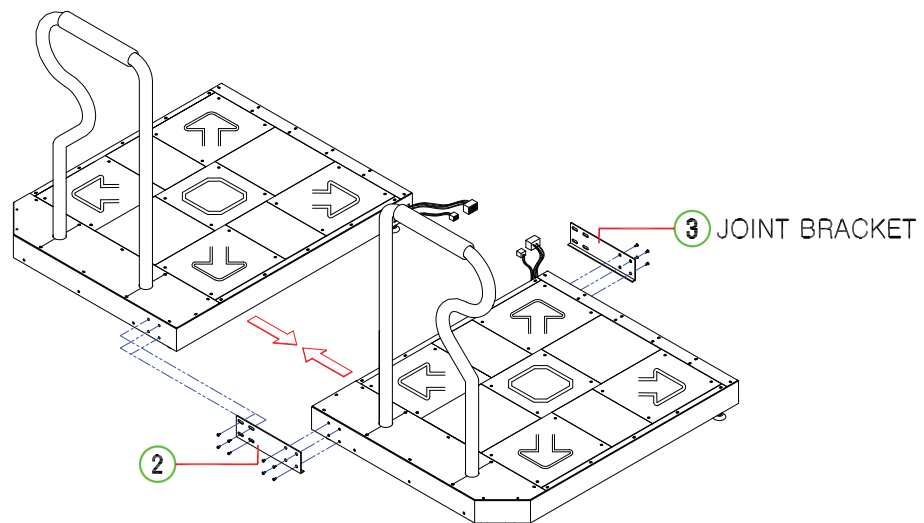
3



- ① Billboard box is put on the back of the cabinet body in the factory.
- Please remove two ② "Support bracket" by using hand bolt and build up "Billboard". (M6 hand bolt \*4ea)  
Please be careful of two ③ connectors from Billboard while you are working on this job.

## - STEP

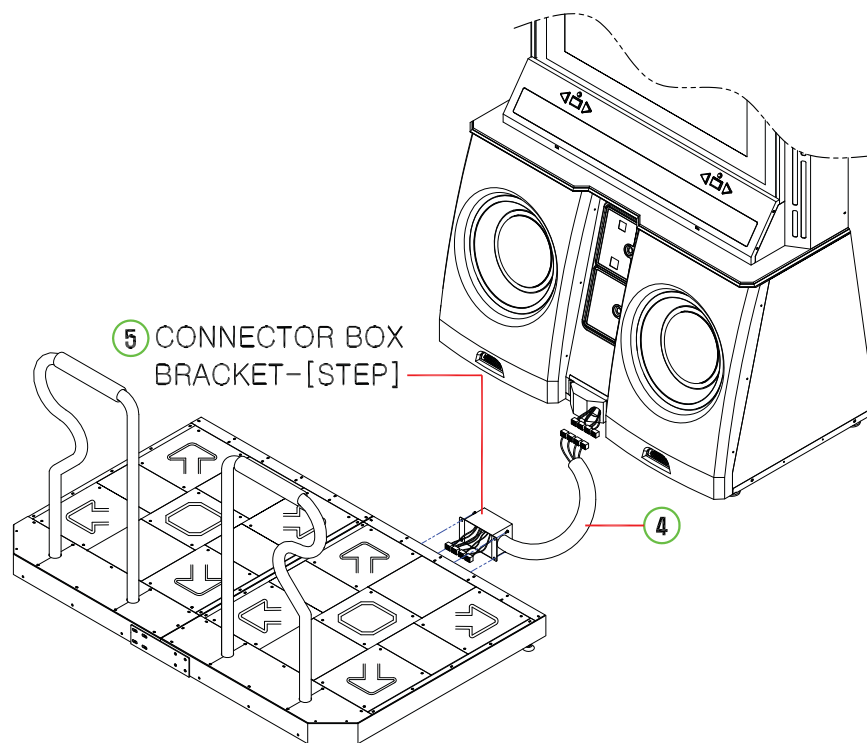
4



PICTURE A

- As shown in Figure A left and right feet of the 1P and 2P is connected to the connector. M8 bolts to **2 3 JOINT BRACKET** (16 points) is fixed by.

5

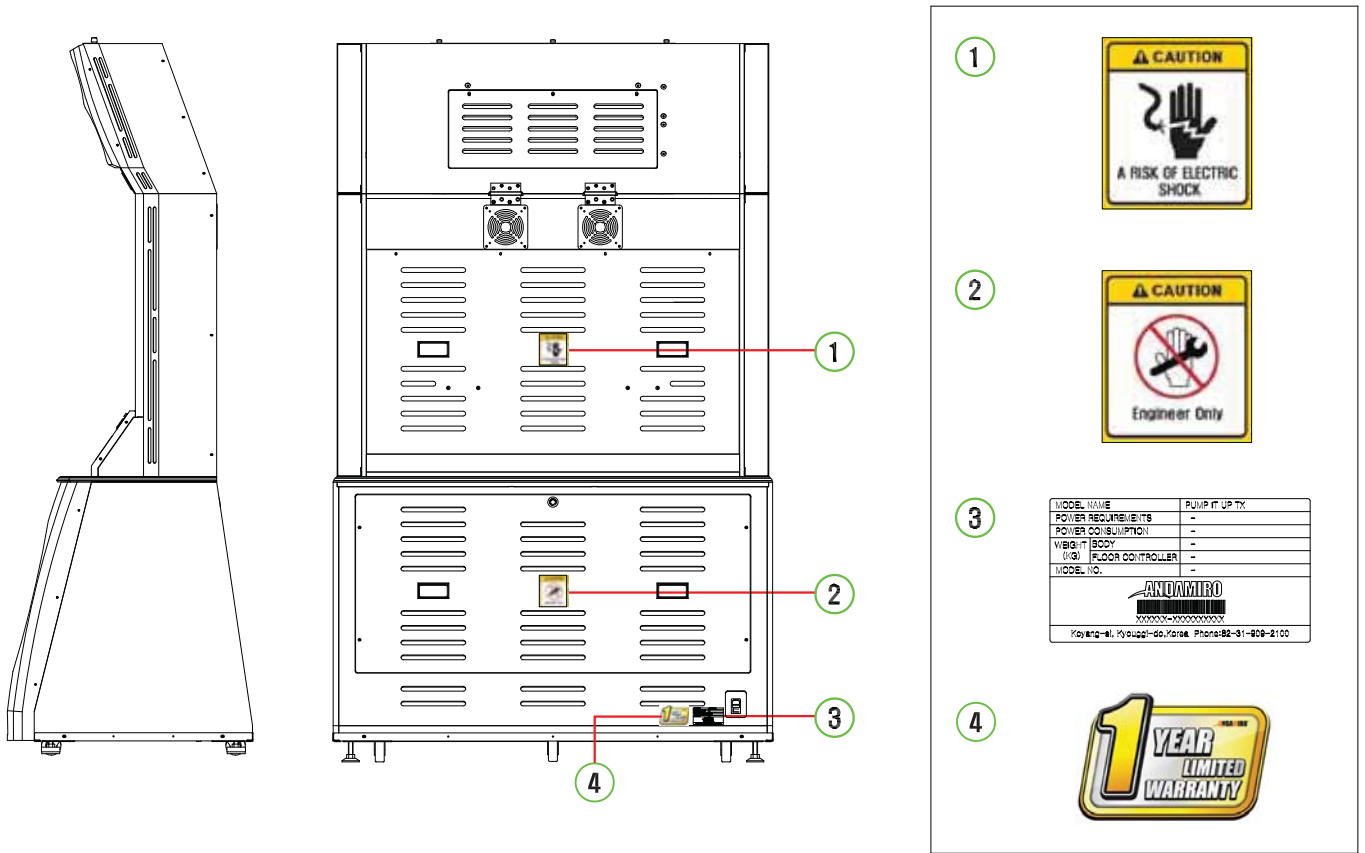


- **4 FLEXIBLE TUBE** is connected to the connector body and feet. Since, **5 CONNECTOR BOX BRACKET-[STEP]** connection. Bolt M6 (4 points)

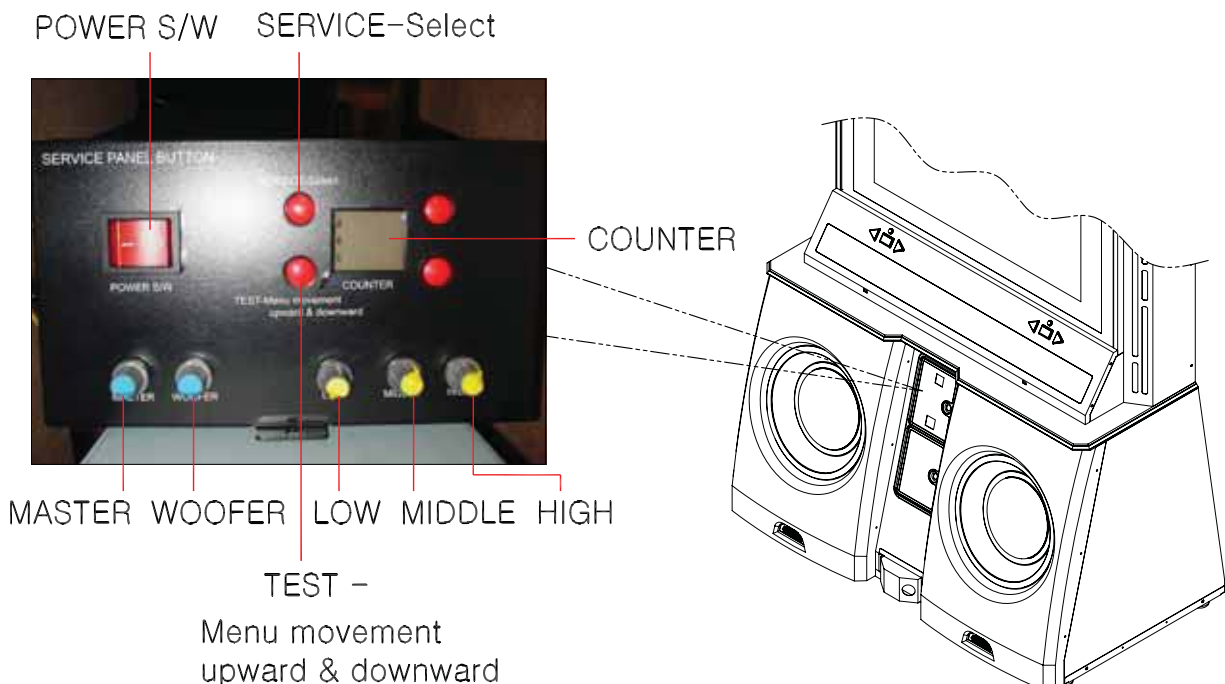


PICTURE B

### 3. STICKER LOCATION



### [ SERVICE PANEL BUTTON EXPLANATION ]



## 4. PRODUCT CHARACTER

---

### 4-1. ANYONE CAN EASILY PLAY THE GAME WITH AN INTUITIVE WAY

- The arrow to the music as a springboard to handle the output, intuitive gameplay can be as easy for anyone to be a dancer.

### 4-2. FANTASTIC DANCE STAGE

- Full of equipment around the spectacular lighting and giant screens to focus the attention of galleries and to express their views freely, the dance as a springboard to satisfy the senses of the player, play an active manner by focusing attention contributes to the activation of Parlors Can be.

### 4-3. FAITHFUL TO THE DANCE ITSELF, HOW MANY GAMES

- 5 feet, as well as using the single-mode, play mode, depending on your choice can play up to 2-3 persons. Peuleyui for freedom by one player with 10 feet of the player is equipped with a double-mode also suits the dance itself, a variety of solid free-play offers.

### 4-4. VOLUME OF THE LARGEST EVER TO DANCE GAME

- Featured Artist of the domestic and overseas sources familiar with pop music, covering genres such as the pump does not own original music composition and sound of hundreds of mounted, offers a variety of configurations to mount the top step of the thousands of volumes and satisfaction, is proud of.

### 4-5. ENCOMPASSING CONFIGURATION, FROM BEGINNER TO ENTHUSIAST USERS

- Pump It-ups for beginners who are new to the game enthusiasts are familiar landmark configurations to meet all the players in the game the way the player's skill level by providing easy for even novice users to familiarize particular can play.

### 4-6. USB PERSONAL DATA STORAGE MOUNT

- Players can save the game, PumBi network management system to their own records, the world's players and their skills can compete.

## 5. SETUP MENU

---

Setup the machine proper for your own game center.

Test the hardware and set options before using game.

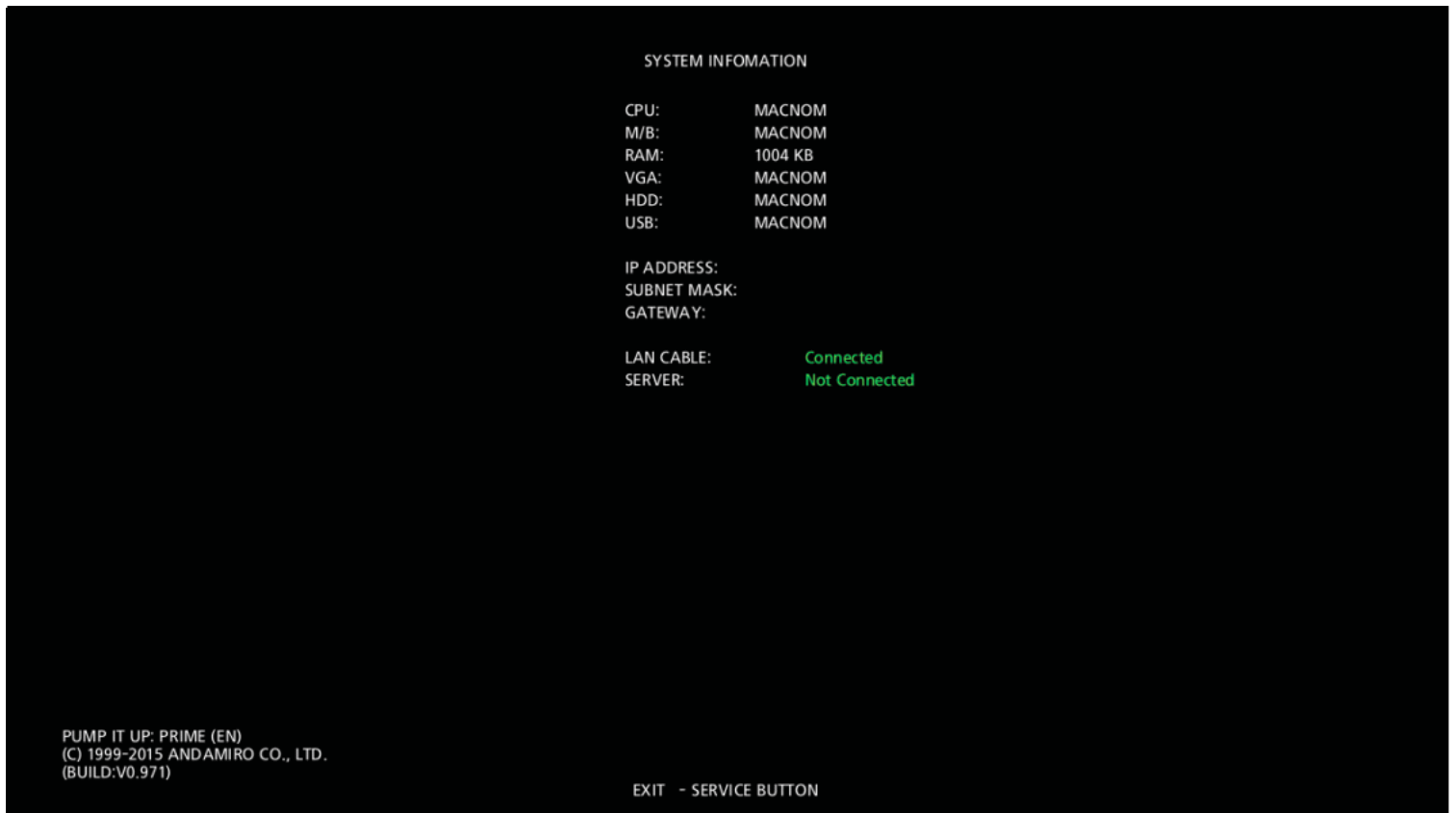
\* Press the "Test" button located in the service box at any time.  
The Service Options menu will appear.



- SYSTEM INFO : CHECK SPEC INFO AND INTERNET CONNECTION
- IO TEST : CHECK THE MOVEMENT OF INPUT AND OUTPUT DEVICES
- GAME STEUP : SET UP FOR GAME
- CREDIT SETUP : SET UP FOR CREDIT
- USB DRIVE : SET UP FOR USB DRIVE
- SOUND SETUP : SET UP FOR GAME SOUND
- INCOME DISPLAY : DISPLAY THE SALES LEDGER LIKE INSERTED COIN
- FAVOURITE : CHECK THE PLAYER'S FAVORITE
- LIMIT SONG : SET UP FOR SONG'S SOURCE
- FACTORY SETTING : INITIALIZING WITH FACTORY SETTING VALUE

## 5-1. SYSTEM INFO

- CHECK SPEC INFO, INTERNET CONNECTION INFO AND STATUS OF MACHINE



- CPU
- M/B : CHECK MAINBOARD INFO
- RAM : CHECK RAM INFO
- VGA : CHECK GRAPHIC CARD INFO
- HDD : CHECK HARD DISC INFO
- USB : CHECK USB INFO
- IP ADDRESS : CHECK IP ADDRESS INFO
- SUBNET MASK : CHECK SUBNET MASK INFO
- GATE WAY : CHECK INTERNET CONNECTION STATUS
- LAN CABLE : CHECK INTERNET CONNECTION STATUS
- SERVER : CHECK THE CONNECTION WITH SERVER

## 5-2. I/O TEST

- CK EACH BUTTON AND STEPS SENSOR, THE MOVEMENT OF COIN SELECTOR AND MONITOR SCREEN

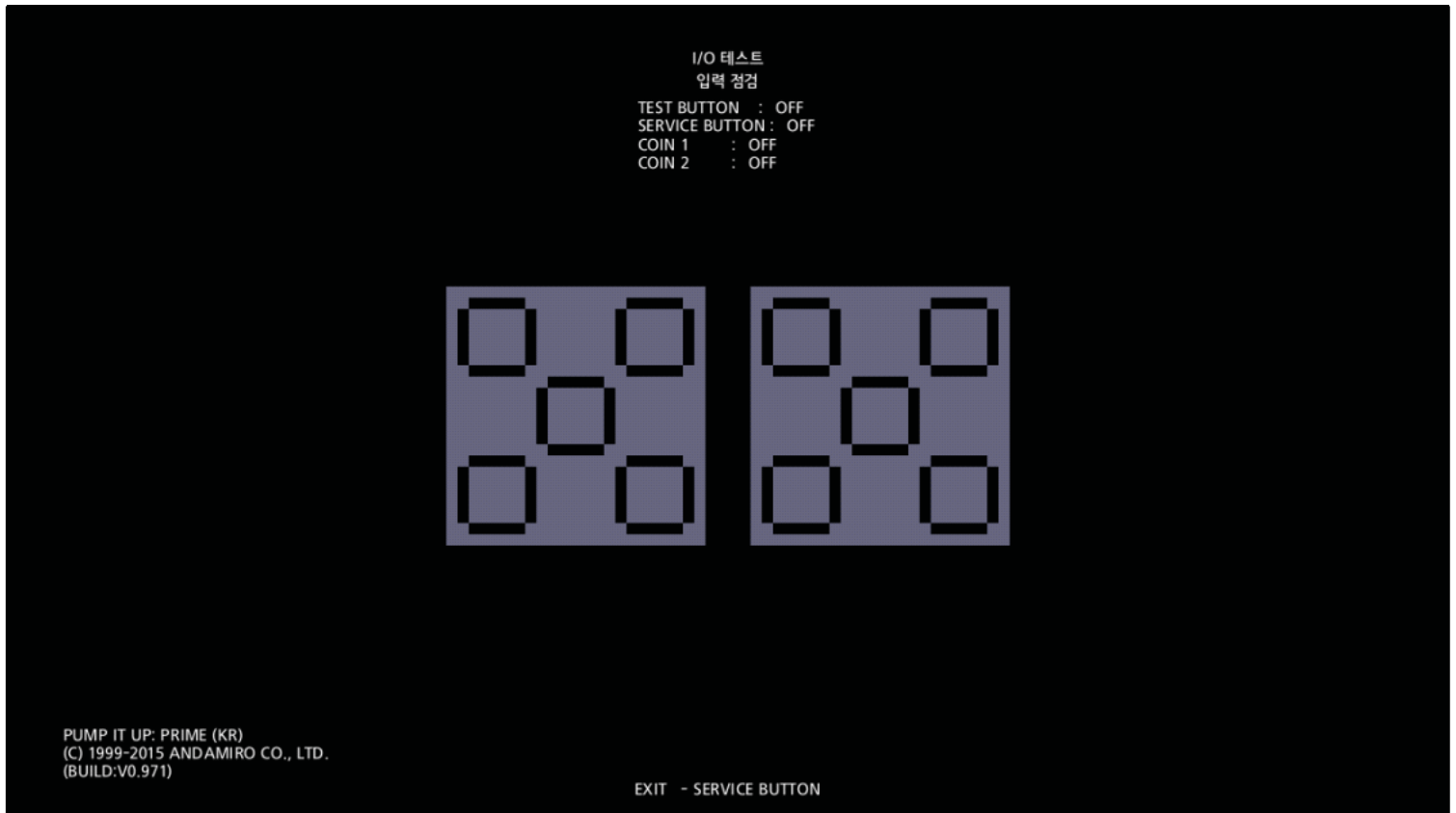


- INPUT CHECK : CHECK EACH BUTTON AND STEPS SENSOR, COIN SELECTOR MOVEMENT
- SCREEN CHECK : CHECK COLOR DISPLAY STATUS OF MONITOR AND BAD PIXEL



## - INPUT TEST

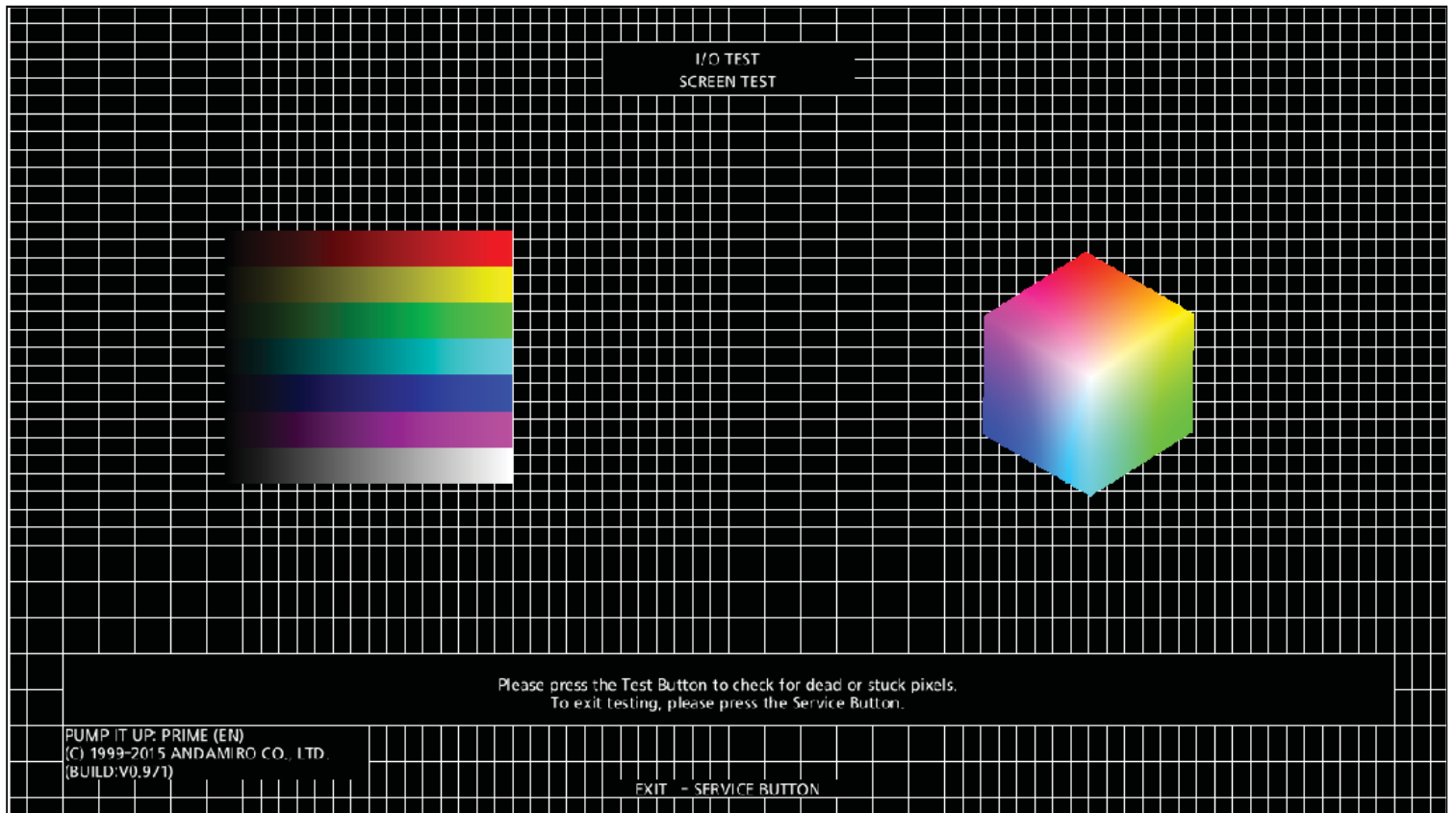
- CHECK EACH BUTTON AND STEPS SENSOR.









- TEST BUTTON : PUSH BUTTON, OFF BECOMES ON
- SERVICE BUTTON : PUSH BUTTON, OFF BECOMES ON
- COIN1 : INSERT COIN, OFF BECOMES ON
- COIN2 : INSERT COIN, OFF BECOMES ON

## - SCREEN TEST

- CHECK THE COLOR DISPLAY AND BAD PIXELS.



- BY PUSHING TEST BUTTON, YOU CAN CHECK AS BELOW.

	SCREEN TEST DISPLAY
	SCREEN IS FILLED WITH RED COLOR
	SCREEN IS FILLED WITH GREEN COLOR
	SCREEN IS FILLED WITH BLUE COLOR
	SCREEN IS FILLED WITH WHITE COLOR
	SCREEN IS FILLED WITH BLACK COLOR

## 5-3. GAME SETTING

- CHECK EACH BUTTON AND STEPS SENSOR, THE MOVEMENT OF COIN SELECTOR AND MONITOR SCREEN.



- VIDEO MODE : CHANGE GAME DISPLY
- GAME MODE : CHANGE GAME MODE
- LIFE INITIAL VALUE : CHANGE LIFE NUMBERS ON GAME START
- LEVEL : CHANGE GAME DIFFICULTY
- STAGE BREAK : CHANGE STAGE BRAKE APPLYING TIME
- SELECTING SONG TIME : CHANGE SELECTING SONG TIME
- OPENING DISPLAY : ON AND OFF OPENING DISPLAY
- INTINALIZING GAME SETTING : INITIALIZE GAME SET UP VALUE
- SAVE AND EXIT : SAVE THE SET UP VALUE AND EXIT THE MENU

## 5-4. CREDIT SETTING

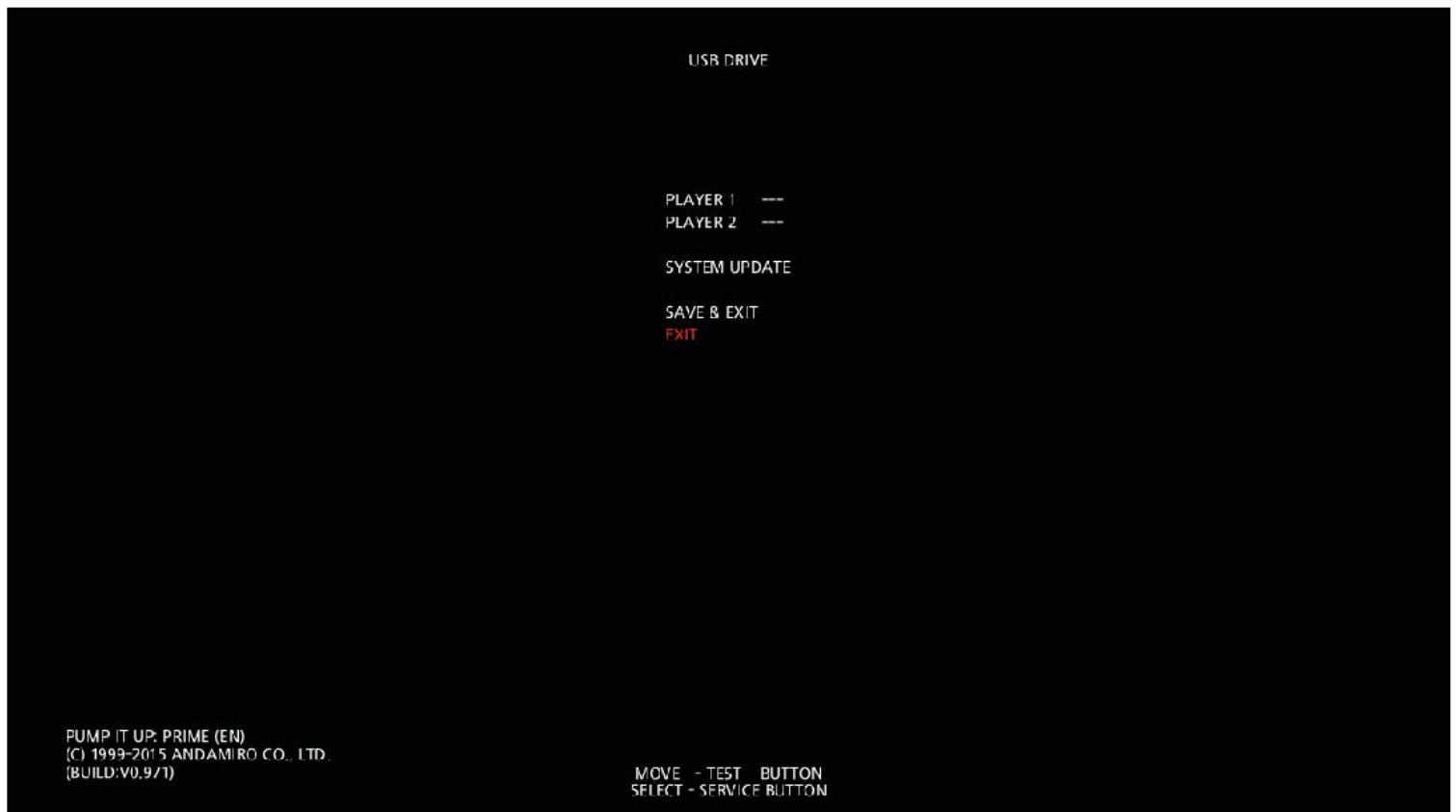
- SET COIN NUMBERS FOR PLAYING, LIMIT AND MODE.



- COIN1 SET : SET COIN NUMBER FOR PLAY
- CREDIT LIMIT : SET CREDIT LIMIT
- COIN MODE : SET THE KINDS OF BILLS
- COIN INITIALIZING : INITIALIZING THE INPUT COINS
- CREDIT SET UP INITIALIZING : INITIALIZING THE CREDIT SET UP STAUUS
- SAVE AND EXIT : SAVE THE SET VALUE AND EXIT TO MENU

## 5-5. USB DRIVE

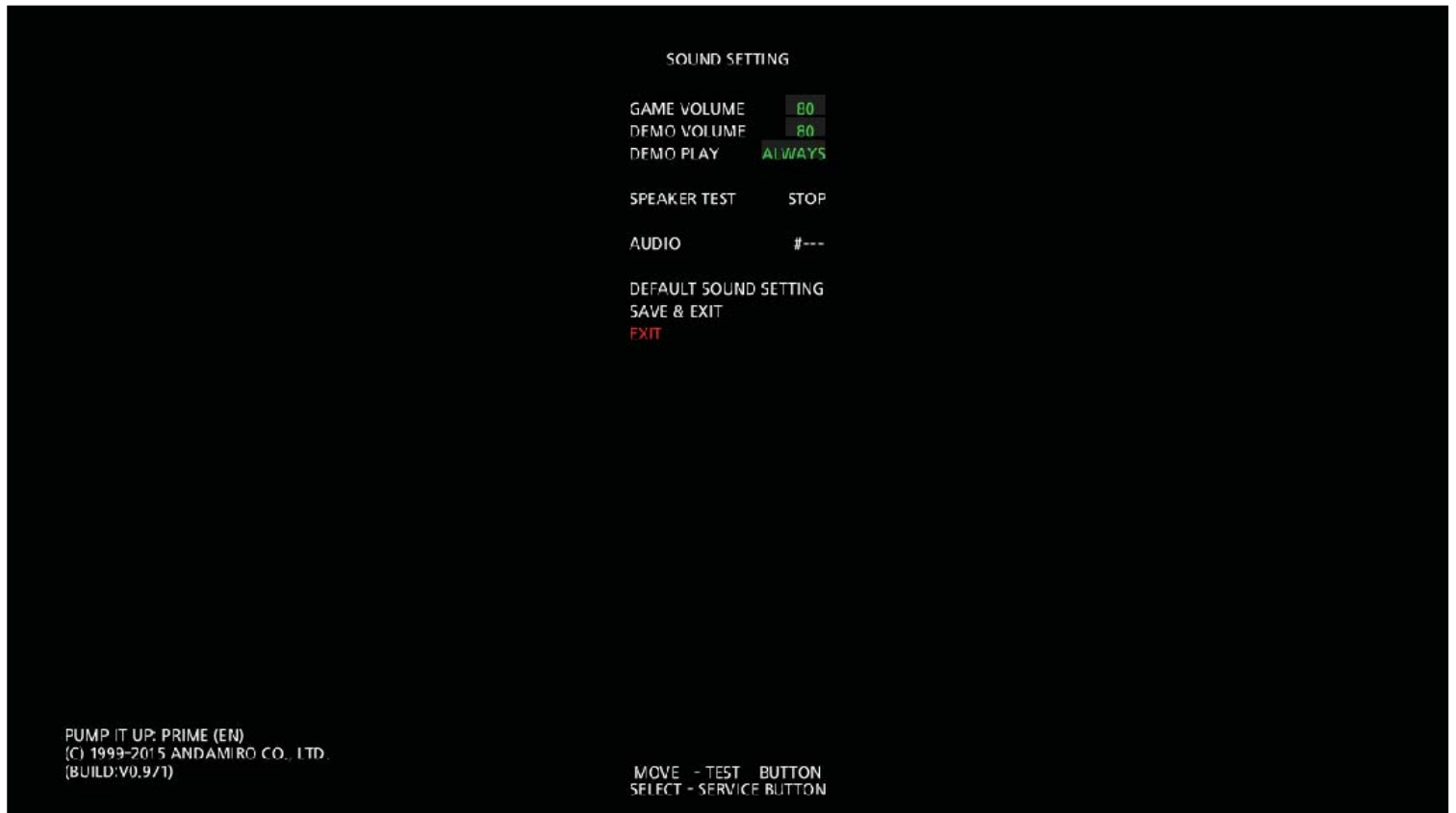
- YOU CAN DO SYSTEM UPDATE AND SET USB.



- PLAYER 1 : SET THE USB OF 1P PLAYER
- PLAYER 2 : SET THE USB OF 2P PLAYER
- SYSTEM UPDATE : UPDATE YOUR SYSTEM
- SAVE AND EXIT : SAVE THE SET VALUE AND EXIT TO MENU

## 5-6. SOUND SETTING

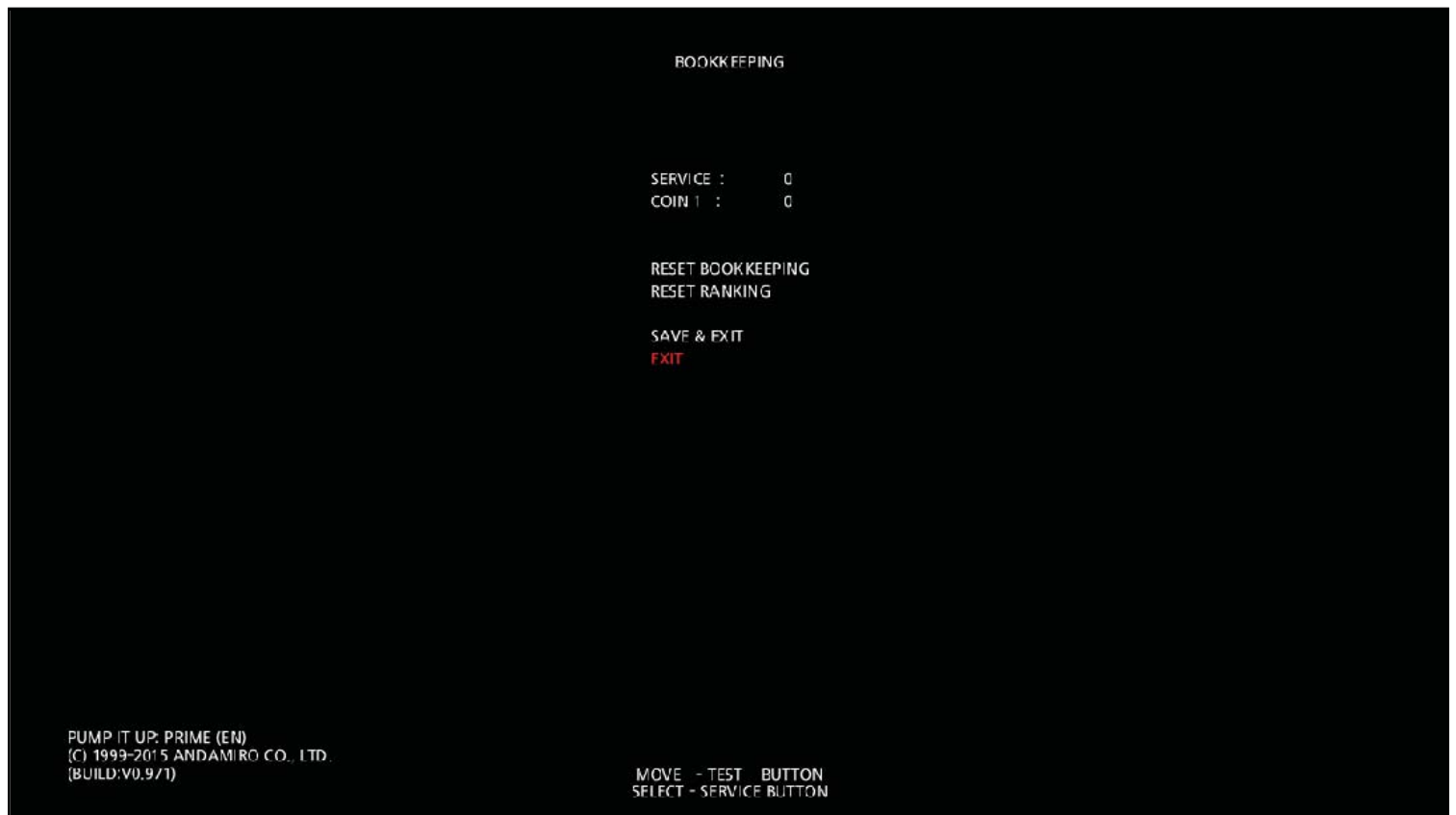
- YOU CAN PLAY THE LIST SONG, SPEAKER CHECKING AND GAME ENVIRONMENT VOLUME.



- GAME VOLUME : ADJUST GAME VOLUME
- DEMO VOLUME : ADJUST DEMO SCREEN
- DEMO PLAY : SET THE WAY OF DEMOPLAY SOUND PLAY
- SPEAKER CHECKING : CHEK SPEAKERS
- MUSIC : PLAY THE LISTED SONGS
- INITIALIZING SOUND SETTING : INITIALIZE SOUND SETTING STAUS AS BEGINNING STATUS
- SAVE AND EXIT : SAVE THE SETTING VALUE AND EXIT TO MENU

## 5-7. BOOKKEEPING

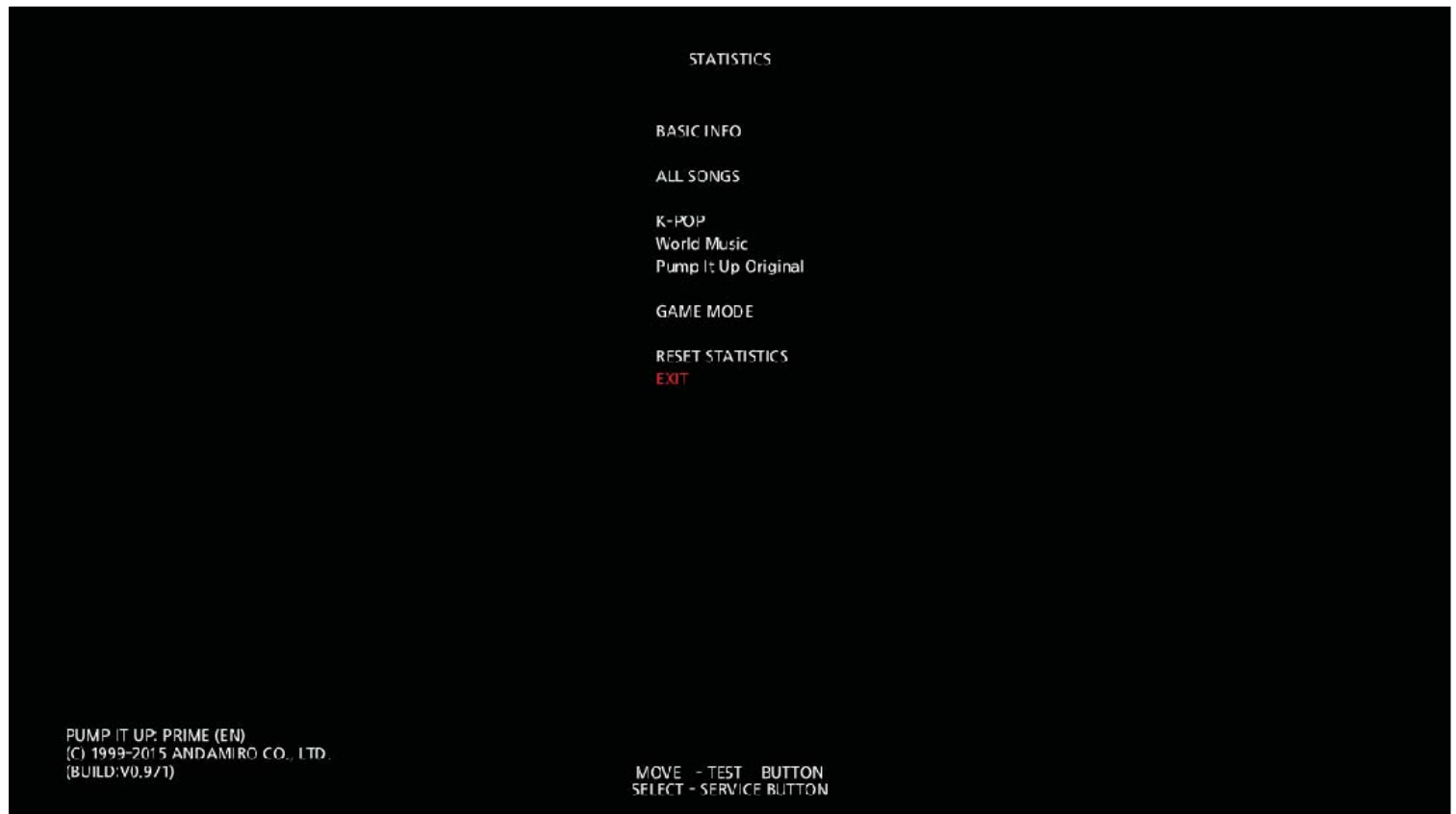
- YOU CAN INITIALIZE THE SERVICE COUNT, COIN COUNT AND INCOME STATISTIC.



- SERVICE : CHECK SERVICE COUNT
- COIN 1 : CHECK COIN COUNT
- INITIALIZING INCOME STATISTIC : INITIALIZE SERVICE, COIN COUNT
- INITIALIZING RANKINGS : INITIALIZING RANKINGS
- SAVE AND EXIT : SAVE THE SETTING VALUE AND EXIT TO MENU

## 5-8. STATISTICS

- YOU CAN CHECK THE INFORMATION SUCH AS PLAYING TIME OF MACHINES, PLAY NUMBERS, FAVORITE SONGS AND MODE.



- BASIC SONG : CHECK PLAYING TIME, MACHINE OPERATING TIME
- ALL SONGS : CHECK PLAY COUNT OF ALL SONGS
- K-POP : CHECK PLAY COUNT OF K-POP
- WORLD MUSIC : CHECK PLAY COUNT OF WORLD MUSIC
- PIU ORIGINAL : CHECK PLAY COUNT OF PIU ORIGINAL
- GAME MODE : CHECK PLAY COUNT OF GAME MODE
- INITIALIZING PREFERENCE : INITIALIZE THE PREFERECNE



## 5-9. RESTRICTION

- YOU CAN RESTRICT SONGS ON THE LIST AND PROHIBIT PLAYING.



- K-POP : PROHIBIT PLAYING AMONG K-POP
- WORLD MUSIC : PROHIBIT PLAYING AMONG WORLD MUSIC
- PIU ORIGINAL : PROHIBIT PLAYING AMONG PIU ORIGINAL

## 5-10. FACTORY SETTING

- YOU CAN INITIALIZE THE ENVIRONMENT SETTING STATUS AS FACTORY SETTING.

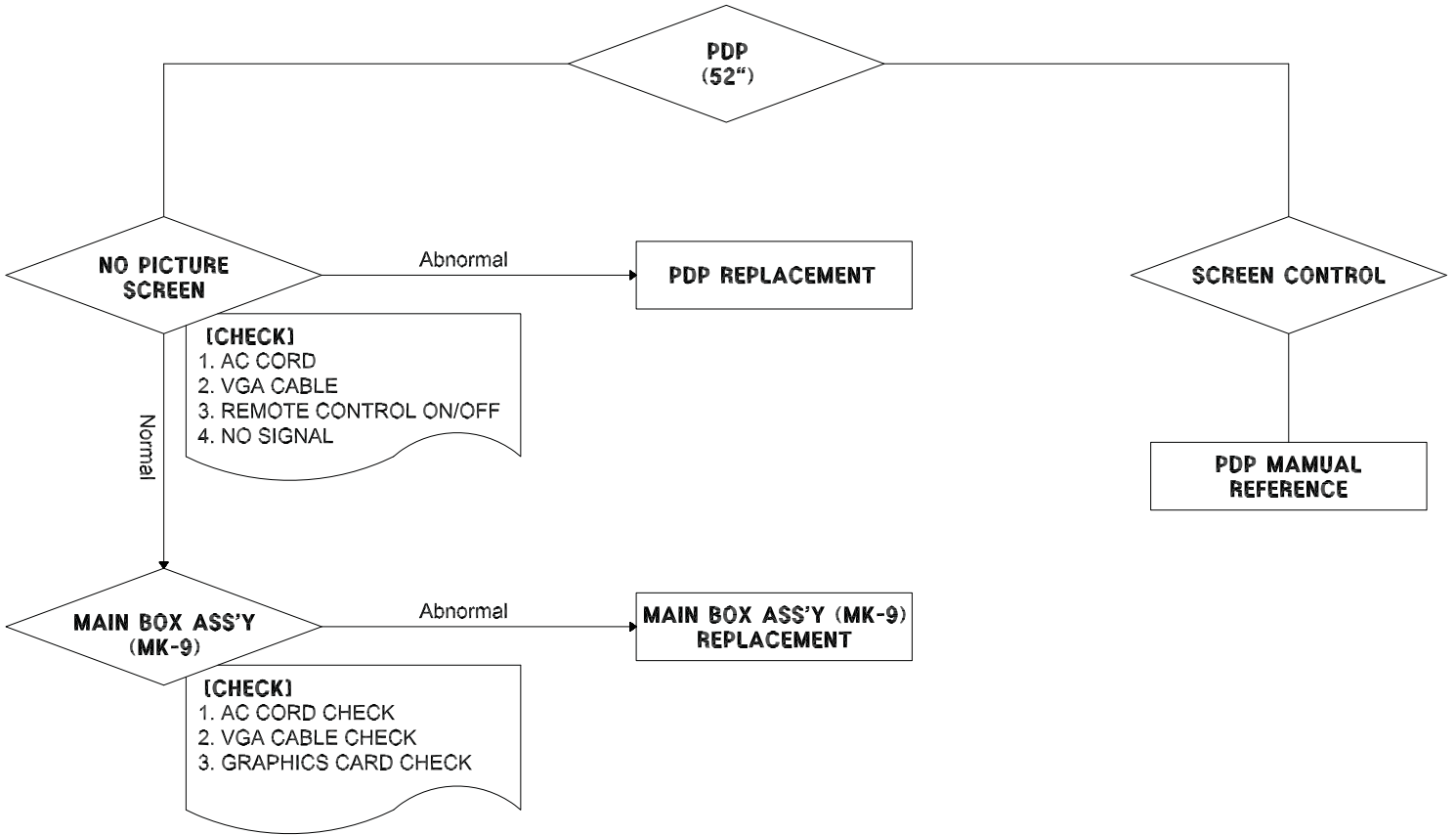
! ALL DATA WILL BE INITIALIZED SO CAREFULLY INITIALIZE IT.



# 6. TROUBLESHOOTING

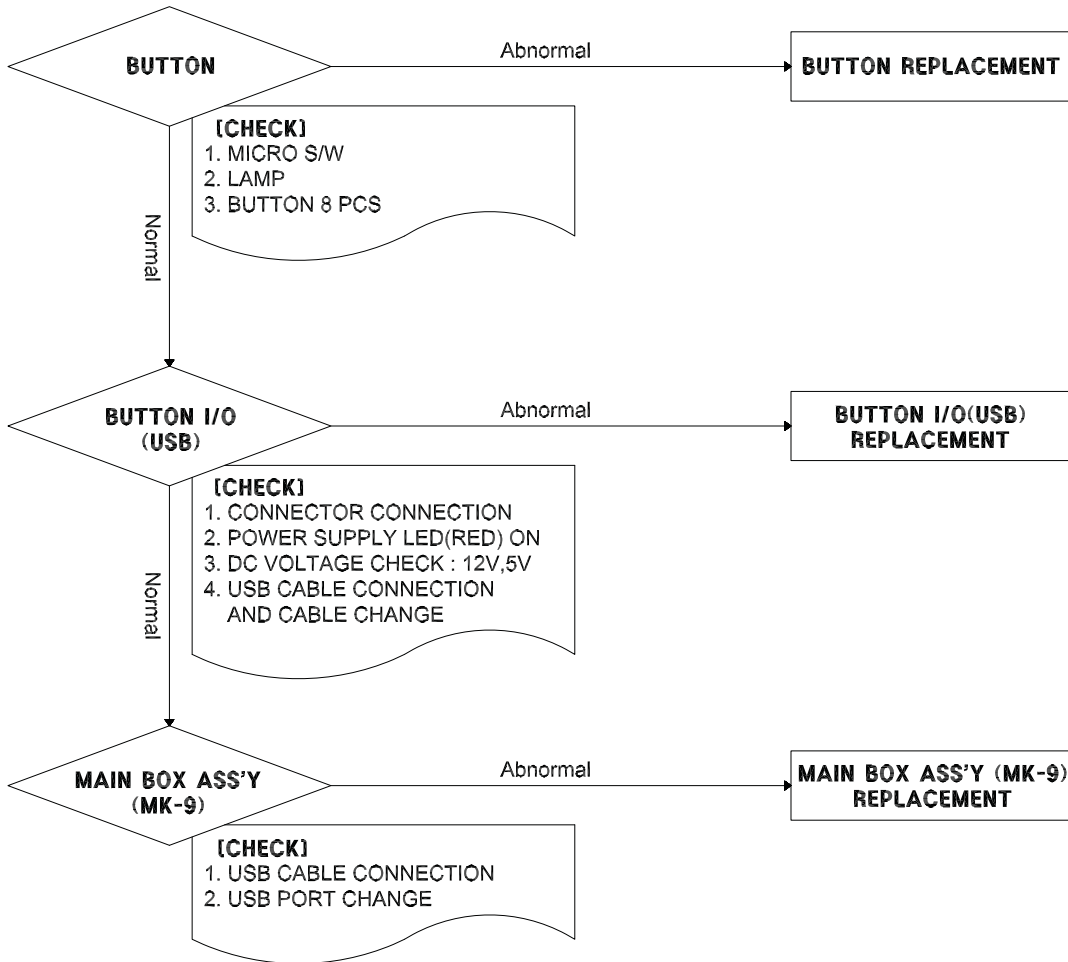
## 6-1. PICTURE

\* COMMON : INPUT VOLTAGE CHECK  
WIRING CONNECTION CHECK



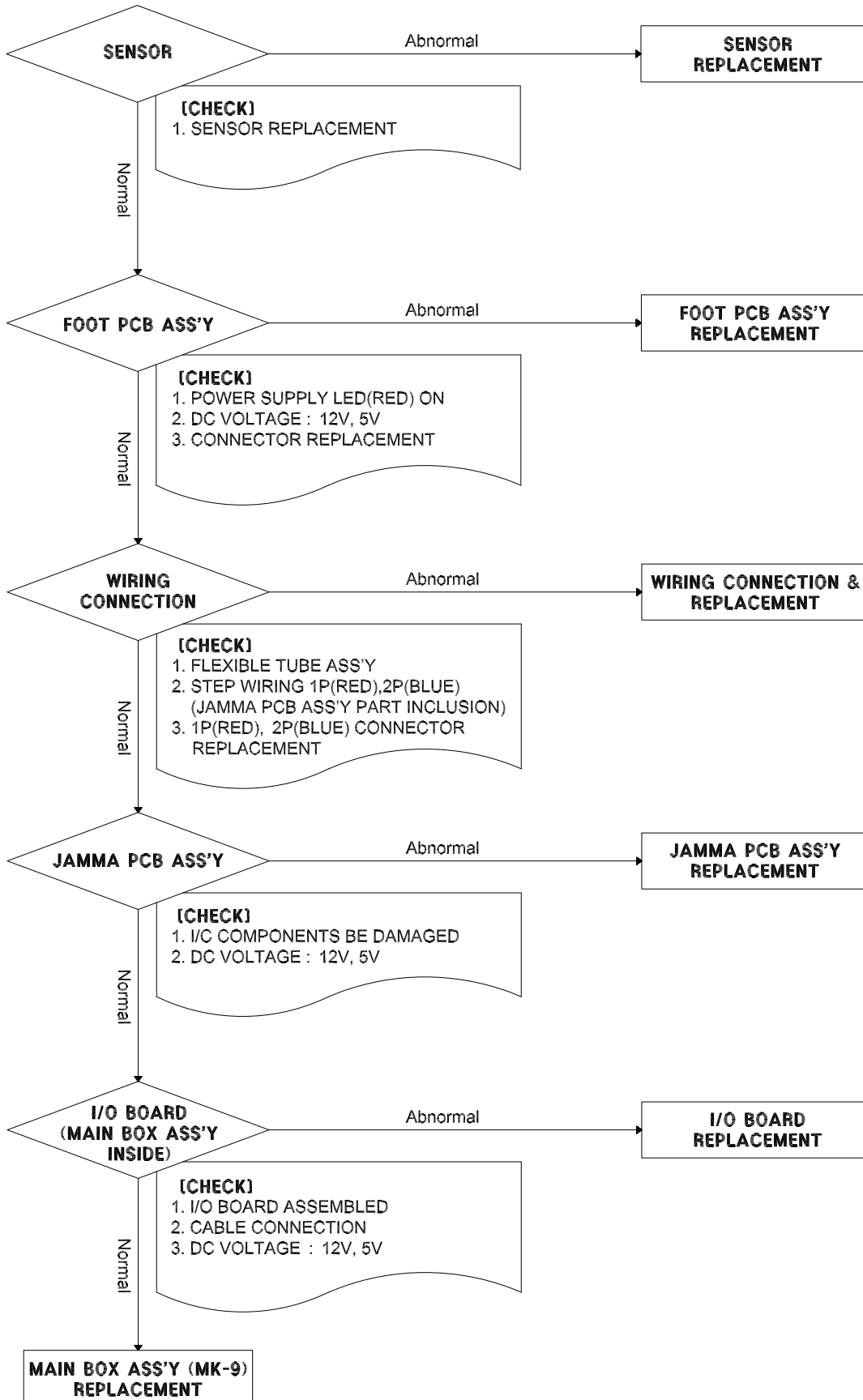
## 6-2. BUTTON

\* COMMON : INPUT VOLTAGE CHECK  
WIRING CONNECTION CHECK



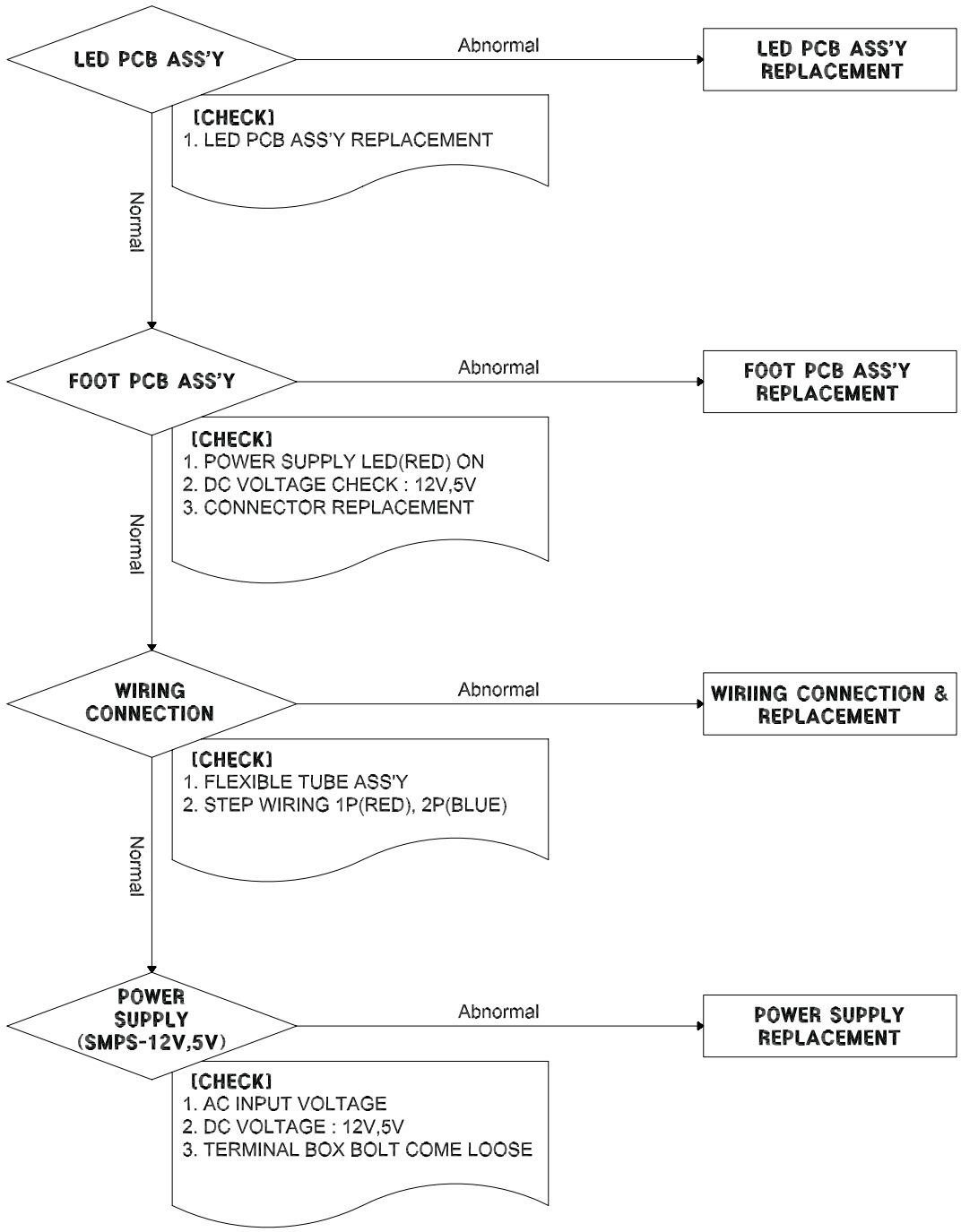
## 6-3. STEP SENSOR

\* COMMON : INPUT VOLTAGE CHECK  
WIRING CONNECTION CHECK



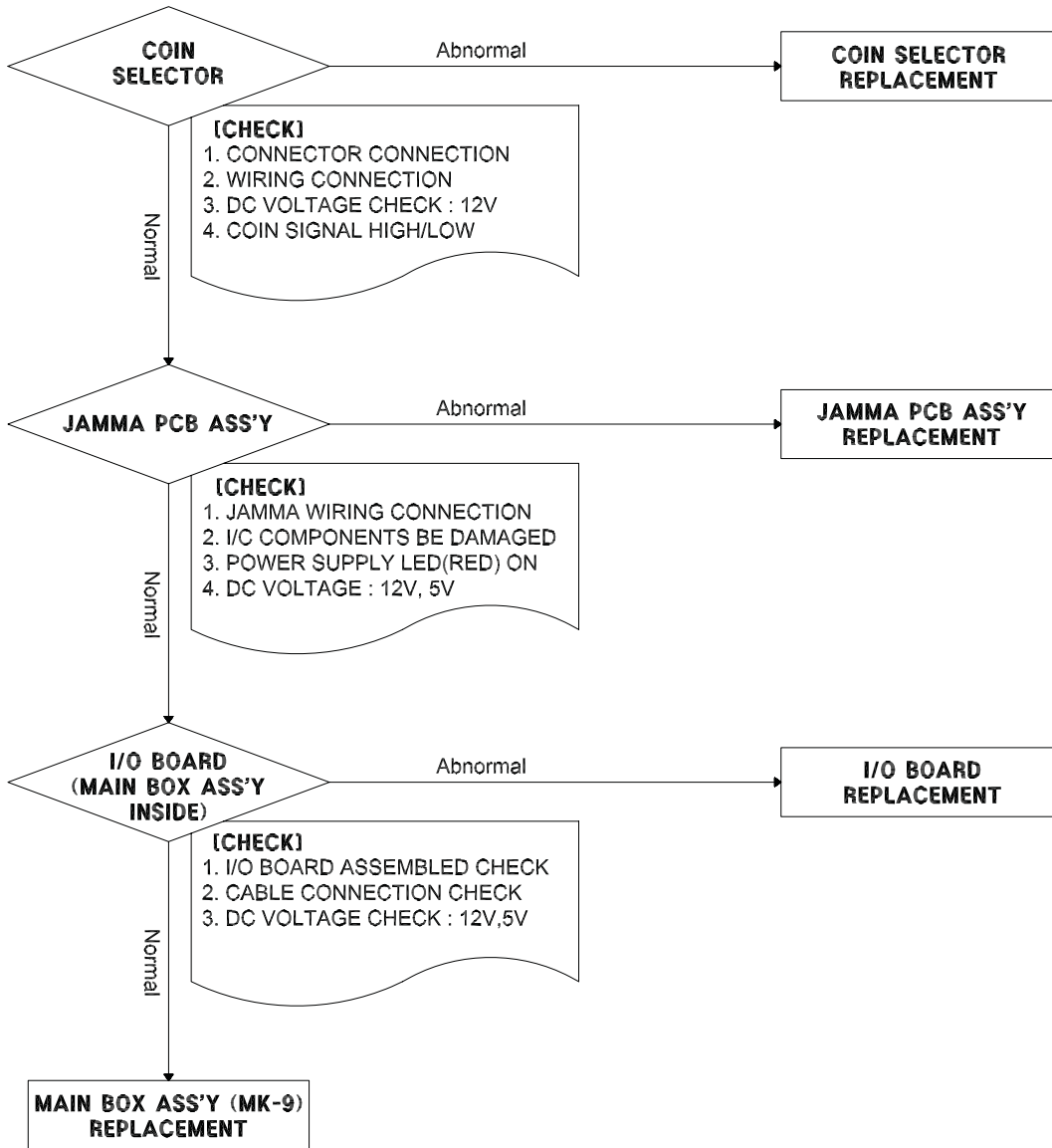
# 6-4. STEP LED

\* COMMON : INPUT VOLTAGE CHECK  
WIRING CONNECTION CHECK



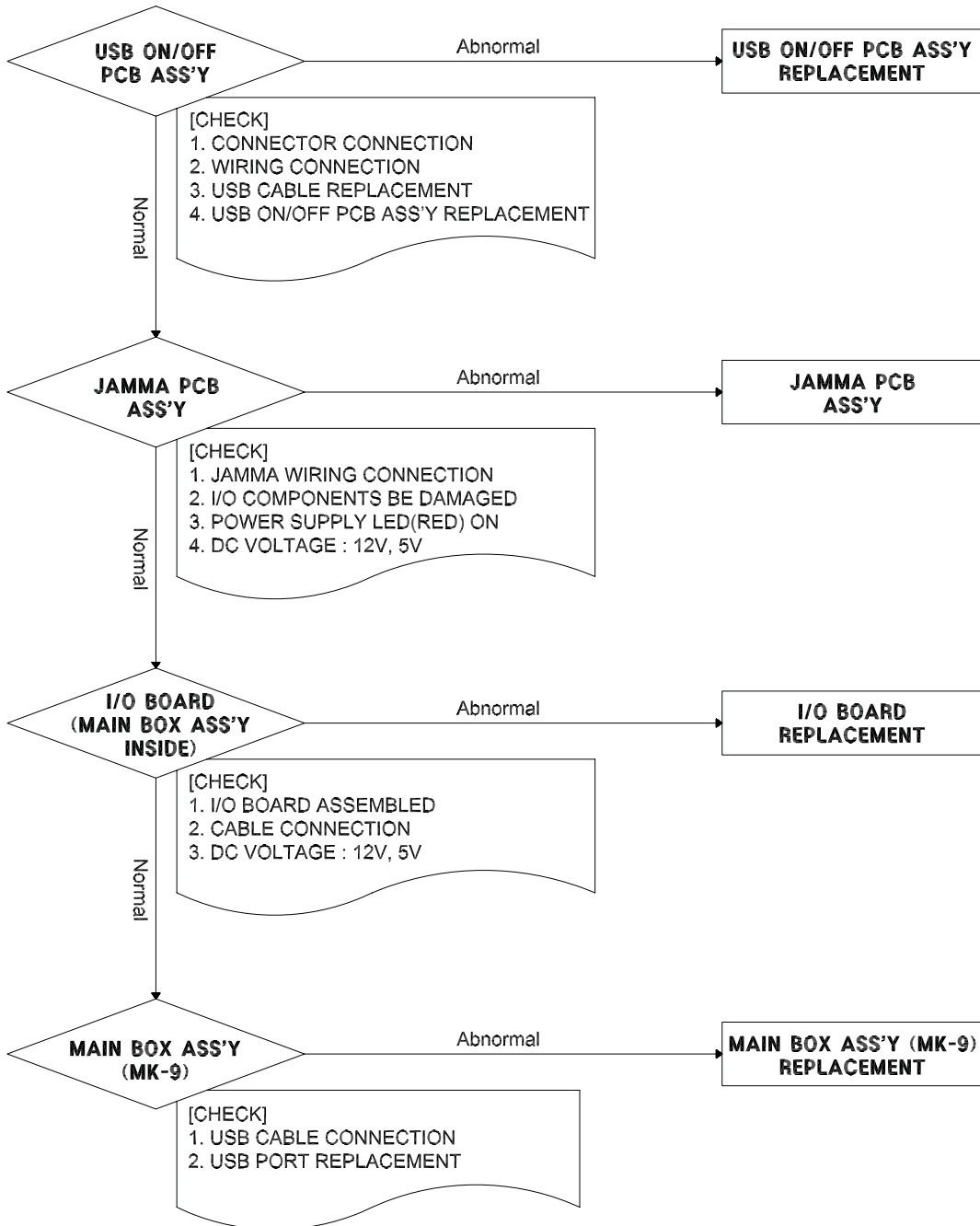
## 6-5. COIN SELECTOR

\* COMMON : INPUT VOLTAGE CHECK  
WIRING CONNECTION CHECK



## 6-6. USB ON/OFF

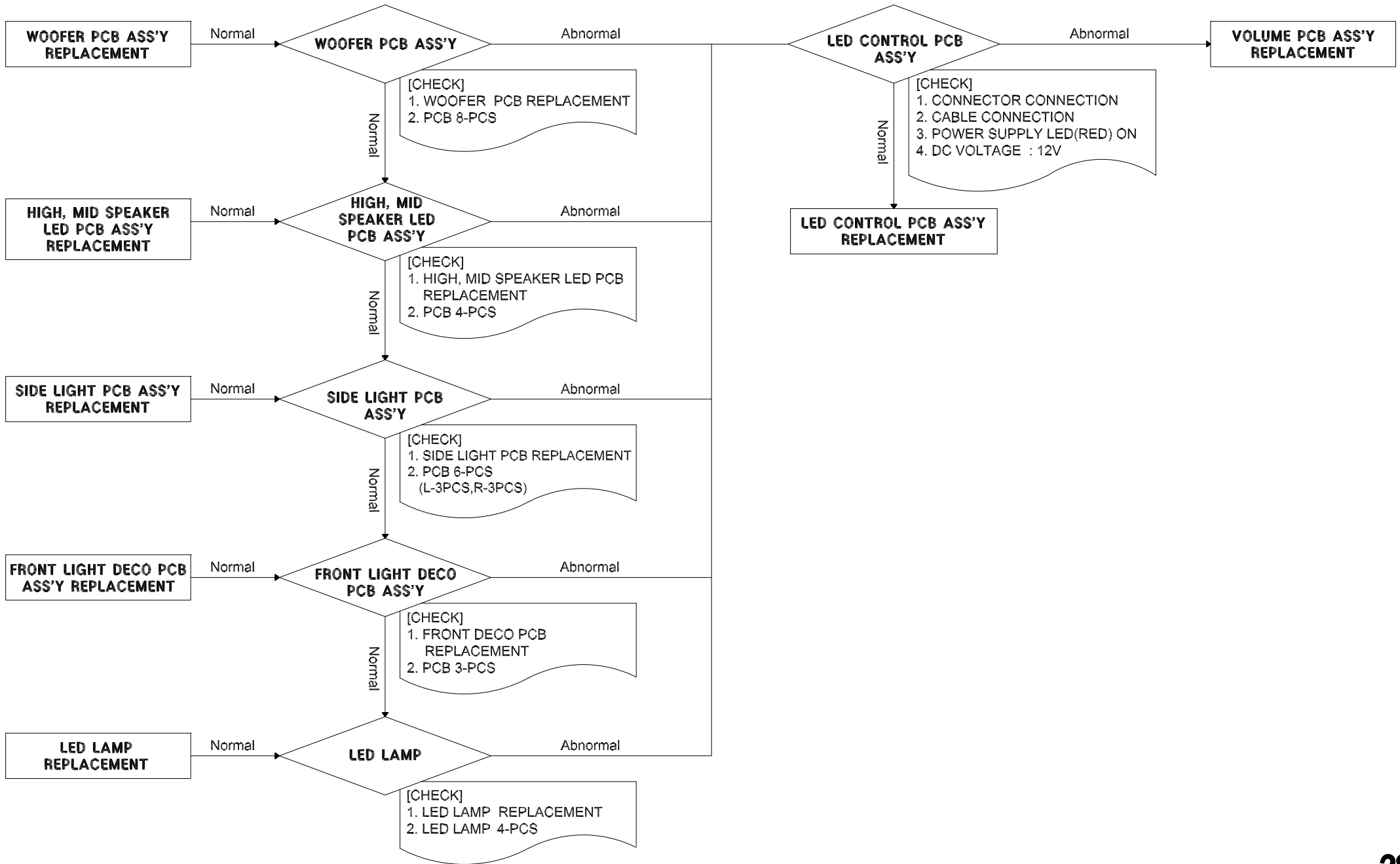
\* COMMON : INPUT VOLTAGE CHECK  
WIRING CONNECTION CHECK





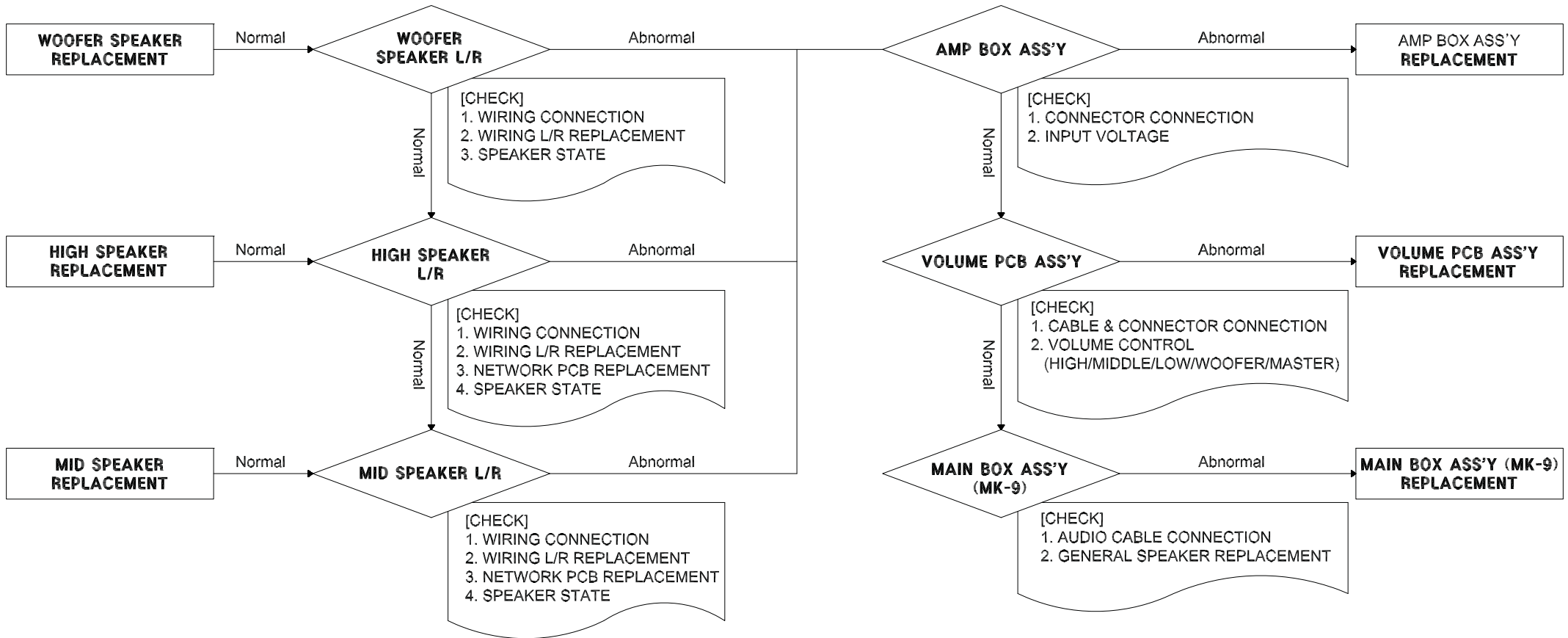
# 6-7. LAMP

\* COMMON : INPUT VOLTAGE CHECK  
WIRING CONNECTION CHECK



# 6-8. SOUND

**\* COMMON : INPUT VOLTAGE CHECK  
WIRING CONNECTION CHECK**



1. IN CASE NOISE  
2. L/R BALANCE — AMP BOX & MAIN BOX ASS'Y FG CONNECTION CHECK

# 7. REPLACEMENT METHOD OF CONSUMABLE PARTS

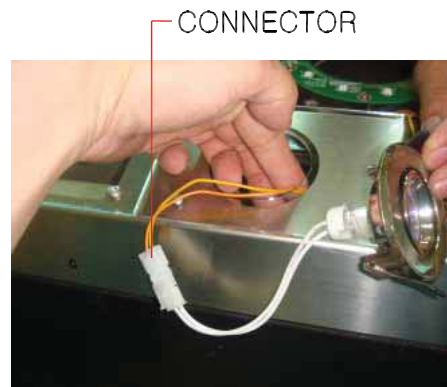
## 7-1. LED LAMP

1



PICTURE A

- There are two ① LED lamps in Billboard.



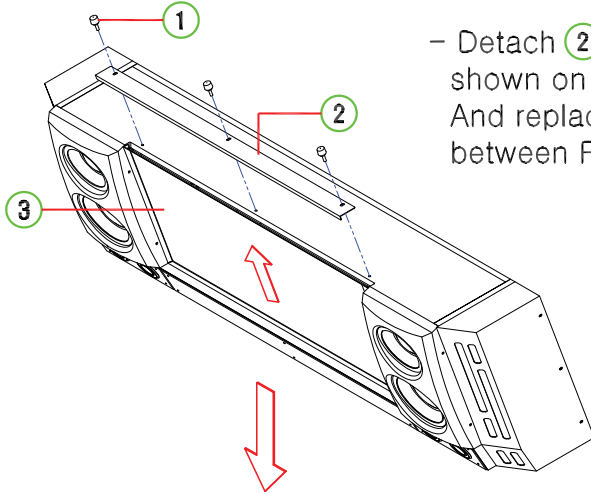
PICTURE B

- LED Lamp can be replaced in the front.  
Carefully handle two connection wires.

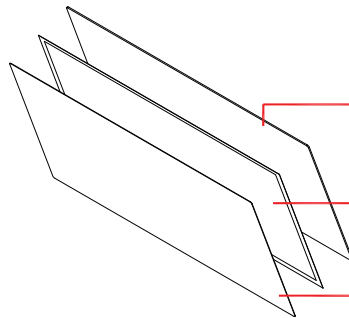
NO.	PART NAME	SPEC.	CODE NO.
①	LED LAMP ASS'Y	MR16 LED TYPE	MELE0LAM060

## 7-2. BILLBOARD SHEET

1



- Detach (2) billboard PC cover after screwing out (1) 3 bolts as shown on the picture. And replace (3) billboard sheet. The new billboard should be in between Rear cover and Front cover as shown on the picture.



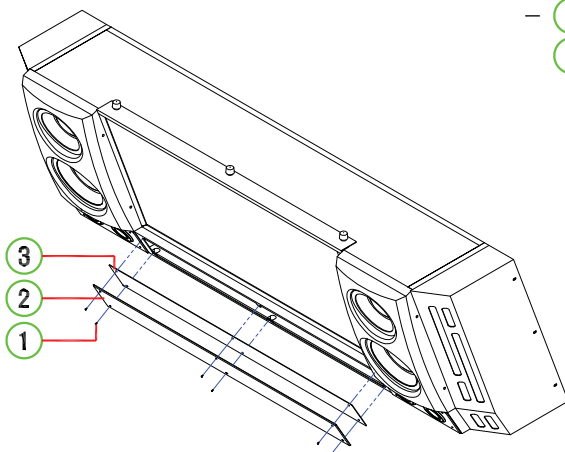
BILLBOARD REAR PC

BILLBOARD FRONT SHEET

BILLBOARD FRONT PC

## 7-3. SHEET FOR "HOW TO PLAY"

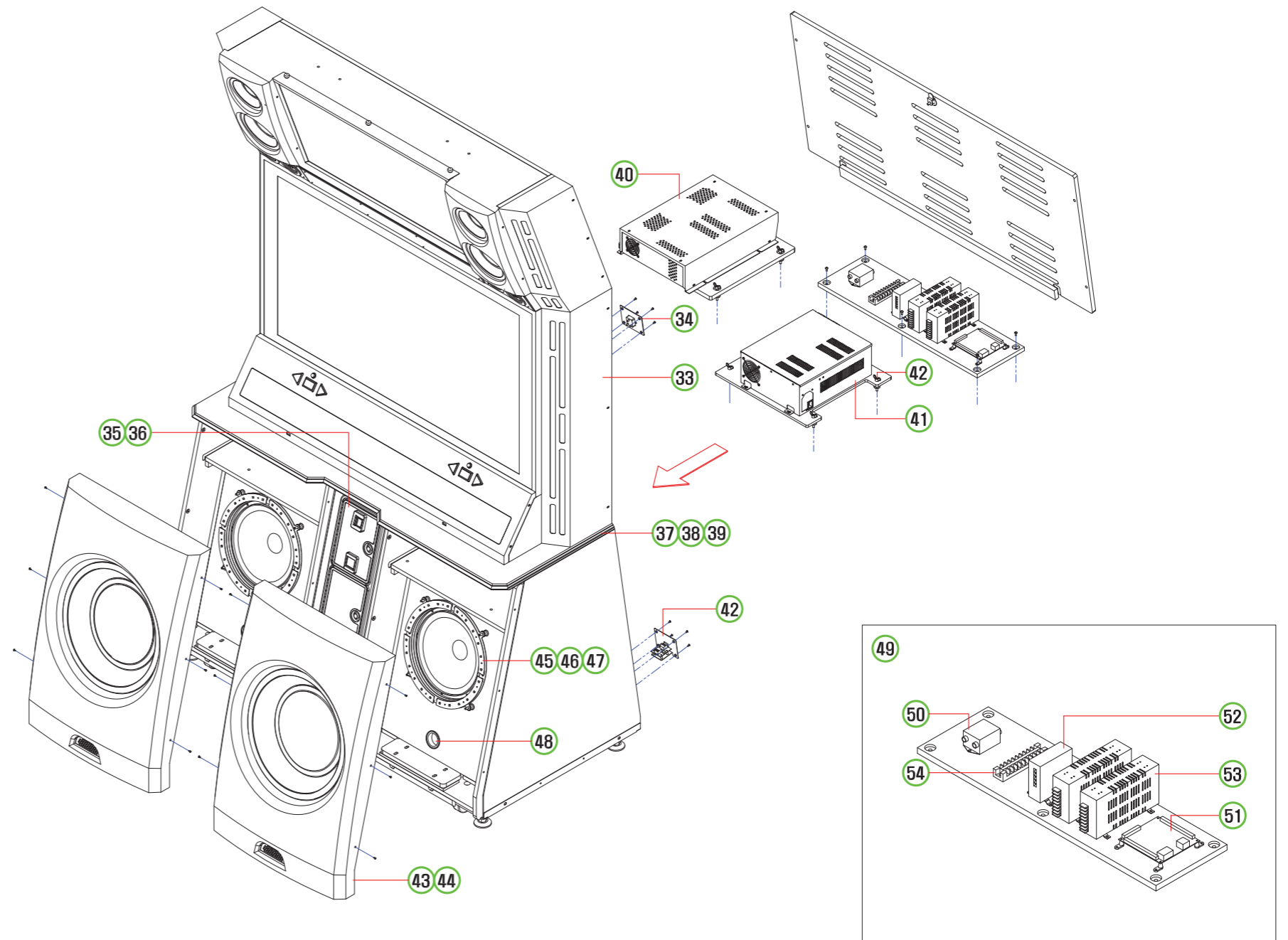
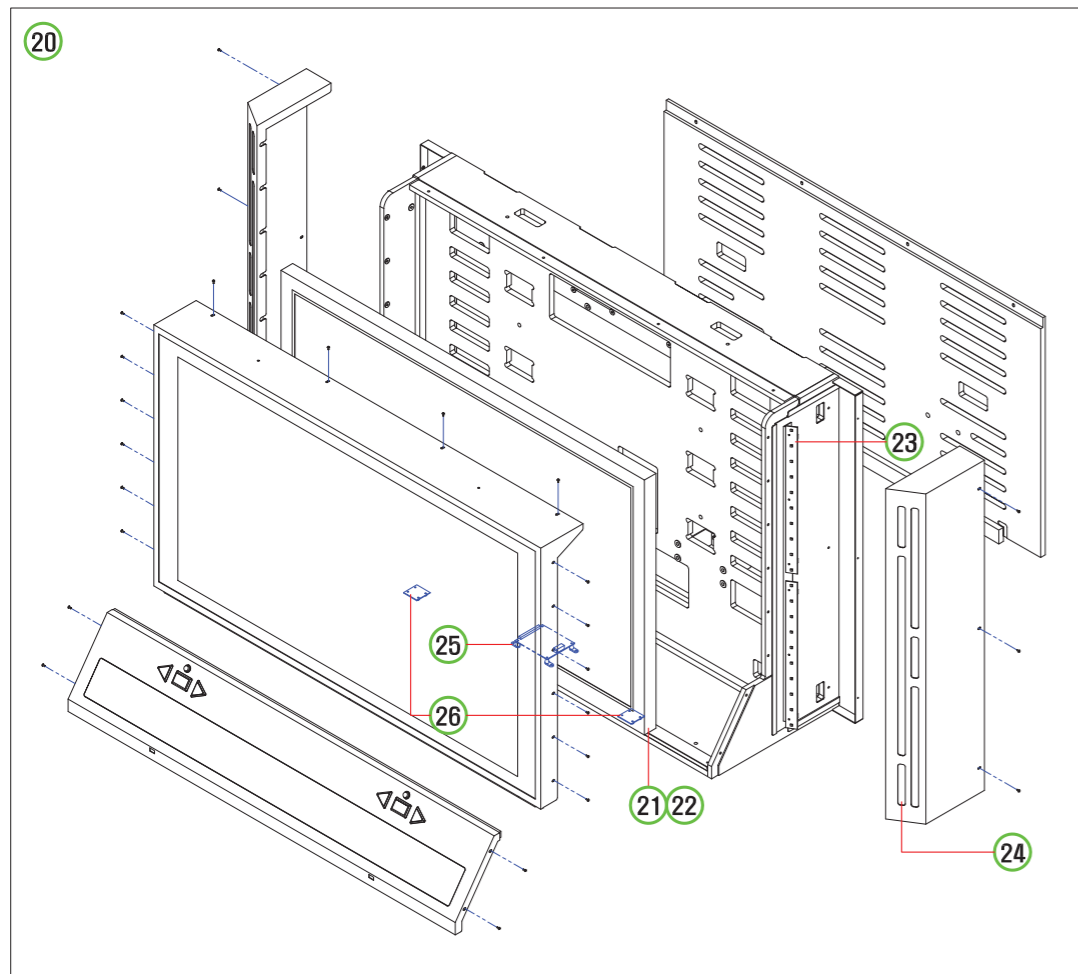
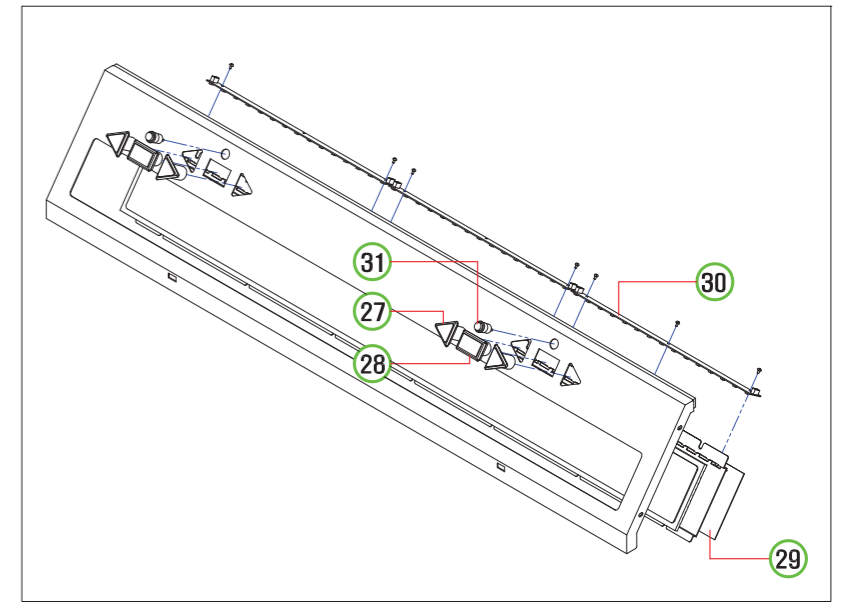
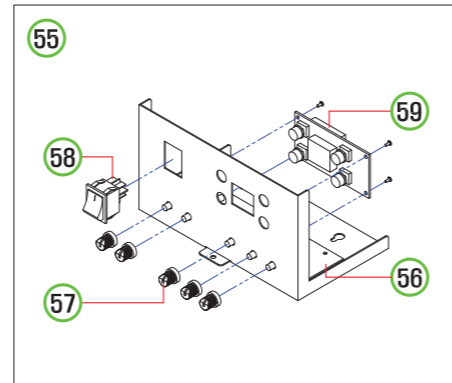
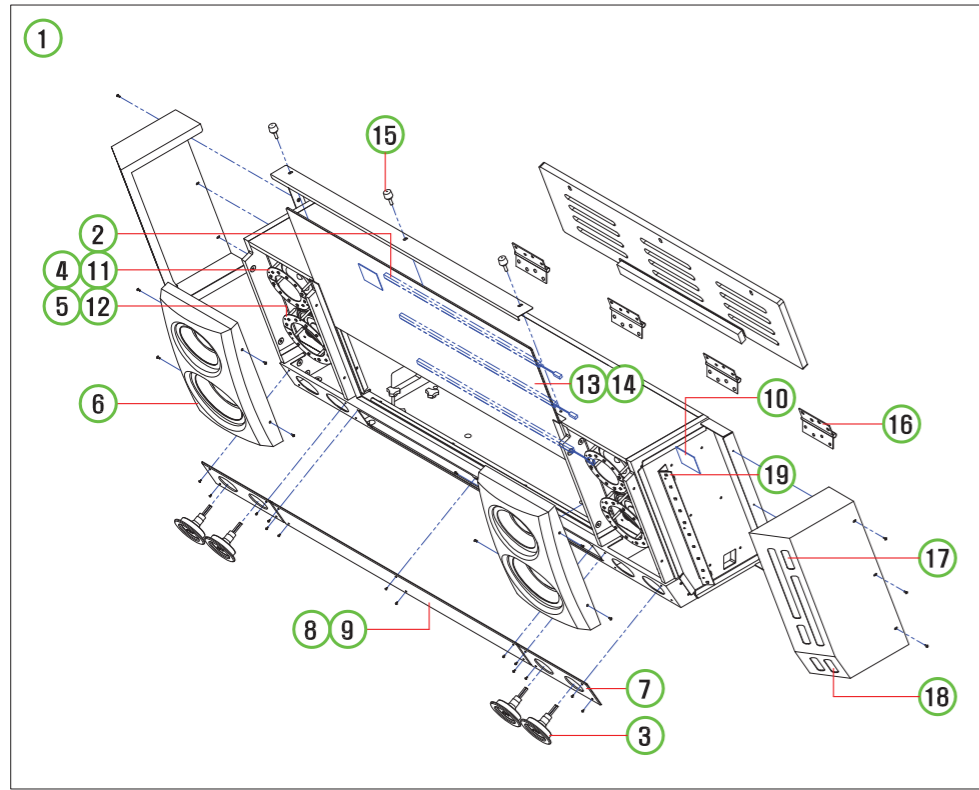
1



- (2) Detach 6 M4 (1) bolts. And replace explanation (3) sheet for "How to play"

# 8. PARTS LIST

## 8-1. EXPLODED VIEW



## 8-2. LIST

NO.	LEVEL	PART NAME	SPEC.	QTY	CODE NO.
①	1	<b>BILLBOARD CASE ASS'Y</b>			
②	2	LED STICK BAR	CW500	3	MELE0LED002
③	2	LED LAMP ASS'Y	MR16 LED TYPE	4	MELE0LAM060
④	2	HIGH SPEAKER LED PCB ASS'Y	-	2	APUT0PCB011
⑤	2	MID SPEAKER LED PCB ASS'Y	-	2	APUT0PCB012
⑥	2	MID SPEAKER MASK	PC-4.0t	1	MPUT0PLA003
⑦	2	LED LAMP BASE	ACRYL-3.0t	2	MPUT0ACR009
⑧	2	HOWTOPLAY PANEL	ACRYL-3.0t	1	MPUT0ACR011
⑨	2	HOWTOPLAY BACK PANEL	PET-1.0t	1	MPUT0ACR010
⑩	2	SPEAKER NETWORK PCB ASS'Y	-	2	APUT0PCB007
⑪	2	SPEAKER	3" HIGH	2	MZZZ0SPE026
⑫	2	SPEAKER	5 1/4" MID	2	MZZZ0SPE027
⑬	2	BILLBOARD REAR PANEL	PC-3.0t	1	MPUT0ACR007
⑭	2	BILLBOARD FRONT PANEL	PET-1.0t	1	MPUT0ACR006
⑮	2	HAND BOLT	M4, PKB4 L=20	3	MZZZ0PLA023
⑯	2	HINGE	HS-2Tx75x100	4	MZZZ0HIN002
⑰	2	TOP LIGHT ACRYL-A	ACRYL-5.0t	2	MPUT0ACR016
⑱	2	TOP LIGHT ACRYL-B	ACRYL-5.0t	2	MPUT0ACR017
⑲	2	TOP & SIDE LIGHT PCB ASS'Y	-	2	APUT0PCB001,002
⑳	1	<b>TOP CASE ASS'Y</b>			
㉑	2	LCD MONITOR	LG55" LC550EUE SM1	1	AZZZ0MON002
㉒	2	SCREEN COVER	GLASS-5.0t	1	MPUT0GLA001
㉓	2	SIDE LIGHT R PCB ASS'Y	-	4	APUT0PCB002
㉔	2	SIDE LIGHT ACRYL	ACRYL-5.0t	2	MPUT0ACR012
㉕	2	IO PCB ASS'Y	-	1	APUF0PCB014
㉖	2	USB ONOFF PCB ASS'Y-1P	-	2	APUF0PCB011
㉗	2	BUTTON SWITCH	BLC-TN-BK-G-CY	4	MZZZ0BUT075
㉘	2	BUTTON SWITCH	BLC-TN-BK-F-CG	2	MZZZ0BUT074
㉙	2	FRONT LIGHT DECO ACRYL	ACRYL-8.0t	1	MPUT0ACR008
㉚	2	FRONT LIGHT DECO PCB ASS'Y	-	3	APUT0PCB015
㉛	2	PUSH BUTTON L	16MM DC12V WECO	2	MZZZ0BUT056
㉜	1	<b>MAIN CASE ASS'Y</b>			
㉝	2	AC INPUT ASS'Y	0717-1S, 10A	1	MELE0SWI014
㉞	2	COIN DOOR ASS'Y	AMCD-100A,1 COIN	1	AZZZ0COD002

NO.	LEVEL	PART NAME	SPEC.	QTY	CODE NO.
㉟	2	COIN SELECTOR	SG-968	1	MZZZ0COS012
㊱	2	TABLE TOP ACRYL	ACRYL-5.0t	1	APUT0ACR015
㊲	2	TABLE BASE ACRYL	ACRYL-5.0t	1	MPUT0ACR013
㊳	2	TABLE CENTER ACRYL	ACRYL-8.0t	1	MPUT0ACR014
㊴	2	AMP BOX ASS'Y	-	1	APUT0SYS001
㊵	2	MAIN BOX ASS'Y	MK6 NK	1	APUF0000001
㊶	2	NUT	M6, WING NUT	8	-
㊷	2	LAN PCB ASS'Y	-	1	-
㊸	2	<b>WOOFER MASK ASS'Y</b>			
㊹	2	WOOFER MASK ASS'Y	PC-6.0t	2	MPUT0PLA004
㊺	2	SPEAKER	12" WOOFER	2	MZZZ0SPE028
㊻	2	WOOFER SPEAKER LED PCB ASS'Y	-	8	APUT0PCB013
㊼	2	RUBBER BOLT	M6, Ø20x16MM	26	MZZZ0RUB009
㊽	2	SPEAKER TERMINAL	-	2	MZZZ0SPE029
㊾		<b>POWER BASE ASS'Y</b>			
㊿	2	NOISE FILTER	ES1-F10	1	MELE0NOI006
①	2	LED CONTROL PCB ASS'Y	-	1	APUT0PCB010
②	2	SMPS ASS'Y	RS50-12V	1	MELE0SMP055
③	2	SMPS ASS'Y	CSR028	2	MELE0SMP035
④	2	TERMINAL BLOCK	250V, 10V	1	MELE0TEB003
⑤	1	<b>SERVICE PANEL ASS'Y</b>			
⑥	2	VOLUME PCB ASS'Y	-	1	APUT0PCB008
⑦	2	VOLUME KNOB	-	5	MELE0VOL006
⑧	2	ROCKER SWITCH	T-125 4P	1	MELE0SWI004
⑨	2	COUNTER LCD PCB ASS'Y	-	1	APUT0PCB014

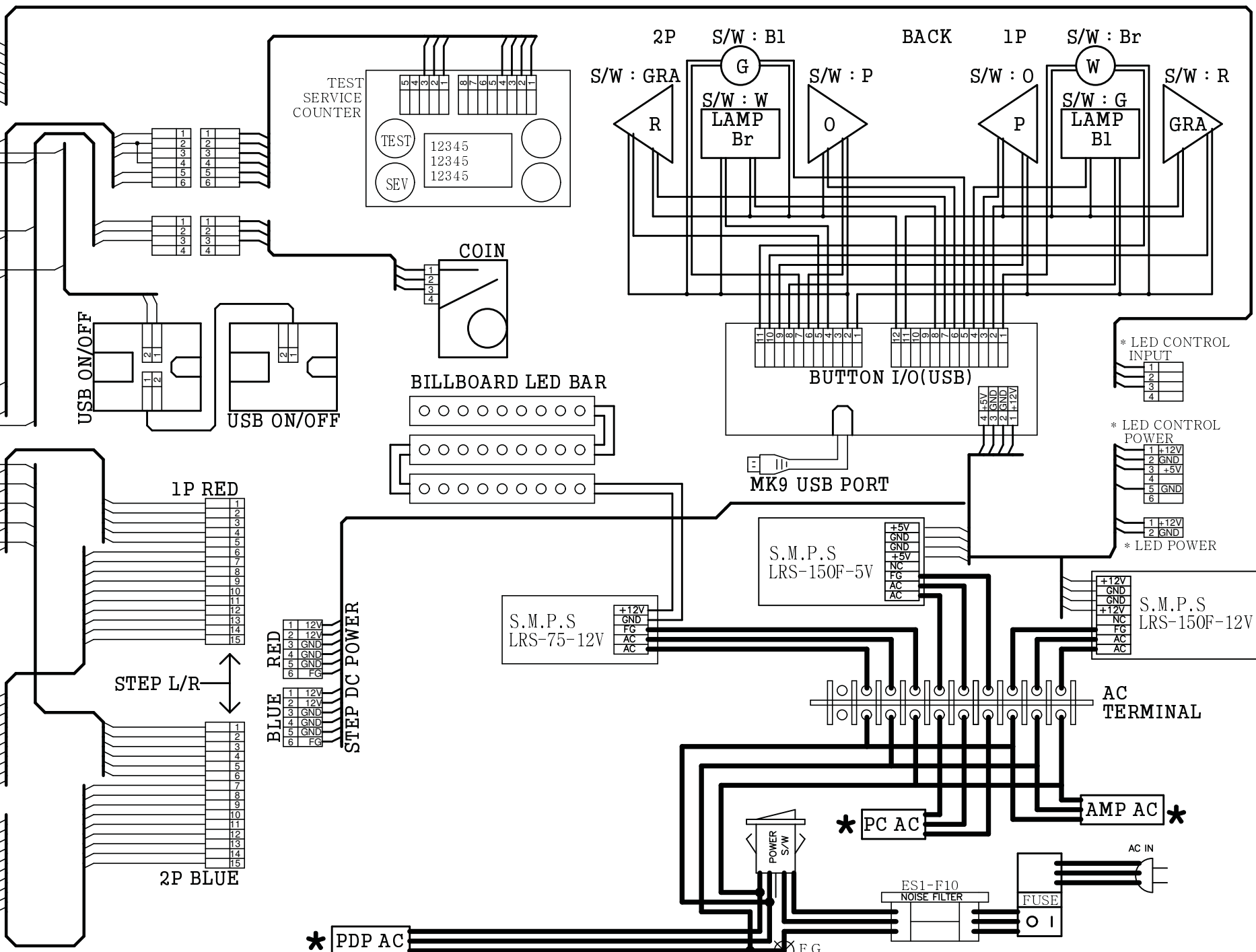
# MAIN BOX I/O

1	VCC
2	FG
3	IN0
4	IN1
5	IN2
6	IN3
7	IN4

1 A  
2 B  
3 C  
4 D  
5 E  
6 F  
7 G  
8 H  
9 J  
10 K  
11 L  
12 M  
13 N  
14 R  
15 S  
16 T  
17 U  
18 V  
19 W  
20 X  
21 Y  
22 Z  
23 a  
24 b  
25 c  
26 d  
27 e  
28 f

1	
2	
3	
4	
5	
6	
7	
8	
9	
10	

1	
2	
3	
4	
5	
6	
7	
8	
9	
10	



\* LED CONTROL INPUT

1	
2	
3	
4	

\* LED CONTROL POWER

1	+12V
2	GND
3	+5V
4	GND
5	GND
6	GND

\* LED POWER

1	+12V
2	GND

S.M.P.S LRS-150F-12V

1	+12V
2	GND
3	+12V
4	NC
5	FG
6	AC
7	AC

S.M.P.S LRS-75-12V

1	+12V
2	GND
3	FG
4	AC
5	AC

S.M.P.S LRS-150F-5V

1	+5V
2	GND
3	+5V
4	NC
5	FG
6	AC
7	AC

\* PDP AC

1	
2	
3	
4	
5	
6	
7	
8	
9	
10	

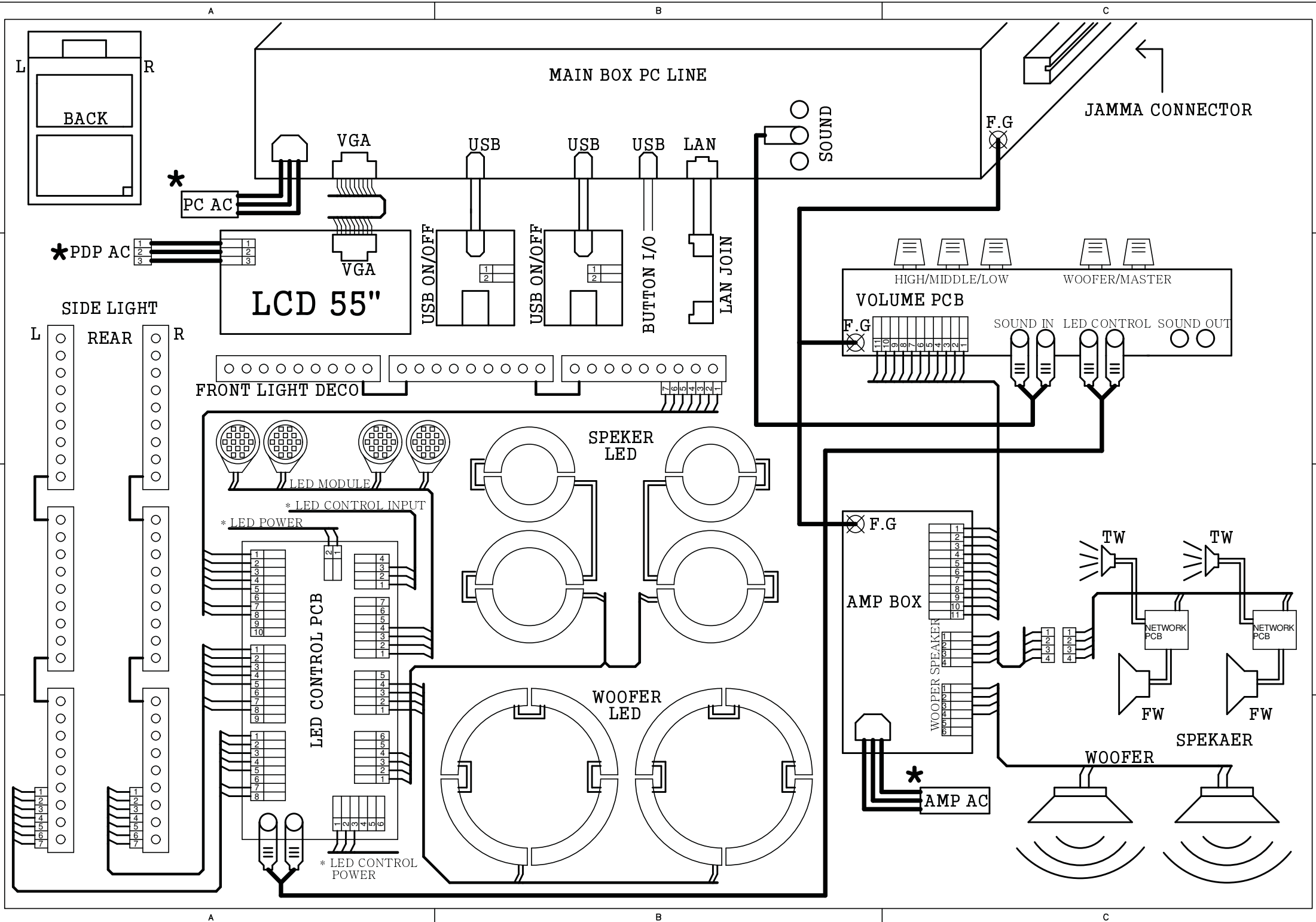
\* PC AC

1	
2	
3	
4	
5	
6	
7	
8	
9	
10	

\* AMP AC \*

1	
2	
3	
4	
5	
6	
7	
8	
9	
10	

FRONT SETUP BRK'T







## **ANDAMIRO WARRANTY POLICY**



Andamiro warrants to the original purchaser that all of its products will be free from defects in material and workmanship.

**Andamiro warrants the parts from date of shipment as follows.**

- **One Year Limited Warranty : Electronic Boards & Monitor**
- **6 Month Limited Warranty : Moving Parts**

For any key components within the warranty period, Andamiro will repair or replace defective components free of charge.

When placing a warranty request, the customer is requested to furnish the following information:

1. Name of the game.
2. Serial Number of the game.
3. A Detailed Description of the defect/s experienced.

This warranty does not apply to the defects caused due to misuse or abuse of the product.

Any alterations made to game or game parts will void this warranty.

For warranty details on our product range please visit our website, [www.andamiro.com](http://www.andamiro.com).

ANDAMIRO CO., LTD.  
[www.andamiro.com](http://www.andamiro.com)



Please complete the following request form to place a warranty request and send it to ANDAMIRO Korea either by fax (Fax No: +82-31-908-7548) or by e-mail. The e-mail address of the person in charge of each region is shown in our web-site, [www.andamiro.com](http://www.andamiro.com)

For the on-line request, please visit our web-site, [www.andamiro.com](http://www.andamiro.com) and click "Customer Service" and then click "Contact Us" in which you shall find the e-mail address of the person in charge of each region.

**1. Company Name :** \_\_\_\_\_

**2. Mailing Address :** \_\_\_\_\_

\_\_\_\_\_

**3. E-Mail Address :** \_\_\_\_\_

**4. Phone No :** \_\_\_\_\_

**5. Name of the person in charge :** \_\_\_\_\_

**6. Description of the product defects**

6-1 ) Name of the Game : \_\_\_\_\_

6-2 ) Serial No : \_\_\_\_\_

6-3 ) Date of Purchase : \_\_\_\_\_

6-4 ) Detailed description of the product defects.

\_\_\_\_\_

\_\_\_\_\_

\_\_\_\_\_

Remarks: If possible, please provide us with related photos and videos which will be greatly appreciated to verify the cause of the problem.



---

**ANDAMIRO CO., LTD.**

TEL : 82-31-909-2123~4,2051

**[ADDRESS OFFICE]** 6006 M-City Tower, 195, Baengmaro, Ilsandong-gu, Goyang-si,  
Gyeonggi-do, 410-834 Korea

**[FACTORY]** 72 Nochemgil, Ilsan-donggu Goyang-si, Gyeonggi-do, 410-834 korea

**USA BRANCH**

ANDAMIRO USA CORP.

17230 S. Main Street

TEL : 1-310-767-5800

**[ADDRESS]** Gardena, California 90248 U.S.A.

Homepage <http://www.andamiro.com/>

**ANDAMIRO®**