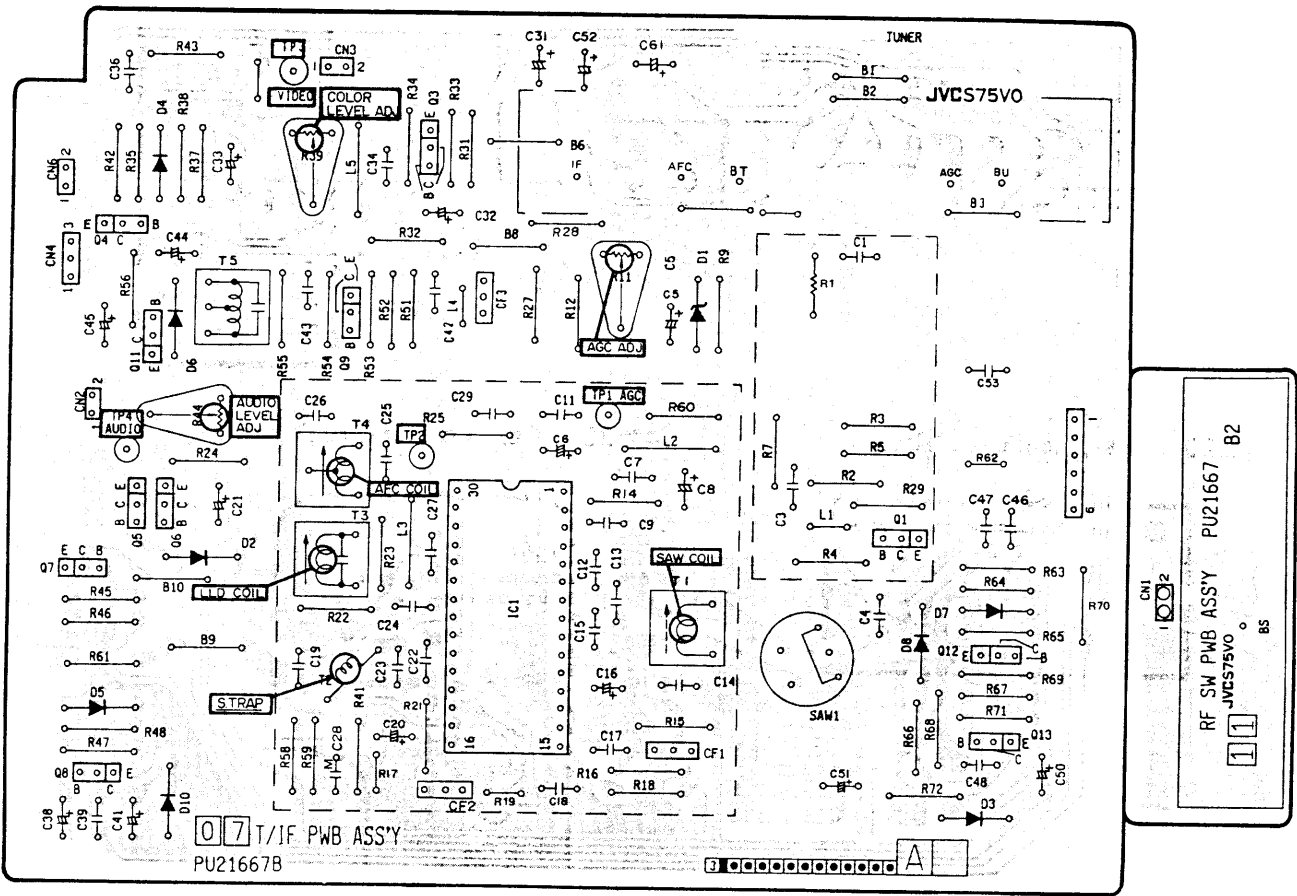


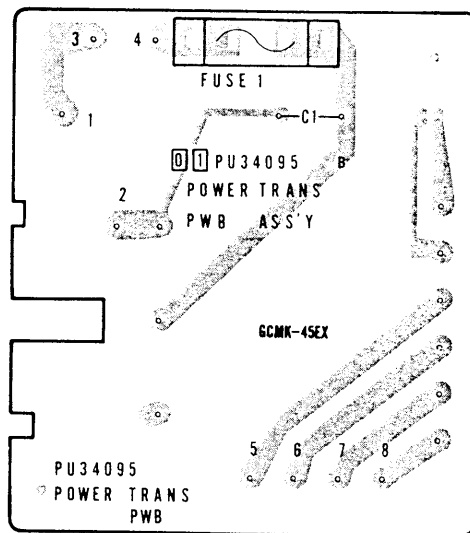
4.6.13 Tuner/IF circuit board

4.6

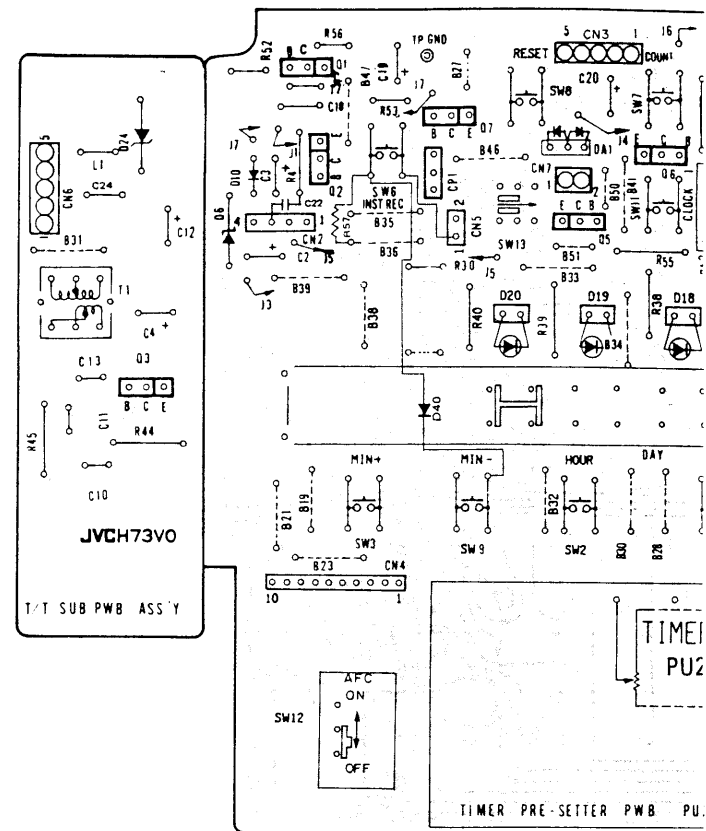
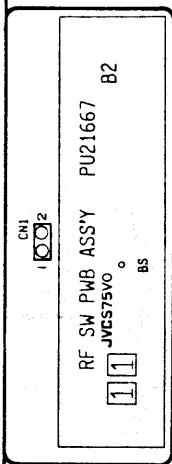
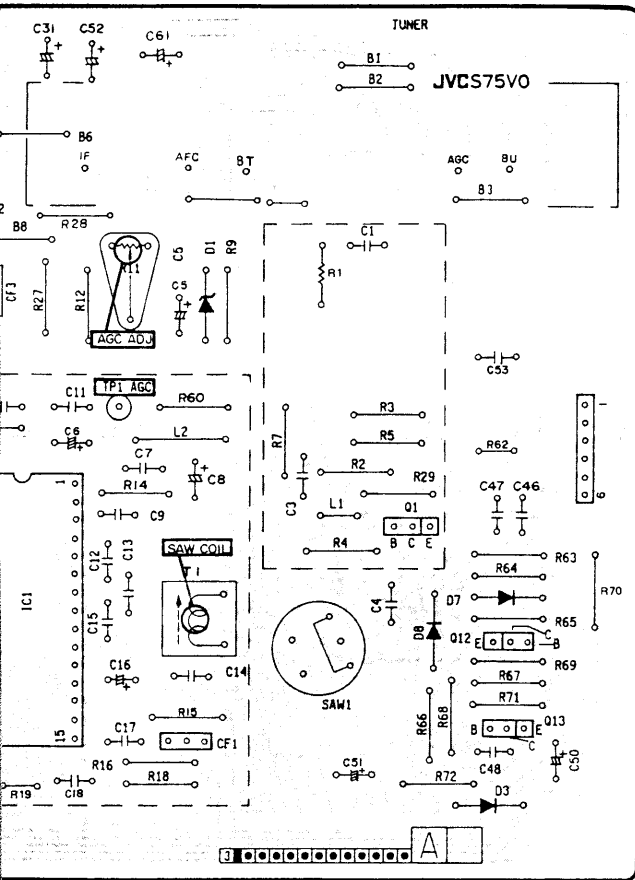


4.6.14 Power trans circuit board

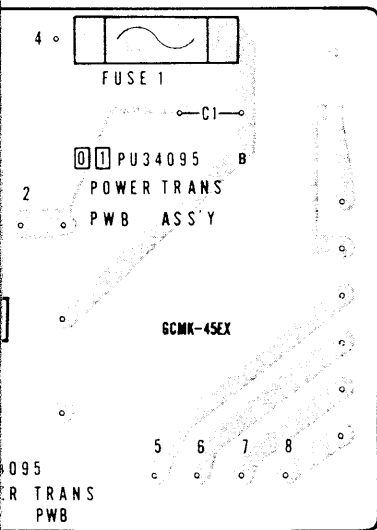
4.6



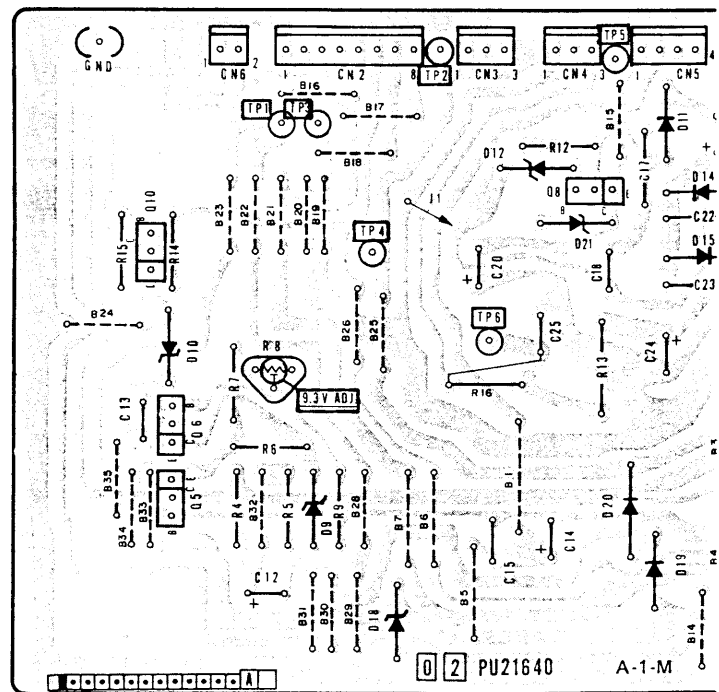
4.6.15 Timer/Pre-setter circuit board



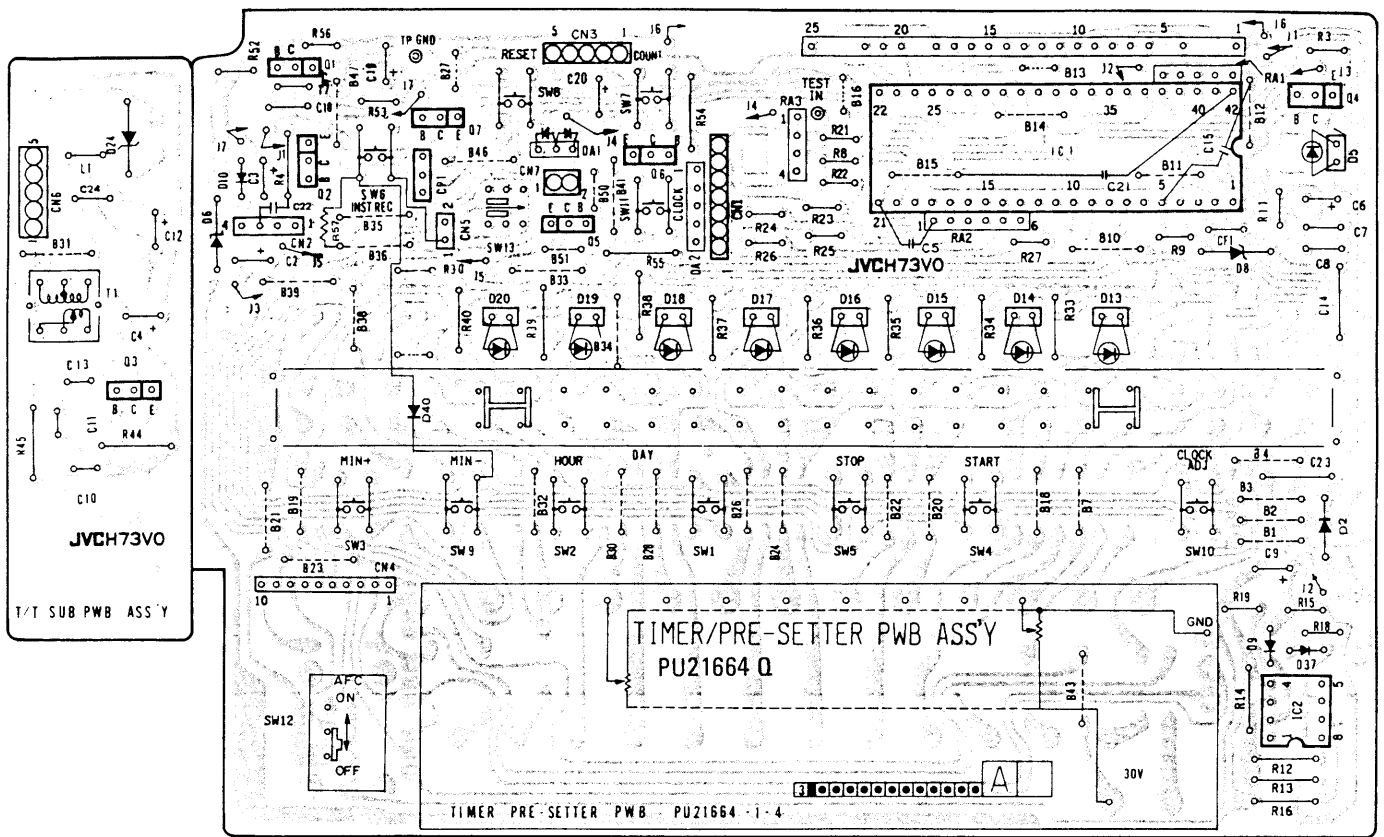
Power trans circuit board



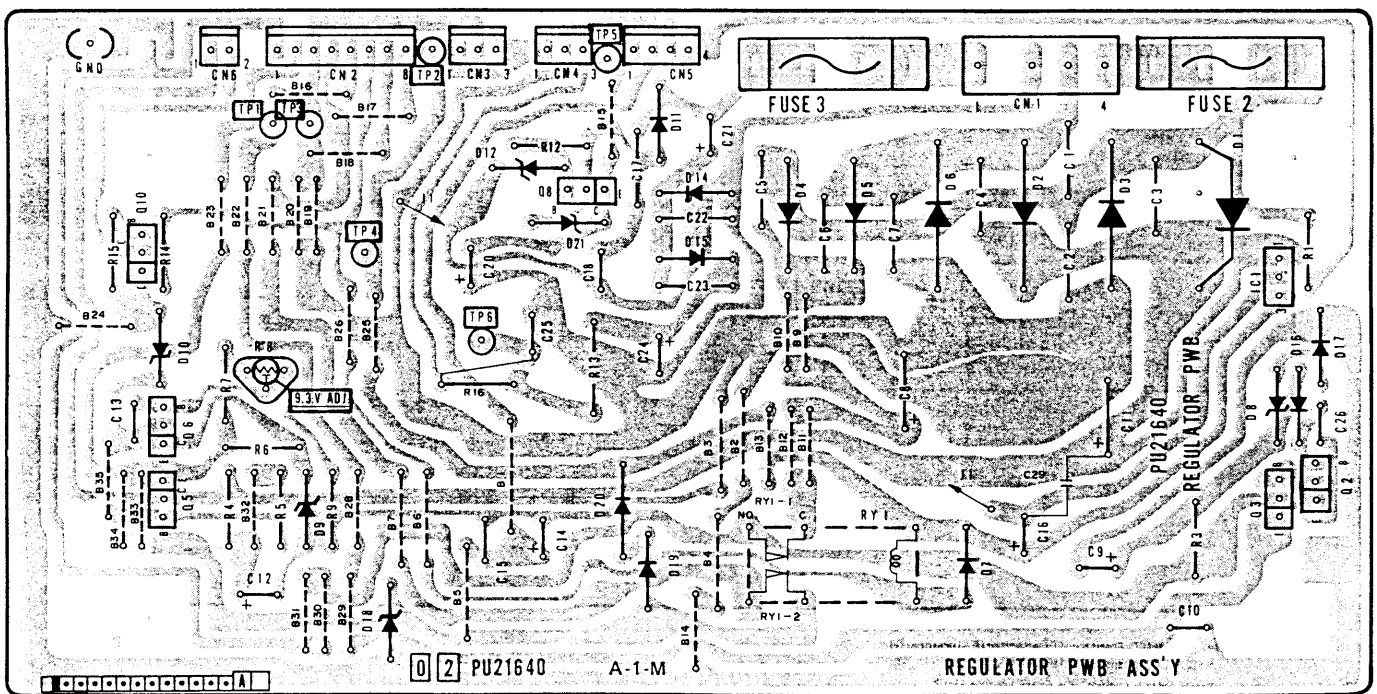
4.6.16 Regulator circuit board



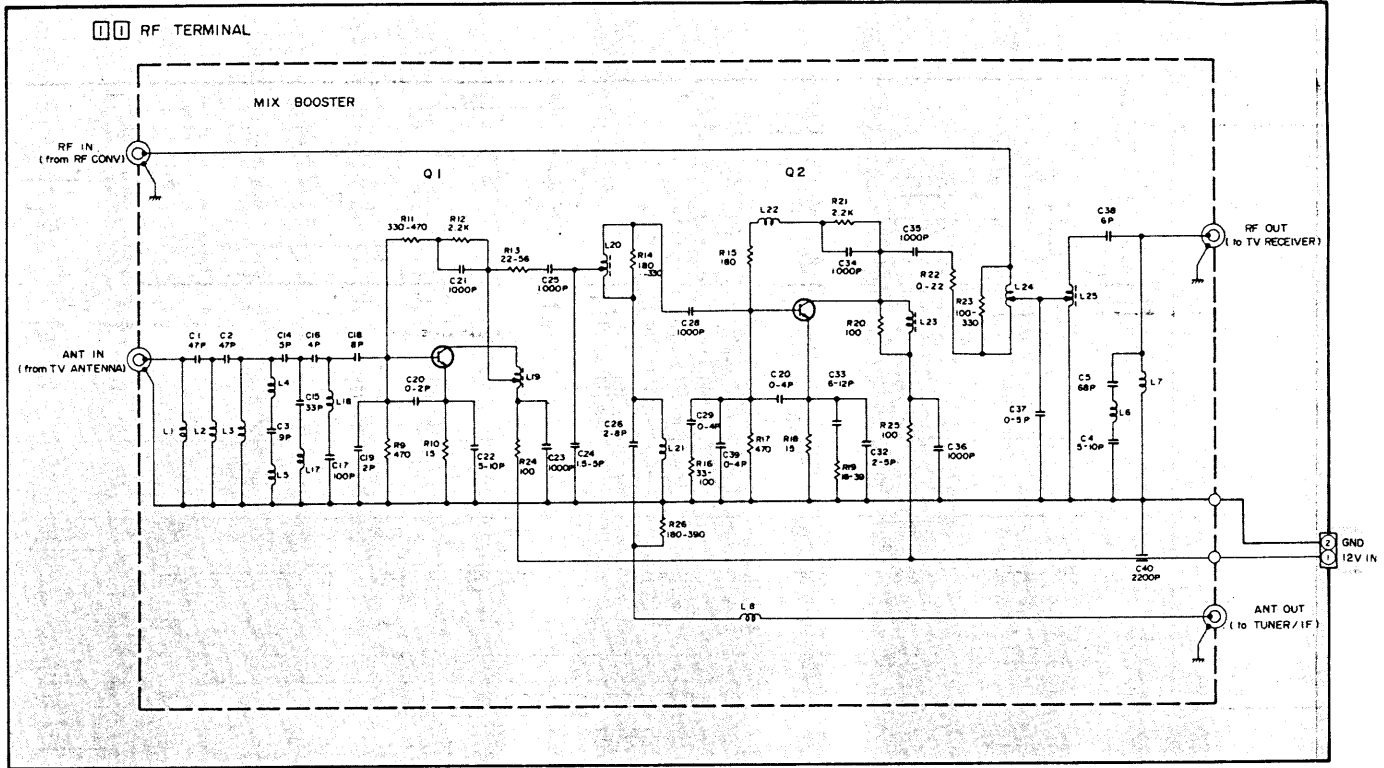
4.6.15 Timer/Pre-setter circuit board



4.6.16 Regulator circuit board



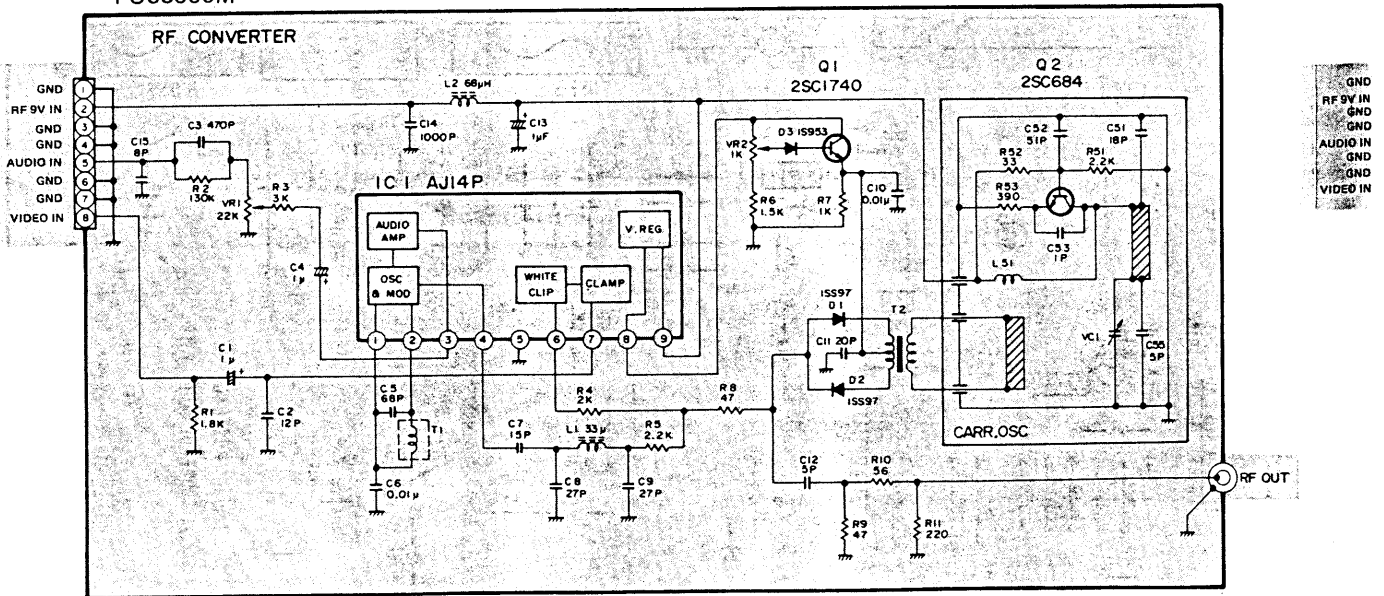
### 4.6.17 Mix booster circuit



- Notes: Unless otherwise specified:  
 1. All transistors are 2SC2570A  
 2. All resistance values are in ohms

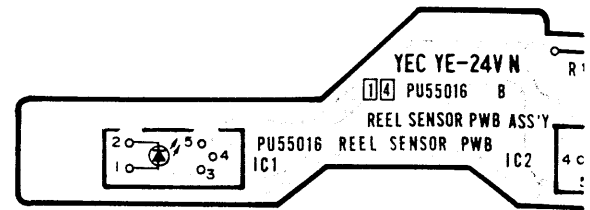
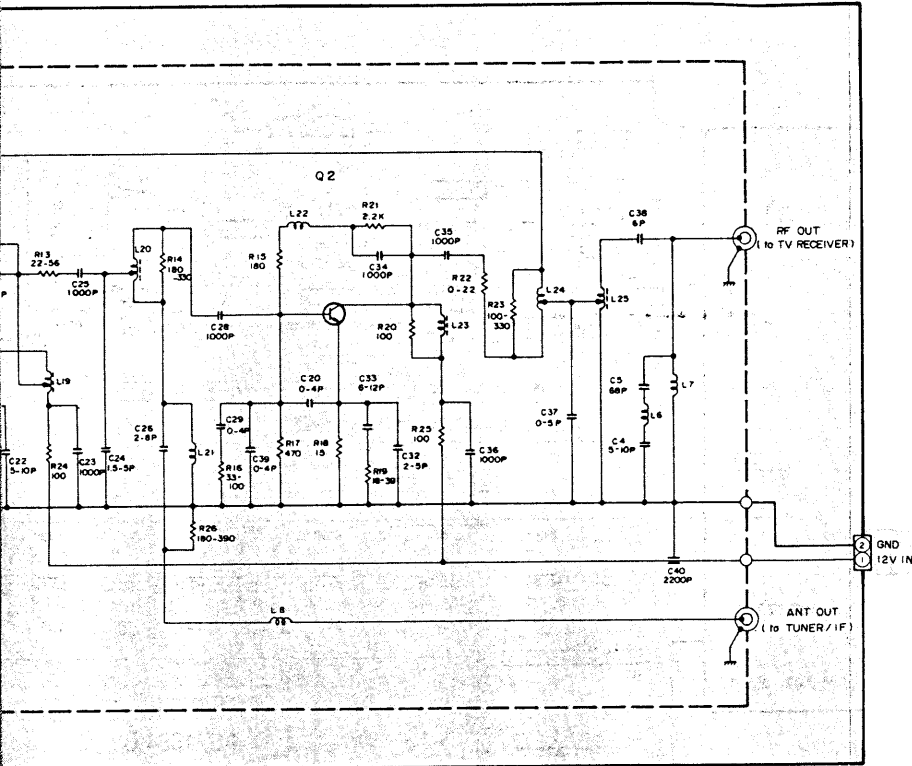
### 4.6.18 RF converter circuit

- PU55090M -

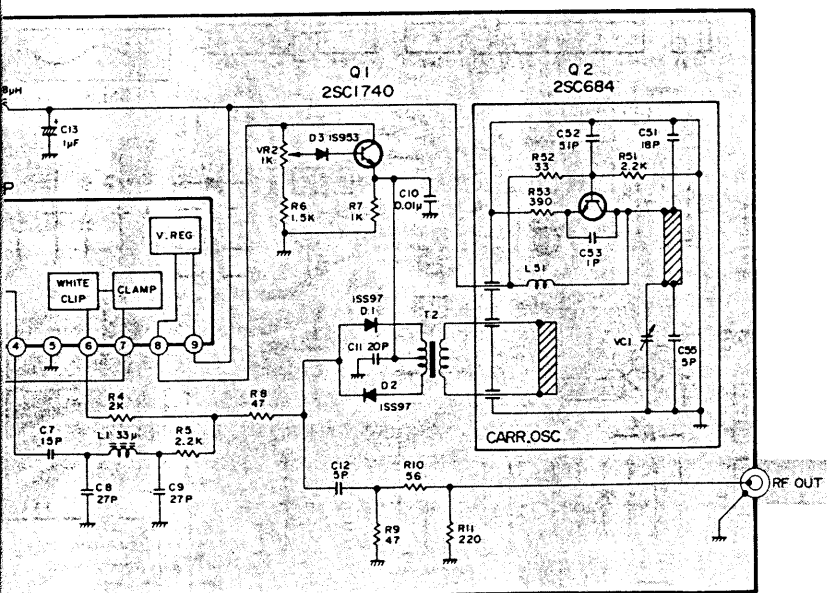
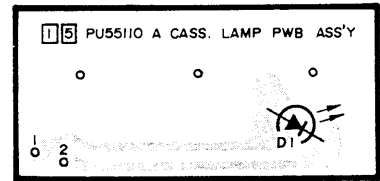


- Note: 1. UNIT. Resistor/ $\Omega$  Capacitor/F. Inductor/H  
 2. Compatible Transistors and Diodes  
 Q1. 2SC454, 2SC945, 2SC1815  
 D1, 2. 1SS98, 1SS99, 1SS88  
 D3. 1S133, 1SS91, 1S1555

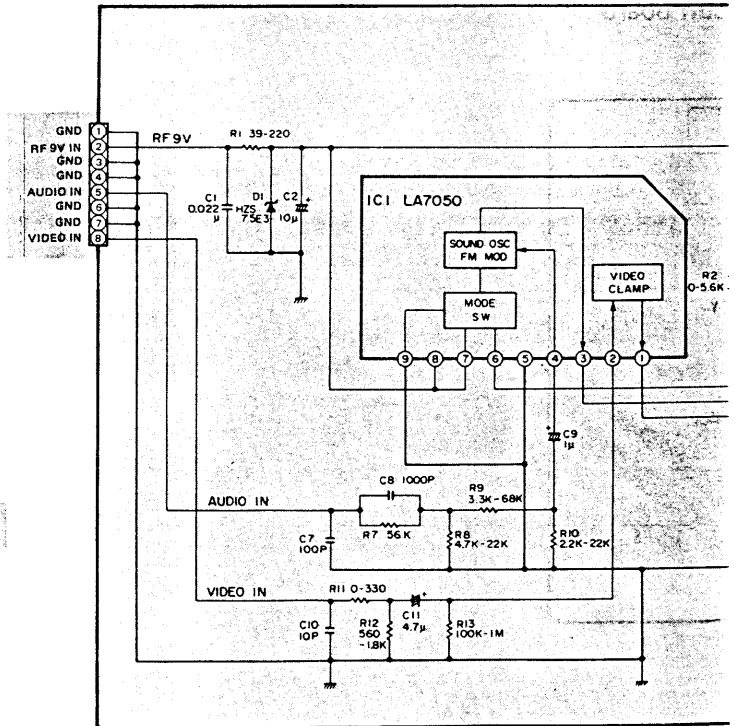
4.6.19 Reel sensor circuit board



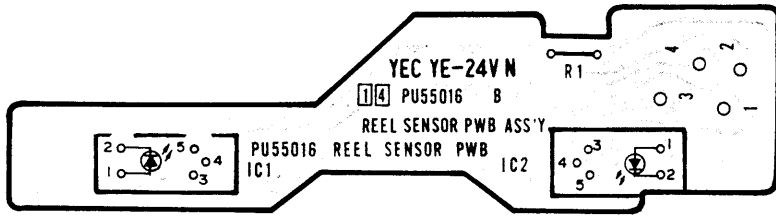
4.6.20 Cass, lamp circuit board



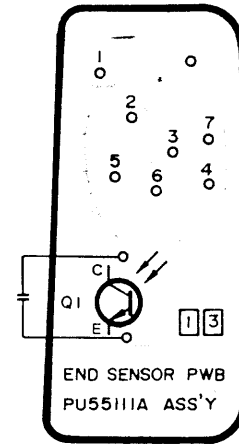
- PU55090S -



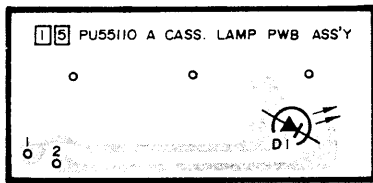
4.6.19 Reel sensor circuit board



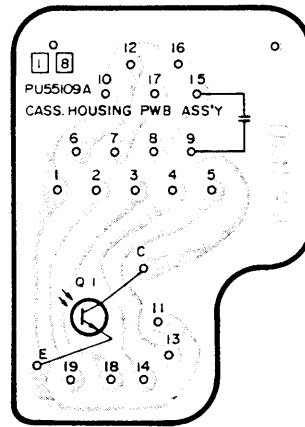
4.6.21 End sensor circuit board



4.6.20 Cass, lamp circuit board

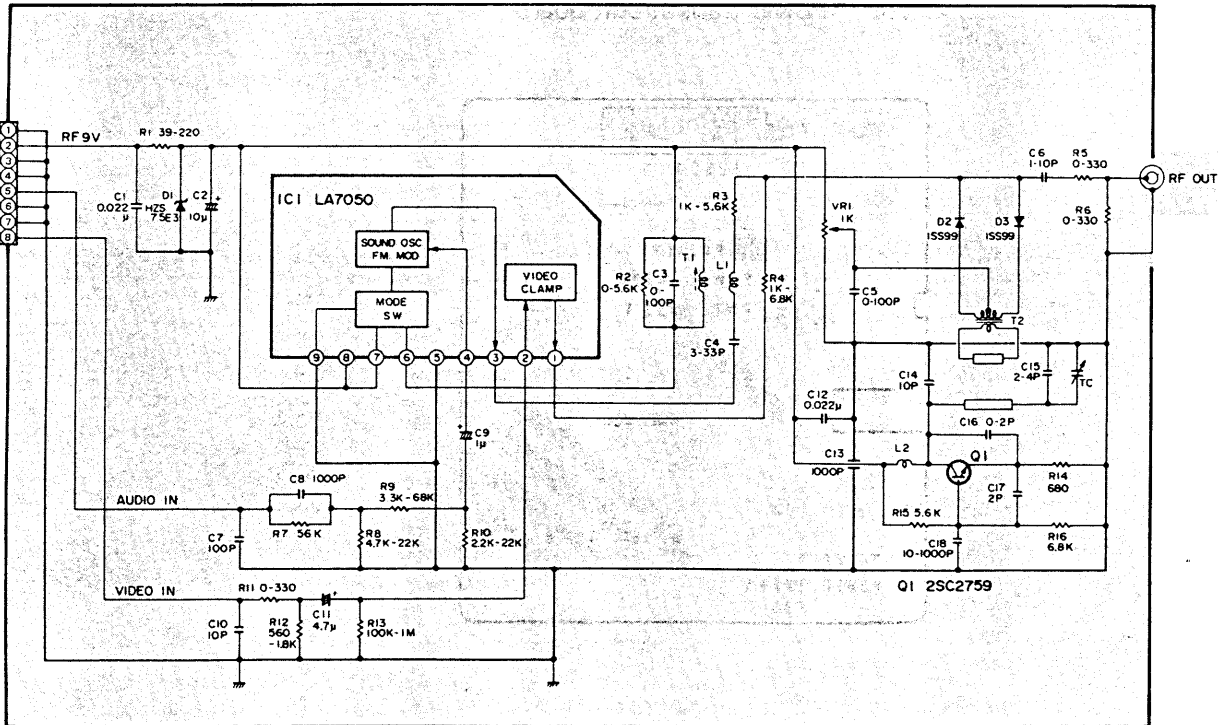


4.6.22 Cass, housing circuit board



For Service Manuals  
**MAURITRON SERVICES**  
 8 Cherry Tree Road, Chinnor  
 Oxfordshire, OX9 4QY.  
 Tel (01844) 351694  
 Fax (01844) 352554  
 email:- sales@mauritron.co.uk

- PU55090S -



4.6.23 Overall wiring diagram

1

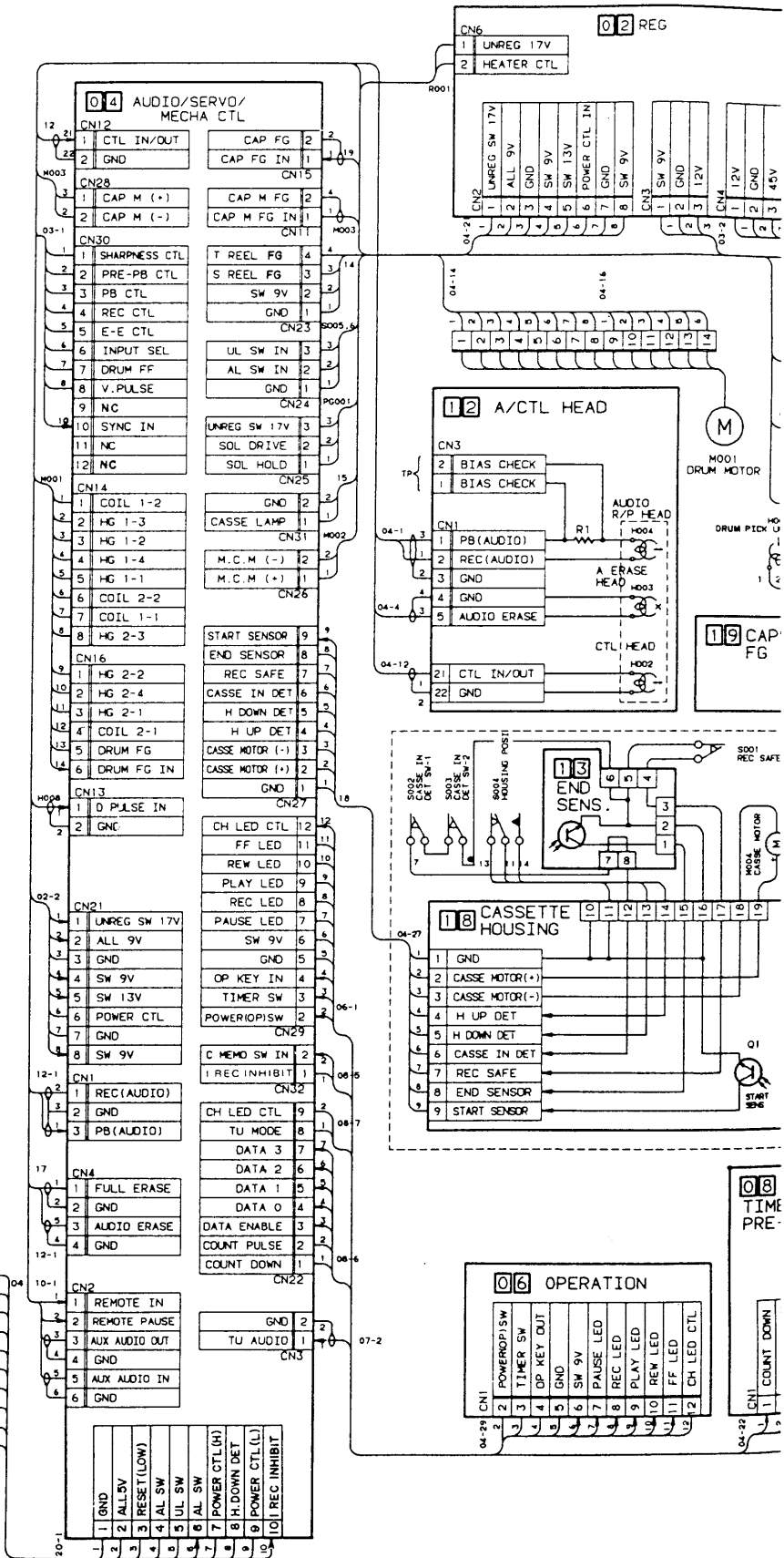
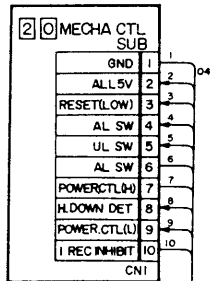
2

3

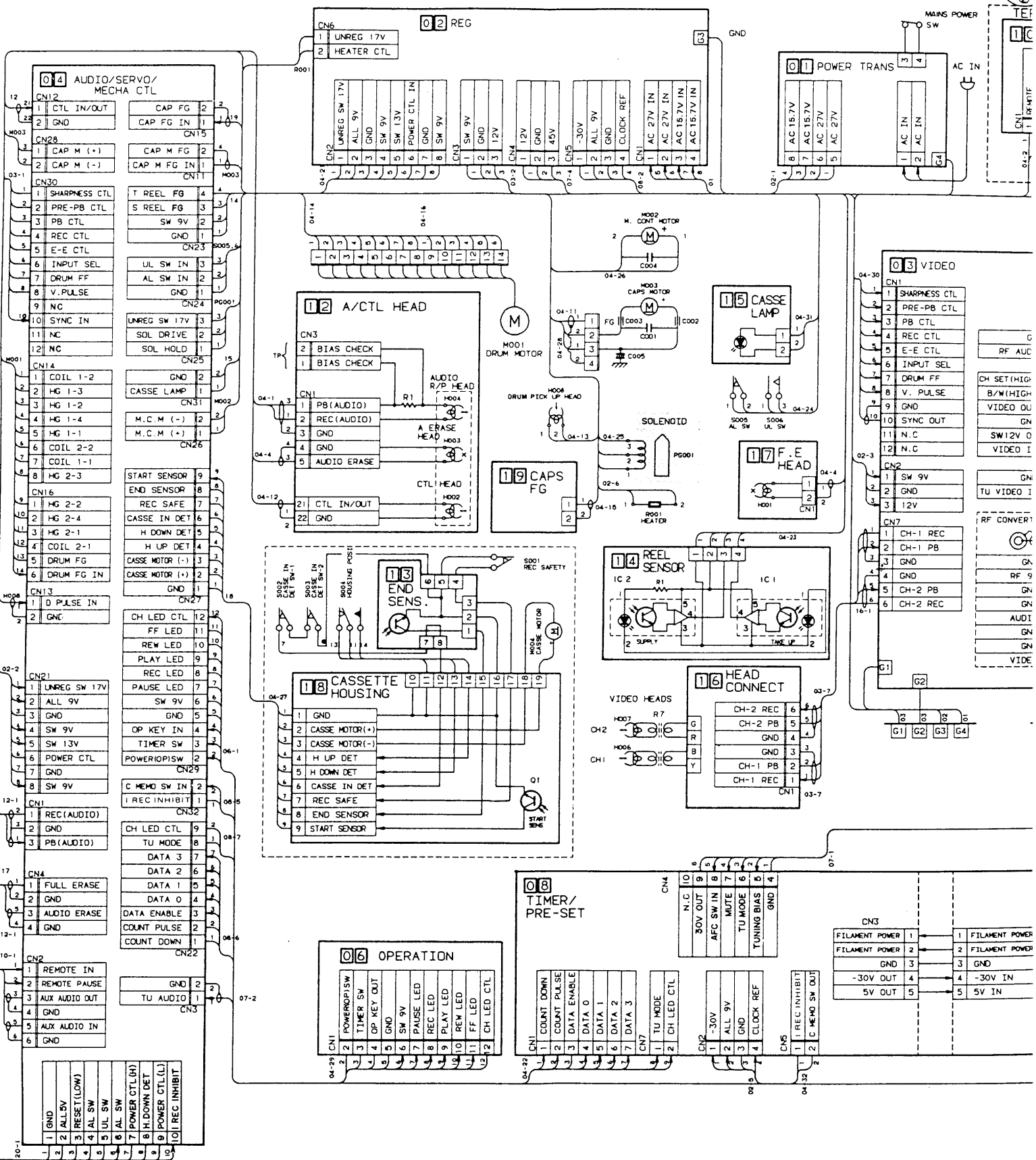
4

5

20	M-CTL SUB
19	CAPSTAN FG
18	CASSE HOUSING
17	FULL ERASE HEAD
16	HEAD CONNECT
15	CASSETTE LAMP
14	REEL SENSOR
13	END SENSOR
12	A/CTL HEAD
11	RF TERMINAL
10	TERMINAL
09	
08	TIMER/PRE-SET
07	TUNER/IF
06	OPERATION
05	
04	AUD/SERVO/M-CTL
03	VIDEO
02	REGULATOR
01	POWER TRANS
NO	NAME



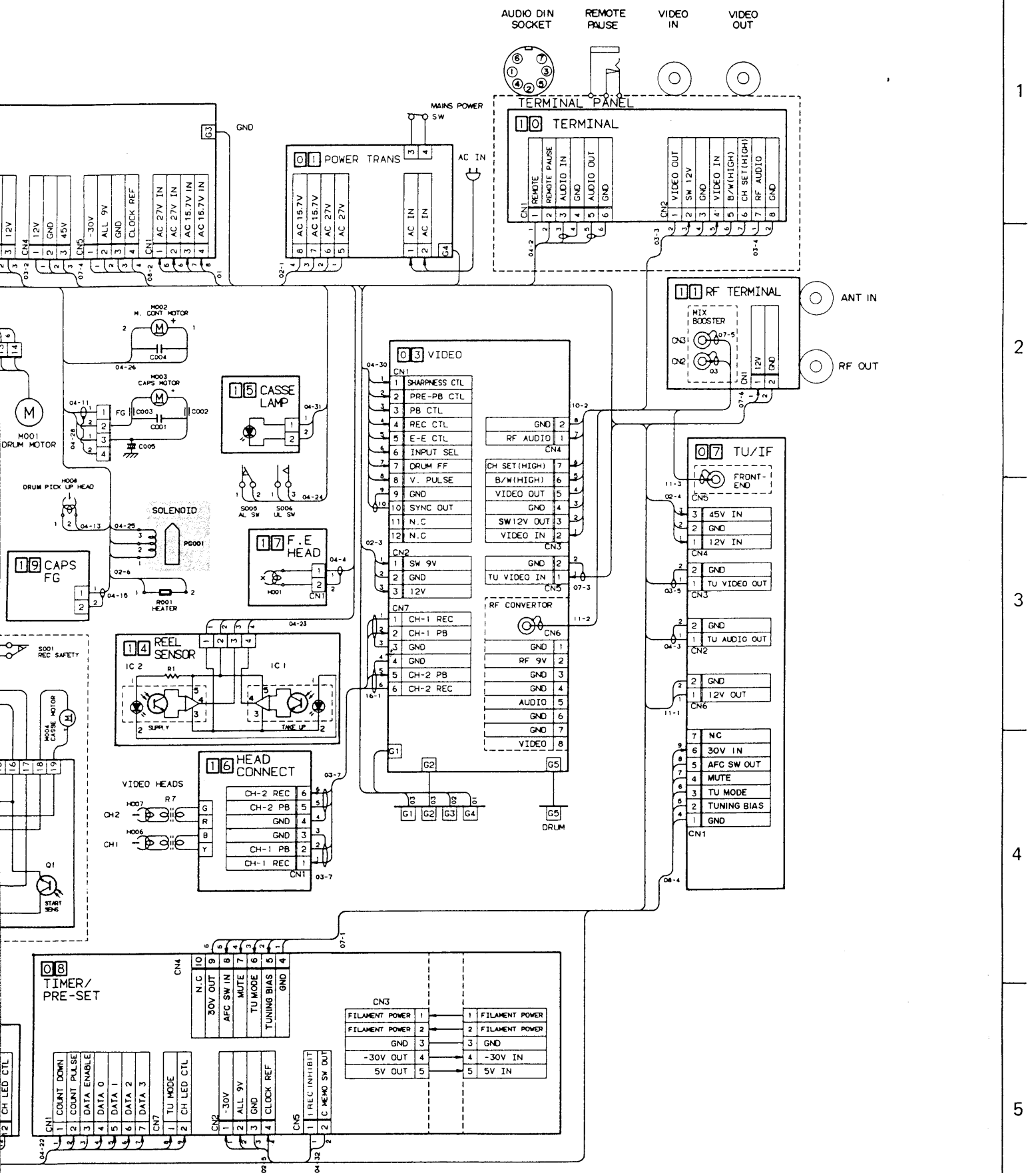
OVERALL WIRING DIAGRAM (MODE SHIFT TABLE) 4-13



OVERALL WIRING DIAGRAM (MODE SHIFT TABLE) 4-13

OVERALL WIRING DIAGRAM (MODE SHIFT TABLE) 4-13





4-13 OVERALL WIRING DIAGRAM (MODE SHIFT TABLE)

1  
2  
3  
4  
5

4.6.24 Mode shift table

CURRENT MODE KEY OPERATION	EJECT (NO CASS.)	STOP	FF	REW	PLAY	STILL	SEARCH FF
EJECT		○	○	○	○	○	○
STOP	⊗		○	○	○	○	○
FF	⊗	○		○	○	○ SEARCH FF	○ SEARCH FF
REW	⊗	○	○		○	○ SEARCH REW	○ SEARCH REW
PLAY	⊗	○	○	○		○	○
PAUSE	⊗	⊗	⊗	⊗	○	○ STILL	○ FRAME ADV.
REC + PLAY	⊗	○	○	○	○	○	○
REC + PAUSE	⊗	○	○	○	○	○	○

○ : Enabled (Mode changes)

△ : Enabled if meaningful to

CURRENT MODE	EJECT (NO CASS.)	STOP	FF	REW	PLAY	STILL	SEARCH FF	SEARCH REW	REC	REC PAUSE	LOADING (PLAY)	LOAD (RE)
EJECT		○	○	○	○	○	○	○	×	×	○	⋈
STOP	×		○	○	○	○	○	○	○	○	○	○
FF	×	○		○	○ SEARCH FF	○ SEARCH FF		○ SEARCH FF	×	×	○	⋈
REW	×	○	○		○ SEARCH REW	○ SEARCH REW	○ SEARCH REW		×	×	○	⋈
PLAY	×	○	○	○		○	○	○		○ REC	△	⋈
STILL	×	×	×	×	○ STILL	○ FRAME ADV.	○ STILL	○ STILL	○		△	⋈
SEARCH FF	×	○	○	○	○	○	○	○		○	○	⋈
SEARCH REW	×	○	○	○	○	○	○	○	○		○	⋈
REC	×	○	○	○	○	○	○	○	○		○	⋈
REC PAUSE	×	○	○	○	○	○	○	○	○		○	⋈

○ : Enabled (Mode changes)

△ : Enabled if meaningful to mode in progress

× : Inhibited (Mode does not change)

SEARCH FF	SEARCH REW	REC	REC PAUSE	LOADING (PLAY)	LOADING (REC)	UN- LOADING	BACK SPACE ASSEMBLY	INSTANT REC TIMER REC
○	○	×	×	○	×	△	×	×
○	○	○	○	○	○	△	○	×
△	○ SEARCH FF	×	×	○	×	△	×	×
○ SEARCH REW	△	×	×	○	×	△	×	×
○	○	△	○ REC	△	△	○	△	×
○ STILL	○ STILL	○	△	△	△	×	△	×
○	○	△	○	○	△	○	△	×
○	○	○	△	○	△	○	△	×

meaningful to mode in progress

× : Inhibited (Mode does not change)

# SECTION 5 EXPLODED VIEWS AND PARTS LIST

## SAFETY PRECAUTION

Parts identified by  $\triangle$  symbol are critical for safety.  
Replace only with specified part numbers.

### 5.1 STANDARD PART NUMBER CODING

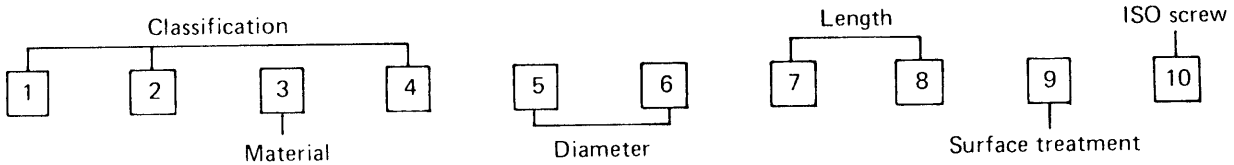
5.1.1. Screw coding . . . . . 5 - 2

### 5.2 EXPLODED VIEWS AND PARTS LIST

5.2.1 Packing assembly . . . . . 5 - 3  
5.2.2 Cabinet assembly . . . . . 5 - 4  
5.2.3 Chassis assembly . . . . . 5 - 6  
5.2.4 Mechanism assembly . . . . . 5 - 8  
5.2.5 Drum assembly . . . . . 5-11  
5.2.6 Sub deck assembly . . . . . 5-12  
5.2.7 Cassette housing assembly . . . . . 5-14

## 5.1 STANDARD PART NUMBER CODING

### 5.1.1 Screw coding



#### Classification (first digit)

Symbol Letter	Name
S	Normal screw
N	Assembly screw
L	"
D	"
M	Wood screw
F	Feather screw
T	Set screw
Y	"
B	Bolt
N	Nut
W	Washer
R	E-ring
E	Eyelet
P	Spring
G	Washer head screw

#### Material (third digit)

Symbol Letter	Material
S	Steel
E	Stainless steel
C	Cast iron
U	Bronze
B	Brass
P	Phosphor bronze
N	German silver
Y	Brass
A	Aluminum
Z	Zinc alloy
K	Polycarbonate

#### Shape of Screw Head (second digit)

Symbol Letter		Shape of Screw Head
P		Pan head
S		Flat countersunk head
H		Oval countersunk head
D		Binding head
R		Round head
B		Round head
T		Truss head

#### Type of Screw (fourth digit)

Symbol Letter	Type of Screw
P	Cross-Recessed head screw
A	Tapping screw
B	Special tapping screw
T	Special tapping screw
E	Special tapping screw
F	Special tapping screw

#### Diameter and Length of Screw (fifth – eighth digit)

– Example –

S P B P 3 0 0 6 Z S

(Diameter x 10) (Length)

Diameter : 3 mm

Length : 6 mm

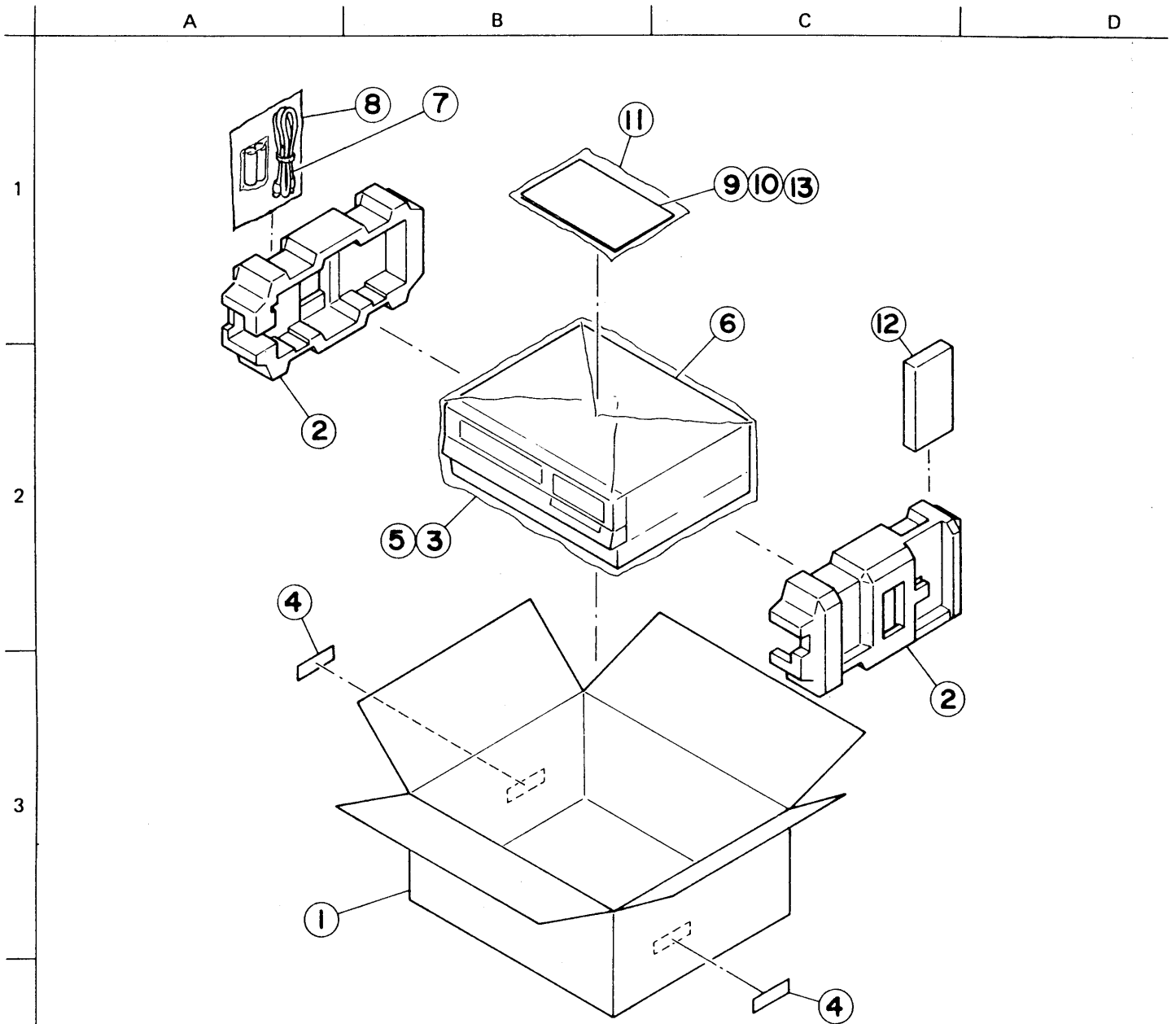
#### Surface Treatment (ninth digit)

Symbol Letter	Surface Treatment
Z	Galvanization, dichromic acid treatment (MFZn2-C)
N	Nickel plating (MFNi2, MFNi1)
R	Chrome plating (MBCr2, MBCr1)
G	Silver plating (SP4)
W	Nichrome platings
P	Phosphite treatment
B	Bronze plating

Symbol Letter	Surface treatment
M	Black coloring after galvanization
A	Red coloring after galvanization
C	Blue coloring after galvanization
T	Green coloring after galvanization
V	Violet coloring after galvanization
F	Iron with black coloring

## 5.2 EXPLODED VIEWS AND PARTS LIST

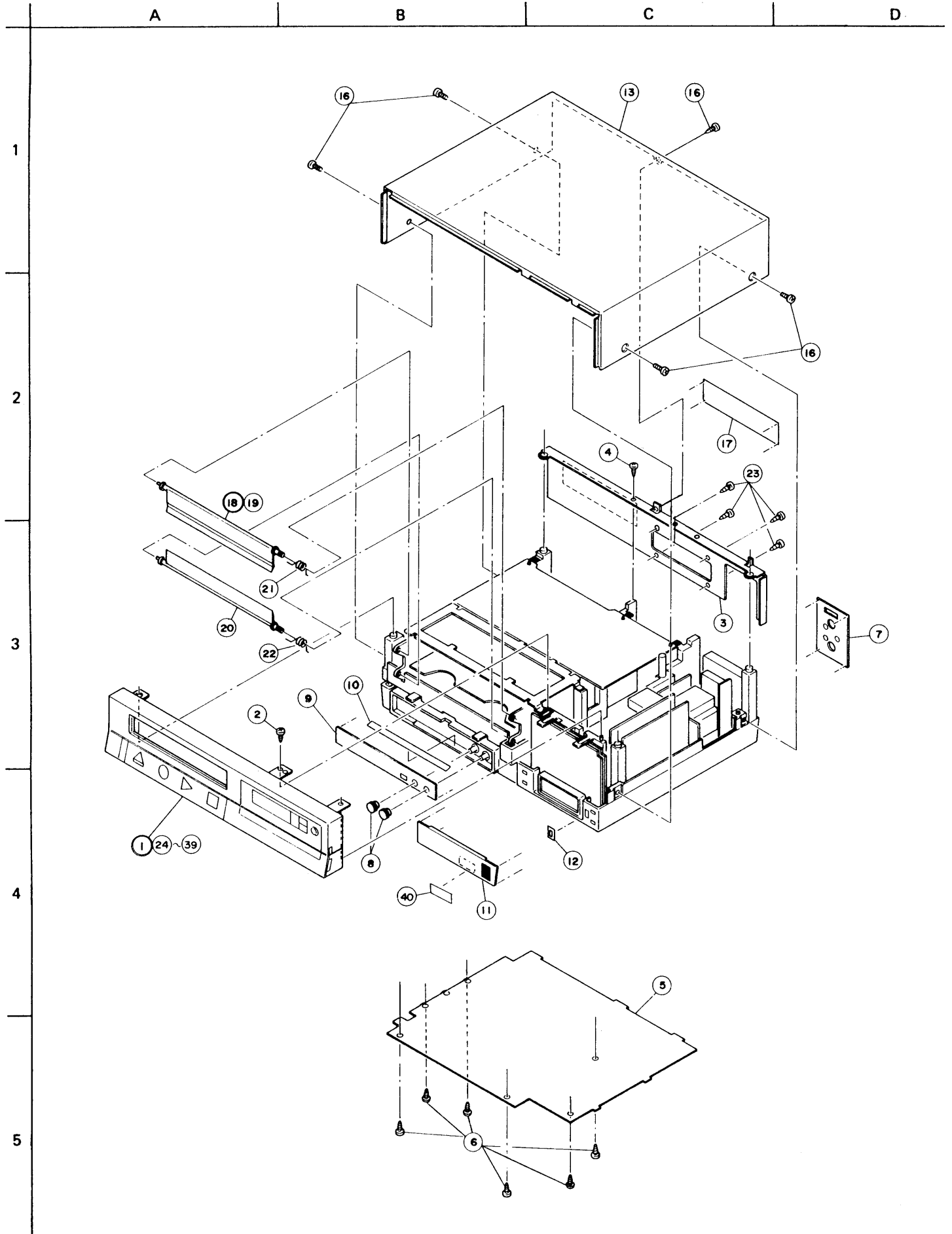
### 5.2.1 Packing assembly



— Packing assembly list —

Symbol No.	Part No.	Part Name	Description	Q'ty	Symbol No. Position
1	PQ30118-109	Packing Case		1	3-A
2	PU34338A	Cushion Assembly		1	2-A
3	PUP30320-17	Poly Bag		1	2-B
4	PUP40329	Serial No. Sticker		2	2-A
5	PUP40503-7	Sheet		1	2-B
6	—	Cabinet Assembly	See Section 5.2.2	1	1-C
7	PU43294J	Aerial Cable Assembly		1	1-B
8	PUM30023-8	Poly Bag		1	1-B
9	PU30425-619	Instructions		1	1-C
10	BT-2066	Guaranty Card		1	1-C
11	PUM30023-5	Poly Bag		1	1-B
12	PTE-30	Video Cassette		1	1-C
13	BT-20060	Guaranty Card		1	1-C

5.2.2 Cabinet assembly

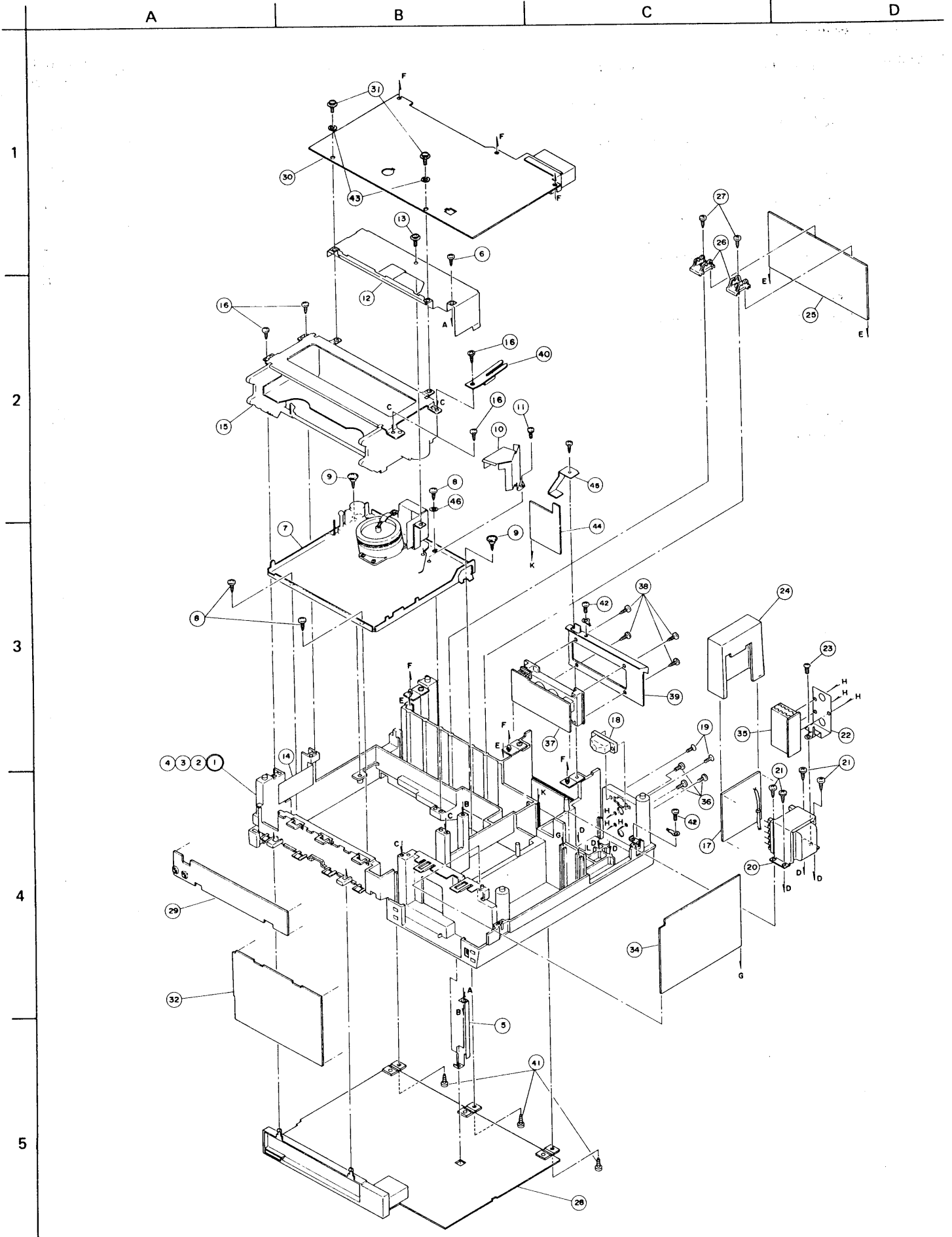




— Cabinet assembly list —

Symbol No.	Part No.	Part Name	Description	Q'ty	Symbol No. Position
△ 1	PQ10020N	Front Cover Assembly	Incl. (24) ~ (39)	1	4-A
2	SDSA3010Z	Tapping Screw		1	3-A
3	PQ10014-2	Connector Panel		1	3-C
4	SDSA3010Z	Tapping Screw		1	2-C
5	PQ10015-1-5	Bottom Plate		1	4-C
6	SDSA3010Z	Tapping Screw		6	5-B,C
7	PQ30061	Plate		1	3-D
8	PQ40116	VR Knob		2	4-B
9	PQ30062	SW Plate		1	3-B
10	PQ30122	Plate		1	3-B
11	PQ30052	SW Cover		1	4-B
12	PQ40199	SW Plate		1	4-C
13	PQ10013-13	Top Cover		1	1-C
14	—	—		—	—
15	—	—		—	—
△ 16	SDSP3008B	Screw		4	1-B 2-C,D
17	PU34378-36	Rating Label		1	2-C
18	PQ30107D	U. Door Assembly	Incl. (19)	1	2-A
19	PQ30117-2	Plate		1	2-A
20	PQ30030-2	L. Door		1	3-A
21	PQ40104-2	U. Spring		1	3-A
22	PQ40105	L. Spring		1	3-B
23	—	Screw	See Section 5.2.3	4	2-C
24	PQ30053	Display Glass		1	4-A
25	PQ30041	Push Button	CLOCK	1	4-A
26	PQ30044	"	RESET	1	4-A
27	PQ30063	"	COUNTER/LAP	1	4-A
28	PQ30097	"	COUNTER MEMORY	1	4-A
29	PUM30002-83	Spring	for MEMORY Button	1	4-A
30	PQ40112	Stopper	"	1	4-A
31	PQ30039	Push Button	INSTANT REC	1	4-A
32	PQ30040	"	CHANNEL	8	4-A
33	PQ30035	"	DAY	4	4-A
34	PQ30036	"	START	2	4-A
35	PQ30116	"	CLOCK SET	1	4-A
36	PUM30002-60	Spring	for Sym. No. (31) ~ (35)	16	4-A
37	PQ30050	Button Cover	for CHANNEL BUTTON	1	4-A
38	PQ30064	Plate	for Sym. No. (33) ~ (35)	1	4-A
39	PQ20008-13	Door		1	4-A
40	PU51630	Sticker	for MAIN SWITCH	1	4-B

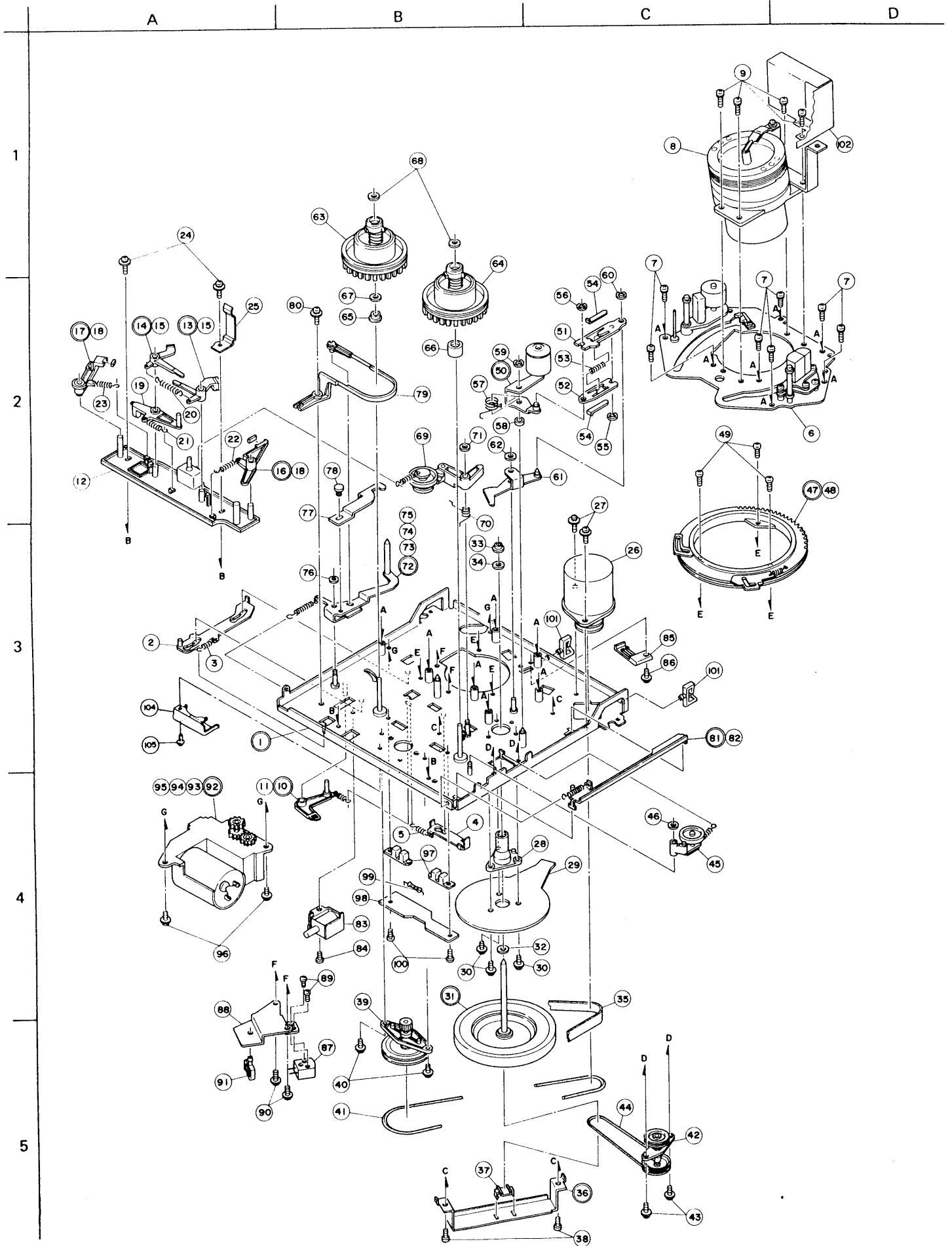
5.2.3 Chassis assembly



— Chassis assembly list —

Symbol No.	Part No.	Part Name	Description	Q'ty	Symbol No. Position
△ 1	PQ10019A-3	Chassis Assembly	Incl. ② ~ ④	1	3-A
2	PQ40101	Foot		5	3-A
3	PQ31671-1-2	Hinge	for VIDEO	3	3-A
4	SDSA3010Z	Tapping Screw		3	3-A
5	PQ30056-101	Earth Bracket		1	4-B
6	SDSA3010Z	Tapping Screw		1	1-B
7	—	Mechanism Assembly	See Section 5.2.4	1	2-A
8	SDSA4012C	Tapping Screw		3	2-B 3-A
9	PU51817	Special Screw		2	2-B 3-B
10	PQ30110	Shield Plate		1	2-B
11	LPSP3006Z	Screw		1	2-B
12	PQ20010-1-7	Shield Cover		1	2-B
13	DPSP3008Z	Screw		1	1-B
14	PQ40205	Sheet		1	3-B
15	—	Cassette Housing Assembly	See Section 5.2.7	1	1-A
16	SDSA3010Z	Tapping Screw		4	2-A,B
17	—	Power Trans. Board Assembly	See Section 6.2.1	1	4-C
18	—	See Saw Switch	See Section 6.2.1	1	3-C
△ 19	SSSP3008Z	Screw		2	3-C
20	—	Power Transformer	See Section 6.2.1	1	4-C
△ 21	SDSA4012C	Tapping Screw		4	3-C,D
22	PQ40191	Earth Bracket		1	3-D
23	SBSB3008Z	Tapping Screw		1	3-D
△ 24	PQ20011	Board Cover		1	3-C
25	—	Regulator Board Assembly	See Section 6.2.2	1	2-D
26	PQ30059	Board Supporter		2	1-C
27	SDSA3012Z	Tapping Screw		2	1-C
28	—	Audio/Servo/Mechacon Board Assembly	See Section 6.2.4	1	5-C
29	—	Operation Board Assembly	See Section 6.2.5	1	4-A
30	—	Video Board Assembly	See Section 6.2.3	1	1-B
31	DPSP3008Z	Screw		2	1-B
32	—	Timer/Pre-setter & T/T Sub Boards Assembly	See Section 6.2.7	1	4-A
33	—	—		—	—
34	—	Tuner/IF Board Assembly	See Section 6.2.6	1	4-C
35	—	RF SW Board Assembly	See Section 6.2.9	1	3-C
36	SDSP3008M	Screw		3	4-C
37	—	Terminal Board Assembly	See Section 6.2.8	1	3-C
38	SDSA3010M	Tapping Screw		4	3-C
39	—	Connector Panel	See Section 5.2.2	1	3-C
40	PU55858A	Earth Plate Assembly		1	2-C
41	SDSA3010Z	Tapping Screw		3	5-B
42	SDST3008Z	Screw		2	3-C
43	Q03093-502	Spacer		2	1-B
44	—	Mechacon Sub Board	See Section 6.2.10	1	2-C
45	PQ30181	Board Stopper		1	2-C
46	WBS4000	Washer		1	2-B

5.2.4 Mechanism assembly

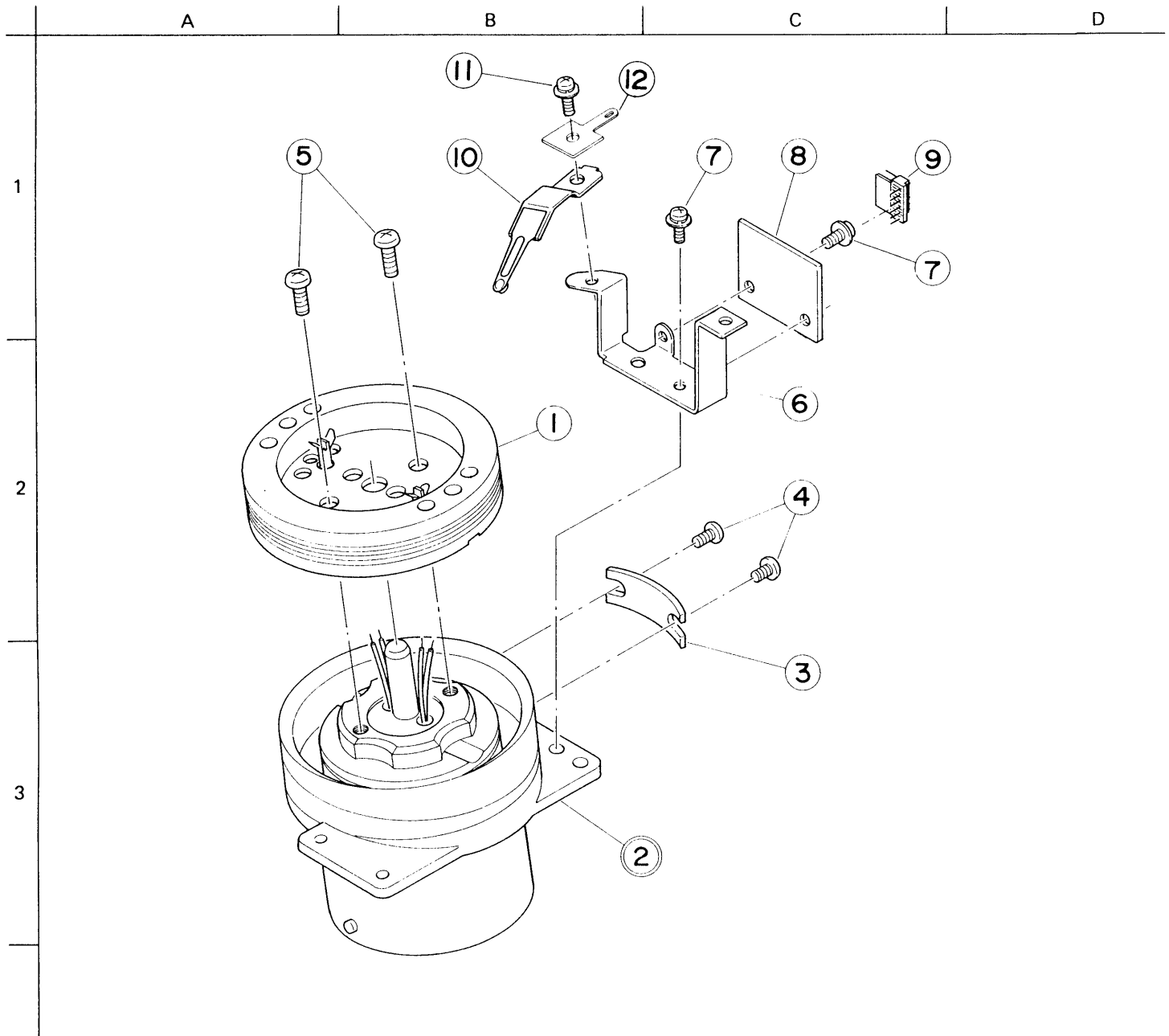


— Mechanism assembly list —

Symbol No.	Part No.	Part Name	Description	Q'ty	Symbol No. Position
1	PQ10017A-3	Main Deck Assembly	Incl. (2) ~ (5)	1	3-A
2	PQ40119A	Cancel Plate Assembly	Incl. (3)	1	3-A
3	PUM30001-114	Spring		1	3-A
4	PQ40123	Idler Plate		1	4-B
5	PUM30001-115	Spring		1	4-B
6	—	Sub deck Assembly	See Section 5.2.6	1	2-D
7	SDSP3008Z	Screw		7	2-C,D
8	—	Drum Assembly	See Section 5.2.5	1	1-C
9	LPSP3010Z	Screw		4	1-C
10	PQ40121A	Balance Lever Assembly	Incl. (11)	1	4-A,B
11	PUM30001-121	Spring		1	4-A
12	PQ20001-2	Mold Base		1	2-A
13	PQ40125A	Tension Brake Assembly	Incl. (15)	1	2-A
14	PQ40126A	Supply Brake Assembly	Incl. (15)	1	2-A
15	PU50670	Brake Shoe		2	2-A
16	PQ40127A	B.T. Brake Assembly (T)	Incl. (18)	1	2-A 2-A,B
17	PQ40128A	B.T. Brake Assembly (S)	Incl. (18)	1	2-A
18	PUM30019-2	Pad		2	2-A
19	PQ40058	Solenoid Arm		1	2-A
20	PUM30001-116	Spring		1	2-A
21	" -117	"		1	2-A
22	" -118	"		1	2-A
23	" -39	"		1	2-A
24	DPSP3008Z	Screw		2	1-A
25	PQ40173	Setting Plate		1	2-A
△ 26	PU55371V	Capstan Motor		1	3-C
27	DPSP3008Z	Screw		2	2-C 3-C
28	PQ30082A	Capstan Bearing		1	4-B,C
29	PU34275	FG Board		1	4-C
30	DPSP3010Z	Screw		3	4-B,C
31	PQ30083A	Flywheel Assembly	Incl. (32)	1	4-B
32	PUM30018-7	Spacer		1	4-B,C
33	PU52183	Capstan Oil Seal		1	3-B
34	PUM30018	Spacer		1	3-B
35	PUM30004	Belt		1	4-C
36	PQ40130A	Bracket Assembly	Incl. (37)	1	5-C
37	PU51783	Thrust Bearing		1	5-B
38	SPST3006Z	Tapping Screw		2	5-C
39	PU55372	Center Pulley		1	4-B
40	DPSP3008Z	Screw		2	5-B
41	PUM30003-7	Reel Belt		1	5-B
42	PU55373	Take-up Clutch		1	5-C
43	SPSP3006Z	Screw		2	5-C
44	PUM30003	Belt		1	5-C
45	PU51402A	Take-up Idler Arm		1	4-C
46	PUM30017-8	Slit Washer		1	4-C
47	PQ30084A	Drive Ring Assembly	Incl. (48)	1	2-D
48	PUM30001-119	Spring		2	2-D
49	SDSP3008Z	Screw		3	2-C
50	PQ40134A	Pinch Roller Arm Assembly	Incl. (51) ~ (56)	1	2-B
51	PQ40139A	Spring Holder (1) Assembly		1	2-C
52	PQ40141	Spring Holder (2)		1	2-C
53	PUM30002-58	Spring		1	2-C
54	PU51385-1-1	Spacer		2	2-C
55	REE2500X	E-Ring		1	2-C

Symbol No.	Part No.	Part Name	Description	Q'ty	Symbol No. Position
56	REE3000X	E-Ring		1	2-C
57	PQ40185	Spring		1	2-B
58	PUM30018-3	Spacer		1	2-B
59	REE5000	E-Ring		1	2-B
60	REE2500X	"		1	1-C 2-C
61	PQ40142A	Play Lever Assembly		1	2-C
62	PUM30017-4	Slit Washer		1	2-B
63	PU48907D	S. Reel Disk Assembly		1	1-B
64	PU48907E	T. Reel Disk Assembly		1	1-B 2-B
65	PU45789-2	Collar		1	2-B
66	PU51550	"		1	2-B
67	Q03093-828	Washer		1	2-B
68	PUM30017-5	Slit Washer		2	1-B
69	PU55374-3	Reel Idler		1	2-B
70	PQ40145-1-2	Spring		1	2-B 3-B
71	PUM30017-8	Slit Washer		1	2-B
72	PQ40146A	Tension Arm Assembly	Incl. (73) ~ (75)	1	3-B
73	PU44852-3	Tension Pole		1	3-B
74	SSSP2605Z	Screw		1	3-B
75	PUM30001-50	Spring		1	2-B 3-B
76	PUM30017-5	Slit Washer		1	3-B
77	PQ40438	Stopper		1	2-B
78	E48729-009	Plastic Rivet		1	2-B
79	PU51390A	Tension Band Assembly		1	2-B
80	DPSP3008Z	Screw		1	2-B
81	PQ40148A	Connect Plate Assembly	Incl. (82)	1	3-C
82	PUM30001-120	Spring		1	3-C
△ 83	PU55375	Solenoid		1	4-B
84	LPSP3006Z	Screw		1	4-B
85	PU55376	Leaf Switch		1	3-C
86	DPSP3008Z	Screw		1	3-C
87	PU55174	Pick-up Head	or PU55174-2	1	5-B
88	PQ40398	Bracket		1	4-A
89	SPSP2003Z	Screw		2	4-B
90	LPSP3006Z	"		2	5-A
91	PU55379	Mini Clamp		1	5-A
92	PU51859C	Drive Gear Assembly	Incl. (93) ~ (95) or PU56265A	1	4-A
△ 93	PU48854M	Motor Assembly		1	4-A
94	PUM30003-8	Loading Belt		1	4-A
95	OCF11HP-473	Ceramic Capacitor		1	4-A
96	DPSP3008Z	Screw		2	4-A
97	GP-3A06	Photo Interrupter		2	4-B
98	PU55016-1-3	Reel Sensor Board		1	4-B
99	QRD167J-681	Carbon Resistor		1	4-B
100	SPSP3008Z	Tapping Screw		2	4-B
101	PU43147	Wire Clamp		2	3-C
102	PQ40379	Shield Case		1	1-D
103	-	-		-	-
104	PQ40369	Wire Guard		1	3-A
105	LPSP3006Z	Screw		1	3-A
106	PU51259-3	Leaf Switch		1	5-A
107	SPSP2008Z	Screw		1	5-A

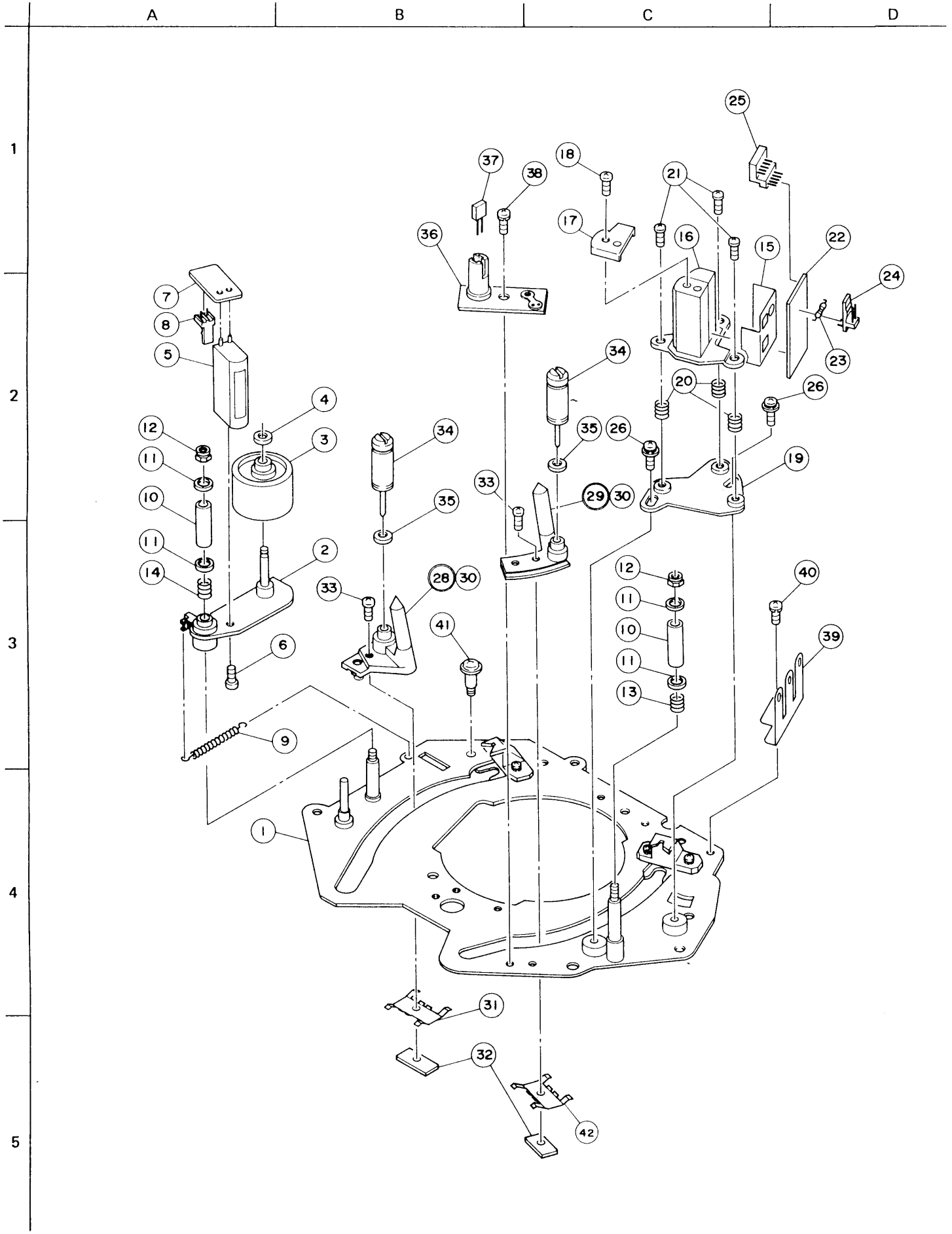
5.2.5 Drum assembly



– Drum assembly list –

Symbol No.	Part No.	Part Name	Description	Q'ty	Symbol No. Position
1	PU31332L	Upper Drum Assembly		1	2-B
△ 2	PUS36293L-7	Lower Drum Assembly	Incl. (3) and (4)	1	3-B,C
3	PU48700-7	Heater Assembly	or PU48700-8	1	3-C
4	SDBP3004N	Screw		2	2-C
5	NDBP3010N	"		2	1-A
6	PQ40155	Bracket		1	2-C
7	DPSP3008Z	Screw		2	1-C
8	PU55309	Head Conn. Board		1	1-C
9	PU43351-106	Cap Housing		1	1-C
10	PU48678A	Brush Assembly		1	1-B
11	DPSP3006Z	Screw		1	1-B
12	PU55669	Earth Lug		1	1-B

5.2.6 Sub deck assembly

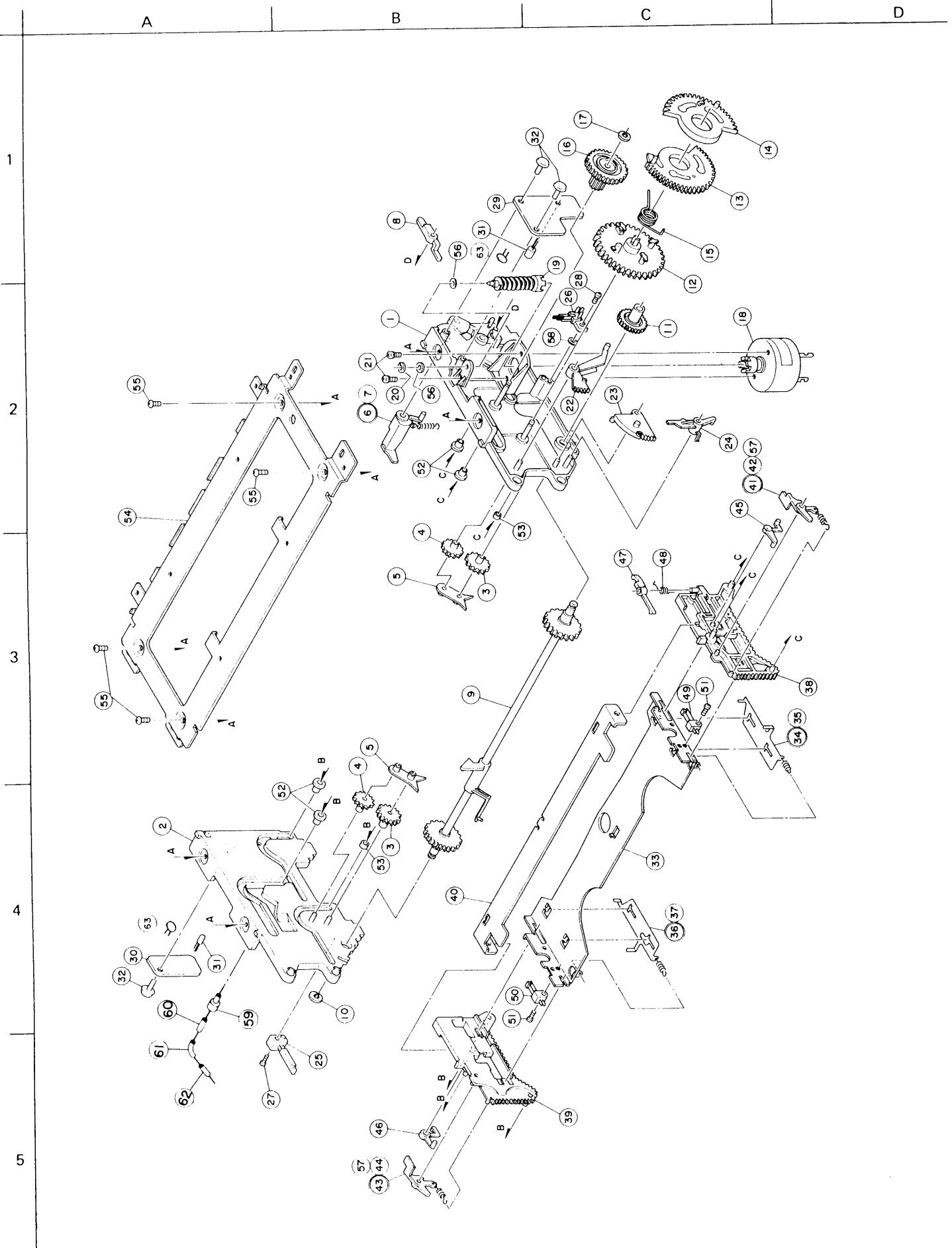




— Sub deck assembly list —

Symbol No.	Part No.	Part Name	Description	Q'ty	Symbol No. Position
1	PUS46182B	Sub Deck Assembly		1	4-A
2	PU52847A-3	E.H. Arm Sub Assembly		1	3-B
3	PU51292A	Roller Assembly		1	2-B
4	PUM30017	Slit Washer		1	2-B
5	PU51263-2	Full Erase Head	or PU51263-3	1	2-A
6	LPSP2004Z	Screw		1	3-A,B
7	PU55308	F.E. Head Board		1	2-A
8	PU43351-2	Cap Housing	CN1	1	2-A
9	PUM30001-124	Spring		1	3-A,B
10	PU53826	Guide Pole		2	2-A
11	PU51294	Guide Flange		4	2-A 3-A 3-C
12	PU49276	Nut		2	2-A 3-C
13	PU30080-49	Spring	for T.U.	1	3-C
14	PU30080-69	"	for S.P.	1	3-A
15	PU52110	Shield Cover		1	1-C,D
16	PU51262-3	Audio/Control Head Assembly	or PU51262-4	1	1-C
17	PU53345-2	Shield Cap	or PU53345	1	1-C
18	HPSP2015N	Screw		1	1-C
19	PU51296A	Base Assembly		1	2-D
20	PU30080-49	Spring		3	2-C
21	SPSP2608Z	Screw		3	1-C
22	PU50779-1-5	Audio/Control Head Board		1	1-D
23	QRD167J-100	Carbon Resistor		1	2-D
24	PU43351-102Y	Cap Housing	CN3 or PU43351-102N	1	2-D
25	PU51260-5	"	CN1	1	1-C
26	DPSP3006Z	Screw		2	2-D
27	—	—		—	—
28	PQ40171A	S. Pole Base Assembly	Incl. (30)	1	3-B
29	PQ40172A	T. Pole Base Assembly	Incl. (30)	1	2-C
30	YFS3002.5FS	Set Screw		2	3-B
31	PU51299-2	Spring Plate		1	4-B 5-B
32	PU51638	Plate		2	5-B
33	SPSP2606Z	Screw		2	3-B
34	PU48748C	Guide Roller Assembly		2	2-B 2-C
35	PU48806-3	Rubber Tire		2	2-B 2-C
36	PQ30101A	LED Holder Assembly		1	1-B
37	GL-450V	LED		1	1-B
38	LPSP3006Z	Screw		1	1-C
39	PU55492	Earth Lug		1	3-D
40	SBST3006Z	Screw		1	3-D
41	PU54648	Flange Screw		1	3-B
42	PU51299	Spring Plate		1	5-C

5.2.7 Cassette housing assembly



— Cassette housing assembly list —

Symbol No.	Part No.	Part Name	Description	Q'ty	Symbol No. Position
1	PQ30033A	R. Guide Stay Assembly		1	2-B
2	PQ10008	L. Guide Stay		1	4-A
3	PQ40059	Gear (1)		2	3-B
4	PQ40060	Gear (2)		2	3-B
5	PQ40061	Double Cap		2	3-B
6	PQ40102A	Door Guide Assembly	Incl. (7)	1	2-B
7	PUM30001-111	Spring		1	2-B
8	PQ40063	Guide Lever		1	1-B
9	PQ40103A	Connect Gear Assembly		1	3-B
10	PUM30017-11	Slit Washer		1	4-B
11	PQ40065	Cam Gear (2)		1	2-C
12	PQ30028	Cam Gear (1)		1	2-C
13	PQ40066	L. Slide Gear		1	1-C
14	PQ40067	UL. Slide Gear		1	1-C
15	PQ40068-2	Limiter Spring		1	1-C
16	PQ40484	Worm Wheel		1	1-C
17	PUM30017-4	Slit Washer		1	1-C
△ 18	PQ40090A	Motor Assembly		1	2-C
19	PQ40091B	Worm Assembly		1	1-C
20	PUM30017	Slit Washer		1	2-B
21	LPSP2605Z	Screw		2	2-B
22	PQ40074	U. Door Opener		1	2-C
23	PQ40075-1-5	L. Door Opener		1	2-C
24	PQ40076-1-2	Hold Lever		1	2-C
25	PU51259-3	Leaf Switch	for Rec Safety	1	5-B
26	PU55377	End Switch		1	2-C
27	SPSP2010Z	Screw	for Leaf Switch	1	5-A
28	SBSE2610Z	"	for End Switch	1	1-C 2-C
29	PU55109	Cassette Housing Board		1	1-B
30	PU55111	End Sensor Board		1	4-A
31	PT352VA	Photo Transistor	or PN202SR	2	1-B 4-A
32	PU48973-3	Stopper		3	1-C 4-A
33	PQ30031	Cassette Holder		1	4-C
34	PQ40106B-1	R. Slide Plate Assembly	Incl. (35)	1	3-D
35	PUM30001-113	Spring		1	3-D
36	PQ40107B-2	L. Slide Plate Assembly	Incl. (37)	1	4-C
37	PUM30001-113	Spring		1	4-C
38	PQ10009	R. Bracket		1	3-D
39	PQ10009-2	L. Bracket		1	5-C
40	PQ30032-1-3	Reinforcement		1	4-B
41	PQ40108A	R. Lock Lever Assembly	Incl. (42) and (57)	1	2-C
42	PUM30001-110	Spring		1	2-C
43	PQ40109A	L. Lock Lever Assembly	Incl. (44) and (57)	1	5-B
44	PUM30001-110	Spring		1	5-B
45	PQ40081A	R. Switch Lever Assembly		1	2-C
46	PQ40081B	L. Switch Lever Assembly		1	5-B
47	PQ40083	Lid Opener		1	3-C
48	PQ40084-1-2	Spring		1	3-C
49	PU55378	R. Insert Switch		1	3-C
50	PU55378-2	L. Insert Switch		1	4-B
51	SPSP1704Z	Screw		2	3-C 4-B
52	PQ40086	Roller		4	2-B 4-B
53	PQ40087	Mini Roller		2	3-B 4-B
54	PQ20003	Roof Plate		1	2-A
55	SBSE2608Z	Screw		4	2-A 3-A
56	Q03093-838	Spacer		2	1-B 2-B
57	PUM30019-5	Pad		1	2-C 5-B
58	WNB3000	Washer		1	2-C
59	PQ40299	Wire Cap		1	4-A
60	QXT629H-020	UL. Tube		1	4-A
61	QXT329H-035	"		1	5-A
62	QXTF253-020	"		1	5-A
63	QCF11HP-103	Ceramic Cap		2	1-B 4-A
—	PUS26805C	Cassette Housing Assembly	Incl. (1) ~ (63)	—	—



## SECTION 6 ELECTRICAL PARTS LIST

	Page
6.1 STANDARD PART NUMBER CODING .....	6 - 2
6.1.1 Fixed Resistor Coding .....	6 - 2
6.1.2 Fixed Capacitor Coding .....	6 - 3
6.1.3 Fuse Coding .....	6 - 5
6.2 ELECTRICAL PARTS LIST BY ASSEMBLIES .....	6 - 6
6.2.1 Power Trans Board Ass'y ..... <span style="border: 1px solid black; padding: 0 2px;">0</span> <span style="border: 1px solid black; padding: 0 2px;">1</span> .....	6 - 6
6.2.2 Regulator Board Ass'y ..... <span style="border: 1px solid black; padding: 0 2px;">0</span> <span style="border: 1px solid black; padding: 0 2px;">2</span> .....	6 - 6
6.2.3 Video Board Ass'y ..... <span style="border: 1px solid black; padding: 0 2px;">0</span> <span style="border: 1px solid black; padding: 0 2px;">3</span> .....	6 - 7
6.2.4 Audio Servo Mechacon Board Ass'y ..... <span style="border: 1px solid black; padding: 0 2px;">0</span> <span style="border: 1px solid black; padding: 0 2px;">4</span> .....	6-13
6.2.5 Operation Board Ass'y ..... <span style="border: 1px solid black; padding: 0 2px;">0</span> <span style="border: 1px solid black; padding: 0 2px;">6</span> .....	6-19
6.2.6 Tuner/IF Board Ass'y ..... <span style="border: 1px solid black; padding: 0 2px;">0</span> <span style="border: 1px solid black; padding: 0 2px;">7</span> .....	6-19
6.2.7 Timer/Pre-Setter & T/T Sub Boards Ass'y . <span style="border: 1px solid black; padding: 0 2px;">0</span> <span style="border: 1px solid black; padding: 0 2px;">8</span> .....	6-21
6.2.8 Terminal Board Ass'y ..... <span style="border: 1px solid black; padding: 0 2px;">1</span> <span style="border: 1px solid black; padding: 0 2px;">0</span> .....	6-23
6.2.9 RF SW Board Ass'y ..... <span style="border: 1px solid black; padding: 0 2px;">1</span> <span style="border: 1px solid black; padding: 0 2px;">1</span> .....	6-23
6.2.10 Mechacon Sub Board Ass'y ..... <span style="border: 1px solid black; padding: 0 2px;">2</span> <span style="border: 1px solid black; padding: 0 2px;">0</span> .....	6-24

### SAFETY PRECAUTION

Parts identified by the  $\triangle$  symbol are critical for safety. Replace only with specified part numbers.

### ABBREVIATIONS IN THIS LIST ARE AS FOLLOWS:

RESISTORS—All resistance values are in ohms ( $\Omega$ ).

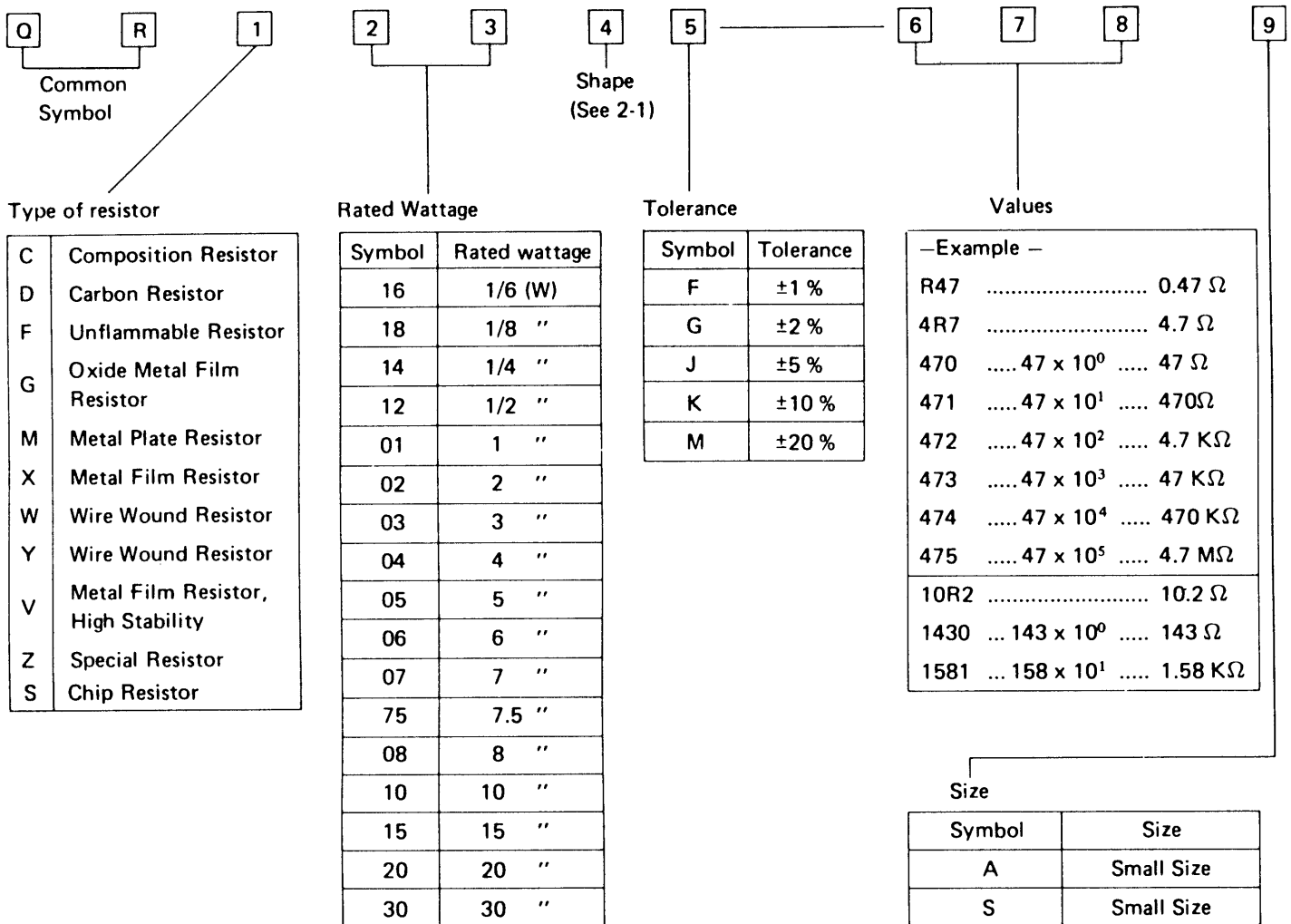
K	:	1 000
M	:	1 000 000
CR	:	Carbon Resistor
Comp. R	:	Composition Resistor
WR	:	Wire Wound Resistor
OMR	:	Oxide Metal Film Resistor
VR	:	Variable Resistor (Potentiometer)
MFR	:	Metal Film Resistor
FR	:	Fusible Resistor
PMR	:	Precision Metal Film Resistor

CAPACITORS—All capacitance values are in  $\mu\text{F}$ , unless otherwise indicated.

P	:	$\mu\mu\text{F}$
C Cap	:	Ceramic Capacitor
E Cap	:	Electrolytic Capacitor
FM Cap	:	Film Mica Capacitor
MM Cap	:	Metalized Mylar Capacitor
MP Cap	:	Metalized Paper Capacitor
MY Cap	:	Mylar Capacitor
NP Cap	:	Non-polar Capacitor
PC Cap	:	Polycarbonate Capacitor
PP Cap	:	Poly Pro Capacitor
PS Cap	:	Polystyrol Capacitor
T Cap	:	Tantalum Capacitor
TR Cap	:	Trimmer Capacitor
LL Cap	:	Low Leak Current Electrolytic Capacitor
TF Cap	:	Thin Film Capacitor

## 6.1 STANDARD PART NUMBER CODING

### 6.1.1 Fixed Resistor Coding



#### 2-1 Shape of resistor ( : Flame retardant resistor)

Sort	C	D	G	F	M	W	X	Y	V
1									
2									
3									
4									
5						L type			
6						Resin Covered			
7						Enameled			
8									
9									