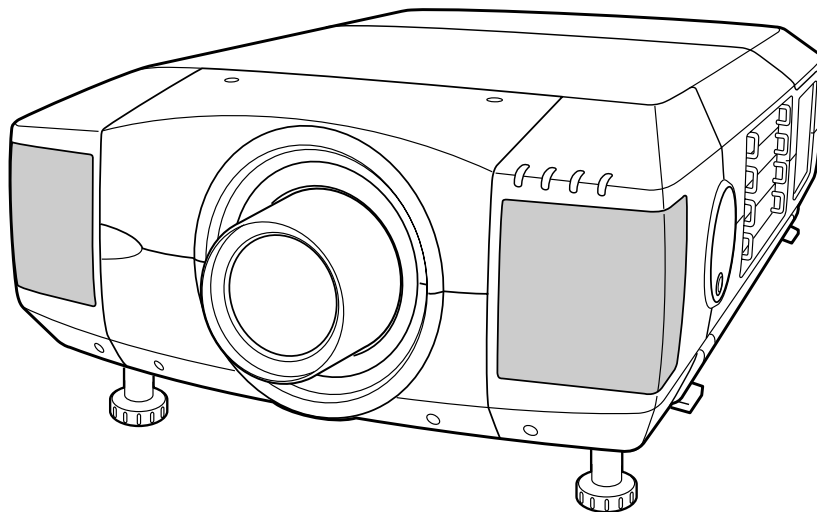


SERVICE MANUAL

MODEL NO. **PLC-UF15**

U.S.A., Canada, Europe, Asia, Africa, M.E., U.K.

Multimedia Projector



(Projection lens is optional.)

Chassis No. **MT8-UF1500**

NOTE: Match the Chassis No. on the rating sheet on the cabinet with the Chassis No. in the Service Manual.

If the Original Version Service Manual Chassis No. does not match the unites, additional Service Literature is required. You must refer to "Notices" to the Original Service Manual prior to servicing the unit.

Give complete "CHASSIS NO." for parts order or servicing, it is shown on the rating sheet on the cabinet of the Projector.

CONTENTS ;

| | |
|---|--------|
| Specifications | 2 |
| Safety Instructions | 3 |
| Protections | 4 |
| Ass'y lamp replacement | 6 |
| Mechanical disassemblies | 10 |
| Optical unit disassemblies | 15 |
| Troubleshooting | 26 |
| Waveforms | 40 |
| Electrical adjustments | 42 |
| Optical adjustments | 49 |
| CPU input/output port functions | 59 |
| The cautions in schematic diagrams | 63 |
| Unit PFC, Unit lamp ballast and IC block diagrams | 65 |
| Parts list | 70 |
| Cabinet, Chassis and Optical parts list | 78 |
| Electrical parts list | 79 |
| | |
| Schematic diagrams | S1~S11 |
| Block diagrams | B1~B2 |
| PWB parts location diagrams | P1~P6 |

TECHNICAL SPECIFICATIONS

| | |
|--------------------------------------|--|
| Projector Type | Multi-media Projector |
| Dimensions (W x H x D) | 22.9" x 10" x 30.9" (581 mm x 252 mm x 783 mm) |
| Net Weight | 81.7 lbs (37 kg) |
| LCD Panel System | 1.8" TFT Active Matrix type, 3 panels |
| Panel Resolution | 1600 x 1200 dots |
| Number of Pixels | 5,760,000(1600 x 1200 x 3 panels) |
| Color System | PAL, SECAM, NTSC, NTSC4.43, PAL-M and PAL-N |
| High Definition TV Signal | 480i, 480p, 575i, 575p, 720p, 1035i, 1080i-50 and 1080i-60 |
| Motorized Lens Shift | Up, Down, Left and Right |
| Scanning Frequency | H-sync. 15 ~ 120 KHz, V-sync. 50 ~ 120 Hz |
| Horizontal Resolution | 1100 TV lines |
| Projection Lamp | 250 watt type x 4 |
| Input 1 Jacks | DVI-I Terminal (Digital/Analog), RCA Type (Audio R and L) and DIN 8-pin (Control port) |
| Input 2 Jacks | BNC Type x 5 (R/Pr, G/Y, B/Pb, H/HV and V), RCA Type (Audio R and L) and DIN 8-pin (Control port) |
| Input 3 Jacks | BNC Type x 2 (VIDEO/Y, C), RCA Type (Audio R and L) and DIN 4-pin (S-Video) |
| Input 4 Jacks | HDB 15-pin Terminal (Analog), RCA Type (Audio R and L) and DIN 8-pin (Control port) |
| Other Jacks | Serial port in (DB 9), Serial port out (DB 9), USB port, Audio Monitor out (RCA Type R and L) and Wired Remote Jack |
| Built-in Speakers | INT. SP. Stereo (R and L), 3 watt RMS (T.H.D. 10%) |
| Feet Adjustment | 0° to 5.7° |
| Voltage and Power Consumption | AC 120 V (12 A Max. Ampere), 50 / 60 Hz (The U.S.A and Canada) AC 200 ~ 240 V (7.5 A Max. Ampere), 50 / 60 Hz (Continental Europe and The U.K.) |
| Operating Temperature | 41°F ~ 95°F (5°C ~ 35°C) |
| Storage Temperature | 14 °F ~ 140 °F (-10 °C ~ 60 °C) |
| Remote Control Transmitter | Power Source : AA, UM3 or R06 Type x 2 Operating Range : 16.4' (5m) / ±30° Dimensions : 2.2" x 1.3" x 7.6" (55mm x 34mm x 192mm) Net Weight : 0.36 lbs (165 g) (including batteries) Laser Pointer : Class II Laser (Max. Output : 1mW / Wave length : 650±20nm) |
| Accessories | Owner's Manual AC Power Cord Wireless/Wired Remote Control Transmitter and Batteries Remote Control Cable VGA Cable and DVI Cable MAC/VGA Adapter and DVI/VGA Adapter 3 Types Control Cable (For PS/2, Serial and ADB port) 6 Types Light-Block Sheet (For option lens) Lens Mounting Parts Protective Dust Cover |


- Specifications are subject to change without notice.
- LCD panels are manufactured to the highest possible standards. At least 99.999% of the pixels are effective, however a tiny fraction of the pixels (0.001% or less) may be ineffective by the characteristics of the LCD panels.

Safety Instructions



SAFETY PRECAUTIONS

WARNING:

The chassis of this projector is isolated (COLD) from AC line by using the converter transformer. Primary side of the converter and lamp power supply unit circuit is connected to the AC line and it is hot, which hot circuit is identified with the line () in the schematic diagram. For continued product safety and protection of personnel injury, servicing should be made with qualified personnel.

The following precautions must be observed.

- 1: An isolation transformer should be connected in the power line between the projector and the AC line before any service is performed on the projector.
- 2: Comply with all caution and safety-related notes provided on the cabinet back, cabinet bottom, inside the cabinet or on the chassis.
- 3: When replacing a chassis in the cabinet, always be certain that all the protective devices are installed properly, such as, control knobs, adjustment covers or shields, barriers, etc.

DO NOT OPERATE THIS PROJECTOR WITHOUT THE PROTECTIVE SHIELD IN POSITION AND PROPERLY SECURED.


- 4: Before replacing the cabinet cover, thoroughly inspect the inside of the cabinet to see that no stray parts or tools have been left inside.

Before returning any projector to the customer, the service personnel must be sure it is completely safe to operate without danger of electric shock.

CAUTION

**RISK OF EXPLOSION IF BATTERY IS REPLACED BY AN INCORRECT TYPE.
DISPOSE OF USED BATTERIES ACCORDING TO THE INSTRUCTIONS.**

PRODUCT SAFETY NOTICE

Product safety should be considered when a component replacement is made in any area of the projector. Components indicated by mark  in the parts list and the schematic diagram designate components in which safety can be of special significance. It is, therefore, particularly recommended that the replacement of the parts must be made by exactly the same parts.

SERVICE PERSONNEL WARNING

Eye damage may result from directly viewing the light produced by the Lamp used in this equipment. Always turn off Lamp before opening cover. The Ultraviolet radiation eye protection is required during this servicing.


Never turn the power on without the lamp to avoid electric-shock or damage of the devices since the stabilizer generates high voltages (20~25kV) at its starts.

Since the lamp is very high temperature during units operation. Replacement of the lamp should be done at least 45 minutes after the power has been turned off, to allow the lamp cool-off.

DO NOT ATTEMPT TO SERVICING THE REMOTE CONTROL UNIT.

Laser Beam may be leaked out when in disassemble the Unit. As the Laser Beam used in this Remote control unit is harmful to the eyes.

CAUTION

 LASER RADIATION
DO NOT STARE INTO BEAM
MAX. OUTPUT: 1mW
WAVE LENGTH: 650±20nm
CLASS II LASER PRODUCT
This product is complied with 21 CFR
part 1040.10

LASER RADIATION
DO NOT STARE INTO BEAM
CLASS 2 LASER PRODUCT
LASER-STRAHLUNG
NICHT IN DEN STRAHL BLICKEN
LASER KLASSE 2
レーザー放射クラス2レーザー製品
ビームをのぞきまなないこと
IEC60825-1, Am. 1 1997
MAX OUTPUT (最大出力) : 1 mW
WAVE LENGTH (波長) : 650±20nm

Protections

This projector is equipped with the following protections to operate in safety.

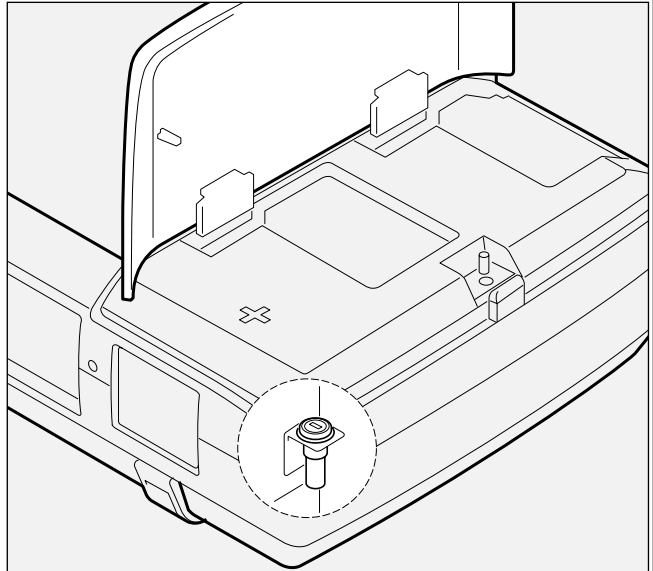
☐ Fuse for circuit protection

The fuse is located in the rear inside a projector. (Refer to figure.) When either the LAMP indicator or the READY indicator is not illuminated, fuse may be opened. Check the fuse as following steps.

1. Remove the Cabinet-top following to "Mechanical Disassemblies".
2. Remove the fuse from fuse holder.
3. Check the resistance of fuse using a tester.
To install the fuse, take reversed step in the above.

It should be used the specified fuse as follows;

Fuse Part No.: 423 028 4209
TYPE 15.0A400V FUSE
SOC CORP. SHV14 15A N4



The label of the right figure sticks near the Fuse.

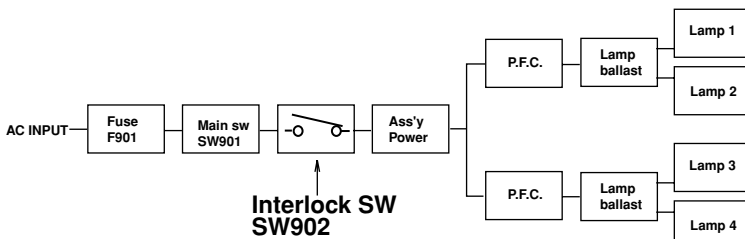
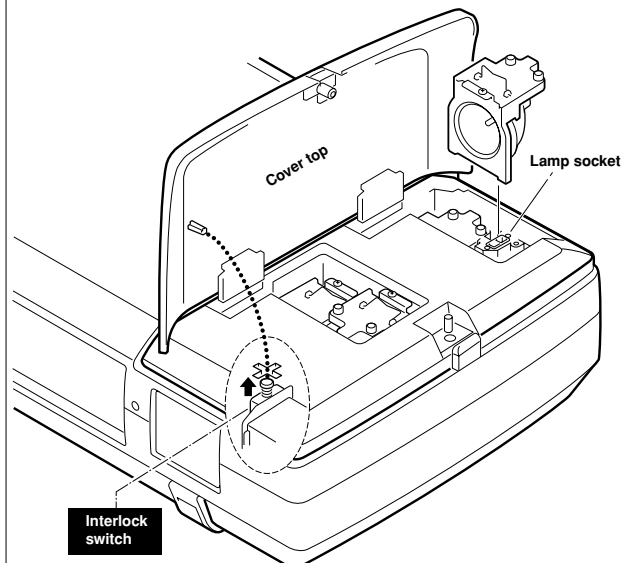
CAUTION: FOR CONTINUED PROTECTION AGAINST A RISK OF FIRE. REPLACE ONLY WITH TYPE 15.0A400V FUSE.(SOC CORP.SHV14 15A N4)
ATTENTION: POUR MAINTENIR LA PROTECTION CONTRE LES RISQUES D'INCENDIE. N'UTILISER QUE DES FUSIBLES DE RECHANGE CALIBRES A 15.0A400V FUSE.(SOC CORP.SHV14 15A N4)

☐ Protection equipment for users

Electric shock protection. (Interlock switch)

■ The Lamp circuit (the lamp and the electrode of the lamp socket) of this projector is **not insulated** from AC line, and it is "**HOT.**" Therefore, when replacing lamp assembly, an electric shock may be received. However, the interlock switch (SW902) is designed so that it may protect from the accident.

■ This switch(SW902) insulates a lamp circuit from AC line, when cover-top is opened. (The lamp circuit changes to "**COLD.**")



The temperature monitor system is provided to prevent damage of optical components (the LCD panel and polarization film etc.) inside a projector from overheat. Two protection systems are provided. Each system operation as follows ;

----- The temperature monitor -1: -----

■ To control the driving power of the cooling fans.

The CPU checks the temperature and atmospheric pressure inside a projector. It checks a temperature using temperature sensor-IC5801, IC2541 and it checks an atmospheric pressure using pressure sensor-IC886.

The CPU controls the driving power of the cooling fans so the temperature inside the projector is maintained to normal temperature.

■ To shut down the projector.

The CPU checks temperature of Blue polarization glass (PTH901) and inhalation air(IC5801). If each part temperature reaches to abnormal temperature, the CPU will turn off a projector, and will blink TEMPERATURE WARNING indicator at intervals of 0.6 seconds. Cooling fans operate until temperature returns to normal. Indicator will stop blink, if temperature returns to normal.

----- The temperature monitor -2 : -----

(Temperature check of lamps.)

Temperature switches (SW 903~906) are arranged near the four lamps. Temperature switches will operate, if temperature reaches 100 degrees.

SW (903~906) ----- It operates at 100 degrees.
(Lamp-1~4)

When temperature switches have operated, lamp ballast units will be shut down, then a projector will be turned off.

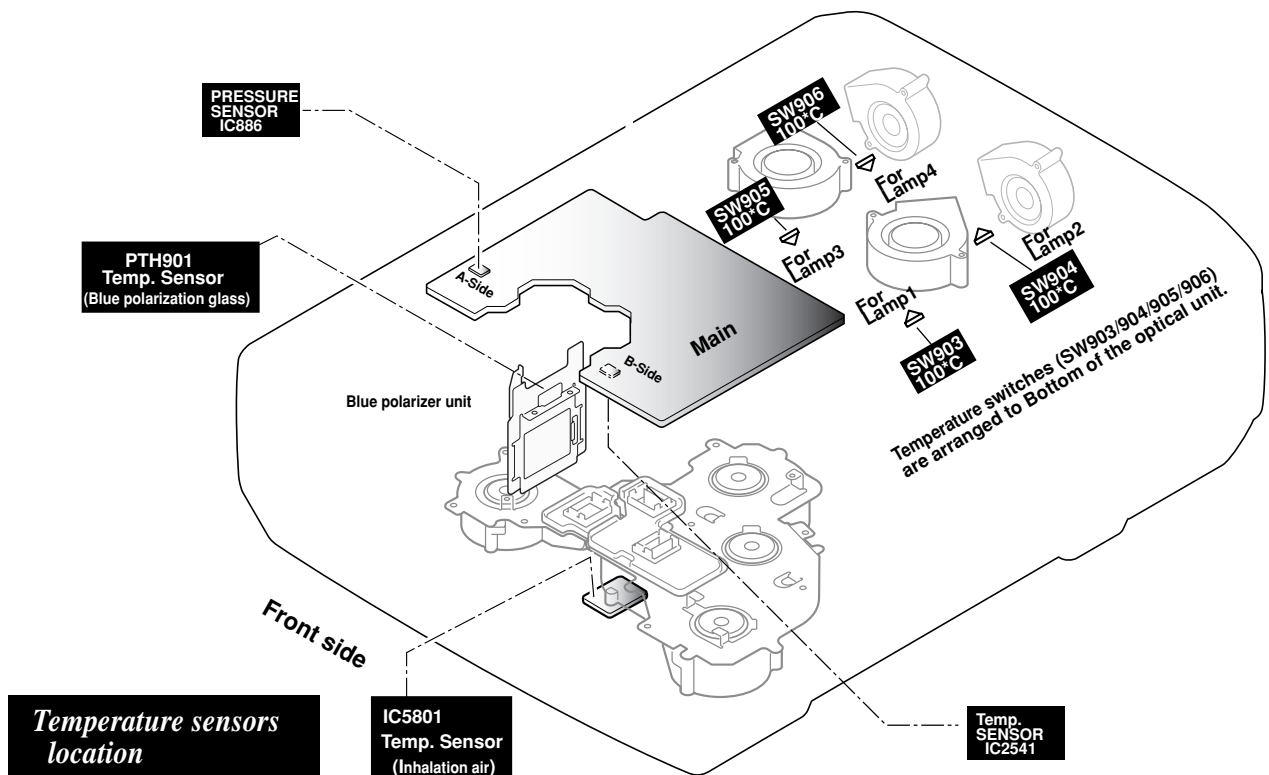
Note.

The CPU does not check operation of temperature switches. Therefore, when temperature switches have operated and a projector has shut down, TEMPERATURE-WARNING indicator does not blink.

Check the following possible causes and wait until stopping the TEMP WARNING indicator flashing.

Possible causes

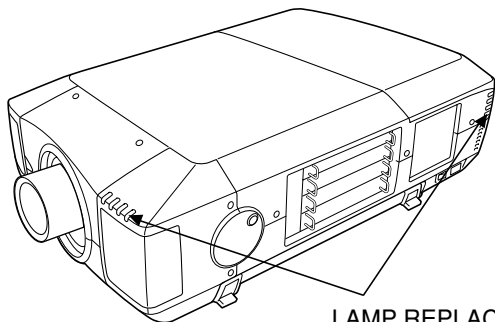
- Air filter is clogged with dust particles. Remove dust from the air filter by following instruction in the "Air filter care and cleaning" below.
- Ventilation slots of the projector are blocked. In such an event, reposition the projector so that ventilation slots are not obstructed.
- Check if projector is used at higher temperature place(Normal operate is 5 to 35°C or 41 to 95°F)



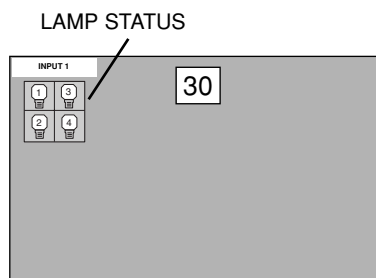
LAMP REPLACEMENT

Before Replacement

This Projector is equipped with 4 Projection Lamps to ensure brighter image and those lamps are controlled by Lamp Management Function. Lamp Management Function detects status of all lamps and shows status on screen or on LAMP REPLACE indicator. This function also automatically controls Lamp Mode when any of lamps is out for end of life or malfunctions.



LAMP REPLACE INDICATOR

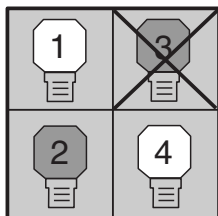


Lamp Replace Indicator

This LAMP REPLACE indicator lights yellow when any of Projection Lamps is nearing its end, and flashes when any of them becomes out. Check number of lamp on Lamp Status Display and replace lamp.

Lamp Status Display

Lamp Status Display appears on screen when power switch is on or changed input position (input 1, input 2, Input 3 or input 4). This shows status of each lamp as; ON, OFF, NEAR END, or OUT. Refer to following for each status.



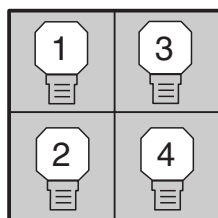
LAMP STATUS DISPLAY

- Yellow Lamp** ----- Projection Lamp lights normally.
- Dim Lamp** ----- Projection Lamp is turned off.
- Red Lamp** ----- Projection Lamp is nearing its end. When image becomes darker or color becomes unnatural, replace lamp. (LAMP REPLACE indicator lights yellow.)
- X Mark on Lamp** ----- (LAMP REPLACE indicator flashes yellow.) Projection lamp is defective or fails to be turned on. Restart a projector on, and make sure lamp is on. If this mark still appears, replace lamp corresponding with number marked X.

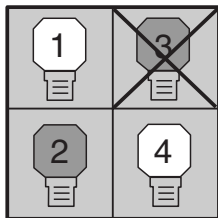
Lamp Mode Changeover

Lamp Management Function automatically changes combination of lighting lamp (Lamp Mode) by detecting status of lamp. When any of 4 lamps becomes out, Lamp Mode is changed over from 4 lamps to 2 lamps. And when any of 2 lamps are out, a projector operates with 1 lamp. But, in case of combination that the Lamp of 1-4, or 2-3 does not light up, it becomes a 2 lamps mode.

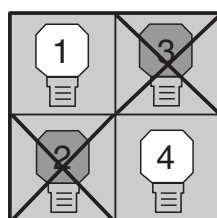
Lamp Mode can be switched to 4 lamps or 2 lamps manually. Refer to SETTING section of Owner's manual.



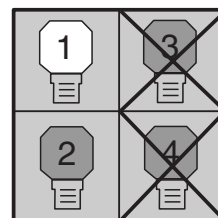
4 LAMP MODE



2 LAMP MODE (Example)



2 LAMP MODE (Example)



1 LAMP MODE (Example)

LAMP REPLACEMENT



CAUTION

For continued safety, replace with a lamp assembly of same type. Allow a projector to cool for at least 45 minutes before you open Lamp Cover. Inside of a projector can become very hot.



CAUTION

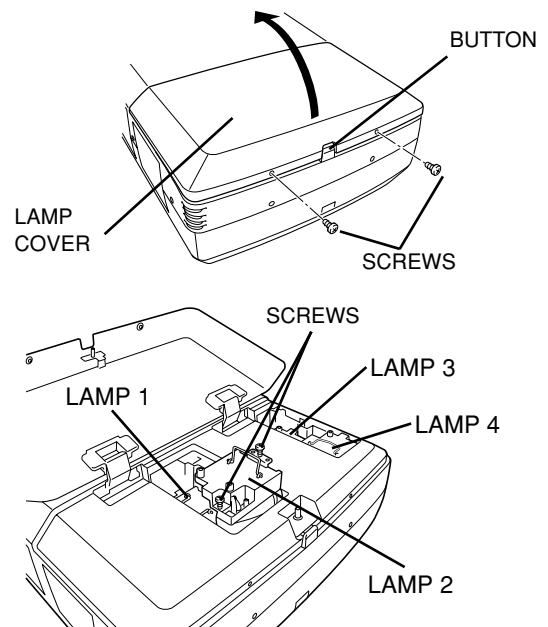
Do not drop a lamp assembly or touch a glass bulb! Glass can shatter and may cause injury.



Follow these steps to replace lamp assembly.

- 1 Check number of lamp to be replaced on Lamp Status Display.
- 2 Turn off a projector and disconnect AC Power Cord. Allow a projector to cool down for at least 45 minutes.
- 3 Remove two screws on Lamp Cover and press button to open Lamp Cover. (See right figure.)
- 4 Loosen two screws and pull out Lamp Assembly to be replaced by grasping handle.
- 5 Replace Lamp Assembly with a new one and tighten two screws. Make sure Lamp is set properly
- 6 Replace Lamp Cover and tighten two screws.
- 7 Connect AC Power Cord to a projector and turn a projector on.
- 8 Reset Lamp Replacement Counter. (Refer to section "Lamp Counter Reset".)

NOTE : Do not reset LAMP REPLACEMENT COUNTER when lamp is not replaced.



Make sure which number of lamp needs to be replaced on Lamp Status Display. Figure shows case of replacing LAMP 2.

CAUTION : Do not operate a Projector while any of lamps removed. It may result in malfunctions, fire hazard, or other accidents.

CAUTION : High pressure lamp may explode if improperly handled. Refer to lamp replacement instructions.

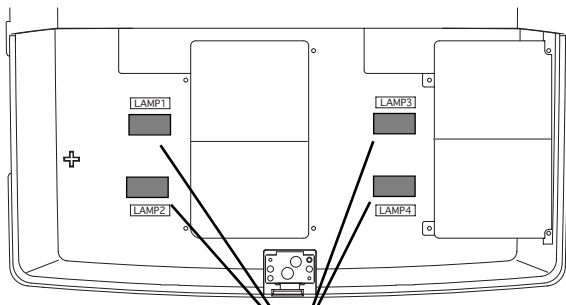
NOTES ON LAMP REPLACEMENT

To maintain quality of picture (better balance of color and brightness in entire screen), we recommend replacing all 4 lamps at a time.

ORDER REPLACEMENT LAMP

Replacement Lamp can be ordered through your dealer. When ordering a Projection Lamp, give the following information to the dealer.

● Replacement Lamp Type No. : POA-LMP49
(Service Parts No. 610 300 0862)



The label of the right figure sticks to here.

Lamp replacement caution label



LAMP HANDLING PRECAUTIONS

This projector uses a high-pressure lamp which must be handled carefully and properly. Improper handling may result in accidents, injury, or create a fire hazard.

- Lamp lifetime may differ from lamp to lamp and according to the environment of use. There is no guarantee of the same lifetime for each lamp. Some lamps may fail or terminate their lifetime in a shorter period of time than other similar lamps.
- If the projector indicates that the lamp should be replaced, i.e., if the LAMP REPLACE INDICATOR lights up, replace the lamp with a new one IMMEDIATELY after the projector has cooled down. (Follow carefully the instructions in the LAMP REPLACEMENT section of this manual.) Continuous use of the lamp with the LAMP REPLACE INDICATOR lighted may increase the risk of lamp explosion.
- A Lamp may explode as a result of vibration, shock or degradation as a result of hours of use as its lifetime draws to an end. Risk of explosion may differ according to the environment or conditions in which the projector and lamp are being used.

IF A LAMP EXPLODES, THE FOLLOWING SAFETY PRECAUTIONS SHOULD BE TAKEN.

If a lamp explodes, disconnect the projector's AC plug from the AC outlet immediately. Contact an authorized service station for a checkup of the unit and replacement of the lamp. Additionally, check carefully to ensure that there are no broken shards or pieces of glass around the projector or coming out from the cooling air circulation holes. Any broken shards found should be cleaned up carefully. No one should check the inside of the projector except those who are authorized trained technicians and who are familiar with projector service. Inappropriate attempts to service the unit by anyone, especially those who are not appropriately trained to do so, may result in an accident or injury caused by pieces of broken glass.

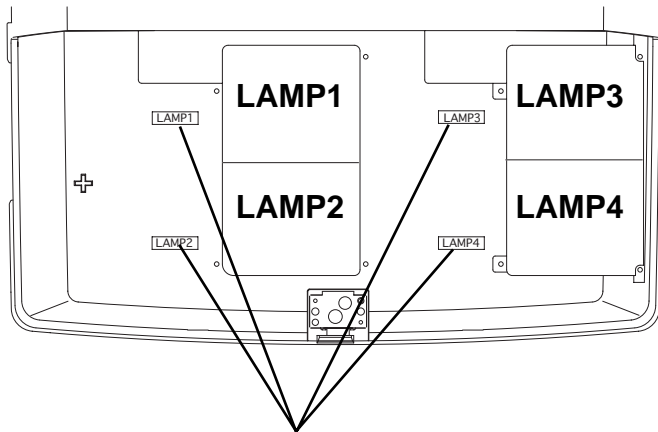


Lamp counter reset

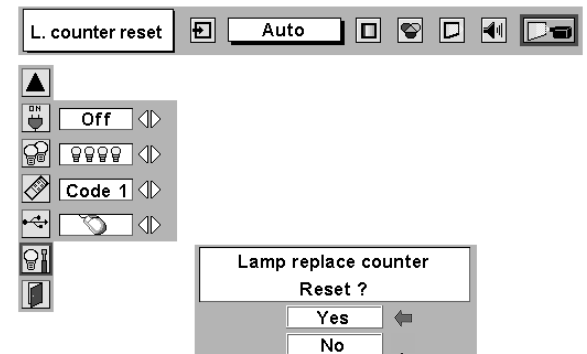
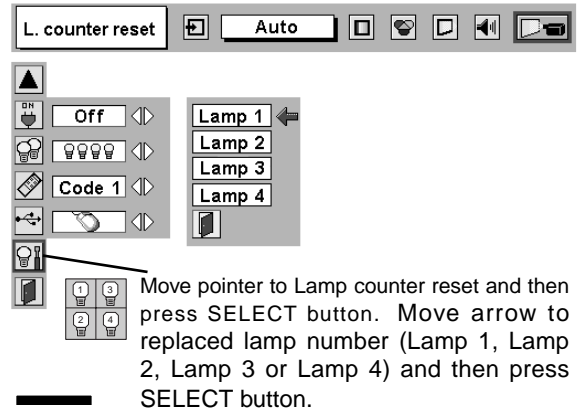
Be sure to reset Lamp Counter when Lamp Assembly is replaced. When Lamp Replace Counter is reset, LAMP REPLACE indicator stops lighting.

- 1 Turn projector on, press MENU button and ON-SCREEN MENU will appear. Press POINT LEFT/RIGHT button(s) to move a red frame pointer to SETTING Menu icon.
 - 2 Press POINT DOWN button to move a red frame pointer to "Lamp counter reset" and then press SELECT button.
 - 3 Move arrow to replaced lamp number (Lamp 1, Lamp 2, Lamp 3 or Lamp 4) and then press SELECT button. Message "Lamp replace counter Reset?" is displayed. Move pointer to [Yes] and then press SELECT button.
- NOTE:** Be sure to reset correct lamp number otherwise LAMP REPLACE indicator continues lighting.
- 4 Another confirmation dialog box appears and select [Yes] to reset Lamp Replace Counter.

Do not reset Lamp Replace Counter except after Projection lamp is replaced.



Lamp No. is marked a cabinet



CARRYING AND TRANSPORTING A PROJECTOR



CAUTION IN CARRYING OR TRANSPORTING A PROJECTOR

- Do not drop or bump a projector, otherwise damages or malfunctions may result.
- When carrying a projector, use a suitable carrying case.
- Do not transport a projector by using a courier or transport service in an unsuitable transport case. This may cause damage to a projector. To transport a projector through a courier or transport service, consult your dealer and best case should be applied.

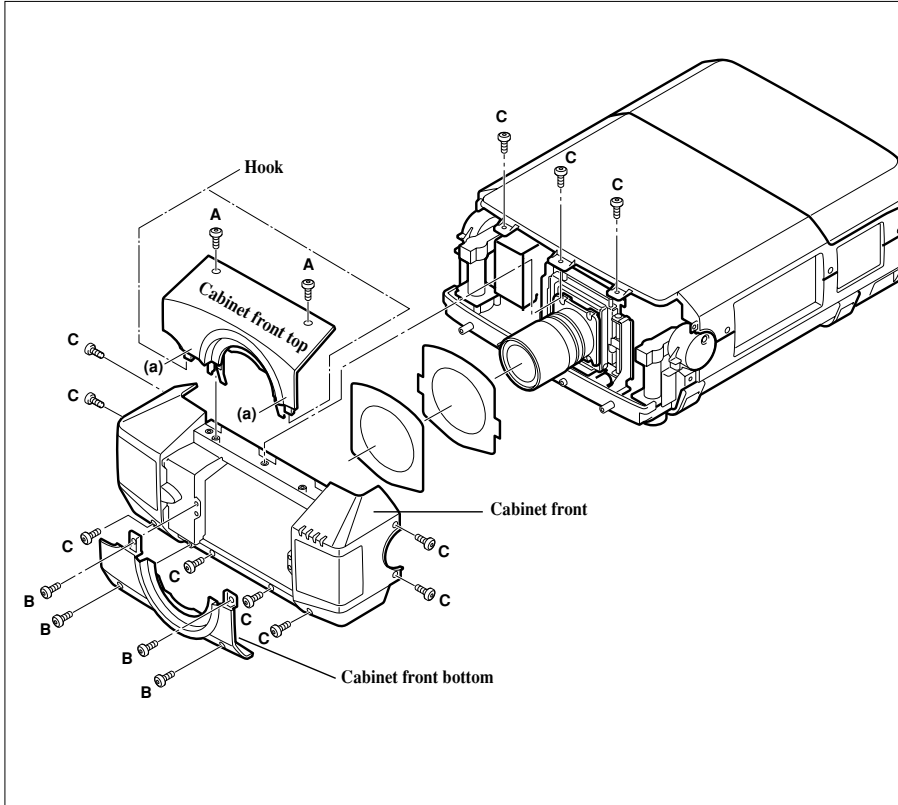
Mechanical disassemblies

Disassemble should be made following procedures in numerical order.

Following steps show the basic procedures, therefore unnecessary step may be ignored.

Caution:

The parts and screws should be placed exactly the same position as the original otherwise it may cause lose of performance and product safety.



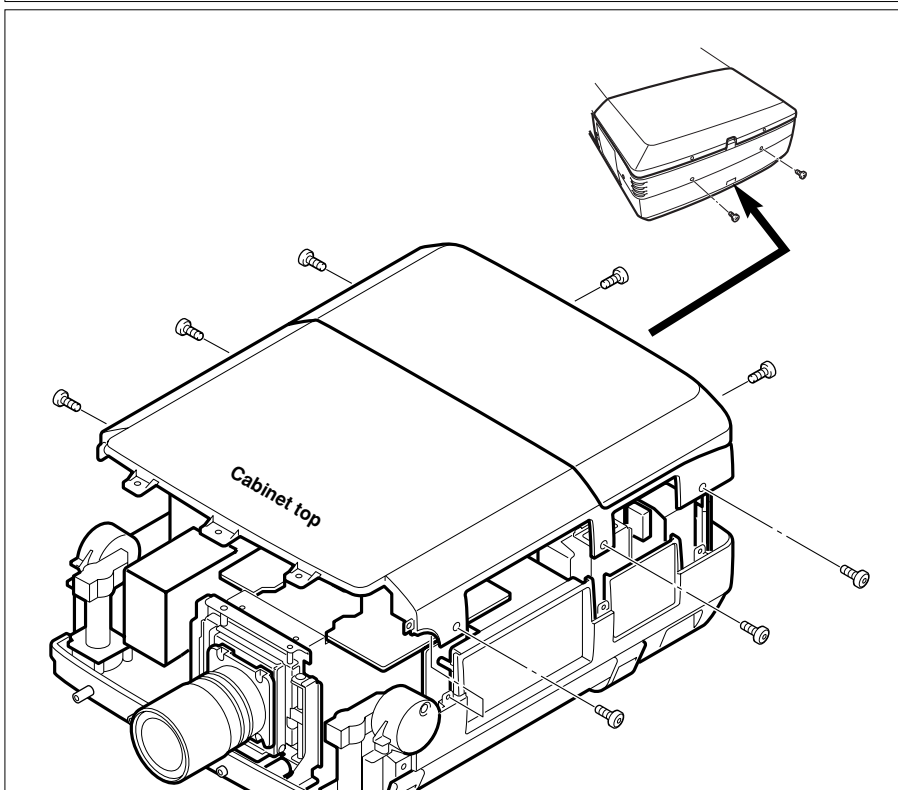
1. Cabinet-front-top, Cabinet-front-bottom and Cabinet-front removal.

Note :

Be careful not to damage Hook. The cabinet-front-top is being fixed with cabinet-front-bottom by hook.

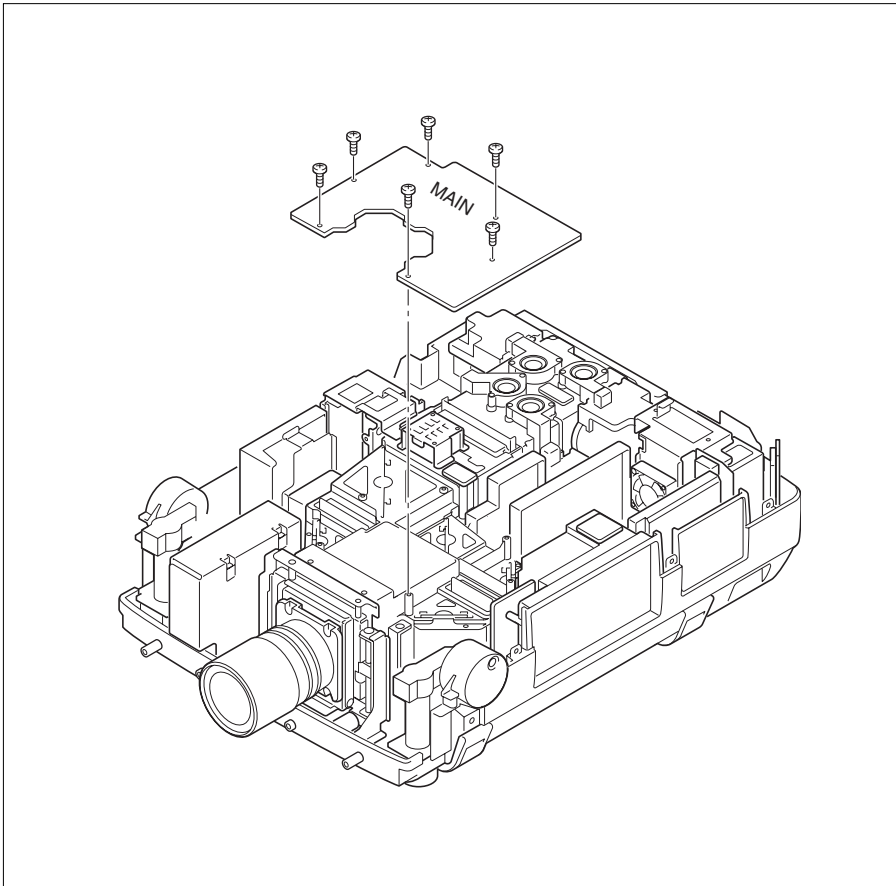
1. Remove 2 screws-A. Push part(a) and pull the Cabinet-front-top up.
2. Remove 4 screws-B and remove the Cabinet front bottom.
3. Remove 11 screws-C and remove the Cabinet front.

Refer to Lens replacement and installation manual.



2. Cabinet-top removal.

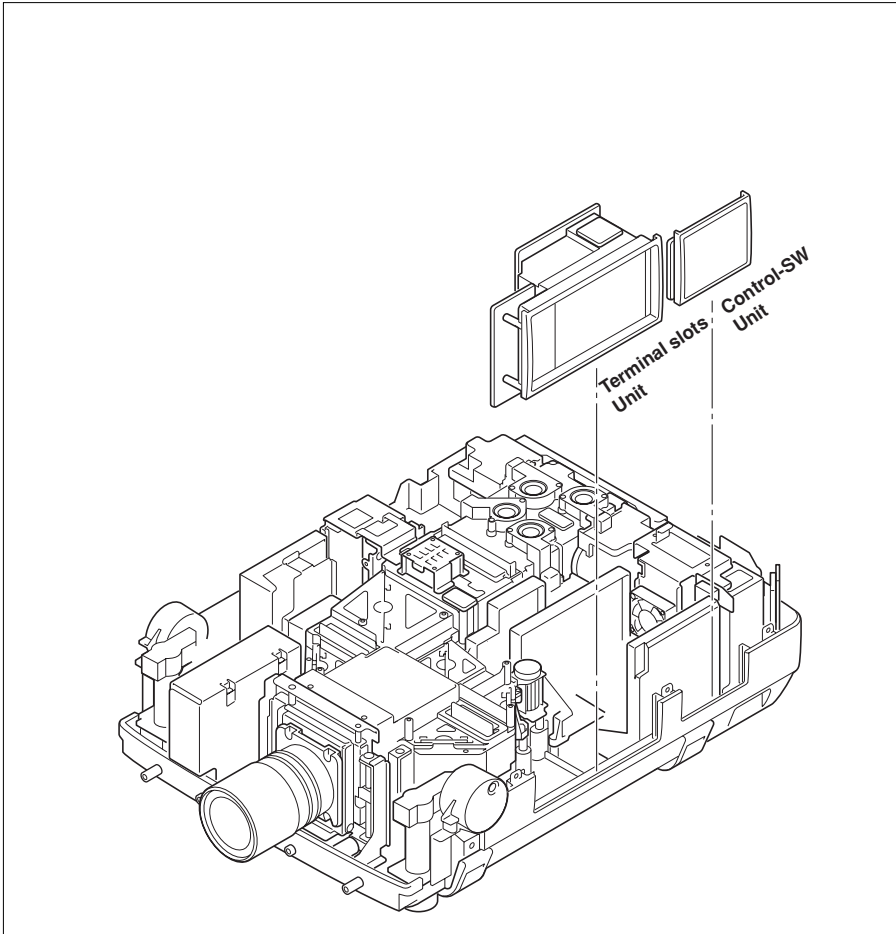
Remove 8 screws and remove the Cabinet - top.



3. Assembly Main removal.

Remove the connectors and the flexible cables of the LCD panels from the assembly Main. (*Never touch the electrode of flexible cables.*)

Remove 6 screws and remove the assembly main.



4. Control-switch-unit and Terminal-slots-unit removal.

1. Remove the control-switch-unit upward.
2. Remove the Terminal-slots-unit upward.

5. Assemblies PFC, assembly power, assembly sub-power, assemblies lamp-ballast, assembly Motor & Audio and Fan(FN901) removal.

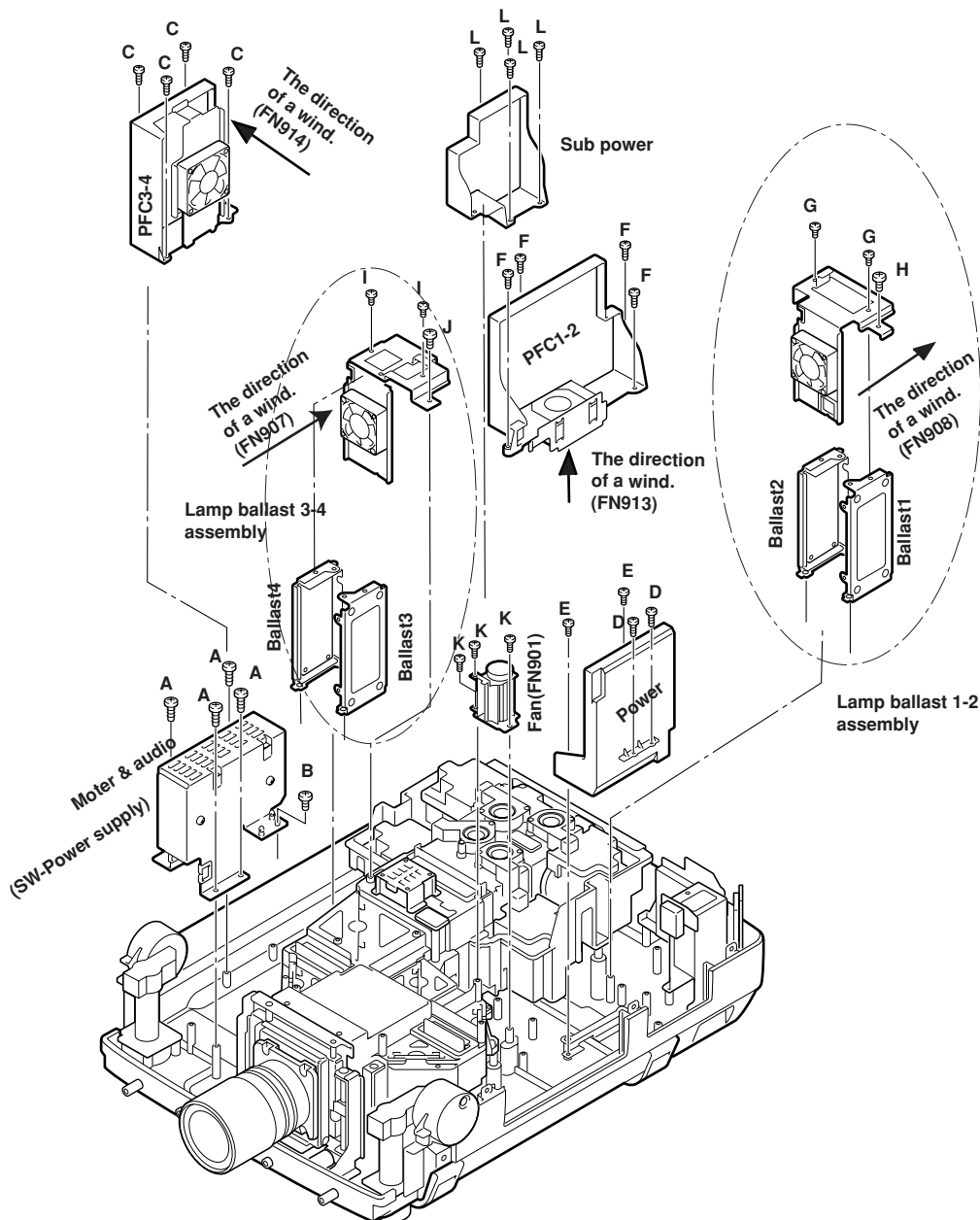
1. Remove 4 screws-A, 1 screw-B and remove the assembly motor & audio. (Motor & audio unit and SW-power supply unit remove at the same time.)
2. Remove 4 screws-C and remove the assembly PFC3-4.
3. Remove 2 screws-D, 2 screws-E and remove the assembly power.
4. Remove 4 screws-F and remove the assembly PFC1-2.
5. Remove 2 screws-G, 1 screw-H and remove the assembly Lamp-ballast1-2.
6. Remove 2 screws-I, 1 screw-J and remove the assembly Lamp-ballast3-4.
7. Remove 3 screws-K and remove the Fan(FN901).
8. Remove 4 screws-L and remove the assembly sub-power.

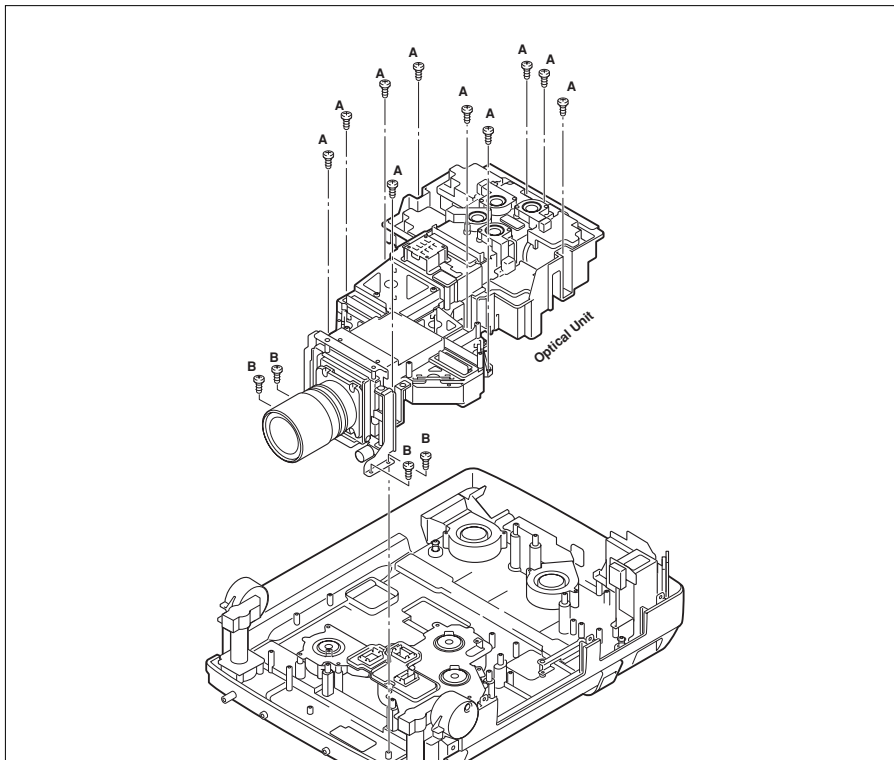
Note :

Mark the Fans as they are removed from the cabinet bottom so that they may be reassembled in the same location from which they were removed.

Be careful of the attachment direction of Fans.

See arrow mark in a figure.



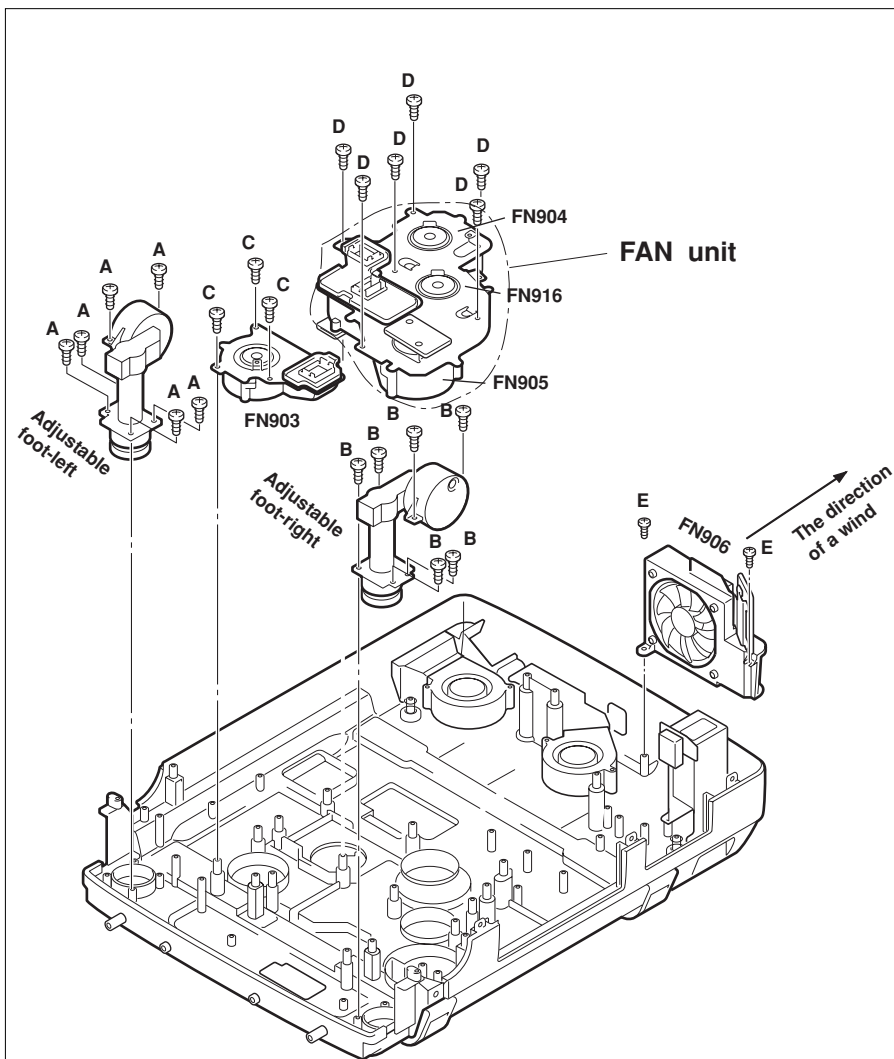


6. Optical unit removal.

Note:

When remove the Optical unit upward, do not having projection lens.

Remove 10 screws-A, 4 screws-B and remove the Optical unit upward.



7. Fans(FN903, FN904, FN905, FN906, Fn916), and Adjustable-feet removal.

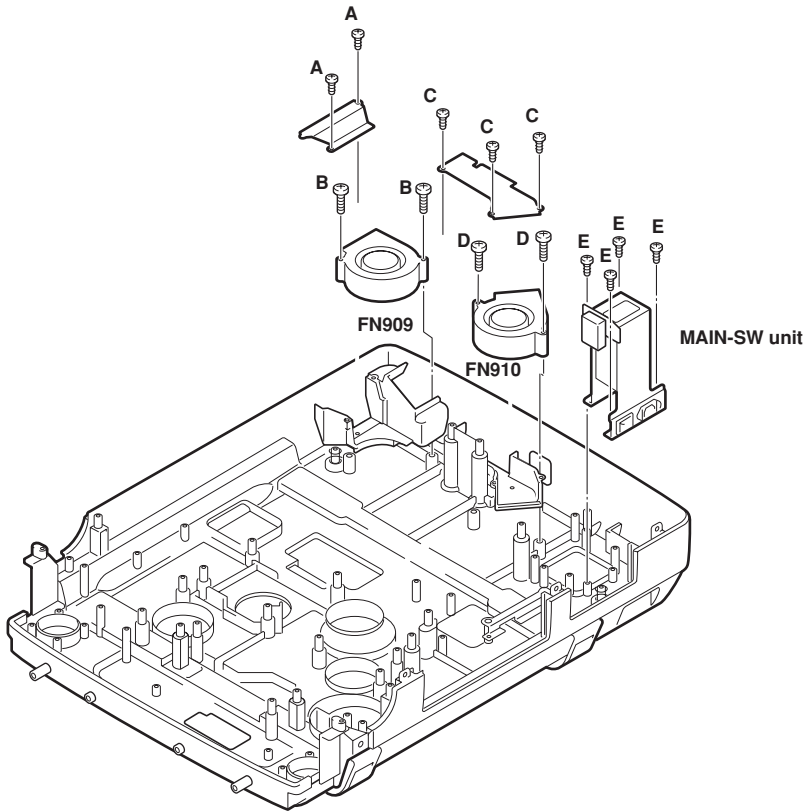
Note :

Mark the Fans as they are removed from the cabinet bottom so that they may be reassembled in the same location from which they were removed.

Be careful of the attachment direction of Fan(FN906).

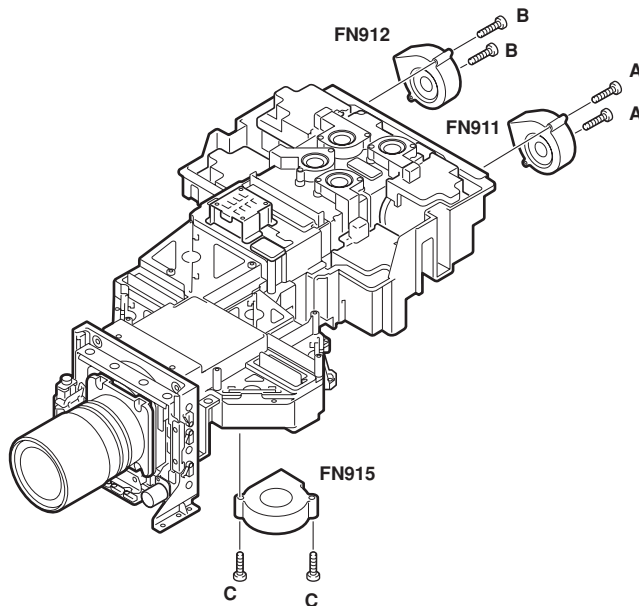
See arrow mark in a figure.

1. Remove 6 screws-A and remove the adjustable-foot-left.
2. Remove 6 screws-B and remove the adjustable-foot-right.
3. Remove 3 screws-C and remove the Fan (FN903).
4. Remove 6 screws-D and remove the Fan unit (FN904 ,905, 916).
5. Remove 2 screws-E and remove the Fan (FN906).



8. Fans (FN909, FN910) and Switch assembly removal.

1. Remove 2 screws-A, 2 screws-B and remove the Fan (FN909).
2. Remove 3 screws-C, 2 screws-D and remove the Fan (FN910).
3. Remove 4 screws-E and Main switch unit.



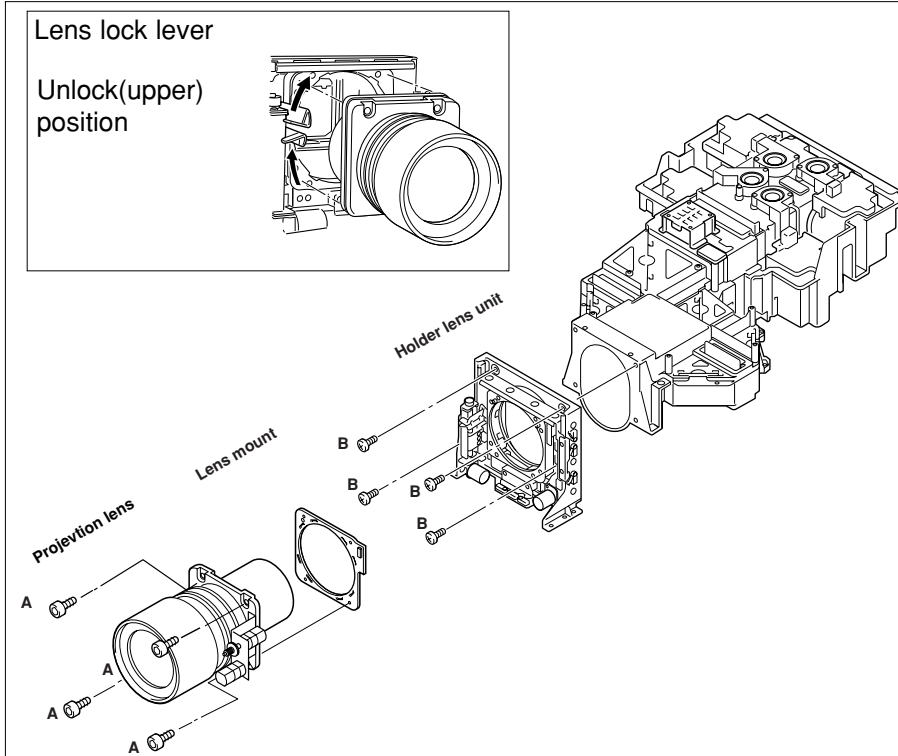
9. Fans (FN911, FN912 and FN915) removal.

Note :

Mark the Fans as they are removed from the optical unit so that they may be reassembled in the same location from which they were removed.

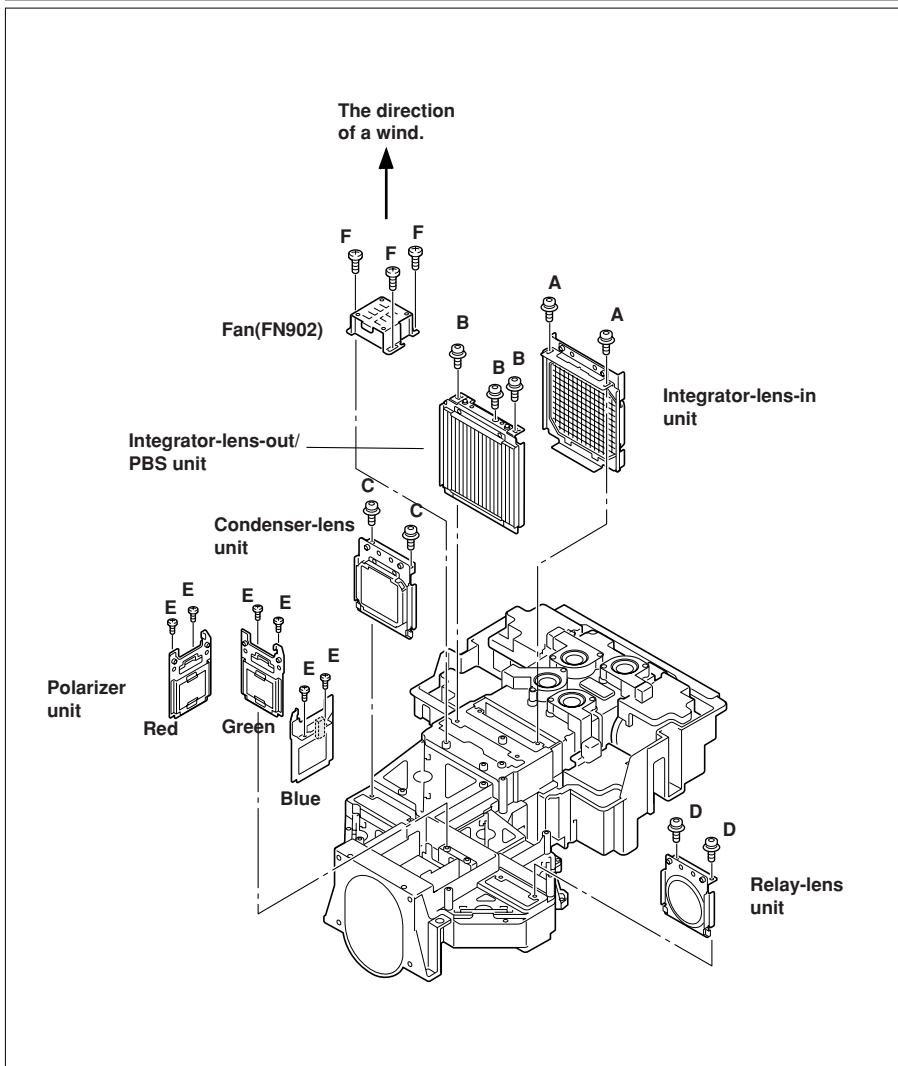
1. Remove 2 screws-A and remove the Fan (FN911).
2. Remove 2 screws-B and remove the Fan (FN912).
3. Remove 2 screws-C and remove the Fan (FN915).

Optical unit disassemblies



1. Projection lens and Holder-lens unit removal.

1. Slide the lens lock lever on the projector to "UNLOCK" (UPPER) position and install the Projection lens with Mount Parts to the Holder lens unit.
(Refer to Lens replacement and Installation procedures manual)
When making unlocking, add the hand so as not the fall.
2. Loosen 4 screws-A and remove the Projection lens.
For the loss prevention, the screw does not come.
3. Remove 4 screws-B and remove the Holder-lens unit.

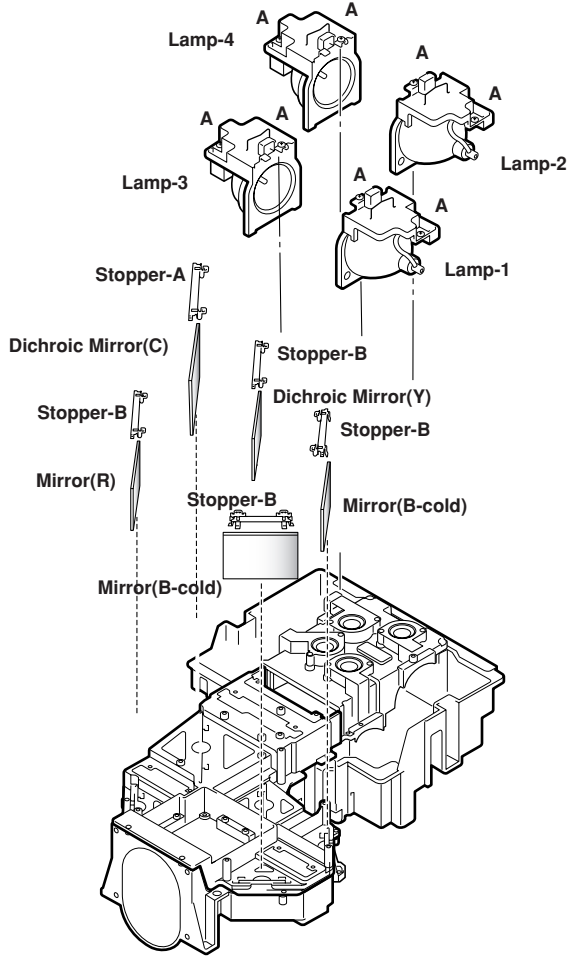


2. Integrator-lens-in unit, Integrator-lens-out/PBS unit, Condenser-lens unit, Relay-lens unit, Polarizer units and Fan(FN902) removal.

Note :

- (1) Each polarizer unit uses different characteristic polarization glasses. Mark the polarizer units as they are removed from the optical unit so that they may be reassembled in the same location from which they were removed.
 - (2) Be careful of the attachment direction of Fan (FN902).
See arrow mark in a figure.
1. Remove 2 screws A and remove the Integrator lens in unit.
 2. Remove 3 screws B and remove the Integrator lens out / PBS unit.
 3. Remove 2 screws C and remove the Condenser lens unit.
 4. Remove 2 screws D and remove the Relay lens unit.
 5. Remove 6 screws E and remove the 3 Polarizer units.
 6. Remove 3 screws F and remove the Fan(FN902) upward.

3. Assemblies lamps and mirrors removal.



Note :

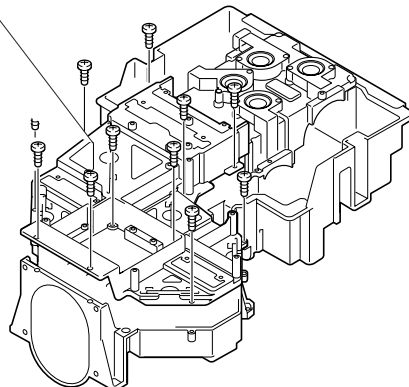
The characteristics and ages of lamps are managed by CPU. Mark the lamp assemblies as they are removed from the optical unit so that they may be reassembled in the same location from which they were removed.

Do not touch with bare hand in the mirror. Each mirror uses different characteristic optical filter glasses. Mark the mirrors as they are removed from the optical unit so that they may be reassembled in the location and direction from which they were removed.

1. Loosen 8 screws A and remove the 4 Lamp assemblies. (Two screws at each Lamp.)
2. Remove 5 stoppers and pull the 5 mirrors upward.

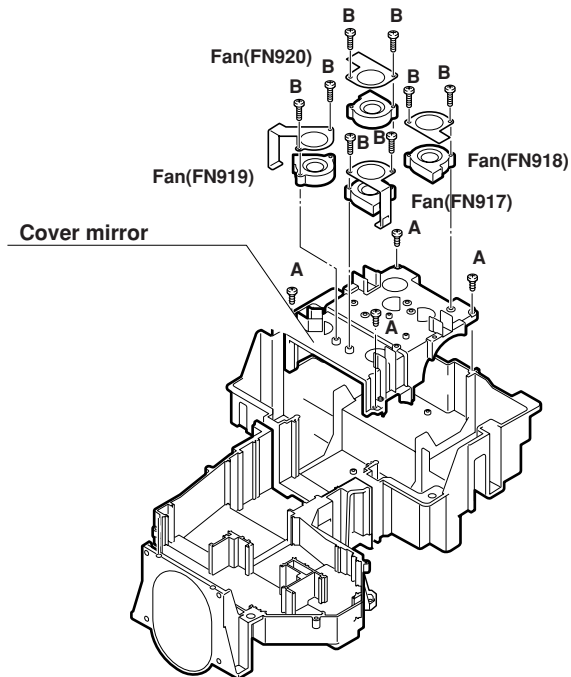
4. Optical base top removal.

Optical base top



1. Remove 11 screws and remove the Optical base top.

5. Cover mirror and Fan(FN917,918,919,920) removal.



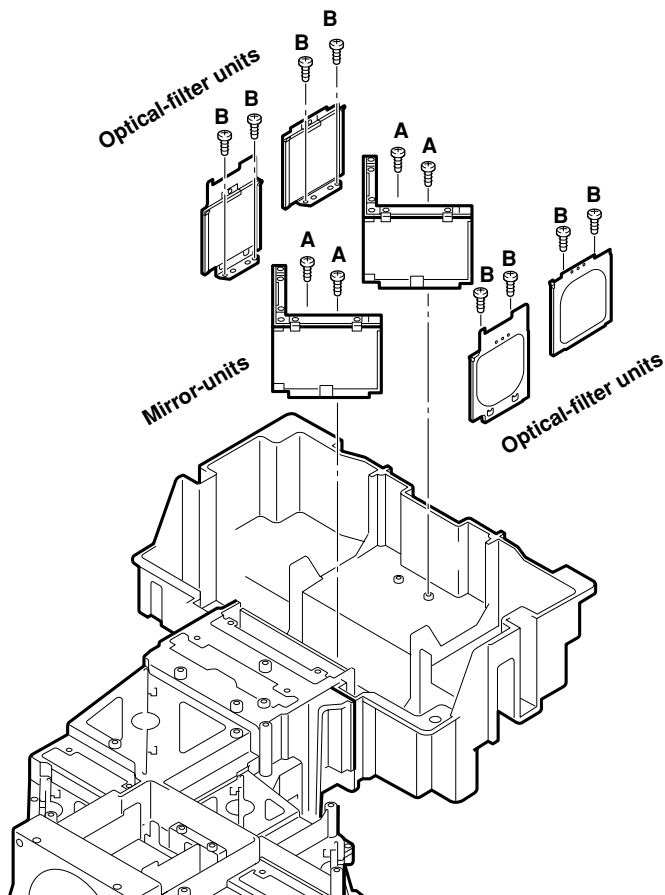
Note :

Mark the Fans as they are removed from the cover mirror so that they may be reassembled in the same location from which they were removed.

1. Remove 4 screws A and remove the cover mirror.
2. Remove 8 screws B, plate and remove the Fan(FN917, FN918, FN919, FN920).

(It hooks the plate to the cover mirror inside)

6. Optical filter units and Mirror units removal.



Note :

Each optical filter unit uses different characteristic optical filter glasses. Mark the optical filter units as they are removed from the optical unit so that they may be reassembled in the same location from which they were removed

1. Remove 4 screws A and remove the 2 mirror units.
2. Remove 8 screws B and remove the 4 optical filter units.

7. Prism / LCD panel assembly removal

Note :

Prism / LCD panel assembly is a precision part. be sure to handle this part with special attention. Do not drop it or give it excessive force. It may damage the parts and alignment.

Remove 4 screws and remove the Prism / LCD panel assembly.

At the time, be careful not to damage the Prism / LCD panel assembly with the driver.

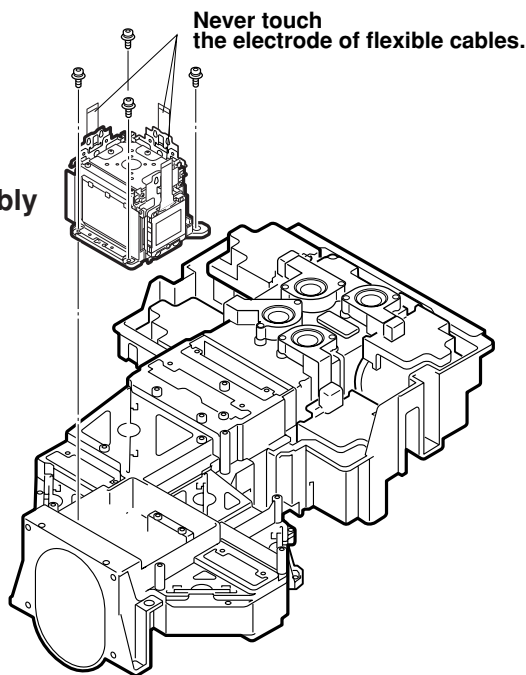


Caution :

- (1). Never touch the LCD panel and prism part directly with hand. Otherwise the optical parts may get dirty.
- (2). Since the LCD panel is equipped with CMOS-LSI, pay attention to static electricity. And never touch the electrode of flexible cables.



Prism/LCD panel assembly



8. LCD panel, Polarized glass, Optical filter removal.

1. Remove 9 screws-A and remove the LCD panel . (3 screws per one LCD panel.)
2. Remove 3 screws-B and remove stoppers.
3. Remove polarized glasses,optical filteres upward.

Note: Each polarizer unit uses different characteristic polarization glasses. Mark the polarizer units as they are removed from the optical unit so that they may be reassembled in the same location from which they were removed.



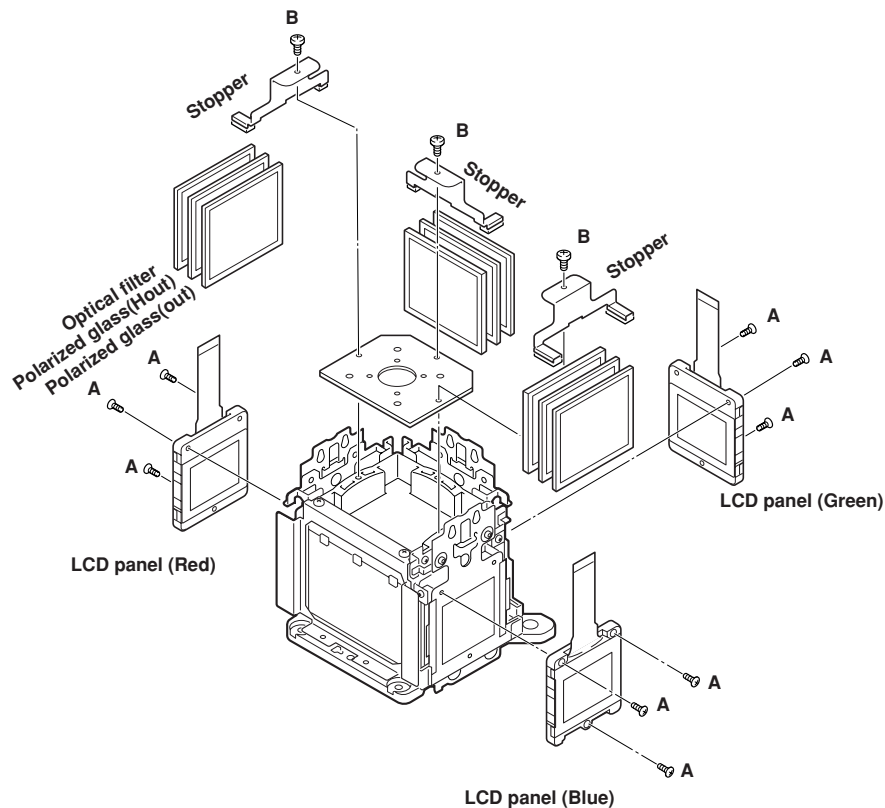
Caution :

- (1). Never touch the LCD panel directly with hand. Otherwise the optical parts may get dirty.
- (2). Since the LCD panel is equipped with CMOS-LSI, pay attention to static electricity. And never touch the electrode of flexible cables.

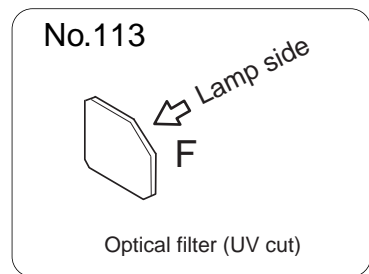
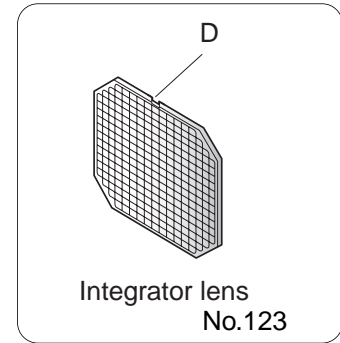
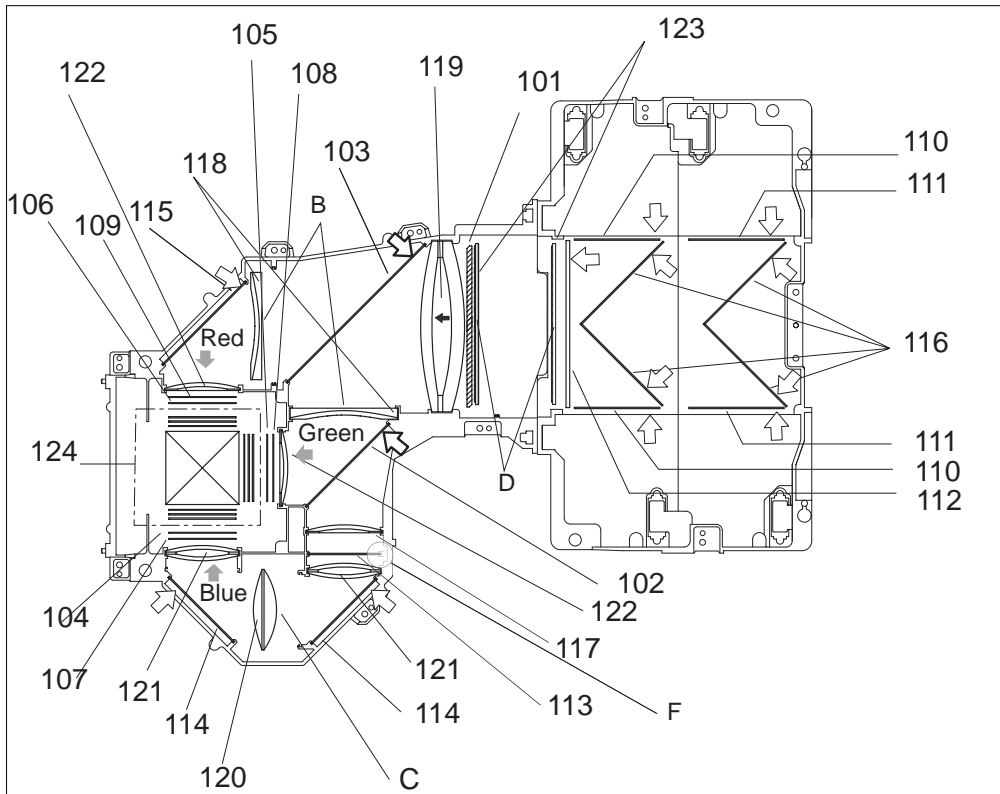
Note :



Don't remove all three LCD panels at the same time. The standard in convergence adjustment runs out and it becomes not possible to do an adjustment.
When exchanging three LCD panels at the same time, it recommends to exchange every in the Prism/LCD panel assembly.



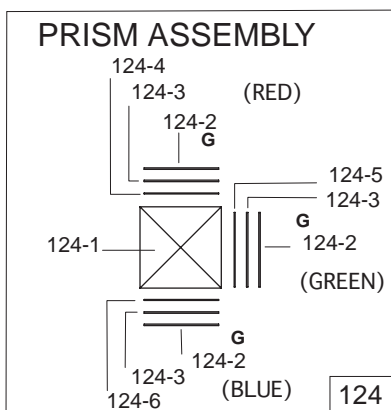
Optical parts Location and direction



The optical parts name (description) can see it on parts-list.(page-78)

- A : The printed marker comes this side.
- B : Plane surface comes this side.
- C : Spherical surface comes this side.
- D : Slot part comes this top side.
- E : Glass should be placed as the film attached side comes to the LCD panel side.
- F : Big chamfer comes this top side.
- G : The printed marker comes top side. (Optical filter)

There is a directionality (the gradation) if installs the Dichroic Mirror for the putting a marker comes always to the position of the figure.



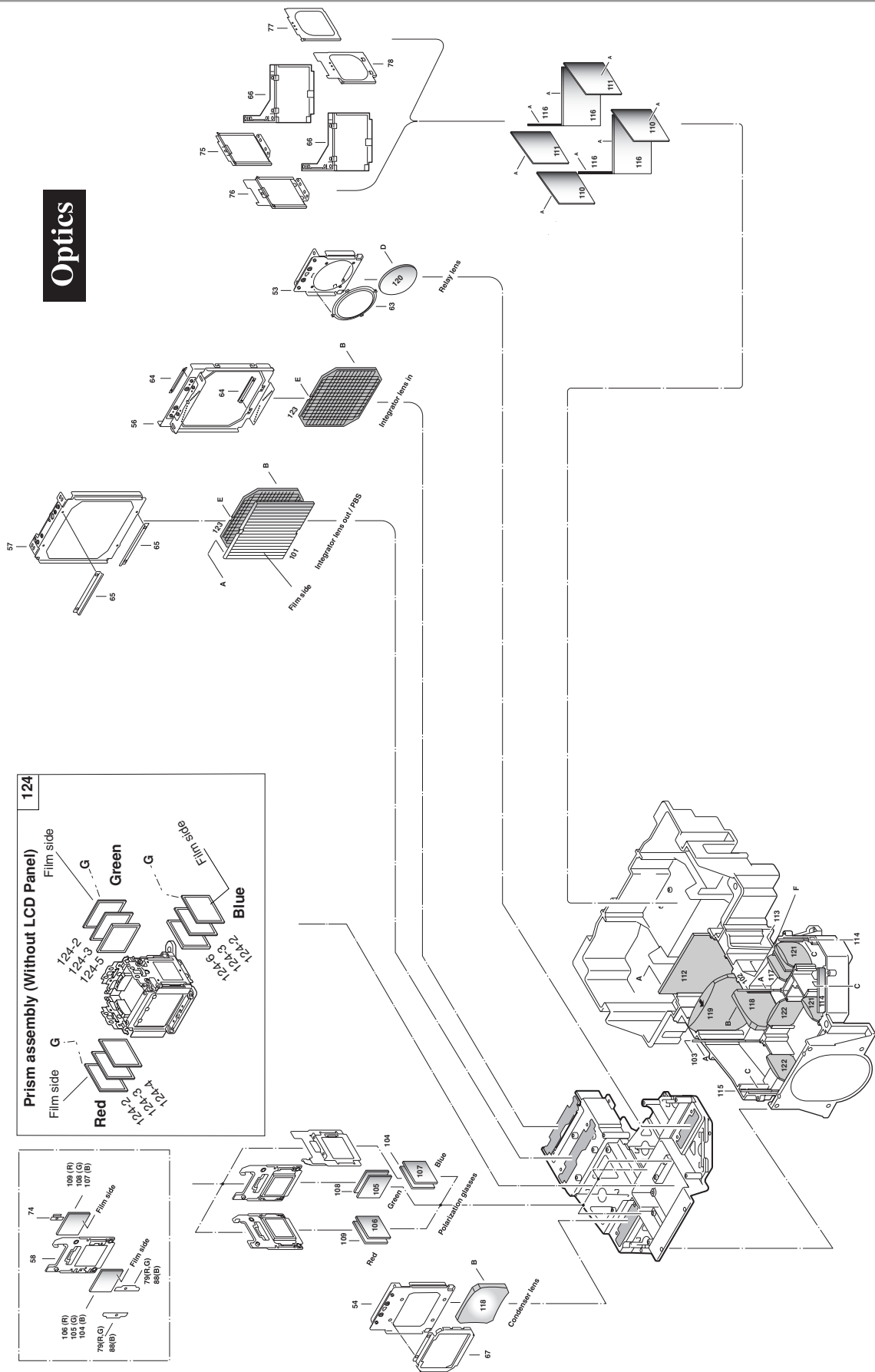
Without LCD Panel in the figure.

| | |
|-------|--------------------------|
| 124-1 | PRISM ASSEMBLY |
| 124-2 | OPTICAL FILTER (WV) |
| 124-3 | POLARIZED GLASS(HOUT/QU) |
| 124-4 | POLARIZED GLASS (OUT/R) |
| 124-5 | POLARIZED GLASS (OUT/G) |
| 124-6 | POLARIZED GLASS (OUT/B) |

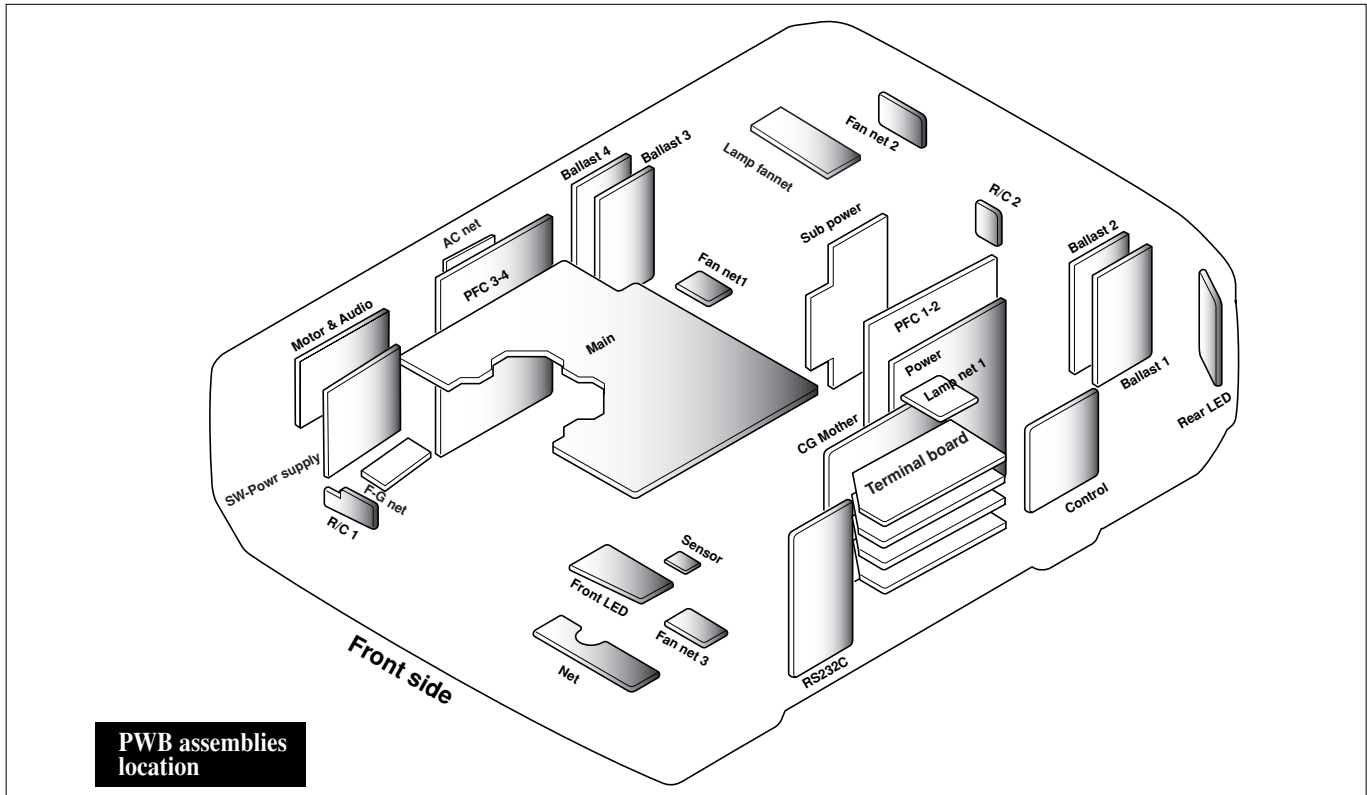
| KEY No. | DESCRIPTION |
|---------|--------------------------|
| 101 | PRISM ASSEMBLY (PBS) |
| 102 | DICHROIC MIRROR (Y) |
| 103 | DICHROIC MIRROR (C) |
| 104 | POLARIZED GLASS (IN/B) |
| 105 | POLARIZED GLASS (IN/G) |
| 106 | POLARIZED GLASS (IN/R) |
| 107 | POLARIZED GLASS (HIN/B) |
| 108 | POLARIZED GLASS (HIN/G) |
| 109 | POLARIZED GLASS (HIN/R) |
| 110 | OPTICAL FILTER |
| 111 | OPTICAL FILTER |
| 112 | OPTICAL FILTER (UV/IR) |
| 113 | OPTICAL FILTER (UV cut) |
| 114 | MIRROR (B-COLD) |
| 115 | MIRROR (R) |
| 116 | MIRROR (COLD) |
| 117 | LENS-CONDENSER(B-FIL) |
| 118 | LENS-CONDENSER(OUT) |
| 119 | LENS-CONDENSER (IN) |
| 120 | LENS-RELAY (OUT) |
| 121 | LENS-RELAY (IN) |
| 122 | LENS-CONDENSER(G) |
| 123 | LENS-INTEGRATOR |
| 124 | PRISM ASSEMBLY |

Optical parts location --- The optical parts name(description) can see it on parts-list.

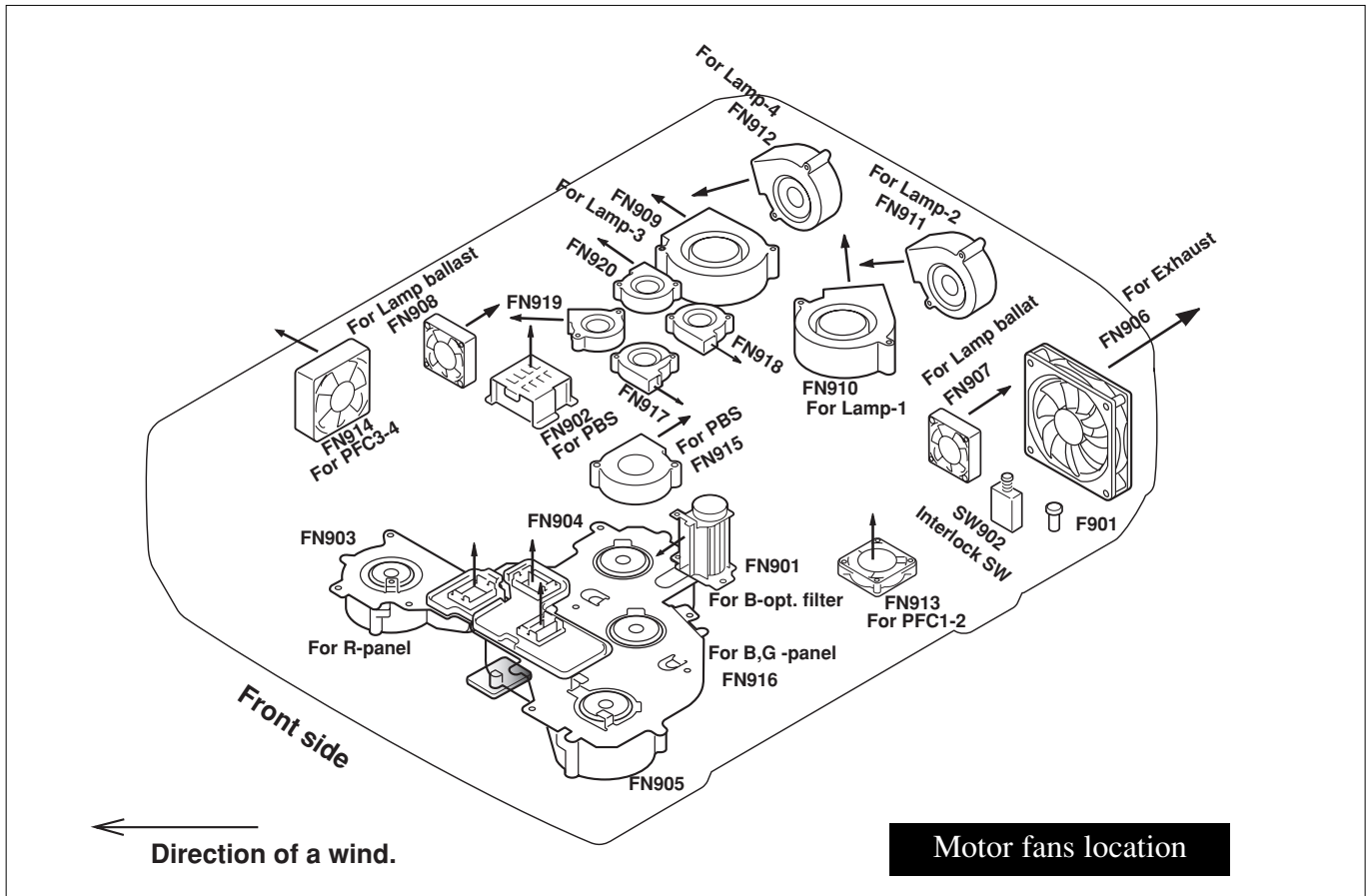
Optics



PWB assemblies location



Motor fans location



MAINTENANCE

WARNING TEMP. INDICATOR

WARNING TEMP. Indicator flashes red and projector is automatically turned off when an internal temperature of a projector exceeds normal temperature. Wait at least 5 minutes before turning on projector again. When WARNING TEMP. Indicator continues to flash, check items listed below.

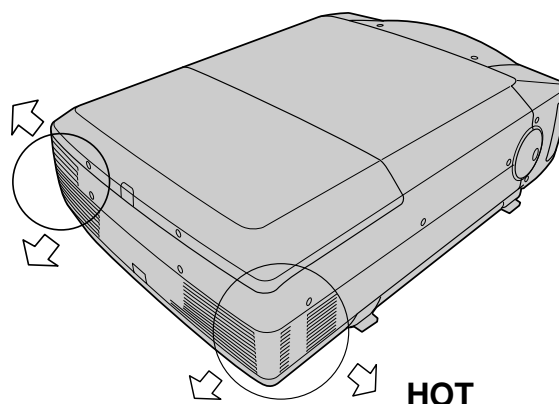
- 1 Ventilation Slots of a projector may be blocked. In such an event, reposition a projector so that Ventilation Slots are not obstructed.
- 2 Air Filter may be clogged with dust particles. Clean Air Filter by following section AIR FILTER CARE AND CLEANING on next page.
- 3 If WARNING TEMP. Indicator remains on after performing above checks, Cooling Fans or Internal Circuits may be malfunctioning. Contact service personnel from an authorized dealer or a service station.



HOT AIR EXHAUSTED !

Air blown from exhaust vent is hot. When using or installing a projector, following precautions should be taken.

- Do not put a flammable object near this vent.
- Keep rear grills at least 3' (1m) away from any object, especially heat-sensitive object.
An exhaust is reflected and the cooling becomes bad when there is any thing near the exhaust vents. The heat causes temperature rise inside the staying.
- Do not touch this area, especially screws and metallic parts. This area will become hot while a projector is used.



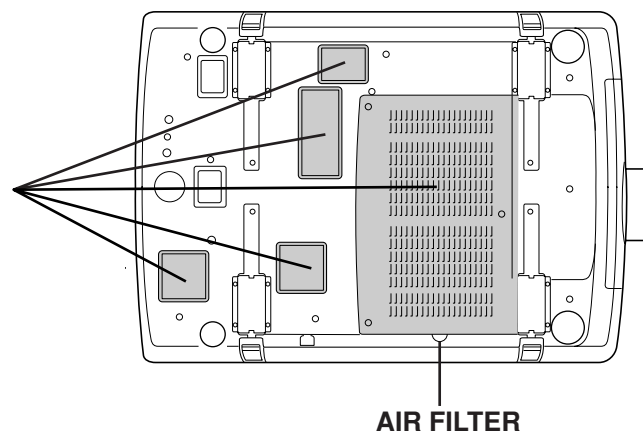
EXHAUST VENT

AIR INTAKE VENTS

This projector is equipped with cooling fans for protection from overheating. Pay attention to following to ensure proper ventilation and avoid a possible risk of fire and malfunction.

- Do not cover vent slots.
- Keep bottom clear any objects.
Obstructions may block cooling air.

When Air filter cleaning, it clean the vent slots,too,at the same time.

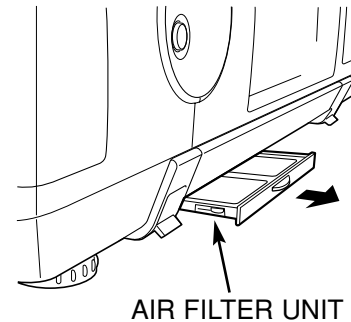


AIR FILTER CARE AND CLEANING

Air Filter prevents dust from accumulating on surface of Projection Lens and Projection Mirror. Should Air Filter become clogged with dust particles, it will reduce Cooling Fans' effectiveness and may result in internal heat build up and adversely affect life of a projector.

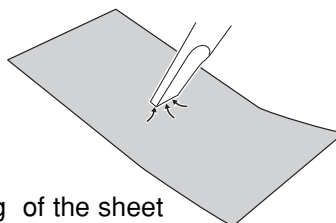
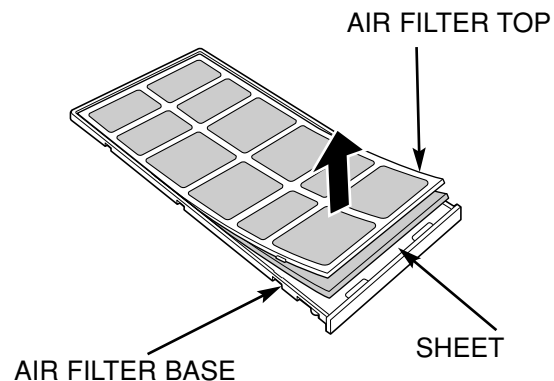
Clean Air Filter following steps below:

- 1** Turn power off, and disconnect AC power cord from AC outlet.
- 2** Pull out air filter unit from a projector.
- 3** Pulling up center frame of air filter top, separate air filter top and sheet from air filter base.
- 4** Clean each parts with brush or wash out dust and particles.
Be sure to dry them out.
- 5** Assemble sheet and air filter and replace air filter to a projector.



CAUTION
Do not operate a projector with air filter removed. Dust may accumulate on LCD panel and Mirror degrading picture quality. Do not put small parts into air Intake Vents. It may result in malfunction of a projector.

The filter be careful and handle. the effect of the filter runs out in case of a leak and it being broken off.



When Air filter cleaning, it clean the air intake vents, at the same time.

Improvement of the Optical parts

After long of use,dust and other particles will accumulate on the LCD panel,prism,mirror,polarized glass,lens,etc.,causing the picture to darken or color to blur. If this occurs,clean the inside of optical unit.

Remove dust other particles using air spray. If dirt cannot be removed by air spray, disassemble and clean the optical unit.

Caution:

Use a commercial (inert gas) air spray designed for cleaning camera and computer equipment. Use a resinbased nozzle only. Be very careful not to damage optical parts with the nozzle tip. Never use any kind of cleanser on the unit. Also, never use abrasive materials on the unit as this may cause irreparable damage.

1. When the garbage adheres to the surface basically about all optical parts,it is desirable to clean in air spray and so on.
2. When the above way can not be removed,wipe the dry cleaning with wiping cloth and the wiper there is little time dust and so on.
3. When the above way can not be removed,soak a few medicines in the cloth as follows and wipe up them lightly. After that,always wipe the dry cleaning cloth.

Disassembly Cleaning

Disassembly cleaning method should only be performed when the unit is considerable dirty and cannot be sufficiently cleaned by air spraying alone.

Be sure to readjust the optical system after performing disassembly cleaning.

The list of the medicine to recommend

| Optical parts | Medicines | Remark |
|--|--|---|
| LCD panel | Iso-propyl-alcohol | In case of cleaning,pay attention to the static electricity and specifically,don't touch the terminal of FPC. |
| Polarized glass (Glass with plastics sheet) | Methanol Synthetic detergent Iso-paraffin liquid | Wipe up lightly. Because there is fear that the film comes off the substrate when wiping up by the strong power. |
| Dichroic mirror Optical filter (Glass with the surface coat) | Alcohol (methanol:ethel=8:2) | |
| Lens kind Condenser lens Integrator lens Prism | Ethanol | |

Caution :

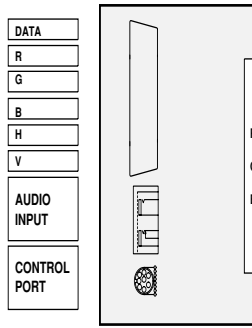
The surface of the optical components consists of multiple dielectric layers with varying degrees of refraction. Never use organic solvents (thinner, etc.) or any kind of cleanser on these components.

Since the LCD panel is equipped with an electronic circuit, never use any liquids (water,etc.) to clean the unit. Use of liquid may cause the unit to malfunction.

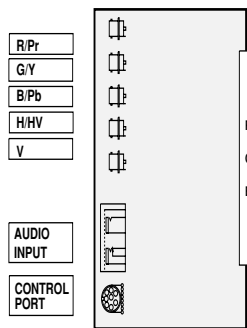
Troubleshooting

NO PICTURE -1

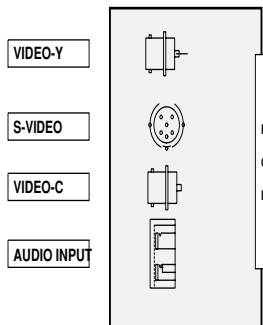
TERMINAL BOARD DVI



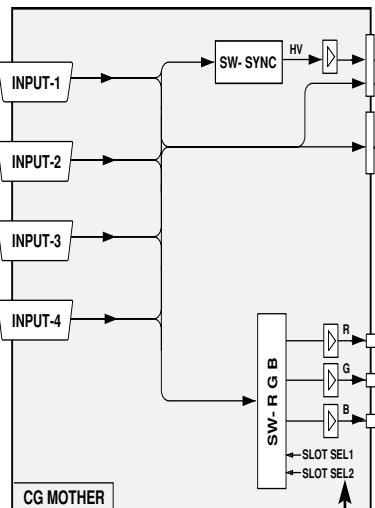
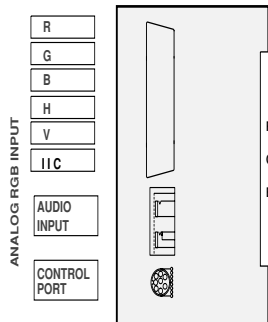
TERMINAL BOARD-COMPONENT



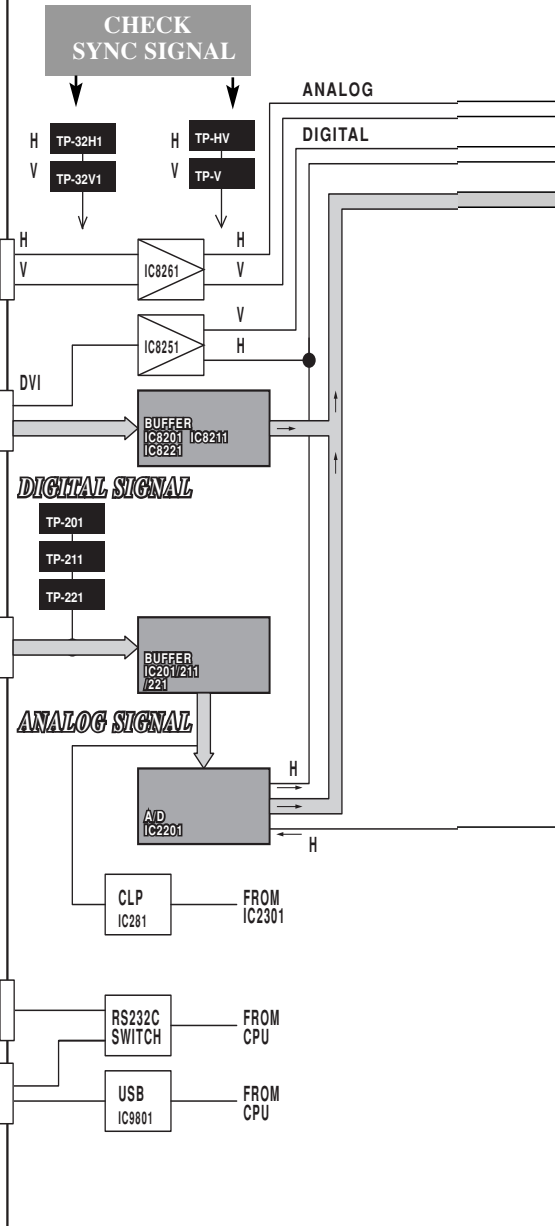
TERMINAL BOARD AV

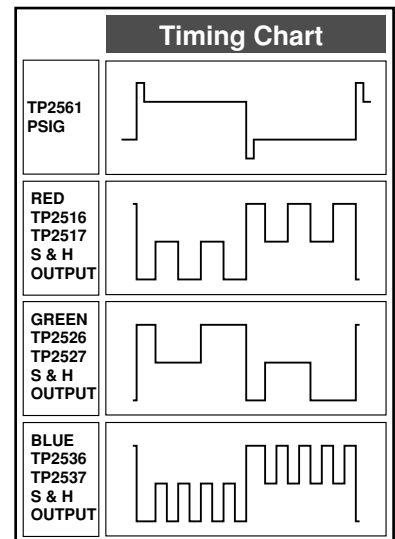
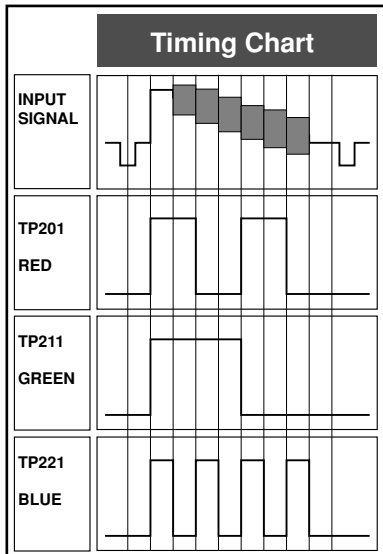
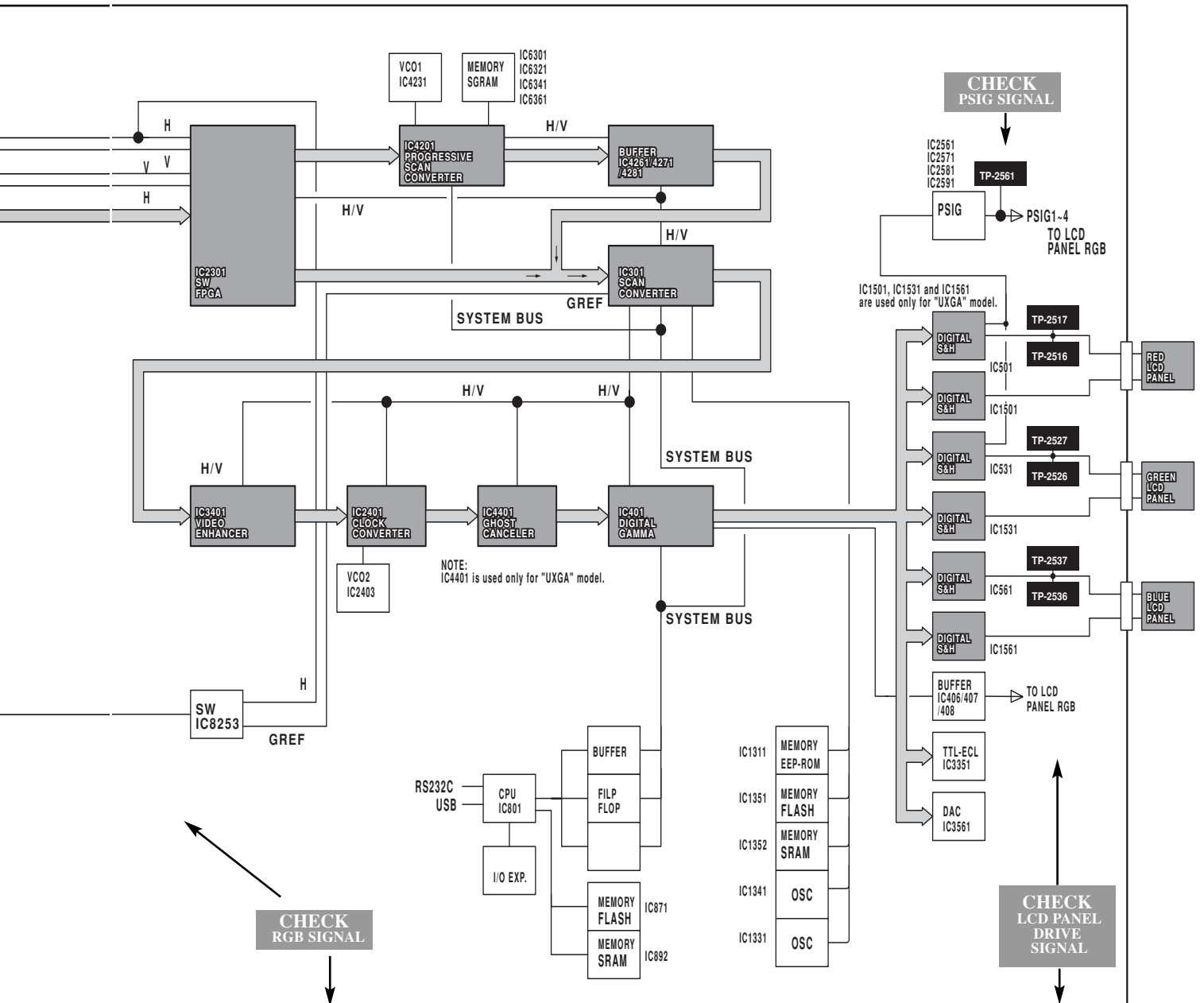


TERMINAL BOARD-D-SUB15



Assembly Main



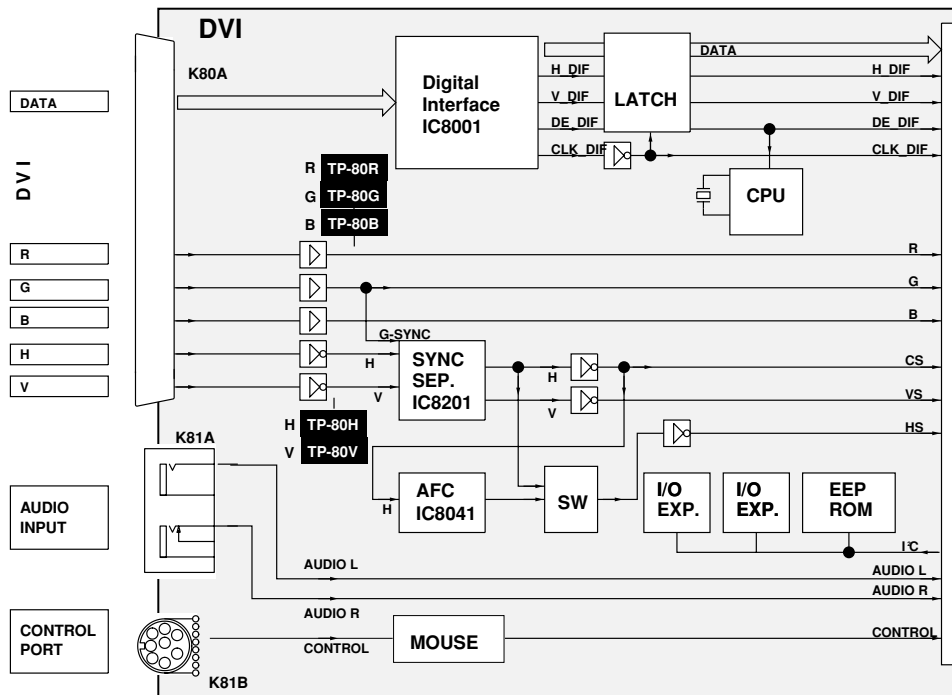


NO PICTURE -2

Troubleshooting

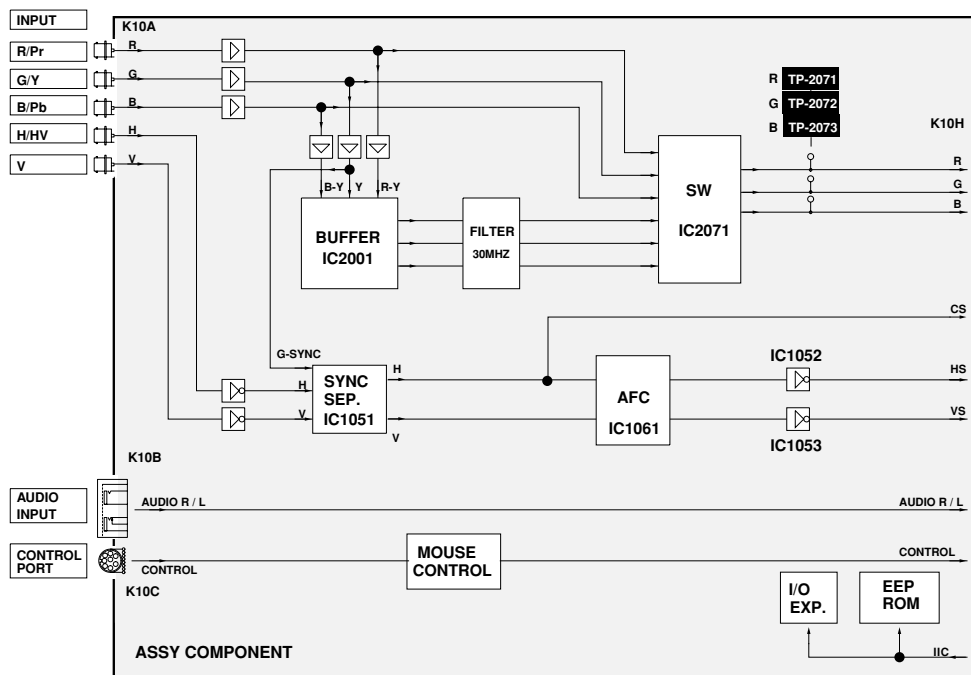
Check the terminal board-DVI.

Check the Vcc voltages.
 S9V (Always)
 9V / 5VB / -5V (Switched)
 Check the test points.



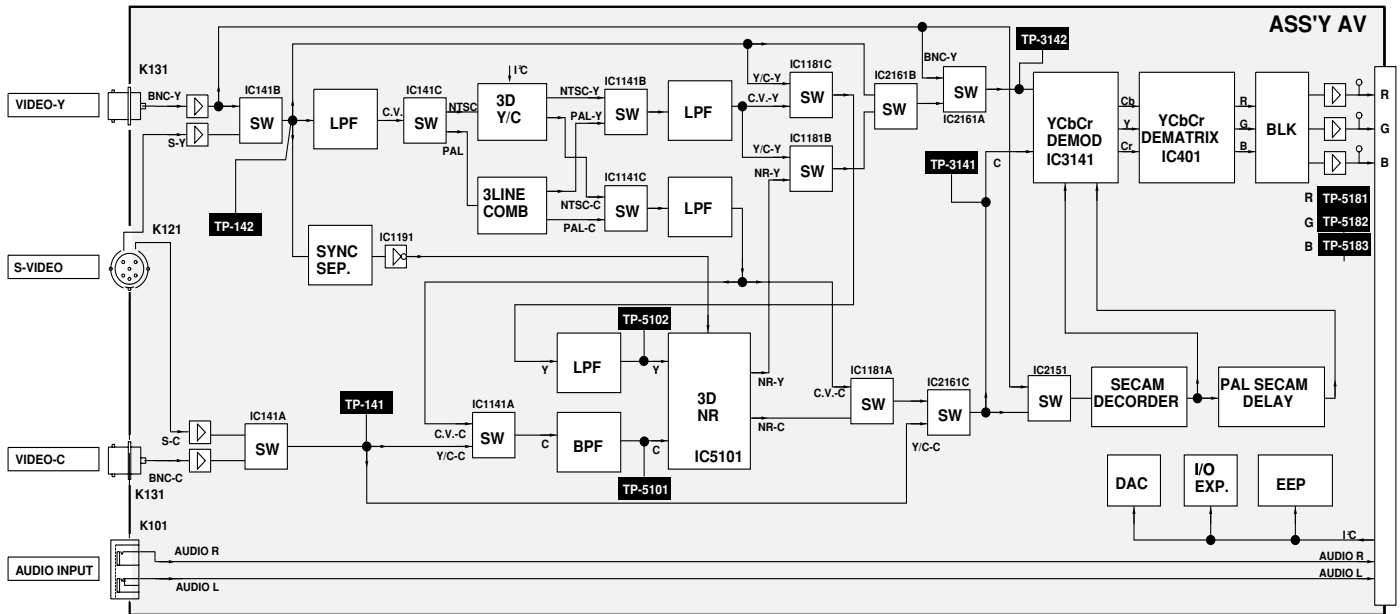
Check the terminal board-COMPONENT.

Check the Vcc voltages.
 S9V (Always)
 9V / 5VB / -5V (Switched)
 Check the test points.



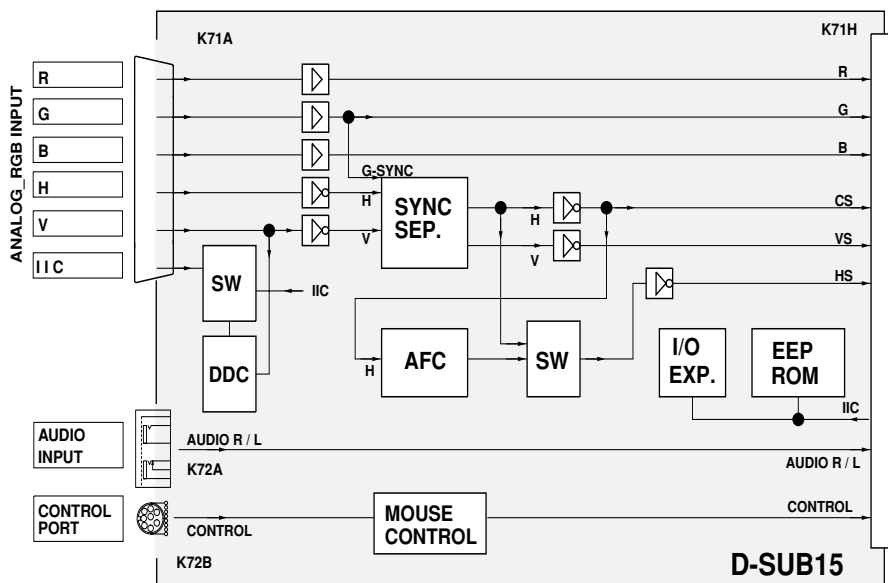
Check the terminal board-AV.

Check the Vcc voltages.
 S9V (Always)
 9V / 5VB / -5V (Switched)
 Check the test points.

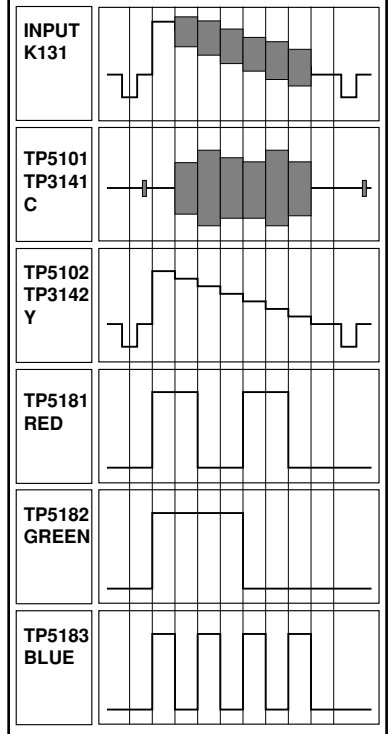


Check the terminal board-DSUB15.

Check the Vcc voltages.
 S9V (Always)
 9V / 5VB / -5V (Switched)
 Terminal board DSUB15 does not exist in some particular models.



Timing Chart



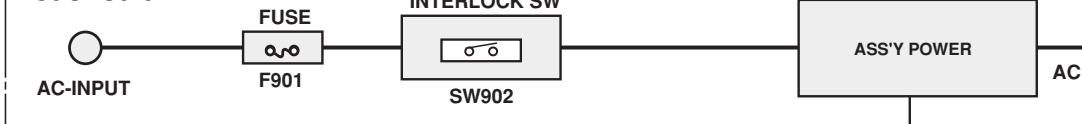
Is fuse (F901) blown?
 Fuse may be opened when either the LAMP indicator or the READY indicator isn't illuminated. Check the fuse. For continued safety, replace it with a new fuse of the same type

Isn't the lamp cover of a projector removed?
 When it is removed, the projector cannot be turned on.

Is the lamp cover attached correctly? And has not the boss (inner side of the lamp cover) broken?
 Check the boss and the Interlock switch (SW902). SW902--open: Abnormality

Refer to next page but one

Hot circuit



Check that the POWER FAIL signals are correct.
 L : Abnormality

Check that the Fan on/off signal is correct.
 L : Abnormality

Always

DC out
 16V /9V /6.25V /-6V

DC out
 Switched

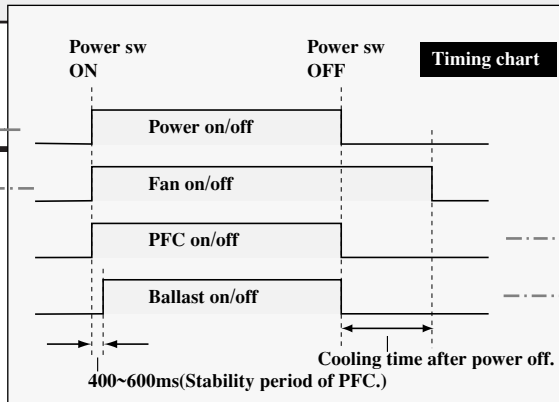
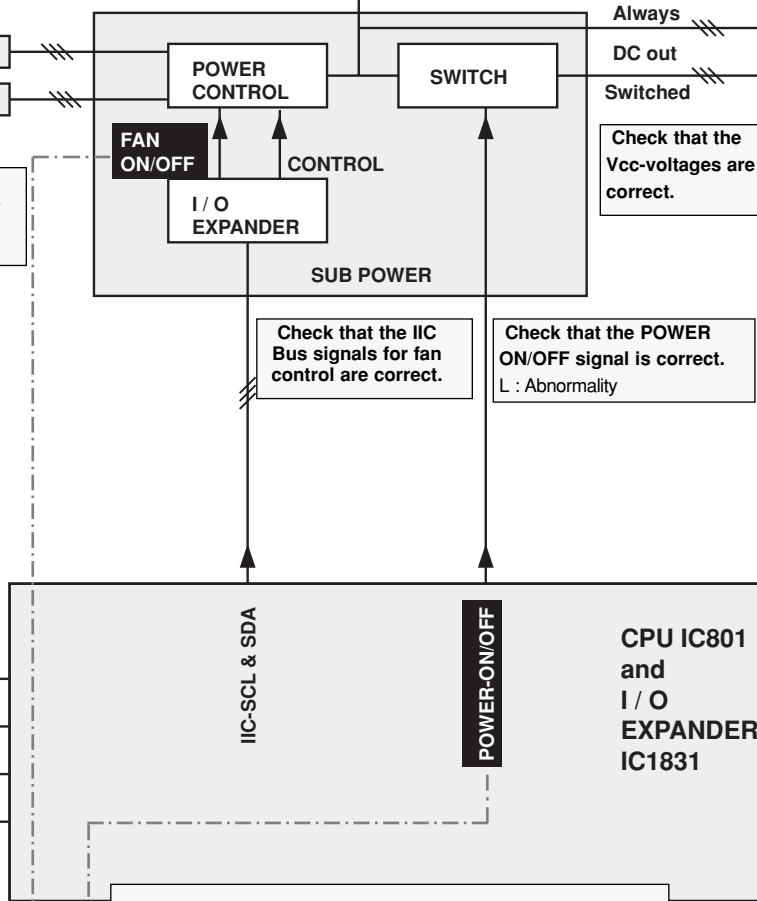
Check that the Vcc-voltages are correct.

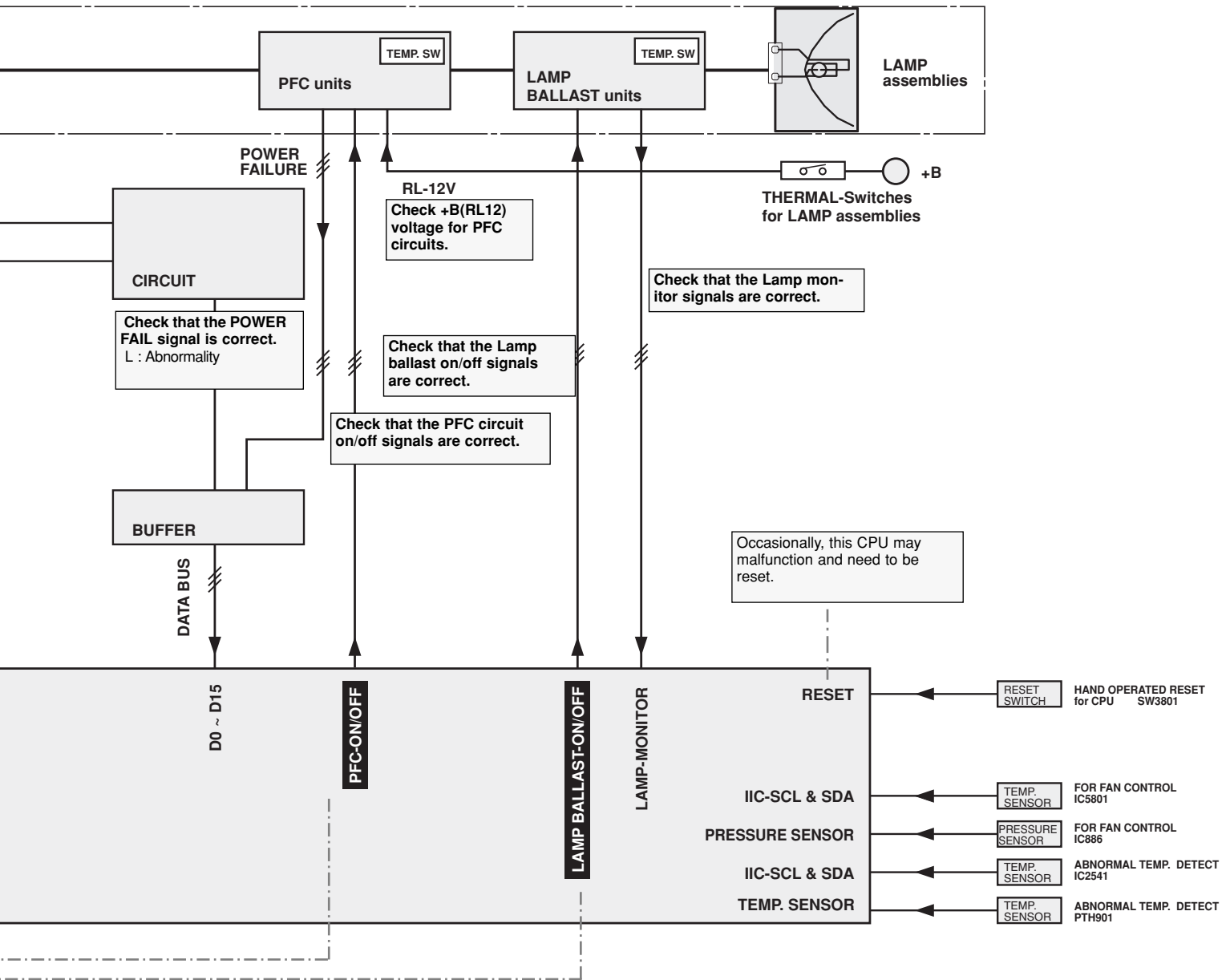
Check that the IIC Bus signals for fan control are correct.

Check that the POWER ON/OFF signal is correct.
 L : Abnormality

Are the LAMP indicator (red) and READY indicator (green) light?

If the LAMP and READY indicators are not illuminated, check the primary circuit and 5V of standby power supply circuit.





* NO POWER-2

Troubleshooting

Check the switching regulator.

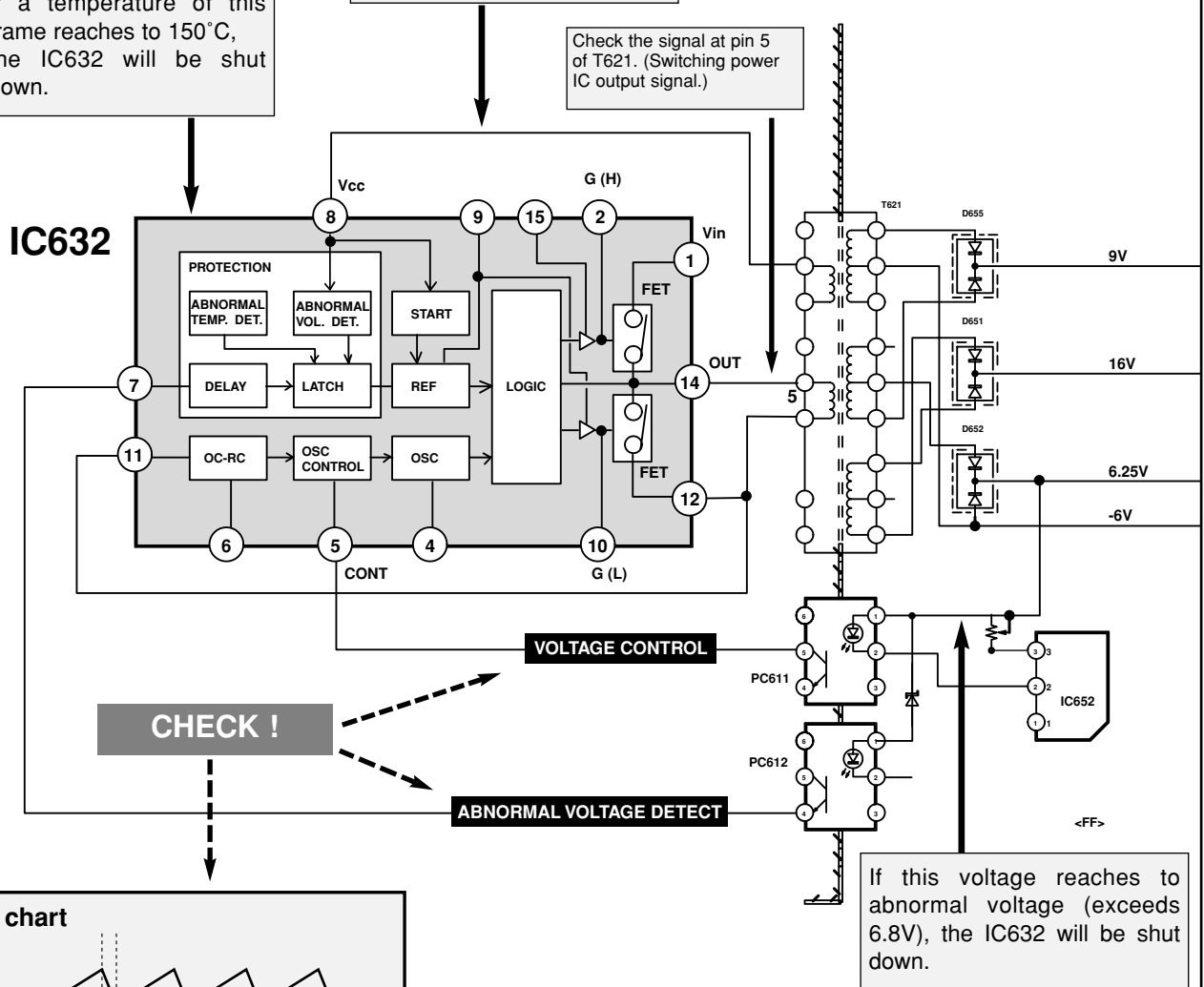
STR-Z2156
Switching regulator

Caution : "HOT" Circuit !

If a temperature of this frame reaches to 150°C, the IC632 will be shut down.

If this Vcc voltage reaches to abnormal voltage (exceeds 22V), the IC632 will be shut down.

Check the signal at pin 5 of T621. (Switching power IC output signal.)



Timing chart

Pin 4

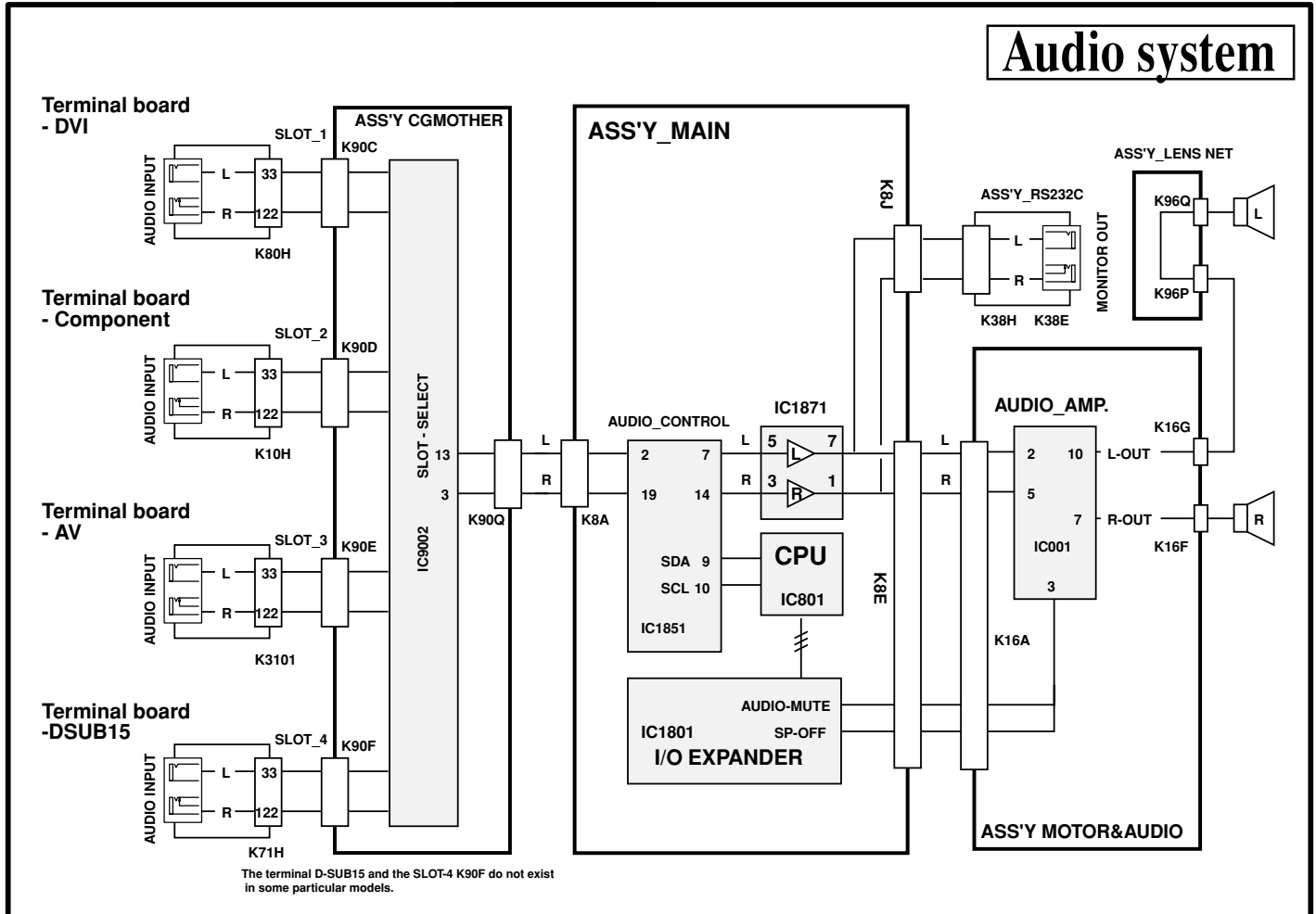
OSC OUT

Pin 2

Pin 10

No sound

Troubleshooting



Terminal board DVI, Component, AV and D-SUB15.

1. Check that the R and L signals are correct.
Pins 122(R) and 33(L).
K80H, K10H, K3101 and K71H.
- Terminal board DSUB15 does not exist in some particular models.

assembly CG-Mother

1. Check that the R and L signals are correct.
Pins 3(R) and 13(L) of IC9002.

Assembly Main

1. Check that the Vcc-voltages are correct.
2. Check that the R and L input signals are correct.
Pins 2 and 19 of IC1851
3. Check that the IC1851 output signals are correct.
Pins 7(L) and 14(R).
4. Check that the audio output signals are correct.
Pins 7(L) and 1(R) of IC1871.
5. Check that the AUDIO MUTE signal is correct.
6. Check that the SP-OFF signal is correct.
7. Check that the SDA-signal is correct. Pin 9 of IC1851.
8. Check that the SCL-signal is correct. Pin 10 of IC1851.

Assembly Motor audio

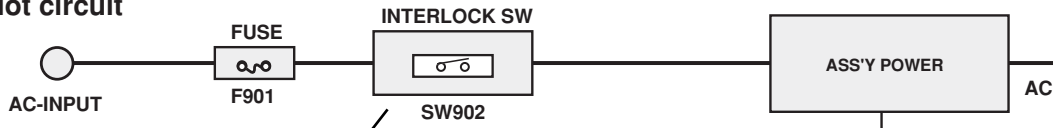
1. Check that the Vcc-voltages are correct.
2. Check that the R and L input signals are correct.
Pins 2(R) and 5(L) of IC001
3. Check that the AUDIO MUTE signal is correct.
4. Check that the SP-OFF signal is correct.
5. Check that the IC001 output signals are correct.
Pins 10(L) and 7(R).

LAMP ABNORMALITY -1

NOTE :

- The lamp emits light through arc discharge. To initiate arc discharge, dielectric breakdown must occur between the lamp electrodes. The high-voltage pulse generator generates and applies high-voltage pulses with peak values of about 20kV between the lamp electrodes in order to generate glow discharge. This in turn results in dielectric breakdown between the electrodes, causing a shift from glow discharge to arc discharge.
- After projector turned on, 30 seconds are required until the light output stabilizes. After the projector is turned off, the cooling fan operates for 90 seconds to cool down the lamp and reduce gas pressure inside the lamp. During this "cooling down" period, the projector cannot be turned on.

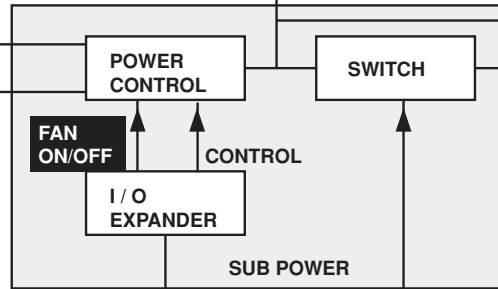
Hot circuit



Isn't the lamp cover of a projector removed?
When it is removed, the projector cannot be turned on.

Is the lamp cover attached correctly? And has not the boss (inner side of the lamp cover) broken?
Check the boss and the Interlock switch (SW902).
SW902 -- open : Abnormality

POWER FAILURE



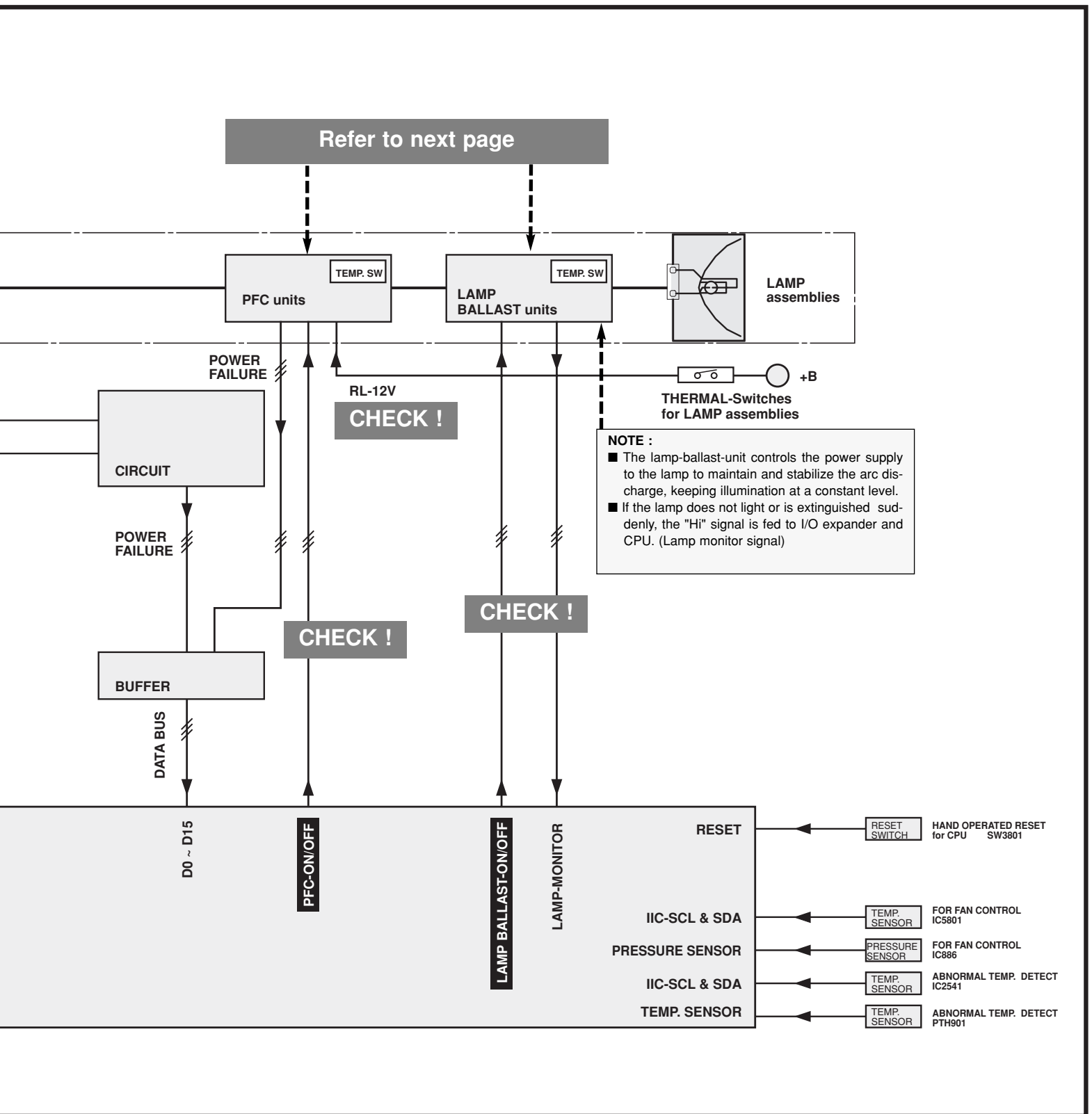
NOTE :

- The ready (green) LED indicates lamp monitor operation as follows:
LED off: Lamp is being cooled.
LED on: Lamp is being lit or already cooled down.



CPU : --- Lamp monitor operation.---

- CPU performs an input check by the lamp monitor pin.
- When the "H" signal continues 1 second or more continuously, CPU judges the state to be abnormal.
- When it has detected abnormal condition, CPU turns off a projector compulsorily. And CPU sets up the cooling time for 90 seconds.
- The projector cannot be turned on during a cooling time.



LAMP ABNORMALITY -2

Troubleshooting

Check the unit P.F.C..

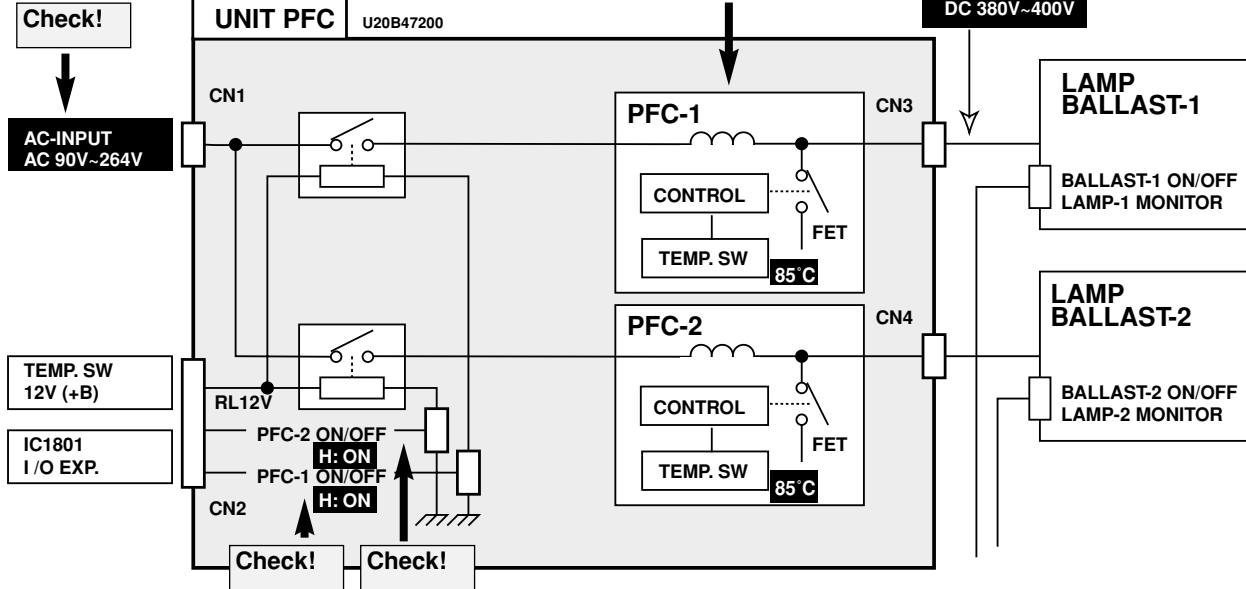
Caution : "HOT" Circuit !

Has not the temperature switch operated?

If the temperature around FET reaches 85 degrees, the PFC circuit will be shut down.

Check!

OUTPUT
DC 380V~400V

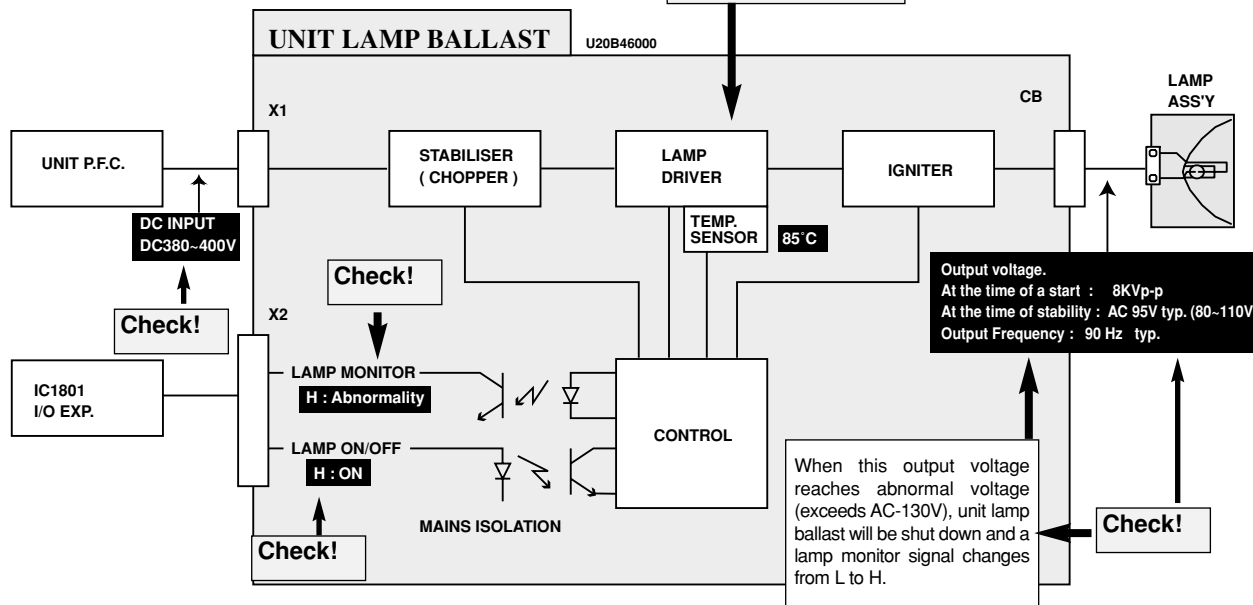


Check the unit lamp Ballast.

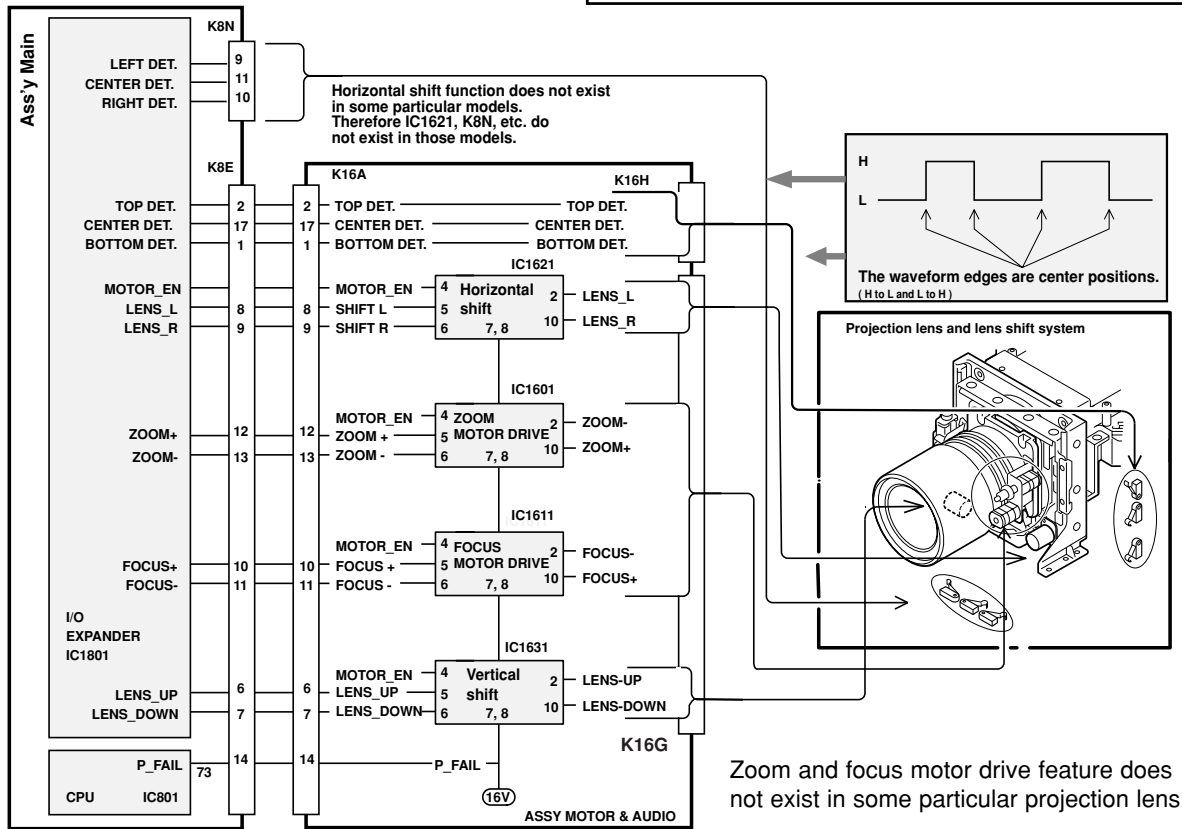
Caution : "HOT" Circuit !

When the temperature around a lamp driver reaches 85 degrees, unit lamp ballast will be shut down and a lamp monitor signal changes to H from L.

Check!



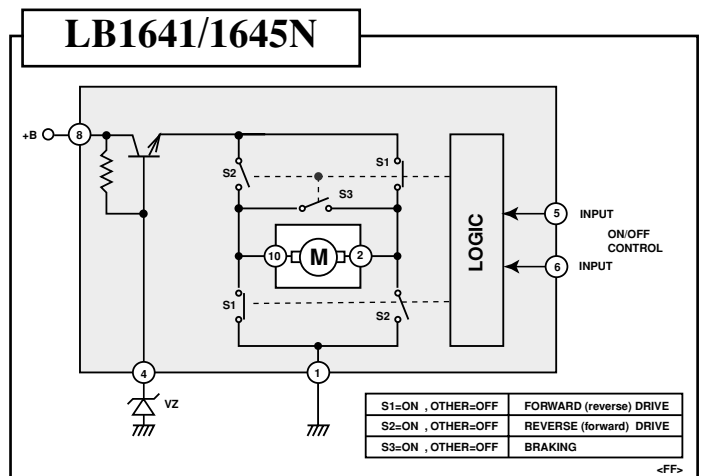
Motor-driven lens system. (Zoom, Focus and lens shift.)



- Assembly Main**
1. Check that the Vcc-voltages are correct.
 2. Check that the POWER FAIL signal is correct.
Pin14 of K8E H: Normal
 3. Check that the LENS SHIFT up and down signals are correct.
Pins 6 and 7 of K8E
 4. Check that the LENS SHIFT left and right signals are correct.
Pins 8 and 9 of K8E
 5. Check that the FOCUS up and down signals are correct.
Pins 10 and 11 of K8E
 6. Check that the ZOOM up and down signals are correct.
Pins 12 and 13 of K8E
 7. Check that the TOP DET. signal is correct.
Pin 2 of K8E L: TOP
 8. Check that the BOTTOM DET. signal is correct.
Pin 1 of K8E L: BOTTOM
 9. Check that the CENTER DET. signal is correct.
Pin 17 of K8E Center position=The edge of "H to L" or "L to H."
 10. Check that the LEFT DET. signal is correct.
Pin 9 of K8N L: LEFT
 11. Check that the RIGHT DET. signal is correct.
Pin 10 of K8N L: RIGHT
 12. Check that the CENTER DET. signal is correct.
Pin 11 of K8N Center position=The edge of "H to L" or "L to H."

- Assembly Motor audio**
1. Check that the Vcc-voltages are correct.
 2. Check that the POWER FAIL signal is correct.
Pin14 of K16A. H: Normal
 3. Check that the LENS SHIFT up and down signals are correct.
Pins 5 and 6 of IC1631.
 4. Check that the LENS SHIFT left and right signals are correct.
Pins 5 and 6 of IC1621.
 5. Check that the FOCUS up and down signals are correct.
Pins 5 and 6 of IC1611.
 6. Check that the ZOOM up and down signals are correct.
Pins 5 and 6 of IC1601.
 7. Check that the LENS SHIFT motor drive signals are correct.
Pins 10 and 2 of IC1631 and IC1621.
 8. Check that the FOCUS motor drive signals are correct.
Pins 10 and 2 of IC1611.
 9. Check that the ZOOM motor drive signals are correct.
Pins 10 and 2 of IC1601.

Motor drive IC block diagram



| Truth table IC1601/IC1611/IC1621/IC1631 | | | | |
|---|---|--------|----|------------------------|
| Input | | Output | | Operation |
| 5 | 6 | 2 | 10 | |
| H | L | H | L | Forward(reverse) drive |
| L | H | L | H | Reverse(forward) drive |
| L | L | L | L | Braking |

TEMPERATURE ABNORMALITY

Troubleshooting

System Control

=== **NOTE : Temperature monitor operation** =====
 The temperature monitor system is provided to prevent damage of optical components (the LCD panel and polarization film etc.) inside a projector from overheating. Two protection systems are provided. Each system operation as follows :

----- The temperature monitor -1: -----

■ To control the air-flow of the cooling fans.

The CPU checks the temperature and atmospheric pressure inside a projector. It checks a temperature using temperature sensor-IC5801 and it checks an atmospheric pressure using pressure sensor-IC886. CPU judges data from sensors and controls the air flow of the cooling fans so the temperature inside the projector is maintained to normal temperature.

■ To shut down the projector urgent.

The CPU checks temperature of LCD panel periphery and inhalation air(IC5801). If each part temperature reaches to abnormal temperature, the CPU will turn off a projector, and will blink TEMPERATURE WARNING indicator at intervals of 0.6 seconds. Cooling fans operate until temperature returns to nor-

mal. Indicator will stop blink, if temperature returns to normal. Trace the cause of the abnormalities-temperature, and repair the projector.

----- The temperature monitor -2 : -----

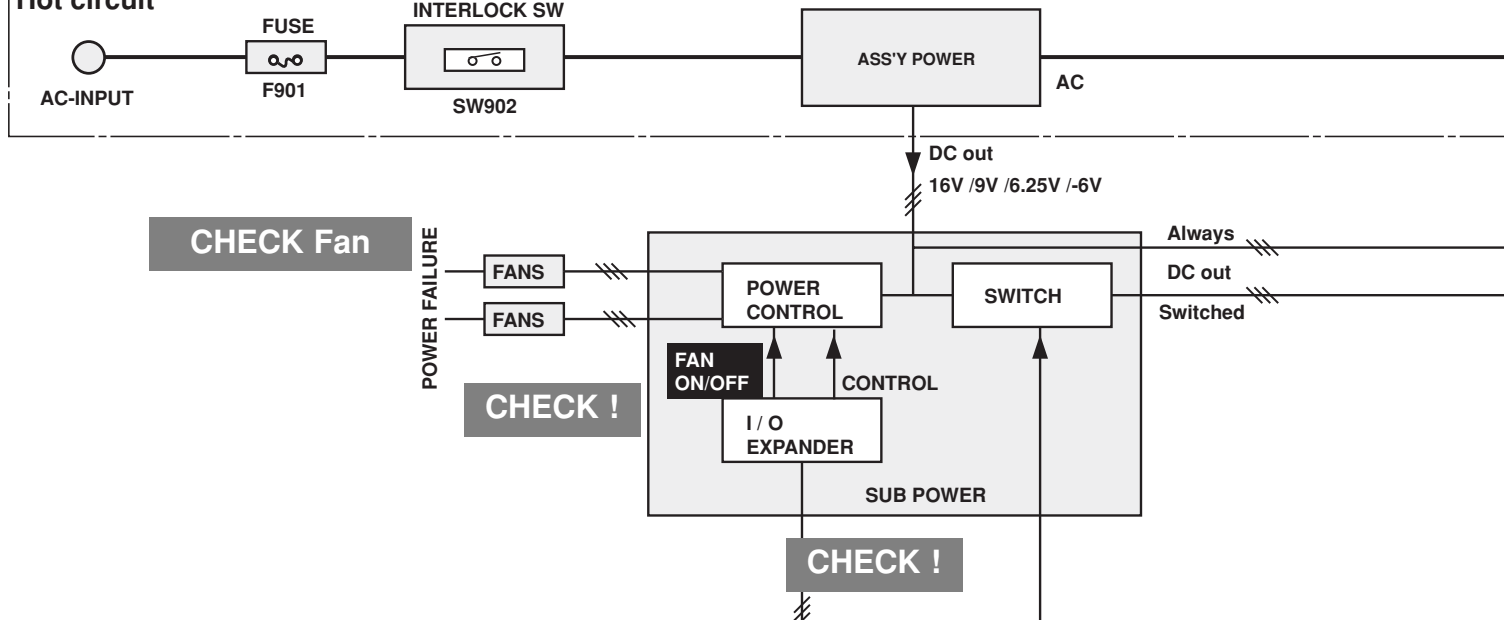
■ Temperature check of lamps :

Temperature switches are arranged near the lamps. Temperature switches will operate, if temperature reaches 85-90 degrees. When temperature switches have operated, lamp ballast units will be shut down, then a projector will be turned off.

■ Note :

- (1) Usually temperature monitor-2 will operate when other protection equipment did not operate with trouble, so it is auxiliary protection equipment. When other protection equipment is rightly operating, this temperature monitor-2 rarely operates. If this temperature monitor-2 has operated it is thought fault of other protection equipment.
- (2) The CPU does not check operation of temperature switches. Therefore, when temperature switches have operated and a projector has shut down, TEMPERATURE-WARNING indicator does not blink.

Hot circuit



*NOTE : TEMP. MONITOR LED OPERATION

- The red LED indicates temperature monitor operation as follows:
 LED off: Normal temperature.
 LED flashes in 0.6 second interval: Abnormality temperature.

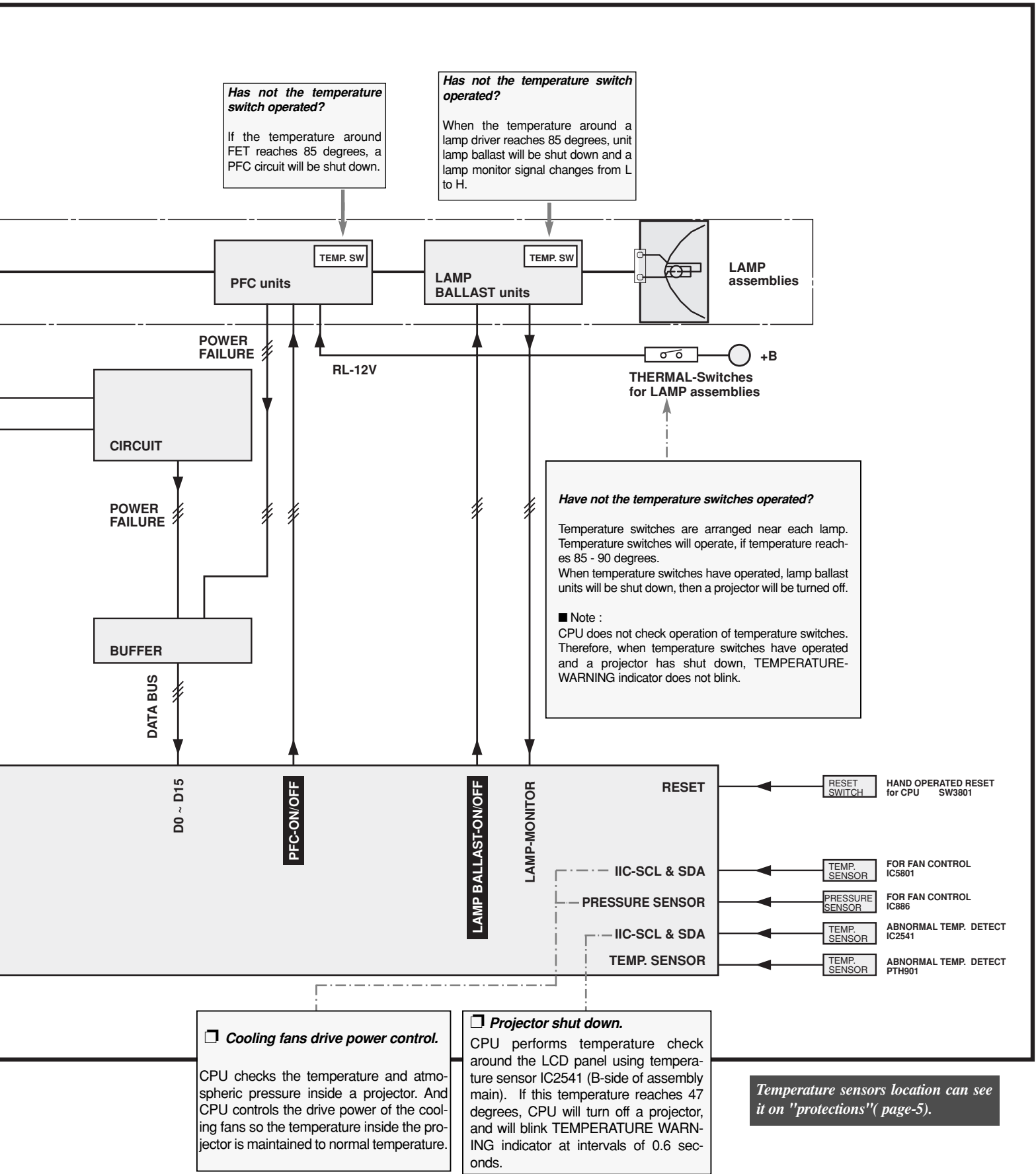
Doesn't the temperature warning indicator (red) blink?

The projector is turned off when the temperature around the LCD panel reaches 46 - 48 degrees. And a temperature warning indicator blinks.



NOTE : CPU OPERATION

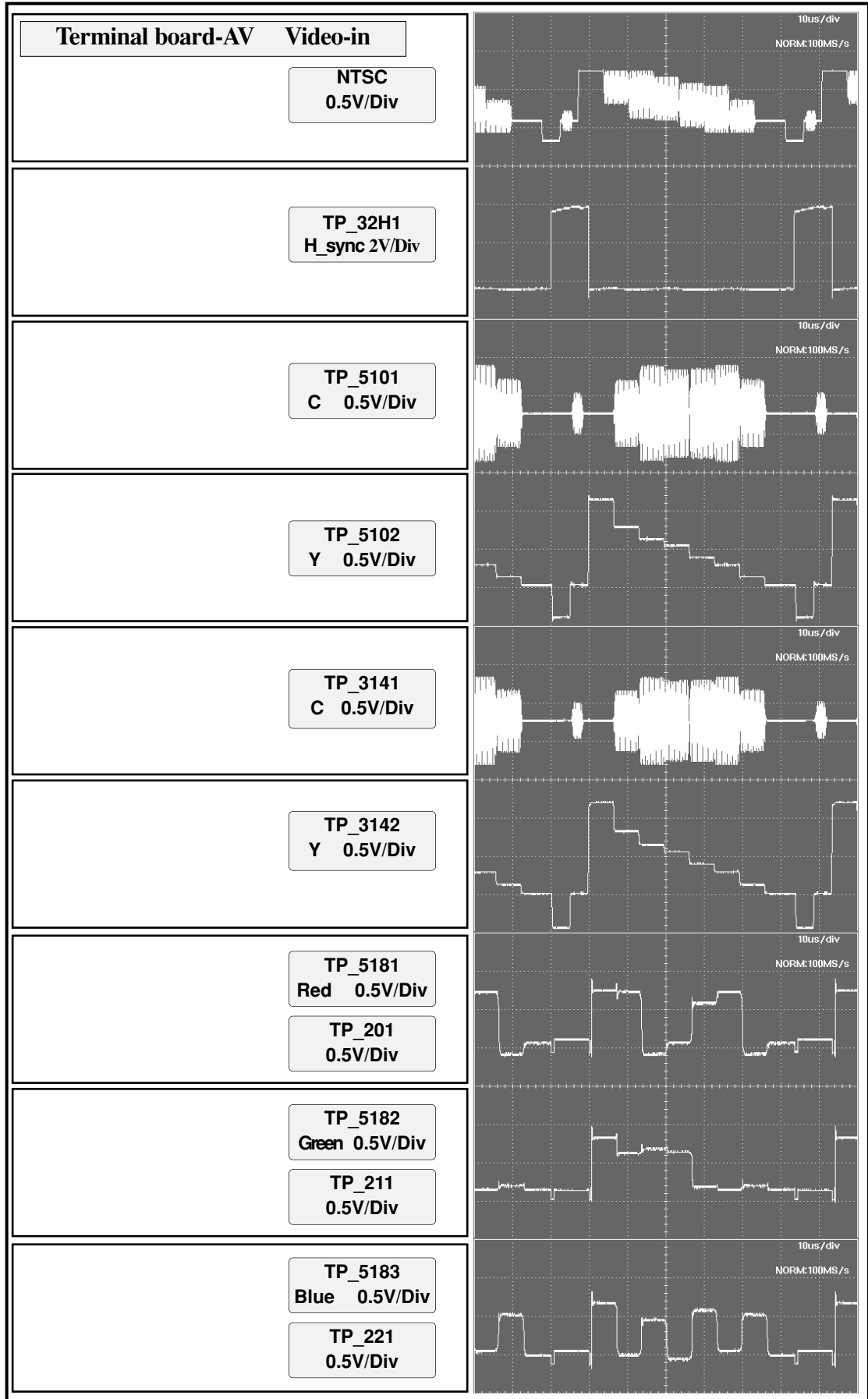
- CPU (IC801) performs an input check by the IIC-SDA signal pin.
- When it has detected abnormal condition, CPU turns off the projector compulsorily. Cooling fans operate until temperature returns to normal. Moreover, a projector cannot be turned on during this period.



Waveforms

Timing chart

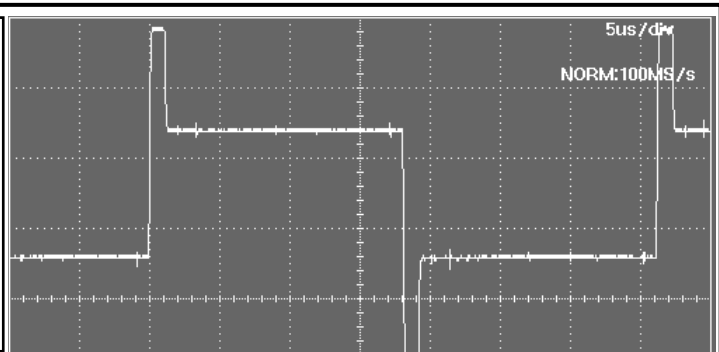
10us/Div



Timing chart

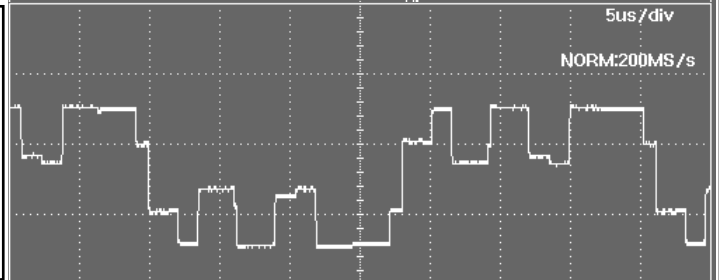
5us/Div

TP_2561
TP_2571
PSIG



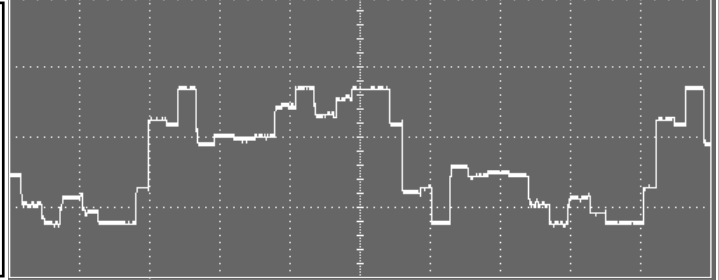
Red LCD panel drive signal

5V/Div



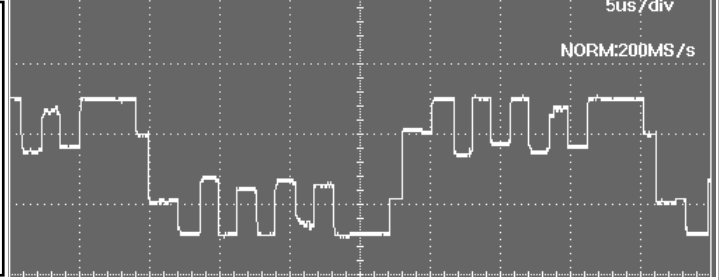
Green LCD panel drive signal

TP_2527 G 5V/Div
TP_2526 G 5V/Div



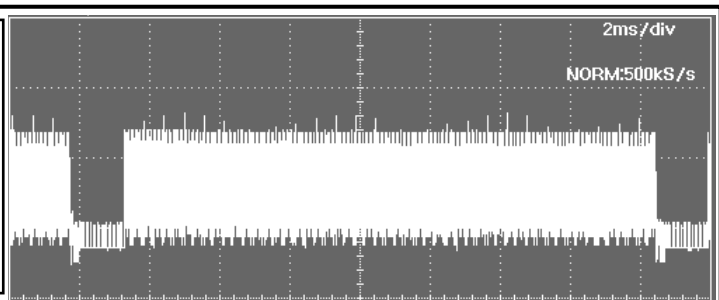
Blue LCD panel drive signal

5V/Div

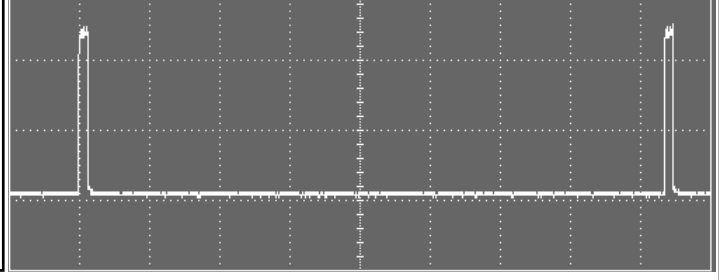


2ms/Div

Input_signal
NTSC 0.5V/Div



TP_32V1
V_sync 5V/Div



Alignment procedures

Service adjustment menu operation

■ To enter the "service mode."

To enter the service mode, press the "MENU" and "IMAGE" buttons on the projector simultaneously and hold for 2 seconds. As shown in a figure, a service mode display appears on a screen.

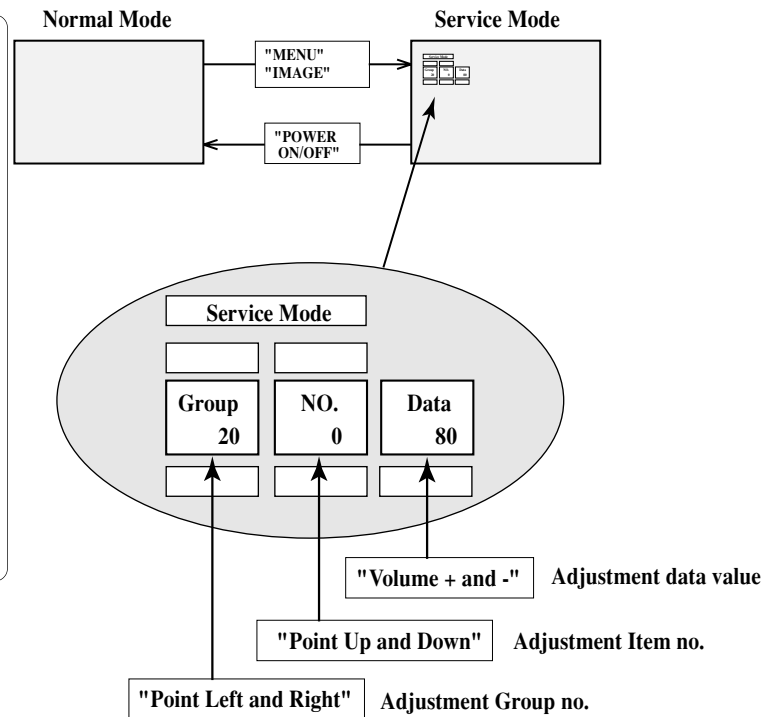
■ Adjustment.

Adjust service data using the following control buttons.

1. "POINT RIGHT" -- A group number increases.
2. "POINT LEFT" ---- A group number decreases.
3. "POINT UP" ----- An item number increases.
4. "POINT DOWN" -- An item number decreases.
5. "VOLUME +" ----- An adjustment value increases.
6. "VOLUME -" ----- An adjustment value decreases.

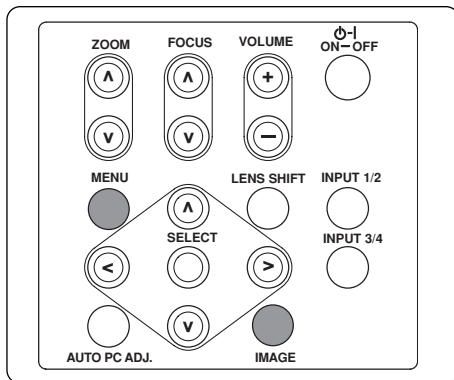
■ To exit the "service mode."

Press the "POWER on/off" button only once on the projector or remote control unit to quit the service mode.



To enter the "service mode."

Press the "MENU" and "IMAGE" buttons on the projector simultaneously and hold for 2 seconds.



■ Readjustments after Parts Replacement

After replacing electric parts and optical parts, electric readjustment and optical readjustment are required. Refer to the section of "parts list" for the required readjustment items after parts replacement.

(Refer to page 70.)

■ Service mode adjustment Menu

| Group-no. | Adjustment Item | Adjustment Mode | | | |
|-----------|---|-----------------|----|----|-----------|
| | | Not designated | PC | AV | Component |
| 140-0 | Fans-A driving voltage adjustment | ● | | | |
| 140-1 | Fans-A driving voltage adjustment | ● | | | |
| 140-2 | Fans-C driving voltage adjustment | ● | | | |
| 140-3 | Fans-C driving voltage adjustment | ● | | | |
| 140-4 | Fans-B driving voltage adjustment | ● | | | |
| 140-5 | Fans-B driving voltage adjustment | ● | | | |
| 141-0 | Fans driving voltage adjustment (max) | ● | | | |
| 141-2 | Fans driving voltage adjustment (auto) | ● | | | |
| 141-3 | Fans driving voltage adjustment (min) | ● | | | |
| 200-0 | G-Video center DC adjustment | | ● | | |
| 200-1 | R-Video center DC adjustment | | ● | | |
| 200-2 | B-Video center DC adjustment | | ● | | |
| 200-3 | PSIG signal adjustment | | ● | | |
| 200-4 | PSIG signal adjustment | | ● | | |
| 200-8 | Green Contrast adjustment-PC | | ● | | |
| 200-9 | Red Contrast adjustment-PC | | ● | | |
| 200-10 | Blue Contrast adjustment-PC | | ● | | |
| 200-11 | Green panel driving signal adjustment -PC | | ● | | |
| 200-12 | Green panel driving signal adjustment -PC | | ● | | |
| 200-13 | Red panel driving signal adjustment -PC | | ● | | |
| 200-14 | Red panel driving signal adjustment -PC | | ● | | |
| 200-15 | Blue panel driving signal adjustment -PC | | ● | | |
| 200-16 | Blue panel driving signal adjustment -PC | | ● | | |
| 200-17 | Flicker reduction--Green | | ● | | |
| 200-18 | Flicker reduction--Red | | ● | | |
| 200-19 | Flicker reduction--Blue | | ● | | |
| 210-8 | Green Contrast adjustment-AV | | | ● | |
| 210-9 | Red Contrast adjustment-AV | | | ● | |
| 210-10 | Blue Contrast adjustment-AV | | | ● | |
| 210-11 | Green panel driving signal adjustment -AV | | | ● | |
| 210-12 | Green panel driving signal adjustment -AV | | | ● | |
| 210-13 | Red panel driving signal adjustment -AV | | | ● | |
| 210-14 | Red panel driving signal adjustment -AV | | | ● | |
| 210-15 | Blue panel driving signal adjustment -AV | | | ● | |
| 210-16 | Blue panel driving signal adjustment -AV | | | ● | |

| Group-no. | Adjustment Item | Adjustment Mode | | | |
|-------------|--|-----------------|----|----|-----------|
| | | Not designated | PC | AV | Component |
| 210-14 & 16 | AV White balance adjustment. 4 lamp mode | | | ● | |
| 200-14 & 16 | PC White balance adjustment. 4 lamp mode | | ● | | |
| 211-14 & 16 | AV White balance adjustment. Lamp 1-4 of 2 lamp mode | | | ● | |
| 212-14 & 16 | AV White balance adjustment. Lamp 2-3 of 2 lamp mode | | | ● | |
| 1000-25 | AV Color and Tint adjustment | | | ● | |
| 1000-24 | AV Color and Tint adjustment | | | ● | |
| 1010-0 | AV Green Video signal adjustment | | | ● | |
| 1010-1 | AV Green Video signal adjustment | | | ● | |
| 1010-2 | AV Red Video signal adjustment | | | ● | |
| 1010-3 | AV Red Video signal adjustment | | | ● | |
| 1010-4 | AV Blue Video signal adjustment | | | ● | |
| 1010-5 | AV Blue Video signal adjustment | | | ● | |
| 0-0 | Temperature monitor IC5801 Read only | ● | | | |
| 0-1 | Temperature monitor IC2541 Read only | ● | | | |
| 1-0 | Atmospheric Pressure monitor IC886 Read only | ● | | | |
| 10-0 | RS232C Baud rate (0:9600 / 1:19200) | ● | | | |
| 10-1 | RS232C RTS/CTS Flow Control (0:Disable / 1:Enable) | ● | | | |
| 111-0 | Lamp-1 Lamp illumination time Read only | ● | | | |
| 111-1 | Lamp-2 Lamp illumination time Read only | ● | | | |
| 111-2 | Lamp-3 Lamp illumination time Read only | ● | | | |
| 111-3 | Lamp-4 Lamp illumination time Read only | ● | | | |
| 930-0 | Lamp mode 4 Lamp Mode (See Note.) | ● | | | |
| 930-1 | Lamp mode Lamp 1-4 of 2 Lamp Mode (See Note.) | ● | | | |
| 930-2 | Lamp mode Lamp 2-3 of 2 Lamp Mode (See Note.) | ● | | | |
| 998-0 | Grid Test Pattern Display | ● | | | |

Note : Group-no. 930

- If the data value appears "11" on the screen, the lamp mode is selected.
- If the data value appears "0" on the screen, the lamp mode is not selected. Set the data value to "10."
- If the data value appears "99" on the screen, it is period for cooling of the lamp. Wait until it is changed to "0." Then set the data value to "10."

Note; Fans control Group No. 140

Group Fans A: FN903,904,905,916
Group Fans C: FN909,910,911,912
917,918,919,920
Group Fans B: FN901,902,906,907
908,913,914,915

Caution :

Other adjustment items are not related to service and a maintenance. Don't change the data values of those adjustment items. Otherwise it may cause loss of product safety.

■ *Electrical adjustments*

Note :

■ The following adjustment is the adjustment item for Assembly power. The test point exists on **the Assembly power**.

1. Voltage adjustment.

■ The following adjustments are the adjustment item for Terminal board-AV. The adjustment data is stored to Terminal board-AV (IC2143). The test points exist on **the Terminal board-AV and the Assembly main**.

2. AV Video signal adjustments.

3. 3DNR-PLL Lock check.

4. AV Color and Tint adjustments.

■ The following adjustment is the adjustment item for Assembly sub power. But the adjustment data is stored to Assembly main (IC1811 and IC871). The test points exist on **the Assembly PBS fan-net, the Assembly EXH fan-net and the Assembly sub-power**.

5. Fans driving voltage adjustments.

■ The following adjustments are the adjustment item for Assembly main. The adjustment data is stored to Assembly main (IC1811 and IC871). The test points exist on **the Assembly main**.

6. Video center DC adjustments.

7. PSIG signal adjustments.

8. PC contrast adjustments.

9. AV contrast adjustments.

10. Panel driving signal adjustments -AV.

11. Panel driving signal adjustments -PC.

12. Flicker reduction.

13. White balance adjustments.

14. Unevenness color correction.

Location of test points can see it on "PWB parts location diagrams."

1. Voltage adjustment

| | |
|-------------|------------------------------|
| Equipment | Digital voltmeter |
| Connections | + K6D(2) - chassis ground |

Adjustment:
Adjust the voltage of K6D to **6.35±0.05V DC** with the VR652.

2. AV Video signal adjustments

| | |
|-------------------|---------------------------|
| Equipment | Oscilloscope |
| Input mode | AV |
| Input signal | 16 step gray scale signal |
| Picture condition | Normal |

Set the image to "Service mode."

2-1. AV Green Video adjustment

Connections : + TP211 or TP5182 / - chassis ground.
Adjust each item for below values with the Volume + and - buttons.

| Group | No. | Adjustment part. | Adjustment or adjustment value. |
|-------|-----|---------------------------------|---------------------------------|
| 1010- | 0 | Amplitude-A in a figure. | 0.7±0.05V_{p-p} |
| 1010- | 1 | Pedestal level and black level. | Make it the same level. |

2-2. AV Red Video adjustment

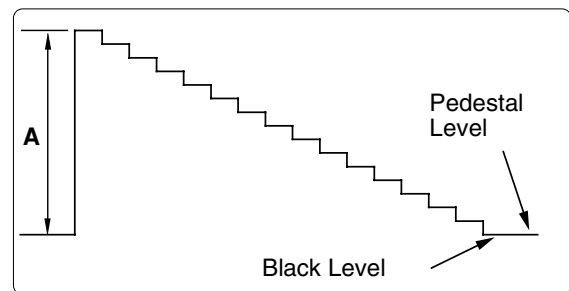
Connections : + TP201 or TP5181 / - chassis ground.
Adjust each item for below values with the Volume + and - buttons.

| Group | No. | Adjustment part. | Adjustment or adjustment value. |
|-------|-----|---------------------------------|---------------------------------|
| 1010- | 2 | Amplitude-A in a figure. | 0.7±0.05V_{p-p} |
| 1010- | 3 | Pedestal level and black level. | Make it the same level. |

2-3. AV Blue Video adjustment

Connections : + TP221 or TP5183 / - chassis ground.
Adjust each item for below values with the Volume + and - buttons.

| Group | No. | Adjustment part. | Adjustment or adjustment value. |
|-------|-----|---------------------------------|---------------------------------|
| 1010- | 4 | Amplitude-A in a figure. | 0.7±0.05V_{p-p} |
| 1010- | 5 | Pedestal level and black level. | Make it the same level. |



3. The voltage check of the 3D-Noise-reduction-PLL circuit.

| | |
|-------------------|----------------------------|
| Equipment | Digital voltmeter |
| Connections : | + TP5103/- chassis ground. |
| Input mode | AV |
| Input signal | Color bar signal(PAL) |
| Picture condition | Normal |

Check that the voltage of TP5103 is $2.9 \pm 0.5\text{VDC}$.

If it is not $2.9 \pm 0.5\text{VDC}$, check the periphery of the 3D-Noise-reduction-PLL circuit and repair it.

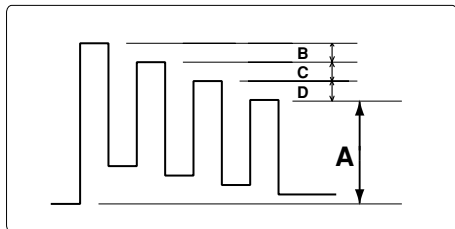
4. AV Color and Tint adjustments

| | |
|-------------------|--|
| Equipment | Oscilloscope. |
| Input mode | AV. |
| Input signal | Color bar signal(NTSC) |
| Picture condition | Normal. |
| Connections | + TP221 or TP5183 - chassis ground. |

Set the image to "Service mode."

Adjust each item for below values with the Volume + and - buttons.

| Group | No. | Adjustment part. | Adjustment or adjustment value. |
|-------|-----|------------------------------|---------------------------------|
| 1000- | 25 | Amplitude-A in a figure. | $0.45 \pm 0.02\text{Vp-p}$ |
| 1000- | 24 | Part-B, C and D in a figure. | Make those the same width. |



5. Fan driving voltage adjustments

| | |
|-----------|--------------------|
| Equipment | Digital voltmeter. |
|-----------|--------------------|

Set the image to "Service mode."

Adjust each item for below values with the Volume + and - buttons.

| Group | No. | Connection | Adjustment or adjustment value. |
|-------|-----|----------------|---------------------------------|
| 140- | 0 | TP7611 (Fan-A) | $18.0 \pm 0.1\text{VDC}$ |
| 140- | 1 | TP7611 (Fan-A) | $24.0 \pm 0.1\text{VDC}$ |
| 140- | 2 | TP2661 (Fan-C) | $9.0 \pm 0.1\text{VDC}$ |
| 140- | 3 | TP2661 (Fan-C) | $14.0 \pm 0.1\text{VDC}$ |
| 140- | 4 | TP2671 (Fan-B) | $9.0 \pm 0.1\text{VDC}$ |
| 140- | 5 | TP2671 (Fan-B) | $14.0 \pm 0.1\text{VDC}$ |

6. Video center DC adjustments

| | |
|--------------|----------------------------|
| Equipment | Digital voltmeter. |
| Input mode | Computer. |
| Input signal | 16 step gray scale signal. |

Set the image to "Service mode."

Adjust each item for below values with the Volume + and - buttons.

| Group | No. | Connection | Adjustment or adjustment value. |
|-------|-----|---------------|---------------------------------|
| 200- | 0 | TP2526 (G-DC) | $7.4 \pm 0.1\text{VDC}$ |
| 200- | 1 | TP2516 (R-DC) | $7.4 \pm 0.1\text{VDC}$ |
| 200- | 2 | TP2536 (B-DC) | $7.4 \pm 0.1\text{VDC}$ |

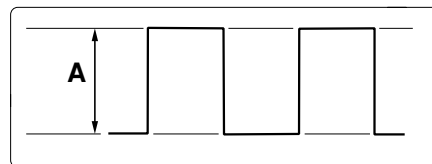
7. PSIG signal adjustments

| | |
|--------------|---------------------------|
| Equipment | Oscilloscope. |
| Input mode | Computer. |
| Input signal | 16 step gray scale signal |

Set the image to "Service mode."

Adjust each item for below values with the Volume + and - buttons.

| Group | No. | Connection | Adjustment part. | Adjustment or adjustment value. |
|-------|-----|------------|--------------------------|---------------------------------|
| 200- | 3 | TP2561 | Amplitude-A in a figure. | $9.0 \pm 0.1\text{Vp-p}$ |
| 200- | 4 | TP2571 | Amplitude-A in a figure | $2.6 \pm 0.1\text{Vp-p}$ |

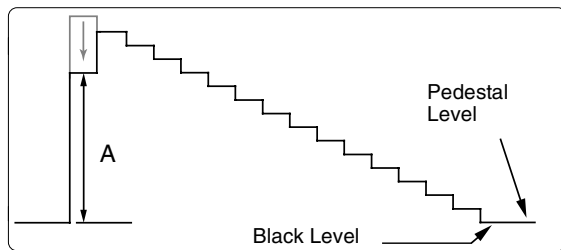


8. Contrast adjustments-PC

Equipment Oscilloscope.
 Input mode Computer.
 Input signal 16 step gray scale signal
 Set the image to "Service mode."

Adjust each test point value part-A in a figure minimum amplitude with the Volume + and - buttons.

| Group | No. | Connection |
|-------|-----|------------------------------------|
| 200- | 8 | TP2526 (Green contrast adjustment) |
| 200- | 9 | TP2516 (Red contrast adjustment) |
| 200- | 10 | TP2536 (Blue contrast adjustment) |

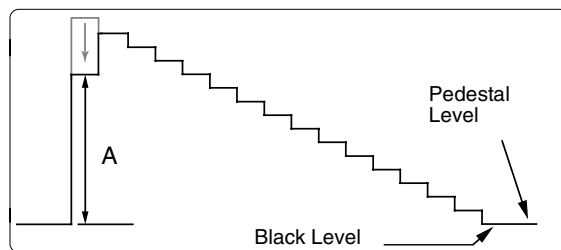


9. Contrast adjustments-AV

Equipment Oscilloscope.
 Input mode AV.
 Input signal 16 step gray scale signal
 Set the image to "Service mode."

Adjust each test point value part-A in a figure minimum amplitude with the Volume + and - buttons.

| Group | No. | Connection |
|-------|-----|------------------------------------|
| 210- | 8 | TP2526 (Green contrast adjustment) |
| 210- | 9 | TP2516 (Red contrast adjustment) |
| 210- | 10 | TP2536 (Blue contrast adjustment) |



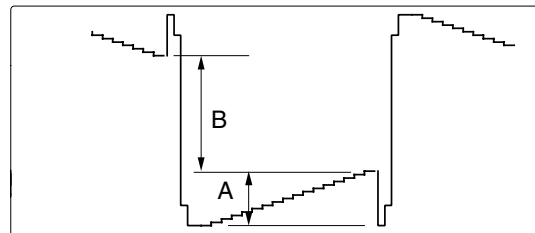
10. Panel driving signal adjustments -AV

Equipment Oscilloscope.
 Input mode AV.
 Input signal 16 step gray scale signal
 Picture condition Normal.

Set the image to "Service mode."

Adjust each item for below values with the Volume + and - buttons.

| Group | No. | Connection | Adjustment part. | Adjustment or adjustment value. |
|-------|-----|---------------|--------------------------|---------------------------------|
| 210- | 11 | TP2526(Green) | Amplitude-A in a figure. | $4.1 \pm 0.05V_{p-p}$ |
| 210- | 12 | TP2526(Green) | Amplitude-B in a figure. | $1.8 \pm 0.05V_{p-p}$ |
| 210- | 13 | TP2516(Red) | Amplitude-A in a figure. | $4.1 \pm 0.05V_{p-p}$ |
| 210- | 14 | TP2516(Red) | Amplitude-B in a figure. | $1.8 \pm 0.05V_{p-p}$ |
| 210- | 15 | TP2536(Blue) | Amplitude-A in a figure. | $4.1 \pm 0.05V_{p-p}$ |
| 210- | 16 | TP2536(Blue) | Amplitude-B in a figure. | $1.8 \pm 0.05V_{p-p}$ |



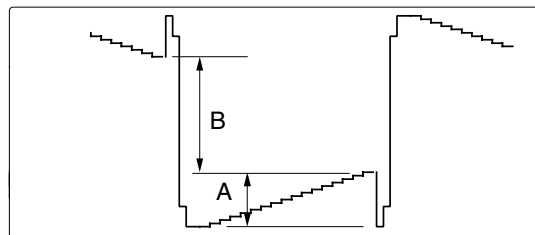
11. Panel driving signal adjustments -PC

Equipment Oscilloscope.
 Input mode Computer
 Input signal 16 step gray scale signal

Set the image to "Service mode."

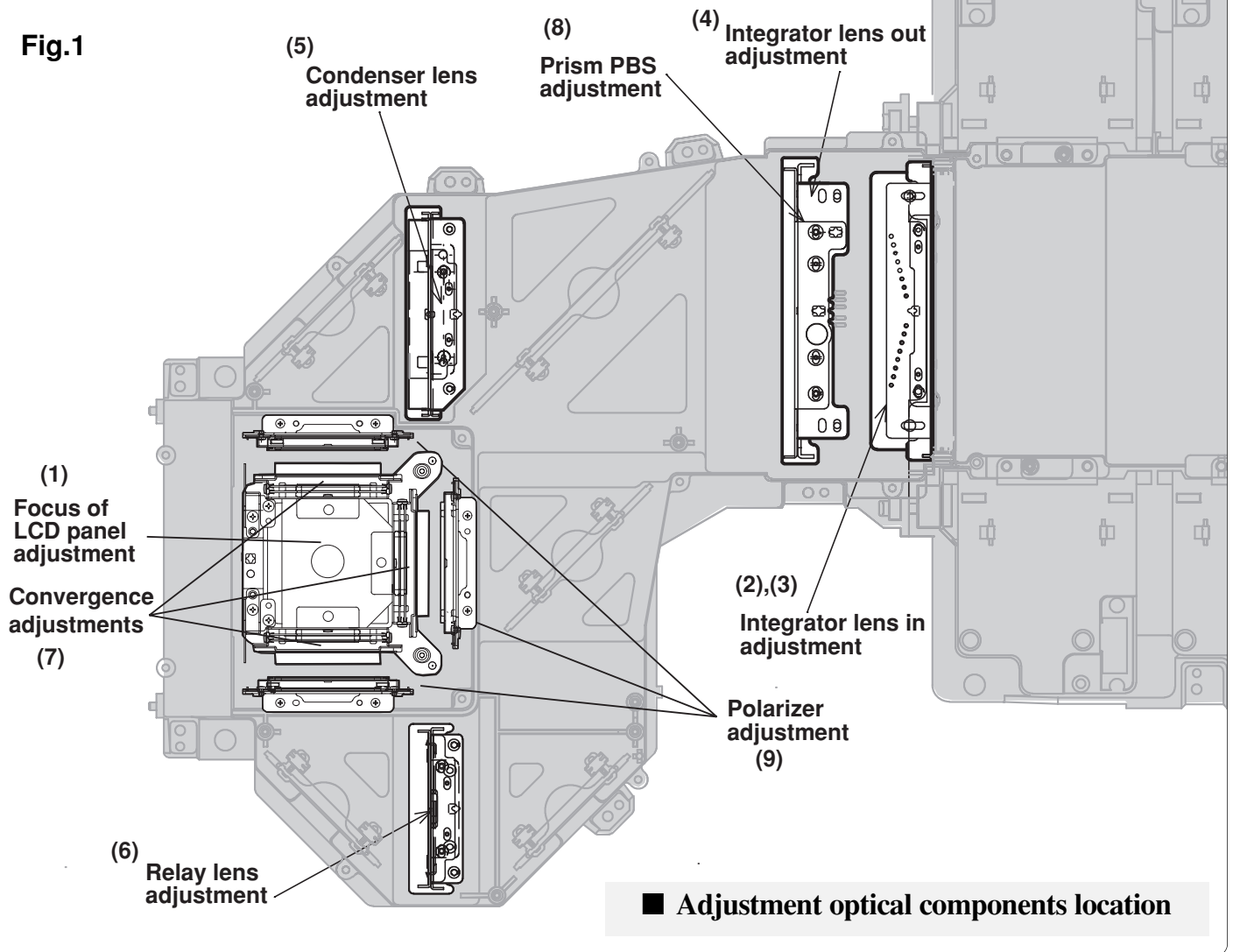
Adjust each item for below values with the Volume + and - buttons.

| Group | No. | Connection | Adjustment part. | Adjustment or adjustment value. |
|-------|-----|---------------|--------------------------|---------------------------------|
| 200- | 11 | TP2526(Green) | Amplitude-A in a figure. | $4.1 \pm 0.05V_{p-p}$ |
| 200- | 12 | TP2526(Green) | Amplitude-B in a figure. | $1.7 \pm 0.05V_{p-p}$ |
| 200- | 13 | TP2516(Red) | Amplitude-A in a figure. | $4.1 \pm 0.05V_{p-p}$ |
| 200- | 14 | TP2516(Red) | Amplitude-B in a figure. | $1.7 \pm 0.05V_{p-p}$ |
| 200- | 15 | TP2536(Blue) | Amplitude-A in a figure. | $4.1 \pm 0.05V_{p-p}$ |
| 200- | 16 | TP2536(Blue) | Amplitude-B in a figure. | $1.7 \pm 0.05V_{p-p}$ |



Optical components adjustments

Fig.1



Optical components adjustments procedure

When adjusting optical component, adjust each adjustment item in numerical order. Incorrect adjustment steps may produce improper adjustment. The items adjusted correctly can be omitted from the steps.

- (1) Focus of LCD panel adjustment.
- (2) Integrator-lens-in 1 adjustment. (turn)
- (3) Integrator-lens-in 2 adjustment. (top / bottom)
- (4) Integrator-lens-out adjustment. (left / right)
- (5) Condenser-lens adjustment.
- (6) Relay-lens adjustment.
- (7) Convergence adjustment.
- (8) Prism PBS adjustment.
- (9) Polarizer adjustment.

■ Before Adjustment

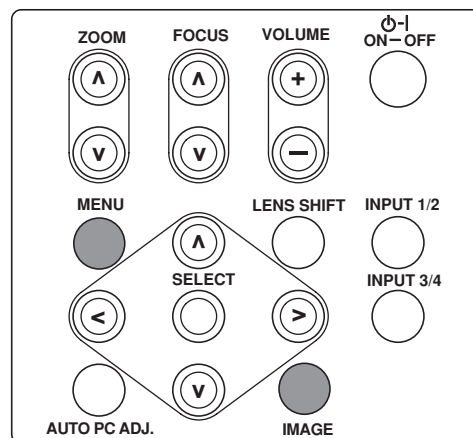
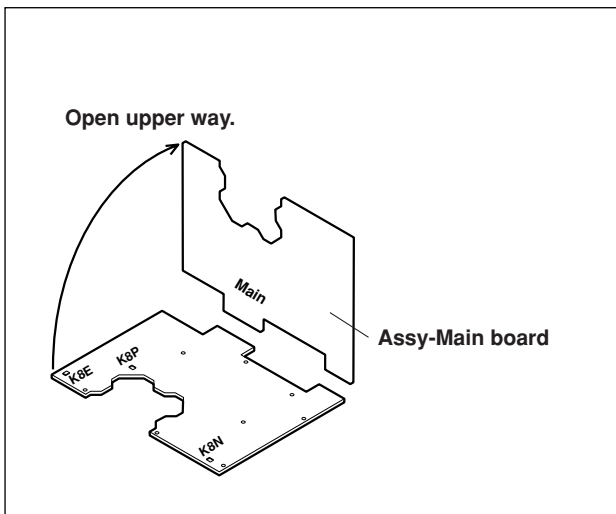
1. Each adjustment requires ball allen wrenches and slot screwdrivers.
2. Set the motorized lens shift to the center position (horizontal and vertical) with Lens Shift Button. Lens shift arrow on screen turns red at center of lens shift.
3. When adjusting optical components adjustments, using Standard Zoom Lens (LNS-S03) is recommended.
4. Display adjustment grid pattern in service mode. For setting service mode, refer to page 42 "Service adjustment menu operation".
 - a) Set the projector to "service mode."
 - b) Select Group no. 998-0.
 - c) Press the Volume+ - buttons, and each color grid pattern is displayed.
 - d) Press menu button to quit the service mode.
5. When adjusting the Integrator Lenses and Prism PBS, remove the flexible cables of the LCD panels from the Assembly-Main board.
6. When adjusting lenses of the Relay and Condenser, follow the following procedure.
 - a) Remove the connectors K8E, K8N, K8P and three flexible cables of the LCD panels from the Assembly Main. (Do not touch the electrode of flexible cables.)
 - b) As shown in a figure below, set the Assembly Main board to the upright position.

CAUTION: Do not short Assy-Main board with the chassis. Protect Assy-Main board with necessary isolation materials from shorting.

To enter the "service mode."

To enter the service mode, press the "MENU" and "IMAGE" buttons on the projector simultaneously and hold for 2 seconds.

Refer to Service adjustment menu operation. (page 42-44)



CAUTION: When adjusting the optical components, do not insert any materials into the optical block for blocking the light. optical block may be damaged by overheating or scratching the parts.

■ Required adjustments after parts replacement.

Check the following adjustment items after below optical parts are replaced.

(Part location No. 102,103,110,111,112,113,114,115,116,117,118,119,121,122,see figure in page 20.)

- (2) Integrator-lens-in adjustment-1**
- (3) Integrator-lens-in adjustment-2**
- (4) Integrator-lens-out adjustment**
- (5) Condenser-lens adjustment**
- (6) Relay-lens adjustment**
- (8) Prism-PBS adjustment**
- (9) Polarizer adjustment**

When replacement the parts which needs the adjustment, readjust the following adjustment items.

1. Integrator-lens-in, Integrator-lens-out, Prism-PBS

When the integrator-lens-in, integrator-lens-out and Prism-PBS are replaced.

Readjust the following adjustment items.

- (2) Integrator-lens-in adjustment-1**
- (3) Integrator-lens-in adjustment-2**
- (4) Integrator-lens-out adjustment**
- (8) Prism-PBS adjustment**

2. Condenser-lens

When the condenser-lens is replaced.

Readjust the following adjustment items.

- (5) Condenser-lens adjustment**

3. Relay-lens

When the relay-lens is replaced.

Readjust the following adjustment items.

- (6) Relay-lens adjustment**

4. Polarization-glasses

When the polarization-glasses and optical filter (wv) are replaced.

Readjust the following adjustment items.

- (9) Polarizer adjustment**

5. LCD Panel

When the LCD panel is replaced.

Readjust the following adjustment items.

- (1) Focus of LCD Panel adjustment**
- (7) Convergence adjustment**
- (9) Polarizer adjustment**

Flicker reduction*

White balance adjustments*

Unevenness color correction*

* : Refer to Service
Adjustment Page 45~48.

6. Prism/LCD panel assembly

When the Prism/LCD panel assembly is replaced.

Readjust the following adjustment items.

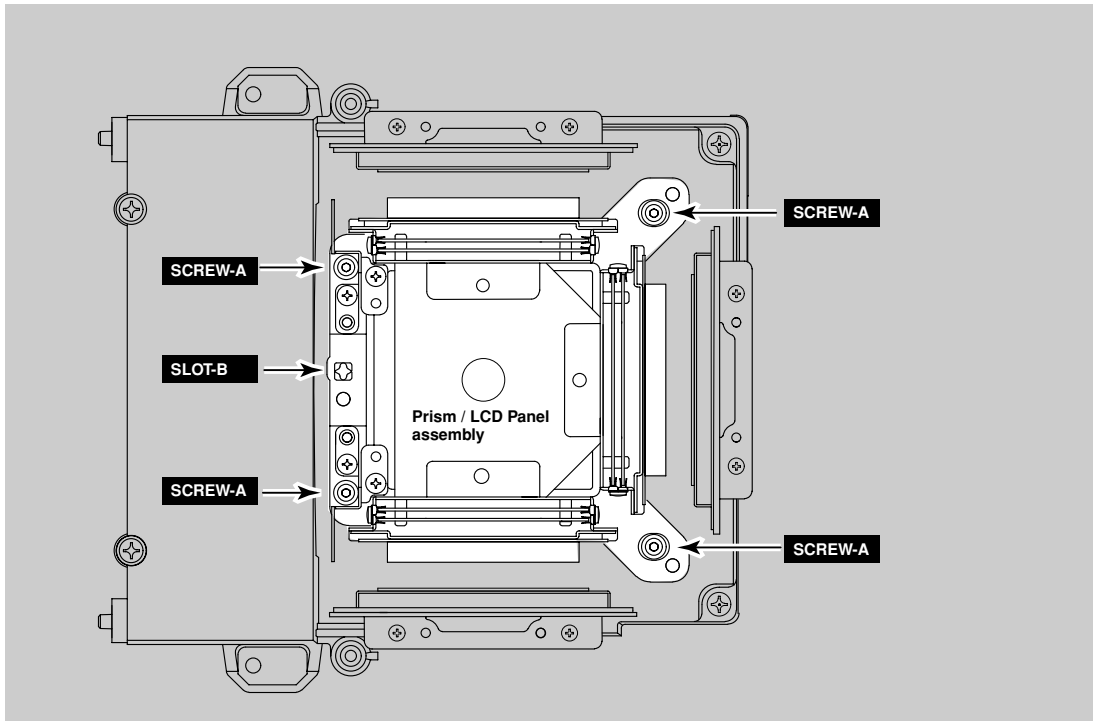
- (1) Focus of LCD Panel adjustment**
- (9) Polarizer adjustment**

Flicker reduction*

White balance adjustments*

Unevenness color correction*

(1) Focus Adjustment of LCD Panel

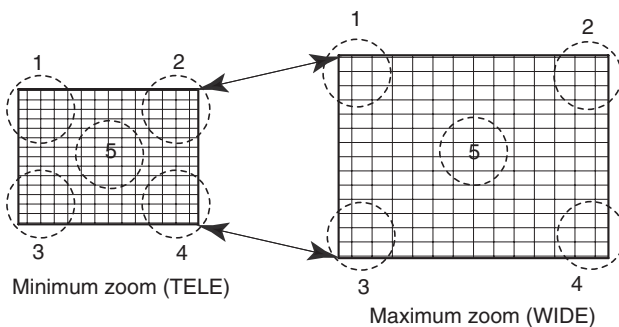


Before Adjustment :

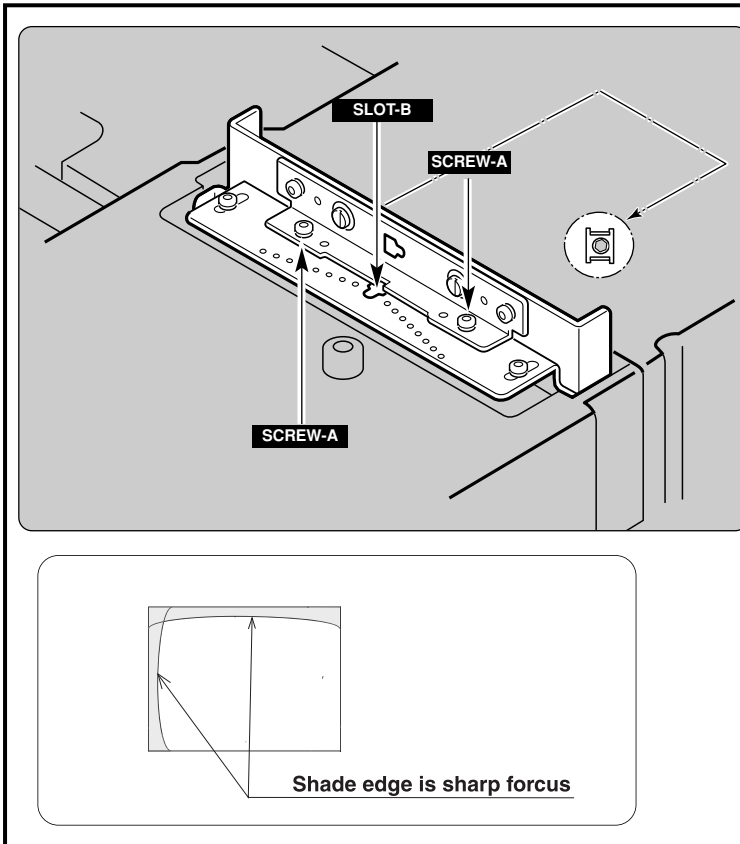
1. Turn on a projector.
2. Set the projector to "service mode" and project a green grid pattern on a screen. Adjust green grid pattern to sharp focus by pressing Focus (^)(v) buttons on the projector or remote control unit.
3. Press Zoom(^)(v) buttons on the projector or remote control unit. When focus is changed at minimum Zoom and maximum Zoom, following adjustment is necessary.

Adjustment :

1. Loosen 4 screws-A using ball allen wrench.
2. Set image size to the minimum, pressing Zoom (v) button on the projector or remote control unit.
3. Adjust center part of green grid pattern to sharp focus, pressing Focus (^)(v) buttons on the projector or remote control unit.
4. Set image size to the maximum, pressing Zoom (^) button on the projector or remote control unit.
5. Insert a slot screwdriver into slot-B, turn it and adjust center part and four corners on the green grid pattern to sharp focus.
6. Repeat steps 2 to 5. Until focus does not shift by the ZOOM position between TELE and WIDE.
7. Tighten 4 screws-A to fix the assembly LCD panel / prism using ball allen wrench.



(2) Integrator-lens-in adjustment-1



Before Adjustment :

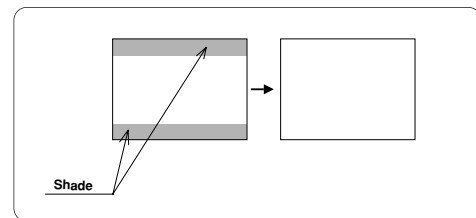
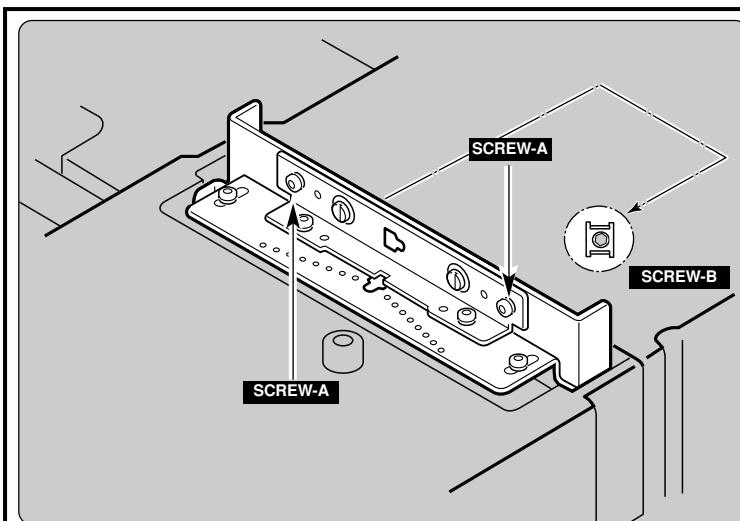
1. Remove the flexible cables of LCD panels from the assembly Main. And turn on the projector.
2. Shift the adjustment position of Integrator-lens-out temporarily until shade appears the right or the left on the screen.
Shift the adjustment position of Integrator-lens-in temporarily until shade appears the top or the bottom on the screen.

Adjustment :

1. loosen 2 screws A.
2. Insert slot screwdriver into slot B, turn it until the shade edge is sharp focus.
- 3 Tighten the 2 screws A to fix the integrator-lens-in unit.

After the Integrator-lens-in-1 adjustment, readjust the Integrator-lens-in-2, and Integrator-lens-out. Refer to "Integrator-lens-out adjustment" and "Integrator-lens-in-2" of next step for the adjustment method.

(3) Integrator-lens-in adjustment-2



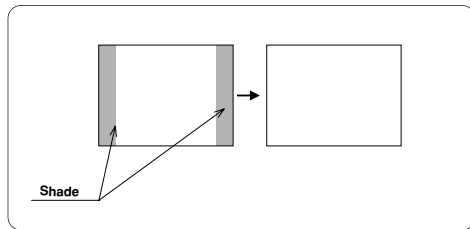
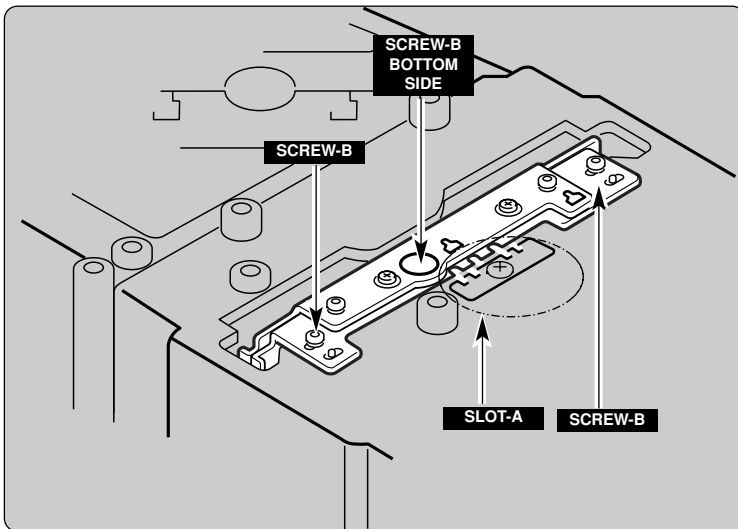
Before Adjustment :

1. Remove the flexible cables of LCD panels from the assembly Main. And turn on the projector.
2. If the shade appears on the top or bottom of the screen, adjust in the following procedure.

Adjustment :

1. Loosen 2 screws-A.
2. Insert a ball allen wrench into screw-B, turn it and erase shade.
3. Tighten the 2 screws A to fix the integrator lens-in unit.

(4) Integrator-lens-out adjustment



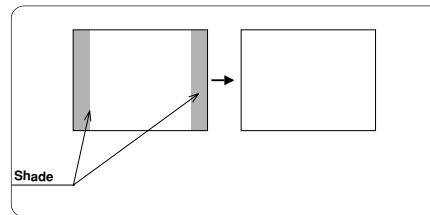
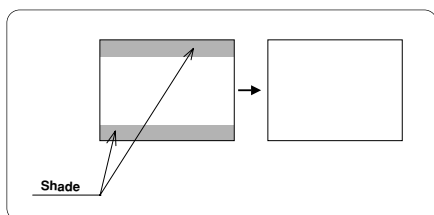
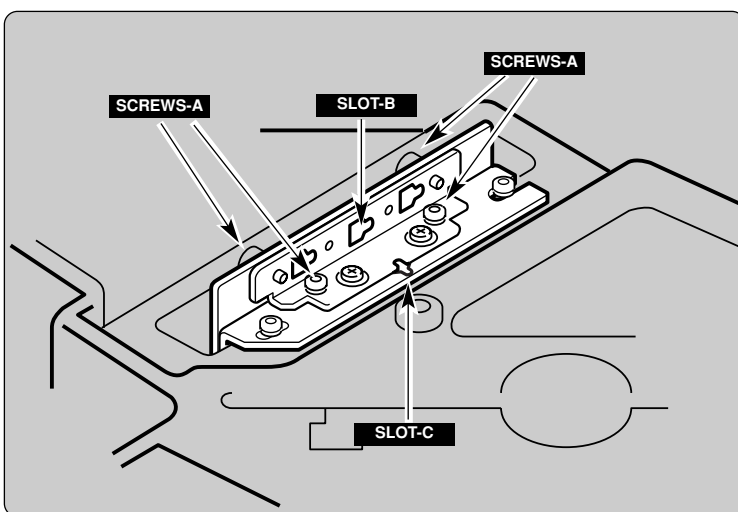
Before Adjustment :

1. Remove the flexible cables of LCD panels from the assembly Main. And turn on the projector.
2. If the shade appears on the left or right of the screen, adjust in the following procedure.

Adjustment :

1. Loosen 3 screws-B.
2. Insert a slot screwdriver into slot-A, turn it and erase shade.
3. Tighten the 3 screws B to fix the integrator lens-out unit.

(5) Condenser-lens adjustment



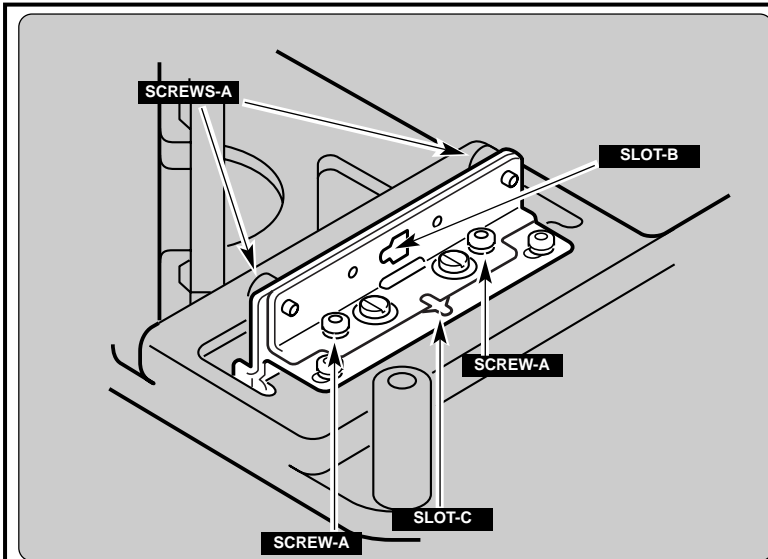
Before Adjustment :

1. Remove the connector K8E, connector K8N, connector K8P and the flexible cables of LCD panels from the assembly Main. And turn on the projector.
2. If the shade appears on the screen, adjust in the following procedure.

Adjustment :

1. Set the assembly-Main to the upright position.
2. Loosen 4 screws-A.
3. If it appears on the top or bottom.---> Use slot-B.
If it appears on the left or right. ----> Use slot-C.
-- Insert slot screwdriver into each slot, turn it and erase shade. --
4. Tighten the 4 screws-A to fix the condenser-lens unit.

(6) Relay-lens adjustment

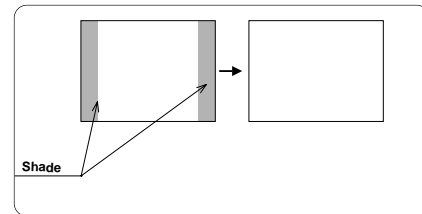
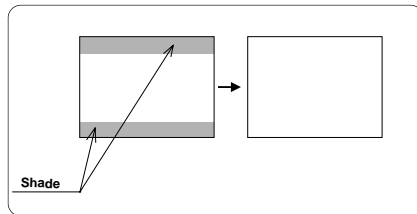


Before Adjustment :

1. Remove the connector K8E, connector K8N, connector K8P and the flexible cables of LCD panels from the assembly Main. And turn on the projector.
2. If the shade appears on the screen, adjust in the following procedure.

Adjustment :

1. Set the assembly-Main to the upright position.
2. Loosen 4 screws-A.
3. If it appears on the top or bottom.----> Use slot-B.
If it appears on the left or right. ----> Use slot-C.
-- Insert slot screwdriver into each slot, turn it and erase shade. --
4. Tighten the 4 screws-A to fix the Relay-lens unit.



(7) Convergence adjustment

When adjusting convergence of LCD panels, Convergence Adjustment Tool is needed.
(This Tool can be ordered as a service parts. Parts No. shown below.)
Mount Adjustment Tool on the LCD panel and adjust each panel convergence.

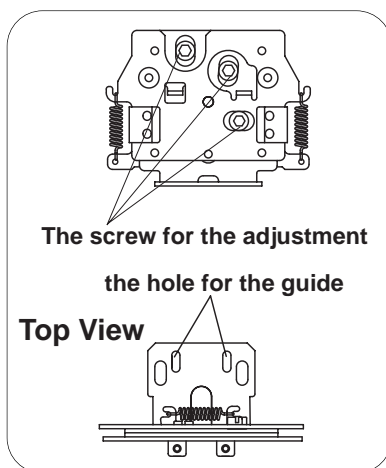
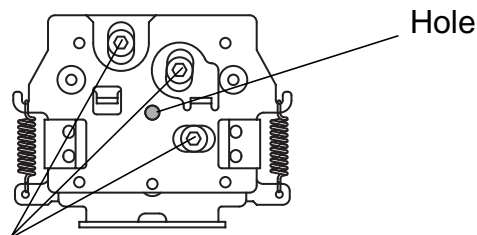


Fig.1
Convergence Adjustment Tool
(part No. : 610 304 8208)

Screw Setting



Adjust each screw for Hole can be seen clearly through the hole.

Convergence Adjustment Tool can be ordered.
Give the following information to the dealer.
Name ; Assembly CG Adjust LCD - MT8A
Service Parts No. 610 304 8208

CONVERGENCE ADJUSTMENT TOOL INSTALLATION AND REMOVAL

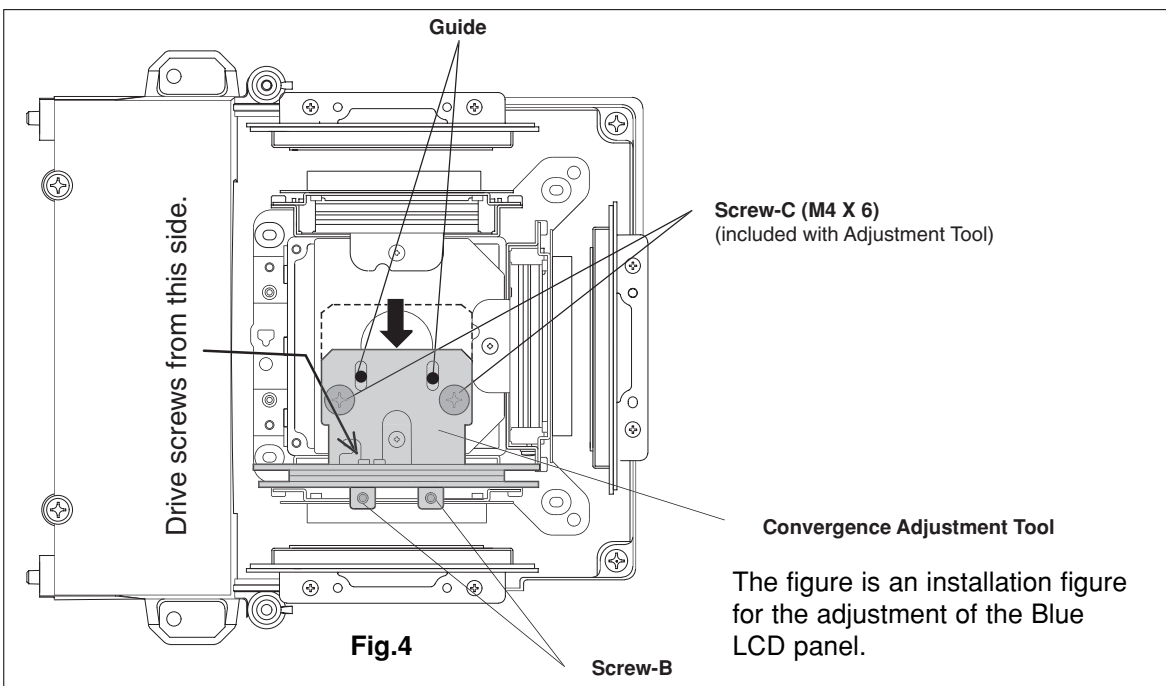
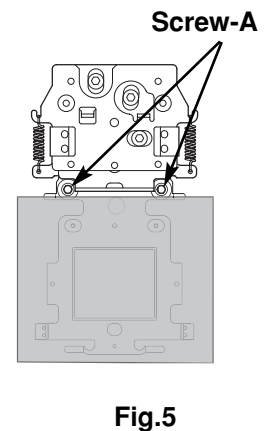
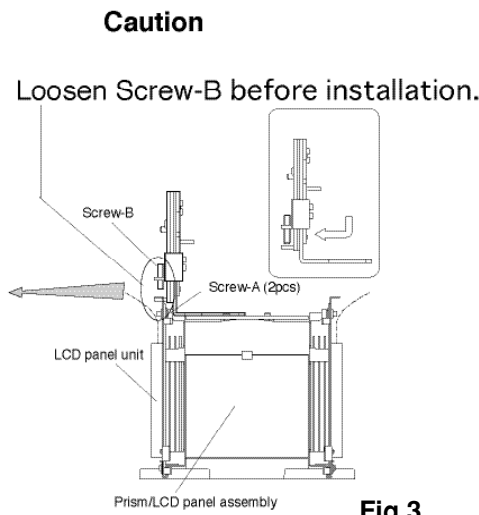
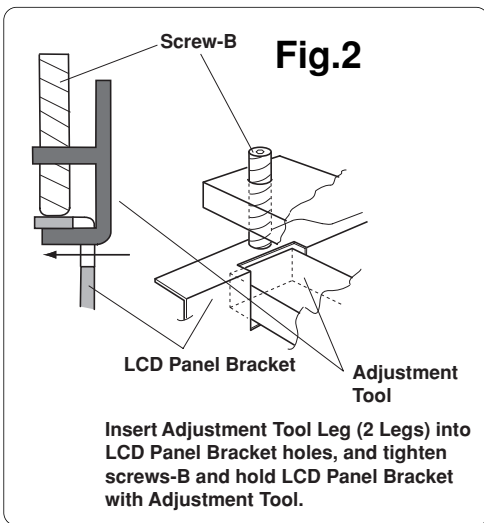
Note; Before mounting the Adjustment Tool, set adjustment screws of Adjustment Tool in center of the adjustment range. Refer to Screw Setting. Figure in page 55.

1. Loosen 2screws-A of Prism Assy. See Fig.5
CAUTION: When loosening the screws-A, do not touch the other mechanical part or give it shock.
2. Fully loosen 2screws-B on the Adjustment Tool. See Fig.3
3. Fully Slide the Adjustment Tool part-A into the LCD Panel Bracket hole.
4. Mount Adjustment Tool on the Prism Assy with screws-C attached with Adjustment Tool along the guide on top of Prism Assy. See Fig.4
CAUTION: Do not use other kind of screws for mounting, otherwise Prism Assy may be damaged.
5. Tighten screws-B and hold the LCD Panel Bracket. See Fig.2

TO REMOVE ADJUSTMENT TOOL

After completing the adjustment, remove the Adjustment Tool as follows.

1. Loosen 2screws-B and release LCD Panel Bracket.
2. Remove 2screws-C, then remove Adjustment Tool.



■ Convergence adjustment

For convergence adjustment, use Green as the reference standard. Align Red and Blue with Green by adjusting the position and angle of the Red and Blue LCD panel. Screws A,B and C(Fig.1) are for convergence adjustment. When adjusting the Green reference LCD panel, both on Red and Blue LCD panel should be adjusted with Green LCD panel.

[Before adjustment]

Make sure each Red,Green and Blue LCD panel unit has been correctly installed,and that all focus adjustments have been completed before performing convergence adjustments.



Caution

To block the light, do not insert the object into the optical block, otherwise, optical parts may be damaged.

Line Movement and Screw Turning

1. Adjustment screw "A" to turns the line.
2. Adjustment screw "B" to moves the line right and left.
3. Adjustment screw "C" to moves the line up and down.
(Fig.1)

Screw A

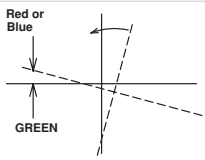


Fig.2

Screw B

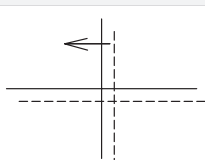


Fig.3

Screw C

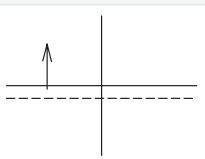


Fig.4

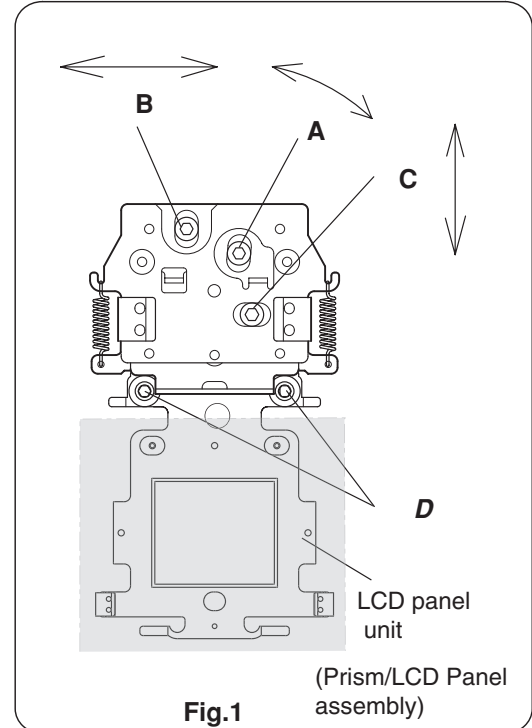


Fig.1

(Prism/LCD Panel assembly)

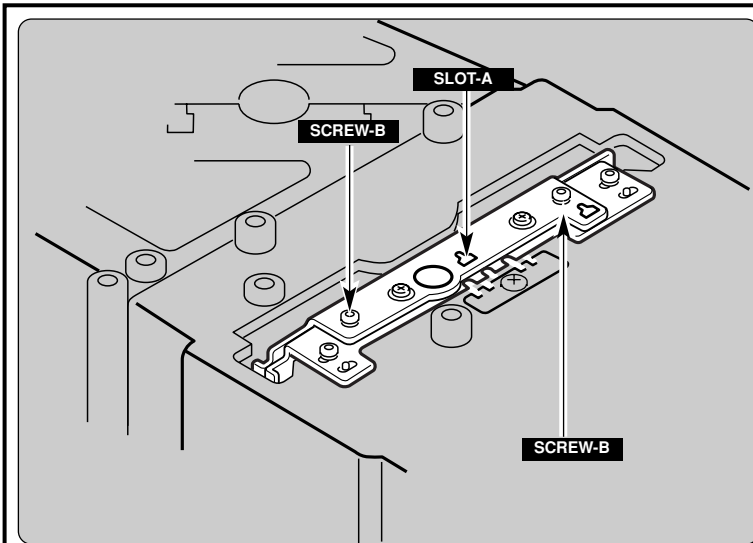
Red (or Blue) Panel convergence adjustment

1. Display Red (or Blue) and Green color crosshatch pattern by setting with service mode.
(See page 42 for setting service mode.)
2. Turn the Red lines to be paralleled with Green lines by adjusting screw-A.
3. Adjust screw-B to converge Red and Green vertical lines.
4. Repeat steps 2 and 3 until Red and Green vertical lines converged properly.
5. Adjust screw-C and converge Red and Green horizontal lines properly.
6. Repeat step 2,3 and 5 until Red and Green lines converged properly.
7. Tighten screws-D.
8. Remove Adjustment Tool from Prism Assy.

Note; If Red and Blue lines do not converge with green lines, loosen screws-D of Green reference panel and adjust Green panel slightly.

Note; When removing an Adjustment Tool after adjustment, loosen screws-B of Adjustment Tool first, otherwise adjustment may be changed.

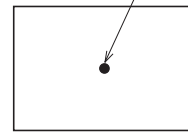
(8) Prism P.B.S. adjustment



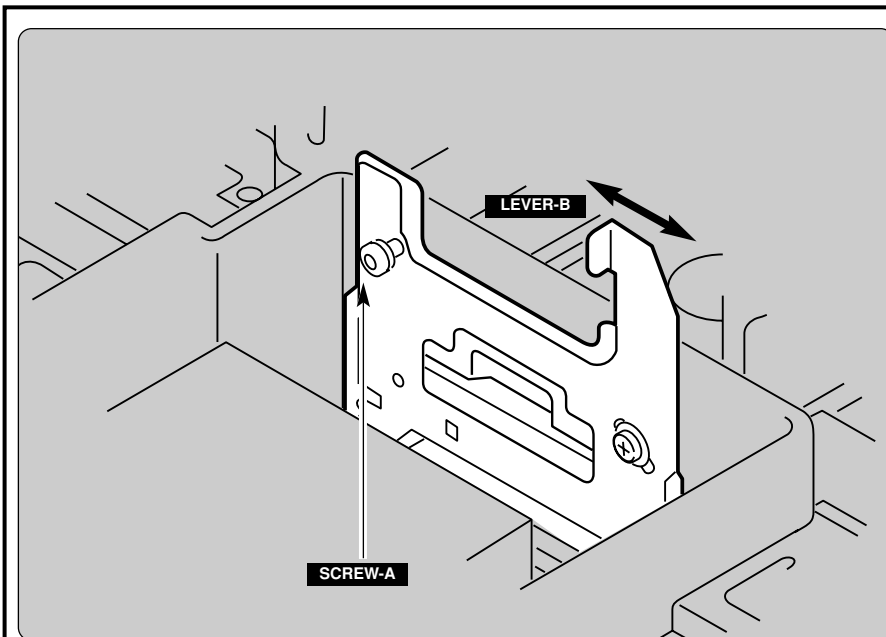
Adjustment :

1. Remove the flexible cables of LCD panels from the assembly Main. And turn on the projector.
2. Loosen 2 screws-B.
(one screw is inside of the optical unit)
3. Insert a slot screwdriver into slot-A, turn it and adjust the center position of screen to maximum brightness.
4. Tighten the 2 screws-B to fix the prism PBS unit.

Measure brightness screen center



(9) Polarizer adjustment



R, G and B polarizer adjustment :

1. Turn on a projector. And input the black raster signal(0% of white raster signal.)
2. Loosen screw-A on the polarizer unit which you intend to adjust using ball allen wrench.
3. Move the lever-B in the direction of an arrow and adjust the brightness on the screen to the lowest level of black.
4. Tighten the screw-A to fix the polarizer unit.
5. Adjust the polarizer of other colors.

CPU and I/O-Expander Control port functions

CPU (IC801 144 pin) Control port functions

| Pin No. | Name | Function Name | Function | Polarity | I/O |
|---------|--------------------------|---------------|---|----------|-----|
| 1 | PA23/WRHH | USB RESET | USB Reset signal | Active L | O |
| 2 | PE14/TIOC4C/DACK0/AH | | | | O |
| 3 | PA22/WRHL | | | | |
| 4 | PA21/CASHH | RS232C_SW | RS232C Output select signal | always L | O |
| 5 | PE15/TIOC4D/DACK1/IRQOUT | POWER SW | "L":Power OFF "H":Power ON | | O |
| 6 | VSS | GND | | | |
| 7 | PC0/A0 | ADDRESS0 | Address Bus 0 | | O |
| 8 | PC1/A1 | ADDRESS1 | Address Bus 1 | | O |
| 9 | PC2/A2 | ADDRESS2 | Address Bus 2 | | O |
| 10 | PC3/A3 | ADDRESS3 | Address Bus 3 | | O |
| 11 | PC4/A4 | ADDRESS4 | Address Bus 4 | | O |
| 12 | VCC | 5V | | | |
| 13 | PC5/A5 | ADDRESS5 | Address Bus 5 | | O |
| 14 | VSS | GND | | | |
| 15 | PC6/A6 | ADDRESS6 | Address Bus 6 | | O |
| 16 | PC7/A7 | ADDRESS7 | Address Bus 7 | | O |
| 17 | PC8/A8 | ADDRESS8 | Address Bus 8 | | O |
| 18 | PC9/A9 | ADDRESS9 | Address Bus 9 | | O |
| 19 | PC10/A10 | ADDRESS10 | Address Bus 10 | | O |
| 20 | PC11/A11 | ADDRESS11 | Address Bus 11 | | O |
| 21 | PC12/A12 | ADDRESS12 | Address Bus 12 | | O |
| 22 | PC13/A13 | ADDRESS13 | Address Bus 13 | | O |
| 23 | PC14/A14 | ADDRESS14 | Address Bus 14 | | O |
| 24 | PC15/A15 | ADDRESS15 | Address Bus 15 | | O |
| 25 | PB0/A16 | ADDRESS16 | Address Bus 16 | | O |
| 26 | VCC | 5V | | | |
| 27 | PB1/A17 | ADDRESS17 | Address Bus 17 | | O |
| 28 | VSS | GND | | | |
| 29 | PA20/CASHL | SCL 1 | IIC Bus 1 Clock | | I/O |
| 30 | PA19/BACK/DRAK1 | SDA 1 | IIC Bus 1 Data | | I/O |
| 31 | PB2/IRQ0/POE0/RAS | | | | |
| 32 | PB3/IRQ1/POE1/CASL | | | | |
| 33 | PA18/BREQ/DRAK0 | SYS SW | IC on/off Switch (ON="L", OFF="H") | | O |
| 34 | PB4/IRQ2/POE2/CASH | AFT-V | V SYNC Input (LCD Panel Drive) | Active L | I |
| 35 | VSS | GND | | | |
| 36 | PB5/IRQ3/POE3/RDWR | | | | I |
| 37 | PB6/IRQ4/A18/BACK | ADDRESS18 | Address Bus 18 | | O |
| 38 | PB7/IRQ5/A19/BREQ | ADDRESS19 | Address Bus 19 | | O |
| 39 | PB8/IRQ6/A20/WAIT | ADDRESS20 | Address Bus 20 | | O |
| 40 | VCC | 5V | | | |
| 41 | PB9/IRQ7/A21/ADTRG | ADDRESS21 | Address Bus 21 | | O |
| 42 | VSS | GND | | | |
| 43 | PA14/RD | READ | Read Signal | Active L | O |
| 44 | WDTOVF | | | | |
| 45 | PD31/D31/ADTRG | RTS | RS232C RTS (Request To Send) | | O |
| 46 | PD30/D30/IRQOUT | CTS | RS232C CTS (Clear To Send) | | I |
| 47 | PA13/WRH | | | | |
| 48 | PA12/WRL | WRL | Write Signal (L-8Bit) | Active L | O |
| 49 | PA11/CS1 | CS1 | | | |
| 50 | PA10/CS0 | CS0 | Flash Memory Chip Select | Active L | O |
| 51 | PA9/TCLKD/IRQ3 | SCL 2 | IIC Bus 2 Clock | | I/O |
| 52 | PA8/TCLKC/IRQ2 | SDA 2 | IIC Bus 2 Data | | I/O |
| 53 | PA7/TCLKB/CS3 | CS3 | USB/IP/IO EXP/SRAM/FIFO/SW/GH Chip Select | Active L | O |
| 54 | PA6/TCLKA/CS2 | CS2 | CXD3511Q/P-FAIL Chip Select | Active L | O |
| 55 | VSS | GND | | | |
| 56 | PD29/D29/CS3 | | | | |
| 57 | PD28/D28/CS2 | PW_SEL | PW365 232C Select(SH="H",PIXEL="L") | | O |
| 58 | PD27/D27/DACK1 | PW_INTR | PW365 Interrupt Signal | | O |
| 59 | PD26/D26/DACK0 | PW_OUT1 | PW365 Data Output | | O |
| 60 | PD25/D25/DREQ1 | PW_OUT0 | PW365 Data Output | | O |
| 61 | VSS | GND | | | |
| 62 | PD24/D24/DREQ0 | FPGA_READ | SW FPGA Read | | |
| 63 | VCC | 5V | | | |
| 64 | PD23/D23/IRQ7 | | | | |
| 65 | PD22/D22/IRQ6 | | | | |
| 66 | PD21/D21/IRQ5 | | | | |
| 67 | PD20/D20/IRQ4 | SCONF_DONE | Enhancer/FPGA Config Done Signal | | I/O |
| 68 | PD19/D19/IRQ3 | SSTATUSq | Enhancer/FPGA Status Signal | | I/O |
| 69 | PD18/D18/IRQ2 | PW_IN1 | PW365 Data Input | | I |
| 70 | PD17/D17/IRQ1 | PW_IN0 | PW365 Data Input | | I |
| 71 | VSS | GND | | | |

CPU and I/O-Expander Control port functions

| Pin No. | Name | Function Name | Function | Polarity | I/O |
|---------|---------------------|---------------|---|----------|-----|
| 72 | PD16/D16/IRQ0 | PW_PG_SEL | PW365 232C Write SW(SH="H",PIXEL="L") | | I |
| 73 | PD15/D15 | DATA15 | Data Bus 15 | | I/O |
| 74 | PD14/D14 | DATA14 | Data Bus 14 | | I/O |
| 75 | PD13/D13 | DATA13 | Data Bus 13 | | I/O |
| 76 | PD12/D12 | DATA12 | Data Bus 12 | | I/O |
| 77 | VCC | 5V | | | |
| 78 | PD11/D11 | DATA11 | Data Bus 11 | | I/O |
| 79 | VSS | GND | | | |
| 80 | PD10/D10 | DATA10 | Data Bus 10 | | I/O |
| 81 | PD9/D9 | DATA9 | Data Bus 9 | | I/O |
| 82 | PD8/D8 | DATA8 | Data Bus 8 | | I/O |
| 83 | PD7/D7 | DATA7 | Data Bus 7 | | I/O |
| 84 | PD6/D6 | DATA6 | Data Bus 6 | | I/O |
| 85 | VCC | 5V | | | |
| 86 | PD5/D5 | DATA5 | Data Bus 5 | | I/O |
| 87 | VSS | GND | | | |
| 88 | PD4/D4 | DATA4 | Data Bus 4 | | I/O |
| 89 | PD3/D3 | DATA3 | Data Bus 3 | | I/O |
| 90 | PD2/D2 | DATA2 | Data Bus 2 | | I/O |
| 91 | PD1/D1 | DATA1 | Data Bus 1 | | I/O |
| 92 | PD0/D0 | DATA0 | Data Bus 0 | | I/O |
| 93 | VSS | GND | | | |
| 94 | XTAL | XTAL | OSC Signal Input | | I |
| 95 | MD3 | Mode-3 | Mode-3 | | I |
| 96 | EXTAL | EXTAL | OSC Signal Output | | O |
| 97 | MD2 | Mode-2 | Mode-2 | | I |
| 98 | NMI | NONMASK | NONMASK Interrupt Signal Input | | I |
| 99 | VCC (FWP) | FWP | Flash Memory Write Mode | | I |
| 100 | PA16/AH | FLASH MODE | FWP Control | | O |
| 101 | PA17/WAIT | | | | O |
| 102 | MD1 | Mode-1 | Mode-1 | Always H | I |
| 103 | MD0 | Mode-0 | Mode-0 | Always L | I |
| 104 | PLLVCC | PLLVCC | PLL Vcc | | |
| 105 | PLLCAP | PLLCAP | PLL Filter | | |
| 106 | PLLVSS | PLLGND | PLL Gnd | | |
| 107 | PA15/CK | M-CLK | CPU Clock Output (Auto Image FPGA) | | O |
| 108 | RES | Reset | Reset | Active L | I |
| 109 | PE0/TIOC0A/DREQ0 | PCTL | CXD3511Q Strobe Signal | | O |
| 110 | PE1/TIOC0B/DRAK0 | SCL 6 | IIC Bus 6 Clock | | I/O |
| 111 | PE2/TIOC0C/DREQ1 | SDA 6 | IIC Bus 6 Data | | I/O |
| 112 | VCC | 5V | | | |
| 113 | PE3/TIOC0D/DRAK1 | SDA 3 | IIC Bus 3 Data | | I/O |
| 114 | PE4/TIOC1A | SCL 3 | IIC Bus 3 Clock | | I/O |
| 115 | PE5/TIOC1B | SDA 4 | IIC Bus 4 Data | | I/O |
| 116 | PE6/TIOC2A | SCL 4 | IIC Bus 4 Clock | | I/O |
| 117 | VSS | GND | | | |
| 118 | PF0/AN0 | KEY1 | Top Control Keys-1 (A/D Input) | | I |
| 119 | PF1/AN1 | KEY2 | Top Control Keys-2 (A/D Input) | | I |
| 120 | PF2/AN2 | KEY3 | Top Control Keys-3 (A/D Input) | | I |
| 121 | PF3/AN3 | OPT1 | Logo Mark (A/D Input) | | I |
| 122 | PF4/AN4 | Press Sensor | Atmospheric Pressure Sensor | | I |
| 123 | PF5/AN5 | Temp Sensor | Thermistor | | I |
| 124 | AVSS | GND | A / D Gnd | | |
| 125 | PF6/AN6 | POWER FAIL | Power Fail (L : Abnormality) | | I |
| 126 | PF7/AN7 | SDATA IN | Serial DATA IN | | I |
| 127 | AVREF | 5V | 5V A / D REF. | | |
| 128 | AVCC | 5V | 5V A / D Vcc | | |
| 129 | VSS | GND | | | |
| 130 | PA0/RXD0 | SH_RX | PW365 Rx | | I |
| 131 | PA1/TXD0 | SH_TX | PW365 Tx | | O |
| 132 | PA2/SCK0/DREQ0/IRQ0 | USB Connect | USB Connection | | I |
| 133 | PA3/RXD1 | Rx | RS232C Rx | | I |
| 134 | PA4/TXD1 | Tx | RS232C Tx | | O |
| 135 | VCC | 5V | | | |
| 136 | PA5/SCK1/DREQ1/IRQ1 | USB INTR | USB Interrupt Signal Input | Active L | I |
| 137 | PE7/TIOC2B | SDA 5 | IIC Bus 5 Data | | I/O |
| 138 | PE8/TIOC3A | SCL 5 | IIC Bus 5 Clock | | I/O |
| 139 | PE9/TIOC3B | SDATA OUT | Enhancer/FIFO/SW/GH Data Output Signal | | O |
| 140 | PE10/TIOC3C | SCLK | Enhancer/FIFO/SW/GH Clock Output Signal | | O |
| 141 | VSS | GND | | | |
| 142 | PE11/TIOC3D | EXP RESET | I / O Expander Reset Signal | Active H | O |
| 143 | PE12/TIOC4A | R/C | R / C Input | Active L | I |
| 144 | PE13/TIOC4B/MRES | PW RESET | PW365 Reset Signal | Active L | O |

CPU and I/O-Expander Control port functions

| <i>I/O Expander Control port functions (IC1801 64 pin)</i> | | | | | | J/C |
|--|-------------|----------------------|----------------------------|-----------------|------------|-----|
| <i>Pin No.</i> | <i>Name</i> | <i>Function Name</i> | <i>Function</i> | <i>Polarity</i> | <i>I/O</i> | |
| 1 | PF6 | BLAST_SW3 | Lamp Ballast 3 On/Off SW * | ON = H | O | |
| 2 | PF7 | BLAST_SW4 | Lamp Ballast 4 On/Off SW * | ON = H | O | |
| 3 | Vcc | Vcc | 5V ±10% | | - | |
| 4 | PE0 | LENS_UP | Lens Up | | O | |
| 5 | PE1 | LENS_DOWN | Lens Down | | O | |
| 6 | PE2 | LENS_RIGHT | Lens Right * | | O | |
| 7 | PE3 | LENS_LEFT | Lens Left * | | O | |
| 8 | PE4 | FOCUS+ | Focus + | | O | |
| 9 | PE5 | FOCUS- | Focus - | | O | |
| 10 | PE6 | ZOOM+ | Zoom + | | O | |
| 11 | PE7 | ZOOM- | Zoom - | | O | |
| 12 | GND3 | GND | | | - | |
| 13 | PB0 | LENS_TOP | Lens Top Detection | Top= "L" | I | |
| 14 | PB1 | LENS_VC | Lens U/D Center Detection | Center= Edge | I | |
| 15 | PB2 | LENS_BOT | Lens Bottom Detection | Bottom= "L" | I | |
| 16 | PB3 | LENS_RE | Lens Right Detection * | Right= "L" | I | |
| 17 | PB4 | LENS_HC | Lens R/L Detection * | Center= Edge | I | |
| 18 | PB5 | LENS_LE | Lens Left Detection * | Left= "L" | I | |
| 19 | PB6 | SEL_CTIN1 | FIFO FPGA Read Signal | INIT | I | |
| 20 | PB7 | SEL_CTIN2 | FIFO FPGA Read Signal | DONE_SEL | I | |
| 21 | PA7 | | | | O | |
| 22 | PA6 | | | | O | |
| 23 | PA5 | LPF_SW | LPF On/Off SW | PC/IP= "H" | O | |
| 24 | PA4 | RESET | FPGA Reset | Low->High Reset | O | |
| 25 | PA3 | | | | O | |
| 26 | PA2 | SYNC_SW | Sync SW | CG= "H" | O | |
| 27 | PA1 | DVI_SW | DVI Select SW | Digital= "L" | O | |
| 28 | PA0 | IP_OUT_SW | IP Select SW | CG= "H" | O | |
| 29 | Vcc | Vcc | 5V ±10% | | - | |
| 30 | RD | READ_CPU | Read Select | Active "L" | I | |
| 31 | WR | WRITE_CPU | Write Select | Active "L" | I | |
| 32 | CS | CS_EXP | Chip Select | Active "L" | I | |
| 33 | RESET | EXP_RST | Reset | Active "H" | I | |
| 34 | GND1 | GND | | | - | |
| 35 | A2 | A2CPU | Port Select 2 | | I | |
| 36 | A1 | A1CPU | Port Select 1 | | I | |
| 37 | A0 | A0CPU | Port Select 0 | | I | |
| 38 | D0 | D0CPU | Data Bus 0 | | I/O | |
| 39 | D1 | D1CPU | Data Bus 1 | | I/O | |
| 40 | D2 | D2CPU | Data Bus 2 | | I/O | |
| 41 | D3 | D3CPU | Data Bus 3 | | I/O | |
| 42 | D4 | D4CPU | Data Bus 4 | | I/O | |
| 43 | D5 | D5CPU | Data Bus 5 | | I/O | |
| 44 | D6 | D6CPU | Data Bus 6 | | I/O | |
| 45 | D7 | D7CPU | Data Bus 7 | | I/O | |
| 46 | PC7 | SLOT_SEL1 | Slot select 1 | | O | |
| 47 | PC6 | SLOT_SEL2 | Slot select 2 | | O | |
| 48 | PC5 | | | | O | |
| 49 | PC4 | AUDIO_MUTE | Mute Output | | O | |
| 50 | PC0 | LAMP1 | PFC 1 On/Off SW * | ON = H | O | |
| 51 | PC1 | LAMP2 | PFC 2 On/Off SW * | ON = H | O | |
| 52 | PC2 | LAMP3 | PFC 3 On/Off SW * | ON = H | O | |
| 53 | PC3 | LAMP4 | PFC 4 On/Off SW * | ON = H | O | |
| 54 | PG0 | LAMP1_ERR | Lamp monitor 1 * | Abnormality "H" | I | |
| 55 | PG1 | LAMP_ERR | Lamp monitor 2 * | Abnormality "H" | I | |
| 56 | PG2 | LAMP3_ERR | Lamp monitor 3 * | Abnormality "H" | I | |
| 57 | PG3 | LAMP4_ERR | Lamp monitor 4 * | Abnormality "H" | I | |
| 58 | GND2 | GND | | | - | |
| 59 | PF0 | TEMP_LED | Temp Warning LED Drive | LED ON = "L" | O | |
| 60 | PF1 | LAMP_LED | Lamp Replacement LED Drive | LED ON = "L" | O | |
| 61 | PF2 | READY_LED | Ready LED Drive | LED ON = "L" | O | |
| 62 | PF3 | SP_SW | Speaker on/off Switch | "L":ON "H":OFF | O | |
| 63 | PF4 | BLAST_SW1 | Lamp Ballast 1 On/Off SW * | ON = H | O | |
| 64 | PF5 | BLAST_SW2 | Lamp Ballast 2 On/Off SW * | ON = H | O | |

CPU and I/O-Expander Control port functions

Output Expander Control port functions (IC1822 20 pin)

| Pin No. | Name | Function Name | Function | Polarity | I/O |
|---------|------|---------------|---|----------|-----|
| 1 | OE | EXP_RST | | | |
| 2 | O0 | SCONFIG | Single to Dual converter Enhancer CONFIG Signal | | O |
| 3 | D0 | | Data Bus 0 | | |
| 4 | D1 | | Data Bus 1 | | |
| 5 | O1 | IP_RESET | IP_RESET | | O |
| 6 | O2 | PROGRAM | PROGRAM | | O |
| 7 | D2 | | Data Bus 2 | | |
| 8 | D3 | | Data Bus 3 | | |
| 9 | O3 | USB_BRST | USB on-off | USB= L | O |
| 10 | GND | | GND | | |
| 11 | CP | | | | |
| 12 | O4 | STB_ENHA | Enhancer Strobe Signal | | O |
| 13 | D4 | | Data Bus 4 | | |
| 14 | D5 | | Data Bus 5 | | |
| 15 | O5 | STB_GH | GH FPGA Strobe Signal | | O |
| 16 | O6 | STB_FIFO | FIFO FPGA Strobe Signal | | O |
| 17 | D6 | | Data Bus 6 | | |
| 18 | D7 | | Data Bus 7 | | |
| 19 | O7 | STB_FPGA | SW FPGA Strobe Signal | | O |
| 20 | Vcc | | +5V | | |

I/O Expander Control port functions (IC9021 16 pin)

| Pin No. | Name | Function Name | Function | Polarity | I/O |
|---------|------|---------------|-------------------------|----------|-----|
| 1 | SO | S0 | Serial Data Output | | O |
| 2 | SCL | IIC BUS SCL | | | I |
| 3 | SDA | IIC BUS SDA | | | I/O |
| 4 | D0 | M-IDA1 | Slot 1 Type Detection 1 | | I |
| 5 | D1 | M-IDA2 | Slot 2 Type Detection 1 | | I |
| 6 | D2 | M-IDA3 | Slot 3 Type Detection 1 | | I |
| 7 | D3 | M-IDA4 | Slot 4 Type Detection 1 | | I |
| 8 | Vss | GND | | | - |
| 9 | D4 | M-IDB1 | Slot 1 Type Detection 2 | | I |
| 10 | D5 | M-IDB2 | Slot 2 Type Detection 2 | | I |
| 11 | D6 | M-IDB3 | Slot 3 Type Detection 2 | | I |
| 12 | D7 | M-IDB4 | Slot 4 Type Detection 2 | | I |
| 13 | Vdd | | 5V ±10% | | - |
| 14 | CS2 | CS2 | | | I |
| 15 | CS1 | CS1 | | | I |
| 16 | CS0 | CS0 | | | I |

I/O Expander Control port functions (IC9022 16 pin)

| Pin No. | Name | Function Name | Function | Polarity | I/O |
|---------|------|---------------|-------------------------|------------|-----|
| 1 | SO | S0 | Serial Data Output | | O |
| 2 | SCL | IIC BUS SCL | | | I |
| 3 | SDA | IIC BUS SDA | | | I/O |
| 4 | D0 | M-IDC1 | Slot 1 Type Detection 3 | | I |
| 5 | D1 | M-IDC2 | Slot 2 Type Detection 3 | | I |
| 6 | D2 | M-IDC3 | Slot 3 Type Detection 3 | | I |
| 7 | D3 | M-IDC4 | Slot 4 Type Detection 3 | | I |
| 8 | Vss | GND | | | - |
| 9 | D4 | SLOT1 ID | SLOT1 ID | w/SLOT1= L | I |
| 10 | D5 | SLOT2 ID | SLOT2 ID | w/SLOT2= L | I |
| 11 | D6 | SLOT3 ID | SLOT3 ID | w/SLOT3= L | I |
| 12 | D7 | SLOT4 ID | SLOT4 ID | w/SLOT4= L | I |
| 13 | VDD | | 5V ±10% | | - |
| 14 | CS2 | CS2 | | | I |
| 15 | CS1 | CS1 | | | I |
| 16 | CS0 | CS0 | | | I |

The cautions in schematic diagrams

■ 1. PRODUCT SAFETY NOTICE

THE COMPONENTS DESIGNATED BY A MARK (\triangle) IN THIS SCHEMATIC DIAGRAM DESIGNATE COMPONENTS WHOSE VALUES ARE OF SPECIAL SIGNIFICANCE TO PRODUCT SAFETY. SHOULD ANY COMPONENT DESIGNATED BY A MARK NEED TO BE REPLACED, USE ONLY THE PART DESIGNATED IN THE PARTS LIST. DO NOT DEVIATE FROM THE RESISTANCE, WATTAGE AND VOLTAGE RATINGS SHOWN.



■ 2. The cautions in collation of parts.

Specification of capacitor and resistors will be shown with coded symbols, reading code symbols following the chart and notes. Some capacitor and resistors will be shown directly with values and no other information. Detailed information on each capacitor and resistor will be shown in the list.

NOTE; DO NOT REPLACE OR ORDER RESISTOR AND CAPACITOR PARTS FOLLOWING THE SPECIFICATIONS SHOWN IN THE SCHEMATIC DIAGRAMS. ALWAYS CHECK FOR THE CORRECT SPECIFICATIONS IN THE PARTS LIST. ESPECIALLY FOR CRITICAL COMPONENT MARKED \triangle . SPECIAL ATTENTION MUST BE GIVEN TO CRITICAL COMPONENTS.

■ 3. Reading of parts.

Read resistor codes as follows:

1. All resistance values are indicated in ohms: K=1,000. M=1,000,000.
2. Resistor which is indicated with resistance value only are 1/6W carbon resistor. Resistor which is indicated with material tolerance and value are 1/4W rated wattage.

Read capacitor codes as follows:

1. For capacitors identified with \pm , values less than 1 are expressed in uF, values more than 1 are in pF.
2. For capacitors (electrolytic) identified with \mp , values are expressed in uF.

Waveforms was taken using a video color bar signal (1V p-p at 75 ohms terminated) and controls to normal.

The cautions in schematic diagrams

Read description in the Capacitor and Resistor as follows:

CAPACITOR

16 K K 0.47 BA

Characteristic

Rated value

Material :

| | | |
|---|-------------|---|
| C | CERAMIC | Temperature compensating ceramic |
| K | CERAMIC | High dielectric rate ceramic |
| B | CERAMIC | Semiconductor ceramic |
| Z | MT-PAPER | Metallized paper |
| F | POLYESTER | Polyester |
| G | MT-POLYEST | Metallized polyester |
| N | POLYPRO | Polypropylene |
| M | MT-POLYPRO | Metallized polypropylene |
| Y | COMPO FILM | Composite film |
| H | MT-COMPO | Metallized composite film |
| S | STYRENE | Styrol |
| T | TA-SOLID | Tantalum oxide solid electrolytic |
| A | AL-SOLID | Aluminum solid electrolytic |
| E | ELECT | Aluminum foil electrolytic |
| P | NP-ELECT | Non-polarized electrolytic |
| U | OS-SOLID | Aluminum solid capacitors with organic semiconductive electrolyte |
| V | POS-SOLID | Polymerized organic semiconductor |
| D | DL-ELECT | Electric double layer electrolytic |
| J | AL-SOLID | Aluminum manganese wind solid |
| L | PPS-FILM | Polyphenylene sulfide film |
| Q | MT-PPS-FILM | Metallized Polyphenylene sulfide film |
| R | MT-PEN-FILM | Metallized polyethylenenaphthalate film |
| W | EP-ELECT | Electric Conductor Polymerized Aluminum foil electrolytic |
| X | CAPACITOR | Other |

Rated Voltage

Tolerance Symbols

Static capacitance of 10PF or less

| | |
|----|---------------|
| A: | Nondesignated |
| B: | ±0.1PF |
| C: | ±0.25PF |
| D: | ±0.5PF |
| F: | ±1PF |
| G: | ±2PF |
| H: | +0.1 ~ -0PF |
| L: | +0 ~ -0.1PF |
| R: | +0.25 ~ -0PF |
| S: | +0 ~ -0.25PF |
| E: | +0 ~ -1PF |
| J: | ±5% |
| K: | ±10% |
| M: | ±20% |

Note: J, K, and M are used only for tubular Ceramic Capacitors

Static capacitance of more than 10PF

| | |
|----|---------------|
| A: | Nondesignated |
| B: | ±0.1% |
| C: | ±0.25% |
| D: | ±0.5% |
| F: | ±1% |
| G: | ±2% |
| E: | ±2.5% |
| H: | ±3% |
| J: | ±5% |
| K: | ±10% |
| L: | ±15% |
| M: | ±20% |
| N: | ±30% |
| P: | +100 ~ -0% |
| Q: | +30 ~ -10% |
| R: | +20 ~ -0% |
| T: | +50 ~ -10% |
| U: | +75 ~ -10% |
| V: | +20 ~ -10% |
| W: | +100 ~ -10% |
| X: | +40 ~ -20% |
| Y: | +150 ~ -10% |
| Z: | +80 ~ -20% |

FIXED RESISTOR

1/10 G J 100K

Rated value, ohms : K: $\times 1,000$ ohms.
M: $\times 1,000,000$ ohms

Material :

| | | |
|---|-------------|---------------------------------|
| D | CARBON | Carbon film fixed |
| N | MT-FILM | Metal film fixed |
| S | OXIDE-MT | Metal oxide film fixed |
| C | SOLID | Solid |
| G | MT-GLAZE | Metal glaze type fixed |
| W | WIRE WOUND | Power type covered wiring fixed |
| H | CERAMIC RES | Ceramic fixed |
| F | FUSIBLE RES | Fusible |
| X | RESISTOR | Used for "others" |

Rated Wattage

Tolerance Symbols:

| | |
|----|----------------|
| A: | ±0.05% |
| B: | ±0.1% |
| C: | ±0.25% |
| D: | ±0.5% |
| F: | ±1% |
| G: | ±2% |
| J: | ±5% |
| K: | ±10% |
| M: | ±20% |
| P: | +5 ~ -15% |
| Z: | Use when 0 ohm |

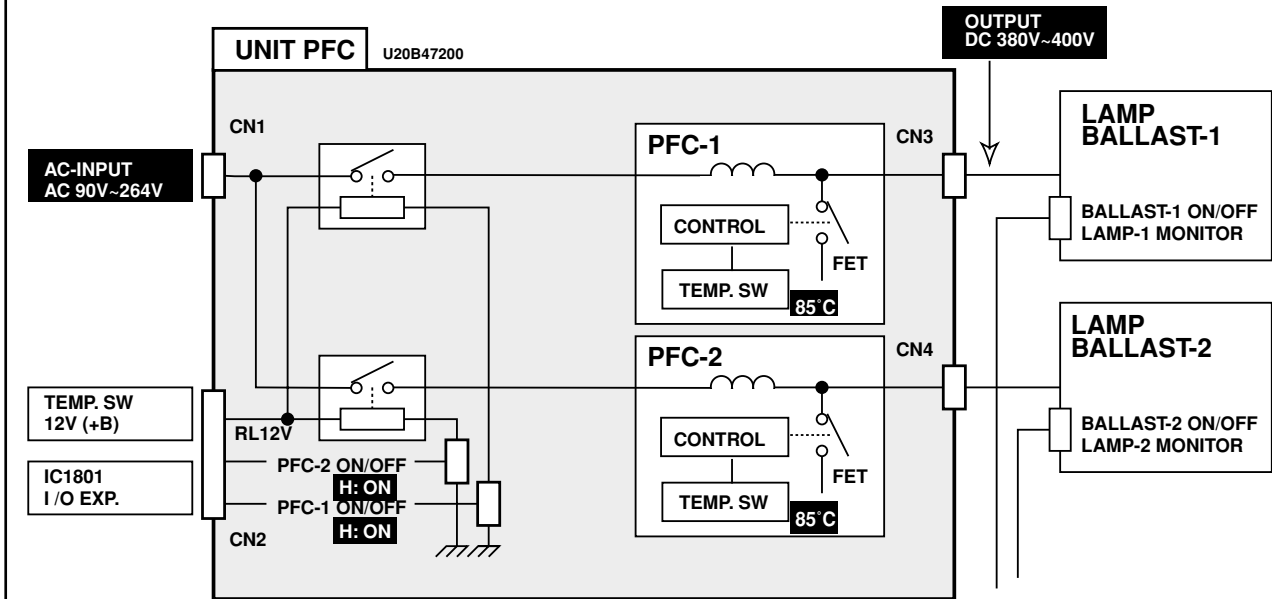
Chip transistor (list of replaceable)

| | |
|------|-------------|
| Mark | AJ |
| | 2SA1179-M6 |
| | 2SA1179-M7 |
| | 2SA1037K-R |
| | 2SA1037K-S |
| | 2SA1037AK-R |
| | 2SA1037AK-S |

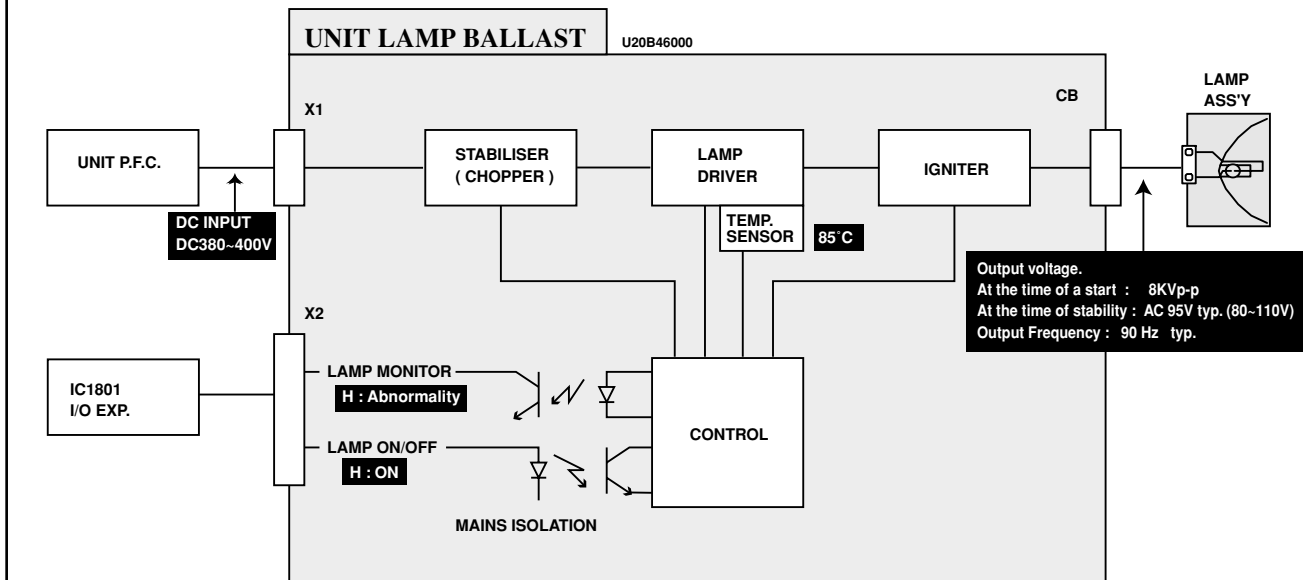
| | |
|------|------------|
| Mark | AH |
| | 2SC2812-L6 |
| | 2SC2812-L7 |
| | 2SC2412K-R |
| | 2SC2412K-S |

UNIT P.F.C., UNIT LAMP BALLAST and IC BLOCK DIAGRAMS

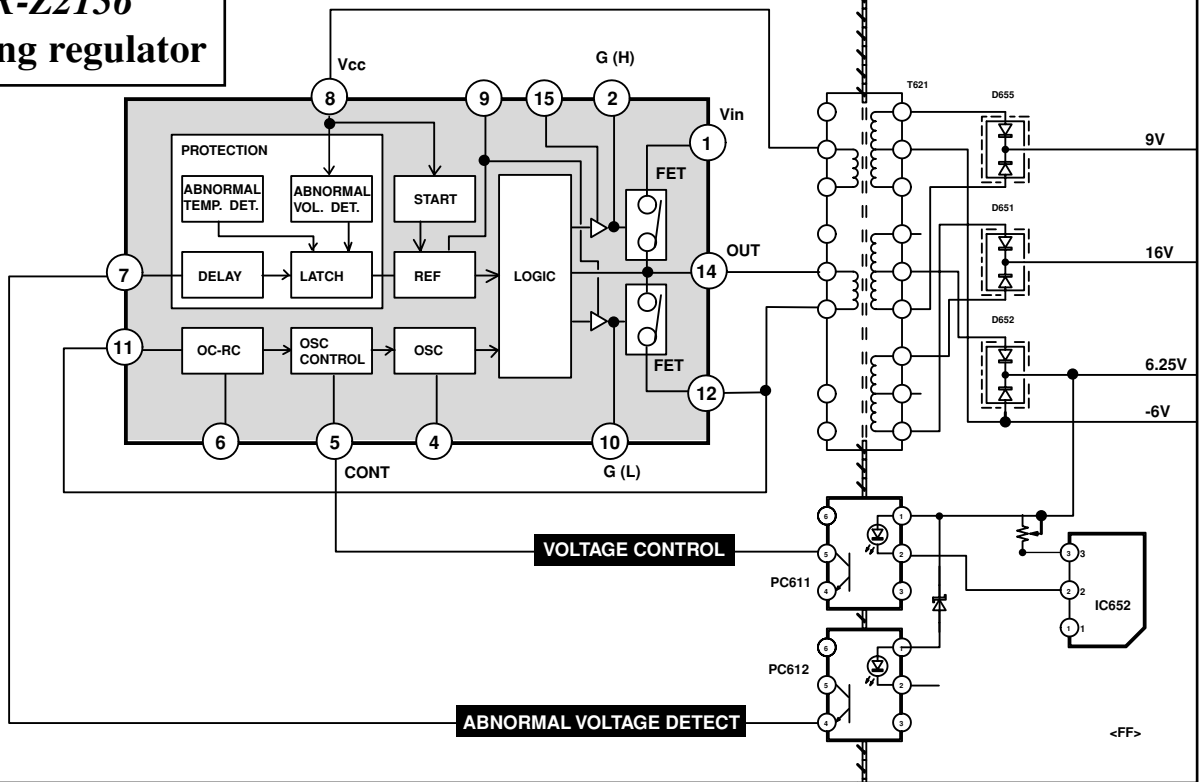
UNIT P.F.C.



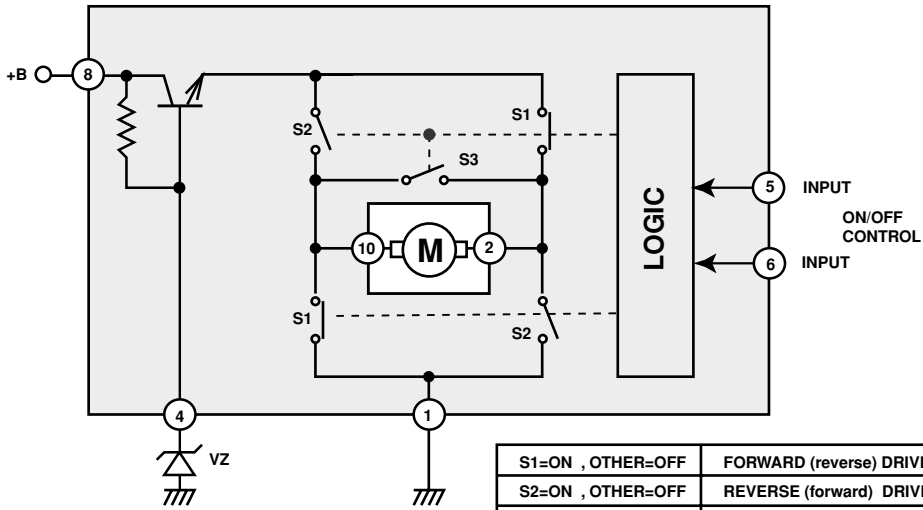
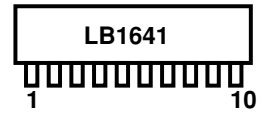
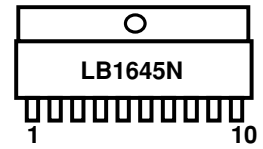
UNIT LAMP BALLAST



STR-Z2156 Switching regulator



LB1641/1645N MOTOR DRIVER

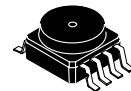


| | |
|-------------------|-------------------------|
| S1=ON , OTHER=OFF | FORWARD (reverse) DRIVE |
| S2=ON , OTHER=OFF | REVERSE (forward) DRIVE |
| S3=ON , OTHER=OFF | BRAKING |

<FF>

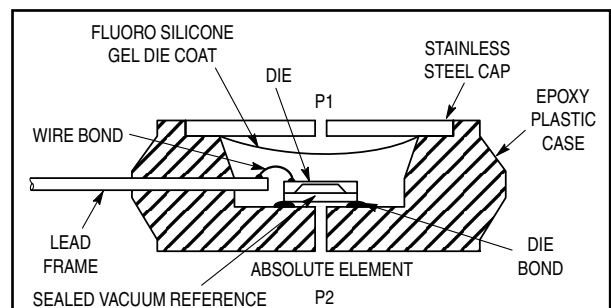
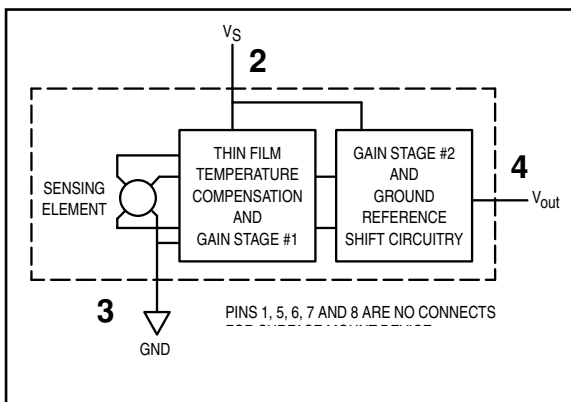
MPXA4115A Pressure sensor for altimeter

SMALL OUTLINE
PACKAGE



PPXA4115A
CASE 482-01

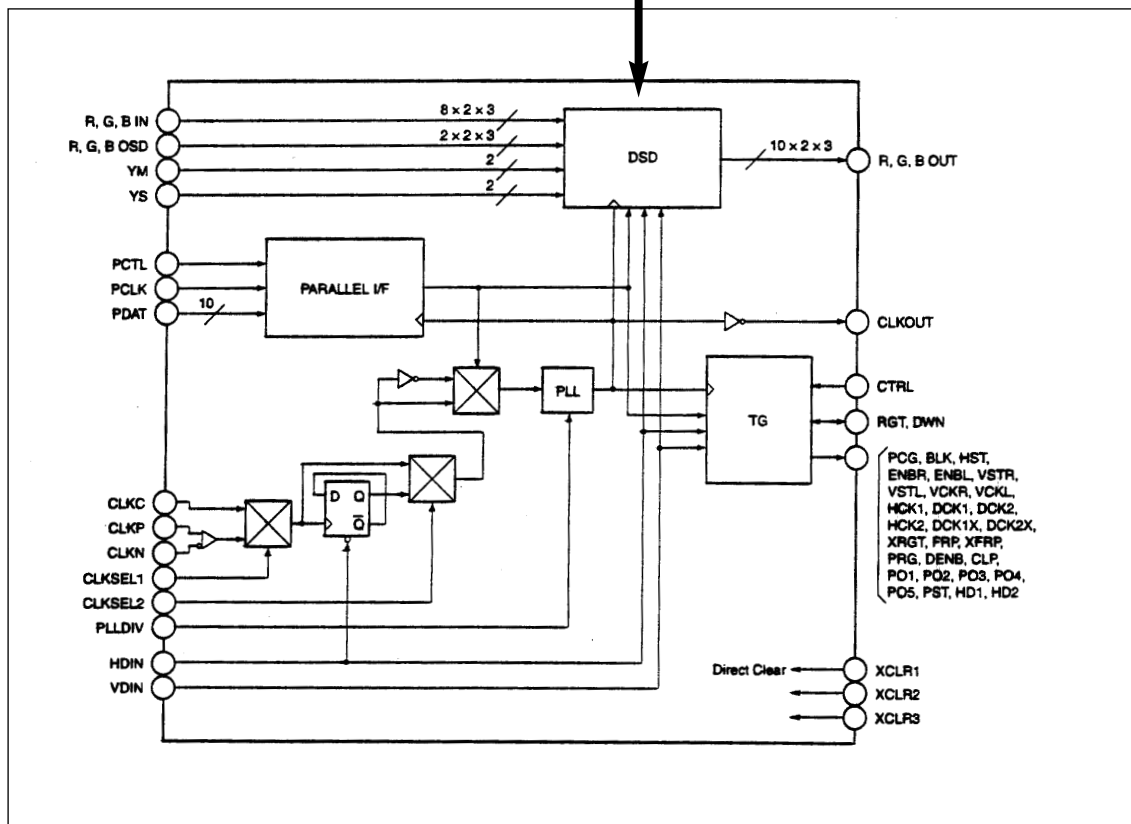
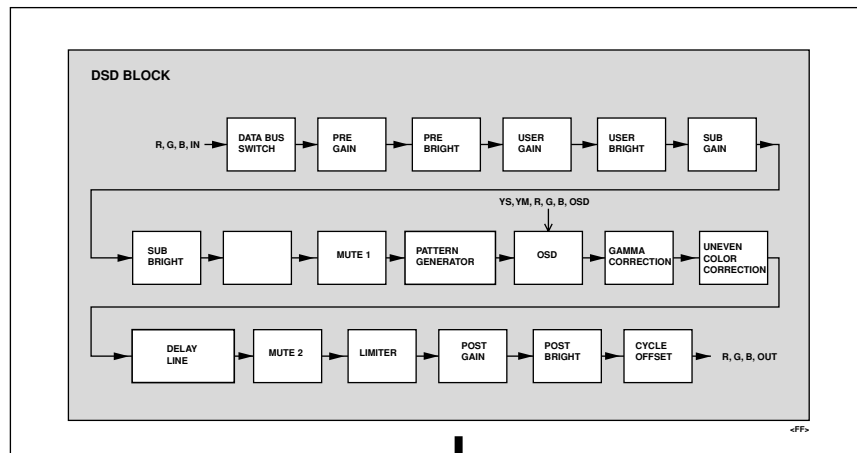
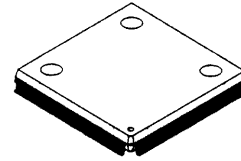
<FF>



Cross Sectional Diagram

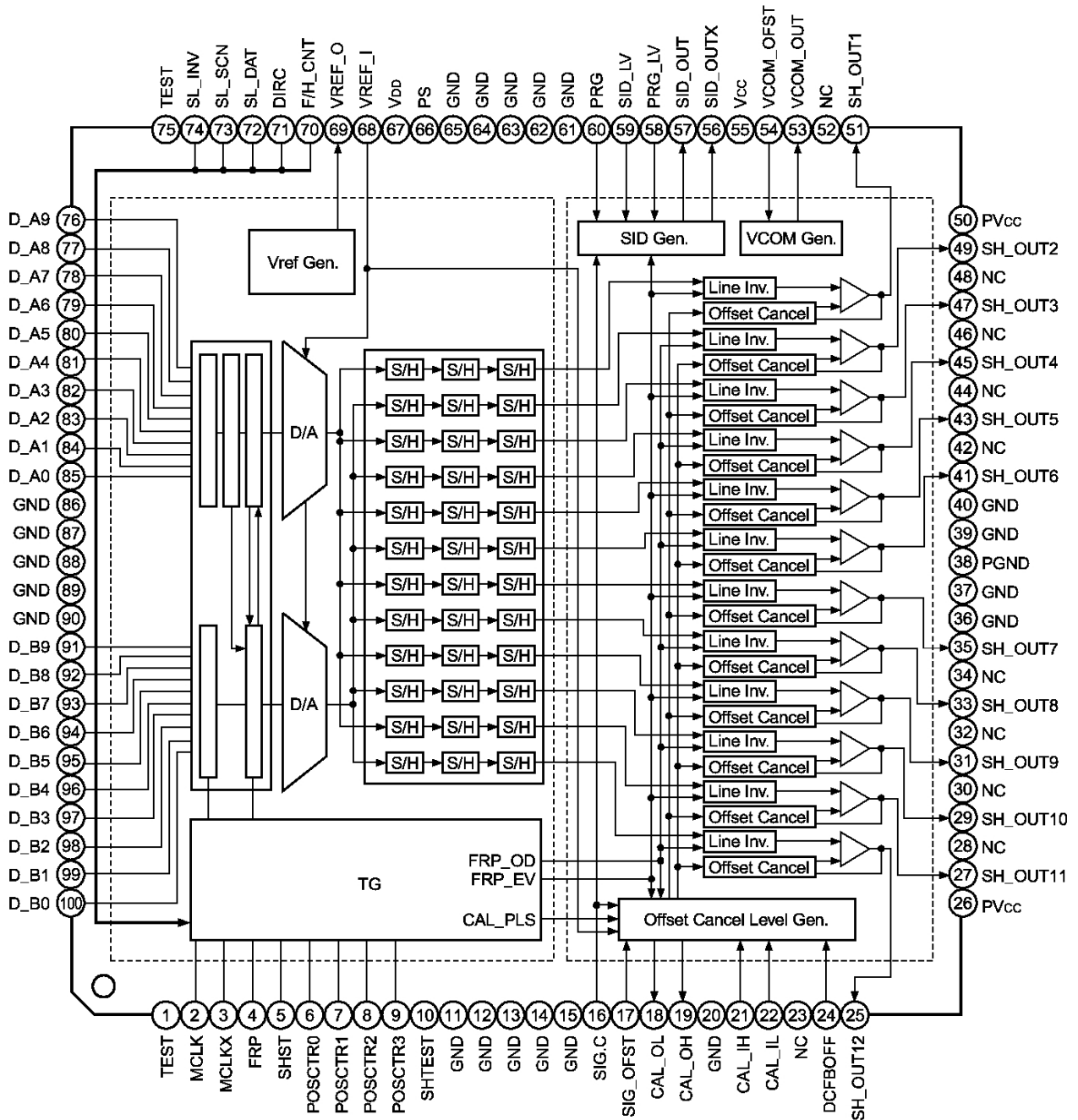
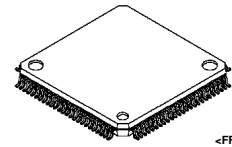
CXD3511Q DIGITAL SIGNAL DRIVER

240 pin QFP (Plastic)



CXA3562R LCD DRIVER

100 pin LQFP (Plastic)



Parts list



Safety significant parts

Product safety should be considered when a component replacement is made in any area of the projector. Components indicated by mark (\triangle) in the parts list and the schematic diagram designate components in which safety can be of special significance. It is, therefore, particularly recommended that the replacement of the parts must be made by exactly the same parts.

Note:

Do not replace or order resistor and capacitor following the specifications shown in the schematic diagrams. Always check for the correct specifications in the parts list.

Part order must contain Chassis No., Part No., and descriptions.

Readjustments after parts replacement.

-- Assembly Power --

- When it is replaced to the new assembly power.
- * Factory adjustment of the new assembly power has completed. Readjustment is unnecessary.
- When the component parts of assembly-power are replaced.
- * Readjust the following adjustment item.
 1. DC voltage adjustment.

-- Terminal board AV --

- When it is replaced to the new terminal-board-AV.
- * Factory adjustments of the new terminal-board-AV have completed. Readjustments are unnecessary.
- When the component parts of terminal-board-AV are replaced.
- * Readjust the following adjustment items.
 2. AV Video signal adjustments
 3. 3DNR-PLL Lock check
 4. AV Color and Tint adjustments

-- Terminal board component --

- Readjustment is unnecessary

-- Terminal board DVI --

- Readjustment is unnecessary

-- Unit-lamp-ballast --

- In case this unit is fault, replace the unit completely, do not replace the individual component. Readjustment is unnecessary.

-- Unit-PFC. --

- In case this unit is fault, replace the unit completely, do not replace the individual component. Readjustment is unnecessary.

-- Assembly Sub power --

- When it is replaced to the new assembly-sub-power or when component parts are replaced. * Readjust the following adjustment item.
 5. Fans driving voltage adjustments

Assembly-main.

Replace memory ICs in the following procedure.

1. Remove IC871 and IC1811 from an old (damaged) assembly-main.
2. Attach IC removed to new assembly-main. The data recorded is all taken over to a new assembly-main, readjustment is unnecessary.

■ When ICs are not replaced.

- (1). The life data of a lamp starts from an initial value compulsorily. Manually, this life data cannot be set up.
- (2). Readjust the following adjustment items.
 5. Fans driving voltage adjustments
 6. Video center DC adjustments
 7. PSIG signal adjustments
 8. PC contrast adjustments-1
 9. AV contrast adjustments-2
 10. Panel driving signal adjustments -AV
 11. Panel driving signal adjustments -PC
 12. Flicker reduction.
 13. White balance adjustments
 14. Unevenness color correction

-- The component parts inside the optical unit --

- When the optical component parts inside the optical unit are replaced.
- * Check the following adjustment items.

- Integrator-lens-in adjustment-1
- Integrator-lens-in adjustment-2
- Integrator-lens-out adjustment
- Condenser-lens adjustment
- Relay-lens adjustment
- Prism-P.B.S. adjustment
- Polarizer. adjustment

-- Integrator-lens-in --

- When the integrator-lens-in is replaced.
- * Readjust the following adjustment items.

- Integrator-lens-in adjustment-1
- Integrator-lens-in adjustment-2
- Integrator-lens-out adjustment
- Prism-P.B.S. adjustment

-- Relay-lens --

- When the relay-lens is replaced.
- * Readjust the following adjustment item.
 - Relay-lens adjustment

-- Condenser-lens --

- When the Condenser-lens is replaced.
- * Readjust the following adjustment item.
 - Condenser-lens adjustment

-- Prism / LCD panel Assembly ---

- When the Assembly LCD-panel/prism and LCD-panel is replaced.
- * Readjust the following adjustment items.

- Focus of LCD Panel adjustment
- Convergence adjustment
- (Only LCD-panel replacement)
- Polarizer adjustment
- 12. Flicker reduction
- 13. White balance adjustments
- 14. Unevenness color correction

-- Integrator-lens-out and prism-PBS --

- When the integrator-lens-out and prism-PBS are replaced.
- * Readjust the following adjustment item.
 - Integrator-lens-in adjustment-1
 - Integrator-lens-in adjustment-2
 - Integrator-lens-out adjustment
 - Prism-P.B.S. adjustment

-- Polarization-glasses--

- When the Polarization-glasses and Optical filter (WV) are replaced.
- * Readjust the following adjustment item.
 - Polarizer adjustment

Read description in the Capacitor and Resister as follows:

**CAPACITOR
CERAMIC 100P K 50V**

Rated Voltage

Rated value: P=Pico farad, U=Micro farad

| | | |
|-------------|---------|---|
| Material : | CERAMIC | Temperature compensating ceramic |
| | | High dielectric rate ceramic |
| | | Semiconductor ceramic |
| MT-PAPER | | Metallized paper |
| POLYESTER | | Polyester |
| MT-POLYEST | | Metallized polyester |
| POLYPRO | | Polypropylene |
| MT-POLYPRO | | Metallized polypropylene |
| COMPO FILM | | Composite film |
| MT-COMPO | | Metallized composite film |
| STYRENE | | Styrol |
| TA-SOLID | | Tantalum oxide solid electrolytic |
| AL-SOLID | | Aluminum solid electrolytic |
| ELECT | | Aluminum foil electrolytic |
| NP-ELECT | | Non-polarized electrolytic |
| OS-SOLID | | Aluminum solid capacitors with organic semiconductive electrolyte |
| POS-SOLID | | Polymerized organic semiconductor |
| DL-ELECT | | Electric double layer electrolytic |
| AL-SOLID | | Aluminum manganese wind solid |
| PPS-FILM | | Polyphenylene sulfide film |
| MT-PPS-FILM | | Metallized Polyphenylene sulfide film |
| MT-PEN-FILM | | Metallized polyethylenenaphthalate film |
| EP-ELECT | | Electric Conductor Polymerized Aluminum foil electrolytic |
| CAPACITOR | | Other |

Tolerance Symbols

Static capacitance of 10PF or less

| | |
|----|---------------|
| A: | Nondesignated |
| B: | ±0.1PF |
| C: | ±0.25PF |
| D: | ±0.5PF |
| F: | ±1PF |
| G: | ±2PF |
| H: | +0.1 ~ -0PF |
| L: | +0 ~ -0.1PF |
| R: | +0.25 ~ -0PF |
| S: | +0 ~ -0.25PF |
| E: | +0 ~ -1PF |
| J: | ±5% |
| K: | ±10% |
| M: | ±20% |

Note: J, K, and M are used only for tubular Ceramic Capacitors

Static capacitance of more than 10PF

| | |
|----|---------------|
| A: | Nondesignated |
| B: | ±0.1% |
| C: | ±0.25% |
| D: | ±0.5% |
| F: | ±1% |
| G: | ±2% |
| E: | ±2.5% |
| H: | ±3% |
| J: | ±5% |
| K: | ±10% |
| L: | ±15% |
| M: | ±20% |
| N: | ±30% |
| P: | +100 ~ -0% |
| Q: | +30 ~ -10% |
| R: | +20 ~ -0% |
| T: | +50 ~ -10% |
| U: | +75 ~ -10% |
| V: | +20 ~ -10% |
| W: | +100 ~ -10% |
| X: | +40 ~ -20% |
| Y: | +150 ~ -10% |
| Z: | +80 ~ -20% |

**FIXED RESISTER
CARBON 4.7K J A 1/4W**

Rated Wattage

Rated value, ohms : K: $\times 1,000$ ohms. M: $\times 1,000,000$ ohms

| | | |
|-------------|----------|---------------------------------|
| Material : | CARBON | Carbon film fixed |
| | MT-FILM | Metal film fixed |
| | OXIDE-MT | Metal oxide film fixed |
| SOLID | | Solid |
| MT-GLAZE | | Metal glaze type fixed |
| WIRE WOUND | | power type covered wiring fixed |
| CERAMIC RES | | Ceramic fixed |
| FUSIBLE RES | | Fusible |
| RESISTER | | Used for "others" |

Performance Symbols:

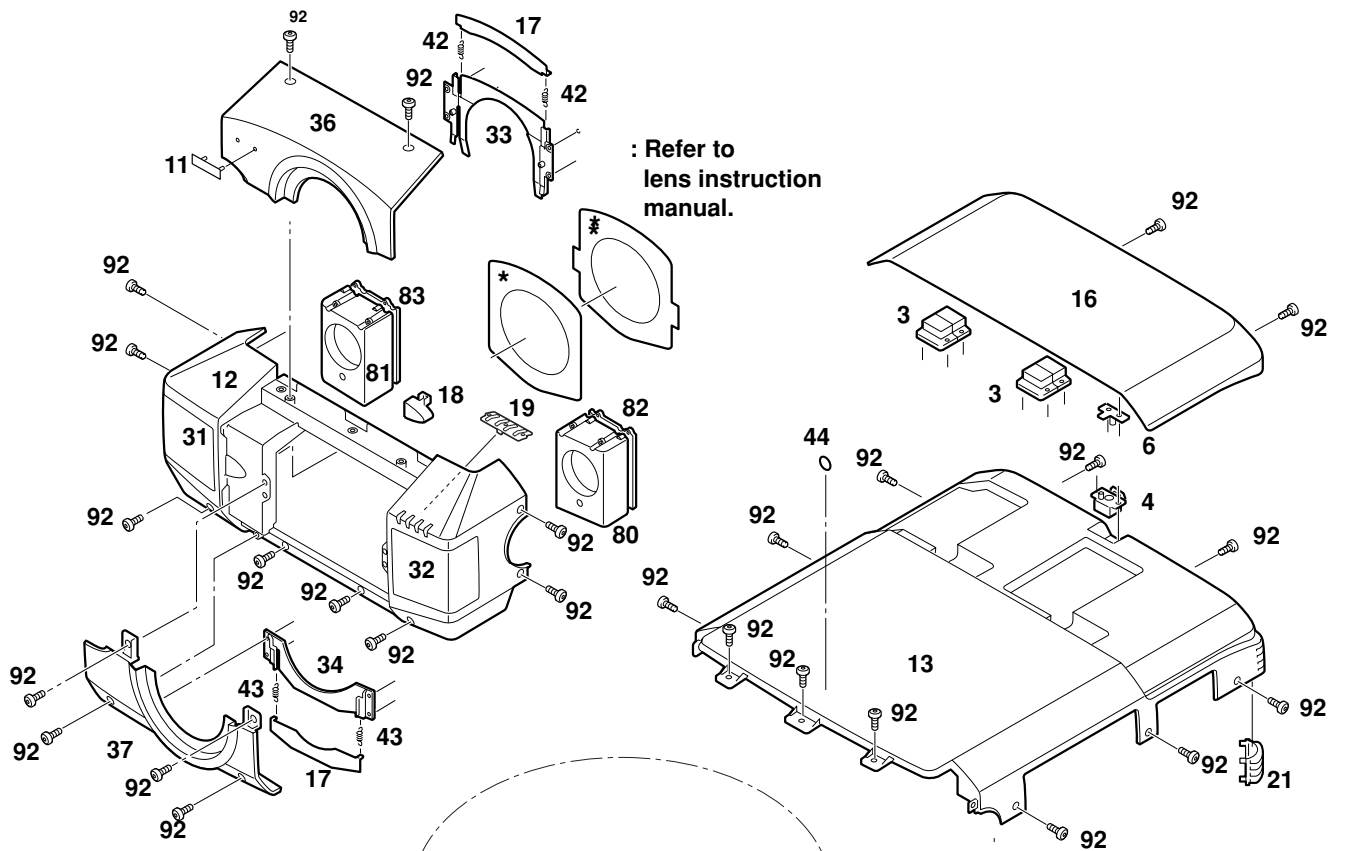
| | |
|----|--|
| A: | General |
| B: | Flame retardance (including noncombustible) |
| Z: | Low noise (Less than 100Kohms : 0.3uV/V, 100Kohms to 1Mohm : 0.5uV/V, More than 1Mohm : 1.0uV/V) |

C~Y : Temperature characteristics

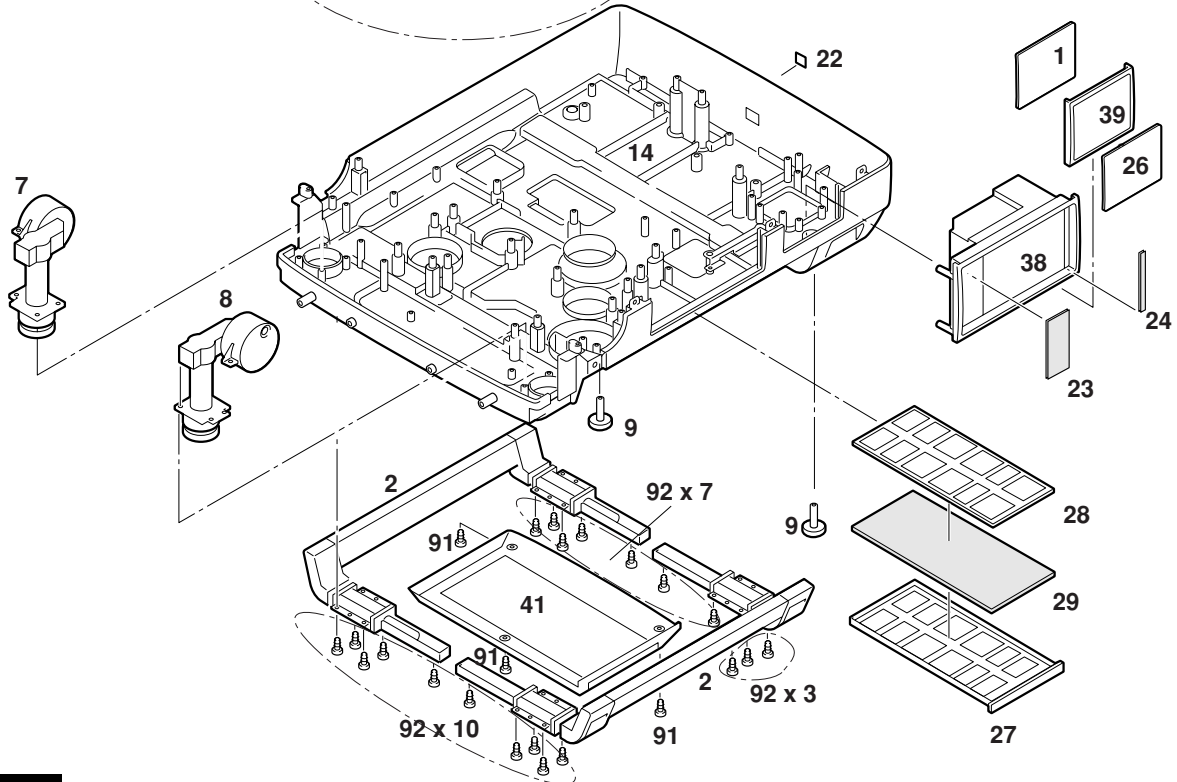
| | |
|----|-------------------------|
| T: | ±10ppm/°C |
| U: | ±25ppm/°C |
| C: | ±50ppm/°C |
| D: | ±100ppm/°C |
| E: | ±200ppm/°C |
| F: | ±250ppm/°C |
| G: | ±350ppm/°C |
| H: | ±1000ppm/°C±10% |
| W: | ±1200ppm/°C±10% |
| Y: | ±1400ppm/°C±10% |
| J: | ±2000ppm/°C±10% |
| K: | ±2400ppm/°C±10% |
| L: | ±2700ppm/°C±10% |
| M: | ±3000ppm/°C±10% |
| N: | ±3300ppm/°C±10% |
| P: | ±3600ppm/°C±10% |
| Q: | ±3900ppm/°C±10% |
| R: | ±4200ppm/°C±10% |
| S: | ±4300ppm/°C±10% |
| V: | ±4500ppm/°C±10% |
| X: | ±800ppm/°C±150ppm/°C |
| O: | +500ppm/°C ~ -250ppm/°C |

Note :

- "General" (symbol A) means properties for which there are some differences among manufacturers but which can be used when within the range given in the catalogs.
- Parts for which temperature characteristics are especially designated (required) due to design are indicated by "temperature characteristic classifications" (symbol C to Y). Others are indicated by "General" (symbol A).
- What are called "cement resistors" are noncombustible, so are indicated as "General"(symbol A), not "Flame retardant (including noncombustible)"(symbol B)



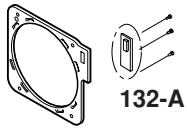
Refer
Chassis parts
(Next page)



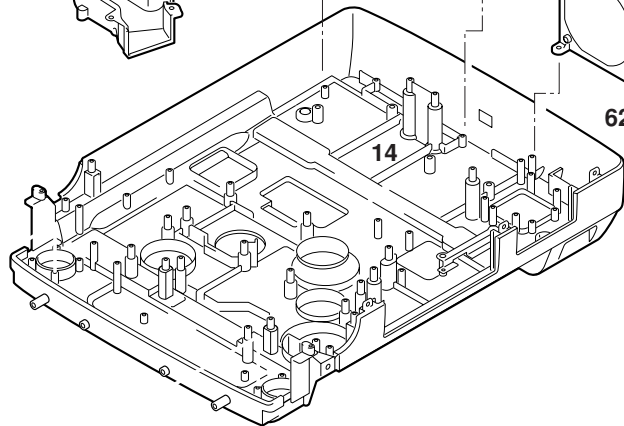
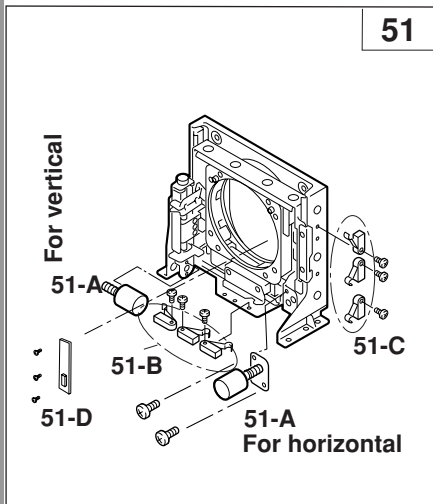
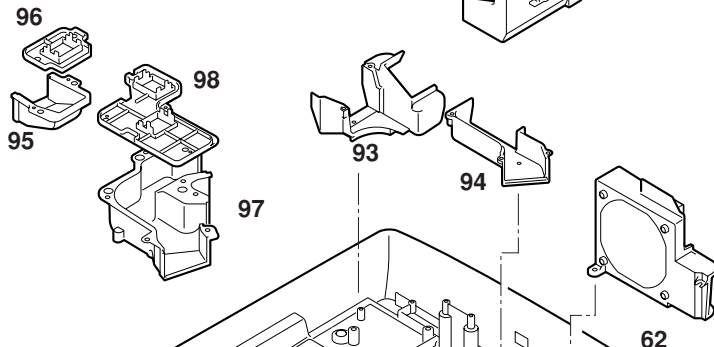
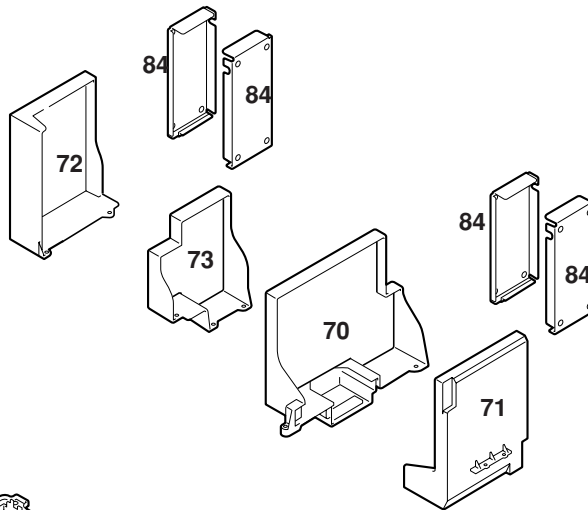
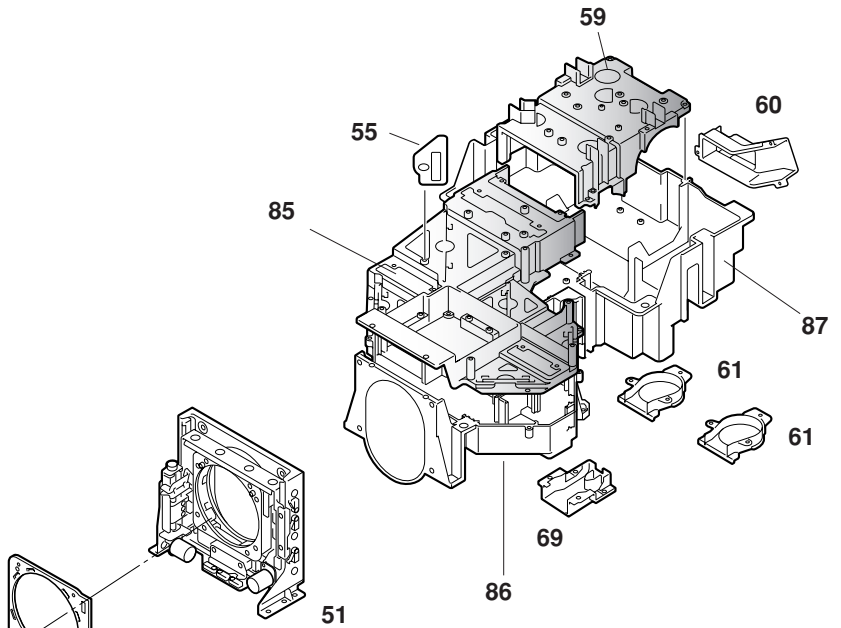
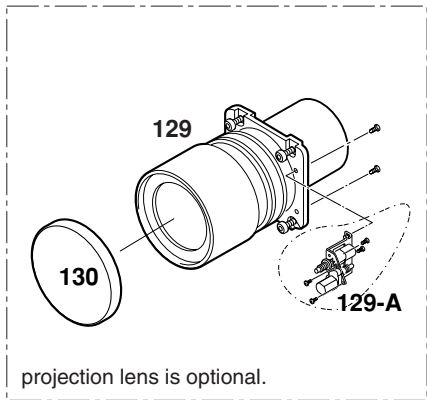
**Cabinet
Parts**

Chassis Parts

132 133

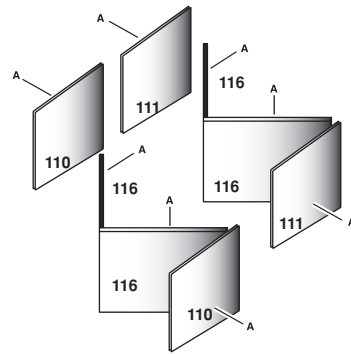
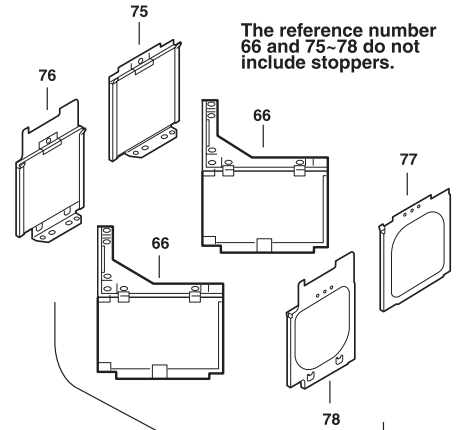
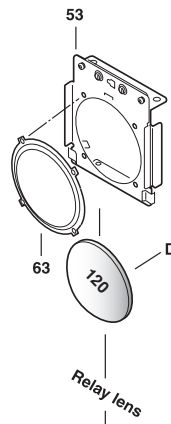
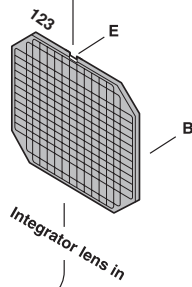
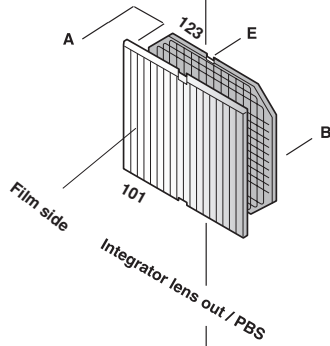
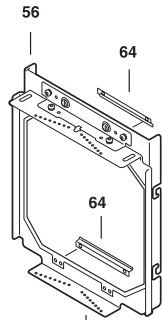
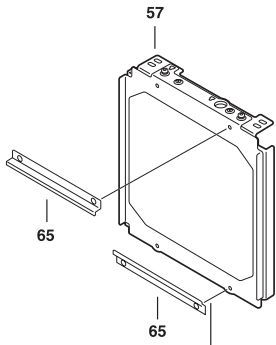


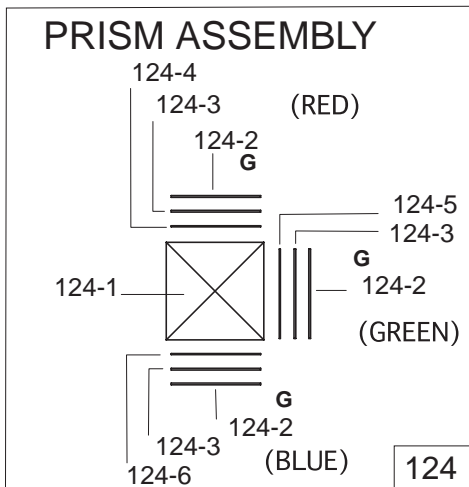
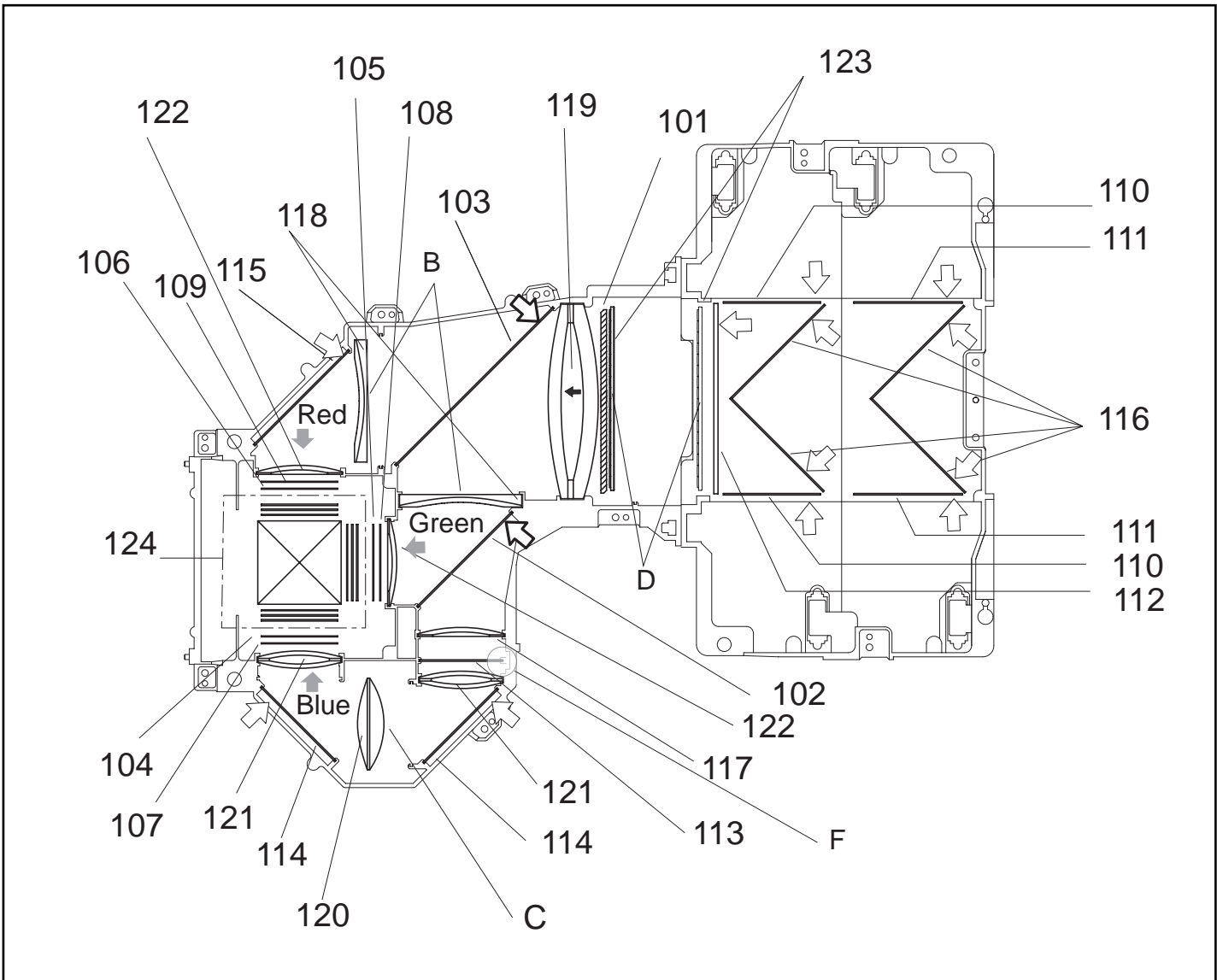
Lens mount parts is accessory



Optics

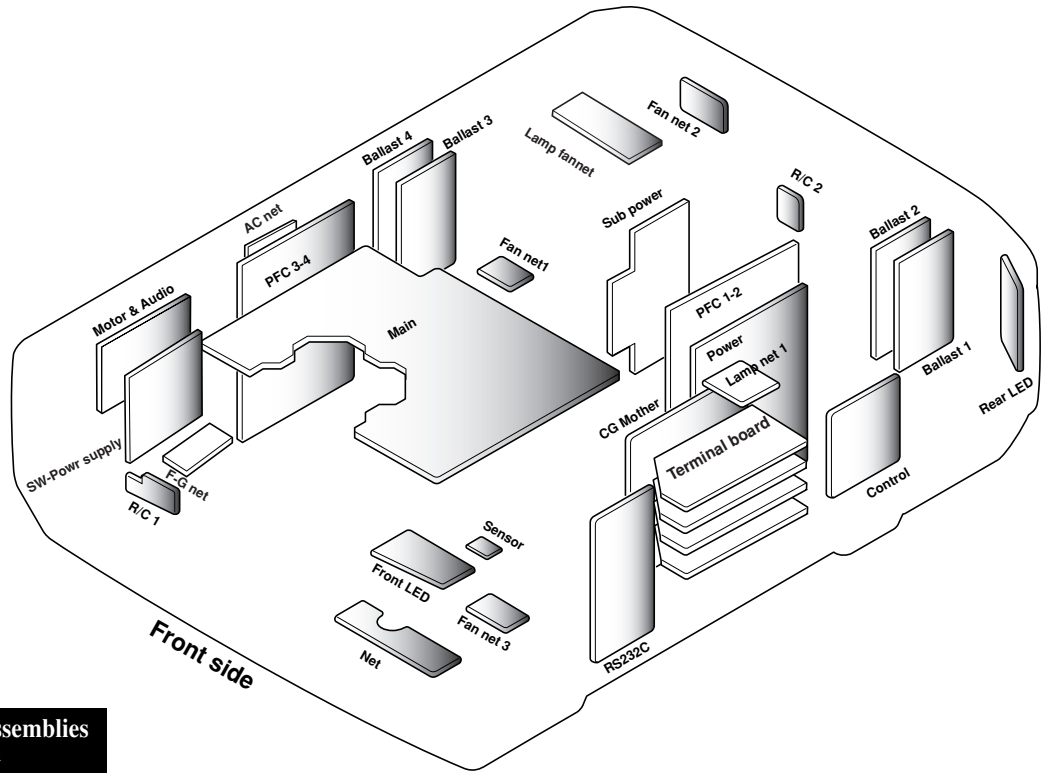
- A : Printed mark comes this side.
- B : Plane surface comes this side.
- C : Coated surface comes this side.
- D : Spherical surface comes this side.
- E : Slot part comes this top side.
- F : Big chamfer comes this top side.
- G : Printed marker comes this top side.





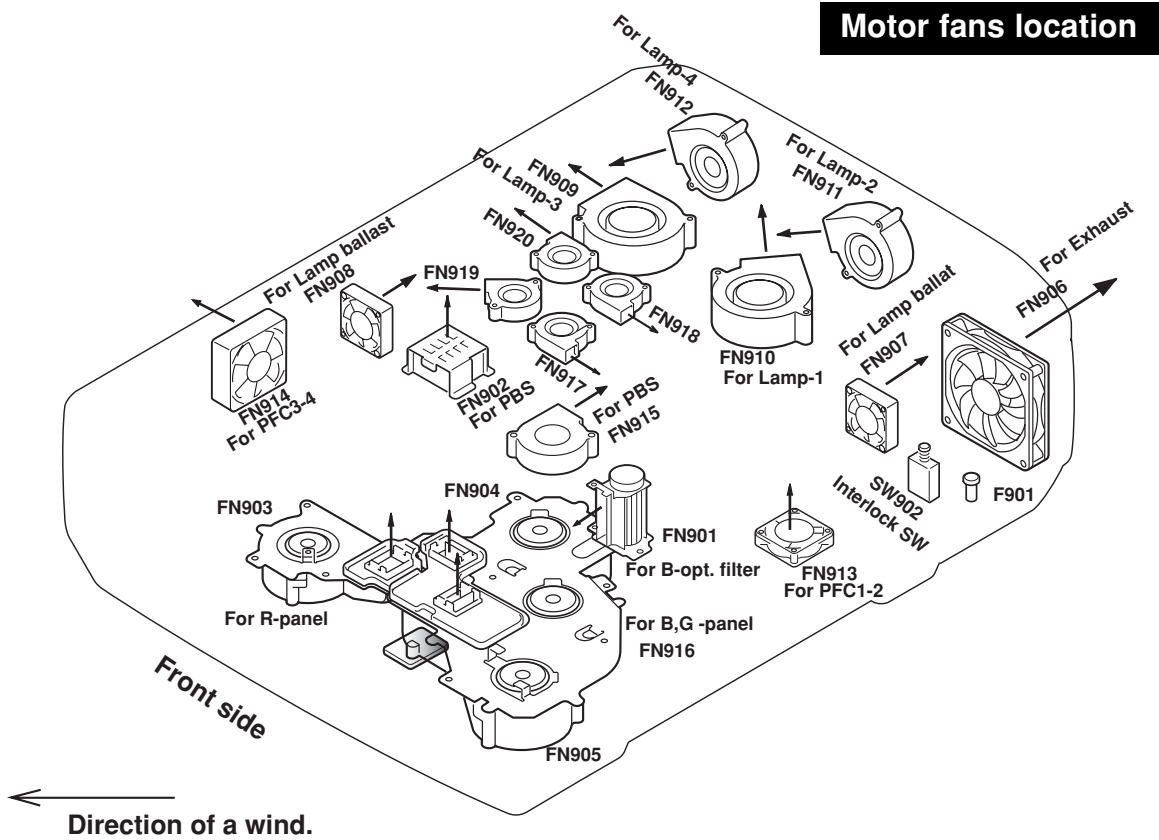
- A : The printed marker comes this side.
 - B : Plane surface comes this side.
 - C : Spherical surface comes this side.
 - D : Slot part comes this top side.
 - E : Glass should be placed as the film attached side comes to the LCD panel side.
 - F : Big chamfer comes this top side.
 - G : The printed marker comes top side. (Optical filter)
- There is a directionality (the gradation) if installs the Dichroic Mirror for the putting a marker comes always to the position of the figure.

Without LCD Panel



PWB assemblies location

Motor fans location



← Direction of a wind.

Cabinet and Optical Parts List

| Ref. No. | Part No. | Description | Ref. No. | Part No. | Description |
|--|--------------|----------------------------|--|--------------|---|
| ***** CABINET PARTS ***** | | | ***** SCREWS ***** | | |
| 1. | 610 283 7070 | ASSY,BUTTON-MJ6A | 93. | 610 300 0992 | COVER,DUCT LMP D-MT8A |
| 2. | 610 301 2919 | COMPL HANDLE A-MT8A | 94. | 610 300 0985 | COVER,DUCT LMP C-MT8A |
| 3. | 610 283 5663 | ASSY HINGE- MJ6A | 95. | 610 300 0923 | COVER,DUCT LCD A-MT8A |
| 4. | 610 301 2940 | COMPL LATCH PUSH A-MT8A | 96. | 610 300 0930 | COVER,DUCT LCD B-MT8A |
| 6. | 610 284 5938 | ASSY LATCH PUSH B-MJ6A | 97. | 610 300 0947 | COVER,DUCT LCD C-MT8A |
| 7. | 610 283 0521 | COMPL,STAND LEG A-MJ6A | 98. | 610 304 2084 | COMPL,COVERDUCT LCD D-MT8A |
| 8. | 610 283 7667 | COMPL,STAND LEG B-MJ6A | ***** SCREWS ***** | | |
| 9. | 610 284 2876 | ASSY,STAND LEG R-MJ6A | 91. | 411 180 2904 | SCR S-TPG BIN 4X10 |
| 11. | 645 030 7355 | BADGE,SANYO*53.5X12L53.5 | 92. | 411 102 2203 | SCR BIN 4X8 |
| 12. | 610 300 0886 | CABINET FRONT-MT8A | ***** OPTICAL PARTS ***** | | |
| 13. | 610 304 1841 | CABINET TOP B-MT8A | 101. | 645 041 2660 | ASSY,PRISM (PBS) |
| 14. | 610 300 0909 | CABINET BOTTOM A-MT8A | 102. | 645 054 9786 | DICHROIC MIRROR (Y) |
| 16. | 610 304 1872 | COVER TOP C-MT8A | 103. | 645 054 9779 | DICHROIC MIRROR (C) |
| 17. | 610 284 2487 | COVER LNS A-MJ6A | 104. | 645 057 0599 | POLARIZATION GLASS (IN/B) |
| 18. | 610 283 5717 | DEC INLAY R/C F-MJ6A | 105. | 645 054 0356 | POLARIZATION GLASS (IN/G) |
| 19. | 610 283 5724 | DEC INLAY A-MJ6A | 106. | 645 054 0349 | POLARIZATION GLASS (IN/R) |
| 21. | 610 283 5731 | DEC INLAY B-MJ6A | 107. | 645 054 8512 | POLARIZATION GLASS (HIN/B) |
| 22. | 610 284 0001 | DEC INLAY R/C R-MJ6A | 108. | 645 041 2882 | POLARIZATION GLASS (HIN/G) |
| 23. | 610 301 1202 | DEC COMP SHEET A-MT8A | 109. | 645 054 9748 | POLARIZATION GLASS (HIN/R) |
| 24. | 610 301 1219 | DEC COMP SHEET B-MT8A | 110. | 645 043 8523 | OPTICAL FILTER |
| 26. | 610 301 1226 | DEC CONT SHEET A-MT8A | 111. | 645 043 8516 | OPTICAL FILTER |
| 27. | 610 296 9658 | FILTER BASE A-MT8A | 112. | 645 049 3041 | OPTICAL FILTER |
| 28. | 610 301 2568 | FILTER TOP-MT8A | 113. | 645 054 0370 | OPTICAL FILTER(UV CUT) |
| 29. | 610 301 4814 | NET A-MT8A | 114. | 645 047 1858 | MIRROR (B-COLD) |
| 31. | 610 301 1233 | GRILLE SP L-MT8A | 115. | 645 047 1841 | MIRROR (R) |
| 32. | 610 301 1240 | GRILLE SP R-MT8A | 116. | 645 041 2745 | MIRROR (COLD) |
| 33. | 610 284 2920 | MOUNTING COVER LNS A-MJ6A | 117. | 645 054 9762 | LENS,CONDENSER (B-FIL) |
| 34. | 610 284 2937 | MOUNTING COVER LNS B-MJ6A | 118. | 645 054 1278 | LENS,CONDENSER (OUT) |
| 36. | 610 300 1180 | PANEL FRONT TOP-MT8A | 119. | 645 054 1261 | LENS,CONDENSER (IN) |
| 37. | 610 301 4173 | PANEL FRONT BTM-MT8A | 120. | 645 041 2875 | LENS,RELAY (OUT) |
| 38. | 610 300 1203 | PANEL COMP A-MT8A | 121. | 645 041 2868 | LENS,RELAY (IN) |
| 39. | 610 300 1210 | PANEL CONT-MT8A | 122. | 645 041 2738 | LENS,CONDENSER (G) |
| 41. | 610 300 8998 | PANEL FILTER-MT8A | 123. | 645 041 2707 | LENS,INTEGRATOR |
| 42. | 610 272 9238 | SPRING COIL-M6MA | 124. | 610 300 1531 | ASSY,PRISM/CASE-MT8A |
| 43. | 610 285 1366 | SPRING COIL-MJ6A | 124-1 | --- | --- |
| 44. | 610 289 1829 | BADGE V MARK L-ML6A | 124-2 | 645 057 8694 | POLARIZATION GLASS (WV) |
| ***** CHASSIS PARTS ***** | | | 124-3 | 645 051 1400 | POLARIZATION GLASS (HOUT/QU) |
| 51. | 610 303 6984 | ASSY,HOLDER LNS A-MT8A | 124-4 | 645 054 0394 | POLARIZATION GLASS (OUT/R) |
| 51-A. | 645 042 7343 | ASSY,MOTOR (ML6A) | 124-5 | 645 054 8482 | POLARIZATION GLASS (OUT/G) |
| 51-B. | 645 057 3224 | SWITCH,SENSOR X | 124-6 | 645 057 0605 | POLARIZATION GLASS (OUT/B) |
| 51-C. | 645 057 3231 | SWITCH,SENSOR Y | ***** | | |
| 51-D. | 610 303 9879 | ASSY,PWB,LENS NET-BASE | 129. | --- | Projection lens is optional. |
| 53. | 610 282 9846 | COMPL,HOLDER REL A-MJ6A | 129-A | --- | --- |
| 54. | 610 282 9853 | COMPL,HOLDER COND A-MJ6A | 130. | --- | Depend on the lens |
| 55. | 610 303 8377 | SPACER CONDENSER LENS-MT8A | 131. | --- | ASSY,CG ADJUSTER LCD-MT8A (Adjuster is optional) |
| 56. | 610 305 5992 | COMPL,HOLDER INT A-MW8A | 132. | --- | COMPLE, MOUNTING LENS A-MT8A |
| 57. | 610 303 9572 | COMPL,HOLDER PBS A-MT8A | 132-A | --- | --- |
| 58. | 610 295 4876 | COMPL,HOLDER POL A-MJ6A | | | (Compl, mounting lens is accessory) |
| 59. | 610 302 2437 | COVER,MR-MT8A | 133. | --- | COMPLE, MOUNTING LENS A-IDJK |
| 60. | 610 300 0978 | COVER,DUCT LMP B-MT8A | 133-A | --- | --- |
| 61. | 610 300 0961 | COVER,DUCT LMP A-MT8A | | | (Compl, mounting lens is accessory) |
| 62. | 610 300 6574 | COVER,DUCT SET A-MT8A | ***** | | |
| 63. | 610 283 0613 | HOLDER REL D-MJ6A | 129. | --- | Projection lens is optional. |
| 64. | 610 283 0620 | HOLDER INT D-MJ6A | 129-A | --- | --- |
| 65. | 610 283 0866 | HOLDER PBS D-MJ6A | 130. | --- | Depend on the lens |
| 66. | 610 292 2806 | HOLDER,MR A-MJ6A | 131. | --- | ASSY,CG ADJUSTER LCD-MT8A (Adjuster is optional) |
| 67. | 610 283 0668 | HOLDER COND D-MJ6A | 132. | --- | COMPLE, MOUNTING LENS A-MT8A |
| 69. | 610 293 7282 | COVER,PBS A-MJ6A | 132-A | --- | --- |
| 70. | 610 300 1135 | HOLDER FILTER PWB A-MT8A | | | (Compl, mounting lens is accessory) |
| 71. | 610 300 1128 | HOLDER POWER PWB A-MT8A | 133. | --- | COMPLE, MOUNTING LENS A-IDJK |
| 72. | 610 301 5484 | HOLDER FILTER PWB-MT8A | 133-A | --- | --- |
| 73. | 610 301 5491 | HOLDER SUB PWB-MT8A | | | (Compl, mounting lens is accessory) |
| 74. | 610 295 5019 | MOUNTING PLT B-MJ6A | ***** | | |
| 75. | 610 303 7356 | MOUNTING UV FILTER-A-MT8A | 129. | --- | Projection lens is optional. |
| 76. | 610 290 0095 | MOUNTING UV FILTER-B-ML6A | 129-A | --- | --- |
| 77. | 610 303 7363 | MOUNTING UV FILTER-B-MT8A | 130. | --- | Depend on the lens |
| 78. | 610 290 0118 | MOUNTING UV FILTER-D-ML6A | 131. | --- | ASSY,CG ADJUSTER LCD-MT8A (Adjuster is optional) |
| 79. | 610 295 5040 | MOUNTING PLT A-MJ6A | 132. | --- | COMPLE, MOUNTING LENS A-MT8A |
| 80. | 610 283 5861 | MOUNTING SP A-MJ6A | 132-A | --- | --- |
| 81. | 610 283 5878 | MOUNTING SP B-MJ6A | | | (Compl, mounting lens is accessory) |
| 82. | 610 284 6065 | MOUNTING SP C-MJ6A | 133. | --- | COMPLE, MOUNTING LENS A-IDJK |
| 83. | 610 286 6650 | MOUNTING SP D-MJ6A | 133-A | --- | --- |
| 84. | 610 301 6184 | SPACER LMP PWB A-MT8A | | | (Compl, mounting lens is accessory) |
| 85. | 610 301 5583 | OPTICAL BASE TOP-MT8A | ***** | | |
| 86. | 610 301 5590 | OPTICAL BASE BTM A-MT8A | 129. | --- | Projection lens is optional. |
| 87. | 610 301 5606 | OPTICAL BASE BTM B-MT8A | 129-A | --- | --- |
| 88. | 610 301 7976 | MOUNTING PLT A-MT8A | 130. | --- | Depend on the lens |
| | | | 131. | --- | ASSY,CG ADJUSTER LCD-MT8A (Adjuster is optional) |
| | | | 132. | --- | COMPLE, MOUNTING LENS A-MT8A |
| | | | 132-A | --- | --- |
| | | | | | (Compl, mounting lens is accessory) |
| | | | 133. | --- | COMPLE, MOUNTING LENS A-IDJK |
| | | | 133-A | --- | --- |
| | | | | | (Compl, mounting lens is accessory) |

Electrical Parts List

| Ref. No. | Part No. | Description | Ref. No. | Part No. | Description |
|--|--------------|--------------------------|--------------------|--------------------|----------------------|
| ***** <i>Out of PWB Assembly</i> ***** | | | Q7181 | 405 163 1701 | TR 2SC2812N-L7-TB0 |
| ▲ COIL | | | 405 014 4509 | TR 2SC2412K T146 R | |
| ▲ LF901 | 645 054 3227 | UNIT, NOISE FILTER | 405 014 4608 | TR 2SC2412K T146 S | |
| L901 | 645 050 8417 | CORE, CLAMP | 405 015 8704 | TR 2SC2812-L6-TB | |
| | 645 044 3817 | CORE, CLAMP | 405 015 8902 | TR 2SC2812-L7-TB | |
| L902 | 645 050 8417 | CORE, CLAMP | 405 163 1602 | TR 2SC2812N-L6-TB0 | |
| | 645 044 3817 | CORE, CLAMP | 405 163 1701 | TR 2SC2812N-L7-TB0 | |
| L903 | 645 050 8417 | CORE, CLAMP | Q7182 | 405 014 4509 | TR 2SC2412K T146 R |
| | 645 044 3817 | CORE, CLAMP | 405 014 4608 | TR 2SC2412K T146 S | |
| L904 | 645 050 8417 | CORE, CLAMP | 405 015 8704 | TR 2SC2812-L6-TB | |
| | 645 044 3817 | CORE, CLAMP | 405 015 8902 | TR 2SC2812-L7-TB | |
| L905 | 645 050 8417 | CORE, CLAMP | 405 163 1602 | TR 2SC2812N-L6-TB0 | |
| | 645 044 3817 | CORE, CLAMP | 405 163 1701 | TR 2SC2812N-L7-TB0 | |
| MISCELLANEOUS | | | Q7183 | 405 014 4509 | TR 2SC2412K T146 R |
| ▲ A902 | 645 054 8376 | UNIT, SW-POWER SUPPLY | 405 014 4608 | TR 2SC2412K T146 S | |
| ▲ A903 | 645 055 8238 | SURGE-ABSORBER | 405 015 8704 | TR 2SC2812-L6-TB | |
| ▲ EL901B | 645 055 4902 | LCD PANEL(LCX036BMT-6 B) | 405 015 8902 | TR 2SC2812-L7-TB | |
| ▲ EL901G | 645 055 4896 | LCD PANEL(LCX036BMT-8 G) | 405 163 1602 | TR 2SC2812N-L6-TB0 | |
| ▲ EL901R | 645 055 4889 | LCD PANEL(LCX036BMT-7 R) | 405 163 1701 | TR 2SC2812N-L7-TB0 | |
| ▲ FN901 | 645 041 7535 | MOTOR, FAN DC 2.16W | Q7184 | 405 014 4509 | TR 2SC2412K T146 R |
| ▲ FN902 | 645 041 9195 | MOTOR, FAN DC 1.68W | 405 014 4608 | TR 2SC2412K T146 S | |
| ▲ FN903 | 645 054 4231 | MOTOR, FAN DC 14.1W | 405 015 8704 | TR 2SC2812-L6-TB | |
| ▲ FN904 | 645 054 4231 | MOTOR, FAN DC 14.1W | 405 015 8902 | TR 2SC2812-L7-TB | |
| ▲ FN905 | 645 054 4231 | MOTOR, FAN DC 14.1W | 405 163 1602 | TR 2SC2812N-L6-TB0 | |
| ▲ FN906 | 645 054 8451 | MOTOR, FAN DC 1.44W | 405 163 1701 | TR 2SC2812N-L7-TB0 | |
| ▲ FN907 | 645 056 1191 | MOTOR, FAN DC 1.68W | Q7211 | 405 014 4509 | TR 2SC2412K T146 R |
| ▲ FN908 | 645 056 1191 | MOTOR, FAN DC 1.68W | 405 014 4608 | TR 2SC2412K T146 S | |
| ▲ FN909 | 645 054 4149 | MOTOR, FAN DC 6.24W | 405 015 8704 | TR 2SC2812-L6-TB | |
| ▲ FN910 | 645 054 4149 | MOTOR, FAN DC 6.24W | 405 015 8902 | TR 2SC2812-L7-TB | |
| ▲ FN911 | 645 054 4149 | MOTOR, FAN DC 6.24W | 405 163 1602 | TR 2SC2812N-L6-TB0 | |
| ▲ FN912 | 645 054 4149 | MOTOR, FAN DC 6.24W | 405 163 1701 | TR 2SC2812N-L7-TB0 | |
| ▲ FN913 | 645 054 8468 | MOTOR, FAN DC 1.92W | Q7215 | 405 014 4509 | TR 2SC2412K T146 R |
| ▲ FN914 | 645 041 7542 | MOTOR, FAN DC 1.68W | 405 014 4608 | TR 2SC2412K T146 S | |
| ▲ FN915 | 645 043 3115 | MOTOR, FAN DC 5.3W | 405 015 8704 | TR 2SC2812-L6-TB | |
| ▲ FN916 | 645 054 4231 | MOTOR, FAN DC 14.1W | 405 015 8902 | TR 2SC2812-L7-TB | |
| ▲ FN917 | 645 047 9274 | MOTOR, FAN DC 1.68W | 405 163 1602 | TR 2SC2812N-L6-TB0 | |
| ▲ FN918 | 645 051 9970 | MOTOR, FAN DC 1.92W | 405 163 1701 | TR 2SC2812N-L7-TB0 | |
| ▲ FN919 | 645 047 9274 | MOTOR, FAN DC 1.68W | INTEGRATED CIRCUIT | | |
| ▲ FN920 | 645 051 9970 | MOTOR, FAN DC 1.92W | IC7102 | 409 429 6400 | IC AD8055ART |
| ▲ F901 | 423 028 4209 | FUSE 400V 15A | IC7103 | 409 429 6400 | IC AD8055ART |
| ▲ F901A | 645 004 9460 | HOLDER, FUSE | IC7104 | 409 429 6400 | IC AD8055ART |
| ▲ K901 | 645 040 7598 | SOCKET, INLET AC 3P | IC7105 | 410 343 7008 | IC SN74AHCT1G14DBVR |
| ▲ LP901 | 610 300 0862 | COMPL, OPTICAL LAMP-MT8A | IC7106 | 410 343 7008 | IC SN74AHCT1G14DBVR |
| ▲ LP902 | 610 300 0862 | COMPL, OPTICAL LAMP-MT8A | IC7141 | 409 484 2003 | IC BA7078AF-E2 |
| ▲ LP903 | 610 300 0862 | COMPL, OPTICAL LAMP-MT8A | IC7142 | 410 343 7008 | IC SN74AHCT1G14DBVR |
| ▲ LP904 | 610 300 0862 | COMPL, OPTICAL LAMP-MT8A | IC7143 | 410 343 7008 | IC SN74AHCT1G14DBVR |
| ▲ PTH901 | 408 043 5806 | TH NTH4G42B104FD01 | IC7144 | 410 343 7008 | IC SN74AHCT1G14DBVR |
| R901 | 401 011 7208 | CARBON 820K JA 1/2W | IC7161 | 409 441 8406 | IC LA7217M-T-TRM |
| SP901 | 645 005 6536 | SPEAKER, 8 | IC7171 | 409 445 7306 | IC QS3125XQ |
| SP902 | 645 005 6536 | SPEAKER, 8 | IC7172 | 409 404 6302 | IC M62320FP |
| ▲ SW901 | 645 040 7826 | SWITCH, POWER 2P-2TX2 | IC7191 | 409 462 0304 | IC 24LC21AT/SN |
| ▲ SW902 | 645 031 7743 | SWITCH, PUSH 2P-2TX2 | IC7192 | 409 051 2900 | IC TC4053BF(EL) |
| ▲ SW903 | 645 043 5966 | SWITCH, REED | IC7221 | 409 344 1900 | IC MN1382-Q-TX |
| ▲ SW904 | 645 043 5966 | SWITCH, REED | IC7231 | 409 380 6303 | IC HIN232CB |
| ▲ SW905 | 645 043 5966 | SWITCH, REED | | 409 273 3501 | IC SP232ACT |
| ▲ SW906 | 645 043 5966 | SWITCH, REED | IC7241 | 410 296 2402 | IC TMP47C101M-JV45 |
| ***** | | | IC7251 | 410 296 5700 | IC TWM7000-151020 |
| <i>PWB assembly for LAMP BALLAST</i> | | | IC7261 | 410 275 5707 | IC TWM7000-162020 |
| ▲ BALAST1 | 645 052 5964 | UNIT LAMP BALLAST | | 410 275 5806 | IC TWM7000-162020 |
| ▲ BALAST2 | 645 052 5964 | UNIT LAMP BALLAST | IC7271 | 409 416 6505 | IC BA05FP-E2 |
| ▲ BALAST3 | 645 052 5964 | UNIT LAMP BALLAST | IC7281 | 409 463 7500 | IC 24LC02BT/SN-T |
| ▲ BALAST4 | 645 052 5964 | UNIT LAMP BALLAST | | 409 417 5507 | IC 24LC04BT/SN |
| ***** | | | CAPACITOR | | |
| <i>PWB assembly for PFC</i> | | | C7101 | 403 267 0606 | NP-ELECT 4.7U M 16V |
| ▲ PFC1-2 | 645 053 2023 | UNIT, POWER | C7102 | 403 267 0606 | NP-ELECT 4.7U M 16V |
| ▲ PFC3-4 | 645 053 2023 | UNIT, POWER | C7103 | 403 155 1500 | CERAMIC 180P J 50V |
| ***** | | | C7104 | 403 146 0505 | CERAMIC 1200P K 50V |
| <i>PWB assembly for SUB POWER</i> | | | C7105 | 403 280 0805 | ELECT 330U M 6.3V |
| ▲ A901 | 645 053 8896 | UNIT, POWER | C7106 | 403 164 0204 | CERAMIC 0.1U Z 25V |
| ***** | | | C7107 | 403 157 1904 | CERAMIC 10P D 50V |
| <i>PWB assembly for TERMINAL BOARD D-SUB15</i> | | | C7108 | 403 157 1904 | CERAMIC 10P D 50V |
| ▲ TRANSISTOR | | | C7109 | 403 157 1904 | CERAMIC 10P D 50V |
| Q7161 | 405 014 4509 | TR 2SC2412K T146 R | C7111 | 403 280 0805 | ELECT 330U M 6.3V |
| | 405 014 4608 | TR 2SC2412K T146 S | C7112 | 403 164 0204 | CERAMIC 0.1U Z 25V |
| | 405 015 8704 | TR 2SC2812-L6-TB | C7113 | 403 157 1508 | CERAMIC 3P C 50V |
| | 405 015 8902 | TR 2SC2812-L7-TB | C7114 | 403 157 1508 | CERAMIC 3P C 50V |
| | 405 163 1602 | TR 2SC2812N-L6-TB0 | C7115 | 403 157 1508 | CERAMIC 3P C 50V |
| | 405 163 1701 | TR 2SC2812N-L7-TB0 | C7143 | 403 267 0606 | NP-ELECT 4.7U M 16V |
| Q7171 | 405 014 4509 | TR 2SC2412K T146 R | C7144 | 403 266 8108 | NP-ELECT 1U M 50V |
| | 405 014 4608 | TR 2SC2412K T146 S | C7145 | 403 162 6208 | ELECT 1U M 50V |
| | 405 015 8704 | TR 2SC2812-L6-TB | C7146 | 403 266 8108 | NP-ELECT 1U M 50V |
| | 405 015 8902 | TR 2SC2812-L7-TB | C7148 | 403 162 6604 | ELECT 2.2U M 50V |
| | 405 163 1602 | TR 2SC2812N-L6-TB0 | C7149 | 403 162 6208 | ELECT 1U M 50V |
| | | | C7151 | 403 157 3601 | CERAMIC 100P J 50V |
| | | | C7152 | 403 164 0204 | CERAMIC 0.1U Z 25V |
| | | | C7153 | 403 280 0805 | ELECT 330U M 6.3V |
| | | | C7154 | 403 164 0204 | CERAMIC 0.1U Z 25V |
| | | | C7155 | 403 175 4505 | ELECT 47U M 6.3V |
| | | | C7161 | 403 266 8207 | NP-ELECT 10U M 16V |
| | | | C7162 | 403 164 0204 | CERAMIC 0.1U Z 25V |
| | | | C7164 | 403 266 8108 | NP-ELECT 1U M 50V |
| | | | C7165 | 403 308 2101 | CERAMIC 0.056U K 16V |
| | | | C7166 | 403 215 2904 | CERAMIC 0.022U K 25V |
| | | | C7167 | 403 157 6909 | CERAMIC 820P K 50V |
| | | | C7168 | 403 215 2201 | CERAMIC 0.01U K 50V |

Electrical Parts List

| Ref. No. | Part No. | Description | Ref. No. | Part No. | Description |
|----------|--------------|-------------------------|---------------|--------------|--------------------------|
| C7169 | 403 162 6208 | ELECT 1U M 50V | R7207 | 401 105 4205 | MT-GLAZE 33K JA 1/16W |
| C7171 | 403 280 0805 | ELECT 330U M 6.3V | R7208 | 401 105 3000 | MT-GLAZE 220K JA 1/16W |
| C7172 | 403 164 0204 | CERAMIC 0.1U Z 25V | R7209 | 401 105 3000 | MT-GLAZE 220K JA 1/16W |
| C7173 | 403 164 0204 | CERAMIC 0.1U Z 25V | R7211 | 401 105 3000 | MT-GLAZE 220K JA 1/16W |
| C7181 | 403 157 3106 | CERAMIC 56P J 50V | R7212 | 401 105 0405 | MT-GLAZE 100 JA 1/16W |
| C7182 | 403 157 3106 | CERAMIC 56P J 50V | R7213 | 401 105 2805 | MT-GLAZE 2.2K JA 1/16W |
| C7183 | 403 157 3106 | CERAMIC 56P J 50V | R7214 | 401 105 0405 | MT-GLAZE 100 JA 1/16W |
| C7201 | 403 162 4709 | ELECT 10U M 16V | R7215 | 401 105 3000 | MT-GLAZE 220K JA 1/16W |
| C7202 | 403 162 4709 | ELECT 10U M 16V | R7216 | 401 105 0405 | MT-GLAZE 100 JA 1/16W |
| C7221 | 403 283 6309 | CERAMIC 1U Z 10V | R7217 | 401 105 2805 | MT-GLAZE 2.2K JA 1/16W |
| C7231 | 403 283 6309 | CERAMIC 1U Z 10V | R7218 | 401 105 0405 | MT-GLAZE 100 JA 1/16W |
| C7232 | 403 162 6208 | ELECT 1U M 50V | R7221 | 401 105 7909 | MT-GLAZE 0.000 ZA 1/16W |
| C7233 | 403 162 6208 | ELECT 1U M 50V | R7222 | 401 105 7909 | MT-GLAZE 0.000 ZA 1/16W |
| C7234 | 403 162 6208 | ELECT 1U M 50V | R7231 | 401 105 7909 | MT-GLAZE 0.000 ZA 1/16W |
| C7235 | 403 162 6208 | ELECT 1U M 50V | R7245 | 401 105 0603 | MT-GLAZE 10K JA 1/16W |
| C7241 | 403 283 6309 | CERAMIC 1U Z 10V | R7246 | 401 105 0603 | MT-GLAZE 10K JA 1/16W |
| C7251 | 403 175 4505 | ELECT 47U M 6.3V | R7247 | 401 105 0603 | MT-GLAZE 10K JA 1/16W |
| C7252 | 403 283 6309 | CERAMIC 1U Z 10V | R7248 | 401 105 7909 | MT-GLAZE 0.000 ZA 1/16W |
| C7253 | 403 162 6208 | ELECT 1U M 50V | R7251 | 401 105 0603 | MT-GLAZE 10K JA 1/16W |
| C7254 | 403 283 6309 | CERAMIC 1U Z 10V | R7252 | 401 105 0603 | MT-GLAZE 10K JA 1/16W |
| C7261 | 403 283 6309 | CERAMIC 1U Z 10V | R7253 | 401 105 7909 | MT-GLAZE 0.000 ZA 1/16W |
| C7262 | 403 283 6309 | CERAMIC 1U Z 10V | R7254 | 401 105 7909 | MT-GLAZE 0.000 ZA 1/16W |
| C7271 | 403 280 0805 | ELECT 330U M 6.3V | R7261 | 401 105 0603 | MT-GLAZE 10K JA 1/16W |
| C7272 | 403 164 0204 | CERAMIC 0.1U Z 25V | R7262 | 401 105 0603 | MT-GLAZE 10K JA 1/16W |
| RESISTOR | | | R7263 | 401 105 0405 | MT-GLAZE 100 JA 1/16W |
| RB7241 | 645 025 5380 | R-NETWORK 10KX4 1/16W | R7264 | 401 105 0603 | MT-GLAZE 10K JA 1/16W |
| | 645 026 8014 | R-NETWORK 10KX4 1/16W | R7265 | 401 105 0603 | MT-GLAZE 10K JA 1/16W |
| R7101 | 401 226 1206 | MT-GLAZE 150 FA 1/16W | R7266 | 401 105 7909 | MT-GLAZE 0.000 ZA 1/16W |
| R7102 | 401 226 1206 | MT-GLAZE 150 FA 1/16W | R7281 | 401 105 0405 | MT-GLAZE 100 JA 1/16W |
| R7103 | 401 105 7909 | MT-GLAZE 0.000 ZA 1/16W | R7282 | 401 105 0405 | MT-GLAZE 100 JA 1/16W |
| R7104 | 401 226 1206 | MT-GLAZE 150 FA 1/16W | R7283 | 401 105 0603 | MT-GLAZE 10K JA 1/16W |
| R7105 | 401 226 1206 | MT-GLAZE 150 FA 1/16W | R7284 | 401 105 0603 | MT-GLAZE 10K JA 1/16W |
| R7106 | 401 105 7909 | MT-GLAZE 0.000 ZA 1/16W | R7285 | 401 105 0603 | MT-GLAZE 10K JA 1/16W |
| R7107 | 401 226 1206 | MT-GLAZE 150 FA 1/16W | R7286 | 401 105 7909 | MT-GLAZE 0.000 ZA 1/16W |
| R7108 | 401 226 1206 | MT-GLAZE 150 FA 1/16W | R7288 | 401 035 4108 | MT-GLAZE 0.000 ZA 1/8W |
| R7109 | 401 105 7909 | MT-GLAZE 0.000 ZA 1/16W | COIL | | |
| R7110 | 401 105 0702 | MT-GLAZE 100K JA 1/16W | L7104 | 645 025 0637 | FILTER,EMI 190PF |
| R7112 | 401 105 7909 | MT-GLAZE 0.000 ZA 1/16W | L7105 | 645 025 0637 | FILTER,EMI 190PF |
| R7114 | 401 105 0405 | MT-GLAZE 100 JA 1/16W | L7201 | 645 014 2659 | FILTER,EMI 10MHZ |
| R7116 | 401 105 7909 | MT-GLAZE 0.000 ZA 1/16W | L7202 | 645 014 2659 | FILTER,EMI 10MHZ |
| R7118 | 401 105 0405 | MT-GLAZE 100 JA 1/16W | L7203 | 645 014 2659 | FILTER,EMI 10MHZ |
| R7119 | 401 105 0405 | MT-GLAZE 100 JA 1/16W | L7204 | 645 014 2659 | FILTER,EMI 10MHZ |
| R7120 | 401 105 0702 | MT-GLAZE 100K JA 1/16W | L7205 | 645 014 2659 | FILTER,EMI 10MHZ |
| R7121 | 401 105 2607 | MT-GLAZE 22 JA 1/16W | L7206 | 645 014 2659 | FILTER,EMI 10MHZ |
| R7122 | 401 105 2607 | MT-GLAZE 22 JA 1/16W | L7207 | 645 014 2659 | FILTER,EMI 10MHZ |
| R7124 | 401 105 4502 | MT-GLAZE 390 JA 1/16W | L7208 | 645 014 2659 | FILTER,EMI 10MHZ |
| R7127 | 401 105 0504 | MT-GLAZE 1K JA 1/16W | L7209 | 645 014 2659 | FILTER,EMI 10MHZ |
| R7129 | 401 105 4502 | MT-GLAZE 390 JA 1/16W | DIODE | | |
| R7133 | 401 105 0504 | MT-GLAZE 1K JA 1/16W | D7101 | 407 209 1201 | ZD UDZS-TE-176.2B |
| R7135 | 401 105 4502 | MT-GLAZE 390 JA 1/16W | D7102 | 407 209 1201 | ZD UDZS-TE-176.2B |
| R7138 | 401 105 0504 | MT-GLAZE 1K JA 1/16W | D7103 | 407 209 1201 | ZD UDZS-TE-176.2B |
| R7143 | 401 105 7909 | MT-GLAZE 0.000 ZA 1/16W | D7104 | 407 209 1201 | ZD UDZS-TE-176.2B |
| R7146 | 401 105 0405 | MT-GLAZE 100 JA 1/16W | D7105 | 407 209 1201 | ZD UDZS-TE-176.2B |
| R7147 | 401 105 8005 | MT-GLAZE 1M JA 1/16W | D7106 | 407 209 1201 | ZD UDZS-TE-176.2B |
| R7148 | 401 105 4601 | MT-GLAZE 3.9K JA 1/16W | D7107 | 407 209 1201 | ZD UDZS-TE-176.2B |
| R7149 | 401 105 0405 | MT-GLAZE 100 JA 1/16W | D7108 | 407 209 1201 | ZD UDZS-TE-176.2B |
| R7151 | 401 105 0405 | MT-GLAZE 100 JA 1/16W | D7109 | 407 209 1201 | ZD UDZS-TE-176.2B |
| R7152 | 401 105 0405 | MT-GLAZE 100 JA 1/16W | D7111 | 407 209 1201 | ZD UDZS-TE-176.2B |
| R7153 | 401 105 0405 | MT-GLAZE 100 JA 1/16W | D7112 | 407 149 0807 | DIODE 1SS355-TE-17 |
| R7154 | 401 105 0405 | MT-GLAZE 100 JA 1/16W | D7113 | 407 149 0807 | DIODE 1SS355-TE-17 |
| R7155 | 401 105 0405 | MT-GLAZE 100 JA 1/16W | D7114 | 407 209 1201 | ZD UDZS-TE-176.2B |
| R7156 | 401 105 0405 | MT-GLAZE 100 JA 1/16W | D7115 | 407 209 1201 | ZD UDZS-TE-176.2B |
| R7160 | 401 105 8005 | MT-GLAZE 1M JA 1/16W | D7191 | 407 149 0807 | DIODE 1SS355-TE-17 |
| R7162 | 401 105 0603 | MT-GLAZE 10K JA 1/16W | D7192 | 407 149 0807 | DIODE 1SS355-TE-17 |
| R7163 | 401 105 4106 | MT-GLAZE 3.3K JA 1/16W | D7195 | 407 149 0807 | DIODE 1SS355-TE-17 |
| R7164 | 401 105 2102 | MT-GLAZE 18K JA 1/16W | D7196 | 407 149 0807 | DIODE 1SS355-TE-17 |
| R7165 | 401 105 0504 | MT-GLAZE 1K JA 1/16W | D7201 | 407 187 8209 | ZENER DIODE UDZ12B-TE-17 |
| R7166 | 401 105 1709 | MT-GLAZE 150K JA 1/16W | D7202 | 407 187 8209 | ZENER DIODE UDZ12B-TE-17 |
| R7167 | 401 105 0405 | MT-GLAZE 100 JA 1/16W | D7203 | 407 187 8209 | ZENER DIODE UDZ12B-TE-17 |
| R7169 | 401 105 7909 | MT-GLAZE 0.000 ZA 1/16W | D7204 | 407 187 8209 | ZENER DIODE UDZ12B-TE-17 |
| R7170 | 401 105 5905 | MT-GLAZE 560 JA 1/16W | D7205 | 407 187 8209 | ZENER DIODE UDZ12B-TE-17 |
| R7171 | 401 105 4601 | MT-GLAZE 3.9K JA 1/16W | D7206 | 407 187 8209 | ZENER DIODE UDZ12B-TE-17 |
| R7172 | 401 105 7909 | MT-GLAZE 0.000 ZA 1/16W | D7207 | 407 187 8209 | ZENER DIODE UDZ12B-TE-17 |
| R7173 | 401 105 7909 | MT-GLAZE 0.000 ZA 1/16W | D7208 | 407 187 8209 | ZENER DIODE UDZ12B-TE-17 |
| R7174 | 401 105 7909 | MT-GLAZE 0.000 ZA 1/16W | D7209 | 407 187 8209 | ZENER DIODE UDZ12B-TE-17 |
| R7175 | 401 105 7909 | MT-GLAZE 0.000 ZA 1/16W | D7211 | 407 187 8209 | ZENER DIODE UDZ12B-TE-17 |
| R7176 | 401 105 0603 | MT-GLAZE 10K JA 1/16W | D7212 | 407 187 8209 | ZENER DIODE UDZ12B-TE-17 |
| R7177 | 401 105 4700 | MT-GLAZE 39K JA 1/16W | D7213 | 407 187 8209 | ZENER DIODE UDZ12B-TE-17 |
| R7178 | 401 105 0603 | MT-GLAZE 10K JA 1/16W | D7214 | 407 187 8209 | ZENER DIODE UDZ12B-TE-17 |
| R7179 | 401 105 0603 | MT-GLAZE 10K JA 1/16W | D7215 | 407 206 6308 | ZD UDZS-TE-175.1B |
| R7181 | 401 105 0603 | MT-GLAZE 10K JA 1/16W | MISCELLANEOUS | | |
| R7182 | 401 105 0603 | MT-GLAZE 10K JA 1/16W | K71A | 645 027 7092 | SOCKET,D-SUB 15P |
| R7183 | 401 105 0603 | MT-GLAZE 10K JA 1/16W | | 645 048 2205 | SOCKET,D-SUB 15P |
| R7184 | 401 105 0603 | MT-GLAZE 10K JA 1/16W | K71H | 645 041 6071 | SOCKET,I/O 176P |
| R7185 | 401 105 0504 | MT-GLAZE 1K JA 1/16W | K71H1 | 610 289 9795 | JOINT GUIDE BUSH ML6A |
| R7191 | 401 105 5301 | MT-GLAZE 4.7K JA 1/16W | K71H2 | 610 289 9795 | JOINT GUIDE BUSH ML6A |
| R7192 | 401 105 5301 | MT-GLAZE 4.7K JA 1/16W | K72A | 645 040 9974 | JACK,RCA-2 |
| R7193 | 401 105 0603 | MT-GLAZE 10K JA 1/16W | K72B | 645 041 1076 | SOCKET,DIN 8P |
| R7194 | 401 105 0603 | MT-GLAZE 10K JA 1/16W | X7161 | 645 006 3459 | OSC,CERAMIC 500.0KHZ |
| R7195 | 401 105 0603 | MT-GLAZE 10K JA 1/16W | X7241 | 645 024 8566 | OSC,CERAMIC 6.00MHZ |
| R7201 | 401 105 5509 | MT-GLAZE 470K JA 1/16W | | 645 037 5217 | OSC,CERAMIC 6.00MHZ |
| R7202 | 401 105 5509 | MT-GLAZE 470K JA 1/16W | X7251 | 645 021 1218 | OSC,CERAMIC 8.00MHZ |
| R7203 | 401 105 0405 | MT-GLAZE 100 JA 1/16W | | 645 037 5187 | OSC,CERAMIC 8.00MHZ |
| R7204 | 401 105 0405 | MT-GLAZE 100 JA 1/16W | X7261 | 645 021 1218 | OSC,CERAMIC 8.00MHZ |
| R7206 | 401 105 0603 | MT-GLAZE 10K JA 1/16W | | 645 037 5187 | OSC,CERAMIC 8.00MHZ |

Electrical Parts List

| Ref. No. | Part No. | Description | Ref. No. | Part No. | Description |
|-------------------------------------|--------------|-----------------------|----------|--------------|----------------------|
| ***** | | | | | |
| PWB assembly for TERMINAL BOARD DVI | | | | | |
| ▲ | 610 290 6059 | ASSY, PWB, DVI MV6A | | | |
| TRANSISTOR | | | | | |
| Q8041 | 405 014 4509 | TR 2SC2412K T146 R | C8015 | 403 155 1500 | CERAMIC 180P J 50V |
| | 405 014 4608 | TR 2SC2412K T146 S | C8016 | 403 169 2807 | CERAMIC 330P J 50V |
| | 405 015 8704 | TR 2SC2812-L6-TB | C8017 | 403 169 2807 | CERAMIC 330P J 50V |
| | 405 015 8902 | TR 2SC2812-L7-TB | C8018 | 403 155 1500 | CERAMIC 180P J 50V |
| | 405 163 1602 | TR 2SC2812N-L6-TB0 | C8019 | 403 169 2807 | CERAMIC 330P J 50V |
| | 405 163 1701 | TR 2SC2812N-L7-TB0 | C8021 | 403 169 2807 | CERAMIC 330P J 50V |
| Q8051 | 405 014 4509 | TR 2SC2412K T146 R | C8022 | 403 155 1500 | CERAMIC 180P J 50V |
| Q8061 | 405 014 4509 | TR 2SC2412K T146 R | C8023 | 403 164 0204 | CERAMIC 0.1U Z 25V |
| | 405 014 4608 | TR 2SC2412K T146 S | C8024 | 403 280 0508 | ELECT 470U M 4V |
| | 405 015 8704 | TR 2SC2812-L6-TB | C8025 | 403 169 2807 | CERAMIC 330P J 50V |
| | 405 015 8902 | TR 2SC2812-L7-TB | C8026 | 403 267 0606 | NP-ELECT 4.7U M 16V |
| | 405 163 1602 | TR 2SC2812N-L6-TB0 | C8028 | 403 266 6807 | NP-ELECT 0.1U M 50V |
| | 405 163 1701 | TR 2SC2812N-L7-TB0 | C8029 | 403 162 6208 | ELECT 1U M 50V |
| Q8071 | 405 014 4509 | TR 2SC2412K T146 R | C8030 | 403 164 0204 | CERAMIC 0.1U Z 25V |
| | 405 014 4608 | TR 2SC2412K T146 S | C8032 | 403 266 8108 | NP-ELECT 1U M 50V |
| | 405 015 8704 | TR 2SC2812-L6-TB | C8033 | 403 162 6604 | ELECT 2.2U M 50V |
| | 405 015 8902 | TR 2SC2812-L7-TB | C8034 | 403 162 6208 | ELECT 1U M 50V |
| | 405 163 1602 | TR 2SC2812N-L6-TB0 | C8035 | 403 157 3601 | CERAMIC 100P J 50V |
| | 405 163 1701 | TR 2SC2812N-L7-TB0 | C8036 | 403 164 0204 | CERAMIC 0.1U Z 25V |
| Q8081 | 405 014 4509 | TR 2SC2412K T146 R | C8037 | 403 280 0805 | ELECT 330U M 6.3V |
| | 405 014 4608 | TR 2SC2412K T146 S | C8038 | 403 164 0204 | CERAMIC 0.1U Z 25V |
| | 405 015 8704 | TR 2SC2812-L6-TB | C8043 | 403 164 0204 | CERAMIC 0.1U Z 25V |
| | 405 015 8902 | TR 2SC2812-L7-TB | C8044 | 403 266 8108 | NP-ELECT 1U M 50V |
| | 405 163 1602 | TR 2SC2812N-L6-TB0 | C8045 | 403 308 2101 | CERAMIC 0.056U K 16V |
| | 405 163 1701 | TR 2SC2812N-L7-TB0 | C8046 | 403 215 2904 | CERAMIC 0.022U K 25V |
| Q8091 | 405 014 4509 | TR 2SC2412K T146 R | C8047 | 403 157 6909 | CERAMIC 820P K 50V |
| | 405 014 4608 | TR 2SC2412K T146 S | C8048 | 403 215 2201 | CERAMIC 0.01U K 50V |
| | 405 015 8704 | TR 2SC2812-L6-TB | C8049 | 403 162 6208 | ELECT 1U M 50V |
| | 405 015 8902 | TR 2SC2812-L7-TB | C8050 | 403 164 0204 | CERAMIC 0.1U Z 25V |
| | 405 163 1602 | TR 2SC2812N-L6-TB0 | C8052 | 403 164 0204 | CERAMIC 0.1U Z 25V |
| | 405 163 1701 | TR 2SC2812N-L7-TB0 | C8053 | 403 164 0204 | CERAMIC 0.1U Z 25V |
| Q8101 | 405 014 4509 | TR 2SC2412K T146 R | C8061 | 403 164 0204 | CERAMIC 0.1U Z 25V |
| | 405 014 4608 | TR 2SC2412K T146 S | C8063 | 403 164 0204 | CERAMIC 0.1U Z 25V |
| | 405 015 8704 | TR 2SC2812-L6-TB | C8064 | 403 157 1904 | CERAMIC 10P D 50V |
| | 405 015 8902 | TR 2SC2812-L7-TB | C8065 | 403 157 3106 | CERAMIC 56P J 50V |
| | 405 163 1602 | TR 2SC2812N-L6-TB0 | C8070 | 403 280 0508 | ELECT 470U M 4V |
| | 405 163 1701 | TR 2SC2812N-L7-TB0 | C8072 | 403 157 1904 | CERAMIC 10P D 50V |
| Q8102 | 405 014 4509 | TR 2SC2412K T146 R | C8073 | 403 164 0204 | CERAMIC 0.1U Z 25V |
| | 405 014 4608 | TR 2SC2412K T146 S | C8075 | 403 157 3106 | CERAMIC 56P J 50V |
| | 405 015 8704 | TR 2SC2812-L6-TB | C8076 | 403 164 0204 | CERAMIC 0.1U Z 25V |
| | 405 015 8902 | TR 2SC2812-L7-TB | C8077 | 403 164 0204 | CERAMIC 0.1U Z 25V |
| | 405 163 1602 | TR 2SC2812N-L6-TB0 | C8079 | 403 164 0204 | CERAMIC 0.1U Z 25V |
| | 405 163 1701 | TR 2SC2812N-L7-TB0 | C8082 | 403 157 1904 | CERAMIC 10P D 50V |
| INTEGRATED CIRCUIT | | | | | |
| IC8001 | 410 365 2203 | IC SII161ACT100 | C8085 | 403 157 3106 | CERAMIC 56P J 50V |
| IC8015 | 409 462 2308 | IC TC7S204FU-TE852 | C8086 | 403 164 0204 | CERAMIC 0.1U Z 25V |
| IC8016 | 409 462 2308 | IC TC7S204FU-TE852 | C8088 | 403 164 0204 | CERAMIC 0.1U Z 25V |
| IC8017 | 409 462 2308 | IC TC7S204FU-TE852 | C8090 | 403 347 5507 | POS-SOLID 470U M 4V |
| IC8020 | 410 391 2109 | IC TC74VCX374FT (EL) | C8091 | 403 162 4709 | ELECT 10U M 16V |
| IC8021 | 409 484 2003 | IC BA7078AF-E2 | C8092 | 403 162 4709 | ELECT 10U M 16V |
| IC8031 | 410 343 7008 | IC SN74AHCT1G14DBVR | C8093 | 403 155 1500 | CERAMIC 180P J 50V |
| IC8032 | 410 343 7008 | IC SN74AHCT1G14DBVR | C8094 | 403 146 0505 | CERAMIC 1200P K 50V |
| IC8033 | 410 343 7008 | IC SN74AHCT1G14DBVR | C8096 | 403 347 5507 | POS-SOLID 470U M 4V |
| IC8041 | 409 441 8406 | IC LA7217M-T-TRM | C8101 | 403 162 4709 | ELECT 10U M 16V |
| IC8051 | 409 445 7306 | IC QS3125QX | C8102 | 403 162 4709 | ELECT 10U M 16V |
| IC8061 | 409 429 6400 | IC AD8055ART | C8103 | 403 280 1604 | ELECT 220U M 16V |
| IC8062 | 409 429 6400 | IC AD8055ART | C8104 | 403 164 0204 | CERAMIC 0.1U Z 25V |
| IC8063 | 409 429 6400 | IC AD8055ART | C8132 | 403 283 6309 | CERAMIC 1U Z 10V |
| IC8064 | 410 343 7008 | IC SN74AHCT1G14DBVR | C8133 | 403 164 0204 | CERAMIC 0.1U Z 25V |
| IC8065 | 410 343 7008 | IC SN74AHCT1G14DBVR | C8141 | 403 175 4505 | ELECT 47U M 6.3V |
| IC8071 | 410 401 7506 | IC TC74VCX16374FT | C8142 | 403 162 6208 | ELECT 1U M 50V |
| IC8072 | 410 401 7506 | IC TC74VCX16374FT | C8143 | 403 162 6208 | ELECT 1U M 50V |
| IC8073 | 410 401 7506 | IC TC74VCX16374FT | C8144 | 403 162 6208 | ELECT 1U M 50V |
| IC8141 | 409 380 6303 | IC HIN232CB | C8145 | 403 162 6208 | ELECT 1U M 50V |
| | 409 273 3501 | IC SP232ACT | C8151 | 403 162 6208 | ELECT 1U M 50V |
| IC8151 | 410 275 5700 | IC TWM7000-151020 | C8152 | 403 164 0204 | CERAMIC 0.1U Z 25V |
| IC8152 | 410 275 5700 | IC TWM7000-162020 | C8153 | 403 280 0805 | ELECT 330U M 6.3V |
| | 410 275 5806 | IC TWM7000-162020 | C8154 | 403 164 0204 | CERAMIC 0.1U Z 25V |
| IC8161 | 409 152 5404 | IC TC7S08F-TE85L | C8156 | 403 164 0204 | CERAMIC 0.1U Z 25V |
| IC8171 | 409 395 5902 | IC TC7SH00FU-(TE85L) | C8157 | 403 175 4505 | ELECT 47U M 6.3V |
| IC8172 | 409 416 6505 | IC BA05FP-E2 | C8158 | 403 164 0204 | CERAMIC 0.1U Z 25V |
| IC8181 | 409 404 6302 | IC M62320FP | C8171 | 403 280 0805 | ELECT 330U M 6.3V |
| IC8182 | 409 404 6302 | IC M62320FP | C8172 | 403 164 0204 | CERAMIC 0.1U Z 25V |
| IC8191 | 409 505 6102 | IC MD1222N | C8175 | 403 164 0204 | CERAMIC 0.1U Z 25V |
| IC8193 | 409 487 5803 | IC 24C01CT/SN | C8176 | 403 280 0805 | ELECT 330U M 6.3V |
| IC8194 | 409 434 8109 | IC TC4053BFT-(EL) | C8177 | 403 164 0204 | CERAMIC 0.1U Z 25V |
| CAPACITOR | | | | | |
| C8002 | 403 164 0204 | CERAMIC 0.1U Z 25V | C8178 | 403 280 0805 | ELECT 330U M 6.3V |
| C8003 | 403 280 0508 | ELECT 470U M 4V | C8181 | 403 164 0204 | CERAMIC 0.1U Z 25V |
| C8004 | 403 164 0204 | CERAMIC 0.1U Z 25V | C8182 | 403 164 0204 | CERAMIC 0.1U Z 25V |
| C8005 | 403 157 3601 | CERAMIC 100P J 50V | C8190 | 403 164 0204 | CERAMIC 0.1U Z 25V |
| C8006 | 403 157 3601 | CERAMIC 100P J 50V | C8191 | 403 205 2808 | CERAMIC 0.047U K 25V |
| C8007 | 403 157 3601 | CERAMIC 100P J 50V | C8192 | 403 113 3805 | CERAMIC 1000P K 50V |
| C8008 | 403 157 3601 | CERAMIC 100P J 50V | C8193 | 403 358 1307 | ELECT 330U M 25V |
| C8009 | 403 164 0204 | CERAMIC 0.1U Z 25V | C8194 | 403 215 2201 | CERAMIC 0.01U K 50V |
| C8010 | 403 164 0204 | CERAMIC 0.1U Z 25V | C8195 | 403 358 1307 | ELECT 330U M 25V |
| C8012 | 403 157 3601 | CERAMIC 100P J 50V | C8196 | 403 164 0204 | CERAMIC 0.1U Z 25V |
| C8013 | 403 280 0508 | ELECT 470U M 4V | C8197 | 403 164 0204 | CERAMIC 0.1U Z 25V |
| C8014 | 403 164 0204 | CERAMIC 0.1U Z 25V | C8198 | 403 113 3805 | CERAMIC 1000P K 50V |
| RESISTOR | | | | | |
| RB8001 | 645 028 0696 | R-NETWORK 100X4 1/32W | | | |
| RB8002 | 645 028 0696 | R-NETWORK 100X4 1/32W | | | |
| RB8003 | 645 028 0696 | R-NETWORK 100X4 1/32W | | | |
| RB8004 | 645 028 0696 | R-NETWORK 100X4 1/32W | | | |
| RB8005 | 645 028 0696 | R-NETWORK 100X4 1/32W | | | |
| RB8006 | 645 028 0696 | R-NETWORK 100X4 1/32W | | | |
| RB8007 | 645 028 0696 | R-NETWORK 100X4 1/32W | | | |

Electrical Parts List

| Ref. No. | Part No. | Description | Ref. No. | Part No. | Description |
|----------|--------------|-------------------------|----------|--------------|----------------------------|
| RB8008 | 645 028 0696 | R-NETWORK 100X4 1/32W | R8102 | 401 105 5509 | MT-GLAZE 470K JA 1/16W |
| RB8009 | 645 028 0696 | R-NETWORK 100X4 1/32W | R8103 | 401 105 0405 | MT-GLAZE 100 JA 1/16W |
| RB8010 | 645 028 0696 | R-NETWORK 100X4 1/32W | R8104 | 401 105 0405 | MT-GLAZE 100 JA 1/16W |
| RB8011 | 645 028 0696 | R-NETWORK 100X4 1/32W | R8105 | 401 105 3000 | MT-GLAZE 220K JA 1/16W |
| RB8012 | 645 028 0696 | R-NETWORK 100X4 1/32W | R8106 | 401 105 3000 | MT-GLAZE 220K JA 1/16W |
| RB8013 | 645 028 0696 | R-NETWORK 100X4 1/32W | R8107 | 401 105 3000 | MT-GLAZE 220K JA 1/16W |
| RB8014 | 645 028 0696 | R-NETWORK 100X4 1/32W | R8108 | 401 105 3000 | MT-GLAZE 220K JA 1/16W |
| RB8015 | 645 028 0696 | R-NETWORK 100X4 1/32W | R8109 | 401 105 0405 | MT-GLAZE 100 JA 1/16W |
| RB8016 | 645 028 0696 | R-NETWORK 100X4 1/32W | R8111 | 401 105 2805 | MT-GLAZE 2.2K JA 1/16W |
| RB8021 | 645 028 0696 | R-NETWORK 100X4 1/32W | R8112 | 401 105 0405 | MT-GLAZE 100 JA 1/16W |
| RB8022 | 645 028 0696 | R-NETWORK 100X4 1/32W | R8113 | 401 105 2805 | MT-GLAZE 2.2K JA 1/16W |
| RB8023 | 645 028 0696 | R-NETWORK 100X4 1/32W | R8114 | 401 105 0405 | MT-GLAZE 100 JA 1/16W |
| RB8024 | 645 028 0696 | R-NETWORK 100X4 1/32W | R8115 | 401 105 0405 | MT-GLAZE 100 JA 1/16W |
| RB8031 | 645 028 0696 | R-NETWORK 100X4 1/32W | R8121 | 401 105 0603 | MT-GLAZE 10K JA 1/16W |
| RB8032 | 645 028 0696 | R-NETWORK 100X4 1/32W | R8122 | 401 105 4205 | MT-GLAZE 33K JA 1/16W |
| RB8033 | 645 028 0696 | R-NETWORK 100X4 1/32W | R8131 | 401 105 7909 | MT-GLAZE 0.000 ZA 1/16W |
| RB8034 | 645 028 0696 | R-NETWORK 100X4 1/32W | R8132 | 401 105 7909 | MT-GLAZE 0.000 ZA 1/16W |
| RB8131 | 645 026 8014 | R-NETWORK 10KX4 1/16W | R8133 | 401 105 7909 | MT-GLAZE 0.000 ZA 1/16W |
| R8001 | 401 105 5905 | MT-GLAZE 560 JA 1/16W | R8134 | 401 105 0603 | MT-GLAZE 10K JA 1/16W |
| R8002 | 401 105 7909 | MT-GLAZE 0.000 ZA 1/16W | R8135 | 401 105 0603 | MT-GLAZE 10K JA 1/16W |
| R8003 | 401 105 4205 | MT-GLAZE 33K JA 1/16W | R8136 | 401 105 0603 | MT-GLAZE 10K JA 1/16W |
| R8004 | 401 105 4205 | MT-GLAZE 33K JA 1/16W | R8145 | 401 105 7909 | MT-GLAZE 0.000 ZA 1/16W |
| R8005 | 401 105 4205 | MT-GLAZE 33K JA 1/16W | R8151 | 401 105 0603 | MT-GLAZE 10K JA 1/16W |
| R8006 | 401 105 4205 | MT-GLAZE 33K JA 1/16W | R8152 | 401 105 0603 | MT-GLAZE 10K JA 1/16W |
| R8007 | 401 105 4205 | MT-GLAZE 33K JA 1/16W | R8153 | 401 105 7909 | MT-GLAZE 0.000 ZA 1/16W |
| R8008 | 401 105 4205 | MT-GLAZE 33K JA 1/16W | R8154 | 401 105 7909 | MT-GLAZE 0.000 ZA 1/16W |
| R8009 | 401 105 4205 | MT-GLAZE 33K JA 1/16W | R8155 | 401 105 7909 | MT-GLAZE 0.000 ZA 1/16W |
| R8010 | 401 105 7909 | MT-GLAZE 0.000 ZA 1/16W | R8156 | 401 105 0603 | MT-GLAZE 10K JA 1/16W |
| R8011 | 401 105 0405 | MT-GLAZE 100 JA 1/16W | R8157 | 401 105 0603 | MT-GLAZE 10K JA 1/16W |
| R8012 | 401 113 6406 | MT-GLAZE 5.1K JA 1/16W | R8158 | 401 105 0405 | MT-GLAZE 100 JA 1/16W |
| R8013 | 401 105 7909 | MT-GLAZE 0.000 ZA 1/16W | R8159 | 401 105 0603 | MT-GLAZE 10K JA 1/16W |
| R8014 | 401 105 5103 | MT-GLAZE 47 JA 1/16W | R8161 | 401 105 0603 | MT-GLAZE 10K JA 1/16W |
| R8015 | 401 105 5103 | MT-GLAZE 47 JA 1/16W | R8162 | 401 035 4108 | MT-GLAZE 0.000 ZA 1/8W |
| R8017 | 401 105 5103 | MT-GLAZE 47 JA 1/16W | R8171 | 401 105 7909 | MT-GLAZE 0.000 ZA 1/16W |
| R8018 | 401 105 5103 | MT-GLAZE 47 JA 1/16W | R8172 | 401 105 7909 | MT-GLAZE 0.000 ZA 1/16W |
| R8019 | 401 105 7909 | MT-GLAZE 0.000 ZA 1/16W | R8173 | 401 105 7909 | MT-GLAZE 0.000 ZA 1/16W |
| R8021 | 401 105 7909 | MT-GLAZE 0.000 ZA 1/16W | R8177 | 401 105 0405 | MT-GLAZE 100 JA 1/16W |
| R8025 | 401 105 7909 | MT-GLAZE 0.000 ZA 1/16W | R8179 | 401 105 0603 | MT-GLAZE 10K JA 1/16W |
| R8028 | 401 105 0405 | MT-GLAZE 100 JA 1/16W | R8180 | 401 113 6406 | MT-GLAZE 5.1K JA 1/16W |
| R8029 | 401 105 8005 | MT-GLAZE 1M JA 1/16W | R8183 | 401 105 0603 | MT-GLAZE 10K JA 1/16W |
| R8030 | 401 105 7909 | MT-GLAZE 0.000 ZA 1/16W | R8184 | 401 105 0603 | MT-GLAZE 10K JA 1/16W |
| R8031 | 401 105 4601 | MT-GLAZE 3.9K JA 1/16W | R8185 | 401 105 7909 | MT-GLAZE 0.000 ZA 1/16W |
| R8032 | 401 105 0405 | MT-GLAZE 100 JA 1/16W | R8187 | 401 257 7000 | MT-GLAZE 820 FA 1/16W |
| R8033 | 401 105 0405 | MT-GLAZE 100 JA 1/16W | R8188 | 401 218 4505 | MT-GLAZE 2.2K FA 1/16W |
| R8034 | 401 105 0405 | MT-GLAZE 100 JA 1/16W | R8189 | 401 105 0603 | MT-GLAZE 10K JA 1/16W |
| R8035 | 401 105 0405 | MT-GLAZE 100 JA 1/16W | R8190 | 401 105 0405 | MT-GLAZE 100 JA 1/16W |
| R8036 | 401 105 0405 | MT-GLAZE 100 JA 1/16W | R8191 | 401 105 0405 | MT-GLAZE 100 JA 1/16W |
| R8037 | 401 105 0405 | MT-GLAZE 100 JA 1/16W | R8192 | 401 105 0603 | MT-GLAZE 10K JA 1/16W |
| R8039 | 401 105 8005 | MT-GLAZE 1M JA 1/16W | R8193 | 401 105 0603 | MT-GLAZE 10K JA 1/16W |
| R8040 | 401 105 2805 | MT-GLAZE 2.2K JA 1/16W | R8194 | 401 290 1508 | MT-GLAZE 0.1 JE 1/2W |
| R8042 | 401 105 7909 | MT-GLAZE 0.000 ZA 1/16W | R8195 | 401 105 0405 | MT-GLAZE 100 JA 1/16W |
| R8043 | 401 105 0504 | MT-GLAZE 1K JA 1/16W | R8196 | 401 105 0405 | MT-GLAZE 100 JA 1/16W |
| R8044 | 401 105 0504 | MT-GLAZE 1K JA 1/16W | R8197 | 401 105 8005 | MT-GLAZE 1M JA 1/16W |
| R8045 | 401 105 1709 | MT-GLAZE 150K JA 1/16W | R8198 | 401 105 0702 | MT-GLAZE 100K JA 1/16W |
| R8046 | 401 105 0405 | MT-GLAZE 100 JA 1/16W | R8199 | 401 105 0603 | MT-GLAZE 10K JA 1/16W |
| R8048 | 401 105 7909 | MT-GLAZE 0.000 ZA 1/16W | COIL | | |
| R8049 | 401 105 5905 | MT-GLAZE 560 JA 1/16W | L8001 | 645 026 1008 | INDUCTOR, 3.3U M |
| R8050 | 401 105 4601 | MT-GLAZE 3.9K JA 1/16W | L8002 | 645 026 1008 | INDUCTOR, 3.3U M |
| R8051 | 401 105 7909 | MT-GLAZE 0.000 ZA 1/16W | L8003 | 645 026 1008 | INDUCTOR, 3.3U M |
| R8052 | 401 105 5103 | MT-GLAZE 47 JA 1/16W | L8088 | 645 014 2659 | FILTER, EMI 10MHZ |
| R8053 | 401 105 7909 | MT-GLAZE 0.000 ZA 1/16W | L8089 | 645 026 1008 | INDUCTOR, 3.3U M |
| R8054 | 401 105 7909 | MT-GLAZE 0.000 ZA 1/16W | L8101 | 645 014 2659 | FILTER, EMI 10MHZ |
| R8056 | 401 105 7909 | MT-GLAZE 0.000 ZA 1/16W | L8102 | 645 014 2659 | FILTER, EMI 10MHZ |
| R8057 | 401 105 0603 | MT-GLAZE 10K JA 1/16W | L8121 | 645 014 2659 | FILTER, EMI 10MHZ |
| R8058 | 401 105 4205 | MT-GLAZE 33K JA 1/16W | L8122 | 645 014 2659 | FILTER, EMI 10MHZ |
| R8059 | 401 105 0603 | MT-GLAZE 10K JA 1/16W | L8123 | 645 014 2659 | FILTER, EMI 10MHZ |
| R8060 | 401 105 0603 | MT-GLAZE 10K JA 1/16W | L8124 | 645 014 2659 | FILTER, EMI 10MHZ |
| R8061 | 401 113 4402 | MT-GLAZE 75 JA 1/16W | L8125 | 645 014 2659 | FILTER, EMI 10MHZ |
| R8063 | 401 105 4502 | MT-GLAZE 390 JA 1/16W | L8126 | 645 014 2659 | FILTER, EMI 10MHZ |
| R8064 | 401 105 0504 | MT-GLAZE 1K JA 1/16W | L8141 | 645 014 2659 | FILTER, EMI 10MHZ |
| R8066 | 401 105 7909 | MT-GLAZE 0.000 ZA 1/16W | L8191 | 645 037 7396 | INDUCTOR, 22U M |
| R8067 | 401 105 0603 | MT-GLAZE 10K JA 1/16W | DIODE | | |
| R8071 | 401 113 4402 | MT-GLAZE 75 JA 1/16W | D8061 | 407 209 1201 | ZD UDZS-TE-176.2B |
| R8073 | 401 105 4502 | MT-GLAZE 390 JA 1/16W | D8062 | 407 209 1201 | ZD UDZS-TE-176.2B |
| R8075 | 401 105 0504 | MT-GLAZE 1K JA 1/16W | D8071 | 407 209 1201 | ZD UDZS-TE-176.2B |
| R8076 | 401 105 7909 | MT-GLAZE 0.000 ZA 1/16W | D8072 | 407 209 1201 | ZD UDZS-TE-176.2B |
| R8077 | 401 105 0603 | MT-GLAZE 10K JA 1/16W | D8081 | 407 209 1201 | ZD UDZS-TE-176.2B |
| R8078 | 401 105 0702 | MT-GLAZE 100K JA 1/16W | D8082 | 407 209 1201 | ZD UDZS-TE-176.2B |
| R8079 | 401 105 0702 | MT-GLAZE 100K JA 1/16W | D8088 | 407 223 1102 | ZENER DIODE 02DZ6.2Y(TPH3) |
| R8081 | 401 113 4402 | MT-GLAZE 75 JA 1/16W | D8091 | 407 223 1102 | ZENER DIODE 02DZ6.2Y(TPH3) |
| R8083 | 401 105 4502 | MT-GLAZE 390 JA 1/16W | D8092 | 407 223 1102 | ZENER DIODE 02DZ6.2Y(TPH3) |
| R8085 | 401 105 0504 | MT-GLAZE 1K JA 1/16W | D8093 | 407 223 1102 | ZENER DIODE 02DZ6.2Y(TPH3) |
| R8086 | 401 105 7909 | MT-GLAZE 0.000 ZA 1/16W | D8094 | 407 223 1102 | ZENER DIODE 02DZ6.2Y(TPH3) |
| R8087 | 401 105 0603 | MT-GLAZE 10K JA 1/16W | D8095 | 407 149 0807 | DIODE 1SS355-TE-17 |
| ▲ R8088 | 645 048 4711 | PROTECTOR, IC 0.75A 6V | D8096 | 407 149 0807 | DIODE 1SS355-TE-17 |
| R8090 | 401 105 7909 | MT-GLAZE 0.000 ZA 1/16W | D8101 | 407 223 0501 | ZENER DIODE 02DZ12Y(TPH3) |
| R8091 | 401 105 7909 | MT-GLAZE 0.000 ZA 1/16W | D8102 | 407 223 0501 | ZENER DIODE 02DZ12Y(TPH3) |
| R8092 | 401 105 7909 | MT-GLAZE 0.000 ZA 1/16W | D8103 | 407 223 0501 | ZENER DIODE 02DZ12Y(TPH3) |
| R8093 | 401 105 0504 | MT-GLAZE 1K JA 1/16W | D8104 | 407 223 0501 | ZENER DIODE 02DZ12Y(TPH3) |
| R8094 | 401 105 0603 | MT-GLAZE 10K JA 1/16W | D8121 | 407 223 0501 | ZENER DIODE 02DZ12Y(TPH3) |
| R8095 | 401 105 5103 | MT-GLAZE 47 JA 1/16W | D8122 | 407 223 0501 | ZENER DIODE 02DZ12Y(TPH3) |
| R8096 | 401 105 5103 | MT-GLAZE 47 JA 1/16W | D8123 | 407 223 0501 | ZENER DIODE 02DZ12Y(TPH3) |
| R8097 | 401 105 5103 | MT-GLAZE 47 JA 1/16W | D8124 | 407 223 0501 | ZENER DIODE 02DZ12Y(TPH3) |
| R8098 | 401 105 7909 | MT-GLAZE 0.000 ZA 1/16W | D8125 | 407 223 0501 | ZENER DIODE 02DZ12Y(TPH3) |
| R8101 | 401 105 5509 | MT-GLAZE 470K JA 1/16W | D8126 | 407 223 0501 | ZENER DIODE 02DZ12Y(TPH3) |

Electrical Parts List

| Ref. No. | Part No. | Description | Ref. No. | Part No. | Description |
|-----------|--------------|-------------------------|----------|--------------|----------------------|
| IC281 | 409 486 7709 | IC LM71171BIMX | C1376 | 403 164 0204 | CERAMIC 0.1U Z 25V |
| IC301 | 409 357 6602 | IC LT1260CS | C1377 | 403 164 0204 | CERAMIC 0.1U Z 25V |
| IC3351 | 409 513 7405 | IC PW365-30U | C1506 | 403 164 0204 | CERAMIC 0.1U Z 25V |
| IC3401 | 409 419 3709 | IC MC10H351ML1 | C1507 | 403 323 1301 | CERAMIC 0.47U Z 10V |
| IC3402 | 410 403 4305 | IC EP1K100QC208-2 | C1508 | 403 164 0204 | CERAMIC 0.1U Z 25V |
| IC3511 | 409 534 1703 | IC SI-3025LSA-TL | C1509 | 403 164 0204 | CERAMIC 0.1U Z 25V |
| | 410 315 5506 | IC HD74HCT244TV | C1510 | 403 323 1301 | CERAMIC 0.47U Z 10V |
| | 410 356 7507 | IC SN74HCT244PWR | C1511 | 403 323 1301 | CERAMIC 0.47U Z 10V |
| IC3521 | 410 315 5506 | IC HD74HCT244TV | C1532 | 403 164 0204 | CERAMIC 0.1U Z 25V |
| | 410 356 7507 | IC SN74HCT244PWR | C1533 | 403 164 0204 | CERAMIC 0.1U Z 25V |
| IC3561 | 409 422 5806 | IC M62398FP | C1537 | 403 323 1301 | CERAMIC 0.47U Z 10V |
| IC401 | 409 530 5101 | IC CXD3511AQ | C1538 | 403 164 0204 | CERAMIC 0.1U Z 25V |
| IC406 | 410 315 5506 | IC HD74HCT244TV | C1539 | 403 164 0204 | CERAMIC 0.1U Z 25V |
| | 410 356 7507 | IC SN74HCT244PWR | C1540 | 403 323 1301 | CERAMIC 0.47U Z 10V |
| IC407 | 410 315 5506 | IC HD74HCT244TV | C1541 | 403 323 1301 | CERAMIC 0.47U Z 10V |
| | 410 356 7507 | IC SN74HCT244PWR | C1562 | 403 164 0204 | CERAMIC 0.1U Z 25V |
| IC408 | 410 315 5506 | IC HD74HCT244TV | C1563 | 403 164 0204 | CERAMIC 0.1U Z 25V |
| IC4201 | 410 426 8106 | IC TC240C4FTB-C006(O) | C1566 | 403 164 0204 | CERAMIC 0.1U Z 25V |
| IC4231 | 409 444 8700 | IC ICS1523M-ER | C1567 | 403 323 1301 | CERAMIC 0.47U Z 10V |
| IC4251 | 409 534 1703 | IC SI-3025LSA-TL | C1568 | 403 164 0204 | CERAMIC 0.1U Z 25V |
| IC4252 | 410 351 4808 | IC LT1587CM-3.3 | C1569 | 403 164 0204 | CERAMIC 0.1U Z 25V |
| IC4261 | 410 401 7506 | IC TC74VCX16374FT | C1570 | 403 323 1301 | CERAMIC 0.47U Z 10V |
| IC4271 | 410 401 7506 | IC TC74VCX16374FT | C1571 | 403 323 1301 | CERAMIC 0.47U Z 10V |
| IC4281 | 410 401 7506 | IC TC74VCX16374FT | C1801 | 403 164 0204 | CERAMIC 0.1U Z 25V |
| IC4291 | 410 401 7407 | IC TC74VCX244FT | C1802 | 403 164 0204 | CERAMIC 0.1U Z 25V |
| IC4292 | 409 489 5009 | IC TC74VCX04FT | C1803 | 403 164 0204 | CERAMIC 0.1U Z 25V |
| IC4401 | 410 413 0700 | IC XC2S200-5FG256C | C1804 | 403 280 0805 | ELECT 330U M 6.3V |
| IC4402 | 409 534 1703 | IC SI-3025LSA-TL | C1811 | 403 164 0204 | CERAMIC 0.1U Z 25V |
| IC4811 | 410 325 4605 | IC TC74LCX244FT | C1821 | 403 164 0204 | CERAMIC 0.1U Z 25V |
| | 410 325 4704 | IC HD74LVC244AT | C1822 | 403 164 0204 | CERAMIC 0.1U Z 25V |
| IC4821 | 410 325 4605 | IC TC74LCX244FT | C1823 | 403 164 0204 | CERAMIC 0.1U Z 25V |
| | 410 325 4704 | IC HD74LVC244AT | C1824 | 403 164 0204 | CERAMIC 0.1U Z 25V |
| IC4831 | 410 325 4605 | IC TC74LCX244FT | C1850 | 403 280 1604 | ELECT 220U M 16V |
| | 410 325 4704 | IC HD74LVC244AT | C1851 | 403 267 0606 | NP-ELECT 4.7U M 16V |
| IC4832 | 410 325 4605 | IC TC74LCX244FT | C1852 | 403 280 1604 | ELECT 220U M 16V |
| | 410 325 4704 | IC HD74LVC244AT | C1853 | 403 215 2904 | CERAMIC 0.022U K 25V |
| IC4841 | 410 362 6600 | IC TC74ACT541FT | C1854 | 403 272 5603 | CERAMIC 0.033U K 16V |
| IC4842 | 410 362 6600 | IC TC74ACT541FT | C1856 | 403 348 5803 | CERAMIC 0.47U K 10V |
| IC4851 | 409 330 2508 | IC TC7SH04FU-(TE85L) | C1857 | 403 149 9208 | CERAMIC 0.01U Z 50V |
| IC4855 | 410 356 7903 | IC SN74AHC1G08HDCKR | C1858 | 403 280 1604 | ELECT 220U M 16V |
| IC4861 | 409 416 6505 | IC BA05FP-E2 | C1859 | 403 164 0204 | CERAMIC 0.1U Z 25V |
| IC4871 | 410 325 4605 | IC TC74LCX244FT | C1861 | 403 272 5603 | CERAMIC 0.033U K 16V |
| | 410 325 4704 | IC HD74LVC244AT | C1862 | 403 348 5803 | CERAMIC 0.47U K 10V |
| IC4881 | 410 325 4605 | IC TC74LCX244FT | C1863 | 403 215 2904 | CERAMIC 0.022U K 25V |
| | 410 325 4704 | IC HD74LVC244AT | C1864 | 403 280 1604 | ELECT 220U M 16V |
| IC501 | 409 520 3100 | IC CXA3562AR | C1865 | 403 164 0204 | CERAMIC 0.1U Z 25V |
| IC531 | 409 520 3100 | IC CXA3562AR | C1866 | 403 280 1604 | ELECT 220U M 16V |
| IC561 | 409 520 3100 | IC CXA3562AR | C1867 | 403 267 0606 | NP-ELECT 4.7U M 16V |
| IC5631 | 409 461 7809 | IC PQ20WZ11 | C1871 | 403 157 1904 | CERAMIC 10P D 50V |
| IC5641 | 409 461 7809 | IC PQ20WZ11 | C1872 | 403 348 5803 | CERAMIC 0.47U K 10V |
| IC5651 | 409 461 7809 | IC PQ20WZ11 | C1873 | 403 157 1904 | CERAMIC 10P D 50V |
| IC6301 | 410 365 4603 | IC MS82V16520-8AGA | C1881 | 403 164 0204 | CERAMIC 0.1U Z 25V |
| IC6321 | 410 365 4603 | IC MS82V16520-8AGA | C1890 | 403 164 0204 | CERAMIC 0.1U Z 25V |
| IC6341 | 410 365 4603 | IC MS82V16520-8AGA | C1891 | 403 164 0204 | CERAMIC 0.1U Z 25V |
| IC6361 | 410 365 4603 | IC MS82V16520-8AGA | C1892 | 403 164 0204 | CERAMIC 0.1U Z 25V |
| IC801 | 410 437 5002 | IC HD64F7045F28-C013 | C1893 | 403 164 0204 | CERAMIC 0.1U Z 25V |
| IC802 | 409 344 1900 | IC MN1382-Q-TX | C1894 | 403 164 0204 | CERAMIC 0.1U Z 25V |
| IC8201 | 410 321 8300 | IC TC74VCX16244FT | C1895 | 403 164 0204 | CERAMIC 0.1U Z 25V |
| IC8211 | 410 321 8300 | IC TC74VCX16244FT | C202 | 403 164 0204 | CERAMIC 0.1U Z 25V |
| IC8221 | 410 321 8300 | IC TC74VCX16244FT | C205 | 403 157 1904 | CERAMIC 10P D 50V |
| IC8251 | 410 401 7407 | IC TC74VCX244FT | C206 | 403 164 0204 | CERAMIC 0.1U Z 25V |
| IC8252 | 409 330 2508 | IC TC7SH04FU-(TE85L) | C207 | 403 267 0804 | NP-ELECT 47U M 6.3V |
| IC8253 | 409 439 8906 | IC TC7WH125FU | C209 | 403 155 1500 | CERAMIC 180P J 50V |
| IC8254 | 409 330 2508 | IC TC7SH04FU-(TE85L) | C211 | 403 157 1904 | CERAMIC 10P D 50V |
| IC8261 | 410 337 0602 | IC HD74LVC14T | C214 | 403 157 1706 | CERAMIC 8P D 50V |
| IC8271 | 409 522 7502 | IC TC7SA08FU | C215 | 403 157 1706 | CERAMIC 8P D 50V |
| IC871 | 410 437 5101 | IC MEM29LV160BE-90-C014 | C216 | 403 157 1706 | CERAMIC 8P D 50V |
| IC872 | 410 365 5600 | IC SN74LVCC4245APWR | C217 | 403 267 0804 | NP-ELECT 47U M 6.3V |
| IC873 | 410 365 5600 | IC SN74LVCC4245APWR | C219 | 403 155 1500 | CERAMIC 180P J 50V |
| IC874 | 410 315 5506 | IC HD74HCT244TV | C2201 | 403 280 0508 | ELECT 470U M 4V |
| | 410 356 7507 | IC SN74HCT244PWR | C2202 | 403 164 0204 | CERAMIC 0.1U Z 25V |
| IC875 | 410 315 5506 | IC HD74HCT244TV | C2203 | 403 164 0204 | CERAMIC 0.1U Z 25V |
| | 410 356 7507 | IC SN74HCT244PWR | C2204 | 401 105 0306 | MT-GLAZE 10 JA 1/16W |
| IC876 | 410 315 5506 | IC HD74HCT244TV | C2205 | 403 283 6309 | CERAMIC 1U Z 10V |
| | 410 356 7507 | IC SN74HCT244PWR | C2206 | 403 164 0204 | CERAMIC 0.1U Z 25V |
| IC887 | 409 461 7304 | IC AD8057ART | C2207 | 403 164 0204 | CERAMIC 0.1U Z 25V |
| IC892 | 410 367 1501 | IC M5M51008CFP-70HI | C2208 | 403 283 6309 | CERAMIC 1U Z 10V |
| | 410 415 5208 | IC M5M51008DFP-70HI | C2209 | 403 164 0204 | CERAMIC 0.1U Z 25V |
| IC893 | 409 330 2508 | IC TC7SH04FU-(TE85L) | C221 | 403 157 1904 | CERAMIC 10P D 50V |
| | 410 356 7606 | IC SN74AHC1G04HDCKR | C2211 | 401 105 0306 | MT-GLAZE 10 JA 1/16W |
| IC9801 | 409 468 8908 | IC ML60851CTB | C2212 | 403 283 6309 | CERAMIC 1U Z 10V |
| | 409 521 4502 | IC ML60851DTB | C2213 | 403 164 0204 | CERAMIC 0.1U Z 25V |
| CAPACITOR | | | C2214 | 403 164 0204 | CERAMIC 0.1U Z 25V |
| C1311 | 403 280 0508 | ELECT 470U M 4V | C2215 | 403 283 6309 | CERAMIC 1U Z 10V |
| C1312 | 403 164 0204 | CERAMIC 0.1U Z 25V | C2216 | 401 105 0306 | MT-GLAZE 10 JA 1/16W |
| C1331 | 403 157 6602 | CERAMIC 470P K 50V | C2217 | 403 283 6309 | CERAMIC 1U Z 10V |
| C1332 | 403 149 9208 | CERAMIC 0.01U Z 50V | C2218 | 403 164 0204 | CERAMIC 0.1U Z 25V |
| C1341 | 403 157 6602 | CERAMIC 470P K 50V | C2219 | 403 283 6309 | CERAMIC 1U Z 10V |
| C1342 | 403 149 9208 | CERAMIC 0.01U Z 50V | C2221 | 403 283 6309 | CERAMIC 1U Z 10V |
| C1351 | 403 280 0508 | ELECT 470U M 4V | C2222 | 403 283 6309 | CERAMIC 1U Z 10V |
| C1352 | 403 164 0204 | CERAMIC 0.1U Z 25V | C2223 | 403 283 6309 | CERAMIC 1U Z 10V |
| C1354 | 403 164 0204 | CERAMIC 0.1U Z 25V | C2224 | 403 283 6309 | CERAMIC 1U Z 10V |
| C1365 | 403 280 0508 | ELECT 470U M 4V | C2225 | 403 283 6309 | CERAMIC 1U Z 10V |
| C1367 | 403 280 0508 | ELECT 470U M 4V | C2226 | 403 157 7203 | CERAMIC 3900P K 50V |
| C1368 | 403 164 0204 | CERAMIC 0.1U Z 25V | C2227 | 403 306 5401 | CERAMIC 0.039U K 16V |

Electrical Parts List

| Ref. No. | Part No. | Description | Ref. No. | Part No. | Description |
|----------|--------------|---------------------|----------|--------------|---------------------|
| C2228 | 403 283 6309 | CERAMIC 1U Z 10V | C2477 | 403 157 7302 | CERAMIC 6800P K 50V |
| C2229 | 403 283 6309 | CERAMIC 1U Z 10V | C2478 | 403 164 0204 | CERAMIC 0.1U Z 25V |
| C2231 | 403 283 6309 | CERAMIC 1U Z 10V | C2479 | 403 113 3805 | CERAMIC 1000P K 50V |
| C2232 | 403 283 6309 | CERAMIC 1U Z 10V | C2480 | 403 164 0204 | CERAMIC 0.1U Z 25V |
| C2233 | 403 283 6309 | CERAMIC 1U Z 10V | C2481 | 403 149 9208 | CERAMIC 0.01U Z 50V |
| C2234 | 403 283 6309 | CERAMIC 1U Z 10V | C2487 | 403 280 0508 | ELECT 470U M 4V |
| C2235 | 403 283 6309 | CERAMIC 1U Z 10V | C2488 | 403 164 0204 | CERAMIC 0.1U Z 25V |
| C2236 | 403 283 6309 | CERAMIC 1U Z 10V | C2491 | 403 164 0204 | CERAMIC 0.1U Z 25V |
| C2237 | 403 283 6309 | CERAMIC 1U Z 10V | C2501 | 403 280 1604 | ELECT 220U M 16V |
| C2238 | 403 157 6602 | CERAMIC 470P K 50V | C2502 | 403 164 0204 | CERAMIC 0.1U Z 25V |
| C2251 | 403 164 0204 | CERAMIC 0.1U Z 25V | C2503 | 403 280 1604 | ELECT 220U M 16V |
| C2252 | 403 164 0204 | CERAMIC 0.1U Z 25V | C2504 | 403 164 0204 | CERAMIC 0.1U Z 25V |
| C2253 | 403 304 1801 | ELECT 100U M 6.3V | C2505 | 403 164 0204 | CERAMIC 0.1U Z 25V |
| | 403 373 7704 | ELECT 100U M 6.3V | C2506 | 403 164 0204 | CERAMIC 0.1U Z 25V |
| C2254 | 403 164 0204 | CERAMIC 0.1U Z 25V | C2507 | 403 164 0204 | CERAMIC 0.1U Z 25V |
| C2255 | 403 304 1801 | ELECT 100U M 6.3V | C2508 | 403 164 0204 | CERAMIC 0.1U Z 25V |
| | 403 373 7704 | ELECT 100U M 6.3V | C2509 | 403 164 0204 | CERAMIC 0.1U Z 25V |
| C2256 | 403 164 0204 | CERAMIC 0.1U Z 25V | C2515 | 403 164 0204 | CERAMIC 0.1U Z 25V |
| C2257 | 403 304 1801 | ELECT 100U M 6.3V | C2516 | 403 164 0204 | CERAMIC 0.1U Z 25V |
| | 403 373 7704 | ELECT 100U M 6.3V | C2517 | 403 164 0204 | CERAMIC 0.1U Z 25V |
| C2260 | 403 348 5803 | CERAMIC 0.47U K 10V | C2518 | 403 164 0204 | CERAMIC 0.1U Z 25V |
| C2262 | 403 348 5803 | CERAMIC 0.47U K 10V | C2519 | 403 164 0204 | CERAMIC 0.1U Z 25V |
| C2263 | 403 164 0204 | CERAMIC 0.1U Z 25V | C2525 | 403 164 0204 | CERAMIC 0.1U Z 25V |
| C2264 | 403 304 1801 | ELECT 100U M 6.3V | C2526 | 403 164 0204 | CERAMIC 0.1U Z 25V |
| | 403 373 7704 | ELECT 100U M 6.3V | C2527 | 403 164 0204 | CERAMIC 0.1U Z 25V |
| C2265 | 403 348 5803 | CERAMIC 0.47U K 10V | C2528 | 403 164 0204 | CERAMIC 0.1U Z 25V |
| C2266 | 403 348 5803 | CERAMIC 0.47U K 10V | C2529 | 403 164 0204 | CERAMIC 0.1U Z 25V |
| C2267 | 403 348 5803 | CERAMIC 0.47U K 10V | C2532 | 403 379 6800 | POS-SOLID 22U M 20V |
| C2268 | 403 348 5803 | CERAMIC 0.47U K 10V | C2541 | 403 164 0204 | CERAMIC 0.1U Z 25V |
| C2269 | 403 348 5803 | CERAMIC 0.47U K 10V | C2545 | 403 280 0508 | ELECT 470U M 4V |
| C227 | 403 267 0804 | NP-ELECT 47U M 6.3V | C2546 | 403 164 0204 | CERAMIC 0.1U Z 25V |
| C2271 | 403 348 5803 | CERAMIC 0.47U K 10V | C2563 | 403 157 1904 | CERAMIC 10P D 50V |
| C2272 | 403 348 5803 | CERAMIC 0.47U K 10V | C2573 | 403 157 1904 | CERAMIC 10P D 50V |
| C2273 | 403 348 5803 | CERAMIC 0.47U K 10V | C2583 | 403 157 1904 | CERAMIC 10P D 50V |
| C2274 | 403 348 5803 | CERAMIC 0.47U K 10V | C2593 | 403 157 1904 | CERAMIC 10P D 50V |
| C2275 | 403 348 5803 | CERAMIC 0.47U K 10V | C281 | 403 164 0204 | CERAMIC 0.1U Z 25V |
| C2276 | 403 348 5803 | CERAMIC 0.47U K 10V | C282 | 403 164 0204 | CERAMIC 0.1U Z 25V |
| C2277 | 403 348 5803 | CERAMIC 0.47U K 10V | C283 | 403 175 4505 | ELECT 47U M 6.3V |
| C2278 | 403 348 5803 | CERAMIC 0.47U K 10V | C284 | 403 164 0204 | CERAMIC 0.1U Z 25V |
| C2279 | 403 348 5803 | CERAMIC 0.47U K 10V | C285 | 403 164 0204 | CERAMIC 0.1U Z 25V |
| C2281 | 403 348 5803 | CERAMIC 0.47U K 10V | C286 | 403 175 4505 | ELECT 47U M 6.3V |
| C2282 | 403 164 0204 | CERAMIC 0.1U Z 25V | C287 | 403 164 0204 | CERAMIC 0.1U Z 25V |
| C2284 | 403 348 5803 | CERAMIC 0.47U K 10V | C288 | 403 175 4505 | ELECT 47U M 6.3V |
| C2285 | 403 348 5803 | CERAMIC 0.47U K 10V | C311 | 403 280 0508 | ELECT 470U M 4V |
| C2286 | 403 348 5803 | CERAMIC 0.47U K 10V | C312 | 403 164 0204 | CERAMIC 0.1U Z 25V |
| C2287 | 403 155 4204 | CERAMIC 15P J 50V | C313 | 403 280 0508 | ELECT 470U M 4V |
| C2288 | 403 348 5803 | CERAMIC 0.47U K 10V | C314 | 403 164 0204 | CERAMIC 0.1U Z 25V |
| C2289 | 403 215 2201 | CERAMIC 0.01U K 50V | C315 | 403 164 0204 | CERAMIC 0.1U Z 25V |
| C229 | 403 155 1500 | CERAMIC 180P J 50V | C316 | 403 164 0204 | CERAMIC 0.1U Z 25V |
| C2290 | 403 298 9609 | CERAMIC 0.1U K 16V | C317 | 403 164 0204 | CERAMIC 0.1U Z 25V |
| C2291 | 403 304 1801 | ELECT 100U M 6.3V | C318 | 403 164 0204 | CERAMIC 0.1U Z 25V |
| | 403 373 7704 | ELECT 100U M 6.3V | C319 | 403 164 0204 | CERAMIC 0.1U Z 25V |
| C2292 | 403 164 0204 | CERAMIC 0.1U Z 25V | C321 | 403 164 0204 | CERAMIC 0.1U Z 25V |
| C2301 | 403 164 0204 | CERAMIC 0.1U Z 25V | C3262 | 403 164 0204 | CERAMIC 0.1U Z 25V |
| C2302 | 403 164 0204 | CERAMIC 0.1U Z 25V | C3351 | 403 164 0204 | CERAMIC 0.1U Z 25V |
| C2303 | 403 164 0204 | CERAMIC 0.1U Z 25V | C3352 | 403 304 1801 | ELECT 100U M 6.3V |
| C2304 | 403 164 0204 | CERAMIC 0.1U Z 25V | | 403 373 7704 | ELECT 100U M 6.3V |
| C2305 | 403 164 0204 | CERAMIC 0.1U Z 25V | C3401 | 403 280 0508 | ELECT 470U M 4V |
| C2306 | 403 164 0204 | CERAMIC 0.1U Z 25V | C3402 | 403 164 0204 | CERAMIC 0.1U Z 25V |
| C2307 | 403 164 0204 | CERAMIC 0.1U Z 25V | C3403 | 403 280 0508 | ELECT 470U M 4V |
| C2308 | 403 164 0204 | CERAMIC 0.1U Z 25V | C3404 | 403 164 0204 | CERAMIC 0.1U Z 25V |
| C2310TM | 403 139 7702 | CERAMIC 7P D 50V | C3405 | 403 164 0204 | CERAMIC 0.1U Z 25V |
| C2311 | 403 164 0204 | CERAMIC 0.1U Z 25V | C3406 | 403 280 0508 | ELECT 470U M 4V |
| C2312 | 403 280 0508 | ELECT 470U M 4V | C3407 | 403 164 0204 | CERAMIC 0.1U Z 25V |
| C2313 | 403 280 0508 | ELECT 470U M 4V | C3410 | 403 164 0204 | CERAMIC 0.1U Z 25V |
| C2315 | 403 280 0508 | ELECT 470U M 4V | C3411 | 403 164 0204 | CERAMIC 0.1U Z 25V |
| C2316 | 403 164 0204 | CERAMIC 0.1U Z 25V | C3414 | 403 164 0204 | CERAMIC 0.1U Z 25V |
| C233 | 403 304 1801 | ELECT 100U M 6.3V | C3415 | 403 164 0204 | CERAMIC 0.1U Z 25V |
| | 403 373 7704 | ELECT 100U M 6.3V | C3416 | 403 164 0204 | CERAMIC 0.1U Z 25V |
| C235 | 403 304 1801 | ELECT 100U M 6.3V | C3417 | 403 164 0204 | CERAMIC 0.1U Z 25V |
| | 403 373 7704 | ELECT 100U M 6.3V | C3421 | 403 164 0204 | CERAMIC 0.1U Z 25V |
| C2401 | 403 280 0508 | ELECT 470U M 4V | C3425 | 403 164 0204 | CERAMIC 0.1U Z 25V |
| C2402 | 403 164 0204 | CERAMIC 0.1U Z 25V | C3427 | 403 164 0204 | CERAMIC 0.1U Z 25V |
| C2403 | 403 280 0508 | ELECT 470U M 4V | C3428 | 403 164 0204 | CERAMIC 0.1U Z 25V |
| C2404 | 403 164 0204 | CERAMIC 0.1U Z 25V | C3431 | 403 164 0204 | CERAMIC 0.1U Z 25V |
| C2406 | 403 164 0204 | CERAMIC 0.1U Z 25V | C3432 | 403 164 0204 | CERAMIC 0.1U Z 25V |
| C2407 | 403 164 0204 | CERAMIC 0.1U Z 25V | C3433 | 403 164 0204 | CERAMIC 0.1U Z 25V |
| C2408 | 403 164 0204 | CERAMIC 0.1U Z 25V | C3511 | 403 164 0204 | CERAMIC 0.1U Z 25V |
| C2409 | 403 164 0204 | CERAMIC 0.1U Z 25V | C3521 | 403 164 0204 | CERAMIC 0.1U Z 25V |
| C2413 | 403 164 0204 | CERAMIC 0.1U Z 25V | C3522 | 403 280 0805 | ELECT 330U M 6.3V |
| C2414 | 403 164 0204 | CERAMIC 0.1U Z 25V | C3523 | 403 113 3805 | CERAMIC 1000P K 50V |
| C2417 | 403 164 0204 | CERAMIC 0.1U Z 25V | C3561 | 403 164 0204 | CERAMIC 0.1U Z 25V |
| C2419 | 403 164 0204 | CERAMIC 0.1U Z 25V | C3562 | 403 304 1801 | ELECT 100U M 6.3V |
| C2421 | 403 164 0204 | CERAMIC 0.1U Z 25V | | 403 373 7704 | ELECT 100U M 6.3V |
| C2423 | 403 164 0204 | CERAMIC 0.1U Z 25V | C3563 | 403 113 3805 | CERAMIC 1000P K 50V |
| C2424 | 403 164 0204 | CERAMIC 0.1U Z 25V | C3564 | 403 164 0204 | CERAMIC 0.1U Z 25V |
| C2428 | 403 164 0204 | CERAMIC 0.1U Z 25V | C400 | 403 164 0204 | CERAMIC 0.1U Z 25V |
| C2429 | 403 164 0204 | CERAMIC 0.1U Z 25V | C401 | 403 280 0508 | ELECT 470U M 4V |
| C2470 | 403 304 2105 | ELECT 47U M 6.3V | C402 | 403 164 0204 | CERAMIC 0.1U Z 25V |
| C2471 | 403 164 0204 | CERAMIC 0.1U Z 25V | C403 | 403 280 0508 | ELECT 470U M 4V |
| C2472 | 403 164 0204 | CERAMIC 0.1U Z 25V | C404 | 403 164 0204 | CERAMIC 0.1U Z 25V |
| C2473 | 403 304 2105 | ELECT 47U M 6.3V | C405 | 403 113 3805 | CERAMIC 1000P K 50V |
| C2474 | 403 304 2105 | ELECT 47U M 6.3V | C406 | 403 164 0204 | CERAMIC 0.1U Z 25V |
| C2475 | 403 164 0204 | CERAMIC 0.1U Z 25V | C409 | 403 164 0204 | CERAMIC 0.1U Z 25V |
| C2476 | 403 155 1609 | CERAMIC 33P J 50V | C410 | 403 348 5803 | CERAMIC 0.47U K 10V |

Electrical Parts List

| Ref. No. | Part No. | Description | Ref. No. | Part No. | Description |
|----------|--------------|---------------------|----------|--------------|---------------------|
| C412 | 403 164 0204 | CERAMIC 0.1U Z 25V | C4861 | 403 164 0204 | CERAMIC 0.1U Z 25V |
| C413 | 403 164 0204 | CERAMIC 0.1U Z 25V | C4862 | 403 280 0805 | ELECT 330U M 6.3V |
| C415 | 403 113 3805 | CERAMIC 1000P K 50V | C4871 | 403 164 0204 | CERAMIC 0.1U Z 25V |
| C416 | 403 164 0204 | CERAMIC 0.1U Z 25V | C4881 | 403 164 0204 | CERAMIC 0.1U Z 25V |
| C419 | 403 113 3805 | CERAMIC 1000P K 50V | C501 | 403 379 6800 | POS-SOLID 22U M 20V |
| C420 | 403 164 0204 | CERAMIC 0.1U Z 25V | C502 | 403 164 0204 | CERAMIC 0.1U Z 25V |
| C4201 | 403 164 0204 | CERAMIC 0.1U Z 25V | C504 | 403 280 0805 | ELECT 330U M 6.3V |
| C4202 | 403 164 0204 | CERAMIC 0.1U Z 25V | C505 | 403 164 0204 | CERAMIC 0.1U Z 25V |
| C4203 | 403 164 0204 | CERAMIC 0.1U Z 25V | C506 | 403 164 0204 | CERAMIC 0.1U Z 25V |
| C4204 | 403 164 0204 | CERAMIC 0.1U Z 25V | C507 | 403 164 0204 | CERAMIC 0.1U Z 25V |
| C4206 | 403 164 0204 | CERAMIC 0.1U Z 25V | C508 | 403 323 1301 | CERAMIC 0.47U Z 10V |
| C4207 | 403 164 0204 | CERAMIC 0.1U Z 25V | C509 | 403 323 1301 | CERAMIC 0.47U Z 10V |
| C4208 | 403 164 0204 | CERAMIC 0.1U Z 25V | C510 | 403 323 1301 | CERAMIC 0.47U Z 10V |
| C4209 | 403 164 0204 | CERAMIC 0.1U Z 25V | C511 | 403 341 7507 | ELECT 100U M 25V |
| C421 | 403 164 0204 | CERAMIC 0.1U Z 25V | C512 | 403 164 0204 | CERAMIC 0.1U Z 25V |
| C4211 | 403 164 0204 | CERAMIC 0.1U Z 25V | C531 | 403 280 1604 | ELECT 220U M 16V |
| C4212 | 403 164 0204 | CERAMIC 0.1U Z 25V | C532 | 403 164 0204 | CERAMIC 0.1U Z 25V |
| C4213 | 403 164 0204 | CERAMIC 0.1U Z 25V | C534 | 403 280 0805 | ELECT 330U M 6.3V |
| C4214 | 403 164 0204 | CERAMIC 0.1U Z 25V | C535 | 403 164 0204 | CERAMIC 0.1U Z 25V |
| C4216 | 403 164 0204 | CERAMIC 0.1U Z 25V | C536 | 403 164 0204 | CERAMIC 0.1U Z 25V |
| C4217 | 403 164 0204 | CERAMIC 0.1U Z 25V | C537 | 403 164 0204 | CERAMIC 0.1U Z 25V |
| C4218 | 403 164 0204 | CERAMIC 0.1U Z 25V | C538 | 403 323 1301 | CERAMIC 0.47U Z 10V |
| C4219 | 403 164 0204 | CERAMIC 0.1U Z 25V | C539 | 403 323 1301 | CERAMIC 0.47U Z 10V |
| C4221 | 403 304 1801 | ELECT 100U M 6.3V | C540 | 403 323 1301 | CERAMIC 0.47U Z 10V |
| | 403 373 7704 | ELECT 100U M 6.3V | C541 | 403 341 7507 | ELECT 100U M 25V |
| C4222 | 403 164 0204 | CERAMIC 0.1U Z 25V | C542 | 403 164 0204 | CERAMIC 0.1U Z 25V |
| C4223 | 403 164 0204 | CERAMIC 0.1U Z 25V | C561 | 403 280 1604 | ELECT 220U M 16V |
| C4231 | 403 304 2105 | ELECT 47U M 6.3V | C562 | 403 164 0204 | CERAMIC 0.1U Z 25V |
| C4232 | 403 164 0204 | CERAMIC 0.1U Z 25V | C5631 | 403 164 0204 | CERAMIC 0.1U Z 25V |
| C4233 | 403 304 2105 | ELECT 47U M 6.3V | C5632 | 403 341 7507 | ELECT 100U M 25V |
| C4234 | 403 164 0204 | CERAMIC 0.1U Z 25V | C564 | 403 280 0805 | ELECT 330U M 6.3V |
| C4236 | 403 155 1609 | CERAMIC 33P J 50V | C5641 | 403 341 7507 | ELECT 100U M 25V |
| C4237 | 403 157 7302 | CERAMIC 6800P K 50V | C5642 | 403 164 0204 | CERAMIC 0.1U Z 25V |
| C4238 | 403 304 2105 | ELECT 47U M 6.3V | C565 | 403 164 0204 | CERAMIC 0.1U Z 25V |
| C4239 | 403 164 0204 | CERAMIC 0.1U Z 25V | C5651 | 403 341 7507 | ELECT 100U M 25V |
| C4241 | 403 164 0204 | CERAMIC 0.1U Z 25V | C5652 | 403 164 0204 | CERAMIC 0.1U Z 25V |
| C4242 | 403 164 0204 | CERAMIC 0.1U Z 25V | C566 | 403 164 0204 | CERAMIC 0.1U Z 25V |
| C4251 | 403 304 1801 | ELECT 100U M 6.3V | C567 | 403 164 0204 | CERAMIC 0.1U Z 25V |
| | 403 373 7704 | ELECT 100U M 6.3V | C568 | 403 323 1301 | CERAMIC 0.47U Z 10V |
| C4252 | 403 164 0204 | CERAMIC 0.1U Z 25V | C569 | 403 323 1301 | CERAMIC 0.47U Z 10V |
| C4253 | 403 304 1801 | ELECT 100U M 6.3V | C570 | 403 323 1301 | CERAMIC 0.47U Z 10V |
| | 403 373 7704 | ELECT 100U M 6.3V | C571 | 403 341 7507 | ELECT 100U M 25V |
| C4254 | 403 164 0204 | CERAMIC 0.1U Z 25V | C572 | 403 164 0204 | CERAMIC 0.1U Z 25V |
| C4256 | 403 280 0805 | ELECT 330U M 6.3V | C5811 | 403 164 0204 | CERAMIC 0.1U Z 25V |
| C4257 | 403 164 0204 | CERAMIC 0.1U Z 25V | C5812 | 403 164 0204 | CERAMIC 0.1U Z 25V |
| C4258 | 403 164 0204 | CERAMIC 0.1U Z 25V | C5813 | 403 164 0204 | CERAMIC 0.1U Z 25V |
| C426 | 403 113 3805 | CERAMIC 1000P K 50V | C5837 | 403 341 7507 | ELECT 100U M 25V |
| C4261 | 403 304 1801 | ELECT 100U M 6.3V | C5853 | 403 164 0204 | CERAMIC 0.1U Z 25V |
| | 403 373 7704 | ELECT 100U M 6.3V | C5864 | 403 164 0204 | CERAMIC 0.1U Z 25V |
| C4262 | 403 164 0204 | CERAMIC 0.1U Z 25V | C5865 | 403 341 7507 | ELECT 100U M 25V |
| C4263 | 403 164 0204 | CERAMIC 0.1U Z 25V | C5866 | 403 341 7507 | ELECT 100U M 25V |
| C427 | 403 113 3805 | CERAMIC 1000P K 50V | C5867 | 403 164 0204 | CERAMIC 0.1U Z 25V |
| C4272 | 403 164 0204 | CERAMIC 0.1U Z 25V | C5875 | 403 164 0204 | CERAMIC 0.1U Z 25V |
| C4273 | 403 164 0204 | CERAMIC 0.1U Z 25V | C5876 | 403 164 0204 | CERAMIC 0.1U Z 25V |
| C4282 | 403 164 0204 | CERAMIC 0.1U Z 25V | C6300 | 403 164 0204 | CERAMIC 0.1U Z 25V |
| C4283 | 403 164 0204 | CERAMIC 0.1U Z 25V | C6301 | 403 304 1801 | ELECT 100U M 6.3V |
| C4291 | 403 164 0204 | CERAMIC 0.1U Z 25V | | 403 373 7704 | ELECT 100U M 6.3V |
| C434 | 403 113 3805 | CERAMIC 1000P K 50V | C6303 | 403 113 3805 | CERAMIC 1000P K 50V |
| C440 | 403 348 5803 | CERAMIC 0.47U K 10V | C6304 | 403 113 3805 | CERAMIC 1000P K 50V |
| C4402 | 403 164 0204 | CERAMIC 0.1U Z 25V | C6307 | 403 164 0204 | CERAMIC 0.1U Z 25V |
| C4403 | 403 280 0508 | ELECT 470U M 4V | C6309 | 403 164 0204 | CERAMIC 0.1U Z 25V |
| C4404 | 403 164 0204 | CERAMIC 0.1U Z 25V | C6311 | 403 113 3805 | CERAMIC 1000P K 50V |
| C4407 | 403 164 0204 | CERAMIC 0.1U Z 25V | C6312 | 403 164 0204 | CERAMIC 0.1U Z 25V |
| C4408 | 403 280 0508 | ELECT 470U M 4V | C6313 | 403 113 3805 | CERAMIC 1000P K 50V |
| C4409 | 403 164 0204 | CERAMIC 0.1U Z 25V | C6323 | 403 113 3805 | CERAMIC 1000P K 50V |
| C4411 | 403 164 0204 | CERAMIC 0.1U Z 25V | C6324 | 403 113 3805 | CERAMIC 1000P K 50V |
| C4412 | 403 164 0204 | CERAMIC 0.1U Z 25V | C6327 | 403 164 0204 | CERAMIC 0.1U Z 25V |
| C4421 | 403 280 0508 | ELECT 470U M 4V | C6329 | 403 164 0204 | CERAMIC 0.1U Z 25V |
| C4422 | 403 164 0204 | CERAMIC 0.1U Z 25V | C6331 | 403 113 3805 | CERAMIC 1000P K 50V |
| C4424 | 403 164 0204 | CERAMIC 0.1U Z 25V | C6332 | 403 164 0204 | CERAMIC 0.1U Z 25V |
| C4426 | 403 280 0508 | ELECT 470U M 4V | C6333 | 403 113 3805 | CERAMIC 1000P K 50V |
| C4427 | 403 164 0204 | CERAMIC 0.1U Z 25V | C6340 | 403 164 0204 | CERAMIC 0.1U Z 25V |
| C4429 | 403 164 0204 | CERAMIC 0.1U Z 25V | C6341 | 403 304 1801 | ELECT 100U M 6.3V |
| C445 | 403 164 0204 | CERAMIC 0.1U Z 25V | | 403 373 7704 | ELECT 100U M 6.3V |
| C446 | 403 164 0204 | CERAMIC 0.1U Z 25V | C6343 | 403 113 3805 | CERAMIC 1000P K 50V |
| C447 | 403 164 0204 | CERAMIC 0.1U Z 25V | C6344 | 403 113 3805 | CERAMIC 1000P K 50V |
| C456 | 403 164 0204 | CERAMIC 0.1U Z 25V | C6347 | 403 164 0204 | CERAMIC 0.1U Z 25V |
| C457 | 403 113 3805 | CERAMIC 1000P K 50V | C6349 | 403 164 0204 | CERAMIC 0.1U Z 25V |
| C458 | 403 164 0204 | CERAMIC 0.1U Z 25V | C6350 | 403 113 3805 | CERAMIC 1000P K 50V |
| C461 | 403 164 0204 | CERAMIC 0.1U Z 25V | C6352 | 403 164 0204 | CERAMIC 0.1U Z 25V |
| C463 | 403 164 0204 | CERAMIC 0.1U Z 25V | C6353 | 403 113 3805 | CERAMIC 1000P K 50V |
| C464 | 403 113 3805 | CERAMIC 1000P K 50V | C6360 | 403 164 0204 | CERAMIC 0.1U Z 25V |
| C465 | 403 164 0204 | CERAMIC 0.1U Z 25V | C6363 | 403 113 3805 | CERAMIC 1000P K 50V |
| C471 | 403 113 3805 | CERAMIC 1000P K 50V | C6364 | 403 113 3805 | CERAMIC 1000P K 50V |
| C474 | 403 164 0204 | CERAMIC 0.1U Z 25V | C6367 | 403 164 0204 | CERAMIC 0.1U Z 25V |
| C477 | 403 164 0204 | CERAMIC 0.1U Z 25V | C6371 | 403 113 3805 | CERAMIC 1000P K 50V |
| C4801 | 403 164 0204 | CERAMIC 0.1U Z 25V | C6372 | 403 164 0204 | CERAMIC 0.1U Z 25V |
| C481 | 403 164 0204 | CERAMIC 0.1U Z 25V | C6373 | 403 113 3805 | CERAMIC 1000P K 50V |
| C4811 | 403 164 0204 | CERAMIC 0.1U Z 25V | C801 | 403 164 0204 | CERAMIC 0.1U Z 25V |
| C4821 | 403 164 0204 | CERAMIC 0.1U Z 25V | C802 | 403 164 0204 | CERAMIC 0.1U Z 25V |
| C4831 | 403 164 0204 | CERAMIC 0.1U Z 25V | C803 | 403 155 1609 | CERAMIC 33P J 50V |
| C4832 | 403 164 0204 | CERAMIC 0.1U Z 25V | C804 | 403 155 1609 | CERAMIC 33P J 50V |
| C4842 | 403 164 0204 | CERAMIC 0.1U Z 25V | C806 | 403 175 4505 | ELECT 47U M 6.3V |
| C4851 | 403 164 0204 | CERAMIC 0.1U Z 25V | C807 | 403 164 0204 | CERAMIC 0.1U Z 25V |
| C4855 | 403 164 0204 | CERAMIC 0.1U Z 25V | C808 | 403 157 6602 | CERAMIC 470P K 50V |

Electrical Parts List

| Ref. No. | Part No. | Description | Ref. No. | Part No. | Description |
|----------|--------------|----------------------|----------|--------------|------------------------|
| C809 | 403 162 4709 | ELECT 10U M 16V | RB2526 | 645 049 0682 | R-NETWORK 10X4 1/32W |
| C811 | 403 283 6309 | CERAMIC 1U Z 10V | RB2531 | 645 049 0682 | R-NETWORK 10X4 1/32W |
| C812 | 403 164 0204 | CERAMIC 0.1U Z 25V | RB2532 | 645 049 0682 | R-NETWORK 10X4 1/32W |
| C813 | 403 164 0204 | CERAMIC 0.1U Z 25V | RB2533 | 645 049 0682 | R-NETWORK 10X4 1/32W |
| C814 | 403 280 0805 | ELECT 330U M 6.3V | RB2534 | 645 049 0682 | R-NETWORK 10X4 1/32W |
| C815 | 403 164 0204 | CERAMIC 0.1U Z 25V | RB2535 | 645 049 0682 | R-NETWORK 10X4 1/32W |
| C816 | 403 164 0204 | CERAMIC 0.1U Z 25V | RB2536 | 645 049 0682 | R-NETWORK 10X4 1/32W |
| C8201 | 403 280 0508 | ELECT 470U M 4V | RB301 | 645 028 0719 | R-NETWORK 10KX4 1/32W |
| C8202 | 403 113 3805 | CERAMIC 1000P K 50V | RB331 | 645 037 4395 | R-NETWORK 680X4 1/32W |
| C8203 | 403 164 0204 | CERAMIC 0.1U Z 25V | RB332 | 645 037 4395 | R-NETWORK 680X4 1/32W |
| C8204 | 403 164 0204 | CERAMIC 0.1U Z 25V | RB333 | 645 037 4395 | R-NETWORK 680X4 1/32W |
| C8211 | 403 113 3805 | CERAMIC 1000P K 50V | RB334 | 645 037 4395 | R-NETWORK 680X4 1/32W |
| C8212 | 403 164 0204 | CERAMIC 0.1U Z 25V | RB335 | 645 037 4395 | R-NETWORK 680X4 1/32W |
| C8213 | 403 164 0204 | CERAMIC 0.1U Z 25V | RB336 | 645 037 4395 | R-NETWORK 680X4 1/32W |
| C8221 | 403 113 3805 | CERAMIC 1000P K 50V | RB337 | 645 037 4395 | R-NETWORK 680X4 1/32W |
| C8222 | 403 164 0204 | CERAMIC 0.1U Z 25V | RB338 | 645 037 4395 | R-NETWORK 680X4 1/32W |
| C8223 | 403 164 0204 | CERAMIC 0.1U Z 25V | RB339 | 645 037 4395 | R-NETWORK 680X4 1/32W |
| C8225 | 403 164 0204 | CERAMIC 0.1U Z 25V | RB3401 | 645 037 0816 | R-NETWORK 0X4 1/32W |
| C8251 | 403 164 0204 | CERAMIC 0.1U Z 25V | RB3402 | 645 037 0816 | R-NETWORK 0X4 1/32W |
| C8252 | 403 164 0204 | CERAMIC 0.1U Z 25V | RB3403 | 645 037 0816 | R-NETWORK 0X4 1/32W |
| C8253 | 403 164 0204 | CERAMIC 0.1U Z 25V | RB3404 | 645 037 0816 | R-NETWORK 0X4 1/32W |
| C8254 | 403 164 0204 | CERAMIC 0.1U Z 25V | RB3405 | 645 037 0816 | R-NETWORK 0X4 1/32W |
| C8263 | 403 164 0204 | CERAMIC 0.1U Z 25V | RB3406 | 645 037 0816 | R-NETWORK 0X4 1/32W |
| C871 | 403 280 0508 | ELECT 470U M 4V | RB3407 | 645 054 1117 | R-NETWORK 68X4 1/32W |
| C872 | 403 164 0204 | CERAMIC 0.1U Z 25V | RB3408 | 645 054 1117 | R-NETWORK 68X4 1/32W |
| C873 | 403 164 0204 | CERAMIC 0.1U Z 25V | RB3409 | 645 054 1117 | R-NETWORK 68X4 1/32W |
| C874 | 403 164 0204 | CERAMIC 0.1U Z 25V | RB341 | 645 037 4395 | R-NETWORK 680X4 1/32W |
| C875 | 403 164 0204 | CERAMIC 0.1U Z 25V | RB3411 | 645 054 1117 | R-NETWORK 68X4 1/32W |
| C876 | 403 164 0204 | CERAMIC 0.1U Z 25V | RB3412 | 645 054 1117 | R-NETWORK 68X4 1/32W |
| C877 | 403 164 0204 | CERAMIC 0.1U Z 25V | RB3413 | 645 054 1117 | R-NETWORK 68X4 1/32W |
| C878 | 403 164 0204 | CERAMIC 0.1U Z 25V | RB3414 | 645 037 0816 | R-NETWORK 0X4 1/32W |
| C879 | 403 164 0204 | CERAMIC 0.1U Z 25V | RB3415 | 645 037 0816 | R-NETWORK 0X4 1/32W |
| C886 | 403 164 0204 | CERAMIC 0.1U Z 25V | RB3416 | 645 037 0816 | R-NETWORK 0X4 1/32W |
| C887 | 403 283 6309 | CERAMIC 1U Z 10V | RB3417 | 645 037 0816 | R-NETWORK 0X4 1/32W |
| C888 | 403 157 6602 | CERAMIC 470P K 50V | RB3418 | 645 037 0816 | R-NETWORK 0X4 1/32W |
| C892 | 403 164 0204 | CERAMIC 0.1U Z 25V | RB3419 | 645 037 0816 | R-NETWORK 0X4 1/32W |
| C893 | 403 164 0204 | CERAMIC 0.1U Z 25V | RB342 | 645 037 4395 | R-NETWORK 680X4 1/32W |
| C894 | 403 280 0805 | ELECT 330U M 6.3V | RB3421 | 645 054 1117 | R-NETWORK 68X4 1/32W |
| C9801 | 403 280 0508 | ELECT 470U M 4V | RB3422 | 645 054 1117 | R-NETWORK 68X4 1/32W |
| C9802 | 403 164 0204 | CERAMIC 0.1U Z 25V | RB3423 | 645 054 1117 | R-NETWORK 68X4 1/32W |
| C9804 | 403 113 3805 | CERAMIC 1000P K 50V | RB3424 | 645 054 1117 | R-NETWORK 68X4 1/32W |
| C9805 | 403 153 9102 | CERAMIC 5P C 50V | RB3425 | 645 054 1117 | R-NETWORK 68X4 1/32W |
| C9806 | 403 164 0204 | CERAMIC 0.1U Z 25V | RB3426 | 645 054 1117 | R-NETWORK 68X4 1/32W |
| C9807 | 403 164 0204 | CERAMIC 0.1U Z 25V | RB343 | 645 037 4395 | R-NETWORK 680X4 1/32W |
| C9809 | 403 164 0204 | CERAMIC 0.1U Z 25V | RB4421 | 645 037 0816 | R-NETWORK 0X4 1/32W |
| C9811 | 403 280 0508 | ELECT 470U M 4V | RB4422 | 645 037 0816 | R-NETWORK 0X4 1/32W |
| C9812 | 403 164 0204 | CERAMIC 0.1U Z 25V | RB4423 | 645 037 0816 | R-NETWORK 0X4 1/32W |
| RESISTOR | | | | | |
| RB1501 | 645 049 0682 | R-NETWORK 10X4 1/32W | RB4424 | 645 037 0816 | R-NETWORK 0X4 1/32W |
| RB1502 | 645 049 0682 | R-NETWORK 10X4 1/32W | RB4426 | 645 037 0816 | R-NETWORK 0X4 1/32W |
| RB1531 | 645 049 0682 | R-NETWORK 10X4 1/32W | RB4427 | 645 037 0816 | R-NETWORK 0X4 1/32W |
| RB1532 | 645 049 0682 | R-NETWORK 10X4 1/32W | RB4428 | 645 037 0816 | R-NETWORK 0X4 1/32W |
| RB1561 | 645 049 0682 | R-NETWORK 10X4 1/32W | RB4429 | 645 037 0816 | R-NETWORK 0X4 1/32W |
| RB1562 | 645 049 0682 | R-NETWORK 10X4 1/32W | RB4431 | 645 037 0816 | R-NETWORK 0X4 1/32W |
| RB2301 | 645 037 0830 | R-NETWORK 47X4 1/32W | RB4432 | 645 037 0816 | R-NETWORK 0X4 1/32W |
| RB2302 | 645 037 0830 | R-NETWORK 47X4 1/32W | RB4433 | 645 037 0816 | R-NETWORK 0X4 1/32W |
| RB2303 | 645 037 0830 | R-NETWORK 47X4 1/32W | RB4434 | 645 037 0816 | R-NETWORK 0X4 1/32W |
| RB2304 | 645 037 0830 | R-NETWORK 47X4 1/32W | RB4441 | 645 037 0823 | R-NETWORK 22X4 1/32W |
| RB2305 | 645 037 0830 | R-NETWORK 47X4 1/32W | RB4442 | 645 037 0823 | R-NETWORK 22X4 1/32W |
| RB2306 | 645 037 0830 | R-NETWORK 47X4 1/32W | RB4443 | 645 037 0823 | R-NETWORK 22X4 1/32W |
| RB2307 | 645 037 0830 | R-NETWORK 47X4 1/32W | RB4444 | 645 037 0823 | R-NETWORK 22X4 1/32W |
| RB2308 | 645 037 0830 | R-NETWORK 47X4 1/32W | RB4446 | 645 037 0823 | R-NETWORK 22X4 1/32W |
| RB2309 | 645 037 0830 | R-NETWORK 47X4 1/32W | RB4447 | 645 037 0823 | R-NETWORK 22X4 1/32W |
| RB2311 | 645 037 0830 | R-NETWORK 47X4 1/32W | RB4448 | 645 037 0823 | R-NETWORK 22X4 1/32W |
| RB2312 | 645 037 0830 | R-NETWORK 47X4 1/32W | RB4449 | 645 037 0823 | R-NETWORK 22X4 1/32W |
| RB2313 | 645 037 0830 | R-NETWORK 47X4 1/32W | RB4451 | 645 037 0823 | R-NETWORK 22X4 1/32W |
| RB2314 | 645 037 0816 | R-NETWORK 0X4 1/32W | RB4452 | 645 037 0823 | R-NETWORK 22X4 1/32W |
| RB2315 | 645 037 0816 | R-NETWORK 0X4 1/32W | RB4453 | 645 037 0823 | R-NETWORK 22X4 1/32W |
| RB2316 | 645 037 0816 | R-NETWORK 0X4 1/32W | RB4454 | 645 037 0823 | R-NETWORK 22X4 1/32W |
| RB2317 | 645 037 0816 | R-NETWORK 0X4 1/32W | RB4801 | 645 028 0719 | R-NETWORK 10KX4 1/32W |
| RB2318 | 645 037 0816 | R-NETWORK 0X4 1/32W | RB4802 | 645 028 0719 | R-NETWORK 10KX4 1/32W |
| RB2319 | 645 037 0816 | R-NETWORK 0X4 1/32W | RB4803 | 645 028 0719 | R-NETWORK 10KX4 1/32W |
| RB2321 | 645 037 0816 | R-NETWORK 0X4 1/32W | RB4808 | 645 028 0719 | R-NETWORK 10KX4 1/32W |
| RB2322 | 645 037 0816 | R-NETWORK 0X4 1/32W | RB4841 | 645 037 0816 | R-NETWORK 0X4 1/32W |
| RB2323 | 645 037 0816 | R-NETWORK 0X4 1/32W | RB4842 | 645 037 0816 | R-NETWORK 0X4 1/32W |
| RB2324 | 645 037 0816 | R-NETWORK 0X4 1/32W | RB4843 | 645 037 0816 | R-NETWORK 0X4 1/32W |
| RB2325 | 645 037 0816 | R-NETWORK 0X4 1/32W | RB4844 | 645 037 0816 | R-NETWORK 0X4 1/32W |
| RB2326 | 645 037 0816 | R-NETWORK 0X4 1/32W | RB4881 | 645 049 0682 | R-NETWORK 10X4 1/32W |
| RB2331 | 645 037 0816 | R-NETWORK 0X4 1/32W | RB4882 | 645 028 0696 | R-NETWORK 100X4 1/32W |
| RB2332 | 645 037 0816 | R-NETWORK 0X4 1/32W | RB4883 | 645 028 0696 | R-NETWORK 100X4 1/32W |
| RB2333 | 645 037 0816 | R-NETWORK 0X4 1/32W | RB4885 | 645 028 0696 | R-NETWORK 100X4 1/32W |
| RB2334 | 645 037 0816 | R-NETWORK 0X4 1/32W | RB501 | 645 049 0682 | R-NETWORK 10X4 1/32W |
| RB2335 | 645 037 0816 | R-NETWORK 0X4 1/32W | RB502 | 645 049 0682 | R-NETWORK 10X4 1/32W |
| RB2336 | 645 037 0816 | R-NETWORK 0X4 1/32W | RB503 | 645 049 0682 | R-NETWORK 10X4 1/32W |
| RB2511 | 645 049 0682 | R-NETWORK 10X4 1/32W | RB531 | 645 049 0682 | R-NETWORK 10X4 1/32W |
| RB2512 | 645 049 0682 | R-NETWORK 10X4 1/32W | RB532 | 645 049 0682 | R-NETWORK 10X4 1/32W |
| RB2513 | 645 049 0682 | R-NETWORK 10X4 1/32W | RB533 | 645 049 0682 | R-NETWORK 10X4 1/32W |
| RB2514 | 645 049 0682 | R-NETWORK 10X4 1/32W | RB561 | 645 049 0682 | R-NETWORK 10X4 1/32W |
| RB2515 | 645 049 0682 | R-NETWORK 10X4 1/32W | RB562 | 645 049 0682 | R-NETWORK 10X4 1/32W |
| RB2516 | 645 049 0682 | R-NETWORK 10X4 1/32W | RB563 | 645 049 0682 | R-NETWORK 10X4 1/32W |
| RB2521 | 645 049 0682 | R-NETWORK 10X4 1/32W | RB5811 | 645 028 0719 | R-NETWORK 10KX4 1/32W |
| RB2522 | 645 049 0682 | R-NETWORK 10X4 1/32W | RB5851 | 645 049 0682 | R-NETWORK 10X4 1/32W |
| RB2523 | 645 049 0682 | R-NETWORK 10X4 1/32W | RB5852 | 645 049 0682 | R-NETWORK 10X4 1/32W |
| RB2524 | 645 049 0682 | R-NETWORK 10X4 1/32W | RB5860 | 645 028 0696 | R-NETWORK 100X4 1/32W |
| RB2525 | 645 049 0682 | R-NETWORK 10X4 1/32W | RB804 | 645 033 1442 | R-NETWORK 4.7KX4 1/32W |
| | | | RB805 | 645 033 1442 | R-NETWORK 4.7KX4 1/32W |

Electrical Parts List

| Ref. No. | Part No. | Description | Ref. No. | Part No. | Description |
|----------|--------------|-------------------------|----------|--------------|-------------------------|
| RB806 | 645 033 1442 | R-NETWORK 4.7KX4 1/32W | R1841 | 401 105 0504 | MT-GLAZE 1K JA 1/16W |
| RB807 | 645 033 1442 | R-NETWORK 4.7KX4 1/32W | R1843 | 401 105 0603 | MT-GLAZE 10K JA 1/16W |
| RB9801 | 645 028 0719 | R-NETWORK 10KX4 1/32W | R1844 | 401 105 0504 | MT-GLAZE 1K JA 1/16W |
| RB9802 | 645 028 0719 | R-NETWORK 10KX4 1/32W | R1846 | 401 105 0603 | MT-GLAZE 10K JA 1/16W |
| R1302 | 401 105 7909 | MT-GLAZE 0.000 ZA 1/16W | R1850 | 401 105 2003 | MT-GLAZE 1.8K JA 1/16W |
| R1303 | 401 105 0405 | MT-GLAZE 100 JA 1/16W | R1851 | 401 105 4502 | MT-GLAZE 390 JA 1/16W |
| R1304 | 401 105 0603 | MT-GLAZE 10K JA 1/16W | R1852 | 401 105 0405 | MT-GLAZE 100 JA 1/16W |
| R1305 | 401 105 0405 | MT-GLAZE 100 JA 1/16W | R1853 | 401 105 0405 | MT-GLAZE 100 JA 1/16W |
| R1306 | 401 105 0405 | MT-GLAZE 100 JA 1/16W | R1854 | 401 105 0702 | MT-GLAZE 100K JA 1/16W |
| R1307 | 401 105 0405 | MT-GLAZE 100 JA 1/16W | R1855 | 401 105 4502 | MT-GLAZE 390 JA 1/16W |
| R1311 | 401 105 2003 | MT-GLAZE 1.8K JA 1/16W | R1856 | 401 105 2003 | MT-GLAZE 1.8K JA 1/16W |
| R1312 | 401 105 0306 | MT-GLAZE 10 JA 1/16W | R1857 | 401 105 1501 | MT-GLAZE 1.5K JA 1/16W |
| R1313 | 401 105 2003 | MT-GLAZE 1.8K JA 1/16W | R1858 | 401 105 5301 | MT-GLAZE 4.7K JA 1/16W |
| R1314 | 401 105 0306 | MT-GLAZE 10 JA 1/16W | R1859 | 401 105 5301 | MT-GLAZE 4.7K JA 1/16W |
| R1321 | 401 105 7909 | MT-GLAZE 0.000 ZA 1/16W | R1860 | 401 105 0603 | MT-GLAZE 10K JA 1/16W |
| R1322 | 401 105 7909 | MT-GLAZE 0.000 ZA 1/16W | R1861 | 401 105 0603 | MT-GLAZE 10K JA 1/16W |
| R1323 | 401 105 7909 | MT-GLAZE 0.000 ZA 1/16W | R1862 | 401 105 0603 | MT-GLAZE 10K JA 1/16W |
| R1330 | 401 105 6407 | MT-GLAZE 68 JA 1/16W | R1863 | 401 105 0603 | MT-GLAZE 10K JA 1/16W |
| R1332 | 401 105 6407 | MT-GLAZE 68 JA 1/16W | R1864 | 401 105 0603 | MT-GLAZE 10K JA 1/16W |
| R1335 | 401 105 7909 | MT-GLAZE 0.000 ZA 1/16W | R1865 | 401 105 0603 | MT-GLAZE 10K JA 1/16W |
| R1336 | 401 105 0603 | MT-GLAZE 10K JA 1/16W | R1866 | 401 105 0603 | MT-GLAZE 10K JA 1/16W |
| R1342 | 401 105 6407 | MT-GLAZE 68 JA 1/16W | R1867 | 401 105 0603 | MT-GLAZE 10K JA 1/16W |
| R1344 | 401 105 0603 | MT-GLAZE 10K JA 1/16W | R1868 | 401 105 0603 | MT-GLAZE 10K JA 1/16W |
| R1347 | 401 105 7909 | MT-GLAZE 0.000 ZA 1/16W | R1869 | 401 105 0603 | MT-GLAZE 10K JA 1/16W |
| R1350 | 401 105 7909 | MT-GLAZE 0.000 ZA 1/16W | R1870 | 401 105 7909 | MT-GLAZE 0.000 ZA 1/16W |
| R1352 | 401 105 0603 | MT-GLAZE 10K JA 1/16W | R1871 | 401 105 6605 | MT-GLAZE 6.8K JA 1/16W |
| R1355 | 401 105 0603 | MT-GLAZE 10K JA 1/16W | R1872 | 401 105 0504 | MT-GLAZE 1K JA 1/16W |
| R1356 | 401 105 7909 | MT-GLAZE 0.000 ZA 1/16W | R1873 | 401 105 0504 | MT-GLAZE 1K JA 1/16W |
| R1358 | 401 105 0603 | MT-GLAZE 10K JA 1/16W | R1874 | 401 105 6605 | MT-GLAZE 6.8K JA 1/16W |
| R1361 | 401 105 0306 | MT-GLAZE 10 JA 1/16W | R1875 | 401 105 7909 | MT-GLAZE 0.000 ZA 1/16W |
| R1364 | 401 105 0306 | MT-GLAZE 10 JA 1/16W | R1876 | 401 105 7909 | MT-GLAZE 0.000 ZA 1/16W |
| R1366 | 401 105 7909 | MT-GLAZE 0.000 ZA 1/16W | R1877 | 401 105 7909 | MT-GLAZE 0.000 ZA 1/16W |
| R1369 | 401 276 4707 | MT-GLAZE 0.000 ZA 1/3W | R1879 | 401 105 0405 | MT-GLAZE 100 JA 1/16W |
| R1371 | 401 105 0405 | MT-GLAZE 100 JA 1/16W | R1881 | 401 105 0702 | MT-GLAZE 100K JA 1/16W |
| R1372 | 401 105 0405 | MT-GLAZE 100 JA 1/16W | R1883 | 401 105 0405 | MT-GLAZE 100 JA 1/16W |
| R1373 | 401 105 7909 | MT-GLAZE 0.000 ZA 1/16W | R1884 | 401 105 0603 | MT-GLAZE 10K JA 1/16W |
| R1374 | 401 105 7909 | MT-GLAZE 0.000 ZA 1/16W | R1885 | 401 105 0603 | MT-GLAZE 10K JA 1/16W |
| R1376 | 401 105 7909 | MT-GLAZE 0.000 ZA 1/16W | R1888 | 401 105 4106 | MT-GLAZE 3.3K JA 1/16W |
| R1379 | 401 105 0603 | MT-GLAZE 10K JA 1/16W | R1889 | 401 105 0306 | MT-GLAZE 10 JA 1/16W |
| R1381 | 401 105 0603 | MT-GLAZE 10K JA 1/16W | R1898 | 401 105 0603 | MT-GLAZE 10K JA 1/16W |
| R1383 | 401 105 0603 | MT-GLAZE 10K JA 1/16W | R201 | 401 105 7909 | MT-GLAZE 0.000 ZA 1/16W |
| R1384 | 401 105 0603 | MT-GLAZE 10K JA 1/16W | R202 | 401 113 4402 | MT-GLAZE 75 JA 1/16W |
| R1385 | 401 105 7909 | MT-GLAZE 0.000 ZA 1/16W | R204 | 401 105 0405 | MT-GLAZE 100 JA 1/16W |
| R1502 | 401 105 7909 | MT-GLAZE 0.000 ZA 1/16W | R205 | 401 105 0405 | MT-GLAZE 100 JA 1/16W |
| R1503 | 401 105 7909 | MT-GLAZE 0.000 ZA 1/16W | R209 | 401 105 0603 | MT-GLAZE 10K JA 1/16W |
| R1512 | 401 105 0306 | MT-GLAZE 10 JA 1/16W | R211 | 401 105 7909 | MT-GLAZE 0.000 ZA 1/16W |
| R1513 | 401 105 0306 | MT-GLAZE 10 JA 1/16W | R212 | 401 113 4402 | MT-GLAZE 75 JA 1/16W |
| R1514 | 401 105 0306 | MT-GLAZE 10 JA 1/16W | R214 | 401 105 0405 | MT-GLAZE 100 JA 1/16W |
| R1516 | 401 105 7909 | MT-GLAZE 0.000 ZA 1/16W | R215 | 401 105 0405 | MT-GLAZE 100 JA 1/16W |
| R1517 | 401 105 7909 | MT-GLAZE 0.000 ZA 1/16W | R219 | 401 105 0603 | MT-GLAZE 10K JA 1/16W |
| R1518 | 401 105 0603 | MT-GLAZE 10K JA 1/16W | R220 | 401 105 0405 | MT-GLAZE 100 JA 1/16W |
| R1519 | 401 105 0306 | MT-GLAZE 10 JA 1/16W | R2202 | 401 105 0405 | MT-GLAZE 100 JA 1/16W |
| R1520 | 401 105 7909 | MT-GLAZE 0.000 ZA 1/16W | R2203 | 401 105 7909 | MT-GLAZE 0.000 ZA 1/16W |
| R1530 | 401 105 0306 | MT-GLAZE 10 JA 1/16W | R2205 | 401 105 0405 | MT-GLAZE 100 JA 1/16W |
| R1532 | 401 105 7909 | MT-GLAZE 0.000 ZA 1/16W | R2206 | 401 105 0405 | MT-GLAZE 100 JA 1/16W |
| R1533 | 401 105 7909 | MT-GLAZE 0.000 ZA 1/16W | R2207 | 401 105 0306 | MT-GLAZE 10 JA 1/16W |
| R1542 | 401 105 0306 | MT-GLAZE 10 JA 1/16W | R2208 | 401 105 0306 | MT-GLAZE 10 JA 1/16W |
| R1543 | 401 105 0306 | MT-GLAZE 10 JA 1/16W | R221 | 401 105 7909 | MT-GLAZE 0.000 ZA 1/16W |
| R1546 | 401 105 7909 | MT-GLAZE 0.000 ZA 1/16W | R2211 | 401 105 0306 | MT-GLAZE 10 JA 1/16W |
| R1547 | 401 105 7909 | MT-GLAZE 0.000 ZA 1/16W | R2213 | 401 105 4106 | MT-GLAZE 3.3K JA 1/16W |
| R1548 | 401 105 0603 | MT-GLAZE 10K JA 1/16W | R2215 | 401 105 0603 | MT-GLAZE 10K JA 1/16W |
| R1549 | 401 105 0306 | MT-GLAZE 10 JA 1/16W | R222 | 401 113 4402 | MT-GLAZE 75 JA 1/16W |
| R1550 | 401 105 7909 | MT-GLAZE 0.000 ZA 1/16W | R2232 | 401 105 0405 | MT-GLAZE 100 JA 1/16W |
| R1562 | 401 105 7909 | MT-GLAZE 0.000 ZA 1/16W | R2233 | 401 105 0405 | MT-GLAZE 100 JA 1/16W |
| R1563 | 401 105 7909 | MT-GLAZE 0.000 ZA 1/16W | R2234 | 401 105 0405 | MT-GLAZE 100 JA 1/16W |
| R1572 | 401 105 0306 | MT-GLAZE 10 JA 1/16W | R225 | 401 105 0405 | MT-GLAZE 100 JA 1/16W |
| R1573 | 401 105 0306 | MT-GLAZE 10 JA 1/16W | R2261 | 401 105 7909 | MT-GLAZE 0.000 ZA 1/16W |
| R1574 | 401 105 0306 | MT-GLAZE 10 JA 1/16W | R2262 | 401 105 7909 | MT-GLAZE 0.000 ZA 1/16W |
| R1576 | 401 105 7909 | MT-GLAZE 0.000 ZA 1/16W | R2263 | 401 105 7909 | MT-GLAZE 0.000 ZA 1/16W |
| R1577 | 401 105 7909 | MT-GLAZE 0.000 ZA 1/16W | R2265 | 401 105 0603 | MT-GLAZE 10K JA 1/16W |
| R1578 | 401 105 0603 | MT-GLAZE 10K JA 1/16W | R229 | 401 105 0603 | MT-GLAZE 10K JA 1/16W |
| R1579 | 401 105 0306 | MT-GLAZE 10 JA 1/16W | R2300 | 401 105 5301 | MT-GLAZE 4.7K JA 1/16W |
| R1580 | 401 105 7909 | MT-GLAZE 0.000 ZA 1/16W | R2302 | 401 105 7909 | MT-GLAZE 0.000 ZA 1/16W |
| R1801 | 401 105 2003 | MT-GLAZE 1.8K JA 1/16W | R2303 | 401 105 0306 | MT-GLAZE 10 JA 1/16W |
| R1802 | 401 105 4106 | MT-GLAZE 3.3K JA 1/16W | R231 | 401 105 3901 | MT-GLAZE 33 JA 1/16W |
| R1805 | 401 105 0405 | MT-GLAZE 100 JA 1/16W | R2310 | 401 105 1402 | MT-GLAZE 150 JA 1/16W |
| R1806 | 401 105 7909 | MT-GLAZE 0.000 ZA 1/16W | R2320 | 401 105 1402 | MT-GLAZE 150 JA 1/16W |
| R1811 | 401 105 0405 | MT-GLAZE 100 JA 1/16W | R2328 | 401 105 7909 | MT-GLAZE 0.000 ZA 1/16W |
| R1812 | 401 105 0405 | MT-GLAZE 100 JA 1/16W | R2331 | 401 105 7909 | MT-GLAZE 0.000 ZA 1/16W |
| R1813 | 401 105 5301 | MT-GLAZE 4.7K JA 1/16W | R2340 | 401 105 7909 | MT-GLAZE 0.000 ZA 1/16W |
| R1814 | 401 105 5301 | MT-GLAZE 4.7K JA 1/16W | R2349 | 401 105 0603 | MT-GLAZE 10K JA 1/16W |
| R1815 | 401 105 0405 | MT-GLAZE 100 JA 1/16W | R2350 | 401 105 7909 | MT-GLAZE 0.000 ZA 1/16W |
| R1816 | 401 105 0405 | MT-GLAZE 100 JA 1/16W | R2352 | 401 105 0603 | MT-GLAZE 10K JA 1/16W |
| R1820 | 401 105 0603 | MT-GLAZE 10K JA 1/16W | R2356 | 401 105 0603 | MT-GLAZE 10K JA 1/16W |
| R1821 | 401 105 7909 | MT-GLAZE 0.000 ZA 1/16W | R2359 | 401 105 0603 | MT-GLAZE 10K JA 1/16W |
| R1822 | 401 105 0504 | MT-GLAZE 1K JA 1/16W | R2360 | 401 105 7909 | MT-GLAZE 0.000 ZA 1/16W |
| R1823 | 401 105 0405 | MT-GLAZE 100 JA 1/16W | R2363 | 401 105 0306 | MT-GLAZE 10 JA 1/16W |
| R1824 | 401 105 4106 | MT-GLAZE 3.3K JA 1/16W | R2364 | 401 105 0306 | MT-GLAZE 10 JA 1/16W |
| R1825 | 401 105 0405 | MT-GLAZE 100 JA 1/16W | R2365 | 401 105 0603 | MT-GLAZE 10K JA 1/16W |
| R1826 | 401 105 2003 | MT-GLAZE 1.8K JA 1/16W | R2366 | 401 105 7909 | MT-GLAZE 0.000 ZA 1/16W |
| R1829 | 401 105 0603 | MT-GLAZE 10K JA 1/16W | R2367 | 401 105 7909 | MT-GLAZE 0.000 ZA 1/16W |
| R1831 | 401 105 0504 | MT-GLAZE 1K JA 1/16W | R2368 | 401 105 0603 | MT-GLAZE 10K JA 1/16W |
| R1833 | 401 105 0603 | MT-GLAZE 10K JA 1/16W | R2369 | 401 105 7909 | MT-GLAZE 0.000 ZA 1/16W |
| R1834 | 401 105 0504 | MT-GLAZE 1K JA 1/16W | R2371 | 401 105 7909 | MT-GLAZE 0.000 ZA 1/16W |
| R1836 | 401 105 0603 | MT-GLAZE 10K JA 1/16W | R2386 | 401 105 0603 | MT-GLAZE 10K JA 1/16W |

Electrical Parts List

| Ref. No. | Part No. | Description | Ref. No. | Part No. | Description |
|----------|--------------|-------------------------|----------|--------------|-------------------------|
| R2396 | 401 105 0603 | MT-GLAZE 10K JA 1/16W | R289 | 401 105 7909 | MT-GLAZE 0.000 ZA 1/16W |
| R2401 | 401 105 7909 | MT-GLAZE 0.000 ZA 1/16W | R290 | 401 105 0504 | MT-GLAZE 1K JA 1/16W |
| R2402 | 401 105 7909 | MT-GLAZE 0.000 ZA 1/16W | R291 | 401 105 7909 | MT-GLAZE 0.000 ZA 1/16W |
| R2404 | 401 105 2003 | MT-GLAZE 1.8K JA 1/16W | R292 | 401 105 0504 | MT-GLAZE 1K JA 1/16W |
| R2405 | 401 105 2003 | MT-GLAZE 1.8K JA 1/16W | R293 | 401 105 0504 | MT-GLAZE 1K JA 1/16W |
| R241 | 401 105 3901 | MT-GLAZE 33 JA 1/16W | R295 | 401 105 5301 | MT-GLAZE 4.7K JA 1/16W |
| R2411 | 401 105 7909 | MT-GLAZE 0.000 ZA 1/16W | R296 | 401 105 0603 | MT-GLAZE 10K JA 1/16W |
| R2412 | 401 105 7909 | MT-GLAZE 0.000 ZA 1/16W | R297 | 401 105 6506 | MT-GLAZE 680 JA 1/16W |
| R2417 | 401 105 2607 | MT-GLAZE 22 JA 1/16W | R298 | 401 105 2706 | MT-GLAZE 220 JA 1/16W |
| R2419 | 401 105 0603 | MT-GLAZE 10K JA 1/16W | R299 | 401 105 0504 | MT-GLAZE 1K JA 1/16W |
| R2423 | 401 105 7909 | MT-GLAZE 0.000 ZA 1/16W | R301 | 401 105 7909 | MT-GLAZE 0.000 ZA 1/16W |
| R2425 | 401 105 0603 | MT-GLAZE 10K JA 1/16W | R302 | 401 105 7909 | MT-GLAZE 0.000 ZA 1/16W |
| R2426 | 401 105 0603 | MT-GLAZE 10K JA 1/16W | R303 | 401 105 2003 | MT-GLAZE 1.8K JA 1/16W |
| R2428 | 401 105 0306 | MT-GLAZE 10 JA 1/16W | R304 | 401 105 7909 | MT-GLAZE 0.000 ZA 1/16W |
| R2429 | 401 105 0306 | MT-GLAZE 10 JA 1/16W | R305 | 401 105 2003 | MT-GLAZE 1.8K JA 1/16W |
| R2430 | 401 105 6407 | MT-GLAZE 68 JA 1/16W | R306 | 401 105 7909 | MT-GLAZE 0.000 ZA 1/16W |
| R2431 | 401 105 5905 | MT-GLAZE 560 JA 1/16W | R307 | 401 105 0405 | MT-GLAZE 100 JA 1/16W |
| R2433 | 401 105 7909 | MT-GLAZE 0.000 ZA 1/16W | R308 | 401 105 0405 | MT-GLAZE 100 JA 1/16W |
| R2434 | 401 105 0504 | MT-GLAZE 1K JA 1/16W | R309 | 401 105 0405 | MT-GLAZE 100 JA 1/16W |
| R2435 | 401 105 0504 | MT-GLAZE 1K JA 1/16W | R318 | 401 105 0603 | MT-GLAZE 10K JA 1/16W |
| R2436 | 401 105 7909 | MT-GLAZE 0.000 ZA 1/16W | R3213 | 401 105 7909 | MT-GLAZE 0.000 ZA 1/16W |
| R2437 | 401 105 5301 | MT-GLAZE 4.7K JA 1/16W | R3214 | 401 105 7909 | MT-GLAZE 0.000 ZA 1/16W |
| R2438 | 401 105 5301 | MT-GLAZE 4.7K JA 1/16W | R3215 | 401 105 7909 | MT-GLAZE 0.000 ZA 1/16W |
| R2439 | 401 105 7909 | MT-GLAZE 0.000 ZA 1/16W | R3216 | 401 105 7909 | MT-GLAZE 0.000 ZA 1/16W |
| R2440 | 401 105 5301 | MT-GLAZE 4.7K JA 1/16W | R3217 | 401 105 7909 | MT-GLAZE 0.000 ZA 1/16W |
| R2441 | 401 105 7909 | MT-GLAZE 0.000 ZA 1/16W | R3218 | 401 105 7909 | MT-GLAZE 0.000 ZA 1/16W |
| R2442 | 401 105 7909 | MT-GLAZE 0.000 ZA 1/16W | R3219 | 401 105 7909 | MT-GLAZE 0.000 ZA 1/16W |
| R2443 | 401 105 7909 | MT-GLAZE 0.000 ZA 1/16W | R3232 | 401 105 7909 | MT-GLAZE 0.000 ZA 1/16W |
| R2445 | 401 105 7909 | MT-GLAZE 0.000 ZA 1/16W | R3233 | 401 105 7909 | MT-GLAZE 0.000 ZA 1/16W |
| R2446 | 401 105 7909 | MT-GLAZE 0.000 ZA 1/16W | R3235 | 401 105 7909 | MT-GLAZE 0.000 ZA 1/16W |
| R2447 | 401 105 7909 | MT-GLAZE 0.000 ZA 1/16W | R3237 | 401 105 0603 | MT-GLAZE 10K JA 1/16W |
| R2448 | 401 105 7909 | MT-GLAZE 0.000 ZA 1/16W | R3238 | 401 105 7909 | MT-GLAZE 0.000 ZA 1/16W |
| R2449 | 401 105 7909 | MT-GLAZE 0.000 ZA 1/16W | R3239 | 401 105 7909 | MT-GLAZE 0.000 ZA 1/16W |
| R2451 | 401 105 0405 | MT-GLAZE 100 JA 1/16W | R324 | 401 105 0405 | MT-GLAZE 100 JA 1/16W |
| R2452 | 401 105 7909 | MT-GLAZE 0.000 ZA 1/16W | R3242 | 401 105 7909 | MT-GLAZE 0.000 ZA 1/16W |
| R2453 | 401 105 0306 | MT-GLAZE 10 JA 1/16W | R3243 | 401 105 0306 | MT-GLAZE 10 JA 1/16W |
| R2455 | 401 105 7909 | MT-GLAZE 0.000 ZA 1/16W | R3244 | 401 105 7909 | MT-GLAZE 0.000 ZA 1/16W |
| R2458 | 401 105 0306 | MT-GLAZE 10 JA 1/16W | R3245 | 401 105 7909 | MT-GLAZE 0.000 ZA 1/16W |
| R2462 | 401 105 5905 | MT-GLAZE 560 JA 1/16W | R325 | 401 105 7909 | MT-GLAZE 0.000 ZA 1/16W |
| R2463 | 401 105 0504 | MT-GLAZE 1K JA 1/16W | R3251 | 401 105 7909 | MT-GLAZE 0.000 ZA 1/16W |
| R2464 | 401 105 7909 | MT-GLAZE 0.000 ZA 1/16W | R3255 | 401 105 7909 | MT-GLAZE 0.000 ZA 1/16W |
| R2465 | 401 105 7909 | MT-GLAZE 0.000 ZA 1/16W | R3256 | 401 105 7909 | MT-GLAZE 0.000 ZA 1/16W |
| R2466 | 401 105 7909 | MT-GLAZE 0.000 ZA 1/16W | R326 | 401 105 0603 | MT-GLAZE 10K JA 1/16W |
| R2470 | 401 105 7909 | MT-GLAZE 0.000 ZA 1/16W | R3261 | 401 105 0603 | MT-GLAZE 10K JA 1/16W |
| R2471 | 401 105 7909 | MT-GLAZE 0.000 ZA 1/16W | R3266 | 401 105 0603 | MT-GLAZE 10K JA 1/16W |
| R2472 | 401 105 7909 | MT-GLAZE 0.000 ZA 1/16W | R3275 | 401 105 7909 | MT-GLAZE 0.000 ZA 1/16W |
| R2476 | 401 105 6605 | MT-GLAZE 6.8K JA 1/16W | R3276 | 401 105 0306 | MT-GLAZE 10 JA 1/16W |
| R2478 | 401 105 7909 | MT-GLAZE 0.000 ZA 1/16W | R3277 | 401 105 0306 | MT-GLAZE 10 JA 1/16W |
| R2479 | 401 105 7909 | MT-GLAZE 0.000 ZA 1/16W | R3278 | 401 105 0306 | MT-GLAZE 10 JA 1/16W |
| R2480 | 401 105 4007 | MT-GLAZE 330 JA 1/16W | R3279 | 401 105 7909 | MT-GLAZE 0.000 ZA 1/16W |
| R2483 | 401 105 7909 | MT-GLAZE 0.000 ZA 1/16W | R328 | 401 105 0603 | MT-GLAZE 10K JA 1/16W |
| R2484 | 401 105 7909 | MT-GLAZE 0.000 ZA 1/16W | R3280 | 401 105 7909 | MT-GLAZE 0.000 ZA 1/16W |
| R2485 | 401 105 7909 | MT-GLAZE 0.000 ZA 1/16W | R3281 | 401 105 2706 | MT-GLAZE 220 JA 1/16W |
| R2486 | 401 105 7909 | MT-GLAZE 0.000 ZA 1/16W | R3282 | 401 105 2706 | MT-GLAZE 220 JA 1/16W |
| R2488 | 401 105 7909 | MT-GLAZE 0.000 ZA 1/16W | R3283 | 401 105 2706 | MT-GLAZE 220 JA 1/16W |
| R2489 | 401 276 4707 | MT-GLAZE 0.000 ZA 1/3W | R3284 | 401 105 7909 | MT-GLAZE 0.000 ZA 1/16W |
| R2496 | 401 105 0405 | MT-GLAZE 100 JA 1/16W | R3285 | 401 105 0306 | MT-GLAZE 10 JA 1/16W |
| R2497 | 401 105 0405 | MT-GLAZE 100 JA 1/16W | R3286 | 401 105 7909 | MT-GLAZE 0.000 ZA 1/16W |
| R2498 | 401 105 0405 | MT-GLAZE 100 JA 1/16W | R3287 | 401 105 0306 | MT-GLAZE 10 JA 1/16W |
| R2501 | 401 035 4108 | MT-GLAZE 0.000 ZA 1/8W | R3288 | 401 105 0306 | MT-GLAZE 10 JA 1/16W |
| R2504 | 401 037 5004 | MT-GLAZE 0.000 ZA 1/10W | R3289 | 401 105 0306 | MT-GLAZE 10 JA 1/16W |
| R2541 | 401 105 0405 | MT-GLAZE 100 JA 1/16W | R3291 | 401 105 7909 | MT-GLAZE 0.000 ZA 1/16W |
| R2542 | 401 105 0405 | MT-GLAZE 100 JA 1/16W | R3292 | 401 105 5301 | MT-GLAZE 4.7K JA 1/16W |
| R2543 | 401 105 0603 | MT-GLAZE 10K JA 1/16W | R3293 | 401 105 5301 | MT-GLAZE 4.7K JA 1/16W |
| R2545 | 401 105 7909 | MT-GLAZE 0.000 ZA 1/16W | R3360 | 401 105 7909 | MT-GLAZE 0.000 ZA 1/16W |
| R2548 | 401 276 4707 | MT-GLAZE 0.000 ZA 1/3W | R3361 | 401 105 7909 | MT-GLAZE 0.000 ZA 1/16W |
| R2561 | 401 105 5905 | MT-GLAZE 560 JA 1/16W | R3362 | 401 105 7909 | MT-GLAZE 0.000 ZA 1/16W |
| R2562 | 401 105 2003 | MT-GLAZE 1.8K JA 1/16W | R3363 | 401 105 7909 | MT-GLAZE 0.000 ZA 1/16W |
| R2565 | 401 105 7909 | MT-GLAZE 0.000 ZA 1/16W | R3364 | 401 105 7909 | MT-GLAZE 0.000 ZA 1/16W |
| R2568 | 401 105 7909 | MT-GLAZE 0.000 ZA 1/16W | R3366 | 401 105 7909 | MT-GLAZE 0.000 ZA 1/16W |
| R2569 | 401 105 7909 | MT-GLAZE 0.000 ZA 1/16W | R3367 | 401 105 7909 | MT-GLAZE 0.000 ZA 1/16W |
| R2571 | 401 105 5905 | MT-GLAZE 560 JA 1/16W | R3368 | 401 105 7909 | MT-GLAZE 0.000 ZA 1/16W |
| R2572 | 401 105 2003 | MT-GLAZE 1.8K JA 1/16W | R3369 | 401 105 7909 | MT-GLAZE 0.000 ZA 1/16W |
| R2575 | 401 105 7909 | MT-GLAZE 0.000 ZA 1/16W | R338 | 401 105 7909 | MT-GLAZE 0.000 ZA 1/16W |
| R2578 | 401 105 7909 | MT-GLAZE 0.000 ZA 1/16W | R3388 | 401 105 7909 | MT-GLAZE 0.000 ZA 1/16W |
| R2579 | 401 105 7909 | MT-GLAZE 0.000 ZA 1/16W | R339 | 401 105 0306 | MT-GLAZE 10 JA 1/16W |
| R2581 | 401 105 5905 | MT-GLAZE 560 JA 1/16W | R3390 | 401 105 7909 | MT-GLAZE 0.000 ZA 1/16W |
| R2582 | 401 105 2003 | MT-GLAZE 1.8K JA 1/16W | R3392 | 401 105 7909 | MT-GLAZE 0.000 ZA 1/16W |
| R2585 | 401 105 7909 | MT-GLAZE 0.000 ZA 1/16W | R3395 | 401 105 7909 | MT-GLAZE 0.000 ZA 1/16W |
| R2588 | 401 105 7909 | MT-GLAZE 0.000 ZA 1/16W | R3398 | 401 105 7909 | MT-GLAZE 0.000 ZA 1/16W |
| R2589 | 401 105 7909 | MT-GLAZE 0.000 ZA 1/16W | R3399 | 401 105 7909 | MT-GLAZE 0.000 ZA 1/16W |
| R2591 | 401 105 5905 | MT-GLAZE 560 JA 1/16W | R340 | 401 105 7909 | MT-GLAZE 0.000 ZA 1/16W |
| R2592 | 401 105 2003 | MT-GLAZE 1.8K JA 1/16W | R341 | 401 105 7909 | MT-GLAZE 0.000 ZA 1/16W |
| R2595 | 401 105 7909 | MT-GLAZE 0.000 ZA 1/16W | R342 | 401 105 7909 | MT-GLAZE 0.000 ZA 1/16W |
| R2598 | 401 105 7909 | MT-GLAZE 0.000 ZA 1/16W | R343 | 401 105 0306 | MT-GLAZE 10 JA 1/16W |
| R2599 | 401 105 7909 | MT-GLAZE 0.000 ZA 1/16W | R3445 | 401 105 7909 | MT-GLAZE 0.000 ZA 1/16W |
| R261 | 401 105 3901 | MT-GLAZE 33 JA 1/16W | R3446 | 401 105 7909 | MT-GLAZE 0.000 ZA 1/16W |
| R271 | 401 105 0603 | MT-GLAZE 10K JA 1/16W | R3447 | 401 105 7909 | MT-GLAZE 0.000 ZA 1/16W |
| R272 | 401 105 0504 | MT-GLAZE 1K JA 1/16W | R3452 | 401 105 7909 | MT-GLAZE 0.000 ZA 1/16W |
| R280 | 401 105 0504 | MT-GLAZE 1K JA 1/16W | R3453 | 401 105 7909 | MT-GLAZE 0.000 ZA 1/16W |
| R282 | 401 105 0603 | MT-GLAZE 10K JA 1/16W | R3454 | 401 105 7909 | MT-GLAZE 0.000 ZA 1/16W |
| R284 | 401 105 0603 | MT-GLAZE 10K JA 1/16W | R3455 | 401 105 0603 | MT-GLAZE 10K JA 1/16W |
| R286 | 401 105 0603 | MT-GLAZE 10K JA 1/16W | R348 | 401 105 0306 | MT-GLAZE 10 JA 1/16W |
| R287 | 401 105 0504 | MT-GLAZE 1K JA 1/16W | R3480 | 401 105 7909 | MT-GLAZE 0.000 ZA 1/16W |
| R288 | 401 105 7909 | MT-GLAZE 0.000 ZA 1/16W | R3486 | 401 105 0306 | MT-GLAZE 10 JA 1/16W |

Electrical Parts List

| Ref. No. | Part No. | Description | Ref. No. | Part No. | Description |
|----------|--------------|-------------------------|----------|--------------|-------------------------|
| R468 | 401 105 0306 | MT-GLAZE 10 JA 1/16W | R548 | 401 105 0900 | MT-GLAZE 120 JA 1/16W |
| R469 | 401 105 0306 | MT-GLAZE 10 JA 1/16W | R549 | 401 105 0405 | MT-GLAZE 100 JA 1/16W |
| R472 | 401 105 0306 | MT-GLAZE 10 JA 1/16W | R550 | 401 105 0900 | MT-GLAZE 120 JA 1/16W |
| R474 | 401 105 0306 | MT-GLAZE 10 JA 1/16W | R551 | 401 105 7909 | MT-GLAZE 0.000 ZA 1/16W |
| R475 | 401 105 0306 | MT-GLAZE 10 JA 1/16W | R552 | 401 105 0306 | MT-GLAZE 10 JA 1/16W |
| R476 | 401 105 0306 | MT-GLAZE 10 JA 1/16W | R553 | 401 105 0306 | MT-GLAZE 10 JA 1/16W |
| R4801 | 401 105 7909 | MT-GLAZE 0.000 ZA 1/16W | R561 | 401 105 0306 | MT-GLAZE 10 JA 1/16W |
| R4802 | 401 105 7909 | MT-GLAZE 0.000 ZA 1/16W | R562 | 401 105 0603 | MT-GLAZE 10K JA 1/16W |
| R4803 | 401 105 7909 | MT-GLAZE 0.000 ZA 1/16W | R563 | 401 105 7909 | MT-GLAZE 0.000 ZA 1/16W |
| R4804 | 401 105 7909 | MT-GLAZE 0.000 ZA 1/16W | R5631 | 401 038 6406 | MT-GLAZE 4.7K JA 1/10W |
| R4805 | 401 105 7909 | MT-GLAZE 0.000 ZA 1/16W | R5641 | 401 105 4106 | MT-GLAZE 3.3K JA 1/16W |
| R4806 | 401 105 7909 | MT-GLAZE 0.000 ZA 1/16W | R5642 | 401 105 1501 | MT-GLAZE 1.5K JA 1/16W |
| R4807 | 401 105 7909 | MT-GLAZE 0.000 ZA 1/16W | R5643 | 401 105 2409 | MT-GLAZE 2K JA 1/16W |
| R4808 | 401 105 7909 | MT-GLAZE 0.000 ZA 1/16W | R5647 | 401 105 7909 | MT-GLAZE 0.000 ZA 1/16W |
| R4809 | 401 105 7909 | MT-GLAZE 0.000 ZA 1/16W | R5651 | 401 105 6001 | MT-GLAZE 5.6K JA 1/16W |
| R481 | 401 105 7909 | MT-GLAZE 0.000 ZA 1/16W | R5652 | 401 105 1501 | MT-GLAZE 1.5K JA 1/16W |
| R4811 | 401 105 7909 | MT-GLAZE 0.000 ZA 1/16W | R5653 | 401 105 2409 | MT-GLAZE 2K JA 1/16W |
| R4812 | 401 105 7909 | MT-GLAZE 0.000 ZA 1/16W | R574 | 401 105 0603 | MT-GLAZE 10K JA 1/16W |
| R4813 | 401 105 7909 | MT-GLAZE 0.000 ZA 1/16W | R575 | 401 105 0306 | MT-GLAZE 10 JA 1/16W |
| R4814 | 401 105 7909 | MT-GLAZE 0.000 ZA 1/16W | R576 | 401 105 0306 | MT-GLAZE 10 JA 1/16W |
| R4815 | 401 105 7909 | MT-GLAZE 0.000 ZA 1/16W | R577 | 401 105 0405 | MT-GLAZE 100 JA 1/16W |
| R4816 | 401 105 7909 | MT-GLAZE 0.000 ZA 1/16W | R578 | 401 105 0900 | MT-GLAZE 120 JA 1/16W |
| R4817 | 401 105 7909 | MT-GLAZE 0.000 ZA 1/16W | R579 | 401 105 0405 | MT-GLAZE 100 JA 1/16W |
| R4818 | 401 105 7909 | MT-GLAZE 0.000 ZA 1/16W | R580 | 401 105 0900 | MT-GLAZE 120 JA 1/16W |
| R482 | 401 105 7909 | MT-GLAZE 0.000 ZA 1/16W | R5801 | 401 035 4108 | MT-GLAZE 0.000 ZA 1/8W |
| R4821 | 401 105 7909 | MT-GLAZE 0.000 ZA 1/16W | R5802 | 401 105 7909 | MT-GLAZE 0.000 ZA 1/16W |
| R4822 | 401 105 7909 | MT-GLAZE 0.000 ZA 1/16W | R5803 | 401 105 7909 | MT-GLAZE 0.000 ZA 1/16W |
| R4823 | 401 105 7909 | MT-GLAZE 0.000 ZA 1/16W | R5804 | 401 105 7909 | MT-GLAZE 0.000 ZA 1/16W |
| R4824 | 401 105 7909 | MT-GLAZE 0.000 ZA 1/16W | R581 | 401 105 7909 | MT-GLAZE 0.000 ZA 1/16W |
| R483 | 401 105 7909 | MT-GLAZE 0.000 ZA 1/16W | R5811 | 401 035 4108 | MT-GLAZE 0.000 ZA 1/8W |
| R4831 | 401 105 7909 | MT-GLAZE 0.000 ZA 1/16W | R5812 | 401 105 5202 | MT-GLAZE 470 JA 1/16W |
| R4832 | 401 105 7909 | MT-GLAZE 0.000 ZA 1/16W | R5813 | 401 105 2003 | MT-GLAZE 1.8K JA 1/16W |
| R4833 | 401 105 7909 | MT-GLAZE 0.000 ZA 1/16W | R5814 | 401 105 0405 | MT-GLAZE 100 JA 1/16W |
| R4844 | 401 105 0504 | MT-GLAZE 1K JA 1/16W | R5815 | 401 105 0900 | MT-GLAZE 120 JA 1/16W |
| R4845 | 401 105 0504 | MT-GLAZE 1K JA 1/16W | R5816 | 401 105 0504 | MT-GLAZE 1K JA 1/16W |
| R4846 | 401 105 0702 | MT-GLAZE 100K JA 1/16W | R5817 | 401 105 5301 | MT-GLAZE 4.7K JA 1/16W |
| R4847 | 401 105 4106 | MT-GLAZE 3.3K JA 1/16W | R5821 | 401 105 0405 | MT-GLAZE 100 JA 1/16W |
| R4855 | 401 105 0603 | MT-GLAZE 10K JA 1/16W | R5822 | 401 105 0405 | MT-GLAZE 100 JA 1/16W |
| R4857 | 401 105 7909 | MT-GLAZE 0.000 ZA 1/16W | R583 | 401 105 0306 | MT-GLAZE 10 JA 1/16W |
| R4858 | 401 105 7909 | MT-GLAZE 0.000 ZA 1/16W | R5831 | 401 035 4108 | MT-GLAZE 0.000 ZA 1/8W |
| R4859 | 401 105 7909 | MT-GLAZE 0.000 ZA 1/16W | R5832 | 401 035 4108 | MT-GLAZE 0.000 ZA 1/8W |
| R4861 | 401 105 0603 | MT-GLAZE 10K JA 1/16W | R5834 | 401 035 4108 | MT-GLAZE 0.000 ZA 1/8W |
| R4865 | 401 105 5301 | MT-GLAZE 4.7K JA 1/16W | R5835 | 401 035 4108 | MT-GLAZE 0.000 ZA 1/8W |
| R4867 | 401 105 6001 | MT-GLAZE 5.6K JA 1/16W | ▲R5836 | 645 030 1056 | PROTECTOR, IC 3.8A 72V |
| R4868 | 401 105 5202 | MT-GLAZE 470 JA 1/16W | R5837 | 401 105 7404 | MT-GLAZE 8.2K JA 1/16W |
| R4869 | 401 105 2003 | MT-GLAZE 1.8K JA 1/16W | R5838 | 401 105 1501 | MT-GLAZE 1.5K JA 1/16W |
| R487 | 401 105 7909 | MT-GLAZE 0.000 ZA 1/16W | R5839 | 401 105 2409 | MT-GLAZE 2K JA 1/16W |
| R4871 | 401 105 0900 | MT-GLAZE 120 JA 1/16W | R5841 | 401 105 0603 | MT-GLAZE 10K JA 1/16W |
| R4872 | 401 105 0405 | MT-GLAZE 100 JA 1/16W | R5842 | 401 105 0603 | MT-GLAZE 10K JA 1/16W |
| R4873 | 401 105 0504 | MT-GLAZE 1K JA 1/16W | R5843 | 401 105 0603 | MT-GLAZE 10K JA 1/16W |
| R4874 | 401 105 7909 | MT-GLAZE 0.000 ZA 1/16W | ▲R5844 | 645 030 1056 | PROTECTOR, IC 3.8A 72V |
| R4875 | 401 105 7909 | MT-GLAZE 0.000 ZA 1/16W | R5846 | 401 105 7909 | MT-GLAZE 0.000 ZA 1/16W |
| R4876 | 401 105 7909 | MT-GLAZE 0.000 ZA 1/16W | R5847 | 401 105 7909 | MT-GLAZE 0.000 ZA 1/16W |
| R4877 | 401 105 7909 | MT-GLAZE 0.000 ZA 1/16W | R5851 | 401 105 3307 | MT-GLAZE 2.7K JA 1/16W |
| R4878 | 401 105 7909 | MT-GLAZE 0.000 ZA 1/16W | R5853 | 401 105 0405 | MT-GLAZE 100 JA 1/16W |
| R4879 | 401 105 7909 | MT-GLAZE 0.000 ZA 1/16W | R5854 | 401 105 0405 | MT-GLAZE 100 JA 1/16W |
| R488 | 401 105 7909 | MT-GLAZE 0.000 ZA 1/16W | R5855 | 401 105 0405 | MT-GLAZE 100 JA 1/16W |
| R4881 | 401 035 4108 | MT-GLAZE 0.000 ZA 1/8W | R5856 | 401 105 0405 | MT-GLAZE 100 JA 1/16W |
| R4882 | 401 105 7909 | MT-GLAZE 0.000 ZA 1/16W | R5857 | 401 105 0405 | MT-GLAZE 100 JA 1/16W |
| R4883 | 401 035 4108 | MT-GLAZE 0.000 ZA 1/8W | R5858 | 401 105 0405 | MT-GLAZE 100 JA 1/16W |
| R4884 | 401 035 4108 | MT-GLAZE 0.000 ZA 1/8W | R5859 | 401 035 4108 | MT-GLAZE 0.000 ZA 1/8W |
| R4885 | 401 105 7909 | MT-GLAZE 0.000 ZA 1/16W | R5860 | 401 105 0603 | MT-GLAZE 10K JA 1/16W |
| R4886 | 401 105 7909 | MT-GLAZE 0.000 ZA 1/16W | R5861 | 401 105 7909 | MT-GLAZE 0.000 ZA 1/16W |
| R4887 | 401 035 4108 | MT-GLAZE 0.000 ZA 1/8W | R5862 | 401 105 7909 | MT-GLAZE 0.000 ZA 1/16W |
| R4888 | 401 035 4108 | MT-GLAZE 0.000 ZA 1/8W | R5863 | 401 105 0603 | MT-GLAZE 10K JA 1/16W |
| R4889 | 401 105 0306 | MT-GLAZE 10 JA 1/16W | R5864 | 401 105 5202 | MT-GLAZE 470 JA 1/16W |
| R489 | 401 105 7909 | MT-GLAZE 0.000 ZA 1/16W | R5865 | 401 105 5202 | MT-GLAZE 470 JA 1/16W |
| R4891 | 401 035 4108 | MT-GLAZE 0.000 ZA 1/8W | R5866 | 401 105 0603 | MT-GLAZE 10K JA 1/16W |
| R4892 | 401 035 4108 | MT-GLAZE 0.000 ZA 1/8W | R5869 | 401 105 0603 | MT-GLAZE 10K JA 1/16W |
| R4895 | 401 035 4108 | MT-GLAZE 0.000 ZA 1/8W | R5870 | 401 105 7909 | MT-GLAZE 0.000 ZA 1/16W |
| R4896 | 401 105 7909 | MT-GLAZE 0.000 ZA 1/16W | R5871 | 401 035 4108 | MT-GLAZE 0.000 ZA 1/8W |
| R4897 | 401 035 4108 | MT-GLAZE 0.000 ZA 1/8W | R5872 | 401 105 7909 | MT-GLAZE 0.000 ZA 1/16W |
| R4898 | 401 105 7909 | MT-GLAZE 0.000 ZA 1/16W | R5873 | 401 105 7909 | MT-GLAZE 0.000 ZA 1/16W |
| R4899 | 401 105 7909 | MT-GLAZE 0.000 ZA 1/16W | R5874 | 401 105 7909 | MT-GLAZE 0.000 ZA 1/16W |
| R490 | 401 105 7909 | MT-GLAZE 0.000 ZA 1/16W | R5876 | 401 105 0603 | MT-GLAZE 10K JA 1/16W |
| R491 | 401 105 7909 | MT-GLAZE 0.000 ZA 1/16W | R5877 | 401 105 0603 | MT-GLAZE 10K JA 1/16W |
| R492 | 401 105 7909 | MT-GLAZE 0.000 ZA 1/16W | R5881 | 401 035 4108 | MT-GLAZE 0.000 ZA 1/8W |
| R501 | 401 105 0306 | MT-GLAZE 10 JA 1/16W | R5882 | 401 105 7909 | MT-GLAZE 0.000 ZA 1/16W |
| R502 | 401 105 0603 | MT-GLAZE 10K JA 1/16W | R5883 | 401 105 7909 | MT-GLAZE 0.000 ZA 1/16W |
| R503 | 401 105 7909 | MT-GLAZE 0.000 ZA 1/16W | R5884 | 401 105 7909 | MT-GLAZE 0.000 ZA 1/16W |
| R514 | 401 105 0603 | MT-GLAZE 10K JA 1/16W | R5885 | 401 105 7909 | MT-GLAZE 0.000 ZA 1/16W |
| R515 | 401 105 0306 | MT-GLAZE 10 JA 1/16W | R5886 | 401 105 7909 | MT-GLAZE 0.000 ZA 1/16W |
| R516 | 401 105 0306 | MT-GLAZE 10 JA 1/16W | R5887 | 401 105 7909 | MT-GLAZE 0.000 ZA 1/16W |
| R517 | 401 105 0405 | MT-GLAZE 100 JA 1/16W | R5889 | 401 105 0603 | MT-GLAZE 10K JA 1/16W |
| R518 | 401 105 0900 | MT-GLAZE 120 JA 1/16W | R5895 | 401 105 0603 | MT-GLAZE 10K JA 1/16W |
| R519 | 401 105 0405 | MT-GLAZE 100 JA 1/16W | R5896 | 401 105 0603 | MT-GLAZE 10K JA 1/16W |
| R520 | 401 105 0900 | MT-GLAZE 120 JA 1/16W | R5897 | 401 105 0603 | MT-GLAZE 10K JA 1/16W |
| R521 | 401 105 7909 | MT-GLAZE 0.000 ZA 1/16W | R5898 | 401 105 0603 | MT-GLAZE 10K JA 1/16W |
| R523 | 401 105 0306 | MT-GLAZE 10 JA 1/16W | R5899 | 401 105 0603 | MT-GLAZE 10K JA 1/16W |
| R531 | 401 105 0306 | MT-GLAZE 10 JA 1/16W | R6301 | 401 105 2607 | MT-GLAZE 22 JA 1/16W |
| R532 | 401 105 0603 | MT-GLAZE 10K JA 1/16W | R6320 | 403 164 0204 | CERAMIC 0.1U Z 25V |
| R533 | 401 105 7909 | MT-GLAZE 0.000 ZA 1/16W | R6321 | 401 105 2607 | MT-GLAZE 22 JA 1/16W |
| R544 | 401 105 0603 | MT-GLAZE 10K JA 1/16W | R6341 | 401 105 2607 | MT-GLAZE 22 JA 1/16W |
| R546 | 401 105 0306 | MT-GLAZE 10 JA 1/16W | R6361 | 401 105 2607 | MT-GLAZE 22 JA 1/16W |
| R547 | 401 105 0405 | MT-GLAZE 100 JA 1/16W | R6369 | 403 164 0204 | CERAMIC 0.1U Z 25V |

Electrical Parts List

| Ref. No. | Part No. | Description | Ref. No. | Part No. | Description |
|----------|--------------|-------------------------|----------|--------------|-------------------------|
| R7301 | 401 105 2607 | MT-GLAZE 22 JA 1/16W | R813 | 401 105 0405 | MT-GLAZE 100 JA 1/16W |
| R7302 | 401 105 2607 | MT-GLAZE 22 JA 1/16W | R815 | 401 105 7909 | MT-GLAZE 0.000 ZA 1/16W |
| R7303 | 401 105 2607 | MT-GLAZE 22 JA 1/16W | R816 | 401 105 0603 | MT-GLAZE 10K JA 1/16W |
| R7304 | 401 105 2607 | MT-GLAZE 22 JA 1/16W | R817 | 401 105 7909 | MT-GLAZE 0.000 ZA 1/16W |
| R7305 | 401 105 2607 | MT-GLAZE 22 JA 1/16W | R818 | 401 105 0603 | MT-GLAZE 10K JA 1/16W |
| R7306 | 401 105 2607 | MT-GLAZE 22 JA 1/16W | R820 | 401 105 7909 | MT-GLAZE 0.000 ZA 1/16W |
| R7307 | 401 105 2607 | MT-GLAZE 22 JA 1/16W | R821 | 401 105 5301 | MT-GLAZE 4.7K JA 1/16W |
| R7308 | 401 105 2607 | MT-GLAZE 22 JA 1/16W | R822 | 401 105 7909 | MT-GLAZE 0.000 ZA 1/16W |
| R7309 | 401 105 2607 | MT-GLAZE 22 JA 1/16W | R8225 | 401 105 0405 | MT-GLAZE 100 JA 1/16W |
| R7311 | 401 105 2607 | MT-GLAZE 22 JA 1/16W | R823 | 401 105 5301 | MT-GLAZE 4.7K JA 1/16W |
| R7312 | 401 105 2607 | MT-GLAZE 22 JA 1/16W | R824 | 401 105 4007 | MT-GLAZE 330 JA 1/16W |
| R7313 | 401 105 2607 | MT-GLAZE 22 JA 1/16W | R825 | 401 105 2904 | MT-GLAZE 22K JA 1/16W |
| R7314 | 401 105 2607 | MT-GLAZE 22 JA 1/16W | R8253 | 401 105 7909 | MT-GLAZE 0.000 ZA 1/16W |
| R7315 | 401 105 2607 | MT-GLAZE 22 JA 1/16W | R8254 | 401 105 7909 | MT-GLAZE 0.000 ZA 1/16W |
| R7316 | 401 105 2607 | MT-GLAZE 22 JA 1/16W | R8255 | 401 105 7909 | MT-GLAZE 0.000 ZA 1/16W |
| R7317 | 401 105 2607 | MT-GLAZE 22 JA 1/16W | R8256 | 401 105 7909 | MT-GLAZE 0.000 ZA 1/16W |
| R7318 | 401 105 2607 | MT-GLAZE 22 JA 1/16W | R8257 | 401 105 7909 | MT-GLAZE 0.000 ZA 1/16W |
| R7319 | 401 105 2607 | MT-GLAZE 22 JA 1/16W | R8258 | 401 105 7909 | MT-GLAZE 0.000 ZA 1/16W |
| R7321 | 401 105 2607 | MT-GLAZE 22 JA 1/16W | R8259 | 401 105 7909 | MT-GLAZE 0.000 ZA 1/16W |
| R7322 | 401 105 2607 | MT-GLAZE 22 JA 1/16W | R8261 | 401 105 7909 | MT-GLAZE 0.000 ZA 1/16W |
| R7323 | 401 105 2607 | MT-GLAZE 22 JA 1/16W | R8262 | 401 105 7909 | MT-GLAZE 0.000 ZA 1/16W |
| R7324 | 401 105 2607 | MT-GLAZE 22 JA 1/16W | R827 | 401 105 2904 | MT-GLAZE 22K JA 1/16W |
| R7325 | 401 105 2607 | MT-GLAZE 22 JA 1/16W | R829 | 401 105 0900 | MT-GLAZE 120 JA 1/16W |
| R7326 | 401 105 2607 | MT-GLAZE 22 JA 1/16W | R831 | 401 105 5202 | MT-GLAZE 470 JA 1/16W |
| R7327 | 401 105 2607 | MT-GLAZE 22 JA 1/16W | R832 | 401 105 0702 | MT-GLAZE 100K JA 1/16W |
| R7328 | 401 105 2607 | MT-GLAZE 22 JA 1/16W | R833 | 401 105 0405 | MT-GLAZE 100 JA 1/16W |
| R7329 | 401 105 2607 | MT-GLAZE 22 JA 1/16W | R834 | 401 105 5301 | MT-GLAZE 4.7K JA 1/16W |
| R7331 | 401 105 2607 | MT-GLAZE 22 JA 1/16W | R835 | 401 105 0405 | MT-GLAZE 100 JA 1/16W |
| R7332 | 401 105 2607 | MT-GLAZE 22 JA 1/16W | R836 | 401 105 0405 | MT-GLAZE 100 JA 1/16W |
| R7333 | 401 105 2607 | MT-GLAZE 22 JA 1/16W | R837 | 401 105 0405 | MT-GLAZE 100 JA 1/16W |
| R7334 | 401 105 2607 | MT-GLAZE 22 JA 1/16W | R838 | 401 105 0405 | MT-GLAZE 100 JA 1/16W |
| R7335 | 401 105 2607 | MT-GLAZE 22 JA 1/16W | R839 | 401 105 5301 | MT-GLAZE 4.7K JA 1/16W |
| R7336 | 401 105 2607 | MT-GLAZE 22 JA 1/16W | R840 | 401 105 0603 | MT-GLAZE 10K JA 1/16W |
| R7337 | 401 105 2607 | MT-GLAZE 22 JA 1/16W | R841 | 401 105 5301 | MT-GLAZE 4.7K JA 1/16W |
| R7338 | 401 105 2607 | MT-GLAZE 22 JA 1/16W | R842 | 401 105 5301 | MT-GLAZE 4.7K JA 1/16W |
| R7339 | 401 105 2607 | MT-GLAZE 22 JA 1/16W | R843 | 401 105 5301 | MT-GLAZE 4.7K JA 1/16W |
| R7341 | 401 105 2607 | MT-GLAZE 22 JA 1/16W | R844 | 401 105 0504 | MT-GLAZE 1K JA 1/16W |
| R7342 | 401 105 2607 | MT-GLAZE 22 JA 1/16W | R845 | 401 105 0504 | MT-GLAZE 1K JA 1/16W |
| R7343 | 401 105 2607 | MT-GLAZE 22 JA 1/16W | R846 | 401 105 0504 | MT-GLAZE 1K JA 1/16W |
| R7344 | 401 105 2607 | MT-GLAZE 22 JA 1/16W | R847 | 401 105 8203 | MT-GLAZE 68K JA 1/16W |
| R7345 | 401 105 2607 | MT-GLAZE 22 JA 1/16W | R848 | 401 105 0603 | MT-GLAZE 10K JA 1/16W |
| R7346 | 401 105 2607 | MT-GLAZE 22 JA 1/16W | R849 | 401 105 0405 | MT-GLAZE 100 JA 1/16W |
| R7347 | 401 105 2607 | MT-GLAZE 22 JA 1/16W | R850 | 401 105 2904 | MT-GLAZE 22K JA 1/16W |
| R7348 | 401 105 2607 | MT-GLAZE 22 JA 1/16W | R851 | 401 105 0603 | MT-GLAZE 10K JA 1/16W |
| R7349 | 401 105 2607 | MT-GLAZE 22 JA 1/16W | R852 | 401 105 0603 | MT-GLAZE 10K JA 1/16W |
| R7361 | 401 105 2607 | MT-GLAZE 22 JA 1/16W | R853 | 401 105 2904 | MT-GLAZE 22K JA 1/16W |
| R7362 | 401 105 2607 | MT-GLAZE 22 JA 1/16W | R854 | 401 105 2904 | MT-GLAZE 22K JA 1/16W |
| R7363 | 401 105 2607 | MT-GLAZE 22 JA 1/16W | R855 | 401 105 2904 | MT-GLAZE 22K JA 1/16W |
| R7364 | 401 105 2607 | MT-GLAZE 22 JA 1/16W | R856 | 401 105 2904 | MT-GLAZE 22K JA 1/16W |
| R7365 | 401 105 2607 | MT-GLAZE 22 JA 1/16W | R857 | 401 105 5301 | MT-GLAZE 4.7K JA 1/16W |
| R7366 | 401 105 2607 | MT-GLAZE 22 JA 1/16W | R858 | 401 105 5301 | MT-GLAZE 4.7K JA 1/16W |
| R7367 | 401 105 2607 | MT-GLAZE 22 JA 1/16W | R859 | 401 105 0603 | MT-GLAZE 10K JA 1/16W |
| R7368 | 401 105 2607 | MT-GLAZE 22 JA 1/16W | R860 | 401 105 0306 | MT-GLAZE 10 JA 1/16W |
| R7370 | 401 105 2607 | MT-GLAZE 22 JA 1/16W | R861 | 401 105 0405 | MT-GLAZE 100 JA 1/16W |
| R7371 | 401 105 7909 | MT-GLAZE 0.000 ZA 1/16W | R862 | 401 105 5301 | MT-GLAZE 4.7K JA 1/16W |
| R7372 | 401 105 7909 | MT-GLAZE 0.000 ZA 1/16W | R863 | 401 105 5301 | MT-GLAZE 4.7K JA 1/16W |
| R7373 | 401 105 7909 | MT-GLAZE 0.000 ZA 1/16W | R864 | 401 105 0405 | MT-GLAZE 100 JA 1/16W |
| R7374 | 401 105 7909 | MT-GLAZE 0.000 ZA 1/16W | R865 | 401 105 0405 | MT-GLAZE 100 JA 1/16W |
| R7375 | 401 105 7909 | MT-GLAZE 0.000 ZA 1/16W | R866 | 401 105 2003 | MT-GLAZE 1.8K JA 1/16W |
| R7376 | 401 105 7909 | MT-GLAZE 0.000 ZA 1/16W | R867 | 401 105 4106 | MT-GLAZE 3.3K JA 1/16W |
| R7377 | 401 105 2607 | MT-GLAZE 22 JA 1/16W | R868 | 401 105 7909 | MT-GLAZE 0.000 ZA 1/16W |
| R7378 | 401 105 7909 | MT-GLAZE 0.000 ZA 1/16W | R869 | 401 105 1105 | MT-GLAZE 12K JA 1/16W |
| R7379 | 401 105 7909 | MT-GLAZE 0.000 ZA 1/16W | R870 | 401 105 7909 | MT-GLAZE 0.000 ZA 1/16W |
| R7512 | 401 105 7909 | MT-GLAZE 0.000 ZA 1/16W | R871 | 401 105 7909 | MT-GLAZE 0.000 ZA 1/16W |
| R7513 | 401 105 7909 | MT-GLAZE 0.000 ZA 1/16W | R873 | 401 105 0603 | MT-GLAZE 10K JA 1/16W |
| R7515 | 401 105 7909 | MT-GLAZE 0.000 ZA 1/16W | R875 | 401 105 0603 | MT-GLAZE 10K JA 1/16W |
| R7518 | 401 105 7909 | MT-GLAZE 0.000 ZA 1/16W | R877 | 401 105 5301 | MT-GLAZE 4.7K JA 1/16W |
| R7520 | 401 105 7909 | MT-GLAZE 0.000 ZA 1/16W | R878 | 401 105 0405 | MT-GLAZE 100 JA 1/16W |
| R7522 | 401 105 7909 | MT-GLAZE 0.000 ZA 1/16W | R879 | 401 105 0504 | MT-GLAZE 1K JA 1/16W |
| R7524 | 401 105 7909 | MT-GLAZE 0.000 ZA 1/16W | R880 | 401 105 7909 | MT-GLAZE 0.000 ZA 1/16W |
| R7542 | 401 105 7909 | MT-GLAZE 0.000 ZA 1/16W | R881 | 401 105 8104 | MT-GLAZE 56K JA 1/16W |
| R7543 | 401 105 7909 | MT-GLAZE 0.000 ZA 1/16W | R882 | 401 105 7909 | MT-GLAZE 0.000 ZA 1/16W |
| R7545 | 401 105 7909 | MT-GLAZE 0.000 ZA 1/16W | R886 | 401 105 7909 | MT-GLAZE 0.000 ZA 1/16W |
| R7548 | 401 105 7909 | MT-GLAZE 0.000 ZA 1/16W | R890 | 401 105 0603 | MT-GLAZE 10K JA 1/16W |
| R7550 | 401 105 7909 | MT-GLAZE 0.000 ZA 1/16W | R891 | 401 105 0603 | MT-GLAZE 10K JA 1/16W |
| R7551 | 401 105 7909 | MT-GLAZE 0.000 ZA 1/16W | R893 | 401 105 0603 | MT-GLAZE 10K JA 1/16W |
| R7554 | 401 105 7909 | MT-GLAZE 0.000 ZA 1/16W | R895 | 401 105 0603 | MT-GLAZE 10K JA 1/16W |
| R7557 | 401 105 7909 | MT-GLAZE 0.000 ZA 1/16W | R896 | 401 105 0603 | MT-GLAZE 10K JA 1/16W |
| R7558 | 401 105 7909 | MT-GLAZE 0.000 ZA 1/16W | R9801 | 401 105 1501 | MT-GLAZE 1.5K JA 1/16W |
| R7561 | 401 105 7909 | MT-GLAZE 0.000 ZA 1/16W | R9803 | 401 105 8005 | MT-GLAZE 1M JA 1/16W |
| R7562 | 401 105 7909 | MT-GLAZE 0.000 ZA 1/16W | R9804 | 401 105 0405 | MT-GLAZE 100 JA 1/16W |
| R7572 | 401 105 7909 | MT-GLAZE 0.000 ZA 1/16W | R9805 | 401 105 0405 | MT-GLAZE 100 JA 1/16W |
| R7573 | 401 105 7909 | MT-GLAZE 0.000 ZA 1/16W | R9806 | 401 105 0405 | MT-GLAZE 100 JA 1/16W |
| R7575 | 401 105 7909 | MT-GLAZE 0.000 ZA 1/16W | R9807 | 401 105 0405 | MT-GLAZE 100 JA 1/16W |
| R7578 | 401 105 7909 | MT-GLAZE 0.000 ZA 1/16W | R9809 | 401 105 7909 | MT-GLAZE 0.000 ZA 1/16W |
| R7580 | 401 105 7909 | MT-GLAZE 0.000 ZA 1/16W | R9813 | 401 105 0702 | MT-GLAZE 100K JA 1/16W |
| R7584 | 401 105 7909 | MT-GLAZE 0.000 ZA 1/16W | COIL | | |
| R800 | 401 105 0603 | MT-GLAZE 10K JA 1/16W | L201 | 645 020 1776 | INDUCTOR, 3.3U M |
| R803 | 401 105 0603 | MT-GLAZE 10K JA 1/16W | L202 | 645 020 1776 | INDUCTOR, 3.3U M |
| R804 | 401 105 0603 | MT-GLAZE 10K JA 1/16W | L2201 | 401 035 4108 | MT-GLAZE 0.000 ZA 1/8W |
| R805 | 401 105 7909 | MT-GLAZE 0.000 ZA 1/16W | L2211 | 401 035 4108 | MT-GLAZE 0.000 ZA 1/8W |
| R806 | 401 105 7909 | MT-GLAZE 0.000 ZA 1/16W | L2221 | 401 035 4108 | MT-GLAZE 0.000 ZA 1/8W |
| R809 | 401 105 0405 | MT-GLAZE 100 JA 1/16W | L2301 | 645 020 1776 | INDUCTOR, 3.3U M |
| R810 | 401 105 7909 | MT-GLAZE 0.000 ZA 1/16W | L2302 | 645 020 1776 | INDUCTOR, 3.3U M |
| R812 | 401 105 0603 | MT-GLAZE 10K JA 1/16W | L2501 | 645 026 1008 | INDUCTOR, 3.3U M |

Electrical Parts List

| Ref. No. | Part No. | Description | Ref. No. | Part No. | Description |
|----------------------------------|--------------|---------------------------|--------------------|--------------|---------------------|
| L2506 | 645 026 1008 | INDUCTOR, 3.3U M | 405 002 0407 | TR | 2SA1037K T146 S |
| L3351 | 645 026 1008 | INDUCTOR, 3.3U M | 405 002 6706 | TR | 2SA1179-M6-TB |
| L4401 | 645 026 1008 | INDUCTOR, 3.3U M | 405 002 6904 | TR | 2SA1179-M7-TB |
| L501 | 645 020 1776 | INDUCTOR, 3.3U M | 405 163 1503 | TR | 2SA1179N-M6-TB |
| L502 | 645 002 5129 | INDUCTOR, 0.47U M | 405 163 2708 | TR | 2SA1179N-M7-TB |
| L531 | 645 020 1776 | INDUCTOR, 3.3U M | Q9003 | 405 014 4509 | TR 2SC2412K T146 R |
| L532 | 645 002 5129 | INDUCTOR, 0.47U M | 405 014 4608 | TR | 2SC2412K T146 S |
| L561 | 645 020 1776 | INDUCTOR, 3.3U M | 405 015 8704 | TR | 2SC2812-L6-TB |
| L562 | 645 002 5129 | INDUCTOR, 0.47U M | 405 015 8902 | TR | 2SC2812-L7-TB |
| L8282 | 401 037 5004 | MT-GLAZE 0.000 ZA 1/10W | 405 163 1602 | TR | 2SC2812N-L6-TB0 |
| L9801 | 645 021 1645 | INDUCTOR, 2.2U J | 405 163 1701 | TR | 2SC2812N-L7-TB0 |
| DIODE | | | Q9004 | 405 134 5905 | TR 2SA1037AK-T146-R |
| D1301 | 407 223 1102 | ZENER DIODE 02DZ6.2Y(TPH3 | 405 147 2205 | TR | 2SA1037AK-S-T146 |
| D1851 | 407 223 1003 | ZENER DIODE 02DZ5.1Y(TPH3 | 405 002 0308 | TR | 2SA1037K T146 R |
| D1852 | 407 092 9506 | DIODE SB07-03C-TB | 405 002 0407 | TR | 2SA1037K T146 S |
| D2502 | 407 149 0807 | DIODE 1SS355-TE-17 | 405 002 6706 | TR | 2SA1179-M6-TB |
| D2503 | 407 149 0807 | DIODE 1SS355-TE-17 | 405 002 6904 | TR | 2SA1179-M7-TB |
| D281 | 407 149 0807 | DIODE 1SS355-TE-17 | 405 163 1503 | TR | 2SA1179N-M6-TB |
| D282 | 407 149 0807 | DIODE 1SS355-TE-17 | 405 163 2708 | TR | 2SA1179N-M7-TB |
| D283 | 407 149 0807 | DIODE 1SS355-TE-17 | Q9021 | 405 014 4509 | TR 2SC2412K T146 R |
| D4251 | 407 223 5001 | DIODE D1FM3 | 405 014 4608 | TR | 2SC2412K T146 S |
| D4252 | 407 223 5001 | DIODE D1FM3 | 405 015 8704 | TR | 2SC2812-L6-TB |
| D4871 | 407 223 1102 | ZENER DIODE 02DZ6.2Y(TPH3 | 405 015 8902 | TR | 2SC2812-L7-TB |
| D4872 | 407 223 1102 | ZENER DIODE 02DZ6.2Y(TPH3 | 405 163 1602 | TR | 2SC2812N-L6-TB0 |
| D4873 | 407 223 1102 | ZENER DIODE 02DZ6.2Y(TPH3 | 405 163 1701 | TR | 2SC2812N-L7-TB0 |
| D4874 | 407 223 1102 | ZENER DIODE 02DZ6.2Y(TPH3 | Q9027 | 405 014 4509 | TR 2SC2412K T146 R |
| D5541 | 407 149 0807 | DIODE 1SS355-TE-17 | 405 014 4608 | TR | 2SC2412K T146 S |
| D5631 | 407 149 0807 | DIODE 1SS355-TE-17 | 405 015 8704 | TR | 2SC2812-L6-TB |
| D5632 | 407 149 0807 | DIODE 1SS355-TE-17 | 405 015 8902 | TR | 2SC2812-L7-TB |
| D5633 | 407 149 0807 | DIODE 1SS355-TE-17 | 405 163 1602 | TR | 2SC2812N-L6-TB0 |
| D5634 | 407 149 0807 | DIODE 1SS355-TE-17 | 405 163 1701 | TR | 2SC2812N-L7-TB0 |
| D5801 | 407 223 1102 | ZENER DIODE 02DZ6.2Y(TPH3 | Q9028 | 405 014 4509 | TR 2SC2412K T146 R |
| D5811 | 407 223 1102 | ZENER DIODE 02DZ6.2Y(TPH3 | 405 014 4608 | TR | 2SC2412K T146 S |
| D5812 | 407 223 1102 | ZENER DIODE 02DZ6.2Y(TPH3 | 405 015 8704 | TR | 2SC2812-L6-TB |
| D5813 | 407 223 1102 | ZENER DIODE 02DZ6.2Y(TPH3 | 405 015 8902 | TR | 2SC2812-L7-TB |
| D5814 | 407 223 1102 | ZENER DIODE 02DZ6.2Y(TPH3 | 405 163 1602 | TR | 2SC2812N-L6-TB0 |
| D5815 | 407 223 1102 | ZENER DIODE 02DZ6.2Y(TPH3 | 405 163 1701 | TR | 2SC2812N-L7-TB0 |
| D5816 | 407 223 1102 | ZENER DIODE 02DZ6.2Y(TPH3 | Q9029 | 405 014 4509 | TR 2SC2412K T146 R |
| D5817 | 407 223 1102 | ZENER DIODE 02DZ6.2Y(TPH3 | 405 014 4608 | TR | 2SC2412K T146 S |
| D5818 | 407 223 1102 | ZENER DIODE 02DZ6.2Y(TPH3 | 405 015 8704 | TR | 2SC2812-L6-TB |
| D5831 | 407 223 5001 | DIODE D1FM3 | 405 015 8902 | TR | 2SC2812-L7-TB |
| D5832 | 407 223 5001 | DIODE D1FM3 | 405 163 1602 | TR | 2SC2812N-L6-TB0 |
| D5833 | 407 223 5001 | DIODE D1FM3 | 405 163 1701 | TR | 2SC2812N-L7-TB0 |
| D5862 | 407 223 1102 | ZENER DIODE 02DZ6.2Y(TPH3 | Q9030 | 405 014 4509 | TR 2SC2412K T146 R |
| D5863 | 407 223 1102 | ZENER DIODE 02DZ6.2Y(TPH3 | 405 014 4608 | TR | 2SC2412K T146 S |
| D5867 | 407 223 1102 | ZENER DIODE 02DZ6.2Y(TPH3 | 405 015 8704 | TR | 2SC2812-L6-TB |
| D5868 | 407 223 1102 | ZENER DIODE 02DZ6.2Y(TPH3 | 405 015 8902 | TR | 2SC2812-L7-TB |
| D5871 | 407 223 1102 | ZENER DIODE 02DZ6.2Y(TPH3 | 405 163 1602 | TR | 2SC2812N-L6-TB0 |
| D5876 | 407 149 0807 | DIODE 1SS355-TE-17 | 405 163 1701 | TR | 2SC2812N-L7-TB0 |
| D5877 | 407 149 0807 | DIODE 1SS355-TE-17 | INTEGRATED CIRCUIT | | |
| D5881 | 407 223 1102 | ZENER DIODE 02DZ6.2Y(TPH3 | IC9001 | 409 438 5500 | IC TC4052BFT |
| D801 | 407 092 9506 | DIODE SB07-03C-TB | IC9002 | 409 438 5500 | IC TC4052BFT |
| MISCELLANEOUS | | | IC9003 | 409 416 6406 | IC BA033FP-E2 |
| IC886 | 407 221 9704 | SENSOR MPXA4115A6T1 | | 409 410 1001 | IC UPC2933T-E1 |
| K2B | 645 009 8390 | PLUG, ANT 2P | IC9005 | 409 153 5601 | IC MC74F244M |
| K2G | 645 009 8390 | PLUG, ANT 2P | | 409 451 4108 | IC SN74F244NSR |
| K2R | 645 009 8390 | PLUG, ANT 2P | IC9006 | 409 462 6009 | IC AD8185ARU |
| K25A | 645 044 8256 | SOCKET, FPC 57P | IC9007 | 409 462 6009 | IC AD8185ARU |
| K25B | 645 044 8256 | SOCKET, FPC 57P | IC9013 | 409 438 5500 | IC TC4052BFT |
| K25C | 645 044 8256 | SOCKET, FPC 57P | IC9014 | 409 445 7306 | IC QS3125QX |
| K32A | 645 040 6775 | SOCKET, PWB 40P | IC9016 | 409 489 5009 | IC TC74VCX04FT |
| K32B | 645 040 6775 | SOCKET, PWB 40P | IC9017 | 409 522 7502 | IC TC7SA08FU |
| K8A | 645 041 8136 | PLUG, 40P | IC9021 | 409 404 6302 | IC M62320FP |
| K8B | 645 042 6834 | PLUG, 30P | IC9022 | 409 404 6302 | IC M62320FP |
| K8D | 645 030 6679 | PLUG, 32P | IC9031 | 410 464 9707 | IC 74VCX162374MTDX |
| K8E | 645 041 8136 | PLUG, 40P | IC9032 | 410 464 9707 | IC 74VCX162374MTDX |
| K8F | 645 038 1645 | PLUG, SIDE-ZR-SM3 12P | IC9033 | 410 464 9707 | IC 74VCX162374MTDX |
| K8H | 645 029 6314 | PULG, 3P | IC9041 | 410 466 0504 | IC TC74VCX2374FT |
| K8J | 645 029 6321 | PULG, 4P | IC9091 | 409 416 6505 | IC BA05FP-E2 |
| K8N | 645 025 7193 | PLUG, 12P | IC9092 | 409 416 6505 | IC BA05FP-E2 |
| K8P | 645 029 6314 | PULG, 3P | IC9093 | 409 416 6505 | IC BA05FP-E2 |
| K8Q | 645 005 6963 | PLUG, SIDE-ZR-SM3 8P | IC9094 | 409 416 6505 | IC BA05FP-E2 |
| K8U | 645 029 6314 | PULG, 3P | IC9096 | 409 461 7809 | IC PQ20WZ11 |
| K8W | 645 023 8659 | PLUG, 5P | IC9097 | 409 461 7809 | IC PQ20WZ11 |
| K8X | 645 023 8659 | PLUG, 5P | IC9098 | 409 461 7809 | IC PQ20WZ11 |
| X1331 | 645 050 2323 | OSC, CRYSTAL 25.000MHZ | IC9099 | 409 461 7809 | IC PQ20WZ11 |
| X1341 | 645 047 6846 | OSC, CRYSTAL 24.000MHZ | CAPACITOR | | |
| X2261 | 645 041 3841 | OSC, CRYSTAL 4MHZ | C9002 | 403 164 0204 | CERAMIC 0.1U Z 25V |
| X801 | 645 053 4973 | OSC, CRYSTAL 6.4512MHZ | C9003 | 403 229 3508 | ELECT 100U M 16V |
| X9801 | 645 035 8906 | OSC, CRYSTAL 48MHZ | C9004 | 403 164 0204 | CERAMIC 0.1U Z 25V |
| ***** | | | | | |
| PWB assembly for CGMOTHER | | | | | |
| ▲ | 610 298 8284 | ASSY, PWB, CGMOTHER MT8A | C9005 | 403 205 7803 | TA-SOLID 2.2U M 16V |
| TRANSISTOR | | | C9006 | 403 205 7803 | TA-SOLID 2.2U M 16V |
| Q9001 | 405 014 4509 | TR 2SC2412K T146 R | C9007 | 403 205 7803 | TA-SOLID 2.2U M 16V |
| | 405 014 4608 | TR 2SC2412K T146 S | C9008 | 403 205 7803 | TA-SOLID 2.2U M 16V |
| | 405 015 8704 | TR 2SC2812-L6-TB | C9009 | 403 205 7803 | TA-SOLID 2.2U M 16V |
| | 405 015 8902 | TR 2SC2812-L7-TB | C9010 | 403 164 0204 | CERAMIC 0.1U Z 25V |
| | 405 163 1602 | TR 2SC2812N-L6-TB0 | C9011 | 403 205 7803 | TA-SOLID 2.2U M 16V |
| | 405 163 1701 | TR 2SC2812N-L7-TB0 | C9012 | 403 205 7803 | TA-SOLID 2.2U M 16V |
| Q9002 | 405 134 5905 | TR 2SA1037AK-T146-R | C9013 | 403 205 7803 | TA-SOLID 2.2U M 16V |
| | 405 147 2205 | TR 2SA1037AK-S-T146 | C9014 | 403 175 4505 | ELECT 47U M 6.3V |
| | 405 002 0308 | TR 2SA1037K T146 R | C9015 | 403 164 0204 | CERAMIC 0.1U Z 25V |
| | | | C9016 | 403 175 4505 | ELECT 47U M 6.3V |
| | | | C9017 | 403 164 0204 | CERAMIC 0.1U Z 25V |
| | | | C9018 | 403 175 4505 | ELECT 47U M 6.3V |
| | | | C9019 | 403 164 0204 | CERAMIC 0.1U Z 25V |

Electrical Parts List

| Ref. No. | Part No. | Description | Ref. No. | Part No. | Description |
|-----------------|--------------|-------------------------|----------|--------------|-------------------------|
| C9020 | 403 280 0805 | ELECT 330U M 6.3V | R9025 | 401 105 2805 | MT-GLAZE 2.2K JA 1/16W |
| C9021 | 403 164 0204 | CERAMIC 0.1U Z 25V | R9026 | 401 105 2805 | MT-GLAZE 2.2K JA 1/16W |
| C9022 | 403 164 0204 | CERAMIC 0.1U Z 25V | R9027 | 401 105 0405 | MT-GLAZE 100 JA 1/16W |
| C9023 | 403 149 9208 | CERAMIC 0.01U Z 50V | R9028 | 401 105 0702 | MT-GLAZE 100K JA 1/16W |
| C9024 | 403 149 9208 | CERAMIC 0.01U Z 50V | R9029 | 401 105 0405 | MT-GLAZE 100 JA 1/16W |
| C9025 | 403 149 9208 | CERAMIC 0.01U Z 50V | R9030 | 401 105 0603 | MT-GLAZE 10K JA 1/16W |
| C9026 | 403 164 0204 | CERAMIC 0.1U Z 25V | R9031 | 401 105 0702 | MT-GLAZE 100K JA 1/16W |
| C9027 | 403 164 0204 | CERAMIC 0.1U Z 25V | R9032 | 401 105 0405 | MT-GLAZE 100 JA 1/16W |
| C9028 | 403 175 4505 | ELECT 47U M 6.3V | R9033 | 401 105 0702 | MT-GLAZE 100K JA 1/16W |
| C9029 | 403 149 9208 | CERAMIC 0.01U Z 50V | R9034 | 401 105 0405 | MT-GLAZE 100 JA 1/16W |
| C9030 | 403 280 0508 | ELECT 470U M 4V | R9035 | 401 105 0702 | MT-GLAZE 100K JA 1/16W |
| C9031 | 403 149 9208 | CERAMIC 0.01U Z 50V | R9036 | 401 105 0702 | MT-GLAZE 100K JA 1/16W |
| C9033 | 403 149 9208 | CERAMIC 0.01U Z 50V | R9037 | 401 105 0405 | MT-GLAZE 100 JA 1/16W |
| C9034 | 403 175 4505 | ELECT 47U M 6.3V | R9038 | 401 105 0702 | MT-GLAZE 100K JA 1/16W |
| C9035 | 403 164 0204 | CERAMIC 0.1U Z 25V | R9039 | 401 105 0405 | MT-GLAZE 100 JA 1/16W |
| C9036 | 403 164 0204 | CERAMIC 0.1U Z 25V | R9040 | 401 105 0603 | MT-GLAZE 10K JA 1/16W |
| C9037 | 403 164 0204 | CERAMIC 0.1U Z 25V | R9041 | 401 105 0702 | MT-GLAZE 100K JA 1/16W |
| C9038 | 403 149 9208 | CERAMIC 0.01U Z 50V | R9042 | 401 105 0405 | MT-GLAZE 100 JA 1/16W |
| C9039 | 403 149 9208 | CERAMIC 0.01U Z 50V | R9043 | 401 105 0702 | MT-GLAZE 100K JA 1/16W |
| C9041 | 403 149 9208 | CERAMIC 0.01U Z 50V | R9044 | 401 105 0405 | MT-GLAZE 100 JA 1/16W |
| C9042 | 403 164 0204 | CERAMIC 0.1U Z 25V | R9047 | 401 105 0603 | MT-GLAZE 10K JA 1/16W |
| C9043 | 403 164 0204 | CERAMIC 0.1U Z 25V | R9048 | 401 105 0603 | MT-GLAZE 10K JA 1/16W |
| C9044 | 403 175 4505 | ELECT 47U M 6.3V | R9049 | 401 105 0603 | MT-GLAZE 10K JA 1/16W |
| C9045 | 403 149 9208 | CERAMIC 0.01U Z 50V | R9050 | 401 105 0603 | MT-GLAZE 10K JA 1/16W |
| C9046 | 403 149 9208 | CERAMIC 0.01U Z 50V | R9051 | 401 105 0603 | MT-GLAZE 10K JA 1/16W |
| C9048 | 403 149 9208 | CERAMIC 0.01U Z 50V | R9052 | 401 105 0702 | MT-GLAZE 100K JA 1/16W |
| C9049 | 403 175 4505 | ELECT 47U M 6.3V | R9053 | 401 105 0405 | MT-GLAZE 100 JA 1/16W |
| C9051 | 403 164 0204 | CERAMIC 0.1U Z 25V | R9054 | 401 105 0702 | MT-GLAZE 100K JA 1/16W |
| C9057 | 403 343 4900 | ELECT 470U M 25V | R9055 | 401 105 0405 | MT-GLAZE 100 JA 1/16W |
| C9059 | 403 343 4900 | ELECT 470U M 25V | R9056 | 401 105 0702 | MT-GLAZE 100K JA 1/16W |
| C9061 | 403 343 4900 | ELECT 470U M 25V | R9057 | 401 105 0405 | MT-GLAZE 100 JA 1/16W |
| C9062 | 403 343 4900 | ELECT 470U M 25V | R9058 | 401 105 0702 | MT-GLAZE 100K JA 1/16W |
| C9064 | 403 343 4900 | ELECT 470U M 25V | R9059 | 401 105 0405 | MT-GLAZE 100 JA 1/16W |
| C9065 | 403 343 4900 | ELECT 470U M 25V | R9063 | 401 105 7909 | MT-GLAZE 0.000 ZA 1/16W |
| C9066 | 403 175 4505 | ELECT 47U M 6.3V | R9064 | 401 105 0405 | MT-GLAZE 100 JA 1/16W |
| C9067 | 403 164 0204 | CERAMIC 0.1U Z 25V | R9065 | 401 105 0405 | MT-GLAZE 100 JA 1/16W |
| C9068 | 403 322 1807 | ELECT 47U M 16V | R9066 | 401 105 0603 | MT-GLAZE 10K JA 1/16W |
| C9069 | 403 164 0204 | CERAMIC 0.1U Z 25V | R9067 | 401 105 0603 | MT-GLAZE 10K JA 1/16W |
| C9070 | 403 164 0204 | CERAMIC 0.1U Z 25V | R9068 | 401 105 0603 | MT-GLAZE 10K JA 1/16W |
| C9071 | 403 164 0204 | CERAMIC 0.1U Z 25V | R9069 | 401 105 0603 | MT-GLAZE 10K JA 1/16W |
| C9072 | 403 164 0204 | CERAMIC 0.1U Z 25V | R9071 | 401 105 0603 | MT-GLAZE 10K JA 1/16W |
| C9073 | 403 164 0204 | CERAMIC 0.1U Z 25V | R9072 | 401 105 0603 | MT-GLAZE 10K JA 1/16W |
| C9074 | 403 164 0204 | CERAMIC 0.1U Z 25V | R9074 | 401 105 7909 | MT-GLAZE 0.000 ZA 1/16W |
| C9075 | 403 322 1807 | ELECT 47U M 16V | R9075 | 401 105 2805 | MT-GLAZE 2.2K JA 1/16W |
| C9076 | 403 322 1807 | ELECT 47U M 16V | R9076 | 401 113 5706 | MT-GLAZE 910 JA 1/16W |
| C9077 | 403 164 0204 | CERAMIC 0.1U Z 25V | R9077 | 401 105 7909 | MT-GLAZE 0.000 ZA 1/16W |
| C9078 | 403 322 1807 | ELECT 47U M 16V | R9078 | 401 105 2805 | MT-GLAZE 2.2K JA 1/16W |
| C9081 | 403 164 0204 | CERAMIC 0.1U Z 25V | R9079 | 401 113 5706 | MT-GLAZE 910 JA 1/16W |
| C9082 | 403 345 6605 | CERAMIC 1U M 10V | R9081 | 401 113 4402 | MT-GLAZE 75 JA 1/16W |
| C9083 | 403 175 4505 | ELECT 47U M 6.3V | R9082 | 401 105 4403 | MT-GLAZE 39 JA 1/16W |
| C9084 | 403 164 0204 | CERAMIC 0.1U Z 25V | R9083 | 401 113 4402 | MT-GLAZE 75 JA 1/16W |
| C9085 | 401 105 7909 | MT-GLAZE 0.000 ZA 1/16W | R9084 | 401 105 4403 | MT-GLAZE 39 JA 1/16W |
| C9086 | 403 164 0204 | CERAMIC 0.1U Z 25V | R9085 | 401 113 4402 | MT-GLAZE 75 JA 1/16W |
| C9087 | 403 113 3805 | CERAMIC 1000P K 50V | R9086 | 401 105 4403 | MT-GLAZE 39 JA 1/16W |
| C9088 | 401 105 7909 | MT-GLAZE 0.000 ZA 1/16W | R9087 | 401 113 4402 | MT-GLAZE 75 JA 1/16W |
| C9089 | 403 164 0204 | CERAMIC 0.1U Z 25V | R9088 | 401 105 4403 | MT-GLAZE 39 JA 1/16W |
| C9090 | 403 113 3805 | CERAMIC 1000P K 50V | R9089 | 401 113 4402 | MT-GLAZE 75 JA 1/16W |
| C9091 | 403 317 4509 | ELECT 100U M 6.3V | R9091 | 401 105 4403 | MT-GLAZE 39 JA 1/16W |
| C9092 | 403 164 0204 | CERAMIC 0.1U Z 25V | R9092 | 401 113 4402 | MT-GLAZE 75 JA 1/16W |
| C9093 | 403 317 4509 | ELECT 100U M 6.3V | R9093 | 401 105 4403 | MT-GLAZE 39 JA 1/16W |
| C9094 | 403 164 0204 | CERAMIC 0.1U Z 25V | R9094 | 401 105 1808 | MT-GLAZE 18 JA 1/16W |
| C9095 | 403 317 4509 | ELECT 100U M 6.3V | R9095 | 401 105 1808 | MT-GLAZE 18 JA 1/16W |
| C9096 | 403 164 0204 | CERAMIC 0.1U Z 25V | R9096 | 401 105 4403 | MT-GLAZE 39 JA 1/16W |
| C9097 | 403 317 4509 | ELECT 100U M 6.3V | R9097 | 401 105 1808 | MT-GLAZE 18 JA 1/16W |
| C9098 | 403 164 0204 | CERAMIC 0.1U Z 25V | R9098 | 401 105 1808 | MT-GLAZE 18 JA 1/16W |
| C9099 | 401 105 7909 | MT-GLAZE 0.000 ZA 1/16W | R9099 | 401 105 4403 | MT-GLAZE 39 JA 1/16W |
| C9100 | 403 164 0204 | CERAMIC 0.1U Z 25V | R9101 | 401 105 1808 | MT-GLAZE 18 JA 1/16W |
| C9101 | 403 113 3805 | CERAMIC 1000P K 50V | R9102 | 401 105 1808 | MT-GLAZE 18 JA 1/16W |
| C9102 | 403 164 0204 | CERAMIC 0.1U Z 25V | R9103 | 401 105 1808 | MT-GLAZE 18 JA 1/16W |
| C9103 | 403 280 0508 | ELECT 470U M 4V | R9104 | 401 105 4403 | MT-GLAZE 39 JA 1/16W |
| RESISTOR | | | | | |
| R9001 | 401 105 0405 | MT-GLAZE 100 JA 1/16W | R9105 | 401 105 2805 | MT-GLAZE 2.2K JA 1/16W |
| R9002 | 401 105 0405 | MT-GLAZE 100 JA 1/16W | R9107 | 401 105 2805 | MT-GLAZE 2.2K JA 1/16W |
| R9003 | 401 105 0405 | MT-GLAZE 100 JA 1/16W | R9108 | 401 105 0306 | MT-GLAZE 10 JA 1/16W |
| R9004 | 401 105 0405 | MT-GLAZE 100 JA 1/16W | R9111 | 401 113 4402 | MT-GLAZE 75 JA 1/16W |
| R9005 | 401 105 0405 | MT-GLAZE 100 JA 1/16W | R9112 | 401 105 4403 | MT-GLAZE 39 JA 1/16W |
| R9006 | 401 105 0405 | MT-GLAZE 100 JA 1/16W | R9113 | 401 113 4402 | MT-GLAZE 75 JA 1/16W |
| R9007 | 401 105 0405 | MT-GLAZE 100 JA 1/16W | R9114 | 401 105 4403 | MT-GLAZE 39 JA 1/16W |
| R9008 | 401 105 0405 | MT-GLAZE 100 JA 1/16W | R9115 | 401 113 4402 | MT-GLAZE 75 JA 1/16W |
| R9009 | 401 105 0405 | MT-GLAZE 100 JA 1/16W | R9116 | 401 105 4403 | MT-GLAZE 39 JA 1/16W |
| R9010 | 401 105 0306 | MT-GLAZE 10 JA 1/16W | R9117 | 401 113 4402 | MT-GLAZE 75 JA 1/16W |
| R9011 | 401 105 0405 | MT-GLAZE 100 JA 1/16W | R9118 | 401 105 4403 | MT-GLAZE 39 JA 1/16W |
| R9012 | 401 105 0603 | MT-GLAZE 10K JA 1/16W | R9119 | 401 113 4402 | MT-GLAZE 75 JA 1/16W |
| R9013 | 401 105 0603 | MT-GLAZE 10K JA 1/16W | R9121 | 401 105 4403 | MT-GLAZE 39 JA 1/16W |
| R9014 | 401 105 0603 | MT-GLAZE 10K JA 1/16W | R9122 | 401 113 4402 | MT-GLAZE 75 JA 1/16W |
| R9015 | 401 105 0603 | MT-GLAZE 10K JA 1/16W | R9123 | 401 105 4403 | MT-GLAZE 39 JA 1/16W |
| R9016 | 401 105 0603 | MT-GLAZE 10K JA 1/16W | R9124 | 401 105 1808 | MT-GLAZE 18 JA 1/16W |
| R9017 | 401 105 0603 | MT-GLAZE 10K JA 1/16W | R9125 | 401 105 1808 | MT-GLAZE 18 JA 1/16W |
| R9018 | 401 105 0603 | MT-GLAZE 10K JA 1/16W | R9126 | 401 105 4403 | MT-GLAZE 39 JA 1/16W |
| R9019 | 401 105 0603 | MT-GLAZE 10K JA 1/16W | R9127 | 401 105 1808 | MT-GLAZE 18 JA 1/16W |
| R9020 | 401 105 0603 | MT-GLAZE 10K JA 1/16W | R9128 | 401 105 1808 | MT-GLAZE 18 JA 1/16W |
| R9021 | 401 105 0603 | MT-GLAZE 10K JA 1/16W | R9129 | 401 105 4403 | MT-GLAZE 39 JA 1/16W |
| R9022 | 401 105 2805 | MT-GLAZE 2.2K JA 1/16W | R9131 | 401 105 1808 | MT-GLAZE 18 JA 1/16W |
| R9023 | 401 105 2805 | MT-GLAZE 2.2K JA 1/16W | R9132 | 401 105 1808 | MT-GLAZE 18 JA 1/16W |
| R9024 | 401 105 0603 | MT-GLAZE 10K JA 1/16W | R9133 | 401 105 1808 | MT-GLAZE 18 JA 1/16W |
| | | | R9134 | 401 105 4403 | MT-GLAZE 39 JA 1/16W |

Electrical Parts List

| Ref. No. | Part No. | Description | Ref. No. | Part No. | Description |
|-------------------------|--------------|---------------------------|--------------------|--------------------|----------------------------|
| R9135 | 401 105 2805 | MT-GLAZE 2.2K JA 1/16W | 405 015 8902 | TR 2SC2812-L7-TB | |
| R9137 | 401 105 0603 | MT-GLAZE 10K JA 1/16W | 405 163 1602 | TR 2SC2812N-L6-TB0 | |
| R9138 | 401 105 0603 | MT-GLAZE 10K JA 1/16W | 405 163 1701 | TR 2SC2812N-L7-TB0 | |
| R9139 | 401 105 0306 | MT-GLAZE 10 JA 1/16W | | | |
| R9141 | 401 105 0603 | MT-GLAZE 10K JA 1/16W | INTEGRATED CIRCUIT | | |
| R9151 | 401 105 1402 | MT-GLAZE 150 JA 1/16W | IC3801 | 409 380 6303 | IC HIN232CB |
| R9152 | 401 105 0405 | MT-GLAZE 100 JA 1/16W | | 409 273 3501 | IC SP232ACT |
| R9161 | 401 105 7909 | MT-GLAZE 0.000 ZA 1/16W | IC3803 | 409 380 6303 | IC HIN232CB |
| R9162 | 401 105 2805 | MT-GLAZE 2.2K JA 1/16W | | 409 273 3501 | IC SP232ACT |
| R9163 | 401 113 5706 | MT-GLAZE 910 JA 1/16W | IC3804 | 409 438 5609 | IC TC74ACT08FT |
| R9164 | 401 105 7909 | MT-GLAZE 0.000 ZA 1/16W | CAPACITOR | | |
| R9165 | 401 105 2805 | MT-GLAZE 2.2K JA 1/16W | C3851 | 403 162 6208 | ELECT 1U M 50V |
| R9166 | 401 113 5706 | MT-GLAZE 910 JA 1/16W | C3852 | 403 162 6208 | ELECT 1U M 50V |
| R9171 | 401 105 0405 | MT-GLAZE 100 JA 1/16W | C3853 | 403 162 6208 | ELECT 1U M 50V |
| R9172 | 401 105 0405 | MT-GLAZE 100 JA 1/16W | C3854 | 403 162 6208 | ELECT 1U M 50V |
| R9174 | 401 105 0405 | MT-GLAZE 100 JA 1/16W | C3855 | 403 283 6309 | CERAMIC 1U Z 10V |
| R9175 | 401 105 0405 | MT-GLAZE 100 JA 1/16W | C3856 | 403 175 4505 | ELECT 47U M 6.3V |
| R9176 | 401 105 0405 | MT-GLAZE 100 JA 1/16W | C3857 | 403 162 4709 | ELECT 100U M 16V |
| R9177 | 401 105 0405 | MT-GLAZE 100 JA 1/16W | C3858 | 403 162 4709 | ELECT 100U M 16V |
| R9183 | 401 105 0603 | MT-GLAZE 10K JA 1/16W | C3859 | 403 162 6208 | ELECT 1U M 50V |
| R9184 | 401 105 0603 | MT-GLAZE 10K JA 1/16W | C3861 | 403 162 6208 | ELECT 1U M 50V |
| R9185 | 401 105 0603 | MT-GLAZE 10K JA 1/16W | C3862 | 403 162 6208 | ELECT 1U M 50V |
| R9186 | 401 105 0603 | MT-GLAZE 10K JA 1/16W | C3863 | 403 162 6208 | ELECT 1U M 50V |
| R9187 | 401 105 0603 | MT-GLAZE 10K JA 1/16W | C3864 | 403 175 4505 | ELECT 47U M 6.3V |
| R9188 | 401 105 0603 | MT-GLAZE 10K JA 1/16W | C3865 | 403 283 6309 | CERAMIC 1U Z 10V |
| R9189 | 401 105 0603 | MT-GLAZE 10K JA 1/16W | C3866 | 403 175 4505 | ELECT 47U M 6.3V |
| R9191 | 401 105 0603 | MT-GLAZE 10K JA 1/16W | C3867 | 403 283 6309 | CERAMIC 1U Z 10V |
| R9501 | 401 105 0603 | MT-GLAZE 10K JA 1/16W | RESISTOR | | |
| R9502 | 401 105 5301 | MT-GLAZE 4.7K JA 1/16W | R3851 | 401 105 0405 | MT-GLAZE 100 JA 1/16W |
| R9503 | 401 105 5301 | MT-GLAZE 4.7K JA 1/16W | R3852 | 401 105 0405 | MT-GLAZE 100 JA 1/16W |
| R9504 | 401 105 0603 | MT-GLAZE 10K JA 1/16W | R3855 | 401 105 0405 | MT-GLAZE 100 JA 1/16W |
| R9505 | 401 105 5301 | MT-GLAZE 4.7K JA 1/16W | R3856 | 401 105 0603 | MT-GLAZE 10K JA 1/16W |
| R9506 | 401 105 5301 | MT-GLAZE 4.7K JA 1/16W | R3857 | 401 105 4007 | MT-GLAZE 330 JA 1/16W |
| R9507 | 401 105 0405 | MT-GLAZE 100 JA 1/16W | R3858 | 401 105 0405 | MT-GLAZE 100 JA 1/16W |
| R9508 | 401 105 5301 | MT-GLAZE 4.7K JA 1/16W | R3859 | 401 105 0405 | MT-GLAZE 100 JA 1/16W |
| R9509 | 401 105 5301 | MT-GLAZE 4.7K JA 1/16W | R3861 | 401 105 5509 | MT-GLAZE 470K JA 1/16W |
| R9510 | 401 105 5301 | MT-GLAZE 4.7K JA 1/16W | R3862 | 401 105 5509 | MT-GLAZE 470K JA 1/16W |
| R9511 | 401 105 0603 | MT-GLAZE 10K JA 1/16W | R3863 | 401 105 0405 | MT-GLAZE 100 JA 1/16W |
| R9512 | 401 105 0603 | MT-GLAZE 10K JA 1/16W | R3864 | 401 105 0405 | MT-GLAZE 100 JA 1/16W |
| R9513 | 401 105 0603 | MT-GLAZE 10K JA 1/16W | R3865 | 401 105 0405 | MT-GLAZE 100 JA 1/16W |
| R9514 | 401 105 0306 | MT-GLAZE 10 JA 1/16W | R3866 | 401 105 0405 | MT-GLAZE 100 JA 1/16W |
| R9515 | 401 105 0405 | MT-GLAZE 100 JA 1/16W | R3868 | 401 105 7909 | MT-GLAZE 0.000 ZA 1/16W |
| R9516 | 401 105 0405 | MT-GLAZE 100 JA 1/16W | R3869 | 401 105 7909 | MT-GLAZE 0.000 ZA 1/16W |
| R9517 | 401 105 0405 | MT-GLAZE 100 JA 1/16W | R3871 | 401 105 7909 | MT-GLAZE 0.000 ZA 1/16W |
| R9518 | 401 105 0405 | MT-GLAZE 100 JA 1/16W | R3872 | 401 105 7909 | MT-GLAZE 0.000 ZA 1/16W |
| R9519 | 401 105 0405 | MT-GLAZE 100 JA 1/16W | R3873 | 401 105 7909 | MT-GLAZE 0.000 ZA 1/16W |
| R9520 | 401 105 5301 | MT-GLAZE 4.7K JA 1/16W | R3874 | 401 105 7909 | MT-GLAZE 0.000 ZA 1/16W |
| R9521 | 401 105 0405 | MT-GLAZE 100 JA 1/16W | R3877 | 401 105 0405 | MT-GLAZE 100 JA 1/16W |
| R9522 | 401 105 0405 | MT-GLAZE 100 JA 1/16W | R3878 | 401 105 0405 | MT-GLAZE 100 JA 1/16W |
| R9523 | 401 105 0603 | MT-GLAZE 10K JA 1/16W | R3882 | 401 105 7909 | MT-GLAZE 0.000 ZA 1/16W |
| R9524 | 401 105 5301 | MT-GLAZE 4.7K JA 1/16W | R3883 | 401 105 7909 | MT-GLAZE 0.000 ZA 1/16W |
| R9525 | 401 105 5301 | MT-GLAZE 4.7K JA 1/16W | R3884 | 401 105 0405 | MT-GLAZE 100 JA 1/16W |
| R9526 | 401 105 0603 | MT-GLAZE 10K JA 1/16W | R3885 | 401 105 0405 | MT-GLAZE 100 JA 1/16W |
| R9527 | 401 105 5301 | MT-GLAZE 4.7K JA 1/16W | R3886 | 401 105 0603 | MT-GLAZE 10K JA 1/16W |
| R9528 | 401 105 5301 | MT-GLAZE 4.7K JA 1/16W | R3887 | 401 105 0603 | MT-GLAZE 10K JA 1/16W |
| R9529 | 401 105 7909 | MT-GLAZE 0.000 ZA 1/16W | R3888 | 401 105 7909 | MT-GLAZE 0.000 ZA 1/16W |
| R9530 | 401 105 7909 | MT-GLAZE 0.000 ZA 1/16W | R3890 | 401 105 7909 | MT-GLAZE 0.000 ZA 1/16W |
| R9531 | 401 105 7909 | MT-GLAZE 0.000 ZA 1/16W | R3892 | 401 105 7909 | MT-GLAZE 0.000 ZA 1/16W |
| R9532 | 401 105 7909 | MT-GLAZE 0.000 ZA 1/16W | R3894 | 401 105 7909 | MT-GLAZE 0.000 ZA 1/16W |
| R9533 | 401 105 7909 | MT-GLAZE 0.000 ZA 1/16W | COIL | | |
| R9535 | 401 105 2607 | MT-GLAZE 22 JA 1/16W | L3851 | 645 014 2659 | FILTER,EMI 10MHZ |
| DIODE | | | L3852 | 645 014 2659 | FILTER,EMI 10MHZ |
| D9004 | 407 190 4106 | DIODE SFPL-52V | L3853 | 645 014 2659 | FILTER,EMI 10MHZ |
| D9011 | 407 221 7106 | ZENER DIODE UDZS-TE-1712B | L3854 | 645 014 2659 | FILTER,EMI 10MHZ |
| D9013 | 407 223 1102 | ZENER DIODE 02DZ6.2Y(TPH3 | L3855 | 645 014 2659 | FILTER,EMI 10MHZ |
| D9014 | 407 223 1102 | ZENER DIODE 02DZ6.2Y(TPH3 | L3856 | 645 014 2659 | FILTER,EMI 10MHZ |
| D9021 | 407 190 4106 | DIODE SFPL-52V | L3857 | 645 026 1008 | INDUCTOR,3.3U M |
| MISCELLANEOUS | | | L3858 | 645 014 2659 | FILTER,EMI 10MHZ |
| K90A | 645 040 6775 | SOCKET,PWB 40P | L3859 | 645 014 2659 | FILTER,EMI 10MHZ |
| K90B | 645 040 6775 | SOCKET,PWB 40P | DIODE | | |
| K90C | 645 041 6064 | PLUG,I/O 176P | D3851 | 407 223 0501 | ZENER DIODE 02DZ12Y(TPH3) |
| K90C1 | 610 289 9788 | JOINT GUIDE PIN ML6A | D3852 | 407 223 0501 | ZENER DIODE 02DZ12Y(TPH3) |
| K90C2 | 610 289 9788 | JOINT GUIDE PIN ML6A | D3853 | 407 223 0501 | ZENER DIODE 02DZ12Y(TPH3) |
| K90D | 645 041 6064 | PLUG,I/O 176P | D3854 | 407 223 0501 | ZENER DIODE 02DZ12Y(TPH3) |
| K90D1 | 610 289 9788 | JOINT GUIDE PIN ML6A | D3855 | 407 223 0501 | ZENER DIODE 02DZ12Y(TPH3) |
| K90D2 | 610 289 9788 | JOINT GUIDE PIN ML6A | D3856 | 407 223 0501 | ZENER DIODE 02DZ12Y(TPH3) |
| K90E | 645 041 6064 | PLUG,I/O 176P | D3857 | 407 223 0501 | ZENER DIODE 02DZ12Y(TPH3) |
| K90E1 | 610 289 9788 | JOINT GUIDE PIN ML6A | D3858 | 407 223 0501 | ZENER DIODE 02DZ12Y(TPH3) |
| K90E2 | 610 289 9788 | JOINT GUIDE PIN ML6A | D3859 | 407 223 0501 | ZENER DIODE 02DZ12Y(TPH3) |
| K90F | 645 041 6064 | PLUG,I/O 176P | D3861 | 407 223 0501 | ZENER DIODE 02DZ12Y(TPH3) |
| K90F1 | 610 289 9788 | JOINT GUIDE PIN ML6A | D3862 | 407 223 0501 | ZENER DIODE 02DZ12Y(TPH3) |
| K90F2 | 610 289 9788 | JOINT GUIDE PIN ML6A | D3863 | 407 223 0501 | ZENER DIODE 02DZ12Y(TPH3) |
| K90K | 645 009 8390 | PLUG,ANT 2P | D3866 | 407 223 1102 | ZENER DIODE 02DZ6.2Y(TPH3) |
| K90L | 645 009 8390 | PLUG,ANT 2P | D3867 | 407 223 1102 | ZENER DIODE 02DZ6.2Y(TPH3) |
| K90M | 645 009 8390 | PLUG,ANT 2P | D3868 | 407 223 1102 | ZENER DIODE 02DZ6.2Y(TPH3) |
| K90Q | 645 041 8136 | PLUG,40P | D3869 | 407 223 0501 | ZENER DIODE 02DZ12Y(TPH3) |
| | | | D3871 | 407 223 0501 | ZENER DIODE 02DZ12Y(TPH3) |
| | | | D3872 | 407 223 0501 | ZENER DIODE 02DZ12Y(TPH3) |
| | | | D3873 | 407 223 0501 | ZENER DIODE 02DZ12Y(TPH3) |
| | | | D3874 | 407 223 1102 | ZENER DIODE 02DZ6.2Y(TPH3) |
| | | | D3875 | 407 223 1102 | ZENER DIODE 02DZ6.2Y(TPH3) |
| | | | D3876 | 407 223 0501 | ZENER DIODE 02DZ12Y(TPH3) |
| | | | D3877 | 407 223 0501 | ZENER DIODE 02DZ12Y(TPH3) |
| | | | D3878 | 407 223 0501 | ZENER DIODE 02DZ12Y(TPH3) |
| | | | D3879 | 407 223 0501 | ZENER DIODE 02DZ12Y(TPH3) |
| | | | D3881 | 407 223 0501 | ZENER DIODE 02DZ12Y(TPH3) |
| ***** | | | | | |
| PWB assembly for RS232C | | | | | |
| ▲ | 610 298 8291 | ASSY,PWB,RS232C MT8A | | | |
| TRANSISTOR | | | | | |
| Q3851 | 405 014 4509 | TR 2SC2412K T146 R | | | |
| | 405 014 4608 | TR 2SC2412K T146 S | | | |
| | 405 015 8704 | TR 2SC2812-L6-TB | | | |

Electrical Parts List

| Ref. No. | Part No. | Description | Ref. No. | Part No. | Description |
|--------------------------------|--------------|---------------------------|------------------------------------|--------------|--------------------------|
| D3882 | 407 223 0501 | ZENER DIODE 02DZ12Y(TPH3) | R616 | 401 258 8303 | MT-GLAZE 150 JA 1/3W |
| D3883 | 407 223 0501 | ZENER DIODE 02DZ12Y(TPH3) | R617 | 401 105 0504 | MT-GLAZE 1K JA 1/16W |
| D3884 | 407 223 0501 | ZENER DIODE 02DZ12Y(TPH3) | R618 | 401 105 0603 | MT-GLAZE 10K JA 1/16W |
| D3886 | 407 223 0501 | ZENER DIODE 02DZ12Y(TPH3) | R619 | 402 079 7803 | FUSIBLE RES 22 JH 1/4W |
| D3887 | 407 149 0807 | DIODE 1SS355-TE-17 | R621 | 401 166 0802 | MT-GLAZE 330 JA 1/2W |
| MISCELLANEOUS | | | R622 | 402 080 7809 | MT-GLAZE 150 KA 1W |
| IC3802 | 408 016 8803 | PC PC113 (VDE0884) | R623 | 402 080 7908 | MT-GLAZE 180 KA 1W |
| K38A | 645 027 8778 | PLUG,D-SUB 9P | R653 | 401 105 5905 | MT-GLAZE 560 JA 1/16W |
| K38B | 645 027 8778 | PLUG,D-SUB 9P | R654 | 401 105 0306 | MT-GLAZE 10 JA 1/16W |
| K38C | 645 028 0382 | SOCKET,USB 4P | R655 | 401 105 0504 | MT-GLAZE 1K JA 1/16W |
| K38D | 645 000 2571 | JACK,PHONE D8.0 | R656 | 402 079 7704 | FUSIBLE RES 1.0 JH 1/4W |
| K38DA | 610 266 0715 | EARTH BRKT MIC-M6FA | R657 | 401 105 5103 | MT-GLAZE 47 JA 1/16W |
| K38E | 645 044 8263 | JACK,RCA-2 | VARIABLE RESISTOR | | |
| K38F | 645 038 1645 | PLUG,SIDE-ZR-SM3 12P | VR652 | 645 002 3521 | VR,SEMI,470 S |
| K38H | 645 012 2248 | PLUG,4P | TRANSFORMER | | |
| SW3801 | 645 042 8197 | SWITCH,PUSH 1P-1TX1 | ▲ T621 | 645 043 3832 | TRANS,POWER,PULSE |
| ***** | | | | | |
| PWB assembly for SENSOR | | | | | |
| ▲ | 610 298 8307 | ASSY,PWB,SENSOR MT8A | ▲ L611 | 645 047 0493 | INDUCTOR,4M |
| INTEGRATED CIRCUIT | | | | | |
| IC5801 | 409 481 8602 | IC LM76CHMX-5 | ▲ DB601 | 407 141 1000 | DIODE RBV-408 |
| CAPACITOR | | | | | |
| C5801 | 403 164 0204 | CERAMIC 0.1U Z 25V | DB601A | 610 292 3193 | HEAT SINK-A MV6A |
| C5802 | 403 162 4709 | ELECT 10U M 16V | DB601B | 411 047 0104 | SCR PAN+SW+W 3X8 |
| RESISTOR | | | | | |
| R5802 | 401 105 7909 | MT-GLAZE 0.000 ZA 1/16W | DS601 | 407 175 2400 | THYRISTOR CR12AM-12 |
| R5803 | 401 105 0603 | MT-GLAZE 10K JA 1/16W | DS601B | 411 047 0104 | SCR PAN+SW+W 3X8 |
| R5805 | 401 105 0603 | MT-GLAZE 10K JA 1/16W | DZ611 | 407 175 2806 | ZD 02CZ12Y(TE85R) |
| R5807 | 401 105 0405 | MT-GLAZE 100 JA 1/16W | DZ655 | 407 198 6607 | ZD 02CZ6.8Z(TE85R) |
| R5808 | 401 105 0405 | MT-GLAZE 100 JA 1/16W | D601 | 407 009 6901 | DIODE RM11C |
| MISCELLANEOUS | | | | | |
| K58A | 645 012 2248 | PLUG,4P | D602 | 407 009 6901 | DIODE RM11C |
| ***** | | | | | |
| PWB assembly for POWER | | | | | |
| ▲ | 610 298 9854 | ASSY,PWB,POWER MT8A | D603 | 407 009 6901 | DIODE RM11C |
| INTEGRATED CIRCUIT | | | | | |
| IC601 | 409 179 4503 | IC STR81145A | D611 | 407 190 4106 | DIODE SFPL-52V |
| IC632 | 409 421 4701 | IC STR-Z2156 | D612 | 407 124 6800 | DIODE AG01A |
| IC652 | 409 308 8600 | IC SE005N | D613 | 407 190 4106 | DIODE SFPL-52V |
| CAPACITOR | | | | | |
| C602 | 403 222 1303 | CERAMIC 1000P K 1K | D651 | 407 202 9808 | DIODE FMB-26L |
| C603 | 403 222 1303 | CERAMIC 1000P K 1K | D651A | 610 292 3223 | HEAT SINK-D MV6A |
| C604 | 403 146 5500 | ELECT 2.2U M 450V | D651B | 411 047 0104 | SCR PAN+SW+W 3X8 |
| C605 | 403 070 0909 | CERAMIC 0.1U K 50V | D652 | 407 164 2206 | DIODE FMB-24L |
| C606 | 403 180 4101 | MT-POLYEST 0.1U K 630V | D652B | 411 047 0104 | SCR PAN+SW+W 3X8 |
| C607 | 403 126 4608 | ELECT 100U M 25V | D653 | 407 190 4106 | DIODE SFPL-52V |
| C608 | 404 085 7501 | ELECT 820U M 250V | D655 | 407 164 2206 | DIODE FMB-24L |
| C609 | 404 085 7501 | ELECT 820U M 250V | D655B | 411 047 0104 | SCR PAN+SW+W 3X8 |
| C611 | 403 332 7806 | ELECT 2.2U M 200V | MISCELLANEOUS | | |
| C612 | 403 237 7901 | MT-COMPO 0.22U J 50V | IC601A | 610 292 3209 | HEAT SINK-B MV6A |
| C613 | 403 113 3805 | CERAMIC 1000P K 50V | IC601B | 411 046 8507 | SCR PAN+SW+W 3X10 |
| C614 | 403 164 0204 | CERAMIC 0.1U Z 25V | IC632A | 610 292 3216 | HEAT SINK-C MV6A |
| C615 | 403 245 4404 | CERAMIC 470K K 2K | IC632B | 411 047 0104 | SCR PAN+SW+W 3X8 |
| C616 | 403 167 8603 | CERAMIC 220P K 2K | IC632D | 411 047 0104 | SCR PAN+SW+W 3X8 |
| C617 | 403 083 6806 | POLYPRO 0.056U J 400V | IC632E | 610 297 1156 | SHIELD PLATE A-MJ6A |
| C618 | 403 164 0204 | CERAMIC 0.1U Z 25V | IC632F | 411 047 0104 | SCR PAN+SW+W 3X8 |
| C619 | 403 164 0204 | CERAMIC 0.1U Z 25V | K6A | 645 041 2967 | PLUG,2P(3-1) |
| C621 | 403 148 1807 | ELECT 220U M 35V | K6D | 645 008 4485 | PLUG,10P |
| C622 | 403 340 9205 | ELECT 1U M 350V | ▲ PC611 | 408 014 9703 | PC CNY17F-3OPT1+6 |
| C623 | 403 157 6800 | CERAMIC 680P K 50V | | 408 016 8803 | PC PC113 (VDE0884) |
| C625 | 403 147 9606 | ELECT 1000U M 10V | ▲ PC612 | 408 014 9703 | PC CNY17F-3OPT1+6 |
| | 403 301 2306 | ELECT 1000U M 10V | | 408 016 8803 | PC PC113 (VDE0884) |
| C626 | 403 147 9606 | ELECT 1000U M 10V | ▲ VA601 | 407 130 2902 | VARISTOR ENC471D-14A |
| | 403 301 2306 | ELECT 1000U M 10V | ***** | | |
| C650 | 403 134 6403 | ELECT 2200U M 16V | PWB assembly for PBS FANNET | | |
| C651 | 403 134 6403 | ELECT 2200U M 16V | ▲ | 610 298 9878 | ASSY,PWB,PBS FANNET MT8A |
| C652 | 403 164 0204 | CERAMIC 0.1U Z 25V | CAPACITOR | | |
| C653 | 403 369 2409 | ELECT 2700U M 25V | C2661 | 403 164 0204 | CERAMIC 0.1U Z 25V |
| C654 | 403 369 2409 | ELECT 2700U M 25V | C2662 | 403 157 2901 | CERAMIC 47P J 50V |
| C655 | 403 164 0204 | CERAMIC 0.1U Z 25V | RESISTOR | | |
| C656 | 403 164 0204 | CERAMIC 0.1U Z 25V | R2661 | 401 105 0603 | MT-GLAZE 10K JA 1/16W |
| C657 | 403 126 4806 | ELECT 3300U M 10V | R2662 | 401 105 0603 | MT-GLAZE 10K JA 1/16W |
| | 403 313 6408 | ELECT 3300U M 10V | R2663 | 401 105 0603 | MT-GLAZE 10K JA 1/16W |
| C658 | 403 358 7309 | ELECT 470U M 10V | R2664 | 401 105 0603 | MT-GLAZE 10K JA 1/16W |
| C659 | 403 126 4806 | ELECT 3300U M 10V | DIODE | | |
| | 403 313 6408 | ELECT 3300U M 10V | D2661 | 407 149 0807 | DIODE 1SS355-TE-17 |
| C661 | 403 126 4806 | ELECT 3300U M 10V | D2662 | 407 149 0807 | DIODE 1SS355-TE-17 |
| | 403 313 6408 | ELECT 3300U M 10V | D2663 | 407 149 0807 | DIODE 1SS355-TE-17 |
| C662 | 403 156 9208 | ELECT 4.7U M 50V | D2664 | 407 149 0807 | DIODE 1SS355-TE-17 |
| RESISTOR | | | | | |
| R600 | 401 008 8607 | CARBON 220K JA 1/2W | MISCELLANEOUS | | |
| R601 | 402 078 5701 | WIRE WOUND 3.9 JA 7W | K26E | 645 011 7640 | PLUG,5P |
| R605 | 401 068 1501 | OXIDE-MT 4.7 JA 2W | K26F | 645 011 7626 | PLUG,3P |
| R606 | 401 263 0101 | MT-GLAZE 100K JA 1W | K26G | 645 004 2898 | PLUG,3P |
| R607 | 401 263 0101 | MT-GLAZE 100K JA 1W | K26H | 645 004 2898 | PLUG,3P |
| R608 | 401 263 0101 | MT-GLAZE 100K JA 1W | K26J | 645 004 2898 | PLUG,3P |
| R609 | 401 263 0101 | MT-GLAZE 100K JA 1W | ***** | | |
| R611 | 401 069 4402 | OXIDE-MT 68K JA 2W | PWB assembly for EXH FANNET | | |
| R612 | 401 069 4402 | OXIDE-MT 68K JA 2W | ▲ | 610 298 9885 | ASSY,PWB,EXH FANNET MT8A |
| R614 | 401 240 7208 | MT-GLAZE 33 JA 1/3W | RESISTOR | | |
| R615 | 401 105 5905 | MT-GLAZE 560 JA 1/16W | R2670 | 401 105 7909 | MT-GLAZE 0.000 ZA 1/16W |
| | | | R2671 | 401 105 0603 | MT-GLAZE 10K JA 1/16W |
| | | | R2672 | 401 105 0603 | MT-GLAZE 10K JA 1/16W |
| | | | R2673 | 401 105 0603 | MT-GLAZE 10K JA 1/16W |
| | | | R2674 | 401 105 0603 | MT-GLAZE 10K JA 1/16W |
| | | | R2675 | 401 105 0603 | MT-GLAZE 10K JA 1/16W |
| | | | R2676 | 401 105 0603 | MT-GLAZE 10K JA 1/16W |
| | | | R2677 | 401 105 7909 | MT-GLAZE 0.000 ZA 1/16W |
| | | | R2679 | 401 105 7909 | MT-GLAZE 0.000 ZA 1/16W |
| | | | R2682 | 401 105 0603 | MT-GLAZE 10K JA 1/16W |

Electrical Parts List

| Ref. No. | Part No. | Description | Ref. No. | Part No. | Description |
|---------------------------------------|--------------|-------------------------------|--|--------------|---------------------------|
| R2684 | 401 105 7909 | MT-GLAZE 0.000 ZA 1/16W | K46J | 645 038 4035 | PLUG, 3P |
| DIODE | | | K46K | 645 038 4035 | PLUG, 3P |
| D2671 | 407 149 0807 | DIODE 1SS355-TE-17 | ***** | | |
| D2672 | 407 149 0807 | DIODE 1SS355-TE-17 | PWB assembly for TERMINAL BOARD COMPONENT | | |
| D2673 | 407 149 0807 | DIODE 1SS355-TE-17 | ***** | | |
| D2674 | 407 149 0807 | DIODE 1SS355-TE-17 | ▲ | 610 299 3905 | ASSY, PWB, COMPONENT MT8A |
| D2675 | 407 149 0807 | DIODE 1SS355-TE-17 | TRANSISTOR | | |
| D2676 | 407 149 0807 | DIODE 1SS355-TE-17 | Q1011 | 405 014 4509 | TR 2SC2412K T146 R |
| D2682 | 407 149 0807 | DIODE 1SS355-TE-17 | | 405 014 4608 | TR 2SC2412K T146 S |
| MISCELLANEOUS | | | | 405 015 8704 | TR 2SC2812-L6-TB |
| K26K | 645 004 2928 | PLUG, 6P | | 405 015 8902 | TR 2SC2812-L7-TB |
| K26L | 645 011 7626 | PLUG, 3P | | 405 163 1602 | TR 2SC2812N-L6-TB0 |
| K26M | 645 004 2898 | PLUG, 3P | | 405 163 1701 | TR 2SC2812N-L7-TB0 |
| K26N | 645 004 2898 | PLUG, 3P | Q1015 | 405 014 4509 | TR 2SC2412K T146 R |
| K26P | 645 004 2898 | PLUG, 3P | | 405 014 4608 | TR 2SC2412K T146 S |
| K26Q | 645 004 2898 | PLUG, 3P | | 405 015 8704 | TR 2SC2812-L6-TB |
| K26R | 645 004 2898 | PLUG, 3P | | 405 015 8902 | TR 2SC2812-L7-TB |
| K26T | 645 004 2904 | PLUG, 4P | | 405 163 1602 | TR 2SC2812N-L6-TB0 |
| K26U | 645 004 2904 | PLUG, 4P | | 405 163 1701 | TR 2SC2812N-L7-TB0 |
| K56A | 645 005 7373 | PLUG, 3P | Q1062 | 405 014 4509 | TR 2SC2412K T146 R |
| K56B | 645 011 7633 | PLUG, 4P | | 405 014 4608 | TR 2SC2412K T146 S |
| ***** | | | | 405 015 8704 | TR 2SC2812-L6-TB |
| PWB assembly for RGB IN FANNET | | | | 405 015 8902 | TR 2SC2812-L7-TB |
| ▲ | 610 298 9892 | ASSY, PWB, RGB IN FANNET MT8A | | 405 163 1602 | TR 2SC2812N-L6-TB0 |
| CAPACITOR | | | Q1063 | 405 163 1701 | TR 2SC2812N-L7-TB0 |
| C2651 | 403 164 0204 | CERAMIC 0.1U Z 25V | | 405 014 4509 | TR 2SC2412K T146 R |
| C2652 | 403 157 2901 | CERAMIC 47P J 50V | | 405 014 4608 | TR 2SC2412K T146 S |
| C2653 | 403 215 1006 | CERAMIC 470P J 50V | | 405 015 8704 | TR 2SC2812-L6-TB |
| C2654 | 403 113 3805 | CERAMIC 1000P K 50V | | 405 015 8902 | TR 2SC2812-L7-TB |
| C2655 | 403 157 2901 | CERAMIC 47P J 50V | Q1064 | 405 163 1602 | TR 2SC2812N-L6-TB0 |
| C2656 | 403 164 0204 | CERAMIC 0.1U Z 25V | | 405 163 1701 | TR 2SC2812N-L7-TB0 |
| RESISTOR | | | | 405 014 4509 | TR 2SC2412K T146 R |
| R2651 | 401 105 0603 | MT-GLAZE 10K JA 1/16W | | 405 014 4608 | TR 2SC2412K T146 S |
| R2652 | 401 105 0603 | MT-GLAZE 10K JA 1/16W | | 405 015 8704 | TR 2SC2812-L6-TB |
| R2653 | 401 105 0603 | MT-GLAZE 10K JA 1/16W | | 405 015 8902 | TR 2SC2812-L7-TB |
| R2654 | 401 105 0603 | MT-GLAZE 10K JA 1/16W | Q1066 | 405 163 1602 | TR 2SC2812N-L6-TB0 |
| DIODE | | | | 405 163 1701 | TR 2SC2812N-L7-TB0 |
| D2651 | 407 149 0807 | DIODE 1SS355-TE-17 | | 405 014 4509 | TR 2SC2412K T146 R |
| D2652 | 407 149 0807 | DIODE 1SS355-TE-17 | | 405 014 4608 | TR 2SC2412K T146 S |
| D2653 | 407 149 0807 | DIODE 1SS355-TE-17 | | 405 015 8704 | TR 2SC2812-L6-TB |
| D2654 | 407 149 0807 | DIODE 1SS355-TE-17 | | 405 015 8902 | TR 2SC2812-L7-TB |
| MISCELLANEOUS | | | Q1068 | 405 163 1602 | TR 2SC2812N-L6-TB0 |
| K26A | 645 006 0878 | PLUG, 12P | | 405 163 1701 | TR 2SC2812N-L7-TB0 |
| K26B | 645 004 2898 | PLUG, 3P | | 405 014 4509 | TR 2SC2412K T146 R |
| K26C | 645 004 2898 | PLUG, 3P | | 405 014 4608 | TR 2SC2412K T146 S |
| K26D | 645 004 2898 | PLUG, 3P | | 405 015 8704 | TR 2SC2812-L6-TB |
| K26S | 645 006 0861 | PLUG, 7P | | 405 015 8902 | TR 2SC2812-L7-TB |
| K26V | 645 005 8110 | PLUG, 4P | | 405 163 1602 | TR 2SC2812N-L6-TB0 |
| K26W | 645 004 2911 | PLUG, 5P | Q1091 | 405 163 1701 | TR 2SC2812N-L7-TB0 |
| K26X | 645 005 7427 | PLUG, 6P | | 405 014 4509 | TR 2SC2412K T146 R |
| K26Y | 645 004 2898 | PLUG, 3P | | 405 014 4608 | TR 2SC2412K T146 S |
| ***** | | | | 405 015 8704 | TR 2SC2812-L6-TB |
| PWB assembly for F-G NET | | | | 405 015 8902 | TR 2SC2812-L7-TB |
| ▲ | 610 300 7434 | ASSY, PWB, F-G NET MW8A | Q3011 | 405 163 1602 | TR 2SC2812N-L6-TB0 |
| MISCELLANEOUS | | | | 405 163 1701 | TR 2SC2812N-L7-TB0 |
| K56U | 645 036 1326 | TERMINAL | | 405 014 4509 | TR 2SC2412K T146 R |
| K56V | 645 036 1326 | TERMINAL | | 405 014 4608 | TR 2SC2412K T146 S |
| K56W | 645 036 1326 | TERMINAL | Q3015 | 405 015 8704 | TR 2SC2812-L6-TB |
| ***** | | | | 405 015 8902 | TR 2SC2812-L7-TB |
| PWB assembly for AC NET | | | | 405 163 1602 | TR 2SC2812N-L6-TB0 |
| ▲ | 610 299 0386 | ASSY, PWB, AC NET MT8A | | 405 163 1701 | TR 2SC2812N-L7-TB0 |
| This ass'y has PWB and plugs only. | | | INTEGRATED CIRCUIT | | |
| ***** | | | IC1004 | 410 343 7008 | IC SN74AHCT1G14DBVR |
| PWB assembly for LAMP FANNET | | | IC1005 | 410 343 7008 | IC SN74AHCT1G14DBVR |
| ▲ | 610 302 3946 | ASSY, PWB, LAMP FANNET MT8A | IC1051 | 409 484 2003 | IC BA7078AF-E2 |
| CAPACITOR | | | IC1052 | 410 343 7008 | IC SN74AHCT1G14DBVR |
| C2681 | 403 113 3805 | CERAMIC 1000P K 50V | IC1053 | 410 343 7008 | IC SN74AHCT1G14DBVR |
| C2682 | 403 215 1006 | CERAMIC 470P J 50V | IC1054 | 410 392 4706 | IC SN74AHCT1G125DCK |
| RESISTOR | | | IC1056 | 410 343 7008 | IC SN74AHCT1G14DBVR |
| R2686 | 401 190 1400 | MT-GLAZE 0.000 ZA 1/2W | IC1061 | 409 502 8703 | IC TA1318N |
| R2687 | 401 190 1400 | MT-GLAZE 0.000 ZA 1/2W | IC2001 | 409 536 5600 | IC AD8075ARU |
| R2688 | 401 190 1400 | MT-GLAZE 0.000 ZA 1/2W | IC2041 | 409 461 7809 | IC PQ20WZ11 |
| R2689 | 401 190 1400 | MT-GLAZE 0.000 ZA 1/2W | IC2051 | 409 441 8406 | IC LA7217M-T-TRM |
| R2696 | 401 105 0603 | MT-GLAZE 10K JA 1/16W | IC2052 | 410 365 2104 | IC SN74LS221DBR |
| R2697 | 401 105 0603 | MT-GLAZE 10K JA 1/16W | IC2071 | 409 470 2604 | IC AD8183ARU |
| R2698 | 401 105 0603 | MT-GLAZE 10K JA 1/16W | IC2081 | 409 404 6302 | IC M62320FP |
| R2699 | 401 105 0603 | MT-GLAZE 10K JA 1/16W | IC2082 | 409 463 7500 | IC 24LC02BT/SN-T |
| DIODE | | | | 409 417 5507 | IC 24LC04BT/SN |
| D2696 | 407 149 0807 | DIODE 1SS355-TE-17 | IC2091 | 410 358 1503 | IC TC74HC4053AFT(EL) |
| D2697 | 407 149 0807 | DIODE 1SS355-TE-17 | IC3031 | 409 380 6303 | IC HIN232CB |
| D2698 | 407 149 0807 | DIODE 1SS355-TE-17 | | 409 273 3501 | IC SP232ACT |
| D2699 | 407 149 0807 | DIODE 1SS355-TE-17 | IC3051 | 410 296 5700 | IC TWM7000-151020 |
| MISCELLANEOUS | | | IC3061 | 410 275 5707 | IC TWM7000-162020 |
| K46F | 645 038 4035 | PLUG, 3P | | 410 275 5806 | IC TWM7000-162020 |
| K46G | 645 038 4035 | PLUG, 3P | IC3071 | 409 416 6505 | IC BA05FP-E2 |
| K46H | 645 011 7633 | PLUG, 4P | IC3081 | 409 461 7304 | IC AD8057ART |
| | | | IC3082 | 409 461 7304 | IC AD8057ART |
| | | | IC3083 | 409 461 7304 | IC AD8057ART |

Electrical Parts List

| Ref. No. | Part No. | Description | Ref. No. | Part No. | Description |
|-----------|--------------|-----------------------|----------|--------------|-------------------------|
| IC3084 | 409 461 7304 | IC AD8057ART | RESISTOR | 645 025 5380 | R-NETWORK 10KX4 1/16W |
| IC3091 | 409 395 5902 | IC TC7SH00FU--(TE85L) | RB3041 | 645 026 8014 | R-NETWORK 10KX4 1/16W |
| CAPACITOR | | | R1001 | 401 226 1206 | MT-GLAZE 150 FA 1/16W |
| C1001 | 403 267 0606 | NP-ELECT 4.7U M 16V | R1002 | 401 226 1206 | MT-GLAZE 150 FA 1/16W |
| C1002 | 403 267 0606 | NP-ELECT 4.7U M 16V | R1004 | 401 226 1206 | MT-GLAZE 150 FA 1/16W |
| C1003 | 403 155 1500 | CERAMIC 180P J 50V | R1005 | 401 226 1206 | MT-GLAZE 150 FA 1/16W |
| C1004 | 403 146 0505 | CERAMIC 1200P K 50V | R1007 | 401 226 1206 | MT-GLAZE 150 FA 1/16W |
| C1005 | 403 267 0804 | NP-ELECT 47U M 6.3V | R1008 | 401 226 1206 | MT-GLAZE 150 FA 1/16W |
| C1006 | 403 267 0804 | NP-ELECT 47U M 6.3V | R1010 | 401 113 4709 | MT-GLAZE 130 JA 1/16W |
| C1007 | 403 267 0804 | NP-ELECT 47U M 6.3V | R1011 | 401 113 4709 | MT-GLAZE 130 JA 1/16W |
| C1012 | 403 280 0805 | ELECT 330U M 6.3V | R1012 | 401 105 7909 | MT-GLAZE 0.000 ZA 1/16W |
| C1013 | 403 164 0204 | CERAMIC 0.1U Z 25V | R1014 | 401 105 0405 | MT-GLAZE 100 JA 1/16W |
| C1014 | 403 280 0805 | ELECT 330U M 6.3V | R1015 | 401 113 4709 | MT-GLAZE 130 JA 1/16W |
| C1015 | 403 164 0204 | CERAMIC 0.1U Z 25V | R1016 | 401 105 7909 | MT-GLAZE 0.000 ZA 1/16W |
| C1021 | 403 157 1508 | CERAMIC 3P C 50V | R1018 | 401 113 4907 | MT-GLAZE 200 JA 1/16W |
| C1022 | 403 157 1904 | CERAMIC 10P D 50V | R1019 | 401 113 4709 | MT-GLAZE 130 JA 1/16W |
| C1023 | 403 175 3300 | ELECT 47U M 16V | R1021 | 401 105 0702 | MT-GLAZE 100K JA 1/16W |
| C1027 | 403 304 2105 | ELECT 47U M 6.3V | R1025 | 401 105 0702 | MT-GLAZE 100K JA 1/16W |
| C1028 | 403 164 0204 | CERAMIC 0.1U Z 25V | R1029 | 401 105 0702 | MT-GLAZE 100K JA 1/16W |
| C1029 | 403 162 6208 | ELECT 1U M 50V | R1037 | 401 105 0702 | MT-GLAZE 100K JA 1/16W |
| C1031 | 403 215 2201 | CERAMIC 0.01U K 50V | R1038 | 401 105 0702 | MT-GLAZE 100K JA 1/16W |
| C1032 | 403 157 6909 | CERAMIC 820P K 50V | R1039 | 401 105 5400 | MT-GLAZE 47K JA 1/16W |
| C1033 | 403 266 8108 | NP-ELECT 1U M 50V | R1040 | 401 105 5400 | MT-GLAZE 47K JA 1/16W |
| C1034 | 403 237 8700 | CERAMIC 0.056U Z 50V | R1041 | 401 105 4502 | MT-GLAZE 390 JA 1/16W |
| C1035 | 403 224 6603 | CERAMIC 0.022U Z 50V | R1042 | 401 105 0504 | MT-GLAZE 1K JA 1/16W |
| C1036 | 403 164 0204 | CERAMIC 0.1U Z 25V | R1043 | 401 105 0504 | MT-GLAZE 1K JA 1/16W |
| C1037 | 403 164 0204 | CERAMIC 0.1U Z 25V | R1044 | 401 105 2508 | MT-GLAZE 20K JA 1/16W |
| C1038 | 403 164 0204 | CERAMIC 0.1U Z 25V | R1045 | 401 105 7503 | MT-GLAZE 82K JA 1/16W |
| C1041 | 403 164 0204 | CERAMIC 0.1U Z 25V | R1046 | 401 105 0405 | MT-GLAZE 100 JA 1/16W |
| C1042 | 403 164 0204 | CERAMIC 0.1U Z 25V | R1047 | 401 105 0504 | MT-GLAZE 1K JA 1/16W |
| C1043 | 403 304 2105 | ELECT 47U M 6.3V | R1048 | 401 105 0504 | MT-GLAZE 1K JA 1/16W |
| C1044 | 403 164 0204 | CERAMIC 0.1U Z 25V | R1049 | 401 105 0504 | MT-GLAZE 1K JA 1/16W |
| C1051 | 403 267 0606 | NP-ELECT 4.7U M 16V | R1051 | 401 105 7909 | MT-GLAZE 0.000 ZA 1/16W |
| C1052 | 403 266 6807 | NP-ELECT 0.1U M 50V | R1053 | 401 105 8005 | MT-GLAZE 1M JA 1/16W |
| C1053 | 403 162 6208 | ELECT 1U M 50V | R1054 | 401 105 4601 | MT-GLAZE 3.9K JA 1/16W |
| C1054 | 403 266 8108 | NP-ELECT 1U M 50V | R1055 | 401 105 0405 | MT-GLAZE 100 JA 1/16W |
| C1055 | 403 162 6604 | ELECT 2.2U M 50V | R1056 | 401 105 0405 | MT-GLAZE 100 JA 1/16W |
| C1056 | 403 162 6208 | ELECT 1U M 50V | R1057TM | 401 024 6700 | CARBON 100 JA 1/6W |
| C1057 | 403 157 3601 | CERAMIC 100P J 50V | R1060 | 401 105 0405 | MT-GLAZE 100 JA 1/16W |
| C1058 | 403 164 0204 | CERAMIC 0.1U Z 25V | R1061 | 401 105 0405 | MT-GLAZE 100 JA 1/16W |
| C1059 | 403 280 0805 | ELECT 330U M 6.3V | R1062 | 401 105 0405 | MT-GLAZE 100 JA 1/16W |
| C1063 | 403 162 6604 | ELECT 2.2U M 50V | R1063 | 401 113 6604 | MT-GLAZE 7.5K JA 1/16W |
| C1064 | 403 215 2201 | CERAMIC 0.01U K 50V | R1064 | 401 113 5201 | MT-GLAZE 360 JA 1/16W |
| C1065 | 403 229 3508 | ELECT 100U M 16V | R1065 | 401 105 0405 | MT-GLAZE 100 JA 1/16W |
| C1066 | 403 149 9208 | CERAMIC 0.01U Z 50V | R1066 | 401 105 0405 | MT-GLAZE 100 JA 1/16W |
| C1069 | 403 162 6208 | ELECT 1U M 50V | R1067 | 401 105 0405 | MT-GLAZE 100 JA 1/16W |
| C1071 | 403 162 6208 | ELECT 1U M 50V | R1068 | 401 105 0603 | MT-GLAZE 10K JA 1/16W |
| C1072 | 403 280 1604 | ELECT 220U M 16V | R1069 | 401 105 0405 | MT-GLAZE 100 JA 1/16W |
| C2004 | 403 164 0204 | CERAMIC 0.1U Z 25V | R1070 | 401 105 3000 | MT-GLAZE 220K JA 1/16W |
| C2005 | 403 280 0805 | ELECT 330U M 6.3V | R1071 | 401 105 0405 | MT-GLAZE 100 JA 1/16W |
| C2006 | 403 164 0204 | CERAMIC 0.1U Z 25V | R1072 | 401 105 3000 | MT-GLAZE 220K JA 1/16W |
| C2007 | 403 164 0204 | CERAMIC 0.1U Z 25V | R1073 | 401 105 0405 | MT-GLAZE 100 JA 1/16W |
| C2008 | 403 280 0805 | ELECT 330U M 6.3V | R1075 | 401 105 0603 | MT-GLAZE 10K JA 1/16W |
| C2040 | 403 280 1604 | ELECT 220U M 16V | R1076 | 401 105 0405 | MT-GLAZE 100 JA 1/16W |
| C2044 | 403 280 0805 | ELECT 330U M 6.3V | R1077 | 401 113 5102 | MT-GLAZE 300 JA 1/16W |
| C2059 | 403 164 0204 | CERAMIC 0.1U Z 25V | R1078 | 401 105 0405 | MT-GLAZE 100 JA 1/16W |
| C2072 | 403 164 0204 | CERAMIC 0.1U Z 25V | R1079 | 401 105 5202 | MT-GLAZE 470 JA 1/16W |
| C2073 | 403 164 0204 | CERAMIC 0.1U Z 25V | R1081 | 401 105 1709 | MT-GLAZE 150K JA 1/16W |
| C2074 | 403 149 9208 | CERAMIC 0.01U Z 50V | R1082 | 401 177 2109 | MT-GLAZE 4.7M JA 1/16W |
| C2075 | 403 149 9208 | CERAMIC 0.01U Z 50V | R1083 | 401 105 4106 | MT-GLAZE 3.3K JA 1/16W |
| C2076 | 403 149 9208 | CERAMIC 0.01U Z 50V | R1084 | 401 105 0504 | MT-GLAZE 1K JA 1/16W |
| C2078 | 403 164 0204 | CERAMIC 0.1U Z 25V | R1085 | 401 105 0504 | MT-GLAZE 1K JA 1/16W |
| C2079 | 403 164 0204 | CERAMIC 0.1U Z 25V | R1086 | 401 105 4700 | MT-GLAZE 39K JA 1/16W |
| C2081 | 403 280 0607 | ELECT 220U M 6.3V | R1087 | 401 105 0306 | MT-GLAZE 10 JA 1/16W |
| C2082 | 403 149 9208 | CERAMIC 0.01U Z 50V | R1088 | 401 105 4601 | MT-GLAZE 3.9K JA 1/16W |
| C2083 | 403 149 9208 | CERAMIC 0.01U Z 50V | R1089 | 401 113 6604 | MT-GLAZE 7.5K JA 1/16W |
| C2085 | 403 149 9208 | CERAMIC 0.01U Z 50V | R1091 | 401 105 0603 | MT-GLAZE 10K JA 1/16W |
| C2086 | 403 280 0607 | ELECT 220U M 6.3V | R1092 | 401 105 0603 | MT-GLAZE 10K JA 1/16W |
| C2087 | 403 164 0204 | CERAMIC 0.1U Z 25V | R1093 | 401 105 0603 | MT-GLAZE 10K JA 1/16W |
| C2088 | 403 164 0204 | CERAMIC 0.1U Z 25V | R1094 | 401 105 0603 | MT-GLAZE 10K JA 1/16W |
| C2089 | 403 164 0204 | CERAMIC 0.1U Z 25V | R2001 | 401 105 4502 | MT-GLAZE 390 JA 1/16W |
| C3001 | 403 162 4709 | ELECT 10U M 16V | R2002 | 401 105 4502 | MT-GLAZE 390 JA 1/16W |
| C3002 | 403 162 4709 | ELECT 10U M 16V | R2003 | 401 105 4502 | MT-GLAZE 390 JA 1/16W |
| C3003 | 403 164 0204 | CERAMIC 0.1U Z 25V | R2004 | 401 105 4007 | MT-GLAZE 330 JA 1/16W |
| C3021 | 403 283 6309 | CERAMIC 1U Z 10V | R2005 | 401 105 4007 | MT-GLAZE 330 JA 1/16W |
| C3031 | 403 283 6309 | CERAMIC 1U Z 10V | R2006 | 401 105 4007 | MT-GLAZE 330 JA 1/16W |
| C3032 | 403 162 6208 | ELECT 1U M 50V | R2007 | 401 105 4007 | MT-GLAZE 330 JA 1/16W |
| C3033 | 403 162 6208 | ELECT 1U M 50V | R2008 | 401 105 4007 | MT-GLAZE 330 JA 1/16W |
| C3034 | 403 162 6208 | ELECT 1U M 50V | R2009 | 401 105 4007 | MT-GLAZE 330 JA 1/16W |
| C3035 | 403 162 6208 | ELECT 1U M 50V | R2011 | 401 105 7909 | MT-GLAZE 0.000 ZA 1/16W |
| C3041 | 403 283 6309 | CERAMIC 1U Z 10V | R2012 | 401 105 7909 | MT-GLAZE 0.000 ZA 1/16W |
| C3051 | 403 175 4505 | ELECT 47U M 6.3V | R2013 | 401 105 7909 | MT-GLAZE 0.000 ZA 1/16W |
| C3052 | 403 283 6309 | CERAMIC 1U Z 10V | R2014 | 401 105 7909 | MT-GLAZE 0.000 ZA 1/16W |
| C3053 | 403 162 6208 | ELECT 1U M 50V | R2042 | 401 113 5201 | MT-GLAZE 360 JA 1/16W |
| C3054 | 403 283 6309 | CERAMIC 1U Z 10V | R2043 | 401 105 5301 | MT-GLAZE 4.7K JA 1/16W |
| C3061 | 403 283 6309 | CERAMIC 1U Z 10V | R2044 | 401 105 2805 | MT-GLAZE 2.2K JA 1/16W |
| C3062 | 403 283 6309 | CERAMIC 1U Z 10V | R2045 | 401 035 4108 | MT-GLAZE 0.000 ZA 1/8W |
| C3071 | 403 164 0204 | CERAMIC 0.1U Z 25V | R2046 | 401 035 4108 | MT-GLAZE 0.000 ZA 1/8W |
| C3072 | 403 280 0805 | ELECT 330U M 6.3V | R2047 | 401 036 8907 | MT-GLAZE 5.6 JA 1/8W |
| C3081 | 403 157 1508 | CERAMIC 3P C 50V | R2070 | 401 105 0603 | MT-GLAZE 10K JA 1/16W |
| C3082 | 403 157 1904 | CERAMIC 10P D 50V | R2071 | 401 105 0603 | MT-GLAZE 10K JA 1/16W |
| C3083 | 403 157 1508 | CERAMIC 3P C 50V | R2077 | 401 105 7909 | MT-GLAZE 0.000 ZA 1/16W |
| C3084 | 403 157 1904 | CERAMIC 10P D 50V | R2078 | 401 105 7909 | MT-GLAZE 0.000 ZA 1/16W |
| C3085 | 403 157 1508 | CERAMIC 3P C 50V | R2079 | 401 105 7909 | MT-GLAZE 0.000 ZA 1/16W |
| C3086 | 403 157 1904 | CERAMIC 10P D 50V | | | |

Electrical Parts List

| Ref. No. | Part No. | Description | Ref. No. | Part No. | Description |
|----------|--------------|-----------------------------|---|--------------|-----------------------------|
| R2081 | 401 105 2805 | MT-GLAZE 2.2K JA 1/16W | D3012 | 407 223 0501 | ZENER DIODE 02DZ12Y (TPH3) |
| R2082 | 401 105 7909 | MT-GLAZE 0.000 ZA 1/16W | D3013 | 407 223 0501 | ZENER DIODE 02DZ12Y (TPH3) |
| R2084 | 401 105 0405 | MT-GLAZE 100 JA 1/16W | D3014 | 407 223 0501 | ZENER DIODE 02DZ12Y (TPH3) |
| R2085 | 401 105 0405 | MT-GLAZE 100 JA 1/16W | D3015 | 407 223 1102 | ZENER DIODE 02DZ6.2Y (TPH3) |
| R2086 | 401 105 0405 | MT-GLAZE 100 JA 1/16W | MISCELLANEOUS | | |
| R2087 | 401 105 0405 | MT-GLAZE 100 JA 1/16W | K10A | 645 028 0412 | SOCKET,BNC 5P |
| R2097 | 401 105 7909 | MT-GLAZE 0.000 ZA 1/16W | K10B | 645 040 9974 | JACK, RCA-2 |
| R2098 | 401 105 7909 | MT-GLAZE 0.000 ZA 1/16W | K10C | 645 041 1076 | SOCKET,DIN 8P |
| R2099 | 401 105 7909 | MT-GLAZE 0.000 ZA 1/16W | K10H | 645 041 6071 | SOCKET,I/O 176P |
| R3001 | 401 105 5509 | MT-GLAZE 470K JA 1/16W | K10H1 | 610 289 9795 | JOINT GUIDE BUSH ML6A |
| R3002 | 401 105 5509 | MT-GLAZE 470K JA 1/16W | K10H2 | 610 289 9795 | JOINT GUIDE BUSH ML6A |
| R3003 | 401 105 0405 | MT-GLAZE 100 JA 1/16W | SC1001 | 645 045 7449 | SURGE-ABSORBER |
| R3004 | 401 105 0405 | MT-GLAZE 100 JA 1/16W | SC1002 | 645 045 7449 | SURGE-ABSORBER |
| R3006 | 401 105 2805 | MT-GLAZE 2.2K JA 1/16W | SC1003 | 645 045 7449 | SURGE-ABSORBER |
| R3007 | 401 113 6604 | MT-GLAZE 7.5K JA 1/16W | X1061 | 645 046 9213 | OSC,CERAMIC 503.0KHZ |
| R3008 | 401 105 3000 | MT-GLAZE 220K JA 1/16W | X1062 | 645 006 3459 | OSC,CERAMIC 500.0KHZ |
| R3009 | 401 105 3000 | MT-GLAZE 220K JA 1/16W | X3051 | 645 021 1218 | OSC,CERAMIC 8.00MHZ |
| R3011 | 401 105 3000 | MT-GLAZE 220K JA 1/16W | | 645 037 5187 | OSC,CERAMIC 8.00MHZ |
| R3012 | 401 105 0405 | MT-GLAZE 100 JA 1/16W | X3061 | 645 021 1218 | OSC,CERAMIC 8.00MHZ |
| R3013 | 401 105 2805 | MT-GLAZE 2.2K JA 1/16W | | 645 037 5187 | OSC,CERAMIC 8.00MHZ |
| R3014 | 401 105 0405 | MT-GLAZE 100 JA 1/16W | ***** | | |
| R3015 | 401 105 3000 | MT-GLAZE 220K JA 1/16W | PWB assembly for MOTOR & AUDIO | | |
| R3016 | 401 105 0405 | MT-GLAZE 100 JA 1/16W | | | |
| R3017 | 401 105 2805 | MT-GLAZE 2.2K JA 1/16W | | | |
| R3018 | 401 105 0405 | MT-GLAZE 100 JA 1/16W | ▲ | 610 300 0091 | ASSY,PWB,MOTOR&AUDIO MT8A |
| R3021 | 401 105 7909 | MT-GLAZE 0.000 ZA 1/16W | TRANSISTOR | | |
| R3022 | 401 105 7909 | MT-GLAZE 0.000 ZA 1/16W | Q001 | 405 014 4509 | TR 2SC2412K T146 R |
| R3023 | 401 105 5400 | MT-GLAZE 47K JA 1/16W | | 405 014 4608 | TR 2SC2412K T146 S |
| R3027 | 401 105 0603 | MT-GLAZE 10K JA 1/16W | | 405 015 8704 | TR 2SC2812-L6-TB |
| R3028 | 401 105 0603 | MT-GLAZE 10K JA 1/16W | | 405 015 8902 | TR 2SC2812-L7-TB |
| R3031 | 401 105 7909 | MT-GLAZE 0.000 ZA 1/16W | | 405 163 1602 | TR 2SC2812N-L6-TB0 |
| R3045 | 401 105 0603 | MT-GLAZE 10K JA 1/16W | Q003 | 405 163 1701 | TR 2SC2812N-L7-TB0 |
| R3046 | 401 105 0603 | MT-GLAZE 10K JA 1/16W | | 405 014 4509 | TR 2SC2412K T146 R |
| R3047 | 401 105 0603 | MT-GLAZE 10K JA 1/16W | | 405 014 4608 | TR 2SC2412K T146 S |
| R3048 | 401 105 7909 | MT-GLAZE 0.000 ZA 1/16W | | 405 015 8704 | TR 2SC2812-L6-TB |
| R3051 | 401 105 0603 | MT-GLAZE 10K JA 1/16W | | 405 015 8902 | TR 2SC2812-L7-TB |
| R3052 | 401 105 0603 | MT-GLAZE 10K JA 1/16W | | 405 163 1602 | TR 2SC2812N-L6-TB0 |
| R3053 | 401 105 7909 | MT-GLAZE 0.000 ZA 1/16W | Q004 | 405 163 1701 | TR 2SC2812N-L7-TB0 |
| R3054 | 401 105 7909 | MT-GLAZE 0.000 ZA 1/16W | | 405 014 4509 | TR 2SC2412K T146 R |
| R3061 | 401 105 0603 | MT-GLAZE 10K JA 1/16W | | 405 014 4608 | TR 2SC2412K T146 S |
| R3062 | 401 105 0603 | MT-GLAZE 10K JA 1/16W | | 405 015 8704 | TR 2SC2812-L6-TB |
| R3063 | 401 105 0405 | MT-GLAZE 100 JA 1/16W | | 405 015 8902 | TR 2SC2812-L7-TB |
| R3064 | 401 105 0603 | MT-GLAZE 10K JA 1/16W | | 405 163 1602 | TR 2SC2812N-L6-TB0 |
| R3065 | 401 105 0603 | MT-GLAZE 10K JA 1/16W | Q005 | 405 163 1701 | TR 2SC2812N-L7-TB0 |
| R3066 | 401 105 7909 | MT-GLAZE 0.000 ZA 1/16W | | 405 014 4509 | TR 2SC2412K T146 R |
| R3072 | 401 035 4108 | MT-GLAZE 0.000 ZA 1/8W | | 405 014 4608 | TR 2SC2412K T146 S |
| R3074 | 401 105 0504 | MT-GLAZE 1K JA 1/16W | | 405 015 8704 | TR 2SC2812-L6-TB |
| R3081 | 401 105 5905 | MT-GLAZE 560 JA 1/16W | | 405 015 8902 | TR 2SC2812-L7-TB |
| R3083 | 401 105 0504 | MT-GLAZE 1K JA 1/16W | | 405 163 1602 | TR 2SC2812N-L6-TB0 |
| R3084 | 401 105 5905 | MT-GLAZE 560 JA 1/16W | Q1641 | 405 163 1701 | TR 2SC2812N-L7-TB0 |
| R3086 | 401 105 0504 | MT-GLAZE 1K JA 1/16W | | 405 014 4509 | TR 2SC2412K T146 R |
| R3087 | 401 105 5905 | MT-GLAZE 560 JA 1/16W | | 405 014 4608 | TR 2SC2412K T146 S |
| R3089 | 401 105 0504 | MT-GLAZE 1K JA 1/16W | | 405 015 8704 | TR 2SC2812-L6-TB |
| R3091 | 401 105 7909 | MT-GLAZE 0.000 ZA 1/16W | | 405 015 8902 | TR 2SC2812-L7-TB |
| R3092 | 401 105 7909 | MT-GLAZE 0.000 ZA 1/16W | Q1642 | 405 163 1602 | TR 2SC2812N-L6-TB0 |
| R3093 | 401 105 7909 | MT-GLAZE 0.000 ZA 1/16W | | 405 163 1701 | TR 2SC2812N-L7-TB0 |
| COIL | | | | 405 014 4509 | TR 2SC2412K T146 R |
| L1004 | 645 025 0637 | FILTER,EMI 190PF | | 405 014 4608 | TR 2SC2412K T146 S |
| L1005 | 645 025 0637 | FILTER,EMI 190PF | | 405 015 8704 | TR 2SC2812-L6-TB |
| L1061 | 645 036 3894 | INDUCTOR,220 OHM | | 405 015 8902 | TR 2SC2812-L7-TB |
| L2001 | 645 040 7796 | FILTER,LP 30MHZ | | 405 163 1602 | TR 2SC2812N-L6-TB0 |
| L2002 | 645 040 7796 | FILTER,LP 30MHZ | | 405 163 1701 | TR 2SC2812N-L7-TB0 |
| L2003 | 645 040 7796 | FILTER,LP 30MHZ | INTEGRATED CIRCUIT | | |
| L2071 | 645 036 3894 | INDUCTOR,220 OHM | IC001 | 409 017 7208 | IC LA4261 |
| L2072 | 645 036 3894 | INDUCTOR,220 OHM | IC1601 | 409 114 4803 | IC LB1641 |
| L3001 | 645 014 2659 | FILTER,EMI 10MHZ | IC1611 | 409 114 4803 | IC LB1641 |
| L3002 | 645 014 2659 | FILTER,EMI 10MHZ | IC1621 | 409 085 1900 | IC LB1645N |
| L3003 | 645 014 2659 | FILTER,EMI 10MHZ | IC1631 | 409 085 1900 | IC LB1645N |
| L3004 | 645 014 2659 | FILTER,EMI 10MHZ | CAPACITOR | | |
| L3005 | 645 014 2659 | FILTER,EMI 10MHZ | C001 | 403 280 1802 | ELECT 100U M 25V |
| L3006 | 645 014 2659 | FILTER,EMI 10MHZ | C003 | 403 215 2201 | CERAMIC 0.01U K 50V |
| L3007 | 645 014 2659 | FILTER,EMI 10MHZ | C004 | 403 280 1802 | ELECT 100U M 25V |
| L3008 | 645 014 2659 | FILTER,EMI 10MHZ | C006 | 403 215 2201 | CERAMIC 0.01U K 50V |
| L3009 | 645 014 2659 | FILTER,EMI 10MHZ | C007 | 403 280 1802 | ELECT 100U M 25V |
| DIODE | | | C008 | 403 162 6604 | ELECT 2.2U M 50V |
| D1007 | 407 223 1102 | ZENER DIODE 02DZ6.2Y (TPH3) | C009 | 403 298 9609 | CERAMIC 0.1U K 16V |
| D1008 | 407 223 1102 | ZENER DIODE 02DZ6.2Y (TPH3) | C010 | 403 298 9609 | CERAMIC 0.1U K 16V |
| D1009 | 407 223 1102 | ZENER DIODE 02DZ6.2Y (TPH3) | C011 | 403 343 4900 | ELECT 470U M 25V |
| D1011 | 407 223 1102 | ZENER DIODE 02DZ6.2Y (TPH3) | C012 | 403 298 9609 | CERAMIC 0.1U K 16V |
| D1012 | 407 092 9506 | DIODE SB07-03C-TB | C013 | 403 343 4900 | ELECT 470U M 25V |
| D1013 | 407 092 9506 | DIODE SB07-03C-TB | C014 | 403 343 4900 | ELECT 470U M 25V |
| D1014 | 407 149 0807 | DIODE 1SS355-TE-17 | C015 | 403 266 8801 | NP-ELECT 2.2U M 50V |
| D1015 | 407 149 0807 | DIODE 1SS355-TE-17 | C016 | 403 266 8801 | NP-ELECT 2.2U M 50V |
| D2081 | 407 149 0807 | DIODE 1SS355-TE-17 | C017 | 403 280 1802 | ELECT 100U M 25V |
| D2082 | 407 149 0807 | DIODE 1SS355-TE-17 | C018 | 403 343 4900 | ELECT 470U M 25V |
| D3001 | 407 223 0501 | ZENER DIODE 02DZ12Y (TPH3) | C019 | 403 343 4900 | ELECT 470U M 25V |
| D3002 | 407 223 0501 | ZENER DIODE 02DZ12Y (TPH3) | C021 | 403 343 4900 | ELECT 470U M 25V |
| D3003 | 407 223 0501 | ZENER DIODE 02DZ12Y (TPH3) | C026 | 403 343 4900 | ELECT 470U M 25V |
| D3004 | 407 223 0501 | ZENER DIODE 02DZ12Y (TPH3) | C1602 | 403 215 2201 | CERAMIC 0.01U K 50V |
| D3005 | 407 223 0501 | ZENER DIODE 02DZ12Y (TPH3) | C1603 | 403 215 2201 | CERAMIC 0.01U K 50V |
| D3006 | 407 223 0501 | ZENER DIODE 02DZ12Y (TPH3) | C1612 | 403 215 2201 | CERAMIC 0.01U K 50V |
| D3007 | 407 223 0501 | ZENER DIODE 02DZ12Y (TPH3) | C1613 | 403 215 2201 | CERAMIC 0.01U K 50V |
| D3008 | 407 223 0501 | ZENER DIODE 02DZ12Y (TPH3) | C1622 | 403 215 2201 | CERAMIC 0.01U K 50V |
| D3009 | 407 223 0501 | ZENER DIODE 02DZ12Y (TPH3) | C1623 | 403 281 5205 | CERAMIC 0.22U Z 16V |
| D3011 | 407 223 0501 | ZENER DIODE 02DZ12Y (TPH3) | C1631 | 403 343 4900 | ELECT 470U M 25V |

Electrical Parts List

| Ref. No. | Part No. | Description | Ref. No. | Part No. | Description |
|---|--------------|-----------------------|----------|--------------|---------------------|
| R6885 | 401 105 5202 | MT-GLAZE 470 JA 1/16W | | 405 163 1602 | TR 2SC2812N-L6-TB0 |
| R6886 | 401 105 5202 | MT-GLAZE 470 JA 1/16W | | 405 163 1701 | TR 2SC2812N-L7-TB0 |
| R6887 | 401 105 5202 | MT-GLAZE 470 JA 1/16W | Q1163 | 405 134 5905 | TR 2SA1037AK-T146-R |
| R6888 | 401 105 5202 | MT-GLAZE 470 JA 1/16W | | 405 147 2205 | TR 2SA1037AK-S-T146 |
| R6891 | 401 105 5202 | MT-GLAZE 470 JA 1/16W | | 405 002 0308 | TR 2SA1037K T146 R |
| R6892 | 401 105 5202 | MT-GLAZE 470 JA 1/16W | | 405 002 0407 | TR 2SA1037K T146 S |
| R6893 | 401 105 5202 | MT-GLAZE 470 JA 1/16W | | 405 002 6706 | TR 2SA1179-M6-TB |
| R6894 | 401 105 5202 | MT-GLAZE 470 JA 1/16W | | 405 002 6904 | TR 2SA1179-M7-TB |
| R6895 | 401 105 5202 | MT-GLAZE 470 JA 1/16W | | 405 163 1503 | TR 2SA1179N-M6-TB |
| R6896 | 401 105 5202 | MT-GLAZE 470 JA 1/16W | | 405 163 2708 | TR 2SA1179N-M7-TB |
| R6897 | 401 105 5202 | MT-GLAZE 470 JA 1/16W | Q1164 | 405 134 5905 | TR 2SA1037AK-T146-R |
| R6898 | 401 105 5202 | MT-GLAZE 470 JA 1/16W | | 405 147 2205 | TR 2SA1037AK-S-T146 |
| DIODE | | | | 405 002 0308 | TR 2SA1037K T146 R |
| D6871 | 407 209 1201 | ZD UDZS-TE-176.2B | | 405 002 0407 | TR 2SA1037K T146 S |
| D6872 | 407 209 1201 | ZD UDZS-TE-176.2B | | 405 002 6706 | TR 2SA1179-M6-TB |
| D6873 | 407 209 1201 | ZD UDZS-TE-176.2B | | 405 002 6904 | TR 2SA1179-M7-TB |
| D6874 | 407 209 1201 | ZD UDZS-TE-176.2B | | 405 163 1503 | TR 2SA1179N-M6-TB |
| D6875 | 407 209 1201 | ZD UDZS-TE-176.2B | | 405 163 2708 | TR 2SA1179N-M7-TB |
| D6881 | 407 196 9907 | LED SEL4828A | Q161 | 405 014 4509 | TR 2SC2412K T146 R |
| D6881A | 610 283 5816 | HOLDER LED B-MJ6A | | 405 014 4608 | TR 2SC2412K T146 S |
| D6882 | 407 196 9709 | LED SEL4228C | | 405 015 8704 | TR 2SC2812-L6-TB |
| D6883 | 407 196 9808 | LED SEL4428E | | 405 015 8902 | TR 2SC2812-L7-TB |
| D6884 | 407 196 9709 | LED SEL4228C | | 405 163 1602 | TR 2SC2812N-L6-TB0 |
| D6891 | 407 196 9907 | LED SEL4828A | | 405 163 1701 | TR 2SC2812N-L7-TB0 |
| D6892 | 407 196 9709 | LED SEL4228C | Q162 | 405 014 4509 | TR 2SC2412K T146 R |
| D6893 | 407 196 9808 | LED SEL4428E | | 405 014 4608 | TR 2SC2412K T146 S |
| D6894 | 407 196 9709 | LED SEL4228C | | 405 015 8704 | TR 2SC2812-L6-TB |
| MISCELLANEOUS | | | | 405 015 8902 | TR 2SC2812-L7-TB |
| K68C | 645 005 8387 | PLUG, 6P | | 405 163 1602 | TR 2SC2812N-L6-TB0 |
| | | | Q163 | 405 163 1701 | TR 2SC2812N-L7-TB0 |
| ***** | | | | | |
| PWB assembly for TERMINAL BOARD AV | | | | | |
| ▲ | 610 304 0646 | ASSY, PWB, AV MT8A | | 405 014 4509 | TR 2SC2412K T146 R |
| TRANSISTOR | | | | 405 014 4608 | TR 2SC2412K T146 S |
| Q101 | 405 014 4509 | TR 2SC2412K T146 R | | 405 015 8902 | TR 2SC2812-L7-TB |
| | 405 014 4608 | TR 2SC2412K T146 S | Q164 | 405 163 1602 | TR 2SC2812N-L6-TB0 |
| | 405 015 8704 | TR 2SC2812-L6-TB | | 405 163 1701 | TR 2SC2812N-L7-TB0 |
| | 405 015 8902 | TR 2SC2812-L7-TB | | 405 134 5905 | TR 2SA1037AK-T146-R |
| | 405 163 1602 | TR 2SC2812N-L6-TB0 | | 405 147 2205 | TR 2SA1037AK-S-T146 |
| | 405 163 1701 | TR 2SC2812N-L7-TB0 | | 405 002 0308 | TR 2SA1037K T146 R |
| Q102 | 405 014 4509 | TR 2SC2412K T146 R | | 405 002 0407 | TR 2SA1037K T146 S |
| | 405 014 4608 | TR 2SC2412K T146 S | | 405 002 6706 | TR 2SA1179-M6-TB |
| | 405 015 8704 | TR 2SC2812-L6-TB | | 405 002 6904 | TR 2SA1179-M7-TB |
| | 405 015 8902 | TR 2SC2812-L7-TB | Q165 | 405 163 1503 | TR 2SA1179N-M6-TB |
| | 405 163 1602 | TR 2SC2812N-L6-TB0 | | 405 163 2708 | TR 2SA1179N-M7-TB |
| | 405 163 1701 | TR 2SC2812N-L7-TB0 | | 405 014 4509 | TR 2SC2412K T146 R |
| Q1101 | 405 014 4509 | TR 2SC2412K T146 R | | 405 015 8704 | TR 2SC2812-L6-TB |
| | 405 014 4608 | TR 2SC2412K T146 S | | 405 015 8902 | TR 2SC2812-L7-TB |
| | 405 015 8704 | TR 2SC2812-L6-TB | | 405 163 1602 | TR 2SC2812N-L6-TB0 |
| | 405 015 8902 | TR 2SC2812-L7-TB | Q166 | 405 163 1701 | TR 2SC2812N-L7-TB0 |
| | 405 163 1602 | TR 2SC2812N-L6-TB0 | | 405 134 5905 | TR 2SA1037AK-T146-R |
| | 405 163 1701 | TR 2SC2812N-L7-TB0 | | 405 147 2205 | TR 2SA1037AK-S-T146 |
| Q1151 | 405 134 5905 | TR 2SA1037AK-T146-R | | 405 002 0308 | TR 2SA1037K T146 R |
| | 405 147 2205 | TR 2SA1037AK-S-T146 | | 405 002 0407 | TR 2SA1037K T146 S |
| | 405 002 0308 | TR 2SA1037K T146 R | | 405 002 6706 | TR 2SA1179-M6-TB |
| | 405 002 0407 | TR 2SA1037K T146 S | | 405 002 6904 | TR 2SA1179-M7-TB |
| | 405 002 6706 | TR 2SA1179-M6-TB | Q167 | 405 163 1503 | TR 2SA1179N-M6-TB |
| | 405 002 6904 | TR 2SA1179-M7-TB | | 405 163 2708 | TR 2SA1179N-M7-TB |
| | 405 163 1503 | TR 2SA1179N-M6-TB | | 405 014 4509 | TR 2SC2412K T146 R |
| Q1152 | 405 014 4509 | TR 2SC2412K T146 R | | 405 015 8704 | TR 2SC2812-L6-TB |
| | 405 014 4608 | TR 2SC2412K T146 S | | 405 015 8902 | TR 2SC2812-L7-TB |
| | 405 015 8704 | TR 2SC2812-L6-TB | | 405 163 1602 | TR 2SC2812N-L6-TB0 |
| | 405 015 8902 | TR 2SC2812-L7-TB | Q168 | 405 163 1701 | TR 2SC2812N-L7-TB0 |
| | 405 163 1602 | TR 2SC2812N-L6-TB0 | | 405 014 4509 | TR 2SC2412K T146 R |
| | 405 163 1701 | TR 2SC2812N-L7-TB0 | | 405 014 4608 | TR 2SC2412K T146 S |
| Q1153 | 405 134 5905 | TR 2SA1037AK-T146-R | | 405 015 8704 | TR 2SC2812-L6-TB |
| | 405 147 2205 | TR 2SA1037AK-S-T146 | | 405 015 8902 | TR 2SC2812-L7-TB |
| | 405 002 0308 | TR 2SA1037K T146 R | | 405 163 1602 | TR 2SC2812N-L6-TB0 |
| | 405 002 0407 | TR 2SA1037K T146 S | Q2101 | 405 163 1701 | TR 2SC2812N-L7-TB0 |
| | 405 002 6706 | TR 2SA1179-M6-TB | | 405 134 5905 | TR 2SA1037AK-T146-R |
| | 405 002 6904 | TR 2SA1179-M7-TB | | 405 147 2205 | TR 2SA1037AK-S-T146 |
| | 405 163 1503 | TR 2SA1179N-M6-TB | | 405 002 0308 | TR 2SA1037K T146 R |
| | 405 163 2708 | TR 2SA1179N-M7-TB | | 405 002 0407 | TR 2SA1037K T146 S |
| Q1156 | 405 134 5905 | TR 2SA1037AK-T146-R | | 405 002 6706 | TR 2SA1179-M6-TB |
| | 405 147 2205 | TR 2SA1037AK-S-T146 | | 405 002 6904 | TR 2SA1179-M7-TB |
| | 405 002 0308 | TR 2SA1037K T146 R | | 405 163 1503 | TR 2SA1179N-M6-TB |
| | 405 002 0407 | TR 2SA1037K T146 S | Q2151 | 405 163 2708 | TR 2SA1179N-M7-TB |
| | 405 002 6706 | TR 2SA1179-M6-TB | | 405 014 4509 | TR 2SC2412K T146 R |
| | 405 002 6904 | TR 2SA1179-M7-TB | | 405 014 4608 | TR 2SC2412K T146 S |
| | 405 163 1503 | TR 2SA1179N-M6-TB | | 405 015 8704 | TR 2SC2812-L6-TB |
| | 405 163 2708 | TR 2SA1179N-M7-TB | | 405 015 8902 | TR 2SC2812-L7-TB |
| Q1161 | 405 134 5905 | TR 2SA1037AK-T146-R | | 405 163 1602 | TR 2SC2812N-L6-TB0 |
| | 405 147 2205 | TR 2SA1037AK-S-T146 | Q2191 | 405 163 1701 | TR 2SC2812N-L7-TB0 |
| | 405 002 0308 | TR 2SA1037K T146 R | | 405 134 5905 | TR 2SA1037AK-T146-R |
| | 405 002 0407 | TR 2SA1037K T146 S | | 405 147 2205 | TR 2SA1037AK-S-T146 |
| | 405 002 6706 | TR 2SA1179-M6-TB | | 405 002 0308 | TR 2SA1037K T146 R |
| | 405 002 6904 | TR 2SA1179-M7-TB | | 405 002 0407 | TR 2SA1037K T146 S |
| | 405 163 1503 | TR 2SA1179N-M6-TB | | 405 002 6706 | TR 2SA1179-M6-TB |
| | 405 163 2708 | TR 2SA1179N-M7-TB | | 405 002 6904 | TR 2SA1179-M7-TB |
| Q1162 | 405 014 4509 | TR 2SC2412K T146 R | | 405 163 1503 | TR 2SA1179N-M6-TB |
| | 405 014 4608 | TR 2SC2412K T146 S | Q3100 | 405 163 2708 | TR 2SA1179N-M7-TB |
| | 405 015 8704 | TR 2SC2812-L6-TB | | 405 014 4509 | TR 2SC2412K T146 R |
| | 405 015 8902 | TR 2SC2812-L7-TB | | 405 014 4608 | TR 2SC2412K T146 S |
| | | | | 405 015 8704 | TR 2SC2812-L6-TB |

Electrical Parts List

| Ref. No. | Part No. | Description | Ref. No. | Part No. | Description |
|----------|--------------|---------------------|--------------------|--------------|--------------------------|
| Q3101 | 405 015 8902 | TR 2SC2812-L7-TB | Q5104 | 405 002 0308 | TR 2SA1037K T146 R |
| | 405 163 1602 | TR 2SC2812N-L6-TB0 | | 405 002 0407 | TR 2SA1037K T146 S |
| | 405 163 1701 | TR 2SC2812N-L7-TB0 | | 405 002 6706 | TR 2SA1179-M6-TB |
| | 405 014 4509 | TR 2SC2412K T146 R | | 405 002 6904 | TR 2SA1179-M7-TB |
| Q3102 | 405 014 4608 | TR 2SC2412K T146 S | Q5105 | 405 163 1503 | TR 2SA1179N-M6-TB |
| | 405 015 8704 | TR 2SC2812-L6-TB | | 405 163 2708 | TR 2SA1179N-M7-TB |
| | 405 015 8902 | TR 2SC2812-L7-TB | | 405 014 4509 | TR 2SC2412K T146 R |
| | 405 163 1602 | TR 2SC2812N-L6-TB0 | | 405 014 4608 | TR 2SC2412K T146 S |
| Q3141 | 405 163 1701 | TR 2SC2812N-L7-TB0 | Q5106 | 405 015 8704 | TR 2SC2812-L6-TB |
| | 405 014 4509 | TR 2SC2412K T146 R | | 405 015 8902 | TR 2SC2812-L7-TB |
| | 405 014 4608 | TR 2SC2412K T146 S | | 405 163 1602 | TR 2SC2812N-L6-TB0 |
| | 405 015 8704 | TR 2SC2812-L6-TB | | 405 163 1701 | TR 2SC2812N-L7-TB0 |
| Q3143 | 405 015 8902 | TR 2SC2812-L7-TB | Q5107 | 405 014 4509 | TR 2SC2412K T146 R |
| | 405 163 1602 | TR 2SC2812N-L6-TB0 | | 405 014 4608 | TR 2SC2412K T146 S |
| | 405 163 1701 | TR 2SC2812N-L7-TB0 | | 405 015 8704 | TR 2SC2812-L6-TB |
| | 405 014 4509 | TR 2SC2412K T146 R | | 405 015 8902 | TR 2SC2812-L7-TB |
| Q3144 | 405 014 4608 | TR 2SC2412K T146 S | Q5106 | 405 163 1602 | TR 2SC2812N-L6-TB0 |
| | 405 015 8704 | TR 2SC2812-L6-TB | | 405 163 1701 | TR 2SC2812N-L7-TB0 |
| | 405 015 8902 | TR 2SC2812-L7-TB | | 405 014 4509 | TR 2SC2412K T146 R |
| | 405 163 1602 | TR 2SC2812N-L6-TB0 | | 405 014 4608 | TR 2SC2412K T146 S |
| Q3145 | 405 163 1701 | TR 2SC2812N-L7-TB0 | INTEGRATED CIRCUIT | | |
| | 405 134 5905 | TR 2SA1037AK-T146-R | IC1101 | 409 453 9309 | IC UPD64082GF-3BA |
| | 405 147 2205 | TR 2SA1037AK-S-T146 | IC1121 | 409 416 6406 | IC BA033FP-E2 |
| | 405 002 0308 | TR 2SA1037K T146 R | IC1131 | 410 342 8808 | IC MSM54V16258BSL-40TS-K |
| Q3160 | 405 002 0407 | TR 2SA1037K T146 S | IC1141 | 409 051 2900 | IC TC4053BF (EL) |
| | 405 002 6706 | TR 2SA1179-M6-TB | IC1181 | 409 051 2900 | IC TC4053BF (EL) |
| | 405 002 6904 | TR 2SA1179-M7-TB | IC1191 | 409 397 3005 | IC TC7SET04FU-(TE85L) |
| | 405 163 1503 | TR 2SA1179N-M6-TB | IC141 | 409 051 2900 | IC TC4053BF (EL) |
| Q3181 | 405 163 2708 | TR 2SA1179N-M7-TB | IC181 | 409 461 7304 | IC AD8057ART |
| | 405 014 4509 | TR 2SC2412K T146 R | IC182 | 409 429 6400 | IC AD8055ART |
| | 405 014 4608 | TR 2SC2412K T146 S | IC183 | 409 461 7304 | IC AD8057ART |
| | 405 015 8704 | TR 2SC2812-L6-TB | IC184 | 409 461 7304 | IC AD8057ART |
| Q3182 | 405 015 8902 | TR 2SC2812-L7-TB | IC2101 | 409 442 1307 | IC CXD2064Q |
| | 405 163 1602 | TR 2SC2812N-L6-TB0 | IC2141 | 409 422 5806 | IC M62398FP |
| | 405 163 1701 | TR 2SC2812N-L7-TB0 | IC2142 | 409 404 6302 | IC M62320FP |
| | 405 014 4509 | TR 2SC2412K T146 R | IC2143 | 409 392 7503 | IC 24LC08BT/SN |
| Q3183 | 405 014 4608 | TR 2SC2412K T146 S | IC2151 | 409 250 9809 | IC TC4W53F-TE12L |
| | 405 015 8704 | TR 2SC2812-L6-TB | IC2161 | 409 051 2900 | IC TC4053BF (EL) |
| | 405 015 8902 | TR 2SC2812-L7-TB | IC3121 | 409 408 4205 | IC TDA8395T/N3 |
| | 405 163 1602 | TR 2SC2812N-L6-TB0 | IC3131 | 409 435 3806 | IC TDA4665T/V5T |
| Q4101 | 405 163 1701 | TR 2SC2812N-L7-TB0 | IC3141 | 409 449 2901 | IC CXA2019AQ |
| | 405 014 4509 | TR 2SC2412K T146 R | IC3151 | 409 461 7304 | IC AD8057ART |
| | 405 014 4608 | TR 2SC2412K T146 S | IC3161 | 409 493 2902 | IC SI-3012LU-TL |
| | 405 015 8704 | TR 2SC2812-L6-TB | IC4101 | 409 474 0002 | IC CXA2101AQ |
| Q4182 | 405 015 8902 | TR 2SC2812-L7-TB | IC4111 | 409 397 3005 | IC TC7SET04FU-(TE85L) |
| | 405 163 1602 | TR 2SC2812N-L6-TB0 | IC4112 | 409 397 3005 | IC TC7SET04FU-(TE85L) |
| | 405 163 1701 | TR 2SC2812N-L7-TB0 | IC4181 | 409 051 2900 | IC TC4053BF (EL) |
| | 405 014 4509 | TR 2SC2412K T146 R | IC5101 | 409 422 6605 | IC TC90A11F |
| Q4185 | 405 014 4608 | TR 2SC2412K T146 S | IC5111 | 409 325 4203 | IC PST600DMT |
| | 405 015 8704 | TR 2SC2812-L6-TB | IC5150 | 410 365 2005 | IC MSM518221A-25GS-K |
| | 405 015 8902 | TR 2SC2812-L7-TB | IC5181 | 409 461 7304 | IC AD8057ART |
| | 405 163 1602 | TR 2SC2812N-L6-TB0 | IC5182 | 409 461 7304 | IC AD8057ART |
| Q5101 | 405 163 1701 | TR 2SC2812N-L7-TB0 | IC5183 | 409 461 7304 | IC AD8057ART |
| | 405 014 4509 | TR 2SC2412K T146 R | CAPACITOR | | |
| | 405 014 4608 | TR 2SC2412K T146 S | C101 | 403 162 4709 | ELECT 10U M 16V |
| | 405 015 8704 | TR 2SC2812-L6-TB | C102 | 403 162 4709 | ELECT 10U M 16V |
| Q5103 | 405 015 8902 | TR 2SC2812-L7-TB | C103 | 403 164 0204 | CERAMIC 0.1U Z 25V |
| | 405 163 1602 | TR 2SC2812N-L6-TB0 | C104 | 403 280 1604 | ELECT 220U M 16V |
| | 405 163 1701 | TR 2SC2812N-L7-TB0 | C1101 | 403 145 9905 | CERAMIC 22P J 50V |
| | 405 014 4509 | TR 2SC2412K T146 R | C1102 | 403 145 9905 | CERAMIC 22P J 50V |
| Q5104 | 405 014 4608 | TR 2SC2412K T146 S | C1103 | 403 164 0204 | CERAMIC 0.1U Z 25V |
| | 405 015 8704 | TR 2SC2812-L6-TB | C1104 | 403 164 0204 | CERAMIC 0.1U Z 25V |
| | 405 015 8902 | TR 2SC2812-L7-TB | C1105 | 403 215 0900 | CERAMIC 390P J 50V |
| | 405 163 1602 | TR 2SC2812N-L6-TB0 | C1106 | 403 164 0204 | CERAMIC 0.1U Z 25V |
| Q5105 | 405 163 1701 | TR 2SC2812N-L7-TB0 | C1107 | 403 164 0204 | CERAMIC 0.1U Z 25V |
| | 405 014 4509 | TR 2SC2412K T146 R | C1108 | 403 164 0204 | CERAMIC 0.1U Z 25V |
| | 405 014 4608 | TR 2SC2412K T146 S | C1109 | 403 283 6309 | CERAMIC 1U Z 10V |
| | 405 015 8704 | TR 2SC2812-L6-TB | C1110 | 403 283 6309 | CERAMIC 1U Z 10V |
| Q5106 | 405 015 8902 | TR 2SC2812-L7-TB | C1111 | 403 283 6309 | CERAMIC 1U Z 10V |
| | 405 163 1602 | TR 2SC2812N-L6-TB0 | C1112 | 403 283 6309 | CERAMIC 1U Z 10V |
| | 405 163 1701 | TR 2SC2812N-L7-TB0 | C1113 | 403 164 0204 | CERAMIC 0.1U Z 25V |
| | 405 014 4509 | TR 2SC2412K T146 R | C1114 | 403 164 0204 | CERAMIC 0.1U Z 25V |
| Q5107 | 405 014 4608 | TR 2SC2412K T146 S | C1115 | 403 164 0204 | CERAMIC 0.1U Z 25V |
| | 405 015 8704 | TR 2SC2812-L6-TB | C1116 | 403 164 0204 | CERAMIC 0.1U Z 25V |
| | 405 015 8902 | TR 2SC2812-L7-TB | C1117 | 403 266 8108 | NP-ELECT 1U M 50V |
| | 405 163 1602 | TR 2SC2812N-L6-TB0 | C1119 | 403 162 4709 | ELECT 10U M 16V |
| Q5108 | 405 163 1701 | TR 2SC2812N-L7-TB0 | C1121 | 403 164 0204 | CERAMIC 0.1U Z 25V |
| | 405 014 4509 | TR 2SC2412K T146 R | C1122 | 403 164 0204 | CERAMIC 0.1U Z 25V |
| | 405 014 4608 | TR 2SC2412K T146 S | C1123 | 403 164 0204 | CERAMIC 0.1U Z 25V |
| | 405 015 8704 | TR 2SC2812-L6-TB | C1124 | 403 164 0204 | CERAMIC 0.1U Z 25V |
| Q5109 | 405 015 8902 | TR 2SC2812-L7-TB | C1125 | 403 164 0204 | CERAMIC 0.1U Z 25V |
| | 405 163 1602 | TR 2SC2812N-L6-TB0 | C1126 | 403 164 0204 | CERAMIC 0.1U Z 25V |
| | 405 163 1701 | TR 2SC2812N-L7-TB0 | C1127 | 403 175 4505 | ELECT 47U M 6.3V |
| | 405 014 4509 | TR 2SC2412K T146 R | C1128 | 403 164 0204 | CERAMIC 0.1U Z 25V |
| Q5110 | 405 014 4608 | TR 2SC2412K T146 S | C1129 | 403 175 4505 | ELECT 47U M 6.3V |
| | 405 015 8704 | TR 2SC2812-L6-TB | C1132 | 403 280 0805 | ELECT 330U M 6.3V |
| | 405 015 8902 | TR 2SC2812-L7-TB | | | |
| | 405 163 1602 | TR 2SC2812N-L6-TB0 | | | |

Electrical Parts List

| Ref. No. | Part No. | Description | Ref. No. | Part No. | Description |
|----------|--------------|------------------------|----------|--------------|----------------------|
| C1133 | 403 164 0204 | CERAMIC 0.1U Z 25V | C2192 | 403 145 9905 | CERAMIC 22P J 50V |
| C1134 | 403 283 6309 | CERAMIC 1U Z 10V | C2193 | 403 145 9905 | CERAMIC 22P J 50V |
| C1135 | 403 280 0805 | ELECT 330U M 6.3V | C3016 | 403 280 1604 | ELECT 220U M 16V |
| C1136 | 403 283 6309 | CERAMIC 1U Z 10V | C3018 | 403 164 0204 | CERAMIC 0.1U Z 25V |
| C1137 | 403 283 6309 | CERAMIC 1U Z 10V | C3105 | 403 164 0204 | CERAMIC 0.1U Z 25V |
| C1141 | 403 175 4505 | ELECT 47U M 6.3V | C3106 | 403 215 2201 | CERAMIC 0.01U K 50V |
| C1146 | 403 164 0204 | CERAMIC 0.1U Z 25V | C3121 | 403 162 4709 | ELECT 10U M 16V |
| C1147 | 403 283 6309 | CERAMIC 1U Z 10V | C3122 | 403 164 0204 | CERAMIC 0.1U Z 25V |
| C1148 | 403 164 0204 | CERAMIC 0.1U Z 25V | C3123 | 403 298 9609 | CERAMIC 0.1U K 16V |
| C1151 | 403 283 6309 | CERAMIC 1U Z 10V | C3124 | 403 298 9609 | CERAMIC 0.1U K 16V |
| C1152 | 403 283 6309 | CERAMIC 1U Z 10V | C3125 | 403 298 9609 | CERAMIC 0.1U K 16V |
| C1161 | 403 283 6309 | CERAMIC 1U Z 10V | C3131 | 403 215 2201 | CERAMIC 0.01U K 50V |
| C1162 | 403 145 9905 | CERAMIC 22P J 50V | C3132 | 403 283 6309 | CERAMIC 1U Z 10V |
| C1187 | 403 283 6309 | CERAMIC 1U Z 10V | C3134 | 403 175 4109 | ELECT 22U M 16V |
| C1188 | 403 164 0204 | CERAMIC 0.1U Z 25V | C3135 | 403 164 0204 | CERAMIC 0.1U Z 25V |
| C123 | 403 164 0204 | CERAMIC 0.1U Z 25V | C3136 | 403 164 0204 | CERAMIC 0.1U Z 25V |
| C146 | 403 283 6309 | CERAMIC 1U Z 10V | C3137 | 403 164 0204 | CERAMIC 0.1U Z 25V |
| C147 | 403 164 0204 | CERAMIC 0.1U Z 25V | C3140 | 403 283 6309 | CERAMIC 1U Z 10V |
| C161 | 403 266 8108 | NP-ELECT 1U M 50V | C3141 | 403 215 2201 | CERAMIC 0.01U K 50V |
| C162 | 403 323 8805 | CERAMIC 2.2U Z 16V | C3142 | 403 283 6309 | CERAMIC 1U Z 10V |
| | 403 255 7907 | CERAMIC 2.2U Z 16V | C3143 | 403 164 0204 | CERAMIC 0.1U Z 25V |
| C163 | 403 164 0204 | CERAMIC 0.1U Z 25V | C3144 | 403 162 6604 | ELECT 2.2U M 50V |
| C164 | 403 283 6309 | CERAMIC 1U Z 10V | C3146 | 403 164 0204 | CERAMIC 0.1U Z 25V |
| C165 | 403 113 3805 | CERAMIC 1000P K 50V | C3147 | 403 266 8108 | NP-ELECT 1U M 50V |
| C166 | 403 162 6208 | ELECT 1U M 50V | C3148 | 403 266 8108 | NP-ELECT 1U M 50V |
| C167 | 403 164 0204 | CERAMIC 0.1U Z 25V | C3149 | 403 266 8108 | NP-ELECT 1U M 50V |
| C168 | 403 283 6309 | CERAMIC 1U Z 10V | C3150 | 403 286 8508 | ELECT 330U M 16V |
| C180TM | 403 155 4204 | CERAMIC 15P J 50V | C3151 | 403 348 5803 | CERAMIC 0.47U K 10V |
| C181TM | 403 155 4204 | CERAMIC 15P J 50V | C3152 | 403 348 5803 | CERAMIC 0.47U K 10V |
| C182TM | 403 155 4204 | CERAMIC 15P J 50V | C3153 | 403 157 2109 | CERAMIC 13P J 50V |
| C183TM | 403 155 4204 | CERAMIC 15P J 50V | C3154 | 403 157 2109 | CERAMIC 13P J 50V |
| C2101 | 403 175 4802 | NP-ELECT 10U M 10V | C3155 | 403 157 2109 | CERAMIC 13P J 50V |
| C2102 | 403 164 0204 | CERAMIC 0.1U Z 25V | C3157 | 403 157 2109 | CERAMIC 13P J 50V |
| C2103 | 403 283 6309 | CERAMIC 1U Z 10V | C3159 | 403 155 1500 | CERAMIC 180P J 50V |
| C2104 | 403 164 0204 | CERAMIC 0.1U Z 25V | C3160 | 403 215 2201 | CERAMIC 0.01U K 50V |
| C2105 | 403 164 0204 | CERAMIC 0.1U Z 25V | C3163 | 403 162 5300 | ELECT 4.7U M 25V |
| C2106 | 403 164 0204 | CERAMIC 0.1U Z 25V | C3164 | 403 343 8809 | CERAMIC 0.47U Z 16V |
| C2107 | 403 283 6309 | CERAMIC 1U Z 10V | C3166 | 403 266 8108 | NP-ELECT 1U M 50V |
| C2108 | 403 164 0204 | CERAMIC 0.1U Z 25V | C3167 | 403 215 2102 | CERAMIC 8200P K 50V |
| C2109 | 403 164 0204 | CERAMIC 0.1U Z 25V | C3168 | 403 162 6000 | ELECT 0.47U M 50V |
| C2111 | 403 164 0204 | CERAMIC 0.1U Z 25V | C3169 | 403 153 9102 | CERAMIC 5P C 50V |
| C2112 | 403 164 0204 | CERAMIC 0.1U Z 25V | C3172 | 403 157 3601 | CERAMIC 100P J 50V |
| C2113 | 403 215 2201 | CERAMIC 0.01U K 50V | C3175 | 403 164 0204 | CERAMIC 0.1U Z 25V |
| C2114 | 403 283 6309 | CERAMIC 1U Z 10V | C3176 | 403 175 4109 | ELECT 22U M 16V |
| C2116 | 403 283 6309 | CERAMIC 1U Z 10V | C3177 | 403 162 6000 | ELECT 0.47U M 50V |
| C2117 | 403 164 0204 | CERAMIC 0.1U Z 25V | C4119 | 403 164 0204 | CERAMIC 0.1U Z 25V |
| C2118 | 401 105 0405 | MT-GLAZE 100 JA 1/16W | C4126 | 403 215 2201 | CERAMIC 0.01U K 50V |
| C2119 | 403 215 2201 | CERAMIC 0.01U K 50V | C4129 | 403 164 0204 | CERAMIC 0.1U Z 25V |
| C2121 | 403 283 6309 | CERAMIC 1U Z 10V | C4132 | 403 164 0204 | CERAMIC 0.1U Z 25V |
| C2122 | 403 164 0204 | CERAMIC 0.1U Z 25V | C4133 | 403 164 0204 | CERAMIC 0.1U Z 25V |
| C2123 | 403 280 0805 | ELECT 330U M 6.3V | C4134 | 403 164 0204 | CERAMIC 0.1U Z 25V |
| C2124 | 403 215 2201 | CERAMIC 0.01U K 50V | C4135 | 403 162 4709 | ELECT 10U M 16V |
| C2125 | 403 215 2201 | CERAMIC 0.01U K 50V | C4137 | 403 348 5803 | CERAMIC 0.47U K 10V |
| C2126 | 403 215 2904 | CERAMIC 0.022U K 25V | C4138 | 403 162 4709 | ELECT 10U M 16V |
| C2127 | 403 164 0204 | CERAMIC 0.1U Z 25V | C4139 | 403 298 9609 | CERAMIC 0.1U K 16V |
| C2128 | 403 283 6309 | CERAMIC 1U Z 10V | C4140 | 403 215 2201 | CERAMIC 0.01U K 50V |
| C2129 | 403 283 6309 | CERAMIC 1U Z 10V | C4141 | 403 215 2201 | CERAMIC 0.01U K 50V |
| C2131 | 403 215 2201 | CERAMIC 0.01U K 50V | C4142 | 403 215 2201 | CERAMIC 0.01U K 50V |
| C2133 | 401 219 1107 | MT-GLAZE 1.8K FA 1/16W | C4143 | 403 215 2201 | CERAMIC 0.01U K 50V |
| C2134 | 403 215 2201 | CERAMIC 0.01U K 50V | C4144 | 403 215 2201 | CERAMIC 0.01U K 50V |
| C2135 | 403 215 2201 | CERAMIC 0.01U K 50V | C4145 | 403 215 2201 | CERAMIC 0.01U K 50V |
| C2136 | 403 215 2201 | CERAMIC 0.01U K 50V | C4146 | 403 215 2201 | CERAMIC 0.01U K 50V |
| C2137 | 403 280 0805 | ELECT 330U M 6.3V | C4147 | 403 215 2201 | CERAMIC 0.01U K 50V |
| C2138 | 403 280 0805 | ELECT 330U M 6.3V | C4148 | 403 215 2201 | CERAMIC 0.01U K 50V |
| C2141 | 403 164 0204 | CERAMIC 0.1U Z 25V | C4157 | 403 162 4709 | ELECT 10U M 16V |
| C2143 | 403 283 6309 | CERAMIC 1U Z 10V | C4158 | 403 348 5803 | CERAMIC 0.47U K 10V |
| C2144 | 403 175 4505 | ELECT 47U M 6.3V | C4160 | 403 343 8809 | CERAMIC 0.47U Z 16V |
| C2145 | 403 164 0204 | CERAMIC 0.1U Z 25V | C4164 | 403 164 0204 | CERAMIC 0.1U Z 25V |
| C2146 | 403 164 0204 | CERAMIC 0.1U Z 25V | C4165 | 403 164 0204 | CERAMIC 0.1U Z 25V |
| C2147 | 403 164 0204 | CERAMIC 0.1U Z 25V | C4166 | 403 164 0204 | CERAMIC 0.1U Z 25V |
| C2148 | 403 164 0204 | CERAMIC 0.1U Z 25V | C4169 | 403 215 2201 | CERAMIC 0.01U K 50V |
| C2149 | 403 164 0204 | CERAMIC 0.1U Z 25V | C4171 | 403 215 2201 | CERAMIC 0.01U K 50V |
| C2150 | 403 164 0204 | CERAMIC 0.1U Z 25V | C4172 | 403 215 2201 | CERAMIC 0.01U K 50V |
| C2151 | 403 164 0204 | CERAMIC 0.1U Z 25V | C4181 | 403 164 0204 | CERAMIC 0.1U Z 25V |
| C2152 | 403 164 0204 | CERAMIC 0.1U Z 25V | C4182 | 403 283 6309 | CERAMIC 1U Z 10V |
| C2153 | 403 164 0204 | CERAMIC 0.1U Z 25V | C4183 | 403 283 6309 | CERAMIC 1U Z 10V |
| C2154 | 403 164 0204 | CERAMIC 0.1U Z 25V | C4184 | 403 283 6309 | CERAMIC 1U Z 10V |
| C2155 | 403 164 0204 | CERAMIC 0.1U Z 25V | C4185 | 403 224 7006 | CERAMIC 0.047U Z 50V |
| C2156 | 403 164 0204 | CERAMIC 0.1U Z 25V | C4186 | 403 224 7006 | CERAMIC 0.047U Z 50V |
| C2157 | 403 164 0204 | CERAMIC 0.1U Z 25V | C4187 | 403 283 6309 | CERAMIC 1U Z 10V |
| C2158 | 403 164 0204 | CERAMIC 0.1U Z 25V | C4188 | 403 164 0204 | CERAMIC 0.1U Z 25V |
| C2159 | 403 164 0204 | CERAMIC 0.1U Z 25V | C5100 | 403 164 0204 | CERAMIC 0.1U Z 25V |
| C2160 | 403 164 0204 | CERAMIC 0.1U Z 25V | C5101 | 403 164 0204 | CERAMIC 0.1U Z 25V |
| C2167 | 403 283 6309 | CERAMIC 1U Z 10V | C5102 | 403 164 0204 | CERAMIC 0.1U Z 25V |
| C2168 | 403 164 0204 | CERAMIC 0.1U Z 25V | C5103 | 403 215 1006 | CERAMIC 470P J 50V |
| C2170 | 403 164 0204 | CERAMIC 0.1U Z 25V | C5104 | 403 298 9609 | CERAMIC 0.1U K 16V |
| C2171 | 403 164 0204 | CERAMIC 0.1U Z 25V | C5105 | 403 155 1302 | CERAMIC 150P J 50V |
| C2172 | 403 164 0204 | CERAMIC 0.1U Z 25V | C5106 | 403 139 7108 | CERAMIC 12P J 50V |
| C2173 | 403 164 0204 | CERAMIC 0.1U Z 25V | C5107 | 403 164 0204 | CERAMIC 0.1U Z 25V |
| C2174 | 403 164 0204 | CERAMIC 0.1U Z 25V | C5108 | 403 164 0204 | CERAMIC 0.1U Z 25V |
| C2182 | 403 175 4109 | ELECT 22U M 16V | C5109 | 403 164 0204 | CERAMIC 0.1U Z 25V |
| C2184 | 403 175 4109 | ELECT 22U M 16V | C5110 | 403 162 4709 | ELECT 10U M 16V |
| C2186 | 403 164 0204 | CERAMIC 0.1U Z 25V | C5111 | 403 280 0805 | ELECT 330U M 6.3V |
| C2188 | 403 164 0204 | CERAMIC 0.1U Z 25V | C5112 | 403 164 0204 | CERAMIC 0.1U Z 25V |
| C2191 | 401 105 0603 | MT-GLAZE 10K JA 1/16W | C5113 | 403 215 2201 | CERAMIC 0.01U K 50V |

Electrical Parts List

| Ref. No. | Part No. | Description | Ref. No. | Part No. | Description |
|----------|--------------|-------------------------|----------|--------------|-------------------------|
| C5114 | 403 155 1500 | CERAMIC 180P J 50V | R1175 | 401 105 2706 | MT-GLAZE 220 JA 1/16W |
| C5115 | 403 215 2201 | CERAMIC 0.01U K 50V | R1176 | 401 105 5905 | MT-GLAZE 560 JA 1/16W |
| C5116 | 403 164 0204 | CERAMIC 0.1U Z 25V | R1177 | 401 105 5103 | MT-GLAZE 47 JA 1/16W |
| C5117 | 403 164 0204 | CERAMIC 0.1U Z 25V | R1178 | 401 105 0504 | MT-GLAZE 1K JA 1/16W |
| C5118 | 403 164 0204 | CERAMIC 0.1U Z 25V | R1183 | 401 105 2706 | MT-GLAZE 220 JA 1/16W |
| C5119 | 403 164 0204 | CERAMIC 0.1U Z 25V | R1184 | 401 105 4106 | MT-GLAZE 3.3K JA 1/16W |
| C5120 | 403 153 9102 | CERAMIC 5P C 50V | R1187 | 401 105 0405 | MT-GLAZE 100 JA 1/16W |
| C5121 | 403 164 0204 | CERAMIC 0.1U Z 25V | R1188 | 401 105 0405 | MT-GLAZE 100 JA 1/16W |
| C5122 | 403 164 0204 | CERAMIC 0.1U Z 25V | R1189 | 401 105 0405 | MT-GLAZE 100 JA 1/16W |
| C5123 | 403 164 0204 | CERAMIC 0.1U Z 25V | R121 | 401 226 1206 | MT-GLAZE 150 FA 1/16W |
| C5124 | 403 164 0204 | CERAMIC 0.1U Z 25V | R122 | 401 226 1206 | MT-GLAZE 150 FA 1/16W |
| C5125 | 403 164 0204 | CERAMIC 0.1U Z 25V | R123 | 401 226 1206 | MT-GLAZE 150 FA 1/16W |
| C5126 | 403 164 0204 | CERAMIC 0.1U Z 25V | R124 | 401 226 1206 | MT-GLAZE 150 FA 1/16W |
| C5128 | 403 155 4204 | CERAMIC 15P J 50V | R125 | 401 105 0405 | MT-GLAZE 100 JA 1/16W |
| C5129 | 403 155 1609 | CERAMIC 33P J 50V | R126 | 401 105 4106 | MT-GLAZE 3.3K JA 1/16W |
| C5130 | 403 157 1706 | CERAMIC 8P D 50V | R131 | 401 226 1206 | MT-GLAZE 150 FA 1/16W |
| C5132 | 403 162 6208 | ELECT 1U M 50V | R132 | 401 226 1206 | MT-GLAZE 150 FA 1/16W |
| C5133 | 403 139 7306 | CERAMIC 18P J 50V | R133 | 401 226 1206 | MT-GLAZE 150 FA 1/16W |
| C5134 | 403 215 2201 | CERAMIC 0.01U K 50V | R134 | 401 226 1206 | MT-GLAZE 150 FA 1/16W |
| C5135 | 403 139 7306 | CERAMIC 18P J 50V | R147 | 401 105 0405 | MT-GLAZE 100 JA 1/16W |
| C5136 | 403 157 1508 | CERAMIC 3P C 50V | R148 | 401 105 0405 | MT-GLAZE 100 JA 1/16W |
| C5137 | 403 157 1706 | CERAMIC 8P D 50V | R149 | 401 105 0405 | MT-GLAZE 100 JA 1/16W |
| C5138 | 403 164 0204 | CERAMIC 0.1U Z 25V | R161 | 401 105 4809 | MT-GLAZE 390K JA 1/16W |
| C5139 | 403 153 9102 | CERAMIC 5P C 50V | R162 | 401 105 4106 | MT-GLAZE 3.3K JA 1/16W |
| C5141 | 403 145 9905 | CERAMIC 22P J 50V | R163 | 401 105 6001 | MT-GLAZE 5.6K JA 1/16W |
| C5142 | 403 157 1706 | CERAMIC 8P D 50V | R164 | 401 105 0405 | MT-GLAZE 100 JA 1/16W |
| C5143 | 403 164 0204 | CERAMIC 0.1U Z 25V | R165 | 401 105 2805 | MT-GLAZE 2.2K JA 1/16W |
| C5144 | 403 283 6309 | CERAMIC 1U Z 10V | R166 | 401 105 0405 | MT-GLAZE 100 JA 1/16W |
| C5145 | 403 164 0204 | CERAMIC 0.1U Z 25V | R167 | 401 105 2805 | MT-GLAZE 2.2K JA 1/16W |
| C5146 | 403 164 0204 | CERAMIC 0.1U Z 25V | R168 | 401 105 7305 | MT-GLAZE 820 JA 1/16W |
| C5147 | 403 164 0204 | CERAMIC 0.1U Z 25V | R169 | 401 105 4106 | MT-GLAZE 3.3K JA 1/16W |
| C5148 | 403 164 0204 | CERAMIC 0.1U Z 25V | R171 | 401 105 1501 | MT-GLAZE 1.5K JA 1/16W |
| C5149 | 403 280 0805 | ELECT 330U M 6.3V | R172 | 401 105 2706 | MT-GLAZE 220 JA 1/16W |
| C5151 | 403 283 6309 | CERAMIC 1U Z 10V | R173 | 401 105 3000 | MT-GLAZE 220K JA 1/16W |
| C5152 | 403 164 0204 | CERAMIC 0.1U Z 25V | R174 | 401 105 2805 | MT-GLAZE 2.2K JA 1/16W |
| C5181 | 403 280 1604 | ELECT 220U M 16V | R175 | 401 105 5202 | MT-GLAZE 470 JA 1/16W |
| C5182 | 403 164 0204 | CERAMIC 0.1U Z 25V | R176 | 401 105 5400 | MT-GLAZE 47K JA 1/16W |
| C5183 | 403 153 9102 | CERAMIC 5P C 50V | R177 | 401 105 0504 | MT-GLAZE 1K JA 1/16W |
| C5184 | 403 153 9102 | CERAMIC 5P C 50V | R178 | 401 105 5301 | MT-GLAZE 4.7K JA 1/16W |
| C5185 | 403 153 9102 | CERAMIC 5P C 50V | R179 | 401 105 2805 | MT-GLAZE 2.2K JA 1/16W |
| C5186TM | 403 155 1609 | CERAMIC 33P J 50V | R180 | 401 218 4505 | MT-GLAZE 2.2K FA 1/16W |
| C5187TM | 403 155 1609 | CERAMIC 33P J 50V | R182 | 401 219 1107 | MT-GLAZE 1.8K FA 1/16W |
| C5188TM | 403 155 1609 | CERAMIC 33P J 50V | R183 | 401 105 2904 | MT-GLAZE 22K JA 1/16W |
| RESISTOR | | | R184 | 401 105 7404 | MT-GLAZE 8.2K JA 1/16W |
| R100 | 401 105 3000 | MT-GLAZE 220K JA 1/16W | R185 | 401 218 4505 | MT-GLAZE 2.2K FA 1/16W |
| R101 | 401 105 5509 | MT-GLAZE 470K JA 1/16W | R187 | 401 219 1107 | MT-GLAZE 1.8K FA 1/16W |
| R102 | 401 105 5509 | MT-GLAZE 470K JA 1/16W | R188 | 401 105 2904 | MT-GLAZE 22K JA 1/16W |
| R103 | 401 105 0405 | MT-GLAZE 100 JA 1/16W | R189 | 401 105 7404 | MT-GLAZE 8.2K JA 1/16W |
| R104 | 401 105 3000 | MT-GLAZE 220K JA 1/16W | R190 | 401 105 2805 | MT-GLAZE 2.2K JA 1/16W |
| R105 | 401 105 7909 | MT-GLAZE 0.000 ZA 1/16W | R192 | 401 105 1501 | MT-GLAZE 1.5K JA 1/16W |
| R106 | 401 105 2805 | MT-GLAZE 2.2K JA 1/16W | R193 | 401 105 4700 | MT-GLAZE 39K JA 1/16W |
| R107 | 401 105 0405 | MT-GLAZE 100 JA 1/16W | R194 | 401 105 7404 | MT-GLAZE 8.2K JA 1/16W |
| R108 | 401 105 3000 | MT-GLAZE 220K JA 1/16W | R195 | 401 105 2805 | MT-GLAZE 2.2K JA 1/16W |
| R109 | 401 105 7909 | MT-GLAZE 0.000 ZA 1/16W | R197 | 401 105 1501 | MT-GLAZE 1.5K JA 1/16W |
| R110 | 401 105 3000 | MT-GLAZE 220K JA 1/16W | R198 | 401 105 4700 | MT-GLAZE 39K JA 1/16W |
| R1101 | 401 105 5202 | MT-GLAZE 470 JA 1/16W | R199 | 401 105 7404 | MT-GLAZE 8.2K JA 1/16W |
| R1102 | 401 105 7909 | MT-GLAZE 0.000 ZA 1/16W | R2101 | 401 105 7909 | MT-GLAZE 0.000 ZA 1/16W |
| R1103 | 401 105 7909 | MT-GLAZE 0.000 ZA 1/16W | R2102 | 401 105 7909 | MT-GLAZE 0.000 ZA 1/16W |
| R1104 | 401 105 7909 | MT-GLAZE 0.000 ZA 1/16W | R2103 | 401 105 1402 | MT-GLAZE 150 JA 1/16W |
| R1105 | 401 105 7909 | MT-GLAZE 0.000 ZA 1/16W | R2104 | 401 235 4106 | MT-GLAZE 120 FA 1/16W |
| R1106 | 401 105 5202 | MT-GLAZE 470 JA 1/16W | R2105 | 401 105 4106 | MT-GLAZE 3.3K JA 1/16W |
| R1107 | 401 105 5202 | MT-GLAZE 470 JA 1/16W | R2106 | 401 105 2805 | MT-GLAZE 2.2K JA 1/16W |
| R1108 | 401 105 7909 | MT-GLAZE 0.000 ZA 1/16W | R2107 | 401 105 4106 | MT-GLAZE 3.3K JA 1/16W |
| R1109 | 401 105 5301 | MT-GLAZE 4.7K JA 1/16W | R2108 | 401 105 7909 | MT-GLAZE 0.000 ZA 1/16W |
| R111 | 401 105 2805 | MT-GLAZE 2.2K JA 1/16W | R2110 | 401 105 7909 | MT-GLAZE 0.000 ZA 1/16W |
| R1111 | 401 105 0405 | MT-GLAZE 100 JA 1/16W | R2111 | 401 105 7909 | MT-GLAZE 0.000 ZA 1/16W |
| R1112 | 401 105 0405 | MT-GLAZE 100 JA 1/16W | R2112 | 401 105 7909 | MT-GLAZE 0.000 ZA 1/16W |
| R1113 | 401 105 0405 | MT-GLAZE 100 JA 1/16W | R2113 | 401 105 0405 | MT-GLAZE 100 JA 1/16W |
| R1128 | 401 105 0405 | MT-GLAZE 100 JA 1/16W | R2114 | 401 105 0405 | MT-GLAZE 100 JA 1/16W |
| R1129 | 401 105 0405 | MT-GLAZE 100 JA 1/16W | R2116 | 401 105 5301 | MT-GLAZE 4.7K JA 1/16W |
| R1131 | 401 105 0405 | MT-GLAZE 100 JA 1/16W | R2117 | 401 105 8104 | MT-GLAZE 56K JA 1/16W |
| R1132 | 401 105 7909 | MT-GLAZE 0.000 ZA 1/16W | R2118 | 401 105 5905 | MT-GLAZE 560 JA 1/16W |
| R1133 | 401 105 7909 | MT-GLAZE 0.000 ZA 1/16W | R2119 | 401 105 0504 | MT-GLAZE 1K JA 1/16W |
| R1141 | 401 105 1105 | MT-GLAZE 12K JA 1/16W | R2120 | 401 105 1501 | MT-GLAZE 1.5K JA 1/16W |
| R1142 | 401 105 8104 | MT-GLAZE 56K JA 1/16W | R2121 | 401 105 0603 | MT-GLAZE 10K JA 1/16W |
| R1149 | 401 105 0405 | MT-GLAZE 100 JA 1/16W | R2122 | 401 105 0900 | MT-GLAZE 120 JA 1/16W |
| R1151 | 401 105 0405 | MT-GLAZE 100 JA 1/16W | R2123 | 401 226 1206 | MT-GLAZE 150 FA 1/16W |
| R1152 | 401 105 0405 | MT-GLAZE 100 JA 1/16W | R2124 | 401 105 7909 | MT-GLAZE 0.000 ZA 1/16W |
| R1155 | 401 105 7503 | MT-GLAZE 82K JA 1/16W | R2125 | 401 105 7909 | MT-GLAZE 0.000 ZA 1/16W |
| R1156 | 401 105 2102 | MT-GLAZE 18K JA 1/16W | R2126 | 401 105 0405 | MT-GLAZE 100 JA 1/16W |
| R1157 | 401 105 0504 | MT-GLAZE 1K JA 1/16W | R2127 | 401 105 0405 | MT-GLAZE 100 JA 1/16W |
| R1158 | 401 105 5301 | MT-GLAZE 4.7K JA 1/16W | R2128 | 401 105 0405 | MT-GLAZE 100 JA 1/16W |
| R1159 | 401 105 7305 | MT-GLAZE 820 JA 1/16W | R2129 | 401 105 7909 | MT-GLAZE 0.000 ZA 1/16W |
| R1161 | 401 105 6001 | MT-GLAZE 5.6K JA 1/16W | R2130 | 401 105 4601 | MT-GLAZE 3.9K JA 1/16W |
| R1162 | 401 105 0504 | MT-GLAZE 1K JA 1/16W | R2131 | 401 105 7909 | MT-GLAZE 0.000 ZA 1/16W |
| R1163 | 401 105 2706 | MT-GLAZE 220 JA 1/16W | R2132 | 401 105 7909 | MT-GLAZE 0.000 ZA 1/16W |
| R1165 | 401 105 4502 | MT-GLAZE 390 JA 1/16W | R2136TM | 401 024 7707 | CARBON 100K JA 1/6W |
| R1166 | 401 105 5103 | MT-GLAZE 47 JA 1/16W | R2140 | 401 038 2002 | MT-GLAZE 270 JA 1/10W |
| R1167 | 401 105 0504 | MT-GLAZE 1K JA 1/16W | R2141 | 401 105 0405 | MT-GLAZE 100 JA 1/16W |
| R1168 | 401 105 0504 | MT-GLAZE 1K JA 1/16W | R2142 | 401 105 0405 | MT-GLAZE 100 JA 1/16W |
| R1169 | 401 105 5301 | MT-GLAZE 4.7K JA 1/16W | R2144 | 401 105 7909 | MT-GLAZE 0.000 ZA 1/16W |
| R1171 | 401 105 7305 | MT-GLAZE 820 JA 1/16W | R2145 | 401 105 0405 | MT-GLAZE 100 JA 1/16W |
| R1172 | 401 105 6001 | MT-GLAZE 5.6K JA 1/16W | R2146 | 401 105 0405 | MT-GLAZE 100 JA 1/16W |
| R1173 | 401 105 0504 | MT-GLAZE 1K JA 1/16W | R2147 | 401 105 0405 | MT-GLAZE 100 JA 1/16W |
| R1174 | 401 105 2706 | MT-GLAZE 220 JA 1/16W | R2148 | 401 105 0405 | MT-GLAZE 100 JA 1/16W |

Electrical Parts List

| Ref. No. | Part No. | Description | Ref. No. | Part No. | Description |
|----------|--------------|-------------------------|----------|--------------|-------------------------|
| R2149 | 401 105 0603 | MT-GLAZE 10K JA 1/16W | R4124 | 401 105 0405 | MT-GLAZE 100 JA 1/16W |
| R2150 | 401 038 2002 | MT-GLAZE 270 JA 1/10W | R4125 | 401 105 0405 | MT-GLAZE 100 JA 1/16W |
| R2151 | 401 037 5004 | MT-GLAZE 0.000 ZA 1/10W | R4126 | 401 217 4100 | MT-GLAZE 22K FA 1/16W |
| R2153 | 401 105 0603 | MT-GLAZE 10K JA 1/16W | R4127 | 401 105 1501 | MT-GLAZE 1.5K JA 1/16W |
| R2155 | 401 105 0405 | MT-GLAZE 100 JA 1/16W | R4128 | 401 105 6001 | MT-GLAZE 5.6K JA 1/16W |
| R2156 | 401 105 0405 | MT-GLAZE 100 JA 1/16W | R4182 | 401 105 2805 | MT-GLAZE 2.2K JA 1/16W |
| R2157 | 401 105 0504 | MT-GLAZE 1K JA 1/16W | R4183 | 401 105 0504 | MT-GLAZE 1K JA 1/16W |
| R2160 | 401 105 2805 | MT-GLAZE 2.2K JA 1/16W | R4184 | 401 105 6001 | MT-GLAZE 5.6K JA 1/16W |
| R2161 | 401 105 7404 | MT-GLAZE 8.2K JA 1/16W | R4186 | 401 158 4108 | MT-GLAZE 4.7 JA 1/16W |
| R2162 | 401 105 0603 | MT-GLAZE 10K JA 1/16W | R4187 | 401 105 1907 | MT-GLAZE 180 JA 1/16W |
| R2163 | 401 105 2706 | MT-GLAZE 220 JA 1/16W | R4188 | 401 112 8005 | MT-GLAZE 5.6 JA 1/16W |
| R2164 | 401 105 4106 | MT-GLAZE 3.3K JA 1/16W | R4190 | 401 105 2904 | MT-GLAZE 22K JA 1/16W |
| R2165 | 401 105 7909 | MT-GLAZE 0.000 ZA 1/16W | R4191 | 401 105 2805 | MT-GLAZE 2.2K JA 1/16W |
| R2167 | 401 105 0405 | MT-GLAZE 100 JA 1/16W | R4196TM | 401 105 0504 | MT-GLAZE 1K JA 1/16W |
| R2168 | 401 105 0405 | MT-GLAZE 100 JA 1/16W | R4197TM | 401 105 0504 | MT-GLAZE 1K JA 1/16W |
| R2169 | 401 105 0405 | MT-GLAZE 100 JA 1/16W | R5100 | 401 105 2904 | MT-GLAZE 22K JA 1/16W |
| R2170 | 401 105 4007 | MT-GLAZE 330 JA 1/16W | R5101 | 401 105 1709 | MT-GLAZE 150K JA 1/16W |
| R2191 | 401 105 0504 | MT-GLAZE 1K JA 1/16W | R5102 | 401 105 0504 | MT-GLAZE 1K JA 1/16W |
| R2192 | 401 105 0504 | MT-GLAZE 1K JA 1/16W | R5103 | 401 105 0702 | MT-GLAZE 100K JA 1/16W |
| R2193 | 401 105 2805 | MT-GLAZE 2.2K JA 1/16W | R5104 | 401 105 4205 | MT-GLAZE 33K JA 1/16W |
| R3105 | 401 105 0504 | MT-GLAZE 1K JA 1/16W | R5105 | 401 105 0702 | MT-GLAZE 100K JA 1/16W |
| R3106 | 401 105 1006 | MT-GLAZE 1.2K JA 1/16W | R5106 | 401 105 8005 | MT-GLAZE 1M JA 1/16W |
| R3107 | 401 105 5202 | MT-GLAZE 470 JA 1/16W | R5107 | 401 105 5905 | MT-GLAZE 560 JA 1/16W |
| R3108 | 401 105 2904 | MT-GLAZE 22K JA 1/16W | R5108 | 401 105 7305 | MT-GLAZE 820 JA 1/16W |
| R3109 | 401 105 7404 | MT-GLAZE 8.2K JA 1/16W | R5109 | 401 217 3905 | MT-GLAZE 3.3K FA 1/16W |
| R3110 | 401 105 0405 | MT-GLAZE 100 JA 1/16W | R5110 | 401 105 8203 | MT-GLAZE 68K JA 1/16W |
| R3120 | 401 105 0504 | MT-GLAZE 1K JA 1/16W | R5111 | 401 217 3905 | MT-GLAZE 3.3K FA 1/16W |
| R3121 | 401 037 9101 | MT-GLAZE 180 JA 1/10W | R5113 | 401 105 1006 | MT-GLAZE 1.2K JA 1/16W |
| R3122 | 401 037 9101 | MT-GLAZE 180 JA 1/10W | R5116 | 401 105 7305 | MT-GLAZE 820 JA 1/16W |
| R3130 | 401 105 6506 | MT-GLAZE 680 JA 1/16W | R5117 | 401 105 7404 | MT-GLAZE 8.2K JA 1/16W |
| R3131 | 401 105 0504 | MT-GLAZE 1K JA 1/16W | R5118 | 401 105 0504 | MT-GLAZE 1K JA 1/16W |
| R3132 | 401 105 0306 | MT-GLAZE 10 JA 1/16W | R5119 | 401 105 0603 | MT-GLAZE 10K JA 1/16W |
| R3140 | 401 105 0504 | MT-GLAZE 1K JA 1/16W | R5120 | 401 105 4700 | MT-GLAZE 39K JA 1/16W |
| R3142 | 401 105 4007 | MT-GLAZE 330 JA 1/16W | R5121 | 401 105 0603 | MT-GLAZE 10K JA 1/16W |
| R3143 | 401 105 0603 | MT-GLAZE 10K JA 1/16W | R5122 | 401 105 7404 | MT-GLAZE 8.2K JA 1/16W |
| R3144 | 401 105 4106 | MT-GLAZE 3.3K JA 1/16W | R5123 | 401 105 0504 | MT-GLAZE 1K JA 1/16W |
| R3145 | 401 105 0504 | MT-GLAZE 1K JA 1/16W | R5124 | 401 105 0405 | MT-GLAZE 100 JA 1/16W |
| R3147 | 401 105 0504 | MT-GLAZE 1K JA 1/16W | R5125 | 401 105 0504 | MT-GLAZE 1K JA 1/16W |
| R3148 | 401 105 4106 | MT-GLAZE 3.3K JA 1/16W | R5126 | 401 105 0603 | MT-GLAZE 10K JA 1/16W |
| R3151 | 401 105 1501 | MT-GLAZE 1.5K JA 1/16W | R5127 | 401 105 6506 | MT-GLAZE 680 JA 1/16W |
| R3152 | 401 105 0504 | MT-GLAZE 1K JA 1/16W | R5128 | 401 105 0504 | MT-GLAZE 1K JA 1/16W |
| R3153 | 401 105 5202 | MT-GLAZE 470 JA 1/16W | R5129 | 401 105 0603 | MT-GLAZE 10K JA 1/16W |
| R3154 | 401 105 8104 | MT-GLAZE 56K JA 1/16W | R5130 | 401 105 2904 | MT-GLAZE 22K JA 1/16W |
| R3155 | 401 105 8104 | MT-GLAZE 56K JA 1/16W | R5131 | 401 105 0504 | MT-GLAZE 1K JA 1/16W |
| R3156 | 401 105 8104 | MT-GLAZE 56K JA 1/16W | R5132 | 401 105 0603 | MT-GLAZE 10K JA 1/16W |
| R3157 | 401 105 8104 | MT-GLAZE 56K JA 1/16W | R5133 | 401 105 0405 | MT-GLAZE 100 JA 1/16W |
| R3158 | 401 105 8104 | MT-GLAZE 56K JA 1/16W | R5134 | 401 105 0405 | MT-GLAZE 100 JA 1/16W |
| R3159 | 401 105 0504 | MT-GLAZE 1K JA 1/16W | R5135 | 401 105 0405 | MT-GLAZE 100 JA 1/16W |
| R3160 | 401 105 1204 | MT-GLAZE 120K JA 1/16W | R5136 | 401 105 0405 | MT-GLAZE 100 JA 1/16W |
| R3162 | 401 105 2706 | MT-GLAZE 220 JA 1/16W | R5137 | 401 105 7909 | MT-GLAZE 0.000 ZA 1/16W |
| R3163 | 401 105 2706 | MT-GLAZE 220 JA 1/16W | R5138 | 401 105 7909 | MT-GLAZE 0.000 ZA 1/16W |
| R3165 | 401 105 0405 | MT-GLAZE 100 JA 1/16W | R5139 | 401 105 7909 | MT-GLAZE 0.000 ZA 1/16W |
| R3166 | 401 105 0405 | MT-GLAZE 100 JA 1/16W | R5140 | 401 105 7909 | MT-GLAZE 0.000 ZA 1/16W |
| R3167 | 401 105 3307 | MT-GLAZE 2.7K JA 1/16W | R5141 | 401 105 7909 | MT-GLAZE 0.000 ZA 1/16W |
| R3168 | 401 105 4304 | MT-GLAZE 330K JA 1/16W | R5142 | 401 105 0504 | MT-GLAZE 1K JA 1/16W |
| R3169 | 401 105 0504 | MT-GLAZE 1K JA 1/16W | R5143 | 401 105 5202 | MT-GLAZE 470 JA 1/16W |
| R3170 | 401 105 3000 | MT-GLAZE 220K JA 1/16W | R5150 | 401 105 4700 | MT-GLAZE 39K JA 1/16W |
| R3171 | 401 105 2805 | MT-GLAZE 2.2K JA 1/16W | R5160 | 401 105 0504 | MT-GLAZE 1K JA 1/16W |
| R3173 | 401 105 4106 | MT-GLAZE 3.3K JA 1/16W | R5170 | 401 105 0504 | MT-GLAZE 1K JA 1/16W |
| R3174 | 401 113 9506 | MT-GLAZE 620K JA 1/16W | R5180 | 401 203 9904 | MT-GLAZE 4.7K FA 1/16W |
| R3175 | 401 218 4505 | MT-GLAZE 2.2K FA 1/16W | R5181 | 401 105 5905 | MT-GLAZE 560 JA 1/16W |
| R3176 | 401 219 1602 | MT-GLAZE 100K FA 1/16W | R5182 | 401 105 5905 | MT-GLAZE 560 JA 1/16W |
| R3177 | 401 105 5301 | MT-GLAZE 4.7K JA 1/16W | R5183 | 401 105 5905 | MT-GLAZE 560 JA 1/16W |
| R3178 | 401 105 6001 | MT-GLAZE 5.6K JA 1/16W | R5184 | 401 113 4402 | MT-GLAZE 75 JA 1/16W |
| R3179 | 401 286 3400 | MT-GLAZE 10 FA 1/16W | R5185 | 401 105 0504 | MT-GLAZE 1K JA 1/16W |
| R3180 | 401 105 0603 | MT-GLAZE 10K JA 1/16W | R5187 | 401 113 4402 | MT-GLAZE 75 JA 1/16W |
| R3181 | 401 105 0504 | MT-GLAZE 1K JA 1/16W | R5188 | 401 105 0504 | MT-GLAZE 1K JA 1/16W |
| R3182 | 401 105 0504 | MT-GLAZE 1K JA 1/16W | R5191 | 401 113 4402 | MT-GLAZE 75 JA 1/16W |
| R3183 | 401 105 5202 | MT-GLAZE 470 JA 1/16W | R5192 | 401 105 0504 | MT-GLAZE 1K JA 1/16W |
| R3184 | 401 105 0504 | MT-GLAZE 1K JA 1/16W | COIL | | |
| R3185 | 401 105 0504 | MT-GLAZE 1K JA 1/16W | L101 | 645 014 2659 | FILTER,EMI 10MHZ |
| R3186 | 401 105 5202 | MT-GLAZE 470 JA 1/16W | L102 | 645 014 2659 | FILTER,EMI 10MHZ |
| R3187 | 401 105 0504 | MT-GLAZE 1K JA 1/16W | L1101 | 645 004 1587 | INDUCTOR,4.7U J |
| R3188 | 401 105 0504 | MT-GLAZE 1K JA 1/16W | L1104 | 645 026 1008 | INDUCTOR,3.3U M |
| R3189 | 401 105 4007 | MT-GLAZE 330 JA 1/16W | L1131 | 645 026 1008 | INDUCTOR,3.3U M |
| R3190 | 401 105 4007 | MT-GLAZE 330 JA 1/16W | L1151 | 645 044 3626 | FILTER,LP 7MHZ |
| R3191 | 401 105 0405 | MT-GLAZE 100 JA 1/16W | L1161 | 645 044 3626 | FILTER,LP 7MHZ |
| R3193 | 401 105 0702 | MT-GLAZE 100K JA 1/16W | L1162 | 645 021 1607 | INDUCTOR,10U J |
| R4101 | 401 217 5404 | MT-GLAZE 47K FA 1/16W | L121 | 401 037 5004 | MT-GLAZE 0.000 ZA 1/10W |
| R4102 | 401 105 0504 | MT-GLAZE 1K JA 1/16W | L122 | 401 037 5004 | MT-GLAZE 0.000 ZA 1/10W |
| R4103 | 401 105 0504 | MT-GLAZE 1K JA 1/16W | L123 | 645 002 3910 | FILTER,EMI 100MHZ |
| R4104 | 401 105 0405 | MT-GLAZE 100 JA 1/16W | L124 | 645 002 3910 | FILTER,EMI 100MHZ |
| R4105 | 401 105 0405 | MT-GLAZE 100 JA 1/16W | L125 | 645 014 2659 | FILTER,EMI 10MHZ |
| R4106 | 401 105 0405 | MT-GLAZE 100 JA 1/16W | L131 | 401 037 5004 | MT-GLAZE 0.000 ZA 1/10W |
| R4108 | 401 105 0603 | MT-GLAZE 10K JA 1/16W | L132 | 645 002 3910 | FILTER,EMI 100MHZ |
| R4109 | 401 105 0603 | MT-GLAZE 10K JA 1/16W | L133 | 401 037 5004 | MT-GLAZE 0.000 ZA 1/10W |
| R4110 | 401 105 0603 | MT-GLAZE 10K JA 1/16W | L134 | 645 002 3910 | FILTER,EMI 100MHZ |
| R4111 | 401 105 0603 | MT-GLAZE 10K JA 1/16W | L161 | 645 044 3626 | FILTER,LP 7MHZ |
| R4112 | 401 114 0502 | MT-GLAZE 2.2M JA 1/16W | L2101 | 645 026 1008 | INDUCTOR,3.3U M |
| R4113 | 401 105 0603 | MT-GLAZE 10K JA 1/16W | L2102 | 645 026 1008 | INDUCTOR,3.3U M |
| R4116 | 401 105 0405 | MT-GLAZE 100 JA 1/16W | L2191 | 645 021 1614 | INDUCTOR,12U J |
| R4117 | 401 105 0405 | MT-GLAZE 100 JA 1/16W | L5101 | 645 026 1008 | INDUCTOR,3.3U M |
| R4118 | 401 105 0405 | MT-GLAZE 100 JA 1/16W | L5102 | 645 021 1713 | INDUCTOR,39U J |
| R4119 | 401 105 0900 | MT-GLAZE 120 JA 1/16W | L5103 | 645 021 1706 | INDUCTOR,33U J |
| R4122 | 401 105 0405 | MT-GLAZE 100 JA 1/16W | L5104 | 645 021 1737 | INDUCTOR,47U J |

Electrical Parts List

| Ref. No. | Part No. | Description | Ref. No. | Part No. | Description |
|---------------|--------------|--------------------------|--|--------------|----------------------------|
| L5121 | 645 021 1713 | INDUCTOR ,39U J | ***** | | |
| DIODE | | | ACCESSORIES | | |
| D101 | 407 187 8209 | ZENER DIODE UDZ12B-TE-17 | * Printed matter/Owner's Manual | | |
| D102 | 407 187 8209 | ZENER DIODE UDZ12B-TE-17 | English | 610 300 1357 | OWNER 'S MANUAL-MT8A |
| D103 | 407 187 8209 | ZENER DIODE UDZ12B-TE-17 | German | 610 300 1364 | OWNER 'S MANUAL-MT8A-D |
| D104 | 407 187 8209 | ZENER DIODE UDZ12B-TE-17 | French | 610 300 1371 | OWNER 'S MANUAL-MT8A-F |
| D1101 | 407 149 0807 | DIODE 1SS355-TE-17 | Italian | 610 300 1388 | OWNER 'S MANUAL-MT8A-I |
| D1121 | 407 149 0807 | DIODE 1SS355-TE-17 | Spanish | 610 300 1395 | OWNER 'S MANUAL-MT8A-E |
| D121 | 407 209 1201 | ZD UDZS-TE-176.2B | | 610 303 9794 | LENS INST MANUAL-MT8A |
| D122 | 407 209 1201 | ZD UDZS-TE-176.2B | * AC Power Cord | | |
| D123 | 407 209 1201 | ZD UDZS-TE-176.2B | for Continental Europe | | |
| D124 | 407 209 1201 | ZD UDZS-TE-176.2B | ▲ | 645 002 9196 | CORD,POWER-3.0MK,EU |
| D125 | 407 187 8209 | ZENER DIODE UDZ12B-TE-17 | for U.K. | | |
| D131 | 407 209 1201 | ZD UDZS-TE-176.2B | ▲ | 645 003 1137 | CORD,POWER-3.0MK,UK |
| D132 | 407 209 1201 | ZD UDZS-TE-176.2B | for U.S.A. and Canada | | |
| D133 | 407 209 1201 | ZD UDZS-TE-176.2B | ▲ | 645 040 7871 | CORD,POWER-3.0MK,USA |
| D134 | 407 209 1201 | ZD UDZS-TE-176.2B | * Remote Control Transmitter | | |
| D2140 | 407 206 6308 | ZD UDZS-TE-175.1B | AA9901 | 645 047 7881 | ASSY,REMOCON CXJY |
| D3121 | 407 149 0807 | DIODE 1SS355-TE-17 | A9901C | 610 283 3867 | RC-BATTERY LID-CXFJ |
| D3131 | 407 206 6308 | ZD UDZS-TE-175.1B | * Cable and Adapter | | |
| D4181 | 407 149 0807 | DIODE 1SS355-TE-17 | a | 645 030 6624 | CABLE,INTERFACE VGA |
| D4182 | 407 149 0807 | DIODE 1SS355-TE-17 | b | 645 043 3702 | CABLE,DVI-D |
| D5101 | 407 216 7609 | VARACTOR DI HVU17 | c | 645 031 8207 | ADAPTOR,MAC/IBM |
| MISCELLANEOUS | | | d | 645 043 9704 | ADAPTOR,DVI/VGA |
| K101 | 645 040 9974 | JACK,RCA-2 | e | 645 054 3111 | CABLE,MOUSE PS/2 |
| K121 | 645 040 9967 | SOCKET,DIN 4P | e | 645 054 3128 | CABLE,MOUSE PS/2 |
| K131 | 645 031 6067 | SOCKET,BNC 2P | e | 645 039 7202 | CABLE,MOUSE PS/2 |
| K3101 | 645 041 6071 | SOCKET,I/O 176P | f | 645 054 3135 | CABLE,MOUSE SERIAL |
| K3101A | 610 289 9795 | JOINT GUIDE BUSH ML6A | f | 645 054 3142 | CABLE,MOUSE SERIAL |
| K3101B | 610 289 9795 | JOINT GUIDE BUSH ML6A | f | 645 039 7219 | CABLE,MOUSE SERIAL |
| X1101 | 645 028 5622 | OSC,CRYSTAL 20.000MHZ | g | 645 054 3098 | CABLE,MOUSE MAC |
| | 645 028 5646 | OSC,CRYSTAL 20.000MHZ | g | 645 054 3104 | CABLE,MOUSE MAC |
| X3141 | 610 012 0532 | OSC,CERAMIC 500.0KHZ | g | 645 039 7196 | CABLE,MOUSE MAC |
| X3142 | 645 024 8788 | OSC,CRYSTAL 3.579545MHZ | h | 645 015 3976 | CABLE,REMOTE CONTROL |
| | 645 025 1108 | OSC,CRYSTAL 3.579545MHZ | h | 610 234 0969 | CABLE,REMOTE CONTROL |
| X3143 | 645 024 8801 | OSC,CRYSTAL 4.433619MHZ | * Miscellaneous | | |
| | 645 025 1122 | OSC,CRYSTAL 4.433619MHZ | 132. | 610 303 8742 | COMPL,MOUNTING LENS A-MT8A |
| X3145 | 645 028 1372 | OSC,CRYSTAL 3.575611MHZ | 132-A | 610 303 9886 | ASSY,PWB,BASE NET MT8A |
| X3146 | 645 028 1365 | OSC,CRYSTAL 3.582056MHZ | 133. | 610 304 6228 | COMPL,MOUNTING LENS A-IDJK |
| X5101 | 645 040 7819 | OSC,CRYSTAL 17.734475MHZ | | 610 286 7626 | COMPL,COVER LENS A-ML6A |
| | | | ** | 610 284 2494 | (Including "***") |
| | | | ** | 610 284 2500 | COVER LENS B-MJ6A |
| | | | ** | 610 285 8198 | COVER LENS C-MJ6A |
| | | | ** | 610 285 8204 | COVER LENS D-MJ6A |
| | | | ** | 610 285 8211 | COVER LENS E-MJ6A |
| | | | ** | 610 285 8228 | COVER LENS F-MJ6A |
| | | | ** | 610 285 8228 | COVER LENS G-MJ6A |
| | | | | 610 301 6658 | ASSY,SPACER BF-MY8A |
| | | | ** | 610 301 4067 | (Including "***") |
| | | | ** | 610 301 4180 | SPACER SHEET DIA8*TO.1-MV |
| | | | ** | 610 301 4197 | SPACER SHEET DIA8*TO.2-MV |
| | | | ** | 610 301 4197 | SPACER SHEET DIA8*TO.3-MV |
| | | | | 610 289 2598 | COVER,DUST-ML6A |
| | | | | 645 057 4597 | DISC,CD-ROM |
| | | | ***** | | |



**Schematic Diagrams
Block Diagrams
Printed Wiring Board Drawings**

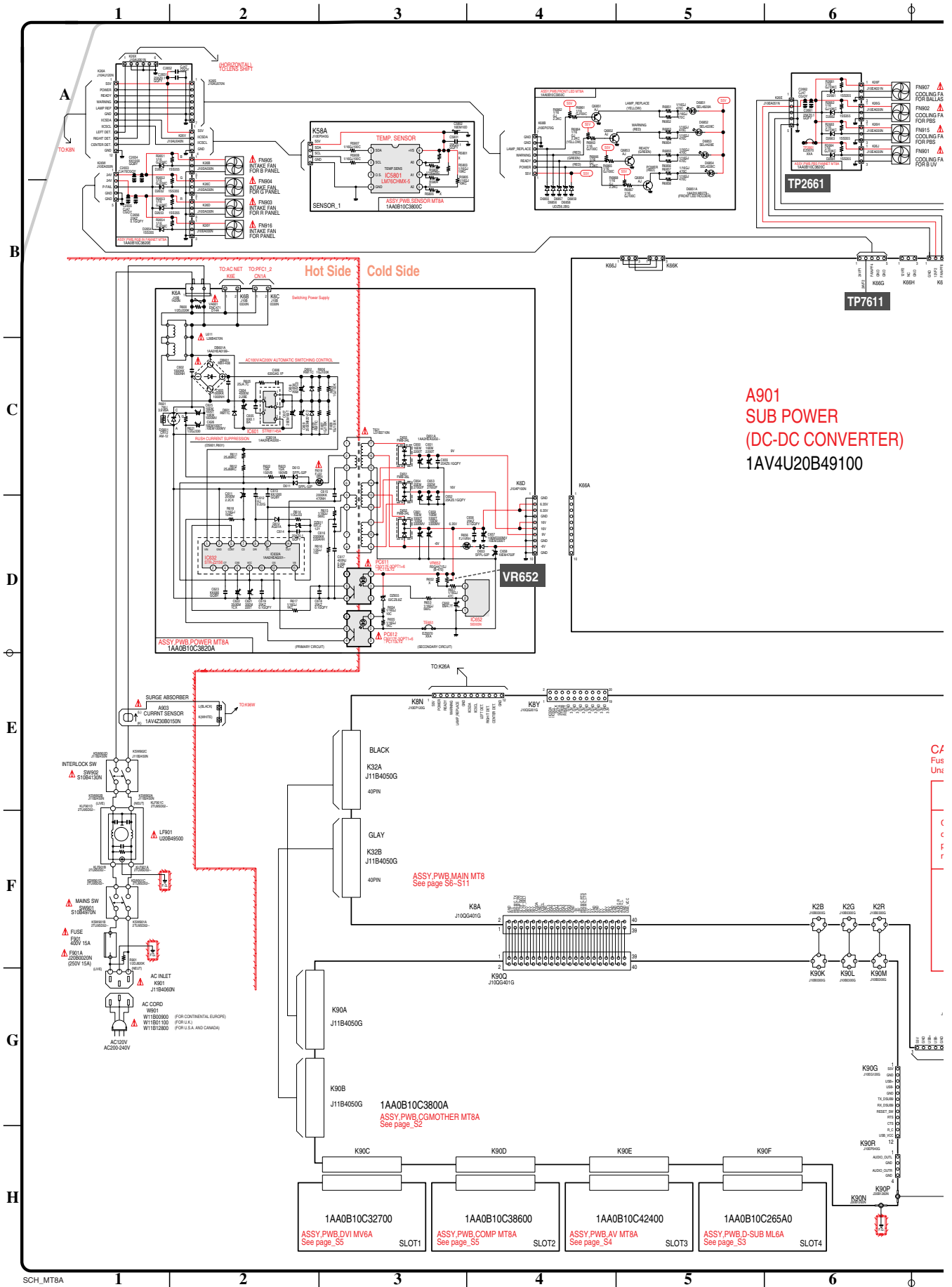
| Model | Chassis No. |
|--------------|--------------------|
| PLC-UF15 | MT8-UF1500 |

These schematic diagrams and printed wiring board drawings are part of the service manual original for chassis No. MT8-UF1500, model PLC-UF15. File with the service manual No. SM5110431.

Note:

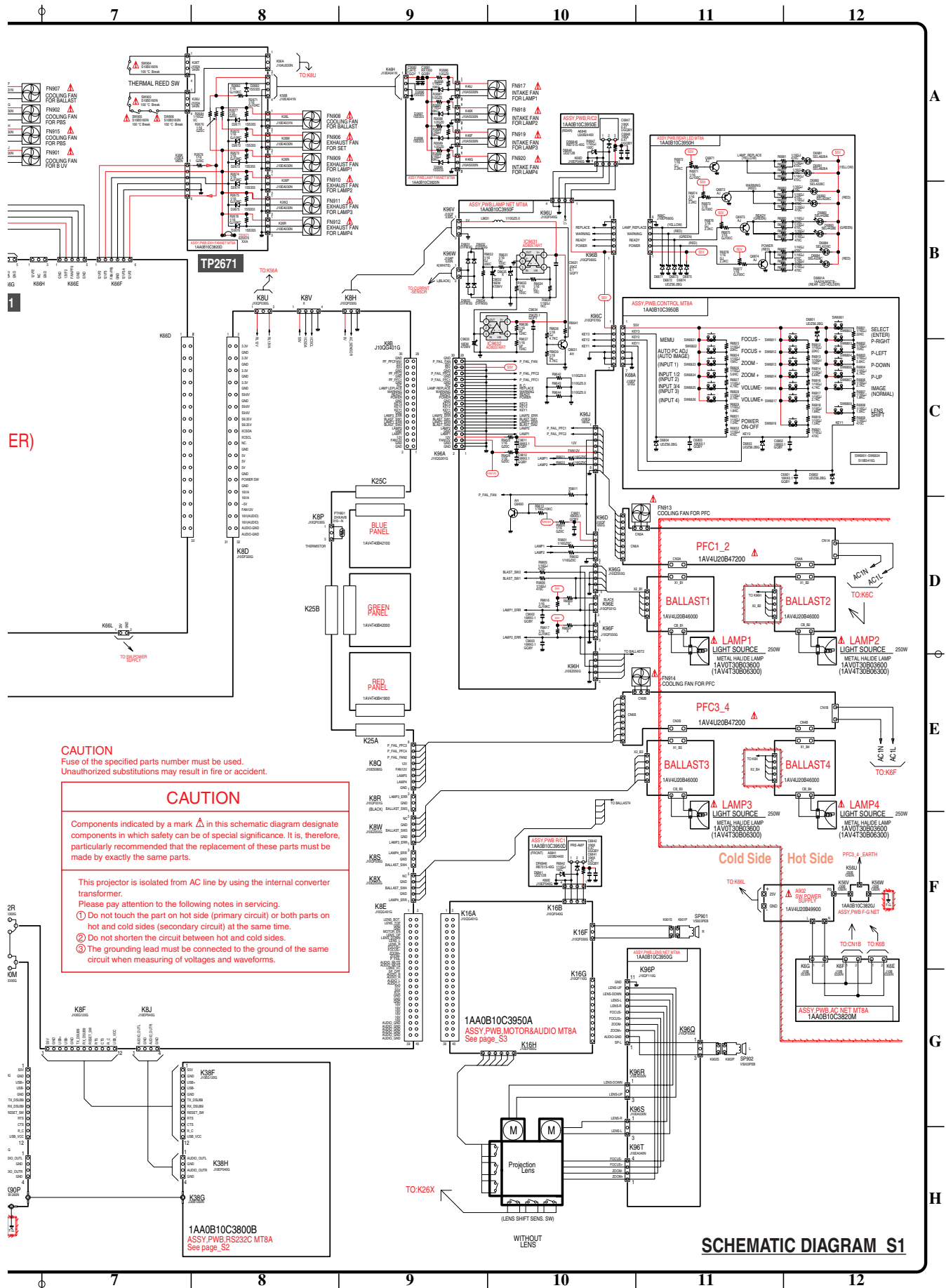
All the information of part numbers and values indicated on these diagrams are at the beginning of production. To improve the performance, there may be some differences to the actual set. When you order the service parts, use service parts code mentioned on the parts list in this service manual.

Schematic Diagram PLC-UF15 S1 [Left]



SCH_MT8A

Schematic Diagram PLC-UF15 S1 [Right]



CAUTION
Fuse of the specified parts number must be used.
Unauthorized substitutions may result in fire or accident.

CAUTION

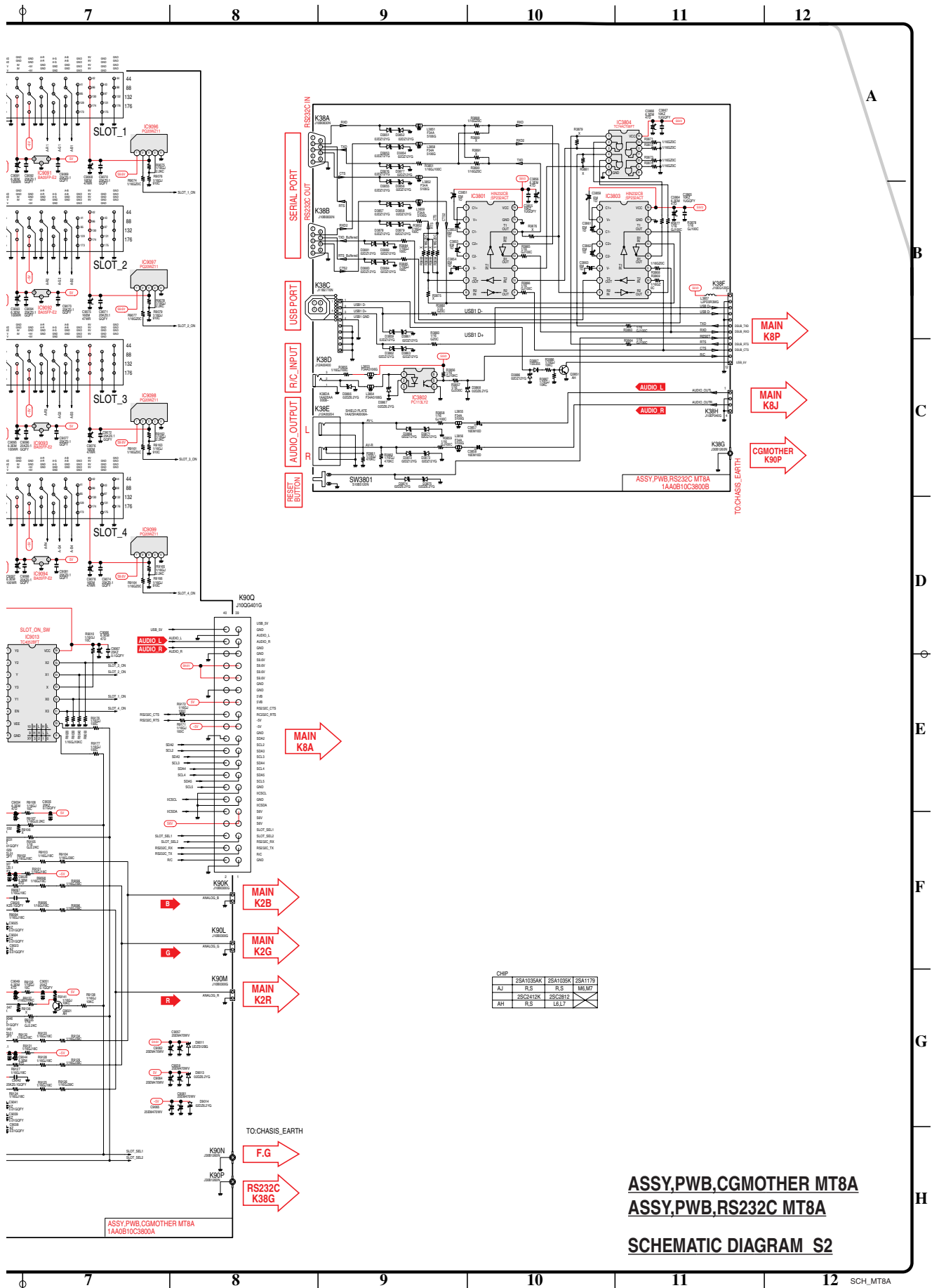
Components indicated by a mark Δ in this schematic diagram designate components in which safety can be of special significance. It is, therefore, particularly recommended that the replacement of these parts must be made by exactly the same parts.

This projector is isolated from AC line by using the internal converter transformer.
Please pay attention to the following notes in servicing.

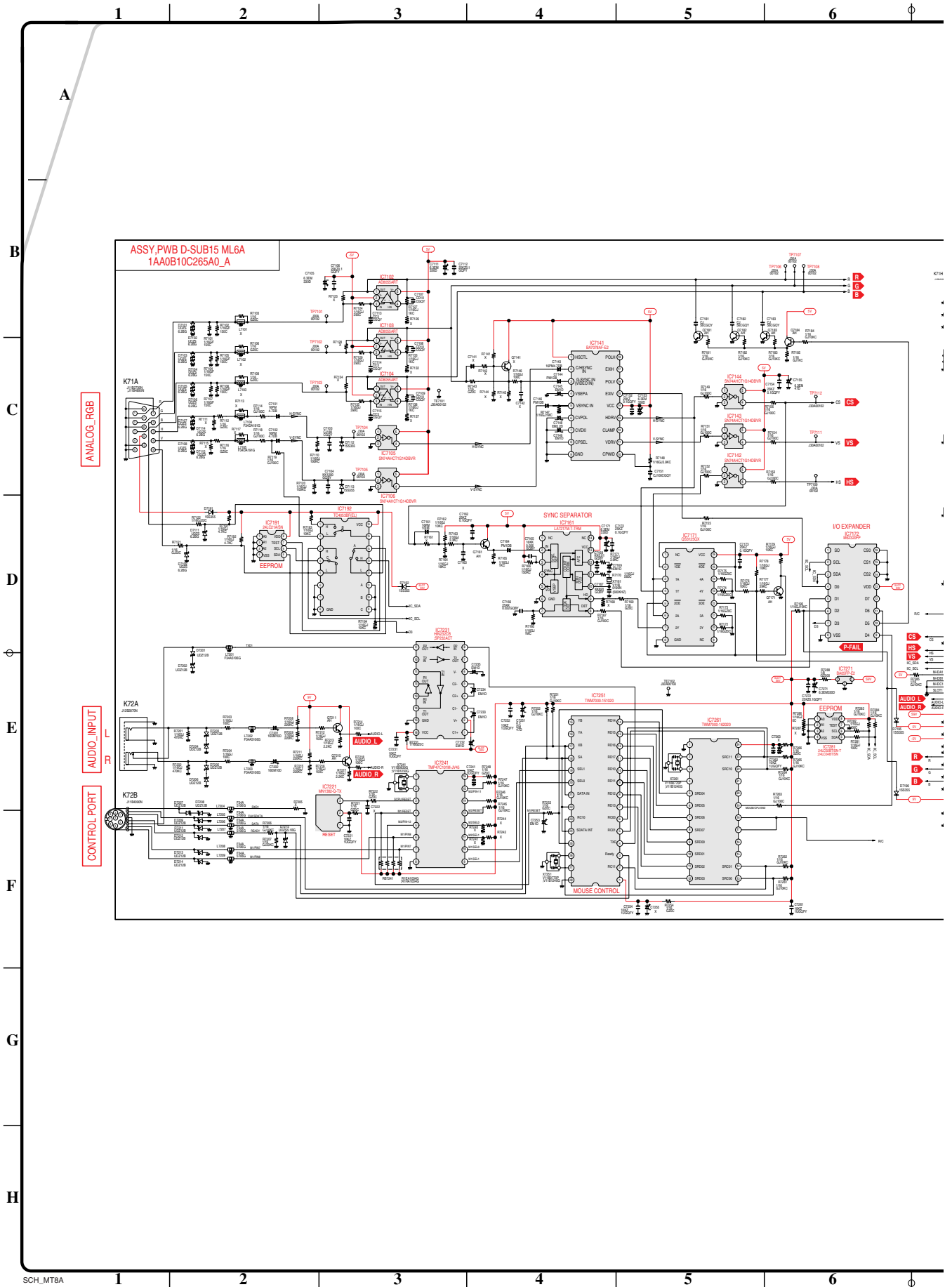
- Do not touch the part on hot side (primary circuit) or both parts on hot and cold sides (secondary circuit) at the same time.
- Do not shorten the circuit between hot and cold sides.
- The grounding lead must be connected to the ground of the same circuit when measuring of voltages and waveforms.

SCHMATIC DIAGRAM S1

Schematic Diagram PLC-UF15 S2 [Right]

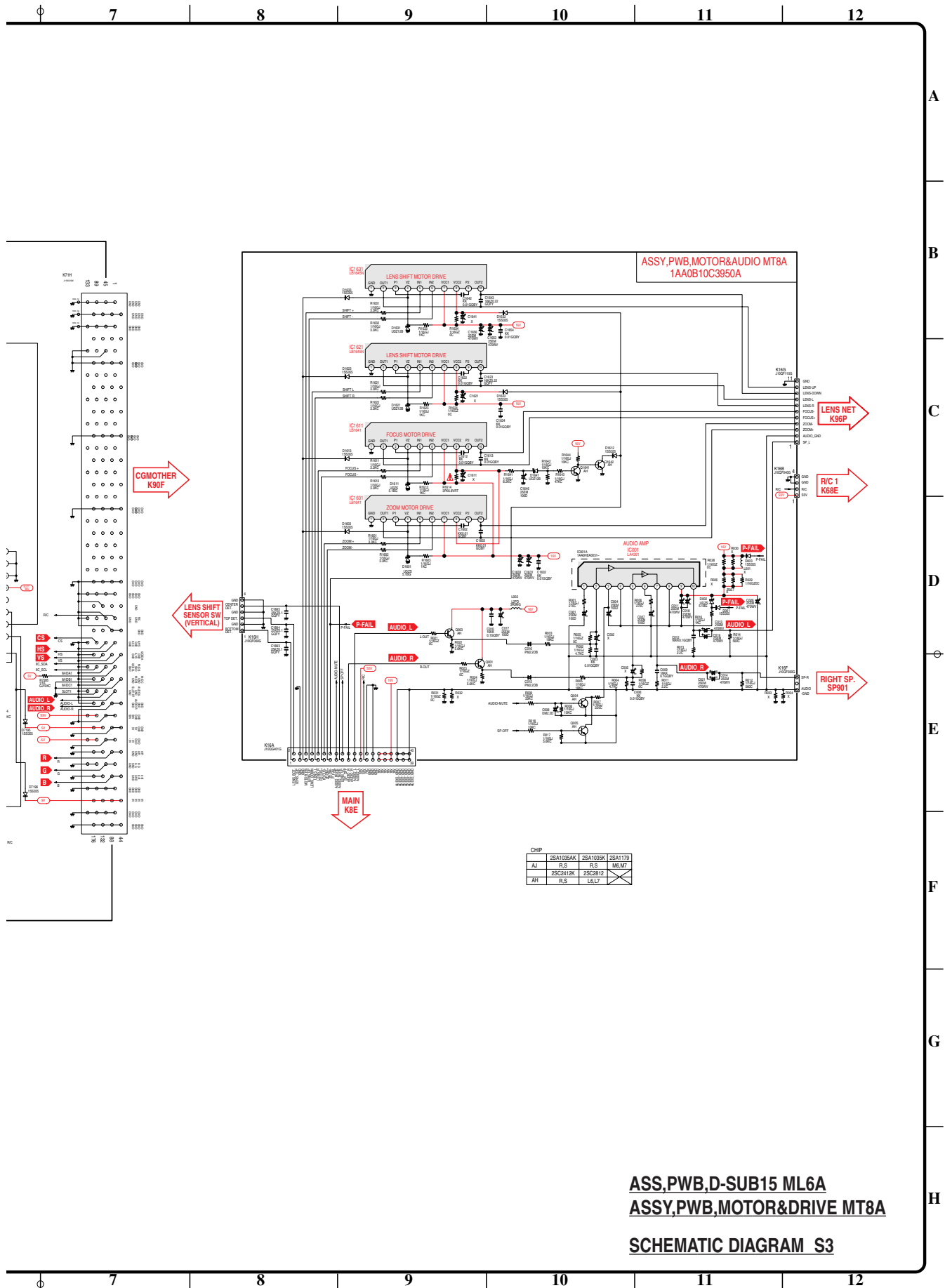


Schematic Diagram PLC-UF15 S3 [Left]



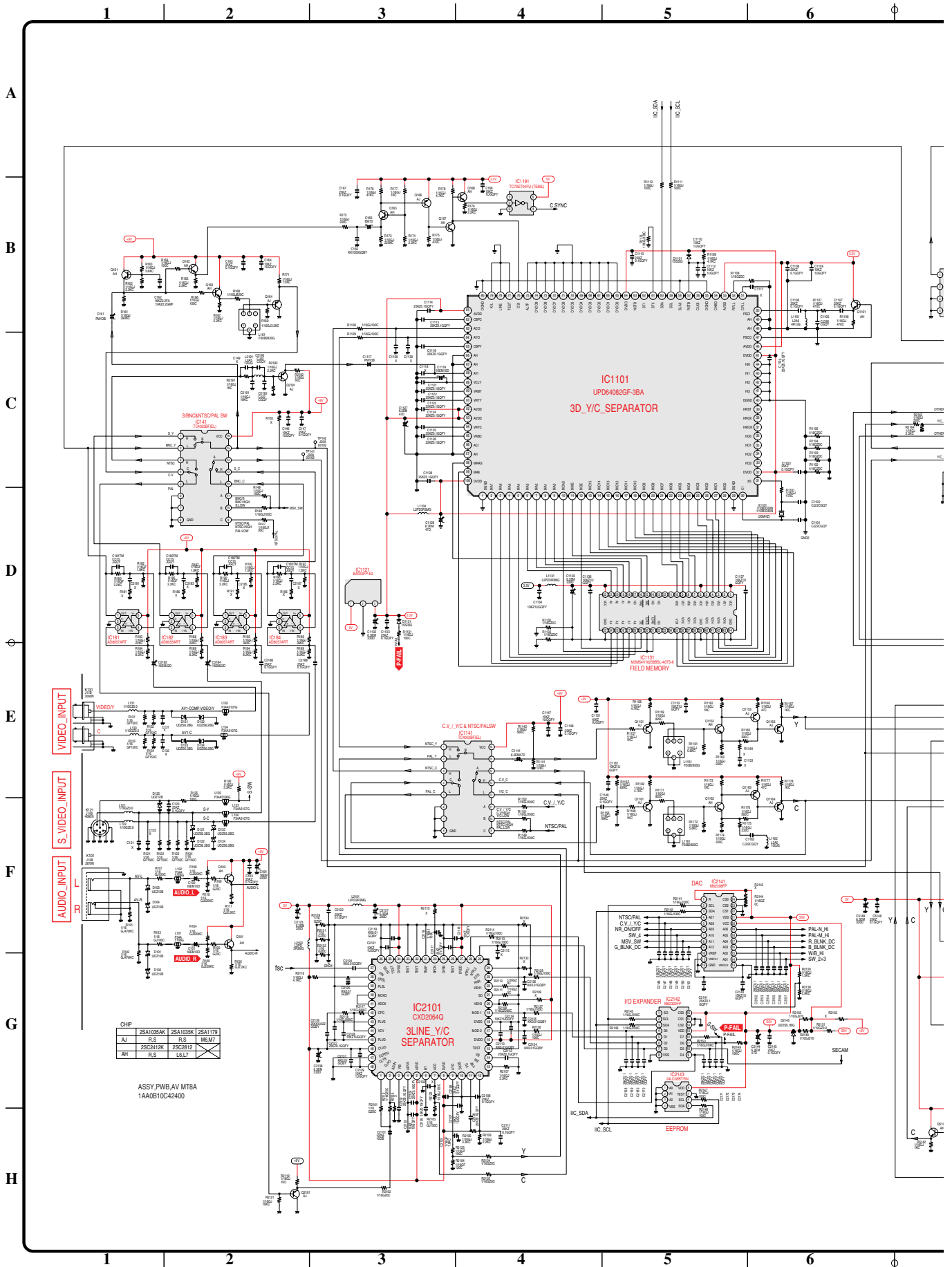
SCH_MT8A

Schematic Diagram PLC-UF15 S3 [Right]

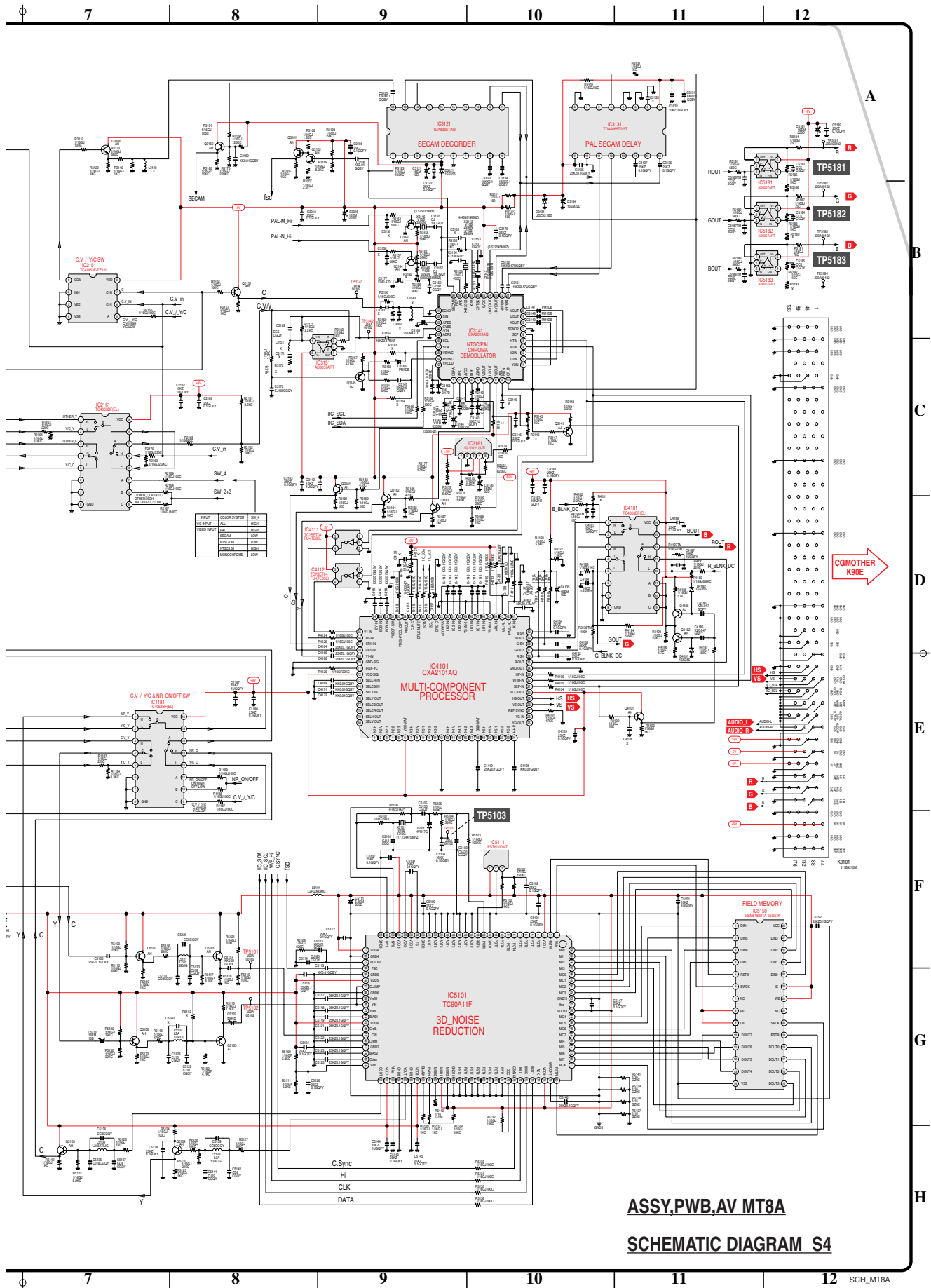


ASS,PWB,D-SUB15 ML6A
ASSY,PWB,MOTOR&DRIVE MT8A
SCHEMATIC DIAGRAM S3

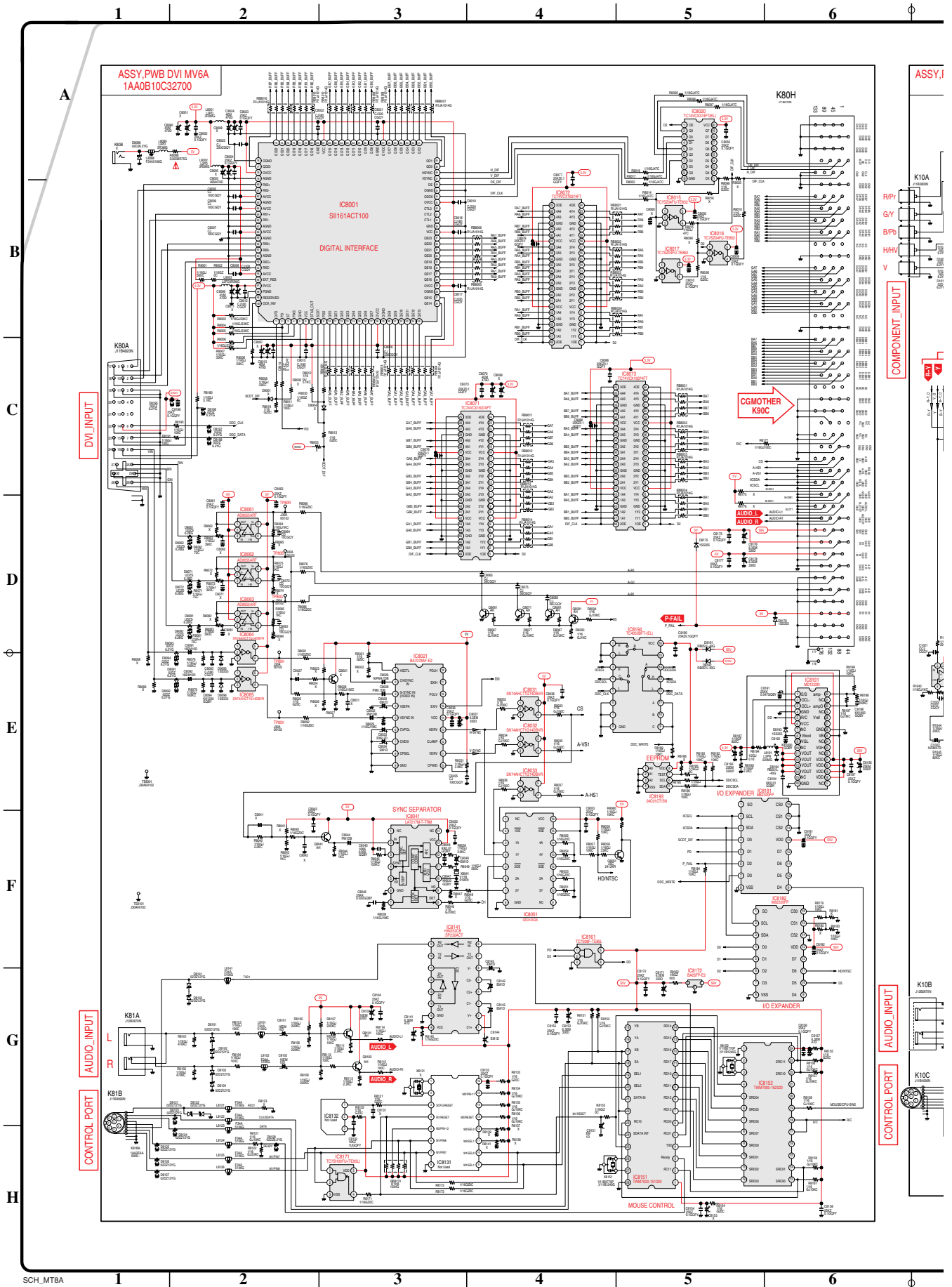
Schematic Diagrams PLC-UF15 S4 [Left]



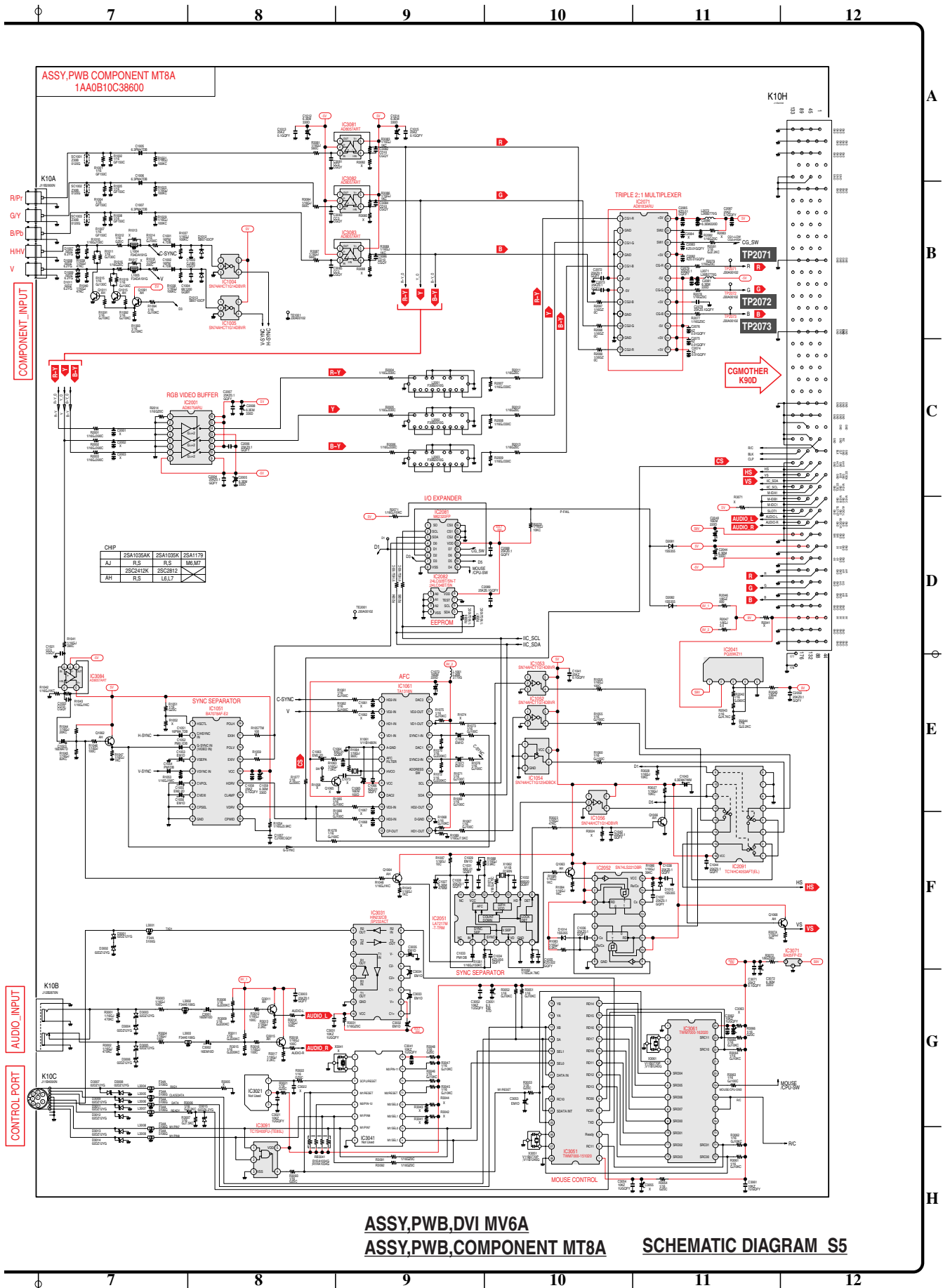
Schematic Diagram PLC-UF15 S4 [Right]



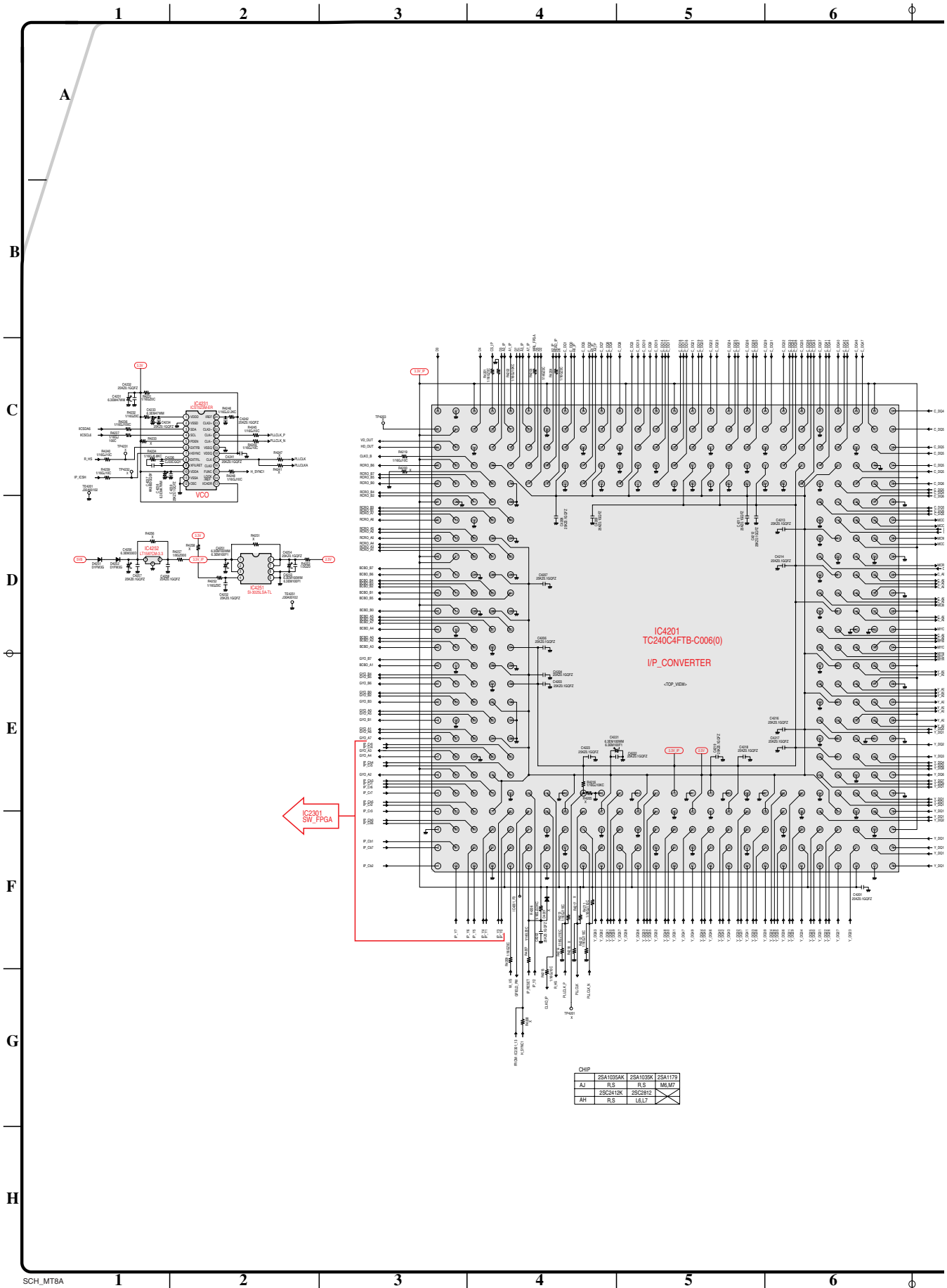
Schematic Diagram PLC-UF15 S5 [Left]



Schematic Diagram PLC-UF15 S5 [Right]



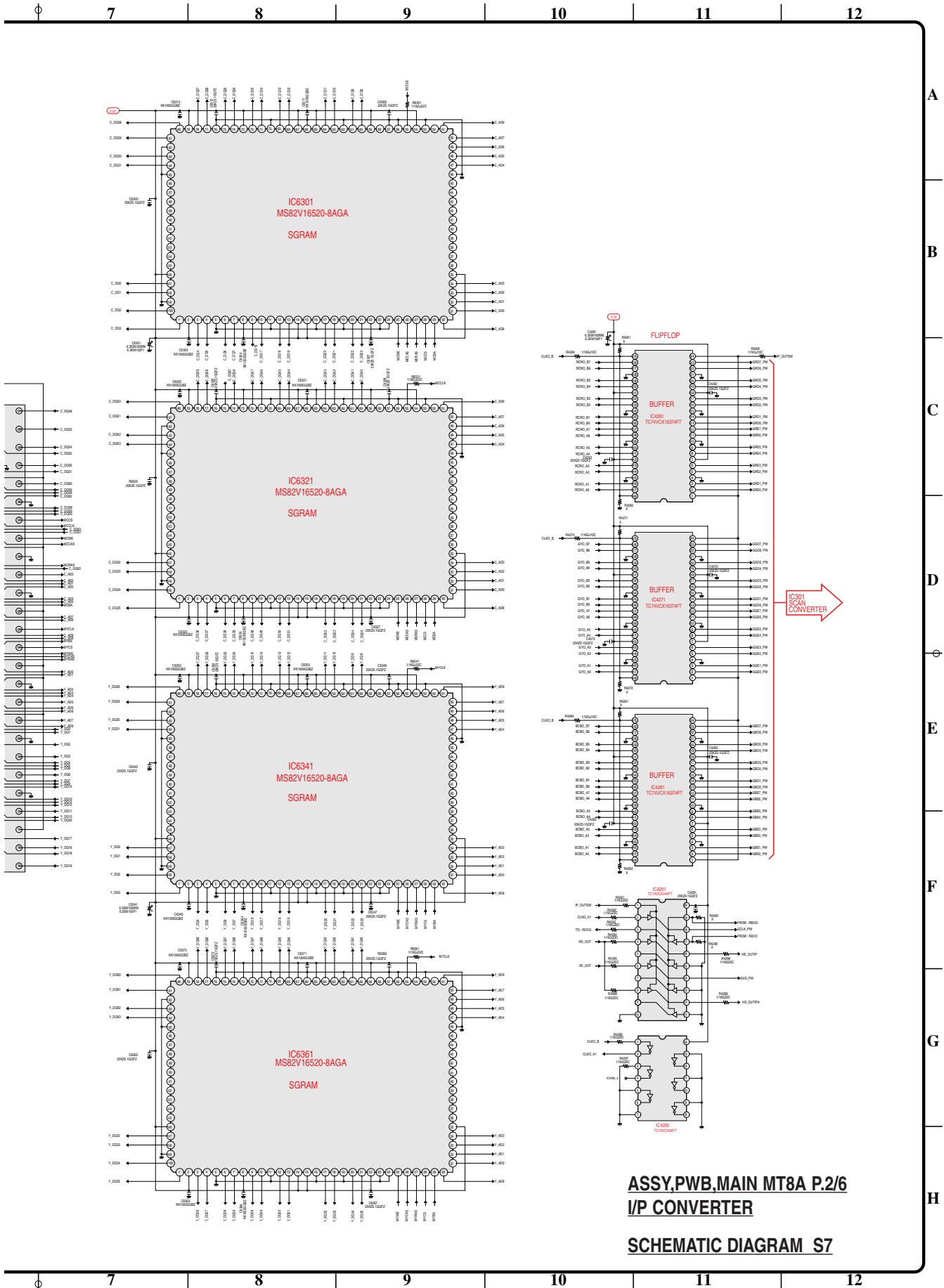
Schematic Diagram PLC-UF15 S7 [Left]



| CHIP | ZSA1035AK | ZSA1030K | ZSA1179 |
|------|-----------|----------|---------|
| AJ | RS | RS | MEM |
| AH | RS | ZSC2812 | L6L7 |

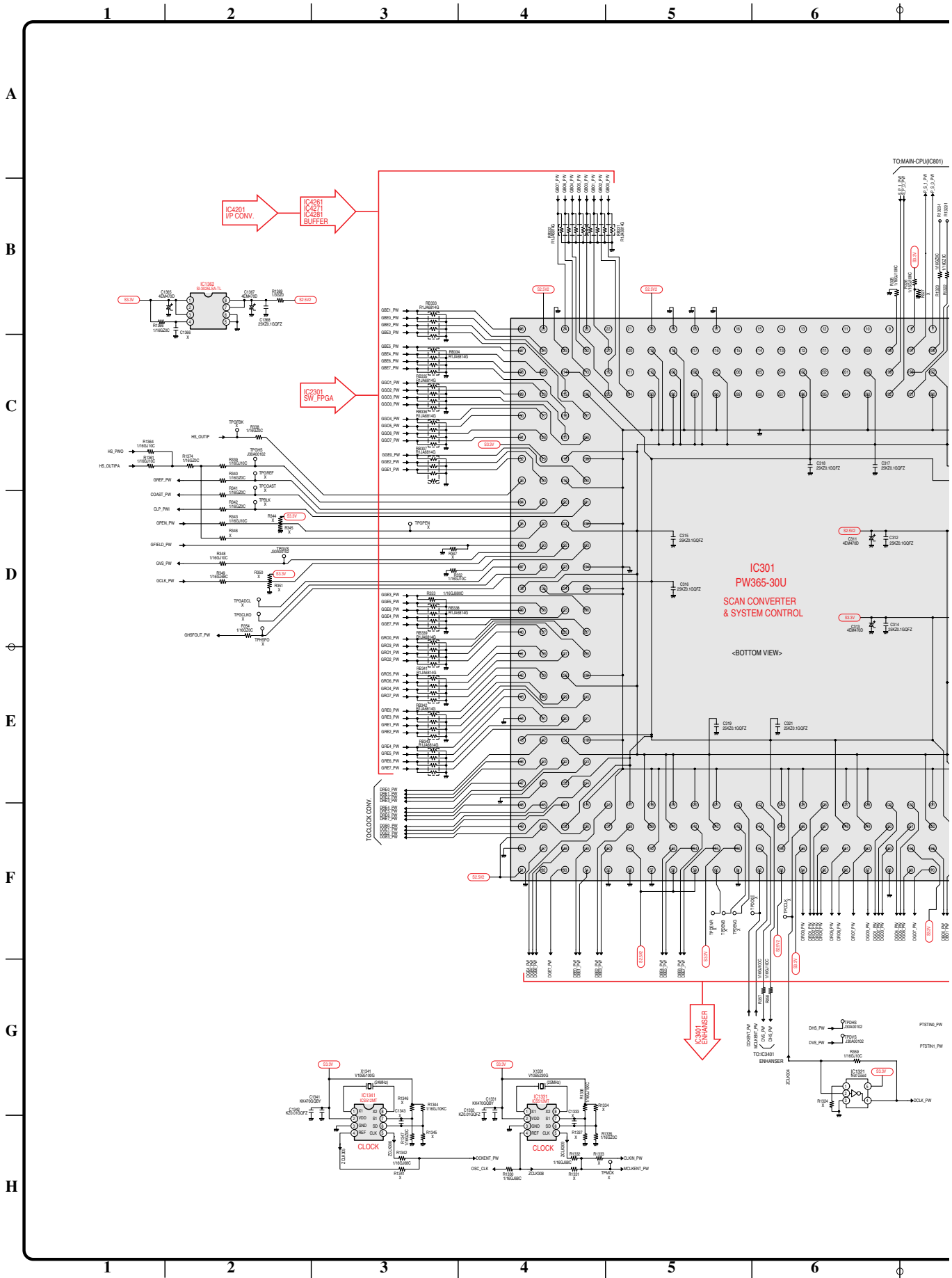
SCH_MT8A

Schematic Diagram PLC-UF15 S7 [Right]

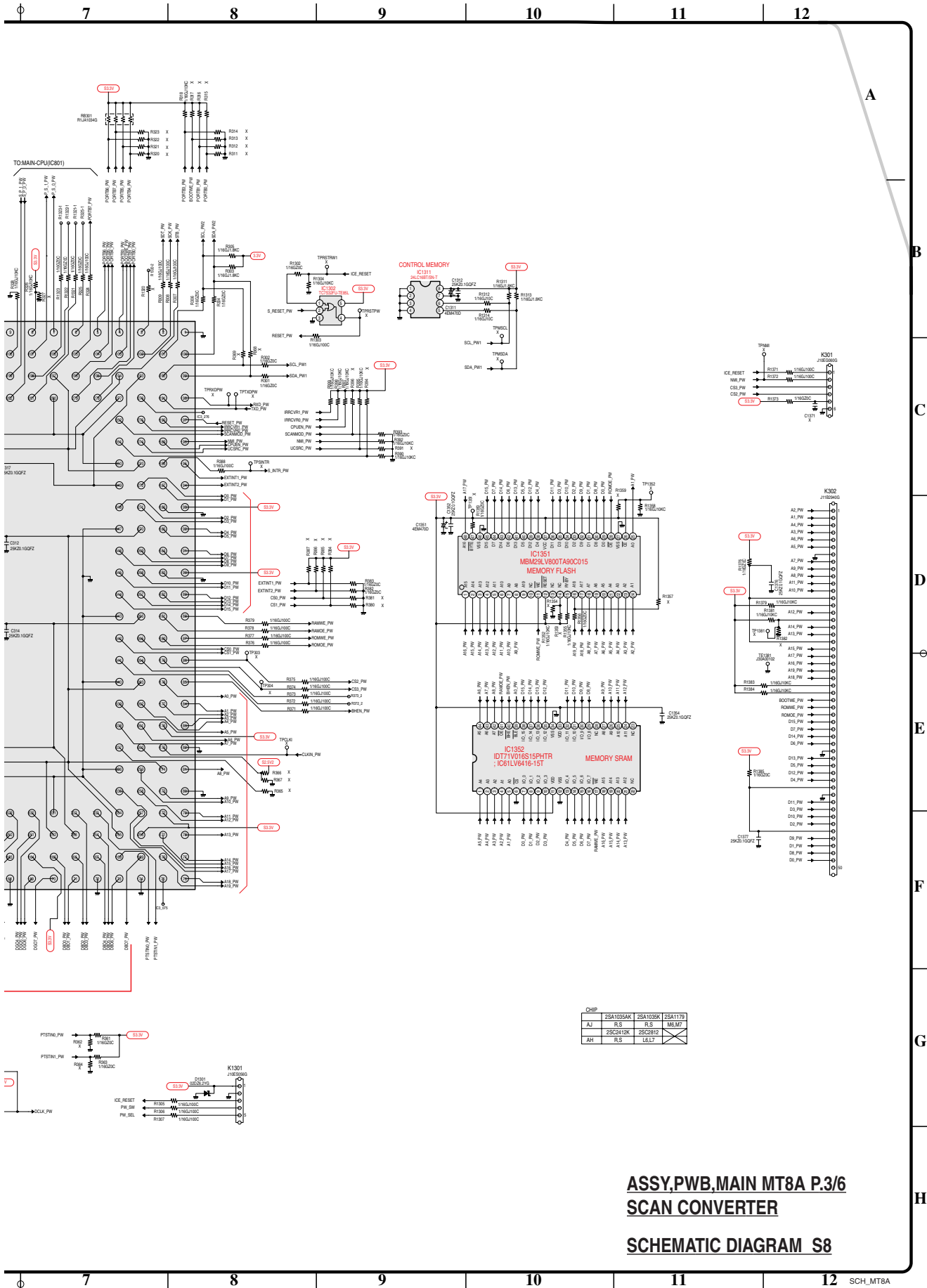


ASSY,PWB,MAIN MT8A P.2/6
I/P CONVERTER
SCHEMATIC DIAGRAM S7

Schematic Diagram PLC-UF15 S8 [Left]



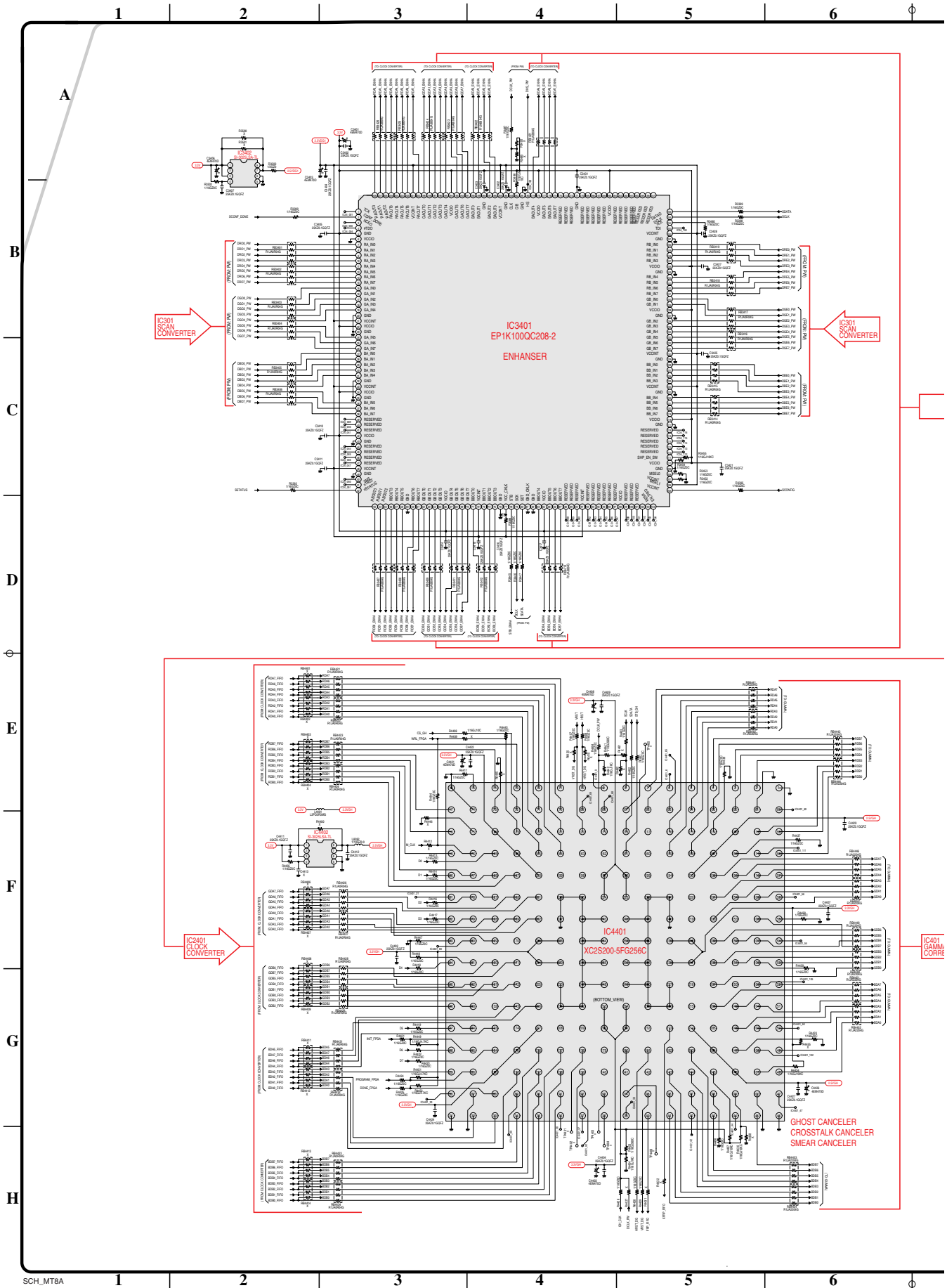
Schematic Diagram PLC-UF15 S8 [Right]



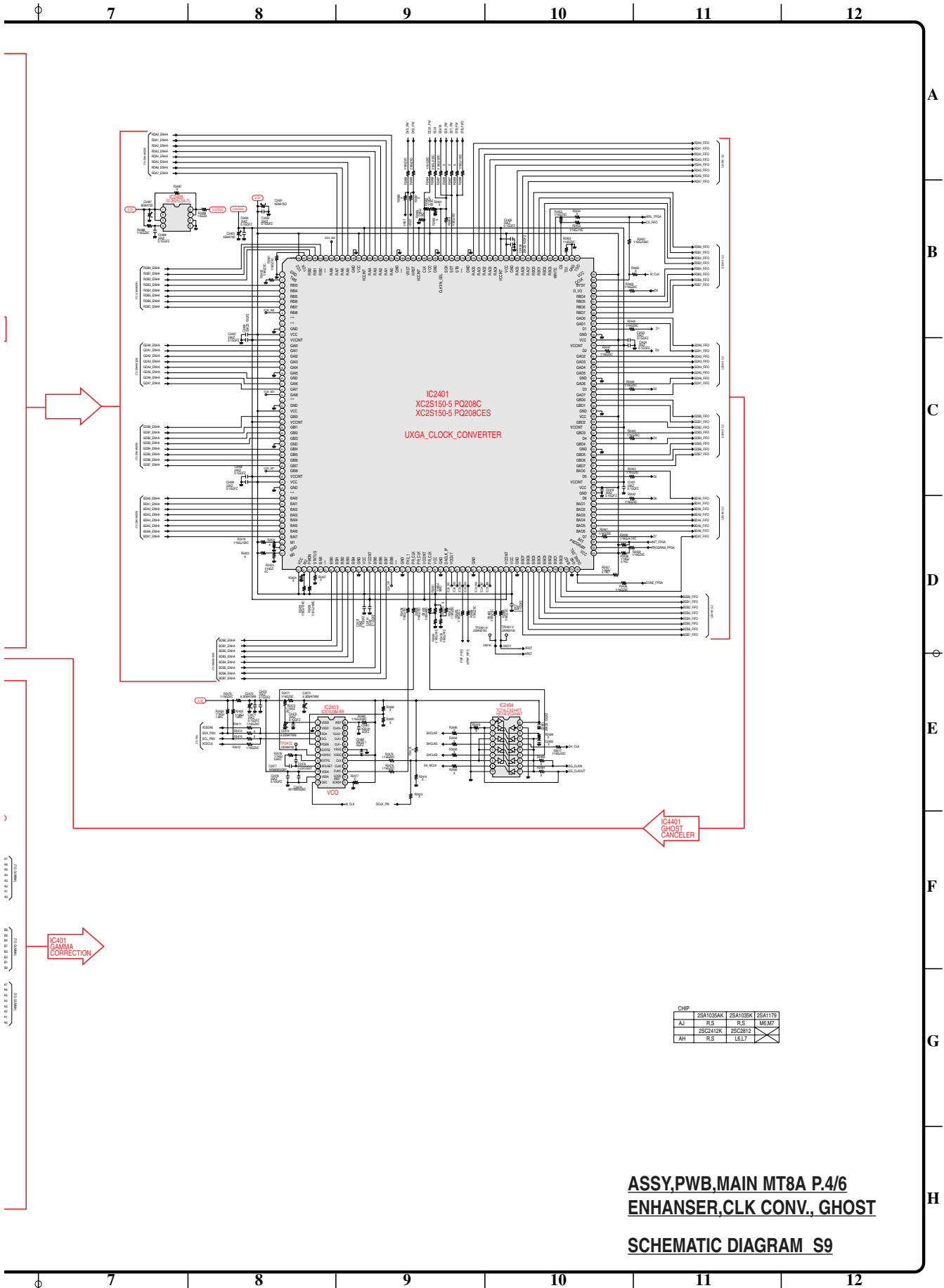
| CHP | 25A1035AK | 25A1035K | 25A1179 |
|-----|-----------|----------|---------|
| AJ | RS | RS | M6M7 |
| AH | RS | 28C2812 | L6L7 |

ASSY,PWB,MAIN MT8A P.3/6
SCAN CONVERTER
SCHEMATIC DIAGRAM S8

Schematic Diagram PLC-UF15 S9 [Left]



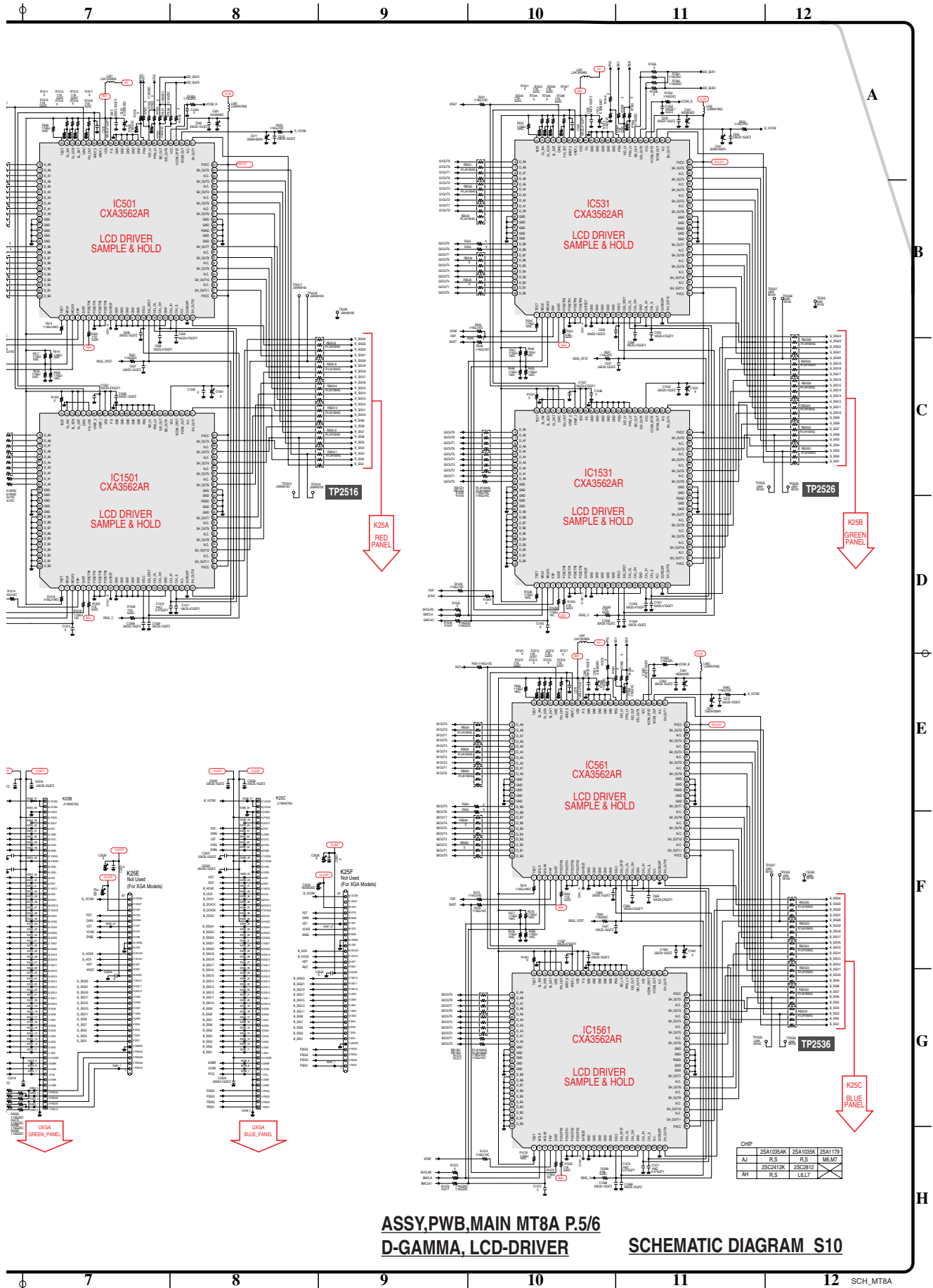
Schematic Diagram PLC-UF15 S9 [Right]



| Chip | | | |
|------|-----------|----------|---------|
| | 2S41036AK | 2S41036K | 2S41178 |
| AJ | RS | RS | MG.M |
| BH | RS | LS.LT | X |

ASSY,PWB,MAIN MT8A P.4/6
ENHANSER,CLK CONV., GHOST
SCHEMATIC DIAGRAM S9

Schematic Diagram PLC-UF15 S10 [Right]

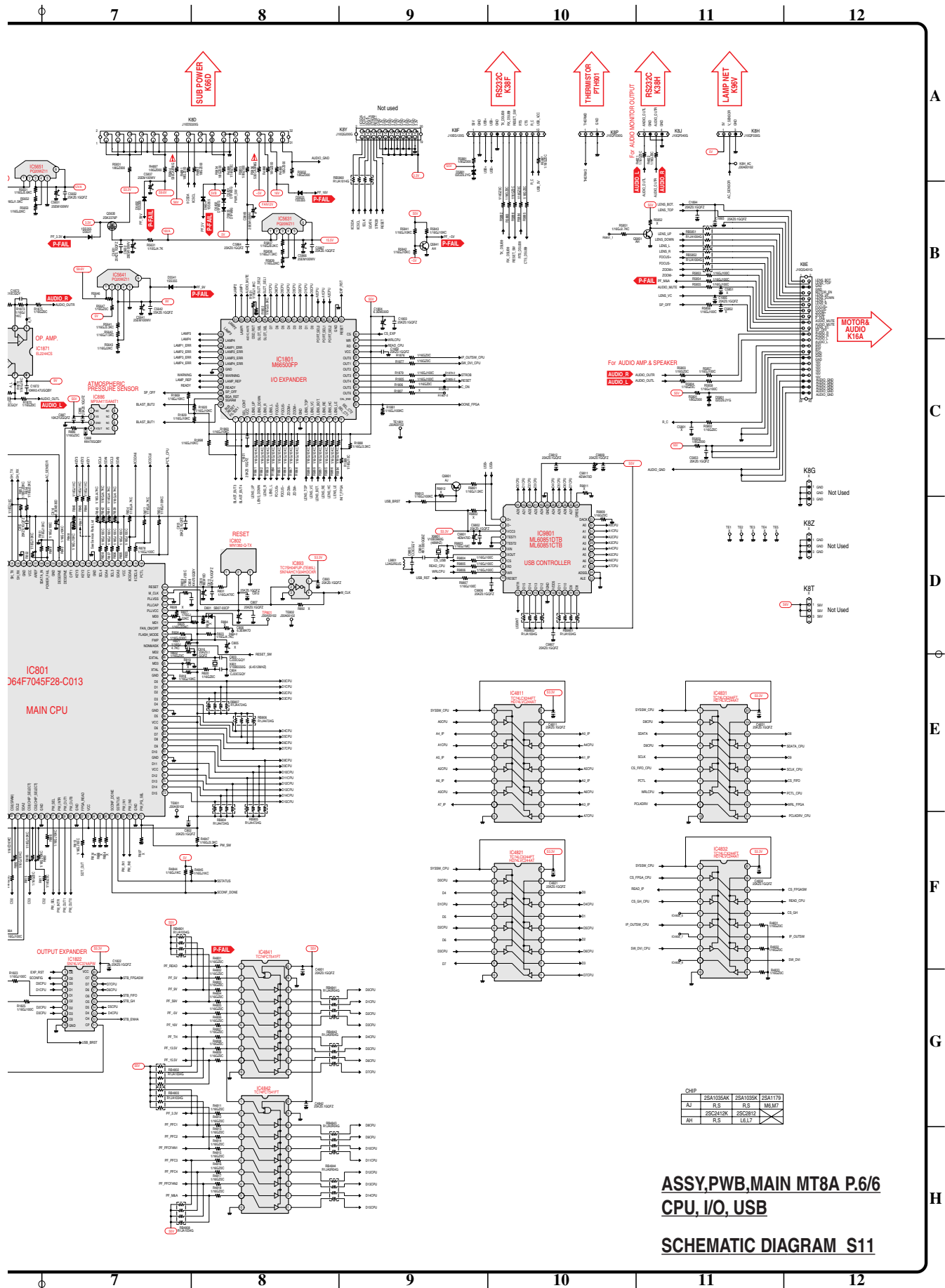


ASSY,PWB,MAIN MT8A P.5/6
D-GAMMA, LCD-DRIVER

SCHEMATIC DIAGRAM S10

SCH_MT8A

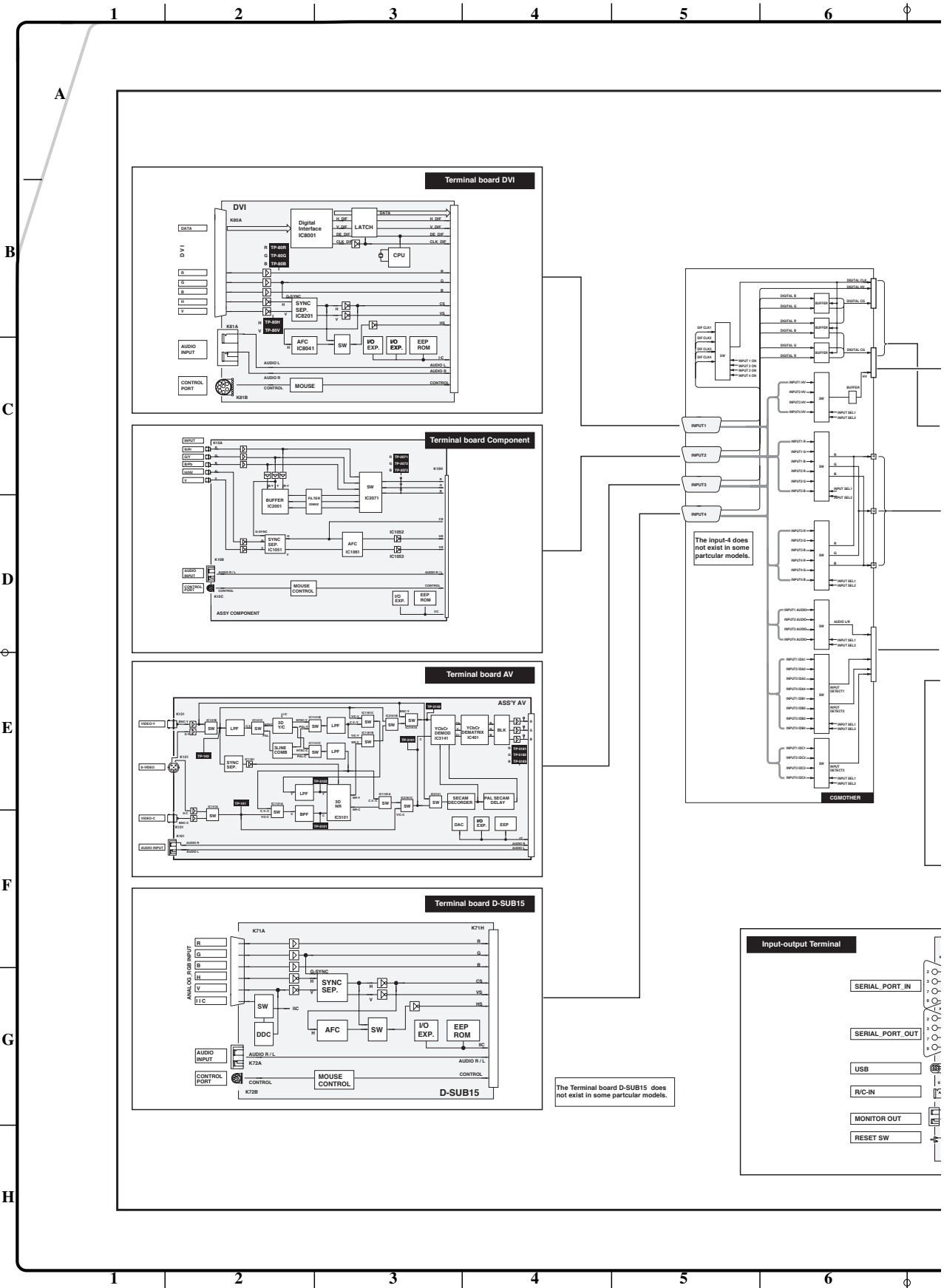
Schematic Diagram PLC-UF15 S11 [Right]

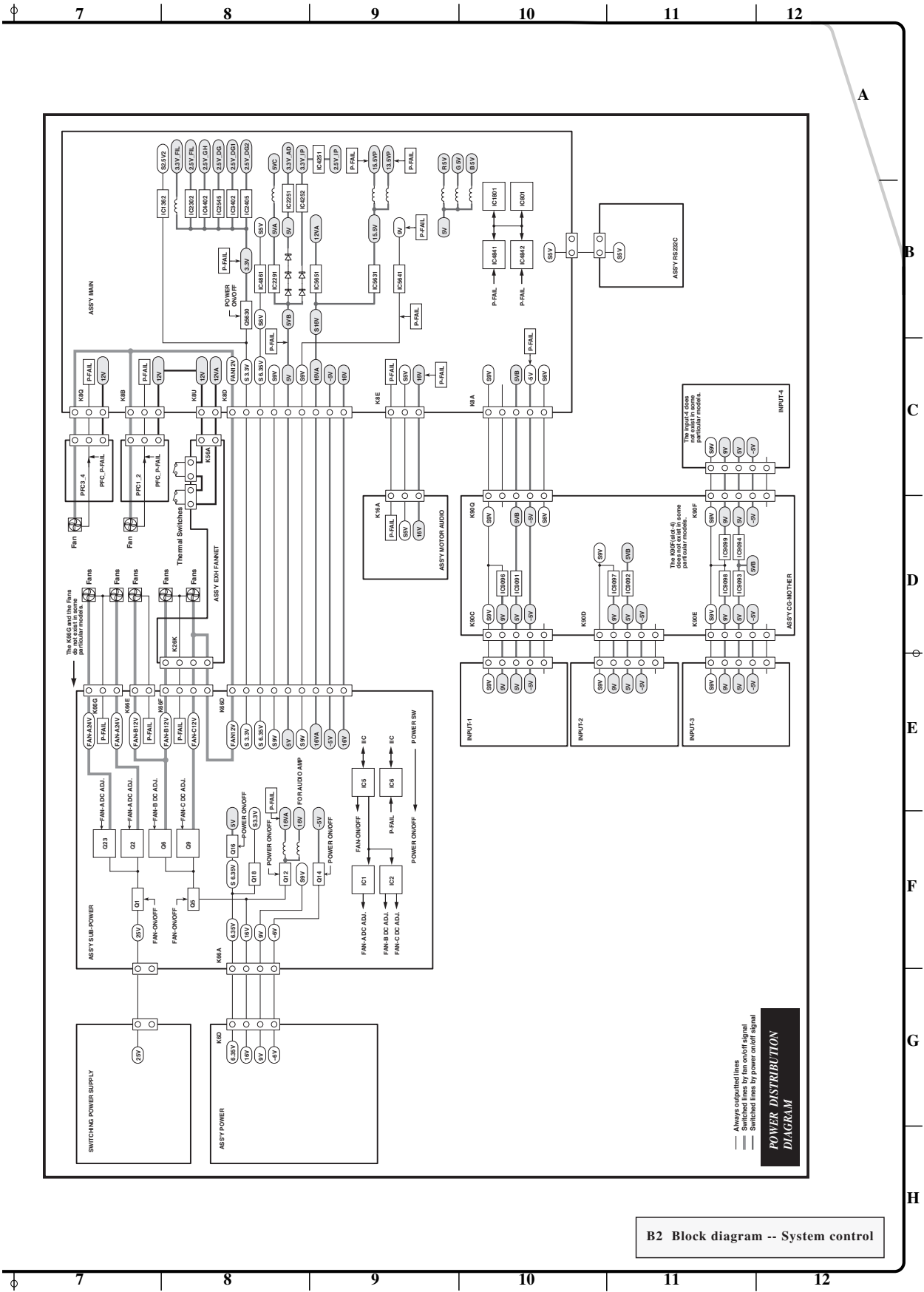


| CHIP | 25A1103AK | 25A1103K | 25A1173 |
|------|-----------|----------|---------|
| AJ | R.S | R.S | R.S |
| AM | 25C2412K | 25C2812 | 25C2812 |
| | R.S | L6L7 | |

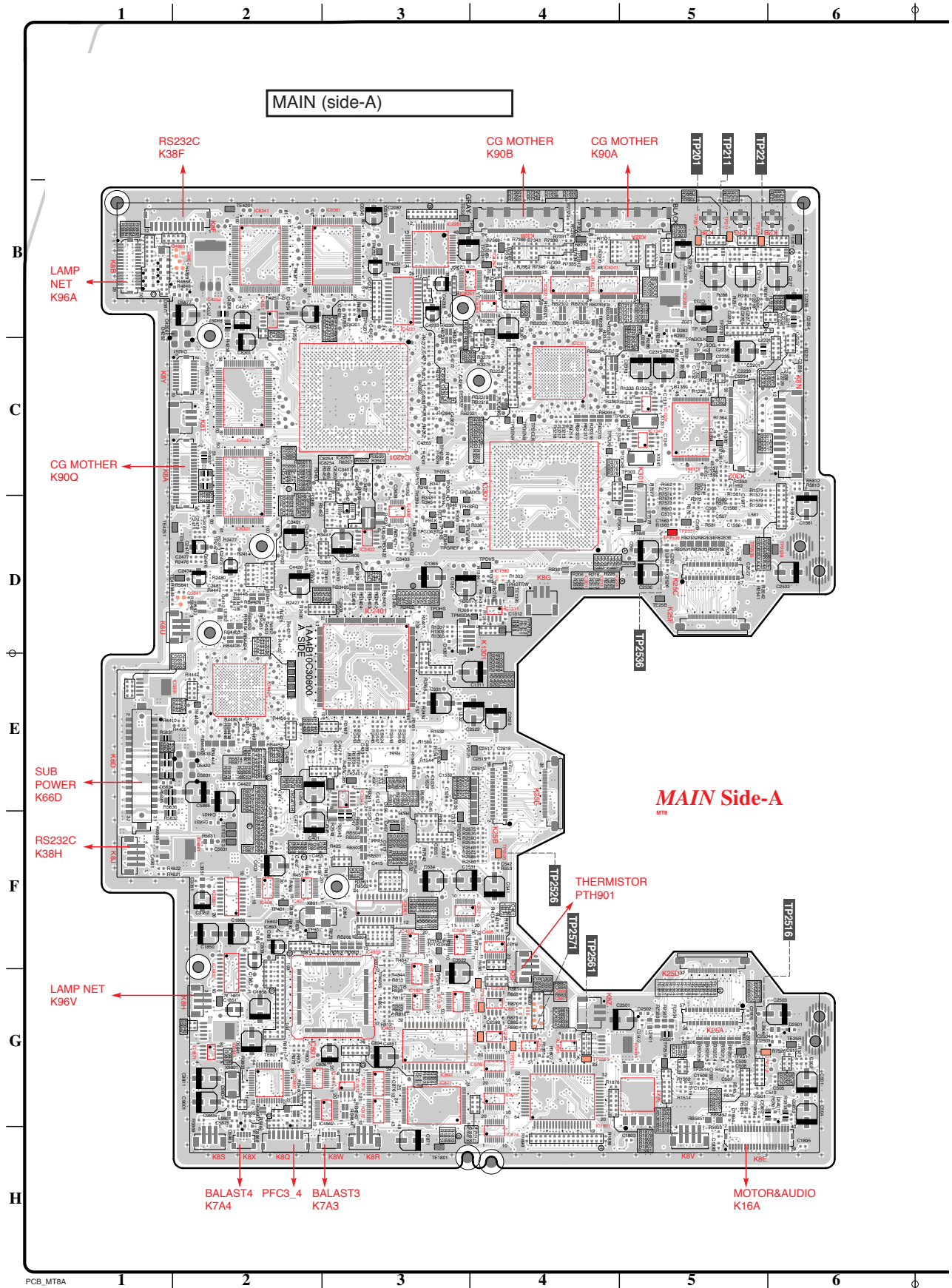
ASSY,PWB,MAIN MT8A P.6/6
CPU, I/O, USB

SCHEMATIC DIAGRAM S11





B2 Block diagram -- System control



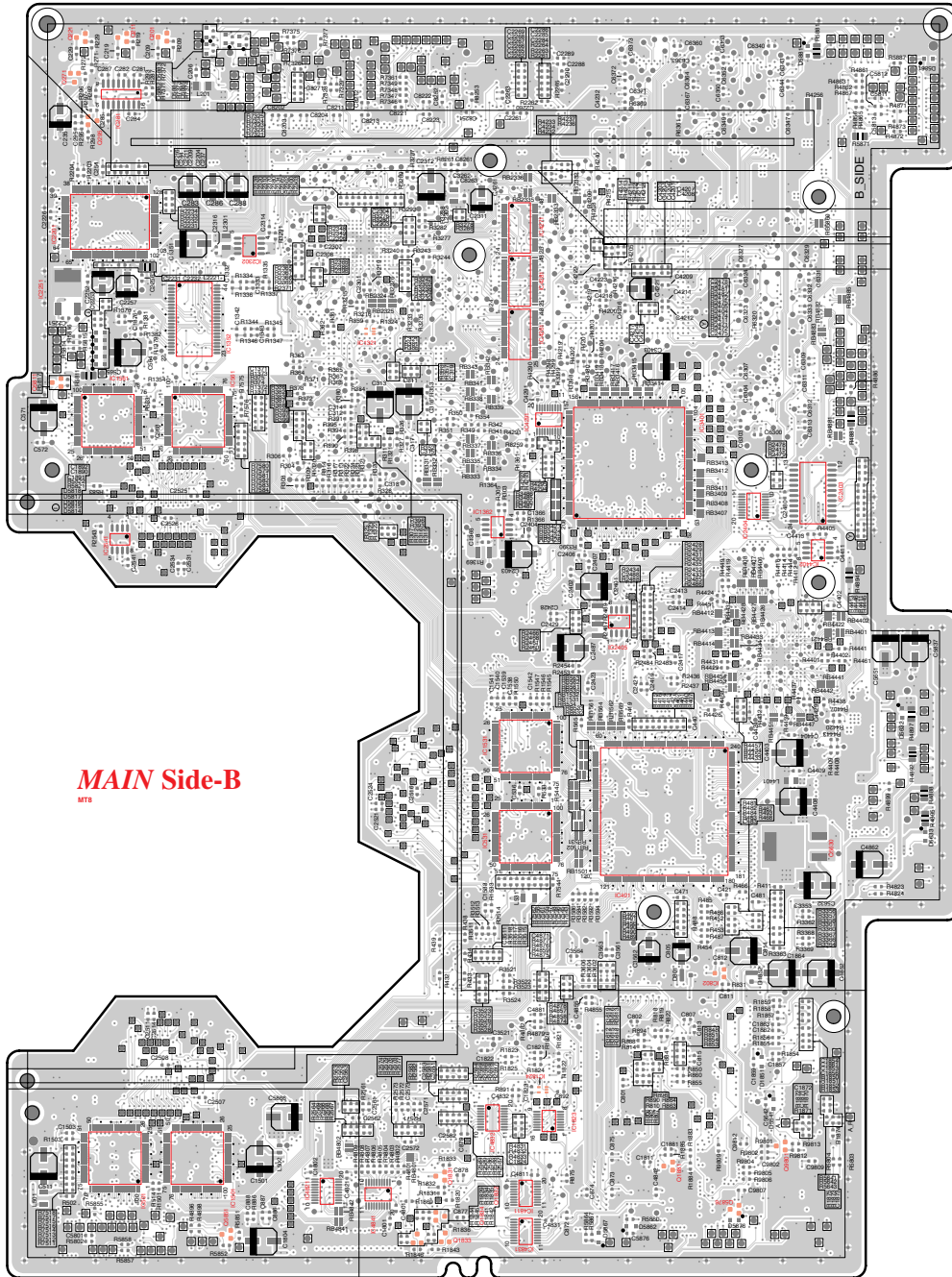
φ 7 8 9 10 11 12

MAIN (side-B)

CAUTION

This projector is isolated from AC line by using the internal converter transformer. Please pay attention to the following notes in servicing

1. Do not touch the part on hot side (primary circuit) or both parts on hot and cold sides (secondary circuit) at the same time.
2. Do not shorten the circuit between hot and cold sides.
3. The grounding lead must be connected to the ground of the same circuit when measuring of voltages and waveforms.



P1 PWB parts location diagram

φ 7 8 9 10 11 12

