



Technical catalog

Low voltage products spare parts  
for circuit-breakers, switches,  
contactors, softstarters and arc guard



# Contents

<b>Introduction</b>	
ABB Sace History	3
LCM	4
Retrofitting kit	5
Spare Parts	6
<b>ACB Spare Parts</b>	
Emax 2	7
New Emax	14
Emax	21
Megamax	25
Novomax	44
<b>MCCB Spare Parts</b>	
Tmax XT	58
Tmax	62
Isomax	69
<b>Consumables and Service tools</b>	<b>75</b>
<b>Spare parts for motorized change-over switches</b>	
ABB Switches History	76
Motorized change-over Switches Spare Parts	77
<b>Spare parts for contactors, R contactors, softstarters and arc guard</b>	
Spare parts contactors	80
Spare parts R contactors	98
Spare parts softstarters	102
Spare parts arc guard	110

# Introduction

Providing service offering for our products guarantees that our customers will be able to minimize unwanted production stoppages, thus maximizing the uptime of their processes.

Our service offerings include spare parts and spare parts kits. To successfully service in a fast and efficient way, the availability of original spare parts is essential. Having critical spare parts available can significantly reduce the down-time that is associated with maintenance and failure.

The use of correct, original spare parts is essential the guarantee product performance.

A 100% compatibility of all spare parts used in switches is necessary to ensure optimum performance. This is only possible with original spare parts

We can increase the value for our customers by providing well-organized service offerings and professionally trained service personnel.

## ABB SACE Service Portfolio

ABB SACE Service is more than a simple Service: it is a real and global factory at your full disposal; a team made of the most qualified and skilled engineers ready to provide you the best assistance about our low voltage breakers. Our services portfolio includes a comprehensive range of original spare parts, diagnostic tools, preventive, predictive and corrective maintenance programs, trainings and retrofitting kits.

All of which are meant to keep your plant operating most reliably and efficiently. Our competent network of service units spread around the world ensure that your demands are promptly satisfied with the utmost care. ABB SACE Division Service Department. A global factory at your full disposal.





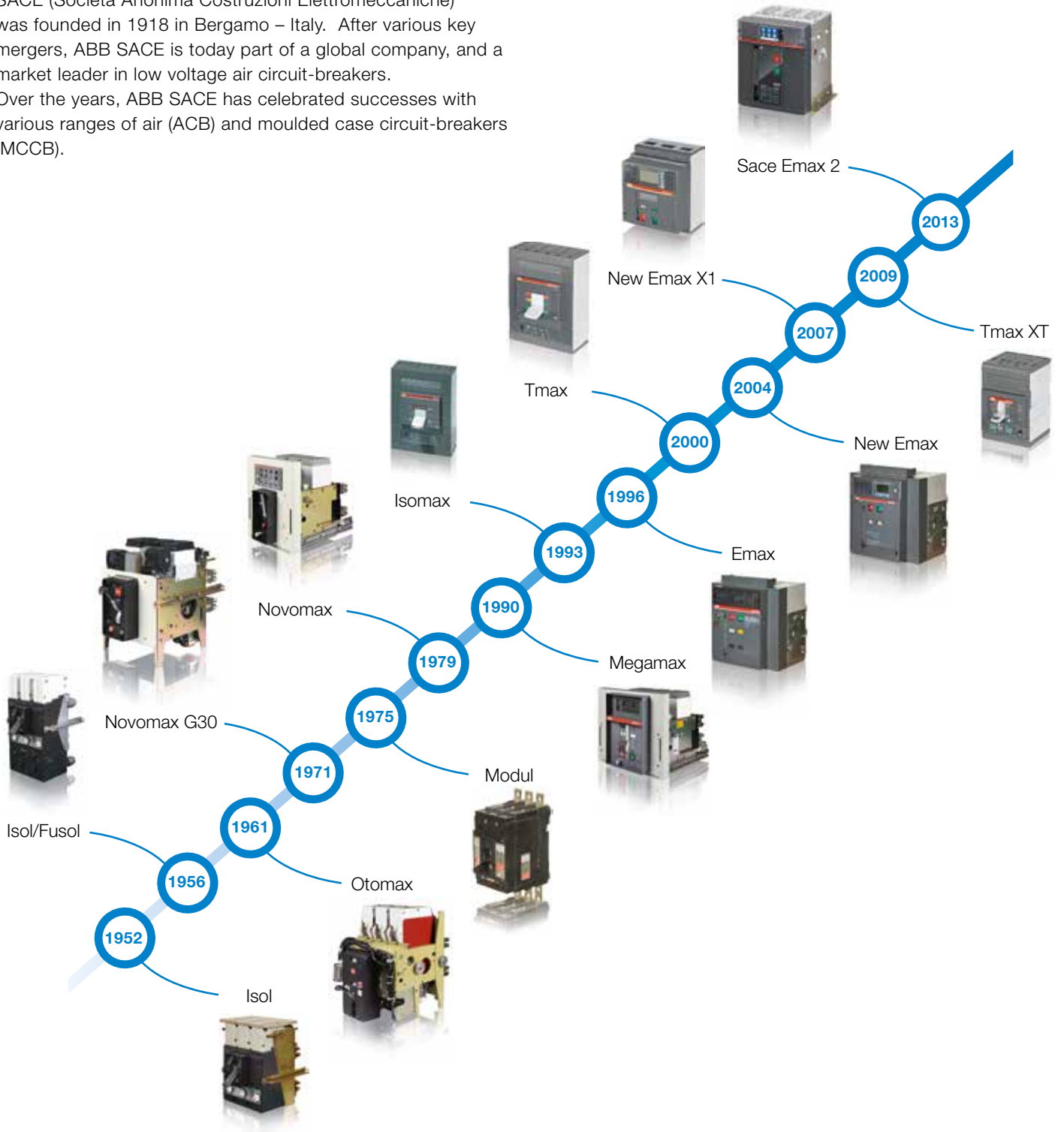
**SACE**

**ABB SACE**

**ABB**  
**ABB SACE**

**ABB SACE history**

SACE (Società Anonima Costruzioni Elettromeccaniche) was founded in 1918 in Bergamo – Italy. After various key mergers, ABB SACE is today part of a global company, and a market leader in low voltage air circuit-breakers. Over the years, ABB SACE has celebrated successes with various ranges of air (ACB) and moulded case circuit-breakers (MCCB).



# Introduction

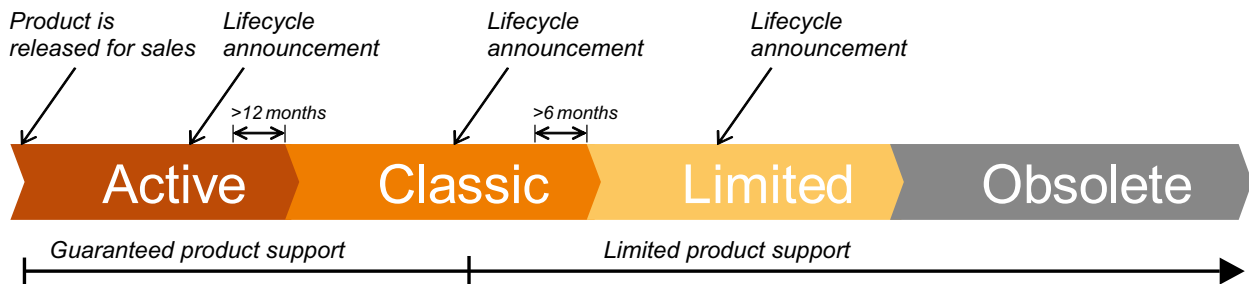
## LCM



### LCM

Every year, ABB SACE reviews the Life Cycle Management policy (LCM) for every product and publishes information on the exact production phase it is in 4 phases: Active, Classic,

Limited and Obsolete. (For more details visit our website: <http://new.abb.com/low-voltage/service/service-breakers-switches/replacements>)



**Active** = standard development, production and sale.

**Classic** = maintenance phase of the product: availability is guaranteed for replacing in existing plants.

**Limited** = spare parts are available. The production of the CB's whole range is not guaranteed and the technical support is limited.

**Obsolete** = technical support is no more guaranteed. The production of the CB's whole range has ended but spare parts might be available. Retrofit solutions are available.

# Introduction

## Retrofitting kits



### Retrofitting kits

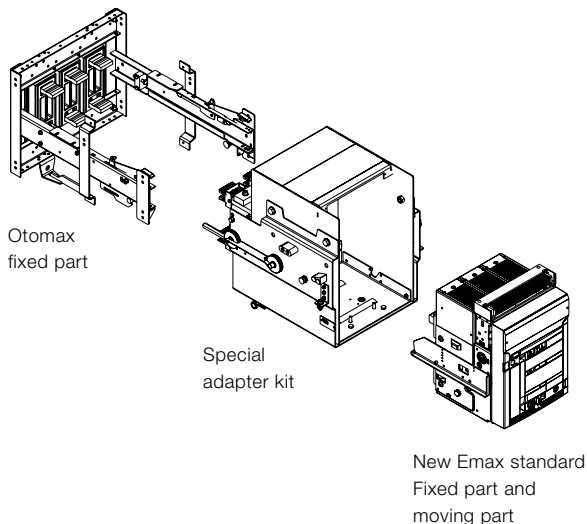
When repairing the circuit-breaker is no longer possible or convenient, ABB SACE offers standard and advanced retrofitting kit solutions:

**Hard Bus Retrofill:** This solution is a complete substitution of the old circuit-breaker. The kit consists of:

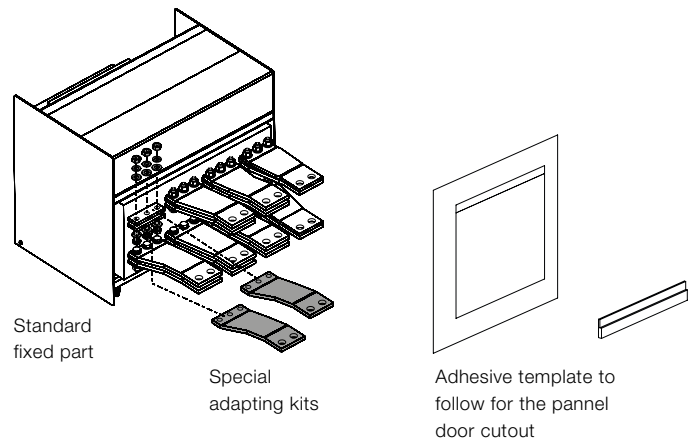
- special adapter copper bars to connect the terminals of the new circuit-breaker to the busbars designed for the old breaker;
- where the dimension of the new circuit-breaker is more compact, an insulating layer is added, as part of the solution, to create shield for the live electrical parts;
- Adhesive template and metal adapters to facilitate panel door cutout.

ABB SACE offers even more advanced retrofitting solutions for withdrawable version circuit-breakers. The fixed part of the old circuit-breaker is not removed\*:

**Cradle in Cradle:** modifications are made to the fixed part of the old circuit-breaker that usually has bigger dimensions. A special fixed part for the new circuit-breaker is mounted into the old fixed part, so that the standard moving part of the new circuit-breaker can be easily racked in and out.

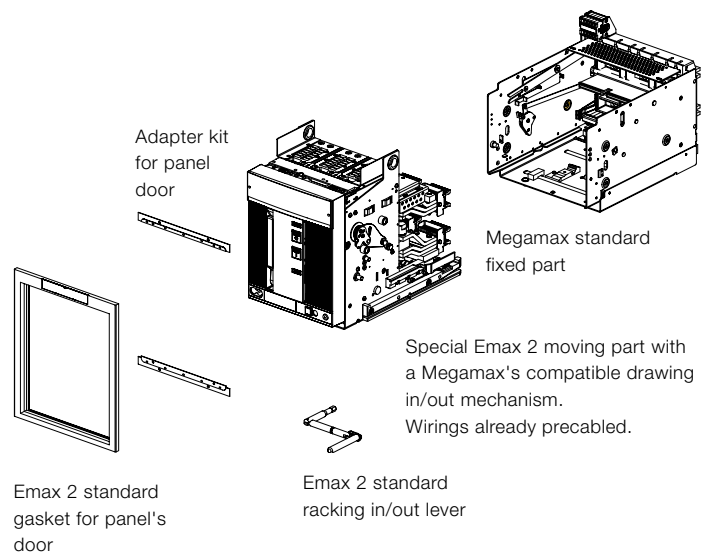


Before choosing any of the advanced solutions, it is necessary to verify that the fixed part is in good conditions: if it is irrevocably broken, it must be substituted. See our Fixed part checklist document (1SDH001279R0002). For more details, visit our website <http://new.abb.com/low-voltage/service/service-breakers-switches/extensionupgrades-and-retrofits>) and it is necessary to check panel dimensions especially if there are external devices like heating elements, wiring accessories, fuseholders, CAM switches, etc.



**Direct Replacement (DR):** This is the most advanced solution for the end user which requires the shortest downtime for replacement: the moving part of the old circuit-breaker is removed and a special moving part of the new circuit-breaker is suitably modified and tested to fit into the existing fixed part. This implies very short plant shutdown of the single user.

The kit, pre-mounted by ABB SACE, changes the fixed circuit-breaker into a proper moving part to be fitted into the existing fixed part. The only other work that needs to be completed is the cutting of the switchboard panel to suit the size of the new breaker. All standard accessories are already precabled.



\* Before ordering, it is necessary to check panel dimensions especially if there are external devices like heating elements, wiring accessories, fuseholders, CAM switches, etc...

# Introduction

## Spare Parts

ABB SACE Service continuously ensures that Spare Parts are available to support customer during maintenance activity.

**Management:** Every time a new circuit-breaker family is launched ABB SACE defines the list of spare parts to facilitate the customers during maintenance activity. During product life new spare parts can be defined to upgrade the components of the circuit-breakers.

**Product Quality:** original spare parts are 100% compatible. ABB SACE Service provides guaranteed and genuine spare parts with all the components tested and equipped with instruction sheets to enable a correct and safety assembly. The spare parts are classified in "Type A" and not "Type A".

Most ABB original spare parts can be easily replaced by the equipment owners. However there are some parts which require more complex, and/or potentially dangerous installation procedures.

These parts are categorized "Type A" and can only be replaced by qualified ABB technicians who possess the correct tools and competences.

The technicians form part of the Service Network which is accessible to you.

**Efficiency:** all spare parts are delivered in a short time to fulfil customer's needs

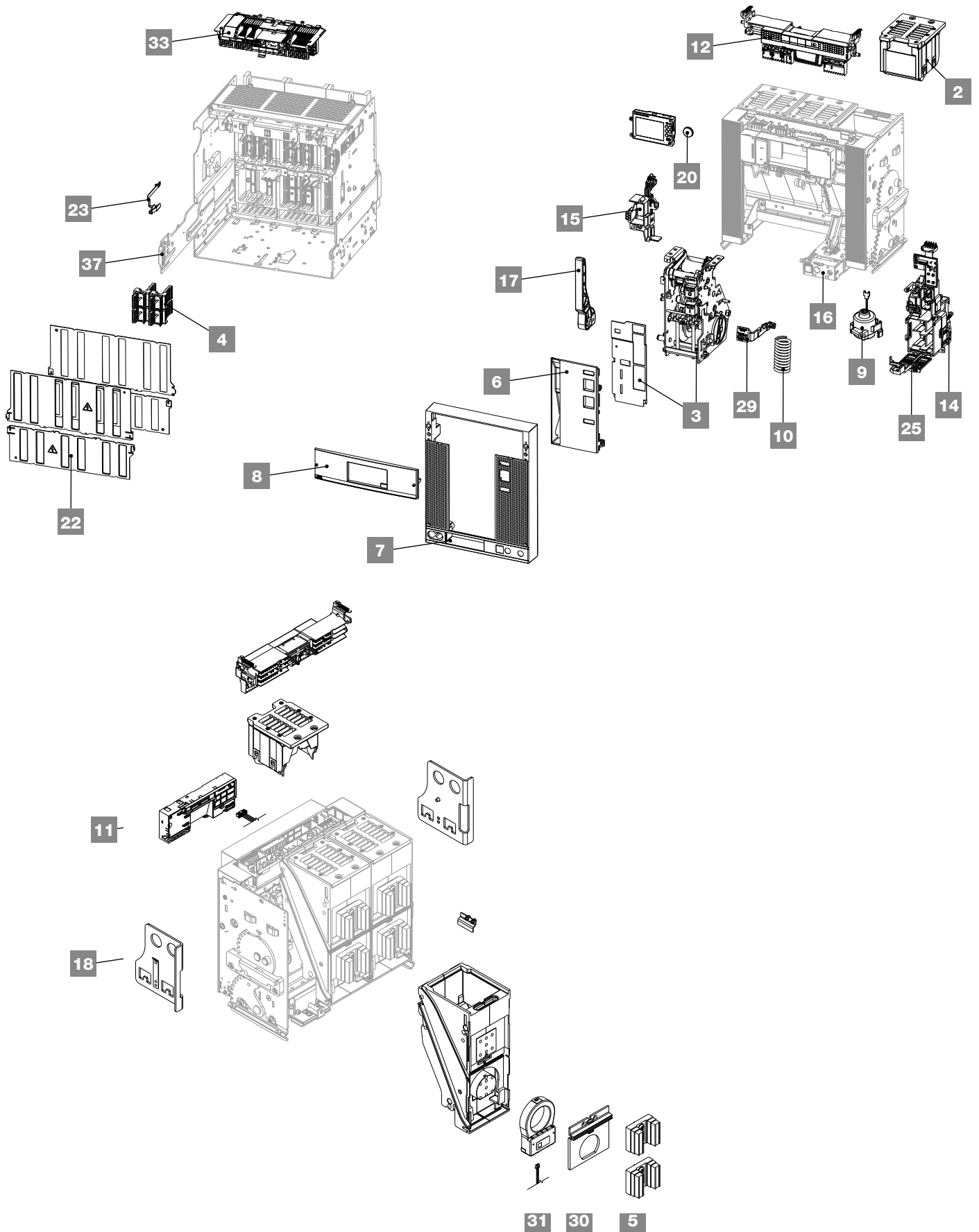
### Legend:

- Size:** circuit-breaker size
- Poles:** three (3p) or four (4p) poles circuit-breaker
- Version:** F = fixed  
W = draw out  
P = plug-in version  
W (MP) = moving part of draw out version  
W (FP) = fixed part of draw out version
- IEC/UL:** component compatible for IEC or/and UL  
Standard circuit-breaker
- Code:** part number to order
- Type spare:** spares can be:
- **Type A** = only ABB L3 expert field service engineer can replace the part
  - " " = anybody can replace the part
- Min quantity:** number of spare parts to order to complete one circuit-breaker



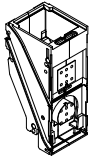
# Spare Parts for circuit-breakers

## ACB Spare Parts - Emax 2 E1.2, E2.2, E4.2, E6.2

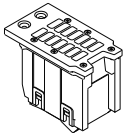


# Spare Parts for circuit-breakers

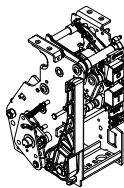
## ACB Spare Parts - Emax 2 E1.2, E2.2, E4.2, E6.2



1 - Single phase pole							
Size	Poles	IEC/UL	Version	Code	Type spare	Min quantity	
E2.2 - Iu≤2000A	3p; 4p	IEC	F; W (MP)	1SDA081187R1	A	3 or 4	
E2.2 - Iu=2500A	3p; 4p	IEC	F; W (MP)	1SDA081188R1	A	3 or 4	
E4.2	3p; 4p	IEC	F; W (MP)	1SDA081189R1	A	3 or 4	
E6.2 - Half phase	3p; 4p; 4p/f	IEC	F; W (MP)	1SDA081190R1	A	6 or 7 or 8	

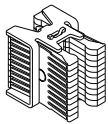


2 - Arching chamber							
Size	Poles	IEC/UL	Version	Code	Type spare	Min quantity	
E2.2	3p; 4p	IEC	F; W (MP)	1SDA081430R1		3 or 4	
E4.2; E6.2	3p; 4p	IEC	F; W (MP)	1SDA081431R1		3 or 4 for E4.2, 6 or 7 or 8 for E6.2	

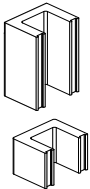


3 - Operating mechanism							
Size	Poles	IEC/UL	Version	Code	Type spare	Min quantity	
E2.2	3p; 4p	IEC/UL	F; W (MP)	1SDA081191R1	A	1	
E4.2	3p; 4p	IEC/UL	F; W (MP)	1SDA081192R1	A	1	
E6.2	3p; 4p	IEC/UL	F; W (MP)	1SDA081193R1	A	1	
E6.2	4p/f	IEC/UL	F; W (MP)	1SDA081194R1	A	1	

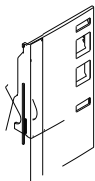
Closing Springs to be ordered separately



4 - Jaw contacts							
Size	Poles	IEC/UL	Version	Code	Type spare	Min quantity	
E1.2	3p; 4p	IEC	W (FP)	1SDA081164R1	A	3 or 4	
E2.2 - Iu≤2000A	3p; 4p	IEC	W (FP)	1SDA081195R1	A	3 or 4	
E2.2 - Iu=2500A	3p; 4p	IEC	W (FP)	1SDA081196R1	A	3 or 4	
E4.2 - Iu≤3200A	3p; 4p	IEC	W (FP)	1SDA081197R1	A	3 or 4	
E4.2 - Iu=4000A	3p; 4p	IEC	W (FP)	1SDA081198R1	A	3 or 4	
E6.2	3p; 4p; 4p/f	IEC	W (FP)	1SDA081199R1	A	6 or 7 or 8	



5 - Moving part Terminals							
Size	Poles	IEC/UL	Version	Code	Type spare	Min quantity*	
E2.2 - Iu<2000A	3p; 4p	IEC	W (MP)	1SDA081243R1	A	3 or 4	
E2.2 - Iu=2500A	3p; 4p	IEC	W (MP)	1SDA081244R1	A	3 or 4	
E4.2 - Iu<3200A	3p; 4p	IEC	W (MP)	1SDA081245R1	A	3 or 4	
E4.2 - Iu=4000A	3p; 4p	IEC	W (MP)	1SDA081246R1	A	3 or 4	
E6.2	3p; 4p/f	IEC	W (MP)	1SDA081247R1	A	6 or 7 or 8	

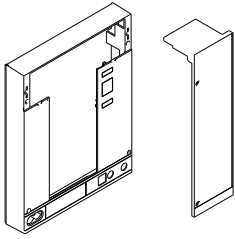


6 - Safety cover							
Size	Poles	IEC/UL	Version	Code	Type spare	Min quantity	
E1.2	3p; 4p	IEC/UL	F; W (MP)	1SDA081402R1		1	
E2.2; E4.2; E6.2	3p; 4p	IEC/UL	F; W (MP)	1SDA081432R1		1	

For each part ordered, specify the Serial number of the circuit-breaker it is intended for.

Min quantity = min quantity to complete a circuit-breaker: The quantity is related to the number of phases (3 or 4 poles) of the circuit-breaker (E6.2 has half phases so quantities are double)

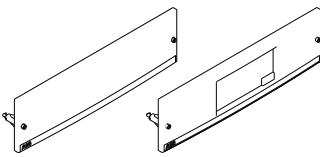
Type A Spare part = only for ABB L3 technicians



#### 7 - Accessories Cover

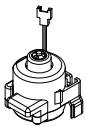
Size	Poles	IEC/UL	Version	Code	Type spare	Min quantity
E1.2	3p	IEC/UL	F; W (MP)	1SDA081403R1		1
E1.2	4p	IEC/UL	F; W (MP)	1SDA081404R1		1
E2.2	3p	IEC/UL	F	1SDA081433R1		1
E2.2	4p	IEC/UL	F	1SDA081434R1		1
E2.2	3p	IEC/UL	W (MP)	1SDA081435R1		1
E2.2	4p	IEC/UL	W (MP)	1SDA081436R1		1
E4.2	3p	IEC/UL	F	1SDA081437R1		1
E4.2	4p	IEC/UL	F	1SDA081438R1		1
E4.2	3p	IEC/UL	W (MP)	1SDA081439R1		1
E4.2	4p	IEC/UL	W (MP)	1SDA081440R1		1
E6.2	3p	IEC/UL	F	1SDA081441R1		1
E6.2	4p	IEC/UL	F	1SDA081442R1		1
E6.2	3p	IEC/UL	W (MP)	1SDA081443R1		1
E6.2	4p	IEC/UL	W (MP)	1SDA081444R1		1
E6.2	4p/f	IEC/UL	F	1SDA081445R1		1
E6.2	4p/f	IEC/UL	W (MP)	1SDA081446R1		1
E1.2 - Castell*	3p; 4p	IEC	F; W (MP)	1SDA082145R1		1
E2.2...E6.2 - Castell*	3p; 4p	IEC	F	1SDA082146R1		1
E2.2...E6.2 - Castell* KLC	3p; 4p	IEC	W (MP)	1SDA082149R1		1
E2.2...E6.2 - Castell* KLC+ KLP	3p; 4p	IEC	W (MP)	1SDA082150R1		1
E2.2...E6.2 - Castell* KLP	3p; 4p	IEC	W (MP)	1SDA082151R1		1

\* The lock is not included



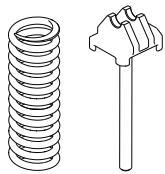
#### 8 - Transparent cover for trip unit

Size	Poles	IEC/UL	Version	Code	Type spare	Min quantity
E1.2 DIP	3p; 4p	IEC/UL	F; W (MP)	1SDA081405R1		1
E1.2 Touch	3p; 4p	IEC/UL	F; W (MP)	1SDA081406R1		1
E2.2; E4.2; E6.2 DIP	3p; 4p	IEC/UL	F; W (MP)	1SDA081447R1		1
E2.2; E4.2; E6.2 Touch	3p; 4p	IEC/UL	F; W (MP)	1SDA081448R1		1



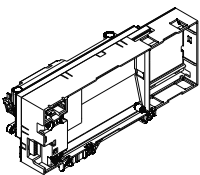
#### 9 - Trip coil

Size	Poles	IEC/UL	Version	Code	Type spare	Min quantity
E1.2	3p; 4p	IEC/UL	F; W (MP)	1SDA081407R1		1
E2.2; E4.2; E6.2	3p; 4p	IEC/UL	F; W (MP)	1SDA081449R1		1



#### 10 - Closing Spring

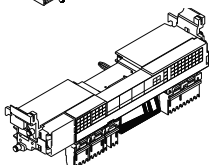
Size	Poles	IEC/UL	Version	Code	Type spare	Min quantity
E2.2 - Iu≤2000A	3p	IEC/UL	F; W (MP)	1SDA081207R1	A	1
E2.2 - Iu≤2000A	4p	IEC/UL	F; W (MP)	1SDA081208R1	A	1
E2.2 - Iu=2500A; E4.2	3p	IEC/UL	F; W (MP)	1SDA081208R1	A	1
E2.2 - Iu=2500A; E4.2	4p	IEC/UL	F; W (MP)	1SDA081209R1	A	1
E6.2	3p	IEC/UL	F; W (MP)	1SDA081210R1	A	1
E6.2	4p; 4p/f	IEC/UL	F; W (MP)	1SDA081211R1	A	1



#### 11 - Main board

Size	Poles	IEC/UL	Version	Code	Type spare	Min quantity
E1.2	3p; 4p	IEC/UL	F; W (MP)	1SDA081408R1		1
E2.2; E4.2; E6.2	3p; 4p	IEC/UL	F; W (MP)	1SDA081450R1		1

For each part ordered, it is mandatory to specify the Serial number of the circuit-breaker it is intended for.



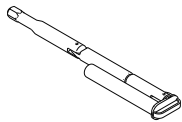
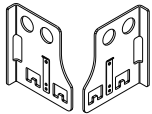
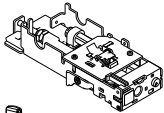
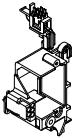
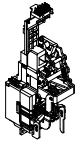
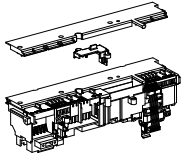
#### 12 - Sliding contact for Moving Part

Size	Poles	IEC/UL	Version	Code	Type spare	Min quantity
E1.2	3p	IEC/UL	W (MP)	1SDA081167R1	A	1
E1.2	4p	IEC/UL	W (MP)	1SDA081168R1	A	1
E2.2; E4.2; E6.2	3p; 4p	IEC/UL	W (MP)	1SDA081212R1	A	1
E2.2; E4.2; E6.2 - MS	3p; 4p	IEC/UL	W (MP)	1SDA081213R1	A	1

Type A Spare part = only for ABB L3 technicians

# Spare Parts for circuit-breakers

## ACB Spare Parts - Emax 2 E1.2, E2.2, E4.2, E6.2



### 13 - Terminal box connection interface

Size	Poles	IEC/UL	Version	Code	Type spare	Min quantity
E1.2	3p; 4p	IEC/UL	F	1SDA081409R1	A	1
E2.2; E4.2; E6.2	3p; 4p	IEC/UL	F; W (MP)	1SDA081451R1	A	1
E2.2; E4.2; E6.2 - MS	3p; 4p	IEC/UL	F; W (MP)	1SDA081452R1	A	1

### 14 - Right plate for accessories (Right MID)

Size	Poles	IEC/UL	Version	Code	Type spare	Min quantity
E2.2; E4.2; E6.2	3p; 4p	IEC/UL	F; W (MP)	1SDA081214R1	A	1
E2.2; E4.2; E6.2 - MS	3p; 4p	IEC/UL	F; W (MP)	1SDA081215R1	A	1

### 15 - Left plate for accessories (Left MID)

Size	Poles	IEC/UL	Version	Code	Type spare	Min quantity
E1.2	3p; 4p	IEC/UL	F; W (MP)	1SDA081170R1		1
E2.2; E4.2; E6.2	3p; 4p	IEC/UL	F; W (MP)	1SDA081453R1		1

### 16 - Racked in and out device (CD)

Size	Poles	IEC/UL	Version	Code	Type spare	Min quantity
E2.2; E4.2; E6.2	3p; 4p	IEC/UL	W (MP)	1SDA081216R1	A	1

### 17 - Spring Charging lever

Size	Poles	IEC/UL	Version	Code	Type spare	Min quantity
E2.2; E4.2; E6.2	3p; 4p	IEC/UL	F; W (MP)	1SDA081217R1	A	1

### 18 - Lifting plates

Size	Poles	IEC/UL	Version	Code	Type spare	Min quantity
E2.2; E4.2; E6.2	3p; 4p	IEC/UL	F; W (MP)	1SDA081454R1		1

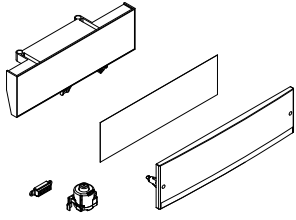
### 19 - Racking in and out lever

Size	Poles	IEC/UL	Version	Code	Type spare	Min quantity
E1.2	3p; 4p	IEC/UL	W (MP)	1SDA081410R1		1
E2.2; E4.2; E6.2	3p; 4p	IEC/UL	W (MP)	1SDA081455R1		1

### 20 - Trip Unit Battery

Size	Poles	IEC/UL	Version	Code	Type spare	Min quantity
E1.2; E2.2; E4.2; E6.2	3p; 4p	IEC/UL	F; W (MP)	1SDA074193R1		1

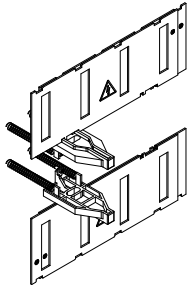
Type A Spare part = only for ABB L3 technicians



### 21 - Conversion kit into switch-disconnector MS

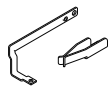
Size	Poles	IEC/UL	Version	Code	Type spare	Min quantity
E1.2B	3p; 4p	IEC/UL	F	1SDA081172R1	A	1
E1.2N	3p; 4p	IEC/UL	F	1SDA081173R1	A	1
E2.2B	3p; 4p	IEC/UL	F	1SDA081218R1	A	1
E2.2N	3p; 4p	IEC/UL	F	1SDA081219R1	A	1
E2.2H	3p; 4p	IEC/UL	F	1SDA081220R1	A	1
E4.2N	3p; 4p	IEC/UL	F	1SDA081221R1	A	1
E4.2H	3p; 4p	IEC/UL	F	1SDA081222R1	A	1
E4.2V	3p; 4p	IEC/UL	F	1SDA081223R1	A	1
E6.2H	3p; 4p; 4p/f	IEC/UL	F	1SDA081224R1	A	1
E6.2X	3p; 4p; 4p/f	IEC/UL	F	1SDA081225R1	A	1
E1.2B	3p; 4p	IEC/UL	W (MP)	1SDA081174R1	A	1
E1.2N	3p; 4p	IEC/UL	W (MP)	1SDA081175R1	A	1
E2.2B	3p; 4p	IEC/UL	W (MP)	1SDA081226R1	A	1
E2.2N	3p; 4p	IEC/UL	W (MP)	1SDA081227R1	A	1
E2.2H	3p; 4p	IEC/UL	W (MP)	1SDA081228R1	A	1
E4.2N	3p; 4p	IEC/UL	W (MP)	1SDA081229R1	A	1
E4.2H	3p; 4p	IEC/UL	W (MP)	1SDA081230R1	A	1
E4.2V	3p; 4p	IEC/UL	W (MP)	1SDA081231R1	A	1
E6.2H	3p; 4p; 4p/f	IEC/UL	W (MP)	1SDA081232R1	A	1
E6.2X	3p; 4p; 4p/f	IEC/UL	W (MP)	1SDA081233R1	A	1

For each part ordered, specify the Serial number of the circuit-breaker it is intended for



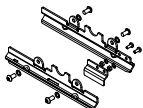
### 22 - Safety shutters for fixed part

Size	Poles	IEC/UL	Version	Code	Type spare	Min quantity
E1.2	3p	IEC	W (FP)	1SDA081411R1		1
E1.2	4p	IEC	W (FP)	1SDA081412R1		1
E2.2	3p	IEC	W (FP)	1SDA081457R1		1
E2.2	4p	IEC	W (FP)	1SDA081458R1		1
E4.2	3p	IEC	W (FP)	1SDA081459R1		1
E4.2	4p	IEC	W (FP)	1SDA081460R1		1
E6.2	3p	IEC	W (FP)	1SDA081461R1		1
E6.2	4p	IEC	W (FP)	1SDA081462R1		1
E6.2	4p/f	IEC	W (FP)	1SDA081463R1		1



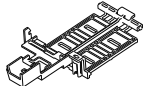
### 23 - Earth sliding contact for Fixed Part

Size	Poles	IEC/UL	Version	Code	Type spare	Min quantity
E2.2; E4.2; E6.2	3p; 4p	IEC/UL	W (FP)	1SDA081465R1		1



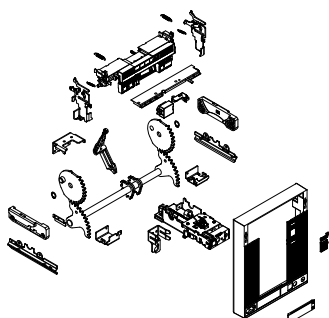
### 24 - Earth sliding contact for Moving Part and supports

Size	Poles	IEC/UL	Version	Code	Type spare	Min quantity
E2.2; E4.2; E6.2	3p; 4p	IEC/UL	W (MP)	1SDA081464R1		1



### 25 - Cover for right plate for accessories (Right MID Cover)

Size	Poles	IEC/UL	Version	Code	Type spare	Min quantity
E2.2; E4.2; E6.2	3p; 4p	IEC/UL	F; W (MP)	1SDA081466R1		1



### 26 - Conversion kit from Fixed to Moving part

Size	Poles	IEC/UL	Version	Code	Type spare	Min quantity
E1.2	3p	IEC	F	1SDA081176R1	A	1
E1.2	4p	IEC	F	1SDA081177R1	A	1
E2.2	3p	IEC	F	1SDA081234R1	A	1
E2.2	4p	IEC	F	1SDA081235R1	A	1
E4.2	3p	IEC	F	1SDA081236R1	A	1
E4.2	4p	IEC	F	1SDA081237R1	A	1
E6.2	3p	IEC	F	1SDA081238R1	A	1
E6.2	4p	IEC	F	1SDA081239R1	A	1
E6.2	4p/f	IEC	F	1SDA081240R1	A	1

For each part ordered, specify the Serial number of the circuit-breaker it is intended for.

Type A Spare part = only for ABB L3 technicians

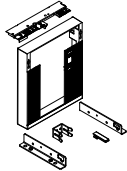
# Spare Parts for circuit-breakers

## ACB Spare Parts - Emax 2 E1.2, E2.2, E4.2, E6.2



### 27 - Fixing screws kit - 50 pcs

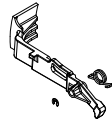
Size	Poles	IEC/UL	Version	Code	Type spare	Min quantity
E1.2 - wall mounted	3p; 4p	IEC/UL	F	1SDA081179R1		1
E1.2 - floor mounted	3p; 4p	IEC/UL	F	1SDA081413R1		1
E1.2 - floor mounted	3p; 4p	IEC/UL	W (FP)	1SDA081414R1		1
E2.2; E4.2; E6.2	3p; 4p	IEC/UL	F; W (FP)	1SDA081467R1		1



### 28 - Conversion kit from Moving Part into Fixed Version

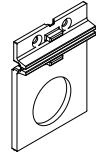
Size	Poles	IEC/UL	Version	Code	Type spare	Min quantity
E1.2 - wall mounted	3p; 4p	IEC/UL	W (MP)	1SDA081178R1	A	1
E1.2 - floor mounted	3p; 4p	IEC/UL	W (MP)	1SDA082303R1	A	1
E2.2; E4.2; E6.2	3p; 4p	IEC/UL	W (MP)	1SDA081241R1	A	1

For each part ordered, it is mandatory to specify the Serial number of the circuit-breaker it is intended for.



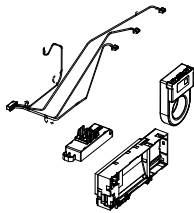
### 29 - Signalling charged spring lever

Size	Poles	IEC/UL	Version	Code	Type spare	Min quantity
E2.2; E4.2; E6.2	3p; 4p	IEC/UL	F; W (MP)	1SDA081242R1	A	1



### 30 - Sensors plastic covers

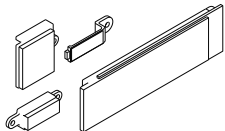
Size	Poles	IEC/UL	Version	Code	Type spare	Min quantity
E2.2	3p; 4p	IEC/UL	F; W (MP)	1SDA081468R1		1
E4.2	3p; 4p	IEC/UL	F; W (MP)	1SDA081469R1		1
E6.2	3p; 4p; 4p/f	IEC/UL	F; W (MP)	1SDA081470R1		1



### 31 - Main board + Sensors + cables

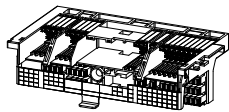
Size	Poles	IEC/UL	Version	Code	Type spare	Min quantity
E2.2	3p	IEC/UL	F; W (MP)	1SDA081200R1	A	1
E2.2	4p	IEC/UL	F; W (MP)	1SDA081201R1	A	1
E4.2	3p	IEC/UL	F; W (MP)	1SDA081202R1	A	1
E4.2	4p	IEC/UL	F; W (MP)	1SDA081203R1	A	1
E6.2	3p	IEC/UL	F; W (MP)	1SDA081204R1	A	1
E6.2	4p	IEC/UL	F; W (MP)	1SDA081205R1	A	1
E6.2	4p/f	IEC/UL	F; W (MP)	1SDA081206R1	A	1

For each part ordered, it is mandatory to specify the Serial number of the circuit-breaker it is intended for.



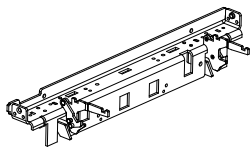
### 32 - Kit front cover plugs

Size	Poles	IEC/UL	Version	Code	Type spare	Min quantity
E1.2	3p; 4p	IEC/UL	F; W (MP)	1SDA081415R1		1
E2.2; E4.2; E6.2	3p; 4p	IEC/UL	F; W (MP)	1SDA081471R1		1



### 33 - Terminal box fixed part

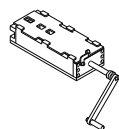
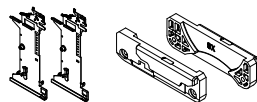
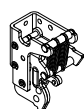
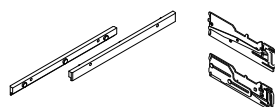
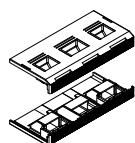
Size	Poles	IEC/UL	Version	Code	Type spare	Min quantity
E1.2	3p; 4p	IEC/UL	W (FP)	1SDA081180R1	A	1
E2.2; E4.2	3p; 4p	IEC	W (FP)	1SDA082152R1	A	1
E6.2	3p; 4p; 4p/f	IEC	W (FP)	1SDA082153R1	A	1



### 34 - Support for terminal box of Fixed Part

Size	Poles	IEC/UL	Version	Code	Type spare	Min quantity
E1.2	3p	IEC/UL	W (FP)	1SDA082237R1	A	1
E1.2	4p	IEC/UL	W (FP)	1SDA082238R1	A	1
E2.2	3p	IEC/UL	W (FP)	1SDA081249R1	A	1
E2.2	4p	IEC/UL	W (FP)	1SDA081250R1	A	1
E4.2	3p	IEC/UL	W (FP)	1SDA081251R1	A	1
E4.2	4p	IEC/UL	W (FP)	1SDA081252R1	A	1
E6.2	3p	IEC/UL	W (FP)	1SDA081253R1	A	1
E6.2	4p	IEC/UL	W (FP)	1SDA081254R1	A	1
E6.2	4p/f	IEC/UL	W (FP)	1SDA081255R1	A	1

Type A Spare part = only for ABB L3 technicians



### 35 - Terminal covers

Size	Poles	IEC/UL	Version	Code	Type spare	Min quantity
E1.2	3p	IEC/UL	F; W (MP)	1SDA081182R1		1
E1.2	4p	IEC/UL	F; W (MP)	1SDA081183R1		1

### 36 - CD lock lever

Size	Poles	IEC/UL	Version	Code	Type spare	Min quantity
E2.2; E4.2; E6.2	3p; 4p	IEC/UL	W (MP)	1SDA081256R1	A	1

### 37 - Lateral guides for fixed part

Size	Poles	IEC/UL	Version	Code	Type spare	Min quantity
E2.2; E4.2; E6.2	3p; 4p	IEC	W (FP)	1SDA082154R1	A	1

### 38 - Tripping mechanism

Size	Poles	IEC/UL	Version	Code	Type spare	Min quantity
E2.2; E4.2; E6.2	3p; 4p	IEC	F; W (MP)	1SDA082187R1	A	1

### 39 - Lateral guides for Moving part

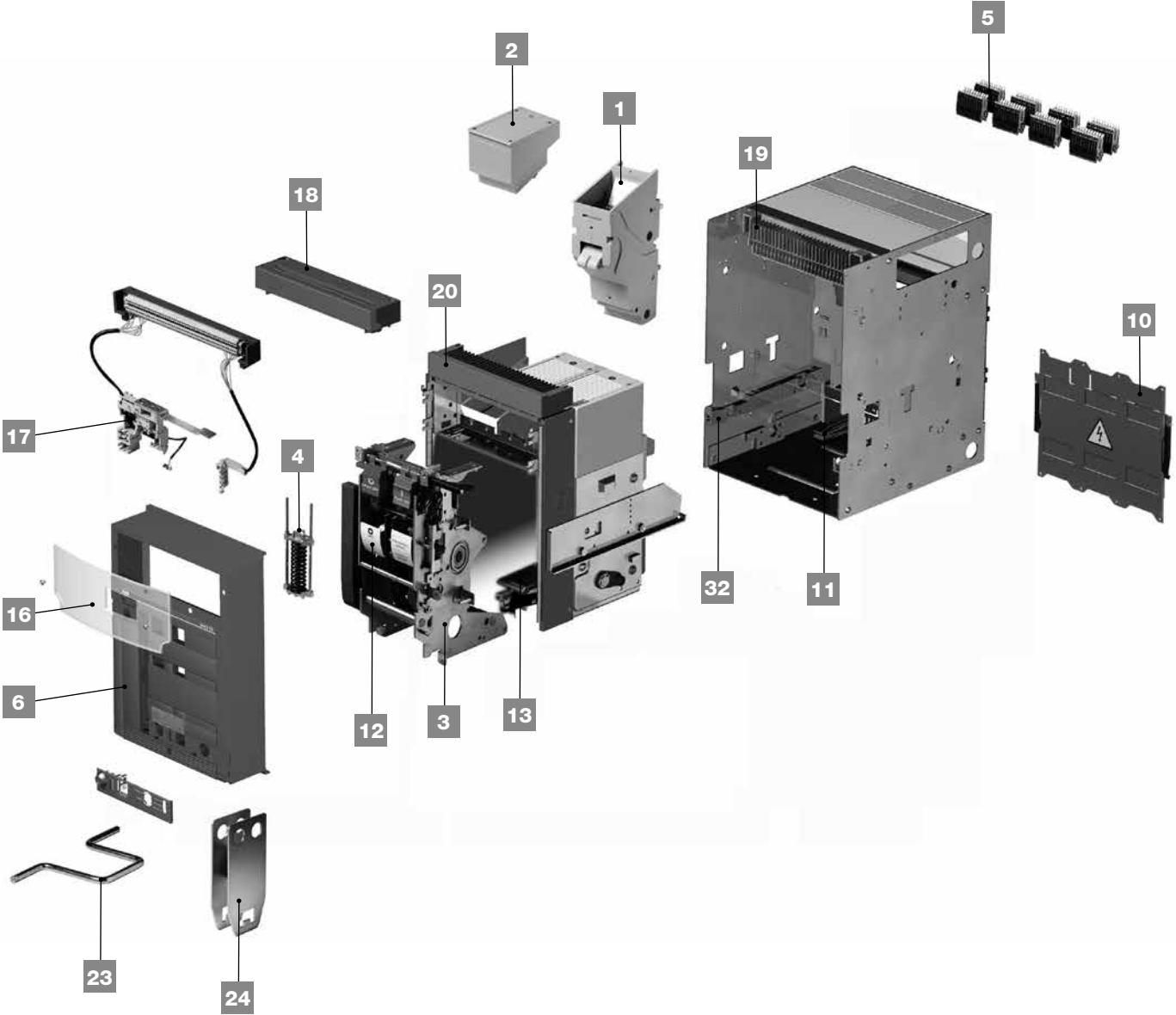
Size	Poles	IEC/UL	Version	Code	Type spare	Min quantity
E1.2	3p; 4p	IEC	W (MP)	1SDA082188R1	A	1
E2.2; E4.2; E6.2	3p; 4p	IEC	W (MP)	1SDA082302R1	A	1

### 40 - Spring charging device

Size	Poles	IEC/UL	Version	Code	Type spare	Min quantity
E2.2; E4.2; E6.2	3p; 4p	IEC	F; W(MP)	1SDA082230R1	A	1

# Spare Parts for circuit-breakers

## ACB Spare Parts - New Emax E1, E2, E3, E4, E6







### 1 - Single phase pole

Size	Poles	IEC/UL	Version	Code	Type spare	Min quantity
E1B; E1N	3p, 4p	IEC	F; W (MP)	1SDA045691R1	A	3 or 4
E2B; E2N	3p, 4p	IEC	F; W (MP)	1SDA045692R1	A	3 or 4
E2B/E; E2N/E - 1150V AC	3p, 4p	IEC	F; W (MP)	1SDA080771R1	A	3 or 4
E2S	3p, 4p	IEC	F; W (MP)	1SDA063387R1	A	3 or 4
E2L	3p, 4p	IEC	F; W (MP)	1SDA045695R1	A	3 or 4
E3N; E3S; E3H	3p, 4p	IEC	F; W (MP)	1SDA045693R1	A	3 or 4
E3H/E - 1150V AC	3p, 4p	IEC	F; W (MP)	1SDA080772R1	A	3 or 4
E3L	3p, 4p	IEC	F; W (MP)	1SDA045696R1	A	3 or 4
E3V	3p, 4p	IEC	F; W (MP)	1SDA063388R1	A	3 or 4
E4S; E4H - half phase	3p, 4p, 4p/f	IEC	F; W (MP)	1SDA045692R1	A	6 or 7 or 8
E4V; E4V-A; E4L-A - half phase	3p, 4p, 4p/f	UL/IEC	F; W (MP)	1SDA063390R1	A	6 or 7 or 8
E4H/E - 1150V AC	3p, 4p	IEC	F; W (MP)	1SDA080771R1	A	6 or 7 or 8
E6H - half phase	3p, 4p	IEC	F; W (MP)	1SDA045694R1	A	6 or 7
E6H - half-phase	4p/f	IEC	F; W (MP)	1SDA063386R1	A	8
E6V; E6V-A; E6L-A	3p, 4p	IEC/UL	F; W (MP)	1SDA063389R1	A	6 or 7
E6H/E - 1150V AC	3p, 4p, 4p/f	IEC	F; W (MP)	1SDA080773R1	A	6 or 7 or 8



### 2 - Single arching chamber

Size	Poles	IEC/UL	Version	Code	Type spare	Min quantity
E1B; E1N; E2B; E2N; E2S	3p, 4p	IEC	F; W (MP)	1SDA045697R1		3 or 4
E2L	3p, 4p	IEC	F; W (MP)	1SDA045699R1		3 or 4
E2S-A	3p, 4p	UL	F; W (MP)	1SDA064289R1		4 or 4
E3N; E3S; E3H	3p, 4p	IEC	F; W (MP)	1SDA045698R1		3 or 4
E3L	3p, 4p	IEC	F; W (MP)	1SDA045700R1		3 or 4
E3V; E3X-A	3p, 4p	IEC/UL	F; W (MP)	1SDA063391R1		3 or 4
E4S; E4H - half phase	3p, 4p, 4p/f	IEC	F; W (MP)	1SDA045697R1		6 or 7 or 8
E4V - half phase	3p, 4p, 4p/f	IEC	F; W (MP)	1SDA064289R1		6 or 7 or 8
E6H - half phase	3p, 4p, 4p/f	IEC	F; W (MP)	1SDA045698R1		6 or 7 or 8
E6V - half phase	3p, 4p	IEC	F; W (MP)	1SDA063391R1		6 or 7



### 3 - Operating mechanism

Size	Poles	IEC/UL	Version	Code	Type spare	Min quantity
E1B; E1N; E2B; E2N; E2L	3p	IEC	F; W (MP)	1SDA053988R1	A	1
E1B; E1N; E2B; E2N; E2L	4p	IEC	F; W (MP)	1SDA053989R1	A	1
E3L	3p, 4p	IEC	F; W (MP)	1SDA053988R1	A	1
E3N; E3S; E3H	3p, 4p	IEC	F; W (MP)	1SDA053989R1	A	1
E2S	3p	IEC	F; W (MP)	1SDA065712R1	A	1
E2S	4p	IEC	F; W (MP)	1SDA065713R1	A	1
E4S; E4H; E4V; E6H; E6V	3p, 4p, 4p/f	IEC	F; W (MP)	1SDA065715R1	A	1
E1B-A; E1N-A; E2B-A; E2N-A; E2H-A	3p	UL	F; W (MP)	1SDA053988R1	A	1
E1B-A; E1N-A; E2B-A; E2N-A; E2H-A	4p	UL	F; W (MP)	1SDA053989R1	A	1
E2S-A	3p	UL	F; W (MP)	1SDA065712R1	A	1
E2S-A	4p	UL	F; W (MP)	1SDA065713R1	A	1
E3N-A; E3S-A; E3H-A; E3V-A	3p, 4p	UL	F; W (MP)	1SDA053989R1	A	1
E3X-A	3p, 4p	UL	F; W (MP)	1SDA053988R1	A	1
E4S-A; E4H-A; E4V-A; E4L-A	3p, 4p, 4p/f	UL	F; W (MP)	1SDA065715R1	A	1
E6H-A; E6V-A; E6L-A	3p, 4p, 4p/f	UL	F; W (MP)	1SDA065715R1	A	1
E6X-A	3p, 4p, 4p/f	UL	F; W (MP)	1SDA065714R1	A	1

Type A Spare part = only for ABB L3 technicians

# Spare Parts for circuit-breakers

## ACB Spare Parts - New Emax E1, E2, E3, E4, E6



4 - Closing spring							
Size	Poles	IEC/UL	Version	Code		Type spare	Min quantity
E1B; E1N	3p	IEC	F; W (MP)	1SDA053990R1		A	1
E1B; E1N	4p	IEC	F; W (MP)	1SDA053991R1		A	1
E2B; E2N	3p	IEC	F; W (MP)	1SDA053991R1		A	1
E2B; E2N	4p	IEC	F; W (MP)	1SDA053992R1		A	1
E2L	3p, 4p	IEC	F; W (MP)	1SDA053990R1		A	1
E2S	3p	IEC	F; W (MP)	1SDA053993R1		A	1
E2S	4p	IEC	F; W (MP)	1SDA053994R1		A	1
E3N; E3S; E3H	3p	IEC	F; W (MP)	1SDA053993R1		A	1
E3N; E3S; E3H	4p	IEC	F; W (MP)	1SDA053994R1		A	1
E3L	3p, 4p	IEC	F; W (MP)	1SDA053991R1		A	1
E4S; E4H; E4V	3p, 4p/f	IEC	F; W (MP)	1SDA053995R1		A	1
E4S; E4H; E4V	4p	IEC	F; W (MP)	1SDA053996R1		A	1
E6H; E6V	3p	IEC	F; W (MP)	1SDA053995R1		A	1
E6H; E6V	4p, 4p/f	IEC	F; W (MP)	1SDA053996R1		A	1
E1B-A; E1N-A	3p	UL	F; W (MP)	1SDA053990R1		A	1
E1B-A; E1N-A	4p	UL	F; W (MP)	1SDA053991R1		A	1
E2B-A; E2N-A	3p	UL	F; W (MP)	1SDA053991R1		A	1
E2B-A; E2N-A	4p	UL	F; W (MP)	1SDA053992R1		A	1
E2H-A	3p, 4p	UL	F; W (MP)	1SDA053990R1		A	1
E2S-A	3p	UL	F; W (MP)	1SDA053993R1		A	1
E2S-A	4p	UL	F; W (MP)	1SDA053994R1		A	1
E3N-A; E3S-A; E3H-A; E3V-A	3p	UL	F; W (MP)	1SDA053993R1		A	1
E3N-A; E3S-A; E3H-A; E3V-A	4p	UL	F; W (MP)	1SDA053994R1		A	1
E3X-A	3p, 4p	UL	F; W (MP)	1SDA053991R1		A	1
E4S-A; E4H-A; E4V-A; E4L-A; E4H-A	3p, 4p/f	UL	F; W (MP)	1SDA053995R1		A	1
E4S-A; E4H-A; E4V-A; E4L-A; E4H-A	4p	UL	F; W (MP)	1SDA053996R1		A	1
E6H-A; E6V-A; E6L-A; E6X-A	3p	UL	F; W (MP)	1SDA053995R1		A	1
E6H-A; E6V-A; E6L-A; E6X-A	4p, 4p/f	UL	F; W (MP)	1SDA053996R1		A	1



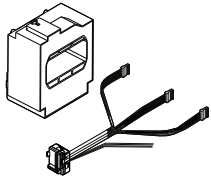
5 - Jaw contacts set							
Size	Poles	IEC/UL	Version	Code		Type spare	Min quantity
E1B; E1N - 8 pcs	3p, 4p	IEC	W (MP)	1SDA047823R1			1
E2B; E2N; E2L - 8 pcs	3p, 4p	IEC	W (MP)	1SDA047824R1			1
E2S - 8 pcs	3p, 4p	IEC	W (MP)	1SDA063400R1			1
E3N; E3S; E3H; E3V; E3L - 8 pcs	3p, 4p	IEC	W (MP)	1SDA047825R1			1
E4S; E4H; E4V - 8 pcs	3p, 4p, 4p/f	IEC	W (MP)	1SDA063400R1			2
E6H; E6V - 8 pcs	3p, 4p, 4p/f	IEC	W (MP)	1SDA047825R1			2



6 - Main shield and lateral covers (1)							
Size	Poles	IEC/UL	Version	Code		Type spare	Min quantity
E1B; E1N	3p	IEC	F; W (MP)	1SDA058318R1			1
E1B; E1N	4p	IEC	F; W (MP)	1SDA058319R1			1
E2B; E2N; E2S; E2L	3p	IEC	F; W (MP)	1SDA058318R1			1
E2B; E2N; E2S; E2L	4p	IEC	F; W (MP)	1SDA058319R1			1
E3N; E3S; E3H; E3V; E3L	3p	IEC	F; W (MP)	1SDA058321R1			1
E3N; E3S; E3H; E3V; E3L	4p	IEC	F; W (MP)	1SDA058322R1			1
E4S; E4H; E4V	3p	IEC	F; W (MP)	1SDA058323R1			1
E4S; E4H; E4V	4p	IEC	F; W (MP)	1SDA058326R1			1
E4S; E4H	4p/f	IEC	F; W (MP)	1SDA082345R1			1
E6H; E6V	3p	IEC	F; W (MP)	1SDA058327R1			1
E6H; E6V	4p	IEC	F; W (MP)	1SDA058328R1			1
E6H	4p/f	IEC	F; W (MP)	1SDA082346R1			1

(1) the Label is not included, use the same one

Type A Spare part = only for ABB L3 technicians



### 7 - Measuring chain - Sensors - Part 1/3 (2)

Size	Poles	IEC/UL	Version	Code	Type spare	Min quantity
E1B; E1N	3p	IEC/UL	F; W (MP)	1SDA069658R1		1
E2B; E2N; E2S; E2L	3p	IEC/UL	F; W (MP)	1SDA069660R1		1
E3N; E3S; E3H; E3V; E3L	3p	IEC/UL	F; W (MP)	1SDA069662R1		1
E4S; E4H; E4V	3p	IEC/UL	F; W (MP)	1SDA069664R1		1
E6H; E6V	3p	IEC/UL	F; W (MP)	1SDA069667R1		1
E1B; E1N	4p	IEC/UL	F; W (MP)	1SDA069659R1		1
E2B; E2N; E2S; E2L	4p	IEC/UL	F; W (MP)	1SDA069661R1		1
E3N; E3S; E3H; E3V; E3L	4p	IEC/UL	F; W (MP)	1SDA069663R1		1
E4S; E4H; E4V	4p	IEC/UL	F; W (MP)	1SDA069665R1		1
E6H; E6V	4p	IEC/UL	F; W (MP)	1SDA069668R1		1
E4	4p/f	IEC/UL	F; W (MP)	1SDA069666R1		1
E6	4p/f	IEC/UL	F; W (MP)	1SDA069669R1		1

(2) to be ordered with Part 2/3 and Part 3/3

Always specify the circuit-breaker serial number and details as requested in the measurement chain for New Emax file. Without it the order will not be processed.

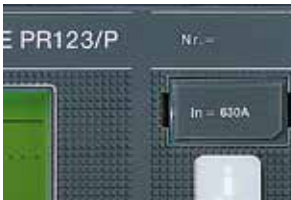
Document number: 9AKK106713A3574



### 8 - Measuring chain - Trip Unit - Part 2/3 (3)

Size	Poles	IEC/UL	Version	Code	Type spare	Min quantity
E1...E6 - PR121/P-LI	3p; 4p; 4p/f	IEC	F; W (MP)	1SDA069670R1		1
E1...E6 - PR121/P-LSI	3p; 4p; 4p/f	IEC	F; W (MP)	1SDA069671R1		1
E1...E6 - PR121/P-LSIG	3p; 4p; 4p/f	IEC	F; W (MP)	1SDA069672R1		1
E1...E6 - PR122/P-LI	3p; 4p; 4p/f	IEC	F; W (MP)	1SDA069673R1		1
E1...E6 - PR122/P-LSI	3p; 4p; 4p/f	IEC	F; W (MP)	1SDA069674R1		1
E1...E6 - PR122/P-LSIG	3p; 4p; 4p/f	IEC	F; W (MP)	1SDA069675R1		1
E1...E6 - PR123/P-LSI*	3p; 4p; 4p/f	IEC	F; W (MP)	1SDA069676R1		1
E1...E6 - PR123/P-LSIG*	3p; 4p; 4p/f	IEC	F; W (MP)	1SDA069677R1		1

(3) to be ordered with Part 1/3 and Part 3/3; \* PR120/V included



### 9 - Measuring chain - Rating Plug - Part 3/3 (4)

Size	Poles	IEC/UL	Version	Code	Type spare	Min quantity
E1-E3 - In=400A	3p; 4p	IEC	F; W (MP)	1SDA058192R1		1
E1-E3 - In=600A	3p; 4p	UL	F; W (MP)	1SDA058379R1		1
E1-E3 - In=630A	3p; 4p	IEC	F; W (MP)	1SDA058221R1		1
E1-E6IEC E1-E3UL - In=800A	3p; 4p; 4p/f	IEC/UL	F; W (MP)	1SDA058222R1		1
E1-E6IEC E1-E3UL - In=1000A	3p; 4p; 4p/f	IEC/UL	F; W (MP)	1SDA058223R1		1
E1-E6IEC - In=1250A	3p; 4p; 4p/f	IEC	F; W (MP)	1SDA058225R1		1
E1-E6IEC E2-E4UL - In=1600A	3p; 4p; 4p/f	IEC/UL	F; W (MP)	1SDA058226R1		1
E2-E6IEC E3-E4UL - In=2000A	3p; 4p; 4p/f	IEC/UL	F; W (MP)	1SDA058227R1		1
E3-E6IEC E3-E4UL - In=2500A	3p; 4p; 4p/f	IEC/UL	F; W (MP)	1SDA058228R1		1
E3-E6UL - In=3000A	3p; 4p; 4p/f	UL	F; W (MP)	1SDA058229R1		1
E3-E6IEC E3-E6UL - In=3200A	3p; 4p; 4p/f	IEC/UL	F; W (MP)	1SDA058230R1		1
E3-E6UL - In=3600A	3p; 4p; 4p/f	UL	F; W (MP)	1SDA058231R1		1
E4-E6IEC E6UL - In=4000A	3p; 4p; 4p/f	IEC/UL	F; W (MP)	1SDA058232R1		1
E6 - In=5000A	3p; 4p; 4p/f	IEC	F; W (MP)	1SDA058233R1		1
E6 - In=6300A	3p; 4p; 4p/f	IEC	F; W (MP)	1SDA058234R1		1

(4) to be ordered with Part 1/3 and Part 2/3

Type A Spare part = only for ABB L3 technicians

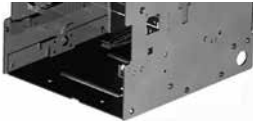
# Spare Parts for circuit-breakers

## ACB Spare Parts - New Emax E1, E2, E3, E4, E6



### 10 - Shutters for Fixed Part

Size	Poles	IEC/UL	Version	Code	Type spare	Min quantity
E1B; E1N	3p	IEC	W (FP)	1SDA038261R1		1
E1B; E1N	4p	IEC	W (FP)	1SDA038265R1		1
E2B; E2N; E2S; E2L	3p	IEC	W (FP)	1SDA038261R1		1
E2B; E2N; E2S; E2L	4p	IEC	W (FP)	1SDA038265R1		1
E3N; E3S; E3H; E3V; E3L	3p	IEC	W (FP)	1SDA038262R1		1
E3N; E3S; E3H; E3V; E3L	4p	IEC	W (FP)	1SDA038266R1		1
E4S; E4H; E4V	3p	IEC	W (FP)	1SDA038263R1		1
E4S; E4H; E4V	4p	IEC	W (FP)	1SDA038267R1		1
E4S; E4H	4p/f	IEC	W (FP)	1SDA048732R1		1
E6H; E6V	3p	IEC	W (FP)	1SDA038264R1		1
E6H; E6V	4p	IEC	W (FP)	1SDA038268R1		1
E6H	4p/f	IEC	W (FP)	1SDA050846R1		1



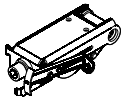
### 11 - Earth sliding contact

Size	Poles	IEC/UL	Version	Code	Type spare	Min quantity
E1...E6	3p; 4p; 4p/f	IEC	W (FP)	1SDA045722R1		1



### 12 - Spring charged flag set

Size	Poles	IEC/UL	Version	Code	Type spare	Min quantity
E1...E6	3p; 4p; 4p/f	IEC	F; W (MP)	1SDA065703R1	A	1



### 13 - Closed door withdrawing mechanism (CD)

Size	Poles	IEC/UL	Version	Code	Type spare	Min quantity
E1...E6	3p; 4p; 4p/f	IEC	W (MP)	1SDA069249R1	A	1



### 14 - Coils support

Size	Poles	IEC/UL	Version	Code	Type spare	Min quantity
E1...E6	3p; 4p; 4p/f	IEC/UL	F; W (MP)	1SDA038339R1		1

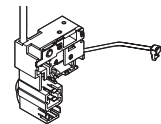
### 15 - Downgrade set for "MS" Version

Size	Poles	IEC/UL	Version	Code	Type spare	Min quantity
E1...E6	3p; 4p; 4p/f	IEC	F; W (MP)	1SDA059916R1		1



### 16 - Trip Unit transparent protection

Size	Poles	IEC/UL	Version	Code	Type spare	Min quantity
E1...E6 for PR121	3p; 4p; 4p/f	IEC/UL	F; W (MP)	1SDA063226R1		1
E1...E6 for PR122_PR123	3p; 4p; 4p/f	IEC/UL	F; W (MP)	1SDA063385R1		1



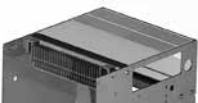
### 17 - I1/4 mechanical flag

Size	Poles	IEC/UL	Version	Code	Type spare	Min quantity
E1...E6	3p; 4p; 4p/f	IEC/UL	F; W (MP)	1SDA063404R1		1



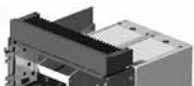
### 18 - Aux board for fixed breaker

Size	Poles	IEC/UL	Version	Code	Type spare	Min quantity
E1...E6	3p; 4p; 4p/f	IEC/UL	F	1SDA063401R1		1



### 19 - Sliding contacts board for fixed portion

Size	Poles	IEC/UL	Version	Code	Type spare	Min quantity
E1...E6	3p; 4p; 4p/f	IEC/UL	W (MP)	1SDA063402R1		1



### 20 - Sliding contacts board for moving portion

Size	Poles	IEC/UL	Version	Code	Type spare	Min quantity
E1...E6	3p; 4p; 4p/f	IEC/UL	W (MP)	1SDA063403R1		1

Type A Spare part = only for ABB L3 technicians

#### 21 - Gasket for panel's door

Size	Poles	IEC/UL	Version	Code	Type spare	Min quantity
E1...E6	3p; 4p; 4p/f	IEC/UL	F; W (MP)	1SDA038096R1		1

#### 22 - IP20 screen for sliding contacts on moving part

Size	Poles	IEC/UL	Version	Code	Type spare	Min quantity
E1...E6	3p; 4p; 4p/f	IEC/UL	F; W (MP)	1SDA063165R1		1



#### 23 - Winding lever

Size	Poles	IEC/UL	Version	Code	Type spare	Min quantity
E1...E6	3p; 4p; 4p/f	IEC/UL	W (MP)	1SDA038092R1		1

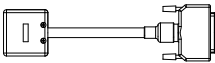


#### 24 - Lifting plates set

Size	Poles	IEC/UL	Version	Code	Type spare	Min quantity
E1...E6	3p; 4p; 4p/f	IEC/UL	F; W (MP)	1SDA038093R1		1

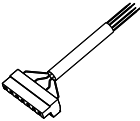
#### 25 - Main shield for RONIS key lock

Size	Poles	IEC/UL	Version	Code	Type spare	Min quantity
E1...E6	3p; 4p; 4p/f	IEC	F; W (MP)	1SDA063405R1		1



#### 26 - PR10/T test cable

Size	Poles	IEC/UL	Version	Code	Type spare	Min quantity
E1...E6	3p; 4p; 4p/f	IEC	F; W (MP)	1SDA063383R1		1



#### 27 - PR120/V cables

Size	Poles	IEC/UL	Version	Code	Type spare	Min quantity
E1...E6	3p; 4p; 4p/f	IEC/UL	F; W (MP)	1SDA063497R1		1

#### 28 - Conversion Kit from fixed version to moving part

Size	Poles	IEC/UL	Version	Code	Type spare	Min quantity
E1B; E1N	3p	IEC	F	1SDA064556R1	A	1
E1B; E1N	4p	IEC	F	1SDA064557R1	A	1
E2B; E2N; E2L	3p	IEC	F	1SDA064556R1	A	1
E2B; E2N; E2L	4p	IEC	F	1SDA064557R1	A	1
E2S	3p	IEC	F	1SDA064558R1	A	1
E2S	4p	IEC	F	1SDA064559R1	A	1
E3N; E3S; E3H; E3V; E3L	3p	IEC	F	1SDA064560R1	A	1
E3N; E3S; E3H; E3V; E3L	4p	IEC	F	1SDA064561R1	A	1
E4S; E4H; E4V	3p	IEC	F	1SDA064562R1	A	1
E4S; E4H; E4V	4p	IEC	F	1SDA064563R1	A	1
E4S; E4H	4p/f	IEC	F	1SDA064566R1	A	1
E6H; E6V	3p	IEC	F	1SDA064564R1	A	1
E6H; E6V	4p	IEC	F	1SDA064565R1	A	1
E6H	4p/f	IEC	F	1SDA064567R1	A	1

#### 29 - XK3 cable PR122-PR123

Size	Poles	IEC/UL	Version	Code	Type spare	Min quantity
E1...E6	3p; 4p; 4p/f	IEC	F; W (MP)	1SDA060529R1	A	1

#### 30 - XK2 cable PR122-PR123

Size	Poles	IEC/UL	Version	Code	Type spare	Min quantity
E1...E6	3p; 4p; 4p/f	IEC	F; W (MP)	1SDA063534R1	A	1

#### 31 - Standard maintenance kit

Size	Poles	IEC/UL	Version	Code	Type spare	Min quantity
E1...E6	3p; 4p; 4p/f	IEC	F; W (MP)	1SDA070245R1	A	1



Type A Spare part = only for ABB L3 technicians

# Spare Parts for circuit-breakers

## ACB Spare Parts - New Emax E1, E2, E3, E4, E6



32 - Lateral guides for fixed part							
Size	Poles	IEC/UL	Version	Code		Type spare	Min quantity
E1...E3	3p; 4p	IEC	W (FP)	1SDA076320R1		A	1
E4...E6	3p; 4p	IEC	W (FP)	1SDA082143R1		A	1

33 - Lifting trolley (5)							
Size	Poles	IEC/UL	Version	Code		Type spare	Min quantity
300 kg, up to E3	3p; 4p; 4p/f	IEC/UL	F; W (FP or MP)	UXAB269199130			1
500 kg, E4 and E6	3p; 4p; 4p/f	IEC/UL	F; W (FP or MP)	UXAB269599127			1

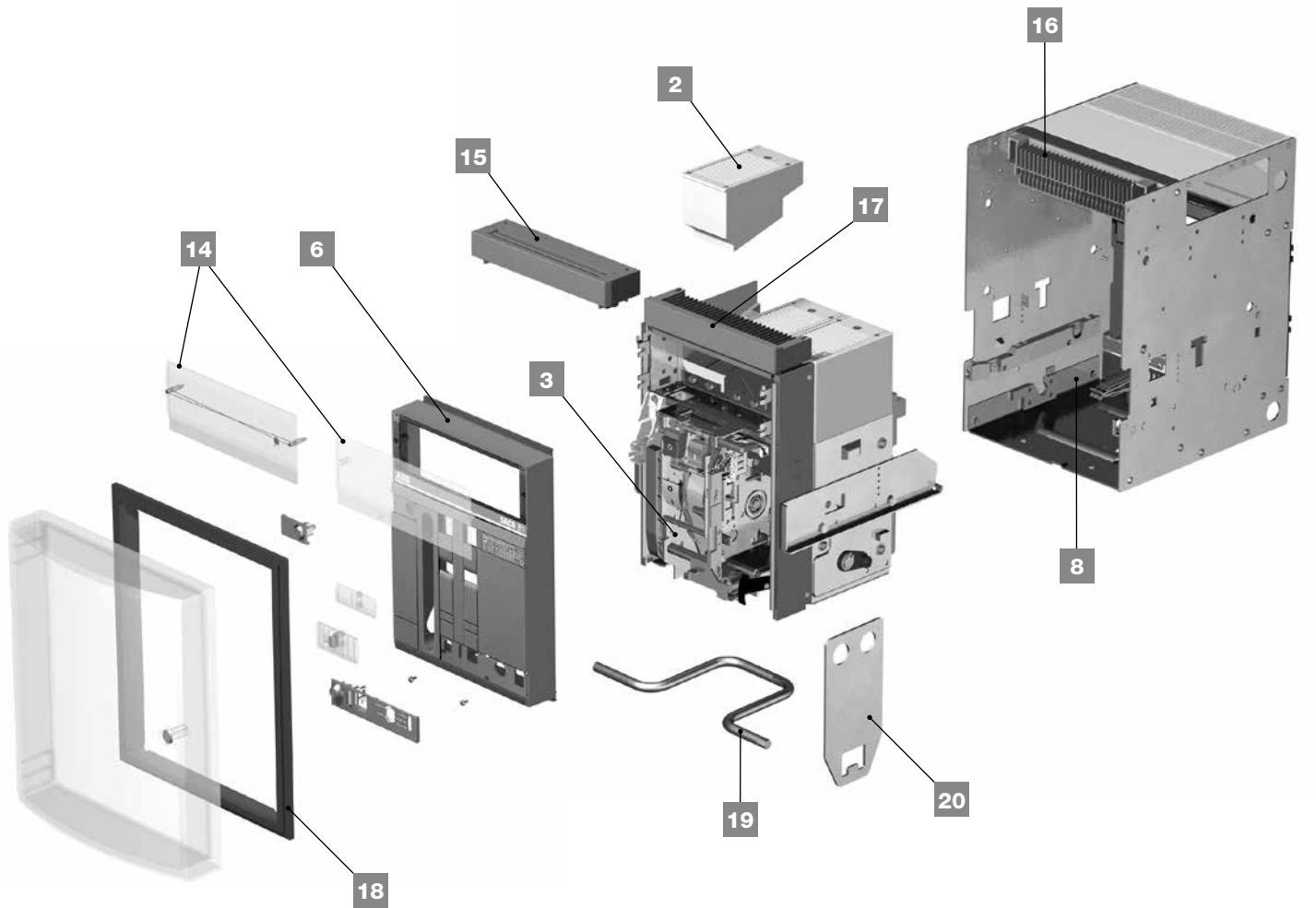
(5) complete with the slideproof plate

34 - Slideproof plate for lifting trolley							
Size	Poles	IEC/UL	Version	Code		Type spare	Min quantity
800mm	3p; 4p; 4p/f	IEC/UL	F; W (FP or MP)	UXAB269199131			1
1000mm	3p; 4p; 4p/f	IEC/UL	F; W (FP or MP)	UXAB269199134			1

Type A Spare part = only for ABB L3 technicians

# Spare Parts for circuit-breakers

## ACB Spare Parts - Emax E1, E2, E3, E4, E6



# Spare Parts for circuit-breakers

## ACB Spare Parts - Emax E1, E2, E3, E4, E6



### 1 - Single phase pole

Size	Poles	IEC/UL	Version	Code	Type spare	Min quantity
E1B; E1N	3p, 4p	IEC	F; W (MP)	1SDA045691R1	A	3 or 4
E2B; E2N	3p, 4p	IEC	F; W (MP)	1SDA045692R1	A	3 or 4
E2L	3p, 4p	IEC	F; W (MP)	1SDA045695R1	A	3 or 4
E3N; E3S; E3H	3p, 4p	IEC	F; W (MP)	1SDA045693R1	A	3 or 4
E3L	3p, 4p	IEC	F; W (MP)	1SDA045696R1	A	3 or 4
E4S; E4H half-phase	3p, 4p, 4p/f	IEC	F; W (MP)	1SDA045692R1	A	6 or 7 or 8
E6V; E6H half-phase	3p, 4p	IEC	F; W (MP)	1SDA045694R1	A	6 or 7
E6H half-phase	4p/f	IEC	F; W (MP)	1SDA063386R1	A	8



### 2 - Single arching chamber

Size	Poles	IEC/UL	Version	Code	Type spare	Min quantity
E1B; E1N; E2B; E2N	3p, 4p	IEC	F; W (MP)	1SDA045697R1		3 or 4
E2L	3p, 4p	IEC	F; W (MP)	1SDA045699R1		3 or 4
E3N; E3S; E3H	3p, 4p	IEC	F; W (MP)	1SDA045698R1		3 or 4
E3L	3p, 4p	IEC	F; W (MP)	1SDA045700R1		3 or 4
E4S; E4H half-phase	3p, 4p, 4p/f	IEC	F; W (MP)	1SDA045697R1		6 or 7 or 8
E6 half-phase	3p, 4p, 4p/f	IEC	F; W (MP)	1SDA045698R1		6 or 7 or 8



### 3 - Operating mechanism (1)

Size	Poles	IEC/UL	Version	Code	Type spare	Min quantity
E1B; E1N; E2B; E2N; E2L	3p	IEC	F; W (MP)	1SDA053988R1	A	1
E1B; E1N; E2B; E2N; E2L	4p	IEC	F; W (MP)	1SDA053989R1	A	1
E3L	3p, 4p	IEC	F; W (MP)	1SDA053988R1	A	1
E3N; E3S; E3H	3p, 4p	IEC	F; W (MP)	1SDA053989R1	A	1
E4S; E4H; E6H; E6V	3p, 4p, 4p/f	IEC	F; W (MP)	1SDA065715R1	A	1
E6X-A	3p, 4p, 4p/f	UL	F; W (MP)	1SDA065714R1	A	1

(1) order even the TU reset device



### 4 - Closing spring

Size	Poles	IEC/UL	Version	Code	Type spare	Min quantity
E1B; E1N	3p	IEC	F; W (MP)	1SDA053990R1	A	1
E1B; E1N	4p	IEC	F; W (MP)	1SDA053991R1	A	1
E2B; E2N	3p	IEC	F; W (MP)	1SDA053991R1	A	1
E2B; E2N	4p	IEC	F; W (MP)	1SDA053992R1	A	1
E2L	3p, 4p	IEC	F; W (MP)	1SDA053990R1	A	1
E3N; E3S; E3H	3p	IEC	F; W (MP)	1SDA053993R1	A	1
E3N; E3S; E3H	4p	IEC	F; W (MP)	1SDA053994R1	A	1
E3L	3p, 4p	IEC	F; W (MP)	1SDA053991R1	A	1
E4S; E4H	3p, 4p/f	IEC	F; W (MP)	1SDA053995R1	A	1
E4S; E4H	4p	IEC	F; W (MP)	1SDA053996R1	A	1
E6H; E6V	3p, 4p	IEC	F; W (MP)	1SDA053995R1	A	1
E6H; E6V	4p/f	IEC	F; W (MP)	1SDA053996R1	A	1



### 5 - Jaw contacts set

Size	Poles	IEC/UL	Version	Code	Type spare	Min quantity
E1B; E1N (8 pcs)	3p, 4p	IEC	W (FP)	1SDA047823R1		1
E2B; E2N; E2L (8 pcs)	3p, 4p	IEC	W (FP)	1SDA047824R1		1
E3N; E3S; E3H; E3L	3p, 4p	IEC	W (FP)	1SDA047825R1		1
E4S; E4H	3p, 4p, 4p/f	IEC	W (FP)	1SDA047824R1		2
E6H; E6V	3p, 4p, 4p/f	IEC	W (FP)	1SDA047825R1		2

Type A Spare part = only for ABB L3 technicians





#### 6 - Main shield and lateral covers (2)

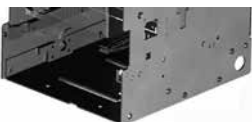
Size	Poles	IEC/UL	Version	Code	Type spare	Min quantity
E1B; E1N	3p	IEC	F; W (MP)	1SDA047828R1		1
E1B; E1N	4p	IEC	F; W (MP)	1SDA047829R1		1
E2B; E2N; E2L	3p	IEC	F; W (MP)	1SDA047828R1		1
E2B; E2N; E2L	4p	IEC	F; W (MP)	1SDA047829R1		1
E3N; E3S; E3H; E3L	3p	IEC	F; W (MP)	1SDA047830R1		1
E3N; E3S; E3H; E3L	4p	IEC	F; W (MP)	1SDA047831R1		1
E4S; E4H	3p	IEC	F; W (MP)	1SDA047832R1		1
E4S; E4H	4p	IEC	F; W (MP)	1SDA047833R1		1
E4S; E4H	4p/f	IEC	F; W (MP)	1SDA082347R1		1
E6H; E6V	3p	IEC	F; W (MP)	1SDA047834R1		1
E6H; E6V	4p	IEC	F; W (MP)	1SDA047835R1		1
E6H	4p/f	IEC	F; W (MP)	1SDA082348R1		1

(2) the Label is not included, use the same one



#### 7 - Shutters for Fixed Part

Size	Poles	IEC/UL	Version	Code	Type spare	Min quantity
E1B; E1N	3p	IEC	W (FP)	1SDA038261R1		1
E1B; E1N	4p	IEC	W (FP)	1SDA038265R1		1
E2B; E2N; E2L	3p	IEC	W (FP)	1SDA038261R1		1
E2B; E2N; E2L	4p	IEC	W (FP)	1SDA038265R1		1
E3N; E3S; E3H; E3L	3p	IEC	W (FP)	1SDA038262R1		1
E3N; E3S; E3H; E3L	4p	IEC	W (FP)	1SDA038266R1		1
E4S; E4H	3p	IEC	W (FP)	1SDA038263R1		1
E4S; E4H	4p	IEC	W (FP)	1SDA038267R1		1
E4S; E4H	4p/f	IEC	W (FP)	1SDA048732R1		1
E6H; E6V	3p	IEC	W (FP)	1SDA038264R1		1
E6H; E6V	4p	IEC	W (FP)	1SDA038268R1		1
E6H	4p/f	IEC	W (FP)	1SDA050846R1		1



#### 8 - Earth sliding contact

Size	IEC/UL	Version	Code	Type spare	Min quantity
E1...E6	IEC	W (FP)	1SDA045722R1		1



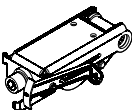
#### 9 - Spring charged flag set

Size	IEC/UL	Version	Code	Type spare	Min quantity
E1...E6	IEC	F; W (MP)	1SDA065703R1	A	1

#### 10 - PR120/B \*

Size	IEC/UL	Version	Code	Type spare	Min quantity
E1...E6	IEC	F; W (MP)	1SDA055269R1		1

\* limited availability - check availability before order



#### 11 - Closed door withdrawing mechanism

Size	IEC/UL	Version	Code	Type spare	Min quantity
E1...E6	IEC	W (MP)	1SDA069248R1	A	1



#### 12 - Coils support

Size	IEC/UL	Version	Code	Type spare	Min quantity
E1...E6	IEC	F; W (MP)	1SDA038339R1		1

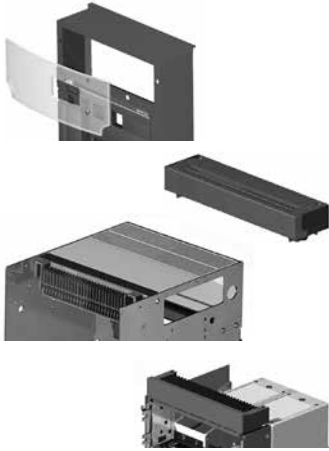
#### 13 - Downgrade set for "MS" version

Size	IEC/UL	Version	Code	Type spare	Min quantity
E1...E6	IEC	F; W (MP)	1SDA059916R1		1

Type A Spare part = only for ABB L3 technicians

# Spare Parts for circuit-breakers

## ACB Spare Parts - Emax E1, E2, E3, E4, E6



14 - Transparent protection for overcurrent release						
Size	IEC/UL	Version	Code	Type spare	Min quantity	
E1...E6	IEC/UL	F; W (MP)	1SDA045724R1		1	

15 - Aux board for fixed breaker						
Size	IEC/UL	Version	Code	Type spare	Min quantity	
E1...E6	IEC/UL	F	1SDA038342R1		1	

16 - Sliding contacts board for fixed portion						
Size	IEC/UL	Version	Code	Type spare	Min quantity	
E1...E6	IEC/UL	W (FP)	1SDA038362R1		1	

17 - Sliding contacts board for moving portion						
Size	IEC/UL	Version	Code	Type spare	Min quantity	
E1...E6	IEC/UL	W (MP)	1SDA038328R1		1	

18 - Gasket for panel's door						
Size	IEC/UL	Version	Code	Type spare	Min quantity	
E1...E6	IEC/UL	F; W (MP)	1SDA038096R1		1	



19 - Winding lever						
Size	IEC/UL	Version	Code	Type spare	Min quantity	
E1...E6	IEC/UL	W (MP)	1SDA038092R1		1	

20 - Lifting plates set						
Size	IEC/UL	Version	Code	Type spare	Min quantity	
E1...E6	IEC/UL	F; W (MP)	1SDA038093R1		1	

21 - Main shield for RONIS key lock*						
Size	IEC/UL	Version	Code	Type spare	Min quantity	
E1...E6	IEC/UL	F; W (MP)	1SDA050701R1		1	

\* Key lock is not included

22 - PR010/T test cable						
Size	IEC/UL	Version	Code	Type spare	Min quantity	
E1...E6	IEC/UL	F; W (MP)	1SDA050731R1		1	

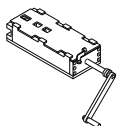


23 - Standard maintenance kit						
Size	IEC/UL	Version	Code	Type spare	Min quantity	
E1...E6		F; W (MP)	1SDA070245R1	A	1	

24 - Lifting trolley (4)						
Size	IEC/UL	Version	Code	Type spare	Min quantity	
300 kg, up to E3		F; W (MP)	UXAB269199130		1	
500 kg, E4 and E6		F; W (MP)	UXAB269599127		1	

(4) complete with the slideproof plate

25 - Slideproof plate for lifting trolley						
Size	IEC/UL	Version	Code	Type spare	Min quantity	
800mm		F; W (MP)	UXAB269199131		1	
1000mm		F; W (MP)	UXAB269199134		1	

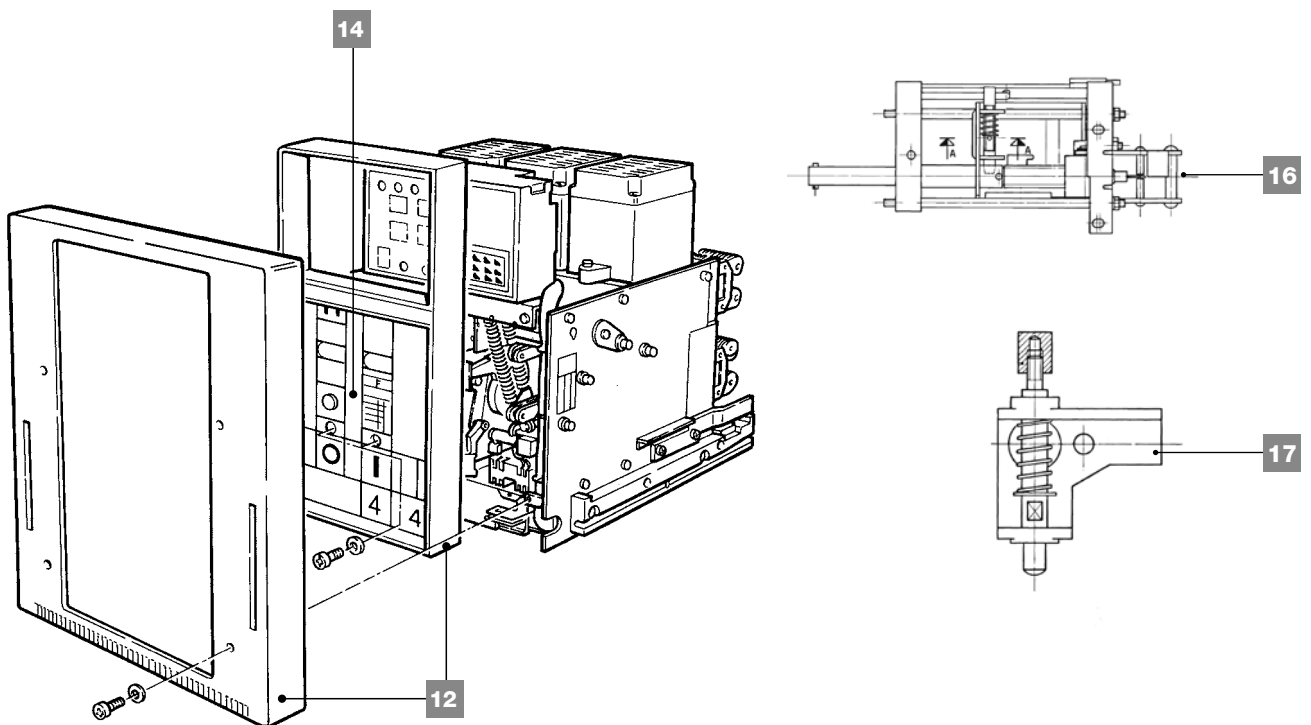
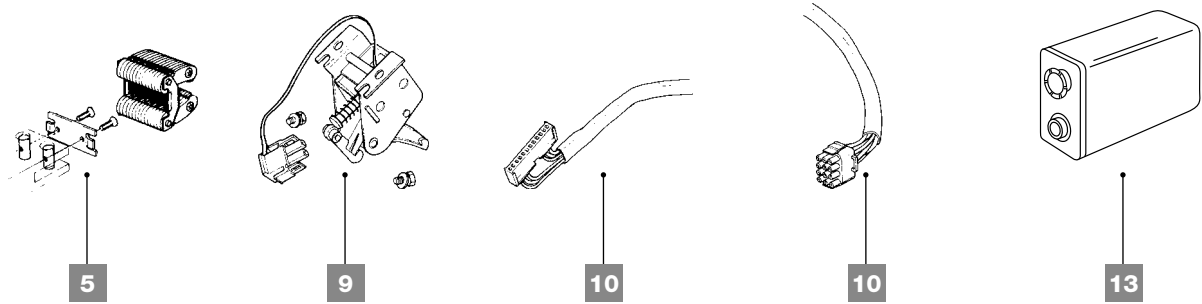
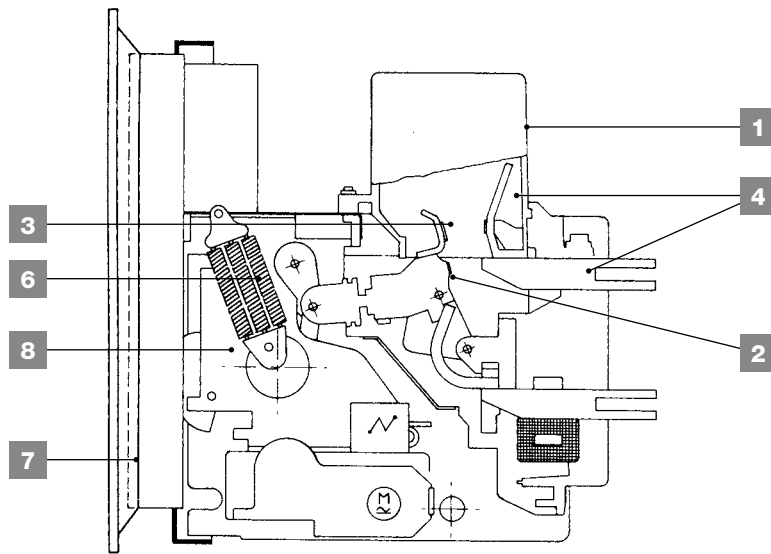


26 - Spring charging device						
Size	Poles	IEC/UL	Version	Code	Type spare	Min quantity
E1...E6	3p; 4p	IEC	F; W(MP)	1SDA082230R1	A	1

Type A Spare part = only for ABB L3 technicians

# Spare Parts for circuit-breakers

## ACB Spare Parts - Megamax F1, F2



# Spare Parts for circuit-breakers

## ACB Spare Parts - Megamax F1, F2



### 1 - Arc chambers set

Size	Poles	Version	Code	Type spare	Min quantity
F1B 1250A; F1B 1600A; F1N 1250A; F1N 1600A	3p	F; W (MP)	UXAB269199001		1
F1B 1250A; F1B 1600A; F1N 1250A; F1N 1600A	4p	F; W (MP)	UXAB269199002		1
F1B 2000A, F1N 2000A; F1S	3p	F; W (MP)	UXAB269199003		1
F1B 2000A, F1N 2000A; F1S	4p	F; W (MP)	UXAB269199004		1
F2S	3p	F; W (MP)	UXAB269499051		1
F2S	4p	F; W (MP)	UXAB269499052		1
F1H; F1L; F1V	3p	F; W (MP)	UXAB249399101		1
F1H; F1L; F1V	4p	F; W (MP)	UXAB249399102		1
F2H; F2L; F2V	3p	F; W (MP)	UXAB249499051		1
F2H; F2L; F2V	4p	F; W (MP)	UXAB249499052		1



### 2 - Moving contact assembly Kit with arcing

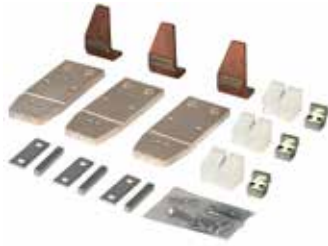
Size	Poles	Version	Code	Type spare	Min quantity
F1B 1250A; F1B 1600A; F1N 1250A; F1N 1600A	3p	F; W (MP)	UXAB269199006	A	1
F1B 1250A; F1B 1600A; F1N 1250A; F1N 1600A	4p	F; W (MP)	UXAB269199007	A	1
F1B 2000A, F1N 2000A; F1S	3p	F; W (MP)	UXAB269199008	A	1
F1B 2000A, F1N 2000A; F1S	4p	F; W (MP)	UXAB269199009	A	1
F2S	3p	F; W (MP)	UXAB269499053	A	1
F2S	4p	F; W (MP)	UXAB269499054	A	1
F1H; F1V	3p	F; W (MP)	UXAB249399103	A	1
F1H; F1V	4p	F; W (MP)	UXAB249399104	A	1
F1L	3p	F; W (MP)	UXAB249399105	A	1
F1L	4p	F; W (MP)	UXAB249399106	A	1
F2H; F2V	3p	F; W (MP)	UXAB249499053	A	1
F2H; F2V	4p	F; W (MP)	UXAB249499054	A	1
F2L	3p	F; W (MP)	UXAB249499055	A	1
F2L	4p	F; W (MP)	UXAB249499056	A	1



### 3 - Loose moving arc contacts set

Size	Poles	Version	Code	Type spare	Min quantity
F1B 1250A; F1B 1600A; F1N 1250A; F1N 1600A	3p	F; W (MP)	UXAB269199010		1
F1B 1250A; F1B 1600A; F1N 1250A; F1N 1600A	4p	F; W (MP)	UXAB269199011		1
F1B 2000A, F1N 2000A; F1S	3p	F; W (MP)	UXAB269199012		1
F1B 2000A, F1N 2000A; F1S	4p	F; W (MP)	UXAB269199013		1
F2S	3p	F; W (MP)	UXAB269499055		1
F2S	4p	F; W (MP)	UXAB269499056		1

Type A Spare part = only for ABB L3 technicians



#### 4 - Upper fixed contact Kit with fixed arcing

Size	Poles	Version	Code	Type spare	Min quantity
F1B 1250A; F1N 1250A	3p	F; W (MP)	UXAB269199018	A	1
F1B 1250A; F1N 1250A	4p	F; W (MP)	UXAB269199019	A	1
F1B 1600A; F1N 1600A	3p	F; W (MP)	UXAB269199020	A	1
F1B 1600A; F1N 1600A	4p	F; W (MP)	UXAB269199021	A	1
F1S 1250A	3p	F; W (MP)	UXAB269199022	A	1
F1S 1250A	4p	F; W (MP)	UXAB269199023	A	1
F1S 1600A	3p	F; W (MP)	UXAB269199024	A	1
F1S 1600A	4p	F; W (MP)	UXAB269199025	A	1
F1B 2000A; F1N 2000A; F1S 2000A	3p	F; W (MP)	UXAB269199026	A	1
F1B 2000A; F1N 2000A; F1S 2000A	4p	F; W (MP)	UXAB269199027	A	1
F2S 3000A	3p	F	UXAB269499059	A	1
F2S 3000A	4p	F	UXAB269499060	A	1
F2S	3p	W (MP)	UXAB269499061	A	1
F2S	4p	W (MP)	UXAB269499062	A	1
F1H 1250A; F1V 1250A	3p	F; W (MP)	UXAB249399111	A	1
F1H 1250A; F1V 1250A	4p	F; W (MP)	UXAB249399112	A	1
F1H 1600A; F1V 1600A	3p	F; W (MP)	UXAB249399113	A	1
F1H 1600A; F1V 1600A	4p	F; W (MP)	UXAB249399114	A	1
F1L 1250A	3p	F; W (MP)	UXAB249399115	A	1
F1L 1250A	4p	F; W (MP)	UXAB249399116	A	1
F1L 1600A	3p	F; W (MP)	UXAB249399117	A	1
F1L 1600A	4p	F; W (MP)	UXAB249399118	A	1
F2H; F2V	3p	F; W (MP)	UXAB249499061	A	1
F2H; F2V	4p	F; W (MP)	UXAB249499062	A	1
F2L	3p	F; W (MP)	UXAB249499063	A	1
F2L	4p	F; W (MP)	UXAB249499064	A	1



#### 5 - Jaw contacts set

Size	Poles	Version	Code	Type spare	Min quantity
F1B 1250A; F1N 1250A	3p	W	UXAB269199030		1
F1B 1250A; F1N 1250A	4p	W	UXAB269199031		1
F1S 1250A	3p	W	UXAB269199040		1
F1S 1250A	4p	W	UXAB269199041		1
F1B 1600A; F1N 1600A; F1S 1600A	3p	W	UXAB269199032		1
F1B 1600A; F1N 1600A; F1S 1600A	4p	W	UXAB269199033		1
F1B 2000A; F1N 2000A; F1S 2000A	3p	W	UXAB269199034		1
F1B 2000A; F1N 2000A; F1S 2000A	4p	W	UXAB269199035		1
F2S	3p	W	UXAB269499063		1
F2S	4p	W	UXAB269499064		1
F1H 1250A; F1L 1250A; F1V 1250A	3p	W	UXAB249399119		1
F1H 1250A; F1L 1250A; F1V 1250A	4p	W	UXAB249399120		1
F1H 1600A; F1L 1600A; F1V 1600A	3p	W	UXAB249399121		1
F1H 1600A; F1L 1600A; F1V 1600A	4p	W	UXAB249399122		1
F2H 2000A; F2L 2000A; F2V 2000A	3p	W	UXAB249499065		1
F2H 2000A; F2L 2000A; F2V 2000A	4p	W	UXAB249499066		1
F2H 2500A; F2L 2500A; F2V 2500A	3p	W	UXAB249499067		1
F2H 2500A; F2L 2500A; F2V 2500A	4p	W	UXAB249499068		1

Type A Spare part = only for ABB L3 technicians

# Spare Parts for circuit-breakers

## ACB Spare Parts - Megamax F1, F2



### 6 - Closing spring set

Size	Poles	Version	Code	Type spare	Min quantity
F1B 1250A; F1B 1600A; F1N 1250A; F1N 1600A; F1S 1250A; F1S 1600A	3p	F; W (MP)	UXAB269399061	A	1
F1B 1250A; F1B 1600A; F1N 1250A; F1N 1600A; F1S 1250A; F1S 1600A	4p	F; W (MP)	UXAB249299065	A	1
F1B 2000A; F1N 2000A; F1S 2000A	3p	F; W (MP)	UXAB239299066	A	1
F1B 2000A; F1N 2000A; F1S 2000A	4p	F; W (MP)	UXAB239299067	A	1
F2S	3p	F; W (MP)	UXAB239299066	A	1
F2S	4p	F; W (MP)	UXAB239299067	A	1
F1H; F1L; F1V	3p	F; W (MP)	UXAB249299065	A	1
F1H; F1L; F1V	4p	F; W (MP)	UXAB239299066	A	1
F2L	3p	F; W (MP)	UXAB249299066	A	1
F2L	4p	F; W (MP)	UXAB249299067	A	1
F2H; F2V	3p	F; W (MP)	UXAB249299067	A	1
F2H; F2V	4p	F; W (MP)	UXAB239299067	A	1

### 7 - Gasket for panel's door

Size	Poles	Version	Code	Type spare	Min quantity
F1...F2		F; W (MP)	UXAB269399071		1



### 8 - Operating mechanism

Size	Poles	Version	Code	Type spare	Min quantity
F1	3p	F; W (MP)	UXAB269399103	A	1
F1	4p	F; W (MP)	UXAB269399104	A	1
F2	3p	F; W (MP)	UXAB269499105	A	1
F2	4p	F; W (MP)	UXAB269499106	A	1



### 9 - Opening solenoid for overcurrent release

Size	Poles	Version	Code	Type spare	Min quantity
F1B; F1N, F1S; FS2 - PR1/P	3p, 4p	F; W (MP)	UXAB269399081		1
F1B; F1N, F1S; FS2 - AR1	3p, 4p	F; W (MP)	UXAB239299061		1



### 10 - Overcurrent release - current transformers wires

Size	Poles	Version	Code	Type spare	Min quantity
F1 1250A R 250	3p	F; W (MP)	UXAB269301111		1
F1 1250A R400	3p	F; W (MP)	UXAB269301112		1
F1 1250A R800	3p	F; W (MP)	UXAB269301113		1
F1 1250A R1250	3p	F; W (MP)	UXAB269301114		1
F1 1600A R1250	3p	F; W (MP)	UXAB269301124		1
F1 1600A R1600	3p	F; W (MP)	UXAB269301125		1
F1B; F1N, F1S 2000A R1250	3p	F; W (MP)	UXAB269301134		1
F1B; F1N, F1S 2000A R2000	3p	F; W (MP)	UXAB269301136		1
F1 1250A R400	4p	F; W (MP)	UXAB269301212		1
F1 1250A R800	4p	F; W (MP)	UXAB269301213		1
F1 1250A R1250	4p	F; W (MP)	UXAB269301214		1
F1 1600A R1600	4p	F; W (MP)	UXAB269301225		1
F1B; F1N, F1S 2000A R2000	4p	F; W (MP)	UXAB269301236		1
F1 1250A R250	3p	W (MP)	UXAB269301311		1
F1 1250A R400	3p	W (MP)	UXAB269301312		1
F1 1250A R1250	3p	W (MP)	UXAB269301314		1
F1 1600A R1600	3p	W (MP)	UXAB269301325		1
F1B; F1N, F1S 2000A R1250	3p	W (MP)	UXAB269301334		1
F1B; F1N, F1S 2000A R2000	3p	W (MP)	UXAB269301336		1

Type A Spare part = only for ABB L3 technicians



#### 11 - Overcurrent release - current transformers wires

Size	Poles	Version	Code	Type spare	Min quantity
F2 2000A; F2 3000A R2000	3p	F; W (MP)	UXAB269401116		1
F2 2500A R2500	3p	F; W (MP)	UXAB269401117		1
F2S 3000A R3000	3p	W (MP)	UXAB269401118		1
F2 2000A; F2 3000A R2000	4p	F; W (MP)	UXAB269401216		1
F2 2500A R2500	4p	F; W (MP)	UXAB269401217		1
F2S 3000A R3000	4p	W (MP)	UXAB269401218		1
F2 2500A R2500	3p	W (MP)	UXAB269401317		1
F1 1000A R1250	3p	F; W (MP)	UXAB269301115		1
F1 1250A R2500	4p	F; W (MP)	UXAB269301211		1
F1 1600A R1250	4p	F; W (MP)	UXAB269301224		1
F1B; F1N; F1S 2000A R1250	4p	F; W (MP)	UXAB269301234		1
F1 1250A R800	3p	W (MP)	UXAB269301313		1
F1 1600A R1250	3p	W (MP)	UXAB269301324		1
F1 1250A R2500	3p	F	UXAB269301411		1
F1 1250A R400	3p	F	UXAB269301412		1
F1 1250A R800	3p	F	UXAB269301413		1
F1 1250A R1250	3p	F	UXAB269301414		1
F1 1600A R1250	3p	F	UXAB269301424		1
F1 1600A R1600	3p	F	UXAB269301425		1
F1 2000A R1250	3p	F	UXAB269301434		1
F1 2000A R2000	3p	F	UXAB269301436		1
F2L; F2V; F2H 2000A R1250	3p	F	UXAB269401114		1
F2S 3000A R2000	3p	F	UXAB269401126		1
F2S 3000A R3000	3p	F	UXAB269401128		1
F2L; F2V; F2H 2000A R1250	4p	F; W (MP)	UXAB269401214		1
F2S 3000A R2000	4p	F	UXAB269401226		1
F2S 3000A R3000	4p	F	UXAB269401228		1
F2H; F2L; F2V 2000A R1250	3p	W (MP)	UXAB269401314		1
F1 2000A; F2 3000A R2000	3p	W (MP)	UXAB269401316		1
F2S 3000A R3000	3p	W (MP)	UXAB269401318		1
F2L; F2V; F2H 2000A R1250	3p	F	UXAB269401414		1
F2S 2/300 R2000	3p	F	UXAB269401416		1
F2 2500A R2500	3p	F	UXAB269401417		1
F2S 3000A R3000	3p	F	UXAB269401428		1



#### 12 - Main shield, frontal plate and pushbuttons set

Size	Poles	Version	Code	Type spare	Min quantity
F1B; F1N; F1S	3p	F; W (MP)	UXAB269199036		1
F1B; F1N; F1S	4p	F; W (MP)	UXAB269199037		1
F2S	3p	F; W (MP)	UXAB269499065		1
F2S	4p	F; W (MP)	UXAB269499066		1
F1H; F1L; F1V	3p	F; W (MP)	UXAB269199036		1
F1H; F1L; F1V	4p	F; W (MP)	UXAB269199037		1
F2H; F2L; F2V	3p	F; W (MP)	UXAB269499065		1
F2H; F2L; F2V	4p	F; W (MP)	UXAB269499066		1



#### 13 - 9V Ni-Cd battery for PR1/P

Size	Poles	Version	Code	Type spare	Min quantity
F1...F2	3p, 4p	F; W (MP)	UXAB269399056		1



#### 14 - Operating lever

Size	Poles	Version	Code	Type spare	Min quantity
F1...F2	3p, 4p		UXAB269199038	A	1

Type A Spare part = only for ABB L3 technicians

# Spare Parts for circuit-breakers

## ACB Spare Parts - Megamax F1, F2



### 15 - Tool case complete with spanners and template

Size	Poles	Version	Code	Type spare	Min quantity
F1...F2	3p, 4p	F; W	UXAB269397001	A	1



### 16 - Close door withdrawing mechanism (1)

Size	Poles	Version	Code	Type spare	Min quantity
F1...F2	3p, 4p	W (MP)	UXAB269399106	A	1

(1) winding lever excluded



### 17 - Draw out lever for open door mechanism

Size	Poles	Version	Code	Type spare	Min quantity
F1B; F1N; F1S	3p	F; W (MP)	UXAB239213001		1
F1B; F1N; F1S	4p	F; W (MP)	UXAB239213003		1
F2S, 3p	3p	F; W (MP)	UXAB239213021		1
F2S, 4p	4p	F; W (MP)	UXAB239213023		1
F1H; F1L; F1V	3p	F; W (MP)	UXAB239213001		1
F1H; F1L; F1V	4p	F; W (MP)	UXAB239213003		1
F2H; F2L; F2V	3p	F; W (MP)	UXAB239213021		1
F2H; F2L; F2V	4p	F; W (MP)	UXAB239213023		1



### 18 - Loose lock for Close Door withdrawing mechanism

Size	Poles	Version	Code	Type spare	Min quantity
F1...F2	3p, 4p	W (MP)	UXAB269399105	A	1



### 19 - Winding lever for Close Door mechanism

Size	Poles	Version	Code	Type spare	Min quantity
F1...F2	3p, 4p	W (MP)	UXAB269314001		1



### 20 - Open door → Close Door kit (2)

Size	Poles	Version	Code	Type spare	Min quantity
F1B; F1N; F1S; F2S	3p, 4p	W (MP)	UXAB269399114	A	1
F1H; F1L; F1V; F2H; F2L; F2V	3p, 4p	W (MP)	UXAB269399115	A	1

(2) winding lever excluded



### 21 - Standard maintenance kit

Size	Poles	Version	Code	Type spare	Min quantity
F1...F2	3p, 4p	F; W (MP)	UXAB269199300	A	1

### 22 - Upgrade maintenance kit

Size	Poles	Version	Code	Type spare	Min quantity
F1...F2	3p, 4p	F; W (MP)	UXAB269199301	A	1



### 23 - Lubricating for generic use (2 Kg, type MU-EP1)

Size	Poles	Version	Code	Type spare	Min quantity
F1...F2	3p, 4p	F; W (MP)	UXAB259299016		1

Type A Spare part = only for ABB L3 technicians





24 - UVR						
Size	Poles	Version	Code		Type spare	Min quantity
F1; F2 310V DC	3p/4p	F; W (MP)	UXAB239290925			1
F1; F2 48V 50Hz	3p/4p	F; W (MP)	UXAB239290934			1
F1; F2 60V 50Hz	3p/4p	F; W (MP)	UXAB239290935			1
F1; F2 127V 50Hz	3p/4p	F; W (MP)	UXAB239290943			1
F1; F2 500V 50Hz	3p/4p	F; W (MP)	UXAB239290957			1
F1; F2 - 24V DC	3p/4p	F; W (MP)	UXAB239290902			1
F1; F2 - 30V DC	3p/4p	F; W (MP)	UXAB239290903			1
F1; F2 - 48V DC	3p/4p	F; W (MP)	UXAB239290904			1
F1; F2 - 60V DC	3p/4p	F; W (MP)	UXAB239290905			1
F1; F2 - 110/125V DC	3p/4p	F; W (MP)	UXAB239290909			1
F1; F2 - 220/250V DC	3p/4p	F; W (MP)	UXAB239290918			1
F1; F2 - 24V 50HZ	3p/4p	F; W (MP)	UXAB239290932			1
F1; F2 - 100V50 110/115V60	3p/4p	F; W (MP)	UXAB239290937			1
F1; F2 - 110V-50 127V-60	3p/4p	F; W (MP)	UXAB239290939			1
F1; F2 - 220V 50HZ	3p/4p	F; W (MP)	UXAB239290948			1
F1; F2 - 240V 50HZ	3p/4p	F; W (MP)	UXAB239290951			1
F1; F2 - 280/400V50 440V60	3p/4p	F; W (MP)	UXAB239290953			1
F1; F2 - 415V 50HZ	3p/4p	F; W (MP)	UXAB239290954			1
F1; F2 - 120V 60HZ	3p/4p	F; W (MP)	UXAB239290971			1
F1; F2 - 208/200V 60HZ	3p/4p	F; W (MP)	UXAB239290978			1
F1; F2 - 380V 60HZ	3p/4p	F; W (MP)	UXAB239290983			1

#### 25 - UVD - Pneumatic time delay

Size	Poles	Version	Code		Type spare	Min quantity
F1; F2 - 0,5s	3p/4p	F; W (MP)	UXAB239235100			1
F1; F2 - 1s	3p/4p	F; W (MP)	UXAB239235200			1
F1; F2 - 2s	3p/4p	F; W (MP)	UXAB239235300			1
F1; F2 - 3s	3p/4p	F; W (MP)	UXAB239235400			1

#### 26 - UVD - Solid State time Delay

Size	Poles	Version	Code		Type spare	Min quantity
F1; F2 - 0,5s 110V AC	3p/4p	F; W (MP)	UXAB269335300			1
F1; F2 - 1s 110V AC	3p/4p	F; W (MP)	UXAB269335400			1
F1; F2 - 2s 110V AC	3p/4p	F; W (MP)	UXAB269335500			1
F1; F2 - 0,5s 220V AC	3p/4p	F; W (MP)	UXAB269335600			1
F1; F2 - 1s 220V AC	3p/4p	F; W (MP)	UXAB269335700			1
F1; F2 - 2s 220V AC	3p/4p	F; W (MP)	UXAB269335800			1

#### 27 - Trip Unit

Size	Poles	Version	Code		Type spare	Min quantity
F1; F2 - PR1/P LSI without Current transformers	3p/4p	F; W (MP)	UXAB269301010			1
F1; F2 - PR1/P LSI without Current transformers	3p/4p	F; W (MP)	UXAB269301020			1
F1 - PR1/C	3p/4p	F	UXAB269301601			1
F1 - PR1/C	3p/4p	W (MP)	UXAB269301602			1
F1 - PR1/A	3p/4p	F	UXAB269301603			1
F1 - PR1/A	3p/4p	W (MP)	UXAB269301604			1
F2 - PR1/C	3p/4p	F	UXAB269401601			1
F2 - PR1/C	3p/4p	W (MP)	UXAB269401602			1
F2 - PR1/A	3p/4p	F	UXAB269401603			1
F2 - PR1/A	3p/4p	W (MP)	UXAB269401604			1
F1; F2 - PR1/D	3p/4p	F; W (MP)	UXAB269301701			1

Type A Spare part = only for ABB L3 technicians

# Spare Parts for circuit-breakers

## ACB Spare Parts - Megamax F1, F2

### 28 - SOR

Size	Poles	Version	Code	Type spare	Min quantity
F1; F2 - 24Vdc	3p/4p	F; W (MP)	UXAB269350902		1
F1; F2 - 30Vdc 24V ac 50/60Hz	3p/4p	F; W (MP)	UXAB269350903		1
F1; F2 - 48Vdc 48Vac 50/60Hz	3p/4p	F; W (MP)	UXAB269350904		1
F1; F2 - 60Vdc	3p/4p	F; W (MP)	UXAB269350905		1
F1; F2 - 100/127V= 50/60Hz	3p/4p	F; W (MP)	UXAB269350909		1
F1; F2 - 160Vdc 150-180VAC	3p/4p	F; W (MP)	UXAB269350915		1
F1; F2 - 200/250Vdc 200/255Vac	3p/4p	F; W (MP)	UXAB269350948		1
F1; F2 - 380/500V 50/60Hz	3p/4p	F; W (MP)	UXAB269350953		1
F1; F2 - 127-150V 50-60Hz	3p/4p	F; W (MP)	UXAB269350972		1

### 29 - SOR2

Size	Poles	Version	Code	Type spare	Min quantity
F1; F2 - 48Vdc	3p/4p	F; W (MP)	UXAB269340904		1
F1; F2 - 60Vdc	3p/4p	F; W (MP)	UXAB269340905		1
F1; F2 - 110Vdc	3p/4p	F; W (MP)	UXAB269340909		1
F1; F2 - 125Vdc	3p/4p	F; W (MP)	UXAB269340912		1
F1; F2 - 220Vdc	3p/4p	F; W (MP)	UXAB269340918		1
F1; F2 - 250Vdc	3p/4p	F; W (MP)	UXAB269340922		1
F1; F2 - 110V 50Hz	3p/4p	F; W (MP)	UXAB269340939		1
F1; F2 - 220V 50Hz	3p/4p	F; W (MP)	UXAB269340948		1
F1; F2 - 127V 60Hz	3p/4p	F; W (MP)	UXAB269340973		1
F1; F2 - 220V 60Hz	3p/4p	F; W (MP)	UXAB269340978		1
F1; F2 - 125Vdc	3p/4p	F; W (MP)	UXAB269341912		1

### 30 - SCR

Size	Poles	Version	Code	Type spare	Min quantity
F1; F2 - 24Vdc	3p/4p	F; W (MP)	UXAB269330902		1
F1; F2 - 30Vdc	3p/4p	F; W (MP)	UXAB269330903		1
F1; F2 - 48Vdc	3p/4p	F; W (MP)	UXAB269330904		1
F1; F2 - 60Vdc	3p/4p	F; W (MP)	UXAB269330905		1
F1; F2 - 110/125Vdc	3p/4p	F; W (MP)	UXAB269330909		1
F1; F2 - 220/240Vdc	3p/4p	F; W (MP)	UXAB269330918		1
F1; F2 - 24Vac 50Hz	3p/4p	F; W (MP)	UXAB269330932		1
F1; F2 - 48Vac 50Hz	3p/4p	F; W (MP)	UXAB269330934		1
F1; F2 - 60Vac 50Hz	3p/4p	F; W (MP)	UXAB269330935		1
F1; F2 - 100Vac 50Hz 110/115Vac 60Hz	3p/4p	F; W (MP)	UXAB269330937		1
F1; F2 - 110Vac 50Hz - 127Vac 60Hz	3p/4p	F; W (MP)	UXAB269330939		1
F1; F2 - 127Vac 50Hz	3p/4p	F; W (MP)	UXAB269330943		1
F1; F2 - 220Vac 50Hz	3p/4p	F; W (MP)	UXAB269330948		1
F1; F2 - 230/240Vac 50Hz	3p/4p	F; W (MP)	UXAB269330951		1
F1; F2 - 380/400V ac 50Hz - 440VAC 60Hz	3p/4p	F; W (MP)	UXAB269330953		1
F1; F2 - 415/440Vac 50Hz	3p/4p	F; W (MP)	UXAB269330954		1
F1; F2 - 500Vac 50Hz	3p/4p	F; W (MP)	UXAB269330957		1
F1; F2 - 120Vac 60Hz	3p/4p	F; W (MP)	UXAB269330971		1
F1; F2 - 208/220Vac 60Hz	3p/4p	F; W (MP)	UXAB269330978		1
F1; F2 - 240Vac 60Hz	3p/4p	F; W (MP)	UXAB269330981		1
F1; F2 - 380Vac 60Hz	3p/4p	F; W (MP)	UXAB269330983		1

Type A Spare part = only for ABB L3 technicians



31 - Motor Operator						
Size	Poles	Version	Code		Type spare	Min quantity
F1; F2 - 24/30Vdc	3p/4p	F; W (MP)	UXAB269320902			1
F1; F2 - 48/60Vdc	3p/4p	F; W (MP)	UXAB269320904			1
F1; F2 - 100/130Vac	3p/4p	F; W (MP)	UXAB269320939			1
F1; F2 - 200/250Vac	3p/4p	F; W (MP)	UXAB269320948			1

32 - Interlock						
Size	Poles	Version	Code		Type spare	Min quantity
F1 1250A; F1 1600A; F1 2000A - C type among 3 circuit-breakers fixed version	4p	F	UXAB239260020			1
F1 - B/C type among 3 circuit-breakers withdrawable version	3p	W (MP)	UXAB239260030			1
F1 - B Type among 3 circuit-breakers fixed version	3p	F	UXAB239280010			1
F1 - B Type among 3 circuit-breakers fixed version	4p	F	UXAB239280020			1
F1 - B Type among 3 circuit-breakers fixed version	3p	F	UXAB239280050			1
F1 - B Type among 3 circuit-breakers fixed version	4p	W (FP)	UXAB239280060			1
F1; F2 - A type between 2 circuit-breakers withdrawable version	3p/4p	W (FP)	UXAB269370001			1
F1; F2 - B type among 3 circuit-breakers withdrawable version	3p/4p	W (FP)	UXAB269370002			1
F1; F2 - C type among 3 circuit-breakers withdrawable version	3p/4p	W (FP)	UXAB269370003			1
F1 - B Type between 2 circuit-breakers fixed version	3p/4p	F	UXAB269372001			1
F1 - B Type between 2 circuit-breakers withdrawable version	3p/4p	W (MP)	UXAB269372002			1

33 - Key Interlock open position						
Size	Poles	Version	Code		Type spare	Min quantity
F1; F2 - N.323	3p/4p	F; W (MP)	UXAB269370231			1
F1; F2 - N.322	3p/4p	F; W (MP)	UXAB269370232			1
F1; F2 - N.321	3p/4p	F; W (MP)	UXAB269370233			1
F1; F2 - N.32	3p/4p	F; W (MP)	UXAB269370234			1

34 - Key lock/ Padlock						
Size	Poles	Version	Code		Type spare	Min quantity
F1; F2 - open position	3p/4p	F; W (MP)	UXAB269370239			1
F1; F2 - Padlock open position	3p/4p	F; W (MP)	UXAB269370240			1
F1; F2 - Padlock n 329 Connected/Isolated position for Open Door	3p/4p	W (MP)	UXAB269371100			1
F1; F2 - Padlock n 323 Connected/Isolated position for Open Door	3p/4p	W (MP)	UXAB269371101			1
F1; F2 - Padlock n 322 Connected/Isolated position for Open Door	3p/4p	W (MP)	UXAB269371102			1
F1; F2 - Padlock n 321 Connected/Isolated position for Open Door	3p/4p	W (MP)	UXAB269371103			1
F1; F2 - Padlock n 32 Connected/Isolated position for Open Door	3p/4p	W (MP)	UXAB269371104			1
F1; F2 - Padlock n 329 Connected/Isolated position for Close Door	3p/4p	W (MP)	UXAB269371200			1
F1; F2 - Padlock n 323 Connected/Isolated position for Close Door	3p/4p	W (MP)	UXAB269371201			1
F1; F2 - Padlock n 322 Connected/Isolated position for Close Door	3p/4p	W (MP)	UXAB269371202			1
F1; F2 - Padlock n 321 Connected/Isolated position for Close Door	3p/4p	W (MP)	UXAB269371203			1
F1; F2 - Padlock n 32 Connected/Isolated position for Close Door	3p/4p	W (MP)	UXAB269371204			1
F1; F2 test position for Close Door	3p/4p	F; W (MP)	UXAB269371020			1

Type A Spare part = only for ABB L3 technicians

# Spare Parts for circuit-breakers

## ACB Spare Parts - Megamax F1, F2



### 35 - AUX

Size	Poles	Version	Code	Type spare	Min quantity
F1; F2 - Electrical and mechanical indication of trip I3	3p/4p	F; W (MP)	UXAB269364005		1
F1; F2 - Electrical indication of trip I1-4	3p/4p	F; W (MP)	UXAB269364010		1
F1; F2 - Mechanical indication of trip I1-4	3p/4p	W (MP)	UXAB269364100		1
F1; F2 - Electrical indication UVR energized	3p/4p	W	UXAB269800205		1
F1; F2 - 5 AUX Left/Right	3p/4p	F	UXAB239260011		1
F1; F2 - 10 AUX Left/Right	3p/4p	F	UXAB239260012		1
F1; F2 - 5 AUX Left	3p/4p	W (FP)	UXAB239260001		1
F1; F2 - 10 AUX Left	3p/4p	W (FP)	UXAB239260002		1
F1; F2 - 15 AUX Left	3p/4p	W (FP)	UXAB239260003		1
F1; F2 - 5 AUX Right	3p/4p	W (FP)	UXAB239260004		1
F1; F2 - 10 AUX Right	3p/4p	W (FP)	UXAB239260005		1
F1; F2 - Spings charged	3p/4p	F; W (MP)	UXAB239263500		1

### 36 - Other accessories

Size	Poles	Version	Code	Type spare	Min quantity
F1; F2 - Accessory for Lock in-test-out position	3p/4p	W (MP)	UXAB269371010		1
F1; F2 - Transparent cover for Open/close pushbuttons	3p/4p	F; W (MP)	UXAB269375001		1
F1; F2 - IP54 Tranparent cover protection	3p/4p	F; W (MP)	UXAB269395003		1
F1; F2 - Mechanical operation counter	3p/4p	F; W (MP)	UXAB269396001		1

### 37 - Terminal box

Size	Poles	Version	Code	Type spare	Min quantity
F1; F2	3p/4p	F	UXAB239266500		1

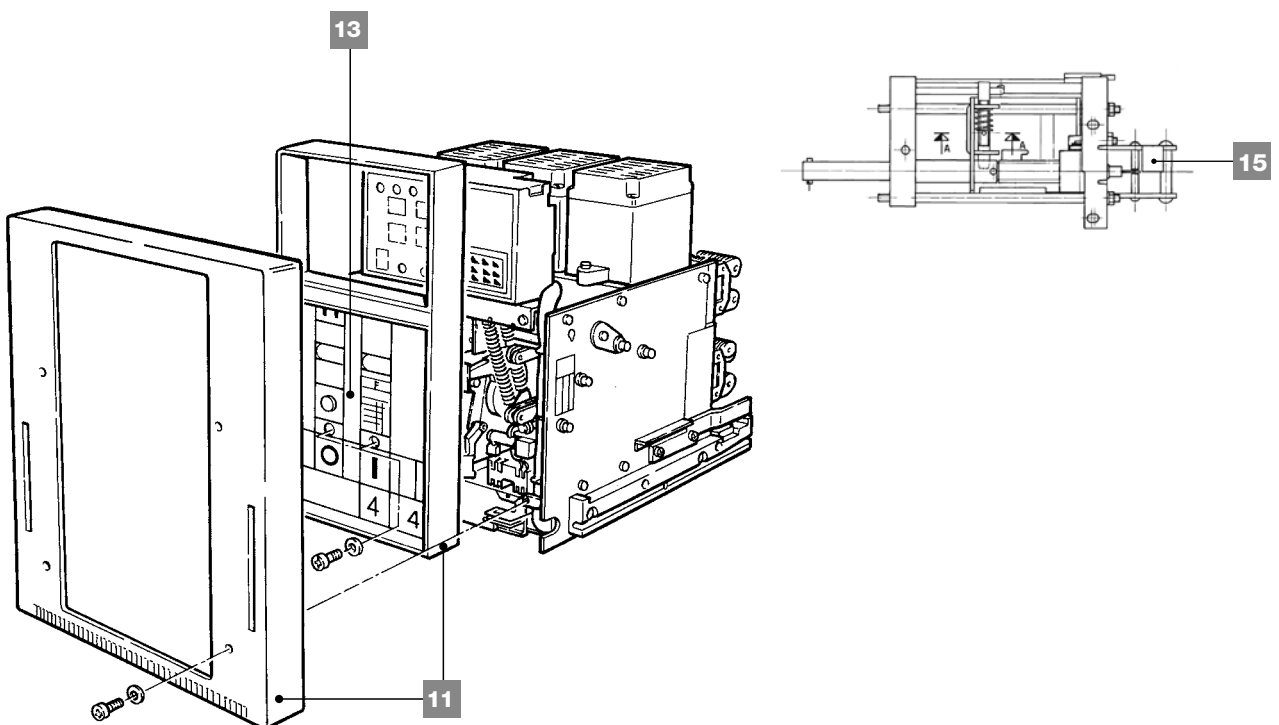
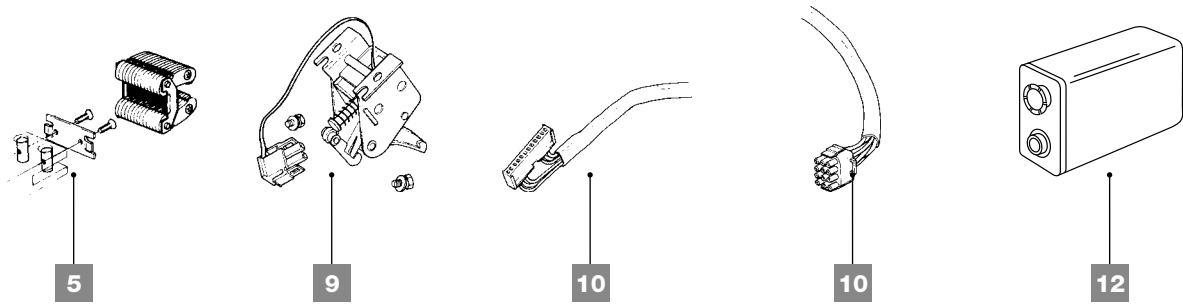
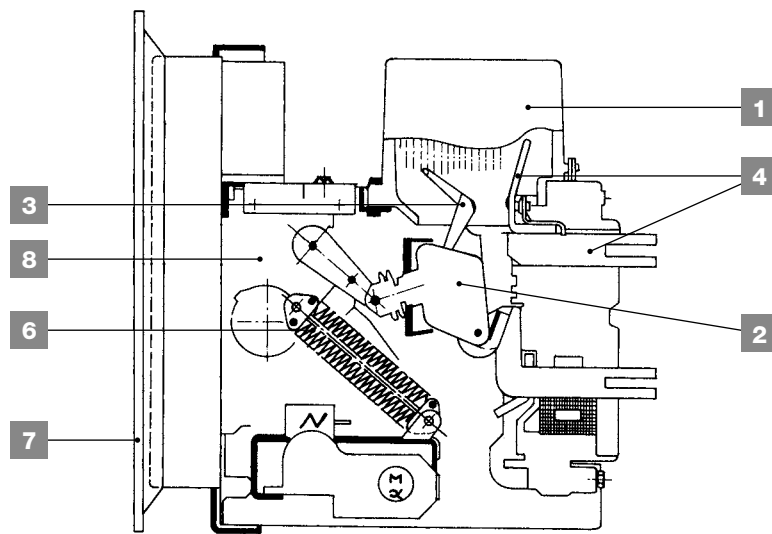
### 38 - Sliding contacts

Size	Poles	Version	Code	Type spare	Min quantity
F1; F2 - Right sliding contacts	3p/4p	W (FP)	UXAB239266002		1
F1; F2 - Right sliding contacts	3p/4p	W (MP)	UXAB239266003		1
F1; F2 - Left sliding contacts	3p/4p	W (FP)	UXAB239266020		1
F1; F2 - Left sliding contacts	3p/4p	W (MP)	UXAB239266030		1
F1; F2 - Lever for left AUX - connected	3p/4p	W (FP)	UXAB239260810		1
F1; F2 - Lever for left AUX - test/connected	3p/4p	W (FP)	UXAB239260820		1
F1; F2 - Lever for Right AUX - connected	3p/4p	W (FP)	UXAB239260910		1
F1; F2 - Lever for Right AUX - test/connected	3p/4p	W (FP)	UXAB239260920		1

Type A Spare part = only for ABB L3 technicians

# Spare Parts for circuit-breakers

## ACB Spare Parts - Megamax F3, F4, F5, F6



# Spare Parts for circuit-breakers

## ACB Spare Parts - Megamax F3, F4, F5, F6



### 1 - Arc chambers set

Size	Poles	Version	Code	Type spare	Min quantity
F3	3p	F; W (MP)	UXAB269599065		1
F3	4p	F; W (MP)	UXAB269599066		1
F4	3p	F; W (MP)	UXAB269599065		1
F4	4p	F; W (MP)	UXAB269599066		1
F5	3p	F; W (MP)	UXAB269799011		1
F5	4p	F; W (MP)	UXAB269799012		1
F6	3p	F; W (MP)	UXAB269799011		1



### 2 - Moving contact assembly Kit with arcing

Size	Poles	Version	Code	Type spare	Min quantity
F3 2000A; F3 2500A	3p	F; W (MP)	UXAB269599111	A	1
F3 2000A; F3 2500A	4p	F; W (MP)	UXAB269599112	A	1
F3 3000A	3p	F; W (MP)	UXAB269599113	A	1
F3 3000A	4p	F; W (MP)	UXAB269599114	A	1
F4 3200A	3p	F; W (MP)	UXAB269599011	A	1
F4 3200A	4p	F; W (MP)	UXAB269599012	A	1
F4 3600A	3p	F; W (MP)	UXAB269599115	A	1
F4 3600A	4p	F; W (MP)	UXAB269599116	A	1
F5S half-phase	3p, 4p	F; W (MP)	UXAB239399002	A	6 or 7
F5H half-phase	3p, 4p	F; W (MP)	UXAB239399003	A	6 or 7
F6S half-phase	3p	F; W (MP)	UXAB239399002	A	6
F6H half-phase	3p	F; W (MP)	UXAB239399003	A	6



### 3 - Loose moving arc contacts set

Size	Poles	Version	Code	Type spare	Min quantity
F3	3p	F; W (MP)	UXAB269599067		1
F3	4p	F; W (MP)	UXAB269599068		1
F4	3p	F; W (MP)	UXAB269599067		1
F4	4p	F; W (MP)	UXAB269599068		1
F5	3p	F; W (MP)	UXAB269799013		1
F5	4p	F; W (MP)	UXAB269799014		1
F6	3p	F; W (MP)	UXAB269799013		1

Type A Spare part = only for ABB L3 technicians



#### 4 - Upper fixed contact Kit with fixed arcing

Size	Poles	Version	Code	Type spare	Min quantity
F3 2000A; F3 2500A - Fixed version	3p	F	UXAB269599073	A	1
F3 2000A; F3 2500A - Fixed version	4p	F	UXAB269599074	A	1
F3 3000A	3p	F	UXAB269599075	A	1
F3 3000A	4p	F	UXAB269599076	A	1
F3 2000A, F3 2500A; F3 3000A	3p	W (MP)	UXAB269599081	A	1
F3 2000A, F3 2500A; F3 3000A	4p	W (MP)	UXAB269599082	A	1
F3 3200A	3p	W (MP)	UXAB269599083	A	1
F3 3200A	4p	W (MP)	UXAB269599084	A	1
F3 3600A	3p	W (MP)	UXAB269599085	A	1
F3 3600A	4p	W (MP)	UXAB269599086	A	1
F4 3200A	3p	F	UXAB269599077	A	1
F4 3200A	4p	F	UXAB269599078	A	1
F4 3600A	3p	F	UXAB269599079	A	1
F4 3600A	4p	F	UXAB269599080	A	1
F4 3000A	3p	W (MP)	UXAB269599081	A	1
F4 3000A	4p	W (MP)	UXAB269599082	A	1
F4 3200A	3p	W (MP)	UXAB269599083	A	1
F4 3200A	4p	W (MP)	UXAB269599084	A	1
F4 3600A	3p	W (MP)	UXAB269599085	A	1
F4 3600A	4p	W (MP)	UXAB269599086	A	1
F5 3200A	3p	F	UXAB269799023	A	1
F5 3200A	4p	F	UXAB269799024	A	1
F5 4000; F5 5000A	3p	F	UXAB269799025	A	1
F5 4000; F5 5000A	4p	F	UXAB269799026	A	1
F5 3200A	3p	W (MP)	UXAB269799027	A	1
F5 3200A	4p	W (MP)	UXAB269799028	A	1
F5 4000; F5 5000A	3p	W (MP)	UXAB269799029	A	1
F5 4000; F5 5000A	4p	W (MP)	UXAB269799030	A	1
F6	3p	W (MP)	UXAB269799031	A	1



#### 5 - Jaw contacts set

Size	Poles	Version	Code	Type spare	Min quantity
F3	3p	W (MP)	UXAB269599087		1
F3 N=50%	4p	W (MP)	UXAB269599088		1
F4	3p	W (MP)	UXAB269599089		1
F4 N=50%	4p	W (MP)	UXAB269599090		1
F5 3200A	3p	W (MP)	UXAB269799018		1
F5 3200A N=50%	4p	W (MP)	UXAB269799019		1
F5 4000; F5 5000A	3p	W (MP)	UXAB269799020		1
F5 4000A; F5 5000A - N=50%	4p	W (MP)	UXAB269799021		1
F6	3p	W (MP)	UXAB269799022		1



#### 6 - Closing spring

Size	Poles	Version	Code	Type spare	Min quantity
F3	3p, 4p	F; W (MP)	UXAB239399012	A	1
F4	3p, 4p	F; W (MP)	UXAB239399012	A	1
F5	3p	F; W (MP)	UXAB269099001	A	1
F5	4p	F; W (MP)	UXAB269099002	A	1
F6	3p	F; W (MP)	UXAB269099002	A	1



#### 7 - Gasket for panel's door

Size	Poles	Version	Code	Type spare	Min quantity
F3...F6	3p, 4p	F; W (MP)	UXAB269599011		1

Type A Spare part = only for ABB L3 technicians

# Spare Parts for circuit-breakers

## ACB Spare Parts - Megamax F3, F4, F5, F6



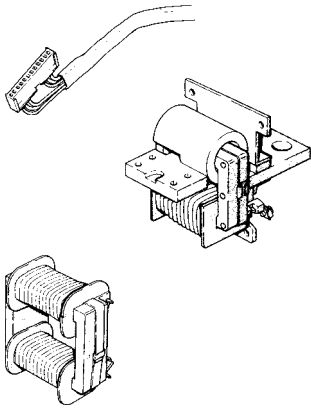
### 8 - Operating mechanism

Size	Poles	Version	Code	Type spare	Min quantity
F3	3p	F; W (MP)	UXAB269599125	A	1
F3	4p	F; W (MP)	UXAB269599126	A	1
F4	3p	F; W (MP)	UXAB269699005	A	1
F4	4p	F; W (MP)	UXAB269699006	A	1
F5	3p	F; W (MP)	UXAB269799035	A	1
F5	4p	F; W (MP)	UXAB269799036	A	1
F6	3p	F; W (MP)	UXAB279199005	A	1



### 9 - Opening solenoid for overcurrent release

Size	Poles	Version	Code	Type spare	Min quantity
F3...F6 - PR1/P	3p, 4p	F; W (MP)	UXAB269599061		1
F3...F6 - AR1	3p, 4p	F; W (MP)	UXAB239399061		1



### 10 - Overcurrent release + current transformers wires

Size	Poles	Version	Code	Type spare	Min quantity
F3S 2000A R1250	3p	F; W (MP)	UXAB269501101		1
F3S 2000A; F3S 3000A R2000	3p	F; W (MP)	UXAB269501102		1
F3S 2500A R2500	3p	F; W (MP)	UXAB269501103		1
F3S 3000A R3000	3p	F; W (MP)	UXAB269501104		1
F3S 2000A; F3S 3000A R2000	4p	F; W (MP)	UXAB269501202		1
F3S 2500A R2500	4p	F; W (MP)	UXAB269501203		1
F3S 2500A R3000	4p	F; W (MP)	UXAB269501204		1
F4S 3200A; F4S 3600A R2000	3p	F; W (MP)	UXAB269601101		1
F4S 3200A R3200	3p	F; W (MP)	UXAB269601102		1
F4S 3600A R3600	3p	F; W (MP)	UXAB269601103		1
F4S 3200A; F4S 3600A R2000	4p	F; W (MP)	UXAB269601201		1
F4S 3200A R3200	4p	F; W (MP)	UXAB269601202		1
F4S 3600A R3600	4p	F; W (MP)	UXAB269601203		1
F5 3200A R2000	3p	F; W (MP)	UXAB269701101		1
F5 3200A; F5 4000A R3200	3p	F; W (MP)	UXAB269701102		1
F5 4000A 5000A R4000	3p	F; W (MP)	UXAB269701103		1
F5 5000A R5000	3p	F; W (MP)	UXAB269701104		1
F5 3200A R2000	4p	F; W (MP)	UXAB269701201		1
F5 3200A; F5 4000A R3200	4p	F; W (MP)	UXAB269701202		1
F5 4000A; F5 5000A R4000	4p	F; W (MP)	UXAB269701203		1
F5 5000A R5000	4p	F; W (MP)	UXAB269701204		1
F5 4000A; F5 5000A R4000	3p+N	F	UXAB269701403		1
F6 6300A R6300	3p	W (MP)	UXAB269801101		1



### 11 - Main shield, frontal plate and pushbuttons set

Size	Poles	Version	Code	Type spare	Min quantity
F3	3p	F; W (MP)	UXAB269599117		1
F3	4p	F; W (MP)	UXAB269599118		1
F4	3p	F; W (MP)	UXAB269599119		1
F4	4p	F; W (MP)	UXAB269599120		1
F5	3p	F; W (MP)	UXAB269599121		1
F5	4p	F; W (MP)	UXAB269599122		1
F6	3p	F; W (MP)	UXAB269599123		1



### 12 - 9V Ni-Cd battery for PR1/P

Size	Poles	Version	Code	Type spare	Min quantity
F3...F6	3p, 4p	F; W (MP)	UXAB269399056		1

Type A Spare part = only for ABB L3 technicians





### 13 - Operating lever

Size	Poles	Version	Code	Type spare	Min quantity
F3...F6	3p, 4p	F; W (MP)	UXAB269199129		1

### 14 - Tool case complete with spanners and template

Size	Poles	Version	Code	Type spare	Min quantity
F3...F6	3p, 4p	F; W (MP)	UXAB239399201	A	1

### 15 - Close door withdrawing mechanism (1)

Size	Poles	Version	Code	Type spare	Min quantity
F3	3p	W (MP)	UXAB269399107	A	1
F3	4p	W (MP)	UXAB269399108	A	1
F4	3p	W (MP)	UXAB269399109	A	1
F4	4p	W (MP)	UXAB269399110	A	1
F5	3p	W (MP)	UXAB269399111	A	1
F5	4p	W (MP)	UXAB269399112	A	1
F6	3p	W (MP)	UXAB269399113	A	1

(1) winding lever excluded



### 16 - Draw out lever for open door mechanism (2)

Size	Poles	Version	Code	Type spare	Min quantity
F3	3p	W (MP)	UXAB239313001		1
F3	4p	W (MP)	UXAB239313003		1
F4	3p	W (MP)	UXAB239413001		1
F4	4p	W (MP)	UXAB239413003		1
F5	3p	W (MP)	UXAB239513001		1
F5	4p	W (MP)	UXAB239513003		1
F6	3p	W (MP)	UXAB239613001		1



### 17 - Winding lever for close door mechanism

Size	Poles	Version	Code	Type spare	Min quantity
F3...F6	3p, 4p	W (MP)	UXAB269314001		1



### 18 - Open door → Close Door kit (2)

Size	Poles	Version	Code	Type spare	Min quantity
F3 3p	3p	W (MP)	UXAB269399116		1
F3 4p	4p	W (MP)	UXAB269399117		1
F4 3p	3p	W (MP)	UXAB269399118		1
F4 4p	4p	W (MP)	UXAB269399119		1
F5 3p	3p	W (MP)	UXAB269399120		1
F5 4p	4p	W (MP)	UXAB269399121		1
F6 3p	3p	W (MP)	UXAB269399122		1

(2) winding lever excluded



### 19 - Standard maintenance kit

Size	Poles	Version	Code	Type spare	Min quantity
F3...F6	3p/4p	F; W (MP)	UXAB269599300	A	1



### 20 - Upgrade maintenance kit

Size	Poles	Version	Code	Type spare	Min quantity
F3...F6	3p/4p	F; W (MP)	UXAB269599301	A	1

### 21 - Lubricating for generic use (2 Kg, type MU-EP1)

Size	Poles	Version	Code	Type spare	Min quantity
F3...F6	3p/4p	F; W (MP)	UXAB259299016		1

Type A Spare part = only for ABB L3 technicians

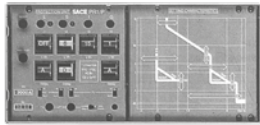
# Spare Parts for circuit-breakers

## ACB Spare Parts - Megamax F3, F4, F5, F6



### 22 - UVR

Size	Poles	Version	Code	Type spare	Min quantity
F3...F6 - 24V DC	3p/4p	F; W (MP)	UXAB239290902		1
F3...F6 - 30V DC	3p/4p	F; W (MP)	UXAB239290903		1
F3...F6 - 48V DC	3p/4p	F; W (MP)	UXAB239290904		1
F3...F6 - 60V DC	3p/4p	F; W (MP)	UXAB239290905		1
F3...F6 - 110/125V DC	3p/4p	F; W (MP)	UXAB239290909		1
F3...F6 - 220/250V DC	3p/4p	F; W (MP)	UXAB239290918		1
F3...F6 - 24V 50HZ	3p/4p	F; W (MP)	UXAB239290932		1
F3...F6 - 100V50 110/115V60	3p/4p	F; W (MP)	UXAB239290937		1
F3...F6 - 110V-50 127V-60	3p/4p	F; W (MP)	UXAB239290939		1
F3...F6 - 220V 50HZ	3p/4p	F; W (MP)	UXAB239290948		1
F3...F6 - 240V 50HZ	3p/4p	F; W (MP)	UXAB239290951		1
F3...F6 - 280/400V50 440V60	3p/4p	F; W (MP)	UXAB239290953		1
F3...F6 - 415V 50HZ	3p/4p	F; W (MP)	UXAB239290954		1
F3...F6 - 120V 60HZ	3p/4p	F; W (MP)	UXAB239290971		1
F3...F6 - 208/200V 60HZ	3p/4p	F; W (MP)	UXAB239290978		1
F3...F6 - 380V 60HZ	3p/4p	F; W (MP)	UXAB239290983		1
F3...F6 310V DC	3p/4p	F; W (MP)	UXAB239290925		1
F3...F6 48V 50Hz	3p/4p	F; W (MP)	UXAB239290934		1
F3...F6 60V 50Hz	3p/4p	F; W (MP)	UXAB239290935		1
F3...F6 127V 50Hz	3p/4p	F; W (MP)	UXAB239290943		1
F3...F6 500V 50Hz	3p/4p	F; W (MP)	UXAB239290957		1



### 23 - Trip Unit

Size	Poles	Version	Code	Type spare	Min quantity
F3; F4; F5; F6 - PR1/P LSIG without Current transformers	3p/4p	F; W (MP)	UXAB269501010		1
F3; F4; F5; F6 - PR1/P LSI without Current transformers	3p/4p	F; W (MP)	UXAB269501020		1



### 24 - SOR

Size	Poles	Version	Code	Type spare	Min quantity
F3; F4; F5; F6 - 24Vdc	3p/4p	F; W (MP)	UXAB269550902		1
F3 - 30Vdc 24Vac 50/60 Hz	3p/4p	F; W (MP)	UXAB269550903		1
F3; F4; F5; F6 - 48Vac 50/60 Hz	3p/4p	F; W (MP)	UXAB269550904		1
F3; F4; F5; F6 - 60Vdc	3p/4p	F; W (MP)	UXAB269550905		1
F3; F4; F5; F6 - 100/127Vdc/ac 50/60 Hz	3p/4p	F; W (MP)	UXAB269550909		1
F3 - 160Vdc 150/180ac 50/60 Hz	3p/4p	F; W (MP)	UXAB269550915		1
F3;F4; F5; F6 - 200/250Vdc 200/225ac 50/60 Hz	3p/4p	F; W (MP)	UXAB269550948		1
F3 - 380/500ac 50/60 Hz	3p/4p	F; W (MP)	UXAB269550953		1
F3; F4; F5; F6 - 100/127Vac 50/60 Hz	3p/4p	F; W (MP)	UXAB269550972		1

Type A Spare part = only for ABB L3 technicians

## 25 - SOR 2

Size	Poles	Version	Code	Type spare	Min quantity
F3 - 48Vdc	3p/4p	F; W (MP)	UXAB269540904		1
F3 - 60Vdc	3p/4p	F; W (MP)	UXAB269540905		1
F3; F4; F5; F6 - 110Vdc	3p/4p	F; W (MP)	UXAB269540909		1
F3 - 125Vdc	3p/4p	F; W (MP)	UXAB269540912		1
F3 - 220Vdc	3p/4p	F; W (MP)	UXAB269540918		1
F3 - 250Vdc	3p/4p	F; W (MP)	UXAB269540922		1
F3 - 110Vac 50Hz	3p/4p	F; W (MP)	UXAB269540939		1
F3 - 220Vac 50Hz	3p/4p	F; W (MP)	UXAB269540948		1
F3 - 127V 60Hz	3p/4p	F; W (MP)	UXAB269540973		1
F3 - 220V 60Hz	3p/4p	F; W (MP)	UXAB269540978		1
F3 - 125dc	3p/4p	F; W (MP)	UXAB269541912		1



## 26 - Spring charge motor operator - M

Size	Poles	Version	Code	Type spare	Min quantity
F3; F4; F5; F6 - 24/30Vdc	3p/4p	F; W (MP)	UXAB269520902		1
F3; F4; F5; F6 - 48/60Vdc	3p/4p	F; W (MP)	UXAB269520904		1
F3; F4; F5; F6 - 110/130Vac/dc	3p/4p	F; W (MP)	UXAB269520939		1
F3; F4; F5; F6 - 200/250Vac/dc	3p/4p	F; W (MP)	UXAB269520948		1

## 27 - Interlock

Size	Poles	Version	Code	Type spare	Min quantity
F3 - A type between 2 circuit-breakers fixed version	3p	F	UXAB239370010		1
F3 - A type between 2 circuit-breakers fixed version	4p	F	UXAB239370020		1
F3 - A type between 2 circuit-breakers withdrawable version	3p	W (MP)	UXAB239370030		1
F3 - A type between 2 circuit-breakers withdrawable version	4p	W (MP)	UXAB239370040		1
F4 - A type between 2 circuit-breakers fixed version	3p	F	UXAB239470010		1
F4 - A type between 2 circuit-breakers fixed version	4p	F	UXAB239470020		1
F4 - A type between 2 circuit-breakers withdrawable version	3p	W (MP)	UXAB239470030		1
F4 - A type between 2 circuit-breakers withdrawable version	4p	W (MP)	UXAB239470040		1
F4 3200A; F4 3600A - B type among 3 circuit-breakers fixed version	3p	F	UXAB239480010		1
F4 3200A; F4 3600A - B type among 3 circuit-breakers fixed version	4p	F	UXAB239480020		1
F5 - A type between 2 circuit-breakers fixed version	3p	F	UXAB239570010		1
F5 - A type between 2 circuit-breakers fixed version	4p	F	UXAB239570020		1
F5 - A type between 2 circuit-breakers withdrawable version	3p	W (MP)	UXAB239570030		1
F5 - A type between 2 circuit-breakers withdrawable version	4p	W (MP)	UXAB239570040		1
F5 3200A; F5 4000A; F5 5000A - B type among 3 circuit-breakers fixed version	3p	F	UXAB239580010		1
F5 3200A; F5 4000A; F5 5000A - B type among 3 circuit-breakers fixed version	4p	F	UXAB239580020		1
F3; F4; F5; F6 - A type between 2 circuit-breakers withdrawable version	3p/4p	W (FP)	UXAB269570001		1
F3; F4; F5; F6 - B type among 3 circuit-breakers withdrawable version	3p/4p	W (FP)	UXAB269570002		1

Type A Spare part = only for ABB L3 technicians

# Spare Parts for circuit-breakers

## ACB Spare Parts - Megamax F3, F4, F5, F6



### 28 - Key Interlock open position

Size	Poles	Version	Code	Type spare	Min quantity
F3; F4; F5; F6 - N.01	3p/4p	F; W (MP)	UXAB269570231		1
F3; F4; F5; F6 - N.02	3p/4p	F; W (MP)	UXAB269570232		1
F3; F4; F5; F6 - N.03	3p/4p	F; W (MP)	UXAB269570233		1
F3; F4; F5; F6 - N.04	3p/4p	F; W (MP)	UXAB269570234		1

### 29 - Key lock/ Padlock

Size	Poles	Version	Code	Type spare	Min quantity
F3, F4; F5, F6 - open position	3p/4p	F; W (MP)	UXAB269570239		1
F3, F4; F5, F6 - Padlock n 329 Connected/Isolated position for Open Door	3p/4p	W (MP)	UXAB269571100		1
F3, F4; F5, F6 - Padlock n 323 Connected/Isolated position for Open Door	3p/4p	W (MP)	UXAB269571101		1
F3, F4; F5, F6 - Padlock n 322 Connected/Isolated position for Open Door	3p/4p	W (MP)	UXAB269571102		1
F3, F4; F5, F6 - Padlock n 321 Connected/Isolated position for Open Door	3p/4p	W (MP)	UXAB269571103		1
F3, F4; F5, F6 - Padlock n 32X Connected/Isolated position for Open Door	3p/4p	W (MP)	UXAB269571104		1
F3, F4; F5, F6 - Padlock n 329 Connected/Isolated position for Close Door	3p/4p	W (MP)	UXAB269571200		1
F3, F4; F5, F6 - Padlock n 323 Connected/Isolated position for Close Door	3p/4p	W (MP)	UXAB269571201		1
F3, F4; F5, F6 - Padlock n 322 Connected/Isolated position for Close Door	3p/4p	W (MP)	UXAB269571202		1
F3, F4; F5, F6 - Padlock n 321 Connected/Isolated position for Close Door	3p/4p	W (MP)	UXAB269571203		1
F3, F4; F5, F6 - Padlock n 32X Connected/Isolated position for Close Door	3p/4p	W (MP)	UXAB269571204		1

### 30 - AUX

Size	Poles	Version	Code	Type spare	Min quantity
F3; F4; F5; F6 - 5 AUX Left	3p/4p	W (FP)	UXAB239260001		1
F3; F4; F5; F6 - 10 AUX Left	3p/4p	W (FP)	UXAB239260002		1
F3; F4; F5; F6 - 15 AUX Left	3p/4p	W (FP)	UXAB239260003		1
F3; F4; F5; F6 - 5 AUX Right	3p/4p	W (FP)	UXAB239260004		1
F3; F4; F5; F6 - 10 AUX Right	3p/4p	W (FP)	UXAB239260005		1
F3; F4; F5; F6 - 5 AUX	3p/4p	F	UXAB239360011		1
F3; F4; F5; F6 - 10 AUX	3p/4p	F	UXAB239360012		1
F3; F4; F5; F6 - Electrical and mechanical indication of trip I3	3p/4p	F; W (MP)	UXAB269564005		1
F3; F4; F5; F6 - Mechanical indication of trip I1-4	3p/4p	F; W (MP)	UXAB269564100		1
F3; F4; F5; F6 - Spings charged	3p/4p	F; W	UXAB239363500		1



Type A Spare part = only for ABB L3 technicians

### 31 - Sliding contacts

Size	Poles	Version	Code	Type spare	Min quantity
F3; F4; F5; F6 - Lever for Left AUX - connected	3p/4p	W	UXAB239360810		1
F3; F4; F5; F6 - Lever for Left AUX - test/connected	3p/4p	W	UXAB239360830		1
F3; F4; F5; F6 - Lever for Right AUX - connected	3p/4p	W	UXAB239360910		1
F3; F4; F5; F6 - Lever for Right AUX - test/connected	3p/4p	W	UXAB239360930		1
F3 - Right sliding contacts	3p/4p	W (FP)	UXAB239366002		1
F3 - Right sliding contacts	3p/4p	W (MP)	UXAB239366003		1
F3 - Left sliding contacts	3p/4p	W (FP)	UXAB239366020		1
F3 - Left sliding contacts	3p/4p	W (MP)	UXAB239366030		1
F4; F5; F6 - Sliding contact support for open door	4p	W (MP)	UXAB239366500		1
F3 - Sliding contact support close Door	3p/4p	W (MP)	UXAB239367400		1
F3 - Sliding contact support close Door	4p	W (MP)	UXAB239367500		1
F4; F5; F6 - Right sliding contacts	3p/4p	W (FP)	UXAB239466002		1
F4; F5; F6 - Right sliding contacts	3p/4p	W (MP)	UXAB239466003		1
F4; F5; F6 - Right sliding contacts (CD)	3p/4p	W (MP)	UXAB239466005		1
F4; F5; F6 - Left sliding contacts	3p/4p	W (FP)	UXAB239466020		1
F4; F5; F6 - Left sliding contacts	3p/4p	W (MP)	UXAB239466030		1
F4; F5; F6 - Left sliding contacts (CD)	3p/4p	W (MP)	UXAB239466050		1

### 32 - Terminal box

Size	Poles	Version	Code	Type spare	Min quantity
F3; F4; F5; F6	3p/4p	F	UXAB239266500		1

### 33 - Other accessories

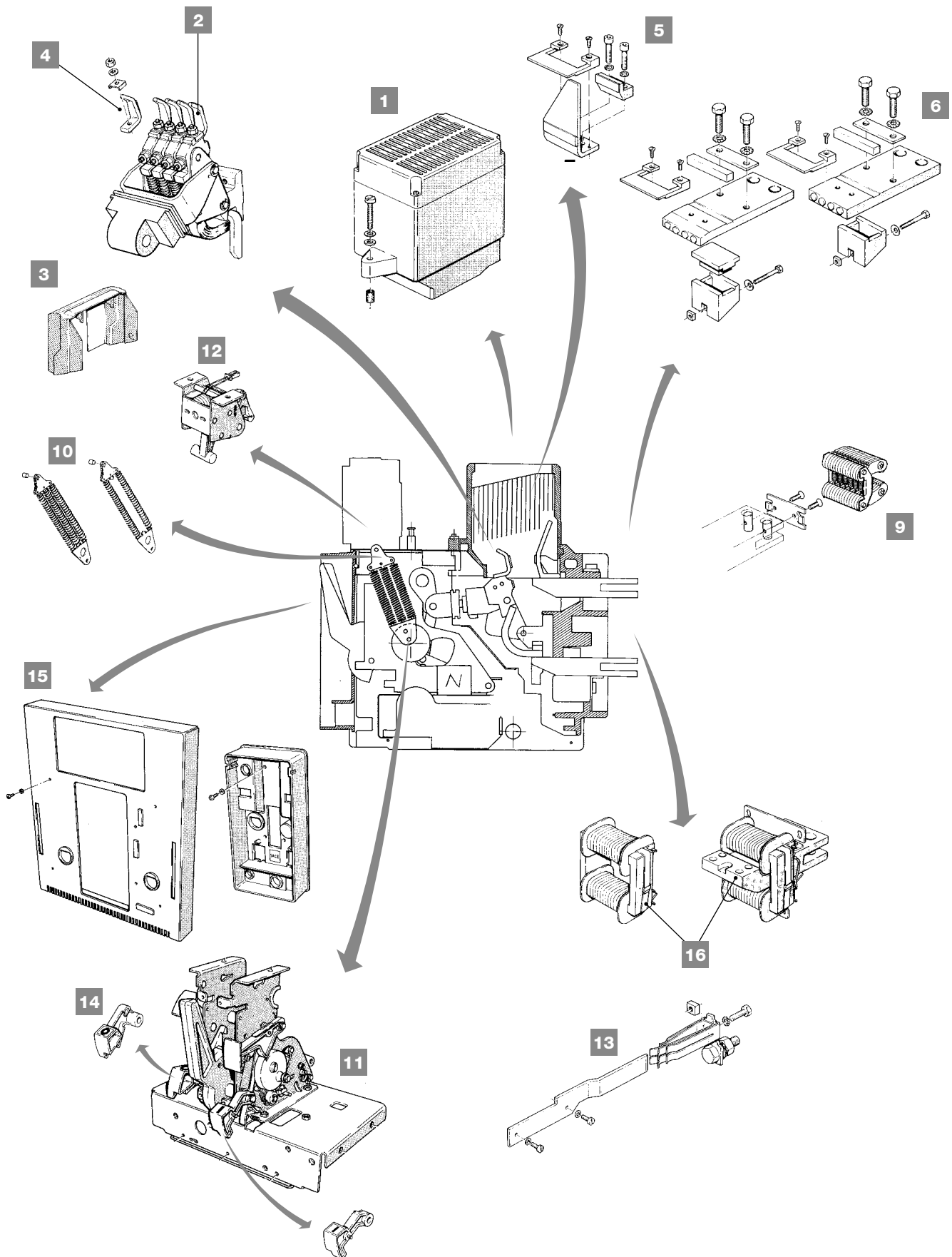
Size	Poles	Version	Code	Type spare	Min quantity
F3; F4; F5; F6 - Accessory for Lock in-test-out position	3p/4p	W (MP)	UXAB269371010		1
F3; F4; F5; F6 - Transparent cover for Open/close pushbuttons	3p/4p	F; W (MP)	UXAB269375001		1
F3; F4; F5; F6 - IP54 Transparent cover protection	3p/4p	F; W (MP)	UXAB269595003		1
F3; F4; F5; F6 - Mechanical operation counter	3p/4p	F; W (MP)	UXAB269596001		1

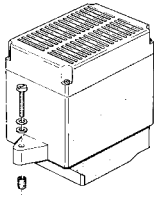


Type A Spare part = only for ABB L3 technicians

# Spare Parts for circuit-breakers

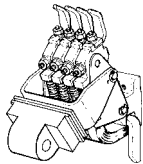
## ACB Spare Parts - Novomax G2, G3, G4, G5, G6, LG





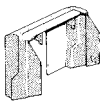
### 1 - Arc chambers set

Size	Poles	Version	Code	Type spare	Min quantity
G2 1250A; G2 1600A; G2 2000A	3p	F; W (MP)	UXAB239299070		1
G2 1250A; G2 1600A; G2 2000A	4p	F; W (MP)	UXAB239299071		1
G2 2500A	3p	F; W (MP)	UXAB239299072		1
G2 2500A	4p	F; W (MP)	UXAB239299073		1
G3 1250A; G3 1600A; G3 2000A; G4 3200A	3p	F; W (MP)	UXAB239399205		1
G3 1250A; G3 1600A; G3 2000A; G4 3200A	4p	F; W (MP)	UXAB239399206		1
G5 3200A; G5 4000A; G5 4500A; G5 5000A; G6	3p	F; W (MP)	UXAB239399207		1
G5 3200A; G5 4000A; G5 4500A; G5 5000A	4p	F; W (MP)	UXAB239399208		1
LG 1250A; LG 1600A; LG 2000A	3p	F; W (MP)	UXAB249299101		1
LG 1250A; LG 1600A; LG 2000A	4p	F; W (MP)	UXAB249299102		1
LG 2500A	3p	F; W (MP)	UXAB249299103		1
LG 2500A	4p	F; W (MP)	UXAB249299104		1



### 2 - Moving poles

Size	Poles	Version	Code	Type spare	Min quantity
G2 1250A; G2 1600A; G2 2000A	3p	F; W (MP)	UXAB239299074	A	1
G2 1250A; G2 1600A; G2 2000A	4p	F; W (MP)	UXAB239299075	A	1
G2 2500A	3p	F; W (MP)	UXAB239299076	A	1
G2 2500A	4p	F; W (MP)	UXAB239299077	A	1
G3 1250A; G3 1600A; G3 2000A; G4 3200A - Neutral pole only	4p	F; W (MP)	UXAB239399002	A	1
G3 1250A; G3 1600A; G3 2000A; G4 3200A - phase poles	3p	F; W (MP)	UXAB239399003	A	3
G3 3000A - phase poles	3p	F; W (MP)	UXAB239399053	A	3
G5 3200A; G5 4000A; G5 4500A; G5 5000A; G6 - half-pole	3p, 4p	F; W (MP)	UXAB239399002	A	6 or 7
LG 1250A; LG 1600A	3p	F; W (MP)	UXAB249299105	A	1
LG 1250A; LG 1600A	4p	F; W (MP)	UXAB249299106	A	1
LG 2000A	3p	F; W (MP)	UXAB249299107	A	1
LG 2000A	4p	F; W (MP)	UXAB249299108	A	1
LG 2500A	3p	F; W (MP)	UXAB249299109	A	1
LG 2500A	4p	F; W (MP)	UXAB249299110	A	1



### 3 - Moving poles' protection

Size	Poles	Version	Code	Type spare	Min quantity
G3...G6	3p	F; W (MP)	UXAB239399030		1



### 4 - Moving arcing contacts set

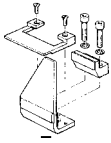
Size	Poles	Version	Code	Type spare	Min quantity
G2 1250A; G2 1600A; G2 2000A	3p	F; W (MP)	UXAB239299078		1
G2 1250A; G2 1600A; G2 2000A	4p	F; W (MP)	UXAB239299079		1
G2 2500A	3p	F; W (MP)	UXAB239299949		1
G2 2500A	4p	F; W (MP)	UXAB239299950		1
G3 1250A; G3 1600A; G3 2000A; G4 3200A	3p	F; W (MP)	UXAB239399209		1
G3 1250A; G3 1600A; G3 2000A; G4 3200A	4p	F; W (MP)	UXAB239399210		1
G5 3200A; G5 4000A; G5 4500A; G5 5000A; G6	3p	F; W (MP)	UXAB239399211		1
G5 3200A; G5 4000A; G5 4500A; G5 5000A	4p	F; W (MP)	UXAB239399212		1

Novomax is in Obsolete LCM phase. Before ordering, verify availability of Novomax spare parts with ABB.

Type A Spare part = only for ABB L3 technicians

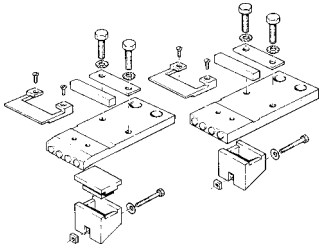
# Spare Parts for circuit-breakers

## ACB Spare Parts - Novomax G2, G3, G4, G5, G6, LG



### 5 - Fixed arcing contacts

Size	Poles	Version	Code	Type spare	Min quantity
G2 1250A; G2 1600A; G2 2000A	3p	F; W (MP)	UXAB239299080		1
G2 1250A; G2 1600A; G2 2000A	4p	F; W (MP)	UXAB239299081		1
G2 2500A	3p	F; W (MP)	UXAB239299082		1
G2 2500A	4p	F; W (MP)	UXAB239299083		1
G3 1250A; G3 1600A; G3 2000A	3p	F; W (MP)	UXAB239399213		1
G3 1250A; G3 1600A; G3 2000A	4p	F; W (MP)	UXAB239399214		1
G4 3200A	3p	F; W (MP)	UXAB239399215		1
G4 3200A	4p	F; W (MP)	UXAB239399216		1
G5 3200A; G5 4000A; G5 4500A; G5 5000A	3p	F; W (MP)	UXAB239399217		1
G5 3200A; G5 4000A; G5 4500A; G5 5000A	4p	F; W (MP)	UXAB239399218		1
G6	3p	F; W (MP)	UXAB239399219		1
LG 1250A; LG 2000A	3p	F; W (MP)	UXAB249299111		1
LG 1250A; LG 2000A	4p	F; W (MP)	UXAB249299112		1
LG 2500A	3p	F; W (MP)	UXAB249299113		1
LG 2500A	4p	F; W (MP)	UXAB249299114		1



### 6 - Upper busbars set

Size	Poles	Version	Code	Type spare	Min quantity
G2 1250A	3p	F; W (MP)	UXAB239299084	A	1
G2 1250A	4p	F; W (MP)	UXAB239299085	A	1
G2 1600A	3p	F; W (MP)	UXAB239299086	A	1
G2 1600A	4p	F; W (MP)	UXAB239299087	A	1
G2 2000A	3p	F; W (MP)	UXAB239299088	A	1
G2 2000A	4p	F; W (MP)	UXAB239299089	A	1
G2 2500A	3p	F; W (MP)	UXAB239299090	A	1
G2 2500A	4p	F; W (MP)	UXAB239299091	A	1
LG 1250A	3p	F; W (MP)	UXAB249299115	A	1
LG 1250A	4p	F; W (MP)	UXAB249299116	A	1
LG 1600A	3p	F; W (MP)	UXAB249299117	A	1
LG 1600A	4p	F; W (MP)	UXAB249299118	A	1
LG 2000A; LG 2500A	3p	F; W (MP)	UXAB249299119	A	1
LG 2000A; LG 2500A	4p	F; W (MP)	UXAB249299120	A	1

### 7 - Upper busbars set for Fixed version

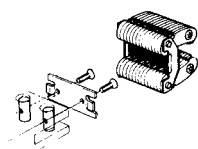
Size	Poles	Version	Code	Type spare	Min quantity
G3 1600A	3p	F	UXAB239399221	A	1
G3 1600A	4p	F	UXAB239399222	A	1
G3 2000A; G3 2500A	3p	F	UXAB239399223	A	1
G3 2000A; G3 2500A	4p	F	UXAB239399224	A	1
G3 3000A	3p	F	UXAB239399225	A	1
G3 3000A	4p	F	UXAB239399226	A	1
G4 3200A; G4 3600A	3p	F	UXAB239399227	A	1
G4 3200A; G4 3600A	4p	F	UXAB239399228	A	1
G5 3200A	3p	F	UXAB239399229	A	1
G5 3200A	4p	F	UXAB239399230	A	1
G5 4000A; G5 5000A	3p	F	UXAB239399231	A	1
G5 4000A; G5 5000A	4p	F	UXAB239399232	A	1

Novomax is in Obsolete LCM phase. Before ordering, verify availability of Novomax spare parts with ABB.  
Type A Spare part = only for ABB L3 technicians



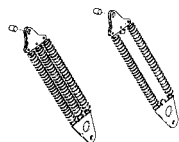
### 8 - Upper busbars set for Moving part

Size	Poles	Version	Code	Type spare	Min quantity
G3 1600A	3p	W (MP)	UXAB239399235	A	1
G3 1600A	4p	W (MP)	UXAB239399236	A	1
G3 2000A; G3 2500A	3p	W (MP)	UXAB239399237	A	1
G3 2000A; G3 2500A	4p	W (MP)	UXAB239399238	A	1
G3 3000A	3p	W (MP)	UXAB239399239	A	1
G3 3000A	4p	W (MP)	UXAB239399240	A	1
G4 3200A; G4 3600A	3p	W (MP)	UXAB239399241	A	1
G4 3200A; G4 3600A	4p	W (MP)	UXAB239399242	A	1
G5 3200A	3p	W (MP)	UXAB239399243	A	1
G5 3200A	4p	W (MP)	UXAB239399244	A	1
G5 4000A; G5 5000A	3p	W (MP)	UXAB239399245	A	1
G5 4000A; G5 5000A	4p	W (MP)	UXAB239399246	A	1
G6 6300A	3p	W (MP)	UXAB239399247	A	1



### 9 - Jaw contacts set

Size	Poles	Version	Code	Type spare	Min quantity
G2 1250A	3p	W (MP)	UXAB239299092		1
G2 1250A	4p	W (MP)	UXAB239299093		1
G2 1600A	3p	W (MP)	UXAB239299094		1
G2 1600A	4p	W (MP)	UXAB239299095		1
G2 2000A	3p	W (MP)	UXAB239299096		1
G2 2000A	4p	W (MP)	UXAB239299097		1
G2 2500A	3p	W (MP)	UXAB239299098		1
G2 2500A	4p	W (MP)	UXAB239299099		1
G3 1600A	3p	W (MP)	UXAB239399251		1
G3 1600A	4p	W (MP)	UXAB239399252		1
G3 2000A; G3 2500A	3p	W (MP)	UXAB239399253		1
G3 2000A; G3 2500A	4p	W (MP)	UXAB239399254		1
G4 3200A; G4 3600A	3p	W (MP)	UXAB239399255		1
G4 3200A; G4 3600A	4p	W (MP)	UXAB239399256		1
G5 3200A	3p	W (MP)	UXAB239399257		1
G5 3200A	4p	W (MP)	UXAB239399258		1
G5 4000A; G5 5000A	3p	W (MP)	UXAB239399259		1
G5 4000A; G5 5000A	4p	W (MP)	UXAB239399260		1
G6	3p	W (MP)	UXAB239399261		1
LG 1250A	3p	W (MP)	UXAB249299121		1
LG 1250A	4p	W (MP)	UXAB249299122		1
LG 1600A	3p	W (MP)	UXAB249299123		1
LG 1600A	4p	W (MP)	UXAB249299124		1
LG 2000A	3p	W (MP)	UXAB249299125		1
LG 2000A	4p	W (MP)	UXAB249299126		1
LG 2500A	3p	W (MP)	UXAB249299127		1
LG 2500A	4p	W (MP)	UXAB249299128		1



### 10 - Closing spring

Size	Poles	Version	Code	Type spare	Min quantity
G2 1250A; G2 1600A; G2 2000A	3p	F; W (MP)	UXAB239299066	A	1
G2 1250A; G2 1600A; G2 2000A	4p	F; W (MP)	UXAB239299067	A	1
G3 1250A; G3 1600A; G3 2000A; G4 3200A	3p, 4p	F; W (MP)	UXAB239399012	A	1
G5 3200A; G5 4000A; G5 4500A; G5 5000A	3p, 4p	F; W (MP)	UXAB239599012	A	1
G6	3p	F; W (MP)	UXAB239599012	A	1
LG 1250A; LG 1600A; LG 2000A	3p	F; W (MP)	UXAB249299065	A	1
LG 1250A; LG 1600A; LG 2000A	4p	F; W (MP)	UXAB249299066	A	1
LG 2500A	3p	F; W (MP)	UXAB249299066	A	1
LG 2500A	4p	F; W (MP)	UXAB249299067	A	1

Novomax is in Obsolete LCM phase. Before ordering, verify availability of Novomax spare parts with ABB.

Type A Spare part = only for ABB L3 technicians

# Spare Parts for circuit-breakers

## ACB Spare Parts - Novomax G2, G3, G4, G5, G6, LG

### 11 - Operating mechanism

Size	Poles	Version	Code	Type spare	Min quantity
G2 1250A; G2 1600A; G2 2000A	3p	F; W (MP)	UXAB239299008	A	1
G2 1250A; G2 1600A; G2 2000A	4p	F; W (MP)	UXAB239299009	A	1
G2 2500A	3p	F; W (MP)	UXAB239299056	A	1
G2 2500A	4p	F; W (MP)	UXAB239299057	A	1
G3 1250A; G3 1600A; G3 2000A	3p	F; W (MP)	UXAB239399010	A	1
G3 1250A; G3 1600A; G3 2000A	4p	F; W (MP)	UXAB239399011	A	1
G4 3200A; G4 3600A	3p	F; W (MP)	UXAB239499010	A	1
G4 3200A; G4 3600A	4p	F; W (MP)	UXAB239499011	A	1
G5 4000A; G5 5000A	3p	F; W (MP)	UXAB239599010	A	1
G5 4000A; G5 5000A	4p	F; W (MP)	UXAB239599011	A	1
G6	3p	F; W (MP)	UXAB239699010	A	1
LG 1250A; LG 1600A; LG 2000A	3p	F; W (MP)	UXAB239299008	A	1
LG 1250A; LG 1600A; LG 2000A	4p	F; W (MP)	UXAB239299009	A	1
LG 2500A	3p	F; W (MP)	UXAB239299056	A	1
LG 2500A	4p	F; W (MP)	UXAB239299057	A	1

### 12 - Opening solenoid for S1-S2 overcurrent release

Size	Poles	Version	Code	Type spare	Min quantity
G2	3p, 4p	F; W (MP)	UXAB239299061		1
G3...G6	3p, 4p	F; W (MP)	UXAB239399061		1
LG	3p, 4p	F; W (MP)	UXAB239299061		1

### 13 - Earth sliding contact group

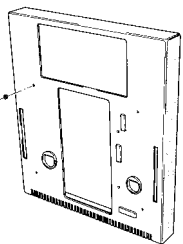
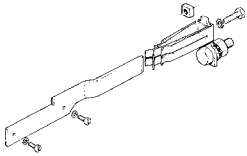
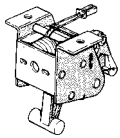
Size	Poles	Version	Code	Type spare	Min quantity
G2	3p, 4p	W (MP)	UXAB239299017		1
G3...G6	3p, 4p	W (MP)	UXAB239399017		1
LG	3p, 4p	W (MP)	UXAB239299017		1

### 14 - Pushbuttons set

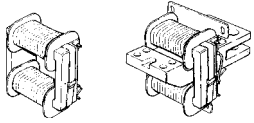
Size	Poles	Version	Code	Type spare	Min quantity
G2	3p, 4p	F; W (MP)	UXAB239299101		1
LG	3p, 4p	F; W (MP)	UXAB239299101		1

### 15 - Main shield, frontal plate and pushbuttons set

Size	Poles	Version	Code	Type spare	Min quantity
G2 1250A; G2 1600A; G2 2000A	3p	F; W (MP)	UXAB239299102		1
G2 1250A; G2 1600A; G2 2000A	4p	F; W (MP)	UXAB239299103		1
G2 2500A	3p	F; W (MP)	UXAB239299104		1
G2 2500A	4p	F; W (MP)	UXAB239299105		1
G3 1250A; G3 1600A; G3 2000A	3p	F; W (MP)	UXAB239399263		1
G3 1250A; G3 1600A; G3 2000A	4p	F; W (MP)	UXAB239399264		1
G4 3200A; G4 3600A	3p	F; W (MP)	UXAB239399265		1
G4 3200A; G4 3600A	4p	F; W (MP)	UXAB239399266		1
G5 4000A; G5 5000A	3p	F; W (MP)	UXAB239399267		1
G5 4000A; G5 5000A	4p	F; W (MP)	UXAB239399268		1
G6	3p	F; W (MP)	UXAB239399269		1
LG 1250A; LG 1600A; LG 2000A	3p	F; W (MP)	UXAB239299102		1
LG 1250A; LG 1600A; LG 2000A	4p	F; W (MP)	UXAB239299103		1
LG 2500A	3p	F; W (MP)	UXAB239299104		1
LG 2500A	4p	F; W (MP)	UXAB239299105		1



Novomax is in Obsolete LCM phase. Before ordering, verify availability of Novomax spare parts with ABB.  
Type A Spare part = only for ABB L3 technicians



16 - Current transformers set for S2 with wiring loomes

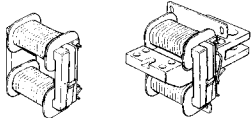
Size	Poles	Version	Code	Type spare	Min quantity
G2 1250A R200	3p	F	UXAB239206711		1
G2 1250A R400	3p	F	UXAB239206712		1
G2 1250A R800	3p	F	UXAB239206713		1
G2 1250A R1250	3p	F	UXAB239206714		1
G2 1250A R300	3p	F	UXAB239206717		1
G2 1250A R600	3p	F	UXAB239206718		1
G2 1250A R1000	3p	F	UXAB239206719		1
G2 1600A R200	3p	F	UXAB239206721		1
G2 1600A R400	3p	F	UXAB239206722		1
G2 1600A R800	3p	F	UXAB239206723		1
G2 1600A R1250	3p	F	UXAB239206724		1
G2 1600A R1600	3p	F	UXAB239206725		1
G2 1600A R300	3p	F	UXAB239206727		1
G2 1600A R600	3p	F	UXAB239206728		1
G2 1600A R1000	3p	F	UXAB239206729		1
G2 2000A R200	3p	F	UXAB239206731		1
G2 2000A R400	3p	F	UXAB239206732		1
G2 2000A R800	3p	F	UXAB239206733		1
G2 2000A R1250	3p	F	UXAB239206734		1
G2 2000A R1600	3p	F	UXAB239206735		1
G2 2000A R2000	3p	F	UXAB239206736		1
G2 2000A R300	3p	F	UXAB239206737		1
G2 2000A R600	3p	F	UXAB239206738		1
G2 2000A R1000	3p	F	UXAB239206739		1
G2 2500A R1250	3p	F	UXAB239206744		1
G2 2500A R1600	3p	F	UXAB239206745		1
G2 2500A R2000	3p	F	UXAB239206746		1
G2 2500A R2500	3p	F	UXAB239206747		1
G2 2000A R1250	3p	F	UXAB239206754		1
G2 2000A R1600	3p	F	UXAB239206755		1
G2 2000A R2000	3p	F	UXAB239206756		1
G2 3000A R2500	3p	F	UXAB239206757		1
G2 3000A R3000	3p	F	UXAB239206758		1
G2 1250A R200	4p	F	UXAB239206911		1
G2 1250A R400	4p	F	UXAB239206912		1
G2 1250A R800	4p	F	UXAB239206913		1
G2 1250A R1250	4p	F	UXAB239206914		1
G2 1250A R300	4p	F	UXAB239206917		1
G2 1250A R600	4p	F	UXAB239206918		1
G2 1250A R1000	4p	F	UXAB239206919		1
G2 1600A R200	4p	F	UXAB239206921		1
G2 1600A R400	4p	F	UXAB239206922		1
G2 1600A R800	4p	F	UXAB239206923		1
G2 1600A R1250	4p	F	UXAB239206924		1
G2 1600A R1600	4p	F	UXAB239206925		1
G2 1600A R300	4p	F	UXAB239206927		1
G2 1600A R600	4p	F	UXAB239206928		1
G2 1600A R1000	4p	F	UXAB239206929		1
G2 2000A R200	4p	F	UXAB239206931		1
G2 2000A R400	4p	F	UXAB239206932		1
G2 2000A R800	4p	F	UXAB239206933		1
G2 2000A R1250	4p	F	UXAB239206934		1
G2 2000A R1600	4p	F	UXAB239206935		1
G2 2000A R2000	4p	F	UXAB239206936		1
G2 2000A R300	4p	F	UXAB239206937		1
G2 2000A R600	4p	F	UXAB239206938		1

Novomax is in Obsolete LCM phase. Before ordering, verify availability of Novomax spare parts with ABB.

Type A Spare part = only for ABB L3 technicians

# Spare Parts for circuit-breakers

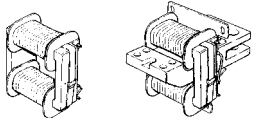
## ACB Spare Parts - Novomax G2, G3, G4, G5, G6, LG



16 - Current transformers set for S2 with wiring loomes						
Size	Poles	Version	Code		Type spare	Min quantity
G2 2000A R1000	4p	F	UXAB239206939			1
G2 2500A R1250	4p	F	UXAB239206944			1
G2 2500A R1600	4p	F	UXAB239206945			1
G2 2500A R2000	4p	F	UXAB239206946			1
G2 2500A R2500	4p	F	UXAB239206947			1
G2 2000A R1250	4p	F	UXAB239206954			1
G2 2000A R1600	4p	F	UXAB239206955			1
G2 2000A R2000	4p	F	UXAB239206956			1
G2 3000A R2500	4p	F	UXAB239206957			1
G2 3000A R3000	4p	F	UXAB239206958			1
G2 1250A R200	3p	W (MP)	UXAB239207711			1
G2 1250A R400	3p	W (MP)	UXAB239207712			1
G2 1250A R800	3p	W (MP)	UXAB239207713			1
G2 1250A R1250	3p	W (MP)	UXAB239207714			1
G2 1250A R300	3p	W (MP)	UXAB239207717			1
G2 1250A R600	3p	W (MP)	UXAB239207718			1
G2 1250A R1000	3p	W (MP)	UXAB239207719			1
G2 1600A R200	3p	W (MP)	UXAB239207721			1
G2 1600A R400	3p	W (MP)	UXAB239207722			1
G2 1600A R800	3p	W (MP)	UXAB239207723			1
G2 1600A R1250	3p	W (MP)	UXAB239207724			1
G2 1600A R1600	3p	W (MP)	UXAB239207725			1
G2 1600A R300	3p	W (MP)	UXAB239207727			1
G2 1600A R600	3p	W (MP)	UXAB239207728			1
G2 1600A R1000	3p	W (MP)	UXAB239207729			1
G2 2000A R200	3p	W (MP)	UXAB239207731			1
G2 2000A R400	3p	W (MP)	UXAB239207732			1
G2 2000A R800	3p	W (MP)	UXAB239207733			1
G2 2000A R1250	3p	W (MP)	UXAB239207734			1
G2 2000A R1600	3p	W (MP)	UXAB239207735			1
G2 2000A R2000	3p	W (MP)	UXAB239207736			1
G2 2000A R300	3p	W (MP)	UXAB239207737			1
G2 2000A R600	3p	W (MP)	UXAB239207738			1
G2 2000A R1000	3p	W (MP)	UXAB239207739			1
G2 2500A R1250	3p	W (MP)	UXAB239207744			1
G2 2500A R1600	3p	W (MP)	UXAB239207745			1
G2 2500A R2000	3p	W (MP)	UXAB239207746			1
G2 2500A R2500	3p	W (MP)	UXAB239207747			1
G2 2000A R1250	3p	W (MP)	UXAB239207764			1
G2 2000A R1600	3p	W (MP)	UXAB239207765			1
G2 2000A R2000	3p	W (MP)	UXAB239207766			1
G2 3000A R2500	3p	W (MP)	UXAB239207767			1
G2 3000A R3000	3p	W (MP)	UXAB239207768			1
G2 1250A R200	4p	W (MP)	UXAB239207911			1
G2 1250A R400	4p	W (MP)	UXAB239207912			1
G2 1250A R800	4p	W (MP)	UXAB239207913			1
G2 1250A R1250	4p	W (MP)	UXAB239207914			1
G2 1250A R300	4p	W (MP)	UXAB239207917			1
G2 1250A R600	4p	W (MP)	UXAB239207918			1
G2 1250A R1000	4p	W (MP)	UXAB239207919			1
G2 1600A R200	4p	W (MP)	UXAB239207921			1
G2 1600A R400	4p	W (MP)	UXAB239207922			1
G2 1600A R800	4p	W (MP)	UXAB239207923			1
G2 1600A R1250	4p	W (MP)	UXAB239207924			1
G2 1600A R1600	4p	W (MP)	UXAB239207925			1
G2 1600A R300	4p	W (MP)	UXAB239207927			1

Novomax is in Obsolete LCM phase. Before ordering, verify availability of Novomax spare parts with ABB.

Type A Spare part = only for ABB L3 technicians



**16 - Current transformers set for S2 with wiring loomes**

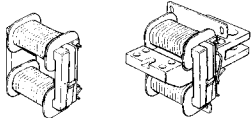
Size	Poles	Version	Code	Type spare	Min quantity
G2 1600A R600	4p	W (MP)	UXAB239207928		1
G2 1600A R1000	4p	W (MP)	UXAB239207929		1
G2 2000A R200	4p	W (MP)	UXAB239207931		1
G2 2000A R400	4p	W (MP)	UXAB239207932		1
G2 2000A R800	4p	W (MP)	UXAB239207933		1
G2 2000A R1250	4p	W (MP)	UXAB239207934		1
G2 2000A R1600	4p	W (MP)	UXAB239207935		1
G2 2000A R2000	4p	W (MP)	UXAB239207936		1
G2 2000A R300	4p	W (MP)	UXAB239207937		1
G2 2000A R600	4p	W (MP)	UXAB239207938		1
G2 2000A R1000	4p	W (MP)	UXAB239207939		1
G2 2500A R1250	4p	W (MP)	UXAB239207944		1
G2 2500A R1600	4p	W (MP)	UXAB239207945		1
G2 2500A R2000	4p	W (MP)	UXAB239207946		1
G2 2500A R2500	4p	W (MP)	UXAB239207947		1
G2 2000A R1250	4p	W (MP)	UXAB239207964		1
G2 2000A R1600	4p	W (MP)	UXAB239207965		1
G2 2000A R2000	4p	W (MP)	UXAB239207966		1
G2 3000A R2500	4p	W (MP)	UXAB239207967		1
G2 3000A R3000	4p	W (MP)	UXAB239207968		1
G3 R800	3p	F	UXAB239306743		1
G3 R1250	3p	F	UXAB239306744		1
G3 R1600	3p	F	UXAB239306745		1
G3 R2000	3p	F	UXAB239306746		1
G3 R2500	3p	F	UXAB239306747		1
G3 R3000	3p	F	UXAB239306748		1
G3 R800	4p	F	UXAB239306943		1
G3 R1250	4p	F	UXAB239306944		1
G3 R1600	4p	F	UXAB239306945		1
G3 R2000	4p	F	UXAB239306946		1
G3 R2500	4p	F	UXAB239306947		1
G3 R3000	4p	F	UXAB239306948		1
G3 R800	3p	W (MP)	UXAB239307743		1
G3 R1250	3p	W (MP)	UXAB239307744		1
G3 R1600	3p	W (MP)	UXAB239307745		1
G3 R2000	3p	W (MP)	UXAB239307746		1
G3 R2500	3p	W (MP)	UXAB239307747		1
G3 R3000	3p	W (MP)	UXAB239307748		1
G3 R800	4p	W (MP)	UXAB239307943		1
G3 R1250	4p	W (MP)	UXAB239307944		1
G3 R1600	4p	W (MP)	UXAB239307945		1
G3 R2000	4p	W (MP)	UXAB239307946		1
G3 R2500	4p	W (MP)	UXAB239307947		1
G3 R3000	4p	W (MP)	UXAB239307948		1
G4 R2000	3p	F	UXAB239406746		1
G4 R3200	3p	F	UXAB239406748		1
G4 R3600	3p	F	UXAB239406749		1
G4 R3200	4p	F	UXAB239406948		1
G4 R3600	4p	F	UXAB239406949		1
G4 R2000	3p	W (MP)	UXAB239407746		1
G4 R3200	3p	W (MP)	UXAB239407748		1
G4 R3600	3p	W (MP)	UXAB239407749		1
G4 R3200	4p	W (MP)	UXAB239407948		1
G4 R3600	4p	W (MP)	UXAB239407949		1
G5 R4500	3p	F	UXAB239506741		1
G5 R5000	3p	F	UXAB239506742		1

Novomax is in Obsolete LCM phase. Before ordering, verify availability of Novomax spare parts with ABB.

Type A Spare part = only for ABB L3 technicians

# Spare Parts for circuit-breakers

## ACB Spare Parts - Novomax G2, G3, G4, G5, G6, LG

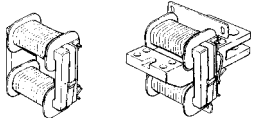


16 - Current transformers set for S2 with wiring loomes

Size	Poles	Version	Code	Type spare	Min quantity
G5 R2500	3p	F	UXAB239506747		1
G5 R3200	3p	F	UXAB239506748		1
G5 R4000	3p	F	UXAB239506749		1
G5 R4500	4p	F	UXAB239506941		1
G5 R5000	4p	F	UXAB239506942		1
G5 R2500	4p	F	UXAB239506947		1
G5 R3200	4p	F	UXAB239506948		1
G5 R4000	4p	F	UXAB239506949		1
G5 R4500	3p	W (MP)	UXAB239507741		1
G5 R5000	3p	W (MP)	UXAB239507742		1
G5 R2500	3p	W (MP)	UXAB239507747		1
G5 R3200	3p	W (MP)	UXAB239507748		1
G5 R4000	3p	W (MP)	UXAB239507749		1
G5 R4500	4p	W (MP)	UXAB239507941		1
G5 R5000	4p	W (MP)	UXAB239507942		1
G5 R2500	4p	W (MP)	UXAB239507947		1
G5 R3200	4p	W (MP)	UXAB239507948		1
G5 R4000	4p	W (MP)	UXAB239507949		1
G6 R6300	3p	W (MP)	UXAB239607743		1
LG 1250A R200	3p	F	UXAB239206711		1
LG 1250A R400	3p	F	UXAB239206712		1
LG 1250A R800	3p	F	UXAB239206713		1
LG 1250A R1250	3p	F	UXAB239206714		1
LG 1250A R300	3p	F	UXAB239206717		1
LG 1250A R600	3p	F	UXAB239206718		1
LG 1250A R1000	3p	F	UXAB239206719		1
LG 1600A R200	3p	F	UXAB239206721		1
LG 1600A R400	3p	F	UXAB239206722		1
LG 1600A R800	3p	F	UXAB239206723		1
LG 1600A R1250	3p	F	UXAB239206724		1
LG 1600A R1600	3p	F	UXAB239206725		1
LG 1600A R300	3p	F	UXAB239206727		1
LG 1600A R600	3p	F	UXAB239206728		1
LG 1600A R1000	3p	F	UXAB239206729		1
LG 2500A R1250	3p	F	UXAB239206744		1
LG 2500A R1600	3p	F	UXAB239206745		1
LG 2500A R2000	3p	F	UXAB239206746		1
LG 2500A R2500	3p	F	UXAB239206747		1
LG 1250A R200	4p	F	UXAB239206911		1
LG 1250A R400	4p	F	UXAB239206912		1
LG 1250A R800	4p	F	UXAB239206913		1
LG 1250A R1250	4p	F	UXAB239206914		1
LG 1250A R300	4p	F	UXAB239206917		1
LG 1250A R600	4p	F	UXAB239206918		1
LG 1250A R1000	4p	F	UXAB239206919		1
LG 1600A R200	4p	F	UXAB239206921		1
LG 1600A R400	4p	F	UXAB239206922		1
LG 1600A R800	4p	F	UXAB239206923		1
LG 1600A R1250	4p	F	UXAB239206924		1
LG 1600A R1600	4p	F	UXAB239206925		1
LG 1600A R300	4p	F	UXAB239206927		1
LG 1600A R600	4p	F	UXAB239206928		1
LG 1600A R1000	4p	F	UXAB239206929		1
LG 2500A R1250	4p	F	UXAB239206944		1
LG 2500A R1600	4p	F	UXAB239206945		1
LG 2500A R2000	4p	F	UXAB239206946		1

Novomax is in Obsolete LCM phase. Before ordering, verify availability of Novomax spare parts with ABB.

Type A Spare part = only for ABB L3 technicians



#### 16 - Current transformers set for S2 with wiring loomes

Size	Poles	Version	Code	Type spare	Min quantity
LG 2500A R2500	4p	F	UXAB239206947		1
LG 1250A R200	3p	W (MP)	UXAB239207711		1
LG 1250A R400	3p	W (MP)	UXAB239207712		1
LG 1250A R800	3p	W (MP)	UXAB239207713		1
LG 1250A R1250	3p	W (MP)	UXAB239207714		1
LG 1250A R300	3p	W (MP)	UXAB239207717		1
LG 1250A R600	3p	W (MP)	UXAB239207718		1
LG 1250A R1000	3p	W (MP)	UXAB239207719		1
LG 1600A R200	3p	W (MP)	UXAB239207721		1
LG 1600A R400	3p	W (MP)	UXAB239207722		1
LG 1600A R800	3p	W (MP)	UXAB239207723		1
LG 1600A R1250	3p	W (MP)	UXAB239207724		1
LG 1600A R1600	3p	W (MP)	UXAB239207725		1
LG 1600A R300	3p	W (MP)	UXAB239207727		1
LG 1600A R600	3p	W (MP)	UXAB239207728		1
LG 1600A R1000	3p	W (MP)	UXAB239207729		1
LG 2500A R1250	3p	W (MP)	UXAB239207744		1
LG 2500A R1600	3p	W (MP)	UXAB239207745		1
LG 2500A R2000	3p	W (MP)	UXAB239207746		1
LG 2500A R2500	3p	W (MP)	UXAB239207747		1
LG 1250A R200	4p	W (MP)	UXAB239207911		1
LG 1250A R400	4p	W (MP)	UXAB239207912		1
LG 1250A R800	4p	W (MP)	UXAB239207913		1
LG 1250A R1250	4p	W (MP)	UXAB239207914		1
LG 1250A R300	4p	W (MP)	UXAB239207917		1
LG 1250A R600	4p	W (MP)	UXAB239207918		1
LG 1250A R1000	4p	W (MP)	UXAB239207919		1
LG 1600A R200	4p	W (MP)	UXAB239207921		1
LG 1600A R400	4p	W (MP)	UXAB239207922		1
LG 1600A R800	4p	W (MP)	UXAB239207923		1
LG 1600A R1250	4p	W (MP)	UXAB239207924		1
LG 1600A R1600	4p	W (MP)	UXAB239207925		1
LG 1600A R300	4p	W (MP)	UXAB239207927		1
LG 1600A R600	4p	W (MP)	UXAB239207928		1
LG 1600A R1000	4p	W (MP)	UXAB239207929		1
LG 2500A R1250	4p	W (MP)	UXAB239207944		1
LG 2500A R1600	4p	W (MP)	UXAB239207945		1
LG 2500A R2000	4p	W (MP)	UXAB239207946		1
LG 2500A R2500	4p	W (MP)	UXAB239207947		1

#### 17 - Draw out lever



Size	Poles	Version	Code	Type spare	Min quantity
G2 1250A; G2 1600A; G2 2000A	3p	W	UXAB239213001		1
G2 1250A; G2 1600A; G2 2000A	4p	W	UXAB239213003		1
G2 2500A	3p	W	UXAB239213021		1
G2 2500A	4p	W	UXAB239213023		1
G3 1250A; G3 1600A; G3 2000A	3p	W	UXAB239313001		1
G3 1250A; G3 1600A; G3 2000A	4p	W	UXAB239313003		1
G4 3200A; G4 3600A	3p	W	UXAB239413001		1
G4 3200A; G4 3600A	4p	W	UXAB239413003		1
G5 4000A; G5 5000A	3p	W	UXAB239513001		1
G5 4000A; G5 5000A	4p	W	UXAB239513003		1
G6	3p	W	UXAB239613001		1
LG 1250A; LG 1600A; LG 2000A	3p	W	UXAB239213001		1
LG 1250A; LG 1600A; LG 2000A	4p	W	UXAB239213003		1
LG 2500A	3p	W	UXAB239213021		1
LG 2500A	4p	W	UXAB239213023		1

Novomax is in Obsolete LCM phase. Before ordering, verify availability of Novomax spare parts with ABB.

Type A Spare part = only for ABB L3 technicians

# Spare Parts for circuit-breakers

## ACB Spare Parts - Novomax G2, G3, G4, G5, G6, LG



### 18 - Tool case complete with spanners and template

Size	Poles	Version	Code	Type spare	Min quantity
G2	3p, 4p	F; W	UXAB269397001	A	1
G3...G6	3p, 4p	F; W	UXAB239399201	A	1

### 19 - Standard maintenance kit

Size	Poles	Version	Code	Type spare	Min quantity
G3...G6	3p, 4p	F; W	1SDA076317R1	A	1

### 20 - Upgrade maintenance kit

Size	Poles	Version	Code	Type spare	Min quantity
G2	3p/4p	F; W	1SDA076316R1	A	1
G3...G6	3p, 4p	F; W	1SDA076318R1	A	1



### 21 - Shunt opening release (SOR or YO)

Size	Poles	Version	Code	Type spare	Min quantity
G2 24V DC	3p, 4p	F; W (MP)	UXAB239250902		1
G2 30V DC 24V AC	3p, 4p	F; W (MP)	UXAB239250903		1
G2 48V DC AC	3p, 4p	F; W (MP)	UXAB239250904		1
G2 60V DC	3p, 4p	F; W (MP)	UXAB239250905		1
G2 100/127V DC AC	3p, 4p	F; W (MP)	UXAB239250909		1
G2 200/250VDC 200/255V AC	3p, 4p	F; W (MP)	UXAB239250948		1
G2 380/500V AC	3p, 4p	F; W (MP)	UXAB239250953		1
G2 48V DC permanently supplied	3p, 4p	F; W (MP)	UXAB239255904		1
G2 60V DC permanently supplied	3p, 4p	F; W (MP)	UXAB239255905		1
G2 110V DC permanently supplied	3p, 4p	F; W (MP)	UXAB239255909		1
G2 220V DC permanently supplied	3p, 4p	F; W (MP)	UXAB239255918		1
G2 110V 50HZ permanently supplied	3p, 4p	F; W (MP)	UXAB239255939		1
G2 220V 50HZ permanently supplied	3p, 4p	F; W (MP)	UXAB239255948		1
G2 220V 60HZ permanently supplied	3p, 4p	F; W (MP)	UXAB239255978		1
G3...G6 24V DC	3p, 4p	F; W (MP)	UXAB239350902		1
G3...G6 30VDC 24V AC	3p, 4p	F; W (MP)	UXAB239350903		1
G3...G6 48VDC/ AC	3p, 4p	F; W (MP)	UXAB239350904		1
G3...G6 110/127VDC/ AC	3p, 4p	F; W (MP)	UXAB239350909		1
G3...G6 200/250VDC 200/255V AC	3p, 4p	F; W (MP)	UXAB239350948		1
G3...G6 110VDC permanently supplied	3p, 4p	F; W (MP)	UXAB239355909		1
G3...G6 220VDC permanently supplied	3p, 4p	F; W (MP)	UXAB239355918		1
G3...G6 110V 50HZ permanently supplied	3p, 4p	F; W (MP)	UXAB239355939		1
G3...G6 220V 50HZ permanently supplied	3p, 4p	F; W (MP)	UXAB239355948		1
LG 24V DC	3p, 4p	F; W (MP)	UXAB239250902		1
LG 30V DC 24V AC	3p, 4p	F; W (MP)	UXAB239250903		1
LG 48V DC AC	3p, 4p	F; W (MP)	UXAB239250904		1
LG 60V DC	3p, 4p	F; W (MP)	UXAB239250905		1
LG 100/127V DC AC	3p, 4p	F; W (MP)	UXAB239250909		1
LG 200/250VDC 200/255V AC	3p, 4p	F; W (MP)	UXAB239250948		1
LG 380/500V AC	3p, 4p	F; W (MP)	UXAB239250953		1
LG 48V DC permanently supplied	3p, 4p	F; W (MP)	UXAB239255904		1
LG 60V DC permanently supplied	3p, 4p	F; W (MP)	UXAB239255905		1
LG 110V DC - permanently supplied	3p, 4p	F; W (MP)	UXAB239255909		1
LG 220V DC permanently supplied	3p, 4p	F; W (MP)	UXAB239255918		1
LG 110V 50HZ permanently supplied	3p, 4p	F; W (MP)	UXAB239255939		1
LG 220V 50HZ permanently supplied	3p, 4p	F; W (MP)	UXAB239255948		1
LG 220V 60HZ permanently supplied	3p, 4p	F; W (MP)	UXAB239255978		1

Novomax is in Obsolete LCM phase. Before ordering, verify availability of Novomax spare parts with ABB.

Type A Spare part = only for ABB L3 technicians





22 - Shunt Closing release (SCR or YC)						
Size	Poles	Version	Code		Type spare	Min quantity
G2...G6; LG 24V DC	3p, 4p	F; W (MP)	UXAB239230902			1
G2...G6; LG 48V DC	3p, 4p	F; W (MP)	UXAB239230904			1
G2...G6; LG 60V DC	3p, 4p	F; W (MP)	UXAB239230905			1
G2...G6; LG 110/125V DC	3p, 4p	F; W (MP)	UXAB239230909			1
G2...G6; LG 220/250V DC	3p, 4p	F; W (MP)	UXAB239230918			1
G2...G6; LG 24V 50HZ	3p, 4p	F; W (MP)	UXAB239230932			1
G2...G6; LG 48V 50HZ	3p, 4p	F; W (MP)	UXAB239230934			1
G2...G6; LG 100V-50 110/115V60	3p, 4p	F; W (MP)	UXAB239230937			1
G2...G6; LG 110V-50HZ 127V-60HZ	3p, 4p	F; W (MP)	UXAB239230939			1
G2...G6; LG 220V 50HZ	3p, 4p	F; W (MP)	UXAB239230948			1
G2...G6; LG 230/240V 50HZ	3p, 4p	F; W (MP)	UXAB239230951			1
G2...G6; LG 380/400V-50 440V60	3p, 4p	F; W (MP)	UXAB239230953			1
G2...G6; LG 415/440V 50HZ	3p, 4p	F; W (MP)	UXAB239230954			1
G2...G6; LG 120V 60HZ	3p, 4p	F; W (MP)	UXAB239230971			1
G2...G6; LG 208/220V 60HZ	3p, 4p	F; W (MP)	UXAB239230978			1
G2...G6; LG +YU contact 100V-50 110/115V60	3p, 4p	F; W (MP)	UXAB239240937			1



23 - Motor operator (M)						
Size	Poles	Version	Code		Type spare	Min quantity
G2 24/30V DC	3p, 4p	F; W (MP)	UXAB239220902			1
G2 48/60V DC	3p, 4p	F; W (MP)	UXAB239220904			1
G2 100/130V DC AC	3p, 4p	F; W (MP)	UXAB239220939			1
G2 200/250V DC AC	3p, 4p	F; W (MP)	UXAB239220948			1
G3...G6 24/30V DC	3p, 4p	F; W (MP)	UXAB239320902			1
G3...G6 48V/60V DC	3p, 4p	F; W (MP)	UXAB239320904			1
G3...G6 110/130V DC/AC	3p, 4p	F; W (MP)	UXAB239320939			1
G3...G6 220/250V DC/AC	3p, 4p	F; W (MP)	UXAB239320948			1
LG 24/30V DC	3p, 4p	F; W (MP)	UXAB239220902			1
LG 48/60V DC	3p, 4p	F; W (MP)	UXAB239220904			1
LG 100/130V DC AC	3p, 4p	F; W (MP)	UXAB239220939			1
LG 200/250V DC AC	3p, 4p	F; W (MP)	UXAB239220948			1



24 - IP54						
Size	Poles	Version	Code		Type spare	Min quantity
G2	3p, 4p	F; W (MP)	UXAB239295003			1
G3	3p, 4p	F; W (MP)	UXAB239395003			1
LG	3p, 4p	F; W (MP)	UXAB239295003			1

Novomax is in Obsolete LCM phase. Before ordering, verify availability of Novomax spare parts with ABB.

Type A Spare part = only for ABB L3 technicians

# Spare Parts for circuit-breakers

## ACB Spare Parts - Novomax G2, G3, G4, G5, G6, LG



### 25 - S2 Trip Unit (without CTs)

Size	Poles	Version	Code	Type spare	Min quantity
G2 LS	3p, 4p	F; W (MP)	UXAB239206110		1
G2 LSG	3p, 4p	F; W (MP)	UXAB239206111		1
G2 LI	3p, 4p	F; W (MP)	UXAB239206120		1
G2 LSI	3p, 4p	F; W (MP)	UXAB239206140		1
G2 LIG	3p, 4p	F; W (MP)	UXAB239206121		1
G2 LSIG	3p, 4p	F; W (MP)	UXAB239206141		1
G2 LF	3p, 4p	F; W (MP)	UXAB239206130		1
G2 LFG	3p, 4p	F; W (MP)	UXAB239206131		1
G2 LSF	3p, 4p	F; W (MP)	UXAB239206150		1
G2 LSFG	3p, 4p	F; W (MP)	UXAB239206151		1
LG LF	3p, 4p	F; W (MP)	UXAB239206130		1
LG LFG	3p, 4p	F; W (MP)	UXAB239206131		1
LG LSF	3p, 4p	F; W (MP)	UXAB239206150		1
LG LSFG	3p, 4p	F; W (MP)	UXAB239206151		1
G3...G6 LS	3p, 4p	F; W (MP)	UXAB239306110		1
G3...G6 LSG	3p, 4p	F; W (MP)	UXAB239306111		1
G3...G6 LI	3p, 4p	F; W (MP)	UXAB239306120		1
G3...G6 LIG	3p, 4p	F; W (MP)	UXAB239306121		1
G3...G6 LSI	3p, 4p	F; W (MP)	UXAB239306140		1
G3...G6 LSIG	3p, 4p	F; W (MP)	UXAB239306141		1
G3...G6 LSF	3p, 4p	F; W (MP)	UXAB239306150		1
G3...G6 MSG	3p, 4p	F; W (MP)	UXAB239306211		1
G3...G6 MS	3p, 4p	F; W (MP)	UXAB239306210		1

### 26 - S2 Trip Unit modules

Size	Poles	Version	Code	Type spare	Min quantity
G2...G6; LG - Standard batteries with control module	3p, 4p	F; W (MP)	UXAB239399070		1
G2...G6; LG - Function G	3p, 4p	F; W (MP)	UXAB239399074		1
G2...G6; LG - Function I	3p, 4p	F; W (MP)	UXAB239399075		1
G2...G6; LG - Function S	3p, 4p	F; W (MP)	UXAB239399076		1
G2...G6; LG - Function L	3p, 4p	F; W (MP)	UXAB239399078		1



### 27 - Key Lock in open position

Size	Poles	Version	Code	Type spare	Min quantity
G2; LG - key n.1	3p, 4p	F; W (MP)	UXAB239270201		1
G3...G6 - key n.1	3p, 4p	F; W (MP)	UXAB239370201		1

### 28 - Key Lock in open position different keys

Size	Poles	Version	Code	Type spare	Min quantity
G2; LG	3p, 4p	F; W (MP)	UXAB239270230		1
G3...G6	3p, 4p	F; W (MP)	UXAB239370230		1



### 29 - Padlock in open position

Size	Poles	Version	Code	Type spare	Min quantity
G2; LG	3p, 4p	F; W (MP)	UXAB239270240		1
G3...G6	3p, 4p	F; W (MP)	UXAB239370240		1

### 30 - Key Lock + Padlock in rack in/out position

Size	Poles	Version	Code	Type spare	Min quantity
G2; LG; G3...G6	3p, 4p	W (MP)	UXAB239271100		1

### 31 - Key Lock among different CB + Padlock in rack in/out position

Size	Poles	Version	Code	Type spare	Min quantity
G2; LG; G3...G6	3p, 4p	W (MP)	UXAB239271200		1

Novomax is in Obsolete LCM phase. Before ordering, verify availability of Novomax spare parts with ABB.

Type A Spare part = only for ABB L3 technicians

**32 - Mechanical indication tripped I1-I2**

Size	Poles	Version	Code	Type spare	Min quantity
G2; LG	3p, 4p	F; W (MP)	UXAB239264100		1
G3...G6	3p, 4p	F; W (MP)	UXAB239364100		1

**33 - Mechanical and electrical indication tripped I3**

Size	Poles	Version	Code	Type spare	Min quantity
G2; LG	3p, 4p	F; W (MP)	UXAB239264005		1
G3...G6	3p, 4p	F; W (MP)	UXAB239364005		1

**34 - Electrical indication tripped I1-I2 - T - S1**

Size	Poles	Version	Code	Type spare	Min quantity
G2; LG	3p, 4p	F; W (MP)	UXAB239264080		1

**35 - Electrical indication tripped I1-I2 - S2**

Size	Poles	Version	Code	Type spare	Min quantity
G2; LG	3p, 4p	F; W (MP)	UXAB239264090		1

**36 - Protection for O/C pushbuttons**

Size	Poles	Version	Code	Type spare	Min quantity
G2; LG	3p, 4p	F; W (MP)	UXAB239275001		1
G3...G6	3p, 4p	F; W (MP)	UXAB239375001		1

**37 - Interlock among 3 moving parts**

Size	Poles	Version	Code	Type spare	Min quantity
G2 1250A; G2 1600A; G2 2000A; LG 1250A; LG 1600A; LG 2000A	3p	W (MP)	UXAB239280030		1
G2 1250A; G2 1600A; G2 2000A; LG 1250A; LG 1600A; LG 2000A	4p	W (MP)	UXAB239280040		1
G2 2500A; G2 3000A; LG 2500A; LG 3000A	3p	W (MP)	UXAB239280070		1
G2 2500A; G2 3000A; LG 2500A; LG 3000A	4p	W (MP)	UXAB239280080		1

**38 - UVR**

Size	Poles	Version	Code	Type spare	Min quantity
G2...G6	3p, 4p	F; W (MP)	see Megamax		1

**39 - SOR and UVR support**

Size	Poles	Version	Code	Type spare	Min quantity
G2...G6	3p, 4p	F; W (MP)	see Megamax		1

**40 - Spring charged indication**

Size	Poles	Version	Code	Type spare	Min quantity
G2...G6	3p, 4p	F; W (MP)	see Megamax		1

**41 - Terminal board for Fixed version**

Size	Poles	Version	Code	Type spare	Min quantity
G2...G6	3p, 4p	F	see Megamax		1

**42 - Sliding contacts**

Size	Poles	Version	Code	Type spare	Min quantity
G2...G6	3p, 4p	W (MP)	see Megamax		1

**43 - O/C auxiliary contacts and activating lever**

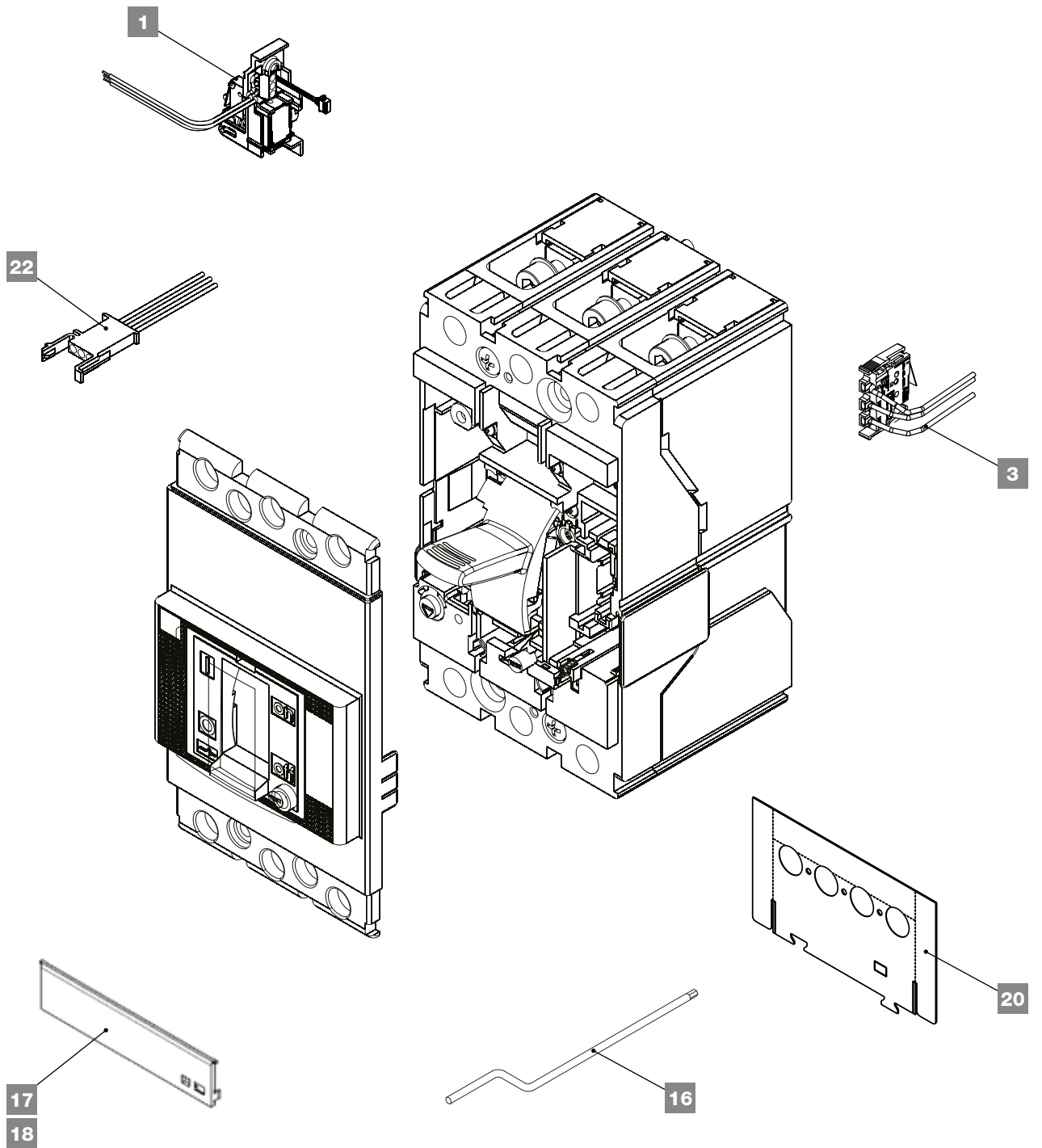
Size	Poles	Version	Code	Type spare	Min quantity
G2...G6	3p, 4p	F; W (MP)	see Megamax		1

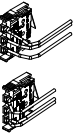
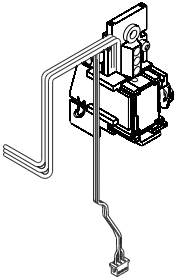
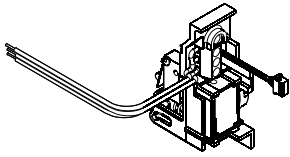
Novomax is in Obsolete LCM phase. Before ordering, verify availability of Novomax spare parts with ABB.

Type A Spare part = only for ABB L3 technicians

# Spare Parts for circuit-breakers

## MCCB Spare Parts - Tmax XT1, XT2, XT3, XT4





#### 1 - SA RC Sel/RC Inst - Opening Solenoid of the residual current device

Size	Poles	Version	IEC/UL	Code	Type spare	Min quantity
XT1	3p/4p	F; P	IEC	1SDA066990R1		1
XT2	3p/4p	F; P	IEC	1SDA066991R1		1
XT2	3p/4p	W	IEC	1SDA066993R1		1
XT4	3p/4p	F; P	IEC	1SDA067209R1		1
XT4	3p/4p	W	IEC	1SDA067210R1		1

#### 2 - SA RC Sel/RC Inst/RC B Type -Opening Solenoid of the residual current device

Size	Poles	Version	IEC/UL	Code	Type spare	Min quantity
XT3	3p/4p	F; P	IEC	1SDA066992R1		1

#### 3 - SA RC B Type -Opening Solenoid of the residual current device

Size	Poles	Version	IEC/UL	Code	Type spare	Min quantity
XT3	3p/4p	F; P	IEC	1SDA067208R1		1

#### 4 - AUX-C - Loose cabled auxiliary contact 250VAC - un-numbered cables

Size	Poles	Version	IEC/UL	Code	Type spare	Min quantity
XT1; XT2; XT3; XT4	3p/4p	F; P	IEC	1SDA066994R1		1
XT2; XT4	3p/4p	W	IEC	1SDA066995R1		1

#### 5 - AUX-C - Loose cabled auxiliary contact 24VDC - un-numbered cables

Size	Poles	Version	IEC/UL	Code	Type spare	Min quantity
XT1; XT2; XT3; XT4	3p/4p	F; P	IEC	1SDA066996R1		1
XT2; XT4	3p/4p	W	IEC	1SDA066997R1		1

#### 6 - Small flange

Size	Poles	Version	IEC/UL	Code	Type spare	Min quantity
XT1; XT3	3p/4p	F; P	IEC	1SDA068657R1		1
XT2; XT4	3p/4p	F; P; W	IEC	1SDA068657R1		1

#### 7 - Large flange

Size	Poles	Version	IEC/UL	Code	Type spare	Min quantity
XT1	3p	F; P	IEC	1SDA068639R1		1
XT1	4p	F; P	IEC	1SDA068640R1		1
XT2	3p	F; P	IEC	1SDA068641R1		1
XT2	4p	F; P	IEC	1SDA068642R1		1
XT3	3p	F; P	IEC	1SDA068644R1		1
XT3	4p	F; P	IEC	1SDA068645R1		1
XT4	3p	F; P	IEC	1SDA068641R1		1
XT4	4p	F; P	IEC	1SDA068642R1		1

#### 8 - MOD flange

Size	Poles	Version	IEC/UL	Code	Type spare	Min quantity
XT1; XT3	3p/4p	F; P	IEC	1SDA068648R1		1

#### 9 - Flange for MOE/MOE-E/FLD

Size	Poles	Version	IEC/UL	Code	Type spare	Min quantity
XT2; XT4	3p/4p	F; P	IEC	1SDA068649R1		1
XT2; XT4	3p/4p	W	IEC	1SDA068650R1		1

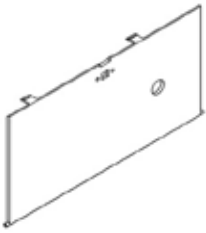
#### 10 - Flange for direct handle RHD

Size	Poles	Version	IEC/UL	Code	Type spare	Min quantity
XT1; XT2; XT3; XT4	3p/4p	F; P	IEC	1SDA068651R1		1
XT2; XT4	3p/4p	W	IEC	1SDA068652R1		1

Type A Spare part = only for ABB L3 technicians

# Spare Parts for circuit-breakers

## MCCB Spare Parts - Tmax XT1, XT2, XT3, XT4



### 11 - Flange for residual current RC Sel/Inst

Size	Poles	Version	IEC/UL	Code	Type spare	Min quantity
XT1	3p	F; P	IEC	1SDA068653R1		1
XT1	4p	F; P	IEC	1SDA068654R1		1
XT3	3p	F; P	IEC	1SDA068655R1		1
XT3	4p	F; P	IEC	1SDA068656R1		1

### 12 - Flange for residual current RC Sel

Size	Poles	Version	IEC/UL	Code	Type spare	Min quantity
XT2; XT4	4p	F; P	IEC	1SDA066647R1		1
XT2; XT4	4p	W	IEC	1SDA066648R1		1

### 13 - Transparent cover for RC (5 pcs)

Size	Poles	Version	IEC/UL	Code	Type spare	Min quantity
XT2	3p/4p	F; P	IEC	1SDA076313R1		1
XT3	3p/4p	F; P	IEC	1SDA076311R1		1
XT4	3p/4p	F; P	IEC	1SDA076312R1		1

### 14 - Operating Lever and lucid plate

Size	Poles	Version	IEC/UL	Code	Type spare	Min quantity
XT1	3p/4p	F; P	IEC/UL	1SDA076415R1		1
XT2 - lever protection included	3p/4p	F; P	IEC	1SDA076416R1		1
XT3	3p/4p	F; P	IEC/UL	1SDA076417R1		1
XT4 - lever protection included	3p/4p	F; P	IEC	1SDA076418R1		1

### 15 - Kit fixing screws (50 pcs)

Size	Poles	Version	IEC/UL	Code	Type spare	Min quantity
XT1; XT3	3p/4p	F; P	IEC	1SDA076419R1		1
XT2; XT4	3p/4p	F; P	IEC	1SDA076420R1		1

### 16 - Draw out lever

Size	Poles	Version	IEC/UL	Code	Type spare	Min quantity
XT2; XT4	3p/4p	W	IEC/UL	1SDA076421R1		1

### 17 - Transparent cover for TMA Trip unit

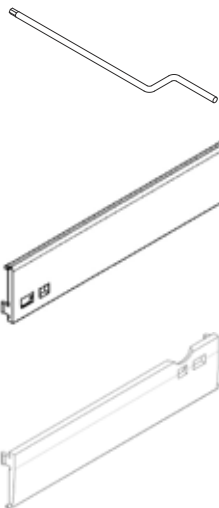
Size	Poles	Version	IEC/UL	Code	Type spare	Min quantity
XT2	3p	F; P	IEC	1SDA076422R1		1
XT2	4p	F; P	IEC	1SDA076423R1		1
XT4	3p	F; P	IEC	1SDA076426R1		1
XT4	4p	F; P	IEC	1SDA076427R1		1

### 18 - Transparent cover for Ekip Trip unit

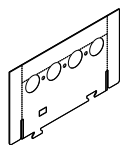
Size	Poles	Version	IEC/UL	Code	Type spare	Min quantity
XT2	3p	F; P	IEC	1SDA076424R1		1
XT2	4p	F; P	IEC	1SDA076425R1		1
XT4	3p	F; P	IEC	1SDA076428R1		1
XT4	4p	F; P	IEC	1SDA076430R1		1

### 19 - Wiring side covers

Size	Poles	Version	IEC/UL	Code	Type spare	Min quantity
XT1	3p/4p	F; P	IEC	1SDA076431R1		1
XT3	3p/4p	F; P	IEC	1SDA076432R1		1
XT2; XT4	3p/4p	F; P; W	IEC	1SDA076434R1		1

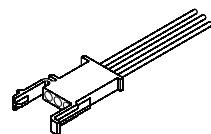


Type A Spare part = only for ABB L3 technicians



**20 - Back insulating plates (10 pcs)**

Size	Poles	Version	IEC/UL	Code	Type spare	Min quantity
XT1	3p	F	IEC	1SDA076435R1		1
XT1	4p	F	IEC	1SDA076508R1		1
XT2	3p	F	IEC	1SDA076509R1		1
XT2	4p	F	IEC	1SDA076510R1		1
XT3	3p	F	IEC	1SDA076511R1		1
XT3	4p	F	IEC	1SDA076512R1		1
XT4	3p	F	IEC	1SDA076513R1		1
XT4	4p	F	IEC	1SDA076514R1		1



**21 - Connector for fixed part/moving of withdrawable with 2PINS for SOR/UVR up to 400V**

Size	Poles	Version	IEC/UL	Code	Type spare	Min quantity
XT2; XT4	3p/4p	F; P; W	IEC	1SDA067213R1		1

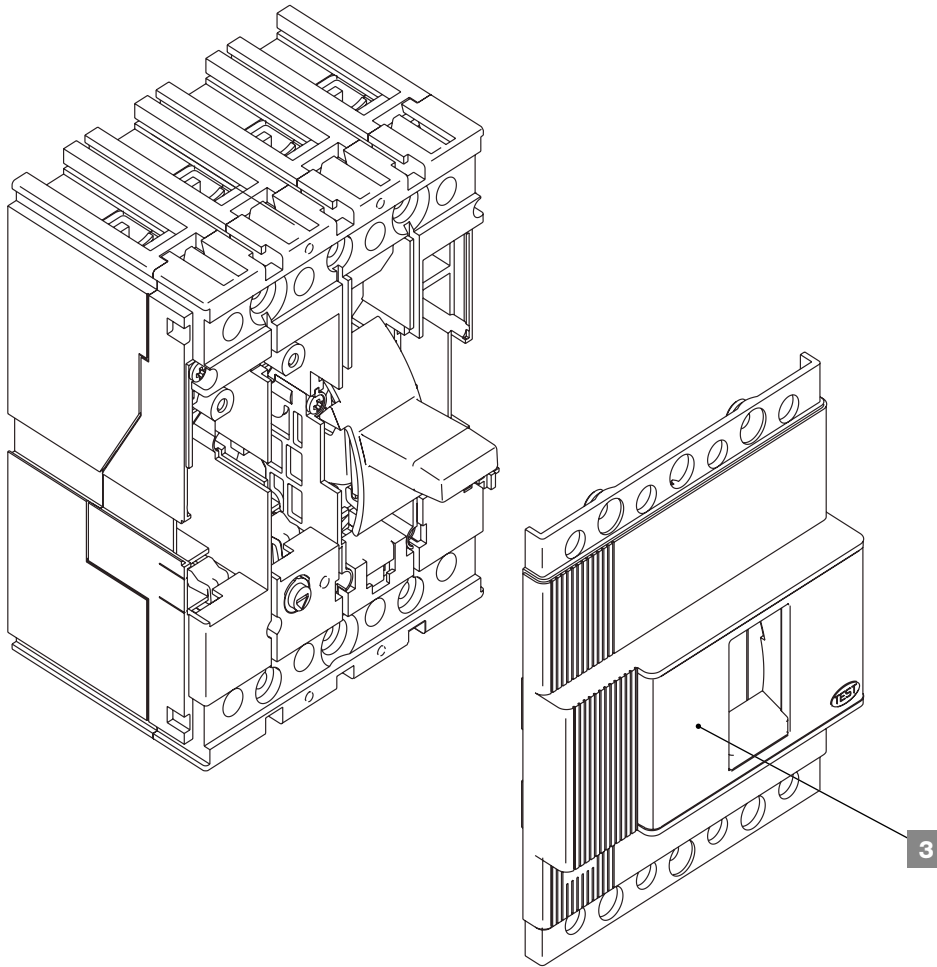
**22 - Connector for fixed part/moving of withdrawable with 3PINS for SOR/UVR up to 400V**

Size	Poles	Version	IEC/UL	Code	Type spare	Min quantity
XT2; XT4	3p/4p	F; P; W	IEC	1SDA067214R1		1

Type A Spare part = only for ABB L3 technicians

# Spare Parts for circuit-breakers

## MCCB Spare Parts - Tmax T1, T2, T3





**1 - Opening solenoid for residual current release**

Size	Poles	Version	IEC/UL	Code	Type spare	Min quantity
T1-RC221-222 + Aux K51	3p/4p	F	IEC	1SDA051506R1		1
T2-RC221-222 + Aux K51	3p/4p	F; P	IEC	1SDA051507R1		1
T3-RC221-222 + Aux K51	3p/4p	F; P	IEC	1SDA051508R1		1
T3-RC223 + Aux K51	3p/4p	F; P	IEC	1SDA064548R1		1

**2 - Opening solenoid for electronic overcurrent release**

Size	Poles	Version	IEC/UL	Code	Type spare	Min quantity
T2	3p/4p	F; P	IEC/UL	1SDA051505R1		1

**3 - Operating lever and lucid plate**

Size	Poles	Version	IEC/UL	Code	Type spare	Min quantity
T1	3p/4p	F	IEC/UL	1SDA069211R1		1
T2	3p/4p	F; P	IEC/UL	1SDA069221R1		1
T3	3p/4p	F; P	IEC/UL	1SDA069222R1		1

**4 - Fixing screws**

Size	Poles	Version	IEC/UL	Code	Type spare	Min quantity
T1; T2; T3	3p	F		1SDA069256R1		1
T1; T2; T3	4p	F		1SDA069257R1		1

**5 - Gasket for panel door**

Size	Poles	Version	IEC/UL	Code	Type spare	Min quantity
T1	3p/4p	F	IEC	1SDA051509R1		1
T2; T3	3p/4p	F; P	IEC	1SDA051509R1		1
T1 - MOS/RHD	3p/4p	F	IEC	1SDA051510R1		1
T1 - RC221/1	3p	F	IEC	1SDA051511R1		1
T2; T3 - RC221/1	3p	F; P	IEC	1SDA051511R1		1
T1 - RC221/2	3p	F	IEC	1SDA051512R1		1
T2; T3 - RC221/2	3p	F; P	IEC	1SDA051512R1		1
T1 - RC221/3	3p	F	IEC	1SDA051513R1		1
T2; T3 - RC221/3	3p	F; P	IEC	1SDA051513R1		1
T1; T2; T3 - RC221	4p	F; P	IEC	1SDA051514R1		1

**6 - MOS brackets**

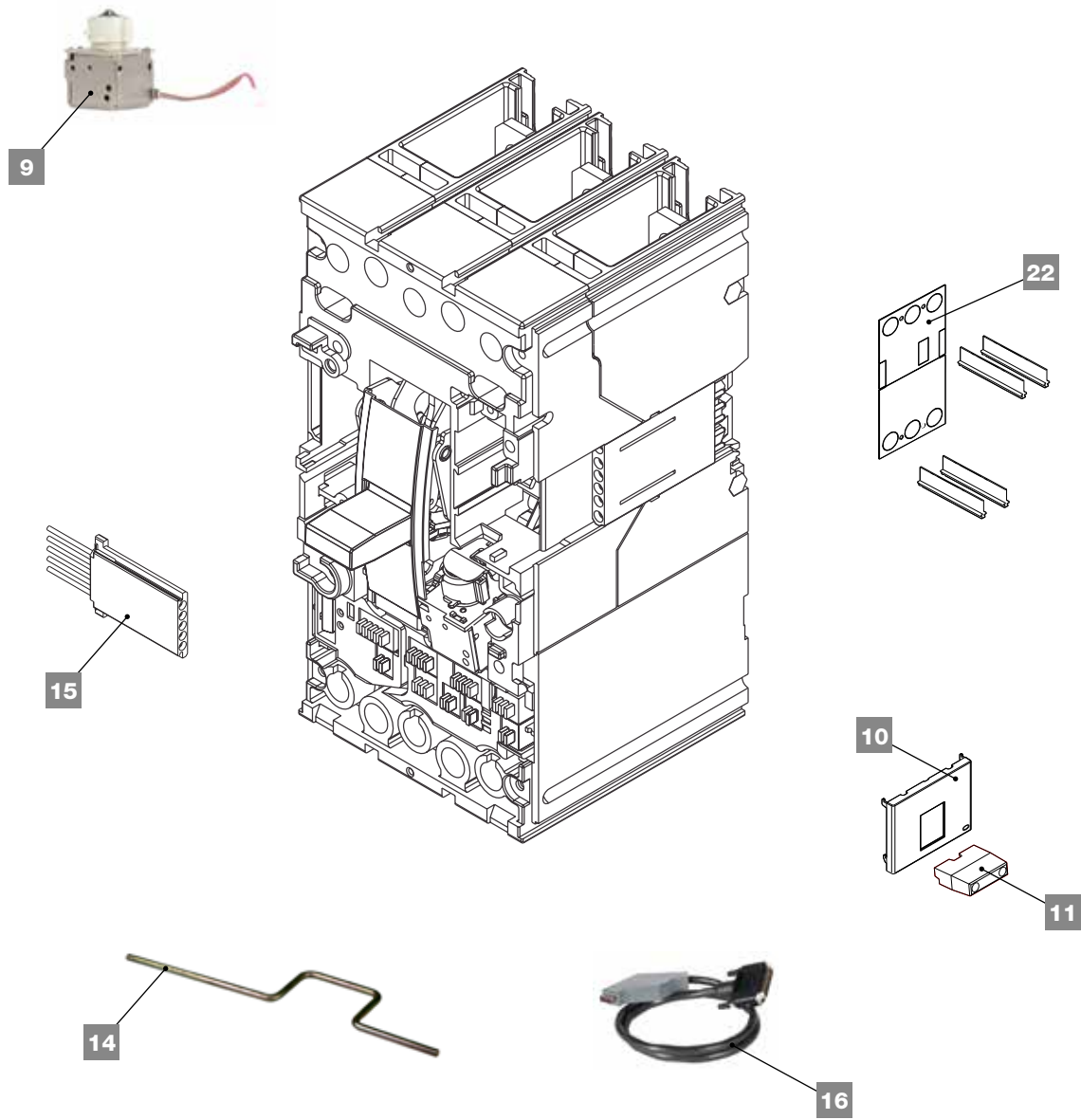
Size	Poles	Version	IEC/UL	Code	Type spare	Min quantity
T1	3p/4p	F	IEC/UL	1SDA082282R1		1
T2	3p/4p	F; P	IEC/UL	1SDA082283R1		1
T3	3p/4p	F; P	IEC/UL	1SDA082284R1		1

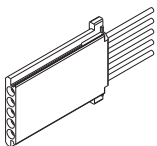
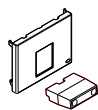
**7 - PR010/T test cable**

Size	Poles	Version	IEC/UL	Code	Type spare	Min quantity
T1; T2; T3	3p/4p	any	IEC/UL	1SDA063384R1		1

# Spare Parts for circuit-breakers

## MCCB Spare Parts - Tmax T4, T5, T6, T8





#### 8 - Opening solenoid for residual current release

Size	Poles	Version	IEC/UL	Code	Type spare	Min quantity
T4; T5 - RC222-223 + Aux K51	3p/4p	F; P; W	IEC	1SDA055097R1		1

#### 9 - Opening solenoid for electronic overcurrent release

Size	Poles	Version	IEC/UL	Code	Type spare	Min quantity
T4; T5	3p/4p	F; P; W	IEC/UL	1SDA069231R1	A	1

#### 10 - Lucid plate\*

Size	Poles	Version	IEC/UL	Code	Type spare	Min quantity
T4; T5	3p/4p	F; P; W	IEC/UL	1SDA069230R1		1

\* lever is not included as it is part of the operating mechanism

#### 11 - Extended operating lever + lucid plate

Size	Poles	Version	IEC/UL	Code	Type spare	Min quantity
T6	3p/4p	F; W	IEC/UL	1SDA069234R1		1

#### 12 - Fixing screws

Size	Poles	Version	IEC/UL	Code	Type spare	Min quantity
T4; T5	3p/4p	F	IEC/UL	1SDA059573R1		1
T6	3p/4p	F	IEC/UL	1SDA061775R1		1

#### 13 - Gasket for panel door

Size	Poles	Version	IEC/UL	Code	Type spare	Min quantity
T4; T5 - for RC222	4p	F; P	IEC	1SDA055096R1		1
T4; T5	3p/4p	W	IEC	1SDA055095R1		1
T4; T5	3p/4p	F; P	IEC	1SDA055094R1		1
T6 - for MOE/RHD/FLD	3p/4p	F; W	IEC	1SDA060434R1		1
T6	3p/4p	W	IEC	1SDA060433R1		1
T6	3p/4p	F	IEC	1SDA060432R1		1
T8	3p/4p	F	IEC/UL	1SDA069243R1		1

#### 14 - Winding lever

Size	Poles	Version	IEC/UL	Code	Type spare	Min quantity
T4; T5; T6	3p/4p	W (FP)	IEC/UL	1SDA069213R1		1

#### 15 - Fixed part Plug-in connectors for wired electrical accessories

Size	Poles	Version	IEC/UL	Code	Type spare	Min quantity
T4; T5; T6 - 6pin V<300V AUX	3p/4p	P	IEC/UL	1SDA069835R1		1
T4; T5; T6 - 12pin V<300V AUX	3p/4p	P	IEC/UL	1SDA069836R1		1
T4; T5; T6 - 10pin V<300V MOE	3p/4p	P	IEC/UL	1SDA069837R1		1
T4; T5; T6 - 5pin SOR/UVR	3p/4p	P	IEC/UL	1SDA069838R1		1
T4; T5; T6 - 6pin V>300V AUX	3p/4p	P	IEC/UL	1SDA069839R1		1
T4; T5; T6 - 10pin V>300V MOE	3p/4p	P	IEC/UL	1SDA069840R1		1
T4; T5; T6 - 6pin V<300V L=3m AUX	3p/4p	P	IEC/UL	1SDA069841R1		1
T4; T5; T6 - 12pin V<300V L=3m AUX	3p/4p	P	IEC/UL	1SDA069842R1		1
T4; T5; T6 - 10pin V<300V L=3m MOE	3p/4p	P	IEC/UL	1SDA069843R1		1
T4; T5; T6 - 5pin V<300V L=3m SOR/UVR	3p/4p	P	IEC/UL	1SDA069844R1		1

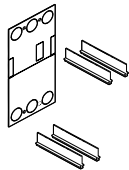
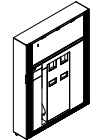
#### 16 - PR10/T test cable

Size	Poles	Version	IEC/UL	Code	Type spare	Min quantity
T4; T5; T6	3p/4p		IEC/UL	1SDA063384R1		1

Type A Spare part = only for ABB L3 technicians

# Spare Parts for circuit-breakers

## MCCB Spare Parts - Tmax T4, T5, T6, T8



### 17 - Siderails for fixed part

Size	Poles	Version	IEC/UL	Code	Type spare	Min quantity
T6	3p/4p	W	IEC/UL	1SDA069233R1		1

### 18 - Operating mechanism

Size	Poles	Version	IEC/UL	Code	Type spare	Min quantity
T8	3p/4p	F	IEC/UL	1SDA065849R1	A	1

### 19 - Springs for operating mechanism

Size	Poles	Version	IEC/UL	Code	Type spare	Min quantity
T8	3p	F	IEC/UL	1SDA065850R1	A	1
T8	4p	F	IEC/UL	1SDA069245R1	A	1

### 20 - Coils support

Size	Poles	Version	IEC/UL	Code	Type spare	Min quantity
T8	3p/4p	F	IEC/UL	1SDA038339R1		1

### 21 - Front Cover

Size	Poles	Version	IEC/UL	Code	Type spare	Min quantity
T8	3p	F	IEC/UL	1SDA065851R1		1
T8	4p	F	IEC/UL	1SDA065852R1		1

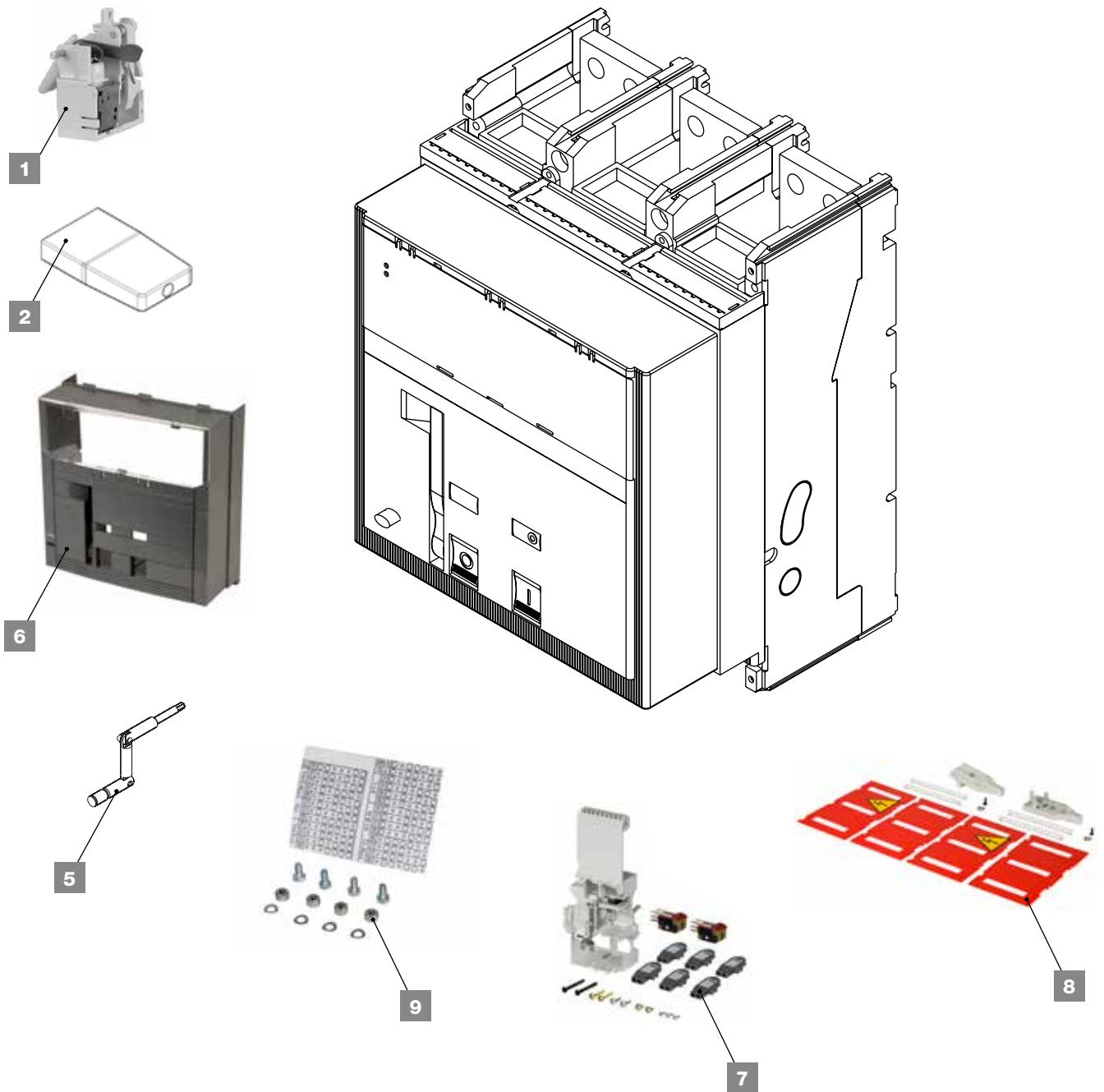
### 22 - 50 Back insulating plates

Size	Poles	Version	IEC/UL	Code	Type spare	Min quantity
T4	3p	W	IEC/UL	1SDA082285R1		1
T4	4p	W	IEC/UL	1SDA082286R1		1
T5	3p	W	IEC/UL	1SDA082287R1		1
T5	4p	W	IEC/UL	1SDA082288R1		1
T6	3p	W	IEC/UL	1SDA082289R1		1
T6	4p	W	IEC/UL	1SDA082290R1		1
T4 - 1000V	3p	W	IEC	1SDA082291R1		1
T4 - 1000V	4p	W	IEC	1SDA082292R1		1
T5 - 1000V	3p	W	IEC	1SDA082293R1		1
T5 - 1000V	4p	W	IEC	1SDA082294R1		1
T6 - 1000V	3p	W	IEC	1SDA082295R1		1
T6 - 1000V	4p	W	IEC	1SDA082296R1		1

Type A Spare part = only for ABB L3 technicians

# Spare Parts for circuit-breakers

## MCCB Spare Parts - Tmax T7, T7M, New Emax X1

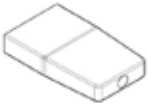


# Spare Parts for circuit-breakers

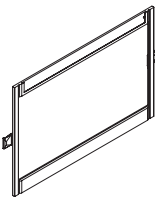
## MCCB Spare Parts - Tmax T7, T7M, New Emax X1



1 - Opening solenoid for electronic overcurrent release							
Size	Poles	Version	IEC/UL	Code		Type spare	Min quantity
T7	3p/4p	F; W (MP)	IEC/UL	1SDA069240R1		A	1
T7M	3p/4p	F; W (MP)	IEC/UL	1SDA076319R1		A	1
X1	3p/4p	F; W (MP)	IEC/UL	1SDA069246R1		A	1



2 - Extended operating lever + lucid plate							
Size	Poles	Version	IEC/UL	Code		Type spare	Min quantity
T7	3p/4p	F; W (MP)	IEC/UL	1SDA069236R1			1



3 - Fixing screws							
Size	Poles	Version	IEC/UL	Code		Type spare	Min quantity
T7; T7M; X1	3p/4p	F	IEC/UL	1SDA063762R1			1



4 - Gasket for panel door							
Size	Poles	Version	IEC/UL	Code		Type spare	Min quantity
T7 - for RHD	3p/4p	F	IEC/UL	1SDA063162R1			1
T7; T7M	3p/4p	F	IEC/UL	1SDA063160R1			1
T7; T7M	3p/4p	W (MP)	IEC/UL	1SDA063161R1			1



5 - Winding lever							
Size	Poles	Version	IEC/UL	Code		Type spare	Min quantity
T7; X1	3p/4p	W (FP)	IEC/UL	1SDA069242R1			1



6 - Front Cover							
Size	Poles	Version	IEC/UL	Code		Type spare	Min quantity
T7	3p	F; W (MP)	IEC/UL	1SDA069237R1			1
T7	4p	F; W (MP)	IEC/UL	1SDA076523R1			1
T7M	3p	F; W (MP)	IEC/UL	1SDA069239R1			1
T7M	4p	F; W (MP)	IEC/UL	1SDA076524R1			1
X1 - for PR331	3p	F; W (MP)	IEC/UL	1SDA076525R1			1
X1 - for PR331	4p	F; W (MP)	IEC/UL	1SDA076526R1			1
X1 - for PR331/PR332	3p	F; W (MP)	IEC/UL	1SDA069247R1			1
X1 - for PR331/PR332	4p	F; W (MP)	IEC/UL	1SDA076527R1			1



7 - Accessories fixing plate - MID							
Size	Poles	Version	IEC/UL	Code		Type spare	Min quantity
T7	3p/4p	F; W (MP)	IEC/UL	1SDA069235R1		A	1
T7M; X1	3p/4p	F; W (MP)	IEC/UL	1SDA069238R1		A	1



8 - Shutters for fixed part							
Size	Poles	Version	IEC/UL	Code		Type spare	Min quantity
T7; T7M; X1	3p	W(FP)	IEC/UL	1SDA063575R1			1
T7; T7M; X1	4p	W(FP)	IEC/UL	1SDA063576R1			1



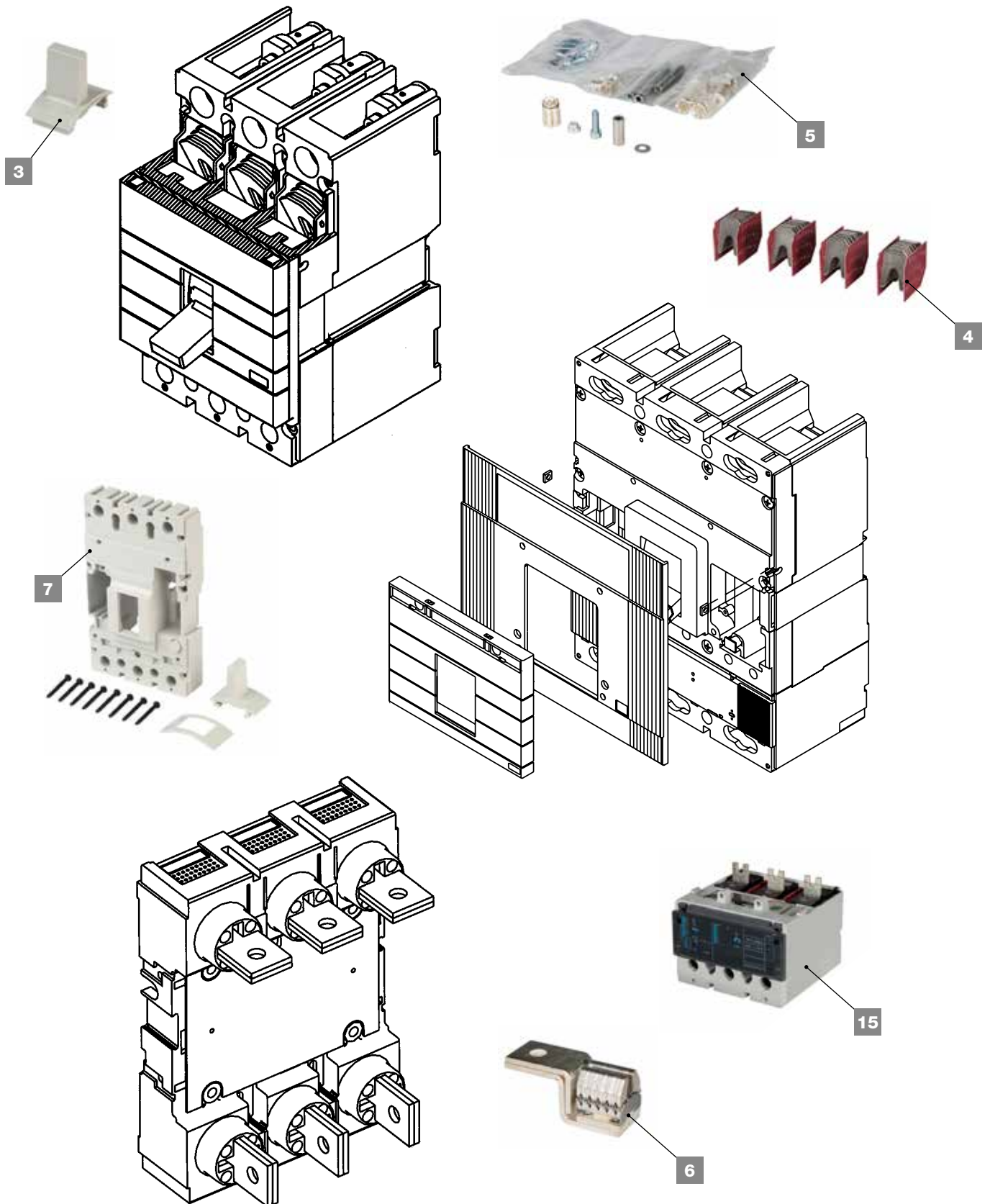
9 - Anti-insertion safety lock							
Size	Poles	Version	IEC/UL	Code		Type spare	Min quantity
T7; T7M; X1	3p/4p	W(FP)		1SDA063760R1			1
T7; T7M; X1	3p/4p	W(MP)		1SDA063761R1			1

10 - Transparent Trip unit cover							
Size	Poles	Version	IEC/UL	Code		Type spare	Min quantity
T7; T7M	3p/4p	F; W (MP)	IEC/UL	1SDA076528R1			1
X1 - PR331	3p/4p	F; W (MP)	IEC/UL	1SDA076532R1			1
X1 - PR332/PR333	3p/4p	F; W (MP)	IEC/UL	1SDA076533R1			1

Type A Spare part = only for ABB L3 technicians

# Spare Parts for circuit-breakers

## MCCB Spare Parts - Isomax S3, S4, S5, S6, S7



# Spare Parts for circuit-breakers

## MCCB Spare Parts - Isomax S3, S4, S5, S6, S7

### 1 - Solenoid for residual current release

Size	Poles	Version	Code	Type spare	Min quantity
S3 - Rc 210/Rc 211/ Rc212	3p/4p	F; P; W	1SDA025562R1		1

### 2 - Gasket for panel's door

Size	Poles	Version	Code	Type spare	Min quantity
S3 - underplaced residual current release	3p/4p	F; P; W	1SDA020292R1		1
S3; S4; S5	3p/4p	F; P (MP)	1SDA013887R1		1
S3; S4; S5	3p/4p	W (MP)	1SDA013888R1		1
S6; S7 - Standard lever operated	3p/4p	F	1SDA014222R1		1
S6; S7 - Standard lever operated	3p/4p	W (MP)	1SDA014223R1		1
S6; S7 - equipped with frontal cover or THD	3p/4p	F; W	1SDA014224R1		1
S6; S7 - equipped with motor operator	3p/4p	F; W	1SDA014225R1		1
S6X - Standard lever	3p/4p	F	1SDA047631R1		1

### 3 - Operating lever

Size	Poles	Version	Code	Type spare	Min quantity
S3; S4; S5	3p/4p	F; P; W (MP)	1SDA025555R1		1
S6	3p/4p	F; W (MP)	1SDA025786R1		1
S7	3p/4p	F; W (MP)	1SDA025790R1		1

### 4 - Arc Chambers kit (4 pcs)

Size	Poles	Version	Code	Type spare	Min quantity
S3	3p/4p	F; P; W (MP)	1SDA025560R1		1
S4	3p/4p	F; P; W (MP)	1SDA025762R1		1
S5	3p/4p	F; P; W (MP)	1SDA025763R1		1
S6	3p/4p	F; W (MP)	1SDA025789R1		1
S7	3p/4p	F; W (MP)	1SDA025793R1		1

### 5 - Tulip contacts set

Size	Poles	Version	Code	Type spare	Min quantity
S3; S4	3p/4p	F; P; W (MP)	1SDA025561R1		1
S5 - 400A	3p/4p	F; P; W (MP)	1SDA025764R1		2

### 6 - No.8 jaw contacts fitted with terminals

Size	Poles	Version	Code	Type spare	Min quantity
S6 - Front terminals	3p/4p	F; W (MP)	1SDA043508R1		1
S6 - HR terminals	3p/4p	F; W (MP)	1SDA043509R1		1
S6 - VR terminals	3p/4p	F; W (MP)	1SDA043510R1		1
S7 - Front terminals	3p/4p	F; W (MP)	1SDA043511R1		1
S7 - HR terminals	3p/4p	F; W (MP)	1SDA043512R1		1
S7 - VR terminals	3p/4p	F; W (MP)	1SDA043513R1		1



Type A Spare part = only for ABB L3 technicians





#### 7 - Front cover complete with operating lever

Size	Poles	Version	Code	Type spare	Min quantity
S3N, S3H	3p	F; P; W (MP)	1SDA043492R1		1
S3N, S3H	4p	F; P; W (MP)	1SDA043493R1		1
S3L	3p	F; P; W (MP)	1SDA043494R1		1
S3L	4p	F; P; W (MP)	1SDA043495R1		1
S4N; S4H	3p	F; P; W (MP)	1SDA043496R1		1
S4N; S4H	3p	F; P; W (MP)	1SDA043497R1		1
S4L	3p	F; P; W (MP)	1SDA043498R1		1
S4L	4p	F; P; W (MP)	1SDA043499R1		1
S5N; S5H	3p	F; P; W (MP)	1SDA043500R1		1
S5N; S5H	4p	F; P; W (MP)	1SDA043501R1		1
S5L	3p	F; P; W (MP)	1SDA043502R1		1
S5L	4p	F; P; W (MP)	1SDA043503R1		1
S6	3p	F; W (MP)	1SDA043504R1		1
S6	4p	F; W (MP)	1SDA043505R1		1
S7	3p	F; W (MP)	1SDA043506R1		1
S7	4p	F; W (MP)	1SDA043507R1		1

#### 8 - Front cover

Size	Poles	Version	Code	Type spare	Min quantity
S3; S4; S5 - equipped with operating mechanism lever	3p/4p	W (MP)	1SDA013890R1		1

#### 9 - Winding lever

Size	Poles	Version	Code	Type spare	Min quantity
S3; S4; S5; S6; S7	3p/4p	W	1SDA069213R1		1

#### 10 - Fixing screws for fixed breaker

Size	Poles	Version	Code	Type spare	Min quantity
S3; S4; S5; S6; S7 - IEC	3p/4p	F	1SDA069214R1		1
S3; S4; S5; S6; S7 - UL	3p/4p	F	1SDA044398R1		1

#### 11 - Siderail for fixed Part

Size	Poles	Version	Code	Type spare	Min quantity
S6	3p/4p	W(FP)	1SDA069215R1		1
S7	3p/4p	W(FP)	1SDA069218R1		1

#### 12 - Motor's cover and charging lever

Size	Poles	Version	Code	Type spare	Min quantity
S6; S7	3p/4p	F; W (MP)	1SDA069217R1		1

#### 13 - PR010/T test cable

Size	Poles	Version	Code	Type spare	Min quantity
S4; S5; S6; S7	3p/4p	F; W	1SDA052809R1		1

#### 14 - Kit block with screws

Size	Poles	Version	Code	Type spare	Min quantity
S5 - 630A	3p	F	1SDA052941R1		1
S5 - 630A	4p	F	1SDA052942R1		1



Type A Spare part = only for ABB L3 technicians

# Spare Parts for circuit-breakers

## MCCB Spare Parts - Isomax S3, S4, S5, S6, S7



15 - Electronic trip unit						
Size	Poles	Version	Code		Type spare	Min quantity
S4 - 160A PR211 R100 I	3p	F; P; W (MP)	1SDA020299R1		A	1
S4 - 160A PR211 R100 LI	3p	F; P; W (MP)	1SDA020300R1		A	1
S4 - 160A PR212 R100 LSI	3p	F; P; W (MP)	1SDA020301R1		A	1
S4 - 160A PR212 R100 LSIG	3p	F; P; W (MP)	1SDA020303R1		A	1
S4 - 160A PR211 R100 I	4p	F; P; W (MP)	1SDA020304R1		A	1
S4 - 160A PR211 R100 LI	4p	F; P; W (MP)	1SDA020305R1		A	1
S4 - 160A PR212 R100 LSI	4p	F; P; W (MP)	1SDA020306R1		A	1
S4 - 160A PR212 R100 LSIG	4p	F; P; W (MP)	1SDA020309R1		A	1
S4 - 160A PR211 R160 I	3p	F; P; W (MP)	1SDA013666R1		A	1
S4 - 160A PR211 R160 LI	3p	F; P; W (MP)	1SDA013668R1		A	1
S4 - 160A PR212 R160 LSI	3p	F; P; W (MP)	1SDA013670R1		A	1
S4 - 160A PR212 R160 LSIG	3p	F; P; W (MP)	1SDA013676R1		A	1
S4 - 160A PR211 R160 I	4p	F; P; W (MP)	1SDA013678R1		A	1
S4 - 160A PR211 R160 LI	4p	F; P; W (MP)	1SDA013680R1		A	1
S4 - 160A PR212 R160 LSI	4p	F; P; W (MP)	1SDA013682R1		A	1
S4 - 160A PR212 R160 LSIG	4p	F; P; W (MP)	1SDA013688R1		A	1
S4 - 250A PR211 R200 I	3p	F; P; W (MP)	1SDA036252R1		A	1
S4 - 250A PR211 R200 LI	3p	F; P; W (MP)	1SDA036254R1		A	1
S4 - 250A PR212 R200 LSI	3p	F; P; W (MP)	1SDA036256R1		A	1
S4 - 250A PR212 R200 LSIG	3p	F; P; W (MP)	1SDA036262R1		A	1
S4 - 250A PR211 R200 I	4p	F; P; W (MP)	1SDA036253R1		A	1
S4 - 250A PR211 R200 LI	4p	F; P; W (MP)	1SDA036255R1		A	1
S4 - 250A PR212 R200 LSI	4p	F; P; W (MP)	1SDA036257R1		A	1
S4 - 250A PR212 R200 LSIG	4p	F; P; W (MP)	1SDA036263R1		A	1
S4 - 250A PR211 R250 I	3p	F; P; W (MP)	1SDA013667R1		A	1
S4 - 250A PR211 R250 LI	3p	F; P; W (MP)	1SDA013669R1		A	1
S4 - 250A PR212 R250 LSI	3p	F; P; W (MP)	1SDA013671R1		A	1
S4 - 250A PR212 R250 LSIG	3p	F; P; W (MP)	1SDA013677R1		A	1
S4 - 250A PR211 R250 I	4p	F; P; W (MP)	1SDA013679R1		A	1
S4 - 250A PR211 R250 LI	4p	F; P; W (MP)	1SDA013681R1		A	1
S4 - 250A PR212 R250 LSI	4p	F; P; W (MP)	1SDA013683R1		A	1
S4 - 250A PR212 R250 LSIG	4p	F; P; W (MP)	1SDA013689R1		A	1
S5 - 400A PR211 R320 I	3p	F; P; W (MP)	1SDA013788R1		A	1
S5 - 400A PR211 R400 I	3p	F; P; W (MP)	1SDA013789R1		A	1
S5 - 400A PR211 R320 LI	3p	F; P; W (MP)	1SDA013790R1		A	1
S5 - 400A PR211 R400 LI	3p	F; P; W (MP)	1SDA013791R1		A	1
S5 - 400A PR212 R320 LSI	3p	F; P; W (MP)	1SDA013792R1		A	1
S5 - 400A PR212 R400 LSI	3p	F; P; W (MP)	1SDA013793R1		A	1
S5 - 400A PR212 R320 LSIG	3p	F; P; W (MP)	1SDA013798R1		A	1
S5 - 400A PR212 R400 LSIG	3p	F; P; W (MP)	1SDA013799R1		A	1
S5 - 400A PR211 R320 I	4p	F; P; W (MP)	1SDA013800R1		A	1
S5 - 400A PR211 R400 I	4p	F; P; W (MP)	1SDA013801R1		A	1
S5 - 400A PR211 R320 LI	4p	F; P; W (MP)	1SDA013802R1		A	1
S5 - 400A PR211 R400 LI	4p	F; P; W (MP)	1SDA013803R1		A	1
S5 - 400A PR212 R320 LSI	4p	F; P; W (MP)	1SDA013804R1		A	1
S5 - 400A PR212 R400 LSI	4p	F; P; W (MP)	1SDA013805R1		A	1
S5 - 400A PR212 R320 LSIG	4p	F; P; W (MP)	1SDA013810R1		A	1
S5 - 400A PR212 R400 LSIG	4p	F; P; W (MP)	1SDA013811R1		A	1
S5 - 630A PR211 R630 I	3p	F; P; W (MP)	1SDA020316R1		A	1
S5 - 630A PR211 R630 LI	3p	F; P; W (MP)	1SDA020317R1		A	1
S5 - 630A PR212 R630 LSI	3p	F; P; W (MP)	1SDA020318R1		A	1
S5 - 630A PR212 R630 LSIG	3p	F; P; W (MP)	1SDA020321R1		A	1
S5 - 630A PR211 R630 I	4p	F; P; W (MP)	1SDA020322R1		A	1
S5 - 630A PR211 R630 LI	4p	F; P; W (MP)	1SDA020323R1		A	1
S5 - 630A PR212 R630 LSI	4p	F; P; W (MP)	1SDA020324R1		A	1
S5 - 630A PR212 R630 LSIG	4p	F; P; W (MP)	1SDA020327R1		A	1

Type A Spare part = only for ABB L3 technicians



### 15 - Electronic trip unit

Size	Poles	Version	Code	Type spare	Min quantity
S6 - 630A PR211 R400 LI	3p	F; W (MP)	1SDA046543R1	A	1
S6 - 630A PR211 R400 LI	4p	F; W (MP)	1SDA046547R1	A	1
S6 - 630A PR211 R630 I	3p	F; W (MP)	1SDA014000R1	A	1
S6 - 630A PR211 R630 LI	3p	F; W (MP)	1SDA014002R1	A	1
S6 - 630A PR212 R630 LSI	3p	F; W (MP)	1SDA014004R1	A	1
S6 - 630A PR212 R630 LSIG	3p	F; W (MP)	1SDA014010R1	A	1
S6 - 630A PR211 R630 I	4p	F; W (MP)	1SDA014012R1	A	1
S6 - 630A PR211 R630 LI	4p	F; W (MP)	1SDA014014R1	A	1
S6 - 630A PR212 R630 LSI	4p	F; W (MP)	1SDA014016R1	A	1
S6 - 630A PR212 R630 LSIG	4p	F; W (MP)	1SDA014022R1	A	1
S6 - 800A PR211 R800 I	3p	F; W (MP)	1SDA014001R1	A	1
S6 - 800A PR211 R800 LI	3p	F; W (MP)	1SDA014003R1	A	1
S6 - 800A PR212 R800 LSI	3p	F; W (MP)	1SDA014005R1	A	1
S6 - 800A PR212 R800 LSIG	3p	F; W (MP)	1SDA014011R1	A	1
S6 - 800A PR211 R800 I	4p	F; W (MP)	1SDA014013R1	A	1
S6 - 800A PR211 R800 LI	4p	F; W (MP)	1SDA014015R1	A	1
S6 - 800A PR212 R800 LSI	4p	F; W (MP)	1SDA014017R1	A	1
S6 - 800A PR212 R800 LSIG	4p	F; W (MP)	1SDA014023R1	A	1
S6X - 400A PR211 R320 I	3p	F; W (MP)	1SDA047605R1	A	1
S6X - 400A PR211 R320 LI	3p	F; W (MP)	1SDA047606R1	A	1
S6X - 400A PR212 R320 LSI	3p	F; W (MP)	1SDA047607R1	A	1
S6X - 400A PR212 R320 LSIG	3p	F; W (MP)	1SDA047608R1	A	1
S6X - 400A PR211 R400 I	3p	F; W (MP)	1SDA046542R1	A	1
S6X - 400A PR212 R400 LSI	3p	F; W (MP)	1SDA046544R1	A	1
S6X - 400A PR212 R400 LSIG	3p	F; W (MP)	1SDA046545R1	A	1
S6X - 400A PR211 R320 I	4p	F; W (MP)	1SDA047609R1	A	1
S6X - 400A PR211 R320 LI	4p	F; W (MP)	1SDA047610R1	A	1
S6X - 400A PR212 R320 LSI	4p	F; W (MP)	1SDA047611R1	A	1
S6X - 400A PR212 R320 LSIG	4p	F; W (MP)	1SDA047612R1	A	1
S6X - 400A PR211 R400 I	4p	F; W (MP)	1SDA046546R1	A	1
S6X - 400A PR212 R400 LSI	4p	F; W (MP)	1SDA046548R1	A	1
S6X - 400A PR212 R400 LSIG	4p	F; W (MP)	1SDA046549R1	A	1
S7 - 250A PR211 R1000 I	3p	F; W (MP)	1SDA014143R1	A	1
S7 - 250A PR211 R1250 I	3p	F; W (MP)	1SDA014144R1	A	1
S7 - 250A PR211 R1000 LI	3p	F; W (MP)	1SDA014146R1	A	1
S7 - 250A PR211 R1250 LI	3p	F; W (MP)	1SDA014147R1	A	1
S7 - 250A PR212 R1000 LSI	3p	F; W (MP)	1SDA014149R1	A	1
S7 - 250A PR212 R1250 LSI	3p	F; W (MP)	1SDA014150R1	A	1
S7 - 250A PR212 R1000 LSIG	3p	F; W (MP)	1SDA014158R1	A	1
S7 - 250A PR212 R1250 LSIG	3p	F; W (MP)	1SDA014159R1	A	1
S7 - 250A PR211 R1000 I	4p	F; W (MP)	1SDA014161R1	A	1
S7 - 250A PR211 R1250 I	4p	F; W (MP)	1SDA014162R1	A	1
S7 - 250A PR211 R1000 LI	4p	F; W (MP)	1SDA014164R1	A	1
S7 - 250A PR211 R1250 LI	4p	F; W (MP)	1SDA014165R1	A	1
S7 - 250A PR212 R1000 LSI	4p	F; W (MP)	1SDA014167R1	A	1
S7 - 250A PR212 R1250 LSI	4p	F; W (MP)	1SDA014168R1	A	1
S7 - 250A PR212 R1000 LSIG	4p	F; W (MP)	1SDA014176R1	A	1
S7 - 250A PR212 R1250 LSIG	4p	F; W (MP)	1SDA014177R1	A	1
S7 - 600A PR211 R1600 I	3p	F; W (MP)	1SDA014145R1	A	1
S7 - 600A PR211 R1600 LI	3p	F; W (MP)	1SDA014148R1	A	1
S7 - 600A PR212 R1600 LSI	3p	F; W (MP)	1SDA014151R1	A	1
S7 - 600A PR212 R1600 LSIG	3p	F; W (MP)	1SDA014160R1	A	1
S7 - 600A PR211 R1600 I	4p	F; W (MP)	1SDA014163R1	A	1
S7 - 600A PR211 R1600 LI	4p	F; W (MP)	1SDA014166R1	A	1
S7 - 600A PR212 R1600 LSI	4p	F; W (MP)	1SDA014169R1	A	1
S7 - 600A PR212 R1600 LSIG	4p	F; W (MP)	1SDA014178R1	A	1

Type A Spare part = only for ABB L3 technicians

# Spare Parts for circuit-breakers

## MCCB Spare Parts - Isomax S3, S4, S5, S6, S7



15 - Electronic trip unit						
Size	Poles	Version	Code		Type spare	Min quantity
S5 - S5 R320 Im=3200	3p	F; P; W (MP)	1SDA038760R1		A	1
S5 - S5 R400 Im=4000	3p	F; P; W (MP)	1SDA038758R1		A	1
S5 - S5 R320 Im=3200	4p	F; P; W (MP)	1SDA038759R1		A	1
S5 - S5 R400 Im=4000	4p	F; P; W (MP)	1SDA038757R1		A	1
S5 - S5 R320 Im=3200 N=100%	4p	F; P; W (MP)	1SDA048892R1		A	1
S5 - S5 R400 Im=4000 N=100%	4p	F; P; W (MP)	1SDA048891R1		A	1
S5 - S5 R500 Im=5000 N=100%	4p	F; P; W (MP)	1SDA048890R1		A	1
S5 - S5 R500 Im=5000	3p	F; P; W (MP)	1SDA038755R1		A	1
S5 - S5 R500 Im=5000	4p	F; P; W (MP)	1SDA038756R1		A	1
S6 - S6 R630 Im=6300	3p	F; W (MP)	1SDA038953R1		A	1
S6 - S6 R630 Im=6300	4p	F; W (MP)	1SDA038954R1		A	1
S6 - S6 R630 Im=6300 N=100%	4p	F; W (MP)	1SDA048889R1		A	1
S6 - S6 R800 Im=8000	3p	F; W (MP)	1SDA038956R1		A	1
S6 - S6 R800 Im=8000	4p	F; W (MP)	1SDA038955R1		A	1
S6 - S6 R800 Im=8000 N=100%	4p	F; W (MP)	1SDA048888R1		A	1

Type A Spare part = only for ABB L3 technicians

# Spare Parts for Circuit-breakers Consumables and Service tools



Greasing kit			
Size	Code	Type spare	min quantity for a complete CB
Complete range of Air circuit-breakers	1SDA076082R1		1
Lubricating greases for operating mechanism			
Size	Code	Type spare	min quantity for a complete CB
(1Kg, MobilTemp SHC32) Complete range of air circuit-breakers	1SDA069805R1		1
Tool case complete with spanners and template			
Size	Code	Type spare	min quantity for a complete CB
E1...E6	1SDA038359R1	A	1

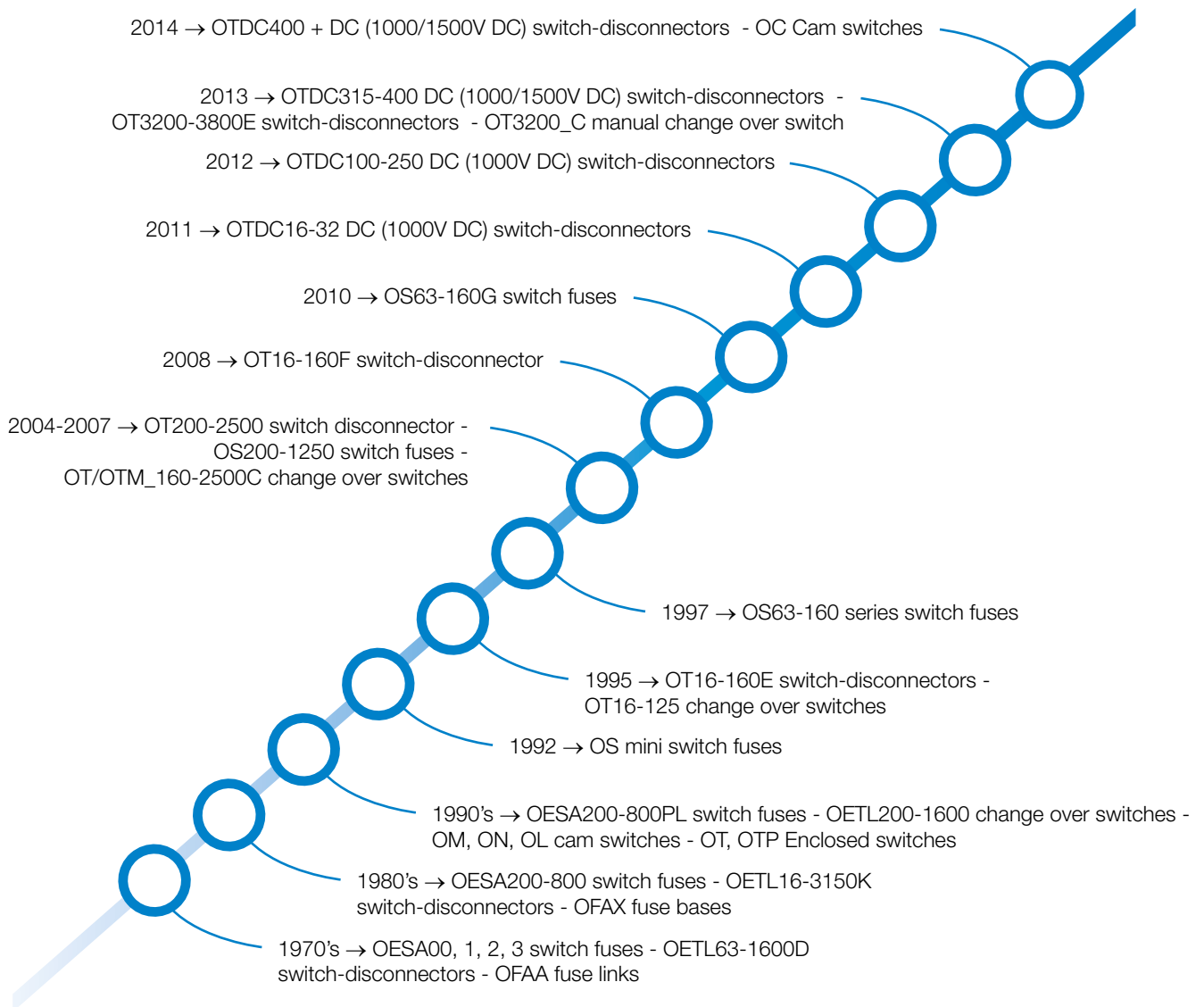
Type A Spare part = only for ABB L3 technicians

# Spare parts for motorized change-over switches

## ABB Switches History

Providing a service offering for our products guarantees that our customers will be able to minimize unwanted uptime of their processes.

We can increase the value for our customers by providing a well-organized service offering and professionally trained service personnel. Our service offering includes spare parts and spare parts kits, emergency support and component exchange.



# Spare parts for motorized change-over switches

## Motorized change-over Switches Spare Parts

To provide service in a fast and efficient way, availability of original spare parts is essential. Having critical spare parts available can significantly reduce the down-time that is associated with maintenance and failure.

The correct use of spare parts is essential to guarantee the same ABB quality as the original product. Original spare parts are tested based on original production standards.

A 100% compatibility of all spare parts used in switches is necessary to ensure optimum performance. This is only possible with original spare parts.

Spare parts can be ordered through Parts OnLine ([www.abb.com/partsonline](http://www.abb.com/partsonline)). Parts OnLine (POL) is a web-based system that has the following features:

- Product information
- Stock quantities
- Order and delivery status
- Prices

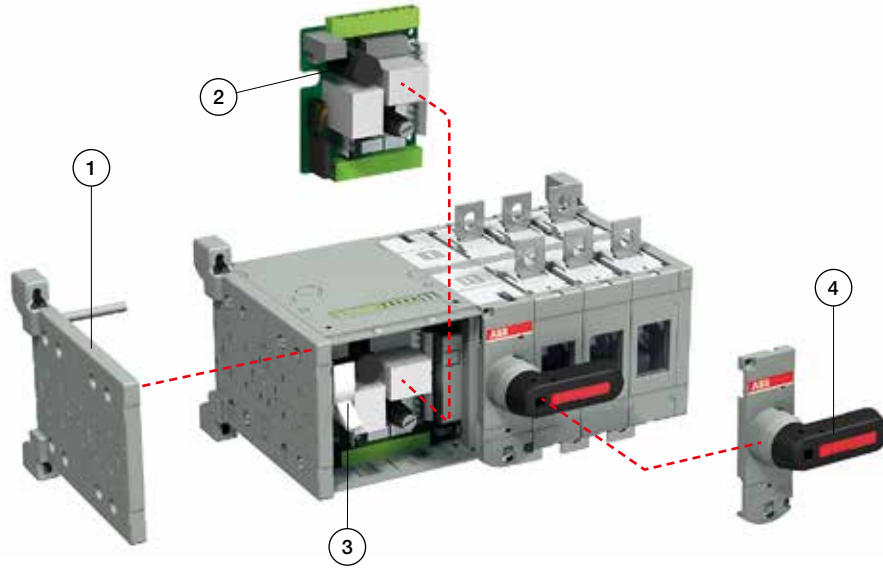
Registration is necessary for some of these features.



# Spare parts for motorized change-over switches

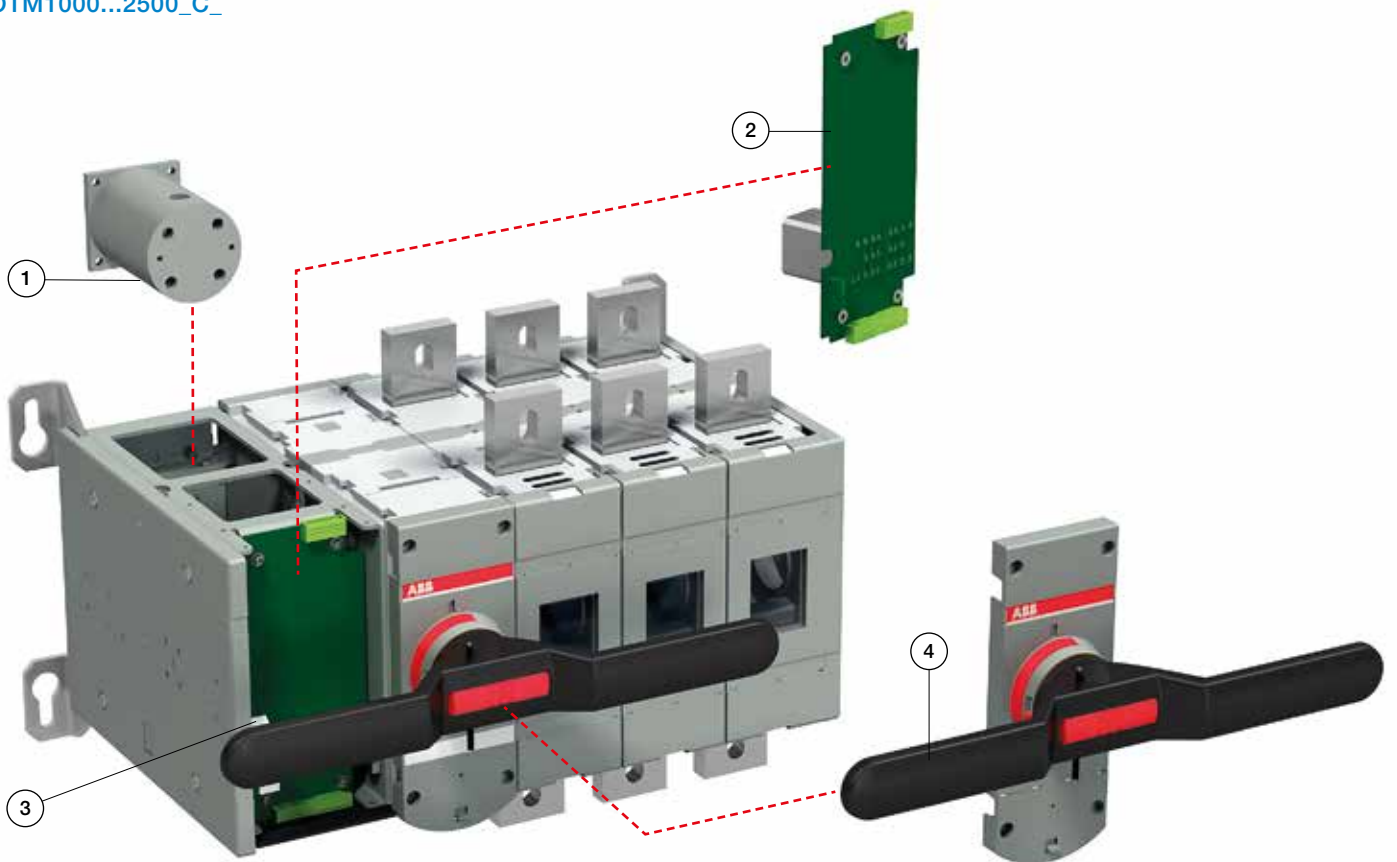
## Motorized change-over Switches Spare Parts

### OTM160...800\_C\_



1. End plate | 2. Printed circuit board (PCB) | 3. Manual/motor selector switch | 4. Direct mounted handle

### OTM1000...2500\_C\_



1. Motor | 2. Printed circuit board (PCB) | 3. Manual/motor selector switch | 4. Direct mounted handle



OME1...3PB



OME4PB



OMEM



OTMXP3



OTV



OT



Printed Circuit Board (PCB)

Suitable for switches	Type	Code	Units/type [pcs]
OTM160...250E_CM230C	OME1PB-250	1SCA113420R1001	1
OTM315...400E_CM230C	OME2PB-250	1SCA113421R1001	1
OTM630...800E_CM230C	OME3PB-250	1SCA113422R1001	1
OTM1000...2500E_CM230C	OME4PB-250	1SCA120152R1001	1
OTM160...250E_CM110V	OME1PB-250	1SCA113420R1001	1
OTM315...400E_CM110V	OME2PB-250	1SCA113421R1001	1
OTM630...800E_CM110V	OME3PB-250	1SCA113422R1001	1
OTM1000...2500E_CM110V	OME4PB-250	1SCA120152R1001	1

Motor

Suitable for switches	Type	Code	Units/type [pcs]
OTM1000..2500	OMEM4M/250VDC	1SCA121246R1001	1

Manual/Motor selector switch

Suitable for switches	Type	Code	Units/type [pcs]
OTM160..2500	OTMXP3	1SCA124523R1001	1

Direct mounted handle

Suitable for switches	Type	Code	Units/type [pcs]
OTM160..250_C	OTV250ECMK	1SCA022804R0570	1
OTM315..400_C	OTV400ECMK	1SCA022843R2900	1
OTM630..800_C	OTV800ECMK	1SCA022804R3410	1
OTM1000..2500_C	OTV1000ECMK	1SCA111301R1001	1

Side plate

Suitable for switches	Type	Code	Units/type [pcs]
OTM160..250_C	OTMXP001	1SCA121366R1001	1
OTM315..400_C	OTMXP002	1SCA121368R1001	1
OT160..250_C	OTXP001	1SCA121365R1001	1
OT315..400_C	OTXP002	1SCA121367R1001	1

# Spare parts for contactors

## Active products



ZL185



ZL1650

Main contact sets				
For contactors	Type	Code	Pkg qty	Weight (1 pce) kg
<b>Main contact sets for 3-pole contactors</b>				
consists of six fixed contacts, three moving contacts, springs and the required screws.				
A/AF/AE/TAE50-30	ZL50	1SBN163503R1000	1	0.115
A/AF/AE/TAE63-30	ZL63	1SBN163703R1000	1	0.130
A/AF/AE/TAE75-30	ZL75	1SBN164103R1000	1	0.145
A/AF95-30	ZL95	1SFN164303R1000	1	0.190
A/AF110-30	ZL110	1SFN164503R1000	1	0.190
A/AF145	ZL145	1SFN164703R1000	1	0.380
A/AF185	ZL185	1SFN164903R1000	1	0.380
A/AF210	ZL210	1SFN165103R1000	1	0.670
A/AF260	ZL260	1SFN165303R1000	1	0.670
A/AF300	ZL300	1SFN165503R1000	1	0.670
AF400	ZL400	1SFN165703R1000	1	1.320
AF460	ZL460	1SFN165903R1000	1	1.320
AF580	ZL580	1SFN166103R1000	1	1.840
AF750	ZL750	1SFN166303R1000	1	1.840
AF1250	ZL1250	1SFN166403R1000	1	1.840
AF1350	ZL1350	1SFN166503R1000	1	3.500
AF1350-1 (1)	ZL1350-1	1SFC166503R1001	1	4.500
AF1650	ZL1650	1SFN166703R1000	1	3.500
AF1650-1 (1)	ZL1650-1	1SFN166703R1001	1	4.500
AF2050	ZL2050	1SFN167003R1000	1	3.500
AF2050-1 (1)	ZL2050-1	1SFN167003R1001	1	4.500
AF2650 (2)	ZL2650	1SFN166603R1000	1	1.200
(1) From contactor with serial number 1S1601001403xxx				
(2) Do not include fixed parts or screws				
<b>Main contact sets for 4-pole contactors</b>				
consists of eight fixed contacts, four moving contacts, springs and the necessary screws.				
A/AE/AF45-40	ZL145	1SBN163304R1000	1	0.150
A/AE/AF50-40	ZL150	1SBN163504R1000	1	0.150
A/AE/AF75-40	ZL175	1SBN164104R1000	1	0.150



ZW

Arc chutes					
For contactors	Type	Code		Pkg qty	Weight (1 pce) kg
A145 ... A185 and AF145 ... AF185	ZW185	1SFN164710R1000		1	0.360
A210 ... A300 and AF210 ... AF300	ZW300	1SFN165110R1000		1	0.410
AF400, AF460	ZW460	1SFN165710R1000		1	1.380
AF580, AF750, AF1250	ZW750	1SFN166110R1000		1	1.500
AF1350, AF1650, AF2050 (1)	ZW1650	1SFN166510R1001		1	4.560
AF2650	ZW2650	1SFN166610R1000		1	4.000

(1) Fits old and new version

# Spare parts for contactors

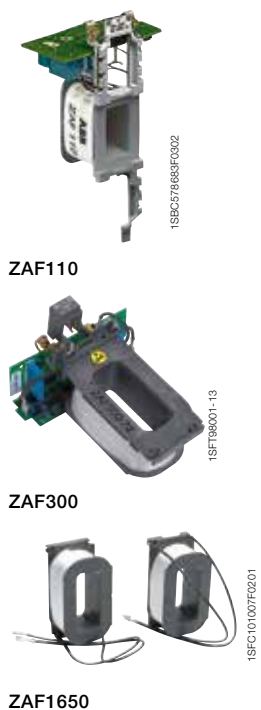
## Active products



1SFN5099-010C3

ZA185

Contactor coils AC operated						
For contactors	Rated control circuit		Type	Code	Pkg qty	Weight (1 pce) kg
	Voltage Uc V 50 Hz	V 60 Hz				
<b>Coils type ZA for A9 ... A300 AC operated contactors and N contactor relays</b>						
A9 ... A16, UA16, UA16..RA, N	24	24	ZA16	1SBN151410R8106	1	0.093
	48	48	ZA16	1SBN151410R8306	1	0.093
	105	110 ... 127	ZA16	1SBN151410R2606	1	0.093
	110	110 ... 120	ZA16	1SBN151410R8406	1	0.093
	110 ... 115	115 ... 127	ZA16	1SBN151410R8906	1	0.093
	175	208	ZA16	1SBN151410R3406	1	0.093
	190	220	ZA16	1SBN151410R3606	1	0.093
	200	200 ... 220	ZA16	1SBN151410R7506	1	0.093
	220 ... 230	230 ... 240	ZA16	1SBN151410R8006	1	0.093
	230 ... 240	240 ... 260	ZA16	1SBN151410R8806	1	0.093
	380 ... 400	400 ... 415	ZA16	1SBN151410R8506	1	0.093
	400 ... 415	415 ... 440	ZA16	1SBN151410R8606	1	0.093
	A26 ... A40, UA26, UA30, UA26..RA, UA30..RA	24	24	ZA40	1SBN152410R8106	1
48		48	ZA40	1SBN152410R8306	1	0.148
105		110 ... 127	ZA40	1SBN152410R2606	1	0.148
110		110 ... 120	ZA40	1SBN152410R8406	1	0.148
110 ... 115		115 ... 127	ZA40	1SBN152410R8906	1	0.148
175		208	ZA40	1SBN152410R3406	1	0.148
190		220	ZA40	1SBN152410R3606	1	0.148
200		200 ... 220	ZA40	1SBN152410R7506	1	0.148
220 ... 230		230 ... 240	ZA40	1SBN152410R8006	1	0.148
230 ... 240		240 ... 260	ZA40	1SBN152410R8806	1	0.148
380 ... 400		400 ... 415	ZA40	1SBN152410R8506	1	0.148
400 ... 415		415 ... 440	ZA40	1SBN152410R8606	1	0.148
A45 ... A75, UA50 ... UA75, UA50..RA ... UA75..RA, GA75		24	24	ZA75	1SBN153510R8106	1
	48	48	ZA75	1SBN153510R8306	1	0.166
	105	110 ... 127	ZA75	1SBN153510R2606	1	0.166
	110	110 ... 120	ZA75	1SBN153510R8406	1	0.166
	110 ... 115	115 ... 127	ZA75	1SBN153510R8906	1	0.166
	175	208	ZA75	1SBN153510R3406	1	0.166
	190	220	ZA75	1SBN153510R3606	1	0.166
	200	200 ... 220	ZA75	1SBN153510R7506	1	0.166
	220 ... 230	230 ... 240	ZA75	1SBN153510R8006	1	0.166
	230 ... 240	240 ... 260	ZA75	1SBN153510R8806	1	0.166
	380 ... 400	400 ... 415	ZA75	1SBN153510R8506	1	0.166
	400 ... 415	415 ... 440	ZA75	1SBN153510R8606	1	0.166
	A95, A110 UA95, UA110 UA95..RA, UA110..RA	24	24	ZA110	1SFN154310R8106	1
48		48	ZA110	1SFN154310R8306	1	0.170
110		110 ... 120	ZA110	1SFN154310R8406	1	0.170
220 ... 230		230 ... 240	ZA110	1SFN154310R8006	1	0.170
230 ... 240		240 ... 260	ZA110	1SFN154310R8806	1	0.170
380 ... 400		400 ... 415	ZA110	1SFN154310R8506	1	0.170
400 ... 415		415 ... 440	ZA110	1SFN154310R8606	1	0.170
A145 ... A185	24	24	ZA185	1SFN154710R8106	1	0.180
	48	48	ZA185	1SFN154710R8306	1	0.180
	110	110 ... 120	ZA185	1SFN154710R8406	1	0.180
	220 ... 230	230 ... 240	ZA185	1SFN154710R8006	1	0.180
	230 ... 240	240 ... 260	ZA185	1SFN154710R8806	1	0.180
	380 ... 400	400 ... 415	ZA185	1SFN154710R8506	1	0.180
	400 ... 415	415 ... 440	ZA185	1SFN154710R8606	1	0.180
A210 ... A300	24	24	ZA300	1SFN155110R8106	1	0.400
	48	48	ZA300	1SFN155110R8306	1	0.400
	110	110 ... 120	ZA300	1SFN155110R8406	1	0.400
	220 ... 230	230 ... 240	ZA300	1SFN155110R8006	1	0.400
	230 ... 240	240 ... 260	ZA300	1SFN155110R8806	1	0.400
	380 ... 400	400 ... 415	ZA300	1SFN155110R8506	1	0.400
400 ... 415	415 ... 440	ZA300	1SFN155110R8606	1	0.400	



### Contactor coils AC / DC operated

For contactors	Rated control circuit		Type	Order code	Pkg qty	Weight (1 pce) kg
	Voltage Uc	V DC				
<b>Coils type ZAF for AF45 ... AF2050 AC / DC operated contactors</b>						
AF45 ... AF75	-	20 ... 60	ZA16	1SBN151410R8106	1	0.170
	48 ... 130	48 ... 130	ZA16	1SBN151410R8306	1	0.170
	100 ... 250	100 ... 250	ZA16	1SBN151410R2606	1	0.170
AF95, AF110	-	20 ... 60	ZAF110	1SFN154370R7206	1	0.200
	48 ... 130	48 ... 130	ZAF110	1SFN154370R6906	1	0.200
	100 ... 250	100 ... 250	ZAF110	1SFN154370R7006	1	0.200
AF145, AF185	-	20 ... 60	ZAF185	1SFN154770R7206	1	0.225
	48 ... 130	48 ... 130	ZAF185	1SFN154770R6906	1	0.225
	100 ... 250	100 ... 250	ZAF185	1SFN154770R7006	1	0.225
AF210 ... AF300	-	20 ... 60	ZAF300	1SFN155170R7206	1	0.450
	48 ... 130	48 ... 130	ZAF300	1SFN155170R6906	1	0.450
	100 ... 250	100 ... 250	ZAF300	1SFN155170R7006	1	0.450
AF400, AF460	-	24 ... 60	ZAF460	1SFN155770R6806	1	0.525
	48 ... 130	48 ... 130	ZAF460	1SFN155770R6906	1	0.525
	100 ... 250	100 ... 250	ZAF460	1SFN155770R7006	1	0.525
	250 ... 500	250 ... 500	ZAF460	1SFN155770R7106	1	0.525
AF580 ... AF1250	-	24 ... 60	ZAF750	1SFN156170R6806	1	1.335
	48 ... 130	48 ... 130	ZAF750	1SFN156170R6906	1	1.335
	100 ... 250	100 ... 250	ZAF750	1SFN156170R7006	1	1.335
	250 ... 500	250 ... 500	ZAF750	1SFN156170R7106	1	1.335
AF1350 ... AF2050	100 ... 250	100 ... 250	ZAF1650 (1)	1SFN156570R7026	1 set	0.900
			ZP1650 (2)	1SFN166521R1070	1	0.300

(1) One set of two coil  
(2) Printed circuit board

### LVRT Low voltage ride through PCB

For contactors	Type	Code	Pkg qty	Weight (1 pce) kg
AF1350 ... AF2650(T)		1SFN165503R6126		

# Spare parts for contactors

## Active products

Spare part cover				
For contactor type	Type	Code	Pkg qty	Weight (1 pce) kg
A145		1SFN165503R9201		0.365
A185		1SFN165503R9203		0.365
A210		1SFN165503R9205		0.520
A260		1SFN165503R9207		0.520
A300		1SFN165503R9209		0.520
AF145		1SFN165503R9202		0.365
AF185		1SFN165503R9204		0.365
AF210		1SFN165503R9206		0.520
AF260		1SFN165503R9208		0.520
AF300		1SFN165503R9210		0.520
AF400		1SFN165503R9211		1.455
AF460		1SFN165503R9212		1.455
AF580		1SFN165503R9213		1.655
AF750		1SFN165503R9214		1.655
AF1250		1SFN165503R9215		1.655
AF1350		1SFN165503R9216		2.475
AF1350T		1SFN165503R9217		2.475
AF1650		1SFN165503R9218		2.475
AF1650T		1SFN165503R9219		2.475
AF2050		1SFN165503R9220		2.475
AF2050T		1SFN165503R9221		2.475
AF2650		1SFN165503R9222		2.475
AF2650T		1SFN165503R9223		2.475

### Spare part bottom

For contactor type		Type	Code	Pkg qty	Weight (1 pce) kg
A145	Incl. terminal bars		1SFN165503R9231		1.310
A185	Incl. terminal bars		1SFN165503R9233		1.310
A210	Incl. terminal bars		1SFN165503R9235		1.960
A260	Incl. terminal bars		1SFN165503R9237		1.960
A300	Incl. terminal bars		1SFN165503R9239		1.960
AF145	Incl. terminal bars		1SFN165503R9232		1.310
AF185	Incl. terminal bars		1SFN165503R9234		1.310
AF210	Incl. terminal bars		1SFN165503R9236		1.960
AF260	Incl. terminal bars		1SFN165503R9238		1.960
AF300	Incl. terminal bars		1SFN165503R9240		1.960
AF400	Incl. terminal bars		1SFN165503R9241		4.635
AF460	Incl. terminal bars		1SFN165503R9241		4.635
AF580	Incl. terminal bars		1SFN165503R9243		5.135
AF750	Incl. terminal bars		1SFN165503R9243		5.135
AF1250	Incl. terminal bars and fixed contacts		1SFN165503R9245		6.215
AF1350	Incl. terminal bars and fixed contacts		1SFN165503R9246		18.060
AF1350 (1)			1SFN165503R9250		15.700
AF1650	Incl. terminal bars and fixed contacts		1SFN165503R9246		18.060
AF1650 (1)			1SFN165503R9251		15.700
AF2050	Incl. terminal bars and fixed contacts		1SFN165503R9248		18.305
AF2050 (1)			1SFN165503R9252		15.700
AF2650 (2)	Base part (plastic)		1SFN165503R9249		9.300

(1) From contactor serial number 1S160100514030001

(2) No terminal bars or fixed contacts included.



AFKIT

### Service kit

This kit contains various parts as rubber bearings, springs, levers, plastic armatures, cable holders, screws.

For contactor type		Type	Code	Pkg qty	Weight (1 pce) kg
AF1350 .... AF2050 (1)		AFKIT	1SFN165503R9253	1	0.200

(1) Until serial no. 1S16100514029999



AFBRG

### Contactor bridge

Includes 3 contactor bridges and 6 springs.

For contactor type		Type	Code	Pkg qty	Weight (1 pce) kg
AF1350 .... AF2050		AFBRG	1SFN165503R9254	1	1.000

# Spare parts for contactors

## Classic products



EH1200

### 3-pole contactors type EH

Type code	Type	Code	Pkg qty	Weight (1 pce) kg
EH175-30-11	EH175	SK825401-□□		4.700
EH175-30-21	EH175	SK825401-E□		4.700
EH175-30-22	EH175	SK825411-□□		4.700
EH210-30-11	EH210	SK825402-□□		4.700
EH210-30-21	EH210	SK825402-□□		4.700
EH210-30-22	EH210	SK825412-E□		4.700
EH260-30-11	EH260	SK826402-□□		6.200
EH260-30-21	EH260	SK826402-E□		6.200
EH260-30-22	EH260	SK826412-□□		6.200
EH300-30-11	EH300	SK826401-□□		6.250
EH300-30-21	EH300	SK826401-E□		6.250
EH300-30-22	EH300	SK826411-□□		6.250
EH370-30-11	EH370	SK827004-□□		12.400
EH370-30-22	EH370	SK827030-□□		12.400
EH550-30-11	EH550	SK827005-□□		12.400
EH550-30-22	EH550	SK827031-□□		12.400
EH700-30-11	EH700	SK828004-□□		17.100
EH700-30-22	EH700	SK828030-□□		17.100
EH800-30-11	EH800	SK828005-□□		17.300
EH800-30-22	EH800	SK828031-□□		17.300
EH1200-30-11	EH1200	SK828006-□□		18.000
EH1200-30-22	EH1200	SK828032-□□		18.000



EHDB960

### Drive contactors type EHDB

Type code	Type	Code	Pkg qty	Weight (1 pce) kg
<b>2-pole contactors (2NO)</b>				
EHDB220-20-11	EHDB220	SK825484-□□		4.000
EHDB280-20-11	EHDB280	SK825486-□□		4.000
EHDB360-20-11	EHDB360	SK826484-□□		5.700
EHDB520-20-11	EHDB520	SK827084-□□		12.100
EHDB650-20-11	EHDB650	SK827086-□□		12.100
EHDB800-20-11	EHDB800	SK828084-□□		16.800
EHDB960-20-11	EHDB960	SK828086-□□		17.000
<b>3-pole contactors (2NO + 1NC) 300 V DC dynamic braking</b>				
EHDB220-21-11	EHDB220	SK825485-□□		4.000
EHDB280-21-11	EHDB280	SK825487-□□		4.000
EHDB360-21-11	EHDB360	SK826485-□□		5.700
EHDB520-21-11	EHDB520	SK827085-□□		12.100
EHDB650-21-11	EHDB650	SK827087-□□		12.100
EHDB800-21-11	EHDB800	SK828085-□□		16.800
EHDB960-21-11	EHDB960	SK828087-□□		17.000

Note: refer to page 1/17 for contactors order codes details.



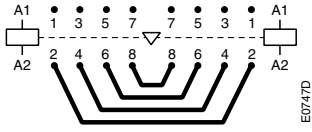


KZK370

Main contact sets					
For contactor type	Type	Code		Pkg qty	Weight (1 pce) kg
<b>Main contact sets for 3-pole contactors type EH</b>					
EH175	KZ175	SK825200-B		1 set	0.500
EH210	KZ210	SK825200-A		1 set	0.500
EH260	KZ260	SK826200-B		1 set	0.600
EH300	KZ300	SK826200-A		1 set	0.600
EH370	KZ370	SK827200-D		1 set	1.800
EH550	KZ550	SK827200-C		1 set	1.800
EH700	KZ700	SK828200-D		1 set	2.000
EH800	KZ800	SK828200-C		1 set	2.000
EH1200	KZ1200	SK828200-E		1 set	
<b>Main contact sets for single pole NC contactors type EHDB</b>					
EHDB220	KZD220NC	SK825202-A		1 set	
EHDB280	KZD280NC	SK825202-B		1 set	
EHDB360	KZD360NC	SK826202-A		1 set	
EHDB520	KZD520NC	SK827202-A		1 set	
EHDB650	KZD650NC	SK827202-B		1 set	
EHDB800	KZD800NC	SK828202-A		1 set	
EHDB960	KZD960NC	SK828202-B		1 set	
<b>Main contact sets for 2-pole NO contactors type EHDB</b>					
EHDB220	KZD220NO	SK825203-A		1 set	
EHDB280	KZD280NO	SK825203-B		1 set	
EHDB360	KZD360NO	SK826203-A		1 set	
EHDB520	KZD520NO	SK827203-A		1 set	
EHDB650	KZD650NO	SK827203-B		1 set	
EHDB800	KZD800NO	SK828203-A		1 set	
EHDB960	KZD960NO	SK828203-B		1 set	
<b>Main contact sets for 4-pole contactors type EK</b>					
EK110	KZK110	SK824204-A		1 set	0.450
EK150	KZK150	SK824204-B		1 set	0.450
EK175	KZK175	SK825204-A		1 set	0.700
EK210	KZK210	SK825204-B		1 set	0.700
EK370	KZK370	SK827204-A		1 set	2.400
EK550	KZK550	SK827204-B		1 set	2.400
EK1000	KZK1000	SK827204-F		1 set	

# Spare parts for contactors

## Classic products



Connection sets				
For contactor type	Type	Code	Pkg qty	Weight (1 pce) kg
<b>Connection for reversing contactors</b>				
EH175, EH210	BSH210	SK829091-D		1.100
EH260, EH300	BSH300	SK829091-E		2.500
EH370, EH550	BSH550	SK829091-F		5.600
EH700	BSH700	SK829091-G		6.400
EH800	BSH800	SK829091-H		6.400
EH1200				
<b>Connection for 4-pole chageover contactors</b>				
EK110	BSS100	SK829090-B		0.400
EK150	BSS145	SK829090-F		0.700
EK175, EK210	BSS210	SK829090-G		1.000
EK370, EK550	BSS550	SK829090-E		3.600
EK1000	BSS1000	SK829090-H		5.500
<b>Connection for 4-pole start-delta starters</b>				
EH145 > A110	BED145	SK820092-L		0.700
EH175 > EH145	BSD210	SK829092-E		1.200
EH210 > EH175				
EH300 > EH210	BSD300	SK829092-F		2.000
EH370 > EH260	BSD550	SK829092-G		4.800
EH550 > EH300				
EH700 > EH550	BSD700	SK829092-H		6.600
EH800 > EH550	BSD800	SK829092-K		6.600



KW800

Arc chute					
For contactor type	Type	Code		Pkg qty	Weight (1 pce) kg
<b>Arc chute for 3-pole contactors type EH</b>					
EH175	KW175	5223351-AD			0.820
EH210	KW210	5223351-AE			0.820
EH300	KW300	5223351-AG			1.070
EH370	KW370	5223351-L			2.360
EH550	KW550	5223351-M			2.360
EH700	KW700	5223351-N			2.890
EH800	KW800	5223351-P			2.890
EH1200	KW1200	5223354-H			
<b>Arc chute for 2-pole contactors type EHDB</b>					
EHDB220	KWD220-2P	5223353-B		1 set	
EHDB280	KWD280-2P	5223353-C		1 set	
EHDB360	KWD360-2P	5223353-D		1 set	
EHDB520	KWD520-2P	5223353-E		1 set	
EHDB650	KWP650-2P	5223353-F		1 set	
EHDB800	KWP800-2P	5223353-G		1 set	
EHDB960	KWP960-2P	5223353-H		1 set	
<b>Arc chute for 3-pole contactors type EHDB</b>					
EHDB220	KWD220-3P	5223352-B		1 set	
EHDB280	KWD280-3P	5223352-C		1 set	
EHDB360	KWD360-3P	5223352-D		1 set	
EHDB520	KWD520-3P	5223352-E		1 set	
EHDB650	KWP650-3P	5223352-F		1 set	
EHDB800	KWP800-3P	5223352-G		1 set	
EHDB960	KWP960-3P	5223352-H		1 set	
<b>Arc chute for 4-pole contactors type EK</b>					
EK110	KWK110	5223351-AH		1 set	0.660
EK150	KWK150	5223351-AK		1 set	0.660
EK175	KWK175	5223351-AL		1 set	1.260
EK210	KWK210	5223351-AM		1 set	1.260
EK370	KWK370	5223351-Y		1 set	3.170
EK550	KWK550	5223351-Z		1 set	3.170
EK1000	KWK1000	5223351-AN		1 set	3.170

# Spare parts for contactors

## Classic products

Terminal shrouds						
Mounting on contactors		Type	Code		Pkg qty	Weight (1 pce) kg
EH145 ... EH210		LT210-EL	SK178001-CB			0.060
EH145 ... EH210		LT210-EC	SK178003-CB			0.057
EH260, EH300		LT300-E	SK178001-DB			0.157
EH370, EH550		LT550-E	SK178001-EB			0.157
EH700		LT700-E	SK178001-FB			0.168
EH800		LT800-E	SK178001-GB			0.182
EK110, EK150		LT150-EK	SK178001-HB			0.182
EK175, EK210		LT210-EK	SK178001-KB			0.139
EK370, EK550		LT550-EK	SK178001-LB			0.190
EK1000		LT1000-EK	SK178001-MB			0.200

Terminal extensions							
Mounting on contactors		Dimensions		Type	Code	Pkg qty	Weight (1 pce) kg
		hole Ø mm	bar mm				
EH145 ... EH210		11	20 x 5	LX210	SK879902-C		0.150
EH260 ... EH550		11	25 x 6	LX550	SK879902-D		0.300
EH700		11	40 x 6	LX700	SK879902-E		0.700

Terminal enlargements							
Mounting on contactors		Dimensions		Type	Code	Pkg qty	Weight (1 pce) kg
		hole Ø mm	bar mm				
EH145 ... 210		11	20 x 5	LW210	SK879901-C		0.300

Terminal connecting strips						
For contactor		Type	Code		Pkg qty	Weight (1 pce) kg
EH210		LY210	26310243-6			0.100
EH210						
EH260		LY300	26310243-4			0.200
EH300						
EH370		LY550	26310243-5			0.250
EH500						

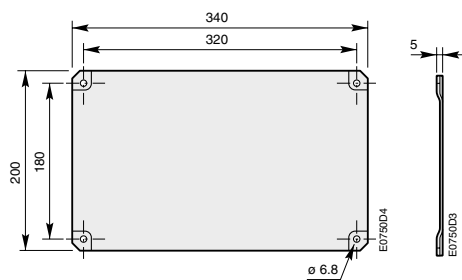


PN ...

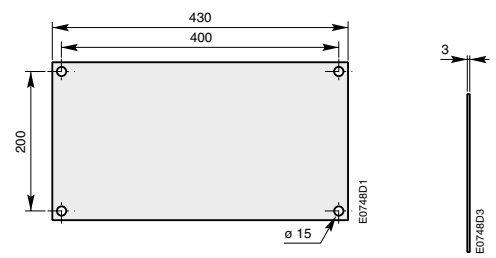
1SBC566663FF0302

Mounting plates						
To use with left hand contactor	Mecha	Right hand contactor	Type	Code	Pkg qty	Weight (1 pce) kg
<b>Plates for two horizontal mounted contactors with or without a mechanical interlock unit and/or thermal overload relay</b>						
EH175, EH210	VH250A	EH145	PN210-22	SK829075-C		1.400
EH175, EH210	VH300	EH175, EH210				
EK110, EK150	VH45	EK175, EK210				
EH260, EH300	VH300	EH175, EH210	PN300-22	SK829075-E		2.070
EH260, EH300	VH300	EH260, EH300				
EK175, EK210	VH300	EK175, EK210				
<b>Plates for two horizontal mounted contactors with or without a mechanical interlock unit and/or thermal overload relay</b>						
EH370, EH550	–	EH370, EH550	PN550-21	21750297-5		4.100
EH700, EH800	–	EH700, EH800	PN800-22	21750297-6		5.000
EH370, EH550	–	EH370, EH550				

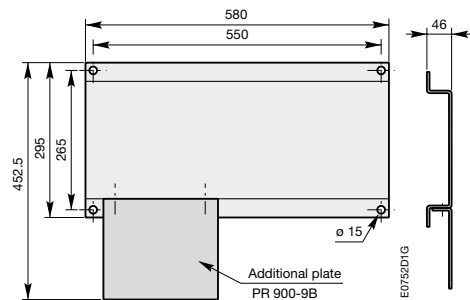
**Main dimensions mm**



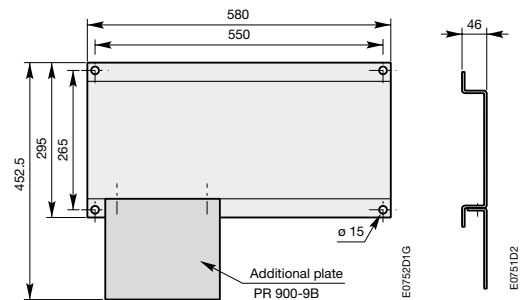
**PN210-22**



**PN300-22**



**PN550-22**



**PN800-22**

# Spare parts for contactors

## Classic products



PR300-1

1SFN9601-015C3

### Adapter plates

Adapter plates with fixing holes for specified old contactors to new contactors.

From old contactor	To new contactor	Type	Code	Pkg qty	Weight (1 pce) kg
EH65, EH75, EH80, EH90, EG80	A95, A110	PR110-1	1SFN094500R1000	1	0.270
EH100, EH145	A110, A145	PR145-1	1SFN094700R1000	1	0.360
EH150, EH160, EH175, EH210, EG160	A185, A210	PR210-1	1SFN094900R1000	1	0.440
EH250, EH260, EH300	A210...A300	PR300-1	1SFN095300R1000	1	0.560
EH370, EH550, EG315	AF400...AF580	PR460-1	1SFN095700R1000	1	0.900
EH700, EH800	AF750	PR750-1	1SFN096100R1000	1	0.500
EH550, EG630	AF580, AF750	PR750-2	1SFN096100R1001	1	1.100

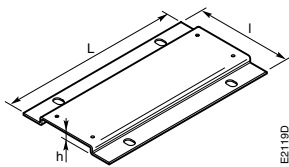
Note: The adapter plates provided for the A ... contactors can also be used for the AF ... contactors.

### Dimensions (mm)

Type of the plate	Dimensions			Fixing holes
	L	l	h	mm
PR110-1	151	106	11.2	2 x $\varnothing$ 7
PR145-1	180	122	11.5	4 x $\varnothing$ 7
PR210-1	200	132	11.5	4 x $\varnothing$ 7
PR300-1	200	172	11.5	4 x $\varnothing$ 7
PR460-1	278	198	11.5	4 x $\varnothing$ 7
PR750-1	283	244	11.5	4 x $\varnothing$ 7

Note: The adapter plates provided for the A ... contactors can also be used for the AF ... contactors.

Fixing holes according to the plate types



E2119D

### Mechanical and electrical interlocking units

For contactors		Type	Code	Pkg qty	Weight (1 pce) kg
on left	on right				
<b>Mechanical interlock units of two horizontal mounted contactors</b>					
EH370, EH550	EH260 ... EH550	VH550	SK829070-E	1	5.000
EHDB520 ... EHDB650	EHDB520 ... EHDB650				
EH700, EH800	EH370 ... EH800	VH800	SK829070-F	1	6.000
EH370, EH550	EK370, EK550				
EHDB800, EHDB960	EHDB800, EHDB960				
EH145	EH145	VH145W	SK829070-B	1	2.300
EH175, EH210	EH175, EH210	VH210W	SK829070-C	1	2.400
EH260, EH300	EH260, EH300	VH300W	SK829070-D	1	2.800
<b>Mechanical and electrical interlock units of two horizontal mounted contactors</b>					
EH175, EH210	EK175, EK210	VH300	SK829071-B	1	0.130
EHDB220 ... EHDB360	EHDB220 ... EHDB360				
<b>Mechanical interlock units of two horizontal mounted contactors</b>					
EK370 ... EK1000	EK370 ... EK1000	VH800	SK829070-F		6.00
<b>Mechanical and electrical interlock units of two vertical mounted contactors</b>					
EK110, EK150	EK110, EK150	VKV150	SK829072-B		0.250
EH260, EH300	EH260, EH300	VHV300	SK829072-D		0.430
EK175, EK210	EK175, EK210				
EK175, EK210	EH145	VHV210A	SK829072-F		0.220
EH145	EH145	VHV145	SK829072-A		0.430
EK175, EK210	EH260, EH300	VHV210	SK829072-C		0.600



KH550...KH800

<b>Contactor coils</b>					
<b>For contactor type</b>	<b>Type</b>	<b>Code</b>		<b>Pkg qty</b>	<b>Weight (1 pce) kg</b>
<b>AC or DC operated coils for EH and EK contactors</b>					
EH175, EH210 EK110, EK150 EHDB220, EHDB280	KH210	SK825400-□□			0.360
EH300 EH260, EH300 EK175, EK210 EHDB360	KH250 KH300	SK825100-□□ SK826400-□□			0.440 0.440
EK370, EK550 EHDB520, EHDB650	KH550	SK827100-□□			0.780
EH700, EH800 EK370, EK550, EK1000 EHDB800, EHDB960 EH1200	KH800 KH1200	SK828100-□□ SK828101-□□			0.950
<b>Sets including a DC coil, an economy resistor and an inertion contact</b>					
EH175, EH210 EK110, EK150 EH260, EH300 EK175, EK210	KP210 KP300	SK825450-□□ SK826450-□□			0.360 0.440
EH370, EH550 EH700 ... EH800	KP550 KP800	SK827150-□□ SK828150-□□			0.780 0.950
<b>Sets including a multi-frequency coil and an nsertion contact for contactor with built-in rectifier</b>					
EH175, EH210 EK110, EK150 EH260, EH300 EK175, EK210	KP210 KP300	SK825450-E □ SK826450-E □			0.300 0.400
<b>AC and DC operated coils for the mechanical latching units on EH145 ... EH800 contactors</b>					
D.C. operated	KX800X	SK829100-□□			0.090

# Spare parts for contactors

## Classic products

### Coil codes contactor / coil type EH / KH ...

#### AC operated

Voltage		Contactor * / coil ** type									Coil code	
50 Hz	60Hz	EH175 / KH210	EH210 / KH210	EH260 / KH300	EH300 / KH300	EH370 / KH550	EH550 / KH550	EH700 / KH800	EH800 / KH800	EH1200 / KH1200	<input type="checkbox"/>	<input type="checkbox"/>
48		•	•	•	•	•	•	•	•	–	A	D
	110	•	•	•	•	•	•	•	•	–	A	E
110	120	•	•	•	•	•	•	•	•	–	A	F
190	220	•	•	•	•	•	•	•	•	–	A	H
	240	•	•	•	•	•	•	•	•	–	A	K
220 ... 230		•	•	•	•	•	•	•	•	–	A	L
230 ... 240		•	•	•	•	•	•	•	•	–	A	M
	380	•	•	•	•	•	•	•	•	–	A	N
380 ... 400	440	•	•	•	•	•	•	•	•	–	A	P
400 ... 415		•	•	•	•	•	•	•	•	–	A	R
	480	•	•	•	•	•	•	•	•	–	A	S
660		•	–	–	–	–	–	•	•	–	A	Y

#### DC operated

Voltage		Contactor * / coil ** type									Coil code	
V DC		EH175 / KH210	EH210 / KH210	EH260 / KH300	EH300 / KH300	EH370 / KH550	EH550 / KH550	EH700 / KH800	EH800 / KH800	EH1200 / KH1200	<input type="checkbox"/>	<input type="checkbox"/>
24		•	•	•	•	•	•	•	•	•	D	B
110		•	•	•	•	•	•	•	•	•	D	E
125		•	•	•	•	•	•	•	•	–	D	U
77 ... 143		–	–	•	–	–	–	–	–	–	W	E

#### Multi frequency

Voltage		Contactor * / coil ** type									Coil code	
40 ... 400 Hz		EH175 / KH210	EH210 / KH210	EH260 / KH300	EH300 / KH300	EH370 / KH550	EH550 / KH550	EH700 / KH800	EH800 / KH800	EH1200 / KH1200	<input type="checkbox"/>	<input type="checkbox"/>
110 ... 120		–	–	–	•	–	•	•	–	•	E	F
115 ... 127		•	–	–	–	–	•	–	–	–	E	G
220 ... 230		–	•	–	•	•	•	•	•	•	E	L
230 ... 240		•	•	•	•	•	•	•	•	–	E	M
400 ... 415		–	–	–	–	•	•	–	–	–	E	R



Coil codes contactor / coil type EK / KH ...

AC operated

Voltage		Contactor * / coil ** type							Coil code	
50 Hz	60Hz	EK110 / KH210	EK150 / KH210	EK175 / KH300	EK210 / KH300	EK370 / KH550	EK550 / KH550	EK1000 / KH800	<input type="checkbox"/>	<input type="checkbox"/>
48		•	•	•	•	•	•	•	A	D
	110	•	•	•	•	•	•	–	A	E
110	120	•	•	•	•	•	•	•	A	F
190	220	•	•	•	•	•	•	•	A	H
	240	•	•	•	•	•	•	–	A	K
220 ... 230	240	•	•	•	•	•	•	•	A	L
230 ... 240		•	•	•	•	•	•	•	A	M
	380	•	•	•	•	•	•	–	A	N
380 ... 400	440	•	•	•	•	•	•	•	A	P
400 ... 415		•	•	•	•	•	•	•	A	R
	380	•	•	•	•	•	•	•	A	S
	600	•	•	•	•	•	•	•	A	V
660		•	•	•	•	–	•	•	A	Y
	208	•	•	•	•	•	•	–	A	Z
250		•	–	–	–	–	•	•	B	B

DC operated

Voltage		Contactor * / coil ** type							Coil code	
V d.c.		EK110 / KH210	EK150 / KH210	EK175 / KH300	EK210 / KH300	EK370 / KH550	EK550 / KH550	EK1000 / KH800	<input type="checkbox"/>	<input type="checkbox"/>
24		•	•	•	•	•	•	•	D	B
48		•	•	•	•	•	•	•	D	D
110		•	•	•	•	•	•	•	D	E
220		•	•	•	•	•	•	•	D	E
125		•	•	•	•	•	•	–	D	U
77 ... 143		•	•	•	•	•	•	–	W	R
90 ... 190		•	–	–	–	•	–	–	W	U

Multi frequency

Voltage		Contactor * / coil ** type							Coil code	
40 ... 400 Hz		EK110 / KH210	EK150 / KH210	EK175 / KH300	EK210 / KH300	EK370 / KH550	EK550 / KH550	EK1000 / KH800	<input type="checkbox"/>	<input type="checkbox"/>
110 ... 120		•	•	•	•	•	•	•	E	F
115 ... 127		•	•	•	•	•	•	•	E	G
220 ... 230		•	•	•	•	•	•	•	E	L
230 ... 240		•	•	•	•	•	•	•	E	M
400 ... 415		•	•	•	•	•	•	–	E	R

Coil codes contactor / coil type EHDB / KH ...

AC operated

Voltage		Contactor * / coil ** type							Coil code	
50 Hz	60Hz	EHDB220 / KH210	EHDB280 / KH210	EHDB360 / KH300	EHDB520 / KH550	EHDB650 / KH550	EHDB800 / KH800	EHDB960 / KH800	<input type="checkbox"/>	<input type="checkbox"/>
	110	•	–	–	–	–	–	–	A	E
110		•	•	•	•	•	•	•	A	F
190		–	•	–	–	–	–	–	A	H
	240	•	•	•	•	–	–	–	A	K
230		•	•	•	•	•	•	–	A	L
230 ... 240		•	•	•	–	–	–	–	A	M
400 ... 415		•	•	•	•	•	–	•	A	R
	600	•	–	–	–	–	–	–	A	V
	208	•	•	•	•	•	•	–	A	Z
110 ... 115		•	•	•	–	–	–	–	G	G

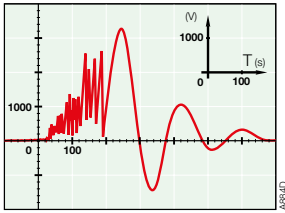
Note: GG includes surgesuppressor

DC operated

Voltage		Contactor * / coil ** type							Coil code	
V d.c.		EHDB220 / KH210	EHDB280 / KH210	EHDB360 / KH300	EHDB520 / KH550	EHDB650 / KH550	EHDB800 / KH800	EHDB960 / KH800	<input type="checkbox"/>	<input type="checkbox"/>
24		•	•	•	•	–	–	–	D	B
220		•	–	–	–	–	–	–	D	F
125		•	–	–	–	–	–	–	D	U
110		•	•	•	•	–	–	–	D	E
110		•	•	•–	–	–	–	–	R	E

# Spare parts for contactors

## Classic products



### Surge suppressors for contactor coils

#### Description

The operation of inductive circuits causes overvoltages, in particular on opening of the contactor coil.

The electromagnetic energy stored in the coil during contactor closing is restored on opening in the form of surges, the slope and amplitude of which may rise to several kilovolts. A number of drawbacks are observed ranging from interference on the electronic devices to breakdown of insulators and even destruction of certain sensitive components.

The graph opposite reproduces the oscillogram showing voltage discharges at the terminals of a 42 V / 50 Hz coil without peak clipping. The coil was switched by 8 series-connected poles of a contactor relay.

Following a burst of discharges with a very steep slope a damped oscillation emerges with a peak value of 3500 V.

#### Overvoltage Factor

The overvoltage factor  $k$  is defined as the ratio of the maximum overvoltage peak value  $\hat{U}_s$  to the peak value  $\hat{U}_c$  of the coil rated control voltage  $U_c$ :

$$k = \frac{\hat{U}_s \text{ max.}}{\hat{U}_c} \quad \text{in DC: } k = \frac{\hat{U}_s \text{ max.}}{U_c} \quad \text{or in AC: } k = \frac{\hat{U}_s \text{ max.}}{U_c \sqrt{2}}$$

$$\text{For example the following is obtained for the above graph: } k = \frac{3500}{42 \sqrt{2}} \approx 60$$

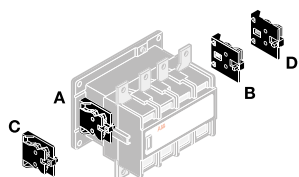
To reduce the harmful effects of these overvoltages, ABB has developed a range of surge suppressors designed to reduce the  $k$  factor defined above and to limit or even completely eliminate the high pre-damping voltage frequencies.

Each case is different, but the technical data tolerances and the generous sizing of parts have enabled us to reduce the number of variants.

We have chosen the following solutions: transil diodes, varistors and RC blocks.

Note: A varistor is a resistor whose value decreases to a very large extent when a certain voltage is applied at its terminals.

For contactors	Rated control circuit voltage $U_c$		Type	Code	Pkg qty	Weight (1 pce) kg
	V	AC DC				
EH175 ... EH300, EK100 ... EK210	24...48	<input type="checkbox"/> AC <input type="checkbox"/> DC	RC-EH300/48	SK829007-A	2	0.015
	110...415	<input type="checkbox"/> AC <input type="checkbox"/> DC	RC-EH300/416	SK829007-B	2	0.015
EHDB130 ... EHDB360	110...415	<input type="checkbox"/> AC <input type="checkbox"/> DC	RC-EH300/415	SK829007-B		0.015
EH370 ... EH800, EK370 ... EK550	48...100	<input type="checkbox"/> AC <input type="checkbox"/> DC	RC-EH800/110	SK829007-C	2	0.015
		<input type="checkbox"/> AC <input type="checkbox"/> DC				
EHDB520 ... EHDB960		<input type="checkbox"/> AC <input type="checkbox"/> DC				
EH175 ... EH800, EK110 ... EK550	24...125	<input type="checkbox"/> AC <input type="checkbox"/> DC				
EH370 ... EH800, EK370 ... EK1000	220...600	<input type="checkbox"/> AC <input type="checkbox"/> DC	RC-EH800/600	SK829007-D	2	0.015
		<input type="checkbox"/> AC <input type="checkbox"/> DC				
EHDB520 ... EHDB960		<input type="checkbox"/> AC <input type="checkbox"/> DC				



Mounting positions of the CAL16-11

E2074D

## Auxiliary contact blocks

### Description


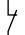
The auxiliary contact blocks are used for the operation of auxiliary circuits and control circuits.

Types of auxiliary contact blocks for standard industrial environments:

- CAL instantaneous with N.O. + N.C. contacts
- CCL N.O. leading contact + N.C. lagging contact.

The auxiliary contact blocks are equipped with screw type connecting terminals delivered open, protected against accidental direct contact, and bear the corresponding function marking.

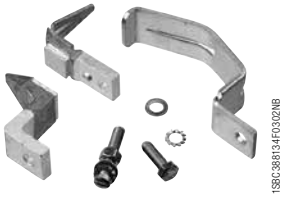
Mounting: Screwed onto the right and / or lefthand side of the EK110 ... EK1000 contactors.

For contactors	Number of blocks	Auxiliary contacts		Type	Code	Pkg qty	Weight (1 pce)
							
EH, EK, EHDB	1	1	1	- -	CAL16-11A	SK829002-A	1 0.050
EH, EK, EHDB	1	1	1	- -	CAL16-11B	SK829002-B	1 0.050
EH, EK, EHDB	1	1	1	- -	CAL16-11C	SK829002-C	1 0.050
EH, EK, EHDB	1	1	1	- -	CAL16-11D	SK829002-D	1 0.050
EH, EK	1	1	-	- 1	CCL16-11E (1)	SK829002-E	1 0.050

(1) Mounting of CCL16-11E blocks does not allow an additional second block to be added on top of it.  
All DC operated EK... contactors are equipped with one CCL16-11E on the right side.

# Spare parts for R contactors

## Main poles



1SDC388134/F0302AB

### Contact sets for N.O. or N.C. main poles

#### Description

The contact sets include 1 fixed contact, 1 moving contact, 1 arcing horn (according to table below) and screws.

The quantities needed are defined per ratings as follow:

- 1 set per pole for R63...R800, R1000, R1400, R1700, R2100
- 2 sets per pole for R1250, R1500, R2500, R3200, R3800
- 3 sets per pole for R2000, R4500, R5100
- 4 sets per pole for R3150
- 5 sets per pole for R4000.

For R contactors type		Code	Pkg qty	Weight (1 pce) kg
<b>Contact set with arcing horn</b>				
IOR, NOR, JOR, FOR	63, 85	FPTN410389R0001	1 set	0.050
	125, 170	FPTN410389R0002	1 set	0.150
	200, 260	FPTN410389R0003	1 set	0.250
	315, 400 (1), 420	FPTN410389R0004	1 set	0.400
	400 (2), 500, 550, 630	FPTN410389R0005	1 set	0.480
<b>Contact set without arcing horn</b>				
LOR	85	FPTN410390R0001	1 set	0.040
	170	FPTN410390R0002	1 set	0.090
	260	FPTN410390R0003	1 set	0.180
	420	FPTN410390R0004	1 set	0.250
	400, 550	FPTN410390R0005	1 set	0.470
IOR, NOR, JOR, FOR, LOR	800, 1000, 1250, 1500, 2000, 3150, 4000	FPTN410391R0001	1 set	0.520
	1400, 2500	FPTN410503R0001	1 set	0.520
	1700, 2100, 3800, 4500, 5100	FPTN410506R0001	1 set	0.830

(1) For NOR and JOR types, N.C. poles

(2) For IOR, NOR, JOR types, N.O. poles



1SDC104038F0014

### Arcing horns for N.O. or N.C. main poles

#### For R contactors type IOR, NOR, JOR, FOR

For R contactors type IOR, NOR, JOR, FOR	Code	Pkg qty	Weight (1 pce) kg
800, 1000, 1250, 1500, 2000, 3150, 4000	FPTN410446R0001	1	0.200
1400, 2500	FPTN410446R0001	1	0.200
1700, 2100, 3200, 3800, 4500, 5100	FPTN410508R0001	1	0.280



1SDC01032F0014

#### Equipotential connections

Equipotential connections must be ordered separately for ratings  $\geq 800$  A.

For R contactors type IOR, NOR, JOR and FOR	Type	Code	Pkg qty	Weight (1 pce) kg
800 ... 5100	NO poles	FPTN410176R0006		0.500
800 ... 4000	NC poles	FPTN410176R0007		0.530



1SDC037913F0302

#### Arc chutes

De-ion arc chutes replace basic arc chutes except for 315 and 420 A ratings.

For R contactors type IOR, NOR, JOR and FOR	Type	Code	Pkg qty	Weight (1 pce) kg
63, 85	De-ion arc chute	FPTN401938R0002		0.470
125, 170	De-ion arc chute	FPTN401939R0002		0.930
200, 260	De-ion arc chute	FPTN401940R0002		1.360
315, 400 (1), 420	Basic arc chute	FPTN401936R0002		1.300
400 (2), 500, 550	De-ion arc chute	FPTN401941R0002		3.600
800, 1000, 1250, 1500, 2000, 3150, 4000	De-ion arc chute	FPTN410067R0002		2.570
1400, 2500	De-ion arc chute	FPTN410067R0002		2.570
1700, 2100, 3200, 3800, 4500, 5100	De-ion arc chute	FPTN410507R0001		3.150

(1) For NOR and JOR types, N.C. poles

(2) For IOR, NOR, JOR types, N.O. poles

#### Pressure springs, insulated supports, complete poles and other spare parts

Please contact your local sales organisation (order code for R contactor needed).

# Spare parts for R contactors

## Control circuits



1SDC0403R6004

### Surge suppressors for contactor coils

For R contactors type IOR, NOR, JOR, LOR and FOR	Rated control circuit voltage Uc		Type	Code	Pkg qty	Weight (1 pce) kg
	V	AC DC				
63 ... 5100	24...60	<input type="checkbox"/> AC <input type="checkbox"/> DC	RV-R1/60	FPTN410463R6001	1	0.050
	60...133	<input type="checkbox"/> AC <input type="checkbox"/> DC	RV-R1/133	FPTN410463R6002	1	0.050
	110...250	<input type="checkbox"/> AC <input type="checkbox"/> DC	RV-R1/250	FPTN410463R6003	1	0.050
	250...440	<input type="checkbox"/> AC <input type="checkbox"/> DC	RV-R1/440	FPTN410463R6004	1	0.050
	440...660	<input type="checkbox"/> AC <input type="checkbox"/> DC	RV-R1/660	FPTN410463R6005	1	0.050
	24...90	<input type="checkbox"/> AC <input type="checkbox"/> DC	RV-R1/60	FPTN410463R6001	1	0.050
	60...180	<input type="checkbox"/> AC <input type="checkbox"/> DC	RV-R1/133	FPTN410463R6002	1	0.050
	110...320	<input type="checkbox"/> AC <input type="checkbox"/> DC	RV-R1/250	FPTN410463R6003	1	0.050
	250...550	<input type="checkbox"/> AC <input type="checkbox"/> DC	RV-R1/440	FPTN410463R6004	1	0.050
	440...660	<input type="checkbox"/> AC <input type="checkbox"/> DC	RV-R1/660	FPTN410463R6005	1	0.050



1SDC104025R004

### Rectifiers

For R contactors type IORR, NORR, JORR, LORR and FORR	Rated control circuit voltage Uc	Code	Pkg qty	Weight (1 pce) kg
63 ... 5100	< 440 V AC	TRE2614501	1	0.050
	≥ 440 V AC	TRE2720801	1	0.050

### Complete control circuit kit

Including:

- 1 coil
- 1 economy resistor
- 1 surge suppressor
- 1 rectifier

For complete kit, please contact your local sales organization (order code of R contactor needed).

### Magnet circuits

For R contactors type IORR, NORR, JORR, LORR, and FORR IORE, NORE, JORE, LORE, and FORE	Code	Pkg qty	Weight (1 pce) kg
63, 85	FPTN410437R0001	1	1.500
125, 170	FPTN410438R0001	1	1.500
200, 260	FPTN410439R0001	1	1.500
400 ... 630	FPTN410441R0001	1	2.500
≥ 800	FPTN410200R0001	1	8.000

For tripping electro-magnet circuit AME or AM(F)-CC > 800 A: use 63, 85 A electro-magnet circuit.

For IOR and IOR ... AMA versions, please consult your local sales organization (order code of R contactor needed).

### Coils, economy resistors and other specific parts

Please contact your local sales organization (order code of R contactor needed).

# Spare parts R contactors

## Auxiliary contacts



CA12

### Auxiliary contact blocks type CA12

CA12 auxiliary contact blocks 2 or 4-pole are mounted on a support bracket, above the electro-magnet.

The R contactors type R and RE can be equipped with:

- 1 or 2 x 2-pole blocks
- 1 x 2-pole block + 1 x 4-pole blocks.

The R contactors type RR can be equipped with 1 or 2 x 2-pole blocks.

For R contactors type R, RE, RR (RC excluded)	Auxiliary contacts	Type	Code	Pkg qty	Weight (1 pce) kg
<b>Auxiliary contact blocks</b>					
63...550	1 1	CA12-1	FPTN410004R0001	1	0.050
	2 0	CA12-2	FPTN410005R0001	1	0.050
	2 2	CA12-11	FPTN410013R0001	1	0.090
	1 3	CA12-12	FPTN410016R0001	1	0.090
	4 0	CA12-22	FPTN410012R0001	1	0.090
<b>Support bracket</b>					
63 ... 260		Support bracket	FPTN410056R0001	1	0.060
315 ... 550		Support bracket	FPTN410056R0002	1	0.060



CA15-F

### Auxiliary contacts type CA15

CA15 auxiliary contacts are mounted on a mounting kit, on the frame.

For R contactors type R, RE, RR, RC	Auxiliary contacts	Type	Code	Pkg qty	Weight (1 pce) kg
<b>Auxiliary contact with screw terminals</b>					
63 ... 5100	1 0	CA15-F	FPTN410008R0004	1	0.070
	0 1	CA15-0	FPTN410007R0006	1	0.070
<b>Auxiliary contact for railway</b>					
63 ... 5100	1 0	CA15-F	FPTN210382R0003	1	0.070
	0 1	CA15-0	FPTN210382R0004	1	0.070
<b>Mounting kit</b>					
63 ... 170, 315...550, auxiliary frame ≥ 800		Universal mounting kit	FPTN410054R0016	1	On request
200 ... 260		Mounting kit	FPTN410054R0017	1	
Main frame ≥ 800		Mounting kit	FPTN410213R0006	1	



CA15-0

### Special auxiliary contact blocks

Please contact your local sales organization (order code of R contactor needed).

# Spare parts for softstarters



PSHMI-1,2



PSEHMI-1, 2, 3



PSPCB-HV



PSPCB-LV



PSPCB-CB



PSFA

## HMI-module

For softstarter type	Pcs/ unit	Type	Code	Pkg qty	Weight (1 pce) kg
PSE18 ... PSE105	1	PSEHMI-1	1SFA899219R7001	1	0.560
PSE142 ... PSE170	1	PSEHMI-2	1SFA899219R7002	1	0.560
PSE210 ... PSE370	1	PSEHMI-3	1SFA899219R7003	1	0.560
PST30... PST300	1	PSHMI-1	1SFA899019R7001	1	1.000
PSTB370 ... PSTB1050	1	PSHMI-2	1SFA899019R7002	1	1.000
PST30-T ... PST300-T	1	PSHMI-1-T	1SFA899019R7021	1	1.000
PSTB370-T ... PSTB1050-T	1	PSHMI-2-T	1SFA899019R7022	1	1.000
PSTX30 ... PSTX1250	1	PSDKP-1	1SFA899319R1001	1	0.325

## HMI spare kit

For softstarter type	Pcs/ unit	Type	Code	Pkg qty	Weight (1 pce) kg
PSTX30...PSTX1250	1	PSACC-1	1SFA899320R1001	1	0.136

## Printed circuit board

For softstarter type		Type	Code	Pkg qty	Weight (1 pce) kg
PSS18 ... PSS300 <sup>1)</sup>	Main PCB230 ... 500 V	PSPCB-500/S	1SFA899020R1500	1	0.370
PSS18...PSS300-C <sup>2)</sup>	Main PCB230 ... 500 V	PSPCB-500C/S	1SFA899020R2500	1	0.370
PSS18 ... PSS300 <sup>1)</sup>	Main PCB380 ... 690 V	PSPCB-690/S	1SFA899020R1690	1	0.470
PSS18...PSS300-C <sup>2)</sup>	Main PCB380 ... 690 V	PSPCB-690C/S	1SFA899020R2690	1	0.470
PST30 ... PST300	LV board	PSPCB-LV/T	1SFA899020R7000	1	0.360
PSTB370 ... PSTB1050					
PST30-T ... PST300-T	LV board	PSPCB-LV/T-T	1SFA899020R7020	1	0.360
PSTB370-T ... PSTB1050-T					
PST30 ... PST300	HV board	PSPCB-690/T	1SFA899020R7690	1	0.190
PSTB370 ... PSTB1050					
PST30-T ... PST300-T	HV board	PSPCB-690/T-T	1SFA899020R7691	1	0.190
PSTB370-T ... PSTB1050-T					
PSTX30...PSTX170	Control board 1	PSPCB-CB-1	1SFA899301R1007	1	0.650
PSTX210...PSTX370	Control board 2	PSPCB-CB-2	1SFA899301R1008	1	0.660
PSTX470...PSTX1250	Control board 3	PSPCB-CB-3	1SFA899301R1009	1	0.670

1) Printed circuit board with fault signal contact normally open (N.O.)

2) Printed circuit board with fault signal contact normally closed (N.C.)

## Cooling fan

For softstarter type	Main Voltage	Pcs/ unit	Type	Code	Pkg qty	Weight (1 pce) kg
PSE18 ... PSE105		2	PSFA-40	1SFA899215R1040	1	0.025
PSE142 ... PSE170		2	PSFA-60	1SFA899215R1060	1	0.055
PSE210 ... PSE370		2	PSFA-80	1SFA899215R1080	1	0.070
PSS18 ... PSS44	500 V	1	PSFA-12	1SFA899015R1012	1	0.020
PSS50 ... PSS72	500 V	2	PSFA-12	1SFA899015R1012	1	0.020
PSS18 ... PSS44	690 V	2	PSFA-12	1SFA899015R1012	1	0.020
PSS85 ... PSS142	500/690 V	2	PSFA-115	1SFA899015R1115	1	0.250
PSS175 ... PSS300	500/690 V	4	PSFA-115	1SFA899015R1115	1	0.250
PST30 ... PST72	500/690 V	2	PSFA-024	1SFA899015R7024	1	0.020
PST85 ... PST142	500/690 V	2	PSFA-224	1SFA899015R7224	1	0.020
PST175 ... PST300	500/690 V	4	PSFA-224	1SFA899015R7224	1	0.020
PSTB370... PSTB1050	500/690 V	3	PSFA-224	1SFA899015R7224	1	0.020





PSBH-1, 2, PSTBH-1, 2

#### Upper barholders including terminals

For softstarter type	Pcs/ unit	Type	Code	Pkg qty	Weight (1 pce) kg
PSS85 ... PSS142	1	PSBH-1	1SFA899030R1001	1	0.300
PSS175 ... PSS300	1	PSBH-2	1SFA899030R1002	1	0.700
PST85 ... PST142	1	PSTBH-1	1SFA899031R1001	1	0.700
PST175 ... PST300	1	PSTBH-2	1SFA899031R1002	1	1.130
PSTB370 ... PSTB470 *	1	PSTBH-3	1SFA899031R1003	1	1.000
PSTB570... PSTB1050 *	1	PSTBH-4	1SFA899031R1004	1	1.200

\* No terminal included



PSBH-1, 2, PSTBH-1, 2

#### Lower barholders including terminals

For softstarter type	Pcs/ unit	Type	Code	Pkg qty	Weight (1 pce) kg
PSS85 ... PSS142	1	PSBH-1	1SFA899030R1001	1	0.500
PSS175 ... PSS300	1	PSBH-2	1SFA899030R1002	1	0.700
PST85 ... PST142	1	PSBH-1	1SFA899030R1001	1	0.500
PST175 ... PST300	1	PSBH-2	1SFA899030R1002	1	0.700
PSTB370 ... PSTB470 *	1	PSTBH-3	1SFA899031R1003	1	1.000
PSTB570 ... PSTB1050 *	1	PSTBH-4	1SFA899031R1004	1	1.200

\* No terminal included



PSTLS, RS, MS

#### Stays

For softstarter type	Pcs/ unit	Type	Code	Pkg qty	Weight (1 pce) kg
PSTB370 ... PSTB470	1	PSTLS-1	1SFA899032R1001	1	0.200
	1	PSTRS-1	1SFA899032R1002	1	0.200
	1	PSTMS-1	1SFA899032R1003	1	0.200
PSTB570 ... PSTB1050	1	PSTLS-2	1SFA899032R1004	1	0.300
	1	PSTRS-2	1SFA899032R1005	1	0.300
	1	PSTMS-2	1SFA899032R1006	1	0.300

# Spare parts for softstarters



PSBP

## Bypass relay and contactor

For softstarter type	Pcs/unit	Type	Code	Pkg qty	Weight (1 pce) kg
PSE18 ... PSE105	2	PSBP-120	1SFA899201R1120	2	0.170
PSE142 ... PSE170	1	PSBP-200	1SFA899201R1200	1	0.330
PSE210 ... PSE370	2	AF110-30-00	1SFL457001R7000	1	2.100



PSECA

## USB-cable for SoftstarterCare

For softstarter type	Pcs/unit	Type	Code	Pkg qty	Weight (1 pce) kg
PSE18 ... PSE370	1	PSECA	1SFA897201R1001	1	0.130

## Display

For softstarter type	Pcs/unit	Type	Code	Pkg qty	Weight (1 pce) kg
PST30 ... PST300	1	PSDP-1	1SFA899017R1000	1	0.040
PSTB370 ... PSTB1050					



PSDP-1

## Keypad

For softstarter type	Pcs/unit	Type	Code	Pkg qty	Weight (1 pce) kg
PST30 ... PST300	1	PSKP-1	1SFA899018R1000	1	0.010
PSTB370 ... PSTB1050					

## PST(B) cover

For softstarter type	Pcs/unit	Type	Code	Pkg qty	Weight (1 pce) kg
PST(B)	1	PSTC-1	1SFA899040R1001	1	0.136

Softstarter type code needs to be included with the order in the special handling text.



PSTC-1

**SCR <sup>1)</sup>, PSE**

For softstarter type	Pcs/ unit	Type	Code	Pkg qty	Weight (1 pce) kg
PSE18	2	PSTHM-26/16	1SFA899210R1026	1	0.090
PSE25	2	PSTHM-26/16	1SFA899210R1026	1	0.090
PSE30	2	PSTHM-44/16	1SFA899210R1044	1	0.090
PSE37	2	PSTHM-44/16	1SFA899210R1044	1	0.090
PSE45	2	PSTHM-56/16	1SFA899210R1056	1	0.090
PSE60	2	PSTHM-95/16	1SFA899210R1095	1	0.090
PSE72	2	PSTHM-95/16	1SFA899210R1095	1	0.090
PSE85	2	PSTHM-132/16	1SFA899210R1132	1	0.125
PSE105	2	PSTHM-162/16	1SFA899210R1162	1	0.125
PSE142	2	PSTHM-162/16	1SFA899210R1162	1	0.125
PSE170	2	PSTHM-200/16	1SFA899210R1200	1	0.125
PSE210	2	PSTHM-312/16	1SFA899210R1312	1	0.750
PSE250	2	PSTHM-501/16	1SFA899210R1501	1	1.500
PSE300	2	PSTHM-501/16	1SFA899210R1501	1	1.500
PSE370	2	PSTHM-501/16	1SFA899210R1501	1	1.500



PSTM

**SCR <sup>1)</sup>, PSS**

For softstarter type	Main Voltage	Pcs/ unit	Type	Code	Pkg qty	Weight (1 pce) kg
PSS18	<= 600 V	3	PSTM-27/16	1SFA899010R1027	1	0.100
PSS30	<= 600 V	3	PSTM-42/16	1SFA899010R1042	1	0.100
PSS37	<= 600 V	3	PSTM-57/16	1SFA899010R1057	1	0.100
PSS44	<= 600 V	3	PSTM-92/16	1SFA899010R1092	1	0.100
PSS50	<= 600 V	3	PSTM-92/16	1SFA899010R1092	1	0.100
PSS60	<= 600 V	3	PSTM-132/16	1SFA899010R1132	1	0.250
PSS72	<= 600 V	3	PSTM-172/16	1SFA899010R1172	1	0.250
PSS85	<= 600 V	3	PSTM-172/16	1SFA899010R1172	1	0.250
PSS105	<= 600 V	3	PSTM-210/16	1SFA899010R1210	1	0.940
PSS142	<= 600 V	3	PSTM-250/16	1SFA899010R1250	1	0.940
PSS175	<= 600 V	3	PSTM-250/16	1SFA899010R1250	1	0.940
PSS250	<= 600 V	3	PSTM-500/16	1SFA899010R1500	1	1.420
PSS300	<= 600 V	3	PSTM-500/16	1SFA899010R1500	1	1.420
PSS18	<= 690 V	3	PSTM-27/18	1SFA899011R1027	1	0.100
PSS30	<= 690 V	3	PSTM-42/18	1SFA899011R1042	1	0.100
PSS37	<= 690 V	3	PSTM-57/18	1SFA899011R1057	1	0.100
PSS44	<= 690 V	3	PSTM-92/18	1SFA899011R1092	1	0.100
PSS50	<= 690 V	3	PSTM-92/18	1SFA899011R1092	1	0.100
PSS60	<= 690 V	3	PSTM-132/18	1SFA899011R1132	1	0.250
PSS72	<= 690 V	3	PSTM-172/18	1SFA899011R1172	1	0.250
PSS85	<= 690 V	3	PSTM-172/18	1SFA899011R1172	1	0.250
PSS105	<= 690 V	3	PSTM-210/18	1SFA899011R1210	1	0.940
PSS142	<= 690 V	3	PSTM-250/18	1SFA899011R1250	1	0.940
PSS175	<= 690 V	3	PSTM-250/18	1SFA899011R1250	1	0.940
PSS250	<= 690 V	3	PSTM-500/18	1SFA899011R1500	1	1.420
PSS300	<= 690 V	3	PSTM-500/18	1SFA899011R1500	1	1.420

1) SCR: Silicon Controlled Rectifier.

# Spare parts for softstarters



PSTM



PSTM

## SCR <sup>1)</sup>, PST and PSTX

For softstarter type	Main Voltage	Pcs/ unit	Type	Code	Pkg qty	Weight (1 pce) kg
PST30	<= 600 V	3	PSTM-42/16	1SFA899010R1042	1	0.100
PST37	<= 600 V	3	PSTM-57/16	1SFA899010R1057	1	0.100
PST44	<= 600 V	3	PSTM-92/16	1SFA899010R1092	1	0.100
PST50	<= 600 V	3	PSTM-92/16	1SFA899010R1092	1	0.100
PST60	<= 600 V	3	PSTM-132/16	1SFA899010R1132	1	0.250
PST72	<= 600 V	3	PSTM-172/16	1SFA899010R1172	1	0.250
PST85	<= 600 V	3	PSTM-172/16	1SFA899010R1172	1	0.250
PST105	<= 600 V	3	PSTM-210/16	1SFA899010R1210	1	0.940
PST142	<= 600 V	3	PSTM-250/16	1SFA899010R1250	1	0.940
PST175	<= 600 V	3	PSTM-250/16	1SFA899010R1250	1	0.940
PST210	<= 600 V	3	PSTM-330/16	1SFA899010R1330	1	0.750
PST250	<= 600 V	3	PSTM-500/16	1SFA899010R1500	1	1.420
PST300	<= 600 V	3	PSTM-500/16	1SFA899010R1500	1	1.420
PSTX30	<= 600 V	3	PSTHM-44/16	1SFA899210R1044	1	0.250
PSTX37	<= 600 V	3	PSTHM-56/16	1SFA899210R1056	1	0.250
PSTX45, 60	<= 600 V	3	PSTHM-95/16	1SFA899210R1095	1	0.250
PSTX72, 85	<= 600 V	3	PSTHM-132/16	1SFA899210R1132	1	0.330
PSTX105	<= 600 V	3	PSTHM-162/16	1SFA899210R1162	1	0.330
PSTX142	<= 600 V	3	PSTHM-200/16	1SFA899210R1200	1	0.330
PSTX170, 210	<= 600 V	3	PSTHM-312/16	1SFA899210R1312	1	0.840
PSTX250, 300, 370	<= 600 V	3	PSTHM-501/16	1SFA899210R1501	1	1.500
PST30	<= 690 V	3	PSTM-42/18	1SFA899011R1042	1	0.100
PST37	<= 690 V	3	PSTM-57/18	1SFA899011R1057	1	0.100
PST44	<= 690 V	3	PSTM-92/18	1SFA899011R1092	1	0.100
PST50	<= 690 V	3	PSTM-92/18	1SFA899011R1092	1	0.100
PST60	<= 690 V	3	PSTM-132/18	1SFA899011R1132	1	0.250
PST72	<= 690 V	3	PSTM-172/18	1SFA899011R1172	1	0.250
PST85	<= 690 V	3	PSTM-172/18	1SFA899011R1172	1	0.250
PST105	<= 690 V	3	PSTM-210/18	1SFA899011R1210	1	0.940
PST142	<= 690 V	3	PSTM-250/18	1SFA899011R1250	1	0.940
PST175	<= 690 V	3	PSTM-250/18	1SFA899011R1250	1	0.940
PST210	<= 690 V	3	PSTM-330/18	1SFA899011R1330	1	0.750
PST250	<= 690 V	3	PSTM-500/18	1SFA899011R1500	1	1.420
PST300	<= 690 V	3	PSTM-500/18	1SFA899011R1500	1	1.420
PSTX30	<= 690 V	3	PSTHM-44/18	1SFA899311R1044	1	0.250
PSTX37	<= 690 V	3	PSTHM-56/18	1SFA899311R1056	1	0.250
PSTX45, 60	<= 690 V	3	PSTHM-95/18	1SFA899311R1095	1	0.250
PSTX72, 85	<= 690 V	3	PSTHM-132/18	1SFA899311R1132	1	0.330
PSTX105	<= 690 V	3	PSTHM-162/18	1SFA899311R1162	1	0.330
PSTX142	<= 690 V	3	PSTHM-200/18	1SFA899311R1200	1	0.330
PSTX170, 210	<= 690 V	3	PSTHM-312/18	1SFA899311R1312	1	0.840
PSTX250, 300, 370	<= 690 V	3	PSTHM-501/18	1SFA899311R1501	1	1.500

1) SCR: Silicon Controlled Rectifier.



PSTP

### SCR <sup>1)</sup>, PSTB

For softstarter type	Main Voltage	Pcs/ unit	Type	Code	Pkg qty	Weight (1 pce) kg
PSTB370	<= 600 V	6	PSTP-280/16	1SFA899008R1280	1	0.090
PSTB470	<= 600 V	6	PSTP-960/18	1SFA899008R1960	1	0.340
PSTB570 <sup>2)</sup>	<= 600 V	6	PSTP-540/16	1SFA899008R1540	1	0.510
PSTB720	<= 600 V	6	PSTP-540/16	1SFA899008R1540	1	0.510
PSTB840	<= 600 V	6	PSTP-600/16	1SFA899008R1600	1	0.510
PSTB1050	<= 600 V	6	PSTP-990/16	1SFA899008R1990	1	1.000
PSTB370	<= 690 V	6	PSTP-280/18	1SFA899009R1280	1	0.090
PSTB470	<= 690 V	6	PSTP-960/18	1SFA899008R1960	1	0.340
PSTB570 <sup>3)</sup>	<= 690 V	6	PSTP-540/18	1SFA899009R1540	1	0.510
PSTB720	<= 690 V	6	PSTP-540/18	1SFA899009R1540	1	0.510
PSTB840	<= 690 V	6	PSTP-760/18	1SFA899009R1760	1	1.000
PSTB1050	<= 690 V	6	PSTP-1400/18	1SFA899009R2400	1	1.700

2) Shall be used for PSTB570-600 manufactured after Serial number: 1S160100115411189.

3) Shall be used for PSTB570-690 manufactured after Serial number: 1S160100115211256.

### SCR <sup>1)</sup> clamp upgrade kit

For softstarter type	Main Voltage	Pcs/ unit	Type	Code	Pkg qty	Weight (1 pce) kg
PSTB570 <sup>2)</sup>	600 V	6	PSTPK-540/16	1SFA899108R1540	6	3.353
PSTB570 <sup>3)</sup>	690 V	6	PSTPK-540/18	1SFA899109R1540	6	3.341

2) Shall be used for PSTB570-600 manufactured before Serial number: 1S160100115411189.

3) Shall be used for PSTB570-690 manufactured before Serial number: 1S160100115211256.

### Kit for changing SCR <sup>1)</sup>

Heat transfer compound

For softstarter type	Remark	Type	Code	Pkg qty	Weight (1 pce) kg
PSE18...370	Sufficient for replacing 10 thyristor blocks	PSPB-1	1SFA899012R1001		0.050
PSS18...300	Sufficient for replacing 10 thyristor blocks	PSPB-1	1SFA899012R1001		0.05
PST30...300	Sufficient for replacing 10 thyristor blocks	PSPB-1	1SFA899012R1001		0.050
PSTB370...1050	Sufficient for replacing 20 thyristor disc	PSPB-2	1SFA899012R1002		0.050

1) SCR: Silicon Controlled Rectifier.

# Spare parts for softstarters

Semiconductor fuses type Bussmann, PSS, PST and PSTB										
Softstarter	Fuses									
For Softstarter type	Main Voltage (V)	Pcs/ soft-starter unit	Rating current A	Type	Code	Bussmann Type	Holder Type		Pkg qty	Weight (1 pce) kg
PSS18	500/690	3	50	PSFU-50	1SFA899005R1364	170M1364	1		1	0.140
PSS30	500/690	3	80	PSFU-80	1SFA899005R1366	170M1366	1		1	0.140
PSS37	500/690	3	125	PSFU-125	1SFA899005R1368	170M1368	1		1	0.140
PSS44	500/690	3	160	PSFU-160	1SFA899005R1369	170M1369	1		1	0.140
PSS50	500/690	3	160	PSFU-160	1SFA899005R1369	170M1369	1		1	0.140
PSS60	500/690	3	200	PSFU-200	1SFA899005R1370	170M1370	1		1	0.140
PSS72	500/690	3	250	PSFU-250	1SFA899005R1371	170M1371	1		1	0.140
PSS85	500/690	3	315	PSFU-315	1SFA899005R1372	170M1372	1		1	0.140
PSS105	500/690	3	400	PSFU-400	1SFA899005R3019	170M3019	2		1	0.300
PSS142	500/690	3	450	PSFU-450	1SFA899005R3020	170M3020	2		1	0.300
PSS175	500/690	3	500	PSFU-500	1SFA899005R3021	170M3021	2		1	0.300
PSS250	500/690	3	700	PSFU-700	1SFA899005R5013	170M5013	2		1	0.600
PSS300	500/690	3	900	PSFU-900	1SFA899005R5015	170M5015	2		1	0.600
PST30	600/690	3	80	PSFU-80	1SFA899005R1366	170M1366	1		1	0.140
PST37	600/690	3	125	PSFU-125	1SFA899005R1368	170M1368	1		1	0.140
PST44	600/690	3	160	PSFU-160	1SFA899005R1369	170M1369	1		1	0.140
PST50	600/690	3	160	PSFU-160	1SFA899005R1369	170M1369	1		1	0.140
PST60	600/690	3	200	PSFU-200	1SFA899005R1370	170M1370	1		1	0.140
PST72	600/690	3	250	PSFU-250	1SFA899005R1371	170M1371	1		1	0.140
PST85	600/690	3	315	PSFU-315	1SFA899005R1372	170M1372	1		1	0.140
PST105	600/690	3	400	PSFU-400	1SFA899005R3019	170M3019	2		1	0.140
PST142	600/690	3	450	PSFU-450	1SFA899005R3020	170M3020	2		1	0.300
PST175	600/690	3	500	PSFU-500	1SFA899005R3021	170M3021	2		1	0.300
PST210	600/690	3	630	PSFU-630	1SFA899005R5012	170M5012	2		1	0.300
PST250	600/690	3	700	PSFU-700	1SFA899005R5013	170M5013	2		1	0.600
PST300	600/690	3	900	PSFU-900	1SFA899005R5015	170M5015	2		1	0.600
PSTB370	600/690	3	700	PSFU-700	1SFA899005R5013	170M5013	2		1	0.600
PSTB470	600/690	3	900	PSFU-900	1SFA899005R5015	170M5015	2		1	0.600
PSTB570	600/690	3	900	PSFU-900	1SFA899005R5015	170M5015	2		1	0.600
PSTB720	600/690	3	1250	PSFU-1250	1SFA899005R5018	170M5018	2		1	0.600
PSTB840	600/690	3	1500	PSFU-1500	1SFA899005R6018	170M6018	2		1	0.830
PSTB1050	600	3	1800	PSFU-1800	1SFA899005R6020	170M6020	2		1	0.830
PSTB1050	690	3	1600	PSFU1600	1SFA899005R6019	170M6019	2		1	0.830

Fuse holders							
Holders type	Pcs / softstarter unit	Type	Code	Bussmann type		Pkg qty	Weight (1 pce) kg
1	3	PSFH-1	1SFA899006R1007	170H1007		1	0.240
2	3	PSRH-2	1SFA899006R3004	170H3004		1	1.420



PSCT

**Current transformers, PSS, PST and PSTB**

For softstarter type	Current transf. pcs / softstarter unit	Ratio	Type	Code	Pkg qty	Weight (1 pce) kg
PSS18	1	30/1	PSCT-30	1SFA 899001R1030	1	0.200
PSS30	1	40/1	PSCT-40	1SFA 899001R1040	1	0.200
PSS37	1	50/1	PSCT-50	1SFA 899001R1050	1	0.200
PSS44	1	60/1	PSCT-60	1SFA 899001R1060	1	0.200
PSS50	1	75/1	PSCT-75	1SFA 899001R1075	1	0.200
PSS60	1	75/1	PSCT-75	1SFA 899001R1075	1	0.200
PSS72	1	100/1	PSCT-100	1SFA 899001R1100	1	0.150
PSS85	1	125/1	PSCT-125	1SFA 899001R1125	1	0.150
PSS105	1	150/1	PSCT-150	1SFA 899001R1150	1	0.150
PSS142	1	200/1	PSCT-200	1SFA 899001R1200	1	0.250
PSS175	1	250/1	PSCT-250	1SFA 899001R1250	1	0.250
PSS250	1	400/1	PSCT-400	1SFA 899001R1400	1	0.200
PSS300	1	400/1	PSCT-400	1SFA 899001R1400	1	0.200
PST30	3	30/1	PSCT-30	1SFA 899001R1030	1	0.200
PST37	3	40/1	PSCT-40	1SFA 899001R1040	1	0.200
PST44	3	50/1	PSCT-50	1SFA 899001R1050	1	0.200
PST50	3	50/1	PSCT-50	1SFA 899001R1050	1	0.200
PST60	3	60/1	PSCT-60	1SFA 899001R1060	1	0.200
PST72	3	75/1	PSCT-75	1SFA 899001R1075	1	0.200
PST85	3	100/1	PSCT-100	1SFA 899001R1100	1	0.150
PST105	3	125/1	PSCT-125	1SFA 899001R1125	1	0.150
PST142	3	150/1	PSCT-150	1SFA 899001R1150	1	0.150
PST175	3	200/1	PSCT-200	1SFA 899001R1200	1	0.250
PST210	3	250/1	PSCT-250	1SFA 899001R1250	1	0.250
PST250	3	250/1	PSCT-250	1SFA 899001R1250	1	0.250
PST300	3	300/1	PSCT-300	1SFA 899001R1300	1	0.300
PSTB370	3	400/1	PSCT-400	1SFA 899001R1400	1	0.200
PSTB470	3	500/1	PSCT-500	1SFA 899001R1500	1	0.300
PSTB570	3	600/1	PSCT-600	1SFA 899001R1600	1	0.300
PSTB720	3	750/1	PSCT-750	1SFA 899001R1750	1	0.300
PSTB840	3	1000/1	PSCT-1000	1SFA 899001R2000	1	0.300
PSTB1050	3	1200/1	PSCT-1200	1SFA 899001R2200	1	0.300

# Spare parts for arc guard

## Arc monitor - Detectors

Arc monitor				
For power supply voltage	Type	Code	Pkg qty	Weight (1 pce) kg
60...220 V, DC or 60...240 V, 50/60 Hz		1SFA663001R1001		1.680
24...48 V, DC		1SFA663001R1002		1.680

Arc monitor - simplified version				
For power supply voltage	Type	Code	Pkg qty	Weight (1 pce) kg
60...220 V, DC or 60...240 V, 50/60 Hz		1SFA663001R1003		
24...48 V, DC		1SFA663001R1004		

Detectors with optical cable of plastic fibre				
Cable length	Type	Code	Pkg qty	Weight (1 pce) kg
1 m		1SFA663003R1010		0.020
2 m		1SFA663003R1020		0.020
4 m		1SFA663003R1040		0.040
6 m		1SFA663003R1060		0.060
8 m		1SFA663003R1080		0.080
10 m		1SFA663003R1100		0.100
15 m		1SFA663003R1150		0.150
20 m		1SFA663003R1200		0.200
25 m		1SFA663003R1250		0.200
30 m		1SFA663003R1300		0.300
other lengths on request				



# Spare parts for arc guard

## Accessories

Optical cables				
Cable length		Code	Pkg qty	Weight (1 pce) kg
0.5 m		1SFA663004R1000		0.010
1 m		1SFA663004R1010		0.010
2 m		1SFA663004R1020		0.020
4 m		1SFA663004R1040		0.040
6 m		1SFA663004R1060		0.060
8 m		1SFA663004R1080		0.080
10 m		1SFA663004R1100		0.100
15 m		1SFA663004R1150		0.150
20 m		1SFA663004R1200		0.200
25 m		1SFA663004R1250		0.250
30 m		1SFA663004R1300		0.300

Mounting bracket set				
		Code	Pkg qty	Weight (1 pce) kg
One set including 5 pcs of bracket and 10 pcs of cable strap		1SFA663006R1010		0.250

Mounting kit				
		Code	Pkg qty	Weight (1 pce) kg
600 mm		1SFA663006R1001		0.350
800/1000 mm		1SFA663006R1002		0.600

Label				
		Code	Pkg qty	Weight (1 pce) kg
One set including 10 pcs		1SFA663005R1001		0.020

Flush mounting set				
		Code	Pkg qty	Weight (1 pce) kg
Consisting of mounting bracket, gasket and screws		1SFA663006R1015		0.530

# Contacts

## **ABB SACE**

**A division of ABB S.p.A.**

Via Pescaria, 5

24123 Bergamo

Phone: +39 035 395.111

Fax: +39 035 395.306-433

**[www.abb.com](http://www.abb.com)**

**[www.abb.com/service](http://www.abb.com/service)**

The data and illustrations are not binding.  
We reserve the right to make changes in the  
course of technical development of the product.

Copyright 2016 ABB.  
All rights reserved.

1SDC001007D0203 - 2016.01