

# RADIO GUIDE

BULK RATE  
U.S. POSTAGE  
PAID  
ROCHESTER, MN  
PERMIT 445

Address Correction Requested

A Forum for Radio Engineers  
Ray Topp Editor/Publisher (507) 280-9668

June 1989

Volume 2 - Issue 6

Copyright 1989 - Rochester Radio

511 18th Street SE

Rochester, MN 55904

## Check Your Files

How many of us have worked endless hours on a piece of gear, only to find that there had been a manufacturer's tech-note or update sheet released on that very same problem? It happens a lot!

For whatever reasons, the information is not getting to many of the people who need it. Most manufacturer's tech-notes do get distributed, but the distribution is, many times, limited to only the people whom the manufacturer believes has their gear. What with the exchange of used equipment and the turn-over of station engineering personnel (not to mention the emergence of a large number of contract engineers), getting the tech-notes and equipment updates into the hands of the appropriate person is not an easy job.

I will offer space in the Radio Guide for publication of any tech-notes and updates regarding any piece of gear, that you may have. This will allow those of you who would like to contribute to the Radio Guide, a way to do so without having to actually write an article. Sooner or later I know you will write an article. But for now, submitting any equipment tech-notes and update information, that you have in your files, can be a initial step.

I would suppose that much of this information has a copyright of sorts, so I will run it past the original manufacturer just to keep things straight. This will also help to eliminate any mis-information regarding older equipment updates that may have been updated themselves. Why do I ask station engineers, rather than manufacturers, for this information? The Radio Guide is a Broadcast Engineers forum, and any published technical information will always be submitted from engineers themselves.

I would hope that manufacturers would welcome this opportunity to allow their tech tips, modifications and equipment updates, to be disseminated to all broadcast stations in the country. Every engineer I have talked with, has said the same thing - equipment problems are not the problem! The trouble is not being able to find the already existing information on a specific piece of gear.

So dig into your files and send in those pieces of paper. Maybe we can all save a few late night hours in the process.

## How Important Is It?

Thanks to all of you who have sent in technical tips and articles. I have received numerous calls from engineers, thankful for the information. Complicated or simple - - someone, somewhere, will always find a use for it.

It's not important that you try to analyze the appropriateness of your articles. What is important, is that you send them in. Radio Guide does not have a staff of writers nor does it have a large backlog of articles for publication. That's the way it started and that's the way it will continue. I need information from people actually working in the field. It's the only way that I can be sure that the Radio Guide serves its readers.

We do pay, anywhere from \$5 to \$30 for tips and articles, so you may want to keep that in mind. As long as you are willing to contribute to the success of Radio Guide, it seems only fair that you should get more than a pat on the back. You won't get rich, but your technical information will get published! Fair enough?

I would like to establish and continue a section in the Radio Guide, that deals with technical help wanted. If you have a question regarding a technical problem, a troublesome project or just can't find a part for a Collins 300G, let me know and we'll publish it in the Radio Guide. You will be amazed at the response you'll get. Put your ego in your back pocket and give it a try. Your job is to fix equipment - - no one ever said you had to know it all!

## In This Issue . . .

- Page 2 Harris FM-20H3 Tip  
Revov PR-99 MKII Capstan Motor Lube
- Page 3 Automatic EBS Message Recording
- Page 4 Control Ladder Testing
- Page 6 Consumer CD Interfacing
- Page 7 Solid-State RF Ammeter Replacement
- Page 8 Tone Oscillator Circuit
- Page 9 Auditronics 218 Console Fix  
Low Cost STL Filter
- Page 10 Open Delta Three-Phase
- Page 11 Tech Manuals are Available
- Page 12 Transmitter Soft Start  
ITC 3D Part Tip  
Telco Tip



**You receive an important extra with every quality TTC transmitter...**



We're there with Total Support if you need us. Our 24-hour Total Support Hot Line lets you call for technical, engineering, or maintenance support at any time. All our transmitters and translators are made with strict attention to quality control.

Get to know TTC and our full line of AM and FM Transmitters, made in the U.S.A.—FM from 10 Watts to 40,000 Watts, AM from 500 Watts to 50,000 Watts. For more information, call TTC: Television Technology Corporation (303) 665-8000 • FAX: (303) 673-9900

**The Quality is TTC**

**TTC TOTAL SUPPORT**

# Harris FM-20H3 Tips

By Charles Benner - WUSL  
Philadelphia, Pennsylvania  
(215) 483-8900

First, if anyone has replaced the TE-3 exciter with a BE FX-30 and was not totally content with the VSWR as read on the FX-30 reflected power meter, may I suggest the following:

Replaced the 2200 pF capacitor and pair of 22 ohm resistors at the IPA input stage (C22,R63,R64).

Make up your cable between exciter and IPA as short as possible, using Belden 9914 coax cable.

The final step is to get the strap placement correct on the IPA input (very simply, un-solder the bus wire and slide it up or down for the best exciter loading). Generally you can get the VSWR very low at this point. Then when you have tuned the IPA grid for the lowest VSWR, put the box back into the antenna and made your final IPA grid adjustment, you may just find what I did. The VSWR is so low that it is not readable on the FX-30 meter. Don't settle for higher VSWR than you have to have.

Second, concerning the FM-20H3, I have had several occasions where the transmitter would just dump for no reason. It could always be turned back on and run for another week or a month - - only to dump again. After much heartache and grey hair, I narrowed it down to the contacts on K1 (the filament contactor). All the contacts would look to be making perfect contact, but the only way the problem was solved was to replace the contactor. I have replaced this contactor on two different occasions during the last four years. I do not know why replacing it works, but it always has for me. I have gone for 14 months, now, without the transmitter dumping, but I suspect it may start again. If it does, I will simply replace K1 to afford myself another year of peace.

## Revox PR-99 MKII Capstan Motor Lubrication

By Tim McCartney - KBSU  
Boise, Idaho

KBSU's Revox PR-99 MKII reel-to-reel deck intermittently slowed down during normal record and playback.

The pinch roller and capstan were not slipping. A check of the capstan motor servo circuitry indicated abnormal readings during the slowdowns. Thus, it seemed logical to troubleshoot that circuit board.

However, the customer service people at Revox recognized this problem as mechanical, not electronic. When the capstan motor itself resists normal movement, electronics readings become invalid. So, the manufacturers analysis was that the capstan motor shaft required lubrication.

The procedure is to release the clip from the back of the motor, remove the cover, and pull the shaft out from the front of the deck. Close inspection reveals three 1/4-inch felt oil washers; the more easily identified washers are located adjacent to two more visible bronze bearings. An eye dropper filled with 30-weight oil is recommended for saturation of each felt washer. After re-assembly, KBSU's motor returned to a reliable speed.

Another clue to the problem was excess resistance while rotating the motor cover; after lubrication, this resistance was greatly reduced. Such advice is not, however, found in Revox's operating manual or set of schematics.

KBSU's deck had been in constant service for 2 1/2 years when the problem surfaced. Now, the station's other two PR-99s have been lubricated in anticipation of the same problem occurring.

If we're doing alright, let us know. If we're not serving your needs, let us know that too - - and at the same time be sure and tell us what you think needs correction, modification or expansion.

## SERIES VI — A SOUND DECISION!

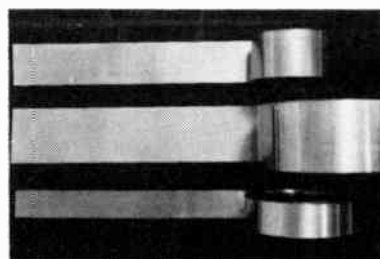


**SERIES VI Broadcast Audio consoles** are completely modular with a new low profile appearance and new features. Mainframe sizes of 8, 12, 16, 20, and 24 mixers are available. An LED clock/timer, peak level indicators, headphone EQ, monitor "dim", and 3 stereo, plus 1 mono mixing bus, are standard (except for the 8 mixer model). A 5-frequency EQ mixer and equalized Aux Send module are optional. All mixers have mic/line inputs. Double-sided ground plane motherboards are used for RFI rejection, and lowest possible noise and crosstalk. There are no VCA's or ribbon cable audio conductors.

These great sounding consoles are ideal for use with CD's, which require a wider audio bandwidth, to fully exploit their spectacular transient response. Call or write for our new brochure. **SERIES VI - A SOUND DECISION!**

**BROADCAST  
AUDIO CORPORATION**

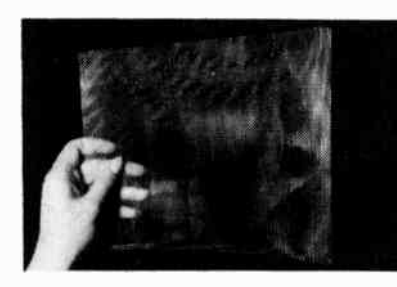
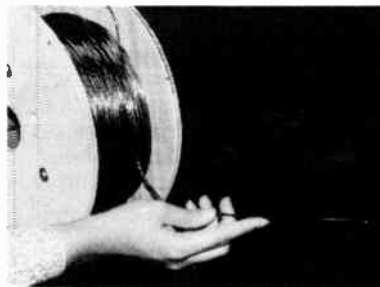
11306 SUNCO DRIVE  
RANCHO CORDOVA, CA 95742  
(916) 635-1048



MENTION THIS AD AND SAVE

# 10%

ON ALL COPPER PRODUCTS FOR  
RF CONSTRUCTION



It's construction time. We want to help! Now thru July 28, 1989, enjoy 10% savings on 2, 3, 4, 6 and 8 inch strap, counterpoise mesh, flyscreen and #10 soft drawn wire.

800-622-0022

ATLANTA CHICAGO DALLAS  
LOS ANGELES RICHMOND

**ALLIED**  
Broadcast Equipment  
— A HARRIS COMPANY

# Automatic EBS Msg. Recording

By Ronald F. Balonis, CE - WILK  
Wilkes-Barre, Pennsylvania  
717-825-9898

On paper, the Emergency Broadcast system (EBS) is a simple system. But in actual practice it becomes much more complex. At radio stations, it must interface with the usually chaotic broadcasting activities. Within this operational framework the specific 'in-the-rules' EBS procedures must be followed, and the EBS equipment must work for the EBS system to function as planned, flawlessly. Even so, inspite all that can go wrong, at most stations, most of the time, it works, as intended

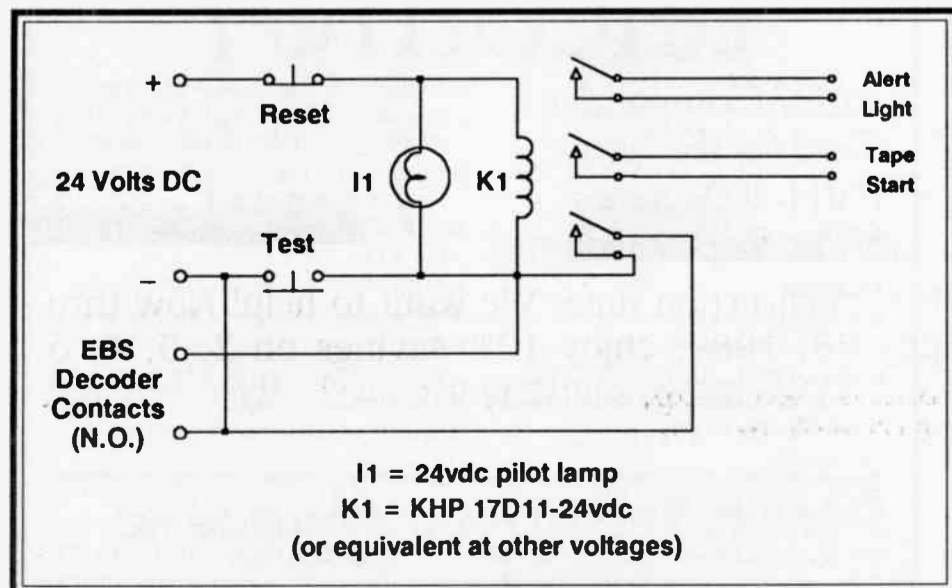
But there are times at every station when the equipment works and everyone knows the procedures and what to do and the system fails because of a 'software' fault: It can fail in the confusing and tense what-to-do moments after the EBS ALERT sounds.

Not accounted for in either the EBS rules and procedures or the EBS equipment is the fact that in the typical radio station, the announcer or operator has many tasks to juggle at the same time. It comes with the job. Waiting around for an EBS ALERT is only one of them. Getting the EBS message taped or written down for re-broadcast, on a drop-everything-else-moment's notice, can be a weak link in the EBS message distribution daisy chain.

The solutions to the problem range from finding fault with the system, the procedures, or the equipment to conflicts about it with the announcers and operators who have the moment-to-moment EBS responsibility. There is, however, a technical solution for this EBS weak-link. That is to set up the EBS equipment so that on an alert, any and all alerts, the EBS DECODER automatically records the EBS messages on a cassette tape recorder. A cassette tape is available to 'back-up' the operator.

The diagram shows an EBS message tape recorder control circuit--one of several ways to accomplish automatic message EBS recording. In this one, the relay electrically latches ON when the EBS decoder detects the two tone Emergency Action Notification (EAN), and it remains ON until manually RESET, even when the EBS decoder has been reset. The tape recorder's (cassette) input connects to a "live all the time" audio point in the EBS receiver, or to another receiver that's tuned to same station. The normally open contacts (NO) of the electrically-latching relay connect to the remote start of the tape recorder (that way the cassette records even when the decoder is reset). The circuit also enables TESTING of the EBS Message tape recorder and the circuit. It's a simple circuit, it can be assembled from almost any combination of junk-box or on-hand parts.

Automatic EBS message recording, however, is not free. In a way it adds another level of complexity to the EBS equipment system of a station: The tape recorder and the control unit must be checked and tested so that they don't also become a weak link. And, there is another button for the announcer or operator to press to RESET the EBS equipment after an alert. But, it is insurance against the weak 'software' EBS message link, and, it provides a recorded record of the weekly EBS tests that are received, so that the reason for the ones that aren't logged can be logically determined.




## WORLD STANDARD IN SOLID STATE FM TRANSMITTERS

**Solid state quality and efficiency.** TTC's new FMS-Series FM Transmitters are available in 1kW, 2kW, 4kW and 8kW models. Broadband, efficient power amplifiers are transparent to the high-spec TTC Exciter.


**Redundant systems for high reliability.** Individual 1000 Watt plug-in amplifiers provide extremely easy service and maintenance. These transmitters remain on the air automatically—even in the unlikely event of a power amplifier failure. Exclusive "fail-on" control circuits keep the transmitter operating should a control circuit fail.

**World-acclaimed TTC Model X Exciter.** The Model X provides truly outstanding performance, with all distortions measuring .01% or less and FM composite signal-to-noise ratio an amazing 90dB down. Frequency response is .05dB from 20Hz to 100kHz for unparalleled loudness and clarity.

Made in U.S.A. For details on our full line of AM and FM transmitters and translators, call TTC: Television Technology Corporation, Phone: (303) 665-8000 FAX: (303) 673-9900

**The Quality is TTC**

- 100% solid state
- Very high efficiency
- Fully automated control
- Superlative specifications
- Integral lightning protection
- Redundant power amplifiers
- Broadband—no tuning required



## CRL SPOTLIGHT

**NEW**

### Converting to the NRSC Standard?

### Want to Improve Coverage of Your Station?

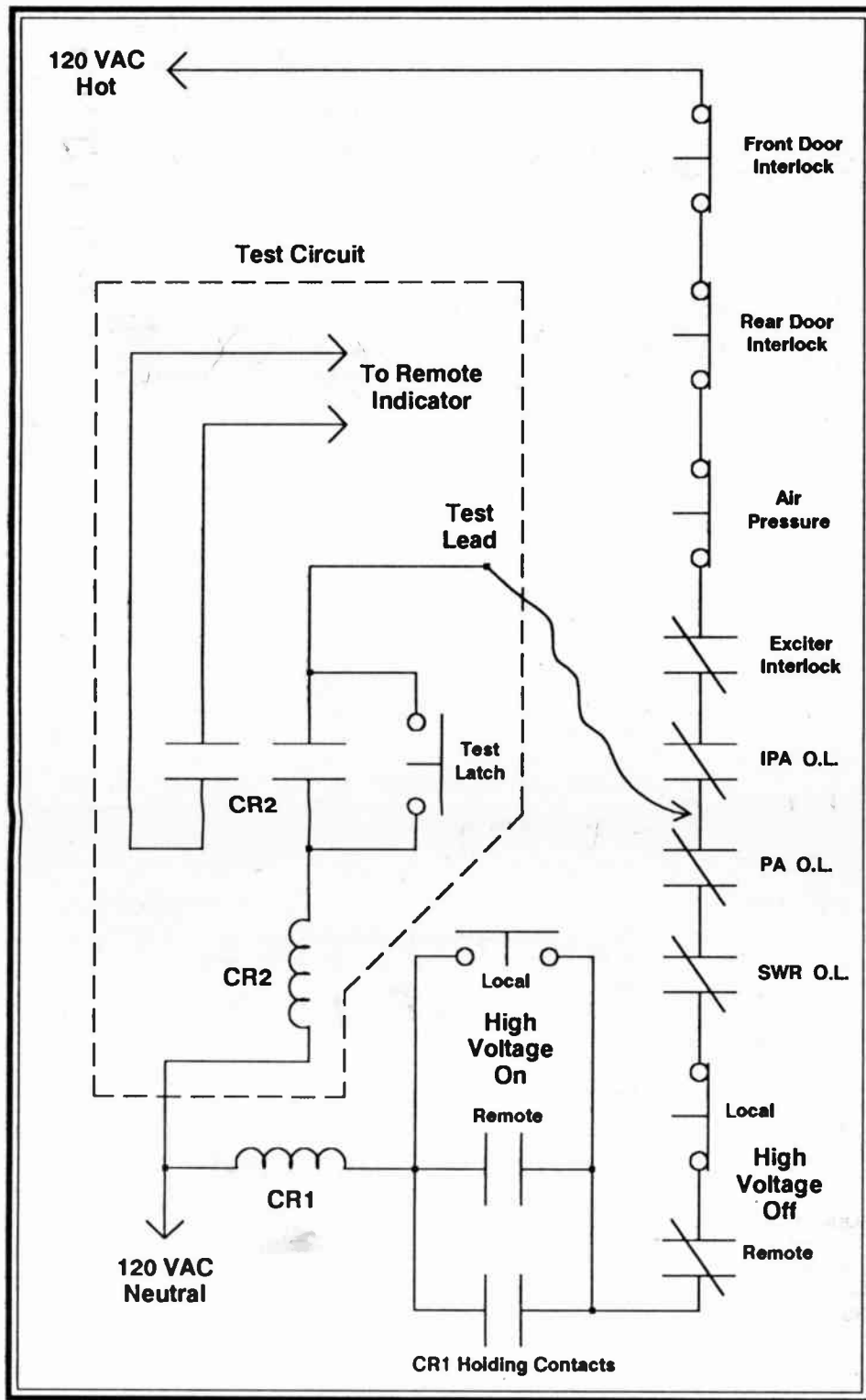
CRL's new PMC 450 AM Limiter is a cost effective way to convert your station to the NRSC standard, and in many cases improve your coverage as well. The PMC 450 consists of a gated input compressor followed by an NRSC compliant tri-band limiter section. An adjustable presence band boost augments vocal clarity and punch. A patented overshoot corrected low-pass filter ensures maximum modulation control. Low frequency tilt correction circuits plus adjustable asymmetry levels assure compatibility with all transmitter types. Suggested retail price is only \$1695. Our two week trial program will prove to you how sound of an investment the PMC 450 is. Call or write us for details.

**CRL SYSTEMS**  
CRL Systems  
2522 West Geneva Drive  
Tempe, Arizona 85282 U.S.A.  
(800) 535-7648 (602) 438-0888  
TELEX: 350464

# Control Ladder Testing

By George R. "Bob" Howe - WBGL  
Champaign, Illinois  
217-359-8232

Your transmitter keeps shutting off due to loss of high voltage. This can be particularly exasperating when it only happens once or twice a day. All you need to do to get it going again is to push the high voltage "on" switch, either remotely or locally. Everything seems to be normal but you suspect that one of the several interlock overload switches that are in series with the high voltage relay is intermittent. How do you prove it quickly and efficiently?



The diagram shown is a typical control voltage schematic for a high voltage circuit. K2 is a 110 VAC relay (preferably one with a neon bulb and resistor in parallel with it's coil) for trouble shooting. I have used the type that plugs into an octal base. It would be best to locate the test relay and latch push-button external to your interlocked transmitter and run the test lead through a wire entry-way. Keep everything isolated and be careful!

With all power disconnected and discharged, connect your test relay at a midway point in the control circuit. Close doors and energize your transmitter. Latch your test relay with the push-button and wait. When your transmitter exhibits the intermittent shut-down problem, all you need to do is see if your test relay is latched or not. If it is, then your intermittent contact is downstream (towards neutral). If it isn't, then your problem is upstream (towards hot). With the power disconnected and discharged, move the test lead to another point in the control circuit chain and go through the procedure again until you isolate your problem. Happy hunting.

# NRSC-2 (?)

There appears to be confusion over the "NRSC-2" spec. Remember: it's not a new, second standard—just another way of looking at the original NRSC "recommendation."



Inovonics' NRSC Audio Processor is an easy and very cost-effective means of implementing the required audio preemphasis and cutoff. Its built-in peak controller and "adaptive" preemphasis work with any existing processing to guarantee compliance with the NRSC-2 specification, assuming a linear and "clean" RF side of the system. Spectrum photos prove this time and again. Now prove to yourself how simple and beneficial NRSC compliance can be.

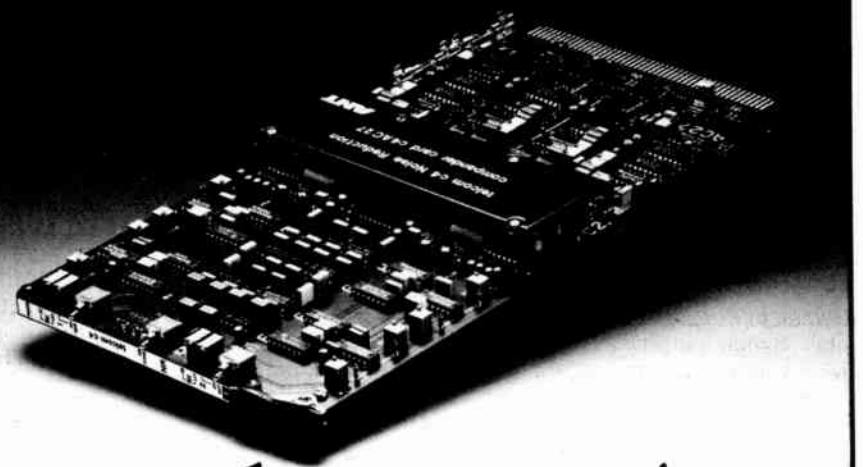
Inovonics' Model 222 - \$590

## Inovonics Inc.

1305 Fair Ave., Santa Cruz, CA 95060  
Phone: (408) 458-0552 - FAX: 458-0554



# SILENCE BY DESIGN.



## telcom c4

AC27 Compander Card for the Sony BVH-2000 Series Video Tape Machines.

### Features:

- A product of ANT Telecommunications, Inc.
- Plugs directly into the AU-27 slot of the BVH-2000/2500 Series 1-inch video tape recorders.
- Improves dynamic range and cross-talk performance offering a recording quality comparable to 16-bit digital.
- Corrects frequency response errors with head bump effects.
- Improves frequency response of the VTR.
- 24dB of noise reduction (telcom c4).
- NR system alignment not necessary.
- Automatically follows record/playback operation of the VTR.
- Remotely controllable.
- On/off switch located on the front.

Distributed by:

**RAM BROADCAST SYSTEMS INC.**  
346 W. Colfax Street, Palatine, IL 60067 • (312) 358-3330 • FAX (312) 358-3577

# 4, 6 & 8 MIXER, SINGLE AND DUAL CHANNEL STEREO, ..... \$1395 TO \$2950!!

The incredible, new **xL SERIES** audio consoles.



xL82S shown

## FIELD PROVEN

The new xL SERIES consoles utilize much of the same high performance technology that has made our audio switchers, DA's, preamps & mixers famous the world over. And, as you are reading this, these new consoles are proving themselves in numerous installations across the country. "No RF problems of any kind"... "Our sound has noticeably improved since installing your boards"... "Our people really enjoy the ease of operation"... "Would recommend your consoles to anyone that asks"... Your console actually tested out better than your spec's".

## NEW TECHNOLOGY LOWERS COSTS

Dramatic new developments in IC technology have enabled us to design these consoles with fewer components and naturally less labor. The end results are not only a significant price reduction and higher performance than previously possible but, in addition, higher reliability.

## MORE BANG FOR THE BUCK

Huge expanded scale, -40dB to +3dB, multi-colored LED VU meters (4" & readable in bright light across the room); Four individual meters on dual channel units; Switch programmable muting on each mixer and input; Nine input selects on the last channel; Mono sum output; Plug-in modules for ease of service; Optional switch programmable remote control start/stop; Remote start/stops use front panel input and output selects or input select and pot up start/ pot down stop; Double shielding for total RFI protection...and as you'll see in the rest of this ad ...much, much more.

## FOR THE SKEPTICS

Anyone can write an ad touting the virtues of their product. Well, we have always felt that we haven't passed muster until you say so. That's why all RAMKO products are shipped on a two week trial basis. You're the final judge. No ifs, ands, or buts! Simply put, if at any time within two weeks of receiving your equipment you are not entirely satisfied, or have just changed your mind, return it in like new condition. Upon verification of condition an immediate refund (less shipping charges) will be issued, for prepayment or C.O.D.s, or your account will be credited if purchased open account. What more could anyone ask? Pricing that will save you hundreds of dollars...Unsurpassed quality & performance...A no risk opportunity to prove to yourself that you get exactly what you want and everything we claim is true. And, everything we manufacture is backed by a **2 year warranty**.

## DON'T DELAY

Call RAMKO RESEARCH direct or your RAMKO dealer for further information or to place your order. You have nothing to lose except perhaps some preconceived notions about how much quality *really* costs.

**TOLL FREE (800)678-1357**  
**FAX (916)635-0907**

# RAMKO RESEARCH

3501 #4 SUNRISE BLVD.  
RANCHO CORDOVA, CA 95742  
(916)635-3600

## FEATURES OVERVIEW:

1. EXPANDED SCALE VU METERS (-40dB to +3dB) multi-colored LED.
2. PLUG-IN SHIELDED INPUT MODULES.
3. MIC/LINE SELECT JUMPERS ON EACH CHANNEL.
4. MONO/STEREO FEED SELECT ON EACH CHANNEL.
5. GAIN SELECT PATCH PANEL ON EACH INPUT.
6. PROGRAMMABLE MUTING SWITCHES ON EACH INPUT.
7. NINE INPUTS ON LAST CHANNEL.
8. 2 WATT CUE AMP.
9. ROCK SOLID, SHORT CIRCUIT PROOF SUPPLY WITH LED INDICATORS.
10. MONITOR SELECT/GAIN CONTROL. Prog1/Prog2/External.
11. PHONES SELECT/GAIN CONTROL. Prog1/Prog2/External/Cue.
12. INTERNAL CUE SPEAKER.
13. VCA CONTROLLED MIXERS.
14. PADDED ARM REST.
15. MONO SUM OUTPUT.
16. PLUG-IN IC'S THROUGHOUT.
17. FOUR INDIVIDUAL PWR. SUPPLIES. Meters, Cue amp., Power amp., Main audio.
18. INSTANT ACCESS. Two,

quarter turn fasteners.

19. ILLUMUNATED 5 MILLION OPERATION IN/OUT SELECT SWITCHES.

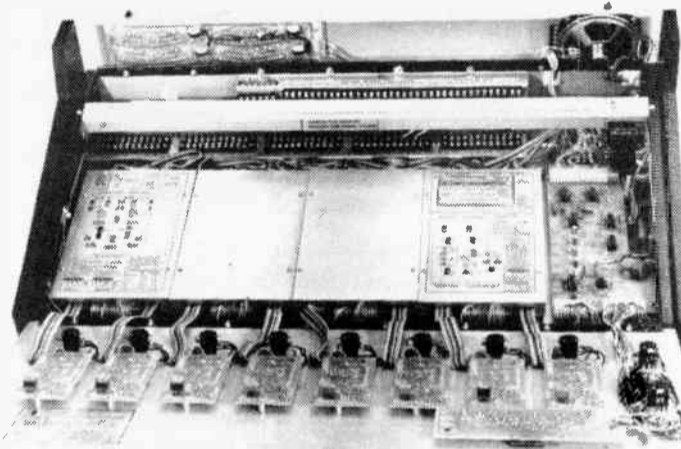
20. HIGH VOLTAGE SOLID STATE AUDIO SWITCHES. Cannot be overdriven nor damaged by overvoltage.

21. EXTERNAL 20 WATT POWER AMP.

22. ON AIR LIGHTS RELAY.

23. REMOTE START/STOP OPTION. Programmable for operation from in/out select switches or mixer pot-up start & mixer pot-down stop.

24. COMPLETE INTERNAL LABELING. All labeling for in's & out's, gain adjusts, programming, levels, etc., is provided internally for easy installation.



## PARTIAL SPECIFICATIONS

**INPUTS:** Two per channel except the last channel which has nine. Balanced bridging 1k ohms in mic mode & 150k ohms high level. Input #1 of each channel programmable mic thru high level. Input #1 of each channel may be strapped for mono or stereo feed.  
**OUTPUTS:** Balanced low impedance, +25dBm max into 600 ohms. May be used balanced or unbalanced. Stereo sum balanced out. Program outputs factory set for +8dBm but may be recalibrated for

any other level.

**METERING:** Expanded scale, 4" solid state tri-color with VU ballistics. 2 each on single channel units & 4 each on dual channel models.

**MONITOR:** Stereo, muted monitor outputs @ +4dBm. External 20 watt stereo amp included. Three position selector for PROG1, PROG2 & EXTERNAL in.

**CUE:** Mono-sum to 2 watt internal amp & speaker and phones. Switch programmable speaker muting.

S/N: Mic level in @ -50dBm & +8dBm

out; -68db. High level @0dBm in & +8dBm out; -75dB (typically -78dB).  
**DIST:** Below noise floor. Typically .009%.

**RESP:** 10Hz-20kHz; ±1dB  
**CROSSTALK:** PROG1 to PROG2; -70DB.

**SIZE:** xL4..19"W x 8.5"H x 17"D.  
xL6..25"W x 8.5"H x 17"D  
xL8..30"W x 8.5"H x 17"D

**POWER:** 115VAC, 50/60HZ, 40W. 230VAC available at additional charge.

**FINISH:** Polyurethane Carbide black, Linear white, Ramko Grey.

## MODELS & LIST PRICES:

xL41S .....\$1395  
4 mixer single channel stereo  
xL42S .....\$1650  
4 mixer dual channel stereo  
xL 61S .....\$1975  
6 mixer single channel stereo  
xL62S .....\$2375  
6 mixer dual channel stereo

xL81S .....\$2650  
8 mixer single channel stereo  
xL82S .....\$2950  
8 mixer dual channel stereo  
RSS4 .....\$225  
Remote start/stop (xL4)  
RSS6/8 .....\$325  
Remote start/stop (x16 & xL8)

LF6 .....Contact factory  
Linear faders; Available 6/89  
LF8 .....Contact factory  
Linear faders; Available 6/89  
PS230B .....\$50  
230VAC power source

# Consumer CD Interfacing

By Jim Turaville - KWOX  
Woodward, Oklahoma  
405-256-4101

There's a lot of interest, in the "bottom line broadcasting" stations (ones that can't afford the fancy new gadgets from NAB), to use the consumer Compact Disc players for on air and production use. The reasoning is (and may not be bad reasoning at that), that for the cost of a fancy "broadcast quality" Compact Disc player that will outlast three or four of the consumer grade decks, you can buy three or four of the consumer decks. Unlike the professional units, you can probably get the sales department to grab them on trade.

The problems come, in interfacing those consumer decks to the broadcast world. I have noticed that someone has finally come out with a basic \$69.00 interface that will bring that high-impedance -10dB, up to a level that the older consoles will accept. Most all of the newer consoles can readily take the high-Z low level inputs, but there are lots of older consoles out there which can't. Even our Auditronics 200 series consoles lack the input gain adjustments to comfortably run those types of equipment without an interface amp.

One solution that may be viable for some stations, is to convert an existing device for that interface amp. I have taken a Shure M64 stereo pre-amp, and changed the input resistors R5 and R6 from 150K to 100K, and dropped a little gain on the front end. Running the amp in the "flat" position, gives good frequency response, clean sound and a +4 dB output. Another solution is to take an old phono pre-amp (after all, you're replacing that turntable with the CD player anyway) and defeat the RIAA equalization. On the Stanton models, and many others, this is available as a front panel switch. Then give it some input padding, to prevent overdriving the unit, and you have an interface to the CD player.

One of the trickiest and handiest things is the remote control of the functions on the CD player. One engineer complained that the jocks were using the buttons so much that they were wearing off all the lettering, and the buttons were getting soft and unreliable. I solve this by remoting all of the desired functions, when the unit is fresh out of the box. Note: This will void your warranty with just about every manufacturer, so make sure it's a CD player you can throw away in a year if it goes bad, or if you are friends with the technician at the local electronics repair shop who will understand why you tinkered with the guts of the unit. I have performed this interfacing on three different brands of players - a Technics, a GE, and a Magnavox. I have been 100% successful and have never had a failure of the control circuits since the first one 18 months ago.

I have found that most all of the players run on a  $\pm 15$  volt supply. This supply is not overrated, so care must be used if you choose to piggyback any components off of the internal supply. I have done so in all four of my units, and had no problems, since there is no constant current drain for the controls. A supply point for the +15 volt supply can be found by turning on the power and probing around the PC board with a voltmeter. I have always found the +15 volts on a jumper on top of the board. Since we will use a 12 volt relay (which will latch from 9-14 volts), I would recommend a 150 ohm series resistor off the +15 volt supply point to provide the desired current limiting.

The front panel with the push-button controls is quite accessible on the foil side. Take the cover off of the unit and, with the power on, and a CD in the drawer, use a 10 ohm resistor as a jumper. Find the back terminals of the front panel switch to be removed, and alternatively jumper the terminals together with the resistor, to determine which two will cause the function to occur. For example, if you wish to remote the tray open/close button, find the back of the button on the foil side of that PC board. Using the 10 ohm resistor, short the terminals on the back of the board until the tray opens and closed when jumpered. The same test is true of PAUSE, PLAY, STOP, SKIP, etc.

I use a 12 volt DC reed relay to do the remote switching. The reed relay is used because the coil resistance is about 1050 ohms on the 12 volt model, and offers the least amount of current drain to the unit's power supply. On the last unit I interfaced, I actually soldered the contacts of the relay directly to the back of the front panel PC board.

(Continued on Page 7)

# CARTING RECORDS??



**YOU NEED SYNCHROSTART!** SynchroStart makes dubbing records or CDs to cartridge a 'one-button' operation. Produce carts that are tightly cued and consistent with **no guesswork**. Just hit the START button . . . the turntable starts, audio mutes during the start-up, then just when the stylus is *precisely* at the beginning of audio, audio is switched on *smoothly* and the cart machine starts! All automatically. Whether carts are dubbed by the PD or by the 'nighttime college kid', they'll all be **tight** and **perfectly cued** every time. In Stock.

**HENRY ENGINEERING**  
**(818) 355-3656**  
**We Build Solutions**



Get our catalog!

#### TELEMOTE 321

This tiny phone-remote mixer never needs batteries or AC! Your phoneline gets you on the air for great performance with 2 mic inputs, 1 tape input & pot controlled audio for 3 headsets.

Only \$599

#### STUDIO-MASTER 505S

5 channels stereo, 4 built-in preamps, 5th channel accepts 5 inputs on push-buttons, cues any channel with Mod Pots, cue amp & speaker. Great specs, performance & dependability. Mono available too.

Only \$2195

#### MARK V TURNTABLE

This solid metal, variable speed adjusts easily 10% & starts Quick for precision play. LED speed readout, heavy aluminum platter with built-in 45, detachable tone arm plate & super performance!

Only \$720

TURNTABLES, TONE ARMS,  
PREAMPS, POWER, DIST., &  
CD AMPS, MIXERS & MORE!



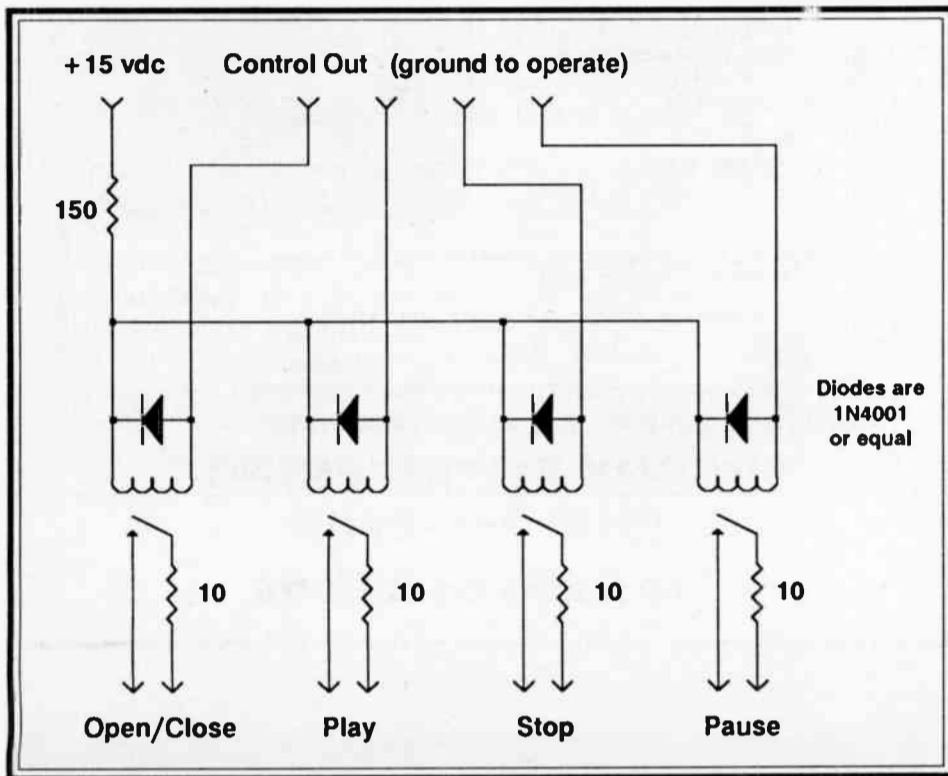
ELECTRONICS INCORPORATED

5690 E. SHIELDS AVE., FRESNO, CA 93727 • PHONE (209) 291-5591

## Consumer CD Tips . . . (continued)

The relay weighs virtually nothing and is easily supported just by a good solder connection. I still use the 10 ohm resistor in the line that goes to the switch terminals, just as a bit of safety precaution. All of the units I have worked with use a real low voltage switching on those buttons, so 10 ohms will not be any different from a dead short.

I tie the coil of the relay to the +15 volt supply, as mentioned above, and switch the ground to fire the relay and activate the control. Be sure to back bias a diode across the coil of the relay! You will need this to keep spikes off of the unit's power supply, that may be caused by the inductive "kickback" of the relay. By switching the ground of the coil to fire the relay, the control will interface to almost any of the remote systems built into your console, as most of them are open collector to ground functions.



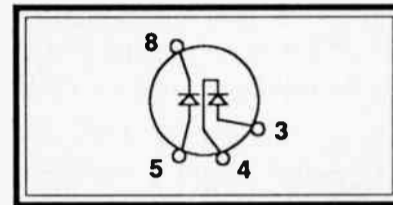
## Solid-State Replacement for Gates Tube-Type Ammeter

By Thomas Lang - TECS Electronics  
Kohler, Wisconsin

The following modification should interest users of the old Gates remote antenna current metering units that use a 6H6 tube to rectify a sample of the RF current via RF transformer. This modification involves replacing the 6H6 with solid-state diodes to eliminate the need for AC power for the filament of the 6H6. This is advantageous in the event the AC to the tower is lost, or removed due to permission to turn off the tower lighting.

The diodes must have a fast recovery time, as you are rectifying an RF signal. I used high-efficiency types from Digi-Key (800) 344-4539), stock # HER-104.

I used an old octal tube base as a plug with the diodes soldered to the pins. This allows simple plug-in replacement at the tuning house. Figure one shows the pin-out:



De-energize the antenna and remove the 6H6 from the socket. Adjust "remote" pot to a much lower setting - - I found that the sampled output was much higher with the diodes than with the 6H6.

Apply transmitter power to the antenna and calibrate the remote meter as usual. The "remote" pot may have to be adjusted to get the calibration pot you use into a workable range.

This procedure was performed at WPLY, Plymouth Wisconsin, in the Fall of 1988. Routine calibrations show stability to be commensurate with the old 6H6 tube, with a typical error before calibration of  $\pm 0.05A$ , with a nominal antenna current of 2.00 Amps. Accuracy is consistent when the station reduces to nighttime power with a current of 1.05 Amps.

## Little Noisemaker.



This little gray box is about to have a big effect on the way you test your audio equipment.

No longer will you have to bother with individual tones to set proper audio levels. With Delta's SNG-1 Stereo Noise Generator you can make a variety of tests with *true* stereo noise, all at the flip of a switch.

You'll get a much more realistic view of what your equipment is doing. Whether you prefer white, pink, or USASI noise spectra, the SNG-1 provides it, in both continuous and pulsed output modes.

Say goodbye to hit or miss processor adjustments using varying program material. The award-winning SNG-1 spans the entire frequency range, so you'll cover the highs, the lows, and everything in between.

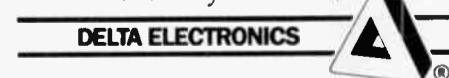
The external gate input permits an infinite variety of pulse shapes and durations so you can test your equipment to the absolute

fullest. For standalone convenience simply switch to the internal pulse mode.

With the SNG-1 you'll always get an accurate and repeatable standard to base your measurements on. And for only \$495, there's no bigger value.

To discover how the Little Noisemaker can help you in a big way, call or write today. And be sure to ask for your free copy of Delta's Noise Primer, "Employ Some Noise." Delta Electronics, Inc., 5730 General Washington Drive, P.O. Box 11268, Alexandria, VA 22312. Phone: (703) 354-3350, FAX: (703) 354-0216, Telex: 90-1963.

The Above Standard  
Industry Standard.



©1989 Delta Electronics, Inc.

# Tone Oscillator Circuit

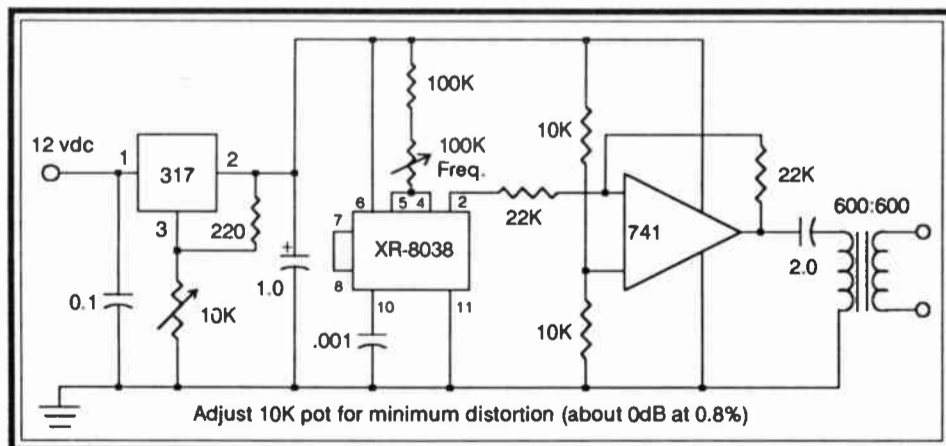
By Robert Hensler - KCFR  
Denver, Colorado  
303-871-9191

At KFCR we use a slate tone in all of our studios. The tone is used to set reference and balance levels on many of our production tapes and as a reference level for our satellite up-link. With the tone always present at the board through the patch panel, quick trouble shooting of both the board and the other outboard equipment is facilitated, without having to lug an oscillator around. The tone is originated from a central location and fed to all of the production studios.

The oscillator for the slate was a very old H.P. tube type that finally decided that it had had enough. After it gave up the ghost, I was left with the problem of replacing it. My choices were to buy a new one off the shelf or build one myself. For this purpose, I only needed a fixed frequency at constant level. I felt that buying one was more was more oscillator than I needed and, frankly, just a little self-indulgent and expensive; that left me with building one. The oscillator I built had to have enough gain to drive all of my studios, have less than 1% THD and use a single +12 VDC power supply.

In all of the studios at the station, I have installed a +12 VDC Radio Shack regulated power supply. This voltage is used for all of the control circuits in the studio, requiring an external DC power source. This includes all of the mechanical and solid AC relays needed for switching on warning lights, small audio circuits, tone decoders, scanners, or anything that requires 12 volts of DC or less. This saves money, time and AC outlets, along with simplifying trouble shooting, and is readily and inexpensively replaceable. Since all of the studios have this same power supply, the equipment is also reasonably transportable from room to room. Whenever a new piece of self-made or purchased equipment requiring a DC source is needed, I try to select it using this already available power source. This included the oscillator to be built.

In my looking around for circuit diagrams or ICs that might do the job, I found a precision waveform generator IC made by EXAR. The XR-8038 IC will run on a single power supply from 10 to 10 VDC. It will produce a highly stable and sweepable square, triangle and sign-wave with adjustable duty cycle. It will do this with a minimum of external parts and at less than 1% THD. The frequency is determined by the adjustable pot at pins 5 and 4 and the capacitor at pin 10. I used only the sign-wave, but the square and triangle waves are available at pins 9 and 3 respectively, by adding a 100K ohm resistor between pin 9 and V+. Frequency sweeping of FM can be accomplished by applying modulation to pins 7 and 8 for small deviations, or only to pin 8 for large shifts. Sweep range typically exceeds 1000:1. The duty-cycle can be adjusted by putting independent variable resistors between pins 5 and 4 to V+. The cost of this IC was about \$25.00.



The diagram shows the circuit as I built it, for a constant 1 kHz tone at 0 dB output with 0.8% THD and single power supply. The 317 variable voltage regulator was added for filtering and better control of the quality of the signal, by adjusting the regulator for the best distortion. I got about 1.2% without the regulator. The 741 opamp was used as a buffer between the XR-8038 and the output. The 600:600 transformer was added for isolation and to balance the output, but would not be needed for many applications. This circuit had been in operation for about six months without any variation in frequency, distortion or output level. The total cost of the project was under \$35.00.



## Optimize — don't compromise:

**If you demand optimum performance from your tape recording equipment . . . you need our services!**

JRF maintains a complete lab facility insuring precision relapping and optical alignment of all magnetic recording heads and assemblies. Worn unserviceable heads can be restored to original performance specifications. 24-hour and special weekend service available.

- Broadcasting
  - Mastering
    - Recording Studios
    - Tape Duplicating

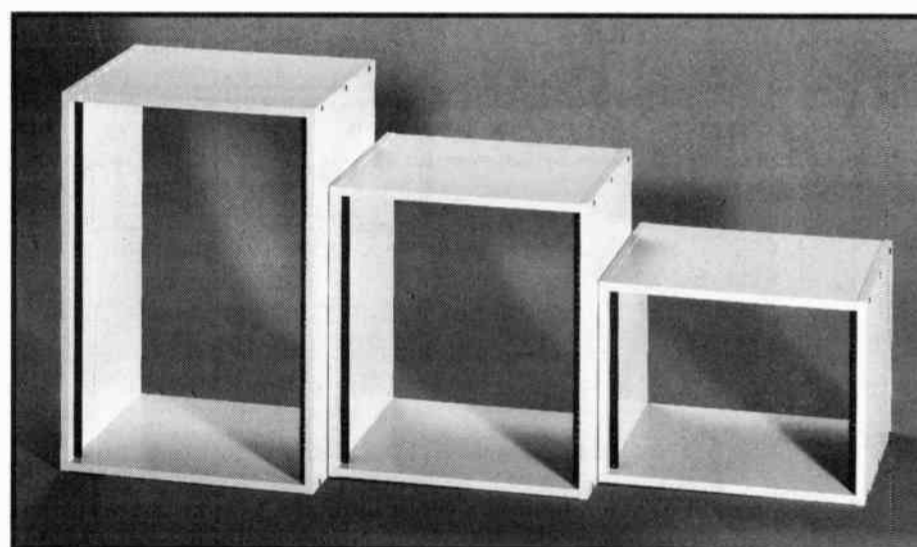
**New and reconditioned replacement heads from mono to 24-track . . . Many in stock.**

**For repair or replacement, we're at your service!**


Call (201) 579-5773




Kennedy Road • P.O. Box 121 • Greendell, NJ 07839 • Telex: 325-449



## Time to Rack 'n' Rail

Our new RK racks combine economy, convenience and great looks. Rails are drilled and tapped. Shipped knocked-down, these racks assemble in minutes. This low introductory price includes installation tools and we will ship via UPS ground service to the contiguous US at no extra charge. How many can you use today?

**8 rack spaces (14") \$77.00**  
**12 rack spaces (21") \$87.00**  
**16 rack spaces (28") \$97.00**



**BRADLEY  
BROADCAST  
SALES**

8101 Cessna Avenue  
Gaithersburg, Maryland 20879-4177

800-732-7665 / 301-948-0650  
Fax: 301-330-7198

**Where Service and Engineering Make The Difference**





## Equipment For Sale

### RF meters, used and tested

Sangamo mica transmitting capacitors, assorted sizes, large variety

### Dan's Discount Radio Parts

Cavendish, VT  
802-226-7582

### Harris System 90 automation unit:

- 5) 750 series reel-reel decks
  - 4) 24-bay carousel cart machines
  - 1) 48-bay Instacart machine
  - 4) racks, with doors
- Encoder, logger, printer and control panel

### Bill Burt

KYEE  
N. Florida Ave.  
P.O. Box 1848  
Alamogordo, NM 88310  
505-434-1414

### Complete Automation System:

- 5) Revox PR-99 PB reel machines (stereo)
  - 1) Instacart (48 carts)
  - 2) IGM Carousels (48 carts)
  - 2) Audicord cart machines (stereo)
  - 1) PC Compatible computer, with all software and interfaces
  - 1) Sentry System
- Installed about a year ago by Broadcast Systems Corp. In excellent working condition.

### Bob Ferguson or Ken Sleeman

WMMJ  
400 H Street NE  
Washington, DC 20002  
202-675-4800

Vacuum capacitors, variable UCX-500 15 kv, variable UCSFX-1000 10 kv, variable Jennings type "U" VC6-32 32 kv, VCCE-250 30 kv, VC-250 20 kv, VC-250 32 kv, JCS-1000 7.5 kv, JCSL-2000 3 kv, all used, 1/2 price

### R. Elm

WWJC  
1120 E. McCuen St.  
Duluth, MN 55808  
218-626-2738

Otari MKII-4, four track reel to reel. Never used, still in original un-opened shipping crate.

### For more info:

Call Dennis Day at 504-525-9600

3) Ampex AG-440, 2-track stereo R/P with Ampex electronics. Very clean, working, good heads. \$1000 each or Offer.

1) Ampex 440 playback only with Shaffer electronics. Very clean, working, good heads. \$750 or Offer.

1) Heath 10-104 15 MHz scope. Good condition. \$200.

1) Tube amplifier, 35 watt, pair of EL-34s. \$70.

1) Edcor PM-5 wireless mike with ST3B2 receiver. Excellent condition. \$300 or Offer.

1) Gonset VHF transceiver on 161.70 MHz. Has broadcast mike input. 110/12 volt operation, 35 watts output. Looks and works good. Tube type. \$250.

1) 40 KVA 3-phase plate transformer. 190-250 volt primary, 5000 volt secondary. For any transmitter requiring 7-8 kV at up to 5 amps (20-25 kW transmitter). Excellent condition. Asking \$1500 or Offer.

### Glen Barnett

KWXY AM/FM  
68700 Dinah Shore Drive  
Palm Springs, CA 92264  
619-328-1104

### Harris 9000 complete automation system:

- 5) Scullys plus three backups
  - 2) Instacarts
  - 2) CRTs
- Time announce  
Large system for total automation, on the air now. \$18,000.

### Brent Harmon

WPLA  
P.O. Drawer J  
Plant City, FL 33564  
813-754-9191

2) Gates M-6244 turntable pre-amps

1) Ampex 4020257-31 reel to reel deck

1) Gates RDC-10C remote control

1) Gates Courier 70 telephone remote

1) Gates M-3529B limiter

1) Gates M-5167 Sta-Level

1) Gates M-5837 remote modulation meter

2) White tower light lenses

4) 4-400 PA tubes

## ADM Stereo Audio Production Console

A TRUE 4-CHANNEL MASTER AUDIO  
PRODUCTION CONSOLE WITH  
STEREO MIX-DOWN TO MONO.

### 24 Input Channels - - 12 populated:

All with talkback/foldback/PA/echo-send

Four channels with EQ modules

Each module, 0 through submixer four, assignable

4-CHANNEL SUBMASTER MIXING EACH  
WITH ECHO SEND/RETURN

### Monitoring Flexibility:

Control room, Studio 1, Studio 2, and director monitor, select/assign modules

### Power Supply Redundancy:

Two complete auto-selecting power supply systems



### Input/Output flexibility:

Complete patching versatility from inputs and outputs of modules, to 4-channel submasters and Left and Right submasters, to foldback and PA. All on a factory wired, console top recessed patch bay

Factory new in 1978

Cost today, as equipped from ADM,  
approximately \$32,000!

Our Price - - \$7,500 or best offer

### PMA Marketing

4359 S. Howell Avenue

Suite 106

Milwaukee, WI 53207

414-482-2638

- 1) Gates M-4990 frequency monitor
- 1) Gates M-5863 remote/local unit
- 2) 19-inch relay racks
- 1) RCA BTA-1R 1 kW AM transmitter. PCB capacitors have been removed, but not replaced

Shalda Upchurch  
 WCOK Radio  
 Highway 21 South  
 P.O. Box 637  
 Sparta, NC 28675  
 919-372-8231

3-bay Phelps Dodge antenna system, tuned to 103.9. Has de-icers, only six years old. Offer.  
 250 feet LDF-5-50 Heliac. Offer  
 250 feet HJ7-50A 1 5/8" Heliac. Offer.

John Carroll Jr.  
 WKJC-FM  
 P.O. Box 549  
 523 Meadow Road  
 Tawas Cay, MI 48764  
 517-362-3417

ADC audio patch bay. BJT 303-5 MKII, with cords, used once, excellent condition. \$700 + freight.  
 Marti RPU. 60s vintage, fully operational, good condition. Offer.  
 GE mobile two-way radio. 160 mHz band, needs deviation adjustment to meet current FCC specs. Offer.

Ken Wooley  
 KAIM AM/FM  
 3555 Harding Ave.  
 Honolulu, HI 96816  
 808-422-7288

10-bay RCA (Dielectric) antenna with radomes, on 92.9 mHz.  
 350 feet Andrew 4-inch Heliac.  
 Kintronics 20 kW iso-coupler, tuned to 92.9 mHz.  
 \$1000 for the package.

James C. Droege  
 KWBE-AM  
 402-228-5923

- 1) Gates Yard console. \$225.
- 1) Harris CCII stereo R/P cart machine. Excellent condition. \$1145.
- 1) Tapecaster X700 R/P stereo cart machine. \$545.
- 1) Telex 1401 mono reel to reel recorder. \$295.
- 1) Old Harris Dynamote amplifier. Works fine. \$75.

Paul Willey  
 WNAW  
 466 Curran Highway  
 North Adams, MA 01247

50 KVA 480/240/110 used dry transformers. \$550 each, FOB Covington, LA.

Freeland Products  
 75412 Highway 25  
 Covington, LA 70433  
 504-893-1243

- 4) Audicord E-31 mono cart decks in good condition.
  - 1) Fluke 803DC-AC differential voltmeter.
  - 1) Marconi TM7816A, 12-channel noise generator.
  - 1) Adler typewriter.
  - 1) Silver-Reed electronic typewriter.
  - 3) Adding machines.
  - 10) Stromberg Carlson multi-line telephones.
  - 1) Telephone answering machine.
- The following for parts only:  
 4) UMC Beaucarts (3 playback and 1 record).

Joe Miller  
 KZMK/KMFI  
 3514 Kings Ct. Dr.  
 Sierra Vista, AZ 85635  
 602-458-9631

Thousands of Tape Carts  
 Scotch I and Scotch II, Aristocarts, Fidelipacs, Capitol AA4 and A2, Mastercarts.  
 50¢ to \$3.00 each, brand new to rebuildable condition.

Pat Martin  
 PMA Marketing Company  
 4359 S. Howell Ave. #106  
 Milwaukee, WI 53207  
 414-482-2638

1) 300-foot World Tower, solid rod, 18-inch face, standing, 7 years old in good condition. Also 18-inch side-face mounting brackets for ERI 3-bay antenna system.

Randal J. Miller  
 WRVI  
 815 West Dean  
 Virden, IL 62690  
 217-965-3388

# Risk...

buying used equipment and hoping it works.

# Security...

buying reconditioned equipment with a 6 month warranty.



**barrett associates, inc.**

BROADCAST • AUDIO EQUIPMENT

**(619) 433-5600**

**(800) 748-5553**

*We take the risk out of purchasing equipment.*

Nems-Clarke 8-tower phase meter. Reasonable offer or trade for AM or FM mod monitor.

TRS-80 Mod-1 computer with expansion, 3 drives, 5-meg hard drive, modem, printer, and complete library of word processing, billing, accounting and engineering software. \$600 or Offer.

Frederick R. Jobbe  
 Great Northern Broadcast Company  
 P.O. Box 5031  
 Lima, OH 45802  
 419-228-4199

Eimac 4CX3000A tube. Brand new, zero hours on it. Paid \$1800. Selling for \$1200.

Over 700 feet, 30-conductor unshielded control cable, left over from a tower project. Cable is in good shape and on the reel. \$500 + shipping.

Ken Carver  
 Project Light and Sound  
 817-699-1530

Moseley TFL-280 limiter. \$200.

Moseley SCG-8 subcarrier generator @67 kHz. \$250.

Lorain dial-up loop, bi-directional repeaters, 7-inch rack mount. Cures line loss on phones, passes ringing voltage. \$200.

Universal Data Systems (Motorola) 202T data modem RJ11C, 1200 baud. \$200.

General Radio M-1931 AM mod monitor. As is, complete. \$200.

Collins R-390 short-wave receiver. Complete and working. \$300.

Dennis Gilliam  
 602-839-1901  
 (all items plus freight)

CRL AP300 Audio Preparation Processor. \$500.

CRL SP400 Spectral Energy Processor. \$700.

CRL PMC300 Peak Modulation Controller. \$500.

Will sell the package for \$1500.

Dean Aamodt  
 KBMW  
 Wahpeton, ND  
 701-642-8747

## Equipment Wanted

Good used Fairchild DART 384, or similar, digital satellite receiver.

**Bob Simmons**  
WFMW/WKTG  
P.O. Box 338  
2380 N. Main Street  
Madisonville, KY 42431  
502-821-4096

130 feet of 18-inch Utility Tower, used and in serviceable condition.

**Jack Bursack**  
WSVT  
Walmart Plaza, Suite 8  
Smyrna, IN 37167  
615-459-7777

**Marti Stereo/Dual STL system**, 950 mHz. Educational station needs 2 complete systems with combiners and antennas. Prefer recent Marti STL-10 transmitters and R-10 receiver units and Scala Paraflector, but will consider any comparable system.

**Bauer MDL-660 FM exciter**, for spare parts. Need spare Xtal (89.9415 kHz), power supply, RF amp and FM exciter modules for the Granger/Bauer model 660 (working or not).

1-5/8" flange connectors, 90 degree elbow, 1-5/8 flange to 3-1/8 inch flange adaptor, "N" to 1-5/8 inch flange adaptor, EIA 3-1/8 inch to EIA 1-5/8 inch reducer.

**Bob Rathman**  
KRVM  
200 N. Monroe Street  
Eugene, OR 97402  
503-687-3370

SMC green equipment cabinet. 68½ X 21 X 22.

**Ron Richards**  
WJRN/WHKQ  
Racine, WI  
414-634-3311

Old microphones (working or not), WE 639A, WE 630A, RCA 77DX, Shure 556, SM33, 300, Turner 99, any Amperite mike. State condition and price in letter or call.

**Dick Igou**  
KGNB/KNBT  
1540 Loop 337 N.  
New Braunfels, TX 78130  
512-625-7311  
512-651-9352 (evenings)

**Belar AM-1 or RCA BW-50 AM mod monitor**, cheap. Also looking for some FM monitors. Will consider other brands and types.

**Frederick R. Vobbe**  
Great Northern Broadcast Company  
P.O. Box 5031  
Lima, OH 45802  
419-228-4199

Digital audio receiver terminal equipment for satellite reception of ABC.

**Dean Aamodt**  
KBMW  
Wahpeton, ND  
701-642-8747

Need two towers in very good condition. Guyed or self supporting, 600 and 350 feet.

**Pablo Llerandi**  
San-Luis Broadcasting Corp.  
P.O. Box 543  
Arecibo, Puerto Rico 00612  
809-878-5001

Dismantled steel or tubular tower, 500 to 550 feet. Contact immediately.

**KOLM/KWWK**  
1220 4th Ave. SW  
Rochester, MN 55902  
507-288-1971

## Positions Wanted

**Top notch engineers wanted:**  
Westwood One Stations Group is looking for take charge AM/FM engineers experienced in studio and transmitter construction and maintenance. No pencil pusher! Send resume, salary history to:

**Alan Kirschner**  
Westwood One Stations  
655 3rd Ave.  
New York, NY 10017  
EOE

## Looking For A Real Bargain?

Brand New Equipment 25% - 90% Off

Only From **HE HALL**  
**Electronics**

ITC Delta I/IV  
Mono Record/Play  
\$2,495



Harris MSP-90 tri-band agc module  
stereo strappable - \$95 each

### Also For Sale:

**Fidelipak CTR-112 Deluxe Stereo Player.**  
\$1695

**Micro-trak "Ditty Desk" - a complete mini-studio.**  
Five pot mono board, turntables, mike and furniture.  
\$995

**Moseley TRC-15AW, 16-channel remote control.**  
\$1695

**Electro-Voice PL-11 microphone.**  
\$85

The best deals on quality re-built  
and factory new broadcast equipment

**HE HALL**  
**Electronics**

1712 Allied Street  
Charlottesville, VA 22901

(804) 977-1100

**Your Satisfaction Guaranteed**

# Auditronics 218 Console Fix

By Bill Harris - KMJI  
Englewood, Colorado  
303-741-5654

The production director said "There's a terrible noise coming out of the production room console, and we can't do anything in there." There certainly was a terrible noise, hum, buzz, and a low-frequency oscillation that made the VU meters swing up-scale with each pulse. Any audio we put through the console was severely distorted. This was a four year old Auditronics 218, and aside from a couple of switch replacements, it had never done anything close to this.

After determining that it wasn't something unusual patched in, I found that the noise was only on the program, audition and mono busses. If I switched the monitor to any external source, such as air, it didn't appear in the monitor circuits.

Time for a few voltage readings. The unregulated  $\pm 24$  VDC main supply read  $\pm 24$  volts at the connector to the console motherboard and on the mother-board main voltage distribution buss. I thought perhaps it was coming from one of the input modules, so I pulled each one in turn. Some of the hum went away, but the buzz and the oscillations didn't. Now it took on a new characteristic; the program buss was cross-talking into the audition buss, only a half dozen dB down. Time to look at the program and audition line amplifiers. Each module has it's own on-board  $\pm 18$  volt regulators. There was -18 volts, but no +18 volts. Moreover, there was no +24 volt input to the regulators!

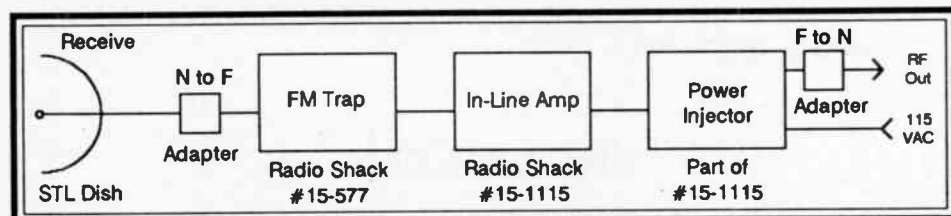
The program, audition, and mono line amplifiers, in this board, plug into a "daughter-board" of sorts, mounted next to the main mother-board. There is only one ground connection between these boards - - a short piece of solder-filled braid. When I started moving connectors and wires around, the hum quit and the crosstalk went away. On closer inspection, I discovered that the piece of braid had broken loose from the mother-board, removing the entire ground reference for all of the output line amplifiers. I re-soldered the braid and added a second short wire at the same location, just in case.

There is a happy ending to this saga. Apparently, this joint had been deteriorating for a while. The annoying little buzz that came and went periodically in the output of the console, is now gone entirely. It won't be missed.

## Low Cost STL Filter

By Mike Worrall - KCMT  
Chester, California  
916-258-4300

KCMT is a new FM station, just on the air as of March 30th. The STL path covers about 13 miles over water and heavily forested terrain. What's worse, there is no line of sight from the studio to the transmitter site - - there is an intervening mountain that just pokes it's peak into the STL path. Subsequently, the received STL signal is very weak. The audio was usable, but changes in temperature during the day would cause the signal to dip below the mute threshold and the audio would squelch out.



The cheap and dirty solution was found (where else) at Radio Shack. Their part #15-1115 is an in-line coax amplifier designed for the 430-1430 MHz band. I think they intended it for scanners and LNB home satellite systems. At any rate, I preceded this amplifier with an in-line FM trap #15-577 to keep my 25kW FM from overloading it, mounted all components inside an aluminum enclosure, and presto! The front panel signal level indication on my Moseley PCL-606/C jumped from about 20 uV to about 300 uV. The audio is quieter and the FM transmitter does not bother the amplifier. (Note: The STL receive antenna is mounted on the same tower as the FM transmitting antenna - - indeed, within the transmitting aperture)

## Converting to the NRSC Standard?

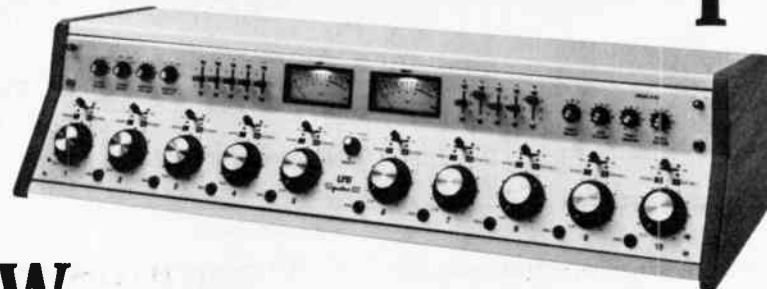
The NRSC Information Center at CRL can give you the information you need to make your conversion to NRSC-1 cost effective. We have already supplied the industry with over 1000 NRSC-1 compliant processors and retrofits. We have several informative papers that explain the benefits of converting at this time. Call or write for your free copies today.

**THE PROFESSIONAL'S CHOICE**



**CRL Systems**  
2522 West Geneva Drive  
Tempe, Arizona 85282  
(800) 535-7648 (602) 438-0888  
TELEX: 350464 CRL TMPE. UD.

It's hard to stop.



What is it about the Signature III that keeps so many leading station groups and consulting engineers coming back for another, and another, and...? Is it this console's unparalleled record of reliability and longevity? The LPB Signature III's easily maintained modular electronics? Its excellent RFI immunity? Or is it designed-for-radio features like the following:

- 3 inputs per channel
- Identical Program 1 and Program 2 output busses
- Remote starts on all channels (except channel 1)
- Mono/stereo input switch (on stereo consoles)
- Components and connections clearly labeled for painless installation and easy maintenance

Chances are, it's all of the above. But whatever the reasons, leading stations and engineers across the country demand Signature III's "unstoppable" performance. In fact, they've made it one of the most popular consoles ever built. If you've been spending too much time inside your console lately, contact your broadcast equipment dealer or call LPB for full information and specifications at (215) 644-1123.

LPB Signature III audio consoles are available in 6,8,10 and 12 channel stereo and 6,8 and 10 channel mono configurations.

**LPB**<sup>®</sup>

28 Bacton Hill Road • Frazer, Pennsylvania 19355  
Tel: 215-644-1123 • Fax: 215-644-8651

# Open Delta Three Phase Broadcaster Beware

By Rob Yaw - KOJM/KPQX  
Havre, Montana  
406-265-7841

Figure 1 shows the very popular, delta-primary / wye-secondary, method of providing a consumer three-phase power service. Most broadcasters, and other consumers using delicate equipment, use this method for their primary service.

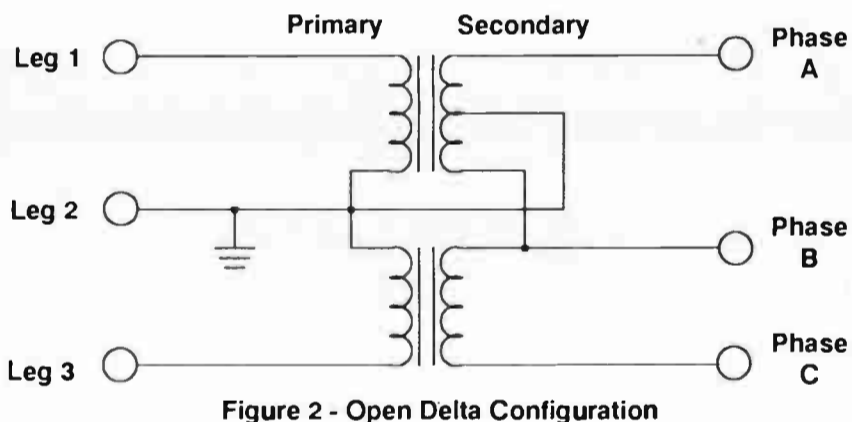
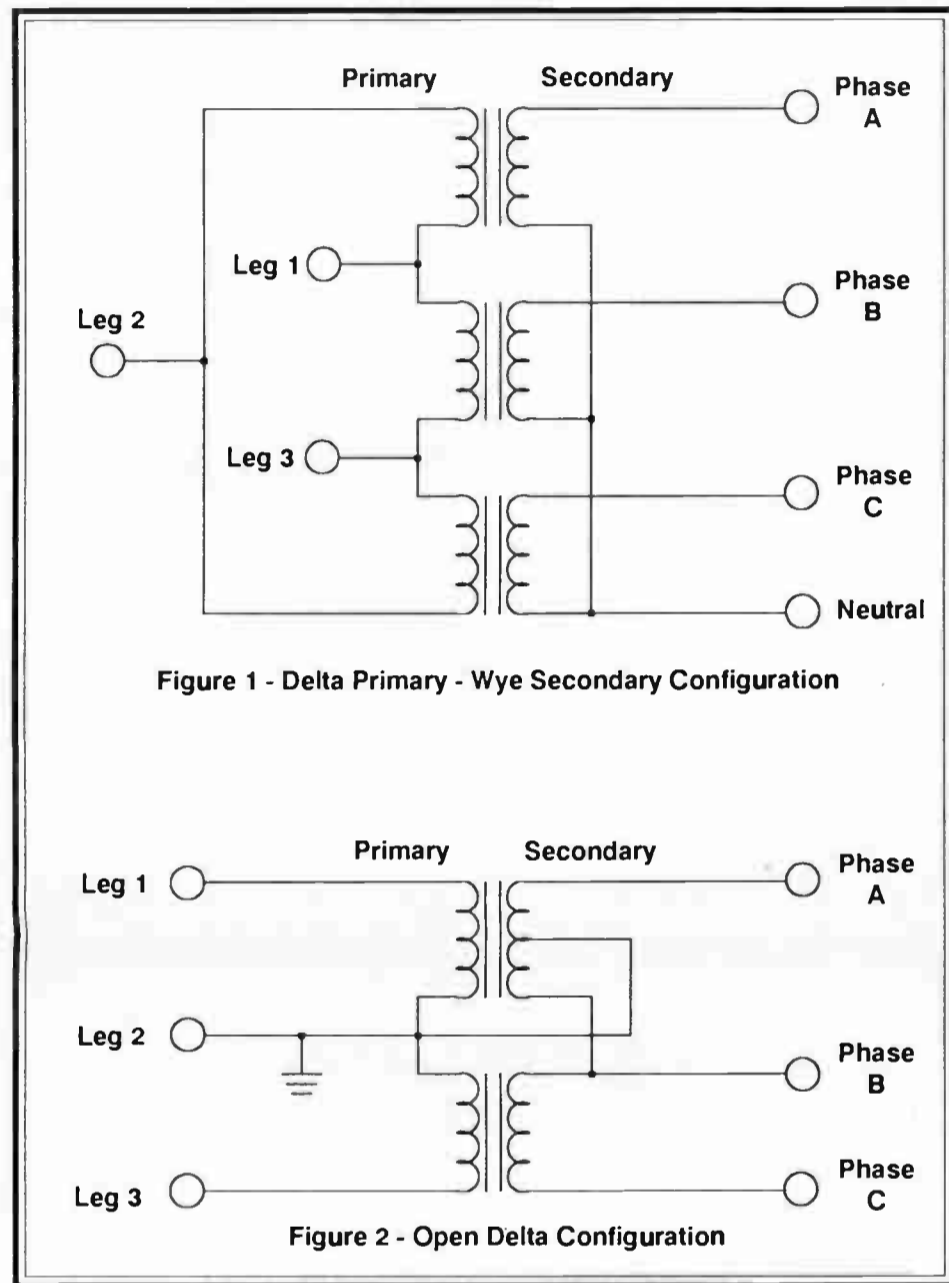


Figure 2 shows, what is known as, the open delta three-phase system, that uses two phases operating against ground. It is advantageous only from the standpoint that it requires less wire and only two transformers. These advantages are far outweighed by the problems this system may cause the broadcaster.

The open delta system has numerous problems that are simply inherent to it. The line voltage, for example, is very load dependent. If the load on the system changes, as it will during transmitter power-up, the line voltage changes too. The voltage will eventually stabilize, but this may take several seconds to do so. Another problem with this system, is the rather large voltage and phase imbalances that may be present between phases. The system also exhibits poor voltage regulation and high transient propagation. Phase C, with reference to ground, is often referred to, in the electrical industry, as the "wild leg." It could not have been more appropriately named. The voltage on this phase can be practically any value under a no load condition and eventually stabilize to approximately the same values as the other two, under load.

A little over a year ago, I was hired, on a consulting basis, to do a technical appraisal of an AM/FM facility in the eastern part of the state. The facility was being sold and the new owner-to-be wanted an engineering opinion of the equipment and an overall status report of the entire facility.

(continued on page 11)

**This is one reason  
we sell more  
cart machines  
than anyone else.**



The 99B series Master Recorder features a patented erase splice locate and azimuth adjust system (ELSA)

**And here are three more.**

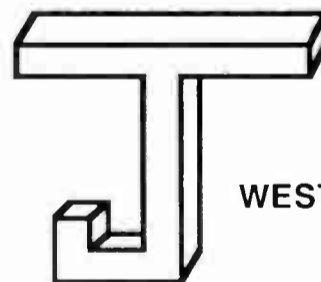
Our Authorized 3M Dealers

Allied Broadcast Equipment 800/622-0022	Broadcast Services Company 919/934-6869	Broadcast Supply West 800/426-8434
---	---	--

3M International Taperonics — The World Leader In Cart Machines

© 1989 3M Company

**3M**



**SQUARED**  
TECHNICAL SERVICE

543 WEST 100 NORTH  
WEST BOUNTIFUL, UTAH 84010

**801-298-8515**

**EQUIPMENT REPAIR AND CALIBRATION SERVICE**

WE SERVICE MOST AM/FM BROADCAST MONITORS,  
REMOTE CONTROL SYSTEMS, EXCITERS, STL's, TSL's,  
RPU's, ETC.

GIVE US A CALL

- CHECK OUR RATES-
- TURNAROUND TIME-
- STL LOANER PROGRAM-

## Open Delta . . . (continued)

On arrival at the station, the AM was off the air and had been off all morning. "It does this all the time," I was told. "Sometimes it will come back on, if you wait long enough."

Arriving at the transmitter building, I found a 5 kW Continental 828-E1 transmitter that appeared to be in showroom condition. It wouldn't run, but it looked good. I also noticed a large pile of RF driver cards in the corner. Going right to the RF driver in the transmitter, the problem was soon discovered. All the power transistors were shorted from emitter to collector. Replacing all the transistors had the transmitter up and running. Next morning - - it was the same thing all over again.

At this time, the open delta configuration never crossed my mind. After all, nobody in broadcasting ever uses it so why even think about it? I recommended power line conditioning devices of various sizes, shapes and prices, and continued my inspection of the facility. After a thorough inspection of the transmitter, I was convinced that it was in as good a condition as it appeared. Something had to be coming in on the power line.

The problem continued for this station. Large supplies of RF driver transistors were kept on hand, along with my phone number. My home base is over 300 miles from this station, so we spent considerable time on the phone.

One day, last July, a phone call from the plagued station brought the news that the high-voltage transformer had literally burned up. A new one was on the way, but something had to be done about this situation.

The only person at the site, with any technical knowledge, was the air-conditioning technician. I asked him if he could read the voltages at the transmitter disconnect switch. He said he could - - and did. I couldn't believe what he had to report. One of the phases was 80 volts higher than the other two. He didn't seem concerned. This was normal for a "wild leg" system. I asked him to go out and look at the power pole and count the transformers. He soon returned and reported that there were two transformers on the pole. Finally, the mystery started to unravel.

The power company confirmed that the system was indeed an open delta. It had been that way since day one. The original owner wanted it that way. The service was immediately changed to a delta-primary / wye-secondary. The troubles have ended.

There is no question that the open delta system can provide adequate service for some applications, but it is very questionable as to whether it is the service for the broadcaster.

## Tech Manuals Are Available

By **Stephen D. Crum - WARM**  
Cincinnati, Ohio  
(513) 241-9898

Regarding the servicing of consumer CD players, Sony publishes excellent service manuals for its players. These manuals are more precise and informational than ANY broadcast equipment manual I have ever seen. It would be worth having one even if you don't own a Sony CD. They are available from Sony Corporation, Publications Dept., P.O. Box 20407, Kansas City, MO, 64195. Phone number is (816) 891-7550.

Sony has a repair center in Cleveland that can often provide some assistance over the phone. Their number is (216) 433-4680.

### Please-We Need Your Help!

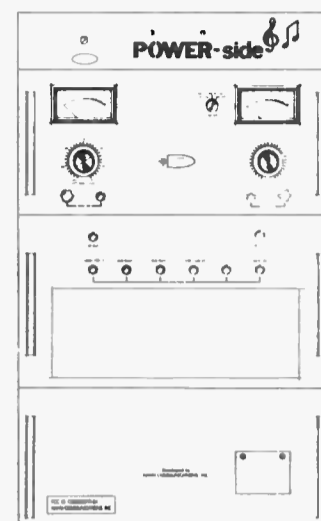
If you have any short tech-tips, send them in or better still, call me at (507) 280-9668 and we'll talk about them. Remember, it doesn't do anyone any good if you keep that information to yourself. Don't assume that everyone knows about your special technical tip. Send them in - - they'll be printed in the next issue.

# POWER-side™

## PROBLEMS

Adjacent Channel Interference
Antenna Null Distortion
Co-Channel Interference
Power-line Re-Radiation
Building Re-Radiation
Receiver Tuning
Low Fidelity Home Radios
Co-Channel Beat
Selective Fading

## SOLUTION!



**POWER-side™**  
The solution to many of AM radio's most serious technical problems

*From the developers of the AM STEREO system that isn't afraid of the dark and will let you drive right past FM Stereo*  
425 MERRICK AVENUE, WESTBURY, NY 11590 • (516) 222-2221

# ECONCO

*Now in our 20th year  
providing quality rebuilt tubes.*

These are a few of  
the tubes we rebuild:

3CX2500F3

3CX3000A7

3CX3000F7

4CX5000A

4CX15,000A

4CX3000A

**WE BUY DUDS.**

**WE ALSO REBUILD REFLEX KLYSTRONS.**



ECONCO  
1318 COMMERCE AVENUE  
WOODLAND, CA 95695  
TELEPHONE 916-666-7553

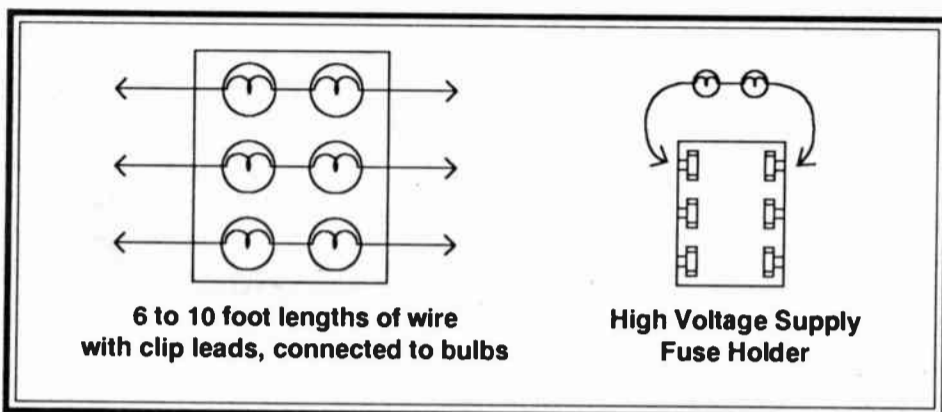
OUTSIDE CA 800-532-6626 EXT. 30  
FROM CANADA 800-848-8841  
TELEX 176756  
FAX 916-666-7760

# Transmitter Soft Start Circuit

By Don Roden - WHNT  
Huntsville, Alabama

It's 2 am and the transmitter is off the air. After a trip up the poorest road in the country, you look inside the transmitter and sniff for traces of resistor or transformer. Everything seems to be OK and you turn on the filament. The filament comes up fine and the meters look normal. The plate timer gives a ready light and you push the plate-on button. The blowers wind down and you are standing in the dark. Yes, you are definitely awake now! But what happened, and how can you find it without damaging the circuit breakers, transformers, or rectifiers?

To keep the breaker from blowing off the wall, when troubleshooting high-voltage shorts in both AM and FM transmitters, build a "soft-start" circuit using light bulbs.



To use this circuit, disconnect or remove the HV fuses and place the light bulbs across the fuse-holders. 250 watt bulbs are good for small transformers. Parallel/series two or more bulbs for 208 or 240 VAC feeds. Try the circuit when the transmitter is working normally and adjust the wattage of the bulbs to produce enough RF output to help troubleshoot the RF section and antenna. Log all meter readings for comparison during a failure. Code beacons and sockets make a good tester for the big transmitters and you will have a good set of spare tower lighting parts.

One caution - - when troubleshooting screen-grid tube transmitters (tetrodes & pentodes), disconnect the screen, if the light bulbs are on the plate transformer, to prevent possible screen damage.

The same circuit can be built into the workbench for testing transformers and power supplies. Again, size the bulb for the job.

## ITC 3D Part Tip

By Larry Fiebig - WBLZ  
Cincinnati, Ohio  
513-742-3600

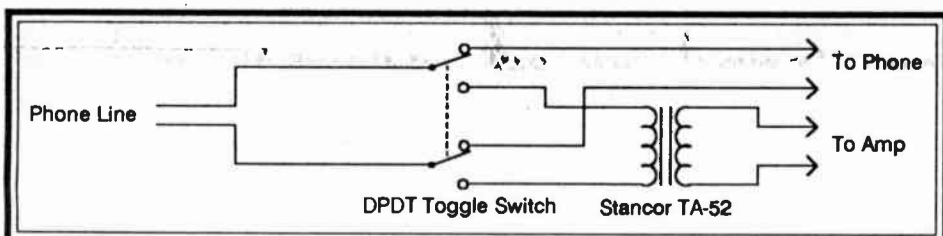
On ITC cart decks, if you get a "rattle" from the run relay and the cart won't run, replacing C206 on the cue card fixes the problem every time.

While your at it, replacing all the 10K level control pots will save you trouble down the road.

## Telco Tip

By Ken Abernathy - WFMX/WSIC  
Statesville, North Carolina

A phone set can be modified for remote feeds on the telco dial-up system. The transformer holds the line when switched to "feed". This arrangement has worked very well for WFMX and WSIC. The transformer is mounted inside the phone set and the switch and jack are mounted on the front.



**EMERGENCY**

**THINK MLW-1**

**AUTOMATIC**

- SWITCH TO SECONDARY OR TERTIARY STEREO INPUTS ON PRIMARY LOSS OF CHANNEL
- SWITCH TO SECONDARY OR TERTIARY STEREO INPUTS ON PRIMARY LOSS OF AUDIO
- LOSS OF CHANNEL CORRECTION
- AUDIO POLARITY CORRECTION
- User programmed sequence and time delays
- On-line audio monitoring and stereo audio switching
- Microprocessor based
- Audio error alarms and level matching

**AND MORE... CALL OR WRITE FOR COMPLETE DETAILS**

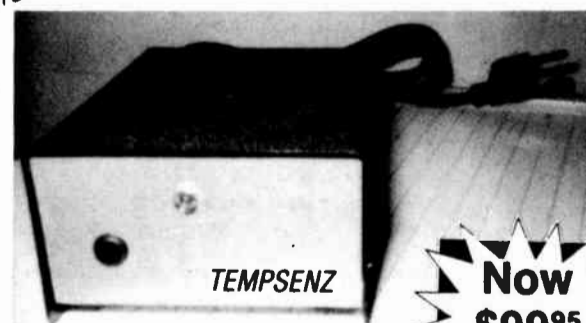
**TITUS TECHNOLOGICAL LABORATORIES**  
77 Kreiger Lane, Glastonbury, CT 06033  
(203) 633-5472

## Beat the #1\* Killer

(\*Temperature Extremes Kill Transmitters)

TEMPSENZ  
Remote Temperature  
Sensor

List \$195<sup>00</sup>

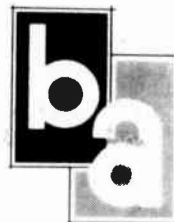


TEMPSENZ

Now  
\$99<sup>95</sup>

While Supply  
Lasts

- Works With Any Remote Control
- Constantly Monitors Transmitter Temperature
- Easy to Install and Calibrate



**barrett associates, inc.**

BROADCAST • AUDIO EQUIPMENT

(619) 433-5600

(800) 748-5553



# Technics SP-15 Pitch Control Problems

By Steve Fluker - WMFE-FM  
Orlando, Florida  
407-273-2300

The article written in the April Radio Guide, concerning the SP10-MKII turntable on/off problem, reminded me of a problem that I have had with the SP-15. This is basically the same turntable, however it has a variable pitch control. I have five of these turntables in my studios. They are all nearly nine years old and, in the past, four of the five have all developed the same problem. There are several symptoms which have occurred. The first is with the + and - buttons. It became difficult to adjust the pitch on these turntables. When you push these buttons, sometimes the pitch would change and sometimes you would just have to keep pushing the buttons, again and again. When working properly, you can just hold the pitch adjustment buttons and the pitch will continue to change until you release the button.

On another turntable, I could only adjust the pitch to -2.2% instead of -9.9%. When it reached this point, it would stop changing and pressing the + pitch control would not work unless you pressed the return to zero button first. On still another turntable, I was unable to adjust the pitch at all. The first thing I tried, was to change the switches out, thinking that they had just worn out due to years of use. This did not help.

Soon another problem began to crop up on one of the turntables. When the turntable was started, it would intermittently run jerky; the platter would jump and then run backwards, stop, and go back and forth rapidly. On another one, the speed of the turntable ran approximately 20% fast, regardless of where the pitch was adjusted.

Although some of these symptoms do not seem related, they were all caused by the same bad chip - IC-305. This chip controls all of the pitch functions. It is difficult to troubleshoot, since all of the reference voltages and waveforms on the IC's pins check good with the service manual, even when the turntable is acting up. I have proven this chip to be the troublemaker by swapping it out with the same chip in a good turntable, and the problem followed the bad chip. I called Technics tech support in Atlanta, since I had so many turntables go bad, but they claim that they had not heard of this problem.

Not long ago, after I fixed all of my SP-15s, two of the same turntables at another station developed the exact same problem. These turntables were about seven years old. I have not been able to discover what causes the ICs to go bad, or just what the problem with the IC is. Technics hasn't been able to give me an answer either, however, I have discovered that they have added a 220 uF 6.3 volt capacitor between pins 25 and 28 of the IC on two new SP-15 turntables which were just purchased.

Unfortunately, IC-305 is a 28-pin custom Technics part and is not easy to come by. At one point, I ran into a six-week delay because there were none in the country. Also, be careful about the price of the chip. The first one I bought, cost \$66.00 at a local parts outlet. The next time, I ordered them through the Technics distributor in Tampa Florida for only \$22.00 each. The local outlet was getting the chip from the distributor in Tampa and marking up the price 300%.

## Teac SX-3300 Tip

From Ralph Messer - WTZE  
Richland, Virginia

Ralph called with this tip a couple of weeks ago. He was having problems with a Teac SX-3300 (10.5 inch reels). It seems that the unit would start and stop all by itself, at random times. Even though the power supply DC showed no ripple, he replaced the power supply capacitors anyway. Problem solved.

Thanks Ralph . . . Editor.

## Phase Perfection!

The RIGHTRACK APC-200 Audio Phase Corrector, used as a production tool, can help you achieve optimal phase performance while dubbing from any medium. It allows you to manually optimize phase performance to give your station a consistently bright mono signal and undistorted stereo image. Material from outside sources, such as ad agencies, are never guaranteed to follow the same alignment standards. The RIGHTRACK allows you to electronically correct for these alignment differences . . . before they degrade your air sound.

With a built-in three frequency oscillator and L+R/L-R metering, the RIGHTRACK can double as convenient in-the-rack test equipment for quick verification of record and playback alignment. Used with stereo recording cart machines the RIGHTRACK can pre-compensate for mechanical cartridge phase error introduced by the cart itself. Contact your local distributor or Broadcast Devices today for more details.



Suggested list price: \$995

Affordable solutions for the broadcaster ...

5 Crestview Avenue Peekskill, NY 10566 (914) 737-5032

**bdi** Broadcast  
Devices, Inc.

## CRL SPOTLIGHT

Converting to the  
NRSC Standard?  
Want to Improve Coverage  
of Your Station?



CRL's AM2 audio processing system is a COST EFFECTIVE way to convert your station to the NRSC standard, and in many cases improve your coverage as well. The two unit system consists of a two-band AGC unit with our dynafex® single ended noise reduction circuitry (AGC-400) followed by our tri-band peak modulation controller (PMC-450). Split studio and transmitter sites? Use the AGC unit at the studio and the limiter at the transmitter! An adjustable presence band boost lets you augment vocal clarity and punch. A patented overshoot corrected low-pass filter ensures maximum modulation control. Low frequency tilt correction circuits plus adjustable asymmetry levels assure compatibility with all transmitter types. Suggested retail price is only \$2995. Our TWO WEEK TRIAL PROGRAM will prove to you how sound of an investment the AM2 mono system is. Call or write us NOW for details.



**CRL Systems**  
3522 West Geneva Drive  
Tampa, Arizona 85282 U.S.A.  
(800) 535-7648 (602) 438-0888  
TELEX: 350464

# Continental 816R-1A Card Fix

By Lewis Downey - KRCL  
Salt Lake City, Utah  
801-363-1818

KCRL uses the Continental 816R-1A (10kW) on Farnsworth Peak, west of Salt Lake City. The site is a 1 1/2 hour 4-wheel-drive trip, for maybe three quarters of the year, and a \$400-\$500 helicopter ride or 1/2-day on skis/snow-shoes in the winter. We used to be able to count on gating card problems after power bumps, so you can picture the frustration.

Our symptom of gating card failure has been driver plate supply breaker trips. A pre-failure symptom is bumps in the power change as you take the transmitter power up and down in manual power control. We discovered, by trial and error, that the small SCRs on the gating card (2N2323/AD114) were being destroyed, presumably by transients accompanying power bumps. The gate-cathode junctions of the little SCRs were opening up. This knowledge made the repair of the gating card much more cost-effective (\$15 in parts vs \$200 for a good card with exchange from the manufacturer), but didn't solve the problem of preventing the failures.

Installation of a Square-D three-phase surge protector (\$40-\$50) on the power line going into the transmitter, seems to have worked. We haven't had a power bump related failure since the installation of the surge protector (that's 3-4 years). I still shotgun the electrolytics once a year (as recommended by Continental) and keep a couple of spare cards on hand, sealed in plastic to keep the electrolytics from drying out so quickly; it's pretty arid at 9300 feet in the mountains of Utah.

I also highly recommend the new filament voltage regulator. It appears that we're going to get a return on our investment of approximately \$200, out of the extended filament life of the first new PA tube (4CX10,000D) we've installed since using the new regulator. It has run for over a year at 100% forward power on the initial setting of the filament voltage at 6.75 VAC. Prior to the new style regulator, we were getting sometimes a year, usually less, out of a PA tube.

Does anyone have any ideas about broadbanding the IPA plate to PA grid tuning in this transmitter?

## Broadcast Computer Bulletin Boards

**Broadcast Computer Database**  
7 days a week, 24 hours a day  
All Baud rates (8 data, no parity, 1 stop)  
Specializes in on-line engineering programs  
David Armstrong (sysop)  
(713) 937-9097

**Network Communication System Broadcast BBS**  
300/1200/2400/9600 Baud rate  
Specializes in technical tips and schematic graphics  
(601) 373-0160 for sign-up on-line

**Flamethrower Broadcast Resource Center BBS**  
300 - 2400 Baud rate (8 data, no parity, 1 stop)  
7 days a week, 24 hours per day  
60 megs on-line, broadcast engineering and ham radio  
(804) 730-1291

**Allied Broadcast BBS**  
300 - 1200 Baud (8 data, no parity, 1 stop)  
Over 220 Basic programs and ASCII files  
(317) 935-0531

## A & D

### CARTRIDGE REBUILDING SERVICE

3380 Blakeley Avenue • Eau Claire, WI 54701  
Ph. (715) 835-7347 • Ph. (715) 835-8676

We clean, load & pack.

Service within 10 work days! Work Guaranteed!

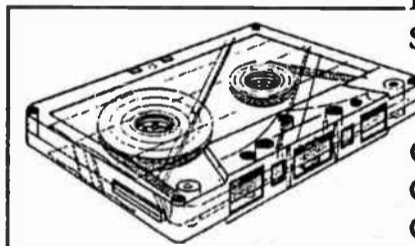
Add 50¢ per Scotch Cart. We charge ONLY for tops and bases, NOT for minor parts.

Qty.	Length	Standard Tape	High Output Low Noise Tape
_____	10 sec.	2.20	2.35
_____	100 sec.		
_____	2 min.	2.60	2.75
_____	4.5 min.		
_____	5 min.	2.90	3.15
_____	8 min.		
_____	8.5 min.	3.20	3.50
_____	10.5 min.		

Send This Order Form - 10% OFF Your Order

Call Letters \_\_\_\_\_ Total Carts Shipped \_\_\_\_\_  
Street \_\_\_\_\_  
City \_\_\_\_\_ State \_\_\_\_\_ Zip \_\_\_\_\_  
Telephone \_\_\_\_\_ Return Attn: \_\_\_\_\_

## Blank Cassettes... Perfect for Demo Spots



BASF Pure Chrome  
Shape Precision see-thru shell  
in quantities of:

	50	100
C-5's	\$.53 ea.	\$.46 ea.
C-10's	\$.58 ea.	\$.50 ea.
C-15's	\$.63 ea.	\$.54 ea.

Custom lengths are also available

BASF LHD Normal Bias  
Michelex German made shells  
in quantities of:

	50	100
C-5's	\$.49 ea.	\$.42 ea.
C-10's	\$.53 ea.	\$.46 ea.
C-15's	\$.58 ea.	\$.50 ea.



PHONE: (507) 288-7711

FAX: (507) 288-4531

Tom Jones Recording Studios  
220 South Broadway  
Rochester, Minnesota 55904

# Contract Engineers

Radio Guide will provide space here for contract engineers wishing to expand their business. To be listed here, just give me a call at (507) 280-9668. This list is not a recommendation of any engineer.

Tom Becker  
Miami, Florida  
305-775-1351

Peter C.L. Boyce  
Midamerica Electronics Svc.  
New Albany, Indiana  
812-945-1209

James Boyd  
Boyd Broadcast Tech. Svc.  
Tualatin, Oregon  
503-692-6074

Mike Brown  
Portland, Oregon  
503-245-4889

Lee Freshwater  
Blue Ridge Consultants  
Flat Rock, North Carolina  
704-693-1642

Chuck Gennaro  
Wisconsin Rapids, Wisconsin  
715-423-6763

Kirk Harnack  
Memphis, Tennessee  
901-278-1306

Richard A. Hyatt  
Maine Engineering Assoc.  
Gardiner, Maine  
207-582-4192

John Morton  
Durango, Colorado  
303-247-8734

Don Musell  
Broadcast Engineering Svc.  
Mouth of Wilson, Virginia  
703-579-4461

Mark Pallock  
Marandee Broadcast Eng.  
Chatsworth, California  
818-882-9475

Ransom Y. Place III  
Westport, Massachusetts  
508-673-6831

John Ramsey  
West Hartford, Connecticut  
203-243-4703

Lee Soroca  
Soroca Electronics  
Syracuse, New York  
315-446-6106

Tom Toenjes  
Signal Specialists  
St. Marys, Kansas  
913-437-6549

Dave Wrenn  
Aiken, South Carolina  
803-649-1663

Brad Johnson  
Central California  
209-526-6277

Scott Dean  
Dean Engineering  
Fresno, California  
209-434-2358

Gary Smith  
Advanced Technical Svc.  
Abilene, Texas  
915-672-5149

James A. Chase  
Electro-Labs  
Angola, Indiana  
219-665-6427

Gary Reardon  
Ware, Massachusetts  
413-967-6156

James Droege  
Electronic Engineering Svc.  
Beatrice, Nebraska  
402-228-0780

Michelle Hunt  
Denver, Colorado  
303-469-1293

Tim Pozar  
Broadcast Engineering Cons.  
San Francisco, California  
415-695-7727

Mark Bohach  
Columbus, Ohio  
614-385-7583

Bob Ladd  
Bellevue, Ohio  
419-483-2511

Dave Hebert  
Pasco, Washington  
509-545-9672

Dave Biondi  
The Radio Service Company  
Houston, Texas  
800-444-2301

Bud Stuart  
STURADCO  
Susanville, California  
916-257-7820

Ronald J. Dot'o Sr.  
Salem, Oregon  
503-378-7024

John L. Nix  
Salem, Oregon  
503-581-4056

Steve Agnew  
Broadcast Technical Svc.  
Lincoln, Nebraska  
402-475-8920

Marsh Johnson Sr.  
Broadcast Operational Sys.  
Albany, Oregon  
503-928-8318

Carl Sampieri  
Sampieri Engineering  
Huntsville, Alabama  
205-830-8300

Don Roden  
Roden Engineering  
Huntsville, Alabama  
205-533-3676

Don Haworth  
Haworth Engineering  
Fargo, North Dakota  
701-237-5346

Jim Taylor  
Jim Taylor Engineering Svc.  
Augusta, Georgia  
404-738-2911

Mike Tosch  
Interstellar Broadcast Eng.  
San Diego, California  
619-576-8239

Jeff Twilley  
Ocean City, Maryland  
301-289-4545

Howard M. Ginsberg  
Communications Eng. Inc.  
Essex Junction, Vermont  
802-878-8796

Donald Frank White  
Roanoke Rapids, No. Carolina  
919-535-2599

Adam Perry  
S&B Communications Inc.  
Buffalo, New York  
716-832-7090

Thomas C. Taylor  
Total Communications Tech.  
Old Fort, North Carolina  
704-668-7977

Roger Cucci  
Techworks  
Milford, Connecticut  
203-878-3196

Harold Snure  
Calvmet Business Comm.  
Merrillville, Indiana  
219-769-4044

Dwayne Burlison & Assoc.  
Houston, Texas  
713-890-6565

Rick Cruz  
Mount Vernon, Ohio  
614-397-6440

Mark Persons  
M.W. Persons & Associates  
Brainerd, Minnesota  
218-829-1326

Hal Ross  
Air Com Communications  
Greenville, Pennsylvania  
412-588-8999

Russell Hines  
Cincinnati, Ohio  
513-721-7625

Jim Zastrow  
Zastrow Technical Service  
Schofield, Wisconsin  
715-359-9282

Steve Holderby  
Bemco Inc.  
Oklahoma City, Oklahoma  
405-943-2409

ACM Communications  
Napa, California  
707-257-6000

R. Michael King  
Circuit Doctors  
Frisco, Colorado  
303-668-3167

Joe Bellis  
RMF Associates  
Cape Girardeau, Missouri  
314-651-4272

Brian Walker  
Olympia, Washington  
206-438-2390

Jay Brentlinger  
Broadcast Engineering Inc.  
Phoenix, Arizona  
602-867-0181

Ken Bartz  
Bartz Engineering Services  
Fargo, North Dakota  
701-237-3006

Greg Blanchard  
Avila Engineering  
San Luis Obispo, California  
805-473-2396

J. Boyd Ingram  
J. Boyd Ingram & Associates  
Batesville, Mississippi  
601-563-4664

Troy D. Spencer  
Bassett, Virginia  
703-629-1161

Tom Oja  
ACM Communications  
Napa, California  
707-257-6000  
800-354-8600 (CA only)

Tom Lange  
TECS Electronics  
Kohler, Wisconsin  
414-458-1816

Lamarr Ritchie  
Lamarco Inc.  
Hazard, Kentucky  
606-476-8438

Steve Weber Jr.  
Fresno, California  
209-276-1249

John Simmons  
Simmons Communications  
Columbus, Georgia  
404-596-0265

Jim Slawson  
Broadcast Engineering  
Swainsboro, Georgia  
919-237-2011

Bill Bowin  
Bowin Engineering Services  
Galion, Ohio  
419-468-1771

Steve Gordoni  
Wheeling, Illinois  
312-870-1463

Chris Scott & Associates  
Bowling Green, Kentucky  
502-781-1232

Michael G. McCarthy  
McCarthy Radio Engineering  
Mount Prospect, Illinois  
312-640-8965

J.R. Galbreath  
Broadcast Technical Services  
Colorado City, Texas  
915-728-8076

Jim Stanford  
Waco, Texas  
817-857-4296

Al Martin  
Segue Services Inc.  
Merrifield, Minnesota  
218-765-3330

Jim Stitt & Associates  
Cincinnati, Ohio  
513-621-9292

Troy Langham  
Tulsa, Oklahoma  
918-587-0941

H. Scott Blake  
Wilson's Peak Eng.  
Mount Wilson, California  
805-273-7717

Bill Spitzer  
WLS Communications  
Rapid City, South Dakota  
605-343-6986

Chris R. Holt  
San Jose, California  
408-985-9459

Bob Biermann  
Tacocca, Georgia  
404-886-4727  
404-886-1912

T. Michael Ezell  
Audiotronics Tech Service  
Dothan, Alabama  
205-793-6519

Dick Warren  
Warren Engineering  
San Diego, California  
619-279-0759

Joe DeRosa &  
Frank Bolognino  
Brooklyn, New York  
718-764-9698

Frank Baker  
Towers & Ground Systems  
503-775-3366

Paul Easter  
D&E Broadcast Services  
Corpus Christi, Texas  
512-994-0659

Bill Sutton  
Bill's RF Engineering  
Bamberg, South Carolina  
803-245-4902

Mark Sadacca  
San Bernadino, California  
714-882-2575

Gary Brown  
Broadcast Allocations  
Nashville, Tennessee  
615-662-1526

David Sanford  
St. George, Utah  
801-628-3075

Sam Garfield  
Raleigh, North Carolina  
919-870-1289

Joseph Papp  
Charleston, South Carolina  
803-884-8513

James Parkinson  
Siloam Springs, Arkansas  
501-248-1108

Joe Furjanic  
Furjanic Communications  
Monongahela, Pennsylvania  
412-379-8311

Ronald J. Meyer  
Meyer Communications  
Winterhaven, Florida  
813-293-9646

Ken Ruhland  
Central Bdcst. Eng. Group  
West Edmeston, New York  
607-847-8244

Griffen E. Dameron  
Charleston, South Carolina  
803-767-1669

Frank Hertel  
Newman-Keys Freq. Meas.  
Evansville, Indiana  
812-963-3294

Anyone  
Else?



NORTHEAST

BROADCAST LAB, INC.

## Technics Sale

### Inventory Clearance

	Model	List	Sale
Compact Disc Players	SPL-222	269.95	215.00
	SPL-550	369.95	284.00
	SLP-555	379.95	295.00
	SLP-770	539.95	399.00
	SLP-999	549.95	415.00
Turntables	SLP-1200	1399.95	955.00
	SL1200MKII	499.95	365.00
	SP-15	849.95	595.00
	SP10MK2A	1349.95	955.00
	SH-15B2 Base	459.95	330.00
	SH-15B3 Base	459.95	330.00

Offer good until August 1, 1989


10373 Saratoga Road  
P.O. Box 1179  
South Glens Falls, NY 12803  
Tel 518-793-2181  
Fax 518-793-7423

P.O. Box 565  
Southampton, PA 18966  
215-322-2227

**Ron Radio Communications, Inc.**  
P.O. Box 201 Brightwaters, NY 11718  
Simply The Best For Less...  
Energy Onix FM Transmitters 100w to 60KW

- Proven Grounded Grid
- Solid State Exciter & Solid State (100, 300 or 500 watt) IPA
- Single tube up to 12.5KW
- Automatic Power Output System, VSWR Foldback & VSWR Protection
- Solid State Control System
- The only 7.5KW FM TX on the Market
- Single Phase as an additional option up to 12.5KW
- Built in OVERRIDE Panel with KEY LOCK
- Leasing thru DACOM Financial Services

8 0 0 - 6 6 6 - 3 5 2 5



(802) 226-7582  
FAX: 802-226-7738

**COMMERCIAL RADIO COMPANY**  
Transmitter Parts for: RCA, Gates, Collins  
Non-PCB Filter and Mica Transmitting Capacitors

DUTTONSVILLE SCHOOL DRIVE  
CAVENDISH, VT. 05142

DANIEL W. CHURCHILL

**SEARCHFM - SOFTWARE**  
Professional MSDOS Broadcast Software.  
SEARCHFM, QCHANNEL, EDFM, SEARCHTV  
With monthly FCC database pool service.

Doug Vernier, Broadcast Consultant  
1600 Picturesque Dr.  
Cedar Falls, IA 50613  
319 266-7435

**FM Study for Your PC**  
Fast, precise, and cost effective!  
Monthly data base updates available.  
Call CDI Today to Request a Free Fully Operational Demo Copy

Communications Data Inc.  
6105E Arlington Blvd.  
Falls Church, VA 22044  
(703) 534-0034

**FCC's Engineering**  
**AM, FM and TV Data Bases**  
On floppy (or) 9-track tape  
Call today to request a free sample

**Communication Data Inc.**  
6105 E. Arlington Blvd.  
Falls Church, VA 22044  
703-534-0034

**SBE** **STANLEY BROADCAST ENGINEERING**

James S. Stanley  
Engineering Consultant

P.O. Box 24601  
Tempe, AZ 85282 (602) 264-8752

**NORTHERN MAGNETICS**  
CERTIFIED TAPE HEAD SERVICES

Northern Magnetics is an industry leader in the supply and service of tape heads and tape head products.

Phone: (612) 333-3071  
Telex: 1561238 MPS UT  
P.O. Box 16409 Minneapolis, MN 55416  
FAA Repair Station # C14-57

**BRENTLINGER BROADCAST ENGINEERING, INC.**

Charles Jayson Brentlinger  
President

COMPUTERIZED ENGINEERING REPORTS / ALLOCATION STUDIES  
AM-FM-AM DIRECTIONALS-AUDIO-STL-SATELLITE COMMUNICATIONS

4338 East Acoma Drive • Phoenix, Arizona 85032 • (602)867-0181

**Radio Guide**  
June, 1989 Volume 2 - Issue 6  
Mail to: Radio Guide 511 18th Street SE  
Rochester, MN 55904

Fill out the information below, and then circle the number of any manufacturer from which you would like additional information.

1 - Television Technology	17 - Barrette Associates
2 - Broadcast Audio	18 - Titus Technology
3 - CRL Systems	20 - Broadcast Devices
4 - Inovonics	21 - A&D Cartridge
5 - RAM Broadcast	22 - Tom Jones Recording
6 - Ramko Research	23 - Northeast Broadcast Labs
7 - Kahn Communications	24 - Stanley Broadcast Engineering
8 - Econco	25 - Communication Data Inc.
9 - Delta	26 - Northern Magnetics
10 - JRF Magnetics	27 - Ron Radio
11 - Bradley Broadcast	28 - Owl Engineering
12 - LPB	29 - Commercial Radio Co.
13 - 3M - ITC	30 - Doug Vernier Broadcast
14 - J-Squared	31 - Freeland Products
15 - Henry Engineering	32 - Brentlinger Broadcast
16 - Russco	

Name \_\_\_\_\_  
Company \_\_\_\_\_  
Address \_\_\_\_\_  
City \_\_\_\_\_  
State \_\_\_\_\_ Zip \_\_\_\_\_ Phone \_\_\_\_\_

**Tube Rebuilding**  
**Freeland Products**

- We Buy Duds - Since 1940  
Save About 50%



800-624-7626  
504-893-1243  
Fax 504-892-7323

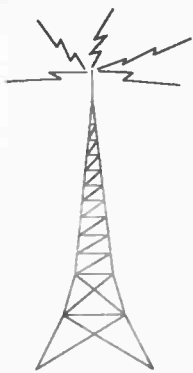
Including for TV  
RCA Cermolox and UHF Klystrons

**Consulting Communications Engineers**

- FCC Data Bases
- FCC Applications and Field Engineering
- Frequency Searches and Coordination
- AM-FM-CATV-ITFS-LPTV

**OWL ENGINEERING, INC.**

1306 W. County Road. F,  
St. Paul, MN 55112  
(612)631-1338 "Member AFCCE"



# RADIO GUIDE

CHIEF ENGINEER  
KOFX  
5411 N MESA ST #31-C  
EL PASO TX 79912-5438

BULK RATE  
U.S. POSTAGE  
PAID  
ROCHESTER, MN  
PERMIT 445

Address Correction Requested

A Forum for Radio Engineers  
Ray Topp Editor/Publisher (507) 280-9668

June 1989

Volume 2 - Issue 6

Copyright 1989 - Rochester Radio

511 18th Street SE

Rochester, MN 55904

## Check Your Files

How many of us have worked endless hours on a piece of gear, only to find that there had been a manufacturer's tech-note or update sheet released on that very same problem? It happens a lot!

For whatever reasons, the information is not getting to many of the people who need it. Most manufacturer's tech-notes do get distributed, but the distribution is, many times, limited to only the people whom the manufacturer believes has their gear. What with the exchange of used equipment and the turn-over of station engineering personnel (not to mention the emergence of a large number of contract engineers), getting the tech-notes and equipment updates into the hands of the appropriate person is not an easy job.

I will offer space in the Radio Guide for publication of any tech-notes and updates regarding any piece of gear, that you may have. This will allow those of you who would like to contribute to the Radio Guide, a way to do so without having to actually write an article. Sooner or later I know you will write an article. But for now, submitting any equipment tech-notes and update information, that you have in your files, can be a initial step.

I would suppose that much of this information has a copyright of sorts, so I will run it past the original manufacturer just to keep things straight. This will also help to eliminate any mis-information regarding older equipment updates that may have been updated themselves. Why do I ask station engineers, rather than manufacturers, for this information? The Radio Guide is a Broadcast Engineers forum, and any published technical information will always be submitted from engineers themselves.

I would hope that manufacturers would welcome this opportunity to allow their tech tips, modifications and equipment updates, to be disseminated to all broadcast stations in the country. Every engineer I have talked with, has said the same thing - - equipment problems are not the problem! The trouble is not being able to find the already existing information on a specific piece of gear.

So dig into your files and send in those pieces of paper. Maybe we can all save a few late night hours in the process.

## How Important Is It?

Thanks to all of you who have sent in technical tips and articles. I have received numerous calls from engineers, thankful for the information. Complicated or simple - - someone, somewhere, will always find a use for it.

It's not important that you try to analyze the appropriateness of your articles. What is important, is that you send them in. Radio Guide does not have a staff of writers nor does it have a large backlog of articles for publication. That's the way it started and that's the way it will continue. I need information from people actually working in the field. It's the only way that I can be sure that the Radio Guide serves its readers.

We do pay, anywhere from \$5 to \$30 for tips and articles, so you may want to keep that in mind. As long as you are willing to contribute to the success of Radio Guide, it seems only fair that you should get more than a pat on the back. You won't get rich, but your technical information will get published! Fair enough?

I would like to establish and continue a section in the Radio Guide, that deals with technical help wanted. If you have a question regarding a technical problem, a troublesome project or just can't find a part for a Collins 300G, let me know and we'll publish it in the Radio Guide. You will be amazed at the response you'll get. Put your ego in your back pocket and give it a try. Your job is to fix equipment - - no one ever said you had to know it all!

## In This Issue . . .

- Page 2 Harris FM-20H3 Tip  
Revox PR-99 MKII Capstan Motor Lube
- Page 3 Automatic EBS Message Recording
- Page 4 Control Ladder Testing
- Page 6 Consumer CD Interfacing
- Page 7 Solid-State RF Ammeter Replacement
- Page 8 Tone Oscillator Circuit
- Page 9 Auditronics 218 Console Fix  
Low Cost STL Filter
- Page 10 Open Delta Three-Phase
- Page 11 Tech Manuals are Available
- Page 12 Transmitter Soft Start  
ITC 3D Part Tip  
Telco Tip



**You receive an important extra with every quality TTC transmitter...**

We're there with Total Support if you need us. Our 24-hour Total Support Hot Line lets you call for technical, engineering, or maintenance support at any time. All our transmitters and translators are made with strict attention to quality control.

Get to know TTC and our full line of AM and FM Transmitters, made in the U.S.A.—FM from 10 Watts to 40,000 Watts, AM from 500 Watts to 50,000 Watts. For more information, call TTC: Television Technology Corporation (303) 665-8000 • FAX: (303) 673-9900

**The Quality is TTC**

**TTC TOTAL SUPPORT**

# Harris FM-20H3 Tips

By Charles Benner - WUSL  
Philadelphia, Pennsylvania  
(215) 483-8900

First, if anyone has replaced the TE-3 exciter with a BE FX-30 and was not totally content with the VSWR as read on the FX-30 reflected power meter, may I suggest the following:

Replaced the 2200 pF capacitor and pair of 22 ohm resistors at the IPA input stage (C22,R63,R64).

Make up your cable between exciter and IPA as short as possible, using Belden 9914 coax cable.

The final step is to get the strap placement correct on the IPA input (very simply, un-solder the bus wire and slide it up or down for the best exciter loading). Generally you can get the VSWR very low at this point. Then when you have tuned the IPA grid for the lowest VSWR, put the box back into the antenna and made your final IPA grid adjustment, you may just find what I did. The VSWR is so low that it is not readable on the FX-30 meter. Don't settle for higher VSWR than you have to have.

Second, concerning the FM-20H3, I have had several occasions where the transmitter would just dump for no reason. It could always be turned back on and run for another week or a month - - only to dump again. After much heartache and grey hair, I narrowed it down to the contacts on K1 (the filament contactor). All the contacts would look to be making perfect contact, but the only way the problem was solved was to replace the contactor. I have replaced this contactor on two different occasions during the last four years. I do not know why replacing it works, but it always has for me. I have gone for 14 months, now, without the transmitter dumping, but I suspect it may start again. If it does, I will simply replace K1 to afford myself another year of peace.

## Revox PR-99 MKII Capstan Motor Lubrication

By Tim McCartney - KBSU  
Boise, Idaho

KBSU's Revox PR-99 MKII reel-to-reel deck intermittently slowed down during normal record and playback.

The pinch roller and capstan were not slipping. A check of the capstan motor servo circuitry indicated abnormal readings during the slowdowns. Thus, it seemed logical to troubleshoot that circuit board.

However, the customer service people at Revox recognized this problem as mechanical, not electronic. When the capstan motor itself resists normal movement, electronics readings become invalid. So, the manufacturer's analysis was that the capstan motor shaft required lubrication.

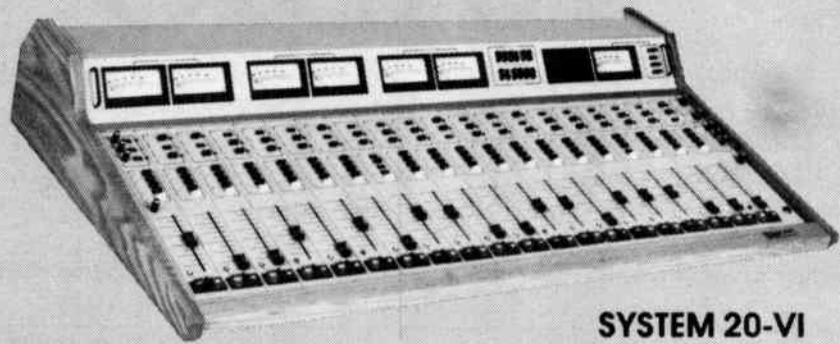
The procedure is to release the clip from the back of the motor, remove the cover, and pull the shaft out from the front of the deck. Close inspection reveals three 1/4-inch felt oil washers; the more easily identified washers are located adjacent to two more visible bronze bearings. An eye dropper filled with 30-weight oil is recommended for saturation of each felt washer. After re-assembly, KBSU's motor returned to a reliable speed.

Another clue to the problem was excess resistance while rotating the motor cover; after lubrication, this resistance was greatly reduced. Such advice is not, however, found in Revox's operating manual or set of schematics.

KBSU's deck had been in constant service for 2 1/2 years when the problem surfaced. Now, the station's other two PR-99s have been lubricated in anticipation of the same problem occurring.

If we're doing alright, let us know. If we're not serving your needs, let us know that too - - and at the same time be sure and tell us what you think needs correction, modification or expansion.

## SERIES VI — A SOUND DECISION!

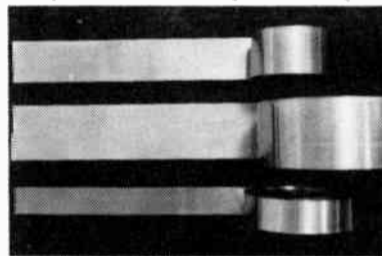


**SERIES VI Broadcast Audio consoles** are completely modular with a new low profile appearance and new features. Mainframe sizes of 8, 12, 16, 20, and 24 mixers are available. An LED clock/timer, peak level indicators, headphone EQ, monitor "dim", and 3 stereo, plus 1 mono mixing bus, are standard (except for the 8 mixer model). A 5-frequency EQ mixer and equalized Aux Send module are optional. All mixers have mic/line inputs. Double-sided ground plane motherboards are used for RFI rejection, and lowest possible noise and crosstalk. There are no VCA's or ribbon cable audio conductors.

These great sounding consoles are ideal for use with CD's, which require a wider audio bandwidth, to fully exploit their spectacular transient response. Call or write for our new brochure. **SERIES VI - A SOUND DECISION!**

**BROADCAST  
AUDIO CORPORATION**

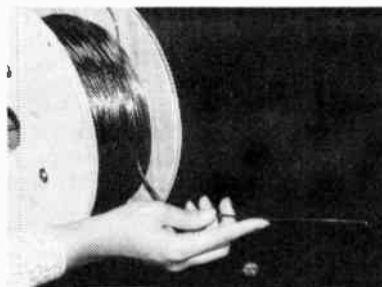
11306 SUNCO DRIVE  
RANCHO CORDOVA, CA 95742  
(916) 635-1048



MENTION THIS AD AND SAVE

# 10%

ON ALL COPPER PRODUCTS FOR  
RF CONSTRUCTION



It's construction time. We want to help! Now thru July 28, 1989, enjoy 10% savings on 2, 3, 4, 6 and 8 inch strap, counterpoise mesh, flyscreen and #10 soft drawn wire.

**800-622-0022**

ATLANTA CHICAGO DALLAS  
LOS ANGELES RICHMOND

**ALLIED**  
Broadcast Equipment  
— A HARRIS COMPANY

# Automatic EBS Msg. Recording

By **Ronald F. Balonis, CE - WILK**  
**Wilkes-Barre, Pennsylvania**  
**717-825-9898**

On paper, the Emergency Broadcast system (EBS) is a simple system. But in actual practice it becomes much more complex. At radio stations, it must interface with the usually chaotic broadcasting activities. Within this operational framework the specific 'in-the-rules' EBS procedures must be followed, and the EBS equipment must work for the EBS system to function as planned, flawlessly. Even so, in spite of all that can go wrong, at most stations, most of the time, it works, as intended.

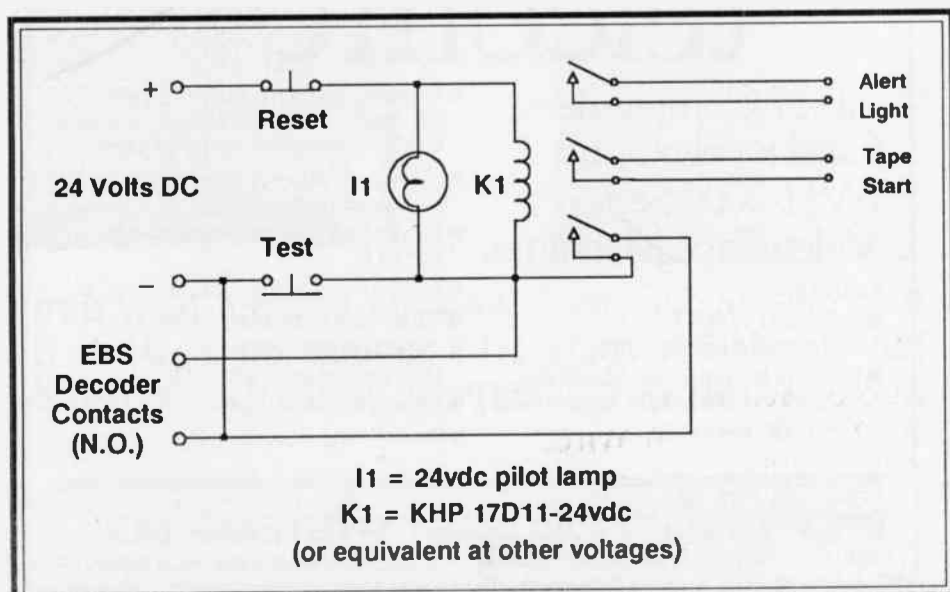
But there are times at every station when the equipment works and everyone knows the procedures and what to do and the system fails because of a 'software' fault: It can fail in the confusing and tense what-to-do moments after the EBS ALERT sounds.

Not accounted for in either the EBS rules and procedures or the EBS equipment is the fact that in the typical radio station, the announcer or operator has many tasks to juggle at the same time. It comes with the job. Waiting around for an EBS ALERT is only one of them. Getting the EBS message taped or written down for re-broadcast, on a drop-everything-else-moment's notice, can be a weak link in the EBS message distribution daisy chain.

The solutions to the problem range from finding fault with the system, the procedures, or the equipment to conflicts about it with the announcers and operators who have the moment-to-moment EBS responsibility. There is, however, a technical solution for this EBS weak-link. That is to set up the EBS equipment so that on an alert, any and all alerts, the EBS DECODER automatically records the EBS messages on a cassette tape recorder. A cassette tape is available to 'back-up' the operator.

The diagram shows an EBS message tape recorder control circuit—one of several ways to accomplish automatic message EBS recording. In this one, the relay electrically latches ON when the EBS decoder detects the two tone Emergency Action Notification (EAN), and it remains ON until manually RESET, even when the EBS decoder has been reset. The tape recorder's (cassette) input connects to a "live all the time" audio point in the EBS receiver, or to another receiver that's tuned to same station. The normally open contacts (NO) of the electrically-latching relay connect to the remote start of the tape recorder (that way the cassette records even when the decoder is reset). The circuit also enables TESTING of the EBS Message tape recorder and the circuit. It's a simple circuit, it can be assembled from almost any combination of junk-box or on-hand parts.

Automatic EBS message recording, however, is not free. In a way it adds another level of complexity to the EBS equipment system of a station: The tape recorder and the control unit must be checked and tested so that they don't also become a weak link. And, there is another button for the announcer or operator to press to RESET the EBS equipment after an alert. But, it is insurance against the weak 'software' EBS message link, and, it provides a recorded record of the weekly EBS tests that are received, so that the reason for the ones that aren't logged can be logically determined.



**TTC**

## WORLD STANDARD IN SOLID STATE FM TRANSMITTERS

**Solid state quality and efficiency.** TTC's new FMS-Series FM Transmitters are available in 1kW, 2kW, 4kW and 8kW models. Broadband, efficient power amplifiers are transparent to the high-spec TTC Exciter.

**Redundant systems for high reliability.** Individual 1000 Watt plug-in amplifiers provide extremely easy service and maintenance. These transmitters remain on the air automatically—even in the unlikely event of a power amplifier failure. Exclusive "fail-on" control circuits keep the transmitter operating should a control circuit fail.

**World-acclaimed TTC Model X Exciter.** The Model X provides truly outstanding performance, with all distortions measuring .01% or less and FM composite signal-to-noise ratio an amazing 90dB down. Frequency response is .05dB from 20Hz to 100kHz for unparalleled loudness and clarity.

Made in U.S.A. For details on our full line of AM and FM transmitters and translators, call TTC: Television Technology Corporation, Phone: (303) 665-8000 FAX: (303) 672 9900

**The Quality is TTC**

- 100% solid state
- Very high efficiency
- Fully automated control
- Superlative specifications
- Integral lightning protection
- Redundant power amplifiers
- Broadband—no tuning required

## CRL SPOTLIGHT

**NEW**

### Converting to the NRSC Standard?

### Want to Improve Coverage of Your Station?

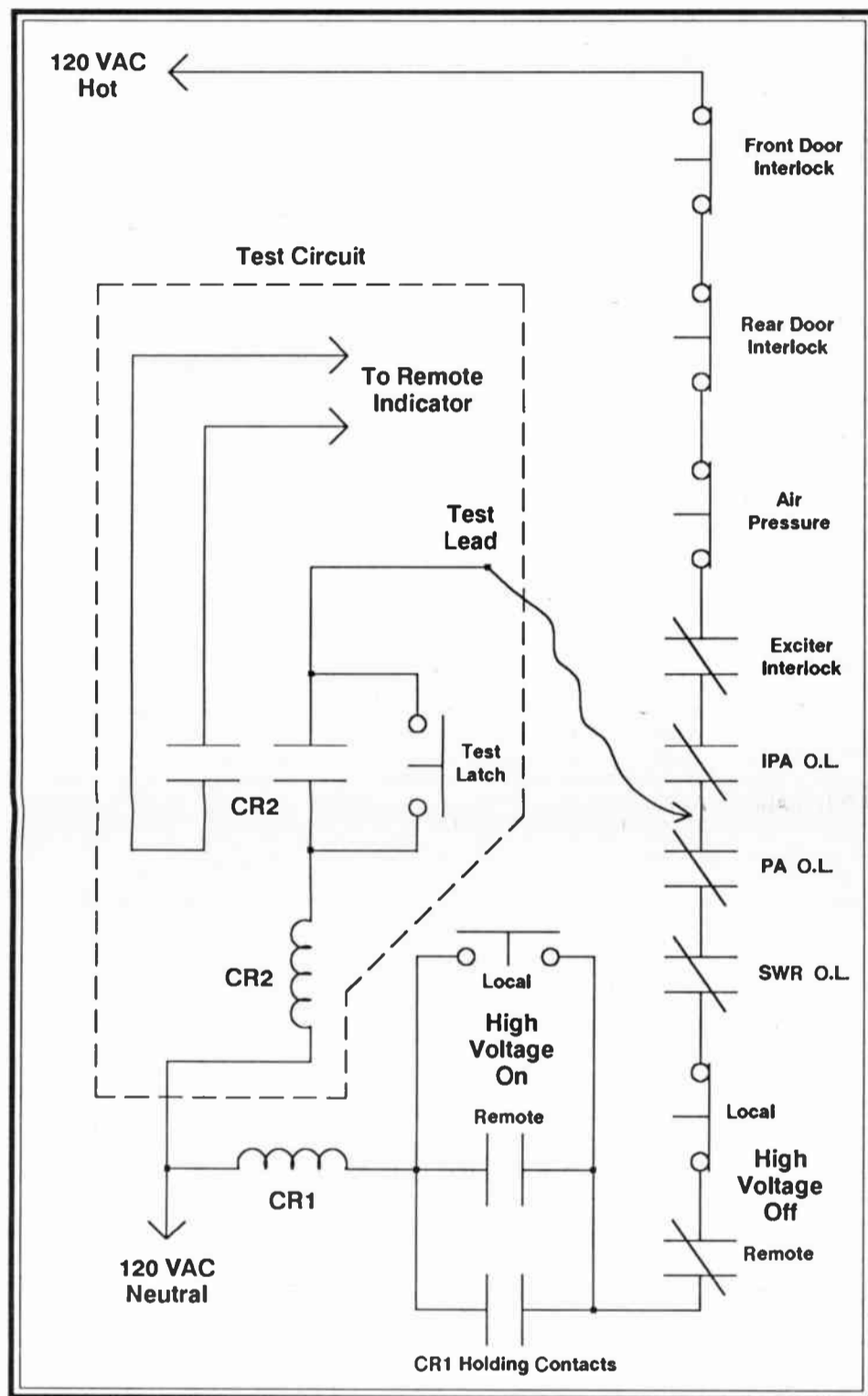
CRL's new PMC 450 AM Limiter is a cost effective way to convert your station to the NRSC standard, and in many cases improve your coverage as well. The PMC 450 consists of a gated input compressor followed by an NRSC compliant tri-band limiter section. An adjustable presence band boost augments vocal clarity and punch. A patented overshoot corrected low-pass filter ensures maximum modulation control. Low frequency tilt correction circuits plus adjustable asymmetry levels assure compatibility with all transmitter types. Suggested retail price is only \$1695. Our two week trial program will prove to you how sound of an investment the PMC 450 is. Call or write us for details.

**CRL SYSTEMS**  
**CRL Systems**  
 2522 West Geneva Drive  
 Tempe, Arizona 85282 U.S.A.  
 (800) 535-7648 (602) 438-0838  
 TELEX: 350464

# Control Ladder Testing

By George R. "Bob" Howe - WBGL  
Champaign, Illinois  
217-359-8232

Your transmitter keeps shutting off due to loss of high voltage. This can be particularly exasperating when it only happens once or twice a day. All you need to do to get it going again is to push the high voltage "on" switch, either remotely or locally. Everything seems to be normal but you suspect that one of the several interlock overload switches that are in series with the high voltage relay is intermittent. How do you prove it quickly and efficiently.?

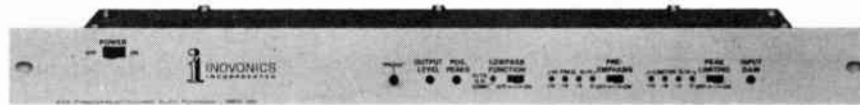


The diagram shown is a typical control voltage schematic for a high voltage circuit. K2 is a 110 VAC relay (preferably one with a neon bulb and resistor in parallel with it's coil) for trouble shooting. I have used the type that plugs into an octal base. It would be best to locate the test relay and latch push-button external to your interlocked transmitter and run the test lead through a wire entry-way. Keep everything isolated and be careful!

With all power disconnected and discharged, connect your test relay at a midway point in the control circuit. Close doors and energize your transmitter. Latch your test relay with the push-button and wait. When your transmitter exhibits the intermittent shut-down problem, all you need to do is see if your test relay is latched or not. If it is, then your intermittent contact is downstream (towards neutral). If it isn't, then your problem is upstream (towards hot). With the power disconnected and discharged, move the test lead to another point in the control circuit chain and go through the procedure again until you isolate your problem. Happy hunting.

# NRSC-2 (?)

There appears to be confusion over the "NRSC-2" spec. Remember: *it's not a new, second standard*—just another way of looking at the original NRSC "recommendation."



Inovonics' NRSC Audio Processor is an easy and very cost-effective means of implementing the required audio preemphasis and cutoff. Its built-in peak controller and "adaptive" preemphasis work with any existing processing to guarantee compliance with the NRSC-2 specification, *assuming a linear and "clean" RF side of the system*. Spectrum photos prove this time and again. Now prove to yourself how simple and beneficial NRSC compliance can be.

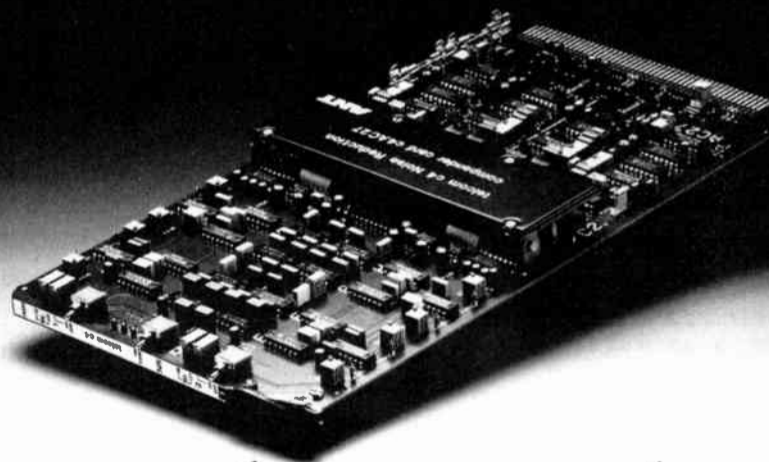
Inovonics' Model 222 - \$590

## Inovonics Inc.

1305 Fair Ave., Santa Cruz, CA 95060  
Phone: (408) 458-0552 - FAX: 458-0554



# SILENCE BY DESIGN.



## telcom c4

AC27 Compaander  
Card for the Sony  
BVH-2000 Series  
Video Tape Machines.

### Features:

- A product of ANT Telecommunications, Inc.
- Plugs directly into the AU-27 slot of the BVH-2000/2500 Series 1-inch video tape recorders.

- Improves dynamic range and cross-talk performance offering a recording quality comparable to 16-bit digital.
- Corrects frequency response errors with head bump effects.
- Improves frequency response of the VTR.
- 24dB of noise reduction (telcom c4).
- NR system alignment not necessary.
- Automatically follows record/playback operation of the VTR.
- Remotely controllable.
- On/off switch located on the front.

Distributed by:

**RAM BROADCAST SYSTEMS INC.**

346 W. Colfax Street, Palatine, IL 60067 • (312) 358-3330 • FAX (312) 358-3577



# 4, 6 & 8 MIXER, SINGLE AND DUAL CHANNEL STEREO, ..... \$1395 TO \$2950!!

The incredible, new **xL SERIES** audio consoles.



xL82S shown

## FIELD PROVEN

The new xL SERIES consoles utilize much of the same high performance technology that has made our audio switchers, DA's, preamps & mixers famous the world over. And, as you are reading this, these new consoles are proving themselves in numerous installations across the country. "No RF problems of any kind"... "Our sound has noticeably improved since installing your boards"... "Our people really enjoy the ease of operation"... "Would recommend your consoles to anyone that asks"... Your console actually tested out better than your spec's".

## NEW TECHNOLOGY LOWERS COSTS

Dramatic new developments in IC technology have enabled us to design these consoles with fewer components and naturally less labor. The end results are not only a significant price reduction and higher performance than previously possible but, in addition, higher reliability.

## MORE BANG FOR THE BUCK

Huge expanded scale, -40dB to +3dB, multi-colored LED VU meters (4" & readable in bright light across the room); Four individual meters on dual channel units; Switch programmable muting on each mixer and input; Nine input selects on the last channel; Mono sum output; Plug-in modules for ease of service; Optional switch programmable remote control start/stop; Remote start/stops use front panel input and output selects or input select and pot up start/ pot down stop; Double shielding for total RFI protection...and as you'll see in the rest of this ad ...much, much more.

## FOR THE SKEPTICS

Anyone can write an ad touting the virtues of their product. Well, we have always felt that we haven't passed muster until you say so. That's why all RAMKO products are shipped on a two week trial basis. You're the final judge. No ifs, ands, or buts! Simply put, if at any time within two weeks of receiving your equipment you are not entirely satisfied, or have just changed your mind, return it in like new condition. Upon verification of condition an immediate refund (less shipping charges) will be issued, for prepayment or C.O.D.s, or your account will be credited if purchased open account. What more could anyone ask? Pricing that will save you hundreds of dollars...Unsurpassed quality & performance...A no risk opportunity to prove to yourself that you get exactly what you want and everything we claim is true. And, everything we manufacture is backed by a 2 year warranty.

## DON'T DELAY

Call RAMKO RESEARCH direct or your RAMKO dealer for further information or to place your order. You have nothing to lose except perhaps some preconceived notions about how much quality *really* costs.

TOLL FREE (800)678-1357  
FAX (916)635-0907

# RAMKO RESEARCH

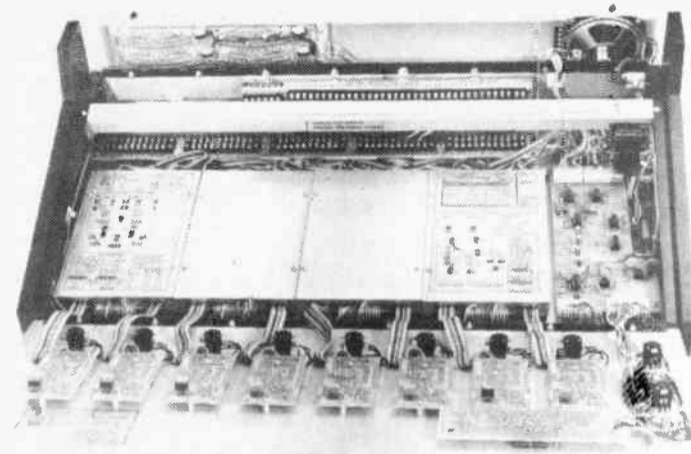
3501 #4 SUNRISE BLVD.  
RANCHO CORDOVA, CA 95742  
(916)635-3600

## FEATURES OVERVIEW:

1. EXPANDED SCALE VU METERS (-40dB to +3dB) multi-colored LED.
2. PLUG-IN SHIELDED INPUT MODULES.
3. MIC/LINE SELECT JUMPERS ON EACH CHANNEL.
4. MONO/STEREO FEED SELECT ON EACH CHANNEL.
5. GAIN SELECT PATCH PANEL ON EACH INPUT.
6. PROGRAMMABLE MUTING SWITCHES ON EACH INPUT.
7. NINE INPUTS ON LAST CHANNEL.
8. 2 WATT CUE AMP.
9. ROCK SOLID, SHORT CIRCUIT PROOF SUPPLY WITH LED INDICATORS.
10. MONITOR SELECT/GAIN CONTROL. Prog1/Prog2/External.
11. PHONES SELECT/GAIN CONTROL. Prog1/Prog2/External/Cue.
12. INTERNAL CUE SPEAKER.
13. VCA CONTROLLED MIXERS.
14. PADDED ARM REST.
15. MONO SUM OUTPUT.
16. PLUG-IN IC'S THROUGHOUT.
17. FOUR INDIVIDUAL PWR. SUPPLIES. Meters, Cue amp., Power amp., Main audio.
18. INSTANT ACCESS. Two,

19. ILLUMUNATED 5 MILLION OPERATION IN/OUT SELECT SWITCHES.
20. HIGH VOLTAGE SOLID STATE AUDIO SWITCHES. Cannot be overdriven nor damaged by overvoltage.
21. EXTERNAL 20 WATT POWER AMP.
22. ON AIR LIGHTS RELAY.

23. REMOTE START/STOP OPTION. Programmable for operation from in/out select switches or mixer pot-up start & mixer pot-down stop.
24. COMPLETE INTERNAL LABELING. All labeling for in's & out's, gain adjusts, programming, levels, etc., is provided internally for easy installation.



## PARTIAL SPECIFICATIONS

INPUTS: Two per channel except the last channel which has nine. Balanced bridging 1k ohms in mic mode & 150k ohms high level. Input #1 of each channel programmable mic thru high level. Input #1 of each channel may be strapped for mono or stereo feed.  
OUTPUTS: Balanced low impedance, +25dBm max into 600 ohms. May be used balanced or unbalanced. Stereo sum balanced out. Program outputs factory set for +8dBm but may be recalibrated for

any other level.  
METERING: Expanded scale, 4" solid state tri-color with VU ballistics. 2 each on single channel units & 4 each on dual channel models.  
MONITOR: Stereo, muted monitor outputs @ +4dBm. External 20 watt stereo amp included. Three position selector for PRO1, PROG2 & EXTERNAL in.  
CUE: Mono-sum to 2 watt internal amp & speaker and phones. Switch programmable speaker muting.  
S/N: Mic level in @ -50dBm & +8dBm

out; -68db. High level @0dBm in & +8dBm out; -75dB (typically -78dB).  
DIST: Below noise floor. Typically .009%.  
RESP: 10Hz-20kHz; ±1dB  
CROSSTALK: PROG1 to PROG2; -70DB.  
SIZE: xL4..19"W x 8.5"H x 17"D.  
xL6..25"W x 8.5"H x 17"D  
xL8..30"W x 8.5"H x 17"D  
POWER: 115VAC, 50/60HZ, 40W. 230VAC available at additional charge.  
FINISH: Polyurethane Carbide black, Linear white, Ramko Grey.

## MODELS & LIST PRICES:

xL41S .....\$1395  
4 mixer single channel stereo  
xL42S .....\$1650  
4 mixer dual channel stereo  
xL 61S .....\$1975  
6 mixer single channel stereo  
xL62S .....\$2375  
6 mixer dual channel stereo

xL81S .....\$2650  
8 mixer single channel stereo  
xL82S .....\$2950  
8 mixer dual channel stereo  
RSS4 .....\$225  
Remote start/stop (xL4)  
RSS6/8 .....\$325  
Remote start/stop (xL6 & xL8)

LF6 ..... Contact factory  
Linear faders; Available 6/89  
LF8 ..... Contact factory  
Linear faders; Available 6/89  
PS230B .....\$50  
230VAC power source

# Consumer CD Interfacing

By Jim Turaville - KWOX

Woodward, Oklahoma

405-256-4101

There's a lot of interest, in the "bottom line broadcasting" stations (ones that can't afford the fancy new gadgets from NAB), to use the consumer Compact Disc players for on air and production use. The reasoning is (and may not be bad reasoning at that), that for the cost of a fancy "broadcast quality" Compact Disc player that will outlast three or four of the consumer grade decks, you can buy three or four of the consumer decks. Unlike the professional units, you can probably get the sales department to grab them on trade.

The problems come, in interfacing those consumer decks to the broadcast world. I have noticed that someone has finally come out with a basic \$69.00 interface that will bring that high-impedance -10dB, up to a level that the older consoles will accept. Most all of the newer consoles can readily take the high-Z low level inputs, but there are lots of older consoles out there which can't. Even our Audiotronics 200 series consoles lack the input gain adjustments to comfortably run those types of equipment without an interface amp.

One solution that may viable for some stations, is to convert an existing device for that interface amp. I have taken a Shure M64 stereo pre-amp, and changed the input resistors R5 and R6 from 150K to 100K, and dropped a little gain on the front end. Running the amp in the "flat" position, gives good frequency response, clean sound and a +4 dB output. Another solution is to take an old phono pre-amp (after all, you're replacing that turntable with the CD player anyway) and defeat the RIAA equalization. On the Stanton models, and many others, this is available as a front panel switch. Then give it some input padding, to prevent overdriving the unit, and you have an interface to the CD player.

One of the trickiest and handiest things is the remote control of the functions on the CD player. One engineer complained that the jocks were using the buttons so much that they were wearing off all the lettering, and the buttons were getting soft and unreliable. I solve this by remoting all of the desired functions, when the unit is fresh out of the box. Note: This will void your warranty with just about every manufacturer, so make sure it's a CD player you can throw away in a year if it goes bad, or if you are friends with the technician at the local electronics repair shop who will understand why you tinkered with the guts of the unit. I have performed this interfacing on three different brands of players - - a Technics, a GE, and a Magnavox. I have been 100% successful and have never had a failure of the control circuits since the first one 18 months ago.

I have found that most all of the players run on a  $\pm 15$  volt supply. This supply is not overrated, so care must be used if you choose to piggyback any components off of the internal supply. I have done so in all four of my units, and had no problems, since there is no constant current drain for the controls. A supply point for the +15 volt supply can be found by turning on the power and probing around the PC board with a voltmeter. I have always found the +15 volts on a jumper on top of the board. Since we will use a 12 volt relay (which will latch from 9-14 volts), I would recommend a 150 ohm series resistor off the +15 volt supply point to provide the desired current limiting.

The front panel with the push-button controls is quite accessible on the foil side. Take the cover off of the unit and, with the power on, and a CD in the drawer, use a 10 ohm resistor as a jumper. Find the back terminals of the front panel switch to be remoted, and alternatively jumper the terminals together with the resistor, to determine which two will cause the function to occur. For example, if you wish to remote the tray open/close button, find the back of the button on the foil side of that PC board. Using the 10 ohm resistor, short the terminals on the back of the board until the tray opens and closed when jumpered. The same test is true of PAUSE, PLAY, STOP, SKIP, etc.

I use a 12 volt DC reed relay to do the remote switching. The reed relay is used because the coil resistance is about 1050 ohms on the 12 volt model, and offers the least amount of current drain to the unit's power supply. On the last unit I interfaced, I actually soldered the contacts of the relay directly to the back of the front panel PC board.

(Continued on Page 7)

# CARTING RECORDS??



**YOU NEED SYNCHROSTART!** SynchroStart makes dubbing records or CDs to cartridge a 'one-button' operation. Produce carts that are tightly cued and consistent with **no guesswork**. Just hit the START button . . . the turntable starts, audio mutes during the start-up, then just when the stylus is precisely at the beginning of audio, audio is switched on smoothly and the cart machine starts! All automatically. Whether carts are dubbed by the PD or by the 'nighttime college kid', they'll all be **tight** and **perfectly cued** every time. In Stock.

**HENRY ENGINEERING**

**(818) 355-3656**

**We Build Solutions**



Get our catalog!

**TELEMOTE 321**

This tiny phone-remote mixer never needs batteries or AC! Your phoneline gets you on the air for great performance with 2 mic inputs, 1 tape input & pot controlled audio for 3 headsets.

Only \$599

**STUDIO-MASTER 505S**

5 channels stereo, 4 built-in preamps, 5th channel accepts 5 inputs on push-buttons, cues any channel with Mod Pots, cue amp & speaker. Great specs, performance & dependability. Mono available too.

Only \$2195

**MARK V TURNTABLE**

This solid metal, variable speed adjusts easily 10% & starts Quick for precision play. LED speed readout, heavy aluminum platter with built-in 45, detachable tone arm plate & super performance!

Only \$720

TURNTABLES, TONE ARMS, PREAMPS, POWER, DIST., & CD AMPS, MIXERS & MORE!



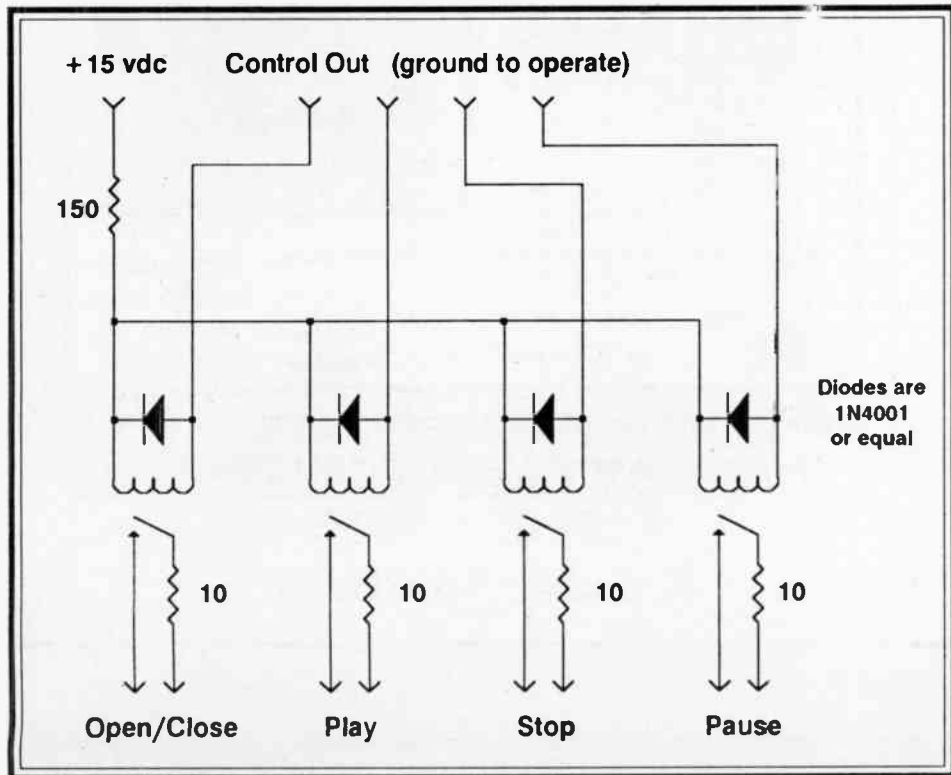
ELECTRONICS INCORPORATED

5690 E. SHIELDS AVE., FRESNO, CA 93727 • PHONE (209) 291-5591

## Consumer CD Tips . . . (continued)

The relay weighs virtually nothing and is easily supported just by a good solder connection. I still use the 10 ohm resistor in the line that goes to the switch terminals, just as a bit of safety precaution. All of the units I have worked with use a real low voltage switching on those buttons, so 10 ohms will not be any different from a dead short.

I tie the coil of the relay to the +15 volt supply, as mentioned above, and switch the ground to fire the relay and activate the control. Be sure to back bias a diode across the coil of the relay! You will need this to keep spikes off of the unit's power supply, that may be caused by the inductive "kickback" of the relay. By switching the ground of the coil to fire the relay, the control will interface to almost any of the remote systems built into your console, as most of them are open collector to ground functions.



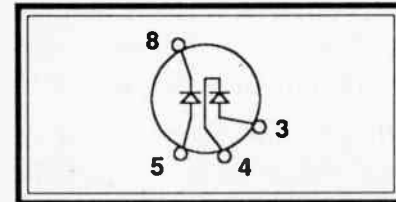
## Solid-State Replacement for Gates Tube-Type Ammeter

By Thomas Lang - TECS Electronics  
Kohler, Wisconsin

The following modification should interest users of the old Gates remote antenna current metering units that use a 6H6 tube to rectify a sample of the RF current via RF transformer. This modification involves replacing the 6H6 with solid-state diodes to eliminate the need for AC power for the filament of the 6H6. This is advantageous in the event the AC to the tower is lost, or removed due to permission to turn off the tower lighting.

The diodes must have a fast recovery time, as you are rectifying an RF signal. I used high-efficiency types from Digi-Key (800) 344-4539, stock # HER-104.

I used an old octal tube base as a plug with the diodes soldered to the pins. This allows simple plug-in replacement at the tuning house. Figure one shows the pin-out:



De-energize the antenna and remove the 6H6 from the socket. Adjust "remote" pot to a much lower setting - - I found that the sampled output was much higher with the diodes than with the 6H6.

Apply transmitter power to the antenna and calibrate the remote meter as usual. The "remote" pot may have to be adjusted to get the calibration pot you use into a workable range.

This procedure was performed at WPLY, Plymouth Wisconsin, in the Fall of 1988. Routine calibrations show stability to be commensurate with the old 6H6 tube, with a typical error before calibration of  $\pm 0.05A$ , with a nominal antenna current of 2.00 Amps. Accuracy is consistent when the station reduces to nighttime power with a current of 1.05 Amps.

## Little Noisemaker.



This little gray box is about to have a big effect on the way you test your audio equipment.

No longer will you have to bother with individual tones to set proper audio levels. With Delta's SNG-1 Stereo Noise Generator you can make a variety of tests with *true* stereo noise, all at the flip of a switch.

You'll get a much more realistic view of what your equipment is doing. Whether you prefer white, pink, or USASI noise spectra, the SNG-1 provides it, in both continuous and pulsed output modes.

Say goodbye to hit or miss processor adjustments using varying program material. The award-winning SNG-1 spans the entire frequency range, so you'll cover the highs, the lows, and everything in between.

The external gate input permits an infinite variety of pulse shapes and durations so you can test your equipment to the absolute

fullest. For standalone convenience simply switch to the internal pulse mode.

With the SNG-1 you'll always get an accurate and repeatable standard to base your measurements on. And for only \$495, there's no bigger value.

To discover how the Little Noisemaker can help you in a big way, call or write today. And be sure to ask for your free copy of Delta's Noise Primer, "Employ Some Noise." Delta Electronics, Inc., 5730 General Washington Drive, P.O. Box 11268, Alexandria, VA 22312. Phone: (703) 354-3350, FAX: (703) 354-0216, Telex: 90-1963.

The Above Standard  
Industry Standard.

DELTA ELECTRONICS



©1989 Delta Electronics, Inc.

# Tone Oscillator Circuit

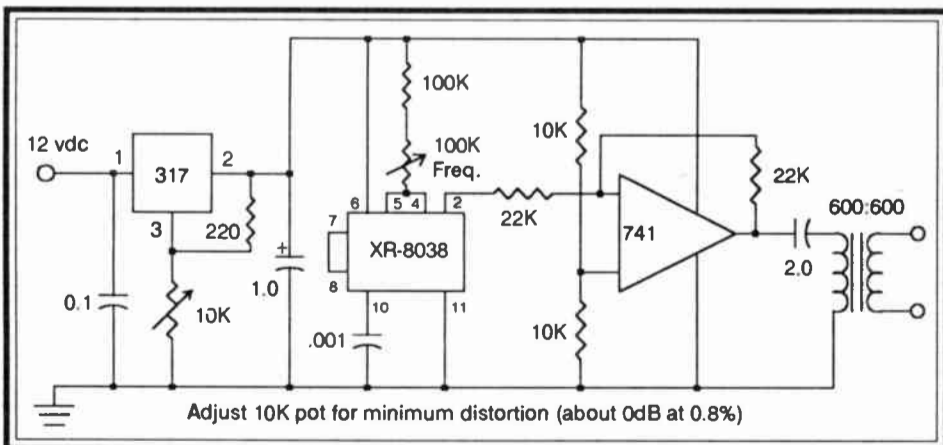
By Robert Hensler - KCFR  
Denver, Colorado  
303-871-9191

At KFCR we use a slate tone in all of our studios. The tone is used to set reference and balance levels on many of our production tapes and as a reference level for our satellite up-link. With the tone always present at the board through the patch panel, quick trouble shooting of both the board and the other outboard equipment is facilitated, without having to lug an oscillator around. The tone is originated from a central location and fed to all of the production studios.

The oscillator for the slate was a very old H.P. tube type that finally decided that it had had enough. After it gave up the ghost, I was left with the problem of replacing it. My choices were to buy a new one off the shelf or build one myself. For this purpose, I only needed a fixed frequency at constant level. I felt that buying one was more was more oscillator than I needed and, frankly, just a little self-indulgent and expensive; that left me with building one. The oscillator I built had to have enough gain to drive all of my studios, have less than 1% THD and use a single +12 VDC power supply.

In all of the studios at the station, I have installed a +12 VDC Radio Shack regulated power supply. This voltage is used for all of the control circuits in the studio, requiring an external DC power source. This includes all of the mechanical and solid AC relays needed for switching on warning lights, small audio circuits, tone decoders, scanners, or anything that requires 12 volts of DC or less. This saves money, time and AC outlets, along with simplifying trouble shooting, and is readily and inexpensively replaceable. Since all of the studios have this same power supply, the equipment is also reasonably transportable from room to room. Whenever a new piece of self-made or purchased equipment requiring a DC source is needed, I try to select it using this already available power source. This included the oscillator to be built.

In my looking around for circuit diagrams or ICs that might do the job, I found a precision waveform generator IC made by EXAR. The XR-8038 IC will run on a single power supply from 10 to 10 VDC. It will produce a highly stable and sweepable square, triangle and sign-wave with adjustable duty cycle. It will do this with a minimum of external parts and at less than 1% THD. The frequency is determined by the adjustable pot at pins 5 and 4 and the capacitor at pin 10. I used only the sign-wave, but the square and triangle waves are available at pins 9 and 3 respectively, by adding a 100K ohm resistor between pin 9 and V+. Frequency sweeping of FM can be accomplished by applying modulation to pins 7 and 8 for small deviations, or only to pin 8 for large shifts. Sweep range typically exceeds 1000:1. The duty-cycle can be adjusted by putting independent variable resistors between pins 5 and 4 to V+. The cost of this IC was about \$25.00.



The diagram shows the circuit as I built it, for a constant 1 kHz tone at 0 dB output with 0.8% THD and single power supply. The 317 variable voltage regulator was added for filtering and better control of the quality of the signal, by adjusting the regulator for the best distortion. I got about 1.2% without the regulator. The 741 opamp was used as a buffer between the XR-8038 and the output. The 600:600 transformer was added for isolation and to balance the output, but would not be needed for many applications. This circuit had been in operation for about six months without any variation in frequency, distortion or output level. The total cost of the project was under \$35.00.

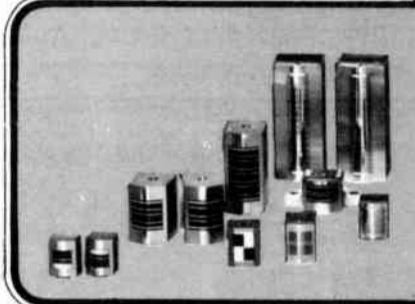


## Optimize — don't compromise:

**If you demand optimum performance from  
your tape recording equipment . . .  
you need our services!**

JRF maintains a complete lab facility insuring precision relapping and optical alignment of all magnetic recording heads and assemblies. Worn unservicable heads can be restored to original performance specifications. 24-hour and special weekend service available.

- Broadcasting
- Mastering
  - Recording Studios
  - Tape Duplicating





**New and reconditioned replacement heads from mono to 24-track . . . Many in stock.**

For repair or replacement, we're at your service!

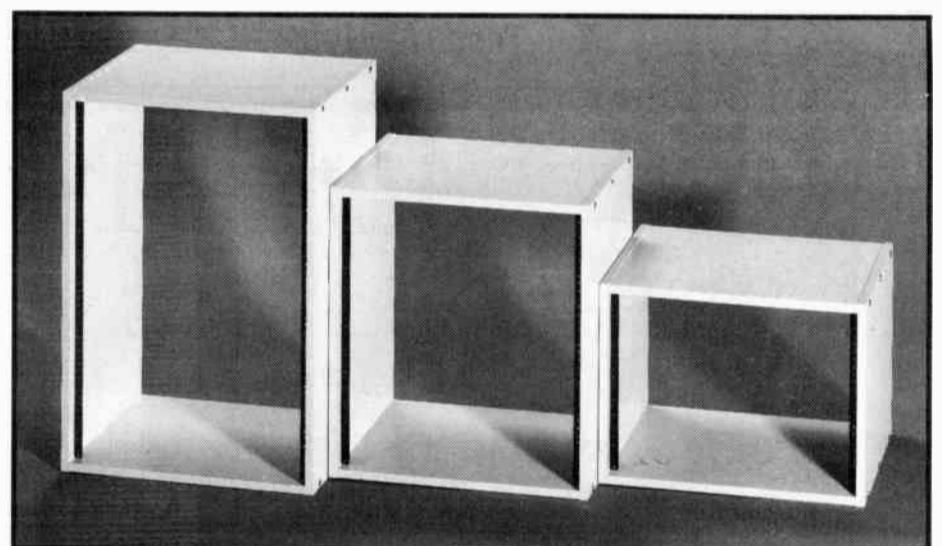


Call (201) 579-5773





**JRF/Magnetic Sciences, Inc.**  
Kennedy Road • P.O. Box 121 • Greendell, NJ 07839 • Telex: 325-449



## Time to Rack 'n' Rail

Our new RK racks combine economy, convenience and great looks. Rails are drilled and tapped. Shipped knocked-down, these racks assemble in minutes. This low introductory price includes installation tools and we will ship via UPS ground service to the contiguous US at no extra charge. How many can you use today?

**8 rack spaces (14") \$77.00**  
**12 rack spaces (21") \$87.00**  
**16 rack spaces (28") \$97.00**



**BRADLEY  
BROADCAST  
SALES**

8101 Cessna Avenue  
Gaithersburg, Maryland 20879-4177

800-732-7665 / 301-948-0650  
Fax: 301-330-7198

Where Service and Engineering Make The Difference



## Equipment For Sale

### RF meters, used and tested

Sangamo mica transmitting capacitors, assorted sizes, large variety

### Dan's Discount Radio Parts

Cavendish, VT  
802-226-7582

### Harris System 90 automation unit:

- 5) 750 series reel-reel decks
  - 4) 24-bay carousel cart machines
  - 1) 48-bay Instacart machine
  - 4) racks, with doors
- Encoder, logger, printer and control panel

Bill Burt

KYEE

N. Florida Ave.

P.O. Box 1848

Alamogordo, NM 88310

505-434-1414

### Complete Automation System:

- 5) Revox PR-99 PB reel machines (stereo)
  - 1) Instacart (48 carts)
  - 2) IGM Carousels (48 carts)
  - 2) Audicord cart machines (stereo)
  - 1) PC Compatible computer, with all software and interfaces
  - 1) Sentry System
- Installed about a year ago by Broadcast Systems Corp. In excellent working condition.

Bob Ferguson or Ken Sleeman

WMMJ

400 H Street NE

Washington, DC 20002

202-675-4800

### Vacuum capacitors, variable UCX-500

15 kv, variable UCSFX-1000 10 kv, variable Jennings type "U" VC6-32 32 kv, VCCE-250 30 kv, VC-250 20 kv, VC-250 32 kv, JCS-1000 7.5 kv, JCSL-2000 3 kv, all used, 1/2 price

R. Elm

WWJC

1120 E. McCuen St.

Duluth, MN 55808

218-626-2738

Otari MKII-4, four track reel to reel. Never used, still in original un-opened shipping crate.

For more info:

Call Dennis Day at 504-525-9600

3) Ampex AG-440, 2-track stereo R/P with Ampex electronics. Very clean, working, good heads. \$1000 each or Offer.

1) Ampex 440 playback only with Shaffer electronics. Very clean, working, good heads. \$750 or Offer.

1) Heath 10-104 15 mHz scope. Good condition. \$200.

1) Tube amplifier, 35 watt, pair of EL-34s. \$70.

1) Edcor PM-5 wireless mike with ST3B2 receiver. Excellent condition. \$300 or Offer.

1) Gonset VHF transceiver on 161.70 mHz. Has broadcast mike input. 110/12 volt operation, 35 watts output. Looks and works good. Tube type. \$250.

1) 40 KVA 3-phase plate transformer. 190-250 volt primary, 5000 volt secondary. For any transmitter requiring 7-8 kV at up to 5 amps (20-25 kW transmitter). Excellent condition. Asking \$1500 or Offer.

Glen Barnett

KWXY AM/FM

68700 Dinah Shore Drive

Palm Springs, CA 92264

619-328-1104

### Harris 9000 complete automation system:

5) Scullys plus three backups

2) Instacarts

2) CRTs

Time announce

Large system for total automation, on the air now. \$18,000.

Brent Harmon

WPLA

P.O. Drawer J

Plant City, FL 33564

813-754-9191

2) Gates M-6244 turntable pre-amps

1) Ampex 4020257-31 reel to reel deck

1) Gates RDC-10C remote control

1) Gates Courier 70 telephone remote

1) Gates M-3529B limiter

1) Gates M-5167 Sta-Level

1) Gates M-5837 remote modulation meter

2) White tower light lenses

4) 4-400 PA tubes

## ADM Stereo Audio Production Console

A TRUE 4-CHANNEL MASTER AUDIO  
PRODUCTION CONSOLE WITH  
STEREO MIX-DOWN TO MONO.

### 24 Input Channels - - 12 populated:

All with talkback/foldback/PA/echo-send

Four channels with EQ modules

Each module, 0 through submixer four, assignable

4-CHANNEL SUBMASTER MIXING EACH  
WITH ECHO SEND/RETURN

### Monitoring Flexibility:

Control room, Studio 1, Studio 2, and director monitor, select/assign modules

### Power Supply Redundancy:

Two complete auto-selecting power supply systems



### Input/Output flexibility:

Complete patching versatility from inputs and outputs of modules, to 4-channel submasters and Left and Right submasters, to foldback and PA. All on a factory wired, console top recessed patch bay

Factory new in 1978

Cost today, as equipped from ADM,  
approximately \$32,000!

Our Price - - \$7,500 or best offer

PMA Marketing

4359 S. Howell Avenue

Suite 106

Milwaukee, WI 53207

414-482-2638

- 1) Gates M-4990 frequency monitor
- 1) Gates M-5863 remote/local unit
- 2) 19-inch relay racks
- 1) RCA BTA-1R 1 kW AM transmitter. PCB capacitors have been removed, but not replaced

Shalda Upchurch  
WCCK Radio  
Highway 21 South  
P.O. Box 637  
Sparta, NC 28675  
919-372-8231

- 3-bay Phelps Dodge antenna system, tuned to 103.9. Has de-icers, only six years old. Offer.
- 250 feet LDF-5-50 Heliac. Offer
- 250 feet HJ7-50A 1 5/8" Heliac. Offer.

John Carroll Jr.  
WKJC-FM  
P.O. Box 549  
523 Meadow Road  
Tawas Cay, MI 48764  
517-362-3417

- ADC audio patch bay. BJT 303-5 MKII, with cords, used once, excellent condition. \$700 + freight.
- Marti RPU. 60s vintage, fully operational, good condition. Offer.
- GE mobile two-way radio. 160 MHz band, needs deviation adjustment to meet current FCC specs. Offer.

Ken Wooley  
KAIM AM/FM  
3555 Harding Ave.  
Honolulu, HI 96816  
808-422-7288

- 10-bay RCA (Dielectric) antenna with radomes, on 92.9 MHz.
- 350 feet Andrew 4-inch Heliac.
- Kintronics 20 kW iso-coupler, tuned to 92.9 MHz.
- \$1000 for the package.

James C. Droege  
KWBE-AM  
402-228-5923

- 1) Gates Yard console. \$225.
- 1) Harris CCII stereo R/P cart machine. Excellent condition. \$1145.
- 1) Tapecaster X700 R/P stereo cart machine. \$545.
- 1) Telex 1401 mono reel to reel recorder. \$295.
- 1) Old Harris Dynamote amplifier. Works fine. \$75.

Paul Willey  
WNAW  
466 Curran Highway  
North Adams, MA 01247

50 KVA 480/240/110 used dry transformers. \$550 each, FOB Covington, LA.

Freeland Products  
75412 Highway 25  
Covington, LA 70433  
504-893-1243

- 4) Audicord E-31 mono cart decks in good condition.
- 1) Fluke 803DC-AC differential voltmeter.
- 1) Marconi TM7816A, 12-channel noise generator.
- 1) Adler typewriter.
- 1) Silver-Reed electronic typewriter.
- 3) Adding machines.
- 10) Stromberg Carlson multi-line telephones.
- 1) Telephone answering machine.
- The following for parts only:
- 4) UMC Beaucarts (3 playback and 1 record).

Joe Miller  
KZMK/KMFI  
3514 Kings Ct. Dr.  
Sierra Vista, AZ 85635  
602-458-9631

Thousands of Tape Carts  
Scotch I and Scotch II, Aristocarts, Fidelipacs, Capitol AA4 and A2, Mastercarts.  
50¢ to \$3.00 each, brand new to rebuildable condition.

Pat Martin  
PMA Marketing Company  
4359 S. Howell Ave. #106  
Milwaukee, WI 53207  
414-482-2638

- 1) 300-foot World Tower, solid rod, 18-inch face, standing, 7 years old in good condition. Also 18-inch side-face mounting brackets for ERI 3-bay antenna system.

Randal J. Miller  
WRVI  
815 West Dean  
Virden, IL 62690  
217-965-3388

# Risk...

buying used equipment and hoping it works.

# Security...

buying reconditioned equipment with a 6 month warranty.



barrett associates, inc.

BROADCAST • AUDIO EQUIPMENT

(619) 433-5600

(800) 748-5553

*We take the risk out of purchasing equipment.*

Nems-Clarke 8-tower phase meter. Reasonable offer or trade for AM or FM mod monitor.

TRS-80 Mod-1 computer with expansion, 3 drives, 5-meg hard drive, modem, printer, and complete library of word processing, billing, accounting and engineering software. \$600 or Offer.

Frederick R. Jobbe  
Great Northern Broadcast Company  
P.O. Box 5031  
Lima, OH 45802  
419-228-4199

Eimac 4CX3000A tube. Brand new, zero hours on it. Paid \$1800. Selling for \$1200.

Over 700 feet, 30-conductor unshielded control cable, left over from a tower project. Cable is in good shape and on the reel. \$500 + shipping.

Ken Carver  
Project Light and Sound  
817-699-1530

Moseley TFL-280 limiter. \$200.

Moseley SCG-8 subcarrier generator @67 kHz. \$250.

Lorain dial-up loop, bi-directional repeaters, 7-inch rack mount. Cures line loss on phones, passes ringing voltage. \$200.

Universal Data Systems (Motorola) 202T data modem, RJ11C, 1200 baud. \$200.

General Radio M-1931 AM mod monitor. As is, complete. \$200.

Collins R-390 short-wave receiver. Complete and working. \$300.

Dennis Gilliam  
602-839-1901  
(all items plus freight)

CRL AP300 Audio Preparation Processor. \$500.

CRL SP400 Spectral Energy Processor. \$700.

CRL PMC300 Peak Modulation Controller. \$500.

Will sell the package for \$1500.

Dean Aamodt  
KBMW  
Wahpeton, ND  
701-642-8747

## Equipment Wanted

Good used Fairchild DART 384, or similar, digital satellite receiver.

Bob Simmons  
WFMW/WKTG  
P.O. Box 338  
2380 N. Main Street  
Madisonville, KY 42431  
502-821-4096

130 feet of 18-inch Utility Tower, used and in serviceable condition.

Jack Bursack  
WSVT  
Walmart Plaza, Suite 8  
Smyrna, IN 37167  
615-459-7777

Marti Stereo/Dual STL system, 950 mHz. Educational station needs 2 complete systems with combiners and antennas. Prefer recent Marti STL-10 transmitters and R-10 receiver units and Scala Paraflector, but will consider any comparable system.

Bauer MDL-660 FM exciter, for spare parts. Need spare Xtal (89.9415 kHz), power supply, RF amp and FM exciter modules for the Granger/Bauer model 660 (working or not).

1-5/8" flange connectors, 90 degree elbow, 1-5/8 flange to 3-1/8 inch flange adaptor, "N" to 1-5/8 inch flange adaptor, EIA 3-1/8 inch to EIA 1-5/8 inch reducer.

Bob Rathman  
KRVM  
200 N. Monroe Street  
Eugene, OR 97402  
503-687-3370

SMC green equipment cabinet. 68½ X 21 X 22.

Ron Richards  
WJRN/WHKQ  
Racine, WI  
414-634-3311

Old microphones (working or not), WE 639A, WE 630A, RCA 77DX, Shure 556, SM33, 300, Turner 99, any Amperite mike. State condition and price in letter or call.

Dick Igou  
KGNB/KNBT  
1540 Loop 337 N.  
New Braunfels, TX 78130  
512-625-7311  
512-651-9352 (evenings)

Belar AM-1 or RCA BW-50 AM mod monitor, cheap. Also looking for some FM monitors. Will consider other brands and types.

Frederick R. Vobbe  
Great Northern Broadcast Company  
P.O. Box 5031  
Lima, OH 45802  
419-228-4199

Digital audio receiver terminal equipment for satellite reception of ABC.

Dean Aamodt  
KBMW  
Wahpeton, ND  
701-642-8747

Need two towers in very good condition. Guyed or self supporting, 600 and 350 feet.

Pablo Llerandi  
San-Luis Broadcasting Corp.  
P.O. Box 543  
Arecibo, Puerto Rico 00612  
809-878-5001

Dismantled steel or tubular tower, 500 to 550 feet. Contact immediately.

KOLM/KWWK  
1220 4th Ave. SW  
Rochester, MN 55902  
507-288-1971

## Positions Wanted

Top notch engineers wanted:  
Westwood One Stations Group is looking for take charge AM/FM engineers experienced in studio and transmitter construction and maintenance. No pencil pusher! Send resume, salary history to:

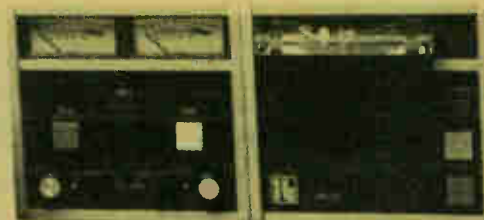
Alan Kirschner  
Westwood One Stations  
655 3rd Ave.  
New York, NY 10017  
EOE

## Looking For A Real Bargain?

Brand New Equipment 25% - 90% Off

Only From **HE HALL**  
**Electronics**

ITC Delta I/IV  
Mono Record/Play  
\$2,495



Harris MSP-90 tri-band agc module  
stereo strappable - \$95 each

### Also For Sale:

Fidelipak CTR-112 Deluxe Stereo Player.  
\$1695

Micro-trak "Ditty Desk" - a complete mini-studio.  
Five pot mono board, turntables, mike and furniture.  
\$995

Moseley TRC-15AW, 16-channel remote control.  
\$1695

Electro-Voice PL-11 microphone.  
\$85

The best deals on quality re-built  
and factory new broadcast equipment

**HE HALL**  
**Electronics**

1712 Allied Street  
Charlottesville, VA 22901

(804) 977-1100

Your Satisfaction Guaranteed



# Auditronics 218 Console Fix

By Bill Harris - KMJI  
Englewood, Colorado  
303-741-5654

The production director said "There's a terrible noise coming out of the production room console, and we can't do anything in there." There certainly was a terrible noise, hum, buzz, and a low-frequency oscillation that made the VU meters swing up-scale with each pulse. Any audio we put through the console was severely distorted. This was a four year old Auditronics 218, and aside from a couple of switch replacements, it had never done anything close to this.

After determining that it wasn't something unusual patched in, I found that the noise was only on the program, audition and mono busses. If I switched the monitor to any external source, such as air, it didn't appear in the monitor circuits.

Time for a few voltage readings. The unregulated  $\pm 24$  VDC main supply read  $\pm 24$  volts at the connector to the console mother-board and on the mother-board main voltage distribution buss. I thought perhaps it was coming from one of the input modules, so I pulled each one in turn. Some of the hum went away, but the buzz and the oscillations didn't. Now it took on a new characteristic; the program buss was cross-talking into the audition buss, only a half dozen dB down. Time to look at the program and audition line amplifiers. Each module has its own on-board  $\pm 18$  volt regulators. There was -18 volts, but no +18 volts. Moreover, there was no +24 volt input to the regulators!

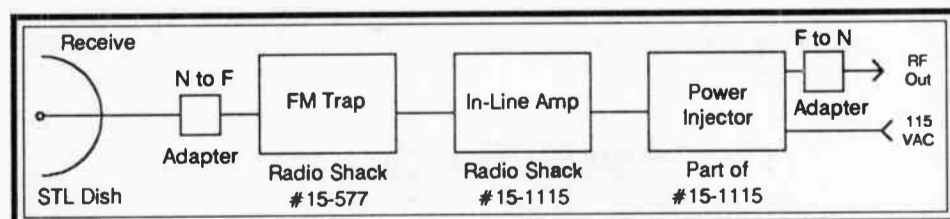
The program, audition, and mono line amplifiers, in this board, plug into a "daughter-board" of sorts, mounted next to the main mother-board. There is only one ground connection between these boards - a short piece of solder-filled braid. When I started moving connectors and wires around, the hum quit and the crosstalk went away. On closer inspection, I discovered that the piece of braid had broken loose from the mother-board, removing the entire ground reference for all of the output line amplifiers. I re-soldered the braid and added a second short wire at the same location, just in case.

There is a happy ending to this saga. Apparently, this joint had been deteriorating for a while. The annoying little buzz that came and went periodically in the output of the console, is now gone entirely. It won't be missed.

## Low Cost STL Filter

By Mike Worrall - KCMT  
Chester, California  
916-258-4300

KCMT is a new FM station, just on the air as of March 30th. The STL path covers about 13 miles over water and heavily forested terrain. What's worse, there is no line of sight from the studio to the transmitter site - there is an intervening mountain that just pokes its peak into the STL path. Subsequently, the received STL signal is very weak. The audio was usable, but changes in temperature during the day would cause the signal to dip below the mute threshold and the audio would squelch out.



The cheap and dirty solution was found (where else) at Radio Shack. Their part #15-1115 is an in-line coax amplifier designed for the 430-1430 MHz band. I think they intended it for scanners and LNB home satellite systems. At any rate, I preceded this amplifier with an in-line FM trap #15-577 to keep my 25kW FM from overloading it, mounted all components inside an aluminum enclosure, and presto! The front panel signal level indication on my Moseley PCL-606/C jumped from about 20 uV to about 300 uV. The audio is quieter and the FM transmitter does not bother the amplifier. (Note: The STL receive antenna is mounted on the same tower as the FM transmitting antenna - indeed, within the transmitting aperture)

## Converting to the NRSC Standard?

The NRSC Information Center at CRL can give you the information you need to make your conversion to NRSC-1 cost effective. We have already supplied the industry with over 1000 NRSC-1 compliant processors and retrofits. We have several informative papers that explain the benefits of converting at this time. Call or write for your free copies today.

**THE  
PROFESSIONAL'S  
CHOICE**



### CRL Systems

2522 West Geneva Drive  
Tempe, Arizona 85282  
(800) 535-7648 (602) 438-0888  
TELEX: 350464 CRL TMPE. UD.

It's hard to stop.



What is it about the Signature III that keeps so many leading station groups and consulting engineers coming back for another, and another, and...? Is it this console's unparalleled record of reliability and longevity? The LPB Signature III's easily maintained modular electronics? Its excellent RFI immunity? Or is it designed-for-radio features like the following:

- 3 inputs per channel
- Identical Program 1 and Program 2 output busses
- Remote starts on all channels (except channel 1)
- Mono/stereo input switch (on stereo consoles)
- Components and connections clearly labeled for painless installation and easy maintenance

Chances are, it's all of the above. But whatever the reasons, leading stations and engineers across the country demand Signature III's "unstoppable" performance. In fact, they've made it one of the most popular consoles ever built. If you've been spending too much time inside your console lately, contact your broadcast equipment dealer or call LPB for full information and specifications at (215) 644-1123.

LPB Signature III audio consoles are available in 6,8,10 and 12 channel stereo and 6,8 and 10 channel mono configurations.

**LPB**<sup>®</sup>

28 Bacton Hill Road • Frazer, Pennsylvania 19355  
Tel: 215-644-1123 • Fax: 215-644-8651

# Open Delta Three Phase Broadcaster Beware

By Rob Yaw - KOJM/KPQX  
Havre, Montana  
406-265-7841

Figure 1 shows the very popular, delta-primary / wye-secondary, method of providing a consumer three-phase power service. Most broadcasters, and other consumers using delicate equipment, use this method for their primary service.

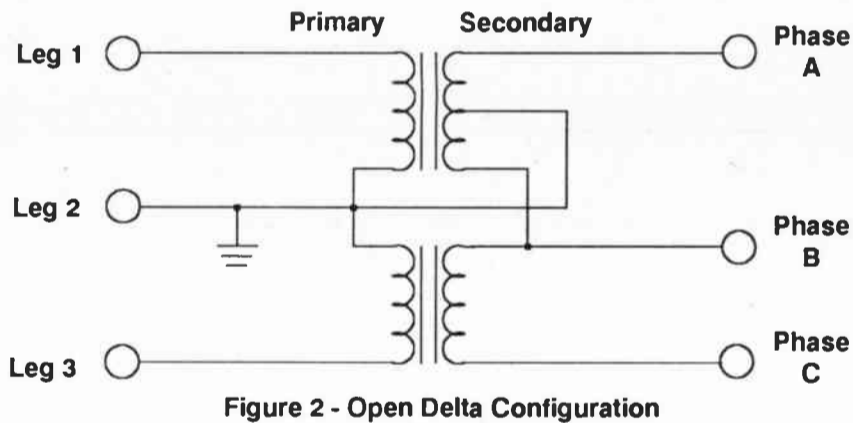
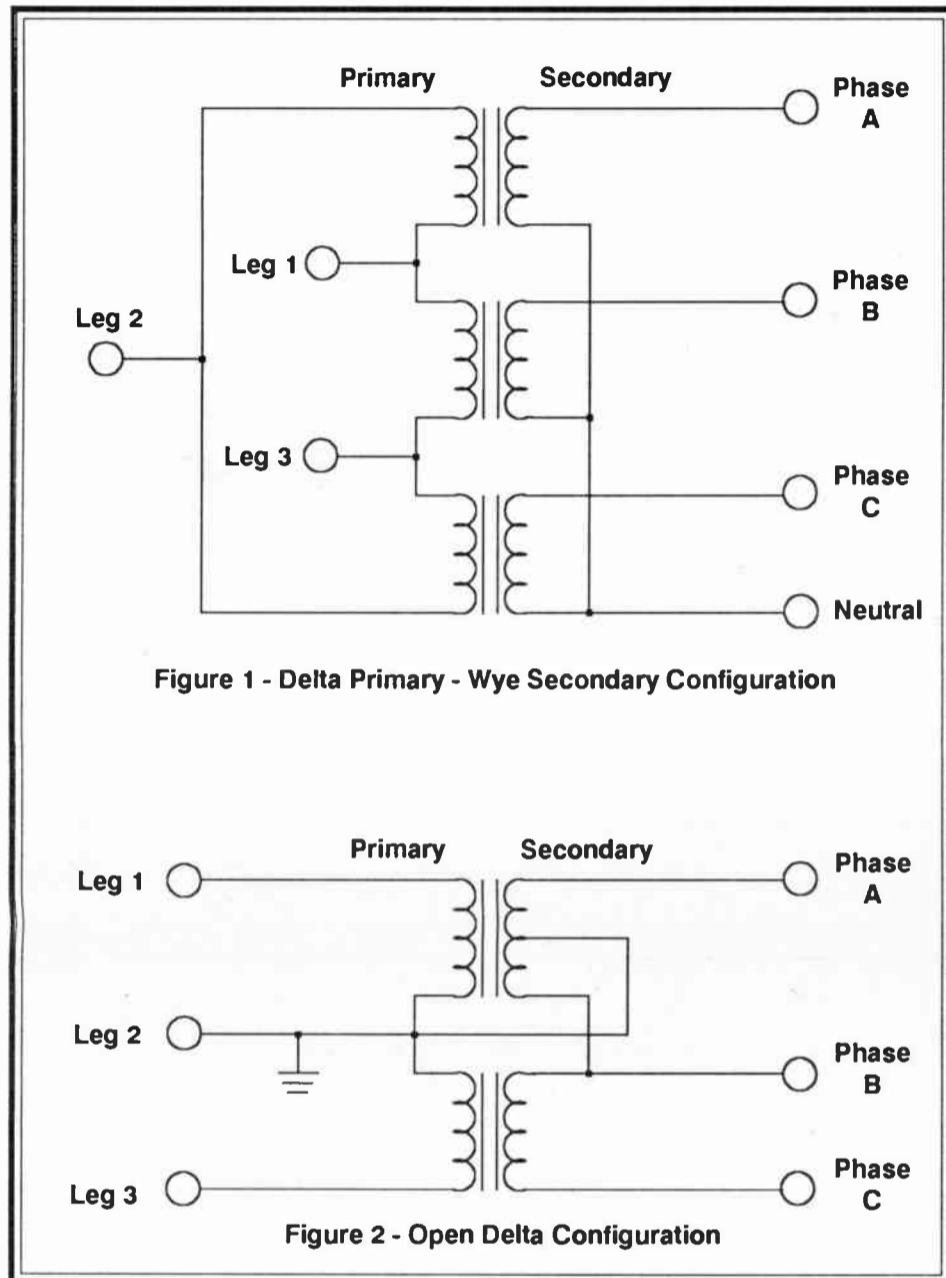


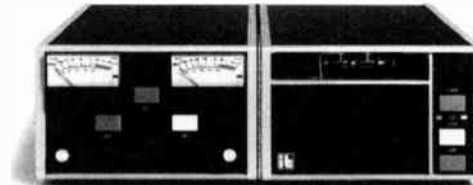
Figure 2 shows, what is known as, the open delta three-phase system, that uses two phases operating against ground. It is advantageous only from the standpoint that it requires less wire and only two transformers. These advantages are far outweighed by the problems this system may cause the broadcaster.

The open delta system has numerous problems that are simply inherent to it. The line voltage, for example, is very load dependent. If the load on the system changes, as it will during transmitter power-up, the line voltage changes too. The voltage will eventually stabilize, but this may take several seconds to do so. Another problem with this system, is the rather large voltage and phase imbalances that may be present between phases. The system also exhibits poor voltage regulation and high transient propagation. Phase C, with reference to ground, is often referred to, in the electrical industry, as the "wild leg." It could not have been more appropriately named. The voltage on this phase can be practically any value under a no load condition and eventually stabilize to approximately the same values as the other two, under load.

A little over a year ago, I was hired, on a consulting basis, to do a technical appraisal of an AM/FM facility in the eastern part of the state. The facility was being sold and the new owner-to-be wanted an engineering opinion of the equipment and an overall status report of the entire facility.

(continued on page 11)

**This is one reason  
we sell more  
cart machines  
than anyone else.**



The 99B series Master Recorder features a patented erase splice locate and azimuth-adjust system (ELSA)

**And here are three more.**

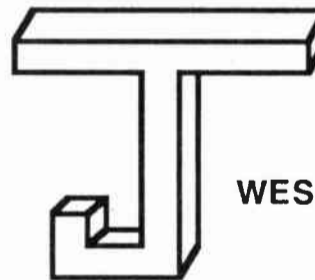
Our Authorized 3M Dealers

Allied Broadcast Equipment 800/622-0022	Broadcast Services Company 919/934-6869	Broadcast Supply West 800/426-8434
---	---	--

3M International Tapetronics - The World Leader in Cart Machines

©1989 3M Company

**3M**



**SQUARED**  
TECHNICAL SERVICE

543 WEST 100 NORTH  
WEST BOUNTIFUL, UTAH 84010

**801-298-8515**

**EQUIPMENT REPAIR AND CALIBRATION SERVICE**

WE SERVICE MOST AM/FM BROADCAST MONITORS,  
REMOTE CONTROL SYSTEMS, EXCITERS, STL's, TSL's,  
RPU's, ETC.

**GIVE US A CALL**

-CHECK OUR RATES-

-TURNAROUND TIME-

-STL LOANER PROGRAM-

## Open Delta . . . (continued)

On arrival at the station, the AM was off the air and had been off all morning. "It does this all the time," I was told. "Sometimes it will come back on, if you wait long enough."

Arriving at the transmitter building, I found a 5 kW Continental 828-E1 transmitter that appeared to be in showroom condition. It wouldn't run, but it looked good. I also noticed a large pile of RF driver cards in the corner. Going right to the RF driver in the transmitter, the problem was soon discovered. All the power transistors were shorted from emitter to collector. Replacing all the transistors had the transmitter up and running. Next morning - - it was the same thing all over again.

At this time, the open delta configuration never crossed my mind. After all, nobody in broadcasting ever uses it so why even think about it? I recommended power line conditioning devices of various sizes, shapes and prices, and continued my inspection of the facility. After a thorough inspection of the transmitter, I was convinced that it was in as good a condition as it appeared. Something had to be coming in on the power line.

The problem continued for this station. Large supplies of RF driver transistors were kept on hand, along with my phone number. My home base is over 300 miles from this station, so we spent considerable time on the phone.

One day, last July, a phone call from the plagued station brought the news that the high-voltage transformer had literally burned up. A new one was on the way, but something had to be done about this situation.

The only person at the site, with any technical knowledge, was the air-conditioning technician. I asked him if he could read the voltages at the transmitter disconnect switch. He said he could - - and did. I couldn't believe what he had to report. One of the phases was 80 volts higher than the other two. He didn't seem concerned. This was normal for a "wild leg" system. I asked him to go out and look at the power pole and count the transformers. He soon returned and reported that there were two transformers on the pole. Finally, the mystery started to unravel.

The power company confirmed that the system was indeed an open delta. It had been that way since day one. The original owner wanted it that way. The service was immediately changed to a delta-primary / wye-secondary. The troubles have ended.

There is no question that the open delta system can provide adequate service for some applications, but it is very questionable as to whether it is the service for the broadcaster.

## Tech Manuals Are Available

By **Stephen D. Crum - WARM**  
Cincinnati, Ohio  
(513) 241-9898

Regarding the servicing of consumer CD players, Sony publishes excellent service manuals for its players. These manuals are more precise and informational than ANY broadcast equipment manual I have ever seen. It would be worth having one even if you don't own a Sony CD. They are available from Sony Corporation, Publications Dept., P.O. Box 20407, Kansas City, MO, 64195. Phone number is (816) 891-7550.

Sony has a repair center in Cleveland that can often provide some assistance over the phone. Their number is (216) 433-4680.

### Please-We Need Your Help!

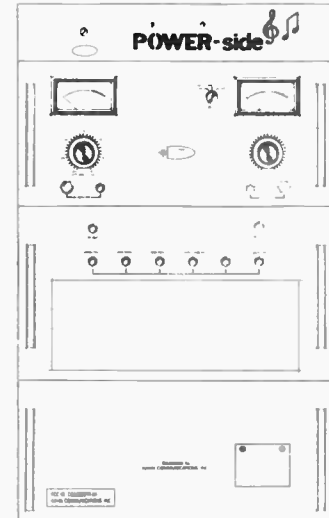
If you have any short tech-tips, send them in or better still, call me at (507) 280-9668 and we'll talk about them. Remember, it doesn't do anyone any good if you keep that information to yourself. Don't assume that everyone knows about your special technical tip. Send them in - - they'll be printed in the next issue.

# POWER-side™

## PROBLEMS

Adjacent Channel Interference
Antenna Null Distortion
Co-Channel Interference
Power-line Re-Radiation
Building Re-Radiation
Receiver Tuning
Low Fidelity Home Radios
Co-Channel Beat
Selective Fading

## SOLUTION!



## POWER-side™

The solution to many of AM radio's most serious technical problems



From the developers of the AM STEREO system that isn't afraid of the dark and will let you drive right past FM Stereo

425 MERRICK AVENUE, WESTBURY, NY 11590 • (516) 222-2221

# ECONCO

Now in our 20th year  
providing quality rebuilt tubes.

These are a few of  
the tubes we rebuild:

3CX2500F3

3CX3000A7

3CX3000F7

4CX5000A

4CX15,000A

4CX3000A

WE BUY DUDS.

WE ALSO REBUILD REFLEX KLYSTRONS.



ECONCO  
1318 COMMERCE AVENUE  
WOODLAND, CA 95695  
TELEPHONE 916-666-7553

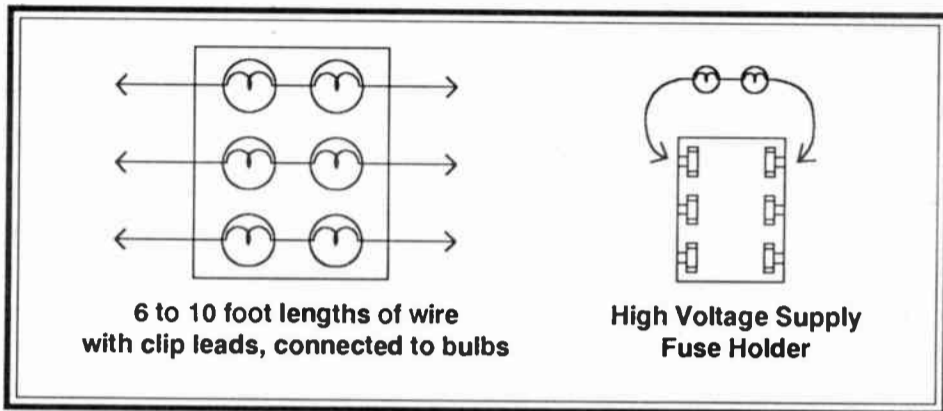
OUTSIDE CA 800-532-6626 EXT. 30  
FROM CANADA 800-848-8841  
TELEX 176756  
FAX 916-666-7760

# Transmitter Soft Start Circuit

By Don Roden - WHNT  
Huntsville, Alabama

It's 2 am and the transmitter is off the air. After a trip up the poorest road in the country, you look inside the transmitter and sniff for traces of resistor or transformer. Everything seems to be OK and you turn on the filament. The filament comes up fine and the meters look normal. The plate timer gives a ready light and you push the plate-on button. The blowers wind down and you are standing in the dark. Yes, you are definitely awake now! But what happened, and how can you find it without damaging the circuit breakers, transformers, or rectifiers?

To keep the breaker from blowing off the wall, when troubleshooting high-voltage shorts in both AM and FM transmitters, build a "soft-start" circuit using light bulbs.



To use this circuit, disconnect or remove the HV fuses and place the light bulbs across the fuse-holders. 250 watt bulbs are good for small transformers. Parallel/series two or more bulbs for 208 or 240 VAC feeds. Try the circuit when the transmitter is working normally and adjust the wattage of the bulbs to produce enough RF output to help troubleshoot the RF section and antenna. Log all meter readings for comparison during a failure. Code beacons and sockets make a good tester for the big transmitters and you will have a good set of spare tower lighting parts.

One caution - - when troubleshooting screen-grid tube transmitters (tetrodes & pentodes), disconnect the screen, if the light bulbs are on the plate transformer, to prevent possible screen damage.

The same circuit can be built into the workbench for testing transformers and power supplies. Again, size the bulb for the job.

## ITC 3D Part Tip

By Larry Fiebig - WBLZ  
Cincinnati, Ohio  
513-742-3600

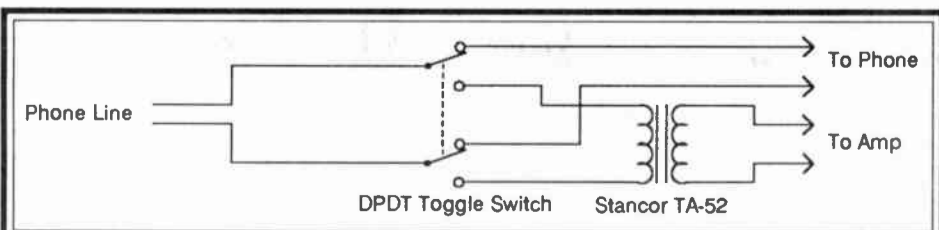
On ITC cart decks, if you get a "rattle" from the run relay and the cart won't run, replacing C206 on the cue card fixes the problem every time.

While your at it, replacing all the 10K level control pots will save you trouble down the road.

## Telco Tip

By Ken Abernathy - WFMX/WSIC  
Statesville, North Carolina

A phone set can be modified for remote feeds on the telco dial-up system. The transformer holds the line when switched to "feed". This arrangement has worked very well for WFMX and WSIC. The transformer is mounted inside the phone set and the switch and jack are mounted on the front.



**EMERGENCY**  
**THINK MLW-1**

**AUTOMATIC**

- SWITCH TO SECONDARY OR TERTIARY STEREO INPUTS ON PRIMARY LOSS OF CHANNEL
- SWITCH TO SECONDARY OR TERTIARY STEREO INPUTS ON PRIMARY LOSS OF AUDIO
- LOSS OF CHANNEL CORRECTION
- AUDIO POLARITY CORRECTION
- User programmed sequence and time delays
- On-line audio monitoring and stereo audio switching
- Microprocessor based
- Audio error alarms and level matching

**AND MORE... CALL OR WRITE FOR COMPLETE DETAILS**

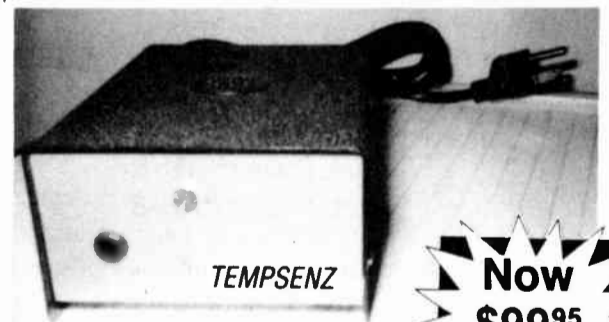
**TITUS TECHNOLOGICAL LABORATORIES**  
77 Kreiger Lane, Glastonbury, CT 06033  
(203) 633-5472

## Beat the #1\* Killer

(\*Temperature Extremes Kill Transmitters)

TEMPSENZ  
Remote Temperature  
Sensor

List \$195<sup>00</sup>



**Now \$99<sup>95</sup>**  
While Supply Lasts

- Works With Any Remote Control
- Constantly Monitors Transmitter Temperature
- Easy to Install and Calibrate



**barrett associates, inc.**

BROADCAST • AUDIO EQUIPMENT

(619) 433-5600

(800) 748-5553

# Technics SP-15 Pitch Control Problems

By Steve Fluker - WMFE-FM  
Orlando, Florida  
407-273-2300

The article written in the April Radio Guide, concerning the SP10-MKII turntable on/off problem, reminded me of a problem that I have had with the SP-15. This is basically the same turntable, however it has a variable pitch control. I have five of these turntables in my studios. They are all nearly nine years old and, in the past, four of the five have all developed the same problem. There are several symptoms which have occurred. The first is with the + and - buttons. It became difficult to adjust the pitch on these turntables. When you push these buttons, sometimes the pitch would change and sometimes you would just have to keep pushing the buttons, again and again. When working properly, you can just hold the pitch adjustment buttons and the pitch will continue to change until you release the button.

On another turntable, I could only adjust the pitch to -2.2% instead of -9.9%. When it reached this point, it would stop changing and pressing the + pitch control would not work unless you pressed the return to zero button first. On still another turntable, I was unable to adjust the pitch at all. The first thing I tried, was to change the switches out, thinking that they had just worn out due to years of use. This did not help.

Soon another problem began to crop up on one of the turntables. When the turntable was started, it would intermittently run jerky; the platter would jump and then run backwards, stop, and go back and forth rapidly. On another one, the speed of the turntable ran approximately 20% fast, regardless of where the pitch was adjusted.

Although some of these symptoms do not seem related, they were all caused by the same bad chip - IC-305. This chip controls all of the pitch functions. It is difficult to troubleshoot, since all of the reference voltages and waveforms on the IC's pins check good with the service manual, even when the turntable is acting up. I have proven this chip to be the troublemaker by swapping it out with the same chip in a good turntable, and the problem followed the bad chip. I called Technics tech support in Atlanta, since I had so many turntables go bad, but they claim that they had not heard of this problem.

Not long ago, after I fixed all of my SP-15s, two of the same turntables at another station developed the exact same problem. These turntables were about seven years old. I have not been able to discover what causes the ICs to go bad, or just what the problem with the IC is. Technics hasn't been able to give me an answer either, however, I have discovered that they have added a 220 uF 6.3 volt capacitor between pins 25 and 28 of the IC on two new SP-15 turntables which were just purchased.

Unfortunately, IC-305 is a 28-pin custom Technics part and is not easy to come by. At one point, I ran into a six-week delay because there were none in the country. Also, be careful about the price of the chip. The first one I bought, cost \$66.00 at a local parts outlet. The next time, I ordered them through the Technics distributor in Tampa Florida for only \$22.00 each. The local outlet was getting the chip from the distributor in Tampa and marking up the price 300%.

## Teac SX-3300 Tip

From Ralph Messer - WTZE  
Richland, Virginia

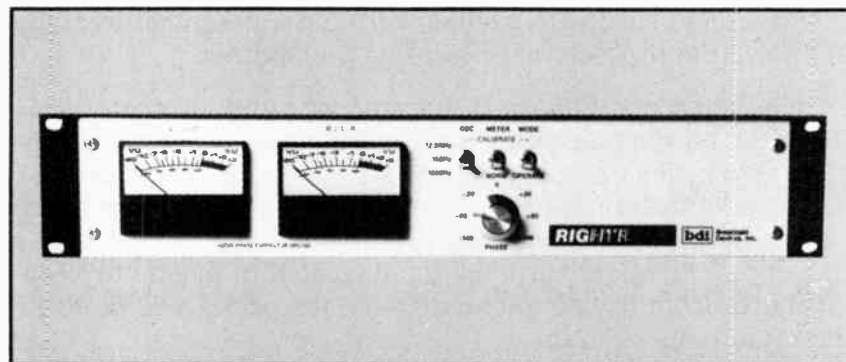
Ralph called with this tip a couple of weeks ago. He was having problems with a Teac SX-3300 (10.5 inch reels). It seems that the unit would start and stop all by itself, at random times. Even though the power supply DC showed no ripple, he replaced the power supply capacitors anyway. Problem solved.

Thanks Ralph . . . Editor.

## Phase Perfection!

The *RIGHTRACK* APC-200 Audio Phase Corrector, used as a production tool, can help you achieve optimal phase performance while dubbing from any medium. It allows you to manually optimize phase performance to give your station a consistently bright mono signal and undistorted stereo image. Material from outside sources, such as ad agencies, are never guaranteed to follow the same alignment standards. The *RIGHTRACK* allows you to electronically correct for these alignment differences . . . before they degrade your air sound.

With a built-in three frequency oscillator and L+R/L-R metering, the *RIGHTRACK* can double as convenient in-the-rack test equipment for quick verification of record and playback alignment. Used with stereo recording cart machines the *RIGHTRACK* can pre-compensate for mechanical cartridge phase error introduced by the cart itself. Contact your local distributor or Broadcast Devices today for more details.



Suggested list price: \$995

Affordable solutions for the broadcaster ...

5 Crestview Avenue Peekskill, NY 10566 (914) 737-5032



Broadcast  
Devices, Inc.

## CRL SPOTLIGHT

Converting to the  
NRSC Standard?  
Want to Improve Coverage  
of Your Station?



CRL's AM2 audio processing system is a COST EFFECTIVE way to convert your station to the NRSC standard, and in many cases improve your coverage as well. The two unit system consists of a two-band AGC unit with our dynafex® single ended noise reduction circuitry (AGC-400) followed by our tri-band peak modulation controller (PMC-450). Split studio and transmitter sites? Use the AGC unit at the studio and the limiter at the transmitter! An adjustable presence band boost lets you augment vocal clarity and punch. A patented overshoot corrected low-pass filter ensures maximum modulation control. Low frequency tilt correction circuits plus adjustable asymmetry levels assure compatibility with all transmitter types. Suggested retail price is only \$2995. Our TWO WEEK TRIAL PROGRAM will prove to you how sound of an investment the AM2 mono system is. Call or write us NOW for details.



**CRL Systems**  
2522 West Geneva Drive  
Tempe, Arizona 85282 U.S.A.  
(800) 535-7648 (602) 438-0888  
TELEX: 350464

# Continental 816R-1A Card Fix

By Lewis Downey - KRCL  
Salt Lake City, Utah  
801-363-1818

KRCL uses the Continental 816R-1A (10kW) on Farnsworth Peak, west of Salt Lake City. The site is a 1 1/2 hour 4-wheel-drive trip, for maybe three quarters of the year, and a \$400-\$500 helicopter ride or 1/2-day on skis/snow-shoes in the winter. We used to be able to count on gating card problems after power bumps, so you can picture the frustration.

Our symptom of gating card failure has been driver plate supply breaker trips. A pre-failure symptom is bumps in the power change as you take the transmitter power up and down in manual power control. We discovered, by trial and error, that the small SCRs on the gating card (2N2323/AD114) were being destroyed, presumably by transients accompanying power bumps. The gate-cathode junctions of the little SCRs were opening up. This knowledge made the repair of the gating card much more cost-effective (\$15 in parts vs \$200 for a good card with exchange from the manufacturer), but didn't solve the problem of preventing the failures.

Installation of a Square-D three-phase surge protector (\$40-\$50) on the power line going into the transmitter, seems to have worked. We haven't had a power bump related failure since the installation of the surge protector (that's 3-4 years). I still shotgun the electrolytics once a year (as recommended by Continental) and keep a couple of spare cards on hand, sealed in plastic to keep the electrolytics from drying out so quickly; it's pretty arid at 9300 feet in the mountains of Utah.

I also highly recommend the new filament voltage regulator. It appears that we're going to get a return on our investment of approximately \$200, out of the extended filament life of the first new PA tube (4CX10,000D) we've installed since using the new regulator. It has run for over a year at 100% forward power on the initial setting of the filament voltage at 6.75 VAC. Prior to the new style regulator, we were getting sometimes a year, usually less, out of a PA tube.

Does anyone have any ideas about broadbanding the IPA plate to PA grid tuning in this transmitter?

## Broadcast Computer Bulletin Boards

**Broadcast Computer Database**  
7 days a week, 24 hours a day  
All Baud rates (8 data, no parity, 1 stop)  
Specializes in on-line engineering programs  
David Armstrong (sysop)  
(713) 937-9097

**Network Communication System Broadcast BBS**  
300/1200/2400/9600 Baud rate  
Specializes in technical tips and schematic graphics  
(601) 373-0160 for sign-up on-line

**Flamethrower Broadcast Resource Center BBS**  
300 - 2400 Baud rate (8 data, no parity, 1 stop)  
7 days a week, 24 hours per day  
60 megs on-line, broadcast engineering and ham radio  
(804) 730-1291

**Allied Broadcast BBS**  
300 - 1200 Baud (8 data, no parity, 1 stop)  
Over 220 Basic programs and ASCII files  
(317) 935-0531

## A & D

### CARTRIDGE REBUILDING SERVICE

3380 Blakeley Avenue • Eau Claire, WI 54701  
Ph. (715) 835-7347 • Ph. (715) 835-8676

**We clean, load & pack.**

**Service within 10 work days! Work Guaranteed!**

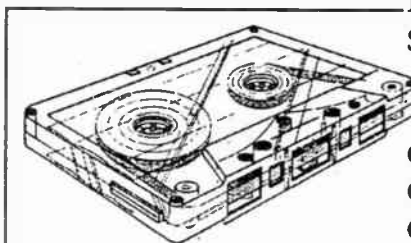
Add 50¢ per Scotch Cart. We charge ONLY for tops and bases, NOT for minor parts.

Qty.	Length	Standard Tape	High Output Low Noise Tape
_____	10 sec.	<b>2.20</b>	<b>2.35</b>
_____	100 sec.		
_____	2 min.	<b>2.60</b>	<b>2.75</b>
_____	4.5 min.		
_____	5 min.	<b>2.90</b>	<b>3.15</b>
_____	8 min.		
_____	8.5 min.	<b>3.20</b>	<b>3.50</b>
_____	10.5 min.		

**Send This Order Form - 10% OFF Your Order**

Call Letters \_\_\_\_\_ Total Carts Shipped \_\_\_\_\_  
Street \_\_\_\_\_  
City \_\_\_\_\_ State \_\_\_\_\_ Zip \_\_\_\_\_  
Telephone \_\_\_\_\_ Return Attn: \_\_\_\_\_

## Blank Cassettes... Perfect for Demo Spots



BASF Pure Chrome  
Shape Precision see-thru shell  
in quantities of:  
50 100  
C-5's \$.53 ea. \$.46 ea.  
C-10's \$.58 ea. \$.50 ea.  
C-15's \$.63 ea. \$.54 ea.

*Custom lengths are also available*

BASF LHD Normal Bias  
Michelex German made shells  
in quantities of:

50 100  
C-5's \$.49 ea. \$.42 ea.  
C-10's \$.53 ea. \$.46 ea.  
C-15's \$.58 ea. \$.50 ea.



PHONE: (507) 288-7711

FAX: (507) 288-4531

Tom Jones Recording Studios  
220 South Broadway  
Rochester, Minnesota 55904

# Contract Engineers

Radio Guide will provide space here for contract engineers wishing to expand their business. To be listed here, just give me a call at (507) 280-9668. This list is not a recommendation of any engineer.

- |  |  |   |
|--|--|---|
| Tom Becker<br>Miami, Florida<br>305-775-1351   | Mark Bohach<br>Columbus, Ohio<br>614-385-7583  | Mark Persons<br>M.W. Persons & Associates<br>Brainerd, Minnesota<br>218-829-1326            |
| Peter C.L. Boyce<br>Midamerica Electronics Svc.<br>New Albany, Indiana<br>812-945-1209 | Bob Ladd<br>Bellevue, Ohio<br>419-483-2511   | Hal Ross<br>Air Com Communications<br>Greenville, Pennsylvania<br>412-588-8999              |
| James Boyd<br>Boyd Broadcast Tech. Svc.<br>Tualatin, Oregon<br>503-692-6074            | Dave Hebert<br>Pasco, Washington<br>509-545-9672   | Russell Hines<br>Cincinnati, Ohio<br>513-721-7625   |
| Mike Brown<br>Portland, Oregon<br>503-245-4889   | Dave Biondi<br>The Radio Service Company<br>Houston, Texas<br>800-444-2301                 | Jim Zastrow<br>Zastrow Technical Service<br>Schofield, Wisconsin<br>715-359-9282            |
| Lee Freshwater<br>Blue Ridge Consultants<br>Flat Rock, North Carolina<br>704-693-1642  | Bud Stuart<br>STURADCO<br>Susanville, California<br>916-257-7820                           | Steve Holderby<br>Bemsco Inc.<br>Oklahoma City, Oklahoma<br>405-943-2409                    |
| Chuck Gennaro<br>Wisconsin Rapids, Wisconsin<br>715-423-6763                           | Ronald J. Dot'o Sr.<br>Salem, Oregon<br>503-378-7024                                       | ACM Communications<br>Napa, California<br>707-257-6000                                      |
| Kirk Harnack<br>Memphis, Tennessee<br>901-278-1306                                     | John L. Nix<br>Salem, Oregon<br>503-581-4056   | R. Michael King<br>Circuit Doctors<br>Frisco, Colorado<br>303-668-3167                      |
| Richard A. Hyatt<br>Maine Engineering Assoc.<br>Gardiner, Maine<br>207-582-4192        | Steve Agnew<br>Broadcast Technical Svc.<br>Lincoln, Nebraska<br>402-475-8920               | Joe Bellis<br>RMF Associates<br>Cape Girardeau, Missouri<br>314-651-4272                    |
| John Morton<br>Durango, Colorado<br>303-247-8734                                       | Marsh Johnson Sr.<br>Broadcast Operational Sys.<br>Albany, Oregon<br>503-928-8318          | Brian Walker<br>Olympia, Washington<br>206-438-2390   |
| Don Musell<br>Broadcast Engineering Svc.<br>Mouth of Wilson, Virginia<br>703-579-4461  | Carl Sampieri<br>Sampieri Engineering<br>Huntsville, Alabama<br>205-830-8300               | Jay Brentlinger<br>Broadcast Engineering Inc.<br>Phoenix, Arizona<br>602-867-0181           |
| Mark Pallock<br>Marandee Broadcast Eng.<br>Chatsworth, California<br>818-882-9475      | Don Roden<br>Roden Engineering<br>Huntsville, Alabama<br>205-533-3676                      | Ken Bartz<br>Bartz Engineering Services<br>Fargo, North Dakota<br>701-237-3006              |
| Ransom Y. Place III<br>Westport, Massachusetts<br>508-673-6831                         | Don Haworth<br>Haworth Engineering<br>Fargo, North Dakota<br>701-237-5346                  | Greg Blanchard<br>Avila Engineering<br>San Luis Obispo, California<br>805-473-2396          |
| John Ramsey<br>West Hartford, Connecticut<br>203-243-4703                              | Jim Taylor<br>Jim Taylor Engineering Svc.<br>Augusta, Georgia<br>404-738-2911              | J. Boyd Ingram<br>J. Boyd Ingram & Associates<br>Batesville, Mississippi<br>601-563-4664    |
| Lee Soroca<br>Soroca Electronics<br>Syracuse, New York<br>315-446-6106                 | Mike Tosch<br>Interstellar Broadcast Eng.<br>San Diego, California<br>619-576-8239         | Troy D. Spencer<br>Bassett, Virginia<br>703-629-1161  |
| Tom Toenjes<br>Signal Specialists<br>St. Marys, Kansas<br>913-437-6549                 | Jeff Twilley<br>Ocean City, Maryland<br>301-289-4545                                       | Tom Oja<br>ACM Communications<br>Napa, California<br>707-257-6000<br>800-354-8600 (CA only) |
| Dave Wrenn<br>Aiken, South Carolina<br>803-649-1663                                    | Howard M. Ginsberg<br>Communications Eng. Inc.<br>Essex Junction, Vermont<br>802-878-8796  | Tom Lange<br>TECS Electronics<br>Kohler, Wisconsin<br>414-458-1816                          |
| Brad Johnson<br>Central California<br>209-526-6277                                     | Donald Frank White<br>Roanoke Rapids, No. Carolina<br>919-535-2599                         | Lamar Ritchie<br>Lamarco Inc.<br>Hazard, Kentucky<br>606-476-8438                           |
| Scott Dean<br>Dean Engineering<br>Fresno, California<br>209-434-2358                   | Adam Perry<br>S&B Communications Inc.<br>Buffalo, New York<br>716-832-7090                 | Steve Weber Jr.<br>Fresno, California<br>209-276-1249                                       |
| Gary Smith<br>Advanced Technical Svc.<br>Abilene, Texas<br>915-672-5149                | Thomas C. Taylor<br>Total Communications Tech.<br>Old Fort, North Carolina<br>704-668-7977 | John Simmons<br>Simmons Communications<br>Columbus, Georgia<br>404-596-0265                 |
| James A. Chase<br>Electro-Labs<br>Angola, Indiana<br>219-665-6427                      | Roger Cucci<br>Techworks<br>Milford, Connecticut<br>203-878-3196                           | Jim Slawson<br>Broadcast Engineering<br>Swainsboro, Georgia<br>919-237-2011                 |
| Gary Reardon<br>Ware, Massachusetts<br>413-967-6156                                    | Harold Snure<br>Calvmet Business Comm.<br>Merrillville, Indiana<br>219-769-4044            | Bill Bowin<br>Bowin Engineering Services<br>Galion, Ohio<br>419-468-1771                    |
| James Droege<br>Electronic Engineering Svc.<br>Beatrice, Nebraska<br>402-228-0780      | Dwayne Burlison & Assoc.<br>Houston, Texas<br>713-890-6565                                 | Steve Gordon<br>Wheeling, Illinois<br>312-870-1463  |
| Michelle Hunt<br>Denver, Colorado<br>303-469-1293                                      | Rick Cruz<br>Mount Vernon, Ohio<br>614-397-6440  | Chris Scott & Associates<br>Bowling Green, Kentucky<br>502-781-1232                         |
| Tim Pozar<br>Broadcast Engineering Cons.<br>San Francisco, California<br>415-695-7727  |  |   |

Michael G. McCarthy  
McCarthy Radio Engineering  
Mount Prospect, Illinois  
312-640-8965

T. Michael Ezell  
Audiotechnics Tech Service  
Dothan, Alabama  
205-793-6519

Joseph Papp  
Charleston, South Carolina  
803-884-8513

J.R. Galbreath  
Broadcast Technical Services  
Colorado City, Texas  
915-728-8076

Dick Warren  
Warren Engineering  
San Diego, California  
619-279-0759

James Parkinson  
Siloam Springs, Arkansas  
501-248-1108

Jim Stanford  
Waco, Texas  
817-857-4296

Joe DeRosa &  
Frank Bolognino  
Brooklyn, New York  
718-764-9698

Joe Furjanic  
Furjanic Communications  
Monongahela, Pennsylvania  
412-379-8311

Al Martin  
Segue Services Inc.  
Merrifield, Minnesota  
218-765-3330

Frank Baker  
Towers & Ground Systems  
503-775-3366

Ronald J. Meyer  
Meyer Communications  
Winterhaven, Florida  
813-293-9646

Jim Stitt & Associates  
Cincinnati, Ohio  
513-621-9292

Paul Easter  
D&E Broadcast Services  
Corpus Christi, Texas  
512-994-0659

Ken Ruhland  
Central Bdcst. Eng. Group  
West Edmeston, New York  
607-847-8244

Troy Langham  
Tulsa, Oklahoma  
918-587-0941

Bill Sutton  
Bill's RF Engineering  
Bamberg, South Carolina  
803-245-4902

Griffen E. Dameron  
Charleston, South Carolina  
803-767-1669

H. Scott Blake  
Wilson's Peak Eng.  
Mount Wilson, California  
805-273-7717

Mark Sadacca  
San Bernadino, California  
714-882-2575

Frank Hertel  
Newman-Keys Freq. Meas.  
Evansville, Indiana  
812-963-3294

Bill Spitzer  
WLS Communications  
Rapid City, South Dakota  
605-343-6986

Gary Brown  
Broadcast Allocations  
Nashville, Tennessee  
615-662-1526

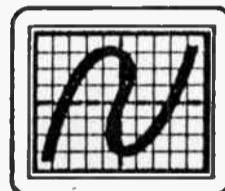
Chris R. Holt  
San Jose, California  
408-985-9459

David Sanford  
St. George, Utah  
801-628-3075

Bob Biermann  
Tacocca, Georgia  
404-886-4727  
404-886-1912

Sam Garfield  
Raleigh, North Carolina  
919-870-1289

Anyone  
Else?



NORTHEAST

BROADCAST LAB, INC.

## Technics Sale

### Inventory Clearance

	Model	List	Sale
Compact Disc Players	SPL-222	269.95	215.00
	SPL-550	369.95	284.00
	SLP-555	379.95	295.00
	SLP-770	539.95	399.00
	SLP-999	549.95	415.00
Turntables	SLP-1200	1399.95	955.00
	SL1200MKII	499.95	365.00
	SP-15	849.95	595.00
	SP10MK2A	1349.95	955.00
	SH-15B2 Base	459.95	330.00
	SH-15B3 Base	459.95	330.00

Offer good until August 1, 1989


10373 Saratoga Road  
P.O. Box 1179  
South Glens Falls, NY 12803  
Tel 518-793-2181  
Fax 518-793-7423

P.O. Box 565  
Southampton, PA 18966  
215-322-2227

**Ron Radio Communications, Inc.**  
P.O. Box 201 Brightwaters, NY 11718  
Simply The Best For Less...  
Energy Onix FM Transmitters 100w to 60KW

- Proven Grounded Grid
- Solid State Exciter & Solid State (100, 300 or 500 watt) IPA
- Single tube up to 12.5KW
- Automatic Power Output System, VSWR Foldback & VSWR Protection
- Solid State Control System
- The only 7.5KW FM TX on the Market
- Single Phase as an additional option up to 12.5KW
- Built in OVERRIDE Panel with KEY LOCK
- Leasing thru DACOM Financial Services

8 0 0 - 6 6 6 - 3 5 2 5



(802) 226-7582  
FAX: 802-226-7738

**COMMERCIAL RADIO COMPANY**  
Transmitter Parts for: RCA, Gates, Collins  
Non-PCB Filter and Mica Transmitting Capacitors

DUTTONSVILLE SCHOOL DRIVE  
CAVENDISH, VT 05142

DANIEL W. CHURCHILL

**SEARCHFM - SOFTWARE**  
Professional MSDOS Broadcast Software.  
SEARCHFM, QCHANNEL, EDFM, SEARCHTV  
With monthly FCC database pool service.

Doug Vernier, Broadcast Consultant  
1600 Picturesque Dr.  
Cedar Falls, IA 50613  
319 266-7435

**FM Study for Your PC**  
Fast, precise, and cost effective!  
Monthly data base updates available.  
Call CDI Today to Request a Free  
Fully Operational Demo Copy

Communications Data Inc.  
6105E Arlington Blvd.  
Falls Church, VA 22044  
(703) 534-0034

**Radio Guide**

June, 1989 Volume 2 - Issue 6  
Mail to: Radio Guide 511 18th Street SE  
Rochester, MN 55904

Fill out the information below, and then circle the number of any manufacturer from which you would like additional information.

- |                           |                                    |
|---------------------------|------------------------------------|
| 1 - Television Technology | 17 - Barrette Associates           |
| 2 - Broadcast Audio       | 18 - Titus Technology              |
| 3 - CRL Systems           | 20 - Broadcast Devices             |
| 4 - Inovonics             | 21 - A&D Cartridge                 |
| 5 - RAM Broadcast         | 22 - Tom Jones Recording           |
| 6 - Ramko Research        | 23 - Northeast Broadcast Labs      |
| 7 - Kahn Communications   | 24 - Stanley Broadcast Engineering |
| 8 - Econco                | 25 - Communication Data Inc.       |
| 9 - Delta                 | 26 - Northern Magnetics            |
| 10 - JRF Magnetics        | 27 - Ron Radio                     |
| 11 - Bradley Broadcast    | 28 - Owl Engineering               |
| 12 - LPB                  | 29 - Commercial Radio Co.          |
| 13 - 3M - ITC             | 30 - Doug Vernier Broadcast        |
| 14 - J-Squared            | 31 - Freeland Products             |
| 15 - Henry Engineering    | 32 - Brentlinger Broadcast         |
| 16 - Russco               |                                    |

Name \_\_\_\_\_  
Company \_\_\_\_\_  
Address \_\_\_\_\_  
City \_\_\_\_\_  
State \_\_\_\_\_ Zip \_\_\_\_\_ Phone \_\_\_\_\_

**FCC's Engineering**  
**AM, FM and TV Data Bases**  
On floppy (or) 9-track tape  
Call today to request a free sample

**Communication Data Inc.**  
6105 E. Arlington Blvd.  
Falls Church, VA 22044  
703-534-0034

**SBE** **STANLEY BROADCAST ENGINEERING**

James S. Stanley  
Engineering Consultant

P.O. Box 24601  
Tempe, AZ 85282 (602) 264-8752

**NORTHERN MAGNETICS**  
CERTIFIED TAPE HEAD SERVICES

Northern Magnetics is an industry leader in the supply and service of tape heads and tape head products.

Phone: (612) 333-3071  
Telex: 1561238 MPS UT  
P.O. Box 16409 Minneapolis, MN 55416  
FAA Repair Station # C14-57

**BRENTLINGER BROADCAST ENGINEERING, INC.**

Charles Jayson Brentlinger  
President

COMPUTERIZED ENGINEERING REPORTS / ALLOCATION STUDIES  
AM-FM-AM DIRECTIONALS-AUDIO-STL-SATELLITE COMMUNICATIONS  
4338 East Acoma Drive • Phoenix, Arizona 85032 • (602)867-0181

**Tube Rebuilding**  
**Freeland Products**

- We Buy Duds - Since 1940  
Save About 50%



800-624-7626  
504-893-1243  
Fax 504-892-7323

Including for TV  
RCA Cermolox and UHF Klystrons

**Consulting Communications Engineers**

- FCC Data Bases
- FCC Applications and Field Engineering
- Frequency Searches and Coordination
- AM-FM-CATV-ITFS-LPTV

**OWL ENGINEERING, INC.**

1306 W. County Road. F,  
St. Paul, MN 55112  
(612)631-1338 "Member AFCCE"