

# 73

# Amateur Radio's Technical Journal

A Wayne Green Publication

## Ready for RTTY?

5 Articles

## "Cheap Trick" TVRO Receiver

Page 60

## Simple Circuits

## Return!

Page 92

## Tips on Chips

Page 72

## Home-Brew Contest Runner-Up

Page 58

## Skinflint's 2m J-Pole

Page 84



### Micro Modem

—a RTTY TU designed  
for computers ..... WA4GKQ 10

### F1 for the Hot Water 101

—all the way with FSK! ... K0JH 20

### No-Frills RTTY

—\$200 and you're on the air  
..... WA4STO 24

### Incredibly Simple RTTY

—receive it on your TRS-80  
..... W0XI 28

### The RTTY/Tribander Marriage

—enjoy the 100% duty cycle  
..... K0ARG 32

### Confessions of a Counter Evolutionary

—part II ..... WA2FPT 38

### Double Trouble on 50 MHz

—Home-Brew Contest  
runner-up ..... KL7GLK 58

### The \$100 TVRO Receiver

 —Satellite Central,  
part IX ..... Gibson 60

### Digital Basics

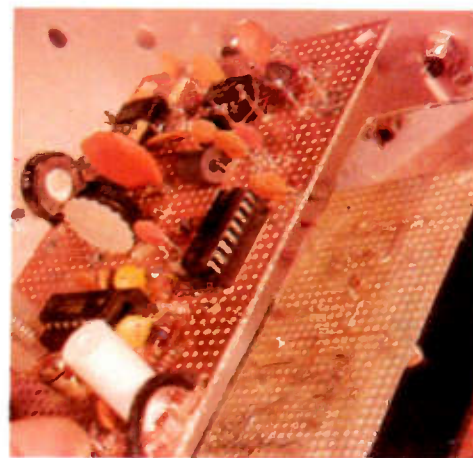
—part I ..... K4IPV 72

### The Vertical Deuce

—40 and 75 meters ..... W9CRC 80

### The J-Pole Love Affair

—not for CB ..... WB5AOX 84



"Cheap Trick" TVRO Receiver—60

Never Say Die—6

Ham Help—69, 93

Social Events—88

Circuits—92

DX—96

RTTY Loop—97

Review—99

Reader Service—114

New Products—118

Letters—119

Fun!—124

Contests—132

Satellites—140

Corrections—140

Dealer Directory—162

Propagation—152



# ICOM Presents the Minicom IC-25A

**Imagine..25 watts/5 memories/2 scanner systems in a 2" H x 5½" W x 7" D 2 meter transceiver!**

A very small package with a 25 watt punch, the IC-25A is a full featured FM transceiver for the space conscientious operator. Nearly the same size as an automotive AM radio, the IC-25A will fit in places usually considered impossible for a one piece 2 meter transceiver. The IC-25A is no lightweight when it comes to features:

- 5 memories. Store your favorite frequencies.
- Priority channel. Monitor your most important frequency.

- 25 watts high/1 watt battery saving low power.

- Touchtone™ mic standard..no extra cost...to work your favorite autopatch repeater.

- Full band scan/programmable scan (set your own limits)/memory scan....all with automatic resume after preset delay or carrier drop.

- 2 VFO's with data transfer standard.
- 2 tuning rates 5KHz (A VFO) or 15 KHz (B VFO).

- Nor/Rev switch for instant monitoring of repeater inputs.

- Memory back up power supply option holds memory when attached.

Actual Size.  
(Clip this actual photo out and try it in your car.)



2112-116th Avenue NE, Bellevue, WA 98004  
3331 Towerwood Drive, Suite 307, Dallas, TX 75234



**ICOM**



# 5-STORE BUYING POWER in action!

## YAESU HANDHELDS



*Special*

2 METER  
FT-208R

70CM  
FT-708R

**SALE!**  
**\$296<sup>95</sup>**

FREE SHIPMENT (UPS Brown)

## ETD ALPHA

ALL ALPHA AMPLIFIERS  
IN STOCK FOR FAST DELIVERY

CALL FOR SPECIAL PRICES



ONE EXAMPLE:  
**76PA**

REGULAR \$2395

**SALE! \$1799**

**MIRAGE** ALL MIRAGE  
AMPLIFIERS  
AVAILABLE AT LOW PRICES



2 METER AMP  
**B-1016**

10W IN, 160W OUT.

REGULAR  
\$279.95

*SALE* **\$249<sup>95</sup>**

**B-3016** REGULAR \$239.95

30W IN,  
160W OUT.

*SALE* **\$199<sup>95</sup>**

## KLM

### KT-34A

4 ELEMENT TRIBANDER

REGULAR \$389.95

*SALE* **\$309**

### KT-34XA

6 ELEMENT TRIBANDER

REGULAR \$569.95

*SALE* **\$459**

CALL FOR PRICES  
OTHER KLM ITEMS.

NEVER BEFORE! NEVER AGAIN

## ICOM

### IC-730



**SALE!**

REGULAR \$829

**\$649<sup>95</sup>**

LIMITED TIME ONLY ...  
LIMITED QUANTITY

ACT!

## KENWOOD

CALL NOW FOR  
SPECIAL LOW PRICES



TS-930S

TR-2500



TR-7730/MC 46



TS-830S



**BARGAIN PACKAGE**

**TS-830S** Transceiver

**SP-230** Speaker

**YK-88C** CW filter

**SALE!**

A \$1084.85 VALUE

**\$949<sup>95</sup>**

**FREE SHIPMENT** (U.P.S. Brown)

CONTINENTAL U.S.A.

EXCEPT SOME ALPHA/KLM ITEMS

**SERVING HAMS  
BETTER.**

North...south...east...west.

Bob Ferrero, W6RJ/K6AHV,  
Jim Rafferty, N6RJ  
other well known hams  
give you courteous,  
personalized  
service.



**FREE PHONE 800 854-6046**

9:30AM to 5:30PM PACIFIC TIME.

OVER-THE-COUNTER, 10AM to 5:30PM.  
MONDAY THROUGH SATURDAY

CALIFORNIA CUSTOMERS PLEASE PHONE OR VISIT LISTED STORES.

ANAHEIM, CA 92801

2620 W. La Palma,  
(714) 761-3033 (213) 860-2040  
Between Disneyland & Knott's Berry Farm

BURLINGAME, CA 94010

999 Howard Ave., (415) 342-5757  
5 miles south on 101 from S.F. Airport.

OAKLAND, CA 94609

2811 Telegraph Ave., (415) 451-5757  
Hwy 24 Downtown. Left 27th off-ramp.

SAN DIEGO, CA 92123

5375 Kearny Villa Road (714) 560-4900  
Hwy 163 & Clairemont Mesa Blvd.

VAN NUYS, CA 91401

6265 Sepulveda Blvd., (213) 988-2212  
San Diego Fwy at Victory Blvd.



AEA • ALLIANCE • ALPHA • AMECO • AMPHENOL • ARRL • ASTRON  
• AVANTI • BENCHER • BERK-TEK • BIRD • B&W • CALLBOOK • CDE  
• COLLINS • CUBIC • CURTIS • CUSHCRAFT • DAIWA • DATONG

DENTRON • DRAKE • DX ENGINEERING • EIMAC • HUSTLER  
• HY-GAIN • ICOM • J.W. MILLER • KENWOOD • KLM • LARSEN  
• LUNAR • METZ • MFJ • MICRO • LOG • MINI • PRODUCTS

MIRAGE • NYE • PALOMAR • ROBOT • ROHN • SHURE • SWAN  
• TELEX • TELREX • TEMPO • TEN-TEC • TRISTAO  
• YAESU and many more!

Prices, specifications, descriptions subject to change without notice. Calif. residents please add sales tax.

**HAM  
RADIO  
OUTLET**

# INFO

## Manuscripts

Contributions in the form of manuscripts with drawings and/or photographs are welcome and will be considered for possible publication. We can assume no responsibility for loss or damage to any material. Please enclose a stamped, self-addressed envelope with each submission. Payment for the use of any unsolicited material will be made upon acceptance. All contributions should be directed to the 73 editorial offices. "How to Write for 73" guidelines are available upon request.

## Editorial Offices:

Pine Street  
Peterborough NH 03458  
Phone: 603-924-9471

## Advertising Offices:

Elm Street  
Peterborough NH 03458  
Phone: 603-924-7138

## Circulation Offices:

Elm Street  
Peterborough NH 03458  
Phone: 603-924-9471

## Subscription Rates

In the United States and Possessions:  
One Year (12 issues) \$25.00  
Two Years (24 issues) \$38.00  
Three Years (36 issues) \$53.00

## Elsewhere:

Canada and Mexico—\$27.97/1 year only, U.S. funds. Foreign surface mail—\$44.97/1 year only, U.S. funds drawn on U.S. bank. Foreign air mail—please inquire.

## To subscribe, renew or change an address:

Write to 73 Magazine, Subscription Department, PO Box 931, Farmingdale NY 11737. For renewals and changes of address, include the address label from your most recent issue of 73. For gift subscriptions, include your name and address as well as those of gift recipients. Postmaster: Send form #3579 to 73 Magazine, Subscription Services, P.O. Box 931, Farmingdale, NY 11737.

## Subscription problem or question:

Write to 73 Magazine, Subscription Department, PO Box 931, Farmingdale NY 11737. Please include an address label.

73 Magazine (ISSN 0098-9010) is published monthly by 73, Inc., a subsidiary of Wayne Green, Inc., 80 Pine Street, Peterborough NH 03458. Second class postage paid at Peterborough NH 03458 and at additional mailing offices. Entire contents copyright 1982, Wayne Green, Inc. All rights reserved. No part of this publication may be reprinted or otherwise reproduced without written permission from the publisher. Microfilm Edition—University Microfilm, Ann Arbor MI 48106.

Announcing

## NEW AUTOPATCH



## PRIVATE PATCH

Introducing Private Patch. A giant step forward in Autopatch/Interconnect technology, capability and standard features. Our revolutionary new techniques of audio and digital signal processing offer several advantages over conventional sampling/scanning type Autopatches: 1. The annoyance of continuous squelch tails is *totally* eliminated. Makes conversation much more natural and enjoyable. 2. In addition to superb simplex capability, operation through repeaters is made possible. 3. The only connections made to your base transceiver are to microphone and speaker jacks. **NO INTERNAL CONNECTIONS OR MODIFICATIONS NECESSARY!** Use Private Patch simplex for local operation, through a repeater for extended range. CW ID makes your Autopatch legal, and alerts you to incoming calls when ringback is turned on (state callsign when ordering). Five digit owner programmable access code and operator/long distance inhibit switch assure security and protect your phone bill. Positive control is assured by Private Patch logic functions. A fully digital timing approach eliminates all timing adjustments. Three/six minute timer shuts down Private Patch if you drive out of range. Resettable with reset code for additional talk time as required. Self contained AC supply. Modular phone jack and modular phone cord provided. All electronics contained on one high quality glass circuit card. Private Patch contains 40 integrated circuits and 16 transistors. Send for additional information. Compare our features.

**Special Factory Direct  
Introductory Price  
\$489**

CALIF. ADDRESS ADD \$29.34



130



DEALERSHIPS INVITED

## AUTOCONNECT

P.O. BOX 4155  
TORRANCE, CA 90510

## R-X Noise Bridge



- Learn the truth about your antenna.
- Find its resonant frequency.
- Adjust it to your operating frequency quickly and easily.

If there is one place in your station where you cannot risk uncertain results it is in your antenna.

The Palomar Engineers R-X Noise Bridge tells you if your antenna is resonant or not and, if it is not, whether it is too long or too short. All this in one measurement reading. And it works just as well with ham-band-only receivers as with general coverage equipment because it gives perfect null readings even when the antenna is not resonant. It gives resistance and reactance readings on dipoles, inverted Vees, quads, beams, multiband trap dipoles and verticals. No station is complete without this up-to-date instrument.

Why work in the dark? Your SWR meter or your resistance noise bridge tells only half the story. Get the instrument that really works, the Palomar Engineers R-X Noise Bridge. Use it to check your antennas from 1 to 100 MHz. And use it in your shack to adjust resonant frequencies of both series and parallel tuned circuits. Works better than a dip meter and costs a lot less. Send for our free brochure.



The price is \$59.95 in the U.S. and Canada. Add \$3.00 Shipping/Handling. California residents add sales tax.

Fully guaranteed by the originator of the R-X Noise Bridge.

**ORDER YOURS NOW!**

# Palomar Engineers

Box 455, Escondido, CA. 92025  
Phone: [714] 747-3343



Entirely professional level!  
 You'll find the difference the more you use it.  
**ULTIMATE QUALITY, NRD-515**



**Receiver, NRD-515**

**SPECIFICATIONS**

Receiving frequency range: 100kHz to 30MHz continuous (30 bands)  
 Receiving modes: USB/LSB/CW/RTTY/AM  
 Receiving system: Up conversion type  
 Double superheterodyne  
 First IF: 70.455MHz  
 Sensitivity (S/N 10dB):  
 1.6 to 30MHz 0.5µV 2µV  
 100 to 1600kHz 2µV 6µV  
 Selectivity: 6kHz/2.4kHz/0.6kHz/0.3kHz (\*Option)  
 Stability: Within 50Hz/one hour  
 Power requirements: AC 100/117/220/240V. 50/60Hz. 50VA  
 Dimensions and Weight: 340mm(W) x 140mm(H) x 300mm(D). Approx. 7.5kg  
 Preset memory (Option): 24ch  
 Frequency stability: Less than 50Hz per hour after warming up  
 Image rejection ratio: 70dB or more  
 IF rejection ratio: 70dB or more  
 Input impedance: 50 to 75 ohms, unbalanced  
 AF outputs:  
 Speaker output: 1W or more (4 ohms)  
 Record/line output: 1mW or more (600 ohms)

**Highest grade all-wave receiver**

**NRD-515**

**Best for 59**

**Transmitter, NSD-515**



**SPECIFICATIONS**

Fated output power: 100W NSD-515 (50W 28MHz band)  
 Frequency range: 1.8MHz-2.0MHz/3.5MHz-4.0MHz/  
 7.0MHz-7.3MHz/14.0MHz-14.35MHz/  
 21.0MHz-21.45MHz/28.0MHz-29.0MHz/  
 29.0MHz-29.7MHz/Optional new bands approved by WARC 79  
 10.1MHz-10.15MHz 18.068MHz-  
 18.168MHz 24.89MHz-24.99MHz/  
 Mode of emission: A3J (USB/LSB) A1 (CW) F1 (RTTY)

• For more information please contact to:

**JRC** *Japan Radio Co., Ltd.*  
 Since 1915

**MAIN OFFICE:** Mori Building Flth., 17-1, Toranomon 1-chome, Minato-ku, Tokyo 105, Japan. Cable Address: "JAPANRADIO TOKYO"  
 Phone: (03) 591-3451 Telex: 0222-3068  
**U.S.A. LIAISON OFFICE:** T. Hayashi,  
 120 East 56th Street, New York, New York 10022  
 Phone: 212-355-1180 Telex: 230-645636 JAPANRADIO NYK

**SWITZERLAND:** SEICOM AG Phone 064 515566  
**U.K.:** Derbyshire—LOWE ELECTRONICS, LTD. Phone 0629-2430  
**U.S.A.:** N.J.—GILFER ASSOCIATES, INC. Phone 201 391 7887  
 Ohio—UNIVERSAL AMATEUR RADIO, INC. Phone (614) 866 4267  
**NEW ZEALAND:** Dunedin—RADIO ENGINEERING LTD. Phone 51-075

**AUSTRALIA:** N.S.W.—EMONA ELECTRONICS PTY LTD. Phone: 398-6378  
 Victoria—VICOM IMPORTS PTY LTD. Phone: (03) 62 6931  
**FINLAND:** Kotka—VISI RADIO OY Telex: 53260 VISI SF  
**FRANCE:** Paris—SOCIETE G.E.S. GENERAL ELECTRONIC SERVICES Phone (1 345 35 92  
**CANADA:** Vancouver—GLENWOOD TRADING CO. LTD. Phone: 604 984 0404  
**GERMANY:** Hannover—RICHTER & CO. Phone: (0511) 352 1111  
**ITALY:** Milanese—TECHNOVENT, ITALIA, SRL Phone 02 32 83 089



# W2NSD/1 NEVER SAY DIE

editorial by Wayne Green



"Wayne, after having read your editorials for many years I feel I know you personally," said Rudolf Aumann HK1ESU the other day in Cartagena, Colombia. Rudolf, hearing that I was in town for a couple of days, came to my hotel to find me after failing to get through by phone. He found Sherry and me just finishing dinner in the garden of the Cartagena Hilton, where they had served an outdoor barbecue cookout.

I found Rudolf a delightful person with many interests, quite wrapped up in his second hobby of collecting pre-Columbian antiquities. Indeed, he has a collection which rivals those of museums. He found, as have many others, that the real Wayne Green, whoever that is, comes through in my editorials.

The Colombians are most friendly. Sherry and I, taking advantage of the Eastern Air system excursion fare, finished off a hectic business trip with a couple of days of relaxation in Cartagena. This gave us a chance to rest a bit and see a new country. It also added to my count of countries visited.

Of course, getting to Cartagena is an adventure in itself. Having arrived with no warning from either friends who had lived there or from the tourist guidebooks, I found myself knee-deep in the barracudas which inhabit many of the third-world airports. Providence was

in my favor in that all of the car rental agencies were closed, it being Sunday afternoon. Sherry had tried to reserve a car for us, but fortunately she wasn't able. I'll explain.

The taxi drivers at airports... and their pimps... start out asking about two to three times the normal fare. This is complicated by their knowing no English and me knowing little Spanish... or Swahili, or whatever the local language. Eager hands reach for your bags, fully expecting to net at least a buck or two for carrying them even the shortest distance. They assure you that all of the official money changers are closed, but they have a friend who will give you a very good rate... sixty pesos to the dollar.

After bargaining the taxi fare to the bus station down from \$15 to \$10 (\$5 turned out to be more like the going fare), we plopped into a taxi... a 1955 Chevy, I think... and were off to Baranquilla. Unless you've been to a poor country, you have no idea of what poverty can be. We really have nothing approaching it anywhere in the United States. Everything is in disrepair... the streets, the sidewalks (where there are any), the buildings, walls... all broken and falling apart.

Colombian buses are about the only means of transportation, so they are usually packed solid with people. Air condition-

ing of cars and buses is rare, so the windows (if any) are open. It's hot. Remember that the equator goes through Colombia, so it's hot all year around. There are few private cars in Colombia, so the need for buses is great, with the result that they are everywhere, each fighting to pass the others along the narrow streets. Most of them are gaily painted and decorated, reminding one perhaps of the "art" in the New York subways.

The bus depot turned out to be a street corner more than normally infested with buses. We found the place to buy tickets and splurged a big \$8.00 for two tickets to Cartagena. The bus was scheduled to leave at 2:30 pm, if we wanted a regular bus. If we waited until 6:30 pm we could take an air-conditioned bus! We really didn't want to stand on a street corner in Baranquilla with our hand luggage and two big suitcases for four hours, so we opted for the 2:30 trip. It wasn't bad at all.

Once out of the city, the bus rolled along the narrow road at around 60 mph, passing just about everything in sight. The countryside consisted of sparsely populated rolling hills, with few towns. We did stop occasionally to let the passengers buy food from roadside vendors... freshly cut pineapple slices, pineapple fritters, shashliks on a stick... things like that. At one point, two children got on the bus and went through a ten-minute recitation in exchange for a few coins, getting off at the next stop for a return on the next bus and another recitation.

As the bus threaded its way through the narrow streets of Baranquilla, none with any route

markings that I could see, I was most thankful that the car rental agencies had been closed. Imagine trying to find my way through all *that!* Even once out of the country there were few signs at crossroads. Add to all that the seemingly fatalistic driving attitude of the truck and bus drivers and you can see why, even with the heat, I was glad to be making the trip by bus.

The temperature was in the low 90s and not uncomfortable as long as the bus kept moving. The stops immediately started sweat pouring out of every pore. The trip was a bit over two hours to Cartagena, where the bus terminal was even more primitive than the one in Baranquilla. It was not lacking taxi drivers and hordes of baggage carriers, all with dreams of Yankee gold not well concealed. I got the taxi fare down from \$10 to \$2.50 and we were on our way through Cartagena to the Hilton, an air-conditioned luxury respite from the heat and poverty everywhere else.

They even had an ice machine on our floor! We unpacked, relaxed, and had a nice buffet dinner at the hotel. The food was superb. I really needed the rest, not so much from the rigors of the taxi and bus rides, but from the tensions of the previous week.

We'd started out Saturday night with a trip to Chicago. Now one thing you should know about Eastern Airlines is that when you go on a trip just about anywhere on Eastern, you go through Atlanta. Just as Federal, I think it is, ships all packages to Memphis and sorts them, Eastern ships all passengers to Atlanta and sorts them out for their destinations.

Over the next few days we flew Boston-Atlanta-Chicago-Atlanta-Houston-San Antonio-Atlanta-Ft. Lauderdale-Atlanta-Miami-Baranquilla-Miami-Boston. We sure got to know the Eastern Ionosphere lounges at Atlanta.

The first stop was Chicago and the summer Consumer Electronics Show (CES). This was at McCormack Place and was huge. While there was little there in the ham field, the two days I spent there were still well invested. I do have to keep up with home computers, the latest in satellite receiving systems, and discover gadgets such as the new Brother \$200 dot-matrix typewriter with a 16-character

## \$\$ HOME-BREW II CONTEST \$\$

It is not too late to submit an entry for 73's Home-Brew II Contest. Until October 1, we'll be looking for articles describing the best home-brew projects for under \$50. The winners will share \$500 in cash prizes. For complete details, see page 6 of the June, 1982, issue of 73.



**NEW**

## TS-930S

**"DX-traordinary"...**  
superior dynamic range,  
auto. antenna tuner,  
QSK, dual NB, 2 VFO's,  
general coverage receiver.

A superlative, high-performance, all solid-state HF transceiver, that covers all Amateur HF bands, and incorporates a 150 kHz to 30 MHz general coverage receiver having an excellent dynamic range.

### TS-930S FEATURES:

- 160-10 Meters, with 150 kHz-30 MHz general coverage receiver. Covers all Amateur frequencies, plus WARC, on SSB, CW, FSK, and AM. UP conversion digital PLL circuit.
- Excellent receiver dynamic range. Typical two-tone dynamic range, 100 dB (20 meters, 50-kHz spacing, 500 Hz CW bandwidth).
- All solid-state 28 volt operated final amplifier. Lowest IM distortion. Power input 250 W on

SSB/CW/FSK, 80 W on AM, SWR/ Power meter.

- Available with AT-930 automatic antenna tuner built-in, or as an option. Covers 80-10 meters, including WARC bands.
- CW full break-in. CMOS logic IC, plus reed relay. Switchable to semi break-in.
- Dual digital VFO's, 10-Hz steps, includes band information.
- Eight memory channels. Stores frequency and band data. Internal battery memory back-up, est. 1 yr. life. (Battery not Kenwood supplied.)
- Dual mode noise blanker. NB-1, with threshold control, for "pulse" noise. NB-2 for "woodpecker."
- SSB IF slope tuning, allows independent adjustment of the low and/or high frequency slopes of the IF passband.
- CW VBT and pitch control. VBT tunes out interfering signals, CW pitch control shifts IF pass-band and beat frequency. "Narrow-Wide" filter switch.
- Tuneable, peak-type audio filter for CW.
- AC power supply built-in.
- Fluorescent tube digital display, with digitalized sub-scale, in 20-kHz steps.
- RF speech processor.
- One year limited warranty.

• SSB monitor circuit.

### Optional Accessories:

- AT-930 Auto. antenna tuner.
- SP-930 External speaker with selectable audio filters.
- YG-455-C1 (500 Hz) or YG-455-CN-1 (250 Hz) plug-in CW filters for 455 kHz IF.
- YK-88C-1 (500 Hz) CW plug-in filter for 8.83 MHz IF.
- YK-88A-1 (6 kHz) AM plug-in filter for 8.83 MHz IF.
- SO-1 commercial grade TCXO.
- MC-60A deluxe desk microphone, 8-pin, with pre-amplifier, UP/DOWN switches.



## TR-9130

**All mode (FM/SSB/CW) 25 watts, plus...!!!**

The TR-9130 is a powerful, yet compact, 25 watt FM/USB/LSB/CW transceiver. Available with a 16-key autopatch UP/DOWN microphone (MC-46), or a basic UP/DOWN microphone.

### TR-9130 FEATURES:

- 25 Watts RF output on all modes, (FM/SSB/CW).
- FM/USB/LSB/CW all mode. Selectable tuning steps of 100-Hz, 1-kHz, 5-kHz, 10-kHz.

- Six memories. On FM, memories 1-5 for simplex or  $\pm 600$  kHz offset, using OFFSET switch. Memory 6 for non-standard offset. All six memories may be simplex, any mode.
- Memory scan.
- Internal battery memory back-up, using 9 V Ni-Cd battery. (not KENWOOD supplied). Memories are retained approx. 24 hours, adequate for the typical move from base to mobile. External back-up terminal on the rear.
- Automatic band scan.
- Dual digital VFO's.
- Transmit frequency tuning while transmitting, for OSCAR operations.
- Squelch circuit for FM/SSB/CW.
- Repeater reverse switch.
- Tone switch.
- CW semi break-in; sidetone.
- Compact size and lightweight.
- Covers 143.9 to 148.9999 MHz.



## TR-9500

70 CM SSB/CW/FM transceiver

- Covers 430-440 MHz, in steps of 100-Hz, 1-kHz, 5-kHz, 25-kHz or 1-MHz.
- CW-FM Hi-10 W. Low-1 W. SSB 10 W.
- Automatic band/memory scan. Search of selected 10-kHz segments on SSB/CW.
- 6 memory channels.

- HI/LOW power switch. 25 or 5 watts on FM or CW.
- High performance noise blanker.
- RF gain control. • RIT circuit.

### Optional accessories:

- KPS-7 Fixed station power supply.
- PS-20 Fixed station power supply (TR-9500 only).
- SP-120 External speaker.
- TK-1 AC adapter for memory back-up.



**KENWOOD**

**TRIO-KENWOOD COMMUNICATIONS**  
1111 West Walnut, Compton, California 90220



# STAFF

**PUBLISHER/EDITOR**  
Wayne Green W2NSD/1

**EXECUTIVE VICE PRESIDENT**  
Sherry Smythe

**ASSISTANT PUBLISHER/EDITOR**  
Jeff DeTray WB8BTH

**MANAGING EDITOR**  
John Burnett

**ASST. MANAGING EDITOR**  
Susan Philbrick

**EDITORIAL ASSISTANTS**  
Nancy Noyd  
Richard Phenix  
Steve Jewett

**TECHNICAL EDITOR**  
Tim Daniel N8RK

**ASSISTANT TO THE PRESIDENT**  
Matthew Smith KA1IEI

**ASSOCIATES**  
Robert Baker WB2GFE  
John Edwards KI2U  
Bill Gosney KE7C  
Sanger Green  
Chod Harris VP2ML  
Dr. Marc Leavey WA3AJR  
J. H. Nelson  
Bill Pasternak WA6ITF  
Peter Stark K2OAW

**PRODUCTION MANAGER/PUBLICATIONS**  
Nancy Salmon

**ASST. PRODUCTION MANAGER/PUBLICATIONS**  
Michael Murphy

**ADVERTISING GRAPHICS MANAGERS**  
Steve Baldwin  
Bruce Hedin  
Jane Preston

**PRODUCTION**  
Frances Benton  
Betty Butler  
Flona Davies  
Linda Drew  
Sandra Dukette  
Denzel Dyer  
Dianne Riltson  
Theresa Ostebo  
Scott Philbrick  
Mary Seaver  
Deborah Stone  
Irene Vail  
Judi Wimberly  
David Wozmak

**PHOTOGRAPHY**  
Bryan Hastings  
John R. Schwelgert  
Robert M. Villeneuve  
Thomas Villeneuve

**TYPESETTING**  
Sara Bedell  
Melody Bedell  
Marie Barker  
Debbie Davidson  
Michele DesRochers  
Jennifer Fay  
Ellen Schwartz  
Karen Stewart  
Lisa Steiner

**GENERAL MANAGER**  
Debra Wetherbee

**CONTROLLER**  
Roger J. Murphy

**ACCOUNTING MANAGER**  
Knud Keller KV4GG/1

**CIRCULATION MANAGER**  
Patricia Ferrante  
603-924-9471

**BULK SALES MANAGER**  
Ginnie Boudrieau  
1-(800)-343-0728

**ADVERTISING**  
603-924-7138

Jim Gray W1XU, Mgr.  
Nancy Clampa, Asst. Mgr.  
Ross Kenyon KA1GAV  
Cornelia Taylor

LCD readout which permits some rough editing of the material before it is printed. The new Sony pocket TV was interesting, too. And I was pleased to see our book of programs for the Casio 702P on display in the Casio exhibit.

Atari had one hell of a press party to announce their relationship with Spielberg. Fresh oysters, escargots... it was a fantastic buffet. The way to my heart is definitely through my taste buds.

For some reason, both the CES and the NCC (National Computer Conference) were running concurrently, so Sherry and I had to see as much of CES as we could in two days and then get aboard Eastern for another trip to Atlanta and then to Houston.

NCC, like CES, was a madhouse. The attendance was probably about the same, some-



## QSL OF THE MONTH: W7VZ

If this innovative eye-grabber makes you thirsty, it's no accident. Send your QSL entry, in an envelope, to QSL of the Month Contest, Editorial Offices, 73 Magazine, Peterborough NH 03458. Be sure to include your choice of book from 73's Radio Bookshop.

where in the 80,000 or so range. Like CES, I could easily have spent the four days of the show seeing it, meeting old friends, and catching up on new products. I did spend a good solid

two days looking over perhaps twenty or more new microcomputers, a wide variety of new hard-disk drives, and enough

*Continued on page 126*

Well... I Can Dream, Can't I?

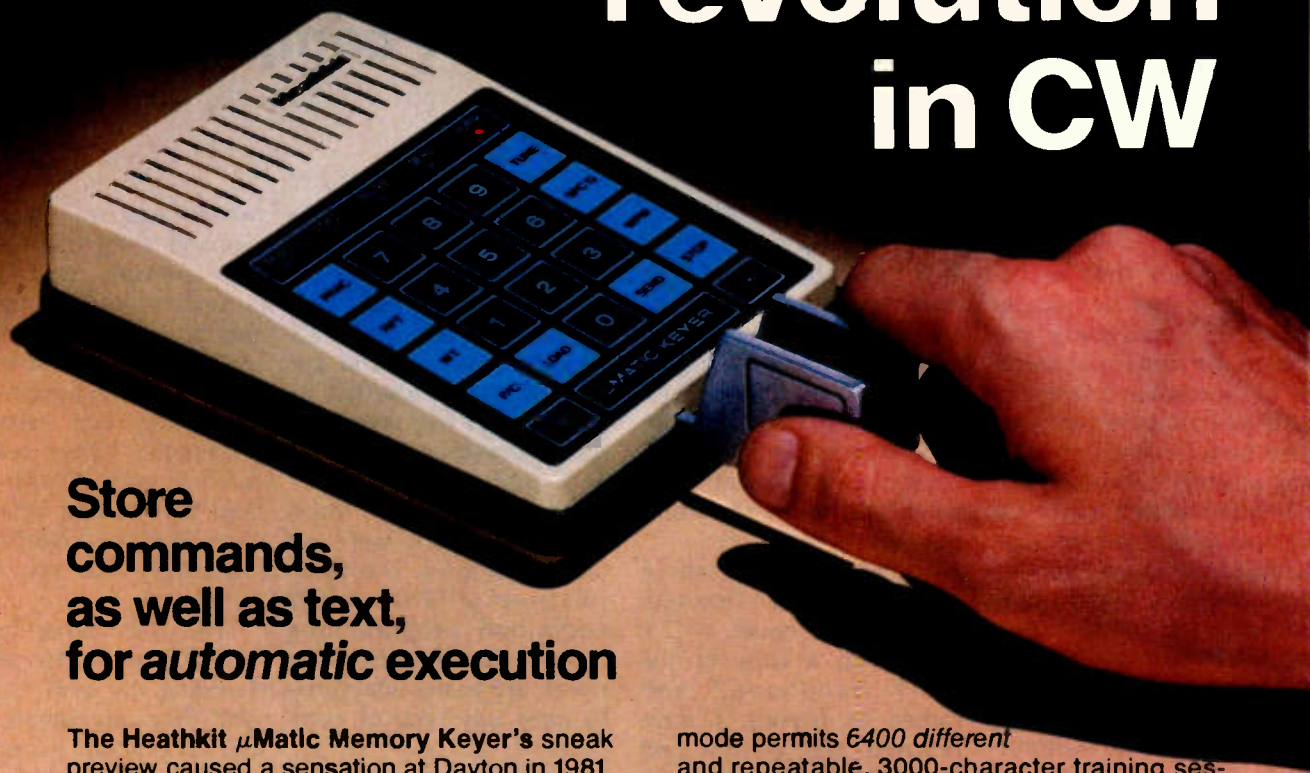
by Bandel Linn K4PP



"I know you need the extra space for ham radio, so my mother is moving out!"



# The Memory Keyer that started a revolution in CW



**Store  
commands,  
as well as text,  
for automatic execution**

The Heathkit  $\mu$ Matic Memory Keyer's sneak preview caused a sensation at Dayton in 1981, and the excitement is still running high. Ask about it on the air. Those who own one will tell you it revolutionized their operating practices, eased their hand fatigue, multiplied QSOs—and increased the number of incoming QSLs. In contest, you can prove it's the best every time,

Inside, a custom microprocessor stores up to 240 characters of text or commands. Variable-length buffers eliminate wasted memory space. Command strings let you sequence speed, weight and repetition alterations or text in any order you desire. Choose the speed (1-99), any of 11 weight settings, plus spacing and message repeat count, then sit back and collect contacts...

Capacitive-touch lambic paddles unplug and store inside the keyer when not in use. Left handed? A two-key function will reverse the paddles! Or a socket will connect to your favorite keyer. To boost copy, a 4-level random 'practice'

mode permits 6400 different and repeatable, 3000-character training sessions at any speed you like.

Other features include a built-in sidetone oscillator and speaker with volume/tone controls, phone jack and earphone, message editing, entry error alarm, self-diagnostics, battery back-up and a unique auto-shutoff should you forget. Complete details on the revolutionary  $\mu$ Matic Memory Keyer are in the new Heathkit Catalog and at your nearby Heathkit Electronic Center.\*



Send for a free catalog! Write:  
Heath Company, Dept. 011-934,  
Benton Harbor, MI 49022 303  
In Canada, contact Heath Company,  
1480 Dundas Street E., Mississauga, ONT L4X 2R7.

**Visit your Heathkit Store**



Where Heathkit products are displayed, sold and serviced.

See your telephone white pages for locations.

\*Units of Veritechnology Electronics Corporation in the U.S.

## Heathkit®

..... / - - - - / .....

# Micro Modem

## — a RTTY TU designed for computers

This article describes an easy-to-build AFSK (audio frequency shift keyed) modulator and demodulator unit specifically designed for microcomputer RTTY operation. I take the liberty of using the term *modem* here in describing this unit since it is the common computer-related term for devices which perform digital-to-audio signal conversions [mo'dem (mō'dām) η, an acronym for the term *modulator-demodulator*. A device used for communicating digital information over analog transmission systems, such as telephone or radio]. Conventional RTTY terminology defines this as a terminal unit.

I would like to start by telling you a little about how and why I decided on the particular design I chose. I don't know about

you, but I frequently find it frustrating to read a construction article and not have the author tell me how his design is different from other similar designs, in what ways it is better, and what led him to take his approach. I believe you can appreciate the result more when you know the rationale for its being.

I knew very little about RTTY mode when I started. I read back issues of *73*, picked up a copy of the *RTTY Handbook*,<sup>1</sup> and talked to friends. I soon learned the basics and realized that there were only two things preventing me from getting on the air—a program for my microcomputer and a modem to convert RTTY AFSK tones to digital TTL-level signals, and vice versa.

Writing the send-receive computer program to trans-

late serial Baudot data to parallel ASCII (for the video display), translate parallel ASCII (from the keyboard) to serial Baudot, and manage the keyboard and display operation was not as difficult as I had imagined. Again, previous *73* articles and the monthly RTTY Loop column by Marc Leavey WA3AJR were extremely helpful. The June-July issues of 1978 and 1979 contained programming flowcharts and descriptions which are easily adaptable to most any type of computer.

The next step was deciding what to do about a modem, or terminal unit. There seemed to be an abundance of TU gear available from various manufacturers, but there were a couple of problems with nearly everything I saw. First, the prices were out of line with

what I was willing to pay. Second, most had features (for example, loop power supplies and autostart) which were for users who were operating conventional electromechanical TTY terminals, not computer terminals. Other features such as wide (850-Hz) shift and CRT tuning indicators were likewise judged as not necessary for my initial system.

The only other avenue open to me was to consider building my own terminal unit. From my research into the various ham magazines, I found numerous TU construction articles. Some described only modulators, others only demodulators, and still others described complete units. I was looking for something that was relatively simple, inexpensive, and yet would give me good operational perfor-



Front view of RTTY modem.



Rear view of RTTY modem.



mance under typical HF RTTY conditions—and would work with my micro-computer.

Selection of an AFSK modulator was settled when I saw the article in 73 entitled "Experimenting with Tones."<sup>2</sup> The Exar XR2206 function generator IC can be easily connected as a very stable two-tone oscillator and can be keyed using a TTL-level input. A breadboard version of a 170-Hz shift generator confirmed my feeling that this was the circuit I was looking for. More on this later.

Selection of a demodulator circuit was a different and more difficult matter. The designs based on phase-locked loops (PLLs) like the 565 and the 567 appealed to me because they are inherently frequency selective, relatively immune to noise, and are specifically intended to perform FSK demodulation. Furthermore, they are simple to work with and are inexpensive.

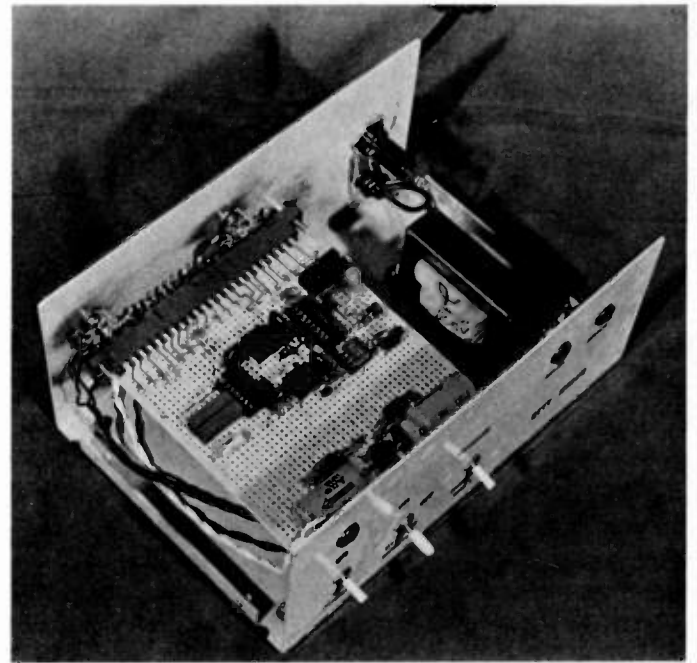
I first breadboarded a circuit based on the 565. This worked fairly well but seemed much more sensitive to noise and QRM than I was comfortable with. Too, it required a relatively large number of components external to the IC for filtering, signal conditioning, and TTL-level conversion. After a while I realized that the same functions could be accomplished using the more comprehensive capabilities of the 567 tone detector IC and could be done with considerably fewer external components. The 567 also operates on a 5-volt supply which means that no TTL-level conversion is required on its output.

Most published designs of 567-based demodulators use the single tone detect technique in which only one 567 is set up to detect only one half of a RTTY signal—either mark (2125

Hz) or space (2295 Hz). Absence of the desired tone is interpreted to mean presence of the opposite tone. In other words, if the detector is set to look for mark, any time a mark is not being received, it is assumed that a space is being received. Obviously this assumption can be all wrong under conditions where fading and noise are causing signal outages. Also, it makes tuning difficult because CW signals look like RTTY to the detector. You must actually listen to the signal to determine the difference.

Even though I felt that some of the designs I had seen were less than ideal, I also felt that I wanted to use the PLL approach—specifically the 567. Basically, it seemed that a demodulator based on two PLLs, one for mark and another for space, would be the most significant improvement. I would discover later (after having breadboarded a version of this type of circuit) that there were other improvements which could be made.

One of the things I learned about the 567 is that its detection bandwidth is extremely dependent upon the level of its input signal. Most designs I have seen do not attempt to manage the bandwidth, but rather attempt to simply keep input level below the



Interior view. 22-pin PC board plugs into socket mounted on rear panel.

maximum at which the device will still function. Below that maximum, varying input levels cause bandwidth also to vary over a wide range. A consistently small bandwidth would be preferable in order to reduce the effects of QRM. This meant that I would want some type of limiter in my design which would maintain a minimum input to the 567.

Another characteristic of the 567 that caused me concern was the fact that the output will "chatter," or bounce, briefly when turning on. This is somewhat dependent upon certain com-

binations of input level, component values, and how far off center frequency it is operating. This apparently causes no problems when this type of circuit is used to drive conventional electromechanical TTY gear because of the relatively long response time of its components. It can be a problem, however, when used to drive a computer terminal or other digital logic devices. This problem also would have to be solved in my demodulator design.

Let's take a look now at an overview of the circuit I finally decided upon.

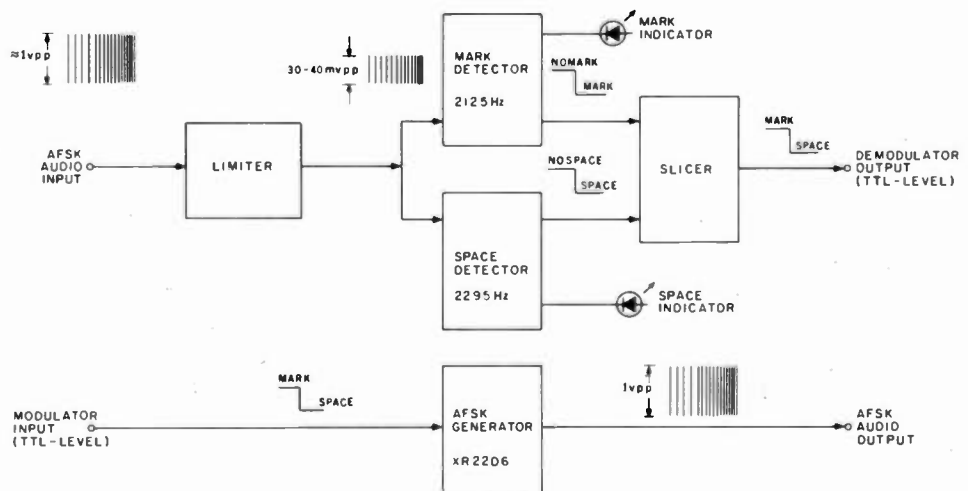


Fig. 1. Block diagram of RTTY modem. Top is demodulator; bottom is modulator.



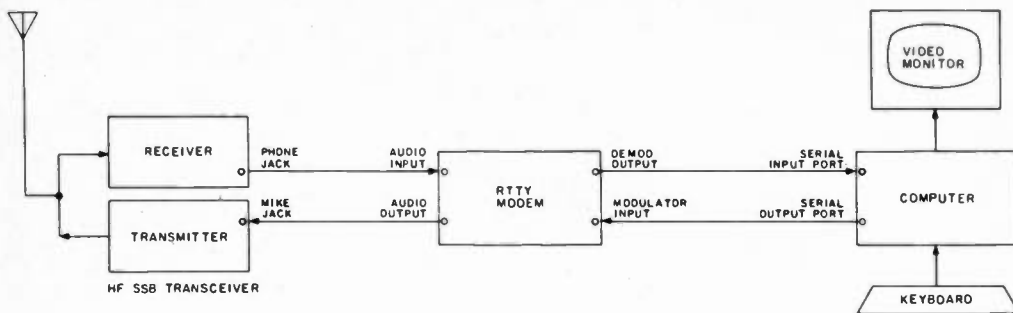


Fig. 2. RTTY modem and computer in an amateur station.

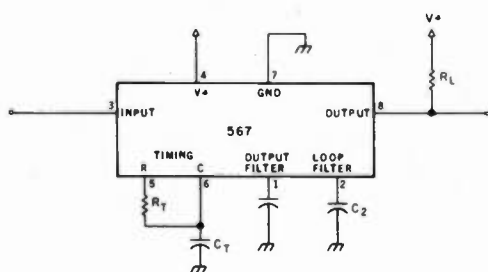


Fig. 3. Basic 567 tone-detection circuit.

## Overview

Fig. 1 shows a block diagram of the complete RTTY modem, both the modulator and demodulator.

The modulator generates either mark tones of 2125 Hz or space tones of 2295 Hz, depending upon the value of the keying voltage on its input. The keying input represents serialized Baudot data from an output port on the microcomputer. Each Baudot character is made up of mark and space bits, where a mark is high and a space is low. The output is nearly a pure sine wave, amplitudes of the mark and space tones are equal, and there are no switching transients.

The demodulator portion of the modem consists of a limiter, dual PLL detectors, and a slicer. The limiter controls input level and ensures consistent detector operation. Two independent tone detectors are set to react to the presence of input frequencies on, or very close to, 2125 Hz and 2295 Hz. The passbands are narrow enough to prevent erroneous locking onto nearby QRM and also narrow enough that the two passbands do not overlap.

LED indicators attached to each section serve as tuning aids. Alternating flashes indicate a legitimate 170-Hz-shift RTTY signal.

Output from the individual detectors is fed into a slicer. Here the two inputs are combined back into a single output going to the input port on the microcomputer. Again, mark is high, space is low.

Fig. 2 shows how the modem fits into an amateur station.

## 567 Tone Decoder IC

In order to understand how the RTTY modem works, it is necessary to know a little something more about the 567. Basically, it is a phase-locked-loop tone detector which provides an open-collector output on pin 8 (see Fig. 3). When an input signal is present on pin 3 which falls within its capture passband, the output shorts to ground. Thus, if the output is "pulled up" to 5 volts through an appropriate resistor,  $R_L$  (current must be limited to 100 mA or less), TTL-level transitions between 0 and 5 volts can be achieved. External components attached to other pins set center frequency,

bandwidth, and output delay.

For the purpose of detecting RTTY signals, we want a center frequency of either 2125 Hz or 2295 Hz. In Fig. 3,  $R_T$  and  $C_T$  determine center frequency by the approximation:  $f_0 = 1/(R_T C_T)$ .

Now, for RTTY, we want a minimum passband, for two reasons—to eliminate QRM and to prevent detection of both mark and space tones at the same time. Remember, they are only 170 Hz apart.  $C_2$  and input voltage level  $V_i$  determine bandwidth. The formula used to approximate bandwidth in terms of percent of  $f_0$  is:  $BW$  (% of  $f_0$ ) =  $1070\sqrt{V_i/f_0 C_2}$ , where  $C_2$  is in  $\mu F$  and  $V_i$  is in volts rms.

A word of caution: The formula becomes less usable at lower values of  $V_i$  (near 20 mV) combined with values of  $C_2$  below about  $.5 \mu F$  and  $f_0$  values in the 2000-3000 Hz range. Actual bandwidth realized is less than predicted by the formula.

The last characteristic of the 567 with which we must be concerned is output delay. All PLLs exhibit some delay to lock onto an input signal and confirm its presence on its output. This is expressed in terms of number of cycles (of input frequency). For 60-wpm RTTY, each bit (a Baudot character is a start bit, five data bits, and a stop bit) is 22 ms wide, except the stop bit which is 31 ms. We therefore want output delay to be something considerably less than 22 ms—which is

46 cycles for a mark bit (.022 sec.  $\times$  2125 Hz) and 50 cycles for a space bit (.022 sec.  $\times$  2295 Hz).

Unfortunately, output delay is controlled by  $C_2$ , and in a way that is opposite to the way it affects bandwidth. In other words, for large values of  $C_2$ , bandwidth is small and output delay is large. We would rather have both small. I said earlier, however, that at low input levels and low values of  $C_2$ , bandwidth is significantly smaller than predicted by formula—and small output delays are obtained at the same time! This is clearly a case of having your cake and eating it, too.

The circuit described in this article has a measured output delay of about 15 cycles, or about 7 ms. This means that the mark detector, for instance, takes 7 ms to lock onto a 2125-Hz input, resulting in an output which is only 15 ms wide, not 22 ms. If my circuit were of the type that uses only one PLL, the output would be severely distorted. Marks would be too short and spaces would be too long. Using dual detectors with an appropriate slicer eliminates this problem.

## Demodulator Circuit Description

Refer to Fig. 4. A jack is provided to attach a speaker for monitoring input audio from your receiver. A switch allows monitoring at attenuated volume, bypassing the attenuator for tuning purposes, or not monitoring at all.

The limiter is a high-gain amplifier using a 741 op amp (U1) which has parallel reversed diodes in its feedback path. The effect of the diodes is to limit output to about .6 volts—the forward-bias drop across a silicon diode. Gain of the amplifier is very high for low-level input, before the diodes begin fully conduct-

# REGAL RTTY



By popular acclaim – the leader and king of radio teleprinter communications – the HAL DS3100ASR and ST6000. When combined with the MSO3100 Message Storage Option and a hard-copy printer, you have the premier RTTY station. Discriminating operators the world-over choose the DS3100 and ST6000 for their stations over any other equipment. The DS3100 and ST6000 have set new standards of comparison for commercial and amateur RTTY data communications; they are representative of the high standards of quality and performance for which HAL is known throughout the world. Put your best RTTY signal forward with the DS3100 and ST6000!

- Send and receive ASCII, Baudot and Morse code
- Full length 72 character lines and 24 line screen
- True "ASR" operation – pretype while receiving
- 50 Line pretype, on-screen transmit buffer
- 150 Line receive display buffer
- MSO3100 adds 450 lines of MAILBOX message storage
- P31 green, 12 inch display screen is built-in
- Control functions are clearly marked on keytops
- On-screen status indicators with real time
- Upper-lower case ASCII with ALL control codes
- 45, 50, 57, 74, 100 baud Baudot
- 110, 150, 300, 600, 1200, 1800, 2400, 4800, and 9600 baud ASCII – full or half duplex
- 1 to 175 wpm send and receive Morse code
- Current loop or RS232 I/O interface
- ST6000 has tuning oscilloscope and loop supply
- Three RTTY shifts: 170, 425, or 850 Hz
- Multiple active RTTY filters and detector stages
- Crystal controlled RTTY transmit tones
- Printers available for hard-copy of all 3 codes

Write or call for more details. See the DS3100, MSO3100, ST6000, and printers at your favorite HAL dealer.



**HAL COMMUNICATIONS CORP.**

BOX 365

URBANA, ILLINOIS 61801

217-367-7373

345



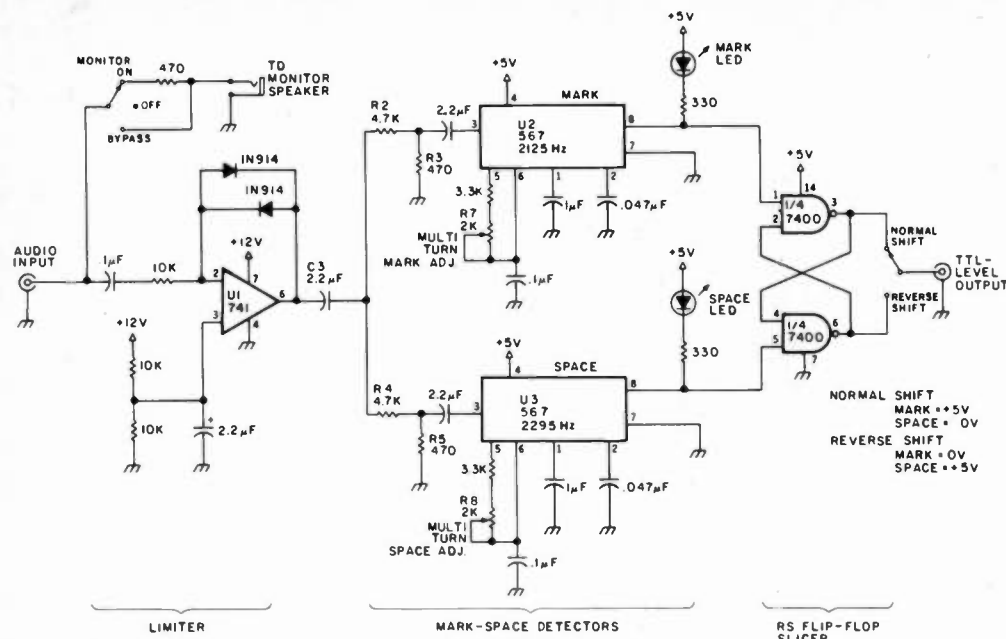


Fig. 4. Demodulator circuit. Audio input is from phone output of receiver. Output goes to computer input port. LEDs indicate RTTY signal.

ing. As input increases, gain decreases logarithmically due to the small-signal conduction characteristics of the diodes. If you look at the limiter output on a scope, you will not see a flat-top square wave, but instead a waveform with more rounded tops. Coupling capacitor C<sub>3</sub> is required to block the dc bias (+ 6 V) on the output of U<sub>1</sub>.

Limiter output is further reduced by voltage dividers R<sub>2</sub>-R<sub>3</sub> and R<sub>4</sub>-R<sub>5</sub> to approximately 30 mV rms which is used as input to PLLs U<sub>2</sub> and U<sub>3</sub>. This sufficiently low-level input ensures a bandwidth of only about 100 Hz, or ± 50 Hz either side of center frequency. Trimpots R<sub>7</sub> and R<sub>8</sub> set center frequency.

Output on pin 8 of U<sub>2</sub> and U<sub>3</sub> falls low when the expected frequency is detected, which turns on the associated LED. I mentioned before that this output contains a 7-ms delay and also has approximately 1 ms of chatter.

These outputs are fed into a slicer which is simply an R-S flip-flop constructed of two NAND gates. Actually, the slicer in this circuit is intended to do more than simply recombine its two

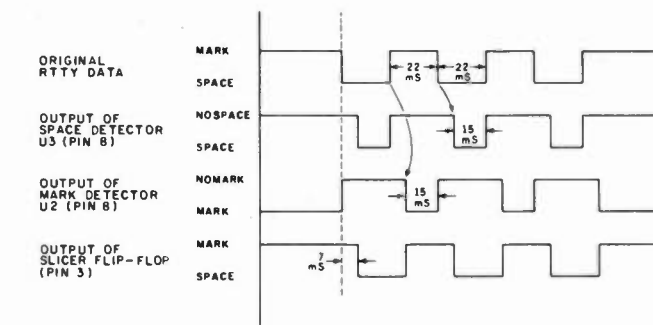


Fig. 5. Slicer reconstructs original data from separate detector outputs. Notice that distortion is corrected and that the output signal has been delayed by 7 ms from original.

inputs into a single output. First, it serves as a debouncing circuit to eliminate the chatter I just mentioned. Secondly, it nullifies the output delays of the PLLs. To illustrate how this works, refer to Fig. 5. Individual output delays of each of the two detectors are shown as being exactly equal when, in reality, they may differ a little. Anyway, the slicer output is almost entirely free of distortion and is delayed in time by 7 ms.

The final advantage of the flip-flop slicer is that it only changes states if both mark and space tones are present. If noise or momentary loss of signal occurs during a single bit, its output state is maintained until

the opposite tone is detected. This certainly doesn't solve all types of signal problems, but it helps.

A switch is provided on the output to select normal or reversed shift operation. Most amateurs use normal shift (mark = low tone, space = high tone) and lower sideband on HF RTTY.

### Modulator Circuit

Fig. 6 shows the AFSK modulator portion of the RTTY modem. It is based on the XR2206 function generator IC. Although this device has many uses, it is especially designed for two-tone AFSK generation. Read the excellent article by W2FPP for additional information.<sup>2</sup>

Mark and space frequencies are independently set by timing resistor trimpots R<sub>9</sub> and R<sub>10</sub> respectively. The timing capacitor between pins 5 and 6 is common. Output on pin 2 is a sine wave and is phase-continuous when switching, which makes it well suited for SSB FSK modulation. Component values should be high quality for best results.

The keying signal is applied to pin 9 and is a TTL-level signal directly from the microcomputer output port. + 5 volts selects the mark generator and 0 volts selects space.

Resistor R<sub>11</sub> (10k) controls output level. This results in approximately 1 volt pp to the microphone input of the transmitter. Other levels may be obtained by changing this resistor.

The earphone jack was installed so that the output can be monitored for testing purposes.

### Power Supply

The power supply is rather straightforward (Fig. 7). The center-tapped transformer serves both the + 5- and + 12-volt supplies. Low current requirements allow the LM340 regulators to be mounted directly to the PC board without heat sinks.

### Construction

I built the RTTY modem on a Radio Shack 4½" × 4" universal PC board with a dual 22-pin edge connector and mounted everything into a 3½" × 8" × 6" metal box (see photos) also available from Radio Shack. Fig. 8 shows the component layout and pin allocation that I used. Layout is not critical, which allows a lot of flexibility in how you might build your own version. I intentionally left an area open on the board to give me room to later build a bandpass filter to help reduce QRM problems.

# It's Hard To Be Humble When You're Number One On 2 Meters!



We wish we could take about ten pages in this magazine and reprint the stacks of rave notes that come back in with the warranty cards from our happy KDK owners. Then again, we wish we could take the space to go on and on about how the many thousands of KDK owners have put us in the number one spot in two meter FM equipment.

Better still, we think that just to show you the picture and give you the specifications and then slyly suggest you ask any KDK owner about the radio, will convince you. If that won't convince you, well, you just can't be convinced of anything!

• KDK continues the tradition of being the ultimate in VHF FM mobile operations. We make maximum use of multiple function, multiple shaft controls and only three sets of knobs are located on the front panel. Still many new features have been added, such as digital RIT, reverse button, memory channel readout number and more!

• The new KDK 4 bit microprocessor chip has in-house developed software which makes all these new features possible.

• Modern styled front panel with dials intelligently arranged so you can best utilize the multi-function, easy to handle controls. We gave it a very heavy textured paint finish that is highly resistant to scratching!

• Frequency coverage 143.005 - 148.995 mhz. S/N better than 35 db at 1 uv input. Better than .2 uv at 12 db SINAD. Squelch sensitivity better than .15 uv. Bandwidth at -6db: ±6khz, at -60db: ±16khz. Image ratio better than 70db. Double superhetrodyne. Transmitter uses variable reactance frequency modulation with maximum deviation set at ±5khz.

• RF power is a good, clean no spurious signal of 25 watts on high and 5 watts (adjustable) on low.

• Good audio with the famous KDK audio output capability of 1.5 watts . . . you can't blow out our audio IC!

• Nicads for memory retention built in, nothing extra to buy. Disconnect the FM2030 from the power source and the memories remain!

• Easy to use mobile mount with instant disconnect knobs for fast, simple removal. DC Cable and mounting hardware, spare fuse, external speaker plug and complete simplified instruction book includes circuit diagrams and even complete alignment instructions! No extras to purchase!

## \$309

### INTRODUCTORY PRICE!

Includes Tone Pad Microphone and all accessories. Shipping: \$5.00 eastern U.S.A. \$7.50 western U.S.A.

• 10 memories in 2 memory banks of 5 each (A&B). Any memory can be changed instantly.

• Control functions: Select memories, show memory channel number, or select memories and show frequency of channel, or dial frequencies with two speed selectable control. Instant choice of either 5 or 100 khz tuning steps. Programmable band scan limits and memory scan.

• Frequency shown in 5 bright LED digits. LED indicator shows when signal is received (unsquelched), LED indicator shows transmit. Modern LED bar meter shows signal strength of received signal and on transmit shows relative output power.

• Microphone includes tone pad, and up and down buttons to change dial frequency or memory channels.

• A standard microphone with up-down buttons only is available separately.

• The FM 2030 is basically as easy to use as a crystal receiver with rotary switch frequency selection for full "eyes-on-the-road" mobile operation.

• And, in case we forgot to mention it, we are proud to continue our famous KDK quality and ruggedness!

• Smaller case size: 55mm (2 3/16") high, 162mm (6 3/8") wide, 182mm (7 3/16") deep.

**WORLD'S FAIR NEWS! KDK 2 meter radios are the only FM units chosen to be used at the World's Fair Ham Station!**

**NOW YOU HAVE JUST SOME OF THE FEATURES . . . IT'S UP TO YOU TO DECIDE!**

### WRITE FOR BROCHURE - DEALER INQUIRIES INVITED!

Warranty information available from your dealer or direct.

Company reserves the right to change specifications and prices without notice.

Exclusive USA, Central and South America Distributor

Mail Order - COD - Bank Cards  

ORDER NOW DIRECT  
CALL TOLL FREE

## 800-251-4141

This number for ORDERS ONLY!

ORDER DIRECT or at your dealer!  
DISTRIBUTED BY:



81

**KDK DISTRIBUTING CO., INC.**

617 SOUTH GALLATIN ROAD - MADISON, TN 37115 - PHONE (615) 865-7949 - TELEX 80-8327



When I decide to build it, I'll just insert it in the circuit ahead of the limiter on the demodulator. The frequency-adjust trimpots for both the modulator and the demodulator are mounted on the board such that they are easily accessible when the board is plugged into the cabinet.

When working with TTL devices, it is normally good practice to add decoupling capacitors between the +5-V supply pins and ground. Although not shown in the circuit diagram, disc capacitors 0.1 to .01  $\mu\text{F}$  with short leads should be attached to the

7400 (pin 14) and to each of the 567s (pin 4).

Most parts, including the trimmer pots and the XR2206 IC, are available from Jameco Electronics, San Carlos CA 94070.

### Alignment

Use a frequency counter to align the AFSK modulator. Attach the counter to the output jack, ground the input jack (or pin 9 of the XR2206) to select the space timing circuit, and then adjust trimmer R10 to get 2295-Hz output. Now remove ground on the input jack (or pin 9) which selects the mark timing circuit, and

then set trimmer R9 to get 2125-Hz output. This completes modulator alignment.

Now align the demodulator. First, the mark detector. Apply a 1-V pp 2125-Hz sine wave to the demodulator input jack. I use the frequency marker signal from my transceiver, adjusted to frequency using the frequency counter, and adjusted to level using a scope. Adjust mark trimmer R7 until the mark tone LED indicator comes on. Now find the position which is midway between the two positions where the LED goes off. The center frequency should now be at or very near 2125 Hz. Alignment of the space detector is done in the same manner for a frequency of 2295 Hz.

At this time, you should verify that the bandwidth of each detector is no more than 150 Hz, or  $\pm 75$  Hz on either side of center frequency. With your receiver feeding into the input, slowly tune across a heterodyne or marker tone. One of the LEDs should light briefly and then the other. There should be a "dead spot" in between where neither LED is lit. There should not be any time when both LEDs are on for the same tone. If you have problems with these verification tests, check alignment of each detector and check to make

sure that the input on pin 3 of each 567 is no more than 30-40 mV pp.

### Operation

Using the modem on the air is pretty simple. When transmitting, the AFSK modulator is driving your transmitter at 100% duty cycle. So make sure that you set your microphone gain for reduced rf power output to protect your finals.

In receive mode, tune your receiver around the RTTY portions of your favorite band and then look for the distinctive blinking of the mark and space LED indicators when a valid RTTY signal is found. Make sure that your receiver's audio output level is sufficiently high to produce good, solid LED flashes. Also, you will usually want the Shift switch in the Normal position.

### Summary

The RTTY modem was designed to provide inexpensive yet reliable operation for the amateur who wants to quickly get on AFSK RTTY. Because I wanted to use it with a microcomputer terminal, I attempted to eliminate some of the problems of other designs which were associated with conventional TTY terminal operation. The design is simplified by the use of a single IC modulator and a demodulator based on dual PLL tone decoders. Dual decoders have advantages over designs which use only a single decoder: They are easy to tune, immune to certain types of signal fading, noise, and distortion, and will not react to CW signals.

Although built to interface directly to my computer input/output ports, other types of interfaces, such as RS232C, current loop, or UART, could certainly be used if the appropriate circuitry is added. This makes no difference to

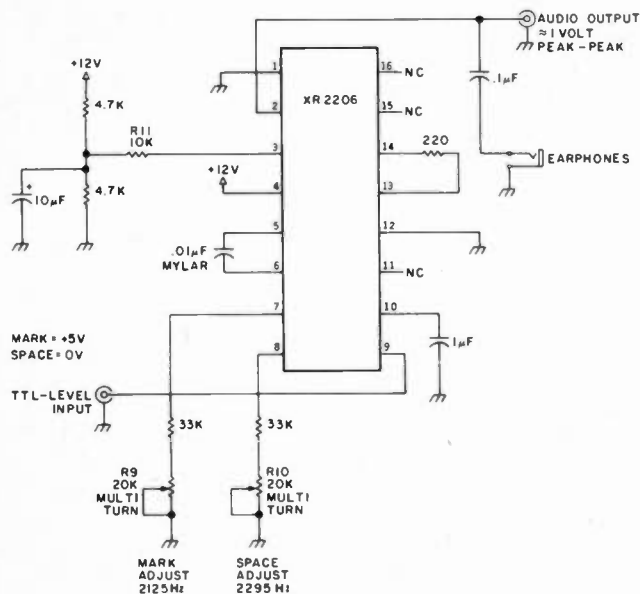


Fig. 6. AFSK modulator circuit. Input comes from computer. AFSK output signal goes to microphone input of SSB transmitter. Earphone jack is for monitoring output.

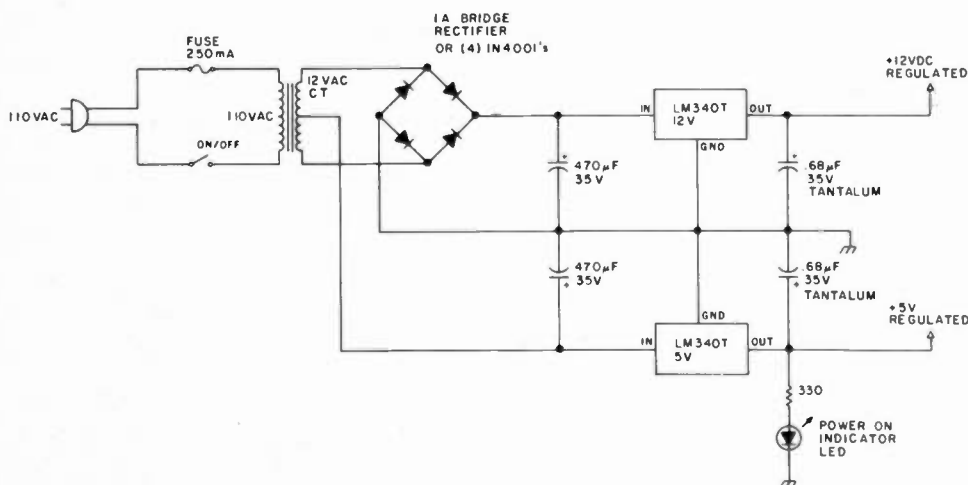


Fig. 7. Power supply. Provides regulated +5 V and +12 V.

**New!**  
**AZDEN® PCS-4000**

*Small - yet so Sophisticated...  
 so Advanced - there is  
 No Comparison!*

**FEATURES SO  
 UNIQUE AND  
 OF SUCH  
 SUPERIOR  
 COMMERCIAL-  
 GRADE  
 QUALITY,  
 THAT...**



**IT CARRIES A  YEAR LIMITED WARRANTY!**

- **8 MHz COVERAGE, CAP/MARS BUILT IN:** 142.000-149.995 MHz in selectable steps of 5 or 10 kHz. **COMPARE!**
- **TINY SIZE:** Only 2" H x 5.5" W x 6.8" D! **COMPARE!**
- **MICROCOMPUTER CONTROL:** At the forefront of technology!
- **UP TO 8 NON-STANDARD SPLITS:** Ultimate versatility for CAP/MARS. **COMPARE!**
- **16-CHANNEL MEMORY IN TWO 8-CHANNEL BANKS:** Retains frequency and standard offset.
- **DUAL MEMORY SCAN:** Scan memory banks either separately or together. **COMPARE!**
- **TWO RANGES OF PROGRAMMABLE BAND SCANNING:** Limits are quickly reset. Scan the two segments either separately or together. **COMPARE!**
- **FREE AND VACANT SCAN MODES:** Free scanning stops 5 seconds on a busy channel. Vacant scanning stops on unoccupied frequencies.
- **DISCRIMINATOR SCAN CENTERING (AZDEN EXCLUSIVE PATENT):** Always stops on frequency.
- **TWO PRIORITY MEMORIES:** Either may be instantly recalled at any time. **COMPARE!**
- **NICAD MEMORY BACKUP:** Never lose the programmed channels!
- **FREQUENCY REVERSE:** The touch of a single button inverts the transmit and receive frequencies, no matter what the offset.
- **ILLUMINATED KEYBOARD WITH ACQUISITION TONE:** Unparalleled ease of operation.
- **BRIGHT GREEN LED FREQUENCY DISPLAY:** Easily visible, even in direct sunlight.
- **DIGITAL S/R/F METER:** Shows incoming signal strength and relative output.
- **BUSY-CHANNEL AND TRANSMIT INDICATORS:** Bright LEDs show when a channel is busy and when you are transmitting.
- **FULL 16-KEY TOUCH-TONE™ PAD:** Keyboard functions as autopatch when transmitting.
- **PL TONE:** Optional PL tone unit allows access to PL repeaters. Deviation and tone frequency are fully adjustable.
- **TRUE FM:** Not phase modulation. Unsurpassed intelligibility and fidelity.
- **25 WATTS OUTPUT:** Also 5 watts low power for short-range communication and battery conservation. (Transmitter power is fully adjustable)
- **SUPERIOR RECEIVER:** Sensitivity is 0.2 uV for 20-dB quieting. Audio circuits are designed to rigorous specifications for exceptional performance, second to none. **COMPARE!**
- **REMOTE-CONTROL MICROPHONE:** Memory A-1 call, up/down manual scan, and memory address functions may be performed without touching the front panel! **COMPARE!**
- **OTHER FEATURES:** Dynamic microphone, built-in speaker, mobile mounting bracket, remote speaker jack, and all cords, plugs, fuses and hardware are included.
- **ACCESSORIES:** CS-6R 6-amp ac power supply, CS-AS remote speaker, and Communications Specialists SS-32 PL tone module.
- **ONE-YEAR LIMITED WARRANTY!**

EXCLUSIVE DISTRIBUTOR:

**AMATEUR-WHOLESALE ELECTRONICS**

TOLL FREE... 800-327-3102

8817 S.W. 129th Terrace, Miami, Florida 33176 Telephone (305) 233-3631 Telex: 80-3356

MANUFACTURER:



**JAPAN PIEZO CO., LTD.**

1-12-17 Kamirenjaku, Mitaka, Tokyo, 131 Japan

Telex: 781-2822452





NEW

## 2 Meter

**THE 2-METER TEXAS TAIL TWISTER** is a unity-gain, horizontally and vertically polarized antenna for 2-meter, all-mode operation. It is completely hand crafted and polished, and comes with a 30-day money-back guarantee.

- \* Maximum power ..... 1 KW
- \* Bandwidth ..... VSWR less than 2:1 (50 ohms) from 143 to 149 MHz  
note: depending on vehicle and mounting.
- \* Gain ..... Unity [vertical with respect to a quarter-wave antenna;  
horizontal with respect to a dipole]
- \* Matching system ..... Gamma
- \* Size ..... 20 x 20 x 20 inches
- \* Center frequency ..... 146 MHz
- \* Suggested mounting ..... Hustler, Hy-Gain or similar mast; or 20-inch length  
of 3/8" threaded rod to match standard magnetic mount.  
note: mount has 5/8" dia. hole and tightening screws for mast or rod
- \* Input impedance ..... 50 ohms, nominal

Introductory price (through end of October 1982) \$49.95 + postage

## 2 Meter Square

**THE 2-METER SQUARE** is a unity-gain, horizontally polarized antenna for 2-meter, all-mode mobile operation. It is completely hand crafted and polished, and comes with a 30-day money-back guarantee.

- \* Maximum power ..... 1 KW
- \* Bandwidth ..... VSWR less than 2:1 (50 ohms) from 144 to 147.3 MHz  
note: depending on vehicle and mounting.
- \* Gain ..... Unity with respect to a dipole antenna
- \* Matching system ..... Gamma
- \* Size ..... 10" x 10" x 4"
- \* Center frequency ..... 144.2 MHz  
(adjustable)
- \* Suggested mounting ..... Hustler,  
Hy-Gain or similar mast; or 20-inch  
length of 3/8" threaded rod to  
match standard magnetic mount.
- \* Input impedance ..... 50 ohms, nominal

Introductory price (through end of October 1982) \$29.95 + postage

Texas residents, please add appropriate sales tax.  
Call or write for our prices on the JWL QUADS, DELTA LOOPS, and QUAGIS for 50, 144, 432 and 1296 MHz ... coming soon!  
Please ask about custom-made antennas to your design ... available by special quotation.

FOR TWO

**ELECTRONICS**  
RICHARD A. EARL (Dick) WBSJWL  
Gordon Burke (Gordy) KD5NO  
9138 Western Oriole  
Houston, Texas 77080  
PHONE: (713) 464 7720

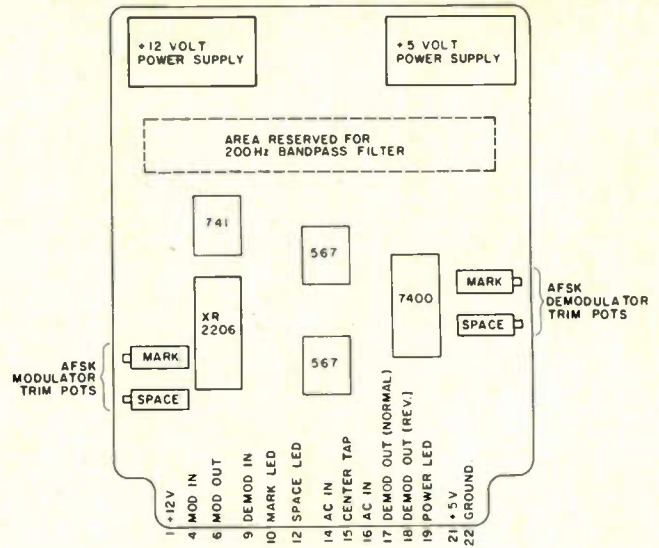


Fig. 8. Parts layout and pin configuration (top view).

the basic operation of the modem.

I wish to thank Bill Harrington WB4PEO for his assistance during the testing phases of this project. ■

#### References

1. *The New RTTY Handbook*, a 73 publication, 1978.

2. George Allen W2FPP, "Experimenting with Tones," 73, February, 1979, page 62.

3. John Loughmiller WB9ATW, "Digiratt—RTTY AFSK Generator and Demodulator," *Ham Radio*, September, 1977, page 26.

4. *Linear Data Book*, National Semiconductor Corp., 1976.

5. 73 Magazine, special RTTY issue, September, 1977.

# THE RTTY ANSWER



IRL

700 TAYLOR RD.  
COLUMBUS, OHIO 43230  
(614) 864-2464

THINKING OF RTTY??  
APPLE ... TRS ... HEATH ... DEDICATED SYSTEM? SOFTWARE?  
INTERFACE? PERFORMANCE? PRICE? We know you have questions ...  
check our answers. Call today for information on our terminal units!

VISA OR MASTER CHARGE ACCEPTED  
IMMEDIATE DELIVERY

## SWD-1 VIDEO CONVERTER

FOR CABLE TV



The SWD-1 Video Converter is utilized on cable TV systems to remove the KHz's signal from a distorted video (channel 3 In/out) and also pass thru the normal undistorted/detected audio signal. Rocker switch selects operating mode to remove KHz's distortion from the video or pass all other channels normally. Simple to assemble—less than 30 minutes. Pre-tuned. Input/output Channel 3. Impedance 75 ohms. 117VAC.

SWD-1 Video Converter Kit ..... \$69.95

## VTR ACCESSORIES

### SIMPLE SIMON VIDEO STABILIZER



Simple Simon Video Stabilizer, Model VS-125, eliminates the vertical roll and jitter from "copy guard" video tapes when playing through large screen projectors or on another VTR. Simple to use, just adjust the lock control for a stable picture. Once the control is set, the tape will play all the way through without further adjustments. Includes 12V power supply.

VS-125 Video Stabilizer, wired ..... \$54.95

### SIMPLE SIMON VIDEO SWITCHING BOX



#### The Affordable Video Control Center

Excellent in isolation and no loss routing system, Simple Simons VSB-300 Video Switching Box enables you to bring a variety of video components together for easy viewing/dubbing. Also you gain the ability to record one channel while viewing another. Unit includes two F-type quick connector ended cables.

VSB-300 Video Switching Box, wired ..... \$19.95

## UHF ANTENNAS and ACCESSORIES

### MDS-AMATEUR-ETV 32 ELEMENT YAGI ANTENNA



- Not A Kit
- 1.9-2.5 GHz
- 38 1/2" Long
- 23dB Average Gain
- Commercial Grade
- Die Cast Waterproof Housing with 4 1/2" x 2 1/2" Area for Electronics
- Includes P.C. Probe, F-61 Connector and Mounting Hardware

MAE-2 32 Element YAGI Antenna ..... \$23.95

### Kato Sons' Down Converter Kit ★1.9 - 2.5GHz★

Designed for Simple Simon by former Japanese CD Amateur Magazine's UHF Editor/Engineer. Unit utilizes new ingenious Printed Circuit Probe for maximum gain. Circuit board fits inside MAE-2 antenna housing. Requires 1 hour assembly, IC and capacitors pre-soldered.

Model KSDC-KIT 1.9 - 2.5GHz Down Converter Kit ..... \$34.95

### Kato Sons' Regulated Variable DC Power Supply

For use with KSDC-KIT 1.9 - 2.5GHz Down Converter. Completely assembled with Attractive Cabinet, TV/Converter Mode Switch, Frequency Control and LED Indicator.

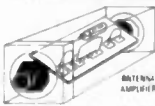
Model KSPS-1A Assembled Power Supply ..... \$23.95

**SPECIAL INTRODUCTORY SAVINGS**

#### ORDER ALL THREE ITEMS

MAE-2, KSDC-KIT and KSPS-1A for Only **\$74.95**  
Regular price if ordered separately \$82.85  
— CO-AX CABLES ARE NOT INCLUDED —

## ZYZZX VHF-UHF Wideband Antenna Amplifier



### Revolutionary New HYBRID IC Broadband Amplifiers

50 MHz - 900 MHz

Model ALL-1 12dB Gain  
Model ALL-2 35dB Gain

These units are not available anywhere else in the world. Each unit will serve many purposes and is available in kit or assembled form. Ideal for outdoor or indoor use. I/O impedance is 75 ohms. Amplifiers include separate co-ax feed power supply. Easily assembled in 25 minutes. No coils, capacitors to tune or adjust.

ALL-1 Complete kit w/power supply \$24.95 ALL-1 Wired/ Tested w/power supply \$34.95  
ALL-2 Complete kit w/power supply 34.95 ALL-2 Wired/ Tested w/power supply 44.95

## Our New STVA 14.5dB GAIN, 14 ELEMENT CORNER REFLECTOR YAGI ANTENNA



STVA-3 Yagi Antenna, 14.5dB Gain, Selectable 75 or 300 ohm Channel 60-80 ..... \$19.95

STVA-4 Yagi Antenna, 14.5dB Gain, Selectable 75 or 300 ohm Channel 44-52 ..... \$19.95

RC-59/U 75 ohm Low Loss Coax Cable \$12.95/ft F-59 Coax Connector \$ 3.99 ea.  
MT-1 Special UHF 75-300 ohm Matching Transformer \$1.45 ea.

# Switch to Bambi!™

## Electronically

**Bambi Electronic Video Switch ... makes switching of your VCR/VTR, Pay TV Decoders, Cable TV, Video Discs, Video Games, Closed Circuit TV, Antennae and Microcomputer as easy as pushing buttons.**

The Bambi Electronic Video Switch is an electronic switching network which can accept up to six different sources of video signals and provide the flexibility of directing the inputs to any or all of the three outputs.

Now you can eliminate ... the drudgery of disconnecting and reconnecting your video equipment each time you use it ... the tangled mess of cables which are impossible to trace out ... not being able to use more than one function at a time.

Bambi lets you enjoy using your video equipment the way it should be ... electronically and on line at the push of a button.

Model BEVS-1 Wired

**\$129.95**



Bambi's front panel was designed with the user in mind. Computer styled construction, with soft-touch keyboard (rated for over 10 million operations), arranged in matrix form allows easy input/output selection without referring to charts. Functions selected through the keyboard are immediately displayed on the 18 LED status indicators.



Check the quality of Bambi against that of much higher priced competition. All solid state electronic switching provides low attenuation (3dB), wide frequency response (40-890 MHz), and excellent isolation between signal sources (each I/O section individually shielded for 65dB min. isolation).



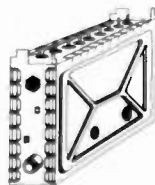
#### Bambi's Specifications:

- Input/Output Impedance 75 ohm
- Signal Loss 3dB ±1dB
- Noise 4dB ±1dB
- Input Return Loss 12dB min.
- Isolation 65dB min.
- Power Req. 117VAC 60 Hz, 2W
- Dimensions 10" W x 6" D x 3 1/4" H
- Weight 4 1/2 lbs

## 7+11 SWD PARTS KITS

### MITSUBI VARACTOR UHF TUNER Model UES-A56F \$24.95

Freq. Range UHF470 - 889MHz  
Antenna Input 75 ohms  
Channels 14-83 Output Channel 3



QTY	PART NO	DESCRIPTION	PRICE
1	VT1-SW	Varactor UHF Tuner, Model UES-A56F	\$24.95
2	CB1-SW	Printed Circuit Board, Pre-Drilled	18.95
3	TP7-SW	P.C.B. Potentiometers, 1-20K, 1-1K, and 5-10K ohms, 7-pieces	5.95
4	FR35-SW	Resistor Kit, 1/4 Watt, 5% Carbon Film, 32-pieces	4.95
5	PT1-SW	Power Transformer, PRI-117VAC, SEC-24VAC, 250ma	6.95
6	PP2-SW	Panel Mount Potentiometers and Knobs, 1-1KBT and 1-5KAT w/Switch	5.95
7	SS14-SW	IC's 7-pcs, Diodes 4-pcs, Regulators 2-pcs, Heat Sink 1-piece	29.95
8	CE9-SW	Electrolytic Capacitor Kit, 9-pieces	5.95
9	CC33-SW	Ceramic Disk Capacitor Kit, 50 W.V., 33-pieces	7.95
10	CT-SW	Variable Ceramic Trimmer Capacitor Kit, 5-85pfd, 6-pieces	5.95
11	L4-SW	Coil Kit, 18mhs 2-pieces, 22jhs 1-piece (prewound inductors) and 1 T37-12 Ferrite Toroid Core with 3 ft. of #26 wire	5.00
12	ICS-SW	I.C. Sockets, Tin Inlay, 8-pin 5-pieces and 14-pin 2-pieces	1.95
13	SR-SW	Speaker, 4x8" Dual and Prepunched Wood Enclosure	14.95
14	MISC-SW	Misc. Parts Kit Includes Hardware (8/32, 8/32 Nuts & Bolts), Hookup Wire, Ant. Terms, DPDT Ant. Switch, Fuse, Fuseholder, etc.	9.95
When Ordering All Items, (1 thru 14), Total Price			139.95

## 7+11 PWD PARTS KITS

### INTRODUCING OUR 7+11 PWD PARTS KITS



QTY	PART NO	DESCRIPTION	PRICE
1	1VT1-PWD	Varactor UHF Tuner, Model UES-A56F	\$24.95
2	2CB1-PWD	Printed Circuit Board, Pre-drilled	18.95
3	3TP11-PWD	PCB Potentiometers 4-20K, 1-5K, 2-10K, 2-5K, 1-1K, and 1-50k (11 pieces)	8.95
4	4FR-31-PWD	Resistor Kit, 1/4W, 5% 29-pcs, 1/2 W 2-pcs	4.95
5	5PT1-PWD	Power Transformer, PRI-117VAC, SEC-24VAC at 500ma.	9.95
6	6PP2-PWD	Panel Mount Potentiometers and Knobs, 1-1KBT and 1-5KAT with switch	5.95
7	7SS17-PWD	IC's 7-pcs, Diodes 4-pcs, Regulators 2-pcs, Transistors 2-pcs, Heat Sinks 2-pcs	29.95
8	8CE14-PWD	Electrolytic Capacitor Kit, 14-pieces	6.95
9	9CC20-PWD	Ceramic Disk Capacitor Kit, 50 WV, 20-pcs	7.95
10	10CT5-PWD	Variable Ceramic Trimmer Capacitor, 5-85pfd, 5-pieces	4.95
11	11L5-PWD	Coil Kit, 18mhs 3-pcs, 22jhs 1-piece (prewound inductors) and 2 T37-12 Ferrite Toroid cores with 6 ft. #26 wire	6.00
12	12ICS-PWD	IC Sockets, Tin Inlay, 8 pin 4-pcs, 14 pin 1-pc and 16 pin 2-pcs	2.95
13	13SR-PWD	Enclosure with PM Sounding and Pre-drilled Backpanel for mounting PCB and Ant. Terms	14.95
14	14MISC-PWD	Misc. Parts Kit, Includes Hardware (6/32, 8/32 Nuts & Bolts), Hookup Wire, Solder, Ant. Terms DPDT Ant. Switch, Fuse, Fuseholder, etc.	9.95
15	15M16-PWD	Mylar Capacitors, 14-pcs and Silver Mica Capacitors 2-pieces	7.95
When Ordering All Items, (1-15), Total Price			159.95

## SIMPLE SIMON ELECTRONIC KITS,™ Inc.

3871 S. Valley View, Suite 12, Dept. 7, Las Vegas, NV 89103

NEED 6 OR MORE OF AN ITEM? WRITE FOR QUANTITY DISCOUNTS

In Nevada Call: **702-871-2892**

**1-800-782-3716**

Outside Nevada Call:

Available by Mail Order Only  
Send Check\* or Money Order. Minimum Order: \$16.95. Add 10% Shipping and Handling on orders under \$40.00. For orders over \$40.00, add 5%. Minimum Shipping and Handling \$2.00. Cat. \$1.00 — VISA and Mastercard Acceptable — \*Check orders will be held 30 days before shipping.



# F1 for the Hot Water 101

## — all the way with FSK!

The Heathkit HW-101 is one of the most popular transceivers on the market. It is available for a fraction of the price of some of the fancy rigs, uses tubes, and has plenty of room on the inside for modifications. A comprehensive technical manual comes with it which includes X-ray views of all the boards and a complete explanation of how it goes together—mechanically as well as electrically. Many used HW-101s are available

at hamfests and in the various ham magazines. The LMO (vfo) is stable and the rig would seem to be an ideal candidate for RTTY. The only problem is a very limited amount of information about how one might go about putting this jewel on RTTY.

Faced with this dilemma, I decided to grab the bull by the horns and see what could be done. There are two methods of obtaining FSK from a sideband trans-

mitter: 1) the AFSK method and 2) the FSK method.

The AFSK method consists of feeding audio tones into the microphone jack while running the transmitter in the USB or LSB mode. If carrier and unwanted sideband suppression is sufficient, the resulting signal is identical to a true FSK signal when detected on the air. The drawbacks to this method, however, are many. Many transmitters do not have sufficient carrier suppression and it is easy to

over-drive the transmitter and cause splattering just as is heard so often on the SSB bands. Another problem is that when using 850-cycle shift, the standard tone of 2975 Hz falls very close to the edge of the audio passband of the transmitter and is therefore attenuated, resulting in uneven power between mark and space tones on the air. Some rigs will not pass this tone at all.

Irv Hoff W6FFC has written several articles explain-

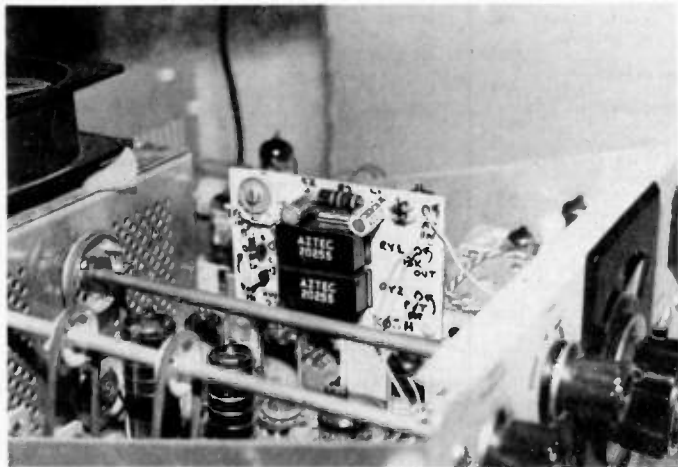


Photo A. The circuit board is mounted on the left side of the LMO. The shift-adjust cap can be seen on the upper left corner of the board.



Photo B. Rear view of FSK board showing wires from computer.

ing the pros and cons of using AFSK input to SSB transmitters and transceivers to obtain FSK on HF.<sup>12</sup> The instruction manual which comes with the HAL AK-1 AFSK generator has an excellent discussion and summary of the important points. At least one of these sources should be reviewed before attempting to obtain FSK in this manner. Remember, if the FCC detects any unwanted sideband or carrier on your signal, a pink ticket will follow.

The true FSK method is simpler and safer if it can be obtained. Unfortunately, many transmitters have vfo's that are very difficult to modify. Then, too, there is always the possibility of destroying the built-in stability if one tampers with a vfo without sufficient knowledge of the principles involved.

A close examination of the HW-101 schematic shows that in the CW mode, the balanced mixer is unbalanced and a crystal-generated carrier is allowed to pass through. It was a simple matter to connect a trimmer capacitor across this crystal and observe that the desired shift in the carrier frequency occurred.

The circuit of Figs. 1(a) and (b) was developed and has been used at KØJH to work 62 countries and 44 states in two months, running the HW-101 barefoot with only 75 Watts output into a mini-quad antenna on a thirty-foot mast.

The circuit assumes that you are running a computer with TTL output levels. If you have RS-232 output signals, simply add the circuit of Fig. 2 to convert the RS-232 to TTL signal levels. If you are running a normal 120-V-dc 60-mA teletype loop, you can use the circuit of Fig. 3 to obtain a TTL output which will drive the FSK input to the transmitter, but you will have to devise another method of

turning the transmitter off and on. Doing it manually would be the easiest method. If any of the TTL signals are inverted, just add a hex inverter such as the 7404.

After trying several solid-state methods with less than complete success, relays were used to do the keying of the transmitter and the switching on and off the air. Perhaps someone else can modify the circuit to accomplish the same thing with a diode or transistor switch and eliminate the relays.

Power to run the relays was borrowed from the filament line which is easily accessible at the pilot lamp socket attached to the LMO. A simple rectifier and filter are used to get approximately 12 V dc. See Fig. 1(c). Relays are miniature magnetic-reed types and are available from two sources that I know of: ETCO 066RL<sup>4</sup> (\$ .99) and EDLIE DG1407<sup>5</sup> (\$ .79). Other relays of a similar fast-acting type will work just as well.

The entire circuit is laid out on a printed circuit board in about fifteen minutes using a resist pen. It is not reproduced here because the exact pattern will depend upon the actual components used. Nothing is critical so no special talent is required. There is no reason why wire-wrap or any other method of construction could not be used. The circuit board is mounted to the left side of the LMO, using existing metal screws (see Photos A and B).

The external lines are brought into the HW-101 through a molex<sup>®</sup> connector (Radio Shack 274-229/239) which fits nicely into the hole provided on the rear panel of the transceiver with a minimum of filing (see Photo C).

The connection to the CW crystal, Y3, is best made at pin 17 of the mode-switch rear wafer. The prop-

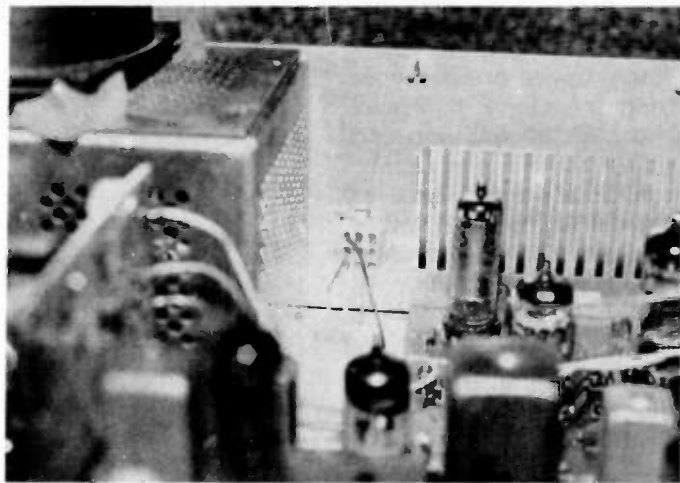


Photo C. The molex<sup>®</sup> connector (Radio Shack 274-239) is installed on the rear panel.

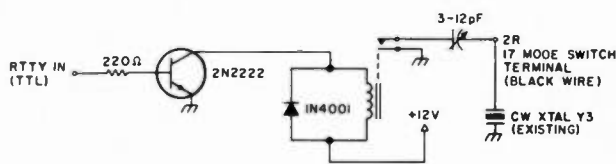


Fig. 1(a).

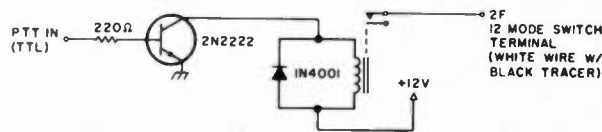


Fig. 1(b).

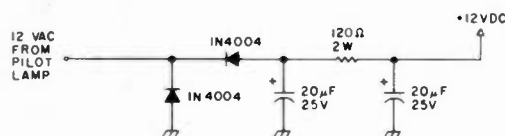


Fig. 1(c).

er pin can be identified by the black wire which runs from it to a hole labeled "22" on the modulator circuit board right beside crystal Y3.

The connection to the PTT circuit is a little more complicated. The logical place to connect would be on the mode switch at pin 20 or to tube V12, pin 8. The mode-switch pin 20 is not easily accessible, however, and pin 8 of V12 is on the opposite side of the modulator circuit board from the place chosen to mount the FSK board. The point decided upon was the white wire which connects to mode-switch

pin 20 and then is routed from underneath the mode switch to the rear of that switch. A small piece of the insulation of this wire was carefully scraped away and the PTT connection was made to the wire.

To adjust the FSK circuit for 170-cycle shift, simply put the transmitter in the CW mode and, while connected to a dummy load, key the transmitter through the PTT circuit. Either tune your receiver until the proper mark frequency is obtained as determined by your RTTY terminal unit or, using a frequency counter, adjust the receiver until an audio output frequency of



2125 Hz is obtained. Now set the equipment to send a steady space or open your loop if using a high-level (120-V-dc, 60-mA) loop, and adjust the trimmer capacitor for a proper space as seen at the terminal unit or until the frequency counter indicates a frequency of 2295 Hz. (2295 - 2125 = 170-Hz shift.)

Provisions in this circuit are for 170-Hz shift only since nearly 100 percent of ham and MARS activity is now using that shift. If you need 850-Hz shift for some reason, simply add another trimmer capacitor in parallel with the existing one, arrange to switch it in for 850-Hz shift, and adjust it until 850-Hz shift is obtained (2975 Hz).

Now tune the HW-101 up in the CW mode as you usually would, but decrease the output power to around 60 Watts by backing off on the mic/CW level control. If you have the 400-Hz filter

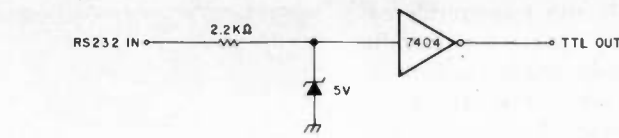


Fig. 2.

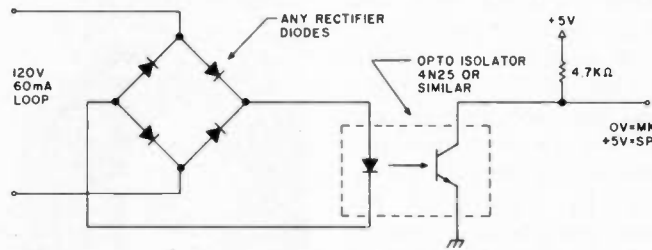


Fig. 3. High-level RTTY loop to TTL.

installed, be sure the filter control is in the SSB position. If you have not done so, you will soon see the need for VE3IOI's sidetone volume control modification.<sup>3</sup> Without some method of controlling the sidetone, you will be subjected to a piercing tone during the entire time the HW-101 is transmitting RTTY.

If you have never been

on RTTY before, you are in for a treat. There isn't another mode which affords the quality QSOs that RTTY does. Everybody wants to chew the rag, even the DX stations in most cases. The average QSO lasts for an hour. You will also be amazed at the really good signals you will hear from stations who are running anywhere from 10 to 100

Watts. Probably 60 to 70 percent of all RTTY signals are being originated from transmitters putting out less than 100 Watts. One chap in Italy called me for a signal report and when I gave him an honest 589, he explained it was his first RTTY QSO using his new TS-130V which puts out 15 Watts. The HW-101 is a high-power rig by comparison. Try it—it's a ball. ■

#### Notes

1. "AFSK for RTTY," Irv Hoff W8KDC, QST, June, 1965, page 32.
2. "AFSK for RTTY," Irv Hoff W6KKC, QST, February, 1969, page 11.
3. "Sidetone Volume Control for the HW-101," Hints and Kinks, QST, June, 1981, page 36.
4. ETCO Electronics Corp., North Country Shopping Center, Rte. 9N, Plattsburgh NY 12901 (\$10 minimum order).
5. EDLIE Electronics, 2700 Hempstead Turnpike, Levittown NY 11756 (\$22.50 minimum order).

CUSHCRAFT	
A3 3 Element Triband Beam	\$172.50
A4 4 Element Triband Beam	\$224.50
A743 7 & 10 MHz Add On for A3	\$61.20
A744 7 & 10 MHz Add On for A4	\$61.20
AV3 3 Band Vertical 10-20m	\$44.20
AV4 4 Band Vertical 10-40m	\$81.50
AV5 5 Band Vertical 10-80m	\$88.50
R3 14.21.28 MHz Ringo	\$224.50
32-19 Boomer 19 Element 2m	\$81.50
214B Jr. Boomer 14 Element 2m	\$68.00
A147-11 2m 11 Element Antenna	\$37.50
A147-4 2M 4 Element Antenna	\$23.75
ARX-2B 134-164 MHz Ringo Ranger II	\$34.00
A144-10T 145 MHz 10 Element	\$44.20
A432-20T 432 MHz 20 Element	\$44.20
A14T-MB Twist Mounting Boom & Bracket	\$23.75

*Full Line Available on Sale Call.*

ROHN	
20G 10 ft. Stacking Section	\$32.00
25G 10 ft. Stacking Section	\$39.50
45G 10 ft. Stacking Section	\$87.50
25AG 2.3 or 4 Top Section	\$52.50
HDBX 48 ft. Free Standing Tower	\$320.00
HBX56 56 ft. Free Standing Tower	\$340.00
FK2548 48 ft. 25G Foldover Tower	\$725.00
TB3 Thrust Bearing	\$48.00
SB25G Short Base for 25G	\$16.50
BPH25G Hinged Base Plate	\$59.75
AS25G Accessory Shelf	\$9.50
HB25AG 14" House Bracket	\$14.50
BPC25G Cement Base Plate	\$32.00
BAS25G Short top section w/lacc. shelf	\$36.00
M200 16 gauge, 10 ft. 2" O.D. Mast	\$19.50
M200H 1/8" wall, 10 ft. 2" O.D. Mast	\$36.00

*Freight prepaid on Fold-over towers. Prices 10% higher west of Rocky Mts.*

MINI-PRODUCTS	
HQ-1 Mini-Quad 6/10/15/20m Antenna	\$129.95
B-24 2 Element HF Mini-Beam 6/10/15/20m	\$99.00
RK-3 3rd Element Add-on for B-24	
Improves 10-20m	\$67.00
C-4 Mini-Vertical 6/10/15/20m	\$59.00

## The Antenna Bank

HUSTLER	
4BTV 40-10 Mtr. Vertical	\$79.00
5BTV 80-10 Mtr. Vertical	\$100.00
M01/M02 HF Mobile Mast	\$18.00
HF Mobile Resonators, Std. 400W SUPER 2KW	
10 or 15m	\$9.00 \$13.00
20m	\$11.00 \$16.00
40m	\$13.00 \$18.00
75 or 80m	\$14.00 \$29.00
BM-1 Bumper mt. with S.S. Strap	\$13.00
SSM-2 Commercial S.S. Ball	\$14.00
SF-2 5/8 Wave, 2 Meter Antenna	\$9.00
HOT Hustloff Mt. with Swivel ball	\$14.00
G6-144B 2M Colinear, fixed Station, 6db	\$68.00
G7-144 2M Colinear, fixed Station, 7db	\$99.00

*Full Line Available on Sale Call*

### VAN GORDON ON SALE AT SPECIAL PRICES

## ORDERS ONLY

# 800-336-8473

- Shipping charges not included
- Prices subject to change without notice
- Limited quantities
- No COD's

### (703) 569-1200

6460H General Green Way  
Alexandria, VA 22312

HY-GAIN	
TH3JRS Jr. Thunderbird, 750W PEP	\$156.00
HQ-2S Hy-Quad, 2 Element	\$262.00
TH5DXS Thunderbird, 5 Element	\$309.00
TH3MK3S Thunderbird, 3 Element	\$215.00
TH2MK3S Thunderbird, 2 Element	\$134.00
TH7DX Thunderbird, 7 Element	\$376.00
392S TH6DXX Conversion Kit to TH7DX	\$135.00
105BAS 5 Element 10m "Long John"	\$114.00
155BAS 5 Element 15m "Long John"	\$175.00
205BAS 5 Element 20m "Long John"	\$292.00
14AVQ/WBS 10-40m Vertical	\$51.00
18AVT/WBS 10-80m Vertical	\$87.50
V-2S Colinear Gain Vertical 138-174 MHz	\$37.50
BN-86 Ferrite Balun, 10-80 meters	\$16.00
HDR-300 Deluxe Rotor, Digital Readout	\$427.00

### ★ SUPER HY-GAIN PACKAGE ★

HG52SS 52' Self Sup. Crank-Up	
TH7DX Thunderbird, 7 Element	
HM IV Rotor	
COA (3) Coax Arms	
HG-10 Mast Mast 10	
SALE \$1584.50 Free Freight	
HG50MT2 50 ft. side sup. Crank-up tower	
TH3MK3S 3 Element Thunderbird	
CD-45 Rotor	
COA 3 Coax-Arms	
HG-5 Mast	
SALE \$1158.00 Free Freight	

NO SUBSTITUTIONS PLEASE

Philly Stran Guy Cable in stock

ROTORS & CABLES	
CDE HAM IV Rotor	\$195.00
CDE T2X Rotor	\$244.00
CDE 45 Rotor	\$102.75
Alliance HD-73 Rotor	\$92.00
Alliance U100 Rotor	\$42.00
RG-8/U Foam Coax 95% Shield	24c/ft.
RG-213 Coax, Mil. Spec.	28c/ft.
Mini-8 Coax 95% Shield	12c/ft.
Rotor Wire 8 Conductor	16c/ft.
4 Conductor	7.5c/ft.

# ege, inc.

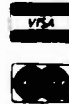
2% Bonus for Prepaid Orders  
(Cashier's Check or Money Order)

## GRAND OPENING SPECIALS NEW STORE LOCATION

1-800-336-4799

(Orders Only, Please)

ORDER TOLL FREE  
ORDER HOURS: 11 am - 7 pm (Eastern Time) M, W-F  
11 am - 3 pm (Eastern Time) Tuesday  
9 am - 3 pm (Eastern Time) Saturday



(Prices good until 9/30/82)

### TEN-TEC SALE

OMNI-C 160-10M Transceiver	1069.00
255 Deluxe Power Supply/Speaker	169.95
229 2KW Antenna Tuner	228.95
243 Remote VFO for Omni-C	168.95
ARGOSY 80-10m Transceiver	499.95
225 Power Supply	114.95



<b>HF TRANSCEIVERS</b>	<b>2m and UHF</b>
720A - The Top of the Line	IC 2A/2AT-2m handheld
730 - A Great Mobile	IC 3AT-220MHz handheld
740 - A New Model	IC4AT-440-450MHz handheld
	IC 25A-2m 25 watt XCVR
	IC 290A-2m all mode XCVR



<b>Handhelds</b>	
144up 2m Synthesized handheld	295.00
440up MHz Synthesized handheld	CALL
<b>Amplifiers - Tokyo High Power</b>	
HL-32V 2m 30 watt out.	75.00
HL-82V 2m 80 watt out, recv. preamp	149.95
HL-160V 2m 160 watt out, recv. preamp	299.95
HL-20U 440-450 MHz, 2 in, 20 out	98.95
HL-90U 430-440 MHz, 90 out	320.00
<b>Tuners</b>	
HC150 200 watt SWR/watt meter	83.95
HC2000 2000 watt meters/switch	289.95

COMPLETE LINE OF FILTERS AND ACCESSORIES IN STOCK

— CALL FOR QUOTES —  
— Shipping not included in prices —

### MICROLOG



THE COMPLETE RTTY/MORSE SYSTEM  
— CALL FOR OUR LOW PRICE —

### ANTENNA/ROTOR SPECIALS

<b>MOSELEY - THE NEW LINE!</b>	
TA 33 3-element 10-15-20 Meter Beam	199.95
CL 33 3-element 10-15-20 Meter Beam	226.95
CL 36 6-element 10-15-20 Meter Beam	303.95
<b>CUSHCRAFT</b>	
A3 10-15-20m 3-element Beam	172.95
A4 10-15-20m 4-element Beam	224.95
<b>HY-GAIN</b>	
TH3MK3 10-15-20m 3-elem. Beam w/stainless hdwr.	216.95
TH7DX New Broad Band 7-element Beam	379.95
<b>KLM</b>	
KT34A 10-15-20M 4-element Beam	310.95
KT34XA 10-15-20m 6-element Beam	459.95
<b>HUSTLER 3TBA 10-15-20m 3-element Beam</b>	188.95
<b>ROTORS</b>	
ALLIANCE HD73	89.95
CDE/HI-GAIN Ham IV.	196.00

— Shipping not included in prices —

<b>TELEX HEADSETS-HEADPHONES</b>		<b>MJF PRODUCTS (Call for other MFJ items)</b>		<b>VoCom ANTENNAS/2m Amps</b>	
C1210/C1320 Headphones	22.95/32/95	989 New 3KW Tuner	279.95	5/8 wave 2m hand held Ant.	15.95
PROCOM 200 Headset/dual Imp. Mic	77.50	962 1.5KW Tuner mtr/switch	189.95	2 watts in, 25 watts out 2m Amp	69.95
PROCOM 300 lt./wt. Headset		949B 300 watt deluxe tuner	121.95	200 mw in, 25 watts out 2m Amp	82.95
Dual Imp. microphone	69.95	941C 300 watt tuner switch/mtr	79.95	2 watts in, 50 watts out 2m Amp	105.95
<b>KLM ANTENNAS (other antennas in stock)</b>		940 300 watt tuner switch/mtr	69.95	2 watts in, 100 watts out, 2m Amp	159.95
144-148 13LB 2m 13-elem. w/balun	77.95	484 Grandmaster mem. keyer 12 msg.	113.95	Power Pack for I-COM 2A/2AT	185.95
144-148 16C 2m 16-element for oscar	93.55	482 4 msg memory keyer	81.95	<b>MIRAGE AMPS &amp; WATT METERS</b>	
420-450-14 420-450 MHz		422 Pacesetter Keyer w/Bencher BY1	87.15	MP1/MP2 HF or VHF Watt Meters	99.95
14-element beam	37.54	408 Deluxe Keyer with speed mtr	69.95	B23 2 in-30 out, All Mode 2m Amp	CALL
420-450-18C 420-450 MHz		496 Keyboard II	289.95	B108 10 in-80 out, All Mode 2m Amp	CALL
18-element oscar	58.70	752B Dual tunable filter	79.95	B1016 10 in-160 out, All Mode 2m Amp	CALL
432-16LB 16 element		102 24-hour clock	29.95	B3016 30 in-160 out, All Mode 2m Amp	CALL
430-434 MHz beam/balun	60.70	<b>ASTRON POWER SUPPLIES (13.8 VDC)</b>		D1010N UHF Amp, All Mode	CALL
<b>HUSTLER 5BTV 10-80m Vertical</b>	99.95	RS7A5 amps continuous, 7 amp ICS	48.60	C106 220 MHz Amp	CALL
4BTV 10-40m Vertical	78.95	RS12A 9 amps cont., 12 amps ICS	66.35	<b>AEA</b>	
<b>HF Mobile Resonators</b>		RS20A 16 amps cont., 20 amps ICS	87.20	Isopole 144 (Limited Qty.)	29.95
10 and 15 meter	8.95 13.50	RS20M same as RS20A + meters	105.50	MM-2 Morsematic II keyer	CALL
20 meters	11.95 15.95	RS35A 25 amps cont., 35 amp ICS	131.95	CK-2 Contest keyer	CALL
40 meters	13.95 18.50	RS35M same as RS35A + meters	151.95	MBA-RO Code Reader	265.00
75 meters	14.50 28.95	VS35M 25 amp cont. adjustable	171.00	MBA-RC Code Reader/Converter	CALL
<b>AVANTI AP 151.3G 2m on glass ant.</b>	28.95	VS20M 16 amp cont. adjustable	124.00	<b>CABLE BY SAXTON</b>	
<b>BUTTERNUT HF6V 10-80m Handheld</b>	109.95	<b>MINIQUAD HQ-1</b>	127.95	RG 213 Mil Spec	26c/ft.
<b>BENCHER PADDLES</b> Black	35.25	<b>★ SUPER SPECIALS ★</b>		RG 8/m 95% shield-foam	24c/ft.
Chrome	42.95	<b>AZDEN</b> PCS 300 Handheld	284.00	Mini-8	11c/ft.
<b>CUSHCRAFT (Call for other Cushcraft items)</b>		PCS 3000 2m XCVR	284.00	RG 58	9c/ft.
AV3 10-15-20m vertical	44.50	<b>KDK FM 2030 25 watt 2m XCVR</b>	279.00	RG 59	9c/ft.
AV5 10-80m vertical	88.75	<b>KENWOOD, YAESU</b>		8-wire Rotor 2 #18, 6 #22	16c/ft.
ARX-2B Ringo Ranger II, 2m vertical	34.50	— CALL FOR QUOTES —		<b>CLOCKS BY BMI</b>	
A3219 2m Boomer DX Beam	81.95	<b>HY-GAIN ANTENNAS</b>		173B 24-hour clock	29.95
214B SSB 144-146 MHz boomer	68.20	18 AVT/WB 10-80m vertical	CALL	173 DM dual desk clock	59.95
214FB 144.5-148 MHz FM boomer	68.20	14 AVQ/WB 10-40m vertical	CALL	<b>DAIWA/MCM</b>	
220B 220 MHz SSB boomer	74.95	TH3MK2 10-15-20m 2-element beam	CALL	CN520/CN540 watt meters	59.95/69.95
A147-11 11-element 2m FM beam	37.95	TH3JR 10-15-20m beam	CALL	CNW418/CNW518	
A147-20T 20-elem. 2m SSB/FM beam	61.95	(Most antennas now with stainless hardware)		Antenna Tuners	169.95/279.95
AMS 147 2m Magnet Mount	27.50			CNA 2002 Auto 2.5W Tuner	399.95

#### ORDER INFORMATION

Orders or Quotes Only 1-800-336-4799  
Information and Virginia Orders (703) 643-1063  
M-W-F: 12 noon-8 pm  
Thursday: 10 am-4 pm  
Saturday: 9 am-3 pm

Mailing Address: 2410 Drexel St.  
Woodbridge, VA 22192

Store Location: 13646 Jefferson Davis  
(New Location) Woodbridge, VA 22191

— DEALER INQUIRIES INVITED —

— CALL FOR QUOTES —  
Partial product listing — send stamp for a flyer or call for quotes. Terms: Prices do not include shipping. VISA and Master Charge accepted. 2% discount for prepaid orders (cashier's check or money order). COD fee \$2.00 per order. Prices subject to change without notice or obligation. No personal checks accepted. Returns subject to 10% restocking fee.



# No-Frills RTTY

## — \$200 and you're on the air

Luck Hurder WA4STO  
Fort Valley Route  
Seven Fountains VA 22653

**Y**up. Here's another article on radioteletype,

folks. But before you turn the page with one hand (while stifling a yawn with the other), consider the following. I've got somewhat less than \$200 invested in my RTTY gear and I'm not only going to show you how

to do likewise, but I'll even give you a few pointers on how to hook all these weird gizmos together. The result? Loads of fun with no muss, no fuss.

What you won't find in this article is a lot of complicated math or any incredibly-expensive equipment. Don't look for any computer programs and don't expect a long list of formulas or incomprehensible graphs. Just pay attention to the pictures, chum, and enjoy the thrill of RTTY as much as a growing number of us are doing now. Got yourself positioned in your favorite chair? Super. Here goes.

First off, I'll make a couple of basic assumptions that should apply to you and your station. Assumption number one is that you presently have a transmitter/receiver (or a transceiver) lurking about somewhere and some sort of wire, aluminum tubing, or whatever that you can press

into service as an antenna. Nothing fancy, mind you. If it had to be fancy, I wouldn't be writing about it! Anyone with the misfortune of having visited my shack will jump at the opportunity to verify that my antennas are among the worst possible. So whether your goal is HF or VHF RTTY, do what you can. One of my favorite sayings is that any antenna will work—but some do so better than others...

The second assumption is that you have a desire to become active in RTTY. Perhaps you have friends who consistently time out the local repeater with details about their latest zillion-dollar efforts at computerized transmission of the Miss April centerfold. Or maybe your programmable scanner locked itself up solid on 147.1 MHz the other night with those weird deedle-deedle-deedles that you'd just love to snoop in on. OK, OK—just hang in there for a few more para-

Photos by Forest McCarty



Photo A. On the left is the Model 19 printer, with the Model 14 tape reperf. to the right. The sour look on my face is representative of how you will feel after lifting your first printer! But remember, the price is right.

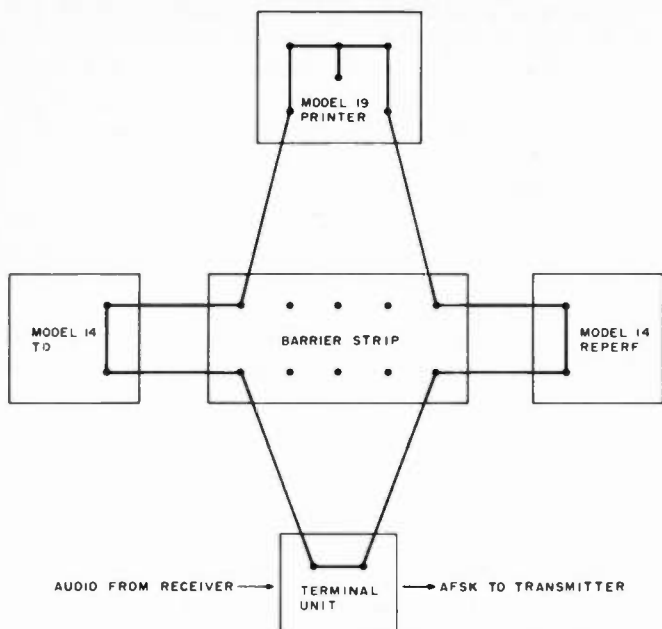


Fig. 1. The "local loop" is nothing more than a dc loop of 60 mA connecting all of the RTTY station equipment. The use of a large barrier strip allows for additional pieces of equipment to be inserted into the loop with ease.

graphs and you'll be able to further your studies into human anatomy and/or the fine points of RTTY espionage!

The above assumptions are probably valid for the huge majority of you who have gotten this far into the article. And, let's face it, the theory hasn't become too deep yet, and you've not spent a dime.

Photo A shows yours truly and my mechanical marvels. They're marvelous for two reasons. First, they're older than I am, while probably working as well as the day they were built. And second, they were free! This particular Model 19 and all the associated tape gear was obtained gratis through the Army MARS program. Not that I'm suggesting that you join one of your state MARS teams just to get free equipment, but it certainly is one of the benefits that one hates to pass up, and you'll learn a lot if you participate in MARS.

I'd also like to point out that in the past year, five complete teleprinters have passed through my hands at no charge. Two were from the MARS program and

three were from fellows who were glad to get them out of their shacks! Their loss was my gain, and there's absolutely no reason why you can't do the same. Spread the word on the repeaters, request help from your friends, write letters. Do anything reasonable, but keep at it. There's more free equipment out there than you'd dream possible. I've had to drive from where I live in the mountains of the Shenandoah Valley all the way into the suburbs of Washington DC more than once—a distance of about 100 miles each way. There are only a couple of reasons I'd drive there these days, and one is free RTTY gear!

Assuming that you've rounded up one or two of these fine old machines, now's the time to hook up your terminal unit.

"What's a terminal unit?" you ask in dismay! Well, without going into detail, the terminal unit (or TU) is that neat little gizmo that converts those deedle-deedles into something that your RTTY machine can use. There's a great profusion of TU equipment ad-



Photo B. The Model 19 printer with cover removed. Note the terminal strips with all the wires going every which way. Don't be intimidated! Only two sets of connections are really necessary, one for the ac and one for the dc loop. See Fig. 1 for loop details. Also note use of 1/4-inch phone plugs for easy changes in equipment location.

vertised these days, but if you'll take a glance at the accompanying photos you'll see the one I've been using. It's the TU-170, made by Flesher Corp., and their advertising is abundant in 73 as well as other magazines. In kit form the TU-170 was \$150, and let

me tell you, pal, if I can build it, you sure as heck can. Honest.

This particular TU has many features, including a gadget that will allow you to transmit RTTY as well as just print it. Also, it has an autostart feature which will allow you to receive RTTY

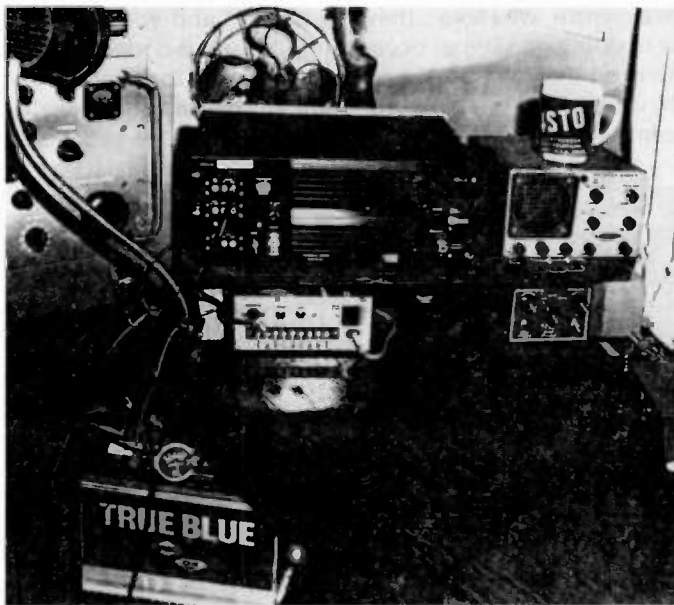


Photo C. The only interconnection between the transceiver and the terminal unit required for receiving RTTY is from the "patch out" jack to the "receiver audio" lugs on the TU. The printer is normally plugged into the ac receptacle on the TU for autostart operation.



# AT LAST!

This service will be available nationally. Lab tested & time proven modifications professionally installed in your amateur Handy-Talkie 2M, 220, 440, MH2 transceiver by Henry Radios warranty technicians (KNOWN AS "A&W PRODUCTIONS")



## HAVE ALL PL TONES AVAILABLE AT YOUR FINGER TIPS

Outboard the dip switch! Have it neatly inlaid into the back cover of your Handy-Talkie making all 32 PL Tones Selectable at a moment's notice.

**\$25** Got your own PL? Send it to us with your Handy-Talkie unit and we do the professional installation for you.

**\$55** We will install a new PL and inlay the dip switch into the back cover of your Handy-Talkie ready to operate.

Send us your Handy-Talkie unit and a check or money order plus \$3.50 for shipping and handling payable to **A&W PRODUCTIONS, INC.**

For **TEMPO** units the dip switch is inlaid into the Push-to-Talk bar. The **TEMPO S-15** will have the dip switch inlaid into the back cover.

**\$45** We will install a **NEW BATTERY BEATER** in your **TEMPO S-1, S-2, S-4, S-5** READY to operate. Your New Battery Beater will use the same jack as the charger with no new holes and regulation circuits built into unit. Comes with Cigar Lighter Adapter with internal fuse.

**CONTACT A&W PRODUCTIONS FOR SPECIAL MODIFICATIONS YOU MAY WANT TO HAVE DONE. WE SPECIALIZE IN THE TEMPO HANDY-TALKIES.**

WE ARE AN OFFICIAL "TEMPO" REPAIR STATION  
ALL WORK GUARANTEED FOR 30 DAYS. SEND YOUR HANDY-TALKIE AND A CHECK OR MONEY ORDER TO:

**A&W PRODUCTIONS**  
3305 Pico Blvd., Santa Monica  
California 90405 (213) 828-9310

✓ 164

messages while you're at work. But the nicest thing I'd like to pass along to you is that the people at Flesher are just as interested in getting your TU to work as you are. I've had to pull them away from whatever they were doing on several occasions on the telephone and they were *always* extremely helpful. I wrote and told

'em so, too. You wouldn't believe the foolish questions I've had to ask them, but they never flinched. Thanks, folks!

OK, now you've got your RTTY machine and you've got a TU and you're standing around wondering how in Sam Hill to begin hooking all this gadgetry together. Relax! Better yet, don't



Photo D. Transmitting RTTY is simplicity itself. Just plug the AFSK output from the TU into the mike jack of the transceiver, and enjoy!

relax. Jump right up and run over to your collection of back issues of 73. The September, 1977, issue is crammed full of much-needed information on the care and feeding of these old clunkers. What's that you say? Those nerds who've been running their mouths on the repeater refuse to give back your copy of the September issue? Never fear. Wayne Green sells back issues, and if he's all out, see if you can get an SASE into my mailbox and I'll try to answer your questions.

At any rate, take a peek at the accompanying close-up of the Model 19 printer (Photo B). This particular machine really had me buffaloed for an embarrassing number of weeks. I'd found several articles and books that told me how to hook up a normal printer (which has three terminal strips), but not a word about this particular beast. One of my MARS friends finally said, "Hey dummy! All they've done is combine the three normal strips into two," which explained why all my gyrations in the shack failed to produce the third strip from within the innards of this antique. You might be lucky enough to have the red and black plugs already there, just-a-waitin' to be hooked *in series* with your TU loop supply (see Fig. 1). If not, you may have to dig around a bit. If nobody has seriously butchered the internal wiring, you'll find the correct connections with no problems. If you really get stuck, let me know.

One brief word of warning here. Keep your mitts away from the actual loop supply. I'm talking about something like 130 volts at 60 mA. That just might be enough to kill you! I've managed to ignore this advice thrice so far, and *it hurts!*

Now apply audio from your rig to your TU, and you should be able to tune in

RTTY signals. Photo C shows how I managed my connections. It took about thirty seconds to figure this part out. The thrill of tuning past a RTTY signal and hearing the printer start chugging away was just super. I couldn't believe that this ancient equipment could possibly work so well! Given a bit of lubrication and a dab of TLC, I expect that these machines will live longer than I will, particularly if I ignore the previous paragraph another time or so!

Photo D shows how I managed to start transmitting. It was very difficult—I merely plugged in the AFSK output from my TU to the mike jack on my transceiver, adjusted the drive, and started typing!

I do, however, feel a touch of moral obligation to the RTTY neophyte. If you're using tubes in the finals of your rig, for Pete's sake, turn down the mike gain or otherwise reduce the power! I've ruined more 6146 finals than I'd care to comment on, and I've gone now to idiot-proof transistors. The rig that I presently use is capable of running all day at full power. Yours might not be so blessed. Find out, if you don't already know. End of sermon.

I've shown you my method for getting on RTTY. This is one of the simplest and cheapest ways I could come up with to obtain the features that I deemed important. I've got loads of ideas brewing in my head that I'm hoping to write about soon, so feel free to write and tell me what you liked or didn't like about this article. All SASEs will be answered.

I would like to express my sincere appreciation to Forest McCarty for his photographic expertise, as well as to Durwood WA4ZBP and all my many Virginia Army MARS friends for answering my never-ending questions. ■



# YAESU • Call AES® for Low Prices!



- FT-ONE 9-band xcvr w/FP-107, w/o FM... 2995.00
- XF8.9KC 600 Hz CW filter..... 50.00
- XF8.9KCN 300 Hz CW filter..... 50.00
- XF8.9KA 6 KHz AM filter..... 50.00
- XF10.7KC 800 Hz 3rd IF filter..... 45.00
- RAM Unit Memory back-up board..... 20.00
- KY-ONE Curtis 8044 keyer unit..... 45.00
- DC Cable 13.5vdc cable..... 15.00
- FM-ONE FM unit..... TBA
- YM-34 Desk microphone..... 31.00
- YM-35 Scan noise canx mic..... 20.00
- YM-36 Noise canx mobile mic..... 20.00
- YM-37 Mobile microphone..... 10.00
- YM-38 Scan desk microphone..... 39.00
- SP-901P Speaker/patch..... 76.00
- FC-902 9-band antenna tuner..... 199.00
- YR-901 CW/RTTY decoder..... 730.00
- CL-901 60 ma. Loop..... 30.00
- YK-901 ASCII Keyboard..... 175.00
- FT-902DM 9-band digital Xcvr..... 1535.00
- FT-901 series service manual..... 25.00

- FT-707 8-band, 3.5-30 Mhz digital Xcvr.... 810.00
- FP-707 Power supply..... 162.00
- FV-707DM Dig VFO w/12 memories..... 279.00
- FC-707 8-band antenna tuner, 150w..... 129.00
- FTV-707 Transverter w/no module..... 129.00
- 2m module only..... 154.00
- 6m module only..... 110.00
- 70 cm module only..... 255.00
- FRB-707 Relay box..... 39.00
- MMB-2 Mobile mounting bracket..... 20.00
- MR-7 Mounting rack..... 20.00
- XF8.9HC 600 Hz CW filter..... 45.00
- XF8.9HCM 450 Hz CW filter..... 50.00
- XF8.9HCN 350 Hz CW filter..... 50.00
- YM-34 Desk microphone..... 31.00
- YM-35 Scan noise canx mic..... 20.00
- YM-36 Noise canx mobile mic..... 20.00
- YM-37 Mobile microphone..... 10.00
- YM-38 Scan desk microphone..... 39.00

- Misc. Accessories:
- YP-150Z Dummy load/wattmeter..... 135.00
  - YS-200 1.8-150 MHz wattmeter/SWR..... 79.00
  - YS-2000 1.8-60 MHz PEP watt/SWR..... 95.00
  - YH-55 Lo-Z headphones..... 15.00
  - YH-77 Lightweight headset..... 15.00
  - YD-148 Hi/lo-Z goose-neck microphone..... 32.00
  - YD-844A Hi/lo-Z desk microphone..... 32.00
  - YD-846 Hi-Z hand microphone..... 17.00
  - YE-11 600 ohm hand microphone..... 17.00
  - FF501dx Low pass filter..... 34.00
  - QTR-24D Deluxe 24 hour world clock..... 49.00



- FT-101ZDA MK-III 9-band dig. Xcvr..... 925.00
- FV-101DM synth., scanning VFO..... 359.00
- AM-101Z AM board..... 27.00
- FM-101Z FM board..... 56.00
- DC-101ZD DC converter..... 60.00
- FA-9 Fan..... 22.00
- YE-7A Hand microphone..... 17.00
- YM-21 Noise canx mic..... 20.00
- FT-101ZD series service manual..... 25.00
- FT-102 High Performance HF transceiver..... TBA

The prices shown in this ad are suggested by the Manufacturer. On most MAJOR items you can Save Money with a Big AES® Discount. Don't wait! - Call us TOLL FREE and get your price.

Other accessories for FT-101ZDA/902DM:

- SP-901 Speaker..... 35.00
- SP-901P Speaker/patch..... 76.00
- YO-901P Monitor scope w/panadaptor..... 515.00
- FV-901DM Remote VFO w/memory..... 415.00
- FC-902 9-band ant. tuner, 500w PEP..... 199.00
- FTV-901R Transverter w/2m module..... 389.00
- 6 meter module only..... 110.00
- 70 cm module only..... 255.00
- YR-901 CW/RTTY decoder..... 730.00
- CL-901 60 ma. Loop..... 30.00
- YK-901 ASCII Keyboard..... 175.00
- XF8.9HC 600 Hz CW filter..... 45.00
- XF8.9HCM 450 Hz CW filter..... 50.00
- XF8.9HCN 350 Hz CW filter..... 50.00
- XF8.9B/XF8.9GA AM filter..... 45.00

VHF/UHF Hand-scissors:

- FT-680R 6m all mode mobile..... 520.00
- FT-480R 2m all mode mobile..... 529.00
- FT-780R 430-440 MHz all-mode mobile..... 785.00
- FP-80A Power supply for FT-680R/480R..... 95.00
- SC-1 Station console w/ps, clock, TTP..... 199.00
- YM-48 Tone encoding mic..... 69.00
- FT-627RA 6m FM xcvr w/4 memories..... 399.00
- FT-127RA 220 FM synth xcvr w/autoscan..... 479.00
- FT-127 220 FM 12 ch. xtal xcvr..... 299.00
- FT-230R 25w 2m FM transceiver..... 359.00
- FP-4 4A power supply..... 50.00
- FP-12 12A power supply/spkr..... 135.00
- FSP-1 Remote speaker..... 21.00



Solid-State Shortwave Receivers:

- FRG-7700 150 KHz-29.99 MHz dig. Rcvr.... 549.00
- MU-7700 Memory unit..... 149.00
- FRT-7700 Antenna Tuner..... 59.00
- FRV-7700A 118-150 MHz VHF conv..... 149.00
- FRT-7700F 118-130, 150-170 MHz..... 149.00
- FRA-7700 Indoor active antenna..... 59.00
- FF-5 500 KHz VLF low pass filter..... 20.00
- DC-7700 DC kit for FRG-7700..... 8.00
- FRG-7 0.5-29.9 MHz Shortwave receiver..... 319.00

VHF/UHF Hand-holds:

- FT-208R 3/2.5w 2m FM HT/TTP/chgr/batt 359.00
- FL-2010 2m 10w amplifier..... 99.00
- TA-2 19" telescoping antenna..... 9.40
- FT-708R 2/1w 440 FM HT/TTP/chgr/batt 359.00
- FL-7010 440 10w amplifier..... 149.00

Accessories for FT-208R/FT-708R

- NC-7 15-hr desk charger..... 59.00
- NC-8 15-hr/4-hr desk charger/AC ps..... 99.00
- LCC-8 Leather carrying case..... 35.00
- FBA-2 Batt sleeve for FNB-2 in NC-7/NC-8.... 6.25
- FBA-3 Sleeve: FT-208R/708R in NC-1A/3A... 12.00
- FNB-2 Extra nicad battery pack..... 29.00
- NC-9B Extra 15-hr wall charger..... 10.00
- YM-24A Speaker microphone..... 39.00
- PA-3 Mobile adaptor..... 39.00
- MMB-10 Mobile mount 208/708..... 15.00
- TA-2 Telescoping antenna..... 9.40
- SSY-32 Syn. CTCSS encoder..... 33.00
- TS-32 Syn. CTCSS encoder/decoder..... 75.00
- MMB-10 Mobile bkt for HT & PA-3..... 15.00
- YM-24A Speaker/microphone..... 39.00

VHF Repeater

- FTR-2410 2m/10w repeater..... 995.00

VHF Portables:

- FT-690R 6m FM/SSB port Xcvr..... 379.00
- FT-290R 2m FM/SSB portable Xcvr..... 399.00
- FL-2010 2m 10w amplifier..... 99.00
- FP-80A 4.5A ps for FT-290R/FL-2010..... 95.00
- LCC-90 Leather carrying case..... 39.00
- NC-11B Wall charger..... 9.35
- MMB-11 Mobile mounting bracket..... 39.00
- NIcD 2 amp-hr nicad C cell (8 req.) ea..... 5.95
- YM-49 Speaker microphone..... 39.00
- YM-50 TTP/scan microphone..... 69.00



HOURS: Mon. thru Fri. 9-5:30; Sat. 9-3

**E-X-P-A-N-D-E-D WATS HOURS**

Milwaukee WATS line answered until 8 pm Mon. thru Thurs.

Call Toll Free: 1-800-558-0411

In Wisconsin (outside Milwaukee Metro Area)

1-800-242-5195

# AMATEUR ELECTRONIC SUPPLY® Inc.

4828 W. Fond du Lac Avenue; Milwaukee, WI 53216 - Phone (414) 442-4200

## AES BRANCH STORES

**WICKLIFFE, Ohio 44092**  
28940 Euclid Avenue  
Phone (216) 585-7388  
Ohio WATS 1-800-362-0290  
Outside Ohio 1-800-321-3594

**ORLANDO, Fla. 32803**  
621 Commonwealtn Ave.  
Phone (305) 894-3238  
Fla. WATS 1-800-432-9424  
Outside Fla. 1-800-327-1917

**CLEARWATER, Fla. 33515**  
1898 Drew Street  
Phone (813) 461-4267  
No In-State WATS  
No Nationwide WATS

**LAS VEGAS, Nev. 89106**  
1072 N. Rancho Drive  
Phone (702) 647-3114  
No In-State WATS  
Outside Nev. 1-800-634-6227

## Associate Store

**CHICAGO, Illinois 60630**  
ERICKSON COMMUNICATIONS  
5456 N. Milwaukee Avenue  
Phone (312) 631-5181  
Outside ILL. 1-800-621-5802



# Incredibly Simple RTTY

## —receive it on your TRS-80

If you have a transceiver and a TRS-80™, then you have nearly all the equipment necessary to receive radioteletype (RTTY). The only additions required are a 26-statement BASIC program, two TTL integrated-circuit chips, and a demodulator. The program and interface design are presented here, and a demodulator is recommended.

### RTTY System

As shown in Fig. 1, a RTTY system might consist of a radio receiver, a demodulator, a computer (in that case, the TRS-80), and a

monitor or other form of readout. Most RTTY is sent as audio frequency shift keying (AFSK) via SSB radiotelephony. Hence, when a signal is tuned in on your receiver, it will be heard as two alternating audio tones. Those tones are called the mark and the space—the lower tone being the mark.

The job of the demodulator is to convert those audio tones into a computer-compatible on-off signal. Historically, demodulators have developed a 20-milliamp current signal for direct use

with a teletype terminal such as an ASR-33. However, for interconnection to a computer, the demodulator, or demod, must present a logic signal that is compatible with standard logic chips. So, when the AFSK signal is received, the demod converts the lower tone to a logic one and the upper tone to a logic zero or zero volts.

The computer's job, then, is to convert the logic signal from the demod to a corresponding letter code for presentation on a monitor. The majority of the work is done with a BASIC program while the interface provides connection to the demodulator output.

### Demodulation

Let's take a look at the demod operation first. Suppose the letter Y is being received. A low audio tone will be received first followed by the start bit, a higher frequency tone. The demod will convert the low tone into a logic high signal, or mark, and the start bit into a logic low signal, or space, at zero volts. The actual code for the letter Y, as shown in Fig. 2, is then received as a sequence of marks and spaces: mark-space-mark-space-mark or high-low-high-low-high. The sequence is ended by a stop bit—a mark. All marks and spaces are 22 ms in duration except the stop which is 31 ms.

For testing of the TRS-80

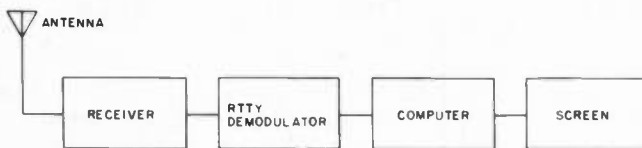


Fig. 1. RTTY reception system.

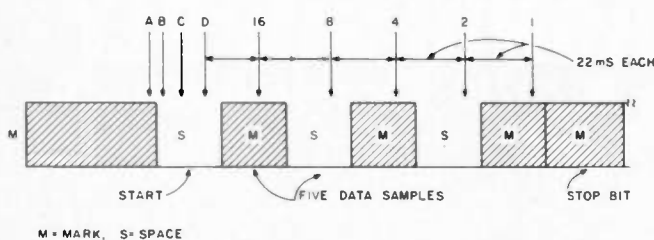


Fig. 2. RTTY signal from demodulator.

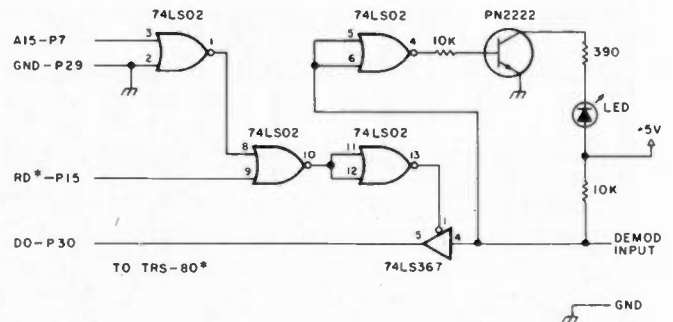


Fig. 3. TRS-80/RTTY interface.

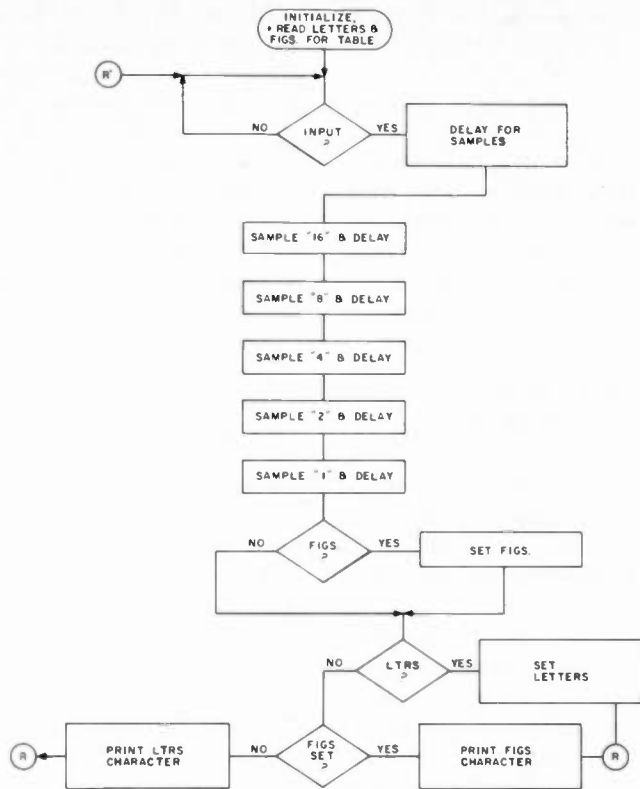


Fig. 4. Flowchart for the RTTY program for the TRS-80.

RTTY system, the Kantronics Signal Enforcer™ audio filter was used. That dual filter has a TTL-compatible demod output. When a signal is tuned in, the Signal Enforcer demod output presents a logic high signal for a mark and a logic low signal for a space.

Now let's examine how the demod output can be interfaced to the TRS-80 hardware.

### Computer Interface

Since the RTTY signal is only one voltage, either high or low as time goes by, only one signal line into the computer is necessary. However, in order for the TRS-80 to receive it, the signal must be gated onto the memory bus under the control of a "read" signal. In addition, the memory bus must be isolated from outside circuits, so a noninverting TTL logic chip is required.

As shown in Fig. 3, these requirements can be satisfied using two chips, a

74LS02 NOR gate and a 74LS367 gated buffer. The demod output status is transmitted to the memory bus via the buffer when pin 1 is set to a logic low. That is accomplished by executing the BASIC statement `A = PEEK(-1)`. The minus factor sets the highest-order address bit of the address bus on, and the PEEK statement causes the "read" pulse to be issued simultaneously. The address bit is inverted by a NOR gate and then combined with the "read" pulse to provide the activating signal at pin 1 of the buffer.

The resulting data, then read off the memory bus, is inverted and assigned to the variable A. For example, if the demod output is high, the value for A will be 255, but if it is low, it will be set to 254.

A few more comments on the logic interface are in order. The line names at the left of Fig. 3 represent the pin connections to the TRS-80 I/O port. A15-P7 means address line 15 at pin

```

10 CLS:DIMA $(32):A$(0)=" ":REM TELETYPE RECEIVER PROGRAM
15 DIMB$(32):B$(0)=" ":M=0
20 REM FOR KANTRONICS' SIGNAL ENFORCER,11-2-80, W0XI.
45 DATA K,Q,U,#,J,W,A,X,F,Y,S,B,D,Z,E,V,C,P,I,G,R,L
46 DATA *,M,N,H," ",O,*T,*:B=0
47 FOR I=1TO31:READ A$(I):NEXT I
50 DATA (,1,7, ,',2,-,/,!,6, ,?,$,!,3,-,*0,8,&,4,)
51 DATA *,.,-,#," ",9*,5,*
55 FOR I=1TO31:READ B$(I):NEXT I
100 IF PEEK(-1)=254 THEN 110 ELSE 100
110 I=0:J=0:K=0
115 FOR L=1TO4:NEXT L
120 IF PEEK(-1)=254 I=I+16 ELSE I=I+0
125 J=J+0:K=K+0
130 IF PEEK(-1)=254 I=I+8 ELSE I=I+0
135 J=J+0:K=K+0
140 IF PEEK(-1)=254 I=I+4 ELSE I=I+0
145 J=J+0:K=K+0
150 IF PEEK(-1)=254 I=I+2 ELSE I=I+0
155 J=J+0:K=K+0
160 IF PEEK(-1)=254 I=I+1 ELSE I=I+0
170 IF I=4 M=1
172 IF I=0 THEN 200
180 IF M=0 PRINT A$(I); ELSE PRINT B$(I);
190 GOTO100
200 M=0:GOTO100

```

Fig. 5. 26-step RTTY program listing.

7; D0-P30 means data line 0 at pin 30; RD\*-P15 means read pulse negative at pin 15; the ground connection is at pin 29. The user must supply his own 5-V-dc power source for the interface logic because the TRS-80 connector usually has that pin disconnected. In addition, if desired, the remaining NOR of the 74LS02 can be used to buffer the demod input and drive on the LED.

That completes the interfacing. Let's now take a look at the 26-statement BASIC program to decode and display RTTY signals.

### BASIC RTTY Program

Again, take a look at Fig. 2. The standard RTTY 60 format includes a start bit of 22-ms duration, five 22-ms data slots, and a 31-ms stop bit. When no characters are being received, the demod output will be high continuously.

When a letter or figure is received, it will commence with a start space. This is our key; we will have the program watch the demod output until a space is received. Then, proper delays can be built into the program so that samples are taken at approximately the center of each data slot.

For example, if a space is detected at B in Fig. 2, then the program will delay 22 ms and sample at 16, delay again for 22 ms and sample at 8, and so on, taking five samples in all.

Now let's take a look at the flowchart for the program as shown in Fig. 4. First, constants are initialized and letters and figures are read in via the data statements to form the RTTY character codes. Then, the program enters a continuous loop. If a space is received, proper delays are generated and samples are taken. If not, the pro-





# FAST SCAN

\*\$249

A modular approach... for your own custom-designed ATV system... Here's how

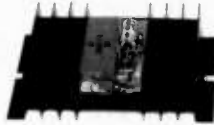
**TXA5-4ATV EXCITER/MODULATOR, \$89 ppd**

This wired and tested module is designed to drive the Motorola MHW710 module in the PA5 10 watt linear amp. The crystal in the 100 MHz region keeps harmonics out of two meters for talk back. The video modulator is full 8 MHz for computer graphics and color. Requires 13.8 vdc reg @ 70 ma. Tuned with xtal on 439.25, 434.0, or 426.25 MHz. Provision for sync expanding. Two frequencies available.



**PA5 10 WATT ATV POWER MODULE \$89 ppd**

The PA5 will put out 10 watts RMS power on the sync tips when driven with 80 mw by the TXA5 exciter. 50 ohms in and out, plus bandwidth for the whole band with good linearity for color and sound. Requires 13.8 vdc regulated @ 3 amps.



**FMA5 AUDIO SUBCARRIER GENERATOR \$29 ppd**

Puts audio on with your camera video just as broadcast TV does at 4.5 MHz. Puts out up to 1 v p p to drive the TXA5 or VM-2, 3, or 4 modulators. Requires low Z mic (150 to 600 ohms), and +12 to 18 vdc @ 25 ma. Works with any xmitr with 5 MHz video bandwidth.



**TVC-2 ATV DOWNCONVERTER... \$55 ppd**

Stripline MRF901 (1.7 db NF) preamp and double balanced mixer module digs out the weak ones but resists intermod and overload. Connects between uhf antenna and TV set tuned to channel 2 or 3. Varicap tunes 420 to 450 MHz. Requires +12 to 18 vdc @ 20 ma. Super sensitive TVC-2L with NE64535 preamp (.9db NF) stage... \$69 ppd.



### \*TXA5, PA5, FMA5 and TVC Basic Module Pkg.

Call or write for our complete list of specifications, station set-up diagrams, and optional accessories which include antennas, modulators, detectors, test generators, cameras, etc. **WE ARE A FULL-LINE SUPPLIER OF ALL YOUR ATV NEEDS.**

TERMS: VISA or MASTER CARD by telephone or mail, or check or money order by mail. All prices are delivered in USA. Allow three weeks after order for delivery.

(213) 447-4565 Charge card orders only

**P.C. ELECTRONICS** 2522 Paxson Lane,  
Tom W6ORG Maryann WB6YSS Arcadia, California 91006

gram waits, continually sampling for an input. Once a sample is taken, the program must check to see if the figures or the letters of the figures or the letters code has been transmitted. Those codes are used to set lower- or uppercase letters or figures, for those characters to follow.

Now let's take a look at the program listing.

### 26-Statement BASIC Program

As shown in Fig. 5, the program is short—26 steps. It is probably possible to shorten it somewhat by combining some statements.

Statements 10 through 55 initialize constants and set the string variables with index numbers in two tables. Those indexed variables represent the letters and figures that can be printed by a Teletype™ machine. Statement 100 is used to continually sample for a

start bit. Once one is detected, statements 110 through 160 sample a five-bit code. Statements 170 through 200 determine letters or figures states. For a TRS-80 Level II with 16K, statement pairs 120, 125 or 130, 135 will cause a delay of about 22 ms. Some adjustment may be necessary from machine to machine.

To summarize, let's suppose the letter Y is to be received. The program is started and waits at statement 100 for a space or start bit. Suppose one is received as at B in Fig. 2. The program then delays about 8 ms at statement 115 and then samples at 16, 8, 4, 2, and 1. With the code Y, a space is received at 8 and 2. That totals 10 and is used as the index to A\$(10) so that Y may be printed on the screen.

73 and we hope you enjoy listening to RTTY. ■

## NEW PRODUCTS FROM HAL-TRONIX

### 2304 MHz DOWNCONVERTERS

Frequency Range 2000—2500 MHz

2304 Model 1: Basic three-stage, less case

and connectors.....\$49.95

2304 Model 2: Three-stage, includes preamp, with die-cast case and connectors.....\$59.95

2304 Model 3: With high-gain preamp, die-cast case and connectors.....\$69.95

The above models complete with high-quality drilled PC boards, all electronic components, etc., with 15-page manual.

Note: Any of the above, factory wired, \$50 additional

### POWER SUPPLIES FOR THE DOWNCONVERTERS:

Power supply kit #1, less case and connectors.....\$19.95

Power supply kit #2, includes case & connectors.....\$24.95

Power supply—already built, complete.....\$34.95

### PARTS FOR THE NTSC RF MODULATOR FOR CHANNELS 3, 4, or 5.

This is **not** a complete kit. The hard-to-get parts include the LM-1889, the .08 microhenry tank coil, the 7-14 microhenry adjustable coil, the 10 microhenry RF coil, with schematic (no PC board) as used in Bob Cooper's satellite TV receiver. Real buy at.....\$5.95

### SHIPPING INFORMATION

ORDERS OVER \$20.00 WILL BE SHIPPED POSTPAID EXCEPT ON ITEMS WHERE ADDITIONAL CHARGES ARE REQUESTED. ON ORDERS LESS THAN \$20.00 PLEASE INCLUDE ADDITIONAL \$1.50 FOR HANDLING AND MAILING CHARGES. SEND SASE FOR FREE FLYER

### TOUCHTONE DECODER KITS

**HAL 567-12:** single line in, 12 lines out, complete with 2-sided plated-through G-10 board and all components. Uses seven 567's and three 7402's.....\$39.95

**HAL 567-16:** single line in, 16 lines out, complete with 2-sided plated-through G-10 board and all components; includes 22-pin edge connector. Uses eight 567's and four 7402's. (See construction article in April 1981 Radio & Electronics for complete writeup.).....\$69.95

### TOUCHTONE ENCODER KITS

**HAL ECD-12:** 3x4 twelve-character encoder utilizing the ICM 7206 Intersil chip. Kit comes complete with both LED and audio-coupled outputs (speaker included). With aluminum anodized case.....\$29.95

**HAL ECD-16:** 4x4 sixteen-character encoder utilizing the ICM 7206 Intersil chip. Kit comes complete with LED and audio-coupled outputs (speaker included). With aluminum anodized case.....\$39.95

**"HAL" HAROLD NOWLAND  
W8ZXH**



31 **HAL-TRONIX**

P. O. BOX 1101  
SOUTHGATE, MICH. 48195  
PHONE (313) 285-1782

# N&G

WATTS 800-327-3364

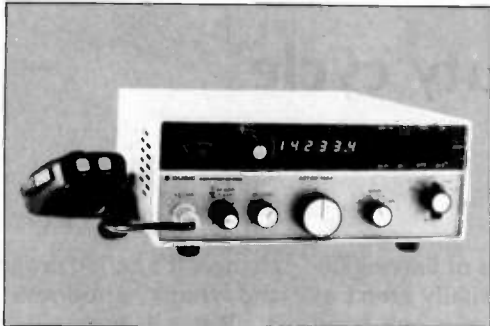
# DISTRIBUTING

## THE LEADER IN COMMUNICATIONS



7201 N.W. 12th ST.  
MIAMI, FLORIDA 33126  
1-305-592-9685 • 1-305-763-8170

WE ALSO CARRY MANY  
MARINE & AIRCRAFT RADIOS



ASTRO 150 \$975.00  
MATCHING POWER SUPPLY 179.95  
MATCHING ANTENNA TUNER 189.95

General Frequency Range  
160 Meter Band - 1.8-2.4 MHz†  
80 Meter Band - 3.0-4.5 MHz  
40 Meter Band - 6.0-8.3 MHz  
20 Meter Band - 13.8-16.0 MHz  
15 Meter Band - 20.8-23.0 MHz  
10 Meter Band - 28.0-30.0 MHz††  
†† Model 150 only  
† Model 151 only

HF/SSB  
PORTABLE  
RADIO STATION  
100 WATT  
115/230V  
50/60 Hz AC  
OR 12V DC  
IS AVAILABLE

# CUBIC



DIPLOMAT 150



BATTERY PACK CHARGER

## BIRD WATT METERS & ACCESSORIES LARGEST SELECTION IN THE EAST

### G.S.C. REGULATED Power Supplies

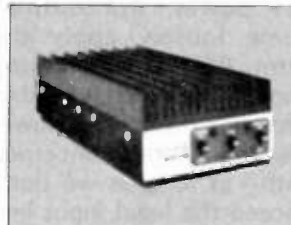
Model	List	Sale
IV	24.00	18.00
6-R	71.00	55.00
10-R	92.00	67.00
20-R	116.00	87.00
35-R	227.00	161.00

U.S. DISTRIBUTOR  
FOR F9FT  
TONNA ANTENNAS  
CALL US

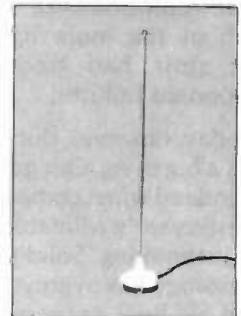
Prices Or Specifications  
Are Subject To Change  
Without Notice



HAL Communications Corp



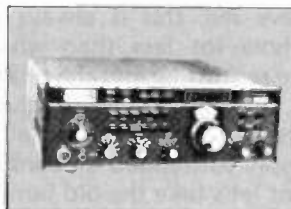
MIRAGE AMPLIFIERS



1/4 WAVE MAG  
LIST 24.95  
N&G PRICE 15.00



FREEDOM PHONE  
BEARCAT SCANNERS



THE DRAKE LINE



BIRD 43 152.00  
All Bird Prod. in Stock

ALL PRICES ARE SUGGESTED RETAIL PRICES • PLEASE CALL FOR QUOTES.



# The RTTY/Tribander Marriage

## — enjoy the 100% duty cycle

It seems that almost all electronic gear today is rated in terms of a duty cycle, which simply means how long or how hard it can work without resting and cooling off. In the days of AM when all transmitters and rf amplifiers were expected to operate under full power for long periods of time, we didn't give much thought to a duty cycle. True, perhaps some of the cheaper gear should have had such ratings because, as we all know, heat is the archenemy of electronic components, and much of the more lightly built stuff had frequent component failures.

Today, however, duty cycle is a big thing. Our gear is tiny indeed when compared to yesteryear's. Miniaturization is the thing. Solid-state technology has pygmytized those old boat anchors into neat little packages hardly larger than yesterday's external vfos. It has given us features few dreamed of twenty or thirty years ago when the names Johnson, B & W, Hallicrafters, and Collins, among others, were the respected leaders in manufacturing amateur radio equipment.

In many cases, these little runts even give us far more power output than their ancient counterparts.

But there is one marked difference: They can't do it continuously.

And this duty cycle thing isn't limited to exciters and amplifiers. Many antennas also have duty-cycle ratings, although I can't recall any manufacturer saying so in black and white. Instead, they use terms like "...rated for full legal amateur power limit" or "...rated at 2-kW (or 4-kW) PEP."

Well, this sounds impressive, but when a body strips it down to its basics, it really doesn't say anything worthwhile. In the first place, PEP refers to SSB *input* power, not *output*. Some loosely apply the term PEP when talking about CW, which is neither here nor there. The power we should be concerned with—as long as we don't exceed the legal input limits—is that which runs up the feedline and makes a noise on the air. And believe me, this is always a whole lot less than what we're stuffing into the final!

Of course, manufacturers' power ratings usually apply to trapped antennas. But let's take the old familiar yagi tribander. I think almost anyone reading this will agree that these are by far the most popular HF antennas in the world and, with a very few exceptions,

all have traps of varying design. They usually aren't as efficient on any one band as a monobander, but they serve well and allow flexibility with minimum expense and hassle, and we've been getting along with them for a long, long time.

And their physical designs have changed over the years. These new ones have sleek, compact trap assemblies with the coils enclosed in aluminum tubing, away from the elements and offering much less wind resistance than those old external coils we used to see. One of the main reasons they can do this is because AM on the ham bands is a thing to be discussed with nostalgia. Hardly anyone ever throws a kilowatt of plate-modulated power on the air any more, so the traps don't have to be so massive.

SSB and CW are intermittent, right? Therefore, the traps aren't called upon to perform under sustained high rf voltages, so now they can be made of aluminum wire-wrapped on injection-molded plastic coil forms and sealed inside aluminum housings. Neat. Very neat and efficient.

It has been said by wise men that about the only thing in this old world which remains constant is

change. It's called progress, and thank goodness for it. But progress is not achieved totally without difficulties, as we shall see.

Amateur radioteletype and amateur television have been around for quite some time, but not until the last couple of years have they enjoyed much widespread popularity. Now, with the rapid advancements in solid-state technology bringing microprocessors and home computers within reach of the modestly-heeled amateur, one has only to tune across the bands and listen to the *deedle-deedle* of RTTY or the musical whirring of an SSTV rig to realize just how many hams have turned to these "new" and fascinating modes of communication. And interest is growing daily, judging by the number of manufacturers who advertise sophisticated RTTY and SSTV equipment in the pages of radio amateur magazines.

However, there begins to emerge a new problem. RTTY and SSTV have little in common with SSB or CW. Rather, they are first cousins to FM. To transmit in either mode demands that a steady carrier be placed on the air, and therein lies a problem which is causing growing concern among the

manufacturers of multi-band trapped antennas. Therein also lies the reason for this article. I hope that in sharing my own experience with fellow amateurs, I might help in some way to minimize, or even in some instances eliminate, upcoming problems. On the other hand, it is not my intention to single out any one manufacturer and add insult to injury by naming a product because, from what I have been told by manufacturers and amateurs alike, more than one manufacturer is hunting a solution.

In my own case, in March of 1979 I bought and installed a three-element tri-band beam made by one of the oldest and most respected manufacturers in the business, and it performed better than expected. Much of my operating time is spent on 20-meter RTTY, however, and a great deal of that is spent in running pictures. This is a blast, as any pix enthusiast will tell you. It is astounding to see the skill and ingenuity that has gone into the making of some of these and a thrill to watch one taking shape on the printer.

There are a few pictures around that take ten minutes or less to send, but there also are hundreds which take up to half an hour or even longer, all requiring a steady, unwavering carrier being fed into the antenna.

It is in this kind of service that the real weakness shows up in our new equipment. Few of today's transceivers are capable of much rf output under steady key-down operation because they are designed for intermittent use. The plate dissipation of the final tubes (or transistors), as well as the limitations of power supplies, must be taken into consideration and not exceeded. I run a Kenwood TS-820S, and the

owner's manual plainly states that it is unwise to exceed 100-Watts input to the final in RTTY or SSTV modes; so I don't. But on 20 meters this produces an output of less than 25 Watts. And while this power level will get you by under good band conditions, it becomes pretty puny while trying to run a picture on 20 during crowded weekends. So the next thing, naturally, is to run an amplifier.

But even here there are limitations. First, many amplifiers, such as Heath's SB-220, should be allowed to cool after 10 minutes operation at 1 kW. They tell you so. But then, how many exciters are there around that will drive it to a full gallon? Not many, for they take lots of drive—on the order of 50 to 100 Watts, which means *output* from the exciter. So, in the case of the SB-220, you get about ten times the power out that goes in, or, typically, 250 Watts out with 20 or so Watts drive, which doesn't strain anything very much and is adequate for most RTTY or SSTV work.

Then another problem rears its ugly head. The summer of 1980 was a particularly warm one, and one day my swr rose far above the usual 1.2:1 at around 14.090. This was after I had again become the owner of a 1957-vintage Johnson Viking Kilowatt, the one that is contained in a beautiful gray steel desk. I had owned this very same rig between 1959 and 1965 before selling it to KØJTZ. He trucked it all over the country for 15 years, then moved back here and resold it to me. Since this jewel requires so very little drive, it is the ideal amplifier for RTTY and SSTV. Ten Watts will drive it to 2-kW PEP, so one can see how little strain there is on the TS-820S.

Well, I had been using this Johnson for about a

week when my swr began to climb. True, there had been times when, in order to get a RTTY picture through heavy QRM on 20, I had run the power up near a kW, which put about 600 Watts into the beam. This was the beam's undoing, for one glance at it showed the 3-foot section outboard of the trap on the driven element was sagging about two inches. This was on just one end. Obviously, something had melted inside the trap.

Fortunately, it is no big hassle to climb the tower and remove the driven element, letting it down with a rope. And when I got it down and the trap disassembled, I found the plastic coil form melted like butter.

This beam has two coils inside the trap assembly. The inboard coil is the ten-meter trap while the outboard is for fifteen meters. Together, they form the 20-meter trap. It was the fifteen-meter trap that had melted, and inspection of the other trap showed it had split slightly and shrunk 3/16" in length, indicating imminent failure.

A letter and an order to the factory for new fifteen-meter traps brought a telephone call from the manufacturer. He was very nice and understandably very concerned. He said this certainly was not the first trap failure in his product, that it had been going on for well over a year and was due to RTTY and SSTV operation. He added that other manufacturers also were plagued with the same problem and all were trying to find a solution.

"These antennas have a duty cycle," he said. "They were never meant to take a steady carrier for long periods of time. The heat generated in the trap coils has no place to go, so the plastic melts. Power level is not the problem. It's a matter of du-

ty cycle. No matter if you run high or low power, if you keep running RTTY with that beam, the traps eventually will fail. High power, of course, will do it quicker."

"I didn't see any mention of 'duty cycle' in your ads," I said.

"When the antenna was designed," he answered, "we had SSB and CW in mind, and the traps will handle the legal limit in those modes for years. But we didn't anticipate the sudden popularity of RTTY and SSTV."

He went on to say that they had hand-made some coil forms from Teflon™ which gave no signs of failing, but said their molds used for plastic would not accept Teflon, and retooling would be too expensive and run the production costs too high.

"How about drilling ventilation holes in the trap housings?" I asked.

"It would help," he admitted. "But we already have two small drain holes in the bottoms, and insects even find their way inside these. Then, when the rf starts, they can't get out. They become fried, and the resulting carbon buildup eventually shorts out the turns on the coils."

Stumped, that's what I was. Here I had a fairly expensive tribander sitting atop a 50-foot tower, and I wasn't about to give up my RTTY. There had to be a way, I told myself. There just *had* to be!

Having been in aviation more than 40 years, I was aware of the value of air-cooling, so I decided to ventilate the traps. Leaving a 3-inch strip on top of the aluminum housings untouched, I drew lines ¼" apart lengthwise on the rest of the surfaces. Then I marked them every ¼". Alternate lines were stagger-marked so the holes would likewise be staggered diag-



# Your Ham Tube Headquarters!

TUBES BOUGHT, SOLD AND TRADED  
SAVE \$\$\$—HIGH \$\$\$ FOR YOUR TUBES

Call Toll Free 800-221-0860  
Tubes

3-400Z .....	\$85.00	7360 .....	\$9.15
3-500Z .....	85.00	7735A .....	29.50
4-400A .....	80.00	8122 .....	98.00
4CX250B .....	50.00	8156 .....	10.95
572B .....	39.50	8643 .....	72.50
811A .....	12.00	8844 .....	29.50
813 .....	35.00	8873 .....	175.00
6146B .....	6.50	8874 .....	180.00
6360 .....	4.25	8877 .....	450.00
6883B .....	6.75	8908 .....	10.50

## Semiconductors

MRF 245/SD1416	\$30.00	MRF 644/SD1088	19.95
MRF 454 .....	18.95	2N3055 .....	95.00
MRF 455 .....	12.50	2N6084 .....	12.50

## RF Connectors

PL259 .....	10/\$4.95	M358 .....	2.50 ea.
PL258 .....	10/8.95	M359 .....	1.75 ea.
UG175/176 .....	10/1.60	Type "N" Twist on	
UG255/u .....	2.50 ea.	(RG8/u) .....	\$4.75 ea.
UG273/u .....	2.25 ea.	Minimum Order \$25.00	

Allow \$3.00 min. for UPS charges

**CeCo**

COMMUNICATIONS, Inc. ✓ 92  
2115 Avenue X Brooklyn, NY 11235  
SERVING THE INDUSTRY SINCE 1922 Phone (212) 646-6300

onally and would not structurally weaken the housings. After that, I center-punched each mark and, in three succeeding steps, drilled holes, the last drill being 1/2" in diameter. When I finished, the aluminum housings closely resembled the barrel housings on those World War I German Spandau machine guns. Each contained 94 holes, which would allow a considerable airflow around the coils.

Following this, using ordinary aluminum screen-door wire, I wrapped each completely, securing it in place with four stainless-steel hose clamps. The idea here was to defeat all but the tiniest of insects, as well as snow and ice, while still allowing warm air from the traps to escape. The screen impairs the flow-through of air, but everything nowadays is a compromise, isn't it? And with no holes on top

to allow snow or rain to enter, I felt the coils were reasonably safe from the elements.

At any rate, for the past nine months or so I have been running from 200 to 600 Watts into that beam on RTTY, and during some pretty warm weather, I might add. So yesterday, out of curiosity, I took the element down and inspected the traps. I could find no evidence of cracking or melting, which seems to indicate that the ventilation system is working. This may not be the ultimate answer, but it certainly has to be an improvement for those RTTY and SSTV operators who are using a trapped tri-band beam. They already have their investment in both beam and equipment and, according to a popular manufacturer, are headed for eventual trap failure. So why not take this simple preventive measure? ■

# The Sweet Sounding Repeater

## MARK 3CR



A Stradivarius is more than a body, neck, and strings. The name alone says it is an instrument of outstanding quality and beautiful sound.

In repeaters the name for optimum performance and clean, natural sound is Mark 3CR. And Mark 3CR also means:

- Receiver sensitivity < 0.25 uV.
- Schmitt trigger squelch to capture fading signals
- 13 Morse messages
- Spurious rejection > 65 dB.
- Autopatch and reverse autopatch
- 15 Function controlled outputs
- Die cast aluminum receiver and transmitter enclosures

For the Finest in

Repeaters • Controllers • Power Amplifiers • Link Transceivers

**MICRO CONTROL SPECIALTIES** ✓ 49

23 Elm Park, Groveland, MA 01834 (617) 372-3442



# MICROLOG

INNOVATORS IN DIGITAL COMMUNICATION

## AMATEUR RADIO COMMUNICATION AT ITS FINEST



### Both Systems Provide

You won't find as much well thought out programming, circuitry, and features anywhere, at any price! The ATR-6800 combines the best of both worlds, an easy to use video system for CW/RTTY/SSTV with automatic station control and a stand-alone computer with expandable memory & full instruction set in Motorola assembly language. Add the BASIC language option package and you'll have the unique combination of an RF1 proof computer and ultimate RTTY/CW HAM station. And don't forget "easy to use." All of us at Microlog are RADIO ACTIVE on RTTY, so there's a lot of personal attention to detail and ease of operation. "Stick-on" command listing and video status display will get you on the air quick and sounding like a pro.

- SIMPLE DIRECT CONNECTION to your Transceiver.
- COMPLETE SYSTEM, built-in Demodulator & AFSK Modulator with keyboard programmable tone pairs.
- SPLIT-SCREEN operation with keyboard selectable line location.
- LARGE, TYPE AHEAD text buffer.
- TEN, programmable message memories, plus ID's WRU & SELCALs.
- RANDOM CODE generator & hand key input for practice.
- Baudot 60 to 132 WPM.
- ASCII 110 & 300 baud.
- SYNC-LOCK MODE for improved ASCII operation.
- RECORDER INTERFACE FOR "BRAG-TAPE" or recording off-the-air.
- CODE CONVERTED Printer output in Baudot or ASCII.
- SSTV/GRAPHICS transmit.
- FULL 63 KEY Computer grade keyboard.

There's a certain thrill to using efficient, reliable digital communications equipment on the air. That's the fun of RTTY. Spice up your Amateur Radio operation with the silent video system that does it all, the Microlog ACT-1. Even if you own a home computer and are considering an out-board interface/program, remember, we've put it all in one RF1 tight enclosure that's ready to go as soon as you power up. And, with the "Battery-backed" mem-

ory option, you won't even lose your pre-programmed messages if there's a "blink" in the A.C. The ACT-1 has features that the competition doesn't even have on the drawing board! Check for yourself, you could spend a lot more and still come up short.

**ATR-6800 vs ACT-1** The most often asked question we hear is "What's the difference between the ATR & the ACT-1?" The ACT-1 is a dedicated system for RTTY/CW/SSTV. It provides all the functions and features you need for a multi-mode station. Along with this superior "ON-the-AIR" performance, the ATR-6800 extends your operation into the realm of automatic station control and computer programming. Plug-in applications modules expand the ATR's memory to add new HAM oriented programs which are enabled by simple keyboard commands. By adding the BASIC option package, you'll have pre-programmed full community mailbox, contest dupe sheet, personal station log, message editor, BASIC computer language and 16k of battery-backed (non-volatile) memory. We also provide a subroutine list so that you can write programs to directly control the ATR-6800 in easy to use BASIC language. The ATR-6800 then is the expandable, "do everything" system where your imagination is the only limit! The ACT-1 is designed for the HAM who needs the essentials of a complete video system for digital communications.

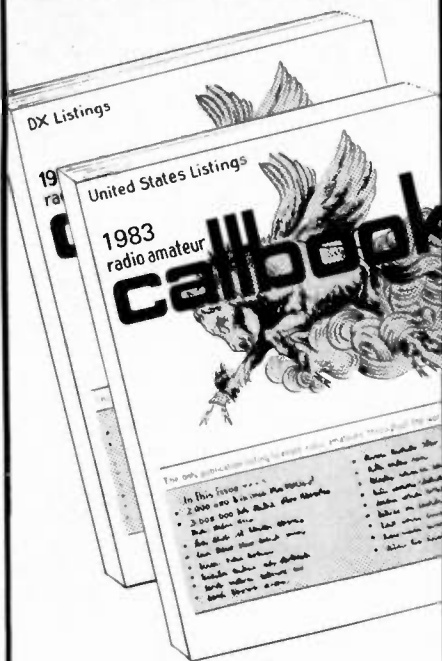
## TECHNICAL SPECIFICATIONS ATR-6800 & ACT-1

<b>INPUTS</b>		<b>SYNC:</b> Transmits "Blank-Fill" in RTTY and BT in Morse when Text Buffer is empty and unit is in transmit. Keyboard command on/off.		<b>TUNING INDICATORS</b>	
Speaker Audio	100mv min	UN-SHIFT on Space: Automatically shifts back to "LETTERS" upon receipt or transmission of space. Keyboard command on/off.		Audio Ref. Tone	800 Hz Keyed Regenerated
Digital	TTL, Keyer, Hand Key	<b>REAL-TIME CLOCK:</b> Keyboard set, always on screen display, hours, minutes, seconds. Can also be inserted in transmit text buffer by keyboard command.		Visual Scope	LED on Mark (Keydown)
RS232	± 12V, 330 Ohm Source	<b>WORD WRAP AROUND:</b> Prevents spilling words at the end of a line. Works in receive as well as transmit.		Scope	Tuning ellipse for RTTY
<b>OUTPUT TO TRANSMITTER FOR CW/RTTY/SSTV</b>		<b>CODE PRACTICE:</b> Random 5 char generator sends at any speed you set via the keyboard. Hand-Key input allows use in code practice oscillator that will also read your sending!		<b>PROGRAMMABLE MEMORIES</b>	
+ Voltage Keying	+ 40VDC @ 300ma Max.	<b>STATUS DISPLAY</b> can be called up to show the condition and control commands for 20 programmable parameters, such as AFSK tone freqs, UNOS, printer, etc. Useful as a "HELP" command in case you misplace the manual. There's also a constant "TOP-LINE" display of Time, Mode, Speed, & Code in use.		Here is: 1040 character messages (400 total) or 1080 character messages (800 total) battery backed 15 characters maximum in standard ID and 17 in RTTY ID	
- Voltage Keying	-150VDC @ 50ma Max.	<b>DETECTION MODES</b>		Up to 15 characters	
Mercury Relay	200VDC or 2 amp (20VA Max.) N.O. & N.C.	Direct		ATR - 4 memories, up to 15 characters each.	
TR Change Over	ATR - Relay ± 30V @ 2 amp N.O. & N.C.	Demodulator		ACT-1 - 2 memories for printer on and printer off	
	ACT-1 - Transistor + 12VDC @ 300 ma. GND on XMT	** Terminal		<b>** COMPUTER CAPABILITY</b>	
AFSK Tones, Range	Keyboard Programmable 500 Hz to 3000 Hz	<b>DATA RATES</b>		Memory	
AFSK Tones, Level	Mic Compatible 30-50mv Audio	Morse		Standard unit has 4000 bytes of RAM for user program. Basic package adds 16K	
Slow Scan	Mic Compatible Audio. Sync 1200 Hz, Black-1500 Hz, White-2300 Hz	Baudot		Basic or Motorola M6800	
<b>MISCELLANEOUS CONNECTIONS</b>		ASCII		Input; Output; Load; Go with Break Point; or Normal Basic	
RS 232	± 12VDC, 330 Ohm Source Impedance, Negative Mark	Slow Scan		Store Programs on Audio Cassette	
Printer Driver	ATR -	Symbol		<b>POWER</b>	
	• Hi-speed RS-232 upto 2400 Baud	Word		115 VAC, 60 Hz 60 VA Max, Act-1, 30 VA Max (230 VAC, 50 Hz optional)	
	• Hi-speed Baudot & ASCII Floating Relay for Current Loop Switching	Line		12 volt version available	
	• Hi-speed Baudot & ASCII Transistor Switch + 40VDC @ 100 ma.	Buffer		External input for charging expanded battery backed memory. 6-15VDC @ 10 ma. max.	
	• Optional Hi-speed ASCII RS232 @ 2400 Baud.			<b>MECHANICAL</b>	
Tape Recorder	Mike = 100 mv Audio			<b>ATR 6800:</b>	
"Brag Tape"	Speaker = 200 mv Audio			Size	
Scope	Horizontal and Vertical Outputs to Scope for RTTY			Weight	
	Tuning Aid			ACT-1:	
	Automatic or Speed Lock			Size	
Morse Speed Tracking	Automatic or Speed Lock			Weight	
<b>VIDEO OUTPUT</b>	1 Volt Peak to Peak, Negative Sync Composite Video (American Standard) European standard available upon request.			ATR-6800 & ACT-1:	
<b>VIDEO FORMAT</b>	Normal			Color	
Zoom	24 lines, 40 characters per line			Material	
Black on White or Write on Black Display Split Screen	12 lines, 20 characters per line			Size	
	Keyboard selectable			Weight	
	Any location Line 0 (Off) to Line 20. Keyboard selectable			ACT-1:	
SSTV	3 lines, 6 characters per line + graphics			Size	
<b>TEST MESSAGES:</b> Quick Brown Fox and RYRY's in Baudot, U'U' in ASCII, VV' in Morse.				Weight	

51 MICROLOG CORPORATION —18713 Mooney Drive—Gaithersburg, MD 20879 (301)258-8400



# 1983 CALLBOOKS



Order today!  
NEW 1983  
RADIO AMATEUR CALLBOOKS  
READY DECEMBER 1ST!

The latest editions of the world-famous Radio Amateur Callbook will be available soon. The U.S. edition features over 400,000 listings, with over 75,000 changes from last year. The Foreign edition has over 370,000 listings, over 50,000 changes. Each book lists calls and the address information you need to send QSL's. Special features include call changes, census of amateur licenses, world-wide QSL bureaus, prefixes of the world, international postal rates, and much more. The new 1983 Callbooks will be published December 1, 1982. Order your copies now.

	Each	Shipping	Total
<input type="checkbox"/> US Callbook	\$19.95	\$3.05	\$23.00
<input type="checkbox"/> Foreign Callbook	\$18.95	\$3.05	\$22.00

Order both books at the same time for \$41.95 including shipping.

Order from your dealer or directly from the publisher. All direct orders add shipping charge. Foreign residents add \$4.55 for shipping. Illinois residents add 5% sales tax.



### SPECIAL OFFER!

Amateur Radio  
Emblem Patch  
only \$2.50 postpaid

Pegasus on blue field, red lettering. 3" wide x 3" high. Great on Jackets and caps.

RADIO AMATEUR  
**callbook** INC.

Dept. B  
.....  
925 Sherwood Drive  
Lake Bluff, IL 60044, USA

61

## Radio Activity

Amateur Radio Transceivers  
Station Accessories, Books  
Antennas, Tubes and Parts  
**531 West Collins Drive  
Casper, Wyoming 82601**

315

## Take your favorite H.T. out for a drive tonight.

VISA or MASTERCARD for  
same day shipment.

For \$69.95 you get the most efficient,  
dependable, fully guaranteed 35W 2 meter  
amp kit for your handy talkie money can buy.

Now you can save your batteries by operating your H.T. on low power and still get out like a mobile rig. The model 335A produces 35 watts out with an input of 3 watts, and 15 watts out with only 1 watt in. Compatible with IC-2AT, TR-2400, Yaesu, Wilson & Tempo! Other 2 meter models are available with outputs of 25W and 75W, in addition to a 100W amplifier kit for 430MHZ.

**Communication Concepts Inc.**

2648 N. Aragon Ave., Dayton, OH 45420  
(513) 296-1411

382



## M<sup>2</sup> ENGINEERING'S VHF H.T. CONVERTERS

• DOUBLE BAND HC-V, HC-U2

• SINGLE BAND HC-V220

• BI-LATERAL PROTECTION AGAINST  
ACCIDENTAL TRANSMISSION  
FOR UP TO 5 WATTS

• STANDARD BNC  
CONNECTORS

• USES SINGLE  
AAA CELL

• HC-V  
154 - 158  
159 - 163

• LOW LOSS  
COUPLING TO  
ANTENNA

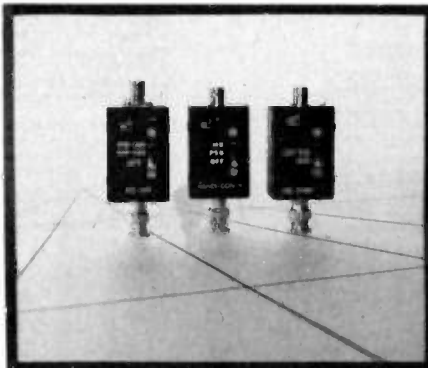
• HC-U2  
460 - 464  
480 - 484

• "OFF" RETURNS  
TO NORMAL  
TRANSCIVER  
OPERATION

• HC-V220  
221 - 225

• SIZE: approx.  
2 x 1.5 x 1.5

• WEIGHT:  
3.9 ozs.



HC-U2  
\$72.45

HC-V220  
\$62.45

HC-V  
\$47.45

M-SQUARED  
ENGINEERING, INC.  
1446 LANSING AVE.  
SAN JOSE, CA. 95118  
(408) 266-9214

DEALERS  
WELCOME

Shipping included

Calif. residents add  
6.5% sales tax

77

Free UPS shipping on orders over \$100.00

2 locations open Mon-Sat 10 am 'til 6 pm  
Thurs & Friday 'til 9 pm



Mich. res. add 4%

**KENWOOD**  
**R. L. DRAKE**

**ICOM**

**TEN-TEC**

**YAESU**

**MFJ AND MORE!**

CALL FOR QUOTES

**Summer Special**

HD73 ALLIANCE ROTOR \$89.95

3TBA HUSTLER \$189.00

MFJ 989 \$269.95

**RSE HAM SHACK**

2 locations

1207 W. 14 Mile Road, Clawson MI 48017  
313-435-5660

31155 Plymouth Road, Livonia MI 48150  
313-522-4232

# WHY COMPROMISE

Others claim more gain for their antennas than the IsoPole™ antennas, but none can beat the IsoPole for HONEST on-the-horizon omni-directional gain unless you are willing to spend at least THREE TIMES AS MUCH!!! The IsoPole is easiest of ALL competitive models to assemble, has a weather protected, factory-tuned matching network, (no more aggravating SWR variations with weather changes), uses all stainless steel hardware, and is designed to withstand severe icing and wind conditions. The IsoPole antenna is UPS shippable without the standard 10 foot 1 1/4 inch TV mast. You can buy the mast from your local ham dealer, hardware store, or Radio Shack™ store for less than the shipping costs of a single mast. When good strong, low cost 10 foot sections of mast are so easily available, why compromise by using several shorter pieces that have to be joined together?

For more details, please write for our latest catalog or visit your favorite dealer.

Prices and Specifications subject to change without notice or obligation.

## ADVANCED ELECTRONIC APPLICATIONS, INC.

P.O. Box C-2160,  
Lynnwood, WA 98036  
(206) 775-7373  
Telex: 152571 AEA INTL

**AEA** Brings you the Breakthrough!

## RTTY/CW For the TRS-80\*

\* A Trademark of the Tandy Corp.



**ROM-116**

Now includes:

- TEXT EDITING
- RTTY PICTURES
- SAVE TEXT TO DISK

*Detailed brochure available on request.*

**Featuring:**

**1200 BAUD OPERATION.** Not limited to 110 baud because of timing loops. 60, 66, 75 & 100 W.P.M. Plus 110, 150, 300, 600 & 1200 baud operations possible.

**FLEXIBILITY OF OPERATION.** Instantly change: Baud Rates; Program Mode (ASCII/Baudot); Program Status.

**SPLIT SCREEN VIDEO.** Transmit & receive data displayed separately.

**REAL TIME.** Automatic CW/ID without user intervention. Automatically updates at end of month or year.

**Other features include:**

- Two Serial Ports
- Fourteen Buffers
- Automatic CW/ID
- Transmit Control
- Selective Call Feature
- Error Correction & Editing
- Word Wrapping
- Easy to Interface
- 30 Day Unconditional Guarantee
- Hardware Requirements: TRS-80 Model I or III 16K EXTERNAL TERMINAL UNIT REQUIRED

**CROWN MicroProducts**

606 State Street, P.O. Box 892-R • Marysville, WA 98270 • (206) 659-4279



# Confessions of a Counter Evolutionary

## — part II

Editor's Note: 73 presents the second half of WA2FPT's "Confessions of a Counter Evolutionary." The August, 1982, issue featured the first half of this comprehensive design. The LSI Computer Systems LS7030 counter chip used in this project is available from Belco Electronics, 43 South 49th Ave., Bellwood IL 60104, for \$12.75 plus shipping.

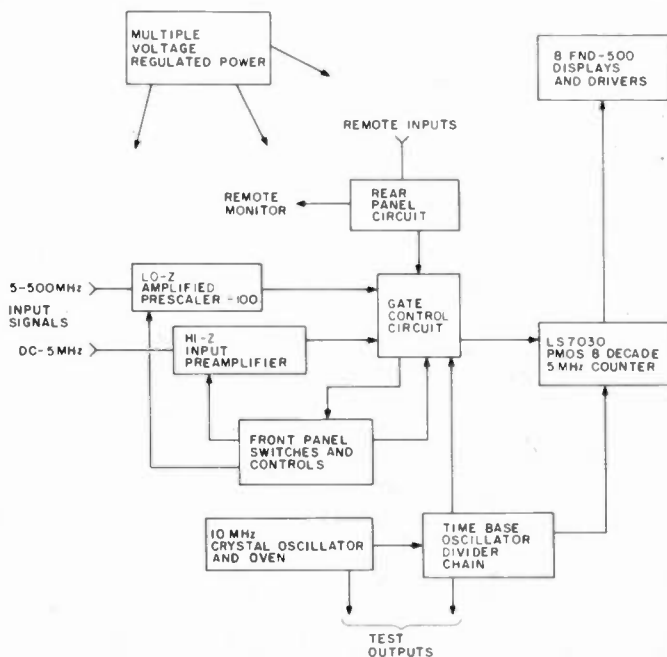


Fig. 1. Block diagram.

Last month we tackled the basic theory of timebase, display, and counting circuitry. We'll finish the job this month. Let's start by looking at the front panel.

There is a conspicuous absence of rotary switches on the front panel. Instead, simple binary counters stepped with momentary-push-button SPDT switches are used with LED indicators to control all counter operations.

There are three such binary "rotary switch eliminators" employed: a four-position circuit for the four timebases (.01, .1, 1, and 10 seconds), a three-position input-display-select button

for kHz, MHz, and pre-scaled MHz, and a mode-select switch for frequency, period, and events. Two additional push-button-switch circuits are enabled when in events mode and the lamp test, which was explained earlier.

The basis for these three counters is the four-position timebase-section counter of Fig. 12. The two 2-input NAND gates form a set-reset flip-flop that debounces the SPDT switch contacts, giving clean, glitch-free pulses to step the binary counter. Notice that the counters, 4013 dual-D flip-flops, are wired as toggles. That is, the outputs alternate low and high with each positive transition of the input clock

pulse. Two such arrangements are cascaded, resulting in a counter with four distinct output combinations. The output sequence of the four consecutive pushes of the timebase select button, taking the  $Q_1$  and  $Q_2$  outputs in pairs, is: 0,0, 1,0, 0,1, and 1,1, where 0 is almost GND and 1 is near +5 volts.

74C02 quad 2-input NOR gates are used as "zero-detecting" decoders to give unique 1 output levels for each of the four pairs of outputs. NOR gates can be used this way because they produce a high output only if all inputs are low. These decoded signals then control the selection and routing of the timebase signals. Fig. 12 shows the four timebases as inputs to the four NAND gates of IC16.

The output of each of these NAND gates is regulated by the condition of its control line, the four counter states, only one of which will be active (high) at a time. Therefore, only one of the four NAND gates will be passing pulses, with the remaining three outputs disabled at a high level. As the timebase button is pushed, the counter will step, activating the next control line, gating (enabling) the next corresponding timebase. All four timebases feed a 4012 (IC22) to give a single source of timebase outputs.

This kind of arrangement amounts to a 4-to-1 multiplexer, but I didn't have the one chip package available to do the job, a 4052.

Four jumbo LED front-panel indicator lights show which timebase is active. The control lines from IC19 accomplish this by turning on gates of IC40, a 75492 LED driver. Series resistors limit the current for the LED's safety. Since I ran the LEDs on 8 volts, I used quarter-Watt, 220-Ohm resistors that let about 30 mA flow through the LEDs.

All the resistors are

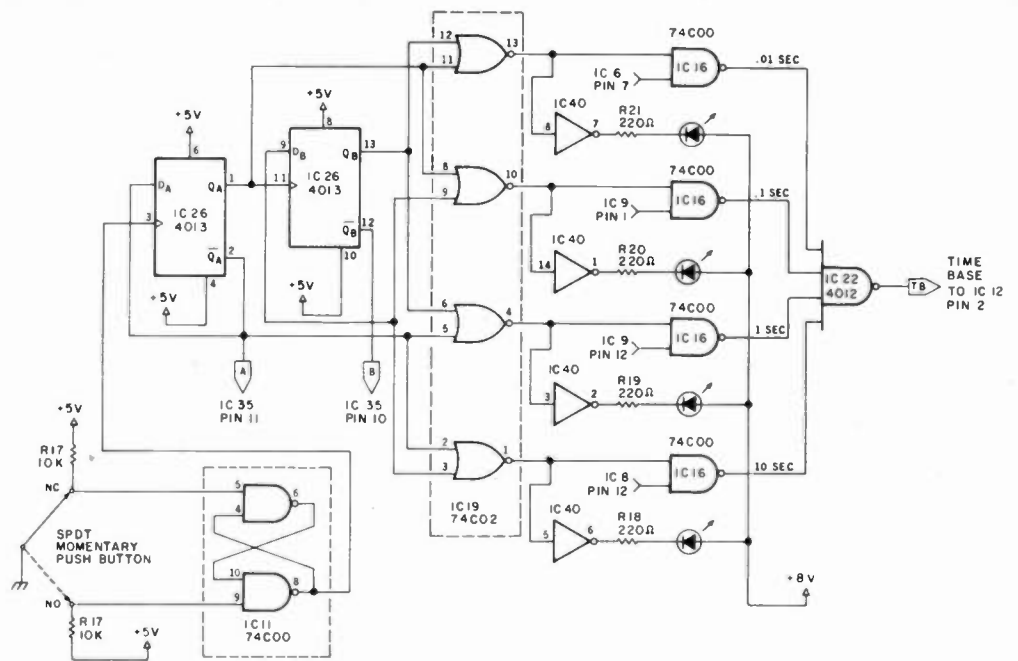


Fig. 12. Timebase select.

mounted in DIP component carriers occupying sockets on the main wire-wrapped board. I'll admit this was an unnecessary extravagance, but they were a gift to my parts cabinet, so I used them.

The chosen timebase signal emerges from pin 1 of IC22 and goes to IC12, pin 2, the 74C157, where it is selected, or not, for frequency, or else disconnected for the other functions.

The input-display-select switch selects kHz or MHz readout of the displays. The third position, prescaled MHz, routes only signals from the 500-MHz amplified prescaler to the 7030 counter, again with the proper display.

Because only three positions are required, the basic four-position counter is modified to reset to the first position after stepping past the third state. This is done by using the output of the NOR gate decoding the fourth position of the counter to reset the counter to 0 by taking advantage of the 4013's direct (asynchronous) reset input. Whenever those inputs (pins 4 and 10 for both halves of a 4013) are brought high, the flip-flops set their Q outputs to

0, regardless of any other interval activity. The basic scheme in Fig. 13 is thus the same as in Fig. 12.

As explained before, IC11 is a set-reset flip-flop; IC33, a 4013, is the counter; the state decoders are a 74C02; and the display LEDs are driven from 75492 gates. Notice the labels on the 74C02 output lines—they are all important in controlling the various counter functions and we'll see more of them later.

The mode-select switch shown in Fig. 14 is a mirror image of the input-display select. The modes, as you probably have surmised by now, are frequency, period, and events. The period control line, labeled P, serves as the select line for IC12, the 74C157 that interchanges the period and the timebase.

The E line (for Events) has a little more work to do, however. Recall that our events totalizing needs the reset and load signals withheld from the 7030. What is required is a circuit that, upon user demand, will allow manual loading and resetting, but will default to the automatic supply of reset and load pulses to the

7030 chip as needed in period and frequency operation. The E line is the key to such control in this counter.

There are two front-panel push-buttons named display start-stop and count-reset that drive the circuit in Fig. 15. IC28 debounces both, and IC37 provides push-on, push-off toggling action. That is, each Q output from IC37 is latched at alternating 0s and 1s by the configuration shown. In effect, each is a single-pole, double-throw switch. The first push can set the flip-flop (output high), and the next push would reset it. Notice how the E line, inverted through a gate of IC24, only enables these flip-flops when in the events mode. Otherwise, the flip-flops are always set.

The direct reset or clear inputs are wired through two SPDT-switched rear-panel RCA phono jacks. This gives some external device a chance to reset and load the counter, if desired.

Remember the RC networks used to provide reset and load pulses? Well, each of these enters a separate AND gate, whose outputs finally go to the 7030 reset

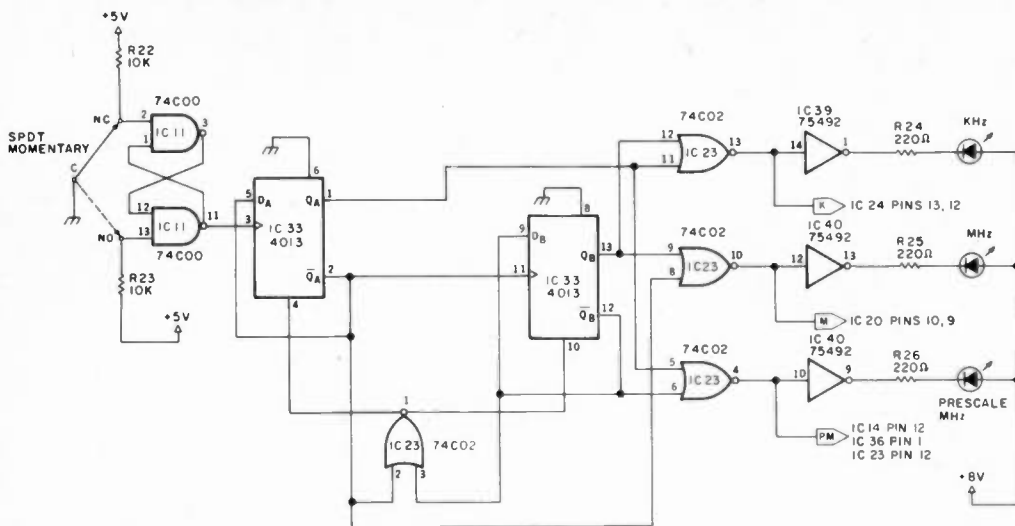


Fig. 13. Input display select.

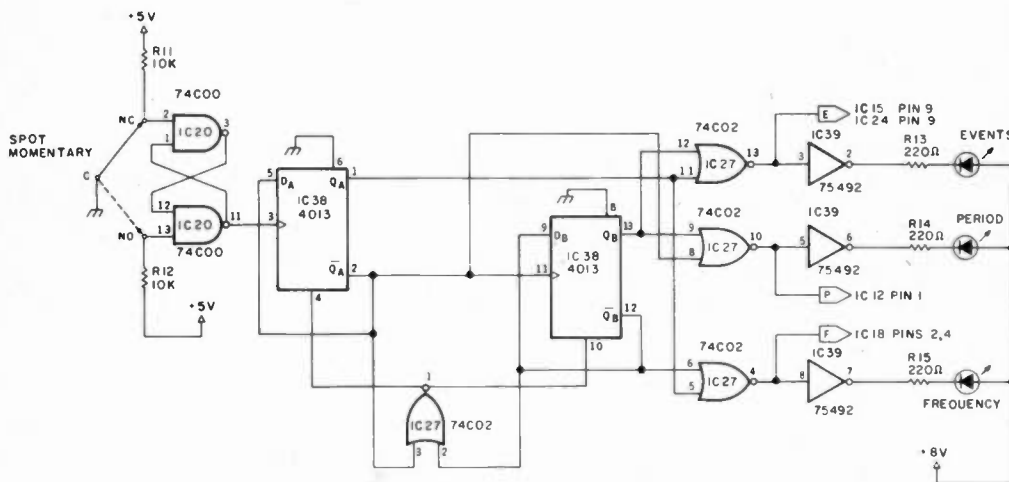


Fig. 14. Mode selection.

(pin 22) and load (pin 21) inputs. The AND gate also squares up the exponentially-rising input pulses nicely.

The utility and simplicity of the reset and load functions should relieve any misgiving you might harbor concerning the slight circuit complexity. As long as frequency or period mode is selected, IC37 remains set and the two AND gates of IC18 shown are always allowing the load and reset pulses to pass through to the counter.

When events mode is selected, the E line goes high, and the gate synchronizing flip-flop of IC13 is set via pin 4. IC15, pin 9 also is tied to the E line, preventing normal reset pulses. Simultaneously, the two halves of IC37 are enabled, and the

display start-stop and count-reset push-buttons are active. IC18, pins 10 and 13 will not now pulse, because no pulse will reach either of the load or reset RC networks. See Fig. 11(a). Accordingly, the push-buttons so described will have complete and total control over the machine's resets and loads.

In the events mode, the display will be rippling with input counts, be static, or display zero. If it is rippling, the display start-stop is always delivering a load to the counter, and the count-reset button is telling the counter to count! (That is, not reset.) A push of the the display start-stop button will freeze the display (no more load), but the 7030 still will be counting

internally. Another touch of the DSS button will again provide a continuous display of the incoming events. As soon as the C-R button is pushed, the counter will reset internal circuits to zero. In order to view this zero, the DDS must be active; otherwise, the previous reading will be seen.

Making the internal 7030 counter controls separate from the display allows complete flexibility for elapsed-time operation and data-acquisition applications. The remote-control option multiplies the value of this feature.

### Decimal Pointers

The decimal point changes positions, as you

would expect, with kHz or MHz selection, and with the selection of each of the four timebases. It also offsets two places to the right to indicate proper MHz when the divide-by-100 decimal point also becomes visible only in frequency mode, because the period displays in microseconds and the events mode doesn't need it.

There was a good reason to save the description of the decimal-point circuitry until now, because its design is wholly dependent on two characteristics of this counter: the multiplexed display and the binary counters used in the function switching.

From the 7030 data sheet, I learned that in order to illuminate, for example, the decimal point in the fifth digit, the digit 5 strobe would have to be routed to both the decimal point input at pin 10 of the 7030 (to unblank the display) and to a suitable decimal point driver (a 75491). Four different timebases with the three different frequency representations give twelve switching combinations.

This challenge (for me, anyway) was simplified considerably by using two CMOS multiplexer chips, the now-familiar 74C157 quad 2-to-1, and the 74C151 8-to-1 multiplexer. If you have never played with multiplexer chips, you'll be in for a pleasant surprise when you see how this and similar switching problems are solved.

The four timebases are 10, 1, 0.1, and 0.01 seconds. For a proper readout in MHz, the decimal points to be activated must be the 8, 7, 6, and 5 digit strobes, respectively. A kHz readout requires digit strobes 5, 4, 3, and 2. The prescaled MHz display needs the strobe pulses for digits 6, 5, 4, and 3 for the different timebase.

Most of the work is handled by the 74C151. Eight



# LARSEN ANTENNAS TRAVEL IN THE FAST LANE.



Race car communications demand the best from an antenna under some of the worst conditions. Split second decisions require reliable signals at exceptionally high speeds.

That's why Larsen Antennas are used on race cars at the Indy 500. Because Larsen Antennas are designed to take high speed with minimal signal distortion. Proving they can travel in the fast lane without putting a drag on their performance.

Larsen's precision tapered stainless steel whip provides maximum flexibility while minimizing radiation pattern distortion, giving you a clear consistent signal. And Larsen's

exclusive Kūlrod® plating, gives your antenna high conductivity to assure that maximum power goes into communicating — not heat.

That full measure of performance goes into our product integrity too. With a no nonsense warranty that won't slow you down.

So, whether you're following the racing circuit or a local rescue effort, you'll find Larsen Antennas will keep you ahead of the situation with dependable performance. Ask your favorite Amateur dealer to demonstrate how you can hear the difference with Larsen Antennas. Write for our free Amateur catalog.



✓322

**Larsen Antennas**

IN USA: Larsen Electronics, Inc.  
11611 N.E. 50th Avenue P.O. Box 1799 Vancouver, WA 98668 Phone: 206-573-2722

IN CANADA: Canadian Larsen Electronics, Ltd.  
283 E. 11th Avenue, Unit 101  
Vancouver, B.C. V5T 2C4 Phone 604-872-8517

Kūlrod® is a registered trademark of Larsen Electronics, Inc. in USA and Canada.

Kūlrod® is a registered trademark of Larsen Electronics, Inc. in USA and Canada.



digit strobes: 8, 7, 6, 5, 5 (again), 4, 3, and 2, are selected by a 3-bit address called C, B, and A. The high order bit is C. Using the input-display-select line, this is 0 for kHz and 1 for MHz (really not kHz). The B and A digits are the timebase-select outputs ( $Q_1$  and  $Q_2$ ) of the 4013 flip-flops.

The prescaled MHz decimal point placement requires a modified input of the digit strobes for the MHz section of the 74C151. Here the 74C157 is used to select either strobes 8, 7, 6, and 5, for normal MHz, or 6, 5, 4, and 3, for the prescaled MHz display. As you might guess, the PM (Prescaled MHz) control line, when active, selects the B-side strobes.

The complete decimal point circuit is shown in Fig. 16. The four high-order strobes to the 74C151 are selected by the 74C157, with the lowest group of four appearing as direct inputs for the kilohertz presentation.

As the 74C151 is addressed by the two output bits from the timebase select counter, the chosen digit strobe is sent out via the Y output (pin 5) to the data input of IC31, a 4013 flip-flop. IC35 can also be enabled by a separate strobe line itself, but here the outputs are always enabled by grounding pin 7. At IC31, the selected digit strobe is clocked by a 100-kHz signal through the AND gate of IC18, enabled by control line F (Frequency mode). The Q output sends the strobe, as mentioned earlier, to the 7030 decimal-point input at pin 10, and to the 75491 driver to the decimal point segments of the display. The leftover portion of IC22 is shown wired as an inverter to take the blank signal from the 7030 (pin 11) and properly reset IC3, preventing possible display damage. The 100-kHz clocking signal is more than adequate to accurately follow the 1-kHz scanning rate.

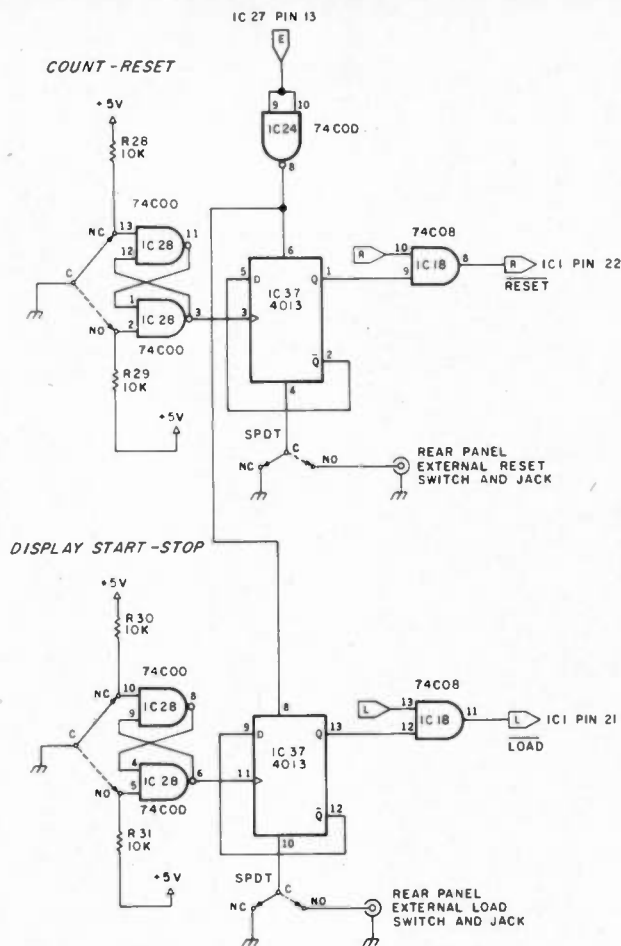


Fig. 15. Count-reset and display start-stop.

Another feature is that leading zero blanking is automatic when the decimal point is not used.

It might be helpful to remember that the digit strobe selection given here is for right-hand decimal-point displays. Left-hand decimal-point displays would use strobes 1-7 and 2-8.

### Front Ends and Odds

The input-signal conditioner, so well-loved and remembered from Elementary Counting, is manifested in a Hi-Z dc 5-MHz preamp, and a 5-500+ MHz Lo-Z divide-by-100 prescaler amplifier.

The Hi-Z unit (see Fig. 17) also was borrowed from WA1UFE's fine counter article in the December, 1976, 73 Magazine. The only change I made was to omit the 68-pF silver mica capacitor shunting the 100k input resistor. Since the preamp is used only to 5 MHz, or so,

this "speed-up cap" was not needed. Besides, I didn't have one in my junk box!

The same fine performance noted by WA1UFE still holds for my rendition of this excellent design. I do have something to contribute, however. An easy PC-board layout using tape is shown in Fig. 18(a), full-sized, with foil and component sides illustrated.

The Lo-Z 5-500-MHz preamp is also easily done with the "tape'n etch" method of PC-board fabrication. Fig. 20(a) gives the pattern for the board layout, while Fig. 19 shows the schematic. The basic design is from K4GOK, with some later embellishments by K4JIU in the February, 1978, issue of *Ham Radio*. My sole contribution, aside from the PC board, is the 39-Ohm emitter resistor in place of the earlier 47-Ohm one. This increases the current through the 2N5179 and lowers the input imped-

ance a bit, but significantly improves the low end (5-10 MHz) sensitivity.

The 11C90 ECL prescaler is no longer a stranger to experimenters, so it will not be elaborated on. (See the article by K20AW in the October, 1976, 73 if you want some good 11C90 information.) Although the 11C90's price has dropped somewhat, I was still nervous, after soldering it in place, to apply power.

The 74196 divides the 11C90's pin 7 divide-by-ten output by 10 again, giving a divide-by-100 output. The output taken is the  $Q_C$  output from pin 2 instead of the usual pin 12  $Q_D$  output commonly employed. The frequency is the same from each, but the  $Q_C$  output has a 60% duty cycle compared with the 90%  $Q_D$  duty cycle. This is done for the benefit of the 7030, which, from its data sheet, prefers as close to a 50% duty cycle as possible. It is only towards the operational limits of any device, including the 7030, that details such as this become important. Experience is a thorough, if humbling, teacher.

Both preamp boards are mounted by small right-angle brackets inside a small aluminum minibox (the 3 × 2 × 1 1/4-inch Bud Z100). UG-290 BNC connectors are used for the inputs, and their bolts hold the preamp box securely. I can't say for certain whether or not these shielding precautions are absolutely required, but there is no false triggering from strong nearby rf energy, either. Small-diameter coax (RG-174/U or similar) is used to bring both boards' outputs to the PC-board edge connector.

These TTL signals are converted into CMOS signals by a neat trick peculiar to CMOS. CMOS inputs are not directly connected to the outputs. Also, inputs can be paralleled for increased fan-in (the maximum number of allowable inputs), and the

Introducing incredible tuning accuracy at an incredibly affordable price: The Command Series RF-3100 31-band AM/FM/SW receiver.\* No other shortwave receiver brings in PLL quartz synthesized tuning and all-band digital readout for as low a price.† The tuner tracks and "locks" onto your signal, and the 5-digit display shows exactly what frequency you're on.

There are other ways the RF-3100 commands the airways: It can travel the full length of the shortwave band (that's 1.5 to 30 MHz). It eliminates interference when stations overlap by narrowing the broadcast band. It improves reception in strong signal areas with RF Gain Control. And the RF-3100 catches Morse

communications accurately with BFD Pitch Control.

Want to bring in your favorite programs without lifting a finger? Then consider the Panasonic RF-6300 8-band AM/FM/SW receiver (1.6 to 30 MHz) has microcomputerized preset pushbutton tuning, for programming 12 different broadcasts, on the same broadcast 12 days in a row. Automatically. It even has a quartz alarm clock that turns the radio on and off to play your favorite broadcasts.

The Command Series RF-3100 and RF-6300. Two more ways to roam the

globe at the speed of sound. Only from Panasonic.

Shortwave reception will vary with antenna, weather conditions, operator's geographic location and other factors. An outside antenna may be required for maximum shortwave reception.

\*Based on a comparison of suggested retail prices.



## This Panasonic Command Series™ shortwave receiver brings the state of the art closer to the state of your pocketbook.



**With PLL Quartz Synthesized Tuning and Digital Frequency Readout.**

380 **Panasonic**  
just slightly ahead of our time.



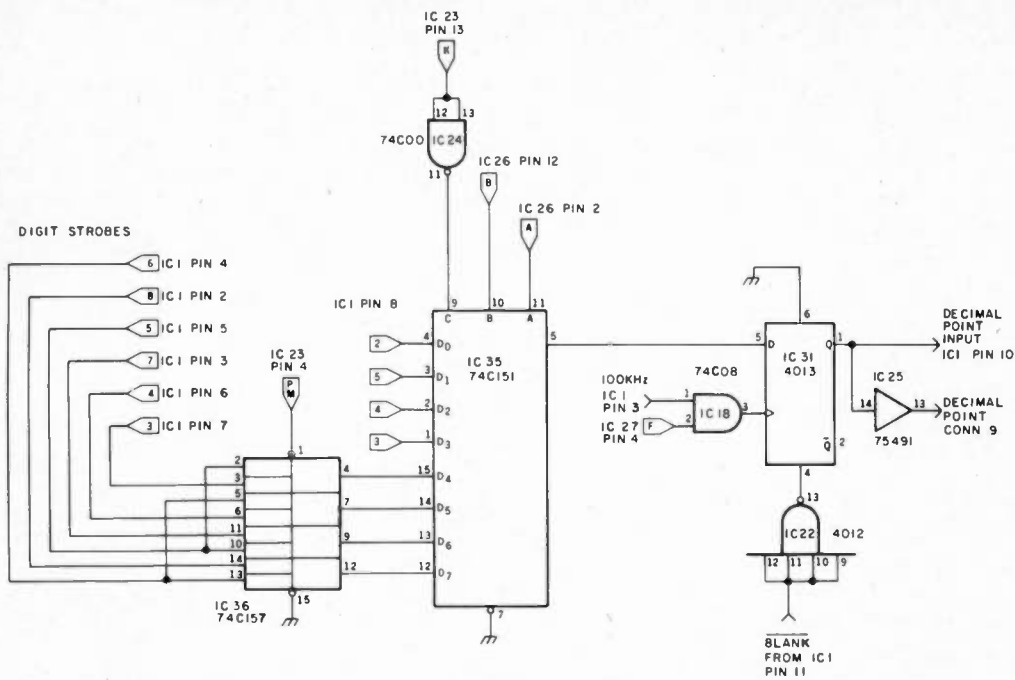


Fig. 16. Decimal point.

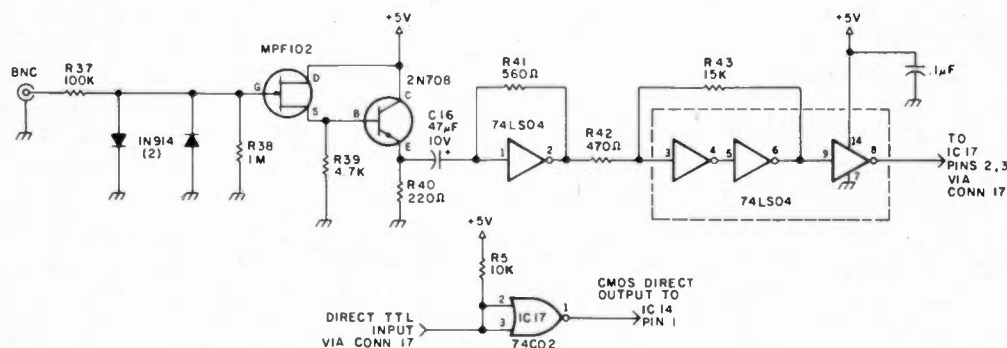


Fig. 17. Hi-Z dc to 5-MHz input preamplifier.

outputs for increased fan-out (the output load-driving capability).

The 74C02, IC17, is an example of how this CMOS quad 2-input NOR is put to work as a TTL-to-CMOS converter. Even though its physical location is on the main wire-wrapped board, it is shown in the front-end schematics of Fig. 17 and Fig. 19.

The output of the Hi-Z unit, a 74LS04 of modest power requirements, is converted to CMOS compatibility by a single NOR gate with two inputs tied together with a 10k-ohm pull-up resistor to help the TTL 1 output up to a comfortable CMOS level.

Fig. 19 shows the remaining three 2-input NOR gates

used to interface the Lo-Z preamp with the CMOS main counter circuitry, with all inputs and outputs in par-

allel. Try this with something other than CMOS logic! Such an arrangement provides needed buffering for the power-hungry 74196 output transistors.

Sensitivities for the Lo-Z unit are adequate between 5 and 10 MHz, becoming terrific out to the limits of my stone-age rf generator. With graphs and numbers aside, though, it's a real kick to stand 25 feet away from the counter and read those half-inch digits as I key my 1-Watt, 2-meter FM transceiver.

The Hi-Z unit exhibits a usable sensitivity of about 45 mV at the low audio range, down to about 10 mV to its externally imposed 5-MHz limit, as closely as I can determine from base-ment measurements.

### Power Play

Power supplies are usually the most boring part of any project, thanks to the voltage regulator integrated circuit manufacturers. I suppose this machine is no exception, but I did have some surprises during construction.

There are three 3-terminal regulators used, two 7805s and one LM340T-8, as can be seen from Fig. 21. One 7805 (+5 volts) is housed inside the box containing the

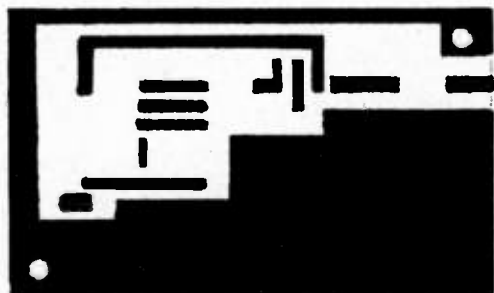
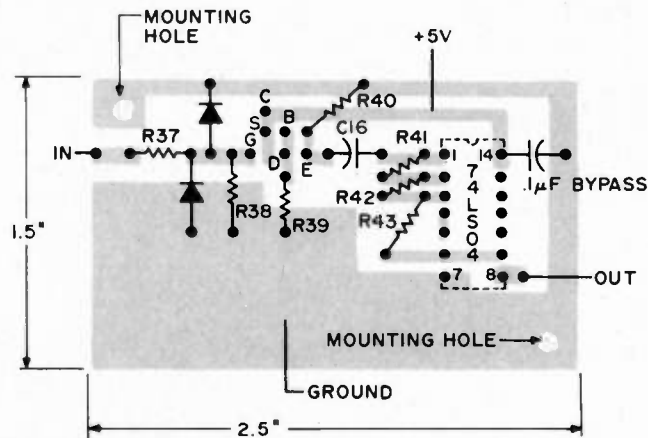


Fig. 18(a). Hi-Z preamp PC layout.



ALL HOLES ON .1" GRID, CENTERED. MATERIAL: VECTOR 169P44 I

Fig. 18(b). Parts placement for Hi-Z preamp PC layout.

# HT-Power!

MODULAR  
CONSTRUCTION

## Super Stick II

+ 9 db 5/8 wave + 3 db 1/4 wave  
(Determined by field strength tests)

Plus A 2 Meter *Tuned Duck*® for Under A Buck

**\$19.99 + 1¢**  
FOR THE PAIR

RD2S

### THE WORD IS OUT

REPLACEABLE

TELESCOPIC  
SECTION

The SSII 5/8 Wave Antenna exhibits 9db gain over a RD2S Tuned Rubber Duck and 3db when collapsed to a 1/4 wave . . . The word is out, of all 5/8 Wave HT Antennas tested only the SSII when collapsed to a 1/4 wave exhibited gain over a Rubber Duck. In fact, all other 5/8 wave HT Antennas tested were 1 to 4db below a Rubber Duck in the collapsed mode. In the 5/8 wave mode the SSII was equal to or exhibited as much as 2db gain over all other 5/8 wave HT Antennas tested . . . and the RD2S Short Duck was equal to or exhibited up to 4db gain over all other rubber ducks tested.

With SSII's modular construction you can replace or exchange any of the 5 types of base connectors available (BNC, TNC, PL-259, Tempo/Mot, F-type) . . . plus the telescopic section may be replaced for only \$5.00, another Tuned Antenna exclusive. The tuned loading coil/spring is soldered to the machined end caps not swagged . . . and there are no ticky tacked capacitors or leads in the SSII's loading coil to break.

There are no short cuts in designing and building antenna's at these high frequencies. Soldered connections and antennas actually designed and tuned on the HT are mandatory to achieve maximum reliability and performance.

The Tuned Antenna Co. is the only manufacturer that specifies the gain of their 5/8 Wave HT Antenna in db at 1/4 wave and 5/8 wave over a rubber duck. These gain figures have been obtained from extensive field strength readings, using HT's and HT Antennas for the test . . . maximum effective radiated power is the result of efficient antenna design. Remember 5 watts into a 50 ohm dummy load with an swr of 1.1:1 = 0 erp.

Now you know why the word is out. The Super Stick II and RD2S Short Duck gives your HT the effective radiated power you need to make those long hauls. Join the tens of thousands of satisfied customers. Call one of our 112 dealers today. The perfect pair is a limited offer so call today.

TUNED  
COIL-SPRING

THIS MULTI-BASED  
SYSTEM. FITS ANY HT  
BNC, TNC, PL-259  
"F" TYPE MS-TEMPO

57

For Dealer Location or To Order Call

**(714) 268-0720**



SAITEC ST-144/μP

Compliments of ENCOM

THE TUNED ANTENNA CO., 9520 Chesapeake Dr., #606, San Diego, CA 92123

front-end boards, and the TO-220 package is bolted to the aluminum case. Total power drawn for the front end is about 200 mA, most of which is eaten up by the Lo-Z board, as you might imagine, with its 11C90 and 74196.

The entire counter board, with the exception of the 75492s, is powered from the other 7805 and draws a scant 150 mA at 5 MHz. Yet CMOS has the rather nice property of using power only when it switches on or off, and practically zilch when static. Of course, the higher the frequency of switching, the greater the power consumption.

The LED indicators and the FND 500 seven-segment display drivers are driven from the LM340T-8, an 8-volt regulator used to brighten the front panel a bit. Both the 8-volt and 5-volt regulators are heat-sunk (sunk?) by being bolted to the L bracket holding the 44-pin edge connector.

Back in the discussion on the master oscillator, the 723 regulator was explained, so I won't subject you to it again! The experience with the crystal oven does merit a few observations, however. The oven draws 750-800 mA at 9 volts. I had originally used a 5-volt LM309K raised by a 1.1k resistor "pedestal" (between the case common and the circuit ground) to 8 + volts. This was all mounted on the master-oscillator board inside the minibox.

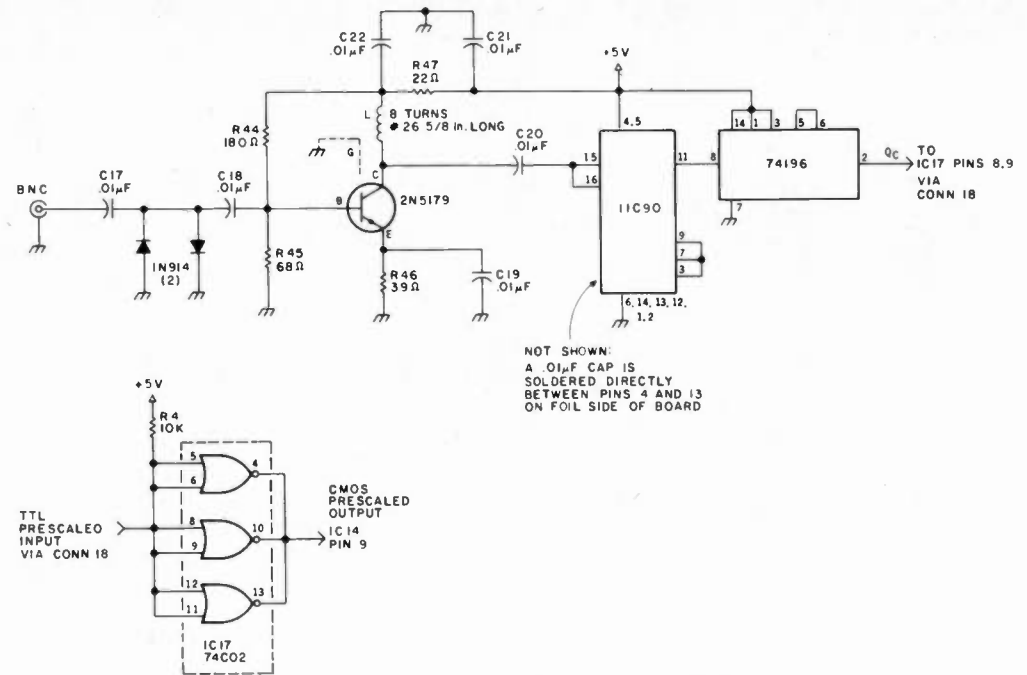


Fig. 19. Lo-Z 5-500-MHz input amplified prescaler ( $\div 100$ ).

Out on the bench in free air, it worked great. Buttoned up, however, the oven would cease to function after a few minutes. After a little careful thought along with my consternation, I figured out that the 309 was entering its thermal-shut-down mode because I had neglected to properly heat-sink it. The air circulation in the haywired stage of the design had lulled me into a false confidence that "everything would be cool" once it was inside the minibox.

After ripping this failure out, I solved the whole problem with a single resistor, a capacitor, and Ohm's law. The raw dc from the full-wave rectifier was about 12 volts. Since the oven operates at 9 volts, I needed the

value of resistor that would drop about three volts when the oven kicked in.

Ohm's law, assuming a 12-volt supply and a current of 750 mA, gave a 4-Ohm resistor value (3-volt drop =  $750 \text{ mA} \times 4 \text{ Ohms}$ ) to produce the desired 9 volts for the oven. When the oven was off, the unloaded circuit voltage would climb back up to 12 volts, but that didn't matter.

I had a 5-Ohm resistor handy so it was tried, with success, even though the oven voltage was just a little over 8 volts. A 10-Watt resistor hardly gets warm, and a 5-Watt would probably be fine. The capacitor smooths the ripple resulting from the

extra load on the transformer when the oven is operating. A front-panel LED turns on with the oven to show when the oven is active.

The 7030, being a good PMOS device, requires a negative bias when interfacing with TTL and CMOS. I used the brute force method of a separate transformer and a half-wave rectified 12-V zener diode to supply it with  $-12 \text{ V}$ . Because only a few mA are drawn, however, virtually any arrangement that will provide a  $-12\text{-V}$  bias would work here.

At one point during the breadboarding stage, I was using a zener-biased pass-

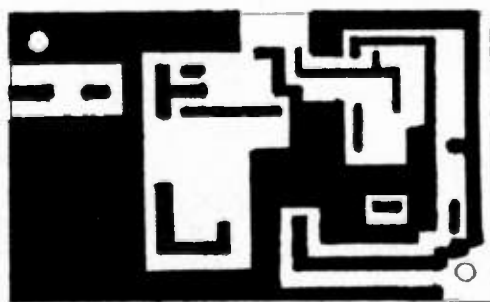


Fig. 20(a). Lo-Z prescaler ( $\div 100$ ) PC layout.

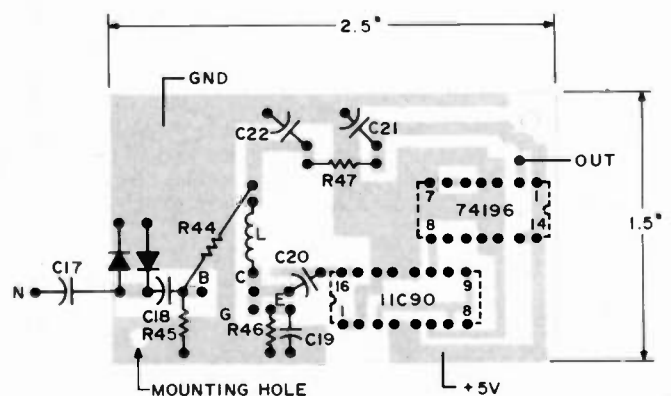


Fig. 20(b). Parts placement for Lo-Z prescaler ( $\div 100$ ) PC layout.



## WORLD TIME WATCH

the first microprocessor watch  
made especially for hams



24 hr. timer  
microprocessor  
water resistant  
solar assist  
  
New Low Price  
-\$59.95

The HAM-1 functions include local time, world time, (G.M.T. too) count-up and count down chronometer, day, month, date, alarm and hourly chime. It's ideal for log-keeping, DX time conversion and 10 minute I.D. timing. The HAM-1 features a high contrast Seiko display and solar cell battery assist. Battery life is better than 4 years. The HAM-1 is water resistant to 20 meters, the case is 100% solid stainless steel and the crystal is scratch resistant mineral glass. The HAM-1 is rugged and durable and has a 1 year warranty.

### 2 METER AMPLIFIER \$39.95



• 2 Watts In, 10 Watts Out • V.S.W.R. Protected • Can be Used for F.M. & S.S. B. • Led Status Indicators • Low Loss SO-239 Connectors • Current Drain Less Than 2.5A at 13.6 V.D.C. • Massive Heatsink • Built In T/R Switch

### TEMPO S-1 UPGRADE KITS \$39.95

Upgrade your early Tempo S-1 to current Production Specifications, kits include: • 450 M.A.H. Battery Pack • New Case Assembly • All New Escutcheons • Spkr./Mic. Jack w/Dust Cap • New Earphone & Jack • P.C.B. and Parts for Easy Installation • Detailed Instruction Manual • For Radios With & Without T.T. Pad.

Other Accessories Available:

Spkr/Mic. Designed for S-1's . . . \$24.95  
Heavy Duty Belt Clip . . . . . 7.50  
Flex Antenna . . . . . 6.00

To Order Call or Write to:

ADVANCED COMMUNICATIONS  
INTERNATIONAL  
2411 Lincoln Avenue ✓ 448  
Belmont, CA. 94002 U.S.A.  
(415) 595-3949

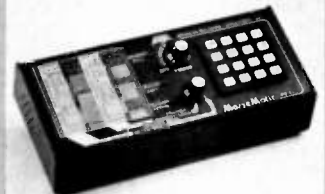
Add \$3.00 per order for shipping & handling. California residents add 6% sales tax. Visa, Master Charge accepted.

# COMPUTERIZED MORSE KEYERS

AEA, the first company to introduce microcomputerized products to the Amateur Radio market, is proud to announce the second generation of computerized electronic keyers. Each keyer is pre-programmed, no computer language is required of the operator. The easy to use keypads eliminate up to 75 switches or potentiometers, thereby greatly simplifying the operation of such sophisticated keying systems. We invite you to compare the features of our keyers (shown below) to ANY others.

IMPORTANT KEYS AND/OR TRAINER FEATURES	AEA MM-2	AEA KT-2	AEA CK-2
Speed Range (WPM)	2-99	1-99	1-99
Memory Capacity (Total Characters)	500	N/A	500
Message Partitioning	Soft	N/A	Soft
Automatic Contest Serial Number	Yes	N/A	Yes
Selectable Dot and Dash Memory	Yes	Yes	Yes
Independent Dot & Dash (Full) Weighting	Yes	Yes	Yes
Calibrated Speed, 1 WPM Resolution	Yes	Yes	Yes
Calibrated Beacon Mode	Yes	N/A	No
Repeat Message Mode	Yes	N/A	Yes
Front Panel Variable Monitor Frequency	Yes	Yes	Yes
Message Resume After Paddle Interrupt	Yes	N/A	Yes
Semi-Automatic (Bug) Mode	Yes	Yes	Yes
Real-Time Memory Loading Mode	Yes	N/A	Yes
Automatic Word Space Memory Load	Yes	N/A	Yes
Instant Start From Memory	Yes	N/A	Yes
Message Editing	Yes	N/A	Yes
Automatic Stepped Variable Speed	No	No	Yes
2 Presettable Speeds, Instant Recall	No	No	Yes
Automatic Trainer Speed Increase	Yes	Yes	N/A
Five Letter or Random Word Length	Yes	Yes	N/A
Test Mode With Answers	Yes	Yes	N/A
Random Practice Mode	Yes	Yes	N/A
Standard Letters, Numbers, Punctuation	Yes	Yes	N/A
All Morse Characters	Yes	Yes	N/A

### MM-2



MorseMatic™

### KT-2



Keyer Trainer

### CK-2



Contest Keyer

For more information write AEA, or better yet see your favorite dealer for a demonstration.

Software ©copyright by AEA.

PRICES AND SPECIFICATIONS SUBJECT TO CHANGE WITHOUT NOTICE OR OBLIGATION.

## ADVANCED ELECTRONIC APPLICATIONS, INC.

P.O. Box C-2160,  
Lynnwood, WA 98036  
(206) 775-7373

Telex: 152571 AEA INTL

# AEA

Brings you the  
breakthrough!

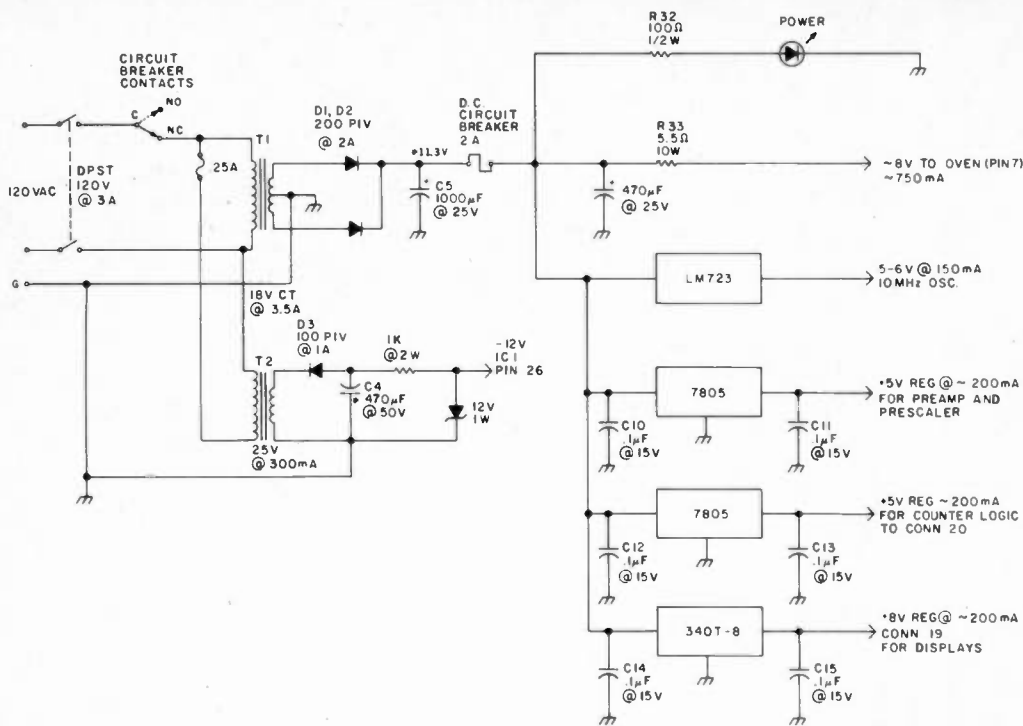


Fig. 21. Power.

transistor arrangement for the negative bias. Suddenly, I noticed the counter behaving erratically, giving some strange readings. After a few minutes of probing around, I was horrified to discover that the pass transistor had shorted and the -12-V nominal bias had soared to -32 volts! This, with the +5-volt positive supply,

meant that the 7030 was enduring 37 volts! I was certain the 7030 had counted its last, but it survived, and so did I! In the interest of simplicity, I fell back to the present bias arrangement shown in Fig. 21, and there are no regrets yet.

Besides the ordinary fused primary-transformer-winding protection, I used a

2-Amp dc circuit breaker in series with the 12-volt positive supply. If this CB should trip, the ac line voltage will then drop out through the CB's external switch contacts. A dc circuit breaker is certainly not a necessity, but they can be had in most surplus houses for a dollar or so. I also used a DPDT power switch to completely disconnect the ac from any part of the counter when power is off. Because there are no CMOS inputs normally left floating, potential static damage is not a concern, either.

The power pilot LED is

another of those weird yellow jobs that has its attendant 100-Ohm series resistor. It provides a good bright light when connected to the unregulated 12 V dc, as well it should!

All the 3-terminal regulators have 0.1 uF disc caps across the inputs and outputs for noise suppression and for better transient response (so I'm told). As the oven turns on, the raw dc drops to about 10.8 V, still plenty to properly power the various regulators. The main transformer for the positive supply used was one purchased from my friendly neighborhood Radio Shack, the RS273-1514, rated 18 V CT at 3.5 Amps. This is more than adequate, and a similar 2-Amp transformer would be sufficient.

### Construction Techniques

Most of this counter is wire-wrapped. Everything but the master oscillator, the power supply, and the two preamps are crammed on a Vector 3662 wire-wrapping board, with the matching 44-pin edge connector mounted on a homemade 1/8-inch aluminum L bracket. There is nothing sacred about using an edge-connected board. A cheaper perfboard would be adequate, but the plug-in board is handy for troubleshooting and easy modification.

The seven-segment displays also are pluggable.

- |   |                           |
|---|---------------------------|
| 22. 1-MHz 12-pin 74LS90 (master oscillator) | Z. Lamp test NO H4, pin 3 |
| 21. Ground                                  | Y. Gate LED H4, pin 4     |
| 20. +5 V                                    | X. Load NO contact        |
| 19. +8 V                                    | W. Load NC contact        |
| 18. Prescaled inputs (Lo-Z)                 | V. Reset NO contact       |
| 17. Direct input (Hi-Z)                     | U. Reset NC contact       |
| 16. IC25, pin 9—segment a                   | T. Freq. LED H5, pin 1    |
| 15. IC25, pin 6—segment b                   | S. Period LED H5, pin 2   |
| 14. IC25, pin 2—segment c                   | R. Events LED H5, pin 3   |
| 13. IC21, pin 13—segment d                  | P. Mode NO contact        |
| 12. IC21, pin 9—segment e                   | N. Mode NC contact        |
| 11. IC21, pin 6—segment f                   | M. kHz LED H5, pin 6      |
| 10. IC21, pin 2—segment g                   | L. MHz LED H5, pin 7      |
| 9. IC25, pin 13—segment D.P.                | K. Pre-MHz LED H5, pin 8  |
| 8. IC34, pin 2—digit strobe 8               | J. Input display NC       |
| 7. IC34, pin 1—digit strobe 7               | H. Input display NO       |
| 6. IC29, pin 13—digit strobe 6              | F. 0.1-sec LED H6, pin 4  |
| 5. IC29, pin 9—digit strobe 5               | E. 1-sec LED H6, pin 5    |
| 4. IC29, pin 7—digit strobe 4               | D. 10-sec LED H6, pin 6   |
| 3. IC29, pin 6—digit strobe 3               | C. .01-sec LED H6, pin 3  |
| 2. IC29, pin 2—digit strobe 2               | B. Timebase NO contact    |
| 1. IC29, pin 1—digit strobe 1               | A. Timebase NC contact    |

All LED connections are to cathodes. Anodes are tied to +8 V on front panel. All switch commons are grounded on front panel.

Fig. 22(a). Logic-card edge-connector pin designation.

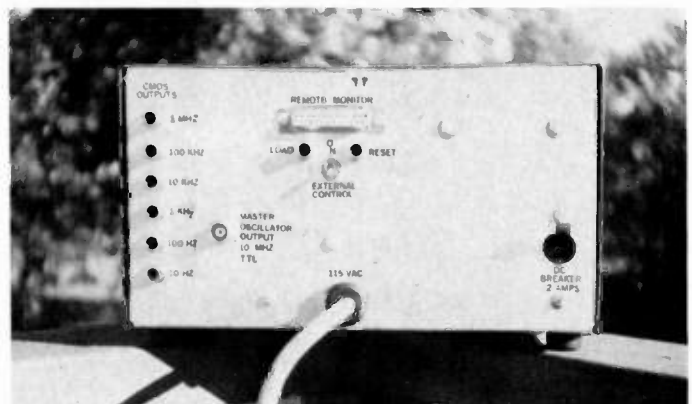


Photo B. The Universal Counter's back panel provides outputs from different points on the timing chain and allows the use of a remote monitor.

**ALL YOUR GEAR AT YOUR FINGERTIPS IN A CONVENIENT CONSOLE DESK**

Requires only 60" corner space  
Formica desk top and shelves  
Shelf height adjustable  
Solid maple legs  
\$495.00 check or M.O.  
Shipped freight collect  
Allow 30-45 days delivery

Send for detailed brochure

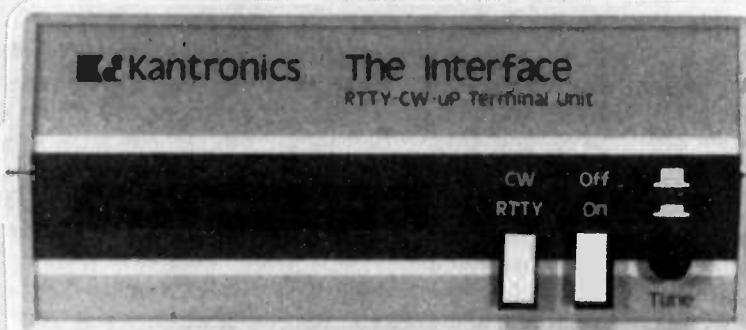
**CQ PRODUCTS**

8280 Janes Ave.  
Suite 137-1700  
Woodridge, IL. 60517



(Chair and equipment not included)  
Weight of table is 250 lbs.

# Put Your Computer "On-The-Air"



## The Interface™ Sugg. Price \$189.95

Your personal computer becomes a complete CW/RTTY/ASCII send and receive terminal with The Interface linking it to your transceiver.

If you own an Apple II or Apple II Plus, Atari 400 or 800, TRS-80 Color Computer, or VIC-20, The Interface will put your computer "On-The-Air".

Software for each system features split screen display, buffered keyboard, status display, and message ports. Attach any Centronics compatible printer for hard copy. Software is available, on diskette for the Apple and program boards for the others, at an additional cost.

Apple diskette	Atari board	VIC-20 board	TRS-80C board
\$29.95	\$49.95	\$49.95	\$59.95

See The Interface at your authorized Kantronics dealer, or contact:

# Kantronics

(913) 842-7745 1202 E. 23rd Lawrence, Kansas 66044

## BASE RINGO RANGER II

- 7dB GAIN
- HIGHEST GAIN
- 2 METER OMNI
- OUTPERFORMS CONE AND DOUBLE ZEPP
- WORK MORE STATIONS
- ELIMINATE NOISE
- LIGHTNING PROTECTED
- ACCESS MORE REPEATERS
- ASSEMBLE EASILY
- INSTALL QUICKLY
- A COMPLETE ANTENNA
- ALL PARTS INCLUDED
- 600,000 HAPPY USERS
- BECOME ONE TODAY
- ARX-2B 134-164MHz
- ARX-220B 220-225MHz
- ARX-450B 435-450MHz

# TERRIFIC 2 METER RANGERS

## MOBILE RANGERS

- MORE RANGE
- 3 dB GAIN
- 5/8" 304 STAINLESS WHIP
- GRIP TIGHT 90LB MAGNET
- CHROME PLATED BASE
- NEAT APPEARANCE
- THUMB LOCK ADJUSTMENT
- NO WHIP CUTTING
- LOW PRICE
- MAGNETIC MOUNTS
- AMS-147 146-148 MHz
- AMS-220 220-225 MHz
- TRUNK LIP MOUNTS
- ATS-147 146-148 MHz
- ATS-220 220-225 MHz

## MOBILE

BUY FROM YOUR DEALER



THE ANTENNA COMPANY

48 Perimeter Road, P.O. Box 4680  
Manchester, NH 03108  
Telex - 953050

106



Some DIP wire-wrapped sockets were cannibalized, the pieces were spaced on a narrow 6" piece of .1" perf-board, and the eight FND 500s were mounted. The segment pins then were wrapped daisy-chain style in parallel; these seven wires, plus the decimal-point wire and the eight common-cathode wires, form one wiring harness to the 44-pin edge connector. The other harness is composed of the cathodes of the eleven front-panel LEDs (crystal-oven and power-indicator wires are brought out separately) and eleven wires from the six push-button switches (5 SPDT and the SPST lamp-test switch). Other edge connector connections include +8 volts, +5 volts, the 1-MHz signal from the master oscillator board, and the two front-end signals. A ground completes the 44 pins—see Fig. 22(a). The -12-V bias is jumpered directly to pin 26 of the 7030 on the pin side of the board.

Five 16-pin DIP headers (Radio Shack 276-1980) are used to hold the 10k pull-up resistors, the LED current limiting resistors, and the two RC networks—see Fig. 22(b). Once again this is convenient, as these component carriers plug right into 16-pin wire-wrap sockets.

I decided to tap the available source of pulses always present in the oscillator divider chain for an external set of test signals, as shown in Fig. 22(c). Six frequencies, 1 MHz, 100 kHz, 10 kHz, 1 kHz, 100 Hz, and 10 Hz, were buffered with a 4049 hex inverter. A 16-conductor ribbon cable with a DIP socket takes the six signals to some RCA phono jacks mounted on the right rear chassis next to the master oscillator and crystal oven. These output connectors are quite suitable, as CMOS square-wave signals do not generate as many harmonics as do similar-frequency TTL signals, because of the slower rise times. The

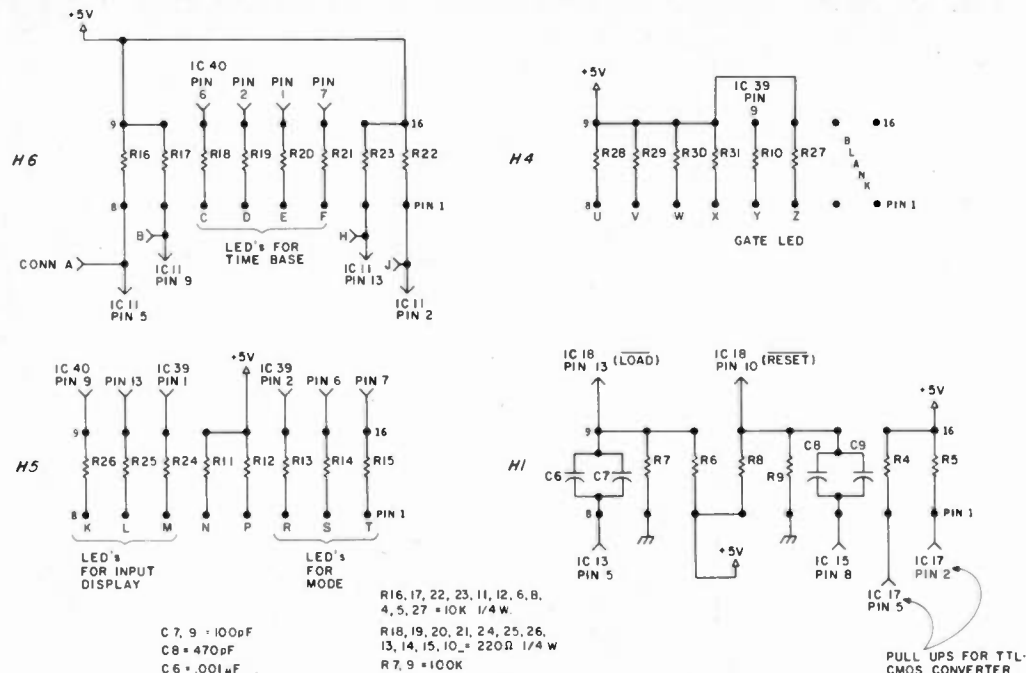


Fig. 22(b). DIP component carriers.

10-MHz TTL master oscillator test signal does use a BNC output connector, however. All seven test outputs are dc-coupled by choice.

An EIA RS232C-type 25-pin connector is also on the back, labeled "Remote Monitor." Using the BCD (Binary Coded Decimal) outputs of the 7030 with each digit clocked out by its strobe, the information in the counter is made available to any desired external device that is plugged in. Movable jumpers soldered to the RS232 connector can sample this display information as well as enable the remote control of counter operations. An obvious candidate for such connection would be a microprocessor. If such mating is desired, it would be wise to recall that the sampling rate is equal to the multiplexed-display scan rate (1 kHz for this machine).

A DPDT switch, also on the back panel, selects whether or not the display-start-stop and count-reset 4013, IC37, flip-flop is controlled from the front push-buttons or from another external source via two more RCA phono jacks.

The push-button switches are surplus computer types, bought for \$1 each. They are large and bulky, but they "click" nicely. You could use whatever momentary SPDT switches are suitable and/or available.

Radio Shack was the source of the cabinet. Two reinforcing rods made from scrap phenolic are used to stabilize the chassis which

becomes a little unsteady after all the components are mounted. It is quite sturdy, though, when the vinyl-clad steel cover is in place.

The jumbo LEDs are mounted in "Clip-lite" holders in 1/4-inch holes. These sharp-looking mounting devices are worth every penny. You'll not be sorry if you spend for them. Quest Electronics (PO Box 4430C,

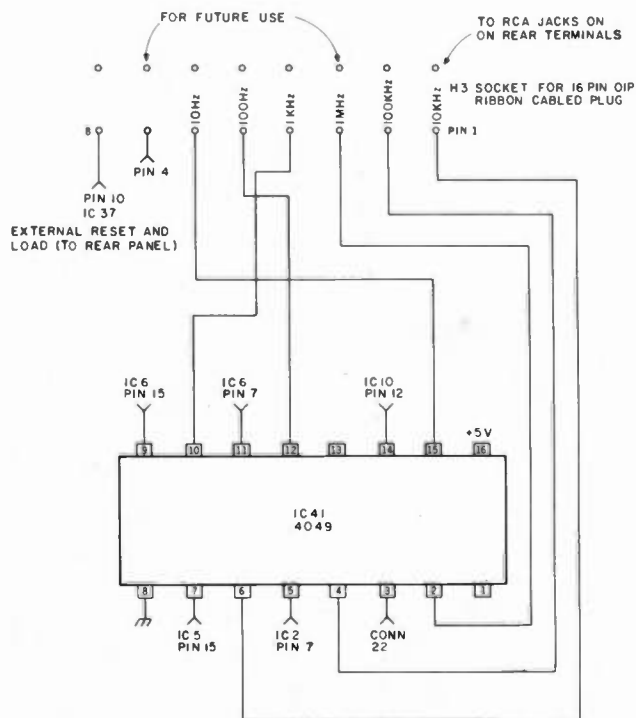


Fig. 22(c). CMOS test-signal output buffer.

# BOOKS

73 Magazine, Pine Street, Peterborough, N.H. 03458

Please send me the following 73 products:

Qty.	Catalog #	Title	Unit Price	Total

Please allow 4-6 weeks for delivery. Shipping/handling \_\_\_\_\_

No C.O.D. orders accepted.

Enclosed \$ \_\_\_\_\_  Check  M.O. Total \_\_\_\_\_

Bill:  AE  MC  Visa

Card # \_\_\_\_\_ Exp. date \_\_\_\_\_

Signature \_\_\_\_\_ Interbank # \_\_\_\_\_

Name \_\_\_\_\_

Address \_\_\_\_\_

City \_\_\_\_\_

State \_\_\_\_\_ Zip \_\_\_\_\_

Shipping and handling charges: \$1.50 1st book, \$1.00 each additional book (UPS, use street address) \$10.00 each book overseas airmail
---

9-82

# SUBSCRIPTIONS

73 Magazine, P.O. Box 931, Farmingdale, N.Y. 11737

73 subscribers  
 save 30%  
 off the  
 newsstand price.

New subscription  1 year \$19.97

Enclosed \$ \_\_\_\_\_  Check  M.O.  
Bill:  MC  Visa  AE  me

Card # \_\_\_\_\_ Exp. date \_\_\_\_\_

Signature \_\_\_\_\_ Interbank # \_\_\_\_\_

Name \_\_\_\_\_

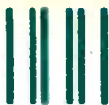
Address \_\_\_\_\_

City \_\_\_\_\_ State \_\_\_\_\_ Zip \_\_\_\_\_

Canada & Mexico \$22.97 1 year U.S. funds only.  
Foreign surface—\$39.97 1 year U.S. funds drawn on US bank only  
Foreign airmail—please inquire.

Please allow 6-8 weeks for delivery.

329B69



NO POSTAGE  
NECESSARY  
IF MAILED  
IN THE  
UNITED STATES

---

**BUSINESS REPLY CARD**

FIRST CLASS PERMIT NO 73 PETERBOROUGH NH 03458

---

POSTAGE WILL BE PAID BY ADDRESSEE

**73 MAGAZINE**  
Subscription Dept.  
POB 931  
Farmingdale NY 11737



NO POSTAGE  
NECESSARY  
IF MAILED  
IN THE  
UNITED STATES

---

**BUSINESS REPLY CARD**

FIRST CLASS PERMIT NO 73 PETERBOROUGH NH 03458

---

POSTAGE WILL BE PAID BY ADDRESSEE

**73 MAGAZINE**  
Att. Mail Order  
Peterborough  
NH 03458





We accept VISA, MC, C.O.D., CHECK or M.O.

# FIRST QUALITY COMPONENTS - NOT MAIL ORDER "SECONDS"

Min order \$10.00 - add 5% Shpg and \$1.00 Ins

## ARIES ZERO INSERTION FORCE SOCKETS



cam actuated, true zero insertion - tin plated solder tail pins - capable of being plugged into dip sockets, including wire wrap

Stock No.	No. Pins	1-24	25	50
11055	24	4.35	\$3.90	\$3.60
11056	28	4.50	4.05	3.75
11057	40	5.95	5.35	4.95
11058	64	10.50	9.45	8.70

## RESISTOR ASSORTMENT

82508 700 pcs (1 each below assort d) **\$22.50**  
 Stock No. 82501 10 ea. of 10-12-15-18-22-27-33-39-47-56 OHM  
 Stock No. 82502 10 ea. of 68-82-100-120-150-180-220-270-330-390 OHM  
 Stock No. 82503 10 ea. of 470-560-680-820-1K-1.2K-1.5K-1.8K-2.2K-2.7 OHM  
 Stock No. 82504 10 ea. of 3.3K-3.9K-4.7K-5.6K-6.8K-8.2K-10K-12K-15K-18K OHM  
 Stock No. 82505 10 ea. of 22K-27K-33K-39K-47K-56K-68K-82K-100K-120K OHM  
 Stock No. 82506 10 ea. of 150K-180K-220K-270K-330K-390K-470K-560K-680K-820K OHM  
 Stock No. 82507 10 ea. of 1M-1.2M-1.5M-1.8M-2.2M-2.7M-3.3M-3.9M-4.7M-5.6M OHM

\$3.95 each for any assortment

## WILD ROVER

Touch switch capsule  
 Operating motion is .005" without the use of a levered arm. Extremely fast on and off with low noise. Normally open - rated 115 VAC, 1.6 amp 30 milliohm resistance - .615 radius by .160 thick.  
 Stock No. 1-9 10 25  
 12098 \$1.28 \$1.12 \$ .95



## 60/40 ROSIN CORE SOLDER

Stock No.	Length (feet)	Weight (oz.)	Price
50075	062	9 1.5	\$3.28
50076	062	25 4	4.36
50077	062	50 8	8.02
50078	032	33 1.5	4.08
50079	032	88 5	4.16
50080	032	175 8	6.82



## TI WIRE WRAP SOCKETS

Tin plated phosphor bronze contact - 3 wrap



Stock No.	No. Pins	1-24	25	100
11301	8	\$4.55	40.5	36
11302	14	86	59	54
11303	16	72	84	58
11304	18	82	73	66
11305	20	1.11	99	90
11306	22	1.26	1.12	1.02
11307	24	1.41	1.25	1.14
11308	28	1.71	1.52	1.38
11309	40	2.31	2.05	1.86

## TI LOW PROFILE SOCKETS

Tin plated phosphor bronze contact pins with gas tight seal



Stock No.	No. Pins	1-24	25	100
11201	8	\$1.15	\$1.13	\$1.12
11202	14	1.18	1.15	1.14
11203	16	2.1	1.18	1.16
11204	18	2.4	2.1	1.19
11205	20	2.7	2.4	2.1
11206	22	3.0	2.6	2.3
11207	24	3.3	3.0	2.5
11208	28	3.8	3.4	2.9
11209	40	5.3	4.5	4.0

## ELPAC POWER SUPPLIES - DC/DC CONVERTERS



SINTEC Stock No.	ELPAC Part No.	Input Voltage (VDC)	Output Voltage (VDC)	Output Current (mA)	Dimensions (HxWxD) in inches	Price
13825	CB3801	3.0-7.0	12-10.6	0-25	48-51-3.05	7.95
13826	CB3811	3.0-7.0	12-10.6	0-25	48-51-3.05	7.95
13827	CB3802	3.0-7.0	15-10.7	0-20	48-51-3.05	7.95
13828	CB3812	3.0-7.0	15-10.7	0-20	48-51-3.05	7.95
13829	CB3804	3.0-7.0	28-10.7	0-10	48-51-3.05	7.95
13830	CB3814	3.0-7.0	28-10.7	0-10	48-51-3.05	7.95
13831	CL3801	4.0-7.0	12-10.6	125	85-11-2.17	59.95
13832	CL3811	4.0-7.0	12-10.6	125	85-11-2.17	59.95
13833	CL3802	4.0-7.0	15-10.7	100	85-11-2.17	59.95
13834	CL3812	4.0-7.0	15-10.7	100	85-11-2.17	59.95
13835	CL3804	4.0-7.0	28-11.4	50	85-11-2.17	59.95
13836	CL3814	4.0-7.0	28-11.4	50	85-11-2.17	59.95

Stock No. 13801 - "Floppy Disc" Power Supply For Winchester Drives **\$109.00**  
 13801-1 Data Sheet for 13801 1-25

## Special of the Month!



### DIGITAL MULTIMETER

Large easy to read .5" 3 1/2 digit display-200 hours operating life with single 9v alkaline battery-low battery polarity indicators - Five functions (DC Volts, Ohms, DC mA, AC Volts, Diode and transistor junction check in circuit)

Stock No. 82501 **\$54.95**

Stock No. 82502 **\$49.95**  
 Kit Form with instructions

## MOOUTEC



Miniclamp AC Volt-Ammeter allows singling one conductor out of many without disarrangement.

Stock No.	AC Amperes	Price
13730	0-25A	\$39.50
13731	0-50A	39.50
13732	0-100A	39.50

ACCESSORY LINE SPLITTER allows fast readings of AC power consumption of plug in equipment without separation of leads.  
 Stock No. 13727 **\$9.95**



POCKET SIZED BATTERY TESTER for all types of small batteries from 1.35v to 4.5v  
 Stock No. 13733 **\$13.95**



VOLT-I-CATOR automotive diagnostic meter plugs into lighter socket and indicates battery condition and charging rates.  
 Stock No. 13736 **\$12.95**

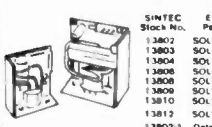


AC VOLTAGE TESTER plugs into any 110v service receptacle to check line voltage over 50-150 VAC  
 Stock No. 13735 **\$9.95**



VOM-MULTIMETER versatile Volt-Ohm-Milliammeter in small package  
 Stock No. 13729 **\$13.95**

## ELPAC POWER SUPPLIES - SOLV SERIES FULLY REGULATED



SINTEC Stock No.	ELPAC Part No.	Output Voltage	Output Current Rating	Dimensions (HxWxD) in inches	DIP	Price
13802	SOLV15-5	5	3.0A	4-7/16x4-2	Fixed included	\$36.95
13803	SOLV15-12	12	1.5A	4-7/16x4-2	Fixed included	30.95
13804	SOLV15-15	15	1.2A	4-7/16x4-2	Fixed included	30.95
13805	SOLV15-24	24	0.75A	4-7/16x4-2	Fixed included	30.95
13806	SOLV30-5	5	6.0A	5-5/8x7-7/8x3-1/16	DVP-4	59.95
13807	SOLV30-12	12	3.0A	5-5/8x7-7/8x3-1/16	DVP-4	59.95
13810	SOLV30-15	15	3.3A	5-5/8x7-7/8x3-1/16	DVP-4	59.95
13812	SOLV30-24	24	2.0A	5-5/8x7-7/8x3-1/16	DVP-4	59.95

13802-1 Data Sheet for SOLV Series 1-25

## PIN FORMING TOOL

puts IC's on their true row to row spacing. One side is for .300 centers, flip tool over for devices on .600 centers. Put device in tool and squeeze.

ONE TOOL DOES 8 Thru 40 PINS!  
 Stock No. 11059 **\$12.95**

## HUNTER TOOLS



8 Blades, sizes .050, 1/16", 5/16", 3/32", 7/64", 1/8", 9/64", 5/32"  
 STOCK NO. 51002 **\$3.45**

## CRIMPS #10 - #24 wire STRIPS solid #12-22 and stranded #14-24

THE PIKE 5 in 1 Tool  
 STOCK NO. 51005 **\$12.95**

# SINTEC CO.

Drawer Q Milford NJ 08848-9990



TOLL 800-526-5960  
 FREE in NJ (201) 996-4093

Send for Free Catalog - over 1100 parts

# LEARNING THE MORSE CODE?

## Try the All New AEA BT-1 - Basic Trainer For Morse Code

## 4511 RTTY Interface for TRS-80\* Color Computer Owners

- Simply plug into Program Pak\* slot.
- No software to load, it is in ROM.
- Split screen features word wrap and continuously displays status.
- Selective calling stores incoming messages on cassette tape.
- Baudot and ASCII modes.
- Standard EIA signals to your T.U.
- Complete documentation supplied.

**4511 RTTY Interface \$169.95**

171 RIDGE SYSTEMS CO., INC. Tested & assembled, 90 day warranty; we pay shipping, Mass. residents add 8% sales tax. \*A trademark of Tandy Corp. P.O. Box 772, Acton, MA 01720 (617) 264-4251

AEA, in conjunction with ETS (Educational Technology and Services)\*, has developed the BT-1 Code Trainer. ETS methodology, based upon research by a prominent mid-west university, has demonstrated that a typical student using this system and the BT-1 can learn Morse code to speeds of 20 WPM in four weeks based upon two 20 minute daily training sessions.

The pre-programmed BT-1 computerized trainer will allow you to achieve proficiency in Morse code faster than any other known method.

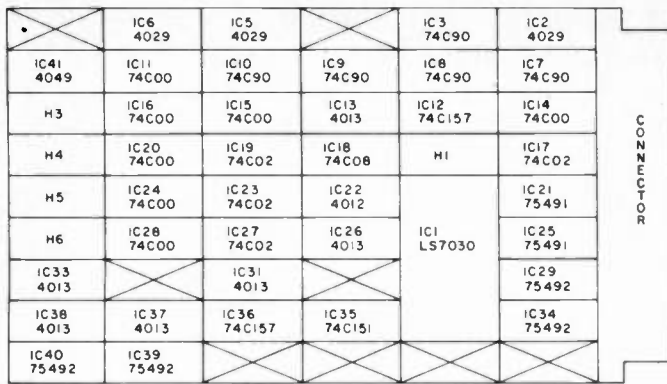
No prior knowledge of Morse code is required to use the BT-1. There are no tapes to purchase or wear out. The BT-1 operates from a 12 VDC source or from the AEA 117 Vac wall adapter unit, AC-2. For portable use the BT-1P is available with Nicad batteries and comes with a charger that operates from 117 Vac. The unit can also be used in mobile settings via the 12 VDC system.

\*Education Technology & Services, see page 81 October 1981 Issue of Ham Radio Magazine.

Prices and Specifications Subject To Change Without Notice Or Obligation.

See the BT-1 at your dealers or write: Advanced Electronic Applications, Inc. P.O. Box C2160 Lynnwood, Washington 98036 (206) 775-7373 Telex: 152571 AEA INTL

**AEA** Brings you the Breakthrough!



ICs on main counter board:

IC1	LS7030	IC21, 25	75491
IC2, 5, 6	4029	IC22	4012
IC3, 7, 8, 9, 10	74C90	IC29, 34, 39, 40	75492
IC11, 14, 15, 16, 20, 24, 28	74C00	IC35	74C151
IC12, 36	74C157	IC41	4049
IC13, 26, 31, 37, 38	4013	Preamps: 11C90, 74196, 74LS04	
IC17, 19, 23, 27	74C02	Master oscillator: 5400, 74LS90, LM723	
IC18	74C08	Power supply: LM340T-8 and two 7805s	

Fig. 23. IC socket-location chart.

Santa Clara CA 95054) has them, as do a few others. Dry transfer lettering identifies the lights and switches.

Here are a few helpful hints on the wire-wrap board. The 3662 Vector-board® is 4.5 x 6 inches. The IC sockets, forty in all, densely populate the board. No effort was spared to carefully document and methodically wrap the circuits one section at a time. Four different colors of wire-wrap were used: one for power, one for ground, one for all intra-board connections, and the last for board exits to the edge connector. Vector T-44 pins were soldered to the board's edge-connector pads to provide wrap points.

A necessary preliminary step is to make both a pin-side and a socket-view board map showing all

socket and IC locations so you'll know which socket you are wiring (see Fig. 23). All power and grounds should be wrapped next. An ohmmeter will quickly spot shorts and opens. The TBOD chain was then wrapped, and the ICs were inserted and then powered up. After proper operation was observed (following a few corrections), the ICs were carefully removed and set aside in conductive foam. Each section was wired and debugged individually before the various control lines were sent to the far reaches of the board. The usual sequence was wire-wrap, IC insertion, smoke test, then debugging for the surviving ICs. The construction sequence I used was switching, display, decimal point, and, of course, the counter circuitry itself.

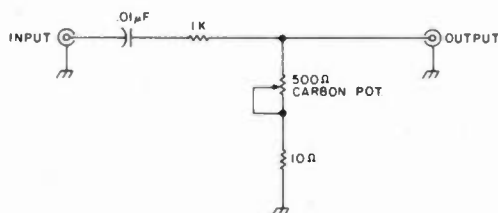


Fig. 24. External Lo-Z attenuator.

This sort of experience points out the extreme flexibility of wire wrapping. In this case, a fairly serious revision costs only some thought and a few wires. A printed-circuit approach would have resulted in at least the abortion of the first board layout, and probably abandonment of the project due to frustration. The other

point is that I had breadboarded only a basic frequency-only counter to coarsely check out the basic counter circuits. The abandoned decimal-point circuit was initially conceived solely from a personal interpretation of the 7030 data sheet. Only reality and the actual circuit operations, or lack thereof, provided the necessary guides and corrections to my thinking. The value of breadboarding your first-order attempts can't be overestimated. The old adage, "If it works on a breadboard, it will work anywhere," has been proven many times.

Successful wire-wrapping of larger projects takes some persistence and defenses against paranoia. Persistence to follow through, and resistance to the slightly paranoid feeling that every little 30-AWG wire you mis-wrap could be the one that causes nights of insomnia and a new vocabulary for those around you.

This is the place where the documentation and organization of your project pay off in steady progression until successful completion, and in the building of confidence in yourself and in your design work. Remembering this can mean that your projects will perform reliably, as you intended, and that they can be fixed when necessary without resorting to a human sacrifice (you!) to appease that ever-lurking god of home-brew, *Nevor Wark!*

The rest of the pieces are best obtained from some of the great variety of small parts sources widely adver-

tised. It is possible to save 30% or more on ICs and sockets, displays, etc., by comparison shopping.

If you are purchasing most of your components new, consider using all 74C90s for the divider chain, as mentioned earlier, since they are cheaper than 4029s and also less expensive to socket.

The counter has no internal attenuator because a useful one would not fit inside the cabinet. The Hi-Z input needs only loose coupling with proper shielding anyway to pick up virtually any signal, because of its sensitivity. The Lo-Z is about 30 Ohms or so at higher operating frequencies and doesn't mind being driven from a 50-Ohm source.

### Conclusion

The WA2FPT 7030 Universal Counter is an evolution of this ham's ideas and dreams. Taken by themselves, the various portions of its anatomy are not particularly new or daring. The useful combination of these common design techniques, though, has resulted in a counter that is a joy to use and has flexibility not found in counters at \$500 or more.

Don't build this counter if all you want is that bare-bones \$100 frequency counter or one of its brothers. Do create one, however, if you want the adventure of incorporating wire-wrapping, top-notch front ends, a voltage-tuned master oscillator, and all the other goodies. Then scrape together the \$100-\$150 you'll need and jump in. The little touches like the push-button function selection and LED indicators only serve to set this counter apart from all others. It's a small price to pay for a little distinction and some personal fulfillment. You, too, can build yourself as you build your counter. I'd be interested to learn how yours turns out.

It's been great "wrapping" with you! ■

# MFJ

# ANTENNA TUNERS

16 MODELS

## MFJ-941C 300 Watt Versa Tuner II

Has SWR/Wattmeter, Antenna Switch, Balun. Matches everything 1.8-30 MHz: dipoles, vees, random wires, verticals, mobile whips, beams, balanced lines, coax lines.



*Ham Radio's most popular antenna tuner. Improved, too.*

**\$89<sup>95</sup>**  
(+ \$4)

Fastest selling MFJ tuner . . . because it has the most wanted features at the best price.

Matches everything from 1.8-30MHz: dipoles, inverted vees, random wires, verticals, mobile whips, beams, balanced and coax lines.

Run up to 300 watts RF power output.

SWR and dual range wattmeter (300 & 30 watts full scale, forward/reflected power). Sensitive meter measures SWR to 5 watts.

Flexible antenna switch selects 2 coax lines, direct or through tuner, random wire/balanced line, or tuner bypass for dummy load.

12 position efficient airwound inductor for lower losses, more watts out.

Built-in 4:1 balun for balanced lines. 1000V capacitor spacing.

Works with all solid state or tube rigs.

Easy to use, anywhere. Measures 8x2x6", has

SO-239 connectors, 5-way binding posts, finished in eggshell white with walnut-grained sides.

4 Other 300W Models: MFJ-940B, \$79.95 (+ \$4), like 941C less balun. MFJ-945, \$79.95 (+ \$4), like 941C less antenna switch. MFJ-944, \$79.95 (+ \$4), like 945, less SWR/Wattmeter. MFJ-943, \$69.95 (+ \$4), like 944, less antenna switch. Optional mobile bracket for 941C, 940B, 945, 944, \$3.00.

### MFJ-900 VERSA TUNER



MFJ-900  
**\$49<sup>95</sup>**  
(+ \$4)

Matches coax, random wires 1.8-30 MHz.

Handles up to 200 watts output; efficient air-wound inductor gives more watts out. 5x2x6".

Use any transceiver, solid-state or tube.

Operate all bands with one antenna.

2 OTHER 200W MODELS:

MFJ-901, \$59.95 (+ \$4), like 900 but includes 4:1 balun for use with balanced lines.

MFJ-16010, \$39.95 (+ \$4), for random wires only. Great for apartment, motel, camping, operation. Tunes 1.8-30 MHz.

### MFJ-949B VERSA TUNER II



MFJ-949B  
**\$139<sup>95</sup>**  
(+ \$4)

MFJ's best 300 watt Versa Tuner II.

Matches everything from 1.8-30 MHz, coax, randoms, balanced lines, up to 300W output, solid-state or tubes.

Tunes out SWR on dipoles, vees, long wires, verticals, whips, beams, quads.

Built-in 4:1 balun. 300W, 50-ohm dummy load. SWR meter and 2-range wattmeter (300W & 30W).

6 position antenna switch on front panel, 12 position air-wound inductor, coax connectors, binding posts, black and beige case 10x3x7".

### MFJ-962 VERSA TUNER III



MFJ-962  
**\$229<sup>95</sup>**  
(+ \$10)

Run up to 1.5 KW PEP, match any feed line from 1.8-30 MHz.

Built-in SWR/Wattmeter has 2000 and 200 watt ranges, forward and reflected.

6 position antenna switch handles 2 coax lines (direct or through tuner), wire and balanced lines.

4:1 balun. 250 pf 6KV cap. 12 pos. inductor. Ceramic switches. Black cabinet, panel.

ANOTHER 1.5 KW MODEL: MFJ-961, \$189.95 (+ \$10), similar but less SWR/Wattmeter.

MFJ-10, 3 foot coax with connectors, \$4.95.

### MFJ-984 VERSA TUNER IV



MFJ-984  
**\$329<sup>95</sup>**  
(+ \$10)

Up to 3 KW PEP and it matches any feedline, 1.8-30 MHz, coax, balanced or random.

10 amp RF ammeter assures max. power at min. SWR. SWR/Wattmeter, for./ref., 2000/200W.

18 position dual inductor, ceramic switch.

7 pos. ant. switch. 250 pf 6KV cap. 5x14x14".

300 watt dummy load. 4:1 ferrite balun.

3 MORE 3 KW MODELS: MFJ-981, \$239.95

(+ \$10), like 984 less ant. switch, ammeter.

MFJ-982, \$239.95 (+ \$10), like 984 less ammeter, SWR/Wattmeter. MFJ-980, \$209.95

(+ \$10), like 982 less ant. switch.

### MFJ-989 VERSA TUNER V



MFJ-989  
**\$329<sup>95</sup>**  
(+ \$10)

New smaller size matches new smaller rigs — only 10-3/4Wx4-1/2Hx14-7/8D".

3 KW PEP. 250 pf-6KV caps. Matches coax, balanced lines, random wires 1.8-30 MHz.

Roller inductor, 3-digit turns counter plus spinner knob for precise inductance control to get that SWR down.

Built-in 300 watt, 50 ohm dummy load.

Built-in 4:1 ferrite balun.

Built-in lighted 2% meter reads SWR plus forward/reflected power. 2 ranges (200 & 2000W).

6 position ant. switch. Al. cabinet. Tilt bail.

To order or for your nearest dealer

CALL TOLL FREE  
**800-647-1800** VISA

For tech. info., order or repair status, or calls outside continental U.S. and inside Miss., call 601-323-5869.

- All MFJ products unconditionally guaranteed for one year (except as noted).
- Products ordered from MFJ are returnable within 30 days for full refund (less shipping).
- Add shipping & handling charges in amounts shown in parentheses.

Write for FREE catalog, over 80 products

**MFJ ENTERPRISES, INCORPORATED**

Box 494, Mississippi State, MS 39762 ✓47









**"BRAND NEW"**  
**CHAMPION MESSAGE  
 MEMORY KEYER**  
 Model TE-292  
**\$125.95**

**Features:**

- State-of-the-Art CMOS Circuitry
- Choice of Message Storage
  - A. Six 50 character messages
  - B. Twelve 25 character messages
  - C. 27 combinations of message C. programming.
- Records at any speed—plays at any speed
- Memory operating LED
- Use for daily QSO or contests

**PLUS:**

- Self-completing dots and dashes
- Both dot and dash memory
- Iambic Keying with any squeeze paddle
- 5-50 w.p.m.
- Speed, volume, tone, tune and weight controls
- Sidetone and speaker
- Low current drain CMOS battery operation—portable
- Rear panel Jack for auxiliary power
- Deluxe quarter-inch jacks for keying and output
- Keys grid block and solid rigs
- **WIRED AND TESTED FULLY GUARANTEED—LESS BATTERY**

**\$89.95**

**Features: Model TE-284**

- State-of-the-Art CMOS Circuitry
- Three choices of Message Storage
  - A. Two (50 character each) message storage
  - B. Four (25 character each) message storage
  - C. One 50 character and two 25 character message storage
- Records at any speed—plays at any speed
- Memory operating LED
- Use for daily QSO or contests



**PLUS:**

- Self-completing dots and dashes
- Both dot and dash memory
- Iambic Keying with any squeeze paddle
- 5-50 w.p.m.
- Speed, volume, tone, tune and weight controls
- Sidetone and speaker
- Low current drain CMOS battery operation—portable
- Deluxe quarter-inch jacks for keying and output
- Keys grid block and solid rigs
- **WIRED AND TESTED FULLY GUARANTEED—LESS BATTERY**



**MESSAGE  
 MEMORY KEYER**

**Features:**

- Advanced CMOS message memory
- Two (50 char each) message storage
- Repeat function
- Records at any speed—plays back at any speed
- Longer message capacity  
 Example: send CQ CQ CQ DX de WB2YJM WB2YJM K—then play second message on contact—de WB2YJM QSL NY NY 579 Paul Paul K
- Use for daily QSOs or contests

Model # TE201

**\$75.95**

**PLUS:**

- State of the art CMOS keyer
- Self completing dots and dashes
- Both dot and dash memory
- Iambic keying with any squeeze paddle
- 5-50 wpm
- Speed volume tone tune and weight controls
- Sidetone and speaker
- Low current drain CMOS battery operation—portable
- Deluxe quarter inch jacks for keying and output
- Keys grid block and solid state rigs
- **WIRED AND TESTED FULLY GUARANTEED—LESS BATTERY**



Model # TE144  
**\$65.95**

**Features: Deluxe CMOS  
 Electronic Keyer**

- State-of-the-art CMOS circuitry
- Self completing dots and dashes
- Both dot and dash memory
- IAMBIC keying with any squeeze paddle
- 5-50 wpm

- Speed, weight, tone, volume tune controls & sidetone and speaker
- Semi-automatic "bug" operation & straight keying—rear panel switch
- Low current drain CMOS battery operation—portable
- Deluxe quarter inch jacks for keying and output
- Keys grid block and solid state rigs
- **Wired and tested—fully guaranteed—less battery**

MODEL TE133—same as TE144 with wgt and tone control internal, less semi-auto keying. **\$55.95**  
 MODEL TE122—same as TE133 less wgt, tune, solid state keying **\$45.95**

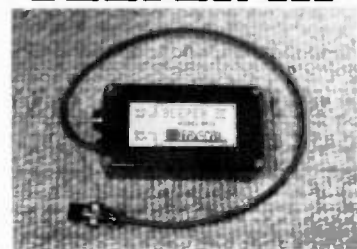
**AT YOUR DEALER OR SEND CHECK OR MONEY ORDER.**

**Plus \$2.00 S/H NY Res add tax**

**TRAC**

**ELECTRONICS, INC**  
**1106 RAND BLDG.**  
**BUFFALO NY 14203**

**"BEEPER III"**



**"THE PROFESSIONAL TOUCH  
 COMES TO AMATEUR RADIO!"**

"BP-3 automatically provides a gentle high frequency beep at the beginning of each transmission and a low beep at the end. Virtually eliminates "talk-over"! Operates for up to one year on a single 9-V battery (not supplied). Can be directly interfaced to any transceiver which is keyed by grounding the PTT line (the PTT line voltage must be positive, not greater than 24 VDC, nor the current greater than 100 ma.) Works with virtually all modern gear. You've heard it, now you can have it!"

**"ADD THE BEEP!"**

- BP-3A Complete with case, cable, Standard 4-pin connectors. **39.96 pp**
  - BP-3B As above except without connectors. Add your own. **36.95 pp**
  - BP-3C Circuit-board version for custom installation. **29.96 pp**
- All units assembled/tested. OH residents add 6% Sales Tax"

**FAKSCAN INC.** ✓85  
 3148 Dorf Drive • Dayton, Ohio 45418 TM

**GOTHAM  
 ANTENNAS**

(305) 294-2033

MODEL	BANDS	LGTH	PRICE
TSL 8040	80 40	78'	\$49.95
TSL 4020	40 20 15	40'	\$47.95

MODEL	BANDS	HGHT	PRICE
SL-8010	80 40 20	75'	\$59.95
SL-160	160	130'	\$38.95
SL-80	80	63'	\$37.95
SL-40	40 15	33'	\$36.95

MODEL	BANDS	HGHT	PRICE
FPD-8010	80 40 20	130'	\$49.95
FPD-4010	40 20 15 10	63'	\$44.95

**NEW! PORTABLE VERTICAL! IDEAL FOR APARTMENTS, CAMPING, TRAILERS!**

Folds to 5' Package No Radials Required Fully Assembled Full Legal Limit 1:1 VSWR

MODEL	BANDS	HGHT	PRICE
PV-8010	80 10	13'	\$59.95

MODEL	BANDS	HGHT	PRICE
V-160	160,80,40,20	23'	\$44.95
V-80	80,40,20	23'	\$42.95
V-40	40,20,15,10,6	23'	\$40.95

**FAMOUS GOTHAM QUADS**  
 2 Elements—3 Bands Complete \$149.95  
**CHAMPIONSHIP GOTHAM BEAMS**  
 Full Size Complete from \$99.95  
**DEALER INQUIRIES INVITED**  
 CALL OR SEND LARGE SASE FOR CATALOG Shipping Dipoles & Verticals \$2.50 USA \$7.00 Canada \$5.00 FPO, APO Beams & Quads Shipped UPS or Freight Collect Fla. Add 5% Sales Tax  
**1415 First St. • Key West, FL 33040**





# HOT SUMMER SALE



**IC-740**  
SALE \$989  
LIST \$1099



HF Trans., Digital, Dual VFOs  
EX-238 Power Supply. Call For Quote.



**IC-505**  
\$449 SALE \$399

6M Multimode FM Option. 3W/10W



**FT-102**  
SALE \$1029  
LIST \$1149



HF Digital Transceiver  
Inc. FM. 240W DC



**FT-230R**  
\$359.95 SALE \$319



2M. FM. Mobile  
LCD Dual VFOs Memory 25W

## ICOM-YAESU HAND-HELDS

	w/TPP	w/o TPP
IC 2A/2AT	\$242.00	\$216.00
IC 3A/3AT 220	\$269.00	\$242.00
IC 4A/4AT 440	\$269.00	\$242.00
FT-208R 2M.	\$319.00	
FT-708R 440.	\$319.00	



## HAL COMMUNICATIONS ON DISPLAY AT EEB

CT-2100 Communications Terminal  
KB-2100 Keyboard  
DS-3100 Terminal  
CWR-6850 Telereader

Full Line Available

Sanyo & Zenith Monitors  
In Stock at Special Prices

UPS Charges Not Included.  
Prices Subject to Change Without Notice.

## Electronic Equipment Bank

516 Mill St., N.E. Vienna VA 22180

703-938-3350

Tues Wed Fri 10AM-5PM  
Thurs 10AM-9PM Sat 10AM-4PM  
Closed Sun & Mon



Plan a visit next time you're in  
Washington, D.C.

**SORRY: NO CODs**

# QUALITY parts at DISCOUNT PRICES

## 4 CHANNEL 8 TRACK HOME UNIT



BRAND NEW UNITS...  
ASSEMBLY INCLUDES;  
TAPE HEAD, MOTOR BELT,  
110VAC MOTOR, PRE-AMP,  
LIGHTS, SWITCHES,  
SOLENOID AND OTHER  
USEFUL PARTS...  
AN EXCEPTIONAL BUY!  
\$7.25 PER ASSEMBLY

## MINI BSR

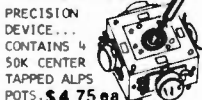


\$17.50 each

## AUTOMATIC RECORD CHANGER

B.S.R. MODEL C136R/C/3  
PLAYS 33/45/78 RECORDS  
MINI SIZE: 8 1/4" X 12"  
INCLUDES DUST COVER AND  
PLASTIC CASE (NOT PICTURED)  
WITH FRONT CUT OUT TO FIT  
STEREO UNIT (NOT INCLUDED).

## JOYSTICK



PRECISION DEVICE...  
CONTAINS 4  
50K CENTER  
TAPPED ALPS  
POTS. \$4.75 ea

## BLACK PLASTIC CASE



PAC-TEC SERIES C  
BLACK PLASTIC ENCLOSURE  
ADJUSTABLE HEIGHT FROM  
1.63" to 2.93"; WIDTH  
6.85"; DEPTH 8". BUILT-  
IN STAND OFFS FOR P.C.  
BOARDS..FRONT AND BACK  
PANELS NOT INCLUDED..  
\$.25 PER CASE

## VARIATOR DIODES

BB-103 3 FOR \$1.00  
100 FOR \$30.00  
MV2205 3 FOR \$1.00  
100 FOR \$30.00

## MITSUMI MODEL UES-A55 VARIATOR UHF TUNER

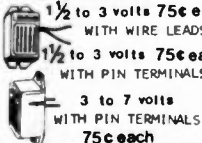


FREQ RANGE 470 - 889 MHz  
ANTENNA INPUT 300 OHMS  
\$25.00 each  
10 for \$220.00

## PHOTO FLASH CAPACITORS

170 MFD 330 VOLT  
1 1/2" X 7/8" 2 FOR \$1.50  
2 FOR \$7.00  
600 MFD 360 VOLT  
3 3/4" HIGH X 1 1/4" DIA.  
\$1.00 EA. 10 FOR \$9.00

## MINI SIZE BUZZERS



1/2 to 3 volts 75c ea  
WITH WIRE LEADS  
1/2 to 3 volts 75c ea  
WITH PIN TERMINALS  
3 to 7 volts  
WITH PIN TERMINALS  
75c each

## SLIDE POTS



500K linear taper  
2 7/8" LG. 1 3/4" TRAVEL 75c EACH

## COMPUTER GRADE CAPACITOR

1700 mfd. 150VDC \$2.00  
2 1/2" DIA X 4 3/4" HIGH  
3,600 mfd. 40VDC \$1.00  
1 3/8" DIA. X 3 1/4" HI  
6,400 mfd. 60VDC \$2.50  
1 3/8" dia X 4 1/4"  
12,000 mfd. 40 VDC \$3.00  
2" DIA X 4 1/4" HIGH  
18,000 mfd. 75 VDC \$4.00  
2 1/2" DIA X 4 1/2" HIGH  
22,000 mfd. 15VDC 2" DIA X 2 1/2" HIGH \$2.00  
22,000 mfd. 40VDC 2" DIA. X 6 1/2" HIGH \$3.00  
25,000 mfd. 75 VDC \$4.50  
3" DIA X 4 3/8" HIGH  
45,000 mfd. 25 VDC 2" DIA. X 4 1/2" HIGH \$3.50  
72,000 mfd. 15VDC 2" DIA. X 4 1/2" HIGH \$3.50  
COMPUTER GRADE CAPACITOR SPECIAL  
180,000 mfd. at 6V 2 1/2" DIA X 4 1/2" HIGH \$1.50  
CLAMPS TO FIT CAPACITORS 50c ea

## TRANSFORMERS

120 volt primaries  
5.6 VOLTS at 750 MA \$3.00  
6 VOLTS at 150 mA \$1.25  
12 V.C.T. at 500 MA \$2.50  
16.5 V. at 3 AMPS \$6.50  
18 VOLTS at 350 MA \$2.00  
18 VOLTS at 1 AMP \$4.50  
18 V.C.T. at 2 AMP \$5.50  
25.2 V.C.T. at 2.8 AMP \$5.50  
35 V.C.T. at 1 AMP \$3.50  
42 V.C.T. at 1.2 AMP \$4.50  
65 V.C.T. at 2 AMP \$5.50

## L.E.D.'s STANDARD JUMBO DIFFUSED

RED 10 FOR \$1.50  
GREEN 10 FOR \$2.00  
YELLOW 10 FOR \$2.00  
FLASHER LED 5 VOLT OPERATION RED JUMBO SIZE 2 FOR \$1.70  
BI POLAR LED 2 FOR \$1.70  
SUB MINI LED .079" X .098" RED 20mA at 1.75v 10 FOR \$1.00 200 FOR \$18.00  
QUANTITY PRICES AVAILABLE  
BLACK LIGHT (ULTRAVIOLET) G.E. # F6T5BL \$2.50 each

# FREE! SEND FOR OUR NEW 40 PAGE CATALOG FREE!

## CONNECTORS WEATHERPROOF 2 CONDUCTOR



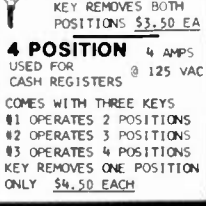
POLARIZED SET, 18 GA. WIRE.. \$1.00 / SET  
4 CONDUCTOR \$1.50 PER SET  
WEATHER-PROOF SOCKET AND CONNECTOR SET...

## 4PDT RELAY



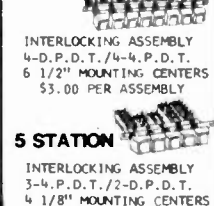
14 pin style  
3 amp contacts  
28 volt d.c. or 120 volt a.c. use  
Used but fully tested  
\$1.70 EACH  
specify coil voltage  
LARGE QUANTITIES AVAILABLE  
SOCKETS FOR RELAY 50c each

## KEY SWITCH S.P.S.T.



4 AMPS @ 125 VAC  
KEY REMOVES BOTH POSITIONS \$3.50 EA  
4 POSITION 4 AMPS USED FOR CASH REGISTERS @ 125 VAC  
COMES WITH THREE KEYS  
#1 OPERATES 2 POSITIONS  
#2 OPERATES 3 POSITIONS  
#3 OPERATES 4 POSITIONS  
KEY REMOVES ONE POSITION ONLY \$4.50 EACH

## MULTI-SWITCH 8 STATION

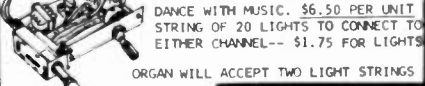


INTERLOCKING ASSEMBLY  
4-D.P.D.T./4-4.P.D.T.  
6 1/2" MOUNTING CENTERS  
\$3.00 PER ASSEMBLY  
5 STATION INTERLOCKING ASSEMBLY  
3-4.P.D.T./2-D.P.D.T.  
4 1/8" MOUNTING CENTERS  
\$2.50 PER ASSEMBLY  
3 STATION NON-INTERLOCKING  
2-D.P.D.T./1-4.P.O.T.  
PUSH ON/PUSH OFF STYLE  
1 1/2" MOUNTING CENTERS  
\$1.50 PER ASSEMBLY

## EDGE CONNECTOR

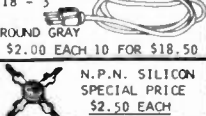
ALL ARE .155" SPACING  
15/30 GOLD SOLDER EYELET \$2.00 EACH  
18/36 GOLD SOLDER EYELET \$2.00 EACH  
22/44 GOLD SOLDERTAIL (P.C. STYLE) \$2.50 EA 10 FOR \$22.50  
22/44 TIN SOLDERTAIL (P.C. STYLE) \$1.35 EA 10 FOR \$12.50  
42/84 GOLD SOLDER EYELET \$4.00 EACH

## 2 CHANNEL LIGHT ORGAN



EASILY HOOKS INTO STEREO SPEAKERS AND ALLOWS 110 V.A.C. LIGHTS TO DANCE WITH MUSIC. \$6.50 PER UNIT. STRING OF 20 LIGHTS TO CONNECT TO EITHER CHANNEL-- \$1.75 FOR LIGHTS. ORGAN WILL ACCEPT TWO LIGHT STRINGS.

## 8' LINE CORD



5JT M/E 18 - 3' ROUND GRAY \$2.00 EACH 10 FOR \$18.50  
N.P.N. SILICON SPECIAL PRICE \$2.50 EACH

## L-PAD



STANDARD 8 OHM 50 DB L-PAD... \$1.50 EACH

## MICROWAVE TRANSISTORS



75 ohm CO-AX 12 FOOT R.C.A. PLUGS BOTH ENDS..USED FOR VIDEO GAMES, ETC \$1.25 EA

## CANNON XLRA-3-13 CONNECTOR



3 PRONG CHASSIS MOUNT CONNECTOR \$2.00 EACH 10 for \$19.00

## 2 MHz CRYSTAL

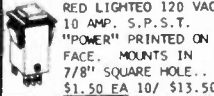
CASE STYLE HC33/U \$3.50 EACH

## 0-10 MINUTE TIMER



ADJ. TIMING MOTOR FROM 0 - 10 MIN. RATED 10 AMPS. 125 VAC MOUNTS IN 1" CENTERS... \$4.75 EACH

## LIGHTED PUSH BUTTON



RED LIGHTED 120 VAC 10 AMP. S.P.S.T. "POWER" PRINTED ON FACE. MOUNTS IN 7/8" SQUARE HOLE.. \$1.50 EA 10/ \$13.50

## 6volt 9amp/hr RECHARGEABLE



ELPOWER # EP690 SOLID GEL CELL 5 1/2" X 4 1/4" X 2 3/4"..... \$15.00 EACH

# MANUFACTURERS - WE WILL PURCHASE YOUR EXCESS INVENTORY (213)380-8000

## ALL ELECTRONICS CORP.

905 S. Vermont Ave.  
P.O. BOX 20406  
Los Angeles, Calif. 90006  
TOLL FREE ORDER NO  
800-826-5432  
AK-HI-CA (213)380-8000  
Mon.-Fri. Saturday  
9AM-5PM 10AM-3PM

- Quantities Limited
- Min Order \$10.00
- Add \$ 2.50 Shipping USA
- Calif Res Add 6%
- Promot Shipping NO COD

# Double Trouble on 50 MHz

## — Home-Brew Contest runner-up

Ed. Note: KL7GLK's article was the runner-up in our Home-Brew Contest. Larry will be receiving a \$100 bonus in addition to his normal article payment.

Larry Jack KL7GLK  
1 East Lake Drive, Bay Ridge  
Annapolis MD 21403

"That's milliwatts," I explained to the Florida station. It's okay, I thought; three of his neighbors had missed the milli part the first time, too, or maybe they just didn't believe it. The truth was that I was just as surprised as I talked to one six-meter station after another on less than one quarter of a Watt.

True, the band was hopping with summer E skip, but that didn't diminish my thrill of working QRP DX.

I was using a little double sideband transmitter I'd originally designed for the license-free 49-MHz band. For you fellow Forty-Niners, it works quite well there (reduce the input to 100 mW). It has been heard over 25 miles. When six opens up and the ham in you returns, changing the crystal to 50 MHz is when the fun really begins.

### Circuit

The transmitter centers around an active balanced modulator fed by a crystal oscillator. Two stages of linear amplification result in a signal of 250-400 mW with a carrier suppression on the order of 40 dB. I have had mixed results with passive diode ring modulators at 50 MHz. Carrier suppression is tricky. This active design, however, tunes cleanly right from the start and should present no tune-up difficulties.

The oscillator is a particular gem. The credit goes to K1CLL (May, 1970, 73) for such a trouble-free design. L1 is 15 turns of #30 enamel wire close wound on a 3/8-inch-diameter slug-tuned form. The crystal tap is 5 turns from the collector end of Q1. The oscillator feeds the emitters of the balanced modulator through a resistor network. R1, a 2.5k trimpot, is used to null the carrier. L2 is also a 3/8-inch-diameter slug-tuned coil, but it is center-tapped, 24 turns of #26 enamel wire. L3 is six turns of insulated hookup wire wound over the center portion of L2.

The audio stage that drives the modulator is a salvaged amplifier out of a defunct tape recorder. Any 1-Watt amplifier will work fine. There are so many inexpensive sources of these amplifiers that it does not pay to spend the time building one yourself. T1 is the normal output transformer that once fed a 16-Ohm speaker. If all that is available is an 8-Ohm output transformer, it will work, but it will not give as much drive. A speech clipper using a pair of 1N695 diodes

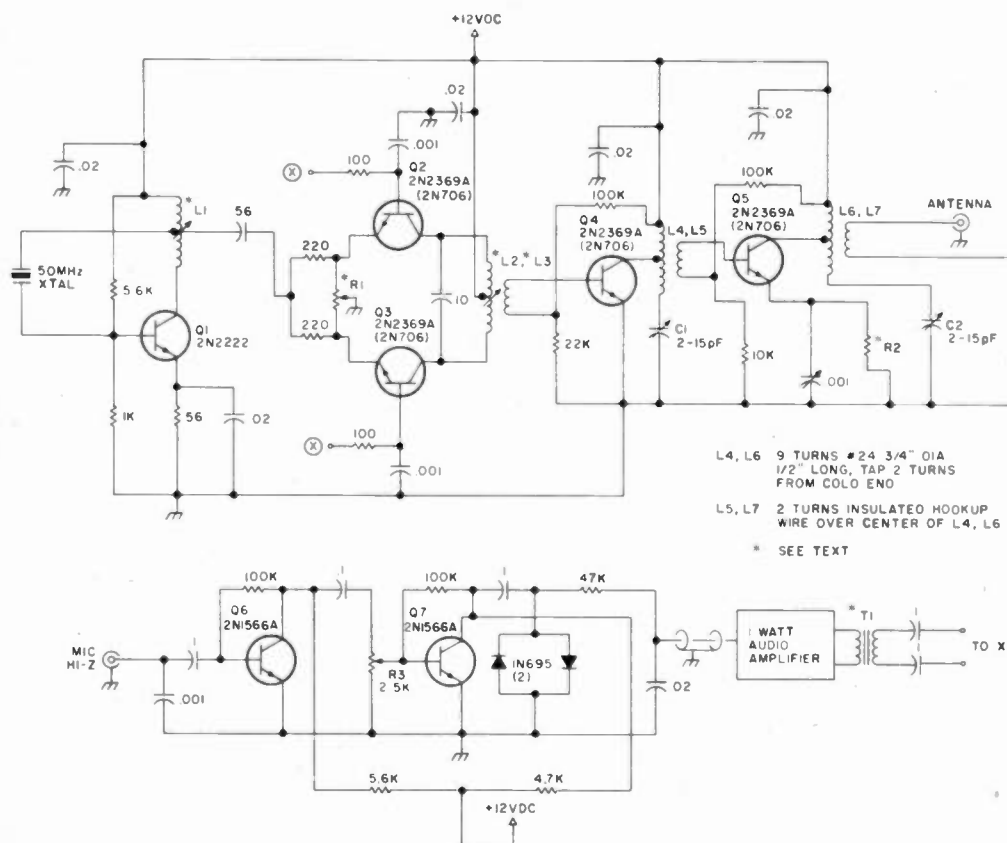


Fig. 1. 50-MHz DSB transmitter.

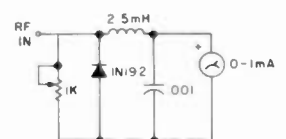


Fig. 2. Field-strength meter.

limits the audio frequency response. This feeds into the input of the audio amplifier. Q4 and 5 are biased as linear amplifiers; depending on the value of R2, the input can vary from a few milliwatts up to 400.

### Tune-Up

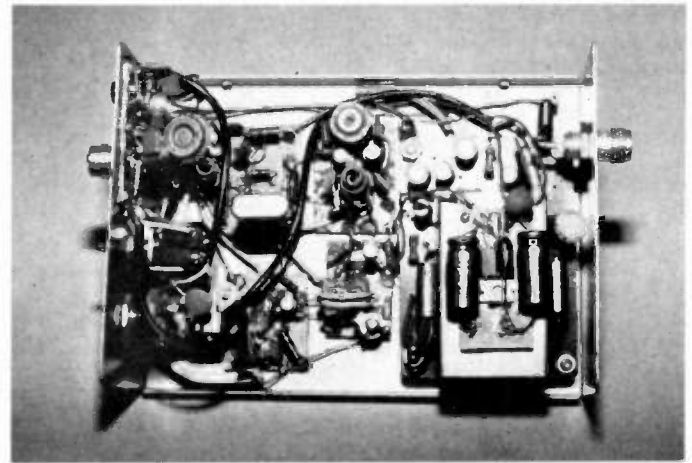
I have found using a field-strength meter (FSM), Fig. 2, the easiest way to tune up this transmitter. Power is applied to both the oscillator and the balanced modulator, but disconnect the audio stages. Clip the FSM to one side of the emitters of Q2 or 3 and adjust L1 to maximum. Remove the meter and attach it to the base of Q4. Adjust L2 for maximum, then R1 for a

minimum reading. It should be possible to achieve a deep null by alternating the tuning of R1 and L2. This will adjust the level of carrier suppression. Remove the FSM and apply power also to the audio stages. With a 50-Ohm 1/2-Watt resistor as a dummy load and the FSM attached to the output at L7, apply a tone (i.e., whistle into the microphone) and adjust C1 and C2 for maximum.

You're ready to go on the air.

### Life On DSB

If you've never operated DSB before, be prepared for some strange signal reports. Most stations will not



Six-meter DSB transmitter in a minibox.

be able to tell a difference between DSB and the other SSB signals on the band. A few will be confused by that extra sideband... Ah, but that only makes things

all the more exciting. Wait until the other guy also finds out it's only a quarter Watt of power. You'll have no end of interesting QSOs after that. ■

### Parts List

#### Transistors

Q1 2N2222 HEP equivalent HEP55  
 Q2-5 2N2369A (2N706) HEP equivalent HEP50  
 Transistors came from a "grab-bag" from Poly Paks, Inc., Lynnfield MA. Priced individually from a parts house as HEP equivalents, approx. \$1 each.

#### Crystal

50-MHz 3rd overtone in HC6/U holder  
 Available from Jan Crystals, PO Box 06017, Fort Myers FL 33906.

#### Capacitors

C1,2 Johnson air variables 1.7-14.9, miniatures, type T-6-5  
 Available from Semiconductors Surplus, 2822 North 32 St., Phoenix AZ 85008.  
 10 pF silver mica  
 56 pF silver mica  
 From the same source above.  
 6 .02 uF ceramic capacitors  
 General capacitor assortments from Poly Paks or Radio Shack; values from .005 to .01 work fine.  
 4 .001-uF ceramic capacitors  
 Same sources as above; values .001-.005 uF work fine.  
 5 .1-uF ceramic capacitors  
 Same sources as above; values .01-.1 are suitable.

#### Resistors

1 56 Ohms  
 2 100  
 2 220  
 1 1k  
 1 4.7k  
 2 5.6k  
 1 10k  
 1 22k  
 1 47k  
 4 100k  
 All these are 1/8-Watt 10% carbon resistors. From grab-bag assortments from Poly Paks. Available also from Radio Shack.

R1,3 2.5k miniature trim pots  
 A-B type F number FR252U is the type used, although any small 2.5k variable resistor will work fine.

#### Diodes

1N695 SK3087, 1N914, 1N456, HEP 158 will also be suitable; from a grab-bag of diodes, silicon types.

#### Coils

L1,2,3 Salvaged iron slug-tuned coil; for number of turns, see text. Ramsey Electronics or Digital Research: Parts, PO 401247B, Garland TX 75040. Variable inductors for forms.  
 L4-7 Free-handed wound coils of #24 copper wire. See text.

#### Audio Amplifier

1-Watt audio amplifier with a 16-Ohm output transformer. Salvaged from a Radio Shack tape recorder. Any Hi-Z input audio amplifier with an 8-16-Ohm (see text) output transformer of approx. 1-Watt output is suitable (i.e., from a clock radio, portable AM/FM radios—hamfest materials).

#### Miscellaneous

Cabinet Small 5 x 7 x 3 inch metal box from Radio Shack.  
 BNC coax connectors  
 Microphone jack from Radio Shack  
 DPDT switch (for T/R)  
 Pilot lamp  
 PC board  
 Q6,7 2N 1566A RCA SK equivalent SK 3009

#### RF tuning meter

M1 Any milli- or microamp meter movement; can also be a multimeter attached to the diode-choke network.  
 RFC 2.5 mH Any surplus choke in this range; also jumble winding about 200 turns of #30 wire on a high value 2-Watt resistor will work. 2.5 mH choke from Radio Shack.  
 1N192 Can be any silicon diode. See above sources.



# The \$100 TVRO Receiver

## — Satellite Central, part IX

Ed. Note: Part I of 73's "Cheap Trick" \$100 satellite TV receiver series appeared in the August, 1982, issue.

**B**uilding your first TVRO receiver can be fun if you start with a well-thought-out design such as this dual-conversion model by Dwight (Rex) Rexroad. Despite Cheap Trick's cost, you'll be surprised at the results. The proof is in the picture!

Last month, we covered the simple downconverter box which used cheap components to get the 3.7-to-4.2-GHZ TV satellite signals down to 500 to 1000 MHz i-f. See the diagram in Fig. 1(a). According to Rex, "The conversion gain of the tuner is about 10 dB. The levels

into the i-f amp are not unlike those found in other receivers made today."

### Clever Construction Technique

Building a home-brew VHF device such as this has its own set of problems. Because this will probably be a one-of-a-kind unit, it doesn't make a lot of sense to sit still long enough to engineer a PC board layout. Likewise, the Vectorbord® point-to-point wiring technique can eat time like a parking meter. So Rex applies a secret used by many VHF experimenters. The entire baseband unit is built on copper-clad perfboard, which is ideal because you put the clad portion on the top and do the wiring on the

bottom (see Photo B). Says Rex, "I've got this humongous ground plane there. Anywhere I want to ground, I just stick a wire in a hole and solder." A hole that must allow a wire to pass through is cleared of excess copper with a 1/4-inch drill bit operated by hand. This trick not only saves time, but keeps even the most cantankerous VHF circuit from running off on its own. As Rex says, "This is not a critical receiver. You've just got to apply good layout, grounding, and short leads."

### Bandpass Filter

Rather than use adjustable coils in his filter (see Fig. 2), Rex chose to use fixed coils and adjustable



Photo A. Dwight Rexroad with his \$100 receiver.

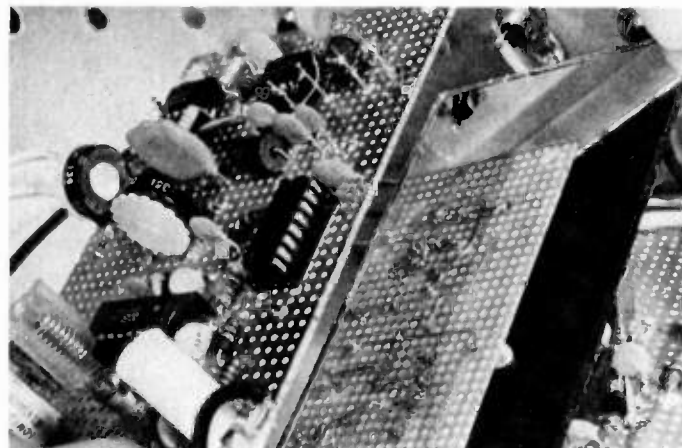


Photo B. Believe it or not, everything is socketed. No problem at 70 MHz as long as you have a large groundplane nearby. The mirror in the photo shows the wiring below the groundplane.

capacitors to save money. For a further saving, Rex suggests you buy the coil assortment sold by Radio Shack and rewind your own. Or you can use the Amidon T-50-6 cores.

Rex comments, "Design-wise, the filter is similar to that by Taylor Howard. Alignment is best done with a sweep generator, because you'll go crazy using anything else. The ideal curve would be flat as a pancake from 55 MHz to 85 MHz. Try to keep it especially flat from 60 to 80 MHz for best results. I'd like to make a nonadjustable filter work. Maybe I'll figure one out with Cheap Trick II."

### Get Out of the Mud

Moving on to the 70-MHz i-f amplifier in Fig. 3, we find that Rex did what every TVRO designer should have done in the beginning—He used off-the-shelf parts. Here's a perfect example: He used the readily available MC1350. This is the workhorse i-f amplifier used in many TV sets and bootleg subscription-TV decoders built today. With a cost of only \$1.38 and easy availability, it's a natural. The input impedance of an MC1350 is more than 1k, so Rex put a 75-Ohm resistor on the input to properly terminate the i-f filter.

"At 70 MHz, the MC1350 has about 20-dB gain in the broadband mode. Of course, they run much better at 45 MHz where you find them in your TV. The MC1350 has both differential inputs and outputs. One differential input is bypassed to ground. Pin 5 is the i-f gain-control input. Like everything else in this circuit, it is bypassed." Later on, you can feed your agc into this pin. If you were to try your hand at using a 564 PLL detector, you might have to put the control on the front panel since the 564 is level sensitive. On the other hand, using the

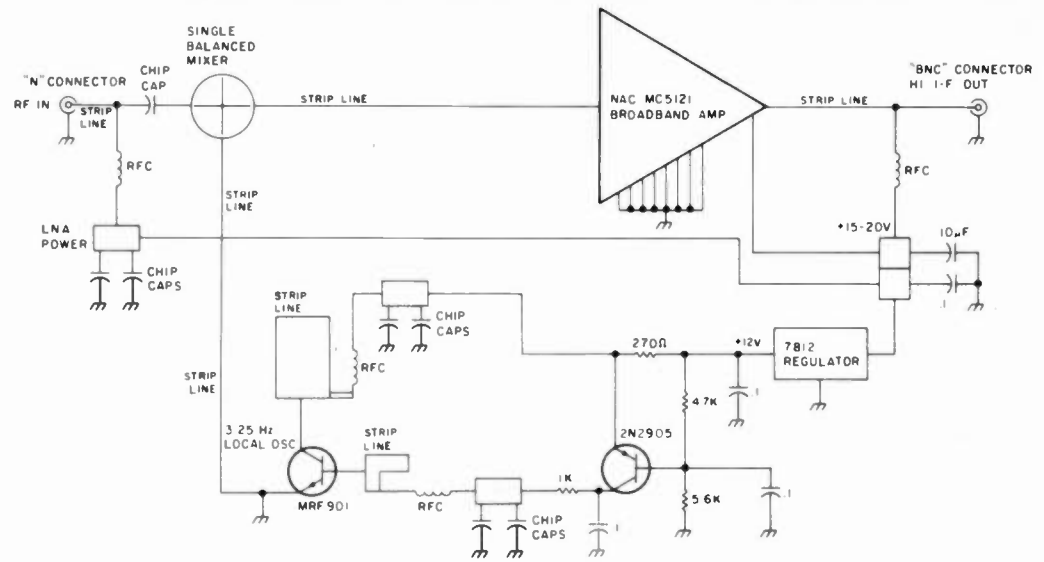


Fig. 1(a). A fixed-frequency local oscillator drives a balanced mixer in the first conversion stage of the Cheap Trick receiver. The MC5121 amplifier drives a modified UHF TV tuner where the signal is downconverted again. This circuitry was described in last month's edition of *Satellite Central*.

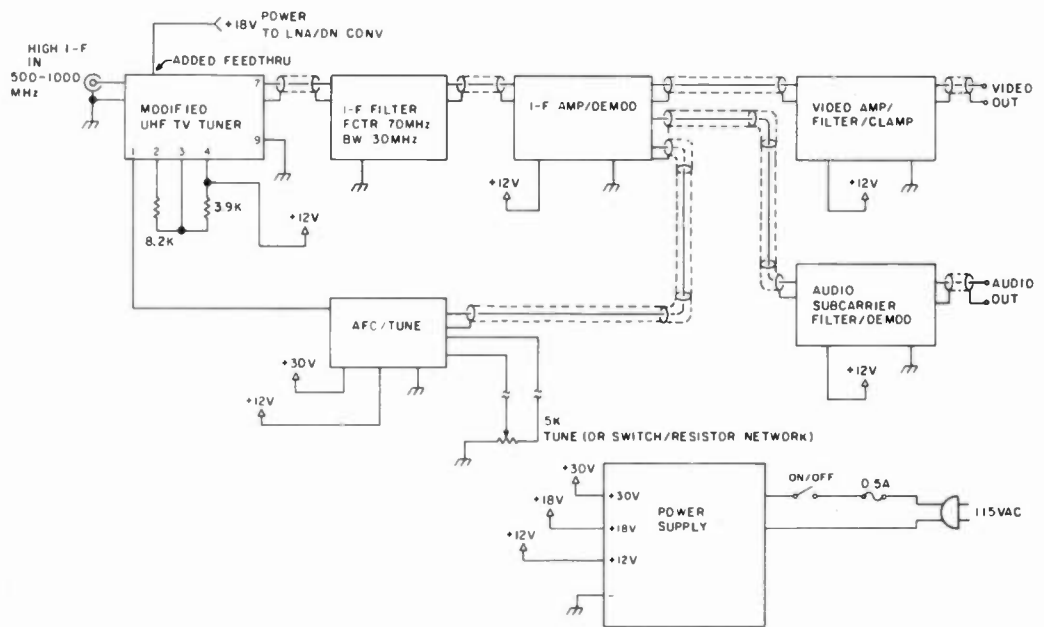


Fig. 1(b). The baseband circuits consist of off-the-shelf ICs.

nifty MC1357 quadrature detector can make the i-f gain a simple "set and forget" operation.

Rex suggests using peaking coils on the differential output because he found an expected gain slope. "It starts around 20 MHz and goes downhill pretty fast. I have a sweep of it running from 10 to 100 MHz. It's a nice diagonal line!" Putting .18- $\mu$ H coils on the 220-Ohm load resistors will peak the MC1350 on 70

MHz. The 500-pF coupling capacitors are not critical.

The other parts values in the circuit are right out of the Motorola handbook. "I use Amidon slip-on ferrite beads. A bagful of beads is a lot cheaper than a batch of chokes. You don't need large inductance values here, not at 70 MHz. A bag of beads is only a buck, and one sack will do."

The second stage, like the first, uses typical book values. The gain resistor

on pin 5 is the current-limiting resistor value for a maximum gain. It's just that simple. Interestingly enough, Rex found that grounding pin 5 on the MC1350 did not produce maximum gain. Instead, it produced less. But start to add some resistance at pin 5 and the gain will rise to maximum at about 5.2k Ohms. The output feeds a broadband transformer wound on still another ferrite bead.

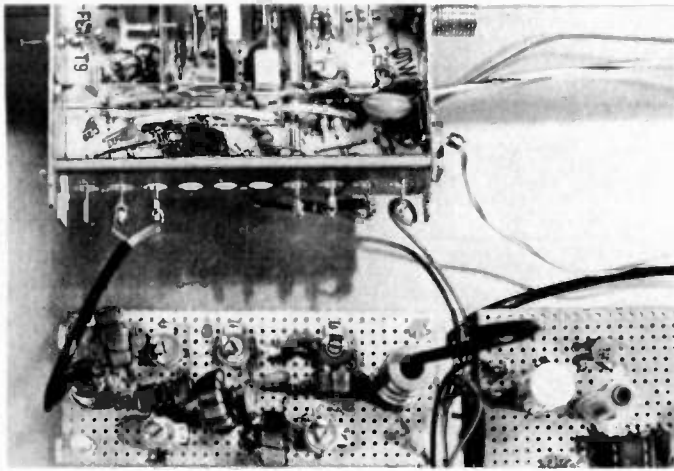


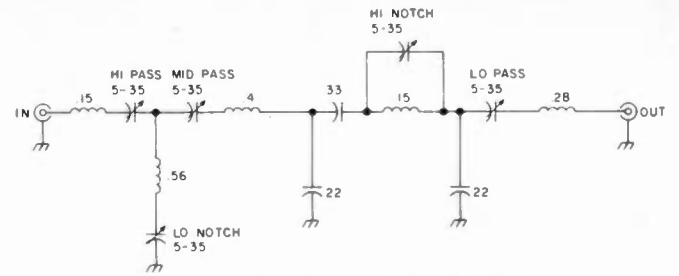
Photo C. You can get away with RCA jacks on the 70-MHz filter, seen below the UHF tuner.

The diodes on the secondary afford an excellent spot to attach a 1-mA carrier meter for antenna aiming, tune-up, an S-meter, or even agc. Here's a typical place where Rex applied excellent engineering technique. Previous designs had used a small capacitor and a series resistor to feed the diodes. A few moments of thought brought Rex to the conclusion that what is really needed is just a single capacitor with about the same series reactance as the resistor. This will allow you to eliminate the resistor (one less part) and get exactly the same results! "I can't help it," says Rex,

smiling. "This project must be truly cheap."

### Divide the Headache in Half

Back now to the rf transformer. The secondary feeds one half of a 74S112, a divide-by-two circuit which shifts the 70-MHz signal down to 35 MHz where the detector can deal with it better. The 500-Ohm pot was chosen as a good value to make adjustment easy. "Despite the doubters, it works like a charm. The adjustment is not critical. All the pot does is set the bias for the trigger input. Just find a weak signal, and tweak for minimum spark-



COILS WOUND ON AMIDON T-50-6 CORES

- .15μH = 6 TURNS
- 56μH = 12 TURNS
- 40μH TO 68μH = 10 TURNS
- 28μH TO 47μH = 8 TURNS

Fig. 2. Diagram of the 70-MHz filter. The circuit uses adjustable capacitors for tuning.

lies. The symmetrical gain limiting in the previous stages (not found in all satellite i-f amplifiers) makes this adjustment very easy."

Perhaps you've noticed that the 74S112 is running from a 12-volt supply. Impossible? Probably. Instead, the voltage-divider combination of the 500-Ohm pot and the 180-Ohm dropping resistor set the Vcc for the chip to about 5 volts. Those of you who handle work-horse ICs such as this know that you can fiddle with the voltage nearly a volt either way and not see any big problems. This technique saves the cost of a zener diode. And the brand of IC doesn't matter. It costs less than a buck. Just be sure to use a 74S112 rather than a

74LS112 which may only make it to 50 MHz.

### Some Receivers Look Bad, But Not This One

Gain margin in this system is about 20 dB. If the input level to the divide-by-two circuit changes radically, you will need to readjust the pot. "That's what happens with so many of the typical divide-by-two designs used in receivers today," comments Rex. "If you transport them from one dish/LNA setup to another, you may need to reset the threshold. Still, it's not as critical as a design that uses the 564 PLL.

"The signal level on the output of the 74S112 should be peak-to-peak just under 5 volts. A flip-flop

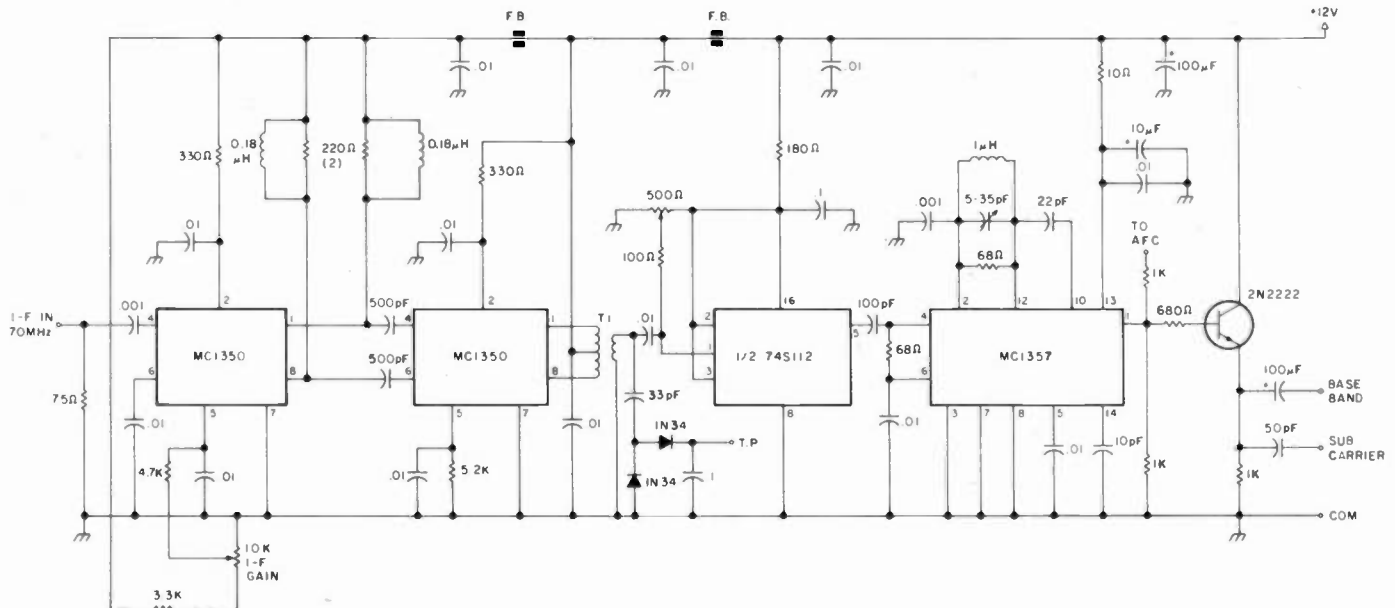


Fig. 3. Bargain-basement ICs highlight this baseband design. The MC1357 quadrature detector produces a better picture than most PLL detectors. T1: pri.—4 trifilar turns; sec.—2 trifilar turns; #28 wire, Amidon 101-43 bead.



# DO IT YOURSELF...SEE THE WORLD!

...with complete  
TVRO systems  
from Boman

At Last!  
An affordable  
home Satellite TV  
System especially  
designed for you  
by Boman Industries.



SATELLITE RECEIVER

FEED HORN

DOWN CONVERTER

ANTENNA MOUNT

LOW NOISE AMPLIFIER

ROTOR

SATELLITE ANTENNA

THE FINEST  
HOME SATELLITE  
VALUE IN AMERICA

Complete System Price

As Low As

**\$1797<sup>50</sup>**

(Distributor Price)

Boman Industries offers complete Satellite Television Systems designed specifically for installation by the purchaser. You will receive broadcasts from Geostationary satellites with your choice of 3 DIFFERENT Fiberglass Parabolic Antennas (9, 10, 11 ft.) The electronics are the latest in Satellite TV equipment utilizing state-of-the-art components and circuit design. A fully illustrated instruction booklet is supplied with each system to explain the easy, step-by-step installation procedures, programming information and antenna alignment directions. Your complete system will arrive in only 2 containers for prompt assembly by you or by your dealer.

For information about your local Dealer, Distributor & the affordable high-quality line of Boman Satellite Television Products, please use the reader card service for prompt reply.



**BOMAN INDUSTRIES**  
**SATELLITE PRODUCTS DIVISION**  
9300 HALL RD., DOWNEY, CA 90241

157

**Toll Free Numbers:**  
Inside Ca.: (800) 352-2553  
Outside CA.: (800) 421-2533

running at high speeds usually does that," comments Rex. "Funny thing is, the MC1357 detector that follows has about 40 dB more gain, so we've got to swamp it down on the input with a 68-Ohm resistor. It really doesn't seem to matter much value-wise.

"The input to the MC1357 is differential so we bypass one and use the other. The only critical thing about the detector is that you must use short leads, especially to ground. Pin 5 has a bias de-emphasis capacitor with pin 14 acting as high-frequency de-emphasis. We don't get around to true video de-emphasis until later. The output stage has a tendency to oscillate at deviation extremes. You wouldn't hear it at audio, but you'd see it in video. So I've got that 10-pF cap which rolls us off at the high end just a bit, but not enough to suck out the sub-carriers. Use a twisted-wire gimmick if you want." Rex believes you could even forget the cap if you don't mind knowing that your sync tips will look dirty.

### Avoid Oscillation

It must be remembered at this point in the description that this is indeed a VHF device. Using little 10-pF caps won't mean a thing if your lead dress is long and sloppy. Chances are it won't work at all. If you do build the unit on perfboard, be sure to keep everything short. A sure sign that lead dress needs attention will be poor high-frequency response. Use plenty of bypasses such as on pin 13 of the MC1357 where parasitics can occur. Interestingly enough, oscillation at this point will likely come from the amp in the chip itself rather than the i-f amps. Like everything else in Cheap Trick, the cost of the MC1357 is less than that of the popular 564 PLL—about \$1.50.

The quadrature coil on

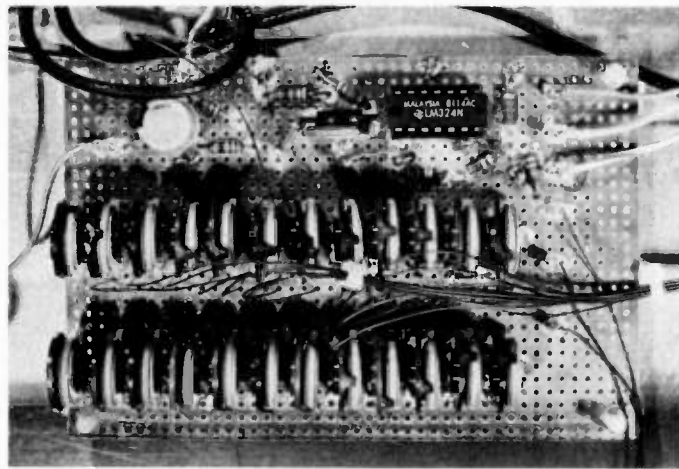


Photo D. Tune like the pros with a rotary switch thanks to a stable design and afc loop. Buy the pots at a swap meet to keep the total receiver cost from inching past \$100.

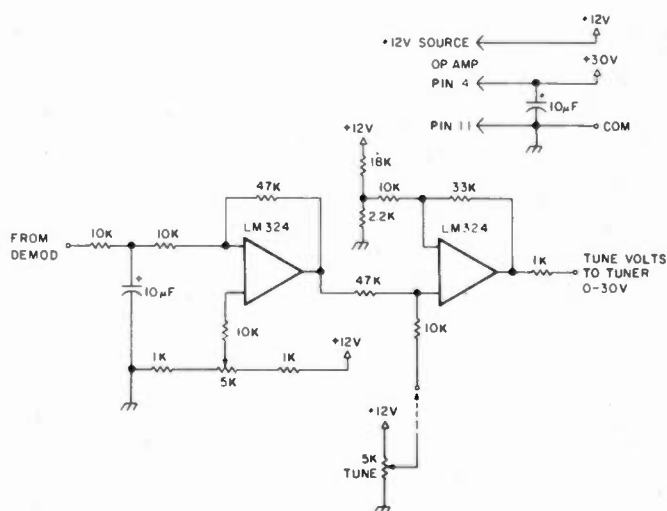


Fig. 4. This simple afc loop circuit samples the detected video offset to control the UHF tuner local oscillator.

pins 2 and 12 is very non-critical. Rex comments, "The S curve is wider than the bandwidth we want, so all you'll get if you mistune it is an offset dc output. It could be a problem when you add the afc loop. Another symptom is that the picture will be a little bit washed out. But you'd have to mistune it radically for that to happen!"

The tune/afc circuit in Fig. 4 is simply a feedback loop. Rex filters the video with an RC network. He used an LM324 wired to the single-ended 30-volt supply. A 5k pot on the non-inverting input not only sets the output to zero volts, but compensates for the discrepancy that the MC1357 de-

detector doesn't always yield an output at exactly half the supply.

The second amp mixes the 5k tuning control with the afc feed to control the UHF tuner. The resistive divider on the inverting input allows the amplifier to develop a zero voltage output which is necessary for the UHF tuner range. The LM324 is one of the few amps that can work at these voltages. And you still have 2 unused amps in the chip which can be for optional metering or agc circuits.

If you find a deal on small 5k pots somewhere, Rex suggests you mount a batch of them on a board as seen in Photo D and feed a rotary switch to get decent

tuning. This method works very well thanks to the good stability of the design and positive action of the afc circuit.

### Video Magic

The detector output is fed into an emitter follower (a 2N2222 costs 10 cents) where the baseband video feeds a 100-µF capacitor. The sound subcarrier signals are fed from the same point through an RC high-pass filter to the detectors. Moving on to the video circuit in Fig. 5, the 75-Ohm video de-emphasis circuit that follows is unique because it uses fewer parts and does essentially the same thing as commercial designs. More importantly, Rex says, "it uses parts that are closer to standard values than other designs. You can buy all the parts over the counter."

The pi network that follows acts as a low pass to yank out the sound subcarriers and noise. The 75-Ohm resistor that follows acts as a proper termination to ensure that the standard values you use will get the same response. The signal is dc-coupled into a 733 video amplifier which also has a differential input. Because Rex used a single-ended supply, he used a voltage-divider network to feed the inputs. The 10-µF capacitor in the divider is necessary because the signal has a lot of low-frequency components. The 10k pot acts as a gain control and should give you enough control for even half transponder video levels. "The 733's minimum gain is higher than the 592. That's the only difference I can tell," says Rex. "They both cost about a buck. Performance-wise, it's a toss-up. I use the flat-pack versions. You could skip the video polarity switch since a jumper will do."

### Getting a Perfect Picture

The clamp circuit re-

# Star View CRAIG Systems™



## STAR VIEW MODEL 12K

- Complete System
- Easy to Install
- Reasonably Priced
- UPS Shippable  
Weight 125 Pounds
- More than 100  
Channels Accessible

### THE STAR VIEW 12K SYSTEM KIT CONTAINS:

- 12 Foot Antenna
  - Azimuth Elevation Mount
  - 24 Channel Receiver
  - 120° Low Noise Amplifier
  - Feed Horn
  - Cables & Connectors
  - No Modular Included
- (May be ordered separately for \$79.95)

Available through your local Craig Star View dealer • Call or write for information • Dealership inquiries welcome • Price subject to change without notice.

**\$2595.00**

**H&R COMMUNICATIONS, INC.** Subsidiary of Craig Corp.  
Route 3, Box 103G Call 800-643-0102  
Pocahontas, Arkansas 72455 or 501-647-2291

## 2 GHz Microwave Receiving Systems

The new Micro-System features a machined 18" parabolic reflector for maximum efficiency, a linear feed-point downconverter with ceramic high performance RF preamplifier transistor, a variable 12 to 18 volt regulated power supply and 50' of 75Ω coaxial downlead, including a 3' jumper and matching transformer. The Micro-System includes a full 6 month warranty.

Micro-System (MS-021) .....	\$159 <sup>95</sup>
Micro-System (MS-578) .....	\$169 <sup>95</sup>
Micro-System (MS-645) .....	\$179 <sup>95</sup>
Shipping & Handling: USA ... \$4 <sup>00</sup> AK, HI & PR ... \$10 <sup>00</sup>	

### Data Service Company 612-636-9469

346 3110 Evelyn Street  
Roseville, MN • 55113



## TVRO RELIEF!



**POLATRON™**  
ELECTRONIC ROTOR

## ELECTRONIC SATELLITE POLARITY SELECTION

- NO MOVING PARTS
- NO MOTORS TO FAIL
- NO WAITING
- INSTANT POLARITY SELECTION
- PEAKING CONTROL
- ELECTRONIC ROTOR & SCALAR FEED COMBINED

**POLATRON™** 189.95  
Controller/Power Supply 44.50

**INTERNATIONAL SATELLITE VIDEO CORPORATION**

POST OFFICE BOX 5685  
ORANGE, CALIFORNIA 92667  
(714) 998-6080 / 633-1370

# SATMAR BRINGS SATELLITE TV DOWN TO EARTH



If you're already considering buying your own SATELLITE TV EARTH STATION you probably know that you will be able to receive over 50 channels of movies, sports, educational, news, financial, and religious programming. SATELLITE TV can indeed be your window to the world.

What you may not know is that all TV earth stations were not created equal —and what's more that different viewing locations in the United States may require different component (antenna, LNA, receiver) configurations for top viewing enjoyment consistent with lowest cost and maximum value. Don't be fooled by advertising for extremely low cost units if the seller tries to tell you that it will work fantastically everywhere in the U.S. — it may not.

If you want the best combination of price and performance give us a call and we'll help you configure a system for your locale. We have the experience and we have the prices.

Example A,  
Configured For:  
**Phoenix, Arizona**

- Micro Scan 11-ft parabolic antenna with polar mount and electric remote LNA rotor
- Dexcel DXP-1000 receiver with built in modulator
- Dexcel 100°K Low Noise Amplifier
- Circular scalar feed horn

**\$3275**

**\$2950**

Example B,  
Configured For:  
**Denver, Colorado**

- Micro Scan 11-ft parabolic antenna with polar mount and electric remote LNA rotor
- Dexcel DXP-1000 receiver with built in modulator
- Dexcel 120°K Low Noise Amplifier
- Circular scalar feed horn

**\$3275**

**\$2950**

## SATMAR SATELLITE TV

2230 E. Indian School Rd., Phoenix, AZ 85016  
**(602) 954-6008**

\*FOB Phoenix, Arizona







# UNIVERSAL COMMUNICATIONS

A Division of  
Innovative Labs, Inc

# SPECIAL OFFER!

## SUPER

## SUPER SAVINGS SALE ENDS OCTOBER 1 SAVINGS!

2300 MHz DOWN CONVERTER	.....	\$19.95
ASSEMBLED	.....	\$39.95
12v POWER SUPPLY	.....	\$19.95
ASSEMBLED	.....	\$29.95
(Stationary or variable)		
SELECTIVE PRE-AMP	.....	\$26.95
SUPERVERTER I	.....	\$75.00
(Crystal Board and PA)		
CIGAR ANTENNA	.....	\$19.95
4 FT. DISH ANTENNA	.....	\$47.95
(KD-44 25 DB OVERALL GAIN)		
DRIFTMOD	.....	\$1.25
HIGH GAIN TRANSISTOR	.....	\$9.95
VIDEO STABILIZER	.....	\$39.95

KIT SPECIAL #1  
Down Converter,  
Power Supply,  
Cigar Antenna ..... \$49.95

KIT SPECIAL #2  
Down Converter,  
Power Supply,  
4 Ft. Antenna ..... \$79.95

1691 MHz Weather Satellite Downconverter  
[137.5 MHz output]

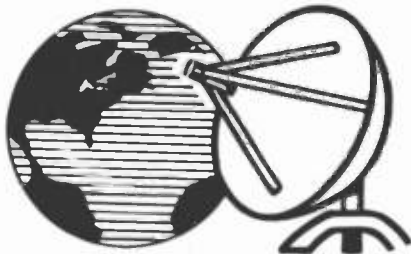
**NEW** ..... Price Available on Request

**For information or ordering  
(817)860-1641**

Our product may be copied, but the performance is never equaled

MC, VISA, Phone or Mail Orders Accepted  
Hours, 8:30-4:30 CDST; Mon.-Fri.

**UNIVERSAL COMMUNICATIONS** P.O. Box 339  
Arlington, TX 76004-0339



## SATELLITE TELEVISION SYSTEMS

**WE WILL NOT BE UNDERSOLD!!**

Complete Systems, Antennas,  
Receivers, LNA's & Accessories  
**CALL US TODAY!** ✓320

**812-238-1456**

**hoosier  
electronics**

"Nation's Largest Total Communications Distributor"  
P.O. BOX 3300 • TERRE HAUTE, INDIANA 47803



**FRANCIS**  
ENTERPRISES INCORPORATED  
P.O. Box 906  
Poplar Bluff, Mo.  
314-989-3248  
WE ARE LOCATED 11 MI. SO. ON 87 HWY.

We Build  
Quality  
Into  
Our  
Products

**MANUFACTURERS | DISTRIBUTORS**  
GRAIN BINS · INDUSTRIAL · ELECTRICAL · IRRIGATION EQUIP.

## Satellite Television

Whether you need 1 system or 100 we have the highest quality antenna to meet your utmost expectations and quality standards, at easy to live with prices.

Send:  
\$7.95 for  
Introduction to  
Satellite manual.

Pictured is our 11 ft  
Dish with our easy  
setting one man in-  
stallation trailer.



✓ 151

**Write or call us for more information.**

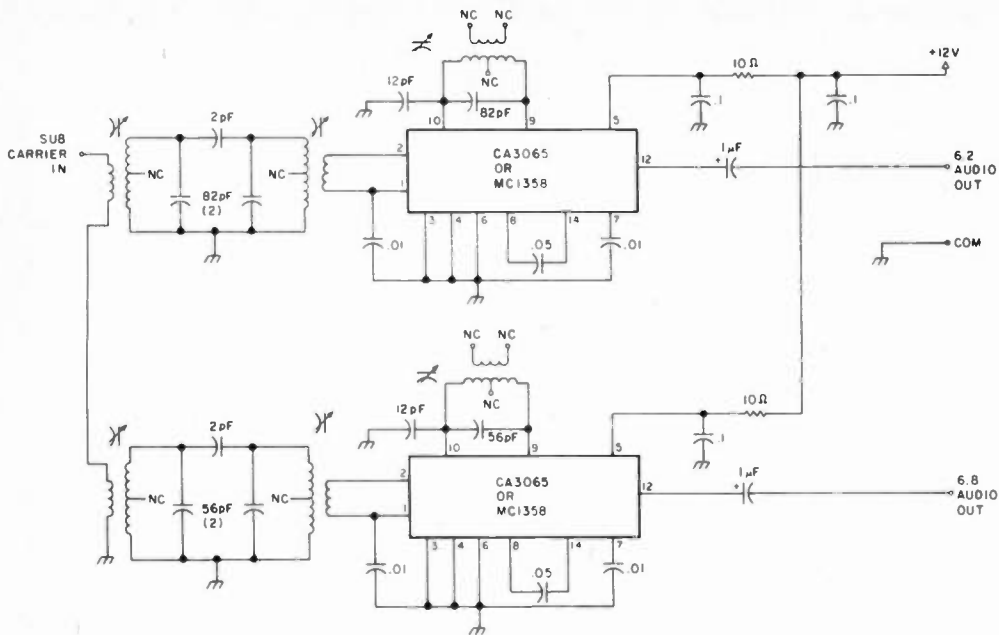


Fig. 6. The subcarrier sound detector uses a single TV sound section IC. Good sound quality results from using cheap FM i-f transformers in a bandpass network on the input.

network. So I used another 10.7-MHz transformer. It works fine."

**Can You Really Do It for \$100?**

A Clint Eastwood movie

a few years back, titled *Dirty Harry*, had a good line in it that zeros in on the approach to take with a project such as this. The cool detective character Cool Callahan gave sage advice

when he said, "A man must know his limitations." It is perhaps somewhat fitting that you too should consider your own particular abilities with VHF circuitry and parts scrounging. If you've

never done any VHF work or think that parts procurement is simply picking up a telephone, then you should reconsider that you can indeed duplicate this receiver for less than 100 bucks.

Now I'm not trying to say this is a tough project—only that you will need to be careful if it is one of your first. The clever tricks of Dwight Rexroad put the price within reach as long as you do the work. It's worth the effort because your learning curve will be up several notches on completion. Besides, this may be one of the best little family attention getters you could try because of the use it will get when you finish it. Just think of all that hamming you can do with everyone else pacified.

Questions? Only those accompanied by an SASE can be answered. Sorry, no calls. Have fun with this one! ■

**AVANTEK**  
**GPD SERIES AMPLIFIERS**  
 GPD 401,402,403  
 12 - 14 DB GAIN

5 - 500 MHZ    POWER 15 VDC    TOS MOUNTING  
 IDEAL FOR COUNTER AND TV PREAMPLIFIERS  
 COMPLETE WITH CIRCUIT BOARD FOR MOUNTING  
**\$25.00 EA. , SET OF THREE \$65.00**

**AMATEUR**  
**MICROWAVE DOWNCONVERTER**

COMPLETE - ASSEMBLED - READY TO INSTALL - NOT A KIT  
**SPECIAL \$179.95**  
 INCLUDING SHIPPING (U.P.S.)    VISA AND MASTERCARD ACCEPTED

50+ dB SYSTEM GAIN  
 TUNES 2.1 Ghz. to 2.4 Ghz.  
 PREAMPLIFIER 20+ dB GAIN @ 2.5 dB NF  
 OUTPUT TUNES TV CHANNELS 2 TO 6

OUTPUT IMPEDANCE 75 OR 300 OHMS  
 FULL YEAR WARRANTY  
 PERFORMANCE GUARANTEED OR  
 YOUR MONEY REFUNDED

CALL (804) 489-2156 ✓447  
**ELECTRONIC HOBBY INNOVATIONS**  
 7510 GRANBY STREET SUITE 207 NORFOLK, VIRGINIA 23505

**SATELLITE TV SYSTEMS**  
 "COMPARE OUR QUALITY, PRICES AND SERVICE!"

WE MANUFACTURE:

PARABOLIC DISHES	MOTORIZATION SYSTEMS
POLAR MOUNTS	LNA HOLDERS
DEMO TRAILERS	ALUMINUM HORNS
CUSTOM PARTS	

WE STOCK:

WASHBURN	GILLASPIE	ALLIANCE
KLM	DRAKE	ATV
AVANTEK	LOWRANCE	CABLE & CONNECTORS
GARDINER		SWITCHES & HARDWARE

CALL, WRITE OR ✓ FOR OUR LATEST BROCHURE AND PRICES.

AUSTIN C. LEWIS	LEWIS CONSTRUCTION CO.
K4GGC	P.O. BOX 100
901-784-2191	HUMBOLDT, TN. 38343

"IN BUSINESS AT THIS LOCATION SINCE 1964" ✓452

**2 GHz Dual Stage Microwave Preamplifiers**

Use the **Ampire 2001** to improve the performance of your microwave receiving system. The broadband design lowers the system Noise Figure and increases the overall system gain. Use the **Ampire 2001** for the TV band and the **Ampire 1690N** for the GOES and METOSAT satellite band.

<b>Ampire 1690N</b> .....	\$139 <sup>95</sup>
<b>Ampire 2001</b> .....	\$129 <sup>95</sup>
Shipping: USA .....	\$2 <sup>00</sup> Foreign ...\$10 <sup>00</sup>

**TEM Microwave Corporation**  
 22518 - 97th Avenue North  
 Corcoran, MN • 55374

612-498-8014 ✓135



## MICROWAVE TELEVISION SUBSCRIPTION TELEVISION

\*\*\*\*\*  
**MICROWAVE TELEVISION EDUCATION MANUAL** \$16.25  
 Our updated manual includes microwave concepts, antennas, and downconverters. Includes detailed schematics and P.C. board layouts.

**SUBSCRIPTION TELEVISION EDUCATION MANUAL** \$14.95  
 Two scrambling & decoding systems are explored in depth. Signal capture and modification techniques are presented for educational analysis.

**AMATEUR MICROWAVE RECEIVER SYSTEM** \$169.95  
 Continuing in the high quality and performance that you've come to know in the HMR II, this receiver has a new design and increased gain.

**INFORMATION PACKAGE ON ALL VIDEO PRODUCTS AND KITS \$2.00**  
**ORDER INFORMATION:**

Please add 5% shipping and handling. CA residents add 6% or 6.5% sales tax. VISA and MASTERCARD accepted.

ABEX  
 P.O. Box 26601-G ✓ 114  
 San Francisco, CA 94126-6601  
 \*\*\*\*\*



sample issue only \$2.50 PPD

OUR 15TH YEAR!

## AMATEUR TELEVISION MAGAZINE ✓ 115

"FOR THE SPECIALIZED COMMUNICATION RADIO AMATEUR"

	Surface U.S./Canada	Surface All Mexico Foreign	Airmail Central S. America	Airmail All Other Foreign
1/2 year	\$ 10.00	\$ 13.00	\$ 20.00	\$ 23.00
1 year	\$ 20.00	\$ 26.00	\$ 40.00	\$ 46.00
2 year	\$ 38.00	\$ 50.00	\$ 78.00	\$ 90.00
3 year	\$ 56.00	\$ 74.00	\$ 116.00	\$ 134.00

ATV-SSTV-FAX-RTTY-Satellites-EME  
 Microwave and Computers.

Published 12 times per year by Mike Stone WB0QCD  
 P.O. Box H, Lowden, Iowa 52255 0408

## SATELLITE TELEVISION FEED



MADE FROM .0500 BRASS

Used with a PARABOLIC DISH having a focal length to diameter ratio (f/D) .3 to .45

Frequency range 3.30 GHz to 4.90 GHz

Fits a standard CPR 229 flange on the LNA

Introductory offer: \$30.00 Postpaid USA

Mastercard - Money order - Cashier Check

For an additional charge we will adapt this feed horn to your LNA.

**FRIEDSAM TV HARDWARE**  
**P.O. BOX 311**  
**112 WEST MAIN STREET**  
**MARSHALLVILLE, GEORGIA 31057**  
**912-967-2828** ✓ 116

## S.D.-500 WEATHER STATION

### CONSOLE

Two large 5" square indicators with red and white graduations on a white background mounted on a black acrylic panel further enhanced by the solidly built mahogany cabinet. Dimensions 16" long x 7 1/2" x 4 1/4" wide.

### WARRANTY

Against defects in material or workmanship for one year from time of delivery.

### INSTALLATION

Both transmitters are mounted on an aluminum "U" support supplied with clamp, for installation on any 1 1/4" diameter support (by purchaser).

### POWER

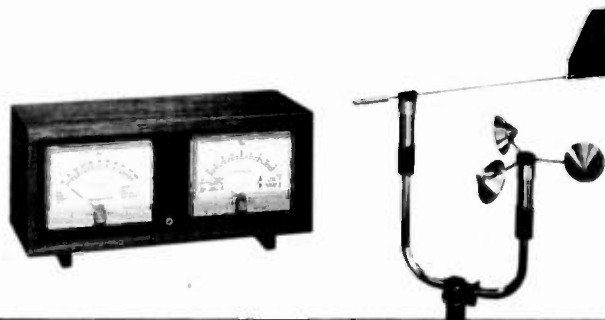
115 volt A.C. 60 cycle, includes 9-foot-long power cord, system fused (1/4 amp.). Power indicator lamp is also provided on console indicator panel.

### CABLE

.190" diameter 5 conductor, standard length 50 feet. Extra cable available in 500-foot increments. Maximum length 300 feet.

### APPLICATION

This system for use in home, radio stations, small airports, marine installations, schools, industry, air pollution studies. Mfg. by TMAC PRODUCTS, P.O. Box 28341, Columbus, Ohio 43228



### WIND SPEED TRANSMITTER

This sensitive unit incorporates a three-cup aluminum anemometer coupled to a high grade precision D.C. generator housed in a stainless steel enclosure, range 0-100 M.P.H.

### WIND DIRECTION TRANSMITTER

Wind direction is obtained from a counterbalanced aluminum wind vane assembly coupled to a precision linear potentiometer. 360° continuous rotation powered by a regulated 5.0 volt D.C. power supply.

### COST COMPLETE

Including 50-foot conductor and mounting hardware is \$360.00 plus \$4.00 shipping U.S.A. Use VISA, M.C., or C.O.D. All foreign orders add 25% for shipping. No foreign C.O.D.'s.

**Tmac. Products** ✓ 174

**WEATHER INSTRUMENTS**

P.O. BOX 28341 COLUMBUS, OHIO 43228

## HAM HELP

I need schematics and manuals for the Precision ES-500A oscillograph. I would also like to hear from anyone who can help me increase the dynamic range of my DX-302 receiver. I will pay all copying and postage costs.

**Rob Leonard**  
 Lens Ave.  
 Dayville CT 06241

Free to any high school ham club: back issues of 73, QST, CQ, and HR. 73: 1974-present; QST: 1973-present; CQ: 1975; HR: 1974. I will donate these magazines (approx. 150) to any high school ham club that will pay shipping. Send SASE for more details.

**Mike Weber WB8RDN**  
 1525 Burney Lane  
 Cincinnati OH 45230

Wanted: any info available on the Cromemco Z-2 microcomputer system or the following Cromemco boards: ZPU, 16KZ, TU-ART. I am also looking for any information on the Processor Technology Corp. VDM-1 video display board.

**Donald Patterson WA1FXK**  
 Box 582  
 Port Austin AFS MI 48467

I am looking for:

- Information on constructing an interface to monitor slow-scan television using a black and white television set and the audio output of a Hammarlund HQ170-A receiver;
- A Heathkit SB-10 sideband converter in working condition (or easily repairable) with the manuals; and
- More information on the sideband

monitor scope construction project written up in the January, 1977, issue of 73 Magazine, especially concerning the coils in the rf section of this project.

**Fred Erickson KA1GNC**  
 105 G St.  
 Tumers Falls MA 01376

I need a glass dial to replace the broken one on my Model 12U159 Zenith console radio. I will pay any reasonable price.

**Walter Burdine W8ZCV**  
 Waynesville OH 45068

I am looking for someone who can draw a circuit diagram for me which will show me how to add a product detector to the HRO60 circuit.

**Emil Rettig W6BNR**  
 1260 143rd Ave.  
 San Leandro CA 94578

I need schematic diagrams and, if possible, a service manual for a Data Instruments oscilloscope which includes a 1700/N display unit, a 1Y2 vertical amplifier plug-in, and a 1X2 timebase plug-in. I will pay rea-

sonable photocopying charges and postage or will photocopy and return.

**Tim Wulling WB4JZX**  
 1495 Raymond Avenue  
 Saint Paul MN 55108

Please help me locate, for my private collection, a vertical vibroplex, a camelback straight key, and a Martin vibroplex.

**Dick Randall K6ARE**  
 1263 Lakehurst Rd.  
 Livermore CA 94550

I need schematics or any information for the Pride Electronics DX 300 bilinear amplifier. I will pay any copying costs.

**Dave Armstrong N7DYV**  
 827 Mae Dr.  
 Twin Falls ID 83301

We are looking for a schematic for the National NCX5 transceiver. Can someone please help us?

**Luis Jorge Bros Burrell XE3L**  
 Radio Club de Merida, A. C.  
 Apdo. Postal 329  
 Merida, Yucatan, Mexico

# look here

1-713-658-0268

- Kenwood TS530S New Demo 600.00
- Kenwood TS930S + Accessories-Call!
- SANTEC ST 144 UP 299.00
- TOKYO HiPower-10% Off List-In Stock
- SIGNAL ONE MILSPEC — SOON!
- ICOM IC730 699.00
- IC290A 429.00
- IC22U 269.00
- IC740 989.00
- IC490A 569.00
- IC25A 309.00
- IC720/AC 1298.00
- YAESU FT230R 299.00
- FT208R/708R 289.00 ea.
- FT1 2395.00
- FT101ZD-3 749.00
- FT102 CALL
- FT902DM 1249.00
- DRAKE TR5 699.00
- TR7A 1450.00
- R7A 1400.00
- AEA MM2 125.00
- MBARC 399.00
- Tote and Talk Cordless
- Telephone/Base 149.00
- Robot 800A 749.00
- Robot 400 675.00
- HAL CT2100 699.00
- HAL KB2100 169.00
- Kantronics Hamsoft STOCK
- Dentron ATIK 125.00
- Kantronics Interface 169.00
- Sherwood, Curtis 10% Off List
- Kantronics Minireader 249.00
- ALPHA 78 Hi S/N 2795.00
- Collins KWM2 Noiseblanker—New
- Sealed 200.00
- KLM KT34A 309.00
- KLM KT34TA 469.00
- RG214 Nonmil copperbraid coax
- 70c/ft.
- AMPHENOL PL259 Silverplate 1.00
- SPRAGUE 1000PF/30KV Doorknob
- Cap 16.00
- 1000 PF/500V Feed thru 1.95
- CDE .001/20KV Cap 1.95
- TCA 25A/1000 PIV Epoxy diode
- 19c ea.
- Belden 9258 RG8X 19c/ft
- 8214 RG8 Foam 36c/ft
- 8267 RG213 43c/ft
- 9405 Heavy Rotorcable 45c/ft

**LARGE BOOKSTORE**

Mosley 20% Off List  
**ALL ITEMS GUARANTEED**  
 PLEASE SAY YOU SAW IT IN THIS  
 MAGAZINE AD.

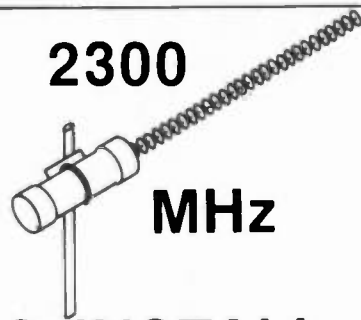
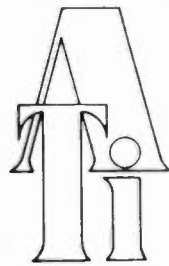
**MASTERCARD VISA**

All prices fob Houston except where indicated. Prices subject to change without notice, all items guaranteed. Some items subject prior sale. Texas residents add tax. Please add sufficient postage, balance collect.

# MADISON

Electronics Supply

1508 McKinney <sup>45</sup>  
 Houston, Texas 77010



2300

MHz

**NEW  
LOW  
PRICE**

**READY TO INSTALL... 89.95**

CONVERTER KIT..... 29.95

NEC NEO2137 TRANSISTOR.... 3 for.... 7.95

CONVERTER KIT ASSEMBLED..... 38.95

POWER SUPPLY ASSEMBLED..... 19.95

CIGAR ANTENNA..... 19.95

HOUSING, MTG BRKT, 50 COAX..... 19.95

TERMS: CHECK, VISA, MASTER CARD

**IN STOCK - READY TO SHIP**

2012 15th Av. • Ft. Worth, Tx. 76102

817-332-2994

✓175



**The  
HAM SHACK**

808 N. Main • Evansville, IN 47111

TEN-TEC CALL

546 Omni-CXcvr \$969

580 Delta 679

525 Argosy 439

Call for Accessories & Package  
Prices

**KANTRONICS**

Computer Interface \$169

AEA MBA RO Reader \$269

AZDEN PCS-3000/300 289

BUTTERNUT HF6V Vertical 119

CUSHCRAFT A33 Element 179

DRAKE TR7A 1440

HALCT 2100 695

HY-GAIN TH7 DX CALL

ICOM 740 990

KLM KT34A 309

MFJ 496 Keyboard 289

MIRAGE B1016 239

ROHN Tower CALL

SANTEC ST-144/uP 295

812-422-0231 ✓449

MON-FRI 9AM-6PM • SAT 9AM-3PM

Write for our new and used equipment list

**ISOTRON ANTENNAS**  
 THE BEST THINGS  
 come in little packages...

FOR 80-40-20 METERS



**NEEDS NO RADIALS OR  
MATCHING DEVICES**

ISOTRON 80 54 IN. HIGH ISOTRON 40 31 IN. HIGH ISOTRON 20 17 IN. HIGH

**BIG ON PERFORMANCE  
SMALL ON SPACE**

**BILAL COMPANY**

(303) 687-3219

STAR ROUTE

FLORISSANT CO 80816



## INTRODUCING SMP'S **NEW** DOWNCONVERTER KIT!!

**EM-3**

2300 MHz MICROWAVE DOWNCONVERTER KIT. Includes high quality PC board, NE02137 & NE02136 transistors, thermal drift stabilizer, silver solder, .141 hardline, matched diodes, F-connectors, molded coils, instructions.

**29.95**

**EM-4** The EM-3 with NE64535 high performance RF transistor; Adds 3db gain to EM-3 and reduces noise figure. 37.95.

### DO IT RIGHT THE FIRST TIME WITH SUPERIOR QUALITY — WITHOUT HIDDEN COSTS

THOSE 19.95  
"DEALS" DON'T  
HAVE IT ALL —

**WE DO!**

- Detailed Instructions
- Post-Paid Delivery
- Thermal Drift Stabilizer
- F-Connectors
- Hardline Antenna Probe
- High Gain RF Stage
- Matched Diodes
- Molded Coils
- Silver Solder
- Toll-Free Number

Sale!

Sale!

Send SASE for Catalogue

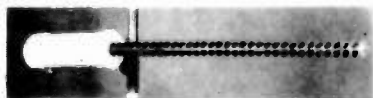
Sale!



DA-3 62.95  
EM-3 & RFA-1



TU-8 Power  
Supply 34.95



ANT-4 Antenna 30.00  
with Adjustable Bracket



RFA-1 34.95  
Pre-amplifier

# SMP

Superior Microwave Products, Inc.  
P.O. Box 1241  
Vienna, VA 22180

Orders Only: 1-800-368-3028  
Info., VA & D.C.: 1-703-255-2918  
Discounts Over \$100

All Orders Postpaid & Shipped in 48 Hours

*We Don't Compromise On Quality*



376

# PERFECT ANTENNA?

FOR  
10-15-20 METERS

VERTICAL  
OMNI-GAIN

HALFWAVE  
END FED

NO RADIALS

NO REFLECTED  
POWER

BROADBAND

FIXED OR  
PORTABLE

REMOTE TUNING

2 KW PEP

UPS SHIPPABLE

# R3

R3 may be the perfect antenna for condominiums, apartments, small lots or any limited space situation. It is a great antenna for hams who are concerned about neat appearance and maximum performance.

R3's self supporting radiator is only 21ft-6.4m high x 1ft .304m wide at the base. Assembly is quick and easy for portable, marine, field day, DX-peditions, or fixed installations. It is complete with remote tuner.

AVAILABLE THROUGH  
DEALERS WORLDWIDE



**cushcraft**  
CORPORATION

THE ANTENNA COMPANY  
P.O. Box 4680  
Manchester, NH 03108 USA  
TELEX 953050

106

## REMEMBER THE FUN AT PLAYBOY'S GREAT GORGE RESORT IN 1976 & 1978?

**THE ARRL  
HUDSON DIVISION  
CONVENTION  
MOVES BACK TO  
GREAT GORGE  
FOR 1982!**

If you attended the ARRL Hudson Division Convention in '76 or '78, then you know what a great time we'll be having on the weekend of October 30-31, 1982, at the same fantastic location in Great Gorge, New Jersey. If you missed either of these years, ask someone who was there. You'll hear about all the super activities, seminars, forums, fleamarket and exhibits covering everything from 160 meters to microwave; all modes, all facets of our great hobby... plus, new for '82, even more on computers and TVRO earth stations! As in the past, we also have a full women's program for non-ham XYL's, and the Great Gorge resort has everything in sports and leisure activities you could ever want.



**DON'T MISS OUT. RESERVE NOW AND SAVE—TICKETS  
ARE \$9.00 AT THE DOOR. USE COUPON BELOW.**

HARC CONVENTION, POST OFFICE BOX 528, ENGLEWOOD, NJ 07631

Please send me the following 1982 Hudson Division Convention Tickets:

\_\_\_\_ (Quantity) REGISTRATION TICKETS @ \$ 7.50 \$ \_\_\_\_\_

\_\_\_\_ BANQUET TICKETS\*\* @ \$24.00 \$ \_\_\_\_\_

TOTAL ENCLOSED (Make check payable to "HARC") \$ \_\_\_\_\_

• PLEASE ENCLOSE A STAMPED—SELF-ADDRESSED ENVELOPE •

NAME \_\_\_\_\_ CALL \_\_\_\_\_

ADDRESS \_\_\_\_\_

CITY, STATE, AND ZIP CODE \_\_\_\_\_

FLEAMARKET SELLERS ONLY—CHECK HERE FOR INFO

\*\*INDICATE BELOW  
ANY SPECIAL RE-  
QUESTS FOR BANQUET  
FOR SEATING (Club  
table or group seating)



# Digital Basics

## — part I

Joseph J. Carr K4IPV  
5440 South 8th Road  
Arlington VA 22204

**D**igital electronics has hit amateur radio—and hobby electronics in general—in a big way! This field of electronic endeavor was once the province of a few freaky computerniks, military electronics technicians, and industrial electronics types, but today, none of us can safely ignore digital electronics.

Digital electronics is, in a way, actually simpler than conventional analog electronics because the digital logic devices recognize only two states, i.e., ON and OFF. This fact makes digital circuits similar to relays and mechanical switches. Simple, huh? In fact, some digital circuits are little more than high-frequency electronic versions of sim-

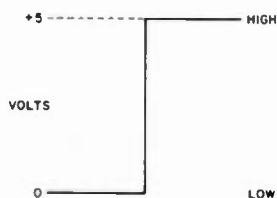


Fig. 1. TTL logic levels: 0 volts is LOW, 5 volts is HIGH.

ple switches. It is my opinion that anyone who can understand simple relay and switch circuits also can understand the basics of digital electronics! Certainly anyone who can understand the vagaries of single-sideband and FM communications equipment will be able to understand digital electronics.

In this three-part series, we will explore the various forms of IC logic elements: gates, flip-flops, and multivibrators. In this first installment, I am going to give some basic definitions, introduce you to the popular IC-device families, and ex-

plore the principal forms of logic gates.

### Logic States

I have mentioned that digital circuits respond only to two different input states—ON and OFF—which can be called 1 and 0 (after the two permissible digits of the *binary*, i.e., base 2, number system), HIGH and LOW, or (in older textbooks) “true” and “false.” These designations are used to refer to two different voltage levels. In this article, I will stick to the HIGH/LOW designation because it will graphically describe what is actually going on in the circuit.

Transistor-transistor logic (TTL) responds to 0 and +5 volts for the two logic levels. If any other voltage levels are used, then the TTL device will either (1) fail to work, (2) work unpredictably, or (3) burn out (ZZZAPPP!).

Fig. 1 shows the TTL logic levels.

### Positive and Negative Logic

You may sometimes hear the terms positive logic and negative logic. These terms sometimes tend to confuse the newcomer; they mean nothing more than how the HIGH and LOW *logic states* are related to *voltage levels*. In *positive logic*, the HIGH is logical 1 and will be a positive voltage (e.g., +5 volts in the case of TTL). The LOW, logical 0, is the 0-volts condition (e.g., in TTL). Logical 0 may be a negative voltage in some CMOS circuits. In *negative logic* these designations are reversed (i.e., HIGH = logical 0 and LOW = logical 1). In the vast majority of uses, positive logic is specified. In fact, the descriptive names given to digital IC devices reflect a bias toward positive logic. This potential confusion is why I prefer HIGH/LOW designations. The 1/0 designation

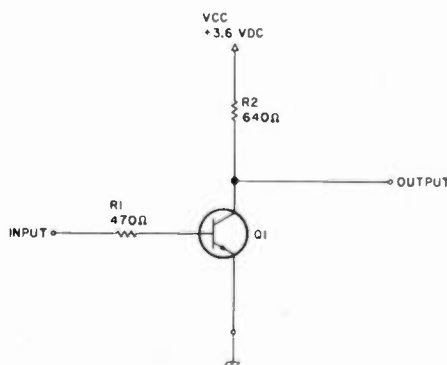


Fig. 2. This typical RTL (resistor-transistor logic) inverter circuit produces a LOW output when the input is HIGH. A LOW input is accompanied by a HIGH output. For RTL, 0 volts is LOW and 3.6 volts is HIGH.

will be reserved for the illustrations and truth tables... but keep in mind that *positive logic* is used unless otherwise noted.

### Logic Families

A *logic family* is a series of IC devices that may easily be interconnected and which use similar technology in their construction. All of the devices within a given family will have the same input and output circuits, so that direct interconnection is possible.

The only major consideration is whether an output can supply sufficient current to drive all of the inputs that are connected to it. But in any given logic family, output voltage and current levels and input voltage and current requirements are fixed by agreement. They are defined in terms of units of *fan-in* and *fan-out*. This unit is the current requirement of a single standard input at the fixed voltage level. Such an input has a fan-in of *one unit*. If an IC is said to have a fan-out of, say, five, it will *drive five standard inputs*. The device, therefore, can supply sufficient current to drive all five inputs satisfactorily. The total fan-in of all devices connected to any output must be equal to, or less than, the rated fan-out of the output.

The logic families which we will consider are: RTL, DTL, TTL, HTL, ECL, and CMOS. Of these families, CMOS and TTL are the most popular today; RTL and DTL are obsolete and no longer used in new designs. Plenty of older equipment still in use, however, contains RTL and DTL devices.

### Speed vs. Power

The principal factors governing the speed (i.e., maximum operating frequency) of a digital IC are the internal resistances and capacitances. If resistances are increased so that power

consumption drops, then the RC time constant of the device is longer. Long RC time constants mean slower operating speeds. As a general rule, higher-speed logic families require greater power consumption. CMOS devices, which require very little current (hence are low power), operate well only to 4 or 5 megahertz (MHz), with some devices tooting along to 10 MHz. TTL devices, on the other hand, usually work to 18 or 20 MHz, with some devices operating to well over 80 MHz.

### RTL Devices

Resistor-transistor logic (RTL) is an obsolete logic family that was popular in the early to mid-60s. Fig. 2 shows a typical RTL inverter circuit, i.e., a circuit that produces a LOW output when the input is HIGH and a HIGH output when the input is LOW.

RTL logic IC devices used 0 volts for logical 0 and +3.6 volts for logical 1. If the input of the RTL inverter is grounded (i.e., placed LOW), then the output voltage will be HIGH, which in this case means +3.6 volts. But, if the input voltage is +3.6 volts, then the output will be 0 volts.

RTL devices usually carry type numbers in the uL900 range (mostly 8- and 10-pin metal cans) and MC700 series (mostly 14-pin DIPs).

### DTL Devices

The next popular IC logic family was the diode-transistor logic (DTL) family. These devices operated at speeds greater than most RTL devices. Fig. 3 shows a typical DTL inverter.

When the DTL input is HIGH, diode D1 is reverse-biased. In that condition, R1 will forward-bias transistor Q1, which in turn forward-biases D2 and Q2. Voltage levels in most digital circuits are selected to *saturate* the transistors, so when Q2 is turned on, it is turned on to full saturation.

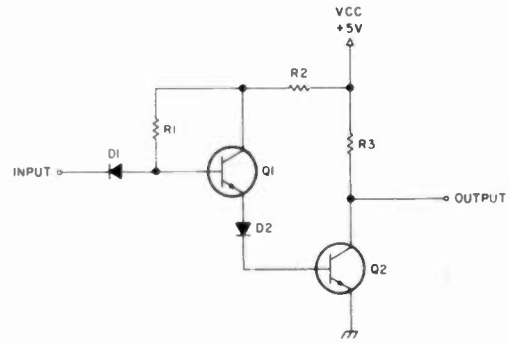


Fig. 3. DTL (diode-transistor logic) offers better speed than RTL. A typical DTL inverter is shown here.

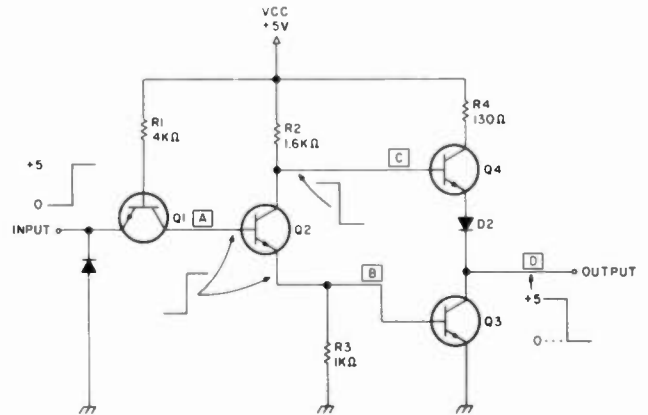


Fig. 4(a). The TTL (transistor-transistor logic) family has LOW values ranging from 0 to 0.8 volts. HIGH is 2.4 to 5.0 volts. An inverter is shown here.

This condition means that the output of the inverter, which is the collector terminal of Q2, goes nearly to ground. The actual voltage  $V_{ce(sat)}$  of the transistor is on the order of a few tenths of a volt at most.

When the input is LOW, the cathode of D1 is grounded. Since D1 is now forward-biased, the base of Q1 is essentially grounded. Under this condition, Q1, D1, and Q2 are reverse-biased. With Q2 cut off, then, the output voltage rises to that of Vcc (+). Most DTL devices carry part numbers in the MC800 and MC900 ranges (Motorola designation).

### TTL Devices

Probably the most widely used digital IC logic family is the transistor-transistor logic (TTL) family. When most people speak of digital ICs, it is the TTL family of devices to which they re-

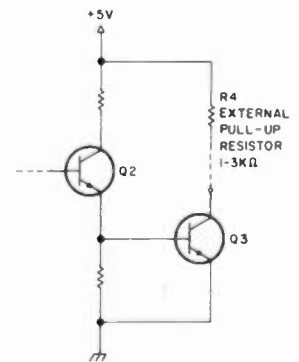


Fig. 4(b). An open-collector TTL circuit results when the output circuit is simplified. An external resistor is needed between the output and +5 volts.

fer. Most TTL devices carry type numbers in the 7400 range. (Those devices in the 5400 range are military equivalents to the 7400-series, i.e., a 5447 is a 7447 in uniform. The principal difference between the 5400 and 7400 devices is in the operating temperature range—0 to 80° C for com-

mercial devices and  $-55$  to  $+125^{\circ}$  C for military devices.)

Fig. 4(a) shows the circuit for a typical TTL inverter IC. Like the DTL device, the TTL input acts as a *current source* while the output acts as a *current sink*. The typical TTL input will source 1.8 mA and will be LOW if the voltage is 0 to 0.8 volts and HIGH if 2.4 to 5.0 volts are applied. Performance at values of input potentials between 0.8 and 2.4 volts is not defined, so operation of the devices is unpredictable.

When the TTL input is HIGH, Q1 is cut off, so point A goes HIGH. This condition turns on Q2, forcing point B HIGH and C LOW. We find, then, Q3 is turned on and Q4 is off. This forces the output LOW. Again, the transistors are operated either totally cut-off or totally saturated.

If the input is LOW, then exactly the opposite situation occurs: Q1 is turned on (forcing point A LOW), Q3 is off, and Q4 is turned on, i.e., it is connected to  $V_{cc}(+)$ .

TTL devices must have a regulated dc power supply of  $+4.75$  to  $+5.25$  volts. In fact, there are some circuits of combinations of devices that require a more limited range of voltages nearer to  $+5$  volts dc. Voltages greater than  $+5.25$  volts often result in a high failure rate of TTL devices.

Some TTL devices are described as being *open-collector* devices. These are essentially the same as regular TTL devices except that the output circuit is modified, i.e., Q4 and D2 are missing. An example of an open-collector circuit is shown in Fig. 4(b). These devices require an external 1k- to 2k-Ohm resistor between the output terminal and the 5-volt dc power-supply line.

Open-collector devices can be useful if you need to

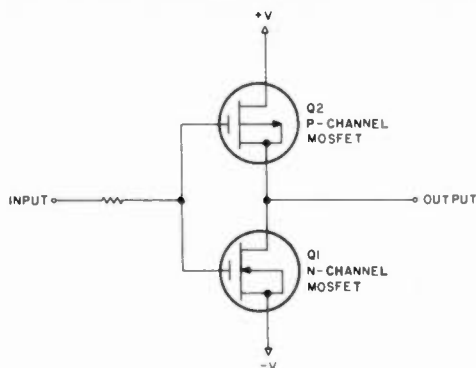


Fig. 5(a). A typical CMOS inverter circuit.

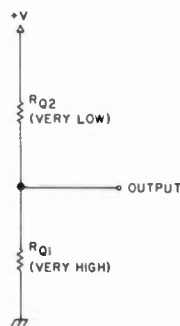


Fig. 5(b). An equivalent circuit for LOW input, HIGH output.

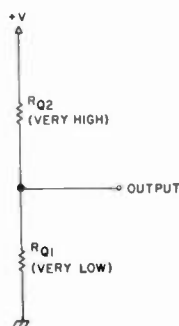


Fig. 5(c). An equivalent circuit for HIGH input, LOW output.

ible devices are often used to directly interface CMOS and TTL devices.

Figs. 5(b) and 5(c) show the equivalent circuits for a CMOS inverter in both possible input conditions, i.e., input HIGH and input LOW. Recall that a p-channel MOSFET turns on when the gate is LOW, while the n-channel device turns on when the gate is HIGH.

Fig. 5(b) shows the situation in which the input is LOW. Transistor Q1 will have a very low (e.g., 200 Ohms) channel resistance. In this case, the output is equivalent to a 200-Ohm resistor to the  $V+$  power-supply line.

In Fig. 5(c), we see the situation in which the input is HIGH. Transistor Q2 now has a very high channel resistance, and Q1 has a very low channel resistance (again, about 200 Ohms). In this case, the output looks like a 200-Ohm resistance to ground, so the output is LOW.

The CMOS output stage always looks like a high and low resistor in series across the power supply—see Figs. 5(b) and 5(c). The overall current drain, therefore, is very small.

But CMOS devices do have a problem: They contain MOSFETs, so they are sensitive to static electricity. All A-series CMOS devices (e.g., the 4001A) have this problem, but it is less severe in B-series (e.g., the 4001B) devices. The B-series have built-in diode gate-protection to bypass high static potentials around the sensitive gate structure. Even so, they should be handled with care.

### HTL Devices

Noise pulses often are seen by logic circuits as valid input pulses. This problem is especially bothersome in high-speed TTL devices that are normally able to pass high-frequency, short-duration pulses. The solution in noisy environ-

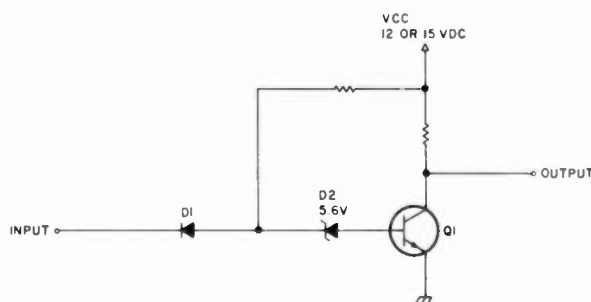


Fig. 6. HTL (high-threshold logic) is useful in applications where noise pulses may be a problem.

tie the outputs of two or more gates together or if you are driving something other than TTL.

### CMOS Devices

CMOS IC devices use MOSFET transistors instead of the PNP or NPN bipolar transistors that are used in other logic families. CMOS inputs, therefore, offer a very high impedance. Fig. 5(a) shows a typical CMOS inverter circuit. Note that this family is called *complementary* because the output circuit consists of a complementary pair of MOSFET transistors, i.e., an

n-channel and a p-channel in series.

CMOS circuits work over a wide range of voltages, with most devices using a LOW of 0 to 1 volt and a HIGH between 3 and 15 volts. The optimum power supply and HIGH value is usually between 9 and 12 volts. In some instances, a bipolar supply may be used.

CMOS outputs are not directly TTL-compatible, although some specific ICs in the CMOS line are designed to have a TTL-output stage (e.g., the 4049 and 4050 devices). These TTL-compat-



“Mobile antenna mounting and cable routing on today’s cars are a nightmare”

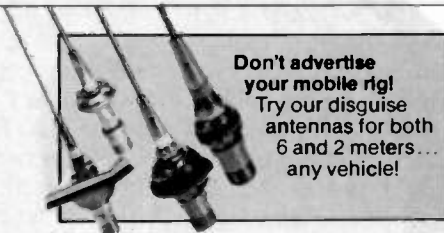



“We just can’t find a high performance antenna that doesn’t need a ground plane”

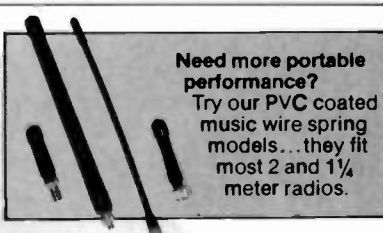


# Avanti. The on-glass, halfwave, 15-minute solution from the antenna specialists co.

- **Co-inductive coupling** establishes highly tuned circuit through glass or any non-conductive material up to 3/4" thick, with no measurable signal loss.
- **No ground plane:** full electrical halfwave design provides omnidirectional performance equal to practical 5/8 wave installations.
- **New DUO-BOND mounting system** for firm, resilient, waterproof bonding in minutes—yet removable without damage to car or antenna.
- **No holes to drill, no damage to vehicle...** easy, fast cable routing.
- **Four gain models** to cover the 2 meter, 220MHz, and UHF amateur bands.



Don't advertise your mobile rig!  
Try our disguise antennas for both 6 and 2 meters... any vehicle!



Need more portable performance?  
Try our PVC coated music wire spring models... they fit most 2 and 1 1/4 meter radios.

the antenna specialists co. ✓ 63

the antenna specialists co.  
a member of The Allen Group Inc.  
12435 Euclid Ave., Cleveland, OH 44106  
Canada: A. C. Simmonds & Sons, Ltd.



® "Stripes of Quality"

**we design solutions.**

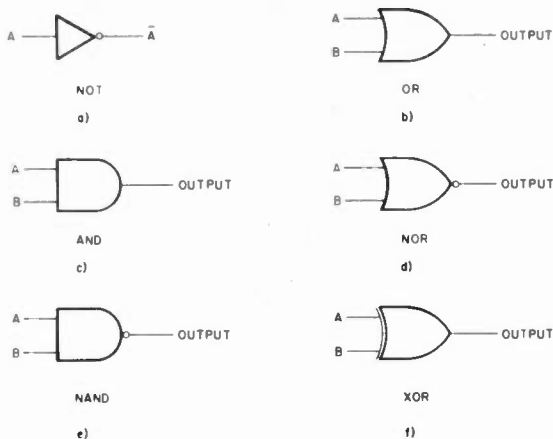


Fig. 7. You can determine the function of a TTL gate by looking at its schematic symbol.

ments is to use a digital IC logic family that requires a high input voltage to trigger. CMOS devices operated at high  $V^-$  and  $V^+$  values meet this requirement, but the older bipolar *high-threshold logic* (HTL) may also be used (Fig. 6).

HTL (also sometimes called *high-noise-immunity logic*, or HNIL) uses  $V^+$  values of 12 or 15 volts depending upon the series. As a result, the logic levels also are high, so it requires a bigger noise pulse to cause trouble.

### Emitter-Coupled Logic

Up until now we have been talking about *saturated* logic families, i.e., the transistors in the ICs are either all the way on or all the way off (cut off or saturated). *Emitter-coupled logic* (ECL) is called an ac logic family because the transistors are operated in a non-saturated mode. As a consequence, ECL devices are capable of very fast operation. Most commonplace ECL devices operate to 80 or 120 MHz, while some costly special devices operate to over 1 GHz (that's 1000 MHz!). The usual *prescaler* for a digital frequency counter is nothing more than an ECL frequency divider that divides the 500-MHz input signal down to 50 MHz.

Note that it is necessary to use VHF/UHF circuit de-

sign and layout techniques when working with ECL devices. The very high frequencies used are, after all, in the UHF range.

### Gates

A digital electronic gate is a circuit whose output is HIGH or LOW depending on the input. Gates operate under a set of well-defined rules. The basic forms of digital electronic gates are: NOT, OR, AND, NOR, NAND, and XOR (Exclusive-OR). In the paragraphs to follow, we will discuss all of these basic gates.

#### NOT Gates

NOT gates, also called *inverters*, produce an output that is the opposite of the input signal. Recall that digital circuits respond only to HIGH and LOW voltage levels. In an inverter circuit, therefore, the output will be HIGH when the input is LOW and LOW when the input is HIGH.

The circuit symbol for the inverter is shown in Fig. 7(a), while the truth table is given in Fig. 8(a). Note that any digital symbol with a *circle* on the output produces an *inverted* output. Similarly, if one or more inputs has a circle on it, then that input is inverted. The rules for the operation of the inverter are:

- 1) A HIGH on the input produces a LOW output.
- 2) A LOW on the input

produces a HIGH output.

#### OR Gates

An OR gate will be HIGH if any of its input is HIGH. The symbol for an OR gate is shown in Fig. 7(b), while the truth table is given in Fig. 8(b). The truth table shows the rules of operation for the two-input OR gate, and these are summarized below:

- 1) If both inputs A and B are LOW, then the output is LOW.
- 2) If either input A or B is HIGH, then the output is HIGH.
- 3) If both inputs A and B are HIGH, then the output is HIGH.

#### AND Gates

The AND gate is the opposite of the OR gate. The AND gate produces a HIGH output only when *all* inputs also are HIGH. The circuit symbol for the AND gate is given in Fig. 7(c), and the truth table is shown in Fig. 8(c). The rules for the operation of the two-input AND gate are:

- 1) If both inputs A and B are LOW, then the output is LOW.
- 2) If either input A or B is LOW, then the output is LOW.
- 3) If both inputs A and B are HIGH, then the output is HIGH.

#### NOR Gates

The NOR gate is a combination of a NOT gate (inverter) and an OR gate, hence the designation NOR, which means NOT/OR. It is, therefore, an OR gate with an inverted output. The NOR gate is, in fact, sometimes represented in textbooks as an OR gate with an inverter following. The NOR gate symbol, shown in Fig. 7(d), is an OR gate symbol with the circle denoting inversion at the output. The truth table for the two-input NOR gate is shown in Fig. 8(d), and the rules for its operation are summarized below:

Input		(a) NOT	Output
1			0
0			1

Input		(b) OR	Output
A	B		
0	0		0
0	1		1
1	0		1
1	1		1

Input		(c) AND	Output
A	B		
0	0		0
0	1		0
1	0		0
1	1		1

Input		(d) NOR	Output
A	B		
0	0		1
0	1		0
1	0		0
1	1		0

Input		(e) NAND	Output
A	B		
0	0		1
0	1		1
1	0		1
1	1		0

Input		(f) XOR	Output
A	B		
0	0		0
0	1		1
1	0		1
1	1		0

Fig. 8. Understanding a truth table is the key to using logic devices. The 1 designates a HIGH state and the 0 designates a LOW one.

- 1) If both A and B inputs are LOW, then the output is HIGH.
- 2) If either input A or B is HIGH, then the output is LOW.
- 3) If both inputs A and B are HIGH, then the output is LOW.

#### NAND Gates

The NAND gate is a NOT/AND gate, i.e., an AND gate followed by an inverter. The symbol for the NAND

# Alaska Microwave Labs

4335 E. 5TH STREET ANCHORAGE, ALASKA 99504  
(907) 338-0340 DEPT 73

## CHIP CAPACITORS

1.2 2.2 3.3 4.7 6.8 10 18 22 27 47 100 120  
180 220 270 330 390 470 560 680 820 1K 1.2K  
1.8K 3.9K 8.2K 10K 100K \$ .60

## GaAs FETS

MGF1400 NF 2.00B @ 4GHZ MAG 15DB \$19.00  
MGF1412 NF 0.8DB @ 4GHZ MAG 18DB \$85.00  
MCF1200 NF 1.00B @ 1GHZ NF 2.2DB & MAG 14DB @ 4GHZ \$14.00

## COAX CONNECTORS

BNC CHASSIS MOUNT SQUARE FLANGE \$1.95  
BNC PLUG FOR RG-58 \$1.95  
SMA CHASSIS MOUNT SQUARE FLANGE \$6.10  
SMA CHASSIS MOUNT PLUG SQ FLANGE \$8.50  
SMA CHASSIS MOUNT STRIP-LINE TAB \$6.75  
SMA PLUG FOR RG-58 \$6.75  
SMA PLUG FOR RG-174 \$6.75  
SMA PLUG FOR 141 SEMI RIGID \$3.98  
TYPE N CHASSIS MOUNT SQUARE FLANGE \$3.75  
TYPE N PLUG FOR RG-9/RG-8 \$3.75  
TYPE N DOUBLE MALE \$7.25  
TYPE N FOR 141 SEMI-RIGID \$15.00  
TYPE N CHASSIS MOUNT PLUG SQUARE FLANGE \$14.00

## SILVER PLATING KIT

Will plate Copper, Brass, Bronze, Nickel, Tin, Pewter, Gold, and most white metal alloys \$36.00

## VTO

V72T-1 2.7GHZ TO 3.2GHZ MIN POWER OUT 10 MW  
TUNING VOLTAGE 0 TO 20V Vcc +15 VDC @ 60 MA \$98.00  
V82T-1 SAME AS V72T-1 BUT FREQ 3.6GHZ TO 4.2GHZ \$98.00

## TEFLON CIRCUIT BOARD OBL SIDED 1 OZ

APPROX 3.25" x 5.0" x .010 \$5.50  
APPROX 3.25" x 5.0" x .0312 \$6.50  
APPROX 3.25" x 5.0" x .0625 \$10.50

## FEED-THRU CAPACITORS

1000 PF SOLDER TYPE \$5.50  
470 PF SOLDER TYPE \$5.50

## LEADLESS CERAMIC CAPACITORS

1000 PF NO WARRANTY ON SEMICONDUCTORS \$25

OPEN AT 8 PM EST CLOSED 8PM PST  
ORDERS ARE POSTAGE PAID  
COD - VISA - MASTERCARD



## Organize your shack with a CLUTTERFREE MODULAR CONSOLE \$203.35

- Large, 42" H x 57" W x 29" D
- Strong groove-construction
- Mar-resistant wood grain finish
- Options, drawers & face plate
- For ham or home computer
- Visa and Master Charge

## CLUTTERFREE MODULAR CONSOLES

P.O. Box 5103 Tacoma, WA 98405  
(206) 272-8321 ✓ 89

## HI-Q BALUN

- For dipoles, yagis, inverted vees & doublets
- Replaces center insulator
- Puts power in antenna
- Broadbanded 3-40 MHz
- Small, lightweight and weatherproof
- 1:1 Impedance ratio
- For full legal power and more
- Helps eliminate TVI
- With SO 239 connector



only \$12.95

## HI-Q ANTENNA CENTER INSULATOR



Small rugged lightweight weatherproof  
Replaces center insulator  
Handles full legal power and more  
With SO 239 connector

\$6.95

## HI-Q ANTENNA END INSULATORS



Rugged, lightweight, injection molded of top quality material, with high dielectric qualities and excellent weatherability. End insulators are constructed in a spiral unending fashion to permit winding of loading coils or partial winding for tuned traps.  
May be used for  
• Guy wire strain insulators  
• End or center insulators for antennas

\$4.95

• Construction of antenna loading coils or multiband traps

## DIPOLLES

MODEL	BANDS	LENGTH	PRICE WITH HI-Q BALUN	WITH HI-Q CENTER INSULATOR
<b>Dipoles</b>				
D-80	80,75	130	\$31.95	\$27.95
D-40	40,15	66	28.95	24.95
D-20	20	33	27.95	23.95
D-15	15	22	26.95	22.95
D-10	10	16	25.95	21.95
<b>Shortened dipoles</b>				
SD-80	80,75	90	35.95	31.95
SD-40	40	45	32.95	28.95
<b>Parallel dipoles</b>				
PD-8010	80,40,20,10,15	130	43.95	39.95
PD-4010	40,20,10,15	66	37.95	33.95
PD-8040	80,40,15	130	39.95	35.95
PD-4020	40,20,15	66	33.95	29.95
<b>Dipole shorteners - only, same as included in SO models</b>				
S-80	80,75			\$11.95 pr
S-40	40			\$10.95 pr

All antennas are complete with a HI-Q Balun or HI-Q Antenna Center insulator, No. 14 antenna wire, ceramic insulators, 100 nylon antenna support rope (SD models only 50) rated for full legal power. Antennas may be used as an inverted V and may also be used by MARS or SWLs.

Antenna accessories—available with antenna orders  
Nylon guy rope 450M test 100 feet \$4.49  
Ceramic (Dogbone Type) antenna insulators \$1.50 pr  
SO 239 coax connectors .55

All prices are postpaid USA 48  
Available at your favorite dealer or order direct from

Dealer Inquiries Invited  
**Van Gorden Engineering**

BOX 21305 B, SOUTH EUCLID, OHIO 44121



## 2 METER 90 WATT OUTPUT AMPLIFIER WITH 18 DB GAIN PREAMP



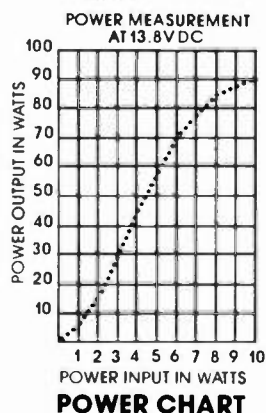
Model 90PL  
FOR ONLY  
**\$139.95\***  
FACTORY DIRECT PLUS SHIPPING

- FREQUENCY range 144 - 148 MHz
- OPERATION FM or SSB (completely linear) Class AB1
- RF DRIVE 1 to 30 watts
- KEYING RF activated with high quality relays
- SSB operation built in delay
- POWER REQUIREMENTS typical 10 watts drive, 13 amps at 13.8 VDC
- IDLE current 20 mills
- MOBILE or FIXED operation
- PREAMP 18DB gain minimum
- NOISE FIGURE less than 1.5 DB
- PREAMP KEYING independent — separately RF activated relays
- CONSTRUCTION wrap around aluminum heat sink 2 pieces 360 degrees cooling
- SIZE 7"(w) x 6"(d) x 3"(h) — WEIGHT 3 lbs. 9 ozs.
- IMMEDIATE SHIPMENT

SPECIAL OFFER  
Matching Power Supply  
**\$99.95\***  
PLUS SHIPPING

15 AMP SUPPLY wt. 13 lbs. size 8"(w) x 5"(h) x 6"(d)  
IMMEDIATE SHIPMENT  
ALL PARTS AND LABOR WARRANTED ONE FULL YEAR

VJ90PL Amplifier \$139.95 plus \$3.00 shipping  
VJ15 POWER Supply \$99.95 plus \$7.00 shipping  
\*Prices USA only



VISA, MASTER CHARGE, M.O. or C.O.D. • PHONE (713) 477-0134

**V-J PRODUCTS, INC.** 505 East Shaw, Pasadena, Texas 77506  
SERVING THE ELECTRONICS INDUSTRY SINCE 1965

AVAILABLE NOW  
**AZDEN PSC-300**

TWO-METER HANDHELD

PCS-300 HT	\$285.00
PCS-3000 XCVR	285.00
Remote cable	37.00
Phase II ant.	28.50
Other acc.	Call

**KDK**  
2025A Mk II  
(W/TT mic.)  
\$265.00

Free shipping in U.S.A  
for all XCVR or HT orders  
**B. G. CARL ELECTRONICS**  
11128 Claire Ave.  
Northridge, Calif. 91326 ✓469  
Call: (213) 363-1216—anytime

**DON'T TIME OUT... TIME IN**

Model TI-10 time alert for repeater operators to avoid timing out repeater. (Patented)

- \*Sensitive enough for H.T.S.
- \*Automatic; Senses RF carrier no connections to rig
- \*Battery powered
- \*Resets on carrier drop-out
- \*Adjustable timing period
- \*Size 5 1/4 x 3 5/16 x 1 3/4

\*Weight 8 oz./226.8 Grams  
Piercing, 6.5 KHz alert tone

Model TI-10 assembled	\$69
Model TI-10k. kit form	\$57
Shipping and handling	add \$3
Printed Circuit Board and Documentation	\$20

When ordering, please specify model



**Introducing Toggle Time**

Toggle Time is a 10 minute timer that would be utilized by a ham to keep within FCC 10 min. ID rules. It is actuated by a toggle switch which serves two purposes:

1. Starts Timer
2. Turns on Power

Only one switch on box is all that is presented. Price \$14.95 includes battery.

**COMSTAR RESEARCH**

P.O. BOX 771 Madison Heights, MI 48071 ✓140

gate is shown in Fig. 7(e). This symbol is the AND gate symbol with the circle at the output to denote inversion. The truth table for

the two-input NAND gate is shown in Fig. 8(e), and the rules are presented in summary below:

- 1) If both A and B inputs

are LOW, then the output is HIGH.

2) If either input A or B is LOW, then the output is HIGH.

3) If both A and B are HIGH, then the output is LOW.

**XOR Gates**

An Exclusive-OR (XOR) gate is like the OR gate discussed earlier except that it will have a LOW output if more than one of its inputs is HIGH. For a HIGH output, there must be one exclusive HIGH input. The XOR gate symbol, shown in Fig. 7(f), is a modified OR gate symbol. The XOR operation is summarized by the truth table in Fig. 8(f) and the rules below:

1) If A and B are both LOW, then the output is LOW.

2) If A is HIGH and B is LOW, then the output is HIGH.

3) If B is HIGH and A is LOW, then the output is HIGH.

4) If A and B are both HIGH, then the output is LOW.

**TTL and CMOS Examples**

Earlier in this article, I introduced you to several different families of IC digital logic devices. Of these, several are considered obsolete, so they will not be discussed further. The TTL and CMOS families, however, are very much alive and form the basis of most digital projects today.

**TTL/CMOS NAND Gates**

In the TTL IC logic family, the most popular NAND gate (and probably the most popular IC) is the 7400 (see Fig. 9). This device contains four two-input NAND gates and usually sells for less than 25¢—or around six cents per gate. Each of the four NAND gates in the 7400 package is an independent entity, but shares the common power supply and ground connections (pins 14 and 7, respectively).

The 7401 and 7403 are similar to the 7400 except that they are open-collector devices. This means that pull-up resistors are needed, i.e., one 2k- to 4k-Ohm resistor from each output to the +5 volt line.

The 7430 is an eight-input NAND gate (one per 14-pin DIP package). The 7430 device, therefore, has eight distinct inputs... and all eight must be HIGH before the output drops LOW. If any one of the eight inputs remains LOW, then the output stays HIGH. Since most microcomputers today are eight-bit machines, the 7430 is often used as an address, or I/O port, decoder.

The 7410 and 7420 are three- and four-input TTL NAND gates, respectively.

In the CMOS line, we also have several different types of NAND gates. The 4011 is a quad two-input NAND gate that is reminiscent of the 7400. The 4012 device is a dual four-input NAND gate. All four inputs of either gate must be HIGH for the respective output to be LOW. The 4023 device is a triple three-input NAND gate, while the 4068 is an eight-input NAND gate.

**TTL/CMOS NOR Gates**

The 7402 TTL NOR gate is by far the most common example from the TTL line and is almost as popular as the 7400 device. The pin-outs for the 7402 are shown in Fig. 9(b)—see 9(a) for pin-outs for the 7400, for comparison. Note that the pin-outs of the 7400 and 7402 are different, as are their logical responses.

**And Now...**

We have just gotten our toes wet in the study of digital electronics. In part II, we will progress a little further: We will be up to our ankles in flip-flops. For now, however, you have sufficient information to begin experimenting with flip-flops. ■

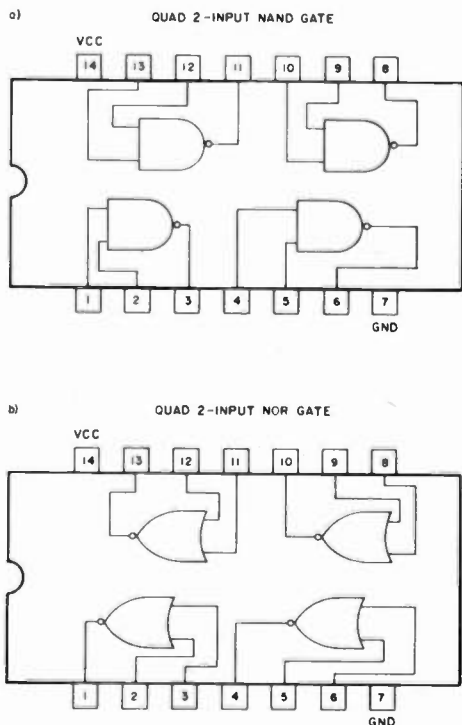


Fig. 9. A chip may contain as many as six individual gates.



# 1900 - 2500 MHZ KITS

**DOWN CONVERTER KIT**  
\$19.95



**ANTENNA KIT**  
\$19.95



**POWER SUPPLY KIT**  
\$19.95



- 1 P.C. BOARD  
PRE-DRILLED AND  
SOLDER FLOWED
- 3 MRF901 TRANS.
- 2 HP DIODES
- 6 CHIP CAPS "LARGE"
- 8 RESISTORS
- 4 PREPARED COILS,  
FACTORY WOUND
- 1 10 MFD CAP.

- 33 WASHERS
- 32 SPACERS
- 1 3 FOOT ROD
- 2 NUTS
- 1 8" PVC PIPE
- 2 4" END CAPS
- 1 MOUNTING BAR
- 1 "F" CONNECTOR
- 1 NUT AND BOLT

- 1 P.C. BOARD
- 1 POWER TRANSF.
- 1 317L ADJUSTABLE  
REGULATOR
- 1 FINE TUNING POT.  
WITH SWITCH
- 1 COARSE TUNING POT.
- 2 KNOBS
- 3 "F" CONNECTORS
- 4 POWER DIODES
- 1 RF CHOKE
- 3 RESISTORS
- 3 DISK CAPS.
- 1 1000 MFD CAP.
- 1 DPDT MINI TOGGLE  
SWITCH
- 1 LED WITH HOLDER

**SUPPLY CABINETS**  
ALUMINUM CABINETS PREPARED TO FIT  
POWER SUPPLY KIT.....\$9.95

**MANUFACTURED  
CABLE SETS**

100FT. PLUS DFT.....\$19.95  
150FT. PLUS DFT.....\$15.95  
50FT. PLUS DFT.....\$12.95

**DISCOUNTS**

2 TO 4.....	10%
5 TO 9.....	15%
10 TO 24.....	20%
25 TO 49.....	25%
50 TO 99.....	30%
100 TO 999.....	35%
1000 UP.....	40%

DIFFERENT KITS CAN NOT BE ADDED  
FOR QUANTITY DISCOUNTS.

**MAIL ORDERS**

ADD \$5.00 FOR SHIPPING AND HANDLING. TRIONYX IND. INC.  
INDIANA RESIDENTS ADD 4% SALES TAX. 6219 COFFMAN RD.



INDIANAPOLIS, IND.  
46268 ✓ 104  
(317) 291-7280  
(317) 291-2995

## NEW FAST CHARGE For Your Battery Packs

RECHARGE YOUR HAND HELD  
RADIO BATTERY PACKS TO  
FULL CAPACITY IN AS LITTLE AS  
45 MIN. EXAMPLE—Fully Charge  
ICOM BP3 in 30-45 Minutes.

SEPARATE FUSES PROVIDED INTERNALLY FOR  
A.C. AND O.C. OPERATION. —BUILT IN  
REVERSE POLARITY PROTECTION.

All Solid State  
Precision Components Used Throughout. In A Unique Circuit  
Allows Fast Charging Without Any Perceptible Heating Of  
Cells. Charger Measures Remaining Charge In Cells Constantly  
And Turns Off Automatically When Battery Is Fully Charged.  
Batteries Can Be Left Connected Indefinitely.

ONE UNIT DOES IT ALL  
Charge, ICOM, YAESU,  
KENWOOD, TEMPO,  
SANTEC and Others Auto-  
matically in Your Home,  
Car, Boat, R.V. or Airplane  
with Built-in Heavy Duty  
Power Supply or 12 to 24 V.  
External D.C. Supply Such  
as Cigar Lighter in Your Car.



INCLUDES: Removable 6 Ft.  
Cord for A.C. Operation and  
2 Mating Connectors for D.C.  
Input and Battery Leads.

FEATURES: High Quality, Custom Designed Heavy Gauge Aluminum Cabinet.

FULL 1 YR. WARRANTY ON PARTS AND WORKMANSHIP

ACCESSORY CONNECTOR TO FIT ICOM  
BATTERY PACKS, BP-2, BP3, BP4, BP5, \$3  
PRE-PAID ORDERS INCLUDE \$3 SHIPPING & HANDLING  
PHONE ORDERS—CALL [209] 586-7059

**\$79.00**  
CALIF. RESIDENTS  
INCLUDE 6% TAX

MAIL PRE-PAID ORDERS TO:



P.O. BOX 4463 SONORA, CALIF. 95370

DEALER INQUIRIES INVITED

✓149

# ARCO Solar™ Power systems end radio mumbo jumbo.



Up in remote, high altitude areas, 2-way radio communications can turn into mumbo jumbo—or die out completely—without a steady source of telecommunications power.

Diesel generators are often cumbersome and require constant maintenance. Thermal-electric converters burn expensive propane. Wind-generated systems can ice up on mountain tops.

The solution is photovoltaic power.

Charles Osterloh knows. A systems engineer for Automation and Electronics, Inc. of Casper, Wyoming, one of the region's major electrical contractors, Osterloh did the installation work on several shared 2-way radio repeaters in the state's Green Mountain region.

All the repeaters are powered entirely by ARCO Solar photovoltaic power systems.

"The ARCO Solar systems have provided reliable energy for two years now," reports Osterloh. The photovoltaic powered repeaters pick up signals from cars and trucks and transmit them to distant receivers. Extending the range of communications. Keeping people safely in touch.

So, if you want to keep up your communications, just contact the ARCO Solar distributor nearest you.

**DENVER**

C.W. Electronic Sales  
(303) 832-1111

**LOS ANGELES**

Henry Radio  
(213) 820-1234

**DALLAS**

Hutton Companies  
Dallas (214) 484-0580

**NORTH HOLLYWOOD**

Wm. Lamb Company  
(213) 980-6248

**KANSAS CITY**

North Supply Company  
(913) 888-9800

**SCOTTSDALE**

Photocomm  
(602) 948-8003

**HONOLULU**

Servco Pacific Inc.  
(808) 841-3644

**WILLITS**

Solar Electric Specialties  
(707) 459-9496



**SANTA BARBARA**

Solar West Electric  
(805) 963-9667

**CALGARY ALBERTA**

**CANADA**

Westronics Engineering  
(403) 253-5585

**CALGARY**

**ALBERTA CANADA**

Westronics Engineering  
(403) 253-5585

## ARCO Solar, Inc.

Subsidiary of AtlanticRichfield Company

© 1982 ARCO Solar, Inc.

✓121

# The Vertical Deuce

## —40 and 75 meters

Russ Rennaker W9CRC  
1011 Linda Drive  
Kokomo IN 46901

There has been much written about antennas, a good portion of which has been about verticals. This is no great scoop and probably has been told in one form or another many times over. It is, however, an easy way to achieve efficiency out of a single antenna for both forty and seventy-five meters.

Of course, the most commonly used method to work multiband on a single antenna is with traps. I have used trapped antennas for many years—allband trapped; twenty, forty, and eighty trapped; ten, fifteen, and twenty trapped; and even forty/seventy-five trapped. I have always experienced many problems with traps, the greatest of all being the limitations in bandwidth, i.e., swr. The method described here solves all of the problems, including bandwidth and high swr.

I have been running a monoband, forty-meter vertical for some time and an additional antenna for seventy-five. After disapproving looks from my neighbors at the half-wave doublet strung from one end of the house to the top of my

beam tower, with the coax dangling halfway in between, I decided to do something.

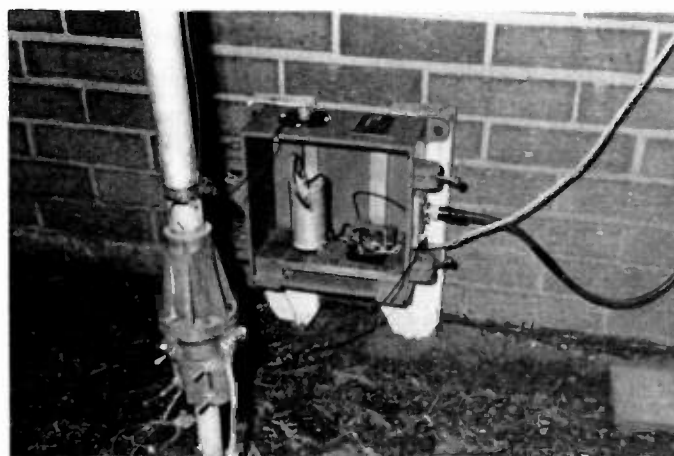
The sketch and the picture tell the rest of the story. The mast I used was 1 1/4" aluminum tubing, and the height was 29'6" from base insulator to top-hat. The top-hat was made from old TV antenna elements and consisted of eight "spokes," each 24" long. There are several methods of fastening the spokes to the vertical tubing. I used a 5"-diameter piece of aluminum, flattened the end of the tubing, and bolted it to the circular plate. Be sure to use two bolts to ensure that the spokes stay in place and don't swivel out of line.

The coil I used was an old B&W, 2" in diameter, with 20 turns of #12 wire. The tap strap was RG-59/U coax shielding removed from the cable and flattened. It should be as short as possible, and when the final position is determined, it should be soldered to the coil turn solidly. The relay was an old one from the junk box, but anything will do if it makes good, solid contact when closed. It could be 110 V ac or some optional dc voltage you might happen to have handy in the shack. Be sure to use correct voltage as indicated by the spec on the coil, since the relay will be closed during all forty-meter usage and we wouldn't want it to get too warm from too

much current flowing through it.

Of course, the relay and coil should be enclosed. A metal enclosure did not seem to affect the tuning of the coil in the slightest. I just happened to have an old cast-aluminum box once used in the military for an antenna tuner. It already had a PL-259 connector on one side and a feedthrough insulator on the top. Anything you can come up with will do the trick.

Tuning the antenna is very simple. Since I already had the antenna working on forty meters, no adjustment to length was required. However, if you start from scratch, I suggest you make the mast adjustable by using the top half inserted into the bottom half and a hose clamp to fasten permanently when the correct length is determined. If you are proceeding from scratch, you will want to start with the antenna a little longer than the ultimate will be. Use a grid-dip meter or an in-line swr meter and shorten the mast two or three inches at a time until it resonates in the portion of the forty-meter band you desire. The change-over relay must be closed when tuning the antenna for forty meters—at this point the shorting strap on the coil need not be fastened at all.



A close-up of the relay/tuner box showing the #6 wire connected to the base of the aluminum tubing, likewise the ground wire attached to the bottom half of the base.

Now that we have the antenna working on forty, we will resonate it on seventy-five. I used a CRC 100-uF, 5000-volt capacitor across the coil. This is a tubular capacitor and I suspended it inside the coil, soldering it to each end of the coil. Of course, if you use some other value or the coil size is not the same, you will have to make necessary changes in the tuning procedure.

The procedure I used was to open the relay, leaving the entire coil in series with the forty-meter antenna. See what the resonant point is with all of the coil in. If you can't resonate it at your desired frequency, you will have to either add to the coil turns or to the capacitance. In my case, it resonated below the 3.8 MHz—meaning the coil was too long. I tried the shorting strap two turns down from the top and checked again, but it still was too long. I moved it two turns at a time

until I found the correct turn for 3.8 MHz. It turned out to be the fifth turn from the top. I soldered it firmly to that turn, closed the enclosure, and that was it.

I found that at forty meters my antenna had an SWR of 1.3 to 1 from 7.1 to 7.3 (making it flat across the phone band) and 1.4 to 1 at 7.0 MHz—just about as good as anyone could expect. On seventy-five the SWR was 1.7 to 1 at 3.7 MHz, 1.2 to 1 at 3.8, 1.7 at 3.9, and 1.75 at 4.0 MHz. It sure beats all those unsightly overhead wires.

The control box for the change-over switch is a small 2" x 3 1/2" aluminum item, common in any parts store or out of your junk box at home. The switch is a simple single-throw/single-contact which I found in my junk box. I wired a pilot light across the "on" side so that I could easily tell when the switch was in the forty-meter position. Another color pilot light could be

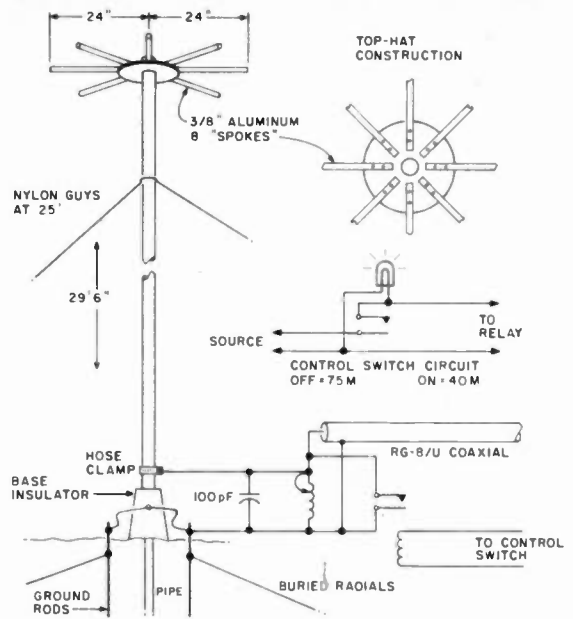


Fig. 1.

wired across the other side of the switch to indicate it was in the seventy-five-meter position—but I didn't think that was necessary. In addition, I wired the switch to my master switch which turns on the rig, so it would be impossible to leave the

relay on when the shack is not occupied. It probably wouldn't hurt it to leave it on all night since it draws little current, but everything in my shack is turned on by a master switch and I made no exception for the relay circuit. ■

## New Automatic Antenna Tuner Auto-Track Model AT 2500



### Check these specifications...

- Auto-Track antenna tuners can handle power in excess of 2500 Watts PEP.
- Frequency Range: Continuous from 3—30 MHz.
- Average automatic tune-up time is 15 seconds.
- Impedance matching: 10 ohms to 300 ohms to 50 ohms resistive.
- Direct reading SWR & Power meters.

Write for complete specifications.



**J.W. Miller Division**  
**BELL INDUSTRIES** ✓ 308

19070 REYES AVE. ■ P.O. BOX 5825  
COMPTON, CALIFORNIA 90224  
(213) 537-5200 ■ TWX 910-346-6740

✓ See List of Advertisers on page 114



### The New Standard in High Performance Repeater Control...

- Room to grow: BUILT IN! - Features intelligent remote control and meter readback. Interfaces to synthesized remote bases and links. Planned software upgrade path.
- SUPPORT - We invented the "Computer Controlled Talking Repeater," so we know how to provide the applications assistance, and long term support so crucial to a computer based product.
- FRIENDLY, POWERFUL, EASY TO USE - Human engineered to be your "assistant" at the repeater, with capability second to none.
- REMOTELY CONFIGURABLE - Change command codes, messages, tone characteristics, timing, and more, remotely! Reliable storage in E<sup>2</sup>PROM.
- BRING YOUR REPEATER SYSTEM INTO THE 80'S - Starting at less than \$1200!

### The RC-850 Repeater Controller!

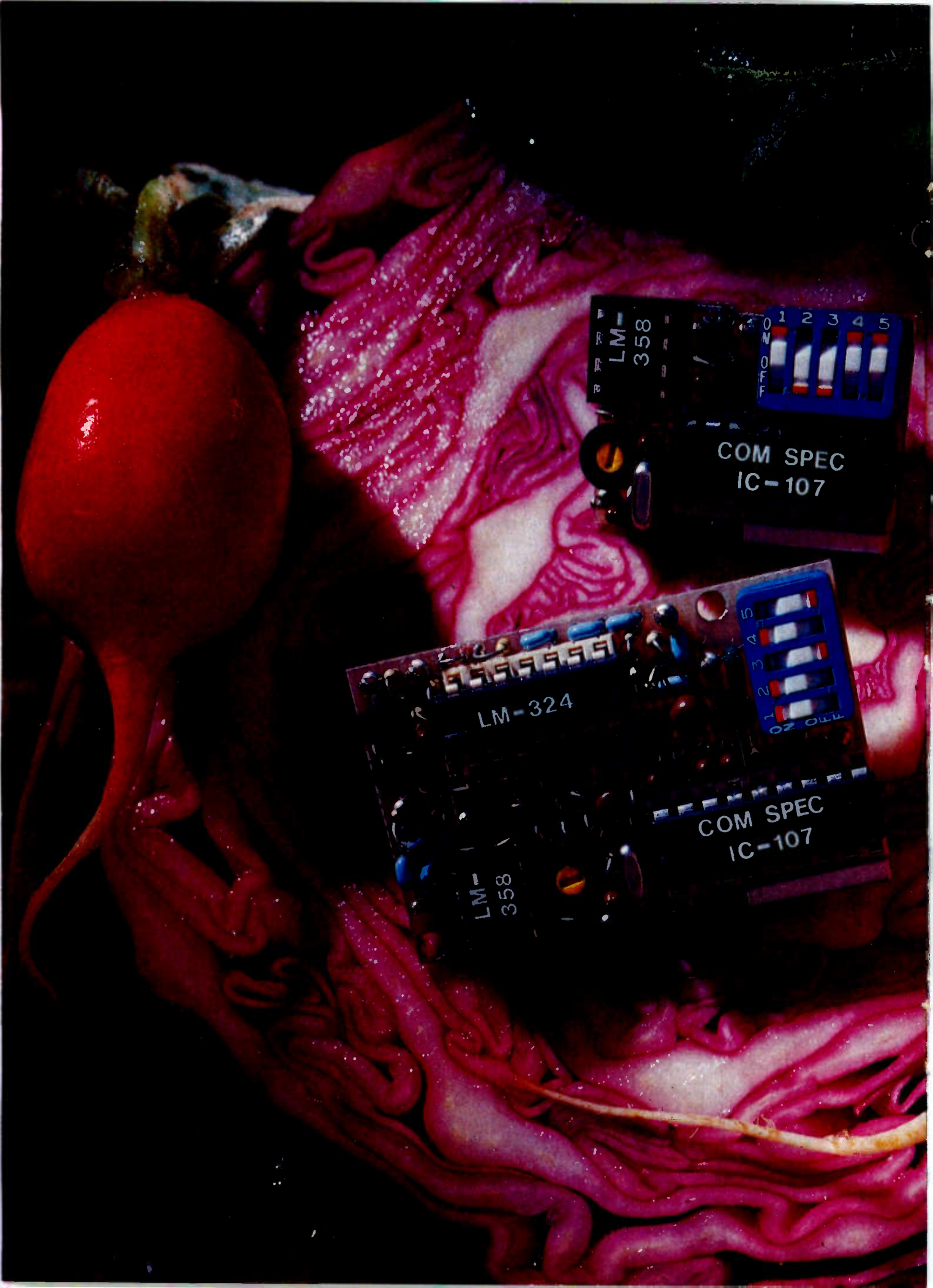
Call or write for detailed specifications.

Manual and demonstration cassette tapes available separately.

**QCC** advanced computer controls

10816 Northridge Square  
Cupertino, CA 95014  
(408) 253-8085 ✓ 124





LM-358  
COM SPEC  
IC-107  
1 2 3 4 5  
TO 20

LM-324  
COM SPEC  
IC-107  
1 2 3 4 5  
TO 20



# A fresh idea!

Our new crop of tone equipment is the freshest thing growing in the encoder/decoder field today. All tones are instantly programmable by setting a dip switch; no counter is required. Frequency accuracy is an astonishing  $\pm .1$  Hz over all temperature extremes. Multiple tone frequency operation is a snap since the dip switch may be removed. Our SS-32 encode only model is programmed for all 32 CTCSS tones or all test tones, touch-tones and burst-tones.

And, of course, there's no need to mention our 1 day delivery and 1 year warranty.



## TS-32 Encoder-Decoder

- Size: 1.25" x 2.0" x .40"
- High-pass tone filter included that may be muted
- Meets all new RS-220-A specifications
- Available in all 32 EIA standard CTCSS tones

## SS-32 Encoder

- Size: .9" x 1.3" x .40"
- Available with either Group A or Group B tones

## Frequencies Available:

Group A			
67.0 XZ	91.5 ZZ	118.8 2B	156.7 5A
71.9 XA	94.8 ZA	123.0 3Z	162.2 5B
74.4 WA	97.4 ZB	127.3 3A	167.9 6Z
77.0 XB	100.0 1Z	131.8 3B	173.8 6A
79.7 SP	103.5 1A	136.5 4Z	179.9 6B
82.5 YZ	107.2 1B	141.3 4A	186.2 7Z
85.4 YA	110.9 2Z	146.2 4B	192.8 7A
88.5 YB	114.8 2A	151.4 5Z	203.5 M1

- Frequency accuracy,  $\pm .1$  Hz maximum - 40°C to +85°C
- Frequencies to 250 Hz available on special order
- Continuous tone

Group B			
TEST-TONES:	TOUCH-TONES:	BURST-TONES:	
600	697 1209	1600 1850 2150 2400	
1000	770 1336	1650 1900 2200 2450	
1500	852 1477	1700 1950 2250 2500	
2175	941 1633	1750 2000 2300 2550	
2805		1800 2100 2350	

- Frequency accuracy,  $\pm 1$  Hz maximum - 40°C to +85°C
- Tone length approximately 300 ms. May be lengthened, shortened or eliminated by changing value of resistor

Wired and tested: TS-32 \$59.95, SS-32 \$29.95



**COMMUNICATIONS SPECIALISTS**

426 West Taft Avenue, Orange, California 92667  
(800) 854-0547 / California: (714) 998-3021



# The J-Pole Love Affair

## — not for CB

**W**ould you like to try a nifty antenna for 2 meters that is inexpensive (less than \$5.00 usually), is lightweight and easily portable, exhibits gain over the typical 5/8-wavelength-type antenna, requires no ground plane at all, and nobody mistakes for a CB antenna?

Several years ago while attending business college at New Mexico State Uni-

versity in Las Cruces, I was bitten by the 2-meter FM bug. There was lots of 2-meter activity in town, and I, being limited in funds, began playing with various types of home-brew antennas. I stumbled on the J-pole section of the ARRL antenna book and began experimenting with various J designs.

I had seen a couple of old-timers using the J an-

tenna made from CB whips and they complained of the J's susceptibility to breakage when whacking trees or other overhead obstructions; they also complained of the difficulty in building a proper balun with which to couple the feedline to the antenna.

In my case, even CB whips were out of my price range, so I cast about for alternatives. I had often noticed the colorful fiberglass "bicycle flags" on the kids' bikes and how much they resembled antennas. I decided to try them. These rods are really very nice for all types of hamming needs. They are sometimes fiberglass and sometimes plastic, and of course the fiberglass ones are the best buy. They seem to cost around \$.99 to \$5.00 depending on whether they're on sale or not.

I was in love with the J design from the first. The first few I built were tricky to tune and quite fragile, but they worked well. I went through several designs before settling on the

present one. I discovered that doing away with the balun arrangements simplified the matching procedure, improved the antenna's performance, and greatly increased the longevity of the antenna (less to break or vibrate loose). As you may discern by looking closely at this antenna, there are several ways to construct it. Use your own imagination and ingenuity to make use of what you have to build it. You might wish to coat the whole antenna assembly with boat varnish or other sealant after the coax is attached and tuned satisfactorily.

See Figs. 1 and 2 for assembly details. You may note in Fig. 3 that I use the bike mounting bracket that comes with the pole. If it is mounted as shown, the mount will have a hinge action that will allow the antenna to harmlessly fold back when a low overhead obstruction is encountered, but keep the device erect while driving normally. Also, one of the great advantages of this antenna is

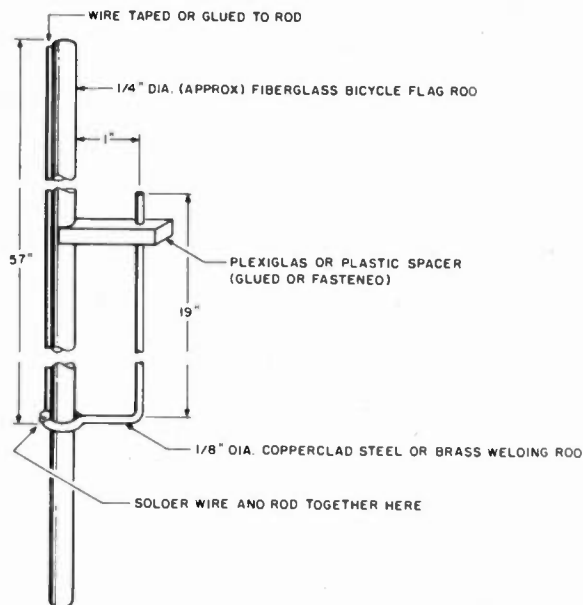


Fig. 1.

that, requiring no ground plane, it may be placed essentially anywhere on the vehicle you wish without adversely affecting its performance. Offered in Fig. 3 are 3 variations in mounting that should adapt to most vehicles. The bolt-action mount saves the antenna (and your car) when you hit tree limbs, etc.

This antenna has several natural applications: motorcycles and bicycles, 18-wheelers and recreational vehicles, backpack frames, as a hand-held for great gobs of gain with portables, bumper or head-ache-rack mounting on any vehicle, easy mounting on light bars for public safety vehicles, and installation against the window in a motel or apartment!

To adjust the antenna for lowest swr, merely slide the shield and center conductor up and down on the lower portion of the J until the lowest swr point is found. The wire and welding rod need to be scraped and clean for this procedure. Solder the connections

when you find the right point. If you have any difficulty, try reversing the shield and center conductor connections. The antenna will work either way as long as you can get it to match properly.

I have compared this antenna to many of my own friends' 5/8-wave 3-dB gain antennas. I haven't seen one yet that this J-pole will not compare to or outperform. Usually the J-pole, mounted or held near the competing antenna's former location, exhibits about an S-unit gain on receiving a weak repeater. Try it sometime. (By the way, one S-unit compares roughly with 1 dB on all the imported radios I've checked.) I keep a spare antenna around the house for motel mobile and it's easy to walk out to a friend's car, get a meter reading on a distant repeater, then remove his antenna and hold the J-pole temporarily near the same spot. Usually the J-pole will have noticeable gain. I theorize the greater height of the J-pole plus the

lack of ground sensitivity account for the difference.

I have shown this antenna to several engineer-type friends who shake their heads in disgust over its simplicity and lack of balun, etc. However, they all agree that for some reason it works well... and that's what it's all about, isn't it?

It would not be fair to ignore some disadvantages with this antenna. It is *not* as sturdy as most commercially-made antennas. Weather, vibration, wind, and corrosion will necessitate repairing the antenna occasionally—depending on your climate. (Usually the soldered connections give the most frequent trouble. I usually have to repair mine every 9 months or so.) This antenna may exhibit some minor directivity. However, *all* antennas on vehicles are directive to

some degree, depending on the mounting location. Depending on the rigidity of your rod, you may find under road speeds the swr changing as the antenna bends backward. I have good luck in mounting the antenna with the stub facing forward or sideways so the spacing of the stub doesn't change as the antenna flexes.

In conclusion, I have presented here a simple, inexpensive, and very effective 2-meter antenna. It can be adapted easily to 220 or 450 use by experimentation and scaling of the dimensions. None of my antennas has ever been stolen and no one has ever asked me if I monitored channel 19. It may be, as some engineers insist, much like a bumblebee (too heavy to fly). However, if you try it, you will agree it works anyway! ■

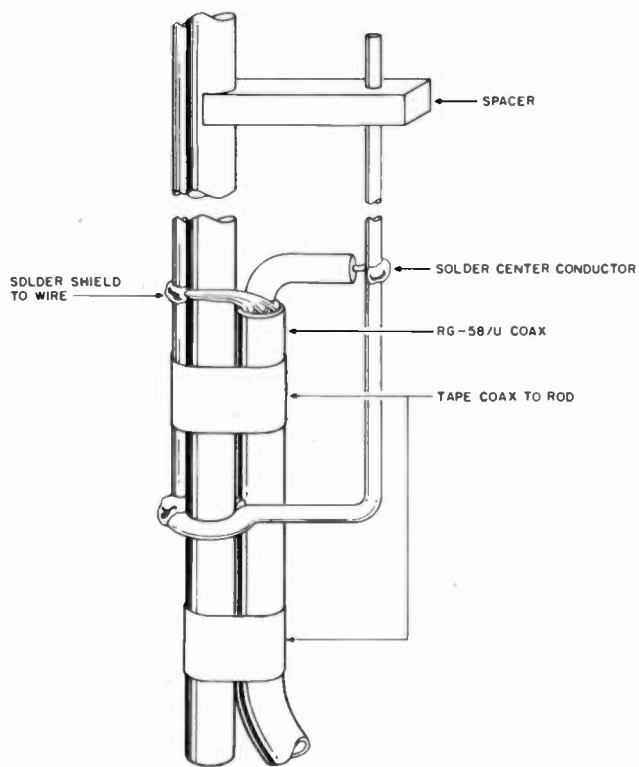


Fig. 2.

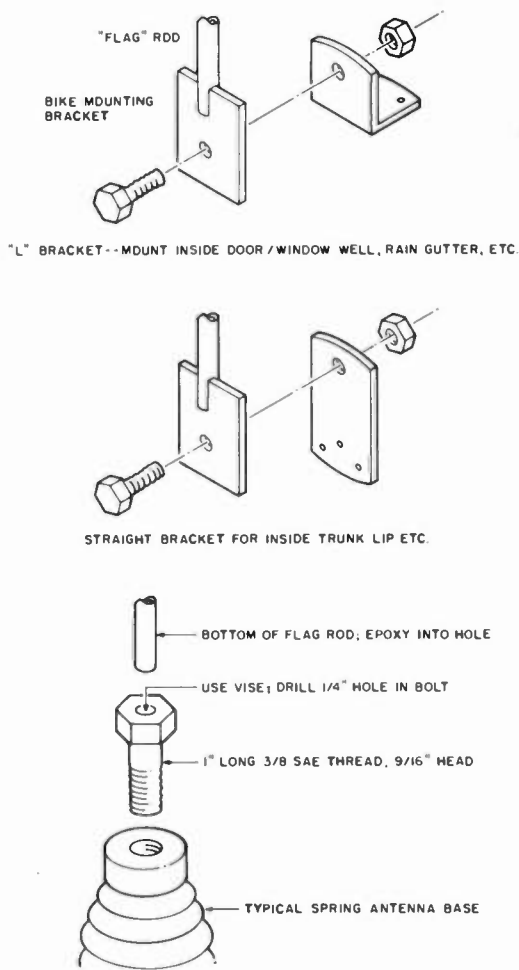


Fig. 3.



**EXTRA**

# Hamfest News

**EXTRA**

Special Edition for Those Seeking a Good Time

**October 2 & 3, 1982**

# THOUSANDS OF PRIZES Biggest Show in the East

## The Great Boxboro Convention Returns!!

Remember the fantastic Boxboro hamfest back in 1980? Well here we go again with improvements galore to make the show even better! Located "in the country" on Route 495 at Route 111 the New England ARRL Convention for 1982 features free shuttle bus service to and from a giant free parking area — no more parking worries!!

## Prizes Awarded Both Days of Show

Through the generous cooperation of the manufacturers and dealers lucky conventioners will be taking home transceivers, handi-talkies, amplifiers, HF and VHF antennas, rotors, CW & RTTY decoders, and even a Tektronix scope! The list is endless as the affair is non-profit and all surplus funds so directly into prizes.

## See Every Possible Make of Ham Gear

Exhibits will be open Saturday 9 to 5, Sunday 10 to 5. Manufacturers and distributors are turning out in force! Virtually everybody will be at Boxboro from all parts of the country bringing with them the latest equipment in HF and VHF plus exotic antennas, test equipment, RTTY, CW plus color and B&W SSTV.

## Big Events All Weekend

Two meter fox hunts, YL programs, seminars on all aspects of ham radio including microprocessors, RTTY, color SSTV, DX, a Wouff Hong ceremony, Saturday night banquet, show and dance plus prizes awarded all weekend.

There will be a home brew equipment exhibit and contest, CW and QSL contests. Booths will include AMSAT and MARS, CAP, and the QSL bureau.



**FLEA MARKET**

New England's only Flea Market

**UNDER A GIANT 80' TENT**

**Come rain or shine! First come — best spaces.**

Flea Market Sellers' Permits  
**\$ 7 per 6'x2½' space**  
 (per day)  
 includes a table.

**TELL YOUR FRIENDS!**

## Early Bird Tickets Available by Mail Only!

Registration is \$4 early bird, \$5 at the door. Combination banquet, dance and show tickets are \$13.50 each including tax and gratuity. Order tickets from Arthur Tomkinson, W1THT, 9 Oliver Terrace, Revere, Massachusetts 02151. Include SASE! Make checks payable to FEMARA. The Sheraton Boxboro may be sold out by the time you read this but their address is Boxboro, Massachusetts 01719. You must mention "radio show" to get the convention discount!



Micro-Computer  
Controlled Tuning!

## SPECTRONICS SW SPECIAL!

FM/AM/SW/LW  
4-Band Portable with PLL Tuning

LIST  
\$249.95  
NOW ONLY  
\$217.50

• Micro-computer controlled  
PLL synthesized digital tuner  
"locks" onto stations  
• LCD quartz clock/frequency  
readout

10 channel preset tuning for pushbutton recall. Battery back-up system for  
preset stations and clock. 10 key direct access tuning. Up-down manual tun-  
ing with fast button. Dialclock light. LED tuning indicator. 3 1/2" FM dynamic  
speaker. Tuning lock button. Dual voltage (100 127/220 240V, 50/60 Hz).  
Operates on 4 "C" batteries (not included) and 2 "AA" batteries for memory  
back up (not included).

**SPECIFICATIONS**  
Frequency Range (FM) 87.5-108 MHz; (AM) 530-1610 kHz; (LW) 153-281 kHz; (SW MHz) 2.32-935  
2.4-3.575, 3.584-215, 4.54-5.175, 5.874-6.455, 7.17-7.35, 9.5-10.125, 11.58-12.215, 15.1-15.735,  
17.5-18.125, 21.34-21.875, 25.5-26.135. SW Type: Single Superhetrodyne with PLL Synthesizer.  
Antenna: Whip. E.I. and 75 ohm. IF Freq: 450 kHz; Sensitivity: 400 MHz; 30% Modulation 50 mWV  
SN 10 dB: 3 uV/m; SN 20 dB: 10 uV/m. AM IF Freq: 450 kHz; Sens: Max 60 uV/m 2m 200B; 250 uV/m  
Ant. Ferrite core LW IF Freq: 450 kHz; Sens: Max 60 uV/m; SN 20dB: 300 uV/m. Ant. Ferrite core  
FM IF Freq: 10.7 MHz; Sens: 4.5 uV/75 ohm (3dB); Lmra Sens: 160 uV/75 ohm (SN 20dB) Ant. Whip  
Dim. (HWD) 6 9/16-10 15/16-2 5/16. Weight (Less Batteries) 3 lb 7 oz.



COVERS 12 SW BANDS  
11M, 13M, 16M, 19M,  
25M, 31M, 41M, 49M,  
60M, 75M, 90M, 120M

**SPECTRONICS INC.**  
1009 GARFIELD ST. OAK PARK, IL 60304

(312) 848-6777

NOW YOU  
CAN HAVE  
**BOTH!**



See us at:  
Radio  
Expo  
Chicago,  
Sept. 23  
& 24  
and at  
Boxboro,  
Oct. 2 & 3

**POWER  
POCKET™**

### Gives You Hand-Held to Mobile and Back Again!

Simply plug in your Icom IC-2A (T) and you have a 25-35W synthesized mobile rig — take it out again, all charged and ready, when you want hand-held operation.

**RF POWER**—the Power Pocket amplifier/charger accepts any version of the IC-2A and applies its output to a wide-band rf amplifier. With 4W input, the Power Pocket delivers 35W output; 3W in brings 30W out, 2W becomes 25W, and the 1/2W low power position yields 5W output.

**AF POWER**—the Power Pocket provides 2 1/2W audio output and a 4-inch speaker so that messages can be heard above road noise, even with the windows down. Also, you can operate the IC-2A at low volume, thus less drain on the battery pack.

**CHARGING POWER**—the spring-loaded charger pocket adapts to tall or short packs; accepts and charges all Icom battery packs. Separate "charge" switch and indicator lets you charge battery pack whether or not the amplifiers are in use. Charge is supplied at 35 mA rate, which (a) with IC-2A(T) off, will give a complete charge in 10 to 14 hours; (b) with IC-2A(T) on and receiving, supplies all needed radio power, maintaining battery.

**EXTRA CHARGING POWER**—when the VoCom Power Pocket's mic is keyed, its charger supplies 400 mA to power the IC-2A(T) so that there is little drain on the battery. With the IC-2A(T) turned off, this 400 mA can be used to provide a quick charge for emergency needs.

**MIC PREAMP**—the adjustable mic pre-amplifier lets you use the IC-2A(T) in or out without readjusting its mic input. It also makes the Power Pocket compatible with any standard mobile microphone.

Suggested retail price, \$229.95 (includes mic). See your favorite amateur radio dealer.

**VoCom** 90

**PRODUCTS CORPORATION**  
65 E. Palatine Rd., Prospect Heights, IL 60070  
(312) 459-3680

Icom and IC-2A(T) are trademarks of Icom America, Inc. Power Pocket and VoCom are trademarks of VoCom Products Corporation. © 1982 by VoCom Products Corporation.

## HUSTLER HF MOBILES DELIVER FIXED STATION PERFORMANCE

Hustler HF antennas deliver outstanding signal reports — wherever you're mobile!

Design your own HF mobile from a full selection of top-quality, U.S.-made stainless steel ball mounts, quick disconnects, masts, springs, and resonators. You can cover any 6-to-80-meter band. Choose from medium or high power resonators with broadest bandwidth and lowest SWR for optimum performance on any band. Easy band change and garaging with Hustler's fold-over mast, too.



Ask any ham — the best HF mobiles on the road come from: Hustler — still the standard of performance.

**HUSTLER**

3275 North "B" Avenue  
Kissimmee, Florida 32741

An **AMATEUR** Company



# SOCIAL EVENTS

Listings in this column are provided free of charge on a space-available basis. The following information should be included in every announcement: sponsor, event, date, time, place, city, state, admission charge (if any), features, talk-in frequencies, and the name of whom to contact for further information. Announcements must be received at 73 Magazine by the first of the month, two months prior to the month in which the event takes place. Mail to Editorial Offices, 73 Magazine, Pine Street, Peterborough NH 03458.

## HARRISBURG PA SEP 5

The Central Pennsylvania Repeater Association will hold the 9th annual Hamfest/Computerfest on September 5, 1982, beginning at 8:00 am, at the Harrisburg Farm Show parking lot, off the Route 81 Cameron Street exit. (Follow the signs to the Farm Show building.) Registration is \$3.00; sellers' 10-foot space, \$5.00; tailgating, \$1.00. Talk-in on 148.87/5.47, 146.16/76, and .52. For more information or a map, contact Irvin Sanders K3IUY, RD #3, Box FA53, Harrisburg PA 17112, or phone (717)-469-2185.

## HAMBURG NY SEP 10-11

Ham-O-Rama '82 will be held on Friday and Saturday, September 10-11, 1982, at the Erie County Fairgrounds near Buffalo NY. Hours are 6:00 pm to 9:00 pm on Friday and 7:00 am to 5:00 pm on Saturday. Advance tickets are \$3.50 (deadline: September 1st) and tickets at the gate will be \$4.50. Children under 12 will be admitted free. The outside flea market is \$3.00 per space and the inside flea market is \$10.00 per space. Features will include new equipment displays, computers, technical programs, ladies' programs, and valuable awards. Talk-in on 146.31/91. For advance tickets, send an SASE to Dave Baco WA2TVT, 130 Vegola Avenue, Cheektowago NY 14225.

## AUGUSTA ME SEP 10-12

The Augusta Emergency Amateur Radio Unit will hold the ARRL-approved Northeast Area Hamfest on September 10-12, 1982, at Windsor Fairgrounds, located just off Route 17, 10 miles east of Augusta ME. Facilities for campers will be available. Activities will include a flea market and regularly scheduled speakers and demonstrations, as well as the usual events. Talk-in on 146.22/82 and .3940.

## AUGUSTA NJ SEP 11

The Sussex County Amateur Radio Club will hold its fourth annual SCARC '82 hamfest on Saturday, September 11, 1982, at the Sussex County Farm and Horse Show grounds, Plains Road off Rte. 206, Augusta NJ, just north of Newton. Pre-registration for outdoor flea-market sellers is \$4.00; at the gate, \$5.00. Pre-registration for indoor flea-market sellers is \$5.00; at the gate, \$6.00. Other registration is \$2.00. There will be door prizes and acres of free parking. Talk-in on 147.90/30 and 146.52. For additional information or pre-registration, write Sussex County Amateur Radio Club, PO Box 11, Newton NJ 07860, or Lloyd Buchholz WA2LXH, 10 Black Oak Drive, Vernon NJ 07462.

## UNIONTOWN PA SEP 11

The Uniontown Amateur Radio Club will hold its 33rd annual gabfest on Saturday, September 11, 1982, on the club grounds located on the Old Pittsburgh Road, just off Route 51 and the 119 bypass, Uniontown PA. The pre-registration fee is \$2.00 each or 3 for \$5.00. There will be free parking, free coffee, and free swap and shop setups with registration. Prizes will be awarded, including a first prize of a Ten-Tec Argosy 525 HF. Featured will be a DX contest, demonstrations, and refreshments. Talk-in on 147.045/645, 144.57/145.17 and 146.52/52. For further information, contact UARC Gabfest Committee, c/o John T. Cermak WB3DOD, PO Box 433, Republic PA 15475, or phone (412)-246-2870.

## MARION IN SEP 11

The Grant County Amateur Radio Club Hamfest will be held on Saturday, September 11, 1982, at McCarthy Hall, Marion IN. from 8:00 am until 4:30 pm. Admission is \$2.00 in advance and \$3.00 at the gate. There will be good home cooking, hourly drawings, and major prizes. Talk-in on 146.19/79 and 146.52. For more information or tickets, send an SASE to Beecher Waters WB9YHF, RR #1, Box 357, Converse IN 46919.

## MELBOURNE FL SEP 11-12

The Platinum Coast Amateur Radio Society will hold its 17th annual hamfest and indoor swap-and-shop flea market on September 11-12, 1982, at the Melbourne Auditorium, Melbourne FL. Admission is \$3.00 in advance and \$4.00 at the door. Swap tables are \$10.00 for one day and \$15.00 for both days. There will be unlimited free parking, a tail-gate area, air-conditioned swap and exhibit area, awards, forums, and meetings. Talk-in on .25/85 and .52/52. For reservations, tables, and information, write PCARS, PO Box 1004, Melbourne FL 32901, or call (305)-245-5116.

## WARNER ROBINS GA SEP 11-12

The Central Georgia Amateur Radio Club (CGARC) will hold the fourth annual Central Georgia Hamfest and ARRL Georgia State Convention on Saturday and Sunday, September 11-12, 1982, at the Warner Robins Recreation Center, 800 Watson Boulevard, Warner Robins GA. Donation tickets will be available at the door for \$1.00 each, 6 for \$5.00, or 13 for \$10.00. There is no registration fee. Indoor or outdoor flea market space is \$3.00 per day (bring your own table). Features will include meetings, forums, a Sunday morning breakfast for the Georgia State CW Association, activities for YLs and harmonics, a Friday night hospitality room, and Saturday night pickin' and grinnin'. Talk-in on 146.25/85. For more information, contact Jim Piper W4HON, 618 American Boulevard, Warner Robins GA 31093.

## BUTLER PA SEP 12

The Butler County Amateur Radio Association will hold its annual hamfest on Sunday, September 12, 1982, from 9:00 am to 4:00 pm, at the Butler Farmshow Grounds

at Roe Airport, Butler PA. Fly-in at Butler Farmshow Airport. Admission is a \$1.00 donation and children under 12 will be admitted free. Overnight campers are welcome and food and refreshments will be available. There will be an indoor flea market (vendor space will be \$3.00 per 8-foot table), a free outside flea market, free parking (including for the handicapped), and prizes, including a Kenwood TS-8305 HF transceiver. Talk-in on 147.96/36, 52, and 147.84/24. For additional information, contact Leighton Fennell, Crestmont Drive, RD 6, Butler PA 16001, or phone (412)-586-9822.

## WILLIMANTIC CT SEP 12

The Natchaug Amateur Radio Association will hold a giant flea market on Sunday, September 12, 1982, from 9:00 am until 4:00 pm, at the Elks home, off Rtes. 32 and 6, Willimantic CT. Tables may be reserved in advance for \$5.00 until September 1st; after that date, they will be \$7.00 at the door. Admission is \$1.00. There will be free parking, as well as raffles and door prizes. Talk-in on 147.30 and 147.90/50. For further information, contact Willimantic Pease KA1HYW, 268 Main Street, Willimantic CT 06226, or phone (203)-456-1432 after 4:00 pm.

## CARTERVILLE IL SEP 12

The Shawnee Amateur Radio Association will hold its 26th hamfest, SARAFEST '82, on Sunday, September 12, 1982, at John A. Logan College, Highway 13, Carterville IL. Admission is \$2.00 in advance and \$3.00 at the door. There will be an air-conditioned flea market, forums, computers, refreshments, contests, and prizes, including a first prize choice of a Kenwood 130S HF transceiver, a microwave oven, an RCA color TV, or an automatic dishwasher. Talk-in on 146.25/85, 146.52, and 3.925. For further information, contact William May KB9QY, 800 Hilldale Avenue, Herrin IL 62948, or phone (618)-942-2511 days.

## PORT JEFFERSON LI NY SEP 12

The Suffolk County Radio Club will hold the 5th annual flea market on Sunday, September 12, 1982, at the Odd Fellows Hall, Jayne Boulevard, Port Jefferson Station NY. The rain date will be September 19th. Admission for buyers is \$1.50 each and YLs, XYLs, and harmonics will be admitted free. Sellers, including car and driver, will be charged \$3.50 each. There will be raffles and food and drink, plus drawings for door prizes. Talk-in on 145.21/144.61. For additional information, contact Floyd WA2SDI at (516)-234-9376 after 6:00 pm.

## GRAND RAPIDS MI SEP 18

The Grand Rapids Amateur Radio Association, Inc., will hold its annual swap and shop on Saturday, September 18, 1982, at the Hudsonville Fairgrounds. There will be prizes and dealers, with an indoor sales area and an outdoor trunk swap area. Gates will open at 8:00 am for both swappers and the public. Talk-in on 146.16/76. For more information, write Grand Rapids Amateur Radio Association, Inc., PO Box 1248, Grand Rapids MI 49501.

## PEORIA IL SEP 18-19

The Peoria Area Amateur Radio Club will hold the Peoria Superfest '82 on September 18-19, 1982, at the Exposition Gardens, W. Northmoor Road, Peoria IL. The gate opens at 6:00 am; the commercial building at 9:00

am. Admission is \$3.00 in advance or \$4.00 at the door. Activities include forums, amateur radio and computer displays, a free flea market, and, on Saturday evening, an informal get-together at the Heritage House Smorgasbord. At the hamfest site, there will be free movies Saturday night. Full camping facilities are available, as well as a Sunday bus to Northwoods Mall for the ladies. Talk-in on 146.16/76. For more information, contact Charles W. Kuhn WD9EGW, PAARC Director, 7005 N. Tobi Lane, Peoria IL 61614.

## MT CLEMENS MI SEP 19

The L'Anse Creuse Amateur Radio Club will hold its 10th annual swap and shop on Sunday, September 19, 1982, from 9:00 am to 3:00 pm, at the L'Anse Creuse High School, Mt. Clemens MI. Take I-94 eastbound to the Metropolitan Parkway exit; then take the Metropolitan Parkway to Crocker; go left on Crocker to Reimold and then right on Reimold to the last school, L'Anse Creuse High School. Admission is \$2.00 at the door or \$1.00 in advance. FCC representatives will be there, as well as plenty of new and used gear. There will be lots of food and parking, plus hourly prize drawings. Prizes include a first prize of \$250, a second prize of \$100, and a third prize of \$50. Talk-in on 147.69/09 and 146.52. For more information, send an SASE to Maurice Schietecatte N8CEO, 15835 Touraine Ct., Mt. Clemens MI 48044.

## AUGUSTA GA SEP 19

The Augusta Amateur Radio Club will hold its annual hamfest on September 19, 1982, at the Julian Smith Casino in Augusta GA. Admission is \$3.00 per person; tailgating will be \$2.00. There will be prizes, a barbecue, bingo, and a hospital room on September 18th from 4:00 pm to 11:00 pm at the Ramada Inn West, Rooms 108-110. Talk-in on 147.72/12. For more information, contact John Schumacher N4DOU, PO Box 3072, Augusta GA 30904, or phone (404)-860-4460 from 6:00 pm to 9:00 pm EDT.

## PENNSAUKEN NJ SEP 19

The South Jersey Radio Association will hold its 1982 annual hamfest on Sunday, September 19, 1982, from 8:00 am to 4:00 pm, at Pennsauken High School parking lot, Route 73 and Remington Avenue, Pennsauken NJ. There will be door prizes, food, and fun. Admission is \$3.00; tailgate sales are \$5.00. Talk-in on 146.220/146.820 and 146.52. For ticket sales and more information, contact Fred Holler W2EKB, 348 Bortons Mill Road, Cherry Hill NJ 08034.

## VENICE OH SEP 19

The Forty-Fifth Annual Cincinnati Hamfest will be held on Sunday, September 19, 1982, at Stricker's Grove, State Route 128, Venice (Ross) OH. Admission and prize ticket, \$5.00. There will be exhibits and booths, prizes, a flea market (radio-related products only), a hidden transmitter hunt, and an air show. Food and refreshments will be available. For further information, write Lillian Abbott K8CKI, 317 Greenwell Road, Cincinnati OH 45238.

## MONTGOMERY AL SEP 19

The Central Alabama Amateur Radio Association will hold its 5th annual hamfest on Sunday, September 19, 1982, at the Civic Center, downtown Montgomery AL. There will be free admission, free parking, and 22,000 square feet of air-conditioned

activities, including a flea market. Setup will be at 0600, doors will be open from 0800 to 1500, and a prize drawing will be held at 1400 CDST. Restaurants and motel accommodations are located within a short walk of the Civic Center and refreshments will be available in the Civic Center. Talk-in on 146.04/64, 146.31/91, 147.78/18, or 147.045/±600T. For further information or market reservations, write Hamfest Committee, 2141 Edinburgh Drive, Montgomery AL 36116, or call Phil at (205)-272-7980 evenings.

**NEW KENSINGTON PA  
SEP 19**

The Skyview Radio Society will hold its annual hamfest on Sunday, September 19, 1982, from noon until 4:00 pm, at the club grounds on Turkey Ridge Road, New Kensington PA. Registration fee is \$2.00; vendors, \$4.00. There will be awards. Talk-in on .04/64 and .52.

**NEWTOWN CT  
SEP 19**

The Candlewood Amateur Radio Association will hold a flea market and auction on Sunday, September 19, 1982, rain or shine, at the Essex House, Rte. 6, exit 8 off I-84, Newtown CT, from 10:00 am to 4:00 pm. Admission fee of \$1.00 includes one door prize chance. Tables are \$6.50. Featured will be an equipment raffle of a TR-2500 handle-talkie, dealers, and a magic show for the kids. Refreshments will be available. Talk-in on 147.72/12. For advance table reservations, write CARA, PO Box 188, Brookfield Center CT 06805. For more information, call George WB2THN at (914)-533-2758, Ken KA1GDS at (203)-744-6953, or George AF1U at (203)-438-0549.

**ELMIRA NY  
SEP 25**

The Elmira Amateur Radio Association will hold the seventh annual Elmira International Hamfest on September 25, 1982, at the Chemung County Fairgrounds. Breakfast will be available for several hours after the gates open at 6:00 am. Advance tickets are \$2.00 and tickets at the gate are \$3.00. Featured will be tech talks, a free flea market, dealer displays, and prizes, including a grand prize of an Icom IC-730. Friday night camping will be available on a limited basis at the fairgrounds and lunch will be available starting at 11:00 am on Saturday. Talk-in on 147.96/36, 146.10/70, and 146.52. For advance tickets, write John Breese, 340 West Avenue, Horseheads NY 14845.

**WICHITA FALLS TX  
SEP 25-26**

The Wichita Amateur Radio Society will hold its first annual hamfest on September 25-26, 1982, at the National Guard Armory, Wichita Falls TX. Pre-registration closes Wednesday, September 22, 1982, and is \$4.00 per person and \$3.00 per swap table. Registration at the door is \$5.00 and starts at 8:00 am on Saturday and Sunday. There is free shuttle service from the Kickapoo Airport (1/4 mile south), free RV parking without hookups at the armory, and a concession stand open both days. There will be dealer displays, an inside flea market with 24-hour security, scheduled ladies' activities and prizes, contests, meetings, a grand prize, and other prize drawings. Talk-in on 146.34/94 and 147.75/15. For more information and pre-registration, write to WARS Hamfest, PO Box 4363, Wichita Falls TX 76308.

**GRAYSLAKE IL  
SEP 25-26**

The Chicago FM Club will hold the 12th

annual Radio Expo on September 25-26, 1982, from 9:30 am to 4:00 pm, at the Lake County Fairgrounds at the intersection of Rtes. 45 and 120, Grayslake IL. Admission is \$3.00 in advance and \$4.00 at the door. There will be displays, seminars, technical talks, a flea market (open from 6:00 am to 6:00 pm), full food services, a free camping area, acres of free parking, ladies' programs, children's events, and prizes. Talk-in on 146.16/146.76 and 222.52/224.10. For more information and/or reservations, contact Harold G. Rowlett, c/o Radio Expo, PO Box 1532, Evanston IL 60204, or phone (312)-588-3976.

**BEREA OH  
SEP 26**

The Cleveland Hamfest Association will present the 8th annual Cleveland Hamfest on Sunday, September 26, 1982, at the Cuyahoga County Fairgrounds in Berea OH, from 0800 to 1700 hours. Activities will include indoor exhibits, forums, a ladies' program, and an outdoor flea market with separate parking. Food services will include both breakfast and lunch. There will be three main prizes and a mobile check-in prize. Talk-in on 146.52. Advance tickets are \$2.50 prior to August 31st and \$3.00 at the door. For more information, contact the Cleveland Hamfest Association, PO Box 27211, Cleveland OH 44127.

**NEW LONDON NH  
SEP 26**

The 6th annual Connecticut Valley FM Association Hamfest/Flea Market will be held on Sunday, September 26, 1982, from 9:00 am to 5:00 pm, at King Ridge Ski Area, New London NH. Adult admissions are \$2.00, a flea-market setup is \$5.00, and children under 16 will be admitted free. King Ridge will have the food concession. For more information, contact Francis Callahan KA1BWE, Box 173, East Wallingford VT 05742.

**ADRIAN MI  
SEP 26**

The Adrian Amateur Radio Club will hold its 10th annual hamfest on Sunday, September 26, 1982, at the Lenawee County Fairgrounds, Adrian MI. Talk-in on 146.31/91 (WBTOE). For tickets, tables, and more information, contact the Adrian Amateur Radio Club, Inc., PO Box 26, Adrian MI 49221.

**GAINESVILLE GA  
SEP 26**

The 9th annual Lanierland ARC Hamfest will be held on September 26, 1982, beginning at 9:00 am, in the Holiday Inn at Holiday Inn, Gainesville GA. There will be free tables and an inside display area for dealers and distributors (doors will open at 8:00 am for dealer setups). Prize tickets are \$1.00 each or 6 for \$5.00. Food and drink will be available, as well as a large parking lot for a free flea market. A boat anchor auction will be held and all activities and facilities will be free. Talk-in on 146.07/67. For information and free space to dealers, contact Phil Loveless KC4UC, 3574 Thompson Bend, Gainesville GA 30506, or phone (404)-532-9160.

**BOXBORO MA  
OCT 2-3**

The Federation of Eastern Massachusetts Amateur Radio Associations will hold the New England ARRL Convention on October 2-3, 1982, at the Sheraton Boxboro Hotel, Route 495 at Route 111, Boxboro MA. On Saturday the hours will be 9:00 am to 5:00 pm and on Sunday, 10:00 am to 5:00

pm. Early-bird registration is \$4.00. The Saturday evening banquet, dance, and show is \$13.50. Features will include a Wouff Hong midnight ceremony Saturday and YL programs on both days. For reservations and advance registration, send an SASE to Arthur Tomkinson W1THT, 9 Oliver Terrace, Revere MA 02151 and make checks payable to FEMARA.

**WARRINGTON PA  
OCT 2-3**

The Pack Rats sixth annual Mid-Atlantic VHF Conference will be held on Saturday, October 2, at the Warrington Motor Lodge, Rte. 611, Warrington, PA. Advance registration \$3.00; at the door, \$4.00. Price includes admission to the 11th annual Pack Rats Hamarama on Sunday, October 3, at the Bucks County Drive-In Theater, Rte. 611, Warrington, PA. Admission to the flea market \$2.00 and tailgating \$4.00 per space. Bring your own table. Gates open at 7:30 am. Talk-in via W3CCX on 146.52. Information for both events is available from Hamarama '82, POB 311, Southampton PA 18966 or Lee A. Cohen K3MXXM at (215)-635-4942.

**ROCK HILL SC  
OCT 3**

The York County Amateur Radio Society will hold its 31st annual hamfest on Sunday, October 3, 1982, at Joslin Park, Rock Hill SC, starting at 0700. Pre-registration is \$3.00; at the gate, \$4.00. There will be prizes. Talk-in on 146.43/147.03 and 146.52. For additional information, contact YCAR, Box 4141 CRS, Rock Hill SC 29730.

**YONKERS NY  
OCT 3**

The Yonkers Amateur Radio Club will hold its electronics fair and flea market on Sunday, October 3, 1982, from 9:00 am to 5:00 pm, rain or shine, at Yonkers Municipal Parking Garage, corner of Nepperhan Avenue and New Main Street. Admission is \$2.00 each; children under 12 will be admitted free. Sellers' spaces are \$6.00 (bring your own table) and include one admittance. Gates will be open to sellers at 8:00 am. There will be live demonstrations, hourly prizes, an auction, free parking, refreshments, and unlimited free coffee all day. Talk-in on 146.265/146.853, .52, or CB channel 4. For further information, write YARC, 53 Hayward Street, Yonkers NY 10704, or phone (914)-969-1053.

**VIRGINIA BEACH VA  
OCT 9-10**

The ARRL Virginia State Convention and Tidewater Computer Show-Hamfest-Electronic Flea Market will be held on Saturday and Sunday, October 9-10, 1982, from 9:00 am to 5:00 pm both days, at the pavilion in Virginia Beach VA. Admission is \$3.50 for both days. Flea-market tables are \$5.00 for one day or \$8.00 for both days; commercial flea-market tables are \$15.00 for both days, and commercial booths are \$30.00 for both days. Featured will be dealers, special displays, forums, computers, satellite equipment, special XYL programs, and a cocktail party Saturday night. There will be an advance ticket drawing for a hand-held transceiver, as well as many valuable door prizes. For more information and/or tickets, contact Jim Harrison N4NV, 1234 Little Bay Avenue, Norfolk VA 23503, or phone (804)-587-1695.

**ASHEVILLE NC  
OCT 9**

The Western North Carolina Amateur Radio Society will hold its seventh annual Autumnfest on October 9, 1982, at the Asheville Civic Center, Asheville NC. Ad-

mission is \$3.00 in advance and \$4.00 at the door. Flea market tables will be \$5.00 at the door. Activities (all indoors) will include the McElroy Memorial CW Competition, bingo for the ladies, and dealer and flea market tables. Travel, motor home, and camping facilities will be available. Talk-in on .31/91, .16/76, and .52. For more information, contact WCARS, PO Box 1488, Asheville NC 28802.

**PARAMUS NJ  
OCT 10**

The Bergen ARA will hold a ham swap 'n sell on October 10, 1982, from 8:00 am to 4:00 pm, at Bergen Community College, 400 Paramus Road, Paramus NJ. Buyers will be admitted free and sellers will be charged \$3.00. There will be tailgating only; bring your own table. Thousands of spaces will be available. Talk-in on .79/19 and .52. For more information, contact Jim Greer KK2U, 444 Berkshire Road, Ridgewood NJ 07450, or phone (201)-445-2855.

**LIMA OH  
OCT 10**

The Northwest Ohio Amateur Radio Club will hold its sixth annual hamfest on Sunday, October 10, 1982, at the Allen County Fairgrounds, Lima OH. Indoor flea market tables will be available for \$5.00 for an 8-foot table or \$3.00 for half a table. Tickets are \$2.50 in advance, \$3.00 at the door. Doors will open at 6:00 am and grand prizes will be drawn at 3:00 pm. Overnight camping will be available at the fairgrounds. Talk-in on .07/67, .63/03, .34/94, and .52/52. For more information, write NOARC, Box 211, Lima OH 45802.

**BALTIMORE MD  
OCT 10**

The Columbia Amateur Radio Association will hold its 6th annual hamfest on Sunday, October 10, 1982, from 8:00 am to 3:30 pm, at the Howard County Fairgrounds (15 miles west of Baltimore, just off I-70 on Rt. 144, 1 mile west of Rt. 32). Admission is \$3.00, tables are \$6.00, tailgating is \$3.00, and indoor tailgating is \$5.00. Food will be available and prizes will be awarded. Talk-in on 147.735/135 and 146.52/52. For table reservations or information, write Sue Crawford, 6880 Mink Hollow Road, Highland MD 20777, or phone (301)-286-3805.

**WAUKESHA WI  
OCT 10**

The Kettle Moraine Radio Amateur Club will hold its annual Ham, Computer, Video Fest on Sunday, October 10, 1982, at the Waukesha County Expo Center, Highways F and FT, Waukesha WI. Tickets are \$2.00 in advance and \$3.00 at the door. Tables are \$3.00 for each 4-foot length; reservations will be accepted until October 1, 1982. Since all facilities will be indoors, the hamfest will be open rain or shine, beginning at 8:00 am. There will be prizes, food, commercial exhibitors, a "happy hour," and free parking. For table reservations, send a check payable to KMRA Club, PO Box 411, Waukesha WI 53187.

**CHELSEA MA  
OCT 17**

The 19-79 Repeater Association of Chelsea MA will hold its annual flea market on Sunday, October 17, 1982, from 11:00 am to 4:00 pm (sellers admitted at 10:00 am), at the Beachmont VFW Post, 150 Bennington Street, Revere MA. Admission is \$1.00. Sellers' tables are \$6.00 in advance and \$8.00 at the door, if available. Talk-in on .19/79 and .52. For table reservations, send a check to 19-79 Repeater Association, PO Box 171, Chelsea MA 02150.



# DUAL DRIVE TRIBANDERS

- 20, 15 and 10 meters • Wideband. Low SWR. No tuner needed
- Exclusive phased dual drive gives higher gain • Exclusive coaxial capacitors have lower losses, higher Q • Transmitter power is radiated not lost in the traps • Full power low loss balun. Gives improved beam pattern

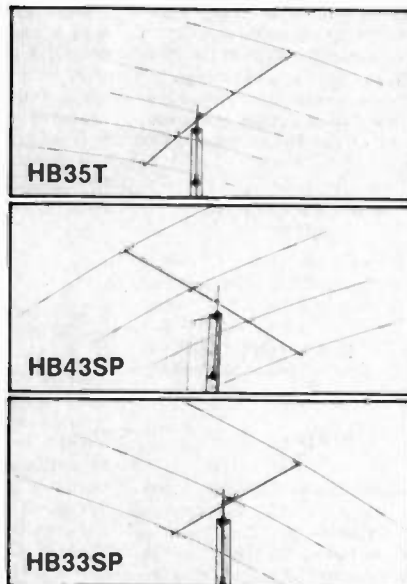
TET Antenna Systems presents three full size trap multiband beams to meet every amateur need. 5 element, 4 element, and 3 element models all with the exclusive TET dual phased drive. This famous drive system originated with HB9CV and was perfected by JA3MP. When you buy TET dual drive you know you have the best. It has more gain - just like adding another parasitic element. And wide bandwidth so you can use your solid-state transceiver on both phone and CW without a tuner.

Only the highest quality materials are used throughout. All aluminum tubing is 6061-T6 alloy. Stainless steel fasteners are provided for all electrical connections. Tubing is cut and predrilled to precision tolerances for easy one afternoon assembly. Light weight and low wind area designs permit use of simpler support structures.

All models feature full 3 Kw PEP power handling, VSWR typical 1.5 or less across all of 20, 15 and, on 10 meters, from 28.0 to 29.2 MHz. Drive impedance is 50 ohms and maximum element length 27'. They accommodate masts from 1 1/2" to 2" diameter, withstand winds to 100 mph and are furnished complete with a low loss balun that easily withstands full rated power. For gain and front-to-back ratio specifications write or call the factory.

	HB35T	HB43SP	HB33SP
Boom Length:	24' 7"	19' 8"	13' 2"
Turn Radius:	18' 10"	16' 9"	15'
Wind Area Ft <sup>2</sup> :	7.9	6.6	4.7
Wind load lbs. @ 80 mph:	160	132	102
Boom Dia.:	2"	2"	1-5/8"
Weight, lbs.:	50	38	27
Price:	\$329.95	\$239.95	\$174.75
	+ shipping	+ shipping	+ shipping

## TET ANTENNA SYSTEMS



Send for free catalog describing these dual drive beams, our VHF Swiss quads, roof-mount towers, elevation rotators and more.

Don't wait any longer to start working rare DX. Order your dual-drive beam today!

BY MAIL:  
TET Antenna Systems  
1924-E W. Mission Road  
Escondido, CA 92025



BY PHONE: 714-743-7025 ✓ 170

### TUSA

A WHOLE NEW WORLD OF TV VIEWING WITH TUSA'S NEW MODEL CVU-40, 40 CHANNEL CABLE TV CONVERTER Receive all the EXTRA CABLE TV - MIDBAND & SUPERBAND CHANNELS on your UHF DIAL. Eliminates the need for renting or leasing. This stable and reliable system converts extra cable TV channels so they can be received on the UHF tuner of your TV set. Provides the extra midband and superband channels now distributed by most cable companies. Channels 2 to 13 can also be seen directly on the VHF portion of your tuner.

**A MUST FOR VIDEO TAPING FROM CABLE TV!**  
This system allows you to program both pay (pay TV decoder required) and standard cable channels for taping on any VCR - while you are watching a different channel on your TV.  
Simple to install and operate on any make of TV with UHF.

Now **\$289.95** PLUS POSTAGE

### POPULAR IC'S TOP QUALITY NO SECONDS

TYPE	DESCRIPTION	1 to 10	10 to up
LM 380N	2 watt Audio Power Amp	\$1.49	\$1.29
LM 380N-3	Low Voltage Audio Amp 500W-TW	1.59	1.29
NE 561	Phase Locked Loop	12.95	11.95
NE 564B	Digital Phase Locked Loop	3.50	3.15
LM 565N	Phase Locked Loop	1.49	1.29
LM 1198	Video Amp	1.69	1.44
MC 1349	Video Detector	0.49	1.89
MC 1350	Video II Amp	2.06	1.65
MC 1352	Video II Amp AGC	2.69	2.09
MC 1356	Audio II Amp	1.96	1.79
MC 1374P	R.F. Modulator	3.19	2.67
MC 1458	Dual Comp. Op. Amp.	1.69	1.79
MC 1-926	Bianched Mod/Demodulator	1.79	1.59
LM 1880	PLL Stereo Decoder	4.49	3.95
LM 1889	Video Modulator	1.95	2.49
LM 7805	5 volt Positive Volt. Reg.	1.39	1.25
LM 7808	8 volt Positive Volt. Reg.	1.39	1.25
LM 7812	12 volt Positive Volt. Reg.	1.39	1.25
LM 7815	15 volt Positive Volt. Reg.	1.39	1.25
LM 7818	18 volt Positive Volt. Reg.	1.39	1.25
LM 7824	24 volt Positive Volt. Reg.	1.39	1.25

### WINEGARD 75 OHM UHF YAGI ANTENNAS

12 dB GAIN  
CHANNELS 44 - 52  
18" ea. \$1.85 ea.  
8' or more \$1.65 ea.

OPTIONAL Wiregrid UHF Antenna Preamp 16dB Gain \$1.39 ea.

### BRAND NEW UHF VARACTOR TUNERS

YOUR CHOICE  
Sanyo 45 MHz Output \$24.95 ea.  
Mitsumi 45 MHz Output \$24.95 ea.

### POPULAR MICROWAVE PARTS

MRF 901	\$2.75
8 - Up	\$2.19
MRF 911	\$3.46
8 - Up	\$3.12
MRF 921	\$3.99
8 - Up	\$3.58
CHIP CAPS .001 mfd	50
251	50
2N5661 (homemade MRF w/2)	11.98

### POPULAR MICA CAPS 5%

10pf 42c ea.	500pf 65c ea.
43pf 36c ea.	1200pf 89c ea.
110pf 36c ea.	3000pf 1.39 ea.

### PRINTED CIRCUIT THUMB-WHEEL POTENTIOMETERS

1 - 12	\$1.29
5 - 39	\$1.39
13 - 99	\$1.39
35 - 35	\$1.39
100 - 999	\$2.29

1/4 watt, 10K ohm, thumb or screw driver adjustable. Mount vertically on PC boards or terminal strips.

### TUSA MAX-2 LOW LOSS MATCHING TRANSFORMERS

Indoor 75 - 300	\$1.29
10 - Up	98
Outdoor 75 - 300	1.69
10 - Up	1.49

### PROJECT BOXES Woodgrain

This box is 11" W - 4 1/2" H - 6 1/2" D with a removable aluminum chassis 11" W - 3 1/2" H - 6" D inside.

4 or more \$12.50 ea.  
10 or more \$10.95 ea.

### UHF - VHF - FM SPLITTER 40-900 MHz

Low Loss 3.5 dB, Low VSWR Waterproof Housing \$2.49 ea.

### SURPLUS AUDIO & VIDEO RF MODULATORS

Hook up sheet included  
Now \$5.49 ea.

### CABLE CONNECTOR

F-59 Male connector for RG-59/U cable. Complete with ferrule. Mates with female 'F' connectors.

25c ea.  
100 for \$14.70

### SURPLUS SYLVANIA VHF VARACTOR TUNERS

45 MHz output. Channels 2 through 13 as well as the mid-band channels. Schematic included.

WHILE THEY LAST!  
\$13.95 ea.

### POPULAR MISCELLANEOUS PARTS

10K Volume Control with DPDT switch	\$1.49
10 - Up	1.19
8x10 Speaker Cabinet with speaker	10.95
2 or more	8.95
Toroids - T30-12	.46
20 - Up	.25
Toroids - T37-2	.38
20 - Up	.25

800-854-4655  
TOLL FREE ORDER LINE OUTSIDE CALIFORNIA  
714-635-5090  
INFORMATION AND CALIFORNIA ORDER LINE  
MAIL ORDERS WELCOME - PLEASE INCLUDE POSTAGE - SHIPPED SAME DAY RECEIVED - NO MINIMUM ORDER

### R.F. ELECTRONICS

1056 N. STATE COLLEGE BLVD., DEPT. G  
ANAHEIM, CALIFORNIA 92806

OPEN TUES - FRI 10 - 6  
SAT 10 - 5  
CLOSED SUN & MON

Call or write for FREE Mail Order Catalog

## Tune In...With

# MONITORING TIMES

Published Bi-Monthly




Take charge of your scanner or short wave receiver. Learn where to look and when to listen with help from MONITORING TIMES, the only broad-spectrum publication written for serious listeners.

There's an adventure waiting at your fingertips. Tune in drug smuggling communications, spy networks, Space Shuttle support broadcasts, military and government air-to-ground radio, pirate and clandestine transmissions, ship-to-shore links--and much, much more.

Send for FREE sample copy today.  
Please write to:

**MONITORING TIMES**  
140 Dog Branch Road  
Brasstown, N.C. 28902



**2 for 1**  
**Performance**  
 from  
**MIRAGE**

Dual-purpose power amplifiers for HT and XCVR!



- 1-10 Watts Input
- All-mode operation
- 5 year warranty

model:

**B1016 (2 meters)**

1W In = 35W Out

2W In = 90W Out

10W In = 160W Out

with RX preamp!

\$279.95

**C106 (220 MHz)**

1W In = 15W Out

2W In = 30W Out

10W In = 60W Out

with RX preamp!

\$199.95

**D1010 (430-450 MHz)**

1W In = 20W Out

2W In = 45W Out

10W In = 100W Out

\$319.95

There's more, and  
 WATT/SWR Meters, too!  
 See your nearest Dealer

**MIRAGE**  
**MIRAGE**  
**MIRAGE**  
 COMMUNICATIONS EQUIPMENT, INC.  
 P.O. Box 1393  
 Gilroy, CA 95020  
 (408) 847-1857  
**made in U.S.A.**

See List of Advertisers on page 114

**MICROWAVE TELEVISION**

The standard RP downconverter package shown above gives you a proven converter design mounted in a weathertight antenna that features low wind loading and easy installation.

With this package you are ready for hours of Amateur television entertainment. Just aim the antenna, connect one 75 cable from the antenna to the power supply and a second line from the power supply to your TV, and you are on the air.

All downconverter models use microstrip construction for long and reliable operation. A low noise microwave preamplifier is used for pulling in weak signals. The downconverter also includes a broad-band output amplifier matched to 75 ohms. The RP model is recommended for up to 15 miles. Over a range of 15 to 25 miles, the RP+ which has a lower noise and higher gain RF amplifier stage, provides better television reception. These ranges are necessarily approximate, as signal strength is very sensitive to line of sight obstructions. For installations over 25 miles, an RPC unit which uses a separate antenna is available. All models are warranted for one year.



Prices including UPS shipment are as follows:

Model RP receiver package.....	\$135
Model RP+ receiver package.....	\$155
Model RPC receiver package.....	\$155

165

**K. & S. Enterprises**  
 P.O. Box 741, Mansfield, MA 02048

**RTTY SCOPE**

**NEW!**



**At Last! An RTTY Tuning Scope!**

And who else but HAL would bring you such a practical solution to the RTTY tuning problem. If all you have is flashing lights, you know how difficult it can be to match your transmit frequency with that of a received RTTY signal. The RS2100 RTTY Scope ends these problems with an accurate display of the received signal (both signal amplitude and phase). The RS2100 is a matching companion for the CT2100 Communications Terminal and may be used with most HAL and other manufacturers' RTTY equipment. An internal loop supply is included.

- X-Y tuning scope indication
- 1" diameter green phosphor CRT
- Front panel focus, intensity, and position controls
- Internal 200 VDC, 60 ma loop supply
- Two loop keying circuits (high voltage or optical isolator)
- 3-1/2" x 8-1/4" x 10-3/16", 9 lbs net, 12 lbs shipping 120/240 VAC, 50/60 Hz power
- Scope indicator works with CT2100, DS2050, DS2000, CWR685, CWR6850, CWR670, CWR6700, ST5000, ST-6K, ST-5K, and more
- Loop supply works with CT2100, DS2050, DS2000, CWR685, and CWR6850

Write or call for more details. See the RS2100 at your favorite HAL dealer.

345



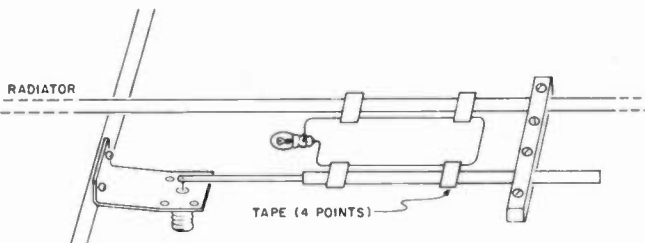
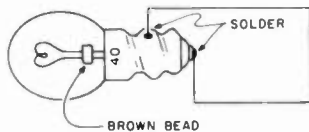
**HAL COMMUNICATIONS CORP.**

BOX 365  
 URBANA, ILLINOIS 61801 217-367-7373

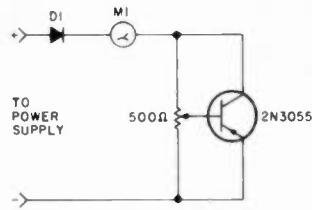
# CIRCUITS

Do you have a technique, modification, or easy-to-duplicate circuit that your fellow readers might be interested in? If so, send us a concise description of it (under two pages, double-spaced) and include a clear diagram or schematic if needed.

In exchange for these technical gems, 73 offers you the choice of a book from the Radio Bookshop, to be sent upon publication. Submit your idea (and book choice) to: Circuits, Editorial Offices, 73 Magazine, Peterborough NH 03458. Submissions not selected for publication will be returned if an SASE is enclosed.



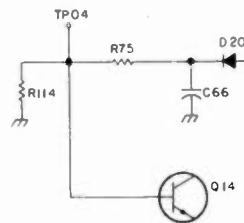
**VISUAL ADJUST FOR GAMMA MATCH:** In an emergency or when you don't have your swr meter handy, you can still adjust a gamma match with good results by doing the following: Make a rectangular "Hertz loop" (see diagram) by soldering a piece of solid hookup wire to a 6.3-V, 150-mA, no. 40 pilot lamp. You may use a socket if desired. The loop is the same height as the gamma and about half the width. If the exciter is QRP, it may be necessary to increase the width of the loop a bit. Fix it to the gamma with masking tape and excite the antenna with about 10 Watts (or enough power for the lamp to start to glow). Adjust the gamma for maximum brightness of the lamp. If the lamp becomes too bright, you may decrease the coupling between the Hertz loop and the gamma by bending one end of the loop slightly away from the match. Caution: Do not touch the antenna with the power on. After adjusting for maximum brightness, remove the loop and the antenna is matched. Even if you use an swr meter at the transmitter end of the scale, it may falsely indicate a perfect match with certain lengths of coax. However, if you also use the Hertz loop, it quickly verifies that the gamma is adjusted for maximum power transfer.—Jose Vicente PY2AUC, Campinas, SP, Brazil.



DUMMY LOAD FOR POWER

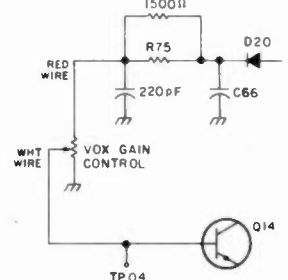
**SUPPLIES:** The series pass transistor is used as a variable resistor and will handle up to 15 Amperes or 115 Watts. The base bias is set by the resistor so that the conduction can be varied. The transistor will get rather hot. It must be mounted on a heat sink and should have forced cooling if heavy loading is anticipated.—Glen Deibert, APO NY.

ORIGINAL CIRCUIT



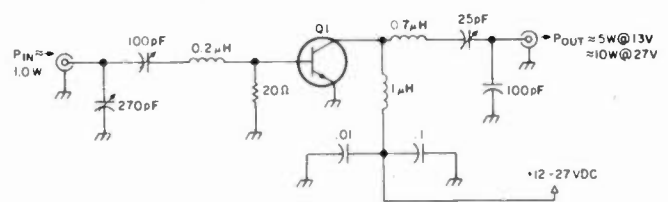
a)

NEW CIRCUIT

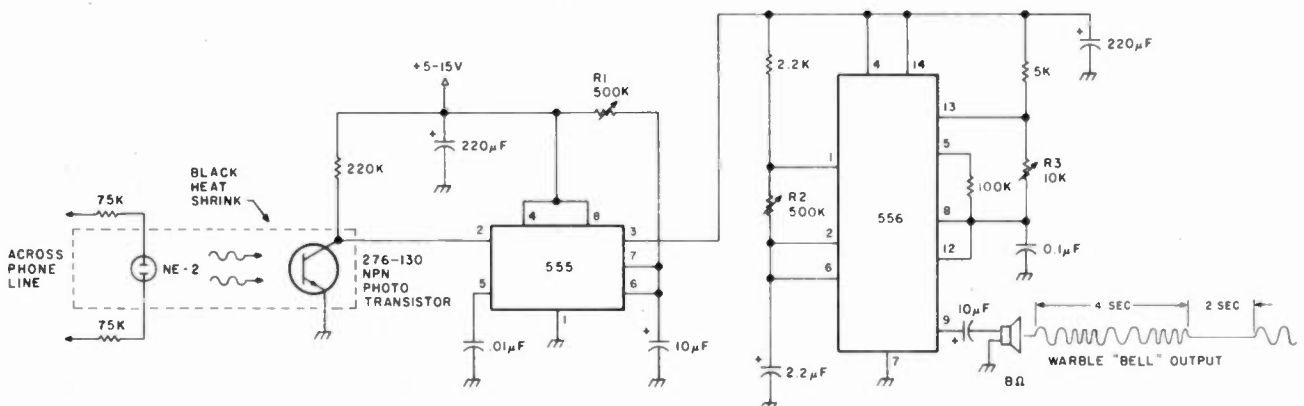


b)

**NOISE-BLANKER MODIFICATION FOR THE YAESU FT-707:** Fig. (a) is the original circuit in which full gating is used. Fig. (b) shows the new circuit which employs variable gating on Q14, improving the suppression of ignition noise. I had no need for the VOX control, so I disabled it and used the potentiometer for the noise-blanker gate control. Results were very good; adjust the control until the ignition noise and strong adjacent signals disappear.—Carl Weiche W5NLB, Tulsa OK.



**SIX-METER AMPLIFIER:** This class C six-meter amplifier produces a respectable signal when driven with about one Watt from a military GRC or PRC FM transceiver or a conventional amateur transmitter. The CB transistor operates only slightly warm with two square inches of heat sink. The Q of the output network is 7 when squared at 13 volts. The input network Q is 3.5.—Al McKenna WB6BSP, Healdsburg CA.



**ELECTRONIC PHONE BELL:** The speaker emits a distinctive warble tone when ring pulses are applied to the phone line. Use this circuit as a remote bell or disconnect the phone's ringer for direct use. R1 adjusts the duration of the output; R2 and R3 control the tone's duty cycle and frequency. The transistor is a general-purpose NPN photodevice. The neon bulb and transistor are coupled with the heat-sink tubing to form an optoisolator.—John Mairs AA4DX, Springfield VA.



# HAM HELP

We are happy to provide Ham Help listings free, on a space-available basis. We are not happy when we have to take time from other duties to decipher cryptic notes scrawled illegibly on dog-eared post cards and odd-sized scraps of paper. Please type or print your request (neatly!), double spaced, on an 8 1/2" x 11" sheet of paper and use upper- and lowercase letters where appropriate. Also, please make a "1" look like a "1," not an "l," which could be an "el" or an "eye," and so on. Hard as it may be to believe, we are not familiar with every piece of equipment manufactured on Earth for the last 50 years! Thanks for your cooperation.

I am looking for a schematic for a keyboard manufactured by Incoterm Corp., assembly 055-13-02-70REV. I am also looking for any information on how to interface this keyboard to a RTTY or micro-processor system.

**W. G. Mott**  
2 London Bridge  
London SE1 9RB  
England

I would like to hear from somebody who can repair a Digital Frequency Display, Model DD-1K.

**J. M. Garcia KP4EE**  
PO Box 66  
Aguadilla PR 00605

I am looking for a schematic for a 1934 Philco table-model Type 89, Code 123, Ser. No. D-15143.

**Charles Owens**  
Denbow Rd.  
Durham, NH 03824

I am looking for a Central Electronics 200-V transmitter in any condition or parts for the same.

**Ted Wilson KA7LVT**  
12439 So. Giles St.  
Las Vegas NV 89124

Wanted: OS8N oscilloscope, a Sencore TC28 tube tester hybridster, Ameco R5 receiver, and a Knight Kit vfo. Please state price and condition.

**Kevin Neal**  
Rte. A, Box 221A  
Flippin AR 72634

Looking for equipment donations to help initialize a ham club station at a recently-opened veterans home. All donations accompanied by a note giving approximate values will be accordingly acknowledged since they are tax deductible.

**David Basham AE8Y**  
Chief, Social Services  
Barboursville Veterans Home  
512 Water St.  
Barboursville WV 25504

Schematics or manuals on the following would be appreciated:

- Hallicrafters SX 104-30-50MC receiver.
- Precision Applications E400 series sweep generator.
- Knight capacitance checker.
- Tektronix 541-535 O-Vert plug-in.
- Military OS-8U oscilloscope, PS1J power supply, and P1B2X8J oscilloscope.
- Electalarm Model ID60 alarm by Nuclear Electronics Corp.
- American Telephone alarm, Model AE 202UL, c/o ATA Controls Systems.
- Sears Micromatic IC cassette tape recorder.

Costs for postage and/or copying will be paid, but let me know them first.

**Kevin Neal**  
Rte. A, Box 221A  
Flippin AR 72634

I need a schematic and manual for the IC-2F VHF 2-meter transceiver and a schematic for the IC-3P power supply 3375, made in 1970.

**Harold Nelson WB9QMX**  
401 East Wisconsin Ave.  
Silver Lake WI 53170

I need the dimensions for the CW radials for the Hy-Gain 18AVTWB antenna.

**Sam Creason K6EW**  
2940 Arlington Ave.  
Fullerton CA 93635

I need information and schematics for a Phonics TV phone, part #690-56331, manufactured by AMF Electronics Products Div., in Herndon, Virginia. I am also looking for information on converting a J.L.L. 202SSB CB to 10 meters. I will pay for any copying costs involved.

**Jeff Parker WA1WXL**  
2001 Jack Frost Rd.  
Virginia Beach VA 23455

I need information/schematic/Instruction manual for the Bu Ships LM-21 xtal calibrator, freq. indicating 125-20,000 kHz, type 7402B-A. I would also like some information on building a suitable power supply for this unit.

**William Stahl**  
PO Box 262  
Marlton NJ 08053

I need the operating manual for the Supreme oscilloscope, Model #546A. I will pay any mailing and copying costs.

**Glenn Churchill KA2IOI**  
Box 504  
Hudson Falls NY 12839

I am looking for schematics and any other info for the Lafayette He-45 6-meter rig.

**Sean Poole KA4LWX**  
8926 Byron Ave.  
Surfside FL 33154

I am looking for the manual and/or schematic for the Hammarlund FM-5 VHF equipment. I will pay for copying and postage.

**Bill Ryan WA2DND**  
CC 140, Rensselaer Polytechnic Institute  
Troy NY 12180

Would anyone who has modified a calculator to measure Ohms (April, 1982, 73 Magazine) please contact me?

**Kevin Neal**  
Rte. A, Box 221A  
Flippin AR 72634

Wanted by my friend DJ0QN, near Munich: a repeater offset kit or schematic of same for the Comptronix FM-80 10-meter FM rig. Send price/info to me, please.

**Doug Smith WA6GON**  
1369 Tree Garden Pl.  
Concord CA 94518

I need a copy of the Frequency Selection Code Book and Service Manual for the Tennelec Model MS2 memory scanner. I will pay shipping and duplicating costs.

**Kenyon B. Courts KA7JJJ**  
5267-B Mather St.  
Eielson AFB AK 99702

Here are some items I am looking for:

- Assembly instructions/operating information for a Tel-Rex Model TC-99C triband beam antenna
- Copies of the operating manuals, shop manuals, and modifications for the Collins 75A4 receiver and a Central Electronics 100-V transmitter
- The current address of Wesley R. Schum,

the developer of the 100-V broadbanded exciter-transmitter

I will copy and return immediately with postage refund, or pay for copies.

**Bob Robinson KU8C**  
Route 3 Box 302  
Fairmont WV 26554

I need a copy of the service manual for the Bearcat 220. I will be glad to pay copying costs and postage.

**Jose Nunez YV2BSV**  
PO Box 390  
Merida 5101A  
Venezuela

I'm looking for the antenna coupler CU-286/FRR-33 part of the radio receiving set AN/FRR-33, and the control monitor C-1012/FRR, keyer KY-82/FRR and loud-speaker LS-179/U parts of the radio receiving set AN/FRR-34.

**Roberto Pieraccini**  
Via V. Veneto 66  
51013 Chiesina Uzzanese  
Italy

Wanted: Members of school clubs, teachers, and students to participate in education networks to aid technical and non-technical classes. Those interested please send schedule information, or information about existing high school and college networks.

**N. S. C. C. Radio Club (K7WWP)**  
14861 6th Ave. NE  
Seattle WA 98155

I am looking for a 40-foot breakover tower manufactured by Tele-Tower in Enid, Oklahoma.

**Howard Russell N6EBF**  
1291 Sandra Court  
Upland CA 91786

I am looking for software and the required interface to operate RTTY/CW using the TI-99/4A computer.

**Steve Shaw W6SLY**  
7740 Larchwood Way  
San Diego CA 92120

I need a mobile mounting bracket for the Midland 13-510A 2-meter transceiver.

**George Stephens KA3DSA**  
5813 Bryn Mawr Road  
College Park MD 20740

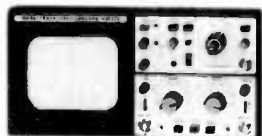
I am looking for information on how to modify the Bearcat 220 scanner so that it will receive on 29.6 MHz and 52.525 MHz.

**Marty Linke WD9ABG**  
621 North Grace St.  
Lombard IL 60148

## LIMITED SPECIAL \$555.00

### HAMEG Oscilloscopes

20 MHz  
DUAL TRACE



to meet every need  
WITH PROBES: x1 & x10  
● ONE YEAR FULL WARRANTY  
● SOLID STATE  
● ASSEMBLED & CALIBRATED  
NEW RECTANGULAR CRT

MODEL HM-203

(603)434-5371

DEALER INQUIRIES INVITED

133

RFD-5

*Rivendell Assoc.*

DERRY, N.H. 03038

WARNER HILL

## REGENCY SCANNERS

T720 Alr	169.00	D810	270.00
D 100	159.00	M 100	205.00
D 300	209.00	M 400	245.00

All Bundy low profile IC Sockets just 1c per pin

Example: 8 pin—8c; 40 pin—40c per pin

Ham IV Rotor—\$165.00

Columbia 8 Con (2#18/6ft 22)—17c/ft.

Columbia RG 59v 100 foil shield TV type—7c/ft

Berk Tek Grey 96% RG 8X—14c/ft.

US made PL 259—10\$5.50

UG 176 Reducer—10\$1.99

SO 239—10\$5.89

3 amp fuse—20\$1.50

Gould 9V Nicad—\$4.86

Gould 1.2v 500 mAh AA Nicad

10\$14.50 100\$125.00

Call for Quantity Quotes

(904) 394-2511

(313) 278-8217



Universal Dist.  
RAYMOND RICHARD  
RT. 1, BOX 25E  
CLERMONT, FL 32711

155

*Super Loaded "On" Basic*

**new**

*Repeater / Link Systems -*

*Spectrum's*

*Got Both!*

VHF/UHF  
LINK/CONTROL  
RCVR.

COMMERCIAL VHF/UHF  
TRANSCEIVERS



**NEW SCR77**

SCR1000/4000 & XCVRS. F.C.C.  
TYPE ACCEPTED FOR SERVICES

Shown In  
Optional Cabinet



Spectrum now makes 2 lines of repeaters—the world famous 'Super Deluxe' SCR1000/4000, and our new Low Cost line of SCR77 Repeaters/Link Transceivers.

The New SCR77 10-30 Wt. Repeaters maintain the quality of design components and construction which have made Spectrum gear famous throughout the world for years. However, all of the 'bells & whistles' which you may not need or want have been eliminated—at a large cost savings to you! The SCR77 is a real 'workhorse' basic machine designed for those who want excellent, super-reliable performance year after year—*but no frills!* ('PL', 12 Pole IF Filter, Front End Preselector, and a 30 Wt. Transmitter are the only 'built-in' options available; Full Auto Patch, Remote Control, and other equipment can be connected via the rear panel jack.)

Of course, if you do want a full featured/Super Deluxe Repeater, with higher power (30-75 Wts.), and a full list of 'built-in' options, then you want our SCR1000 or 4000—'The Ultimate in Repeaters'. Available with: Full Auto Patch/Reverse Patch; Land-Line Control; Touch Tone Control; various repeater functions; 'P'; "Emergency Pwr. IC"; various Tone & Timer Units, etc. Rack mount Link Rcvrs & Xmtrs also available.

Call or write today for data sheets & prices! Sold Factory Direct or through Expert Sales Peps only. Get your order in A.S.A.P.!

Commercial Business Radio Dealer/Rep Inquiries Invited



**SPECTRUM**

Export Orders Welcomed

1055 W. GERMANTOWN PK., DEPT S9



## 10M FM Repeaters, Remote Bases, ■

Join the fun with the growing activity on 10M FM! Extended 'superior' groundwave contacts; local Repeaters; Remote/Local Bases and Mobile for Nationwide or Foreign DX. All with the ease of 2M FM! Or, tie a 10M Remote Base into your existing VHF/UHF Repeater!

Our Repeaters and Remote Bases are basically made up of 2-SCR-



## ■ RX & TX Boards Now Available!

1000 Mainframes, complete with a VHF/UHF Link "built-in." The 10M FM Receiver is "Super Hot" and "Super Sharp." The transmitter is a 35 Wt. unit with beautiful audio quality.

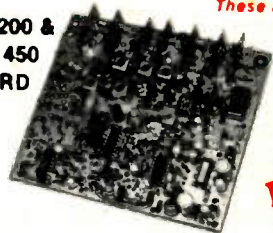
A Complete Data Package is now available on both complete systems and boards — all commercial quality. Call or write for more information today.

## SPEC COMM REPEATER BOARDS & SUB-ASSEMBLIES

These are Professional "Commercial Grade" Units—Designed for Extreme Environments (-30 to +60° C)

All equipment assembled & tested. For 2M, 220 MHz & 450 MHz!

### SCR200 & SCR 450 BOARD



10M ALSO AVAILABLE



### SCR200 VHF Receiver Board

- **Totally New Advanced Design!**
- 8 Pole Front End Filt. + wide dynamic range—reduces overload, spurious Resp. & IMs!
- Sens. 0.3 uV/12dB SINAD typ.
- Sel. -6dB @ ± 6.5 KHZ. -130dB @ ± 30KHZ. (8 Pole Crystal + 4 Pole Ceramic Filtrs.)
- 'S Meter' Discriminator & Deviation Mtr. Outputs!
- Exc. audio quality! Fast squelch! w/0.0005% Crystal. ("Super Sharp" IF Filt. also avail.)

### SCR200 Receiver Assembly

- SCR200 mounted in shielded housing
- Completely asmbld & tested, w/FT. caps, SO239 conn.
- As used in the SCR1000. Ready to drop into your system! High Recommended!

### SCR450 UHF Receiver Bd. or Assy.

- Similar to SCR200, except 420-470MHz



### SCAP Autopatch Board

- Provides all basic autopatch functions
- Secure 3 Digit Access; 1 Aux On-Off function, Audio AGC; Built-in timers; etc. Beautiful Audio!
- 0/1 inhibit bd. also available
- Write/call for details and a data sheet

### RPCM Board

- Used w/SCAP board to provide "Reverse Patch" and Land-Line Control of Repeater
- Includes land line "answering" circuitry

### ID250 CW ID & Audio Mixer Board

- Adjustable ID tone, speed, level, timing cycle
- 4 Input AF Mixer & Local Mic amp
- COR input & xmtr. hold circuits
- CMOS logic, PROM memory—250 bits/channel
- Up to 4 different ID channels!
- Many other features. Factory Programmed



FL-6

### FL-6 Rcvr. Front-End Preselector

- 6 Hi Q Resonators with Lo-Noise Transistor Amp (2M or 220 MHz).
- Provides tremendous rejection of "out-of-band" signals w/out the usual loss! Can often be used instead of large, expensive cavity filters
- Extremely helpful at sites with many nearby VHF transmitters to "filter-out" these "out-of-band" signals.

### CTC100 Rptr. COR Timer/Control Bd.

- Complete solid state control for rptr COR, "Hang" Timer, "Time-Out" Timer, TX Shutdown/Reset, etc.
- Includes Inputs & Outputs for panel controls & lamps

### Repeater Tone & Control Bds.—For SCR1000/4000 & CTC100/D250 only

#### TRA-1 "Courtesy Tone Beeper" Board

- Puts out a tone beep apx. 1 sec. after RX sig drops—thus allowing time for breakers
- Resets T.O. Timer after "beep"

#### TMR-1 "Kerchunker Killer" or "Time Out Warning Tone" Bd.

- For One of above 2 functions
- "Kerchunker Killer" provides adj. delay (0-10 sec.) for initial rptr. access. Auto-Reset at end of QSO.
- T.O. Warning Tone provides alerting "warble tone" apx. 10 sec. before "time out."



### PSM-1 Repeater Power Supply Mod Kit

- For SCR-1000 or SCR-4000
- Replaces Darlington Pass Tr.—for improved reliability
- Includes new overvoltage "Crowbar" shutdown circuit.
- Complete kit, w/assembled PC board. \$19.50 + \$3.50 shipping/handling.

### PRM200 Power Supply Filter Cap/Regulator/Metering Board

- As used in the SCR1000 as main part of 13.8VDC/8A Pwr. Sply.
- Includes 14,000 µF Filter Cap, Reg. IC and Driver Trans., V/I Meter shunts and cal pots.
- Requires Xfmr., Br. Rect., Pass Tr./Heat Sink, (Optional Meter), for complete supply.



10M ALSO AVAILABLE

### SCT410 XMTR. ASSY.

#### SCT110 VHF Xmtr/Exciter Board

- 7 or 10 Wts. Output. 100% Duty Cycle!
- Infinite VSWR proof.
- True FM for exc. audio quality.
- Designed specifically for continuous rptr service. Very low in "white noise."
- Spurious -70 dB. Harmonics -60 dB.
- With .0005% xtal.
- BA-10 30 Wt. Amp board & Heat Sink, 3 sec. L.P. Filter & rel. pwr. sensor. BA75 75 Wt. unit also available.

#### SCT110 Transmitter Assembly

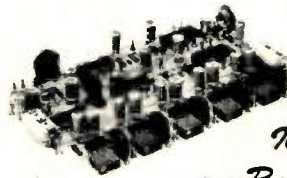
- SCT110 mounted in shielded housing.
- Same as used on SCR1000.
- Completely asmbld. w/FT. caps, SO239 conn.
- 10, 30, or 75 Wt. unit.

#### SCT410 UHF Transmitter Bd. or Assy.

- Similar to SCT110, 10 Wts. nom.
- Avail. w/ or w/o OS-18 Super High Stability Crystal Osc./Oven.
- BA-40 40W. UHF AMP. BD. & HEAT SINK.

#### PCB-1 Xmtr. Power Control Board

- For SCT110 or SCT410 Exciters
- Varies B+ to control Pwr. Out
- Switchable HI, Low, or Med. Pwr. out, locally or remotely. Adj. levels.



TTC100 Touchtone

Control Board

Interface to any Radio or AF system!

- 3 digit ON, 3 digit OFF control of a single repeater function, or (optional) 2 functions (2 digits ON/OFF each).
- Can be used to pull in a relay, trigger logic, etc.
- Typically used for Rptr., ON/OFF, HI/LO Pwr. PL ON/OFF, Patch Inhibit/Reset, etc.
- Stable anti-falising design 5s limit on access
- For add'l function(s), add a "Partial TTC" board

# COMMUNICATIONS CORP.

INQUIRE ABOUT 'SURPLUS' RX & TX BOARDS. REDUCED PRICE!

Norristown, PA 19401 • (215) 631-1710

Call, or ✓68  
Send for  
Data Sheets!



# DX

Chod Harris VP2ML  
Box 4881  
Santa Rosa CA 95402

## WILL HEARD BE HEARD?

A DXpedition to Heard Island, in the southern Indian Ocean, nears reality. At the International DX Convention in Visalia, California, last April, Ian Hunt VK5QT announced tentative plans to activate this rare radio location. In the months following, the details (and especially funding) started to fall into place.

Heard Island is a small rock sticking out of the frigid seas not far from Antarctica. To locate Heard on the globe at your neighborhood library, put your finger on Saskatoon, Saskatchewan. Now find the diametrically opposite point on the globe, the spot antipodal to Saskatoon. Unless the manufacturer's logo is covering it up, you should have found Heard. Getting radio equipment and operators to Heard won't be so easy.

Heard sits in the middle of some of the worst weather in the world. Temperatures as low as  $-60^{\circ}$  and winds in excess of 300 km/h have been recorded on the coast of Antarctica, the nearest significant land mass to Heard. Far from shipping lanes and lying in the dreaded wind belt that sweeps around Antarctica, Heard is about as isolated and inhospitable a spot as one can find.

So why are amateurs going there at all? Several mountaineers plan to scale Big Ben, Heard's 2700-meter high, ice-covered volcano. Splitting the costs with the mountaineers in return for providing top-notch radio communications in case of emergency puts the Heard Island DXpedition into the realm of the possible although costs for the radio part of the trip alone will top \$30,000.

The International DX Foundation and the Northern California DX Foundation have offered \$10,000 each toward the trip, and the Wireless Institute of Australia will provide four stations and has pledged \$7,000,

which it hopes to raise through donations.

The DXpedition is under the guidance of the DX Chasers Club, a Western Australia group, with Gordon Nichols VK6XI as chairman. Two or three hams will spend the month of February, 1983, on the island, while the mountain climbers do their thing. Since there is absolutely nothing to do on Heard except try to keep warm, the hams should have plenty of time to operate.

The two DX foundations will finance their contributions directly from their treasuries, but they hope to gain new members and receive extra contributions for the effort. The International DX Foundation asks for \$25.00 for a one-year sustaining membership (write PO Box 117, Manahawkin NJ 08050). The Northern California DX Foundation (PO Box 2368, Stanford University CA 94305) also will accept Heard funds. But the official Heard Island account is care of the Wireless Institute of Australia, PO Box 10, West Perth 6005, Western Australia.

Incidentally, the International DX Foundation gained quite a bit of notoriety recently with an up-front article in *Time* magazine (May 3, 1982, page 7). Written by Navassa DXpeditioner Ed Magnuson W2IJB, a *Time* staffer, the article brought the world of DXpeditions to 1.6 million readers. The highly successful KP2A/KP1 Navassa trip bodes well for the success of the Heard Island trip. We'll have more on both the Navassa trip and the IDXF in future columns.

Assuming everything stays on track, VK0HI should be on the air early next year. We'll be providing more details on Heard and the DXpedition plans in coming months, but meanwhile, why not send a donation to one of the groups above?

One callsign which will be conspicuously absent from the VK0HI pileup will be that of longtime DXer Jesse Bieberman W3KT.

## JESSE BIEBERMAN W3KT

The DX fraternity was greatly

saddened to hear of the death of one of its most valued members, Jesse Bieberman W3KT. Jesse passed away on May 28, at the age of 77.

A native and longtime resident of Philadelphia, Jesse displayed an undying dedication to two of his loves: teaching and ham radio. He worked with students both in his job as teacher and in ham radio, founding the school radio club as well as staying active in the prestigious Frankford Radio Club.

In his later years, Jesse served amateur radio as Vice Director of the Atlantic Division of the ARRL for ten years, and then, after 1980, as Director. He attended the IARU conference in Lima, Peru, in 1980 as a member of the Foreign Affairs Committee of the ARRL board, and he served as the board liaison to the DX Advisory Committee.

Jesse's radio career spanned more than six decades, beginning with his first license in 1920. His longtime dedication to DX kept his call on the top of the DXCC Honor Roll on both SSB and Mixed. And when the CW DXCC award was announced, Jesse was ready. He earned CW DXCC Number 1 in 1975, at the age of 70. He also was an active contester, consistently operating for the Frankford Radio Club's winning efforts.

Jesse was best known for his efforts in QSLing. He served as the volunteer manager of the W3 QSL bureau for 33 years, sorting other amateurs' cards and making sure they got to their proper destinations. And in that 33 years, not one amateur officially complained about the bureau, an absolutely remarkable record given the notorious impatience of DXers!

But Jesse did more than handle the incoming cards for hams in the third call area. He shared his years of QSLing experience with any amateur. Jesse ran the W3KT Outgoing QSL Service, the most respected DX QSL forwarding service anywhere. For just a few cents a card, Jesse would locate the best possible QSL route for a given station: direct, through a manager, or whatever. He forwarded your card with others for the same station, with return envelopes. When the cards came back, he distributed them via the incoming QSL service, keeping the costs of the service within the reach of every DXer. Jesse knew

all the tricks, all the ways to increase QSL returns.

The W3KT QSL service is now closed. Those cards in the pipeline will be forwarded, but no new cards are being accepted. Jesse's shoes are just too big to fill.

But the DX world has lost more than the best QSL service; it has lost a dedicated DXer who unhesitatingly helped others, a fine example to new and experienced operators alike, a man who gave freely of himself so that others could enjoy the hobby that he loved so much. We have lost a good friend. We will miss you, Jesse.

## CHINA UPDATE

China continues to make DX news. Both Chinas, in fact. More details of the future of amateur radio in the People's Republic of China leak out around the now-tattered bamboo curtain, and Tim Chen's QSL manager, K2CM, provides some additional details on BV2A/B.

BY1PK has been on and off the air since the first legal operation from mainland China in 30 years began earlier this year. Operator training continues with materials provided by various amateur radio organizations, including the ARRL. The operators will soon return to their homes, carrying with them the experience gained in Beijing. Sometime in the not-too-distant future, these new ops will activate more stations in China, and BYs will be heard more than sporadically.

Meanwhile, bootleggers have been enjoying open season with the BY1PK callsign. The Chinese operators have been deluged with QSLs from well-meaning amateurs who worked someone signing BY1PK. Most of the stateside hams received very nice postcards from China in return for their QSLs and IRCs, but, alas, not a single QSL card. The few hams lucky enough to catch BY1PK on the first run (mostly JAs) can justifiably treasure their colorful cards.

The BY1PK operators stayed on CW, often haunting frequencies 30 kHz up from the bottom of the band, especially on 15 and 20 meters. A straight key and a request for a full QSO with exchange of names and QTHs was typical. QSLs with IRCs to Box 6106, Beijing, People's Republic of China, have gotten a re-

sponse. How soon will BYs be as prevalent as JAs? Not right away, but BY won't be on the top of the most-wanted list for much longer. Meanwhile, there is always the "other" China.

Charlie Moraller K2CM was

kind enough to share additional details about Tim Chen and BV2A/B. First, those calls are assigned to the China Radio Association. The club station is quite distant from Tim's home QTH, which limits activity, but Tim continues to be the only

member of the Association with permission to operate. The frequent typhoons which rip through the region force dismantling of the yagi every year. The normal yagi emits a far better signal than the dipole used in typhoon season.

Charlie says that Tim wants the QSOs from BV2B QSLed direct to Box 101, Taipei, Taiwan, Republic of China. K2CM is the QSL manager for BV2A. Tim's choice. QSL BV2A via K2CM, 70 Silverbrook Road, Shrewsbury NJ 07701.

## RTTY LOOP

Marc I. Leavey, M.D. WA3AJR  
4006 Winlee Road  
Randallstown MD 21133

Sometimes you just can't win. I mean, I try to plan out this column for months ahead, and then you all go and respond to me, and now here I am with a ton of mail on my desk! Oh well, one of the things I most enjoy is answering questions here in the pages of 73, so I guess this month I'll plunge right in.

Interest in applying micro-computers has never been higher. Dennis Adamkiewicz KA8ETB, from Cleveland Heights, Ohio, drops a line that he is trying to put his home-brew 6803/6847 system up onto RTTY. This sounds like a reasonable combination, and with suitable software should be just the ticket for a silent terminal. The programs published in this column a few years back can provide a starting point for such software, and I am sure that the sequence we are going through now will also be helpful. Let us all know how the project progresses, Dennis.

Chuck Evola is another 6800 buff, but this time with the old Altair 680b. A few months ago, I noted in this column that Chuck was trying to get his system up on RTTY, and the next thing he knew he was exchanging software and printing RTTY using a modified version of the receive program from this column. Chuck sends along his version. I have cleaned it up a tad, and it is printed here for all you 680b fans out there.

Another question posed by Chuck is about a technique to prevent printing unless "true" RTTY is present. I will suggest at this time that such a technique is indeed feasible, using multiple-sampling methods. The receive routine I will develop for the terminal described in July

(to continue next time) will use just such a technique, so don't go away.

While we are on the subject of 6800s, Keith Diehl AL7CC up in Anchorage, Alaska, writes of the availability of the A.M.I. 65051/68051 ACIA chip. He notes that this 6800-compatible chip can be interfaced much as the more-common 6850 ACIA, but that it is able to handle five-bit words with a 1½-bit stop pulse. Sounds interesting, Murray or less! Wonder if anyone else is using this chip.

Letters with lists of questions sometimes arrive, and such is the case with a note from Todd A. Lefkowitz, M.D., an ophthalmologist who enjoys shortwave listening with a special ear towards utilities DXing. Todd's first question is the killer: "Which decoder do you recommend?" I really cannot endorse anyone's RTTY demodulator, Todd, partly because I want to be fair and partly because I have not seen everyone's in use to compare. I can tell you that, in general, you get what you pay for, and that the available low-end demodulators, such as the iRL FSK-500 and Flesher TU-170, provide good performance at an attractive price. Moving up to units such as the iRL FSK-1000 or one of the Hal units may be needed if you need some bells and whistles, but I suggest you write for data sheets from several of these companies and compare specs for yourself.

Two related questions Todd poses are about a source for RTTY frequencies other than Tom Harrington's book reviewed here last year and other sources for Oliver Ferrell's RTTY frequency guide. I am afraid that if Gilfer Associates, the publisher, has indicated to you a lack of copies of the Ferrell book, then you have shot the

wad. I know of no other source. The Harrington book, which is available from the 73 Radio Bookshop, remains an excellent (and to my knowledge, the only such) guide to utility and other RTTY signals.

Todd's last question is a com-

mon one which I have fielded any number of times. He asks for books or magazine articles on RTTY principles and basics. Unfortunately, there is no book currently available which covers RTTY basics with modern techniques. What is around are ten-

```

1:      NAM      680b RECEIVE
2:      OPT      NOS,N0G
3:      * RTTY Receive program for the
4:      * 680b - 6800 computer
5:      * Based on program written for
6:      * RTTY Loop by Marc I. Leavey, M.D.
7:      * Modified for 680b by Chuck Evola

0020      9:      ORG      *20
0020 00    10: LTRTBL FCB  $00,$4B,$51,$55,$00,$4A,$57,$41
0028 53    11:      FCB  $53,$46,$59,$53,$42,$44,$5A,$45
0030 56    12:      FCB  $56,$43,$50,$49,$47,$52,$4C,$00
0038 4D    13:      FCB  $4D,$4E,$4B,$20,$4F,$00,$54,$00
0040 00    14:      *
0048 2F    15: FIGTBL FCB  $00,$2B,$31,$37,$00,$27,$32,$2D
0050 3B    16:      FCB  $2F,$21,$36,$07,$3F,$24,$22,$33
0058 2E    17:      FCB  $3B,$3A,$30,$3B,$26,$34,$29,$00
0058 2E    18:      FCB  $2E,$2C,$23,$20,$39,$00,$35,$00
0060 00    19:      *
0060 00    20: CRLFST FCB  $00,$0D,$0A,$15,$00,$04
0066      21:      *
0066      22: XSTORE RMB  2
0100      23:      *
0100      24:      ORG      $100
0100      25:      *
0100 BE 4000 26: START LDS  **$4000
0103 B6 04   27:      LDA A  $04
0105 B7 F00B 28:      STA A  $F00B      : PIA CNTL REG
0108 B6 F00A 29: SLOOP LDA A  $F00A      : PIA DATA REG
0108 4D      30:      TST A
010C 27 FA   31:      BEQ  SLOOP
010E BD 4A   32:      BSR  MSEC10
0110 C6 05   33:      LDA B  **$5
0112 4F      34:      CLR A
0113 4B      35: CLOOP ASL A
0114 BD 41   36:      BSR  MSEC20
0116 BA F00A 37:      ORA A  $F00A
0119 5A      38:      DEC B
011A 5D      39:      TST B
011B 26 F6   40:      BNE  CLOOP
011D B1 1D   41:      CMP A  **$1D
011F 27 2E   42:      BEQ  CRLF
0121 B1 04   43:      CMP A  **$04
0123 27 0F   44:      BEQ  FIGS
0125 B1 00   45:      CMP A  **$00
0127 27 04   46:      BEQ  LTRS
0129 B1 1B   47:      CMP A  **$1B
012B 26 10   48:      BNE  GETCHR
012D CE 0020 49: LTRS  LDX  *LTRTBL
0130 DF 66   50:      STX  XSTORE
0132 20 09   51:      BRA  GETCHR
0134 CE 0040 52: FIGS  LDX  *FIGTBL
0137 DF 66   53:      STX  XSTORE
0139 BD 1F   54:      BSR  MSEC10
013B 20 CB   55:      BRA  SLOOP
013D B7 0143 56: GETCHR STA A  LOCATE+1
0140 DE 66   57:      LDX  XSTORE
0142 A6 00   58: LOCATE LDA A  X
0144 BD FEB3 59:      JSR  **FEB3      : CHAR OUT TO TERM
0147 CE 0200 60:      LDX  **$0200
014A 09      61: LOOPA DEX
014B 26 FD   62:      BNE  LOOPA
014D 20 B9   63:      BRA  SLOOP
014F CE 0060 64:      *
014F CE 0060 65: CRLF  LDX  *CRLFST
0152 BD FEC1 66:      JSR  **FEC1      : PDATA
0155 20 B1   67:      BRA  SLOOP
0157 BD 01   68:      *
0157 BD 01   69: MSEC20 BSR  MSEC10
0159 01      70:      NOP
015A CE 0232 71: MSEC10 LDX  **$232      : 75 WPM
015D 09      72: DLOOP DEX
015E 26 FD   73:      BNE  DLOOP
0160 39      74:      RTS
0160 39      75:      *
0160 39      76:      END

```

Program listing.

# MADISON Electronics Supply

**YAESU FT-ONE**



**LIST \$2995.00**

- 73 MHz first IF
- 0.3 uV sensitivity
- full break in
- Curtis 8044 keyer available as option
- front panel keyboard
- ten VFO's
- one year factory warranty

**Your Price \$2395.00**  
**Accessories Available**

**ANNOUNCING THE NEW**



**ICOM 740**

- Transmitter
  - RF Power
  - SSB (A<sup>3</sup> J)
  - CW (A1) RTTY (F1)
  - FM (Option)
  - 200W PEP INPUT
  - 200W INPUT
  - 200W INPUT
- Receiving Mode
  - A<sup>3</sup> A<sup>3</sup> J (USB LSB) F<sup>1</sup>
  - F<sup>3</sup> (Option)
- Emission Mode
  - A<sup>3</sup> J SSB (USB & LSB)
  - A1 CW
  - F1 RTTY
  - F3 (28MHz)
- Sensitivity
  - SSB CW RTTY Less than 0.3 μv for 10dB S+N/N
  - (Preamp - On) Less than 0.15 μv for 10dB S+N/N
  - FM (Preamp - On) Less than 0.3 v for 20 dB quieting

**YAESU**

**THE NEW FT-102**

- Operating Modes: LSB, USB (A3/J3E); CW (A1/A1a); AM (A3/A3E) and FM (F3/F3E)\*\*
- Transmitter Power Input: (1.8 - 25 MHz) (28 - 29.9 MHz), SSB, CW, AM, FM, 240W DC, 80W DC, 160W DC, 80W DC, 160W DC
- Carrier suppression: Better than -40dB at 14 MHz  
Sideband suppression: Better than -60 dB (14 MHz, 1 kHz tone)
- Modulation types:
  - A3/J3E: balanced modulator
  - A3/A3E: low level amplitude modulator
  - F3/F3E: variable reactance modulator
- Receiver
  - Image rejection: Better than 70dB from 1.8 - 21.5MHz
  - Better than 50dB from 24.5 - 29.9MHz

**DONS CORNER**

The Ratings continue - 2 meter mobile month: Kenwood TR9130, excellent sensitivity, easy operation, light output; ICOM IC290A, good performance, cheaper pricing; Yaesu FT480R, great reliability, medium pricing.

ICOM IC25A - Kenwood TR7730 - Yaesu FT 230 - All popular, All the same basic flavor. Yaesu FT208R - biggest seller; Kenwood TR2500 - durable; Santec St144 μI<sup>2</sup>- most features; ICOM IC2AT - basic reliable workhorse.

Consider the various Mod Kits out FOXTANGO, W6TOG, ICOM-Kenwood users, etc.: Our repair dept. has tried several & they are excellent, plus an affordable way to "upgrade" an old radio (TS820?). Remember our service dept. What we can't fix with a hammer, we don't work on.

**See you next month!**

**COLLINS KWM 380**

**LIST \$4495.00**

**Madison's Price CALL**

**BELDEN**


RG8/μ Dbl. Shield	Part Number 9888	8448
	65 c/ft.	27 c/ft.
RG8/μ Foam 81VF	8214	
	36 c/ft.	
RG8/μ Regular .66VF	8237	9405
	32 c/ft.	46 c/ft.
RG 213 Non-contaminating	8267	
	43 c/ft.	

No. of Cond - 8  
AWG (in mm) -  
6-22 (7 x 30)  
2-18 (16 x 30) (1 19)

No. of Cond - 8  
AWG (in mm) -  
2-16 (26 x 30)  
6-16 (16 x 30). (1 17)

Belden Mini RG-8 (9258)-19c/ft.

**ANTENNAS**



**BUTTERNUT New HF6V 125.00**

---

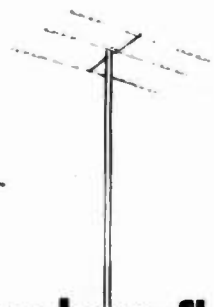
**HYGAIN 18AVT/WB 100.00**

---

**HUSTLER 5 BTV 100.00**

---

**TH7DXX HYGAIN 349.00**



**cushcraft**

**A3-169.00**  
**A4-209.00**



and twenty-year-old circuits and books which predate ASCII and much other recent development. Hopefully, this is a situation which will be soon corrected by the gang at 73. As far as magazine articles, you are reading the most consistent source for RTTY information for the last five years. Within the covers of this magazine, I am sure you will be able to find the answer to many, if not all, of your RTTY problems. If you have specific questions, drop me a line and I will see what I can do to reply in a future column.

Carl E. Nelson KI0H, in Blaine, Minnesota, touches base with his recently-developed interest in RTTY. He wants to put an ASR-33 Teletype® machine on the air and is looking for plans for an AFSK generator and demodulator. He also is interested in ASCII-to-Murray (Baudot) conversion, for use on five-level circuits.

A similar question comes from Dr. William W. Fulcher, Jr., N4WF, over in Hendersonville,

Tennessee. Bill is looking for help in wiring a Teletype Model ASR-28 he has obtained for amateur use.

Well, gentlemen, and ladies in attendance also, many of these questions have been answered in previous editions of "RTTY Loop." In the five years of this column, I have covered the hookup of many types of Teletype machines and have presented various circuits for transmitting and receiving. At present, there is no compilation of this material available. Hopefully, something of this kind will be available in the not-too-distant future. If you are interested, drop me a line and let me know what you would like to see in such a publication.

A gentleman who makes his wants clearly known is Larry Marcus W5MDT, from Plano, Texas. Larry is looking for a book or source that will give a "comprehensive understanding of the various computer software available as well as the

dedicated machines" that he sees advertised. The biggest problem with this, Larry, is the huge variety of stuff. It would be difficult to assemble a collection of all that is out there in one place to "A/B" compare it, and short of such a direct comparison, any presentation is bound to be biased. Nevertheless, I would refer you to the many articles presented here in 73 and in our sister publication, *Microcomputing*, for some help. I have tried to review whatever I have been able to get hold of, and in the past have looked at several systems. Many manufacturers, however, are less than willing to submit their systems for criticism. Again, I am sorry, but to the best of my knowledge, no book is available that would answer your need specifically.

Speaking of manufacturers, I have a note here from Bob Pearson KH6AKW, who runs an outfit called Hawaiian Computer Software. Bob has a program for the Ohio Scientific Superboard II that enables that computer to

run Murray and ASCII with a variety of features and enhancements. It looks interesting, although I am unable to try it out, for lack of a Superboard II! A random thought which occurs to me is that the Superboard II is a 6502-based computer, much as the Apple and Pet. Wonder if some conversion would be possible to these systems? Might be worth looking into, Bob. Anyway, if you are interested, drop Bob a line at Hawaiian Computer Software, 99-060 Lohea Place, Aiea HI 96701. Make sure you mention 73 Magazine's "RTTY Loop" in your note, OK?

More next month, with a return to the super 6800 RTTY terminal we have been describing. Remember, if you want a question answered here in the column, send it to me at the above address. If you would like a personal reply, you must enclose a self-addressed stamped envelope. I try to answer all questions received, but I do have quite a backlog. Just be patient, and keep watching "RTTY Loop."

## REVIEW

### THE INFO-TECH M500ASR

This is not really meant to be a "product review" but a down-to-earth look at some of the excitement and problems a new product can bring and the way it affects the health and well-being of the owner of a new piece of gear—especially if it is of new design.

The Info-Tech M500ASR is a state-of-the-art communica-

tions terminal for use in the transmission and reception of RTTY in the ASCII and Murray (Baudot) codes as well as for sending and receiving Morse code. It is a microprocessor-controlled unit based on the Fairchild F8 (3850) and has 20K of memory which is divided up into 8K ROM, 8K RAM, and 4K video RAM. There is an option that allows the addition of 10K of RAM for the mailbox systems.

The system consists of three major units: the mainframe, which houses 95% of the electronics, the keyboard, which is connected to the mainframe via an umbilical cord, and the monitor, which is a Sanyo VM4512, 12-inch black and white monitor.

### Features

The M500ASR will encode and decode ASCII up to 1200 baud and Baudot up to 100 baud. In the ASCII mode at 110 baud, it uses an eleven-unit code which consists of 1 start bit, 7 data bits, 1 parity bit, and 2 stop bits. When using 150 to

1200 baud ASCII, the M500ASR uses the ten-unit code which is the same as the eleven-unit code except there is only 1 stop bit. The use of parity is also keyboard-selectable from odd, even, or none. When none is selected, parity is marking. In the Baudot mode, the M500ASR uses the standard 7.5-unit code. In the Morse mode, it will send and receive CW from 5 to 100 wpm, with auto-tracking on receive.

There are five types of transmitting modes in RTTY: letter mode, word mode, line mode, buffer mode, and clocked mode. In the letter mode (or character

# LINEAR 2 TO 400 MHZ PLANBOOK

15 to  
1000 WATT  
14 Different Models, 100 pgs  
\$11.95

**A.P. Systems**  
Box 263 sm.  
Newport, RI 02840 (401) 846-5627



✓ 169

## 7th Annual Elmira Hamfest

Chemung Country Fairgrounds  
Horseheads, NY

Saturday, Sept. 25, 1982  
Time: 6AM-5PM

Tickets: \$2.00 advance  
\$3.00 at gate.

First Prize: Icom IC-730 with power supply

Second Prize: Icom IC-25A

Third Prize: Kenwood clock

plus dozens of door prizes given out throughout the day

Free flea market, tech talk, dealer displays, breakfast and lunch available.

and much more

Talk-in on:  
147.96/36  
146.10/70  
146.52/52

For more information and advance ticket purchase contact:  
John Breese, 340 West Avenue, Horseheads, NY 14845

mode, as it is more accurately described), each letter is transmitted as it is entered from the keyboard. In the word mode, the pre-typed word is sent only after the space bar is entered. In the line mode, an entire line of text is transmitted only after the return key is depressed. In the buffer mode, pre-loaded buffers are dumped on command.

Of all the different modes that are available, the clocked mode is the most unique. The output is slowed to a speed that depends upon the setting of the clock output value. It allows the transmitted character output to maintain a constant rhythm that gives the station on the receiving end the illusion that you are typing at a smooth and even rate. In selecting clock values, a selected value of 1 would be full speed and 9 would cause the output to be one ninth the normal rate.

The M500ASR has several different message systems available. There are ten programmable messages of up to 144 characters each. Each message can be sent separately or the entire contents of messages 0 through 9 may be linked to allow up to 1440 characters to be pre-loaded. This is especially handy for "brag tapes" or message handling. There are two types of ID messages available. One is CW ID only and the other allows a RTTY message to be incorporated into the ID. This message is preprogrammable and allows you to ID in RTTY then CW. After CW ID, it will go back to the original mode and speed automatically.

### The Modem

The modulator/demodulator system (modem) of the M500ASR uses an envelope detector tuned to a center frequency of 1000 Hz for the detection of Morse code. However, as with any other system that receives Morse code, it must receive decent CW. If you try to copy someone who uses his own brand of spacing (the type that makes Sam Morse roll over in his grave), you will get nothing but garbage on the screen. However, if the transmitting station is using an electronic keyer with proper weighting or, better yet, another computer, you will get 100 percent copy (depending on

band conditions and QRM, of course).

In the RTTY mode, a three-shift active filter demodulator is used for all Baudot speeds and 110-baud ASCII. The shifts are 170, 425 and 850 Hz. The 425-Hz shift is really handy for those serious SWLs who love to see the news before anyone else does, or get the latest in the weather directly from the National Weather Service in Kansas City. A separate active filter is provided for ASCII speeds from 150 to 1200 baud. The RTTY tones are provided in several different ways. There is a three-function generator used to generate the audio tones that are fed directly into the mike of your rig. In addition to AFSK, there are FSK, inverted FSK, and RS-232 keying outputs.

For automatic operation of the keying circuit of your rig, there are several different push-to-talk (PTT) lines available. Now, while we are on the subject of AFSK and FSK, some of you old-timers will be saying, "He should tell new operators to use FSK only, because AFSK causes adjacent channel splatter and unnecessary QRM." Well, let me say this: I have been using nothing but AFSK for over a year and have not run into any problems yet. The catch is that you must be very careful not to overdrive your rig and must check your outgoing signal regularly for flat-topping and distortion. Should you find the AFSK generator is flat-topping, splattering, or distorting, the level can be lowered from the factory-set value of 1.5 volts.

### Hard Copy

If you decide to become a "green key," at some time you will find the need to have a hard copy of what you have received. (If for nothing else, just to show your friends the pictures of the nudes being sent on 14.0895 MHz.) This is one area where the M500ASR really shines. There are several different printer inputs and outputs available, including a fully-isolated loop for those of you who still insist on using a mechanical monster such as a model 15. For the newer printers, RS-232 and MIL-188 are available. But that's not all. The printer outputs are fully regenerated. You can copy 110-baud ASCII on your 45-baud model 19 or 1200-baud ASCII on

your Epson set at 300 baud without the need for external converters.

There is a limit to this. If you try to copy 1200-baud ASCII and print it on a printer set at 300 baud, the printer buffer on the M500ASR will fill up, overwriting text that was already in the buffer. Also, let me remind those of you who are into SWLing that what you copy is for your eyes only. Don't make the mistake of printing out a long story from the AP or UPI and showing it to your neighbor. If you do you will be violating FCC regulations.

### Tape Interface

RTTYers tend to be very long-winded. This is where a cassette interface becomes very handy. Most RTTYers have compiled brag tapes that give a rundown of their station equipment. Some include personal information, general info about the XYL, the rug rats, dog, cat, job, etc. Most of the cassette interfaces in use today are really nothing more than a few simple connections which allow you to record and play back through your terminal.

The M500ASR cassette interface is more like the type of interface you would find on a personal computer. It actually outputs data in blocks using Kansas City standard tones. The data is loaded and stored in fixed blocks of 1008 characters. Each data block is preceded by two groups of synchronizing leaders and followed by a group of end-of-block transfer codes. The codes are automatically generated when a recording is made, and tested when it is played back. When the cassette load or dump command is entered, the cassette motor control will turn on, starting the cassette recorder. Then the first synchronization group will be sent. After the recorder comes up to full speed, the second group will be sent followed by the data block and end-of-block group. After the end-of-block group is sent, the cassette motor control will turn off.

Because of the way the tape is formatted, it is not necessary to start the tape at a specific point when playing back or loading data. Also, all other functions may continue in normal operation as long as you do not try to access the buffer where the tape operation is originated.

In actual operation, I have found that the tape interface is a handy device, but it is not too well suited for use in running brag tapes or picture tapes due to the limit of the buffer. What it will allow you to do is to make a tape of your general operating parameters. Then all you have to do is turn the power on and enter the cassette-load command. While the cassette interface is loading your CQ message, ID, CW ID, Sel-Cal codes, and WRU answer codes, you can drink a cup of coffee while the machine does all the work.

### Screen Options and Mailbox

The M500ASR has a "split screen" which divides the transmitted text and received text, both of which are displayed at the same time. The upper portion of the screen is the received text and is brighter in intensity than the lower, which shows the transmitted text or the text entered into the transmit buffer.

The system uses a 25-line by 72-character format of which any number of lines from 2 to 15 can be assigned to the transmit buffer. The bottom (25th) line is reserved for the status line which shows the current operating parameters of the unit and the time and date in local or Zulu time.

The receive video has word wraparound, a feature which prevents the unit from cutting off a word of 15 characters or less at the end of a line. When operating in the word or line mode, the transmit video area has the same feature. The system uses dual cursors. One, known as the keyboard cursor, indicates where on the screen the next character entered from the keyboard will be placed. The other cursor, called the transmit cursor, shows what character is next on line to be transmitted. This allows you to see how far ahead of the output you are when typing into the buffer and serves as an indicator of the number of characters which remain to be transmitted.

There are several keys available to the operator of the M500ASR. Along with the CQ and DE keys, there is a break key which, when depressed, causes the RTTY outputs to remain in the mark condition. When operating in the Morse mode, it causes the transmitter to be turned on. There is a run/load key which

**ASSOCIATED RADIO**

**913-381-5900**

B012 CONSER BOX 4327  
OVERLANDO PARK, KANSAS 66204

**BUY—SELL—TRADE**

**All Brands New & Reconditioned**



**YOU WANT A DEAL — WE WANT TO DEAL  
CALL NOW!!!**



**SAVE — SAVE — SAVE**



**NOTE: SEND \$1.00 FOR OUR CURRENT CATALOG OF NEW AND RECONDITIONED EQUIPMENT  
SEND \$1.00 FOR OUR WHOLESALE LIST OF UNSERVICED & OVERSTOCK ITEMS.  
SEND \$2.00 FOR BOTH. THEY WILL BE MAILED SEPARATELY.**

**80 WPM MORSE?**

**NEW!** Now you can send and receive morse code at 80 WPM. RTTY 60,67,75,100 WPM Baudot; 100,300 Baud ASCII Split Screen Operation, 1024 Character transmit Buffer. This is the complete system you've been waiting for. Call us Today!

Featuring the NEW VIC-20 friendly (and affordable) microcomputer Tufts has done the work for you in putting together a complete system, and for hundreds of dollars below other systems. Using the Kantronics Interface and Hamssoft we'll have you up and running in only a few minutes. You'll also have the VIC-20 microcomputer for the whole family to enjoy with available games, home economics and many other programs. If you already own a microcomputer we have other systems available less the microcomputer. Call for details! All systems in stock for same day shipping!

**ONLY \$499 WITH FREE INSTRUCTION CASSETTE**

**TUFTS**

Name \_\_\_\_\_ Phone \_\_\_\_\_

Address \_\_\_\_\_

City \_\_\_\_\_ State \_\_\_\_\_ Zip \_\_\_\_\_

**ELECTRONICS** Ck  Money Order  Charge Card  # \_\_\_\_\_

61 Lowell Road Signature To Validate Order \_\_\_\_\_ Exp. Date \_\_\_\_\_

Hudson, NH 03051 **SPECIFY UR RIG FOR FREE CABLES AND SPKR**

603-883-5005

88

BARKER & WILLIAMSON'S

**PORTABLE  
ANTENNA**

MODEL  
370-10



Designed for  
APARTMENTS — MOTELS — VACATIONS  
Quick Simple Installation. Operates on 2, 6, 10, 15, 20 and 40 meters. All coils supplied. Only 22-1/2 inches long. Weighs less than 2 lbs. Supplied with 10 ft. RG 58 coax and counter poise. Whip extends to 57 inches. Handles up to 300 watts. VSWR—1:1:1 when tuned  
Write for more details and other B&W products



BARKER & WILLIAMSON, INC.  
10 CANAL STREET  
BRISTOL, PA. 19007  
215-788-5581



11



controls the transmit buffer output condition. There is a repeat key which, when held down in conjunction with any other key, will cause that character to be repeated until one of the keys is released. The blank key causes the keyboard cursor to move back one space for each time it is depressed, up to the beginning of the line. There is a reset key which clears all of the RAM and initializes the operating parameters and causes a self test of the various segments of RAM. For Morse operation, there are special keys for AR, AS, BK, BT, SK, "Attention," and "Understand."

What do I do if I make a mistake when I am loading a message into the transmit buffer? Well, with the M500ASR's powerful editor, all you do is enter a few simple commands and, at the stroke of a key, you can delete a character, insert a character, or insert a string of characters. To edit text that has scrolled off the transmit video screen, you must enter the receive area buffer editor mode. Then you can edit the text in the same manner as you would when in the transmit buffer editor. The operation may sound complicated but it is not. The dual editor is a very powerful and extremely useful device. I have typed out several letters, and I even wrote this article using the M500ASR as a word processor.

I mentioned a mailbox option that is available for the M500ASR. I operated the system with the mailbox option, and, to be completely honest, I would not call it a mailbox. Generally, you think of a mailbox as being an electronic depository for the operator to receive messages while he is away from the shack. In reality, the M500ASR mailbox allows only others to send and receive messages. It gives stations total and complete control of the system. They can list a directory of messages in the mailbox. A station can call up a selective directory that lists only those messages that are for him. He then can read those messages and erase them. It really works well for other stations but it serves no purpose for the owner of the system.

The owner of the system cannot read a message or write a message for someone else. In fact, he cannot use it at all, be-

cause when in the mailbox mode, the keyboard is completely locked out. The only way to remove the system from mailbox operation once you are in that mode is to press the reset key or turn the power off. It is, in effect, a "blind mailbox." This would be a nice option for a RTTY repeater.

### Problems

Murphy's law states that what can go wrong will go wrong, and believe me, for a while I thought I was Murphy's stepson. When I traded my M200F and M300C for this brand new top-of-the-line system, I was, to say the least, very excited. I never had one bit of trouble with the other system, but when I hooked up the new system things started changing rapidly. During the first day of operation, the system showed some very strange and erratic behavior, bordering on being schizo. I had a choice. Either I was becoming senile (at age 28) or the microprocessor had a mind of its own.

The mark tuning LED went first. Then the system started refusing commands from the keyboard. Steadfastly, it ignored everything, while the colon on the block winked merrily away. A phone call to Info-Tech confirmed my suspicions: They were having problems with the programming of the ROMs and knew how to fix it. So, back to the factory it went. (Let me point out that I got the fourth production unit off the line and was really not too concerned with the problem. We all know that when something is new it is subject to several attacks of Murphy's law.)

Ten days later, the dust was barely settling in the tracks of the UPS truck when I had the system back on line. What happened now? Nothing happened. Murphy struck again. Now I am starting to have some second thoughts. Oh well, a phone call produced some reassuring sounds on the other end, and it was back on the road again for my M500ASR.

Like clockwork, ten days after I returned the unit the second time, T.J., the UPS lady, returned with my M500ASR. This time she did not even get a chance to get out the door before I had the unit hooked up and the power on.

Did it work? Well, it worked for a while, anyway. The mark tun-

ing LED was fixed and everything seemed to be okay for about 15 minutes. And then? Data started jumping around to weird places. The entire screen filled with characters and started an endless scroll to oblivion. Bits and pieces from the recallable messages were popping onto the screen out of nowhere. Every time I tried to operate in the load mode, the system would try to send the status line over and over again.

I would hate to be on the receiving end of the phone call that would result from a problem like this. Luckily, John, at Info-Tech, had some more very interesting sounds to make. I think he could have been a politician.

### A Short Time Later...

Someone is knocking on my door. Oh! "Hello T.J., I see you have a package for me. Great! It's my brand new (rebuilt) M500ASR. Thanks, T.J., see you later." As she shut the door behind her, I made a mad dash for the bench and started hooking up the unit. Let's see now. Power on. Looks good so far. Monitor on. All systems go. Status line normal. I want to assign four extra buffers to the transmit buffer, so I depress the SHIFT and CTRL keys at the same time and enter XB-4\*. Yep, it works. I start tuning around the band, signals everywhere. Let's see, there's a strong one. It's 6D5M, with a nice signal in here calling CQ. I answer him, and we have a nice chat. Well, everything seems to be working OK. Maybe it's fixed.

Did you ever feel like you were Charlie Brown trying to fly a kite? You know, when the kite-eating tree always devours his pride and joy. Well, you can't blame the tree, it's probably hungry. Gremlins are like that, hungry all the time. They need three squares a day of silicon.

The same problems were there and I was getting a little tired of sending this system back to the factory. I saw a trend developing. After a long discussion with John, he said that he would send me a new set of EPROMs with some of the revisions to the program on them.

### Even Later...

Someone is knocking on my door. "Hello, T.J., how are you doing? I see you have a package

for me. Thanks, T.J., see you later."

Ten minutes later everything is hooked up and ready to go. What's that noise? I still hear little grumbling sounds. Must be my imagination. Power on. Everything looks good. Status line normal. Add four buffers to the transmit buffer. All systems go. I start tuning around the band. Wow! A 25 over signal. Its HH2CL with a great signal in here. Solid copy. Well, how about that, everything seems to be working fine. That makes the final score Info-Tech 1, gremlins 3. Not bad for a new player on the team.

One week later the battle cry of gremlins is loud and clear. They lost the battle, but the war is not over. They attack from all directions. The treaty is broken. Charlie Brown has better luck than this. Okay now, count to 10, stay cool, be calm, don't get excited. I am sure there is a logical explanation for this.

After some lengthy discussion with John, he decides to send me a new set of 2716 EPROMs and a new set of RAMs, on the thought that one or more of the RAMs could be bad. Well, at least it is not so bad this time. I can still operate RTTY while I am waiting for the new parts. The system acts only a little screwy.

Five days later T.J. is back at the door. After I scribble my name on the necessary form, not even the Roadrunner could catch me as I smoke the trail between the door and the bench.

It took longer this time, but two weeks later the gremlins were at it again. This time I think they are in for the duration. They are doing things I have never seen before. They are even attacking the keyboard, making some of the keys operate funny. I think this unit is jinxed.

Back on the phone with John. (I think I will put in a WATS line.) We discuss the problems and come to the conclusion that it would be best to send me a brand new system.

Three days after I shipped the unit back to Info-Tech, I called John to follow up and see that the unit had arrived. Indeed it had, but it did not make the trip in too good a shape. It seems as if UPS bounced it around a little and reduced it to a metal and silicon junk heap. Don't worry, I had it insured. John informed

me that they had already shipped me a new system and he would take care of the insurance claim from that end.

### Murphy Lives!

Nothing is ever as simple as it sounds. Three days later, T.J. left a package for me on the door step. Imagine my dismay when I saw a yellow damage tag on the package. I thought they had damaged my new unit. Upon opening the package, I found it was the old one. Old Serial Number Four! Pieces of M500 were stuffed in the box. Great! What now? Out to the shack to call John and find out what is going on.

When I told John what had happened, the silence on the other end was deafening. His first words were "Oh, boy!" Then, after we discussed what had happened, he told me he would call me back and let me know what to do with the old one. In the meantime, my new system should be there the next day.

Here comes T.J. up the drive, and about thirty minutes later I had the new system (Serial Number 25) up and running. Everything was doing what it was supposed to do, and doing it well. And now that I had operated a fully-functional system, I realized that it was worth the time and trouble. Info-Tech has made a great advancement in the state of the art of RTTY.

John tells me that they want to put the old unit to the torture test and see if they can run the resident gremlins off. I wish them all the luck in the world. But right now I have to get dressed as T.J. and I are going to dinner and a show to celebrate.

The M500ASR (with 12" monitor) has a list price of \$1475. A memory-expansion board with mailbox option costs \$180. For more information, contact the manufacturer of Info-Tech equipment: *Digital Electronic Systems, Inc., 1633 Wisteria Court, Englewood FL 33533.* Reader Service number 482.

Jim Brown N4DDS  
Eads TN

### THE MFJ CW COMPUTER INTERFACE

MFJ Enterprises has done it again. For about \$70.00, you can obtain a compact (6" x 4" x 2") yet complete interface for receiving and sending Morse code

with your computer. Of course, you must write the software. But at least the hardware problem is largely solved.

In this review I will discuss the various aspects of the MFJ-1200 with emphasis on its design, features, and limitations. I will also explain why an interface is needed. Finally, I shall supply you with a BASIC program to receive Morse code. In this way, you can try out your 1200 right away while you are developing more sophisticated software to suit your own application. And, if you are a Heath H-8 and H-89 computer owner and cannot wait to get on the air with your machine, write me. I have a good program at a reasonable price available separately or in a package with the 1200.

First of all, what do you need to use the computer to read Morse code? Essentially, you must solve two problems: the hardware interface and the software support. First, let's look at the hardware. Imagine if you can the audio output of a radio receiver tuned to a CW signal. If you view it on an oscilloscope, you will see a train of audio oscillations of various widths interwoven with periods of no output. Each packet of audio waves represents an audible tone and its width determines whether it is a dot or a dash. The times

when there is no output are the intracharacter, intercharacter, or interword spaces.

You can draw a curve around each wave packet. This curve is constructed to be tangent at each local maximum (peak) of the audio oscillation and is called an envelope. Ideally, the envelope is a rectangular wave, but in practice it will have finite rise and decay times. Of course, what I am describing is nothing more than an audio signal modulated by a rectangularly-shaped wave of a much longer period. Typically, the audio tone has a frequency of 1000 Hz or a period of 1 millisecond. At 20 words per minute, the envelope is about 180 milliseconds in length for a dash and one third of that for a dot.

The computer wants only the envelope, or, rather, its upper or lower half. The audio is only a carrier, and the situation is completely analogous to AM modulation and detection. Thus, the CW detector must extract the envelope, shape and enhance it, and then present it to the computer at a compatible level. This is precisely what half of the MFJ interface accomplishes. The computer will see a series of logical highs and lows at its input, where the length of time between transitions represents a dot, dash, or space. It is now up

to the computer to convert the digital information to readable text.

Take a look at the schematic design of the MFJ-1200, Fig. 1. Beginning at the audio input jack, we find a simple diode noise clipper followed by a two-stage, multiple feedback, band-pass filter. The calculated center frequency is 850 Hz and the 3-dB bandwidth is 175 Hz for each stage. The second stage also drives an LED indicator which blinks with the CW input and provides an indication of proper tuning. Following this is a simple diode detector with a sense switch, and this circuit precedes a second-order, VCVS low-pass filter with unity gain and a calculated cutoff frequency of 75 Hz. This additional filter takes out unneeded detection products. Next, a comparator circuit shapes the detected output to produce a rectangular wave with a fast rise time and to generate RS-232 levels. Finally, a transistor converts the RS-232 to TTL levels.

Using a function generator and an oscilloscope, I found the center frequency to be 860 Hz and the 3-dB bandwidth to fall in the 780-to-950-Hz range. My frequency meter does not allow resolution finer than 10 Hz, so these values are certainly in agreement. I also measured the

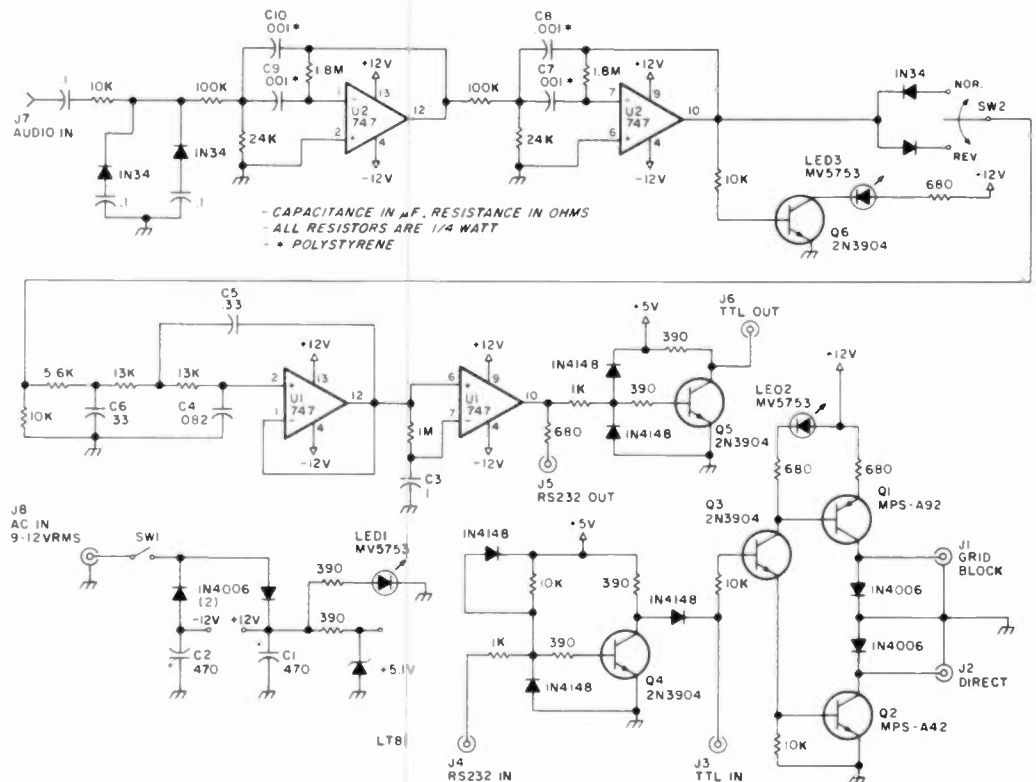
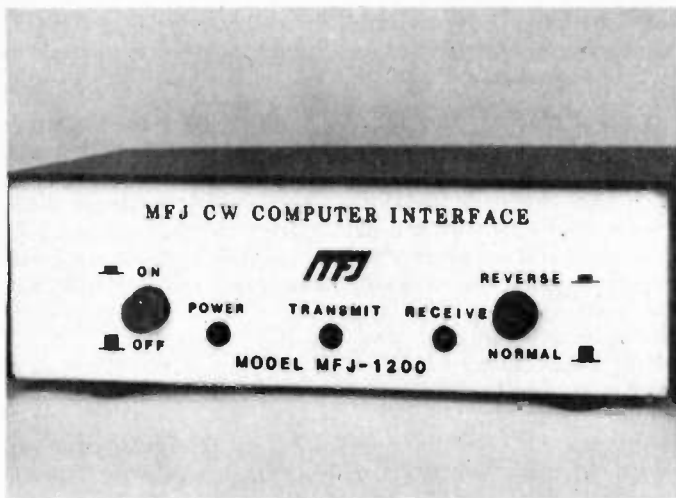


Fig. 1. Schematic diagram.



*The MFJ CW computer interface.*

low-frequency filter cutoff and read a 3-dB point of about 60 Hz. And, finally, I checked the rise time of the TTL output with an input code signal of about 22 words per minute and found it too short to measure.

The detector circuit is quite simple—a diode and a low-pass filter. It differs from the more frequently used 567 tone decoder. MFJ told me that they had experimented with the decoder but finally decided on the circuit described. It does, however, have a slight disadvantage, and that is that the bandwidth is rather strongly dependent on amplitude. I found that the higher the input amplitude, the wider the range of response. In contrast, a 567 will respond only over a width of about 14% of its free-running frequency once the input magnitude exceeds a certain threshold. But I have experienced no difficulty in actually using the 1200, and the documentation cautions the user to reduce the input until only the desired CW signal is activating the received-signal LED.

The MFJ-1200 will also key a transmitter. A transistor converts RS-232 to TTL levels, and a second transistor drives two high-voltage keying circuits. Unfortunately, the documentation does not give the maximum allowed ranges, but the catalog lists —300 volts at 10 mA and +300 volts at 100 mA. An LED glows when the transmitter is keyed. I have also used the unit to activate a battery-operated code-practice oscillator when running my AUTOTEND program. This program produces random or fixed-length code groups for learning Morse, and the 1200 not only allows me to

hear the output but also to make practice tape recordings.

Let us now look at the MFJ-1200 from the user's standpoint. There are two switches on the front panel. One applies power. (The rectifier and filter circuits are inside; the power transformer is external and is built into the wall plug. Thus the unit expects 9-12 volts ac, and the application of dc can damage it.) The other push-button is a sense or normal/reverse switch. The output logic is reversed if this is pushed in. The usual convention is for a logic 1 to be an electrical low. However, with this switch the opposite sense can be chosen.

In addition to being able to accommodate various hardware/software arrangements, the sense switch has a rather unusual application. Some CW utility stations occasionally use frequency-shift keying. The various Navy stations on 8.090 and 12.135 MHz transmit with an 850-Hz shift from time to time. To take maximum advantage of CW FSK, you should have a RTTY modem such as the iRL FSK-1000. However, with the MFJ-1200 you can read either the mark frequency or the space frequency by changing the sense.

On the back are seven phono sockets and the ac-power connector. It is best to attach the audio input in parallel with the speaker line because the receiver volume control can be used to regulate the input level. This is important for readable code.

Two sockets give the detected output to the user at either TTL or RS-232 levels. These are the inputs to the computer. However, you cannot really use

a serial input port even though the output from the 1200 is itself serial data. This is because Morse output does not have the form expected by the computer interface (UART) of start bit, data bits, parity bit, and stop bit(s). Rather, the software itself must perform as the UART. What the computer really needs is a one-line parallel port.

Many computers have parallel ports which usually operate at TTL levels, and it is quite easy to read them using assembly or high-level-language programs. Some computers have no parallel ports which are provided by the manufacturer. A good example is the Heath H-89, but even in this case it is easy to find input and output lines which are not part of the serial signal-in and signal-out paths. Many UARTS, such as the INS8250 and the 8251, provide several lines to control modems or other peripheral devices. For example, the 8250 has eight—four each for input and output. The output lines are located at port address +4 and are called Modem Control Lines. Similarly, the modem status lines at port +6 can be used for input. The 8251, while not quite so versatile, has one input and two output lines which can be found at port address +1. In some cases, the modem lines can even be used to generate interrupts. For more information, see your computer documentation.

The next two connectors on the MFJ-1200 are TTL or RS-232 inputs from the computer. The same remarks about output lines apply, and attachments should be made from a parallel port or modem control line and not from a signal-serial-output port. Finally, two sockets, one for direct and one for grid block keying, are provided. A subminiature phone jack is used for 12 volts ac.

To use the 1200, a CW signal is tuned until the received signal LED blinks brightly. The amplitude of the signal is then reduced until only the signal itself turns on the light. Too much drive causes the unit to interpret noise and adjacent channel interference as valid signals. The resulting output to the terminal is rubbish, with the periods between transmissions filled with Es and Ts. I found that with relatively careful tuning and regula-

tion of volume, the received code was printed very accurately.

One of the most difficult aspects of using the unit is getting the volume level set properly to avoid false triggers and setting the center frequency accurately. The two go together since the detector allows a wider bandwidth with high amplitude. It would be a great help to have a tuning meter. One must balance economy with performance, of course, but it would be really useful to at least have a socket on the back where a simple meter could be connected. I found that after an initial setting, I could improve the accuracy by reducing the volume until the LED became quite dim and then returning for maximum brightness. Things do not have to be absolutely perfect; there is enough tolerance for minor errors, and the technique just described is adequate.

How well does it work? To find out, I tried it with several Morse programs and made a few heuristic comparisons. I also made a qualitative comparison with another CW detector—the iRL FSK-1000. Before you say that iRL makes only RTTY demodulators, let me remark that the FSK-1000 is an outstanding unit for CW, although for some reason the company never mentions this explicitly. Excellent filters, AM and limiter-detection modes, narrow bandwidth, and many other features make it a versatile unit for digital communications. I also point out that it costs eight times as much as the MFJ-1200, and its purchase for CW use alone is not sensible.

In all cases, we obtained good accuracy on machine-sent CW from the various utility stations. It seemed that a few more errors were made with the 1200 than with the FSK-1000, but the difference was not great. Amateur reception was not as good, but this has little to do with the characteristics of the CW interface or the program but rather with the nature of amateur communications itself. At this point, we should perhaps mention that computer CW may initially be a disappointment to some. Even very good Morse programs do not tolerate bad sending, and unfortunately it can be found everywhere. It takes an astute combination of eye, ear, and experience to use the computer in such code since a high percent-



If you need

# QUARTZ CRYSTALS

—one or hundreds—

YOU NEED JAN

- high stability
- prompt service
- cost savings

- General Communication
- Industry
- Marine VHF
- Scanners
- Amateur Bands
- CB Standard
- CB Special
- Microprocessor

**JAN**  
CRYSTALS

✓ 39

Call or Write

**JAN CRYSTALS**

P.O. Box 06017  
Ft. Myers, Fl. 33906-6017  
AR Phones (813) 938-2387

## MOR-GAIN

1/2-size (75M only 66')

Multi-Band (5, 4, 3 bands)  
80/75M thru 10M

Broadbanded - no traps used

Prices start at \$82.50

## MOR-GAIN

**THE MOR-GAIN HD DIPOLES** are the most advanced, highest performance multi-band HF dipole antennas available. Patented design provides length one-half of conventional dipoles. 50 ohm feed on all bands, no tuner or balun required. Can be installed as inverted VEE. Thousands in use worldwide. 22 models available including two models engineered for optimum performance for the novice bands. The Mor-Gain HD dipoles N/T series are the only commercial antennas specifically designed to meet the operational requirements of the novice license. Our 1-year warranty is backed by nearly 20 years of HD dipole production experience.

For detailed 10-page brochure, write or phone directly to **MOR-GAIN**, P.O. Box 329T, Leavenworth, Ks. 66048, Tel. (913) 682-3142.

## MOR-GAIN

# FLEXIBILITY



AEA once again breaks new ground in the code communications field with the new model MBA-RC reader/code converter. The MBA-RC decodes Morse, Baudot or ASCII signals off the air and displays them on a large 32 character alphanumeric vacuum fluorescent display. In addition, it will output Morse code for keying your transmitter. It will also generate RTTY (Baudot or ASCII AFSK two tone output. (170 or 850 Hz shifts.) Any of the acceptable input codes can be converted to any of the specified output codes (any speed to any speed). If you have any of the common Baudot RTTY terminals as an example, you can now send and receive Morse and ASCII with your keyboard and printer. You can even generate ASCII or BAUDOT RTTY using your Morse hand key or memory keyer.

Get the details. Write for our free product catalogue or better yet, see your favorite dealer.

Prices and Specifications subject to change without notice or obligation. Software ©copyright by AEA.

**ADVANCED ELECTRONIC APPLICATIONS, INC.**

P.O. Box C-2160,  
Lynnwood, WA 98036  
(206) 775-7373

Telex: 152571 AEA INTL

**AEA** Brings you the Breakthrough!

## PORTAPEATER™

\$179.00 assembled unit

\* 4Channel PROM CW I Der

\* VOX or COR operation

\* 250 volt switching capability

\* An Instant Repeater

## M100 A INSTANT REPEATER ANY BAND ANY MODE



\$99.00 assembled board

\* Works with any type radios

\* Complete Timer Functions

\* Built In Test Functions

\* 20 Page Technical Manual

(Fully tested, programmed, assembled) ✓ 302

**W-S ENGINEERING P.O. BOX 58, PINE HILL, N.J. 08021**  
(201-852-0269)

## AFFORDABLE CW KEYBOARD FROM \$69.95



Transmits perfect Morse Code \* Built-in 16 character buffer \* Internal speaker and sidetone \* Reed relay output eliminates keying problems \* All solid state circuits and sockets for reliability \* Speed range 5-45 WPM \* Perfect companion to our CODE★STAR all-mode code reader.

MORSE-A-KEYER KIT, model MAK-K, Complete kit of parts & manual . . . . \$159.95

MORSE-A-KEYER, model MAK-F, Factory wired & tested . . . . . \$199.95

MORSE-A-KEYER ESSENTIAL PARTS KIT, model EPK-K. . . . . \$ 69.95

(Essential parts kit for home-brewers consists of pc board, board parts and manual. You supply ASCII keyboard, cabinet, power supply & miscellaneous parts.)

Send check or money order. Use your VISA or MasterCard. Add \$5.00 shipping and handling for Continental U.S. Wisconsin residents add 4% Wisconsin State Sales Tax.

*Microcraft*

Corporation Telephone: (414) 241-8144  
Post Office Box 513G, Thiensville, Wisconsin 53092 ✓50

## CW SOFTWARE

The purchase of the MFJ-1200 solves a vexing hardware problem, but you still must write or purchase a program to fit your needs. You can test your new 1200 with a simple but effective BASIC program which I have shamelessly lifted from an article in *Kilobaud Microcomputing* by Robert W. Kurtz W8PRO (see References). Originally written for the Kim computer, I have tightened and modularized the code but left the basic technique intact. The original look-up table also has been modified by adding all Morse characters, and I have replaced the author's use of a "-" for a missing character by a null string. Finally, I have not hesitated to use the various features of MICROSOFT® BASIC such as integer representation and double-letter-variable names. However, the original variable names used by the author have not been altered. (For a detailed description of the theory of operation, see the original article. We will supply a copy for a SASE. If you are running HDOS, send us a disk and we will return a copy of the program as well.)

When you adapt the listing for your system, you may leave out the REM statements as well as those lines and comments preceded by an apostrophe. You can replace double-letter names by other variables. You also can omit line 240 if you do not have integer specifications, and you can omit the error-handling subroutine at 250. It is used to keep integer overflow from stopping the program. This will occur if the integer variables DO and DA are constantly incremented by noise without a chance to reset. It is not serious and it will never happen when receiving normal code.

The error routine also reminds you to set the input port parameters when you first run the program. Let us tell you how we connected the MFJ-1200 to our computer and this will explain the settings we used at line 790: 790 DATA &076, &040.

On a Heath H-8, there are several serial and parallel ports. Four of these are controlled by an 8250 UART. We attached the RS-232 output of the 1200 to the Data Set Ready (DSR) modem status line at a port addressed at 070 octal. DSR can be read by detecting the fifth bit at port address +6. Hence the input to the port must be ANDED with 00100000B (040 octal) to be read. This explains the values in the BASIC line above. The ampersand is MBASIC'S way of designating an octal constant. Equivalent decimal integers can also be used.

The program expects a value of A = 0 when the key is down. You will have to modify the program if the port read subroutine returns a different value for the same condition. Alternatively, you might be able to use the sense switch on the 1200 if the logic is simply being inverted.

If you have an H-89, use the port at 330 octal (0E8H). Attach the 1200's RS-232 output to pin 6 on the D-connector and ground to pin 7. (This is standard RS-232 protocol.) It is not necessary to attach anything inside the computer. For other

```

100 REM ***** MORSE CODE READER *****
110
120 REM WRITTEN FOR KIM BASIC BY: ROBERT L. KURTZ, W8PRO
130 REM 4 SANTA BELLA ROAD
140 REM ROLLING HILLS, CA 90274
150 REM
160 REM MODIFIED FOR MICROSOFT BY: WILLIAM S. HALL
170 REM M.H. ASSOCIATES
180 REM 3621 MAPLE HEIGHTS COURT
190 REM PITTSBURGH, PA 15232
200 REM 412-683-4742
210 REM 1 JANUARY, 1982
220
230 REM: INITIALIZE EVERYTHING
240 DEFINT A-B: DEFINT D-N
250 ON ERROR GOTO 900
260 GOSUB 630
270
280 REM: MAIN PROGRAM LOOP
290 GOSUB 830: IF A<0 THEN 290
300 END
310 GOSUB 330
320 IF A = 0 THEN 360 ELSE GOSUB 380
330
340 C=(5+C)+(2+B)/4
350 GOTO 400
360 IF B < .5+C THEN 310 ELSE GOSUB 330
370
380 GOSUB 330: IF A=0 THEN 380
390 C=(4+C)+B/5
400 B=B
410 GOSUB 930
420 IF A=0 THEN 380
430 IF B < .5+C THEN 410 ELSE GOSUB 340
440
450 GOSUB 930
460 IF A = 0 THEN 380
470 IF B < .2+C THEN 450 ELSE PRINT " "
480 K=K+1: IF K < 72 THEN 290 ELSE PRINT
490
500 K=0: GOTO 290
510
520 REM: CONVERT AND PRINT CHARACTER SUBROUTINE. SEE ORIGINAL
530 REM: ARTICLE FOR EXPLANATION OF CODE CONVERSION METHOD.
540 DA = DA+2
550 DA=DA+DO
560 IF D > 361 THEN D=100
570 PRINTA(D)
580 DA=0:DA=0
590 K=K+1
600 RETURN
610
620 REM: SUBROUTINE TO LOAD MODIFIED BYRANT CODE AND PORT DATA
630 DIM A$(361)
640 FOR N=1 TO 119: READ A$(N):NEXT N
650 DATA E,T,I,A,N,M,S,U,R,W,D,K,G,O,H,U,F,U',L',A',P',J,B,X,C
660 DATA V,Z,0,0',O',M,B,4',S',3',E',2',C',S',K',R',U',A',R',1,6
670 DATA &T',&K',&N',&B',&9,0',&S',&K',&R',&U',&A',&R',1,6
680 DATA .....
690 A$(76)="CHR$(95)
700 A$(81)="CHR$(34)
710 A$(114)=" "
720 A$(196)="<BK>"
730 A$(255)="<EE>"
740 A$(361)="%"
750
760 REM: LOAD PORT PARAMETERS. DATA IS PORT ADDRESS AND BIT SELECT
770 REM: USER MUST ENTER DATA BEFORE PROGRAM WILL RUN
780 READ I,J
790 DATA
800 RETURN
810
820 REM: PORT READ SUBROUTINE
830 A = INP(I) AND J
840 B=B+10
850 RETURN
860
870 REM: SHIFT LEFT AND ADD ROUTINE FOR DOTS
880 DO=2+DO:DA=2+DA
890 DO=DO+1
900 RETURN
910
920 REM: SHIFT LEFT AND ADD ROUTINE FOR DASHES
930 DO=2+DO:DA=2+DA
940 DA=DA+1
950 RETURN
960
970 REM: ERROR TRAPPING ROUTINE
980 IF ERR=4 THEN 990 ELSE PRINT:PRINT "ERROR NUMBER"JERR:"AT LINE"JERL:RUN
990 PRINT "ENTER PORT AND BIT NUMBER IN DATA LINE"JERL+10:END

```

### Program listing.

machines, please consult your documentation. If you have a TRS-80, MFJ has a special version of the MFJ-1200 for you.

If you want to experiment with a sending program, you can try to use BASIC, but it will not be very satisfactory unless you can use character instead of line input. In Morse code it is better to send out a character as soon as it is entered on the keyboard. Microsoft's INPUT\$ offers such a method. See also Reference 2.

### References

1. Kurtz, R. L., "World Of the Brass Pounders: Receive Morse the Easy Way," *Kilobaud Microcomputing*, November, 1978.
2. Gillett, M., "CW and the TRS-80," *73 Magazine*, April, 1980.

### THE FLESHER TU-170 TERMINAL UNIT

After searching through several years worth of back issues of QST and 73, it became clear that for receiving RTTY tones almost all amateur sta-

terested in a list of utility stations I have received, or if you would like a copy of Cyrillic CW, write me for more information.

The MFJ-1200 can be purchased directly from MFJ Enterprises, PO Box 494, Mississippi State MS 39762 for \$69.95 plus postage. If you need a power supply, add \$9.95. Reader Service number 483.

William S. Hall  
5621 Maple Heights Court  
Pittsburgh PA 15232

age of what is typed out is either incorrect, badly spaced, or both.

On the other hand, keyboard and computer CW are received very well. It is a great pleasure to run along at 50-60 words per minute, and this is where this kind of digital communication method comes into its own. We have had some excellent QSOs at these speeds.

In conclusion, I found the MFJ-1200 a very satisfactory unit. It performs well, and its price is well within a range most

of us can afford. It can open new worlds to amateur radio operators and to those interested in shortwave listening. It gives the computer user a new area of exploration. Despite its "ancient" (1836) origins, Morse code remains a viable and widely used method of communication, especially in the maritime services. I routinely listen to UPI news, read weather broadcasts and telegrams, and decode Russian CW in addition to our usual amateur activities. If you are in-

# Dealers... DELL

Selling *73 Magazine* will make money for you. Consider the facts:

**Fact #1:** Selling *73 Magazine* increases store traffic—our dealers tell us that *73 Magazine* is the hottest-selling amateur radio magazine on the newsstands.

**Fact #2:** There is a direct correlation between store traffic and sales—increase the number of people coming through your door and you'll increase sales.

**Fact #3:** Fact #1 + Fact #2 = INCREASED SALES, which means more money for you. And that's a fact.

For information on selling *73 Magazine*, call 800-343-0728 and speak with Ginnie Boudrieau, our bulk sales manager. Or write to her at *73 Magazine*, 80 Pine St., Peterborough, NH 03458.

## 73 MAGAZINE

80 Pine Street Peterborough, NH 03458

800-343-0728

# SATURN V

## STATE-OF-THE-ART



The Saturn V is a deep fringe microwave receiver for homeowners that are outside of the service area of local pay TV stations (i.e., HBO, Showtime). It is normally used within line of sight of a transmitting tower in a 50 mile range and is simply attached to your TV antenna mast. This unit is completely ready to install including all cable and mounting hardware. It is designed to be installed by the homeowner.

We accept MasterCharge & Visa.

Microwave and Satellite Systems

**JDL**   
Industries T.M.

4558 Auburn Blvd., Suite 208  
Sacramento, California 95841 (916) 454-2190 ✓72

1-3	\$165.00
4-11	\$120.00
12-49	\$105.00
50-99	\$ 95.00
100-149	\$ 85.00
150-up	\$ 80.00



# Are You a Big Gun Contester?

The small number of elite operators at the top of the list when the results are published know what it takes to win a major contest... do you? These winners reveal their secrets in **THE CONTEST COOKBOOK** by N6OP. You will find 170 pages of suggestions for the first-time contester as well as tips that will increase the score of a seasoned operator.

Domestic, DX, and specialty contests are all discussed... complete with photographs and diagrams that show the equipment used by the top scorers. Winning a contest means more than having a kilowatt and a beam—it takes a good operator with lots of determination. Don't settle for being a Little Gun... order **THE CONTEST COOKBOOK** today by using the order card in this magazine. Send a check for \$5.95 plus \$1.50 for the first book, \$1.00 each additional book and \$10.00 per book foreign airmail, or include detailed credit card information. Sorry, no C.O.D. orders accepted.

**GET READY NOW FOR THE CONTEST SEASON!**  
**CALL TODAY 1-800-258-5473**



Wayne Green Books, Attn. Mail Order, Peterborough, NH 03458

A WAYNE GREEN PUBLICATION



tions were using 170-Hz shift, and that there are in general two basic types of demodulators in use, the phase-locked loop type and the filter type. It also seems that fancier stations have auto-start capabilities: the capacity to turn on an unattended TTY when a remote station starts sending.

Further reading disclosed that phase-locked loop demodulators tend to work great if there is no interference or adjacent strong signal, but that they tend to lock easily onto strong, adjacent signals, which could be a problem in HF work. Filter-type demodulators, however, are somewhat more immune to adjacent strong signals. Even further reading disclosed that the Flesher Corporation of Topeka, Kansas, marketed a TU using the filter type of demodulator, and that the unit had a tuning meter, autostart, and a built-in

loop supply. Also, Flesher markets the unit in either kit form or assembled and tested. A phone call the next day to Topeka resulted in a small bruise to my VISA card, and the arrival one week later of my TU-170 kit.

For those readers who are accustomed to Heathkit® instructions, the Flesher unit will not exactly bring smiles of joy. The instructions are adequate, but the kit is best assembled by an experienced kit builder. The instructions are straight to the point and lump similar steps together. (For example, "Install all diodes" on board.) The kit builder working from a pictorial of the board first installs the jumpers (there are eight), then the diodes and resistors, and then the integrated circuit sockets. Although the kit does not include IC sockets, a slip of paper in one of the parts bags informs the builder that IC sockets are

now supplied and that they should be installed instead of the ICs called for in the instructions. I installed the sockets where it said to install the ICs, and did not insert the ICs until after completing all soldering.

The Flesher TU-170 consists of one single-sided printed circuit board measuring approximately 6" by 6", a heat-sink plate which mounts to the PC board and in back of the front panel, and a Ten-Tec-type chassis/cabinet which consists of a U-shaped front panel/bottom-rear panel, a top, and two sides. Construction takes between 12 and 20 hours, depending upon your ineptitude. A small pencil-type soldering iron should be used, and care should be taken to minimize the heat, particularly around the front-panel switches.

A special caution should be noted about the front-panel

switches. They are very inexpensive and are especially susceptible to heat damage. Being of frail plastic design, if too much heat is applied to the contact posts, the plastic body may become soft, allowing the contact post being soldered to move and the switch to become inoperative. If this should happen, as in my case, a call or letter to Topeka will result in a new switch arriving about one week later. Do not bother, as I did, to try to find a replacement switch around town. A search of Los Angeles found no suitable switches which would exactly fit the square hole in the Flesher front panel. The factory is very polite and helpful in such situations, but it does take about a week from the time they are notified to get a new one.

Other rules of kit building that one should observe include:

- 1) Follow the instructions!
- 2) After finishing the PC board, check each component for correct value and orientation, as well as for a good solder connection. Also check for and remove any solder splashes.
- 3) Do not rush!
- 4) Use a good wire stripper, not a pair of cutter pliers.
- 5) Do not rush; follow the instructions.

Assuming that you observe the above cautions, it is highly probable that a completed TU-170 will appear several nights after you started, along with some burn marks on several fingers.

Before discussing alignment, it is useful (as they say in the text books) to look at the Flesher TU-170 from the functional point of view. Fig. 1 shows a block diagram of the unit. It is divided into three major functional blocks: the demodulator with autostart and loop-keying circuitry, the modulator, and the power supplies.

With the exception of the autostart line-switching solid-state relay, meter, switches, jacks, and input/output terminal board, all of the circuit components are mounted on the 6" by 6" PC board.

Details of the demodulator are shown in Fig. 2. The audio input from the transceiver, containing the mark tone at 2125 Hz and the space tone at 2295 Hz, passes through the mark and space filters and is then rectified. The negative half of the filtered space signal or the

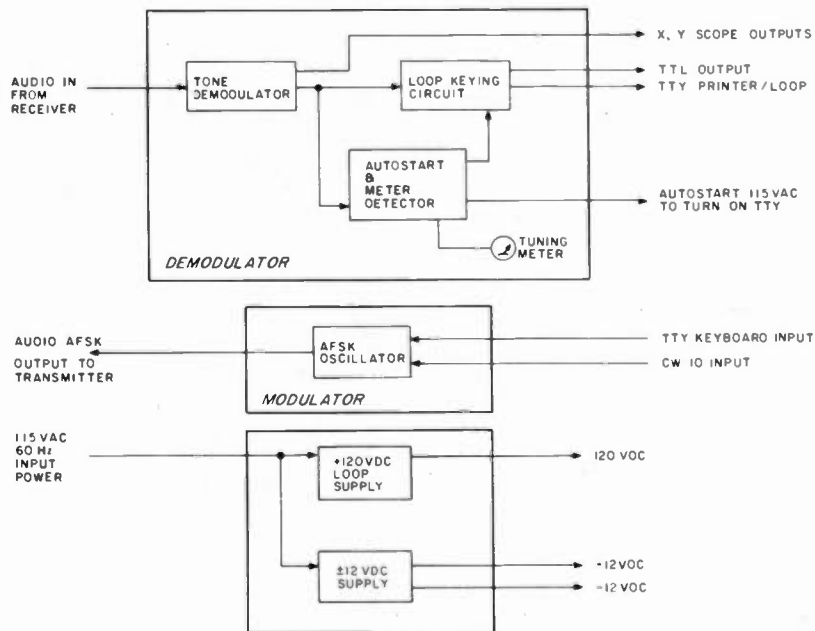


Fig. 1. TU-170 terminal unit functional block diagram.

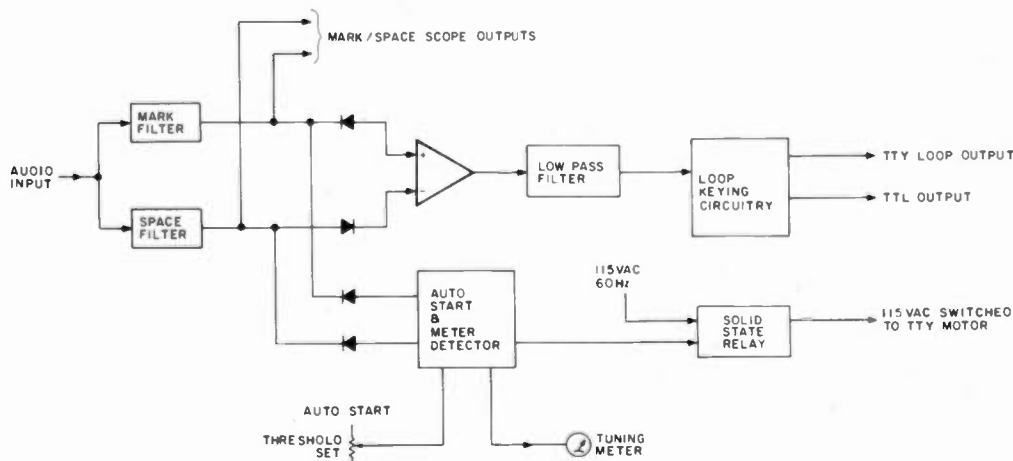


Fig. 2. Demodulator detailed block diagram.

positive half of the filtered mark signal then drives an amplifier either hard positive or hard negative. The output of the detector then is low-pass filtered to remove the high-frequency audio components, and then squared off and sent to the loop-keying circuitry. The loop-keying circuitry switches the +120 V dc which runs the TTY printer magnets.

For computer enthusiasts, a TTL-level output is available. Also available at the mark and space filter outputs are high level signals (15-volt peak-to-peak) to drive the horizontal and vertical channels of an oscilloscope. The mark signal is normally applied to the horizontal channel, and the space signal to the vertical channel of the scope. These signals will provide a cross or crossed-ellipse pattern when connected to the scope when the RTTY signal is properly tuned.

The filtered mark/space signals also have their negative halves rectified and are fed into the autostart/meter detector. The front-panel meter will indicate maximum deflection when a signal is properly tuned. The autostart circuit will turn on 115 V ac through a solid-state relay when a RTTY signal is present. The 115 V ac may be used to turn on the TTY motor. A front-panel potentiometer allows the autostart detector to be set at any desired minimum signal level, thus avoiding activation of the TTY on noise or low-level signals. The transmit and receive modes are controlled by the Send/Rec switch on the front panel. A set of contacts on this switch sends +12 V dc to the loop-keying circuit, thus preventing spurious output from the demodulator from keying the printer during transmit. A second set of contacts on the Send/Rec switch can be used to trip the push-to-talk circuit on the transceiver.

The TU-170 modulator generates the audio mark/space tones. Fig. 3 shows a block diagram of the audio modulator. The TTY keyboard contacts provide a switched loop voltage which, after going through the loop-keying circuit, provides a high- or low-level input to the modulator. The frequency of the modulator is generated by a 555 timer/oscillator integrated circuit. By changing the value of the resistance in the 555

frequency-determining components, either a 2125-Hz mark or a 2295-Hz space signal will be generated. A high input to the modulator will cause a mark to be generated, and a low input, a space.

For a space, the frequency is changed by a transistor and FET which switch a resistor in parallel with the mark-frequency-determining resistor, thus presenting a lower resistance to the 555 and causing a higher frequency to be generated—in this case, a 2295-Hz space frequency. For CW ID, a separate input is provided which changes a capacitor connected to the 555, thereby providing for a 100-Hz shift for a key to send your call in shifted CW.

The output of the 555 is filtered through an active filter. A pot allows the filter to be centered and, therefore, equal amplitude on both mark and space signals can be adjusted. The 555 circuit and filter provide a very clean and coherent signal.

Alignment of the TU-170 is very straightforward. First the modulator is set to the correct mark and space frequencies. A counter is needed for this step. The mark is set first by adjusting a potentiometer. Then a jumper from +12 V dc will switch the 555 to a space and the space tone pot is set for 2295 Hz. During the first hour or so of operation after power on, some drift will be seen on the counter for both the mark and space frequencies. About 10 Hz over an hour's period was observed. Since both the mark and space tones drift about the same amount, this will present no problem for amateur demodulators since these small drifts are well within the demodulator's bandpass.

After setting the frequency of the mark and space tones, their amplitudes are set by a third pot to be about equal. An oscilloscope or a VTVM is needed for this adjustment. The tone output then is jumpered to the demodulator input, and the mark and space filters are adjusted. Three pots in each filter are adjusted for maximum deflection on the front-panel meter. Add a cover and sides, and the TU-170 is completed. The unit now is about 7.25" wide by 3.25" high by 7.25" deep. It is grey and black, and rather attractive. It easily blends into most stations.

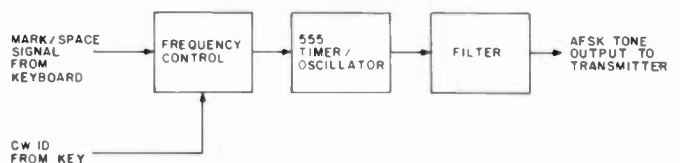


Fig. 3. Modulator detailed block diagram.

The next step is to hook up the TU-170 to the station transceiver and teletype. I use a Yaesu 227R here, on 2m FM. Yaesu has thoughtfully provided all of the necessary connections needed on an accessory connector on the rear panel of the 227R. These signals are: push-to-talk, microphone audio input, and speaker audio output. I leave my speaker connected while in the RTTY mode so that I can hear the tones and know that everything is OK.

You should use shielded cable for all connections between the TU-170 and your transceiver. Multi-conductor cable with a single outside shield is OK, but I used separate lengths of individually-shielded wire for each signal. Just use good techniques and you won't have any problems.

If your rig does not have an auxiliary connector with the proper signals available, then you can use the microphone input jack and earphone/speaker jack. If you do use the auxiliary connector, as I did, the TU-170 modulator will be in parallel with your transceiver microphone. When receiving, you then will hear a tone coming out of your microphone, since the TU-170 is always generating a tone whether it is in transmit or receive. The microphone in this case acts as a speaker. Also, you probably will not be able to transmit on FM voice when the tone is on, since it is strong enough to drown out the audio from the microphone. The simple solution is to turn the TU-170 ac power switch off whenever you are in the FM voice mode.

An alternate solution is to add a switch to the TU-170 to disable the 555 oscillator. A number of other stations use computers on RTTY in our area. The TU-170 has TTL input and output lines to allow it to be connected easily to your favorite computer.

Once your hookup is complete, you are ready to start. I would suggest that you listen at first to get a feel for how conversations are held. Good operating practice is to wait after a station has signed to allow others to break in. When you feel ready, jump in with your call.

Well, there you have a description of my first experiences with RTTY. The Flesher TU-170 has now been in use here at WB6CRD for some time without any problems whatsoever. It is a first-class unit for either the beginner or the old-timer, and can be used with computers. The world of RTTY has now been opened to me, and it is a fascinating world. I highly recommend it to you.

The TU-170 is available in kit form for \$169.95. For more information, contact Flesher Corporation, 507 Jackson, PO Box 976, Topeka KS 66601. Reader Service number 484.

Tony Gitt WB6CRD  
Culver City CA

#### DAIWA DK-210

The gang at 73 knows I'm a CW freak and spend most of my time at the low end of the various bands, hanging out with others of like persuasion. For years, I've been using a time-honored but somewhat passé



The Daiwa DK-210 electronic keyer.

"TO" keyer... one of the tube-type keyers made by Hallicrafters as the HA-1... but still a real standard in many shacks, even today.

Like many of you, I suspect, I didn't even know that Daiwa made a keyer. Sure, we all know about their swr and power meters... the ones with the "crossed" pointer readout... and we know about their line of antenna tuners, but a keyer?

First impressions are important, and Daiwa doesn't let us down on this vital part of product marketing. The Daiwa DK-210 electronic keyer comes in the expected plastic-wrapped package with accessories separately wrapped and packed in the same carton. These include two RCA phono plugs, a power cord, and a power plug.

The DK-210 is dark grey in color and feels quite heavy... heavier than you'd expect for its size... a quality feeling. The crinkle finish is well done, and the front-panel markings stand out clearly against the dark finish color.

In this model, there are five small rectangular LEDs in the upper left-hand corner, surrounded by a white outline. Each LED is labeled with a number: 10, 20, 30, 40, and 50 (wpm); more about these later. The left-hand knob is labeled SPEED and obviously sets the speed of the dots and dashes generated by the keyer's electronics. A segmented circle around the knob is marked with the same numbers, corresponding to the LEDs... again an obvious (but welcome) feature.

A second knob is labeled WEIGHT and has a scale whose limits are marked MIN and MAX. This knob controls the dot-dash ratio and space; at MIN, the ratio is exactly three to one... that is, the length of time occupied by one dash is exactly equivalent to the time occupied by three dits. If you like to slur your keying and send code that has a different ratio, you have plenty of adjustment to play with. I would guess that beyond about the ten o'clock position of the pointer on the knob, you might succeed with a setting that nobody could decipher!

The DK-210 has a built-in speaker and tone generator so that you can monitor your own sending. The tone is pleasant and sounds something like the monitor of the transmitter itself.

There is an external volume control, while the tone's pitch may be adjusted by a small screwdriver-slotted plastic shaft on the rear panel of the keyer. As it was received, I'd guess the tone was about 700 Hertz... just right for my ear, so I didn't bother changing the pitch. If you like stereo, you can use the transmitter's own keying monitor playing counterpoint to the built-in keyer monitor. I do that sometimes to relieve the monotony of a single tone.

A rotary switch allows you to select SEMI-AUTO, AUTO, and TUNE. In the SEMI-AUTO position, dots are generated automatically but dashes must be made manually, like the old-fashioned bug keyers. In the AUTO position, the key is a full electronic keyer with all automatic functions, including the desirable iambic-keying capability... something I've not yet taught myself to use. No matter—it works just fine with my old-fashioned type of thumb and forefinger input. (One of these days, though, I've got to learn to use iambic, or "squeeze," keying as it's called.)

The tune position is to allow you to turn your transmitter on in the way you used to do by holding the old pump handle in the down position... that is, to make a steady tune-up signal on the band, er... ah, the dummy load. Finally, at the extreme right side of the front panel is the toggle switch that turns the power on and off, as indicated by an LED just above it. Below the toggle switch is a standard quarter-inch phone jack. Naturally, I had to change mine from the one I had on it back to the standard! Oh, yes, I almost forgot: It's labeled KEY and that's where you plug in your paddle.

On the back panel there's an accessory power-input jack for the usual 8-to-13.8-volt dc power-input plug... the style that you are used to seeing on tape recorders and other electronic devices that need that kind of power. More about *this* later, too!

Two RCA-type phono jacks are also on the rear panel. One is red and the other, black. The red one says DIRECT and the black one says GRID BLOCK. This means you can use the Daiwa 210 to key an old-fashioned cathode-keyed rig (limits are 300 V, 100 mA, max.) or one of the

newer rigs in which the grid of a control tube, or a solid-state device, is keyed (limits are -100 V, 10 mA, max.).

Having an Icom IC-720A to key, I used the grid block outlet and managed to use one of the accessory phono plugs thoughtfully provided by Daiwa. Next, I looked for a source of power. Failing to locate an appropriate source of 12 volts dc with the proper plug right away, I decided to remove the top cover of the keyer (per instructions) to locate the battery holder... and install a 9-volt battery.

Whoopie! The keyer lighted up and a few dots and dashes caused the LEDs to glow... first the 10, then the 20, and finally the 30... sort of a progressive display running from left to right. The instructions suggest that if you run on battery power it would be a good idea to disable the LEDs to reduce power consumption. Likewise, it would be a good idea to forgo use of the keying monitor/speaker.

I quickly tuned in a station, gave him a call, and asked for a critical keying-quality report. The reply was a definite "Sounds great here, OM." I was in business!

All that evening I used my keyer, even forgetting the 300-mA current drain, until the battery started running low. Low battery power is evidenced by the keyer failing to keep up the set speed and the LEDs failing to light up. The "weight" is not affected, however.

Knowing that my time on remaining battery power was limited, I decided to hook up the small utility supply I had to provide all the power I would need for a weekend of CW. Easy, I figured... just do the normal thing... hook up the positive lead to the center pin, the negative lead to the shell, and oops! Immediately I suspected my supply, but that turned out okay. A closer look at the input jack on the Daiwa showed the reason (I needed a magnifying glass to read it). The center pin, friends, is negative while the sleeve is positive! After changing the leads on my supply, I got an immediate indication of all being normal and happy with the keyer.

I checked the LED indication of speed (in which several characters are integrated by the circuitry to read out an average speed) and the dial setting of

speed, and they seemed to coincide very well. My normal conversational keying speed is around 30 or 35 wpm, and that's where I set the speed control; it also was what the LEDs indicated I was doing. I found that at higher speeds a slight slurring of dots and dashes is smoother sounding, and this was easily achieved by adjusting the "weight" control pot to about the 9 o'clock position. Just enough to make it pleasing to my ear.

The 6-inch-wide, 2.5-inch-high, and 6-inch-deep box hardly occupies any space at all on my operating desk. In fact, it's so neat-looking and so unobtrusive that I have given it a place of honor right next to my transceiver... which it complements beautifully. Altogether, I guess I've operated the little Daiwa 210 electronic keyer about 25 or 30 hours now, and it hasn't missed a beat.

Complaints: none, except at my own stupidity for not reading the nice little instruction brochure with its illustration of polarity on the power plug plainly shown! I have known for years that one ought to read the instructions first, but—like many of us—I figure it's so simple that reading instructions isn't necessary. Well, I learned.

I don't have much stray rf floating around the shack as all my antennas are current-fed, and the high-voltage points are far removed from the equipment. Nevertheless, if you end-feed an antenna and bring it into the shack to your tuner, you might have to use shielded keying leads between the output of the 210 and your transceiver. Rf has a funny way of producing not-so-funny results with solid-state devices.

Anything else? Just one thing: Daiwa also makes a nice version of this keyer without the LEDs, and it's called the model 200. Just in case you don't care for the speed-readout system, or don't feel it's necessary, or maybe want to save a few pennies, you might prefer the 200.

The DK-200 is priced at \$82.50 and the DK-210 sells for \$99.50. Daiwa keyers and instruments are distributed in the United States by MCM Communications, 858 Congress Park Drive, Centerville OH 45459. Reader Service number 480.

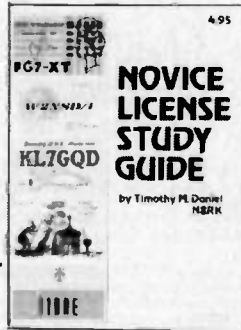
James Gray W1XU  
73 Magazine Staff



# RADIO BOOKSHOP

## FOR THE NOVICE

New, updated editions  
of our famous novice  
license study guide and novice study tapes.



● **NOVICE LICENSE STUDY GUIDE**—by Timothy M. Daniel N8RK. Here is the most up to date novice guide available. It is complete with information about learning Morse Code, has the latest FCC amateur regulations and the current FCC application forms. This guide is not a question/answer memorization course but rather it emphasizes the practical side of getting a ham license and putting a station on the air. It reflects what the FCC expects a Novice to know without page after page of dull theory. The most current information still available at last year's price. SG7357 \$4.95.

● **NOVICE STUDY TAPES**—If you are just getting started in ham radio, you'll find these tapes indispensable! This up-to-the-minute revision of the 73 Study Course is the perfect way to learn everything you need to breeze through the Novice written exam. Theory, FCC regulations, and operating skills are all covered, and you'll be amazed at how fast you learn using these tapes!

Once the test is behind you, these tapes will go right on being useful, because they are packed with the latest information on setting up your own ham station, and getting on the air.

Thousands of people have discovered how easy learning from cassette can be—order now and enter the fascinating world of ham radio! CT7300 Set of 3—\$15.95.\*

Scientists have proven that you learn faster by listening than by reading because you can play a cassette tape over and over in your spare time—even while you're driving! You get more and more info each time you hear it. You can't progress without solid fundamentals. These three hour-long tapes give you all the basics you'll need to pass the Novice exam easily. You'll have an understanding of the basics which will be invaluable to you for the rest of your life! Can you afford to take your Novice exam without first listening to these tapes?

Special Offer! Both Novice License Study Guide and Novice Study Tapes \$19.95 Order NP7300.

73 Code Tapes  
any four tapes for  
\$15.95! \$4.95 each

### "GENESIS"

5 WPM—CT7305—This is the beginning tape for people who do not know the code at all. It takes them through the 26 letters, 10 numbers and necessary punctuation, complete with practice every step of the way using the newest blitz teaching techniques. It is almost miraculous! In one hour many people—including kids of ten—are able to master the code. The ease of learning gives confidence to beginners who might otherwise drop out.

### "THE STICKLER"

6+ WPM—CT7306—This is the practice tape for the Novice and Technician licenses. It is made up of one solid hour of code, sent at the official FCC standard (no other tape we've heard uses these standards, so many people flunk the code when they are suddenly—under pressure—faced with characters sent at 13 wpm and spaced for 5 wpm). This tape is not memorizable, unlike the zany 5 wpm tape, since the code groups are entirely random characters sent in groups of five.

### "BACK BREAKER"

13+ WPM—CT7313—Code groups again, at a brisk 14 per so you will be at ease when you sit down in front of the steely-eyed government inspector and he starts sending you plain language at only 13 per. You need this extra margin to overcome the panic which is universal in the test situations. When you've spent your money and time to take the test, you'll thank heaven you had this back-breaking tape.

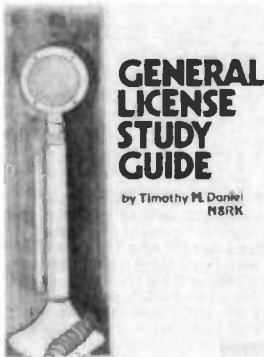
### "COURAGEOUS"

20+ WPM—CT7320—Code is what gets you when you go for the Extra class license. It is so embarrassing to panic out just because you didn't prepare yourself with this tape. Though this is only one word faster, the code groups are so difficult that you'll almost fall asleep copying the FCC stuff by comparison. Users report that they can't believe how easy 20 per really is with this fantastic one hour tape.

### "OUTRAGEOUS"

25+ WPM—CT7325—This is the tape for that small group of overachieving hams who wouldn't be content to simply satisfy the code requirements of the Extra Class license. It's the toughest tape we've got and we keep a permanent file of hams who have mastered it. Let us know when you're up to speed and we'll inscribe your name in 73's CW "Hall of Fame."

## GENERAL LICENSE STUDY GUIDE



**GENERAL LICENSE STUDY GUIDE**—By Timothy M. Daniel N8RK This is the complete guide to the General License. Learning rather than memorizing is the secret. This is not a question-and-answer guide that will gather dust when the FCC issues a new test. Instead, this book will be a helpful reference, useful long after a ham upgrades to General. Includes up-to-date FCC rules and an application form. Order yours today and talk to the world. SG7358 \$6.95

## SSTV TAPE

● **SLOW SCAN TELEVISION TAPE**—CT7350—Prize-winning programs from the 73 SSTV contest. Excellent for Demo! \$5.95\*



Style W



Style Y



Style X

● **QSL CARDS**—73 turns out a fantastic series of QSL cards at about half the cost of having them done elsewhere because they are run as a fill-in between printing books and other items in the 73 Print Shop. 250 Style W—QW0250—for \$8.95\*; 500 Style W—QW0500—for \$13.95\*; 250 Style X—QX0250—for \$8.95\*; 500 Style X—QX0500; 250 Style Y—QY0250—for \$8.95\*; 500 Style Y—QY0500—for \$13.95\*. Allow 6-12 wks. for delivery.

● **LIBRARY SHELF BOXES**—These sturdy white, corrugated, dirt-resistant boxes each hold a full year of 73. Kilobaud Microcomputing or 80 Microcomputing. With your order, request self-sticking labels for any of the following: 73, Kilobaud Microcomputing, 80 Microcomputing, CQ, QST, Ham Radio, Personal Computing, Radio Electronics, Interface Age, and Byte. Order 1—BX1000—for \$2.00\*; order 2-7—BX2002—for \$1.50 each\*; order 8 or more—BX1002—for \$1.25 each\*.

● Preserve and protect your collection for a lifetime! Order these handsome red binders with gold lettering \$7.50 for 1, 3 for \$21.75, 6 for \$42.00. (Postpaid within USA, please add \$2.50 per order outside USA.) Check or money orders only, no phone or C.O.D. orders. 73 Binders, P.O. Box 5120, Philadelphia, PA 19141.

\*NOTE—Above address for Binders only.

For Your  
Ham Shack

● **BACK ISSUES**—Complete your collection; many are prime collectables now, classics in the field! A full collection is an invaluable compendium of radio and electronics knowledge!

73300	73 BACK ISSUE—BEFORE JULY 1980	\$ 3.00
73350	73 BACK ISSUE JULY 1980 THRU OCT. 1981	\$ 3.50
73350P	73 BACK ISSUE NOV. 1981 TO PRESENT	\$ 3.50
73005	73 BACK ISSUE—5 YOUR CHOICE	\$10.75
73010	73 BACK ISSUE—10 YOUR CHOICE	\$16.00
73025	73 BACK ISSUE—25 YOUR CHOICE	\$27.00
73125	73 BACK ISSUE—25 OUR CHOICE	\$14.00

Shipping: Please add \$1.00 per magazine. Orders of ten magazines or twenty-five magazines add \$7.50 per order.

\*Use the order card in this magazine or itemize your order on a separate piece of paper and mail to: 73 Radio Bookshop • Peterborough NH 03458. Be sure to include check or detailed credit card information. No C.O.D. orders accepted. All orders add \$1.00 handling. Please allow 4-6 weeks for delivery. Questions regarding your order? Please write to Customer Service at the above address. (Prices subject to change on books not published by 73 Magazine.)

FOR TOLL FREE ORDERING CALL 1-800-258-5473

# RADIO BOOKSHOP

## HAND BOOKS FOR THE HAMSHACK

**THE COMPLETE SHORTWAVE LISTENER'S HANDBOOK**, 2nd EDITION by Hank Bennett and Harry L. Helms. This comprehensive volume contains loads of new information from all over the world on the latest developments in SWL technology clubs, associations, practices and stations. A thorough guide to stations of the world by general continental area and frequency is included. BK1241 \$9.95

**THE TEN METER FM HANDBOOK**—by Bob Heil K9EID. This handbook has been published to help the ten meter enthusiast learn more about the many methods of conversions and tricks that are used to make existing units work better. Join the great "tinkerers" of the world on ten FM and enjoy the fantastic amount of fun in communicating with amateur stations worldwide on ten meter FM. BK1190 \$4.95.\*

**THE PRACTICAL HANDBOOK OF AMATEUR RADIO FM REPEATERS**—by Bill Pasternak WA6ITF (author of 73 Magazine's monthly column "Looking West") This is the book for the VHF/UHF FMer, compiled from material submitted by over a hundred individuals, clubs, organizations and equipment manufacturers. A "must have" for your ham shack shelf. BK1185 \$12.95.\*

## THE 73 TEST EQUIPMENT LIBRARY

**VOL. II AUDIO FREQUENCY TESTERS**—Jam-packed with all kinds of audio frequency test equipment. If you're into SSB, RTTY, SSTV, etc., this book is a must for you... a good book for hi-fi addicts and experimenters, too! LB7360 \$4.95.\*

**VOL. III RADIO FREQUENCY TESTERS**—Radio frequency waves, the common denominator of amateur radio. Such items as SWR, antenna impedance, line impedance, RF output, and field strength; detailed instructions on testing these items includes sections on signal generators, crystal calibrators, grid dip oscillators, noise generators, dummy loads, and much more. LB7361 \$4.95.\*

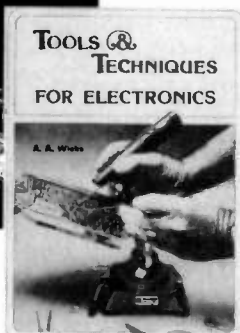
**VOL. IV IC TEST EQUIPMENT**—Become a troubleshooting wizard! In this fourth volume of the 73 TEST EQUIPMENT LIBRARY are 42 home construction projects for building test equipment to work with your ham station and in servicing digital equipment. Plus a cumulative index for all four volumes for the 73 TEST EQUIPMENT LIBRARY. LB7362 \$4.95.\*

**RF AND DIGITAL TEST EQUIPMENT YOU CAN BUILD**—BK1044—RFBurst, function, square wave generators, variable length pulse generators—100 kHz marker, I-F and rf sweep generators, audio osc, a/f signal injector, 146 MHz synthesizer, digital readouts for counters, several counters, prescaler, microwave meter, etc. 252 pages. BK1044 \$5.95.\*

## FOR THE CONTESTER



**THE CONTEST COOKBOOK**—This book reveals the secrets of that elite group of operators who top the list when the contest results are published. It contains detailed suggestions for the first-time contesteer as well as tips for the advanced operator. Domestic, DX, and specialty contests are all discussed, complete with photographs and diagrams showing the equipment and operating aids used by the top scorers. For the serious contesteer. BK7308 \$5.95.



**TOOLS & TECHNIQUES FOR ELECTRONICS**—by A. A. Wicks. An easy-to-understand book written for the beginning kit-builder as well as the experienced hobbyist. It has numerous pictures and descriptions of the safe and correct ways to use basic and specialized tools for electronic projects, as well as specialized metal-working tools and the chemical aids which are used in repair shops. BK7348 \$4.95.\*

**BEHIND THE DIAL**—This book explains, in detail, what's going on on all the frequencies, from shortwave up to microwave. It gives the reader a good idea of what he can find and where to find it, including some of the secret stations such as the C.I.A. and the F.B.I. Everything is covered short of microwave monitoring. Anyone interested in purchasing a shortwave receiver should have a copy of this book, surveillance, station layout consideration, antenna systems, interface, and the electromagnetic spectrum, are included. BK7307 \$4.95

**THE NEW WEATHER SATELLITE HANDBOOK**—by Dr. Ralph E. Taggart WB8DOT. Here is the completely updated and revised edition containing all the information on the most sophisticated and effective spacecraft now in orbit. This book serves both the experienced amateur satellite enthusiast and the newcomer. It is an introduction to satellite watching, providing all the information required to construct a complete and highly effective ground station. Solid hardware designs and all the instructions necessary to operate the equipment are included. For experimenters who are operating stations, the book details all procedures necessary to modify equipment for the new series of spacecraft. Amateur weather satellite activity represents a unique blend of interests encompassing electronics, meteorology and astronautics. Join the privileged few in watching the spectacle of earth as seen from space on your own monitoring equipment. BK7383 \$8.95.\*

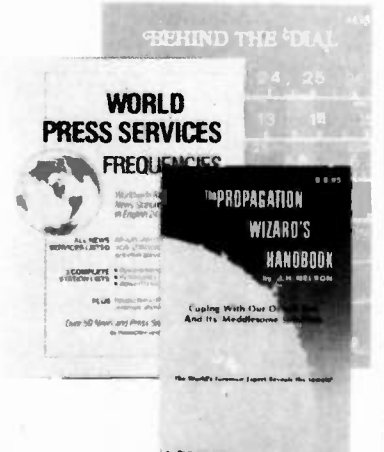
## THE 73 TECHNICAL LIBRARY



**THE CHALLENGE OF 160**—The growth of amateur radio today is encouraging the use of 160 meters. All the information necessary to get started on this unique band, the all-important antenna and ground systems are described in detail. Also, how to get on, top-band operating tips, top-band transmitters, propagation, weather receiving equipment, and more are covered in full. The introduction contains interesting photos of Stew Perry's (the King of 160) shack. This reference is useful to new and experienced top-band operators. BK7309 \$4.95

**INTERFERENCE HANDBOOK**—by William R. Nelson, WA6EOG—This timely handbook covers every type of RFI problem and gives you the solutions based on practical experience. Covers interference to TV, radio, hi-fi, telephone, radio amateur, commercial and CB equipment. Power line interference is covered in depth—how to locate it, cure it, work with the public, safety precautions, how to train RFI investigators. Written by an RFI expert with 33 years of experience, this profusely illustrated book is packed with practical easy-to-understand information. BK1230 \$8.95.\*

**OWNER REPAIR OF RADIO EQUIPMENT**—by Frank Glass K6RO. Here's a book that will teach you an approach to troubleshooting without a shack full of test equipment. Written in a narrative, non-mathematical style, it will encourage you to successfully fix your own rig problems 80 to 90% of the time. Even if you don't want to fix, you can learn a lot about how things work and fail. Add to your library and personal expertise. BK7310 \$7.95.\*



**WORLD PRESS SERVICE FREQUENCIES**—by Thomas Harrington. Can't wait to hear the evening news, or are you wondering about the news that you aren't hearing? Receive by Radio Teletype (RTTY) all the world news and financial happenings from the world capitals on a 24 hour a day basis. This book gives you the frequencies and times of broadcast of such news services as AP, UPI, Reuters, TASS, VOA and London Press. Also included is an introduction to RTTY with information on equipment, antennas, abbreviations—everything you need to get started in RTTY. BK1202 \$7.95.\*

**SSB... THE MISUNDERSTOOD MODE**—by James B. Wilson. Single Sideband Transmission... thousands of us use it every day, yet it remains one of the least understood facets of amateur radio. J. B. Wilson presents several methods of sideband generation, amply illustrated with charts and schematics, which will enable the ambitious reader to construct his own sideband generator. A must for the technically-serious ham. BK7351 \$5.50.\*

**PROPAGATION WIZARD'S HANDBOOK**—by J. H. Nelson. When sunspots riddled the worldwide communications networks of the 1940s, John Henry Nelson looked to the planets for an answer. The result was a theory of propagation forecasting based upon interplanetary alignment that made the author the most reliable forecaster in America today. The book provides an enlightened look at communications past, present, and future, as well as teaching the art of propagation forecasting. BK7302 \$6.95.\*

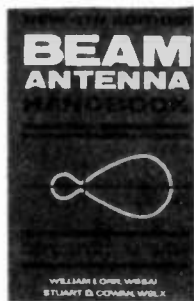
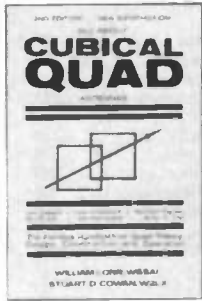
**IC OP-AMP COOKBOOK**—by Walter G. Jung. Covers not only the basic theory of the IC op amp in great detail, but also includes over 250 practical circuit applications. Liberally illustrated. 592 pages, 5 1/2 x 8 1/2, softbound. BK1028 \$14.95.\*

\*Use the order card in this magazine or itemize your order on a separate piece of paper and mail to: 73 Radio Bookshop • Peterborough NH 03458. Be sure to include check or detailed credit card information. No C.O.D. orders accepted. All orders add \$1.00 handling. Please allow 4-6 weeks for delivery. Questions regarding your order? Please write to Customer Service at the above address. (Prices subject to change on books not published by 73 Magazine.)

FOR TOLL FREE ORDERING CALL 1-800-258-5473

# RADIO BOOKSHOP

## ANTENNA BOOKS



**VHF ANTENNA HANDBOOK**—The new *VHF Antenna Handbook* details the theory, design, and construction of hundreds of different VHF and UHF antennas... a practical book written for the average amateur who takes joy in building, not full of complex formulas for the design engineer. Packed with fabulous antenna projects you can build. BK7368 \$5.95.\*

● **BEAM ANTENNA HANDBOOK (New 5th edition)**—BK1197—Yagi beam theory, construction and operation. Information on wire beams, SWR curves and matching systems. A "must" for serious DXers. \$5.95\*

● **VHF HANDBOOK FOR RADIO AMATEURS**—BK1198—Contains information on FM theory, operation and equipment, VHF antenna design and construction, satellite EME, and the newest solid-state circuits. \$6.95\*

● **THE RADIO AMATEUR ANTENNA HANDBOOK**—BK1199—All about wire antennas, beams, tuners, baluns, coax, radials, SWR and towers. Clear and complete information. \$6.95\*

● **SIMPLE, LOW-COST WIRE ANTENNAS FOR RADIO AMATEURS**—BK1200—All new data and everything you want to know about low-cost, multi-band antennas, inexpensive beams, "invisible" antennas for hams in "tough" locations. \$6.95\*

● **HOW TO DEFEND YOURSELF AGAINST RADAR**—BK1201—by Bruce F. Bogner and James R. Bodnar, a lawyer and radar expert. This book gives you the ammunition to challenge the radar "evidence" that usually leads to a speeding conviction. The major part of the book details the inner workings of radar—you'll become more of an expert than most police officers and judges. The remainder of the book outlines how to defend yourself against a speeding ticket—the observations, measures and testimony you must obtain to defend yourself without the help of a lawyer. The price is a lot less than a fine! \$6.95\*

## MICROCOMPUTER BOOKS

**ANNOTATED BASIC—A NEW TECHNIQUE FOR NOOPHYTES. VOL 1 & 2**—*Annotated BASIC* explains the complexities of modern BASIC. It includes complete TRS-80™ Level II BASIC programs that you can use. Each program is annotated to explain in step-by-step fashion the workings of the program. Programs are flowcharted to assist you in following the operational sequence. And—each chapter includes a description of the new concepts which have been introduced. Volume 1 BK7384 \$10.95 Volume 2 BK7385 \$10.95

**HOBBY COMPUTERS ARE HERE!** If you want to come up to speed on how computers work—hardware and software—this is an excellent book. It starts with fundamentals and explains the circuits and the basics of programming, along with a couple of TVT construction projects, ASCII, Baudot, etc. This book has the highest recommendations as a teaching aid. \$4.95.\* BK7322

**KILOBAUD CLASSROOM**—By George Young and Peter Stark. Learning electronics theory without practice isn't easy. And it's no fun to build an electronics project that you can't use. *Kilobaud Classroom* the popular series first published in *Kilobaud Microcomputing*, combines theory with practice. This is a practical course in digital electronics. It starts out with very simple electronics projects, and by the end of the course you'll construct your own working microcomputer! BK7386 \$14.95

● **40 COMPUTER GAMES**—BK7381—Forty games in all in nine different categories. Games for large and small systems, and even a section on calculator games. Many versions of BASIC used and a wide variety of systems represented. A must for the serious computer gamer. \$7.95\*

● **UNDERSTANDING AND PROGRAMMING MICROCOMPUTERS**—BK7382—A valuable addition to your computing library. This two-part text includes the best articles that have appeared in 73 and *Kilobaud Microcomputing* magazines on the hardware and software aspects of microcomputing. Well-known authors and well-structured text helps the reader get involved. \$10.95\*

**TEXTEDIT—A Complete Word Processing System in kit form**—by Irwin Rappaport. *TEXTEDIT* is an inexpensive word processor that you can adapt to suit your needs, from writing form letters to large texts. It is written in modules, so you can load and use only those portions that you need. Included are modules that perform right justification, ASCII upper/lowercase conversion, one-key phrase entering, complete editorial functions, and much more! *TEXTEDIT* is written in TRS-80™ Disk BASIC, and the modules are documented in the author's admirably clear tutorial writing style. Not only does Irwin Rappaport explain how to use *TEXTEDIT*; he also explains programming techniques implemented in the system. *TEXTEDIT* is an inexpensive word processor that helps you learn about BASIC programming. It is written for TRS-80 Models I and III with TRSDOS 2.2/2.3 and 32K. \*TRS-80 and TRSDOS are trademarks of the Radio Shack Division of Tandy Corporation. BK7387 \$9.97

● **SOME OF THE BEST FROM KILOBAUD/MICROCOMPUTING**—BK7311—A collection of the best articles that have recently appeared in *Kilobaud/MICROCOMPUTING*. Included is material on the TRS-80 and PET systems, CPM, the 8080/8085/Z80 chips, the ASR-33 terminal. Data base management, word processing, text editors and file structures are covered too. Programming techniques and hardware construction projects for modems, high speed cassette interfaces and TVTs are also included in this large format, 200 plus page edition. \$10.95.\*

● **THE NEW HOBBY COMPUTERS**—BK7340—This book takes it from where "HOBBY COMPUTERS ARE HERE!" leaves off, with chapters on Large Scale Integration, how to choose a microprocessor chip, an introduction to programming, low cost I/O for a computer, computer arithmetic, checking memory boards... and much, much more! Don't miss this tremendous value! Only \$4.95.\*

\* Use the order card in this magazine or itemize your order on a separate piece of paper and mail to: 73 Radio Bookshop, Peterborough NH 03458. Be sure to include check or detailed credit card information. No C.O.D. orders accepted. All orders add \$1.00 handling. Please allow 4-6 weeks for delivery. Questions regarding your order? Please write to Customer Service at the above address. (Prices subject to change on books not published by 73 Magazine.)

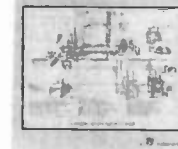
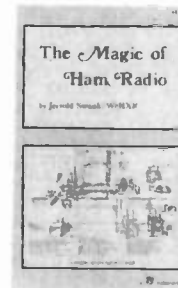
## COOK BOOKS

**TTL COOKBOOK**—by Don Lancaster. Explains what TTL is, how it works, and how to use it. Discusses practical applications, such as a digital counter and display system, events counter, electronic stopwatch, digital voltmeter and a digital tachometer. BK1063 \$9.50.\*

**CMOS COOKBOOK**—by Don Lancaster. Details the application of CMOS, the low power logic family suitable for most applications presently dominated by TTL. Required reading for every serious digital experimenter! BK1011 \$10.50.\*

**TVT COOKBOOK**—by Don Lancaster. Describes the use of a standard television receiver as a microprocessor CRT terminal. Explains and describes character generation, cursor control and interface information in typical, easy-to-understand Lancaster style. BK1064 \$9.95.\*

## THE WELL EQUIPPED HAM SHACK



**WORLD Repeater ATLAS Repeater Repeater**

**WORLD REPEATER ATLAS**—Completely updated, over 230 pages of repeater listings are indexed by location and frequency. More than 50 maps pinpoint 2000 repeater locations throughout the USA. Foreign listings include Europe, the Middle East, South America, and Africa. \$4.95.\* BK7315

**THE MAGIC OF HAM RADIO**—by Jerrold Swank W8HXR. Under various call signs, W8HXR has been heard on the ham bands since 1919. He has watched amateur radio grow from the days of Model A spark coils to an era of microprocessors and satellite communications. Jerry has responded to calls for help from earthquake-stricken Managua and tornado-ravaged Xenia, Antarctica, one of man's loneliest outposts, has been a bit less lonely, thanks to Jerry's tireless phonepatching efforts. Drawing on his own colorful experiences and those of many other hams, Jerry has compiled this word-picture of ham radio during the past six decades. BK7312 \$4.95

**A GUIDE TO HAM RADIO**—by Larry Kahaner WB2NEL. What's Amateur Radio all about? You can learn the basics of this fascinating hobby with this excellent beginner's guide. It answers the most frequently asked questions in an easy-going manner, and it shows the best way to go about getting an FCC license. *A Guide to Ham Radio* is an ideal introduction to a hobby enjoyed by people around the world. \$4.95.\* BK7321

**WORLD RADIO TV HANDBOOK 1982, 25TH EDITION**—This book is the bible of international broadcasters, providing the only authoritative source of exact information about broadcasting and TV stations world wide. This 1981 edition is completely revised, giving comprehensive coverage of short, medium and long wave, 560 pages of vital aspects of world listening. \$16.50 BK1184

FOR TOLL FREE ORDERING CALL 1-800-258-5473



# List of AdvertisERS

\*Please contact these advertisers directly.  
To receive full information from our advertisers please complete the postage-paid card.

R.S. No.	Page	R.S. No.	Page	R.S. No.	Page	R.S. No.	Page		
2	37, 47, 51, 105, 133	* AEA/Advanced Electronic Applications	37	72	JDL Industries	107	105	Radios Unlimited	138
164	26	21	127	* JWV Electronics	18	62	Ramsey Electronics	145, 156	
169	99	106	49, 71	39	Jan Crystals	105	147	Randall Sherman	143
115	69, 141	479	118	354	Jensen Tools, Inc.	142	* RCA Service Company	131	
114	69	346	65	165	K&S Enterprises	91	156	RF Electronics	90
124	81	482	99	* Kantronics, Inc.	49, 129	171	Ridge Systems Co., Inc.	51	
448	81	Info Tech	99	81	KDK Distributing	15	133	Rivendell Associates	93
406	47	425	127	* Kenwood	Cov. IV, 7	65	RQ Service Center	143	
20	77	* DX Signal Co.	143	158	Lance Johnson Engineering	141	500	S-F Amateur Radio Services	138
* Amateur Electronic Supply	27	453	23	322	Larsen Antenna	41	168	Satmar Satellite TV Systems	65
5	17	* Electronic Equipment Bank	57	452	Lewis Construction Co.	68	500	73 Magazine	
* Amateur-Wholesale Electronics	17	447	68	77	M-Squared Engineering	36	Books	107, 111-114, 116, 117, 141	
* Antenna Bank	22	* Elmira Amateur Radio Assoc.	99	44	Macrotronics, Inc.	144	Dealers Ad	107	
63	75	400	143	45	Madison Electronics	70, 98	Subscriptions	115, 141	
121	79	22	143	134	Martin Engineering	133	University Microfilms	141	
* ARRL Hudson Div. Convention	71	85	56	480	MCM Communications	109	148	Shaver Electronics	143
* Associated Radio	101	* Firestone Tarp Mfg., Inc.	131	47	MFJ Enterprises	53, 127, 129, 131	* Simple Simon Electronics Kits	19	
130	4	484	106	478	MFJ Enterprises	119	112	Sintec Co.	51
477	118	323	121	483	MFJ Enterprises	103	162	Space Electronics	142
175	70	151	67	48	MHZ Electronics	146-155	* Spectronics, Inc.	87, 160	
469	78	116	69	49	Micro Control Specialties	34	68	Spectrum Communications	94, 95
11	101	149	79	50	Microcraft Corp.	105, 133	436	Spectrum International, Inc.	137
26	139	476	118	51	Microlog	35	376	SMP	71
439	142	143	121	52	Mid Com Electronics	123	69	Surplus Electronics	142
153	143	* GEM Quad Products	121	308	J. W. Miller/Div. Bell Ind.	81	135	TEM Microwave Corp.	68
* Bilal Co.	70	484	119	* Mirage Communications	91	170	TET Antenna System	90	
157	63	417	56	* Monitoring Times	90	449	The Ham Shack	70	
* Boxboro Hamfest	86	132	142	* Mor-Gain	105	57	The Tuned Antenna Co.	45	
142	133	86	65	173	Multi-Band Antennas	131	174	TMAC Products	69
12	144	345	13, 91	123	N & G Distributing	31, 139	76	Trac Electronics	56
92	34	31	30	318	National Comm. Group Co.	139	104	Trionyx Industries, Inc.	79
102	138	* Ham Radio Center	157	412	Nemal Electronics	141	88	Tufts Electronics, Inc.	54, 55, 101
89	77	* Ham Radio Outlet	3	481	Non-Linear Systems	119	* Universal Communications	67	
150	143	33	159	* Orbit Magazine	123	155	Universal Distributors	93	
28	137	303	9	* P. C. Electronics	30, 123	* Universal Radio Co.	142		
382	36	320	67	* Palomar Engineers	4, 118	* V-J Products, Inc.	77		
15	82, 83	* Hoosier Electronics	67	404	P. B. Radio Service	121	311	Vanguard Labs	142
140	78	* Hustler, Inc.	87	380	Panasonic	43	90	VoCom Products	87
152	49	* ICOM	Cov. II, 118	404	P. B. Radio Service	121	302	W-S Engineering	105
		78	142	61	Proham Electronics	137	80	Western Radio Electronics	143
		166	85	60	Quest Electronics	158	83	Yaesu Electronics Co.	Cov. III
		* International Satellite Video	85	315	Radio Activity	36	336	Z Associates	142
		* IRL	18	117	Radio Amateur Callbook, Inc.	36			
		38	161	397	Radio World	129			
		* Jameco Electronics	161						
		* Japan Radio Co.	5						

## 73 MAGAZINE

### Books, ETC.

To order, complete the postage-paid card, or itemize your order including detailed credit card information or check and mail to:  
73 Magazine/Mail Order Dept./Peterborough NH 03458.

Catalog#	Item	Price	Catalog#	Item	Price	Catalog#	Item	Price	Catalog#	Item	Price
BK1016	73 DIPOLE & LONG WIRE ANTENNAS	\$ 5.50	CT7306	CODE TAPE—6 WPM	\$ 4.95	BK7305	POWER SUPPLY HANDBOOK	\$ 9.95	CT7350	SSTV TAPE	\$ 5.95
73300	73 BACK ISSUE—BEFORE JULY 1980	\$ 3.00	CT7313	CODE TAPE—13 WPM	\$ 4.95	BK1015	PRACTICAL ANTENNAS FOR THE RADIO AMATEUR	\$ 9.95	SG1081	STUDY GUIDE—ADV. CLASS	\$ 6.95
73350	73 BACK ISSUE JULY 1980 THRU OCT 1981	\$ 3.50	CT7320	CODE TAPE—20 WPM	\$ 4.95	BK1185	THE PRACTICAL HANDBOOK OF FM REPEATERS	\$ 9.95	SG1080	STUDY GUIDE—EXTRA CLASS	\$ 5.95
73350P	73 BACK ISSUE NOV 1981 TO PRESENT	\$ 3.50	CT7325	CODE TAPE—25 WPM	\$ 4.95	BK7302	PROPAGATION WIZARD'S HANDBOOK	\$ 6.95	SG7357	STUDY GUIDE—NOVICE CLASS	\$ 4.95
73005	73 BACK ISSUE—5 YOUR CHOICE	\$ 10.75	CT7394	CODE TAPES (ANY FOUR ABOVE)	\$15.95	OW0250	OSL CARDS—STYLE W—250	\$ 8.95	BK1190	THE TEN METER FM HANDBOOK	\$ 6.95
	Add \$1.00 per magazine for shipping		BK7308	THE CONTEST COOKBOOK	\$ 5.95	OW0500	OSL CARDS—STYLE W—500	\$13.95	LB7359	TEST EQUIP LIB V1—COMPONENT TESTERS	\$ 4.95
73010	73 BACK ISSUE—10 YOUR CHOICE	\$16.00	BK7381	40 COMPUTER GAMES	\$ 7.95	OX0250	OSL CARDS—STYLE X—250	\$ 8.95	LB7360	TEST EQUIP LIB V2—AUDIO TESTERS	\$ 4.95
73025	73 BACK ISSUE—25 YOUR CHOICE	\$27.00	SG7358	GENERAL LICENSE STUDY GUIDE	\$ 6.95	OX0500	OSL CARDS—STYLE X—500	\$13.95	LB7362	TEST EQUIP LIB V4—IC TEST EQ	\$14.95
73125	73 BACK ISSUE—25 OUR CHOICE	\$14.00	BK7304	GIANT BOOK OF AMATEUR RADIO ANTENNAS	\$12.95	OY0250	OSL CARDS—STYLE Y—250	\$ 8.95	BK7348	TOOLS & TECHNIQUES	\$ 4.95
	Add \$7.50 per order for shipping		BK7321	A GUIDE TO HAM RADIO	\$ 4.95	OY0500	OSL CARDS—STYLE Y—500	\$13.95	BK1063	TTL COOKBOOK	\$ 9.95
BK1196	ALL ABOUT CUBICAL QUAD ANTENNAS	\$ 5.95	BK7322	HOBBY COMPUTERS ARE HERE	\$ 4.95	BK1199	THE RADIO AMATEUR ANTENNA HANDBOOK	\$ 6.95	BK1064	TVT COOKBOOK	\$ 9.95
BK1197	BEAM ANTENNA HANDBOOK	\$ 5.95	BK7325	HOW TO BUILD A MICROCOMPUTER & REALLY UNDERSTAND IT	\$ 9.95	BK1044	RF & DIGITAL TEST EQUIPMENT	\$ 5.95	BK7382	UNDERSTANDING & PROGRAMMING MICROCOMPUTERS	\$10.95
BK7307	BEHIND THE DIAL	\$ 4.95	BK1201	HOW TO DEFEND YOURSELF AGAINST RADAR	\$ 6.95	BK1059	RTL COOKBOOK	\$ 6.50	CH7300	U.S. AMATEUR RADIO CHART	\$11.95
BK7309	CHALLENGE OF 160	\$ 4.95	BK1028	IC OP AMP COOKBOOK	\$12.95	BX1000	SHELF BOX—1	\$ 2.00	BK1069	VERTICAL BEAM & TRIANGLE ANTNS	\$ 5.50
BK1011	CMOS COOKBOOK	\$10.50	BK1230	INTERFERENCE HANDBOOK	\$ 8.95	BX1001	SHELF BOXES—2-7	\$1.50 each	BK7368	VHF ANTENNA HANDBOOK	\$ 5.95
CT7305	CODE TAPE—5 WPM	\$ 4.95	BK7312	MAGIC OF HAM RADIO	\$ 4.95	BX1002	SHELF BOXES—8 AND UP	\$1.25 each	BK1198	VHF HANDBOOK FOR RADIO AMATEURS	\$ 6.95
			BK1033	MASTER HANDBOOK OF HAM RADIO CIRCUITS	\$ 8.95	BK1200	SIMPLE LOW COST WIRE ANTENNAS FOR RADIO AMATEURS	\$ 6.95	BK7370	WEATHER SATELLITE HANDBOOK	\$ 2.50
			BK7340	THE NEW HOBBY COMPUTERS	\$ 4.95	BK7311	SOME OF THE BEST FROM KILOBAUD	\$10.95	BK1202	WORLD PRESS SERVICE FREQUENCIES	\$ 5.95
			BK7383	THE NEW WEATHER SATELLITE HANDBOOK	\$ 8.95	BK7311	SOME OF THE BEST	\$ 7.95	BK1184	WORLD RADIO TV HANDBOOK	\$16.50
			CT7300	NOVICE THEORY TAPES	\$15.95	BK7351	SSB THE MISUNDERSTOOD MODE	\$ 5.50	BK7315	WORLD REPEATER ATLAS	\$ 9.95
			BK7310	OWNER REPAIR OF RADIO EQUIPMENT	\$ 7.95						

# READER SERVICE

This card is valid until October 31, 1982

A. Which of the following best describes your involvement in electronics?

1. Strictly a hobby                       3. Both hobby and business  
 2. Strictly business

B. Do you own a microcomputer?

1. Yes                       2. No

C. If you answered yes to Question B, which of the following applies:

1. I use my microcomputer entirely for amateur radio.  
 2. I use my microcomputer for several things, including amateur radio.  
 3. I don't use my microcomputer for amateur radio.

D. Which band(s) do you usually operate on?

1. 2                       4. 15                       7. 80  
 2. 6                       5. 20                       8. 160  
 3. 10                       6. 40                       9. Other \_\_\_\_\_

E. Which of the following best describes your interest in TVRO (satellite TV)?

1. I currently own a TVRO.  
 2. I will build or buy a TVRO in the near future.  
 3. I'm interested in learning more about satellite TV.  
 4. I am not interested in satellite TV.

F. How do you look at the ads in *73 Magazine*?

1. Look at almost all ads                       4. Look only at full page ads  
 2. Look at about half of the ads                       5. Look only at color ads  
 3. Look only at ads for certain products                       6. Don't look at ads

G. How do you rate the visual appeal of ads in *73 Magazine*?

1. Excellent                       3. Fair                       4. Poor  
 2. Good

H. I would like to see more of the following types of articles in *73 Magazine* (check all that apply)?

1. Equipment modifications                       6. Operating news  
 2. Simple construction articles                       7. Theory  
 3. Complex construction articles                       8. Beginner  
 4. Historical                       9. Humor  
 5. Antennas

I. What do you think of the saddle stitch binding now being used on *73 Magazine*?

1. Love it                       2. Ok, no better than the old binding                       3. Bring back the old binding  
 4. Don't care

J. Which amateur radio magazines do you read regularly

1. *73 Magazine*                       3. *Ham Radio*                       4. *CQ*  
 2. *QST*

K. How many issues of *73 Magazine* have you read during the last year?

1. 1-3                       3. 7-10                       4. 11 or 12  
 2. 4-6

Reader Service: Return this card to receive full information on the products advertised in this issue. Refer to the add. You will find numbers near the logo of each advertiser. Each represents the advertiser's individual Reader Service Number. Circle the corresponding numbers on the card on this page, include your name, address & zip, and drop in a mailbox. In 4-6 weeks you'll hear from the advertiser directly.

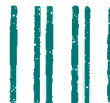
1	6	11	16	21	126	131	136	141	146	251	256	261	266	271	376	381	386	391	396
2	7	12	17	22	127	132	137	142	147	252	257	262	267	272	377	382	387	392	397
3	8	13	18	23	128	133	138	143	148	253	258	263	268	273	378	383	388	393	398
4	9	14	19	24	129	134	139	144	149	254	259	264	269	274	379	384	389	394	399
5	10	15	20	25	130	135	140	145	150	255	260	265	270	275	380	385	390	395	400
26	31	36	41	46	151	156	161	166	171	276	281	286	291	296	401	406	411	416	421
27	32	37	42	47	152	157	162	167	172	277	282	287	292	297	402	407	412	417	422
28	33	38	43	48	153	158	163	168	173	278	283	288	293	298	403	408	413	418	423
29	34	39	44	49	154	159	164	169	174	279	284	289	294	299	404	409	414	419	424
30	35	40	45	50	155	160	165	170	175	280	285	290	295	300	405	410	415	420	425
51	56	61	66	71	176	181	186	191	196	301	306	311	316	321	426	431	436	441	446
52	57	62	67	72	177	182	187	192	197	302	307	312	317	322	427	432	437	442	447
53	58	63	68	73	178	183	188	193	198	303	308	313	318	323	428	433	438	443	448
54	59	64	69	74	179	184	189	194	199	304	309	314	319	324	429	434	439	444	449
55	60	65	70	75	180	185	190	195	200	305	310	315	320	325	430	435	440	445	450
76	81	86	91	96	201	206	211	216	221	326	331	336	341	346	451	456	461	466	471
77	82	87	92	97	202	207	212	217	222	327	332	337	342	347	452	457	462	467	472
78	83	88	93	98	203	208	213	218	223	328	333	338	343	348	453	458	463	468	473
79	84	89	94	99	204	209	214	219	224	329	334	339	344	349	454	459	464	469	474
80	85	90	95	100	205	210	215	220	225	330	335	340	345	350	455	460	465	470	475
101	106	111	116	121	226	231	236	241	246	351	356	361	366	371	476	481	486	491	496
102	107	112	117	122	227	232	237	242	247	352	357	362	367	372	477	482	487	492	497
103	108	113	118	123	228	233	238	243	248	353	358	363	368	373	478	483	488	493	498
104	109	114	119	124	229	234	239	244	249	354	359	364	369	374	479	484	489	494	499
105	110	115	120	125	230	235	240	245	250	355	360	365	370	375	480	485	490	495	500

Name \_\_\_\_\_

Address \_\_\_\_\_

City \_\_\_\_\_ State \_\_\_\_\_ Zip \_\_\_\_\_

73



NO POSTAGE  
NECESSARY  
IF MAILED  
IN THE  
UNITED STATES

---

**BUSINESS REPLY MAIL**

FIRST CLASS PERMIT #29 P. O. BOX 326 DALTON MA 01226

---

POSTAGE WILL BE PAID BY ADDRESSEE

**73 MAGAZINE**

P.O. Box 326

Dalton, MA 01226-0326





# Better by the dozen.

1. **NEVER SAY DIE**—If you want controversy, Wayne Green W2NSD/1 will give it to you. His popular column ranges from travelogue to tirade and is guaranteed to entertain, inspire and enlighten you.
2. **DX**—This globe-trotting column keeps you informed about the news of the DX world from Kingman Reef to Bahrain.
3. **CONTESTS**—You get all the news on the contest world from Robert Baker WB2GFE. He'll give you information on upcoming events and results from recent contests.
4. **FUN**—Just for fun, John Edwards K12U provides you with wacky puzzles, quizzes, and games that test your ham mettle.
5. **FCC**—If you're looking to the future, these outtakes from the Federal Register chronicle changes in policy and regulations that relate to amateur radio.
6. **RTTY LOOP**—To keep you abreast of radioteletype developments, Marc Leavey WA3AJR explains the new RTTY equipment, the increasing role of computers in RTTY, and other matters of interest to digital communications fans.
7. **REVIEWS**—Before you buy, save yourself some money... check 73's in-depth evaluation of the latest gear.
8. **HAM HELP**—As a service to you, 73 prints your questions in our magazine. This helps you to obtain hard-to-get parts, schematics, and owner's manuals.
9. **SATELLITES**—From Phase III to TVRO, 73 Magazine covers the news of the satellite world like no other radio amateur magazine.
10. **NEW PRODUCTS**—This brief look at the latest ham equipment on the market keeps you on top of new developments in amateur radio.
11. **AWARDS**—To find out what certificates are available where, read Bill Gosney KE7C's coverage of all the ham radio awards.
12. **CONSTRUCTION**—The builder's magazine... that's 73. You get the best projects from the best authors every month.

Send me a dozen issues of  
**73** MAGAZINE  
 for the dozen reasons listed!

Check enclosed for 1 year for only \$19.97

Bill:  MC  VISA  AMEX  ME

Card# \_\_\_\_\_ Interbank# \_\_\_\_\_

Exp. date \_\_\_\_\_ Sig \_\_\_\_\_

Name \_\_\_\_\_

Address \_\_\_\_\_

City \_\_\_\_\_ State \_\_\_\_\_ Zip \_\_\_\_\_

Canada & Mexico \$22.97 1 year U.S. funds

Foreign surface \$39.97 1 year U.S. funds drawn on US bank only  
 Foreign airmail—please inquire.

329B6

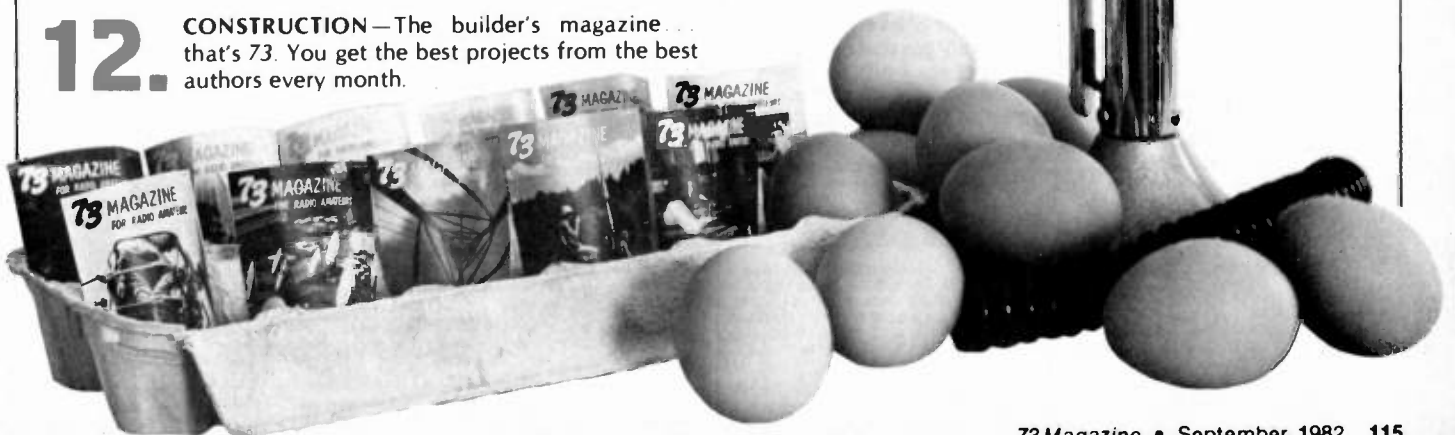
73 Magazine • PO Box 931 • Farmingdale, NY • 11737

## 73 MAGAZINE FOR RADIO AMATEURS

Subscription Department  
 P.O. Box 931  
 Farmingdale, NY 11737

**1-800-258-5473**

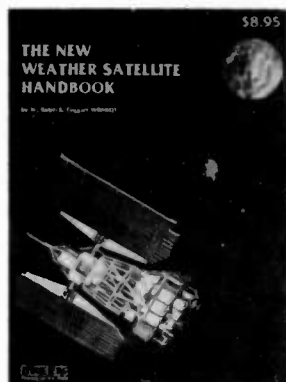
For orders only please.  
 Foreign air mail, please inquire.



# Radio Bookshop

NEW from **73**

## THE NEW WEATHER SATELLITE HANDBOOK



BY DR. RALPH E. TAGGART

Here is the completely updated and revised edition of the best-selling **Weather Satellite Handbook**—containing all the information on the most sophisticated and effective spacecraft now in orbit. Dr. Taggart has written this book to serve both the experienced amateur satellite enthusiast and the newcomer. The book is an introduction to satellite watching, providing all the information required to construct a complete and highly effective ground station. Not just ideas, but solid hardware designs and all the instructions necessary to operate the equipment are included. For the thousands of experimenters who are operating stations, the book details all procedures necessary to modify their equipment for the new series of spacecraft. Amateur weather satellite activity represents a unique blend of interests encompassing electronics, meteorology and astronautics. Join the privileged few in watching the spectacle of earth as seen from space on your own monitoring equipment. Order BK7383 \$8.95

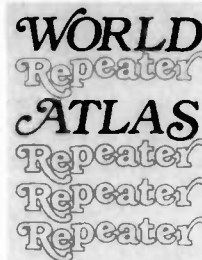
**SAVE \$2.95**

### WEATHER SATELLITE HANDBOOK (first edition)

By Dr. Ralph E. Taggart WB8DQT. Valuable information in this first edition is *not included* in Dr. Taggart's just published book, **The New Weather Satellite Handbook** (see above). Chapters such as "How to Build an Electric Timer for Satellite Tracking" and "Building an Automatic Control for the Satellite Receiving Station" will no longer be available when this edition is out of print. This is a good entry level text for those discovering the exciting new use of weather satellites. Regular price: \$4.95. **SPECIAL PACKAGE PRICE—BOTH BOOKS FOR ONLY \$10.95, SAVE \$2.95!** (This offer available only while supplies last.) Order WS7300 and receive both editions of the **Weather Satellite Handbook** for only \$10.95 (plus \$1.00 shipping and handling charge).

\*Use the order card in this magazine or itemize your order on a separate piece of paper and mail to: 73 Radio Bookshop • Peterborough NH 03458. Be sure to include check or detailed credit card information. Add \$1.50 first book, \$1.00 each additional book, \$10.00 per book foreign airmail. Note: Prices subject to change on books not published by 73 Magazine. Questions regarding your order? Please write to Customer Service at the above address. Please allow 4-6 weeks for delivery. No C.O.D. orders accepted. For Toll Free ordering call 1-800-258-5473.

From **73** = MAGAZINE  
**THE MOST UP-TO-DATE REPEATER ATLAS AVAILABLE!**



**INCLUDES:**

- LISTINGS BY STATE AND COUNTRY
- LISTINGS BY FREQUENCY
- MAPS FOR EACH STATE
- 28 MHZ THROUGH 1296 MHZ
- PERFECT FOR MOBILING
- WORLD REPEATER ATLAS—BK7315—Completely updated, over 230 pages of repeater listings are indexed by location and frequency. More than 50 maps pinpoint 2000 repeater locations throughout the USA. Foreign listings include Europe, the Middle East, South America and Africa. \$4.95.

**IN STOCK AND READY TO SHIP**

\*Use the order card on the Reader Service page of this magazine or itemize your order on a separate piece of paper and mail to: 73 Radio Bookshop • Peterborough NH 03458. Be sure to include check or detailed credit card information. No C.O.D. orders accepted. Add \$1.50 handling charge for the first book; \$1.00 for each additional book. Questions regarding your order? Please write to Customer Service at the above address. Please allow 4-6 weeks for delivery.

**FOR TOLL FREE ORDERING CALL 1-800-258-5473**

NEW From **73** MAGAZINE

### THE 1982 EDITION GENERAL LICENSE STUDY GUIDE

by Timothy M. Daniel N8RK

This is the complete guide to the General License. Learning rather than memorizing is the secret. This is not a question-and-answer guide that will gather dust when the FCC issues a new test. Instead, this book will be a helpful reference, useful long after a ham upgrades to General. Includes up-to-date FCC rules and an application form.

ORDER yours today and talk to the world.  
SG7358 \$6.95

Please call regarding availability

\*Use the order card on the Reader Service page of this magazine or itemize your order on a separate piece of paper and mail to: 73 Radio Bookshop • Peterborough NH 03458. Be sure to include check or detailed credit card information. No C.O.D. orders accepted. Add \$1.50 handling charge for the first book; \$1.00 for each additional book. Questions regarding your order? Please write to Customer Service at the above address. Please allow 4-6 weeks for delivery.

**FOR TOLL FREE ORDERING  
CALL 1-800-258-5473**

# Wayne Green Books

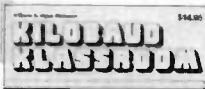
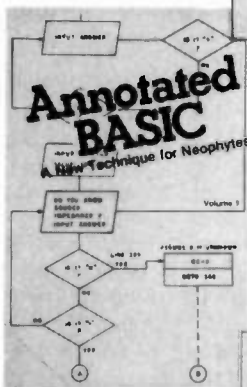
NEW  
ARRIVALS

## TEXTEDIT

a complete  
word processing  
system in kit  
form.

by  
Irwin Rappaport

WAYNE GREEN  
PUBLICATION



Learn Digital  
Electronics While  
Building Your Own  
Computer!

By George Young  
and Peter Stark



## TEXTEDIT—A Complete Word Processing System in kit form

by Irwin Rappaport

TEXTEDIT is an inexpensive word processor that you can adapt to suit your needs, from writing form letters to large texts. It is written in modules, so you can load and use only those portions that you need. Included are modules that perform:

- right justification
- ASCII upper/lowercase conversion
- one-key phrase entering
- complete editorial functions
- and much more!

TEXTEDIT is written in TRS-80® Disk BASIC, and the modules are documented in the author's admirably clear tutorial writing style. Not only does Irwin Rappaport explain how to use TEXTEDIT; he also explains programming techniques implemented in the system. TEXTEDIT is an inexpensive word processor that helps you learn about BASIC programming. It is written for TRS-80 Models I and III with TRSDOS 2.2/2.3 and 32K.

**BK7387 \$9.97 Disk Available DS7387 \$19.97**

ISBN 0-8806-050-6

## Annotated BASIC—A New Technique for Neophytes.

BASIC programming was supposed to be simple—a beginner's programming language which was so near to English that it could be easily understood. But, in recent years, BASIC has become much more powerful and therefore much more difficult to read and understand. BASIC simply isn't basic anymore.

*Annotated BASIC* explains the complexities of modern BASIC. It includes complete TRS-80® Level II BASIC programs that you can use. Each program is annotated to explain in step-by-step fashion the workings of the program. Programs are flowcharted to assist you in following the operational sequence. And—each chapter includes a description of the new concepts which have been introduced.

*Annotated BASIC* deals with the hows and whys of TRS-80 BASIC programming. How is a program put together? Why is it written that way? By observing the programs and following the annotation, you can develop new techniques to use in your own programs—or modify commercial programs for your specific use.

*Annotated BASIC Volume 1* contains Projecting Profits, Surveyor, Things to Do, Tax Shelter, Introduction to Digital Logic, Camelot, The Soundex Code, Deduction, Op Amp, Contractor Cost Estimating.

**BK7384 \$10.95** ISBN 0-88006-028-X

**AVAILABLE NOW!**

*Annotated BASIC Volume 2* contains Rough Lumber List, Trip Mileage, Flight Plan, OSCAR Data, SWR/Antenna Design, Supermaze, Petals Around the Rose, Numeric Analysis, Demons, Air Raid, Geography Test, Plumbing System Design.

**BK7385 \$10.95** ISBN 0-88006-037-9

Order Both Volumes and Save! **BK738402 \$18.95**

## KILOBAUD KLASROOM—

A practical course in digital electronics

By George Young and Peter Stark

Learning electronics theory without practice isn't easy. And it's no fun to build an electronics project that you can't use. *Kilobaud Klassroom* the popular series first published in *Kilobaud Microcomputing*, combines theory with practice. This is a *practical* course in digital electronics. It starts out with very simple electronics projects, and by the end of the course you'll construct your own working microcomputer!

Authors Young and Stark are experienced teachers, and their approach is simple and direct. Whether you're learning at home or in the classroom, this book provides you with a solid background in electronics—and you'll own a computer that you built yourself!

*Kilobaud Klassroom* contains Getting the Ball Rolling, Gates and Flip-Flops Explained, J.K. Flip-Flops and Clocked Logic, PC Boards and Power Supplies, Hardware Logical Functions, Voltage, Current and Power Supplies, Transistors, Diodes and OP Amps, Pulses and More Pulses, Counters and Registers, Bus Traffic Control, ROM and RAM Memories, I/O Circuitry, Parallel and Serial I/O Ports, Computer I/O III, Computer I/O IV, Computer I/O V, Processor Connections, Finally... The Kilobaud Crescendo, Eproms and Troubleshooting, Expansions and Programming, Machine Language Programming, Assembly-Language Programming, Connecting to the Outside World.

ISBN 0-88006-027-1 **AVAILABLE NOW! BK7386 \$14.95**

## THE NEW WEATHER SATELLITE HANDBOOK—

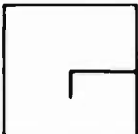
By Dr. Ralph E. Taggart WB8DQT—

Here is the completely updated and revised edition of the best-selling *Weather Satellite Handbook*—containing all the information on the most sophisticated spacecraft now in orbit. Dr. Taggart has written this book to serve both the experienced amateur satellite enthusiast and the newcomer. This book is an introduction to satellite watching, that tells you how to construct a complete and highly effective ground station. Not just ideas, but solid hardware designs and all the instructions necessary to operate the equipment are included. An entire chapter is devoted to microcomputers and the *Weather Satellite Station*, and for the thousands of experimenters who are operating stations, *The New Weather Satellite Handbook* details all the procedures necessary to follow the current spacecraft.

*Weather Satellite* contains Operational Satellite Systems, Antenna Systems, Weather Satellite Receivers, A Cathode Ray Tube (CRT) Monitor for Satellite Picture Display, A Direct-Printing Facsimile System for Weather Satellite Display, How to Find the Satellite, Test Equipment, Microcomputers and the Weather Satellite Station, Station Operations.

ISBN 0-88006-015-8 available now! **BK7383 \$8.95**

\*TRS-80 and TRSDOS are trademarks of the Radio Shack Division of Tandy Corporation.



FOR TOLL-FREE ORDERING CALL 1-800-258-5473  
WAYNE GREEN BOOKS • PETERBOROUGH NH 03458

Use the order card or itemize your order on a separate piece of paper and mail to Wayne Green Books Attn: Sales • Peterborough NH 03458. Be sure to include check or detailed credit card information. (Visa, Master Charge or American Express accepted.) No C.O.D. orders accepted. All orders add \$1.50 for the first book, postage and handling; \$1.00 each additional book; \$10.00 per book foreign air mail. Please allow 4-6 weeks after publication for delivery. Questions regarding your order? Please write to Customer Service at the above address.

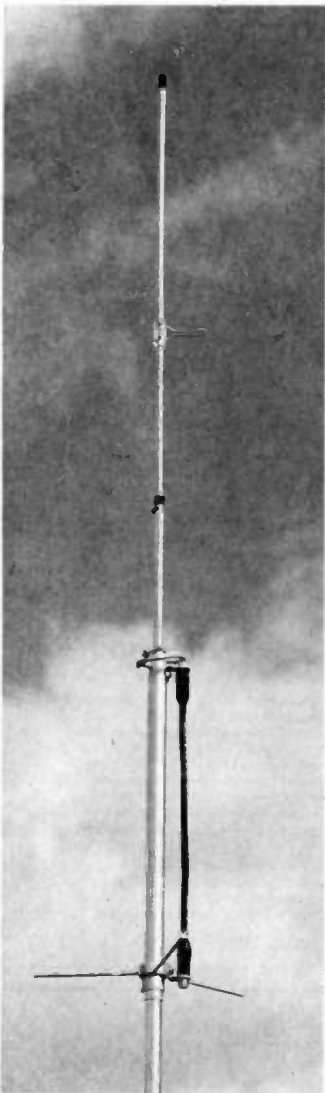


# NEW PRODUCTS

## BASE STATION ANTENNA

Ringo Ranger II is the newest addition to the Cushcraft line of Proline base station antennas. This improved model has 5.5 dB gain with an additional 5/8-wave section and decoupling radials for a low angle of radiation. All Ringo Ranger II antennas are broadband and easily field-tuned for quick installation. They are made from aluminum, with stainless steel hardware.

There are models covering the frequency range from 146-512 MHz. The Ringo Ranger II is priced at \$49.95. For more information, contact *Cushcraft Corporation*, PO Box 4680, Manchester NH 03108; (800)-258-3860. Reader Service number 479.



*Cushcraft's Ringo Ranger II base station antenna.*

## CALLSIGN DISPLAY

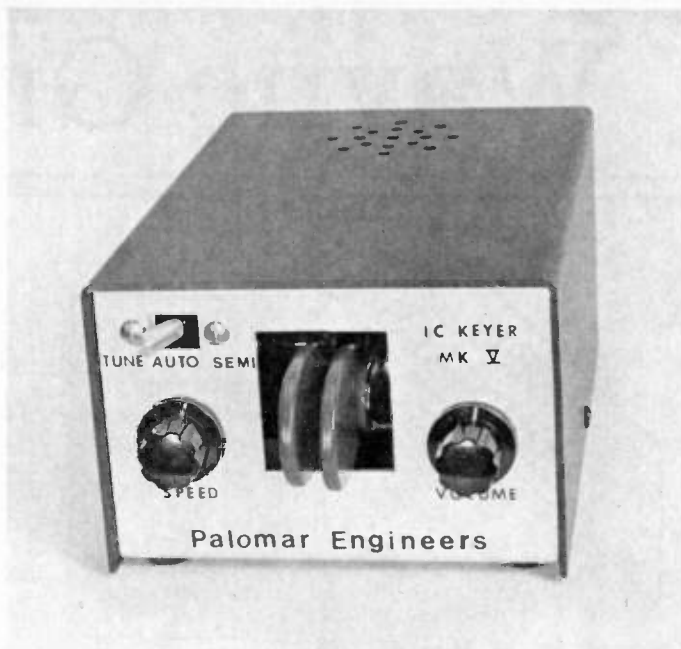
G & T Service Company offers a 3" x 8" callsign display. It is available with black, blue, red, green, or woodgrain background and white letters, or a white or yellow background with black letters. G & T also offers a clear Plexiglas™ holder. The callsign display sells for \$6.00 plus shipping. For more information, contact *G & T Service Company*, 3210 N. County Line Road, Farwell MI 48622. Reader Service number 476.

## ICOM IC-740 HF TRANSCEIVER

The Icom IC-740 is a versatile transceiver with front-panel or top controls that allow access to all operating functions. Adjustable receiver parameters include rf preamp, rf gain, noise blanker (width and level) i-f shift, passband tuning, crystal filter in/out, notch filter, agc (time constant and on/off), squelch, tone, and audio gain. Transmitter controls are mike gain, VOX, compressor, and power (10-100 W). The IC-740 includes capability for operating in the FM mode.

The frequency synthesis network includes dual vfo's with three tuning rates, split operation, and memory. Analog control of frequency with the incremental tuning on either TX, RX, or both. Full metering of receive-signal strength, transmit-relative rf output, compressor level, ALC and collector current, plus a built-in swr meter.

A large selection of options



*Palomar Engineers' MK V electronic keyer.*

allows tailoring the IC-740 to your needs: a frequency marker, FM module, built-in electronic keyer, two 9-MHz i-f CW filters, three 455-kHz i-f CW filters, and optional internal power supply. The suggested base price for the IC-740 is \$1099.

For more information, contact *Icom America*, 2112 116th Ave. NE, Bellevue WA 98004.

## PALOMAR ENGINEERS' ELECTRONIC KEYS

Palomar Engineers has announced the new IC keyer, the MK V. It features a 1-Ampere silver contact relay output that will key all ham rigs and most shipboard transmitters. It keys either polarity without change of jumpers.

The keyer features the fully-adjustable Ham-Key paddle and Curtis IC. It is available with

either standard operation or type-B action. The keyer has a sidetone oscillator, speaker, volume and speed controls, mode switch, and an internal pitch control. It operates from a clip-on 9-volt battery for complete portability, or you can use a 9- or 12-volt dc power supply.

The MK V sells for \$132.50 plus shipping/handling. For more information, contact *Palomar Engineers*, 1924-F West Mission Road, Escondido CA 92025.

## AUTOCONNECT'S AUTOPATCH

AutoConnect introduces Private Patch. Since Private Patch does not employ the sampling technique, there are no repetitious squelch tails. In addition to simplex capability, AutoConnect's technique of audio and digital signal processing also permits operation through repeaters.

A five-digit user-programmable access code and long distance/operator-restrict switch protect your phone bill. A front-panel ringback switch permits incoming calls when desired.

Additional features are CW identification and a six-minute shut-down timer with reset code for additional talk time.

The Private Patch's introductory price is \$489. For additional information, contact *AutoConnect*, PO Box 4155, Torrance CA 90510. Reader Service number 477.



*The Icom IC-740 transceiver.*

## THE GLOBAL SPECIALTIES SOLDERLESS BREADBOARD

Designed specifically for microprocessor applications, the new PB-105 solderless breadboard from Global Specialties Corporation contains five binding posts, 18 distribution buses, and six solderless breadboarding sockets. The 9.2" x 11.4" x .05" (234 x 290 x 1.3mm) "Superboard" offers 50 percent more breadboarding area (up to 48 14-pin ICs) than the next smaller size.

Conductive spring clips within the breadboard body securely grasp component leads and connecting wires. Parts plug in and pull out without damage. Vinyl feet are mounted to the underside of the backplate to prevent slipping or damage to the bench top.

Proto-Board assemblies are engineered for use in design, test fixturing, quality control, prototyping, evaluation inspec-

tion, and custom circuit applications. Suggested US resale price is \$115.50.

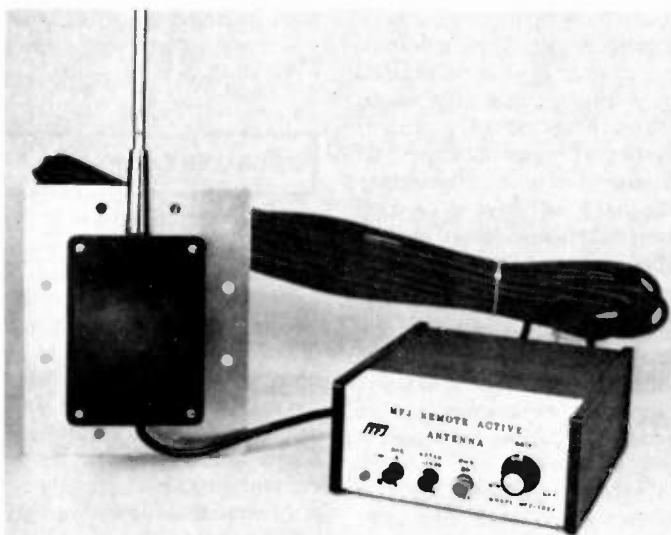
For further information, contact *Global Specialties Corporation, 70 Fulton Terrace, New Haven CT 06509; (203)-624-3103*. Reader Service number 484.

## MFJ ACTIVE RECEIVING ANTENNA

MFJ has introduced a new active outdoor receiving antenna with outdoor whip that gives reception of 50-kHz to 30-MHz signals. At lower frequencies, it is equivalent to an outside wire antenna hundreds of meters long. At high frequencies, it has high-gain amplifying action.

A high-dynamic range rf amplifier is mounted at the antenna for maximum signal-to-noise ratio. A 20-dB attenuator switch on the control unit prevents receiver overload.

The new antenna comes com-



The MFJ outdoor active receiving antenna.

## CORRECTION

Please note that the TMAC Products weather station mentioned in our July issue (page 106) is powered by 115 volts (*not* 155 volts as stated).

plete with a 50-foot coax cable with connector. It is available from MFJ Enterprises, Inc., for \$129.95 plus shipping and handling.

For more information, contact *MFJ Enterprises, Inc., PO Box 494, Mississippi State MS 39762*. Reader Service number 478.

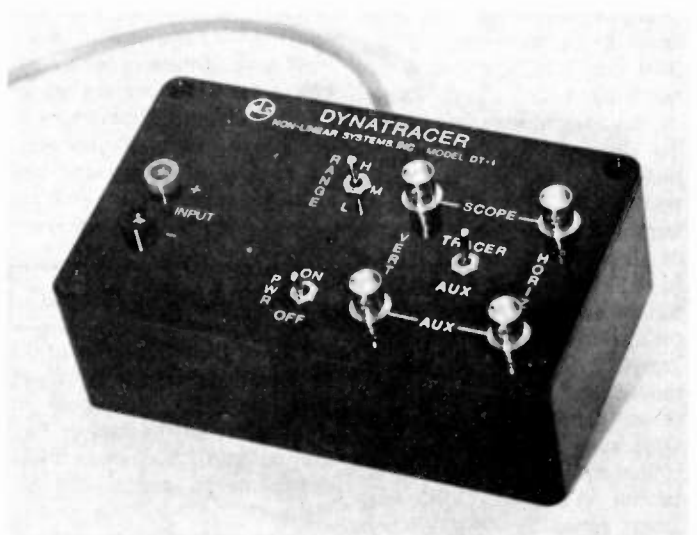
## THE DYNATRACER DT-1 CIRCUIT ANALYZER

Non-Linear Systems, Inc., has added the DT-1 Component Signature Analyzer as a companion to its line of miniscopes. Designated the DT-1, the instrument has a capability as an in-circuit tester producing displays distinctive to the particular component or circuit being tested with-

out the application of power to the circuit under test. DT-1 can be used with any oscilloscope equipped with an X-Y input.

The unit will display on the associated oscilloscope screen waveform pattern the condition of any component or group of components within a circuit. Accessories include a test-lead assembly, BNC-to-BNC cables for attachment to scope, and a unique component test adapter for testing radial-lead components without test leads.

The price for the DT-1 is \$150. For more information, contact *Non-Linear Systems, Inc., PO Box N, Del Mar CA 92014*. Reader Service number 481.



The Dynatracer DT-1 circuit analyzer.

# LETTERS

## PRO CODE

I just wanted to get my two cents in on dropping the code as mentioned in Wayne's editorial. Like the column "Never Say Die," in my opinion, "the code never will." Code has always been a great part of ham radio and I hope it stays. Code is a language everyone can enjoy and communicate by. It took me

quite some time to learn it, I grant you, but I stuck with it. If you want something bad enough, you can do it—and with great satisfaction.

Sounds like code came very easy for you—5 wpm in one hour. You must not have enjoyed something coming so easily, since now you feel code should be abolished. My spelling is terrible and I learn slowly.

But I made my Extra and sure am proud of it. And if I can do it, most anyone can.

I'm sure glad Garth Evans is on our side of the fence. Like Garth said, "you have to dangle a carrot in front of the horse to get more privileges." Wayne, you say Bash is cheating, but are you sure you're not getting some kickback from Bash? Because with no code test, all you have to do is buy a Bash book, read a few hours, and you'll have your ham ticket. By the sounds of it, Wayne, you would like to see the ham bands turned into another 11 meters (chicken band). Well, that's my

two cents. All in all, Wayne, you have a great magazine, but not all your opinions are great.

Ron Ostman KA0AYN  
Eden Prairie MN

*Ron, I admit that my opinions may not seem all that great if you ignore most of what I write and take little bits out of context and try to argue about them without mentioning the rest. Never have I ever suggested doing away with the code test and then leaving everything else the same. I guess you just read little parts of what I write and then wonder why I am not clear in my thoughts. You must really think I*

am stupid if you think I want any of our ham bands to be like a CB channel. No, whenever I suggest canning the code, I also tie with it a much more serious technical exam, one which Bash will be unable to compromise. We have what is supposed to be a technical hobby, not a skill hobby, and the entry exam should reflect this.—Wayne.

#### NO CODE

I've read and reread your thoughts about code-free amateur licenses in the March issue of your mag, and hope someone out there listens to you. I've wanted to become a ham since I got into electronics in 1946 (remember the old jokes about the "drip pan for the grid leak?") but have simply no interest in learning Morse code. The technical side of ham radio and electronics in general is fascinating to me, and I spend much of my free time working up a new circuit I've seen somewhere or trying to keep up on technical reading (that could be a full-time job nowadays!). Of course, 73 occupies a few hours every month.

I designed high-fidelity amplifiers back in the '40s when nobody else knew what I was talking about and thought I was kind of nutty. I made the transition to solid-state with only mild trauma. I even went the CB route for a short while, but gave it up. They are, generally, foul-mouthed rednecks with IQs in the low 80s or so. There are some exceptions, sure, but they are too rare. I have a lot of reading and research to do on TVRO now (great series by WA4CVP and WA4OSR you've been running lately), so I'll take out my frustrations on the microwaves. Keep up the good work.

Jim White  
Sacramento CA

#### WELFARE ATTITUDE

Here I am again, reading the June 73 Letters column. Seems as though you continue to bash away at Bash, and your no-code license controversy goes on unabated.

Assume for the moment that you get your way. The most obvious question is, how do you propose making your theory test Bashproof?

As for the club idea, it has been my observation that most clubs, no matter how enthusias-

tic they start out, soon deteriorate into the usual 5% doers and 95% hangers on. It would seem that the result would be to put into the hands of a few elitists the power to decide who gets a license. A disinterested FCC bureaucrat hiring is probably best qualified to apply the rules equally to all applicants.

I think the basic problem lies not specifically with ham radio, but with our society in general. Only when the pride of personal accomplishment replaces the welfare attitude will Bash die and amateur radio grow—no matter what the entrance requirements.

Henry Testa KB6PM  
San Diego CA

Henry, it isn't our society that is different. . . people have always been like that. People do things because they enjoy them and feel some sense of responsibility and accomplishment. The more we get people involved in amateur radio with responsibilities, the more enthusiasm I think we'll have. Amateurs who have been around for ten years can remember the real enthusiasm of the FM and repeater pioneers. Clubs formed all around the country. We had growth, enthusiasm, and excitement.—Wayne.

#### EMERGENCY SYSTEMS

I have been a reader of 73 since Wayne started it in Brooklyn NY, and have been an avid reader of the "Never Say Die" column. I must make a few comments on your June, 1982, issue.

You are advocating a national policy for emergency communications, which, by the way, I agree with with only one difference. I am afraid, Wayne, that our equipment is becoming so complex and sophisticated that very few hams have the capability and know-how to maintain/service same. In a real emergency, when the big national/military systems have gone up in atomic smoke, most of our present equipment will have gone the same way through the action of EMP (see AK0Q's article in the same issue). This guy knows something that few hams know.

I am retired now but have been involved in military communications planning for many years and have come across this subject many times. Much

of the material is still in the Top Secret drawers. While the military can replace its black boxes because they have thousands in reserve and cost is no object, the poor ham is out of business when all our beautiful idiot lights are out. I suggest you give this some thought and, instead of advocating more sophisticated emergency equipment, let's think of survivability also. The only way to survive in my opinion is if hams can maintain their own equipment with minimum reliability on the manufacturer. Yes, I am thinking the unthinkable. Emergency equipment should be simple tube equipment, with at least one of each tube on the shelf in reserve. Above all, it should be maintainable.

Also, Wayne, let's face it: If the unthinkable ever happens, there will be no power and no gas for our gas-guzzling generators, so all of our emergency equipment should be battery-operated with, perhaps, a solar trickle charger. Some enterprising company might be induced by you to engineer a packaged transceiver/battery power system at reasonable cost and simple to maintain, remembering that it will have to be used and maintained when all has gone up in smoke.

I am sure that there are enough amateurs in every state to organize a truly compatible national emergency system. With your persuasive powers and 73 Magazine, I am sure it can be done. I am truly interested in seeing such a system established, because I know that should the big cloud ever rise over New York, Washington DC, Chicago, etc., etc., all other systems will be down. There will be no power, no telephone, no commercial radio, and no transportation. Only a truly compatible, maintainable amateur system can survive.

Hope to hear more on this most important subject from you. Keep up the good work, Wayne. We need more like you.

Arnold Samuels KH6COY/7  
Ocean Shores WA

Oh, I'm familiar with EMP, those electromagnetic pulses which accompany nuclear bombs. Getting information on the subject is difficult, but there have been some good articles in the more technical

journals. It appears that unless we are hit close enough so we won't be around to worry about it, most of our solid-state ham gear will survive. . . particularly if it is not connected to an outside antenna. One of the nice things about solid-state equipment is its ability to run from twelve volts. Now, we may have a shortage of 120 V ac to run tube equipment, but it is going to be a long time before we run out of 12-V dc sources. You can even run transistor equipment from solar cells if you have to, but forget it with tubes. If you are worried about servicing the more complicated electronics, I suggest you turn the job over to a teenager, if you can find one. You've been spending too much time in the company of old-timers who are afraid to even try to fix transistor and IC circuits. Kids plunge right in and have a ball. . . and fix them. I can remember back to my early days in amateur radio when I built anything I wanted, fixed anything, and had a ball.—Wayne.

#### EX-DEALER CONFESSIONS

I was an amateur radio dealer. After many years of screwing around with the hobby, I found myself on the other side of the counter. The excitement was profound and when our first big order arrived, you can imagine the feeling. I mean, gosh, golly, see, I can open any one of those boxes and play to my heart's content. Anyone else would call it a mental disease but we call it being a "ham."

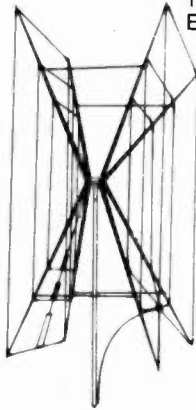
Imagine what it was like getting ready for opening day. All the expectations were there in full force. The doors went open, the phone was activated, and the ads were placed. And they came, saying, "Hey, this is great—we have a real ham store in town!"

For a few weeks, it was, without a doubt, the peak of my long involvement with ham radio. What ham could ask for anything more? Then it started to happen. "Can't you fudge the tax for me?" "How about a better discount?" "Can't you ship the box to a friend in Pennsylvania and let me take the rig?" I actually shipped a cinder block in a Yaesu box to PA. Guess what happened. The damned block broke up, UPS



**GEM-QUAD FIBRE-GLASS  
ANTENNA FOR 10, 15, and 20 METERS**

Two Elements \$215.00  
Extra Elements \$154.00



Price is  
F.O.B. Transcona

**INCLUDES U.S.  
Customs Duty**

**KIT COMPLETE  
WITH**

- SPIDER
- ARMS
- WIRE
- BALUN KIT
- BOOM WHERE  
NEEDED

2 element 2-meter Quad N/C on request, introductory offer with purchase of quad.

WINNER OF MANITOBA DESIGN  
INSTITUTE AWARD  
OF EXCELLENCE

Buy two elements now — a third  
and fourth may be added later with  
little effort.

Get a maximum structural strength  
with low weight, using our "Tride-  
tic" arms.

**GEM QUAD PRODUCTS**

Transcona, Manitoba, Canada R2C 2Z5  
Box 53 Telephone (204) 866-3338

**GLB  
HIGH PERFORMANCE  
PRESELECTORS**

MODEL P50 to P500



- 50 - 500 MHz
- Ultimate rejection over 80 dB
- Five large helical resonators
- Low noise
- High overload resistance
- Typical rejection figures:  
± 600 kHz at 144 MHz: -30 dB  
± 1.6 MHz at 220 MHz: -40 dB  
± 5 MHz at 450 MHz: -45 dB
- The solution to interference, intermod and desens problems on repeaters
- 12V DC operation
- Dimensions only 1.6 x 2.6 x 4.75 excluding connectors
- Custom tuned to your frequency
- Low cost — only \$69.95
- Allow \$2.00 for shipping and handling

We have a complete line of transmitter and receiver strips and synthesizers for Amateur and commercial use. Write or call for our free catalog.

We welcome MasterCard or VISA

**GLB ELECTRONICS**

1952 Clinton St., Buffalo, N. Y. 14206  
1-(716) 824-7936, 9 to 4 ✓143

**SATELLITE  
TELEVISION  
SYSTEMS**



PB RADIO SERVICE  
1950 East Park Row  
Arlington, TX 76010  
✓404

- \* PRODELIN 10' ANTENNA  
8 peice for easy shipping/Injection molded for precision
- \* CHAPARRAL POLAROTOR  
Changes polarity in less than half a second/Feed & LNA never moves
- \* DEXCEL RECIEVER  
Great looks/Great performance/2 YEAR WARRANTY/  
Dentent tuning/ Built in modulator
- \* DEXCEL 120° L.N.C.  
Eliminates need for old fashioned LNA/2 YEAR  
WARRANTY/Best LNC made

\*ALSO AVAILABLE

- 1900 to 2500 MHz Microwave Downconverters  
Kit.....\$28.50  
Assembled.....\$48.50  
SLOTTFD ARRAY ANTENNA.....\$21.95  
COMMERCIAL M.D.S. SYSTEM.....\$169.95

CALL ORDER DEPT. TOLL FREE:  
(800) 433-5169

INFORMATION CALL:  
(817) 460-7071



\*ALSO AVAILABLE  
UHF T.V. DECODER,  
F-V 3 BOARDS,  
PARTS & INFORMATION

**FT101 TS520 TS820  
FILTER CASCADING**

Probably the most popular units ever produced, these solidly built transceivers were built to LAST. If you can live without gadgetry, why replace your reliable time-tested rig with a costly new model? Especially since you can easily make your receiver equal in selectivity and ultimate rejection to any now on the market with an inexpensive

**Fox-Tango Filter Cascading Kit!  
CONSIDER THESE FEATURES**

- Easy installation - 30 mlnute average.
  - No drilling, switching, alignment.
  - Results of 16 poles of filtering:  
Filter Shape Factor as high as 1.19.  
Ultimate Rejection better than 100dB.  
Works wonders on SSB; improves CW.
  - Compensates for Filter Insertion loss.
  - Complete instructions, clear diagrams.
  - No RX audio impairment, TX unaffected.
  - Fits all models of Series - any letter.
  - 10% off if any four are ordered at once.
- TS520 Series Order Kit No. 520K . . . . \$70  
TS820 Series: Order Kit No. 820K . . . . \$70  
FT101 Series (not ZD): Order Kit No. 4K . . . \$75  
FT101ZD Series: Order Kit No. 4K-ZD . . . \$75  
Prices include shipping to U.S. & Canada;  
Overseas Air \$5. Florida Sales Tax: 4%  
All kits include a genuine 8-pole top-quality FT Filter, improved cascading/mini-amp circuit board, all needed parts, cables, and detailed instructions.

In addition to the above, Fox-Tango features cascading kits for the FT-901/2 (\$65), FR-101 (\$55), Heathkit SB104A (\$60). Also a wide line of SSB, CW, AM, and special filters for Yaesu, Kenwood, Drake R4C and 7-Line, Heathkit, and Collins 75S-3B/C.

**NEW! TS830S and R820 KITS**

TS830 and R820 owners who have replaced their 1st and 2nd IF filters with a Matched Pair of 2.1KHz Fox-Tango filters enthusiastically report the following:

"... VBT now works as I dreamed it should ..."  
"... Results are almost unbelievable ..."  
"... Spectacular SSB RX performance ..."  
"... I no longer need a CW Filter ..."  
(Names on Request)

Tests prove that high quality Fox-Tango 8-pole discrete-unit Crystal Filters are notably superior to the original units, especially the modest 455KHz second IF ceramic unit. Substitution of Fox-Tango filters result in a bandwidth of 1.9KHz at -6dB, a shape factor of 1.2, and Ultimate Rejection of at least 110dB!

(Independent Report available upon request.)  
Regular Price: \$55 + \$125 = \$180 + shipping  
**INTRODUCTORY PRICE (Complete Kit) . . \$150**  
Includes Matched Pair of Fox-Tango Filters

All cables, parts, detailed instructions  
**10% Quantity Discount Applies**  
Genuine Fox-Tango crystal filters are guaranteed for **ONE YEAR**. Beware of cheap imitations; they are no bargain! Don't be fooled.

**GO FOX-TANGO — TO BE SURE!**

ORDER by Mail or Telephone. Pay by Visa, MC, M.O., Check (US\$), Cash, or C.O.D.

AUTHORIZED EUROPEAN AGENTS  
Scandinavia: MICROTEC, Makedent 26,  
3200, Sandefjord, NORWAY  
Other: INGOIMPEX, Postfach 24 49,  
D-8070, Ingolstadt, W. GERMANY

**FOX TANGO CORPORATION**

Box 15944S W. Palm Beach, FL 33406  
Phone: 1-305-683-9587 ✓323

opened it and discovered the contents, and sent an inspector to investigate! Needless to say, I felt like a jerk and had a hard time explaining that one. I said it was just a joke. Dumb people do dumb things.

Then came the advent of CB. Not normal CB, but HF CB. All of a sudden, strange people were selling the same equipment I was—out of their garages and basements. I was one of those high-minded nincompoops who refused to sell to the HFers and required a ham license in order to buy a transmitter. Although I was able to purchase the equipment cheaper than these pseudo-dealers, I couldn't fudge the tax and I wouldn't "clip the brown wire" and cater to those illegal operators. You can see right there that I was never gonna make any money.

I would go to a hamfest in my own state and have to stand there like a jerk while an out-of-state dealer beat me out by not charging sales taxes! Complaining didn't do any good. Finally, after I went out of business, all hell broke loose at the Rochester hamfest. The state was wrong in their tactics but right in principle. Everyone in New York State lives with sales taxes and I don't see any of them pounding on the walls. It's ridiculous for hams to expect special consideration just because they're hams. If I was a hot-shot model-airplane enthusiast, I don't think I could expect to be exempt from sales taxes because my little airplane could fly typhoid serum across a flooded river in an emergency. We all do what we can.

When you operate a business, you're faced with all sorts of expenses. Aside from the normal bookwork, you have the state and federal government taking up a good percentage of your time. Then there's the overhead in keeping a walk-in showroom going. Insurance, upkeep, test equipment, tools—the list goes on and on.

Then there is "salesmanship." I'm a technical type and always tried to give the inexperienced the benefit of my knowledge. Unfortunately, most hams are already "experts" and no matter what you tell them, they know more than you do or their "buddy" does. The real culprit is the attitude of most amateurs. There was once a day when the amateur was accepted as a fairly knowledgeable radio

type. He got discounts at the local radio store. Today, it's a different story. Amateur radio is a limited, special-interest hobby and is treated as a consumer item by the big importers.

The majority of rigs (at that time) were being sold to the HFers and not the hams. That was the era of the "Big Boom." This consumerism approach forced prices down and discounts were given because of the competition (via the 800 numbers). It was no longer feasible to keep an open showroom for people to come in, try the gear, make their decision on what to buy, and then call an 800 number and order to beat the tax. To make a long story short, the doors were closed.

I will be the first to agree that price is important. The only useful purpose of a local dealer is convenience—providing the opportunity to inspect and try the gear you're interested in and being there for service. But hams don't care about paying for service or convenience. After all, the manufacturer provides a warranty.

The only way any dealer can make it is to rely on mail-order sales or locate in a highly populated area. More significant is the realization that all this could end should the manufacturers and importers decide that they don't need dealers. Since they are providing the warranty anyway, they could install an 800 number and take over sales. Once the majority of the big outfits did this, they would have absolute control over pricing. As I stated, "ham radio is a limited, special-interest hobby" and there is no need for discounting. People don't build anymore, so where would you go to "beat the price?"

Once I discovered the requirements of a likeable and lovable dealer, I realized that I couldn't make money at it. I didn't have the personality for it. I couldn't stand cheapness, I couldn't stand listening to a guy who just went to Radio Shack and bought his coax and then came to me and bitched about the price of a couple of fittings. Yuk. I had guys who actually complained about paying a seven-cent sales tax on a dollar item. I've had people buy their radios elsewhere and come with a rig under their arm looking for warranty service. I've had peo-

ple order parts for their gear and say, when I called them to let them know they had arrived, "Oh...yeah...I fixed it...don't need the parts anymore." A month later they call again: "Hey, can you fix my rig?" (Click.)

No, it wasn't all bad. I've had guys come in, pick out the most expensive units, never dicker on price, pay me in ones (from every pocket), and depart never to be seen again. That's when you crawl off in a corner muttering to yourself (or isolate yourself in the john with a copy of *MAD* magazine).

Yes, there are days when I miss it. I miss getting to play with all the "goodies" and being up-to-date with the industry. I miss the rumors of who is getting the favoritism and the best buys, and I especially miss getting the news about a new model, not from the maker or importer, but from the magazine ads (the model that's announced before Christmas—the one you order gobs of for the big rush in sales—only to receive maybe one and then get them all a month later when nobody is interested). I miss the double shipments, I miss getting all the accessories for an old model and not the new model. I miss all the trade-ins that blew up in my face. I miss hearing from the government that I didn't send in enough withholding. I miss getting ready for the next big hamfest. Yes, I miss it. The problem is that I couldn't make a living at it. In a sense, any present amateur radio dealer is giving his customers much more than they deserve, or he wouldn't be in business. I was not willing to give that much.

If you have a local dealer, support him even if you don't like him. You may pay a little more for the convenience but, in the long run, you'll find it's worth it. There is no way he can get rich and the only reason he is there is because he loves the hobby—one thing you both have in common. After he is gone, nobody will replace him. My business could have survived by concentrating on mail-order sales, but the profit level would not have matched money-market earnings. I think this is true with any dealer.

I just ordered a new Yaesu receiver. I did as most of you. I looked at the ads, found the "BESPRIZ," called the 800

number, used my charge card, and am now awaiting the brown UPS truck. It's so impersonal. There's no one I can go to locally, no one to bitch about the tax to, no one I can expound my knowledge to, no place I can run into fellow hams to BS with, no dealer I can get irritated with because he's had a bad day and is nasty. Hell, it's no fun at all. I think I'm becoming an "old-timer." I can build a radio out of a safety pin and a razor blade. Can you?

**Jim Beckett WA2KTJ  
Corning NY**

### CCD ANTENNAS

Cheers to the multitude of you (literally) around the globe who have phoned and written us about your success with the 5-dB-gain W4FD Controlled-Current Distribution multiband dipole (as described in our 73 articles in October '78 and July '81; also see the May '82 issue).

We are pleased that the United States Navy has appropriated monies to construct CCD antennas. (Here is an excellent opportunity for anyone wishing to manufacture, under very reasonable licensing conditions.)

Thanks most of all to this great magazine for bringing our story to you and for granting us permission to reprint the latest construction data. You may have a copy for a small, one-stamp SASE.

**Gene Brizendine W4ATE  
(800 Hummingbird Dr. SE  
Huntsville AL 35803)  
Harry Mills W4FD**

### AMATEUR HIGHWAYS

I wonder what you might think about getting the FCC to rescind the ruling giving extra privileges to the Advanced licensees in that these hams get the private use of the lower 25 kHz in the CW segments of the bands?

My idea on this is related to the use of the highways. Driving the roads and operating in the amateur spectrum are privileges granted by public agencies. Operators must show prudence and abide by the rules and regulations.

The highway privilege is expressed in several classes of licenses: Extra or Advanced for truckers, bus drivers, etc., and

# MIDCOM

**CALL NUMBER ONE!**

**CARLOAD INVENTORIES • ROCK BOTTOM PRICES  
SUPER-FAST SERVICE**

LINES:	AEA	ALPHA	CUSHCRAFT	DENTRON	KANTRONICS	MINI-PRODUCTS	NYE	TEN TEC
	AVANTI	BEARCAT	COLLINS	HY GAIN	KLM	MOR GAIN	PALOMAR ENG	UNIVERSAL
	ASTRON	BIRD	CDE	HUSTLER	KENWOOD	MIRAGE	REGENCY	UNARCO-ROHN
	ALLIANCE	BENCHER	DRAKE	ICOM	MICROLOG	MFJ	SWAN	VIBROPLEX

**CALL TOLL FREE 1-800-325-3609** IN MISSOURI 314-961-9990  
MID-COM ELECTRONICS • 8516 MANCHESTER ROAD • BRENTWOOD, MO 63144



52



## FAST SCAN

**\*\$249**

A modular approach... for your own custom-designed ATV system... Here's how



### TXA5-4 ATV EXCITER/MODULATOR \$89 ppd

This wired and tested module is designed to drive the Motorola MHW-710 module in the PA5 10 watt linear amp. The crystal in the 100 MHz region keeps harmonics out of two meters for talk back. The video modulator is full 8 MHz for computer graphics and color. Requires 13.8 vdc reg @ 70 ma. Tuned with xtal on 439.25, 434.0, or 426.25 MHz. Provision for sync expanding. Freq. available.

### PA5 10 WATT ATV POWER MODULE \$89 ppd

The PA5 will put out 10 watts RMS power on the sync tips when driven with 80 mw by the TXA5 exciter. 50 ohms in and out, plus bandwidth for the whole band with good linearity for color and sound. Requires 13.8 vdc regulated @ 3 amps.



### FMA5 AUDIO SUBCARRIER GENERATOR

**\$29 ppd**

Puts audio on with your camera video just as broadcast TV does at 4.5 MHz. Puts out up to 1 v-p-p to drive the TXA5 or VM-2, 3, or 4 modulators. Requires low Z mic (150 to 600 ohms), and +12 to 18 vdc @ 25 ma. Works with any xmitr with 5 MHz video bandwidth.



### TVC-2 ATV DOWNCONVERTER... \$55 ppd

Stripline MRF901 (1.7 db NF) preamp and double balanced mixer module digs out the weak ones but resists intermods and overload. Connects between uhf antenna and TV set tuned to channel 2 or 3. Varicap tunes 420 to 450 MHz. Requires +12 to 18 vdc @ 20 ma. Super sensitive TVC-2L with NE64535 preamp (9db NF) stage... \$69 ppd.



### \*TXA5, PA5, FMA5 and TVC Basic Module Pkg.

Call or write for our complete list of specifications, station set-up diagrams, and optional accessories which include antennas, modulators, detectors, test generators, cameras, etc. **WE ARE A FULL-LINE SUPPLIER OF ALL YOUR ATV NEEDS.**

TERMS: VISA or MASTER CARD by telephone or mail, or check or money order by mail. All prices are delivered in USA. Allow three weeks after order for delivery.

(213) 447-4565 Charge card orders only

**P.C. ELECTRONICS** 2522 Paxson Lane,  
Tom W6ORG Maryann WB6YSS Arcadia, California 91006

# Orbit



**ORBIT** is the Official Journal for the Radio Amateur Satellite Corporation (AMSAT), P.O. Box 27, Washington, DC 20047. Please write for application.

For a **FREE SAMPLE COPY** please send \$1 to cover First Class Postage and handling to: Orbit, 221 Long Swamp Road, Wolcott, CT 06716.



General and beginners for the rest. The Advanced exam is given to help ensure good and safe driving skills. But these Extra class drivers share the highways right along with the General class and even the beginners.

In view of this, why should the ham bands be segregated? It seems to me to be a form of discrimination. The amateur bands are just that for amateurs of all classes. The Advanced or Extras may not think it, but they are still amateurs. Radio operating skill doesn't come with technical knowledge.

QRM keeps increasing with more contests and RTTY stations. By returning these 25 kHz to the majority of amateurs, our privileges would return to us more enjoyment.

**C. M. Johnson W6EOT  
Lakeside CA**

*C.M., your attempt at reasoning is weird, possibly brought on by having spent too much time in California. In the long run, I favor splitting up our bands the way we all agree they should be split up, with no FCC regulations on this at all. But if you think 25 kHz is going to give you more room to operate, you have another thing coming. That would be swallowed up so fast you would never know it had been there. No, if there is too much interference, we either have to move to bands which are not as crowded (and there are plenty of*

*them) or else start working on communications modes which use our frequencies more efficiently. If you change to RTTY you will be able to communicate about five to fifty times as fast, thus having to be on the air much shorter periods, leaving some spectrum for others to talk. Just by using already known (but not used) techniques, we can communicate at 8,500 words per minute. Should we have a special express lane on your highway for 200 mph cars or do they have to drive at 55 mph along with the trucks and buses?—Wayne.*

### FIJI DX

As DX of some scarcity, although not really that rare, I must endorse Wayne's comments on pileups.

For DX stations, the first time at the bottom of a pileup is so terrifying that many never come back. On 20, for instance, many keep out of the American phone band for that reason.

My own technique, one which has enabled even the QRP stations to achieve a successful QSO, is somewhat similar to Wayne's. Once a pileup gets going, I go through the call areas in turn, starting with either area 5 or 7, and finish at 6 (6s here are really sounding like the proverbial Californian kilowatt). By asking for the callsign once only, and then answering the loudest

heard, turnaround is pretty quick. And it gets rid of the tail-enders once and for all. Some doubling does occur, and there is always some QRM, but the beams at the other end seem to sort things out pretty well. And, once there is a successful QSO with just one QRP station, other stations in the queue are that much more patient—they know that their turn will surely come. Elbow jolts are far fewer.

A couple of comments for queue jumpers. They are right at the top of my hate parade—if others can wait, so can they. If they can't, no QSL.

Inexperienced amateurs wishing to QSL with rare DX should note the following:

Please make sure that your QSL card has all the information needed, and that it is right. I have had cards with the time wrong by hours, or which used local, not UTC, and cards on which the date has been wrong by up to a month (I wonder what they are using for log books—mine is written up as the call is made); there are even some cards here without the name and address of the operator!

For rarer DX, postage is a major expense. I know of some DX stations who will not reply unless some form of postage is included. One IRC will get a surface mail reply from most stations; if more IRCs are needed, "George Washington" may be both cheaper and worth more at

the other end. If time is available, ask your DX station. He may prefer one or the other. Of course, many DX stations have a QSL manager. The same courtesies should also be extended to him.

As regards the magazine, when the format changed (with all the emphasis on techniques and a technology that will have little short-term relevance in the South Pacific), I was initially disappointed. However, upon reflection, I say, "go to it!" This is a hobby, with frontiers that the professionals simply do not have the resources to explore. Why, that is where we came from in the first place! And, as for my subscription to 73, why, when I first decided to pay out a week's wages in 1966, when I first became a subscriber, my, it was a big decision. Now, I look upon it as an investment which is still returning great dividends after all this time. In fact, my most useful resource is nearly 16 years of articles on every topic in the hobbyist's field.

**David Bell 3D2DB  
Suva, Fiji**

*1966? That's the year I visited Suva and got on the air as VR2FD (Fuddy Duddy). I was using a borrowed Heath transceiver and I had a ball. Perhaps one of these days I'll be able to stop off at Fiji again and enjoy the Kava ceremonies, update my call to 3D2FD, and work a few more of the pileups.—Wayne.*

## FUN!

**John Edwards KI2U  
78-56 86th Street  
Glendale NY 11385**

### VHF-UHF COMMUNICATION

I've had a love affair with VHF-UHF radio that stretches back to my earliest days in this hobby. While any appropriately-licensed amateur with a few bucks can talk to the far corners of the Earth on HF, it takes skill—not just money—to work DX on 50 MHz and above.

Perhaps the reason for my fixation with the top frequencies has something to do with the way I entered ham radio. You see, unlike my fellow neophytes, I started my ham career with a Tech license. While I have nothing against either Novices or CW addicts, I've always felt more relief than accomplishment after passing a code test. Indeed, after I passed my Extra, I took all of my code cassettes and recorded music over them.

My proudest moment on VHF came on November 20, 1979. That was the day K7OFT and I (I was WB2IBE then) set the amateur dis-

tance record for a two-way A4 facsimile contact (New York City to Seattle, 2,430 miles, 50.250 MHz). Now that the FCC has opened A4 to the HF bands, I'm sure the record will soon be broken. Still, DX is child's play on HF. But experimenting on six meters and up—that's a different world.

### ELEMENT 1—CROSSWORD PUZZLE (Illustration 1)

- | Across                            |                                       |
|-----------------------------------|---------------------------------------|
| 1) Increases receiver sensitivity | 23) Morse "standby"                   |
| 9) Interference type (abbr.)      | 24) Month after VHF QSO Party (abbr.) |
| 10) A 6-meter activity (abbr.)    | 25) A place to skip (abbr.)           |
| 11) Not twice                     | 27) Haiti prefix                      |
| 12) Key maker                     | 28) Alaska prefix                     |
| 13) Circuit type (abbr.)          | 30) HF rig to VHF rig                 |
| 15) J-pole, for instance          |                                       |
| 16) Costa Rica prefix             |                                       |
| 17) Regret or French street       |                                       |
| 18) VHF-UHF combined antennas     |                                       |
| 20) Handle                        |                                       |
| 21) Canadian rule-makers (abbr.)  |                                       |
| 22) The medium (abbr.)            |                                       |
- 
- | Down                      |
|---------------------------|
| 1) Transmission of energy |
| 2) Transmitter            |
| 3) Were you calling...    |
| 4) Night (abbr.)          |
| 5) After 2 down           |
| 6) Operating shot         |
| 7) Chip (abbr.)           |

- 8) Superhet and superreg  
 14) Old Novice prefix  
 19) Beam  
 21) Noise or connector  
 22) Sun  
 23) Hawaii prefix  
 26) League appointment (abbr.)  
 27) Top-type antenna  
 28) West coast city (abbr.)  
 29) Gate type

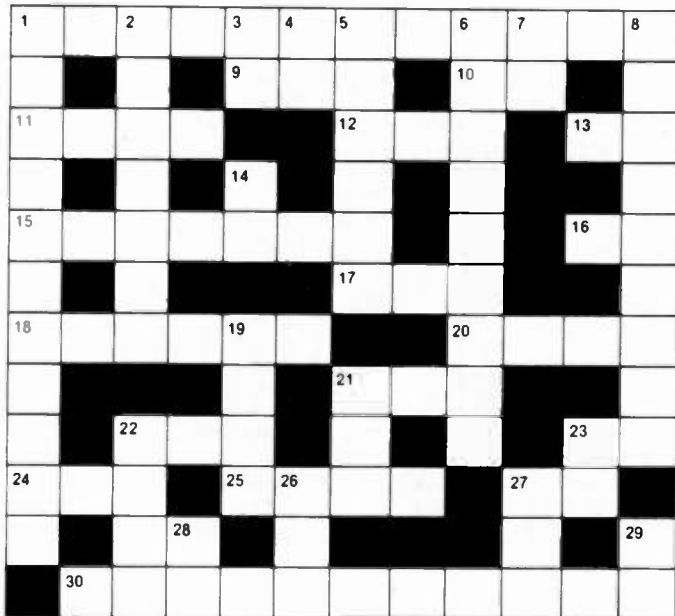


Illustration 1.

**ELEMENT 2—FILL-IN**

(Courtesy of Joe Reisert W1JR)

- 1) 6 meters: \_\_\_\_\_ to \_\_\_\_\_ MHz. The SSB calling frequency is \_\_\_\_\_ MHz.
- 2) 2 meters: \_\_\_\_\_ to \_\_\_\_\_ MHz. The SSB calling frequency is \_\_\_\_\_ MHz.
- 3) 1 1/4 meters: \_\_\_\_\_ to \_\_\_\_\_ MHz. The SSB/CW calling frequency is \_\_\_\_\_ MHz.
- 4) 70 centimeters: \_\_\_\_\_ to \_\_\_\_\_ MHz. The SSB/CW calling frequency is \_\_\_\_\_ MHz.
- 5) 23 centimeters: \_\_\_\_\_ to \_\_\_\_\_ MHz.
- 6) 13 centimeters: \_\_\_\_\_ to \_\_\_\_\_ MHz.
- 7) The two exclusive VHF CW bands are \_\_\_\_\_ to \_\_\_\_\_ MHz and \_\_\_\_\_ to \_\_\_\_\_ MHz.
- 8) The highest FCC frequency assignment is \_\_\_\_\_.
- 9) The first US station to work Europe on 6 meters was \_\_\_\_\_.
- 10) \_\_\_\_\_ popularized 144 MHz with his low-noise 417 tube converter.
- 11) \_\_\_\_\_, \_\_\_\_\_, \_\_\_\_\_, all have their calls on 432 yagis.
- 12) An early pioneer of EME from the W1 call area was \_\_\_\_\_.
- 13) The first recipients of 144- and 432-MHz WAS awards: \_\_\_\_\_.
- 14) Name the ARRL sections in the W1 call area  
 \_\_\_\_\_, \_\_\_\_\_, \_\_\_\_\_, \_\_\_\_\_.
- 15) Name the ARRL sections in the W2 call area  
 \_\_\_\_\_, \_\_\_\_\_, \_\_\_\_\_.
- 16) The call \_\_\_\_\_ set the all-time June multi-op contest record.
- 17) The lowest frequency two-way EME QSO was on \_\_\_\_\_ MHz and the highest was on \_\_\_\_\_ MHz.
- 18) The highest frequency where meteor-scatter QSOs have occurred is \_\_\_\_\_ MHz.

- 19) What mode of propagation is possible on 220 MHz, but is still unattained? \_\_\_\_\_.
- 20) Typical meteor-scatter QSOs rarely occur beyond \_\_\_\_\_ miles.
- 21) 10,000-mile-DX QSOs are possible on EME. True or false? \_\_\_\_\_.
- 22) Statistically speaking, the most popular frequency band and mode for VHF communication is: \_\_\_\_\_.

**ELEMENT 3—SCRAMBLED WORDS**

Unscramble these terms relating to VHF-UHF communication:  
 VEAWGIDEU                      LIRNDEAH                      EVAWCRIMO  
 ISHD                              PRETREEA                      TTREACS  
 EREHPSOPOTR                      ETASLTILE                      KLIN  
 ECRNORTVE

**ELEMENT 4—MULTIPLE CHOICE**

- 1) In which month of the year does the Leonids meteor shower occur?  
 1) November  
 2) July  
 3) August  
 4) March
- 2) If you put all of the VHF bands together (2 through 1 1/4 meters), how many total Hertz would you have?  
 1) 60 MHz  
 2) 60 kHz  
 3) 16 MHz  
 4) 13 MHz
- 3) In which year did we lose the 5-meter band?  
 1) 1928  
 2) 1941  
 3) 1968  
 4) Amateurs never had a 5-meter band.
- 4) In which year did the first US-Great Britain 6-meter QSO take place?  
 1) 1934  
 2) 1946  
 3) 1969  
 4) It's never been done.
- 5) Which of the following devices can be used to measure VHF frequencies?  
 1) Lecher wires  
 2) Grid drip-pan meter  
 3) VTVM  
 4) Frequency multiplier

**THE ANSWERS**

Element 1:  
 See Illustration 1A.

- Element 2:  
 1—50, 54, 50.110  
 2—144, 148, 144.2  
 3—220, 225, 220.1  
 4—420, 450, 432.1  
 5—1215, 1300  
 6—2300, 2450  
 7—50, 50.1, 144, 144.1  
 8—300 GHz and up  
 9—W1HDQ  
 10—W2AZL  
 11—W1HDQ, K2RIW, W0EYE, F9FT, N6NB  
 12—W1FZJ  
 13—K0MQS, W0YZS  
 14—NH, ME, VT, RI, CT, EMA, WMA  
 15—WNY, ENY, NYC/LI, NNJ, SNJ  
 16—W1FC  
 17—50, 2304  
 18—432  
 19—Es or sporadic E  
 20—1500  
 21—True  
 22—2 meters, FM

Element 3:  
 (Reading from left to right) WAVEGUIDE, HARDLINE, MICROWAVE, DISH, REPEATER, SCATTER, TROPOSPHERE, SATELLITE, LINK, CONVERTER.

Element 4:

- 1—1 I can't figure out why they would name a meteor shower after a Soviet president.
- 2—4 A lot of real estate. So why is everybody on 2 meters?
- 3—2 After the war we moved to 6 meters. Some stupid thing called "television" forced the change.
- 4—4 No 6-meter privileges in the UK.
- 5—1 There may still be some old-timers using these things instead of frequency counters. Check an old theory book for an explanation of how these devices work.

SCORING

Element 1:

Twenty-five points for the completed puzzle, or one-half point for each question correctly answered.

Element 2:

One-half point for each blank filled.

Element 3:

Two and one-half points for each word unscrambled.

Element 4:

Five points for each correct answer.

How did you do?

- 1-20 points—Like 220 at 3 am.
- 21-40 points—Misdirected beam.
- 41-60 points—Smart as a QSO on a calling frequency.
- 61-80 points—Very high IQ.
- 81-100+ points—Ultra high IQ.

FUN! MAILBOX

I just received my May issue of 73 and I'm pleased that so many were able to solve the DX puzzle printed in the January issue. On the other hand, I'm sorry, John, about the indignant comments you received. Obviously, the puzzle was submitted as a brain teaser and to have FUN!

The really sad part is that I have to inform you and the contestants that solution 1 is correct whereas the other two are not!

There are three pertinent time elements in the clues, namely, (1) previously worked, (2) now working, and (3) will work next.

Clue E states, "Jack, who previously worked Taiwan, will not next work Hong Kong." In effect, this clue says that Jack had just worked Taiwan but it doesn't tell who he is working now—only that he will not be working Hong Kong next. From this clue a partial sequence develops, namely, Taiwan to ??? to Hong Kong. Both solutions 2

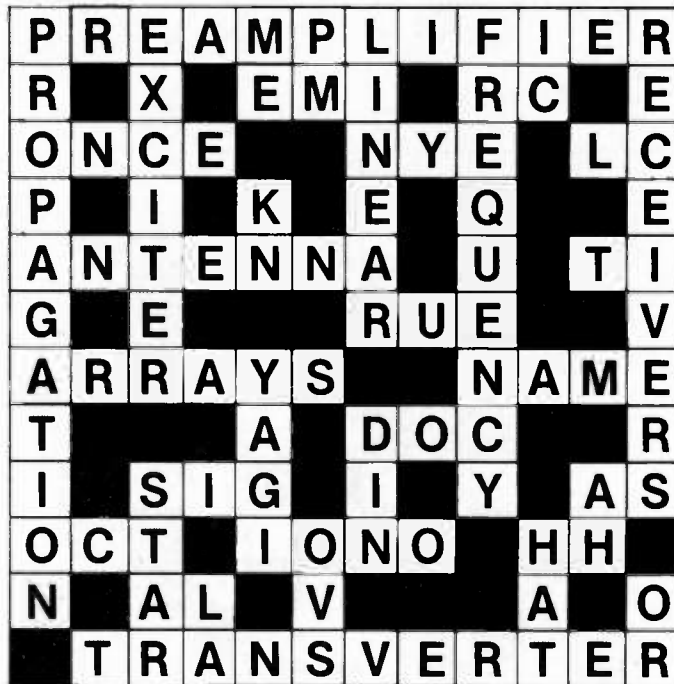


Illustration 1A.

and 3 show a sequence of Taiwan to Mongolia to Hong Kong, which is invalid. Hence solutions 2 and 3 are incorrect.

To be fair, however, I can now see that clue E might have been clearer if it had stated "...who had just previously worked Taiwan..."

Thanks for running the puzzle, John, and if any of the contestants want a copy of my solution, I'll be pleased to send it to them. An SASE would be appreciated.

Bob Young W1MXI  
Belmont MA

Will we never find an end to the January DX puzzle? Here I am, getting my woolies ready for another winter, and we have yet another interpretation on that brain-twister. Personally, I think it's all a matter of semantics, and hope readers will take up Bob's offer of corresponding directly with him. As for me, I'm through with this one.—JE.

# W2NSD/1 NEVER SAY DIE

editorial by Wayne Green

from page 8

new developments to keep us busy trying to keep up for months to come.

Being not completely unknown in the industry, I was taken behind the scenes to see some exciting new products not being shown at the show. As the publisher of four magazines in the micro field, I guess I get a bit too convinced of my visibility and am thus brought down to earth when a new firm gets into

the field and I run into a group of people who have never heard of me or my magazines.

I went through this shock recently with the debuts of four DEC computers, two Wang systems, the Sony computer, and the Victor computer. More and more computers are being brought to the market by firms with virtually no knowledge of the microcomputer market. This seems like a recipe for disaster, but perhaps these firms will adapt and succeed.

The proliferation of low-cost computers is exciting. With the price of the Radio Shack Color Computer being dropped to around \$300, the prices on the VIC-20 going to around \$239, the Sinclair coming out via Timex at \$100 (with discounts probably to around \$88), the new Panasonic JR-200 at \$300, the Commodore Max at around \$150, and so on, there is going to be a lot of computing power available in the under \$300 range. This means that there are going to be opportunities for programs, accessories, expansions, and so forth for these systems. Look for new businesses to start and soon be raking in millions. We are going to see a lot of new millionaires in the next few years.

After four hectic days of shows and four Eastern trips, it

was time for a short vacation, so Sherry and I took Eastern to San Antonio for a visit with her mother in Seguin, Texas. Her father was away on a visit to my folks up in northern New Hampshire, so we missed him. We got a good night's sleep, had one of the fantastic meals Alma makes, and were on our way to the airport again. This time we went to Atlanta and then on to Ft. Lauderdale for the computer show there.

The show, held at Brower College, had not been as well publicized as one might wish, so the attendance was small. With all due respect, *Infoworld*, while a fine newspaper, is not the best bet for reaching hobbyists and people interested in computer shows. I think my talk cleaned out the exhibit hall completely, with 82 to hear me. Sherry and I



## DIRECTION FINDING?

- ★ Doppler Direction Finding
- ★ No Receiver Mods
- ★ Mobile or Fixed
- ★ Kits or Assembled Units
- ★ 135-165 MHz Standard Range



- ★ Circular LED Display
- ★ Optional Digital Display
- ★ Optional Serial Interface
- ★ 12 VDC Operation
- ★ 90 Day Warranty

**New Technology** (patent pending) converts any VHF FM receiver into an advanced Doppler Direction Finder. Simply plug into receiver's antenna and external speaker jacks. Use any four omnidirectional antennas. See June 1981 issue of 73 for technical description. Kits from \$270. Assembled units and antennas also available. Call or write for full details and prices.

**DOPPLER SYSTEMS,** 5540 E. Charter Oak, (602) 998-1151  
Scottsdale, AZ 85254

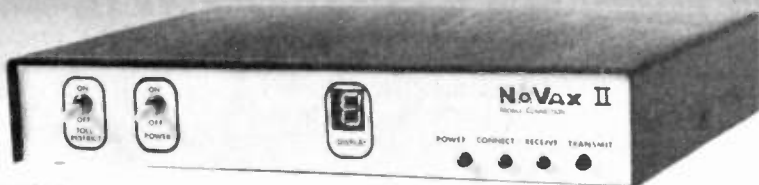
✓ 425

## Introducing our Latest Model — NOVAX II



NOVAX I

## SIMPLEX / DUPLEX AUTOPATCH



NOVAX II

**NOW TWO MODELS TO  
SERVE YOU BETTER  
YOUR OWN PRIVATE AUTOPATCH**

**NOVAX**  
MOBILE CONNECTION

NOVAX interfaces your standard 2 meter; 220; 450; etc. Base station and telephone, using a high speed scan switching technique so that you can direct dial from your automobile or with your HT from the backyard or poolside — Automatically ... Easy installation transceivers, featuring solid state switching, offer best results ... Available interfaced with an ICOM 22U.

FEATURES	NOVAX I	NOVAX II
• 3 min. Call duration timer	YES	YES
• Up to 45 sec. activity timer	YES	YES
• Single digit Access Control	YES	NO
• DTMF (Touch Tone)* phone connection	YES	YES
• 4 digit Access Control	NO	YES
• Toll Restrict	NO	YES
• LED Digital Display	NO	YES
• Vinyl covered alum. case size	5" x 6" x 2"	10" x 8" x 1 1/2"
• Directly Interfaces with Repeater	NO	YES
• Rotary Dial System (incl. Last digit dial)	NO	YES—"Option"—\$49.95
• Ring Back (reverse autopatch) "Option"	YES—\$39.95; Kit \$29.95	YES—Wired—\$39.95
• Price	Kit:\$169.95/wired \$219.95	Wired only \$279.95
N.Y.S. Res. add appro. Sales Tax	SHIPPING ADD \$3.50 in U.S.A.	

To order, send check, money order to:  
MASTER CHARGE AND VISA ACCEPTED

CURRENT DEVELOPMENT CORPORATION  
(formerly R.W.D. Inc.)

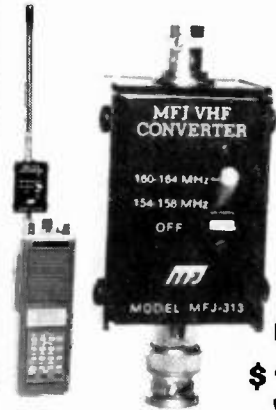
Box 162 - Tudman Rd.  
Westmoreland, N.Y. 13490  
or Phone 315-829-2785

\* Trademark ITT

✓ 21

## Hear Police / Fire Weather

on 2 Meter Handhelds with  
this MFJ VHF Converter.



Scanning Handhelds become Police/Fire Scanners

MFJ-313

**\$39<sup>95</sup>**

New MFJ VHF converter turns your synthesized scanning 2 meter handheld into a hot Police/Fire/Weather band scanner.

144-148 MHz handhelds receive Police/Fire on 154-158 MHz with direct frequency readout. Hear NOAA weather, maritime coastal plus more on 160-164 MHz.

Mounts between handheld and rubber ducky. Feedthru allows simultaneous scanning of both 2 meters and Police/Fire bands. No missed calls.

Highpass input filter and 2.5 GHz transistor gives excellent uniform sensitivity over both bands. Crystal controlled.

Bypass/OFF switch allows transmitting. Won't burn out if you transmit (up to 5 watts) with converter on. Low insertion SWR. Uses AAA battery. 2 1/4 x 1 1/2 x 1 1/2 In. BNC connectors.

Enjoy scanning, memory, digital readout, etc. as provided by your handheld on Police/Fire band.

### 220 MHz Converter for 2 M Handheld



MFJ-314  
**\$59<sup>95</sup>**

MFJ-314, like MFJ-313 but lets you receive 221-225 MHz on your 2 meter handheld.

### Police/Fire/Weather Band Converter for 2 Meter Mobile Rigs.



MFJ-312  
**\$59<sup>95</sup>**

MFJ-312, like MFJ-313 but for mobile 2 meter rigs. Transmit up to 40 watts thru converter without damage. SO-239 connectors. Mobile mounting brackets. Rugged. "ON" LED. Use 12 VDC or AAA battery. 3x4x1 in.

Order from MFJ and try it-no obligation. If not delighted, return it within 30 days for refund (less shipping). One year unconditional guarantee.

Order today. Call toll free 800-647-1800. Charge VISA, MC or mail check, money order for amount indicated plus \$4.00 each shipping. Hear police/fire/weather. Order now.

✓ 47

**CALL TOLL FREE ... 800-647-1800**

Call 601-323-5869 in Miss. outside continental USA, tech/order/repair info. Telex 53-4590.

**MFJ ENTERPRISES, INCORPORATED**

Box 494, Mississippi State, MS 39762



# Radio World

CENTRAL NEW YORK'S MOST COMPLETE HAM DEALER



Featuring Kenwood, Yaesu, Icom, Drake, Ten-Tec, Swan, Dentron, Alpha, Robot, MFJ, Tempo, Astron, KLM, Hy Grain, Mosley, Larsen, Cushcraft, Hustler, Mini Products, Bird, Mirage, Vibroplex, Bencher, Info-Tech, Universal Towers, Callbook, ARRL, Astatic, Shure, Collins, AEA. We service everything we sell!

Write or call for quote. You Won't Be Disappointed.

We are just a few minutes off the NYS Thruway (I-90) Exit 32

OUT OF STATE  
ORDER TOLL FREE  
800-448-9338

ONEIDA COUNTY AIRPORT TERMINAL BUILDING  
ORISKANY, NEW YORK 13424

N Y Res Call (315) 736-0184

Warren - K2IXN  
Bob - WA2MSH  
AI - WA2MSI

## Kantronics Code Reader Rebate



### \$25 Rebate

Suggested Price \$289.95

Buy the Kantronics Mini-Reader, before Sept. 30, 1982 and get a \$25 rebate, direct from the factory. Mini-Reader puts the world in the palm of your hand by decoding Morse code, and all the common speeds, and all shifts of RTTY/ASCII. A 9 VDC adapter and display stand are included with unit.

Visit your Authorized Kantronics Dealer for details, but hurry this offer ends Sept. 30 1982.

## Kantronics

1202 E. 23rd Street (913) 842-7745  
Lawrence, Kansas 66044

## MFJ SHORTWAVE ACCESSORIES

**NEW Indoor Tuned Active Antenna. Rivals, can even exceed reception of outside long wire.**

**Rivals long wires**

**\$79<sup>95</sup>**



**MFJ-1020 NEW INDOOR ACTIVE ANTENNA** sits on your desk ready to listen to the world. Rivals, can often exceed, reception of outside long wire. Unique Tuned Active Antenna minimizes intermod, provides RF selectivity, reduces noise outside tuned band. Also use as preselector for external antenna. Covers 300 KHz to 30 MHz in five bands. Adjustable telescoping antenna. Controls: Tune, Band Selector, Gain, On-Off/Bypass. LED. FET, bipolar circuitry. Phono jack for external ant. 6x2x6 inches. 9.12 VDC or 9 V battery for portable use. 110 VAC with optional AC adapter, \$9.95.



**\$99<sup>95</sup>**

**MFJ-1040 RECEIVER PRESELECTOR.** Improves weak signal reception, rejects out-of-band signals, reduces image response, 1.8 to 54 MHz. Up to 20 db gain. Low noise MOSFET. Gain control. Bandswitch. Can use 2 ant., 2 rcvrs. ON-OFF/Bypass. 20 db attenuator. LED. Coax, phono jacks. 8x2x6 in. Also for XCVRS to 350 watts input. Auto bypass. Delay control. PTT jack. **MFJ-1045, \$69.95.** Same as MFJ-1040, less attenuator, xcvr auto bypass, delay control. PTT. Use 1 ant., 1 rcvr. 5x2x6 in. 9V bat. Both requires 9-18 VDC or 110 VAC with optional AC adapter, \$9.95.

**\$89<sup>95</sup>**



**MOBILE SWL CONVERTERS** to hear the shortwave world while you drive. **MFJ-304** (\$69.95) covers 19, 25, 31, 49 meter bands. **MFJ-308** (\$89.95) adds 13, 16, 41, 60 meters. Two dual-gate MOSFETS give excellent sensitivity, selectivity with car receiver. Push button band selector. Tune with car radio. Plugs between antenna and radio. 12 VDC. **304** is 5 1/4 x 1 1/4 x 4". **308** is 6 1/4 x 1 1/4 x 5". **Free catalog.**

**MFJ-10, 3 foot coax with connectors, \$4.95**

Order from MFJ and try it. If not delighted, return within 30 days for refund (less shipping). **One year unconditional guarantee.**

Order yours today. Call toll free 800-647-1800. Charge VISA, MC. Or mail check, money order. Add \$4.00 each for shipping and handling.

**CALL TOLL FREE ... 800-647-1800**

Call 601-323-5869 for technical information, or der/repair status. Also call 601-323-5869 out side continental USA and in Mississippi. ✓47

**MFJ ENTERPRISES, INCORPORATED**  
Box 494, Mississippi State, MS 39762



listed by name and call in Latin American phone books. The listing in Cartagena was most helpful.

## SUCCESS

A depressing bit of news was in a recent report in the *Wall Street Journal*. Unless they rewrote the study, something I have personally known them to do... so I don't give them a lot of creditability, this showed that a high percentage of the teenagers they polled had little interest in success. All they wanted out of life was to have a home, a job, and a family.

I suppose, considering the cost of homes these days, that might seem like an outsized expectation, but I find that I am angry with the schools which are teaching the kids these meager values. Remember, if you will, that many of the people we employ to teach our children... the people who are giving them much of their values... are failures as far as coping with our economic system is concerned. It is a pity that parents have so little real choice in schools... and make this even worse by having virtually no communication with their kids. At home, the television set is on and other studies have shown that the parents will fight almost to the death to keep it on, day and night.

Without much in the way of real communication with the parents, children have to learn from television and school... neither of which is inspiring. Are there any TV shows which show successful people accomplishing things? In most of the shows I've seen, the heads of large corporations are busy ordering people killed, stealing formulas, and other skullduggery.

Our school system is set up so as to virtually guarantee failure as far as making any real money is concerned. Pity, for the more money you make the more ability you have to help move the world ahead. The less you make, the less say you have in what is going on. Yet we have our schools set up so as to provide employees for large businesses (no one has ever gotten rich as an executive in a large business... according to John Wareham in his *Secrets of a Corporate Headhunter*... a superb, if probably disturbing book). If one continues on through the educational pro-

cess, one finds the goal is teaching, another proven way to stay impoverished.

With little, if any, input to the kid from the parents, I suppose it is no wonder that our kids have no enthusiasm for success. This is something which happens in early schooling, so by the time a kid might get a chance to listen to me it is too late.

This is frustrating, in a way. Here we are in the middle of the computer revolution, with opportunities on every side for youngsters to become incredibly successful, yet most of them don't want to and won't make even a slight effort to try. We've already seen more new millionaires as a result of the microcomputer in the last two or three years than we've had in any similar period in history... and this is only the beginning. We are about to enter a computer/communications explosion which will force millions on many more entrepreneurs. It's all there if you want it.

Being, for some reason, an entrepreneur, I see these opportunities opening up on every side. And I see a lack of people with the background it takes to succeed. I'm held back from getting into many more projects by lack of money for growth... and a lack of able people to follow up on the work that has to be done. Oh, we're growing at about 40% or so a year, but the opportunities are out there for ten times that in growth... if the venture capital and management were available.

Well, enough grousing about my frustrations. If I can organize a pilot model college to provide an entrepreneurial education I think our country would be able to grow faster and cope more successfully with the Japanese. I don't think we will ever do it with big corporations and the type of people they generate.

## EMERGENCIES

Speaking of frustrations, I'm still looking for articles on advanced emergency communications systems which amateur radio could pioneer. Not only does amateur radio need the boost such new systems would provide, but our country needs the safety which such systems could provide. Right now, if the bombs should drop, we'd be in one hell of a fix. A recent disaster novel, *Satan's Ham-*

*mer*, spells out many of the problems we would face should a major disaster occur. Unfortunately, the authors of the book were unfamiliar with amateur radio, a service which will obviously be of key importance in any calamity.

It is a crime that amateur radio has managed to keep the traffic nets using CW for the last 30 years. When John Williams W2BFD and others showed the simplicity and effectiveness of RTTY back in 1948, it was time to make the change from Morse code to RTTY at 60 or 100 words per minute. Now, with a computer within the reach of anyone (Sinclair, \$100), what on Earth are we thinking of trying to send emergency messages with a hand key at ten or twenty words per minute? What do I have to do to get some action, start an Amateur Radioteletype Repeater League to bring us into the last half of the century? Yes, I know that virtually to a man you are about my age... which is sixty this year... and that you are tired and don't want to try anything new. Well, dammit, stock up on All-Bran and prunes and let's get this old ark a moverin. I want to see some sign of experimentation, even if we have to develop the action in the geriatric set.

In case you have managed to avoid the news programs on television, more and more countries are going atomic. This means that one of these days a little war, such as our recent conflicts in Lebanon, the Falklands, and so on, could escalate into that projected loss of 140 million Americans. Yep, there goes old gloom and doom Wayne again... and I admit it this time. Sure, I agree with you that such a thing is so terrible that it is absolutely impossible. But I don't believe that any more than you do.

We both know that it is highly unlikely... but the possibility has to be reckoned with. Now if amateur radio could come into the 80s and get some emergency relay systems working... automatic relays... with high speed digital communications... we just might have something left should all hell break loose. If we are going to depend on CB for post-atomic communications, we are not going to have a workable government.

You probably don't have the

guts to bring this up at a club meeting and get things started. I don't blame you. No, it's better to get mad at me for bringing it up and do be sure the next time you see me to assure me that you don't always agree with everything I write.

## IONIZED!

The article on negative ions in the July 73 (page 52) left out a very important piece of information that you really should have before you start pouring ions around your house. There's a little side effect of these damned ion generators which they don't tell you about... one which can cost you a bundle.

There has been a mystique about negative ions for years. All sorts of claims have been made for them at various times... such as that they help you to think better, to feel better, to heal faster, and so on. Articles have pointed to positive ions as bringing on depression and even suicides.

With the government taking a dim view of sales literature promising cures for things where proof is lacking, the brochures for negative ion generators are a marvel of hyperbole without anything really being promised. These ads do not promote confidence in the product.

Yet it seems as if there must be *something* there. I can't help but notice that virtually all of my really brilliant ideas come while I am taking a shower. If I sit in a tub of water nothing much happens. I probably should have a shower attached to my office and pop in and out a dozen times a day. I've read that this is not an unusual occurrence and that it is thought to be the knocking off of positive ions by the shower water which is responsible. This is supposed to build up the negative ions, allowing the brain to function better.

Now, as any of my great army of detractors will vouch, anything which will help me think better should be pursued. So it was only a matter of time until I got sucked in and bought one of those negative ion generators for my office. It was a little one... one of those small black ball types I'm sure you've seen advertised. Mail-order item. Well, it arrived and I plugged it in and put it above my desk and awaited flashes of brilliance. Nothing happened.

# Attention radio amateurs!

## 8-LEVEL ASCII TELEPRINTER SALE!

Model 33ASR SF  
Good Working Condition

~~\$400~~

Now

**\$300!**

plus tax and shipping.

Code: ASCII  
Speed: 10 cps, 100 baud.  
Interface: 20/60 mA,  
EIA optional  
Data Set Optional  
From RCA Service Company.  
Nationwide Service Available.

# RCA

Write: **I-270**  
J. H. Bell  
RCA Service Company  
Bldg. 204-2, Route #38  
Cherry Hill, New Jersey 08358  
Or call collect the RCA Data  
Services Region Office in  
your area:

New York 212-267-1550  
Philadelphia 609-234-8900  
Atlanta 404-934-9333  
Dallas 817-640-0900  
Chicago 312-595-4910  
Los Angeles 213-728-7473

# MFJ RF NOISE BRIDGE

Lets you adjust your antenna quickly for maximum performance. Measure resonant frequency, radiation resistance and reactance. Exclusive range extender and expanded capacitance range gives you much extended measuring range.



- Exclusive range extender
- Expanded capacitance range
- Series Bridge

# \$59<sup>95</sup>

Order from MFJ and try it — no obligation. If not delighted, return it within 30 days for a refund (less shipping). This bridge is unconditionally guaranteed for one year.

To order, simply call us toll free 800-647-1800 and charge it on your VISA or MasterCard or mail us a check or money order for \$59.95 plus \$4.00 for shipping and handling for MFJ-202.

Put this MFJ Noise Bridge to work improving your antenna. Order from MFJ or see dealer.

**CALL TOLL FREE ... 800-647-1800**

Call 601-323-5869 for technical information, order/repair status. Also call 601-323-5869 outside continental USA and in Mississippi.

**MFJ ENTERPRISES, INCORPORATED**

Box 494, Mississippi State, MS 39762

## The Spider™ Antenna

The modern multi-band mobile antenna — switch to 10, 15, 20 or 40 meters without stopping to change resonators.

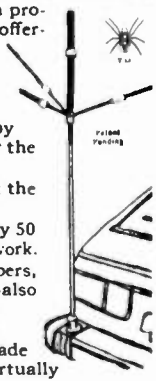
### Features of the Spider™ Antenna

- The Spider™ Antenna is less than six feet high and the longest resonator projects out from the mast 24 inches. This gives a slim profile, low height and light weight, offering little wind resistance and eliminating the need for a spring mount.
- Each resonator is tuned to the desired portion of the band by a tuning sleeve which slides over the outside of the resonator.
- SWR is approximately 1:1 at the selected resonant frequency.
- Base impedance approximately 50 ohms, requiring no matching network.
- Ideal for use on vans, campers, motor homes, travel trailers; also in mobile home parks, apartment houses and condominiums.
- Spider™ Antennas are not made on a production line; they are virtually custom built.

**The Spider™ Maritimer™** is the ultimate antenna for marine use. Constructed of non-magnetic stainless steel and nickel-chrome plated bronze, and using the regular Spider™ resonators and tuning sleeves.

**The Spider™ Adapter** converts any mono-band antenna with a half inch mast into a modern four-band antenna at a modest price.

For further information, prices write or call



**MULTI-BAND ANTENNAS**  
7131 DWENSMOUTH AVENUE, SUITE 463C  
CANOGA PARK, CALIF. 91303  
TELEPHONE: (213) 341-5460

## GIANT HEAVY DUTY TRUCK TARPULINS

12x16	\$23	26x40	\$ 89
16x20	\$32	26x55	\$115
20x20	\$36	30x60	\$145
18x24	\$38	50x100	\$390
18x32	\$50	60x120	\$547
20x30	\$50	50x150	\$562

### Before Midnight Oct. 17

**Firestone Tarp Mfg.** will send any of the above truck size tarpaulins to any reader of this publication who reads and responds to this test before midnight Oct. 17. Each tarpaulin lot (#Z-18, PVC) is constructed of high density fabric (with virgin grade ingredient, supplied by Gulf Oil Co., Dow Chemical Co., and Unlon Oil Co.) with nylon reinforced rope hems, double lock stitched hems, electronically welded seams, 100% water proof, #4 (1/2" dia.) metal grommets set on 3 ft. centers with reinforced triangular corner patches and are recommended for all heavy duty use and all bulk or pallet riding materials, and will be accompanied with a LIFETIME guarantee that it must perform 100% or it will be replaced free. Add \$7 handling & crating for each tarp ordered. **Firestone Tarp Mfg.** pays all shipping. Should you wish to return your tarpaulins you may do so for a full refund. Any letter postmarked later than Oct. 17 will be returned. **LIMIT:** Fifty (50) tarps per address, no exceptions. Send appropriate sum together with your name & address to: Tarp Test Dept. #163K, **Firestone Tarp Mfg., Inc.**, 6314 Santa Monica Blvd., L.A., CA 90038, or for fastest service from any part of the country call collect before midnight 7 days a week (213) 462-1914. (Ask operator for) TARP TEST #163K. Have credit card ready.

**FIRESTONE TARP MFG. INC.**  
6314 Santa Monica Blvd.  
L.A., CA 90038

These gadgets are being sold as smoke-clearing devices. I've seen demonstrations of how they precipitate smoke out of the air almost instantly. Well, that's great for some offices, but I don't smoke. I don't hire anyone who smokes. I don't let anyone smoke in the building, much less my office, so *that* function of the generator isn't very helpful. . . but it does tie in with the disastrous side effect.

A couple months ago I got an ad in the mail for a more powerful ion generator. Hmmm, perhaps that was the trouble, not enough ions. So I sent for this powerhouse ion generator and waited with hopes of being able to keep brilliant thoughts perk-ing day and night.

The contraption arrived. It wasn't a lot larger than the black bomb sitting on the bookshelf over my head. *This* is a power-house generator? Oh, well, I put it on the shelf and plugged it in and waited for genius to strike. And I waited.

There must be something wrong with the idea. Here I was awash in negative ions and I felt tired and needed to lie down for a nap. Phooey. So I reached down to unplug the new generator and got zapped. That sucker had zillions of volts jumping out of the power plug. . . I couldn't get near it. Did I have the plug in backwards? I got some insulated foam and changed the plug around. Nope, still the same. . . hot. That's dangerous! There must be 100,000 volts jumping around that wall socket. You know, it's mighty difficult to pull a power

plug when you know it is going to give you a dandy shock, even with insulation. I sent the gadget back to the mail-order house and got a refund.

Okay, now the real kicker. After a year of sitting under my black bomb awaiting benefits, I moved some of the boxes of magazines which were on the shelf to another room. For a good ten feet around the generator, every book or box on the shelf had an outline around it printed permanently on the wall. A picture on the wall six feet from the generator was nicely outlined in black. It was as if I had sprayed the wall with dark grey. That damned generator had attracted the dust in the air to the walls of the room. . . and the books, boxes, pictures, and so on. I got a hundred years worth of dust coating my walls in about one year! The office walls are a disaster. Even the ceiling at that end of the room is a much darker grey. The whole room will have to be painted.

I thought you might like to know before you get too enthused over the ion generator in the July issue.

#### HAM PUBLICATIONS

The virtual disappearance of *Ham Radio* magazine from ham-fests and conventions has reinforced rumors that publisher Tenney would like to retire. There was some serious talk of that a few months ago, but apparently the chap interested in taking it over thought better of the idea after looking into the economics.

Tenney has been talking about retirement and his recent folding of *Ham Horizons* and getting rid of *Ham Radio Report* would indicate that he is winding down his publishing business. With the loss of editor Fisk, *HR* seems to have no one on the staff qualified to select and edit the more technical articles.

Since magazine publishers do have to take care of their subscribers when they fold their magazines, the usual move is to turn to a similar publication and arrange for them to fulfill the obligation. This is an expensive matter, but hopes of subsequent renewals and thus an eventual recouping of the investment often prevail.

With *HR* reaching the lowest point in advertising in ten years this spring, the losses must be considerable. However, should *HR* fold, you may be sure that ham high-tech articles will not disappear. We're preparing to open a section in *73* on this so that we can provide serious engineering builders the projects they like. We *do* have good technical brains on tap.

The way we keep score in the publishing business is by counting pages of advertising. For instance, to put things into perspective, in May, *73* had 93 pages of ads, *QST* had 91 pages, *CQ* had 58 pages, and *HR* had 37 pages. That about tells the story. With the break-even point for most magazines being at around 45% advertising these days, when one is only running about 37%, like *HR*, the chances

are that money is being lost and something is going to have to change. They've been under 45% for a year, so it's probable that the losses have been mounting. Of course if circulation is kept small, it is possible to get by with fewer ads, so that could be their stratagem.

The main problem in the whole ham field is one of lack of growth. This has kept the sale of ham gear down and that, in turn, has limited funds for advertising. Advertisers tend to cut back and advertise only where they know they are getting the most sales, which puts the pinch on specialty publications such as *HR*. Tests often show that advertisers are able to do about the same in sales with or without ads in anything but *73* and *QST*. When sales are brisk and profits large, firms can afford to run ads in smaller magazines as a way of helping them. But when the bottom line starts turning red, these extravagances are reconsidered.

To perhaps put things into a better perspective, let's look at how advertising is going to *73*, *QST*, and *HR* for the first six months of 1982 vs. the same period in 1981.

#### Pages of ads

	1981	1982
<i>73</i>	426	534
<i>QST</i>	571	556
<i>HR</i>	301	212

Thus, in comparable periods, we see *73* advertising up over 25%, *QST* down about 2½%, and *HR* down 30%! Obviously something is happening.

## CONTESTS

Robert Baker WB2GFE  
15 Windsor Dr.  
Atco NJ 08004

#### EUROPEAN DX CONTEST—PHONE

Starts: 0000 GMT September 11  
Ends: 2400 GMT September 12

Sponsored by the Deutscher Amateur Radio Club (DARC). Only 36 hours of operation out of the 48-hour period are permitted for single-operator stations. The 12 hours of non-operation may be taken in one but not more than three periods

at any time during the contest. Operating classes include: single operator, allband and multi-operator, single transmitter. Multi-operator, single-transmitter stations are allowed to change band only one time within a 15-minute period, except for making a new multiplier. Use all amateur bands from 3.5 through 28 MHz. A contest QSO can be established only between a non-European and a European station. Each station can be worked only once per band.

#### EXCHANGE:

Exchange the usual five-digit number consisting of RS and progressive QSO number starting with 001.

#### SCORING:

Each QSO counts 1 point. Each QTC (given or received) counts 1 point. The multiplier for non-European stations is determined by the number of European countries worked on each band. Europeans will use the last ARRL countries list. In addition, each call area in the following countries will be considered a multiplier: JA, PY, VE, VO, VK, W/K, ZL, ZS, and UA9/UA0. The multiplier on 3.5 MHz may be multiplied by 4, on 7 MHz by 3, and on 14 through 28 MHz by 2.

The final score is the total QSO points plus QTC points multiplied by the sum total of multipliers.

#### QTC TRAFFIC:

Additional point credit can be realized by making use of the QTC traffic feature. A QTC is a report of a confirmed QSO that has taken place earlier in the contest and later sent back to a European station. It can be sent only from a non-European station to a European station, the general idea being that after a number of European stations have been worked, a list of these stations can be reported back during a QSO with another station. An additional 1-point credit can be claimed for each station reported.



# HAZER™

TOO OLD-TOO SCARED-  
TOO TIRED TO CLIMB?

HAZE YOUR TOWER

- Hazer follows parallel to tower
- Raise or lower Antenna to ground
- Works best on self standing towers
- Guy wire lugs provided on Hazer
- Midway tower guy wires must temporarily be removed during operation
- Simple & easy to install and use
- Complete with winch, 100 ft of cable, hardware & instructions

MARTIN ENGINEERING  
P.O. BOX 253  
BOONVILLE, MO 65233  
816-882-2734



HAZER II Heavy duty, aluminum,  
for Rohn 20 & 25 tower \$279.95

HAZER III Standard duty, aluminum,  
for Rohn 20 & 25 tower \$199.95

HAZER IV Heavy duty, steel, for  
Rohn 20 & 25 \$249.95  
Tower, Rotator, Ant. not Included



## ★ ★ ★ ★ ★ A STAR IS BORN ★ ★ ★ ★ ★

- ★ Ideal for Novices, SWL's and seasoned amateurs
- ★ Built-in code practice oscillator & speaker
- ★ 12 VDC Operation or 120 VAC with adapter provided
- ★ Optional serial/parallel ASCII output port



- ★ Copies Morse, Baudot & ASCII codes
- ★ Two optimized Morse ranges
- ★ Digital & Analog filtering with 16 db AGC
- ★ Automatic speed tracking 3 - 70 WPM

A code reader so advanced it costs you less! Call or write for brochure or order direct.  
CODE★STARTMKit ..... CS-K \$169.95  
CODE★STAR Wired ..... CSF \$229.95  
Optional ASCII Output Port Kit ..... CS-1K \$ 59.95  
Optional ASCII Output Port Kit Wired  
(Specify 110 or 300 Baud and 20mA or TTL level) ..... CSIF \$ 79.95  
Send check or money order. Use your VISA or MasterCard. Add \$5.00 shipping and handling for continental U.S. Wisconsin residents add 4% State Sales Tax.

Microcraft

Corporation Telephone: (414) 241-8144  
P. O. Box 513G, Thiensville, Wisconsin 53092

# DISPLAY YOUR STUFF

With the AEA MBA-RO Reader

Automatic display of transmitted and received Morse and RTTY coded signals has come of age. It is proving to be most worthwhile for improving one's own transmitted "fist" and for allowing SWL's or visitors the opportunity to experience the thrill of Amateur Radio coded transmission.



While no machine can yet match the ability of a skilled CW operator in copying poor fists or signals buried in the noise, the MBA-RO by AEA excels even when compared against units costing much more. The large 32 character display allows much easier reading than shorter displays, especially at higher speeds such as 60 WPM or 100 WPM RTTY. The MBA-RO also features dual filters for RTTY decoding of either 170 Hz or 425 Hz (easily changed to 850 Hz) shift transmissions.

For more details, write for our latest catalog or visit your favorite dealer.

Prices and Specifications subject to change without notice or obligation.  
Software ©copyright by AEA.

ADVANCED ELECTRONIC APPLICATIONS, INC.

P.O. Box C-2160,  
Lynnwood, WA 98036  
(206) 775-7373  
Telex: 152571 AEA INTL

**AEA** Brings you the Breakthrough!



## NEW MORSEMATIC™ MM-2 KEYER

THE MORSEMATIC KEYER BY AEA HAS BEEN PROCLAIMED BEST OF ALL PADDLE KEYERS ON THE MARKET

Now you can get all the features of the world's first and still best microcomputerized keyer at a 25% reduction in price. The new model MM-2 has all the outstanding features of the MM-1 predecessor such as dual microcomputers with copywritten software, 500 character soft-partitioned™ memory with editing, exclusive beacon mode, exclusive automatic speed increase trainer mode, and exclusive automatic serial number generator. In addition, the MM-2 comes complete with CMOS memory and provisions for internal memory keep alive battery. The MM-2 operates from external 12 VDC at approximately 350 Ma.

### ACCESSORIES:

Model AC-2 350 Ma 12VDC Wall Adaptor ..... \$ 9.95  
Model ME-2 Factory Installed (2000 Character Memory Expansion) ..... \$39.95

If you have hesitated buying the best because of price, you need to wait no longer, the best is now available in an improved form at a price you can afford.

PRICES AND SPECIFICATIONS SUBJECT TO CHANGE WITHOUT NOTICE

call or visit:

**Britt's 2-Way Radio Sales & Service**

2508 Atlanta Street  
Smyrna, GA 30080  
(404) 432-8006

**AEA**  
Brings you the Breakthrough!

# CALENDAR

Sep 11-12	ARRL VHF QSO Party
Sep 11-12	European DX Contest—Phone
Sep 11-12	Cray Valley RS SWL Contest
Sep 18-19	New Mexico QSO Party
Sep 18-19	CAN-AM Contest—Phone
Sep 18-19	College Scrimmage
Sep 18-20	Washington State QSO Party
Sep 25-26	Maine QSO Party
Sep 25-26	CAN-AM Contest—CW
Sep 25-27	Massachusetts QSO Party
Oct 2-3	California QSO Party
Oct 16-17	ARCI QRP CW QSO Party
Oct 16-17	Pennsylvania QSO Party
Oct 16-17	BSA Jamboree-On-The-Air
Oct 23-24	Maryland-District of Columbia QSO Party
Nov 6-7	ARRL Sweepstakes—CW
Nov 13-14	European DX Contest—RTTY
Nov 20-21	ARRL Sweepstakes—Phone
Dec 4-5	ARRL 160-Meter Contest
Dec 11-12	ARRL 10-Meter Contest
Dec 19	CARF Canada Contest
Jan 8	73 Magazine 40-Meter World SSB Championship
Jan 9	73 Magazine 80-Meter World SSB Championship
Jan 15-16	73 Magazine 160-Meter World SSB Championship

A QTC contains the time, call, and QSO number of the station being reported, i.e., 1300/DA1AA/134. This means that at 1300 GMT you worked DA1AA and received number 134. A QSO can be reported only once and not back to the originating station. Only a maximum of 10 QTCs to a station are permitted. You may work the same station several times to complete this quota but only the original contact has QSO point value. Keep a uniform list of QTCs sent. QTC 3/7 indicates that this is the 3rd series of QTCs sent and that 7 QSOs are reported. Europeans may keep the list of the received QTCs on a separate sheet if they clearly indicate the station who sent the QTCs.

#### AWARDS:

Certificates to the highest scorer in the each classification in each country, reasonable score provided. Continental leaders will be honored with plaques. Certificates will also

be given to stations with at least half the score of the continental leader or with at least 250,000 points. The minimum requirement for a certificate or a trophy is 100 QSOs or 10,000 points.

#### ENTRIES:

Violation of the rules, unsportsmanlike conduct, or taking credit for excessive duplicate contacts will be deemed sufficient cause for disqualification. The decisions of the Contest Committee are final. It is suggested that the log sheets of the DARC or equivalent be used. Send a large SASE to get the wanted number of logs and summary sheets (40 QSOs or QTCs per sheet). SWLs apply the rules accordingly. Entries should be sent no later than October 15th to: DARC DX Awards, PO Box 1328, D-895 Kaufbeuren, Germany.

#### EUROPEAN COUNTRY LIST:

C31, CT1, CT2, DL, DM, EA, EA6, EI, F, FC, G, GC Guer, GC

Jer, GD, GI, GM, GM Shetland, GW, HA, HB9, HB0, HV, I, IS, IT, JW Bear, JW, JX, LA, LX, LZ, M1, OF, OH, OH0, OJ0, OK, ON, OY, OZ, PA, SM, S, SV, SV Crete, SV Rhodes, SV Athos, TA1, UA1346, UA2, UB5, UC2, UN1, UO5, UP2, UQ2, UR2, UA Franz Josef Land, YO, YU, ZA, AB2, 3A, 4U1, and 9H1.

#### CRAY VALLEY RS SWL CONTEST

**Starts: 1800 GMT September 11**  
**Ends: 1800 GMT September 12**

Up to 18 hours of logging may be done during the contest period with a rest period clearly shown. Multi-operator stations may log during the entire contest. The contest is open to anyone in the world, and there will be two sections, phone and CW, each with two categories: single operator and multi-operator. The second category is open to two or more listeners or to clubs and more than one receiver can be used. The 1.8-, 3.5-, 7-, 14-, 21-, and 28-MHz bands may all be used.

Scores should be compiled as follows: one point for each station heard multiplied by the number of different countries heard on each band. A list of countries heard must be furnished and a separate log must be submitted for each band. Illegible logs will not be accepted. The call areas of the USA, Canada, and Australia will each count as a separate country. All other countries will be determined by the official RSGB Countries List. No CQ or QRZ or similar call will be allowed to count for points. If points are claimed for both sides of a QSO, the callsign of each must appear in the station-heard column.

Log sheets are available from Owen Cross G4DFI, 28 Garden Avenue, Bexleyheath, Kent DA7 4LF, England; if you include an SAE and sufficient return postage. If is desirable that entrants use official log sheets, but entries on homemade log sheets will be accepted if the following information is given: date, time, band station heard, station being worked, report at SWL's QTH. Points may be claimed only for stations actually heard and callsigns must be shown in full. Entries should be sent to the Contest Manager, G4DFI, at the above address, to

arrive no later than November 1st. Certificates of merit will be awarded at the discretion of the board of the Cray Valley RS and its decision will be final.

#### WASHINGTON STATE QSO PARTY

**0100 to 0700 GMT September 18**  
**1300 GMT September 18 to**  
**0700 GMT September 19**  
**1300 GMT September 19 to**  
**0100 GMT September 20**

The seventeenth annual contest sponsored by the Boeing Employees' Amateur Radio Society (BEARS) is divided into three operating periods as shown. All amateurs are invited to participate. Use all bands and modes, but no CW QSOs are allowed in the phone bands. Stations may be worked once on each band and mode for contact points and more than once each band/mode if they are additional multipliers.

#### EXCHANGE:

QSO number, RS(T), and state, province, country, or Washington county.

#### FREQUENCIES:

Phone—1815, 3925, 7260, 14280, 21380, 28580; CW—1805, 3560, 7060, 14060, 21060, 28160; Novice—3725, 7125, 21150, 28160.

#### SCORING:

Washington stations score 2 points for each phone contact and 3 points for each CW contact, including contacts with other Washington stations. Multiply QSO points by the total number of different states, Canadian provinces, and other foreign countries worked.

All others score 2 points for each phone contact and 3 points for each CW contact with a Washington station. Multiply QSO points by the total number of different Washington counties worked (39 maximum). There will be an extra multiplier of one for each group of 8 contacts with the same Washington county for all non-Washington stations.

#### AWARDS:

Certificates will be awarded to the highest scoring station (both single- and multi-operator) in each state, Canadian province, foreign country, and Wash-

## BIARC BULLETIN

### NEWSLETTER OF THE MONTH

This month's newsletter winner, the *BIARC Bulletin*, is chock-full of useful information. Published by the Big Island Amateur Radio Club, Hilo HI, the newsletter has an activity calendar that lists local, national, and international ham radio events, a directory of nets and bulletins, and even reminders for club members whose licenses are about to expire. The *BIARC Bulletin* also offers a special Hawaiian flavor, making it interesting to read even if you are not a member. Great job, BIARC, and great job, Editor Dean Manley KH6B!

ington county. Additional certificates may be issued at the discretion of the Contest Committee. Worked Five BEARS Awards also are available to anyone working 5 club members before, during, or after the QSO party (unless previously issued). All QSO Party entries will be screened by the Contest Committee for possible Worked Five BEARS Awards. Worked Three BEAR Cubs Awards are also available for working 3 Novice members.

#### ENTRIES:

Logs must show dates/times in GMT, stations worked, exchanges sent and received, bands and modes used, and scores claimed. Include a dupe sheet for entries with more than 200 QSOs. Each entry must include a signed statement that the decision of the Contest Committee will be accepted as final. No logs can be returned. Results of the QSO Party will be mailed to all entrants and an SASE is *not* required. Log sheets and summary sheets must be postmarked no later than October 20th and sent to: Boeing Employees' Amateur Radio Society, c/o Contest Committee, Willis D. Propst K7RS, 18415 38th Avenue South, Seattle WA 98188.

#### CAN-AM CONTEST

**Starts: Phone—1800 GMT  
September 18  
CW—1800 GMT  
September 25**  
**Ends: Phone—1800 GMT  
September 19  
CW—1800 GMT  
September 26**

Sponsored by the Ontario Contest Club and Canadian DX Association to increase the friendship among Canadian and American amateurs and to provide a means of measuring the performance of operating skills and equipment. Categories of competition: single operator—allband, single band and QRP, stations operated by the station licensee; multi-operator, single transmitter—stations operated by more than one operator, or single operator other than the licensee, or club stations; and club competition. Multi-operator stations can operate full 24-hour period, single operator stations can operate maximum 20 hours with one or two rest periods

# RESULTS

1982 VIRGINIA STATE QSO PARTY RESULTS

Top Score: <b>W4VP/4</b>	70,416	Top In State: <b>W4VP/4</b>	70,416
Top Out Of State: <b>AE3Y</b>	10,400	Top Mobile: <b>KZ4K</b>	6,824

State Results	Call	Points		
Arizona	AK7J	16	Floyd	WB3HUP/m 88
Connecticut	K1BV	735	Fluvanna	KZ4K/m 399
Delaware	AE3H	90	Franklin	WB3HUP/m 192
Florida	W8BZY/4	238	Frederick	N3OS/4 1,628
Georgia	K4VT	2,346	Giles	WB3HUP/m 42
Idaho	W7GHT	320	Gloucester	KZ4K/m 16
Iowa	WB0UCP	336	Grayson	WB3HUP/m 520
Kansas	N9CLV	289	Henrico	WB4URW 13,542
Louisiana	W5WG	2,294	Henry	WB3HUP/m 9
Maryland	AE3Y	10,400	Highland	W4VP/4 70,416
Massachusetts	W1AQE	1,440	King George	KZ4K/m 49
Michigan	W8YL	968	King and Queen	KZ4K/m 35
New Jersey	W2XQ	4,465	King William	KZ4K/m 42
New York	W2MTA	5,671	Lancaster	KZ4K/m 381
North Carolina	K4JEX	1,530	Loudoun	WA4NTP 17,280
Pennsylvania	W3ZE	1,650	Madison	KZ4K/m 108
Rhode Island	K1GTI	460	Middlesex	KZ4K/m 475
South Carolina	K4BZD	1,305	Montgomery	WB3HUP/m 42
Texas	W5PWG	1,802	Nelson	WB3HUP/m 90
Washington	WA7JUJ	20	New Kent	KZ4K/m 198
West Virginia	WB8KAN	748	Northampton	KA4KOZ 8,586
Wisconsin	K9GDF	100	Northumberland	KZ4K/m 110
			Nottoway	KZ4K/m 135
<b>Virginia Results</b>	<b>Call</b>	<b>Points</b>	Orange	KZ4K/m 110
Accomack	KC4HN	3,280	Page	WB3HUP/m 35
Albemarle	WB3HUP/m	156	Patrick	WB3HUP/m 236
Alleghany	WB3HUP/m	2	Pittsylvania	WB3HUP/m 132
Amelia	KZ4K/m	170	Portsmouth	W4POX 42,230
Amherst	WB3HUP/m	143	Prince Edward	KZ4K/m 429
Bath	WA4NVD	20,303	Prince George	KZ4K/m 240
Bland	WB3HUP/m	8	Pulaski	KX4V 21,000
Botetourt	WB3HUP/m	99	Richmond	KZ4K/m 378
Buckingham	KZ4K/m	476	Roanoke	WB3HUP/m 20
Campbell	WB3HUP/m	288	Rockingham	WB3HUP/m 9
Carroll	WB3HUP/m	770	Shenandoah	WB3HUP/m 154
Charles City	K4JST	384	Smythe	KC4IG 2,470
Chesterfield	N4BLV	2,627	Spotsylvania	KZ4K/m 121
Clarke	N4MM	36	Stafford	WD4KQJ 2,304
Culpepper	KZ4K/m	80	Surry	K4JST 400
Cumberland	KZ4K/m	396	Sussex	K4JST 168
Dinwiddie	KZ4K/m	672	Warren	K4OD 6,204
Essex	KA3DTE	1,908	Washington	WB3HUP/m 210
Fairfax	W4NM	7,579	Westmoreland	KZ4K/m 999
Fauquier	KZ4K/m	195	Wythe	WB3HUP/m 182

totaling a minimum of four hours which must be clearly marked in the log. Any further rest periods do not need to be logged. For QRP operation, a maximum of 10 Watts input is allowed during the contest.

#### FREQUENCIES:

All SW bands 1.8 through 28 MHz are permitted. US General portion of the bands is recommended for use.

#### EXCHANGE:

Signal report: use RS on phone and RST on CW, plus sequential QSO number starting with 001, plus multiplier area (MX) abbreviation, in that order, i.e., 59001CT, 599021NY. Multiplier area abbreviation is the usual two-letter postal abbreviation for 50 US states, CN for Caribbean (KC4, KG4, KP1, KP2,

KP4, KS4, KV4 and their A- and W- prefix equivalents), PC for Pacific (rest of US possessions and Antarctica). Canadians will use: NF for VO1, VO2; NB for VE1 New Brunswick; NS for Nova Scotia; PE for Prince Edward Isl.; SI for Sable and St. Paul Isl.; PQ for VE2; ON for VE3; MB for VE4; SK for VE5; AT for VE6; BC for VE7; NW for VE8 NWT; YU for VY1 Yukon.

#### SCORING:

The final score is the result of the total QSO points from all bands, multiplied by the sum of the multipliers from all bands. Phone and CW sections of the contest are considered separate contests. However, combined score for phone and CW will be used for overall competition. Combined score will be calculated by the contest committee

as a result of the addition of phone and CW scores. Points: American to American, and Canadian to Canadian QSOs count for 2 points; American to Canadian and vice versa count for 3 points. The same station can be contacted once on each band and mode. Stations operating from outside of their own call area must sign slash and the area they are operating from, i.e., W6AM/7, NP4A/W4, W7RM/KH6, KH0AH/W6. Multipliers: 50 US states, 2 US possessions (Caribbean, Pacific); 10 Canadian provinces, 2 territories (NWT, YU), 1 islands (Sable, St. Paul). Total of 65 multipliers per band; maximum possible on all 6 bands is 390.

#### AWARDS:

Handsome first-place certificates will be awarded in each



multiplier area on both modes in single-operator category. Top five multi-operator stations in each country will receive certificates for high combined phone and CW scores. All scores will be published in *CQ*. Trophies and plaques will be awarded to the Canadian Champion and American Champion in four categories: single operator, combined, single operator, phone, single operator, CW, and multi-operator, combined.

The Club Competition Championship will be awarded to the club having highest score as a result of addition of 5 best scores on phone and 5 best scores on CW made by its members. A club officer must submit the summary showing the call signs and scores. Each station is eligible for one trophy only. In a case where one station qualifies for another trophy, the less-significant trophy goes to the next eligible station.

Free one-year subscription to *Long Skip*, the CANAD-X bulletin, will be awarded to the top 5 US stations.

#### ENTRIES:

All times must be kept in GMT. Indicate multipliers the first time only on each band. Log must be checked for duplicate contacts, correct QSO points, and multipliers. Do not use separate logs for each band. Rest periods must be clearly marked in the log. Each entry consists of: log sheets, summary sheet showing all scoring information, category of competition, operator's name and call sign, address of the station, and signed declaration. Entries with over 200 QSOs must include check sheets for each band. Official logs, check sheets and summary sheets with multiplier tables area available from the Contest Chairman; a large SASE with Canadian stamps (or US stamps not glued to the envelope) will bring you the samples. Contestants are encouraged to use them; they greatly help with the processing of the entries. Send your log regardless of your score total.

Any band can be selected for the single-band category. All single-band entries will be judged in one category. It is up to the contestant to select the one that could bring him the

highest point score for his particular situation.

Violation of national amateur radio regulations or rules of the contest, unsportsmanlike conduct, taking credit for excessive duplicate contacts, or unverifiable QSOs or multipliers will be deemed sufficient cause for disqualification. Incorrectly logged calls will be counted as unverifiable contacts. Actions and decisions of the CAN-AM Contest Committee are official and final.

All entries must be postmarked not later than 30 days after the contest and mailed to: CAN-AM Contest Chairman, VE3BMV, Box 65, Don Mills, Ontario, Canada M3C 2R6.

#### COLLEGE SCRIMMAGE

**Starts: 0200 GMT September 18**  
**Ends: 0400 GMT September 19**

The idea of this contest is to put long-lost alumni in touch with their alma mater. Entry classes include alumni and college stations (one transmitter only). Exchange name of college, junior college, or university you last attended and the last year you graduated or will graduate. Club stations substitute "amateur radio club" for number. Non-collegians substitute "high school" for college name. Stations may be worked once per band on SSB only. Multiply total QSOs times number of different colleges, junior colleges, and universities worked. Logs should be sent to Penn State ARC, K3CR, 202 Engineering Unit E, University Park PA 16802. Please include an SASE for results.

#### NEW MEXICO QSO PARTY

**Starts: 1800 GMT September 18**  
**Ends: 2100 GMT September 19**

Sponsored by the Albuquerque DX Association. Each station may be worked once on each band and each mode.

#### EXCHANGE:

RS(T); QSO number starting with 001; and state, province, DX country, or NM county.

#### SCORING:

Count 2 points for each phone/SSB QSO and 3 points for each CW QSO. NM stations multiply total QSO points by total number of states, provinces, and DX countries worked.

All others, multiply total QSO points by the total number of NM counties worked each band, each mode.

#### AWARDS:

Plaques will be presented to the top score from outside NM and the highest NM single operator and portable. Certificates awarded top scorers from each state, province, and DX country. Certificates will also be awarded to each station submitting a score of more than 100 total points.

#### ENTRIES:

Entries must be postmarked no later than October 15th and addressed to: K5QQ, 1005 Morina Court NE, Albuquerque NM 87112. Include an SASE for complete results.

#### 1982 MAINE QSO PARTY

**Starts: 2300Z September 25**  
**Ends: 2359Z September 26**

The Maine QSO Party is sponsored by the Portland Amateur Wireless Association. Exchange signal report, serial number, and QTH (county for Maine stations; state, province, or country for others). Stations may be worked once on CW and once on phone for each band. Count three points per QSO and multiply by number of Maine counties worked for final score. (Maine stations multiply by Maine counties, states, provinces, and countries.) Suggested frequencies: CW—1805 and 60 kHz up from low end of band; phone—1815, 3930, 7280, 14280, 21380, 28580 kHz; Novice—3720, 7120, 21120, 28120.

Certificates will be awarded to top scorers in each state, province, country, or Maine county. Mail entries by December 1st to PAWA, Box 1605, Portland ME 04104. Applications for the Worked All Maine Counties Award may go to the same address.

#### MASSACHUSETTS QSO PARTY

**Starts: 1600 GMT September 25**  
**Ends: 0200 GMT September 27**

Sponsored by the Greater New Bedford Contesters. A station may be worked once per band. Phone and CW are separate bands. No crossband or repeater contacts permitted. Mobiles and portables may be

counted as new contacts each time a county change takes place.

#### EXCHANGE:

RS(T) and state, province, or Massachusetts county.

#### FREQUENCIES:

Phone—1820, 3960, 7260, 14290, 21380, 28590, 50.110; CW—1810, 3560, 7060, 7120, 14060, 21060, 21120, 28060, 28120. Use of FM simplex is encouraged. Remember to use CW in CW bands only.

#### SCORING:

All stations count 2 points for each completed SSB exchange and 4 points for each CW exchange. Massachusetts stations multiply QSO points by total number of states, provinces, and Massachusetts counties worked. DX stations worked only count for QSO points. Outside Massachusetts, multiply QSO points times total number of Massachusetts counties worked. As a bonus, add 100 points to the total score for each sponsor worked (KA1GG, N1AVA, K1KJT). Note that they can only be worked once for bonus points.

#### AWARDS:

Certificates will be awarded to first through third place winners in each Massachusetts county as well as each state. Two special awards will be given out for the radio club with the highest aggregate score in Massachusetts (min. of 3 logs) and to the Massachusetts station submitting the all-time highest number of QSOs. The current record is held by K1GSK (1483 QSOs in the 1979 contest). Additionally, a certificate will be given stations working all three sponsors.

#### ENTRIES:

Logging must include date/time, band, mode, call sign, state and province worked, and exchange RS(T). Submit separate summary sheet along with logs. Summary sheet information should include your name, call, mailing address, club affiliation for aggregate score, total QSO points, multipliers claimed, and total score. Deadline for mailing is October 31. For awards and results, send \$.50 postage (no envelope) to Ed Peters K1KJT, 29 Greenbrier Drive, New Bedford MA 02745.

# COMMUNICATIONS CENTER

## 1-800-228-4097

PHONE HOURS: 8 am-5 pm CDT Mon.-Sat.

### "SUPER SEPTEMBER SPECIALS"



ICOM IC2AT  
KENWOOD TR2500  
YAESU FT 208R/708R



ICOM IC720, 740  
KENWOOD TS 530S/830S  
YAESU FT 101ZD, 902DM



YAESU FT 707  
KENWOOD TS 130SE  
ICOM IC730



YAESU FRG7700  
SONY ICF 2001  
PANASONIC RF3100  
KENWOOD R600/R1000



Special \$449.95  
Special \$289.95  
\$269.95



KENWOOD HYGAIN  
YAESU KLM  
ICOM HUSTLER  
MIRAGE KANTRONICS  
JIL ETO

CDE PANASONIC  
TELEX BENCHER  
DENTRON DRAKE  
AVANTI SONY  
TRAC

### YOUR ELECTRONICS CENTER

1840 "O" Street Lincoln, Nebraska 68508

WE TRADE Nebraska Call (402) 476-7331



## YOU'VE NEVER HEARD ANYTHING LIKE IT!

The **FASTRAK**® model 2002 sound synthesizer module let's you explore the capabilities of TI's SN76477 complex sound generator.

- ▶ Create a variety of sounds using either 52 on-board switches or your  $\mu$ C. Results limited only by your imagination.
- ▶ One-evening assembly using 4.6 x 3.6 inch pc board and comprehensive instructions supplied.
- ▶ The model 2002 is compatible with other **FASTRAK**® series modules.
- ▶ Price: \$16.65

Price includes: glass-epoxy, etched, plated, drilled pc board; instruction manual; postage in U.S.A. (Ohio residents add 5% sales tax).

Send \$1.00 for illustrated **FASTRAK**® product catalog and refund coupon.



**PROHAM ELECTRONICS INCORPORATED**  
34620 LAKELAND BLVD EASTLAKE OH 44094  
(216) 951-2110

## WORK THE U.H.F. BANDS

Add a transverter or converter to your existing 10m, 6m or 2m equipments. Choose from the largest selection of modules available for DX, OSCAR, EME, ATV.

### TRANSVERTERS

MMT 50-144 \$209.95  
MMT 144-28 \$199.95  
MMT 432-28 (S) \$299.95  
MMT 439-ATV \$349.95  
MMT 1296-144 \$374.95  
OTHER MODELS AVAILABLE  
write for details



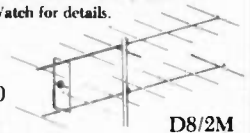
### POWER AMPLIFIERS

all models include RF VOX & Low Noise RX Pre-Ampl. (no pre-amp in MML432-100)

2 Meters:	100W output	MML144-100-LS	1W or 3W in	\$284.95
	100W output	MML144-100-S	10W input	\$264.95
	50W output	MML144-50-S	10W input	\$239.95
	30W output	MML144-30-LS	1W or 3W in	\$124.95
	25W output	MML144-25	3W input	\$114.95
432 MHz:	100W output	MML432-100	10W input	\$444.95
	50W output	MML432-50	10W input	\$239.95
	30W output	MML432-30-L	1W or 3W in	\$ ask
1296-1296 MHz:				Coming soon. Watch for details.

### ANTENNAS (incl. 50 ohm balun)

2 Meter J-Beams: 12.3 dBd gain  
8 over 8 Horizon'l pol D8-2M \$63.40  
8 by 8 Vertical pol D8-2M-vert 76.95  
1250-1300 MHz Loop-Yagi 1296-LY \$49.75



Send 36¢ stamps for full details of all our VHF/UHF items.

Pre-selector filters  
Low-pass filters  
Varactor triplers  
Pre-amplifiers

Transverters  
Converters  
Antennas  
Crystal Filters



Spectrum International, Inc.  
Post Office Box 1084S  
Concord, Mass. 01742 USA

436

Ducks are getting smaller!  
and...



better!



Actual Size

Because you and the leading radio manufacturers want the best-performing, the best looking antenna; Centurion has grown to be the Duck leader. We've developed many smaller antennas to make the hand-held radio perform better, and now the newest duck...the Tuf Duck "mini". It's shorter (about 3") yet it's a full 1/4 wave radiator on VHF.

**CENTURION**  
**TUF DUCK™**  
**ANTENNAS**

**CENTURION**  
Phone 402/467-4491  
Telex 48-4377 CENTURION LCN  
P.O. Box 82846 Lincoln, NE 68501 2846

✓ 102

... at last - everything at your

**fingertips !!!**



**\$184<sup>50</sup>**

Radio Equipment  
NOT Included  
F.O.B. Culver City  
(CA Residents add 6% sales tax)

Bring ORGANIZATION & CONVENIENCE to your HAM Station! Eliminate clutter and provide lots of space for everything you need - Tuners, VFO, CW Keyers, Filters, Telephone, Log Book, Etc...

- ANGLED REAR SHELF
- ALL PARTS FITTED
- STURDY CONSTRUCTION
- WALNUT or PECAN FINISH

Floor space: 39" w by 30" d.  
Also: 51" w by 30" d - \$199.50

Dealers Inquiries Invited

**A Finely Crafted Piece of Furniture  
With a REAL Purpose . . .**

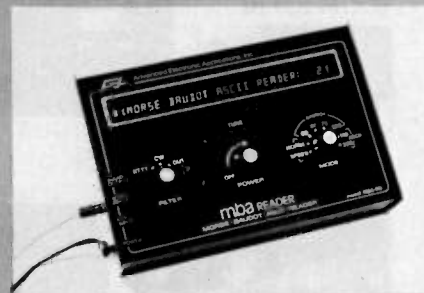
Call : (213) 837-4870 or Write for Information

**S-F Amateur Radio Services**

4384 Keystone Ave., Culver City, CA 90230

# THE LAST WORD IN READERS

THE NEW  
**AEA**  
MBA-RO



## FEATURES:

- 32 CHARACTERS FOR EASY HIGH SPEED COPY OF MORSE
- ASCII and BAUDOT RTTY
- NO RECEIVER MODIFICATION NECESSARY
- INSTANT SPEED TRACKING FOR MORSE CODE OVER WIDE SPEED RANGE FROM 2 TO 99 WPM
- OPERATES FROM 12 V.D.C.

For AEA Readers or other AEA Products, call or visit:

**AEA**

**Brings you the Breakthrough!**

**Radios Unlimited**

1760 Easton Avenue  
Somerset, N.J. 08873  
(201) 469-4599  
(800) 526-0903

✓ 105





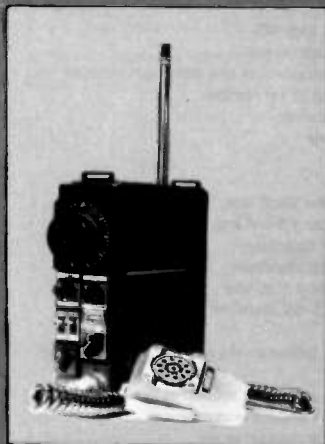
# ICOM

FOR THE PROFESSIONAL AMATEUR

# N&G



DISTRIBUTING  
7201 N.W. 12<sup>th</sup> ST.  
MIAMI, FLA. 33126  
(305) 592-9685  
(305) 763-8170  
WATTS 800-327-3364 ✓123



## SPECIAL LIMITED OFFER

### SSB-CW MODE PORTABLE RADIOS

IC-502-A 6 METER  
LIST 239.00 N&G PRICE 185.00  
IC-202-S 2 METER  
LIST 279.00 N&G PRICE 215.00



IC-730 H.F.  
LIST \$829.00



IC-720A H.F.  
LIST \$1349.00



IC-25-A  
LIST \$349.00



IC-451A U.H.F.  
LIST \$899.00



IC-2AT IC-3AT IC-4AT  
Accessories Stocked

## the DX-PEDITER



A HAM RADIO PROGRAM FOR  
THE APPLE® COMPUTER  
By Fred Pearlman WD0DLM

BASH DOES IT AGAIN...

...ON DISC, WITH DOCUMENTATION!!!

Computerize your DX operations. Speed up and simplify your DXCC efforts. Locate any of the 318 approved countries by name, number or prefix... and find out if you've worked it... with the callsign, band, date, time, heading and distance—displayed instantly. DX-PEDITER'S memory contains all the info you need. ENTER AND UPDATE new and pertinent information as to country status and how and when you worked it... and much more.

(Now Available at Your Dealer)

If ordering direct: Retail \$29.95. Add \$2.00 shipping/handling  
California residents, please add \$1.95 Sales Tax

BASH EDUCATIONAL SERVICES, INC.  
P.O. Box 2115 San Leandro, CA 94577 ✓26  
(415) 352-5420

## 2 METER, 220 MHz & 70 CM ANTENNA

2.7 dB Gain	3.4 dB Gain	5.5 dB Gain	D P / E L 7 7 0
Saves Antenna cost-3 bands, 1 antenna			
Mobile or Base—Simulcast TX & RX			
3 mounts with coax RG/58U or E-CX50-2V			
Antenna DP-EL 770 with:			
	DP-MB Mag. Mt.	\$49.85	
	DP-GL Gutter MT.	\$48.85	
	EC-5 Coax & Connectors	\$46.85	

### HF-UHF-VHF Duplexer

Frequency input/output 1.8-270 MHz low  
200-600 MHz high

dB loss .3 dB Bank rejection 50 dB

Saves coax cost-mobile or base

ATV Audio-Video dual TX & RX

Eliminates coax switches-single feed line

### IDEAL COMBINATION ANTENNA & DUPLEXER



DP-DF 770 DUPLEXER \$38.75

1275 N. GROVE ST. ANAHEIM, CALIF. 92806

NOTE: Price, specifications subject to change without notice  
and obligation. ✓318

(714) 630-4541

# SATELLITES

Amateur Satellite Reference Orbits

Date	OSCAR 8		RS-5		RS-6		RS-7		RS-8		Date
	UTC	EQX	UTC	EQX	UTC	EQX	UTC	EQX	UTC	EQX	
Sep 1	0055	08	0135	225	0146	230	0053	216	0026	206	1
2	0059	09	0130	225	0131	228	0043	215	0023	207	2
3	0103	00	0124	225	0115	226	0034	214	0020	208	3
4	0108	01	0119	226	0100	223	0024	213	0017	209	4
5	0112	02	0114	226	0044	221	0014	212	0014	209	5
6	0117	04	0108	226	0029	219	0005	211	0012	210	6
7	0121	05	0103	226	0014	216	0154	240	0009	211	7
8	0125	06	0058	226	0157	244	0145	239	0006	212	8
9	0130	07	0052	226	0141	241	0135	238	0003	213	9
10	0134	08	0047	227	0126	239	0125	238	0000	213	10
11	0139	09	0041	227	0111	237	0116	237	0157	244	11
12	0000	75	0036	227	0055	234	0106	236	0154	245	12
13	0004	76	0031	227	0040	232	0056	235	0152	246	13
14	0009	77	0025	227	0025	230	0047	234	0149	247	14
15	0013	78	0020	228	0009	227	0037	233	0146	248	15
16	0017	79	0015	228	0152	255	0027	232	0143	248	16
17	0022	81	0009	228	0137	253	0018	231	0140	249	17
18	0026	82	0004	228	0122	250	0008	230	0130	250	18
19	0031	83	0158	258	0106	248	0158	259	0135	251	19
20	0035	84	0153	259	0051	246	0148	259	0132	252	20
21	0039	85	0148	259	0035	243	0138	258	0129	252	21
22	0044	86	0142	259	0020	241	0129	257	0126	253	22
23	0048	87	0137	259	0005	239	0119	256	0123	254	23
24	0052	89	0132	259	0148	266	0110	255	0121	255	24
25	0057	90	0126	260	0133	264	0100	254	0118	256	25
26	0101	91	0121	260	0117	261	0050	253	0115	257	26
27	0106	92	0116	260	0102	259	0041	252	0112	257	27
28	0110	93	0110	260	0046	257	0031	251	0109	258	28
29	0114	94	0105	260	0031	254	0021	251	0107	259	29
30	0119	96	0100	260	0016	252	0012	250	0104	260	30
Oct 1	0123	97	0054	261	0000	250	0002	249	0101	261	1
2	0128	98	0049	261	0144	277	0152	278	0050	261	2
3	0132	99	0043	261	0128	275	0142	277	0055	262	3
4	0136	100	0038	261	0113	273	0132	276	0052	263	4
5	0141	101	0033	261	0057	270	0123	275	0050	264	5
6	0002	77	0027	262	0042	268	0113	274	0047	265	6
7	0006	78	0022	262	0027	266	0103	273	0044	266	7
8	0011	79	0017	262	0011	263	0054	273	0041	266	8
9	0015	80	0011	262	0155	291	0044	272	0038	267	9
10	0020	81	0006	262	0139	288	0034	271	0036	268	10
11	0024	83	0001	263	0124	286	0025	270	0033	269	11
12	0028	84	0155	293	0108	284	0015	269	0030	270	12
13	0033	85	0150	293	0053	281	0006	268	0027	270	13
14	0037	86	0144	293	0038	279	0155	297	0024	271	14
15	0042	87	0139	293	0022	277	0145	296	0021	272	15

Prefix	Interpretation
K	0.2 x N = output power of transponder in mW
D	N x 0.2 = voltage of main power source
O	20 x (100 - N) = charge current in mA
G	telemetry baseline; should be zero (00)
U	gas pressure of sealed system; equation unknown
S	N = temp. of voltage regulator (Celsius)
W	N = temp. of transmitter cooling fins (Celsius)
IK or SK	same as K
ID or SD	telemetry baseline; should be zero (00)
IO or SO	0.2 x N = output power of beacon in mW
IG or SG	when N = 10 ± 1, a 10-dB attenuator is in line with main receiver front end
IU or SU	0.1 x (N - 10) = S-meter reading of 1st receiver
IS or SS	same as above for "robot" receiver
IW or SW	same as above for 2nd receiver
NK or RK	same as K
AK or UK	same as K
AD or UD	0.1 x N = voltage of transponder 9-volt line
AO or UO	" = voltage of transponder 7.5-volt line
AG or UG	" = voltage at first 9-volt stabilizer
AU or UU	" = voltage at first 7.5-volt stabilizer
AS or US	" = voltage at second 9-volt stabilizer
AW or UW	" = voltage at second 7.5-volt stabilizer
MK or WK	same as K
MD or WD	N = # of QSOs made by robot (occasionally reset to zero by ground controllers)
MO or WO	N x 0.1 = power consumption of heating system in Watts
MG or WG	N x 20 = input power of robot transmitter in mW
MU or WU	N x 20 = input power of service channel in mW
MS or WS	when N = 10 ± 1, a 10-dB attenuator is in line with the robot receiver front end
MW or WW	when N = 10 ± 1, a 10-dB attenuator is in line with the service receiver front end

Table 2. RS telemetry channel prefixes and their meanings. N is the two-digit number sent after the prefix. Where two prefixes are given, the first is used when the transponder aboard the satellite is inactive; the second is used when the transponder is active. The definitions of other prefixes are not yet known.

being measured, while the two-digit number represents the measured value. Often, the number must be inserted into a simple equation to translate the measurement into standard units.

A given satellite may send up to 28 different telemetry items, organized into 4 frames, before it repeats the entire sequence. Most items have a two-letter instead of one-letter prefix ahead of the number. Two-letter items with the same first letter are always sent as part of the same frame.

Table 2 contains a list of the telemetry prefixes so far monitored from the RS satellites, along with equations and other information.

By interpreting the telemetry data, you can learn a great deal about the environment aboard the RS satellites. It's one way to take an active part in the amateur space program even if you're not equipped for two-way satellite communications. Shortwave listeners can participate, too. Give it a try!

## ISKRA II

By the time you read this, the ISKRA II satellite placed into orbit by cosmonauts aboard the Salyut VII space station probably will have reentered the atmosphere and met its fiery fate. The projected lifetime of ISKRA II was only six weeks from the time of its launch on May 17.

ISKRA II was unique in being the first amateur satellite to carry an HF-to-HF transponder. It received signals on 15 meters and retransmitted them on 10 meters.

## FUN WITH RS TELEMETRY

With rare exceptions, a satellite orbiting the Earth is beyond the reach of direct human observation. We can't see it, except perhaps as a bright dot in the

night sky. If it misbehaves, we can't put it on the test bench to determine what ails it. In fact, the only way we have any idea of the condition of an orbiting satellite is by means of the telemetry data it constantly beams to Earth.

In the excitement over the communications opportunities offered by the six RS satellites launched last December by the Soviet Union, the interesting telemetry beacons of these spacecraft have largely been overlooked. Monitoring these beacons can be an interesting activity that does not require any special equipment. You need only the ability to receive signals at the high end of the 10-meter band.

The RS satellites send their telemetry in Morse code at 15-25 words per minute on the beacon frequencies shown in Table 1. Each frame of telemetry consists of seven items of information, and consecutive frames are separated by the name of the satellite. Thus, a telemetry frame from RS3 might read: RS3 K00 D12 O72 G00 U21 S79 W90. The letter prefix designates the parameter

Satellite	Beacon Frequencies (MHz)
RS3	29.321, 29.401
RS4	29.360, 29.403
RS5	29.331, 29.452
RS6	29.411, 29.453
RS7	29.341, 29.501
RS8	29.461, 29.502

Table 1. RS beacon frequencies.

# CORRECTIONS

"Coherent CW for VHF," which appeared in the July, 1982, issue, was based on a paper given at the 27th Annual VHF Conference, Western Michigan University, Kalamazoo MI, on Oct. 17, 1981.

Tim Daniel N8RK  
73 Magazine Staff

Following the publication of "The Very, Very Best CW Filter?" (73 Magazine, July, '82), some builders have written me to tell of oscillation in the output of this filter. This is probably due to an "induced" feedback to the

input of the very sensitive op amp used in the circuit.

Rather than rearrange the components, it is easiest to control this oscillation by putting a small amount of positive bias on the input. Connect pin 2 of the LM324 to the positive voltage through a resistor of about 200k Ohms. The exact size of the resistor is best determined by experimentation. If the resistor is too small, the sensitivity of the unit will suffer; if the resistance is too large, some oscillation may remain.

Jim Hyde WB4TYL  
Waycross GA

# Subscription Problem?

73 Magazine does not keep subscription records on the premises, therefore calling us only adds time and doesn't solve the problem.

Please send a description of the problem and your most recent address label to:

73 Magazine  
Subscription Dept.  
PO Box 931  
Farmingdale, NY 11737

Thank you and enjoy your subscription.

## PRESERVE 73 MAGAZINE BINDERS & FILE CASES

Keep your issues of 73 Magazine together, handy and protected in handsome and durable library files or binders. Both styles bound in red leatherette with the magazine logo stamped in gold.

Files: Each file holds 12 issues, spines visible for easy reference. \$5.95 each, 3 for \$17.00, 6 for \$30.00

Binders: Each binder holds 12 issues and opens flat for easy reading. \$7.50 each, 3 for \$21.75, 6 for \$42.00

(Postage paid in USA. Foreign orders include \$2.50 per item)

Please state years: 1977 to 1983

Send check or money order to:

JESSE JONES BOX CORP.

P.O. Box 5120

Philadelphia, PA 19141

Allow 4 to 6 weeks for delivery



sample issue  
only \$2.50  
PPD

OUR 15TH YEAR!

## AMATEUR TELEVISION MAGAZINE ✓ 115

"FOR THE SPECIALIZED COMMUNICATION RADIO AMATEUR"

	Surface U.S./Canada	Surface All Mexico	Airmail Central S. America	Airmail All Other Foreign
1/2 year	\$ 10.00	\$ 13.00	\$ 20.00	\$ 23.00
1 year	\$ 20.00	\$ 26.00	\$ 40.00	\$ 46.00
2 year	\$ 38.00	\$ 50.00	\$ 78.00	\$ 90.00
3 year	\$ 56.00	\$ 74.00	\$ 116.00	\$ 134.00

ATV-SSTV-FAX-RTTY-Satellites-EME  
Microwave and Computers.

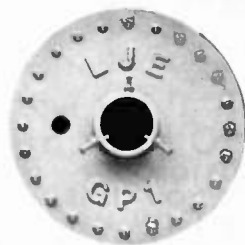
Published 12 times per year by Mike Stone WB0QCD  
P.O. Box H, Lowden, Iowa 52255 0408

# DX'ERS—GIVE YOUR VERTICAL A GROUND PLANE ONE!

EVERYONE KNOWS THAT GROUND RADIALS WILL IMPROVE THE PERFORMANCE OF YOUR VERTICAL ANTENNA BUT WHAT A MESS THEY CAN BE!

OUR 'GP-1' ELIMINATES THE MESS BY PROVIDING A CONVENIENT BUSS AT THE BASE OF YOUR VERTICAL. LETTING YOU INSTALL RADIALS IN STYLE!

- \*CAST "ALUMALLOY" CONSTRUCTION— $\frac{1}{4}$ " THICK (BUILT LIKE A TANK)
- \*EASILY MOUNTS ON MASTS UP TO 2" IN DIAMETER
- \*TWENTY FOUR LARGE BOLTS EASILY HANDLES ELABORATE SYSTEMS.
- \*LARGE 10" BASE ALSO NESTS INSIDE POPULAR TOWER SECTIONS
- \*OPENING PROVIDED FOR FEEDLINE ROUTING
- \*THE GP-1 IS ALSO IDEAL FOR ROOF MOUNT INSTALLATIONS.



LANCE JOHNSON ENGINEERING

P.O. BOX 7363 ✓ 158  
KANSAS CITY MO 64116

## this publication is available in microform



University Microfilms International

300 North Zeeb Road  
Dept. P.R.  
Ann Arbor, MI 48106  
U.S.A.

18 Bedford Row  
Dept. P.R.  
London, WC1R 4EJ  
England



## WAYNE WANTS YOU!!

Wayne Green is looking for people to join our 73 Magazine staff as editors, proofreaders and technical advisors. If you are a non-smoker looking for a position with a progressive organization, send him your resume. Wayne wants to hear from you. Contact:

Wayne Green Inc.  
Peterborough, NH 03458  
Attn: Personnel—739

## NEMAL ELECTRONICS COAXIAL CABLE SALE

This Month's  
Specials  
Same Day  
Shipping

RG8U-20 ft., PL-259 ea. end	\$4.95
RG214U dbl silver shield, 50 ohm	\$1.35/ft.
100 ft. RG8U with PL-259 on each end	\$19.95
BEIDEN Coax in 100 ft. rolls	
RG58U #9201	\$11.95
Grounding strap, heavy duty tubular braid	
3/16 in. tinned copper	10¢/ft.
3/8 in. tinned copper	30¢/ft.

### CONNECTORS MADE IN USA

Amphenol PL-259	.79c
PL-259 push-on adapter shell	10/\$3.89
PL-259 & SO-239	10/\$5.89
Double Male Connector	\$1.79
PL-258 Double Female Connector	.98c
1 ft. patch cord w/RCA type plugs each end	.35/\$1.00
Reducer UG-175 or 176	10/\$1.99
UG-255 (PL-259 to BNC)	\$3.50
Elbow (M359)	\$1.79
F59A (TV type)	10/\$2.15
UG 21D/U Amphenol Type N Male for RG8	\$3.00
BNC UG88C/U, male	\$1.25
3/16 inch Mike Plug for Collins etc	\$1.25
UG273 BNC to PL-259	\$3.00

POLYETHYLENE DIELECTRIC	
RG213 noncontaminating 95% shield mil spec	36¢/ft.
RG174/U mil spec, 96% shield	10¢/ft.
RG11U 96% shield, 75-ohm mil spec	25¢/ft.
RG8U 96% shield, mil spec	\$27.95/100 ft. or 31¢/ft.
RG6A/U double shield, 75-ohm	25¢/ft.
RG58AU stranded mil spec	12¢/ft.
RG58 mil spec, 96% shield	11¢/ft.

### LOW LOSS FOAM DIELECTRIC

RG8X 95% shield (black, white or gray)	\$14.95/100 ft.
RG8U 80% shield	17¢/ft.
RG58U 80% shield	18¢/ft.
RG58U 95% shield	07¢/ft.
RG58U 95% shield	10¢/ft.
RG59U 100% foil shield, TV type	\$7/100 ft.
RG8U 97% shield 11 ga. (equiv. Belden 8214)	31¢/ft.
Rotor Cable 8-con. 2-18 ga. 6-22 ga.	19¢/ft.

FREE CATALOG

COD add \$1.50—FLA. Res. add 5% Sales Tax

Connectors—shipping 10% add'l, 2.50 minimum ✓ 412

Cable—shipping \$3.00 1st 100 ft. \$2.00 each add'l 100 ft.

1327 NE 119th Street, Dept. RLO, No. Miami, FL 33161 Call (305) 893-3927



# THE LITTLE GIANT BRAKE

**BEND & FORM .060 ALUM. & STEEL!**



**EASY TO USE!** CLEAN SMOOTH BENDS TO 90°  
**BUILD CUSTOM CABINETS YOU'LL BE PROUD OF! COMMERCIAL QUALITY at 1/10 THE COST!!**  
**GUARANTEED!** clamps not incl.

NO COD OR CREDIT CARDS.  
 ALL ORDERS IN US FUNDS.  
 ALL FOREIGN ORDERS ADD \$5.50 SHIPPING IN ADDITION TO P&H.

**\$22.95**

**+ 2.50**

**P&H**

✓336

**Z ASSOCIATES**  
 P O BOX 757  
 3050 NE 55 TH AVE.  
 SILVER SPRINGS, FLA. 32688

## RED HOT SPECIALS!

KDK FM2030 w/TT mike	\$279.00
Azden PCS-3000 2M transceiver	283.00
Azden PCS-300 2M handheld	283.00
Azden PCS-2800 10M FM transceiver	283.00
Ten-Tec Argosy transceiver	435.00
Ten-Tec Delta transceiver	675.00
Ten-Tec Omni-D transceiver	965.00
MFJ 949B antenna tuner	112.00
Janel QSA-5 2M receiver preamp	38.50
Santec 140µp 2m handheld	293.00
Bearcat 20-20 Scanner	269.00
Kantronics Micro-RTTY	235.00
Ten-Tec Hercules Amp	1239.00
Swan 1500 2A Amp	499.00
AEA Isopole 144 MHZ Antenna	32.00
Large Stock Used Equipment	write for list

### Ben Franklin Electronics

115 1/2 N Main Hillsboro KS 67063

316-947-2269

✓439

## CB TO TEN METER CONVERSION KITS

KITS for AM—SSB—FM 40 Channel PLL chassis conversions  
**DETAILED INSTRUCTIONS** for easy installation with minimum time and equipment

**BAND COVERAGE** flexibility provides up to 1 MHz coverage for most PLL chassis.

**PRICES** Low cost prices range from \$8.00 to \$50.00

All kits are in stock including several different FM kits.  
**FREE CATALOG** Write or call today.

✓78 **INDEPENDENT**

### CRYSTAL SUPPLY COMPANY

P.O. Box 183

Sandwich, Ma. 02563-0183

(617) 888-4302

# UNIQUE

**TRIPOLE MULTI-BAND**



The TRIPOLE antenna covers the 160, 80, 40, 20, 15, 10 and 6 meter bands without retuning or a tap change. 80 to 120 ft. length. 2 KW PEP. Twinverted V and horizontal without an antenna tuner. Neat appearance, built-in balun, rugged, aids mast or tower guying. A best choice for an all-around amateur station antenna.

Guaranteed. Kit T80-K \$74.95; Assembled T80-A \$84.95. Prices postpaid cash. TX residents add 5% sales tax.

Call or send card for information on TRIPOLE antennas and feedline kits. Order direct or ask your Dealer.

**UNIVERSAL RADIO CO.**  
 Dept. O1 P.O. Box 26041  
 El Paso, Texas 79926 (915) 592-1910

VISA or MASTER CHARGE

✓354

## FREE CATALOG



**NEW!**  
**CATALOG OF HARD-TO-FIND PRECISION TOOLS**

**Also contains test equipment plus wide selection of tool kits and cases**

Jensen's new catalog is jam-packed with more than 2000 quality items. Your single source for hard-to-find precision tools and tool kits used by electronic technicians, scientists, engineers, instrument mechanics, schools, laboratories and government agencies. Send for your free copy today!



**JENSEN TOOLS INC.**  
 7815 S 46TH STREET PHOENIX AZ 85040

## SYNTHESIZED SIGNAL GENERATOR

MADE IN USA



**MODEL SG100D**  
**\$349.95**  
 plus shipping

- Covers 100 to 185 MHz in 1 kHz steps with thumb-wheel dial
- Accuracy 1 part per 10 million at all frequencies
- Internal FM adjustable from 0 to 100 kHz at a 1 kHz rate
- Spurs and noise at least 60 dB below carrier
- RF output adjustable from 5-500 mV at 50 ohms
- Operates on 12 Vdc @ 1/2 Amp
- Available for immediate delivery • \$349.95 plus shipping
- Add-on Accessories available to extend freq. range, add infinite resolution, voice and sub-audible tones, AM, precision 120 dB calibrated attenuator
- Call for details • Dealers wanted worldwide.

**VANGUARD LABS** ✓311  
 106-23 Jamaica Ave., Hollis, NY 11423  
 Phone: (212) 468-2720

## DIGITAL DISPLAY

30 DAY FREE TRIAL



New **YAesu** digital displays converted for FT101 series, FT101, FT301 and **KENWOOD** TS520 TS820 TS900 9599. Plug into external VFO jack for signal and power. 9 active 3/8" red LED digits read down to 10Hz. Rear panel 10Hz dig. defeat switch. 1 3/8" high, 4 1/2" wide and 6 1/2" deep. Case is black and lower front panel is brushed aluminum.

Send model no. & \$95.00 U.S.-M.O. Models for **HEATH** SB100-102 SB300-301 HB100-101 and HB1680. Same as above except case is green and comes with a plug in power supply/transformer, off switch, any wire, plugs, jacks and information required to connect.

Send model no. & \$105.00 U.S.-M.O. **COLLINS** S line models same specs and price as HEATH Case is grey. **DRAKE** 6 series same. Case is black. If your external VFO jack is used for a VFO, a receiver or transmitter add: \$5.00 for a male/female plug/jack.

Write for FT620B TS600 TS700; Mod. no. & \$100.00 U.S.-M.O. **YC 221** for FT221. New stock. Clearout at \$65.00 US MC

>> 30 day money back. You pay return postage. Write with mod. and serial no. for more information on your digital display. All units duty and postpaid US & Can.. 6 months warranty. Also: **FTDX100 FTDX400 FTDX401** and **FREX** receivers as HEATH.

### GRAND SYSTEMS

GENERAL DELIVERY of 20352 40A AVE  
 OLAYNE WASHINGTON LANLEY B C  
 U S A 98230 CANADA V3A2T0

(804) 520 4851 ✓132

## WANTED FOR CASH

Your Military Surplus Electronic Material: Airforce, Navy or Army Equipment, Modules, Tubes, or Parts. It costs nothing to get our highest offer.

**Call Collect NOW**  
**201-440-8787**

35 Ruta Court  
 South Hackensack, N.J. 07606  
**SPACE ELECTRONICS Co.**  
 Our 22nd Year

✓162

## RIG TROUBLES GOT YOU DOWN?

- YOU COULD SHIP YOUR RIG TO THE FACTORY FOR REPAIR.
- YOU COULD SHIP IT TO RQ SERVICE CENTER FOR REPAIR.
- BUT YOU STAND A GOOD CHANCE OF FIXING IT YOURSELF WITH HELP FROM YOUR OWN COPY OF "OWNER REPAIR OF RADIO EQUIPMENT"
- THIS BOOK WILL BE SHIPPED POSTPAID FROM K6RQ FOR \$8.95

**RQ SERVICE CENTER**  
14910 LG Blvd.  
Los Gatos, CA 95030

## CONTACT-80...

An ultra sophisticated yet simple to operate RTTY System for the demanding operator at an affordable price.

### Features:

- Disk I/O; SAVE, LOAD, KILL & DIR...
- TRI-SPLIT screen, user defined...
- 10 CANNED MESSAGES
- DYNAMIC BUFFER ALLOCATION...
- Live HARD COPY for parallel printers...
- Keyboard CONTROL OF STATION...
- AUTO-ID; RTTY, CW (selectable ON/OFF)...
- CLOCKED OUTPUT rate
- All BAUDOT speeds plus ASCII (110)...
- NAME, DATE, TIME from computer...
- On screen BIT PATTERN SCOPE

Requires TRS-80, MOD-III with Disk, your CALL SIGN plus TU with 60ma loop.  
DISK I/O; VERSION \$279.00 Post Paid  
MOD-III, 32K, CASSETTE I/O VERSION  
Post Paid ..... \$229

## COMM TEK

4493 Orleans Dr., Dunwoody, GA 30338

## ALL BAND TRAP ANTENNAS!



PRE-TUNED • COMPLETELY ASSEMBLED • ONLY ONE NEAT SMALL ANTENNA FOR ALL BANDS! EXCELLENT FOR CONDO'S - APARTMENTS - LIGHT - STRONG - ALMOST INVISIBLE!

FOR ALL MAKES & MODELS OF AMATEUR TRANSCEIVERS! GUARANTEED FOR 2000 WATTS SSB INPUT FOR NOVICE AND ALL CLASS AMATEURS! IMPROVED DESIGN!

COMPLETE with 90 ft. RG58U-52 ohm feedline, and PL259 connector, insulators, 30 ft. 300 Ohm test dacron eng supports, center connector with built in lightning arrester and static discharge - molded, sealed, weatherproof, resonant traps 1" X 6" - you just switch to band desired for excellent worldwide operation - transmitting and receiving! Low SWR over all bands - Tuners usually NOT NEEDED! Can be used as inverted V's - stoppers - in attics, on building tops or narrow lots. THE ONLY ANTENNA YOU WILL EVER NEED FOR ALL BANDS - WITH ANY TRANSCEIVER - NEW - NO BALUNS NEEDED!

80-40-20-15-10 - 2 trap - 104 ft. - Model 998BUC. \$79.95  
40-20-15-10 - 2 trap - 84 ft. - Model 100BUC. \$78.95  
20-15-10 meter - 2 trap - 26ft. - Model 1007BUC. \$77.95

SEND FULL PRICE FOR POSTPAID INSURED. DEL. IN USA. (Canada is \$5.00 extra for postage - clerical - customs etc) or order using VISA - MASTER CARD - AMER. EXPRESS. Give number and ex. date Ph 1-308-236-5333 9AM - 6PM week days. We ship in 2-3 days. ALL PRICES MAY INCREASE ORDER NOW! All antennas guaranteed for 1 year. 10 day money back trial if returned in new condition! Made in USA. FREE INFO. AVAILABLE ONLY FROM

WESTERN ELECTRONICS  
Dept. A7-9 Kearney, Nebraska, 68847

### DX-Notes

- \*2000+ DXCC Band/Mode Countries!
- \*SEVEN wide Worked/Confirmed Columns!
- \*Log the entire DX Callsign!
- \*YOU Designate the Modes and Bands!

PLUS \*Buro! \*3rd Party! \*Reciprocal Licensing!  
\*Space to enter YOUR World Atlas page #  
\*JARU Continent! \*ITU Zone! \*CQ Zone!  
\*Unique "Rareness" Rating!  
\*Latitude! \*Longitude!

PLUS Info computed for YOUR QTH!  
\*Time Zone Difference! \*Propagation Factor!  
\*Distance in Kilometers! \*Distance in Miles!  
\*EXACT Beam Headings - Including DX to You!

PLUS Complete Prefix and Name Guides!  
1200+ Prefixes are cross-referenced!  
400+ Countries are indexed alphabetically!

DX-Notes do the work - YOU do the DX-ing!

SEND Call, Name, Address, Time Zone, QTH Info (Latitude & Longitude OR Direction & Distance From a nearby town To Your QTH) and \$12.50 PPD TO: OR: Call HAWAII!  
Randall Sherman KH6MD (808) 877-7371 (18-02Z)  
PO Box 158 879-4080 (04-17Z)  
Kahului, Maui, Hawaii 96732 VISA MC 147

## NEW DX ANTENNAS QUALITY - ECONOMY

WE MANUFACTURE:  
MONOBAND YAGI BEAMS  
TRI BAND YAGI BEAMS  
CENTER INSULATORS - BALUNS  
DUMMY LOADS - AND MORE!

All DX products are fully guaranteed.  
Send large S.A.S.E. for free catalog.  
Dealer inquiries are welcome.

## DX Signal Co.

P.O. BOX 37, Lacon, IL 61540  
Phone (309) 246-2087

## YAESU FT-207R OWNERS

AUTO SCAN MODULE AND BATTERY SAVER KIT



15 minutes to install; scan restarts when carrier drops off; busy switch controls automatic scan on-off; includes module and instructions.

Model AS-1. \$25.00

FT-207R BATTERY SAVER KIT  
MODEL BS-1 \$14.95

- \*No more dead batteries due to memory backup
- \*30% less power drain when squelched
- \*Simple to install; step-by-step instructions and parts included
- \*4 mA memory backup reduced to 500 uA.
- \*45 mA receiver drain reduced to 30 mA.
- \*Improved audio fidelity and loudness

## ENGINEERING CONSULTING

P.O. Box 3966  
ANAHEIM, CALIFORNIA 92803

## SUPER LOW PRICES!

AZDEN PCS-3000 2-METER ..... \$279.00  
AZDEN PCS-300 2-METER HT ..... \$285.00  
SANTEC 144UP 2-METER HT ..... \$289.00  
SANTEC 440UP HANDHELD ..... \$319.00  
KENWOOD 2500 HANDHELD ..... \$299.00  
YAESU FT-208R 2-METER HT ..... \$309.00  
YAESU FT-708R 440 HT ..... \$329.00  
TEMPO S-15 2-METER HT ..... \$249.00  
TEMPO S-2 220 HT ..... \$249.00  
ALL KENWOOD & ICOM HF RIGS 12% OFF.  
ALL LARSEN 2-METER ANTENNAS 15% OFF.  
ALL YAESU & TEN-TEC HF RIGS 15% OFF.  
ALL HYGAIN & HUSTLER ANT. 30% off.  
ALL MFJ PRODUCTS 15% OFF LIST.  
RADIOS, ANTENNAS & ACCESSORIES ARE IN NEW, FACTORY SEALED CARTONS. FULL MANUFACTURERS WARRANTY. PRICES CASH & SHIPPING. CREDIT CARDS ADD 3%.

## SHAVER RADIO, INC.

1378 S. Bascom Ave. San Jose, Calif. 95128  
408-998-1103 148

### (((BIT "O" BYTE)))

ALL Prices Include Shipping and Tax in the U.S.A.  
ALL DISKS are WARRANTED against material defects for 90 days from date of purchase.

(1) 5 1/4 Inch Diskettes (soft sector), Center Reinforcing Ring, Jacket and plastic box-stand. They ARE TOP Quality and used by the software houses. = \$27 for 10 diskettes or \$2.70 each for the first 20.20 to 100 will be \$2.50 each.

(2) SYMTEC HIGH RES LIGHT PEN - With software = \$185.00  
(3) 16K RAM CARD for the APPLE II (+)  
BARE BOARD = \$30.00

This card is compatible with any language system. Integer, Applesoft, Pascal, Fortran-etc.

(4) PADDLE-ADAPPLE brings the game paddle port out to a convenient location. For only = \$27.50

(5) MAGIC KEYBOARD a numeric key pad (hex or des) with the apple keyboard. For only = \$88.00

Both products are from Southern Cal. Research Group and advertised in SoftTalk magazine for Apples and carry a 90 day warranty.

(6) RAMDISK-320 by Axion, 320K of ram, that holds over 2 disk of programs, DOS & pascal 1.1 compatible, battery backup, slot independent, draws no power from your Apple II (+). It is advertised in SoftTalk. Suggested price \$1386.00 My Price \$1225.00

(7) I will carry other items in the future. If there is something of interest to you but is too expensive, drop me a note, I will get the lowest price I can and pass it on to you.

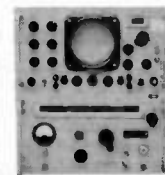
The prices may change without notice.  
Please send OROERS with payment or inquiries to—

BIT "O" BYTE  
P.O. Box 60972

Sunnyvale, CA 94088 153

## FALL '82 SPECIALS

AN/UPM-84 SPECTRUM ANALYZER — 10 Mhz to



44.88 Ghz in eight bands; 5" CRT display. Resolution: 20 Khz @ 3 db points. Dispersion: 500 Khz — 5 Mhz (10-55 Mhz), 500 Khz — 25 Mhz (55 Mhz up). Sensitivity as low as -63 db (10-150 Mhz), -40 db (2 Ghz up). Requires 115 VAC 60 Hz, 17 1/2 x 19 1/2 x 22", 145 lbs net; 185 sh. Used, repairable: \$495. \$395.

Manual, partial repr: \$15. ACCESSORY KIT: w/adapters, RF attenuators, bandpass filters, case: \$100. w/set purch.

R-388/COLLINS 51J3 RECEIVER — 0.5-30.5 Mhz



AM-CW in 30 bands; 1 Mhz per band. Bandwidth 0.2-6 Khz; 500 Khz IF. 5-step crystal selectivity, "S" meter, and 100 Khz calibration points. Requires 115/230 VAC 60 Hz; 10 1/2 x 19 x 13", 55 lbs. sh. Used, repairable: \$325. \$265.

Checked: \$480 \$330. Manual, partial repr: \$10.

Prices F.O.B. Lima, O. • VISA, MASTERCARD Accepted. Allow for Shipping • Write for New 1982 CATALOG Address Dept. 73 • Phone: 419/227-6573

## FAIR RADIO SALES

1016 E. EUREKA • Box 1105 • LIMA, OHIO • 45802

# TERMINALL



apple\* + TRS-80\*

**TERMINALL** is a hardware and software system that converts your personal computer into a state of the art communications terminal. Terminal offers simple connections to your computer and radio plus sophisticated and reliable software.

**Simplicity**

**TERMINALL** was designed from the outset to be easy to connect to your radio and easy to use. Plug into your receiver headphone jack and copy Morse Code or radioteletype (RTTY). Plug into your CW key jack and send Morse Code. Attach a microphone connector and send Baudot or ASCII RTTY using audio tones (AFSK). That's all there is to hooking it up.

The software is loaded into your computer from disk or cassette. Enter your call sign and the time and you will start receiving immediately. No settings or adjustments are necessary to receive Morse Code, it's fully automatic, and it works! You may type your message while receiving or transmitting.

You will be on the air, receiving and transmitting in any mode, in minutes. As we said, **TERMINALL** is simple.

**More for your money.**

- **TERMINALL** has the RTTY terminal unit demod and AFSK built in. This results in a lower total cost.
- **Fantastic Morse reception.** Six stage active filter demodulator copies the weak ones. Auto adaptive Morse algorithm copies the sloppy ones. Received code speed displayed on status line.

■ **Outstanding documentation.** Professionally written. 90 page user manual contains step by step instructions.

■ **Built in, separate, multi-stage, active filter RTTY and CW demodulators.** No phase lock loops. RTTY demodulator has 170 and either 425 or 850 Hz shift-keyboard selectable and uses either the panel meter or scope outputs for easy tuning. Copy the weak ones. Copy the noisy ones. Copy the fading ones.

■ **Built in crystal controlled AFSK.** Rock stable for even the most demanding VHF or HF applications. A must on many VHF RTTY repeaters.

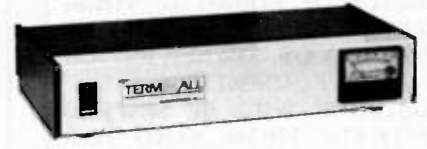
■ **Built in 110 or 220 volt AC power supply.**

■ **Built in parallel printer driver software.** Simply attach a parallel ASCII printer (e.g. the EPSON MX 80) to your printer port to obtain hardcopy in all modes.

■ **Multi level displays** allows examining and editing of historical text.

■ **Word wrapping,** word mode editing, diddle, ignore carriage returns, user programmable end of line sequence, adjustable carriage width, multiple user defined WRU, transmit delay (fixed, none or auto adaptive), break mode and more!

■ **The all-in-one TERMINALL design** makes it great for use on HF or VHF, Ham, Commercial, SWL or MARS! SWL's **TERMINALL** may be jumpered for either 425 or 850 Hz reception to copy news and weather services.



**System Requirements**

**TERMINALL T1** Communications terminal for the TRS 80 Model I. Requires a Model I TRS 80, 16K RAM and Level II BASIC. Includes software on cassette and disk, assembled and tested hardware and an extensive instruction manual. \$499.

**TERMINALL T3** Communications terminal for the TRS 80 Model III. Requires a Model III TRS 80, 16K RAM and Model III BASIC. Includes software on cassette and disk, assembled and tested hardware and an extensive instruction manual. \$499.

**TERMINALL T2** Communications terminal for the APPLE II. Requires an APPLE II or APPLE II Plus with 48K RAM and disk. Software is provided on disk in DOS 3.2 format. Use MUFFIN utility to convert to DOS 3.3 format. Includes software on disk, assembled and tested hardware and an extensive instruction manual. \$499.



**15 Day Money Back Trial Period on Factory Direct Orders**

**MACROTRONICS, inc.**

1125 N. Golden State Blvd.  
Turlock, California 95380

DEPT 73

**TO ORDER (209) 634-8888 or 667-2888**

We are experiencing telephone difficulties - Please keep trying.

Add \$4.00 shipping U.P.S. reg delivery - CA residents add 6% sales tax.

\* TRS-80 is a Registered Trademark of Tandy Corp.

Apple is a Registered Trademark of Apple Computer Inc.

1 yr. Parts & Labor - Limited Warranty.

**The communications terminal that does it all!**

**\* B E C \* Bullet Electronics Corp. P.O. Box 401244E Garland, TX. 75040 (214) 278-3553**

-12

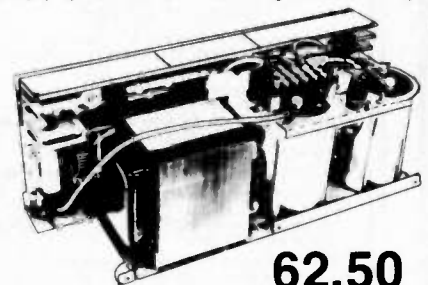
**THE PRESIDENT SAYS: "HOGWASH!!"**

After taking one look at the TRIPUT POWER SUPPLY our engineer declared that the units were worth several hundred dollars each. He pointed out the engineering, high quality construction and state-of-the-art integrated design in support of his position. The President of **BEC** more pragmatically pointed out the already full warehouse and the two trailer truck loads of power supplies waiting in the parking lot, and set the price to move them **QUICKLY!** We have a large quantity, but the supply won't last long. The only thing we ask is *please* read the ordering rules.

**QUALITY DOUBLE SIDED GLASS BOARD**



**REGULATOR ASSEMBLY**  
(part of unit)



**COMPLETE UNIT**  
(as you receive it) **62.50**  
Plus Freight 21 lbs.  
6 x 5 1/4 x 12

ORDERS SHIPPED WITHIN CONTINENTAL U.S. ONLY!  
**ORDERING RULES**

1. Mail check or MO for \$62.50 + \$5.00 for shipping or phone (214) 278-3553 to charge VISA/MC or COD order. (UPS COD only, add \$2.50 COD fee)
2. Texas residents include 5% sales tax.
3. Orders for this unit will be shipped within **48 HOURS** or we pay the freight! (weekends or holidays excluded)
4. **ONE TIME OFFER! LIMIT TWO (2) SUPPLIES PER CUSTOMER.**

**13.6V @ 20A MODIFICATION**  
By changing a few parts on the board the Tripud Power Supply will do 11 - 14V (adjustable) at up to 20A. Perfect for that 2 meter linear amp! We send step by step instructions and necessary parts. **Modification per instructions will not void the 30 day warranty.**

- +12V @ 7A; +5V @ 10A; -12V @ 5A
- UNIT IS COMPLETELY ASSEMBLED!
- Fused primary and DC sections
- HUGE SHIELDED TRANSFORMER
- 2% Load & Line Regulation
- Low Ripple (< 100mv)
- Short Circuit Protection
- Overvoltage Protection on all three outputs
- 25A Bridge Rectifier
- Over 60,000 mfd of filters
- High Efficiency **Switching Regulator** reduces heatsink area
- Schematics and service guide included
- Thermal Shutdown
- Statis LED's (3)

**ramsey**

# the first name in Counters!



## 9 DIGITS 600 MHz \$129<sup>95</sup> WIRED

**PRICES:**

CT-90 wired, 1 year warranty	\$129.95
CT-90 Kit, 90 day parts warranty	109.95
AC-1 AC adapter	3.95
BP-1 Nicad pack + AC Adapter/Charger	12.95
OV-1 Micro-power Oven time base	49.95
External time base input	14.95

The CT-90 is the most versatile, feature packed counter available for less than \$300.00! Advanced design features include: three selectable gate times, nine digits, gate indicator and a unique display hold function which holds the displayed count after the input signal is removed! Also, a 10mHz TCXO time base is used which enables easy zero beat calibration checks against WWV. Optionally, an internal nicad battery pack, external time base input and Micro-power high stability crystal oven time base are available. The CT-90, performance you can count on!

**SPECIFICATIONS:**

Range:	20 Hz to 600 MHz
Sensitivity:	Less than 10 MV to 150 MHz Less than 50 MV to 500 MHz
Resolution:	0.1 Hz (10 MHz range) 1.0 Hz (60 MHz range) 10.0 Hz (600 MHz range)
Display:	9 digits 0.4" LED
Time base:	Standard-10,000 mHz, 1.0 ppm 20-40°C. Optional Micro-power oven-0.1 ppm 20-40°C
Power:	8-15 VAC @ 250 ma



## 7 DIGITS 525 MHz \$99<sup>95</sup> WIRED

**SPECIFICATIONS:**

Range:	20 Hz to 525 MHz
Sensitivity:	Less than 50 MV to 150 MHz Less than 150 MV to 500 MHz
Resolution:	1.0 Hz (5 MHz range) 10.0 Hz (50 MHz range) 100.0 Hz (500 MHz range)
Display:	7 digits 0.4" LED
Time base:	1.0 ppm TCXO 20-40°C
Power:	12 VAC @ 250 ma

The CT-70 breaks the price barrier on lab quality frequency counters. Deluxe features such as: three frequency ranges - each with pre-amplification, dual selectable gate times, and gate activity indication make measurements a snap. The wide frequency range enables you to accurately measure signals from audio thru UHF with 1.0 ppm accuracy - that's .0001%! The CT-70 is the answer to all your measurement needs, in the field, lab or ham shack.

**PRICES:**

CT-70 wired, 1 year warranty	\$99.95
CT-70 Kit, 90 day parts warranty	84.95
AC-1 AC adapter	3.95
BP-1 Nicad pack + AC adapter/charger	12.95



## 7 DIGITS 500 MHz \$79<sup>95</sup> WIRED

**PRICES:**

MINI-100 wired, 1 year warranty	\$79.95
AC-Z Ac adapter for MINI-100	3.95
BP-Z Nicad pack and AC adapter/charger	12.95

Here's a handy, general purpose counter that provides most counter functions at an unbelievable price. The MINI-100 doesn't have the full frequency range or input impedance qualities found in higher price units, but for basic RF signal measurements, it can't be beat! Accurate measurements can be made from 1 MHz all the way up to 500 MHz with excellent sensitivity throughout the range, and the two gate times let you select the resolution desired. Add the nicad pack option and the MINI-100 makes an ideal addition to your tool box for "in-the-field" frequency checks and repairs.

**SPECIFICATIONS:**

Range:	1 MHz to 500 MHz
Sensitivity:	Less than 25 MV
Resolution:	100 Hz (slow gate) 1.0 KHz (fast gate)
Display:	7 digits, 0.4" LED
Time base:	2.0 ppm 20-40°C
Power:	5 VDC @ 200 ma

## 8 DIGITS 600 MHz \$159<sup>95</sup> WIRED



**SPECIFICATIONS:**

Range:	20 Hz to 600 MHz
Sensitivity:	Less than 25 mv to 150 MHz Less than 150 mv to 600 MHz
Resolution:	1.0 Hz (60 MHz range) 10.0 Hz (600 MHz range)
Display:	8 digits 0.4" LED
Time base:	2.0 ppm 20-40°C
Power:	110 VAC or 12 VDC

The CT-50 is a versatile lab bench counter that will measure up to 600 MHz with 8 digit precision. And, one of its best features is the Receive Frequency Adapter, which turns the CT-50 into a digital readout for any receiver. The adapter is easily programmed for any receiver and a simple connection to the receiver's VFO is all that is required for use. Adding the receiver adapter in no way limits the operation of the CT-50, the adapter can be conveniently switched on or off. The CT-50, a counter that can work double-duty!

**PRICES:**

CT-50 wired, 1 year warranty	\$159.95
CT-50 Kit, 90 day parts warranty	119.95
RA-1, receiver adapter kit	14.95
RA-1 wired and pre-programmed (send copy of receiver schematic)	29.95

**NEW  
READ  
RECEIVER  
FREQUENCY**



## DIGITAL MULTIMETER \$99<sup>95</sup> WIRED

**PRICES:**

DM-700 wired, 1 year warranty	\$99.95
DM-700 Kit, 90 day parts warranty	79.95
AC-1, AC adaptor	3.95
BP-3, Nicad pack + AC adapter/charger	19.95
MP-1, Probe kit	2.95

The DM-700 offers professional quality performance at a hobbyist price. Features include: 26 different ranges and 5 functions, all arranged in a convenient, easy to use format. Measurements are displayed on a large 3 1/2 digit, 1/2 inch LED readout with automatic decimal placement, automatic polarity, overrange indication and overload protection up to 1250 volts on all ranges, making it virtually goof-proof! The DM-700 looks great, a handsome, jet black, rugged ABS case with convenient retractable tilt bail makes it an ideal addition to any shop.

**SPECIFICATIONS:**

DC/AC volts:	100uV to 1 KV, 5 ranges
DC/AC current:	0.1uA to 2.0 Amps, 5 ranges
Resistance:	0.1 ohms to 20 Megohms, 6 ranges
Input impedance:	10 Megohms, DC/AC volts
Accuracy:	0.1% basic DC volts
Power:	4 "C" cells

### AUDIO SCALER

For high resolution audio measurements, multiplies UP in frequency.

- Great for PL tones
- Multiplies by 10 or 100
- 0.01 Hz resolution!

\$29.95 Kit \$39.95 Wired

### ACCESSORIES

Telescopic whip antenna - BNC plug	\$ 7.95
High impedance probe, light loading	15.95
Low pass probe, for audio measurements	15.95
Direct probe, general purpose usage	12.95
Tilt bail, for CT 70, 90, MINI-100	3.95
Color burst calibration unit, calibrates counter against color TV signal	14.95

### COUNTER PREAMP

For measuring extremely weak signals from 10 to 1,000 MHz. Small size, powered by plug transformer included.

- Flat 25 db gain
  - BNC Connectors
  - Great for sniffing RF with pick-up loop
- \$34.95 Kit \$44.95 Wired

ramsey electronic's, inc.



PHONE ORDERS  
CALL 716-586-3950

TERMS

Satisfaction guaranteed - examine for 10 days. If not pleased, return in original form for refund. Add 5% for shipping - insurance to a maximum of \$10. Overseas add 15%. COD add \$2. Orders under \$10 add \$1.50. NY residents add 7% tax.

2575 Baird Rd. Penfield, NY 14526

62



## Introducing TVRO CIRCUIT BOARDS Satellite Receiver Boards—Now in Stock

### DUAL CONVERSION BOARD . . . . . \$25.00

This board provides conversion from the 3.7-4.2 band first to 900 MHz where gain and bandpass filtering are provided and, second, to 70 MHz. The board contains both local oscillators, one fixed and the other variable, and the second mixer. Construction is greatly simplified by the use of Hybrid IC amplifiers for the gain stages.

**SIX 47pF CHIP CAPACITORS**  
For use with dual conversion board . . . . . \$6.00

### 70 MHz IF BOARD . . . . . \$25.00

This circuit provides about 43dB gain with 50 ohm input and output impedance. It is designed to drive the HOWARD/COLEMAN TVRO Demodulator. The on-board bandpass filter can be tuned for bandwidths between 20 and 35 MHz with a passband ripple of less than 1/2 dB. Hybrid IC's are used for the gain stages.

**SEVEN .01 pF CHIP CAPACITORS**  
For use with the 70 MHz IF board . . . . . \$7.00

### DEMODULATOR BOARD . . . . . \$40.00

This circuit takes the 70 MHz center frequency satellite TV signals in the 10 to 200 millivolt range, detects them using a phase locked loop, de-emphasizes and filters the result and amplifies the result to produce standard NTSC video. Other outputs include the audio subcarrier, a DC voltage proportional to the strength of the 70 MHz signal, and AFC voltage centered at about 2 volts DC.

### SINGLE AUDIO . . . . . \$15.00

This circuit recovers the audio signals from the 6.8 MHz frequency. The Miller 9051 coils are tuned to pass the 6.8 MHz subcarrier and the Miller 9052 coil tunes for recovery of the audio.

### DUAL AUDIO . . . . . \$25.00

Duplicate of the single audio but also covers the 6.2 range.

### DC CONTROL . . . . . \$15.00

### SPECIAL SET OF FIVE BOARDS . . . . . \$100.00 INCLUDING DUAL AUDIO (2 single audio boards)

## 1900 to 2500 MHz MICROWAVE DOWNCONVERTER

**MICROWAVE RECEIVER** This receiver is tunable over a range of 1900 to 2500 MHz approximately, and is intended for amateur use. The local oscillator is voltage controlled, making the I.F. range approximately 54 to 88 MHz for standard TV set channels 2 thru 7.

P.C. BOARD with DATA	1 to 5	\$15.00	6 to 11	\$13.00	12 to 26	\$11.00	27 - up	\$9.00
P.C. Board with all parts for assembly . . . . .		\$49.99	P.C. Board with all chip caps soldered on . . . . .			\$30.00		
P.C. Board with all parts for assembly			P.C. Board assembled & tested . . . . .			\$69.99		
plus 2N6603 . . . . .		\$69.99	P.C. Board assembled & tested with 2N6603			\$79.99		

**HMR II DOWNCONVERTER** with Power Supply, Antenna (Dish) & all Cables for installation. 180 Day Warranty.

1 to 5	\$150.00	6 to 11	\$140.00	12 - up	\$125.00
--------	----------	---------	----------	---------	----------

**YAGI DOWNCONVERTER** with Power Supply, Antenna (Yagi) & all Cables for installation. 90 Day Warranty.

1 to 5	\$150.00	6 to 11	\$140.00	12 - up	\$125.00
--------	----------	---------	----------	---------	----------

**YAGI DOWNCONVERTER** as above but Kit. (NO CABLES) With Box.

1 to 5	\$125.00	6 to 11	\$115.00	12 - up	\$100.00
--------	----------	---------	----------	---------	----------

**HMR II DOWNCONVERTER** as above but Kit. (NO CABLES) With PVC.

1 to 5	\$125.00	6 to 11	\$115.00	12 - up	\$100.00
--------	----------	---------	----------	---------	----------

### SPECIAL NEW STOCK OF CARBIDE DRILL BITS—YOUR CHOICE \$1.99

1.25mm	13/64	36	47	55	63
1.45mm	19	37	48	56	64
3.2mm	20	38	49	57	65
3.3mm	24	39	50	58	67
1/8	26	40	51	59	68
3/16	29	44	52	60	69
5/32	30	45	53	61	
7/32	31	46	54	62	

PRICES SUBJECT TO CHANGE WITHOUT NOTICE

# Start taking calls in curious places with the revolutionary, new Cordless *Escort*® Phone.

## Special Purchase—The *Escort*® Cordless Telephone!

We are pleased to announce the Escort Mark III is now available at special pricing. We bought the manufacturer's entire inventory-- and we are passing the savings on to you!

The Escort Mark III was originally designed to retail for \$199.95. Now, we suggest a retail price of \$169.95 to \$189.95. Or, you can move them out at \$149.95. In any event, you'll like the profit margins!

QUANTITY	DEALER PRICE	GROSS PROFIT AT \$149.95
1—2 units	69.75 each	53%
3—5 units	64.50 each	57%
6—11 units	62.50 each	58%
12—23 units	60.75 each	59%

On all orders of 12 or more, we pay the freight! This is your opportunity to stock up for the Christmas buying season. These are ideal gift items that will really move out!

### ESCORT MARK III SPECIFICATIONS

#### VHF DUPLEXER

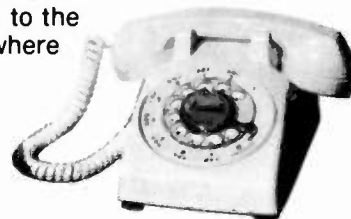
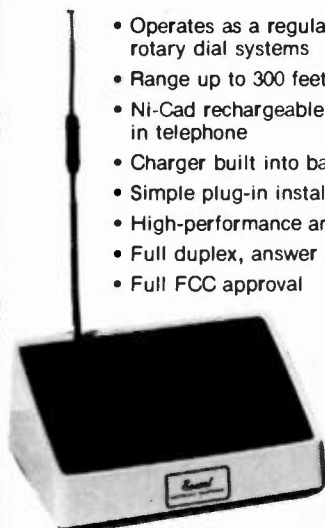
This duplexer was made for RF Harris Mobile Phones and Two Way Radios. These duplexers can be used in any mobile phone or two way radio system, along with having the capabilities to be modified for UHF use. The physical dimensions are 3 3/5" Long, 4 2/5" Wide, and 1 1/10" Deep. The approximate weight is 18 oz./1 lb. 2 oz.. PRICE \$74.99



- Operates as a regular telephone on touch-tone or rotary dial systems
- Range up to 300 feet
- Ni-Cad rechargeable batteries included in telephone
- Charger built into base transmitter
- Simple plug-in installation!
- High-performance antenna
- Full duplex, answer and dial out
- Full FCC approval

#### HOW WE CUT THE CORD.

The new Cordless Phone works on a simple, highly sophisticated principle. A small base station plugs into your regular phone jack, and an electrical wall outlet. The base station then transmits any in- or out-going call to the handheld receiver, anywhere up to 300 feet.



Exactly As Shown

PRICES SUBJECT TO CHANGE WITHOUT NOTICE

Toll Free Number  
800-528-0180  
(For orders only)

**MHz electronics**

✓ 48

# GaAs, TUNNEL DIODES, ETC.

PART	PRICE	PART	PRICE	PART	PRICE
MA47100	\$ 3.05	MRF503	\$ 6.00	PT4186B	\$ POR
MA47202	30.80	MRF504	7.00	PT4209	POR
MA47771	POR	MRF509	5.00	PT4209C	POR
MA47852	POR	MRF511	8.65	PT4566	POR
MA49558	POR	MRF605	20.00	PT4570	POR
MB4021	POR	MRF629	3.47	PT4571	POR
MBD101	1.00	MRF644	23.00	PT4571A	POR
MDO513	POR	MRF816	15.00	PT4577	POR
MHW1171	42.50	MRF823	20.00	PT4590	POR
MHW1182	48.60	MRF901	3.00	PT4612	POR
MHW4171	49.35	MRF8004	2.10	PT4628	POR
MHW4172	51.90	MS261F	POR	PT4640	POR
MHW4342	68.75	MT4150 Fair.	POR	PT4642	POR
MLP102	25.00	MT5126 Fair.	POR	PT5632	POR
MM1500	32.32	MT5481 Fair.	POR	PT5749	POR
MM1550	POR	MT5482 Fair.	POR	PT6612	POR
MM1552	50.00	MT5483 Fair.	POR	PT6626	POR
MM1553	50.00	MT5596 Fair.	POR	PT6709	POR
MM1614	10.00	MT5764 Fair.	POR	PT6720	POR
MM2608	5.00	MT8762 Fair.	POR	PT8510	POR
MM3375A	11.50	MV109	.77	PT8524	POR
MM4429	10.00	MV1401	8.75	PT8609	POR
MM8000	1.15	MV1624	1.42	PT8633	POR
MM8006	2.30	MV1805	15.00	PT8639	POR
MO277L	POR	MV1808	10.00	PT8659	POR
MO283L	POR	MV1817B	10.00	PT8679	POR
MO3757	POR	MV1863B	10.00	PT8708	POR
MP102	POR	MV1864A	10.00	PT8709	POR
MPN3202	10.00	MV1864B	10.00	PT8727	POR
MPN3401	.52	MV1864D	10.00	PT8731	POR
MPN3412	1.00	MV1868D	10.00	PT8742	POR
MPSU31	1.01	MV2101	.90	PT8787	POR
MRA2023-1.5 TRW	42.50	MV2111	.90	PT9790	41.70
MRF212/208	16.10	MV2115	1.55	PT31962	POR
MRF223	13.25	MV2201	.53	PT31963	POR
MRF224	15.50	MV2203	.53	PT31983	POR
MRF237	3.15	MV2209	2.00	PTX6680	POR
MRF238	12.65	MV2215	2.00	RAY-3	24.99
MRF243	25.00	MWA110	7.45	40081	POR
MRF245	34.50	MWA120	7.80	40281	POR
MRF247	34.50	MWA130	8.25	40282	POR
MRF304	43.45	MWA210	7.80	40290	POR
MRF315	23.00	MWA220	8.25	RF110	25.00
MRF420	20.00	MWA230	8.65	SCA3522	POR
MRF421	36.80	MWA310	8.25	SCA3523	POR
MRF422	41.40	MWA320	8.65	SD1065	POR
MRF427	16.10	MWA330	9.50	SS43	POR
MRF428	46.00	NEC57835	5.30	TP1014	POR
MRF450/A	13.80	ON382	5.00	TP1028	POR
MRF453/A	17.25	PPT515-20-3	POR	TRW-3	POR
MRF454/A	19.90	PRT8637	POR	UTO504 Avantek	70.00
MRF455/A	16.00	PSCQ2-160	POR	UT0511 Avantek	75.00
MRF458	19.90	PT3190	POR	V15	4.00
MRF463	25.00	PT3194	POR	V33B	4.00
MRF472	1.00	PT3195	POR	V100B	4.00
MRF475	2.90	PT3537	POR	VAB801EC	25.00
MRF477	11.50	PT4166E	POR	VAB804EC	25.00
MRF502	1.04	PT4176D	POR	VAS21AN20	25.00

**Toll Free Number**  
**800-528-0180**  
**(For orders only)**

**MHz electronics**

PRICES SUBJECT TO CHANGE WITHOUT NOTICE

# RF TRANSISTORS, MICROWAVE DIODES

PART	PRICE	PART	PRICE	PART	PRICE
1S2199	\$ 7.50	2N6083	\$ 13.25	CA2612 (TRW)	\$ 25.00
1S2200	7.50	2N6084	15.00	CA2674 (TRW)	25.00
2N1561	25.00	2N6094 /M9622	11.00	CA2881-1 (TRW)	25.00
2N1562	25.00	2N6095 /M9623	12.00	CA4101 (TRW)	25.00
2N2857	1.55	2N6096 /M9624	15.50	CA4201 (TRW)	25.00
2N2857JAN	2.55	2N6097	17.25	CA4600 (TRW)	25.00
2N2876	11.00	2N6136	21.85	CD1889	20.00
2N2947	18.35	2N6166	40.25	CD2545	20.00
2N2948	15.50	2N6201	50.00	CMD514AB	20.00
2N2949	3.90	2N6459	18.00	D4959	10.00
2N2950	4.60	2N6603	12.00	D4987M	20.00
2N3375	8.00	2N6680	80.00	D5147D	10.00
2N3553	1.57	2SC756A	7.50	D5506	10.00
2N3632	13.80	2SC781	2.80	D5827AM	20.00
2N3818	5.00	2SC1018	1.00	DMD6022	30.00
2N3866	1.30	2SC1042	12.00	DMS-2A-250	40.00
2N3924	3.35	2SC1070	2.50	HEP76	4.95
2N3927	17.75	2SC1239	2.50	HEPS3002	11.30
2N3950	25.00	2SC1251	12.00	HEPS3003	30.00
2N4072	1.80	2SC1306	2.90	HEPS3005	10.00
2N4127	21.00	2SC1307	5.50	HEPS3006	19.90
2N4427	1.30	2SC1760	1.50	HEPS3007	25.00
2N4428	1.85	2SC1970	2.50	HEPS3010	11.34
2N4957	3.45	2SC2166	5.50	HTEF2204 H.P.	112.00
2N4958	2.90	8B1087 (M.A.)	25.00	5082-0112 H.P.	14.20
2N4959	2.30	A50-12	20.00	5082-0253 H.P.	105.00
2N5090	13.90	A283B	5.00	5082-0320 H.P.	58.00
2N5108	4.00	ALD4200N (AVANTEK)	395.00	5082-0386 H.P.	POR
2N5109	1.70	AM123	97.35	5082-0401 H.P.	POR
2N5160	3.45	AM688	100.00	5082-0438 H.P.	POR
2N5177	21.62	BB105B	.52	5082-1028 H.P.	POR
2N5179	1.00	BD4/4JFBD4 (G.E.)	10.00	5082-2711 H.P.	23.15
2N5583	4.00	BFQ85	1.50	5082-3080 H.P.	2.00
2N5589	8.65	BFR90	1.30	5082-3188 H.P.	1.00
2N5590	10.35	BFR91	1.65	5082-6459 H.P.	POR
2N5591	13.80	BFW92	1.50	5082-8323 H.P.	POR
2N5635	10.95	BFX89	1.00	35826E H.P.	POR
2N5637	15.50	BFY90	1.00	35831E H.P.	29.99
2N5641	9.20	BGY54	25.00	35853E H.P.	71.50
2N5642	10.95	BGY55	25.00	35854E H.P.	75.00
2N5643	15.50	BGY74	25.00	HPA0241 H.P.	75.60
2N5645	13.80	BGY75	25.00	HXTR3101 H.P.	7.00
2N5646	20.70	BL161	10.00	HXTR3102 H.P.	8.75
2N5691	18.00	BLX67	11.00	HXTR6101/2N6617 H.P.	55.00
2N5764	27.00	BLY568CF	25.00	HXTR6104 H.P.	68.00
2N5836	5.45	BLY87	13.00	HXTR6105 H.P.	31.00
2N5842	8.00	BLY88	14.00	HXTR6106 H.P.	33.00
2N5849	20.00	BLY89	15.00	QSCH1995 H.P.	POR
2N5913	3.25	BLY90	20.00	JO2000 TRW	10.00
2N5922	10.00	BLY351	10.00	JO2001 TRW	25.00
2N5923	25.00	C4005	20.00	JO4045 TRW	25.00
2N5941	23.00	CA402 (TRW)	25.00	K3A	10.00
2N5942	40.00	CA405 (TRW)	25.00	MA450A	10.00
2N5944	9.20	CA612B (TRW)	25.00	MA41487	POR
2N5945	11.50	CA2100 (TRW)	25.00	MA41765	POR
2N5946	19.00	CA2113 (TRW)	25.00	MA43589	POR
2N6080	9.20	CA2200 (TRW)	25.00	MA43636	POR
2N6081	10.35	CA2213 (TRW)	25.00	MA47044	POR
2N6082	11.50	CA2418 (TRW)	25.00	MA47651	25.50

**Toll Free Number**  
**800-528-0180**  
**(For orders only)**

PRICES SUBJECT TO CHANGE WITHOUT NOTICE

**MHz electronics**



# "TRANSISTORS"

WATKINS JOHNSON WJ-M62 3.7 to 4.2GHz Communication Band Double Balanced Mixer

\$100.00

SSB Conversion Loss 4.9dB Typ. 6dB Max. fR 3.7 to 4.2GHz  
5.5dB Typ. 6.5dB Max. fI DC to 1125MHz fL fR

SSB Noise Figure fI 880MHz fL fR  
fR 3.7 to 4.2GHz

4.9dB Typ. 6dB Max. fI 30 to 1125MHz fL fR  
5.5dB Typ. 6.5dB Max. fI 880MHz fL fR

## Isolation

fL at R 30dB Min. 40dB Typ. fL 2.8 to 5.35GHz

fL at I 25dB Min. 30dB Typ. fL 4.5 to 5.35GHz

20dB Min. 30dB Typ. fL 3.6 to 4.5GHz

15dB Min. 25dB Typ. fL 2.8 to 3.6GHz

Conversion Compression 1dB Max. fR Level +2dBm

Flatness .2dB Peak to Peak Over any 40MHz Segment of fR=3.7 to 4.2GHz

Third Order Input Intercept +11dBm fR1=4GHz fR2=4.01GHz Both at -5dBm fL=4.5GHz

Group Time Delay .5ns Typ. .75ns Max. fR3.7 to 4.2GHz fL 3480MHz @ +13dBm

VSWR L-Port 1.25:1 Typ. 2.0:1 fL 2.8 to 5.35GHz

R-Port 1.25:1 Typ. 2.0:1 fR 3.7 to 4.2GHz fL fR

1.4 :1 Typ. 2.0:1 fR 3.7 to 4.2GHz fL fR

I-Port 1.5 :1 Typ. 2.0:1 fI=100MHz

1.3 :1 Typ. 2.0:1 fI=500MHz

1.8 :1 Typ. 2.5:1 fI=1125MHz

## SGS/ATES RF Transistors

Type.	BFQ85	BFW92
Collector Base V	20v	25v
Collector Emitter V	15v	15v
Emitter Base V	3v	2.5v
Collector Current	40ma	25ma
Power Dissipation	200mw	190mw
HFE	40min. 200max.	20min. 150max.
FT	4GHZ min. 5GHZ max.	1.6GHZ Typ.
Noise Figure	1GHZ 3dB Max.	500MHz 4dB Typ.
Price	\$1.50	\$1.50

## Motorola RF Transistor

MRF901	2N6603
25v	25v
15v	15v
3v	3v
30ma	30ma
375mw	400mw
30min. 200max.	30min. 200max.
4.5GHZ typ.	2GHZ min.
1GHZ 2dB Typ.	2GHZ 2.9dB Typ.
\$2.00	\$10.00

## National Semiconductor Variable Voltage Regulator Sale !!!!!!!!

LM317K	LM350K	LM723G/L	LM7805/06/08/12/15/18/24
1.2 to 37vdc	1.2 to 33vdc	2 to 37vdc	5, 6, 8, 12, 15, 18, 24vdc
1.5Amps	3Amps	150ma.	1Amp
T0-3	T0-3	T0-100/T0-116	T0-220/T0-3
\$4.50	\$5.75	\$1.00 \$1.25	\$1.17 \$2.00

## P & B Solid State Relays Type ECT1DB72

5VDC Turn On 120VAC Contact 7Amps  
20Amps on 10"x10"x.062" Alum.Heatsink with  
Silicon Grease \$5.00

\*May Be Other Brand Equivalent

**Toll Free Number**  
**800-528-0180**  
**(For orders only)**

**MHz electronics**

PRICES SUBJECT TO CHANGE WITHOUT NOTICE

# "MIXERS"

## WATKINS JOHNSON WJ-M6 Double Balanced Mixer

LO and RF 0.2 to 300MHz	IF DC to 300MHz	\$21.00
Conversion Loss (SSB)	6.5dB Max. 1 to 50MHz	
Noise Figure (SSB)	8.5dB Max. .2 to 300MHz	WITH DATA SHEET
Conversion Compression	same as above	
	8.5dB Max. 50 to 300MHz	
	.3dB Typ.	

## NEC (NIPPON ELECTRIC CO. LTD. NE57835/2SC2150 Microwave Transistor

NF Min F=2GHz	dB 2.4 Typ.	MAG F=2GHz	dB 12 Typ.	\$5.30
F=3GHz	dB 3.4 Typ.	F=3GHz	dB 9 Typ.	
F=4GHz	dB 4.3 Typ.	F=4GHz	dB 6.5 Typ.	

Ft Gain Bandwidth Product at Vce=8v, Ic=10ma. GHz 4 Min. 6 Typ.  
 Vcbo 25v Vceo 11v Vebo 3v Ic 50ma. Pt. 250mw

## UNELCO RF Power and Linear Amplifier Capacitors

These are the famous capacitors used by all the RF Power and Linear Amplifier manufacturers, and described in the RF Data Book.

5pf	10pf	18pf	30pf	43pf	100pf	200pf	1 to 10pcs.	\$1.00 ea
5.1pf	12pf	22pf	32pf	51pf	110pf	220pf	11 to 50pcs.	\$ .90 ea
6.8pf	13pf	25pf	33pf	60pf	120pf	470pf	51 up pcs.	\$ .80 ea
7pf	14pf	27pf	34pf	80pf	130pf	500pf		
8.2pf	15pf	27.5pf	40pf	82pf	140pf	1000pf		

## NIPPON ELECTRIC COMPANY TUNNEL DIODES

		MODEL 1S2199	1S2200	\$7.50
Peak Pt. Current ma.	Ip	9min. 10Typ. 11max.	9min. 10Typ. 11max.	
Valley Pt. Current ma.	Iv	1.2Typ. 1.5max.	1.2Typ. 1.5max.	
Peak Pt. Voltage mv.	Vp	95Typ. 120max.	75Typ. 90max.	
Projected Peak Pt. Voltage mv.	Vpp Vf=Ip	480min. 550Typ. 630max.	440min. 520Typ. 600max.	
Series Res. Ohms	rS	2.5Typ. 4max.	2Typ. 3max.	
Terminal Cap. pf.	Ct	1.7Typ. 2max.	5Typ. 8max.	
Valley Pt. Voltage mv.	VV	370Typ.	350Typ.	

## FAIRCHILD / DUMONT Oscilloscope Probes Model 4290B

Input Impedance 10 meg., Input Capacity 6.5 to 12pf., Division Ration (Volts/Div Factor) 10:1, Cable Length 4Ft. , Frequency Range Over 100MHz.  
 These Probes will work on all Tektronix, Hewlett Packard, and other Oscilloscopes.

PRICE \$45.00

## MOTOROLA RF DATA BOOK

List all Motorola RF Transistors / RF Power Amplifiers, Varactor Diodes and much much more.

PRICE \$7.50

**Toll Free Number**  
**800-528-0180**  
**(For orders only)**

**MHz electronics**

PRICES SUBJECT TO CHANGE WITHOUT NOTICE

# "SOCKETS AND CHIMNEYS"

## EIMAC TUBE SOCKETS AND CHIMNEYS

SK110	Socket	\$ POR	SK626	Chimney	\$ 7.70
SK406	Chimney	35.00	SK630	Socket	45.00
SK416	Chimney	22.00	SK636B	Chimney	26.40
SK500	Socket	330.00	SK640	Socket	27.50
SK506	Chimney	47.00	SK646	Chimney	55.00
SK600	Socket	39.50	SK711A	Socket	192.50
SK602	Socket	56.00	SK740	Socket	66.00
SK606	Chimney	8.80	SK770	Socket	66.00
SK607	Socket	43.00	SK800A	Socket	150.00
SK610	Socket	44.00	SK806	Chimney	30.80
SK620	Socket	45.00	SK900	Socket	253.00
SK620A	Socket	50.50	SK906	Chimney	44.00

## JOHNSON TUBE SOCKETS

124-115-2/SK620A	Socket	\$ 30.00	124-113	Bypass Cap.	\$ 10.00
124-116/SK630A	Socket	40.00	122-0275-001	Socket	10.00
			(For 4-250A, 4-400A, 3-400Z, 3-500Z)		2/\$15.00

## CHIP CAPACITORS

.8pf	10pf	100pf*	430pf
1pf	12pf	110pf	470pf
1.1pf	15pf	120pf	510pf
1.4pf	18pf	130pf	560pf
1.5pf	20pf	150pf	620pf
1.8pf	22pf	160pf	680pf
2.2pf	24pf	180pf	820pf
2.7pf	27pf	200pf	1000pf/.001uf*
3.3pf	33pf	220pf*	1800pf/.0018uf
3.6pf	39pf	240pf	2700pf/.0027uf
3.9pf	47pf	270pf	10,000pf/.01uf
4.7pf	51pf	300pf	12,000pf/.012uf
5.6pf	56pf	330pf	15,000pf/.015uf
6.8pf	68pf	360pf	18,000pf/.018uf
8.2pf	82pf	390pf	

PRICES: 1 to 10 - .99¢    101 to 1000 .60¢    \* IS A SPECIAL PRICE: 10 for \$7.50  
 11 to 50 - .90¢    1001 & UP .35¢    100 for \$65.00  
 51 to 100 - .80¢             1000 for \$350.00

WATKINS JOHNSON WJ-V907: Voltage Controlled Microwave Oscillator \$110.00

Frequency range 3.6 to 4.2GHz, Power output, Min. 10dBm typical, 8dBm Guaranteed.  
 Spurious output suppression Harmonic (nf<sub>0</sub>), min. 20dB typical, In-Band Non-Harmonic, min. 60dB typical, Residual FM, pk to pk, Max. 5KHz, pushing factor, Max. 8KHz/V, Pulling figure (1.5:1 VSWR), Max. 60MHz, Tuning voltage range +1 to +15volts, Tuning current, Max. -0.1mA, modulation sensitivity range, Max. 120 to 30MHz/V, Input capacitance, Max. 100pf, Oscillator Bias +15 +/-0.05 volts @ 55mA, Max.

**Toll Free Number**  
**800-528-0180**  
**(For orders only)**

**MHz electronics**

PRICES SUBJECT TO CHANGE WITHOUT NOTICE

# TUBES

<u>TYPE</u>	<u>PRICE</u>	<u>TYPE</u>	<u>PRICE</u>	<u>TYPE</u>	<u>PRICE</u>
2E26	\$ 5.69	KT88	\$ 20.00	6562/6974A	\$ 50.00
2K28	100.00	DX362	50.00	6832	22.00
2X1000A	300.00	DX415	50.00	6883/8032A/8552	7.00
3B22	19.75	572B/T160L	49.00	6897	110.00
3B28/866A	7.50	592/3-200A3	144.00	6907A	75.00
3-500Z	102.00	807	7.50	6939	15.00
3-1000Z	400.00	811	10.00	7094	125.00
3CX1000A/8283	428.00	811A	15.00	7117	17.00
3CX1500A7/887	533.00	812A	35.00	7211	60.00
3X2500A3	200.00	813	50.00	7289/3CX100A5	34.00
3CX3000A7	490.00	829B	38.00	7360	11.00
4-65A/8165	45.00	832A	28.00	7377	67.00
4-125A/4D21	58.00	4624	310.00	7408	4.00
4-250A/5D22	75.00	4662	80.00	7650	250.00
4-400A/8432	90.00	4665	585.00	7695	8.00
4-400C/6775	95.00	5675/A	25.00	7843	58.00
4-1000A/8166	300.00	5721	200.00	7854	83.00
4B32	22.00	5768	85.00	7868	5.00
4E27A/5-125B	155.00	5836	100.00	7894	12.00
4CS250R	146.00	5837	100.00	8072	65.00
4X150A/7034	30.00	5861/EC55	110.00	8117A	130.00
4X150D/7035	40.00	5876A	25.00	8121	60.00
4X150G/8172	100.00	5881/6L6W	6.00	8122	100.00
4X250B	30.00	5893	45.00	8236	30.00
4CX250B/7203	45.00	5894/A	50.00	8295/PL172	506.00
4CX250F/G/8621	55.00	5894/B	60.00	8462	100.00
4CX250K/8245	100.00	5946	258.00	8505A	73.50
4CX250R/7580W	69.00	6080	10.00	8533W	92.00
4CX300A/8167	140.00	6083/AX9909	89.00	8560/A	65.00
4CX350A/8321	83.00	6098/6AK6	14.00	8560AS	90.00
4CX350F/J/8904	95.00	6115/A	110.00	8608	34.00
4X500A	282.00	6146	7.00	8637	38.00
4CX600J/8809	607.00	6146A	7.50	8643	100.00
4CW800F	625.00	6146B/8298A	8.50	8647	123.00
4CX1000A/8168	340.00	6146W	14.00	8737/5894B	60.00
4CX1500B/8660	397.00	6156	66.00	8873	260.00
4CX5000A/8170	932.00	6159	15.00	8874	260.00
4CX10000D/8171	990.00	6161	233.00	8875	260.00
4CX15000A/8281	1260.00	6291	125.00	8877	533.00
4PR60A	100.00	6293	12.00	8908	12.00
4PR60B/8252	175.00	6360	5.00	8930/651Z	71.00
4PR400A/8188	192.00	6524	53.00	8950	12.00
5CX1500A	569.00	6550	10.00		
6BK4C	6.00	6JM6	6.00	6LQ6 (Sylvania)	7.50
6DQ5	5.00	6JN6	6.00	6LU8	6.00
6FW5	6.00	6JS6B	6.00	6LX6	6.00
6GE5	6.00	6KG6/EL505	6.00	6ME6	6.00
6GJ5	6.00	6KM6	6.00	12BY7A	4.00
6HS5	6.00	6KN6	6.00	12JB6A	6.00
6JB5/6HE5	6.00	6LF6	6.00	6KD6	6.00
6JB6A	6.00	6LQ6 (GE)	6.00	6JT6A	6.00
				6KD6	6.00

NOTICE ALL PRICES ARE SUBJECT TO CHANGE WITHOUT NOTICE !!!  
TUBES MAY EITHER BE NEW OR SURPLUS CONDITION !!!

**Toll Free Number**  
**800-528-0180**  
**(For orders only)**



PRICES SUBJECT TO CHANGE WITHOUT NOTICE



TEKTRONIX OSCILLOSCOPES	PRICE	MODEL 544 50 MHz Bench Scope with a CA Dual Trace.	\$ 650.50
MODEL 453 Portable 50 MHz Dual Trace.	\$1200.00	MODEL 543A 33 MHz Bench Scope with a CA Dual Trace.	\$ 475.50
MODEL 453A Portable 60 MHz Dual Trace.	\$1400.00	<b>HEWLETT PACKARD OSCILLOSCOPES</b>	
MODEL 454 Portable 150 MHz Dual Trace.	\$1800.00	MODEL 180A Main Frame.	\$ 675.00
MODEL 454A Portable 150 MHz Dual Trace.	\$2000.00	MODEL 180E Main Frame.	\$ 750.00
MODEL 455 Portable 50 MHz Dual Trace.	\$1800.00	MODEL 181A Main Frame.	\$1000.00
MODEL 475 Portable 200 MHz Dual Trace.	\$2640.00	MODEL 182A Main Frame.	\$ 900.00
MODEL 475A Portable 250 MHz Dual Trace.	\$2940.00	MODEL 183A Main Frame.	\$1000.00
MODEL 7514 Storage Oscilloscope with a 7A15A and a 7A15AN-11 Amplifier and a 7B50 Time Base.	\$3500.00	MODEL 180 SERIES PLUG-INS	
MODEL 577D1 Storage Curve Tracer with a 177 adapter.	\$3233.00	1801A Dual Trace 50 MHz.	\$ 495.00
MODEL 577D2 Curve Tracer with a 177 adapter.	\$2796.00	1803A Differential.	\$ 775.00
Tektronix Lab Cart Model 3	\$ 316.00	1804A Quad Trace 50 MHz	\$ 795.00
		1807A Dual Trace 50 MHz	\$ 375.00
		1815A TDR/Sampler with a 1816A DC to 4 GHz.	\$1500.00
		1821A Time Base & Delay Generator.	\$ 495.00
		1822A Time Base & Delay Generator.	\$ 525.00
		1831A Direct Access 600 MHz *	\$ 200.00
		1840A Time Base & Delay Generator *	\$ 450.00
		1841A Time Base & Delay Generator *	\$ 675.00
		* For 183A Only. !!!!!!!	
		TELEQUIPMENT MODEL D83 Oscilloscope Dual Trace Portable 50 MHz. With a V4 and S2A Plug-In.	\$1200.00
MODEL 547 50 MHz Bench Scope. With a 1A1 Dual Trace.	\$ 722.50	DUMONT MODEL 1062 Oscilloscope Dual Trace 65 MHz portable.	\$ 750.00
With a 1A2 Dual Trace.	\$ 637.50	<b>TEKTRONIX</b>	
With a 1A4 Quad Trace.	\$ 872.50	MODEL RM565 Dual Beam Oscilloscope 10 MHz with a 3A6 Dual Trace and a 3A72 Dual Trace.	\$1107.50
With a 1A5 Differential.	\$ 722.50	MODEL 549 Storage Oscilloscope Bench 50 MHz with a CA Dual Trace	\$1000.00
With a 1A6 Differential. or with 1 of each above.	\$ 612.50 \$1667.50	MODEL 647A Oscilloscope Bench 100 MHz with a 10A2 Dual Trace and a 11B2A Time Base.	\$1200.00
MODEL 545 30 MHz Bench Scope with a CA Dual Trace.	\$ 412.50		
MODEL 545A 30 MHz Bench Scope with a CA Dual Trace.	\$ 437.50		

#### ORDERING INSTRUCTIONS

**DEFECTIVE MATERIAL:** All claims for defective material must be made within sixty (60) days after receipt of parcel. All claims must include the defective material (for testing purposes), our invoice number, and the date of purchase. All returns must be packed properly or it will void all warranties.

**DELIVERY:** Orders are normally shipped within 48 hours after receipt of customer's order. If a part has to be backordered the customer is notified. Our normal shipping method is via First Class Mail or UPS depending on size and weight of the package. On test equipment it is by Air only, FOB shipping point.

**FOREIGN ORDERS:** All foreign orders must be prepaid with cashier's check or money order made out in U.S. Funds. We are sorry but C.O.D. is not available to foreign countries and Letters of Credit are not an acceptable form of payment either. Further information is available on request.

**HOURS:** Monday thru Saturday: 8:30 a.m. to 5:00 p.m.

**INSURANCE:** Please include 25¢ for each additional \$100.00 over \$100.00, United Parcel only.

**ORDER FORMS:** New order forms are included with each order for your convenience. Additional forms are available on request.

**POSTAGE:** Minimum shipping and handling in the US, Canada, and Mexico is \$2.50 all other countries is \$5.00. On foreign orders include 20% shipping and handling.

**PREPAID ORDERS:** Order must be accompanied by a check.

**PRICES:** Prices are subject to change without notice.

**RESTOCK CHARGE:** If parts are returned to MHZ Electronics due to customer error, customer will be held responsible for all extra fees, will be charged a 15% restocking fee, with the remainder in credit only. All returns must have approval.

**SALES TAX:** Arizona must add 5% sales tax, unless a signed Arizona resale tax card is currently on file with MHZ Electronics. All orders placed by persons outside of Arizona, but delivered to persons in Arizona are subject to the 5% sales tax.

**SHORTAGE OR DAMAGE:** All claims for shortages or damages must be made within 5 days after receipt of parcel. Claims must include our invoice number and the date of purchase. Customers which do not notify us within this time period will be held responsible for the entire order as we will consider the order complete.

OUR 800 NUMBER IS STRICTLY FOR ORDERS ONLY  
NO INFORMATION WILL BE GIVEN. 1-800-528-0180.

FAIRCHILD VHF AND UHF PRESCALER CHIPS		PRICE
95H90DC	350MC Prescaler divide by 10/11	\$ 8.50
95H91DC	350MC Prescaler divide by 5/6	8.50
11C90DC	650MC Prescaler divide by 10/11	15.50
11C91DC	650MC Prescaler divide by 5/6	15.50
11C06DC	UHF Prescaler 750MC D Type Flip Flop	12.30
11C05DC	1GHz Counter Divide by 4 (Regular price \$75.00)	50.00
11C01FC	High Speed Dual 5/4 Input NO/NOR Gate	15.40
82S90	Pre-settable High Speed Decade/Binary Counter used with the 11C90/91 or the 95H90/91 Prescaler can divide by 100. (Signetics)	5.00
11C24DC	This chip is the same as a Motorola MC4024/4324 Dual TTL Voltage Control Multivibrator.	3.37
11C44DC	This chip is the same as a Motorola MC4044/4344 Phase Frequency Detector.	3.37

**GENERAL ELECTRIC CO. GUNN DIODE MODEL Y-2167**  
 Freq. Gap (GHz) 12 to 18, Output (Min.) 100mW, Duty (%) CW, Typ. Bias (Vdc) 8.0, Type. Oper. (MAdc) 550, Max. Thres. (mAdc) 1000, Max. Bias (Vdc) 10.0. **\$39.99**

**VARIAN GALLIUM ARSENIDE GUNN DIODES MODEL VSX-92015S**  
 Freq. Coverage 8 to 12.4GHz, Output (Min.) 100mW, Bias Voltage (Max.) 14vdc, Bias current (mAdc) Operating 550 Typ. 750 Max., Threshold 850 Typ. 1000 Max. **\$39.99**

**VARI-L Co. Inc. MODEL SS-43 AM MODULATOR**  
 Freq. Range 60 to 150MC, Insertion Loss 13dB Nominal, Signal Port Imp. 50ohms Nominal, Signal Port RF Power + 10dBm Max., Modulation Port BW DC to 1KHz, Modulation Port Bias 1ma. Nominal. **\$24.99**

AVANTEK CASCADABLE MODULAR AMPLIFIERS		
Frequency Range	Model UTO-504	UTO-511
Gain	5 to 500 MHz	5 to 500 MHz
Noise Figure	6dB	15dB
Power Output	11dB	2.3dB to 3dB
	+ 17dB	- 2dB to - 3dB
Gain Flatness	1dB	1dB
Input Power Vdc	+ 24	+ 15
mA	100	10
	PRICE \$70.00	PRICE \$75.00

HEWLETT PACKARD MIXERS MODELS		
Frequency Range	10514A	10514B
	2MHz to 500MC	2MHz to 500MC
Input/Output Frequency L & R	200KHz to 500MC	200KHz to 500MC
	X	DC to 500MC
Mixer Conversion Loss (A)	7dB	7dB
(B)	9dB	9dB
Noise Performance (SSB) (A)	7dB	7dB
(B)	9dB	9dB
	PRICE \$49.99	PRICE \$39.99

**FREQUENCY SOURCES, INC MODEL MS-74X MICROWAVE SIGNAL SOURCE**  
 MS-74X: Mechanically Tunable Frequency Range (MHz) 10630 to 11230 (10.63 to 11.23GHz) Minimum Output Power (mW) 10, Overall Multiplier Ratio 108, Internal Crystal Oscillator Frequency Range (MHz) 98.4 to 104.0, Maximum Input Current (mA) 400.

The signal source are designed for applications where high stability and low noise are of prime concern. These sources utilize fundamental transistor oscillators with high Q coaxial cavities, followed by broadband stable step recovery diode multipliers. This design allows single screw mechanical adjustment of frequency over standard communications bands. Broadband sampling circuits are used to phase lock the oscillator to a high stability reference which may be either an internal self-contained crystal oscillator, external primary standard or VHF synthesizer. This unique technique allows for optimization of both FM noise and long term stability. List Price is \$1158.00 (THESE ARE NEW) **Our Price—\$289.**

**HEWLETT PACKARD 1N5712 MICROWAVE DIODE**  
 This diode will replace the MBD101, 1N5711, 5082-2800, 5082-2835 ect. This will work like a champ in all those Down Converter projects. **\$1.50 or 10/\$10.00**

**MOTOROLA MHW1172R LOW DISTORTION WIDEBAND AMPLIFIER MODULE.**  
 Frequency Range: 40 to 300 MHz., Power Gain at 50MHz 16.6min. to 17.4max., Gain Flatness ± 0.1 Typ. ± 0.2 Max. dB., DC Supply Voltage - 28vdc, RF Voltage Input + 70dBmV **PRICE \$29.99**

**GENERAL ELECTRIC AA NICADS**  
 Model #41B905HD11-G1  
 Pack of 6 for \$5.00 or 60 Cells, 10 Packs for \$45.00  
 These may be broken down to individual cells.

### ORDERING INSTRUCTIONS

**TERMS: DOMESTIC:** Prepaid, C.O.D. or Credit Card

**FOREIGN:** Prepaid only, U.S. Funds—money order or cashier's check only.

**C.O.D.:** Acceptable by telephone or mail. Payment from customer will be by cash, money order or cashier's check. We are sorry but we cannot accept personal checks for C.O.D.'s.

**CONFIRMING ORDERS:** We would prefer that confirming orders not be sent after a telephone order has been placed. If company policy necessitates a confirming order, please mark "CONFIRMING" boldly on the order. If problems or duplicate shipments occur due to an order which is not properly marked, customers will be held responsible for any charges incurred, plus a 15% restock charge on returned parts.

**CREDIT CARDS: WE ACCEPT MASTERCARD VISA AND AMERICAN EXPRESS.**

**DATA SHEETS:** When we have data sheets in stock on devices we do supply them with the order.

**MHz** electronics



(602) 242-3037

(602) 242-8916

2111 W. CAMELBACK ROAD  
 PHOENIX, ARIZONA 85015

Toll Free Number

800-528-0180

(For orders only)

PRICES SUBJECT TO CHANGE WITHOUT NOTICE

We now have available a bunch of goodies too good to bypass. Items are limited so order today

Call Your Phone Order in Today  
TERMS: Satisfaction guaranteed or money refunded. C.O.D. add \$2.00. Minimum order \$6.00. Orders under \$10.00 add \$1.50. Add 5% for postage, insurance, handling. Overseas add 15%. N.Y. residents add 7% tax.

**MINI KITS - YOU HAVE SEEN THESE BEFORE NOW  
HERE ARE OLD FAVORITE AND NEW ONES TOO.  
GREAT FOR THAT AFTERNOON HOBBY.**

**FM MINI MIKE**

A super high performance FM wireless mike kit! Transmits a stable signal up to 300 yards with exceptional audio quality by means of its built in electret mike. Kit includes case, mike, on-off switch, antenna, battery and super instructions. This is the finest unit available.

FM-3 Kit \$14.95  
FM-3 Wired and Tested 19.95

**Color Organ**

See music come alive! 3 different lights flicker with music. One light each for, high, mid-range and lows. Each individually adjustable and drives up to 300 W. runs on 110 VAC.

Complete kit, ML-1 \$8.95

**Video Modulator Kit**  
Converts any TV to video monitor. Super stable, tunable over ch 4-6. Runs on 5-15V, accepts std video signal. Best unit on the market! Complete kit, VD-1 \$7.95

**Led Blinky Kit**  
A great attention getter which alternately flashes 2 jumbo LEDs. Use for name badges, buttons, warning panel lights, anything! Runs on 3 to 15 volts. Complete kit, BL-1 \$2.95

**CPO-1**  
Runs on 3-12 Vdc 1 wall out, 1 KHZ good for CPO Alarm, Audio Oscillator. Complete kit \$2.95

**Super Sleuth**  
A super sensitive amplifier which will pick up a pin drop at 15 feet! Great for monitoring baby's room or as general purpose amplifier. Full 2 W rms output runs on 6 to 15 volts, uses 8-45 ohm speaker. Complete kit, BN-9 \$5.95

**CLOCK KITS**

Your old favorites are here again. Over 7,000 Sold to Date. Be one of the gang and order yours today!

Try your hand at building the finest looking clock on the market. Its satin finish anodized aluminum case looks great anywhere, while six .4" LED digits provide a highly readable display. This is a complete kit, no extras needed, and it only takes 1-2 hours to assemble. Your choice of case colors: silver, gold, black (specify).  
Clock kit, 12/24 hour, DC-5 \$24.95  
Clock with 10 min. ID timer, 12/24 hour, DC-10 \$29.95  
Alarm clock, 12 hour only, DC-8 \$29.95  
12V DC car clock, DC-7 \$29.95

For wired and tested clocks add \$10.00 to kit price. SPECIFY 12 OR 24 HOUR FORMAT

**FM Wireless Mike Kit**

Transmits up to 300' to any FM broadcast radio, uses any type of mike. Runs on 3 to 9V. Type FM-2 has added sensitive mike preamp stage.

FM-1 kit \$3.95 FM-2 kit \$4.95

**Whisper Light Kit**

An interesting kit, small mike picks up sounds and converts them to light. The louder the sound, the brighter the light. Includes mike, controls up to 300 W, runs on 110 VAC. Complete kit, WL-1 \$6.95

**Tone Decoder**

A complete tone decoder on a single PC board. Features 400-5000 Hz adjustable range via 20 turn pot, voltage regulation, 567 IC. Useful for touch-tone burst detection, FSK. Can also be used as a stable tone encoder. Runs on 5 to 12 volts. Complete kit, TD-1 \$5.95

**Universal Timer Kit**

Provides the basic parts and PC board required to provide a source of precision timing and pulse generation. Uses 555 timer IC and includes a range of parts for most timing needs.

UT-5 Kit \$5.95

**Mad Blaster Kit**

Produces LOUD ear shattering and attention getting siren like sound. Can supply up to 15 watts of obnoxious audio. Runs on 6-15 VDC. Complete kit, MB-1 \$4.95

**Siren Kit**

Produces upward and downward wail characteristic of a police siren. 5 W peak audio output, runs on 3-15 volts, uses 3-45 ohm speaker. Complete kit, SM-3 \$2.95

**60 Hz Time Base**  
Runs on 5-15 VDC. Low current (2.5ma) 1 month accuracy. TB-7 Kit \$9.95

**Car Clock**

The UN-KIT, only 5 solder connections

Here's a super looking rugged and accurate auto clock which is a snap to build and install. Clock movement is completely assembled - you only solder 3 wires and 2 switches, takes about 15 minutes! Display is bright green with automatic brightness control photocell - assures you of a highly readable display, day or night. Comes in a satin finish anodized aluminum case which can be attached 5 different ways using 2 sided tape. Choice of silver, black or gold case (specify).

DC-3 kit, 12 hour format \$22.95  
DC-3 wired and tested \$29.95

**Calendar Alarm Clock**

The clock that's got it all! 6-.5" LEDs, 12/24 hour, snooze, 24 hour alarm, 4 year calendar, battery backup and lots more. The super 7001 chip is used. Size 5x4x2 inches. Complete kit, less case (not available) \$34.95

**Under Dash Car Clock**

12/24 hour clock in a beautiful plastic case features 6 jumbo RED LEDs, high accuracy (1.00%), easy 3 wire hookup, display blanks with ignition and super instructions. Optional dimmer automatically adjusts display to ambient light level. DC-11 clock with mg bracket \$27.95 kit \$25.00 Add \$10.00 Assy and Test

**Video Terminal**

A completely self-contained stand alone video terminal card. Requires only an ASCII keyboard and TV set to become a complete terminal unit. Features are: single SV supply, ATAL controlled sync and baud rates (to 9600), complete computer and keyboard control of cursor, parity error control and display. Accepts and generates serial ASCII plus parallel keyboard input. The 6416 is 64 char by 16 lines with scrolling, upper and lower case (optional) and has RS-232 and 20ma loop interfaces on board. Kits include sockets and complete documentation. RE 6416 terminal card kit (add \$60.00 for wired unit) \$189.95  
Power Supply \$139.95  
RF Modulator kit \$14.95  
RF Modulator kit \$17.95

**PARTS PARADE**

**IC SPECIALS**

LINEAR	TTL
301 \$3.35	74S00 \$4.40
324 \$1.50	7447 \$6.65
380 \$1.50	7475 \$5.50
555 \$3.45	7490 \$5.50
556 \$1.00	74196 \$1.35
565 \$1.00	
566 \$1.00	
567 \$1.25	
741 \$2.00	
1458 \$1.50	
3900 \$1.50	
3914 \$2.95	
8038 \$2.95	

Resistor Ass't	Crystals
Assortment of Popular values - 1/4 watt. Cut lead for PC mounting, 1/2" center, 1/8" leads, bag of 300 or more \$1.50	3.579545 MHZ \$1.50 10.00000 MHZ \$5.00 5.248800 MHZ \$5.00
<b>Switches</b>	<b>AC Adapters</b>
Mini toggle SPDT \$1.00 Red Pushbuttons N/O 3/\$1.00	Good for clocks, nicad chargers, all 110 VAC plug one end. 8.5 vdc @ 20 mA \$1.00 16 vdc @ 160mA \$2.50 12 vdc @ 250mA \$3.00
<b>Earphones</b>	<b>Solid State Buzzers</b>
3" leads, 8 ohm, good for small tone speakers, alarm clocks, etc \$6 for \$1.00	small buzzer 450 Hz, 86 dB, sound output on 5-12 vdc at 10-30 mA, TTL compatible \$1.50
<b>Mini 8 ohm Speaker</b>	<b>AC Outlet</b>
Approx 2 1/2" diam Round type for radios, mike etc \$3 for \$2.00	Panel Mount with Leads 4/\$1.00
<b>Slug Tuned Coils</b>	<b>CAPACITORS</b>
Small 3/16" Hex Slugs turned coil 3 turns 10 for \$1.00	<b>TANTALUM</b> Dipped Epoxy 1000 uF 16V Radial \$5.00 1.5 uF 25V 3/\$1.00 500 uF 20V Axial \$5.00 1.5 uF 25V 3/\$1.00 150 uF 16V Axial \$1.00 1.2 uF 25V 3/\$1.00 10 uF 15V Radial 10 \$1.00

**Audio Prescaler**

Make high resolution audio measurements, great for musical instrument tuning, PL tones, etc. Multiplies audio UP in frequency, selectable x10 or x100, gives 0.1 Hz resolution with 1 sec gate time! High sensitivity of 25 mv, 1 meg input z and built-in filtering gives great performance. Runs on 9V battery, all CMOS. PS-2 kit \$29.95  
PS-2 wired \$39.95

**600 MHz PRESCALER**

Extend the range of your counter to 600 MHz. Works with all counters. Less than 150 mv sensitivity. specify -10 or -100. Wired, tested, PS-1B \$59.95  
Kit, PS-1B \$44.95

CMOS	FERRITE BEADS
4011 \$0.50	With info and specs \$13.00 6 mole Daum Beads \$31.00
4013 \$0.50	
4046 \$1.85	
4049 \$0.50	
4059 \$9.00	
4511 \$2.00	
4518 \$1.35	
5639 \$1.75	

SOCKETS	DC-DC Converter	Ceramic IF Filters
8 Pin 10/\$2.00 14 Pin 10/\$2.00 16 Pin 10/\$2.00 24 Pin 4/\$2.00 28 Pin 4/\$2.00 40 Pin 3/\$2.00	-5 vdc input prod -9 vdc @ 30ma -9 vdc produces -15 vdc @ 35ma \$1.25	Mini ceramic filters 7 kHz B.W. 455 kHz \$1.50 ea.
	25K 20 Turn Trim Pot \$1.00 1K 20 Turn Trim Pot \$0.50	Trimmer Caps Sprague - 3-40 pf Stable Polypropylene .50 ea.

**30 Watt 2 mtr PWR AMP**

Simple Class C power amp features 8 times power gain. 1 W in for 8 out, 2 W in for 15 out, 4 W in for 30 out. Max output of 35 W, incredible value, complete with all parts, less case and T-R relay. PA-1, 30 W pwr amp kit \$22.95  
TR-1, RF sensed T-R relay kit 6.95

**Power Supply Kit**

MRF-238 transistor as used in PA-1 8-10db gain 150 mhz \$11.95

Complete triple regulated power supply provides variable 6 to 18 volts at 200 ma and -5 at 1 Amp. Excellent load regulation, good filtering and small size. Less transformers, requires 6.3 V r a 1 A and 24 VCT Complete kit, PS-3LT \$6.95

READOUTS	Diodes
FND 359 4" C.C. \$1.00 FND 507 5"10 C.A. 1.00 MAN 7274P7730 33"CA 1.00 HP 7651 43"CA 2.00	5.1 V Zener 20/\$1.00 1N914 Type 50/\$1.00 1KV 2Amp 8/\$1.00 100V 1Amp 15/\$1.00

Crystal Microphone	Mini RG-174 Coax
Small 1" diameter 1/4" thick crystal mike cartridge \$7.75	10 ft. for \$1.00

**RF actuated relay senses RF**

(1W) and closes DPDT relay. For RF sensed T-R relay TR-1 Kit \$6.95

**OP-AMP Special**

BI-FET LF 1374-1 - Direct pin for pin 741 compatible, but 500,000 MEG input z, super low 50 pa input current, low power drain. 50 for only \$9.00 10 for \$2.00

TRANSISTORS	25 AMP 100V Bridge	Mini-Bridge 50V 1 AMP
2N3904 NPN C-F \$1.00 2N3906 PNP C-F \$1.00 2N4403 PNP C-F \$1.00 2N4410 NPN C-F \$1.00 2N4916 FET C-F \$4.00 2N5401 PNP C-F \$3.00 2N6028 C-F \$4.00 2N3771 NPN Silicon \$1.50 2N5179 UHF NPN \$3.00 Power Tab PNP 40W \$3.00 Power Tab PNP 40W \$3.00 MPF 102/2N5484 \$5.00 NPN 3904 Type T-R \$0.20 PNP 3906 Type T-R \$0.20 2N3905 \$1.00 2N2946 UJT \$3.00	\$1.50 each	2 for \$1.00

Coax Connector	9 Volt Battery Clips	Shrink Tubing Nubs	Mini TO-92 Heat Sinks
Chassis mount BNC type \$1.00	Nice quality clips 5 for \$1.00 1/4" Rubber Grommets 10 for \$1.00	Nice pre-cut pces of shrink size 1" x 1/2" shrink to 1/4" Great for splices \$0/\$1.00	Thermalloy Brand TO-220 Heat Sinks 5 for \$1.00 3 for \$1.00
<b>Parts Bag</b> Asst of chokes disc caps tant resistors transistors diodes, MICA caps etc sm bag (100 pc) \$1.00 lg bag (300 pc) \$2.50	<b>Connectors</b> 6 pin type gold contacts for mA-1003 car clock module .75 ea.	<b>Molex Pins</b> Molex already pre-cut in length of 7. Perfect for 14 pin sockets, 20 stripe for \$1.00	<b>COS Photocells</b> Resistance varies with light, 250 ohms to over 3 meg

**Regulators**

78MG \$1.25	7812 \$1.00
79MG \$1.25	7815 \$1.00
723 \$0.50	7905 \$1.25
309K \$1.15	7912 \$1.25
7805 \$1.00	7915 \$1.25

**Opto Isolators - 4N28 type**

Opto Reflectors - Photo diode + LED \$5.00 ea. \$1.00 ea.



**TRADE-IN  
IS THE GAME  
HAM RADIO CENTER  
IS  
THE NAME**

**FOR THE BEST DEAL  
WITH OR WITHOUT TRADE-IN  
ON:**

★ KENWOOD  
★ TEN-TEC  
★ HAL  
★ DRAKE

★ YAESU  
★ ICOM  
★ INFO-TECH  
★ COLLINS

**DIAL YOUR DEAL TOLL-FREE  
1-800-325-3636**

**ALSO CALL FOR PRICES ON AVAILABLE  
USED EQUIPMENT  
WE TRADE ON NEW OR USED**

**HAM RADIO CENTER**  
8340-42 Olive Blvd. • P.O. Box 28271 • St. Louis, MO 63132



IN MISSOURI CALL **1-314-993-6060**





# QUEST ELECTRONICS FULL LINE ALL PARTS & COMPUTER PRODUCTS

60 P.O. Box 44300 Santa Clara, CA 95054 Will call: 2322 Walsh Ave. (408) 988-1640

Same day shipment. First line parts only. Factory tested. Guaranteed money back. Quality IC's and other components at factory prices.

## INTEGRATED CIRCUITS

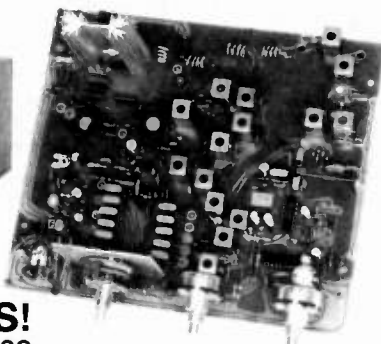
Phone orders only (800) 538-8196

7805TTL	LM317T	1.85	CD4019	45	20S1 MEMORY RAM	UM8T510	3.95	AVS-1013	3.95	DA15P	2.10
7805C	LM317C	3.75	CD4020	95	2101-1	1.95	AVS-1013	3.95	DA15S	3.10	234
7805B	LM317B	1.65	CD4021	95	2102-1	1.95	AVS-1014A/1612	6.95	DA15S	3.10	234
7805A	LM317A	1.35	CD4022	110	2102AL-4	1.25	3341	6.95	Complete Set	9.50	COMPUTER
7400N	LM320N-15	1.35	CD4023	25	2102AM-7L	1.65	3341	6.95	Complete Set	9.50	COMPUTER
7410N	LM320N-15	1.35	CD4024	75	2104A-4	4.95	1702A	4.50	Research Kit	29.95	FAR
7414N	LM320T-15	85	CD4025	23	2107E-4	3.75	2532	9.50	Digital Clock Kit	18.75	\$7.75
7420N	LM320T-12	85	CD4027	55	2112-2	2.99	2708	9.50	10 pin type	95	1987
7424N	LM320T-15	85	CD4028	90	2114-2	2.99	2708	9.50	10 pin type	95	1987
7428N	LM320M-5	49	CD4029	95	2114-4	2.50	2715.5 vpp	4.95	100 pin type	015	IC
7447N	LM324N	50	CD4030	45	2114L 450ms	2.37	2732	8.95	1000 pin type	012	IC
7448N	LM324N	50	CD4031	85	2118 200ms	2.25	2732	7.45	4000 pin type	006H	MASTER
7474N	LM340M-5	1.35	CD4040	95	84116 200ms	13.75	8741A	39.95	350 piece pack	8.95	MONITORS
7475N	LM340M-8	1.35	CD4042	75	84116 150ms	18.50	8748	29.95	5 per type	8.95	MONITORS
7485A	LM340M-12	1.35	CD4043	85	84116 150ms	18.50	8755	31.95	10 per type	8.95	MONITORS
7489N	LM340M-15	1.35	CD4044	85	MM5321	3.95	N82523	3.95	16 pin type	018	IC
7490N	LM340T-5	49	CD4045	85	MM5320	3.95	N82513	3.95	16 pin type	018	IC
74100N	LM340T-8	75	CD4046	95	4200A	11.50	N82519	4.75	16 pin type	90	IC
74101N	LM340T-12	75	CD4047	95	3368	4.50	N82513B	4.95	16 pin type	90	IC
74123N	LM340T-15	75	CD4048	142	4100	10.00	N82513B	8.75	16 pin type	95	IC
74125N	LM340T-18	75	CD4066	71	416	2.50	N82513B	8.75	16 pin type	95	IC
74127N	LM340M-12	75	CD4067	95	MM5206	3.95	N82513B	8.75	16 pin type	95	IC
74150N	LM350	5.50	CD4068	95	MM5116P3	10.95	2716-1	6.95	16 pin type	95	IC
74151N	LM350	5.50	CD4069	95	MM5206	3.95	2716-1	6.95	16 pin type	95	IC
74154N	LM360N	1.00	CD4071	30	4164 200ms	8.95	2716-1	6.95	16 pin type	95	IC
74157N	LM361	1.60	CD4072	30	MM 4815	24.50	2716-1	6.95	16 pin type	95	IC
74161N	LM362	1.60	CD4073	30	4164 200ms	8.95	2716-1	6.95	16 pin type	95	IC
74162N	LM362	1.60	CD4074	30	4164 200ms	8.95	2716-1	6.95	16 pin type	95	IC
74163N	LM362	1.60	CD4075	30	4164 200ms	8.95	2716-1	6.95	16 pin type	95	IC
74164N	LM362	1.60	CD4076	30	4164 200ms	8.95	2716-1	6.95	16 pin type	95	IC
74165N	LM362	1.60	CD4077	30	4164 200ms	8.95	2716-1	6.95	16 pin type	95	IC
74166N	LM362	1.60	CD4078	30	4164 200ms	8.95	2716-1	6.95	16 pin type	95	IC
74167N	LM362	1.60	CD4079	30	4164 200ms	8.95	2716-1	6.95	16 pin type	95	IC
74168N	LM362	1.60	CD4080	30	4164 200ms	8.95	2716-1	6.95	16 pin type	95	IC
74169N	LM362	1.60	CD4081	30	4164 200ms	8.95	2716-1	6.95	16 pin type	95	IC
74170N	LM362	1.60	CD4082	30	4164 200ms	8.95	2716-1	6.95	16 pin type	95	IC
74171N	LM362	1.60	CD4083	30	4164 200ms	8.95	2716-1	6.95	16 pin type	95	IC
74172N	LM362	1.60	CD4084	30	4164 200ms	8.95	2716-1	6.95	16 pin type	95	IC
74173N	LM362	1.60	CD4085	30	4164 200ms	8.95	2716-1	6.95	16 pin type	95	IC
74174N	LM362	1.60	CD4086	30	4164 200ms	8.95	2716-1	6.95	16 pin type	95	IC
74175N	LM362	1.60	CD4087	30	4164 200ms	8.95	2716-1	6.95	16 pin type	95	IC
74176N	LM362	1.60	CD4088	30	4164 200ms	8.95	2716-1	6.95	16 pin type	95	IC
74177N	LM362	1.60	CD4089	30	4164 200ms	8.95	2716-1	6.95	16 pin type	95	IC
74178N	LM362	1.60	CD4090	30	4164 200ms	8.95	2716-1	6.95	16 pin type	95	IC
74179N	LM362	1.60	CD4091	30	4164 200ms	8.95	2716-1	6.95	16 pin type	95	IC
74180N	LM362	1.60	CD4092	30	4164 200ms	8.95	2716-1	6.95	16 pin type	95	IC
74181N	LM362	1.60	CD4093	30	4164 200ms	8.95	2716-1	6.95	16 pin type	95	IC
74182N	LM362	1.60	CD4094	30	4164 200ms	8.95	2716-1	6.95	16 pin type	95	IC
74183N	LM362	1.60	CD4095	30	4164 200ms	8.95	2716-1	6.95	16 pin type	95	IC
74184N	LM362	1.60	CD4096	30	4164 200ms	8.95	2716-1	6.95	16 pin type	95	IC
74185N	LM362	1.60	CD4097	30	4164 200ms	8.95	2716-1	6.95	16 pin type	95	IC
74186N	LM362	1.60	CD4098	30	4164 200ms	8.95	2716-1	6.95	16 pin type	95	IC
74187N	LM362	1.60	CD4099	30	4164 200ms	8.95	2716-1	6.95	16 pin type	95	IC
74188N	LM362	1.60	CD4100	30	4164 200ms	8.95	2716-1	6.95	16 pin type	95	IC
74189N	LM362	1.60	CD4101	30	4164 200ms	8.95	2716-1	6.95	16 pin type	95	IC
74190N	LM362	1.60	CD4102	30	4164 200ms	8.95	2716-1	6.95	16 pin type	95	IC
74191N	LM362	1.60	CD4103	30	4164 200ms	8.95	2716-1	6.95	16 pin type	95	IC
74192N	LM362	1.60	CD4104	30	4164 200ms	8.95	2716-1	6.95	16 pin type	95	IC
74193N	LM362	1.60	CD4105	30	4164 200ms	8.95	2716-1	6.95	16 pin type	95	IC
74194N	LM362	1.60	CD4106	30	4164 200ms	8.95	2716-1	6.95	16 pin type	95	IC
74195N	LM362	1.60	CD4107	30	4164 200ms	8.95	2716-1	6.95	16 pin type	95	IC
74196N	LM362	1.60	CD4108	30	4164 200ms	8.95	2716-1	6.95	16 pin type	95	IC
74197N	LM362	1.60	CD4109	30	4164 200ms	8.95	2716-1	6.95	16 pin type	95	IC
74198N	LM362	1.60	CD4110	30	4164 200ms	8.95	2716-1	6.95	16 pin type	95	IC
74199N	LM362	1.60	CD4111	30	4164 200ms	8.95	2716-1	6.95	16 pin type	95	IC
74200N	LM362	1.60	CD4112	30	4164 200ms	8.95	2716-1	6.95	16 pin type	95	IC
74201N	LM362	1.60	CD4113	30	4164 200ms	8.95	2716-1	6.95	16 pin type	95	IC
74202N	LM362	1.60	CD4114	30	4164 200ms	8.95	2716-1	6.95	16 pin type	95	IC
74203N	LM362	1.60	CD4115	30	4164 200ms	8.95	2716-1	6.95	16 pin type	95	IC
74204N	LM362	1.60	CD4116	30	4164 200ms	8.95	2716-1	6.95	16 pin type	95	IC
74205N	LM362	1.60	CD4117	30	4164 200ms	8.95	2716-1	6.95	16 pin type	95	IC
74206N	LM362	1.60	CD4118	30	4164 200ms	8.95	2716-1	6.95	16 pin type	95	IC
74207N	LM362	1.60	CD4119	30	4164 200ms	8.95	2716-1	6.95	16 pin type	95	IC
74208N	LM362	1.60	CD4120	30	4164 200ms	8.95	2716-1	6.95	16 pin type	95	IC
74209N	LM362	1.60	CD4121	30	4164 200ms	8.95	2716-1	6.95	16 pin type	95	IC
74210N	LM362	1.60	CD4122	30	4164 200ms	8.95	2716-1	6.95	16 pin type	95	IC
74211N	LM362	1.60	CD4123	30	4164 200ms	8.95	2716-1	6.95	16 pin type	95	IC
74212N	LM362	1.60	CD4124	30	4164 200ms	8.95	2716-1	6.95	16 pin type	95	IC
74213N	LM362	1.60	CD4125	30	4164 200ms	8.95	2716-1	6.95	16 pin type	95	IC
74214N	LM362	1.60	CD4126	30	4164 200ms	8.95	2716-1	6.95	16 pin type	95	IC
74215N	LM362	1.60	CD4127	30	4164 200ms	8.95	2716-1	6.95	16 pin type	95	IC
74216N	LM362	1.60	CD4128	30	4164 200ms	8.95	2716-1	6.95	16 pin type	95	IC
74217N	LM362	1.60	CD4129	30	4164 200ms	8.95	2716-1	6.95	16 pin type	95	IC
74218N	LM362	1.60	CD4130	30	4164 200ms	8.95	2716-1	6.95	16 pin type	95	IC
74219N	LM362	1.60	CD4131	30	4164 200ms	8.95	2716-1	6.95	16 pin type	95	IC
74220N	LM362	1.60	CD4132	30	4164 200ms	8.95	2716-1	6.95	16 pin type	95	IC
74221N	LM362	1.60	CD4133	30	4164 200ms	8.95	2716-1	6.95	16 pin type	95	IC
74222N	LM362	1.60	CD4134	30	4164 200ms	8.95	2716-1	6.95	16 pin type	95	IC
74223N	LM362	1.60	CD4135	30	4164 200ms	8.95	2716-1	6.95	16 pin type	95	IC
74224N	LM362	1.60	CD4136	30	4164 200ms	8.95	2716-1	6.95	16 pin type	95	IC
74225N	LM362	1.60	CD4137	30	4164 200ms	8.95	2716-1	6.95	16 pin type	95	IC
74226N	LM362	1.60	CD4138	30	4164 200ms	8.95	2716-1	6.95	16 pin type	95	IC
74227N	LM362	1.60	CD4139	30	4164 200ms						

- FM • SSB • CW • ATV • OSCAR
- LINKS • REPEATERS • TRANSMITTERS
- RECEIVERS • PREAMPS • CONVERTERS
- TRANSCEIVERS • POWER SUPPLIES • PA'S

# QUALITY VHF/UHF KITS AT AFFORDABLE PRICES

**- NEW -**

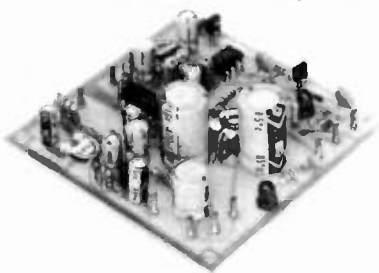
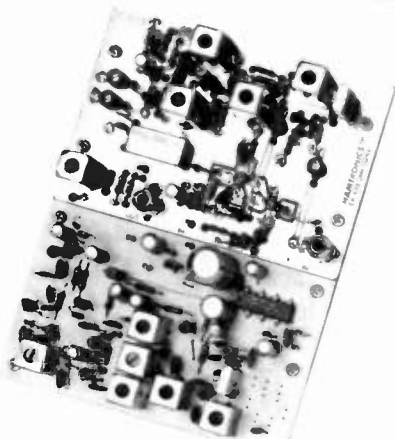


FM-5 PC Board Kit - **ONLY \$159.95**  
complete with controls, heatsink, etc.

**SPECIAL OFFER**  
Free cabinet kit, complete with speaker, knobs, connectors, hardware. A \$59.95 value, yours free with purchase of kit. **Hurry!** Offer limited.

**SAVE A BUNDLE ON  
VHF FM TRANSCEIVERS!**  
10 watts, 5 Channels, for 6M, 2M, or 220

## HIGH QUALITY FM MODULES FOR REPEATERS, LINKS, TELEMETRY, ETC.



- **R76 VHF FM RECEIVER** for 10M, 6M, 2M, 220, or commercial bands. Fantastic selectivity options. Kits from \$84.95 to \$109.95
- **R450 UHF FM RECEIVER** for 380-520 MHz bands. Kits in selectivity options from \$94.95
- **R110 VHF AM RECEIVER** Kit for vhf aircraft band or ham bands. Only \$84.95.

- **COR KITS** With audio mixer and speaker amplifier. Only \$29.95.
- **CWID KITS** 158 bits, field programmable, clean audio. Only \$59.95.
- **A16 RF TIGHT BOX** Deep drawn alum. case with tight cover and no seams. 7 x 8 x 2 Inches. Only \$18.00.
- **SCANNER CONVERTERS** Copy 72-76, 135-144, 240-270, 400-420, or 806-894 MHz bands on any scanner. Wired/tested Only \$79.95.

- **T51 VHF FM EXCITER** for 10M, 6M, 2M, 220 MHz or adjacent bands. 2 Watts continuous. Kits only \$54.95.
- **T451 UHF FM EXCITER** 2 to 3 Watts on 450 ham band or adjacent. Kits only \$64.95.
- **VHF & UHF LINEAR AMPLIFIERS.** Use on either FM or SSB. Power levels from 10 to 45 Watts to go with exciters & xmtg converters. Kits from \$69.95.



### VHF & UHF TRANSMITTING CONVERTERS

For SSB, CW, ATV, FM, etc. Available for 6M, 2M, 220, 440 with many IF input ranges. Converter board kit only at \$79.95 (VHF) or \$99.95 (UHF) or kits complete with PA and cabinet as shown.



### VHF & UHF RECEIVING CONVERTERS

20 Models cover every practical rf and if range to listen to SSB, FM, ATV, etc. on 6M, 2M, 220, 440, and 110 aircraft band. Even convert weather down to 2M! Kits from \$39.95 and wired units.



### VHF & UHF RECEIVER

**PREAMPS.** Low noise.

VHF Kits from 27 to 300 MHz. UHF Kits from 300 to 650 MHz. Broadband Kits: 20-650 MHz. Prices start at \$14.95 (VHF) and \$18.95 (UHF). All preamps and converters have noise figure 2dB or less.

- **Call or Write for FREE CATALOG** (Send \$1.00 or 4 IRC's for overseas MAILING)
- **Order by phone or mail** • Add \$2 S & H per order (Electronic answering service evenings & weekends)
- Use VISA, MASTERCARD, Check, or UPS COD.

**hamtronics, inc.**

65-RMOUL RD. • HILTON NY 14468

Phone: 716-392-9430

Hamtronics® is a registered trademark

ANTENNA SPECIALISTS · AVANTI · AARL PUBS · AMECO · BASH · BEARCAT · BENCHER · B & W · BIRD · CALLBOOK · COMMUNICATIONS

LARSEN · MFI · MORGAIN · PANASONIC · RAMSEY · SHURE · SONY · TELEX · TEN TEC · TRAC · TRANSCOM · VAN GORDON · VOICOM

**NEW!**

**SONY SUMMER VALUES!**

PRICES GOOD THRU 9 30 82



**ICF 4800**  
**SIX-BAND POCKET WORLD RECEIVER**  
 • 6-band pocket world receiver—SW 1.5 plus MW  
 • Extremely compact and lightweight—palm sized!  
 • SW band spread dial—easy tuning • Tuning indicator  
 • FET RT amplifier for clean, low-noise reception along with high sensitivity and selectivity

**\$89.95** plus \$3.00 shipping (Cont'l U.S.)



**31-BAND ICF-6800W PORTABLE WORLD RECEIVER**  
 \$699.95 LIST ONLY plus \$8.00 shipping (Cont'l USA)  
 \$549.95 REG. **\$529.95**



**ICF-2001 INSTANT ACCESS DIGITAL SHORTWAVE SCANNER**  
 \$349.95 LIST ONLY plus \$5.00 shipping (Cont'l USA)  
 \$299.95 REG. **\$279.95**



**5-BAND ICF-6500W PORTABLE SW RECEIVER**  
 \$199.95 LIST ONLY plus \$5.00 shipping (Cont'l U.S.)  
**\$179.95**

**EASY TALK'R FM TRANSCEIVER**

**NEW!**



**\$89.95** Ea plus \$3.00 shipping (Cont'l USA)

- VOX for total hands-free operation
- 1/4-Mile range
- No license required

**POPULAR HAMFEST SPECIALS!**

**SUB-AUDIBLE TONE HEADQUARTERS ENCODERS** plus \$2.00 shipping  
**\$29.95** EACH (Cont'l USA only)

We stock Communications Specialists SS32 and SS-32M encoders for most any mobile or hand-held applications including the very popular Icom Handhelds.

**AMECO PREAMPS** add \$3.00 shipping (Cont'l USA only)



Model PLF-2 ..... \$52.95  
 Model PLF-2E (240V) ..... \$57.95  
 Model PT-2 ..... \$79.95  
 Model PT-2E (240V) ..... \$84.95

**MORGAIN MULTI-BAND ANTENNAS**

Add \$5.00 for shipping (Cont'l U.S.A.)

80-40HD/A 80/40 Mtr bands (69) .....	99.00
75-40HD/A 75/40 Mtr bands (66) .....	94.50
75-10HD/A 75/40/20/15/10 Mtr (66) .....	126.95
80-10HD/A 80/40/20/15/10 Mtr (69) .....	132.00



**FAMOUS "EAVESDROPPER" SW RECEIVING ANTENNA**  
**\$59.95** plus \$3.00 shipping (Cont'l U.S.)

**VoCom POWER POCKET**



plus \$8.00 shipping (Cont'l USA) **\$199.95**  
 Accepts any version of the IC-2A, applies its output to a wide-band rf amplifier, and delivers 25 watts to your mobile antenna. Mobile talk-out power!

**ICOM IC25A**



**NEW! IC3AT (220 MHz) IC4AT (440 MHz)**

**ICOM IC2A, IC2AT**



- Compact
- Quality Construction
- Versatile
- Affordable
- Wide Range of Accessories Available

CALL FOR PRICE & AVAILABILITY

**SPECIAL PURCHASE!**

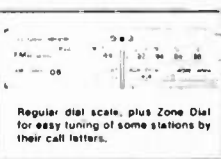
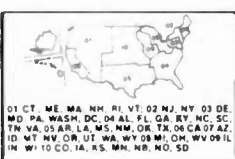
**"REDISCOVER" AM BROADCAST LISTENING!**

ORDER WHILE QUANTITIES LAST!

**SONY ICF-S5W SUPER-SENSITIVE AM-FM PORTABLE**

The ICF-S5W offers outstanding sensitivity and selectivity, which means better reception of weak, hard-to-tune signals and clean, clear reception in crowded dial areas. And, in the city or outlying rural areas, the ICF-S5W makes tuning simple. All stations can be tuned on the unit's regular dial scale. In addition, a special Zone Dial Selector helps you tune major stations by their call letters.

You simply select your broadcast zone, then pick the station by name without referring to dial-scale




**PRICE CUT!**  
**\$59.95** plus \$5.00 shipping (Cont'l U.S.)

numerals. It's a lot of performance and convenience in a little radio, which projects rich, powerful sound through a big 4" speaker.

**TO ORDER:** CALL OR WRITE. MASTER CARD, VISA, MONEY ORDERS ACCEPTED. (PERSONAL CHECKS TAKE 3 WEEKS TO CLEAR.) INTERNATIONAL ORDERS WELCOME, PLEASE REQUEST PRO FORMA INVOICE. ILLINOIS RESIDENTS ADD 6% SALES TAX.  
**HOURS:** MON. THRU WED. 9:30-6:00, THURS-FRI. 9:30-8:00, SAT. 9:30-3:00

**STOP BY AND VISIT WHEN IN THE CHICAGOLAND AREA!!**



**SPECTRONICS, INC.**  
 1009 GARFIELD ST. OAK PARK, IL. 60304

PHONE  
**(312) 848-6777**





MICROPROCESSOR COMPONENTS



Table with columns: Part No., Price, Part No., Price, Part No., Price. Lists various microprocessor components.

Table with columns: Part No., Price, Part No., Price, Part No., Price. Lists static RAM components.

Table with columns: Part No., Price, Part No., Price, Part No., Price. Lists dynamic RAM components.

Table with columns: Part No., Price, Part No., Price, Part No., Price. Lists various ICs and other components.

Table with columns: Part No., Price, Part No., Price, Part No., Price. Lists microprocessor chips.

Table with columns: Part No., Price, Part No., Price, Part No., Price. Lists EPROMs.

Table with columns: Part No., Price, Part No., Price, Part No., Price. Lists ROMs.

Table with columns: Part No., Price, Part No., Price, Part No., Price. Lists various ICs.

Table with columns: Part No., Price, Part No., Price, Part No., Price. Lists various ICs.

Table with columns: Part No., Price, Part No., Price, Part No., Price. Lists microprocessor manuals.

Table with columns: Part No., Price, Part No., Price, Part No., Price. Lists data acquisition components.

Table with columns: Part No., Price, Part No., Price, Part No., Price. Lists various ICs.

Table with columns: Part No., Price, Part No., Price, Part No., Price. Lists various ICs.

Table with columns: Part No., Price, Part No., Price, Part No., Price. Lists 800/16800 support devices.

Table with columns: Part No., Price, Part No., Price, Part No., Price. Lists 808/8080A support devices.

Table with columns: Part No., Price, Part No., Price, Part No., Price. Lists various ICs.

Table with columns: Part No., Price, Part No., Price, Part No., Price. Lists various ICs.

Table with columns: Part No., Price, Part No., Price, Part No., Price. Lists various ICs.

Table with columns: Part No., Price, Part No., Price, Part No., Price. Lists various ICs.

Table with columns: Part No., Price, Part No., Price, Part No., Price. Lists various ICs.

Table with columns: Part No., Price, Part No., Price, Part No., Price. Lists various ICs.

Table with columns: Part No., Price, Part No., Price, Part No., Price. Lists various ICs.

Table with columns: Part No., Price, Part No., Price, Part No., Price. Lists various ICs.

Table with columns: Part No., Price, Part No., Price, Part No., Price. Lists various ICs.

Table with columns: Part No., Price, Part No., Price, Part No., Price. Lists various ICs.

Table with columns: Part No., Price, Part No., Price, Part No., Price. Lists various ICs.

Table with columns: Part No., Price, Part No., Price, Part No., Price. Lists various ICs.

Table with columns: Part No., Price, Part No., Price, Part No., Price. Lists various ICs.

BUY NOW... PRICES SLASHED!

Shipment in 24 Hours

CONNECTORS

Table with columns: Part No., Price, Part No., Price, Part No., Price. Lists connectors.

Table with columns: Part No., Price, Part No., Price, Part No., Price. Lists connectors.

Table with columns: Part No., Price, Part No., Price, Part No., Price. Lists connectors.

Table with columns: Part No., Price, Part No., Price, Part No., Price. Lists connectors.

Table with columns: Part No., Price, Part No., Price, Part No., Price. Lists connectors.

Table with columns: Part No., Price, Part No., Price, Part No., Price. Lists connectors.

Table with columns: Part No., Price, Part No., Price, Part No., Price. Lists connectors.

Table with columns: Part No., Price, Part No., Price, Part No., Price. Lists connectors.

IC SOCKETS

For Socket Required, See Column After the IC Part No.

Table with columns: Part No., Price, Part No., Price, Part No., Price. Lists IC sockets.

Table with columns: Part No., Price, Part No., Price, Part No., Price. Lists IC sockets.

Table with columns: Part No., Price, Part No., Price, Part No., Price. Lists IC sockets.

Table with columns: Part No., Price, Part No., Price, Part No., Price. Lists IC sockets.

Table with columns: Part No., Price, Part No., Price, Part No., Price. Lists IC sockets.

Table with columns: Part No., Price, Part No., Price, Part No., Price. Lists IC sockets.

Table with columns: Part No., Price, Part No., Price, Part No., Price. Lists IC sockets.

Table with columns: Part No., Price, Part No., Price, Part No., Price. Lists IC sockets.

Jameco ELECTRONICS

1355 SHOREWAY ROAD, BELMONT, CA 94002 PHONE ORDERS WELCOME - (415) 592-8097

CAPACITOR CORNER

Table with columns: Value, Price, Value, Price. Lists various capacitors.



# DEALER DIRECTORY

## Phoenix AZ

The Southwest's most progressive communications company stocking Kenwood, ICOM, Yaesu, MFJ, B&W, Astron, Larsen, Cushcraft, Hy-Gain, Bearcat, and more. Would like to serve you! Power Communications Corp., 1640 West Camelback Rd., Phoenix AZ 85015, 241-Watt.

## Culver City CA

Jun's Electronics, 3919 Sepulveda Blvd., Culver City CA 90230, 390-8003. Trades 463-1886 San Diego. 827-5732 (Reno NV).

## Fontana CA

Complete lines ICOM, DenTron, Ten-Tec, Mirage, Cubic, Lunar, over 4000 electronic products for hobbyist, technician, experimenter. Also CB radio, landmobile. Fontana Electronics, 8628 Sierra Ave., Fontana CA 92335, 822-7710.

## San Diego CA

We buy and sell Surplus Army Navy Electronics, also Terminated Material. What do you want to sell? Write for catalogue. ElectronicTown, Inc., 440-7th Avenue, PO Box 2048, San Diego CA 92112, 232-9379.

## New Castle DE

Factory Authorized Dealer! Yaesu, ICOM, Ten-Tec, KDK, Azden, AEA, Kantronics, Santeq. Full Line of Accessories. No Sales Tax in Delaware. One mile of I-95. Delaware Amateur Supply, 71 Meadow Road, New Castle DE 19720, 328-7728.

## San Jose CA

Bay area's newest Amateur Radio store. New & used Amateur Radio sales & service. We feature Kenwood, ICOM, Azden, Yaesu, Ten-Tec, Santeq & many more. Shaver Radio, Inc., 1378 So. Bascom Ave., San Jose CA 95128, 998-1103.

## Smyrna GA

For your Kenwood, Yaesu, ICOM, Drake and other amateur needs, come to see us. Britt's Two-Way Radio, 2506 N. Atlanta Rd., Smyrna GA 30080, 432-8006.

## Preston ID

Ross WB7BYZ has the Largest Stock of Amateur Gear in the Intermountain West and the Best Prices. Call me for all your ham needs. Ross Distributing, 78 So. State, Preston ID 83263, 852-0830.

## Terre Haute IN

Your ham headquarters located in the heart of the Midwest. Hoosier Electronics, Inc., #9 Meadows Center, P.O. Box 3300, Terre Haute IN 47800, 238-1456.

## Baltimore MD

Always buying lab grade test equipment HP, Tek, Gr. I&N, Etc. Also buy microwave coaxial & waveguide HP, fax, waveline, Etc. Prefer "K", "P", "R" but will consider larger wgt too. Cadisco 514 Ensor St. Balto, MD 21202, 685-1893.

## Littleton MA

The ham store of N.E. you can rely on. Kenwood, ICOM, Wilson, Yaesu, DenTron, KLM amps, B&W switches & wattmeters. Whistler radar detectors, Bearcat, Regency, antennas by Larsen, Wilson, Hustler, GAM TEL-COM Inc. Communications & Electronics, 675 Great Rd., Rt. 119, Littleton MA 01460, 486-3040.

## Ann Arbor MI

See us for products like Ten-Tec, R. L. Drake, DenTron and many more. Open Monday through Saturday, 0830 to 1730. WB8VGR, WB8UXO, WB8OKN and WB8RP behind the counter. Purchase Radio Supply, 327 E. Hoover Ave., Ann Arbor MI 48104, 668-8696.

## Hudson NH

New England's Distributor and Authorized Service Center for all Major Amateur Lines. Tufts Radio Electronics, Inc., 61 Lowell Road, Hudson NH 03051, 883-5005.

## Somerset NJ

New Jersey's only factory-authorized ICOM and Yaesu distributor. Large inventory of new and used specials. Most major brands in stock. Complete service and facilities. Radios Unlimited, 1760 Easton Avenue, P.O. Box 347, Somerset NJ 08873, 469-4599.

## Buffalo NY WESTERN NEW YORK

Niagara Frontier's only full stocking Amateur dealer. Also Shortwave, CB, Scanners, Marine, Commercial. Operating displays featuring Kenwood and others. Towers, Antennas, Sales and Service. DX Communications, 3214 Transit Road, West Seneca NY, 668-8873.

## Amsterdam NY UPSTATE NEW YORK

Kenwood, ICOM, Drake, plus many other lines. Amateur Dealer for over 35 years. Adirondack Radio Supply, Inc., 185 West Main Street, Amsterdam NY 12010, 842-8350.

## Syracuse-Rome-Utica NY

Featuring: Kenwood, Yaesu, ICOM, Drake, Ten-Tec, Swan, DenTron, Alpha, Robot, MFJ, Tempo, Astron, KLM, Hy-Gain, Mosley, Larsen, Cushcraft, Hustler, Mini Products. You won't be disappointed with equipment/service. Radio World, Oneida County Airport-Terminal Building, Oriskany NY 13424, 337-0203.

## Columbus OH

The biggest and best Ham Store in the midwest featuring quality Kenwood products with working displays. We sell only the best. Authorized Kenwood Service. Universal Amateur Radio Inc., 1280 Aida Dr., Reynoldsburg (Columbus) OH 43068, 866-4267.

## Bend OR

Satellite TV. Known brands. Call today for more information and inquire about our dealer program. WESPERCOM, P.O. Box 7226, Bend OR 97708, 389-0996.

## Philadelphia PA/ Camden NJ

Waveguide & Coaxial Microwave Components & Equipment. Laboratory Grade Test Instruments. Power Supplies. Buy, Sell & Trade all popular makes—HP, GR, FXII, ESI, Sorensen, Singer, etc. Electronic Research Labs, 1423 Ferry Ave., Camden NJ 08104, 541-4200.

## Scranton PA

ICOM, Bird, Cushcraft, Beckman, Fluke, Larsen, Hustler, Antenna Specialists, Astron, Avanti, Belden, W2ALW/2VS, CDE, AEA, Vibroplex, Ham-Kee, CES, Amphionol, Sany, Farnon Courier, B&W, Amerec, Shure, LaRue Electronics, 1112 Grandview St., Scranton PA 18509, 343-2124.

## Dallas TX

Dealer in Used Computer Hardware & Electronic Parts. Special on Daisy Wheel Printers, Xerox Word Processing Equipment, Dual Card Printers and Display Systems. Catalog \$1.00. Rondure Company (The Computer Room) Dept. 73, 2522 Butler St., Dallas TX 75235, 630-4621.

## San Antonio TX

Amateur, Commercial 2-way. Selling Antenna Specialists, Avanti, Azden, Bird, Hy-Gain, Standard, Vibroplex, Midland, Henry, Cushcraft, Dielectric, Hustler, ICOM, MFJ, Nye, Shure, Cubic, Tempo, Ten-Tec and others. Appliance & Equipment Co., Inc. 2317 Vance Jackson Road, San Antonio TX 78213, 734-7793.

## Vienna VA

The Washington metropolitan area's leading supplier of the latest in Amateur Radio and Test Equipment. On your next trip to the Nation's Capital, stop by and see us. Electronic Equipment Bank, Inc., 516 Mill St. N.E., Vienna VA 22180, 938-3350.

## DEALERS

Your company name and message can contain up to 25 words for as little as \$150 yearly (prepaid), or \$15 per month (prepaid quarterly). No mention of mail-order business or area code permitted. Directory text and payment must reach us 60 days in advance of publication. For example, advertising for the Nov. '82 issue must be in our hands by Sept. 1st. Mail to 73 Magazine, Peterborough NH 03458. ATTN: Nancy Ciampa.

# PROPAGATION

J. H. Nelson  
4 Plymouth Dr.  
Whiting NJ 08759

## EASTERN UNITED STATES TO:

	GMT:	00	02	04	06	08	10	12	14	16	18	20	22
ALASKA		14	14A	7A	7	7	7	7	14	14	14	14	
ARGENTINA		21	14A	14	14	7	14	14A	21	21A	21A	21A	21
AUSTRALIA		21	14	14	7B	7B	7B	14B	14B	14	21	21A	21A
CANAL ZONE		21	14	14	14	7	7	14	21	21	21A	21A	21A
ENGLAND		7A	7	7	7	7	7A	14	21	21	21	14	14
HAWAII		21	14	7	7	7	7	7	14	21	21	21	21
INDIA		14	14	7B	7B	7B	7B	14	14	14	14	14	14
JAPAN		14A	14	7B	7B	7B	7B	7B	7B	14	14	14	14
MEXICO		14A	14	14	7	7	7	7A	14	14A	21	21	21
PHILIPPINES		14	14	7B	7B	7B	7B	14B	14	14	14	14A	
PUERTO RICO		14A	14	14	7	7	7	14	14A	21	21A	21A	21
SOUTH AFRICA		14	7A	7B	7B	14B	14	21A	21A	21A	21A	21	21
U. S. S. R.		7	7	7	7	7B	7B	14	14	14A	14A	14	7B
WEST COAST		21	14	7A	7	7	7	7	14	21	21	21A	21A

## CENTRAL UNITED STATES TO:

	GMT:	00	02	04	06	08	10	12	14	16	18	20	22
ALASKA		14	14	14	7	7	7	7	14	14	14	14	14
ARGENTINA		21	14A	14	14	7	7	14	21	21A	21A	21A	21
AUSTRALIA		21A	21	14	7B	7B	7B	7B	14B	14B	14	21	21A
CANAL ZONE		21	14	14	14	7	7	14	21	21	21A	21A	21A
ENGLAND		7	7	7	7	7	7	14	14	21	21	14	14
HAWAII		21	14A	14	7	7	7	7	14	21	21	21	21
INDIA		14	14	7B	7B	7B	7B	7B	14B	14	14	14	14
JAPAN		14A	14	14B	7B	7B	7B	7	7	7A	14	14	14
MEXICO		14	14	14	7	7	7	7	14	14A	21	21	21
PHILIPPINES		14A	14	14B	7B	7B	7B	14B	14	14	14	14A	
PUERTO RICO		14A	14	14	7	7	7	14	14A	21	21A	21A	21
SOUTH AFRICA		14	7A	7B	7B	7B	7B	14A	21	21A	21A	21	21
U. S. S. R.		7	7	7	7	7B	7B	14B	14	14A	14A	14	7B

## WESTERN UNITED STATES TO:

	GMT:	00	02	04	06	08	10	12	14	16	18	20	22
ALASKA		14	14	14	7	7	7	7	7A	14	14	14	14
ARGENTINA		21	14A	14	14	7A	7	7	14A	21A	21A	21A	21
AUSTRALIA		21A	21A	21	14	14	14	14B	14B	14B	14	21	21A
CANAL ZONE		21	14	14	14	7	7	14	21	21	21A	21A	21A
ENGLAND		7	7	7	7	7	7	14B	14	14A	14	14	14
HAWAII		21A	21	14A	14	14	7A	7	7	14	21	21A	21A
INDIA		14	14A	14	7B	7B	7B	7B	14B	14	14	14	14
JAPAN		21	14A	14	14B	7B	7	7	7	7	14	14	14
MEXICO		21	14	14	7	7	7	7	14	14A	21	21	21
PHILIPPINES		21	14	14	14B	7	7	7	14	14	14	14	14B
PUERTO RICO		21	14	14	7A	7	7	14	14A	21	21A	21A	21
SOUTH AFRICA		14	7A	7B	7B	7B	7B	7B	14	21	21A	21A	21
U. S. S. R.		7B	7B	7	7	7B	7B	7B	14B	14	14A	14	7B
EAST COAST		21	14	7A	7	7	7	7	14	21	21	21A	21A

A = Next higher frequency may also be useful.

B = Difficult circuit this period.

First letter = night waves. Second = day waves.

G = Good, F = Fair, P = Poor. \* = Chance of solar flares.

# = Chance of aurora.

NOTE THAT NIGHT WAVE LETTER NOW COMES FIRST.

SEPTEMBER						
SUN	MON	TUE	WED	THU	FRI	SAT
			1	2	3	4
			FIG	FIG	F/F	P/F
5	6	7	8	9	10	11
FIG	G/G	G/G	G/G	G/G	G/G	G/G
12	13	14	15	16	17	18
F/F*	P/F*	F/G	G/G	G/G	F/F*	F/F*
19	20	21	22	23	24	25
F/F	F/F	G/G	G/G	F/G	F/F	F/F
26	27	28	29	30		
FIG	FIG	FIG	FIG	G/G		

# New Yaesu FT-102 Series Transceiver of Champions!



The long-awaited new generation of Yaesu HF technology has arrived! New research in improved receiver filtering and spectral purity is brought to bear in the competition-bred FT-102, the HF transceiver designed for active Amateurs on today's intensely active bands!

### Unique Cascaded Filter System

The FT-102 utilizes an advanced 8.2 MHz and 455 kHz IF system, capable of accepting as many as three filters in cascade. Optional filters of 2.9 kHz, 1.8 kHz, 600 Hz, and 300 Hz may be combined with the two stock 2.9 kHz filters for operating flexibility you've never seen in an HF transceiver before now!

### All New Receiver Front End

Utilizing husky junction field-effect transistors in a 24 volt, high-current design, the FT-102 front end features a low-distortion RF preamplifier that may be bypassed via a front panel switch when not needed.

### IF Notch and Audio Peak Filter

A highly effective 455 kHz IF Notch Filter provides superb rejection of heterodynes, carriers, and other annoying interference appearing within the IF passband. On CW, the Audio Peak Filter may be switched in during extremely tight pile-up conditions for post-detection signal enhancement.

### Variable IF Bandwidth with IF Shift

The FT-102's double conversion receiver features Yaesu's time-proven Variable Bandwidth System, which utilizes the cascaded IF filters to provide intermediate bandwidths such as 2.1 kHz, 1.5 kHz, or 800 Hz simply by twisting a dial. The Variable Bandwidth System is used in conjunction with the IF Shift control, which allows the operator to center the IF passband frequency response without varying the incoming signal pitch.

### Wide/Narrow Filter Selection

Depending on the exact combination of optional filters you choose, a variety of wide/narrow operating modes may be selected. For example, you may set up 2.9 kHz in SSB/WIDE, 1.8 kHz in SSB/NARROW, then select 1.8 kHz for CW/WIDE, and 600 Hz or 300 Hz for CW/NARROW. Or use the Variable Bandwidth to set your SSB bandwidth, and use 600 Hz for CW/WIDE and 300 Hz for CW/NARROW! No other manufacturer gives you so much flexibility in selecting filter responses!

### Variable Pulse Width Noise Blanker

Ignition noise, the "Woodpecker," and power line noise are modern-day enemies of effective Amateur operation. The FT-102 Noise Blanker offers improved blanking action on today's man-made noise sources (though no blanker can eliminate all forms of band noise) for more solid copy under adverse conditions.

### Low Distortion Audio/IF Stage Design

Now that dynamic range, stability, and AGC problems have been largely eliminated thanks to improved technology, Yaesu's engineers have put particular attention on maximizing intelligence recovery in the receiver. While elementary filter cascading schemes often degrade performance, the FT-102's unique blend of crystal and ceramic IF filters plus audio tone control provides very low phase delay, reduced passband ripple, and hence increased recovery of information.

### Heavy Duty Three-Tube Final Amplifier

The FT-102 final amplifier uses three 6146B tubes for more consistent power output and improved reliability. Using up to 10 dB of RF negative feedback, the FT-102 transmitter third-order distortion products are typically 40 dB down, giving you a studio quality output signal.

### Dual Metering System

Adopted from the new FT-ONE transceiver, the Dual Metering System provides simultaneous display of ALC voltage on one meter along with metering of plate voltage, cathode current, relative power output, or clipping level on the other. This system greatly simplifies proper adjustment of the transmitter.

### Microphone Amplifier Tone Control

Recognizing the differences in voice characteristics of Amateur operators, Yaesu's engineers have incorporated an ingenious microphone amplifier tone control circuit, which allows you to tailor the treble and bass response of the FT-102 transmitter for best fidelity on your speech pattern.

### RF Speech Processor

The built-in RF Speech Processor uses true RF clipping, for improved talk power under difficult conditions. The clipping type speech processor provides cleaner, more effective "punch" for your signal than simpler circuits used in other transmitters.

### VOX with Front Panel Controls

The FT-102 standard package includes VOX for hands-free operation. Both the VOX Gain and VOX Delay controls are located on the front panel, for maximum operator convenience.

### IF Monitor Circuit

For easy adjustment of the RF Speech Processor or for recording both sides of a conversation, an IF monitor circuit is provided in the transmitter section. When the optional AM/FM unit is installed, the IF monitor may be used for proper setting of the FM deviation and AM mic gain.

### WARC Bands Factory Installed

The FT-102 is factory equipped for operation on all present and proposed Amateur bands, so you won't have to worry about retrofitting capability on your transceiver. An extra AUX band position is available on the bandswitch for special applications.

### Full Line Of Accessories

For maximum operating flexibility, see your Authorized Dealer for details of the complete line of FT-102 accessories. Coming soon are the FV-102DM Synthesized VFO, SP-102 Speaker/Audio Filter, a full line of optional filters and microphones, and the AM/FM Unit.

Price And Specifications Subject To  
Change Without Notice Or Obligation

**YAESU**  
*The radio.*



YAESU ELECTRONICS CORP., 6851 Walthall Way, Paramount, CA 90723 ● (213) 633-4007  
YAESU Eastern Service Ctr., 9812 Princeton-Glendale Rd., Cincinnati, OH 45246 ● (513) 874-3100



# "Comm-packed."

**BIG performance...  
small size...  
smaller price!!!**

## TR-2500

The TR-2500 is a compact 2 meter FM handheld transceiver featuring an LCD readout, 10 channel memory, lithium battery memory back-up, memory scan, programmable automatic band-scan, HI/Lo power switch and built-in sub-tone encoder.

### TR-2500 FEATURES:

- **Extremely compact size and light weight**  
Measures 66 (2-5/8) W x 168 (6-5/8) H x 40 (1-5/8) D. mm (inches). Weighs 540 grams (1.2 lbs) with Ni-Cd pack.
- **LCD digital frequency readout**  
Shows frequencies and memory channels. four "Arrow" indicators.
- **Ten channel memory**  
Nine memories for simplex or  $\pm 600$  kHz offset. "M0" memory for non-standard split frequency repeaters.
- **Lithium battery memory back-up**  
(Estimated 5 year life.) Maintains memory when Ni-Cd pack is fully discharged or removed.



- **HI/LOW power selection**  
2.5 watts or 300 mw.
- **Memory scan**  
Scans only channels in which frequency data is stored.
- **Programmable automatic band scan**  
Upper and lower frequency limits and scan steps of 5-kHz and larger.
- **UP/DOWN manual scan**
- **Built-in tuneable sub-tone encoder**  
Tuneable (variable resistor) to desired CTCSS tone.
- **Built-in 16-key autopatch encoder**
- **"SLIDE-LOC" battery pack**
- **Repeater reverse switch**
- **Keyboard frequency selection**
- **Extended frequency coverage**  
Covers 143.900 to 148.995 MHz in 5-kHz steps.
- **Optional power source**  
Using optional MS-1 mobile or ST-2 AC charger/power supply, radio may be operated while charging. (Automatic drop-in connections.)



### Actual size

- **High impact plastic case**
- **Battery status indicator**
- **Two lock switches**  
Prevent accidental frequency change and accidental transmission.

### Standard accessories include:

- Flexible antenna with BNC connector
- 400 mA Ni-Cd battery pack
- AC charger

### Optional accessories:

- ST-2 Base station power supply/charger (approx. 1 hr.)
- MS-1 13.8 VDC mobile stand/charger/power supply



## TR-3500

### 70 CM FM Handheld

- 440-449.995 MHz in 5-kHz steps
  - TX OFFSET switch keyboard programmable  $\pm 5$  kHz to  $\pm 9.995$  MHz
  - 1.5 W/300 mW HI/LOW power switch
  - Auto. squelch position on squelch control
  - Tone switch for TU-35B optional programmable CTCSS encoder
  - Other features include 10 memories, lithium battery memory back-up, programmable automatic band scan, memory scan, UP/DOWN manual scan, repeater reverse, 16-key autopatch, keyboard frequency selection, slide-lock battery.
- Subject to FCC approval.*

- VB-2530 2-M 25 W RF power amp., w/cables, mtg. brkt. (TR-2500 only)
- TU-1 Programmable CTCSS encoder (TR-2500 only)
- TU-35B Programmable CTCSS encoder (mounts inside TR-3500 only)
- PB-25 Extra 400 mA Ni-Cd battery
- PB-25H Heavy-duty 490 mA Ni-Cd battery
- BT-1 Battery case for manganese/alkaline AA cells
- SMC-25 Speaker-microphone
- LH-2 Deluxe leather case
- BH-2A Belt hook
- WS-1 Wrist strap
- EP-1 Earphone

More information on the TR-2500 and TR-3500 is available from all authorized dealers of Trio-Kenwood Communications, 1111 West Walnut Street, Compton, California 90220.

 **KENWOOD**  
...pacesetter in amateur radio